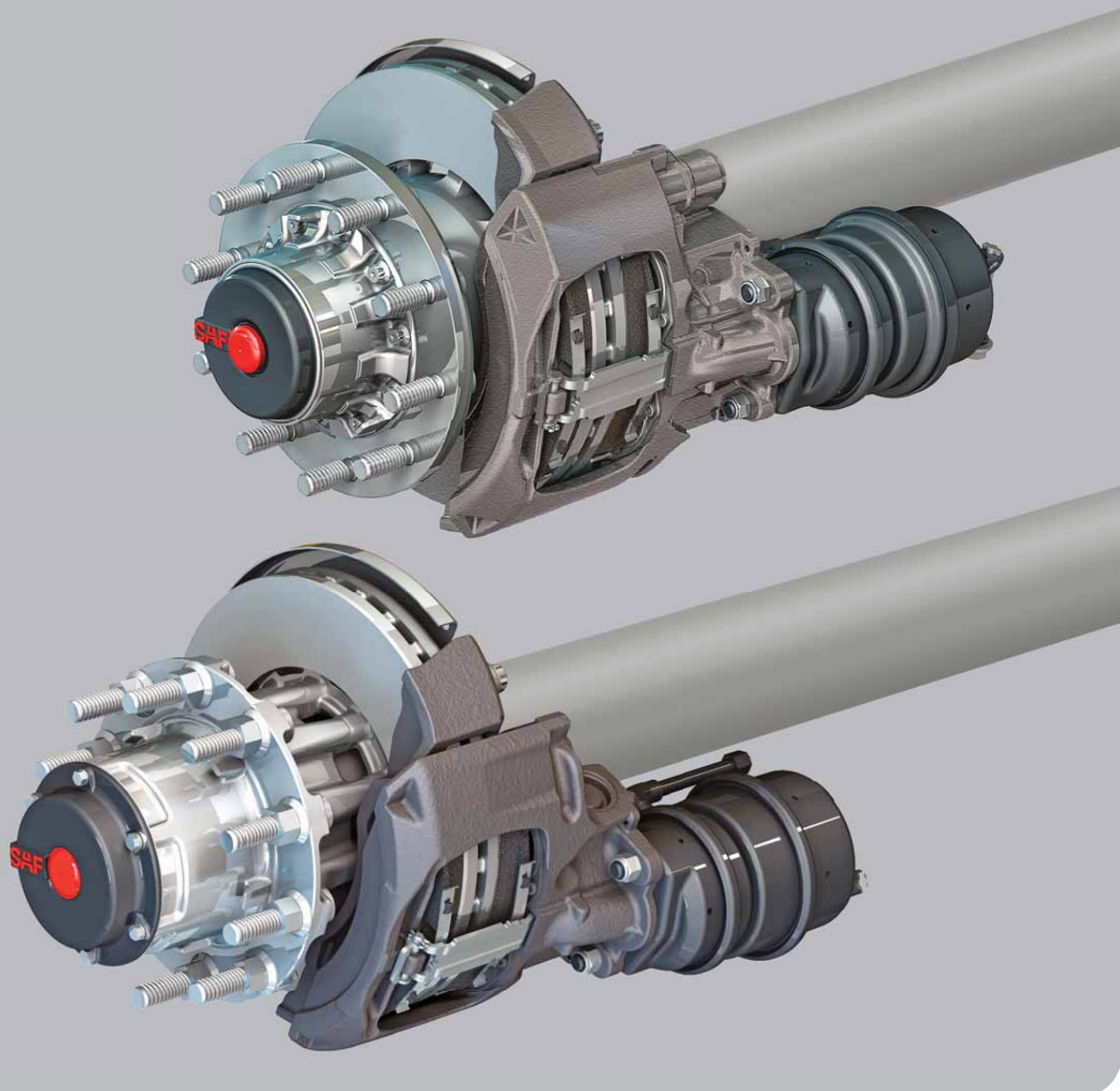


Parts Manual

SAF INTEGRAL™ Disc Brake Wheel Ends

- C88 - Compact Bearing 5.75" Diameter Axles
- P89 - Parallel Spindle 5.75" Diameter Axles



THIS PAGE INTENTIONALLY LEFT BLANK

Contents	Page
Contents, Warranty & Contact Information	3
Model and Serial Number Information	4
Head Unit Identification.....	5
C88 - Compact Bearing Exploded View	6
C88 - Compact Bearing Parts List.....	7
P89 INTEGRAL® Disc Brake Exploded View	8
P89 INTEGRAL® Disc Brake Parts List	9
C88 & P89 Repair Kits	10-11
Universal Disc Brake Tool Box	12
Tools	13
Index & Replacement Parts Info	14-15

Warranty

Refer to the complete warranty for the country and product in which the parts will be used. A copy of the written warranty is included with the product and can be found on the SAF-HOLLAND website.

Original Parts

To ensure optimal performance of SAF-HOLLAND Trailer Suspensions and to prevent voiding any warranty coverage; we highly recommend the use of only SAF-HOLLAND Original Parts.

Technical Support

A list of SAF-HOLLAND technical support locations to supply SAF-HOLLAND Original Parts can be found online at the SAF-HOLLAND web site or you can contact our customer service group.

Updates to this manual will be published as necessary online.

SAF-HOLLAND USA

888.396.6501 · Fax 800.356.3929
www.safholland.us

SAF-HOLLAND CANADA

519.537.3494 · Fax 800.565.7753

WESTERN CANADA

604.574.7491 · Fax 604.574.0244
www.safholland.ca

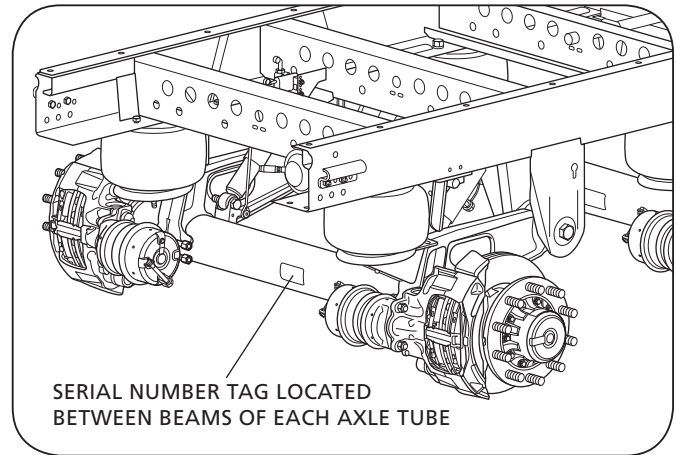
SAF-HOLLAND MEXICO

52.55.5362.8743
www.safholland.mx

1. Model Identification

The disc brake axle serial tag is located near the center of the axle tube, **(Figure 1)**.

Figure 1



2. Identification Tag

The sample tag shown will help you interpret the information on the SAF-HOLLAND USA, Inc. serial number tag. The model number, axle body part number and serial number are listed on the tag **(Figure 2)**.

Record your tag numbers below for future quick reference.

Axle Body Part Number: _____

Model Number: _____

Serial Number: _____

Figure 2



3. C88 Head Unit Identification

Version 1

Manufactured before July 2012, the Version 1 Head Units have 12 point bolts that are slightly above the wheel mounting surface which attaches the rotor to the hub (**Figure 3**).

Version 2

Version 2 Head Units, manufactured after July 2012, have 12 point bolts that are recessed below the wheel mounting surface which attaches the rotor to the hub, (**Figure 4**).

SAF disc brake axle production with Version 2 Head Units started in June 2012. Version 2 was phased into production as required to accommodate specific North American wheel rims. Version 1 Head Unit disc brake axles have been phased out during the second half of 2012.

NOTE: For a list of approved wheel profile and valve stem combinations, see document XL-SA10070WI-en-US.

If you require additional information on this change, please contact your local SAF-HOLLAND representative, or contact SAF-HOLLAND at the appropriate phone number on the back cover of this notice.

Figure 3

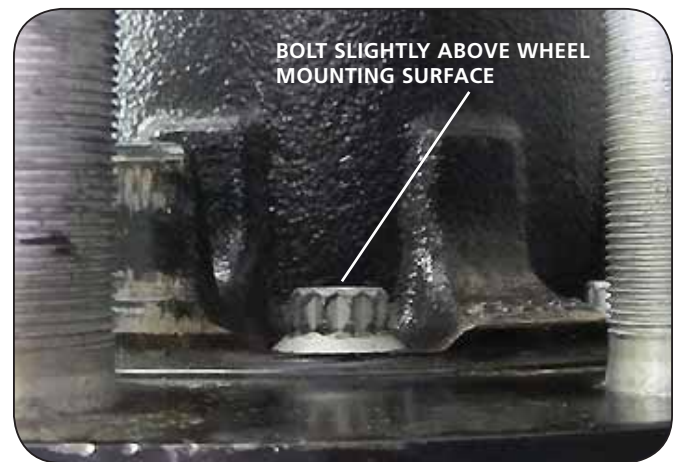
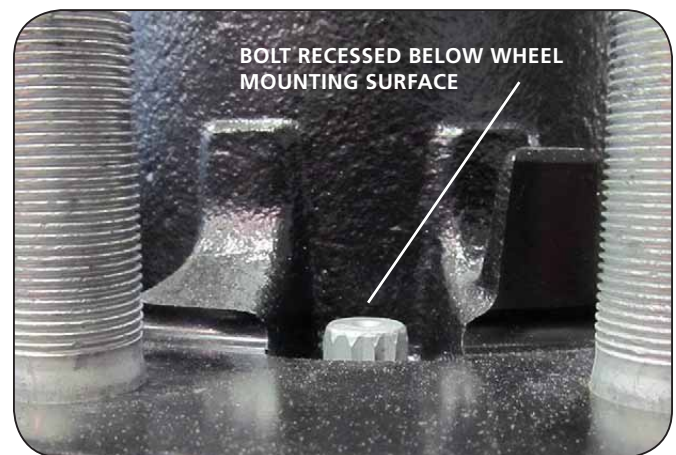
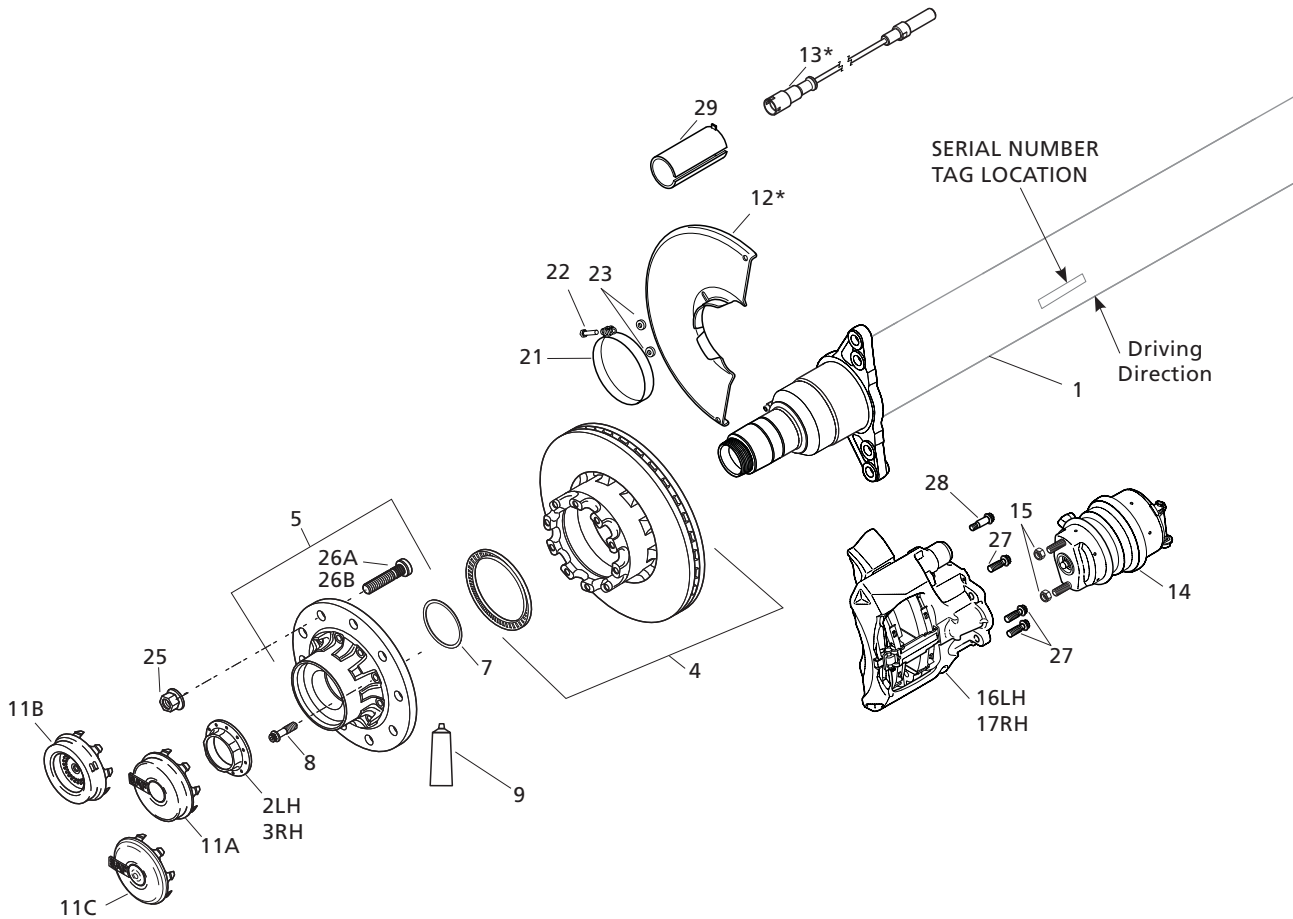


Figure 4



Compact Bearing Design



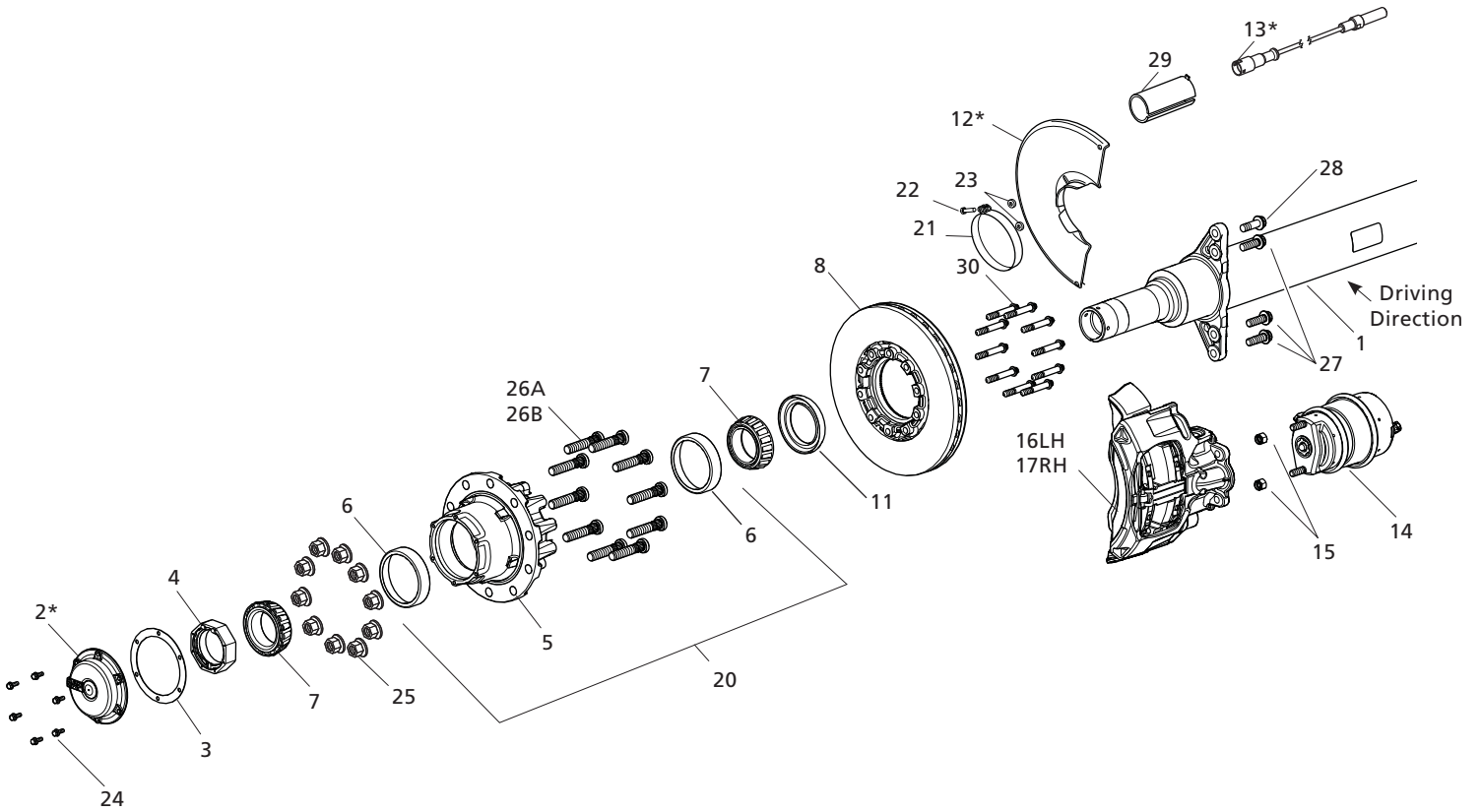
For C88 Integral disc brake rebuild procedures, see SAF publication XL-SA10059-en-US at www.safholland.us.

NOTE: For detailed Brake Caliper information, see page 10

ITEM NO.	DESCRIPTION	PART NO.	QTY. / AXLE	WEIGHT (LBS.)
1	Beam & Axle Assembly	Call SAF-HOLLAND	1	VARIES
2	Axle Nut - LH	01011008500Z	1	2.10
3	Axle Nut - RH	01011008600Z	1	2.10
4	Integral Rotor - 22.5"	03079001501Z	2	67.70
5	Hub Unit w/ Long Studs Version 1	2073190000150	2	23.10
	Hub Unit w/ Long Studs Version 2	2073190000170		23.70
	Hub Unit w/ Short Studs Version 1	2073190000140		23.10
	Hub Unit w/ Short Studs Version 2	2073190000160		23.70
7	O-Ring	04315007500Z	2	.08
8	Bolt - 12Pt. Head - M14 x 1.5 x 65	04375100911Z	20	.20
9	Axle Stub Grease	05387001503Z	2	.01
11A	Hub Cap	03304010201Z	2	.22
11B	Hub Cap Hub Odometer	03304010301Z		2.00
11C	Hub Cap W/Seal PSI	03304010900Z		.23
12*	Dust Shield	2032100000100	2	3.30
13*	Sensor, ABS	04029107100Z	2	.05
14	Brake Chamber - 16"/24"	04454109864Z	2	10.50
	Brake Chamber - 18"/24"	04454109964Z		13.00
	Brake Chamber - 20"/24"	04454110064Z		13.00
15	Brake Chamber Nut	04247405280Z	4	.09
16	Brake Caliper - RH - 22.5"	03080005901Z	1	82.50
17	Brake Caliper - LH - 22.5"	03080006001Z	1	82.50
21	Clamp, Dust Shield	04194202301Z	2	.25
22	Bolt, Hex, Dust Shield - M8 x 1.25 x 40 Class 8.8	04343107588Z	2	.05
23	Grommet	04177301800Z	4	.01
25	Wheel Nut - M22 x 1.5	04247301201Z	20	.30
26A	Wheel Stud, Long - M22 x 1.50 x 112	2072100000030	20	.84
26B	Wheel Stud, Short - M22 x 1.50 x 90	2072100000020		.66
27	Caliper Flange Bolt - 12 pt. M18 x 1.5 x 55mm	04375100610Z	6	.40
28	Caliper Shoulder Bolt - 12 pt. M18 x 1.5 x 55mm	04375100810Z	2	.40
29	Clamping Bushing	04029107200Z	2	.01

* Not sold individually, must be purchased in kit. See kit repair section.

Parallel Spindle Design



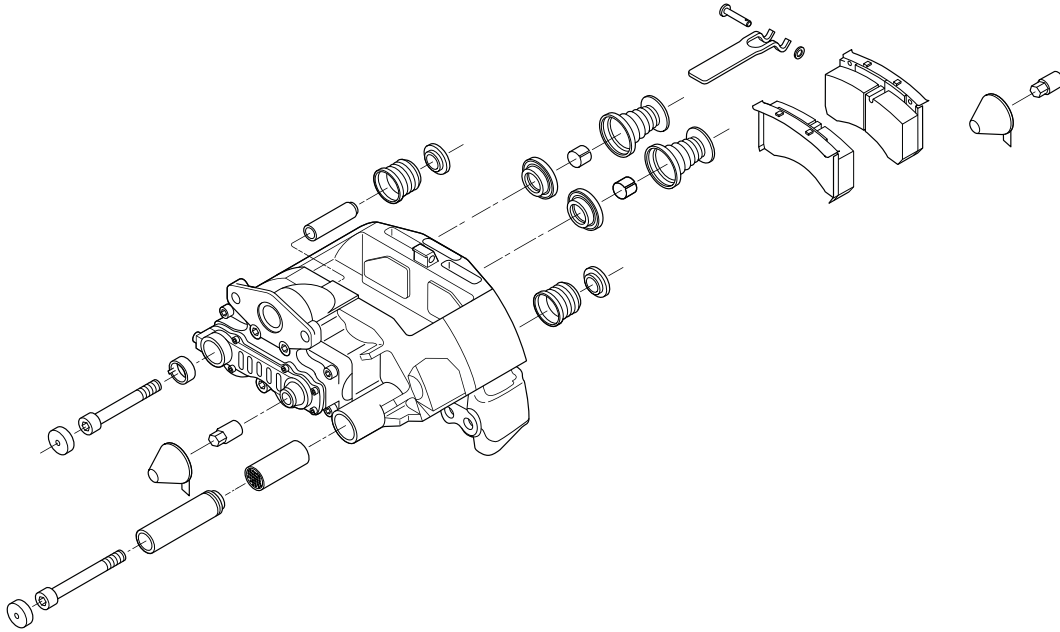
For P89 Integral disc brake rebuild procedures, see SAF publication XL-SA10059-en-US at www.safholland.us.

NOTE: For detailed Brake Caliper information, see page 10

ITEM NO.	DESCRIPTION	PART NO.	QTY. / AXLE	WEIGHT (LBS.) PER ASSEMBLY
1	Beam & Axle Assembly	Call SAF-HOLLAND	1	VARIABLES
2*	Hub Cap	204710000070	2	.50
3	Gasket, Hub Cap	01093002300Z	2	.002
4	Nut, Axle Pro-Torq	01011009400Z	2	1.00
5	Hub w/ Bearing Cups	2073290000110	2	69.50
6	Bearing Cup	01231000900Z	4	1.70
7	Bearing - Outer Cone	04200102300Z	2	3.75
8	Rotor w/ ABS Tone Ring - 22.5"	2019200000010	2	69.10
11	Seal Hub	01092003100Z	2	1.00
12*	Dust Shield	2032100000100	2	3.30
13*	Sensor, ABS	04029107100Z	2	.05
14	Brake Chamber - 16"/24"	04454109864Z	2	10.50
15	Brake Chamber Nut - .63"-11 GR C	04247405280Z	4	.09
16	Brake Caliper - RH - 22.5"	03080005901Z	1	82.50
17	Brake Caliper - LH - 22.5"	03080006001Z	1	82.50
20	Hub Unit w/ Bearing Cups - Short Studs - M22 x 1.5 x 90	2073190000090	2	79.50
	Hub Unit w/ Bearing Cups - Long Studs - M22 x 1.5 x 112	2073190000100		79.50
21	Clamp, Dust Shield	04194202301Z	2	.25
22	Bolt, Hex - M8 x 1.25 x 40 Class 8.8	04343107588Z	2	.05
23	Grommet	04177301800Z	4	.01
24	Bolt, Hub Cap - .31"-18 x .75",GR5	04343207800Z	12	.03
25	Wheel Nut - M22 x 1.5	04247301201Z	20	.30
26A	Wheel Stud - Long - M22 x 1.5 x 112	2072100000030	20	.84
26B	Wheel Stud - Short - M22 x 1.5 x 90	2072100000020		.66
27	Caliper Flange Bolt - M18 x 1.5 x 55mm	04375100610Z	6	.40
28	Caliper Shoulder Bolt - 12 pt. M18 x 1.5 x 55mm	04375100810Z	2	.40
29	Clamping Bushing	04029107200Z	2	.01
30	Rotor Attachment Bolts - 12 pt. M14 x 1.5 x 90	04375101210Z	20	.30

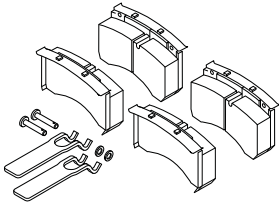
* Items not sold individually. See kit repair section.

Brake Caliper Assembly



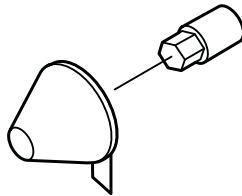
03057008500Z

Brake Lining- For C88 & P89 Axles
Qty. 1 Per Axle Wt. 20.70 lbs.

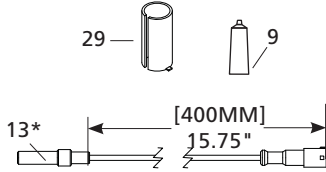


03434381600Z

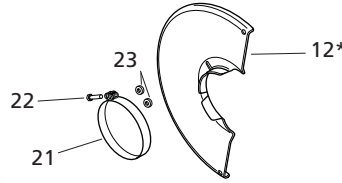
Adjuster Cap- For C88 & P89 Axles
Qty. 1 Per Wheel End Wt. 0.90 lbs.



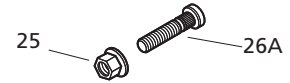
03029024200Z
 ABS - C88 & P89 Axles
 Qty. 1 Per Wheel End Wt. 3.30 lbs.



1022300000010
 Dust Shield - C88 & P89 Axles
 Qty. 1 Per Wheel End Wt. 3.60 lbs.



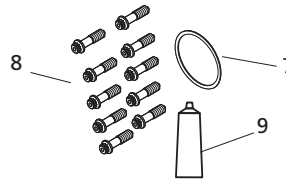
2074200000190
 Wheel Bolt - C88 & P89 Axles
 Long Stud (Aluminum Rims)
 Qty. 10 Kits Per Wheel End Wt. 1.20 lbs.



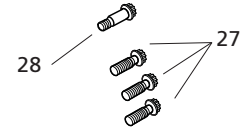
2074200000180
 Wheel Bolt - C88 & P89 Axles
 Short Stud (Steel Rims)
 Qty. 10 Kits Per Wheel End Wt. 1.40 lbs



03434366300Z
 Hub Repair - C88 Axle
 Qty. 1 Per Wheel End Wt. 4.20 lbs



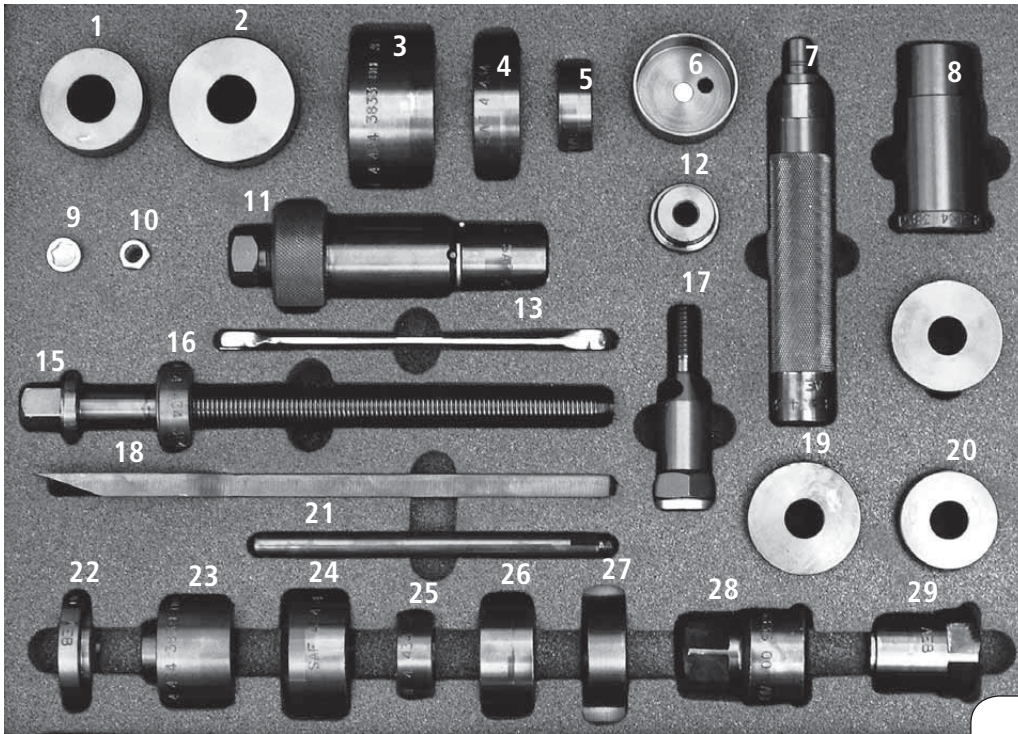
03434366000Z
 Brake Caliper Bolts- For C88 & P89 Axles
 Qty. 1 Per Wheel End Wt. 4.20 lbs.



ITEM NO.	DESCRIPTION	PART NO.	QTY.
7	O-Ring	04315007500Z	1
8	Bolt, 12 pt. Flange HD, M14 x 1.5 x 65	04375100911Z	10
9	Axle Stub Grease	05387001503Z	1
12*	Dust Shield	2032100000100	1
13*	Sensor, ABS	04029107100Z	1
21	Clamp, Dust Shield	04194202301Z	1
22	Bolt, Hex, M8 x 1.25 x 40 Class 8.8	04343107588Z	1
23	Grommet	04177301800Z	2
25	Wheel Nut, M22 x 1.5	04247301201Z	10
26A	Wheel Stud - Long, M22 x 1.5 x 112	2072100000030	1
26B	Wheel Stud - Short, M22 x 1.5 x 90	2072100000020	1
27	Caliper Flange Bolt, 12 pt. M18 x 1.5 x 55mm	04375100610Z	3
28	Caliper Shoulder Bolt, 12 pt. M18 x 1.5 x 55mm	04375100810Z	1
29	Clamping Bushing	04029107200Z	1

**Universal Caliper Disc Brake Tool Box
for C88 & P89 Models**

PART NUMBER: 03434332800Z



ITEM NO.	DESCRIPTION
1	Puller for Floating Bearing - Type SN
2	Puller Sleeve
3	Driver Cup
4	Driver Cup - Adapter
5	Insert w/Magnet
6	Driver w/Magnet
7	Handle
8	Driver Sleeve
9	W.A.F 8
10	W.A.F 10
11	Caulking & Pulling Tool
12	Driver for Sheet Metal Sleeve
13	Ring/Open-Jaw Spanner
14	Driver Sleeve
15	Threaded Spindle TR20x2

ITEM NO.	DESCRIPTION
16	Thrust Bearing
17	Spindle - Short/Long
18	Lever Fork
19	Driver Sleeve
20	Driver Sleeve
21	Retaining Bar
22	Puller Plate
23	Puller Sleeve for Bellows
24	Driver
25	Puller Sleeve
26	Adapter Ring
27	Puller Plate
28	Thruster w/Hexagon Head
29	Nut - TR20x2

**Brake Adjustment Ring / Fork Spanner Wrench
with Adapter 8/10 mm
for C88 & P89 Models****PART NUMBER: 03434332700Z**

WT. .30 lbs..

**24 mm Caliper Bolt Socket with 3/4" Drive
for C88 & P89 Models****PART NUMBER: 04434385900Z**

WT. .30 lbs..

**85 mm Spindle Nut Socket
for C88 Models****PART NUMBER: 04434382800Z**

WT. 3.40 lbs..

**Hub Cap Removal Lever
for C88 Models****PART NUMBER: 01434104100Z**

WT. 1.50 lbs..

**15 mm Hub Unit Socket for Disc Brake
with 1/2" Drive
for C88 & P89 Models****PART NUMBER: 04434386200Z**

WT. .20 lbs..

**Hub Mounting Tool 88mm
for C88 Models****PART NUMBER: 04434106800Z**

WT. 3.51



PART NUMBER	PAGE
01005022200Z	15
01011008500Z	7
01011008600Z	7
01011009400Z	9
01092003100Z	9
01093002300Z	9
01231000900Z	9
01303112010Z	15
01303112810Z	15
01434104100Z	13
02005023000Z	15
03007304900Z	15
03029024200Z	11, 15
03057008500Z	10, 15
03079001501Z	7
03080005901Z	7, 9
03080006001Z	7, 9
03304010200Z	15
03304010201Z	7, 15
03304010301Z	7
03304010900Z	7
03307304901Z	15
03307304901Z-XLS	15
03307304901Z-XSS	15
03307307600Z	15
03307307601Z	15
03307307601Z-XLS	15
03307307601Z-XSS	15
03434332700Z	13
03434332800Z	12
03434366000Z	11
03434366300Z	11
03434380900Z	15
03434381600Z	10
04029107100Z	7, 9, 11
04029107200Z	7, 9, 11

PART NUMBER	PAGE
04177301800Z	7, 9, 11
04194202301Z	7, 9, 11
04200102300Z	9
04247301201Z	7, 9, 11
04247405280Z	7, 9
04315007500Z	7, 11
04343107588Z	7, 9, 11
04343207800Z	9
04375100610Z	7, 9, 11
04375100810Z	7, 9, 11
04375100911Z	7, 11
04375101210Z	9
04434106800Z	13
04434382800Z	13
04434385900Z	13
04434386200Z	13
04454109864Z	7, 9
04454109964Z	7
04454110064Z	7
05387001503Z	7, 11
1022300000010	11
2019200000010	9
2032100000100	7, 9, 11
2047100000070	9
2072100000020	9, 11, 15
2072100000030	9, 11, 15
2073190000090	9
2073190000100	9
2073190000140	7, 15
2073190000150	7, 15
2073190000160	7, 15
2073190000170	7, 15
2073290000110	9
2074200000180	11
2074200000190	11

Replacement Parts Info

PART NUMBER	REPLACEMENT PART NUMBER	DESCRIPTION
01005022200Z	03029024200Z	Dust Shield
01303112810Z	2072100000030	Wheel Stud, Long - M22 x 1.50 x 103
01303112010Z	2072100000020	Wheel Stud, Short - M22 x 1.50 x 78
02005023000Z	03029024200Z	Dust Shield
03007304900Z	03307304901Z	INTEGRAL Hub Unit Version 1
03304010200Z	03304010201Z	Hub Cap
03307307600Z	03307307601Z	INTEGRAL Hub Unit Version 2
03434380900Z	03057008500Z	Brake Lining Kit
03307304901Z	03307304901Z-XLS	INTEGRAL Hub Unit Version 1 w/ Long Studs
03307304901Z	03307304901Z-XSS	INTEGRAL Hub Unit Version 1 w/ Short Studs
03307307601Z	03307307601Z-XLS	INTEGRAL Hub Unit Version 2 w/ Long Studs
03307307601Z	03307307601Z-XSS	INTEGRAL Hub Unit Version 2 w/ Short Studs
03307304901Z-XLS	2073190000150	INTEGRAL Hub Unit Version 1 w/ Long Studs
03307304901Z-XSS	2073190000140	INTEGRAL Hub Unit Version 1 w/ Short Studs
03307307601Z-XLS	2073190000170	INTEGRAL Hub Unit Version 2 w/ Long Studs
03307307601Z-XSS	2073190000160	INTEGRAL Hub Unit Version 2 w/ Short Studs



From fifth wheel rebuild kits to suspension bushing repair kits, SAF-HOLLAND Original Parts are the same quality components used in the original component assembly.

SAF-HOLLAND Original Parts are tested and designed to provide maximum performance and durability. Will-fits, look-alikes or, worse yet, counterfeit parts will only limit the performance potential and could possibly void SAF-HOLLAND's warranty. Always be sure to spec

SAF-HOLLAND Original Parts when servicing your SAF-HOLLAND product.

SAF-HOLLAND USA • 888.396.6501 • Fax 800.356.3929
www.safholland.us

SAF-HOLLAND CANADA • 519.537.3494 • Fax 800.565.7753
WESTERN CANADA • 604.574.7491 • Fax 604.574.0244
www.safholland.ca

SAF-HOLLAND MEXICO • 52.55.5362.8743 • Fax 52.55.5362.8743
www.safholland.com.mx

info@safholland.com