



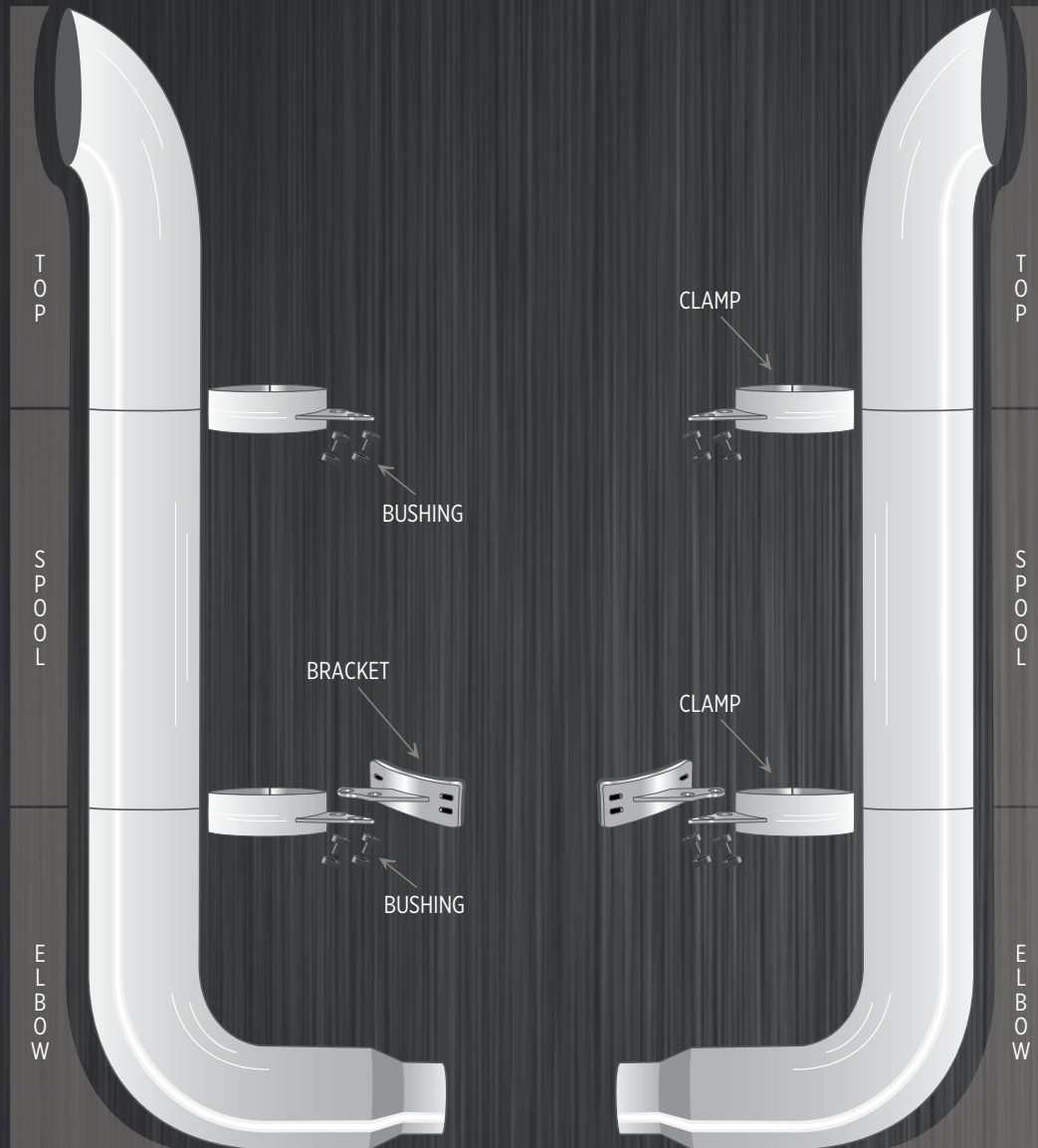
EXHAUSTS



EXHAUSTS

EXHAUST KITS WITH 90 DEGREE ELBOWS

Kits are made for trucks built in the year 2006 and down. Complete for both sides.



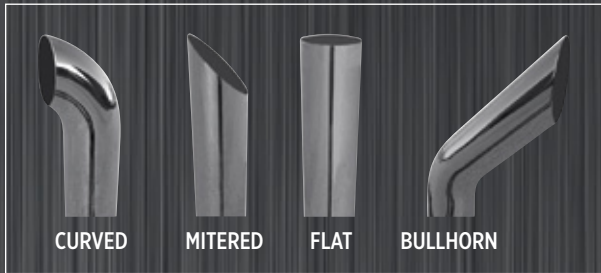
ALL KITS INCLUDE:

- TOP STACKS - 54" OR 60" HIGH (2 UNITS)
- MIDDLE SPOOLS - 52" HIGH (2 UNITS)
- 90 DEGREE ELBOWS (2 UNITS)
- 3 3/4" WIDE BAND CLAMPS (4 UNITS)
- LOWER MOUNTING BRACKETS (2 UNITS)
- BLACK BUSHINGS (8 UNITS)

All elbows are reduced to 5" in diameter so you can use them with a 5" diameter "Y" pipe. All clamps are high quality chrome stainless steel allowing the clamp to have the same mirror shine as the exhaust for a clean uniform look.

EXHAUSTS

EXHAUST KITS WITH 90 DEGREE ELBOWS



8" DIAMETER EXHAUST KITS WITH 54" TOP STACKS

TSK8-MSET	54" Mitered Top Stacks, 52" Spools, 90° 8"-5" Elbows, Clamps, Lower Brackets & Bushings
TSK8-CSET	54" Curved Top Stacks, 52" Spools, 90° 8"-5" Elbows, Clamps, Lower Brackets & Bushings
TSK8-BSET	54" Bullhorn Top Stacks, 52" Spools, 90° 8"-5" Elbows, Clamps, Lower Brackets & Bushings
TSK8-FSET	54" Flat Top Stacks, 52" Spools, 90° 8"-5" Elbows, Clamps, Lower Brackets & Bushings

8" DIAMETER EXHAUST KITS WITH 60" TOP STACKS

TSK8-MSET2	60" Mitered Top Stacks, 52" Spools, 90° 8"-5" Elbows, Clamps, Lower Brackets & Bushings
TSK8-CSET2	60" Curved Top Stacks, 52" Spools, 90° 8"-5" Elbows, Clamps, Lower Brackets & Bushings
TSK8-BSET2	60" Bullhorn Top Stacks, 52" Spools, 90° 8"-5" Elbows, Clamps, Lower Brackets & Bushings
TSK8-FSET2	60" Flat Top Stacks, 52" Spools, 90° 8"-5" Elbows, Clamps, Lower Brackets & Bushings

7" DIAMETER EXHAUST KITS WITH 54" TOP STACKS

TSK7-MSET	54" Mitered Top Stacks, 52" Spools, 90° 7"-5" Elbows, Clamps, Lower Brackets & Bushings
TSK7-CSET	54" Curved Top Stacks, 52" Spools, 90° 7"-5" Elbows, Clamps, Lower Brackets & Bushings
TSK7-BSET	54" Bullhorn Top Stacks, 52" Spools, 90° 7"-5" Elbows, Clamps, Lower Brackets & Bushings

7" DIAMETER EXHAUST KITS WITH 60" TOP STACKS

TSK7-MSET2	60" Mitered Top Stacks, 52" Spools, 90° 7"-5" Elbows, Clamps, Lower Brackets & Bushings
TSK7-CSET2	60" Curved Top Stacks, 52" Spools, 90° 7"-5" Elbows, Clamps, Lower Brackets & Bushings
TSK7-BSET2	60" Bullhorn Top Stacks, 52" Spools, 90° 7"-5" Elbows, Clamps, Lower Brackets & Bushings

6" DIAMETER EXHAUST KITS WITH 54" TOP STACKS

TSK6-MSET	54" Mitered Top Stacks, 52" Spools, 90° 6"-5" Elbows, Clamps, Lower Brackets & Bushings
TSK6-CSET	54" Curved Top Stacks, 52" Spools, 90° 6"-5" Elbows, Clamps, Lower Brackets & Bushings
TSK6-BSET	54" Bullhorn Top Stacks, 52" Spools, 90° 6"-5" Elbows, Clamps, Lower Brackets & Bushings

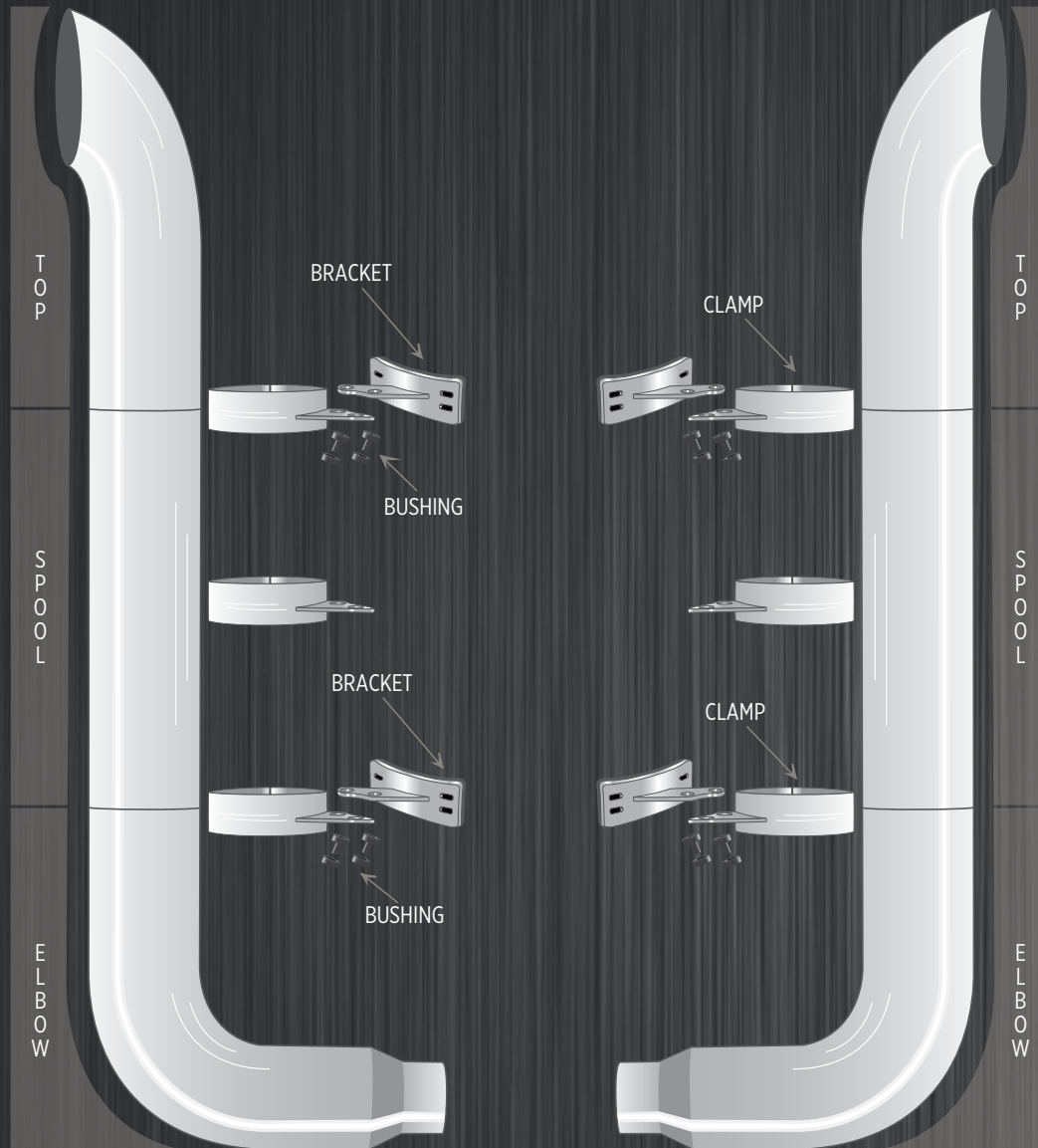
6" DIAMETER EXHAUST KITS WITH 60" TOP STACKS

TSK6-MSET2	60" Mitered Top Stacks, 52" Spools, 90° 6"-5" Elbows, Clamps, Lower Brackets & Bushings
TSK6-CSET2	60" Curved Top Stacks, 52" Spools, 90° 6"-5" Elbows, Clamps, Lower Brackets & Bushings
TSK6-BSET2	60" Bullhorn Top Stacks, 52" Spools, 90° 6"-5" Elbows, Clamps, Lower Brackets & Bushings

EXHAUSTS

10" DIAMETER EXHAUST KITS WITH 90 DEGREE ELBOWS

Kits are made for trucks built in the year 2006 and down. Complete for both sides.



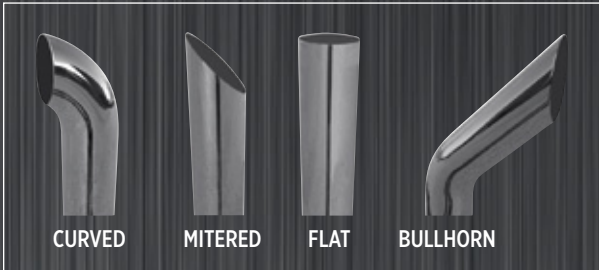
ALL KITS INCLUDE:

- TOP STACKS - 54" OR 60" HIGH (2 UNITS)
- MIDDLE SPOOLS - 52" HIGH (2 UNITS)
- 90 DEGREE ELBOWS (2 UNITS)
- 3 3/4" WIDE BAND CLAMPS (6 UNITS)
- LOWER MOUNTING BRACKETS (4 UNITS)
- BLACK BUSHINGS (8 UNITS)

All elbows are reduced to 5" in diameter so you can use them with a 5" diameter "Y" pipe. All clamps are high quality chrome stainless steel allowing the clamp to have the same mirror shine as the exhaust for a clean uniform look.

EXHAUSTS

10" DIAMETER EXHAUST KITS WITH 90 DEGREE ELBOWS



10" DIAMETER EXHAUST KITS WITH 54" TOP STACKS

TSK10-MSET	54" Mitered Top Stacks, 52" Spools, 90° 10"-5" Elbows, Clamps, Lower Brackets & Bushings
TSK10-CSET	54" Curved Top Stacks, 52" Spools, 90° 10"-5" Elbows, Clamps, Lower Brackets & Bushings
TSK10-BSET	54" Bullhorn Top Stacks, 52" Spools, 90° 10"-5" Elbows, Clamps, Lower Brackets & Bushings
TSK10-FSET	54" Flat Top Stacks, 52" Spools, 90° 10"-5" Elbows, Clamps, Lower Brackets & Bushings

10" DIAMETER EXHAUST KITS WITH 60" TOP STACKS

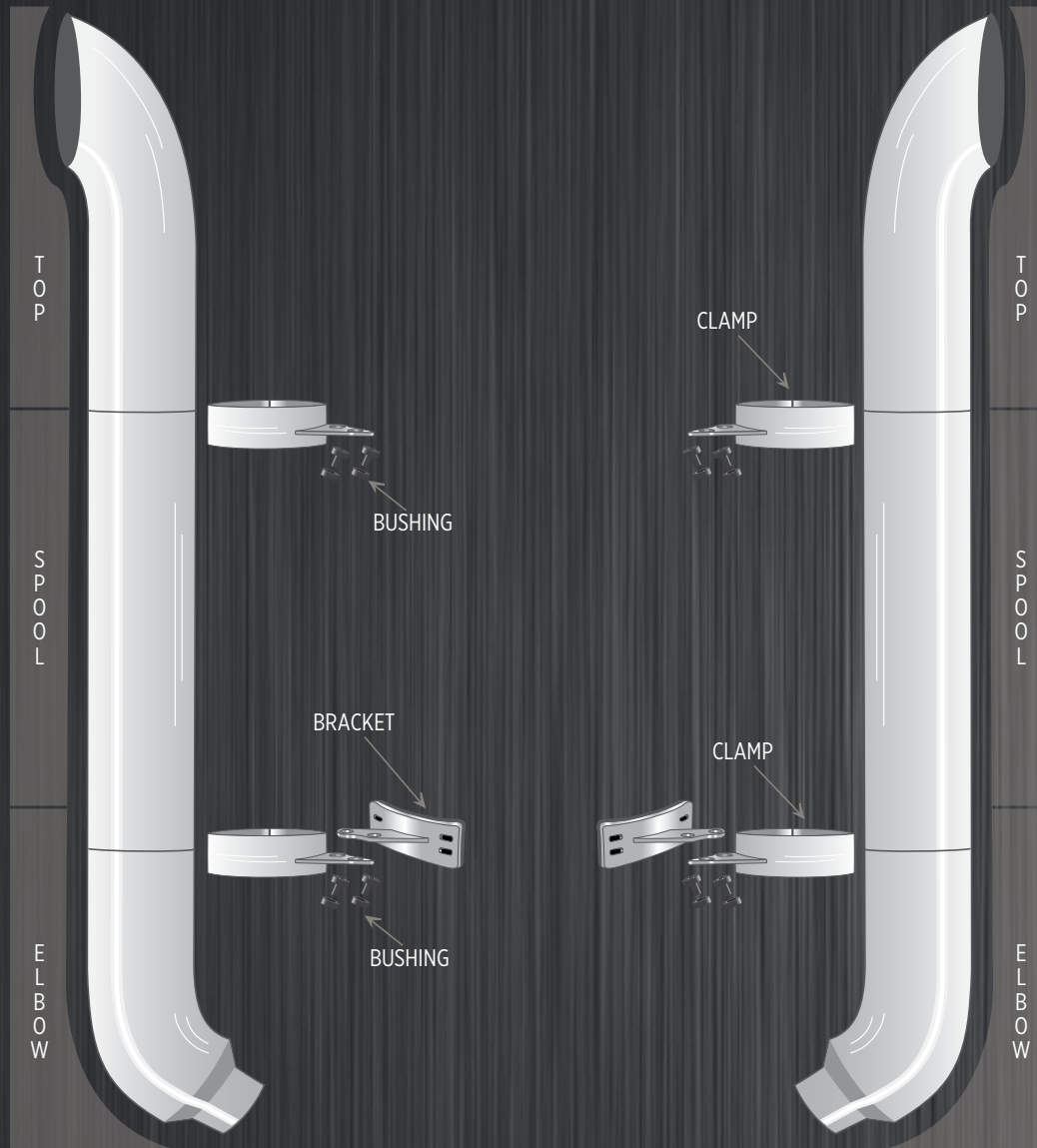
TSK10-MSET2	60" Mitered Top Stacks, 52" Spools, 90° 10"-5" Elbows, Clamps, Lower Brackets & Bushings
TSK10-CSET2	60" Curved Top Stacks, 52" Spools, 90° 10"-5" Elbows, Clamps, Lower Brackets & Bushings
TSK10-BSET2	60" Bullhorn Top Stacks, 52" Spools, 90° 10"-5" Elbows, Clamps, Lower Brackets & Bushings
TSK10-FSET2	60" Flat Top Stacks, 52" Spools, 90° 10"-5" Elbows, Clamps, Lower Brackets & Bushings



EXHAUSTS

EXHAUST KITS WITH 58 DEGREE ELBOWS

Kits are made for trucks built in the year 2006 and down. Complete for both sides.



ALL KITS INCLUDE:

- TOP STACKS - 54" OR 60" HIGH (2 UNITS)
- MIDDLE SPOOLS - 52" HIGH (2 UNITS)
- 58 DEGREE ELBOWS (2 UNITS)
- 3 3/4" WIDE BAND CLAMPS (4 UNITS)
- LOWER MOUNTING BRACKETS (2 UNITS)
- BLACK BUSHINGS (8 UNITS)

All elbows are reduced to 5" in diameter so you can use them with a 5" diameter "Y" pipe. All clamps are high quality chrome stainless steel allowing the clamp to have the same mirror shine as the exhaust for a clean uniform look.



7" DIAMETER EXHAUST KITS WITH 54" TOP STACKS

TSK7-MSET3	54" Mitered Top Stacks, 52" Spools, 58° 7"-5" Elbows, Clamps, Lower Brackets & Bushings
TSK7-CSET3	54" Curved Top Stacks, 52" Spools, 58° 7"-5" Elbows, Clamps, Lower Brackets & Bushings
TSK7-BSET3	54" Bullhorn Top Stacks, 52" Spools, 58° 7"-5" Elbows, Clamps, Lower Brackets & Bushings

7" DIAMETER EXHAUST KITS WITH 60" TOP STACKS

TSK7-MSET4	60" Mitered Top Stacks, 52" Spools, 58° 7"-5" Elbows, Clamps, Lower Brackets & Bushings
TSK7-CSET4	60" Curved Top Stacks, 52" Spools, 58° 7"-5" Elbows, Clamps, Lower Brackets & Bushings
TSK7-BSET4	60" Bullhorn Top Stacks, 52" Spools, 58° 7"-5" Elbows, Clamps, Lower Brackets & Bushings

6" DIAMETER EXHAUST KITS WITH 54" TOP STACKS

TSK6-MSET3	54" Mitered Top Stacks, 52" Spools, 58° 6"-5" Elbows, Clamps, Lower Brackets & Bushings
TSK6-CSET3	54" Curved Top Stacks, 52" Spools, 58° 6"-5" Elbows, Clamps, Lower Brackets & Bushings
TSK6-BSET3	54" Bullhorn Top Stacks, 52" Spools, 58° 6"-5" Elbows, Clamps, Lower Brackets & Bushings

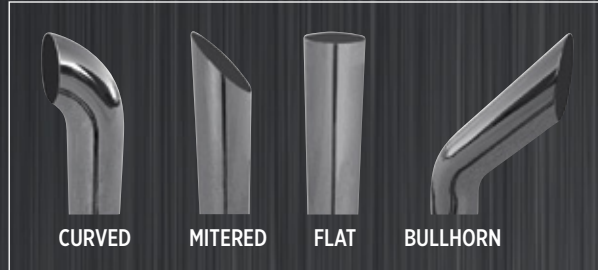
6" DIAMETER EXHAUST KITS WITH 60" TOP STACKS

TSK6-MSET4	60" Mitered Top Stacks, 52" Spools, 58° 6"-5" Elbows, Clamps, Lower Brackets & Bushings
TSK6-CSET4	60" Curved Top Stacks, 52" Spools, 58° 6"-5" Elbows, Clamps, Lower Brackets & Bushings
TSK6-BSET4	60" Bullhorn Top Stacks, 52" Spools, 58° 6"-5" Elbows, Clamps, Lower Brackets & Bushings

EXHAUSTS

TOP STACKS

Top stacks are made for trucks built in the year 2006 and down.



MITERED TOP STACKS

TSK6-M54T	6" Diameter, Mitered, 54" Long Stack Top
TSK6-M60T	6" Diameter, Mitered, 60" Long Stack Top
TSK7-M54T	7" Diameter, Mitered, 54" Long Stack Top
TSK7-M60T	7" Diameter, Mitered, 60" Long Stack Top
TSK8-M54T	8" Diameter, Mitered, 54" Long Stack Top
TSK8-M60T	8" Diameter, Mitered, 60" Long Stack Top
TSK10-M54T	10" Diameter, Mitered, 54" Long Stack Top
TSK10-M60T	10" Diameter, Mitered, 60" Long Stack Top

CURVED TOP STACKS

TSK6-C54T	6" Diameter, Curved, 54" Long Stack Top
TSK6-C60T	6" Diameter, Curved, 60" Long Stack Top
TSK7-C54T	7" Diameter, Curved, 54" Long Stack Top
TSK7-C60T	7" Diameter, Curved, 60" Long Stack Top
TSK8-C54T	8" Diameter, Curved, 54" Long Stack Top
TSK8-C60T	8" Diameter, Curved, 60" Long Stack Top
TSK10-C54T	10" Diameter, Curved, 54" Long Stack Top
TSK10-C60T	10" Diameter, Curved, 60" Long Stack Top

BULLHORN TOP STACKS

TSK6-B54T	6" Diameter, Bullhorn, 54" Long Stack Top
TSK6-B60T	6" Diameter, Bullhorn, 60" Long Stack Top
TSK7-B54T	7" Diameter, Bullhorn, 54" Long Stack Top
TSK7-B60T	7" Diameter, Bullhorn, 60" Long Stack Top
TSK8-B54T	8" Diameter, Bullhorn, 54" Long Stack Top
TSK8-B60T	8" Diameter, Bullhorn, 60" Long Stack Top
TSK10-B54T	10" Diameter, Bullhorn, 54" Long Stack Top
TSK10-B60T	10" Diameter, Bullhorn, 60" Long Stack Top

FLAT TOP STACKS

TSK8-F54T	8" Diameter, Flat Top, 54" Long Stack Top
TSK8-F60T	8" Diameter, Flat Top, 60" Long Stack Top
TSK10-F54T	10" Diameter, Flat Top, 54" Long Stack Top
TSK10-F60T	10" Diameter, Flat Top, 60" Long Stack Top

EXHAUSTS

MIDDLE SPOOLS WITH PLAIN BOTTOM

Middle spools are made for trucks built in the year 2006 and down.

These spools come with an additional tapered sleeve measuring 8" attached to the top of the spool. This extra reduced sleeve fits INTO the bottom of any top stack (corresponding to the correct diameter) and gives the kit extra support and strength.

For Peterbilt 379 : use 52" spools if the year of the truck is between 1987-2003. Use 55" spools 2003-2006 (Some late model Peterbilt 379 in the year 2003 may need 52" spools) Please measure the distance between your upper and lower exhaust brackets for exact dimensions.

ATTENTION! THE BELOW MEASUREMENTS ARE THE LENGTH OF EACH SPOOL AND DOES NOT INCLUDE THIS ADDITIONAL REDUCED SLEEVE. IN OTHER WORDS, WHEN EVERYTHING IS ASSEMBLED CORRECTLY, YOU WILL BE ABLE TO VISUALLY SEE EITHER 52" OR 55" SPOOLS.



TSK6-52S

TSK6-55S

TSK7-52S

TSK7-55S

TSK8-52S

TSK8-55S

TSK10-52S

TSK10-55S

TSK6-52S	6" Diameter, Middle Spool, 52" Long
TSK6-55S	6" Diameter, Middle Spool, 55" Long
TSK7-52S	7" Diameter, Middle Spool, 52" Long
TSK7-55S	7" Diameter, Middle Spool, 55" Long
TSK8-52S	8" Diameter, Middle Spool, 52" Long
TSK8-55S	8" Diameter, Middle Spool, 55" Long
TSK10-52S	10" Diameter, Middle Spool, 52" Long
TSK10-55S	10" Diameter, Middle Spool, 55" Long

MIDDLE SPOOLS WITH 5" REDUCED INNER DIAMETER BOTTOM

Middle spools are made for trucks built in the year 2006 and down.

These spools come with an additional tapered sleeve measuring 10" attached to the top of the spool. This extra reduced sleeve fits INTO the bottom of any top stack (corresponding to the correct diameter) and gives the kit extra support and strength. * Your common 5" outer diameter elbows will fit inside these spools.

For Peterbilt 379 : use 52" spools if the year of the truck is between 1987-2003. Use 55" spools 2003-2006 (Some late model Peterbilt 379 in the year 2003 may need 52" spools) Please measure the distance between your upper and lower exhaust brackets for exact dimensions.

ATTENTION! THE BELOW MEASUREMENTS ARE THE LENGTH OF EACH SPOOL AND DOES NOT INCLUDE THIS ADDITIONAL REDUCED SLEEVE. IN OTHER WORDS, WHEN EVERYTHING IS ASSEMBLED CORRECTLY, YOU WILL BE ABLE TO VISUALLY SEE EITHER 52" OR 55" SPOOLS.



TSK65-52S

TSK75-52S

TSK65-52S	6" Reduced to 5" Inner Diameter Bottom, Middle Spool, 52" Long
TSK65-55S	6" Reduced to 5" Inner Diameter Bottom, Middle Spool, 55" Long
TSK75-52S	7" Reduced to 5" Inner Diameter Bottom, Middle Spool, 52" Long
TSK75-55S	7" Reduced to 5" Inner Diameter Bottom, Middle Spool, 55" Long

EXHAUSTS

90 DEGREE ELBOWS

90 Degree elbows are made for trucks built in the year 2006 and down.

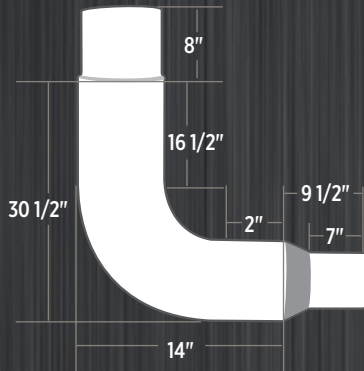
These elbows come with an additional tapered sleeve measuring 10" attached to the top of the elbow. This extra reduced sleeve fits INTO the bottom of any middle spool (corresponding to the correct diameter) and gives the kit extra support and strength.



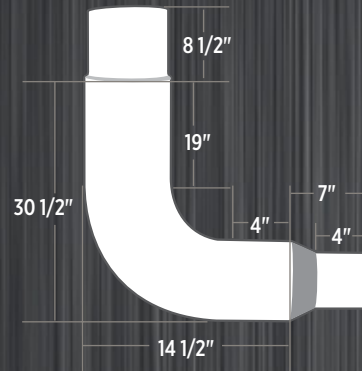
90° ELBOW REDUCED



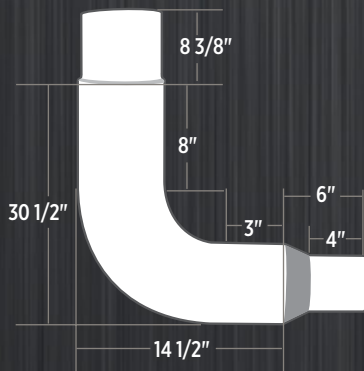
90° ELBOW



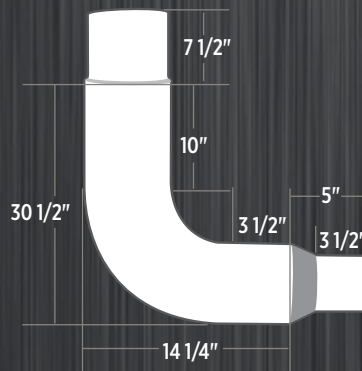
10" ELBOW



8" ELBOW



7" ELBOW



6" ELBOW



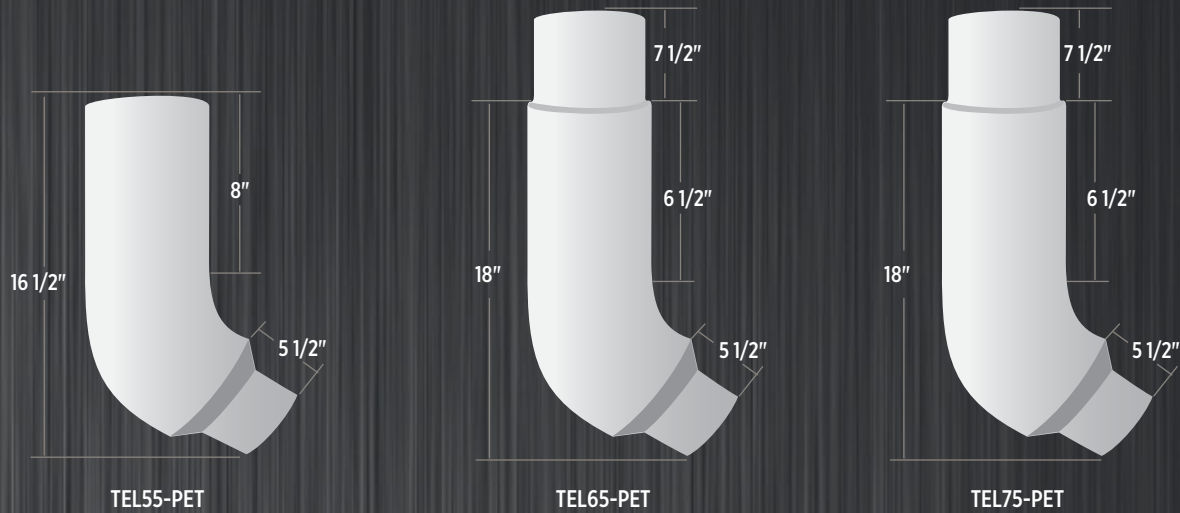
TEL-65	6" Reduced to 5" Diameter, Exhaust Elbow, 90° angle
TEL-75	7" Reduced to 5" Diameter, Exhaust Elbow, 90° angle
TEL-8	8" Diameter, Exhaust Elbow, 90° angle
TEL-85	8" Reduced to 5" Diameter, Exhaust Elbow, 90° angle
TEL-10	10" Reduced to 8" Diameter, Exhaust Elbow, 90° angle
TEL-105	10" Reduced to 5" Diameter, Exhaust Elbow, 90° angle

EXHAUSTS

58 DEGREE PETERBILT ELBOWS

58 Degree Peterbilt elbows are made for trucks built in the year 2006 and down.

These elbows come with an additional tapered sleeve measuring 10" attached to the top of the elbow. This extra reduced sleeve fits INTO the bottom of any middle spool (corresponding to the correct diameter) and gives the kit extra support and strength.



TEL55-PET	5" Diameter, Exhaust Elbow, 58° angle
TEL65-PET	6" Reduced to 5" Diameter, Exhaust Elbow, 58° angle
TEL75-PET	7" Reduced to 5" Diameter, Exhaust Elbow, 58° angle

90 Degree Elbow - TEL-85 (Found on page 150)



EXHAUSTS

WIDE BAND CLAMPS

All clamps are made out of stainless steel and then chromed for an ultra mirror shine. The clamp wraps around the exhaust stack and attaches to the bracket on the truck.

RECTANGLE MOUNTING PLATE



ANGLED MOUNTING PLATE



TCLA-51	5" Wide Chrome Stainless Steel Clamp, with Rectangle Mounting Plate
TCLA-61	6" Wide Chrome Stainless Steel Clamp, with Rectangle Mounting Plate
TCLA-71	7" Wide Chrome Stainless Steel Clamp, with Rectangle Mounting Plate
TCLA-72	7" Wide Chrome Stainless Steel Clamp, with Angled Mounting Plate
TCLA-81	8" Wide Chrome Stainless Steel Clamp, with Rectangle Mounting Plate
TCLA-82	8" Wide Chrome Stainless Steel Clamp, with Angled Mounting Plate
TCLA-101	10" Wide Chrome Stainless Steel Clamp, with Rectangle Mounting Plate
TCLA-102	10" Wide Chrome Stainless Steel Clamp, with Angled Mounting Plate

EXHAUSTS

EXHAUST BRACKETS

The lower exhaust bracket attaches from the body of the truck to the clamp wrapped around the exhaust stack.

COMES IN RETAIL
PACKAGING



TCLA-PEB



TCLA-PEBA

TCLA-PEB
TCLA-PEBA

Peterbilt Stainless Lower Exhaust Bracket
Peterbilt Stainless Angled Lower Exhaust Bracket

BUSHINGS

COMES IN RETAIL
PACKAGING



TP-2010

Polyurethane Exhaust Bracket Bushing - Black (4 Pack)

Y PIPE EXHAUST



TSK-5Y
TSK-8Y

5" Diameter Y Pipe, Galvanized Steel - Fits the Trux Elbows TEL55-PET, TEL65-PET, TEL75-PET, TEL-65, TEL-75, TEL-85, TEL-105
8" Diameter Y Pipe, Galvanized Steel - Fits the Trux Elbows TEL-8 and TEL-10

SHORT TOP EXHAUSTS

5" OUTER DIAMETER TOP STACKS

5" Outer diameter top stacks are made for trucks built in the year 2006 and down.



CURVED



MITERED



BULLHORN



TSK5-M036	5" Outer Diameter, Mitered, 36" Long Top Stack
TSK5-M048	5" Outer Diameter, Mitered, 48" Long Top Stack
TSK5-M060	5" Outer Diameter, Mitered, 60" Long Top Stack
TSK5-C036	5" Outer Diameter, Curved, 36" Long Top Stack
TSK5-C048	5" Outer Diameter, Curved, 48" Long Top Stack
TSK5-C060	5" Outer Diameter, Curved, 60" Long Top Stack
TSK5-B036	5" Outer Diameter, Bullhorn, 36" Long Top Stack
TSK5-B048	5" Outer Diameter, Bullhorn, 48" Long Top Stack
TSK5-B060	5" Outer Diameter, Bullhorn, 60" Long Top Stack

6" REDUCED 5" OUTER DIAMETER TOP STACKS

6" Reduced to 5" outer diameter top stacks are made for trucks built in the year 2006 and down.



CURVED



MITERED



BULLHORN



TSK65-M036	6" Reduced to 5" Outer Diameter, Mitered, 36" Long Top Stack
TSK65-M048	6" Reduced to 5" Outer Diameter, Mitered, 48" Long Top Stack
TSK65-M060	6" Reduced to 5" Outer Diameter, Mitered, 60" Long Top Stack
TSK65-C036	6" Reduced to 5" Outer Diameter, Curved, 36" Long Top Stack
TSK65-C048	6" Reduced to 5" Outer Diameter, Curved, 48" Long Top Stack
TSK65-C060	6" Reduced to 5" Outer Diameter, Curved, 60" Long Top Stack
TSK65-B036	6" Reduced to 5" Outer Diameter, Bullhorn, 36" Long Top Stack
TSK65-B048	6" Reduced to 5" Outer Diameter, Bullhorn, 48" Long Top Stack
TSK65-B060	6" Reduced to 5" Outer Diameter, Bullhorn, 60" Long Top Stack

SHORT TOP EXHAUSTS

7" REDUCED 5" OUTER DIAMETER TOP STACKS

7" Reduced to 5" outer diameter top stacks are made for trucks built in the year 2006 and down.



CURVED



MITERED



BULLHORN



5"

TSK75-M048	7" Reduced to 5" Outer Diameter, Mitered, 48" Long Top Stack
TSK75-M060	7" Reduced to 5" Outer Diameter, Mitered, 60" Long Top Stack
TSK75-C048	7" Reduced to 5" Outer Diameter, Curved, 48" Long Top Stack
TSK75-C060	7" Reduced to 5" Outer Diameter, Curved, 60" Long Top Stack
TSK75-B048	7" Reduced to 5" Outer Diameter, Bullhorn, 48" Long Top Stack
TSK75-B060	7" Reduced to 5" Outer Diameter, Bullhorn, 60" Long Top Stack

