

SPICER®



J300P-5

November 2012

Supersedes Section 5

Dated June 2008

Driveline Components Catalog Center Yokes, Tube Yokes and Ball Stud Tube Yokes



Get information about center yokes and ball stud tube yokes for double cardan driveshafts, as well as tube yokes for single cardan driveshafts.



Product pictured is intended to be a representation of product category.

This publication contains data on Spicer center yokes and ball stud tube yokes for double cardan driveshafts and Spicer tube yokes for single cardan driveshafts.

HOW TO IDENTIFY A CENTER YOKE USING THIS CATALOG

To identify any center yoke, three pieces of information are required:

1. Determine the Series
2. Determine the dimension between center of U-Joint to center of U-Joint
3. Determine the type of part (circular or rectangular)

Example: To find a 1310 Series rectangular type, with a center to center dimension of 2.75, see the following example:

1. Find the 1310 Series heading
2. Find the Center to Center dimension of 2.750
3. Find a type 1 (circular is type 2, rectangular is type 1)

Order Spicer Center Yoke Part Number 2-26-177

Be sure to read any notes that are provided.

Series and all pertinent series dimensions appear as shown in the sample below:

①	C	Swing Diameter		Type	Center Yoke
	Center to Center				
	1310 SERIES	E-3.469	D-1.062	USE KIT 5-153X, 5-785X, 5-810X, 5-786X	
	2.688		3.875	2	2-26-477
	2.688		3.875	2	2-26-497
	2.688		3.875	2	2-26-507
	② 2.750		3.875	③ 1	Lube hole thru web 2-26-177
	3.000		3.875	1	2-26-257

HOW TO IDENTIFY A TUBE YOKE USING THIS CATALOG

To identify any tube yoke, three pieces of information are required:

1. Determine Series
2. Determine the size and wall thickness of the tube it fits
3. Determine the dimension from center of joint to weld point

Example: To find a 1330 Series with a 2.000 center to weld dimension, that fits a 2.750 OD tube with a .065 wall thickness, see the following example:

1. Find the 1330 Series heading
2. Find the 2.750 Tubing Diameter and .065 wall thickness (2.750 x .065 - S=Seamless, W=Welded)
3. Find the 2.000 Center to Weld dimension

Be sure to read any notes that are provided. Order Spicer Tube Yoke Part Number 5004393

Series and all pertinent series dimensions appear as shown in the sample below:

①	For Use With Tube Diameter & Wall	F	H	Used in Tube Yoke & Yoke Assembly	Tube Yoke Part Number
		Butt Diameter	C-line to Point of Weld		
	1330 SERIES	E-3.875	D-1.062	USE KIT 5-213X, 5-790X, 5-812X, 5-791X	
	2.000 X.120W	1.766	2.120		2-28-2777
	2.500 X.083W	2.344	1.719		2-28-1707
	2.500 X.083W	2.344	③ 2.537		2-28-3347•
	② 2.750 X.065S	2.625	② 2.000		5004393
	2.750 X.065W	2.625	2.540		5002395
	2.750 X.083S	2.594	2.030		2-28-3937



HOW TO IDENTIFY A BALL STUD TUBE YOKE USING THIS CATALOG

To identify any tube yoke, the following information is required:

1. Determine the Series
2. Determine the size and wall thickness of the tube it fits
3. Determine the dimension from center of joint to weld point
4. Determine the center of the joint to the end of the ball stud dimension
5. Determine the diameter of the ball stud
6. Determine the length of the ball stud
7. Determine the configuration and dimensions of the slinger or seal (if the part has a slinger or seal)

Example: To find a 1310 Series ball stud tube yoke with a 1.438 center to weld dimension, that fits a 2.000 OD tube with a .120 wall thickness and a .500 diameter ball stud, see the following example:

1. Find the 1310 Series heading
2. Find the 2.000 Tubing Diameter and .120 wall thickness (2.000 x .120W)
3. Find the 1.440 Center to Weld dimension
4. Find the 1.641 Center to End of Ball Stud dimension
5. Find the .594 Ball Stud Length
6. Refer to the slinger and seal illustrations on page 13 to determine which seal/slinger configuration you have.

If you have a seal, order Spicer ball stud tube yoke assembly part number 2-28-2867X

If you have a slinger, order Spicer ball stud tube yoke assembly part number 2-28-2947X

Be sure to read any notes that are provided.

Series and all pertinent series dimensions appear as shown in the sample below:

① For Use With Tube Diameter & Wall Thickness	F	K	J	Ball Stud		Slinger/Seal	Ball Stud Tube Yoke Assembly Part Number
	Butt Diameter	Centerline to Point of Weld	Centerline to End of Ball Stud	L Length	H Diameter		
1310 SERIES	E-3.469	D-1.062		USE KIT 5-153X, 5-785X, 5-810X, 5-786X			
1.250 X.120 W	1.016	1.500	1.641	.594	.500	231864	2-28-2997X
1.750 X.095 W	1.562	1.440	1.641	.594	.500	2-86-418	2-28-2827X
1.750 X.095 W	1.562	1.440	1.641	.594	.500	231864	2-28-2937X
② 2.000 X.120 W	1.766	③ 1.440	④ 1.641	⑤ .594	.500	⑥ 2-86-418	2-28-2867X
2.000 X.120 W	1.766	1.440	1.641	.594	.500	231864	2-28-2947X
2.500 X.065 W	2.375	1.440	1.641	.594	.500	2-86-418	2-28-3087X

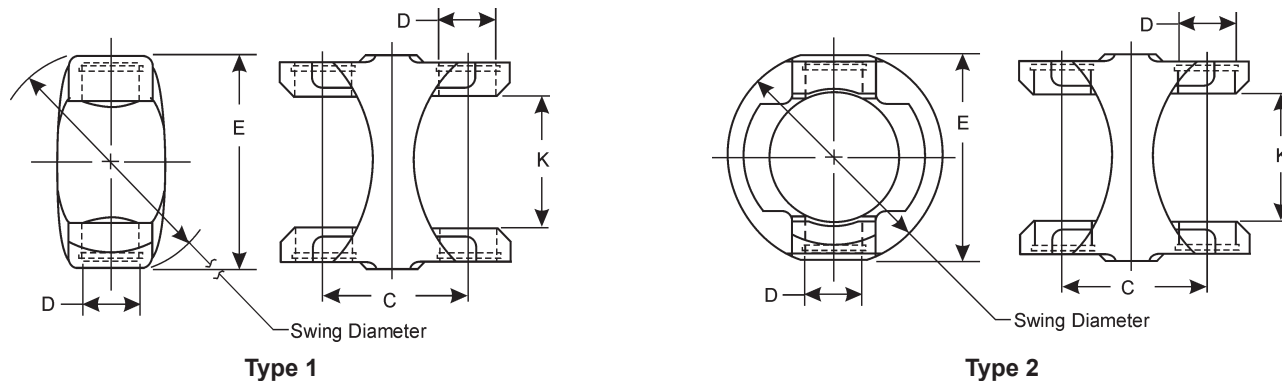
Footnotes for parts and assemblies that are discontinued, will be discontinued upon depletion of stock, or not sold separately, are indicated by a symbol next to the part number. Match the symbol to the appropriate status at the bottom of the page. All other footnotes are located immediately below the yoke dimensional data.

IMPORTANT NOTICE: The data listed herein is correct to the best of our knowledge and belief; having been compiled from reliable and official sources of information. However, WE CANNOT ASSUME ANY RESPONSIBILITY for possible error.



CENTER YOKES

Snap Ring Design



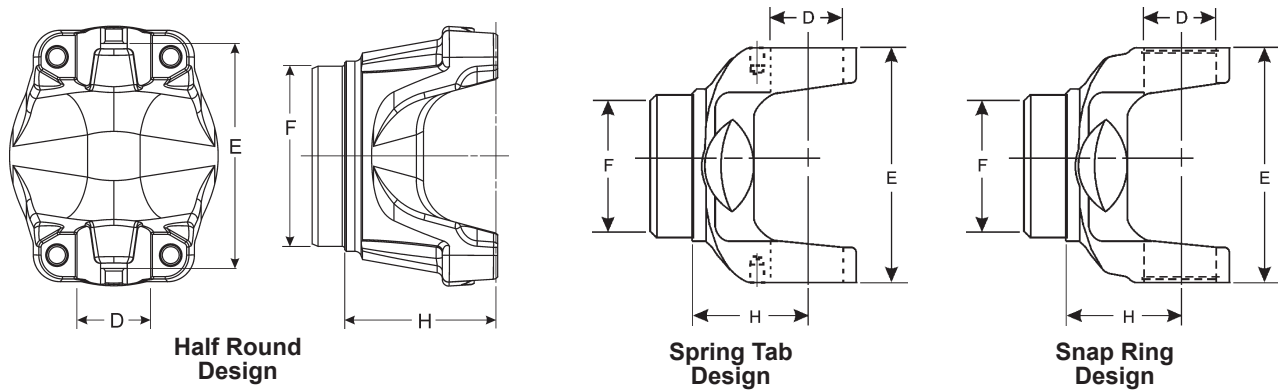
C Center to Center	Swing Diameter	Type	Center Yoke
1000 SERIES	K-1.500 D-.938		USE KIT 5-170X
2.125	2.500	2	10-26-47
1210 SERIES	E-2.688 D-1.062		USE KIT 5-443X
2.688	3.375	2	2-26-457
1310 SERIES	E-3.469 D-1.062	USE KIT 5-153X, 5-785X, 5-810X, 5-786X	
2.688	3.875	2	2-26-477
2.688	3.875	2	2-26-497
2.688	3.875	2	2-26-507
2.750	3.875	1	2-26-177
3.000	3.875	1	2-26-257
1330 SERIES	E-3.875 D-1.062	USE KIT 5-213X, 5-790X, 5-812X, 5-791X	
2.750	4.250	2	2-26-527
2.751	4.250	2	2-26-557•
2.766	4.250	2	2-26-467
1350 SERIES	E-3.875 D-1.188	USE KIT 5-178X, 5-799X, 5-800X	
2.120	—	1	3-26-577
2.750	4.250	1	3-26-317
2.875	4.682	2	3-26-757
			<i>OEM only</i>
1410 SERIES	E-4.438 D-1.188	USE KIT 5-160X, 5-801X OR 5-802X	
3.375	4.688	1	3-26-717
1480 SERIES	E-4.438 D-1.375	USE KIT 5-188X OR 5-803X	
3.375	3.875	1	3-26-667
4.240	3.875	1	3-26-677
1550 SERIES	E-5.250 D-1.375	USE KIT 5-155X OR 5-808X	
3.938	4.125	1	4-26-437•
1610 SERIES	E-5.312 D-1.875	USE KIT 5-279X OR 5-674X	
4.576	—	1	5003513
1710 SERIES	E-6.094 D-1.938	USE KIT 5-280X OR 5-675X	
4.606	—	1	6-26-637M

• Part is discontinued ■ Part is available until supply is exhausted ▲ Not sold separately



TUBE YOKES

Spicer Life Series™



For Use With Tube Diameter & Wall	F	H	Design	Used in Tube Yoke & Yoke Assembly	Tube Yoke Part Number
	Butt Diameter	C-line to Point of Weld			
SPL55 SERIES	E=4.438 (UB,BS STYLE E=4.188) D=1.375			USE KIT SPL55X, SPL55-1X	
3.500 X.083 W	3.344	2.834	HR	—	55-28-27
SPL70 SERIES	E=5.250 (HR STYLE E=4.965) D=1.375			USE KIT 5-155X, SPL70X	
3.500 X.095 W	3.321	2.875	HR	—	70-28-27
SPL90 SERIES	E=5.375 (HR STYLE E=4.958) D=1.625			USE KIT NO. SPL100-1X	
4.000 X.095 W	3.812	2.969	SR	—	90-28-17
4.000 X.134 W	3.734	2.969	SR	—	90-28-17 was replaced by 100-28-17 90-28-27
SPL100 SERIES	E=5.375 (HR STYLE E=4.957) D=1.625			USE KIT NO. SPL100-1X	
4.000 X.095 W	3.810	2.969	SR	—	100-28-17
4.000 X.095 W	3.810	3.240	HR	—	100-28-27
SPL140 SERIES	E=5.028 (HR STYLE E=5.457) D=1.938			USE KIT SPL140X	
4.331 X.197 W	3.957	3.504	ST	—	140-28-17
4.560 X.165 W	4.245	3.504	ST	—	Also fits 4.213 x .138 wall tube 140-28-27*
SPL170 SERIES	E=6.026 (HR STYLE E=6.456) D=2.166			USE KIT SPL170-4X, SPL170-SF4X	
—	4.112	4.567	ST	—	170-28-13415
—	4.112	4.567	ST	—	5013415
—	4.350	4.724	ST	—	170-28-37
4.500 X.134 W	4.242	4.567	ST	—	5009269
4.500 X.137 W	4.242	4.567	ST	—	170-28-09269
4.724 X.197 W	4.350	4.724	ST	—	170-28-27
4.961 X.118 W	4.750	3.700	ST	—	170-28-17
SPL250 SERIES	E=5.986 (HR STYLE E=6.417) D=2.362			USE KIT SPL250-3X, SPL250-SF3X	
—	4.423	4.882	ST	—	250-28-37
5.197 X.236 W	4.746	4.094	ST	—	250-28-17

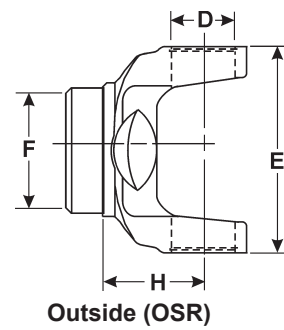
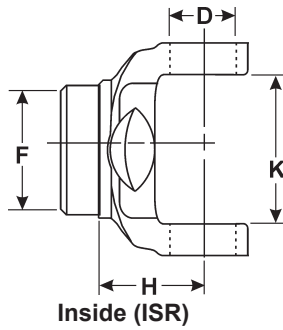
• Part is discontinued ■ Part is available until supply is exhausted ▲ Not sold separately



Important: See Safety Information in General Information Section (J300P-GI)

TUBE YOKES

J300P-5



For Use With Tube Diameter & Wall	F	H	Used in Tube Yoke & Yoke Assembly	Tube Yoke Part Number
	Butt Diameter	C-line to Point of Weld		
1000 SERIES	K-1.500 D=.938		USE KIT 5-170X, 5-170-1X	
1.250 X.095 W	1.068	2.560	—	10-26-37
1.750 X.065 W	1.625	2.000	10-27-1	10-28-17 <i>10-28-17 was replaced by 10-28-97</i>
1.750 X.065 W	1.631	2.000	—	10-28-97
1100 SERIES	E=2.656 D=.938		USE KIT 5-101X OR 5-111X	
1.250 X.095 W	1.068	1.688	—	1-26-297
2.000 X.065 W	1.881	1.500	—	1-28-107
1210 SERIES	E=2.688 D=1.062		USE KIT NO. 5-443X, 5-554X	
1.500 X.120 W	1.267	1.625	—	2-28-3027
2.000 X.083 W	1.845	1.500	—	2-28-2417
2.500 X.065 W	2.381	1.312	—	2-28-1947
1310 SERIES	E=3.469 (UB,BS STYLE E=3.219) D=1.062,		USE KIT 5-153X, 5-1310X	
1.250 X.098 W	1.068	2.125	—	2-26-187
1.250 X.120 S	1.016	2.125	—	2-26-347
1.250 X.188 S	.886	2.281	—	2-26-147
1.750 X.065 W	1.630	1.688	—	2-28-447
1.750 X.095 W	1.571	1.688	—	2-28-3187
2.000 X.065 W	1.881	1.688	—	2-28-417
2.000 X.083 W	1.845	1.688	2-27-7	2-28-357
2.000 X.095 W	1.821	1.688	—	2-28-577
2.000 X.120 W	1.771	1.688	—	2-28-1757
2.000 X.120 W	1.771	1.965	—	2-28-02324
2.000 X.120 W	1.771	1.965	—	5002324
			<i>5002324 will be replaced by 2-28-02324 when supply is exhausted</i>	
2.250 X.095 W	2.062	2.000	—	2-28-547•
2.500 X.065 W	2.381	1.844	2-27-4	2-28-277
2.500 X.083 W	2.345	1.844	2-27-9	2-28-367
2.750 X.065 W	2.631	1.688	2-27-5	2-28-307
2.750 X.083 W	2.595	1.688	—	2-28-1617•
3.000 X.065 W	2.881	1.688	2-27-6	2-28-327
3.000 X.065 W	2.881	1.844	—	2-28-3207
3.000 X.083 W	2.845	1.688	2-27-24	2-28-437
3.250 X.065 W	3.130	1.688	—	2-28-557
3.500 X.065 W	3.381	1.688	2-27-10	2-28-397
3.500 X.083 W	3.345	1.688	2-27-12	2-28-427
4.000 X.083 W	3.844	1.500	—	2-28-477
4.000 X.083 W	3.845	1.906	—	2-28-3837

• Part is discontinued ■ Part is available until supply is exhausted ▲ Not sold separately



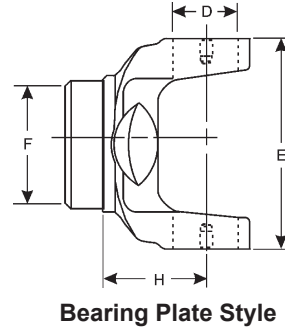
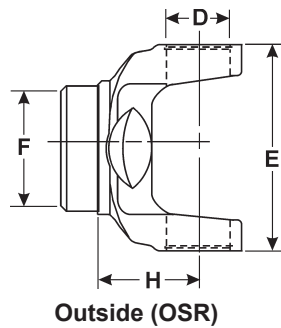


For Use With Tube Diameter & Wall	F	H	Used in Tube Yoke & Yoke Assembly	Tube Yoke Part Number
	Butt Diameter	C-line to Point of Weld		
1330 SERIES	E=3.875 (UB,BS STYLE E=3.625) D=1.062		USE KIT 5-213X, 5-1330X	
2.000 X.120 W	1.771	2.125	—	2-28-2777
2.500 X.083 W	2.345	1.719	—	2-28-1707
2.500 X.083 W	2.344	2.537	—	2-28-3347•
2.750 X.065 S	2.631	2.000	—	5004393
2.750 X.065 W	2.625	2.540	—	5002395•
2.750 X.083 S	2.595	2.031	—	2-28-3937
2.750 X.083 W	2.591	2.539	—	2-28-4017
3.000 X.065 W	2.881	1.719	—	2-28-1177
3.000 X.083 W	2.845	1.719	—	2-28-1697
3.000 X.083 W	2.844	2.165	—	2-28-4037 ▲
3.000 X.083 W	2.844	2.240	—	2-28-06030
3.000 X.083 W	2.844	2.240	—	5006030
		<i>5006030 will be replaced by 2-28-06030 when supply is exhausted</i>		
3.500 X.065 W	3.381	1.812	—	2-28-1977
3.500 X.065 W	3.370	2.413	—	5002389•
3.500 X.083 W	2.345	1.812	—	2-28-1717
4.000 X.065 W	3.881	2.220	—	5012027
		<i>5012027 will be replaced by 2-28-12027 when supply is exhausted</i>		
4.000 X.065 W	3.881	1.688	—	2-28-3787
4.000 X.065 W	3.881	2.220	—	2-28-12027
4.000 X.065 W	3.881	2.220	—	3-28-06456
4.000 X.065 W	3.881	2.220	—	5006456
		<i>5006456 will be replaced by 2-28-06456 when supply is exhausted</i>		
4.000 X.083 W	3.844	1.688	—	2-28-1967
1350 SERIES	E=3.875 (UB,BS STYLE E=3.625) D=1.188		USE KIT 5-178X, 5-1350X	
2.000 X.120 W	1.771	2.000	—	3-26-117
2.000 X.120 W	1.771	2.125	—	3-28-777
2.500 X.083 W	2.345	1.938	3-27-1	3-28-47
2.750 X.065 W	2.631	2.031	—	3-28-1107■
3.000 X.065 W	2.881	2.030	—	3-28-137
3.000 X.083 W	2.845	2.000	3-27-2	3-28-57
3.000 X.083 W	2.844	2.031	—	3-28-1157
		<i>3-28-1157 was replaced by 3-28-57</i>		
3.000 X.095 W	2.821	2.000	—	3-28-157
3.000 X.134 W	2.734	1.970	—	3-28-1137•
3.500 X.065 W	3.381	1.812	3-27-5	3-28-257
3.500 X.083 W	3.345	1.840	—	3-28-427
4.000 X.065 W	3.884	1.690	—	3-28-1667
4.000 X.083 W	3.844	1.688	—	3-28-417
1410 SERIES	E=4.438 (UB,BS STYLE E=4.188) D=1.188		USE KIT 5-160X, 5-1410X	
2.500 X.095 W	2.321	2.000	—	3-28-327
2.500 X.156 S	2.217	2.000	—	3-26-437
2.750 X.083 W	2.595	1.625	—	3-28-987
3.000 X.083 W	2.845	1.625	—	3-28-447
3.000 X.083 W	2.845	2.125	3-27-3	3-28-97
3.000 X.095 W	2.821	2.125	3-27-6	3-28-267
3.000 X.134 W	2.742	1.624	—	3-28-997■
3.000 X.250 W	2.500	1.625	—	3-28-1117•
3.500 X.065 W	3.381	2.125	3-27-8	3-28-367
3.500 X.083 W	3.345	2.125	3-27-4	3-28-557
3.500 X.095 W	3.321	2.125	—	3-28-857•
4.000 X.065 W	3.884	1.880	—	3-28-1267

• Part is discontinued ■ Part is available until supply is exhausted ▲ Not sold separately



Important: See Safety Information in General Information Section (J300P-GI)



For Use With Tube Diameter & Wall	F	H	Used in Tube Yoke & Yoke Assembly	Tube Yoke Part Number
	Butt Diameter	C-line to Point of Weld		
1410 SERIES (Con't)	E=4.438 (UB,BS STYLE E=4.188) D=1.188		USE KIT 5-160X, 5-1410X	
4.000 X.083 W	3.845	1.875	3-27-16	3-28-457
4.000 X.095 W	3.821	1.875	—	3-28-387
4.095 X.180 W	3.743	2.030	—	3-28-1087•
1480 SERIES	E=4.438 (UB,BS STYLE E=4.188) D=1.375		USE KIT 5-188X,SPL55X	
3.000 X.095 W	2.821	1.688	—	3-28-497▪
3.500 X.083 W	3.345	2.031	3-27-22	3-28-537
3.500 X.083 W	3.345	2.312	—	3-28-547
3.500 X.095 W	3.321	2.031	—	3-28-567
4.000 X.083 W	3.845	2.031	3-27-20	3-28-507
4.000 X.095 W	3.821	2.031	—	3-28-627
1550 SERIES	E=5.250 (UB,BS STYLE E=4.964) D=1.375		USE KIT 5-155X, SPL70X	
3.500 X.095 W	3.321	1.844	—	4-28-257
3.500 X.095 W	3.321	2.188	4-27-18	4-28-307
3.500 X.095 W	3.321	2.688	4-27-16	4-28-417
3.500 X.095 W	3.321	3.125	—	4-28-427•
3.500 X.134 W	3.243	1.810	—	4-28-627
3.500 X.134 W	3.243	2.188	—	4-28-487
3.500 X.156 W	3.199	2.188	—	4-28-657
4.000 X.083 W	3.845	2.188	—	4-28-277
4.000 X.095 W	3.812	2.188	—	4-28-297•
1610 SERIES	E=5.312 (HR STYLE E=5.312) D= 1.875		USE KIT 5-279X, 5-674X	
3.500 X.095 W	3.320	3.000	5-27-7	5-28-167
3.500 X.134 W	3.243	3.000	5-27-25	5-28-627
3.500 X.134 W	3.250	3.000	—	5-28-717•
3.500 X.134 W	3.243	3.810	—	5-28-887
				<i>High angle yoke</i>
3.500 X.156 W	3.199	3.000	5-27-9	5-28-207
3.500 X.156 W	3.263	3.000	—	5-28-957
3.550 X.207 W	3.141	2.220	—	5-28-837•
3.550 X.207 W	3.153	2.220	—	5-28-977M
				<i>Metric bolt holes; uses 5-585XM u-joint</i>
3.550 X.207 W	3.141	3.000	—	5-28-967•
4.000 X.134 W	3.743	3.000	—	5-28-327
1710 SERIES	E=6.094 (HR STYLE=6.190) D=1.938		USE KIT NO. 5-280X, 5-675X	
3.500 X.156 W	3.198	3.031	6-27-7	6-28-137
4.000 X.134 W	3.743	3.031	6-27-17	6-28-347
4.000 X.134 W	3.743	3.031	—	6-28-557M
4.000 X.134 W	3.743	3.688	—	6-28-467
				<i>High angle yoke</i>
4.000 X.134 W	3.743	4.060	—	6-28-527
4.500 X.134 W	4.242	3.031	—	6-28-407

• Part is discontinued ▪ Part is available until supply is exhausted ▲ Not sold separately



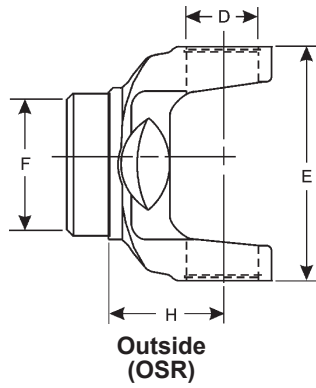


For Use With Tube Diameter & Wall	F	H	Used in Tube Yoke & Yoke Assembly	Tube Yoke Part Number
	Butt Diameter	C-line to Point of Weld		
1760 SERIES	E=7.000 (HR STYLE=7.094) D=1.938		USE KIT NO. 5-407X, 5-677X	
4.095 X.180 W	3.743	3.031	—	6.3-28-17
1810 SERIES	E=7.547 (HR STYLE=7.643) D=1.938		USE KIT NO. 5-281X, 5-676X	
4.500 X.134 W	4.243	3.375	6.5-27-9	6.5-28-117
4.500 X.259 W	4.003	3.375	—	6.5-28-127
1880 SERIES	E=8.094 D=2.188		USE KIT 5-308X	
4.500 X.259 W	4.003	4.000	—	8-28-147
1950 SERIES	E=10.094 D=3.062		USE KIT 5-192X	
6.000 X.500 S	5.125	6.531	—	9-26-18X•
5C SERIES	P=4.531 S=1.685 KEYWAY-.563		USE KIT 050776010,050370000	
2.500 X.159 W	2.186	2.224	—	5C-28-27• .375-24 Threaded Holes
6C SERIES	P=5.531 S=1.689 KEYWAY-.563		USE KIT 050138010,050273000	
2.756 X.159 W	2.448	1.870	—	6C-28-27• .375-24 Threaded Holes

• Part is discontinued ■ Part is available until supply is exhausted ▲ Not sold separately



Important: See Safety Information in General Information Section (J300P-GI)



For Use With Tube Diameter & Wall	F	H	Used in Tube Yoke & Yoke Assembly	Tube Yoke Part Number
	Butt Diameter	C-line to Point of Weld		
1310 SERIES	E=3.469 D=1.062			USE KIT 5-3613X
2.750 X.120 S	2.531	1.375	—	2-28-2787•
3.000 X.120 S	2.782	1.375	—	2-28-2427
3.250 X.083 S	3.104	1.969	—	2-28-3367•
4.000 X.083 S	3.855	2.125	—	2-28-3637
4.000 X.083 S	3.853	2.130	—	2-28-3697•
1330 SERIES	E=3.875 D=1.062			USE KIT 5-3614X
3.500 X.081 W	3.355	1.839	—	2-28-4047 ▲
3.500 X.083 W	3.355	1.840	—	2-28-3767
3.500 X.120 S	3.280	1.837	—	2-28-2757
3.750 X.083 S	3.604	2.130	—	2-28-3717•
4.000 X.083 S	3.855	2.125	—	2-28-3317
4.000 X.083 S	3.855	2.232	—	2-28-16881 w/vent hole thru web
4.000 X.083 S	3.855	2.232	—	2-28-16882
4.000 X.083 S	3.855	2.232	—	5016881
4.000 X.083 S	3.855	2.232	—	5016882
4.000 X.083 S	3.855	2.406	—	2-28-3327
4.000 X.083 S	3.855	3.125	—	2-28-3377
4.000 X.083 W	3.844	2.130	—	2-28-4057
4.160 X.086 S	3.998	2.130	—	2-28-3687
4.160 X.086 S	3.998	2.232	—	2-28-16885 w/vent hole thru web
4.160 X.086 S	3.998	2.232	—	5016885
4.160 X.086 S	3.998	2.406	—	2-28-3517
4.503 X.098 W	4.388	2.205	—	2-28-01588
4.503 X.098 W	4.388	2.205	—	5001588
4.520 X.075 S	—	4.388	—	2-28-3507
4.540 X.083 S	4.388	4.000	—	2-28-01484
4.540 X.083 S	4.388	4.000	—	5001484
5.000 X.065 S	4.888	1.820	—	2-28-3487
5.000 X.065 S	4.888	4.110	—	2-28-3527

• Part is discontinued ■ Part is available until supply is exhausted ▲ Not sold separately



For Use With Tube Diameter & Wall	F	H	Used in Tube Yoke & Yoke Assembly	Tube Yoke Part Number
	Butt Diameter	C-line to Point of Weld		
1350 SERIES	E=3.875 D=1.188			USE KIT 5-3615X
3.500 X.120 S	3.280	1.837	—	3-28-977
3.500 X.165 S	3.188	1.837	—	3-28-1197
4.000 X.083 S	3.855	2.125	—	3-28-1297
4.000 X.083 S	3.855	2.406	—	3-28-1307
4.160 X.086 S	3.998	2.130	—	3-28-1617
4.160 X.086 S	3.998	2.410	—	3-28-1437*
4.500 X.065 S	4.388	4.000	—	3-28-10274
4.500 X.065 S	4.388	4.000	—	5010274
				<i>5010274 will be replaced by 2-28-10247 when supply is exhausted</i>
4.520 X.075 S	4.388	2.130	—	3-28-1407
4.575 X.134 S	4.325	3.173	—	5006297*
4.575 X.134 W	4.325	3.173	—	3-28-07154
				<i>w/vent hole thru web</i>
4.575 X.134 W	4.325	3.173	—	5007154
				<i>5007154 will be replaced by 2-28-07154 when supply is exhausted; w/vent hole thru web</i>
5.000 X.065 S	4.888	1.840	—	3-28-01701 ▲
5.000 X.065 S	4.888	1.840	—	5001701
				<i>5001701 will be replaced by 2-28-01701 when supply is exhausted</i>
5.000 X.065 S	4.888	1.844	—	3-28-1347
5.000 X.065 S	4.888	4.110	—	3-28-1447
5.086 X.103 S	4.888	3.173	—	5012681
				<i>5012681 will be replaced by 2-28-12681 when supply is exhausted</i>
5.086 X.106 S	4.888	3.173	—	3-28-1287 ▲
5.086 X.106 S	4.888	3.173	—	3-28-12681
5.090 X.107 S	4.876	3.173	—	3-28-06301
				<i>w/vent hole thru web</i>
5.090 X.107 S	4.888	3.173	—	3-28-07058
5.090 X.107 S	4.876	3.173	—	5006301
				<i>5006301 will be replaced by 2-28-06301 when supply is exhausted; w/vent hole thru web</i>
5.090 X.107 S	4.888	3.173	—	5007058
				<i>5007058 will be replaced by 2-28-07058 when supply is exhausted</i>
1410 SERIES	E=4.438 D=1.188			USE KIT 5-3616X
4.000 X.083 S	3.853	2.290	—	3-28-1607*
4.000 X.083 W	3.855	2.130	—	3-28-03535
4.000 X.083 W	3.855	2.130	—	3-28-03536
4.000 X.083 W	3.855	2.130	—	5003535
				<i>5003535 will be replaced by 2-28-03535 when supply is exhausted; Use plug no. 232639 in vent hole</i>
4.000 X.083 W	3.855	2.130	—	5003536
				<i>5003536 will be replaced by 2-28-03536 when supply is exhausted;</i>
4.000 X.103 S	3.812	2.125	—	3-28-1537*
4.157 X.087 S	3.998	2.290	—	3-28-1757
4.500 X.098 S	4.325	2.125	—	3-28-1387*
4.510 X.063 S	4.384	2.290	—	3-28-1547
				<i>Use plug no. 232639 in vent hole</i>
4.510 X.063 S	4.384	2.290	—	3-28-1597*
5.000 X.063 S	4.888	2.281	—	3-28-1647
5.000 X.065 S	4.888	4.109	—	3-28-1657

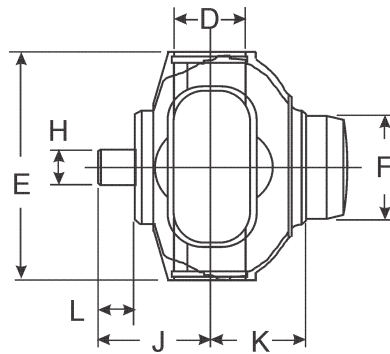
• Part is discontinued ■ Part is available until supply is exhausted ▲ Not sold separately



Important: See Safety Information in General Information Section (J300P-GI)

BALL STUD TUBE YOKES

For Constant Velocity Applications

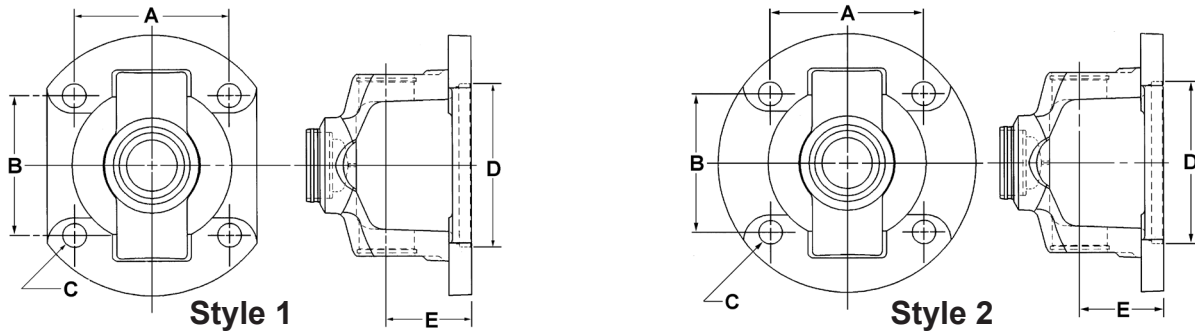


For Use With Tube Diameter & Wall Thickness	F	K	J	Ball Stud		Slinger	Ball Stud Tube Yoke Assembly Part Number
	Butt Diameter	Centerline to Point of Weld	Centerline to End of Ball Stud	L Length	H Diameter		
1210 SERIES	E-2.688 D-1.062					USE KIT 5-443X	
2.500 X.065 W	2.375	1.310	1.641	.594	.500	231413	2-28-2407X
2.500 X.083 W	2.334	1.310	1.640	.594	.500	231413	2-28-3657X
1310 SERIES	E-3.469 D-1.062					USE KIT 5-153X, 5-785X, 5-810X, 5-786X	
1.250 X.120 W	1.016	1.500	1.641	.594	.500	231864	2-28-2997X
1.750 X.095 W	1.562	1.440	1.641	.594	.500	231864	2-28-2937X
1.750 X.095 W	1.562	1.440	1.641	.594	.500	2-86-418	2-28-2827X
2.000 X.120 W	1.766	1.440	1.641	.594	.500	231864	2-28-2947X
2.000 X.120 W	1.766	1.440	1.641	.594	.500	2-86-418	2-28-2867X
2.500 X.065 W	2.375	1.440	1.641	.594	.500	2-86-418	2-28-3087X
2.500 X.083 W	2.344	1.440	1.641	.594	.500	2-86-418	2-28-2887X
2.500 X.083 W	2.344	1.440	1.641	.594	.500	231864	2-28-2957X
2.750 X.065 W	2.625	1.281	1.641	.594	.500	2-86-418	2-28-2747X
2.750 X.065 W	2.625	1.281	1.641	.594	.500	231864	2-28-2987X
2.750 X.083 W	2.584	1.440	1.641	.594	.500	231864	2-28-3817X•
3.000 X.065 W	2.875	1.440	1.641	.594	.500	231864	2-28-2967X
3.000 X.065 W	2.875	1.440	1.641	.594	.500	2-86-418	2-28-2907X
3.000 X.083 W	2.844	1.440	1.641	.594	.500	2-86-418	2-28-2927X
3.000 X.083 W	2.844	1.440	1.641	.594	.500	231864	2-28-2977X
1330 SERIES	E-3.875 D-1.062					USE KIT 5-213X, 5-790X, 5-812X, 5-791X	
2.000 X.120 W	1.766	1.375	1.670	.590	.500	231259	2-28-2157X
2.000 X.120 W	1.766	1.375	1.670	.590	.500	2-86-418	2-28-3257X
2.500 X.083 W	2.344	1.375	1.670	.590	.500	231259	2-28-2137X
2.500 X.083 W	2.344	1.375	1.670	.590	.500	2-86-418	2-28-3067X
2.500 X.095 W	2.312	1.375	1.670	.590	.500	2-86-418	2-28-3277X•
3.000 X.065 W	2.875	1.375	1.750	.688	.615	230962	2-28-1277X▪
3.000 X.065 W	2.875	1.440	1.670	.422	.500	231259	2-28-2117X
3.000 X.083 W	2.844	1.375	1.670	.590	.500	2-86-418	2-28-3447X
3.000 X.083 W	2.844	1.440	1.670	.590	.500	231259	2-28-2187X
1350 SERIES	E-3.875 D-1.188					USE KIT 5-178X, 5-799X, 5-800X	
3.000 X.083 W	2.844	1.440	1.732	.590	.500	2-86-418	3-28-1327X
3.000 X.083 W	2.844	1.551	1.732	.590	.500	—	5009422
				<i>5009422 will be replaced by 3-28-09422X when supply is exhausted</i>			
3.000 X.083 W	2.844	1.551	1.732	.590	.500	—	5009420 ▲
3.500 X.083 W	3.344	1.440	1.732	.590	.500	2-86-418	3-28-1527X

• Part is discontinued ■ Part is available until supply is exhausted ▲ Not sold separately



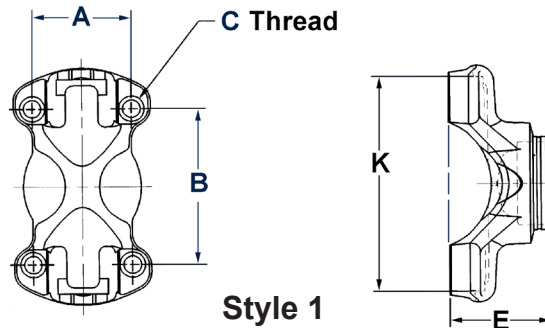
J300P-5 SOCKET YOKE ASSEMBLY DIMENSIONS



Flanged Socket Yoke Assembly	Series	Style	Bolt Circle Diameter	Bolt Holes Dimensions			Fits	C/L	Ball Stud Size	
				A	B	C	Diameter	to End		
				A	B	C	D	E		
211489X●	1210	1	3.500	2.468	2.468	0.484	2.000	1.625	0.500	
211543X■◇	1310	1	3.500	2.484	2.484	0.484	2.000	1.625	0.500	
211229X■▶	1310	1	3.500	2.484	2.484	0.484	2.000	1.625	0.500	
212130X■	1310	1*	3.750	2.712	2.712	0.401	2.750M	1.500	0.522	
211198X●	1310	1	4.000	2.937	2.937	0.453	3.125	1.625	0.500	
211452X●	1310	1	4.250	3.000	3.000	0.453	3.125	1.625	0.500	
211545X■	1310	1	4.250	3.000	3.000	0.453	3.125	1.625	0.500	
212040X■	1310	1	4.250	3.000	3.000	0.488	3.126	1.620	0.500	
211631X■	1330	1	4.250	3.000	3.000	M12X1.75th'd	2.000	1.625	0.500	
211889X●	1330	2	4.000	2.953	2.656	0.453	3.125	1.875	0.500	
211606X	1330	2	4.000	2.953	2.656	0.453	3.125	1.812	0.500	
211520X●	1330	2	4.000	2.953	2.656	0.453	3.125	1.875	0.625	
211868X●	1330	2	4.250	3.000	3.000	0.453	3.125	1.812	0.500	
211913X■	1330	1	4.250	3.000	3.000	0.462	3.125	1.625	0.500	
212024X■	1350	1	4.250	3.000	3.000	M12X1.75th'd	2.000	1.625	0.500	
212025X■	1350	1	4.250	3.000	3.000	M12X1.75th'd	2.680	1.625	0.500	
**5009419■	1350	1	4.250	3.000	3.000	0.459	3.125	1.620	0.500	

*Male Pilot

**2-12-229 sprint not included

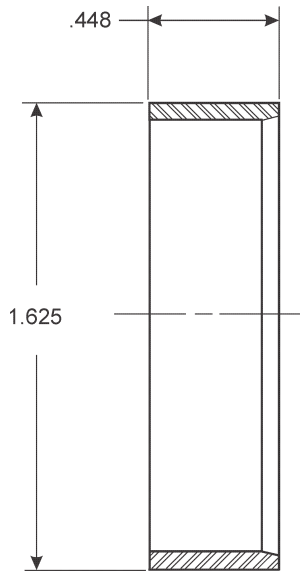


Flanged Socket Yoke Assembly	Series	Style	Bolt Circle Diameter	Bolt Holes Dimensions			C/L	Ball Stud Size	
				A	B	C	to End		
				A	B	C	E		
211342X	1210	3	2.437	1.500	2.343	.250-28th'd	1.531	0.500	
211519X	1210	—	2.437	1.500	2.343	.250-28th'd	1.640	has .500 stud	
211355X	1310	3	3.218	1.500	2.343	.312-24th'd	1.531	0.500	
211544X■◇	1310	3	3.218	1.500	2.343	.312-24th'd	1.656	0.500	
211179X●	1330	3	3.625	1.500	2.875	.312-24th'd	1.562	0.500	
210841X	1330	3	3.625	1.500	2.875	.312-24th'd	1.562	0.625	
211996X■◇	1330	3	3.625	1.500	2.875	.312-24th'd	1.690	0.500	
212019X■	1350	3	3.625	1.625	2.750	.312-24th'd	1.757	0.500	

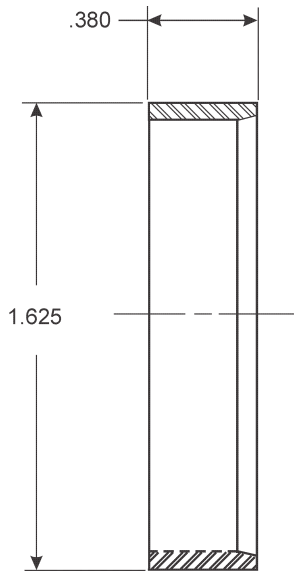
- Flush Zerk (#230977) ▶ Socket OD 1.394
- Non-Greasable ◇ Socket OD 1.625



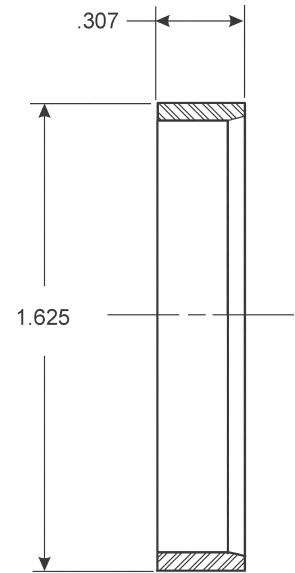
Important: See Safety Information in General Information Section (J300P-GI)



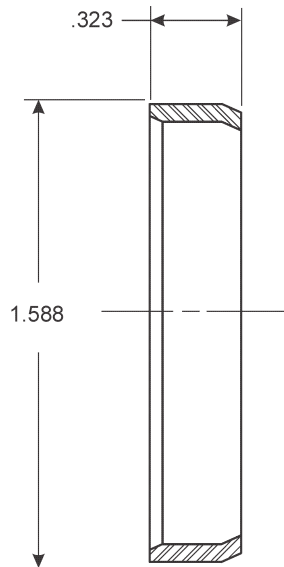
230962



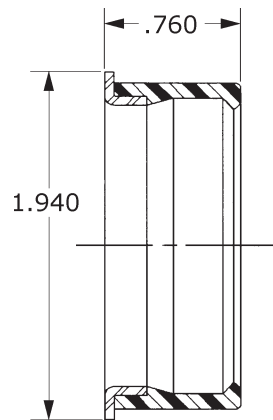
231259



231413



231864



**Seal
2-86-418**



1-26-297	6	2-28-3347•	7	3-28-547	8
1-28-107	6	2-28-3367•	10	3-28-557	7
2-26-147	6	2-28-3377	10	3-28-567	8
2-26-177	4	2-28-3487	10	3-28-627	8
2-26-187	6	2-28-3507	10	3-28-777	7
2-26-257	4	2-28-3517	10	3-28-857•	7
2-26-347	6	2-28-3527	10	3-28-977	11
2-26-457	4	2-28-3637	10	3-28-987	7
2-26-467	4	2-28-3687	10	3-28-997■	7
2-26-477	4	2-28-3697•	10	3-28-1087•	8
2-26-497	4	2-28-3717•	10	3-28-1107■	7
2-26-507	4	2-28-3767	10	3-28-1117•	7
2-26-527	4	2-28-3787	7	3-28-1137•	7
2-26-557•	4	2-28-3837	6	3-28-1157	7
2-28-277	6	2-28-3937	7	3-28-1197	11
2-28-307	6	2-28-4017	7	3-28-1267	7
2-28-327	6	2-28-4037▲	7	3-28-1287▲	11
2-28-357	6	2-28-4047▲	10	3-28-1297	11
2-28-367	6	2-28-4057	10	3-28-1307	11
2-28-397	6	2-28-06030	7	3-28-1347	11
2-28-417	6	2-28-06456	7	3-28-1387•	11
2-28-427	6	2-28-12027	7	3-28-1407	11
2-28-437	6	2-28-16881	10	3-28-1437•	11
2-28-447	6	2-28-16882	10	3-28-1447	11
2-28-477	6	2-28-16885	10	3-28-1537•	11
2-28-547•	6	3-26-117	7	3-28-1547•	8
2-28-557	6	3-26-317	4	3-28-1547	11
2-28-577	6	3-26-437	7	3-28-1597•	11
2-28-1177	7	3-26-577	4	3-28-1607•	11
2-28-01484	10	3-26-667	4	3-28-1617	11
2-28-01588	10	3-26-677	4	3-28-1647	11
2-28-1617■	6	3-26-717	4	3-28-1657	11
2-28-1697	7	3-26-757•	4	3-28-1667	7
2-28-1707	7	3-28-47	7	3-28-01701▲	11
2-28-1717	7	3-28-57	7	3-28-1757	11
2-28-1757	6	3-28-97	7	3-28-03535	11
2-28-1947	6	3-28-137	7	3-28-03536	11
2-28-1967	7	3-28-157	7	3-28-06301	11
2-28-1977	7	3-28-257	7	3-28-07058	11
2-28-02324	6	3-28-267	7	3-28-07154	11
2-28-2417	6	3-28-327	7	3-28-10274	11
2-28-2427	10	3-28-367	7	3-28-12681	11
2-28-2757	10	3-28-387	8	4-26-437•	4
2-28-2777	7	3-28-417	7	4-28-257	8
2-28-2787•	10	3-28-427	7	4-28-277	8
2-28-3027	6	3-28-447	7	4-28-297•	8
2-28-3187	6	3-28-457	8	4-28-307	8
2-28-3207	6	3-28-497■	8	4-28-417	8
2-28-3317	10	3-28-507	8	4-28-427•	8
2-28-3327	10	3-28-537	8	4-28-487	8

• Part is discontinued ■ Part is available until supply is exhausted ▲ Not sold separately



Important: See Safety Information in General Information Section (J300P-GI)

4-28-627	8	5003535	11
4-28-657	8	5003536	11
5-28-167	8	5004393	7
5-28-207	8	5006030	7
5-28-327	8	5006297•	11
5-28-627	8	5006301	11
5-28-717•	8	5006456	7
5-28-837•	8	5007058	11
5-28-887	8	5007154	11
5-28-957	8	5009269	5
5-28-967•	8	5010274	11
5-28-977M	8	5012027	7
6-26-637M	4	5012681	11
6-28-137	8	5013415	5
6-28-347	8	5016881	10
6-28-407	8	5016882	10
6-28-467	8	5016885	10
6-28-527	8	5C-28-27•	9
6-28-557M	8	6C-28-27•	9
6.3-28-17	9		
6.5-28-117	9		
6.5-28-127	9		
8-28-147	9		
9-26-18X•	9		
10-26-37	6		
10-26-47	4		
10-28-17	6		
10-28-97	6		
55-28-27	5		
70-28-27	5		
90-28-17	5		
90-28-27	5		
100-28-17	5		
100-28-27	5		
140-28-17	5		
140-28-27•	5		
170-28-17	5		
170-28-27	5		
170-28-37	5		
170-28-09269	5		
170-28-13415	5		
250-28-17	5		
250-28-37	5		
5001484	10		
5001588	10		
5001701	11		
5002324	6		
5002389•	7		
5002395•	7		
5003513	4		

• Part is discontinued ■ Part is available until supply is exhausted ▲ Not sold separately



Dana Aftermarket Group

PO Box 321
Toledo, Ohio 43697-0321

Warehouse Distributors: 1.800.621.8084
OE Dealers: 1.877.777.5360

www.spicerparts.com

SPICER[®]

