

Automatic Slack Adjuster

Parts Catalog



WARRANTY

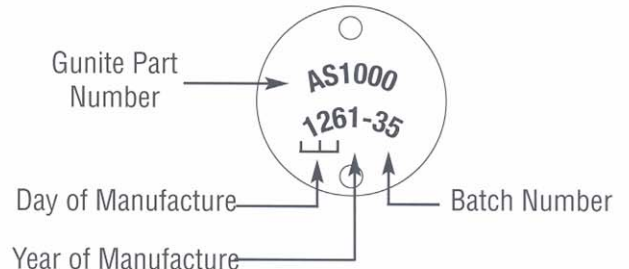
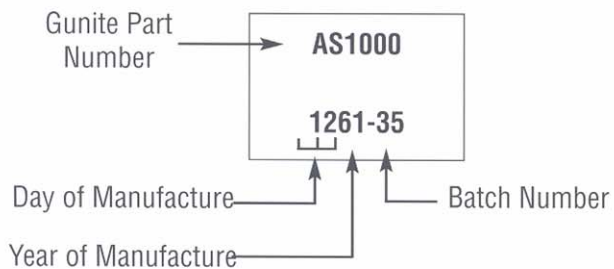
Gunite® Corporation warrants to the original purchaser that its Automatic Slack Adjusters and related components when installed and maintained in accordance with Gunite Corporation instructions, to be free of defects in material and workmanship under normal use and service for:

- “Over-the Road/Line Operated” trucks and trailers, five (5) years, or 500,000 miles, whichever occurs first.
- “School Bus/City Delivery” vehicles, three (3) years, or 300,000 miles, whichever occurs first.
- “Severe Service” (ie: Refuse and Off-Highway) vehicles, two (2) years or 200,000 miles, whichever occurs first.

Gunite Corporation agrees to repair or replace, without charge, any and all of its products which fail in normal use and service because of defects in material and/or workmanship.

Gunite Corporation shall not be liable for any incidental or consequential damages for any breach of warranty, its liability, and the purchaser’s exclusive remedy being expressly limited to repair or replacement of the product as herein provided. There are no other warranties, expressed or implied except such as is set forth herein.

GUNITE® AUTOMATIC SLACK ADJUSTER IDENTIFICATION



LOCATION – SIDE OF SLACK ADJUSTER HOUSING OR ON END CAP FACING THE BRAKE CHAMBER.

TABLE OF CONTENTS

INTRODUCTION

| | |
|---|--------------|
| Warranty | Inside Cover |
| Identification | Inside Cover |
| Index | 1 |
| Features and Benefits | |
| Automatic Slack Adjusters | |
| Other Brands Comparison | 2 |
| Numerical Listing | |
| Automatic Slack Adjusters | 3 |
| Clevis Kits | 4 |
| Service Kits | 4 |
| Axle Applications | |
| Front (Steer) Axle Applications | 5 |
| Rear (Drive) Axle Applications | 5 |
| Trailer Axle Applications | 5 |
| Obsolete Products | |
| Obsolescence Listing | 6 |
| Cross References | |
| Gunite Production to Gunite Aftermarket | 7-10 |
| OEM Part Number to Gunite | 11-15 |
| Other Brands to Gunite | |
| Bendix Corporation | 16-19 |
| Crewson Industries | 19-21 |
| Eagle | 21-22 |
| Dana/Eaton Corporation | 22-25 |
| Euclid | 25-29 |
| Haldex Brake Systems | 29-34 |
| Meritor | 34-41 |
| Haldex Brake Systems – Midland | 41-44 |
| Sloan | 44 |

The Gunite® part numbering system is proprietary to Gunite Corporation. Any improper or unauthorized use of these numbering systems, including adoption or use of any Gunite part number, even where the subject is one of modification or addition, is strictly prohibited and will be prosecuted by Gunite Corporation as a violation of U. S. and foreign copyright, trademark, and unfair competition laws. In addition, use of any Gunite trademark, trade name, packaging scheme, system, color, or design is likewise considered a violation of the trademark, trade name, and trade identity rights of Gunite Corporation.

The interchange information shown in this catalog is based on the best available information at the time of publication. Although reasonable care has been taken to ensure the accuracy of this information, Gunite Corporation does not assume any liability for errors, changes, omissions, or harm resulting from the use of this information. It is recommended that all parts be thoroughly checked to ensure proper fit, form, and function prior to installation.

The Gunite Automatic Slack Adjuster combines easy installation and outstanding performance in a double sealed package for longer brake lining life with consistent, safer brake performance.

- 5", 5-1/2", 6", 6-1/2" Arm Lengths
- Straight or Offset clevis with 1/2" or 5/8" threads
- Unhanded design
- Compact housing for easy installation
- Double sealed actuator arm
- Drilled worm wheel
- Factory lubricated and sealed
- Extended life clevis pin bushing
- O-Ring on spline gear
- Available in 10, 24, 28, or 37 spline configurations



OTHER BRANDS COMPARISON

| Feature | Arvin Meritor | Bendix | Crewson Industries | Gunite | Haldex |
|-----------------------------|---------------|----------------|--------------------|--------------------|-------------|
| Sensing Type | Stroke | Clearance | Clearance | Clearance | Clearance |
| Clutch | Ratcheting | Torsion Spring | Cone Clutch | Cone Clutch | Cone Clutch |
| Clutch Spring | No Spring | Torsion Spring | Coil | Belleville Springs | Coil |
| Two-Way Adjustment | No | No | No | Yes | Yes |
| Adjustment Occurs | On Return | On Apply | On Return | On Apply | On Return |
| Drilled Gear | Drilled | Optional | Drilled | Drilled | No |
| Gear Thread | Buttress | Symmetric | Symmetric | Buttress | Buttress |
| Non-Handed | No | Yes | Yes | Yes | Yes |
| External Attachments | No | No | No | No | Yes |

GUNITE AUTOMATIC SLACK ADJUSTERS

| Gunite Part Number | Packaged Weight | Arm Length | Number of Splines | Spline Diameter | Clevis Kit |
|--------------------|-----------------|------------|-------------------|-----------------|------------|
| | | A | B | C | D |
| AS1031 | 7.0 | 5" | 10 | 1-1/2" | n/a |
| AS1032 | 7.0 | 5-1/2" | 10 | 1-1/2" | n/a |
| AS1033 | 7.0 | 6" | 10 | 1-1/2" | n/a |
| AS1034 | 7.0 | 6-1/2" | 10 | 1-1/2" | n/a |
| AS1035 | 7.0 | 5" | 10 | 1-1/4" | n/a |
| AS1036 | 7.0 | 5-1/2" | 10 | 1-1/4" | n/a |
| AS1037 | 7.0 | 5" | 24 | 1-1/4" | n/a |
| AS1038 | 7.0 | 5-1/2" | 24 | 1-1/4" | n/a |
| AS1039 | 7.0 | 5" | 28 | 1-1/2" | n/a |
| AS1040 | 7.0 | 5-1/2" | 28 | 1-1/2" | n/a |
| AS1041 | 7.0 | 6" | 28 | 1-1/2" | n/a |
| AS1042 | 7.0 | 6-1/2" | 28 | 1-1/2" | n/a |
| AS1043 | 7.0 | 5-1/2" | 37 | 1-1/2" | n/a |
| AS1044 | 7.0 | 6" | 37 | 1-1/2" | n/a |
| AS1045 | 7.0 | 6-1/2" | 37 | 1-1/2" | n/a |

Above referenced Automatic Slack Adjusters require the use of a Clevis with a 1.02" pin center distance.

GUNITE 2000 AUTOMATIC SLACK ADJUSTERS

| Gunite Part Number | Packaged Weight | Arm Length | Number of Splines | Spline Diameter | Clevis Kit |
|--------------------|-----------------|------------|-------------------|-----------------|------------|
| | | A | B | C | D |
| AS1168 | 8.0 | 5-1/2" | 10 | 1-1/2" | n/a |
| AS1169 | 8.0 | 6" | 10 | 1-1/2" | n/a |
| AS1170 | 8.0 | 5-1/2" | 10 | 1-1/4" | n/a |
| AS1171 | 8.0 | 5-1/2" | 24 | 1-1/4" | n/a |
| AS1172 | 8.0 | 5-1/2" | 28 | 1-1/2" | n/a |
| AS1173 | 8.0 | 6" | 28 | 1-1/2" | n/a |
| AS1174 | 8.0 | 6-1/2" | 10 | 1-1/2" | n/a |
| AS1175 | 8.0 | 6-1/2" | 28 | 1-1/2" | n/a |
| AS1176 | 8.0 | 6" | 28 | 1-1/2" | AS3023 |
| AS1179 | 8.0 | 6" | 10 | 1-1/2" | AS3024 |

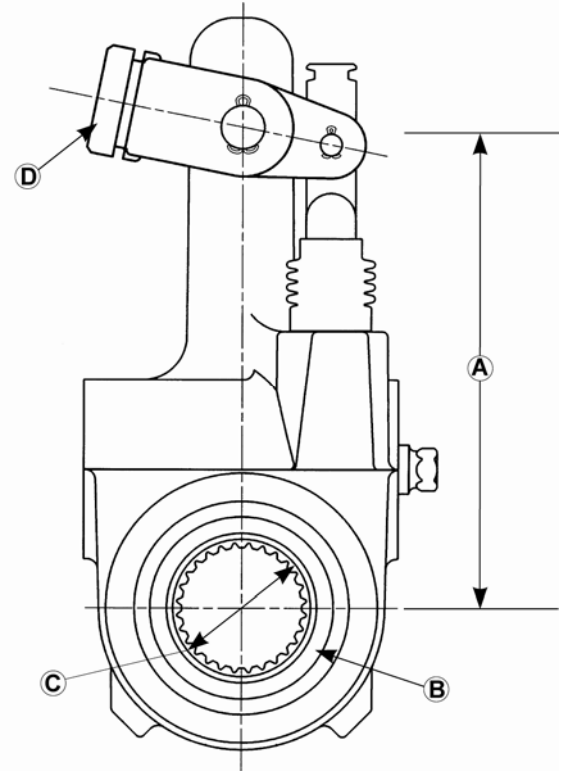
Above referenced Automatic Slack Adjusters require the use of a Clevis with a 1.3" pin center distance. **DO NOT** attempt to install a Gunite 2000 Automatic Slack Adjuster using a Gunite standard (1.02" pin center distance) collar lock or threaded clevis kit, as this will cause improper brake function.

GUNITE AUTOMATIC SLACK ADJUSTER KITS

| Gunite Part Number | Packaged Weight | Arm Length | Number of Splines | Spline Diameter | Clevis Kit |
|--------------------|-----------------|------------|-------------------|-----------------|------------|
| | | A | B | C | D |
| AS1131 | 8.0 | 5" | 10 | 1-1/2" | AS3016 |
| AS1132 | 8.0 | 5-1/2" | 10 | 1-1/2" | AS3019 |
| AS1133 | 8.0 | 6" | 10 | 1-1/2" | AS3016 |
| AS1134 | 8.0 | 6-1/2" | 10 | 1-1/2" | AS3016 |
| AS1135 | 8.0 | 5" | 10 | 1-1/4" | AS3019 |
| AS1136 | 8.0 | 5-1/2" | 10 | 1-1/4" | AS3019 |
| AS1137 | 8.0 | 5" | 24 | 1-1/4" | AS3019 |
| AS1138 | 8.0 | 5-1/2" | 24 | 1-1/4" | AS3019 |
| AS1139 | 8.0 | 5" | 28 | 1-1/2" | AS3016 |
| AS1140 | 8.0 | 5-1/2" | 28 | 1-1/2" | AS3019 |
| AS1141 | 8.0 | 6" | 28 | 1-1/2" | AS3016 |
| AS1142 | 8.0 | 6-1/2" | 28 | 1-1/2" | AS3016 |
| AS1143 (1) | 8.0 | 5-1/2" | 37 | 1-5/8" | AS3018 |
| AS1144 (1) | 8.0 | 6" | 37 | 1-5/8" | AS3018 |
| AS1145 (1) | 8.0 | 6-1/2" | 37 | 1-5/8" | AS3018 |
| AS1146 (1) | 8.0 | 5-1/2" | 10 | 1-1/2" | AS3018 |
| AS1147 (1) | 8.0 | 6" | 10 | 1-1/2" | AS3018 |
| AS1148 (1) | 8.0 | 6-1/2" | 10 | 1-1/2" | AS3018 |
| AS1149 (1) | 8.0 | 5-1/2" | 28 | 1-1/2" | AS3018 |
| AS1150 (1) | 8.0 | 6" | 28 | 1-1/2" | AS3018 |
| AS1151 (1) | 8.0 | 6-1/2" | 28 | 1-1/2" | AS3018 |
| AS1152 (2) | 8.0 | 5-1/2" | 10 | 1-1/4" | AS3002 |
| AS1153 (3) | 8.0 | 5-1/2" | 10 | 1-1/4" | AS3003 |
| AS1154 (2) | 8.0 | 5-1/2" | 24 | 1-1/4" | AS3002 |
| AS1155 (3) | 8.0 | 5-1/2" | 24 | 1-1/4" | AS3003 |
| AS1156 (3) | 8.0 | 5-1/2" | 10 | 1-1/2" | AS3003 |
| AS1157 (3) | 8.0 | 5-1/2" | 28 | 1-1/2" | AS3003 |
| AS1159 (4) | 8.0 | 5-1/2" | 37 | 1-5/8" | AS3021 |
| AS1160 (4) | 8.0 | 6" | 37 | 1-5/8" | AS3021 |
| AS1161 (4) | 8.0 | 6-1/2" | 37 | 1-5/8" | AS3021 |
| AS1162 (4) | 8.0 | 5-1/2" | 10 | 1-1/2" | AS3021 |
| AS1163 (4) | 8.0 | 6" | 10 | 1-1/2" | AS3021 |
| AS1164 (4) | 8.0 | 6-1/2" | 10 | 1-1/2" | AS3021 |
| AS1165 (4) | 8.0 | 5-1/2" | 28 | 1-1/2" | AS3021 |
| AS1166 (4) | 8.0 | 6" | 28 | 1-1/2" | AS3021 |
| AS1167 (4) | 8.0 | 6-1/2" | 28 | 1-1/2" | AS3021 |

Above referenced Automatic Slack Adjusters Kits are furnished with a Clevis that has a 1.02" pin center distance.

- (1) – Extended length Clevis included for trailer applications.
- (2) – .625" offset, 1/2" - 20 thread Clevis.
- (3) – .625" offset, 5/8" - 18 thread Clevis.
- (4) – Extended length collar lock Clevis with stainless steel pins.



VMRS
#13-001-030 (Front Axles)
#13-002-0028 (Rear Axles)

VMRS #13-002-056 (Clevis)



Standard Length
Threaded



Standard Length
Collar Lock



Standard Length
Threaded, Offset



Extended Length
Threaded



Extended Length
Collar Lock

CLEVIS KITS - D

| Gunite Part Number | Packaged Weight | Clevis Type | Style | Push Rod Thread | Special Notes |
|--------------------|-----------------|----------------------|-------------|-------------------|--|
| AS3000 | 0.8 | Threaded | Straight | 5/8"-18 | |
| AS3001 | 0.8 | Threaded | Straight | 1/2"-20 | |
| AS3002 | 0.9 | Threaded | 5/8" Offset | 1/2"-20 | |
| AS3003 | 0.9 | Threaded | 5/8" Offset | 5/8"-18 | |
| AS3011 (5) | 0.8 | Threaded | Straight | 5/8"-18 | For applications with 5/8" Clevis Pins |
| AS3012 (5) | 0.8 | Threaded | Straight | 1/2"-20 | For applications with 5/8" Clevis Pins |
| AS3013 | 1.0 | Extended Threaded | Straight | 5/8"-18 | |
| AS3015 | 1.0 | Extended Threaded | Straight | 5/8"-18 | Furnished with stainless steel clevis pins. |
| AS3016 | 0.8 | Collar Lock | Straight | 5/8"-18 | |
| AS3017 | 0.9 | Collar Lock | Straight | 1/2"-20 | |
| AS3018 | 0.9 | Extended Collar Lock | Straight | 5/8"-18 | |
| AS3019 | 1.0 | Collar Lock | Straight | 1/2"-20 & 5/8"-18 | Furnished with (1) 1/2" and (1) 5/8" collar nuts. |
| AS3021 | 0.9 | Extended Collar Lock | Straight | 5/8"-18 | With stainless steel clevis pins. |
| AS3022 | | Threaded | Straight | 5/8"-18 | For use on Gunite 2000 Automatic Slack Adjusters only. |
| AS3023 | | Threaded | 3/8" Offset | 5/8"-18 | For use on Gunite 2000 Automatic Slack Adjusters only. |
| AS3024 | | Threaded | 5/8" Offset | 5/8"-18 | For use on Gunite 2000 Automatic Slack Adjusters only. |

Above referenced Automatic Slack Adjusters Kits are furnished with a Clevis that has a 1" pin center distance.

When installing or replacing a Gunite Automatic Slack Adjuster, it is recommended that a new clevis assembly be installed in accordance with the Gunite Automatic Slack Adjuster Service manual.

(5) – For older applications requiring .625" diameter clevis pins.



1/4" Clevis Pin



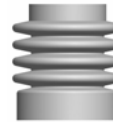
1/2" Clevis Pin



Cotter Pin



Arm Bushing



Link Boot

SERVICE KITS

| Gunite Part Number | Packaged Weight | Description | Contents | Special Notes |
|--------------------|-----------------|--------------------------------|--|---|
| AS4001 | 0.1 | Link Boot & Arm Bushing Kit | (1) Link Boot, (1) 1/2" Steel Arm Bushing | Services older 4 bellows design manufactured prior to 01/01/2005. |
| AS4004 | 0.8 | Clevis Pin Kit | (6) 1/2" Clevis Pins, (6) 1/4" Clevis Pins, (12) Cotter Pins | |
| AS4005 (5) | 0.4 | Arm Bushing Kit | (24) 5/8" Steel Arm Bushings | For applications with 5/8" Clevis Pins |
| AS4006 (5) | 0.9 | Clevis Pin Kit | (6) 5/8" Clevis Pins (6) 1/4" Clevis Pins (12) Cotter Pins | For applications with 5/8" Clevis Pins |
| AS4007 (5) | 0.1 | Link Boot & Arm Bushing Kit | (1) Link Boot, (1) 5/8" Steel Arm Bushing | For applications with 5/8" Clevis Pins |
| AS4008 | 0.7 | Installation Gauge | OEM Installation Gauge | |
| AS4012 | 0.9 | Stainless Steel Clevis Pin Kit | (6) 1/2" Clevis Pins, (6) 1/4" Clevis Pins, (12) Cotter Pins | Stainless Steel Components |
| AS4013 | 0.5 | Collar Lock Nuts | (4) 1-1/4" Locking Nuts, (4) 5/8"-18 Collar Nuts | |
| AS4014 | 0.5 | Collar Lock Nuts | (4) 1-1/4" Locking Nuts, (4) 1/2"-20 Collar Nuts. | |
| AS4015 | 0.4 | Arm Bushing Kit | (24) 1/2" Steel Arm Bushings | |

(5) – For older applications requiring .625" diameter clevis pins.

FRONT (STEER) AXLE APPLICATIONS

| Gunite Part Number | Packaged Weight | Arm Length | Number of Splines | Spline Diameter | Clevis Kit |
|--------------------|-----------------|------------|-------------------|-----------------|------------|
| | | A | B | C | D |
| AS1035 | 7.0 | 5" | 10 | 1-1/4" | n/a |
| AS1135 | 8.0 | 5" | 10 | 1-1/4" | AS3019 |
| AS1036 | 7.0 | 5-1/2" | 10 | 1-1/4" | n/a |
| AS1136 | 8.0 | 5-1/2" | 10 | 1-1/4" | AS3019 |
| AS1152 (2) | 8.0 | 5-1/2" | 10 | 1-1/4" | AS3002 |
| AS1153 (3) | 8.0 | 5-1/2" | 10 | 1-1/4" | AS3003 |
| AS1170 | 8.0 | 5-1/2" | 10 | 1-1/4" | n/a |
| AS1032 | 7.0 | 5-1/2" | 10 | 1-1/2" | n/a |
| AS1132 | 8.0 | 5-1/2" | 10 | 1-1/2" | AS3019 |
| AS1168 | 8.0 | 5-1/2" | 10 | 1-1/2" | n/a |
| AS1037 | 7.0 | 5" | 24 | 1-1/4" | n/a |
| AS1137 | 8.0 | 5" | 24 | 1-1/4" | AS3019 |
| AS1038 | 7.0 | 5-1/2" | 24 | 1-1/4" | n/a |
| AS1138 | 8.0 | 5-1/2" | 24 | 1-1/4" | AS3019 |
| AS1154 (2) | 8.0 | 5-1/2" | 24 | 1-1/4" | AS3002 |
| AS1155 (3) | 8.0 | 5-1/2" | 24 | 1-1/4" | AS3003 |
| AS1171 | 8.0 | 5-1/2" | 24 | 1-1/4" | n/a |
| AS1040 | 7.0 | 5-1/2" | 28 | 1-1/2" | n/a |
| AS1140 | 8.0 | 5-1/2" | 28 | 1-1/2" | AS3019 |
| AS1172 | 8.0 | 5-1/2" | 28 | 1-1/2" | n/a |

REAR (DRIVE) AXLE APPLICATIONS

| Gunite Part Number | Packaged Weight | Arm Length | Number of Splines | Spline Diameter | Clevis Kit |
|--------------------|-----------------|------------|-------------------|-----------------|------------|
| | | A | B | C | D |
| AS1031 | 7.0 | 5" | 10 | 1-1/2" | n/a |
| AS1131 | 8.0 | 5" | 10 | 1-1/2" | AS3016 |
| AS1032 | 7.0 | 5-1/2" | 10 | 1-1/2" | n/a |
| AS1132 | 8.0 | 5-1/2" | 10 | 1-1/2" | AS3019 |
| AS1156 (3) | 8.0 | 5-1/2" | 10 | 1-1/2" | AS3003 |
| AS1168 | 8.0 | 5-1/2" | 10 | 1-1/2" | n/a |
| AS1033 | 7.0 | 6" | 10 | 1-1/2" | n/a |
| AS1133 | 8.0 | 6" | 10 | 1-1/2" | AS3016 |
| AS1169 | 8.0 | 6" | 10 | 1-1/2" | n/a |
| AS1179 | 8.0 | 6" | 10 | 1-1/2" | AS3024 |
| AS1034 | 7.0 | 6-1/2" | 10 | 1-1/2" | n/a |
| AS1134 | 8.0 | 6-1/2" | 10 | 1-1/2" | AS3016 |
| AS1174 | 8.0 | 6-1/2" | 10 | 1-1/2" | n/a |
| AS1039 | 7.0 | 5" | 28 | 1-1/2" | n/a |
| AS1139 | 8.0 | 5" | 28 | 1-1/2" | AS3016 |
| AS1040 | 7.0 | 5-1/2" | 28 | 1-1/2" | n/a |
| AS1140 | 8.0 | 5-1/2" | 28 | 1-1/2" | AS3019 |
| AS1157 (3) | 8.0 | 5-1/2" | 28 | 1-1/2" | AS3003 |
| AS1172 | 8.0 | 5-1/2" | 28 | 1-1/2" | n/a |
| AS1041 | 7.0 | 6" | 28 | 1-1/2" | n/a |
| AS1141 | 8.0 | 6" | 28 | 1-1/2" | AS3016 |
| AS1173 | 8.0 | 6" | 28 | 1-1/2" | n/a |
| AS1176 | 8.0 | 6" | 28 | 1-1/2" | AS3023 |
| AS1042 | 7.0 | 6-1/2" | 28 | 1-1/2" | n/a |
| AS1142 | 8.0 | 6-1/2" | 28 | 1-1/2" | AS3016 |
| AS1175 | 8.0 | 6-1/2" | 28 | 1-1/2" | n/a |

TRAILER AXLE APPLICATIONS

| Gunite Part Number | Packaged Weight | Arm Length | Number of Splines | Spline Diameter | Clevis Kit |
|--------------------|-----------------|------------|-------------------|-----------------|------------|
| | | A | B | C | D |
| AS1146 | 8.0 | 5-1/2" | 10 | 1-1/2" | AS3018 |
| AS1162 (4) | 8.0 | 5-1/2" | 10 | 1-1/2" | AS3021 |
| AS1168 | 8.0 | 5-1/2" | 10 | 1-1/2" | n/a |
| AS1147 | 8.0 | 6" | 10 | 1-1/2" | AS3018 |
| AS1163 (4) | 8.0 | 6" | 10 | 1-1/2" | AS3021 |
| AS1169 | 8.0 | 6" | 10 | 1-1/2" | n/a |
| AS1179 | 8.0 | 6" | 10 | 1-1/2" | AS3024 |
| AS1148 | 8.0 | 6-1/2" | 10 | 1-1/2" | AS3018 |
| AS1164 (4) | 8.0 | 6-1/2" | 10 | 1-1/2" | AS3021 |
| AS1174 | 8.0 | 6-1/2" | 10 | 1-1/2" | n/a |
| AS1149 | 8.0 | 5-1/2" | 28 | 1-1/2" | AS3018 |
| AS1165 (4) | 8.0 | 5-1/2" | 28 | 1-1/2" | AS3021 |
| AS1172 | 8.0 | 5-1/2" | 28 | 1-1/2" | n/a |
| AS1150 | 8.0 | 6" | 28 | 1-1/2" | AS3018 |
| AS1166 (4) | 8.0 | 6" | 28 | 1-1/2" | AS3021 |
| AS1173 | 8.0 | 6" | 28 | 1-1/2" | n/a |
| AS1176 | 8.0 | 6" | 28 | 1-1/2" | AS3023 |
| AS1151 | 8.0 | 6-1/2" | 28 | 1-1/2" | AS3018 |
| AS1167 (4) | 8.0 | 6-1/2" | 28 | 1-1/2" | AS3021 |
| AS1175 | 8.0 | 6-1/2" | 28 | 1-1/2" | n/a |
| AS1043 | 7.0 | 5-1/2" | 37 | 1-5/8" | n/a |
| AS1143 | 8.0 | 5-1/2" | 37 | 1-5/8" | AS3018 |
| AS1159 (4) | 8.0 | 5-1/2" | 37 | 1-5/8" | AS3021 |
| AS1044 | 7.0 | 6" | 37 | 1-5/8" | n/a |
| AS1144 | 8.0 | 6" | 37 | 1-5/8" | AS3018 |
| AS1160 (4) | 8.0 | 6" | 37 | 1-5/8" | AS3021 |
| AS1045 | 7.0 | 6-1/2" | 37 | 1-5/8" | n/a |
| AS1145 | 8.0 | 6-1/2" | 37 | 1-5/8" | AS3018 |
| AS1161 (4) | 8.0 | 6-1/2" | 37 | 1-5/8" | AS3021 |

(2) – .625" offset, 1/2" - 20 thread Clevis.

(3) – .625" offset, 5/8" - 18 thread Clevis.

(4) – Extended length collar lock Clevis with stainless steel pins.

| Obsolete Service Number | Gunite Part Number – Direct Replacement | Gunite Part Number – With Clevis Kit Included | | | | | |
|-------------------------|---|--|----------------------------------|----------------|--------------------|---------------------------------|---------------|
| | | No Offset Front (Steer) Axles Front (Steer) Axle Applications | .625" Offset Front (Steer) Axles | | Rear (Drive) Axles | .625" Offset Rear (Drive) Axles | Trailer Axles |
| | | | .500-20 Thread | .625-18 Thread | | | |
| AS1000 | AS1033 | | | | AS1133 | | AS1147 |
| AS1001 | AS1041 | | | | AS1141 | | AS1150 |
| AS1002 | AS1044 | | | | | | AS1144 |
| AS1005 | AS1036 | AS1136 | AS1152 | AS1153 | | | |
| AS1007 | AS1038 | AS1138 | AS1154 | AS1155 | | | |
| AS1011 | AS1038 | AS1138 | AS1154 | AS1155 | | | |
| AS1012 | AS1040 | AS1140 | | | AS1140 | AS1157 | AS1149 |
| AS1013 | AS1035 | AS1135 | | | | | |
| AS1014 | AS1031 | | | | AS1131 | | |
| AS1015 | AS1037 | AS1137 | | | | | |
| AS1016 | AS1039 | | | | AS1139 | | |
| AS1017 | AS1037 | AS1137 | | | | | |
| AS1018 | AS1039 | | | | AS1139 | | |
| AS1019 | AS1032 | AS1132 | | | AS1132 | AS1156 | AS1146 |
| AS1020 | AS1040 | AS1140 | | | AS1140 | AS1157 | AS1149 |
| AS1021 | AS1043 | | | | | | AS1143 |
| AS1025 | AS1034 | | | | AS1134 | | AS1148 |
| AS1026 | AS1042 | | | | AS1142 | | AS1151 |
| AS1027 | AS1045 | | | | | | AS1145 |

Gunite Production to Gunite Aftermarket

| Gunite Production Part Number | Gunite Aftermarket Part Number | Gunite Clevis Kit Part Number |
|-------------------------------|--------------------------------|-------------------------------|
| 550010 | AS1036 | |
| 556510 | AS1032 (6) | |
| 556510 | AS1034 (7) | |
| 556528 | AS1040 (6) | |
| 556528 | AS1042 (7) | |
| 600010 | AS1033 | |
| 600028 | AS1041 | |
| 600037 | AS1044 | |
| 10345901 | AS1033 | |
| 10345902 | AS1041 | |
| 10345903 | AS1044 | |
| 10345904 | AS1032 (6) | |
| 10345904 | AS1034 (7) | |
| 10345905 | AS1040 (6) | |
| 10345905 | AS1042 (7) | |
| 10345906 | AS1043 (6) | |
| 10345906 | AS1045 (7) | |
| 10345907 | AS1032 (6) | |
| 10345907 | AS1034 (7) | |
| 10345908 | AS1040 (6) | |
| 10345908 | AS1042 (7) | |
| 10345909 | AS1043 (6) | |
| 10345909 | AS1045 (7) | |
| 10345910 | AS1032 (6) | |
| 10345910 | AS1034 (7) | |
| 10345911 | AS1040 (6) | |
| 10345911 | AS1042 (7) | |
| 10345912 | AS1036 | |
| 10480401 | AS1033 | |
| 10480501 | AS1041 | |
| 10480601 | AS1044 | |
| 10480701 | AS1032 (6) | |
| 10480701 | AS1034 (7) | |
| 10480801 | AS1040 (6) | |
| 10480801 | AS1042 (7) | |
| 10480901 | AS3000 | |
| 10481001 | AS3003 | |
| 10661701 | AS3002 | |
| 10661901 | AS3001 | |
| 00-20105 | AS1040 (6) | |
| 00-20105 | AS1042 (7) | |
| 00-20106 | AS1032 (6) | |
| 00-20106 | AS1034 (7) | |
| 00-20114 | AS1044 | |
| 00-20115 | AS1041 | |
| 00-20116 | AS1033 | |
| 00-20124 | AS1043 (6) | |
| 00-20124 | AS1045 (7) | |
| 00-20125 | AS1040 (6) | |
| 00-20125 | AS1042 (7) | |
| 00-20126 | AS1032 (6) | |
| 00-20126 | AS1034 (7) | |
| 98-20010 | AS3000 | |
| 98-20072 | AS3003 | |
| 98-20074 | AS3002 | |
| 98-20076 | AS3001 | |
| ACF4205-1 | AS1044 | |
| APA0994-2 | AS1040 (6) | |
| APA0994-2 | AS1042 (7) | |

| Gunite Production Part Number | Gunite Aftermarket Part Number | Gunite Clevis Kit Part Number |
|-------------------------------|--------------------------------|-------------------------------|
| D00-20002 | AS1041 | |
| D00-20003 | AS1044 | |
| D00-20011 | AS1040 (6) | |
| D00-20011 | AS1042 (7) | |
| D00-20080 | AS1036 | |
| KN5220 | AS1044 | |
| KN52200 | AS1033 | |
| KN52210 | AS1041 | |
| KN52230 | AS1032 (6) | |
| KN52230 | AS1034 (7) | |
| KN52240 | AS1040 (6) | |
| KN52240 | AS1042 (7) | |
| KN52260 | AS1043 (6) | |
| KN52260 | AS1045 (7) | |
| SA00101 | AS1033 | |
| SA00102 | AS1032 | |
| SA00103 | AS1034 | |
| SA00104 | AS1032 (6) | |
| SA00104 | AS1034 (7) | |
| SA00105 | AS1036 | |
| SA00106 | AS1035 | |
| SA00107 | AS1031 | |
| SA00201 | AS1041 | |
| SA00202 | AS1040 | |
| SA00203 | AS1042 | |
| SA00204 | AS1040 (6) | |
| SA00204 | AS1042 (7) | |
| SA00205 | AS1039 | |
| SA00206 | AS1039 | |
| SA00301 | AS1044 | |
| SA00302 | AS1043 | |
| SA00303 | AS1045 | |
| SA00304 | AS1043 (6) | |
| SA00304 | AS1045 (7) | |
| SA00401 | AS1032 | AS3000 |
| SA00402 | AS1033 | AS3000 |
| SA00403 | AS1034 | |
| SA00501 | AS1040 | AS3000 |
| SA00502 | AS1041 | AS3000 |
| SA00503 | AS1042 | AS3000 |
| SA00601 | AS1043 | AS3000 |
| SA00602 | AS1044 | AS3000 |
| SA00603 | AS1045 | AS3000 |
| SA00701 | | AS3000 |
| SA00702 | | AS3001 |
| SA00703 | | AS3003 |
| SA00704 | | AS3002 |
| SA00801 | AS1033 | AS3000 |
| SA00802 | AS1032 (6) | AS3000 |
| SA00802 | AS1034 (7) | AS3000 |
| SA00803 | AS1156 | |
| SA00804 | AS1036 | AS3000 |
| SA00805 | AS1032 | AS3000 |
| SA00806 | AS1034 | AS3000 |
| SA00807 | AS1152 | |
| SA00808 | AS1153 | |
| SA00901 | AS1041 | AS3000 |
| SA00902 | AS1040 (6) | AS3000 |
| SA00902 | AS1042 (7) | AS3000 |

| Gunite Production Part Number | Gunite Aftermarket Part Number | Gunite Clevis Kit Part Number |
|-------------------------------|--------------------------------|-------------------------------|
| SA00903 | AS1040 | AS3000 |
| SA00904 | AS1042 | AS3000 |
| SA00905 | AS1040 | AS3003 |
| SA00906 | AS1040 | AS3001 |
| SA00907 | AS1041 | AS3021 |
| SA00908 | AS1040 | AS3021 |
| SA01001 | AS1044 | AS3000 |
| SA01002 | AS1043 | AS3000 |
| SA01003 | AS1045 | AS3000 |
| SA01101 | AS1032 | AS3000 |
| SA01102 | AS1033 | AS3000 |
| SA01103 | AS1034 | AS3000 |
| SA01201 | AS1040 | AS3000 |
| SA01202 | AS1041 | AS3000 |
| SA01203 | AS1042 | AS3000 |
| SA01204 | AS1040 | AS3000 |
| SA01301 | AS1043 | AS3000 |
| SA01302 | AS1044 | AS3000 |
| SA01303 | AS1045 | AS3000 |
| SA01304 | AS1044 | AS3000 |
| SA01401 | | AS3000 |
| SA01403 | | AS3015 |
| SA01501 | | AS3003 |
| SA01601 | | AS3002 |
| SA01701 | | AS3001 |
| SA01901 | AS1040 | AS3000 |
| SA02001 | AS1044 | AS3000 |
| SA02101 | AS1133 | |
| SA02104 | AS1132 | |
| SA02105 | AS1134 | |
| SA02106 | AS1131 | |
| SA02110 | AS1156 | |
| SA02111 | AS1156 | |
| SA02112 | AS1031 | AS3002 |
| SA02113 | AS1031 | AS3002 |
| SA02114 | AS1033 | AS3003 |
| SA02115 | AS1033 | AS3003 |
| SA02201 | AS1141 | |
| SA02203 | AS1140 | |
| SA02204 | AS1142 | |
| SA02205 | AS1139 | |
| SA02206 | AS1041 | AS3021 |
| SA02207 | AS1040 | AS3021 |
| SA02210 | AS1041 | AS3003 |
| SA02211 | AS1041 | AS3003 |
| SA02212 | AS1157 | |
| SA02213 | AS1157 | |
| SA02301 | AS1044 | AS3019 |
| SA02302 | AS1043 | AS3019 |
| SA02303 | AS1045 | AS3019 |
| SA02304 | AS1043 | AS3019 |
| SA02304 | AS1045 | AS3019 |
| SA02401 | AS1132 | |
| SA02402 | AS1133 | |
| SA02403 | AS1134 | |
| SA02501 | AS1140 | |
| SA02502 | AS1141 | |
| SA02503 | AS1142 | |
| SA02601 | AS1043 | AS3019 |

(6) For 5.5" arm lengths only.
 (7) For 6.5" arm lengths only.

Gunite Production to Gunite Aftermarket (continued)

| Gunite Production Part Number | Gunite Aftermarket Part Number | Gunite Clevis Kit Part Number | Gunite Production Part Number | Gunite Aftermarket Part Number | Gunite Clevis Kit Part Number | Gunite Production Part Number | Gunite Aftermarket Part Number | Gunite Clevis Kit Part Number |
|-------------------------------|--------------------------------|-------------------------------|-------------------------------|--------------------------------|-------------------------------|-------------------------------|--------------------------------|-------------------------------|
| SA02602 | AS1044 | AS3019 | SA05801 | AS1140 | AS3018 | SA07901 | AS1035 | |
| SA02603 | AS1045 | AS3019 | SA05802 | AS1041 | AS3018 | SA07902 | AS1036 | |
| SA02701 | AS1136 | | SA05803 | AS1042 | AS3018 | SA08001 | AS1037 | |
| SA02702 | AS1135 | | SA05804 | AS1040 | AS3021 | SA08002 | AS1038 | |
| SA02712 | AS1153 | | SA05805 | AS1166 | | SA08101 | AS1039 | |
| SA02713 | AS1153 | | SA05901 | AS1143 | | SA08102 | AS1040 | |
| SA02801 | | AS3000 | SA05902 | AS1144 | | SA08103 | AS1041 | |
| SA02901 | | AS3001 | SA05903 | AS1145 | | SA08104 | AS1042 | |
| SA03001 | AS1038 | | SA06001 | | AS3013 | SA08202 | AS1043 | |
| SA03002 | AS1037 | | SA06002 | | AS3015 | SA08203 | AS1044 | |
| SA03003 | AS1037 | | SA06201 | AS1036 | AS3018 | SA08204 | AS1045 | |
| SA03101 | AS1138 | | SA06401 | AS1131 | | SA08301 | AS1037 | |
| SA03102 | AS1137 | | SA06402 | AS1132 | | SA08302 | AS1038 | |
| SA03103 | AS1038 | AS3000 | SA06403 | AS1133 | | SA08401 | AS1039 | |
| SA03112 | AS1155 | | SA06404 | AS1134 | | SA08402 | AS1040 | |
| SA03113 | AS1155 | | SA06502 | AS1146 | | SA08403 | AS1041 | |
| SA03114 | AS1038 | AS3003 | SA06503 | AS1033 | AS3018 | SA08502 | AS1040 | AS3001 |
| SA03301 | AS1038 | | SA06504 | AS1034 | AS3018 | SA08602 | AS1032 | AS3000 |
| SA03401 | AS1138 | | SA06513 | AS1163 | | SA08603 | AS1033 | AS3000 |
| SA03501 | AS1040 | | SA06601 | AS1135 | | SA08604 | AS1034 | AS3013 |
| SA03601 | AS1140 | | SA06602 | AS1136 | | SA08702 | AS1036 | AS3000 |
| SA03602 | AS1141 | | SA06702 | AS1036 | AS3018 | SA08802 | AS1038 | AS3000 |
| SA04101 | AS1138 | | SA06801 | AS1137 | | SA08902 | AS1040 | AS3000 |
| SA04103 | AS1137 | | SA06802 | AS1138 | | SA08903 | AS1041 | AS3000 |
| SA04201 | AS1140 | | SA06901 | AS1137 | | SA08904 | AS1042 | AS3000 |
| SA04202 | AS1141 | | SA06902 | AS1138 | | SA08912 | AS1040 | AS3021 |
| SA04203 | AS1139 | | SA07001 | AS1139 | | SA08913 | AS1041 | AS3021 |
| SA04301 | AS1038 | | SA07002 | AS1140 | | SA09002 | AS1043 | AS3000 |
| SA04331 | AS4001 | | SA07003 | AS1141 | | SA09003 | AS1044 | AS3000 |
| SA04332 | AS4007 | | SA07004 | AS1142 | | SA09004 | AS1045 | AS3000 |
| SA04333 | AS4007 | | SA07012 | AS1040 | AS3021 | SA09102 | AS1032 | AS3015 |
| SA04401 | AS1040 | | SA07013 | AS1041 | AS3021 | SA09103 | AS1033 | AS3015 |
| SA04431 | AS4015 | | SA07101 | AS1139 | | SA09104 | AS1034 | AS3013 |
| SA04432 | AS4005 | | SA07102 | AS1140 | | SA09202 | AS1040 | AS3013 |
| SA04532 | AS4006 | | SA07103 | AS1141 | | SA09203 | AS1041 | AS3013 |
| SA04632 | AS4008 | | SA07202 | AS1040 | AS3018 | SA09204 | AS1042 | AS3013 |
| SA04701 | AS1037 | | SA07203 | AS1041 | AS3018 | SA09212 | AS1040 | AS3015 |
| SA04702 | AS1038 | | SA07204 | AS1042 | AS3018 | SA09213 | AS1041 | AS3021 |
| SA04801 | AS1039 | | SA07212 | AS1040 | AS3021 | SA09302 | AS1043 | AS3013 |
| SA04802 | AS1040 | | SA07213 | AS1166 | | SA09303 | AS1044 | AS3013 |
| SA04803 | AS1041 | | SA07302 | AS1043 | AS3019 | SA09304 | AS1045 | AS3013 |
| SA04901 | AS4004 | | SA07303 | AS1044 | AS3019 | SA09402 | AS1152 | |
| SA04902 | AS4006 | | SA07304 | AS1045 | AS3019 | SA09502 | AS1156 | |
| SA05301 | AS1038 | AS3000 | SA07402 | AS1143 | | SA09503 | AS1033 | AS3003 |
| SA05401 | AS1032 | AS3015 | SA07403 | AS1144 | | SA09602 | AS1153 | |
| SA05402 | AS1033 | AS3015 | SA07404 | AS1145 | | SA09702 | AS1155 | |
| SA05403 | AS1034 | AS3013 | SA07501 | | AS3016 | SA09802 | AS1040 | AS3003 |
| SA05501 | AS1040 | AS3013 | SA07502 | | AS3017 | SA09901 | AS1131 | |
| SA05502 | AS1041 | AS3013 | SA07505 | | AS3019 | SA09902 | AS1132 | |
| SA05503 | AS1042 | AS3013 | SA07601 | | AS3018 | SA09903 | AS1133 | |
| SA05504 | AS1040 | AS3015 | SA07602 | | AS3015 | SA09904 | AS1134 | |
| SA05505 | AS1041 | AS3021 | SA07701 | AS4013 | | SA10001 | AS1135 | |
| SA05601 | AS1043 | AS3013 | SA07702 | AS4014 | | SA10002 | AS1136 | |
| SA05602 | AS1044 | AS3013 | SA07705 | AS4013 | | SA10101 | AS1137 | |
| SA05603 | AS1045 | AS3013 | SA07706 | AS4014 | | SA10102 | AS1138 | |
| SA05701 | AS1146 | | SA07801 | AS1031 | | SA10201 | AS1139 | |
| SA05702 | AS1033 | AS3018 | SA07802 | AS1032 | | SA10202 | AS1140 | |
| SA05703 | AS1034 | AS3018 | SA07803 | AS1033 | | SA10203 | AS1141 | |
| SA05704 | AS1163 | | SA07804 | AS1034 | | SA10204 | AS1142 | |

(6) For 5.5" arm lengths only.
 (7) For 6.5" arm lengths only.

Gunite Production to Gunite Aftermarket (continued)

| Gunite Production Part Number | Gunite Aftermarket Part Number | Gunite Clevis Kit Part Number |
|-------------------------------|--------------------------------|-------------------------------|
| SA10212 | AS1040 | AS3021 |
| SA10213 | AS1041 | AS3021 |
| SA10302 | AS1043 | AS3019 |
| SA10303 | AS1044 | AS3019 |
| SA10304 | AS1045 | AS3019 |
| SA10401 | AS1137 | |
| SA10402 | AS1138 | |
| SA10501 | AS1139 | |
| SA10502 | AS1140 | |
| SA10503 | AS1141 | |
| SA10602 | AS1146 | |
| SA10603 | AS1033 | AS3018 |
| SA10604 | AS1034 | AS3018 |
| SA10613 | AS1033 | AS3015 |
| SA10702 | AS1036 | AS3018 |
| SA10801 | AS1039 | AS3018 |
| SA10802 | AS1040 | AS3018 |
| SA10803 | AS1041 | AS3018 |
| SA10804 | AS1042 | AS3018 |
| SA10812 | AS1040 | AS3015 |
| SA10813 | AS1166 | |
| SA10902 | AS1143 | |
| SA10903 | AS1144 | |
| SA10904 | AS1145 | |
| SA10913 | AS1160 | |
| SA11001 | AS1031 | AS3018 |
| SA11002 | AS1146 | |
| SA11003 | AS1033 | AS3018 |
| SA11101 | AS1039 | AS3018 |
| SA11102 | AS1040 | AS3018 |
| SA11103 | AS1041 | AS3018 |
| SA11202 | AS1132 | |
| SA11203 | AS1133 | |
| SA11302 | AS1140 | |
| SA11303 | AS1141 | |
| SA11402 | AS1136 | |
| SA11502 | AS1138 | |
| SA11602 | AS1032 | |
| SA11603 | AS1169 | |
| SA11604 | AS1174 | |
| SA11702 | AS1170 | |
| SA11802 | AS1038 | |
| SA11902 | AS1172 | |
| SA11903 | AS1173 | |
| SA11904 | AS1175 | |
| SA12703 | AS1176 | |
| SA13003 | AS1179 | |
| SA13101 | | AS3023 |
| SA13201 | | AS3024 |
| SAS1000 | AS1033 | |
| SAS1001 | AS1041 | |
| SAS1002 | AS1044 | |
| SAS1003 | AS1032 (6) | |
| SAS1003 | AS1034 (7) | |
| SAS1004 | AS1040 (6) | |
| SAS1004 | AS1042 (7) | |
| SAS1005 | AS1036 | |
| SAS1006 | AS1043 (6) | |
| SAS1006 | AS1045 (7) | |

| Gunite Production Part Number | Gunite Aftermarket Part Number | Gunite Clevis Kit Part Number |
|-------------------------------|--------------------------------|-------------------------------|
| SAS1007 | AS1038 | |
| SAS1008 | AS1140 | |
| SAS1009 | AS1140 | |
| SAS1010 | AS1138 | |
| SAS1011 | AS1038 | |
| SAS1012 | AS1040 | |
| SAS1013 | AS1035 | |
| SAS1014 | AS1031 | |
| SAS1015 | AS1037 | |
| SAS1016 | AS1039 | |
| SAS1017 | AS1037 | |
| SAS1018 | AS1039 | |
| SAS1019 | AS1032 | |
| SAS1020 | AS1040 | |
| SAS1021 | AS1043 | |
| SAS1022 | AS1140 | |
| SAS1023 | AS1140 | |
| SAS1024 | AS1138 | |
| SAS1025 | AS1034 | |
| SAS1026 | AS1042 | |
| SAS1027 | AS1045 | |
| SAS1028 | AS1138 | |
| SAS1029 | AS1140 | |
| SAS1030 | AS1140 | |
| SAS1031 | AS1031 | |
| SAS1032 | AS1032 | |
| SAS1033 | AS1033 | |
| SAS1034 | AS1034 | |
| SAS1035 | AS1035 | |
| SAS1036 | AS1036 | |
| SAS1037 | AS1037 | |
| SAS1038 | AS1038 | |
| SAS1039 | AS1039 | |
| SAS1040 | AS1040 | |
| SAS1041 | AS1041 | |
| SAS1042 | AS1042 | |
| SAS1043 | AS1043 | |
| SAS1044 | AS1044 | |
| SAS1045 | AS1045 | |
| SAS1046 | AS1138 | |
| SAS1047 | AS1140 | |
| SAS1048 | AS1131 | |
| SAS1049 | AS1132 | |
| SAS1050 | AS1133 | |
| SAS1051 | AS1136 | |
| SAS1052 | AS1138 | |
| SAS1053 | AS1139 | |
| SAS1054 | AS1140 | |
| SAS1055 | AS1141 | |
| SAS1056 | AS1044 | AS3019 |
| SAS1057 | AS1141 | |
| SAS1058 | AS1141 | |
| SAS1059 | AS1040 | AS3000 |
| SAS1060 | AS1033 | AS3000 |
| SAS1061 | AS1140 | |
| SAS1062 | AS1141 | |
| SAS1131 | AS1131 | |
| SAS1132 | AS1132 | |
| SAS1133 | AS1133 | |

| Gunite Production Part Number | Gunite Aftermarket Part Number | Gunite Clevis Kit Part Number |
|-------------------------------|--------------------------------|-------------------------------|
| SAS1134 | AS1134 | |
| SAS1135 | AS1135 | |
| SAS1136 | AS1136 | |
| SAS1137 | AS1137 | |
| SAS1138 | AS1138 | |
| SAS1139 | AS1139 | |
| SAS1140 | AS1140 | |
| SAS1141 | AS1031 | |
| SAS1142 | AS1142 | |
| SAS1143 | AS1143 | |
| SAS1144 | AS1144 | |
| SAS1145 | AS1145 | |
| SAS1146 | AS1146 | |
| SAS1147 | AS1147 | |
| SAS1148 | AS1148 | |
| SAS1149 | AS1149 | |
| SAS1150 | AS1150 | |
| SAS1151 | AS1151 | |
| SAS1152 | AS1152 | |
| SAS1153 | AS1153 | |
| SAS1154 | AS1154 | |
| SAS1155 | AS1155 | |
| SAS1156 | AS1156 | |
| SAS1157 | AS1157 | |
| SAS1159 | AS1159 | |
| SAS1160 | AS1160 | |
| SAS1161 | AS1161 | |
| SAS1162 | AS1162 | |
| SAS1163 | AS1163 | |
| SAS1164 | AS1164 | |
| SAS1165 | AS1165 | |
| SAS1166 | AS1166 | |
| SAS1167 | AS1167 | |
| SAS1168 | AS1168 | |
| SAS1169 | AS1169 | |
| SAS1170 | AS1170 | |
| SAS1171 | AS1171 | |
| SAS1172 | AS1172 | |
| SAS1173 | AS1173 | |
| SAS1174 | AS1174 | |
| SAS1175 | AS1175 | |
| SAS1176 | AS1176 | |
| SAS1179 | AS1179 | |
| SAS3000 | AS3000 | |
| SAS3001 | AS3001 | |
| SAS3002 | AS3002 | |
| SAS3003 | AS3003 | |
| SAS3004 | AS3016 | |
| SAS3005 | AS3017 | |
| SAS3011 | AS3011 | |
| SAS3012 | AS3012 | |
| SAS3013 | AS3013 | |
| SAS3015 | AS3015 | |
| SAS3016 | AS3016 | |
| SAS3017 | AS3017 | |
| SAS3018 | AS3018 | |
| SAS3019 | AS3019 | |
| SAS3021 | AS3021 | |
| SAS3022 | AS3022 | |

(6) For 5.5" arm lengths only.
 (7) For 6.5" arm lengths only.

Gunite Production to Gunite Aftermarket (continued)

| Gunite Production Part Number | Gunite Aftermarket Part Number | Gunite Clevis Kit Part Number |
|--|---|--|
| SAS3023 | AS3023 | |
| SAS3024 | AS3024 | |
| SAS4001 | AS4001 | |
| SAS4004 | AS4004 | |
| SAS4005 | AS4005 | |
| SAS4006 | AS4006 | |
| SAS4007 | AS4007 | |
| SAS4008 | AS4008 | |
| SAS4012 | AS4012 | |
| SAS4013 | AS4013 | |
| SAS4014 | AS4014 | |
| SAS4015 | AS4015 | |

(6) For 5.5" arm lengths only.
(7) For 6.5" arm lengths only.

| OEM Part Number | Gunite Production Part Number | Gunite Aftermarket Part Number |
|---------------------------|-------------------------------|--------------------------------|
| Arvin Meritor | | |
| 1227S1553 | SD06301 | |
| 2245D1200 | SD06201 | |
| A2-3275-N1079 | SA03101 | AS1138 |
| A13-3275M1079 | SA10102 | AS1138 |
| A15-3275M1079 | SA10502 | AS1140 |
| A18-3275M1079 | SA08903 | AS1041 (8) |
| A24-3275M1079 | SA08902 | AS1140 (8) |
| A26 3275M1079 | SA08502 | AS1140 (8) |
| A27-3275M1079 | SA09802 | AS1040 (8) |
| A28-3275M1079 | SA08103 | AS1041 |
| A30-3275M1079 | SA08102 | AS1040 |
| A31-3275M1079 | SA10202 | AS1140 |
| A32-3275M1079 | SA10802 | AS1040 (8) |
| A34-3275M1079 | SA08104 | AS1042 |
| A35-3275M1079 | SA10204 | AS1142 |
| Dana Corporation | | |
| 25QD51 | SA10202 | AS1140 |
| 25QD51P2 | SA09902 | AS1132 |
| 25QD51P3 | SA10203 | AS1141 |
| 25QD365 | SA07701 | AS4013 |
| 25QD415 | SA08903 | AS1041 (8) |
| 974294 | SA09902 | AS1132 |
| 974295 | SA09903 | AS1133 |
| 974296 | SA10002 | AS1136 |
| M16WR1331 | SA02101 | AS1133 |
| M16WR1331 | SA11003 | AS1033 (8) |
| M16WR1332 | SA02201 | AS1141 |
| M16WR1332 | SA11103 | AS1041 (8) |
| M16WR1333 | SA02104 | AS1132 |
| M16WR1334 | SA11102 | AS1040 (8) |
| M16WR1335 | SA02105 | AS1134 |
| Dexter Axle | | |
| 055-011-05 | SA02101 | AS1133 |
| 055-040-04 | SA02201 | AS1141 |
| 055-040-05 | SA05802 | AS1041 (8) |
| Dorsey Trailer | | |
| 1191037 | SA02201 | AS1141 |
| 1191037 | SA05802 | AS1041 (8) |
| 1191037 | SA10803 | AS1041 (8) |
| Ford Motor Company | | |
| 87HU2314AA | SA02203 | AS1140 |
| E7HZ2314A | SA02203 | AS1140 |
| E9HT2308B | SA03101 | AS1138 |
| E9HT2308BA | SA03401 | AS1138 |
| E9HT2308BB | SA04101 | AS1138 |
| E9HT2314AA | SA03602 | AS1141 |
| E9HT2314BA | SA03601 | AS1140 |
| E9HT2314BB | SA04201 | AS1140 |
| E9HZ2308B | | AS1138 |
| E9HZ2314B | | AS1140 |
| F1HS2314AA | SA04203 | AS1139 |
| F2HS-2N038-CA | SD05001 | AS4006 |
| F2HS-2N038-DA | SD00601 | AS4006 |
| F2HS-9825-CA | SD00501 | AS4006 |
| F2HS-9825-DA | SD00701 | AS4006 |
| F2HS2308BA | SA04801 | AS1039 |
| F2HS2308CA | SA04802 | AS1040 |
| F2HS2308DA | SA04803 | AS1041 |
| F2HS2314CA | SA04701 | AS1037 |

| OEM Part Number | Gunite Production Part Number | Gunite Aftermarket Part Number |
|---------------------------------------|-------------------------------|--------------------------------|
| Ford Motor Company (continued) | | |
| F2HS2314DA | SA04702 | AS1038 |
| F2HS2314EA | SA04703 | n/a |
| F8HT2314AA | SA10502 | AS1140 |
| F8HT2314BA | SA10503 | AS1141 |
| F8HZ2308AA | SAS1046 | AS1138 |
| F8HZ2314AA | SAS1047 | AS1140 |
| F8HZ2314BA | SAS1058 | AS1141 |
| F8HZ2N220AA | SAS3019 | AS3019 |
| Freightliner LLC | | |
| 6814100849 | SA03101 | AS1138 |
| 6814200849 | SA03101 | AS1138 |
| 6814201949 | SA02204 | AS1142 |
| 6814202049 | SA02212 | AS1157 |
| 6814202149 | SA02213 | AS1157 |
| 6814205538 | SA02701 | AS1136 |
| 6814205539 | SA02701 | AS1136 |
| 6814205638 | SA02203 | AS1140 |
| 6814205738 | SA02104 | AS1132 |
| 6814230050 | SD04401 | AS3000 |
| 76404-3410 | SD06201 | n/a |
| 76404-3412 | SA07702 | n/a |
| 76404-3413 | SA07701 | n/a |
| 76401-3509 | SA10203 | AS1141 |
| 76401-3510 | SA10204 | AS1142 |
| 76401-3505 | SA09902 | AS1132 |
| 76401-3506 | SA09903 | AS1133 |
| 76401-3508 | SA10202 | AS1140 |
| 76401-3526 | SA09502 | AS1156 |
| 76401-3527 | SA09802 | AS1040 (8) |
| F8HT 2314 AA | SA10502 | AS1140 |
| F8HT 2314 BA | SA10503 | AS1141 |
| GUN AS1031 | | AS1031 |
| GUN AS1032 | | AS1032 |
| GUN AS1033 | | AS1033 |
| GUN AS1034 | | AS1034 |
| GUN AS1035 | | AS1035 |
| GUN AS1036 | | AS1036 |
| GUN AS1037 | | AS1037 |
| GUN AS1038 | | AS1038 |
| GUN AS1039 | | AS1039 |
| GUN AS1040 | | AS1040 |
| GUN AS1041 | | AS1041 |
| GUN AS1042 | | AS1042 |
| GUN AS1043 | | AS1043 |
| GUN AS1044 | | AS1044 |
| GUN AS1045 | | AS1045 |
| GUN AS1131 | | AS1131 |
| GUN AS1132 | | AS1132 |
| GUN AS1133 | | AS1133 |
| GUN AS1134 | | AS1134 |
| GUN AS1135 | | AS1135 |
| GUN AS1136 | | AS1136 |
| GUN AS1137 | | AS1137 |
| GUN AS1138 | | AS1138 |
| GUN AS1139 | | AS1139 |
| GUN AS1140 | | AS1140 |
| GUN AS1141 | | AS1141 |
| GUN AS1142 | | AS1142 |
| GUN AS1143 | | AS1143 |
| GUN AS1144 | | AS1144 |

Gunite Production part numbers that are shaded are for reference only, and used only on original equipment installation.

(8) Consult either the Numerical Listing or the Gunite Production to Gunite Aftermarket Part Number listings to determine the appropriate Gunite Clevis Kit required.

| OEM Part Number | Gunite Production Part Number | Gunite Aftermarket Part Number |
|-------------------------------------|-------------------------------|--------------------------------|
| Freightliner LLC (continued) | | |
| GUN AS1145 | | AS1145 |
| GUN AS1146 | | AS1146 |
| GUN AS1147 | | AS1147 |
| GUN AS1148 | | AS1148 |
| GUN AS1149 | | AS1149 |
| GUN AS1150 | | AS1150 |
| GUN AS1151 | | AS1151 |
| GUN AS1152 | | AS1152 |
| GUN AS1153 | | AS1153 |
| GUN AS1154 | | AS1154 |
| GUN AS1155 | | AS1155 |
| GUN AS1156 | | AS1156 |
| GUN AS1157 | | AS1157 |
| GUN AS1159 | | AS1159 |
| GUN AS1160 | | AS1160 |
| GUN AS1161 | | AS1161 |
| GUN AS1162 | | AS1162 |
| GUN AS1163 | | AS1163 |
| GUN AS1164 | | AS1164 |
| GUN AS1165 | | AS1165 |
| GUN AS1166 | | AS1166 |
| GUN AS1167 | | AS1167 |
| GUN AS1168 | | AS1168 |
| GUN AS1169 | | AS1169 |
| GUN AS1170 | | AS1170 |
| GUN AS1171 | | AS1171 |
| GUN AS1172 | | AS1172 |
| GUN AS1173 | | AS1173 |
| GUN AS1174 | | AS 1174 |
| GUN AS1175 | | AS1175 |
| GUN AS1176 | | AS1176 |
| GUN AS1179 | | AS1179 |
| GUN AS3000 | | AS3000 |
| GUN AS3001 | | AS3001 |
| GUN AS3002 | | AS3002 |
| GUN AS3003 | | AS3003 |
| GUN AS3011 | | AS3011 |
| GUN AS3012 | | AS3012 |
| GUN AS3013 | | AS3013 |
| GUN AS3015 | | AS3015 |
| GUN AS3016 | | AS3016 |
| GUN AS3017 | | AS3017 |
| GUN AS3018 | | AS3018 |
| GUN AS3019 | | AS3019 |
| GUN AS3021 | | AS3021 |
| GUN AS3022 | | AS3022 |
| GUN AS3023 | | AS3023 |
| GUN AS3024 | | AS3024 |
| GUN AS4001 | | AS4001 |
| GUN AS4004 | | AS4004 |
| GUN AS4005 | | AS4005 |
| GUN AS4006 | | AS4006 |
| GUN AS4007 | | AS4007 |
| GUN AS4008 | | AS4008 |
| GUN AS4012 | | AS4012 |
| GUN AS4013 | | AS4013 |
| GUN AS4014 | | AS4014 |
| GUN AS4015 | | AS4015 |

| OEM Part Number | Gunite Production Part Number | Gunite Aftermarket Part Number |
|---------------------------------------|-------------------------------|--------------------------------|
| Freightliner LLC (continued) | | |
| GUNASA02110 | SA02110 | AS1156 |
| GUNASA02111 | SA02111 | AS1156 |
| GUNASD06001 | SD06001 | |
| GUNASD06001 | SD06001 | |
| GUNASD06201 | SD06201 | |
| GUNASD06202 | SD06202 | |
| GUNASD06301 | SD06301 | |
| GUNASF00301 | SA01501 | AS3003 |
| GUNASF01502 | SA07501 | AS3016 |
| GUNSA085 02 | SA08502 | AS1040 (8) |
| GUNSA089 02 | SA08902 | AS1040 (8) |
| GUNSA095 02 | SA09502 | AS1156 |
| GUNSA098 02 | SA09802 | AS1040 (8) |
| GUNSA099 02 | SA09902 | AS1132 |
| GUNSA099 03 | SA09903 | AS1133 |
| GUNSA100 02 | SA10002 | AS1136 |
| GUNSA102 02 | SA10202 | AS1140 |
| GUNSA102 03 | SA10203 | AS1141 |
| GUNSA11602 | SA11602 | AS1146 |
| GUNSA11603 | SA11603 | AS1033 (8) |
| GUNSA11702 | SA11702 | AS1170 |
| GUNSA11902 | SA11902 | AS1172 |
| GUNSA11903 | SA11903 | AS1173 |
| GUNSD004 01 | SD00401 | |
| GUNSD004 02 | SD00402 | |
| GUNSD006 01 | SD00601 | |
| GUNSD006 02 | SD00602 | |
| Freuhauf Corporation | | |
| 00-20105 | SA01201 | AS1040 (8) |
| 00-20106 | SA01101 | AS1032 (8) |
| 00-20114 | SA01302 | AS1044 (8) |
| 00-20115 | SA01202 | AS1041 (8) |
| 00-20116 | SA01002 | AS1043 (8) |
| 00-20124 | SA01303 | AS1045 (8) |
| 00-20125 | SA01203 | AS1042 (8) |
| 00-20126 | SA01103 | AS1034 (8) |
| ACF004205810 | SA02402 | AS1133 |
| ACF004205828 | SA02502 | AS1141 |
| ACF004205937 | SA02601 | AS1043 (8) |
| ACF004205810 | SA09103 | AS1033 (8) |
| ACF004205828 | SA09203 | AS1041 (8) |
| ACF004205837 | SA09302 | AS1043 (8) |
| ACF3411-1 | SA02301 | AS1044 (8) |
| ACF3411-2 | SA05601 | AS1043 (8) |
| ACF3411-2 | SA02302 | AS1043 (8) |
| ANB25191 | SA05901 | AS1143 |
| Great Dane Trailer | | |
| 42521 | SA02201 | AS1141 |
| 40501501 | SA05802 | AS1041 (8) |
| 40501502 | SA05801 | AS1040 (8) |
| 40501502 | SA10803 | AS1041 (8) |
| 40501502 | SA10802 | AS1040 (8) |
| Hendrickson Trailer Suspension | | |
| A-15156 | SA09903 | AS1133 |
| A-15189 | SA10602 | AS1146 |
| A-8651 | SA10603 | AS1033 (8) |
| A-14767 | SA10802 | AS1040 (8) |
| A-14768 | SA10803 | AS1041 (8) |
| 006126 | SA10101 | AS1137 |

Gunite Production part numbers that are shaded are for reference only, and used only on original equipment installation.

(8) Consult either the Numerical Listing or the Gunite Production to Gunite Aftermarket Part Number listings to determine the appropriate Gunite Clevis Kit required.

| OEM Part Number | Gunite Production Part Number | Gunite Aftermarket Part Number |
|---|-------------------------------|--------------------------------|
| Hyundai Translead | | |
| 10000031 | SA10803 | AS1041 (8) |
| 10000033 | SA10802 | AS1040 (8) |
| 10000083 | SD00402 | |
| 10000084 | SD00602 | |
| 10009560 | SA07601 | AS3018 |
| 10007048 | SD02801 | |
| 10010717 | SA10602 | AS1146 |
| 10010800 | SA10603 | AS1033 (8) |
| 10010801 | SA07801 | AS1031 |
| 10010802 | SA07601 | AS3018 |
| 10012509 | SA10903 | AS1144 |
| International Truck & Engine | | |
| 2014290C1 | SA01401 | AS3000 |
| 2014291C1 | SA01701 | AS3001 |
| 2014292C1 | SA01501 | AS3003 |
| 2014293C1 | SA01601 | AS3002 |
| ZBRAS1031 | | AS1031 |
| ZBRAS1032 | | AS1032 |
| ZBRAS1033 | | AS1033 |
| ZBRAS1034 | | AS1034 |
| ZBRAS1035 | | AS1035 |
| ZBRAS1036 | | AS1036 |
| ZBRAS1037 | | AS1037 |
| ZBRAS1038 | | AS1038 |
| ZBRAS1039 | | AS1039 |
| ZBRAS1040 | | AS1040 |
| ZBRAS1041 | | AS1041 |
| ZBRAS1042 | | AS1042 |
| ZBRAS1043 | | AS1043 |
| ZBRAS1044 | | AS1044 |
| ZBRAS1045 | | AS1045 |
| ZBRAS1131 | | AS1131 |
| ZBRAS1132 | | AS1132 |
| ZBRAS1133 | | AS1133 |
| ZBRAS1134 | | AS1134 |
| ZBRAS1135 | | AS1135 |
| ZBRAS1136 | | AS1136 |
| ZBRAS1137 | | AS1137 |
| ZBRAS1138 | | AS1138 |
| ZBRAS1139 | | AS1139 |
| ZBRAS1140 | | AS1140 |
| ZBRAS1141 | | AS1141 |
| ZBRAS1142 | | AS1142 |
| ZBRAS1143 | | AS1143 |
| ZBRAS1144 | | AS1144 |
| ZBRAS1145 | | AS1145 |
| ZBRAS1146 | | AS1146 |
| ZBRAS1147 | | AS1147 |
| ZBRAS1148 | | AS1148 |
| ZBRAS1149 | | AS1149 |
| ZBRAS1150 | | AS1150 |
| ZBRAS1151 | | AS1151 |
| ZBRAS1152 | | AS1152 |
| ZBRAS1153 | | AS1153 |
| ZBRAS1154 | | AS1154 |
| ZBRAS1155 | | AS1155 |
| ZBRAS1156 | | AS1156 |
| ZBRAS1157 | | AS1157 |
| ZBRAS1159 | | AS1159 |

| OEM Part Number | Gunite Production Part Number | Gunite Aftermarket Part Number |
|---|-------------------------------|--------------------------------|
| International Truck & Engine (continued) | | |
| ZBRAS1160 | | AS1160 |
| ZBRAS1161 | | AS1161 |
| ZBRAS1162 | | AS1162 |
| ZBRAS1163 | | AS1163 |
| ZBRAS1164 | | AS1164 |
| ZBRAS1165 | | AS1165 |
| ZBRAS1166 | | AS1166 |
| ZBRAS1167 | | AS1167 |
| ZBRAS1168 | | AS1168 |
| ZBRAS1169 | | AS1169 |
| ZBRAS1170 | | AS1170 |
| ZBRAS1171 | | AS1171 |
| ZBRAS1172 | | AS1172 |
| ZBRAS1173 | | AS1173 |
| ZBRAS1174 | | AS 1174 |
| ZBRAS1175 | | AS1175 |
| ZBRAS1176 | | AS1176 |
| ZBRAS1179 | | AS1179 |
| ZBRAS3000 | | AS3000 |
| ZBRAS3001 | | AS3001 |
| ZBRAS3002 | | AS3002 |
| ZBRAS3003 | | AS3003 |
| ZBRAS3011 | | AS3011 |
| ZBRAS3012 | | AS3012 |
| ZBRAS3013 | | AS3013 |
| ZBRAS3015 | | AS3015 |
| ZBRAS3016 | | AS3016 |
| ZBRAS3017 | | AS3017 |
| ZBRAS3018 | | AS3018 |
| ZBRAS3019 | | AS3019 |
| ZBRAS3021 | | AS3021 |
| ZBRAS3022 | | AS3022 |
| ZBRAS3023 | | AS3023 |
| ZBRAS3024 | | AS3024 |
| ZBRAS4001 | | AS4001 |
| ZBRAS4004 | | AS4004 |
| ZBRAS4005 | | AS4005 |
| ZBRAS4006 | | AS4006 |
| ZBRAS4007 | | AS4007 |
| ZBRAS4008 | | AS4008 |
| ZBRAS4012 | | AS4012 |
| ZBRAS4013 | | AS4013 |
| ZBRAS4014 | | AS4014 |
| ZBRAS4015 | | AS4015 |
| 3820002201 | SA02201 | AS1141 |
| 3820002203 | SA02203 | AS1140 |
| 3820007202 | SA07203 | AS1041 (8) |
| 3820010802 | SA10802 | AS1040 (8) |
| 3820010803 | SA10803 | AS1041 (8) |
| Mack Trucks Incorporated | | |
| 25QD51 | SA10202 | AS1140 |
| 25QD51P2 | SA09902 | AS1132 |
| 25QD51P3 | SA10203 | AS1141 |
| 25QD365 | SA07701 | AS4013 |
| 25QD365P3 | SA07703 | n/a |
| 25QD415 | SA08903 | AS1041 (8) |
| 25QD419 | SA11602 | AS1168 |
| 25QD419P2 | SA11902 | AS1172 |
| 25QD419P3 | SA11603 | AS1169 |

Gunite Production part numbers that are shaded are for reference only, and used only on original equipment installation.

(8) Consult either the Numerical Listing or the Gunite Production to Gunite Aftermarket Part Number listings to determine the appropriate Gunite Clevis Kit required.

| OEM Part Number | Gunite Production Part Number | Gunite Aftermarket Part Number |
|---|-------------------------------|--------------------------------|
| Mack Trucks Incorporated (continued) | | |
| 25QD419P4 | SA11903 | AS1173 |
| 3398-AS1031 | | AS1031 |
| 3398-AS1032 | | AS1032 |
| 3398-AS1033 | | AS1033 |
| 3398-AS1034 | | AS1034 |
| 3398-AS1035 | | AS1035 |
| 3398-AS1036 | | AS1036 |
| 3398-AS1037 | | AS1037 |
| 3398-AS1038 | | AS1038 |
| 3398-AS1039 | | AS1039 |
| 3398-AS1040 | | AS1040 |
| 3398-AS1041 | | AS1041 |
| 3398-AS1042 | | AS1042 |
| 3398-AS1043 | | AS1043 |
| 3398-AS1044 | | AS1044 |
| 3398-AS1045 | | AS1045 |
| 3398-AS1131 | | AS1131 |
| 3398-AS1132 | | AS1132 |
| 3398-AS1133 | | AS1133 |
| 3398-AS1134 | | AS1134 |
| 3398-AS1135 | | AS1135 |
| 3398-AS1136 | | AS1136 |
| 3398-AS1137 | | AS1137 |
| 3398-AS1138 | | AS1138 |
| 3398-AS1139 | | AS1139 |
| 3398-AS1140 | | AS1140 |
| 3398-AS1141 | | AS1141 |
| 3398-AS1142 | | AS1142 |
| 3398-AS1143 | | AS1143 |
| 3398-AS1144 | | AS1144 |
| 3398-AS1145 | | AS1145 |
| 3398-AS1146 | | AS1146 |
| 3398-AS1147 | | AS1147 |
| 3398-AS1148 | | AS1148 |
| 3398-AS1149 | | AS1149 |
| 3398-AS1150 | | AS1150 |
| 3398-AS1151 | | AS1151 |
| 3398-AS1152 | | AS1152 |
| 3398-AS1153 | | AS1153 |
| 3398-AS1154 | | AS1154 |
| 3398-AS1155 | | AS1155 |
| 3398-AS1156 | | AS1156 |
| 3398-AS1157 | | AS1157 |
| 3398-AS1159 | | AS1159 |
| 3398-AS1160 | | AS1160 |
| 3398-AS1161 | | AS1161 |
| 3398-AS1162 | | AS1162 |
| 3398-AS1163 | | AS1163 |
| 3398-AS1164 | | AS1164 |
| 3398-AS1165 | | AS1165 |
| 3398-AS1166 | | AS1166 |
| 3398-AS1167 | | AS1167 |
| 3398-AS1168 | | AS1168 |
| 3398-AS1169 | | AS1169 |
| 3398-AS1170 | | AS1170 |
| 3398-AS1171 | | AS1171 |
| 3398-AS1172 | | AS1172 |
| 3398-AS1173 | | AS1173 |
| 3398-AS1174 | | AS 1174 |
| 3398-AS1175 | | AS1175 |
| 3398-AS1176 | | AS1176 |

| OEM Part Number | Gunite Production Part Number | Gunite Aftermarket Part Number |
|---|-------------------------------|--------------------------------|
| Mack Trucks Incorporated (continued) | | |
| 3398-AS1179 | | AS1179 |
| 3398-AS3000 | | AS3000 |
| 3398-AS3001 | | AS3001 |
| 3398-AS3002 | | AS3002 |
| 3398-AS3003 | | AS3003 |
| 3398-AS3011 | | AS3011 |
| 3398-AS3012 | | AS3012 |
| 3398-AS3013 | | AS3013 |
| 3398-AS3015 | | AS3015 |
| 3398-AS3016 | | AS3016 |
| 3398-AS3017 | | AS3017 |
| 3398-AS3018 | | AS3018 |
| 3398-AS3019 | | AS3019 |
| 3398-AS3021 | | AS3021 |
| 3398-AS3022 | | AS3022 |
| 3398-AS3023 | | AS3023 |
| 3398-AS3024 | | AS3024 |
| 3398-AS4001 | | AS4001 |
| 3398-AS4004 | | AS4004 |
| 3398-AS4005 | | AS4005 |
| 3398-AS4006 | | AS4006 |
| 3398-AS4007 | | AS4007 |
| 3398-AS4008 | | AS4008 |
| 3398-AS4012 | | AS4012 |
| 3398-AS4013 | | AS4013 |
| 3398-AS4014 | | AS4014 |
| 3398-AS4015 | | AS4015 |
| Peterbilt Motors Corporation | | |
| 10480701 | SA02104 | AS1132 |
| 10480801 | SA02203 | AS1140 |
| 02-01736 | SA02701 | AS1136 |
| 02-02245 | SA02701 | AS1136 |
| 03-05136 | SA02203 | AS1140 |
| 03-05229 | SA02203 | AS1140 |
| 03-05459 | SA02204 | AS1142 |
| 03-06008 | SA02104 | AS1132 |
| Stoughton | | |
| 046034700100 | SA10802 | AS1149 |
| Strick Corporation | | |
| 03637/16167 | SA05801 | AS1040 (8) |
| R21097003 | SA02203 | AS1140 |
| R21097004 | SA02201 | AS1141 |
| Trailmobile Incorporated | | |
| 17A23127 | SA02203 | AS1140 |
| 17A2314355 | SA07202 | AS1040 (8) |
| 17A2314355 | SA10802 | AS1040 (8) |
| 17A2314360 | SA10803 | AS1041 (8) |
| 4017A23665 | SA02201 | AS1141 |
| Volvo Trucks North America | | |
| 1090339 | | AS1033 |
| 1090340 | | AS1041 |
| 1090341 | | AS1044 |
| 1090342 | | AS1032 |
| 1090343 | | AS1040 |
| 1090344 | | AS3000 |
| 1090345 | | AS3001 |
| 1091671 | | AS1038 |
| 1092019 | | AS1040 |
| 1092020 | | AS1038 |
| 1099346 | | AS4001 |

Gunite Production part numbers that are shaded are for reference only, and used only on original equipment installation.

(8) Consult either the Numerical Listing or the Gunite Production to Gunite Aftermarket Part Number listings to determine the appropriate Gunite Clevis Kit required.

| OEM Part Number | Gunite Production Part Number | Gunite Aftermarket Part Number |
|---|-------------------------------|--------------------------------|
| Volvo Trucks North America (continued) | | |
| 20434458 | SA10204 | AS1142 |
| 20527305 | SA11602 | AS1032 |
| 20527306 | SA11702 | AS1170 |
| 20527307 | SA11902 | AS1172 |
| 20714924 | SA11903 | AS1173 |
| 20714928 | SA11603 | AS1169 |
| 3918358 | | AS1032 |
| 3918359 | | AS1034 |
| 3918360 | | AS1040 |
| 3918361 | | AS1042 |
| 3918364 | | AS3000 |
| 3918977 | | AS3001 |
| 3919764 | | AS3003 |
| 3919765 | | AS3002 |
| 3936094 | SA00105 | AS1036 |
| 3936096 | SA00102 | AS1032 |
| 3936102 | SA01701 | AS3001 |
| 3936103 | SA01401 | AS3000 |
| 3947846 | | AS1033 |
| 3947847 | | AS1032 |
| 3947848 | | AS1036 |
| 3947849 | | AS1041 |
| 3948150 | | AS1040 |
| 3948970 | | AS1038 |
| 3949413 | | AS1042 |
| 3949441 | | AS1034 |
| 3949442 | | AS1044 |
| 76401-0100 | SA02201 | AS1141 |
| 76401-0103 | SA02101 | AS1133 |
| 76401-0110 | SA02203 | AS1140 |
| 76401-0111 | SA02701 | AS1136 |
| 76401-0134 | SA02104 | AS1132 |
| 76401-0149 | SA03101 | AS1138 |
| 76401-3805 | SA02104 | AS1132 |
| 76401-3806 | SA02204 | AS1142 |
| 76403-0003 | SD04401 | AS3000 |
| 76403-0004 | SD04402 | AS3001 |
| 8060850 | SA02101 | AS1133 |
| 8060851 | SA02104 | AS1132 |
| 8060852 | SA03101 | AS1138 |
| 8060853 | SA02701 | AS1136 |
| 8060858 | SA02201 | AS1141 |
| 8060859 | SA02203 | AS1140 |
| 8060999 | SA02212 | AS1157 |
| 8061000 | SA02213 | AS1157 |
| 8084128 | SA09903 | AS1133 |
| 8084129 | SA09902 | AS1132 |
| 8084131 | SA10002 | AS1136 |
| 8084132 | SA10203 | AS1141 |
| 8084133 | SA10202 | AS1140 |
| 8084136 | SD06301 | n/a |
| 8084138 | SD06203 | n/a |
| 8160525 | SD06002 | AS4011 |
| 8160526 | SD06001 | AS4010 |
| Wabash National Corporation | | |
| 10600055 | SA02201 | AS1141 |
| 10600059 | SA10802 | AS1149 |
| 10600361 | SA05502 | AS1041 (8) |
| Western Star Truck | | |
| 76401-3455 | SA02104 | AS1132 |
| 76401-3457 | SA02701 | AS1136 |

| OEM Part Number | Gunite Production Part Number | Gunite Aftermarket Part Number |
|---------------------------------------|-------------------------------|--------------------------------|
| Western Star Truck (continued) | | |
| 76401-3462 | SA02203 | AS1140 |
| 76401-3469 | SA03101 | AS1138 |
| 76401-3498 | SA06402 | AS1132 |
| 76401-3499 | SA06403 | AS1133 |
| 76401-3501 | SA06602 | AS1136 |
| 76401-3502 | SA07002 | AS1140 |
| 76401-3505 | SA09902 | AS1132 |
| 76401-3506 | SA09903 | AS1133 |
| 76401-3507 | SA10002 | AS1136 |
| 76401-3508 | SA10202 | AS1140 |
| 76401-3509 | SA10203 | AS1141 |
| 76401-3510 | SA10204 | AS1142 |

Gunite Production part numbers that are shaded are for reference only, and used only on original equipment installation.

(8) Consult either the Numerical Listing or the Gunite Production to Gunite Aftermarket Part Number listings to determine the appropriate Gunite Clevis Kit required.

| Industry Part Number | Gunite Aftermarket Part Number | Special Information |
|---------------------------|--------------------------------|--|
| Bendix Corporation | | |
| 065162 | AS1035 | Requires the use of AS3002 clevis kit. |
| 065163 | AS1036 | Requires the use of AS3003 clevis kit. |
| 065163 | AS1153 | |
| 065164 | AS1036 | Requires the use of either AS3001 or AS3017 clevis kits. |
| 065164 | AS1136 | |
| 065166 | AS1037 | Requires the use of AS3002 clevis kit. |
| 065167 | AS1038 | Requires the use of either AS3000 or AS3016 clevis kits. |
| 065167 | AS1138 | |
| 065168 | AS1031 | Requires the use of AS3001 clevis kit. |
| 065169 | AS1032 | Requires the use of AS3002 clevis kit. |
| 065169 | AS1156 | |
| 065170 | AS1032 | Requires the use of either AS3000 or AS3016 clevis kits. |
| 065170 | AS1132 | |
| 065172 | AS1033 | Requires the use of either AS3000 or AS3016 clevis kits. |
| 065172 | AS1133 | |
| 065173 | AS1039 | Requires the use of AS3001 clevis kit. |
| 065174 | AS1040 | Requires the use of either AS3000 or AS3016 clevis kits. |
| 065174 | AS1140 | |
| 065175 | AS1041 | Requires the use of either AS3000 or AS3016 clevis kits. |
| 065175 | AS1141 | |
| 065176 | AS1041 | Requires the use of either AS3000 or AS3016 clevis kits. |
| 065176 | AS1141 | |
| 065177 | AS1044 | Requires the use of either AS3000 or AS3016 clevis kits. |
| 065178 | AS1043 | Requires the use of either AS3000 or AS3016 clevis kits. |
| 065179 | AS1044 | Requires the use of either AS3000 or AS3016 clevis kits. |
| 065182 | AS1043 | Requires the use of either AS3000 or AS3016 clevis kits. |
| 065221 | AS1040 | Requires the use of either AS3001 or AS3017 clevis kits. |
| 065221 | AS1140 | |
| 065244 | AS1036 | Requires the use of AS3002 clevis kit. |
| 065244 | AS1152 | |
| 065245 | AS1040 | Requires the use of AS3002 clevis kit. |
| 065247 | AS1040 | Requires the use of either AS3000 or AS3016 clevis kits. |
| 065247 | AS1140 | |
| 065274 | AS1038 | Requires the use of either AS3001 or AS3017 clevis kits. |
| 065274 | AS1138 | |
| 065276 | AS1041 | Requires the use of AS3002 clevis kit. |
| 065306 | AS1038 | Requires the use of AS3002 clevis kit. |
| 065306 | AS1154 | |
| 065335 | AS1038 | Requires the use of either AS3001 or AS3017 clevis kits. |
| 065335 | AS1138 | |
| 065344 | AS1033 | Requires the use of either AS3000 or AS3016 clevis kits. |
| 065344 | AS1133 | |
| 065403 | AS1038 | Requires the use of either AS3000 or AS3016 clevis kits. |
| 065403 | AS1138 | |
| 065488 | AS1032 | Requires the use of AS3003 clevis kit. |
| 065508 | AS1031 | Requires the use of either AS3000 or AS3016 clevis kits. |
| 065508 | AS1131 | |
| 065700 | AS1032 | Requires the use of either AS3000 or AS3016 clevis kits. |
| 065700 | AS1132 | |
| 101261 | AS1040 | Requires the use of either AS3000 or AS3016 clevis kits. |

| Industry Part Number | Gunite Aftermarket Part Number | Special Information |
|---------------------------------------|--------------------------------|--|
| Bendix Corporation (continued) | | |
| 101261 | AS1140 | |
| 101262 | AS1040 | Requires the use of either AS3000 or AS3016 clevis kits. |
| 101262 | AS1140 | |
| 101453 | AS1036 | Requires the use of either AS3001 or AS3017 clevis kits. |
| 101453 | AS1136 | |
| 101454 | AS1036 | Requires the use of either AS3001 or AS3017 clevis kits. |
| 101454 | AS1136 | |
| 101539 | AS1036 | Requires the use of either AS3001 or AS3017 clevis kits. |
| 101539 | AS1136 | |
| 101540 | AS1036 | Requires the use of either AS3001 or AS3017 clevis kits. |
| 101540 | AS1136 | |
| 101628 | AS1032 | Requires the use of AS3002 clevis kit. |
| 101628 | AS1156 | |
| 101629 | AS1032 | Requires the use of AS3002 clevis kit. |
| 101629 | AS1156 | |
| 101769 | AS1040 | Requires the use of either AS3000 or AS3016 clevis kits. |
| 101769 | AS1140 | |
| 101770 | AS1040 | Requires the use of either AS3000 or AS3016 clevis kits. |
| 101770 | AS1140 | |
| 106900 | AS1039 | Requires the use of AS3001 clevis kit. |
| 106902 | AS1039 | Requires the use of AS3001 clevis kit. |
| 106194 | AS1033 | Requires the use of either AS3000 or AS3016 clevis kits. |
| 106194 | AS1133 | |
| 106195 | AS1032 | Requires the use of either AS3000 or AS3016 clevis kits. |
| 106195 | AS1132 | |
| 106196 | AS1031 | Requires the use of AS3001 clevis kit. |
| 106197 | AS1036 | Requires the use of AS3003 clevis kit. |
| 106197 | AS1153 | |
| 106198 | AS1036 | Requires the use of AS3003 clevis kit. |
| 106198 | AS1153 | |
| 106201 | AS1041 | Requires the use of either AS3000 or AS3016 clevis kits. |
| 106201 | AS1141 | |
| 106202 | AS1044 | Requires the use of either AS3000 or AS3016 clevis kits. |
| 106203 | AS1036 | Requires the use of either AS3001 or AS3017 clevis kits. |
| 106203 | AS1136 | |
| 106204 | AS1040 | Requires the use of either AS3000 or AS3016 clevis kits. |
| 106204 | AS1140 | |
| 106205 | AS1032 | Requires the use of either AS3000 or AS3016 clevis kits. |
| 106205 | AS1132 | |
| 106206 | AS1036 | Requires the use of either AS3001 or AS3017 clevis kits. |
| 106206 | AS1136 | |
| 106207 | AS1040 | Requires the use of either AS3000 or AS3016 clevis kits. |
| 106207 | AS1140 | |
| 106208 | AS1036 | Requires the use of AS3002 clevis kit. |
| 106208 | AS1152 | |
| 106209 | AS1036 | Requires the use of AS3002 clevis kit. |
| 106209 | AS1152 | |
| 106321 | AS1032 | Requires the use of AS3002 clevis kit. |
| 106321 | AS1156 | |
| 106322 | AS1032 | Requires the use of AS3002 clevis kit. |
| 106322 | AS1156 | |
| 106901 | AS1031 | Requires the use of AS3001 clevis kit. |

Replacement of other brands of slack adjusters should be done in axle sets.

Industry Part Numbers referencing more than a single interchange is the result of the Gunite Corporation offering the option of ordering its Automatic Slack Adjusters with or without the clevis kit.

| Industry Part Number | Gunite Aftermarket Part Number | Special Information |
|---------------------------------------|--------------------------------|--|
| Bendix Corporation (continued) | | |
| 106903 | AS1037 | Requires the use of AS3002 clevis kit. |
| 106905 | AS1037 | Requires the use of AS3002 clevis kit. |
| 106906 | AS1037 | Requires the use of AS3002 clevis kit. |
| 106908 | AS1037 | Requires the use of AS3002 clevis kit. |
| 106926 | AS1041 | Requires the use of either AS3000 or AS3016 clevis kits. |
| 106926 | AS1141 | |
| 107100 | AS1033 | Requires the use of either AS3000 or AS3016 clevis kits. |
| 107100 | AS1133 | |
| 107101 | AS1041 | Requires the use of either AS3000 or AS3016 clevis kits. |
| 107101 | AS1141 | |
| 107102 | AS1044 | Requires the use of either AS3000 or AS3016 clevis kits. |
| 107103 | AS1032 | Requires the use of either AS3000 or AS3016 clevis kits. |
| 107103 | AS1132 | |
| 107104 | AS1036 | Requires the use of either AS3001 or AS3017 clevis kits. |
| 107104 | AS1136 | |
| 107105 | AS1040 | Requires the use of either AS3000 or AS3016 clevis kits. |
| 107105 | AS1140 | |
| 107106 | AS1032 | Requires the use of either AS3000 or AS3016 clevis kits. |
| 107106 | AS1132 | |
| 107107 | AS1036 | Requires the use of either AS3001 or AS3017 clevis kits. |
| 107107 | AS1136 | |
| 107108 | AS1040 | Requires the use of either AS3000 or AS3016 clevis kits. |
| 107108 | AS1140 | |
| 107109 | AS1031 | Requires the use of AS3001 clevis kit. |
| 107110 | AS1039 | Requires the use of AS3001 clevis kit. |
| 107111 | AS1031 | Requires the use of AS3001 clevis kit. |
| 107112 | AS1039 | Requires the use of AS3001 clevis kit. |
| 107113 | AS1036 | Requires the use of AS3003 clevis kit. |
| 107113 | AS1153 | |
| 107114 | AS1036 | Requires the use of AS3002 clevis kit. |
| 107114 | AS1152 | |
| 107115 | AS1032 | Requires the use of AS3002 clevis kit. |
| 107115 | AS1156 | |
| 107116 | AS1036 | Requires the use of AS3003 clevis kit. |
| 107116 | AS1153 | |
| 107117 | AS1036 | Requires the use of AS3002 clevis kit. |
| 107117 | AS1152 | |
| 107118 | AS1032 | Requires the use of AS3002 clevis kit. |
| 107118 | AS1156 | |
| 107120 | AS1037 | Requires the use of AS3002 clevis kit. |
| 107122 | AS1037 | Requires the use of AS3002 clevis kit. |
| 107124 | AS1037 | Requires the use of AS3002 clevis kit. |
| 107126 | AS1037 | Requires the use of AS3002 clevis kit. |
| 107127 | AS1041 | Requires the use of either AS3000 or AS3016 clevis kits. |
| 107127 | AS1141 | |
| 107142 | AS1038 | Requires the use of either AS3001 or AS3017 clevis kits. |
| 107142 | AS1138 | |
| 107143 | AS1040 | Requires the use of either AS3000 or AS3016 clevis kits. |
| 107143 | AS1140 | |
| 107144 | AS1040 | Requires the use of either AS3000 or AS3016 clevis kits. |
| 107144 | AS1140 | |
| 107176 | AS1032 | Requires the use of either AS3000 or AS3016 clevis kits. |
| 107176 | AS1132 | |

| Industry Part Number | Gunite Aftermarket Part Number | Special Information |
|---------------------------------------|--------------------------------|---|
| Bendix Corporation (continued) | | |
| 107177 | AS1036 | Requires the use of either AS3001 or AS3017 clevis kits. |
| 107177 | AS1136 | |
| 107178 | AS1038 | Requires the use of either AS3001 or AS3017 clevis kits. |
| 107178 | AS1138 | |
| 107179 | AS1040 | Requires the use of either AS3000 or AS3016 clevis kits. |
| 107179 | AS1140 | |
| 107246 | AS1038 | Requires the use of either AS3000 or AS3016 clevis kits. |
| 107246 | AS1138 | |
| 107247 | AS1038 | Requires the use of either AS3000 or AS3016 clevis kits. |
| 107247 | AS1138 | |
| 107254 | AS1043 | Requires the use of either AS3000 or AS3016 clevis kits. |
| 107256 | AS1038 | Requires the use of either AS3000 or AS3016 clevis kits. |
| 107256 | AS1138 | |
| 107262 | AS1032 | Requires the use of either AS3000 or AS3016 clevis kits. |
| 107262 | AS1132 | |
| 107263 | AS1036 | Requires the use of either AS3001 or AS3017 clevis kits. |
| 107263 | AS1136 | |
| 107264 | AS1044 | Requires the use of either AS3000 or AS3016 clevis kits. |
| 107265 | AS1044 | Requires the use of either AS3000 or AS3016 clevis kits. |
| 107267 | AS1036 | Requires the use of either AS3001 or AS3017 clevis kits. |
| 107267 | AS1136 | |
| 107269 | AS1037 | Requires the use of AS3002 clevis kit. |
| 107270 | AS1038 | Requires the use of either AS3000 or AS3016 clevis kits. |
| 107270 | AS1138 | |
| 107271 | AS1031 | Requires the use of AS3001 clevis kit. |
| 107272 | AS1032 | Requires the use of AS3002 clevis kit. |
| 107272 | AS1156 | |
| 107273 | AS1032 | Requires the use of either AS3000 or AS3016 clevis kits. |
| 107273 | AS1132 | |
| 107274 | AS1033 | Requires the use of either AS3000 or AS3016 clevis kits. |
| 107274 | AS1133 | |
| 107275 | AS1039 | Requires the use of AS3001 clevis kit. |
| 107276 | AS1040 | Requires the use of either AS3000 or AS3016 clevis kits. |
| 107276 | AS1140 | |
| 107277 | AS1041 | Requires the use of either AS3000 or AS3016 clevis kits. |
| 107277 | AS1141 | |
| 107278 | AS1041 | Requires the use of either AS3000 or AS3016 clevis kits. |
| 107278 | AS1141 | |
| 107279 | AS1044 | Requires the use of either AS3000 or AS3016 clevis kits. |
| 107280 | AS1043 | Requires the use of either AS3000 or AS3016 clevis kits. |
| 107281 | AS1044 | Requires the use of either AS3000 or AS3016 clevis kits. |
| 107297 | AS1036 | Requires the use of either AS3001 or AS3017 clevis kits. Check Spline diameter. |
| 107297 | AS1136 | Check Spline diameter. |
| 107297 | AS1032 | Requires the use of either AS3000 or AS3016 clevis kits. Check Spline diameter. |
| 107297 | AS1132 | Check Spline diameter. |
| 107400 | AS1033 | Requires the use of either AS3000 or AS3016 clevis kits. |
| 107400 | AS1133 | |
| 107401 | AS1033 | Requires the use of either AS3000 or AS3016 clevis kits. |

Replacement of other brands of slack adjusters should be done in axle sets.

Industry Part Numbers referencing more than a single interchange is the result of the Gunite Corporation offering the option of ordering its Automatic Slack Adjusters with or without the clevis kit.

| Industry Part Number | Gunite Aftermarket Part Number | Special Information |
|---------------------------------------|--------------------------------|--|
| Bendix Corporation (continued) | | |
| 107401 | AS1133 | |
| 107402 | AS1040 | Requires the use of either AS3000 or AS3016 clevis kits. |
| 107402 | AS1140 | |
| 107403 | AS1040 | Requires the use of either AS3000 or AS3016 clevis kits. |
| 107403 | AS1140 | |
| 107407 | AS1043 | Requires the use of either AS3000 or AS3016 clevis kits. |
| 107408 | AS1043 | Requires the use of either AS3000 or AS3016 clevis kits. |
| 107409 | AS1043 | Requires the use of either AS3000 or AS3016 clevis kits. |
| 107420 | AS1038 | Requires the use of either AS3000 or AS3016 clevis kits. |
| 107420 | AS1138 | |
| 107421 | AS1040 | Requires the use of either AS3000 or AS3016 clevis kits. |
| 107421 | AS1140 | |
| 107477 | AS1036 | Requires the use of either AS3001 or AS3017 clevis kits. |
| 107477 | AS1136 | |
| 107536 | AS1040 | Requires the use of either AS3000 or AS3016 clevis kits. |
| 107536 | AS1140 | |
| 107687 | AS1040 | Requires the use of either AS3001 or AS3017 clevis kits. |
| 107687 | AS1140 | |
| 107688 | AS1040 | Requires the use of either AS3001 or AS3017 clevis kits. |
| 107688 | AS1140 | |
| 107689 | AS1040 | Requires the use of either AS3001 or AS3017 clevis kits. |
| 107689 | AS1140 | |
| 107729 | AS1036 | Requires the use of AS3002 clevis kit. |
| 107729 | AS1152 | |
| 107730 | AS1036 | Requires the use of AS3002 clevis kit. |
| 107730 | AS1152 | |
| 107734 | AS1040 | Requires the use of AS3002 clevis kit. |
| 107735 | AS1040 | Requires the use of AS3002 clevis kit. |
| 107736 | AS1041 | Requires the use of either AS3000 or AS3016 clevis kits. |
| 107736 | AS1141 | |
| 107739 | AS1040 | Requires the use of either AS3000 or AS3016 clevis kits. |
| 107739 | AS1140 | |
| 107772 | AS1041 | Requires the use of either AS3000 or AS3016 clevis kits. |
| 107772 | AS1141 | |
| 107773 | AS1041 | Requires the use of either AS3000 or AS3016 clevis kits. |
| 107773 | AS1141 | |
| 107774 | AS1041 | Requires the use of AS3002 clevis kit. |
| 107775 | AS1041 | Requires the use of AS3002 clevis kit. |
| 107787 | AS1041 | Requires the use of either AS3000 or AS3016 clevis kits. |
| 107787 | AS1141 | |
| 107788 | AS1040 | Requires the use of either AS3000 or AS3016 clevis kits. |
| 107788 | AS1140 | |
| 107789 | AS1040 | Requires the use of AS3002 clevis kit. |
| 107790 | AS1040 | Requires the use of AS3002 clevis kit. |
| 107907 | AS1031 | Requires the use of AS3001 clevis kit. |
| 107944 | AS1033 | Requires the use of either AS3000 or AS3016 clevis kits. |
| 107944 | AS1133 | |
| 107991 | AS1040 | Requires the use of either AS3000 or AS3016 clevis kits. |
| 107991 | AS1140 | |
| 107992 | AS1038 | Requires the use of either AS3000 or AS3016 clevis kits. |

| Industry Part Number | Gunite Aftermarket Part Number | Special Information |
|---------------------------------------|--------------------------------|--|
| Bendix Corporation (continued) | | |
| 107992 | AS1138 | |
| 107993 | AS1033 | Requires the use of either AS3000 or AS3016 clevis kits. |
| 107993 | AS1133 | |
| 107994 | AS1041 | Requires the use of either AS3000 or AS3016 clevis kits. |
| 107994 | AS1141 | |
| 107995 | AS1032 | Requires the use of either AS3000 or AS3016 clevis kits. |
| 107995 | AS1132 | |
| 107996 | AS1040 | Requires the use of either AS3000 or AS3016 clevis kits. |
| 107996 | AS1140 | |
| 107997 | AS1040 | Requires the use of either AS3000 or AS3016 clevis kits. |
| 107997 | AS1140 | |
| 107998 | AS1036 | Requires the use of either AS3001 or AS3017 clevis kits. |
| 107998 | AS1136 | |
| 107999 | AS1032 | Requires the use of either AS3000 or AS3016 clevis kits. |
| 107999 | AS1132 | |
| 108000 | AS1038 | Requires the use of either AS3001 or AS3017 clevis kits. |
| 108000 | AS1138 | |
| 108001 | AS1031 | Requires the use of AS3001 clevis kit. |
| 108068 | AS1040 | Requires the use of either AS3000 or AS3016 clevis kits. |
| 108068 | AS1140 | |
| 108091 | AS1041 | Requires the use of either AS3000 or AS3016 clevis kits. |
| 108091 | AS1141 | |
| 108092 | AS1033 | Requires the use of either AS3000 or AS3016 clevis kits. |
| 108092 | AS1133 | |
| 108093 | AS1041 | Requires the use of either AS3000 or AS3016 clevis kits. |
| 108093 | AS1141 | |
| 108117 | AS1041 | Requires the use of either AS3000 or AS3016 clevis kits. |
| 108117 | AS1141 | |
| 108118 | AS1040 | Requires the use of either AS3000 or AS3016 clevis kits. |
| 108118 | AS1140 | |
| 108119 | AS1040 | Requires the use of AS3002 clevis kit. |
| 108120 | AS1040 | Requires the use of AS3002 clevis kit. |
| 108292 | AS1038 | Requires the use of AS3002 clevis kit. |
| 108292 | AS1154 | |
| 108293 | AS1038 | Requires the use of AS3002 clevis kit. |
| 108293 | AS1154 | |
| 108371 | AS1040 | Requires the use of either AS3000 or AS3016 clevis kits. |
| 108371 | AS1140 | |
| 108430 | AS1041 | Requires the use of either AS3000 or AS3016 clevis kits. |
| 108430 | AS1141 | |
| 108431 | AS1033 | Requires the use of either AS3000 or AS3016 clevis kits. |
| 108431 | AS1133 | |
| 108555 | AS1038 | Requires the use of either AS3001 or AS3017 clevis kits. |
| 108555 | AS1138 | |
| 108617 | AS1033 | Requires the use of either AS3000 or AS3016 clevis kits. |
| 108617 | AS1133 | |
| 108644 | AS1036 | Requires the use of either AS3001 or AS3017 clevis kits. |
| 108644 | AS1136 | |
| 108645 | AS1040 | Requires the use of either AS3000 or AS3016 clevis kits. |
| 108645 | AS1140 | |

Replacement of other brands of slack adjusters should be done in axle sets.

Industry Part Numbers referencing more than a single interchange is the result of the Gunite Corporation offering the option of ordering its Automatic Slack Adjusters with or without the clevis kit.

| Industry Part Number | Gunite Aftermarket Part Number | Special Information |
|---------------------------------------|--------------------------------|--|
| Bendix Corporation (continued) | | |
| 108646 | AS1038 | Requires the use of either AS3000 or AS3016 clevis kits. |
| 108646 | AS1138 | |
| 108647 | AS1032 | Requires the use of either AS3000 or AS3016 clevis kits. |
| 108647 | AS1132 | |
| 108966 | AS1038 | Requires the use of AS3002 clevis kit. |
| 108966 | AS1154 | |
| 108967 | AS1038 | Requires the use of AS3002 clevis kit. |
| 108967 | AS1154 | |
| 108974 | AS1038 | Requires the use of either AS3001 or AS3017 clevis kits. |
| 108974 | AS1138 | |
| 109038 | AS1038 | Requires the use of either AS3001 or AS3017 clevis kits. |
| 109038 | AS1138 | |
| 109271 | AS1032 | Requires the use of AS3003 clevis kit. |
| 109272 | AS1032 | Requires the use of AS3003 clevis kit. |
| 109277 | AS1038 | Requires the use of AS3002 clevis kit. |
| 109277 | AS1154 | |
| 109278 | AS1038 | Requires the use of AS3002 clevis kit. |
| 108278 | AS1154 | |
| 109357 | AS1031 | Requires the use of either AS3000 or AS3016 clevis kits. |
| 109357 | AS1131 | |
| 109344 | AS1032 | Requires the use of AS3002 clevis kit. |
| 109344 | AS1156 | |
| 109345 | AS1032 | Requires the use of AS3002 clevis kit. |
| 109345 | AS1156 | |
| 109516 | AS1040 | Requires the use of AS3002 clevis kit. |
| 109517 | AS1038 | Requires the use of AS3002 clevis kit. |
| 109517 | AS1154 | |
| 109518 | AS1040 | Requires the use of either AS3000 or AS3016 clevis kits. |
| 109518 | AS1140 | |
| 109519 | AS1041 | Requires the use of either AS3000 or AS3016 clevis kits. |
| 109519 | AS1141 | |
| 109627 | AS1041 | Requires the use of AS3002 clevis kit. |
| 109628 | AS1041 | Requires the use of AS3002 clevis kit. |
| 131026 | AS1032 | Requires the use of either AS3000 or AS3016 clevis kits. |
| 131026 | AS1132 | |
| 289304 | AS1036 | Requires the use of AS3002 clevis kit. |
| 289304 | AS1152 | |
| 289305 | AS1036 | Requires the use of AS3002 clevis kit. |
| 289305 | AS1152 | |
| 289312 | AS1041 | Requires the use of either AS3000 or AS3016 clevis kits. |
| 289312 | AS1141 | |
| 289313 | AS1041 | Requires the use of either AS3000 or AS3016 clevis kits. |
| 289313 | AS1141 | |
| 289314 | AS1040 | Requires the use of either AS3000 or AS3016 clevis kits. |
| 289314 | AS1140 | |
| 289315 | AS1040 | Requires the use of either AS3000 or AS3016 clevis kits. |
| 289315 | AS1140 | |
| 289325 | AS1044 | Requires the use of either AS3000 or AS3016 clevis kits. |
| 289652 | AS1033 | Requires the use of either AS3000 or AS3016 clevis kits. |
| 289652 | AS1133 | |
| 289653 | AS1033 | Requires the use of either AS3000 or AS3016 clevis kits. |
| 289653 | AS1133 | |

| Industry Part Number | Gunite Aftermarket Part Number | Special Information |
|---------------------------------------|--------------------------------|--|
| Bendix Corporation (continued) | | |
| 289654 | AS1032 | Requires the use of either AS3000 or AS3016 clevis kits. |
| 289654 | AS1132 | |
| 289655 | AS1032 | Requires the use of either AS3000 or AS3016 clevis kits. |
| 289655 | AS1132 | |
| 289741 | AS1033 | Requires the use of either AS3000 or AS3016 clevis kits. |
| 289741 | AS1133 | |
| 289742 | AS1033 | Requires the use of either AS3000 or AS3016 clevis kits. |
| 289742 | AS1133 | |
| 289746 | AS1032 | Requires the use of either AS3000 or AS3016 clevis kits. |
| 289746 | AS1132 | |
| 289747 | AS1032 | Requires the use of either AS3000 or AS3016 clevis kits. |
| 289747 | AS1132 | |
| 289748 | AS1032 | Requires the use of either AS3000 or AS3016 clevis kits. |
| 289748 | AS1132 | |
| 289749 | AS1032 | Requires the use of either AS3000 or AS3016 clevis kits. |
| 289749 | AS1132 | |
| 289933 | AS1041 | Requires the use of either AS3000 or AS3016 clevis kits. |
| 289933 | AS1141 | |
| 289934 | AS1041 | Requires the use of either AS3000 or AS3016 clevis kits. |
| 289934 | AS1141 | |
| 5001334 | AS1036 | Requires the use of either AS3001 or AS3017 clevis kits. |
| 5001334 | AS1136 | |
| 801351 | AS1036 | Requires the use of either AS3000 or AS3016 clevis kits. |
| 801351 | AS1136 | |
| 801352 | AS1031 | Requires the use of either AS3000 or AS3016 clevis kits. |
| 801352 | AS1131 | |
| 801353 | AS1032 | Requires the use of either AS3001 or AS3017 clevis kits. |
| 801353 | AS1132 | |
| 801354 | AS1039 | Requires the use of either AS3000 or AS3016 clevis kits. |
| 801354 | AS1139 | |
| 801355 | AS1040 | Requires the use of either AS3001 or AS3017 clevis kits. |
| 801355 | AS1140 | |
| 801356 | AS1041 | Requires the use of AS3001 clevis kit. |
| 801357 | AS1037 | Requires the use of AS3003 clevis kit. |
| 801358 | AS1032 | Requires the use of AS3003 clevis kit. |
| 801359 | AS1035 | Requires the use of AS3003 clevis kit. |
| Crewson Industries | | |
| CB21102 | AS1032 | Requires the use of either AS3000 or AS3016 clevis kits. 5.5 inch arm length only. |
| CB21102 | AS1132 | 5.5 inch arm length only. |
| CB21102 | AS1034 | Requires the use of either AS3000 or AS3016 clevis kits. 6.5 inch arm length only. |
| CB21102 | AS1134 | 6.5 inch arm length only. |
| CB21103 | AS1031 | Requires the use of either AS3000 or AS3016 clevis kits. 5.0 inch arm length only. |
| CB21103 | AS1131 | 5.0 inch arm length only. |
| CB21103 | AS1033 | Requires the use of either AS3000 or AS3016 clevis kits. 6.0 inch arm length only. |
| CB21103 | AS1133 | 6.0 inch arm length only. |
| CB21104 | AS1033 | Requires the use of either AS3000 or AS3016 clevis kits. 6.0 inch arm length only. |
| CB21104 | AS1133 | 6.0 inch arm length only. |
| CB21182 | AS1032 | Requires the use of either AS3000 or AS3016 clevis kits. 5.5 inch arm length only. |
| CB21182 | AS1132 | 5.5 inch arm length only. |

Replacement of other brands of slack adjusters should be done in axle sets.

Industry Part Numbers referencing more than a single interchange is the result of the Gunite Corporation offering the option of ordering its Automatic Slack Adjusters with or without the clevis kit.

| Industry Part Number | Gunite Aftermarket Part Number | Special Information |
|---------------------------------------|--------------------------------|--|
| Crewson Industries (continued) | | |
| CB21182 | AS1034 | Requires the use of either AS3000 or AS3016 clevis kits. 6.5 inch arm length only. |
| CB21182 | AS1134 | 6.5 inch arm length only. |
| CB21184 | AS1033 | Requires the use of either AS3000 or AS3016 clevis kits. 6.0 inch arm length only. |
| CB21184 | AS1133 | 6.0 inch arm length only. |
| CB21183 | AS1031 | Requires the use of either AS3000 or AS3016 clevis kits. 5.0 inch arm length only. |
| CB21183 | AS1131 | 5.0 inch arm length only. |
| CB21183 | AS1033 | Requires the use of either AS3000 or AS3016 clevis kits. 6.0 inch arm length only. |
| CB21183 | AS1133 | 6.0 inch arm length only. |
| CB21952 | AS1032 | Requires the use of either AS3000 or AS3016 clevis kits. 5.5 inch arm length only. |
| CB21952 | AS1132 | 5.5 inch arm length only. |
| CB21952 | AS1034 | Requires the use of either AS3000 or AS3016 clevis kits. 6.5 inch arm length only. |
| CB21952 | AS1134 | 6.5 inch arm length only. |
| CB21953 | AS1031 | Requires the use of either AS3000 or AS3016 clevis kits. 5.0 inch arm length only. |
| CB21953 | AS1131 | 5.0 inch arm length only. |
| CB21953 | AS1033 | Requires the use of either AS3000 or AS3016 clevis kits. 6.0 inch arm length only. |
| CB21953 | AS1133 | 6.0 inch arm length only. |
| CB22102 | AS1040 | Requires the use of either AS3000 or AS3016 clevis kits. 5.5 inch arm length only. |
| CB22102 | AS1140 | 5.5 inch arm length only. |
| CB22102 | AS1042 | Requires the use of either AS3000 or AS3016 clevis kits. 6.5 inch arm length only. |
| CB22102 | AS1142 | 6.5 inch arm length only. |
| CB22103 | AS1039 | Requires the use of either AS3000 or AS3016 clevis kits. 5.0 inch arm length only. |
| CB22103 | AS1139 | 5.0 inch arm length only. |
| CB22103 | AS1041 | Requires the use of either AS3000 or AS3016 clevis kits. 6.0 inch arm length only. |
| CB22103 | AS1141 | 6.0 inch arm length only. |
| CB22104 | AS1041 | Requires the use of either AS3000 or AS3016 clevis kits. 6.0 inch arm length only. |
| CB22104 | AS1141 | 6.0 inch arm length only. |
| CB22182 | AS1040 | Requires the use of either AS3000 or AS3016 clevis kits. 5.5 inch arm length only. |
| CB22182 | AS1140 | 5.5 inch arm length only. |
| CB22182 | AS1042 | Requires the use of either AS3000 or AS3016 clevis kits. 6.5 inch arm length only. |
| CB22182 | AS1142 | 6.5 inch arm length only. |
| CB22183 | AS1039 | Requires the use of either AS3000 or AS3016 clevis kits. 5.0 inch arm length only. |
| CB22183 | AS1139 | 5.0 inch arm length only. |
| CB22183 | AS1041 | Requires the use of either AS3000 or AS3016 clevis kits. 6.0 inch arm length only. |
| CB22183 | AS1141 | 6.0 inch arm length only. |
| CB22184 | AS1041 | Requires the use of either AS3000 or AS3016 clevis kits. 6.0 inch arm length only. |
| CB22184 | AS1141 | 6.0 inch arm length only. |
| CB22952 | AS1040 | Requires the use of either AS3000 or AS3016 clevis kits. 5.5 inch arm length only. |
| CB22952 | AS1140 | 5.5 inch arm length only. |
| CB22952 | AS1042 | Requires the use of either AS3000 or AS3016 clevis kits. 6.5 inch arm length only. |
| CB22952 | AS1142 | 6.5 inch arm length only. |
| CB22953 | AS1039 | Requires the use of either AS3000 or AS3016 clevis kits. 5.0 inch arm length only. |
| CB22953 | AS1139 | 5.0 inch arm length only. |
| CB22953 | AS1041 | Requires the use of either AS3000 or AS3016 clevis kits. 6.0 inch arm length only. |
| CB22953 | AS1141 | 6.0 inch arm length only. |
| CB23102 | AS1043 | Requires the use of either AS3000 or AS3016 clevis kits. 5.5 inch arm length only. |
| CB23102 | AS1143 | 5.5 inch arm length only. |
| CB23106 | AS1044 | Requires the use of either AS3000 or AS3016 clevis kits. |
| CB23106 | AS1144 | |

| Industry Part Number | Gunite Aftermarket Part Number | Special Information |
|---------------------------------------|--------------------------------|--|
| Crewson Industries (continued) | | |
| CB23952 | AS1043 | Requires the use of either AS3000 or AS3016 clevis kits. 5.5 inch arm length only. |
| CB23952 | AS1143 | 5.5 inch arm length only. |
| CB23952 | AS1045 | Requires the use of either AS3000 or AS3016 clevis kits. 6.5 inch arm length only. |
| CB23952 | AS1145 | 6.5 inch arm length only. |
| CB23953 | AS1044 | Requires the use of either AS3000 or AS3016 clevis kits. 6.0 inch arm length only. |
| CB23953 | AS1144 | 6.0 inch arm length only. |
| CB24102 | AS1036 | Requires the use of either AS3000 or AS3016 clevis kits. 5.5 inch arm length only. |
| CB24102 | AS1136 | 5.5 inch arm length only. |
| CB24103 | AS1035 | Requires the use of either AS3000 or AS3016 clevis kits. 5.0 inch arm length only. |
| CB24103 | AS1135 | 5.0 inch arm length only. |
| CB24300 | AS1036 | Requires the use of AS3003 clevis kit. |
| CB25102 | AS1038 | Requires the use of either AS3000 or AS3016 clevis kits. 5.5 inch arm length only. |
| CB25102 | AS1138 | 5.5 inch arm length only. |
| CB25103 | AS1037 | Requires the use of either AS3000 or AS3016 clevis kits. 5.0 inch arm length only. |
| CB25103 | AS1137 | 5.0 inch arm length only. |
| CB25300 | AS1038 | Requires the use of AS3003 clevis kit. |
| CB34100 | AS1036 | Requires the use of either AS3000 or AS3016 clevis kits. |
| CB34100 | AS1136 | |
| CB34200 | AS1036 | Requires the use of either AS3000 or AS3016 clevis kits. |
| CB34200 | AS1136 | |
| CB35100 | AS1038 | Requires the use of either AS3000 or AS3016 clevis kits. |
| CB35100 | AS1138 | |
| CB35200 | AS1038 | Requires the use of either AS3001 or AS3017 clevis kits. |
| CB35200 | AS1138 | |
| CB41100 | AS1032 | Requires the use of either AS3000 or AS3016 clevis kits. |
| CB41100 | AS1132 | |
| CB41101 | AS1034 | Requires the use of either AS3000 or AS3016 clevis kits. |
| CB41101 | AS1134 | |
| CB41106 | AS1033 | Requires the use of either AS3000 or AS3016 clevis kits. |
| CB41106 | AS1133 | |
| CB41180 | AS1032 | Requires the use of either AS3000 or AS3016 clevis kits. |
| CB41180 | AS1132 | |
| CB41186 | AS1033 | Requires the use of either AS3000 or AS3016 clevis kits. |
| CB41186 | AS1133 | |
| CB42100 | AS1040 | Requires the use of either AS3000 or AS3016 clevis kits. |
| CB42100 | AS1140 | |
| CB42101 | AS1042 | Requires the use of either AS3000 or AS3016 clevis kits. |
| CB42101 | AS1142 | |
| CB42106 | AS1041 | Requires the use of either AS3000 or AS3016 clevis kits. |
| CB42106 | AS1141 | |
| CB42180 | AS1040 | Requires the use of either AS3000 or AS3016 clevis kits. |
| CB42180 | AS1140 | |
| CB42186 | AS1041 | Requires the use of either AS3000 or AS3016 clevis kits. |
| CB42186 | AS1141 | |
| CB43100 | AS1043 | Requires the use of either AS3000 or AS3016 clevis kits. |
| CB43100 | AS1143 | |
| CB43106 | AS1044 | Requires the use of either AS3000 or AS3016 clevis kits. |
| CB43106 | AS1144 | |

Replacement of other brands of slack adjusters should be done in axle sets.

Industry Part Numbers referencing more than a single interchange is the result of the Gunite Corporation offering the option of ordering its Automatic Slack Adjusters with or without the clevis kit.

| Industry Part Number | Gunite Aftermarket Part Number | Special Information |
|---------------------------------------|--------------------------------|---|
| Crewson Industries (continued) | | |
| CB43180 | AS1043 | Requires the use of either AS3000 or AS3016 clevis kits. |
| CB43180 | AS1143 | |
| CB43186 | AS1044 | Requires the use of either AS3000 or AS3016 clevis kits. |
| CB43186 | AS1144 | |
| CB71100 | AS1032 | Requires the use of either AS3000 or AS3016 clevis kits. |
| CB71100 | AS1132 | |
| CB71106 | AS1033 | Requires the use of either AS3000 or AS3016 clevis kits. |
| CB71106 | AS1133 | |
| CB72100 | AS1040 | Requires the use of either AS3000 or AS3016 clevis kits. |
| CB72100 | AS1140 | |
| CB72106 | AS1041 | Requires the use of either AS3000 or AS3016 clevis kits. |
| CB72106 | AS1141 | |
| CB73106 | AS1044 | Requires the use of either AS3000 or AS3016 clevis kits. |
| CB73106 | AS1144 | |
| CI21102 | AS1032 | Requires the use of either AS3000 or AS3016 clevis kits. 5.5 inch arm length only. |
| CI21102 | AS1132 | 5.5 inch arm length only. |
| CI21102 | AS1034 | Requires the use of either AS3000 or AS3016 clevis kits. 6.5 inch arm length only. |
| CI21102 | AS1134 | 6.5 inch arm length only. |
| CI211A2 | AS1032 | Requires the use of either AS3000 or AS3016 clevis kits. 5.5 inch arm length only. |
| CI211A2 | AS1132 | 5.5 inch arm length only. |
| CI211A2 | AS1034 | Requires the use of either AS3000 or AS3016 clevis kits. 6.5 inch arm length only. |
| CI211A2 | AS1134 | 6.5 inch arm length only. |
| CI21103 | AS1031 | Requires the use of either AS3000 or AS3016 clevis kits. 5.0 inch arm length only. |
| CI21103 | AS1131 | 5.0 inch arm length only. |
| CI21103 | AS1033 | Requires the use of either AS3000 or AS3016 clevis kits. 6.0 inch arm length only. |
| CI21103 | AS1133 | 6.0 inch arm length only. |
| CI211A3 | AS1031 | Requires the use of either AS3000 or AS3016 clevis kits. 5.0 inch arm length only. |
| CI211A3 | AS1131 | 5.0 inch arm length only. |
| CI211A3 | AS1033 | Requires the use of either AS3000 or AS3016 clevis kits. 6.0 inch arm length only. |
| CI211A3 | AS1133 | 6.0 inch arm length only. |
| CI22102 | AS1040 | Requires the use of either AS3000 or AS3016 clevis kits. 5.5 inch arm length only. |
| CI22102 | AS1140 | 5.5 inch arm length only. |
| CI22102 | AS1042 | Requires the use of either AS3000 or AS3016 clevis kits. 6.5 inch arm length only. |
| CI22102 | AS1142 | 6.5 inch arm length only. |
| CI221A2 | AS1040 | Requires the use of either AS3000 or AS3016 clevis kits. 5.5 inch arm length only. |
| CI221A2 | AS1140 | 5.5 inch arm length only. |
| CI221A2 | AS1042 | Requires the use of either AS3000 or AS3016 clevis kits. 6.5 inch arm length only. |
| CI221A2 | AS1142 | 6.5 inch arm length only. |
| CI22103 | AS1039 | Requires the use of either AS3000 or AS3016 clevis kits. 5.0 inch arm length only. |
| CI22103 | AS1139 | 5.0 inch arm length only. |
| CI22103 | AS1041 | Requires the use of either AS3000 or AS3016 clevis kits. 6.0 inch arm length only. |
| CI22103 | AS1141 | 6.0 inch arm length only. |
| CI22122 | AS1178 | Requires the use of a clevis with a 1.3" pin center distance. For 5.5 inch arm length only. |
| CI221A3 | AS1039 | Requires the use of either AS3000 or AS3016 clevis kits. 5.0 inch arm length only. |
| CI221A3 | AS1139 | 5.0 inch arm length only. |
| CI221A3 | AS1041 | Requires the use of either AS3000 or AS3016 clevis kits. 6.0 inch arm length only. |
| CI221A3 | AS1141 | 6.0 inch arm length only. |
| CI23103 | AS1044 | Requires the use of either AS3000 or AS3016 clevis kits. 6.0 inch arm length only. |

| Industry Part Number | Gunite Aftermarket Part Number | Special Information |
|---------------------------------------|--------------------------------|--|
| Crewson Industries (continued) | | |
| CI23103 | AS1144 | 6.0 inch arm length only. |
| CI24102 | AS1036 | Requires the use of either AS3000 or AS3016 clevis kits. 5.5 inch arm length only. |
| CI24102 | AS1136 | 5.5 inch arm length only. |
| CI24103 | AS1035 | Requires the use of either AS3000 or AS3016 clevis kits. 5.0 inch arm length only. |
| CI24103 | AS1135 | 5.0 inch arm length only. |
| CI25102 | AS1038 | Requires the use of either AS3000 or AS3016 clevis kits. 5.5 inch arm length only. |
| CI25102 | AS1138 | 5.5 inch arm length only. |
| CI25103 | AS1037 | Requires the use of either AS3000 or AS3016 clevis kits. 5.0 inch arm length only. |
| CI25103 | AS1137 | 5.0 inch arm length only. |
| CI34100 | AS1036 | Requires the use of either AS3000 or AS3016 clevis kits. |
| CI34100 | AS1136 | |
| CI34200 | AS1038 | Requires the use of either AS3001 or AS3017 clevis kits. |
| CI34200 | AS1138 | |
| CI41100 | AS1032 | Requires the use of either AS3000 or AS3016 clevis kits. |
| CI41100 | AS1132 | |
| CI411A0 | AS1032 | Requires the use of either AS3000 or AS3016 clevis kits. |
| CI411A0 | AS1132 | |
| CI41106 | AS1033 | Requires the use of either AS3000 or AS3016 clevis kits. |
| CI41106 | AS1133 | |
| CI411A6 | AS1033 | Requires the use of either AS3000 or AS3016 clevis kits. |
| CI411A6 | AS1133 | |
| CI42100 | AS1040 | Requires the use of either AS3000 or AS3016 clevis kits. |
| CI42100 | AS1140 | |
| CI421A0 | AS1040 | Requires the use of either AS3000 or AS3016 clevis kits. |
| CI421A0 | AS1140 | |
| CI42106 | AS1041 | Requires the use of either AS3000 or AS3016 clevis kits. |
| CI42106 | AS1141 | |
| CI421A6 | AS1041 | Requires the use of either AS3000 or AS3016 clevis kits. |
| CI421A6 | AS1141 | |
| CI43100 | AS1043 | Requires the use of either AS3000 or AS3016 clevis kits. |
| CI43100 | AS1143 | |
| CI43106 | AS1044 | Requires the use of either AS3000 or AS3016 clevis kits. |
| CI43106 | AS1144 | |
| CI71100 | AS1032 | Requires the use of either AS3000 or AS3016 clevis kits. |
| CI71100 | AS1132 | |
| CI71106 | AS1033 | Requires the use of either AS3000 or AS3016 clevis kits. |
| CI71106 | AS1133 | |
| CI72100 | AS1040 | Requires the use of either AS3000 or AS3016 clevis kits. |
| CI72100 | AS1140 | |
| CI72106 | AS1041 | Requires the use of either AS3000 or AS3016 clevis kits. |
| CI72106 | AS1141 | |
| CI73106 | AS1044 | Requires the use of either AS3000 or AS3016 clevis kits. |
| CI73106 | AS1144 | |
| Eagle | | |
| 52510 | AS1032 | Requires the use of a Gunite clevis kit. |
| 52510 | AS1132 | |
| 52511 | AS1033 | Requires the use of a Gunite clevis kit. |
| 52511 | AS1133 | |
| 52512 | AS1032 | Requires the use of a Gunite clevis kit. |
| 52512 | AS1132 | |

Replacement of other brands of slack adjusters should be done in axle sets.

Industry Part Numbers referencing more than a single interchange is the result of the Gunite Corporation offering the option of ordering its Automatic Slack Adjusters with or without the clevis kit.

| Industry Part Number | Gunite Aftermarket Part Number | Special Information |
|--------------------------|--------------------------------|--|
| Eagle (continued) | | |
| 52513 | AS1036 | Requires the use of a Gunite clevis kit. |
| 52513 | AS1136 | |
| 52528 | AS1040 | Requires the use of a Gunite clevis kit. |
| 52528 | AS1140 | |
| 52529 | AS1041 | Requires the use of a Gunite clevis kit. |
| 52529 | AS1141 | |
| 52530 | AS1040 | Requires the use of a Gunite clevis kit. |
| 52530 | AS1140 | |
| 52538 | AS1044 | Requires the use of a Gunite clevis kit. |
| 52538 | AS1144 | |
| Dana Corporation | | |
| 805812 | AS1042 | Requires the use of a Gunite clevis kit. |
| 808112 | AS1033 | Haldex ASA. Requires a Gunite straight style clevis kit. |
| 808113 | AS1041 | Haldex ASA. Requires a Gunite straight style clevis kit. |
| 808114 | AS1031 | Haldex ASA. 5.0 inch arm length only. Requires a Gunite straight style clevis kit. |
| 808114 | AS1033 | Haldex ASA. 6.0 inch arm length only. Requires a Gunite straight style clevis kit. |
| 808115 | AS1040 | Haldex ASA. 5.5 inch arm length only. Requires a Gunite straight style clevis kit. |
| 808115 | AS1042 | Haldex ASA. 6.5 inch arm length only. Requires a Gunite straight style clevis kit. |
| 808116 | AS1032 | Haldex ASA. Requires a Gunite straight style clevis kit. |
| 808119 | AS1032 | Haldex ASA. Requires a Gunite .625" offset style clevis kit. |
| 808120 | AS1032 | Haldex ASA. Requires a Gunite .625" offset style clevis kit. |
| 808121 | AS1036 | Haldex ASA. Requires a Gunite .625" offset style clevis kit. |
| 808122 | AS1036 | Haldex ASA. Requires a Gunite .625" offset style clevis kit. |
| 808123 | AS1036 | Haldex ASA. Requires a Gunite straight style clevis kit. |
| 808124 | AS1031 | Haldex ASA. 5.0 inch arm length only. Requires a Gunite straight style clevis kit. |
| 808124 | AS1033 | Haldex ASA. 6.0 inch arm length only. Requires a Gunite straight style clevis kit. |
| 808125 | AS1032 | Haldex ASA. 5.5 inch arm length only. Requires a Gunite straight style clevis kit. |
| 808125 | AS1034 | Haldex ASA. 6.5 inch arm length only. Requires a Gunite straight style clevis kit. |
| 808126 | AS1041 | Haldex ASA. Requires a Gunite straight style clevis kit. |
| 808129 | AS1039 | Haldex ASA. 5.0 inch arm length only. Requires a Gunite straight style clevis kit. |
| 808129 | AS1041 | Haldex ASA. 6.0 inch arm length only. Requires a Gunite straight style clevis kit. |
| 808131 | AS1040 | Haldex ASA. Requires a Gunite straight style clevis kit. |
| 808132 | AS1040 | Haldex ASA. 5.5 inch arm length only. Requires a Gunite straight style clevis kit. |
| 808132 | AS1042 | Haldex ASA. 6.5 inch arm length only. Requires a Gunite straight style clevis kit. |
| 808133 | AS1044 | Haldex ASA. Requires a Gunite straight style clevis kit. |
| 808134 | AS1040 | Haldex ASA. 5.5 inch arm length only. Requires a Gunite straight style clevis kit. |
| 808134 | AS1042 | Haldex ASA. 6.5 inch arm length only. Requires a Gunite straight style clevis kit. |
| 808135 | AS1033 | Haldex ASA. Requires a Gunite straight style clevis kit. |
| 808136 | AS1032 | Haldex ASA. Requires a Gunite straight style clevis kit. |
| 808137 | AS1041 | Haldex ASA. Requires a Gunite straight style clevis kit. |
| 808138 | AS1040 | Haldex ASA. Requires a Gunite straight style clevis kit. |
| 808139 | AS1032 | Haldex ASA. 5.5 inch arm length only. Requires a Gunite straight style clevis kit. |
| 808139 | AS1034 | Haldex ASA. 6.5 inch arm length only. Requires a Gunite straight style clevis kit. |
| 808140 | AS1031 | Haldex ASA. 5.0 inch arm length only. Requires a Gunite straight style clevis kit. |

| Industry Part Number | Gunite Aftermarket Part Number | Special Information |
|-------------------------------------|--------------------------------|--|
| Dana Corporation (continued) | | |
| 808140 | AS1033 | Haldex ASA. 6.0 inch arm length only. Requires a Gunite straight style clevis kit. |
| 808141 | AS1040 | Haldex ASA. 5.5 inch arm length only. Requires a Gunite straight style clevis kit. |
| 808141 | AS1042 | Haldex ASA. 6.5 inch arm length only. Requires a Gunite straight style clevis kit. |
| 808142 | AS1039 | Haldex ASA. 5.0 inch arm length only. Requires a Gunite straight style clevis kit. |
| 808142 | AS1041 | Haldex ASA. 6.0 inch arm length only. Requires a Gunite straight style clevis kit. |
| 808143 | AS1032 | Haldex ASA. 5.5 inch arm length only. Requires a Gunite straight style clevis kit. |
| 808143 | AS1034 | Haldex ASA. 6.5 inch arm length only. Requires a Gunite straight style clevis kit. |
| 808147 | AS1038 | Haldex ASA. Requires a Gunite straight style clevis kit. |
| 808148 | AS1033 | Haldex ASA. Requires a Gunite straight style clevis kit. |
| 808149 | AS1041 | Haldex ASA. Requires a Gunite straight style clevis kit. |
| 808150 | AS1031 | Haldex ASA. 5.0 inch arm length only. Requires a Gunite straight style clevis kit. |
| 808150 | AS1033 | Haldex ASA. 6.0 inch arm length only. Requires a Gunite straight style clevis kit. |
| 808151 | AS1040 | Haldex ASA. 5.5 inch arm length only. Requires a Gunite straight style clevis kit. |
| 808151 | AS1042 | Haldex ASA. 6.5 inch arm length only. Requires a Gunite straight style clevis kit. |
| 808152 | AS1032 | Haldex ASA. Requires a Gunite straight style clevis kit. |
| 808156 | AS1032 | Haldex ASA. Requires a Gunite .625" offset style clevis kit. |
| 808157 | AS1032 | Haldex ASA. Requires a Gunite .625" offset style clevis kit. |
| 808158 | AS1036 | Haldex ASA. Requires a Gunite .625" offset style clevis kit. |
| 808159 | AS1036 | Haldex ASA. Requires a Gunite .625" offset style clevis kit. |
| 808160 | AS1036 | Haldex ASA. Requires a Gunite straight style clevis kit. |
| 808161 | AS1031 | Haldex ASA. 5.0 inch arm length only. Requires a Gunite straight style clevis kit. |
| 808161 | AS1033 | Haldex ASA. 6.0 inch arm length only. Requires a Gunite straight style clevis kit. |
| 808162 | AS1032 | Haldex ASA. 5.5 inch arm length only. Requires a Gunite straight style clevis kit. |
| 808162 | AS1034 | Haldex ASA. 6.5 inch arm length only. Requires a Gunite straight style clevis kit. |
| 808163 | AS1041 | Haldex ASA. Requires a Gunite straight style clevis kit. |
| 808166 | AS1039 | Haldex ASA. 5.0 inch arm length only. Requires a Gunite straight style clevis kit. |
| 808166 | AS1041 | Haldex ASA. 6.0 inch arm length only. Requires a Gunite straight style clevis kit. |
| 808168 | AS1040 | Haldex ASA. Requires a Gunite straight style clevis kit. |
| 808169 | AS1040 | Haldex ASA. 5.5 inch arm length only. Requires a Gunite straight style clevis kit. |
| 808169 | AS1042 | Haldex ASA. 6.5 inch arm length only. Requires a Gunite straight style clevis kit. |
| 808170 | AS1044 | Haldex ASA. Requires a Gunite straight style clevis kit. |
| 808171 | AS1040 | Haldex ASA. 5.5 inch arm length only. Requires a Gunite straight style clevis kit. |
| 808171 | AS1042 | Haldex ASA. 6.5 inch arm length only. Requires a Gunite straight style clevis kit. |
| 808172 | AS1033 | Haldex ASA. Requires a Gunite straight style clevis kit. |
| 808173 | AS1032 | Haldex ASA. Requires a Gunite straight style clevis kit. |
| 808174 | AS1041 | Haldex ASA. Requires a Gunite straight style clevis kit. |
| 808175 | AS1040 | Haldex ASA. Requires a Gunite straight style clevis kit. |
| 808176 | AS1032 | Haldex ASA. 5.5 inch arm length only. Requires a Gunite straight style clevis kit. |
| 808176 | AS1034 | Haldex ASA. 6.5 inch arm length only. Requires a Gunite straight style clevis kit. |
| 808177 | AS1031 | Haldex ASA. 5.0 inch arm length only. Requires a Gunite straight style clevis kit. |

Replacement of other brands of slack adjusters should be done in axle sets.

Industry Part Numbers referencing more than a single interchange is the result of the Gunite Corporation offering the option of ordering its Automatic Slack Adjusters with or without the clevis kit.

| Industry Part Number | Gunite Aftermarket Part Number | Special Information |
|-------------------------------------|--------------------------------|--|
| Dana Corporation (continued) | | |
| 808177 | AS1033 | Haldex ASA. 6.0 inch arm length only. Requires a Gunite straight style clevis kit. |
| 808178 | AS1040 | Haldex ASA. 5.5 inch arm length only. Requires a Gunite straight style clevis kit. |
| 808178 | AS1042 | Haldex ASA. 6.5 inch arm length only. Requires a Gunite straight style clevis kit. |
| 808179 | AS1039 | Haldex ASA. 5.0 inch arm length only. Requires a Gunite straight style clevis kit. |
| 808179 | AS1041 | Haldex ASA. 6.0 inch arm length only. Requires a Gunite straight style clevis kit. |
| 808180 | AS1032 | Haldex ASA. 5.5 inch arm length only. Requires a Gunite straight style clevis kit. |
| 808180 | AS1034 | Haldex ASA. 6.5 inch arm length only. Requires a Gunite straight style clevis kit. |
| 808184 | AS1038 | Haldex ASA. Requires a Gunite straight style clevis kit. |
| 808254 | AS1140 | 5.5 inch arm length only. Requires the use of a Gunite clevis kit. |
| 808254 | AS1142 | 6.5 inch arm length only. |
| 808255 | AS1031 | Requires the use of a Gunite clevis kit. |
| 808255 | AS1131 | |
| 808354 | AS1033 | Haldex ASA. Requires a Gunite straight style clevis kit. |
| 808375 | AS1033 | Haldex ASA. Requires a Gunite straight style clevis kit. |
| 808382 | AS1033 | Haldex ASA. Requires a Gunite straight style clevis kit. |
| 808679 | AS1032 | Haldex ASA. 5.5 inch arm length only. Requires a Gunite straight style clevis kit. |
| 808679 | AS1034 | Haldex ASA. 6.5 inch arm length only. Requires a Gunite straight style clevis kit. |
| 808684 | AS1032 | Haldex ASA. Requires a Gunite straight style clevis kit. |
| 808685 | AS1039 | Haldex ASA. 5.0 inch arm length only. Requires a Gunite straight style clevis kit. |
| 808685 | AS1041 | Haldex ASA. 6.0 inch arm length only. Requires a Gunite straight style clevis kit. |
| 808687 | AS1033 | Requires the use of a Gunite clevis kit. |
| 808687 | AS1133 | |
| 808688 | AS1032 | Haldex ASA. 5.5 inch arm length only. Requires a Gunite straight style clevis kit. |
| 808688 | AS1034 | Haldex ASA. 6.5 inch arm length only. Requires a Gunite straight style clevis kit. |
| 808689 | AS1036 | Haldex ASA. Requires a Gunite .625" offset style clevis kit. |
| 808690 | AS1036 | Haldex ASA. Requires a Gunite .625" offset style clevis kit. |
| 808691 | AS1040 | Haldex ASA. 5.5 inch arm length only. Requires a Gunite straight style clevis kit. |
| 808691 | AS1042 | Haldex ASA. 6.5 inch arm length only. Requires a Gunite straight style clevis kit. |
| 808692 | AS1040 | Haldex ASA. 5.5 inch arm length only. Requires a Gunite straight style clevis kit. |
| 808692 | AS1042 | Haldex ASA. 6.5 inch arm length only. Requires a Gunite straight style clevis kit. |
| 808693 | AS1036 | Haldex ASA. Requires a Gunite straight style clevis kit. |
| 808694 | AS1031 | 5.0 inch arm length only. Requires the use of a Gunite clevis kit. |
| 808694 | AS1131 | 5.0 inch arm length only. |
| 808694 | AS1033 | 6.0 inch arm length only. Requires the use of a Gunite clevis kit. |
| 808694 | AS1133 | 6.0 inch arm length only. |
| 808695 | AS1036 | Haldex ASA. Requires a Gunite straight style clevis kit. |
| 808746 | AS1038 | Haldex ASA. Requires a Gunite straight style clevis kit. |
| 809490 | AS1038 | Requires the use of a Gunite clevis kit. |
| 809490 | AS1138 | |
| 809609 | AS1032 | Haldex ASA. Requires a Gunite straight style clevis kit. |
| 809610 | AS1032 | Haldex ASA. Requires a Gunite straight style clevis kit. |
| 809611 | AS1040 | Haldex ASA. Requires a Gunite straight style clevis kit. |
| 809612 | AS1040 | Haldex ASA. Requires a Gunite straight style clevis kit. |

| Industry Part Number | Gunite Aftermarket Part Number | Special Information |
|-------------------------------------|--------------------------------|--|
| Dana Corporation (continued) | | |
| 809613 | AS1032 | Haldex ASA. Requires a Gunite straight style clevis kit. |
| 809614 | AS1039 | 5.0 inch arm length only. Requires the use of a Gunite clevis kit. |
| 809614 | AS1139 | 5.0 inch arm length only. |
| 809614 | AS1041 | 6.0 inch arm length only. Requires the use of a Gunite clevis kit. |
| 809614 | AS1141 | 6.0 inch arm length only. |
| 809615 | AS1031 | 5.0 inch arm length only. Requires the use of a Gunite clevis kit. |
| 809615 | AS1131 | 5.0 inch arm length only. |
| 809615 | AS1033 | 6.0 inch arm length only. Requires the use of a Gunite clevis kit. |
| 809615 | AS1133 | 6.0 inch arm length only. |
| 809616 | AS1033 | Requires the use of a Gunite clevis kit. |
| 809616 | AS1133 | |
| 809617 | AS1033 | Requires the use of a Gunite clevis kit. |
| 809617 | AS1133 | |
| 809754 | AS1036 | Haldex ASA. Requires a Gunite straight style clevis kit. |
| 809774 | AS1036 | Haldex ASA. Requires a Gunite straight style clevis kit. |
| 809774 | AS1136 | |
| 809775 | AS1036 | 5.5 inch arm length only. Requires the use of a Gunite clevis kit. |
| 809775 | AS1136 | 5.5 inch arm length only. |
| 810047 | AS1040 | Haldex ASA. 5.5 inch arm length only. Requires a Gunite straight style clevis kit. |
| 810047 | AS1042 | Haldex ASA. 6.5 inch arm length only. Requires a Gunite straight style clevis kit. |
| 810180 | AS1032 | Haldex ASA. 5.5 inch arm length only. Requires a Gunite straight style clevis kit. |
| 810180 | AS1034 | Haldex ASA. 6.5 inch arm length only. Requires a Gunite straight style clevis kit. |
| 810336 | AS1040 | Requires the use of a Gunite clevis kit. |
| 810336 | AS1140 | |
| 810358 | AS1038 | Haldex ASA. Requires a Gunite straight style clevis kit. |
| 810359 | AS1038 | Haldex ASA. Requires a Gunite straight style clevis kit. |
| 810600 | AS1040 | Haldex ASA. 5.5 inch arm length only. Requires a Gunite straight style clevis kit. |
| 810600 | AS1042 | Haldex ASA. 6.5 inch arm length only. Requires a Gunite straight style clevis kit. |
| 810601 | AS1039 | Haldex ASA. 5.0 inch arm length only. Requires a Gunite straight style clevis kit. |
| 810601 | AS1041 | Haldex ASA. 6.0 inch arm length only. Requires a Gunite straight style clevis kit. |
| 810602 | AS1040 | Haldex ASA. 5.5 inch arm length only. Requires a Gunite straight style clevis kit. |
| 810602 | AS1042 | Haldex ASA. 6.5 inch arm length only. Requires a Gunite straight style clevis kit. |
| 810603 | AS1039 | Haldex ASA. 5.0 inch arm length only. Requires a Gunite straight style clevis kit. |
| 810603 | AS1041 | Haldex ASA. 6.0 inch arm length only. Requires a Gunite straight style clevis kit. |
| 810686 | AS1043 | Haldex ASA. Requires a Gunite straight style clevis kit. |
| 810728 | AS1032 | Haldex ASA. 5.5 inch arm length only. Requires a Gunite straight style clevis kit. |
| 810728 | AS1034 | Haldex ASA. 6.5 inch arm length only. Requires a Gunite straight style clevis kit. |
| 810729 | AS1036 | Requires the use of a Gunite clevis kit. |
| 810729 | AS1136 | |
| 810730 | AS1038 | Requires the use of a Gunite clevis kit. |
| 810730 | AS1138 | |
| 810731 | AS1040 | Haldex ASA. 5.5 inch arm length only. Requires a Gunite straight style clevis kit. |
| 810731 | AS1042 | Haldex ASA. 6.5 inch arm length only. Requires a Gunite straight style clevis kit. |
| 810815 | AS1032 | Haldex ASA. 5.5 inch arm length only. Requires a Gunite straight style clevis kit. |
| 810815 | AS1034 | Haldex ASA. 6.5 inch arm length only. Requires a Gunite straight style clevis kit. |

Replacement of other brands of slack adjusters should be done in axle sets.

Industry Part Numbers referencing more than a single interchange is the result of the Gunite Corporation offering the option of ordering its Automatic Slack Adjusters with or without the clevis kit.

| Industry Part Number | Gunite Aftermarket Part Number | Special Information |
|-------------------------------------|--------------------------------|--|
| Dana Corporation (continued) | | |
| 810838 | AS1031 | Haldex ASA. 5.0 inch arm length only. Requires a Gunite straight style clevis kit. |
| 810838 | AS1033 | Haldex ASA. 6.0 inch arm length only. Requires a Gunite straight style clevis kit. |
| 810843 | AS1040 | Haldex ASA. 5.5 inch arm length only. Requires a Gunite straight style clevis kit. |
| 810843 | AS1042 | Haldex ASA. 6.5 inch arm length only. Requires a Gunite straight style clevis kit. |
| 811120 | AS1040 | 5.5 inch arm length only. Requires the use of a Gunite clevis kit. |
| 811120 | AS1140 | 5.5 inch arm length only. |
| 811120 | AS1042 | 6.5 inch arm length only. |
| 811120 | AS1142 | 6.5 inch arm length only. |
| 811121 | AS1040 | Haldex ASA. 5.5 inch arm length only. Requires a Gunite straight style clevis kit. |
| 811121 | AS1042 | Haldex ASA. 6.5 inch arm length only. Requires a Gunite straight style clevis kit. |
| 811336 | AS1040 | Haldex ASA. Requires a Gunite straight style clevis kit. |
| 812351 | AS1040 | Haldex ASA. 5.5 inch arm length only. Requires a Gunite straight style clevis kit. |
| 812351 | AS1042 | Haldex ASA. 6.5 inch arm length only. Requires a Gunite straight style clevis kit. |
| 812642 | AS1036 | Requires the use of a Gunite clevis kit. |
| 812642 | AS1136 | |
| 812643 | AS1036 | Requires the use of a Gunite clevis kit. |
| 812643 | AS1136 | |
| 812926 | AS1038 | Haldex ASA. Requires a Gunite .625" offset style clevis kit. |
| 812927 | AS1038 | Haldex ASA. Requires a Gunite .625" offset style clevis kit. |
| 813246 | AS1032 | Requires the use of a Gunite clevis kit. |
| 813246 | AS1132 | |
| 813247 | AS1032 | Requires the use of a Gunite clevis kit. |
| 813247 | AS1132 | |
| 813638 | AS1040 | Haldex ASA. Requires a Gunite straight style clevis kit. |
| 813639 | AS1041 | Haldex ASA. Requires a Gunite straight style clevis kit. |
| 813640 | AS1043 | Haldex ASA. Requires a Gunite straight style clevis kit. |
| 813641 | AS1044 | Haldex ASA. Requires a Gunite straight style clevis kit. |
| 813642 | AS1032 | Haldex ASA. Requires a Gunite straight style clevis kit. |
| 813643 | AS1033 | Haldex ASA. Requires a Gunite straight style clevis kit. |
| 813648 | AS1040 | Haldex ASA. Requires a Gunite straight style clevis kit. |
| 813649 | AS1041 | Haldex ASA. Requires a Gunite straight style clevis kit. |
| 813650 | AS1043 | Haldex ASA. Requires a Gunite straight style clevis kit. |
| 813651 | AS1044 | Haldex ASA. Requires a Gunite straight style clevis kit. |
| 813652 | AS1032 | Haldex ASA. Requires a Gunite straight style clevis kit. |
| 813653 | AS1033 | Haldex ASA. Requires a Gunite straight style clevis kit. |
| 813654 | AS1178 | Haldex ASA. Requires the use of Gunite AS3022 clevis kit. |
| 815787 | AS1039 | 5.0 inch arm length only. Requires the use of a Gunite clevis kit. |
| 815787 | AS1139 | 5.0 inch arm length only. |
| 815787 | AS1041 | 6.0 inch arm length only. Requires the use of a Gunite clevis kit. |
| 815787 | AS1141 | 6.0 inch arm length only. |
| 815788 | AS1040 | 5.5 inch arm length only. Requires the use of a Gunite clevis kit. |
| 815788 | AS1140 | 5.5 inch arm length only. |
| 815788 | AS1042 | 6.5 inch arm length only. |
| 815788 | AS1142 | 6.5 inch arm length only. |
| 815789 | AS1031 | 5.0 inch arm length only. Requires the use of a Gunite clevis kit. |
| 815789 | AS1131 | 5.0 inch arm length only. |

| Industry Part Number | Gunite Aftermarket Part Number | Special Information |
|-------------------------------------|--------------------------------|--|
| Dana Corporation (continued) | | |
| 815789 | AS1033 | 6.0 inch arm length only. Requires the use of a Gunite clevis kit. |
| 815789 | AS1133 | 6.0 inch arm length only. |
| 815790 | AS1032 | 5.5 inch arm length only. Requires the use of a Gunite clevis kit. |
| 815790 | AS1132 | 5.5 inch arm length only. |
| 815790 | AS1034 | 6.5 inch arm length only. |
| 815790 | AS1134 | 6.5 inch arm length only. |
| 815792 | AS1041 | Requires the use of a Gunite clevis kit. |
| 815792 | AS1141 | |
| 815793 | AS1040 | 5.5 inch arm length only. Requires the use of a Gunite clevis kit. |
| 815793 | AS1140 | 5.5 inch arm length only. |
| 815793 | AS1042 | 6.5 inch arm length only. |
| 815793 | AS1142 | 6.5 inch arm length only. |
| 815794 | AS1033 | Requires the use of a Gunite clevis kit. |
| 815794 | AS1133 | |
| 815795 | AS1036 | Requires the use of a Gunite clevis kit. |
| 815795 | AS1136 | |
| 815796 | AS1036 | Requires the use of a Gunite clevis kit. |
| 815796 | AS1136 | |
| 815797 | AS1036 | Requires the use of a Gunite clevis kit. |
| 815797 | AS1136 | |
| 815798 | AS1038 | Requires the use of a Gunite clevis kit. |
| 815798 | AS1138 | |
| 815799 | AS1038 | Requires the use of a Gunite clevis kit. |
| 815799 | AS1138 | |
| 815800 | AS1038 | Requires the use of a Gunite clevis kit. |
| 815800 | AS1138 | |
| 815801 | AS1032 | Requires the use of a Gunite clevis kit. |
| 815801 | AS1132 | |
| 815802 | AS1040 | Requires the use of a Gunite clevis kit. |
| 815802 | AS1140 | |
| 815806 | AS1039 | Haldex ASA. 5.0 inch arm length only. Requires a Gunite straight style clevis kit. |
| 815806 | AS1041 | Haldex ASA. 6.0 inch arm length only. Requires a Gunite straight style clevis kit. |
| 815807 | AS1040 | Haldex ASA. 5.5 inch arm length only. Requires a Gunite straight style clevis kit. |
| 815807 | AS1042 | Haldex ASA. 6.5 inch arm length only. Requires a Gunite straight style clevis kit. |
| 815808 | AS1031 | Haldex ASA. 5.0 inch arm length only. Requires a Gunite straight style clevis kit. |
| 815808 | AS1033 | Haldex ASA. 6.0 inch arm length only. Requires a Gunite straight style clevis kit. |
| 815809 | AS1032 | Haldex ASA. 5.5 inch arm length only. Requires a Gunite straight style clevis kit. |
| 815809 | AS1034 | Haldex ASA. 6.5 inch arm length only. Requires a Gunite straight style clevis kit. |
| 815811 | AS1041 | Haldex ASA. Requires a Gunite straight style clevis kit. |
| 815812 | AS1040 | Haldex ASA. 5.5 inch arm length only. Requires a Gunite straight style clevis kit. |
| 815812 | AS1042 | Haldex ASA. 6.5 inch arm length only. Requires a Gunite straight style clevis kit. |
| 815813 | AS1033 | Haldex ASA. Requires a Gunite straight style clevis kit. |
| 815814 | AS1036 | Haldex ASA. Requires a Gunite straight style clevis kit. |
| 815815 | AS1036 | Haldex ASA. Requires a Gunite .625" offset style clevis kit. |
| 815816 | AS1036 | Haldex ASA. Requires a Gunite .625" offset style clevis kit. |
| 815817 | AS1038 | Haldex ASA. Requires a Gunite straight style clevis kit. |
| 815818 | AS1038 | Haldex ASA. Requires a Gunite .625" offset style clevis kit. |
| 815819 | AS1038 | Haldex ASA. Requires a Gunite .625" offset style clevis kit. |
| 815820 | AS1032 | Haldex ASA. Requires a Gunite straight style clevis kit. |

Replacement of other brands of slack adjusters should be done in axle sets.

Industry Part Numbers referencing more than a single interchange is the result of the Gunite Corporation offering the option of ordering its Automatic Slack Adjusters with or without the clevis kit.

| Industry Part Number | Gunite Aftermarket Part Number | Special Information |
|-------------------------------------|--------------------------------|--|
| Dana Corporation (continued) | | |
| 815821 | AS1040 | Haldex ASA. Requires a Gunite straight style clevis kit. |
| 815829 | AS1041 | Haldex ASA. Requires a Gunite straight style clevis kit. |
| Euclid | | |
| E-051K | AS1031 | Haldex ASA. For 5.00" arm length only. Requires the use of a Gunite straight style clevis kit. |
| E-051K | AS1033 | Haldex ASA. For 6.00" arm length only. Requires the use of a Gunite straight style clevis kit. |
| E-070K | AS1041 | Haldex ASA. Requires the use of a Gunite straight style clevis kit. |
| E-086K | AS1031 | 5.0 inch arm length only. Requires the use of a Gunite clevis kit. |
| E-086K | AS1131 | 5.0 inch arm length only. |
| E-086K | AS1033 | 6.0 inch arm length only. Requires the use of a Gunite clevis kit. |
| E-086K | AS1133 | 6.0 inch arm length only. |
| E-091K | AS1040 | 5.5 inch arm length only. Requires the use of a Gunite clevis kit. |
| E-091K | AS1140 | 5.5 inch arm length only. |
| E-091K | AS1042 | 6.5 inch arm length only. |
| E-091K | AS1142 | 6.5 inch arm length only. |
| E-099K | AS1044 | Haldex ASA. Requires the use of a Gunite straight style clevis kit. |
| E-108K | AS1032 | Haldex ASA. 5.50" arm length only. Requires the use of a Gunite straight style clevis kit. |
| E-108K | AS1034 | Haldex ASA. 6.50" arm length only. Requires the use of a Gunite straight style clevis kit. |
| E-108K1 | AS1032 | Haldex ASA. 5.50" arm length only. Requires the use of a Gunite straight style clevis kit. |
| E-108K1 | AS1034 | Haldex ASA. 6.50" arm length only. Requires the use of a Gunite straight style clevis kit. |
| E-111K | AS1031 | 5.0 inch arm length only. Requires the use of a Gunite clevis kit. |
| E-111K | AS1131 | 5.0 inch arm length only. |
| E-111K | AS1033 | 6.0 inch arm length only. Requires the use of a Gunite clevis kit. |
| E-111K | AS1133 | 6.0 inch arm length only. |
| E-112K | AS1032 | Haldex ASA. Requires the use of a Gunite .625" offset style clevis kit. |
| E-112K1 | AS1032 | Haldex ASA. Requires the use of a Gunite .625" offset style clevis kit. |
| E-113K | AS1032 | Haldex ASA. Requires the use of a Gunite .625" offset style clevis kit. |
| E-113K1 | AS1032 | Haldex ASA. Requires the use of a Gunite .625" offset style clevis kit. |
| E-114K | AS1036 | Haldex ASA. Requires the use of a Gunite .625" offset style clevis kit. |
| E-114K1 | AS1036 | Haldex ASA. Requires the use of a Gunite .625" offset style clevis kit. |
| E-115K | AS1036 | Haldex ASA. Requires the use of a Gunite .625" offset style clevis kit. |
| E-115K1 | AS1036 | Haldex ASA. Requires the use of a Gunite .625" offset style clevis kit. |
| E-128K | AS1036 | Haldex ASA. Requires the use of a Gunite straight style clevis kit. |
| E-128K1 | AS1036 | Haldex ASA. Requires the use of a Gunite straight style clevis kit. |
| E-129K | AS1031 | 5.0 inch arm length only. Requires the use of a Gunite clevis kit. |
| E-129K | AS1131 | 5.0 inch arm length only. |
| E-129K | AS1033 | 6.0 inch arm length only. Requires the use of a Gunite clevis kit. |
| E-129K | AS1133 | 6.0 inch arm length only. |
| E-130K | AS1031 | Haldex ASA. For 5.00" arm length only. Requires the use of a Gunite straight style clevis kit. |
| E-130K | AS1033 | Haldex ASA. For 6.00" arm length only. Requires the use of a Gunite straight style clevis kit. |

| Industry Part Number | Gunite Aftermarket Part Number | Special Information |
|---------------------------|--------------------------------|--|
| Euclid (continued) | | |
| E-135K | AS1032 | Haldex ASA. For 5.50" arm length only. Requires the use of a Gunite straight style clevis kit. |
| E-135K | AS1034 | Haldex ASA. For 6.50" arm length only. Requires the use of a Gunite straight style clevis kit. |
| E-146K | AS1039 | Haldex ASA. For 5.00" arm length only. Requires the use of a Gunite straight style clevis kit. |
| E-146K | AS1041 | Haldex ASA. For 6.00" arm length only. Requires the use of a Gunite straight style clevis kit. |
| E-149K | AS1039 | Haldex ASA. For 5.00" arm length only. Requires the use of a Gunite straight style clevis kit. |
| E-149K | AS1041 | Haldex ASA. For 6.00" arm length only. Requires the use of a Gunite straight style clevis kit. |
| E-150K | AS1040 | Haldex ASA. Requires the use of a Gunite straight style clevis kit. |
| E-167K | AS1039 | Haldex ASA. 5.00" arm length only. Requires the use of a Gunite straight style clevis kit. |
| E-167K | AS1041 | Haldex ASA. 6.00" arm length only. Requires the use of a Gunite straight style clevis kit. |
| E-167K1 | AS1039 | Haldex ASA. 5.00" arm length only. Requires the use of a Gunite straight style clevis kit. |
| E-167K1 | AS1041 | Haldex ASA. 6.00" arm length only. Requires the use of a Gunite straight style clevis kit. |
| E-168K | AS1040 | Haldex ASA. 5.50" arm length only. Requires the use of a Gunite straight style clevis kit. |
| E-168K | AS1042 | Haldex ASA. 6.50" arm length only. Requires the use of a Gunite straight style clevis kit. |
| E-168K1 | AS1040 | Haldex ASA. 5.50" arm length only. Requires the use of a Gunite straight style clevis kit. |
| E-168K1 | AS1042 | Haldex ASA. 6.50" arm length only. Requires the use of a Gunite straight style clevis kit. |
| E-211K | AS1031 | 5.0 inch arm length only. Requires the use of a Gunite clevis kit. |
| E-211K | AS1131 | 5.0 inch arm length only. |
| E-211K | AS1033 | 6.0 inch arm length only. Requires the use of a Gunite clevis kit. |
| E-211K | AS1133 | 6.0 inch arm length only. |
| E-215K | AS1040 | Haldex ASA. 5.50" arm length only. Requires the use of a Gunite straight style clevis kit. |
| E-215K | AS1042 | Haldex ASA. 6.50" arm length only. Requires the use of a Gunite straight style clevis kit. |
| E-218K | AS1044 | Haldex ASA. Requires the use of a Gunite straight style clevis kit. |
| E-229K | AS1040 | Haldex ASA. For 5.50" arm length only. Requires the use of a Gunite straight style clevis kit. |
| E-229K | AS1042 | Haldex ASA. For 6.50" arm length only. Requires the use of a Gunite straight style clevis kit. |
| E-230K | AS1031 | Haldex ASA. For 5.00" arm length only. Requires the use of a Gunite straight style clevis kit. |
| E-230K | AS1033 | Haldex ASA. For 6.00" arm length only. Requires the use of a Gunite straight style clevis kit. |
| E-231K | AS1031 | Haldex ASA. For 5.00" arm length only. Requires the use of a Gunite straight style clevis kit. |
| E-231K | AS1033 | Haldex ASA. For 6.00" arm length only. Requires the use of a Gunite straight style clevis kit. |
| E-232K | AS1032 | Haldex ASA. For 5.50" arm length only. Requires the use of a Gunite straight style clevis kit. |

Replacement of other brands of slack adjusters should be done in axle sets.

Industry Part Numbers referencing more than a single interchange is the result of the Gunite Corporation offering the option of ordering its Automatic Slack Adjusters with or without the clevis kit.

| Industry Part Number | Gunite Aftermarket Part Number | Special Information |
|---------------------------|--------------------------------|--|
| Euclid (continued) | | |
| E-232K | AS1034 | Haldex ASA. For 6.50" arm length only. Requires the use of a Gunite straight style clevis kit. |
| E-233K | AS1032 | Haldex ASA. For 5.50" arm length only. Requires the use of a Gunite straight style clevis kit. |
| E-233K | AS1034 | Haldex ASA. For 6.50" arm length only. Requires the use of a Gunite straight style clevis kit. |
| E-234K | AS1039 | Haldex ASA. For 5.00" arm length only. Requires the use of a Gunite straight style clevis kit. |
| E-234K | AS1041 | Haldex ASA. For 6.00" arm length only. Requires the use of a Gunite straight style clevis kit. |
| E-235K | AS1039 | Haldex ASA. For 5.00" arm length only. Requires the use of a Gunite straight style clevis kit. |
| E-235K | AS1041 | Haldex ASA. For 6.00" arm length only. Requires the use of a Gunite straight style clevis kit. |
| E-236K | AS1040 | Haldex ASA. For 5.50" arm length only. Requires the use of a Gunite straight style clevis kit. |
| E-236K | AS1042 | Haldex ASA. For 6.50" arm length only. Requires the use of a Gunite straight style clevis kit. |
| E-237K | AS1040 | Haldex ASA. For 5.50" arm length only. Requires the use of a Gunite straight style clevis kit. |
| E-237K | AS1042 | Haldex ASA. For 6.50" arm length only. Requires the use of a Gunite straight style clevis kit. |
| E-238K | AS1032 | Haldex ASA. For 5.50" arm length only. Requires the use of a Gunite straight style clevis kit. |
| E-238K | AS1034 | Haldex ASA. For 6.50" arm length only. Requires the use of a Gunite straight style clevis kit. |
| E-239K | AS1031 | Haldex ASA. For 5.00" arm length only. Requires the use of a Gunite straight style clevis kit. |
| E-239K | AS1033 | Haldex ASA. For 6.00" arm length only. Requires the use of a Gunite straight style clevis kit. |
| E-240K | AS1040 | Haldex ASA. For 5.50" arm length only. Requires the use of a Gunite straight style clevis kit. |
| E-240K | AS1042 | Haldex ASA. For 6.50" arm length only. Requires the use of a Gunite straight style clevis kit. |
| E-241K | AS1039 | Haldex ASA. For 5.00" arm length only. Requires the use of a Gunite straight style clevis kit. |
| E-241K | AS1041 | Haldex ASA. For 6.00" arm length only. Requires the use of a Gunite straight style clevis kit. |
| E-247K | AS1031 | Haldex ASA. For 5.00" arm length only. Requires the use of a Gunite straight style clevis kit. |
| E-247K | AS1033 | Haldex ASA. For 6.00" arm length only. Requires the use of a Gunite straight style clevis kit. |
| E-294K | AS1032 | 5.5 inch arm length only. Requires the use of a Gunite clevis kit. |
| E-294K | AS1132 | 5.5 inch arm length only. |
| E-294K | AS1034 | 6.5 inch arm length only. |
| E-294K | AS1134 | 6.5 inch arm length only. |
| E-318K | AS1031 | 5.0 inch arm length only. Requires the use of a Gunite clevis kit. |
| E-318K | AS1131 | 5.0 inch arm length only. |
| E-318K | AS1033 | 6.0 inch arm length only. Requires the use of a Gunite clevis kit. |
| E-318K | AS1133 | 6.0 inch arm length only. |
| E-319K | AS1038 | Requires the use of a Gunite clevis kit. |
| E-319K | AS1138 | |
| E-325K | AS1036 | Requires the use of a Gunite clevis kit. |
| E-325K | AS1136 | |

| Industry Part Number | Gunite Aftermarket Part Number | Special Information |
|---------------------------|--------------------------------|--|
| Euclid (continued) | | |
| E-10779A | AS1040 | Crewson Industries ASA. Requires the use of either AS3000 or AS3016 clevis kits. |
| E-10779A | AS1140 | Crewson Industries ASA. |
| E-10780A | AS1032 | Crewson Industries ASA. Requires the use of either AS3000 or AS3016 clevis kits. |
| E-10780A | AS1132 | Crewson Industries ASA. |
| E-10781A | AS1041 | Crewson Industries ASA. Requires the use of either AS3000 or AS3016 clevis kits. |
| E-10781A | AS1141 | Crewson Industries ASA. |
| E-10782A | AS1033 | Crewson Industries ASA. Requires the use of either AS3000 or AS3016 clevis kits. |
| E-10782A | AS1133 | Crewson Industries ASA. |
| E-10783A | AS1044 | Crewson Industries ASA. Requires the use of either AS3000 or AS3016 clevis kits. |
| E-10783A | AS1144 | Crewson Industries ASA. |
| E-10784A | AS1036 | Crewson Industries ASA. Requires the use of either AS3000 or AS3016 clevis kits. |
| E-10784A | AS1136 | Crewson Industries ASA. |
| E-10785A | AS1040 | Crewson Industries ASA. Requires the use of either AS3000 or AS3016 clevis kits. |
| E-10785A | AS1140 | Crewson Industries ASA. |
| E-10786A | AS1032 | Crewson Industries ASA. Requires the use of either AS3000 or AS3016 clevis kits. |
| E-10786A | AS1132 | Crewson Industries ASA. |
| E-10787A | AS1044 | Crewson Industries ASA. Requires the use of either AS3000 or AS3016 clevis kits. |
| E-10787A | AS1144 | Crewson Industries ASA. |
| E-10788A | AS1041 | Crewson Industries ASA. Requires the use of either AS3000 or AS3016 clevis kits. |
| E-10788A | AS1141 | Crewson Industries ASA. |
| E-10789A | AS1033 | Crewson Industries ASA. Requires the use of either AS3000 or AS3016 clevis kits. |
| E-10789A | AS1133 | Crewson Industries ASA. |
| E-10892 | AS1032 | Requires the use of either AS3000 or AS3001 clevis kits. |
| E-10892 | AS1132 | |
| E-10893 | AS1040 | Requires the use of either AS3000 or AS3001 clevis kits. |
| E-10893 | AS1140 | |
| E-11395 | AS1036 | Requires the use of either AS3001 or AS3017 clevis kits. |
| E-11395 | AS1136 | |
| E-11396 | AS1038 | Requires the use of either AS3001 or AS3017 clevis kits. |
| E-11396 | AS1138 | |
| E-11398 | AS1032 | Requires the use of either AS3000 or AS3016 clevis kits. |
| E-11398 | AS1132 | |
| E-11399 | AS1033 | Requires the use of either AS3000 or AS3016 clevis kits. |
| E-11399 | AS1133 | |
| E-11400 | AS1040 | Requires the use of either AS3000 or AS3016 clevis kits. |
| E-11400 | AS1140 | |
| E-11401 | AS1040 | Requires the use of either AS3000 or AS3016 clevis kits. |
| E-11401 | AS1140 | |
| E-11402 | AS1041 | Requires the use of either AS3000 or AS3016 clevis kits. |
| E-11402 | AS1141 | |
| E-11403 | AS1042 | Requires the use of either AS3000 or AS3016 clevis kits. |
| E-11403 | AS1142 | |
| E-11404 | AS1040 | Requires the use of either AS3000 or AS3016 clevis kits. |
| E-11404 | AS1140 | |
| E-11405 | AS1043 | Requires the use of either AS3000 or AS3016 clevis kits. |
| E-11405 | AS1143 | |
| E-11406 | AS1044 | Requires the use of either AS3000 or AS3016 clevis kits. |
| E-11406 | AS1144 | |

Replacement of other brands of slack adjusters should be done in axle sets.

Industry Part Numbers referencing more than a single interchange is the result of the Gunite Corporation offering the option of ordering its Automatic Slack Adjusters with or without the clevis kit.

| Industry Part Number | Gunite Aftermarket Part Number | Special Information |
|---------------------------|--------------------------------|--|
| Euclid (continued) | | |
| E-11407 | AS1038 | Requires the use of either AS3000 or AS3016 clevis kits. |
| E-11407 | AS1138 | |
| E-11408 | AS1038 | Requires the use of either AS3000 or AS3016 clevis kits. |
| E-11408 | AS1138 | |
| E-11409 | AS1032 | Requires the use of either AS3000 or AS3016 clevis kits. |
| E-11409 | AS1132 | |
| E-11410 | AS1032 | Requires the use of either AS3000 or AS3016 clevis kits. |
| E-11410 | AS1132 | |
| E-11411 | AS1032 | Requires the use of either AS3000 or AS3016 clevis kits. |
| E-11411 | AS1132 | |
| E-11412 | AS1032 | Requires the use of either AS3000 or AS3016 clevis kits. |
| E-11412 | AS1132 | |
| E-11415 | AS1040 | Requires the use of either AS3000 or AS3016 clevis kits. |
| E-11415 | AS1140 | |
| E-11416 | AS1040 | Requires the use of either AS3000 or AS3016 clevis kits. |
| E-11416 | AS1140 | |
| E-11417 | AS1040 | Requires the use of either AS3000 or AS3016 clevis kits. |
| E-11417 | AS1140 | |
| E-11418 | AS1040 | Requires the use of either AS3000 or AS3016 clevis kits. |
| E-11418 | AS1140 | |
| E-11419 | R802462 | AS1040 |
| E-11419 | R802462 | AS1140 |
| E-11420 | AS1040 | Requires the use of either AS3000 or AS3016 clevis kits. |
| E-11420 | AS1140 | |
| E-11421 | AS1041 | Requires the use of either AS3000 or AS3016 clevis kits. |
| E-11421 | AS1141 | |
| E-11422 | AS1041 | Requires the use of either AS3000 or AS3016 clevis kits. |
| E-11422 | AS1141 | |
| E-11423 | AS1041 | Requires the use of either AS3000 or AS3016 clevis kits. |
| E-11423 | AS1141 | |
| E-11424 | AS1041 | Requires the use of either AS3000 or AS3016 clevis kits. |
| E-11424 | AS1141 | |
| E-11425 | AS1032 | Requires the use of either AS3000 or AS3016 clevis kits. |
| E-11425 | AS1032 | |
| E-11426 | AS1032 | Requires the use of either AS3000 or AS3016 clevis kits. |
| E-11426 | AS1132 | |
| E-11873 | AS1042 | Crewson Industries ASA. Requires the use of either AS3000 or AS3016 clevis kits. |
| E-11875 | AS1045 | Crewson Industries ASA. Requires the use of either AS3000 or AS3016 clevis kits. |
| E-11877 | AS1038 | Crewson Industries ASA. Requires the use of either AS3001 or AS3017 clevis kits. |
| E-11877 | AS1138 | Crewson Industries ASA. |
| E-11879 | AS1038 | Crewson Industries ASA. Requires the use of either AS3001 or AS3017 clevis kits. |
| E-11879 | AS1138 | Crewson Industries ASA. |
| E-11880 | AS1036 | Crewson Industries ASA. Requires the use of either AS3001 or AS3017 clevis kits. |
| E-11880 | AS1136 | Crewson Industries ASA. |
| E-11902 | AS1042 | Requires the use of either AS3000 or AS3016 clevis kits. |
| E-11902 | AS1142 | |
| E-6900 | AS1036 | Requires the use of either AS3000 or AS3001 clevis kits. |
| E-6900 | AS1136 | |

| Industry Part Number | Gunite Aftermarket Part Number | Special Information |
|---------------------------|--------------------------------|--|
| Euclid (continued) | | |
| E-6900A | AS1036 | Haldex ASA. Requires the use of either AS3000 or AS3001 clevis kits. |
| E-6900A | AS1136 | Haldex ASA. |
| E-6901 | AS1036 | Requires the use of either AS3000 or AS3001 clevis kits. |
| E-6901 | AS1136 | |
| E-6902 | AS1038 | Requires the use of either AS3000 or AS3016 clevis kits. |
| E-6902 | AS1138 | |
| E-6902A | AS1038 | Haldex ASA. Requires the use of either AS3000 or AS3001 clevis kits. |
| E-6902A | AS1138 | Haldex ASA. |
| E-6903 | AS1032 | Requires the use of either AS3000 or AS3016 clevis kits. |
| E-6903 | AS1132 | |
| E-6903A | AS1032 | Haldex ASA. Requires the use of either AS3000 or AS3001 clevis kits. |
| E-6903A | AS1132 | Haldex ASA. |
| E-6904 | AS1039 | 5.0 inch arm length only. Requires the use of a Gunite clevis kit. |
| E-6904 | AS1139 | 5.0 inch arm length only. |
| E-6904 | AS1041 | 6.0 inch arm length only. Requires the use of a Gunite clevis kit. |
| E-6904 | AS1141 | 6.0 inch arm length only. |
| E-6905 | AS1040 | Requires the use of either AS3000 or AS3016 clevis kits. |
| E-6905 | AS1140 | |
| E-6905A | AS1040 | Haldex ASA. Requires the use of either AS3000 or AS3001 clevis kits. |
| E-6905A | AS1140 | Haldex ASA. |
| E-6906 | AS1036 | Requires the use of either AS3002 or AS3003 clevis kits. |
| E-6906A | AS1036 | Haldex ASA. Requires the use of either AS3002 or AS3003 clevis kits. |
| E-6907 | AS1036 | Requires the use of either AS3002 or AS3003 clevis kits. |
| E-6907A | AS1036 | Haldex ASA. Requires the use of either AS3002 or AS3003 clevis kits. |
| E-6908 | AS1032 | 5.5 inch arm length only. Requires the use of a Gunite clevis kit. |
| E-6908 | AS1132 | 5.5 inch arm length only. |
| E-6909 | AS1032 | 5.5 inch arm length only. Requires the use of a Gunite clevis kit. |
| E-6909 | AS1132 | 5.5 inch arm length only. |
| E-6914 | AS1033 | Haldex ASA. Requires the use of either AS3000 or AS3001 clevis kits. |
| E-6914A | AS1033 | Haldex ASA. Requires the use of either AS3000 or AS3001 clevis kits. |
| E-6915 | AS1032 | Haldex ASA. For 5.50" arm lengths only. Requires the use of either AS3000 or AS3001 clevis kits. |
| E-6915 | AS1132 | Haldex ASA. For 6.50" arm lengths only. Requires the use of either AS3000 or AS3001 clevis kits. |
| E-6918 | AS1041 | Haldex ASA. Requires the use of either AS3000 or AS3001 clevis kits. |
| E-6918 | AS1141 | Haldex ASA. |
| E-6918A | AS1041 | Haldex ASA. Requires the use of either AS3000 or AS3001 clevis kits. |
| E-6918A | AS1141 | Haldex ASA. |
| E-6919 | AS1040 | Haldex ASA. For 5.50" arm lengths only. Requires the use of either AS3000 or AS3001 clevis kits. |
| E-6919 | AS1140 | Haldex ASA. For 5.50" arm lengths only. |
| E-6919 | AS1042 | Haldex ASA. For 6.50" arm lengths only. Requires the use of either AS3000 or AS3001 clevis kits. |
| E-6919 | AS1142 | Haldex ASA. For 6.50" arm lengths only. |
| E-6919A | AS1040 | Haldex ASA. For 5.50" arm lengths only. Requires the use of either AS3000 or AS3001 clevis kits. |
| E-6919A | AS1140 | Haldex ASA. For 5.50" arm lengths only. |
| E-6919A | AS1042 | Haldex ASA. For 6.50" arm lengths only. Requires the use of either AS3000 or AS3001 clevis kits. |

Replacement of other brands of slack adjusters should be done in axle sets.

Industry Part Numbers referencing more than a single interchange is the result of the Gunite Corporation offering the option of ordering its Automatic Slack Adjusters with or without the clevis kit.

| Industry Part Number | Gunite Aftermarket Part Number | Special Information |
|---------------------------|--------------------------------|--|
| Euclid (continued) | | |
| E-6919A | AS1142 | Haldex ASA. For 6.50" arm lengths only. |
| E-6920 | AS1040 | Haldex ASA. For 5.50" arm lengths only. Requires the use of either AS3000 or AS3001 clevis kits. |
| E-6920 | AS1042 | Haldex ASA. For 6.50" arm lengths only. Requires the use of either AS3000 or AS3001 clevis kits. |
| E-6923 | AS1031 | Haldex ASA. For 5.00" arm lengths only. Requires the use of either AS3000 or AS3001 clevis kits. |
| E-6923 | AS1033 | Haldex ASA. For 6.00" arm lengths only. Requires the use of either AS3000 or AS3001 clevis kits. |
| E-6923A | AS1031 | Haldex ASA. For 5.00" arm lengths only. Requires the use of either AS3000 or AS3001 clevis kits. |
| E-6923A | AS1033 | Haldex ASA. For 6.00" arm lengths only. Requires the use of either AS3000 or AS3001 clevis kits. |
| E-6923B | AS1031 | Haldex ASA. For 5.00" arm lengths only. Requires the use of either AS3000 or AS3001 clevis kits. |
| E-6923B | AS1033 | Haldex ASA. For 6.00" arm lengths only. Requires the use of either AS3000 or AS3001 clevis kits. |
| E-6924 | AS1032 | Haldex ASA. For 5.50" arm lengths only. Requires the use of either AS3000 or AS3001 clevis kits. |
| E-6924 | AS1034 | Haldex ASA. For 6.50" arm lengths only. Requires the use of either AS3000 or AS3001 clevis kits. |
| E-6924A | AS1032 | Haldex ASA. For 5.50" arm lengths only. Requires the use of either AS3000 or AS3001 clevis kits. |
| E-6924A | AS1034 | Haldex ASA. For 6.50" arm lengths only. Requires the use of either AS3000 or AS3001 clevis kits. |
| E-6924B | AS1032 | Haldex ASA. For 5.50" arm lengths only. Requires the use of either AS3000 or AS3001 clevis kits. |
| E-6924B | AS1034 | Haldex ASA. For 6.50" arm lengths only. Requires the use of either AS3000 or AS3001 clevis kits. |
| E-6925 | AS1039 | Haldex ASA. For 5.00" arm lengths only. Requires the use of either AS3000 or AS3001 clevis kits. |
| E-6925 | AS1041 | Haldex ASA. For 6.00" arm lengths only. Requires the use of either AS3000 or AS3001 clevis kits. |
| E-6925A | AS1039 | Haldex ASA. For 5.00" arm lengths only. Requires the use of either AS3000 or AS3001 clevis kits. |
| E-6925A | AS1041 | Haldex ASA. For 6.00" arm lengths only. Requires the use of either AS3000 or AS3001 clevis kits. |
| E-6925B | AS1039 | Haldex ASA. For 5.00" arm lengths only. Requires the use of either AS3000 or AS3001 clevis kits. |
| E-6925B | AS1041 | Haldex ASA. For 6.00" arm lengths only. Requires the use of either AS3000 or AS3001 clevis kits. |
| E-6926 | AS1040 | Requires the use of a Gunite clevis kit. |
| E-6926 | AS1140 | |
| E-6927 | AS1040 | Haldex ASA. For 5.50" arm lengths only. Requires the use of either AS3000 or AS3001 clevis kits. |
| E-6927 | AS1042 | Haldex ASA. For 6.50" arm lengths only. Requires the use of either AS3000 or AS3001 clevis kits. |
| E-6927A | AS1040 | Haldex ASA. For 5.50" arm lengths only. Requires the use of either AS3000 or AS3001 clevis kits. |
| E-6927A | AS1042 | Haldex ASA. For 6.50" arm lengths only. Requires the use of either AS3000 or AS3001 clevis kits. |
| E-6927B | AS1040 | Haldex ASA. For 5.50" arm lengths only. Requires the use of either AS3000 or AS3001 clevis kits. |
| E-6927B | AS1042 | Haldex ASA. For 6.50" arm lengths only. Requires the use of either AS3000 or AS3001 clevis kits. |

| Industry Part Number | Gunite Aftermarket Part Number | Special Information |
|---------------------------|--------------------------------|--|
| Euclid (continued) | | |
| E-6932 | AS1178 | Requires the use of Gunite AS3022 clevis kit. |
| E-6936 | AS1033 | Haldex ASA. Requires the use of either AS3000 or AS3001 clevis kits. |
| E-6936 | AS1133 | Haldex ASA. |
| E-6937 | AS1033 | Requires the use of a Gunite clevis kit. |
| E-6937 | AS1133 | |
| E-6938 | AS1031 | 5.0 inch arm length only. Requires the use of a Gunite clevis kit. |
| E-6938 | AS1131 | 5.0 inch arm length only. |
| E-6938 | AS1033 | 6.0 inch arm length only. Requires the use of a Gunite clevis kit. |
| E-6938 | AS1133 | 6.0 inch arm length only. |
| E-6939 | AS1033 | Haldex ASA. Requires the use of either AS3000 or AS3001 clevis kits. |
| E-6939 | AS1133 | Haldex ASA. |
| E-6940 | AS1032 | Haldex ASA. Requires the use of either AS3000 or AS3001 clevis kits. |
| E-6940 | AS1132 | Haldex ASA. |
| E-6941 | AS1032 | Haldex ASA. Requires the use of either AS3000 or AS3001 clevis kits. |
| E-6941 | AS1132 | Haldex ASA. |
| E-6942 | AS1041 | Haldex ASA. Requires the use of either AS3000 or AS3001 clevis kits. |
| E-6943 | AS1041 | Haldex ASA. Requires the use of either AS3000 or AS3001 clevis kits. |
| E-6944 | AS1040 | Haldex ASA. Requires the use of either AS3000 or AS3001 clevis kits. |
| E-6944 | AS1140 | Haldex ASA. |
| E-6945 | AS1040 | Requires the use of a Gunite clevis kit. |
| E-6945 | AS1140 | |
| E-6946 | AS1044 | Haldex ASA. Requires the use of either AS3000 or AS3001 clevis kits. |
| E-6947 | AS1043 | Haldex ASA. Requires the use of either AS3000 or AS3001 clevis kits. |
| E-6948 | AS1044 | Requires the use of a Gunite clevis kit. |
| E-6948 | AS1144 | |
| E-6949 | AS1031 | Requires the use of a Gunite clevis kit. |
| E-6949 | AS1131 | |
| E-6981 | AS1038 | Haldex ASA. Requires the use of either AS3002 or AS3003 clevis kits. |
| E-6982 | AS1038 | Haldex ASA. Requires the use of either AS3002 or AS3003 clevis kits. |
| E-6987 | AS1036 | Requires the use of a Gunite clevis kit. |
| E-6987 | AS1136 | |
| E-6987A | AS1036 | Crewson Industries ASA. Requires the use of AS3001 or AS3016 clevis kit. |
| E-6987A | AS1136 | Crewson Industries ASA. |
| E-6988 | AS1036 | Requires the use of a Gunite clevis kit. |
| E-6988 | AS1036 | |
| E-6988A | AS1036 | Crewson Industries ASA. Requires the use of AS3003 clevis kit. |
| E-6989 | AS1038 | Requires the use of a Gunite clevis kit. |
| E-6989A | AS1038 | Crewson Industries ASA. Requires the use of AS3003 clevis kit. |
| E-6989A | AS1138 | |
| E-6990 | AS1038 | Requires the use of a Gunite clevis kit. |
| E-6990 | AS1138 | |
| E-6990A | AS1038 | Crewson Industries ASA. Requires the use of AS3003 clevis kit. |
| E-6990A | AS1138 | |
| E-6991 | AS1031 | 5.0 inch arm length only. Requires the use of a Gunite clevis kit. |
| E-6991 | AS1131 | 5.0 inch arm length only. |
| E-6991 | AS1033 | 6.0 inch arm length only. Requires the use of a Gunite clevis kit. |
| E-6991 | AS1133 | 6.0 inch arm length only. |
| E-6991A | AS1031 | Crewson Industries ASA. Requires the use of either AS3000 or AS3016 clevis kits. 5.0 inch arm length only. |

Replacement of other brands of slack adjusters should be done in axle sets.

Industry Part Numbers referencing more than a single interchange is the result of the Gunite Corporation offering the option of ordering its Automatic Slack Adjusters with or without the clevis kit.

| Industry Part Number | Gunite Aftermarket Part Number | Special Information |
|---------------------------|--------------------------------|--|
| Euclid (continued) | | |
| E-6991A | AS1131 | Crewson Industries ASA. 5.0 inch arm length only. |
| E-6991A | AS1033 | Crewson Industries ASA. Requires the use of either AS3000 or AS3016 clevis kits. 6.0 inch arm length only. |
| E-6991A | AS1133 | Crewson Industries ASA. 6.0 inch arm length only. |
| E-6992 | AS1032 | 5.5 inch arm length only. Requires the use of a Gunite clevis kit. |
| E-6992 | AS1132 | 5.5 inch arm length only. |
| E-6992 | AS1034 | 6.5 inch arm length only. |
| E-6992 | AS1134 | 6.5 inch arm length only. |
| E-6992A | AS1032 | Crewson Industries ASA. Requires the use of either AS3000 or AS3016 clevis kits. 5.5 inch arm length only. |
| E-6992A | AS1132 | Crewson Industries ASA. 5.5 inch arm length only. |
| E-6992A | AS1034 | Crewson Industries ASA. Requires the use of either AS3000 or AS3016 clevis kits. 6.5 inch arm length only. |
| E-6992A | AS1134 | Crewson Industries ASA. 6.5 inch arm length only. |
| E-6993 | AS1039 | 5.0 inch arm length only. Requires the use of a Gunite clevis kit. |
| E-6993 | AS1139 | 5.0 inch arm length only. |
| E-6993 | AS1041 | 6.0 inch arm length only. Requires the use of a Gunite clevis kit. |
| E-6993 | AS1141 | 6.0 inch arm length only. |
| E-6993A | AS1039 | Crewson Industries ASA. Requires the use of either AS3000 or AS3016 clevis kits. 5.0 inch arm length only. |
| E-6993A | AS1139 | Crewson Industries ASA. 5.0 inch arm length only. |
| E-6993A | AS1041 | Crewson Industries ASA. Requires the use of either AS3000 or AS3016 clevis kits. 6.0 inch arm length only. |
| E-6993A | AS1141 | Crewson Industries ASA. 6.0 inch arm length only. |
| E-6994 | AS1040 | 5.5 inch arm length only. Requires the use of a Gunite clevis kit. |
| E-6994 | AS1140 | 5.5 inch arm length only. |
| E-6994 | AS1042 | 6.5 inch arm length only. |
| E-6994 | AS1142 | 6.5 inch arm length only. |
| E-6994A | AS1040 | Crewson Industries ASA. Requires the use of either AS3000 or AS3016 clevis kits. 5.5 inch arm length only. |
| E-6994A | AS1140 | Crewson Industries ASA. 5.5 inch arm length only. |
| E-6994A | AS1042 | Crewson Industries ASA. Requires the use of either AS3000 or AS3016 clevis kits. 6.5 inch arm length only. |
| E-6994A | AS1142 | Crewson Industries ASA. 6.5 inch arm length only. |
| E-6995 | AS1044 | 6.0 inch arm length only. Requires the use of a Gunite clevis kit. |
| E-6995 | AS1144 | 6.0 inch arm length only. |
| E-6995A | AS1044 | Crewson Industries ASA. Requires the use of either AS3000 or AS3016 clevis kits. 6.0 inch arm length only. |
| E-6995A | AS1144 | Crewson Industries ASA. 6.0 inch arm length only. |
| E-6996 | AS1043 | 5.5 inch arm length only. Requires the use of a Gunite clevis kit. |
| E-6996 | AS1143 | 5.5 inch arm length only. |
| E-6996 | AS1045 | 6.5 inch arm length only. |
| E-6996 | AS1145 | 6.5 inch arm length only. |
| E-6996A | AS1043 | Crewson Industries ASA. Requires the use of either AS3000 or AS3016 clevis kits. 5.5 inch arm length only. |
| E-6996A | AS1143 | Crewson Industries ASA. 5.5 inch arm length only. |
| E-6996A | AS1045 | Crewson Industries ASA. Requires the use of either AS3000 or AS3016 clevis kits. 6.5 inch arm length only. |
| E-6996A | AS1145 | Crewson Industries ASA. 6.5 inch arm length only. |

| Industry Part Number | Gunite Aftermarket Part Number | Special Information |
|-----------------------------|--------------------------------|--|
| Haldex Brake Systems | | |
| 400-10001 | AS1036 | Requires a Gunite straight style clevis kit. |
| 400-10002 | AS1036 | Requires a Gunite .625" offset style clevis kit. |
| 400-10003 | AS1036 | Requires a Gunite .625" offset style clevis kit. |
| 400-10004 | AS1038 | Requires a Gunite straight style clevis kit. |
| 400-10005 | AS1032 | Requires a Gunite straight style clevis kit. |
| 400-10006 | AS1032 | Requires a Gunite .625" offset style clevis kit. |
| 400-10007 | AS1032 | Requires a Gunite .625" offset style clevis kit. |
| 400-10008 | AS1040 | Requires a Gunite straight style clevis kit. |
| 400-10011 | AS1040 | 5.5 inch arm length only. Requires a Gunite straight style clevis kit. |
| 400-10011 | AS1042 | 6.5 inch arm length only. Requires a Gunite straight style clevis kit. |
| 400-10012 | AS1032 | 5.5 inch arm length only. Requires a Gunite straight style clevis kit. |
| 400-10012 | AS1034 | 6.5 inch arm length only. Requires a Gunite straight style clevis kit. |
| 400-10040 | AS1038 | Requires a Gunite .625" offset style clevis kit. |
| 400-10041 | AS1038 | Requires a Gunite .625" offset style clevis kit. |
| 400-10067 | AS1039 | 5.0 inch arm length only. Requires a Gunite straight style clevis kit. |
| 400-10067 | AS1041 | 6.0 inch arm length only. Requires a Gunite straight style clevis kit. |
| 400-10070 | AS1040 | Requires a Gunite straight style clevis kit. |
| 400-10071 | AS1032 | Requires a Gunite straight style clevis kit. |
| 400-10072 | AS1036 | Requires a Gunite straight style clevis kit. |
| 400-10073 | AS1038 | Requires a Gunite straight style clevis kit. |
| 400-10100 | AS1039 | 5.0 inch arm length only. Requires a Gunite straight style clevis kit. |
| 400-10100 | AS1041 | 6.0 inch arm length only. Requires a Gunite straight style clevis kit. |
| 400-10101 | AS1040 | 5.5 inch arm length only. Requires a Gunite straight style clevis kit. |
| 400-10101 | AS1042 | 6.5 inch arm length only. Requires a Gunite straight style clevis kit. |
| 400-10102 | AS1031 | 5.0 inch arm length only. Requires a Gunite straight style clevis kit. |
| 400-10102 | AS1033 | 6.0 inch arm length only. Requires a Gunite straight style clevis kit. |
| 400-10103 | AS1032 | 5.5 inch arm length only. Requires a Gunite straight style clevis kit. |
| 400-10103 | AS1034 | 6.5 inch arm length only. Requires a Gunite straight style clevis kit. |
| 400-10104 | AS1041 | Requires a Gunite straight style clevis kit. |
| 400-10105 | AS1033 | Requires a Gunite straight style clevis kit. |
| 400-10106 | AS1040 | 5.5 inch arm length only. Requires a Gunite straight style clevis kit. |
| 400-10106 | AS1042 | 6.5 inch arm length only. Requires a Gunite straight style clevis kit. |
| 400-10140 | AS1039 | 5.0 inch arm length only. Requires a Gunite straight style clevis kit. |
| 400-10140 | AS1041 | 6.0 inch arm length only. Requires a Gunite straight style clevis kit. |
| 400-10141 | AS1040 | Requires a Gunite straight style clevis kit. |
| 400-10142 | AS1031 | 5.0 inch arm length only. Requires a Gunite straight style clevis kit. |
| 400-10142 | AS1033 | 6.0 inch arm length only. Requires a Gunite straight style clevis kit. |
| 400-10143 | AS1032 | 5.5 inch arm length only. Requires a Gunite straight style clevis kit. |
| 400-10143 | AS1034 | 6.5 inch arm length only. Requires a Gunite straight style clevis kit. |
| 400-10144 | AS1041 | Requires a Gunite straight style clevis kit. |
| 400-10145 | AS1033 | Requires a Gunite straight style clevis kit. |
| 400-10146 | AS1040 | 5.5 inch arm length only. Requires a Gunite straight style clevis kit. |
| 400-10146 | AS1042 | 6.5 inch arm length only. Requires a Gunite straight style clevis kit. |
| 400-10155 | AS1032 | Requires a Gunite straight style clevis kit. |
| 400-10156 | AS1040 | Requires a Gunite straight style clevis kit. |
| 400-10200 | AS1041 | Requires a Gunite straight style clevis kit. |
| 400-10201 | AS1040 | Requires a Gunite straight style clevis kit. |
| 400-10202 | AS1033 | Requires a Gunite straight style clevis kit. |

Replacement of other brands of slack adjusters should be done in axle sets.

Industry Part Numbers referencing more than a single interchange is the result of the Gunite Corporation offering the option of ordering its Automatic Slack Adjusters with or without the clevis kit.

| Industry Part Number | Gunite Aftermarket Part Number | Special Information |
|---|--------------------------------|---|
| Haldex Brake Systems (continued) | | |
| 400-10203 | AS1032 | Requires a Gunite straight style clevis kit. |
| 400-10204 | AS1044 | Requires a Gunite straight style clevis kit. |
| 400-10205 | AS1043 | Requires a Gunite straight style clevis kit. |
| 400-10206 | AS1033 | Requires a Gunite straight style clevis kit. |
| 400-10207 | AS1031 | 5.0 inch arm length only. Requires a Gunite straight style clevis kit. |
| 400-10207 | AS1033 | 6.0 inch arm length only. Requires a Gunite straight style clevis kit. |
| 400-10211 | AS1040 | Requires a Gunite straight style clevis kit. |
| 400-10212 | AS1041 | Requires a Gunite straight style clevis kit. |
| 400-10213 | AS1043 | Requires a Gunite straight style clevis kit. |
| 400-10214 | AS1044 | Requires a Gunite straight style clevis kit. |
| 400-10215 | AS1032 | Requires a Gunite straight style clevis kit. |
| 400-10216 | AS1033 | Requires a Gunite straight style clevis kit. |
| 400-10304 | AS1178 | Requires the use of Gunite AS3022 clevis kit. |
| 400-20211 | AS1040 | Requires a Gunite straight style clevis kit. |
| 400-20212 | AS1041 | Requires a Gunite straight style clevis kit. |
| 400-20213 | AS1043 | Requires a Gunite straight style clevis kit. |
| 400-20214 | AS1044 | Requires a Gunite straight style clevis kit. |
| 400-20215 | AS1032 | Requires a Gunite straight style clevis kit. |
| 400-20216 | AS1033 | Requires a Gunite straight style clevis kit. |
| 409-10011 | AS1033 | Requires a Gunite straight style clevis kit. |
| 409-10051 | AS1031 | 5.0 inch arm length only. Requires a Gunite straight style clevis kit. |
| 409-10051 | AS1033 | 6.0 inch arm length only. Requires a Gunite straight style clevis kit. |
| 409-10070 | AS1041 | Requires a Gunite straight style clevis kit. |
| 409-10071 | AS1033 | Requires a Gunite straight style clevis kit. |
| 409-10085 | AS1032 | Requires a Gunite straight style clevis kit. |
| 409-10086 | AS1031 | 5.0 inch arm length only. Requires a Gunite straight style clevis kit. |
| 409-10086 | AS1033 | 6.0 inch arm length only. Requires a Gunite straight style clevis kit. |
| 409-10091 | AS1040 | 5.5 inch arm length only. Requires a Gunite straight style clevis kit. |
| 409-10091 | AS1042 | 6.5 inch arm length only. Requires a Gunite straight style clevis kit. |
| 409-10093 | AS1039 | 5.0 inch arm length only. Requires a Gunite straight style clevis kit. |
| 409-10093 | AS1041 | 6.0 inch arm length only. Requires a Gunite straight style clevis kit. |
| 409-10094 | AS1040 | 5.5 inch arm length only. Requires a Gunite straight style clevis kit. |
| 409-10094 | AS1042 | 6.5 inch arm length only. Requires a Gunite straight style clevis kit. |
| 409-10099 | AS1044 | Requires a Gunite straight style clevis kit. |
| 409-10101 | AS1032 | 5.5 inch arm length only. Requires a Gunite straight style clevis kit. |
| 409-10101 | AS1034 | 6.5 inch arm length only. Requires a Gunite straight style clevis kit. |
| 409-10102 | AS1031 | 5.0 inch arm length only. Requires a Gunite straight style clevis kit. |
| 409-10102 | AS1033 | 6.0 inch arm length only. Requires a Gunite straight style clevis kit. |
| 409-10108 | AS1032 | 5.50 inch arm length only. Requires a Gunite straight style clevis kit. |
| 409-10108 | AS1034 | 6.50 inch arm length only. Requires a Gunite straight style clevis kit. |
| 409-10112 | AS1032 | Requires a Gunite .625" offset style clevis kit. |
| 409-10113 | AS1032 | Requires a Gunite .625" offset style clevis kit. |
| 409-10114 | AS1036 | Requires a Gunite .625" offset style clevis kit. |
| 409-10115 | AS1036 | Requires a Gunite .625" offset style clevis kit. |
| 409-10120 | AS1036 | Requires a Gunite .625" offset style clevis kit. |
| 409-10121 | AS1036 | Requires a Gunite .625" offset style clevis kit. |
| 409-10124 | AS1033 | Requires a Gunite straight style clevis kit. |
| 409-10125 | AS1039 | 5.0 inch arm length only. Requires a Gunite straight style clevis kit. |
| 409-10125 | AS1041 | 6.0 inch arm length only. Requires a Gunite straight style clevis kit. |
| 409-10126 | AS1040 | 5.5 inch arm length only. Requires a Gunite straight style clevis kit. |

| Industry Part Number | Gunite Aftermarket Part Number | Special Information |
|---|--------------------------------|---|
| Haldex Brake Systems (continued) | | |
| 409-10126 | AS1042 | 6.5 inch arm length only. Requires a Gunite straight style clevis kit. |
| 409-10128 | AS1036 | 5.50 inch arm length only. Requires a Gunite straight style clevis kit. |
| 409-10130 | AS1031 | 5.0 inch arm length only. Requires a Gunite straight style clevis kit. |
| 409-10130 | AS1033 | 6.0 inch arm length only. Requires a Gunite straight style clevis kit. |
| 409-10134 | AS1032 | 5.50 inch arm length only. Requires a Gunite straight style clevis kit. |
| 409-10134 | AS1034 | 6.50 inch arm length only. Requires a Gunite straight style clevis kit. |
| 409-10135 | AS1032 | 5.50 inch arm length only. Requires a Gunite straight style clevis kit. |
| 409-10135 | AS1034 | 6.50 inch arm length only. Requires a Gunite straight style clevis kit. |
| 409-10146 | AS1039 | 5.0 inch arm length only. Requires a Gunite straight style clevis kit. |
| 409-10146 | AS1041 | 6.0 inch arm length only. Requires a Gunite straight style clevis kit. |
| 409-10149 | AS1039 | 5.0 inch arm length only. Requires a Gunite straight style clevis kit. |
| 409-10149 | AS1041 | 6.0 inch arm length only. Requires a Gunite straight style clevis kit. |
| 409-10150 | AS1040 | Requires a Gunite straight style clevis kit. |
| 409-10167 | AS1039 | 5.0 inch arm length only. Requires a Gunite straight style clevis kit. |
| 409-10167 | AS1041 | 6.0 inch arm length only. Requires a Gunite straight style clevis kit. |
| 409-10168 | AS1040 | 5.5 inch arm length only. Requires a Gunite straight style clevis kit. |
| 409-10168 | AS1042 | 6.5 inch arm length only. Requires a Gunite straight style clevis kit. |
| 409-10172 | AS1036 | Requires a Gunite straight style clevis kit. |
| 409-10174 | AS1040 | Requires a Gunite straight style clevis kit. |
| 409-10178 | AS1039 | 5.0 inch arm length only. Requires a Gunite straight style clevis kit. |
| 409-10178 | AS1041 | 6.0 inch arm length only. Requires a Gunite straight style clevis kit. |
| 409-10197 | AS1040 | 5.5 inch arm length only. Requires a Gunite straight style clevis kit. |
| 409-10197 | AS1042 | 6.5 inch arm length only. Requires a Gunite straight style clevis kit. |
| 409-10215 | AS1040 | 5.50 inch arm length only. Requires a Gunite straight style clevis kit. |
| 409-10215 | AS1042 | 6.50 inch arm length only. Requires a Gunite straight style clevis kit. |
| 409-10218 | AS1044 | Requires a Gunite straight style clevis kit. |
| 409-10221 | AS1031 | 5.0 inch arm length only. Requires a Gunite straight style clevis kit. |
| 409-10221 | AS1033 | 6.0 inch arm length only. Requires a Gunite straight style clevis kit. |
| 409-10222 | AS1040 | 5.5 inch arm length only. Requires a Gunite straight style clevis kit. |
| 409-10222 | AS1042 | 6.5 inch arm length only. Requires a Gunite straight style clevis kit. |
| 409-10223 | AS1032 | Requires a Gunite straight style clevis kit. |
| 409-10224 | AS1036 | Requires a Gunite straight style clevis kit. |
| 409-10225 | AS1039 | 5.0 inch arm length only. Requires a Gunite straight style clevis kit. |
| 409-10225 | AS1041 | 6.0 inch arm length only. Requires a Gunite straight style clevis kit. |
| 409-10226 | AS1031 | 5.0 inch arm length only. Requires a Gunite straight style clevis kit. |
| 409-10226 | AS1033 | 6.0 inch arm length only. Requires a Gunite straight style clevis kit. |
| 409-10228 | AS1040 | 5.5 inch arm length only. Requires a Gunite straight style clevis kit. |
| 409-10228 | AS1042 | 6.5 inch arm length only. Requires a Gunite straight style clevis kit. |
| 409-10229 | AS1040 | 5.5 inch arm length only. Requires a Gunite straight style clevis kit. |
| 409-10229 | AS1042 | 6.5 inch arm length only. Requires a Gunite straight style clevis kit. |
| 409-10230 | AS1031 | 5.0 inch arm length only. Requires a Gunite straight style clevis kit. |
| 409-10230 | AS1033 | 6.0 inch arm length only. Requires a Gunite straight style clevis kit. |

Replacement of other brands of slack adjusters should be done in axle sets.

Industry Part Numbers referencing more than a single interchange is the result of the Gunite Corporation offering the option of ordering its Automatic Slack Adjusters with or without the clevis kit.

| Industry Part Number | Gunite Aftermarket Part Number | Special Information |
|---|--------------------------------|--|
| Haldex Brake Systems (continued) | | |
| 409-10231 | AS1031 | 5.0 inch arm length only. Requires a Gunite straight style clevis kit. |
| 409-10231 | AS1033 | 6.0 inch arm length only. Requires a Gunite straight style clevis kit. |
| 409-10232 | AS1032 | 5.5 inch arm length only. Requires a Gunite straight style clevis kit. |
| 409-10232 | AS1034 | 6.5 inch arm length only. Requires a Gunite straight style clevis kit. |
| 409-10233 | AS1032 | 5.5 inch arm length only. Requires a Gunite straight style clevis kit. |
| 409-10233 | AS1034 | 6.5 inch arm length only. Requires a Gunite straight style clevis kit. |
| 409-10234 | AS1038 | 5.0 inch arm length only. Requires a Gunite straight style clevis kit. |
| 409-10234 | AS1041 | 6.0 inch arm length only. Requires a Gunite straight style clevis kit. |
| 409-10235 | AS1038 | 5.0 inch arm length only. Requires a Gunite straight style clevis kit. |
| 409-10235 | AS1041 | 6.0 inch arm length only. Requires a Gunite straight style clevis kit. |
| 409-10236 | AS1040 | 5.5 inch arm length only. Requires a Gunite straight style clevis kit. |
| 409-10236 | AS1042 | 6.5 inch arm length only. Requires a Gunite straight style clevis kit. |
| 409-10237 | AS1040 | 5.5 inch arm length only. Requires a Gunite straight style clevis kit. |
| 409-10237 | AS1042 | 6.5 inch arm length only. Requires a Gunite straight style clevis kit. |
| 409-10238 | AS1032 | 5.5 inch arm length only. Requires a Gunite straight style clevis kit. |
| 409-10238 | AS1034 | 6.5 inch arm length only. Requires a Gunite straight style clevis kit. |
| 409-10239 | AS1031 | 5.0 inch arm length only. Requires a Gunite straight style clevis kit. |
| 409-10239 | AS1033 | 6.0 inch arm length only. Requires a Gunite straight style clevis kit. |
| 409-10240 | AS1040 | 5.5 inch arm length only. Requires a Gunite straight style clevis kit. |
| 409-10240 | AS1042 | 6.5 inch arm length only. Requires a Gunite straight style clevis kit. |
| 409-10241 | AS1039 | 5.0 inch arm length only. Requires a Gunite straight style clevis kit. |
| 409-10241 | AS1041 | 6.0 inch arm length only. Requires a Gunite straight style clevis kit. |
| 409-10247 | AS1031 | 5.0 inch arm length only. Requires a Gunite straight style clevis kit. |
| 409-10247 | AS1033 | 6.0 inch arm length only. Requires a Gunite straight style clevis kit. |
| 409-10249 | AS1036 | Requires a Gunite .625" offset style clevis kit. |
| 409-10250 | AS1036 | Requires a Gunite .625" offset style clevis kit. |
| 409-10257 | AS1032 | Requires a Gunite straight style clevis kit. |
| 409-10258 | AS1040 | Requires a Gunite straight style clevis kit. |
| 409-10263 | AS1032 | Requires a Gunite .625" offset style clevis kit. |
| 409-10264 | AS1032 | Requires a Gunite .625" offset style clevis kit. |
| 409-10282 | AS1178 | Requires the use of Gunite AS3022 clevis kit. |
| 409-10287 | AS1033 | Requires a Gunite straight style clevis kit. |
| 409-10288 | AS1041 | Requires a Gunite straight style clevis kit. |
| 409-10293 | AS1032 | 5.5 inch arm length only. Requires a Gunite straight style clevis kit. |
| 409-10293 | AS1034 | 6.5 inch arm length only. Requires a Gunite straight style clevis kit. |
| 409-10294 | AS1032 | 5.5 inch arm length only. Requires a Gunite straight style clevis kit. |
| 409-10294 | AS1034 | 6.5 inch arm length only. Requires a Gunite straight style clevis kit. |
| 409-10312 | AS1040 | 5.5 inch arm length only. Requires a Gunite straight style clevis kit. |
| 409-10312 | AS1042 | 6.5 inch arm length only. Requires a Gunite straight style clevis kit. |
| 409-10313 | AS1032 | 5.5 inch arm length only. Requires a Gunite straight style clevis kit. |
| 409-10313 | AS1034 | 6.5 inch arm length only. Requires a Gunite straight style clevis kit. |
| 409-10314 | AS1039 | 5.0 inch arm length only. Requires a Gunite straight style clevis kit. |
| 409-10314 | AS1041 | 6.0 inch arm length only. Requires a Gunite straight style clevis kit. |

| Industry Part Number | Gunite Aftermarket Part Number | Special Information |
|---|--------------------------------|--|
| Haldex Brake Systems (continued) | | |
| 409-10315 | AS1031 | 5.0 inch arm length only. Requires a Gunite straight style clevis kit. |
| 409-10315 | AS1033 | 6.0 inch arm length only. Requires a Gunite straight style clevis kit. |
| 409-10317 | AS1031 | 5.0 inch arm length only. Requires a Gunite straight style clevis kit. |
| 409-10317 | AS1033 | 6.0 inch arm length only. Requires a Gunite straight style clevis kit. |
| 409-10319 | AS1038 | Requires a Gunite straight style clevis kit. |
| 409-10325 | AS1036 | Requires a Gunite .625" offset style clevis kit. |
| 409-10326 | AS1036 | Requires a Gunite .625" offset style clevis kit. |
| 409-10334 | AS1038 | Requires a Gunite .625" offset style clevis kit. |
| 409-10335 | AS1038 | Requires a Gunite .625" offset style clevis kit. |
| 409-10343 | AS1039 | 5.0 inch arm length only. Requires a Gunite straight style clevis kit. |
| 409-10343 | AS1041 | 6.0 inch arm length only. Requires a Gunite straight style clevis kit. |
| 409-10351 | AS1043 | Requires a Gunite straight style clevis kit. |
| 409-10352 | AS1041 | Requires a Gunite straight style clevis kit. |
| 409-10360 | AS1039 | 5.0 inch arm length only. Requires a Gunite straight style clevis kit. |
| 409-10360 | AS1041 | 6.0 inch arm length only. Requires a Gunite straight style clevis kit. |
| 409-10361 | AS1038 | Requires a Gunite straight style clevis kit. |
| 409-10362 | AS1040 | Requires a Gunite straight style clevis kit. |
| 409-10363 | AS1178 | Requires the use of Gunite AS3022 clevis kit. |
| 409-10364 | AS1038 | Requires a Gunite straight style clevis kit. |
| 409-10365 | AS1033 | Requires a Gunite straight style clevis kit. |
| 409-10370 | AS1032 | Requires a Gunite straight style clevis kit. |
| 409-10384 | AS1040 | Requires a Gunite straight style clevis kit. |
| 409-10385 | AS1038 | Requires a Gunite straight style clevis kit. |
| 409-10386 | AS1040 | Requires a Gunite straight style clevis kit. |
| 409-10390 | AS1040 | Requires a Gunite straight style clevis kit. |
| 409-10391 | AS1036 | Requires a Gunite straight style clevis kit. |
| 409-10392 | AS1033 | Requires a Gunite straight style clevis kit. |
| 409-10393 | AS1033 | Requires a Gunite straight style clevis kit. |
| 409-10394 | AS1032 | Requires a Gunite straight style clevis kit. |
| 409-10395 | AS1032 | Requires a Gunite straight style clevis kit. |
| 409-10396 | AS1041 | Requires a Gunite straight style clevis kit. |
| 409-10397 | AS1041 | Requires a Gunite straight style clevis kit. |
| 409-10398 | AS1040 | Requires a Gunite straight style clevis kit. |
| 409-10399 | AS1040 | Requires a Gunite straight style clevis kit. |
| 409-10404 | AS1041 | Requires a Gunite straight style clevis kit. |
| 409-10405 | AS1039 | 5.0 inch arm length only. Requires a Gunite straight style clevis kit. |
| 409-10405 | AS1041 | 6.0 inch arm length only. Requires a Gunite straight style clevis kit. |
| 409-10406 | AS1040 | Requires a Gunite straight style clevis kit. |
| 409-10407 | AS1040 | Requires a Gunite straight style clevis kit. |
| 409-10408 | AS1040 | 5.5 inch arm length only. Requires a Gunite straight style clevis kit. |
| 409-10408 | AS1042 | 6.5 inch arm length only. Requires a Gunite straight style clevis kit. |
| 409-10410 | AS1031 | 5.0 inch arm length only. Requires a Gunite straight style clevis kit. |
| 409-10410 | AS1033 | 6.0 inch arm length only. Requires a Gunite straight style clevis kit. |
| 409-10412 | AS1032 | 5.5 inch arm length only. Requires a Gunite straight style clevis kit. |
| 409-10412 | AS1034 | 6.5 inch arm length only. Requires a Gunite straight style clevis kit. |
| 409-10416 | AS1040 | 5.5 inch arm length only. Requires a Gunite straight style clevis kit. |
| 409-10416 | AS1042 | 6.5 inch arm length only. Requires a Gunite straight style clevis kit. |
| 409-10417 | AS1032 | 5.5 inch arm length only. Requires a Gunite straight style clevis kit. |
| 409-10417 | AS1034 | 6.5 inch arm length only. Requires a Gunite straight style clevis kit. |
| 409-10426 | AS1039 | 5.0 inch arm length only. Requires a Gunite straight style clevis kit. |

Replacement of other brands of slack adjusters should be done in axle sets.

Industry Part Numbers referencing more than a single interchange is the result of the Gunite Corporation offering the option of ordering its Automatic Slack Adjusters with or without the clevis kit.

| Industry Part Number | Gunite Aftermarket Part Number | Special Information |
|---|--------------------------------|--|
| Haldex Brake Systems (continued) | | |
| 409-10426 | AS1041 | 6.0 inch arm length only. Requires a Gunite straight style clevis kit. |
| 409-10429 | AS1040 | Requires a Gunite straight style clevis kit. |
| 409-10430 | AS1040 | Requires a Gunite straight style clevis kit. |
| 409-10432 | AS1043 | Requires a Gunite straight style clevis kit. |
| 409-10443 | AS1041 | Requires a Gunite straight style clevis kit. |
| 409-10444 | AS1040 | 5.5 inch arm length only. Requires a Gunite straight style clevis kit. |
| 409-10444 | AS1042 | 6.5 inch arm length only. Requires a Gunite straight style clevis kit. |
| 409-10455 | AS1033 | Requires a Gunite straight style clevis kit. |
| 409-10457 | AS1039 | 5.0 inch arm length only. Requires a Gunite straight style clevis kit. |
| 409-10457 | AS1041 | 6.0 inch arm length only. Requires a Gunite straight style clevis kit. |
| 409-10458 | AS1031 | 5.0 inch arm length only. Requires a Gunite straight style clevis kit. |
| 409-10458 | AS1033 | 6.0 inch arm length only. Requires a Gunite straight style clevis kit. |
| 409-10465 | AS1038 | Requires a Gunite straight style clevis kit. |
| 409-10466 | AS1040 | Requires a Gunite straight style clevis kit. |
| 409-10471 | AS1040 | Requires a Gunite straight style clevis kit. |
| 409-10472 | AS1041 | Requires a Gunite straight style clevis kit. |
| 409-10473 | AS1043 | Requires a Gunite straight style clevis kit. |
| 409-10474 | AS1044 | Requires a Gunite straight style clevis kit. |
| 409-10475 | AS1032 | Requires a Gunite straight style clevis kit. |
| 409-10476 | AS1033 | Requires a Gunite straight style clevis kit. |
| 409-10490 | AS1178 | Requires the use of Gunite AS3022 clevis kit. |
| 409-10495 | AS1036 | Requires a Gunite straight style clevis kit. |
| 409-10496 | AS1038 | Requires a Gunite straight style clevis kit. |
| 409-10497 | AS1036 | Requires a Gunite .625" offset style clevis kit. |
| 409-10498 | AS1036 | Requires a Gunite .625" offset style clevis kit. |
| 409-10499 | AS1032 | Requires a Gunite straight style clevis kit. |
| 409-10502 | AS1040 | Requires a Gunite straight style clevis kit. |
| 409-10504 | AS1033 | Requires a Gunite straight style clevis kit. |
| 409-10505 | AS1033 | Requires a Gunite straight style clevis kit. |
| 409-10506 | AS1040 | 5.5 inch arm length only. Requires a Gunite straight style clevis kit. |
| 409-10506 | AS1042 | 6.5 inch arm length only. Requires a Gunite straight style clevis kit. |
| 409-10509 | AS1032 | 5.5 inch arm length only. Requires a Gunite straight style clevis kit. |
| 409-10509 | AS1034 | 6.5 inch arm length only. Requires a Gunite straight style clevis kit. |
| 409-10512 | AS1040 | Requires a Gunite straight style clevis kit. |
| 409-10529 | AS1041 | Requires a Gunite straight style clevis kit. |
| 409-10530 | AS1040 | 5.5 inch arm length only. Requires a Gunite straight style clevis kit. |
| 409-10530 | AS1042 | 6.5 inch arm length only. Requires a Gunite straight style clevis kit. |
| 409-10531 | AS1039 | 5.0 inch arm length only. Requires a Gunite straight style clevis kit. |
| 409-10531 | AS1041 | 6.0 inch arm length only. Requires a Gunite straight style clevis kit. |
| 409-10532 | AS1040 | 5.5 inch arm length only. Requires a Gunite straight style clevis kit. |
| 409-10532 | AS1042 | 6.5 inch arm length only. Requires a Gunite straight style clevis kit. |
| 409-10533 | AS1031 | 5.0 inch arm length only. Requires a Gunite straight style clevis kit. |
| 409-10533 | AS1033 | 6.0 inch arm length only. Requires a Gunite straight style clevis kit. |
| 409-10535 | AS1038 | Requires a Gunite .625" offset style clevis kit. |
| 409-10536 | AS1038 | Requires a Gunite .625" offset style clevis kit. |
| 409-10548 | AS1032 | 5.5 inch arm length only. Requires a Gunite straight style clevis kit. |
| 409-10548 | AS1034 | 6.5 inch arm length only. Requires a Gunite straight style clevis kit. |
| 409-10551 | AS1040 | 5.5 inch arm length only. Requires a Gunite straight style clevis kit. |
| 409-10551 | AS1042 | 6.5 inch arm length only. Requires a Gunite straight style clevis kit. |

| Industry Part Number | Gunite Aftermarket Part Number | Special Information |
|---|--------------------------------|--|
| Haldex Brake Systems (continued) | | |
| 409-10552 | AS1039 | 5.0 inch arm length only. Requires a Gunite straight style clevis kit. |
| 409-10552 | AS1041 | 6.0 inch arm length only. Requires a Gunite straight style clevis kit. |
| 409-10553 | AS1040 | 5.5 inch arm length only. Requires a Gunite straight style clevis kit. |
| 409-10553 | AS1042 | 6.5 inch arm length only. Requires a Gunite straight style clevis kit. |
| 409-10561 | AS1039 | 5.0 inch arm length only. Requires a Gunite straight style clevis kit. |
| 409-10561 | AS1041 | 6.0 inch arm length only. Requires a Gunite straight style clevis kit. |
| 409-10564 | AS1031 | 5.0 inch arm length only. Requires a Gunite straight style clevis kit. |
| 409-10564 | AS1033 | 6.0 inch arm length only. Requires a Gunite straight style clevis kit. |
| 409-10565 | AS1032 | 5.5 inch arm length only. Requires a Gunite straight style clevis kit. |
| 409-10565 | AS1034 | 6.5 inch arm length only. Requires a Gunite straight style clevis kit. |
| 409-10566 | AS1039 | 5.0 inch arm length only. Requires a Gunite straight style clevis kit. |
| 409-10566 | AS1041 | 6.0 inch arm length only. Requires a Gunite straight style clevis kit. |
| 409-10579 | AS1041 | Requires a Gunite straight style clevis kit. |
| 409-10580 | AS1040 | 5.5 inch arm length only. Requires a Gunite straight style clevis kit. |
| 409-10580 | AS1042 | 6.5 inch arm length only. Requires a Gunite straight style clevis kit. |
| 409-10581 | AS1033 | Requires a Gunite straight style clevis kit. |
| 409-10605 | AS1040 | Requires a Gunite straight style clevis kit. |
| 409-10615 | AS1039 | 5.0 inch arm length only. Requires a Gunite straight style clevis kit. |
| 409-10615 | AS1041 | 6.0 inch arm length only. Requires a Gunite straight style clevis kit. |
| 409-10626 | AS1031 | 5.0 inch arm length only. Requires a Gunite straight style clevis kit. |
| 409-10626 | AS1033 | 6.0 inch arm length only. Requires a Gunite straight style clevis kit. |
| 409-10627 | AS1032 | 5.5 inch arm length only. Requires a Gunite straight style clevis kit. |
| 409-10627 | AS1034 | 6.5 inch arm length only. Requires a Gunite straight style clevis kit. |
| 409-10628 | AS1040 | Requires a Gunite straight style clevis kit. |
| 409-10635 | AS1032 | Requires a Gunite straight style clevis kit. |
| 409-10637 | AS1040 | Requires a Gunite straight style clevis kit. |
| 409-10648 | AS1040 | Requires a Gunite straight style clevis kit. |
| 409-10649 | AS1032 | 5.5 inch arm length only. Requires a Gunite straight style clevis kit. |
| 409-10649 | AS1034 | 6.5 inch arm length only. Requires a Gunite straight style clevis kit. |
| 409-10650 | AS1040 | Requires a Gunite straight style clevis kit. |
| 409-10653 | AS1040 | Requires a Gunite straight style clevis kit. |
| 409-10654 | AS1178 | Requires the use of Gunite AS3022 clevis kit. |
| 409-10658 | AS1036 | Requires a Gunite straight style clevis kit. |
| 409-10659 | AS1038 | Requires a Gunite straight style clevis kit. |
| 409-10660 | AS1036 | Requires a Gunite .625" offset style clevis kit. |
| 409-10661 | AS1036 | Requires a Gunite .625" offset style clevis kit. |
| 409-10662 | AS1032 | Requires a Gunite straight style clevis kit. |
| 409-10663 | AS1040 | Requires a Gunite straight style clevis kit. |
| 409-10664 | AS1038 | Requires a Gunite .625" offset style clevis kit. |
| 409-10665 | AS1038 | Requires a Gunite .625" offset style clevis kit. |
| 409-10670 | AS1040 | Requires a Gunite straight style clevis kit. |
| 409-10673 | AS1041 | Requires a Gunite straight style clevis kit. |
| 409-10674 | AS1044 | Requires a Gunite straight style clevis kit. |
| 409-10675 | AS1033 | Requires a Gunite straight style clevis kit. |
| 409-10678 | AS1041 | Requires a Gunite straight style clevis kit. |
| 409-10679 | AS1040 | 5.5 inch arm length only. Requires a Gunite straight style clevis kit. |
| 409-10679 | AS1042 | 6.5 inch arm length only. Requires a Gunite straight style clevis kit. |
| 409-10680 | AS1033 | Requires a Gunite straight style clevis kit. |

Replacement of other brands of slack adjusters should be done in axle sets.

Industry Part Numbers referencing more than a single interchange is the result of the Gunite Corporation offering the option of ordering its Automatic Slack Adjusters with or without the clevis kit.

| Industry Part Number | Gunite Aftermarket Part Number | Special Information |
|---|--------------------------------|--|
| Haldex Brake Systems (continued) | | |
| 409-10682 | AS1040 | 5.5 inch arm length only. Requires a Gunite straight style clevis kit. |
| 409-10682 | AS1042 | 6.5 inch arm length only. Requires a Gunite straight style clevis kit. |
| 409-10683 | AS1040 | Requires a Gunite straight style clevis kit. |
| 409-10684 | AS1043 | Requires a Gunite straight style clevis kit. |
| 409-10685 | AS1032 | Requires a Gunite straight style clevis kit. |
| 409-10731 | AS1031 | 5.0 inch arm length only. Requires a Gunite straight style clevis kit. |
| 409-10731 | AS1033 | 6.0 inch arm length only. Requires a Gunite straight style clevis kit. |
| 409-10732 | AS1039 | 5.0 inch arm length only. Requires a Gunite straight style clevis kit. |
| 409-10732 | AS1041 | 6.0 inch arm length only. Requires a Gunite straight style clevis kit. |
| 409-10733 | AS1032 | 5.5 inch arm length only. Requires a Gunite straight style clevis kit. |
| 409-10733 | AS1034 | 6.5 inch arm length only. Requires a Gunite straight style clevis kit. |
| 409-10741 | AS1031 | 5.0 inch arm length only. Requires a Gunite straight style clevis kit. |
| 409-10741 | AS1033 | 6.0 inch arm length only. Requires a Gunite straight style clevis kit. |
| 409-10742 | AS1039 | 5.0 inch arm length only. Requires a Gunite straight style clevis kit. |
| 409-10742 | AS1041 | 6.0 inch arm length only. Requires a Gunite straight style clevis kit. |
| 409-10759 | AS1040 | Requires a Gunite straight style clevis kit. |
| 409-10760 | AS1032 | Requires a Gunite straight style clevis kit. |
| 409-10761 | AS1036 | Requires a Gunite straight style clevis kit. |
| 409-10762 | AS1038 | Requires a Gunite straight style clevis kit. |
| 409-10774 | AS1032 | Requires a Gunite .625" offset style clevis kit. |
| 409-10775 | AS1032 | Requires a Gunite .625" offset style clevis kit. |
| 409-10787 | AS1032 | Requires a Gunite straight style clevis kit. |
| 409-10797 | AS1032 | 5.5 inch arm length only. Requires a Gunite straight style clevis kit. |
| 409-10797 | AS1034 | 6.5 inch arm length only. Requires a Gunite straight style clevis kit. |
| 409-10813 | AS1032 | 5.5 inch arm length only. Requires a Gunite straight style clevis kit. |
| 409-10813 | AS1034 | 6.5 inch arm length only. Requires a Gunite straight style clevis kit. |
| 409-10814 | AS1040 | Requires a Gunite straight style clevis kit. |
| 409-10815 | AS1031 | 5.0 inch arm length only. Requires a Gunite straight style clevis kit. |
| 409-10815 | AS1033 | 6.0 inch arm length only. Requires a Gunite straight style clevis kit. |
| 409-10816 | AS1039 | 5.0 inch arm length only. Requires a Gunite straight style clevis kit. |
| 409-10816 | AS1041 | 6.0 inch arm length only. Requires a Gunite straight style clevis kit. |
| 409-10843 | AS1031 | 5.0 inch arm length only. Requires a Gunite straight style clevis kit. |
| 409-10843 | AS1033 | 6.0 inch arm length only. Requires a Gunite straight style clevis kit. |
| 409-10858 | AS1039 | 5.0 inch arm length only. Requires a Gunite straight style clevis kit. |
| 409-10858 | AS1041 | 6.0 inch arm length only. Requires a Gunite straight style clevis kit. |
| 409-10859 | AS1031 | 5.0 inch arm length only. Requires a Gunite straight style clevis kit. |
| 409-10859 | AS1033 | 6.0 inch arm length only. Requires a Gunite straight style clevis kit. |
| 409-10860 | AS1032 | 5.5 inch arm length only. Requires a Gunite straight style clevis kit. |
| 409-10860 | AS1034 | 6.5 inch arm length only. Requires a Gunite straight style clevis kit. |
| 409-10861 | AS1040 | Requires a Gunite straight style clevis kit. |
| 409-10862 | AS1031 | 5.0 inch arm length only. Requires a Gunite straight style clevis kit. |
| 409-10862 | AS1033 | 6.0 inch arm length only. Requires a Gunite straight style clevis kit. |
| 409-10868 | AS1039 | 5.0 inch arm length only. Requires a Gunite straight style clevis kit. |
| 409-10868 | AS1041 | 6.0 inch arm length only. Requires a Gunite straight style clevis kit. |

| Industry Part Number | Gunite Aftermarket Part Number | Special Information |
|---|--------------------------------|--|
| Haldex Brake Systems (continued) | | |
| 409-10869 | AS1032 | 5.5 inch arm length only. Requires a Gunite straight style clevis kit. |
| 409-10869 | AS1034 | 6.5 inch arm length only. Requires a Gunite straight style clevis kit. |
| 409-10870 | AS1040 | Requires a Gunite straight style clevis kit. |
| 409-10871 | AS1032 | 5.5 inch arm length only. Requires a Gunite straight style clevis kit. |
| 409-10871 | AS1034 | 6.5 inch arm length only. Requires a Gunite straight style clevis kit. |
| 409-10872 | AS1040 | Requires a Gunite straight style clevis kit. |
| 409-10890 | AS1040 | Requires a Gunite straight style clevis kit. |
| 409-10893 | AS1040 | Requires a Gunite straight style clevis kit. |
| 409-10894 | AS1040 | Requires a Gunite straight style clevis kit. |
| 409-10895 | AS1040 | Requires a Gunite straight style clevis kit. |
| 409-10896 | AS1039 | 5.0 inch arm length only. Requires a Gunite straight style clevis kit. |
| 409-10896 | AS1041 | 6.0 inch arm length only. Requires a Gunite straight style clevis kit. |
| 409-10909 | AS1032 | 5.5 inch arm length only. Requires a Gunite straight style clevis kit. |
| 409-10909 | AS1034 | 6.5 inch arm length only. Requires a Gunite straight style clevis kit. |
| 409-10910 | AS1031 | 5.0 inch arm length only. Requires a Gunite straight style clevis kit. |
| 409-10910 | AS1033 | 6.0 inch arm length only. Requires a Gunite straight style clevis kit. |
| 409-10946 | AS1039 | 5.0 inch arm length only. Requires a Gunite straight style clevis kit. |
| 409-10946 | AS1041 | 6.0 inch arm length only. Requires a Gunite straight style clevis kit. |
| 409-10947 | AS1039 | 5.0 inch arm length only. Requires a Gunite straight style clevis kit. |
| 409-10947 | AS1041 | 6.0 inch arm length only. Requires a Gunite straight style clevis kit. |
| 409-10948 | AS1031 | 5.0 inch arm length only. Requires a Gunite straight style clevis kit. |
| 409-10948 | AS1033 | 6.0 inch arm length only. Requires a Gunite straight style clevis kit. |
| 409-10949 | AS1040 | Requires a Gunite straight style clevis kit. |
| 409-10979 | AS1040 | Requires a Gunite straight style clevis kit. |
| 409-10980 | AS1041 | Requires a Gunite straight style clevis kit. |
| 409-10983 | AS1039 | 5.0 inch arm length only. Requires a Gunite straight style clevis kit. |
| 409-10983 | AS1041 | 6.0 inch arm length only. Requires a Gunite straight style clevis kit. |
| 409-10984 | AS1039 | 5.0 inch arm length only. Requires a Gunite straight style clevis kit. |
| 409-10984 | AS1041 | 6.0 inch arm length only. Requires a Gunite straight style clevis kit. |
| 409-20000 | AS1032 | Requires a Gunite straight style clevis kit. |
| 409-20002 | AS1040 | Requires a Gunite straight style clevis kit. |
| 409-20004 | AS1033 | Requires a Gunite straight style clevis kit. |
| 409-20006 | AS1041 | Requires a Gunite straight style clevis kit. |
| 409-20024 | AS1043 | Requires a Gunite straight style clevis kit. |
| 409-20025 | AS1044 | Requires a Gunite straight style clevis kit. |
| 409-10224 | AS1036 | Requires a Gunite straight style clevis kit. |
| 429-10228 | AS1040 | Requires a Gunite straight style clevis kit. |
| 429-10238 | AS1032 | 5.5 inch arm length only. Requires a Gunite straight style clevis kit. |
| 429-10238 | AS1034 | 6.5 inch arm length only. Requires a Gunite straight style clevis kit. |
| 429-10257 | AS1032 | Requires a Gunite straight style clevis kit. |
| 429-10370 | AS1032 | Requires a Gunite straight style clevis kit. |
| CS52315 | AS1031 | Crewson Industries ASA. Requires the use of either AS3000 or AS3016 clevis kits. 5.0 inch arm length only. |
| CS52315 | AS1131 | Crewson Industries ASA. 5.0 inch arm length only. |
| CS52315 | AS1033 | Crewson Industries ASA. Requires the use of either AS3000 or AS3016 clevis kits. 6.0 inch arm length only. |
| CS52315 | AS1133 | Crewson Industries ASA. 6.0 inch arm length only. |

Replacement of other brands of slack adjusters should be done in axle sets.

Industry Part Numbers referencing more than a single interchange is the result of the Gunite Corporation offering the option of ordering its Automatic Slack Adjusters with or without the clevis kit.

| Industry Part Number | Gunite Aftermarket Part Number | Special Information |
|---|--------------------------------|---|
| Haldex Brake Systems (continued) | | |
| CS52316 | AS1032 | Crewson Industries ASA. Requires the use of either AS3000 or AS3016 clevis kits. 5.5 inch arm length only. |
| CS52316 | AS1132 | Crewson Industries ASA. 5.5 inch arm length only. |
| CS52316 | AS1034 | Crewson Industries ASA. Requires the use of either AS3000 or AS3016 clevis kits. 6.5 inch arm length only. |
| CS52316 | AS1134 | Crewson Industries ASA. 6.5 inch arm length only. |
| CS52320 | AS1040 | Crewson Industries ASA. Requires the use of either AS3000 or AS3016 clevis kits. 5.5 inch arm length only. |
| CS52320 | AS1140 | Crewson Industries ASA. 5.5 inch arm length only. |
| CS52320 | AS1042 | Crewson Industries ASA. Requires the use of either AS3000 or AS3016 clevis kits. 6.5 inch arm length only. |
| CS52320 | AS1142 | Crewson Industries ASA. 6.5 inch arm length only. |
| CS52321 | AS1039 | Crewson Industries ASA. Requires the use of either AS3000 or AS3016 clevis kits. 5.0 inch arm length only. |
| CS52321 | AS1139 | Crewson Industries ASA. 5.0 inch arm length only. |
| CS52321 | AS1041 | Crewson Industries ASA. Requires the use of either AS3000 or AS3016 clevis kits. 6.0 inch arm length only. |
| CS52321 | AS1141 | Crewson Industries ASA. 6.0 inch arm length only. |
| CS52330 | AS1036 | Crewson Industries ASA. Requires the use of either AS3000 or AS3016 clevis kits. 5.5 inch arm length only. |
| CS52330 | AS1136 | Crewson Industries ASA. 5.5 inch arm length only. |
| CS52331 | AS1036 | Crewson Industries ASA. Requires the use of AS3003 clevis kit. |
| CS52332 | AS1035 | Crewson Industries ASA. Requires the use of either AS3000 or AS3016 clevis kits. 5.0 inch arm length only. |
| CS52332 | AS1135 | Crewson Industries ASA. 5.0 inch arm length only. |
| CS52335 | AS1038 | Crewson Industries ASA. Requires the use of either AS3000 or AS3016 clevis kits. 5.5 inch arm length only. |
| CS52335 | AS1138 | Crewson Industries ASA. 5.5 inch arm length only. |
| CS52337 | AS1037 | Crewson Industries ASA. Requires the use of either AS3000 or AS3016 clevis kits. 5.0 inch arm length only. |
| CS52337 | AS1137 | Crewson Industries ASA. 5.0 inch arm length only. |
| CS52340 | AS1178 | Crewson Industries ASA. Requires the use of a clevis with a 1.3" pin center distance. For 5.5 inch arm length only. |
| Meritor | | |
| A-3275-X-596 | AS1039 | 5.0 inch arm length only. Requires a Gunite clevis kit. |
| A-3275-X-596 | AS1139 | 5.0 inch arm length only. |
| A-3275-X-596 | AS1041 | 6.0 inch arm length only. Requires a Gunite clevis kit. |
| A-3275-X-596 | AS1141 | 6.0 inch arm length only. |
| A1-3275A1119 | AS1042 | Requires a Gunite clevis kit. |
| A1-3275A1119 | AS1142 | |
| A1-3275A599S | AS1032 | Requires a Gunite clevis kit. |
| A1-3275A599S | AS1132 | |
| A1-3275B600S | AS1033 | Requires a Gunite clevis kit. |
| A1-3275B600S | AS1133 | |
| A1-3275C601S | AS1034 | Requires a Gunite clevis kit. |
| A1-3275C601S | AS1134 | |
| A1-3275K1051S | AS1031 | Requires a Gunite clevis kit. |
| A1-3275K1051S | AS1131 | |
| A1-3275L792S | AS1033 | Requires a Gunite clevis kit. |
| A1-3275L792S | AS1133 | |
| A1-3275N716S | AS1033 | Requires a Gunite clevis kit. |

| Industry Part Number | Gunite Aftermarket Part Number | Special Information |
|----------------------------|--------------------------------|-------------------------------|
| Meritor (continued) | | |
| A1-3275N716S | AS1133 | |
| A1-3275N768S | AS1032 | Requires a Gunite clevis kit. |
| A1-3275N768S | AS1132 | |
| A1-3275P718S | AS1034 | Requires a Gunite clevis kit. |
| A1-3275P718S | AS1134 | |
| A1-3275Q1083S | AS1040 | Requires a Gunite clevis kit. |
| A1-3275Q1083S | AS1140 | |
| A1-3275R1084S | AS1040 | Requires a Gunite clevis kit. |
| A1-3275R1084S | AS1140 | |
| A1-3275S1085 | AS1039 | Requires a Gunite clevis kit. |
| A1-3275S1085 | AS1139 | |
| A1-3275T1086 | AS1039 | Requires a Gunite clevis kit. |
| A1-3275T1086 | AS1139 | |
| A1-3275T592S | AS1031 | Requires a Gunite clevis kit. |
| A1-3275T592S | AS1131 | |
| A1-3275U593S | AS1032 | Requires a Gunite clevis kit. |
| A1-3275U593S | AS1132 | |
| A1-3275V1139S | AS1032 | Requires a Gunite clevis kit. |
| A1-3275V1139S | AS1132 | |
| A1-3275V594S | AS1033 | Requires a Gunite clevis kit. |
| A1-3275V594S | AS1133 | |
| A1-3275W1089S | AS1040 | Requires a Gunite clevis kit. |
| A1-3275W1089S | AS1140 | |
| A1-3275W595S | AS1034 | Requires a Gunite clevis kit. |
| A1-3275W595S | AS1134 | |
| A1-3275X1090S | AS1040 | Requires a Gunite clevis kit. |
| A1-3275X1090S | AS1140 | |
| A1-3275Y1091S | AS1033 | Requires a Gunite clevis kit. |
| A1-3275Y1091S | AS1133 | |
| A1-3275Z1092S | AS1033 | Requires a Gunite clevis kit. |
| A1-3275Z1092S | AS1133 | |
| A1-3275Z1118S | AS1042 | Requires a Gunite clevis kit. |
| A1-3275Z1118S | AS1142 | |
| A1-3275Z598S | AS1031 | Requires a Gunite clevis kit. |
| A1-3275Z598S | AS1131 | |
| A2-3275A1119S | AS1042 | Requires a Gunite clevis kit. |
| A2-3275A1119S | AS1142 | |
| A2-3275A599S | AS1040 | Requires a Gunite clevis kit. |
| A2-3275A599S | AS1140 | |
| A2-3275B600S | AS1041 | Requires a Gunite clevis kit. |
| A2-3275B600S | AS1141 | |
| A2-3275C601S | AS1042 | Requires a Gunite clevis kit. |
| A2-3275C601S | AS1142 | |
| A2-3275K1051S | AS1039 | Requires a Gunite clevis kit. |
| A2-3275K1051S | AS1139 | |
| A2-3275L792S | AS1041 | Requires a Gunite clevis kit. |
| A2-3275L792S | AS1141 | |
| A2-3275N1079 | AS1038 | Requires a Gunite clevis kit. |
| A2-3275N1079 | AS1138 | |
| A2-3275N716S | AS1041 | Requires a Gunite clevis kit. |
| A2-3275N716S | AS1141 | |
| A2-3275N768S | AS1040 | Requires a Gunite clevis kit. |
| A2-3275N768S | AS1140 | |
| A2-3275P718S | AS1042 | Requires a Gunite clevis kit. |
| A2-3275P718S | AS1142 | |
| A2-3275Q1083 | AS1032 | Requires a Gunite clevis kit. |
| A2-3275Q1083 | AS1132 | |
| A2-3275R1084 | AS1032 | Requires a Gunite clevis kit. |
| A2-3275R1084 | AS1132 | |
| A2-3275T592S | AS1039 | Requires a Gunite clevis kit. |

Replacement of other brands of slack adjusters should be done in axle sets.

Industry Part Numbers referencing more than a single interchange is the result of the Gunite Corporation offering the option of ordering its Automatic Slack Adjusters with or without the clevis kit.

| Industry Part Number | Gunitite Aftermarket Part Number | Special Information |
|----------------------------|----------------------------------|---------------------------------|
| Meritor (continued) | | |
| A2-3275T592S | AS1139 | |
| A2-3275U1087S | AS1039 | Requires a Gunitite clevis kit. |
| A2-3275U1087S | AS1139 | |
| A2-3275U1139S | AS1040 | Requires a Gunitite clevis kit. |
| A2-3275U1139S | AS1140 | |
| A2-3275U593S | AS1040 | Requires a Gunitite clevis kit. |
| A2-3275U593S | AS1140 | |
| A2-3275V1088S | AS1039 | Requires a Gunitite clevis kit. |
| A2-3275V1088S | AS1139 | |
| A2-3275V594S | AS1041 | Requires a Gunitite clevis kit. |
| A2-3275V594S | AS1141 | |
| A2-3275W1089S | AS1040 | Requires a Gunitite clevis kit. |
| A2-3275W1089S | AS1140 | |
| A2-3275W595S | AS1042 | Requires a Gunitite clevis kit. |
| A2-3275W595S | AS1142 | |
| A2-3275W59S | AS1042 | Requires a Gunitite clevis kit. |
| A2-3275W59S | AS1142 | |
| A2-3275X1090S | AS1040 | Requires a Gunitite clevis kit. |
| A2-3275X1090S | AS1140 | |
| A2-3275Y1091S | AS1041 | Requires a Gunitite clevis kit. |
| A2-3275Y1091S | AS1141 | |
| A2-3275Z1092S | AS1041 | Requires a Gunitite clevis kit. |
| A2-3275Z1092S | AS1141 | |
| A2-3275Z598S | AS1039 | Requires a Gunitite clevis kit. |
| A2-3275Z598S | AS1139 | |
| A2-3276A599S | AS1040 | Requires a Gunitite clevis kit. |
| A2-3276A599S | AS1140 | |
| A3-3275B1042S | AS1039 | Requires a Gunitite clevis kit. |
| A3-3275B1042S | AS1139 | |
| A3-3275N716S | AS1044 | Requires a Gunitite clevis kit. |
| A3-3275N716S | AS1144 | |
| A3-3275P718S | AS1034 | Requires a Gunitite clevis kit. |
| A3-3275P718S | AS1134 | |
| A3-3275W1089S | AS1032 | Requires a Gunitite clevis kit. |
| A3-3275W1089S | AS1132 | |
| A3-3275X1090S | AS1032 | Requires a Gunitite clevis kit. |
| A3-3275X1090S | AS1132 | |
| A4-3275B1042S | AS1031 | Requires a Gunitite clevis kit. |
| A4-3275B1042S | AS1131 | |
| A4-3275N716S | AS1033 | Requires a Gunitite clevis kit. |
| A4-3275N716S | AS1133 | |
| A4-3275N768S | AS1036 | Requires a Gunitite clevis kit. |
| A4-3275N768S | AS1136 | |
| A4-3275P718S | AS1042 | Requires a Gunitite clevis kit. |
| A4-3275P718S | AS1142 | |
| A4-3275W1089S | AS1032 | Requires a Gunitite clevis kit. |
| A4-3275W1089S | AS1132 | |
| A4-3275X1090S | AS1032 | Requires a Gunitite clevis kit. |
| A4-3275X1090S | AS1132 | |
| A4-3780A27 | AS1036 | Requires a Gunitite clevis kit. |
| A4-3780A27 | AS1136 | |
| A4-3780B28 | AS1032 | Requires a Gunitite clevis kit. |
| A4-3780B28 | AS1132 | |
| A4-3780C29 | AS1032 | Requires a Gunitite clevis kit. |
| A4-3780C29 | AS1132 | |
| A4-3780H8 | AS1036 | Requires a Gunitite clevis kit. |
| A4-3780H8 | AS1136 | |
| A4-3780K11 | AS1032 | Requires a Gunitite clevis kit. |
| A4-3780K11 | AS1132 | |
| A4-3780M13 | AS1032 | Requires a Gunitite clevis kit. |

| Industry Part Number | Gunitite Aftermarket Part Number | Special Information |
|----------------------------|----------------------------------|---------------------------------|
| Meritor (continued) | | |
| A4-3780M13 | AS1132 | |
| A4-3780Z26 | AS1036 | Requires a Gunitite clevis kit. |
| A4-3780Z26 | AS1136 | |
| A5-3275-A-599S | AS1043 | Requires a Gunitite clevis kit. |
| A5-3275-A-599S | AS1143 | |
| A5-3275-B-600S | AS1044 | Requires a Gunitite clevis kit. |
| A5-3275-B-600S | AS1144 | |
| A5-3275-C-601S | AS1045 | Requires a Gunitite clevis kit. |
| A5-3275-C-601S | AS1145 | |
| A5-3275-N-716S | AS1041 | Requires a Gunitite clevis kit. |
| A5-3275-N-716S | AS1141 | |
| A5-3275-N-768S | AS1040 | Requires a Gunitite clevis kit. |
| A5-3275-N-768S | AS1140 | |
| A5-3275-U-593S | AS1043 | Requires a Gunitite clevis kit. |
| A5-3275-U-593S | AS1143 | |
| A5-3275-V-594S | AS1044 | Requires a Gunitite clevis kit. |
| A5-3275-V-594S | AS1144 | |
| A5-3275-W-595S | AS1045 | Requires a Gunitite clevis kit. |
| A5-3275-W-595S | AS1145 | |
| A6-3275-A-599S | AS1032 | Requires a Gunitite clevis kit. |
| A6-3275-A-599S | AS1132 | |
| A6-3275-N-768S | AS1040 | Requires a Gunitite clevis kit. |
| A6-3275-N-768S | AS1140 | |
| A6-3275-T-592S | AS1035 | Requires a Gunitite clevis kit. |
| A6-3275-T-592S | AS1135 | |
| A6-3275-Z-598S | AS1035 | Requires a Gunitite clevis kit. |
| A6-3275-Z-598S | AS1135 | |
| A7-3275-A-599S | AS1036 | Requires a Gunitite clevis kit. |
| A7-3275-A-599S | AS1136 | |
| A7-3275-N-768S | AS1032 | Requires a Gunitite clevis kit. |
| A7-3275-N-768S | AS1132 | |
| A7-3275-T-592S | AS1035 | Requires a Gunitite clevis kit. |
| A7-3275-T-592S | AS1135 | |
| A7-3275-U-593S | AS1032 | Requires a Gunitite clevis kit. |
| A7-3275-U-593S | AS1132 | |
| A7-3275-Z-592S | AS1035 | Requires a Gunitite clevis kit. |
| A7-3275-Z-592S | AS1135 | |
| A7-3275-Z-598S | AS1036 | Requires a Gunitite clevis kit. |
| A7-3275-Z-598S | AS1136 | |
| A8-3275-A-599S | AS1036 | Requires a Gunitite clevis kit. |
| A8-3275-A-599S | AS1136 | |
| A8-3275-N-716S | AS1033 | Requires a Gunitite clevis kit. |
| A8-3275-N-716S | AS1133 | |
| A8-3275-N-768S | AS1040 | Requires a Gunitite clevis kit. |
| A8-3275-N-768S | AS1140 | |
| A8-3275-T-592S | AS1031 | Requires a Gunitite clevis kit. |
| A8-3275-T-592S | AS1131 | |
| A8-3275-U-593S | AS1036 | Requires a Gunitite clevis kit. |
| A8-3275-U-593S | AS1136 | |
| A8-3275-Z-598S | AS1031 | Requires a Gunitite clevis kit. |
| A8-3275-Z-598S | AS1131 | |
| A9-3275-A-599S | AS1037 | Requires a Gunitite clevis kit. |
| A9-3275-A-599S | AS1137 | |
| A9-3275-N-716S | AS1033 | Requires a Gunitite clevis kit. |
| A9-3275-N-716S | AS1133 | |
| A9-3275-T-592S | AS1031 | Requires a Gunitite clevis kit. |
| A9-3275-T-592S | AS1131 | |
| A9-3275-U-593S | AS1036 | Requires a Gunitite clevis kit. |
| A9-3275-U-593S | AS1136 | |
| A9-3275-Z-598S | AS1031 | Requires a Gunitite clevis kit. |

Replacement of other brands of slack adjusters should be done in axle sets.

Industry Part Numbers referencing more than a single interchange is the result of the Gunitite Corporation offering the option of ordering its Automatic Slack Adjusters with or without the clevis kit.

| Industry Part Number | Gunite Aftermarket Part Number | Special Information |
|----------------------------|--------------------------------|-------------------------------|
| Meritor (continued) | | |
| A9-3275-Z-598S | AS1131 | |
| A10-3275A599S | AS1032 | Requires a Gunite clevis kit. |
| A10-3275A599S | AS1132 | |
| A10-3275E1045S | AS1036 | Requires a Gunite clevis kit. |
| A10-3275E1045S | AS1136 | |
| A10-3275F1046S | AS1036 | Requires a Gunite clevis kit. |
| A10-3275F1046S | AS1136 | |
| A10-3275N716S | AS1041 | Requires a Gunite clevis kit. |
| A10-3275N716S | AS1141 | |
| A10-3275T592S | AS1039 | Requires a Gunite clevis kit. |
| A10-3275T592S | AS1139 | |
| A10-3275U593S | AS1032 | Requires a Gunite clevis kit. |
| A10-3275U593S | AS1132 | |
| A10-3275Z598S | AS1039 | Requires a Gunite clevis kit. |
| A10-3275Z598S | AS1139 | |
| A11-3275A599S | AS1036 | Requires a Gunite clevis kit. |
| A11-3275A599S | AS1136 | |
| A11-3275C601S | AS1034 | Requires a Gunite clevis kit. |
| A11-3275C601S | AS1134 | |
| A11-3275N716S | AS1041 | Requires a Gunite clevis kit. |
| A11-3275N716S | AS1141 | |
| A11-3275N768S | AS1036 | Requires a Gunite clevis kit. |
| A11-3275N768S | AS1136 | |
| A11-3275U593S | AS1032 | Requires a Gunite clevis kit. |
| A11-3275U593S | AS1132 | |
| A11-3275W595S | AS1034 | Requires a Gunite clevis kit. |
| A11-3275W595S | AS1134 | |
| A12-3275A599S | AS1036 | Requires a Gunite clevis kit. |
| A12-3275A599S | AS1136 | |
| A12-3275C601S | AS1042 | Requires a Gunite clevis kit. |
| A12-3275C601S | AS1142 | |
| A12-3275N716S | AS1044 | Requires a Gunite clevis kit. |
| A12-3275N716S | AS1144 | |
| A12-3275N768S | AS1036 | Requires a Gunite clevis kit. |
| A12-3275N768S | AS1136 | |
| A12-3275T592S | AS1039 | Requires a Gunite clevis kit. |
| A12-3275T592S | AS1139 | |
| A12-3275U593S | AS1036 | Requires a Gunite clevis kit. |
| A12-3275U593S | AS1136 | |
| A12-3275W595S | AS1042 | Requires a Gunite clevis kit. |
| A12-3275W595S | AS1142 | |
| A12-3275Z598S | AS1039 | Requires a Gunite clevis kit. |
| A12-3275Z598S | AS1139 | |
| A13-3275A599S | AS1036 | Requires a Gunite clevis kit. |
| A13-3275A599S | AS1136 | |
| A13-3275C601S | AS1045 | Requires a Gunite clevis kit. |
| A13-3275C601S | AS1145 | |
| A13-3275N716S | AS1033 | Requires a Gunite clevis kit. |
| A13-3275N716S | AS1133 | |
| A13-3275N768S | AS1040 | Requires a Gunite clevis kit. |
| A13-3275N768S | AS1140 | |
| A13-3275U593S | AS1036 | Requires a Gunite clevis kit. |
| A13-3275U593S | AS1136 | |
| A13-3275W595S | AS1045 | Requires a Gunite clevis kit. |
| A13-3275W595S | AS1145 | |
| A14-3275A599S | AS1036 | Requires a Gunite clevis kit. |
| A14-3275A599S | AS1136 | |
| A14-3275B600S | AS1033 | Requires a Gunite clevis kit. |
| A14-3275B600S | AS1133 | |
| A14-3275C601S | AS1034 | Requires a Gunite clevis kit. |

| Industry Part Number | Gunite Aftermarket Part Number | Special Information |
|----------------------------|--------------------------------|-------------------------------|
| Meritor (continued) | | |
| A14-3275C601S | AS1134 | |
| A14-3275N716S | AS1033 | Requires a Gunite clevis kit. |
| A14-3275N716S | AS1133 | |
| A14-3275U593S | AS1036 | Requires a Gunite clevis kit. |
| A14-3275U593S | AS1136 | |
| A14-3275V594S | AS1033 | Requires a Gunite clevis kit. |
| A14-3275V594S | AS1133 | |
| A14-3275W595S | AS1034 | Requires a Gunite clevis kit. |
| A14-3275W595S | AS1134 | |
| A15-3275A599S | AS1032 | Requires a Gunite clevis kit. |
| A15-3275A599S | AS1132 | |
| A15-3275B600S | AS1033 | Requires a Gunite clevis kit. |
| A15-3275B600S | AS1133 | |
| A15-3275C601S | AS1042 | Requires a Gunite clevis kit. |
| A15-3275C601S | AS1142 | |
| A15-3275N716S | AS1041 | Requires a Gunite clevis kit. |
| A15-3275N716S | AS1141 | |
| A15-3275U593S | AS1036 | Requires a Gunite clevis kit. |
| A15-3275U593S | AS1136 | |
| A15-3275V594S | AS1033 | Requires a Gunite clevis kit. |
| A15-3275V594S | AS1133 | |
| A15-3275W595S | AS1042 | Requires a Gunite clevis kit. |
| A15-3275W595S | AS1142 | |
| A16-3275A599S | AS1040 | Requires a Gunite clevis kit. |
| A16-3275A599S | AS1140 | |
| A16-3275B600S | AS1041 | Requires a Gunite clevis kit. |
| A16-3275B600S | AS1141 | |
| A16-3275N716S | AS1041 | Requires a Gunite clevis kit. |
| A16-3275N716S | AS1141 | |
| A16-3275N768S | AS1038 | Requires a Gunite clevis kit. |
| A16-3275N768S | AS1138 | |
| A16-3275U593S | AS1032 | Requires a Gunite clevis kit. |
| A16-3275U593S | AS1132 | |
| A16-3275V594S | AS1041 | Requires a Gunite clevis kit. |
| A16-3275V594S | AS1141 | |
| A16-3276A599S | AS1040 | Requires a Gunite clevis kit. |
| A16-3276A599S | AS1140 | |
| A17-3275A599S | AS1040 | Requires a Gunite clevis kit. |
| A17-3275A599S | AS1140 | |
| A17-3275B600S | AS1041 | Requires a Gunite clevis kit. |
| A17-3275B600S | AS1141 | |
| A17-3275N716S | AS1044 | Requires a Gunite clevis kit. |
| A17-3275N716S | AS1144 | |
| A17-3275U593S | AS1040 | Requires a Gunite clevis kit. |
| A17-3275U593S | AS1140 | |
| A17-3275V594S | AS1041 | Requires a Gunite clevis kit. |
| A17-3275V594S | AS1141 | |
| A18-3275B600S | AS1044 | Requires a Gunite clevis kit. |
| A18-3275B600S | AS1144 | |
| A18-3275N716S | AS1044 | Requires a Gunite clevis kit. |
| A18-3275N716S | AS1144 | |
| A18-3275N768S | AS1040 | Requires a Gunite clevis kit. |
| A18-3275N768S | AS1140 | |
| A18-3275U593S | AS1040 | Requires a Gunite clevis kit. |
| A18-3275U593S | AS1140 | |
| A18-3275V594S | AS1044 | Requires a Gunite clevis kit. |
| A18-3275V594S | AS1144 | |
| A19-3275N716S | AS1041 | Requires a Gunite clevis kit. |
| A19-3275N716S | AS1141 | |
| A19-3275N768S | AS1040 | Requires a Gunite clevis kit. |

Replacement of other brands of slack adjusters should be done in axle sets.

Industry Part Numbers referencing more than a single interchange is the result of the Gunite Corporation offering the option of ordering its Automatic Slack Adjusters with or without the clevis kit.



FLEET LINE PRODUCTS

PRODUCTS CATALOG
CROSS REFERENCES
 AUTOMATIC SLACK ADJUSTERS

| Industry Part Number | Gunit e Aftermarket Part Number | Special Information |
|----------------------------|---------------------------------|--------------------------------|
| Meritor (continued) | | |
| A19-3275N768S | AS1140 | |
| A20-3275N716S | AS1041 | Requires a Gunit e clevis kit. |
| A20-3275N716S | AS1141 | |
| A20-3275N768S | AS1043 | Requires a Gunit e clevis kit. |
| A20-3275N768S | AS1143 | |
| A20-3275T592S | AS1031 | Requires a Gunit e clevis kit. |
| A20-3275T592S | AS1131 | |
| A20-3275Z598S | AS1031 | Requires a Gunit e clevis kit. |
| A20-3275Z598S | AS1131 | |
| A21-3275A599S | AS1040 | Requires a Gunit e clevis kit. |
| A21-3275A599S | AS1140 | |
| A21-3275B600S | AS1044 | Requires a Gunit e clevis kit. |
| A21-3275B600S | AS1144 | |
| A21-3275N768S | AS1040 | Requires a Gunit e clevis kit. |
| A21-3275N768S | AS1140 | |
| A21-3275U593S | AS1040 | Requires a Gunit e clevis kit. |
| A21-3275U593S | AS1140 | |
| A21-3275V594S | AS1044 | Requires a Gunit e clevis kit. |
| A21-3275V594S | AS1144 | |
| A22-3275B600S | AS1041 | Requires a Gunit e clevis kit. |
| A22-3275B600S | AS1141 | |
| A22-3275N768S | AS1032 | Requires a Gunit e clevis kit. |
| A22-3275N768S | AS1132 | |
| A22-3275V594S | AS1041 | Requires a Gunit e clevis kit. |
| A22-3275V594S | AS1141 | |
| A23-3275N768S | AS1040 | Requires a Gunit e clevis kit. |
| A23-3275N768S | AS1140 | |
| A24-3275N768S | AS1040 | Requires a Gunit e clevis kit. |
| A24-3275N768S | AS1140 | |
| A25-3275A599S | AS1040 | Requires a Gunit e clevis kit. |
| A25-3275A599S | AS1140 | |
| A25-3275M1079 | AS1041 | Requires a Gunit e clevis kit. |
| A25-3275M1079 | AS1141 | |
| A25-3275N768S | AS1038 | Requires a Gunit e clevis kit. |
| A25-3275N768S | AS1138 | |
| A25-3275T592S | AS1031 | Requires a Gunit e clevis kit. |
| A25-3275T592S | AS1131 | |
| A25-3275U593S | AS1040 | Requires a Gunit e clevis kit. |
| A25-3275U593S | AS1140 | |
| A25-3275Z598S | AS1031 | Requires a Gunit e clevis kit. |
| A25-3275Z598S | AS1131 | |
| A26-3275N768S | AS1032 | Requires a Gunit e clevis kit. |
| A26-3275N768S | AS1132 | |
| A27-3275N768S | AS1036 | Requires a Gunit e clevis kit. |
| A27-3275N768S | AS1136 | |
| A3275X596 | AS1039 | Requires a Gunit e clevis kit. |
| A3275X596 | AS1139 | |
| A3275X596 | AS1041 | Requires a Gunit e clevis kit. |
| A3275X596 | AS1141 | |
| A33-3275N768S | AS1040 | Requires a Gunit e clevis kit. |
| A33-3275N768S | AS1140 | |
| A38-3275A599 | AS1038 | Requires a Gunit e clevis kit. |
| A38-3275A599 | AS1138 | |
| A38-3275U593 | AS1038 | Requires a Gunit e clevis kit. |
| A38-3275U593 | AS1138 | |
| A40-3275A599S | AS1038 | Requires a Gunit e clevis kit. |
| A40-3275A599S | AS1138 | |
| A40-3275U593S | AS1038 | Requires a Gunit e clevis kit. |
| A40-3275U593S | AS1138 | |
| A41-3275A599S | AS1038 | Requires a Gunit e clevis kit. |

| Industry Part Number | Gunit e Aftermarket Part Number | Special Information |
|----------------------------|---------------------------------|--------------------------------|
| Meritor (continued) | | |
| A41-3275A599S | AS1138 | |
| A41-3275U593S | AS1038 | Requires a Gunit e clevis kit. |
| A41-3275U593S | AS1138 | |
| A42-3275A599S | AS1032 | Requires a Gunit e clevis kit. |
| A42-3275A599S | AS1132 | |
| A42-3275G501 | AS1036 | Requires a Gunit e clevis kit. |
| A42-3275G501 | AS1136 | |
| A42-3275U593S | AS1032 | Requires a Gunit e clevis kit. |
| A42-3275U593S | AS1132 | |
| A43-3275A599S | AS1032 | Requires a Gunit e clevis kit. |
| A43-3275A599S | AS1132 | |
| A43-3275G501 | AS1036 | Requires a Gunit e clevis kit. |
| A43-3275G501 | AS1136 | |
| A43-3275U593S | AS1032 | Requires a Gunit e clevis kit. |
| A43-3275U593S | AS1132 | |
| A44-3275A599S | AS1040 | Requires a Gunit e clevis kit. |
| A44-3275A599S | AS1140 | |
| A44-3275U593S | AS1040 | Requires a Gunit e clevis kit. |
| A44-3275U593S | AS1140 | |
| A45-3275A599S | AS1043 | Requires a Gunit e clevis kit. |
| A45-3275A599S | AS1143 | |
| A45-3275U593S | AS1043 | Requires a Gunit e clevis kit. |
| A45-3275U593S | AS1143 | |
| A46-3275A599S | AS1036 | Requires a Gunit e clevis kit. |
| A46-3275A599S | AS1136 | |
| A46-3275U593S | AS1036 | Requires a Gunit e clevis kit. |
| A46-3275U593S | AS1136 | |
| A47-3275A599S | AS1036 | Requires a Gunit e clevis kit. |
| A47-3275U593S | AS1143 | |
| A46-3275A599S | AS1036 | Requires a Gunit e clevis kit. |
| A46-3275A599S | AS1136 | |
| A47-3275A599S | AS1036 | Requires a Gunit e clevis kit. |
| A47-3275U593S | AS1036 | Requires a Gunit e clevis kit. |
| A47-3275U593S | AS1136 | |
| A49-3275A599S | AS1032 | Requires a Gunit e clevis kit. |
| A49-3275A599S | AS1132 | |
| A49-3275U593S | AS1032 | Requires a Gunit e clevis kit. |
| A49-3275U593S | AS1132 | |
| A51-3275A599 | AS1038 | Requires a Gunit e clevis kit. |
| A51-3275A599 | AS1138 | |
| A51-3275U593 | AS1038 | Requires a Gunit e clevis kit. |
| A51-3275U593 | AS1138 | |
| A52-3275A599S | AS1038 | Requires a Gunit e clevis kit. |
| A52-3275A599S | AS1138 | |
| A52-3275U593S | AS1038 | Requires a Gunit e clevis kit. |
| A52-3275U593S | AS1138 | |
| A53-3275A599 | AS1038 | Requires a Gunit e clevis kit. |
| A53-3275A599 | AS1138 | |
| A53-3275U593 | AS1038 | Requires a Gunit e clevis kit. |
| A53-3275U593 | AS1138 | |
| A55-3275A599S | AS1038 | Requires a Gunit e clevis kit. |
| A55-3275A599S | AS1138 | |
| A55-3275U593S | AS1038 | Requires a Gunit e clevis kit. |
| A55-3275U593S | AS1138 | |
| A56-3275A599S | AS1040 | Requires a Gunit e clevis kit. |
| A56-3275A599S | AS1140 | |
| A56-3275U593S | AS1040 | Requires a Gunit e clevis kit. |
| A56-3275U593S | AS1140 | |
| A58-3275A599S | AS1040 | Requires a Gunit e clevis kit. |
| A58-3275A599S | AS1140 | |
| A58-3275U593S | AS1040 | Requires a Gunit e clevis kit. |
| A58-3275U593S | AS1140 | |
| A59-3275A599S | AS1040 | Requires a Gunit e clevis kit. |

Replacement of other brands of slack adjusters should be done in axle sets.

Industry Part Numbers referencing more than a single interchange is the result of the Gunit e Corporation offering the option of ordering its Automatic Slack Adjusters with or without the clevis kit.

| Industry Part Number | Gunite Aftermarket Part Number | Special Information |
|----------------------------|--------------------------------|--|
| Meritor (continued) | | |
| A59-3275A599S | AS1140 | |
| A59-3275U593S | AS1040 | Requires a Gunite clevis kit. |
| A59-3275U593S | AS1140 | |
| A60-3275A599S | AS1032 | Requires a Gunite clevis kit. |
| A60-3275A599S | AS1132 | |
| A60-3275U593S | AS1032 | Requires a Gunite clevis kit. |
| A60-3275U593S | AS1132 | |
| A85-3275G501 | AS1036 | Requires a Gunite clevis kit. |
| A85-3275G501 | AS1136 | |
| A86-3275G501 | AS1036 | Requires a Gunite clevis kit. |
| A86-3275G501 | AS1136 | |
| A92-3275G501 | AS1031 | 5.0 inch arm length only. Requires a Gunite clevis kit. |
| A92-3275G501 | AS1131 | 5.0 inch arm length only. |
| A92-3275G501 | AS1033 | 6.0 inch arm length only. Requires a Gunite clevis kit. |
| A92-3275G501 | AS1133 | 6.0 inch arm length only. |
| B17-3275G501 | AS1031 | 5.0 inch arm length only. Requires a Gunite clevis kit. |
| B17-3275G501 | AS1131 | 5.0 inch arm length only. |
| B17-3275G501 | AS1033 | 6.0 inch arm length only. Requires a Gunite clevis kit. |
| B17-3275G501 | AS1133 | 6.0 inch arm length only. |
| R801001 | AS1036 | Requires the use of either AS3001 or AS3017 clevis kits. |
| R801001 | AS1136 | |
| R801002 | AS1038 | Requires the use of either AS3001 or AS3017 clevis kits. |
| R801002 | AS1138 | |
| R801004 | AS1036 | Requires a Gunite clevis kit. |
| R801004 | AS1136 | |
| R801005 | AS1036 | Requires a Gunite clevis kit. |
| R801005 | AS1136 | |
| R801006 | AS1036 | Requires a Gunite clevis kit. |
| R801006 | AS1136 | |
| R801040 | AS1033 | Requires a Gunite clevis kit. |
| R801040 | AS1133 | |
| R801041 | AS1032 | Requires the use of either AS3000 or AS3016 clevis kits. |
| R801041 | AS1132 | |
| R801042 | AS1033 | Requires the use of either AS3000 or AS3016 clevis kits. |
| R801042 | AS1133 | |
| R801043 | AS1032 | Requires a Gunite clevis kit. |
| R801043 | AS1132 | |
| R801044 | AS1033 | Requires a Gunite clevis kit. |
| R801044 | AS1133 | |
| R801045 | AS1034 | Requires a Gunite clevis kit. |
| R801045 | AS1134 | |
| R801046 | AS1031 | Requires a Gunite clevis kit. |
| R801046 | AS1131 | |
| R801047 | AS1031 | Requires a Gunite clevis kit. |
| R801047 | AS1131 | |
| R801048 | AS1034 | Requires a Gunite clevis kit. |
| R801048 | AS1134 | |
| R801049 | AS1033 | Requires a Gunite clevis kit. |
| R801049 | AS1133 | |
| R801050 | AS1032 | Requires a Gunite clevis kit. |
| R801050 | AS1132 | |
| R801069 | AS1041 | Requires a Gunite clevis kit. |
| R801069 | AS1141 | |
| R801070 | AS1040 | Requires a Gunite clevis kit. |
| R801070 | AS1140 | |
| R801071 | AS1041 | Requires a Gunite clevis kit. |

| Industry Part Number | Gunite Aftermarket Part Number | Special Information |
|----------------------------|--------------------------------|--|
| Meritor (continued) | | |
| R801071 | AS1141 | |
| R801072 | AS1040 | Requires the use of either AS3000 or AS3016 clevis kits. |
| R801072 | AS1140 | |
| R801073 | AS1040 | Requires the use of either AS3000 or AS3016 clevis kits. |
| R801073 | AS1140 | |
| R801074 | AS1041 | Requires the use of either AS3000 or AS3016 clevis kits. |
| R801074 | AS1141 | |
| R801075 | AS1041 | Requires a Gunite clevis kit. |
| R801075 | AS1141 | |
| R801076 | AS1042 | Requires a Gunite clevis kit. |
| R801076 | AS1142 | |
| R801077 | AS1039 | Requires a Gunite clevis kit. |
| R801077 | AS1139 | |
| R801078 | AS1039 | Requires a Gunite clevis kit. |
| R801078 | AS1139 | |
| R801079 | AS1040 | Requires the use of either AS3000 or AS3016 clevis kits. |
| R801079 | AS1140 | |
| R801080 | AS1040 | Requires a Gunite clevis kit. |
| R801080 | AS1140 | |
| R801081 | AS1042 | Requires a Gunite clevis kit. |
| R801081 | AS1142 | |
| R801082 | AS1040 | Requires a Gunite clevis kit. |
| R801082 | AS1140 | |
| R801083 | AS1040 | Requires a Gunite clevis kit. |
| R801083 | AS1140 | |
| R801084 | AS1040 | Requires a Gunite clevis kit. |
| R801084 | AS1140 | |
| R801085 | AS1040 | Requires a Gunite clevis kit. |
| R801085 | AS1140 | |
| R801086 | AS1041 | Requires a Gunite clevis kit. |
| R801086 | AS1141 | |
| R801087 | AS1041 | Requires a Gunite clevis kit. |
| R801087 | AS1141 | |
| R801088 | AS1040 | Requires a Gunite clevis kit. |
| R801088 | AS1140 | |
| R801100 | AS1044 | Requires a Gunite clevis kit. |
| R801100 | AS1144 | |
| R801101 | AS1043 | Requires the use of either AS3000 or AS3016 clevis kits. |
| R801101 | AS1143 | |
| R801102 | AS1044 | Requires the use of either AS3000 or AS3016 clevis kits. |
| R801102 | AS1144 | |
| R802000 | AS1035 | Requires a Gunite clevis kit. |
| R802000 | AS1135 | |
| R802001 | AS1035 | Requires a Gunite clevis kit. |
| R802001 | AS1135 | |
| R802002 | AS1035 | Requires a Gunite clevis kit. |
| R802002 | AS1135 | |
| R802003 | AS1035 | Requires a Gunite clevis kit. |
| R802003 | AS1135 | |
| R802008 | AS1035 | Requires a Gunite clevis kit. |
| R802008 | AS1135 | |
| R802009 | AS1035 | Requires a Gunite clevis kit. |
| R802009 | AS1135 | |
| R802020 | AS1036 | Requires a Gunite clevis kit. |
| R802020 | AS1136 | |
| R802021 | AS1036 | Requires a Gunite clevis kit. |
| R802021 | AS1136 | |

Replacement of other brands of slack adjusters should be done in axle sets.

Industry Part Numbers referencing more than a single interchange is the result of the Gunite Corporation offering the option of ordering its Automatic Slack Adjusters with or without the clevis kit.

| Industry Part Number | Gunitite Aftermarket Part Number | Special Information |
|----------------------------|----------------------------------|--|
| Meritor (continued) | | |
| R802022 | AS1036 | Requires a Gunitite clevis kit. |
| R802022 | AS1136 | |
| R802023 | AS1036 | Requires a Gunitite clevis kit. |
| R802023 | AS1136 | |
| R802030 | AS1036 | Requires a Gunitite clevis kit. |
| R802030 | AS1136 | |
| R802031 | AS1036 | Requires a Gunitite clevis kit. |
| R802031 | AS1136 | |
| R802032 | AS1036 | Requires a Gunitite clevis kit. |
| R802032 | AS1136 | |
| R802033 | AS1036 | Requires a Gunitite clevis kit. |
| R802033 | AS1136 | |
| R802040 | AS1036 | Requires a Gunitite clevis kit. |
| R802040 | AS1136 | |
| R802041 | AS1036 | Requires a Gunitite clevis kit. |
| R802041 | AS1136 | |
| R802042 | AS1036 | Requires a Gunitite clevis kit. |
| R802042 | AS1136 | |
| R802043 | AS1036 | Requires a Gunitite clevis kit. |
| R802043 | AS1136 | |
| R802044 | AS1036 | Requires a Gunitite clevis kit. |
| R802044 | AS1136 | |
| R802045 | AS1036 | Requires a Gunitite clevis kit. |
| R802045 | AS1136 | |
| R802050 | AS1038 | Requires a Gunitite clevis kit. |
| R802050 | AS1138 | |
| R802051 | AS1038 | Requires a Gunitite clevis kit. |
| R802051 | AS1138 | |
| R802052 | AS1038 | Requires a Gunitite clevis kit. |
| R802052 | AS1138 | |
| R802053 | AS1038 | Requires a Gunitite clevis kit. |
| R802053 | AS1138 | |
| R802060 | AS1038 | Requires a Gunitite clevis kit. |
| R802060 | AS1138 | |
| R802061 | AS1038 | Requires a Gunitite clevis kit. |
| R802061 | AS1138 | |
| R802062 | AS1038 | Requires a Gunitite clevis kit. |
| R802062 | AS1138 | |
| R802063 | AS1038 | Requires a Gunitite clevis kit. |
| R802063 | AS1138 | |
| R802070 | AS1038 | Requires the use of either AS3000 or AS3016 clevis kits. |
| R802070 | AS1138 | |
| R802071 | AS1038 | Requires the use of either AS3000 or AS3016 clevis kits. |
| R802071 | AS1138 | |
| R802072 | AS1038 | Requires a Gunitite clevis kit. |
| R802072 | AS1138 | |
| R802073 | AS1038 | Requires a Gunitite clevis kit. |
| R802073 | AS1138 | |
| R802074 | AS1038 | Requires a Gunitite clevis kit. |
| R802074 | AS1138 | |
| R802075 | AS1038 | Requires a Gunitite clevis kit. |
| R802075 | AS1138 | |
| R802260 | AS1031 | Requires a Gunitite clevis kit. |
| R802260 | AS1131 | |
| R802261 | AS1031 | Requires a Gunitite clevis kit. |
| R802261 | AS1131 | |
| R802262 | AS1031 | Requires a Gunitite clevis kit. |
| R802262 | AS1131 | |
| R802263 | AS1031 | Requires a Gunitite clevis kit. |

| Industry Part Number | Gunitite Aftermarket Part Number | Special Information |
|----------------------------|----------------------------------|--|
| Meritor (continued) | | |
| R802263 | AS1131 | |
| R802270 | AS1031 | Requires a Gunitite clevis kit. |
| R802270 | AS1131 | |
| R802271 | AS1031 | Requires a Gunitite clevis kit. |
| R802271 | AS1131 | |
| R802276 | AS1031 | Requires a Gunitite clevis kit. |
| R802276 | AS1131 | |
| R802277 | AS1031 | Requires a Gunitite clevis kit. |
| R802277 | AS1131 | |
| R802280 | AS1031 | Requires a Gunitite clevis kit. |
| R802280 | AS1131 | |
| R802281 | AS1031 | Requires a Gunitite clevis kit. |
| R802281 | AS1131 | |
| R802290 | AS1032 | Requires a Gunitite clevis kit. |
| R802290 | AS1132 | |
| R802291 | AS1032 | Requires a Gunitite clevis kit. |
| R802291 | AS1132 | |
| R802292 | AS1032 | Requires a Gunitite clevis kit. |
| R802292 | AS1132 | |
| R802293 | AS1032 | Requires a Gunitite clevis kit. |
| R802293 | AS1132 | |
| R802300 | AS1032 | Requires a Gunitite clevis kit. |
| R802300 | AS1132 | |
| R802301 | AS1032 | Requires a Gunitite clevis kit. |
| R802301 | AS1132 | |
| R802302 | AS1032 | Requires a Gunitite clevis kit. |
| R802302 | AS1132 | |
| R802303 | AS1032 | Requires a Gunitite clevis kit. |
| R802303 | AS1132 | |
| R802310 | AS1032 | Requires a Gunitite clevis kit. |
| R802310 | AS1132 | |
| R802311 | AS1032 | Requires a Gunitite clevis kit. |
| R802311 | AS1132 | |
| R802312 | AS1032 | Requires a Gunitite clevis kit. |
| R802312 | AS1132 | |
| R802313 | AS1032 | Requires a Gunitite clevis kit. |
| R802313 | AS1132 | |
| R802314 | AS1032 | Requires a Gunitite clevis kit. |
| R802314 | AS1132 | |
| R802315 | AS1032 | Requires a Gunitite clevis kit. |
| R802315 | AS1132 | |
| R802316 | AS1032 | Requires the use of either AS3000 or AS3016 clevis kits. |
| R802316 | AS1132 | |
| R802317 | AS1032 | Requires the use of either AS3000 or AS3016 clevis kits. |
| R802317 | AS1132 | |
| R802318 | AS1032 | Requires a Gunitite clevis kit. |
| R802318 | AS1132 | |
| R802319 | AS1032 | Requires a Gunitite clevis kit. |
| R802319 | AS1132 | |
| R802320 | AS1032 | Requires a Gunitite clevis kit. |
| R802320 | AS1132 | |
| R802321 | AS1032 | Requires a Gunitite clevis kit. |
| R802321 | AS1132 | |
| R802330 | AS1032 | Requires a Gunitite clevis kit. |
| R802330 | AS1132 | |
| R802331 | AS1032 | Requires a Gunitite clevis kit. |
| R802331 | AS1132 | |
| R802332 | AS1032 | Requires the use of either AS3000 or AS3016 clevis kits. |
| R802332 | AS1132 | |

Replacement of other brands of slack adjusters should be done in axle sets.

Industry Part Numbers referencing more than a single interchange is the result of the Gunitite Corporation offering the option of ordering its Automatic Slack Adjusters with or without the clevis kit.

| Industry Part Number | Gunite Aftermarket Part Number | Special Information |
|----------------------------|--------------------------------|--|
| Meritor (continued) | | |
| R802333 | AS1032 | Requires the use of either AS3000 or AS3016 clevis kits. |
| R802333 | AS1132 | |
| R802350 | AS1033 | Requires a Gunite clevis kit. |
| R802350 | AS1133 | |
| R802351 | AS1033 | Requires a Gunite clevis kit. |
| R802351 | AS1133 | |
| R802354 | AS1033 | Requires a Gunite clevis kit. |
| R802354 | AS1133 | |
| R802355 | AS1033 | Requires a Gunite clevis kit. |
| R802355 | AS1133 | |
| R802356 | AS1033 | Requires a Gunite clevis kit. |
| R802356 | AS1133 | |
| R802357 | AS1033 | Requires a Gunite clevis kit. |
| R802357 | AS1133 | |
| R802360 | AS1034 | Requires a Gunite clevis kit. |
| R802360 | AS1134 | |
| R802361 | AS1034 | Requires a Gunite clevis kit. |
| R802361 | AS1134 | |
| R802362 | AS1034 | Requires a Gunite clevis kit. |
| R802362 | AS1134 | |
| R802363 | AS1034 | Requires a Gunite clevis kit. |
| R802363 | AS1134 | |
| R802370 | AS1034 | Requires a Gunite clevis kit. |
| R802370 | AS1134 | |
| R802371 | AS1034 | Requires a Gunite clevis kit. |
| R802371 | AS1134 | |
| R802400 | AS1039 | Requires a Gunite clevis kit. |
| R802400 | AS1139 | |
| R802401 | AS1039 | Requires a Gunite clevis kit. |
| R802401 | AS1139 | |
| R802402 | AS1039 | Requires a Gunite clevis kit. |
| R802402 | AS1139 | |
| R802403 | AS1039 | Requires a Gunite clevis kit. |
| R802403 | AS1139 | |
| R802410 | AS1039 | Requires a Gunite clevis kit. |
| R802410 | AS1139 | |
| R802411 | AS1039 | Requires a Gunite clevis kit. |
| R802411 | AS1139 | |
| R802412 | AS1039 | Requires a Gunite clevis kit. |
| R802412 | AS1139 | |
| R802413 | AS1039 | Requires a Gunite clevis kit. |
| R802413 | AS1139 | |
| R802414 | AS1039 | Requires a Gunite clevis kit. |
| R802414 | AS1139 | |
| R802415 | AS1039 | Requires a Gunite clevis kit. |
| R802415 | AS1139 | |
| R802416 | AS1039 | Requires a Gunite clevis kit. |
| R802416 | AS1139 | |
| R802417 | AS1039 | Requires a Gunite clevis kit. |
| R802417 | AS1139 | |
| R802420 | AS1040 | Requires a Gunite clevis kit. |
| R802420 | AS1140 | |
| R802421 | AS1040 | Requires a Gunite clevis kit. |
| R802421 | AS1140 | |
| R802422 | AS1040 | Requires a Gunite clevis kit. |
| R802422 | AS1140 | |
| R802423 | AS1040 | Requires a Gunite clevis kit. |
| R802423 | AS1140 | |
| R802430 | AS1040 | Requires a Gunite clevis kit. |
| R802430 | AS1140 | |

| Industry Part Number | Gunite Aftermarket Part Number | Special Information |
|----------------------------|--------------------------------|--|
| Meritor (continued) | | |
| R802431 | AS1040 | Requires a Gunite clevis kit. |
| R802431 | AS1140 | |
| R802432 | AS1040 | Requires a Gunite clevis kit. |
| R802432 | AS1140 | |
| R802433 | AS1040 | Requires a Gunite clevis kit. |
| R802433 | AS1140 | |
| R802440 | AS1040 | Requires a Gunite clevis kit. |
| R802440 | AS1140 | |
| R802441 | AS1040 | Requires a Gunite clevis kit. |
| R802441 | AS1140 | |
| R802442 | AS1040 | Requires a Gunite clevis kit. |
| R802442 | AS1140 | |
| R802443 | AS1040 | Requires a Gunite clevis kit. |
| R802443 | AS1140 | |
| R802444 | AS1040 | Requires the use of either AS3000 or AS3016 clevis kits. |
| R802444 | AS1140 | |
| R802445 | AS1040 | Requires the use of either AS3000 or AS3016 clevis kits. |
| R802445 | AS1140 | |
| R802446 | AS1040 | Requires the use of either AS3000 or AS3016 clevis kits. |
| R802446 | AS1140 | |
| R802447 | AS1040 | Requires the use of either AS3000 or AS3016 clevis kits. |
| R802447 | AS1140 | |
| R802448 | AS1040 | Requires a Gunite clevis kit. |
| R802448 | AS1140 | |
| R802449 | AS1040 | Requires a Gunite clevis kit. |
| R802449 | AS1140 | |
| R802450 | AS1040 | Requires a Gunite clevis kit. |
| R802450 | AS1140 | |
| R802451 | AS1040 | Requires a Gunite clevis kit. |
| R802451 | AS1140 | |
| R802452 | AS1040 | Requires a Gunite clevis kit. |
| R802452 | AS1140 | |
| R802453 | AS1040 | Requires a Gunite clevis kit. |
| R802453 | AS1140 | |
| R802462 | AS1040 | Requires the use of either AS3000 or AS3016 clevis kits. |
| R802462 | AS1140 | |
| R802463 | AS1040 | Requires the use of either AS3000 or AS3016 clevis kits. |
| R802463 | AS1140 | |
| R802470 | AS1040 | Requires a Gunite clevis kit. |
| R802470 | AS1140 | |
| R802471 | AS1040 | Requires a Gunite clevis kit. |
| R802471 | AS1140 | |
| R802480 | AS1041 | Requires a Gunite clevis kit. |
| R802480 | AS1141 | |
| R802481 | AS1041 | Requires a Gunite clevis kit. |
| R802481 | AS1141 | |
| R802482 | AS1041 | Requires a Gunite clevis kit. |
| R802482 | AS1141 | |
| R802483 | AS1041 | Requires a Gunite clevis kit. |
| R802483 | AS1141 | |
| R802486 | AS1041 | Requires the use of either AS3000 or AS3016 clevis kits. |
| R802486 | AS1141 | |
| R802487 | AS1041 | Requires the use of either AS3000 or AS3016 clevis kits. |
| R802487 | AS1141 | |
| R802488 | AS1041 | Requires a Gunite clevis kit. |
| R802488 | AS1141 | |

Replacement of other brands of slack adjusters should be done in axle sets.

Industry Part Numbers referencing more than a single interchange is the result of the Gunite Corporation offering the option of ordering its Automatic Slack Adjusters with or without the clevis kit.

| Industry Part Number | Gunitite Aftermarket Part Number | Special Information |
|---------------------------------------|----------------------------------|--|
| Meritor (continued) | | |
| R802489 | AS1041 | Requires a Gunitite clevis kit. |
| R802489 | AS1141 | |
| R802490 | AS1041 | Requires the use of either AS3000 or AS3016 clevis kits. |
| R802490 | AS1141 | |
| R802491 | AS1041 | Requires the use of either AS3000 or AS3016 clevis kits. |
| R802491 | AS1141 | |
| R802492 | AS1041 | Requires a Gunitite clevis kit. |
| R802492 | AS1141 | |
| R802493 | AS1041 | Requires a Gunitite clevis kit. |
| R802493 | AS1141 | |
| R802500 | AS1042 | Requires a Gunitite clevis kit. |
| R802500 | AS1142 | |
| R802501 | AS1042 | Requires a Gunitite clevis kit. |
| R802501 | AS1142 | |
| R802502 | AS1042 | Requires a Gunitite clevis kit. |
| R802502 | AS1142 | |
| R802503 | AS1042 | Requires a Gunitite clevis kit. |
| R802503 | AS1142 | |
| R802504 | AS1042 | Requires a Gunitite clevis kit. |
| R802504 | AS1142 | |
| R802505 | AS1042 | Requires a Gunitite clevis kit. |
| R802505 | AS1142 | |
| R802510 | AS1042 | Requires a Gunitite clevis kit. |
| R802510 | AS1142 | |
| R802511 | AS1042 | Requires a Gunitite clevis kit. |
| R802511 | AS1142 | |
| R802512 | AS1042 | Requires the use of either AS3000 or AS3016 clevis kits. |
| R802512 | AS1142 | |
| R802513 | AS1042 | Requires the use of either AS3000 or AS3016 clevis kits. |
| R802513 | AS1142 | |
| R802610 | AS1043 | Requires a Gunitite clevis kit. |
| R802610 | AS1143 | |
| R802611 | AS1043 | Requires a Gunitite clevis kit. |
| R802611 | AS1143 | |
| R802616 | AS1044 | Requires a Gunitite clevis kit. |
| R802616 | AS1144 | |
| R802617 | AS1044 | Requires a Gunitite clevis kit. |
| R802617 | AS1144 | |
| R802620 | AS1044 | Requires a Gunitite clevis kit. |
| R802620 | AS1144 | |
| R802621 | AS1044 | Requires a Gunitite clevis kit. |
| R802621 | AS1144 | |
| R802630 | AS1045 | Requires a Gunitite clevis kit. |
| R802630 | AS1145 | |
| R802631 | AS1045 | Requires a Gunitite clevis kit. |
| R802631 | AS1145 | |
| R802666 | AS1032 | Requires the use of either AS3000 or AS3016 clevis kits. |
| R802666 | AS1032 | |
| R802667 | AS1032 | Requires the use of either AS3000 or AS3016 clevis kits. |
| R802667 | AS1132 | |
| Haldex Brake Systems - Midland | | |
| C365930 | AS4015 | |
| CQ19112 | AS4006 | |
| CQ19113 | AS4004 | |
| CQ36541 | AS3000 | |
| CQ36544 | AS3016 | |
| CQ36545 | AS3018 | |

| Industry Part Number | Gunitite Aftermarket Part Number | Special Information |
|---|----------------------------------|--|
| Haldex Brake Systems - Midland (continued) | | |
| CQ36551 | AS3001 | |
| CQ36555 | AS3017 | |
| CQ36561 | AS3003 | |
| CQ36563 | AS3012 | |
| CQ36564 | AS3011 | |
| CQ36571 | AS3002 | |
| CQ36591 | AS3013 | |
| CQ36592 | AS4001 | |
| CQ36593 | AS3019 | |
| CS52315 | AS1031 | Crewson Industries ASA. Requires the use of either AS3000 or AS3016 clevis kits. 5.0 inch arm length only. |
| CS52315 | AS1131 | Crewson Industries ASA. 5.0 inch arm length only. |
| CS52315 | AS1033 | Crewson Industries ASA. Requires the use of either AS3000 or AS3016 clevis kits. 6.0 inch arm length only. |
| CS52315 | AS1133 | Crewson Industries ASA. 6.0 inch arm length only. |
| CS52316 | AS1032 | Crewson Industries ASA. Requires the use of either AS3000 or AS3016 clevis kits. 5.5 inch arm length only. |
| CS52316 | AS1132 | Crewson Industries ASA. 5.5 inch arm length only. |
| CS52316 | AS1034 | Crewson Industries ASA. Requires the use of either AS3000 or AS3016 clevis kits. 6.5 inch arm length only. |
| CS52316 | AS1134 | Crewson Industries ASA. 6.5 inch arm length only. |
| CS52317 | AS1033 | Crewson Industries ASA. Requires the use of either AS3000 or AS3016 clevis kits. 6.0 inch arm length only. |
| CS52317 | AS1133 | Crewson Industries ASA. 6.0 inch arm length only. |
| CS52320 | AS1040 | Crewson Industries ASA. Requires the use of either AS3000 or AS3016 clevis kits. 5.5 inch arm length only. |
| CS52320 | AS1140 | Crewson Industries ASA. 5.5 inch arm length only. |
| CS52320 | AS1042 | Crewson Industries ASA. Requires the use of either AS3000 or AS3016 clevis kits. 6.5 inch arm length only. |
| CS52320 | AS1142 | Crewson Industries ASA. 6.5 inch arm length only. |
| CS52321 | AS1039 | Crewson Industries ASA. Requires the use of either AS3000 or AS3016 clevis kits. 5.0 inch arm length only. |
| CS52321 | AS1139 | Crewson Industries ASA. 5.0 inch arm length only. |
| CS52321 | AS1041 | Crewson Industries ASA. Requires the use of either AS3000 or AS3016 clevis kits. 6.0 inch arm length only. |
| CS52321 | AS1141 | Crewson Industries ASA. 6.0 inch arm length only. |
| CS52322 | AS1041 | Crewson Industries ASA. Requires the use of either AS3000 or AS3016 clevis kits. 6.0 inch arm length only. |
| CS52322 | AS1141 | Crewson Industries ASA. 6.0 inch arm length only. |
| CS52325 | AS1043 | Crewson Industries ASA. Requires the use of either AS3000 or AS3016 clevis kits. 5.5 inch arm length only. |
| CS52325 | AS1143 | Crewson Industries ASA. 5.5 inch arm length only. |
| CS52326 | AS1044 | Crewson Industries ASA. Requires the use of either AS3000 or AS3016 clevis kits. |
| CS52326 | AS1144 | Crewson Industries ASA. |
| CS52330 | AS1036 | Crewson Industries ASA. Requires the use of either AS3000 or AS3016 clevis kits. 5.5 inch arm length only. |
| CS52330 | AS1136 | Crewson Industries ASA. 5.5 inch arm length only. |
| CS52331 | AS1036 | Crewson Industries ASA. Requires the use of AS3003 clevis kit. |
| CS52332 | AS1035 | Crewson Industries ASA. Requires the use of either AS3000 or AS3016 clevis kits. 5.0 inch arm length only. |

Replacement of other brands of slack adjusters should be done in axle sets.

Industry Part Numbers referencing more than a single interchange is the result of the Gunitite Corporation offering the option of ordering its Automatic Slack Adjusters with or without the clevis kit.

| Industry Part Number | Gunite Aftermarket Part Number | Special Information |
|---|--------------------------------|--|
| Haldex Brake Systems - Midland (continued) | | |
| CS52332 | AS1135 | Crewson Industries ASA. 5.0 inch arm length only. |
| CS52335 | AS1038 | Crewson Industries ASA. Requires the use of either AS3000 or AS3016 clevis kits. 5.5 inch arm length only. |
| CS52335 | AS1138 | Crewson Industries ASA. 5.5 inch arm length only. |
| CS52336 | AS1038 | Crewson Industries ASA. Requires the use of AS3003 clevis kit. |
| CS52337 | AS1037 | Crewson Industries ASA. Requires the use of either AS3000 or AS3016 clevis kits. 5.0 inch arm length only. |
| CS52337 | AS1137 | Crewson Industries ASA. 5.0 inch arm length only. |
| CS52344 | AS1033 | Crewson Industries ASA. Requires the use of either AS3000 or AS3016 clevis kits. 6.0 inch arm length only. |
| CS52344 | AS1133 | Crewson Industries ASA. 6.0 inch arm length only. |
| CS52345 | AS1041 | Crewson Industries ASA. Requires the use of either AS3000 or AS3016 clevis kits. 6.0 inch arm length only. |
| CS52345 | AS1141 | Crewson Industries ASA. 6.0 inch arm length only. |
| CS52346 | AS1032 | Crewson Industries ASA. Requires the use of either AS3000 or AS3016 clevis kits. |
| CS52346 | AS1132 | Crewson Industries ASA. |
| CS52347 | AS1040 | Crewson Industries ASA. Requires the use of either AS3000 or AS3016 clevis kits. |
| CS52347 | AS1140 | Crewson Industries ASA. |
| CS52348 | AS1033 | Crewson Industries ASA. Requires the use of either AS3000 or AS3016 clevis kits. |
| CS52348 | AS1133 | Crewson Industries ASA. |
| CS52349 | AS1041 | Crewson Industries ASA. Requires the use of either AS3000 or AS3016 clevis kits. |
| CS52349 | AS1141 | Crewson Industries ASA. |
| CS52350 | AS1044 | Crewson Industries ASA. Requires the use of either AS3000 or AS3016 clevis kits. |
| CS52350 | AS1144 | Crewson Industries ASA. |
| CS52353 | AS1031 | Crewson Industries ASA. Requires the use of either AS3000 or AS3016 clevis kits. 5.0 inch arm length only. |
| CS52353 | AS1131 | Crewson Industries ASA. 5.0 inch arm length only. |
| CS52353 | AS1033 | Crewson Industries ASA. Requires the use of either AS3000 or AS3016 clevis kits. 6.0 inch arm length only. |
| CS52353 | AS1133 | Crewson Industries ASA. 6.0 inch arm length only. |
| CS52354 | AS1032 | Crewson Industries ASA. Requires the use of either AS3000 or AS3016 clevis kits. 5.5 inch arm length only. |
| CS52354 | AS1132 | Crewson Industries ASA. 5.5 inch arm length only. |
| CS52354 | AS1034 | Crewson Industries ASA. Requires the use of either AS3000 or AS3016 clevis kits. 6.5 inch arm length only. |
| CS52354 | AS1134 | Crewson Industries ASA. 6.5 inch arm length only. |
| CS52355 | AS1039 | Crewson Industries ASA. Requires the use of either AS3000 or AS3016 clevis kits. 5.0 inch arm length only. |
| CS52355 | AS1139 | Crewson Industries ASA. 5.0 inch arm length only. |
| CS52355 | AS1041 | Crewson Industries ASA. Requires the use of either AS3000 or AS3016 clevis kits. 6.0 inch arm length only. |
| CS52355 | AS1141 | Crewson Industries ASA. 6.0 inch arm length only. |
| CS52356 | AS1040 | Crewson Industries ASA. Requires the use of either AS3000 or AS3016 clevis kits. 5.5 inch arm length only. |
| CS52356 | AS1140 | Crewson Industries ASA. 5.5 inch arm length only. |
| CS52356 | AS1042 | Crewson Industries ASA. Requires the use of either AS3000 or AS3016 clevis kits. 6.5 inch arm length only. |
| CS52356 | AS1142 | Crewson Industries ASA. 6.5 inch arm length only. |

| Industry Part Number | Gunite Aftermarket Part Number | Special Information |
|---|--------------------------------|--|
| Haldex Brake Systems - Midland (continued) | | |
| CS52357 | AS1043 | Crewson Industries ASA. Requires the use of either AS3000 or AS3016 clevis kits. |
| CS52357 | AS1143 | Crewson Industries ASA. |
| CS52358 | AS1036 | Crewson Industries ASA. Requires the use of either AS3000 or AS3016 clevis kits. |
| CS52358 | AS1136 | Crewson Industries ASA. |
| CS52359 | AS1038 | Crewson Industries ASA. Requires the use of either AS3000 or AS3016 clevis kits. |
| CS52359 | AS1138 | Crewson Industries ASA. |
| CS52360 | AS1036 | Crewson Industries ASA. Requires the use of either AS3000 or AS3016 clevis kits. |
| CS52360 | AS1136 | Crewson Industries ASA. |
| CS52361 | AS1038 | Crewson Industries ASA. Requires the use of either AS3001 or AS3017 clevis kits. |
| CS52361 | AS1138 | Crewson Industries ASA. |
| CS52362 | AS1032 | Crewson Industries ASA. Requires the use of either AS3000 or AS3016 clevis kits. |
| CS52362 | AS1132 | Crewson Industries ASA. |
| CS52363 | AS1033 | Crewson Industries ASA. Requires the use of either AS3000 or AS3016 clevis kits. |
| CS52363 | AS1133 | Crewson Industries ASA. |
| CS52364 | AS1040 | Crewson Industries ASA. Requires the use of either AS3000 or AS3016 clevis kits. |
| CS52364 | AS1140 | Crewson Industries ASA. |
| CS52365 | AS1041 | Crewson Industries ASA. Requires the use of either AS3000 or AS3016 clevis kits. |
| CS52365 | AS1141 | Crewson Industries ASA. |
| CS52366 | AS1044 | Crewson Industries ASA. Requires the use of either AS3000 or AS3016 clevis kits. |
| CS52366 | AS1144 | Crewson Industries ASA. |
| CS56000 | AS1034 | Requires a Gunite clevis kit. |
| CS56000 | AS1134 | |
| CS56001 | AS1042 | Requires a Gunite clevis kit. |
| CS56001 | AS1142 | |
| CS56002 | AS1045 | Requires a Gunite clevis kit |
| CS56002 | AS1145 | |
| CS56003 | AS1033 | Requires a Gunite clevis kit |
| CS56003 | AS1133 | |
| CS56004 | AS1041 | Requires a Gunite clevis kit |
| CS56004 | AS1141 | |
| CS56005 | AS1044 | Requires a Gunite clevis kit |
| CS56005 | AS1144 | |
| CS56006 | AS1032 | Requires a Gunite clevis kit |
| CS56006 | AS1132 | |
| CS56007 | AS1040 | Requires a Gunite clevis kit |
| CS56007 | AS1140 | |
| CS56008 | AS1043 | Requires a Gunite clevis kit |
| CS56008 | AS1143 | |
| CS56009 | AS1035 | Requires a Gunite clevis kit |
| CS56009 | AS1135 | |
| CS56010 | AS1031 | Requires a Gunite clevis kit |
| CS56010 | AS1131 | |
| CS56011 | AS1037 | Requires a Gunite clevis kit |
| CS56011 | AS1137 | |
| CS56012 | AS1039 | Requires a Gunite clevis kit |
| CS56012 | AS1139 | |
| CS56013 | AS1036 | Requires a Gunite clevis kit |
| CS56013 | AS1136 | |
| CS56014 | AS1038 | Requires a Gunite clevis kit |
| CS56014 | AS1138 | |
| CS56031 | AS1131 | |
| CS56032 | AS1132 | |
| CS56033 | AS1133 | |
| CS56034 | AS1134 | |
| CS56035 | AS1135 | |

Replacement of other brands of slack adjusters should be done in axle sets.

Industry Part Numbers referencing more than a single interchange is the result of the Gunite Corporation offering the option of ordering its Automatic Slack Adjusters with or without the clevis kit.

| Industry Part Number | Gunite Aftermarket Part Number | Special Information |
|---|--------------------------------|--|
| Haldex Brake Systems - Midland (continued) | | |
| CS56036 | AS1136 | |
| CS56037 | AS1137 | |
| CS56038 | AS1138 | |
| CS56039 | AS1139 | |
| CS56040 | AS1140 | |
| CS56041 | AS1141 | |
| CS56042 | AS1142 | |
| CS56043 | AS1143 | |
| CS56044 | AS1144 | |
| CS56045 | AS1145 | |
| CS56046 | AS1146 | |
| CS56047 | AS1147 | |
| CS56048 | AS1148 | |
| CS56049 | AS1149 | |
| CS56050 | AS1150 | |
| CS56051 | AS1151 | |
| CS56052 | AS1152 | |
| CS56053 | AS1153 | |
| CS56054 | AS1154 | |
| CS56055 | AS1155 | |
| CS56056 | AS1156 | |
| CS56057 | AS1157 | |
| KN36540 | AS3000 | |
| KN36550 | AS3001 | |
| KN36560 | AS3003 | |
| KN36570 | AS3002 | |
| KN36580 | AS4001 | |
| KN36581 | AS4009 | |
| KN44041 | AS1044 | Requires a Gunite clevis kit |
| KN44041 | AS1144 | |
| KN44051 | AS1041 | Requires a Gunite clevis kit |
| KN44051 | AS1141 | |
| KN44061 | AS1040 | 5.5 inch arm length only. Requires a Gunite clevis kit |
| KN44061 | AS1140 | 5.5 inch arm length only. |
| KN44061 | AS1042 | 6.5 inch arm length only. Requires a Gunite clevis kit |
| KN44061 | AS1142 | 6.5 inch arm length only. |
| KN47001 | AS1033 | Requires a Gunite clevis kit |
| KN47001 | AS1133 | |
| KN47011 | AS1032 | 5.5 inch arm length only. Requires a Gunite clevis kit |
| KN47011 | AS1132 | 5.5 inch arm length only. |
| KN47011 | AS1034 | 6.5 inch arm length only. Requires a Gunite clevis kit |
| KN47011 | AS1134 | 6.5 inch arm length only. |
| KN47081 | AS1033 | Requires a Gunite clevis kit |
| KN47081 | AS1133 | |
| KN48031 | AS1036 | Requires a Gunite clevis kit |
| KN48031 | AS1136 | |
| KN52200 | AS1033 | Requires a Gunite clevis kit |
| KN52200 | AS1133 | |
| KN52201 | AS1033 | Requires a Gunite clevis kit |
| KN52201 | AS1133 | |
| KN52202 | AS1033 | Requires a Gunite clevis kit |
| KN52202 | AS1133 | |
| KN52203 | AS1033 | Requires a Gunite clevis kit |
| KN52203 | AS1133 | |
| KN52204 | AS1033 | Requires a Gunite clevis kit |
| KN52204 | AS1133 | |
| KN52210 | AS1041 | Requires a Gunite clevis kit |
| KN52210 | AS1141 | |

| Industry Part Number | Gunite Aftermarket Part Number | Special Information |
|---|--------------------------------|--|
| Haldex Brake Systems - Midland (continued) | | |
| KN52211 | AS1041 | Requires a Gunite clevis kit |
| KN52211 | AS1141 | |
| KN52212 | AS1041 | Requires a Gunite clevis kit |
| KN52212 | AS1141 | |
| KN52213 | AS1041 | Requires a Gunite clevis kit |
| KN52213 | AS1141 | |
| KN52214 | AS1041 | Requires a Gunite clevis kit |
| KN52214 | AS1141 | |
| KN52220 | AS1044 | Requires a Gunite clevis kit |
| KN52220 | AS1144 | |
| KN52221 | AS1044 | Requires a Gunite clevis kit |
| KN52221 | AS1144 | |
| KN52222 | AS1044 | Requires a Gunite clevis kit |
| KN52222 | AS1144 | |
| KN52223 | AS1044 | Requires a Gunite clevis kit |
| KN52223 | AS1144 | |
| KN52224 | AS1044 | Requires a Gunite clevis kit |
| KN52224 | AS1144 | |
| KN52230 | AS1032 | 5.5 inch arm length only. Requires a Gunite clevis kit |
| KN52230 | AS1132 | 5.5 inch arm length only. |
| KN52230 | AS1034 | 6.5 inch arm length only. Requires a Gunite clevis kit |
| KN52230 | AS1134 | 6.5 inch arm length only. |
| KN52231 | AS1032 | 5.5 inch arm length only. Requires a Gunite clevis kit |
| KN52231 | AS1132 | 5.5 inch arm length only. |
| KN52231 | AS1034 | 6.5 inch arm length only. Requires a Gunite clevis kit |
| KN52231 | AS1134 | 6.5 inch arm length only. |
| KN52232 | AS1032 | 5.5 inch arm length only. Requires a Gunite clevis kit |
| KN52232 | AS1132 | 5.5 inch arm length only. |
| KN52232 | AS1034 | 6.5 inch arm length only. Requires a Gunite clevis kit |
| KN52232 | AS1134 | 6.5 inch arm length only. |
| KN52233 | AS1032 | 5.5 inch arm length only. Requires a Gunite clevis kit |
| KN52233 | AS1132 | 5.5 inch arm length only. |
| KN52233 | AS1034 | 6.5 inch arm length only. Requires a Gunite clevis kit |
| KN52233 | AS1134 | 6.5 inch arm length only. |
| KN52233 | AS1032 | 5.5 inch arm length only. Requires a Gunite clevis kit |
| KN52233 | AS1132 | 5.5 inch arm length only. |
| KN52233 | AS1034 | 6.5 inch arm length only. Requires a Gunite clevis kit |
| KN52233 | AS1134 | 6.5 inch arm length only. |
| KN52234 | AS1032 | 5.5 inch arm length only. Requires a Gunite clevis kit |
| KN52234 | AS1132 | 5.5 inch arm length only. |
| KN52234 | AS1034 | 6.5 inch arm length only. Requires a Gunite clevis kit |
| KN52234 | AS1134 | 6.5 inch arm length only. |
| KN52240 | AS1040 | 5.5 inch arm length only. Requires a Gunite clevis kit |
| KN52240 | AS1140 | 5.5 inch arm length only. |
| KN52240 | AS1042 | 6.5 inch arm length only. Requires a Gunite clevis kit |
| KN52240 | AS1142 | 6.5 inch arm length only. |
| KN52241 | AS1040 | 5.5 inch arm length only. Requires a Gunite clevis kit |
| KN52241 | AS1140 | 5.5 inch arm length only. |
| KN52241 | AS1042 | 6.5 inch arm length only. Requires a Gunite clevis kit |
| KN52241 | AS1142 | 6.5 inch arm length only. |
| KN52242 | AS1040 | 5.5 inch arm length only. Requires a Gunite clevis kit |
| KN52242 | AS1140 | 5.5 inch arm length only. |
| KN52242 | AS1042 | 6.5 inch arm length only. Requires a Gunite clevis kit |
| KN52242 | AS1142 | 6.5 inch arm length only. |
| KN52243 | AS1040 | 5.5 inch arm length only. Requires a Gunite clevis kit |
| KN52243 | AS1140 | 5.5 inch arm length only. |

Replacement of other brands of slack adjusters should be done in axle sets.

Industry Part Numbers referencing more than a single interchange is the result of the Gunite Corporation offering the option of ordering its Automatic Slack Adjusters with or without the clevis kit.

| Industry Part Number | Gunite Aftermarket Part Number | Special Information |
|---|--------------------------------|--|
| Haldex Brake Systems - Midland (continued) | | |
| KN52243 | AS1042 | 6.5 inch arm length only. Requires a Gunite clevis kit |
| KN52243 | AS1142 | 6.5 inch arm length only. |
| KN52244 | AS1040 | 5.5 inch arm length only. Requires a Gunite clevis kit |
| KN52244 | AS1140 | 5.5 inch arm length only. |
| KN52244 | AS1042 | 6.5 inch arm length only. Requires a Gunite clevis kit |
| KN52244 | AS1142 | 6.5 inch arm length only. |
| KN52250 | AS1036 | Requires a Gunite clevis kit |
| KN52250 | AS1136 | |
| KN52251 | AS1036 | Requires a Gunite clevis kit |
| KN52251 | AS1136 | |
| KN52252 | AS1036 | Requires a Gunite clevis kit |
| KN52252 | AS1136 | |
| KN52253 | AS1036 | Requires a Gunite clevis kit |
| KN52253 | AS1136 | |
| KN52254 | AS1036 | Requires a Gunite clevis kit |
| KN52254 | AS1136 | |
| KN52260 | AS1043 | 5.5 inch arm length only. Requires a Gunite clevis kit |
| KN52260 | AS1143 | 5.5 inch arm length only. |
| KN52260 | AS1045 | 6.5 inch arm length only. Requires a Gunite clevis kit |
| KN52260 | AS1145 | 6.5 inch arm length only. |
| KN52261 | AS1043 | 5.5 inch arm length only. Requires a Gunite clevis kit |
| KN52261 | AS1143 | 5.5 inch arm length only. |
| KN52261 | AS1045 | 6.5 inch arm length only. Requires a Gunite clevis kit |
| KN52261 | AS1145 | 6.5 inch arm length only. |
| KN52262 | AS1043 | 5.5 inch arm length only. Requires a Gunite clevis kit |
| KN52262 | AS1143 | 5.5 inch arm length only. |
| KN52262 | AS1045 | 6.5 inch arm length only. Requires a Gunite clevis kit |
| KN52262 | AS1145 | 6.5 inch arm length only. |
| KN52263 | AS1043 | 5.5 inch arm length only. Requires a Gunite clevis kit |
| KN52263 | AS1143 | 5.5 inch arm length only. |
| KN52263 | AS1045 | 6.5 inch arm length only. Requires a Gunite clevis kit |
| KN52263 | AS1145 | 6.5 inch arm length only. |
| KN52264 | AS1043 | 5.5 inch arm length only. Requires a Gunite clevis kit |
| KN52264 | AS1143 | 5.5 inch arm length only. |
| KN52264 | AS1045 | 6.5 inch arm length only. Requires a Gunite clevis kit |
| KN52264 | AS1145 | 6.5 inch arm length only. |
| KN52270 | AS1038 | Requires a Gunite clevis kit |
| KN52270 | AS1138 | |
| KN52271 | AS1038 | Requires a Gunite clevis kit |
| KN52271 | AS1138 | |

| Industry Part Number | Gunite Aftermarket Part Number | Special Information |
|---|--------------------------------|---|
| Haldex Brake Systems - Midland (continued) | | |
| KN52272 | AS1038 | Requires a Gunite clevis kit |
| KN52272 | AS1138 | |
| KN52273 | AS1038 | Requires a Gunite clevis kit |
| KN52273 | AS1138 | |
| KN52274 | AS1038 | Requires a Gunite clevis kit |
| KN52274 | AS1138 | |
| KN52280 | AS1035 | Requires a Gunite clevis kit |
| KN52280 | AS1135 | |
| KN52290 | AS1031 | Requires a Gunite clevis kit |
| KN52290 | AS1131 | |
| KN52300 | AS1037 | Requires a Gunite clevis kit |
| KN52300 | AS1137 | |
| KN52310 | AS1039 | Requires a Gunite clevis kit |
| KN52310 | AS1139 | |
| N12684C | AS1040 | Requires a Gunite clevis kit |
| N12684C | AS1140 | |
| Sloan | | |
| 2010 | AS1031 | 5.0 inch arm length only. Requires a Gunite clevis kit. |
| 2010 | AS1131 | 5.0 inch arm length only/ |
| 2010 | AS1033 | 6.0 inch arm length only. Requires a Gunite clevis kit. |
| 2010 | AS1133 | 6.0 inch arm length only/ |
| 2011 | AS1039 | 5.0 inch arm length only. Requires a Gunite clevis kit. |
| 2011 | AS1139 | 5.0 inch arm length only/ |
| 2011 | AS1041 | 6.0 inch arm length only. Requires a Gunite clevis kit. |
| 2011 | AS1141 | 6.0 inch arm length only/ |
| 2012 | AS1044 | Requires a Gunite clevis kit. |
| 2012 | AS1144 | |
| 2014 | AS1031 | 5.0 inch arm length only. Requires a Gunite clevis kit. |
| 2014 | AS1131 | 5.0 inch arm length only/ |
| 2014 | AS1033 | 6.0 inch arm length only. Requires a Gunite clevis kit. |
| 2014 | AS1133 | 6.0 inch arm length only/ |
| 2020 | AS1032 | 5.5 inch arm length only. Requires a Gunite clevis kit. |
| 2020 | AS1132 | 5.5 inch arm length only/ |
| 2020 | AS1034 | 6.5 inch arm length only. |
| 2020 | AS1134 | 6.5 inch arm length only. |
| 2035 | AS1035 | Requires a Gunite clevis kit. |
| 2035 | AS1135 | |
| 2045 | AS1033 | Requires a Gunite clevis kit. |
| 2045 | AS1133 | |
| 2046 | AS1033 | Requires a Gunite clevis kit. |
| 2046 | AS1133 | |

Replacement of other brands of slack adjusters should be done in axle sets.

Industry Part Numbers referencing more than a single interchange is the result of the Gunite Corporation offering the option of ordering its Automatic Slack Adjusters with or without the clevis kit.



Gunite Corporation
FLEET LINE PRODUCTS
302 Peoples Avenue
Rockford, IL 61104-7092
Phone: 815.964.3301
Toll-Free: 800.677.3786
Fax: 815.964.0775
www.gunite.com



Accuride Corporation
7140 Office Circle
P.O. Box 15600
Evansville, IN 47716
Phone: 812.962.5000
Toll-Free: 800.823.8332
Fax: 812.962.5400
www accuridecorp.com