



SUSPENSION CATALOG



CONTENTS

Section 1 - SUSPENSION PARTS

SUSPENSION ASSEMBLY

ILLUSTRATIONS AND HARDWARE

Binkley	1-2
Chalmers	1-6
Dayton	1-24
Freightliner	1-32
Fruehauf	1-47
Granning	1-74
Great Dane	1-76
Hendrickson	1-82
Hutchens	1-236
IHC (See Navistar)	1-326
Jifflox (See Kwik-Loc)	1-284
Kenworth	1-278
Kwik-Loc	1-284
Mack	1-286
Meritor	1-308
Navistar International	1-326
Neway	1-333
Page	1-480
Peterbilt	1-488
Reyco/Granning	1-504
Ridewell	1-576
Spicer	1-592
Trailmobile	1-600
Volvo	1-606

Section 2 - COMPONENT PARTS

Specialty Polyurethane Components	2-2
Tools	2-21
Trailer King Pin & Fifth Wheel Parts	2-22
Threaded Rod & U-Bolt Assemblies	2-23
Spring Center Bolts	2-31
Miscellaneous:	
Bolts	2-32
Nuts	2-34
Washers	2-35
Torque Arms:	
Adjustable	2-36
Rigid	2-40
Uni-Rod	2-45
Suspension Bushings	2-48
Air Valves	2-55
Equalizers	2-65
Shocks Absorbers Bushings & Install. Kits	2-74

Section 3 - Numerical Listing of Part Numbers

INDEX OF EXPLODED VIEWS AND PARTS LISTS

SUSPENSION MODEL	SUSPENSION TYPE	APPLICATION	PAGE NO.
Binkley SP900 "Duralite"	Leaf Spring	Trailer	1-2
Chalmers 300	Load Cushion	Trailer	1-6
Chalmers 500	Load Cushion	Trailer	1-8
Chalmers 600	Load Cushion	Tractor	1-10
Chalmers 700	Load Cushion	Tandem Trailer	1-12
Chalmers 800	Load Cushion	Tractor	1-14
Chalmers 1023/1030	Load Cushion	Tractor	1-16
Dayton Truckmaster	Leaf Spring	Tractor	1-24
Dayton Navistar Truckmaster	Leaf Spring	Tractor	1-26
Dayton Tri-Lite	Leaf Spring	Trailer	1-28
Freightliner 3 1/2" Front	Leaf Spring	Tractor	1-32
Freightliner 4" Front	Leaf Spring	Tractor	1-33
Freightliner FH34	Leaf Spring	Tractor	1-34
Freightliner FH34A	Leaf Spring	Tractor	1-36
Freightliner FAS I Air Ride	Air Spring	Tractor	1-38
Freightliner FAS II Air Ride	Air Spring	Tractor	1-37
Fruehauf D2	Leaf Spring	Trailer	1-47
Fruehauf F-2 Standard Hangers	Leaf Spring	Trailer	1-48
Fruehauf F-2 Wide Base Hangers	Leaf Spring	Trailer	1-50
Fruehauf F-2W Standard Hangers	Leaf Spring	Trailer	1-52
Fruehauf F-2 W Wide Base Hangers	Leaf Spring	Trailer	1-54
Fruehauf J2	Leaf Spring	Trailer	1-56
Fruehauf M2	Leaf Spring	Trailer	1-58
Fruehauf NF2 A80	Leaf Spring	Trailer	1-60
Fruehauf NT	Air Spring	Trailer	1-62
Fruehauf T	Air Spring	Trailer	1-64
Fruehauf W24T1	Air Spring	Trailer	1-65
Granning T200AX	Air Spring	Truck/Tractor	1-74
Great Dane H	Leaf Spring	Trailer	1-76
Hendrickson Auxiliary HLM	Air Spring	Lift-Tractor	1-82
Hendrickson AuxiliaryHLQ (Old Q)	Air Spring	Lift-Tractor	1-84
Hendrickson Auxiliary MT45/ MTL50	Air Spring	Lift-Trailer	1-86
Hendrickson U2/UE 340	Leaf Spring	Truck/Tractor	1-88
Hendrickson AIRTEK® for International Vehicles New Engine Config. - Built Prior 9/06 (PEC)	Air Spring	Truck/Tractor	1-90
Hendrickson AIRTEK® for International Vehicles New Engine Config. - Built After 9/06 (NEC)	Air Spring	Truck/Tractor	1-94
Hendrickson AIRTEK® (PEC) Replacement Service Kits	Air Spring	Truck/Tractor	1-98
Hendrickson Dual Height Control Conversion Service Kit	Air Spring	Truck/Tractor	1-100
Hendrickson AIRTEK® for Freightliner/Western Star/ Sterling Vehicles	Air Spring	Truck/Tractor	1-102
Hendrickson AIRTEK® for Volvo Vehicles	Air Spring	Truck/Tractor	1-106
Hendrickson AIRTEK® for Volvo Vehicles (Top Pad with Hex Bolt)	Air Spring	Truck/Tractor	1-112
Hendrickson AIRTEK® for Volvo Vehicles (Single Height Control Valve)	Air Spring	Truck/Tractor	1-113
Hendrickson E4-360/400	Leaf Spring	Tractor	1-114

INDEX OF EXPLODED VIEWS AND PARTS LISTS

SUSPENSION MODEL	SUSPENSION TYPE	APPLICATION	PAGE NO.
Hendrickson HA 360/400/460	Air Spring	Tractor	1-118
Hendrickson HAS 360/400/402/460	Air Spring	Tractor	1-122
Hendrickson HFS 360/400	Leaf Spring	Tractor	1-126
Hendrickson HAULMAAX® Heavy Duty	Bolster Spring	Truck/Tractor	1-128
Hendrickson HAULMAAX® Aftermarket Shock Absorber Kit	—	Truck/Tractor	1-132
Hendrickson INTRAAX AAT - 23K, 25K & 30K	Air Spring	Trailer	1-133
Hendrickson HN-402/462/522	Bolster Spring	Truck/Tractor	1-134
Hendrickson HN 402/462	Bolster Spring	Truck/Tractor	1-138
Hendrickson HN 460	Bolster Spring	Tractor	1-140
Hendrickson HT190T, HT190U, HT230T	Air Spring	Trailer	1-142
Hendrickson PRIMAAX® 230/460/690 - FIREMAAX® 240/480 - Type A - 8 1/2"-10" Ride Height	Air Spring	Truck/Tractor	1-144
Hendrickson PRIMAAX® 230/460/690 - FIREMAAX® 240/480 - 12 1/2" - 14 3/8" - 15 1/2" Ride Height	Air Spring	Truck/Tractor	1-148
Hendrickson PRIMAAX® 260/520/780 - FIREMAAX® 270/540 - Type A - 8 1/2"-10" Ride Height	Air Spring	Truck/Tractor	1-154
Hendrickson PRIMAAX® 230/460/690 - Type B - 10" Ride Height	Air Spring	Truck/Tractor	1-158
Hendrickson PRIMAAX® 260/520/780 - Type B - 8 1/2" - 10" Ride Height	Air Spring	Truck/Tractor	1-162
Hendrickson RS-400/403/460/463	Load Cushion	Truck/Tractor	1-166
Hendrickson RS-480/503/520/523	Load Cushion	Truck/Tractor	1-170
Hendrickson RT/RTE 340/343/400/403/460/463	Leaf Spring	Truck/Tractor	1-174
Hendrickson RT2 400/460, RTE 400/460	Leaf Spring	Truck/Tractor	1-178
Hendrickson RT2 480/520, RTE2 480/520	Leaf Spring	Truck/Tractor	1-180
Hendrickson RT650	Leaf Spring	Tractor	1-182
Hendrickson T - Underslung	Air Spring	Trailer	1-184
Hendrickson T - Overslung	Air Spring	Trailer	1-185
Hutchens H-400 Single Point	Leaf Spring	Trailer	1-236
Hutchens H-900 Single Point	Leaf Spring	Trailer	1-238
Hutchens H2200 / H2300	Leaf Spring	Truck/Tractor	1-242
Hutchens H9600/CH9600 and H7600/CH7600	Leaf Spring	Trailer	1-244
Hutchens H9700/CH9700 and H7700/CH7700	Leaf Spring	Trailer	1-246
Hutchens H9700US/CH9700US and H7700US/CH7700US	Leaf Spring	Trailer	1-250
Hutchens H9700/CH9700 TWS 54.5	Leaf Spring	Trailer	1-252
Hutchens H9700/CH9700 TWS 61 & 73	Leaf Spring	Trailer	1-254
Hutchens H9700/CH9700 TWS 109 & 121	Leaf Spring	Trailer	1-256
Kenworth Big 6	Leaf Spring	Tractor	1-278
Kenworth Airglide® 100 Air Ride	Air Spring	Tractor	1-279
Kenworth Airglide® 200 Air Ride	Air Spring	Tandem	1-280
Kwik-Loc	Air Spring/Load Spring	Trailer	1-284
Mack SS 34/38	Leaf Spring	Tractor	1-286
Mack SS 44	Leaf Spring	Tractor	1-288
Mack SS50C/SS58C	Leaf Spring	Tractor	1-290
Mack SS65	Leaf Spring	Tractor	1-291
Mack ST	Leaf Spring	Tractor	1-292
Mack Steering Axle Suspension	Leaf Spring	Tractor	1-294
Mack/Hendrickson AL-40	Air Spring	Tractor	1-296

INDEX OF EXPLODED VIEWS AND PARTS LISTS

SUSPENSION MODEL	SUSPENSION TYPE	APPLICATION	PAGE NO.
Meritor Air Link™ MWA Suspension - International Truck & Engine	Air Spring	Tractor	1-308
Meritor Air Link™ MWA Suspension - Mack	Air Spring	Tractor	1-310
Meritor Air Link™ MWA Suspension - Volvo	Air Spring	Tractor	1-312
Meritor RideSentry™ MPA & RHP Series	Air Spring	Trailer	1-314
Meritor RFS23T	Air Spring	Trailer	1-316
Meritor RFS25T	Air Spring	Trailer	1-318
Navistar “Corporate” 4-Spring	Leaf Spring	Tractor	1-326
Navistar “Corporate” Air Ride	Air Spring	Tractor	1-328
Neway AD123/246	Air Spring	Tractor	1-342
Neway AR41/45/45-1	Air Spring	Trailer	1-344
Neway AR-50-US, AR-50-US-F, AR-50-US-F-A, AR-50-US-F-2, AR-51-US	Air Spring	Trailer	1-346
Neway AR70/95	Air Spring	Trailer	1-350
Neway AR75-6,-9/AR85-A	Air Spring	Trailer	1-354
Neway AR75-12	Air Spring	Trailer	1-358
Neway AR80	Air Spring	Trailer	1-362
Neway AR90-1-12, AR-90-1-14, AR-90-1-15, AR-90-1-16, AR-90-1-17	Air Spring	Trailer	1-364
Neway AR90-14	Air Spring	Trailer	1-366
Neway AR92	Air Spring	Trailer	1-368
Neway AR93	Air Spring	Trailer	1-370
Neway AR120/125 L	Air Spring	Trailer	1-372
Neway AR120-US/125-US/120-US-L/125-US-L	Air Spring	Trailer	1-376
Neway AR165-US	Air Spring	Trailer	1-380
Neway ARDAB	Air Beam	Tractor	1-382
Neway ARDST/STM/L	Air Spring	Tractor	1-384
Neway ARD-125/-244	Air Spring	Trailer/Tractor	1-386
Neway ARD-125,-6,-8/-244-6,-8	Air Spring	Trailer/Tractor	1-390
Neway ARD-234-6	Air Spring	Trailer/Tractor	1-394
Neway ARL20/20-D-US	Air Spring	Trailer	1-396
Neway ART-500-B/551-B-1-2-3	Air Spring	Tractor	1-398
Neway ART-500-US/551-US-1-2-3	Air Spring	Tractor	1-402
Neway ART-500-US-A	Air Spring	Tractor	1-406
Neway ART-505-B, B-1/555-B-1-2-3	Air Spring	Tractor	1-408
Neway ARU92	Air Spring	Trailer	1-412
Neway ARU93	Air Spring	Trailer	1-414
Neway RL196	Air Spring	Trailer	1-416
Neway RL196A	Air Spring	Trailer	1-418
Neway RL228	Air Spring	Trailer	1-420
Neway RTS-536/544 -1,-2,-3,-4 Series	Leaf Spring/Beam	Trailer	1-422
Neway SB-360B, -500, -600B	Leaf Spring	Trailer	1-426
Neway SB-360-HD-A	Leaf Spring	Trailer	1-428
Neway T-8540 Tri-Axle	Leaf Spring/Beam	Trailer	1-430
Neway T-8750,8900 Tri-Axle	Leaf Spring/Beam	Trailer	1-432
Neway TA-800	Walking Beam	Tractor	1-436
Neway TL-636-1, -2, -3, -4, -5 Series	Leaf Spring	Trailer	1-438
Neway TR-8540/8600 Tri-Axle	Leaf Spring/Beam	Trailer	1-440
Neway TR-8750/8900 Tri-Axle	Leaf Spring/Beam	Trailer	1-442
Neway TS-426-A, 432, 436, 442, 536, 542	Leaf Spring	Trailer	1-446

INDEX OF EXPLODED VIEWS AND PARTS LISTS

SUSPENSION MODEL	SUSPENSION TYPE	APPLICATION	PAGE NO.
Page LM2000	Air Spring	Lift-Tractor	1-480
Page LM3000	Air Spring	Lift-Tractor	1-481
Page Single Point	Leaf Spring	Trailer	1-482
Page Trailmaster	Air Spring	Trailer	1-484
Peterbilt Air Trac	Air Spring	Tractor	1-492
Peterbilt Air Leaf	Air Spring	Tractor	1-496
Peterbilt Low Air Leaf	Air Spring	Tractor	1-494
Peterbilt Quadraflex	Leaf Spring	Tractor	1-490
Peterbilt 4-Spring	Leaf Spring	Tractor	1-488
Reyco/Granning 19AR/RS1062	Air Spring	Trailer	1-504
Reyco/Granning 20AR/RS3162 Aire Ride DockMaster II	Air Spring	Trailer	1-506
Reyco/Granning 21B	Leaf Spring	Trailer	1-508
Reyco/Granning 21B 60"/72" Wide Spread	Leaf Spring	Trailer	1-512
Reyco/Granning 21AR	Air Spring	Trailer	1-516
Reyco/Granning 73 49"	Leaf Spring	Trailer	1-518
Reyco/Granning 73 60" & 72"	Leaf Spring	Trailer	1-520
Reyco/Granning 74AR	Air Spring	Trailer	1-522
Reyco/Granning 74B 54" & 60"	Leaf Spring	Trailer	1-524
Reyco/Granning 74B 72"/77"/97"/109"	Leaf Spring	Trailer	1-526
Reyco/Granning 79KB	Leaf Spring	Truck	1-528
Reyco/Granning 83 - 50", 54", 60", 65 1/2", 72" 97" & 109"	Leaf Spring	Trailer	1-530
Reyco/Granning 86AR	Air Spring	Trailer	1-532
Reyco/Granning 101	Leaf Spring	Tractor	1-534
Reyco/Granning 101A	Leaf Spring	Tractor	1-536
Reyco/Granning 102	Leaf Spring	Tractor	1-538
Reyco/Granning 102AR	Air Spring	Tractor	1-540
Reyco/Granning 181/101F	Leaf Spring	Tractor	1-542
Reyco/Granning 240AR	Air Spring	Truck	1-544
Reyco Transpro 86/88	Leaf Spring	Trailer	1-548
Ridewell Mono Pivot RAR-240 Series - Underslung	Air Spring	Trailer	1-576
Ridewell Mono Pivot RAR-240 Series - Overslung	Air Spring	Trailer	1-578
Ridewell RAS-227 & RAD-227	Air Spring	Truck	1-580
Ridewell RCA-215 Flex-Mount™	Air Spring	Truck	1-582
Ridewell RCA-235 Compact Heavy Duty Air-Ride/Air-Lift (Before 6/30/2000)	Air Spring	Truck/Trailer	1-584
Ridewell RCA-235 Compact Heavy Duty Air-Ride/Air-Lift (After 6/30/2000)	Air Spring	Truck/Trailer	1-586
Ridewell Dynalastic	Elastomer Spring / Compensater	Truck/Tractor	1-588
Spicer 36	Leaf Spring	Trailer	1-592
Spicer 55	Leaf Spring	Trailer	1-593
Spicer 62	Leaf Spring	Trailer	1-594
Spicer 68	Leaf Spring	Trailer	1-595
Trailmobile Late Model (Fabricated)	Leaf Spring	Trailer	1-600
Trailmobile Short Rocker	Leaf Spring	Trailer	1-601

INDEX OF EXPLODED VIEWS AND PARTS LISTS

SUSPENSION MODEL	SUSPENSION TYPE	APPLICATION	PAGE NO.
Volvo 4-Spring (Old Style)	Leaf Spring	Tractor	1-606
Volvo 4-Spring (New Style)	Leaf Spring	Tractor	1-608
Volvo T-Ride	Walking Beam / Rubber Load Spring	Tractor	1-610
Volvo Air Ride	Air Spring	Tractor	1-612
Suspension Component Parts			
Speciality Polyurethane Components			2-2
Tools			2-21
Trailer King Pin & Fifth Wheel Parts			2-22
Threaded Rod & U-Bolt Assemblies			2-24
Spring Center Bolts			2-31
Miscellaneous:			
Bolts			2-32
Nuts			2-34
Washers			2-35
Torque Arms:			
Adjustable			2-36
Rigid			2-40
Uni-Rod			2-45
Suspension Bushings			2-48
Air Valves			2-55
E.S.P Guide			2-65
Equalizer Photos by Make & Model			2-67

CATALOG ILLUSTRATION DISCLAIMER

Exploded Views

Exploded views shown for Hendrickson, Hutchens, Neway, Reyco and Ridewell are used with the permission of the respective manufacturers.

Leaf Springs

Common Leaf Spring information, when available, has been shown on the exploded views for reference only. Application and Spring Research Institute (SRI) verifications are recommended.

The Euclid Product Photo and Illustration Sections are to be used as a supplemental aid in identifying the configurations and specifications of many of the hydraulic brake parts found in this Catalog.

CAUTION

IN NO CASE SHOULD THESE PICTURES & ILLUSTRATIONS BE USED TO MAKE PRODUCT SUBSTITUTIONS. USE THE APPROPRIATE CATALOG APPLICATION DATA TO DETERMINE THE CORRECT PART.

These illustrations are intended to show the configurations of **Euclid parts only**. The outward appearance of these parts may or may not match OEM or competitive parts.

The Photographs and Illustrations shown in this catalog are typical and may vary slightly in detail from actual parts due to manufacturing tolerances, and/or OEM design differences. The general configuration of the part will be the same, i.e. port positions, mounting holes, etc.

Many parts may have the same external dimensions, but have different internal dimensions and/or materials. These differences make it imperative that only the application guide be used to determine the suitability of a particular part.

The Casting Number Indexes and related information shown is to identify general product configurations. Casting numbers will change with different manufacturers. Casting numbers and much of the associated information is shown when available. Although Euclid believes the information contained in the Index to be correct, errors may be present and further investigation may be needed. Euclid cannot and does not assume any responsibility or liability for such errors or harm resulting therefrom.

WARNING

MANY PARTS THAT SEEM SIMILAR ARE DIFFERENT AND SHOULD NOT BE INTERCHANGED. AGAIN, NOTE THAT THE PHOTO AND ILLUSTRATION SECTION IN THIS CATALOG IS NOT TO BE USED TO MAKE PRODUCT SUBSTITUTIONS, BUT TO IDENTIFY CONFIGURATIONS AND APPLICATIONS.

USE ONLY THE BRAKE FLUID SPECIFIED BY THE VEHICLE MANUFACTURER. DO NOT USE PETROLEUM BASED SOLVENTS OR CLEANERS.

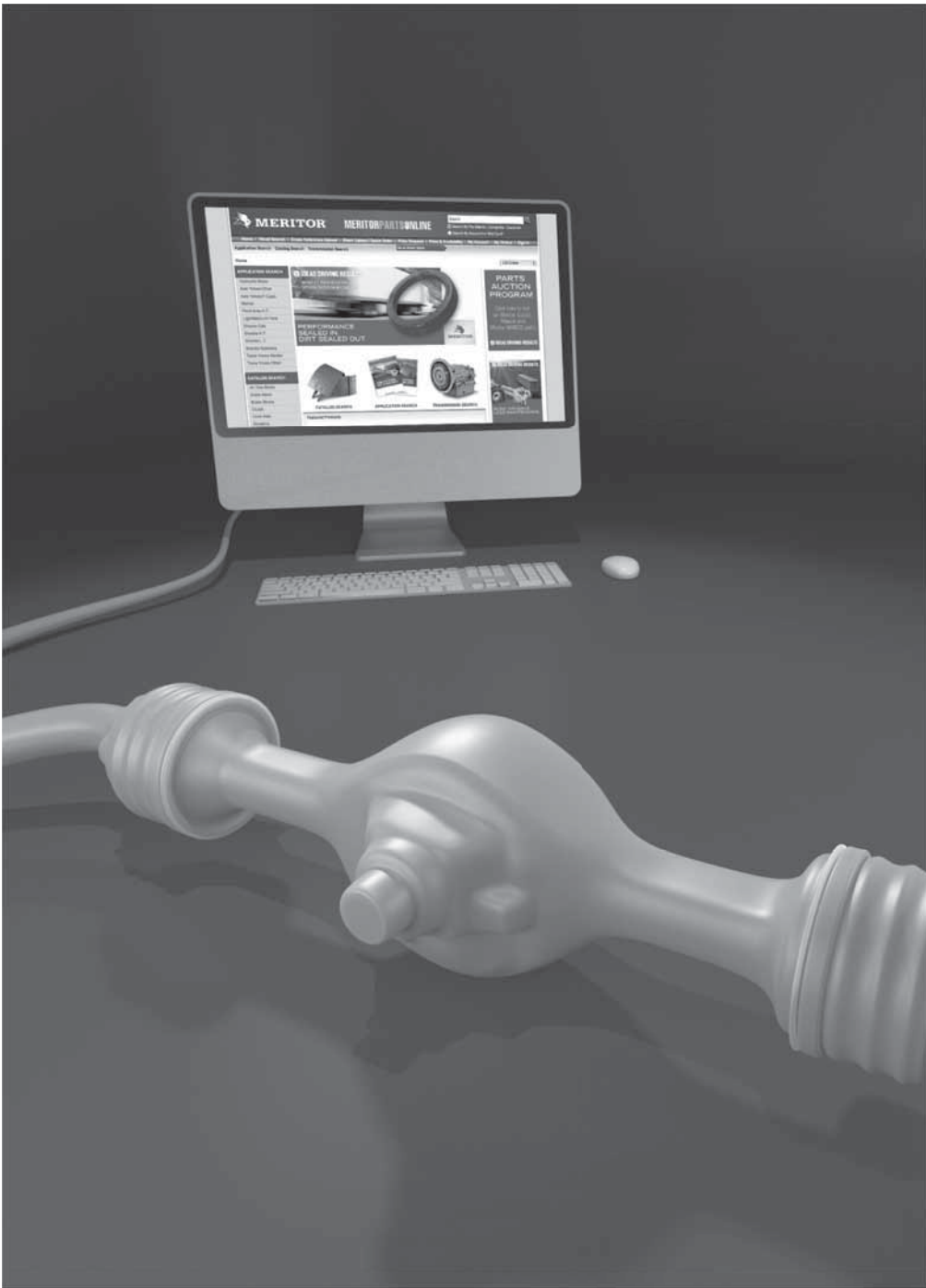
Disclaimer Notice

The information and data contained in this Catalog is based on careful inspection, testing and actual operations. However, such information and data cannot be correlated with the variables of actual customer handling, modification or treatment of the products. Accordingly, although Euclid believes that such information and data is correct, no guarantee is made of the accuracy of such information and data.

Furthermore, the illustrations and similar data contained in this Catalog are intended as an aid in identifying general configuration of the various products listed and have been obtained and developed from manufacturers and suppliers who have used the specifications and information available. Euclid will supply the sources of this information upon request. Although Euclid believes that such illustrations and data are correct, errors may exist and further verification on the part of the user may be necessary.

In addition, while many parts are visually similar, the internal parts may be quite dissimilar, and should not be interchanged. Under no circumstances should replacement items be used when they do not appear to fit, nor have to be forced to fit, nor have to be modified in the field to fit, instead of obtaining the proper item from the supplier.

EUCLID CANNOT AND DOES NOT ACCEPT OR ASSUME ANY RESPONSIBILITY OR LIABILITY FOR ERRORS, OMISSIONS OR HARM RESULTING FROM THE USE OR OTHER APPLICATIONS OF SUCH INFORMATION, ILLUSTRATION AND DATA AND/OR FROM ANY SUCH FIELD MODIFICATION. THERE ARE NO SPECIAL WARRANTIES, EXPRESS OR IMPLIED, OF MERCHANTABILITY, FITNESS FOR A PARTICULAR OR SPECIAL PURPOSE OR OTHERWISE, AND EUCLID SHALL NOT BE LIABLE FOR SPECIAL, INCIDENTAL OR CONSEQUENTIAL DAMAGES RESULTING FROM THE USE OR OTHER APPLICATION OF SUCH INFORMATION, ILLUSTRATIONS AND DATA AND/OR FROM ANY SUCH FIELD MODIFICATION.



MERITORPARTSONLINE.COM

Your 24/7/365 access to Meritor®, Euclid, Mascot and Meritor WABCO parts ordering, plus real-time pricing, parts comparisons and in-depth technical information.

©2013 Meritor, Inc. meritor.com

MERITOR WABCO
Safety Strong. Efficiency Smart.

Mascot
Truck Parts
a **MERITOR** brand

EUCLID



MERITOR

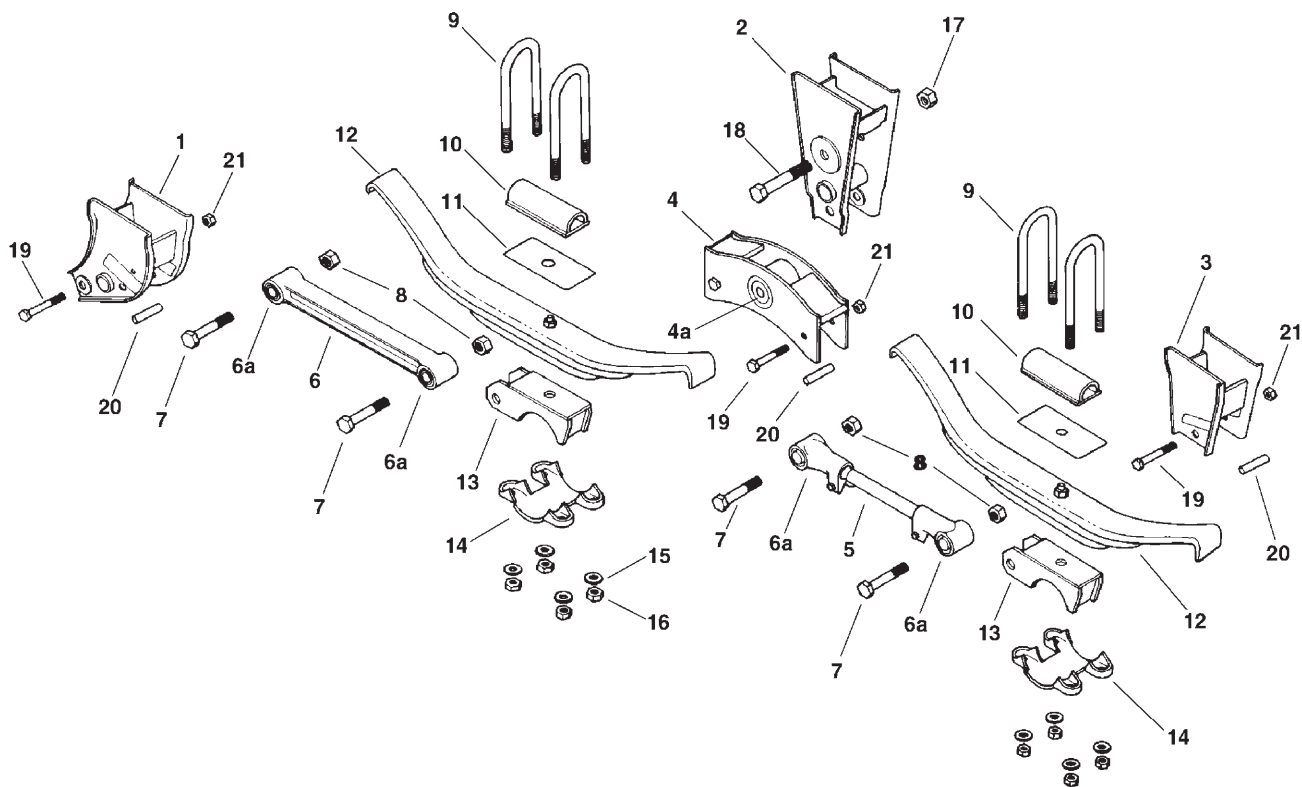
SECTION 1

INDEX

Exploded Views, Parts List & Photos	Page
Binkley	1-2
Chalmers	1-6
Dayton	1-24
Freightliner	1-32
Fruehauf	1-47
Granning	1-74
Great Dane	1-76
Hendrickson	1-82
Hutchens	1-236
Kenworth	1-278
Kwik.....	1-284
Mack.....	1-286
Meritor.....	1-308
Navistar	1-326
Neway	1-333
Page	1-480
Peterbilt	1-488
Reyco/Granning	1-504
Ridwell.....	1-576
Spicer	1-592
Trailmobile	1-600
Volvo	1-606

BINKLEY SP900 "DURALITE" SUSPENSION

For 5" Round Axles
Trailer



1

BINKLEY SP900 "DURALITE" SUSPENSION PARTS

For 5" Round Axles

Trailer

KEY NO.	EUCLID NO.	REPLACES BINKLEY NO.	DESCRIPTION	QUANTITY PER TANDEM	PAGE NO.	
1	E-9302	SP0100	Front Hanger, Straddle Mount	2	1-5	
	S.O.S.	SP0162	Front Hanger, Under Mount		—	
2	E-9303	SP0110	Equalizer Hanger, Straddle Mount	2	1-5	
	S.O.S.	SP0161	Equalizer Hanger, Under Mount		—	
3	E-9304	SP0120	Rear Hanger, Straddle Mount	2	1-5	
	S.O.S.	SP0160	Rear Hanger, Under Mount		—	
4	E-9305	SP0131	Equalizer with Bushing	2	1-4	
4a	E-4827	PP0054-05	Equalizer Bushing	2	1-4	
5	E-4824	SP0123	Adjustable Torque Arm with Bushings	2	1-4	
6	E-9307	SP0143	Rigid Torque Arm with Bushings	2	1-4	
6a	E-1980 (Rubber)	PP0054-02	Torque Arm Bushing	8	1-4	
	E-7520 (Poly)	—				
7	Part of E-9308	PP0050-75	Bolt	8	1-4	
8	E-9607	PP0012-36	Flanged Lock Nut, 7/8"-14 Thd.	8	2-34	
—	E-9308	—	Torque Arm Bolt & Nut Assembly, Includes Key Nos. 7, 8	8	1-4	
9	E-UB8151-10	SP0075-01	U-Bolt Assembly, Rd. Bend, 3/4"-16 Thd. x 3" Wide x 10" Long	8	1-5	
		E-UB8151-12	SP0075-02			U-Bolt Assembly, Rd. Bend, 3/4"x16 Thd. x 3" Wide x 12" Long
			SP0075-03			
			SP0075-04			
	SP0075-05					
	E-UB8151-14	SP0075-06	U-Bolt Assembly, Rd. Bend, 3/4"-16 Thd. x 3" Wide x 14" Long			
SP0075-07						
SP0075-08						
10	E-2907A	SP0136	U-Bolt Top Plate	4	1-79	
11	E-2842	SP0049	Delrin Spring Liner	4	1-4	
12	S.O.S.	Various	Spring Assembly	4	—	
13	S.O.S.	SP0142-01	Spring Seat, 3/4" High	4	—	
	S.O.S.	SP0142-02	Spring Seat, 1 1/4" High			
	S.O.S.	SP0142-03	Spring Seat, 1 3/4" High			
	S.O.S.	SP0149-04	Spring Seat, 2 1/4" High			
	S.O.S.	SP0149-05	Spring Seat, 2 3/4" High			
14	E-2909	SP0099	Bottom Plate	4	1-79	
15	E-2545	PP0016-67	Washer	16	2-35	
16	E-3001	PP0011-44	Hi-Nut	16	2-34	
17	Part of E-9309	PP0050-73	Equalizer Bolt	2	1-4	
18	E-2892	PP0012-37	Flanged Lock Nut, 1"-14 Thd.	2	2-34	
—	E-9309	—	Equalizer Bolt and Nut Assembly Includes Key Nos. 17, 18	2	1-4	
19	E-3415	PP0050-71	Rebound Bolt	8	2-32	
20	E-3416	SP0145	Rebound Spacer	8	1-78	
21	E-2002	PP0012-10	Rebound Nut	8	2-34	
—	E-4835	—	Rebound Bolt Assembly, Includes Key Nos. 19, 20, 21	8	1-5	

S.O.S. = Available through Euclid's S.O.S. Department

BINKLEY SUSPENSION PARTS

EQUALIZER ASSEMBLY



Includes E-4826 Bushing

EUCLID NO.	REPLACES	FOR MODEL
E-9305	Binkley SP1031	SP900 "DURALITE"

RUBBER EQUALIZER BUSHING



EUCLID NO.	REPLACES	FOR MODEL	O.D.	I.D.	LENGTH
E-4827	Binkley PP0054-05	SP900 "DURALITE"	3 1/8"	1 1/32"	4"

EQUALIZER BOLT & NUT ASSEMBLY



TORQUE ARM BUSHING



EUCLID NO.	REPLACES	FOR MODEL	INCLUDES
E-9309	Binkley PP0050-73 Binkley PP0012-37	SP900 "DURALITE"	Bolt, 1"-14 Thd. x 6" Long. Nut, 1"-14 Thd.

EUCLID NO.	REPLACES	FOR MODEL	O.D.	I.D.	LENGTH
E-1980 (Rubber)	Binkley PP0054-02	SP900 "DURALITE"	1 29/32"	7/8"	3"
E-7520 (Poly)					

TORQUE ARM BOLT & NUT ASSEMBLY



SPRING LINER PAD



EUCLID NO.	REPLACES	FOR MODEL	INCLUDES
E-9308	Binkley PP0050-75 Binkley PP0012-36	SP900 "DURALITE"	Bolt, 7/8"-14 Thd. x 4 3/4" Long. Lock Nut, 7/8"-14 Thd.

EUCLID NO.	REPLACES	FOR MODEL	WIDTH	LENGTH	THICKNESS
E-2842	Binkley SP0049	SP900 "DURALITE"	2 7/8"	8"	.043"

TORQUE ARMS



18 1/4" → 21 1/2"



19 1/4"

EUCLID NO.	REPLACES	FOR MODEL	EUCLID BUSHING NO.	LENGTH Center-to-Center
E-4824 (Adjustable)	Binkley SP0123	SP900 "DURALITE"	E-1980	Rigid: 19 1/4"
E-9307 (Rigid)	Binkley SP0143			Adjustable: 18 1/4" - 21 1/2"

BINKLEY SUSPENSION PARTS

FRONT HANGER STRADDLE MOUNT



EUCLID NO.	REPLACES	FOR MODEL
E-9302	Binkley SP0100	SP900 "DURALITE"

REAR HANGER STRADDLE MOUNT



EUCLID NO.	REPLACES	FOR MODEL
E-9304	Binkley SP0120	SP900 "DURALITE"

EQUALIZER HANGER STRADDLE MOUNT



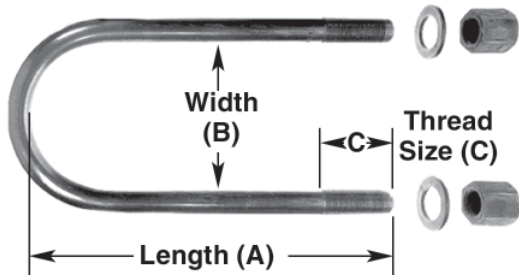
EUCLID NO.	REPLACES	FOR MODEL
E-9303	Binkley SP0110	SP900 "DURALITE"

REBOUND BOLT ASSEMBLY



EUCLID NO.	REPLACES	FOR MODEL	INCLUDES
E-4835	Binkley PP0050-71 Binkley SP0145 Binkley PP0012-10	SP900 "DURALITE"	Roller, 3/4" O.D. x 21/32" I.D. x 3 7/32" Long Bolt, 5/8"-18 Thd. x 4 1/2" Long Nut, 5/8"-18 Thd.

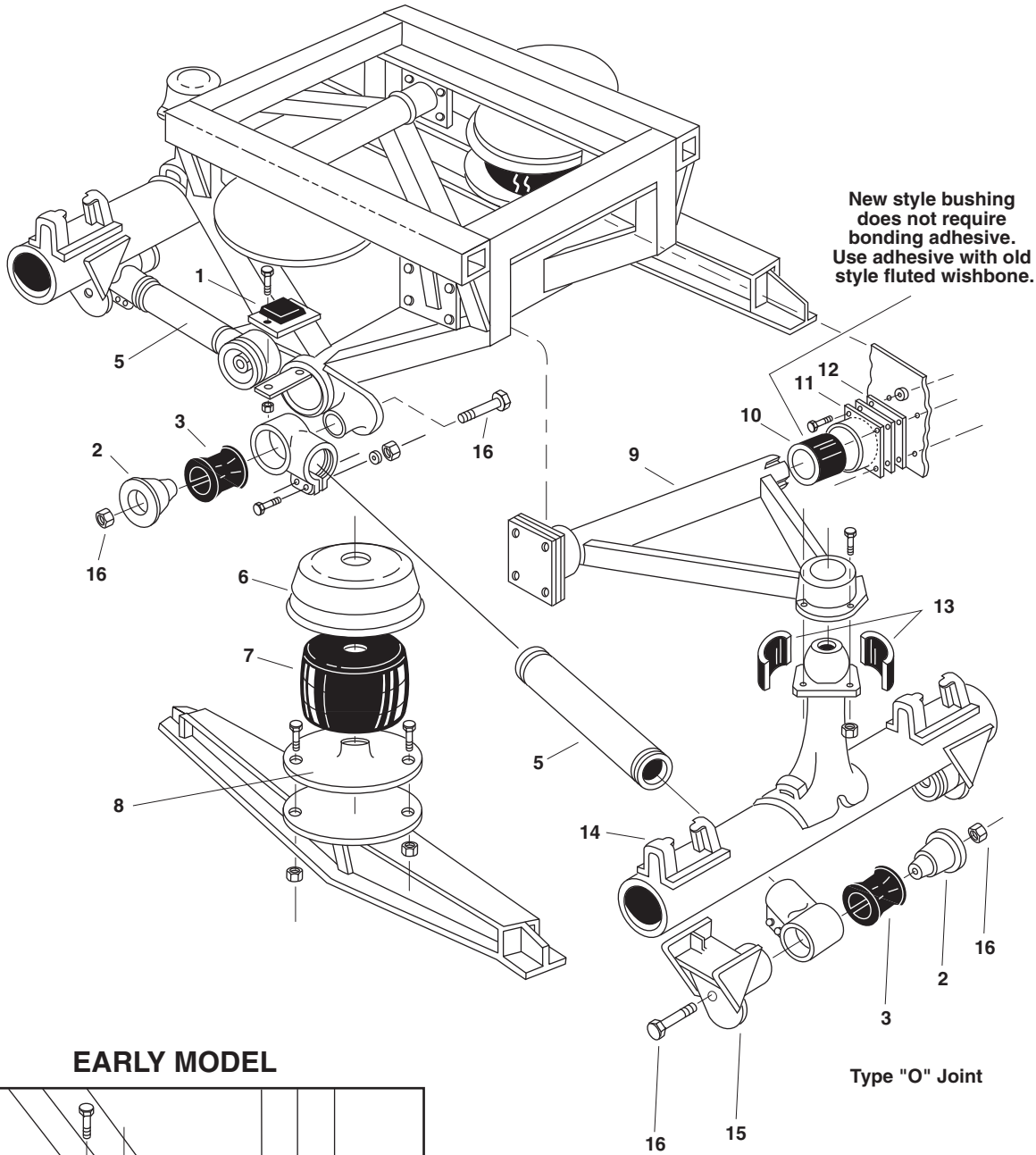
ROUND U-BOLT ASSEMBLY Includes Hi-Nuts and Washers



EUCLID NO.	REPLACES BINKLEY	THREAD	A	B	C
E-UB8151-10 (Replaces E-8848)	SP0075-01	3/4"-16	10"	3"	3"
E-UB8151-12 (Replaces E-8849)	SP0075-02 SP0075-03 SP0075-04 SP0075-05	3/4"-16	12"	3"	3"
E-UB8151-14 (Replaces E-7888)	SP0075-06 SP0075-07 SP0075-08	3/4"-16	14"	3"	6"

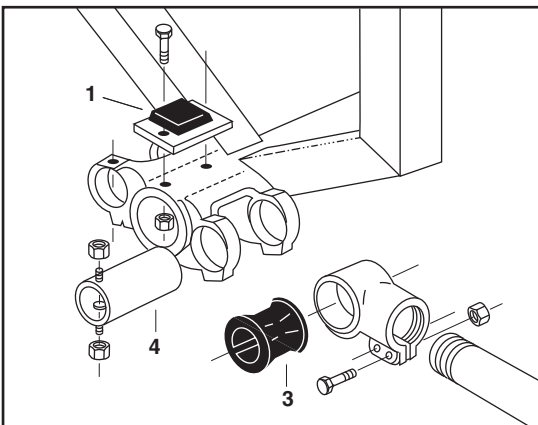
CHALMERS SUSPENSION PARTS

300 Series Trailer



New style bushing
does not require
bonding adhesive.
Use adhesive with old
style fluted wishbone.

EARLY MODEL



Type "O" Joint

1

CHALMERS SUSPENSION PARTS

300 Series

Trailer

N/A = Part no longer available

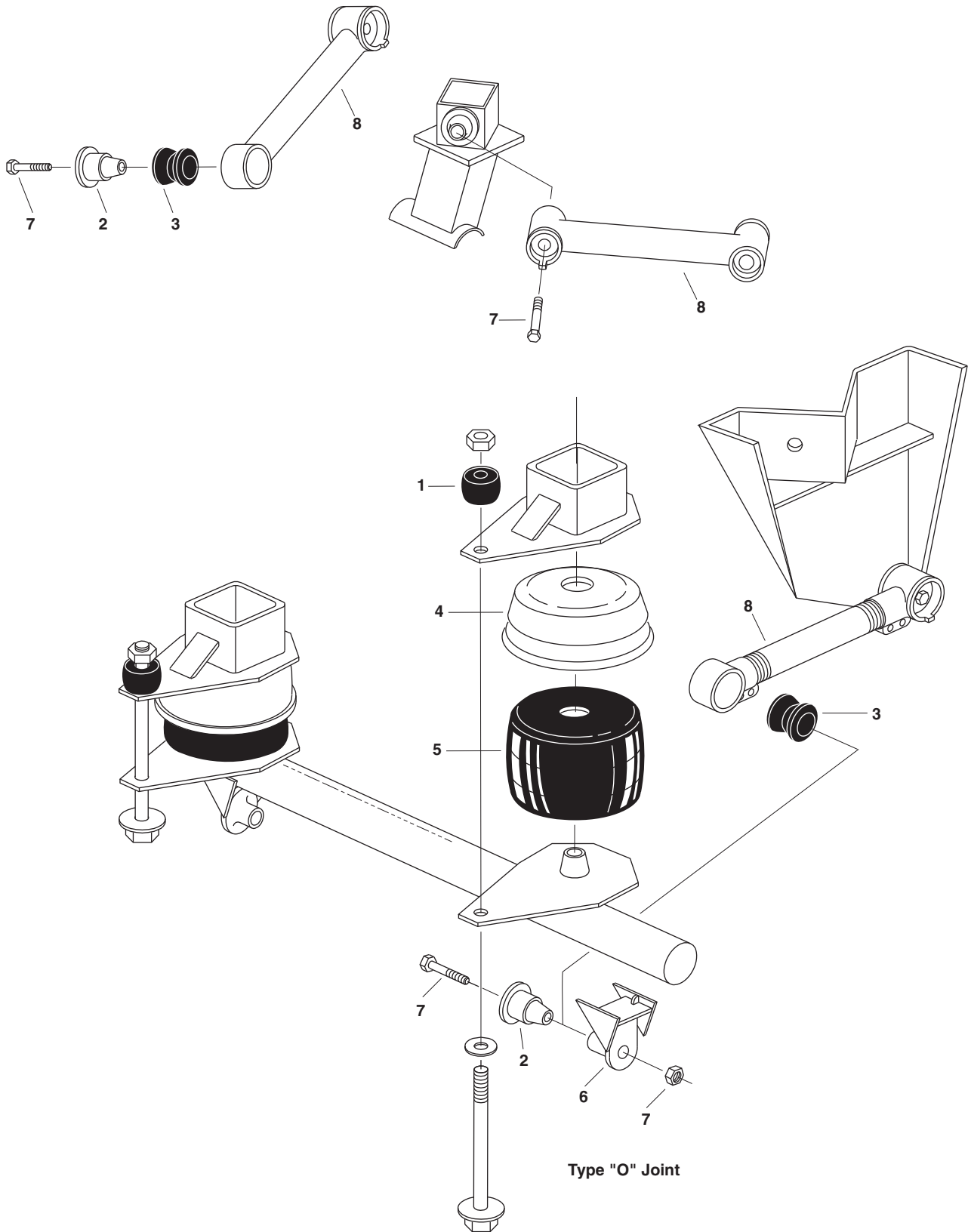
KEY NO.	EUCLID NO.	REPLACES CHALMERS NO.	DESCRIPTION	QUANTITY PER SUSPENSION	PAGE NO.
1	E-4675	48045	Rebound Stop	2	1-20
2	E-4680	260002	Spigot Cap	16	1-21
3	E-4677A (Rubber)	22128	Torque Arm Bushing, OE Version	8 (Rubber)	1-22
	E-8701 (Rubber)	22128	Torque Arm Bushing, Aftermarket Version		
	E-7427 (Poly)	22128	Torque Arm Bushing	16 (Poly)	
3a	E-4678A (Rubber)	22129	Torque Arm Bushing, Oversized OE	As Required	1-22
	E-8702 (Rubber)	22129	Torque Arm Bushing, Oversized Aftermarket		
4	N/A	22037	Wrist Pin	16	—
5	E-4789	216214	Adjustable Torque Arm, 21 1/2" Center-to-Center	2	1-23
	E-4790	216240	Adjustable Torque Arm, 24" Center-to-Center	6	
	E-4791	223214	Rigid Torque Arm, 21 1/2" Center-to-Center		
	E-4792	223240	Rigid Torque Arm, 24" Center-to-Center		
6	E-4688A	373028	Restrictor Can #28	2	1-19
		373020 (Old)	(Replace Restrictor Can #20)		
7	E-4685	15002	Load Spring #20	2	1-18
8	E-4786	22116	Spring Plate	2	1-19
9	E-7764	68017	Wishbone	2	1-20
10	E-4683	22115	Wishbone End Bushing	4	1-20
11	E-4682	22107	Wishbone End	4	1-20
12	E-4681	22105	Shim, 16 Gauge	As Required	1-20
	S.O.S.	22099	Shim, 25 Gauge	—	—
13	E-4674	22036	Wishbone Apex Bushing, 2-Piece	2	1-20
14	E-7756	222083	Saddle, 5" Round or 4" x 6" Rectangular Axle	4	1-22
	S.O.S.	231026	Saddle, 5" Square Axle		
15	E-7757	222139	Axle Bracket, 5" Round Spigot Type	4	1-21
	S.O.S.	231000	Axle Bracket, 5" Square Spigot Type		
	S.O.S.	228006	Axle Bracket, 4" x 6" Rectangular Spigot Type		
16	E-7772	K880230	Hardware Kit for #0 Spigot Joint	2	1-21
—	E-4684	Devcon "A"	Plastic Steel Adhesive Cartridge	As Required	1-21

S.O.S. = Available through Euclid's S.O.S. Department

CHALMERS SUSPENSION

500 Series Trailer

1



CHALMERS SUSPENSION PARTS

500 Series

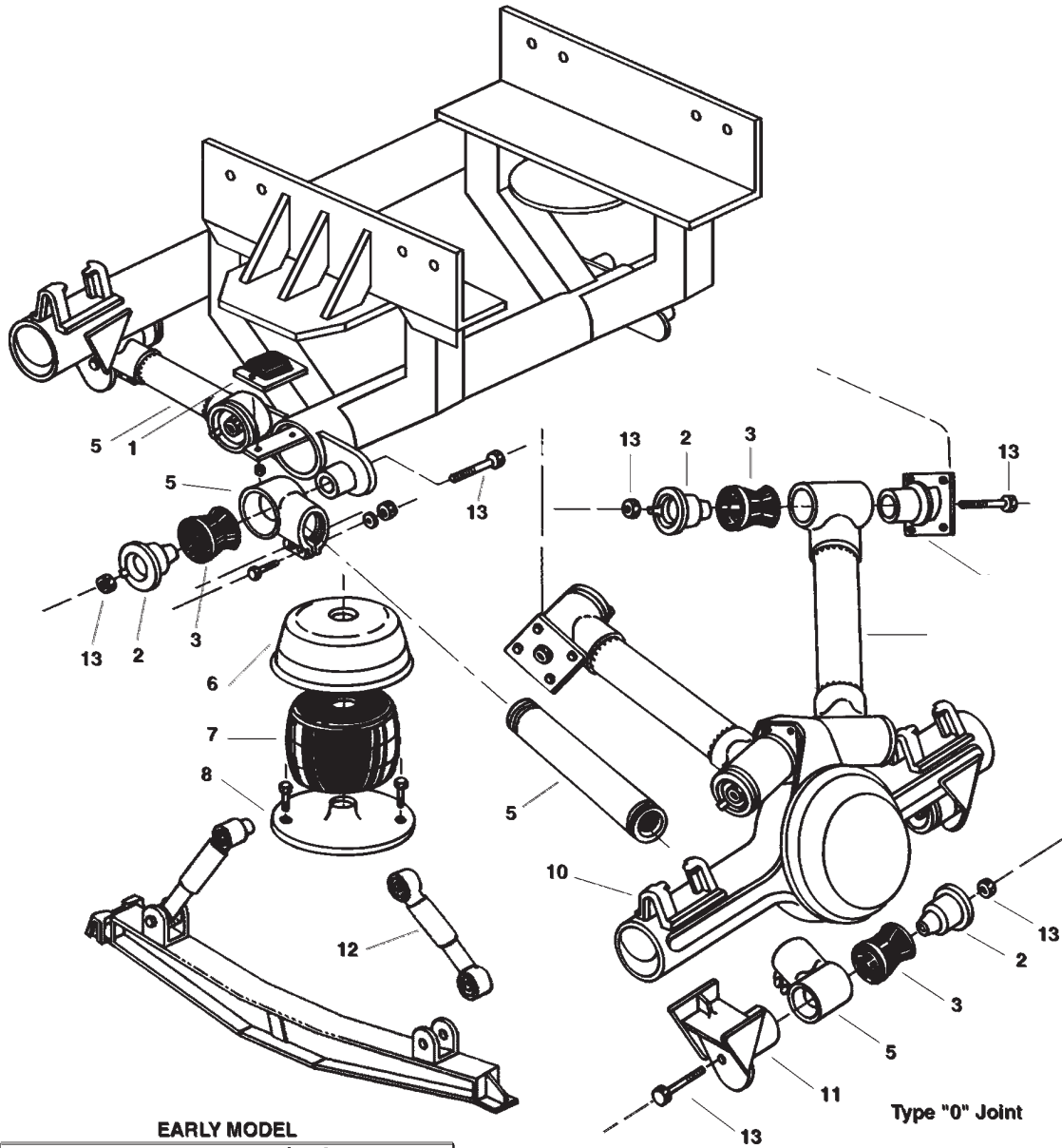
Trailer

KEY NO.	EUCLID NO.	REPLACES CHALMERS NO.	DESCRIPTION	QUANTITY PER SUSPENSION	PAGE NO.
1	S.O.S.	22096	Rebound Stop	2	—
2	E-4680	260002	Spigot Cap	16	1-21
3	E-4677A (Rubber)	22128	Torque Arm Bushing, OE Version	8 (Rubber)	1-22
	E-8701 (Rubber)	22128	Torque Arm Bushing, Aftermarket Version		
	E-7427 (Poly)	22128	Torque Arm Bushing	16 (Poly)	
3a	E-4678A (Rubber)	22129	Torque Arm Bushing, Oversized OE	As Required	1-22
	E-8702 (Rubber)	22129	Torque Arm Bushing, Oversized Aftermarket		
4	E-4688A	373028	Restrictor Can #28	2	1-19
		373020 (Old)	(Replaces Restrictor Can #20)		
5	E-4685	15002	Load Spring #20	2	1-18
6	E-7757	222139	Axle Bracket, 5" Round Spigot Type	4	1-21
	S.O.S.	231000	Axle Bracket, 5" Square Spigot Type		—
	S.O.S.	228006	Axle Bracket, 4" x 6" Rectangular Spigot Type		—
7	E-7772	K880230	Hardware Kit for #0 Spigot Joint	2	1-21
8	S.O.S.	223220	Rigid Torque Arm, Lower, 22" Center-to-Center	4	—
	S.O.S.	216220	Adjustable Torque Arm, Lower, 22" Center-to-Center		
	S.O.S.	223200	Rigid Torque Arm, Upper, 20" Center-to-Center		

S.O.S. = Available through Euclid's S.O.S. Department

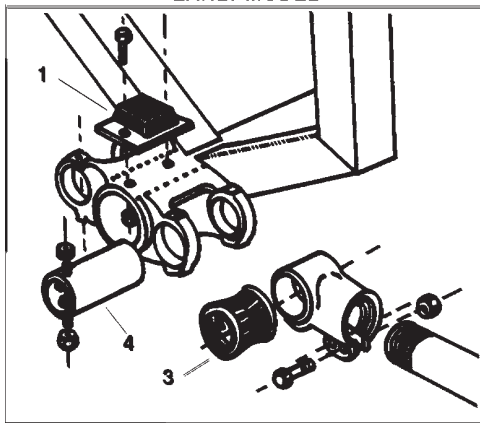
CHALMERS SUSPENSION

600 Series Truck



1

EARLY MODEL



CHALMERS SUSPENSION PARTS

600 Series

Truck

N/A = Part no longer available

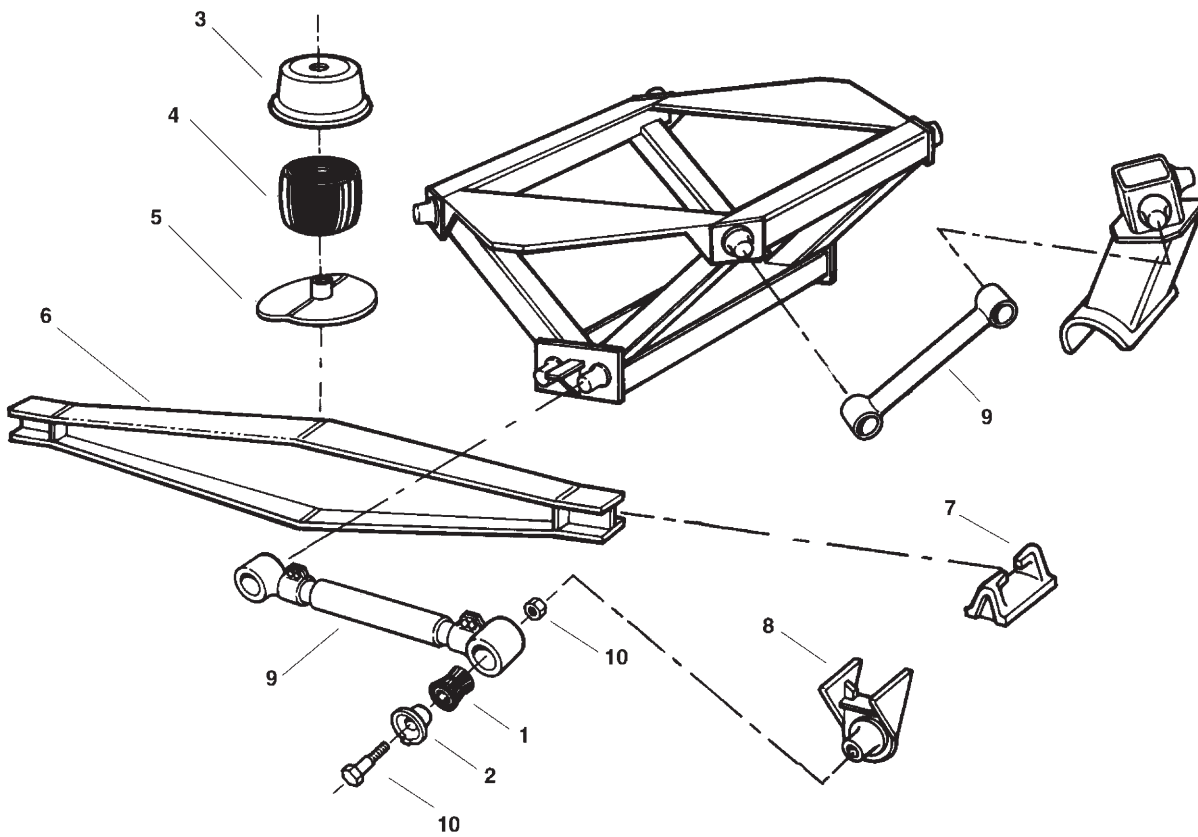
KEY NO.	EUCLID NO.	REPLACES CHALMERS NO.	DESCRIPTION	QUANTITY PER SUSPENSION	1023	1030	PAGE NO.
1	E-4677A (Rubber)	22128	Torque Arm bushing, OE Version	16 (Rubber)	X		1-22
	E-8701 (Rubber)	22128	Torque Arm bushing, Aftermarket Version		X		
	E-7427 (Poly)	22128	Torque Arm bushing	32 (Poly)	X		
	E-7766 (Rubber)	800010	Torque Arm bushing, OE Version			X	
	E-7426 (Poly)	800010	Torque Arm bushing			X	
1a	E-4678A (Rubber)	22129	Torque Arm bushing, Oversized OE	As Required	X		1-22
	E-8702 (Rubber)	22129	Torque Arm bushing, Oversized Aftermarket		X		
	E-7767 (Rubber)	800009	Torque Arm bushing, Oversized OE			X	
	E-8917 (Poly)	800009	Torque Arm bushing, Oversized			X	
2	E-9571	800201	Spigot cap	16	X		1-21
	E-7768	800055	Spigot cap			X	
3	N/A	373010	Restrictor can #10	2	X		—
	N/A	373014	Restrictor can #10, 1 1/8" Top Hole		X		
	N/A	373016	Restrictor can #15, 1 1/8" Top Hole			X	
	E-4687	373015	Restrictor can #15	2		X	1-18
4	E-7755	15010	Load spring #10	2	X		1-18
	E-4686	15015	Load spring #15			X	
5	E-7771	K403017	Rebound bolt assembly	1	X	X	1-20
6	M85060	665174	Shock absorber	2	X	X	3-14
7	E-7774	K880460	Hardware kit	2	X		1-21
	E-7773	K880231	Hardware kit			X	

S.O.S. = Available through Euclid's S.O.S. Department

1

CHALMERS SUSPENSION

700 Series Trailer



Type "0" Joint, 46,000 lbs., Prior to January 1991
Type "1" Joint, 46,000 lbs., After January 1991
Type "2" Joint, 60,000 lbs.

CHALMERS SUSPENSION PARTS

700 Series

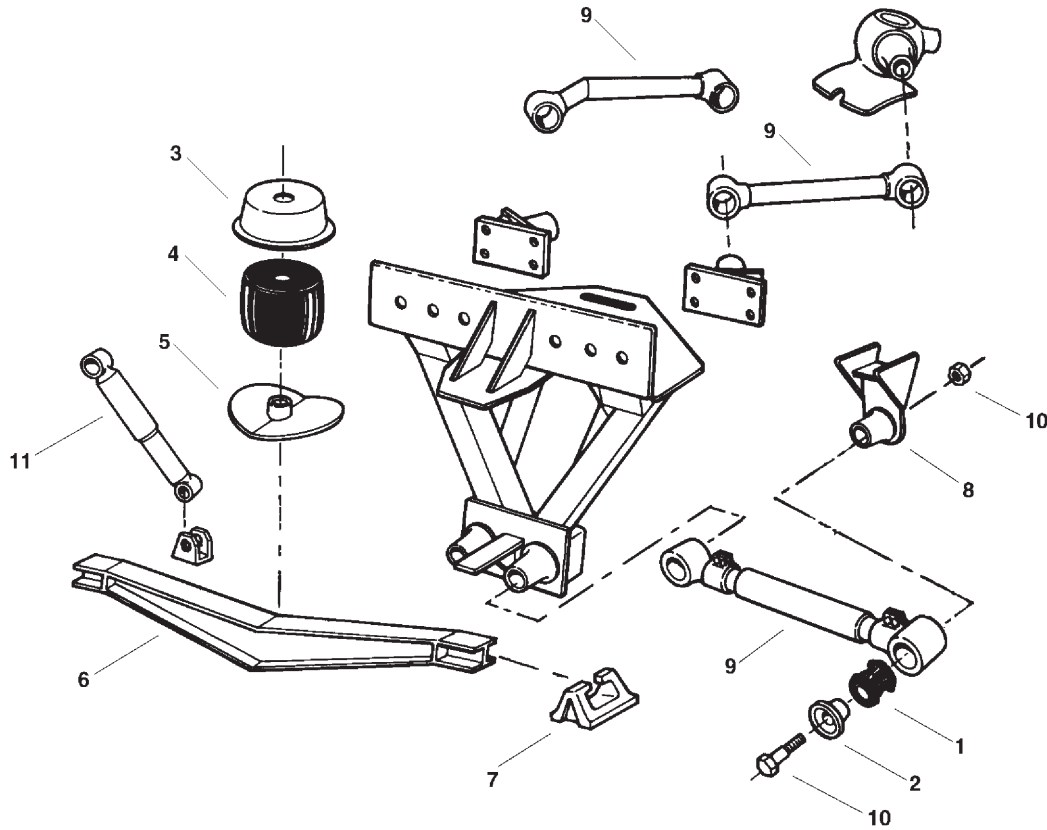
Trailer

KEY NO.	EUCLID NO.	REPLACES CHALMERS NO.	DESCRIPTION	QTY. PER TANDEM	TYPE "0" JOINT	TYPE "1" JOINT	TYPE "2" JOINT	PAGE NO.	
1	E-4677A (Rubber)	22128	Torque Arm Bushing, OE Version	16 (Rubber)	X	X		1-22	
	E-8701 (Rubber)	22128	Torque Arm Bushing, Aftermarket Version		X	X			
	E-7427 (Poly)	22128	Torque Arm Bushing		X	X			
	E-7766 (Rubber)	800010	Torque Arm Bushing, OE Version	32			X		
	E-7426 (Poly)	800010	Torque Arm Bushing	(Poly)			X		
1a	E-4678A (Rubber)	22129	Torque Arm Bushing, Oversized OE	As Required	X	X		1-22	
	E-8702 (Rubber)	22129	Torque Arm Bushing, Oversized Aftermarket		X	X			
	E-7767 (Rubber)	800009	Torque Arm Bushing, Oversized OE						X
	E-8917 (Poly)	800009	Torque Arm Bushing, Oversized						X
2	E-4680	260002	Spigot Cap	16	X			1-21	
	E-9571	800201	Spigot Cap			X			
	E-7768	800055	Spigot Cap						X
3	E-4688A	373020 (Old)	Restrictor Can #28 (Replaces Restrictor Can #20)	2				1-19	
		373028 (New)							
	E-7758	373029	Restrictor Can #29, High Center of Gravity						
4	E-4685	15002	Load Spring #20	2				1-18	
5	E-4788A	700021	Spring Plate	2				1-19	
		700520							
6	E-4793	700083	Walking Beam, 54" Axle Spread	2				1-20	
7	E-7756	222083	Saddle, 5" Round or 4" x 6" Rectangular Axle	4				1-22	
	S.O.S.	231026	Saddle, 5" Square Axle						—
8	E-7757	222139	Axle Bracket, 5" Round Axle, Spigot Type	4	X	X	X	1-21	
	S.O.S.	231000	Axle Bracket, 5" Square Axle, Spigot Type		X	X	X	—	
	S.O.S.	228006	Axle Bracket, 4" x 6" Rectangular Axle, Spigot Type		X	X	X	—	
9	E-4789	216214	Adjustable Torque Arm, 21 1/2" Center-to-Center	2				1-23	
	E-4790	216240	Adjustable Torque Arm, 24" Center-to-Center						
	E-4791	223214	Rigid Torque Arm, 21 1/2" Center-to-Center	6				1-23	
	E-4792	223240	Rigid Torque Arm, 24" Center-to-Center						
10	E-7772	K880230	Hardware Kit	4	X			1-21	
	E-7774	K880460	Hardware Kit			X			
	E-7773	K880231	Hardware Kit						X

S.O.S. = Available through Euclid's S.O.S. Department

CHALMERS SUSPENSION

800 Series Truck/Trailer



Type "0" Joint, 40,000 lbs., Prior to January 1993
Type "1" Joint, 40,000 lbs., After January 1993
Type "2" Joint, 46,000 lbs.

CHALMERS SUSPENSION PARTS

800 Series

Truck/Tractor

KEY NO.	EUCLID NO.	REPLACES CHALMERS NO.	DESCRIPTION	QUANTITY PER SUSPENSION	TYPE "0" JOINT	TYPE "1" JOINT	TYPE "2" JOINT	PAGE NO.
1	E-4677A (Rubber)	22128	Torque Arm Bushing, OE Version	16 (Rubber)	X	X		1-22
	E-8701 (Rubber)	22128	Torque Arm Bushing, Aftermarket Version		X	X		
	E-7427 (Poly)	22128	Torque Arm Bushing		X	X		
	E-7766 (Rubber)	800010	Torque Arm Bushing, OE Version	32 (Poly)			X	
	E-7426 (Poly)	800010	Torque Arm Bushing				X	
1a	E-4678A (Rubber)	22129	Torque Arm Bushing, Oversized OE	As Required	X	X		1-22
	E-8702 (Rubber)	22129	Torque Arm Bushing, Oversized Aftermarket		X	X		
	E-7767 (Rubber)	800009	Torque Arm Bushing, Oversized OE				X	
	E-8917 (Poly)	800009	Torque Arm Bushing, Oversized				X	
2	E-4680	260002	Spigot Cap	16	X			1-21
	E-9571	800201	Spigot Cap			X		
	E-7768	800055	Spigot Cap				X	
3	E-4688A373028	Restrictor Can #28 373020 (old)	(Replaces #20 Restrictor Can)	2				1-19
	E-7758	373029	Restrictor Can #29, High Center of Gravity					
4	E-4685	15002	Load Spring #20	2	X	X	X	1-18
5	E-7769	800117	Spring Plate, High Mount for 54" Axle Spread	2				1-19
	E-7770	800125	Spring Plate, Low Mount for 54" Axle Spread					
6	S.O.S.	Various	Walking Beam	2				—
7	S.O.S.	Various	Saddle (for 5" Round use E-7756)	4				1-22
8	S.O.S.	Various	Axle Bracket	4	X			—
9	S.O.S.	Various	Adjustable Torque Arm , Lower, Specify Length	4				—
	S.O.S.	223157	Rigid Torque Arm, Upper, 15 7/8" For 40,000 lbs. Capacity Tandem	4				
	S.O.S.	800049	Rigid Torque Arm, Upper, Curved Design For 46,000 - 50,000 lbs. Capacity Tandem					
10	E-7772	K880230	Hardware Kit	4	X			1-21
	E-7774	K880460	Hardware Kit			X		
	E-7773	K880231	Hardware Kit				X	
11	M85301	800670	Shock Absorber, High Mount	4				3-25
	M85305	85305	Shock Absorber, Low Mount					3-26

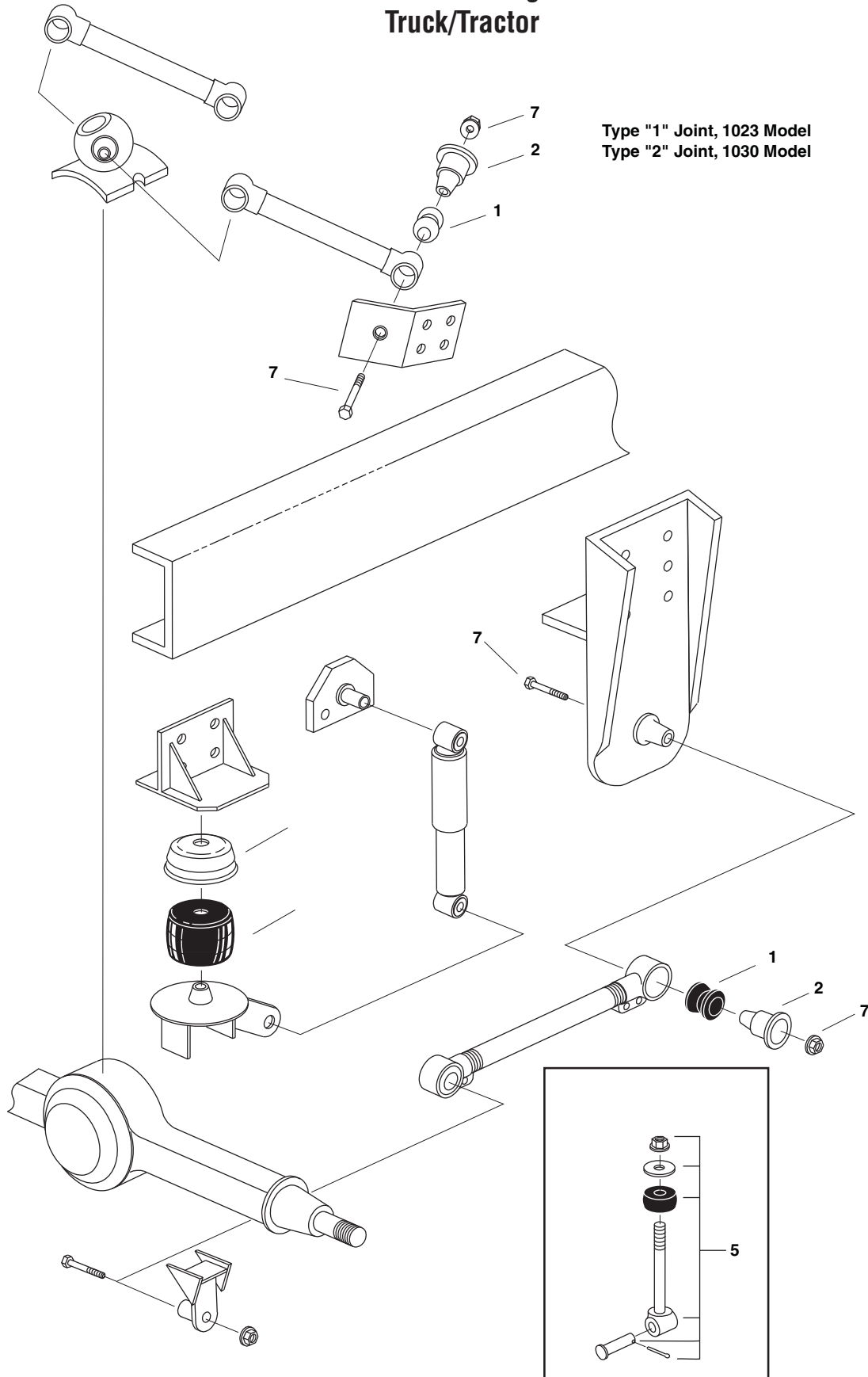
S.O.S. = Available through Euclid's S.O.S. Department

CHALMERS SUSPENSION

1023 and 1030 Single Axle Truck/Tractor

Type "1" Joint, 1023 Model
Type "2" Joint, 1030 Model

1



CHALMERS SUSPENSION PARTS

1023 and 1030 Single Axle

Truck/Tractor

N/A = Part no longer available

KEY NO.	EUCLID NO.	REPLACES CHALMERS NO.	DESCRIPTION	QUANTITY PER SUSPENSION	1023	1030	PAGE NO.
1	E-4677A (Rubber)	22128	Torque Arm Bushing, OE Version	16 (Rubber)	X		
	E-8701 (Rubber)	22128	Torque Arm Bushing, Aftermarket Version		X		
	E-7427 (Poly)	22128	Torque Arm Bushing	X	1-22		
	E-7766 (Rubber)	800010	Torque Arm Bushing, OE Version	32 (Poly)	X		
	E-7426 (Poly)	800010	Torque Arm Bushing	X			
1a	E-4678A (Rubber)	22129	Torque Arm Bushing, Oversized OE	As Required	X		1-22
	E-8702 (Rubber)	22129	Torque Arm Bushing, Oversized Aftermarket		X		
	E-7767 (Rubber)	800009	Torque Arm Bushing, Oversized OE			X	
	E-8917 (Poly)	800009	Torque Arm Bushing, Oversized			X	
2	E-9571	800201	Spigot Cap	16	X		1-21
	E-7768	800055	Spigot Cap		X		
3	N/A	373010	Restrictor Can #10	2X	X		1-18
	N/A	373014	Restrictor Can #10, 1 1/8" Top Hole			—	
	N/A	373016	Restrictor Can #15, 1 1/8" Top Hole			X	
	E-4687	373015	Restrictor Can #15			X	
4	E-7755	15010	Load Spring #10	2 ^X		1-18	
	E-4686	15015	Load Spring #15			X	
5	E-7771	K403017	Rebound Bolt Assembly 1	X	X	1-20	
6	M85060	665174	Shock Absorber	2X	X	3-14	
7	E-7774	K880460	Hardware Kit	2 ^X		1-21	
	E-7773	K880231	Hardware Kit			X	

1

CHALMERS SUSPENSION PARTS



EUCLID NO.	REPLACES	APPLICATION
E-7755	Chalmers 15010	For Chalmers Models 1023, 1300



EUCLID NO.	REPLACES	APPLICATION
E-4686	Chalmers 15015	For Chalmers Models 300, 600, 1030



EUCLID NO.	REPLACES	APPLICATION
E-4685	Chalmers 15002	For Chalmers Models 300, 500, 700, 800, 1100

#15 RESTRICTOR CAN



EUCLID NO.	REPLACES	APPLICATION
E-4687	Chalmers 373015	For Chalmers Models 300, 600, 1030 using an E-4686 #15 Load Spring .

1

CHALMERS SUSPENSION PARTS

#15 RESTRICTOR CAN



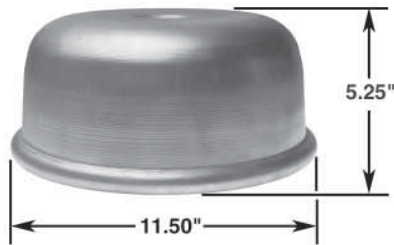
EUCLID NO.	REPLACES	APPLICATION
E-7763	Chalmers 373017	For Chalmers Model 1300 using an E-4686 #15 Load Spring .

#28 RESTRICTOR CAN
(Heavy-Duty Version - Replaces #20 Can)



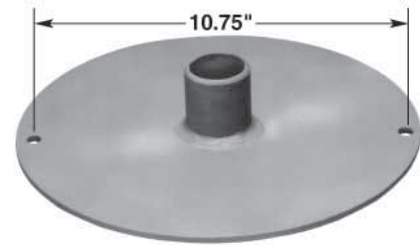
EUCLID NO.	REPLACES	APPLICATION
E-4688A	Chalmers 373028 373020 (old)	Standard for use with an E-4685 #20 Load Spring.

#29 RESTRICTOR CAN



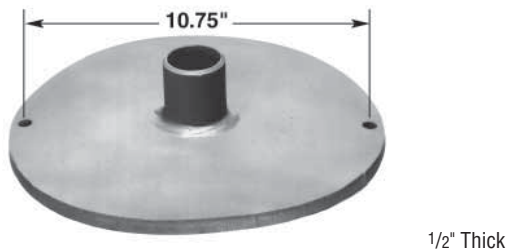
EUCLID NO.	REPLACES	APPLICATION
E-7758	Chalmers 373029	For Chalmers Models 700, 800 with a high center of gravity, using an E-4685 #20 Load Spring

SPRING PLATE



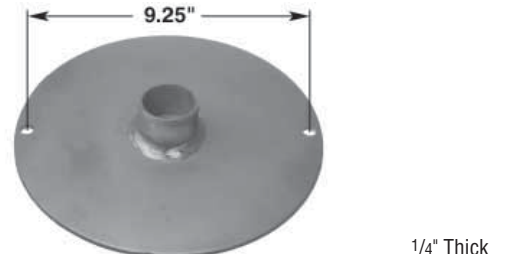
EUCLID NO.	REPLACES	APPLICATION
E-4786	Chalmers 22116	300 and 600 Series

SPRING PLATE



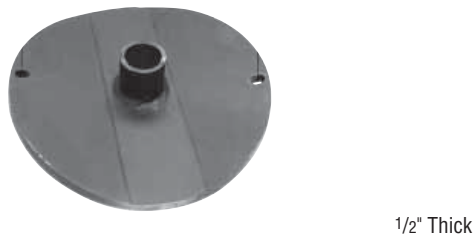
EUCLID NO.	REPLACES	APPLICATION
E-4788A	Chalmers 700520 700021	700 Series

SPRING PLATE



EUCLID NO.	REPLACES	APPLICATION
E-7754	Chalmers 130027	1300 Series

SPRING PLATE



EUCLID NO.	REPLACES	APPLICATION
E-7769	Chalmers 800689	For Chalmers Model 800 with "Hi-Mount" walking beam and 54" axle spread.

SPRING PLATE



EUCLID NO.	REPLACES	APPLICATION
E-7770	Chalmers 800691	For Chalmers Model 800 with "Low-Mount" walking beam and 54" axle spread.



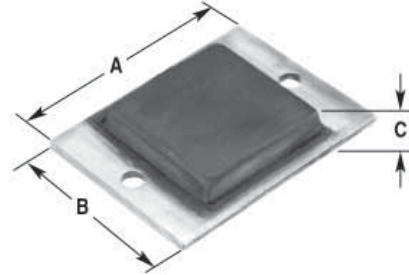
CHALMERS SUSPENSION PARTS

WALKING BEAM



EUCLID NO.	REPLACES	APPLICATION
E-4793	Chalmers 700083	700 Series with 54" Axle Spacing

REBOUND STOP



EUCLID NO.	REPLACES	A	B	C
E-4675	Chalmers 48045	4 1/2"	3 1/2"	5/8"

REBOUND KIT



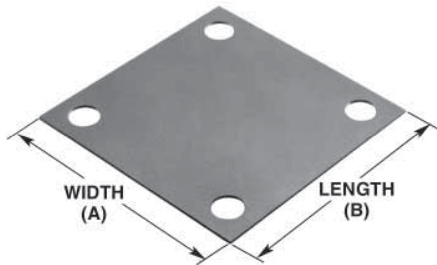
EUCLID NO.	REPLACES	APPLICATION
E-7771	Chalmers K403017	For Chalmers Models 1023, 1030. Includes rubber rebound stop spring and all installation hardware.

WISHBONE APEX BUSHING
2 PIECE



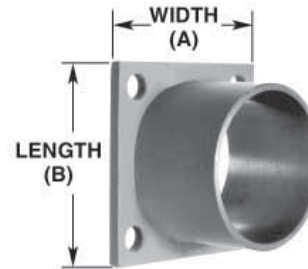
EUCLID NO.	REPLACES	APPLICATION
E-4674	Chalmers 22036	Two pieces make up one part number

WISHBONE SHIM



EUCLID NO.	REPLACES	A	B	THICKNESS
E-4681	Chalmers 22105	5 1/2"	5 1/2"	16 ga.

WISHBONE END



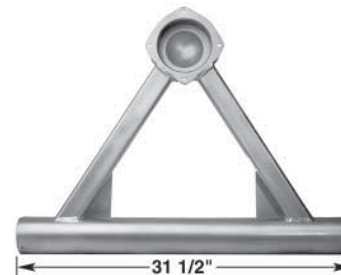
EUCLID NO.	REPLACES	A	B	O.D.	I.D.
E-4682	Chalmers 22107	5 1/2"	5 1/2"	4 1/2"	4 1/8"

WISHBONE END BUSHING
New Style



EUCLID NO.	REPLACES	O.D.	I.D.	LENGTH
E-4683	Chalmers 22115	4 1/16"	3 1/2"	3 1/4"

WISHBONE



EUCLID NO.	REPLACES	APPLICATION
E-7764	Chalmers 68017	For Chalmers Model 300

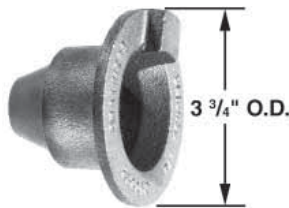
CHALMERS SUSPENSION PARTS

PLASTIC / STEEL
ADHESIVE CARTRIDGE



EUCLID NO.	REPLACES	APPLICATION
E-4684	Chalmers Devcon "A"	For installing old style Wishbone End Bushing

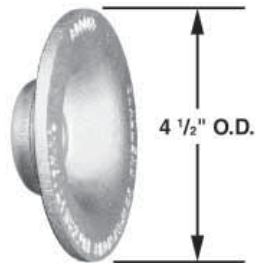
#0 SPIGOT CAP



40,000 lbs.

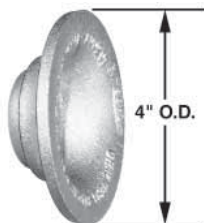
EUCLID NO.	REPLACES	LG. O.D.	SM. O.D.	LG. I.D.	SM. I.D.
E-4680	Chalmers 260002	3 3/4"	1 1/4"	2 3/8"	3/4"

#2 SPIGOT CAP



EUCLID NO.	REPLACES	APPLICATION
E-7768	Chalmers 800055	For Chalmers Models 800 (46,000 lbs.), 1030

#1 SPIGOT CAP



EUCLID NO.	REPLACES	APPLICATION
E-9571	Chalmers 800201	For Models 700, 800, 1023 and 1030 (40,000 lbs.)

DISCONTINUED

WRIST PIN



N/A = No Longer Available

EUCLID NO.	REPLACES	O.D.	I.D.	LENGTH
N/A	Chalmers 22037	2 3/8"	2"	6"

SPIGOT
5" ROUND AXLE



EUCLID NO.	REPLACES	APPLICATION
E-7757	Chalmers 222139	For All Chalmers Trailer Models.

SPIGOT HARDWARE KIT



EUCLID NO.	REPLACES	APPLICATION
E-7772	Chalmers K880230	For #0 Spigots. Includes (4) 5/8" x 3 1/2" Bolts and Nuts.

SPIGOT HARDWARE KIT



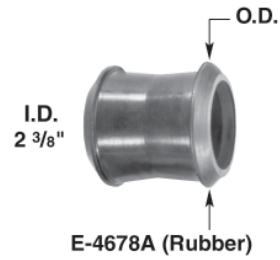
EUCLID NO.	REPLACES	APPLICATION
E-7773	Chalmers K880231	For #2 Spigots. Includes (4) 5/8" x 5 1/2" Bolts and Nuts.
E-7774	Chalmers K880460	For #1 Spigots. Includes (4) 5/8" x 5" Bolts and Nuts.

CHALMERS SUSPENSION PARTS

**SADDLE
5" ROUND AXLE**



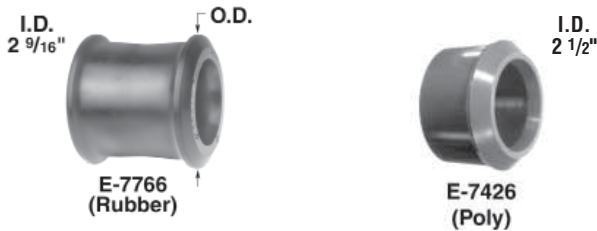
OVERSIZE TORQUE ARM BUSHING



EUCLID NO.	REPLACES	APPLICATION
E-7756	Chalmers 222083	For Chalmers Models 700, 800, 1300.

EUCLID NO.	REPLACES	LIP O.D.	LENGTH
E-4678A (O.E. Rubber) E-8702 (Rubber)	Chalmers 22129	3 11/16"	3 3/4"

**TORQUE ARM BUSHING
(For Type 2 Joint)**



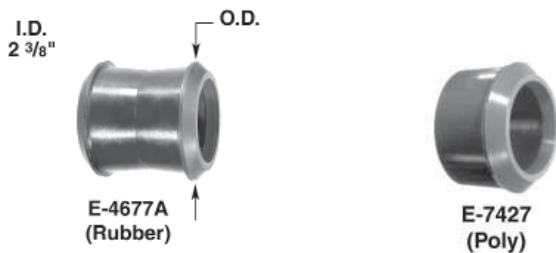
WEAR PLATE



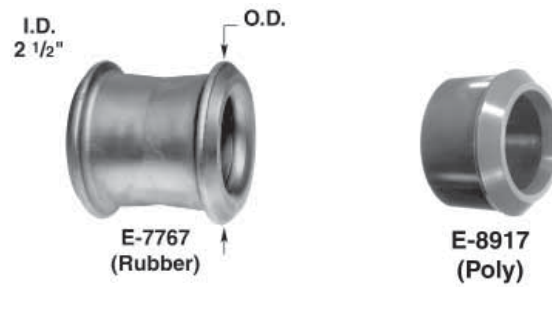
EUCLID NO.	REPLACES	LIP O.D.	LENGTH
E-7766 (Rubber) E-7426 (Poly)	Chalmers 800010	4 1/4"	4 2 1/8"

EUCLID NO.	REPLACES	DIMENSIONS	APPLICATION
E-7765	Chalmers 700313	3/8" Thick	For all Chalmers walking beams. Weld onto beam end when wear against saddle has reduced beam thickness by no greater than 1/16". If beam is worn more than 1/16", the beam must be replaced.

**STANDARD TORQUE ARM BUSHING
(For Type 0 & 1 Joints)**



OVERSIZE TORQUE ARM BUSHING



EUCLID NO.	REPLACES	LIP O.D.	LENGTH
E-4677A (O.E. Rubber) E-8701 (Rubber) E-7427 (Poly)	Chalmers 22128	3 5/8"	3 3/4" 3 3/4" 1 7/8"

EUCLID NO.	REPLACES	LIP O.D.	LENGTH
E-7767 (Rubber) E-8917 (Poly)	Chalmers 800009	4 1/2"	4 1/8" 2 1/16"

CHALMERS SUSPENSION PARTS

ADJUSTABLE TORQUE ARM



EUCLID NO.	REPLACES	APPLICATION	EUCLID BUSHING NO.	LENGTH Center-to-Center
E-4789	Chalmers 216214	All Models	E-8701	21 1/4"
E-4790	Chalmers 216240	All Models	E-8701	24"

1

RIGID TORQUE ARM

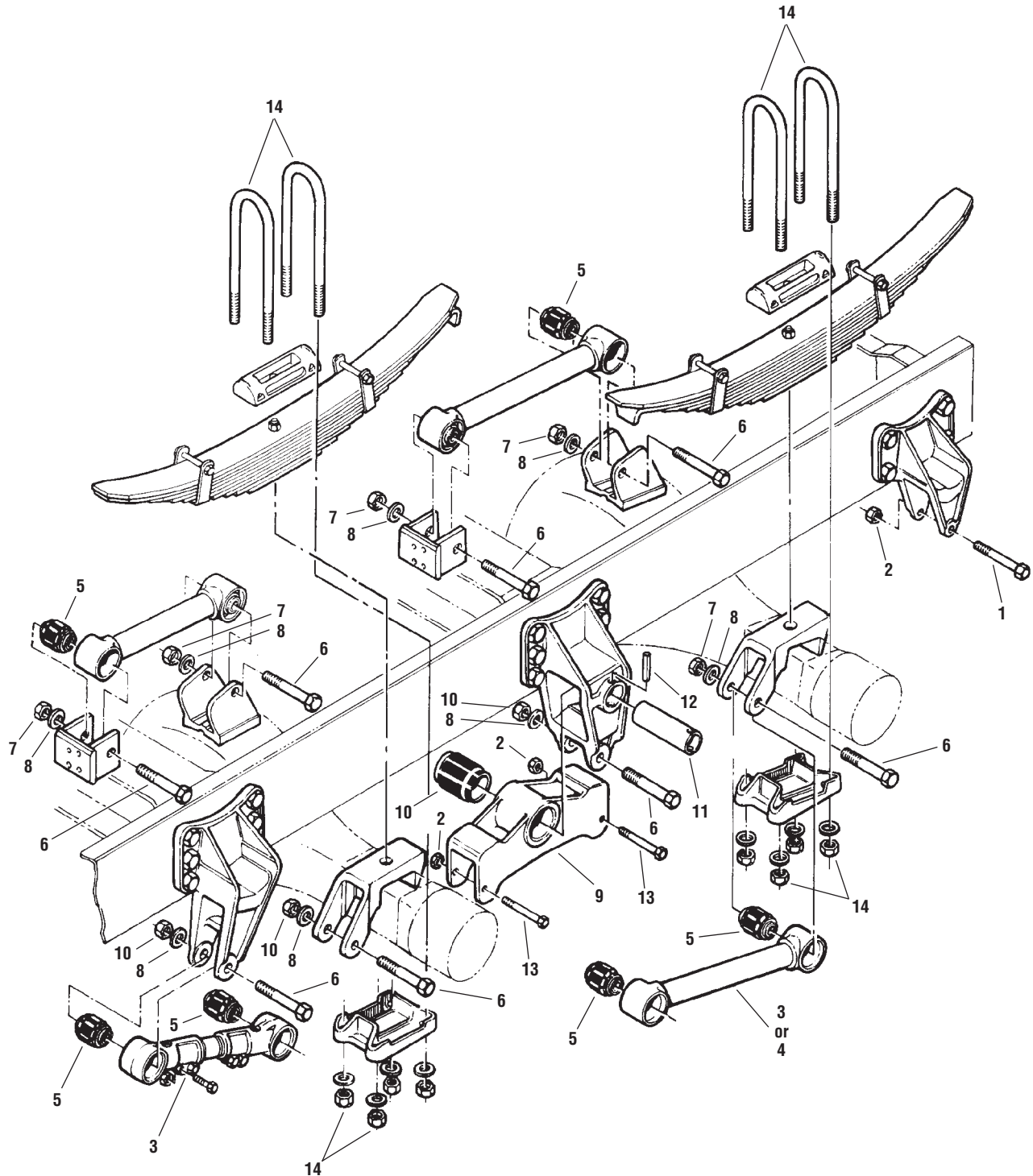


EUCLID NO.	REPLACES	APPLICATION	EUCLID BUSHING NO.	LENGTH Center-to-Center
E-4791	Chalmers 223214	All Models	E-8701	21 1/2"
E-4792	Chalmers 223240	All Models	E-8701	24"

DAYTON "TRUCKMASTER" SUSPENSION

Truck/Tractor

1



Note: Rigid Torque Arms and OEM Adjustable Torque Arms are no longer available. Use Euclid E-2512 and E-2513 Adjustable Torque Arms.

LEAF SPRING REFERENCES

SRI No.	
55-883	7 Leaf
55-993	10 Leaf

DAYTON "TRUCKMASTER" SUSPENSION PARTS

Truck/Tractor

N/A = Part no longer available

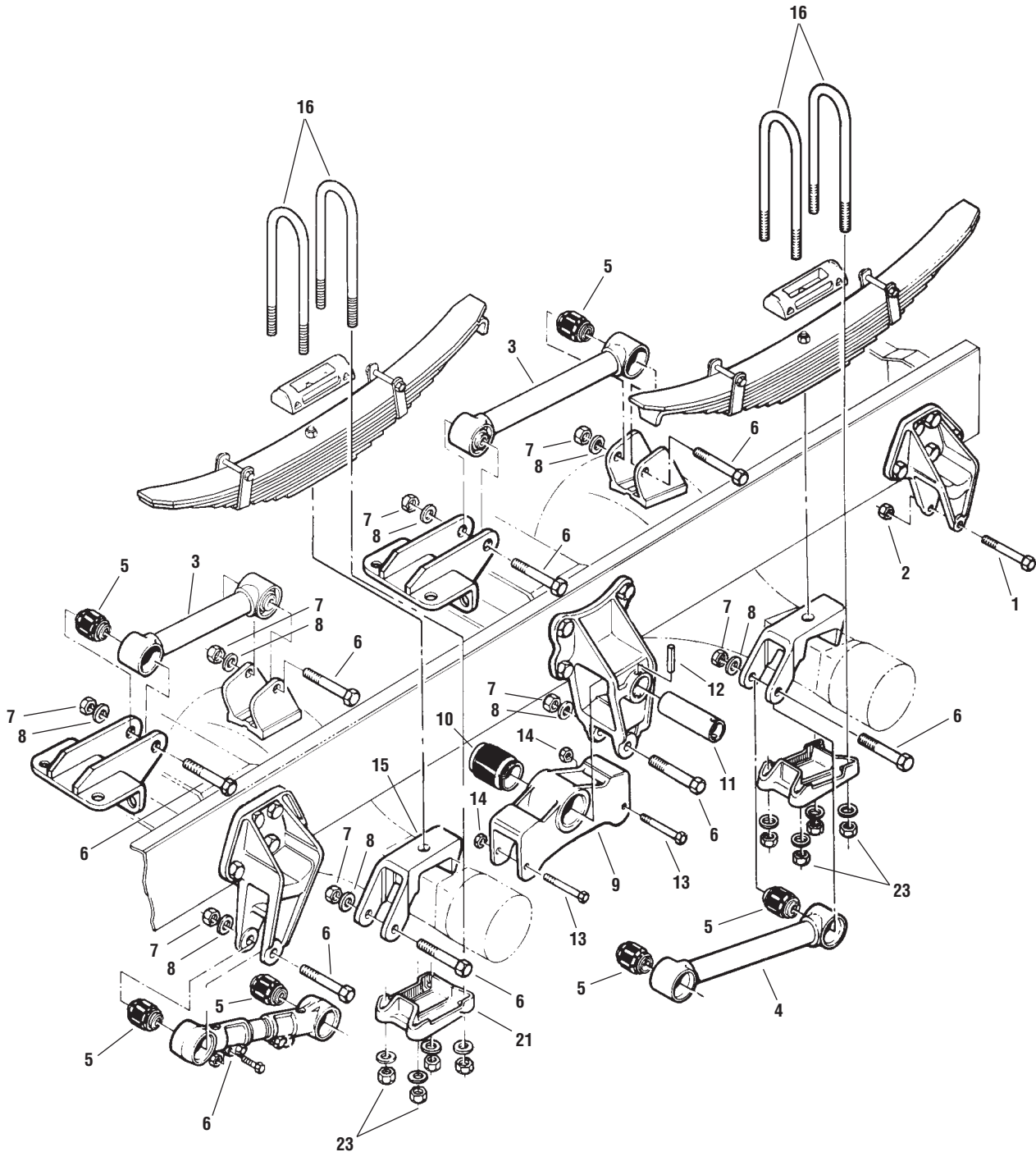
KEY NO.	EUCLID NO.	REPLACES DAYTON NO.	DESCRIPTION	QUANTITY PER TANDEM	DODGE MACK WHITE	FORD	GMC	PAGE NO.
1	E-3224	08-203551	Spring rebound bolt, rear hanger	2	X	X	X	2-32
2	E-2988	08-203440	Spring rebound nut, rear hanger	3	X	X	X	2-34
3	Use E-2512	39090035	Adjustable torque arm	3	X	X	X	1-30
	E-2512	39090029	Adjustable torque arm		X	X	X	
4	Use E-2513	39090036	Adjustable torque arm	3	X	X	X	1-30
	E-2513	39090030	Adjustable torque arm		X	X	X	
—	E-3087	—	Torque arm bushing assembly, for 39090035 / 39090036. Includes key nos. 8, 9, 10, 11	12	X	X	X	1-29
	E-1981	—	Torque arm bushing assembly, for E-2512 / E-2513 Includes key nos. 8, 9, 10	12	X	X	X	
5	E-3086 (Rubber)	39400013	Torque Arm bushing, for 39090035 / 39090036	12	X	X	X	1-29
	E-1980 (Rubber)	39400016	Torque Arm Bushing, for E-2512 / E-2513		X	X	X	1-29
	E-7520 (Poly)	39400016	Torque Arm Bushing, for E-2512 / E-2513		X	X	X	1-29
6	E-901	08-203488	Torque arm bolt, all	12	X	X	X	2-32
7	E-2983	08-204568	Torque arm nut, all	12	X	X	X	2-34
8	E-2546	08-204565	Torque arm washer, for 39090035 / 39090036	12	X	X	X	2-35
9	E-3080	39240007	Equalizer assembly, includes bushing	2	X	X	X	1-29
—	E-3085A	—	Equalizer bushing assembly, includes key nos. 13, 14, 15	2	X	X	X	1-29
10	E-3082	39400014	Equalizer bushing	2	X	X	X	1-29
11	E-3083A	39400089	Equalizer shaft	2	X	X	X	1-30
12	E-1279	08-204569	Groove pin	2	X	X	X	1-30
13	N/A	08-203531	Spring rebound bolt, equalizer	4	X	X	X	—
14	E-UB8161-12	—	U-bolt assembly, rd. bend, 7/8"-14 Thd. x 3" Wide x 12" Long	8	X	X	X	2-25
	E-UB8161-14	—	U-bolt assembly, rd. bend, 7/8"-14 Thd. x 3" Wide x 14" Long		X	X	X	
	E-UB8161-16	—	U-bolt assembly, rd. bend, 7/8"-14 Thd. x 3" Wide x 16" Long		X	X	X	
	E-UB8161-18	—	U-bolt assembly, rd. bend, 7/8"-14 Thd. x 3" Wide x 18" Long,		X	X	X	
	E-UB8165-12	—	U-bolt assembly, rd. bend, 7/8"-14 Thd. x 5" Wide x 12" Long,		X	X	X	2-26
	E-UB8165-14	—	U-bolt assembly, rd. bend, 7/8"-14 Thd. x 5" Wide x 14" Long,		X	X	X	

1

DAYTON/NAVISTAR SUSPENSION

Truck/Tractor

1



LEAF SPRING REFERENCES

SRI No.

55-883

7 Leaf (I.H.)

Note: Rigid Torque Arms and OEM Adjustable Torque Arms are no longer available. Use Euclid E-2512 and E-2513 Adjustable Torque Arms.

DAYTON/NAVISTAR SUSPENSION PARTS

Truck/Tractor

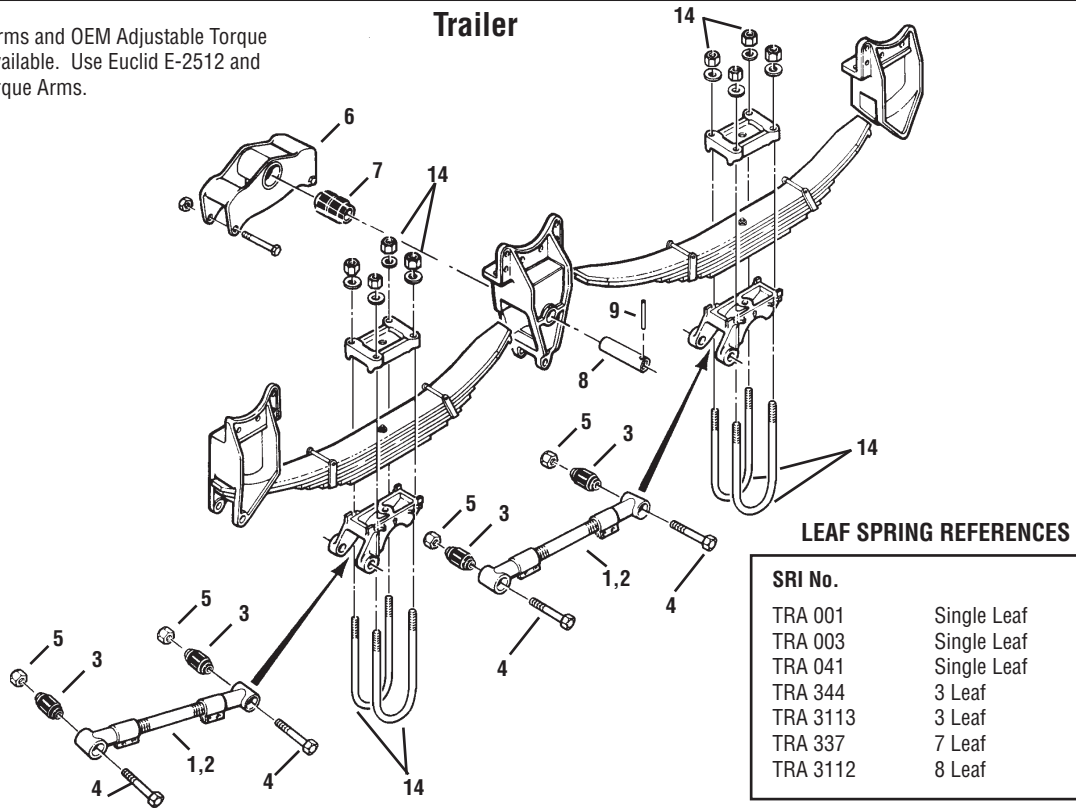
N/A = Part no longer available

KEY NO.	EUCLID NO.	REPLACES DAYTON NO.	DESCRIPTION	QUANTITY PER TANDEM	PAGE NO.
1	E-3224	08-203551	Spring Rebound Bolt, Rear Hanger 3	2-32	
2	E-2988	08-203440	Spring Rebound Nut, Rear Hanger 3	2-34	
3	Use E-2512	412594C93	Adjustable Torque Arm, Curbside, Upper and Lower Front	2	1-30
	Use E-2513	412595C93	Adjustable Torque Arm, Curbside, Upper and Lower Rear	2	
4	Use E-2512	412592C91	Rigid Torque Arm, Roadside, Lower Front	1	1-30
	Use E-2513	412593C91	Rigid Torque Arm, Roadside, Lower Rear	1	
—	E-3087	—	Torque Arm Bushing Assembly, for Original OEM Torque Arms Includes Key Nos. 8, 9, 10, 11	12	1-29
—	E-1981	—	Torque Arm Bushing Assembly, for E-2512 or E-2513 Torque Arms Includes Key Nos. 8, 9, 10	12	1-29
5	E-3086 (Rubber)	412587C1	Torque Arm Bushing, for Original OEM Torque Arms	12	1-29
	E-1980 (Rubber)	39400016	Torque Arm Bushing, for E-2512 or E-2513 Torque Arms	12	1-29
	E-7520 (Poly)				
6	E-901	346951C1	Torque Arm Bolt, All	12	2-32
7	E-2983	414001	Torque Arm Nut, All	12	2-34
8	E-2546	08-204568	Torque Arm Washer, for Original OEM Torque Arms	12	2-35
9	E-3081	377202C11	Equalizer Assembly, Includes Bushing	2	1-29
—	E-3085A	—	Equalizer Bushing Assembly, Includes Key Nos. 13, 14, 15	2	1-29
10	E-3082	377203C11	Equalizer Bushing	2	1-29
11	E-3083A 365350C1	Equalizer Shaft	2	1-30	
12	E-1279	08-204569	Groove Pin	2	1-30
13	N/A	08-203531	Spring Rebound Bolt, Equalizer	4	—
14	E-3560	334-490	Spring Rebound Nut, Equalizer	4	2-34
15	E-3214	39060087	Axle Seat, Front Axle, Rockwell SQHD, SLHD, 3 3/4" High	2	1-30
16	E-UB8161-12	—	U-Bolt Assembly, Rd. Bend, 7/8"-14 Thd. x 3" Wide x 12" Long	8	2-25
	E-UB8161-14	—	U-Bolt Assembly, Rd. Bend, 7/8"-14 Thd. x 3" Wide x 14" Long		
	E-UB8161-16	—	U-Bolt Assembly, Rd. Bend, 7/8"-14 Thd. x 3" Wide x 16" Long		
	E-UB8161-18	—	U-Bolt Assembly, Rd. Bend, 7/8"-14 Thd. x 3" Wide x 18" Long		
	E-UB8165-12	—	U-Bolt Assembly, Rd. Bend, 7/8"-14 Thd. x 5" Wide x 12" Long	8	2-26
	E-UB8165-14	—	U-Bolt Assembly, Rd. Bend, 7/8"-14 Thd. x 5" Wide x 14" Long		

1

DAYTON "TRI-LITE" TRAILER SUSPENSION

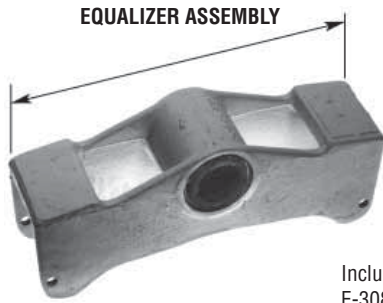
Note: Rigid Torque Arms and OEM Adjustable Torque Arms are no longer available. Use Euclid E-2512 and E-2513 Adjustable Torque Arms.



N/A = Part no longer available

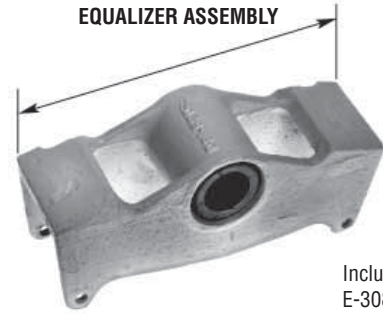
KEY NO.	EUCLID NO.	REPLACES DAYTON NO.	DESCRIPTION	QUANTITY PER TANDEM	PAGE NO.
1	E-2512	39090029	Adjustable Torque Arm, Front Axle, Roadside	1	1-30
	E-2513	39090030	Adjustable Torque Arm, Rear Axle, Roadside	1	1-30
2	Use E-2512	39080011	Rigid Torque Arm, Front Axle, Curbside, 16 1/2" Center-to-Center	1	1-30
	Use E-2512	39080063	Rigid Torque Arm, Front Axle, Curbside, 17 1/2" Center-to-Center		
	Use E-2513	39080089	Rigid Torque Arm, Rear Axle, Curbside, 19 1/2" Center-to-Center	1	1-30
	Use E-2513	39080092	Rigid Torque Arm, Rear Axle, Curbside, 20" Center-to-Center		
—	E-1981	—	Torque Arm Bushing Assembly, Includes Key Nos. 6, 7, 8	8	1-29
3	E-1980 (Rubber)	39400016	Torque Arm Bushing	8	1-29
	E-7520 (Poly)				
4	E-901	08-203488	Torque Arm Bolt	8	2-32
5	E-2983	08-204568	Torque Arm Nut	8	2-34
6	E-3080	39240007	Equalizer Assembly - Includes Bushing 2	1-29	
—	E-3085A	—	Equalizer Bushing Assembly, Includes Key Nos. 10, 11, 12	2	1-29
7	E-3082	39400014	Equalizer Bushing	2	1-29
8	E-3083A	39400089	Equalizer Shaft, 2" O.D. x 6 7/8" Lg.	2	1-30
9	E-1279	08-204569	Groove Pin	2	1-30
10	N/A	08-203531	Spring Rebound Bolt, Equalizer	4	—
11	E-3560	08-203440	Spring Rebound Nut, Equalizer	4	2-34
12	E-2840	39050021	Top Plate, 5" Rd. and 5" Sq. Axles, with U-Bolts Down	As Required	1-30
13	E-2842	—	Delrin Spring Liner	As Required	1-30
14	E-UB8161-12	—	U-Bolt Assembly, Rd. Bend, 7/8"-14 Thd. x 3" Wide x 12" Long	8	2-25
	E-UB8161-14	—	U-Bolt Assembly, Rd. Bend, 7/8"-14 Thd. x 3" Wide x 14" Long		
	E-UB8161-16	—	U-Bolt Assembly, Rd. Bend, 7/8"-14 Thd. x 3" Wide x 16" Long		
	E-UB8161-18	—	U-Bolt Assembly, Rd. Bend, 7/8"-14 Thd. x 3" Wide x 18" Long		
	E-UB8165-12	—	U-Bolt Assembly, Rd. Bend, 7/8"-14 Thd. x 5" Wide x 12" Long	8	2-26
	E-UB8165-14	—	U-Bolt Assembly, Rd. Bend, 7/8"-14 Thd. x 5" Wide x 14" Long		

DAYTON SUSPENSION PARTS



Includes
E-3082 Bushing

EUCLID NO.	REPLACES	FOR MODEL
E-3080	Dayton 39240007	"Truckmaster" "Tri-Lite"



Includes
E-3082 Bushing

EUCLID NO.	REPLACES	FOR MODEL
E-3081	Navistar 377202-C11	Navistar

EQUALIZER BUSHING ASSEMBLY



EUCLID NO.	REPLACES	FOR MODEL	INCLUDES
E-3085A	Dayton 39400014 Navistar 377203-C1	"Truckmaster" "Tri-Lite" Navistar	1 E-3082 Bushing
	Dayton 39400021 Navistar 365350-C1		1 E-3083A Shaft
	Dayton 08-204566		1 E-1279 Groove Pin

EQUALIZER BUSHING



EUCLID NO.	REPLACES	FOR MODEL	O.D.	I.D.	LENGTH
E-3082	Dayton 39400014	"Truckmaster" "Tri-Lite" Navistar	3 1/8"	2"	4 1/4"
	Navistar 377203-C1				

TORQUE ARM BUSHING - TRACTOR



EUCLID NO.	REPLACES	FOR MODEL	O.D.	I.D.	LENGTH
E-3086 (Rubber)	Dayton 39400013 Navistar 412587-C1	"Truckmaster" and Late Model Navistar	2 3/8"	7/8"	3"

UPPER and LOWER TORQUE ARM BUSHING ASSEMBLY



EUCLID NO.	REPLACES	FOR MODEL	INCLUDES
E-3087	Dayton 39400013 Navistar 412587-C1	"Truckmaster" and Early Model Navistar	1 E-3086 Bushing
	Dayton 08-203488 Navistar 346951-C1		1 E-901 Bolt
	Dayton 08-204568		1 E-2546 Washer
	Dayton 08-20458 Navistar 414001		1 E-2983 Nut

TORQUE ARM BUSHING ASSEMBLY - TRAILER



EUCLID NO.	REPLACES	FOR MODEL	INCLUDES
E-1981	Dayton 39400016 Navistar 347374-C1	"Tri-Lite" and Early Model Navistar	1 E-1980 Bushing
	Dayton 08-203488 Navistar 346951-C1		1 E-901 Bolt
	Dayton 08-204568 Navistar 414001		1 E-2983 Nut

TORQUE ARM BUSHING - TRAILER



EUCLID NO.	REPLACES	FOR MODEL	O.D.	I.D.	LENGTH
E-1980 (Rubber)	Dayton 39400016 Navistar 347374C1	"Tri-Lite" and Early Model Navistar	1 29/32"	7/8"	3"
E-7520 (Poly)					

DAYTON TORQUE ARMS

ADJUSTABLE



TYPE 1

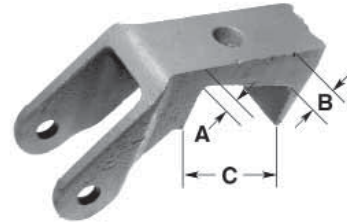
EUCLID NO. WITH BUSHINGS	EUCLID NO. LESS BUSHINGS	REPLACES	FOR MODEL	BUSHING NO.	BUSHING KIT	ADJUSTABLE LENGTH	TYPE
E-2512	E-2292 Front	Dayton 39090029	"Tri-Lite"	E-1980	E-1981	14 3/4" to 18"	1
E-2513	E-2293	Dayton 39090030 Rear	"Tri-Lite"	E-1980	E-1981	18 1/2" to 21 1/2"	1

1

TOP PLATE - TRUCK / TRAILER



SPRING SEAT - TRUCK



EUCLID NO.	REPLACES	FOR MODEL
E-2840	Dayton 39050021	"Truckmaster" and "Tri-Lite"

SPRING LINER PAD



EUCLID NO.	REPLACES	FOR MODEL	PINION ANGLE	A	B	C
E-3214	Navistar 346459-C1 Dayton 39060087	"Truckmaster" Navistar	3°	7/8"	1 1/8"	4 1/4"

EQUALIZER SHAFT



EUCLID NO.	REPLACES	FOR MODEL	WIDTH	LENGTH	THICKNESS
E-2842	—	Dayton "TRI-LITE"	2 7/8"	8"	.043"

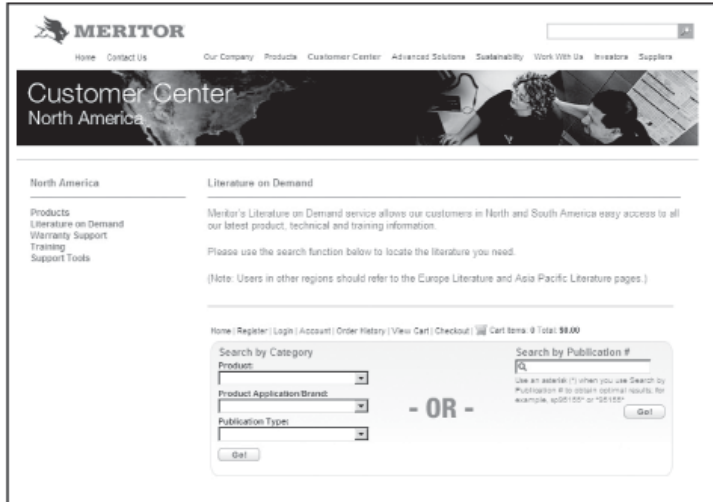
EUCLID NO.	REPLACES	APPLICATION	O.D.	LENGTH
E-3083A	Dayton 39400089	Four-Spring Suspension with Steel Hangers	2"	6 7/8"

LOCK PIN



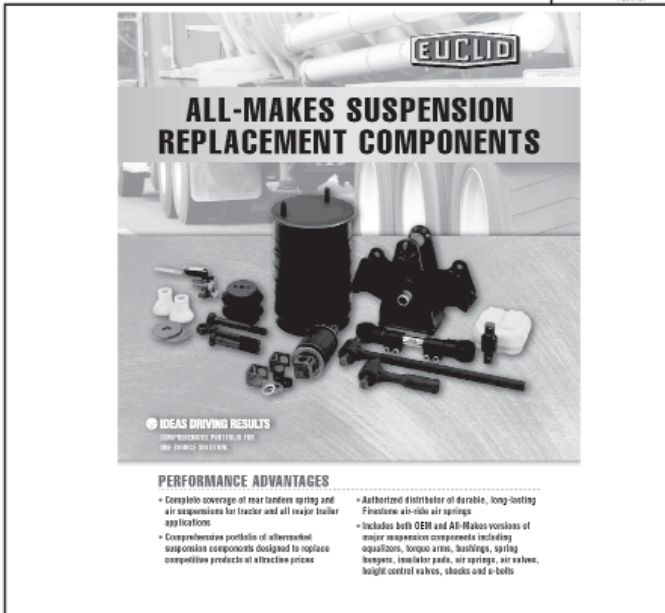
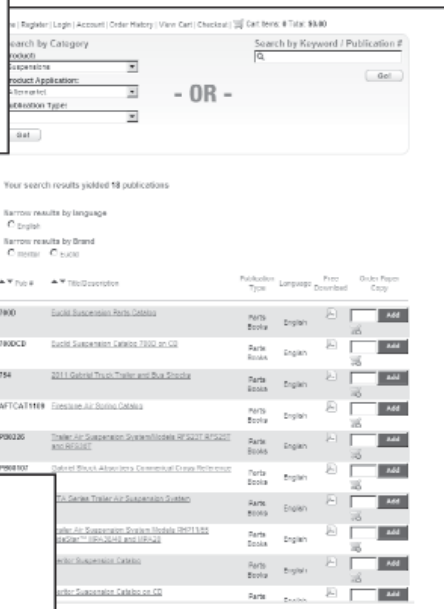
EUCLID NO.	REPLACES	APPLICATION	O.D.	LENGTH
E-1279	Dayton 08-204569	Four-Spring Suspension with Steel Hangers	1/2"	2 3/4"

Literature on Demand available at meritor.com



1. Visit the Customer Center at meritor.com

2. Search for a publication - parts book, sales flier or technical publication

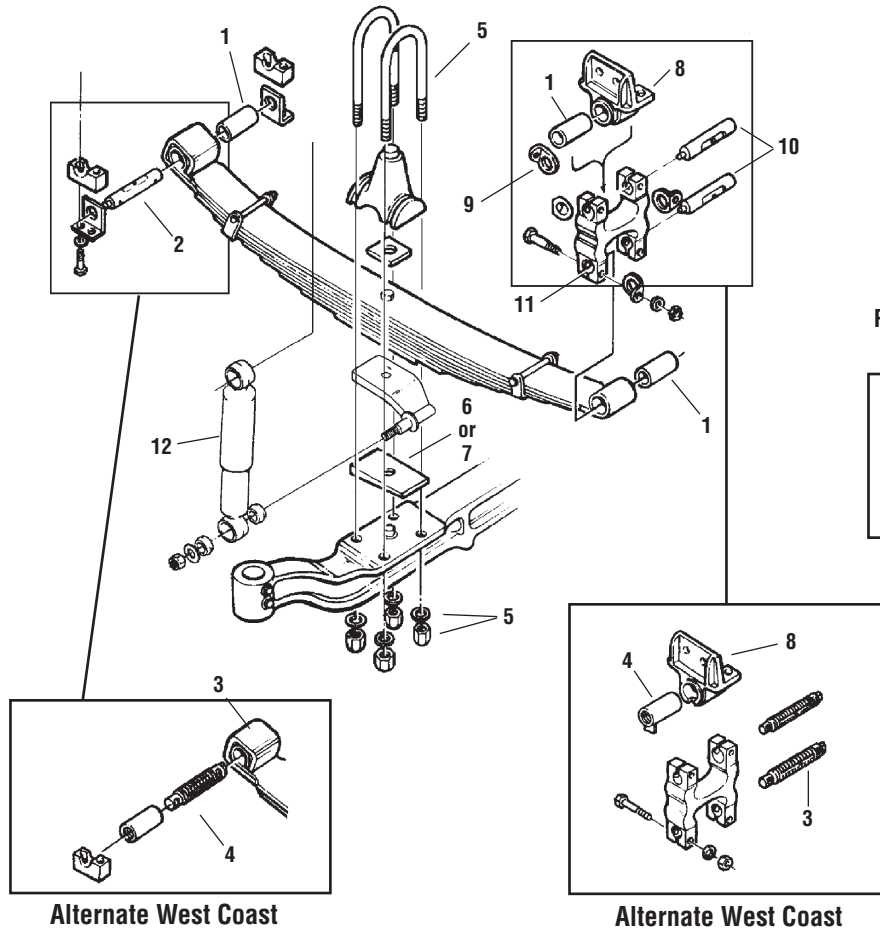


3. Select format - electronic or print

For additional product, technical and training information, contact your nearest product sales team, whose contact information can be found in the online Customer Center.

FREIGHTLINER FRONT SUSPENSION

For 3 1/2" Wide Springs or
4" Wide with Cutdown Eyes To 1993
Truck/Tractor



POPULAR LEAF SPRING REFERENCES

SRI No.	
46-788	7 Leaf
46-790	8 Leaf
46-860	7 Leaf
46-862	7 Leaf

1

N/A - No longer available

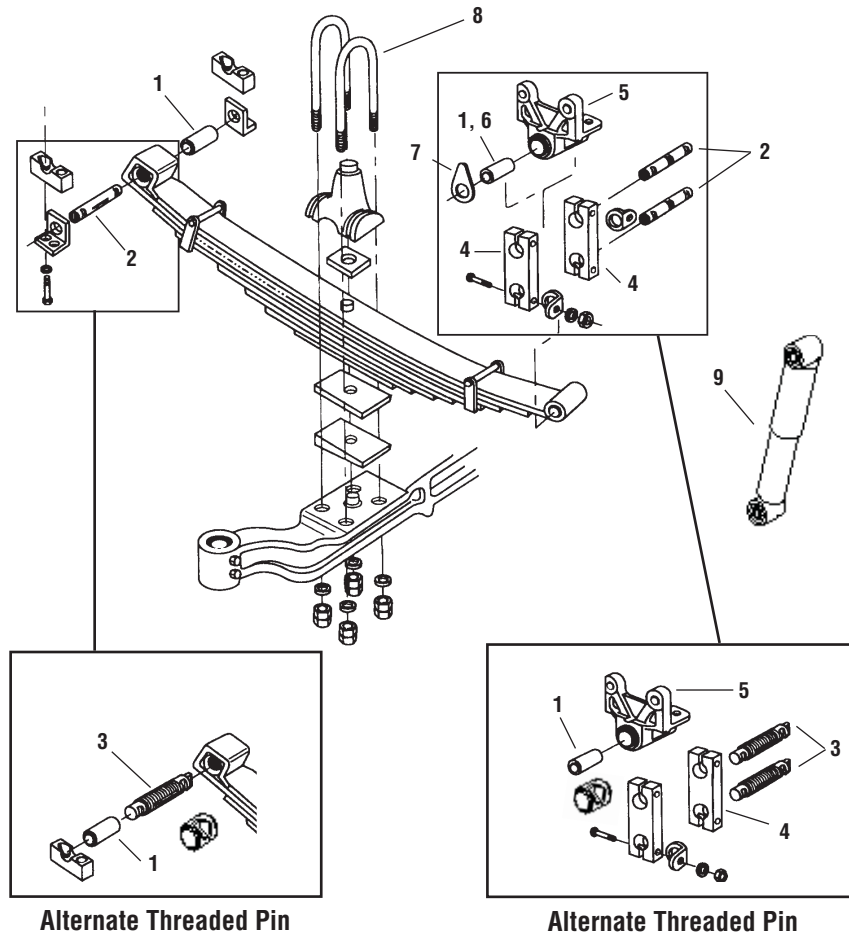
KEY NO.	EUCLID NO.	REPLACES FREIGHTLINER NO.	DESCRIPTION	QUANTITY PER AXLE	PAGE NO.
1	E-3533	16-1005-000	Front and Rear Spring Eye Bushing, Non-Threaded	6	1-40
2	E-3531	16-10509	Front Spring Pin, Non-Threaded	2	1-40
3	E-3532	16-9597	Front and Rear Spring Pin, Threaded	6	1-40
4	E-3534	16-9926	Front and Rear Spring Eye Bushing, Threaded 1 1/4" - 8	6	1-40
4a	E-8799	16-12301-000	Front and Rear Spring Eye Bushing, Threaded 1 1/4" - 7	6	1-40
5	E-UB8153-10	—	U-Bolt Assembly, Rd. Bend, 3/4"-16 Thd. x 3 1/2" Wide x 10" Long	4	2-25
6	N/A	11-7007-2	Axle Shim, 2°	4	—
7	N/A	11-7007-4	Axle Shim, 4°	4	—
8	E-3536	16-9906 16-1003-1	Spring Hanger	2	1-40
9	E-3537A	16-9040-2	Shim	4	1-41
10	E-3530	16-10510	Rear Spring Pin, Non-Threaded	2	1-40
11	N/A	16-2304 16-10241	Spring Shackle	2	—
12	M85302	70042	Shock Absorber	2	3-10
	M85320	10-12032-2	Shock Absorber		

FREIGHTLINER FRONT SUSPENSION

For 4" Wide Springs
FLD112, 120 Conventional, COE

**POPULAR
LEAF SPRING REFER-
ENCE**

SRI No.	
46-122	3 Leaf
46-220	3 Leaf



Alternate Threaded Pin

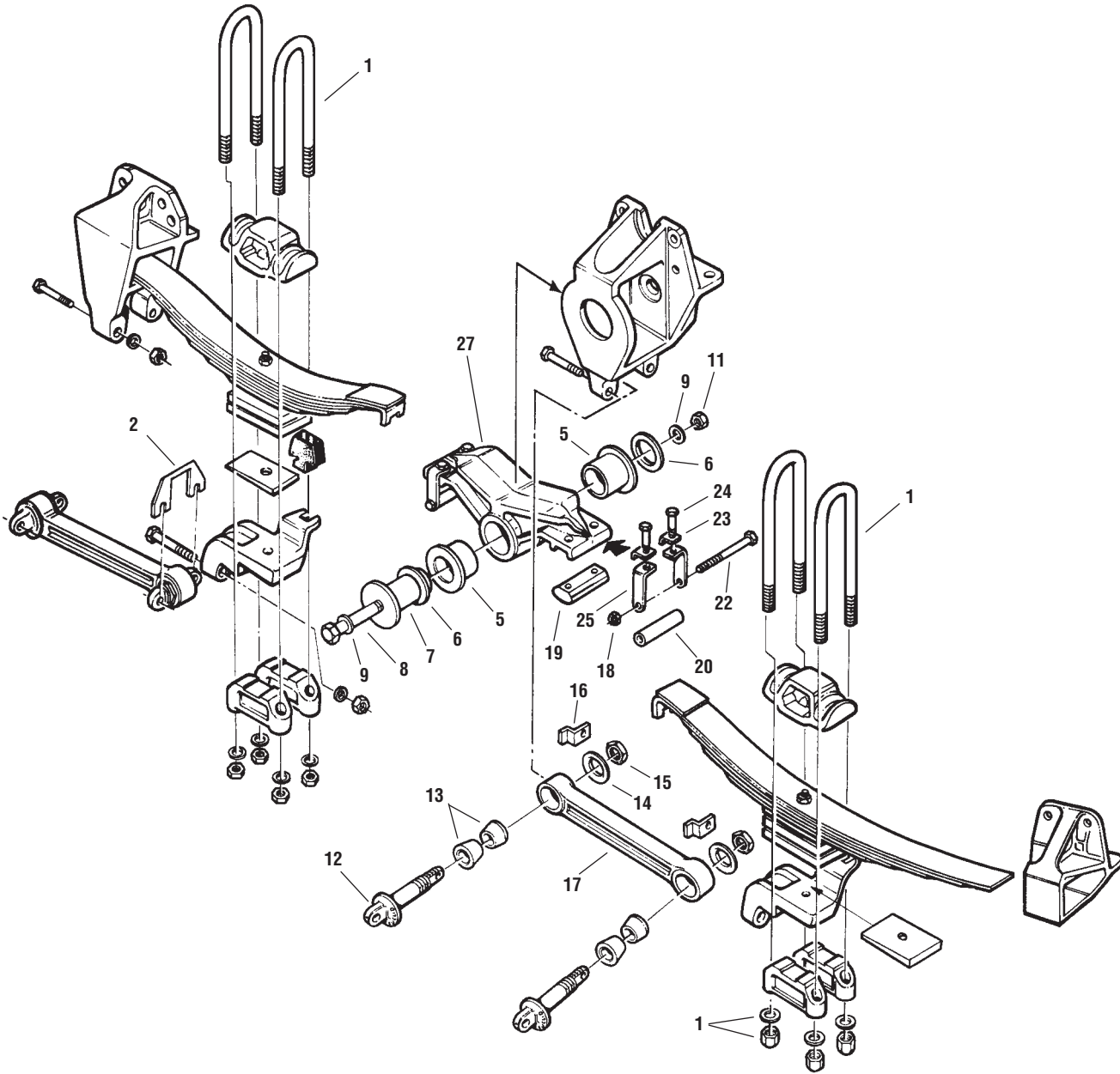
Alternate Threaded Pin

KEY NO.	EUCLID NO.	REPLACES FREIGHTLINER NO.	DESCRIPTION	QUANTITY PER AXLE	PAGE NO.
1	E-1876	16-12399-001	Bronze Bushing, 1 1/2" OD x 1 1/4" ID x 4"	4 or 6	1-40
	E-8799	16-12301-000	Spring Eye Bushing, Threaded 1 1/4"-7 OD x 1 1/2"	6	1-40
2	E-8796	16-13470-000	Spring Pin, 1 1/4" OD x 6 7/8" OAL	6	1-40
3	E-8800	16-12302-000	Spring Pin, Threaded	6	1-40
4	E-8795	16-11890-000 (Aluminum) 16-11890-001 (Steel)	Shackle Side Bar	4	1-41
5	E-8854	A16-12358-000	Rear Shackle Hanger-Bronze Bushing	2	1-41
	E-8855	A16-12358-001	Rear Shackle Hanger-Threaded Bushing	2	1-41
6	E-8797	16-01005-002	Bronze Bushing, 1 5/8" OD x 1 1/4" ID x 4"	2	1-40
7	E-8798	16-12265-000	Shim	4	1-41
8	E-UB8154-10	11-09363-110	U-Bolt Assembly, Rd. Bend 3/4"-16 Thd. x 4" Wide x 10" Long	4	2-25
	E-UB8154-12		U-Bolt Assembly, Rd. Bend 3/4"-16 Thd. x 4" Wide x 12" Long	4	2-25
	E-UB8164-10	11-09624-120	U-Bolt Assembly, Rd. Bend 7/8"-14 Thd. x 4" Wide x 10" Long	4	2-26
	E-UB8164-12		U-Bolt Assembly, Rd. Bend 7/8"-14 Thd. x 4" Wide x 12" Long	4	2-26
9	M85302	70042	Shock, FLD112	2	3-10
	M89420		Shock, FLD112		
	M85320	10-12302-000,1	Shock, FLD112,120	2	3-10
	M89429		Shock, FLD112,120		

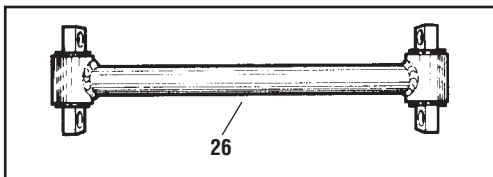
FREIGHTLINER FH34 SUSPENSION

Truck/Tractor

1



LIGHTWEIGHT STEEL TUBULAR ROD



Alternate for O.E.M. Rod

LEAF SPRING REFERENCES

SRI No.	
A16-11820	3 Leaf
46-705	6/1 Leaf
46-901	6/2 Leaf
46-177	7/1 Leaf Interchangeable
46-897	7/1 Leaf Interchangeable
46-173	8 Leaf Interchangeable
46-179	8 Leaf Interchangeable
46-909	8 Leaf Interchangeable

FREIGHTLINER FH34 SUSPENSION PARTS

Truck/Tractor

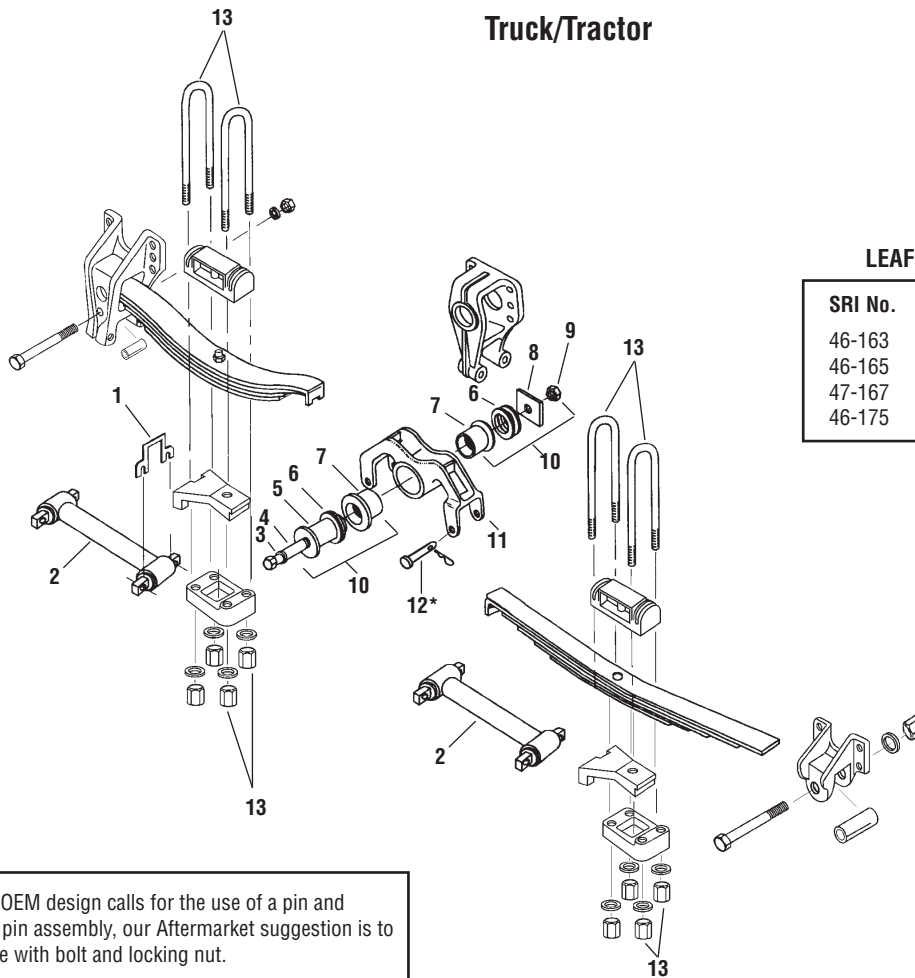
N/A = No Longer Available

KEY NO.	EUCLID NO.	REPLACES FREIGHTLINER NO.	DESCRIPTION	QUANTITY PER TANDEM	PAGE NO.
1	E-UB8154-18	—	U-Bolt Assembly, Rd. Bend, 3/4"-16 Thd. x 4" Wide x 18" Long	8	2-25
2	E-3790	11-9588-1	Torque Arm Shim	As Required	1-43
3	N/A	11-7007-4	Axle Shim, 4°	As Required	1-43
4	N/A	11-7007-2	Axle Shim, 2°	As Required	1-43
—	E-3538	—	Equalizer Bushing Assembly Includes Key Nos. 5, 6, 7, 8, 9, 10, 11	2	1-42
5	E-3540A	A16-10549	Poly Equalizer Bushing	4	1-42
6	E-3541	A16-10177	Washer	4	2-35
7	E-3539	A16-10550	Cap & Tube Assembly	2	1-42
8	E-3542	23-10757-900	Bolt	2	2-32
9	E-2545	23-9114-4	Washer	4	2-35
—	E-3294	—	Torque Arm Bushing Assembly Includes Key Nos. 12, 13, 14, 15, 16	8	1-43
11	E-4961A	23-461-6	Nut	2	2-34
12	E-3295	R16-9848	Torque Arm Pin	8	1-43
13	E-3296	R16-11351	Poly Torque Arm Bushing	16	2-52
14	E-3297	16-10431-C	Washer	16	1-43
15	E-3298	16-10429	Nut	8	2-34
16	E-3299	16-10429	Tab Lock	8	1-43
17	E-3546	16-9864-J	Rigid Torque Arm, Steel, Cast, 18 3/16" Center-to-Center	4	1-42
	E-8941	16-13053	Rigid Torque Arm, Steel, Cast, 16 5/8" Center-to-Center		
—	E-3561A	—	Equalizer Bracket Kit Includes Key Nos. 18-25	4	1-43
18	E-3560	23-9900-208	Lock Nut	4	2-34
19	E-3557	16-9895	Wear Pad	4	1-43
20	E-3558	16-9943	Spacer	4	1-43
22	E-2022	23-10751-550	Bolt	4	1-43
23	E-3556	16-10414	Bolt Lock	8	1-43
24	E-3555	23-9441-175	Cap Screw	8	1-43
25	E-3677	16-09893	Restraint Bracket	8	1-43
26	E-3546	B16-10420-1	Rigid Torque Arm, Steel, Tubular	4	1-42
	E-8941	16-13053	Rigid Torque Arm, Steel, Cast, 16 5/8" Center-to-Center	4	1-42
	E-9869	16-13054-000	Rigid Torque Arm, 16 5/8" Center-to-Center	4	1-42
27	E-3917A	16-10175-0	Equalizer, Cast Steel	2	1-42
		16-10175-1			
	E-3917	681-325-04-27	Equalizer Assembly Includes Key Nos. 18, 19, 20, 22, 23, 24, 25	2	1-42

1

FREIGHTLINER FH34A LEAF SPRING SUSPENSION

Truck/Tractor



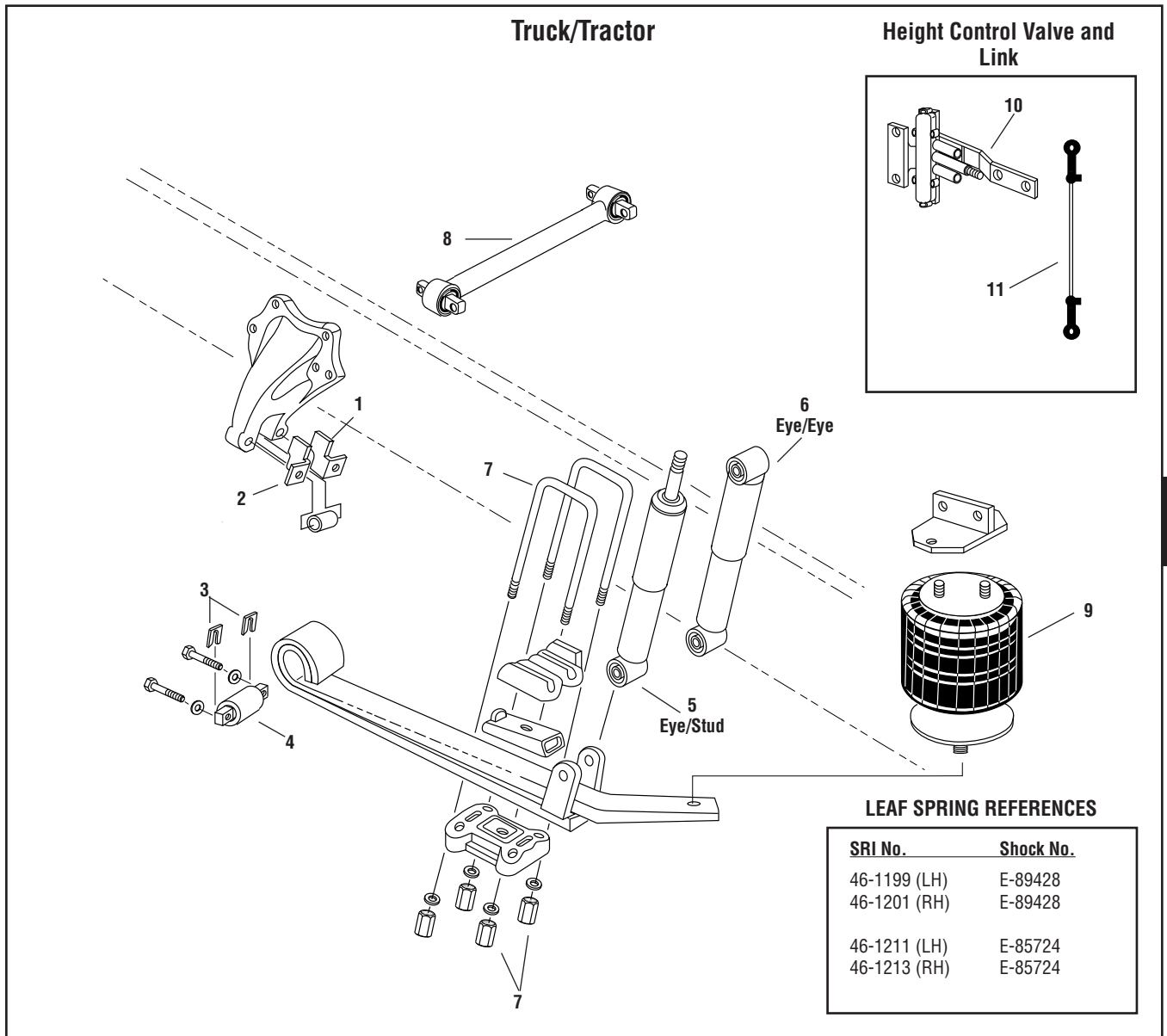
LEAF SPRING REFERENCES

SRI No.	
46-163	3 Leaf, 36K#
46-165	3 Leaf, 40K#
47-167	7 Leaf, 36K#
46-175	8 Leaf, 40K#

* The OEM design calls for the use of a pin and cotter pin assembly, our Aftermarket suggestion is to replace with bolt and locking nut.

KEY NO.	EUCLID NO.	REPLACES FREIGHTLINER NO.	DESCRIPTION	QUANTITY PER TANDEM	PAGE NO.
1	E-3790	11-9588-1	Torque Arm Shim	As Required	1-43
2	E-8941	16-13053-000	Rigid Torque Arm, 1 9/16" Tube Diameter	4	1-42
	E-9869	16-13054-000	Heavy-Duty Torque Arm; 1 15/16" Tube Diameter	4	1-42
3	E-2545	29-9114-4	Washer	8	2-35
4	E-7703	23-9447-900	Bolt	2	2-33
5	E-7702	A16-12591-000	Cap & Tube Assembly	2	1-44
6	E-3541	A16-10177	Washer	4	2-35
7	E-7701	16-13568-000	Poly Equalizer Bushing	4	1-44
8	E-7704	16-12590-000	Retainer Plate	2	1-44
9	E-4961A	23-11480-144	Lock Nut	4	2-34
10	E-7706	—	Equalizer Bushing Assembly Includes Key Nos. 3, 4, 5, 6, 7, 8, 9	2	1-44
11	E-7700	681-325-01-27	Equalizer	2	1-44
12	E-3794	681-325-0174	Rebound Pin	1	1-41
13	E-UB8162-18	681-322-01-25	U-Bolt Assembly, Rd. Bend, 7/8"-14 Thd. x 3 1/8" Wide x 18" Long	8	2-26
		681-322-09-25 681-322-12-25			
	E-UB8162-22	681-322-03-25 681-322-13-25	U-Bolt Assembly, Rd. Bend, 7/8"-14 Thd. x 3 1/8" Wide x 22" Long		

FREIGHTLINER FAS II AIR RIDE SUSPENSION



KEY NO.	EUCLID NO.	REPLACES FREIGHTLINER NO.	DESCRIPTION	QUANTITY PER AXLE	PAGE NO.
1	E-8803	681-325-22-09	Hanger Wear Pad, Right Hand	2	1-46
2	E-8802	681-325-21-09	Hanger Wear Pad, Left Hand	2	1-46
3	E-8805	681-328-13-84	Alignment Shim, 1/8"	As Required	1-46
	E-8806	681-328-21-84	Alignment Shim, 1/16"	As Required	1-46
	E-8809	681-328-16-84	Alignment Shim, 1/16" Thick x 4 3/8" L.	As Required	1-46
	E-8810	681-328-19-84	Alignment Shim, 1/8" Thick x 4 3/8" L.	As Required	1-46
4	E-8804	681-325-01-50	Spring Eye Bushing	2	1-46
5	M85319	681-326-04-00	Shock, FLC112	2	3-16
	M89428	681-326-04-00	Shock, FLC112		
6	M85724	16-13957-000	Shock, FLC112	2	3-27
7	E-UB8267-153	681-325-03-25	U-Bolt Assembly, Sq. Bend, 7/8"-14 Thd. x 5 3/16" W. x15 3/8" L.	4	2-28
8	E-8808	681-326-63-16	Rigid Torque Arm	2	1-46
9	FS9780	681-320-00-17	Air Spring	2	—
10	E-4323	—	Height Control Valve	1	1-46
11	E-7852	1317	Leveling Valve Link Kit	1	1-46

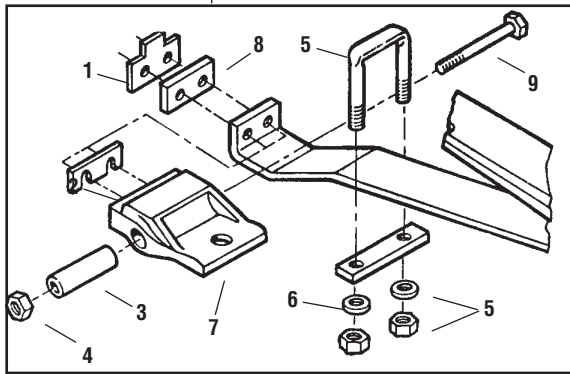
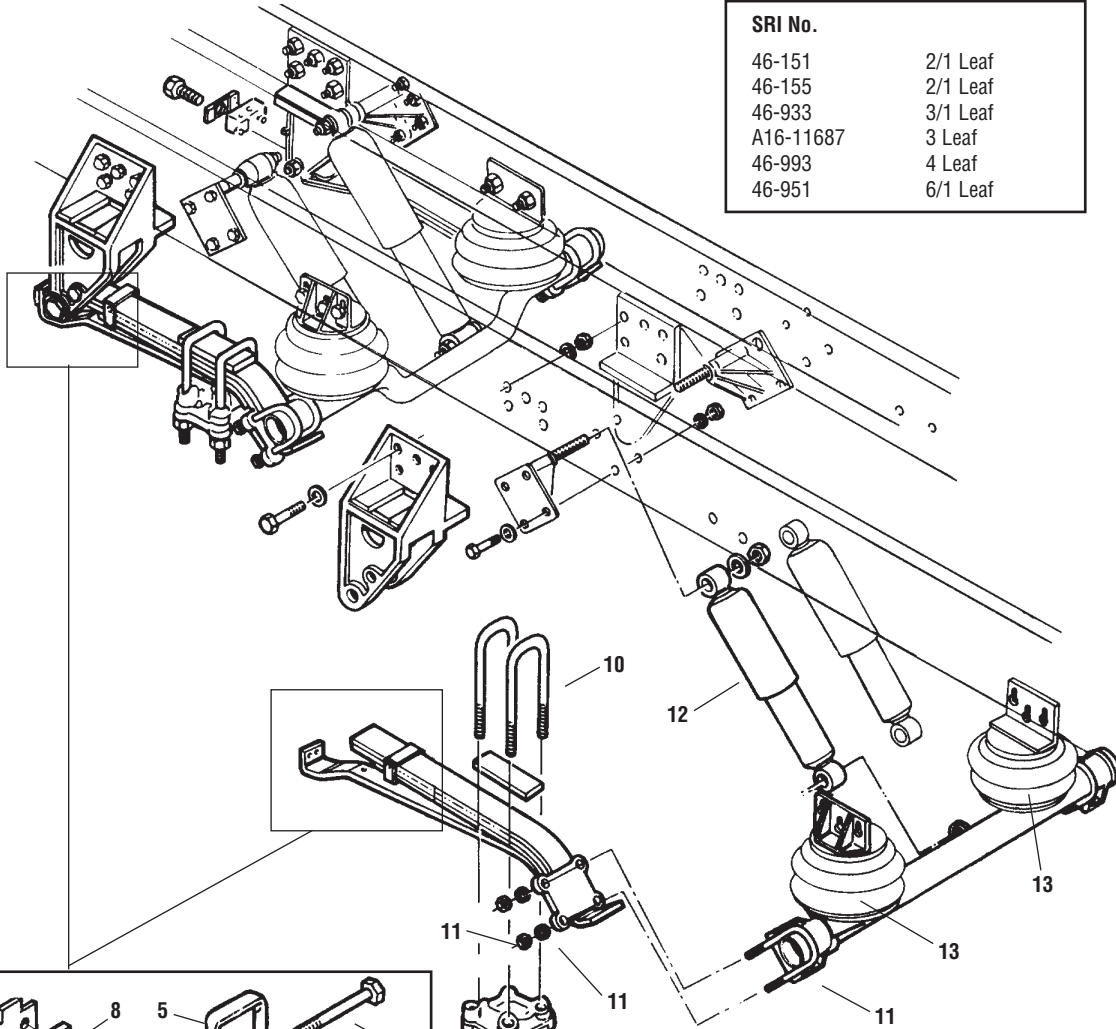
FREIGHTLINER FAS I AIR RIDE SUSPENSION

Truck/Tractor

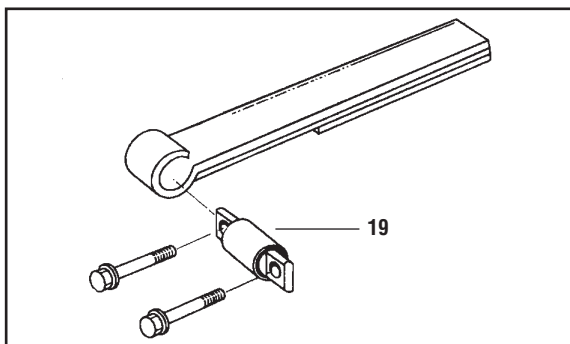
LEAF SPRING REFERENCES

SRI No.

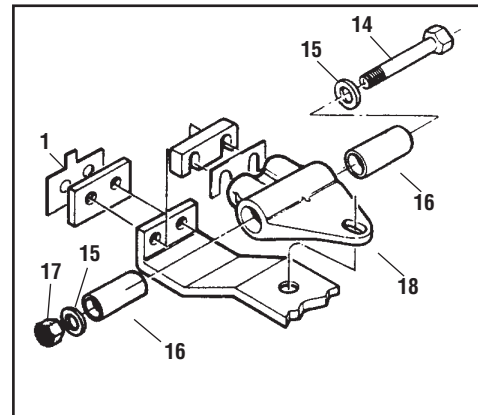
46-151	2/1 Leaf
46-155	2/1 Leaf
46-933	3/1 Leaf
A16-11687	3 Leaf
46-993	4 Leaf
46-951	6/1 Leaf



Late Model



Late Model



Early Model

FREIGHTLINER FAS I AIR RIDE SUSPENSION PARTS

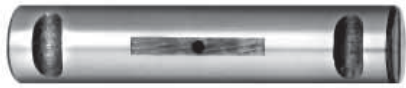
Truck/Tractor

KEY NO.	EUCLID NO.	REPLACES FREIGHTLINER NO.	DESCRIPTION	QUANTITY PER AXLE	PAGE NO.
1	E-3568	16-10790-1	Shim Lock	4	1-45
2	E-3567	16-10790	Shim	As Required	1-45
3	E-3817	IPC236840	Spring Eye Bushing	4	1-44
4	E-1835	23-09598-14	Nut	4	2-34
5	E-UB8554-033	16-11934	U-Bolt Assembly, Flat Sq. Bend, 3/4"-16 Thd. x 4" Wide x 3 3/8" Long	4	1-45
6	E-3819	16-11935	U-Bolt Bottom Pad	4	1-45
7	E-3816A	16-12314-000	Spring Hanger Bracket	4	1-45
8	E-3821A	16-11941-002	Spacer Block	4	1-45
9	E-3818	A6-11908-01	Spring Eye Bolt	4	2-33
10	E-UB8164-16	11-09624-160	U-Bolt Assembly, Rd. Bend, 7/8"-14 Thd. x 4" Wide x 16" Long	4	2-26
11	E-UB8143-074	16-10794	U-Bolt Assembly, Rd. Bend, 5/8"-18 Thd. x 3 1/2" Wide x 7 1/2" Long	4	2-25
12	M85007	16-11133	Shock	2	3-10
		16-12117-000			
	M89412	16-12117-000	Shock		
		665236			
13	FS7410	16-11378	Air Spring	2	—
	FS7400	16-10796			—
—	E-3562	—	Spring Hanger Bracket Bushing Assembly, Early Model Includes Key Nos. 14, 15, 16, 17	4	1-44
14	E-3564	16-10782	Bolt	4	2-33
15	E-3565	16-10784	Washer	8	2-35
16	E-3563	16-11376-0	Spring Hanger Bushing	8	1-44
17	E-1828	23-9901-216	Nut	4	2-34
18	E-3569	16-10795	Spring Hanger Bracket	2	1-45
19	E-9874	HRI-HBUS41	Torque Leaf Bushing	2	1-46

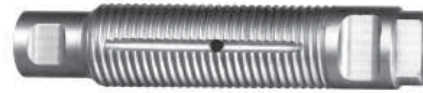
1

FREIGHTLINER FRONT SUSPENSION PARTS

SPRING PIN



SPRING PIN



EUCLID NO.	REPLACES	POSITION	O.D.	O.A.L.
E-3530	Freightliner 16-10510	Rear	1 1/4"	5 3/4"
E-3531	Freightliner 16-10509	Front	1 1/4"	6 3/8"

EUCLID NO.	REPLACES	THD.	O.D.	O.A.L.
E-3532	Freightliner 16-9597	1 1/4"-8	1 1/4"	6 1/8"

SPRING PIN BUSHING
Bronze



SPRING PIN BUSHING
Threaded



EUCLID NO.	REPLACES	O.D.	I.D.	O.A.L.
E-3533	Freightliner 16-1005-000	1 1/2"	1 1/4"	3 1/2"
E-8797	Freightliner 16-01005-002	1 5/8"	1 1/4"	4"

EUCLID NO.	REPLACES	THD.	O.D.	O.A.L.
E-3534	Freightliner 16-9926	1 1/4"-8	1 1/2"	3 1/2"
E-8799	Freightliner 16-12301-000	1 1/4"-7	1 1/2"	4"

SPRING PIN



SPRING PIN
Threaded



EUCLID NO.	REPLACES	O.D.	O.A.L.
E-8796	Freightliner 16-13470-000 (New) 16-12373-000 (Old)	1 1/4"	6 7/8"

EUCLID NO.	REPLACES	THD.	O.D.	O.A.L.
E-8800	Freightliner 16-12302-000	1 1/4"-7	1 1/4"	7 1/8"

ALUMINUM SPRING HANGER



SPRING EYE BUSHING ASSEMBLY



EUCLID NO.	REPLACES	FOR MODEL	INCLUDES
E-3536	Freightliner 16-9906 16-1003-1	Front Suspensions with 3 1/2" Springs	Non-Threaded E-3533 Bushing

EUCLID NO.	REPLACES	O.D.	I.D.	LGTH.
E-1876	Freightlier 16-12399-001	1 1/2"	1 1/4"	3 15/16"

FREIGHTLINER FRONT SUSPENSION PARTS

FRONT HANGER



EUCLID NO.	REPLACES	APPLICATION & GENERAL INFORMATION
E-8854 (Shown)	Freightliner A16-12358-000	Includes E-8797 Bushing (Non-Threaded)
E-8855	Freightliner A16-12358-001	Includes E-8799 Bushing (Threaded)

STEEL SPRING SHACKLE



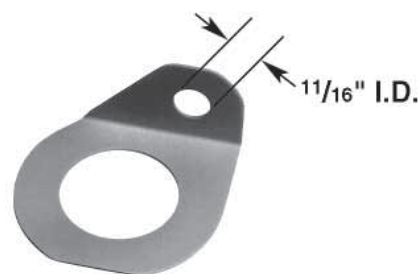
EUCLID NO.	REPLACES	O.A.L.	THICK	WIDTH
E-8795	Freightliner 16-11890-001 (Steel) 16-11890-000 (Aluminum)	7 5/8"	1"	2"

SHIM



EUCLID NO.	REPLACES	I.D.	THICK
E-8798	Freightliner 16-12265-000	1 1/4"	1/8"

SHIM



EUCLID NO.	REPLACES	I.D.	THICKNESS
E-3537A	Freightliner 16-9040-2	1 3/8"	1/16"

RETAINER PIN ASSEMBLY



EUCLID NO.	REPLACES	INCLUDES
E-3794	Freightliner 681-325-0174	4 - Bolts, 5/8" x 4 7/8" Long 4 - Lock nuts

FREIGHTLINER FH34 SUSPENSION PARTS

CAST STEEL EQUALIZER



Bushings Not Included

EQUALIZER ASSEMBLY



Bushings Not Included

EUCLID NO.	REPLACES	FOR MODEL
E-3917A	Freightliner 16-10175-0 Aluminum Freightliner 16-10175-1 Cast Steel	FH 34 4-Spring Suspension

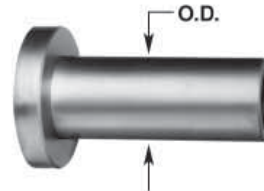
EUCLID NO.	REPLACES	QTY.	EUCLID NO.	DESCRIPTION
E-3917	Freightliner	1	E-3917A	Equalizer
	B16-02440-5	4	E-3555	Screw
		4	E-3556	Bolt Lock
		2	E-3557	Wear Shoe
	For FH34	2	—	Spacer
	4 Spring	2	E-2022	Bolt
	Suspension	2	E-3560	Nut
		4	E-3677	Bracket

1

EQUALIZER BUSHING ASSEMBLY



CAP AND TUBE ASSEMBLY



With Poly

EUCLID NO.	REPLACES	QTY.	EUCLID NO.	DESCRIPTION
E-3538	16-9943	1	E-3539	Cap & Tube Assembly
		2	E-3540A	Bushing
		2	E-3541	Washer
		1	E-3542	Bolt
		1	E-3543	Washer
		1	E-2545	Washer
		1	E-4961A	Nut

EUCLID NO.	REPLACES	O.D.	I.D.	O.A.L.
E-3539	Freightliner A16-10550	2 1/4"	1 5/8"	6 9/16"

EQUALIZER BUSHING



RIGID TORQUE ARM



EUCLID NO.	REPLACES	O.D.	I.D.	O.A.L.
E-3540A (Poly)	Freightliner A16-10549	2 3/4"	2 1/4"	2 3/8"

EUCLID NO.	REPLACES	O.D.	CENTER-TO-CENTER
E-3546	Freightliner B16-10420-1	1 9/16"	18 3/16"
E-8941	Freightliner 16-13053	1 9/16"	16 5/8"
E-9869	Freightliner 16-13054-000	1 15/16"	16 5/8"

FREIGHTLINER FH34 SUSPENSION PARTS

TORQUE ARM BUSHING ASSEMBLY



EUCLID NO.	REPLACES	QTY.	EUCLID NO.	DESCRIPTION
E-3294	—	1	E-3295	Torque Arm Pin
		2	E-3296	Bushing
		1	E-3297	Washer
		1	E-3298	Nut
		1	E-3299	Nut Lock

TORQUE ARM BUSHING



EUCLID NO.	REPLACES	O.D.	I.D.	O.A.L.
E-3296 (Poly)	Freightliner R16-11351	Taper	1 3/8"	1 3/16"

DISCONTINUED

AXLE SHIMS



N/A = No Longer Available

EUCLID NO.	REPLACES	WIDTH	O.A.L.	DEGREE
N/A	Freightliner 11-7007-4	4"	6 7/8"	4°
N/A	Freightliner 11-7007-2	4"	6 7/8"	2°

TORQUE ARM SHIM



1

EUCLID NO.	REPLACES	WIDTH	O.A.L.	THICK
E-3790	Freightliner 11-9588-1	—	5 3/4"	1/16"

EQUALIZER BRACKET KIT

EUCLID KIT E-3561A

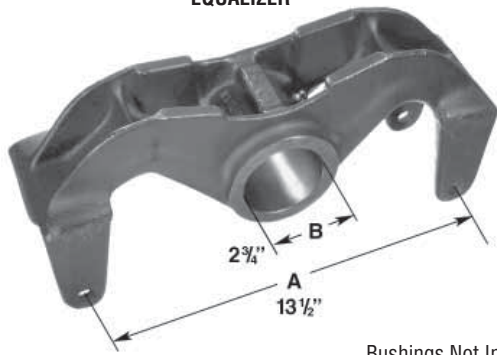
FOR MODEL FH34



ITEM	QTY.	EUCLID NO.	REPLACES FREIGHTLINER NO.	DESCRIPTION
1	2	E-3555	23-9441-175	Cap Screw 1/2"-20 x 1 3/4" Lg.
2	2	E-3556	16-10414	Bolt Lock
3	1	E-3557	16-9895	Wear Pad
4	1	E-3558	16-9943	Spacer 4 1/8" Lg.
5	1	E-2022	23-10751-550	Bolt 1/2"-20 x 3/4" Hex
6	1	E-3560	23-9900-208	Nut (Self-Lock) 1/2" -20 x 3/4" Hex
7	2	E-3677	16-09893	Restraint Bracket

FREIGHTLINER FH34A LEAF SPRING SUSPENSION PARTS

EQUALIZER



Bushings Not Included

EUCLID NO.	REPLACES	A	B	INSIDE WIDTH
E-7700	Freightliner 681 325 01 27	13 1/2"	2 3/4"	3 7/16"

EQUALIZER BUSHING ASSEMBLY



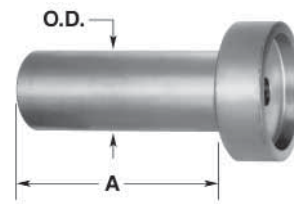
EUCLID NO.	QTY.	EUCLID NO.	DESCRIPTION
E-7706	2	E-7701	Equalizer Bushing
	1	E-7702	Cap & Tube Assembly
	1	E-7703	Equalizer Bolt
	1	E-7704	Retainer Plate
	1	E-2545	Washer
	2	E-3541	Wear Washer
	1	E-4961A	Nut

EQUALIZER BUSHING



EUCLID NO.	REPLACES	O.D.		I.D.		O.A.L.
		Sm.	Lg.	Sm.	Lg.	
E-7701 (Poly)	Freightliner 16-13568-000	2 49/64"	3 3/4"	2 1/4"	2 9/32"	2 9/32"

CAP & TUBE ASSEMBLY



EUCLID NO.	REPLACES	O.D.	I.D.	O.A.L.	A
E-7702	Freightliner A16-12591-000	2 1/4"	1 5/8"	7"	5 3/4"

1

FREIGHTLINER AIR RIDE SUSPENSION PARTS

SPRING HANGER BRACKET BUSHING ASSEMBLY
Early Model



SPRING HANGER BUSHING



EUCLID NO.	REPLACES	QTY.	EUCLID NO.	DESCRIPTION
E-3562	—	2	E-3563	Bushing
		1	E-3564	Bolt
		2	E-3565	Washer
		1	E-1828	Nut

EUCLID NO.	REPLACES	O.D.	I.D.	O.A.L.
E-3563 (Early Model)	Freightliner 16-11376-0	1 5/8"	1 1/16"	3 3/16"
E-3817 (Late Model)	IPC236840	1 3/4"	7/8"	4"

FREIGHTLINER AIR RIDE SUSPENSION PARTS

SHIM



SHIM WITH LOCKING TAB



EUCLID NO.	DESCRIPTION	REPLACES	O.A.L.	THICKNESS
E-3567	Shim	Freightliner 16-10790	3 3/4"	1/16"
E-3568	Shim with Locking Tab	Freightliner 16-10790-1	3 3/4"	1/16"

SPRING HANGER BRACKET
Early Model



EUCLID NO.	REPLACES	I.D.	O.A.L.
E-3569	Freightliner 16-10795	1 5/8"	7 1/8"

Thread Size 5/8"-11

SPRING HANGER BRACKET
Late Model



Includes
E-3817 Bushing

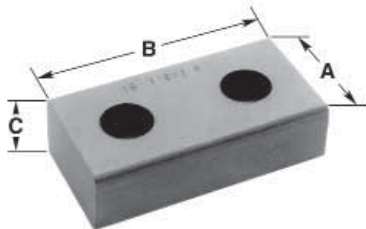
EUCLID NO.	REPLACES	MODEL
E-3816	Freightliner A16-12314-000	Air Ride

U-BOLT BOTTOM PAD
Late Model



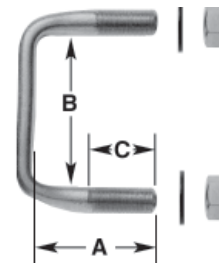
EUCLID NO.	REPLACES	MODEL
E-3819	Freightliner 16-11935	Air Ride

SPACER BLOCK
Late Model



EUCLID NO.	REPLACES	A	B	C
E-3821A	Freightliner 16-11941-002	2"	3 7/8"	1"

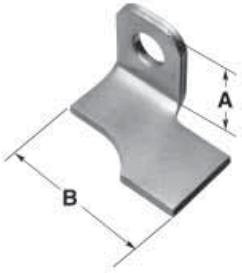
U-BOLT ASSEMBLY
Includes Lock Nuts and Washers



EUCLID NO.	REPLACES	THREAD	A	B	C
E-UB8554-033 (Replaces E-3820)	Freightliner 16-11934	3/4"-16	3 3/8"	4"	1 3/4"

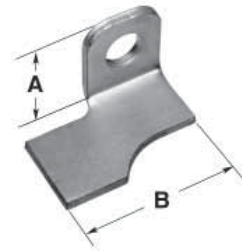
FREIGHTLINER FAS AIR RIDE SUSPENSION PARTS

FRONT HANGER WEAR PAD - Left Hand



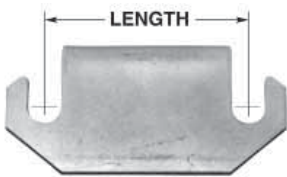
EUCLID NO.	REPLACES	FOR MODEL	HOLE SIZE	A	B
E-8802	Freightliner 681-325-21-09	FAS Air Ride	13/16"	2 1/8"	3 5/16"

FRONT HANGER WEAR PAD - Right Hand



EUCLID NO.	REPLACES	FOR MODEL	HOLE SIZE	A	B
E-8803	Freightliner 681-325-22-09	FAS Air Ride	13/16"	2 1/8"	3 5/16"

TORQUE ARM SHIM



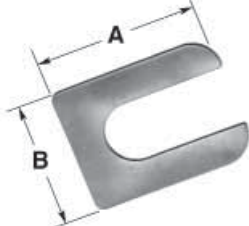
EUCLID	REPLACES	FOR MODEL	HOLE DIA.	THICK-NESS	LENGTH
E-8809	Freightliner 681-328-16-84	FAS Air Ride	45/64"	1/16"	4 3/8"
E-8810	Freightliner 681-328-19-84			1/8"	

RIGID TORQUE ARM



EUCLID NO.	REPLACES	FOR MODEL	LENGTH Center-to-Center
E-8808	Freightliner 681-326-63-16	FAS Air Ride	23"

ALIGNMENT SHIM



EUCLID NO.	REPLACES	FOR MODEL	THICK-NESS	A	B
E-8805	Freightliner 681-328-13-84	FAS Air Ride	1/8"	2 1/8"	1 5/8"
E-8806	Freightliner 681-328-21-84	FAS Air Ride	1/16"	2 1/8"	1 5/8"

HEIGHT CONTROL VALVE



EUCLID NO.	REPLACES	FOR MODEL	GENERAL INFORMATION
E-4323	Neway 900 54 007	FAS Air Ride	Use leveling valve link assembly E-7852

LEVELING VALVE LINK KIT



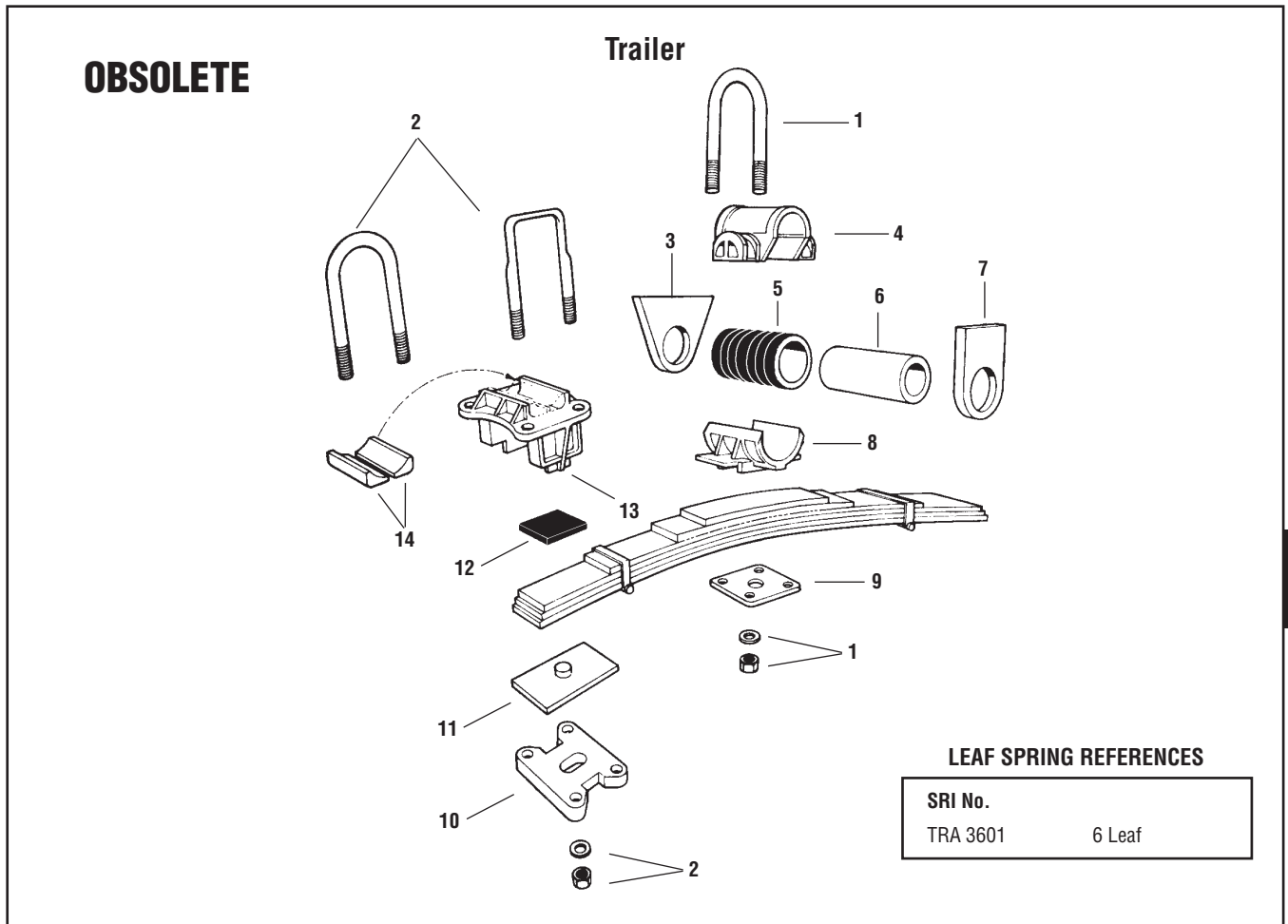
SPRING EYE BUSHING



EUCLID NO.	REPLACES	FOR MODEL	RANGE
E-7852	Freightliner 1317 Neway SRK 168	FAS Air Ride	Use for applications requiring vertical mounting only.

EUCLID NO.	REPLACES	FOR MODEL	O.D.	HOLE DIA.	C.T.C.	THICK-NESS
E-8804	Freightliner 681-325-01-50	FAS Air Ride	2 1/2"	3/4"	5 21/32"	29/32"
E-9874	Freightliner HRI-HBUS41	Air Ride	1 3/4"	5/8"	5 3/8"	29/32"

FRUEHAUF D2 SUSPENSION



FRUEHAUF D2 SUSPENSION PARTS

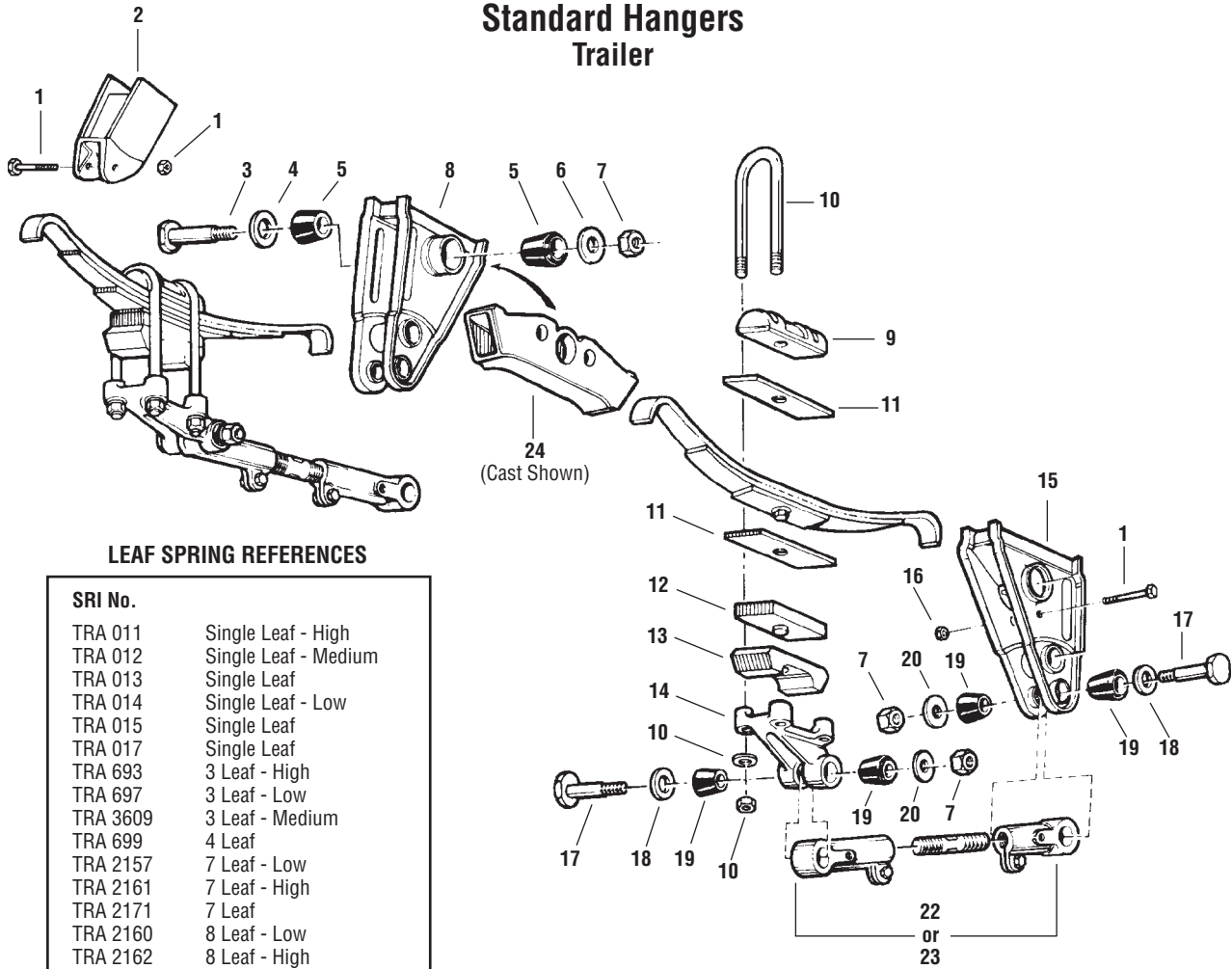
N/A = Part no longer available

Trailer

KEY NO.	EUCLID NO.	REPLACES FRUEHAUF NO.	DESCRIPTION	QUANTITY PER TANDEM	PAGE NO.
1	E-UB8178-126	BXE-000440	U-Bolt Assembly, Rd. Bend, 1"-14 Thd. x 5" Wide x 12 3/4" Long	4	2-26
2	E-UB8178-126	BXE-000440-900	U-Bolt Assembly, Rd. Bend, 1"-14 Thd. x 5" Wide x 12 3/4" Long	8	2-26
	E-UB8575-126	BXE-000460-900	U-Bolt Assembly, Flat Sq. Bend, 1"-14 Thd. x 5" Wide x 12 3/4" Long	8	2-30
3	N/A	UXA-000159	Inner Trunnion End Plate	2	—
4	N/A	UXA-000166	Upper Trunnion Casting	2	—
5	E-3579 (Rubber)	UXA-000160	Trunnion Bushing	2	1-71
	E-8663 (Poly)	UXA-000160-SPX			
6	N/A	UXA-000156	Spring Seat Shaft	2	—
7	N/A	UXA-000158	Outer Trunnion End Plate	2	—
8	N/A	UXA-000167	Lower Trunnion Casting	2	—
9	N/A	UXA-000163	U-Bolt Plate	2	—
10	N/A	UCC-006534-001	Axle Bracket Plate	4	—
11	E-3581	UCE-001350-001	Plate Assembly	4	1-71
12	E-3582	UCD-005635-001	Rubber Pad	4	1-71
13	N/A	UCC-006533-001	Axle Bracket, 5" Square Axle	4	—
	N/A	UCC-007846-001	Axle Bracket, 5" Round Axle	4	—
		UCC-006553-001			
14	N/A	UCC-007845-001	Axle Adapter, 5" Round Axle 4	As Required	—

FRUEHAUF F-2 SUSPENSION

Standard Hangers Trailer



FRUEHAUF F-2 SUSPENSION PARTS Standard Hangers Trailer

KEY NO.	EUCLID NO.	REPLACES FRUEHAUF NO.	DESCRIPTION	QUANTITY PER TANDEM	PAGE NO.
1	E-2829	UXA-000020-001 FSP-005-03-012 FSP-006-02-PK6	Spacer Assembly	2	1-70
2	E-2828	UCF-002470-001	Rear Hanger, Under Mount 2	1-70	
	S.O.S.	UCF-002471-001	Rear Hanger, Straddle Mount 2	—	
	S.O.S.	UXA-00065	Rear Hanger, Cast Left Hand 1	—	
	S.O.S.	UXA-00065-001	Rear Hanger, Cast Right Hand 1	—	
—	E-1024 (Rubber)	UXA-000004-900	Equalizer Bushing Assembly	2	1-66
	E-9361 (Poly)		Includes Key Nos. 3, 4, 5, 6, 7		
3	E-1019	UXA-000015-001	Equalizer Bolt (Solid)	2	1-66
4	E-2832	UXA-000356-002	Outer Washer	2	2-35

Continued on next page

FRUEHAUF F-2 SUSPENSION PARTS

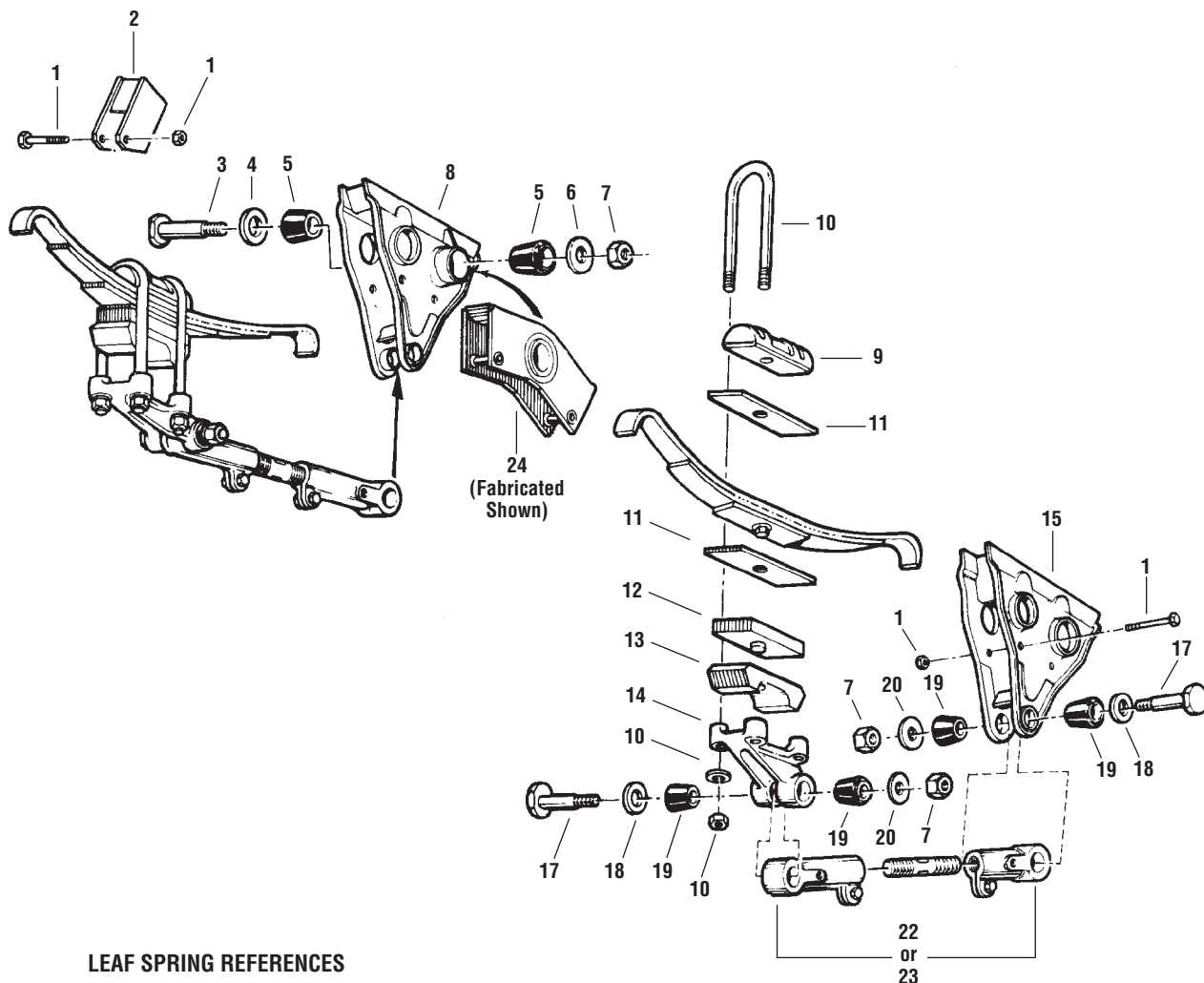
Standard Hangers Trailer

KEY NO.	EUCLID NO.	REPLACES FRUEHAUF NO.	DESCRIPTION	QUANTITY PER TANDEM	PAGE NO.
5	E-1020 (Rubber)	UXA-000004	Equalizer Bushing	4	1-66
	E-7432 (Poly)				
6	E-1021	UXA-000003	Compression Washer	2	2-35
7	E-937	FSP-006-02-PK9	Equalizer Nut	10	2-34
8	E-2827	UXA-000034	Equalizer Hanger, Under Mount, Center	2	1-70
	S.O.S.	UXA-000021	Equalizer Hanger, Straddle Mount	2	—
	N/A	UXA-000067	Equalizer Hanger, Cast, Left Hand	1	—
	N/A	UXA-000067-001	Equalizer Hanger, Cast, Right Hand	1	—
9	E-2839	UCC-005998-001	Spring Saddle, Single Leaf Springs	4	1-68
	E-2840	UCE-008801-001 (New) UCD-007601-007 (Old)	Spring Saddle, Multi-Leaf Springs		
10	E-UB8161-10	UXA-000046-915	U-Bolt Assembly, Rd. Bend, 7/8"-14 Thd. x 3" Wide x 10" Long	8	2-25
	E-UB8161-12	UXA-000046-916	U-Bolt Assembly, Rd. Bend, 7/8"-14 Thd. x 3" Wide x 12" Long		
	E-UB8161-16	UXA-000046-917	U-Bolt Assembly, Rd. Bend, 7/8"-14 Thd. x 3" Wide x 16" Long		
	E-UB8161-18	UXA-000046-918	U-Bolt Assembly, Rd. Bend, 7/8"-14 Thd. x 3" Wide x 18" Long		
11	E-2842	UCE-006632-002 UCE-006632-001	Delrin Liner Top Pad, with Hole	8	1-68
12	E-2838	UXA-000048	Spring Spacer	4	1-68
13	E-2837	AXA-000512-001	Spring Seat	4	1-68
14	E-2836	AXA-000495-001	Axle Bracket	4	1-68
15	E-2826	UCF-002467-001	Front Hanger, Under Mount 2	1-70	
	S.O.S.	UCF-002473-001	Front Hanger, Straddle Mount2	—	
	S.O.S.	UXA-000066	Front Hanger, Cast, Left Hand1	—	
	S.O.S.	UXA-000066-001	Front Hanger, Cast, Right Hand	1	—
—	E-1023 (Rubber)	UXA-000011-900 (1/2)	Torque Arm Bushing Assembly Includes Key Nos. 17,18,19, 20, 21	8	1-67
	E-9362 (Poly)				
17	E-1018	UXA-000016	Torque Arm Bolt	8	1-67
18	E-2833	UXA-000356-001	Outer Washer	8	2-35
19	E-927 (Rubber)	UXA-000011	Torque Arm Bushing	16	1-67
	E-7433 (Poly)				
20	E-1074	UXA-000002	Compression Washer	8	2-35
22	E-2515	UCF-002640-001	Adjustable Torque Arm, 15 7/16" Center-to-Center	2	1-67
23	E-2514	UXA-000026-001	Rigid Torque Arm, 15 7/16" Center-to-Center	2	1-67
24	E-2830	UXA-000017	Equalizer, Cast Steel	2-67	1-66
	E-2831	UCF-001463-001	Equalizer, Fabricated Steel 2		
	E-8931	UCF-006963-001	Equalizer, Ductile Iron (Replaces Fabricated Steel Version)		1-66
	E-9366	UCF-008317-001	Equalizer		1-66
—	S.O.S.	UXA-000063	Hanger Reinforcement	As Required	—
—	S.O.S.	BCB-008841-900	Hanger Wear Plate (Front Spring)	As Required	—
—	S.O.S.	FCA-000759-001	Equalizer Hanger Cross Brace1	—	

S.O.S. = Available through Euclid's S.O.S. Department

FRUEHAUF F-2 SUSPENSION

Wide-Base Hangers Trailer



LEAF SPRING REFERENCES

SRI No.

TRA 011	Single Leaf - High
TRA 012	Single Leaf - Medium
TRA 013	Single Leaf
TRA 014	Single Leaf - Low
TRA 015	Single Leaf
TRA 017	Single Leaf
TRA 693	3 Leaf - High
TRA 697	3 Leaf - Low
TRA 3609	3 Leaf - Medium
TRA 699	4 Leaf
TRA 2157	7 Leaf - Low
TRA 2161	7 Leaf - High
TRA 2171	7 Leaf
TRA 2160	8 Leaf - Low
TRA 2162	8 Leaf - High
TRA 696	9 Leaf - Low

NOTE: To double the life of new bushings re-torque one week after installing. Then retorque three months after installing.

FRUEHAUF F-2 SUSPENSION PARTS

Wide-Base Hangers

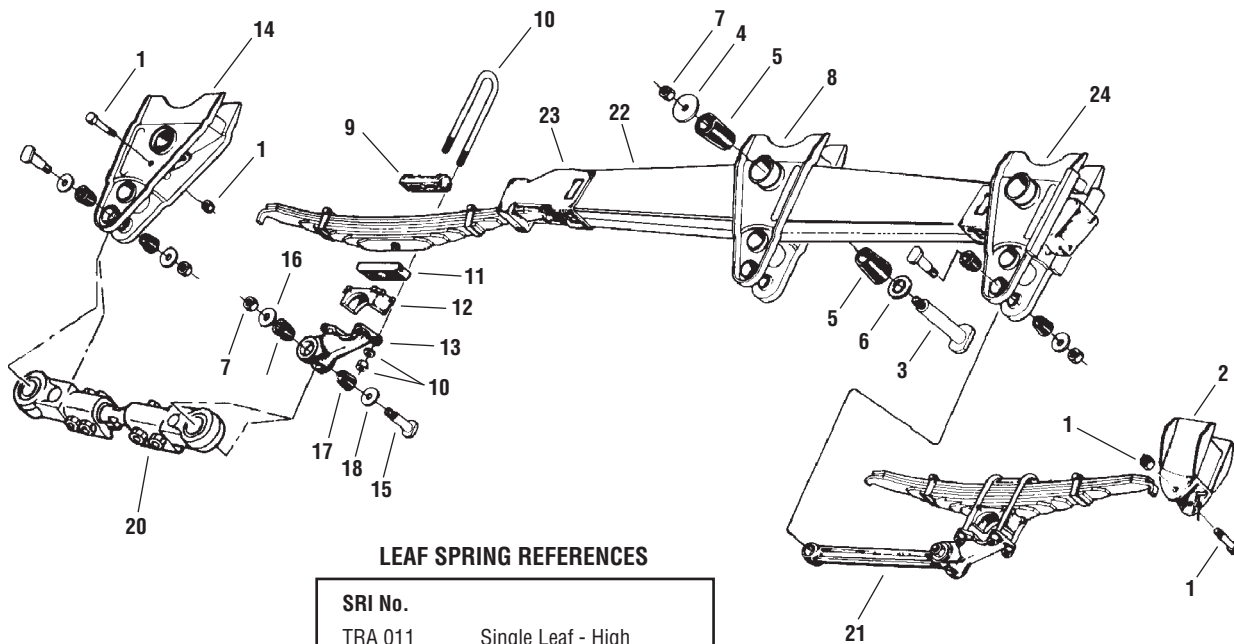
Trailer

KEY NO.	EUCLID NO.	REPLACES FRUEHAUF NO.	DESCRIPTION	QUANTITY PER TANDEM	PAGE NO.
1	E-2829	UXA-000020-001 FSP-005-03-012 FSP-006-02-PK6	Spacer Assembly	4	1-70
2	E-2824	UCF-005858-001	Rear Hanger, Under Mount; 1, 3 or 4 Leaf Springs	2	1-70
	S.O.S.	UCE-007745-001	Rear Hanger, Under Mount; 7, 8 or 9 Leaf Springs	2	—
—	E-1024 (Rubber)	UXA-000004-900	Equalizer Bushing Assembly Includes Key Nos. 3, 4, 5, 6, 7	2	1-66
	E-9361 (Poly)				
3	E-1019	UXA-000015-001	Equalizer Bolt	2	1-66
4	E-2832	UXA-000356-002	Outer Washer	2	2-35
5	E-1020 (Rubber)	UXA-000004	Equalizer Bushing	4	1-66
	E-7432 (Poly)				
6	E-1021	UXA-000003	Compression Washer	2	2-35
7	E-937	FSP-006-02-PK9	Equalizer Nut	10	2-34
8	E-2823	UCE-007746-001	Equalizer Hanger, Under Mount	2	1-70
9	E-2839	UCC-005998-001	Spring Saddle, Single Leaf Springs	4	1-68
	E-2840	UCE-008801-001 (New) UCD-007601-007 (Old)	Spring Saddle, Multi-Leaf Springs		
10	E-UB8161-10	UXA-000046-915	U-Bolt Assembly, Rd. Bend, 7/8"-14 Thd. x 3" Wide x 10" Long	8	2-25
	E-UB8161-12	UXA-000046-916	U-Bolt Assembly, Rd. Bend, 7/8"-14 Thd. x 3" Wide x 12" Long		
	E-UB8161-16	UXA-000046-917	U-Bolt Assembly, Rd. Bend, 7/8"-14 Thd. x 3" Wide x 16" Long		
	E-UB8161-18	UXA-000046-918	U-Bolt Assembly, Rd. Bend, 7/8"-14 Thd. x 3" Wide x 18" Long		
11	E-2842	UCE-006632-002 UCE-006632-001	Delrin Spring Liner Pad	8	1-68
12	E-2838	UXA-000048	Spring Spacer	4	1-68
13	E-2837	AXA-000512-001	Spring Seat	4	1-68
14	E-2836	AXA-000495-001	Axle Bracket	4	1-68
15	E-2822	UCF-001466-001	Front Hanger, Under Mount 2	1-70	
—	E-1023 (Rubber)	UXA-000011-900 (1/2)	Torque Arm Bushing Assembly Includes Key Nos. 17,18,19, 20, 21	8	1-67
	E-9362 (Poly)				
17	E-1018	UXA-000016	Torque Arm Bolt	8	1-67
18	E-2833	UXA-000356-001	Outer Washer	8	2-35
19	E-927 (Rubber)	UXA-000011	Torque Arm Bushing	16	1-67
	E-7433 (Poly)				
20	E-1074	UXA-000002	Compression Washer	8	2-35
22	E-2515	UCF-002640-001	Adjustable Torque Arm, 15 7/16" Center-to-Center	2	1-67
23	E-2514	UXA-000026-001	Rigid Torque Arm , 15 7/16" Center-to-Center	2	1-67
24	E-2830	UXA-000017	Equalizer, Cast Steel	2	1-66
	E-2831	UCF-001463-001	Equalizer, Fabricated Steel 2	2-67	
	E-8931	UCF-006963-001	Equalizer, Ductile Iron (Replaces Fabricated)	2	1-66
	E-9366	UCF-008317-001	Equalizer	2	1-66
—	S.O.S.	UXA-000063	Hanger Reinforcement	As Required	—
—	S.O.S.	BCB-008841-900	Hanger Wear Plate	As Required	—
—	S.O.S.	FCA-000759-001	Equalizer Hanger Cross Brace1	—	

S.O.S. = Available through Euclid's S.O.S. Department

FRUEHAUF F-2W SUSPENSION

Standard Hangers Trailer



LEAF SPRING REFERENCES

SRI No.

TRA 011	Single Leaf - High
TRA 012	Single Leaf - Medium
TRA 013	Single Leaf
TRA 014	Single Leaf - Low
TRA 015	Single Leaf
TRA 017	Single Leaf
TRA 693	3 Leaf - High
TRA 697	3 Leaf - Low
TRA 3609	3 Leaf - Medium
TRA 699	4 Leaf
TRA 2157	7 Leaf - Low
TRA 2161	7 Leaf - High
TRA 2171	7 Leaf
TRA 2160	8 Leaf - Low
TRA 2162	8 Leaf - High
TRA 696	9 Leaf - Low

FRUEHAUF F-2W SUSPENSION PARTS

Standard Hangers Trailer

KEY NO.	EUCLID NO.	REPLACES FRUEHAUF NO.	DESCRIPTION	QUANTITY PER TANDEM	PAGE NO.
1	E-2829	UXA-000020-001 FSP-005-03-012 FSP-006-02-PK6	Spacer Assembly	4	1-70
2	E-2828	UCF-002470-001	Rear Hanger, Under Mount 2	1-70	
	S.O.S.	UCF-002471-001	Rear Hanger, Straddle Mount 2	—	
	S.O.S.	UXA-00065	Rear Hanger, Cast, Left Hand 1	—	
	S.O.S.	UXA-00065-001	Rear Hanger, Cast, Right Hand	1	—
—	E-1024 (Rubber)	UXA-000004-900	Equalizer Bushing Assembly	2	1-66
	E-9361 (Poly)		Includes Key Nos. 3, 4, 5, 6, 7		

FRUEHAUF F-2W SUSPENSION PARTS

Standard Hangers

Trailer

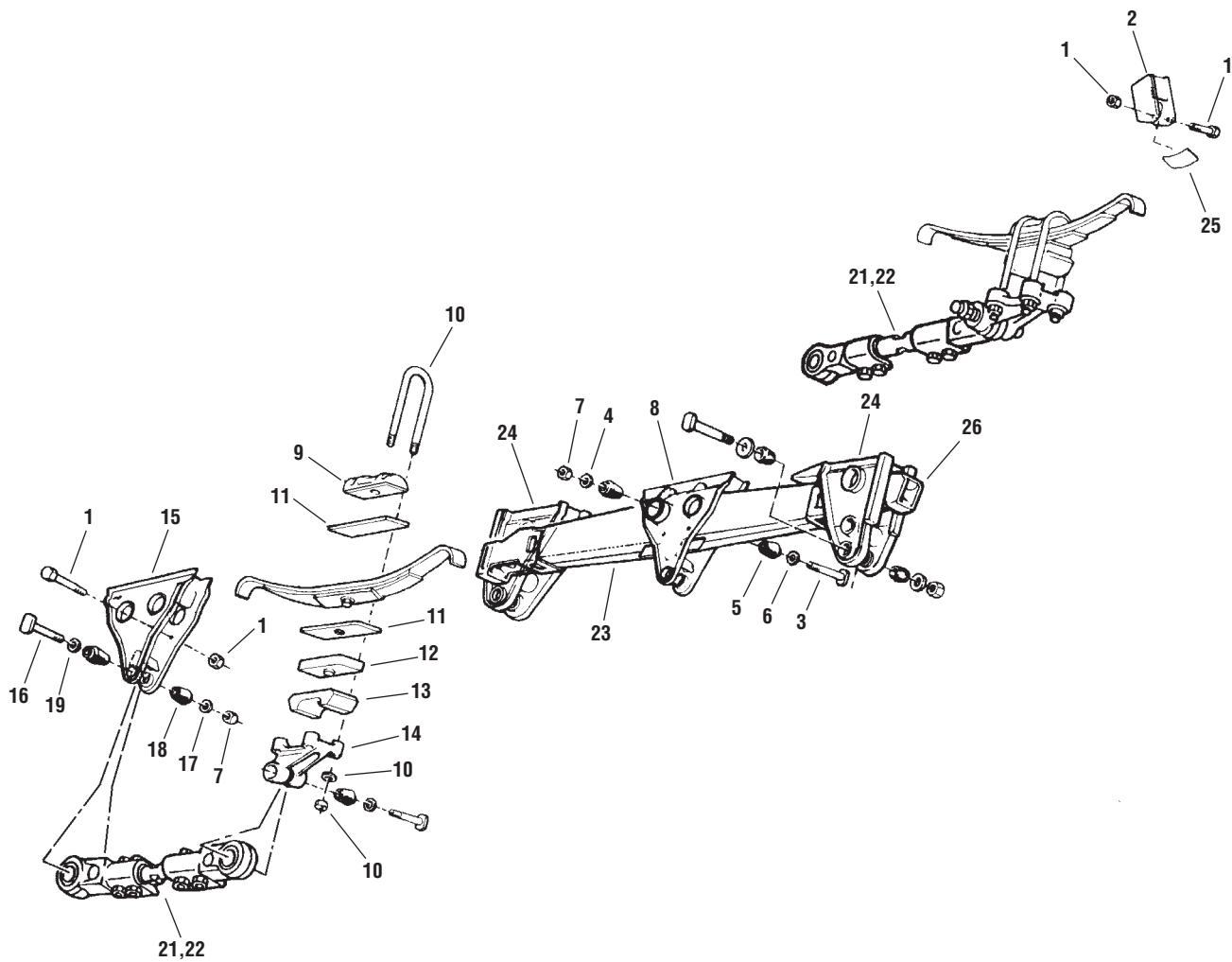
N/A = Part no longer available

KEY NO.	EUCLID NO.	REPLACES FRUEHAUF NO.	DESCRIPTION	QUANTITY PER TANDEM	PAGE NO.
3	E-1019	UXA-000015-001	Equalizer Bolt	2	1-66
4	E-2832	UXA-000356-002	Outer Washer	2	2-35
5	E-1020 (Rubber)	UXA-000004	Equalizer Bushing	4	1-66
	E-7432 (Poly)				
6	E-1021	UXA-000003	Compression Washer	2	2-35
7	E-937	FSP-006-02-PK9	Equalizer Nut	10	2-34
8	E-2827	UXA-000034	Equalizer Hanger, Under Mount	2	1-70
	S.O.S.	UXA-000021	Equalizer Hanger, Straddle Mount	2	—
	S.O.S.	UXA-000067	Equalizer Hanger, Cast, Left Hand	1	—
	S.O.S.	UXA-000067-001	Equalizer Hanger, Cast, Right Hand	1	—
9	E-2839	UCC-005998-001	Spring Saddle, Single Leaf Springs	4	1-68
	E-2840	UCE-008801-001 (New) UCD-007601-007 (Old)	Spring Saddle, Multi-Leaf Springs		
10	E-UB8161-10	UXA-000046-915	U-Bolt Assembly, Rd. Bend, 7/8"-14 Thd. x 3" Wide x 10" Long	8	2-25
	E-UB8161-12	UXA-000046-916	U-Bolt Assembly, Rd. Bend, 7/8"-14 Thd. x 3" Wide x 12" Long		
	E-UB8161-16	UXA-000046-917	U-Bolt Assembly, Rd. Bend, 7/8"-14 Thd. x 3" Wide x 16" Long		
	E-UB8161-18	UXA-000046-918	U-Bolt Assembly, Rd. Bend, 7/8"-14 Thd. x 3" Wide x 18" Long		
11	E-2838	UXA-000048	Spring Spacer	4	1-68
12	N/A	UXA-000047	Spring Seat	4	—
13	S.O.S.	UXA-000028	Axle Bracket	4	—
14	E-2826	UCF-002467-001	Front Hanger, Under Mount 2	1-70	
	S.O.S.	UCF-002473-001	Front Hanger, Straddle Mount2	—	
	S.O.S.	UXA-000066	Front Hanger, Cast, Left Hand1	—	
	S.O.S.	UXA-000066-001	Front Hanger, Cast, Right Hand	1	—
—	E-1023 (Rubber)	UXA-000011-900 (1/2)	Torque Arm Bushing Assembly Includes Key Nos. 17,18,19, 20, 21	8	1-67
	E-9362 (Poly)				
15	E-1018	UXA-000016	Torque Arm Bolt	8	1-67
16	E-2833	UXA-000356-001	Outer Washer	8	2-35
17	E-927 (Rubber)	UXA-000011	Torque Arm Bushing	16	1-67
	E-7433 (Poly)				
18	E-1074	UXA-000002	Compression Washer	8	2-35
20	E-2515	UCF-002640-001	Adjustable Torque Arm, 15 7/16" Center-to-Center	2	1-67
21	E-2514	UXA-000026-001	Rigid Torque Arm, 15 7/16" Center-to-Center	2	1-67
22	S.O.S.	UCC-000364-001	Equalizer, 73" Spread	2	—
	S.O.S.	UXA-000049	Equalizer, 109" Spread		
	S.O.S.	UXA-000263	Equalizer, 121" Spread		
23	N/A	UXA-000051	Equalizer Replaceable End	4	—
24	S.O.S.	UXA-000054	Guide Hanger, Under Mount	2	—
	S.O.S.	UXA-000057	Guide Hanger, Straddle Mount		
—	S.O.S.	UXA-000063	Hanger Reinforcement	As Required	—
—	S.O.S.	BCB-008841-900	Hanger Wear Plate	As Required	—
—	S.O.S.	FCA-000759-001	Equalizer Hanger Cross Brace1	—	

S.O.S. = Available through Euclid's S.O.S. Department

FRUEHAUF F-2W SUSPENSION

Wide-Base Hangers Trailer



LEAF SPRING REFERENCES

SRI No.

TRA 011	Single Leaf - High
TRA 012	Single Leaf - Medium
TRA 013	Single Leaf
TRA 014	Single Leaf - Low
TRA 015	Single Leaf
TRA 017	Single Leaf
TRA 693	3 Leaf - High
TRA 697	3 Leaf - Low
TRA 3609	3 Leaf - Medium
TRA 699	4 Leaf
TRA 2157	7 Leaf - Low
TRA 2161	7 Leaf - High
TRA 2171	7 Leaf
TRA 2160	8 Leaf - Low
TRA 2162	8 Leaf - High
TRA 696	9 Leaf - Low

FRUEHAUF F-2W SUSPENSION PARTS

Wide-Base Hangers Trailer

N/A = Part no longer available

KEY NO.	EUCLID NO.	REPLACES FRUEHAUF NO.	DESCRIPTION	QUANTITY PER TANDEM	PAGE NO.
1	E-2829	UXA-000020-001 FSP-005-03-012 FSP-006-02-PK6	Spacer Assembly	4	1-70
2	S.O.S.	UCE-007745-001	Rear Hanger, Under Mount	2	—
—	E-1024 (Rubber)	UXA-000004-900	Equalizer Bushing Assembly Includes Key Nos. 3, 4, 5, 6, 7	2	1-66
	E-9361 (Poly)				
3	E-1019	UXA-000015-001	Equalizer Bolt	2	1-66
4	E-2832	UXA-000356-002	Outer Washer	2	2-35
5	E-1020 (Rubber)	UXA-000004	Equalizer Bushing	4	1-66
	E-7432 (Poly)				
6	E-1021	UXA-000003	Compression Washer	2	2-35
7	E-937	FSP-006-02-PK9	Equalizer Nut	10	2-34
8	E-2823	UCE-007746-001	Equalizer Hanger, Under Mount	2	1-70
9	E-2839	UCC-005998-001	Spring Saddle, Single Leaf Springs	4	1-68
	E-2840	UCE-008801-001 (New) UCD-007601-007 (Old)	Spring Saddle, Multi-Leaf Springs		
10	E-UB8161-10	UXA-000046-915	U-Bolt Assembly, Rd. Bend, 7/8"-14 Thd. x 3" Wide x 10" Long	8	2-25
	E-UB8161-12	UXA-000046-916	U-Bolt Assembly, Rd. Bend, 7/8"-14 Thd. x 3" Wide x 12" Long		
	E-UB8161-16	UXA-000046-917	U-Bolt Assembly, Rd. Bend, 7/8"-14 Thd. x 3" Wide x 16" Long		
	E-UB8161-18	UXA-000046-918	U-Bolt Assembly, Rd. Bend, 7/8"-14 Thd. x 3" Wide x 18" Long		
11	E-2842	UCE-006632-002 UCE-006632-001	Delrin Spring Liner Pad	8	1-68
12	E-2838	UXA-000048	Spring Spacer	4	1-68
13	E-2837	AXA-000512-001	Spring Seat	4	1-68
14	E-2836	AXA-000495-001	Axle Bracket	4	1-68
15	E-2822	UCF-001466-001	Front Hanger, Under Mount	2	1-70
—	E-1023 (Rubber)	UXA-000011-900 (1/2)	Torque Arm Bushing Assembly Includes Key Nos. 17, 18, 19, 20, 21	8	1-67
	E-9362 (Poly)				
16	E-1018	UXA-000016	Torque Arm Bolt	8	1-67
17	E-2833	UXA-000356-001	Outer Washer	8	2-35
18	E-927 (Rubber)	UXA-000011	Torque Arm Bushing	16	1-67
	E-7433 (Poly)				
19	E-1074	UXA-000002	Compression Washer	8	2-35
21	E-2515	UCF-002640-001	Adjustable Torque Arm, 15 7/16", Center-to-Center	2	1-67
22	E-2514	UXA-000026-001	Rigid Torque Arm, 15 7/16", Center-to-Center	2	1-67
23	S.O.S.	UCC-000364-001	Equalizer, 73" Spread	2	—
	N/A	UXA-000049	Equalizer, 109" Spread		
	N/A	UXA-000263	Equalizer, 121" Spread		
24	S.O.S.	UXA-000054	Guide Hanger, Under Mount	2	—
25	S.O.S.	UCE-007740-001	Rear Hanger Wear Pad	As Required	—
26	N/A	UXA-000051	Equalizer Replaceable End	4	—
—	S.O.S.	UXA-000063	Hanger Reinforcement	As Required	—
—	S.O.S.	BCB-008841-900	Hanger Wear Plate	As Required	—
—	S.O.S.	FCA-000759-001	Equalizer Hanger Cross Brace1	—	—

S.O.S. = Available through Euclid's S.O.S. Department

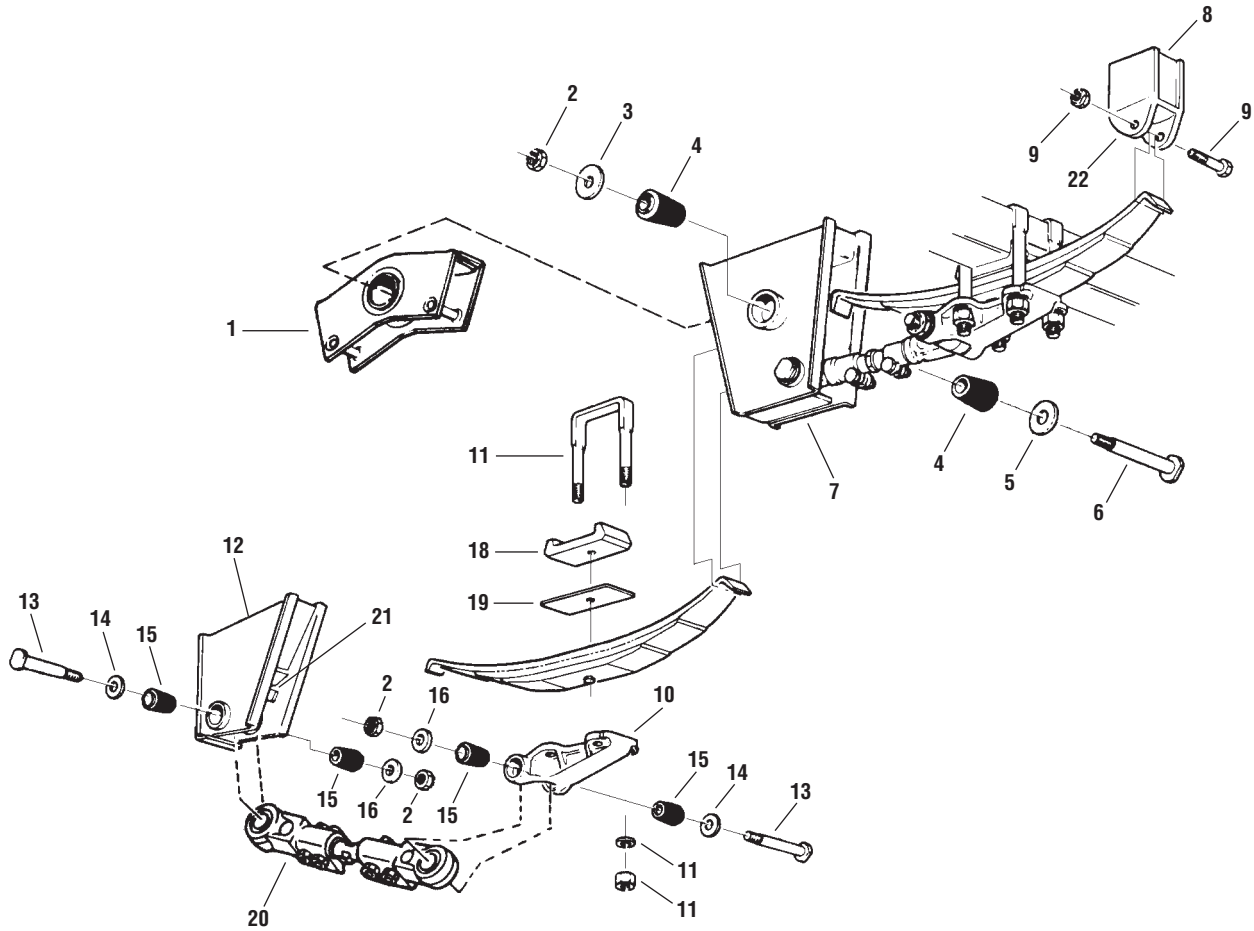
Contact Customer Care
USA - 1-888-725-9355 CANADA - 800-387-3889

MeritorPartsOnline.com

FRUEHAUF J-2 SUSPENSION

Trailer

1



LEAF SPRING REFERENCES

SRI No.	Description
TRA 011	Single Leaf - High
TRA 012	Single Leaf - Medium
TRA 013	Single Leaf
TRA 014	Single Leaf - Low
TRA 015	Single Leaf
TRA 017	Single Leaf
TRA 693	3 Leaf - High
TRA 697	3 Leaf - Low
TRA 3609	3 Leaf - Medium
TRA 699	4 Leaf
TRA 2157	7 Leaf - Low
TRA 2161	7 Leaf - High
TRA 2171	7 Leaf
TRA 2160	8 Leaf - Low
TRA 2162	8 Leaf - High
TRA 696	9 Leaf - Low

FRUEHAUF J-2 SUSPENSION PARTS

Trailer

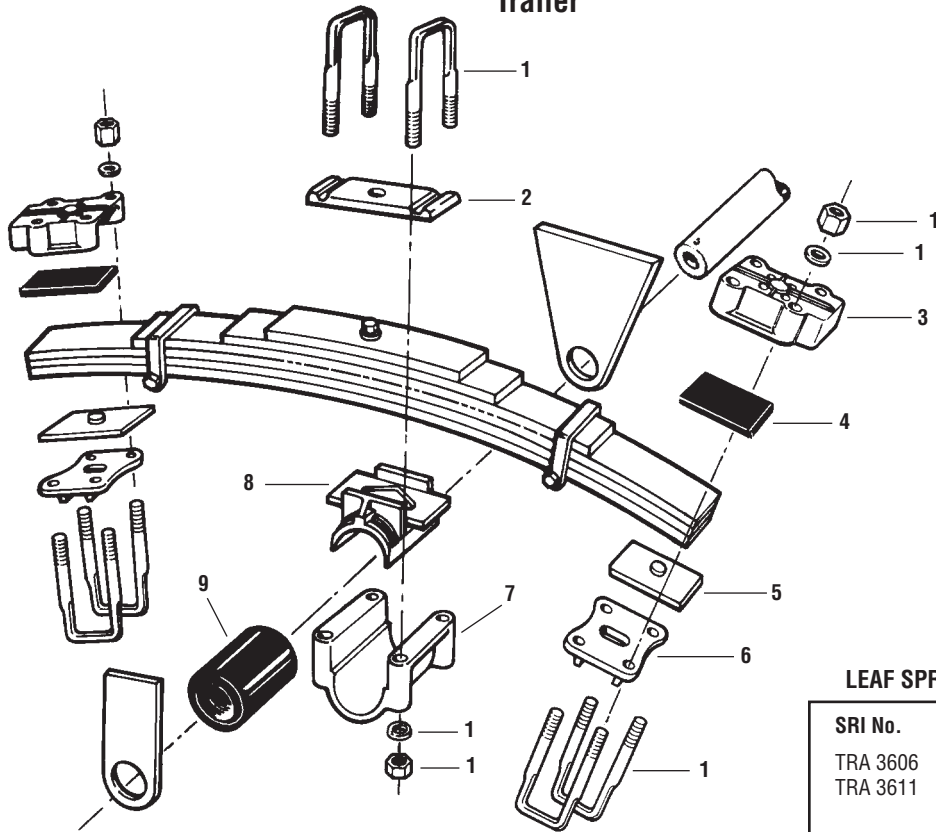
N/A = Part no longer available

KEY NO.	EUCLID NO.	REPLACES FRUEHAUF NO.	DESCRIPTION	QUANTITY PER TANDEM	PAGE NO.
1	E-2831	UCF-001463-900	Equalizer, Fabricated	2	2-67
	E-8931	UCF-006963-001	Equalizer, Ductile Iron (Replaces Fabricated Steel Version)		1-66
	E-9366	UCF-008317-001	Equalizer		1-66
—	E-1024 (Rubber)	UXA-000004-900	Equalizer Bushing Assembly Includes Key Nos. 2, 3, 4, 5, 6 2	1-66	
	E-9361 (Poly)				
2	E-937	FSP-006-02-PK9	Nut	4	2-34
3	E-1021	UXA-000003	Equalizer Washer	2	2-35
4	E-1020 (Rubber)	UXA-000004	Equalizer Bushing	4	1-66
	E-7432 (Poly)				
5	E-2832	UXA-000356-002	Equalizer Washer	2	2-35
6	E-1019	UXA-000015-001	Equalizer Bolt	2	1-66
7	S.O.S.	UCE-004177-002	Equalizer Hanger	2	—
8	S.O.S.	UCE-007745-002	Rear Hanger	2	—
9	E-2829	UXA-000020-001	Spacer Assembly	2	1-70
		FSP-005-03-012			
		FSP-006-02-PK6			
10	S.O.S.	UXA-000075-002	Axle Bracket	4	—
11	E-UB8575-126	BXE-000460-900	U-Bolt Assembly, Flat Sq. Bend, 1"-14 Thd. x 5" Wide x 12 3/4" Long	8	2-30
12	S.O.S.	UCE-004169-002	Front Hanger, Straight Frame 12°	2	—
—	E-1023 (Rubber)	UXA-000011-900	Torque Arm Bushing Assembly Includes Key Nos. 13, 14, 15, 16, 17	8	1-67
13	E-1018	UXA-000016	Radius Rod Bolt	8	1-67
14	E-2833	UXA-000356-001	Outer Washer	8	2-35
15	E-927 (Rubber)	UXA-000011	Radius Rod Bushing	16	1-67
	E-7433 (Poly)				
16	E-1074	UXA-000002	Compression Washer	8	2-35
18	E-2837	AXA-000512-001	Spring Chair	4	1-68
19	E-2842	UCD-006632-002	Delrin Liner	4	1-68
20	E-2515	UCF-002640-001	Adjustable Torque Arm, 15 7/16" Center-to-Center	2	1-67
	E-2514	UXA-000026-001	Rigid Torque Arm, 15 7/16" Center-to-Center	2	1-67
21	N/A	UCC-008922-001	Wear Plate	As Required	—
22	N/A	UXA-000008	Wear Plate	As Required	—

S.O.S. = Available through Euclid's S.O.S. Department

FRUEHAUF M2 SUSPENSION

Overslung Trailer



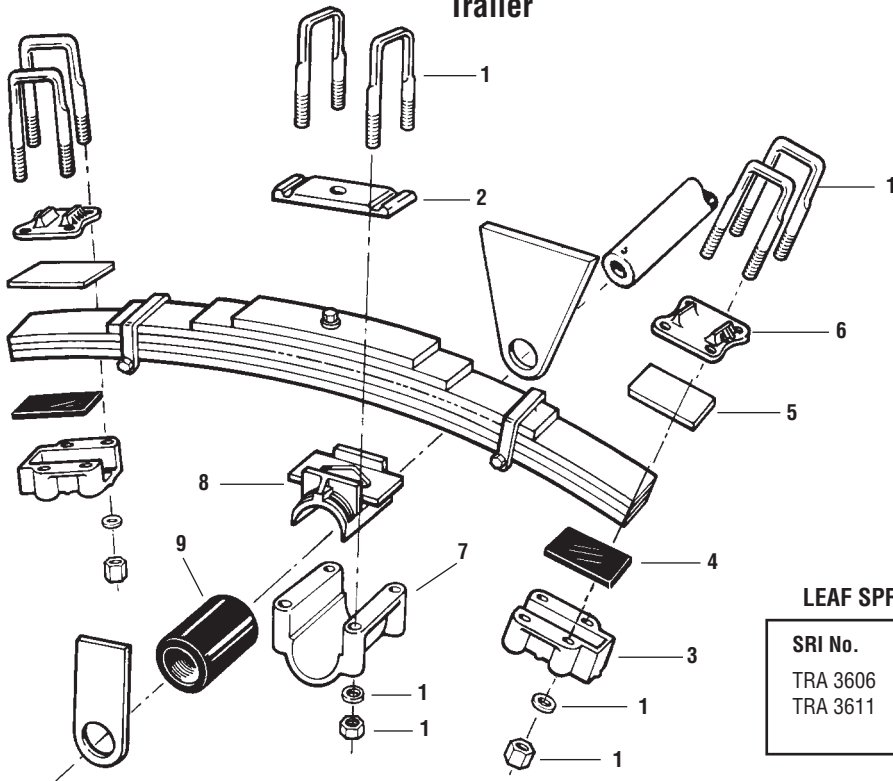
LEAF SPRING REFERENCES

SRI No.

TRA 3606
TRA 3611

6 Leaf
7 Leaf

Underslung Trailer



LEAF SPRING REFERENCES

SRI No.

TRA 3606
TRA 3611

6 Leaf
7 Leaf

FRUEHAUF M2 SUSPENSION PARTS

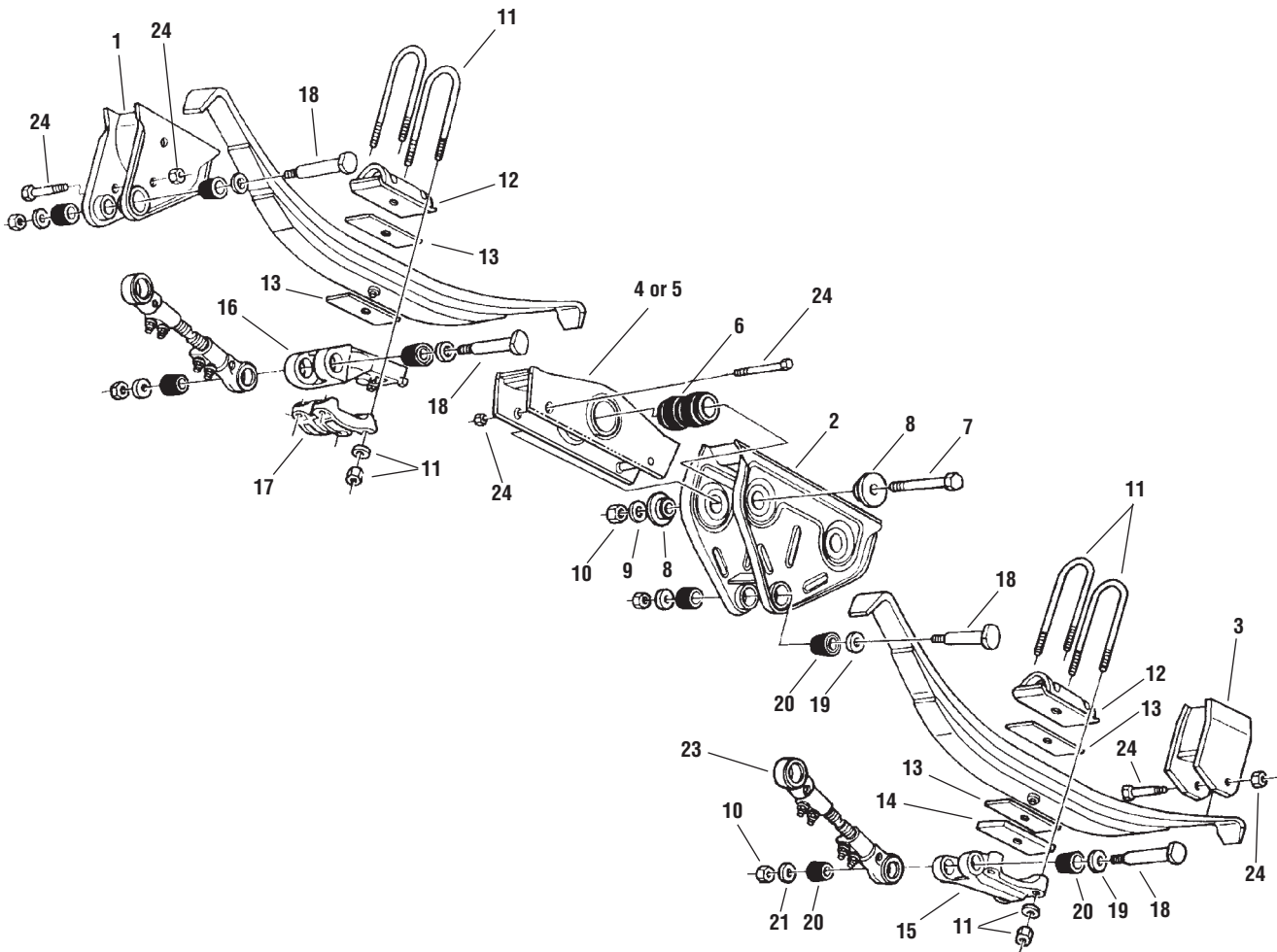
Overslung/Underslung Trailer

KEY NO.	EUCLID NO.	REPLACES FRUEHAUF NO.	DESCRIPTION	QUANTITY PER TANDEM	PAGE NO.
1	E-UB8585-132	UCD-008680-901	U-Bolt Assembly, Flat Sq. Bend, 1 1/8"-12 Thd. x 5" Wide x 13 1/4" Long	12	2-30
2	E-3576	UCD-005641-001	Spring Top Pad	2	1-71
3	E-3583	ACD-006849-001	Spring End Cap	4	1-71
4	E-3582 (Rubber)	UCD-005635-001	Spring End Pad	4	1-71
	E-8664 (Poly)	UCD-005635-001			
5	E-3581	UCE-001350-001	Plate Assembly	4	1-71
6	E-3580	ACD-006850-001	Axle Bracket	4	1-71
7	E-3578	UCD-005631-001	Lower Trunnion Casting	2	1-71
8	E-3577	UCD-005755-001	Upper Trunnion Casting	2	1-71
9	E-3579 (Rubber)	UXA-000160	Trunnion Bushing	2	1-71
	E-8663 (Poly)	UXA-000160-SPX			
—	S.O.S.	UCF-000036-001	Trunnion Assembly, 71" Track	2	—
—	S.O.S.	UCF-000036-002	Trunnion Assembly, 77" Track	2	—

S.O.S. = Available through Euclid's S.O.S. Department

FRUEHAUF NF-2 SUSPENSION

Trailer



1

FRUEHAUF NF-2 SUSPENSION PARTS

Trailer

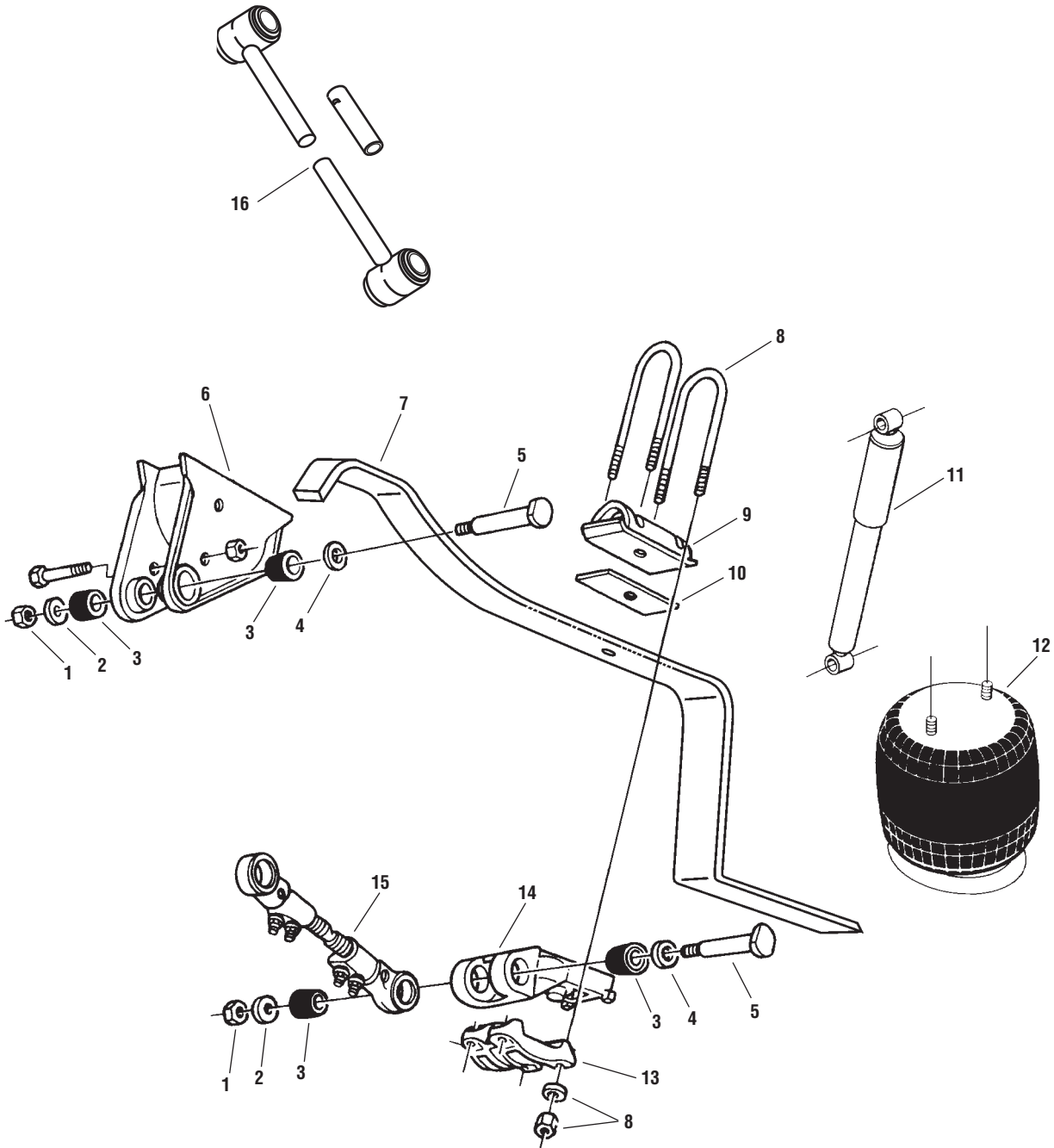
KEY NO.	EUCLID NO.	REPLACES FRUEHAUF NO.	DESCRIPTION	QUANTITY PER TANDEM	PAGE NO.
1	E-9363	UCF-006668-001	Front Hanger	2	1-69
2	E-9364	UCF-006672-001	Center Hanger	2	1-69
3	E-9365	UCF-005858-002	Rear Hanger; 1, 3, and 4 Leaf Springs	2	1-69
4	E-9366	UCF-008317-001	Equalizer, Bushing Included 2	1-66	
5	S.O.S.	UCF-008317-002	Hardened Equalizer	2	—
—	E-9367	—	Equalizer Bushing Assembly 2 Includes Key Nos. 6, 7, 8, 9, 10	1-66	
6	E-9368	UCF-006699-001	Equalizer Bushing	2	1-66
7	E-1166	FSP-005-03-028Bolt	2	2-32	
8	E-9370	UCF-006703-001	Bushing	4	1-67
9	E-2275	FSP-007-02-010Washer	2	2-35	
10	E-937	FSP-006-02-PK9Nut	10	2-34	
11	E-UB8161-10	UXA-000046-915	U-Bolt Assembly, Rd. Bend, 7/8"-14 Thd. x 3" Wide x 10" Long	8	2-25
	E-UB8161-12	UXA-000046-916	U-Bolt Assembly, Rd. Bend, 7/8"-14 Thd. x 3" Wide x 12" Long		
	E-UB8161-16	UXA-000046-917	U-Bolt Assembly, Rd. Bend, 7/8"-14 Thd. x 3" Wide x 16" Long		
	E-UB8161-18	UXA-000046-918	U-Bolt Assembly, Rd. Bend, 7/8"-14 Thd. x 3" Wide x 18" Long		
12	E-2839	UCC-005998-001	Saddle, Single Leaf Spring	4	1-68
	E-2840	UCE-008801-001 (New) UCD-007601-007 (Old)	Saddle, Multi-Leaf Spring		1-68
13	E-2842	UCD-006632-002	Delrin Spring Liner	As Required	1-68
14	E-2838	UXA-000048	Spring Spacer	As Required	1-68
15	S.O.S.	UCC-004920-001	Axle Bracket, Rear	2	—
16	E-10778	UCF-006696-001	Axle Seat, High Ride	2	1-69
17	E-7636	UCF-002610-001	Bottom Plate, High Ride	2	—
—	E-1023 (Rubber)	UXA-000011-900 (1/2)	Torque Arm Bushing Assembly Includes Key Nos. 18, 19, 20, 21, 22	8	1-69
	E-9362 (Poly)				
18	E-1018	UXA-000016	Torque Arm Bolt	8	1-67
19	E-2833	UXA-000356-001	Washer	8	2-35
20	E-927 (Rubber)	UXA-000011	Torque Arm Bushing	16	1-67
	E-7433 (Poly)				
21	E-1074	UXA-000002	Washer	8	2-35
23	E-2514	UXA-000026-001	Rigid Torque Arm, 15 7/16" Center-To-Center	2	1-67
	E-2515	UCF-002640-001	Adjustable Torque Arm, 15 7/16" Center-To-Center	2	1-67
24	E-9372	FSP-005-03-054 FSP-006-02-006	Rebound Bolt and Nut	4	1-67
—	E-2837	AXA-000512-001	Spring Chair, Rear	4	1-68

S.O.S. = Available through Euclid's S.O.S. Department

FRUEHAUF NT SUSPENSION

(High Ride Version Shown)
Trailer

1



FRUEHAUF NT SUSPENSION PARTS

(High Ride Version Shown)

Trailer

N/A = Part no longer available

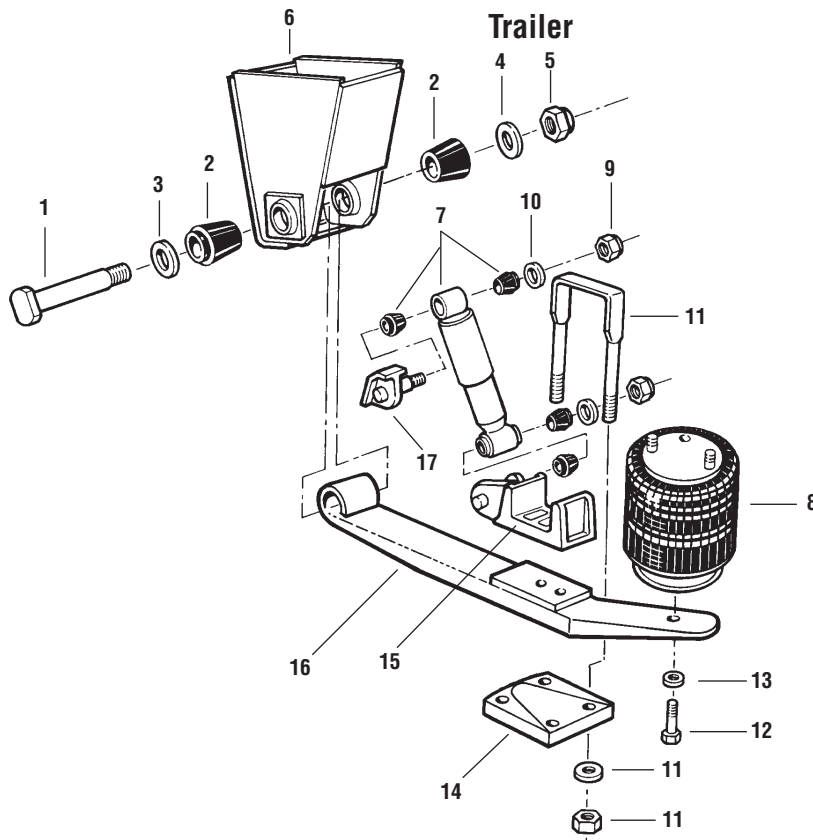
KEY NO.	EUCLID NO.	REPLACES FRUEHAUF NO.	DESCRIPTION	QUANTITY PER TANDEM	PAGE NO.
—	E-1023 (Rubber)	UXA-000011-900 (1/2)	Torque Arm Bushing Assembly Includes Key Nos. 1, 2, 3, 4, 5	4	1-67
	E-9362 (Poly)				
1	E-937	FSP-006-02-009	Nut	4	2-34
2	E-1074	UXA-000002	Washer	4	2-35
3	E-927 (Rubber)	UXA-000011	Bushing	8	1-67
	E-7433 (Poly)				
4	E-2833	UXA-000356-001	Washer	4	2-35
5	E-1018	UXA-000016	Torque Arm Bolt, 6" Length	4	1-67
	E-7637	UXA-000016-000	Torque Arm Bolt, 7" Length	4	
6	E-9363	UCF-006668-001	Front Hanger	2	1-69
7	S.O.S.	UCF-008314-001	Arm Spring	2	—
8	E-UB8161-10	UXA-000046-915	U-Bolt Assembly, Rd. Bend, 7/8"-14 Thd. x 3" Wide x 10" Long	4	2-25
	E-UB8161-12	UXA-000046-916	U-Bolt Assembly, Rd. Bend, 7/8"-14 Thd. x 3" Wide x 12" Long		
	E-UB8161-16	UXA-000046-917	U-Bolt Assembly, Rd. Bend, 7/8"-14 Thd. x 3" Wide x 16" Long		
	E-UB8161-18	UXA-000046-918	U-Bolt Assembly, Rd. Bend, 7/8"-14 Thd. x 3" Wide x 18" Long		
9	E-2840	UCE-008801-001 (New) UCD-007601-007 (Old)	Saddle	2	1-68
	S.O.S.	UVA-000056-001	Saddle with Stabilizer Bracket		—
10	S.O.S.	UCF-006972-003	Spacer Plate	2	—
11	M85321	UCF-008339-001	Shock	2	3-13
		UCF-008339-002			
		680298			
12	FS9394	UCE-09393-002	Air Spring	2	—
13	E-7636	UCF-002610-001	Bottom Plate, High Ride	2	1-69
14	E-10778	UCF-006696-001	Axle Seat, on Top of Axle High Ride Height 14 3/4" x 15 1/2"	4	—
	N/A	UCF-006702-001	Axle Bracket, Below Axle Low Ride Height 14 3/4" x 15 1/2"	As Required	—
15	E-2514	UXA-000026-001	Rigid Torque Arm, 15 7/16" Center-To-Center	2	1-67
	E-2515	UCF-002640-001	Adjustable Torque Arm, 15 7/16" Center-To-Center	2	1-67
16	E-10758*	FCF-008248-902	Uni-Rod Kit, 20"- 30" Long, 7/8" I.D.	1	—
—	S.O.S.	UVA-000008-001	Air Spring Base Plate Assembly	2	—
—	S.O.S.	UCF-009172-001	Air Spring Top Mount, 38" Spring Center	2	—
—	S.O.S.	UCF-009172-003	Air Spring Top Mount, 44" Spring Center		

S.O.S. = Available through Euclid's S.O.S. Department

* Use E-3173 Uni-Dapter (Page 2-45) for 30" - 40" Rods.

1

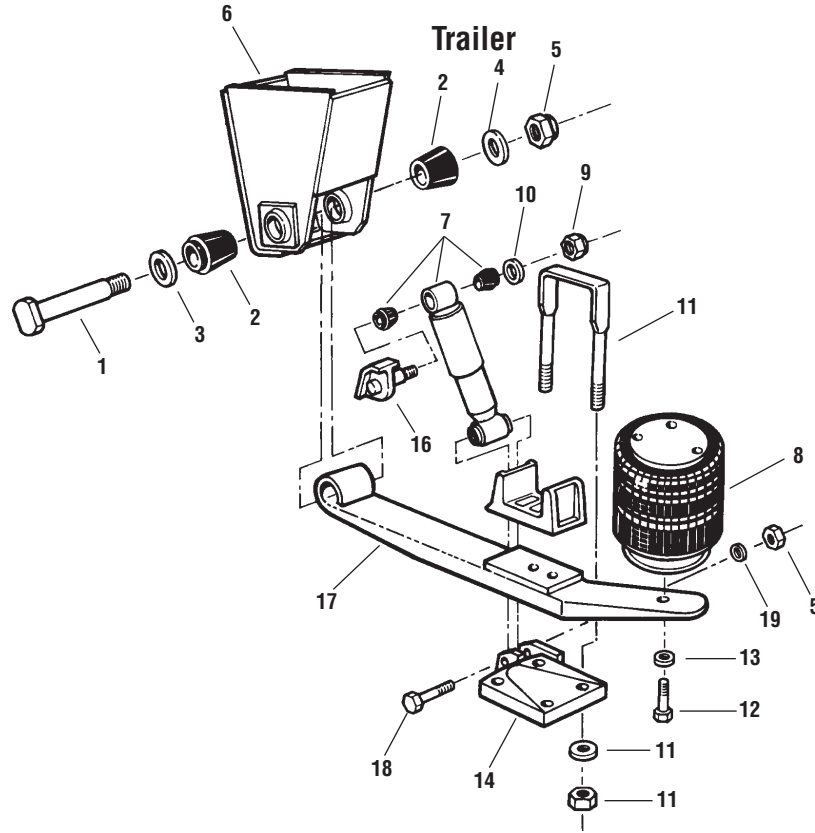
FRUEHAUF T SUSPENSION



KEY NO.	EUCLID NO.	REPLACES FRUEHAUF NO.	DESCRIPTION	QUANTITY PER AXLE	PAGE NO.
—	E-1024 (Rubber) E-9361 (Poly)	UXA-000004-900	Trailing Arm Bushing Assembly Includes Key Nos. 1, 2, 3, 4, 5	2	1-66
1	E-1019	UXA-000015-001	Trailing Arm Bolt	2	1-66
2	E-1020 (Rubber) E-7432 (Poly)	UXA-000004	Trailing Arm Bushing	4	1-66
3	E-1021	UXA-000003	Compression Washer	2	2-35
4	E-2832	UXA-000356-002	Outer Washer	2	2-35
5	E-937	FSP-006-02-PK9	Nut	2	2-34
6	E-3586 E-3587	UCE-001177-001 UCE-001177-002	Hanger, Roadside Hanger, Curbside	1 1	1-72 1-72
7	M85300 M89419	UCE-001295-901	Shock Absorber, Includes Bushings Shock	2	3-10
8	FS9394 Use FS9394	UCE-009393-002 UCE-009393-001	Air Spring, Current Style Air Spring, Old Style (SS to FS9394)	2	— —
9	E-1835	FSP-006-02-013	Nut	4	2-34
10	E-2546	FSP-007-02-008	Washer	4	2-35
11	E-UB8575-126	BXE-000460-900	U-Bolt Assembly, Flat Sq. Bend, 1"-14 Thd. x 5" Wide x 12 3/4" Long	4	2-30
12	S.O.S.	UCE-009460-001	Bolt	2	—
13	S.O.S.	FSP-007-03-004	Lock Washer	2	—
14	E-3590	UCE-004461-001	Bottom Plate	2	1-72
15	E-3588 E-3589	UCE-001660-001 UCE-001660-002	Axle Seat, Curbside Axle Seat, Roadside	1 1	1-72 1-72
16	N/A N/A	UCE-000176-001 UCE-000176-002	Trailing Arm Sub Assembly, Left Hand Trailing Arm Sub Assembly, Right Hand	1 1	— —
17	E-3596	UCE-001656-001	Upper Shock Bracket	2	1-72
—	S.O.S.	UCF-000051-001	Upper Air Spring Mounting Beam 1	—	

S.O.S. = Available through Euclid's S.O.S. Department
N/A = Part no longer available

FRUEHAUF W24T1 SUSPENSION



1

KEY NO.	EUCLID NO.	REPLACES FRUEHAUF NO.	DESCRIPTION	QUANTITY PER AXLE	PAGE NO.
—	E-1024 (Rubber) E-9361 (Poly)	UXA-000004-900	Trailing Arm Bushing Assembly	2	1-66
1	E-1019	UXA-000015-001	Trailing Arm Bolt	2	1-66
2	E-1020 (Rubber) E-7432 (Poly)	UXA-000004	Trailing Arm Bushing	4	1-66
3	E-1021	UXA-000003	Compression Washer	4	2-35
4	E-2832	UXA-000356-002	Outer Washer	4	2-35
5	E-937	FSP-006-02-PK9	Nut	6	2-34
6	E-3586 E-3587	UCE-001177-001 UCE-001177-002	Hanger Assembly, Roadside Hanger Assembly, Curbside	1 1	1-72 1-72
7	M85322	UCE-002983-001	Shock Absorber, Includes Bushings	2	3-10
8	FS9053	UCE-001304-002	Air Spring	2	—
9	E-1835	FSP-006-02-013	Nut	2	2-34
10	E-2546	FSP-007-02-008	Washer	2	2-35
11	E-UB8575-126	BXE-000460-900	U-Bolt Assembly, Flat Sq. Bend, 1"-14 Thd. x 5" Wide x 12 ³ / ₄ " Long	4	2-30
12	N/A	FSP-005-03-018	Hex Bolt, 1/2"-13 Thd. x 5 1/2", Grade 5	2	—
13	S.O.S.	FSP-007-03-004	Lock Washer, 1/2"	2	—
14	E-3594 E-3595	UCE-001874-001 UCE-001874-002	Bottom Plate Assembly, Roadside Bottom Plate Assembly, Curbside	1 1	1-72 1-72
16	E-3596	UCE-001656-001	Shock Mounting Bracket Assembly	2	1-72
17	N/A N/A	UCE-000176-001 UCE-000176-002	Trailing Arm Sub Assembly, Left Hand Trailing Arm Sub Assembly, Right Hand	1	—
18	N/A	FSP-005-05-008	Hex Bolt	2	—
19	S.O.S.	FSP-007-02-010	Washer	2	—
—	N/A	UCE-001281-001	Upper Air Spring Mounting Beam	1	—

S.O.S. = Available through Euclid's S.O.S. Department

N/A = Part no longer available

Contact Customer Care
USA - 1-888-725-9355 CANADA - 800-387-3889

MeritorPartsOnline.com

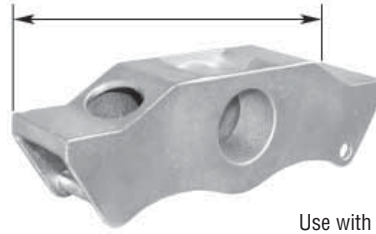
FRUEHAUF EQUALIZERS & BUSHING ASSEMBLY

CAST EQUALIZER



Bushings Not Included

CAST EQUALIZER
New Style



Must use with
Low Arch Spring

Use with E-1024 Equalizer
Bushing Assembly
Bushings Not Included

EUCLID NO.	REPLACES	APPLICATION
E-2830	Fruehauf UXA-000017	Early Model F-2 and Current Model F-3 Suspension. Use with E-1024 Equalizer Bushing Assembly

EUCLID NO.	REPLACES	APPLICATION
E-8931 (Cast)	Fruehauf UCF-006963-001	New Style equalizer. Can be used in place of fabricated E-2831 steel equalizer in F2 suspensions

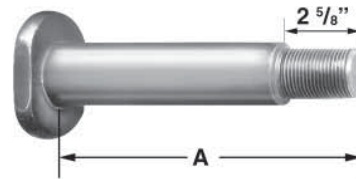
CAST EQUALIZER



Includes E-9368 Bushing

EUCLID NO.	REPLACES	APPLICATION
E-9366	Fruehauf UCF-008317-001 Casting #6964	NF-2 Suspension F2 and J2 Suspensions

EQUALIZER BOLT



EUCLID NO.	REPLACES	THREAD	A
E-1019	Fruehauf UXA-00015-001	1"-14	11 3/8"

EQUALIZER BUSHING ASSEMBLY



EUCLID NO.	APPLICATION	QTY.	EUCLID NO.	DESCRIPTION
E-1024 (Rubber)	For "F" Series, J-2, T1 and W24T1	1	E-1019	Bolt
		2	E-1020	Bushing
		1	E-1021	Washer
		1	E-2832	Washer
		1	E-937	Nut
E-9361 (Poly)	Air Ride Suspensions	Same as above except contains		
		2	E-7432	Poly Bushings

EQUALIZER BUSHING ASSEMBLY



EUCLID NO.	APPLICATION	QTY.	EUCLID NO.	DESCRIPTION
E-9367	Fruehauf NF-2 Suspension	1	E-9368	Bushing
		1	E-1166	Bolt
		2	E-9370	Bushing
		1	E-2275	Washer
		1	E-937	Nut

EQUALIZER BUSHING



EUCLID NO.	REPLACES	O.D.	I.D.	O.A.L.
E-1020 (Rubber)	Fruehauf UXA-000004	3 1/2"	2"	4 3/8"
E-7432 (Poly)				



EUCLID NO.	REPLACES	O.D.	I.D.	O.A.L.
E-9368	Fruehauf UCF-006699-001	3 1/2"	2"	4"

FRUEHAUF EQUALIZER HARDWARE & BUSHING ASSEMBLY

EQUALIZER HANGER BUSHING



EUCLID NO.	REPLACES	O.D.	I.D.	THICKNESS
E-9370	Fruehauf UCF-006703-001	3 1/8"	1"	1 1/8"

REBOUND BOLT & NUT ASSEMBLY
For Equalizer and Rear Hanger



EUCLID NO.	REPLACES	INCLUDES
E-9372	Fruehauf FSP-005-03-054	1 5/8"-11 Thd. x 5" 1 5/8"-11 Thd. Bolt Nut

FRUEHAUF TORQUE ARMS & BUSHING ASSEMBLY

Double Clamping
Bolt Design



LATE MODEL

ADJUSTABLE

Single Clamping
Bolt Design



EARLY MODEL
(No Longer Available)

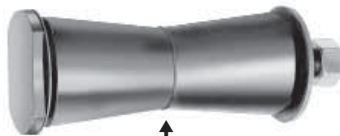
EUCLID NO.	REPLACES	FOR MODEL	EUCLID BUSHING NO.	BUSHING KIT NO.	LENGTH CENTER-TO-CENTER	NOTE
E-2515	Fruehauf UCF-002640-001	"F" Series Suspensions	E-927	E-1023	15 7/16"	Bushings Not Included with Torque Arm
E-3763	Fruehauf UCF-002640-004				12 3/8"	

RIGID



EUCLID NO.	REPLACES	FOR MODEL	EUCLID BUSHING NO.	BUSHING KIT NO.	LENGTH CENTER-TO-CENTER	NOTE
E-2514	Fruehauf UXA-000026-001	"F" Series Suspensions	E-927	E-1023	15 7/16"	Bushings not Included with Torque Arm

TORQUE ARM BUSHING ASSEMBLY



↑
1" Spacer used when using
E-7637 Bolt

TORQUE ARM BOLT



EUCLID NO.	REPLACES	THREAD	LENGTH
E-1018	Fruehauf UXA-000016	1"-14	6"
E-7637	Fruehauf UXA-000016-000	1"-14	7"

TORQUE ARM BUSHING



EUCLID NO.	APPLICATION	QTY.	EUCLID NO.	DESCRIPTION
E-1023 (Rubber)	For all "F" Series, J-2, NF-2 and NT Suspensions	1	E-1018	Bolt
		2	E-927	Bushing
		1	E-1074	Washer
		1	E-2833	Washer
1		E-937	Nut	
E-9362 (Poly)	Same as above except contains			
	2	E-7433	Poly Bushings	

EUCLID NO.	REPLACES	O.D.	I.D.	O.A.L.
E-927 (Rubber)	Fruehauf UXA-000011	2 3/16"	1 1/4"	2 3/8"
E-7433 (Poly)				

FRUEHAUF "F" SERIES AXLE ATTACHING PARTS

SPRING SADDLE



SPRING SPACER



6 5/8" x 3" x 1 1/2" Dim.

EUCLID NO.	REPLACES	FOR MODEL	APPLICATION
E-2840	Fruehauf UCE-008801-001 (New) UCD-007601-007 (Old)	F-1 F-2, F-2W F-3 NF-2, NT	For Multi-Leaf Springs Only

EUCLID NO.	REPLACES	FOR MODEL
E-2838	Fruehauf UXA-000048	F-1, F-2, F-2W, F-3

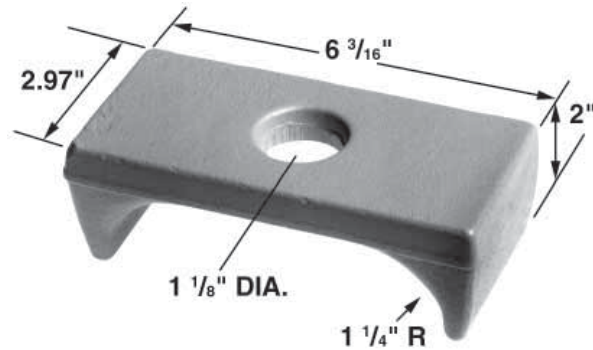
SPRING SADDLE

SPRING CHAIR

1



7 1/4" x 3" x 2" Dim.



For Round Axle
S.O.S. = E-PPFRUACF8391-1

Picture is
For Square Axle

EUCLID NO.	REPLACES	FOR MODEL	APPLICATION
E-2839	Fruehauf UCC-005998-001	F-1 F-2 F-2W F-3	For Single Leaf Springs Only

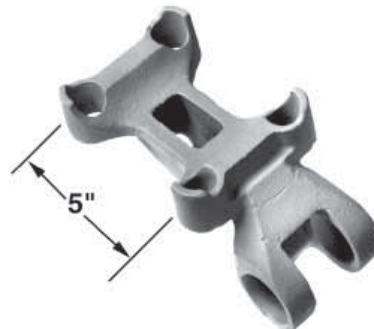
EUCLID NO.	REPLACES	FOR MODEL
E-2837	Fruehauf AXA-000512-001	F-1, F-2, F-2W, F-3

**DELRIN LINER
BOTTOM PAD**

AXLE BRACKET



Bottom Pad Has Hole
For Center Bolt

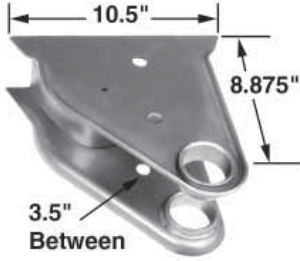



For Round Axle S.O.S. = FRUUXA0028


EUCLID NO.	REPLACES	FOR MODEL	APPLICATION
E-2842	Fruehauf UCD-006632-002	F-1 F-2 F-2W F-3	For Single Leaf Springs Only

EUCLID NO.	REPLACES	FOR MODEL
E-2836	Fruehauf AXA-000495-001	F-1, F-2, F-2W, F-3

FRUEHAUF NF-2 AND NT SPRING HANGERS

FRONT HANGER	EUCLID NO.	REPLACES
 <p>10.5" 8.875" 3.5" Between</p>	E-9363	Fruehauf UCF-006668-001


CENTER HANGER	EUCLID NO.	REPLACES
	E-9364	Fruehauf UCF-006672-001

REAR HANGER	EUCLID NO.	REPLACES
	E-9365	Fruehauf UCF-005858-002 For 1, 3, 4 Leaf Springs


BOTTOM PLATE - 5" AXLE



1


EUCLID NO.	REPLACES	APPLICATION & GENERAL INFORMATION
E-7636	Fruehauf UCF-006696-001 Hutchens 7747-01	Fruehauf NF-2 Suspension and H-7700, CH-7700, H-9700 and CH-9700 Suspensions


AXLE SEAR - HIGH RIDE	EUCLID NO.	REPLACES
	E-10778	Fruehauf UCF-006696-001

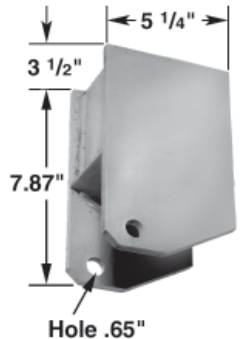
FRUEHAUF "F" SERIES SPRING HANGERS

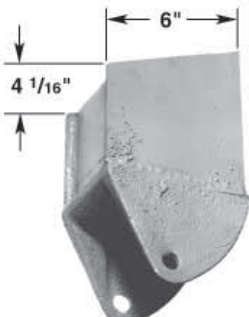
FRONT WIDE-BASE UNDER MOUNT	EUCLID NO.	REPLACES
	E-2822	Fruehauf UCF-001466-001

FRONT STANDARD UNDER MOUNT	EUCLID NO.	REPLACES
 19 5/8" Long	E-2826	Fruehauf UCF-002467-001

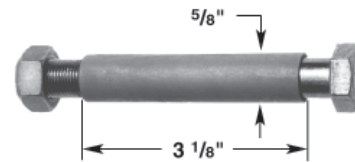
CENTER WIDE-BASE UNDER MOUNT	EUCLID NO.	REPLACES
	E-2823	Fruehauf UCE-007746-001

CENTER STANDARD UNDER MOUNT	EUCLID NO.	REPLACES
	E-2827	Fruehauf UXA-000034

REAR WIDE-BASE UNDER MOUNT	EUCLID NO.	REPLACES
	E-2824	Fruehauf UCF-005858-001 For 1, 3, 4 Leaf Springs

REAR STANDARD UNDER MOUNT	EUCLID NO.	REPLACES
	E-2828	Fruehauf UCF-002470-001

SPACER ASSEMBLY
For Standard Rear Hanger



EUCLID NO.	REPLACES	QTY.	DIMENSIONS	DESCRIPTION
E-2829	Fruehauf FSP-005-03-012	1	5/8"-18 x 5 1/4"	Bolt
	FSP-006-02-PK6	1	5/8"-18 Thd.	Nut
	UXA-000020-001	1	—	Spacer

FRUEHAUF D2/M2 SUSPENSION PARTS

UPPER TRUNNION HALF



EUCLID NO.	REPLACES	APPLICATION
E-3577	Fruehauf UCD-005755-001	M2 Overslung and Underslung

LOWER TRUNNION HALF



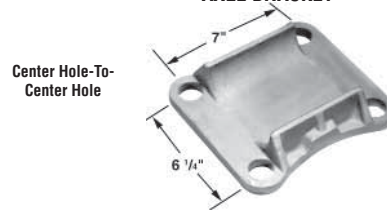
EUCLID NO.	REPLACES	APPLICATION
E-3578	Fruehauf UCD-005631-001	M2 Overslung and Underslung
N/A		Special Heat Treatment for Extremely Heavy-Duty Applications

TRUNNION BUSHING



EUCLID NO.	REPLACES	O.D.	I.D.	LENGTH
E-3579 (Rubber)	Fruehauf UXA-000160	5"	4"	8 5/16"
E-8663 (Poly)	Fruehauf UXA-000160-SPX			

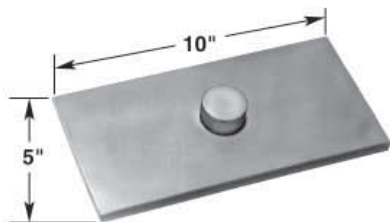
AXLE BRACKET



5" Square Axle

EUCLID NO.	REPLACES	APPLICATION
E-3580	Fruehauf ACD-006850-001	M2 Overslung and Underslung

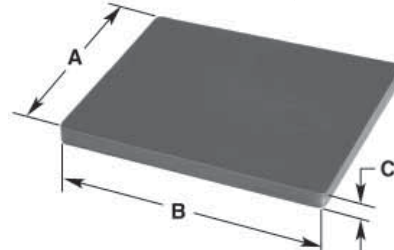
AXLE LOCATING PLATE



1/2" Thick

EUCLID NO.	REPLACES	APPLICATION
E-3581	Fruehauf UCE-001350-001	D2/M2 Overslung and Underslung

SPRING END PAD, M2



EUCLID NO.	REPLACES FRUEHAUF	A	B	C
E-3582 (Rubber)	Fruehauf UCD-005635-001	4 3/4"	7 5/8"	1"
E-8664 (Poly)				

SPRING END CAP



EUCLID NO.	REPLACES	APPLICATION
E-3583	Fruehauf ACD-006849-001	M2 Overslung and Underslung

SPRING TOP PAD



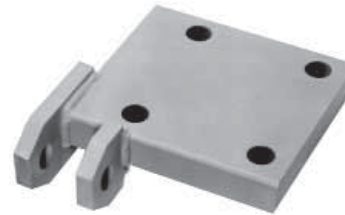
EUCLID NO.	REPLACES	APPLICATION
E-3576	Fruehauf UCD-005641-001	M2 Overslung and Underslung

FRUEHAUF T1 & W24T1 AIR RIDE PARTS



EUCLID NO.	REPLACES	APPLICATION
E-3586 (Roadside)	Fruehauf UCE-001177-001	T1 and W24T1
E-3587 (Curbside)	Fruehauf UCE-001177-002	

BOTTOM PLATE
(Roadside Shown)



EUCLID NO.	REPLACES	APPLICATION
E-3594 (Roadside)	Fruehauf UCE-001874-001	W24T1
E-3595 (Curbside)	Fruehauf UCE-001874-002	

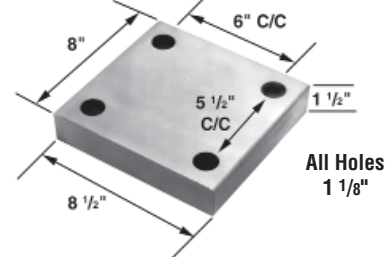
AXLE SEAT
(Curbside Shown)



Bottom Side Does Not Have Dowel Pin Holes

EUCLID NO.	REPLACES	APPLICATION
E-3588 (RH - Curbside)	Fruehauf UCE-001660-001	T1
E-3589 (LH - Roadside)	Fruehauf UCE-001660-002	

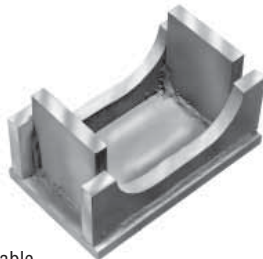
BOTTOM PLATE



EUCLID NO.	REPLACES	APPLICATION
E-3590	Fruehauf UCE-004461-001	T1

OBSOLETE

AXLE SEAT



N/A = Part no longer available

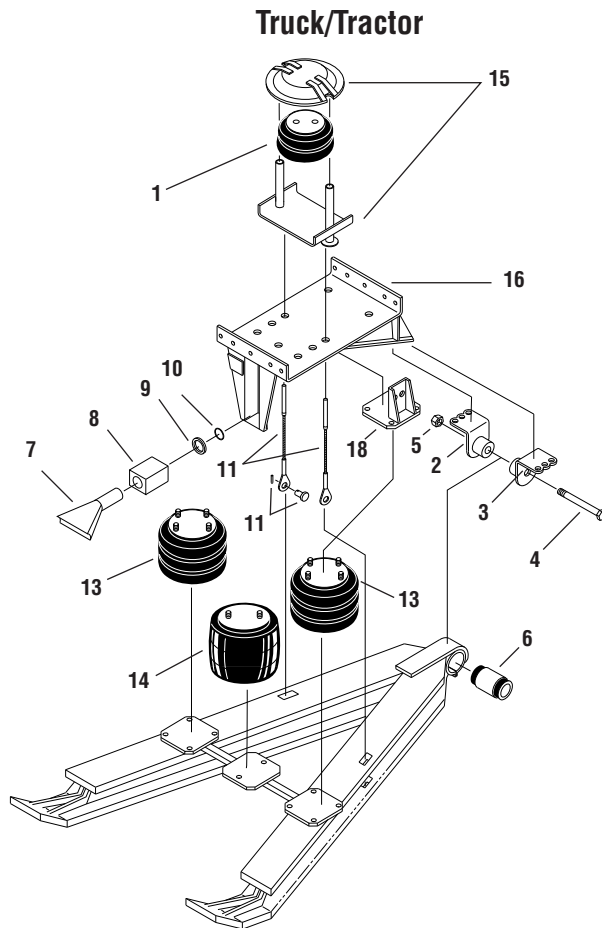
EUCLID NO.	REPLACES	APPLICATION
N/A	Fruehauf APA-000980-001	W24T1

UPPER SHOCK BRACKET



EUCLID NO.	REPLACES	APPLICATION
E-3596	Fruehauf UCE-001656-001	T1 and W24T1

GRANNING T-200AX HIGH LIFT AIR SUSPENSION



1

KEY NO.	EUCLID NO.	REPLACES GRANNING NO.	DESCRIPTION	QUANTITY PER SUSPENSION	PAGE NO.
1	FS7443	1218	Air Spring Assembly, Double Convoluted	1	—
2	E-9373	1005	Anchor, Pulling Point, Right Hand	1	1-75
3	E-9374	1029	Anchor, Pulling Point, Left Hand	1	1-75
—	E-9375	—	Pulling Point Bushing Assembly Includes Key Nos. 6, 7, 8	1	1-75
4	E-9376	10899	Bolt, Pulling Point Anchor	1	2-33
5	E-4961A	—	Nut, Pulling Point Anchor	1	2-34
6	E-1340	—	Bushing, Pulling Point	1	2-50
	E-1341A	1003	Bushing, Pulling Point	1	2-50
7	E-9377	1118	Spindle, Rear	1	1-75
8	E-9378	1219	Travel Block	1	1-75
9	E-9379	1010	Spacer, Travel Block	As Required	1-75
10	E-9380	1426	Lock Ring	1	1-75
11	E-9381	3703	Lift Cable Assembly Includes Key Nos. 13, 14	2	1-75
13	FS7818	1014	Air Spring Assembly, Triple Convoluted	2	—
14	FS9083	1359	Air Spring Assembly, Rolling Lobe	1	—
15	S.O.S.	1390	Lift Dome Assembly	1	—
16	S.O.S.	2202	Frame	1	—

GRANNING T-200AX HIGH LIFT AIR SUSPENSION PARTS

PULLING POINT ANCHOR, LEFT HAND



EUCLID NO.	REPLACES	APPLICATION
E-9374	Granning 1029 703040-01	T-200AX Lift Suspension

PULLING POINT ANCHOR, RIGHT HAND



EUCLID NO.	REPLACES	APPLICATION
E-9373	Granning 1005 703040-02	T-200AX Lift Suspension

PULLING POINT BUSHING ASSEMBLY



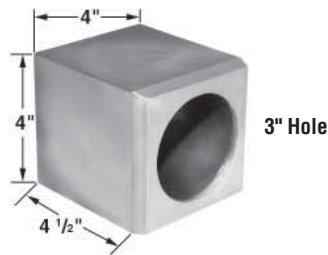
EUCLID NO.	REPLACES	QTY.	EUCLID NO.	DESCRIPTION
E-9375	Granning 3703	1	E-9376	Bolt
		1	E-4961A	Nut
		1	E-1341A	Bushing

REAR SPINDLE



EUCLID NO.	REPLACES	APPLICATION
E-9377	Granning 1118	T-200AX Lift Suspension

TRAVEL BLOCK



EUCLID NO.	REPLACES	APPLICATION
E-9378	Granning 1219	T-200AX Lift Suspension

TRAVEL BLOCK LOCK RING



EUCLID NO.	REPLACES	DIMENSIONS
E-9380	Granning 1426	2 3/4" I.D.

TRAVEL BLOCK SPACER



EUCLID NO.	REPLACES	DIMENSIONS
E-9379	Granning 1010	3" I.D. x 4" O.D. x 7/32" Thick

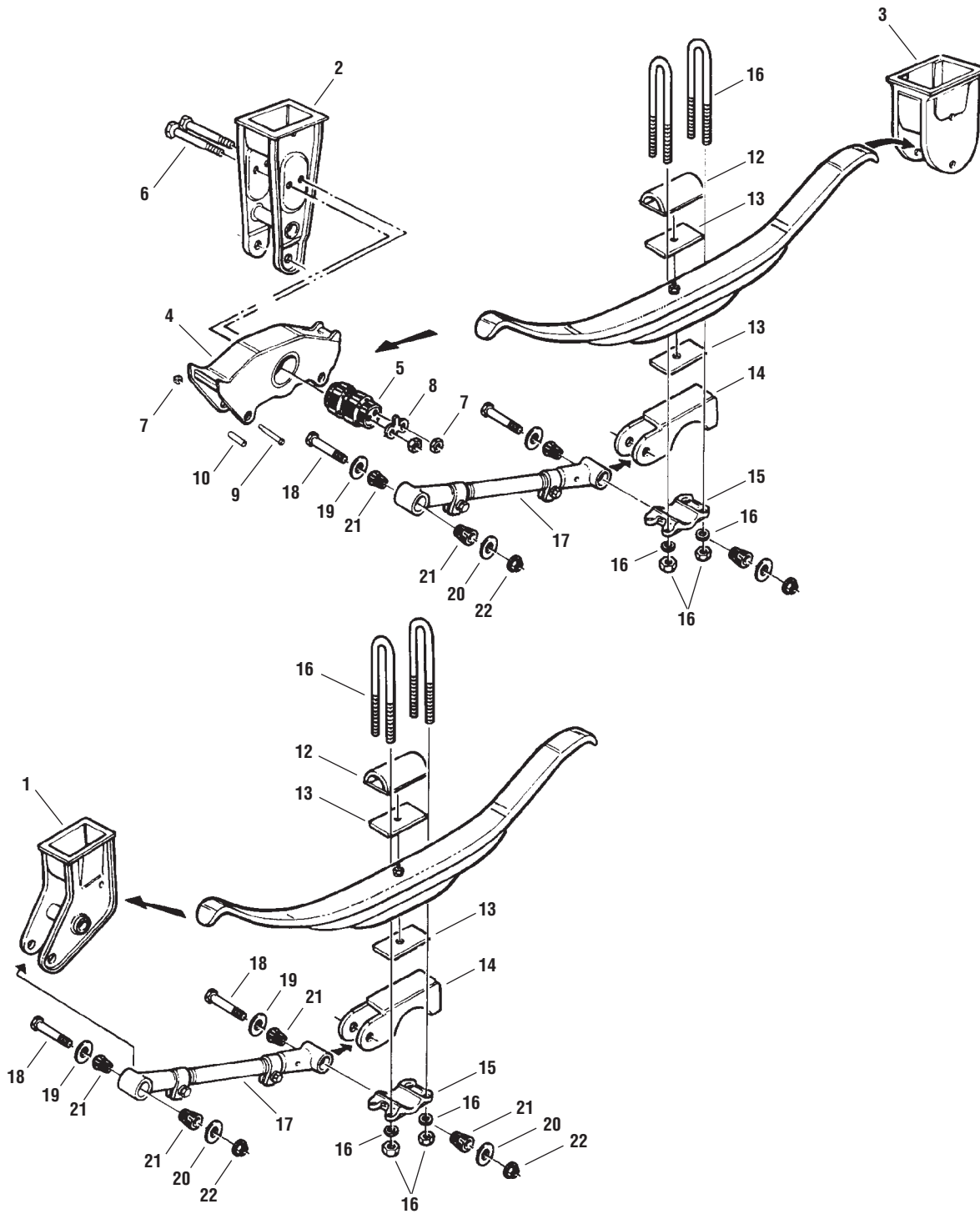
LIFT CABLE ASSEMBLY



EUCLID NO.	REPLACES	QTY.	DESCRIPTION
E-9381	Granning 3703	1	Lift Cable
		1	Lock Pin with Cotter Pin

GREAT DANE TRAILER SUSPENSION

Model "H" Trailer



1

GREAT DANE TRAILER SUSPENSION PARTS

Model "H"

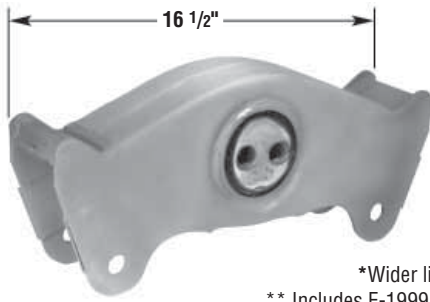
Trailer

KEY NO.	EUCLID NO.	REPLACES GREAT DANE NO.	DESCRIPTION	QUANTITY PER TANDEM	PAGE NO.
1	E-9493	GDH7601-01	Front Hanger, Straddle Mount	2	1-80
	E-9494	GDH7601-02	Front Hanger, Under Mount		1-80
2	E-9495	GDH7602-01	Equalizer Hanger, Straddle Mount	2	1-80
	E-9496	GDH7602-02	Equalizer Hanger, Under Mount		1-80
3	E-2912A	GDH7703-01	Rear Hanger, Straddle Mount	2	1-80
	E-2915A	GDH7703-02	Rear Hanger, Under Mount		1-80
4	E-2781	750-03	Equalizer, Heavy-Duty Version	2	1-78
	E-2781A	750-03	Equalizer, OE Equivalent		
	E-9570	750-03	Equalizer, Standard Duty		
	E-7918	750-03	Equalizer with Poly Bushing		
5	E-1999A (Rubber)	7010-00	Equalizer Bushing	2	1-78
	E-7452 (Poly)				
6	E-2000	7016-01	Equalizer Center Bolt	4	1-79
—	E-2003 (Rubber)	—	Equalizer Bushing Assembly Includes Key Nos. 5, 6, 7, 8	2	1-78
	E-9474 (Poly)				
7	E-2002	37-01	Equalizer Nut	8	2-34
8	E-2001	729-00	Lock Tab	2	1-79
9	E-3415	759-00	Equalizer Rebound Bolt	4	2-32
10	E-3416	756-00	Equalizer Rebound Spacer	4	1-78
—	E-3414	—	Equalizer Bolt Kit Includes Key Nos. 6, 7, 8, 9, 10, 11	2	1-78
12	E-2907A	7029-00	U-Bolt Top Plate	4	1-79
13	E-2842	7052-02	Delrin Spring Liner Pad	8	1-68
14	E-9527	GDH7617-01	Spring Seat, 3/4" High	4	1-79
	E-9528	GDH7617-02	Spring Seat, 2 1/4" High		
	E-9529	GDH7617-03	Spring Seat, 3 1/4" High		
15	E-2909	710-00	Bottom Plate, 5" Round	4	1-79
16	E-UB8161-14	7040-12	U-Bolt Assembly, Rd. Bend, 7/8"-14 Thd. x 3" Wide x 14" Long	8	2-25
		7040-13			
	E-UB8161-16	7040-16	U-Bolt Assembly, Rd. Bend, 7/8"-14 Thd. x 3" Wide x 16" Long		2-25
		7040-18			
E-UB8161-18	7040-20	U-Bolt Assembly, Rd. Bend, 7/8"-14 Thd. x 3" Wide x 18" Long	2-25		
17	E-9476	16167-04	Adjustable Torque Arm	2	1-79
	E-9477	GDH11953-01	Rigid Torque Arm	2	1-79
—	E-9478 (Rubber)	—	Torque Arm Bushing Assembly Includes Key Nos. 18, 19, 20, 21, 22	8	1-78
	E-9479 (Poly)				
18	E-9480	GDH12709-01	Torque Arm Step Bolt	8	1-79
19	E-2833	GDH12710-01	Washer	8	2-35
20	E-9482	GDH12711-01	Washer	8	1-78
21	E-927 (Rubber)	GDH7620-00	Torque Arm Bushing	16	1-78
	E-7433 (Poly)				
22	E-1835	GDH34-02	Torque Arm Nut	8	2-34

1

GREAT DANE SUSPENSION PARTS

EQUALIZER



*Wider liner plates
** Includes E-1999A Bushing

EQUALIZER BUSHING



EUCLID NO.	REPLACES	APPLICATION
E-2781*	Great Dane 750-03	Heavy-Duty**
E-2781A		OE Equivalent**
E-9570		Standard Duty**
E-7918		E-2781A with E-7452 Poly Bushing

EUCLID NO.	REPLACES	FOR MODEL
E-1999A (Rubber)	Great Dane 7010-00	H
E-7452 (Poly)		

EQUALIZER BUSHING ASSEMBLY



EQUALIZER BOLT KIT



EUCLID NO.	REPLACES	FOR MODEL	QTY.	EUCLID NO.	DESCRIPTION
E-2003 (Rubber)	—	H	1	E-1999A	Bushing
E-9474 (Poly)			2	E-2000	Bolt
			1	E-2001	Tab Lock
2			E-2002	Nut	

EUCLID NO.	REPLACES	FOR MODEL	QTY.	EUCLID NO.	DESCRIPTION
E-3414	—	H	2	E-2000	Bolt
			1	E-2001	Tab Lock
			4	E-2002	Nut
			2	E-3415	Rebound Bolt
			2	E-3416	Spacer Sleeve

TORQUE ARM BUSHING ASSEMBLY



TORQUE ARM BUSHING



EUCLID NO.	REPLACES	FOR MODEL	QTY.	EUCLID NO.	DESCRIPTION
E-9478 (Rubber)	—	H	1	E-9480	Bolt
			1	E-1835	Nut
			1	E-2833	Washer
			1	E-9482	Washer
E-9479 (Poly)	—	H	2	E-927	Bushing or (Rubber) Bushing
			2	E-7433 (Poly)	Bushing

EUCLID NO.	REPLACES	FOR MODEL	O.D.	I.D.	LENGTH
E-927 (Rubber)	Great Dane GDH7620-00	H	2 3/16"	1 1/4"	2 3/8"
E-7433 (Poly)					

GREAT DANE SUSPENSION PARTS

TORQUE ARMS



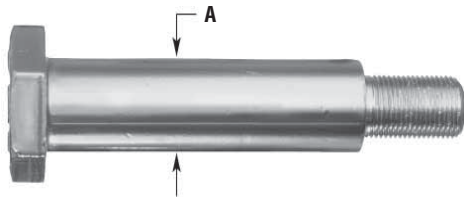
Adjustable



Rigid

EUCLID NO.	REPLACES	FOR MODEL	EUCLID BUSHING NO.	LENGTH Center-to-Center
E-9476 (Adjustable)	Great Dane 16167-04	H	E-927	19 1/4"
E-9477 (Rigid)	Great Dane 11953-01			

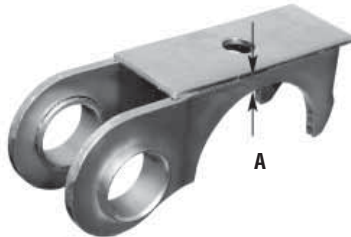
TORQUE ARM STEP BOLT



7/8" -14 Thread

EUCLID NO.	REPLACES	FOR MODEL	LENGTH	A
E-9480	Great Dane GDH12709-01	H	6 5/8"	1 1/4"

SPRING SEAT



EUCLID NO.	REPLACES	FOR MODEL	A
E-9527	Great Dane 7617-01	H	3/4" High
E-9528	Great Dane 7617-02	H	2 1/4" High
E-9529	Great Dane 7617-03	H	3 1/4" High

TAB LOCK



EUCLID NO.	REPLACES	FOR MODEL
E-2001	Great Dane 729-00	Model "H"

BOTTOM PLATE



EUCLID NO.	REPLACES	FOR MODEL	APPLICATION
E-2909	Great Dane 710-00	H	For Standard Suspension. Not for use with No-Hop Feature

U-BOLT TOP PLATE



EUCLID NO.	REPLACES	FOR MODEL	WIDTH	LENGTH
E-2907A	Great Dane 7029-00	H	3"	7 1/2"

EQUALIZER STEP BOLT



EUCLID NO.	REPLACES	FOR MODEL	THD.	DIA.	LENGTH
E-2000	Great Dane 7016-01	Model "H"	5/8"- 18	3/4"	6"

GREAT DANE SUSPENSION PARTS

FRONT HANGER STRADDLE MOUNT



FRONT HANGER UNDER MOUNT



1

EUCLID NO.	REPLACES	FOR MODEL
E-9493	Great Dane GDH7601-01	H

EUCLID NO.	REPLACES	FOR MODEL
E-9494	Great Dane GDH7601-02	H

EQUALIZER HANGER STRADDLE MOUNT



EQUALIZER HANGER UNDER MOUNT



EUCLID NO.	REPLACES	FOR MODEL
E-9495	Great Dane GDH7602-01	H

EUCLID NO.	REPLACES	FOR MODEL
E-9496	Great Dane GDH7602-02	H

REAR HANGER STRADDLE MOUNT



REAR HANGER UNDER MOUNT



EUCLID NO.	REPLACES	FOR MODEL
E-2912A	Great Dane GDH7703-01	H

EUCLID NO.	REPLACES	FOR MODEL
E-2915A	Great Dane GDH7703-02	H

Request your copy of
SP0989
via Literature on Demand

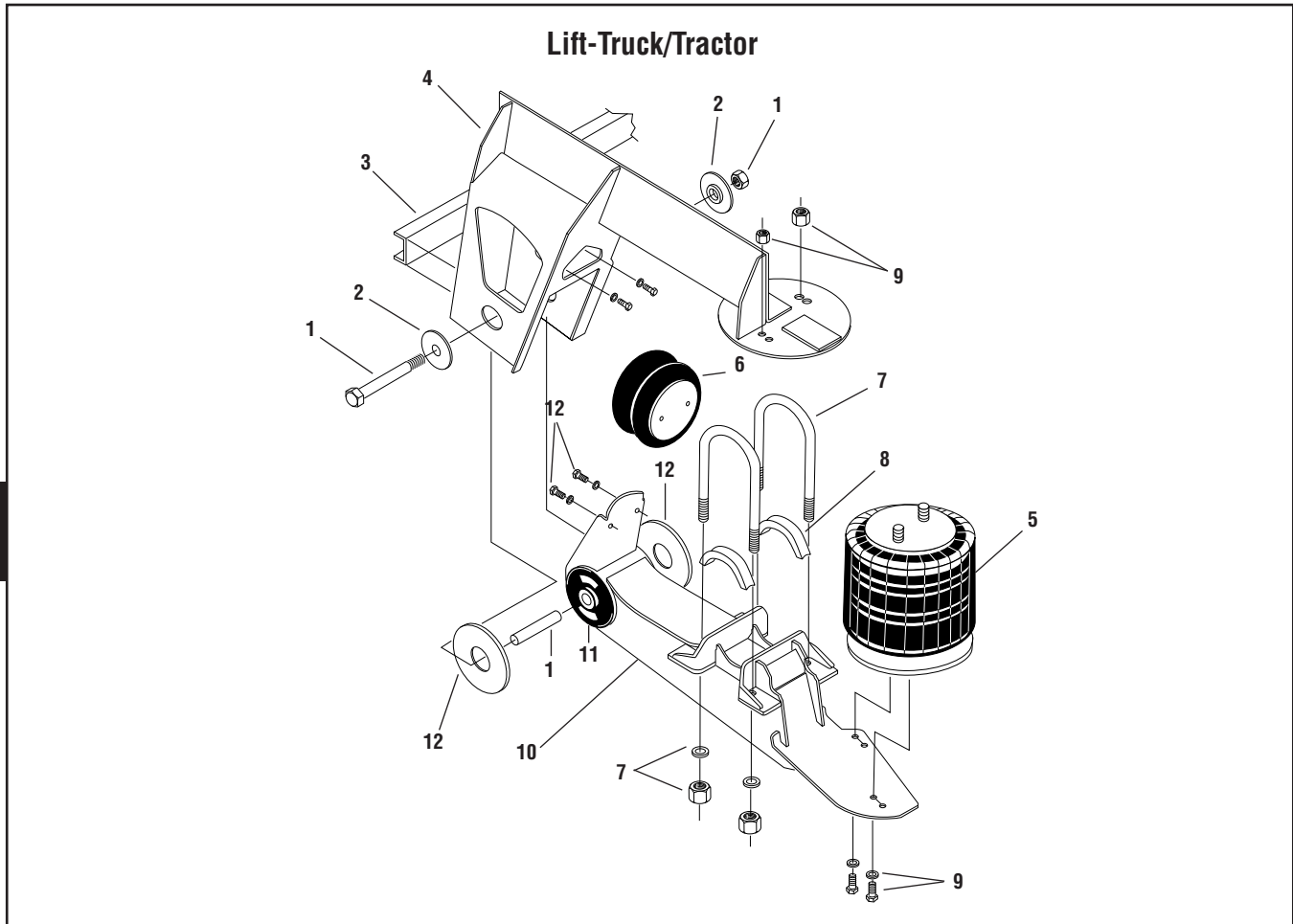


1

EASY SEARCH FOR PARTS (E.S.P.) EQUALIZER TO SUSPENSION MODEL GUIDE



HENDRICKSON AUXILIARY HLM, HLM-1, HLM-1-TR SUSPENSION



1

HENDRICKSON AUXILIARY HLM, HLM-1, HLM-1-TR SUSPENSION

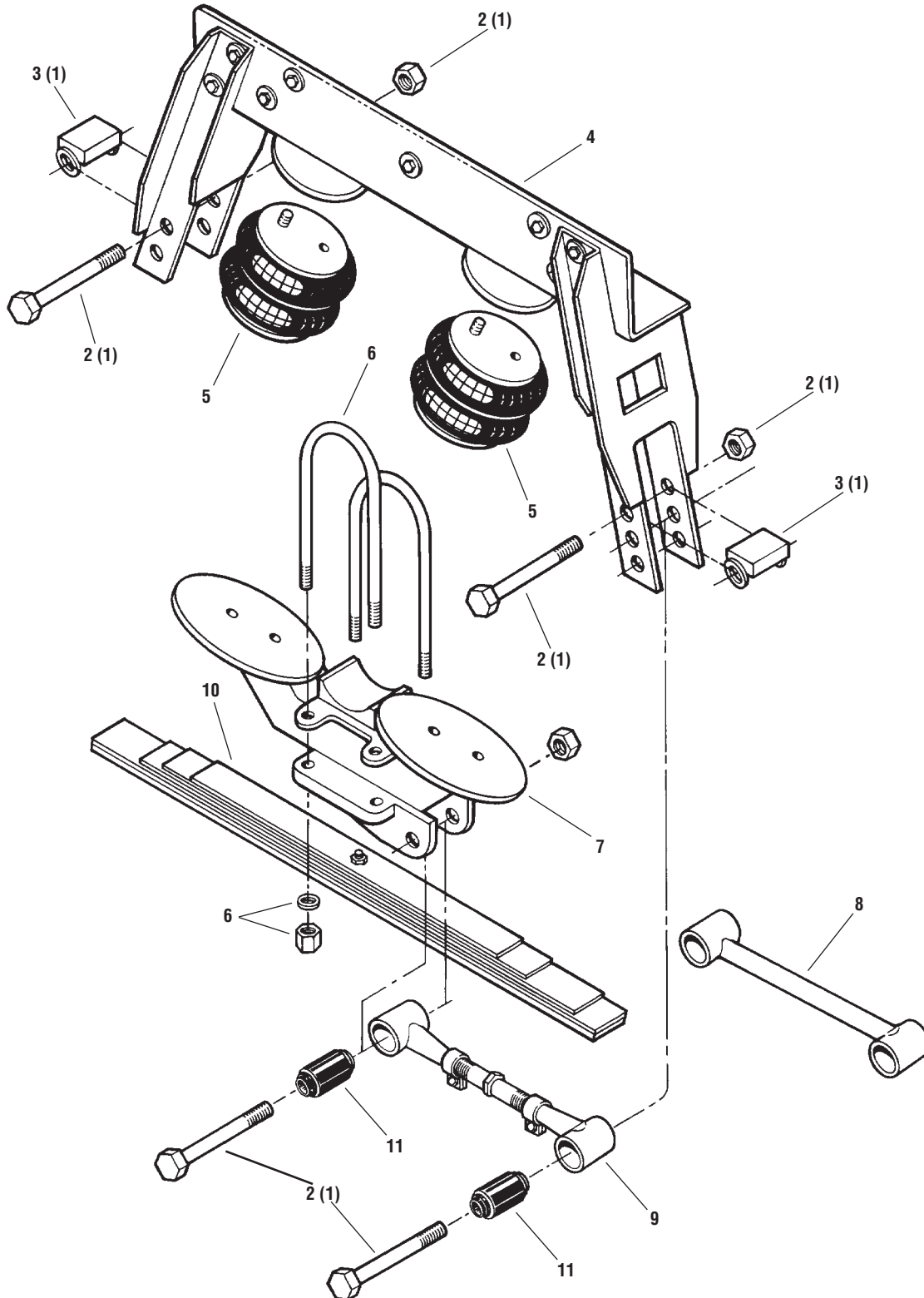
KEY NO.	EUCLID NO.	REPLACES HENDRICKSON NO.	DESCRIPTION	QUANTITY PER AXLE	HLM	HLM-1	HLM-1-TR	PAGE NO.
1	E-3768	S-3646	Pivot Bolt Kit	2	X	X	X	1-226
2	E-3771	S-2770	Alignment Collar	4	X	X	X	1-226
3	S.O.S.	A-1631-19	Side Rail Cross Channel	1	X	X	X	—
4	S.O.S.	C-13091-1	Side Rail Assembly, Roadside	1	X			—
	S.O.S.	C-13091-2	Side Rail Assembly, Curbside	1	X			
	S.O.S.	C-14200-1	Side Rail Assembly, Roadside	1			X	
	S.O.S.	C-14200-2	Side Rail Assembly, Curbside	1			X	
	S.O.S.	C-14208-1	Side Rail Assembly, Roadside	1		X		
	S.O.S.	C-14208-2	Side Rail Assembly, Curbside	1		X		
5	FS9367	S-14249	Air Spring (Ride)	2	X	X	X	—
6	FS6935	S-14318	Air Spring (Lift)	2	X	X	X	—
7	E-UB8168-082	S-20032/4	U-Bolt Assembly, Rd. Bend, 7/8"-14 Thd. x 6" Wide x 8 1/4" Long	4	X	X	X	2-26
8	E-6124	S-20701	Axle Spacer	4	X	X	X	1-226
9	S.O.S.	S-1981/2	Air Spring Bolt Kit	2	X	X	X	—
10	S.O.S.	D-13103-1	Beam Assembly, Roadside	1	X			—
	S.O.S.	D-13103-2	Beam Assembly, Curbside	1	X			
	S.O.S.	D-001907-1	Beam Assembly, Roadside	1		X	X	
	S.O.S.	D-001907-2	Beam Assembly, Curbside	1		X	X	
11	E-6121	A-6914	Tri-Functional Bushing Kit, Includes Key Nos. 1, 11, 12	2	X	X	X	1-225
12	E-6122	S-21099	Bushing Wear Pad	4	X	X	X	1-226

S.O.S. = Available through Euclid's S.O.S. Department

1

HENDRICKSON AUXILIARY HLQ, Q SERIES SUSPENSION

Lift-Truck/Tractor



1

HENDRICKSON AUXILIARY HLQ, Q SERIES SUSPENSION PARTS

Lift-Truck/Tractor

KEY NO.	EUCLID NO.	REPLACES HENDRICKSON NO.	DESCRIPTION	QUANTITY PER AXLE	Q-AH HLQ-AH	Q-LF HLQ-LF	Q-SR HLQ-SR	PAGE NO.
1	E-3779	S-1156	Slider Block Assembly Includes Key Nos. 2, 3	4	X	X		1-226
2	Part of E-1981	S-1126	Radius Rod Bolt Kit	2	X	X	X	1-226
3	E-3779	S-1156	Slider Block Assembly	2	X	X		1-226
	E-3777	S-1367					X	—
4	S.O.S.	D-1152-1	Side Rail Assembly, Curbside	1			X	—
	S.O.S.	D-1152-2	Side Rail Assembly, Roadside	1			X	
	S.O.S.	D-1257-1	Side Rail Assembly, Curbside	1		X		
	S.O.S.	D-1257-2	Side Rail Assembly, Roadside	1		X		
	S.O.S.	D-1268-1	Side Rail Assembly, Curbside	1	X			
	S.O.S.	D-1268-2	Side Rail Assembly, Roadside	1	X			
5	FS7403	S-1159	Air Spring	4	X	X	X	—
6	N/A	—	U-Bolt Assembly, Rd. Bend, 7/8"-14 Thd. x 6" Wide x 9 1/2" Long	4		X		—
	E-UB8165-12	S-1135	U-Bolt Assembly, Rd. Bend, 7/8"-14 Thd. x 5" Wide x 12" Long		x		x	2-26
7	S.O.S.	C-3334	Lower Arm Assembly	2	X			—
	S.O.S.	C-7565				X		
	S.O.S.	C-3419					X	
8	E-3773	S-1031	Nonadjustable Radius Rod, 15 1/2"*	1			X	1-227
	E-3774A-2	S-1031-1	Nonadjustable Radius Rod, 19"*		X			
9	E-2513	S-1032-1	Adjustable Radius Rod, 18 1/2" - 21 3/8"*	1	X			1-227
	E-2512	S-1032-2	Adjustable Radius Rod, 14" - 18 1/2"*				X	
10	S.O.S.	C-1733	Return Spring Assembly	2	X			—
	S.O.S.	C-1012				X		
	S.O.S.	B-1152					X	
11	E-1980 (Rubber)	S-1712	Torque Rod Bushing	4	X	X	X	2-48
—	E-1981	—	Torque Rod Bushing Assembly Includes Key Nos. 2, 11	4	X	X	X	1-226
—	S.O.S.	A-1276	Air Spring Bolt Kit	4	X	X	X	—
—	S.O.S.	A-1631	C-Channel, 3" x 30"	1	X	X	X	—
—	S.O.S.	A-1633	Frame Bracket Brace	2	X	X	X	—
—	S.O.S.	A-7568	Axle Seat	2		X		—
—	S.O.S.	C-11253	Radius Rod Bracket (Casting)	2	X		X	—
—	S.O.S.	C-7557	Fabricated Drop Axle Assembly	1		X		—
—	S.O.S.	S-1132	Shackle Bolt Kit	2		X		—

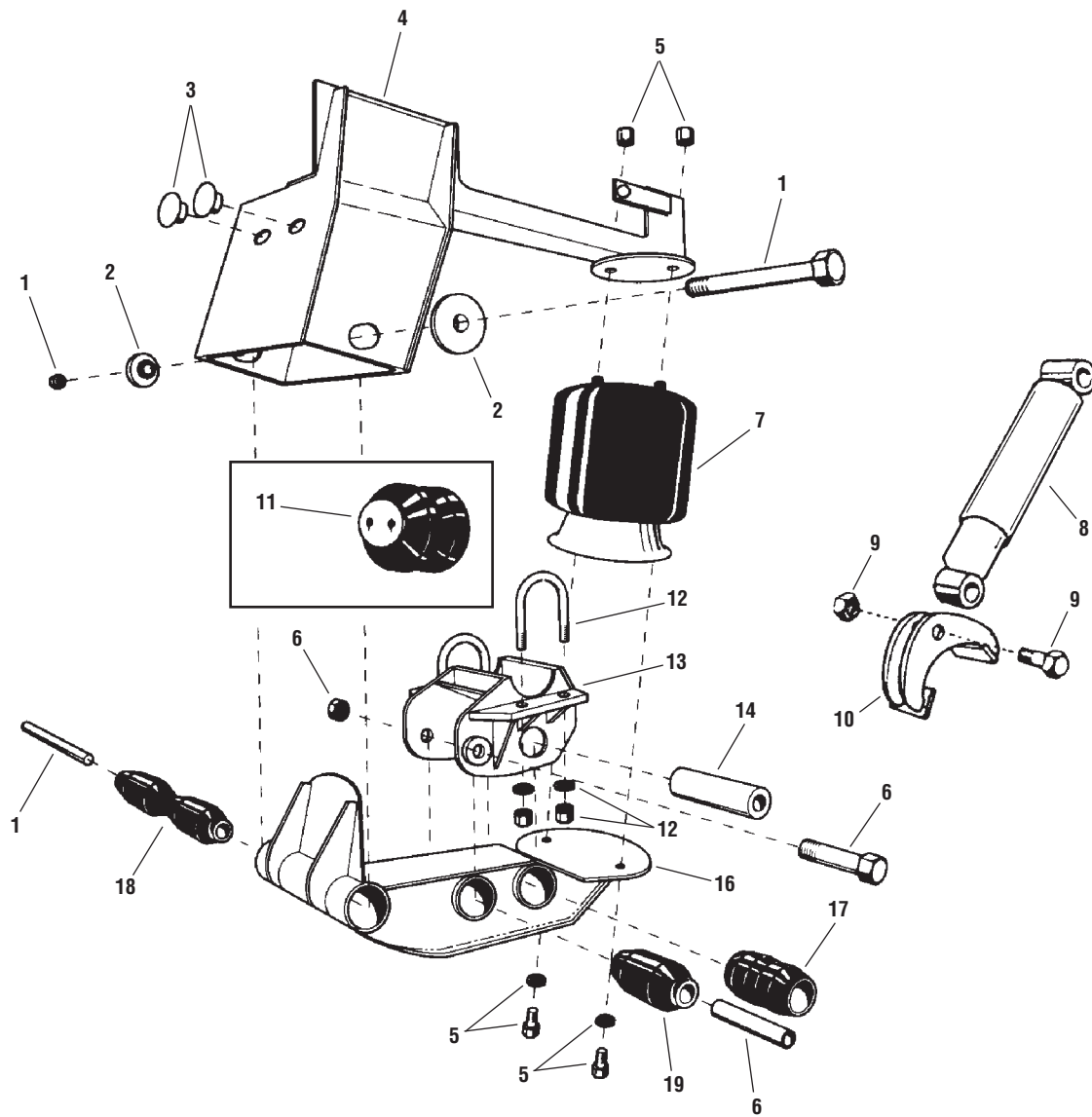
* Dimension is Center-to-Center Length

S.O.S. = Available through Euclid's S.O.S. Department

N/A = Part No Longer Available

HENDRICKSON AUXILIARY MT45, MTL45, MTL50 SUSPENSION

Lift-Trailer



1

HENDRICKSON AUXILIARY MT45, MTL45, MTL50 SUSPENSION PARTS

Lift-Trailer

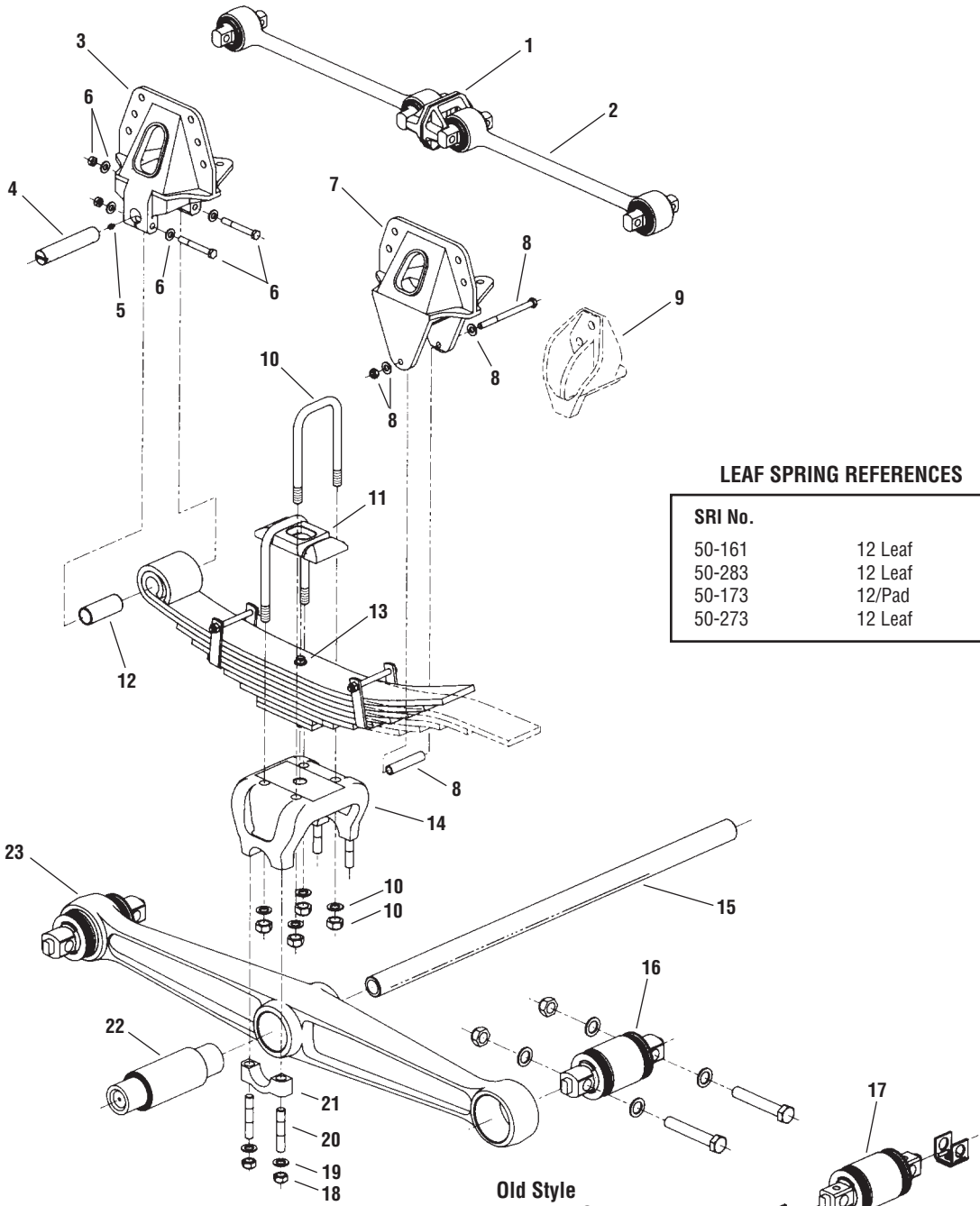
KEY NO.	EUCLID NO.	REPLACES HENDRICKSON NO.	DESCRIPTION	QUANTITY PER AXLE	MT-45	MTL-45	MTL-50	PAGE NO.
1	E-6129	S-3142	Pivot Bolt Kit	2	X	X	X	1-226
2	E-3771	S-2770	Alignment Collar	4	X	X		1-226
	E-6131	B-2848					X	
3	S.O.S.	A-4710	Plastic Bolt Hole Plug	4	X	X	X	—
4	S.O.S.	C-12350-1	Side Rail Assembly, Roadside	1	X			—
	S.O.S.	C-12350-2	Side Rail Assembly, Curbside	1	X			
	S.O.S.	C-11728-1	Side Rail Assembly, Roadside	1		X		
	S.O.S.	C-11728-2	Side Rail Assembly, Curbside	1		X		
	S.O.S.	C-11728-1(New) C-6015-1 (Old)	Side Rail Assembly, Roadside	1			X	
	S.O.S.	C-11728-2(New) C-6015-2 (Old)	Side Rail Assembly, Curbside	1			X	
5	S.O.S.	S-1981	Air Spring Bolt Kit (Ride)	2	X	X	X	—
6	E-6130	A-3141	Alignment Bolt Kit	2	X	X	X	1-226
7	FS9321	S-4375	Air Spring	2	X	X	X	—
		S-14249			X	X	X	
8	M85000	S-1667	Shock Absorber	2	X	X	X	3-14
	M89436	S-1667	Shock Absorber					
9	S.O.S.	A-12355	Shock Bolt Kit	1	X			—
10	S.O.S.	B-3896	Lower Shock Bracket Assembly	2	X			—
11	FS6902	S-2630	Air Spring (Lift)	2		X	X	—
12	E-UB8165-076	S-3139	U-Bolt Assembly, Rd. Bend, 7/8"-14 Thd. x 5" Wide x 7 3/4" Long	4	X	X	X	2-26
13	S.O.S.	C-6042	Axle Seat Assembly	2	X	X	X	—
14	N/A	A-6041-3	Shaft	2	X	X		—
		B-3111-2	Shaft				X	
16	S.O.S.	D-11679-1	Beam with Bushings, Roadside	1	X	X		—
	S.O.S.	D-11679-2	Beam with Bushings, Curbside	1	X	X		
	S.O.S.	D-6200-1	Beam with Bushings, Roadside	1			X	
	S.O.S.	D-6200-2	Beam with Bushings, Curbside	1			X	
17	E-6128	S-2159-1	Bushing	2	X	X	X	1-225
18	E-6126	S-2841	Pivot Bushing	2	X	X	X	1-225
19	E-6127	S-2841-1	Bushing	2	X	X	X	1-225
—	S.O.S.	A-1631-1	C-Channel 3" x 20"	1			X	—
—	S.O.S.	A-1633-1	Frame Bracket Brace	2			X	—
—	S.O.S.	A-2849	Air Spring Bolt Kit (Lift)	2		X	X	—

S.O.S. = Available through Euclid's S.O.S. Department

N/A = Part No Longer Available

HENDRICKSON U2/UE2-340 SUSPENSION

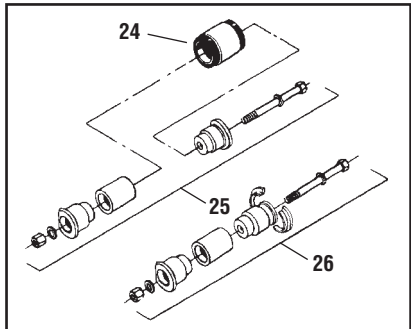
Truck/Tractor



LEAF SPRING REFERENCES

SRI No.	
50-161	12 Leaf
50-283	12 Leaf
50-173	12/Pad
50-273	12 Leaf

Old Style Bushing and Adapter Connection



OPTIONAL

HENDRICKSON U2/UE2-340 SUSPENSION PARTS

Truck/Tractor

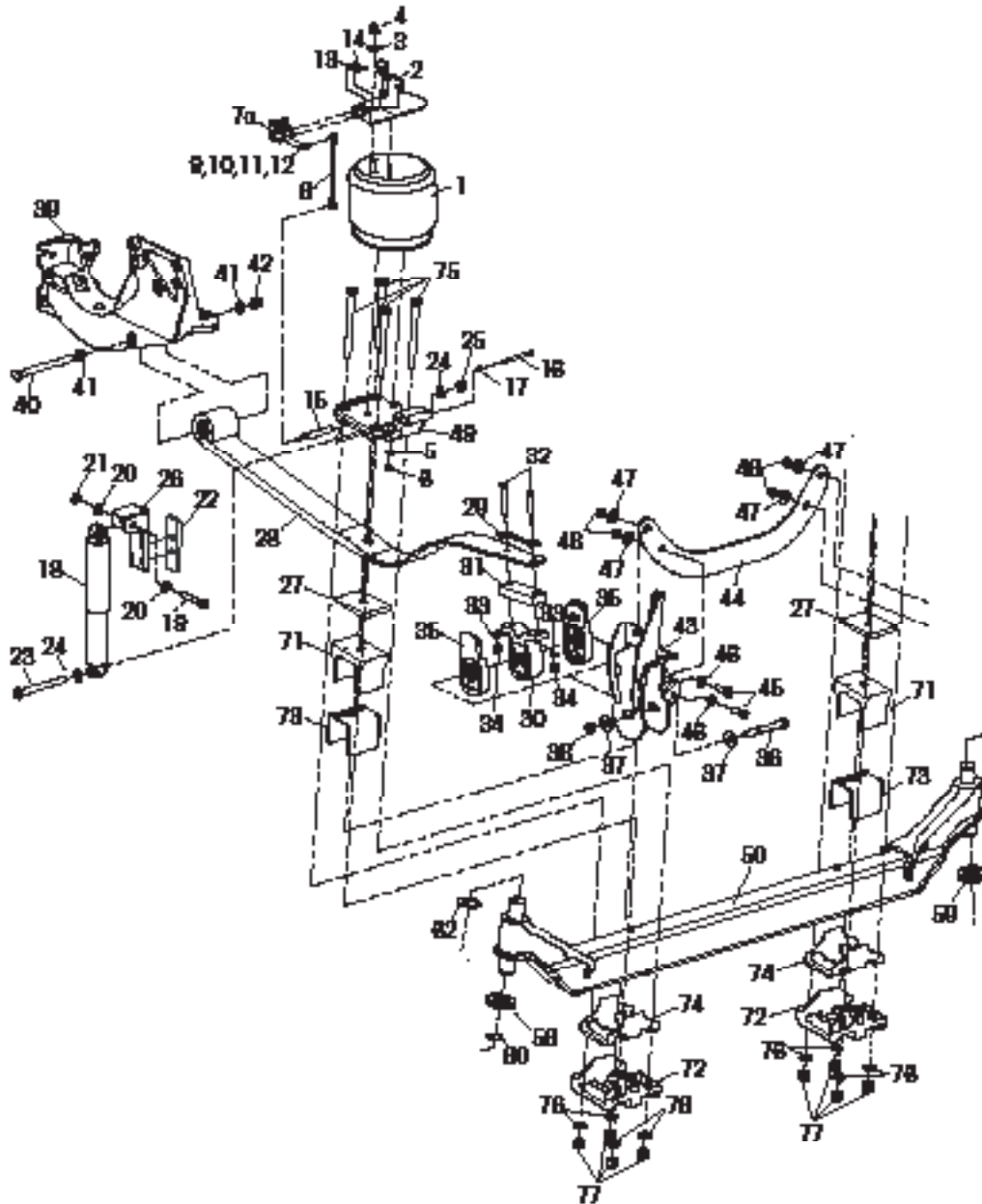
KEY NO.	EUCLID NO.	REPLACES HENDRICKSON NO.	CASTING NO.	DESCRIPTION	QUANTITY PER TANDEM	U2-340	UE2-340	PAGE NO.
1	E-2634	22186-000		Torque Rod Frame Bracket	2	X	X	1-214
2	See Torque Rod Section			Torque Rod Assembly	2	X	X	2-36
3	See Hanger Section			#1 Front Spring Hanger, Double Lock Bolt	2	X	X	1-202
4	E-3761	43146-000L		Lock Pin, Double Groove	2	X	X	1-200
5	E-1307	33117-000		Lube Fitting	2	X	X	1-200
6	E-9427	29828-035		Lock Bolt Assembly	2	X	X	1-201
7	See Hanger Section			#2 Rear Spring Hanger	2	X	X	1-202
8	E-9428	29828-023		Rebound Bolt & Spacer Assembly	2	X	X	1-201
9	See Hanger Section			#3 Spring Hanger, Extended Leaf Spring	2	X	X	1-201
10	E-UB8264-083	22303-002		U-Bolt Assembly, Sq. Bend, 7/8"-14 Thd. x 4" Wide x 8 3/8" Long	4	X	X	2-27
11	S.O.S.	19281-001		Top Pad	2	X	X	—
12	E-1877	30057-008L		Spring Eye Bushing	2	X	X	1-200
13	S.O.S.	05069-000		Spring Center Bolt	2	X	X	—
14	E-1851	31017-075	43184	Saddle Assembly, 6 3/16" Height	2	X	X	1-198
	E-1852	31017-076	43145	Saddle Assembly, 7 5/16" Height Includes Key Nos. 22, 23, 24, 25		X	X	1-198
15	E-1840	44642-008		Cross Tube	1	X	X	1-188
16	E-9325	34013-087		Bar Pin Bushing Kit	4	X	X	1-192
17	E-9326	34013-088L		Bar Pin Bushing Kit, Shim Type	As Required	X	X	1-192
18	E-4961A	30191-000		Nut	8	X	X	2-34
19	E-2545	22962-001		Washer	8	X	X	2-35
20	E-2229	23441-004		Stud	8	X	X	1-199
21	E-1832	19283-002		Cap	4	X	X	1-199
22	E-1338	06664-000		Center Bushing	2	X	X	1-189
—	E-1594	22279-000		Center Bushing with Loose End Plug	2	X	X	1-189
23	S.O.S.	Various		Walking Beam Assembly	2	X	X	—
24	E-1340	06969-000L		End Beam Bushing, Old Style	4	X	X	1-192
25	E-2372	45000-013L		End Beam Adapter, Old Style	4	X	X	1-193
26	E-2373	45000-014		End Beam Adapter, Split Flange	4	X	X	1-193
—	E-5308	34013-048L		End Beam Bushing Kit,	4	X	X	1-191

S.O.S. = Available through Euclid's S.O.S. Department

HENDRICKSON AIRTEK® FOR INTERNATIONAL VEHICLES

NEW ENGINE CONFIGURATION (PEC)

VEHICLES BUILT PRIOR 9/06 — INTERNATIONAL MODELS 9200/9400
Truck / Tractor



1

HENDRICKSON AIRTEK® FOR INTERNATIONAL VEHICLES

NEW ENGINE CONFIGURATION (PEC)

VEHICLES BUILT PRIOR 9/06 — INTERNATIONAL MODELS 9200/9400

Truck / Tractor

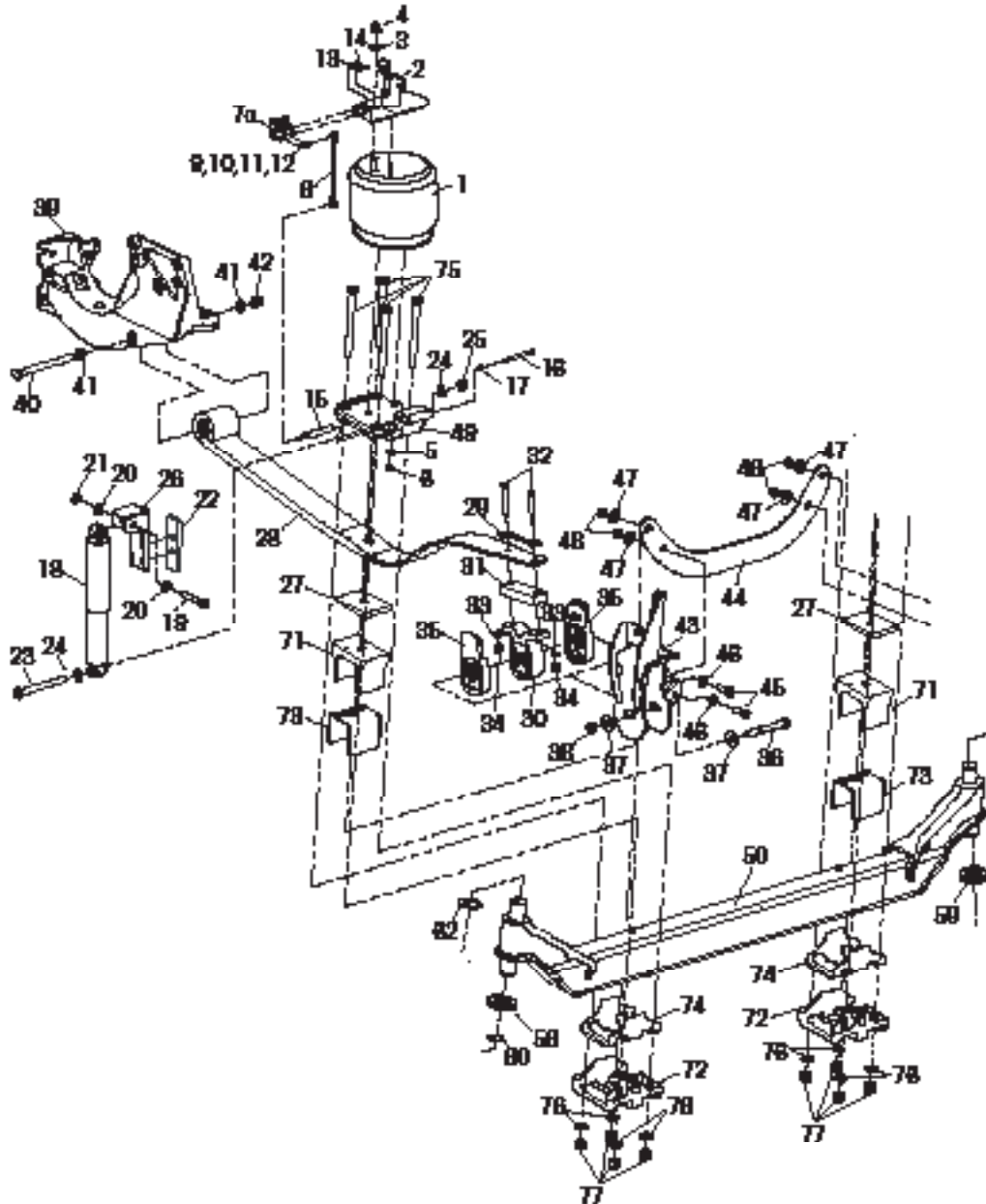
KEY NO.	EUCLID NO.	REPLACES HENDRICKSON NO.	DESCRIPTION	QTY PER AXLE	PAGE NO.
1	FS8597	65790-002L	Air Spring	2	—
2	S.O.S.	64583-000	Air Spring Bracket LH	1	—
	S.O.S.	64586-000	Air Spring Bracket RH	1	—
3	E-2545	22962-001	3/4" Flat Washer	2	2-35
4	S.O.S.	17700-033	3/4" - 16 UNC Nylon Locknut	2	—
5	S.O.S.	22962-011	1/2" Hardened Washer	2	—
6	S.O.S.	17700-010	1/2" - 13 UNC Nylon Locknut	2	—
—	S.O.S.	59427-013	HCV & Linkage Assembly LH (if equipped, Includes Key No. 7-14)	1	—
	S.O.S.	59427-014	HCV & Linkage Assembly RH (Includes Key No. 7-14)		—
7a	E-13996	59935-011	Height Control Valve (if equipped)	1	1-228
	E-13997	59935-018 (New)	Height Control Valve RH (Replaces 59935-010) (Old)	1	1-228
8	S.O.S.	59428-004	HCV Linkage	2	—
9	S.O.S.	59169-000	5/16" - 18 UNC Stud	2	—
10	S.O.S.	17491-011	5/16" - 18 UNC Nut	2	—
11	S.O.S.	22962-029	5/16" Hardened Washer	2	—
12	S.O.S.	59016-000	5/16" - 18 UNC Locknut	2	—
13	S.O.S.	22962-028	1/4" Hardened Washer	4	—
14	S.O.S.	49983-000	1/4" - 20 UNC Locknut	4	—
—	S.O.S.	60961-071	Lower Link Mount Service Kit, One Side (Includes Key No. 15-17)	—	—
15	S.O.S.	59429-002	Lower Link Mount	2	—
16	S.O.S.	58035-006	3/8" - 16 UNC Hex Bolt - 3.5"	2	—
17	S.O.S.	22962-015	3/8" Flat washer	2	—
—	S.O.S.	60961-094	Shock Absorber Service Kit, One Side (Includes Key No. 18-25)	—	—
	S.O.S.	60961-095	Day Cab Shock Absorber Service Kit, One Side (Includes Key No. 18-25)		—
18	E-14021	65992-001L	Sleeper Shock Absorber	2	1-229
	E-14022	65992-002L	Day Cab Shock Absorber	2	1-229
19	S.O.S.	32043-008	5/8" - 11 UNC Upper Shock Bolt - 4.0"	2	—
20	S.O.S.	22962-004	5/8" Upper Shock Washer	4	—
21	S.O.S.	47764-000	5/8" - 11 UNC Upper Shock Locknut	2	—
22	S.O.S.	59946-001	Shock Spacer	2	—
23	S.O.S.	58917-014	3/4" - 10 UNC Lower Shock Bolt - 8.0"	2	—
24	E-2545	22962-001	3/4" Lower Shock Hardened Washer	4	2-35
25	S.O.S.	49842-000	3/4" - 10 UNC Lower Shock Hex Locknut	2	—
26	S.O.S.	—	Shock Bracket	2	—
27	S.O.S.	—	Caster Wedge	2	—
29	S.O.S.	58920-000	Spring End Plate	2	—
30	S.O.S.	58918-000 (Old)	Rear Spring Mount	2	—
31	S.O.S.	65772-000	Rear Mount Spacer	2	—
32	S.O.S.	30970-001	1/2" - 20 UNF Bolt - 2.5"	4	—
33	S.O.S.	22962-014	1/2" Hardened Washer	4	—
34	S.O.S.	17700-034	1/2" - 20 UNF Nylon Locknut	4	—
35	S.O.S.	65856-000 (Old)	Thrust Washer	4	—
36	S.O.S.	58917-008	3/4" - UNC Hex Bolt - 6.0"	2	—
37	S.O.S.	22962-033	3/4" Flat Washer	4	—
38	S.O.S.	49842-000	3/4" - 10 UNC Locknut	2	—
39	S.O.S.	—	Front Hanger	2	—
40	S.O.S.	58917-016	3/4" - 10 UNC Hex Bolt - 8.5"	2	—
41	E-2545	22962-001	3/4" Flat Washer	4	2-35
42	S.O.S.	17700-033	3/4" - 10 UNC Locknut	2	—

S.O.S. = Available through Euclid's S.O.S. Department

HENDRICKSON AIRTEK® FOR INTERNATIONAL VEHICLES

NEW ENGINE CONFIGURATION (PEC)

VEHICLES BUILT PRIOR 9/06 — INTERNATIONAL MODELS 9200/9400
Truck / Tractor



1

HENDRICKSON AIRTEK® FOR INTERNATIONAL VEHICLES

NEW ENGINE CONFIGURATION (PEC)

VEHICLES BUILT PRIOR 9/06 — INTERNATIONAL MODELS 9200/9400

Truck / Tractor

KEY NO.	EUCLID NO.	REPLACES HENDRICKSON NO.	DESCRIPTION	QTY PER AXLE	PAGE NO.
43	S.O.S.	68317-001	Rear Hanger LH	As Required	—
	S.O.S.	68317-002	Rear Hanger RH		—
	N/A	65794-000	Rear Hanger (Day Cab) Without BellyBand Attach. - Obsolete		—
44	S.O.S.	66019-000	Belly Band	1	—
45	S.O.S.	32043-006	5/8" - 11 UNC Hex Bolt - 2.0"	4	—
46	S.O.S.	22962-004	5/8" Hardened Washer - O.D. 1.3"	4	—
47	S.O.S.	22962-003	5/8" Hardened Washer - O.D. 1.75"	4	—
48	S.O.S.	47764-000	5/8" - 11 UNC Hex Locknut	4	—
49	S.O.S.	64580-000	Top Pad	2	—
—	S.O.S.	70952-OXX	Axle Assembly (Includes Key No. 50-74)	1	—
71	S.O.S.	59952-023	Top Axle Wrap	2	—
72	S.O.S.	64722-003	Bottom Axle Wrap	2	—
—	—	60961-110	Top/Bottom Axle Wrap Liner Service Kit, (Includes Key No 73-77)	As Required	—
73	S.O.S.	65757-000	Top Axle Wrap Liner	2	—
74	S.O.S.	59845-000	Bottom Axle Wrap Liner	2	—
75	S.O.S.	58917-016	3/4" - 10 UNC Hex Bolt - 8.5"	8	—
76	E-2545	22962-001	3/4" Flat Washer	8	2-35
77	S.O.S.	17700-033	3/4" - 10 UNC-2B Nylon Locknut	8	—
78	S.O.S.	64246-000	ABS Sensor Sleeve	2	—

S.O.S. = Available through Euclid's S.O.S. Department

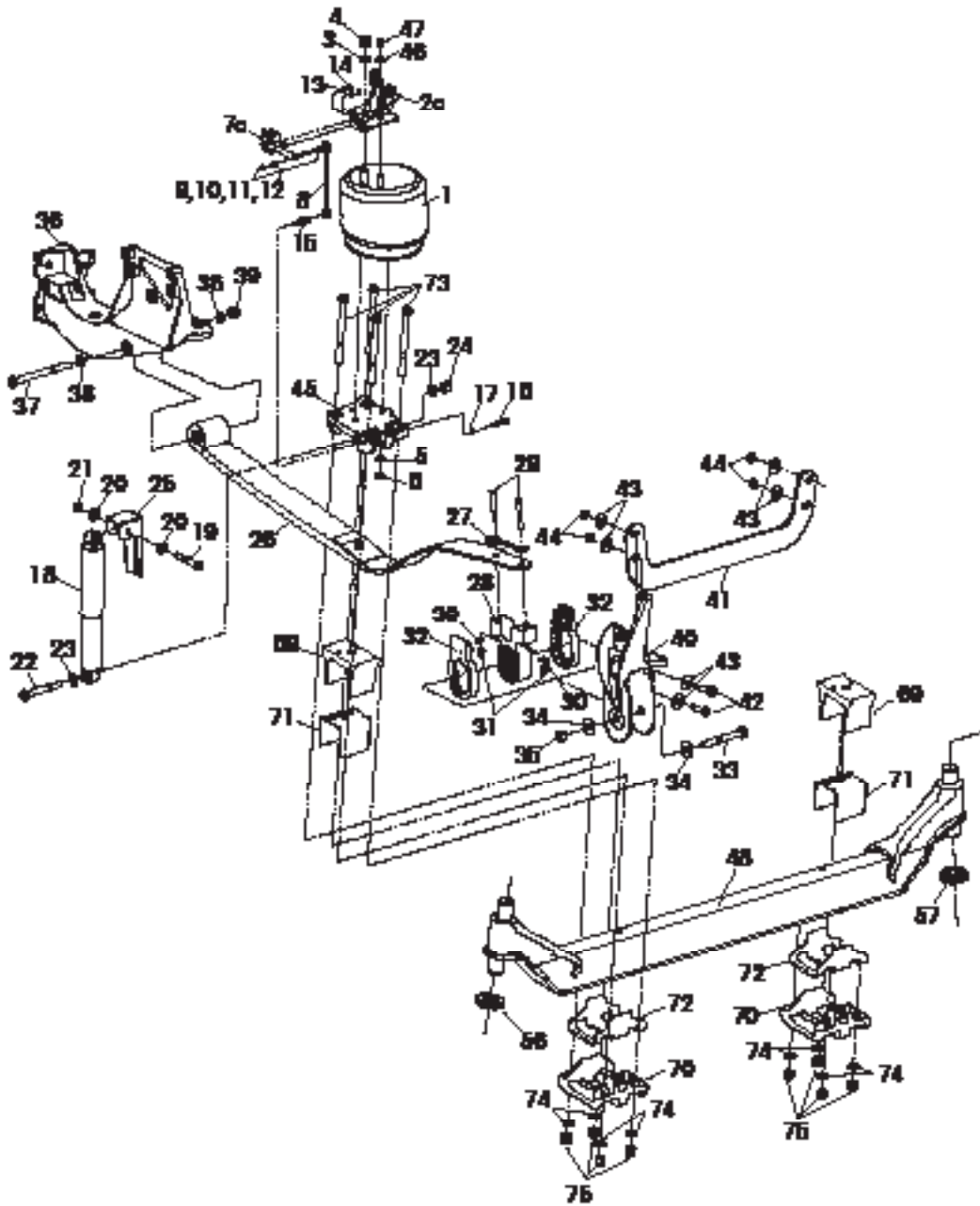
N/A = Part No Longer Available.

1

HENDRICKSON AIRTEK® FOR INTERNATIONAL VEHICLES

NEW ENGINE CONFIGURATION (NEC)

VEHICLES BUILT AFTER 9/06 — INTERNATIONAL MODELS 9200/9400
Truck / Tractor



HENDRICKSON AIRTEK® FOR INTERNATIONAL VEHICLES

NEW ENGINE CONFIGURATION (NEC)

VEHICLES BUILT AFTER 9/06 — INTERNATIONAL MODELS 9200/9400

Truck / Tractor

KEY NO.	EUCLID NO.	REPLACES HENDRICKSON NO.	DESCRIPTION	QTY PER AXLE	PAGE NO.
1	S.O.S.	65790-002L	Air Spring	2	—
2	S.O.S.	66775-000	LH Air Spring Bracket	1	—
	S.O.S.	66776-000	RH Air Spring Bracket	1	—
3	E-2545	22962-001	3/4" Flat Washer	2	2-35
4	S.O.S.	17700-015	3/4" - 16 UNF Nylon Locknut	2	—
5	S.O.S.	22962-011	1/2" Hardened Washer	2	—
6	S.O.S.	17700-010	1/2" - 13 UNC Nylon Locknut	2	—
—	S.O.S.	59427-013	LH HCV & Linkage Assembly (Includes Key No. 7-14)	2	—
—	S.O.S.	59427-014	RH HCV & Linkage Assembly (Includes Key No. 7-14)		—
7	E-13996	59935-011	LH Height Control Valve	1	1-228
	E-13997	59935-018	RH Height Control Valve	1	1-228
8	S.O.S.	59428-004	HCV Linkage	2	—
9	S.O.S.	59169-000	5/16" - 18 UNC Stud	2	—
10	S.O.S.	17491-011	5/16" - 18 UNC Nut	2	—
11	S.O.S.	22962-029	5/16" Hardened Washer	2	—
12	S.O.S.	59016-000	5/16" - 18 UNC Locknut	2	—
13	S.O.S.	22962-028	1/4" Hardened Washer	4	—
14	S.O.S.	49983-000	1/4" 20 UNC Locknut	4	—
—	S.O.S.	60961-154	Lower Link Mount Service Kit, One Side (Includes Key No. 15-17)	2	—
15	S.O.S.	59429-003	Lower Link Mount	2	—
16	S.O.S.	58035-002	3/8" - 16 UNC Hex Bolt - 1.38"	2	—
17	S.O.S.	22962-015	3/8" Flat Washer	2	—
—	S.O.S.	60961-156	Sleeper Shock Absorber Service Kit, (Includes Key No. 18-24)	2	—
—	S.O.S.	60961-157	Day Cab Shock Absorber Service Kit, (Includes Key No. 18-24)	2	—
18	E-14021	65992-001L	Sleeper Shock Absorber	2	1-229
	E-14022	65992-002L	Day Cab Shock Absorber	2	1-229
19	S.O.S.	32043-008	5/8" - 11 UNC Upper Shock Bolt - 4.0"	2	—
20	S.O.S.	22962-004	5/8" Upper Shock Washer	4	—
21	S.O.S.	47764-000	5/8" - 11 UNC Upper Shock Locknut	2	—
22	S.O.S.	58917-002	3/4" - 10 UNC Lower Shock Bolt - 5.0"	2	—
23	E-2545	22962-001	3/4" Lower Shock Hardened Washer	4	2-35
24	S.O.S.	49842-000	3/4" - 10 UNC Lower Shock Hex Locknut	2	—
25	S.O.S.	—	Shock Bracket	2	—
—	S.O.S.	60961-158	Rear Spring Mount Service Kit, (Includes Key No. 27-31)	2	—
27	S.O.S.	58920-000	Spring End Plate	2	—
28	S.O.S.	66774-000	Rear Spring Mount Service Kit, One side	2	—
29	S.O.S.	30970-001	1/2" - 20 UNF Bolt - 2.5"	4	—
30	S.O.S.	22962-014	1/2" Hardened Washer	4	—
31	S.O.S.	17700-034	1/2" - 20 UNF Nylon Locknut	4	—
—	S.O.S.	60961-159	Rear Spring Hardware Service Kit, (Includes Key No. 32-35)	4	—
32	S.O.S.	66779-000	Thrust Washer	4	—
33	S.O.S.	58917-008	3/4" - 10 UNC Hex Bolt - 6.0"	2	—
34	S.O.S.	22962-033	3/4" Flat Washer	4	—
35	S.O.S.	49842-000	3/4" - 10 UNC Locknut	2	—
36	S.O.S.	—	Front Hanger	2	—
37	S.O.S.	58917-016	3/4" - 10 UNC Hex Bolt - 8.5"	2	—
38	E-2545	22962-001	3/4" Flat Washer	4	2-35
39	S.O.S.	17700-033	3/4" - 10 UNC Locknut	2	—
40	S.O.S.	66382-001	LH Rear Hanger	1	—
	S.O.S.	66382-002	RH Rear Hanger	1	—
41	S.O.S.	66419-000	Belly Band	1	—

S.O.S. = Available through Euclid's S.O.S. Department

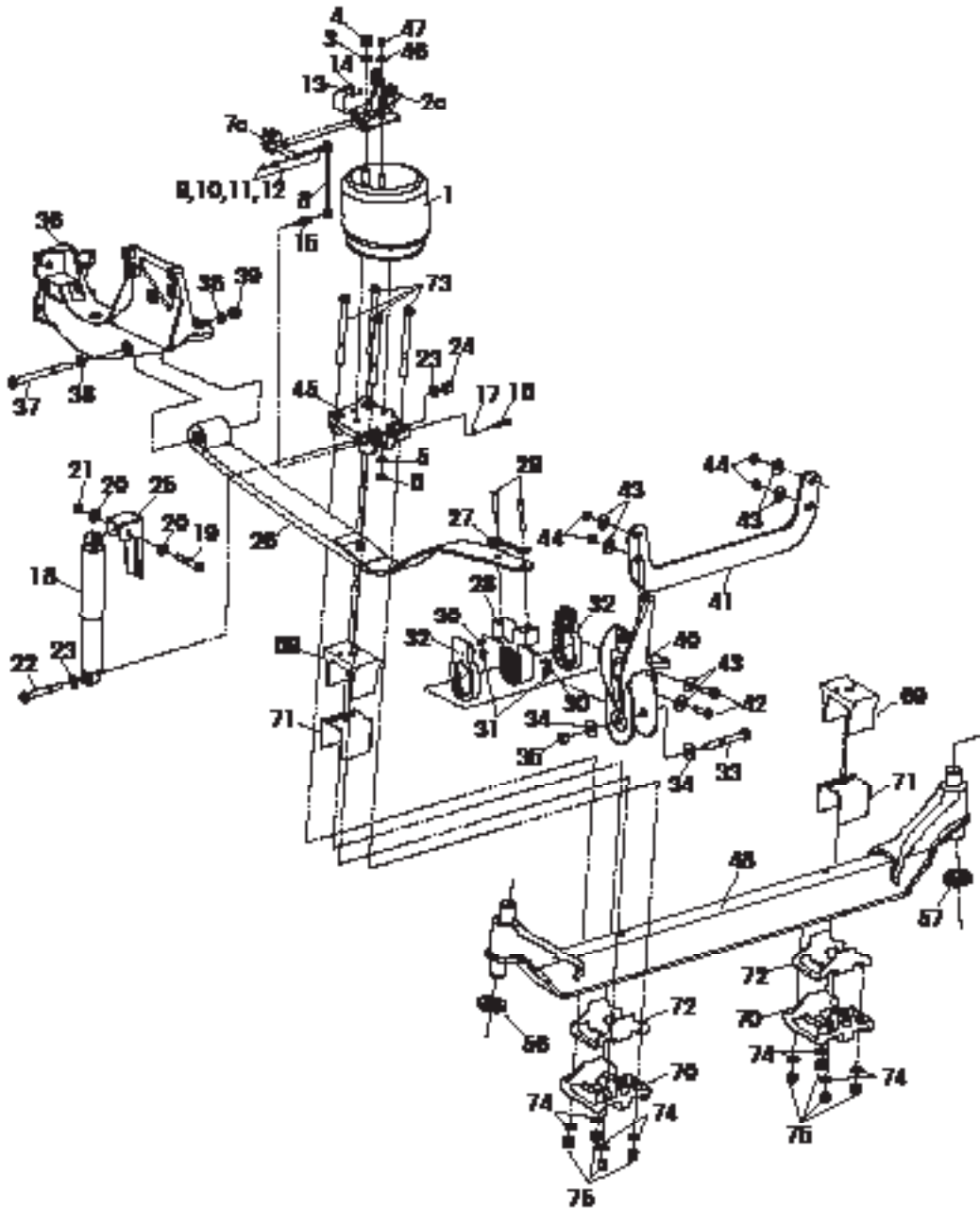
Contact Customer Care
USA - 1-888-725-9355 CANADA - 800-387-3889

Continued Next Page
MeritorPartsOnline.com

HENDRICKSON AIRTEK® FOR INTERNATIONAL VEHICLES

NEW ENGINE CONFIGURATION (NEC)

VEHICLES BUILT AFTER 9/06 — INTERNATIONAL MODELS 9200/9400
Truck / Tractor



HENDRICKSON AIRTEK® FOR INTERNATIONAL VEHICLES

NEW ENGINE CONFIGURATION (NEC)

VEHICLES BUILT AFTER 9/06 — INTERNATIONAL MODELS 9200/9400

Truck / Tractor

KEY NO.	EUCLID NO.	REPLACES HENDRICKSON NO.	DESCRIPTION	QTY PER AXLE	PAGE NO.
42	S.O.S.	32043-006	5/8" - 11 UNC Hex Bolt - 2.0"	4	—
43	S.O.S.	22962-003	5/8" Hardened Washer - O.D. 1.75"	8	—
44	S.O.S.	47764-000	5/8" - 11 UNC Hex Locknut	4	—
45	S.O.S.	68318-001	LH Top Pad	1	—
	S.O.S.	68318-002	RH Top Pad	1	—
46	S.O.S.	22962-011	1/2" Hardened Washer	2	—
47	S.O.S.	17700-010	1/2" - 13 UNC Nylon Locknut	2	—
—	—	70952-OXX	Axle Assembly (includes Key No. 48-72)	1	—
48	S.O.S.	64905-001	Axle & Kingpin Assembly	1	—
69	S.O.S.	59952-023	Top Axle Wrap	2	—
70	S.O.S.	64722-003	Bottom Axle Wrap	2	—
—	S.O.S.	60961-110	Top/Bottom Axle Wrap Liner Service Kit, (Includes Key No 71-75)	2	—
71	S.O.S.	65757-000	Top Axle Wrap Liner	2	—
72	S.O.S.	59845-000	Bottom Axle Wrap Liner	2	—
73	S.O.S.	58917-016	3/4" - 10 UNC Hex Bolt - 8.5"	8	—
74	E-2545	22962-001	3/4" Flat Washer	8	2-35
75	S.O.S.	17700-033	3/4" - 10 UNC-2B Nylon Locknut	8	—

S.O.S. = Available through Euclid's S.O.S. Department

HENDRICKSON AIRTEK® (PEC) REPLACEMENT SERVICE KITS

REFERENCE NO.	EUCLID NO.	REPLACES HENDRICKSON NO.	DESCRIPTION	NO. REQ.	PAGE NO.
—	S.O.S.	60961-131	LH & RH Rear Hanger Replacement Kit, (Includes Key No. 1-6)	1	—
1	S.O.S.	66627-001	LH Rear Hanger	1	—
2	S.O.S.	66627-002	RH Rear Hanger	1	—
3	S.O.S.	66419-000	Belly Band	1	—
4	S.O.S.	32043-006	5/8" -11 UNC Hex Bolt - 2.0"	4	—
5	S.O.S.	22962-003	5/8" Hardened Washer -O.D. 1.75"	8	—
6	S.O.S.	47764-000	5/8" -11 UNC Hex Locknut	4	—
—	S.O.S.	60961-132	Air Spring Bracket and Top Pad Replacement Kit, (Includes Key No. 7-19)	1	—
7	S.O.S.	66775-000	LH Air Spring Bracket	1	—
8	S.O.S.	66776-000	RH Air Spring Bracket	1	—
9	S.O.S.	68318-001	LH Top Pad	1	—
10	S.O.S.	68318-002	RH Top Pad	1	—
11	S.O.S.	59429-003	Link Mount	2	—
12	S.O.S.	58026-002	3/8" -16 UNC Hex Bolt - 1.38" (Link Mount)	2	—
13	S.O.S.	22962-015	3/8" Flat Washer	2	—
14	S.O.S.	58917-020	3/4" -10 UNC Bolt - 4.5" (Lower Shock)	2	—
15	E-2545	22962-001	3/4" Hardened Washer	4	2-35
16	S.O.S.	49842-000	3/4" -10 UNC Hex Locknut	2	—
17	S.O.S.	58917-016	3/4" -10 UNC Hex Bolt - 8.5" (Clamp Group)	8	—
18	E-2545	22962-001	3/4" Flat Washer	8	2-35
19	S.O.S.	17700-033	3/4" -10 UNC-2B Nylon Locknut	8	—
—	S.O.S.	60961-134	Leaf Spring Assembly Replacement Kit Axle Set (Includes Key No. 20-26)	1	—
20	S.O.S.	66420-000	Leaf Spring Assembly	2	—
21	S.O.S.	58917-016	3/4" -10 UNC Hex Bolt - 8.5"	10	—
22	E-2545	22962-001	3/4" Flat Washer	8	2-35
23	S.O.S.	17700-033	3/4" -10 UNC-2B Nylon Locknut	8	—
24	S.O.S.	58917-002	3/4" -10 UNC Hex Bolt - 5.0"	2	—
25	S.O.S.	22962-033	3/4" Flat Washer	8	—
26	S.O.S.	49842-000	3/4" -10 UNC-2B Nylon Locknut	4	—
—	S.O.S.	60961-135	Rear Spring Mount and Thrust Washer Replacement Kit (Includes Key No. 27-31)	1	—
27	S.O.S.	66774-000	Rear Spring Mount	1	—
28	S.O.S.	66779-000	Thrust Washer	1	—
29	S.O.S.	30970-001	1/2" -20 UNF Bolt - 2.5"	2	—
30	S.O.S.	22962-014	1/2" Hardened Washer	4	—
31	S.O.S.	17700-034	1/2" -20 UNF Nylon Locknut	2	—

S.O.S. = Available through Euclid's S.O.S. Department

S.O.S

Special Order Service

The Euclid brand of products offers a wide variety of parts for the commercial vehicle customer. Having trouble locating a part? Special Order Service is here to help. **S.O.S** provides access to the products and manufacturers listed below.

Contact the **S.O.S** department by calling 888-725-9355 (option 2 then option 3) in the U.S. or 800-387-3889 in Canada.

AIR BRAKE PARTS

- Anchorlok
- Bendix/Spicer-Eaton
- Brake Shoes
- Camshafts
- Fruehauf
- Haldex

HYDRAULIC BRAKE PARTS

- Calipers
- Clutch Master Cylinders
- Clutch Slave Cylinders
- Master Cylinders
- Wagner Brake
- Wheel Cylinders

WHEEL & HUB PARTS

- ConMet
- Gunito
- Webb Wheel

SHOCK ABSORBERS & AIR SPRINGS

- Firestone
- Hendrickson
- Neway

SUSPENSION PARTS

- Binkley
- Chalmers
- Fruehauf
- Hendrickson Auxiliary Lift Axle
- Hendrickson Trailer
- Hendrickson Truck
- Hutchens
- Kwik-Loc (Jifflox)
- Neway
- Reyco/Transpro/Granning
- Ridewell
- Full Suspensions Are Available

FRONT END PARTS

- King Pin Kits

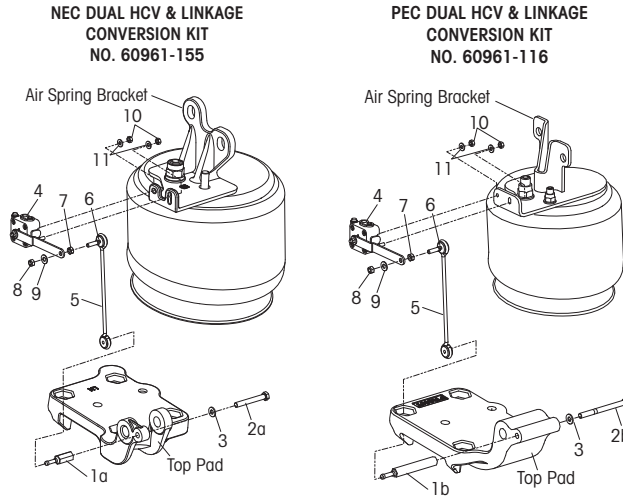
TOOLS & SHOP EQUIPMENT

- Fraser Gauge Company
- Hendrickson
- Kent Moore
- Ken Tool
- OTC (Owatonna Tool Company)
- Tiger Tool

1

Vehicle models, brands and names depicted herein are the property of their respective owners, and are not in any way associated with Meritor, Inc., or its affiliates.

HENDRICKSON DUAL HEIGHT CONTROL VALVE CONVERSION SERVICE KIT

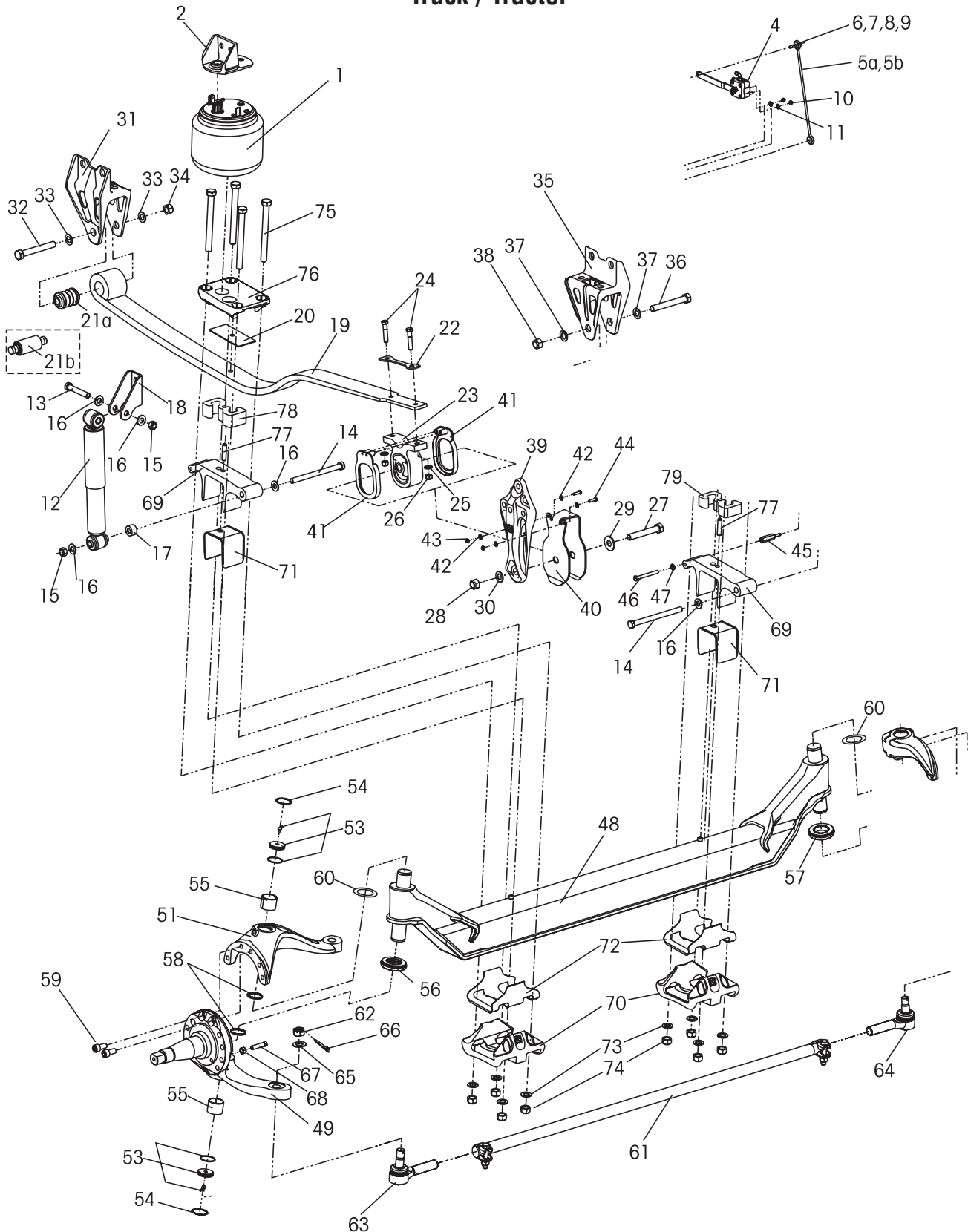


1

KEY NO.	EUCLID NO.	REPLACES HENDRICKSON NO.	DESCRIPTION	NO. REQ.	PAGE NO.
—	S.O.S.	60961-155	Dual Height Control Valve Conversion Service Kit For NEC (Includes Key No. 1a-2a, 3-11)	1	—
	S.O.S.	60961-116	Dual Height Control Valve Conversion Service Kit For PEC (Includes Key No. 1b-2b, 3-11)	1	—
1a	S.O.S.	59429-003	Lower Link Mount For NEC	1	—
1b	S.O.S.	59429-002	Lower Link Mount For PEC	1	—
2a	S.O.S.	59429-002	3/8" - 16 UNC Hex Bolt NEC	1	—
2b	S.O.S.	59429-006	3/8" - 16 UNC Hex Bolt PEC	1	—
3	S.O.S.	22962-015	3/8" Flat Washer	1	—
—	S.O.S.	59427-013	LH HCV & Linkage Assembly, (Includes Key No. 4-11)	1	—
4	E-13996	59935-011	LH Height Control Valve	1	1-228
5	S.O.S.	59428-004	HCV Linkage	1	—
6	S.O.S.	59169-000	5/16" - 18 UNC Stud	1	—
7	S.O.S.	17491-011	5/16" - 18 UNC Nut	1	—
8	S.O.S.	22962-029	5/16" Hardened Washer	1	—
9	S.O.S.	59016-000	5/16" - 18 UNC Locknut	1	—
10	S.O.S.	22962-028	1/4" Hardened Washer	2	—
11	S.O.S.	49983-000	1/4" - 20 UNC Locknut	2	—

HENDRICKSON AIRTEK® FOR FREIGHTLINER/ WESTERN STAR/STERLING VEHICLES

Truck / Tractor



1

HENDRICKSON AIRTEK® FOR FREIGHTLINER/ WESTERN STAR/STERLING VEHICLES

Truck / Tractor

KEY NO.	EUCLID NO.	REPLACES HEN-DRICKSON NO.	DESCRIPTION	QTY PER AXLE	PAGE NO.
1	FS9911	59823-002L	Air Spring	2	1-228
2	S.O.S.	60850-001	Air Spring Bracket LH	1	—
3	S.O.S.	60850-002	Air Spring Bracket RH	1	—
—	E-13994	59427-005 (New) 59427-001 (Old)	HCV & Linkage Assembly (Includes Key Nos. 4, 5a, 6-11)	1	1-228
—	S.O.S.	59427-009 (New) 59427-002 (Old)	HCV & Linkage Assembly (Includes Key nos. 4, 5b, 6-11) for Western Star (Set Forward) 8.5" & 10" Ride Height, Western Star (Set Back) 10" Ride Ht.	1	—
4	E-13995	59935-002 (New) 59935-000 (Old)	Height Control Valve	1	1-228
5a	S.O.S.	59428-001	HCV Linkage for CST/Columbia, Coronado, Constellation (Western Star) 8.5" Ride Ht.	1	—
5b	S.O.S.	59428-002	HCV Linkage for Constellation (Western Star) 10.0" Ride Ht.	1	—
6	S.O.S.	59169-000	5/16" - 18 UNC Stud	1	—
7	S.O.S.	59016-000	5/16" - 18 UNC Locknut	1	—
8	S.O.S.	17491-011	5/16" - 18 UNC Nut	1	—
9	S.O.S.	22962-029	5/16" Hardened Washer	1	—
10	S.O.S.	49983-000	1/4" - 20 UNC Locknut	2	—
11	S.O.S.	22962-028	1/4" - Hardened Washer	2	—
—	S.O.S.	60961-001	Shock Absorber Service Kit Includes Key nos. 12-17)	2	—
12	83111	58913-003L	Shock Absorber	1	1-228
13	S.O.S.	50764-004	3/4" - 10 UNC 3.75" Upper Shock Bolt	1	—
14	S.O.S.	58917-009	3/4" - 10 UNC 7.0" Lower Shock Bolt	1	—
15	S.O.S.	49842-000	3/4" - 10 UNC Hex Locknut	2	—
16	E-2545	22962-001	3/4" Hardened Washer	4	2-35
17	S.O.S.	59946-001	Shock Spacer	1	—
18	S.O.S.	59423-001	Shock Bracket	2	—
20	S.O.S.	59937-001	Galvanized Liner	1	—
21a	E-14632	59259-002	Spring Eye Bushing for CST/Columbia & Constellation (Western Star)	1	—
21b	S.O.S.	—	Coronado Spring Eye Bushing (included in assy only)	1	—
---	S.O.S.	60961-002	Rear Spring Mount Service Kit (Includes Key Nos. 22-26)	2	—
22	S.O.S.	58920-000	Spring End plate	1	—
23	E-14633	58918-000	Rear Spring Mount	1	—
24	S.O.S.	30970-011 (New) 24631-004 (Old)	1/2"-20 UNF 2A 2.25" Hex Bolt	2	—
25	S.O.S.	22962-014	1/2" Flat Washer	4	—
26	S.O.S.	17700-034 (New) 49846-000 (Old)	1/2"-20 UNF-2B Hex Nylon Locknut	2	—
---	S.O.S.	60961-003	Rear Spring Eye Hardware Service Kit (Includes Key Nos. 27-30 & 41)	2	—
27	S.O.S.	50764-008	3/4" - 10 UNC 5" Hex Bolt	1	—
28	S.O.S.	49842-000	3/4" - 10 UNC Locknut	1	—
29	S.O.S.	22962-033	3/4" Wide Washer	1	—
30	E-2545	22962-001	3/4" Flat Washer	1	2-35
31	S.O.S.	59832-001	Left Hand Front Hanger for CST/Columbia	1	—
	S.O.S.	60573-001	Left Hand Front Hanger for CST/Columbia 1350	1	—
	S.O.S.	59832-001	Left Hand Front Hanger for Constellation (Western Star), Sterling 1400 Rod. & Western Start (Set Forward)	1	—
32	S.O.S.	58917-003 (New) 50764-012 (Old)	3/4" - 10 UNC 5 1/2" Hex Bolt	1	—
33	E-2545	22962-001	3/4" Flat Washer	2	2-35
34	S.O.S.	49842-000	3/4" - 10 UNC-2B Hex Locknut	1	—
35	S.O.S.	59832-002	Right Hand Front Hanger for CST/Columbia	1	—
	S.O.S.	60573-002	Right Hand Front Hanger for CST/Columbia 1350	1	—
	S.O.S.	59832-002	Right Hand Front Hanger for Constellation (Western Star)	1	—
36	S.O.S.	50764-012	3/4" - 10 UNC 5 1/2" Hex Bolt	1	—
37	E-2545	22962-001	3/4" Flat Washer	2	2-35
38	S.O.S.	49842-000	3/4"-10 UNC-2B Hex Locknut	2	—
39	S.O.S.	59829-001 (New) 59829-000 (Old)	Rear Hanger - Casting Number 59825-000	2	—

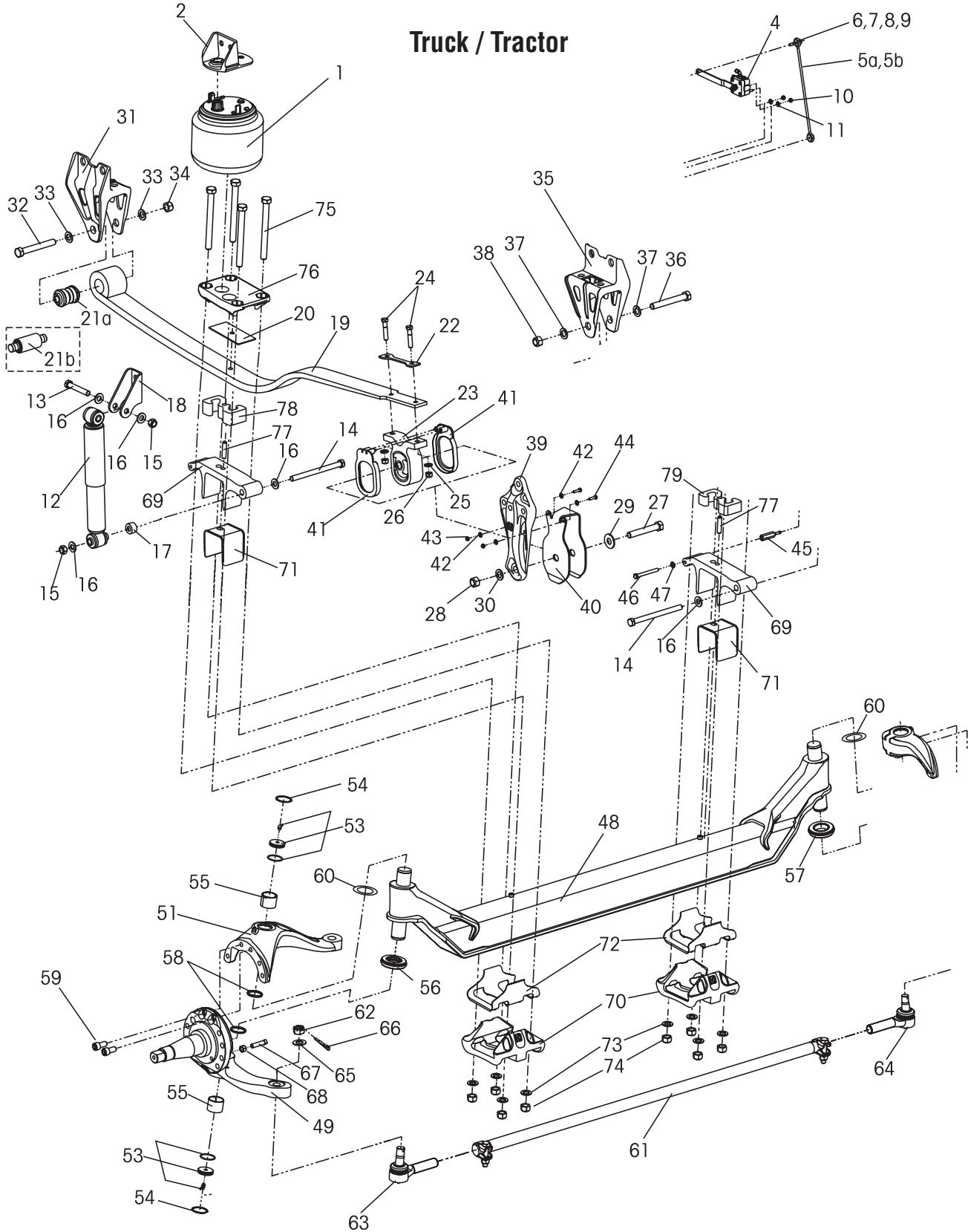
S.O.S. = Available through Euclid's S.O.S. Department

Continued on next page

1

HENDRICKSON AIRTEK® FOR FREIGHTLINER/ WESTERN STAR/STERLING VEHICLES

Truck / Tractor



HENDRICKSON AIRTEK® FOR FREIGHTLINER/ WESTERN STAR/STERLING VEHICLES

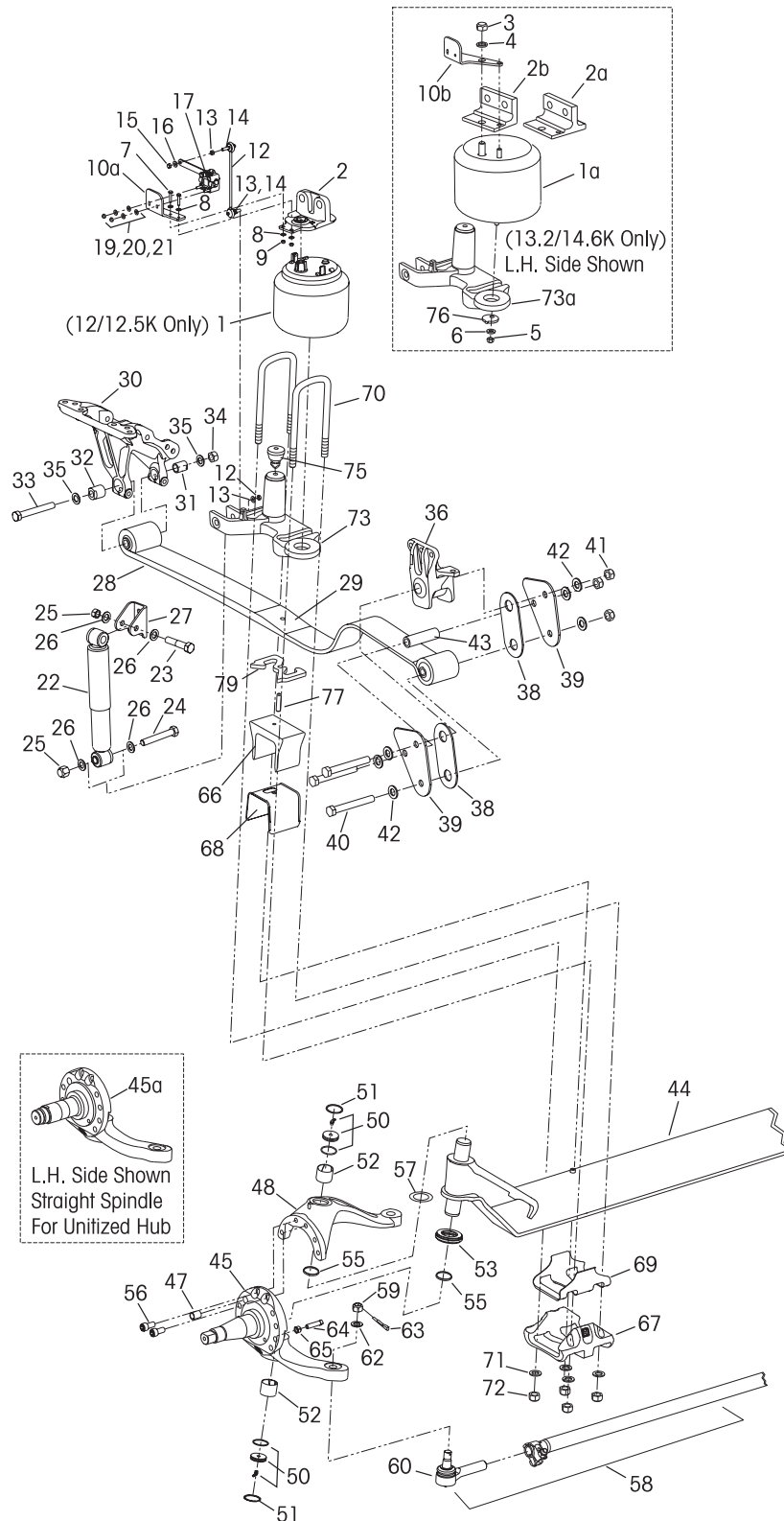
Truck / Tractor

KEY NO.	EUCLID NO.	REPLACES HEN-DRICKSON NO.	DESCRIPTION	QTY PER AXLE	PAGE NO.
40	S.O.S.	59830-001 (New) 59830-000 (Old)	Rear Hanger Clamp	1	—
41	S.O.S.	59346-001 (New) 59346-000 (Old)	Thrust Washer	2	—
42	S.O.S.	22962-028	1/4" Hardened Washer	4	—
43	S.O.S.	49983-000	1/4"-20 UNC Locknut	2	—
44	S.O.S.	56935-001	1/4" - 20 UNC 1 1/4" Hex Bolt	2	—
45	S.O.S.	59429-002 (New) 59310-001 (Old)	Link Mount	1	—
46	S.O.S.	58035-006	3/8" - 16 UNC 3 1/2" Hex Bolt	1	—
47	S.O.S.	22962-015	3/8" Flat Washer	1	—
48	S.O.S.	—	Axle Assembly (Includes Key Nos. 49-73) - Contact S.O.S. for Part Number	1	—
51	S.O.S.	—	LH Upper Steering Arm Assembly	1	—
52	S.O.S.	—	RH Upper Steering Knuckle Assembly	1	—
53	S.O.S.	59156-000	Grease Cap Assembly	2	—
54	S.O.S.	58937-000	Retaining Ring	2	—
55	S.O.S.	58909-000	King Pin Bushing	2	—
56	S.O.S.	59828-000	LH Thrust Bearing - Composite	1	—
57	S.O.S.	64256-000	RH Thrust Bearing - Roller	1	—
58	S.O.S.	58910-000	King Pin Seal	2	—
59	S.O.S.	60236-001	5/8" Socket head cap screw	2	—
60	S.O.S.	60259-002	King Pin Shim	1	—
61	S.O.S.	—	Tie Rod Assembly	1	—
62	Part of S.O.S.	—	3/4" Castle Nut	2	—
63	S.O.S.	—	LH Tie Rod End	1	—
64	S.O.S.	—	RH Tie Rod End	1	—
65	S.O.S.	22962-007	7/8" Flat Washer	2	—
66	S.O.S.	17800-004	Tie Rod Nut Cotter Pin	2	—
67	S.O.S.	60238-001	1/2" - 13 UNC Square Head Bolt	2	—
68	S.O.S.	60240-000	1/2" - 13 UNC Hex Jam Nut	2	—
69	S.O.S.	—	Top Wrap	2	—
70	S.O.S.	59952-016 (New) 59440-001 (Old)	Bottom Wrap	2	—
71	S.O.S.	59449-000	Top Axle Wrap Liner	1	—
72	S.O.S.	59845-000	Bottom Axle Wrap Liner	1	—
73	E-2545	22962-001	3/4" Flat Washer	4	2-35
74	S.O.S.	17700-033	3/4" - 10 UNC-2B Nylon Locknut	4	—
75	S.O.S.	58917-016 589717-017 58917-018	3/4" - 10 UNC Hex Bolt	4	—
76	S.O.S.	59826-000	Top Pad	2	—
77	S.O.S.	57159-004 57159-005 57159-006 57159-012	Dowel Pin, 1/2" Diameter	2	—
78	S.O.S.	60244-010 60244-030 60244-045 60244-080	LH Front Axle Spacer	1	—
79	S.O.S.	60244-020 60244-035 60244-070	RH Front Axle Spacer	1	—

S.O.S. = Available through Euclid's S.O.S. Department

HENDRICKSON AIRTEK® FOR VOLVO VEHICLES SUSPENSION

Truck / Tractor



1

HENDRICKSON AIRTEK® FOR VOLVO VEHICLES SUSPENSION PARTS

Truck / Tractor

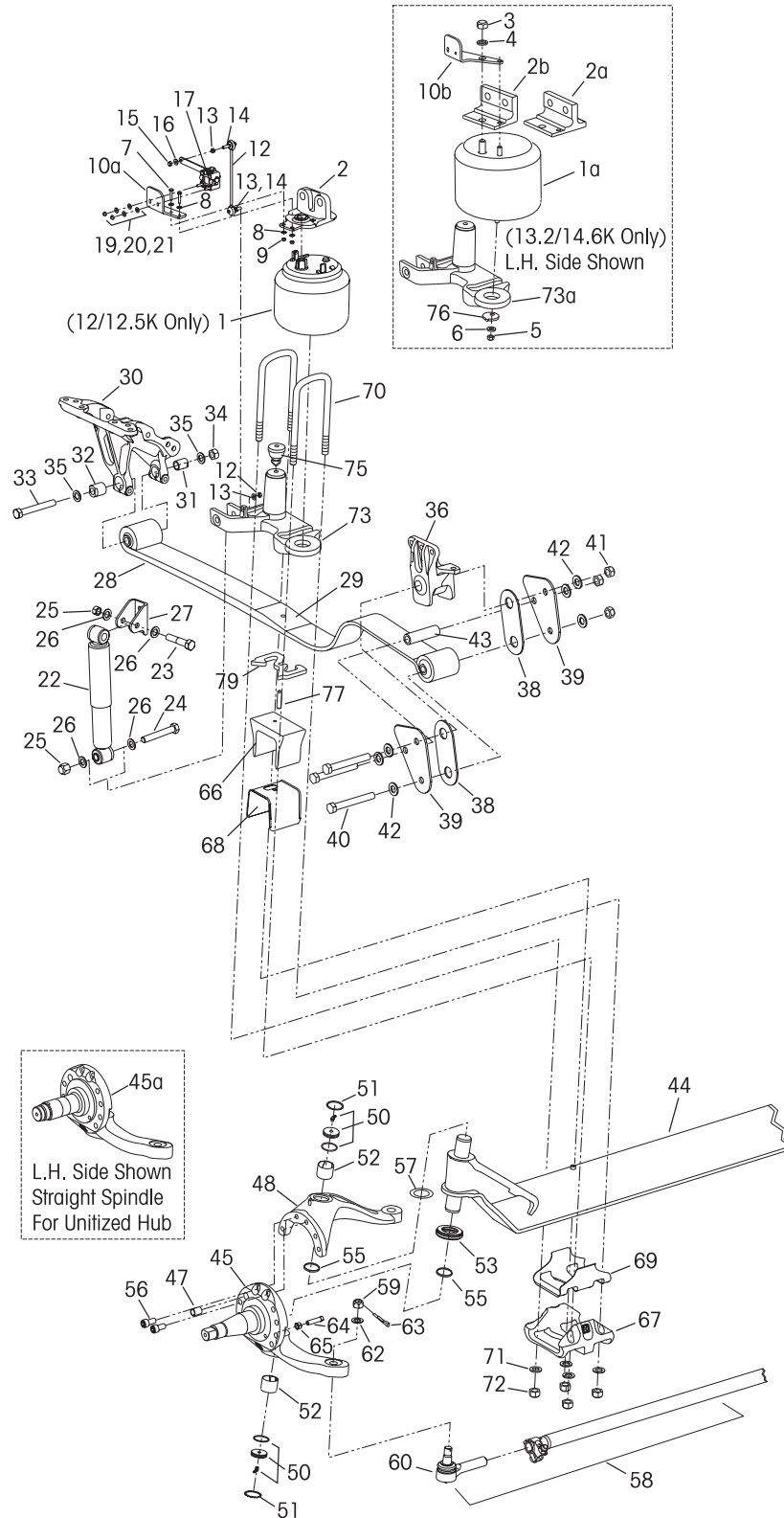
KEY NO.	EUCLID NO.	REPLACES HENDRICKSON NO.	REPLACES VOLVO/MACK NO.	DESCRIPTION	QTY PER AXLE	PAGE NO.
1	FS9913	66349-002L (New) 60750-002L (Old)	20897204 (Volvo) 057QL-0520-M (Mack)	Air Spring for 12/12.5K	2	1-229
1a	FS9554	60716-002	20462941 (Volvo) 057QL-0059-M (Mack)	Air Spring for 13.2/14.6K		1-229
2	S.O.S.	60757-000		Air Spring Bracket for 12/12.5K 266 Rail	As Required	—
	S.O.S.	60976-000		Air Spring Bracket for 12/12.5K 300 Rail		—
2a	S.O.S.	60738-001		Air Spring Bracket for 13.2/14.6K 266 Rail		—
2b	S.O.S.	60738-002		Air Spring Bracket for 13.2/14.6K 300 Rail		—
—	S.O.S.	—		Dual HCV, Link Mount & Linkage Assembly	2	—
	E-14015	65601-006 (New) 65601-001 (Old)	20717145 (Volvo) 020QE-4220-M (Mack)	Dual HCV for LH 12/12.5K		—
	E-14016	65601-007 (New) 65601-002 (Old)	20717147 (Volvo) 020QE-4221-M (Mack)	Dual HCV for RH 12/12.5K		—
	E-14017	65602-006 (New) 65602-001 (Old)	20717149 (Volvo) 020QE-4222-M (Mack)	Dual HCV for LH 13.2/14.6K		—
	E-14018	65602-007 (New) 65602-002 (Old)	20717151 (Volvo) 020QE-4223-M (Mack)	Dual HCV for RH 13.2/14.6K		—
10a	S.O.S.	64480-005 (New) 64480-000 (old)		LH Dual Height Control Valve Bracket for 12/12.5K	1	—
10b	S.O.S.	64481-005 (New) 64481-000 (Old)		LH Dual Height Control Valve Bracket for 13.2/14.6K		—
11	S.O.S.	64480-004 (New) 64480-002 (Old)		RH Dual Height Control Valve Bracket for 12/12.5K		—
Not Shown	S.O.S.	64481-004 (New) 64481-002 (Old)		RH Dual Height Control Valve Bracket for 13.2/14.6K		—
---	S.O.S.	59427-025 (New) 59427-010 (Old)		Dual HCV & Linkage Assy for LH	1	—
	S.O.S.	59427-026 (New) 59427-012 (Old)		Dual HCV & Linkage Assy for RH		—
12	S.O.S.	59428-004		Height Control Valve Linkage	1	—
13	S.O.S.	64298-000		M8 x 1.25-6H Hexnut	2	—
14	S.O.S.	59169-002		M8 Link Stud	2	—
15	S.O.S.	64297-000		M8 x 1.25-6H Locknut	2	—
16	S.O.S.	58246-012		M8 Flat Washer	2	—
17	S.O.S.	59935-017 (New) 59935-006 (Old)		LH HCV	1	—
18	S.O.S.	59935-016 (New) 59935-009 (Old)		RH HCV	1	—
19	S.O.S.	58246-014 (New) 22962-028 (Old)		M6 Flat Washer	2	—
20	S.O.S.	17497-001		1/4" Lockwasher	2	—
21	S.O.S.	66388-000 (New) 65092-000 (Old)		M6 x 1.0-6H Locknut	2	—

S.O.S. = Available through Euclid's S.O.S. Department

Continued On Next Page

HENDRICKSON AIRTEK® FOR VOLVO VEHICLES SUSPENSION

Truck / Tractor



1

HENDRICKSON AIRTEK® FOR VOLVO VEHICLES SUSPENSION PARTS

Truck / Tractor

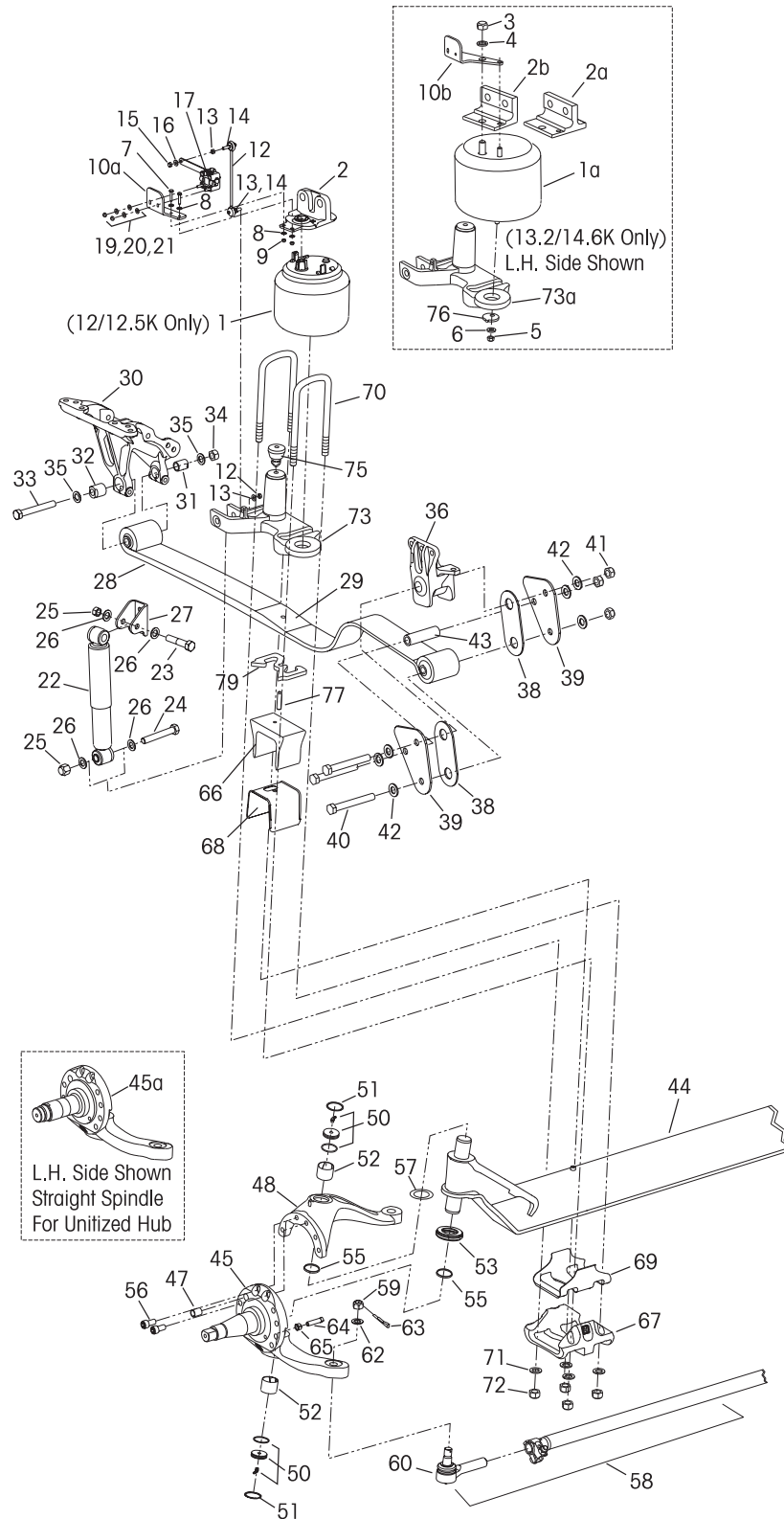
KEY NO.	EUCLID NO.	REPLACES HENDRICKSON NO.	REPLACES VOLVO/MACK NO.	DESCRIPTION	QTY PER AXLE	PAGE NO.
22	E-14009	64838-003L (New) 64838-001L (Old) 64838-002L (Old)	20485633 (Volvo) 014QK-0422-M (Mack)	Shock Absorber	2	1-229
27	S.O.S.	64241-001		Upper Shock Bracket	2	—
28	S.O.S.	64772-000 (New) 64485-000 (Old) 65215-000 (Old)	20551557 (Volvo) 002QK-0515-M (Mack)	Leaf Spring Assy with Bushings	2	—
30	S.O.S.	—	—	Front Spring Hanger	2	—
31	S.O.S.	64486-000 (New) 64162-000 (Old)	—	Inboard Spring Adapter	2	—
32	S.O.S.	64487-000 (New) 64163-000 (Old)	—	Outboard Spring Adapter	2	—
33	S.O.S.	58258-009	—	M20 x 2.56G 230 mm Hex Bolt	2	—
36	S.O.S.	64175-001	Cast Part No. 64153-001	LH Rear Shackle Bracket w/ Bushing (266 Frame Rail)	As Required	—
		64176-001		LH Rear Shackle Bracket w/ Bushing (300 Frame Rail)		—
37	S.O.S.	64175-002	Cast Part No. 64153-002	RH Rear Shackle Bracket w/ Bushing (266 Frame Rail)	As Required	—
		64176-002		RH Rear Shackle Bracket w/ Bushing (300 Frame Rail)		—
38	S.O.S.	64159-000		Thrust Washer	4	—
39	S.O.S.	64794-000 (New) 64158-000 (Old)		Shackle Plate	4	—
40	S.O.S.	58258-008		M20 x 2.5-6G 160 mm Hex Bolt	6	—
41	S.O.S.	58259-001		M20 x 2.5-6H Locknut	6	—
42	S.O.S.	58246-009		M20 Flat Washer	12	—
43	S.O.S.	60631-000		Shackle Stop Spacer	2	—
44	S.O.S.	Various		Axle & King Pin Assy	1	—
45	S.O.S.	Various		LH Lower Steering Knuckle Assy	1	—
46	S.O.S.	Various		RH Lower Steering Knuckle Assy	1	—
47	S.O.S.	64246-000		ABS Sensor Sleeve	2	—
48	S.O.S.	60903-011		LH Upper Steering Knuckle Assy (338 mm Ride Ht)	1	—
		60903-013		LH Upper Steering Knuckle Assy (366 mm Ride Ht)		—
49	S.O.S.	60904-002		RH Upper Steering Knuckle Assy	1	—
—	E-13999	60961-040	851104370 (Volvo)	King Pin Bushing and Bearing Service Kit	As Required	—
—	E-14000	60961-009		LH King Pin Bushing w/ Composite Thrust Bearing Service Kit	As Required	—
—	E-14001	60961-039		RH King Pin Bushing w/ Roller Thrust Bearing Service Kit	As Required	—
50	S.O.S.	59156-000		Grease Cap Assy	4	—
51	S.O.S.	58937-000		Retaining Ring	4	—
52	S.O.S.	58909-000		King Pin Bushing	4	—
—	E-14002	60961-043	85104371 (Volvo)	Thrust Bearing Service Kit	As Required	—
53	S.O.S.	59828-000		LH Composite Thrust Bearing	1	—

S.O.S. = Available through Euclid's S.O.S. Department

Continued On Next Page

HENDRICKSON AIRTEK® FOR VOLVO VEHICLES SUSPENSION

Truck / Tractor



1

HENDRICKSON AIRTEK® FOR VOLVO VEHICLES

SUSPENSION PARTS

Truck / Tractor

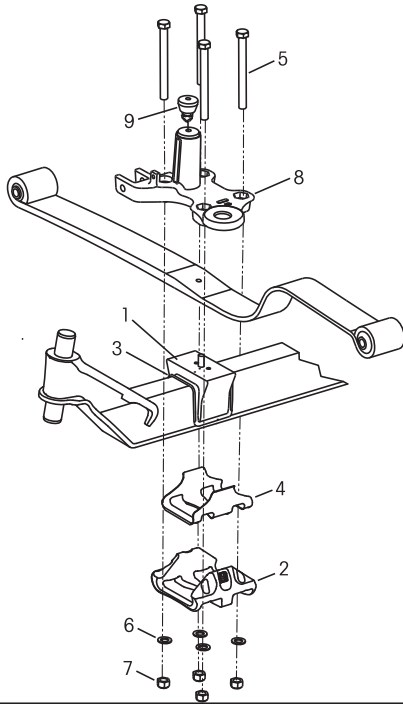
KEY NO.	EUCLID NO.	REPLACES HENDRICKSON NO.	REPLACES VOLVO/MACK NO.	DESCRIPTION	QTY PER AXLE	PAGE NO.
54 (not shown)	S.O.S.	64256-000		RH Roller Thrust Bearing	1	—
55	S.O.S.	58910-000		Kingpin Seal	4	—
56	S.O.S.	60236-001		5/8" Socket Head Cap Screw	4	—
57	S.O.S.	60259-002		King Pin Shim	2	—
58	S.O.S.	Various		Tie Rod Assy	1	—
—	E-14007	60961-010 (New) 60961-081 (Old)	85108869 (Volvo)	Tie Rod End Service Kit	As Required	—
62	S.O.S.	22962-007		7/8" Flat Washer	2	—
63	S.O.S.	17800-004		Tie Rod Nut Cotter Pin	2	—
64	S.O.S.	60238-001		1/2"-13 UNC Square Head Bolt	2	—
65	S.O.S.	60240-000		1/2"-13 UNC Hex Jam Nut	2	—
66	S.O.S.	59952-017 (New) 59952-013 (Old) 59952-014 (Old)		Top Axle Wrap	2	—
67	S.O.S.	64722-003 (New) 64014-003 (Old) 60622-003 (Old)		Bottom Axle Wrap	2	—
68	S.O.S.	60508-000		Top Axle Wrap Liner	2	—
69	S.O.S.	59845-000		Bottom Axle Wrap Liner	2	—
70	S.O.S.	Various		M20 x 2.56-6G U-Bolt	4	—
71	S.O.S.	58246-009		M20 Flat Washer	8	—
72	S.O.S.	65072-001		M20 x 2.5-6H Locknut	8	—
73	S.O.S.	67266-001L		LH Top Pad (266 Frame Rail)	1	—
		67300-001L		LH Top Pad (300 Frame Rail)		—
74	S.O.S.	67266-002L		RH Top Pad (266 Frame Rail)	1	—
		67300-002L		RH Top Pad (300 Frame Rail)		—
75	S.O.S.	64080-000		Rubber Axle Stop	2	—
76	S.O.S.	64166-000		Air Spring Adapter for Top Pad for 13.2K/14.6K Only	2	—
77	S.O.S.	Various		LH Dowel Pin	1	—
78	S.O.S.	Various		RH Dowel Pin	1	—
79	S.O.S.	Various		LH Front Axle Spacer	1	—
80	S.O.S.	Various		RH Front Axle Spacer	1	—

S.O.S. = Available through Euclid's S.O.S. Department

HENDRICKSON AIRTEK® FOR VOLVO

Truck / Tractor

Top Pad with Hex Bolt For Vehicles with Pre '07 Engine (L.H. Side Shown)



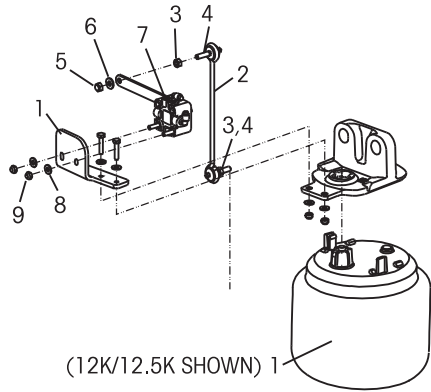
KEY NO.	EUCLID NO.	REPLACES HENDRICKSON NO.	DESCRIPTION	NO. REQ.	PAGE NO.
1	S.O.S.	159952-017	Top Axle Wrap	2	—
2	S.O.S.	264722-003	Bottom Axle Wrap	2	—
—	S.O.S.	Various	Clamp Group Service Kit	As Required	—
3	S.O.S.	60508-000	Top Axle Wrap Liner	2	—
4	S.O.S.	59845-000	Bottom Axle Wrap Liner	2	—
5	S.O.S.	Various	M20 x 2.5-6G Hex Bolt	8	—
6	S.O.S.	58246-009	M20 Flat Washer	8	—
7	S.O.S.	65072-001	M20 x 2.5-6H Locknut	8	—
8	S.O.S.	—	Top Pad Assembly	As Required	—
9	S.O.S.	64080-000	Rubber Axle Stop	2	—

S.O.S. = Available through Euclid's S.O.S. Department

HENDRICKSON AIRTEK® FOR VOLVO

Truck / Tractor

Single Height Control Valve For Vehicles Prior To 03/05



KEY NO.	EUCLID NO.	REPLACES HENDRICKSON NO.	VOLVO / MACK NO.	DESCRIPTION	NO. REQ.	PAGE NO.
—	E-14013	64089-000	20503343 (Volvo) 020Q E-4191-M (Mack)	Single HCV, Link Mount & Linkage Assembly, Includes Key Nos. 1-9 (For 12K/12.5K)	1	—
—	E-14014	64094-000	20503352 (Volvo) 020Q E-4189-M (Mack)	Single HCV, Link Mount & Linkage Assembly, Includes Key Nos. 1-9 (For 13.2K/14.6K)	1	—
1	S.O.S.	64480-000		Single Height Control Valve Bracket for 12K/12.5K	1	—
—	S.O.S.	64481-000		Single Height Control Valve Bracket for 13.2K/14.6K	1	—
—	S.O.S.	59427-006		Single Height Control Valve & Linkage 1 Assembly, Includes Key Nos. 2-9	1	—
2	S.O.S.	59428-004		Height Control Valve Linkage	1	—
3	S.O.S.	64298-000		M8 x 1.25-6H Hexnut	2	—
4	S.O.S.	59169-002		M8 Link Stud	2	—
5	S.O.S.	64297-000		M8 x 1.25-6H Locknut	2	—
6	S.O.S.	58246-012		M8 Flat Washer	2	—
7	S.O.S.	59935-003		Height Control Valve	1	—
8	S.O.S.	22962-028		¼" Flat Washer	2	—
9	S.O.S.	49983-000		¼" 20 UNC Locknut	2	—

1

Obtain a Hendrickson Dual Height Control Valve Conversion Kit to convert a single height control valve to dual height control valves configuration.

KEY NO.	EUCLID NO.	REPLACES HENDRICKSON NO.	VOLVO / MACK NO.	DESCRIPTION	NO. REQ.	PAGE NO.
—	E-14019	60961-101		Dual Height Control Valve and Linkage Kit for 12K/12.5K Capacity	As Required	—
—	E-14020	60961-102		Dual Height Control Valve and Linkage Kit for 13.2K/14.6K Capacity	As Required	—

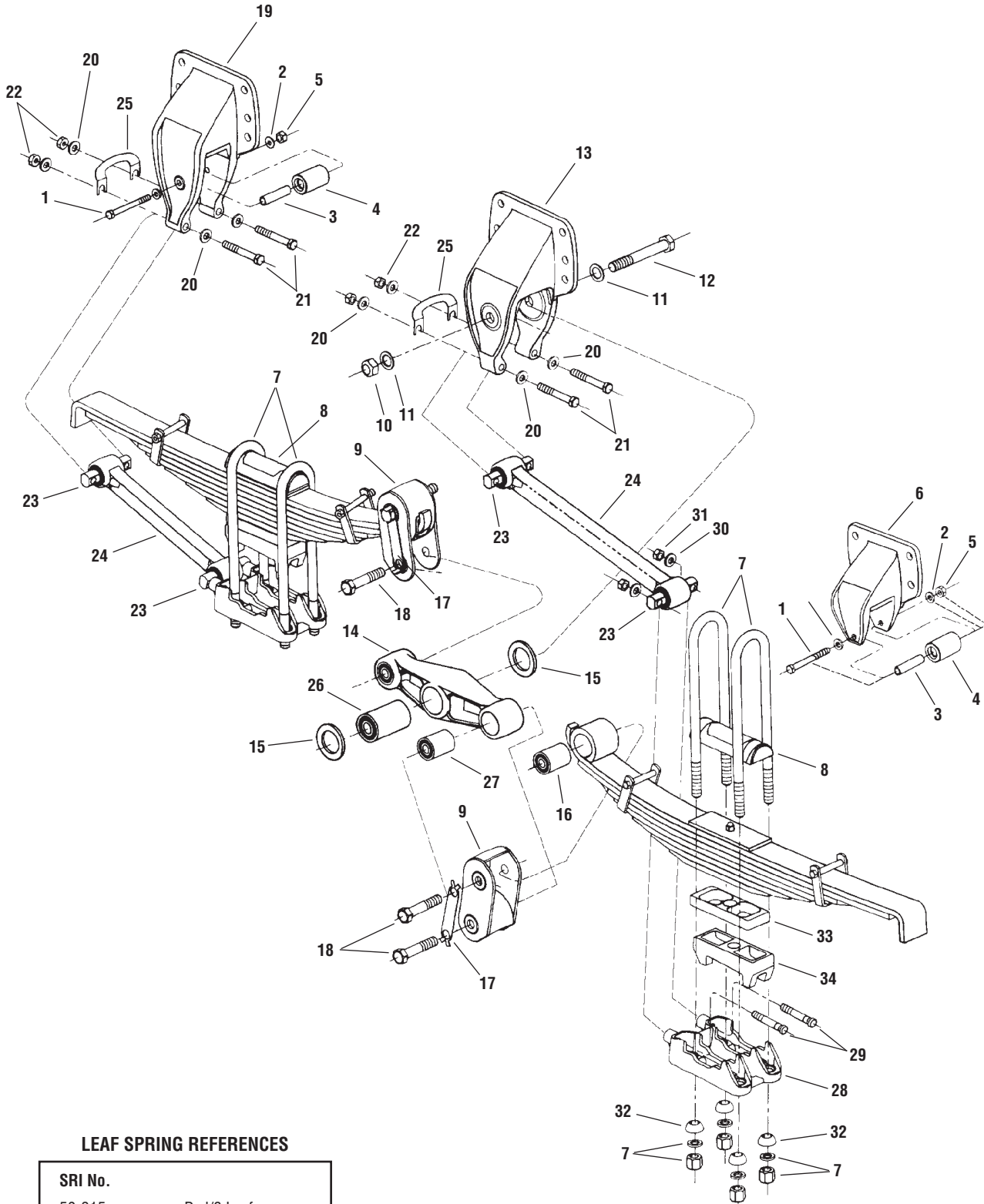
S.O.S. = Available through Euclid's S.O.S. Department

HENDRICKSON E4-360/400 SERIES

(Formerly E4-340/380)
Truck/Tractor

OBSOLETE 6/96

1



LEAF SPRING REFERENCES

SRI No.	
50-315	Pad/8 Leaf
50-317	Pad/8 Leaf

HENDRICKSON E4-360/400 SERIES PARTS (Formerly E4-340/380) Truck/Tractor

KEY NO.	EUCLID NO.	REPLACES HENDRICKSON NO.	CASTING NO.	DESCRIPTION	QUANTITY PER TANDEM	E4-360	E4-400	PAGE NO.
—	E-9432A	49175-013 (New) 49175-005 (Old)		Rebound Roller Kit Includes Key Nos. 1, 2, 3, 4, 5	4	X	X	1-216
1	Part of E-9432A	24531-015		Rebound Bolt	4	X	X	1-216
2	Part of E-9432A	22962-014		Hardened Flat Washer, 1/2"	8	X	X	1-216
3	Part of E-9432A	57988-000 (New)		Rebound Bolt Spacer	4	X	X	1-216
	Part of E-9432A	47458-000 (Old)		Rebound Bolt Spacer	4	X	X	1-216
4	Part of E-9432A	57989-000 (New)		Rebound Roller	4	X	X	1-216
	Part of E-9432A	48883-000 (Old)		Rebound Roller	4	X	X	1-216
5	Part of E-9432A	49846-000		Rebound Roller Nut	4	X	X	1-216
6	E-5301	47436-003	48991	Rear Spring Hanger	2	X	X	1-217
	S.O.S.	48530-000	48529	Rear Spring Hanger		Optional	Optional	—
7	E-UB8161-18S1	48718-050		U-Bolt Assembly, Rd. Bend, 7/8"-14 Thd. x 3" Wide x 18" Long	8	X	X	2-25
8	E-9408	507088-000		Top Pad Part of Spring	4	X	X	1-219
	E-3739	48797-000		Top Pad Separate From Spring	4	X	X	1-216
9	E-5267	47440-000	47439	Spring Shackle, Left Hand Front, Right Hand Rear	2	X	X	1-215
	E-5268	47442-000	47441	Spring Shackle, Right Hand Front, Left Hand Rear	2	X	X	1-215
10	E-1828	08017-000		Center Bushing Nut, 1" Lock Nut	2	X	X	2-34
11	E-2573	22962-006		Hardened Flat Washer, 1"	4	X	X	2-35
12	E-5271	30550-035		Equalizer Center Bolt, 1"	2	X	X	2-33
13	S.O.S.	56833-003 (New)	47433 or 50640-000	Center Spring Hanger	2	X	X	—
	E-5300	47434-002 (Old)	47433 or 50642-000	Center Spring Hanger	2	X	X	1-217
	S.O.S.	49839-000	48428 or 50640-000	Center Spring Hanger	2	Optional	Optional	—
14	E-5265	47444-001	47437	Equalizing Beam Assembly	2	X		1-214, 2-68
	E-5265	47444-004	47437	Equalizing Beam Assembly Includes Key Nos. 26, 27	2		X	1-214, 2-68
15	E-5273	47416-000		Thrust Washer	4	X	X	2-35
16	E-5270	47421-000		Spring Eye Bushing	4	X	X	1-215
17	E-5274	47459-000		Shackle Bolt Retainer	4	X	X	1-215
18	E-5272	48728-000		Shackle Bolt	8	X	X	2-33
19	E-5299	56673-001 (New)	56672-000	Front Spring Hanger	2	X	X	1-217
		47432-001 (Old)	47431-000					
		49726-001 (Old)	49723-000					
	S.O.S.	56830-000 (New)	56829-000	Front Spring Hanger	2	Optional	Optional	—
		48533-000 (Old)	48442-000					
—	E-5277	49176-001L		Torque Rod Fastener Kit Includes Key Nos. 20, 21, 22	8	X	X	1-215
20	Part of E-5277	22962-004		Flat Washer, 5/8" Hardened	16	X	X	1-215
21	Part of E-5277	32043-005		Torque Rod Bolt	8	X	X	1-215
22	Part of E-5277	47764-000		Torque Rod Nut	8	X	X	1-215
23	E-5275	47691-000L		Torque Rod Bushing	8	X	X	1-215

S.O.S. = Available through Euclid's S.O.S. Department

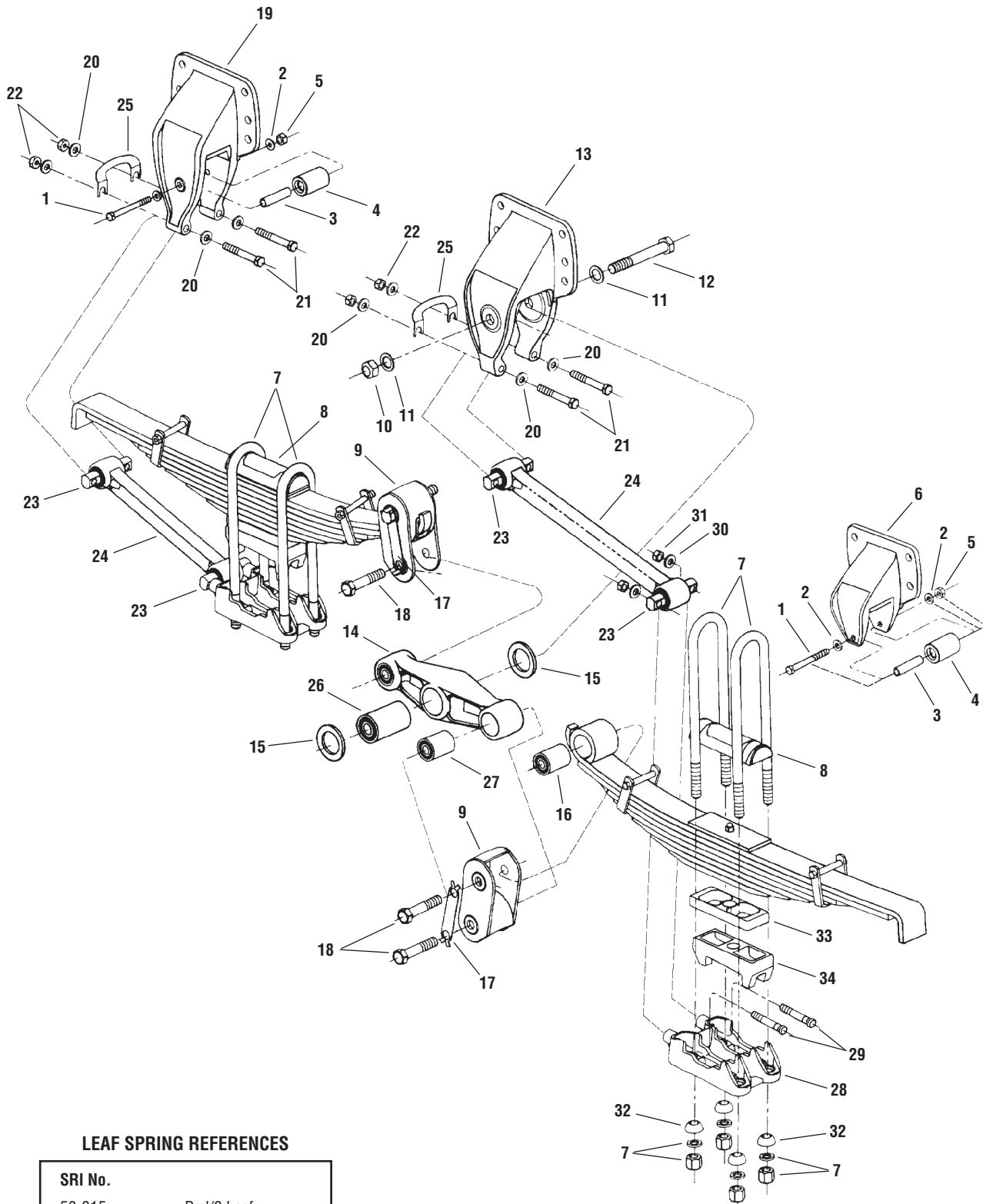
Continued on next page

HENDRICKSON E4-360/400 SERIES

(Formerly E4-340/380)
Truck/Tractor

OBSOLETE 6/96

1



LEAF SPRING REFERENCES

SRI No.	
50-315	Pad/8 Leaf
50-317	Pad/8 Leaf

HENDRICKSON E4-360/400 SERIES PARTS

(Formerly E4-340/380)

Truck/Tractor

KEY NO.	EUCLID NO.	REPLACES HENDRICKSON NO.	CASTING NO.	DESCRIPTION	QUANTITY PER TANDEM	E4-360	E4-400	PAGE NO.	
24	E-3731	48411-001		Torque Rod Assembly, Front 15.83" Center-to-Center	2	X	X	1-220	
	E-3732	48411-002		Torque Rod Assembly, Rear 21.93" Center-to-Center	2	X	X	1-220	
25	E-5281	49689-000		Torque Rod Shim	As Required	X	X	1-216	
26	E-5269	47420-000		Center Bushing		X	X	1-214, 2-48	
	S.O.S.	48932-000		Urethane Center Bushing		Optional	Optional	—	
27	E-5270	47421-000 (New)		Spring Eye Bushing	4	X	X	1-215	
		48401-000 (Old)							
	S.O.S.	48929-000		Urethane End Bushing		Optional	Optional		—
28	E-3753A	56857-000 (New)	56855	Axle Bottom Cap, Left Hand Rear, 9.5-13° Pinion Angle	2	X	X	1-221	
		49138-000 (Old)	48916						
	E-3754A	56854-000 (New)	56852	Axle Bottom Cap, Right Hand Rear, 9.5-13°	2	X	X	1-221	
		49139-000 (Old)	48919	Pinion Angle, Includes Key Nos. 29, 30, 31					
29	E-3755	49063-000		Axle Cap Bolt	8	X	X	1-220	
30	S.O.S.	22962-004		Flat Washer	16	X	X	—	
31	S.O.S.	47764-000		Torque Rod Nut	8	X	X	—	
32	E-3738	48574-000		Spherical Washer	16	X	X	1-220	
33	S.O.S.	48902-000		Spacer, 1"	4	X	X	—	
	E-3741	48903-000		Spacer, 1 1/2"	4	X	X	1-221	
34	S.O.S.	49121-000	48657	Front Spring Seat, 2.25° Pinion Angle	2	X	X	—	
	S.O.S.	49122-000	48692	Front Spring Seat, 3.25° Pinion Angle		X	X		
	S.O.S.	49123-000	48630	Front Spring Seat, 4.00° Pinion Angle		X	X		
	S.O.S.	56501-007(New)	49157	Front/Rear Spring Seat, 5.00° Pinion Angle	2	X	X	—	
	S.O.S.	49158-000 (Old)	49157	Front/Rear Spring Seat, 5.00° Pinion Angle		X	X		
	S.O.S.	49124-000	49143	Rear Spring Seat, 6.50° Pinion Angle		2	X		X
	S.O.S.	49125-000	48656	Rear Spring Seat, 9.50° Pinion Angle			X		X
	S.O.S.	49126-000	48658	Rear Spring Seat, 10.50° Pinion Angle	X		X		
	S.O.S.	56505-009 (New)	48643	Rear Spring Seat, 12.00° Pinion Angle	X		X		
	S.O.S.	49127-000 (Old)	48643	Rear Spring Seat, 12.00° Pinion Angle		X	X		
—	S.O.S.	47411-001	47437	Equalizing Beam & Center Hanger Assembly	2	X		—	
	S.O.S.	47445-001 (New)	47437	Equalizing Beam & Center Hanger Assembly	2		X		
	S.O.S.	47445-007 (Old)	47437	Equalizing Beam & Center Hanger Assembly	2		X		

S.O.S. = Available through Euclid's S.O.S. Department

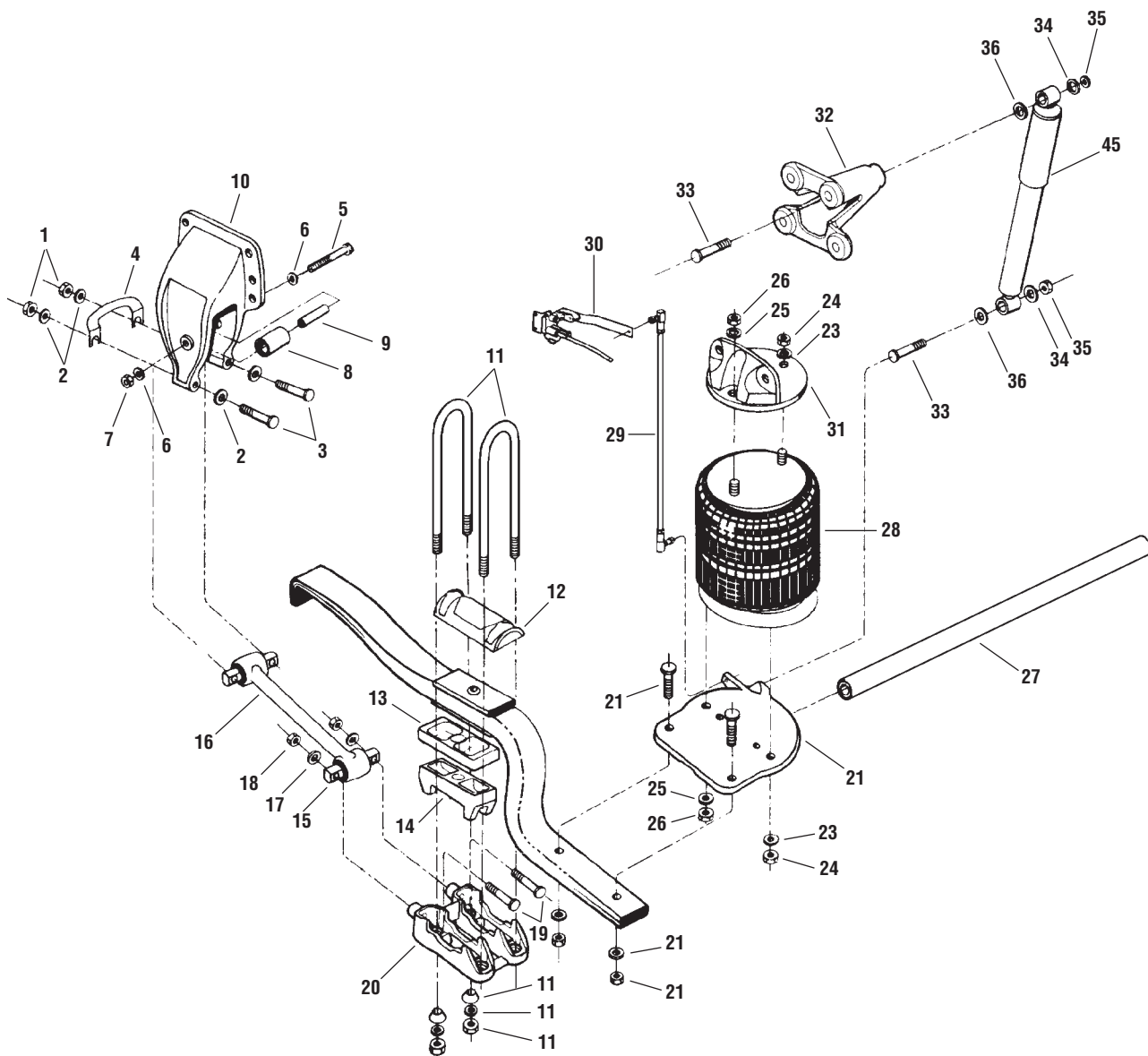
HENDRICKSON HA-360/400/460 AIR RIDE SUSPENSION

(Formerly HA-340/380)

Truck/Tractor

OBSOLETE 6/87 - 8/95

1



LEAF SPRING REFERENCES

SRI No.

50-323

50-325

HENDRICKSON HA-360/400/460 AIR RIDE SUSPENSION PARTS (Formerly HA-340/380) Truck/Tractor

KEY NO.	EUCLID NO.	REPLACES HENDRICKSON NO.	CASTING NO.	DESCRIPTION	QUANTITY PER TANDEM	HA-			PAGE NO.		
						360	400	460			
—	E-5277	49176-000		Torque Rod Fastener Kit	8	X	X	X	1-220		
1	Part of E-5277	47764-000		Torque Rod Nut	8	X	X	X	1-220		
2	Part of E-5277	22962-004		Flat Washer, 5/8" Hardened	16	X	X	X	1-220		
3	Part of E-5277	32043-005		Torque Rod Bolt	8	X	X	X	1-220		
4	E-5281	49689-000		Torque Rod Shim	As Required	X	X	X	1-220		
—	E-9432A	49175-005		Rebound Roller Assembly Includes Key Nos. 5, 6, 7, 8, 9	4	X	X	X	1-220		
5	Part of E-9432A	24531-015		Rebound Bolt	4	X	X	X	1-220		
6	Part of E-9432A	22962-014		Flat Washer, 1/2" Hardened	8	X	X	X	1-220		
7	Part of E-9432A	49846-000		Rebound Bolt Nut	4	X	X	X	1-220		
8	Part of E-9432A	48883-000 (Old)		Rebound Roller	4	X	X	X	1-220		
	Part of E-9432A	57989-000 (New)									
9	Part of E-9432A	47458-000 (Old)		Rebound Bolt Spacer	4	X	X	X	1-220		
	Part of E-9432A	57988-000 (New)									
10	E-5299	56673-001 (New)	56672	Front Spring Hanger	4	X	X	X	1-221		
		49726-001 (Old)	49723								
	S.O.S.	56830-000 (New)	56829	Front Spring Hanger		X	X	X	—		
		48533-000 (Old)	48442								
11	E-UB8161-18S1	48718-050		U-Bolt Assembly, Rd. Bend, 7/8"-14 Thd. x 3" Wide x 18" Long	8	X	X	X	2-25		
12	E-8926	49337-000		Top Pad	4	X	X	X	1-221		
13	E-3740	48902-000		Spacer, 1"	4	X	X	X	1-221		
	E-3741	48903-000		Spacer, 1 1/2"	4	X	X	X	1-221		
14	S.O.S.	Various		Spring Seat	4	X	X	X	—		
15	E-5275	47691-000L		Torque Rod Bushing 8		X	X		1-220		
	E-9395	57256-000		Torque Rod Bushing 8				X	1-220		
16	E-3731	48411-001		Torque Rod Assembly, 15.83"*	4	X	X		1-220		
	S.O.S.	48411-003		Torque Rod Assembly, 16.50"*				X	X		—
	E-3732	48411-002		Torque Rod Assembly, 21.00"*				X	X		1-220
	S.O.S.	50376-002		Torque Rod Assembly, 15.83"*						X	—
	S.O.S.	50376-003		Torque Rod Assembly, 16.50"*						X	—
17	S.O.S.	22962-004		Flat Washer, 5/8" Hardened	8	X	X		—		
18	S.O.S.	47764-000		Axle Cap Nut	8	X	X		—		
19	E-3755	49063-000		Axle Cap Bolt	8	X	X		1-220		
20	E-3754A	56854-000 (New)	56852	Axle Bottom Cap, Right Hand Rear, 9.5-12°	1	X	X	X	1-221		
	E-3753A	56857-000 (New)	56855	Axle Bottom Cap, Left Hand Rear, 9.5-12°	1	X	X		1-221		
	S.O.S.	49659-000	48811	Axle Bottom Cap, Right Hand Front, 0-9.5°	1			X	—		
	S.O.S.	49660-000	48812	Axle Bottom Cap, Left Hand Rear, 0-9.5°	1			X	—		
	S.O.S.	56945-000	56855	Axle Bottom Cap, Left Hand Rear, 10-12°	1			X	—		
	S.O.S.	48390-000	48810	Axle Bottom Cap, Left Hand Front, Right Hand Rear, 0-5°	2			X	—		

S.O.S. = Available through Euclid's S.O.S. Department

*Dimension is Center-to-Center Length

Continued on next page

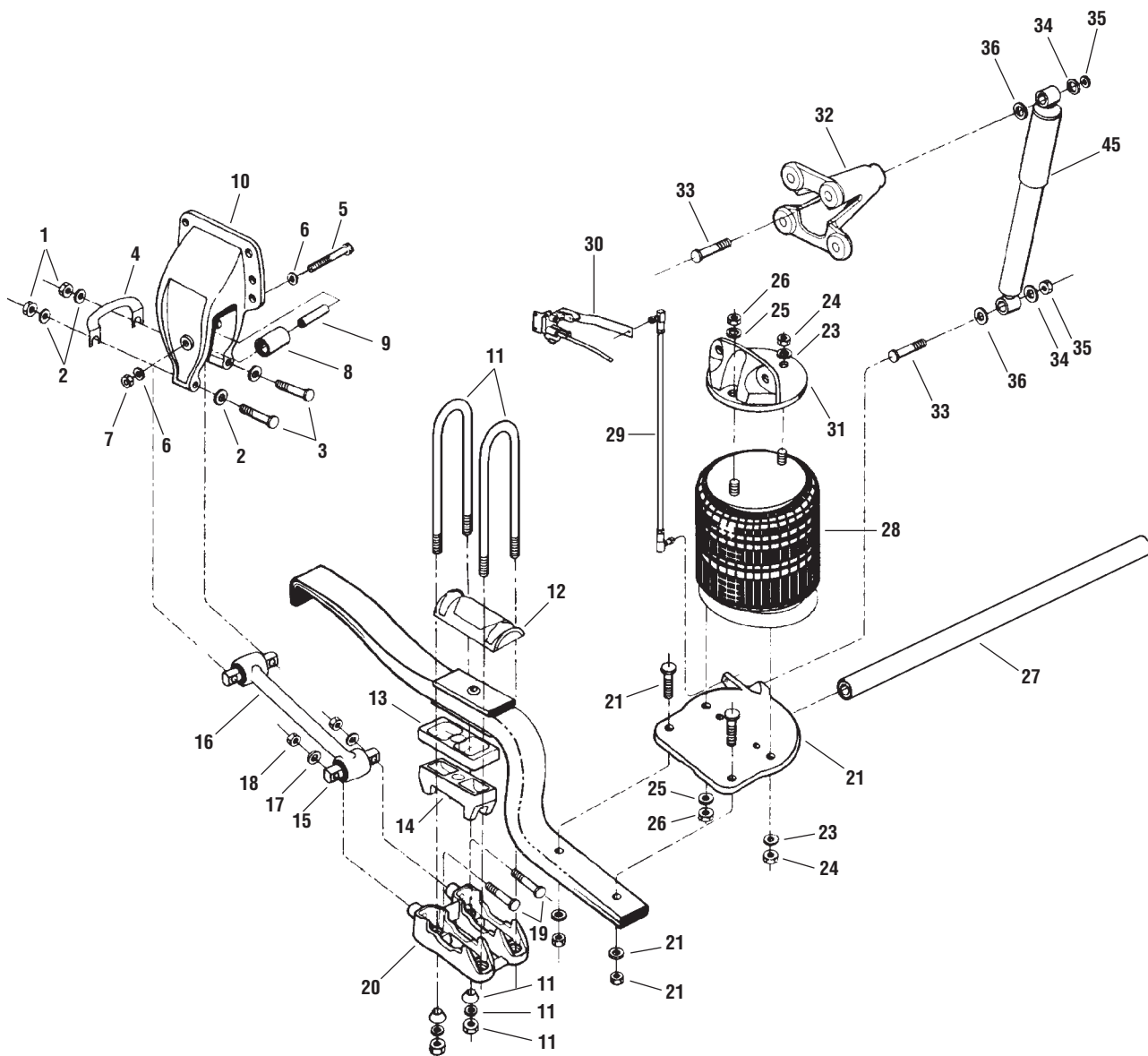
HENDRICKSON HA-360/400/460 AIR RIDE SUSPENSION

(Formerly HA-340/380)

Truck/Tractor

OBSOLETE 6/87 - 8/95

1



LEAF SPRING REFERENCES

SRI No.

50-323

50-325

HENDRICKSON HA-360/400/460 AIR RIDE SUSPENSION PARTS (Formerly HA-340/380) Truck/Tractor

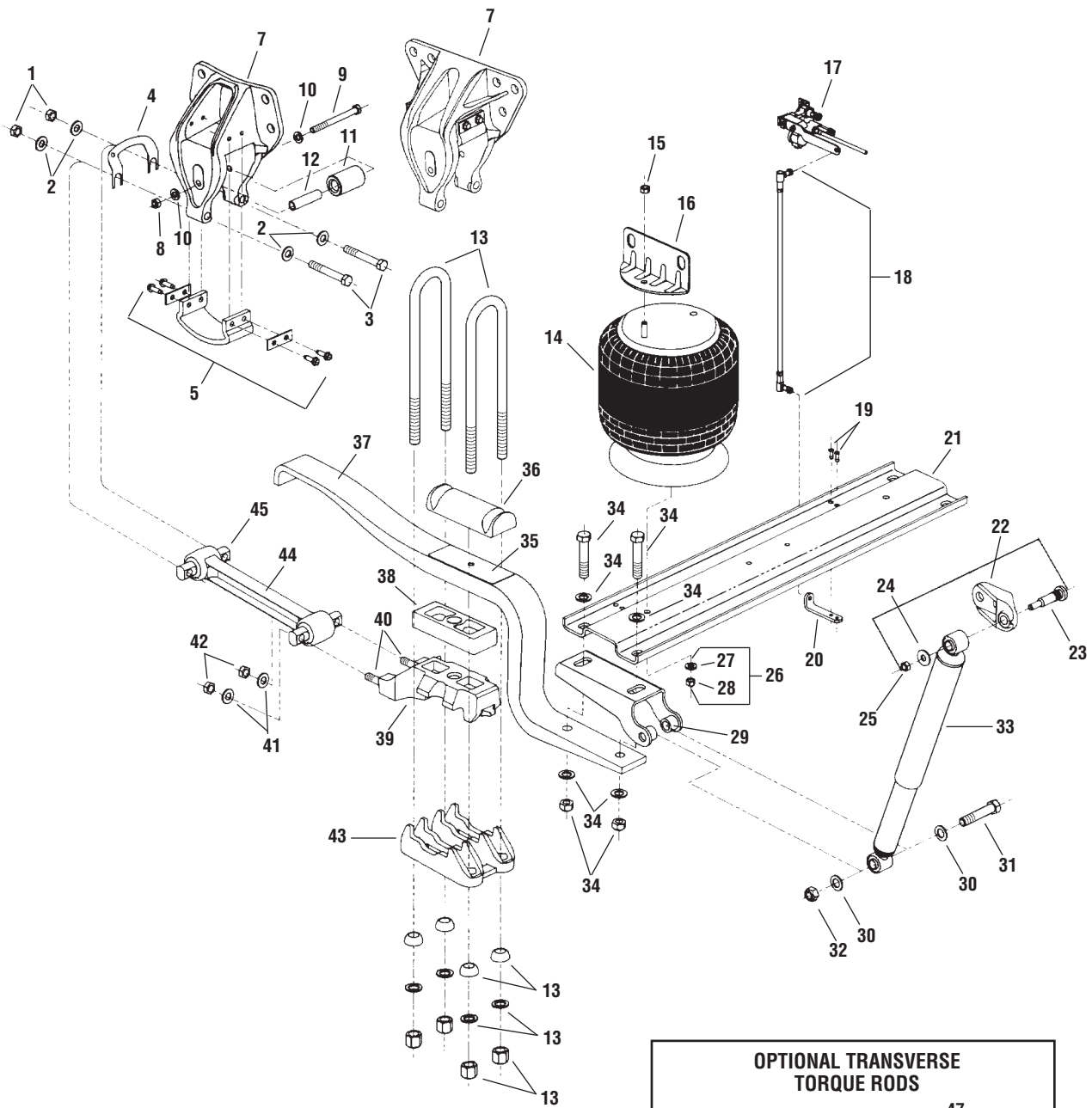
KEY NO.	EUCLID NO.	REPLACES HENDRICKSON NO.	CASTING NO.	DESCRIPTION	QUANTITY PER TANDEM	HA-			PAGE NO.	
						360	400	460		
20	S.O.S.	48391-000	48810	Axle Bottom Cap, Right Hand Front, 0-5°	1			X	—	
	S.O.S.	50367-000	48810	Axle Bottom Cap, Left Hand Rear, 0-5°	1			X	—	
	S.O.S.	56944-000	56852	Axle Bottom Cap, Left Hand Rear, 6.5-12°	1			X	—	
	S.O.S.	57219-000	56852	Axle Bottom Cap, Right Hand Rear, 6.5-12°, Includes Key Nos. 17, 18, 19	1			X	—	
21	S.O.S.	48908-001	48836-1	Air Spring Bracket Assembly with Hardware, Left Hand	2	X	X	X	—	
	S.O.S.	48908-002	48836-2	Air Spring Bracket Assembly with Hardware, Right Hand	2	X	X	X	—	
—	S.O.S.	49177-001		Air Spring Fastener Kit Includes Key Nos. 22, 23, 24, 25	1	X	X	X	—	
22	S.O.S.	17700-031		Nut, 3/4"	4	X	X	X	—	
23	E-2545	22962-001		Flat Washer, 3/4" Hardened	4	X	X	X	2-35	
24	S.O.S.	17700-010		Nut, 1/2"	12	X	X	X	—	
25	S.O.S.	22962-014		Flat Washer, 1/2" Hardened	12	X	X	X	—	
26	S.O.S.	17700-010		1/2" Nut	12	X	X	X	—	
27	S.O.S.	44642-022		Cross Tube	2	X	X	X	—	
28	FS9287	50405-000 (New)		Air Spring, 1991-Up	4	X	X	—		
	FS9466	49048-000 (Old)		Air Spring, Up to 1991						
29	E-3760A	58994-021		Leveling Valve Arm Assembly	1	X	X	X	2-61	
30	E-11494	60826-000		Leveling Valve, Barksdale Type	1	X	X	X	1-222	
31	FS9227	48159-000	48152	Air Spring Frame Hanger, Old Style	4	X	X	X	—	
32	S.O.S.	48924-000	48906	Shock Frame Hanger Includes Key Nos. 33, 34, 35	4	X	X	X	—	
33	S.O.S.	50368-000		Shock Bolt	4	X	X	X	—	
34	S.O.S.	22962-031		Flat Washer, 1/2" Hardened	8	X	X	X	—	
35	S.O.S.	49846-000		Shock Nut, Replaces 49140	8	X	X	X	—	
36	E-2545	22962-001		Washer	8	X	X	X	2-35	
45	M83122	47902-008,13		Shock, standard w/o mounting	4	X	X	X	3-13	
	M89406			Shock						
	M83123	47902-009,19		Shock						
	M89405			Shock						
	S.O.S.			57905-003						High Torque Rise-Mack with Inboard Mtg.
	S.O.S.			57905-005						High Torque Rise-All w/Outboard Mount.
—	See Torque Rod Section			Transverse Torque Rod Assembly	2	X	X	X	2-37	
—	E-2634	22186-000		Torque Rod Frame Bracket	2	X	X	X	1-222	
—	S.O.S.	45045-003		Torque Rod Bracket Back Up Plate	2	X	X	X	—	
—	E-3762	30272-000		Pressure Protection Valve	1	X	X	X	2-56	
—	E-9389	48689-001		Quick Release Kit, Includes 49193-001, 48940-000, and 48689-000	1	X	X	X	1-223	
—	Part of E-9389	48914-000		Air Dump Switch (Located in Cab)	1	X	X	X	1-223	
—	Part of E-9389	49193-001		Synchro Relay Valve 1	X	X	X	1-223		
—	Part of E-9389	48940-000		Air Switch Name Plate (Located in Cab)	1	X	X	X	1-223	

S.O.S. = Available through Euclid's S.O.S. Department

1

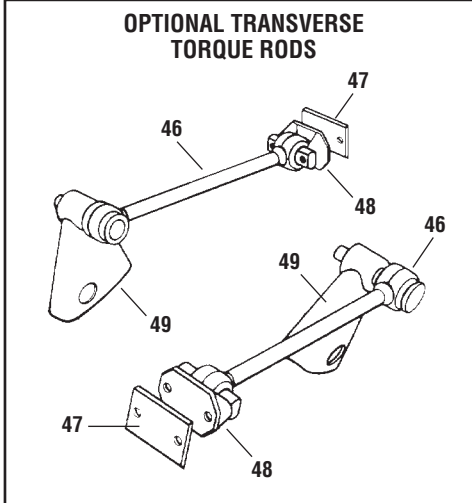
HENDRICKSON HAS 360/400/402/460 SUSPENSION

Truck/Tractor



LEAF SPRING REFERENCES

SRI No.
50-323
50-325



HENDRICKSON HAS 360/400/402/460 SUSPENSION PARTS Truck/Tractor

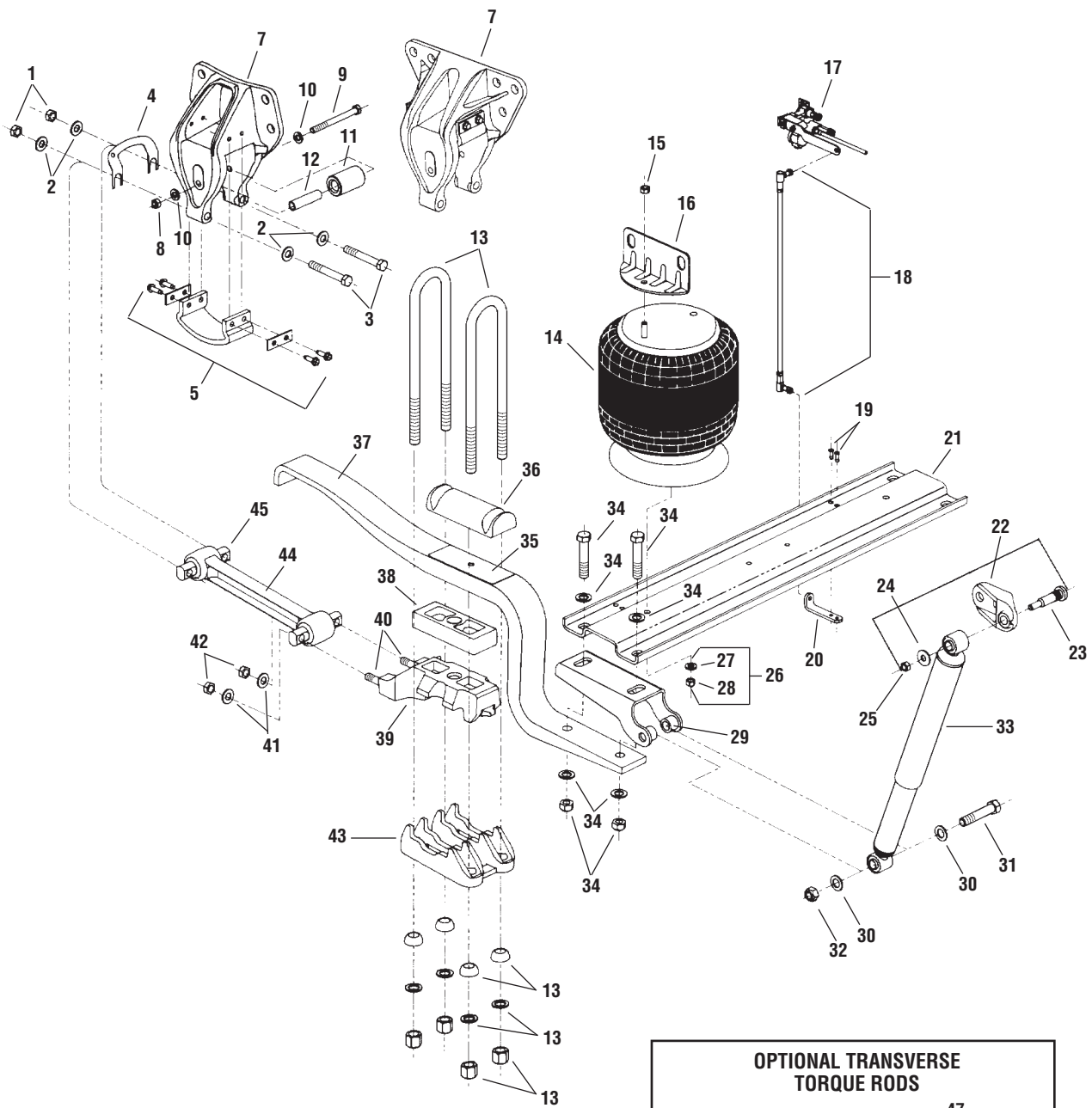
KEY NO.	EUCLID NO.	REPLACES HENDRICKSON NO.	DESCRIPTION	QUANTITY PER TANDEM	HAS				PAGE NO.
					360	400	402	460	
—	E-5277	49176-001	Torque Rod Fastener Kit Includes Key Nos. 1, 2, 3	8	X	X	X	X	1-220
1	Part of E-5277	47764-000	Torque Rod Nut	8	X	X	X	X	1-220
2	Part of E-5277	29262-004	Flat Washer, 5/8" Hardened	16	X	X	X	X	1-220
3	Part of E-5277	32043-005	Torque Rod Bolt	8	X	X	X	X	1-220
4	E-5281	49689-000	Torque Rod Shim	As Required	X	X	X	X	1-220
5	E-9391	56557-002	Slipper Pad Kit	4	X	X	X	X	1-221
7	E-9387	50753-001	Front Spring Hanger Assembly	4	X				1-222
	E-9386	58425-001		4		X	X	X	1-222
—	E-9432A	49175-005	Rebound Roller Assembly Includes Key Nos. 8,9,10,11,12	4	X	X	X	X	1-220
8	Part of E-9432A	49846-000	Rebound Bolt Nut	4	X	X	X	X	1-220
9	Part of E-9432A	24531-015	Rebound Bolt	4	X	X	X	X	1-220
10	Part of E-9432A	22962-014	Flat Washer, 1/2" Hardened	8	X	X	X	X	1-220
11	Part of E-9432A	48883-000 (Old)	Rebound Roller	4	X	X	X	X	1-220
	Part of E-9432A	57989-000 (New)							
12	Part of E-9432A	47458-000 (Old)	Rebound Bolt Spacer	4	X	X	X	X	1-220
	Part of E-9432A	57988-000 (New)							
13	E-UB8161-18S1	48718-050	U-Bolt Assembly, Rd. Bend 7/8"-14 Thd. x 3" Wide x 18" Long	8	X	X	X	X	2-25
14	FS9373	57122-002L	Air Spring, Includes Key Nos. 15,16	4	X	X	X	X	—
15	S.O.S.	17700-010	Air Spring Lock Nut	4	X	X	X	X	—
16	E-9392	50804-002	Air Spring Frame Hanger	4	X	X	X	X	1-223
17	E-11494	60826-000	Leveling Valve, Barksdale Type	1	X	X	X	X	1-222
18	E-3760A	58994-021	Leveling Valve Arm Assembly	1	X	X	X	X	2-61
19	S.O.S.	57430-000	Arm Bracket Fastener Kit Includes Key No. 20	2	X	X	X	X	—
20	S.O.S.	56789-000	Control Valve Arm Bracket	1	X	X	X	X	—
21	S.O.S.	57318-001	Cross Channel	2	X	X	X	X	—
22	E-9390	57322-001	Shock Frame Hanger Assembly Includes Key Nos. 23, 24, 25.	4	X	X	X	X	1-223
23	Part of E-9390	50368-000	Shank Bolt, 1/2" Serrated	4	X	X	X	X	1-223
24	Part of E-9390	22962-031	Flat Washer, 1/2" Hardened	4	X	X	X	X	1-223
25	Part of E-9390	49846-000	Lock Nut	4	X	X	X	X	1-223
26	S.O.S.	49177-005	Air Spring Fastener Kit Includes Key No. 27, 28	1	X	X	X	X	—
27	S.O.S.	22962-014	Flat Washer, 1/2" Hardened	4	X	X	X	X	—
28	S.O.S.	17700-010	Lock Nut	4	X	X	X	X	—
29	S.O.S.	57356-000	Lower Shock Bracket Assembly Includes Key Nos. 30, 31, 32	4	X	X	X	X	—
30	E-2545	22962-001	Flat Washer, 3/4" Hardened	8	X	X	X	X	2-35
31	S.O.S.	50764-002	Bolt, 5 1/2"	4	X	X	X	X	—
32	E-4347	49842-000	Lock Nut	4	X	X	X	X	2-34

S.O.S. = Available through Euclid's S.O.S. Department

Continued on next page

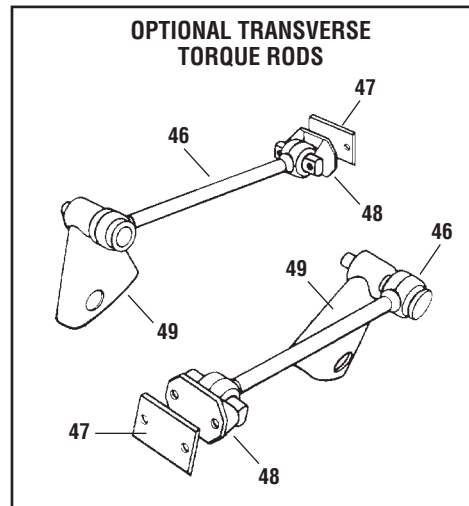
HENDRICKSON HAS 360/400/402/460 SUSPENSION

Truck/Tractor



LEAF SPRING REFERENCES

SRI No.
50-323
50-325



HENDRICKSON HAS 360/400/402/460 SUSPENSION PARTS

Truck/Tractor

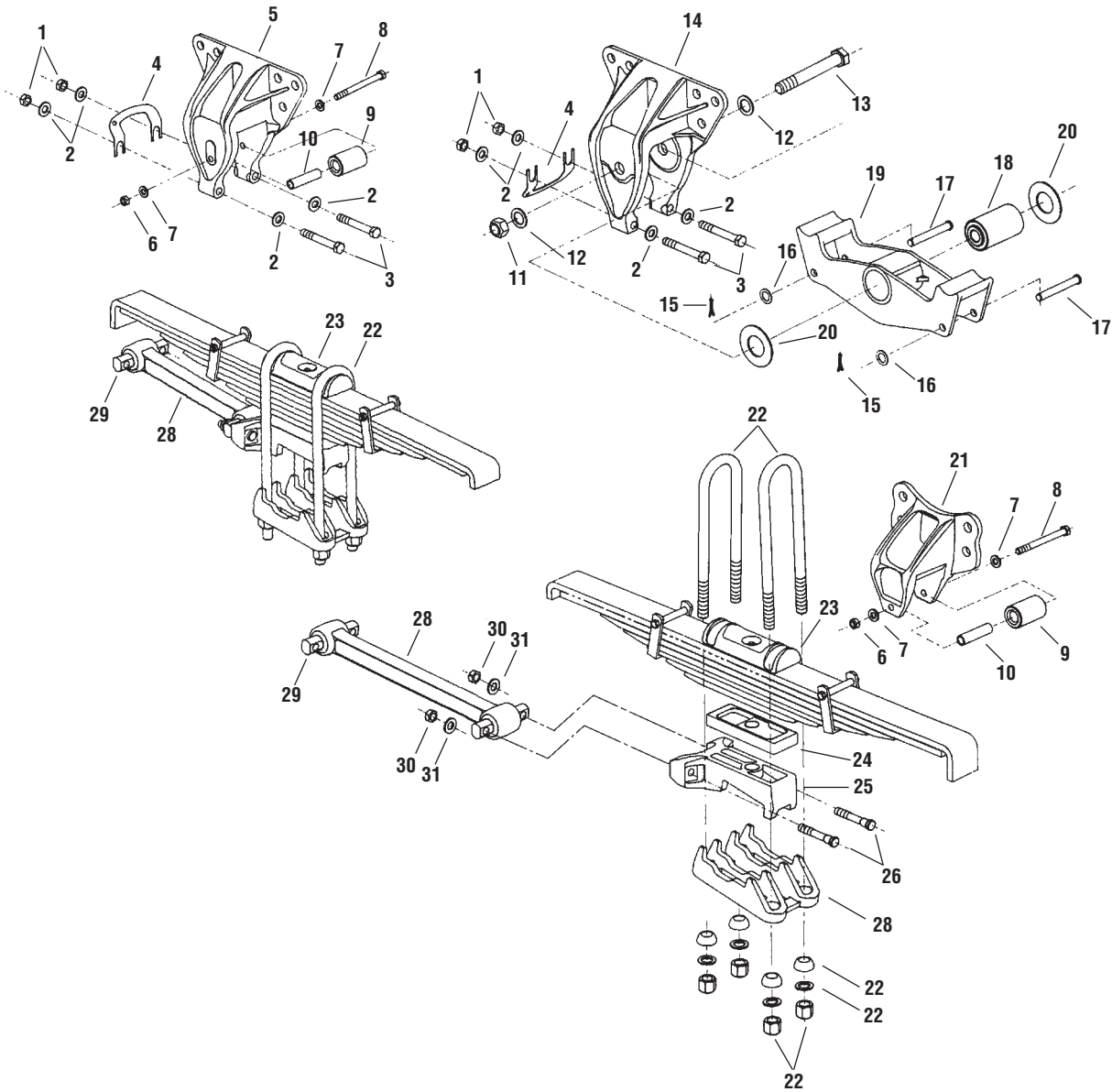
KEY NO.	EUCLID NO.	REPLACES HENDRICKSON NO.	DESCRIPTION	QUANTITY PER TANDEM	HAS				PAGE NO.
					360	400	402	460	
33	M83121	47902-24	Shock Absorber	4	X	X	X	X	3-13
	M85013	47902-28	Shock Absorber						
	M89414		Shock Absorber						
	M83123	47902-019, 009	Shock Absorber	—	—	—	—	3-13	
	M89405		Shock Absorber						
	M83111	57241-001,002	Shock Absorber	4	—	—	—	—	3-14
	M83109		Shock Absorber						
	M85072	60675-003	High Torque Outboard Mounting	4	X	X	X	X	—
S.O.S.	57905-004	High Torque Inboard Mounting	4	X	X	X	X	—	
34	E-9384	50763-001	Cross Channel Fastener Kit	1	X	X			1-223
	E-9385	50763-003					X	X	
35	E-9393	47905-000	Spring Liner	4	X	X	X	X	1-307
36	E-9397	56805-000	Top Pad	4	X	X	X	X	1-222
37	S.O.S.	56940-000	Main Support Member, 1 3/4"	4	X				—
	S.O.S.	56943-000	Main Support Member, 1 7/8"			X			
	S.O.S.	56946-000	Main Support Member, 2"				X	X	
38	E-3740	48902-000	Spring Spacer, 1"	As Required	X	X	X	X	1-221
	E-3741	48903-000	Spring Spacer, 1 1/2"	As Required	X	X	X	X	1-221
39	S.O.S.	Various	Spring Seat Assembly Includes Key Nos. 40, 41, 42	4	X	X	X	X	—
40	S.O.S.	50918-000	Spring Seat Stud	8	X	X	X	X	—
41	S.O.S.	22962-004	Flat Washer, 5/8" Hardened	8	X	X	X	X	—
42	S.O.S.	47764-000	Spring Seat Nut	8	X	X	X	X	—
43	S.O.S.	Various	Axle Bottom Cap	4	X	X	X	X	—
44	E-9409	48411-006	Torque Rod, 14.41" Long *	4	X	X	X		1-218, 2-41
	E-9394	50376-001	Torque Rod, 14.41" Long *					X	1-220
45	E-5275	47691-000L	Torque Rod Bushing	8	X	X	X		1-220
	E-9395	57256-000	Torque Rod Bushing					X	1-220
46	See Torque Rod Section		Transverse Rod Assembly	2	X	X	X	X	2-36
47	S.O.S.	45045-003	Torque Rod Bracket Back Up Plate	2	X	X	X	X	—
48	E-2634	22186-000	Transverse Rod Frame Bracket	2	X	X	X	X	1-222
49	S.O.S.	Various	Transverse Rod Axle Bracket	2	X	X	X	X	—
—	E-9389	48689-001	Quick Release Kit Includes 49193-001, 48940-000, and 48940-000	1	X	X	X	X	1-223
—	Part of E-9389	49193-001	Synchro Relay Valve	1	X	X	X	X	1-223
—	Part of E-9389	48914-000	Air Dump Switch (Located in Cab)	1	X	X	X	X	1-223
—	Part of E-9389	48940-000	Air Switch Name Plate (Located in Cab)	1	X	X	X	X	1-223
—	E-3762	30272-000	Pressure Protection Valve	1	X	X	X	X	2-56

* Dimension is Center-to-Center Length

S.O.S. = Available through Euclid's S.O.S. Department

HENDRICKSON HFS-360/400

Truck/Tractor



LEAF SPRING REFERENCES

SRI No.

50795-50-357
50796-50-359

HENDRICKSON HFS-360/400 PARTS

Truck/Tractor

KEY NO.	EUCLID NO.	REPLACES HENDRICKSON NO.	CASTING NO.	DESCRIPTION	QUANTITY PER TANDEM	HFS-360	HFS-400	PAGE NO.
—	E-5277	49176-001		Torque Rod Fastener Kit	8	X	X	1-218
1	Part of E-5277	47764-000		Torque Rod Nut	8	X	X	1-218
2	Part of E-5277	22962-004		Flat Washer, 5/8" Hardened	16	X	X	1-218
3	Part of E-5277	32043-005		Torque Rod Bolt	8	X	X	1-218
4	E-5281	49689-000		Torque Rod Shim	As Required	X	X	1-218
5	E-9404	56667-001 (New)	56666-000	Front Spring Hanger	2	X		1-219
		50027-001 (Old)	49848-000					
	E-9405	56670-001 (New)	56669-000	Front Spring Hanger	2		X	1-219
		50292-001 (Old)	50291-000					
—	E-9432A	49175-005 (Old)		Rebound Roller Assembly Includes Key Nos. 6,7,8,9,10	4	X	X	1-216
		49175-013 (New)						
6	Part of E-9432A	49846-000		Rebound Bolt Nut	4	X	X	1-219
7	Part of E-9432A	22962-014		Flat Washer, 1/2" Hardened	8	X	X	1-219
8	Part of E-9432A	24531-015		Rebound Bolt	4	X	X	1-219
9	Part of E-9432A	48883-000 (Old)		Rebound Roller	4	X	X	1-219
	Part of E-9432A	57989-000 (New)						
10	Part of E-9432A	47458-000 (Old)		Rebound Spacer	4	X	X	1-219
	Part of E-9432A	57988-000 (New)						
11	E-1828	08017-000		Center Bushing Nut, 1"	2	X	X	2-34
12	E-2573	22962-006		Flat Washer, 1" Hardened	4	X	X	2-35
13	E-5271	30550-035		Center Bushing Bolt, 1"	2	X	X	2-33
14	E-9400	56676-001 (New)	56675-000	Center Spring Hanger	2	X	X	1-219
		50290-001 (Old)	50289-000					
15	N/A	17800-013		Cotter Pin	4	X	X	—
16	N/A	50924-000		Washer, 5/8" Hardened	4	X	X	—
17	N/A	50432-000		Clevis Pin	4	X	X	—
18	E-5269	47420-000		Center Bushing	2	X	X	1-214, 2-48
19	E-9402	49803-002	49801-002	Equalizing Beam Assembly Includes Key Nos. 15, 16, 17, 18	2	X	X	1-218
20	E-5273	47416-000		Thrust Washer	4	X	X	2-35
21	E-9406	50028-001	49954-000	Rear Hanger	2	X	X	1-219
22	E-UB8161-18S1	48718-050		U-Bolt Assembly	16	X	X	2-25
23	E-9408	50788-000		Top Pad	4	X	X	1-219
24	E-3740	48902-000		Spring Spacer, 1"	As Required	X	X	1-219
	E-3741	48903-000		Spring Spacer, 1 1/2"				
25	S.O.S.	Various		Spring Seat Assembly	2	X	X	—
26	E-3755	49063-000		Spring Seat Bolt	8	X	X	1-220
27	S.O.S.	Various		Axle Bottom Cap	2	X	X	—
28	E-9409	48411-006		Front Torque Rod, 14.41**	2	X	X	1-218, 2-41
	E-9407	48411-007		Rear Torque Rod, 20.31**	2	X	X	1-218, 2-41
29	E-5275	47691-000L		Torque Rod Bushing	8	X	X	1-218
30	S.O.S.	47764-000		Axle Cap Stud Nut	8	X	X	—
31	S.O.S.	22962-004		Axle Cap Stud Washer	8	X	X	—
—	S.O.S.	50681-001 (Old)		Hanger and Equalizer Assembly Includes Key Nos. 11, 12, 13, 14, 19, 20	2	X		—
		50681-002 (New)						

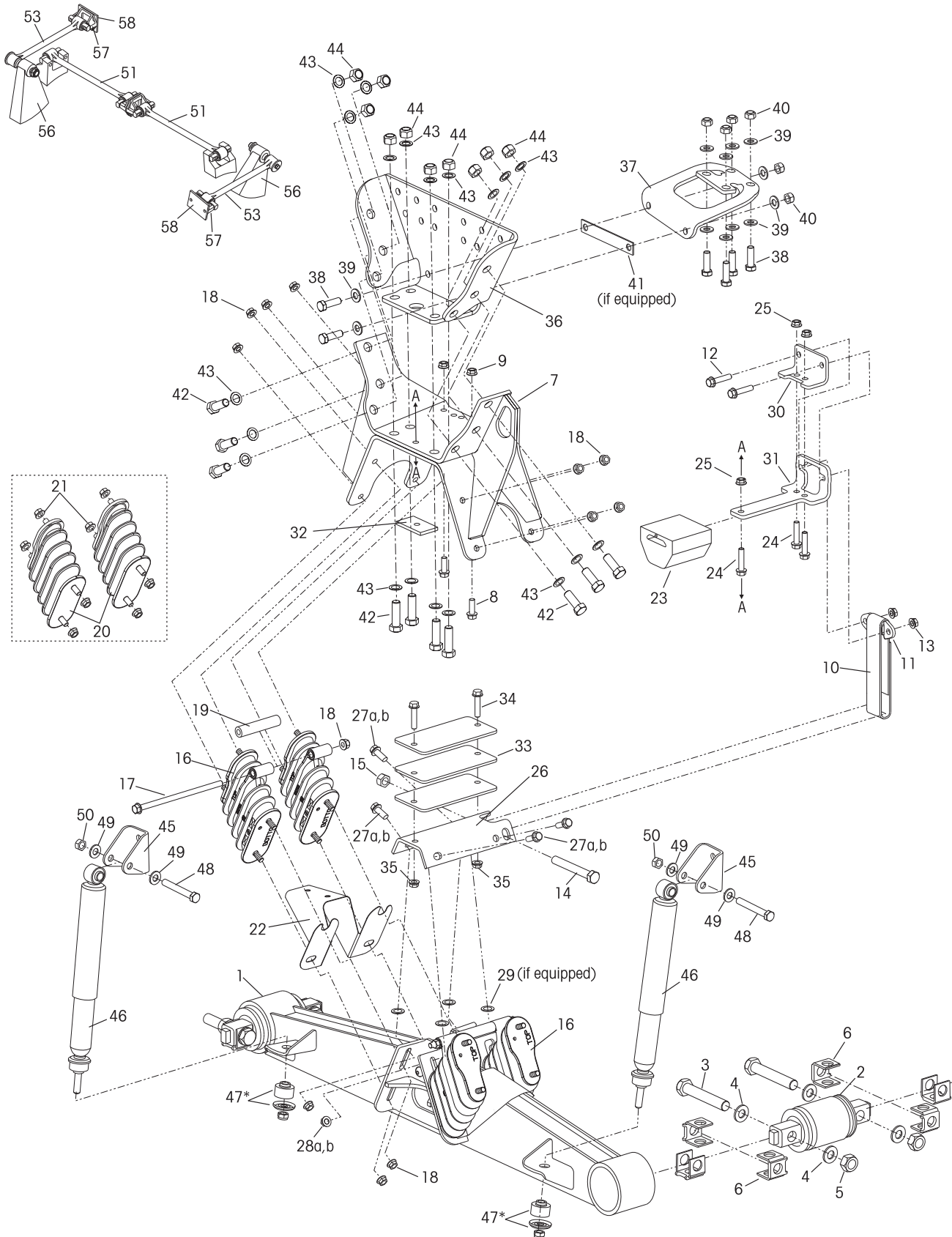
S.O.S. = Available through Euclid's S.O.S. Department

*Dimension is Center-to-Center Length

N/A = Part No Longer Available

HENDRICKSON HAULMAAX® HEAVY DUTY SUSPENSION

Truck / Tractor



1

HENDRICKSON HAULMAAX® HEAVY DUTY SUSPENSION PARTS Truck / Tractor

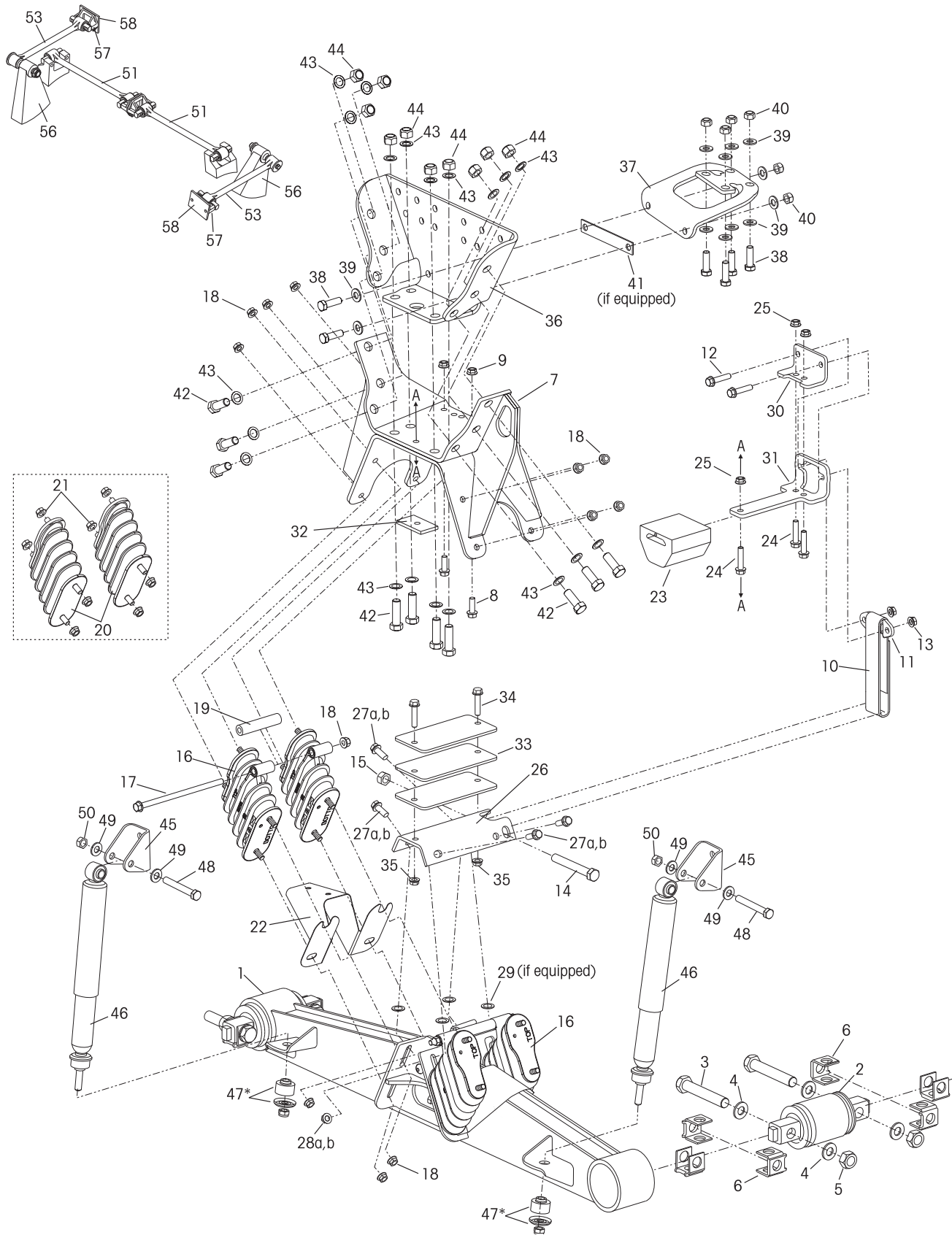
KEY NO.	EUCLID NO.	REPLACES HENDRICKSON NO.	DESCRIPTION	QTY. PER TANDEM	PAGE NO.
1	S.O.S.	Various	Equalizing Beam Assembly 400/460	2	—
—	E-9326	34013-088L	Bar Pin Bushing Service Kit (Includes Key Nos 2-6)	4	1-192
2	S.O.S.	—	Bar Pin Bushing	4	—
3	S.O.S.	48941-000	1"-8 UNC Hex 6.0" Bolt	8	—
4	S.O.S.	22962-008	1" Hardened Washer	16	—
5	S.O.S.	48942-000	1"-8 UNC Locknut	8	—
6	E-9327	50130-000	Bar Pin Shim 0.19/0.19	8	1-192
	E-9328	50131-000	Bar Pin Shim 0.25/0.12		
7	S.O.S.	Various	Saddle Assembly	2	—
8	S.O.S.	60818-001	1/2"-13 UNC 1.5" Flange Bolt	4	—
9	S.O.S.	60819-000	1/2"-13 UNC Flange Nut	4	—
—	S.O.S.	64179-028	Rebound Strap Service Kit (Includes Key Nos 10-15)	As Required	—
10	E-13986	57878-003	Rebound Strap	2	1-227
11	S.O.S.	60612-000	Rebound Clip	2	—
12	S.O.S.	60818-002	1/2"-13 UNC 2.25" Flange Bolt	4	—
13	S.O.S.	60819-000	1/2"-13 UNC Flange Nut	4	—
14	S.O.S.	21867-007	3/4"-16 UNF 6.0" Hex Bolt	2	—
15	S.O.S.	30191-000	3/4"-16 UNF Locknut	2	—
—	E-14044	64179-037	Tie-Bar Bolster Spring Service Kit (Includes Key Nos 16-19)	4	1-234
16	E-14373	65743-000	Tie-Bar Bolster Spring	8	1-234
17	S.O.S.	60818-003	1/2"-13 UNC 10.0" Flange Bolt	4	—
18	S.O.S.	60819-000	1/2"-13 UNC Flange Nut	36	—
19	S.O.S.	65742-000	Bolster Spring Spacer	4	—
—	E-14374	64179-002	Bolster Spring w/o Tie-Bar Service Kit (Includes Key Nos 20-21)	4	—
20	E-14375	59257-000	Bolster Spring	8	1-234
21	S.O.S.	60819-000	1/2"-13 UNC Flange Nut	32	—
22	E-14535	64890-000	Wear Plate	4	—
—	S.O.S.	64179-004	Auxiliary Spring Service Kit (Includes Key Nos 23-25)	As Required	—
23	E-14047	60314-000	Auxiliary Spring	4	1-227
24	S.O.S.	60818-002	1/2"-13 UNC 2.25" Flange Bolt	6	—
25	S.O.S.	60819-000	1/2"-13 UNC Flange Nut	6	—
—	S.O.S.	57974-046	HMX Contact Plate Kit w/Fasteners (Includes Key Nos 26, 27a, 28a)	As Required	—
26	S.O.S.	—	Auxiliary Spring Contact Plate	2	—
27a	S.O.S.	67290-001	5/8"-11 UNC 1.5" Dacromet XL Flange Bolt	8	—
27b	S.O.S.	60818-001	1/2"-13 UNC 1.5" Flange Bolt		—
28a	S.O.S.	67291-000	5/8"-11 UNC Dacromet XL Flange Nut		—
28b	S.O.S.	60819-000	1/2"-13 UNC Flange Nut		—
29	S.O.S.	22962-014	Auxiliary Spring Contact Plate Spacer - Vehicles Built Prior to 11/07	8	—
30	S.O.S.	60613-000	Rebound Support Angle	2	—

S.O.S. = Available through Euclid's S.O.S. Department

Continued on next page

HENDRICKSON HAULMAX® HEAVY DUTY SUSPENSION

Truck / Tractor



1

HENDRICKSON HAULMAAX® HEAVY DUTY SUSPENSION PARTS Truck / Tractor

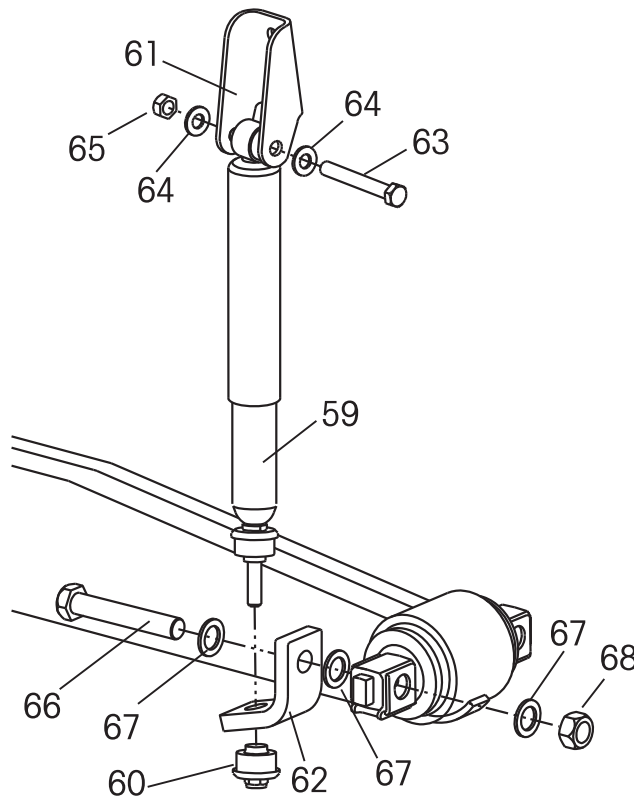
KEY NO.	EUCLID NO.	REPLACES HENDRICKSON NO.	DESCRIPTION	QTY. PER TANDEM	PAGE NO.
31	E-5272	59384-000	Auxiliary Spring Bracket	2	2-33
32	S.O.S.	60874-000	Auxiliary Spring Spacer	2	—
33	S.O.S.	60791-000	Auxiliary Spring Shim - 0.25"	6	—
34	S.O.S.	60818-001	1/2"-13 UNC Flange Bolt 1.5"	4	—
	S.O.S.	60818-002	1/2"-13 UNC Flange Bolt 2.25"		—
35	S.O.S.	60819-000	1/2"-13 UNC Flange Nut	4	—
36	S.O.S.	—	Outboard Frame Bracket	2	—
37	S.O.S.	—	Inboard Frame Bracket	2	—
38	S.O.S.	32043-004	5/8"-11 UNC 2.25" Hex Bolt	12	—
39	S.O.S.	22962-004	5/8" Hardened Washer	24	—
40	S.O.S.	47764-000	5/8"-11 UNC Locknut	12	—
41	S.O.S.	Various	Inboard Spacer (If Equipped)	2	—
—	S.O.S.	64179-038	Outboard Frame Bracket to Saddle Assembly Fastener Kit (Includes Key Nos 42-44)	As Required	—
—	S.O.S.	64179-039	Outboard Frame Bracket to Saddle Assembly Fastener Kit (Includes Key Nos 42-44)	As Required	—
42	S.O.S.	58258-014	M20 x 2.5-6G 65 mm Hex Bolt	20	—
43	S.O.S.	58246-018	M20 Hardened Washer	40	—
44	S.O.S.	58259-001	M20 x 2.5-6H Locknut	20	—
45	S.O.S.	60304-000	Upper Shock Bracket (if equipped)	4	—
—	S.O.S.	Various	Shock Absorber Service Kit (Includes Key Nos 46-50)	4	—
46	S.O.S.	Various	Shock Absorber Assembly (Includes Key No 47)	4	—
47	S.O.S.	—	Retaining Washer and Bushing	8	—
48	S.O.S.	32043-003	5/8"-11 UNC 3.25" Hex Bolt	4	—
49	S.O.S.	22962-004	5/8" Hardened Washer	8	—
50	S.O.S.	47764-000	5/8"-11 UNC Locknut	4	—
51	S.O.S.	Various	Ultra Rod Longitudinal Torque Rod Straddle/Straddle Assembly (Includes Key No 52)		—
52	E-5275	47691-000L	Ultra Rod Straddle Bushing (Not Shown)	4	1-220
53	S.O.S.	62350-	Ultra Rod Transverse Torque Rod Straddle/Taper Assembly (Includes Key Nos 54-55)	2	—
54	E-5275	47691-000L	Ultra Rod Straddle Bushing (Not Shown)	2	1-220
55	E-10309	64697-000H	Ultra Rod Taper Bushing (Not Shown)	2	—
56	S.O.S.	—	Transverse Rod Axle Bracket	2	—
57	E-2634	22186-000	Transverse Rod Frame Bracket	2	1-214
58	S.O.S.	45045-003	Back-up Plate (for Torque Rod)	2	—

S.O.S. = Available through Euclid's S.O.S. Department

1

HENDRICKSON HAULMAAX® AFTERMARKET SHOCK ABSORBER KIT

Truck / Tractor

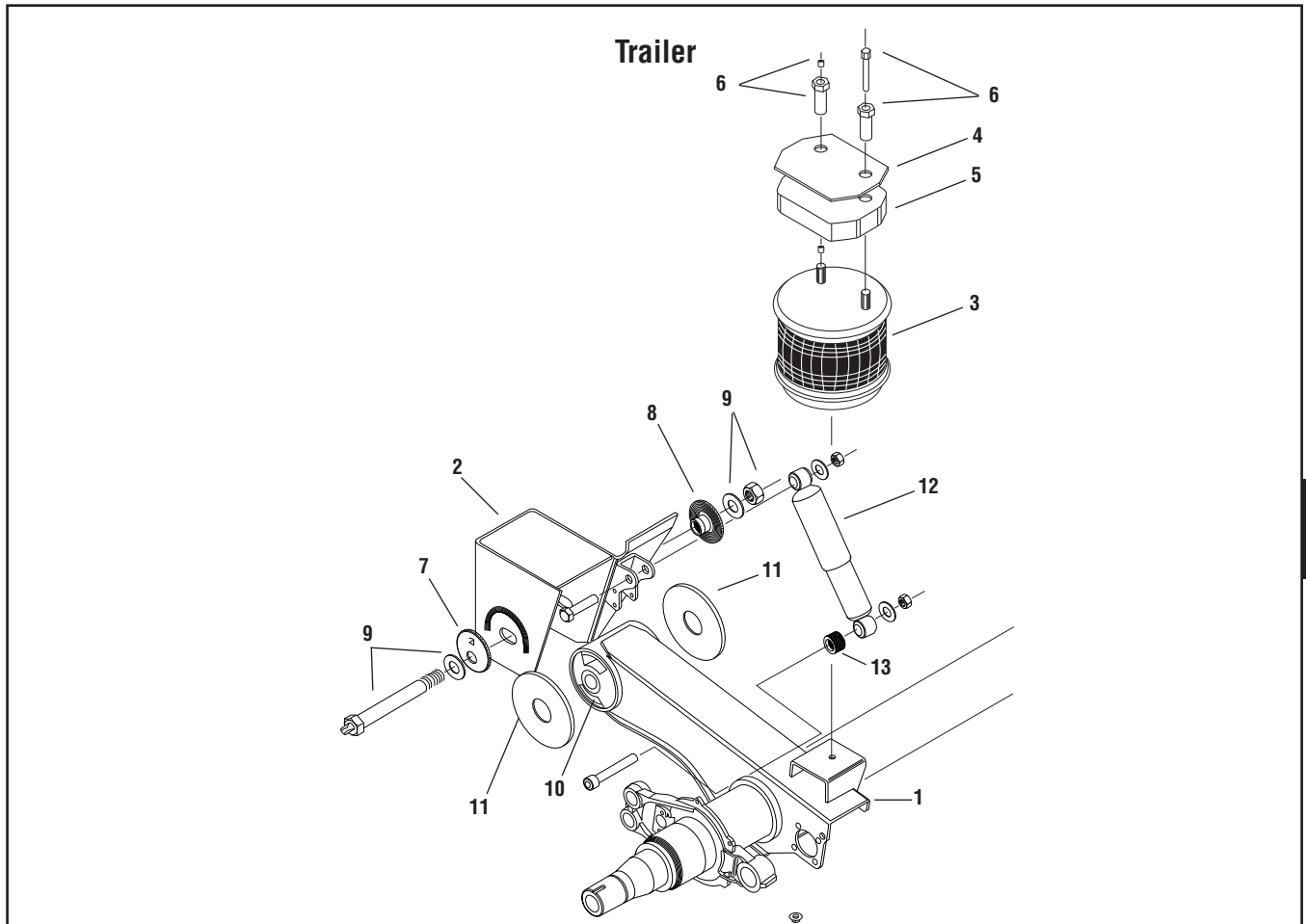


1

KEY NO.	EUCLID NO.	REPLACES HENDRICKSON NO.	DESCRIPTION	QTY. PER TANDEM	PAGE NO.
—	S.O.S.	Various	Shock Absorber Service Kit (Includes Key Nos 59-68)	As Required	—
59	E-14045	60680-004L	Shock Absorber Assembly - 16.5" Saddle Ht. (Includes Key No 60)	4	1-233
	E-14046	60680-005L	Shock Absorber Assembly - 17.5"/18.5" Saddle Ht. (Includes Key No 60)		1-233
60	S.O.S.	—	Retaining Washer and Bushing	2	—
61	S.O.S.	64146-000	Upper Shock Bracket	4	—
62	S.O.S.	Various	Lower Shock Bracket	2	—
63	S.O.S.	32043-005	5/8"-1 UNC 4.5" Hex Bolt	4	—
64	S.O.S.	22962-004	5/8" Hardened Washer	8	—
65	S.O.S.	47764-000	5/8"-1 UNC Locknut	4	—
66	S.O.S.	48941-001	1"-8 UNC 6.75" Hex Bolt	4	—
67	S.O.S.	22962-008	1" Hardened Washer	12	—
68	S.O.S.	48942-000	1"-8 UNC Locknut	4	—

S.O.S. = Available through Euclid's S.O.S. Department

HENDRICKSON INTRAAX® AAT - 23K, 25K & 30K SUSPENSION



KEY NO.	EUCLID NO.	REPLACES HENDRICKSON NO.	DESCRIPTION	QTY. PER AXLE	23K	25K	30K	PAGE NO.
1	S.O.S.	Various	Half-Traax Axle Beam Kits, Contact Tech-Service	2	X	X	X	—
2	S.O.S.	Various	Frame Bracket, Contact Tech Service with Model & Serial No.	2	X	X	X	—
3	FS8709	S-21800	Air Spring Assembly	2	X			—
	FS8091	S-21784	Air Spring / Disk Assembly	2		X		
	S.O.S.	S-25873	Air Spring	2			X	
4	E-14337	B-21145	Air Spring Plate, Bolt-On	2	X	X	X	1-233
	E-14338	B-20905	Air Spring Plate, Weld-On	2	X	X	X	
5	E-14339	B-22510-1	Air Spring Spacer, 1 1/8" Thick, 15" Ride Height	2	X	X	X	1-233
	E-14340	B-22510-2	Air Spring Spacer, 1 7/8" Thick, 16" Ride Height	2	X	X	X	
	E-14341	B-22510-3	Air Spring Spacer, 3 1/8" Thick, 17" Ride Height	2	X	X	X	
6	E-14342	S-22619/2	Air Spring Fitting Kit, - No Spacer 13.5", 14", 18", and 19" Ride Heights	2	X	X	X	1-233
	E-14343	S-22630/2	Air Spring Fitting Kit, 1" Spacer, 15" Ride Height	2	X	X	X	
	E-14344	S-22631/2	Air Spring Fitting Kit, 2" Spacer, 16" Ride Height	2	X	X	X	
	E-14345	S-22632/2	Air Spring Fitting Kit, 3" Spacer, 17" Ride Height	2	X	X	X	
7	E-10754	S-20925	Outboard Eccentric Alignment Collar, Offset Nipple	2	X	X	X	—
8	E-10755	S-20924	Inboard Concentric Alignment Collar, Nipple In Center	2	X	X	X	—
9	E-10730A	S-24679	QUIK-ALIGN™ Pivot Bolt Kit, Includes Bolt, Nut, Washers	2	X	X	X	1-225
10	E-10729A	S-24691	QUIK-ALIGN™ Bushing Kit, Includes Key 9,10,11	2	X	X	X	1-225
11	E-6122	S-21099	Standard Wear Pad, Part of E-10729A	4	X	X	X	1-226
12	M85000 or M89436	S-20002	Shock Absorbers, Standard	2	X	X		3-14
	M85323 or M89436	S-20126	Shock Absorbers, High Damping	2	X	X	X	
13	E-11831	A-20913	Spacer	2	X	X	X	—

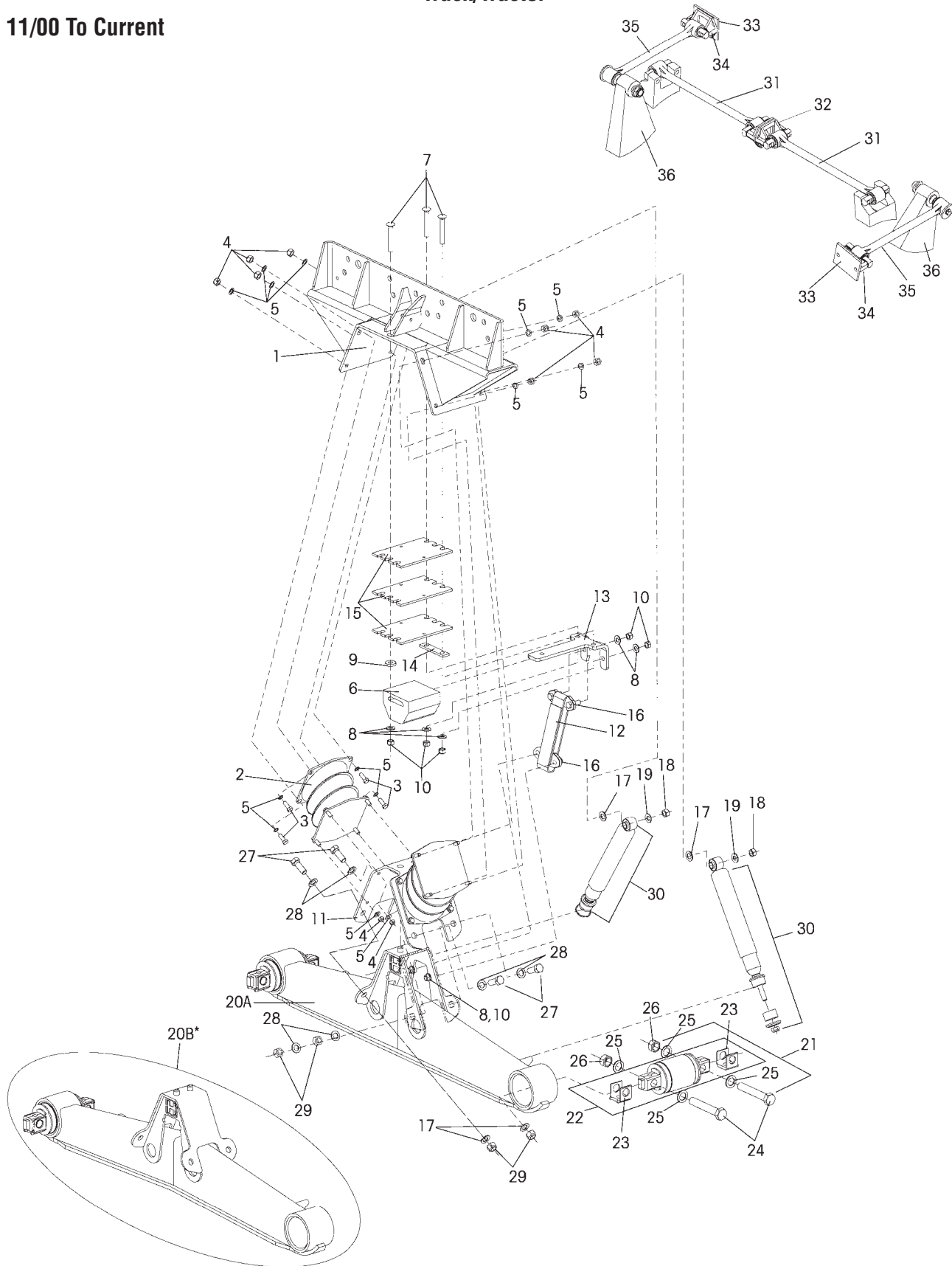
S.O.S. = Available through Euclid's S.O.S. Department

HENDRICKSON HN-402/462/522 SUSPENSION

Truck/Tractor

11/00 To Current

1



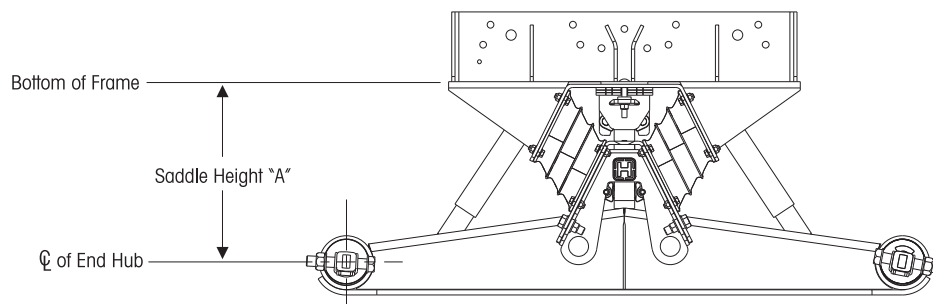
HENDRICKSON HN-402/462/522 SUSPENSION PARTS

Truck/Tractor

KEY NO.	EUCLID NO.	REPLACES HENDRICKSON NO.	DESCRIPTION	QTY. PER TANDEM	PAGE NO.
1	S.O.S.		HN-402/462 Saddle Assembly (Includes Key Nos 2-19)	2	—
		60686-	Specify Truck Manufacturer and Saddle Height "A" as shown in the illustration below - 16.5", 17.5" or 18.5"		
		58650-	Specify Truck Manufacturer and Saddle Height "A" as shown in the illustration below - 20.25" or 22.50"		
2	E-11496	60879-000L	Bolster Spring Service Kit (Must be replaced in pairs)	2	1-224
3	S.O.S.	25114-011	7/16"-20-1.25" Bolt	32	—
4	S.O.S.	48949-000	7/16"-20 UNF-2B Locknut	32	—
5	S.O.S.	22962-027	7/16" Washer	64	—
6	E-14047	60314-000	Auxiliary Spring Assembly	2	1-227
7	S.O.S.	58196-005	1/2"-13 UNC-2A Round Head Square Neck Bolt 3.25	6	—
8	S.O.S.	22962-011	1/2" Washer	6	—
9	S.O.S.	22962-020	1/2" Washer	2	—
10	S.O.S.	49846-000	1/2"-13 UNC-2A Locknut	6	—
11	S.O.S.	58343-001	Saddle Vee Bracket	2	—
12	E-13986	57878-003	Rebound Strap	2	1-227
13	S.O.S.	58948-001	Rebound Strap Mounting Plate	2	—
14	S.O.S.	58949-000	Auxiliary Spring Mounting Plate Shim	2	—
15	S.O.S.	58960-003	Auxiliary Spring Mounting Shim	2	—
16	S.O.S.	60639-000	Anchor Plate Assembly	4	—
17	E-2545	22962-001	3/4" Washer	4	2-35
18	S.O.S.	30585-000	5/8" Locknut	4	—
19	S.O.S.	22962-004	5/8" Washer	4	—
20a	S.O.S.	58494-001	Equalizing Beam Assembly HN-462, 54" Non-Shim Type	2	—
	S.O.S.	58494-002	Equalizing Beam Assembly HN-464, 54" Shim Type		
	S.O.S.	58494-005	Equalizing Beam Assembly HN-402/462, 60" Non-Shim Type		
	S.O.S.	58494-006	Equalizing Beam Assembly HN-402/462, 60" Shim Type		
	S.O.S.	58494-009	Equalizing Beam Assembly HN-402/462, 72.5" Non-Shim Type		
	S.O.S.	58494-010	Equalizing Beam Assembly HN-402/462, 72.5" Shim Type		
	S.O.S.	59973-003	Equalizing Beam Assembly HN-522, 54" Shim Type		

S.O.S. = Available through Euclid's S.O.S. Department

Continued on next page

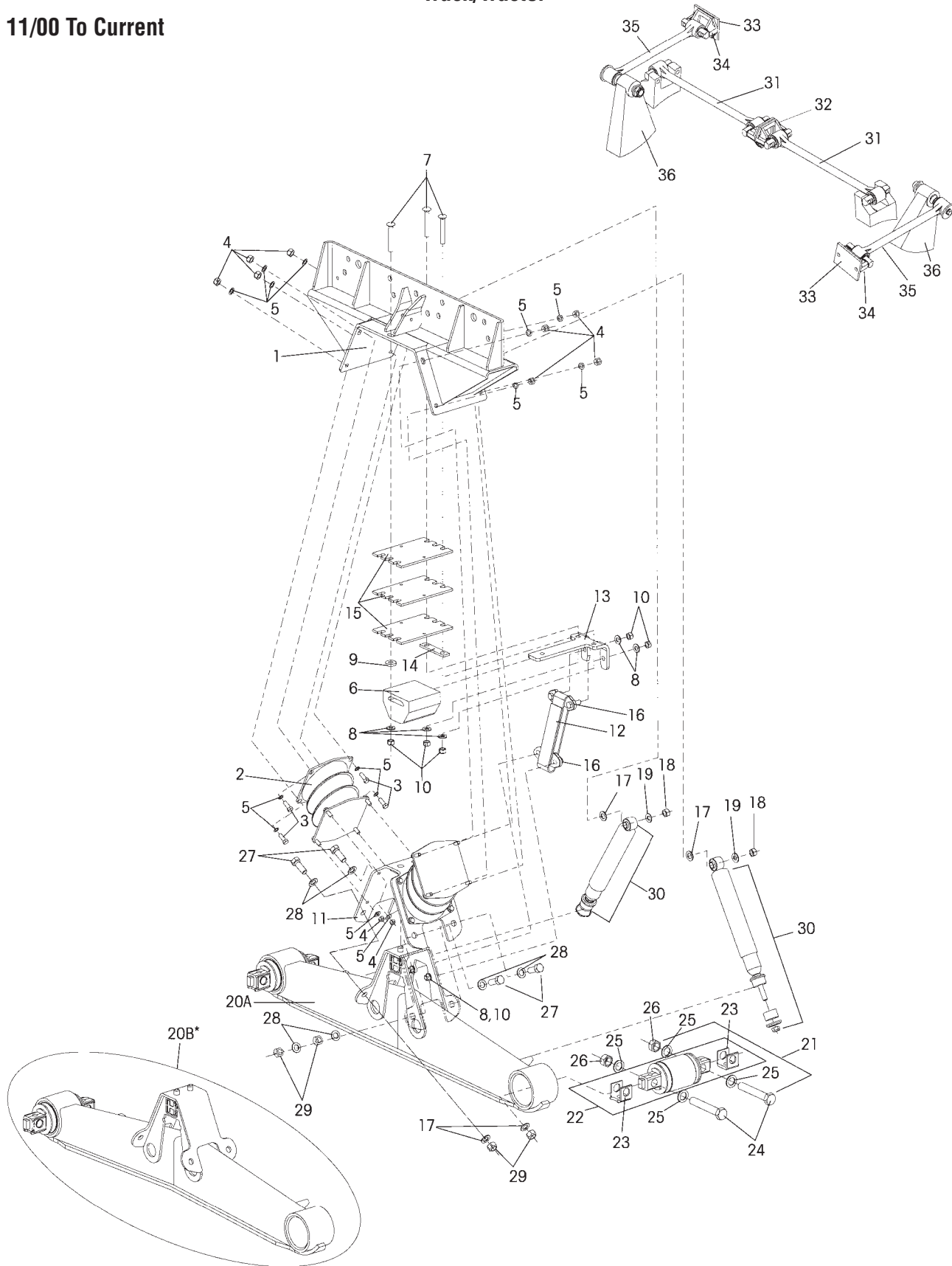


HENDRICKSON HN-402/462/522 SUSPENSION

Truck/Tractor

11/00 To Current

1



HENDRICKSON HN-402/462/522 SUSPENSION PARTS

Truck/Tractor

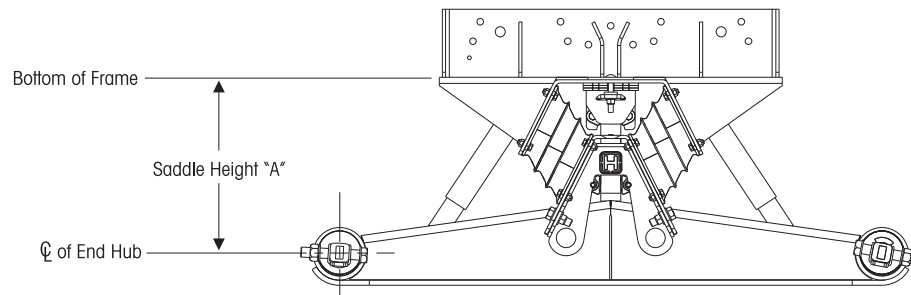
KEY NO.	EUCLID NO.	REPLACES HENDRICKSON NO.	DESCRIPTION	QTY. PER TANDEM	PAGE NO.
20b	S.O.S.		*Equalizing Beam Assembly	2	—
	S.O.S.	57889-004	HN-402, 52" Non-Shim Type		—
	S.O.S.	57889-005	HN-402, 52" Shim Type		—
	S.O.S.	57889-001	HN-402, 54" Non-Shim Type		—
	S.O.S.	57889-002	HN-402, 54" Shim Type		—
21	E-9326	34013-088L	Bar Pin Bushing Service Kit, Shim Type (Includes Key Nos 22-26)	4	1-192
22	Part of E-9326	—	Bar Pin End Bushing	—	1-192
23	E-9327	50130-000	Bar Pin Shim .19/.19	8	1-192
	E-9328	50131-000	.25/.12		
24	S.O.S.	48941-000	1"-8 UNC 6" Hexbolt	4	—
25	S.O.S.	22962-008	1" Hardened Washer	8	—
26	S.O.S.	48942-000	1"-8 UNC Locknut	4	—
	S.O.S.	58440-001	Vee Plate Fastener Service Kit (includes Key Nos 27-29)		—
27	S.O.S.	50764-006	3/4"-10 UNC-2A Hex Head Bolt	8	—
28	E-2545	22962-001	3/4" Washer	16	2-35
29	S.O.S.	49842-000	3/4"-10 UNC-2B Locknut	8	—
30	M83112	60680-003	Shock Absorber	4	3-14
31	E-13989	60218-000	Torque Rod Assembly	2	1-223
32	E-2634	22186-000	Torque Rod Frame Bracket	2	1-214
	S.O.S.	42518-	Transverse Rod Assembly Service Kit (Includes Key Nos 33-36)	1	—
33	S.O.S.	45045-003	Backup Plate	2	—
34	E-2634	22186-000	Transverse Rod Frame Bracket	2	1-214
35	E-13988	60215-000	Transverse Torque Rod	2	1-223
36	S.O.S.	—	Transverse Rod Axle Bracket	2	—

S.O.S. = Available through Euclid's S.O.S. Department

Note:

Brackets for drive axles are supplied by the axle manufacturer

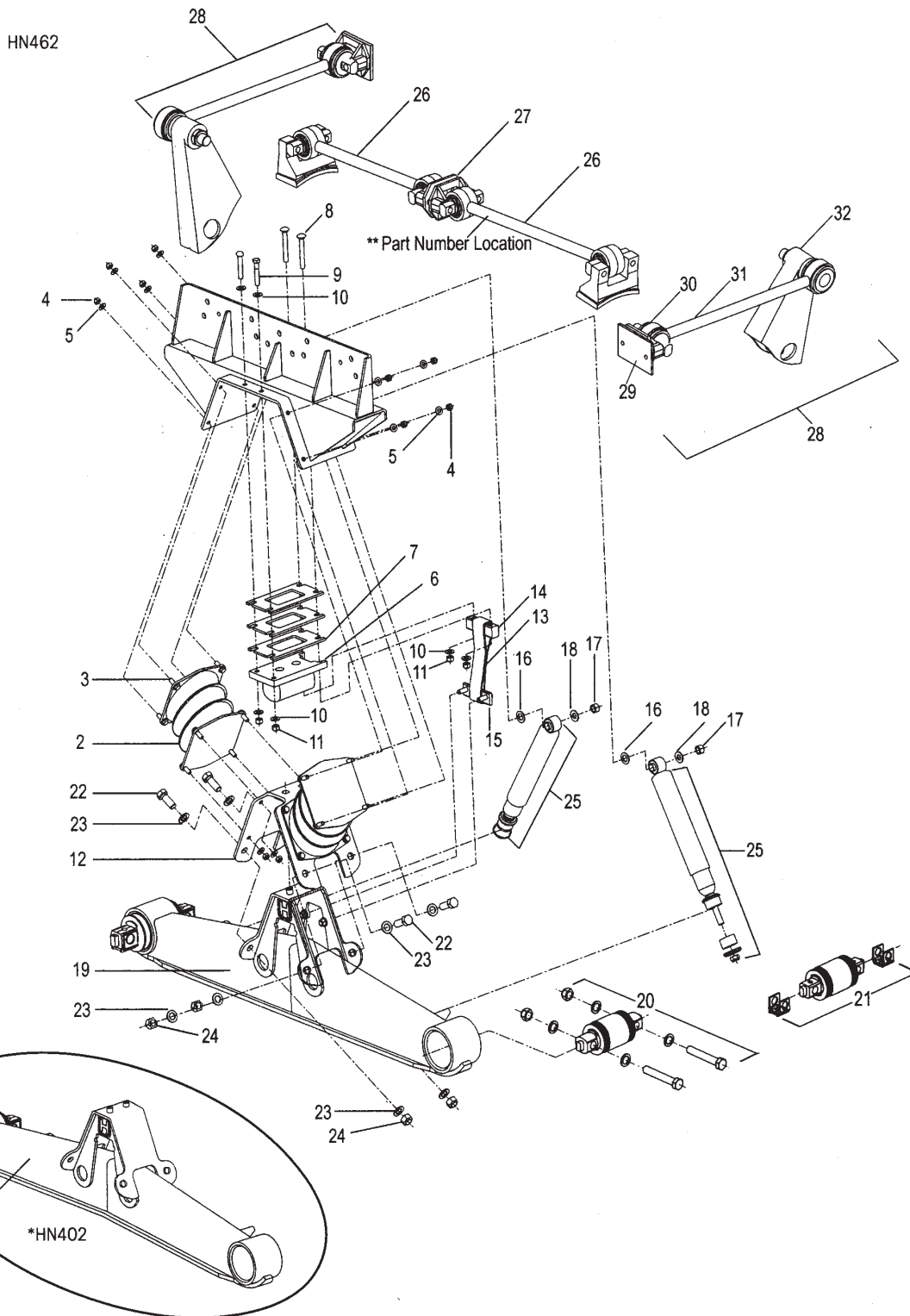
* The inset shows the difference between the HN-462 and the HN-402 equalizing beam. Notice the bottom flange of the HN-462 is straight and the bottom flange of the HN-402 is formed.



HENDRICKSON HN-402/462 SUSPENSION PARTS

Truck/Tractor

For 4/96 - 8/98



HENDRICKSON HN-402/462 SUSPENSION PARTS

Truck/Tractor

KEY NO.	EUCLID NO.	REPLACES HENDRICKSON NO.	DESCRIPTION	QUANTITY PER TANDEM	PAGE NO.
1	S.O.S.	60686-000	HN402/462 Saddle Assembly, Includes Key Nos. 2 thru 18 Specify Truck Manufacturer and Saddle Height	2	—
		58650-000		2	—
2	E-11496	60879-000L	Bolster Spring (Must be replaced in pairs)	2	1-224
3	S.O.S.	25114-011	7/16"-20 Thd., 1.25" Bolt	32	—
4	S.O.S.	48949-000	7/16" 1-20 UNF-2B Locknut	32	—
5	S.O.S.	22962-027	7/16" Washer	64	—
6	S.O.S.	57974-011	Auxiliary Spring Assembly	2	—
7	S.O.S.	57993-002	Spacer Plate	6	—
8	S.O.S.	58196-002	1/2"-13 UNC-2A Round Head Square Neck Bolt	4	—
9	S.O.S.	24531-019	1/2"-13 UNC-2A Hex Head Bolt	4	—
10	E-9603	22962-011	1/2" Washer	16	2-35
11	S.O.S.	49846-000	1/2"- 13 UNC-2A Locknut	12	—
12	S.O.S.	58343-001	HN Saddle Vee Bracket	2	—
13	S.O.S.	57878-003	Rebound Strap	2	—
14	S.O.S.	58524-000	Rebound Strap Mounting Plate	2	—
15	S.O.S.	58376-000	Anchor Plate Assembly	2	—
16	E-2545	22962-001	3/4" Washer	4	2-35
17	S.O.S.	30585-000	5/8" Locknut	4	—
18	S.O.S.	22962-004	5/8" Washer	4	—
19	S.O.S.	57889-004	Equalizing Beam Assembly HN402 52", Non-Shim Type	2	—
		57889-005	HN402 52", Shim Type		
		57889-001	HN402/462 54", Non-Shim Type		
		57889-002	HN402/462 54", Shim Type		
		58494-001	HN462 54", Non-Shim Type		
		58494-002	HN462 54", Shim Type		
		58494-005	HN402/462, 60" Non- Shim Type		
		58494-006	HN402/462, 60" Shim Type		
		58494-009	HN402/462, 72.5" Non Shim- Type		
58494-010	HN402/462, 72.5" Shim Type				
20	E-9325	34013-087	Bar Pin Bushing Kit, Non-Shim Type	4	1-192
21	E-9326	34013-088L	Bar Pin Bushing Kit, Shim Type	4	1-192
		58440-001	Vee Plate Fastener Kit, Includes Key Nos.22,23,24	1	1-192
22	S.O.S.	50764-006	3/4"-10 UNC-2A Hex Head Bolt	8	—
23	E-2545	22962-001	3/4" Washer	16	2-35
24	E-4347	49842-000	3/4" -10 UNC-2B Locknut	8	2-34
25	M83112	57241-003 (Old)	Shock Absorber	4	3-14
		60680-003L (New)			
26	See Torque Rod Section		Torque Rod Assembly	2	2-36
27	E-2634	22186-000	Torque Rod Frame Bracket	2	1-214
28	S.O.S.	45045-003	Backup Plate	2	—
29	E-2634	22186-000	Transverse Rod Frame Bracket	2	1-214
30	See Torque Rod Section		Torque Rod Assembly		2-36

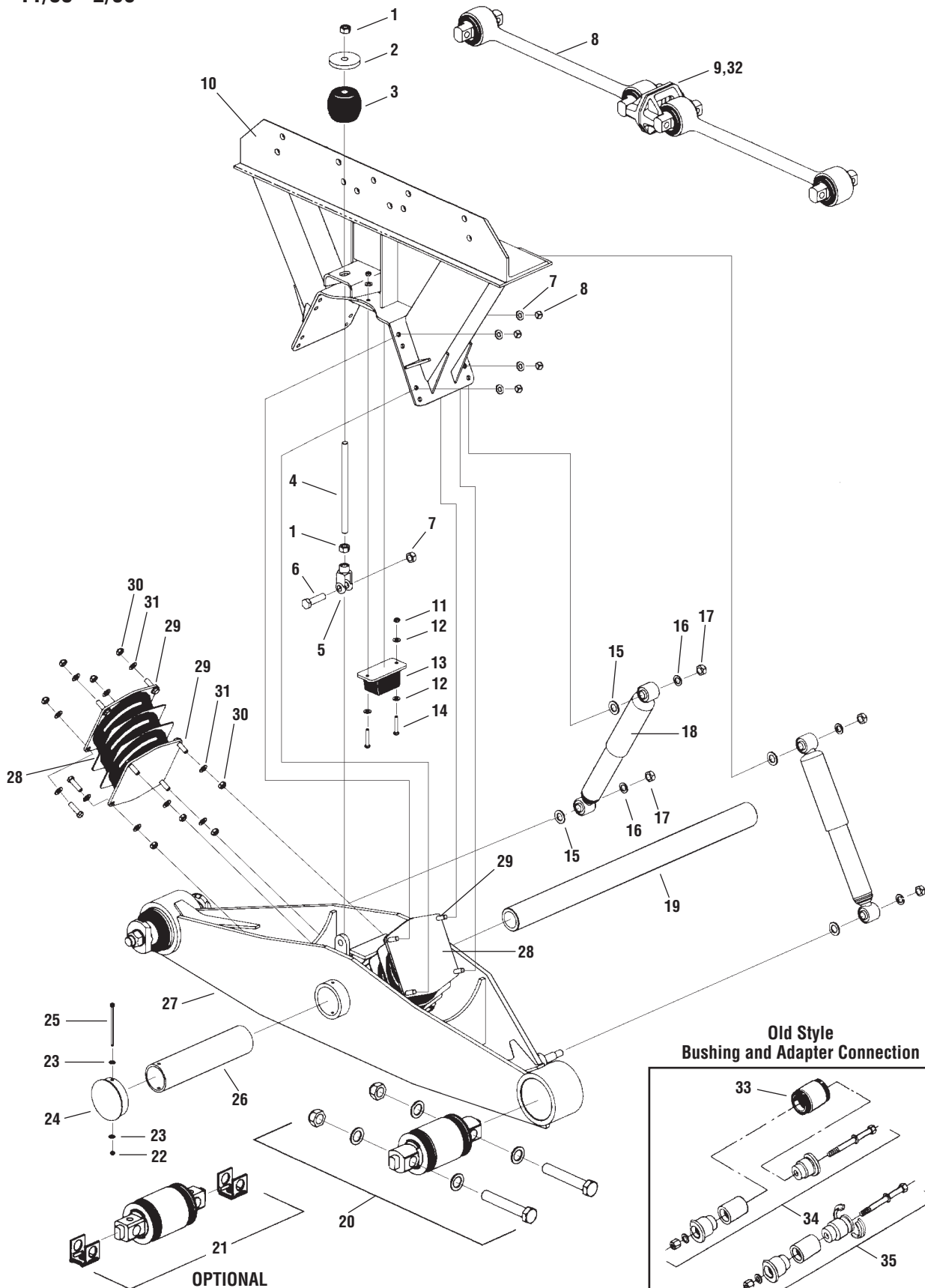
S.O.S. = Available through Euclid's S.O.S. Department

HENDRICKSON HN 460 SUSPENSION

11/88 - 2/96

Truck/Tractor

1



HENDRICKSON HN 460 SUSPENSION PARTS

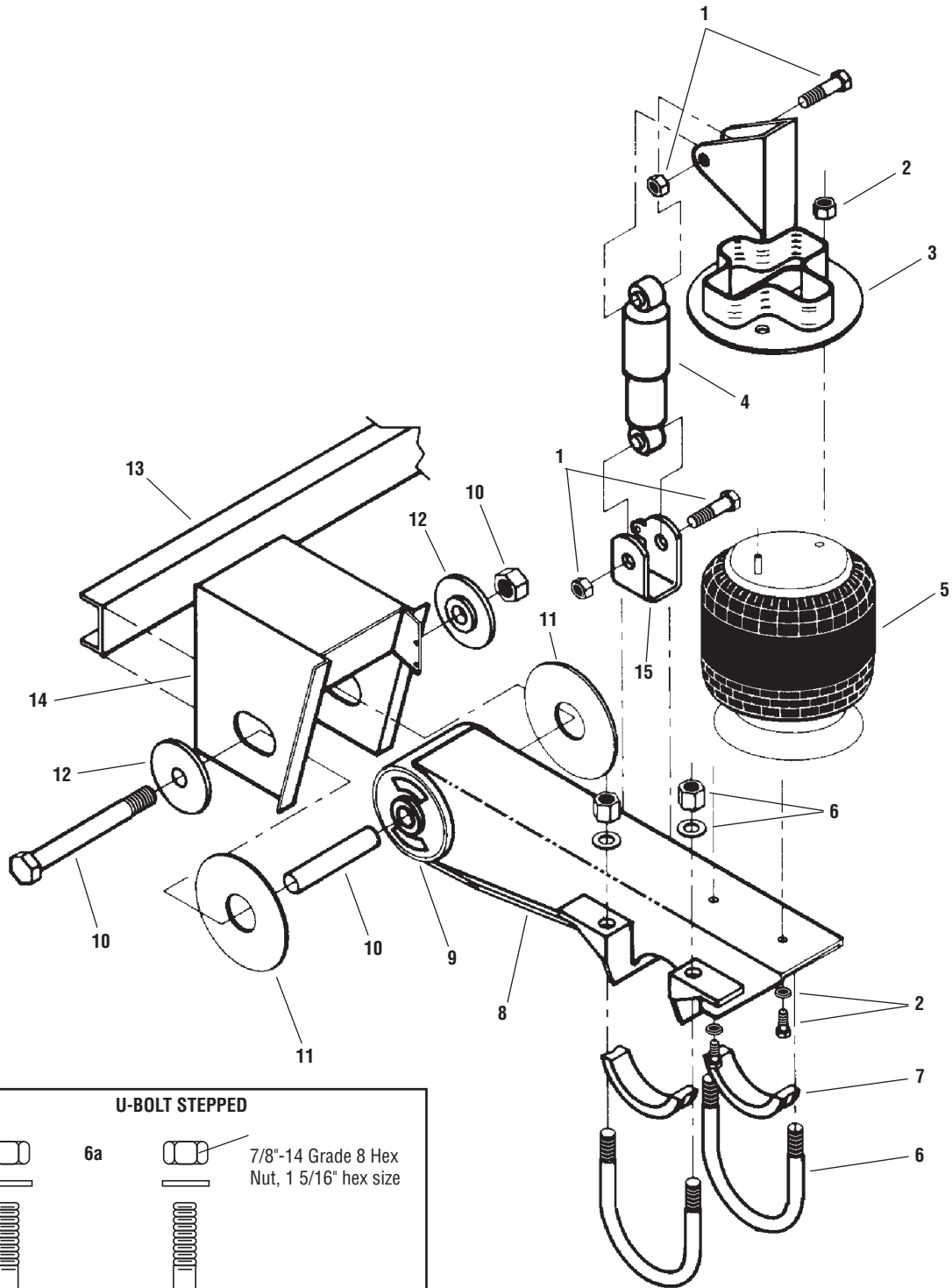
Truck/Tractor

KEY NO.	EUCLID NO.	REPLACES HENDRICKSON NO.	DESCRIPTION	QUANTITY PER TANDEM	PAGE NO.
—	E-9414	49768-000	Rebound Control Kit Includes Key Nos. 1,2,3,4,5,6,7	2	1-224
1	Part of E-9414	49778-000	Nut	4	1-224
2	Part of E-9414	49770-000	Threaded Washer	2	1-224
3	E-9415	48570-000	Hollow Rubber Spring	2	1-224
4	Part of E-9414	49769-000	Anti-Roll Rod	2	1-224
5	Part of E-9414	49771-000	Clevis	2	1-224
6	Part of E-9414	32043-004	Bolt	2	1-224
7	Part of E-9414	47764-000	Lock Nut	2	1-224
8	See Torque Rod Section		Torque Rod Assembly	2	2-36
9	E-2634	22186-000	Torque Rod Frame Bracket	2	1-214
10	No Longer Available	50787-000	Saddle Assembly	—	—
11	Part of E-9417	48948-000	Lock Nut	4	1-224
12	Part of E-9417	22962-029	Washer	8	1-224
13	E-9416	49395-000	Rebound Rubber Stop	2	1-224
14	Part of E-9417	18160-011	Bolt	4	1-224
15	E-2545	22962-001	Washer, Inner, 3/4"	4	2-35
16	S.O.S.	22962-004	Washer, Outer, 5/8"	4	—
17	S.O.S.	30585-000	Lock Nut, 5/8"	4	—
—	E-9417	49399-000	Rebound Rubber Stop Kit Includes Key Nos. 11,12,13,14	2	1-224
18	M83207	47902-011 (Old)	Shock Absorber, HN460	4	3-14
		60670-002 (New)			
	M89407	47902-011 (Old)	Shock Absorber, HN402, HN462		
60670-002 (New)					
	M83112	57241-003	Shock Absorber, HN402, HN462		
19	E-9412	44643-011	Cross Tube Transverse Torque Rod Assembly	1	1-224
20	E-9325	34013-087	Bar Pin Bushing Kit, Non-Shim Type	4	1-192
21	E-9326	34013-088L	Bar Pin Bushing Kit, Shim Type	4	1-192
22	S.O.S.	49983-000	Lock Nut, 1/4"	2	—
23	S.O.S.	22962-028	Washer, 1/4"	4	—
24	E-9413	56910-000	End Cap	2	1-224
25	S.O.S.	50698-000	Bolt, 1/4"	2	—
26	E-9411	49972-000	Center Bushing	2	1-224
27	No Longer Available	49976-00	Equalizing Beam Assembly (Specify Length)	—	—
28	E-11496	60879-000L (Old)	Bolster Spring (Must be replaced in pairs)	2	1-224
	S.O.S.	64718-000 (New)			
29	S.O.S.	25114-011	Bolt, 7/16"	32	—
30	S.O.S.	48949-000	Lock Nut, 7/16"	32	—
31	S.O.S.	22962-027	Washer, 7/16"	64	—
32	S.O.S.	45045-003	Backup Plate	2	—
33	E-1341A	45900-000L	End Beam Bushing, Old Style	4	1-192
34	E-9420	21140-034L	End Beam Adapter, Old Style	4	1-193
35	S.O.S.	21140-033	End Beam Adapter, Split Flange, Old Style	4	—

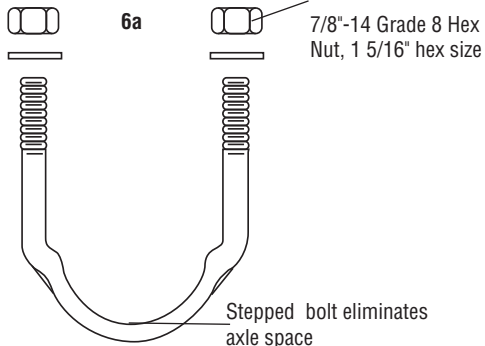
S.O.S. = Available through Euclid's S.O.S. Department

HENDRICKSON HT190T, HT190U, HT230T SUSPENSION

Trailer



U-BOLT STEPPED



1

HENDRICKSON HT190T, HT190U, HT230T SUSPENSION PARTS Trailer

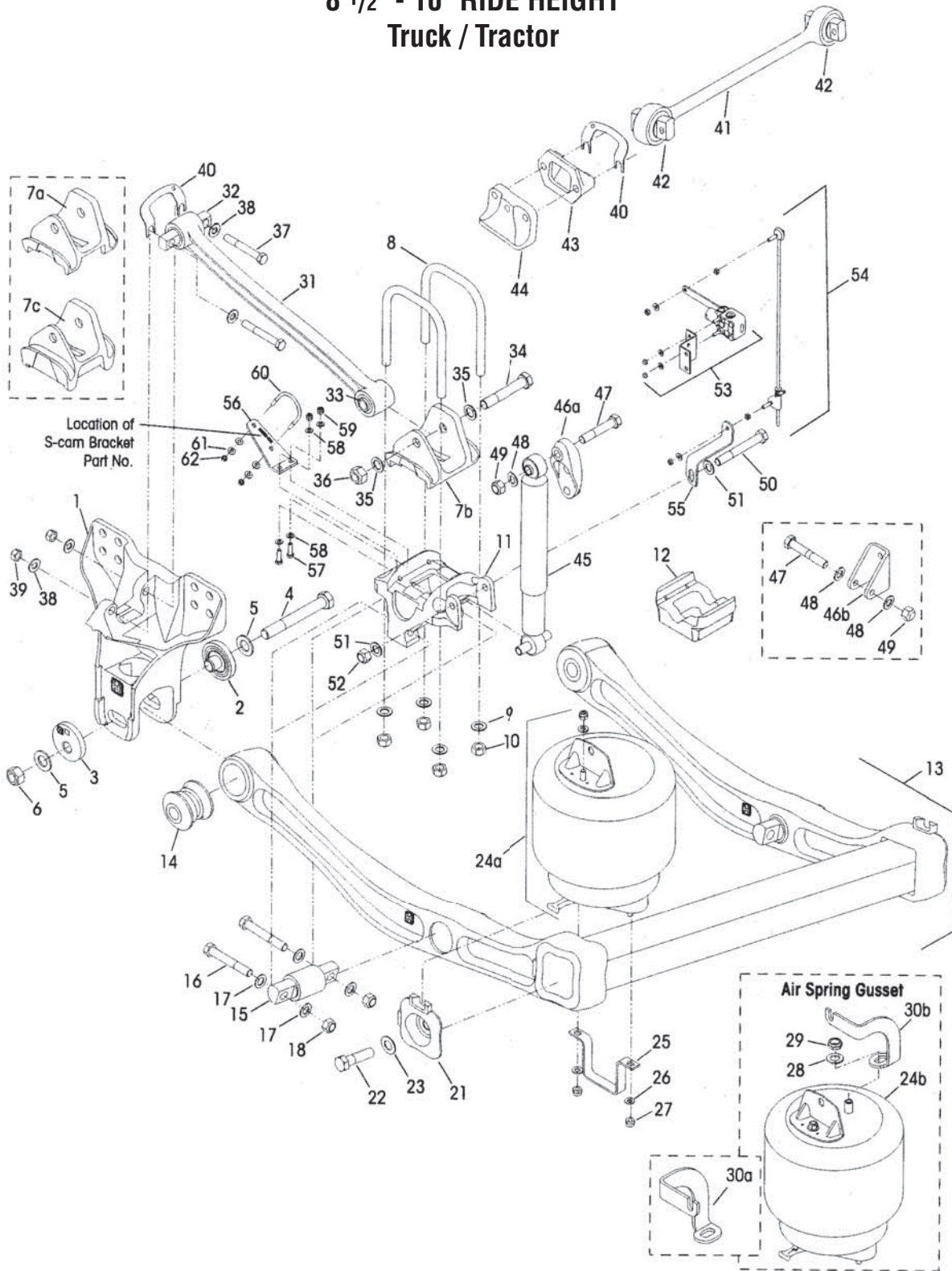
KEY NO.	EUCLID NO.	REPLACES HENDRICKSON NO.	DESCRIPTION	QUANTITY PER AXLE	HT190T	HT190U	HT230T	PAGE NO.
1	S.O.S.	S-20031/2	Shock Bolt Kit, (2) 3 1/4" Long Bolt	2	X		X	—
	S.O.S.	S-20218/2	Shock Bolt Kit, (1) 3 1/4" Long, (1) 3 1/2" Long Bolt	2		X		
2	S.O.S.	S-20033/2	Air Spring Bolt Kit	2	X	X	X	—
3	S.O.S.	Various	Air Spring/Shock Mounting Assembly Includes Air Spring Plate and Shock Bracket	2	X	X	X	—
4	M85000	S-20001	Shock Absorber	2	X	X	X	3-14
	M89436	S-20002	Shock Absorber, Intraax®	2	X	X	X	
5	FS9640	S-20223	Air Spring	2	X	X	X	—
	FS8944	S-20217				X		—
	FS9270	S-20010					X	—
*6	E-UB8168-082	S-20032/4 (Old) S-21140/4 (New)	U-Bolt Assembly, Rd. Bend, 7/8"-14 Thd. x 6" Wide x 8 1/4" Long	4	X	X	X	2-26
7	E-6124	S-20701	Axle Spacer	4	X	X		1-226
8	S.O.S.	S-20000-1	Beam Assembly, Roadside	1	X		X	—
	S.O.S.	S-20000-2	Beam Assembly, Curbside	1	X		X	
	S.O.S.	S-20200-1	Beam Assembly, Roadside	1		X		
	S.O.S.	S-20200-2	Beam Assembly, Curbside	1		X		
9	E-6121	S-6914	Tri-Functional Bushing Kit - Weld Alignment, Includes Key Nos. 9,10,11	2	X	X	X	1-225
	E-10729A	S-24691	Tri-Function Bushing Kit - QUIK-ALIGN™		X	X	X	
10	E-3768	S-3646	Pivot Bolt Kit - Weld Aignment	2	X	X	X	1-226
	E-10730A	S-24679	Pivot Bolt Kit - QUIK-ALIGN™		X	X	X	1-225
11	E-6122	S-21099	Bushing Wear Pad	2	X	X	X	1-226
12	E-3771	S-2770	Alignment Collar	4	X	X	X	1-226
13	S.O.S.	A-1631-19	Frame Bracket Channel	1	X	X	X	—
14	S.O.S.	Various	Frame Bracket	2	X	X	X	—
15	S.O.S.	S-20069	Lower Shock Clevis	2	X	X	X	—
16	E-11831	—	Spacer	—				—
Not Shown	S.O.S.	S-20113	Upper Shock Clevis	2	X	X	X	—

S.O.S. = Available through Euclid's S.O.S. Department

*When using the new stepped u-bolt design, no longer requires the axle spacer (S-20701).

HENDRICKSON PRIMAAAX[®] 230/460/690 - FIREMAAX[™] 240/480 SUSPENSION

8 1/2" - 10" RIDE HEIGHT
Truck / Tractor



HENDRICKSON PRIMAAX® 230/460/690 - FIREMAAX™ 240/480 - SUSPENSION PARTS 8 1/2" - 10" RIDE HEIGHT Truck / Tractor

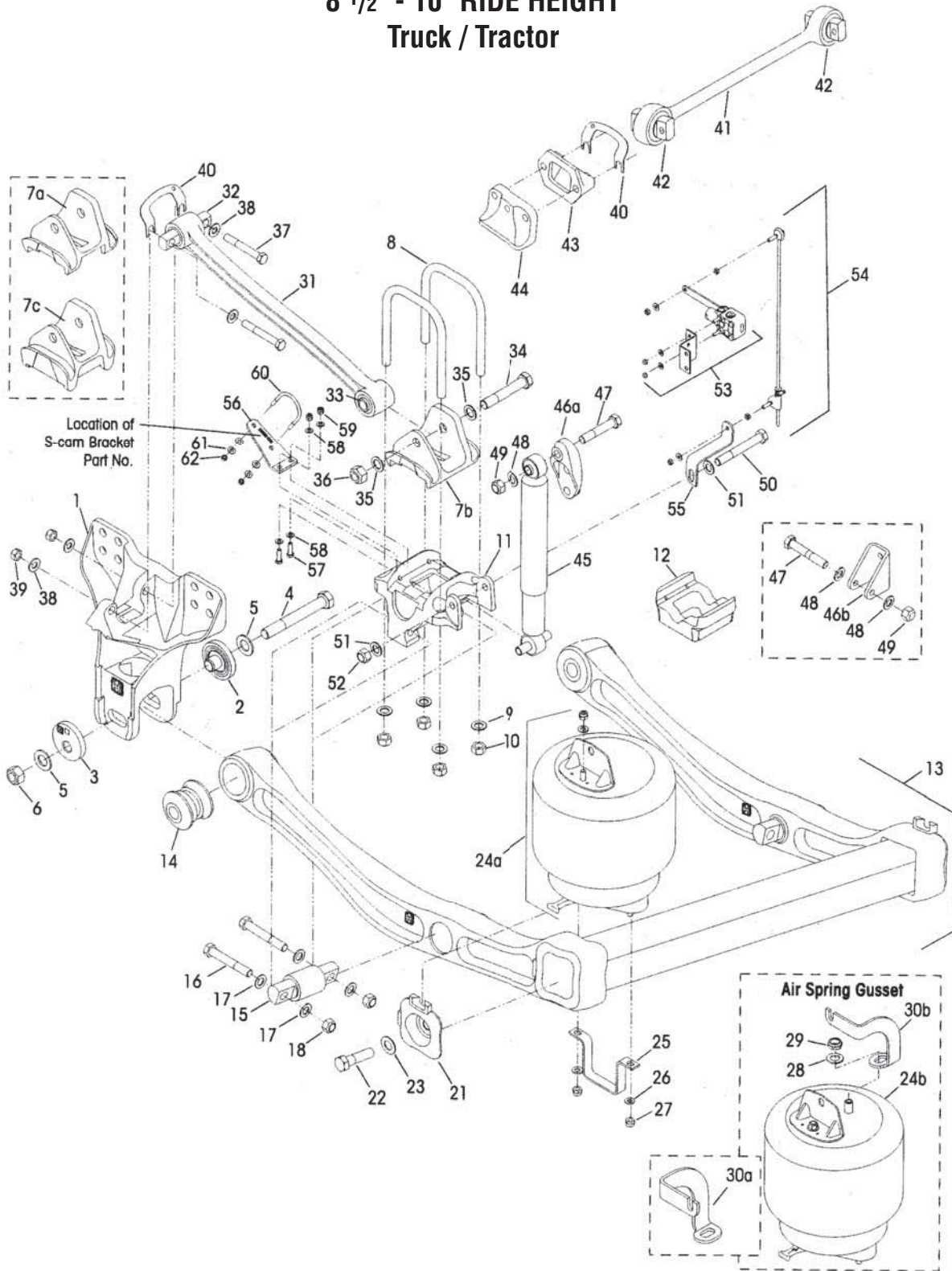
KEY NO.	EUCLID NO.	REPLACES HEN-DRICKSON NO.	DESCRIPTION	QTY PER TANDEM	PAGE NO.
1	S.O.S	60821-001	Frame Hanger	4	—
—	E-14025	60632-020	QUIK-ALIGN™ Pivot Bushing Service Kit, Includes Key Nos. 2-6, 14)	4	—
	E-14673	60632-019	QUIK-ALIGN™ Collar Service Kit (Includes Key Nos. 2-6)		—
	S.O.S	60632-018	QUIK-ALIGN™ Pivot Bolt Service Kit, (Includes Key Nos. 4-6)		1-230
2	S.O.S	64633-000	QUIK-ALIGN™ Concentric Base	4	—
3	S.O.S	64632-000	QUIK-ALIGN™ Eccentric Base	4	—
4	S.O.S	64107-000	1.0"-8 UNC-2A Dacromet Hex Bolt - 7.5"	4	—
5	S.O.S	68232-000	1.0" Flat Washer	8	—
6	S.O.S	68218-000	1.0"-8 Locknut UNC-2B	4	—
7a	S.O.S	60877-000	Top Pad For Meritor Axle	4	—
7b	S.O.S	60877-001	Top Pad For Dana Axle		
7c	S.O.S	65641-000	Top Pad For Disc Brake Application		
—	S.O.S	48718-108	U-Bolt Service Kit (Includes Key Nos. 8a-10)	4	—
	S.O.S	48718-125	U-Bolt Service Kit (Includes Key Nos. 8b-10)		
	S.O.S	48718-126	U-Bolt Service Kit (Includes Key Nos. 8c-10)		
	S.O.S	48718-132	U-Bolt Service Kit (Includes Key Nos. 8d-10)		
8a	S.O.S	59367-002	3/4" Square U-Bolt - 10" Ride Ht, For use with Key No. 7a, 7b	8	—
8b	S.O.S	59367-004	3/4" Square U-Bolt - 8 1/2" Ride Ht, For use with Key No. 7a, 7b, 12		
8c	S.O.S	59367-009	3/4" Square U-Bolt - 10" Ride Ht, For use with Key No. 7c		
8d	S.O.S	59367-012	3/4" Square U-Bolt - 8 1/2" Ride Ht, For use with Key No. 7c, 12		
9	E-2545	22962-001	3/4" Flat Washer	16	2-35
10	S.O.S	49685-000	3/4"-16 UNF U-bolt Locknut	16	—
11	S.O.S	60556-	Bottom Cap - Front and Rear	4	—
12	S.O.S	65139-003	Axle Spacer - 8 1/2" Ride Height	4	—
13	S.O.S		Options vary by U-Beam Assembly (Includes Key Nos. 14-15)	1	—
14	E-13992	58648-000	QUIK-ALIGN™ Pivot Bushing	4	1-230
—	S.O.S	34013-107	D-Pin Service Kit, 5.0" Bolt (Includes Key Nos. 15, 16a, 17, 18)	As Required	—
	S.O.S	34013-116	D-Pin Service Kit, 5.5" Bolt (Includes Key Nos. 15, 16b, 17, 18)	As Required	
	S.O.S	34013-117	D-Pin Service Kit, 4.75" Bolt (Includes Key Nos. 15, 16c, 17, 18)	As Required	
15	E-14026	60383-000	D-Pin Bushing	4	1-230
16a	S.O.S	21867-036	3/4"-16 UNF Bolt - 5.0"	8	—
16b	S.O.S	21867-026	3/4"-16 UNF Bolt - 5.5"		
16c	S.O.S	21867-043	3/4"-16 UNF Bolt - 4.75"		
17	E-2545	22962-001	3/4" Flat Washer	16	2-35
18	S.O.S	30191-000	3/4"-16 UNF Locknut	8	—
---	E-14027	60961-062	Air Spring Assy Service Kit, PRIMAAX (Includes Key Nos. 24a, -25-27)	As Required	1-231
	S.O.S	60961-126	Air Spring Assy Service Kit, FIREMAAX (Includes Key Nos. 24b, 25-27)	As Required	—
21	S.O.S	60822-000	End Cap	4	—
22	S.O.S	50104-003	7/8"-9 UNC Hex Bolt - 3.5"	4	—
23	S.O.S	22962-034	7/8" Dacromet Flat Washer	4	—
24a	FS9663	60271-002L	Air Spring Assembly, PRIMAAX	4	—
24b	S.O.S	65183-002L	Air Spring Assembly, FIREMAAX		
25	S.O.S	60911-000	Lower Air Spring Mounting Bracket	4	—
26	S.O.S	22962-014	1/2" Flat Washer	8	—
27	S.O.S	17700-010	1/2"-13 UNC Locknut	8	—
28	E-2545	22962-001	3/4" Flat Washer	4	2-35
29	S.O.S	17700-031	3/4"-16 UNF Locknut	4	—
30a	S.O.S	59479-003	Air Spring Gusset	2	—
30b	S.O.S	59479-004	Air Spring Gusset	2	—
31	S.O.S	—	Longitudinal Torque Rod Assembly (Includes Key Nos. 32-33)	As Required	—
32	E-10322	69210-000H	Bushing, Straddle Bar Pin, 3/4" Holes	4	1-231
33	E-5276	47692-000L	Torque Rod Bushing, Thru Holes	4	1-231
—	S.O.S	58821-012	Longitudinal Torque Rod Rear Bolt Service Kit (Includes Key Nos. 34-36)	As Required	—

S.O.S. = Available through Euclid's S.O.S. Department

Continued On Next Page

HENDRICKSON PRIMAAAX® 230/460/690 - FIREMAAX™ 240/480 SERIES

8 1/2" - 10" RIDE HEIGHT
Truck / Tractor



1

HENDRICKSON PRIMAAX® 230/460/690 - FIREMAAX™ 240/480 SERIES 8 1/2" - 10" RIDE HEIGHT Truck / Tractor

KEY NO.	EUCLID NO.	REPLACES HEN-DRICKSON NO.	DESCRIPTION	QTY PER TANDEM	PAGE NO.
34	S.O.S	30418-009	7/8"-14 UNC-2A Hex Bolt, 5.5"	4	—
35	S.O.S	22962-034	7/8" Dacromet Flat Washer	8	—
36	E-1835	29248-000	7/8"-14 UNF-2B Locknut	4	2-34
37	S.O.S	21867-018	3/4"-16 UNF-2A Hex Bolt, 3.75"	8	—
38	E-2545	22962-001	3/4" Flat Washer	16	2-35
39	S.O.S	30191-000	3/4"-16 UNF-2B Locknut	8	—
40	E-5281	49689-000	Shim	As Required	1-220
41	S.O.S	72000-XXXS	Ultra Rod Plus Transverse Torque Rod in MM	2	1-230
42	S.O.S	64400-002L	Bushing, Straddle Bar Pin, 5/8" Holes	4	1-231
43	E-2634	22186-000	Transverse Rod Frame Bracket	2	1-214
44	S.O.S	60593-000	Frame Mounted Axle Stop	4	—
—	S.O.S	50754-030	Shock Fastener Service Kit (Includes Key Nos. 47-52)	4	—
45	M85072	60657-003	Shock Absorber, Standard	4	1-231
	M85962	60665-014	Shock Absorber - FIREMAAX® Disc Brake Applications		—
	M89961	60665-018	Shock Absorber - FIREMAAX® Drum Brake Applications		—
46a	S.O.S	67463-002	Upper Shock Frame Bracket Standard	4	—
46b	S.O.S	59423-001	FIREMAAX® Upper Shock Frame Bracket		—
47	S.O.S	50764-010	3/4"-10 UNC Bolt, 4.25"	4	—
48	E-2545	22962-001	3/4" Flat Washer	4	2-35
49	S.O.S	49842-000	3/4"-10 UNC Locknut	4	—
50	S.O.S	32043-017	5/8"-11 UNC Bolt, 6.0"	4	—
51	S.O.S	22962-004	5/8" Flat Washer	8	—
52	S.O.S	47764-000	5/8"-11 UNC-2B Locknut	4	—
53	E-11870	57977-000	Height Control Valve Assembly (Includes Key Nos. 53-55)	1	2-57
54	S.O.S	58994-005	HCV Linkage Assembly (Includes Key Nos. 57-63)	1	—
55	S.O.S	60921-000	Height Control Valve Linkage Bracket	1	—
56	S.O.S	64508-XXX	S-cam Support Bracket (see part number on component)	4	—
57	S.O.S	58035-004	3/8"-16 UNC Hex Bolt, 1.25"	8	—
58	S.O.S	22962-015	3/8" Hardened Washer	16	—
59	S.O.S	17700-006	3/8"-16 UNC Locknut	8	—
60	S.O.S	64202-000	5/16" S-Cam U-bolt	4	—
61	S.O.S	22962-029	5/16" Hardened Washer	8	—
62	S.O.S	59016-000	5/16"-18 UNC Locknut	8	—

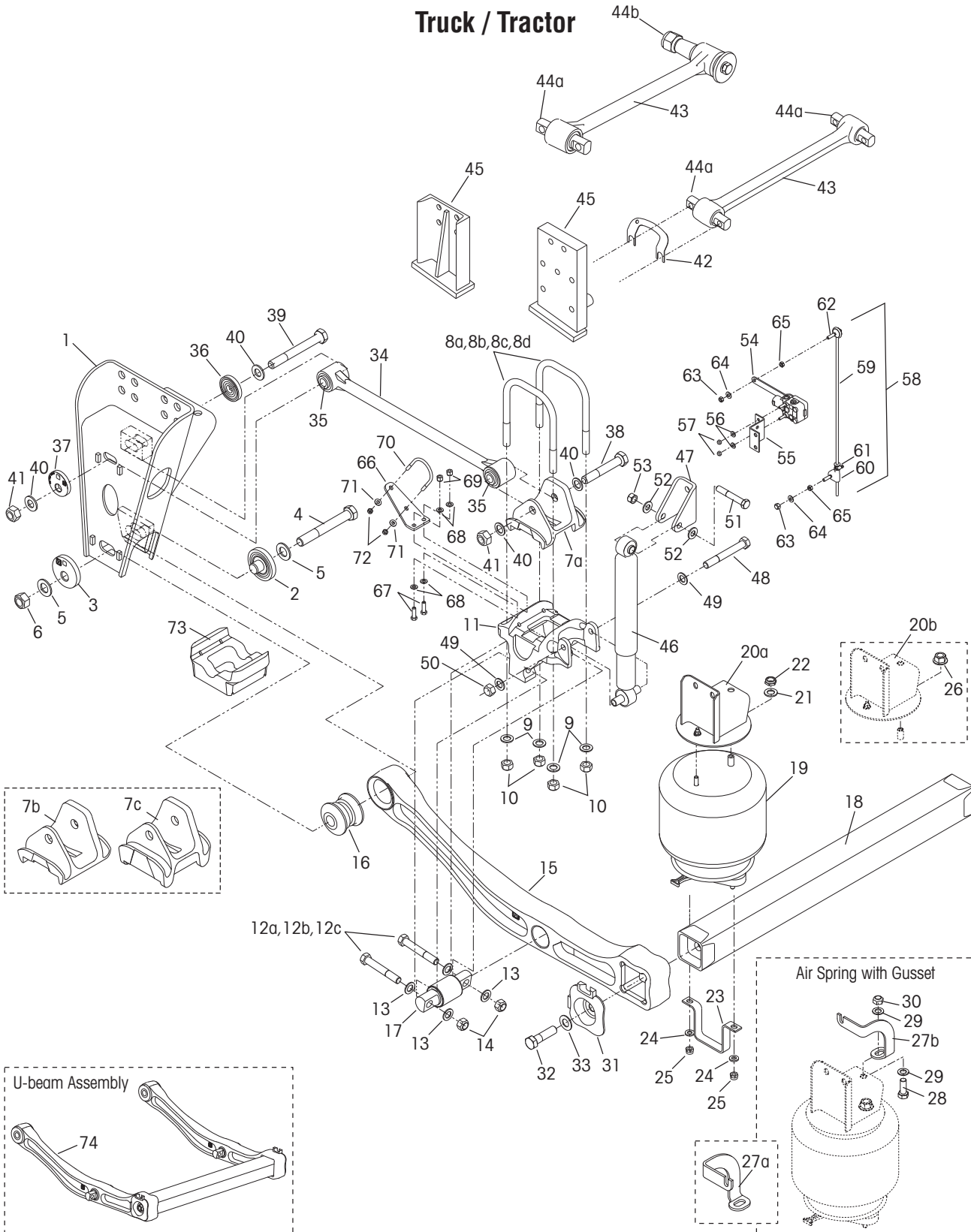
S.O.S. = Available through Euclid's S.O.S. Department

1

HENDRICKSON PRIMAAAX® 230/460/690

FIREMAAX™ 240/480

12 1/2" - 14 3/8" - 15 1/2" RIDE HEIGHT
HEAVY DUTY AIR SUSPENSION
Truck / Tractor



HENDRICKSON PRIMAAX® 230/460/690

FIREMAAX™ 240/480 12 1/2" - 14 3/8" - 15 1/2" RIDE HEIGHT HEAVY DUTY AIR SUSPENSION Truck / Tractor

KEY NO.	EUCLID NO.	REPLACES HENDRICKSON NO.	DESCRIPTION	QTY. PER TANDEM	PAGE NO.
1	S.O.S.	Various	Frame Hanger	4	—
—	E-14033	60632-009	QUIK-ALIGN™ Pivot Bushing & Torque Rod Service Kit (Includes Key Nos 2-6, 16, 39-41)	4	—
—	S.O.S.	60632-007	QUIK-ALIGN™ Collar Service Kit (Includes Key Nos 2-6)	2	—
—	S.O.S.	60632-010	QUIK-ALIGN™ Pivot & Torque Rod Bolt Service Kit (Includes Key Nos 4-6, 39-41)	4	—
2	S.O.S.	64600-000	Support Beam QUIK-ALIGN™ Concentric Base	4	—
3	S.O.S.	64632-000	Support Beam QUIK-ALIGN™ Eccentric Base	4	—
4	S.O.S.	64107-000	1.0"-8 UNC-2A Dacromet Hex Bolt -7.5"	4	—
5	S.O.S.	22962-035	1.0" Flat Dacromet Washer	8	—
6	S.O.S.	64108-000	1.0"-8 UNC-2B Dacromet Locknut	4	—
7	S.O.S.	Various	Top Pad	4	—
—	S.O.S.	Various	U-Bolt Service Kit (Includes 8-10)	4	—
8	S.O.S.	Various	3/4" Square U-Bolt - Specify Ride Height	8	—
9	E-2545	22962-001	3/4" Flat Washer	16	2-35
10	S.O.S.	49685-000	3/4"-16 UNF U-Bolt Locknut	16	—
11	S.O.S.	60556-025	Bottom Cap	4	—
—	S.O.S.	Various	D-Pin Service Kit (Includes Key Nos 12-14, 17)	As Required	—
12	S.O.S.	Various	3/4"-16 UNF Bolt	8	—
13	E-2545	22962-001	3/4" Flat Washer	16	2-35
14	S.O.S.	30191-000	3/4"-16 UNF Locknut	8	—
15	S.O.S.	Various	Support Beam Assembly (Includes Key Nos 16-17)	1	—
16	E-13992	58648-000	QUIK-ALIGN™ Pivot Bushing	4	1-230
17	E-14026	60383-000	D-Pin Bushing	4	1-230
18	S.O.S.	Various	Cross Brace - Specify C to C Dowel Centers	2	—
—	S.O.S.	60961-124	PRIMAAX Air Spring Assembly Service Kit (Includes Key Nos 19-25)	4	—
—	S.O.S.	60961-125	FIREMAAX Air Spring Assembly Service Kit (Includes Key Nos 19-25, 28-30)	4	—
—	E-14034	64337-002	Air Spring Assembly w/ Flange Nut (Includes Key Nos 19, 20a, 26)	4	—
19	E-14035	65032-002	Air Spring	4	1-232
20a	S.O.S.	65031-001	Upper Air Spring Bracket Ass'y - 14-3/8" RH	4	—
20b	S.O.S.	65031-002	Upper Air Spring Bracket Ass'y - 15-1/2" RH	4	—
21	E-2545	22962-001	3/4" Flat Washer	4	2-35
22	S.O.S.	17700-031	3/4"-16 UNF Locknut	4	—
23	S.O.S.	60911-000	Lower Air Spring Mounting Bracket	4	—
24	S.O.S.	22962-014	1/2" Flat Washer	8	—
25	S.O.S.	17700-010	1/2"-13 UNC Locknut	8	—
26	S.O.S.	—	3/4"-16 UNF Flange Locknut	4	—
27a	S.O.S.	59479-003	Air Spring Gusset	2	—

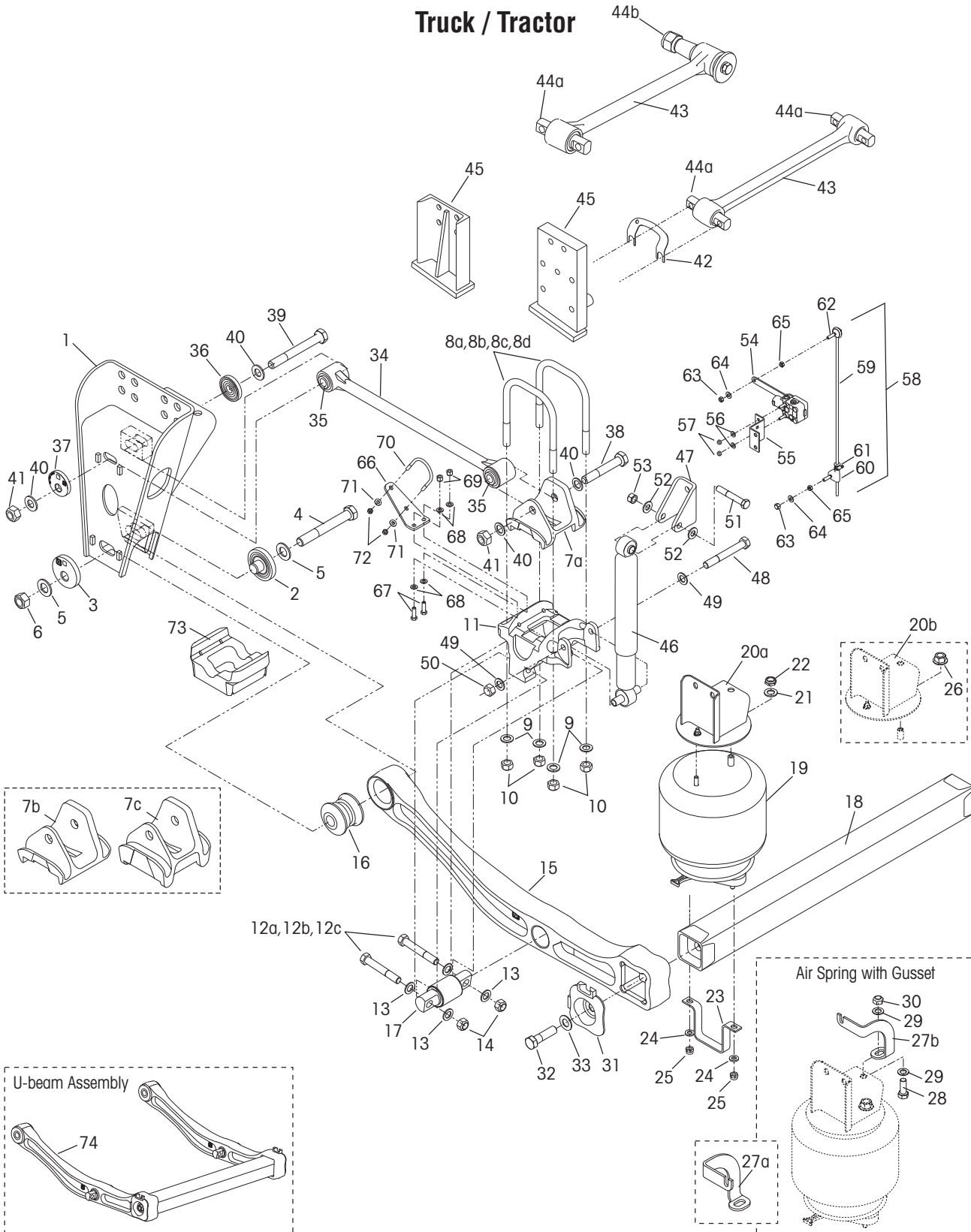
S.O.S. = Available through Euclid's S.O.S. Department

Continued On Next Page

HENDRICKSON PRIMAAX® 230/460/690

FIREMAAX™ 240/480

12 1/2" - 14 3/8" - 15 1/2" RIDE HEIGHT
HEAVY DUTY AIR SUSPENSION
Truck / Tractor



HENDRICKSON PRIMAAX® 230/460/690

FIREMAAX™ 240/480 12 1/2" - 14 3/8" - 15 1/2" RIDE HEIGHT HEAVY DUTY AIR SUSPENSION Truck / Tractor

KEY NO.	EUCLID NO.	REPLACES HENDRICKSON NO.	DESCRIPTION	QTY. PER TANDEM	PAGE NO.
27b	S.O.S.	59479-004	Air Spring Gusset	2	—
28	S.O.S.	50764-006	3/4"-10 UNC Bolt - 2.0"	4	—
29	E-2545	22962-001	3/4" Flat Washer	8	2-35
30	S.O.S.	49842-000	3/4"-10 UNC Locknut	4	—
31	S.O.S.	60822-000	End Cap	4	—
32	S.O.S.	50104-003	7/8"-9 UNC Hex Bolt - 3.5"	4	—
33	S.O.S.	22962-034	7/8" Dacromet Flat Washer	4	—
34	S.O.S.	Various	Longitudinal Torque Rod Assembly (Includes Bushings - Specify Front or Rear)	2	—
35	E-5276	47692-000L	Torque Rod Bushing - Thru Holes	8	1-231
—	S.O.S.	58821-011	Torque Rod QUIK-ALIGN™ Collar Bolt Service Kit (Includes Key Nos 36-37, 39-41)	4	—
—	S.O.S.	58821-012	Longitudinal Torque Rod Rear Bolt Service Kit (Includes Key Nos 38, 40-41)	4	—
36	S.O.S.	64343-000	Torque Rod QUIK-ALIGN™ Concentric Base	4	—
37	S.O.S.	64345-000	Torque Rod QUIK-ALIGN™ Eccentric Base	4	—
38	S.O.S.	30418-009	7/8"-14 UNF-2A Hex Bolt - 5.5"	4	—
39	S.O.S.	30418-002	7/8"-14 UNF-2A Hex Bolt - 7.75"	4	—
40	S.O.S.	22962-034	7/8" Dacromet Flat Washer	16	—
41	E-1835	29248-000	7/8"-14 UNF-2B Locknut	8	2-34
42	E-5281	49689-000	Shim	As Required	1-220
43	S.O.S.	Various	Transverse Rod Assembly (Includes Bushings)	2	—
44a	E-5275	47691-000L	Straddle Torque Rod Bushing	4	1-231
44b	S.O.S.	64809-000	Taper Pin Bushing	4	—
45	S.O.S.	Various	Axle Stop	1	—
—	S.O.S.	50754-030	Shock Fastener Service Kit (Includes Key Nos 48-53)	4	—
46	E-14037	60665-011	Shock Absorber	4	1-232
47	S.O.S.	59423-001	Upper Shock Frame Bracket	4	—
48	S.O.S.	32043-017	5/8"-11 UNC Bolt -6.0"	4	—
49	S.O.S.	22962-004	5/8" Flat Washer	8	—
50	S.O.S.	47764-000	5/8"-11 UNC-2B Locknut	4	—
51	S.O.S.	50764-010	3/4"-10 UNC Bolt - 4.25"	4	—
52	E-2545	22962-001	3/4" Flat Washer	8	2-35
53	S.O.S.	49842-000	3/4"-10 UNC Locknut	4	—
—	S.O.S.	58525-020	HCV Assembly Service Kit (Includes Key Nos 54, 55)	As Required	—
54	E-11870	57977-000	Height Control Valve Assembly	2	2-57
58	S.O.S.	58994-015	HCV Linkage Assembly	2	—
66	S.O.S.	64508-000	S-Cam Support Bracket	4	—
67	S.O.S.	58035-004	3/8"-16 UNC Hex Bolt - 1.25"	8	—

S.O.S. = Available through Euclid's S.O.S. Department

Continued On Next Page

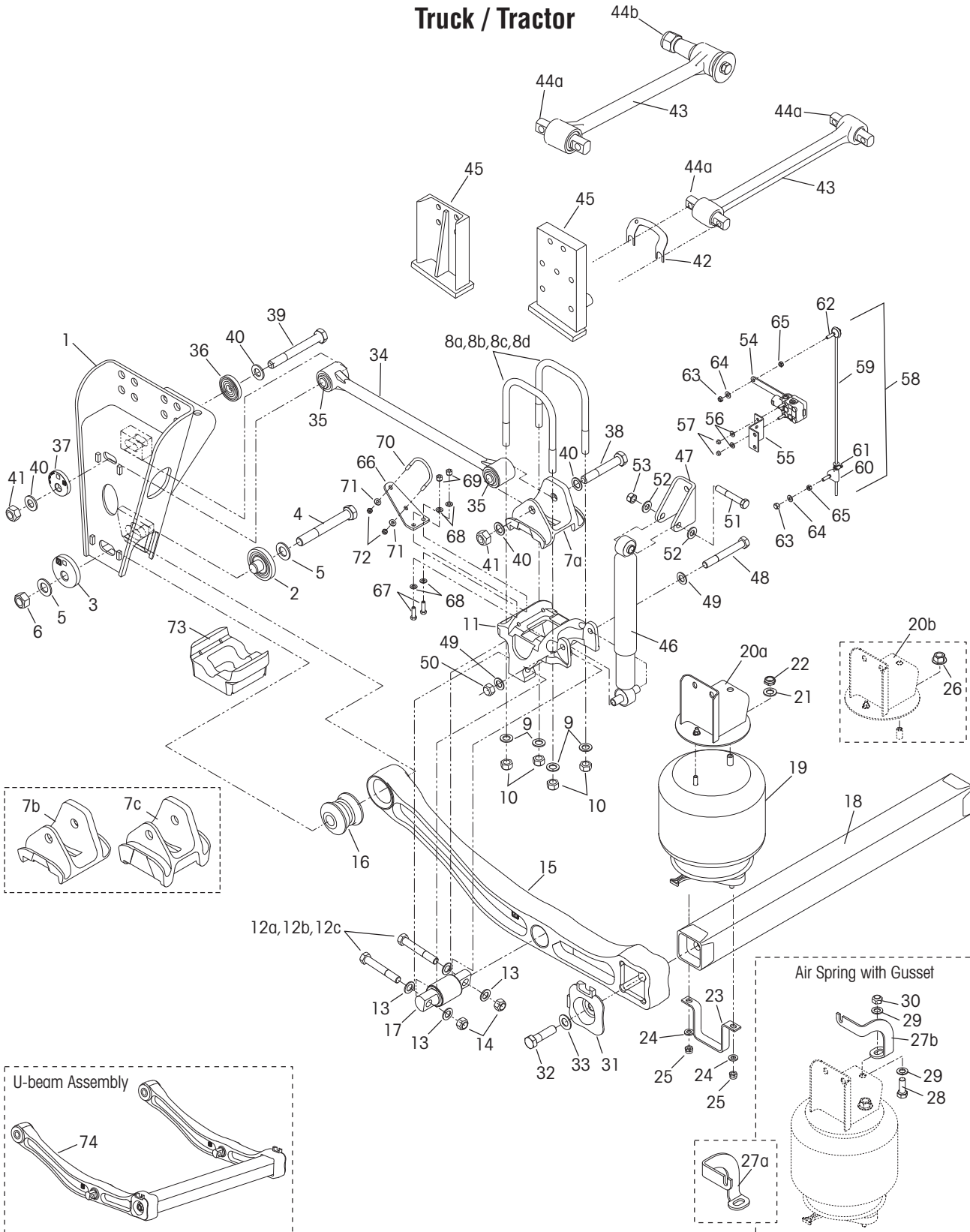
HENDRICKSON PRIMAAX[®] 230/460/690

FIREMAAX[™] 240/480

12 1/2" - 14 3/8" - 15 1/2" RIDE HEIGHT
HEAVY DUTY AIR SUSPENSION

Truck / Tractor

1



HENDRICKSON PRIMAAX® 230/460/690

FIREMAAX™ 240/480

12 1/2" - 14 3/8" - 15 1/2" RIDE HEIGHT

HEAVY DUTY AIR SUSPENSION

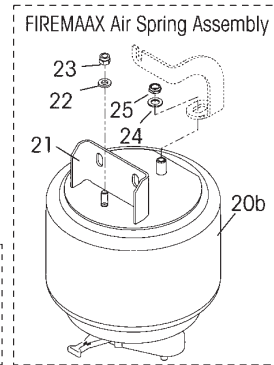
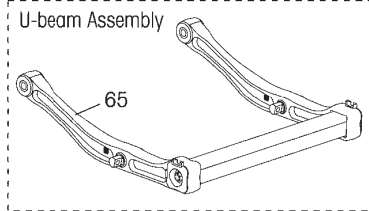
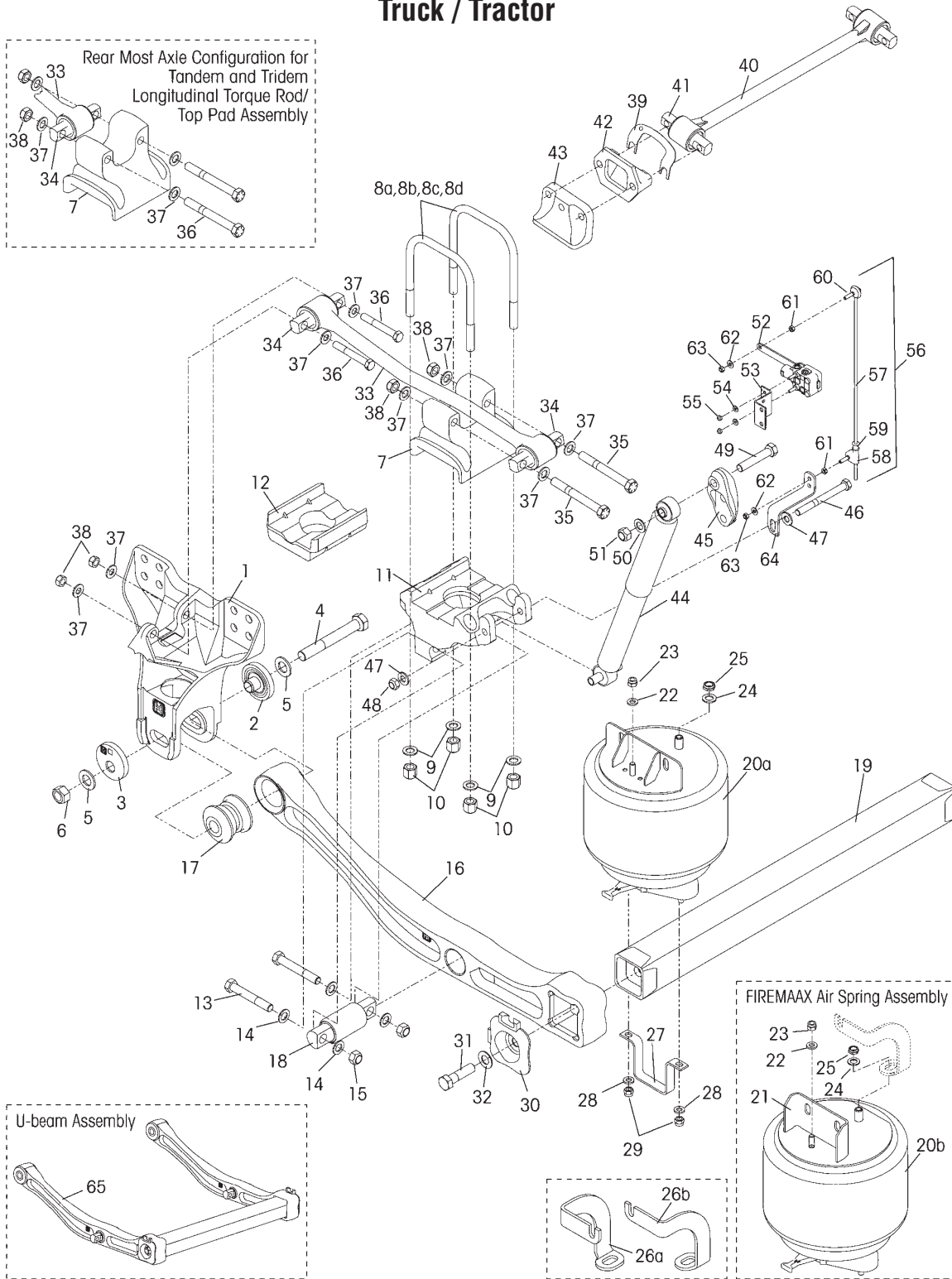
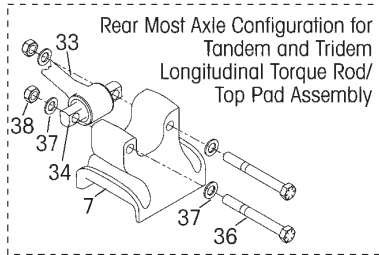
Truck / Tractor

KEY NO.	EUCLID NO.	REPLACES HENDRICKSON NO.	DESCRIPTION	QTY. PER TANDEM	PAGE NO.
68	S.O.S.	22962-015	3/8" Hardened Washer	16	—
69	S.O.S.	17700-006	3/8"-16 UNC Locknut	8	—
70	S.O.S.	64202-000	5/16" S-Cam U-Bolt	4	—
71	S.O.S.	22962-029	5/16" Hardened Washer	8	—
72	S.O.S.	59016-000	5/16"-18 UNC Locknut	8	—
73	S.O.S.	65139-003	Axle Spacer - 12-1/2" Ride Height	4	—
74	S.O.S.	Various	U-Beam Assembly (Includes Key Nos 15, 18, 31-33)	2	—

S.O.S. = Available through Euclid's S.O.S. Department

HENDRICKSON PRIMAAX® 260/520/780 FIREMAAX™ 270/540 - TYPE A

8 1/2" - 10" RIDE HEIGHT
Truck / Tractor



HENDRICKSON PRIMAAX® 260/520/780

FIREMAAX™ 270/540 - TYPE A

8 1/2" - 10" RIDE HEIGHT

Truck / Tractor

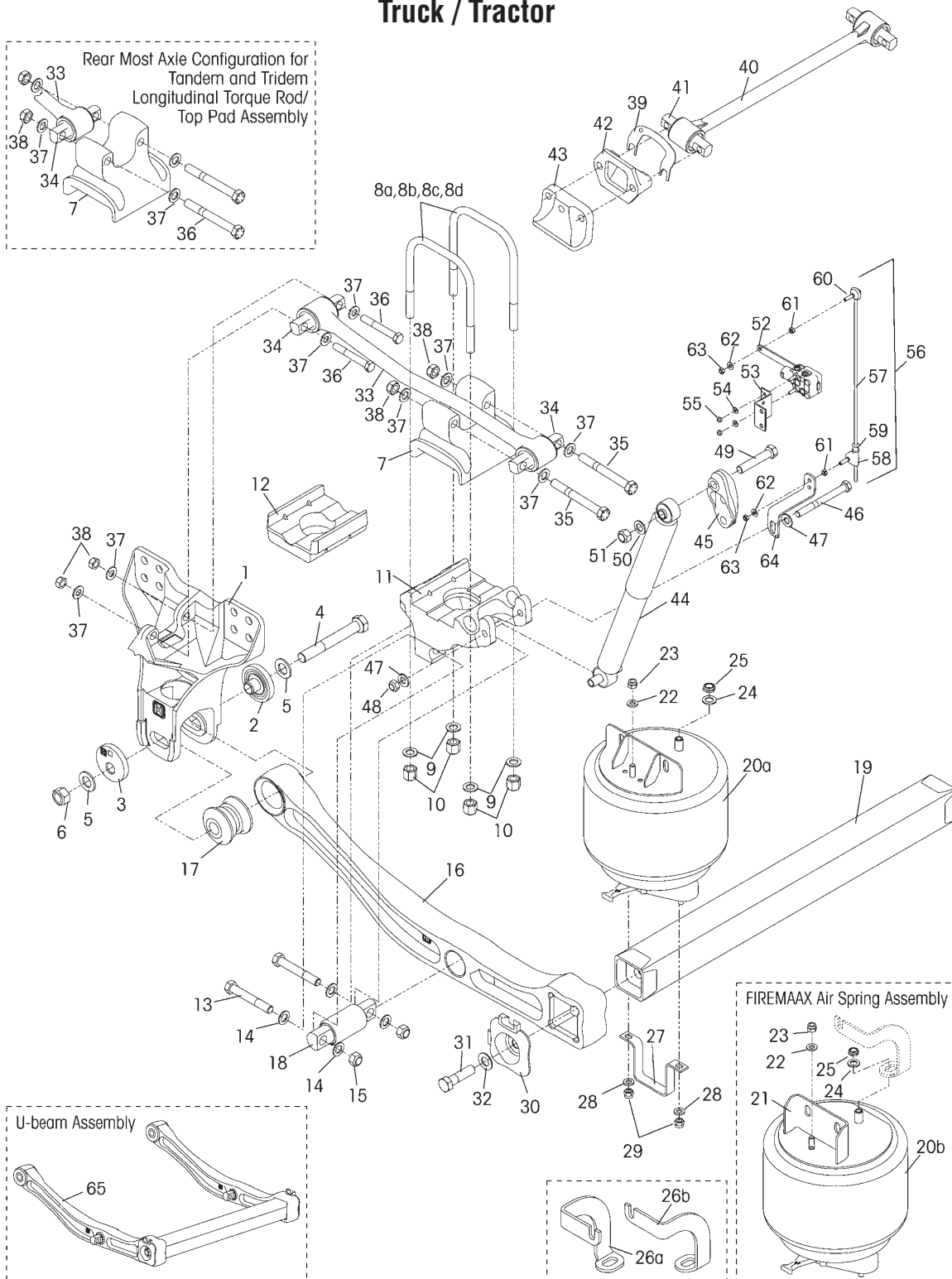
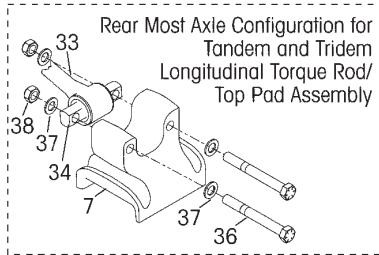
KEY NO.	EUCLID NO.	REPLACES HENDRICKSON NO.	DESCRIPTION	QTY. PER TANDEM	PAGE NO.
1	S.O.S.	60821-001	Frame Hanger	4	—
—	E-14025	60632-008	Pivot Bushing Service Kit (Includes Key Nos 2-6, 17)	2	1-230
—	E-14673	60632-006	Collar Service Kit - (Includes Key Nos 2-6)		—
—	S.O.S.	60632-005	Pivot Bolt Service Kit (Includes Key Nos 4-6)		—
2	S.O.S.	64633-000	Concentric Base	4	—
3	S.O.S.	64632-000	Eccentric Base	4	—
4	S.O.S.	64107-000	1.0"-8 UNC-2A Dacromet Hex Bolt - 7.5"	4	—
5	S.O.S.	22962-035	1.0" Flat Dacromet Washer	8	—
6	S.O.S.	64108-000	1.0" UNC-2B Dacromet Locknut	4	—
7	S.O.S.	Various	Top Pad	2	—
—	S.O.S.	48718-120	U-Bolt Service Kit - 10" RH (Includes Key Nos 8a-8b, 9-10)	2	—
—	S.O.S.	48718-118	U-Bolt Service Kit - 8-1/2" RH (Includes Key Nos 8c-8d, 9-10)		—
8a	S.O.S.	59367-007	3/4" Square U-bolt Outboard 10" RH	4	—
8b	S.O.S.	59367-008	3/4" Square U-bolt Inboard 10" RH	4	—
8c	S.O.S.	59367-010	3/4" Square U-bolt Outboard 8-1/2" RH	4	—
8d	S.O.S.	68367-011	3/4" Square U-bolt Inboard 8-1/2" RH	4	—
9	E-2545	22962-001	3/4" Flat Washer	16	2-35
10	S.O.S.	49685-000	3/4"-16 UNF U-bolt Locknut	16	—
11	S.O.S.	—	Bottom Cap - Front and Rear	4	—
12	S.O.S.	—	Axle Spacer	4	—
—	E-13983	34013-114	D-Pin Service Kit (Includes Key Nos 13-15, 18)	4	1-230
13	S.O.S.	30418-009	7/8"-14 UNF Bolt - 5.5"	8	—
14	S.O.S.	22962-007	7/8" Flat Washer	16	—
15	E-1835	29248-000	7/8"-14 UNF Locknut	8	2-34
16	S.O.S.	Various	Support Beam Assembly	1	—
17	E-13992	58648-000	Pivot Bushing	4	1-230
18	E-14039	65381-000	D-Pin Bushing	4	1-232
19	S.O.S.	Various	Cross Brace	2	—
—	S.O.S.	60961-118	PRIMAAX Air Spring Service Kit (Includes Key Nos 20a, 24-25, 27-29)	4	—
—	S.O.S.	60961-119	FIREMAAX Air Spring Service Kit (Includes Key Nos 20B-25, 27-29)		—
20a	E-14040	66255-002	PRIMAAX Air Spring Assembly (Includes 22-23)	4	1-232
20b	S.O.S.	65282-002	FIREMAAX Air Spring Assembly	4	—
21	S.O.S.	65868-000	Air Spring Bracket	4	—
22	S.O.S.	22962-014	1/2" Flat Washer	4	—
23	S.O.S.	17700-010	1/2"-13 UNC Locknut	4	—
24	E-2545	22962-001	3/4" Flat Washer	4	2-35

S.O.S. = Available through Euclid's S.O.S. Department

Continued on next page

HENDRICKSON PRIMAAX[®] 260/520/780 FIREMAAX[™] 270/540 - TYPE A

8 1/2" - 10" RIDE HEIGHT
Truck / Tractor



1

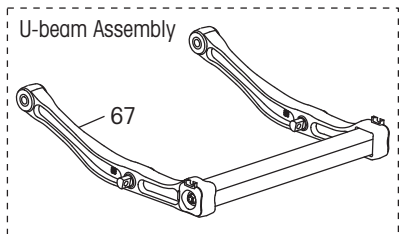
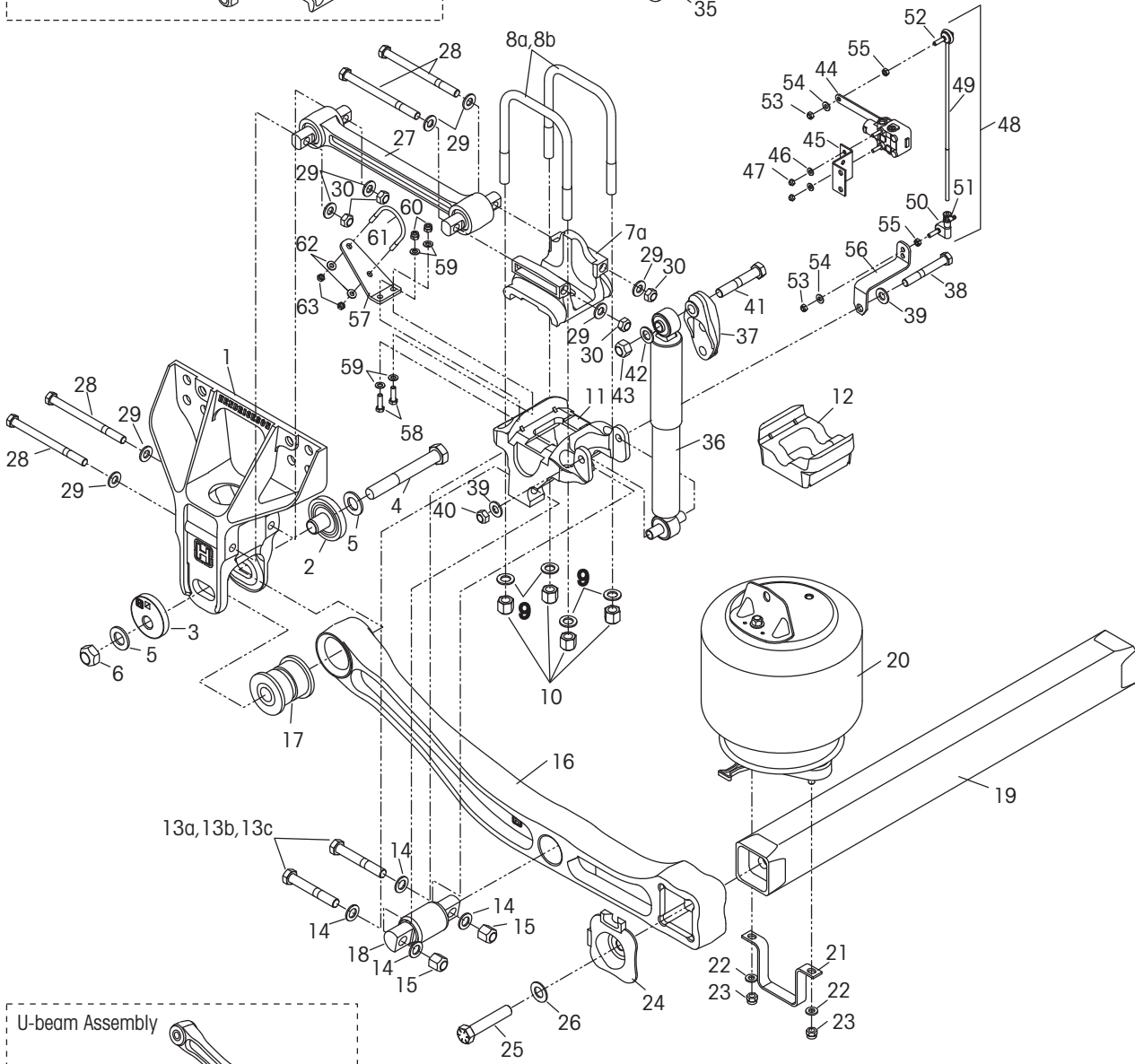
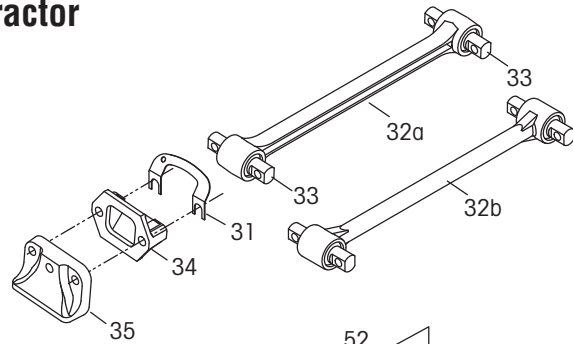
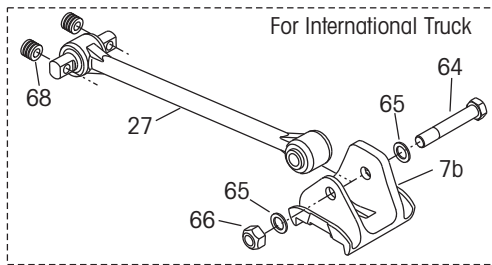
HENDRICKSON PRIMAAX® 260/520/780 FIREMAAX™ 270/540 - TYPE A 8 1/2" - 10" RIDE HEIGHT Truck / Tractor

KEY NO.	EUCLID NO.	REPLACES HENDRICKSON NO.	DESCRIPTION	QTY. PER TANDEM	PAGE NO.
25	S.O.S.	17700-031	3/4"-16 UNF Locknut	4	—
26a	S.O.S.	59479-003	Air Spring Gusset	2	—
26b	S.O.S.	59479-004	Air Spring Gusset	2	—
27	S.O.S.	60911-000	Lower Air Spring Mounting Bracket	4	—
28	S.O.S.	22962-014	1/2" Flat Washer	8	—
29	S.O.S.	17700-010	1/2"-13 UNC Locknut	8	—
30	S.O.S.	60822-000	End Cap	4	—
31	S.O.S.	50104-003	7/8"-9 UNC Hex Bolt - 3.5"	4	—
32	S.O.S.	22962-034	7/8" Dacromet Flat Washer	4	—
33	S.O.S.	—	Longitudinal Torque Rod Assembly	As Required	—
34	E-10322	69210-000H	Bushing - Straddle Bar Pin (3/4" holes)	8	1-231
—	S.O.S.	—	Longitudinal Torque Rod Rear Bolt Service Kit (Includes Key Nos 35, 37-38)	4	—
35	S.O.S.	21867-007	3/4"-16 UNF-2A Hex Bolt -6.0"	8	—
36	S.O.S.	21867-018	3/4"-16 UNF-2A Hex Bolt -3.75"	16	—
37	E-2545	22962-001	3/4" Flat Washer	32	2-35
38	S.O.S.	30191-000	3/4"-16 UNF-2B Locknut	16	—
39	E-5281	49689-000	Shim	As Required	1-220
40	E-14041	62000-620	Transverse Rod Assembly (Includes Bushings)	2	1-232
41	E-5275	47691-000L	Bushing - Straddle Bar Pin (5/8" holes)	4	1-231
42	E-2634	22186-000	Transverse Rod Frame Bracket	2	1-214
43	S.O.S.	60593-000	Frame Mounted Axle Stop	4	—
—	S.O.S.	50754-029	Shock Fastener Service Kit (Includes Key Nos 46-51)	4	—
44	E-14042	60665-013	Shock Absorber (Vehicle with Drum Brakes)	4	1-232
	E-14043	60665-015	Shock Absorber (Vehicle with Disc Brakes)	4	1-233
45	S.O.S.	65000-002	Upper Shock Frame Bracket	4	—
46	S.O.S.	32043-007	5/8"-11 UNC Bolt -7.0"	4	—
47	S.O.S.	22962-004	5/8" Flat Washer	8	—
48	S.O.S.	47764-000	5/8"-11 UNC-2B Locknut	4	—
49	S.O.S.	50764-010	3/4"-10 UNC Bolt -4/25"	4	—
50	E-2545	22962-001	3/4" Flat Washer	4	2-35
51	S.O.S.	49842-000	3/4"-10 UNC Locknut	4	—
---	S.O.S.	58525-019	HCV Assembly Service Kit (Includes Key Nos 52, 56, 64)	2	—
52	E-11870	57977-000	HCV Assembly	2	2-57
56	S.O.S.	58994-005	HCV Linkage Assembly	2	—
64	S.O.S.	60921-000	Height Control Valve Linkage Bracket	2	—
65	S.O.S.	—	U-beam Assembly (Includes Key Nos. 16, 19, 30-32)	2	—

S.O.S. = Available through Euclid's S.O.S. Department

HENDRICKSON PRIMAAX® 230/460/690 -TYPE B

10" RIDE HEIGHT Truck / Tractor



1

HENDRICKSON PRIMAAX® 230/460/690 -TYPE B

SUSPENSION PARTS

10" RIDE HEIGHT

Truck / Tractor

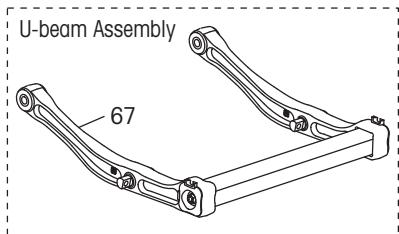
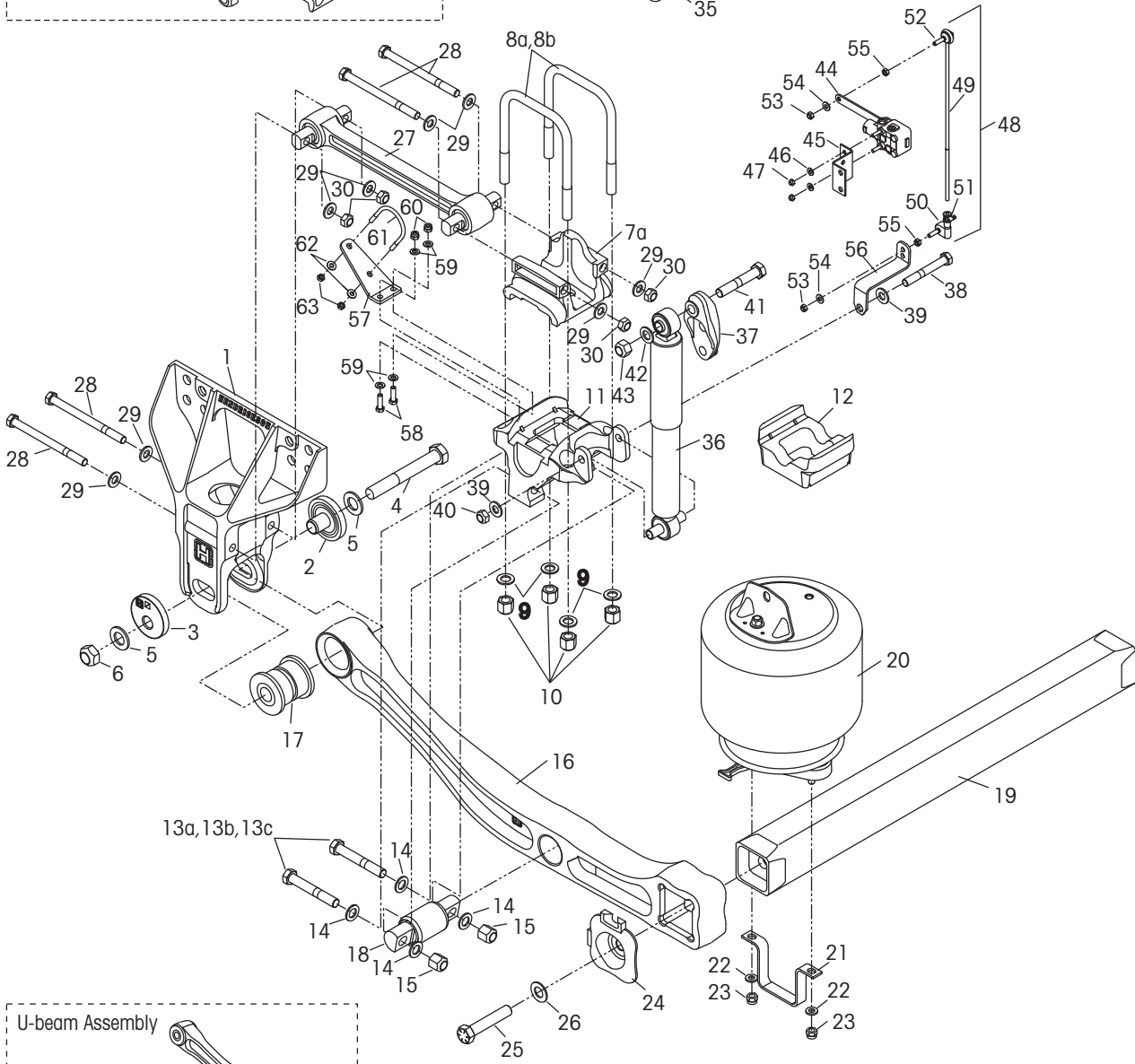
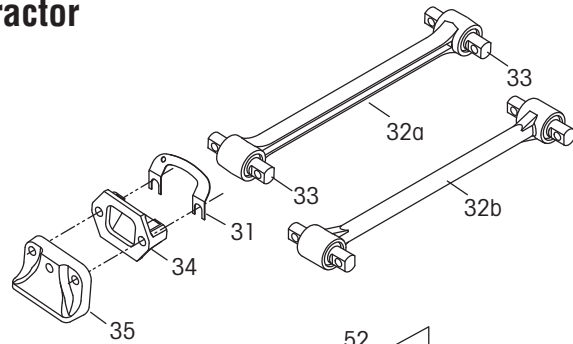
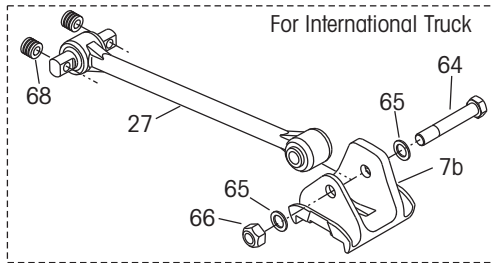
KEY NO.	EUCLID NO.	REPLACES HENDRICKSON NO.	DESCRIPTION	QTY PER TANDEM	PAGE NO.
1	S.O.S.	65891-000	Frame Hanger	4	—
—	E-14025	60632-008	QUIK-ALIGN™ Pivot Bushing Service Kit (Includes Key Nos. 2-7, 17)	4	1-230
	E-14673	60632-006	QUIK-ALIGN™ Collar Service Kit (Includes Key Nos. 2-6)		—
	S.O.S.	60632-005	QUIK-ALIGN™ Pivot Bolt Service Kit (Includes Key-Nos. 4-6)		—
2	S.O.S.	64633-000	QUIK-ALIGN™ Concentric Base	4	—
3	S.O.S.	64632-000	QUIK-ALIGN™ Eccentric Base	4	—
4	S.O.S.	64107-000	1.0"-8 UNC-2A Dacromet Hex Bolt, 7.5"	4	—
5	S.O.S.	22962-035	1.0" Flat Dacromet Washer	8	—
6	S.O.S.	64108900	1.0"-8 UNC-2B Dacromet Locknut	4	—
7a	S.O.S.	65289-000	Top Pad	4	—
7b	S.O.S.	65290-001	Top Pad - International Truck	4	—
---	S.O.S.	48718-129	U-Bolt Service Kit (Includes Key Nos. 8a-10)	4	—
	S.O.S.	48718-125	U-Bolt Service Kit (Includes Key Nos. 8b-10)		—
8a	S.O.S.	59367-013	3/4" Square U-Bolt - 10" Ride Height, For use with Key No. 7a	8	—
8b	S.O.S.	59367-004	3/4" Square U-Bolt - 9" Ride Height, For use with Key No. 7b		—
9	E-2545	22962-001	3/4" Flat Washer	16	2-35
10	S.O.S.	49685-000	3/4"-16 UNF U-Bolt Locknut	16	—
11	S.O.S.	60556-	Bottom Cap, Front and Rear	4	—
12	S.O.S.	65139-003	Axle Spacer, International Truck	4	—
—	S.O.S.	34013-107	D-Pin Service Kit - 5.0" Bolt (Includes Key Nos. 13a-15, 18)	As Required	—
	S.O.S.	34013-116	D-Pin Service Kit - 5.5" Bolt (Includes Key Nos. 13b-15, 18)		—
	S.O.S.	34013-117	D-Pin Service Kit - 4.75" Bolt (Includes key Nos. 13c-15,18)		—
13a	S.O.S.	21867-036	3/4"-16 UNF Bolt, 5.0"	8	—
13b	S.O.S.	21867-026	3/4"-16 UNF Bolt, 5.5"		—
13c	S.O.S.	21867-043	3/4"-16 UNF Bolt, 4.75"		—
14	E-2545	22962-001	3/4" Flat Washer	16	2-35
15	S.O.S.	30191-000	3/4"-16 UNF Locknut	8	—
16	S.O.S.	66435-003	Support Beam Assy - Left Front (Includes Key Nos. 17-18)	1	—
	S.O.S.	66435-004	Support Beam Assy - Right Front (Includes Key Nos. 17-18)		—
	S.O.S.	66435-001	Support Beam Assy - Left Rear (Includes Key Nos. 17-18)		—
	S.O.S.	66435-002	Support Beam Assy - Right Rear (Includes Key Nos. 17-18)		—
17	E-13992	58648-000	QUIK-ALIGN™ Pivot Bushing	4	1-230
18	E-14026	60383-000	D-Pin Bushing	4	1-230
19	S.O.S.	60912-001	Cross Brace, 40.0" Dowel Centers	2	—
	S.O.S.	60912-002	Cross Brace, 40.5" Dowel Centers		—
	S.O.S.	60912-003	Cross Brace, 40.25" Dowel Centers		—
	S.O.S.	60912-004	Cross Brace, 40.875" Dowel Centers		—
—	E-14027	60961-062	Air Spring Assy Service Kit - PRIMAAX (Includes Key Nos. 20-23)	As Required	1-231
20	FS9663	60271-002L	Air Spring Assembly	4	—
21	S.O.S.	60911-000	Lower Air Spring Mounting Bracket	4	—
22	S.O.S.	22962-014	1/2" Flat Washer	8	—
23	S.O.S.	17700-010	1/2"-13 UNC Locknut	8	—
24	S.O.S.	60822-000	End Cap	4	—
25	S.O.S.	50104-003	7/8"-9 UNC Hex Bolt, 3.5"	4	—

S.O.S. = Available through Euclid's S.O.S. Department

Continued On Next Page

HENDRICKSON PRIMAAX® 230/460/690 -TYPE B

10" RIDE HEIGHT Truck / Tractor



1

HENDRICKSON PRIMAAX® 230/460/690 -TYPE B

SUSPENSION PARTS

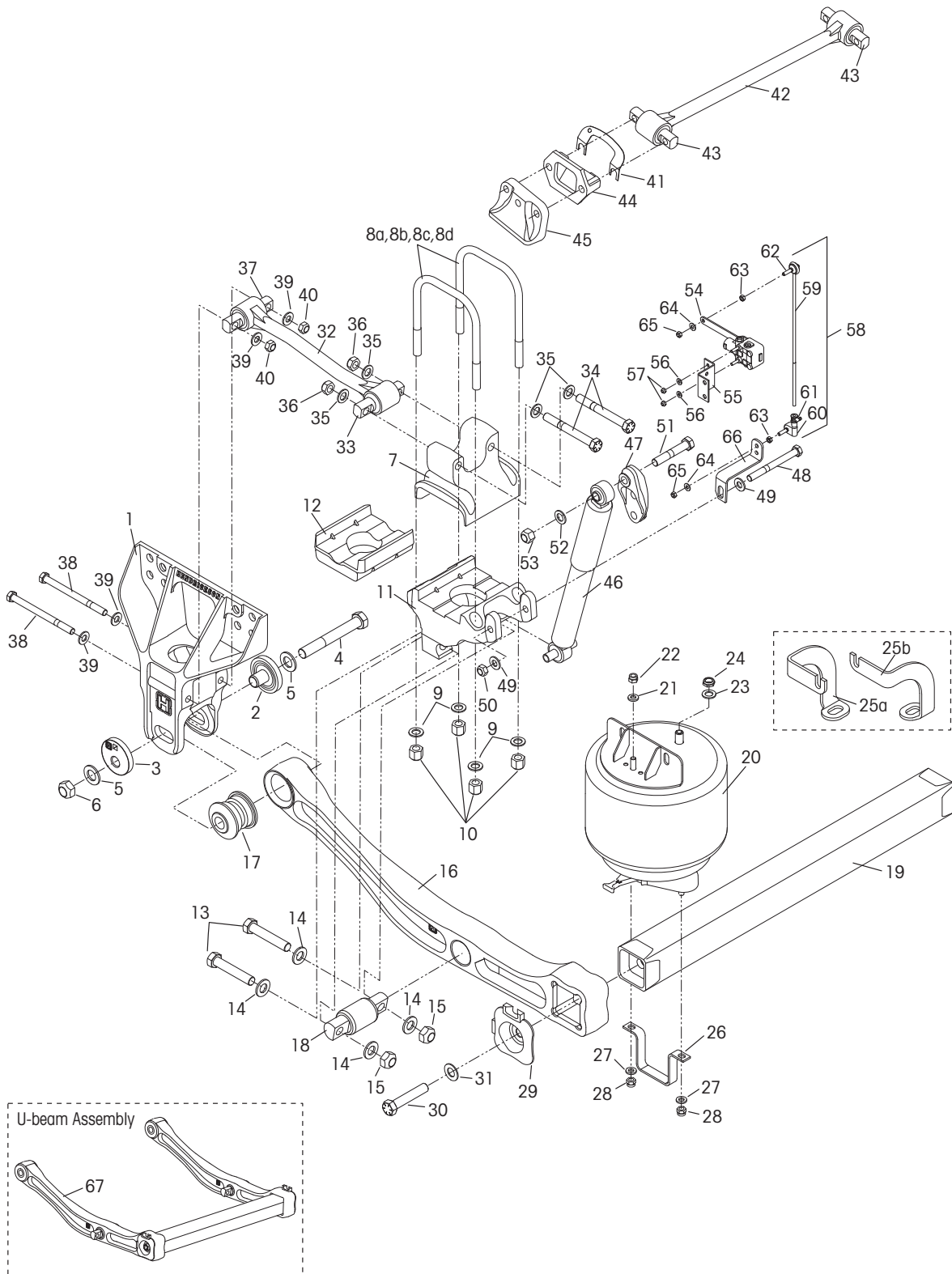
10" RIDE HEIGHT TRUCK/TRACTOR

KEY NO.	EUCLID NO.	REPLACES HENDRICKSON NO.	DESCRIPTION	QTY PER TANDEM	PAGE NO.
26	S.O.S.	22962-034	7/8" Dacromet Flat Washer	4	—
27	S.O.S.	—	Longitudinal Torque Rod Assembly	1	—
—	S.O.S.	58821-027	Longitudinal Torque Rod Bolt Service Kit (Includes Key Nos. 28-30)	As Required	—
—	S.O.S.	58821-012	Longitudinal Torque Rod Rear Bolt Service Kit, International Truck (Includes Key Nos. 64-66)	As Required	—
28	S.O.S.	32043-016	5/8"-11 UNC-2B Bolt - 8.0"	16	—
29	S.O.S.	22962-004	5/8" Flat Washer	32	—
30	S.O.S.	47764-000	5/8"-11 UNC-2A Locknut	16	—
31	E-5281	49689-000	Shim	As Required	1-220
32a	E-13993	58757-006	Cast (I-Section) Transverse Rod Assembly	2	1-230
32b	S.O.S.	62000-565	Forged (Round) Transverse Rod Assembly		—
—	S.O.S.	62000-645	Transverse Rod Assy For International Truck		—
33	E-5275	47691-000L	Bushing - Straddle Bar Pin (5/8" Holes)	4	1-231
34	E-2634	22186-000	Transverse Rod Frame Bracket	2	1-214
35	S.O.S.	60593-000	Frame Mounted Axle Stop	4	—
—	S.O.S.	50754-031	Shock Fastener Service Kit (Includes Key Nos. 38-43)	As Required	—
36	M85072	60657-003	Shock Absorber	4	1-231
	S.O.S.	60657-005	Shock Absorber, Kenworth		—
37	S.O.S.	65000-002	Upper Shock Frame Bracket	4	—
38	S.O.S.	32043-017	5/8"-11 UNC Bolt, 6.0"	4	—
39	S.O.S.	22962-004	5/8" Flat Washer	8	—
40	S.O.S.	47764-000	5/8"-11 UNC-2B Locknut	4	—
41	S.O.S.	50764-010	3/4"-10 UNC Bolt, 4.25"	4	—
42	E-2545	22962-001	3/4" Flat Washer	4	2-35
43	S.O.S.	49842-000	3/4"-10 UNC Locknut	4	—
—	S.O.S.	58525-019	HCV Assembly Service Kit (Includes Key Nos. 44, 48, 56)	As Required	—
44	E-11870	57977-000	Height Control Valve Assembly (Includes Key Nos. 45-47)	1	2-57
48	S.O.S.	58994-005	HCV Linkage Assembly (Includes Key Nos. 49-55)	1	—
56	S.O.S.	60921-000	Height Control Valve Linkage Bracket	1	—
57	S.O.S.	64508-000	S-cam Support Bracket	4	—
58	S.O.S.	58035-004	3/8"-16 UNC Hex Bolt, 1.25"	8	—
59	S.O.S.	22962-015	3/8" Hardened Washere	16	—
60	S.O.S.	17700-006	3/8"-16 UNC Locknut	8	—
61	S.O.S.	64202-000	5/16" S-cam U-bolt	4	—
62	S.O.S.	22962-029	5/16" Hardened Washer	8	—
63	S.O.S.	59016-000	5/16"-18 UNC Locknut	8	—
64	S.O.S.	30418-009	7/8"-14 UNF-2A Hex Bolt, 5.5"	4	—
65	S.O.S.	22962-034	7/8" Dacromet Flat Washer	8	—
66	E-1835	29248-000	7/8"-14 UNF-2B Locknut	4	2-34
67	S.O.S.	—	U-beam Assembly (Includes Key Nos. 16, 19, 24-26)	2	—
68	S.O.S.	670045-000	Torque Rod Spacer, International Truck	As Required	—

S.O.S. = Available through Euclid's S.O.S. Department

HENDRICKSON PRIMAAAX® 260/520/780 - TYPE B

8 1/2" - 10" RIDE HEIGHT Truck / Tractor



1

HENDRICKSON PRIMAAX® 260/520/780 - TYPE B

8 1/2" - 10" RIDE HEIGHT

Truck / Tractor

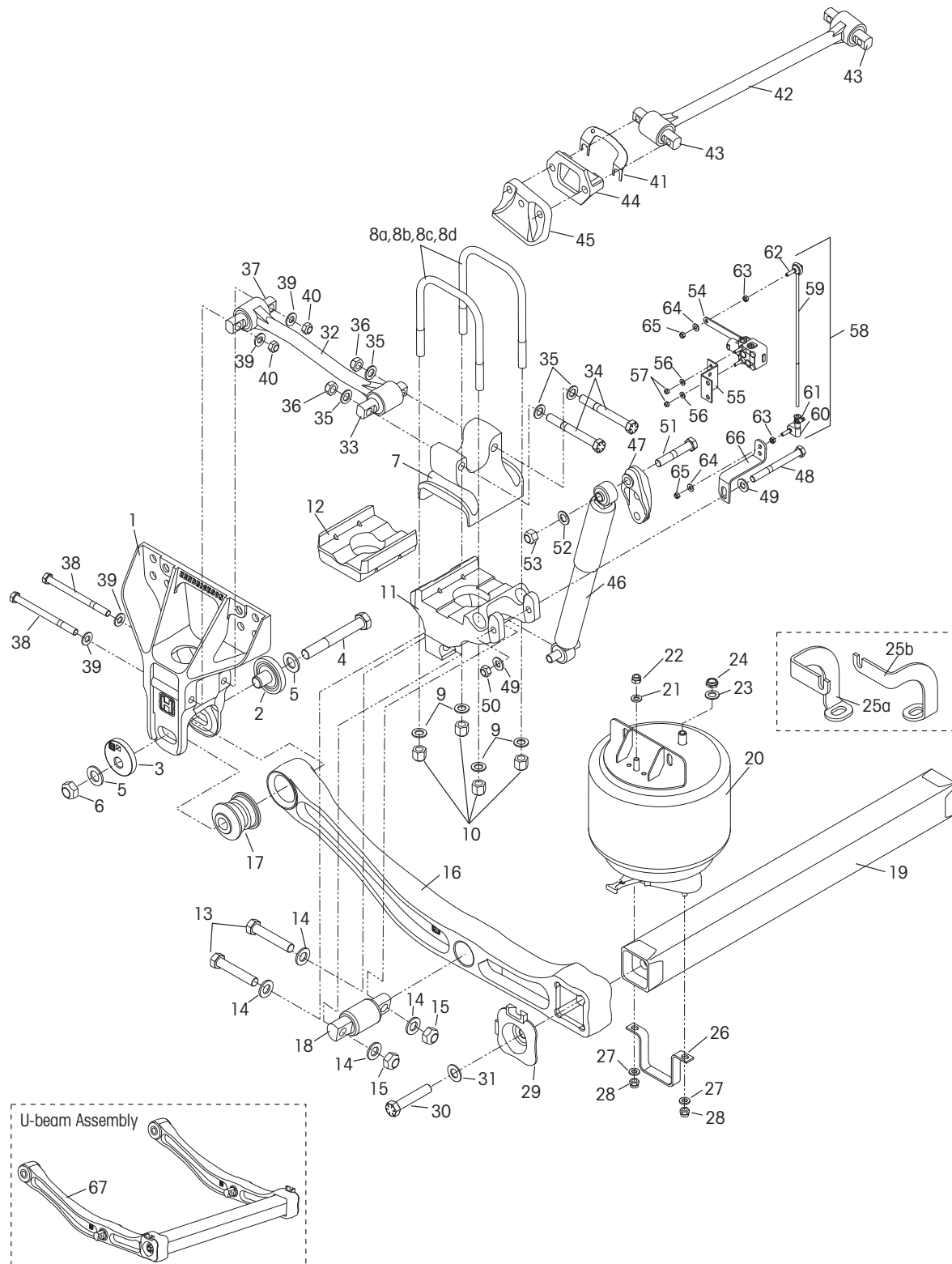
KEY NO.	EUCLID NO.	REPLACES HENDRICKSON NO.	DESCRIPTION	QTY. PER TANDEM	PAGE NO.
1	S.O.S.	60821-001	Frame Hanger	4	—
—	E-14025	60632-008	Pivot bushing Service Kit (Includes Key Nos 2-6, 17)	2	1-230
—	E-14673	60632-006	Collar Service Kit - (Includes Key Nos 2-6)		—
—	S.O.S.	60632-005	Pivot Bolt Service Kit (Includes Key Nos 4-6)		—
2	S.O.S.	64633-000	Concentric Base	4	—
3	S.O.S.	64632-000	Eccentric Base	4	—
4	S.O.S.	64107-000	1.0" 8 UNC-2A Dacromet Hex Bolt - 7.5"	4	—
5	S.O.S.	22962-035	1.0" Flat Dacromet Washer	8	—
6	S.O.S.	64108-000	1.0" UNC-2B Dacromet Locknut	4	—
7	S.O.S.	Various	Top Pad	2	—
—	S.O.S.	48718-120	U-Bolt Service Kit - 10" RH (Includes Key Nos 8a-8b, 9-10)	2	—
—	S.O.S.	48718-118	U-Bolt Service Kit - 8-1/2" RH (Includes Key nos 8c-8d, 9-10)		—
8a	S.O.S.	59367-007	3/4" Square U-bolt Outboard 10" RH	4	—
8b	S.O.S.	59367-008	3/4" Square U-bolt Inboard 10" RH	4	—
8c	S.O.S.	59367-010	3/4" Square U-bolt Outboard 8-1/2" RH	4	—
8d	S.O.S.	68367-011	3/4" Square U-bolt Inboard 8-1/2" RH	4	—
9	E-2545	22962-001	3/4" Flat Washer	16	2-35
10	S.O.S.	49685-000	3/4"-16 UNF U-bolt Locknut	16	—
11	S.O.S.	—	Bottom Cap - Front and Rear	4	—
12	S.O.S.	—	Axle Spacer	4	—
—	E-13983	34013-114	D-Pin Service Kit (Includes Key Nos 13-15, 18)	4	1-230
13	S.O.S.	30418-009	7/8"-14 UNF Bolt - 5.5"	8	—
14	S.O.S.	22962-007	7/8" Flat Washer	16	—
15	E-1835	29248-000	7/8"-14 UNF Locknut	8	2-34
16	S.O.S.	Various	Support Beam Assembly	1	—
17	E-13992	58648-000	Pivot Bushing	4	1-230
18	E-14039	65381-000	D-Pin Bushing	4	1-232
19	S.O.S.	Various	Cross Brace	2	—
—	S.O.S.	60961-118	Air Spring Service Kit (Includes Key Nos 20, 23-24, 26-28)	4	—
20	E-14040	66255-002	Air Spring Assembly (Includes 21-22)	4	1-232
21	S.O.S.	22962-014	1/2" Flat Washer	4	—
22	S.O.S.	17700-010	1/2"-13 UNC Locknut	4	—
23	E-2545	22962-001	3/4" Flat Washer	4	2-35
24	S.O.S.	17700-031	3/4"-16 UNF Locknut	4	—
25a	S.O.S.	59479-003	Air Spring Gusset	2	—
25b	S.O.S.	59479-004	Air Spring Gusset	2	—
26	S.O.S.	60911-000	Lower Air Spring Mounting Bracket	4	—
27	S.O.S.	22962-014	1/2" Flat Washer	8	—

S.O.S. = Available through Euclid's S.O.S. Department

Continued On Next Page

HENDRICKSON PRIMAAAX® 260/520/780 - TYPE B

8 1/2" - 10" RIDE HEIGHT
Truck / Tractor



HENDRICKSON PRIMAAAX® 260/520/780 - TYPE B

8 1/2" - 10" RIDE HEIGHT

Truck / Tractor

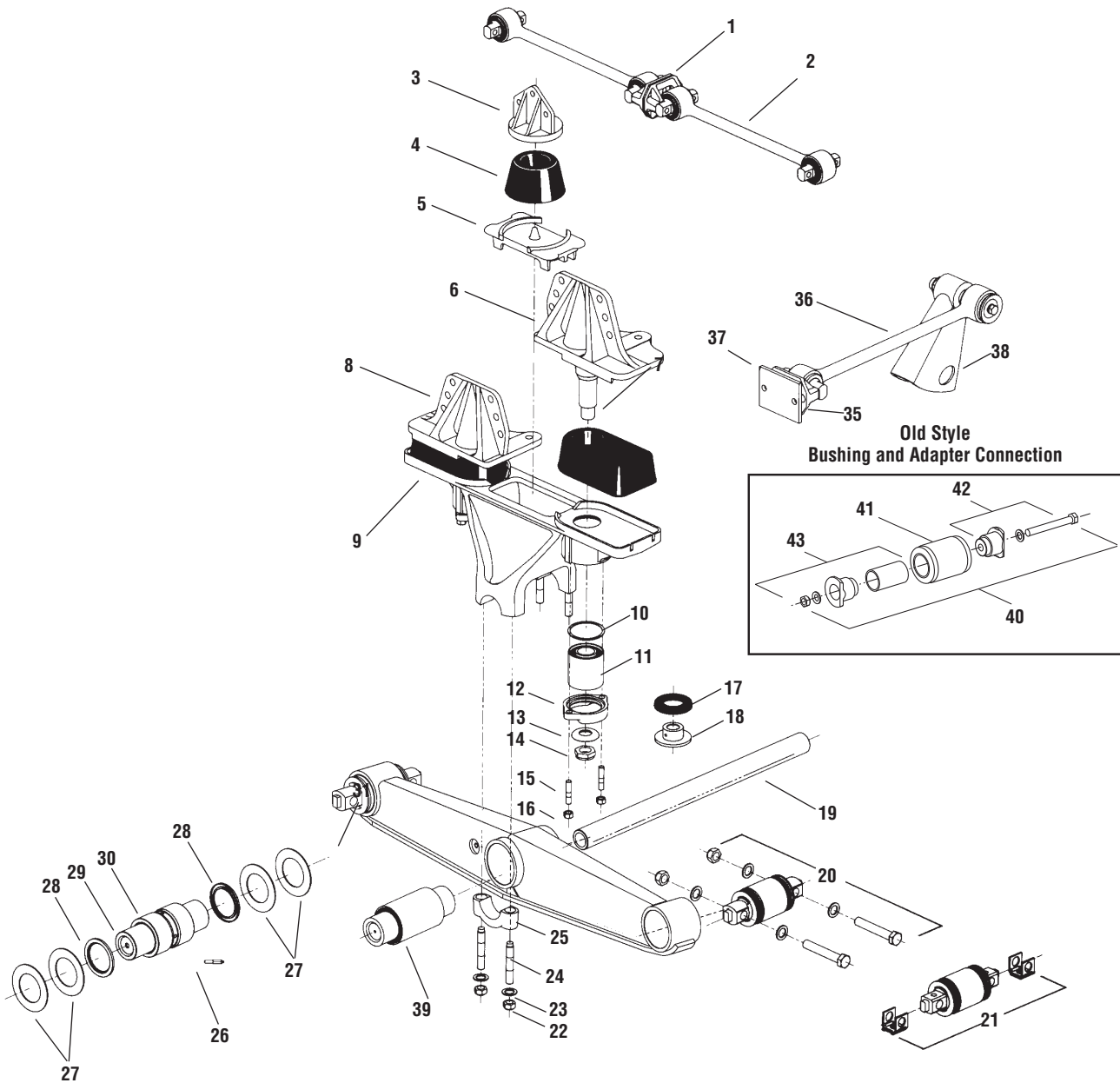
KEY NO.	EUCLID NO.	REPLACES HENDRICKSON NO.	DESCRIPTION	QTY. PER TANDEM	PAGE NO.
28	S.O.S.	17700-010	1/2"-13 UNC Locknut	8	—
29	S.O.S.	60822-000	End Cap	4	—
30	S.O.S.	50104-003	7/8"-9 UNC Hex Bolt - 3.5"	4	—
31	S.O.S.	22962-034	7/8" Dacromet Flat Washer	4	—
32	S.O.S.	—	Longitudinal Torque Rod Assembly		—
33	E-10322	69210-000H	Bushing - Straddle Bar Pin (3/4" holes)	4	1-231
—	S.O.S.	—	Longitudinal Torque Rod Rear Bolt Service Kit (Includes Key Nos 34-36)	4	—
34	S.O.S.	21867-007	3/4"-16 UNF-2A Hex Bolt -6.0"	8	—
35	E-2545	22962-001	3/4" Flat Washer	16	2-35
36	S.O.S.	30191-000	3/4"-16 UNF-2B Locknut	8	—
37	E-5275	47691-000L	Bushing - Straddle Bar Pin (5/8" holes)	4	1-231
38	S.O.S.	32043-016	5/8"-11 UNF-2A Hex Bolt - 8.0"	8	—
39	S.O.S.	22962-004	5/8" Flat Washer	16	—
40	S.O.S.	47764-000	5/8"-11 UNC-2B Locknut	8	—
41	E-5281	49689-000	Shim	As Required	1-220
42	E-14041	62000-620	Transverse Rod Assembly (Includes Bushings)	2	1-232
43	E-5275	47691-000L	Bushing - Straddle Bar Pin (5/8" holes)	4	1-231
44	E-2634	22186-000	Transverse Rod Frame Bracket	2	1-214
45	S.O.S.	60593-000	Frame Mounted Axle Stop	4	—
—	S.O.S.	50754-029	Shock Fastener Service Kit (Includes Key Nos 46-51)	4	—
46	E-14042	60665-013	Shock Absorber (Vehicle with Drum Brakes)	4	1-232
	E-14043	60665-015	Shock Absorber (Vehicle with Disc Brakes)		1-233
47	S.O.S.	65000-002	Upper Shock Frame Bracket	4	—
48	S.O.S.	32043-007	5/8"-11 UNC Bolt -7.0"	4	—
49	S.O.S.	22962-004	5/8" Flat Washer	8	—
50	S.O.S.	47764-000	5/8"-11 UNC-2B Locknut	4	—
51	S.O.S.	50764-010	3/4"-10 UNC Bolt -4/25"	4	—
52	E-2545	22962-001	3/4" Flat Washer	4	2-35
53	S.O.S.	49842-000	3/4"-10 UNC Locknut	4	—
---	S.O.S.	58525-019	HCV Assembly Service Kit	2	—
54	E-11870	57977-000	HCV Assembly	2	2-57
55	S.O.S.	58994-005	HCV Linkage Assembly	2	—
56	S.O.S.	60921-000	Height Control Valve Linkage Bracket	2	—
57	S.O.S.	—	U-beam Assembly (Includes Key Nos. 16, 19, 30-32)	2	—

S.O.S. = Available through Euclid's S.O.S. Department

HENDRICKSON RS-400/403/460/463 SUSPENSION

Truck/Tractor

1



HENDRICKSON RS-400/403/460/463 SUSPENSION PARTS

Truck/Tractor

KEY NO.	EUCLID NO.	REPLACES HENDRICKSON NO.	DESCRIPTION	QUANTITY PER TANDEM	RS-400	RS-403	RS-460	RS-463	PAGE NO.	
1	E-2634	22186-000	Frame Bracket, Torque Rod	2	X	X	X	X	1-214	
2	See Torque Rod Section		Torque Rod Assembly	2	X	X	X	X	2-36	
—	S.O.S.	20681-072	Heavy-Duty Cushion Kit, 34" Frame	1		X		X	—	
		20681-077	Heavy-Duty Cushion Kit, 34 1/2" Frame Includes Key Nos. 3, 4, 5	1		X		X	—	
3	E-7617	48523-001	Frame Hanger, 34" Frame Width	2		X		X	1-207	
	E-7619	48525-001	Frame Hanger, 34 1/2" Frame Width			X		X	1-207	
4	E-2232	24209-000	Heavy-Duty Load Cushion	2		X		X	1-208	
5	E-2604	20781-000	Saddle Plate	2		X		X	1-233	
6	See Hanger Section		Frame Hanger Left Hand Front/Right Hand Rear, Includes Key Nos. 13, 14	2	X	X	X	X	1-202	
7	E-1598A	48973-000	Load Cushion, 60 Durometer	4	X	X	X	X	1-208	
	E-1960	26953-000L	Load Cushion, 70 Durometer		X	X	X	X	1-208	
8	See Hanger Section		Frame Hanger, Right Hand Front/Left Hand Rear, Includes Key Nos. 13, 14	2	X	X	X	X	1-202	
9	S.O.S.	08606-132 (Old)	Saddle Assembly, 12 1/4", Includes Key Nos. 10 to 12, 15, 16, 22 to 25	2	X	X	X	X	—	
		08606-160 (New)								
	S.O.S.	08606-136 (Old)	Saddle Assembly, 12 7/8", Includes Key Nos. 10 to 12, 15, 16, 22 to 25		X	X	X	X		X
		08606-152 (New)								
	S.O.S.	08606-133 (Old)	Saddle Assembly, 14", Includes Key Nos. 10 to 12, 15, 16, 22 to 25		X	X	X	X		X
		08606-164 (New)								
S.O.S.	08606-134 (Old)	Saddle Assembly, 15 1/4", Includes Key Nos. 10 to 12, 15, 16, 22 to 25	X	X	X	X	X			
	08606-166 (New)									
10	E-9418	50780-000	Saddle Bearing Ring	4	X	X	X	X	1-209	
11	E-1940	19279-000L	Vertical Bushing	4	X	X	X	X	1-208	
	E-9515 (Poly)									
12	E-1941	05917-000	Cap	4	X	X	X	X	1-208	
13	E-1945	08536-000	Concave Washer, 1 1/2"	4	X	X	X	X	1-208	
14	E-1946	25151-000	UNF Nylocknut, 1 1/2"-12 Thd.	4	X	X	X	X	1-209	
15	E-1942	19111-001	UNF Stud, 5/8"-18 Thd.	8	X	X	X	X	1-208	
16	E-1943	19114-000	UNF Locknut, 5/8"-18 Thd.	8	X	X	X	X	1-209	
—	S.O.S.	31005-001	Stop Nut Kit, One Side		Optional	Optional	Optional	Optional	—	
		31005-002	Stop Nut Kit, Two Sides Includes Key Nos. 17, 18	1	Optional	Optional	Optional	Optional	—	
17	E-2233	30208-000	Rebound Bumper	As Required	Optional	Optional	Optional	X	1-209	
18	E-7620	30251-000	Stop Nut	As Required	Optional	Optional	Optional	X	1-209	
19	E-1842	44643-009L	Cross Tube, 44 7/8"	1	X	X			1-188	
20	E-9325	34013-087L	Bar Pin Bushing Kit, Non-Shim Type	4	X	X	X	X	1-192	
21	E-9326	34013-088L	Bar Pin Bushing Kit, Shim Type	4	X	X	X	X	1-192	
22	E-1835	04842-000	UNF Saddle Cap Locknut, 7/8"-14 Thd.	8	X	X	X	X	2-34	
23	E-1834	22962-002	Hardened Washer, 7/8"	8	X	X	X	X	2-35	
24	E-1947	09030-000	UNF-9 UNC Saddle Cape Stud, 7/8"-14 Thd.	8	X	X	X	X	1-199	

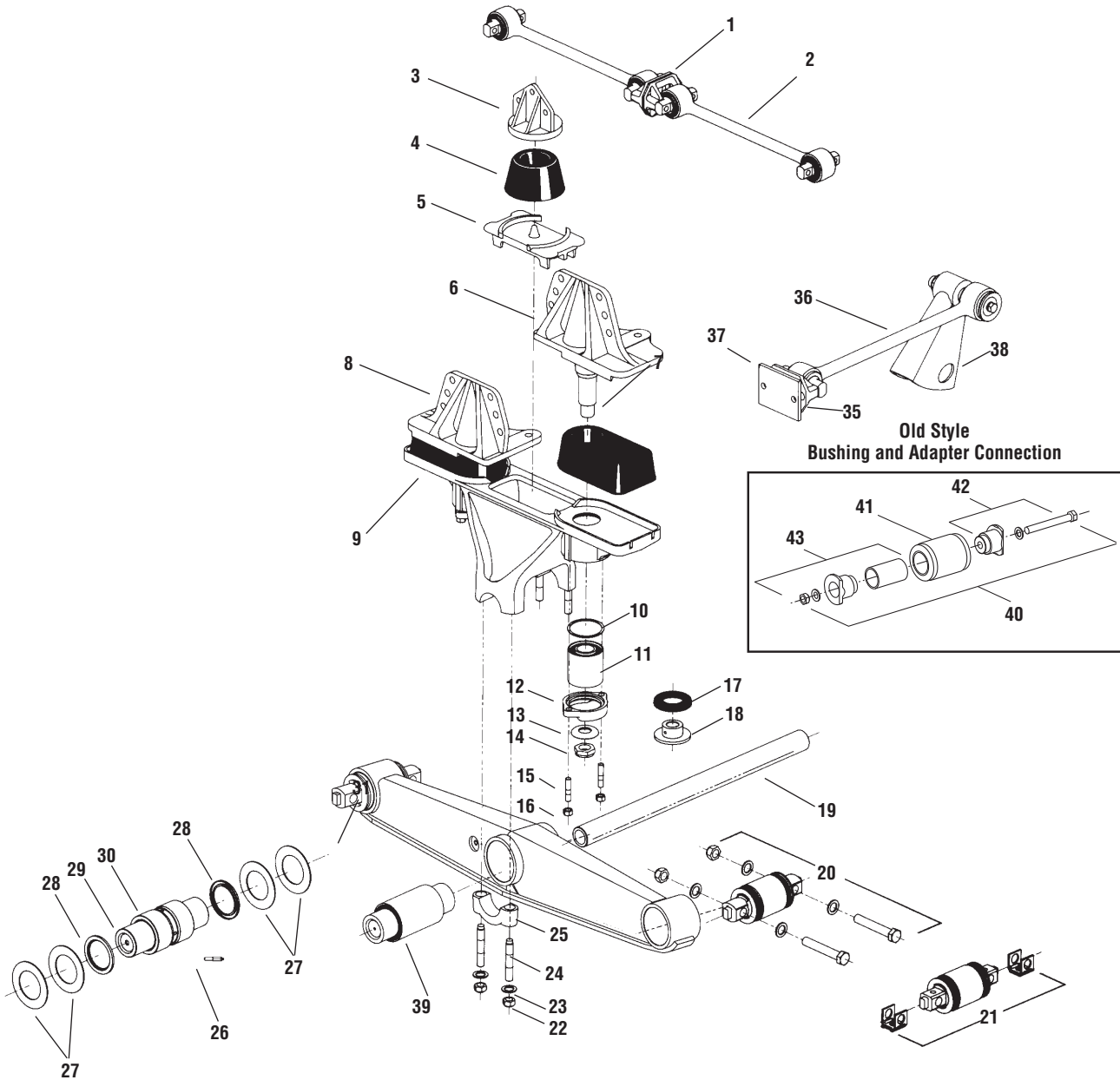
S.O.S. = Available through Euclid's S.O.S. Department

Continued On Next Page

HENDRICKSON RS-400/403/460/463 SUSPENSION

Truck/Tractor

1



HENDRICKSON RS-400/403/460/463 SUSPENSION PARTS

Truck/Tractor

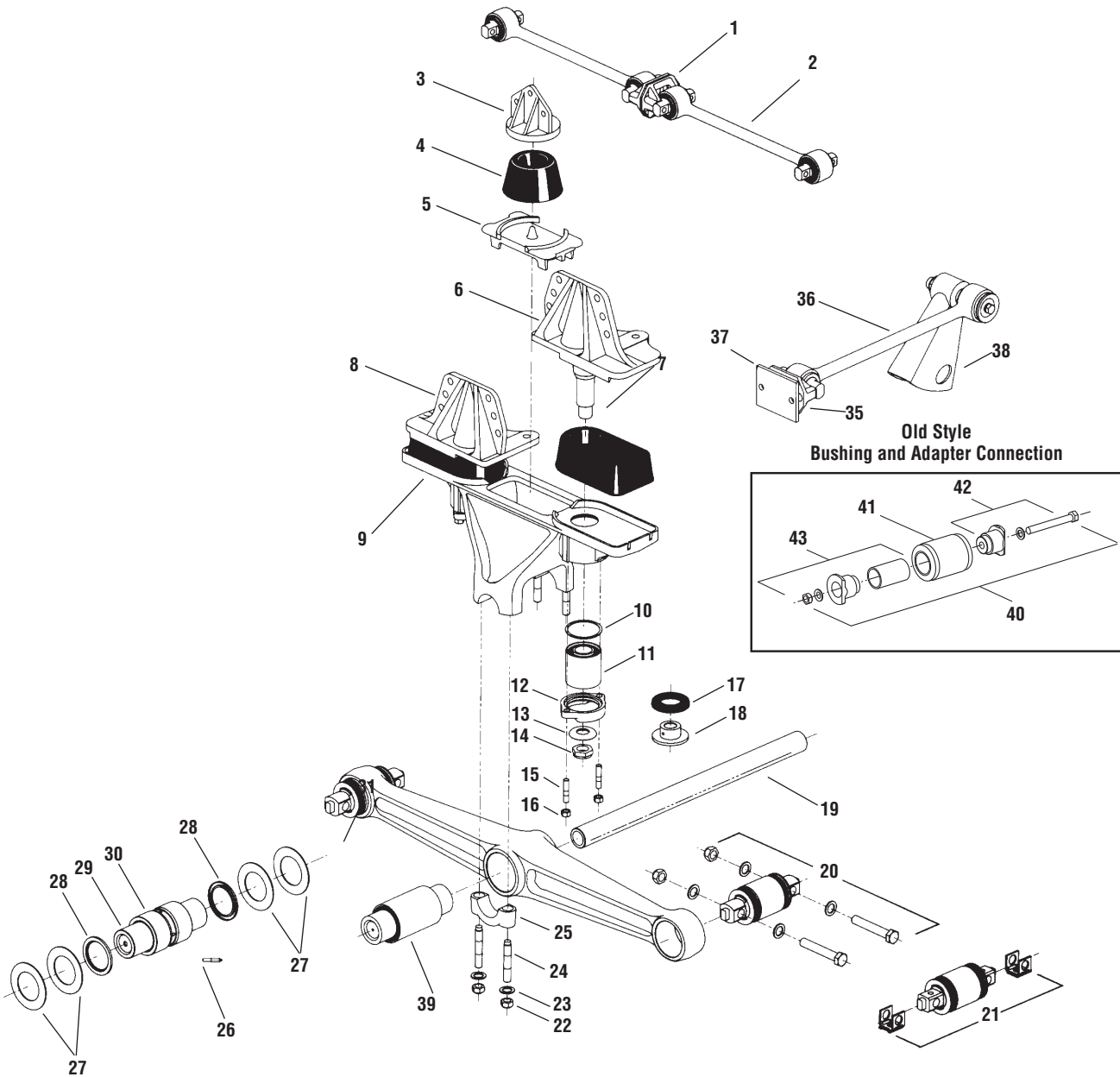
KEY NO.	EUCLID NO.	REPLACES HENDRICKSON NO.	DESCRIPTION	QUANTITY PER TANDEM	RS-400	RS-403	RS-460	RS-463	PAGE NO.
25	E-1833A	48545-000 (Old)	Saddle Cap	4	X	X	X	X	1-199
		58795-000 (New)							
—	E-1546	30437-000L	Bronze Center Bushing Kit	1	X	X	X	X	1-190
26	S.O.S.	30087-000	Lube Fitting with Forged Beam	2	X	X	X	X	—
		58758-001	Lube Fitting with Fabricated Beam						
27	E-2021	32365-000	Thrust Washer	8	X	X	X	X	1-191
28	E-1553	30334-000	Center Beam Seal	4	X	X	X	X	1-191
		E-3913 45229	Center Beam Seal						
29	E-1551	14685-000L	Beam Center Sleeve	2	X	X	X	X	1-190
30	E-1552	30240-002	Bronze Center Bushing	2	X	X	X	X	1-190
31	S.O.S.	Various	Walking Beam	2	X	X	X	X	—
—	E-5309	34013-049L	End Beam Bushing Kit, Old Style RS400 Only, Includes Key Nos. 32, 33	4	X	X	X	X	1-191
	E-9576	34013-073L	End Beam Bushing Kit Includes Key Nos. 32, 33		X	X	X	X	1-191
	E-9577	34013-050L	End Beam Bushing Kit Includes Key Nos. 32, 33		X	X	X	X	1-191
32	E-1341A	45900-000L	End Beam Bushing, Old Style	4	X	X	X	X	1-192
	E-2771	29878-001L			X	X	X	X	1-192
	E-9419	45407-000			X	X	X	X	1-192
33	E-2374	45000-007L	End Beam Adapter, Old Style	4	X	X	X	X	1-193
	E-9420	21140-034L	Uses Bushing E-1341A, Bolt Size 1" x 10 1/2"		X	X	X	X	1-193
	E-9421	21140-033	Uses Bushing E-9419, Bolt Size 1"x11"		X	X	X	X	1-193
34	E-2375	45000-008	Split Flange Adapter, Old Style	4	X	X	X	X	1-193
	S.O.S.	21140-040			X	X	X	X	—
	S.O.S.	21140-028			X	X	X	X	—
	S.O.S.	21140-023			X	X	X	X	—
35	E-2634	22186-000	Frame Bracket, Torque Rod	2	X	X	X	X	1-214
36	See Torque Rod Section		Transverse Torque Rod Assembly	2	X	X	X	X	2-36
37	S.O.S.	45045-003	Back Up Plate	2	X	X	X	X	—
38	S.O.S.	Various	Axle Bracket	2	X	X	X	X	—
39	E-6979	49400-000L	Center Bushing, Rubber	2	X	X			1-189
	E-6980	49600-000L	Center Bushing, Loose End Plug	2	X	X			1-189
	E-9359	29483-005L	Center Bushing, Rubber, Requires Transverse Rods	2			X	X	1-189
40	E-5309	34013-049L	End Bushing and Adapter Kit	4		X			1-191
	E-9576	34013-073L	End Bushing and Adapter Kit	4				X	1-191
41	E-1341A	45900-000L	End Bushing	4	X	X	X	X	1-192
42	E-9420	21140-034L	End Bushing Adapter Kit	4			X	X	1-193
43	E-2374	45000-007L	End Bushing Adapter Kit	4	X	X			1-193

S.O.S. = Available through Euclid's S.O.S. Department

HENDRICKSON RS-480/503/520/523 SUSPENSION

Truck/Tractor

1



HENDRICKSON RS-480/503/520/523 SUSPENSION PARTS

Truck/Tractor

KEY NO.	EUCLID NO.	REPLACES HENDRICKSON NO.	DESCRIPTION	QUANTITY PER TANDEM	RS-480	RS-503	RS-520	RS-523	PAGE NO.	
1	E-2634	22186-000	Frame Bracket, Torque Rod	2	X	X	X	X	1-214	
2	See Torque Rod Section		Torque Rod Assembly	2	X	X	X	X	2-36	
—	S.O.S.	20681-072	Heavy-Duty Cushion Kit, 34" Frame	1		X		X	—	
		20681-077	Heavy-Duty Cushion Kit, 34 1/2" Frame Includes Key Nos. 3, 4, 5	1		X		X	—	
3	E-7617	48523-001	Frame Hanger, 34" Frame Width	2		X		X	1-207	
	E-7619	48525-001	Frame Hanger, 34 1/2" Frame Width			X		X	1-207	
4	E-2232	24209-000	Heavy-Duty Load Cushion	2		X		X	1-208	
5	E-2604	20781-000	Saddle Plate	2		X		X	1-233	
6	See Hanger Section		Frame Hanger Left Hand Front/Right Hand Rear, Includes Key Nos. 13, 14	2	X	X	X	X	1-202	
7	E-1960	26953-000L	Load Cushion, 70 Durometer	4	X	X	X	X	1-208	
8	See Hanger Section		Frame Hanger, Right Hand Front/Left Hand Rear, Includes Key Nos. 13, 14	2	X	X	X	X	1-202	
9	S.O.S.	08606-132 (Old)	Saddle Assembly, 12 1/4", Includes Key Nos. 10 to 12, 15, 16, 22 to 25	2	X	X	X	X	—	
		08606-160 (New)								
	S.O.S.	08606-136 (Old)	Saddle Assembly, 12 7/8", Includes Key Nos. 10 to 12, 15, 16, 22 to 25		X	X	X	X		X
		08606-152 (New)								
	S.O.S.	08606-133 (Old)	Saddle Assembly, 14", Includes Key Nos. 10 to 12, 15, 16, 22 to 25		X	X	X	X		X
		08606-164 (New)								
S.O.S.	08606-134 (Old)	Saddle Assembly, 15 1/4", Includes Key Nos. 10 to 12, 15, 16, 22 to 25	X	X	X	X	X			
	08606-166 (New)									
10	E-9418	50780-000	Saddle Bearing Ring	4	X	X	X	X	1-209	
11	E-1940									
12	E-9515 (Poly)	19279-000L	Vertical Bushing	4	X	X	X	X	1-208	
13	E-1945	08536-000	Concave Washer, 1 1/2"	4	X	X	X	X	1-208	
14	E-1946	25151-000	UNF Nylocknut, 1 1/2"-12 Thd.	4	X	X	X	X	1-209	
15	E-1942	19111-001	UNF Stud, 5/8"-18 Thd.	8	X	X	X	X	1-208	
16	E-1943	19114-000	UNF Locknut, 5/8"-18 Thd.	8	X	X	X	X	1-209	
—	S.O.S.	31005-001	Stop Nut Kit, One Side		Optional	Optional	Optional	Optional	—	
		31005-002	Stop Nut Kit, Two Sides Includes Key Nos. 17, 18	1	Optional	Optional	Optional	Optional	—	
17	E-2233	30208-000	Rebound Bumper	As Required	Optional	Optional	Optional	X	1-209	
18	E-7620	30251-000	Stop Nut	As Required	Optional	Optional	Optional	X	1-209	
19	E-1842	44643-009L	Cross Tube, 44 7/8"	1	X	X			1-188	
	E-9426	07622-003	Cross Tube, 46"						X	X
20	E-9325	34013-087L	Bar Pin Bushing Kit, Non-Shim Type	4	X	X	X	X	1-192	
21	E-9326	34013-088L	Bar Pin Bushing Kit, Shim Type	4	X	X	X	X	1-192	
22	E-1835	04842-000	UNF Saddle Cap Locknut, 7/8"-14 Thd.	8	X	X	X	X	2-34	
23	E-1834	22962-002	Hardened Washer, 7/8"	8	X	X	X	X	2-35	
24	E-1947	09030-000	UNF-9 UNC Saddle Cape Stud, 7/8"-14 Thd.	8	X	X	X	X	1-199	

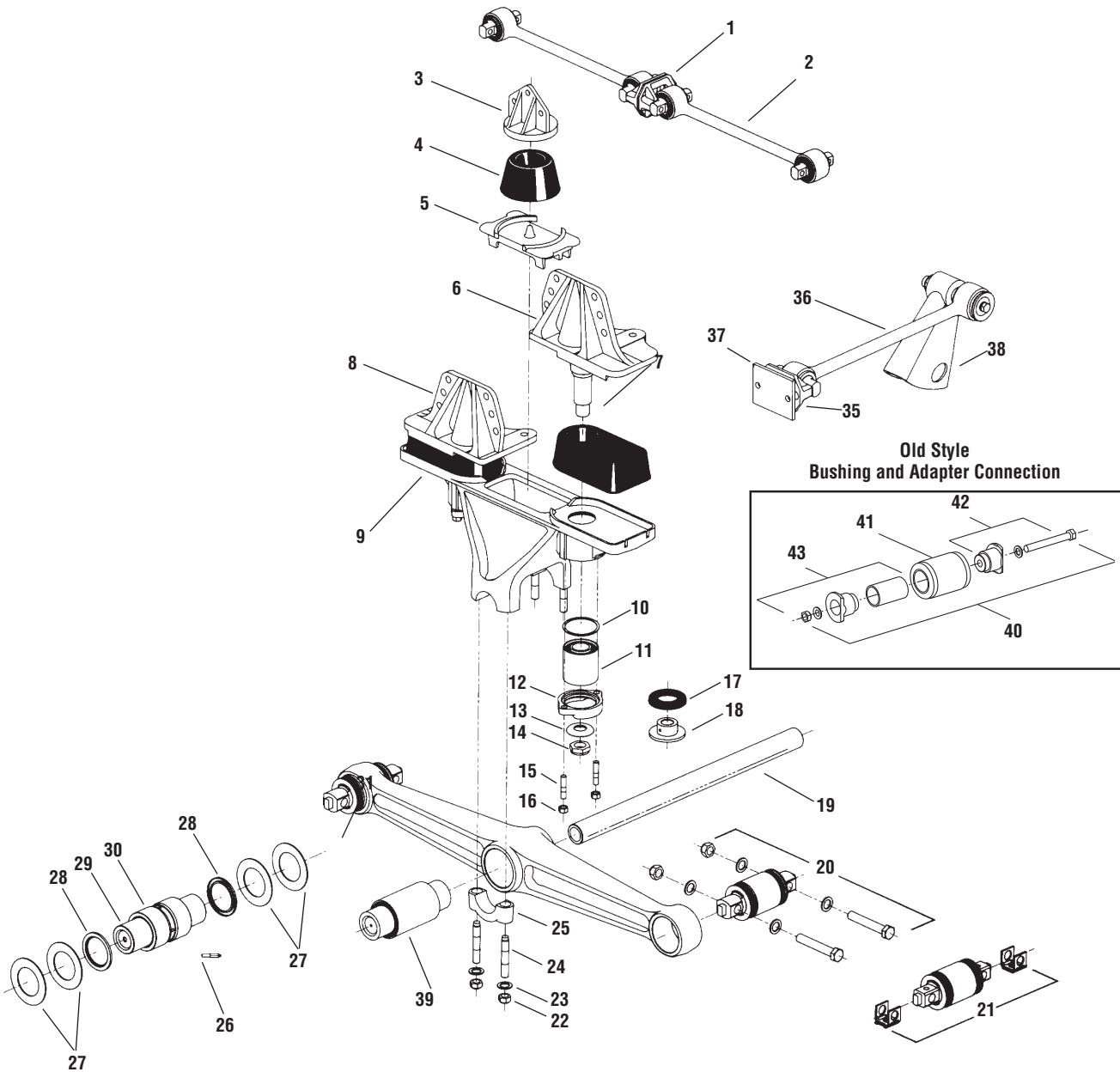
S.O.S. = Available through Euclid's S.O.S. Department

Continued On Next Page

HENDRICKSON RS-480/503/520/523 SUSPENSION

Truck/Tractor

1



HENDRICKSON RS-480/503/520/523 SUSPENSION PARTS

Truck/Tractor

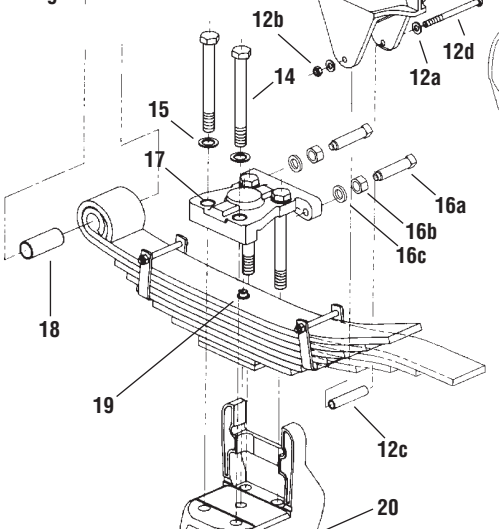
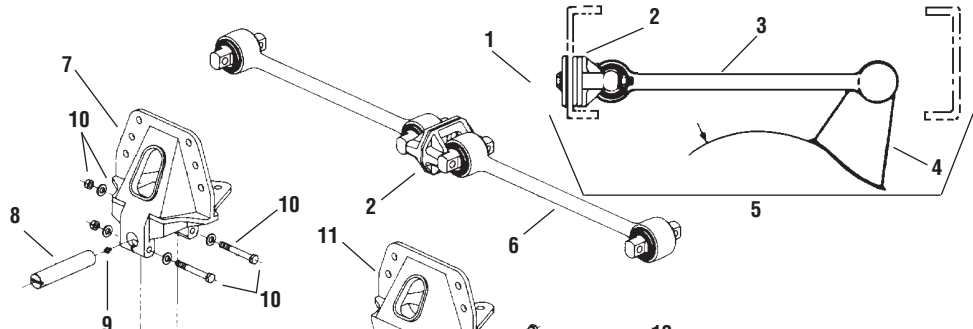
KEY NO.	EUCLID NO.	REPLACES HENDRICKSON NO.	DESCRIPTION	QUANTITY PER TANDEM	RS-480	RS-503	RS-520	RS-523	PAGE NO.
25	E-1833A	48545-000 (Old)	Saddle Cap	4	X	X	X	X	1-199
		58795-000 (New)							
—	E-1546	30437-000L	Bronze Center Bushing Kit	1	X	X	X	X	1-190
26	S.O.S.	30087-000	Lube Fitting with Forged Beam	2	X	X	X	X	—
		58758-001	Lube Fitting with Fabricated Beam						
27	E-2021	32365-000	Thrust Washer	8	X	X	X	X	1-191
28	E-1553	30334-000	Center Beam Seal	4	X	X	X	X	1-191
		E-3913	45229						
29	E-1551	14685-000L	Beam Center Sleeve	2	X	X	X	X	1-190
30	E-1552	30240-002	Bronze Center Bushing	2	X	X	X	X	1-190
31	S.O.S.	Various	Walking Beam	2	X	X	X	X	—
—	E-5309	34013-049L	End Beam Bushing Kit, Old Style RS400 Only, Includes Key Nos. 32, 33	4	X	X	X	X	1-191
	E-9576	34013-073L	End Beam Bushing Kit Includes Key Nos. 32, 33						
	E-9577	34013-050L	End Beam Bushing Kit Includes Key Nos. 32, 33						
32	E-1341A	45900-000L	End Beam Bushing, Old Style	4	X	X	X	X	1-192
	E-2771	29878-001L							
	E-9419	45407-000							
33	E-2374	45000-007L	End Beam Adapter, Old Style	4	X	X	X	X	1-193
	E-9420	21140-034L	Uses Bushing E-1341A, Bolt Size, 1" x 10 1/2"						
	E-9421	21140-033	Uses Bushing E-9419, Bolt Size 1"x11"						
34	E-2375	45000-008	Split Flange Adapter, Old Style	4	X	X	X	X	1-193
	S.O.S.	21140-040							
	S.O.S.	21140-028							
	S.O.S.	21140-023							
35	E-2634	22186-000	Frame Bracket, Torque Rod	2	X	X	X	X	1-214
36	See Torque Rod Section		Transverse Torque Rod Assembly	2	X	X	X	X	2-36
37	S.O.S.	45045-003	Back Up Plate	2	X	X	X	X	—
38	S.O.S.	Various	Axle Bracket	2	X	X	X	X	—
39	E-6979	49400-000L	Center Bushing, Rubber	2	X				1-189
	E-6980	49600-000L	Center Bushing, Loose End Plug	2	X				1-189
	E-9359	29483-005L	Center Bushing, Rubber	2		X	X	X	1-189
40	E-9577	34013-050L	End Bushing and Adapter Kit	4	X	X	X	X	1-191
	S.O.S.	34013-051L	End Bushing and Adapter Kit	4			X	X	—
41	E-2771	29878-001L	End Bushing	4	X	X			1-192
	E-9419	45407-000L	End Bushing	4			X	X	1-192
42	E-9420	21140-034L	End Bushing Adapter Kit	4	X	X	X	X	1-193
43	S.O.S.	21140-033L	End Bushing Adapter Kit	4			X	X	—

S.O.S. = Available through Euclid's S.O.S. Department

HENDRICKSON RT/RTE 340/343/400/403/460/463 SUSPENSION

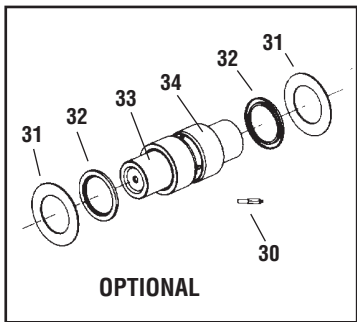
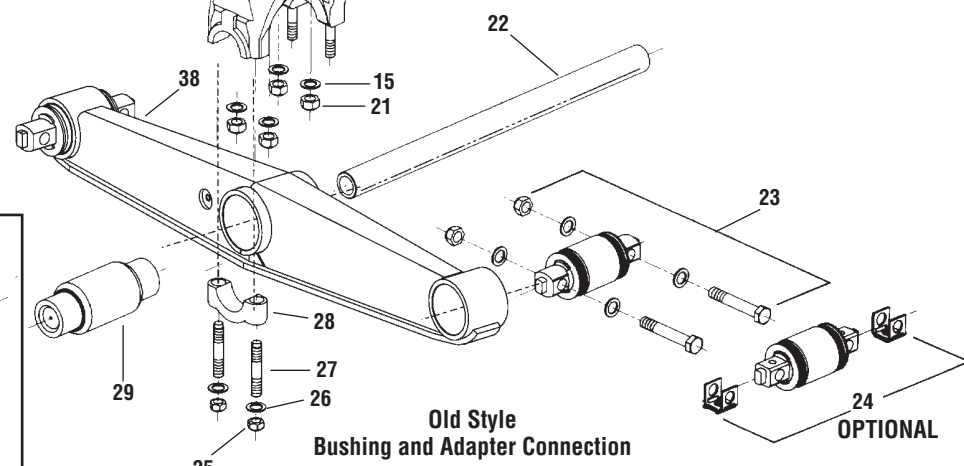
Truck/Tractor

TRANSVERSE TORQUE ARM

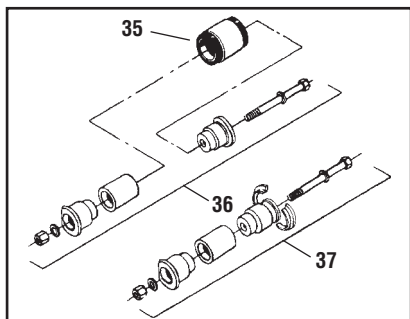


LEAF SPRING REFERENCES

SRI No.	
50-171	12/Pad
50-141	12 Leaf
50-135	12 Leaf
50-241	12 Leaf
50-307	13 Leaf
50-169	13/Pad
50-267	10 Leaf
50-185	10 Leaf
50-239	12 Leaf
50-183	13/Pad



Old Style
Bushing and Adapter Connection



1

HENDRICKSON RT/RTE 340/343/400/403/460/463 SUSPENSION PARTS

Truck/Tractor

KEY NO.	EUCLID NO.	REPLACES HENDRICKSON NO.	CASTING NO.	DESCRIPTION	QTY. PER TANDEM	RT	RT	RT	RT	RT	RT	RTE	RTE	RTE	RTE	RTE	PAGE NO.													
						340	343	400	403	460	463	340	343	400	403	460		463												
1	E-HN45045-003	45045-003		Backup Plate	2	X	X	X	X	X	X	X	X	X	X	X	—													
2	E-2634	22186-000		Torque Rod Frame Bracket	2	X	X	X	X	X	X	X	X	X	X	X	1-214													
3*	See Torque Rod Section			Transverse Torque Rod	2	X	X	X	X	X	X	X	X	X	X	X	2-36													
4	S.O.S.	Various		Transverse Rod Axle Bracket	2	X	X	X	X	X	X	X	X	X	X	X	—													
5	S.O.S.	Various		Transverse Torque Rod Assembly (Includes Key Nos. 1, 2, 3, 4)	2	X	X	X	X	X	X	X	X	X	X	X	—													
6*	See Torque Rod Section			Two Piece Torque Rod Assembly	2	X	X	X	X	X	X	X	X	X	X	X	2-36													
7	See Hanger Section			Forward Spring Hanger Double Lock Pin	2	X	X	X	X	X	X	X	X	X	X	X	1-202													
8	E-3761	43146-000L		Pin 1 3/8" Dia. Double Lock	2	X	X	X	X	X	X	X	X	X	X	X	1-200													
9	E-1307	33117-000		Lube Fitting	2	X	X	X	X	X	X	X	X	X	X	X	1-200													
10	S.O.S.	24531-009		1/2"-13 UNC Bolt	10	X	X	X	X	X	X	X	X	X	X	X	—													
		22962-011		1/2" Washer													—													
		49846-000		1/2" - 13 UNC Locknut													—													
11	See Hanger Section			Rear Spring Hanger	2	X	X	X	X	X	X	X	X	X	X	X	1-202													
—	E-9428	29828-023		Rebound Bolt & Spacer Assembly	2	X	X	X	X	X	X	X	X	X	X	X	1-201													
12a	S.O.S.	22962-011		1/2" Hardened Washer	4	X	X	X	X	X	X	X	X	X	X	X	—													
12b	S.O.S.	49846-000		1/2" - 13 UNS Locknut	2	X	X	X	X	X	X	X	X	X	X	X	—													
12c	E-1821	00194-000		Spacer	2	X	X	X	X	X	X	X	X	X	X	X	1-200													
12d	E-1820	24531-005		1/2" - 13 UNC Bolt	2	X	X	X	X	X	X	X	X	X	X	X	2-33													
13	See Hanger Section			Extended Leaf Spring Hanger	2	X	X	X	X	X	X	X	X	X	X	X	1-202													
14	See Top Pad Bolts			Top Pad Bolt, Length Varies By Spring Size	8	X	X	X	X	X	X	X	X	X	X	X	—													
15	E-2573	22962-006		Washer 1"	16	X	X	X	X	X	X	X	X	X	X	X	2-35													
16a	S.O.S.	06813-000		3/4"-10 UNC Square Head Set Screw	4	X	X	X	X	X	X	X	X	X	X	X	—													
16b	S.O.S.	17339-000		Set Screw Lockwasher	4	X	X	X	X	X	X	X	X	X	X	X	—													
16c	S.O.S.	17342-000		3/4"-10 UNC Set Screw Locknut	4	X	X	X	X	X	X	X	X	X	X	X	—													
17	E-1869	35064-000	47880	Top Pad	2	X	X	X	X	X	X	X	X	X	X	X	1-198													
18	E-1877	30057-008L		Spring Eye Bushing, 1 3/8" I.D.	2	X	X	X	X	X	X	X	X	X	X	X	1-200													
19	S.O.S.	66662-001 (New) 05069-000 (Old)		Center Bolt, 5/8" Dia. (Cut to length)	2	X	X	X	X	X	X	X	X	X	X	X	—													
20	E-1849	31017-023	46529	Saddle Assembly, 6 3/16" Height	2	X						X					1-198													
	E-1850	31017-025L	46138	Saddle Assembly, 7 3/16" Height													X												1-198	
	E-1853	31017-022L	57167	Saddle Assembly, 6" Height														X	X	X				X	X	X				1-198
	E-10058	31017-109L	57143	Saddle Assembly, 7 3/16" Height														X	X	X				X	X	X				1-198
	E-1854	31017-096L	57457	Saddle Assembly, 6" Height																	X	X					X	X		1-198
	E-7530	31017-110L	57155	Saddle Assembly, 7 3/16" Height																	X	X					X	X		1-198
21	E-1828	08017-000		Lock Nut 1"-14 UNS	8	X	X	X	X	X	X	X	X	X	X	X	2-34													
22	E-1842	44643-009L		Cross Tube, 2 7/16" Dia. x 44 7/8" Long	1	X		X	X	X	X	X	X	X	X	X	1-188													
	E-1840	44642-008L		Cross Tube, 1 15/16" Dia. x 44 7/8" Long																	X								1-188	
23	E-9325	34013-087L		Bar Pin Bushing Kit, Non-Shim Type	4	X	X	X	X	X	X	X	X	X	X	X	1-192													
24	E-9326	34013-088L		Bar Pin Bushing Kit, Shim Type	4	X	X	X	X	X	X	X	X	X	X	X	1-192													

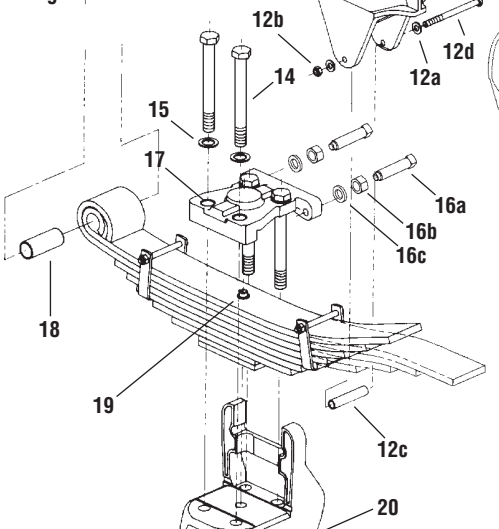
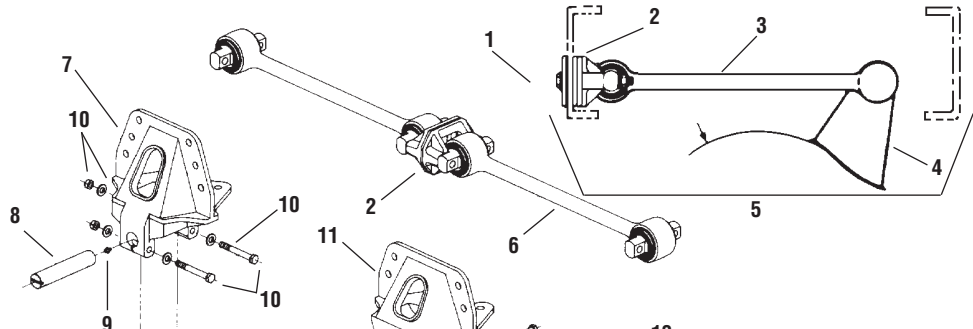
S.O.S. = Available through Euclid's S.O.S. Department

Continued On Next Page

HENDRICKSON RT/RTE 340/343/400/403/460/463 SUSPENSION

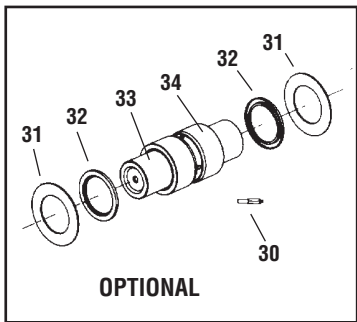
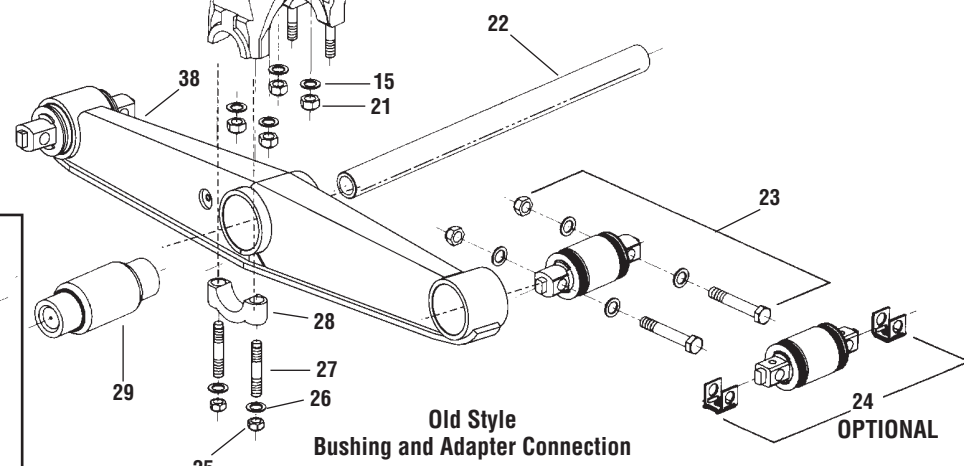
Truck/Tractor

TRANSVERSE TORQUE ARM

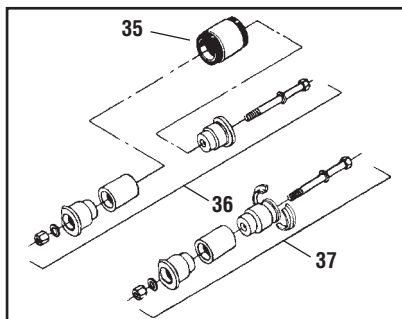


LEAF SPRING REFERENCES

SRI No.	
50-171	12/Pad
50-141	12 Leaf
50-135	12 Leaf
50-241	12 Leaf
50-307	13 Leaf
50-169	13/Pad
50-267	10 Leaf
50-185	10 Leaf
50-239	12 Leaf
50-183	13/Pad



Old Style
Bushings and Adapter Connection



1

HENDRICKSON RT/RTE 340/343/400/403/460/463 SUSPENSION PARTS

Truck/Tractor

KEY NO.	EUCLID NO.	REPLACES HENDRICKSON NO.	CASTING NO.	DESCRIPTION	QTY. PER TANDEM	RT	RT	RT	RT	RT	RT	RTE	RTE	RTE	RTE	RTE	RTE	PAGE NO.	
						340	343	400	403	460	463	340	343	400	403	460	463		
25	E-1835	04842-000		Nut, Saddle Cap	8	X	X	X	X	X	X	X	X	X	X	X	X	2-34	
26	E-1834	22962-002		Washer	8	X	X	X	X	X	X	X	X	X	X	X	X	2-35	
27	E-1830	06696-000		Stud	8		X	X	X	X	X		X	X	X	X	X	1-199	
	E-1829	07002-000		Stud		X						X						1-199	
28	E-1833A	58795-000 (New) 48545-000 (Old)		Saddle Cap	4		X	X	X	X	X		X	X	X	X	X	1-199	
	E-10311	06662-000		Saddle Cap		X						X						1-210	
29	E-1338	06664-000L		Rubber Center Bushing	2	X						X						1-189	
	E-1594	22279-000L		Rubber Center Bushing w/ Loose End Plug		X						X						1-189	
	E-6979	49400-000L		Rubber Center Bushing			X	X	X				X	X	X			1-189	
	E-6980	49600-000L		Rubber Center Bushing w/ Loose End Plug			X	X	X				X	X	X			1-189	
	E-9359	29483-005L		Rubber Center, Optional, Requires Transverse Rods								X						X	1-189
	S.O.S.	34013-097L		Rubber Center Bushing w/ Loose End Plug, Optional								X						X	—
—	E-1546	30437-000L		Kit, Bronze Center Bushings includes Key Nos. 30, 31, 32, 33, 34	1	X	X	X	X	X	X	X	X	X	X	X	X	1-190	
30	S.O.S.	30087-000		Lube Fitting w/ Forged Beam	2	X	X	X	X	X	X	X	X	X	X	X	X	—	
	S.O.S.	58758-001		Lube Fitting w/ Fab Beam		X	X	X	X	X	X	X	X	X	X	X	X	—	
31	E-2021	32365-000		Thrust Washer	8		X	X	X	X	X		X	X	X	X	X	1-191	
	S.O.S.	32364-000		Thrust Washer		X						X						—	
32	E-1553	30334-000		Beam Center Seal	4		X	X	X	X	X		X	X	X	X	X	1-191	
	S.O.S.	30333-000		Beam Center Seal		X						X						—	
33	E-1551	14685-000		Beam Center Sleeve	2		X	X	X	X	X		X	X	X	X	X	1-190	
	S.O.S.	14684-000		Beam Center Sleeve		X						X						—	
34	E-1552	30240-002		Bronze Center Bushing	2		X	X	X	X	X		X	X	X	X	X	1-190	
	S.O.S.	30240-001		Bronze Center Bushing		X						X						—	
35	E-1341A	45900-000L		End Beam Bushing	4	X	X	X	X	X	X	X	X	X	X	X	X	1-192	
36	E-5309	34013-049L		Rubber End Bushing and Adapter Service Kit	4		X	X	X				X	X	X			1-191	
	E-9576	34013-073L		Rubber End Bushing and Adapter Service Kit							X						X	1-191	
37	E-2374	45000-007L		Adapter w/o Bushing Service Kit	4	X	X	X	X			X	X	X	X			1-193	
	E-9420	21140-034L		Adapter w/o Bushing Service Kit								X					X	1-193	
38	S.O.S.	Various		Walking Beam Adapter	2	X	X	X	X	X	X	X	X	X	X	X	X	—	

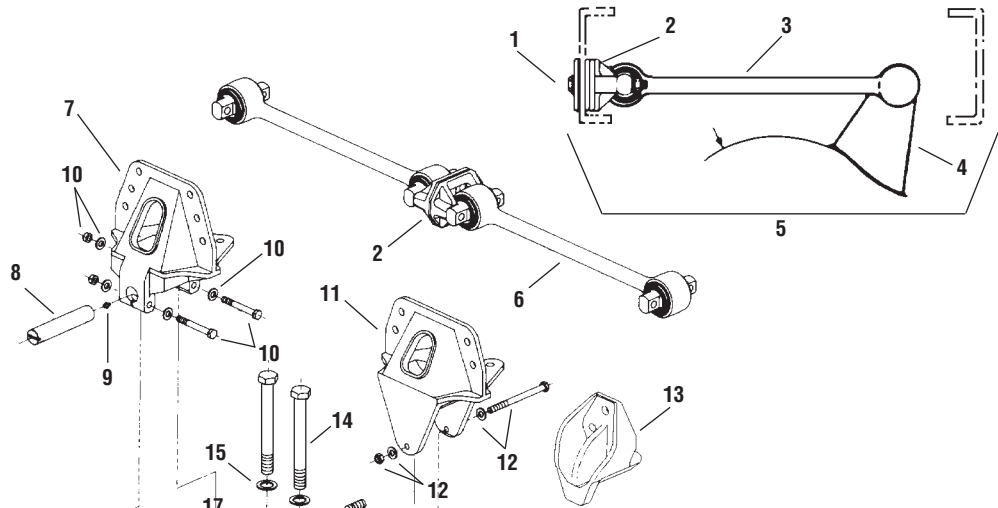
S.O.S. = Available through Euclid's S.O.S. Department

1

HENDRICKSON RT2 400, RT2 460, RTE 400, RTE 460 SUSPENSION

Truck/Tractor

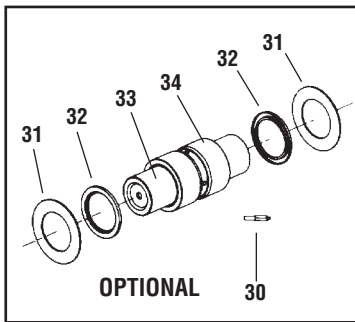
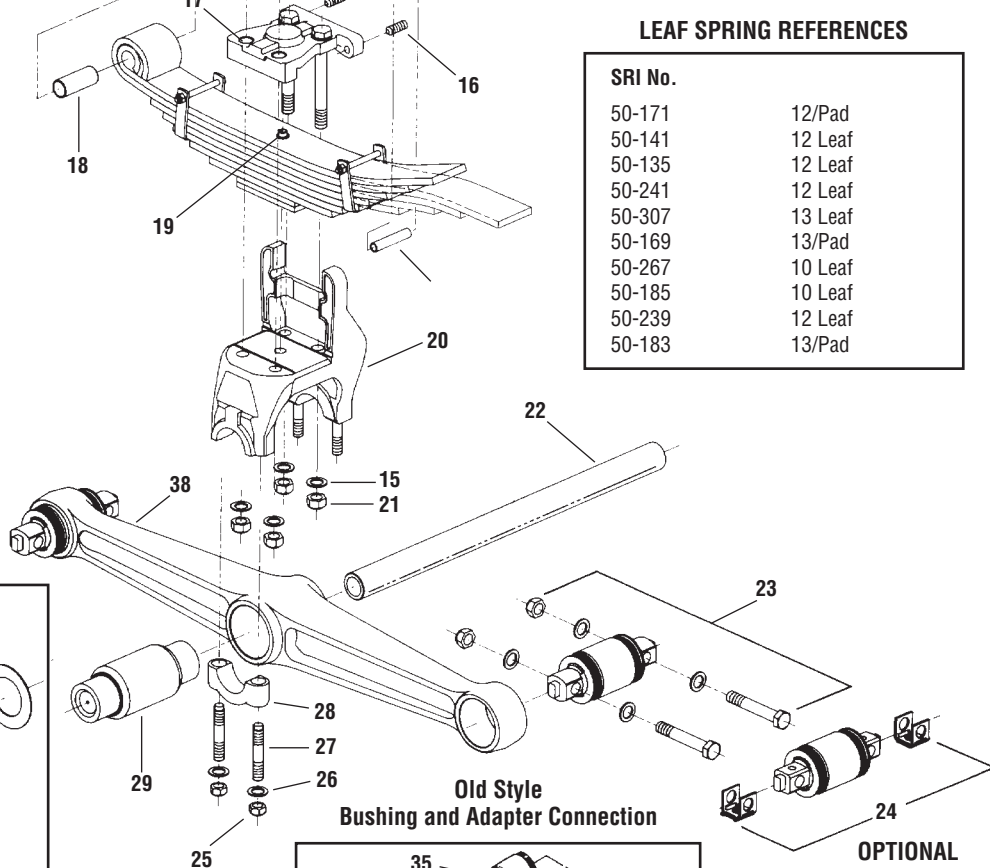
TRANSVERSE TORQUE ARM



LEAF SPRING REFERENCES

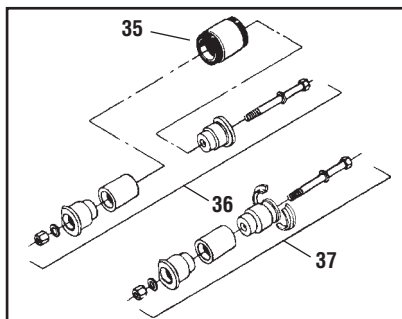
SRI No.

50-171	12/Pad
50-141	12 Leaf
50-135	12 Leaf
50-241	12 Leaf
50-307	13 Leaf
50-169	13/Pad
50-267	10 Leaf
50-185	10 Leaf
50-239	12 Leaf
50-183	13/Pad



OPTIONAL

Old Style
Bushings and Adapter Connection



OPTIONAL

HENDRICKSON RT2 400, RT2 460, RTE 400, RTE 460 SUSPENSION PARTS

Truck/Tractor

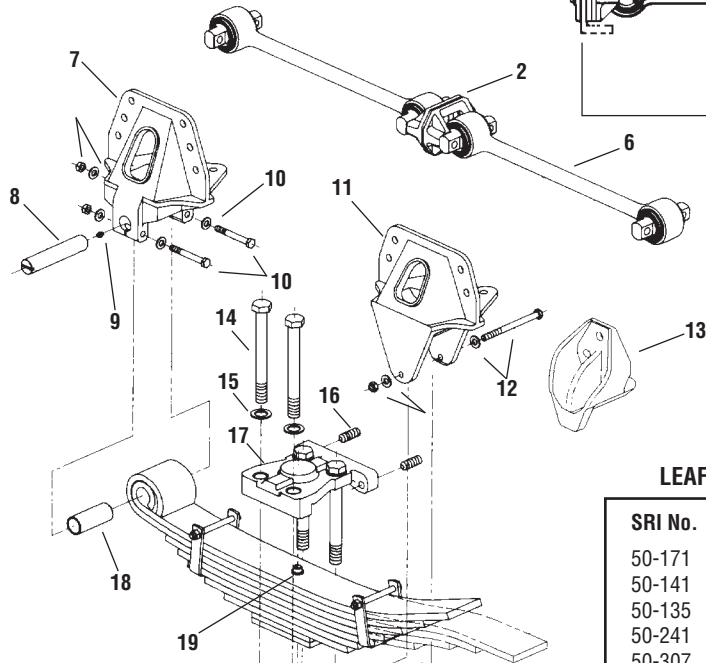
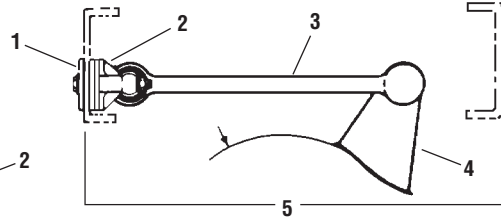
KEY NO.	EUCLID NO.	REPLACES HENDRICKSON NO.	CASTING NO.	DESCRIPTION	QUANTITY PER TANDEM	RT2 400	RT2 460	RTE 400	RTE 460	PAGE NO.
1	S.O.S.	45045-003		Backup Plate	2	X	X	X	X	—
2	E-2634	22186-000		Torque Rod Frame Bracket	2	X	X	X	X	1-214
3*	See Torque Rod Section			Transverse Torque Rod	2	X	X	X	X	2-36
4	S.O.S.	Various		Axle Bracket	2	X	X	X	X	—
5*	S.O.S.	Various		Transverse Torque Rod Assembly Includes Key Nos. 1, 2, 3, 4	2	X	X	X	X	—
6	See Torque Rod Section			Torque Rod Assembly	2	X	X	X	X	2-36
7	See Hanger Section			#1 Front Spring Hanger, Double Lock Bolt	2	X	X	X	X	1-202
8	E-3761	43146-000L		Lock Pin, Double Groove	2	X	X	X	X	1-200
9	E-1307	33117-000		Lube Fitting	2	X	X	X	X	1-200
10	E-9427	29828-035		Lock Bolt Kit	2	X	X	X	X	1-201
11	See Hanger Section			#2 Rear Spring Hanger	2	X	X	X	X	1-202
12	E-9428	29828-023		Rebound Bolt & Spacer Assembly	2	X	X	X	X	1-201
13	See Hanger Section			#3 Spring Hanger, Extended Leaf Spring	2	X	X	X	X	1-202
14	See Top Pad Bolts			Top Pad Bolt, Length Varies By Spring Size	8	X	X	X	X	1-195
15	E-2573	22962-006		Washer	16	X	X	X	X	2-35
16	E-9429	35370-002		Set Screw	4	X	X	X	X	1-195
17	E-1869	35064-000	47880	Top Pad	2	X	X	X	X	1-198
18	E-1877	30057-008L		Spring Eye Bushing	2	X	X	X	X	1-200
19	S.O.S.	05069-000		Spring Center Bolt	2	X	X	X	X	—
20	E-1853	31017-022	42933	Saddle Assembly, 6" Height	2	X				1-198
	E-1854	31017-096	45605		2	X	X	X	X	1-198
	E-10058	31017-109	57143	Saddle Assembly, 7 3/16" Height	2	X	X	X	X	1-198
	E-7530	31017-110	57155		2	X	X	X	X	1-198
21	E-1828	08017-000		Nut, Top Pad Bolt	8	X	X	X	X	2-34
22	E-1842	44643-009L		Cross Tube, 2 7/16" Dia. x 44 7/8" Long	1	X	X	X	X	1-188
23	E-9325	34013-087		Bar Pin Bushing Kit, Non-Shim Type	4	X	X	X	X	1-192
24	E-9326	34013-088L		Bar Pin Bushing Kit, Shim Type	4	X	X	X	X	1-192
25	E-1835	04842-000		Nut, Saddle Cap Stud	8	X	X	X	X	2-34
26	E-1834	22962-002		Washer	8	X	X	X	X	2-35
27	E-1830	06696-000		Stud	8	X	X	X	X	1-199
28	E-1833A	48545-000 (Old) 58795-000 (New)		Saddle Cap	4	X	X	X	X	1-199
29*	E-6979	49400-000		Center Bushing, Rubber	2	X		X		1-189
	E-6980**	49600-000		Center Bushing with Loose End Plug	2	X		X		1-189
	E-9359	29483-005		Center Bushing, Rubber	2		X		X	1-189
—	E-1546	30437-000L		Kit, Bronze Center Bushings ncludes Key Nos. 30, 31, 32, 33, 34	1	X	X	X	X	1-190
30	S.O.S.	30087-000		Lube Fitting	2	X	X	X	X	—
31	E-2021	32365-000		Thrust Washer	As Required	X	X	X	X	1-191
	E-1553	30334-000		Seal	4	X	X	X	X	1-191
E-3913	45229		4		X	X	X	X	1-191	
33	E-1551	14685-000		Sleeve	2	X	X	X	X	1-190
34	E-1552	30240-002		Bronze Center Bushing	2	X	X	X	X	1-190
—	E-5309	34013-049L		End Beam Bushing Kit, Old Style, 400 Only, Includes Key Nos. 35, 36	4	X		X		1-191
35	E-1341A	45900-000L		End Beam Bushing, Old Style	4	X	X	X	X	1-192
	E-2374	45000-007L				X		X		1-193
36	E-9420	21140-034L		End Beam Adapter, Old Style	4		X		X	1-193
	E-2375	45000-008				X	X			1-193
37	S.O.S.	21140-040		End Beam Adapter, Split Flange	4	X		X		—
	S.O.S.	Various				X	X	X	X	—
38	S.O.S.	Various		Walking Beam Assembly	2	X	X	X	X	—

NOTES: * Transverse Torque Rods are required to maintain 46,000 lb. rating when rubber center bushings are used.
** Center Bushing E-6980 to be used with OTC Installation Tools. S.O.S. = Available through Euclid's S.O.S. Department.

HENDRICKSON RT2 480, RT2 520, RTE2 480, RTE2 520 SUSPENSION

Truck/Tractor

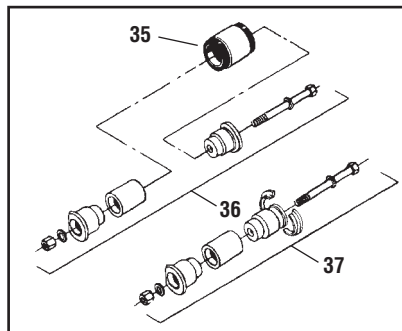
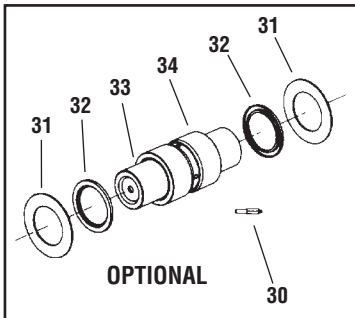
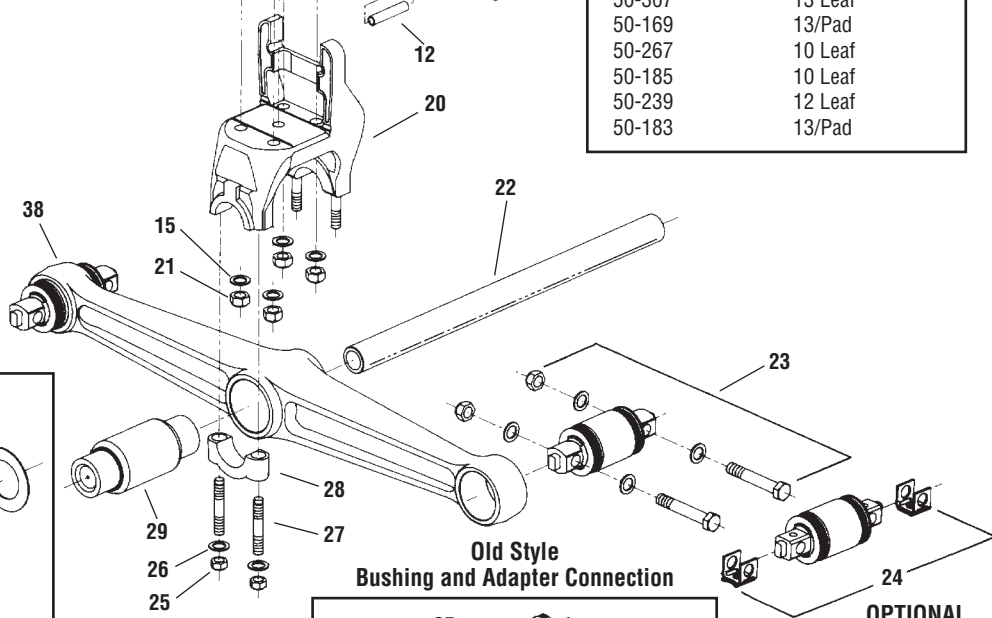
TRANSVERSE TORQUE ARM



LEAF SPRING REFERENCES

SRI No.

50-171	12/Pad
50-141	12 Leaf
50-135	12 Leaf
50-241	12 Leaf
50-307	13 Leaf
50-169	13/Pad
50-267	10 Leaf
50-185	10 Leaf
50-239	12 Leaf
50-183	13/Pad



HENDRICKSON RT2 480, RT2 520, RTE2 480, RTE2 520 SUSPENSION PARTS

Truck/Tractor

KEY NO.	EUCLID NO.	REPLACES HENDRICKSON NO.	CASTING NO.	DESCRIPTION	QTY. PER TANDEM	RT2 480	RT2 520	RTE2 480	RTE2 520	PAGE NO.
1	S.O.S.	45045-003		Backup Plate	2	X	X	X	X	—
2	E-2634	22186-000		Torque Rod Frame Bracket	2	X	X	X	X	1-214
3*	See Torque Rod Section			Transverse Torque Rod	2	X	X	X	X	2-36
4	S.O.S.	Various		Axle Bracket	2	X	X	X	X	—
5	S.O.S.	Various		Transverse Torque Rod Assembly Includes Key Nos. 1, 2, 3, 4	2	X	X	X	X	—
6*	See Torque Rod Section			Torque Rod Assembly	2	X	X	X	X	2-36
7	See Hanger Section			#1 Front Spring Hanger Double Lock Bolt	2	X	X	X	X	1-202
8	E-3761	43146-000L		Lock Pin, Double Groove	2	X	X	X	X	1-200
9	E-1307	33117-000		Lube Fitting	2	X	X	X	X	1-200
10	E-9427	29828-035		Lock Bolt Kit, Key #1 Hanger	2	X	X	X	X	1-201
11	See Hanger Section			#2 Rear Spring Hanger	2	X	X	X	X	1-202
12	E-9428	29828-023		Rebound Bolt & Spacer Assembly	2	X	X	X	X	1-201
13	See Hanger Section			#3 Spring Hanger, Extended Leaf Spring	2	X	X	X	X	1-202
14	See Top Pad Bolts			Top Pad Bolt, Length Varies By Spring Size	8	X	X	X	X	1-195
15	E-2573	22962-006		Washer	16	X	X	X	X	2-35
16	E-9429	35370-002		Set Screw	4	X	X	X	X	1-195
17	E-1869	35064-000	47880	Top Pad	2	X	X	X	X	1-198
18	E-1877	30057-008L		Bushing, 1 3/8" I.D.	2	X	X	X	X	1-200
19	S.O.S.	05069-000		Center Bolt, 5/8" Dia.	2	X	X	X	X	—
20	E-7531	31017-053	32796	Saddle Assembly, 6" Height	2	X	X	X	X	1-198
	S.O.S.	31017-077	47476 or 47665	Saddle Assembly, 7 3/16" Height		X	X	X	X	—
	S.O.S.	31017-108	50965	Saddle Assembly, 11" Height		X	X	X	X	—
21	E-1828	08017-000		Nut, Top Pad Bolt	8	X	X	X	X	2-34
22	E-1842	44643-009L		Cross Tube, 2 7/16" Dia. x 44 7/8" Long	1	X	X	X	X	1-188
	E-9426	07622-003		Cross Tube, 2 7/16" Dia. x 46" Long	1		X		X	1-188
23	E-9325	34013-087		Bar Pin Bushing Kit, Non-Shim Type	4	X	X	X	X	1-192
24	E-9326	34013-088L		Bar Pin Bushing Kit, Shim Type	4	X	X	X	X	1-192
25	E-1835	04842-000		Nut, Saddle Cap Stud	8	X	X	X	X	2-34
26	E-1834	22962-002		Washer	8	X	X	X	X	2-35
27	E-1830	06696-000		Stud	8	X	X	X	X	1-199
28	E-1833A	48545-000 (Old) 58795-000 (New)		Saddle Cap	4	X	X	X	X	1-199
29*	E-9359	29843-005		Center Bushing, Rubber	2	X	X	X	X	1-189
—	E-1546	30437-000L		Kit, Bronze Center Bushings Includes Key Nos. 30, 31, 32, 33, 34	1	X	X	X	X	1-190
30	S.O.S.	30087-000		Lube Fitting	2	X	X	X	X	—
31	E-2021	32365-000		Thrust Washer	As Required	X	X	X	X	1-191
32	E-1553	30334-000		Seal	4	X	X	X	X	1-191
	E-3913	45229		Seal	4	X	X	X	X	1-191
33	E-1551	14685-000		Sleeve	2	X	X	X	X	1-190
34	E-1552	30240-002		Bronze Center Bushing	2	X	X	X	X	1-190
35	E-2771	29878-001L		End Beam Bushing, Old Style	4	X	X	X	X	1-192
	E-9419	45407-000				X	X	X	X	1-192
36	E-9420	21140-034L		End Beam Adapter, Old Style	4	X	X	X	X	1-193
	E-9421	21140-033				X	X	X	X	1-193
37	S.O.S.	21140-028		End Beam Adapter, Split Flange	4	X		X		—
	S.O.S.	21140-023					X		X	
38	S.O.S.	Various		Walking Beam Adapter	2	X	X	X	X	—

S.O.S. = Available through Euclid's S.O.S. Department

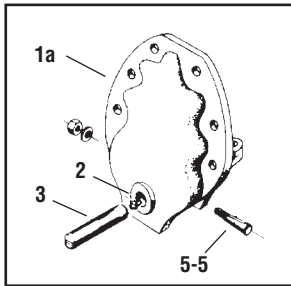
NOTES: * Transverse Torque Rods are required when the walking beams have rubber center bushings.

HENDRICKSON RT 650 SUSPENSION

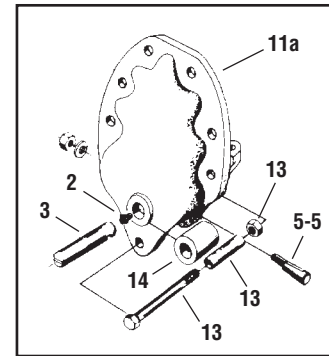
Truck/Tractor

1

Single Lock Design - Old Style



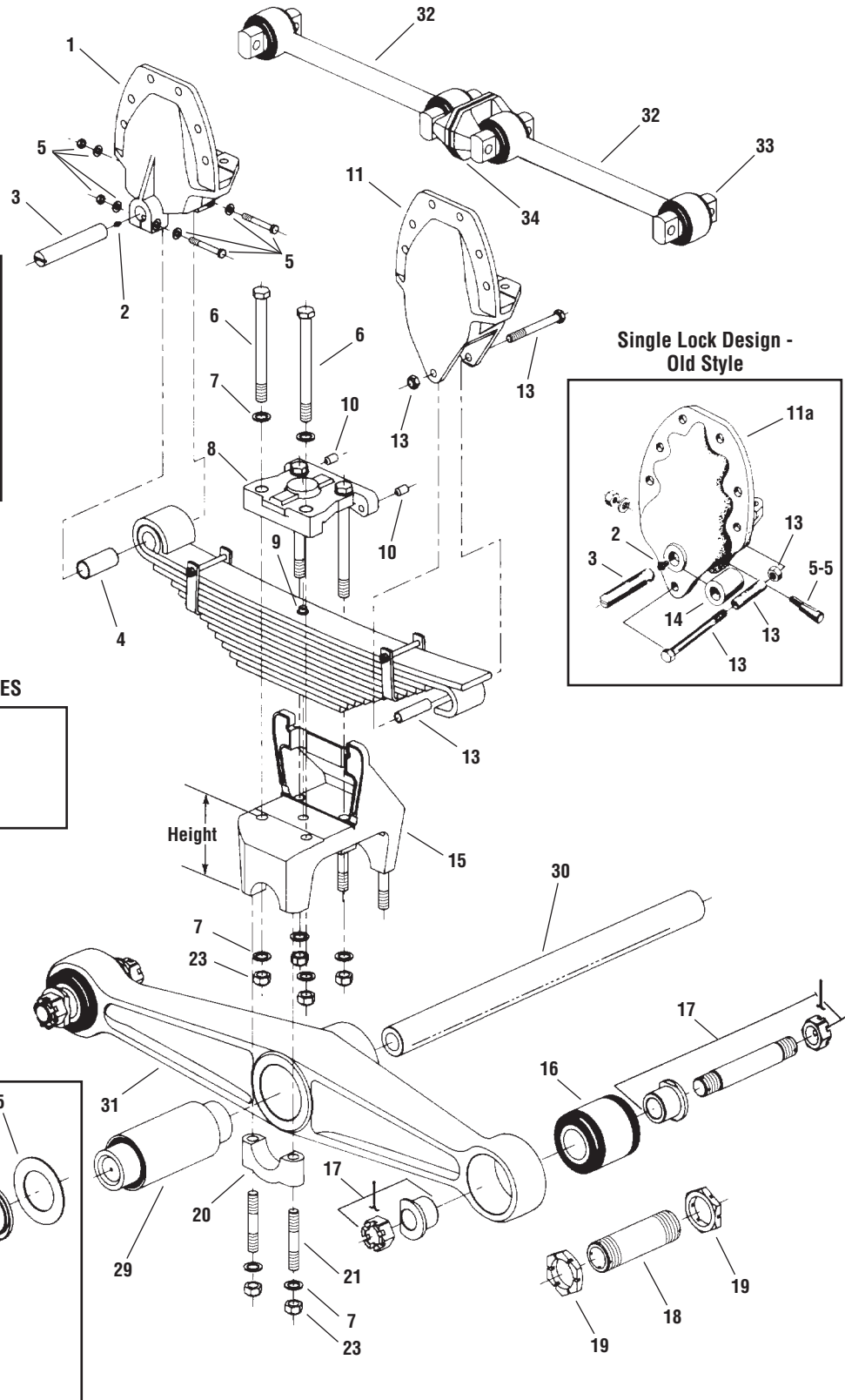
Single Lock Design - Old Style



LEAF SPRING REFERENCES

SRI No.

50-285	12 Leaf
50-215	12/Pad
50-123	12 Leaf



HENDRICKSON RT 650 SUSPENSION PARTS

Truck/Tractor

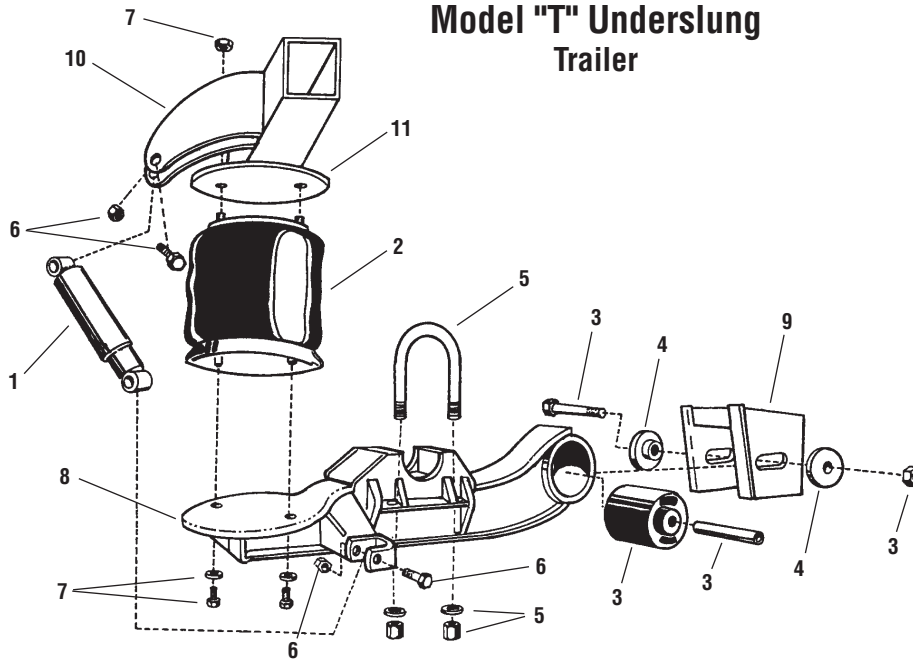
KEY NO.	EUCLID NO.	REPLACES HENDRICKSON NO.	CASTING NO.	DESCRIPTION	QUANTITY PER TANDEM	PAGE NO.
1	S.O.S.	46549-003	46548	#1 Spring Hanger, Double Lock Pin	2	—
	S.O.S.	45790-001	45789	#1 Spring Hanger, Double Lock Pin	2	
1a	S.O.S.	09474-000	9474	#1 Spring Hanger	2	—
	S.O.S.	11063-001	11063-1	#1 Spring Hanger, Flat Top	2	
	N/A	33798-000	35434	#1 Spring Hanger	2	
	S.O.S.	46094-001	46093-1	#1 Spring Hanger, Left Hand	1	
	S.O.S.	46094-002	46093-2	#1 Spring Hanger, Right Hand	1	
	2	E-1307	33117-000		Lube Fitting	
3	E-2556	00005-000		Drawkey Lock Pin, 1 1/2" Dia.	4	1-200
	E-12001	45797-000		Double Lock Pin, 1 1/2" Dia.	2	—
4	E-2557	22285-000		Spring Eye Bushing, Bronze	2	1-200
	S.O.S.	50592-000		Steel Bushing, 1 1/2" I.D.		
5	S.O.S.	46825-001		Lock Bolt Assembly	2	—
5-5	E-2558	00081-001		Drawkey Assembly	4	1-200
6	See Top Pad Bolts			Top Pad Bolt	8	1-195
7	E-2573	22962-006		Washer	32	2-35
8	S.O.S.	19199-000 (New) 45112-000 (Old)	35431 or 48491	Top Pad, 8 9/16" Wide	2	—
9	S.O.S.	66662-001 (New) 05069-000 (Old)		Center Bolt Cut to Length	2	—
10	S.O.S.	19201-002		Internal Hex Nut Set Screw	4	—
11	S.O.S.	45792-001	45791	#2 Spring Hanger	2	—
	S.O.S.	46551-003	46550	#2 Spring Hanger	2	
11a	S.O.S.	09474-000	9474	#2 Spring Hanger	2	—
	S.O.S.	11063-001	11063-001	#2 Spring Hanger, Flat Top	2	
	S.O.S.	33797-000	33796	#2 Spring Hanger	2	
	S.O.S.	46094-001	46093-1	#2 Spring Hanger, Left Hand	1	
	S.O.S.	46094-002	46093-2	#2 Spring Hanger, Right Hand	1	
	13	S.O.S.	29828-033		Rebound Bolt & Spacer Assembly	
14	S.O.S.	00003-000		Pin Roller	2	—
15	S.O.S.	31017-004	15784, 46895, or 48497	Saddle Assembly, 7 1/8" Height	2	—
	S.O.S.	31017-069	15784 or 46673-002	Saddle Assembly, 11 1/8" Height		
	S.O.S.	31017-070	15784 or 46673-002	Saddle Assembly, 10 1/8" Height		
	S.O.S.	31017-071	15784 or 46673-001	Saddle Assembly, 9 3/8" Height		
16	E-2554	10363-000L		End Bushing	4	1-192
17	E-2555	21140-007		Beam End Adapter Assembly for 6" Bushing	4	1-193
	S.O.S.	21140-004		Beam end Adpter Assembly for 7" Bushing		
18	E-2566	10372		Optional Beam Hanger Tube	2	1-193
19	E-2567	10371-000		Beam Hanger Tube Nut	4	1-193
20	S.O.S.	15785-000		Cap	4	—
21	S.O.S.	10948-000		1"-14 Thd. UNS Saddle Cap Stud	8	—
—	S.O.S.	45374-000		Bronze Center Bushings Kit Includes Key Nos. 24, 25, 26, 27, 28	1	—
23	E-1828	08017-000		1"-14 Thd. UNS Locknut	8	2-34
24	S.O.S.	30087-000		Lube Fitting	2	—
25	S.O.S.	45261-000		Thrust Washer	4	—
26	S.O.S.	31577-000		Seal	4	—
27	S.O.S.	25102-000		Sleeve	2	—
28	S.O.S.	30240-005		Center Bushing, Bronze	2	—
29	E-2553	10366-000L		Center Bushing, Rubber	2	1-189
30	S.O.S.	Various		Cross Tube	1	—
31	S.O.S.	Various		Walking Beam	2	—
32	See Torque Rod Section			Torque Rod	2	2-36
—	E-3913	45229		Seal	4	1-191
—	E-1553	30334-000		Seal	4	1-191
33	S.O.S.	48304-000		Torque Rod Bushing	4	—
34	S.O.S.	46015-000		Torque Rod Frame Bracket	2	—

S.O.S. = Available through Euclid's S.O.S. Department

N/A = Parts No Longer Available

HENDRICKSON "T" SUSPENSION

Model "T" Underslung Trailer

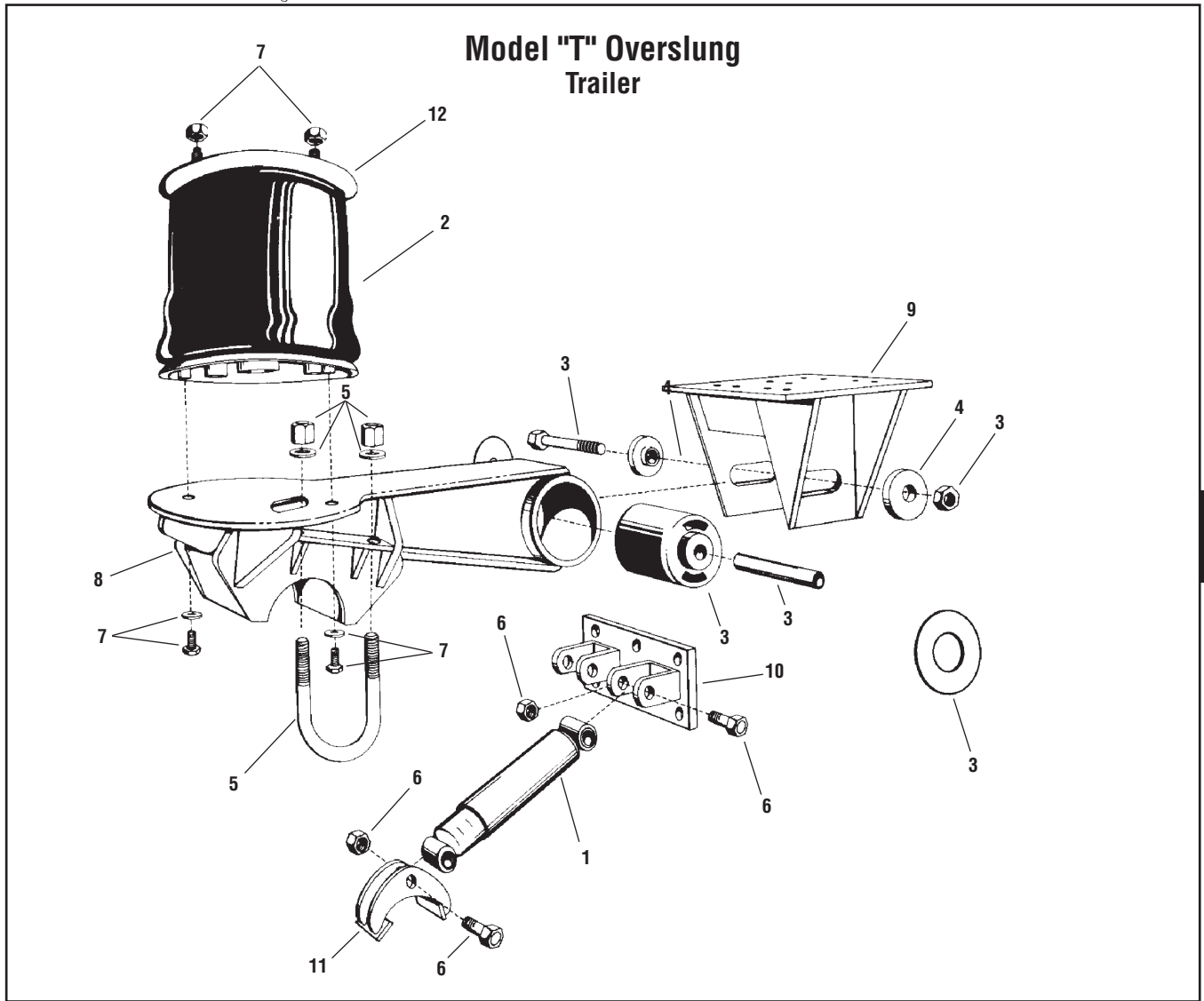


1

KEY NO.	EUCLID NO.	REPLACES HENDRICKSON NO.	DESCRIPTION	QTY. PER AXLE	T-6				T-9					T-20	PAGE NO.		
					062	071	370	422	084	106	278	313	325			390	
1	M85000	S-1667	Shock	2	X		X	X								3-14	
	M89436	S-1667	Shock														
	M85029	S-2212	Shock				X										
	M85010	S-2213	Shock												X	X	3-13
	M85013	S-2240	Shock						X								
	M89414	S-2240	Shock														
	M85005	S-4084	Shock							X	X	X					
	M89430	S-4084	Shock														
	M83221	S-2218	Shock Absorber										X				
2	FS9105	S-1245	Air Spring	2		X										—	
	FS9039	S-2064				X											—
	S.O.S.	S-11650					X	X									—
	FS9082	S-2066							X	X	X						—
	FS9228	S-3411							X							X	—
	FS9122	S-3830							X								—
3	E-6121	A-6914	Pivot Bushing Kit	2	X	X	X	X	X	X		X	X	X	X	1-225	
	S.O.S.	A-13136										X					
4	S.O.S.	B-7349	Alignment Collar	4								X				—	
	E-3771	S-2770			X	X	X	X	X	X		X	X	X	X	X	1-226
5	E-UB8165-10	A-2237 S-3650	U-Bolt Assembly, Rd. Bend, 7/8"-14 Thd. x 5" Wide x 10" Long	4	X	X			X	X	X	X				2-26	
	E-UB8165-12	S-4709	U-Bolt Assembly, Rd. Bend, 7/8"-14 Thd. x 5" Wide x 12" Long	4			X	X					X	X	X	2-26	
6	S.O.S.	S-2157 / 2	Shock Bolt Kit	1	X	X	X	X	X	X	X	X	X	X	X	—	
7	S.O.S.	A-1981	Air Spring Bolt Kit	1		X			X	X	X	X	X	X	X	—	
	S.O.S.	A-2348	Air Spring Bolt Kit	1	X		X	X								—	
8	S.O.S.	Various	Beam	2	X	X	X	X	X	X	X	X	X	X	X	—	
9	S.O.S.	Various	Frame Bracket	2	X	X	X	X	X	X	X	X	X	X	X	—	
10	S.O.S.	Various	Upper Shock Brkt.	2	X	X	X	X	X	X	X	X	X	X	X	—	
11	S.O.S.	Various	Upper Air Spring Brkt.	2	X	X	X	X	X	X	X	X	X	X	X	—	

S.O.S. = Available through Euclid's S.O.S. Department

HENDRICKSON "T" SUSPENSION

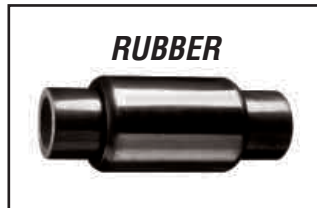


KEY NO.	EUCLID NO.	REPLACES HENDRICKSON NO.	DESCRIPTION	QTY. PER AXLE	T-15						T-17			PAGE NO.
					140	155	172	244	324	376	141	174	284	
1	M85030	S-2218	Shock Absorber	2	X	X	X	X	—	X	X	X	X	3-13
	M89440		Shock Absorber	2	X	X	X	X	—	X	X	X	X	
2	FS8050	S-4771	Air Spring	2	X	X	X	X	X	X	X	X	X	—
3	E-6121	A-6914	Pivot Bushing Kit	2	X	X	X	X	X	X	X	X	X	1-225
4	E-3771	S-2770	Alignment Collar	4	X	X	X	X	X	X	X	X	X	1-226
5	E-UB8165-10	A-2237 S-3650	U-Bolt Assembly Rd. Bend, 7/8"-14 Thd. 5" Wide x 10" Long	4	X	X	X	X	X	X	X	X	X	2-26
6	S.O.S.	S-2157	Shock Bolt Kit	1	X	X	X	X	X	X	X	X	X	—
7	S.O.S.	S-4903	Air Spring Bolt Kit	1	X	X	X	X	X	X	X	X	X	—
8	S.O.S.	Various	Beam	2	X	X	X	X	X	X	X	X	X	—
9	S.O.S.	Various	Frame Bracket	2	X	X	X	X	X	X	X	X	X	—
10	S.O.S.	Various	Upper Shock Bracket	2	X	X	X	X	X	X	X	X	X	—
11	S.O.S.	Various	Lower Shock Bracket	2	X	X	X	X	X	X	X	X	X	—
12	S.O.S.	Various	Upper Air Spring Bracket	2	X	X	X	X	X	X	X	X	X	—

S.O.S. = Available through Euclid's S.O.S. Department

HENDRICKSON WALKING BEAM CENTER BUSHING RUBBER VS. BRONZE

When replacing a Hendrickson Walking Beam Center Bushing... selecting the correct material type — *Rubber* or *Bronze* — is **critical** to ensure proper performance of the suspension assembly.



In some applications... **only** a *Rubber* bushing should be used!

In some applications... **only** a *Bronze* bushing should be used!

In some applications... you can **choose** between a Rubber or Bronze bushing!

Choosing between a Rubber or Bronze bushing depends on a variety of factors, including: Operating conditions • Weight capacity • Geographic location • Use of Transverse Rods

Use the Selection Guide printed on the following page to assist in selecting the Euclid Walking Beam Center Bushing that is recommended by Hendrickson for your specific Hendrickson application.

Euclid Bushing Descriptions

- | | |
|---|---|
| E-1338 Rubber Bushing is the standard 34,000 lb. rated bushing offered by the truck manufacturer. It requires no maintenance and provides satisfactory service life. | E-1339 Rubber Bushing is 38,000 lb. rated, requires no maintenance and provides satisfactory service life. This bushing is no longer installed by OEMs. |
| E-1545 Bronze Bushing provides extended service life in tight cornering & Heavy-Duty 34,000 lb. rated applications. Proper preventive maintenance is required. (<i>Note: Transverse rods must NOT be used with this bushing.</i>) | E-1552 Bronze Bushing is the OEM standard 38,000-52,000 lb. rated bronze bushing, providing long service life in severe applications. Proper preventive maintenance is required. (<i>Note: Transverse rods must NOT be used with this bushing.</i>) |
| E-6979 Rubber Bushing is high confinement, providing a higher resistance to axle walkout. It is the standard rubber bushing in OEM 40,000-46,000 lb. rated applications when used in conjunction with transverse rods. It provides excellent service life. | E-9359 Rubber Bushing is fully bonded, providing the extra strength and durability necessary to routinely handle heavy loads and tight turns. It is specially designed for high capacity suspensions to 52,000 lbs. where low tire wear and low maintenance is desired. Transverse rods are mandatory with this bushing. |

CAUTION POLYURETHANE CENTER BUSHINGS ARE NOT REPLACEMENTS FOR BRONZE BUSHINGS!

- *OEM Sources do not offer polyurethane bushings. Aftermarket experience has shown the use of polyurethane bushings to replace bronze bushings, without the use of transverse torque rods, will lead to premature failure of bushings and may cause beam damage.*
- *Polyurethane center bushings currently sold in the aftermarket have the same applications as RUBBER center bushings.*
- *Polyurethane center bushings require the use of transverse torque rods in the same Heavy-Duty applications that require the use of transverse torque rods with rubber bushings.*

HENDRICKSON CENTER BUSHING SELECTION GUIDE

Selecting a rubber or bronze center bushing is dependent on a variety of factors including the operating conditions and geographic location of the vehicle. These factors can best be determined by the experience of the operator. This selection guide is to be used when operator experience is *not* available.



Transverse torque rods are mandatory in Heavy-Duty applications with rubber center bushings. The bushing applications requiring the mandatory use of transverse torque rods are shown in **BOLD-FACE** and UNDERLINED.
Transverse rods must NOT be used with bronze bushings.

SUSPENSION & USAGE		APPLICATION							
Suspension Capacity (lbs.)	Usage	On-Highway	Dump	Logger	Transit Mixer (Below 11 cubic yards)	Transit Mixer (Over 11 cubic yards)	Refuse Packer (Below 20 cubic yards)	Refuse Packer (Over 20 cubic yards)	Off-Highway
34,000	Standard Duty	E-1338 [Rubber]	E-1338 [Rubber]	E-1338 [Rubber]	N/A	N/A	E-1338 [Rubber]	N/A	E-1338 [Rubber]
	Heavy-Duty	E-1338* [Rubber] OR E-1545 [Bronze]	E-1338* [Rubber] OR E-1548 [Bronze]	E-1338* [Rubber] OR E-1548 [Bronze]	N/A	N/A	E-1338* [Rubber] OR E-1548 [Bronze]	N/A	E-1338* [Rubber] OR E-1548 [Bronze]
38,000-40,000	Standard Duty	E-1339 [Rubber] OR E-6979 [Rubber-High Confinement]	E-6979 [Rubber-High Confinement]	E-1339 [Rubber] OR E-6979 [Rubber-High Confinement]	E-1552	N/A	E-1552	N/A	E-1552
	Heavy-Duty	E-1552 [Bronze]	E-1552 [Bronze]	E-1552 [Bronze]	E-6979* [Rubber-High Confinement]	E-1339* [Rubber] OR E-6979* [Rubber-High Confinement]	E-6979* [Rubber-High Confinement]	E-6979* w/(RS)** E-1552 w/(RT)** [Bronze]	E-6979* [Rubber-High Confinement]
44,000-46,000	Standard Duty	E-1552 [Bronze]	E-1552 [Bronze]	N/A	E-1552 [Bronze]	N/A	E-1552 [Bronze]	N/A	E-1552 [Bronze]
	Heavy-Duty	E-6979* [Rubber-High Confinement] OR E-9359* [Fully Bonded]	E-6979* [Rubber-High Confinement] OR E-9359* [Fully Bonded]	E-6979* w/(RS)** [Rubber-High Confinement] OR E-1552 w/(RT)** [Bronze] OR E-9359* [Fully Bonded]	E-6979* [Rubber-High Confinement] OR E-9359* [Fully Bonded]	E-6979* [Rubber-High Confinement] OR E-9359* [Fully Bonded]	E-6979* [Rubber-High Confinement] OR E-9359* [Fully Bonded]	E-6979* w/(RS)** [Rubber-High Confinement] OR E-1552 w/(RT)** [Bronze] OR E-9359* [Fully Bonded]	E-9359* [Fully Bonded]
48,000-52,000	Standard Duty	E-1552 [Bronze]	E-1552 [Bronze]	E-1552 [Bronze]	N/A	N/A	N/A	N/A	E-1552 [Bronze]
	Heavy-Duty	E-9359* [Fully Bonded]	E-9359* [Fully Bonded]	E-9359* [Fully Bonded]	N/A	E-9359* [Fully Bonded]	N/A	E-6979* w/(RS)** [Rubber-High Confinement] OR E-1552 w/(RT)** [Bronze]	E-9359* [Fully Bonded]

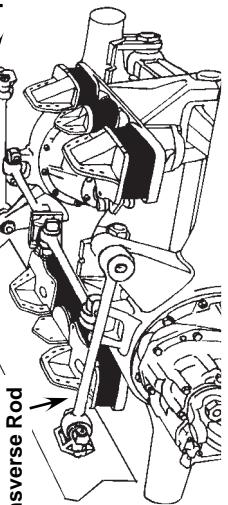
* = Transverse Rods are MANDATORY with this option.

(RS)** = Rubber load cushion suspension.

(RT)** = Multi-leaf spring suspension.

N/A = Not Applicable

GUIDELINES FOR TRANSVERSE ROD APPLICATIONS



Transverse Rod

← Transverse Rod

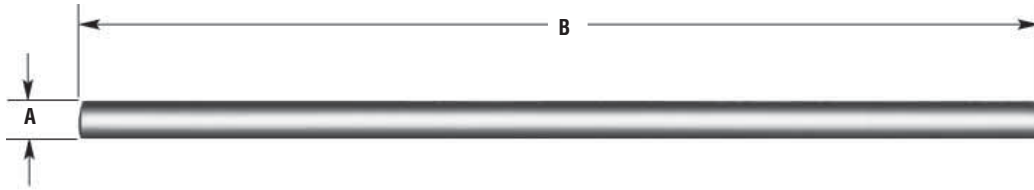
Transverse rods should be used on any Hendrickson walking beam suspension up to and including 52,000 lb. capacity where experience indicates that the use of transverse rods extends rubber bushing service life or provides enhanced stability on vehicles with high center of gravity. The dealership and/or customer must evaluate these factors prior to ordering the vehicle.

Transverse rods are recommended where it is necessary to restrict the lateral movement of axles to prevent interference of tires, brakes, axle housings, etc., with the frame, body or suspension components. This must be determined by the vehicle manufacturer prior to vehicle assembly.

IMPORTANT NOTICE: When transverse rods are used, the walking beam center bushing must be rubber. This may require changing from bronze center bushings, which are standard with some suspensions, to maintain the rating. A vehicle equipped with transverse rods may experience some reduction in suspension articulation or increased lateral stiffness and resistance to turning especially with radial ply tires.

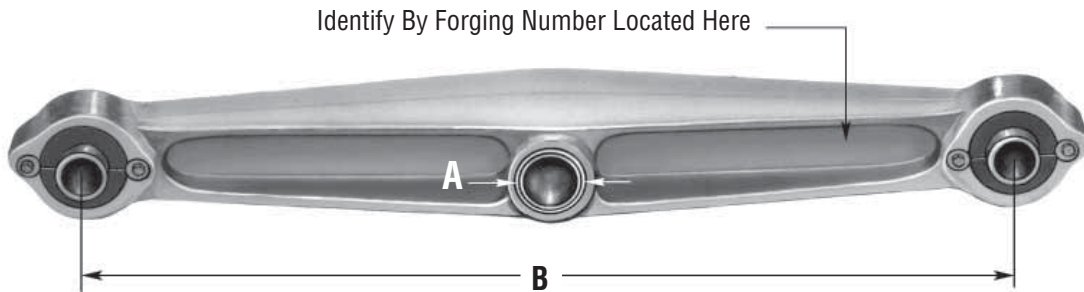
HENDRICKSON CROSS TUBES & EQUALIZER BEAM ASSEMBLIES

CROSS TUBES



EUCLID NO.	A	B	MODEL & SERIES	HENDRICKSON NO.	FORD NO.	GMC NO.	NAVISTAR NO.	VOLVO NO.
E-1840	1 15/16"	44 7/8"	RT/RS/SR/42/400/V4	44642-8	TWAA-5884A	2324962	124863R2	619619
E-1842	2 7/16"	44 7/8"	RT/RS/SR 400	44643-009L	C8HS-5884A	2390348	124896R2	878841
E-9426	2 7/16"	46"	RT2 500	07622-003	—	—	—	—
E-9412	2 7/16"	40 3/4"	HN 460	44643-011	—	—	—	—







EQUALIZER BEAM ASSEMBLIES



480/520 SERIES - BRONZE CENTER - BALL AND SOCKET ENDS

EUCLID NO.	HENDRICKSON NO.	FORGED NO.	TYPE FORGING	A	B	CENTER BUSHING NO.	END BUSHING NO.
S.O.S.	30644-001	30934	Alloy Steel	4 3/4"	50"	E-1552 Installed	Beams Include: E-2032 Ball & E-2033 Socket Installed
S.O.S.	32649	35581-2 or 13250-2		4 3/4"	54"		

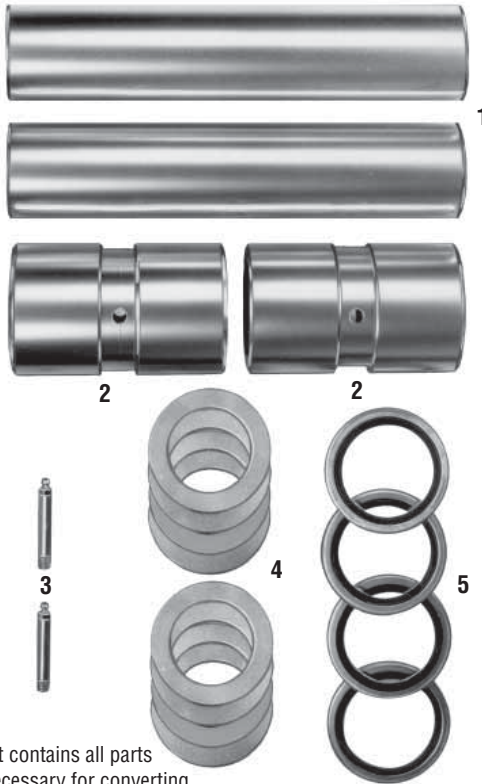
HENDRICKSON EQUALIZER BEAM PARTS

CENTER BEAM BUSHING	EUCLID NO.	REPLACES	SMALL O.D.	LARGE O.D.	O.A. LENGTH	APPLICATION
<p>Need OTC Tool 1740 to Install</p> 	E-1338	Hendrickson 6664 Ford TWAA 5872A Navistar 9650-80R1 GMC 2325972 Volvo 498403	2 3/4"	3 5/8"	12"	For all 340 Series
	E-1339	Hendrickson 5919 Ford TALAA5872A Navistar 124901R91 GMC 2359280 Volvo 452839	3 1/2"	4 3/4"	12"	For all 400, 480 Series
	E-9510 (Poly)					
<p>CENTER BEAM BUSHING</p>  <p>With loose plug to facilitate installation with OTC tools</p>	E-1594	Hendrickson 22279 Ford C9HS-5872A Volvo 1714667	2 3/4"	3 5/8"	12"	For all 340 Series
	E-1595	Hendrickson 22282 Volvo 1714668	3 1/2"	4 3/4"	12"	For all 400 Series
	E-1594-2	Hendrickson 22278	1 15/16" O.D. x 3/16" Thick			Use with E-1594 Bushing
	E-1595-2	Hendrickson 22281	2 7/16" O.D. x 3/16" Thick			Use with E-1595 Bushing
<p>CENTER BEAM BUSHING</p> 	E-2553	Hendrickson 10366	4"	5 1/2"	14 5/8"	For RT/RS 650 Series
<p>CENTER BEAM BUSHING "High Confinement"</p> 	E-6979	Hendrickson 49400-00L	3 1/2"	4 3/4"	12"	Improved version of E-1339. Outer Metal Sleeve has been redesigned to confine the rubber inside the bushing. For 400, 460 Series.
<p>CENTER BEAM BUSHING "High Confinement"</p>  <p>With loose plug.</p>	E-6980	Hendrickson 49600-00L Tool OTC 1746	3 1/2"	4 3/4"	12"	Improved version of E-1595. Outer Metal Sleeve has been redesigned to confine the rubber inside the bushing. For 400, 460 Series.
<p>CENTER BEAM BUSHING "Fully Bonded"</p> 	E-9359	Hendrickson 29483-005	3 1/2"	4 3/4"	12"	Fully Bonded Rubber for extremely Heavy-Duty applications. Transverse rods are required when using rubber center bushings

1

HENDRICKSON EQUALIZER BUSHING KITS

BRONZE CENTER



REBUILD/CONVERSION KITS

340 SERIES

EUCLID E-1545

Replaces Hendrickson 30436-000L
Navistar 890432R92 Volvo 02-7074316

N.S.S. = Not Sold Separate — E-1555 & E-1549 Not Serviced Separately

ITEM	QTY.	EUCLID NO.	DESCRIPTION
1	2	N.S.S.	Beam Center Sleeve 2 3/4" OD x 12" OAL
2	2	N.S.S.	Center Bushing (E-1548 NLA)
3	2	N.S.S.	Alemite Fitting (E-1555)
4	8	N.S.S.	Thrust Washer
5	4	N.S.S.	Seal (E-1549)

400 SERIES

EUCLID E-1546

Replaces Hendrickson 30437-000L
Navistar 893059R92 Volvo 02-7074317

N.S.S. = Not Sold Separate — E-1555 Not Serviced Separately

ITEM	QTY.	EUCLID NO.	DESCRIPTION
1	2	E-1551	Beam Center Sleeve (14685-000L)
2	2	E-1552	Center Bushing (30240-002)
3	2	N.S.S.	Alemite Fitting (E-1555)
4	8	E-2021	Thrust Washer
5	4	E-1553	Seal

Beams must be drilled & tapped for grease fitting

Kit contains all parts necessary for converting two beams to bronze center bushings.

HENDRICKSON EQUALIZER BEAM PARTS

CENTER BEAM SLEEVE (STEEL)





EUCLID NO.	REPLACES	SMALL I.D.	LARGE O.D.	O.A. LENGTH	APPLICATION
E-1551	Hendrickson 14685-000 Ford C2TS-5872A GMC 2436412 Navistar 892611R1 Volvo 649635	—	3 1/2"	12"	For all 400, 460, 480 Series
E-1548 NLA	Hendrickson 30240-1 Navistar 379076C1 Volvo 569245	2 3/4"	3 5/8"	5 7/8"	For all 340 Series
E-1552	Hendrickson 30240-002 Ford D0HZ-5872A GMC 675284 Navistar 379077C1 Volvo 567732	3 1/2"	4 3/4"	5 7/8"	For all 400, 460, 480, 520 Series

CENTER BEAM BUSHING (BRONZE)



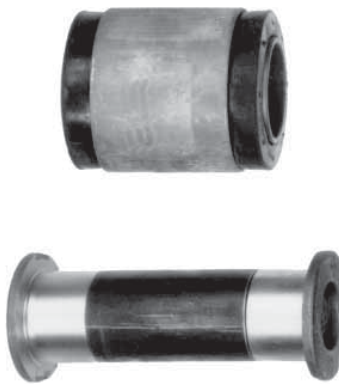
HENDRICKSON EQUALIZER BEAM PARTS

BRONZE CENTER BUSHING SEAL	EUCLID NO.	REPLACES	O.D.	I.D.	THICK	APPLICATION
	E-1553	Hendrickson 30334-000 Ford D0HZ-5878A Navistar 380336C91 Volvo 567731	4 3/4"	3 1/2"	1/4"	For all 400, 460, 480, 520 Series
CENTER BUSHING THRUST WASHER	EUCLID NO.	REPLACES	O.D.	I.D.	THICK	APPLICATION
	E-2021	Hendrickson 32365-000 Ford C6TS-5A552A GMC 2436411 Navistar 892192R1 Volvo 649634	5 3/4"	3 1/2"	1/8"	For all 400, 460, 480, 520 Series

END BEAM BUSHING PARTS

1

END BEAM BUSHING KIT



EUCLID NO.	REPLACES	QTY	EUCLID NO.	DESCRIPTION	APPLICATION & GENERAL INFO.
E-5308	Hendrickson 34013-048L	1 1	E-1340 E-2372	Bushing Adapter	For 340 Series
E-5309	Hendrickson 34013-049L	1 1	E-1341A E-2374	Bushing Adapter	For 400 (Old 380) & 460 Series
E-9576	Hendrickson 34013-073L	1 1	E-1341A E-9420	Bushing Adapter	For 460 Series
E-9577	Hendrickson 34013-050L	1 1	E-2771 E-9420	Bushing Adapter	For 480 & 520 Series

HENDRICKSON EQUALIZER BEAM PARTS

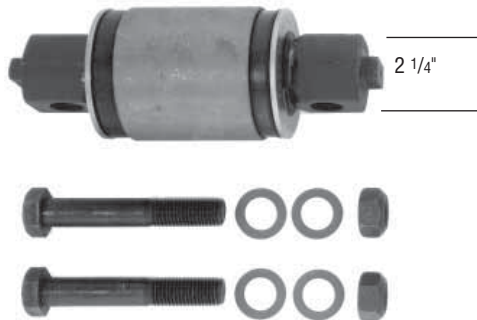
BEAM END BUSHING



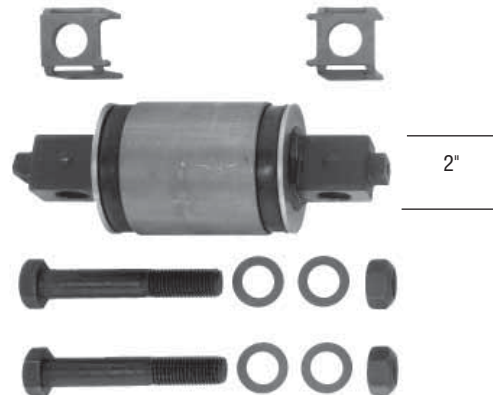
EUCLID NO.	REPLACES	O.D.	I.D.	LENGTH	APPLICATION & GENERAL INFO.
E-1340	Hendrickson 6969 Ford TWAA 5873A Navistar 124865R1 GMC 2325973 Volvo 498417	4 3/8"	2 1/2"	5 1/4"	For All 340 Series
E-2771	Hendrickson 29878-001L	4 3/8"	2 1/2"	5 3/4"	For all 480 Series Same as E-1341A except outer shell length & Rubber Durometer
E-1341A E-9512A (Poly)	Hendrickson 45900-000L Ford B8QH5873A Navistar 124892R1 GMC 2359281 Volvo 452836	4 3/8"	2 1/2"	5 3/4"	For all 400, 460 Series
E-9419	Hendrickson 45407-000	4 3/8"	2 1/2"	6"	For RS 480/520 Series
E-2554	Hendrickson 10363	6"	3"	6"	For RT/RS 650 Series

1

BAR PIN BUSHING Non-Shim Type






BAR PIN BUSHING Shim Type




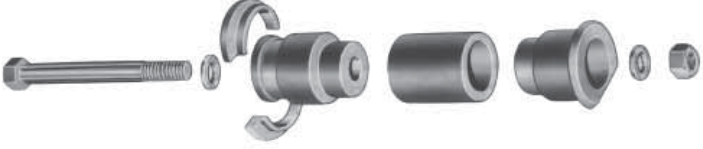

EUCLID NO.	REPLACES	GENERAL INFORMATION
E-9325	Hendrickson 34013-087	Non-Shim Type

EUCLID NO.	REPLACES	GENERAL INFORMATION
E-9326	Hendrickson 34013-088L	Shim Type



ALIGNMENT SHIMS

	EUCLID NO.	REPLACES	SIDE THICKNESS	APPLICATION INFORMATION
	E-9327	Hendrickson 50130-000	3/16"	Shims are used with E-9326 Bushings in various thicknesses and installation positions to correct alignment as needed.
	E-9328	Hendrickson 50131-000	1/8", 1/4"	
	E-9329 3/8"	Hendrickson 57026-000		


HENDRICKSON EQUALIZER BEAM PARTS

BEAM END ADAPTER ASSEMBLY Old Style	EUCLID NO.	REPLACES	APPLICATION
	E-2372	Hendrickson 45000-013	For all 340 Series
	E-2374	Hendrickson 45000-007L	For all 400, 460 Series
	E-9420	Hendrickson 21140-034L	For RS-460 (Use with E-1341A)
	E-9421	Hendrickson 21140-033	For RS-520 (Use with E-9419)
SPLIT FLANGE BEAM END ADAPTER ASSEMBLY			
	E-2373	Hendrickson 45000-014	For all 340 Series
	E-2375	Hendrickson 45000-008	For all 400, 460 Series
BEAM END ADAPTER ASSEMBLY			
 <p>SHAFT 2" O.A.L. 12 3/4" 1 7/8"-12 THREAD</p>	E-2555	Hendrickson 21140-007	For RT/RS 650 Series Assembly Includes All Parts Shown


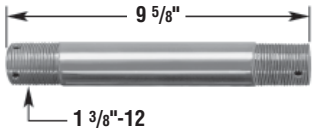

1

OPTIONAL BEAM HANGER TUBE	EUCLID NO.	REPLACES	O.D.	I.D.	LENGTH	APPLICATION
	E-2566	Hendrickson 10372-000	3"	2 1/8"	9 3/4"	For 650 Series For Off-Highway & Rough Service
	E-3882	Hendrickson 6998	2 1/2"	1 7/8"	9 1/2"	R440 (Old) R460 (New) Model Series
BEAM HANGER TUBE NUT			THREAD			For 650 Series Use with E-2566 Tube
	E-2567	Hendrickson 10371-000	3" -12			
	E-3881	Hendrickson 6994-000	2 1/2" -12			R440 (Old) R460 (New) Model Series

Remember OTC End Beam and Center Beam Bushing Tools are available through S.O.S.

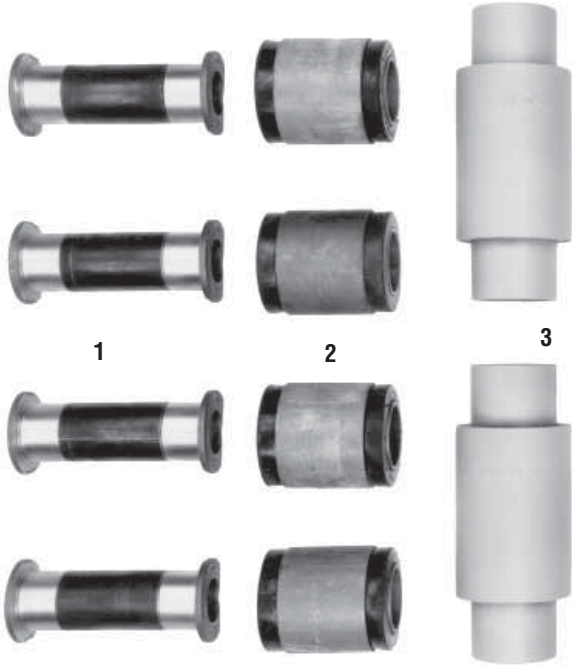
ALIGNMENT ADAPTER ASSEMBLY	EUCLID NO.	APPLICATION	USE WITH BUSHING NO.	LENGTH
<p>Align Hendrickson, Neway, Reyco and Ridewell suspensions without cutting and rewelding the hanger using the Alignment Adapter Assembly.</p>  <p>The precision-fit Alignment Adapter Assembly replaces the original beam end adapter assembly without any modifications. Each unit provides a total of 1/2" positive adjustment. One adapter in each beam is usually sufficient for alignment correction.</p>	E-4844 E-11995 E-11996	Hendrickson 400/460 Neway ARD 238/244 Reyco 238/244/246 Ridewell RD202	E-1341A	5 3/4"

BALL AND SOCKET BEAM END BUSHING

BRONZE END BUSHING ASSEMBLY 		SHAFT 		NUT 	
EUCLID NO.	REPLACES	EUCLID NO.	REPLACES	EUCLID NO.	REPLACES
E-2031A	Hendrickson 34013-57L	E-2034	Hendrickson 3350	E-2035	Hendrickson 8582

HENDRICKSON EQUALIZER BEAM BUSHING KITS

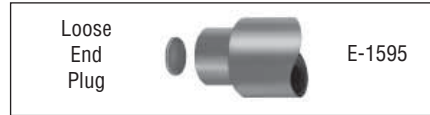
1



400 SERIES
EUCLID KIT E-2863A
 Replaces Hendrickson 70000-2

ITEM	QTY.	EUCLID NO.	DESCRIPTION
1	4	E-2374	Beam End Adapter Assembly
2	4	E-1341A	Beam End Bushing
3	2	E-1339	Beam Center Bushing

EUCLID KIT E-2864A
 Same as E-2863A except E-1595 with loose End Plug is used in place of E-1339



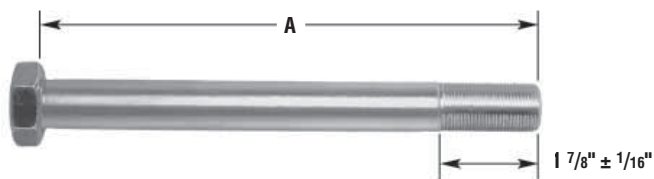
400 SERIES
EUCLID KIT E-2865A

ITEM	QTY.	EUCLID NO.	DESCRIPTION
1	4	E-2374	Beam End Adapter Assembly
2	2	E-1551	Center Sleeve
3	4	E-1341A	Beam End Bushing
4	2	E-1552	Center Bushing
5	2	N.S.S.	Alemite Fitting
6	4	E-1553	Seal
		E-3913	Seal
7	8	E-2021	Thrust Washer

HENDRICKSON SPRING SADDLE ATTACHING PARTS

SPRING SADDLE TOP PAD BOLTS

HEAT TREATED ALLOY
GRADE 8



Use with E-1828
Nut & E-2573
Washer

1" -14 Thread
Use with E-1828 Nut

EUCLID NO.	HENDRICKSON NO.	A	FORD NO.	GMC NO.	NAVISTAR NO.	VOLVO NO.
E-1860	30550-002	9"	353834S2	—	—	521896
E-1859	30550-004	9 1/2"	353834S2	2292911	891256R1	718984
E-1856	30550-006	10"	D0H2-5887A	2493784	—	862529
E-1855	30550-007	10 1/4"	—	8868974	—	—
E-9430	30550-008	10 1/2"	—	—	—	—
E-2570	30550-010	11"	—	—	—	—

1

SET SCREW ASSEMBLY	EUCLID NO.	REPLACES	THREAD SIZE	LENGTH	APPLICATION & GENERAL INFORMATION
	E-9429	Hendrickson 35370-002	3/4" -10	3 1/4"	Includes: 1 E-1825 Set Screw 1 Nut 1 Lock Washer

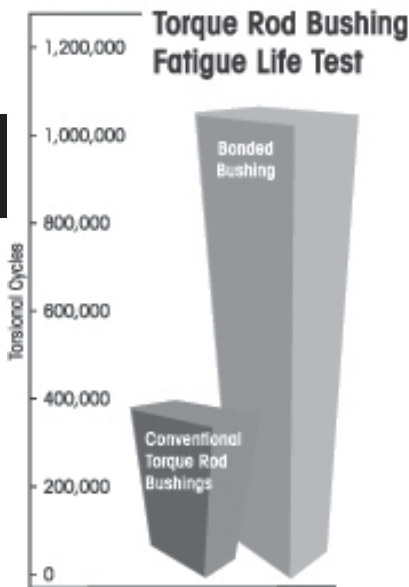
HENDRICKSON ULTRA ROD® PLUS™

Torque Rod Bonded Bushing Provides Longer Life

Bonding makes a better bushing. Hendrickson's bonded bushings utilize specialized chemical reactions during the in-mold curing process to physically bond the inner metal to the rubber. Bonding the rubber to the inner metal extends the bushing's service life by eliminating the detrimental effects caused by rubber-to-metal slip exhibited in conventional bushing construction. Rebushing a torque rod with a bonded bushing is simple — clean and inspect hub, lubricate rubber and hub inner diameter, press and center rubber bushing into hub.

1

HENDRICKSON

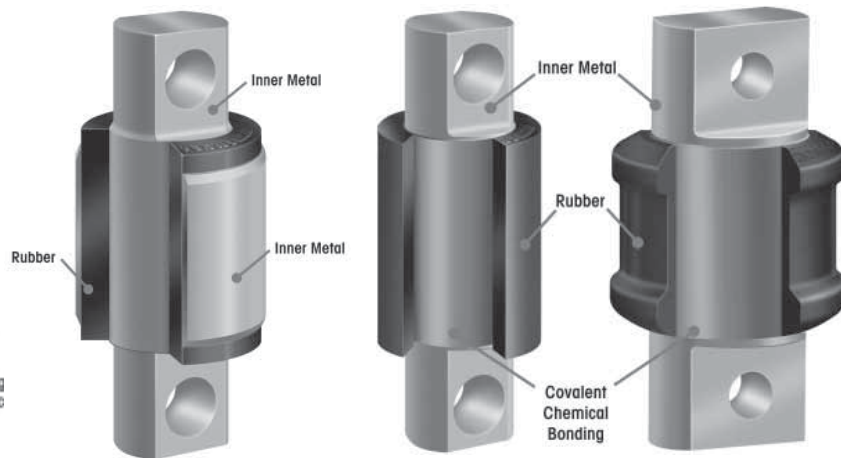
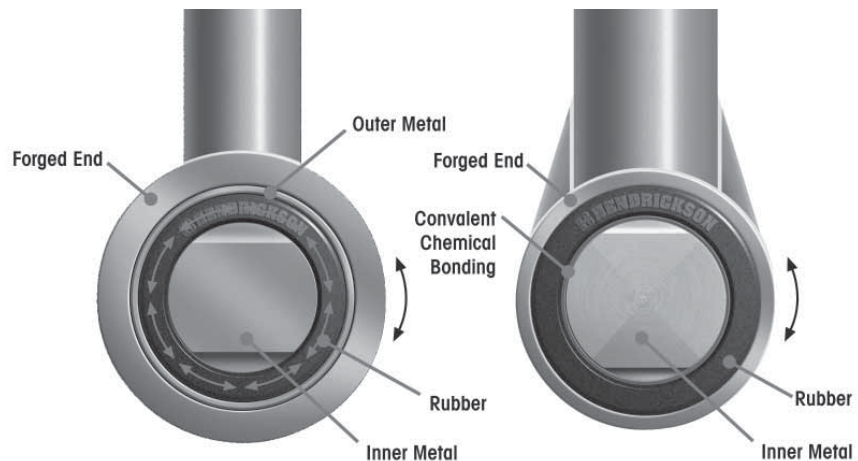


Laboratory tests* prove that the new Hendrickson ULTRA ROD® PLUS™ torque rod bonded bushing lasts longer than conventional torque rod cartridge bushings.

Use Hendrickson's improved technology and experience the bonded bushing difference.

* Bushings tested for end hubs 2.75" I.D. x 2.2" wide

Torsional Cycles-to-Failure is the total number of torsional fatigue cycles imparted to a bushing specimen at the point of significant performance degradation. Torsional cycles-to-failure is a relative fatigue performance measure that can be used to compare the performance of similar bushing. The above data is based upon internal testing. Actual product performance may vary depending upon torque rod, suspension, vehicle types, configurations, operation, service and other factors.



CONVENTIONAL BUSHING

BONDED BUSHINGS


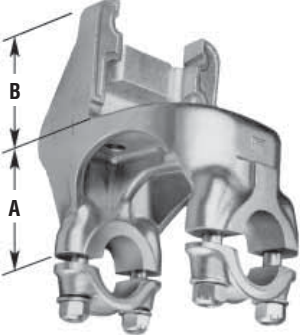

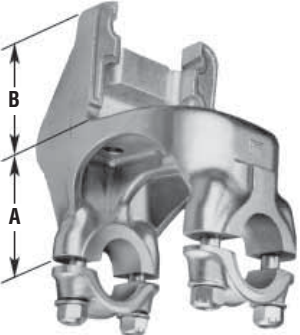
Hendrickson's bonded bushing molecularly bonds the rubber bushing to a metal shaft creating a stronger more robust bushing.

HENDRICKSON ULTRA ROD® PLUS™

EUCLID NO.	HENDRICKSON PART NO.	I.D.	O.D.	LENGTH	TYPE	END COMPONENT	MATERIAL
E-13966	46736-000L	1 1/8"	2 3/4"	3 1/4"	1	Torque Rod	Rubber/Steel
E-13967	64400-010L	1 1/8"	3 1/4"	3 1/4"	1	Torque Rod	Rubber/Steel
E-13961	64400-002L	5/8"	3 1/4"	4 3/8"	3	Torque Rod	Rubber/Steel
E-13963	46734-000L	3/4"	2 3/4"	5 11/10"	3	Torque Rod	Rubber/Steel
E-13964	64400-009L	3/4"	3 1/4"	5 11/10"	3	Torque Rod	Rubber/Steel
E-13970	64400-005L	3/4"	3 1/4"	4 3/8"	3	Torque Rod	Rubber/Steel
E-13971	64400-003L	7/8"	3 1/4"	5 1/4"	3	Torque Rod	Rubber/Steel
E-13962	64400-004L	3"	3 1/4"	8"	5	Torque Rod	Rubber/Steel
E-13965	64400-007L	1 7/8"	3 1/4"	7"	5	Torque Rod	Rubber/Steel
E-13968	46737-000L	2"	2 3/4"	6 5/8"	5	Torque Rod	Rubber/Steel
E-13969	64400-008L	2"	3 1/4"	6 5/8"	5	Torque Rod	Rubber/Steel
E-13972	64400-006L	3"	3 1/4"	8 3/4"	5	Torque Rod	Rubber/Steel
E-13973	34013-113	Promotional Kit - Includes eight bonded bushings (part no. 64400-002L) and one funnel tool (part no. 66086-000)					
E-13974	66086-000	Funnel Tool - Used for rebushing a torque rod with a bonded bushing					

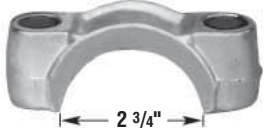




1

HENDRICKSON TOP PADS AND SPRING SADDLE ASSEMBLIES

SPRING SADDLE TOP PAD	EUCLID NO.	REPLACES	APPLICATION & GENERAL INFORMATION		
	E-1869	Hendrickson 35064 (Casting No. 47880) Ford TWAA 5708A GMC 2274308 Navistar 56677R1 Volvo 718577	RT 400 Series		
	E-1849	Hendrickson 31017-23 (Casting No. 6611 or 46529) Ford TWAA 5874B GMC 2325975 Navistar 310292C1 Volvo 447869	"A" 6 3/16"	"B" 6 1/2"	APPLICATION RT 340
	E-1850	Hendrickson 31017-25L (Casting No. 7979 or 46138) Navistar 124805R2 Volvo 513473	7 3/16"	6 1/2"	RT 340
	E-1851	Hendrickson 31017-75 (Casting No. 19269-2 or 43184) Ford C5TZ-5874A GMC 2485255 Navistar 349506C1 Volvo 1027935	6 3/16"	—	U 340
	E-1852	Hendrickson 31017-76 (Casting No. 26213-1 or 43145) Ford C6TZ-5874B GMC 8867400 Volvo 577175	7 5/16"		U 340
	E-1853	Hendrickson 31017-22 (Casting No. 57167) (Old Casting No. 42933) Ford B8QH5874A GMC 2359277 Navistar 124903R91 Volvo 452840	6"	6 7/8"	RT400
	E-1854	Hendrickson 31017-096L (New Casting No. 57457) (Old Casting No. 13088-2 or 45605)	6"	8"	RT 460
	E-10058	Hendrickson 31017-109 (Casting No. 57143) Low Chair Back	7 3/16"	7"	RT400/460
	E-7530	Hendrickson 31017-110 (High Chair Back 57155)	7 3/16"	8"	RT 400/460
	E-7531	Hendrickson 31017-53 (Casting No. 32796)	6"	8"	RT 520

1

HENDRICKSON SPRING SADDLE ATTACHING PARTS

SADDLE CAP	EUCLID NO.	REPLACES	APPLICATION & GENERAL INFORMATION		
 <p>2 3/4"</p>	E-1832	Hendrickson 19283-2	U 340 Series Use with E-2229 Stud and E-4961A Nut		
 <p>3 1/2"</p>	E-1833A	Hendrickson 58795-000 GMC 2485257 Ford C6TZ-5875B Navistar 767601C1	RT/RTE 400 Series Use with E-1830 Stud		
SADDLE CAP STUD			THREAD SIZE	LENGTH	APPLICATION & GENERAL INFORMATION
	E-1829	Hendrickson 7002 GMC 2325967 Ford 35205858 Navistar 13055BR1 Volvo 498450	7/8"-14	4 3/8"	RT/RTE 340 Series
	E-1830	Hendrickson 06696-000 GMC 2359279 Ford 3706865 Navistar 130555R1 Volvo 452837	7/8"-14	4 13/16"	RT/RTE 400 Series
	E-1944	Hendrickson 9029 GMC 2362866 Ford 377817-87-8 Navistar 980226-R1 Volvo 871976	7/8"-14 7/8"-9	4 7/16"	RS/SR/AR 400 Series Use E-1834 Washer & E-1835 Nut
	E-1947	Hendrickson 9030 GMC 2396590 Navistar 449234R1 Volvo 873061	7/8"-14 7/8"-9	5"	
	E-2229	Hendrickson 23441-4	3/4"-16	4 7/64"	Use when converting a RU Series Suspension to a Std. E-1338 Center Bushing Use with E-4961A Nut

1

HENDRICKSON SPRING HANGER & ATTACHING PARTS

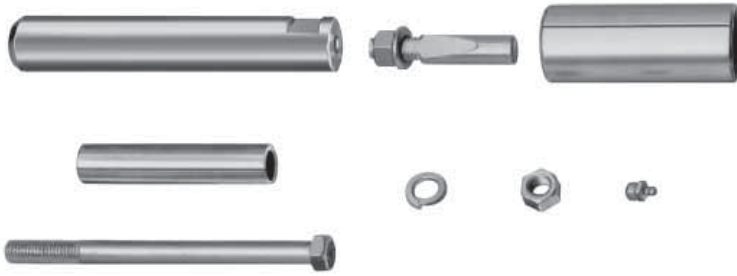
PART NAME	EUCLID NO.	REPLACES	PART SPECIFICATION			SERIES
			O.D.	I.D.	LGTH.	
SPRING HANGER SPACER 	E-1821	Hendrickson 194 GMC 2382489 Navistar 80012H Volvo 875594	13/16"	5/8"	4"	RT 400 RU 340
SPRING HANGER PIN  Use E-1307 Grease Zerk 	E-1817	Hendrickson 32276 Ford TWAA-5780-A GMC 2269445 Navistar 68932HC Volvo 718568	DIAMETER		LGTH.	RT/RU 340
			1 1/4"		7 5/16"	
	E-1818	Hendrickson 32277 Ford B8QH-5780B GMC 2382486 Navistar 923190R1 Volvo 646375	1 3/8"		7 5/16"	RT 400 U/UE 340
	E-2556	Hendrickson 5-000	1 1/2"		7 1/2"	For 650 Series
SPRING HANGER PIN 	E-3761	Hendrickson 43146-000L	1 3/8"		6 7/8"	For 340, 400, 460
SPRING HANGER PIN LOCK BOLT ASSEMBLY  Assembly includes Key, Lock Washer & Nut	E-1819	Hendrickson 00062-001L Ford TUAA-5782A GMC 2269412 Navistar 69104HA Volvo 864834	THREAD		LGTH.	RT 400 RU 340
			1/2"-13		3 1/8"	
	E-2558	Hendrickson 81-1	1/2"-13		3 3/4"	—
SPRING EYE BUSHING ASSEMBLY 	E-1876	Hendrickson 30057-007L Ford C6TZ-5781-A GMC 2438375 Navistar 332902C1 Volvo 899878	O.D.	I.D.	LGTH.	RT/RU 340
					1 1/2"	
	E-1877	Hendrickson 30057-008L Ford C6TZ-5781B GMC 2483369 Navistar 316472C1 Volvo 1738771	1 5/8"	1 3/8"	3 15/16"	RT 400
	E-2557	Hendrickson 22285	1 3/4"	1 1/2"	4"	For 650 Series
BOLT ASSEMBLY 	E-2040	Hendrickson 306257 Hendrickson 3401357				

1

HENDRICKSON SPRING HANGER KITS

ALL 340 SERIES

Contains Enough Parts to Service One Spring: Front & Back Hangers

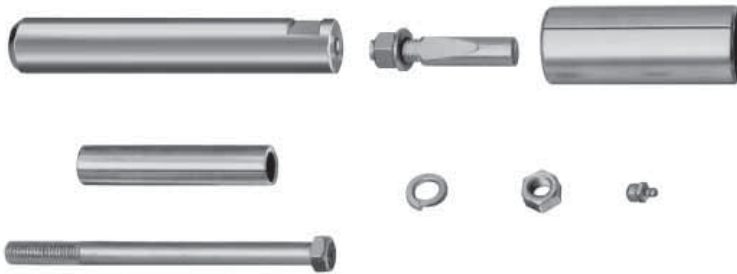


SPRING HANGER KIT E-1878

QUANTITY	EUCLID NO.	DESCRIPTION
1	E-1817	Spring Hanger Pin
1	E-1819	Pin Lock Bolt Assembly
1	E-1876	Spring Eye Bushing
1	E-1821	Spring Hanger Spacer
1	E-1820	Spacer Bolt
1	N.S.S.	Lock Washer
1	N.S.S.	Nut
1	E-1307	Grease Zerk

ALL 400, 460, 480 SERIES

Contains Enough Parts to Service One Spring: Front & Back Hangers



SPRING HANGER KIT E-1879

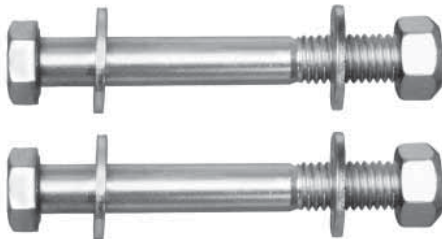
QUANTITY	EUCLID NO.	DESCRIPTION
1	E-1818	Spring Hanger Pin
1	E-1819	Pin Lock Bolt Assembly
1	E-1877	Spring Eye Bushing
1	E-1821	Spring Hanger Spacer
1	E-1820	Spacer Bolt
1	N.S.S.	Lock Washer
1	N.S.S.	Nut
1	E-1307	Grease Zerk

1

N.S.S. = Not Sold Separately

RT/RTE SPRING HANGER HARDWARE

LOCK BOLT KIT



REBOUND BOLT & SPACER ASSEMBLY



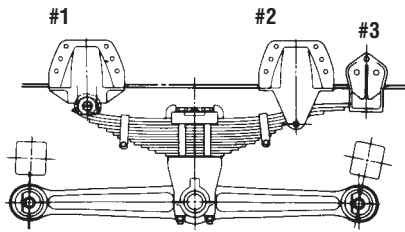
EUCLID NO.	REPLACES	DIMENSIONS
E-9427	Hendrickson 29828-035	Bolt 1/2" x 4" Length Nut 1/2" Lock Nut Washer 1/2"
E-2040	Hendrickson	

EUCLID NO.	REPLACES	DIMENSIONS
E-9428	Hendrickson 29828-023	Bolt 1/2" x 6 1/2" Length Nut 1/2" Lock Nut Spacer 4 1/2" Length

HENDRICKSON SUSPENSION PARTS

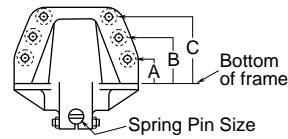
RT/RTE Series Spring Hangers

RTE SERIES SPRING HANGERS



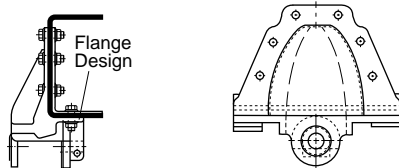
NOTE: For clamp and web mount spring hangers Hendrickson recommends a minimum 5/8" Grade 8 bolt with Grade C lock-nut and hardened washers be used to attach spring hangers to the main frame of the vehicle. With older model vehicles this may require that the holes in the frame be enlarged to accommodate the 5/8" fasteners.

HOLE PATTERN DIMENSIONS

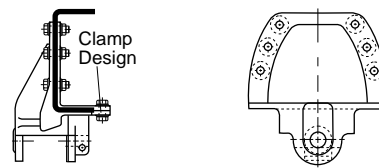


COMMON HOLE PATTERNS	A	B	C
Clamp, Web and Flange, 6-Hole	2 9/16"	5 3/8"	7 5/8"
Clamp, 6-Hole	2 9/16"	4 1/2"	6 7/16"
Web, 4-Hole	2 9/16"	5 3/8"	—
Web, 3-Hole	1 7/8"	4"	—

#1 FLANGE MOUNT HANGER



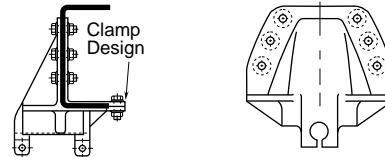
#1 CLAMP MOUNT HANGER - SINGLE LOCK



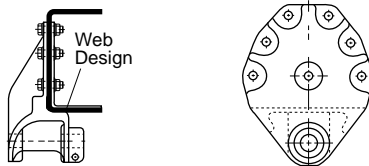
EUCLID NO.	HENDRICKSON CASTING NO.	REPLACES HENDRICKSON NO.	SPRING PIN DIA.
E-7536	4666	4666	1 1/4"
E-7537	4666	25641	1 3/8"
E-7540	9170	9170	1 1/4"
	19873		
	19874		
	21913		
	25845		
E-7541	9170	25601	1 3/8"
	19873		
	19874		
	25845		

EUCLID NO.	HENDR. CASTING NO.	REPLACES HENDRICKSON NO.	SPRING PIN DIA.
E-2605	20395	43181-4	1 1/4"
	45159		
E-7546	24469	31346	1 3/8"

#1 CLAMP MOUNT HANGER - DOUBLE LOCK



#1 WEB MOUNT HANGER



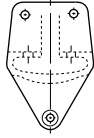
EUCLID NO.	HENDR. CASTING NO.	REPLACES HENDRICKSON NO.	SPRING PIN DIA.
E-2607	26741-1	26742-3	1 1/4"
E-2608	26741-2	26742-4	1 1/4"
E-2611	31013	31124-1	1 3/8"
E-2610	33161	33163-2	1 1/4"
E-2612	33161	33163-1	1 3/8"

EUCLID NO.	HENDR. CASTING NO.	REPLACES HENDRICKSON NO.	SPRING PIN DIA.	APPLICATION & GENERAL INFORMATION
E-9628	50180,	50181-1,	1 3/8"	Ford, 3/4" Bolts
	46840			
E-9629	50180,	50181-2,	1 3/8"	5/8" Bolts
	46840			
E-9630	50180,	50181-3,	1 3/8"	Peterbilt
	46840			
E-9631	50180	50181-4	1 3/8"	Navistar
E-9632	50180	50181-5	1 3/8"	Mack
E-10263	50188,	50189-1,	1 3/8"	Ford, 3/4" Bolts
	46842			
E-10264	50188,	50189-3,	1 3/8"	5/8" Bolts
	46842			
E-10265	50188,	50189-4,	1 3/8"	Freightliner
	46842			
E-10266	50188	50189-6	1 3/8"	Navistar
E-10267	50184,	50185-1,	1 3/8"	Mack, Volvo
	47868			

HENDRICKSON SUSPENSION PARTS

RT/RTE Series Spring Hangers

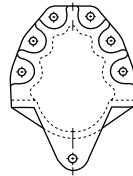
#2 FLANGE MOUNT HANGER TWO-BOLT PATTERN EXTENDED LEAF



N/A = Part no longer available

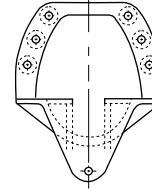
EUCLID NO.	HENDRICKSON CASTING NO.	REPLACES HENDRICKSON NO.
N/A	30173	28054-1

#2 WEB MOUNT HANGER



EUCLID NO.	HENDRICKSON CASTING NO.	REPLACES HENDRICKSON NO.
E-2614	31027	31129-1
E-7562	33162	33164-1

#2 CLAMP MOUNT HANGER



EUCLID NO.	HENDRICKSON CASTING NO.	REPLACES HENDRICKSON NO.	APPLICATION & GENERAL INFORMATION
E-2615	20396	32517	—
E-3605	35399-1	35400-1	Navistar
E-3604	35399-2	35400-2	Navistar
E-3606	35399-3	35400-3	Navistar
E-7566	43182, 47865 49230-1	47875-1	Mack, Volvo
E-7568A	57593-1, 47075	57594-1, 47076-1	Ford, 3/4" Bolts
E-7569A	57593-1, 47075	57594-2, 47076-2	5/8" Bolts
E-9635A	57593-1, 47075	57594-3, 47076-3	Peterbilt
E-7570	45732	45734	Navistar
E-7571	45733	45735	Navistar
E-7572A	57624-1,46049	57625-1, 46050-1	Ford, 3/4" Bolts
E-9633A	57624-1,46049	57625-3, 46050-3	5/8" Bolts
E-9634A	57624-1,46049	57625-4, 46050-4	Freightliner
E-9636	50182	50183-1	Ford, 3/4" Bolts
E-9637	50182	50183-2	5/8" Bolts
E-9638	50182	50183-3	Peterbilt
E-9639	50186	50187-1	Mack, Volvo
E-9640	50186	50187-2	Freightliner
E-9641	50190	50191-1	Ford, 3/4" Bolts
E-9642	50190	50191-3	5/8" Bolts
E-10276	50190, 59756	50191-4	Freightliner Only
E-10277	50190, 59756	50191-6	Navistar Only

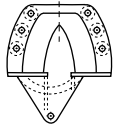
1

HENDRICKSON SUSPENSION PARTS

RT/RTE Series Spring Hangers

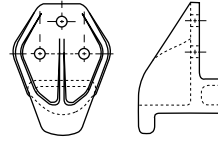
N/A = Parts No Longer Available

#2 CLAMP MOUNT HANGER EXTENDED LEAF



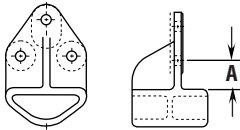
EUCLID NO.	HENDRICKSON CASTING NO.	REPLACES HENDRICKSON NO.	APPLICATION & GENERAL INFORMATION
N/A	24482-1 34986-1	35016-11	Right Side

WITH OUTBOARD AXLE STOP



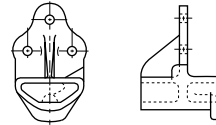
EUCLID NO.	HENDRICKSON CASTING NO.	REPLACES HENDRICKSON NO.
N/A	46278-1	46331-1

#3 EXTENDED LEAF HANGER WITH NO AXLE STOP



EUCLID NO.	HENDRICKSON CASTING NO.	REPLACES HENDRICKSON NO.	APPLICATION & GENERAL INFORMATION
E-2625	26727 34987	27761-6	1 7/8" Hole Location "A"
E-7582	26727	27761-8	2 1/4" Hole Location "A"

#3 EXTENDED LEAF HANGER WITH INBOARD AXLE STOP



EUCLID NO.	HENDRICKSON CASTING NO.	REPLACES HENDRICKSON NO.
E-7584	30248-4	30249-4

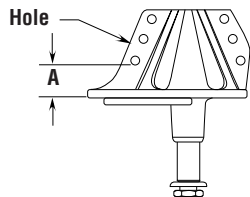
1

HENDRICKSON SUSPENSION PARTS

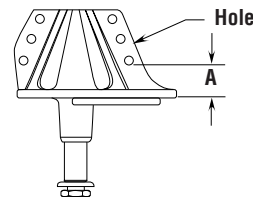
RS Series Frame Hangers
FOR VEHICLES BUILT IN 1990 TO PRESENT

RS SERIES FRAME HANGERS

FOR VEHICLES BUILT IN 1990 TO PRESENT



Left Hand Front (LHF)/Right Hand Rear (RHR)



Right Hand Front (RHF)/Left Hand Rear (LHR)

FOR FRAME WIDTH OF 33.94" TO 34.19", .09" OFFSET

EUCLID NO.	HENDR. CASTING NO.	REPLACES HENDRICKSON NO.	HOLE DIA.	"A" DIM.	POSITION	APPLICATION & GENERAL INFORMATION
E-10068	57063, 48219	57065-1, 48220-1	.83"	2.59"	LHF/RHR	Ford, 3/4" Bolts
E-10069	57063, 48219	57065-2, 48220-2	.66"	2.59"	LHF/RHR	5/8" Bolts
E-10070	57063, 48219	57065-3, 48220-3	.66"	2.59"	LHF/RHR	Peterbilt
E-10071	57066, 48221	57068-1, 48222-1	.83"	2.59"	RHF/LHR	Ford, 3/4" Bolts
E-10072	57066, 48221	57068-2, 48222-2	.66"	2.59"	RHF/LHR	5/8" Bolts
E-10073	57066, 48221	57068-3, 48222-3	.66"	2.59"	RHF/LHR	Peterbilt, 5/8" Bolts

CAUTION: Do not interchange Old Style RS Hangers with New Style on a vehicle. Hangers must be replaced in sets.

HENDRICKSON SUSPENSION PARTS

RS Series Frame Hangers
FOR VEHICLES BUILT IN 1990 TO PRESENT (Continued)

FOR FRAME WIDTH OF 34.5" TO 34.75", .34" OFFSET

EUCLID NO.	HENDR. CASTING NO.	REPLACES HENDRICKSON NO.	HOLE DIA.	"A" DIM.	POSITION	APPLICATION & GENERAL INFORMATION
E-10062	57057, 48215	57059-1, 48216-1	.83"	2.59"	LHF/RHR	Ford, 3/4" Bolts
E-10063	57057, 48215	57059-2, 48216-2	.66"	2.59"	LHF/RHR	5/8" Bolts
E-10064	57057, 48215	57059-3, 48216-3	.66"	2.59"	LHF/RHR	Freightliner, Peterbilt
N/A	57060, 48217	57062-1, 48218-1	.83"	2.59"	RHF/LHR	Ford, 3/4" Bolts
E-10066	57060, 48217	57062-2, 48218-2	.66"	2.59"	RHF/LHR	5/8" Bolts
N/A	57060, 48217	57062-3, 48218-3	.66"	2.59"	RHF/LHR	Freightliner, Peterbilt

FOR FRAME WIDTH OF 34.81" TO 35", .5" OFFSET

E-10060	57051, 48211	57053-1, 48212-1	.83"	2.59"	LHF/RHR	Ford, Navistar
E-10061	57054, 48213	57056-1, 48214-1	.83"	2.59"	RHF/LHR	Ford, Navistar

N/A = Parts No Longer Available

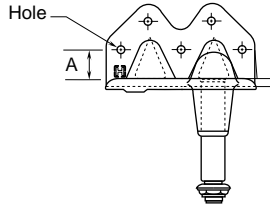
Continued on next page

HENDRICKSON SUSPENSION PARTS

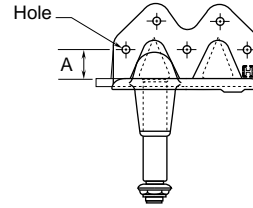
RS Series Frame Hangers FOR VEHICLES BUILT IN 1990 TO PRESENT (Continued)

FOR FRAME WIDTH OF 34.5" TO 34.75", .34" OFFSET

FOR VEHICLES BUILT PRIOR TO 1990



Left Hand Front (LHF)/Right Hand Rear (RHR)



Right Hand Front (RHF)/Left Hand Rear (LHR)

EUCLID NO.	HENDR. CASTING NO.	REPLACES HENDRICKSON NO.	HOLE DIA.	"A" DIM.	POSITION	APPLICATION & GENERAL INFORMATION
E-2598A Undrilled	47083 09494, 23603 31641, 44116	47355-003	—	—	LHF/RHR	Drill holes to fit application.
E-7599	47083, 09494	47084-001	.83"	2.59"	LHF/RHR	Ford
E-7600	47083, 09494	47084-002	.66"	2.25"	LHF/RHR	Freightliner, HME, Kenworth, Mack, Marmon, Navistar, Oshkosh, Pierce, Western Star
E-7601	47083, 09494	47084-003	.66"	2.59"	LHF/RHR	Peterbilt
E-2599A Undrilled	47085 09493, 23604 31642, 44117	47355-004	—	—	RHF/LHR	Drill holes to fit application.
E-7602	47085, 09493	47086-001	.83"	2.59"	RHF/LHR	Ford
E-7603	47085, 09493	47086-002	.66"	2.25"	RHF/LHR	Freightliner, HME, Kenworth, Mack, Marmon, Navistar, Oshkosh, Pierce, Western Star
E-7604	47085, 09493	47086-003	.66"	2.59"	RHF/LHR	Peterbilt

FOR FRAME WIDTH OF 34.5" TO 34.75", .34" OFFSET

E-2600A Undrilled	47087, 09497	47355-005	—	—	LHF/RHR LHF/RHR	Drill holes to fit application.
E-7606	47087, 09497	47088-002	.66"	2.25"	LHF/RHR	Crane Carrier, GMC, Mack, Navistar, Volvo
E-7607	47087	47088-003	.66"	2.59"	LHF/RHR	Freightliner, Peterbilt
E-2601A Undrilled	47089, 09498	47355-006	—	—	RHF/LHR	Drill holes to fit application.
E-7608	47089	47090-001	.83"	2.59"	RHF/LHR	Ford
E-7609	47089, 09498	47090-002	.66"	2.25"	RHF/LHR	Crane Carrier, GMC, Mack, Navistar, Volvo
E-7610	47089	47090-003	.66"	2.59"	RHF/LHR	Freightliner, Peterbilt

CAUTION: Cannot interchange Old Style RS Hangers with New Style on a vehicle. Hangers must be replaced in sets.

(Continued on next page)

HENDRICKSON SUSPENSION PARTS

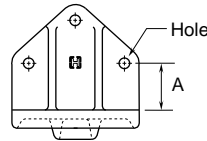
RS Series Frame Hangers

FOR VEHICLES BUILT PRIOR TO 1990 (Continued)

FOR FRAME WIDTH OF 34.81" TO 35", .5" OFFSET

EUCLID NO.	HENDR. CASTING NO.	REPLACES HENDRICKSON NO.	HOLE DIA.	"A" DIM.	POSITION	APPLICATION & GENERAL INFORMATION
E-7611 Undrilled	46759, 34098	47355-009	—	—	LHF/RHR	Drill holes to fit application.
N/A Undrilled	46758, 34099	47355-010	—	—	RHF/LHR	Drill holes to fit application.

RS SERIES HEAVY-DUTY FRAME HANGERS



FOR FRAME WIDTH OF 33.94" TO 34.19", .09" OFFSET

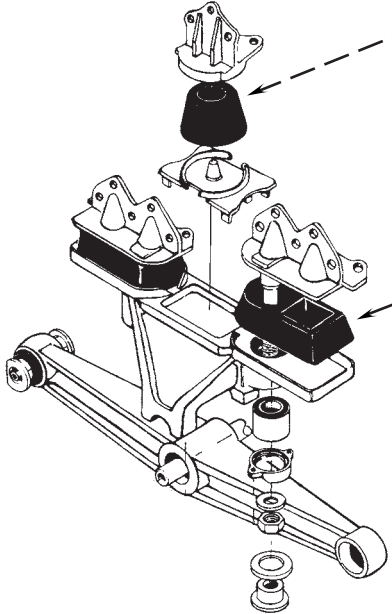


EUCLID NO.	HENDR. CASTING NO.	REPLACES HENDRICKSON NO.	HOLE DIA.	"A" DIM.	POSITION	APPLICATION & GENERAL INFORMATION
E-7617	48522, 20780	48523-001	.66"	1.88"	Center	Crane Carrier, Freightliner (Pre-1984), Mack, Marmon, Navistar, Western Star (Pre-1988)
E-7618	48522, 20780	48523-003	.66"	2.25"	Center	Freightliner, HME, Peterbilt

FOR FRAME WIDTH OF 34.5" TO 34.75", .34" OFFSET

E-7619	48524, 30088	48525-001	.66"	2.25"	Center	Freightliner, Mack, Peterbilt, Volvo/GM
--------	--------------	-----------	------	-------	--------	---





CAUTION: Cannot interchange Old Style RS Hangers with New Style on a vehicle.
Hangers must be replaced in sets.

HENDRICKSON LOAD CUSHIONS - RS 400






HENDRICKSON SUSPENSION PARTS RS 400 SERIES	LOAD CUSHION	EUCLID NO.	REPLACES	SERIES
			E-2232	Hendrickson 24209
LOAD CUSHION Hendrickson Part No. Located Here for Identification		E-1598A	Hendrickson 48973 (New) 60 Durometer	RS 400
 4" High x 6 3/4" Wide x 12" Long		E-1960	Hendrickson 26953-000L	
LOAD CUSHION	NO. REQ.	USAGE		DUROMETER
E-1598A Front	2 2	Highway Operation Truck, Tractor or Trailer		60 Natural Rubber 40 Natural Rubber
E-1598A	4	Dump Trucks, End Dump Trucks Transit Mix Trucks, Logging Trucks		60 Natural Rubber
E-1960	4	Transit Mix Trucks (washed with Kerosene) Oil Field Trucks		70 Natural Rubber

1

HENDRICKSON RS SERIES SUSPENSION PARTS

SADDLE BUSHING ASSEMBLY	EUCLID NO.	REPLACES	PART SPECIFICATIONS			APPLICATION & GENERAL INFORMATION
			O.D.	I.D.	LENGTH	
	E-1940 (Rubber)	Hendrickson 19279-000L GMC 2425394 Ford C3TZ-5A598A Navistar 868789R91 Volvo 498407A	4 1/8"	2"	4"	RS/AR 400 Series
	E-9515 (Poly)					
SADDLE BUSHING CAP 	E-1941	Hendrickson 5917 GMC 2328707 Ford C3TZ-5A599A Navistar 132917R1 Volvo 448408	—			4 per Tandem
SADDLE BUSHING CAP STUD 	E-1942	Hendrickson 19111-1 Navistar 680076R1 Volvo 868330	5/8" -18 5/8" -11 Thread		2 7/8" Long	RS/AR 400 Series
FRAME HANGER PIN WASHER 	E-1945 Pressed Steel	Hendrickson 8536 GMC 2327413 Ford 334502 Navistar 138725R1 Volvo 870866	O.D.	I.D.	THICKNESS	RS/AR 400 Series
			3 1/4"	1 1/2"	3/16"	

HENDRICKSON RS & SR SERIES SUSPENSION PARTS

	EUCLID NO.	REPLACES	PART SPECIFICATIONS			APPLICATION & GENERAL INFORMATION
FRAME HANGER PIN NUT 	E-1946	Hendrickson 25151	1 1/2" -12 Thread ^{3/16"} x 2 3/16" Hex		High	RS, SR, AR 400 Series
LOCK NUT 	E-1943	Hendrickson 19114 GMC 9416310 Navistar 685548R1 Volvo 868331	5/8" -18 Thread x 15/16" Hex		35/64" High	Use with E-1942 Stud
REBOUND BUMPER 	E-2233	Hendrickson 30208	O.D. 4 7/16"	I.D. 2 3/8"	THICKNESS 1/2"	RS 400
SADDLE BUSHING RING 	E-9418	Hendrickson 50780-000	O.D. 4 13/64"	I.D. 3 23/32"	THICKNESS 3/32"	RS Series
RS SERIES STOP NUT 	E-7620	Hendrickson 30251	O.D. 4 5/16"	THREAD 1 1/2"-12		For all RS Series.

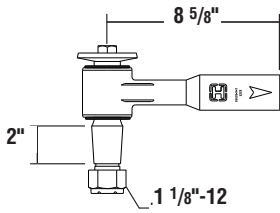
1

HENDRICKSON ULTRA ROD® RUBBER BUSHED TORQUE RODS

with Replaceable Cartridge Ends

Assemble According to Instructions.
Instruction Included with Each Rod

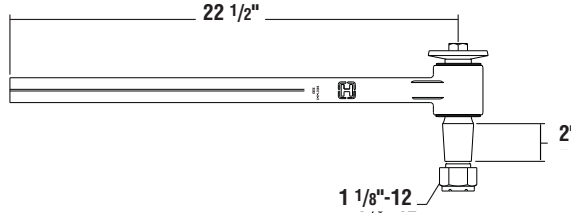
TAPERED STUD TUBE END 340 SERIES



EUCLID E-10311
Hendrickson
66620-000H

For replacement bushing use **E-10308**

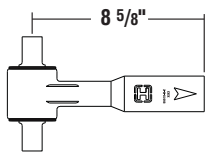
TAPERED STUD ROD 340 SERIES



EUCLID E-10316
Hendrickson
66671-000H

For replacement bushing use **E-10308**

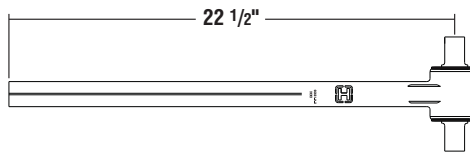
STRADDLE MOUNT TUBE END 340/400/460



EUCLID E-10310
Hendrickson
66610-000H

For replacement bushing use **E-5275**

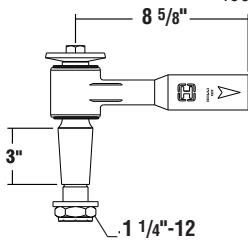
STRADDLE MOUNT ROD 340/400/460



EUCLID E-10315
Hendrickson
66661-000H

For replacement bushing use **E-5275**

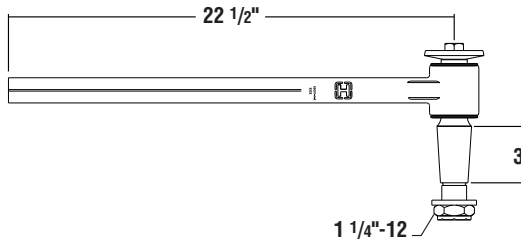
TAPERED STUD - TUBE END 400/460



EUCLID E-10312
Hendrickson
66630-000H

For replacement bushing use **E-10309**

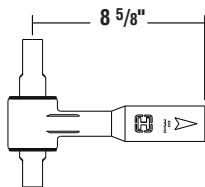
TAPERED STUD ROD 400/460



EUCLID E-10317
Hendrickson
66681-000H

For replacement bushing use **E-10309**

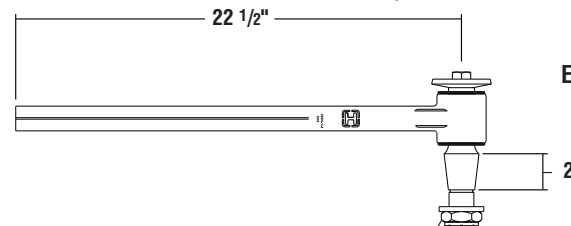
STRADDLE MOUNT OFFSET TUBE END INTERNATIONAL



EUCLID E-10313
Hendrickson
66640-000H

For replacement bushing use **E-10320** (offset pin)

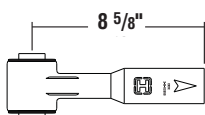
TAPERED STUD ROD MACK



EUCLID E-10318
Hendrickson
66691-000H

For replacement bushing use **E-10321**

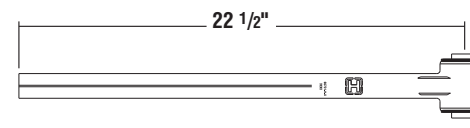
INNER SLEEVE TUBE END INTERNATIONAL



EUCLID E-10314
Hendrickson
66650-000H

For replacement bushing use **E-11447**

INNER SLEEVE ROD INTERNATIONAL



EUCLID E-10319
Hendrickson
66701-000H

For replacement bushing use **E-11447**

1

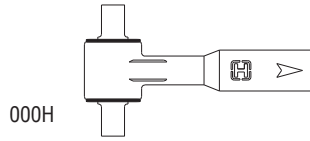
HENDRICKSON ULTRA ROD[®]

RUBBER BUSHED TORQUE RODS

with Replaceable Cartridge Ends

Assemble According to Instructions.
Instruction Included with Each Rod

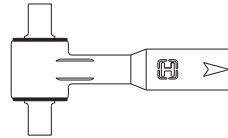
STRADDLE MOUNT TUBE END



EUCLID E-11748
Hendrickson
66767-

Bolt Hole size 3/4"
For replacement bushing use **E-10322**

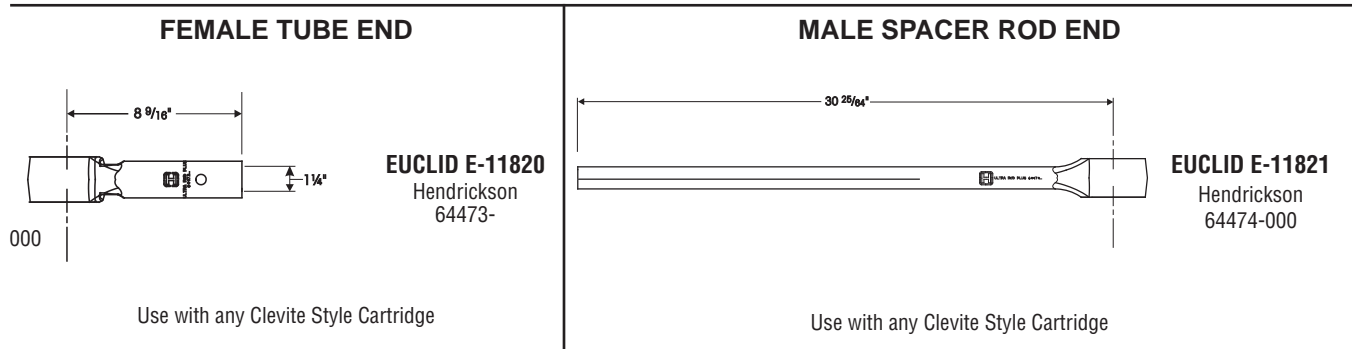
STRADDLE MOUNT TUBE END



EUCLID E-11784
Hendrickson
66766-000H

Bolt Hole size 7/8"
For replacement bushing use **S.O.S.**

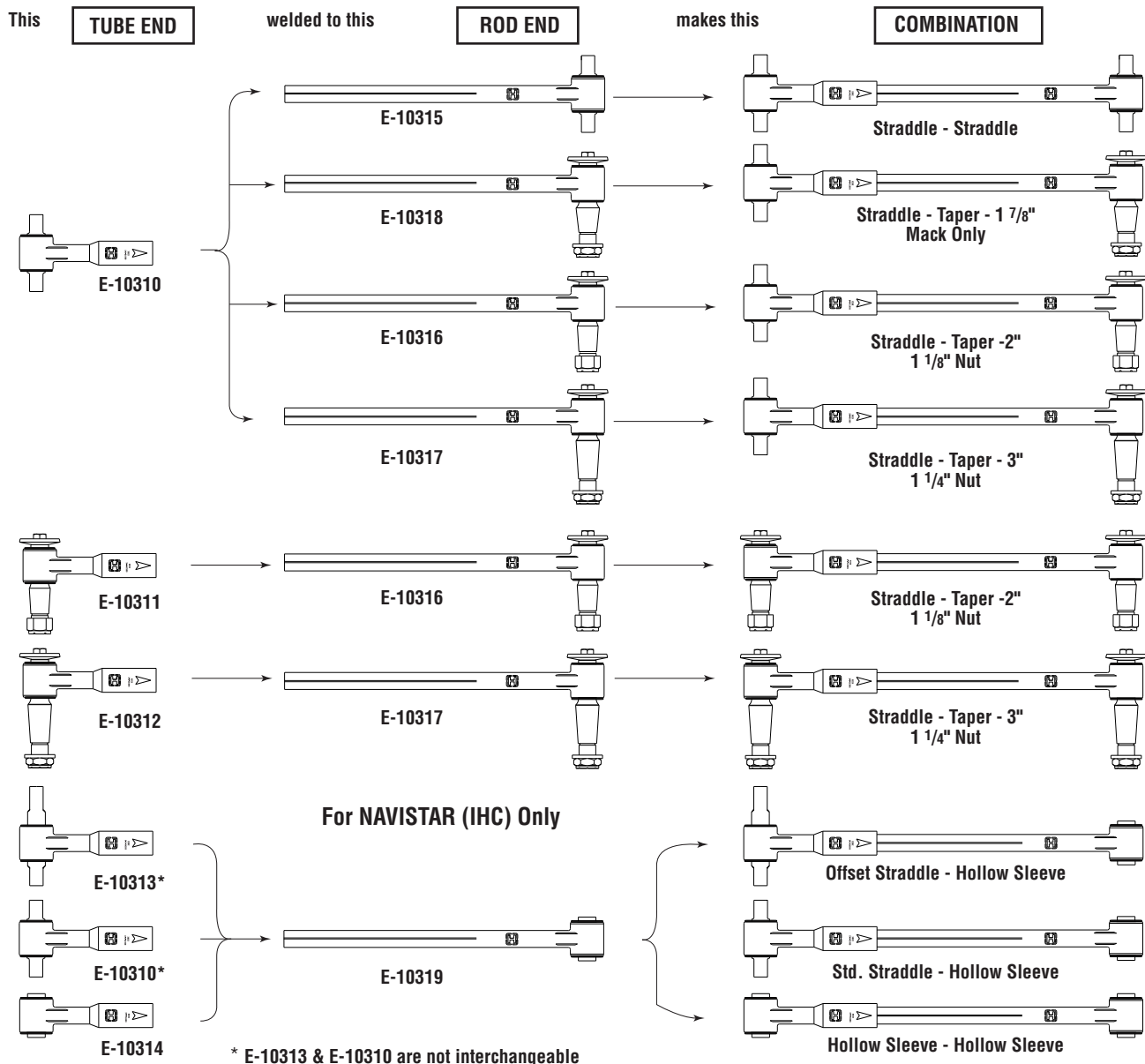
HENDRICKSON ULTRA ROD® PLUS™



An excellent replacement option for vocational and on-highway applications. Tube and spacer are made from one-piece forgings. The empty end-hubs allow the use of any cartridge from existing inventory



HENDRICKSON RUBBER BUSHED TORQUE RODS

1

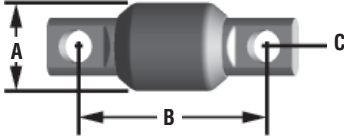
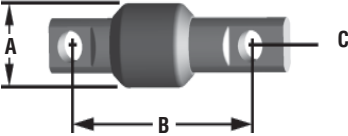
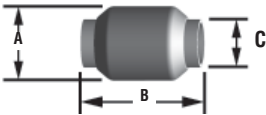
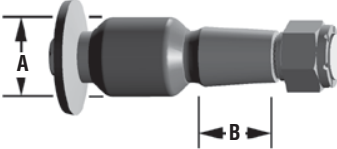


HENDRICKSON RUBBER BUSHED TORQUE RODS

LOCK NUT For Torque Rods

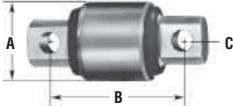
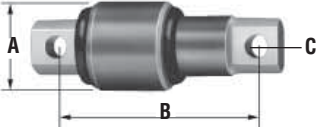
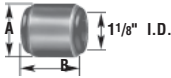
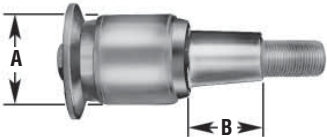
	EUCLID NO.	REPLACES	THREAD	HEX	HIGH	SERIES
	E-2079	Hendrickson 29896	1 1/8"-12	1 5/8"	1 3/16"	340
	E-2017	Hendrickson 29749	1 1/4"-12	1 13/16"	11/16"	400, 460
	EUCLID NO.	REPLACES	O.D.	I.D.	THICK	SERIES
	E-2018	Hendrickson 30574	2 1/4"	1 5/16"	1/4"	400, 460

REPLACEMENT BUSHINGS FOR HENDRICKSON ULTRA RODS




STRADDLE MOUNT	EUCLID NO.	REPLACES	A	B	C	SERIES
	E-5275	47691-000L	2.04	4 3/8"	5/8"	340, 400, 460
	E-10322	69210-000H	2.04	4 3/8"	3/4"	400, 460
OFFSET STRADDLE MOUNT	E-10320	66734-000H	2.04	5 11/16"	3/4"	International
						
HOLLOW SLEEVE	E-11447	65477-000H	2.04	3 1/4"	1 1/8"	International
						
TAPERED STUD	E-10308	64809-000H	2.04	2"	—	340
	E-10309	64697-000H	2.04	3"	—	400, 460
	E-10321	66735-000H	2.04	1 7/8"	—	Mack

1

REPLACEMENT CARTRIDGES For Clevite Style Torque Rod

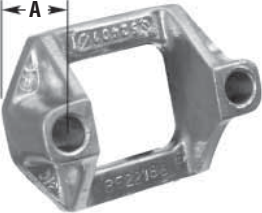
STRADDLE MOUNT	EUCLID NO.	REPLACES	A	B	C	SERIES
	E-2225	Clevite 227710	2 17/32"	4 3/8"	5/8"	340
	E-2226	Clevite 227720	2 3/4"	4 3/8"	5/8"	400, 460
	E-3868	Clevite 227723	2 3/4"	4 3/8"	3/4"	400, 460
OFFSET STRADDLE MOUNT	E-2814	Clevite 233931 (Offset Pin)	2 3/4"	5 11/16"	3/4"	Navistar
	E-3411	Clevite 4224001 Navistar 438506C91	3"	5 11/16"	3/4"	
HOLLOW SLEEVE	E-2816	Clevite 229612	2 3/4"	3 1/4"	—	Navistar
	E-2238	Clevite 224993	3"	3 1/4"	—	Navistar
TAPERED STUD	E-2916	Clevite 233890	2 3/4"	2"	—	340
	E-2227	Clevite 229270	2 17/32"	2"	—	340
	E-2228	Clevite 229610	2 3/4"	3"	—	400, 460
	E-2815	Clevite 229240	2 3/4"	1 7/8"	—	Mack

TORQUE ROD BUSHING & SHAFT FOR HENDRICKSON TANDEM

	EUCLID NO.	REPLACES	O.D.	I.D.	LENGTH	APPLICATION
	E-1353	Hendrickson 27210 Navistar 124755R1	1 1/8"	—	7"	—
	E-1351	Hendrickson 24504 Navistar 124759	2 7/8"	1 1/8"	3 1/4"	Used on Navistar, Ford, Volvo & Others. Use with E-1353 Shaft & E-1354 Nut
	E-2238	Hendrickson 45477 Navistar 32206961	3"			
	E-1352	Hendrickson 44993 Navistar 124890R91	3 3/8"			
	E-1354	Hendrickson 27204 Navistar 427655	THREAD	HEX	HIGH	—
			1 1/8"-12	1 11/16"	1"	

1

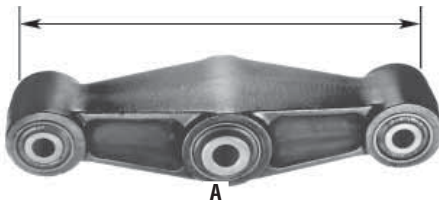
HENDRICKSON TORQUE ROD BRACKETS

FRAME BRACKET	EUCLID NO.	REPLACES	A DIMENSION	SERIES
<p>Straddle Mount 5/8" Bolt Mounting</p> 	E-2634	Hendrickson 22186-000	1 29/32"	400, 460

NOTE: Torque Rod Axle Brackets for Drive Axles are Supplied by the Axle Manufacturer

HENDRICKSON E4 SERIES SUSPENSION PARTS

EQUALIZER



EQUALIZER CENTER BUSHING



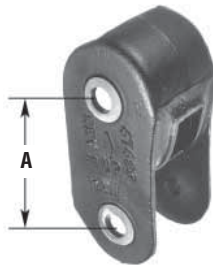
All Bushings Included

EUCLID NO.	REPLACES	A
E-5265	Hendrickson 47444-001, E4-360 (Casting No. 47437) Ford E4HZ5889A	14"

EUCLID NO.	REPLACES	O.D.	I.D.	LENGTH
E-5269	Hendrickson 47420-000, E4-360 E4-400 Ford E4HZ5872A	2 3/4"	1"	4 5/8"

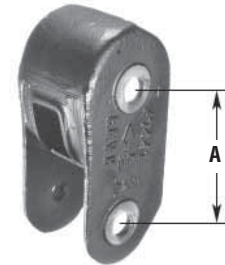
HENDRICKSON E4 SERIES SUSPENSION PARTS

SHACKLE
Left Front and Right Rear



EUCLID NO.	REPLACES	A
E-5267	Hendrickson 47440 (Casting No. 47439) Ford E4HZ5776A	5"

SHACKLE
Right Front and Left Rear



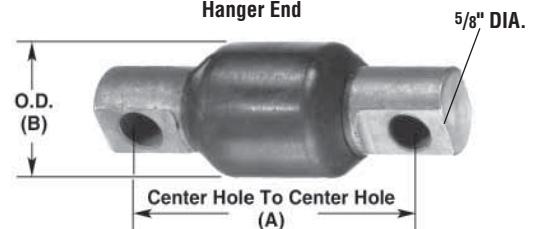
EUCLID NO.	REPLACES	A
E-5268	Hendrickson 47442 (Casting No. 47441) Ford E4HZ5776B	5"

EQUALIZER END/SPRING EYE BUSHING



EUCLID NO.	REPLACES	O.D.	I.D.	LENGTH
E-5270	Hendrickson 47421, E4-360 Ford E4HZ5872A	2 3/8"	7/8"	3"

TORQUE ARM BUSHING
Hanger End



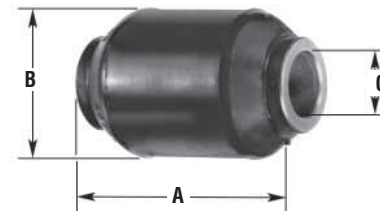
EUCLID NO.	REPLACES	A	B
E-5275	Hendrickson 47691-000L	4 3/8"	2"

SHACKLE BOLT RETAINER



EUCLID NO.	REPLACES	A	NOTE
E-5274	Hendrickson 47459 Ford EHZ5A879A	5"	Crimp tabs over head of bolt to prevent bolt turning.

TORQUE ARM BUSHING
Axle Seat End



EUCLID NO.	REPLACES	A	B	C
E-5276	Hendrickson 47692	3"	2"	7/8"

TORQUE ARM BOLT ASSEMBLY
Hanger End



EUCLID NO.	REPLACES	BOLT DIMENSION
E-5277	Hendrickson 30587-17 Bolt 30585 Nut 22962-4 Washer	5/8"-18 Thd. x 4 1/2" Length

TORQUE ARM BOLT ASSEMBLY
Axle Seat End



EUCLID NO.	REPLACES	BOLT DIMENSION
E-5278	Hendrickson 30418-9 Bolt 29248 Nut 22962-002 Washer	7/8"-14 Thd. x 5 1/2" Length

HENDRICKSON E4 SERIES SUSPENSION PARTS

SPRING ROLLER ASSEMBLY



EUCLID NO.	REPLACES	BOLT DIMENSIONS
E-5286	Hendrickson 24531-14 Bolt 47458 Spacer 46578 Nut 22962-14 Washer	1/2" x 5" Length

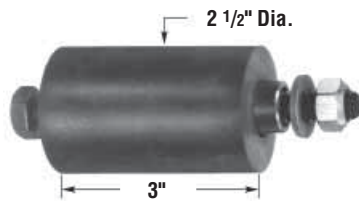
TORQUE ARM - FRONT AND REAR Shim Type Adjustable



EUCLID NO.	REPLACES	LENGTH Center-to-Center
E-5282	Hendrickson 48158-01 Ford E4HZ4612A	15 7/8"
E-5283	Hendrickson 48158-02 Ford E4HZ4612B	21 15/16"

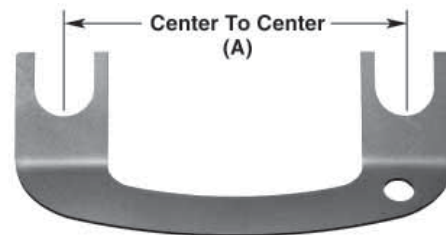
1

REBOUND ROLLER KIT



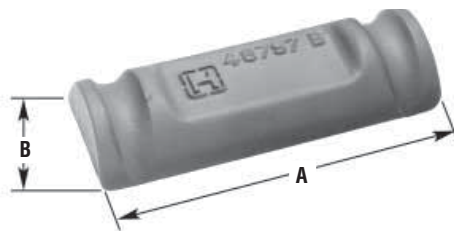
EUCLID NO.	REPLACES	BOLT DIMENSIONS
E-9432A	Hendrickson 49175-005 Assembly 24531-015 Bolt 57988-000 Spacer 57989-000 Roller 22962-014 Washer 49846-000 Nut	1/2"-20 Thd. x 5 1/2"

ALIGNMENT SHIM



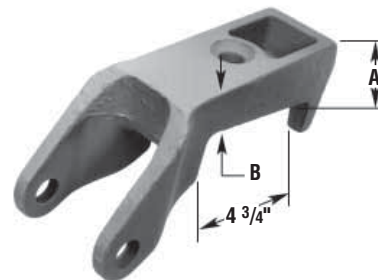
EUCLID NO.	REPLACES	A	THICKNESS
E-5281	Hendrickson 47457 Ford E4HZ4A002A	4 3/8"	1/16"

TOP PAD



EUCLID NO.	REPLACES	A	B
E-3739	Hendrickson 48797	8 1/4"	3"




SPRING SEAT FRONT 5.25" AND REAR AXLE 8°



EUCLID NO.	REPLACES	A	B
E-5292	Hendrickson 47973 (Casting No. 47961) Ford E4HZ5793C	1 7/8"	1 7/16"
N/A	Hendrickson 47974 (Casting No. 48072) Ford E4Hz5793D	2"	1 3/8"

HENDRICKSON E4 SERIES SUSPENSION PARTS

Product Code 701

FRONT HANGER	EUCLID NO.	REPLACES	CASTING NO.
	<p>E-5299</p>	<p>Hendrickson 56673-01 Ford E4HZ5775A</p>	<p>47431</p>
CENTER HANGER	EUCLID NO.	REPLACES	CASTING NO.
	<p>E-5300</p>	<p>Hendrickson 47434-2</p>	<p>43433</p>
REAR HANGER	EUCLID NO.	REPLACES	CASTING NO.
	<p>E-5301</p>	<p>Hendrickson 547436-3 Ford E5HZ5775A</p>	<p>47435</p>

1

HENDRICKSON HFS-360/400 SUSPENSION PARTS

EQUALIZER



Includes bushing, rebound pins, cotter keys and washers.

EUCLID NO.	REPLACES	CASTING NO.	FOR MODEL
E-9402	Hendrickson 49803-002	49801-002	HFS-360, HFS-400 Uses E-5269 Bushing

EQUALIZER BUSHING



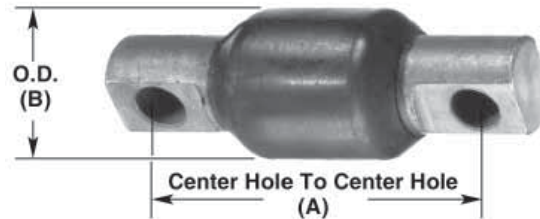
EUCLID NO.	REPLACES	O.D.	I.D.	LENGTH	FOR MODEL
E-5269	Hendrickson 47420-000	2 3/4"	1"	4 5/8"	HFS-360, HFS-400

TORQUE ARM FASTENER KIT



EUCLID NO.	REPLACES	BOLT DIMENSION
E-5277	Hendrickson 49176-001 (Assembly) 32043-005 Bolt 22962-004 Washer 47764-000 Nut	5/8" x 4 1/2"

TORQUE ARM BUSHING



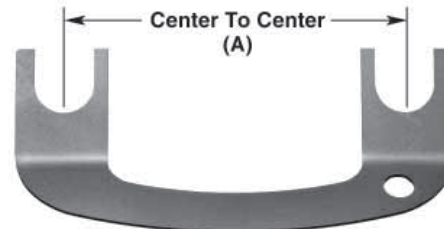
EUCLID NO.	REPLACES	A	B
E-5275	Hendrickson 47691-000L	4 3/8"	2"

TORQUE ARM



EUCLID NO.	REPLACES	LENGTH Center-To-Center
E-9409 Front	Hendrickson 48411-006	14 13/32"
E-9407 Rear	Hendrickson 48411-007	20 5/16"

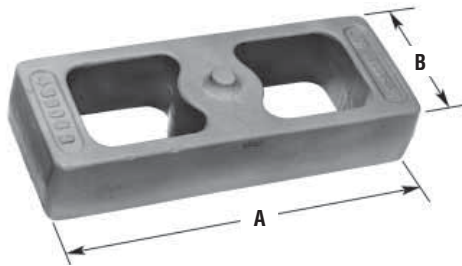
ALIGNMENT SHIM



EUCLID NO.	REPLACES	A	THICKNESS
E-5281	Hendrickson 47457 49689-000 Ford E4HZ4A002A	4 3/8"	1/16"

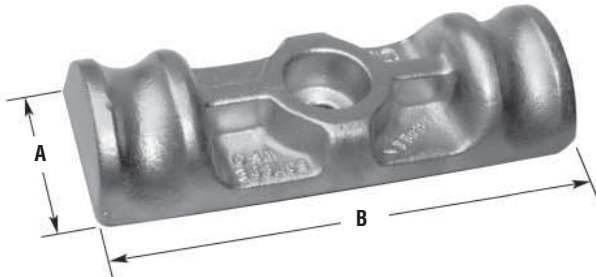
HENDRICKSON HFS-360/400 SUSPENSION PARTS

SPRING SPACER



EUCLID NO.	REPLACES	HEIGHT	A	B
E-3740	Hendrickson 48902-000	1"	7 3/4"	3"
E-3741	Hendrickson 48903-000	1 1/2"	7 3/4"	3"

TOP PAD



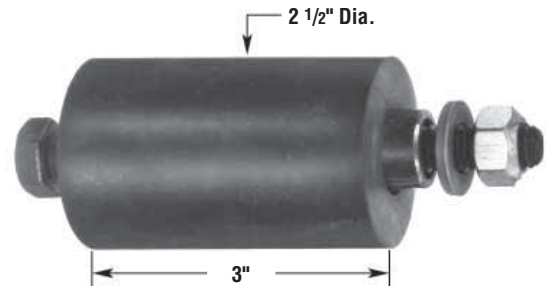
EUCLID NO.	REPLACES	A	B
E-9408	Hendrickson 50788-000	3"	8 5/16"

FRONT HANGER



EUCLID NO.	REPLACES	CASTING NO.	FOR MODEL
E-9404	Hendrickson 56667-001 (New) 50027-001 (Old)	56666-000 49848-000	HFS-360
E-9405	Hendrickson 56670-001 (New) 50292-001 (Old)	56669-000 50291-000	HFS-400

HANGER REBOUND ROLLER ASSEMBLY



EUCLID NO.	REPLACES	BOLT DIMENSION
E-9432A	Hendrickson 49175-005 (Assembly) 24531-015 Bolt 57988-000 Spacer 57989-000 Roller 22962-014 Washer 49846-000 Nut	1/2"-20 Thd. x 5 1/2"

FRONT HANGER



EUCLID NO.	REPLACES	CASTING NO.	FOR MODEL
E-9400	Hendrickson 56676-001 (New) 50290-001 (Old)	56675-000 50289-000	HFS-360, 400

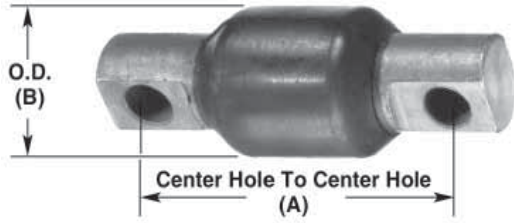
REAR HANGER



EUCLID NO.	REPLACES	CASTING NO.	FOR MODEL
E-9406	Hendrickson 50028-001	49954-000	HFS-360, 400

HENDRICKSON HA & HAS-360/400/402/460 PARTS

TORQUE ARM BUSHING



EUCLID NO.	REPLACES	A	B	FOR MODEL
E-5275	Hendrickson 47691-000L	4 3/8"	2"	HA & HAULMAAX HAS-360/ 400/402
E-9395	Hendrickson 57256-000	4 3/8"	2 7/16"	HAS-460

TORQUE ARM Used with Model HA



EUCLID NO.	REPLACES	LENGTH Center-to-Center
E-3731	Hendrickson 48411-1	15 27/32"
E-3732	Hendrickson 48411-2	21 15/16"

U-BOLT STEEL CONE WASHER



EUCLID NO.	REPLACES	GENERAL INFORMATION
E-3738	Hendrickson 48574-000L	Used to Center U-Bolts in Axle Seats

BOTTOM PLATE STUD



EUCLID NO.	REPLACES	GENERAL INFORMATION
E-3755	Hendrickson 49063	5/8"-11 Thd. x 3 13/16" Length Included in all Bottom Plates

TORQUE ARM BOLT ASSEMBLY



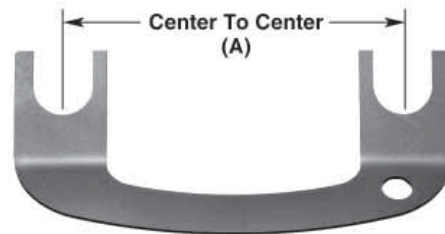
EUCLID NO.	REPLACES	BOLT DIMENSION
E-5277	Hendrickson 30587-17 Bolt 30585 Nut 22962-4 Washer	5/8"-18 Thd. x 4 1/2" Length

TORQUE ARM



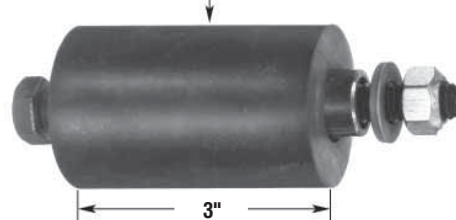
EUCLID NO.	REPLACES	LENGTH Center-To-Center	FOR MODELS
E-9409	Hendrickson 48411-006	14 13/32"	HAS-360/ 400/402
E-9394	Hendrickson 50376-001	14 13/32"	HAS-460

ALIGNMENT SHIM



EUCLID NO.	REPLACES	A	THICKNESS	FOR MODEL
E-5281	Hendrickson 47457-000	4 3/8"	1/16"	HA, HAS PRIMAAX / FIREMAAX

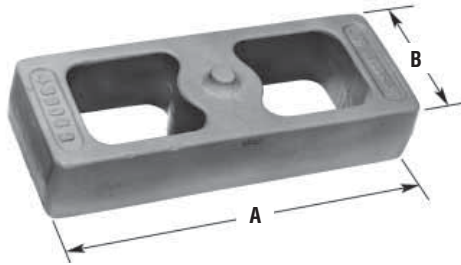
SPRING ROLLER ASSEMBLY 2 1/2" Dia.



EUCLID NO.	REPLACES	BOLT DIMENSION
E-9432A	Hendrickson 24531-015 Bolt 57988-000 Spacer 49846-000 Nut 22962-014 Washer 57989-000 Roller	1/2"-20 Thd. x 5 1/2" Length

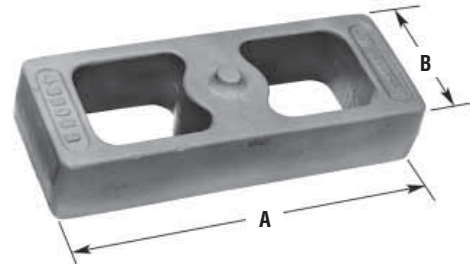
HENDRICKSON HA & HAS-360/400/402/460 PARTS

1" SPRING SPACER



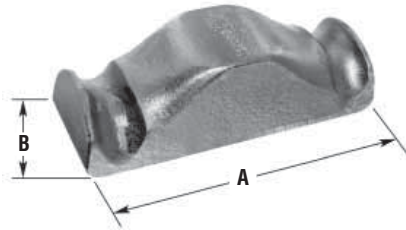
EUCLID NO.	REPLACES	A	B
E-3740	Hendrickson 48902-000	7 3/4"	3"

1 1/2" SPRING SPACER



EUCLID NO.	REPLACES	A	B
E-3741	Hendrickson 48903-000	7 3/4"	3"

U-BOLT TOP PAD



EUCLID NO.	REPLACES	A	B
E-8926	Hendrickson 49337	8 1/4"	3"

HANGER SLIPPER PAD KIT



EUCLID NO.	REPLACES	GENERAL INFORMATION
E-9391	Hendrickson 56557-002 (Assembly) 50612-000 Pad 50597-000 Plate 57306-000 Screw	For All HAS Models Includes: 1 Pad 2 Plate 4 Self-Tapping Screw

BOTTOM PLATE
Includes Studs, Nuts and Washers



EUCLID NO.	REPLACES	PINION ANGLE DEGREE	POSITION	CASTING NO.
E-3753A	Hendrickson 49138	9.5°-12°	Left Rear	48916
E-3754A	Hendrickson 49139	9.5°-12°	Right Rear	48919

SPRING HANGER



EUCLID NO.	REPLACES	CASTING NO.
E-5299	Hendrickson 56673-1	47431

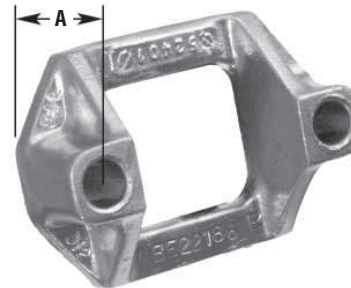
HENDRICKSON HA & HAS-360/400/402/460 PARTS

**LEVELING VALVE
BARKSDALE TYPE**



EUCLID NO.	REPLACES	GENERAL INFORMATION
E-11494	Hendrickson 60826-000 50433-001 50433-002	Use E-3760A Leveling Valve Link Assembly

TRANSVERSE ROD FRAME BRACKET



EUCLID NO.	REPLACES	A
E-2634	Hendrickson 22186-000	1 29/32"

1

FRONT SPRING HANGER



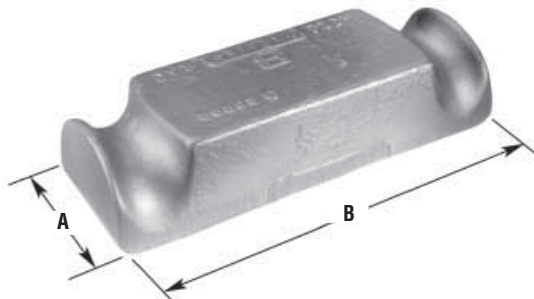
EUCLID NO.	REPLACES	GENERAL INFORMATION	CASTING NO.
E-9386	Hendrickson 50752-001	For HAS-400/ 402/460	56669-1 or 50291

FRONT SPRING HANGER



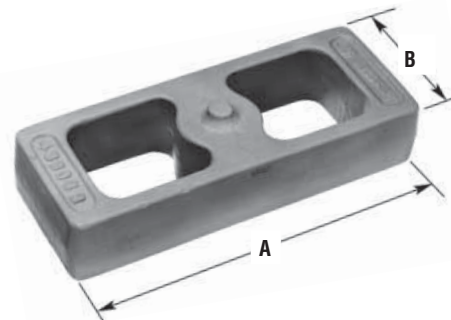
EUCLID NO.	REPLACES	GENERAL INFORMATION	CASTING NO.
E-9387	Hendrickson 50753-001	For HAS-360	56669-1 with Slipper Pad

TOP PAD



EUCLID NO.	REPLACES	A	B
E-9397	Hendrickson 56805-000	3"	8 1/8"

SPRING SPACER



EUCLID NO.	REPLACES	HEIGHT	A	B
E-3740	Hendrickson 48902-000	1"	7 3/4"	3"
E-3741	Hendrickson 48903-000	1 1/2"	7 3/4"	3"

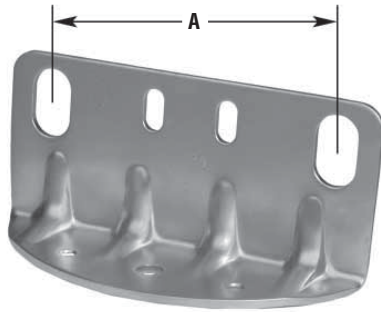
HENDRICKSON SUSPENSION PARTS

SHOCK FRAME HANGER ASSEMBLY



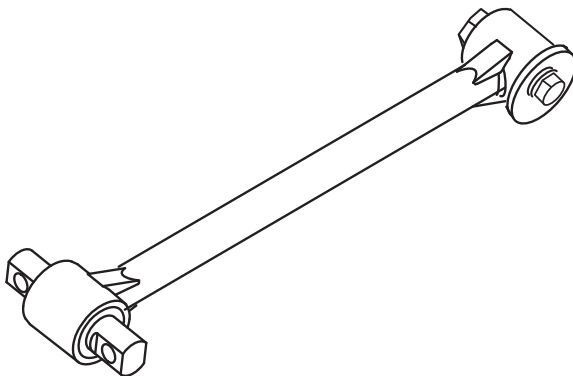
EUCLID NO.	REPLACES	GENERAL INFORMATION
E-9390	Hendrickson 57322-001 (Assembly) 50368-000 Bolt 22962-031 Washer 49846-000 Nut	For All HAS Models Includes: Hanger, Stud, Washer and Nut

AIR SPRING FRAME HANGER



EUCLID NO.	REPLACES	GENERAL INFORMATION	"A" Center-to-Center
E-9392	Hendrickson 50804-002	7 3/4" x 3 7/8" x 2 3/4"	6"

TRANSVERSE TORQUE ROD



EUCLID NO.	REPLACES	GENERAL INFORMATION
E-13988	Hendrickson 60215-000	Used on Hendrickson HN-402/462/522.

CROSS CHANNEL FASTENER KIT



EUCLID NO.	REPLACES	GENERAL INFORMATION
E-9384	Hendrickson 50763-001	Contains: 4 Bolts 3/4" x 3 4 Bolts 3/4" x 2 1/2" 16 Washers 8 Lock Nuts
E-9385	Hendrickson 50763-003	Contains: 4 Bolts 3/4" x 3 4 Bolts 3/4" x 3 1/2" 16 Washers 8 Lock Nuts

QUICK RELEASE KIT



EUCLID NO.	REPLACES	KIT INCLUDES
E-9389	Hendrickson 48689-001 (Assembly) 49193-001 Valve 48914-000 Switch 48940-000 Plate	Includes: 1 Synchro Relay Valve (Mounted near air springs) 1 Air Dump Switch 1 Name Plate (Installed in Cab)

TORQUE ROD ASSEMBLY



EUCLID NO.	REPLACES	GENERAL INFORMATION
E-13989	Hendrickson 60218-000	Used on Hendrickson HN-402/462/522.

HENDRICKSON HN-460 SUSPENSION PARTS

RUBBER REBOUND SPRING



EUCLID NO.	REPLACES	GENERAL INFORMATION
E-9415	Hendrickson 48570-000	—

RUBBER REBOUND STOP



EUCLID NO.	REPLACES	GENERAL INFORMATION
E-9416	Hendrickson 49395-000	Contains: 1 Stop

REBOUND STOP FASTENER KIT



EUCLID NO.	REPLACES	GENERAL INFORMATION
E-9417	Hendrickson 49395-000 Rebound Rubber Stop (Kit) 49399-000 Bolt 18160-011 Washer 22962-029 Nut 48948-000	Includes: 2 Rebound Rubber Stop 4 Bolt 8 Washer 4 Lock Nut

BOLSTER SPRING



EUCLID NO.	REPLACES	GENERAL INFORMATION
E-11496	Hendrickson 60879-000L	2 Per Tandem Used on Hendrickson HN-402/462/522 (Must be replaced in pairs)

CENTER BUSHING



EUCLID NO.	REPLACES	I.D.	O.D.	LENGTH
E-9411	Hendrickson 49972-000	2 1/2"	2 15/16"	12 7/16"

CROSS TUBE



EUCLID NO.	REPLACES	O.D.	LENGTH
E-9412	Hendrickson 44643-011	2 7/16"	40 3/4"

END CAP



EUCLID NO.	REPLACES	I.D.	O.D.	DEPTH
E-9413	Hendrickson 56910-000	3 7/8"	4"	1 7/16"

REBOUND CONTROL KIT



EUCLID NO.	REPLACES
E-9414	Hendrickson 49768-000 (Kit) 49778-000 Hex Nut 49770-000 Washer 49769-000 Rod 49771-000 Clevis 32043-004 Bolt 47764-000 Lock Nut

HENDRICKSON SUSPENSION PARTS

TRI-FUNCTIONAL II PIVOT BUSHING KIT



EUCLID NO.	REPLACES	INCLUDES	FOR MODEL
E-6121 (Replaces E-3772)	Hendrickson A-6914	1 Bushing 1 Bolt 1 Nut 1 Bolt Liner 2 Wear Pad 1 Tube Lubricant	HT190/230 and all "T" Series

BEAM END BUSHING INSTALLATION TOOL



Does Not Include Bushing

EUCLID NO.	REPLACES	FOR MODEL
E-9575	Hendrickson S-21307	For Tri-Functional I and Tri-Functional II 6.75" Bushings \used in Hendrickson T, HT, Intraax and HLM Suspensions

TRI-FUNCTIONAL II BUSHING KIT QUICK-ALIGN™



EUCLID NO.	REPLACES	INCLUDES	FOR MODEL
E-10729A	Hendrickson S-24691	1 Bushing 1 Bolt 1 Nut 2 Washers 2 Wear Pad 1 Tube Lubricant	HT Intraax Suspension

BEAM END BUSHING INSTALLATION TOOL



Does Not Include Bushing

EUCLID NO.	REPLACES	FOR MODEL
E-14634	Hendrickson S-21307	For Tri-Functional III 3.625" Bushings used in Hendrickson T, HT, Intraax and HLM Suspensions

BEAM BUSHING



EUCLID NO.	REPLACES	FOR MODEL	O.D.	I.D.	LENGTH
E-6127	Hendrickson S-2841-1	MT45, MTL45/50	3 3/8"	1 1/4"	5 1/4"

BEAM BUSHING



EUCLID NO.	REPLACES	FOR MODEL	O.D.	I.D.	LENGTH
E-6128	Hendrickson S-2159-1	MT45, MTL45/50	3 7/8"	2 1/2"	5 1/4"

QUICK-ALIGN™ PIVOT BOLT KIT



EUCLID NO.	REPLACES	INCLUDES	FOR MODEL
E-10730A	Hendrickson S-24679	2 Washers 1 Bolt 1 Nut	HT Intraax Suspension

QUICK-ALIGN™ PIVOT BOLT KIT



EUCLID NO.	REPLACES	INCLUDES	FOR MODEL
E-14635	Hendrickson S-24705	2 Washers 1 Bolt 1 Nut	Vantraax Suspension

HENDRICKSON SUSPENSION PARTS

PIVOT BUSHING



EUCLID NO.	REPLACES	FOR MODEL	O.D.	I.D.	LENGTH
E-6126	Hendrickson S-2841	MT45, MTL45/50	3 3/8"	1 1/4"	10 1/2"

ALIGNMENT COLLAR



EUCLID NO.	REPLACES	FOR MODEL	O.D.	I.D.
E-3771	Hendrickson S-2770	HT230 and all "T" Series MT45, MTL45	4 1/2"	1 1/8"
E-6131	Hendrickson S-2848	MTL50	4"	1 1/8"

SLIDER BLOCK ASSEMBLY



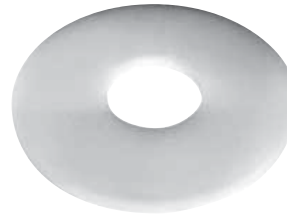
EUCLID NO.	REPLACES	FOR MODEL
E-3779	Hendrickson S-1156 Slider Block SA-1000-2 Bolt SA-1300-3 Nut	Q-AH, Q-LF Block Length - 2 7/8"

TORQUE ARM BUSHING ASSEMBLY



EUCLID NO.	FOR MODEL	INCLUDES
E-1981	"Q" Series	1 E-1980 Bushing 1 E-901 Bolt 1 E-2983 Nut

DELRIN WEAR PAD



EUCLID NO.	REPLACES	FOR MODEL	O.D.	I.D.	THICK
E-6122	Hendrickson S-21099	HLM, HT190/230	7"	2 23/64"	11/32"

BOLT KIT



EUCLID NO.	REPLACES	INCLUDES	FOR MODEL
E-3768	Hendrickson S-3646	1 Bolt, 1 1/8"-7 Thd. x 9 3/4" Long 1 Nut, 1 1/8"-7 Thd. 1 Bolt Liner, 1 1/4" O.D. x 1 1/8" I.D. x 6 3/4" Long	HLM, HT190/230 and all "T" Series
E-6129	Hendrickson S-3142	1 Bolt, 1 1/8"-7 Thd. x 13 1/2" Long 1 Nut, 1 1/8"-7 Thd. 1 Bolt Liner, 1 1/4" O.D. x 1 1/8" I.D. x 10 3/8" Long	MT 45, MTL45/50
E-6130	Hendrickson S-3141	1 Bolt, 1 1/8"-7 Thd. x 8 1/2" Long 1 Nut, 1 1/8"-7 Thd. 1 Bolt Liner, 1 1/4" O.D. x 1 1/8" I.D. x 6 3/4" Long	MT 45, MTL45/50

TORQUE ARM BUSHING



EUCLID NO.	REPLACES	FOR MODEL	DIMENSIONS
E-1980	Hendrickson S-1712	"Q" Series	1 29/32" O.D. x 7/8" I.D. x 3" Long

HENDRICKSON SUSPENSION PARTS

ADJUSTABLE TORQUE ARM



TYPE 1

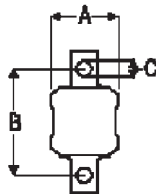
RIGID TORQUE ARM



TYPE 2

EUCLID NO.	REPLACES	FOR MODEL	EUCLID BUSHING NO.	EUCLID BUSHING ASSEMBLY NO.	LENGTH CENTER-TO-CENTER	TYPE
E-2512	Hendrickson C-1032	Q-SR	E-1980	E-1981	14 3/4" to 18"	1
E-2513	Hendrickson C-1032-1	Q-AH	E-1980	E-1981	18 1/2" to 21 3/8"	1
E-3773	Hendrickson C-1031	Q-SR	E-1980	E-1981	15 1/2"	2
E-3774A-2	Hendrickson C-1031-1	Q-AH	E-1980	E-1981	19"	2

BUSHING TOOL KIT



E-13961



E-13974

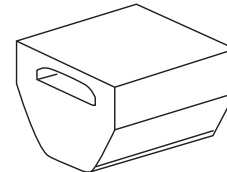
FUNNEL TOOL



EUCLID NO.	REPLACES	GENERAL INFORMATION
E-13974	Hendrickson 66086-000	Used for rebushing a torque rod with in a bonded bushing. For use with all 64400 series bonded bushings.
E-14346	66086-001L	For use with 47691 bonded bushing, with a 2.0"O.D.

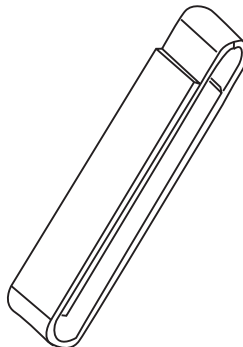
EUCLID NO.	REPLACES	QTY	EUCLID NO.	DESCRIPTION
E-13973	Hendrickson 34013-113	8	E-13961	Bonded Bushings (Part No. 64400-002L) A = 3 1/4", B = 4 3/8", C = 5/8"
		1	E-13974	Funnel Tool (Part No. 66086-000)

AUXILIARY SPRING



EUCLID NO.	REPLACES	GENERAL INFORMATION
E-14047	Hendrickson 60314-000	Used on Hendrickson Haulmaax and HN-402/462/522 suspensions.

REBOUND STRAP



AXLE SPACER

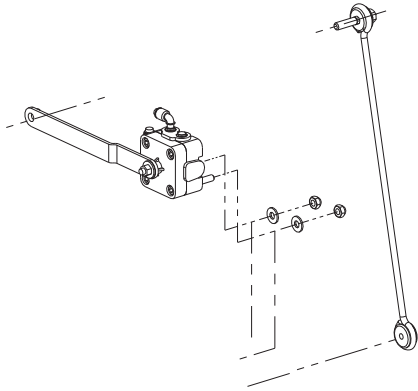


EUCLID NO.	REPLACES	GENERAL INFORMATION
E-13986	Hendrickson 57878-003	Used on Hendrickson HN-402/462/522

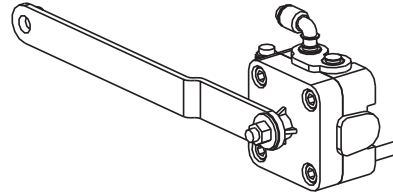
EUCLID NO.	REPLACES	FOR MODEL
E-6124	Hendrickson S-20701	HLM, HT190/230

HENDRICKSON AIRTEK® SUSPENSION PARTS

HEIGHT CONTROL VALVE & LINKAGE ASSEMBLY



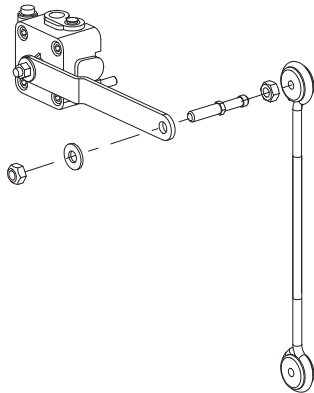
HEIGHT CONTROL VALVE



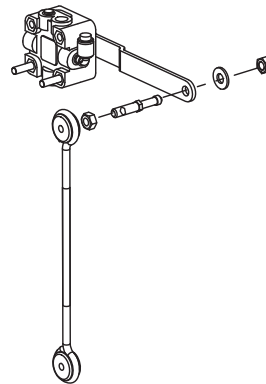
EUCLID NO.	REPLACES	GENERAL INFORMATION
E-13994	Hendrickson 59427-005	Used on Hendrickson AIRTEK® Vehicles

EUCLID NO.	REPLACES	GENERAL INFORMATION
E-13995	Hendrickson 59935-002	Used on Hendrickson AIRTEK® vehicles.

HEIGHT CONTROL VALVE - LH



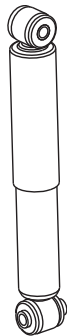
HEIGHT CONTROL VALVE - RH



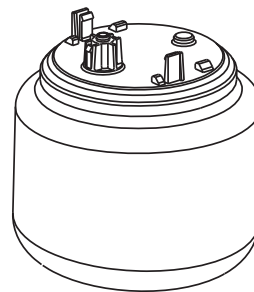
EUCLID NO.	REPLACES	GENERAL INFORMATION
E-13996	Hendrickson 59935-011	Used on Hendrickson AIRTEK® Vehicles

EUCLID NO.	REPLACES	GENERAL INFORMATION
E-13997	Hendrickson 59935-018	Used on Hendrickson AIRTEK® Vehicles

SHOCK ABSORBER



AIR SPRING

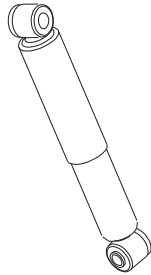


EUCLID NO.	REPLACES	GENERAL INFORMATION
M83111	Hendrickson 59813-003L	Used on Hendrickson AIRTEK® Vehicles

EUCLID NO.	REPLACES	GENERAL INFORMATION
FS9911	Hendrickson 59823-002L	Used on Hendrickson AIRTEK® Vehicles

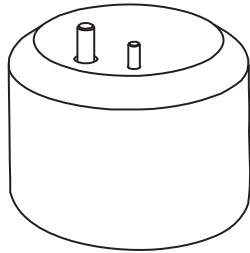
HENDRICKSON AIRTEK® SUSPENSION PARTS

SHOCK ABSORBER



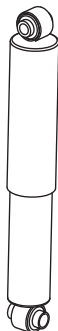
EUCLID NO.	REPLACES	GENERAL INFORMATION
E-14009	Hendrickson 64838-003L Volvo 20485633 Mack 014QK-0422-M	Used on Hendrickson AIRTEK® vehicles.

AIR SPRING FOR 13.2/14.6K



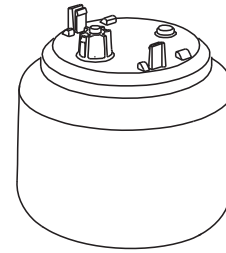
EUCLID NO.	REPLACES	GENERAL INFORMATION
FS9554	Hendrickson 60716-002 Volvo 20462941 Mack 057QL-0529-M	Used on Hendrickson AIRTEK® vehicles.

DAY CAB SHOCK ABSORBER



EUCLID NO.	REPLACES	GENERAL INFORMATION
E-14022	Hendrickson 65992-002L	Used on Hendrickson AIRTEK® Vehicles

AIR SPRING FOR 12/12.5K



EUCLID NO.	REPLACES	GENERAL INFORMATION
FS9913	Hendrickson 66349-002L Volvo 20897204 Mack 057QL-0520-M	Used on Hendrickson AIRTEK® vehicles.

SLEEPER SHOCK ABSORBER

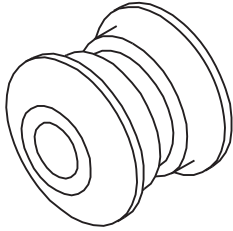


EUCLID NO.	REPLACES	GENERAL INFORMATION
E-14021	Hendrickson 65992-001L	Used on Hendrickson AIRTEK® Vehicles

1

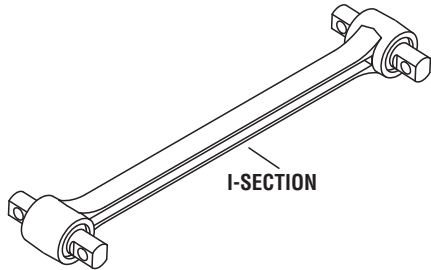
HENDRICKSON PRIMAAX® / FIREMAAX® SUSPENSION PARTS

**QUICK-ALIGN
PIVOT BOLT BUSHING**



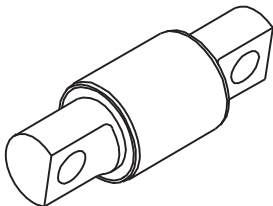
EUCLID NO.	REPLACES	GENERAL INFORMATION
E-13992	Hendrickson 58648-000	Used on Hendrickson PRIMAAX® 230/460/690 and FIREMAAX™ 240/480 - Type A Hendrickson PRIMAAX® 230/460/690 - Type B

**TRANSVERSE ROD ASSEMBLY
Bar Pin**



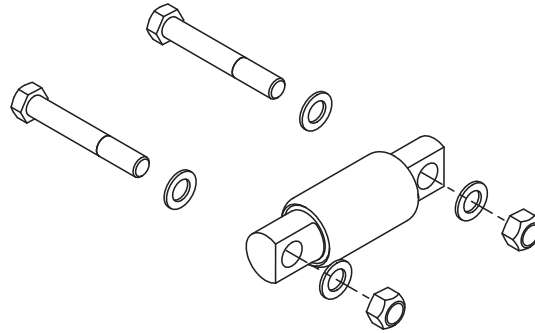
EUCLID NO.	REPLACES	GENERAL INFORMATION
E-13993	Hendrickson 58757-006 Cast (I-Section)	Used on Hendrickson PRIMAAX® 230/460/690 and FIREMAAX™ 240/480 - Type A PRIMAAX® 230/460/690 - Type B

D-PIN BUSHING



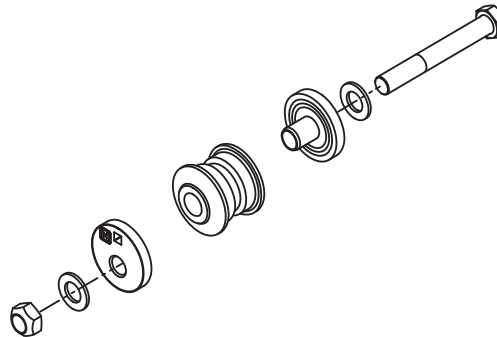
EUCLID NO.	REPLACES	GENERAL INFORMATION
E-14026	Hendrickson 60383-000	Used on Hendrickson PRIMAAX® 230/460/690 and FIREMAAX™ 240/480 - Type A Hendrickson PRIMAAX® 230/460/690 - Type B

D-PIN SERVICE KIT



EUCLID NO.	REPLACES	GENERAL INFORMATION
E-13983	Hendrickson 34013-114	Used on Hendrickson PRIMAAX® 230/460/690 and FIREMAAX™ 240/480 - Type A PRIMAAX® 230/460/690 - Type B

**QUICK-ALIGN
PIVOT BUSHING SERVICE KIT**



EUCLID NO.	REPLACES	GENERAL INFORMATION
E-14025	Hendrickson 60632-008	Used on Hendrickson PRIMAAX® 230/460/690 and FIREMAAX™ 240/480 - Type A Hendrickson PRIMAAX® 230/460/690 and FIREMAAX™ 240/480 - Type B

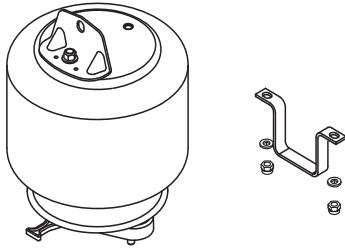
QUICK-ALIGN COLLAR



EUCLID NO.	REPLACES	GENERAL INFORMATION
E-14673	Hendrickson 60632-006	Used on Hendrickson PRIMAAX® 230/460/690 and FIREMAAX™ 240/480 - Type A Hendrickson PRIMAAX® 230/460/690 and FIREMAAX™ 240/480 - Type B

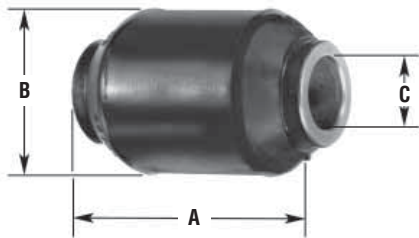
HENDRICKSON PRIMAAX® / FIREMAAX® SUSPENSION PARTS

AIR SPRING ASSEMBLY SERVICE KIT



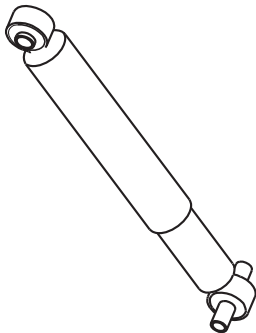
EUCLID NO.	REPLACES	GENERAL INFORMATION
E-14027	Hendrickson 60961-62	Used on Hendrickson PRIMAAX® 230/460/690 - Type A Hendrickson PRIMAAX® 230/460/690 - Type B

TORQUE ROADBUSHING Through Holes



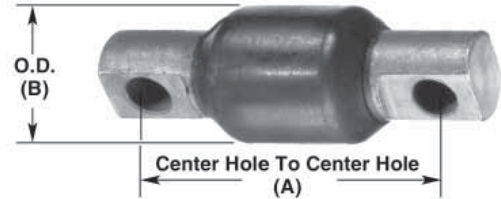
EUCLID NO.	REPLACES	GENERAL INFORMATION
E-5276	Hendrickson 47692-000L	A = 3", B = 2" and C = 7/8" Used on Hendrickson PRIMAAX® 230/460/690 and FIREMAAX™ 240/480 - Type A

SHOCK ABSORBER, STANDARD



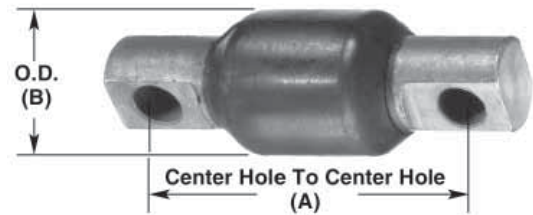
EUCLID NO.	REPLACES	GENERAL INFORMATION
M85072	Hendrickson 60657-003	Used on Hendrickson PRIMAAX® 230/460/690 and FIREMAAX™ 240/480 - Type A PRIMAAX® 230/460/690 - Type B

BUSHING, STRADDLE BAR PIN 3/4" Holes



EUCLID NO.	REPLACES	GENERAL INFORMATION
E-10322	Hendrickson 69210-000H	A = 4 3/8" and B = 2.04" Used on Hendrickson PRIMAAX® 230/460/690 and FIREMAAX™ 240/480 - Type A

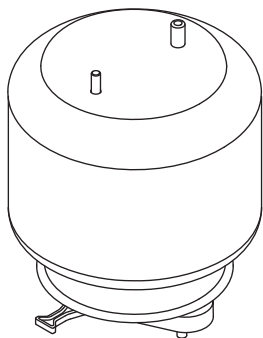
BUSHING, STRADDLE BAR PIN 5/8" Holes



EUCLID NO.	REPLACES	GENERAL INFORMATION
E-5275	Hendrickson 47691-000L	A = 4 3/8" and B = 2.04" Used on Hendrickson PRIMAAX® 230/460/690 and FIREMAAX™ 240/480 - Type A PRIMAAX® 230/460/690 - Type B

HENDRICKSON PRIMAAX® / FIREMAAX® SUSPENSION PARTS

AIR SPRING



SHOCK ABSORBER

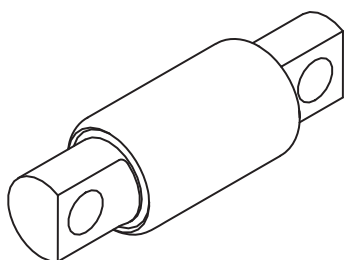


1

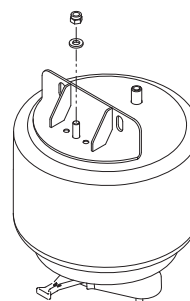
EUCLID NO.	REPLACES	GENERAL INFORMATION
E-14035	Hendrickson 65032-002	Used on Hendrickson PRIMAAX® 230/460/690 and FIREMAAX™ 240/480

EUCLID NO.	REPLACES	GENERAL INFORMATION
E-14037	Hendrickson 60665-011	Used on Hendrickson PRIMAAX® 230/460/690 and FIREMAAX™ 240/480

D-PIN BUSHING



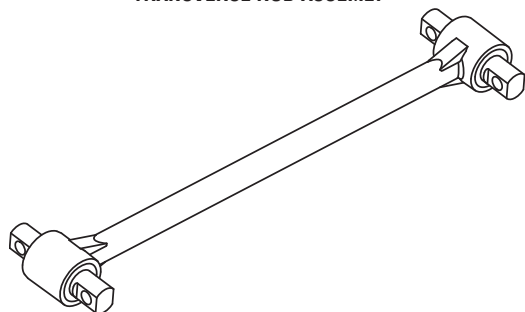
AIR SPRING ASSEMBLY



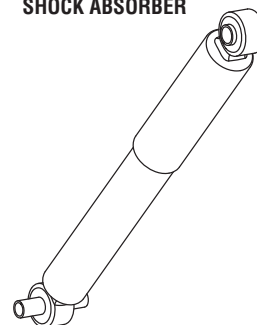
EUCLID NO.	REPLACES	GENERAL INFORMATION
E-14039	Hendrickson 65381-000	Used on Hendrickson PRIMAAX® 230/460/690 and FIREMAAX™ 240/480 - Type A PRIMAAX® 230/460/690 - Type B

EUCLID NO.	REPLACES	GENERAL INFORMATION
E-14040	Hendrickson 66255-002	Used on Hendrickson PRIMAAX® 230/460/690 - Type A Hendrickson PRIMAAX® 230/460/690 - Type B

TRANSVERSE ROD ASSEMBLY



SHOCK ABSORBER

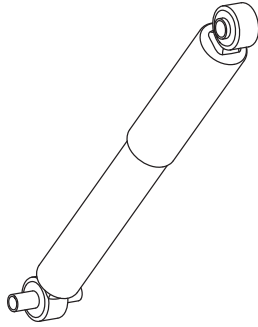


EUCLID NO.	REPLACES	GENERAL INFORMATION
E-14041	Hendrickson 62000-620	Used on Hendrickson PRIMAAX® 230/460/690 - Type A Hendrickson PRIMAAX® 230/460/690 - Type B

EUCLID NO.	REPLACES	GENERAL INFORMATION
E-14042	Hendrickson 60665-013	Used on Hendrickson PRIMAAX® 230/460/690 - Type A Hendrickson PRIMAAX® 230/460/690 - Type B

HENDRICKSON SUSPENSION PARTS

SHOCK ABSORBER



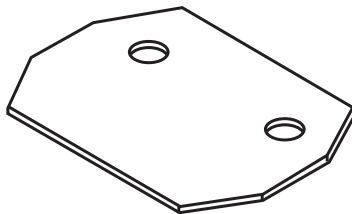
EUCLID NO.	REPLACES	GENERAL INFORMATION
E-14043	Hendrickson 60665-015	Used on Hendrickson PRIMAAX® 230/460/690 - Type A Hendrickson PRIMAAX® 230/460/690 - Type B

SADDLE PLATE



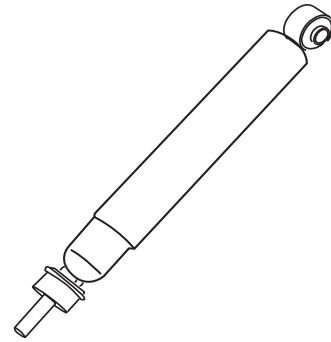
EUCLID NO.	REPLACES	GENERAL INFORMATION
E-2604	Hendrickson 20781-000	Used on Hendrickson RS-403/463

AIR SPRING PLATE



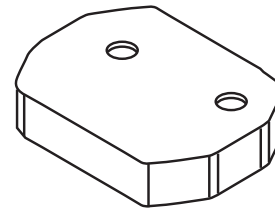
EUCLID NO.	REPLACES	GENERAL INFORMATION
E-14337 E-14338	Hendrickson B-21145 B-20905	Used on Hendrickson AAT-23K, 25K and 30K E-14337 Bolt-on and E-14338 Weld-on

SHOCK ABSORBER



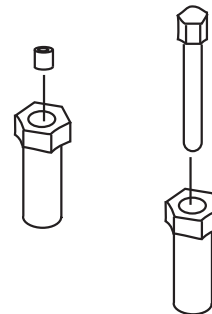
EUCLID NO.	REPLACES	GENERAL INFORMATION
E-14045 E-14046	Hendrickson 60680-004L 60680-005L	Used on Hendrickson HAULMAAX® Aftermarket

AIR SPRING SPACER



EUCLID NO.	REPLACES	GENERAL INFORMATION
E-14339 E-14340 E-14341	Hendrickson B-22510-1 B-22510-2 B-22510-3	Used on Hendrickson AAT-23K, 25K and 30K

AIR SPRING FITTING KIT



EUCLID NO.	REPLACES	GENERAL INFORMATION
E-14342 E-14343 E-14344 E-14345	Hendrickson S-22619/2 S-22630/2 S-22631/2 S-22632/2	Used on Hendrickson AAT-23K, 25K and 30K

HENDRICKSON SUSPENSION PARTS

TIE-BAR BOLSTER SPRING SERVICE KIT



BOLSTER SPRING

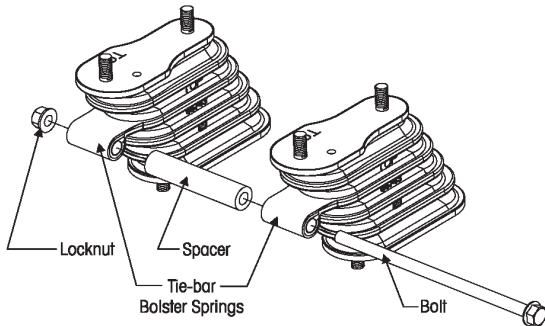


EUCLID NO.	REPLACES	GENERAL INFORMATION
E-14373	Hendrickson 65743-000	Used on HAULMAAX® Heavy Duty Suspension

EUCLID NO.	REPLACES	GENERAL INFORMATION
E-14375	Hendrickson 59257-000	Used on HAULMAAX® Heavy Duty Suspension

1

SERVICE KIT - BOLSTER SPRING WITH TIE-BAR

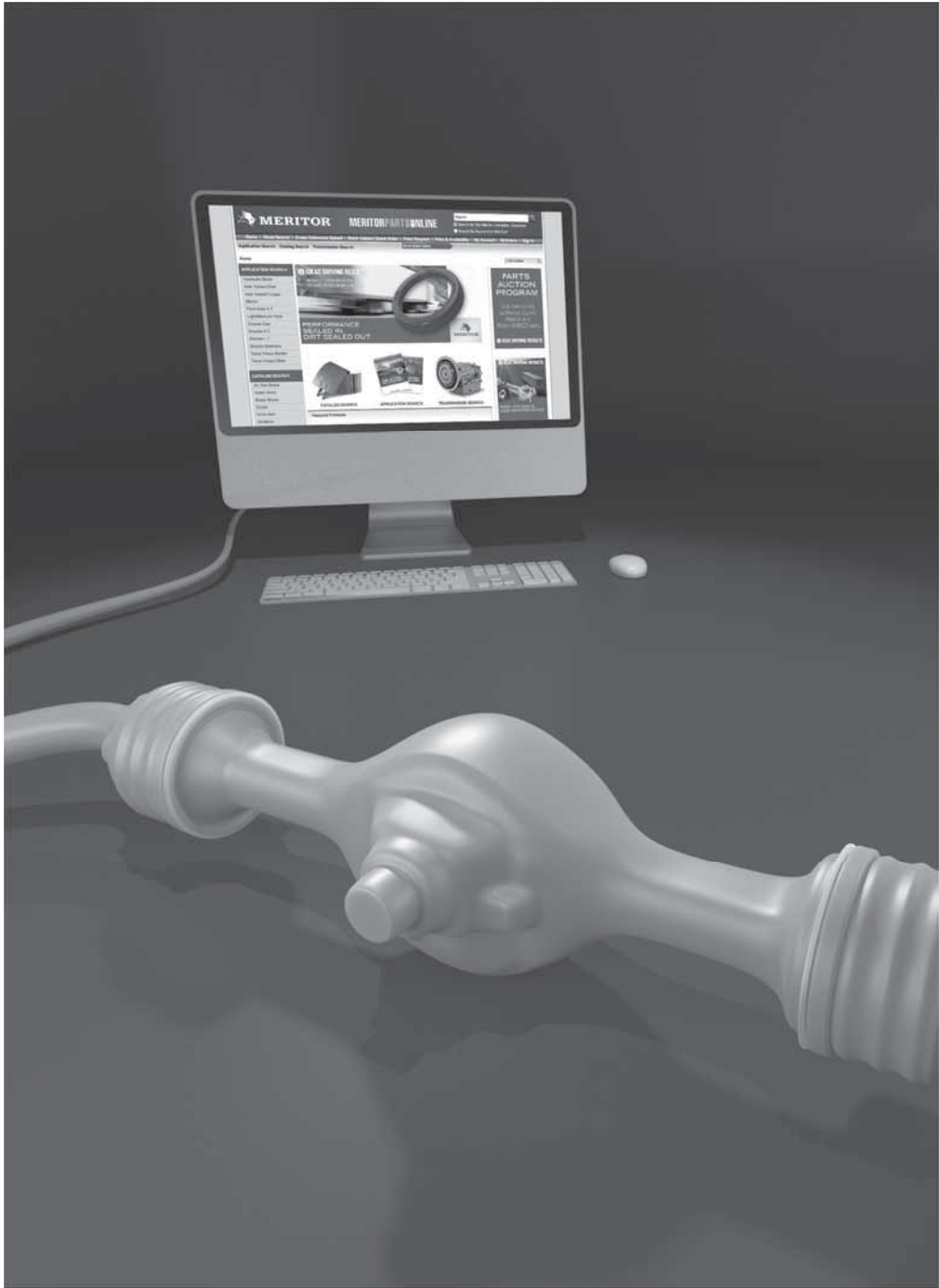


TRI-FUNCTIONAL BUSHING KIT QUIK-ALIGN™



EUCLID NO.	REPLACES	GENERAL INFORMATION
E-14044	Hendrickson 64179-037	Used on HAULMAAX® Heavy Duty Suspension

EUCLID NO.	REPLACES	INCLUDES	FOR MODEL
E-14377	Hendrickson S-26321	2 Bushing 2 Pivot Bolt 4 Wear Pad 2 Tube Lubricant	Vantraax



MERITOR WABCO
Safety Strong. Efficiency Smart.

Mascot
 Truck Parts
 a **MERITOR** brand

EUCLID

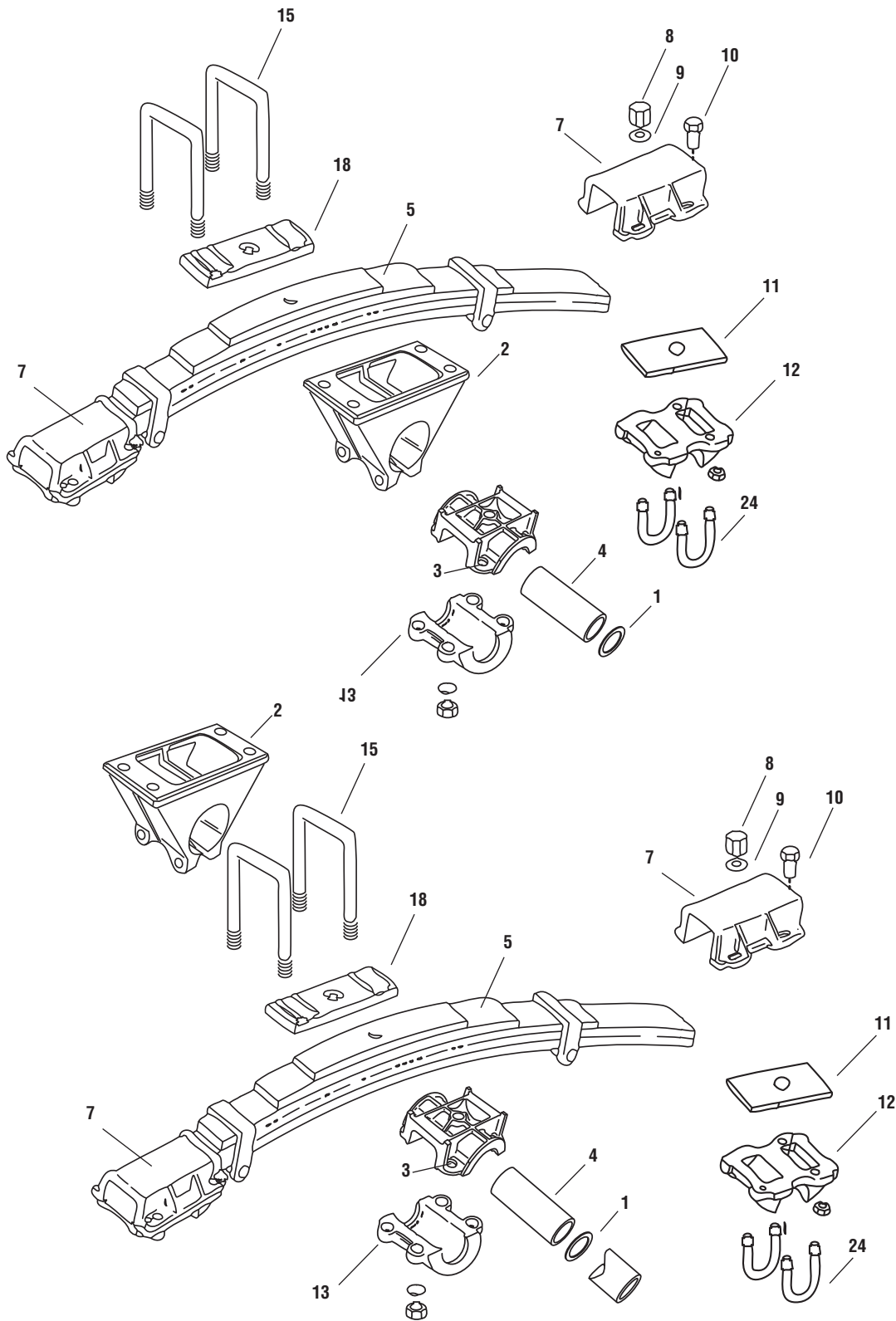
MERITORPARTSONLINE.COM

Your 24/7/365 access to Meritor®, Euclid, Mascot and Meritor WABCO parts ordering, product literature, pricing, parts comparison, and in-depth technical information.



HUTCHENS SUSPENSION

H-440 Single Point



1

HUTCHENS SUSPENSION PARTS

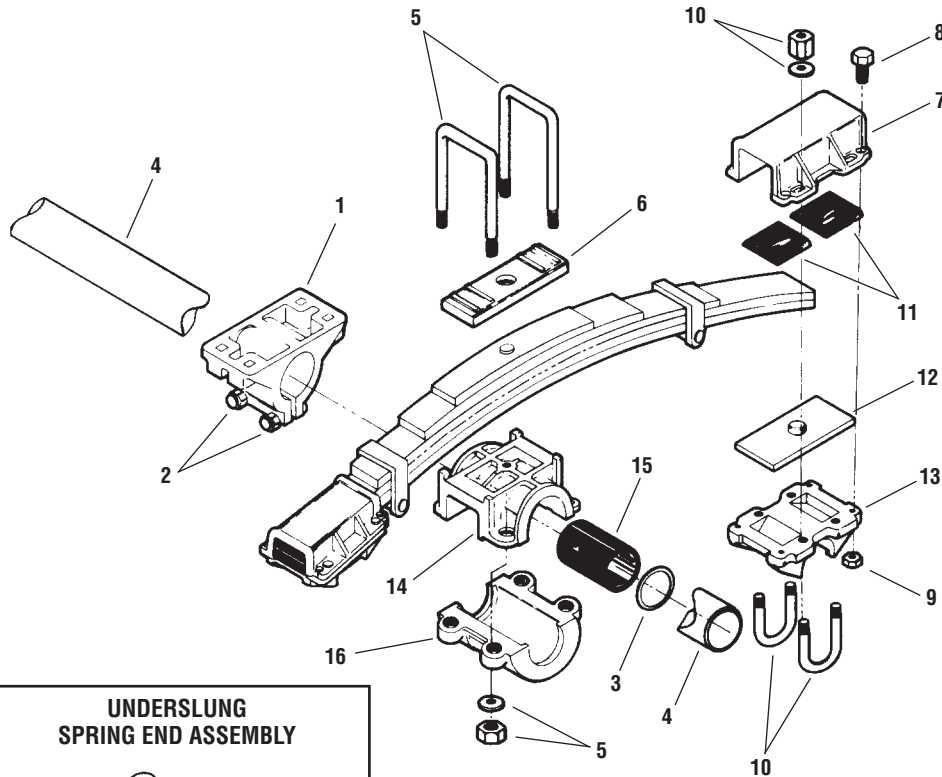
H-440 Single Point

KEY NO.	EUCLID PART NO.	REPLACES HUTCHENS NO.	DESCRIPTION	QTY PER TANDEM		PAGE NO.
				38,000 LB.	44,000 LB.	
1	S.O.S.	20936-01 (New)	Trunnion Washer	2	2	—
	E-5219	895-00 (Old)				1-275
2	E-5213	850-01	Trunnion Hanger 2 1/2" Height	2	2	1-275
3	S.O.S.	10376-00	Hex Bolt 3/4"-16 UNF x 4 1/2" Gr 5	4	4	—
4	S.O.S.	893-20	Trunnion Tube 0.50 Thk 46.5 Lg		1	—
	S.O.S.	893-23	Trunnion Tube 0.50 Thk 52.5 Lg	1		
5	S.O.S.	20488-01	Spring - 3 Leaf 44,000 Lb.		2	—
6	E-5227 (Rubber)	814-00	Spring End Pad	8	8	1-276
	E-8665 (Poly)					
7	S.O.S.	20610-01	Spring End Cap	4	4	—
8	S.O.S.	11513-03	Hex Locknut 5/8"-18 UNF	8	8	—
9	S.O.S.	10273-00	Washer Spcl Flat Edge	8	8	—
10	E-4348	9293-00	Hex Bolt 5/8"-11 UNF x 2" Grade 5	8	8	1-277
11	S.O.S.	20601-01	Adjustment Plate	4	4	—
12	S.O.S.	20609-01	Spring Seat	4	4	—
13	S.O.S.	20604-01	Trunnion Hub - Lower Half	2	2	—
14	S.O.S.	20605-01	Trunnion Hub - Upper Half	2	2	—
15	S.O.S.	20600-01	U-Bolt 7/8" Gr 8 - Square	4	4	—
16	S.O.S.	20599-01	Hex Nut 7/8"-14 Unf Gr 8	8	8	—
17	E-2546	35-00	Washer 15/16" I.D. X 1 3/4" O.D.	8	8	2-35
18	S.O.S.	20612-01	Top Plate - Square U-Bolt	2	2	—
19	S.O.S.	12919-01	Galvanized Liner	2	2	—
21	S.O.S.	23276-03 (New)	Trunnion Hub Bushing - Free Osci	2	2	—
		22068-03 (Old)				
		20248-03 (Old)				
22	E-2545	817-00	Washer 1/8" x 13/16" ID x 1 1/2" O.D.	16	16	2-35
23	E-3001	841-00	Hex Nut, Self-Locking 3/4"-16 Unf	4	4	2-34
24	E-UB8155-073	10060-01	U-Bolt Assembly, Rd. Bend, 3/4" -16 Thd.x 5" Wide x 7 1/2" Long	8	8	2-25
—	S.O.S.	20613-01	H440 2.5 Trn Subassy 38.00 Sc	1		—
	S.O.S.	20613-02	H440 2.5 Trn Subassy 44.00 Sc		1	—

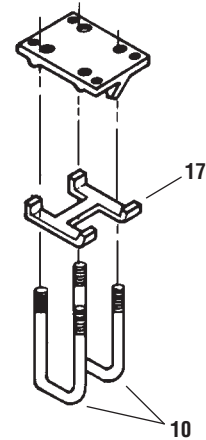
S.O.S. = Available through Euclid's S.O.S. Department

HUTCHENS SUSPENSION

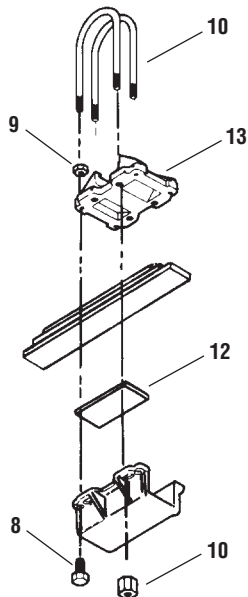
H-900 Single Point Trailer (Over Slung shown)



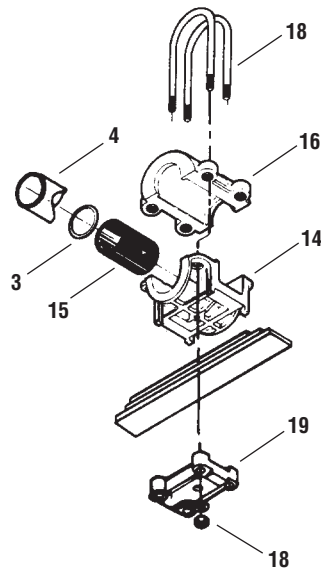
OVERSLUNG WITH OPTIONAL 5" SQUARE AXLE



UNDERSLUNG SPRING END ASSEMBLY



OPTIONAL UNDERSLUNG TRUNNION ASSEMBLY



LEAF SPRING REFERENCES

SRI No.

TRA 2711	5 Leaf
TRA 2715	6 Leaf
TRA 2719	7 Leaf
TRA 2713	9 Leaf
TRA 2714	9 Leaf

HUTCHENS SUSPENSION PARTS

H-900 Single Point

Trailer

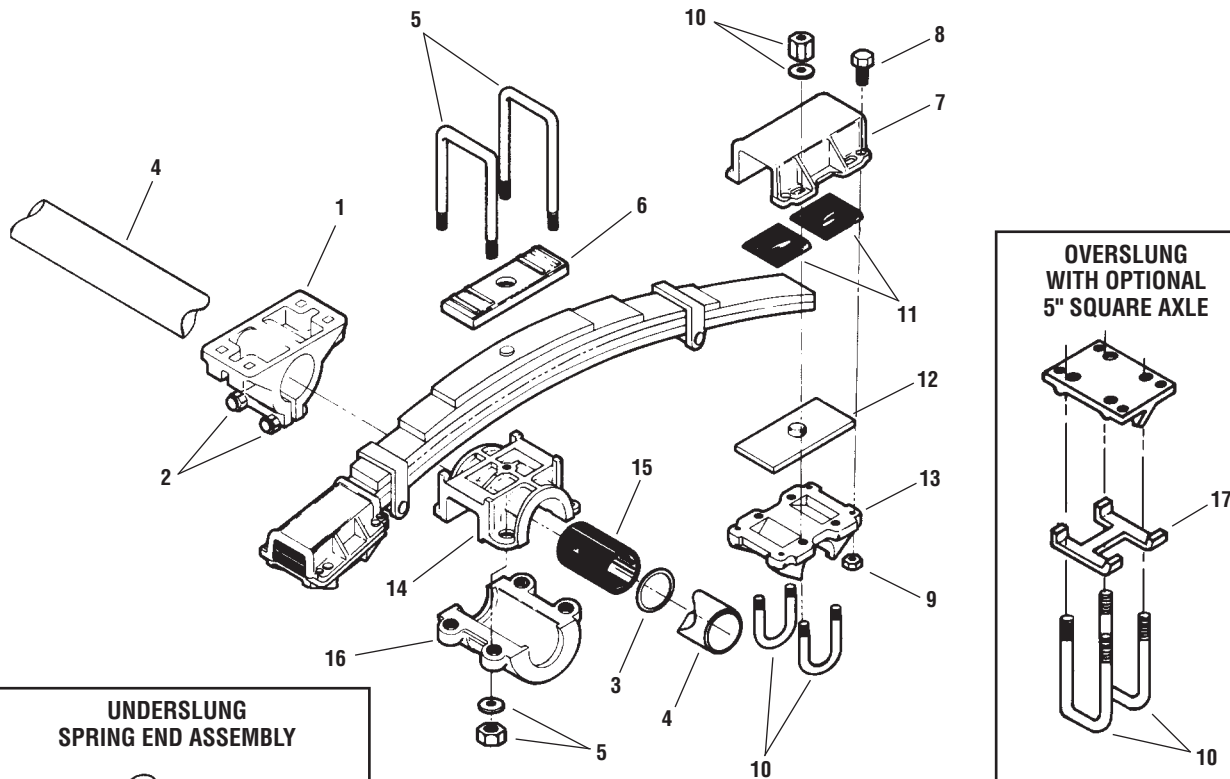
KEY NO.	EUCLID NO.	REPLACES HUTCHENS NO.	DESCRIPTION	QTY. PER TANDEM	OVERSLUNG TRUNNION		UNDERSLUNG TRUNNION		PAGE NO.
					OVER-SLUNG AXLE	UNDER-SLUNG AXLE	OVER-SLUNG AXLE	UNDER-SLUNG AXLE	
1	E-5213	850-01	Trunnion Hanger, 2 1/2" High	2	X	X	X	X	1-275
	E-4312	10476-0	Trunnion Hanger, 4 1/2" High		X	X	X	X	1-275
	E-5214	849-01	Trunnion Hanger, 6 1/2" High		X	X	X	X	1-275
	E-5215	897-01	Trunnion Hanger, 8 1/2" High		X	X	X	X	1-275
2	S.O.S.	10376-00	Hex Bolt, 3/4"-16 Thd. x 4 1/2" Long	4	X	X	X	X	—
3	E-5219	895-00	Trunnion Washer	2	X	X	X	X	1-275
4	S.O.S.	893-04	Shaft, 44,000 lbs., 36" Spring Center	1	X	X	X	X	—
	E-2964	893-01	Shaft, 44,000 lbs., 38" Spring Center		X	X	X	X	1-275
	S.O.S.	893-11	Shaft, 44,000 lbs., 41" Spring Center		X	X	X	X	—
	S.O.S.	893-09	Shaft, 44,000 lbs., 42" Spring Center		X	X	X	X	—
	S.O.S.	893-07	Shaft, 44,000 lbs., 44" Spring Center		X	X	X	X	—
	S.O.S.	893-05	Shaft, 60,000 lbs., 36" Spring Center		X	X	X	X	—
	E-5218	893-02	Shaft, 60,000 lbs., 38" Spring Center		X	X	X	X	1-275
	S.O.S.	893-12	Shaft, 60,000 lbs., 41" Spring Center		X	X	X	X	—
	S.O.S.	893-10	Shaft, 60,000 lbs., 42" Spring Center		X	X	X	X	—
S.O.S.	893-08	Shaft, 60,000 lbs., 44" Spring Center	X	X	X	X	—		
5	E-UB8286-134	9639-01 9639-02	U-Bolt, Square Bend, 1 1/8"-12 Thd. x 5 1/8" Wide x 13 1/2" Long	4	X	X			2-28
	E-UB8286-154	9639-03 9639-04 9639-05	U-Bolt, Square Bend, 1 1/8"-12 Thd. x 5 1/8" Wide x 15 1/2" Long	4	X	X			
6	E-5230	9640-00	Top Plate, Cast, Square	2	X	X			1-277
7	E-5220	10049-00	Spring End Cap, 2 Main Leaf Spring	4	X		X		1-276
	E-5221	9937-00	Spring End Cap, 3 Main Leaf Spring		X		X		1-276
	E-5224	10050-02	Spring End Cap, 2 Main Leaf Spring			X		X	1-276
	E-5225	9941-02	Spring End Cap, 3 Main Leaf Spring			X		X	1-276
	S.O.S.	9942-02	Spring End Cap, 5 3/4"-6" Round Axle			X		X	—
8	E-4348	9293-00	Hex Bolt, 5/8"-11 Thd. x 2" Long	16	X		X		1-277
				8		X		X	
9	E-2988	37-03	Hex Lock Nut, 5/8"-11 Thd.	16	X		X		2-34
				8		X		X	
10	E-UB8155-073	10060-01	U-Bolt Assembly, Rd. Bend, 3/4"-16 Thd. x 5" Wide x 7 1/2" Long	8	X		X		2-25
	S.O.S.	10061-01	U-Bolt Assembly, Rd. Bend, 3/4"-16 Thd. x 5 3/4" Wide x 8" Long		X		X		—
	S.O.S.	10062-01	U-Bolt Assembly, Rd. Bend, 3/4"-16 Thd. x 6" Wide x 8" Long		X		X		—
	E-UB8175-104	10064-01	U-Bolt Assembly, Rd. Bend, 1"-14 Thd. x 5" Wide x 10 1/2" Long			X		X	2-26
	S.O.S.	10065-01	U-Bolt Assembly, Rd. Bend, 1"-14 Thd. x 5 3/4" Wide x 11 1/2" Long			X		X	—
	S.O.S.	10066-01	U-Bolt Assembly, Rd. Bend, 1"-14 Thd. x 6" Wide x 11 1/2" Long			X		X	—
	E-UB8256-077	10060-01	U-Bolt Assembly, Sq. Bend, 3/4"-16 Thd. x 5" Wide x 7 7/8" Long		X		X		2-27
	S.O.S.	10067-02	U-Bolt Assembly, Sq. Bend, 1"-14 Thd. x 5" Wide x 10 1/2" Long			X		X	—
	S.O.S.	10067-03	U-Bolt Assembly, Sq. Bend, 1"-14 Thd. x 5" Wide x 11 1/8" Long			X		X	—
11	E-5227 (Rubber)	814-00	Spring End Pad	8	X	X	X	X	1-276
	E-8665 (Poly)								

S.O.S. = Available through Euclid's S.O.S. Department

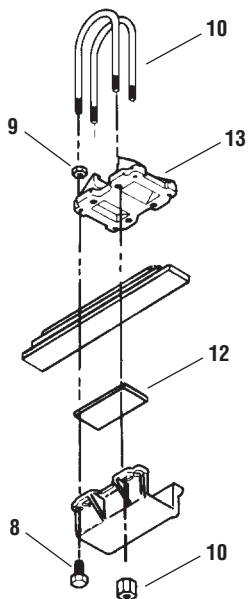
Continued on next page

HUTCHENS SUSPENSION

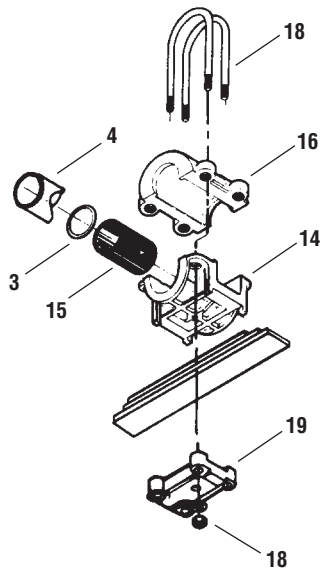
H-900 Single Point Trailer (Over Slung shown)



UNDERSLUNG SPRING END ASSEMBLY



OPTIONAL UNDERSLUNG TRUNNION ASSEMBLY



LEAF SPRING REFERENCES

SRI No.

TRA 2711	5 Leaf
TRA 2715	6 Leaf
TRA 2719	7 Leaf
TRA 2713	9 Leaf
TRA 2714	9 Leaf

HUTCHENS SUSPENSION PARTS

H-900 Single Point

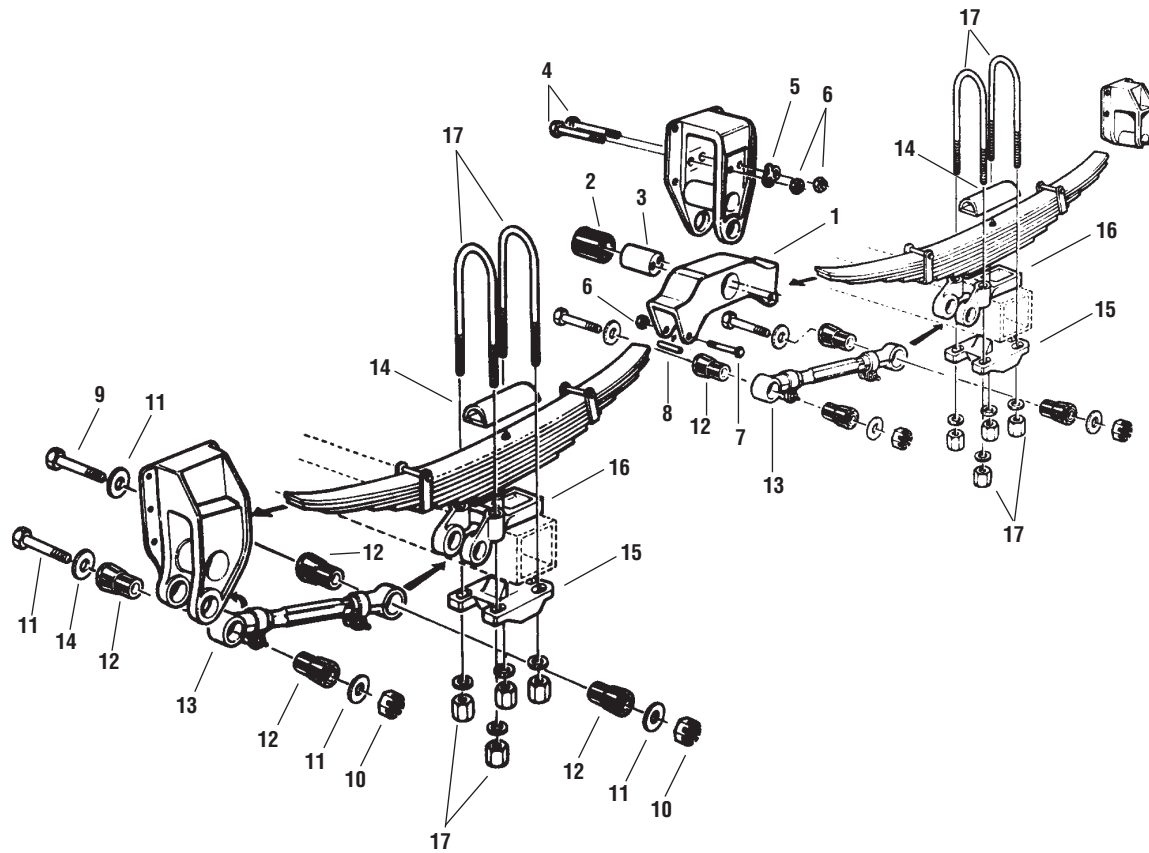
Trailer

KEY NO.	EUCLID NO.	REPLACES HUTCHENS NO.	DESCRIPTION	QTY. PER TANDEM	OVERSLUNG TRUNNION		UNDERSLUNG TRUNNION		PAGE NO.
					OVER-SLUNG AXLE	UNDER-SLUNG AXLE	OVER-SLUNG AXLE	UNDER-SLUNG AXLE	
12	E-5228	10608-00	Alignment Adjustment Plate	4	X	X	X	X	1-277
13	E-5222	9934-02	Spring Seat, 5" Rd. Axle	4	X		X		1-276
	E-5226	9938-00	Spring Seat, 5" Rd. Axle			X		X	1-276
	E-5223	9935-02	Spring Seat, 5" x 5" Sq. Axle		X		X		1-276
	S.O.S.	9939-00	Spring Seat, 5" x 5" Sq. Axle			X		X	—
	S.O.S.	9936-03	Spring Seat, 5 3/4" Rd. Axle		X		X		—
	S.O.S.	9940-00	Spring Seat, 5 3/4" Rd. Axle			X		X	—
	S.O.S.	9936-04	Spring Seat, 6" Rd. Axle		X		X		—
	S.O.S.	9940-01	Spring Seat, 6" Rd. Axle			X		X	—
14	E-5210	891-00	Upper Trunnion Hub	2	X	X	X	X	1-275
15	E-5216 (Rubber)	890-00	Trunnion Bushing	2	X	X	X	X	1-275
	E-7455 (Poly)	11357-00	Free Oscillating Trunnion Bushing	2	X	X	X	X	1-275
16	E-5211	898-00	Lower Trunnion Hub	2	X	X			1-275
	E-5212	892-00					X	X	
17	E-5229	10488-00	Pressure Plate, 5" x 5" Square Axle	4	X	X	X	X	1-269
18	E-UB8187-154	835-02	U-Bolt Assembly, 1 1/8"-12 Thd. x 5 7/8" Wide x 15 1/2" Long	4			X	X	2-26
		835-03							
		835-04							
19	E-5231A	820-00	Bottom Plate	2			X	X	1-269

S.O.S. = Available through Euclid's S.O.S. Department

HUTCHENS H-2200 / H-2300 SUSPENSION

Truck/Tractor



LEAF SPRING REFERENCES

SRI No.	
TRA 021	Single Leaf
TRA 023	Single Leaf
TRA 2726	3 Leaf
TRA 2727	3 Leaf
TRA 2728	3 Leaf
TRA 2705	7 Leaf
TRA 2706	7 Leaf
TRA 2732	8 Leaf
TRA 2260	8 Leaf

HUTCHENS H-2200 / H-2300 SUSPENSION

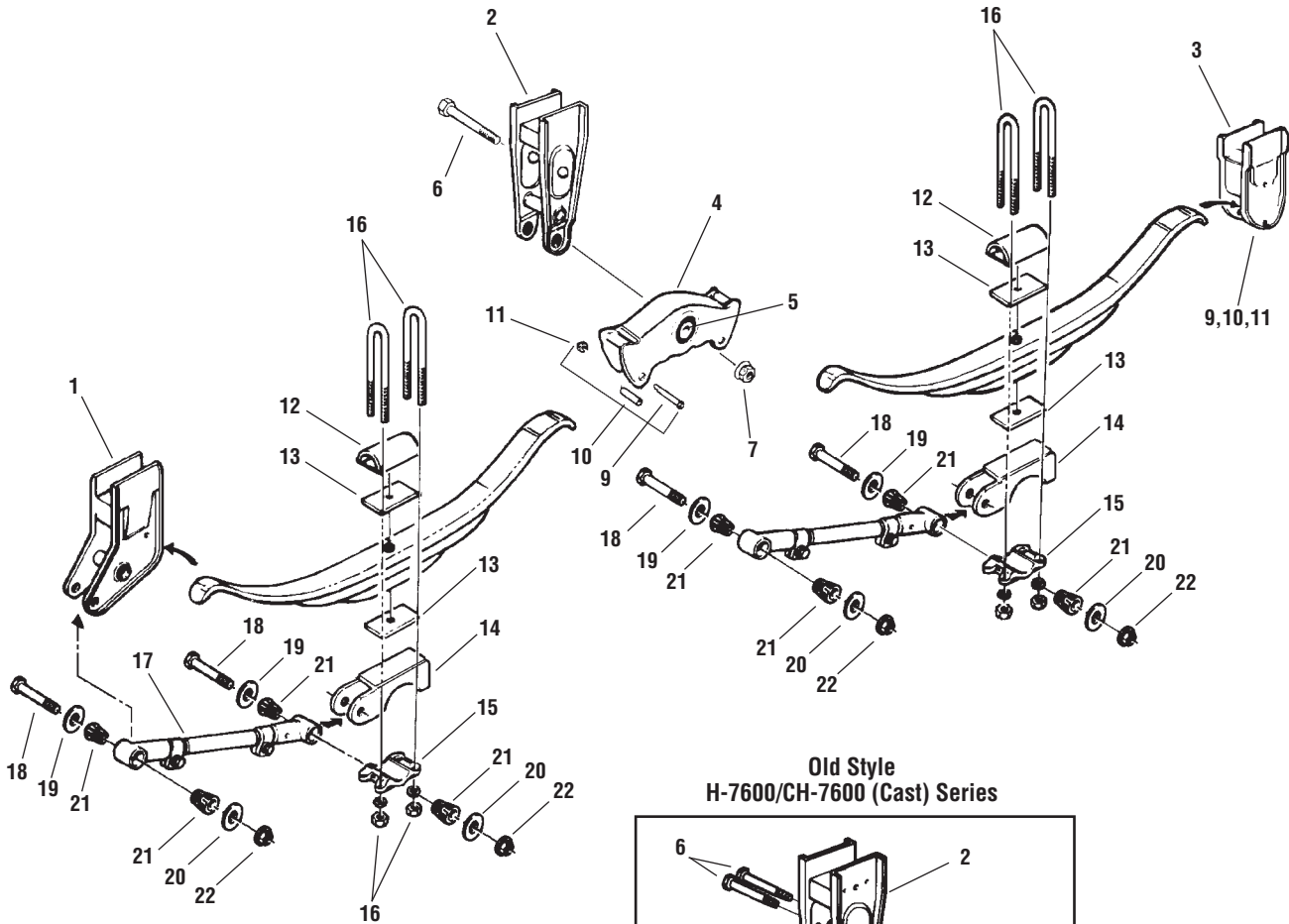
KEY NO.	EUCLID NO.	REPLACES HUTCHENS NO.	DESCRIPTION	QUANTITY PER TANDEM	PAGE NO.
1	E-2890	2224-01	Equalizer with Bushing	2	1-263
2	E-2004	720-00	Equalizer Bushing	2	1-263
4	E-2000	7016-01	Equalizer Bolt	4	1-265
5	E-2001	729-00	Tab Lock	2	1-265
6	E-2002	37-01	Equalizer Nut	8	2-34
7	E-3415	759-00	Equalizer Rebound Bolt	4	2-32
8	E-3416	756-00	Equalizer Rebound Spacer	4	1-265
—	E-3414	—	Equalizer Bolt Kit, Includes Key Nos. 4, 5, 6, 7, 8, 9, 10	2	1-265
—	E-1075	—	Torque Arm Bushing Assembly, Includes Key Nos. 12, 13, 14, 15	8	1-265
9	E-1073	2219-01	Torque Arm Bolt	8	1-266
10	Part of E-1075	30-00	Torque Arm Nut	8	1-266
11	E-1074	227-00	Torque Arm Washer	16	2-35
12	E-1038 (Rubber)	220-00	Torque Arm Bushing	16	1-266
13	E-2898	2213-00 (Old) 6399-01 (New)	Adjustable Torque Arm	4	1-267
14	E-2907A	7029-00 (Old) 16868-01 (New)	U-Bolt Top Plate	4	1-268
15	E-2909	710-00	Bottom Plate, 5" Rd. Axle	4	1-269
16	E-UB5161-12	—	U-Bolt Assembly, Rd. Bend, 7/8"-14 Thd. x 3" Wide x 12" Long	8	2-27
	E-UB5161-14	—	U-Bolt Assembly, Rd. Bend, 7/8"-14 Thd. x 3" Wide x 14" Long		2-27
	E-UB5161-18	—	U-Bolt Assembly, Rd. Bend, 7/8"-14 Thd. x 3" Wide x 18" Long		2-27
	E-UB8161-14	7040-11, -12, -14	U-Bolt Assembly, Rd. Bend, 7/8"-14 Thd. x 3" Wide x 14" Long		2-25
	E-UB8161-16	7040-15, -16, -17, -18	U-Bolt Assembly, Rd. Bend, 7/8"-14 Thd. x 3" Wide x 16" Long		2-25
	E-UB8161-18	7040-19	U-Bolt Assembly, Rd. Bend, 7/8"-14 Thd. x 3" Wide x 18" Long		2-25

N/A = No Longer Available

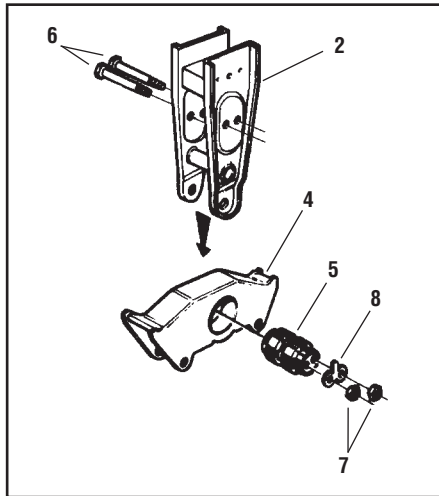
1

HUTCHENS SUSPENSION

H-9600/CH-9600 (Cast) and H-7600/CH-7600 (Cast) Series Trailer



Old Style H-7600/CH-7600 (Cast) Series



LEAF SPRING REFERENCES

SRI No.	
TRA 021	Single Leaf
TRA 023	Single Leaf
TRA 2726	3 Leaf
TRA 2727	3 Leaf
TRA 2728	3 Leaf
TRA 2705	7 Leaf
TRA 2706	7 Leaf
TRA 2732	8 Leaf
TRA 2260	8 Leaf

HUTCHENS SUSPENSIONS PARTS

H-9600/CH-9600 (Cast) and H-7600/CH-7600 (Cast) Series

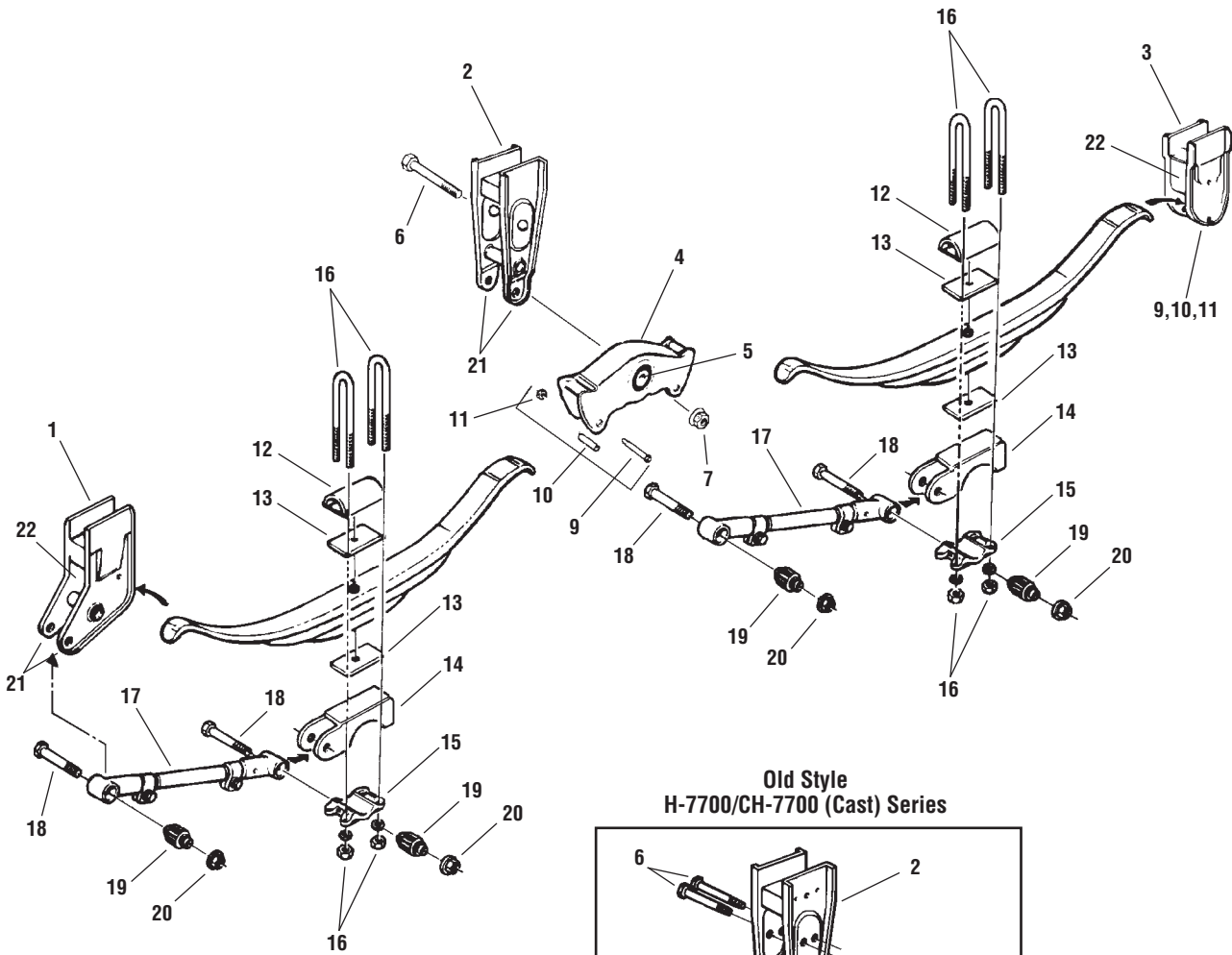
Trailer

KEY NO	EUCLID NO.	REPLACES HUTCHENS NO.	DESCRIPTION	QTY PER TANDEM	H-9600	CH-9600	H-7600	CH-7600	PAGE NO.	
—	E-9469	16321-01	Hanger/Equalizer Assembly, Straddle Mount	2	X				1-270	
	E-9470	16321-02	Hanger/Equalizer Assembly, Under Mount		X				1-270	
	S.O.S.		Other Hanger/Equalizer Assemblies, Specify Hanger Type		X	X	X	X	—	
1	See Hanger Chart		Front Hanger	2	X	X	X	X	1-258	
2	See Hanger Chart		Equalizer Hanger	2	X	X	X	X	1-258	
3	See Hanger Chart		Rear Hanger	2	X	X	X	X	1-258	
4	E-7532	16158-01	Equalizer, Fabricated, One Bolt	2	X				1-263	
	E-9471	16290-01 (Old) 17784-01 (New)	Equalizer, Cast, One Bolt			X				
	E-9567	—	Equalizer with Poly Bushing, One Bolt		X					
	E-2781	750-03	Equalizer, Heavy Duty, Two Bolt				X			
	E-2781A		Equalizer, OE Equivalent, Two Bolt				X			
	E-9570	750-03	Equalizer, Standard Duty, Two Bolt				X			
	E-7918		Equalizer with Poly Bushing, Two Bolt				X			
—	E-9472 (Rubber)	—	Equalizer Bushing Assembly	2	X	X			1-264	
	E-9473 (Poly)		Includes Key Nos. 5, 6, 7							
—	E-2003 (Rubber)	—	Equalizer Bushing Assembly	2			X	X	1-264	
	E-9474 (Poly)		Includes Key Nos. 5, 6, 7, 8							
—	E-9475	—	Equalizer Bolt Kit	2	X	X			1-264	
—	E-3414	—	Equalizer Bolt Kit	2			X	X	1-265	
			Includes Key Nos. 6, 7, 8, 9, 10, 11							
5	E-7621 (Rubber)	16146-01 (Old)	Equalizer Bushing	2	X	X			1-264	
	E-8666 (Poly)	18723-01 (New)							1-264	
	E-1999A (Rubber)	7010-00						X	X	1-264
	E-7452 (Poly)									1-264
6	E-7533	16150-01	Equalizer Center Bolt	2	X	X			2-32	
	E-2000	7016-01		4			X	X	1-265	
7	E-4358	11154-00	Equalizer Nut	2	X	X			2-34	
	E-2002	37-01		4			X	X	2-34	
8	E-2001	729-00	Lock Tab	2			X	X	1-265	
9	E-3415	759-00	Equalizer Rebound Bolt	4	X	X	X	X	2-32	
10	E-3416	756-00	Equalizer Rebound Spacer	4	X	X	X	X	1-265	
11	E-2002	37-01	Equalizer Rebound Nut	4	X	X	X	X	2-34	
12	E-2907A	7029-00 (Old) 16868-01 (New)	U-Bolt Top Plate	4	X	X	X	X	1-268	
13	E-2842	7052-02 (Old) 17350-02 (New)	Delrin Spring Liner Pad	8	X	X	X	X	1-268	
14	See Spring Seat Chart		Spring Seat	4	X	X	X	X	1-260	
15	E-2909	710-00	Bottom Plate, 5" Rd.	4	X	X	X	X	1-269	
	S.O.S.	7622-00	Bottom Plate, Cast, 5" Rd. Axle		X	X	X	X	—	
	E-7636	7747-01	Bottom Plate, 5" Sq. Axle		X	X	X	X	1-269	
	E-7635	7746-00	Bottom Plate, 4" x 6" Axle		X	X	X	X	1-269	
16	See U-Bolt Chart		U-Bolt Assembly	8	X	X	X	X	1-261	
17	E-9476	16167-04	Adjustable Torque Arm	2	X	X	X	X	1-267	
	E-9477	11953-01	Rigid Torque Arm		X	X	X	X	1-267	
—	E-9478 (Rubber)	—	Torque Arm Bushing Assembly	8	X	X	X	X	1-264	
	E-9479 (Poly)		Includes Key Nos. 18, 19, 20, 21, 22							
18	E-9480	12709-01	Torque Arm Step Bolt	8	X	X	X	X	1-266	
19	E-2833	12710-01	Washer	8	X	X	X	X	2-35	
20	E-9482	12711-01	Washer	8	X	X	X	X	—	
21	E-927 (Rubber)	7620-00	Torque Arm Bushing	16	X	X	X	X	1-266	
	E-7433 (Poly)									
22	E-1835	34-02	Torque Arm Nut	8	X	X	X	X	2-34	

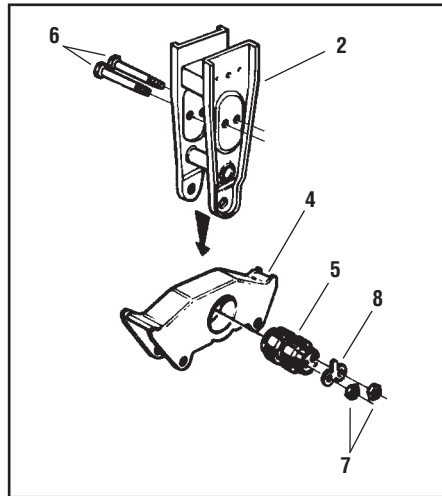
S.O.S. = Available through Euclid's S.O.S. Department

HUTCHENS SUSPENSION

H-9700/CH-9700 (Cast) and H-7700/CH-7700 (Cast) Series Trailer



Old Style H-7700/CH-7700 (Cast) Series



LEAF SPRING REFERENCES

SRI No.

TRA 021	Single Leaf
TRA 023	Single Leaf
TRA 2726	3 Leaf
TRA 2727	3 Leaf
TRA 2728	3 Leaf
TRA 2705	7 Leaf
TRA 2706	7 Leaf
TRA 2732	8 Leaf
TRA 2260	8 Leaf

HUTCHENS SUSPENSIONS PARTS

H-9700/CH-9700 (Cast) and H-7700/CH-7700 (Cast) Series

Trailer

KEY NO.	EUCLID NO.	REPLACES HUTCHENS NO.	DESCRIPTION	QTY. PER TANDEM	H-9700	CH-9700	H-7700	CH-7700	PAGE NO.
—	E-9484	16319-01	Hanger/Equalizer Assembly, Straddle Mount	2	X				1-270
	E-9485	16319-02	Hanger/Equalizer Assembly, Under Mount		X				1-270
	S.O.S.		Other Hanger/Equalizer Assemblies, Specify Hanger Type		X	X	X	X	—
1	See Hanger Chart		Front Hanger	2	X	X	X	X	1-258
2	See Hanger Chart		Equalizer Hanger	2	X	X	X	X	1-258
3	See Hanger Chart		Rear Hanger	2	X	X	X	X	1-258
4	E-7532	16158-01	Equalizer, Fabricated, One Bolt	2	X				1-263
	E-9471	16290-01 (Old) 17784-01 (New)	Equalizer, Cast, One Bolt			X			
	E-11452	16159-01 (Old) 24711-01 (New)	Equalizer, Fabricated, 44" Axle Spacing		X				
	E-9567	—	Equalizer with Poly Bushing, One Bolt		X				
	E-2781	750-03	Equalizer, Heavy Duty, Two Bolt				X		
	E-2781A		Equalizer, OE Equivalent, Two Bolt				X		
	E-9570	750-03	Equalizer, Standard Duty, Two Bolt				X		
	E-7918	—	Equalizer with Poly Bushing, Two Bolt				X		
E-2889	704-01(Old) 19137-01(New)	Equalizer, Cast, Two Bolt				X			
—	E-9472 (Rubber)	—	Equalizer Bushing Assembly Includes Key Nos. 5, 6, 7	2	X	X			1-264
	E-9473 (Poly)								
—	E-2003 (Rubber)	—	Equalizer Bushing Assembly Includes Key Nos. 5, 6, 7, 8	2			X	X	1-264
	E-9474 (Poly)								
—	E-9475	—	Equalizer Bolt Kit Includes Key Nos. 6, 7, 9, 10, 11	2	X	X			1-264
—	E-3414	—	Equalizer Bolt Kit Includes Key Nos. 6, 7, 8, 9, 10, 11	2			X	X	1-265
5	E-7621 (Rubber)	16146-01(Old)	Equalizer Bushing	2	X	X			1-264
	E-8666 (Poly)	18723-01(New)							
	E-1999A (Rubber)	7010-00							
	E-7452 (Poly)								
6	E-7533	16150-01	Equalizer Center Bolt	2	X	X			2-32
	E-2000	7016-01		4			X	X	1-265
7	E-4358	11154-00	Equalizer Nut	2	X	X			2-34
	E-2002	37-01		4			X	X	
8	E-2001	729-00	Lock Tab	2			X	X	1-265
9	E-3415	759-00	Equalizer Rebound Bolt	4	X	X	X	X	2-32
10	E-3416	756-00	Equalizer Rebound Spacer	4	X	X	X	X	1-265
11	E-2002	37-01	Equalizer Rebound Nut	4	X	X	X	X	2-34
12	E-2907A	16868-01(New)	U-Bolt Top Plate	4	X	X	X	X	1-268
		7029-00 (Old)							
13	E-2842	7052-02 (Old) 17350-02 (New)	Delrin Spring Liner Pad	8	X	X	X	X	1-268
14	See Spring Seat Chart		Spring Seat	4	X	X	X	X	1-260
15	E-2909	710-00	Bottom Plate, 5" Rd.	4	X	X	X	X	1-269
	S.O.S.	7622-00	Bottom Plate, Cast, 5" Rd. Axle	4	X	X	X	X	—
	E-7636	7747-01	Bottom Plate, 5" Sq. Axle	4	X	X	X	X	1-269
	E-7635	7746-00	Bottom Plate, 4" x 6" Axle	4	X	X	X	X	1-269

S.O.S. = Available through Euclid's S.O.S. Department

Notes: For Optional Conversion to 3/4" U-Bolts, Use Bottom Plate # 16297-01 (available only for 5" Rd. axles) - Contact S.O.S.

For Optional 3/4" U-Bolts, See U-Bolt Section

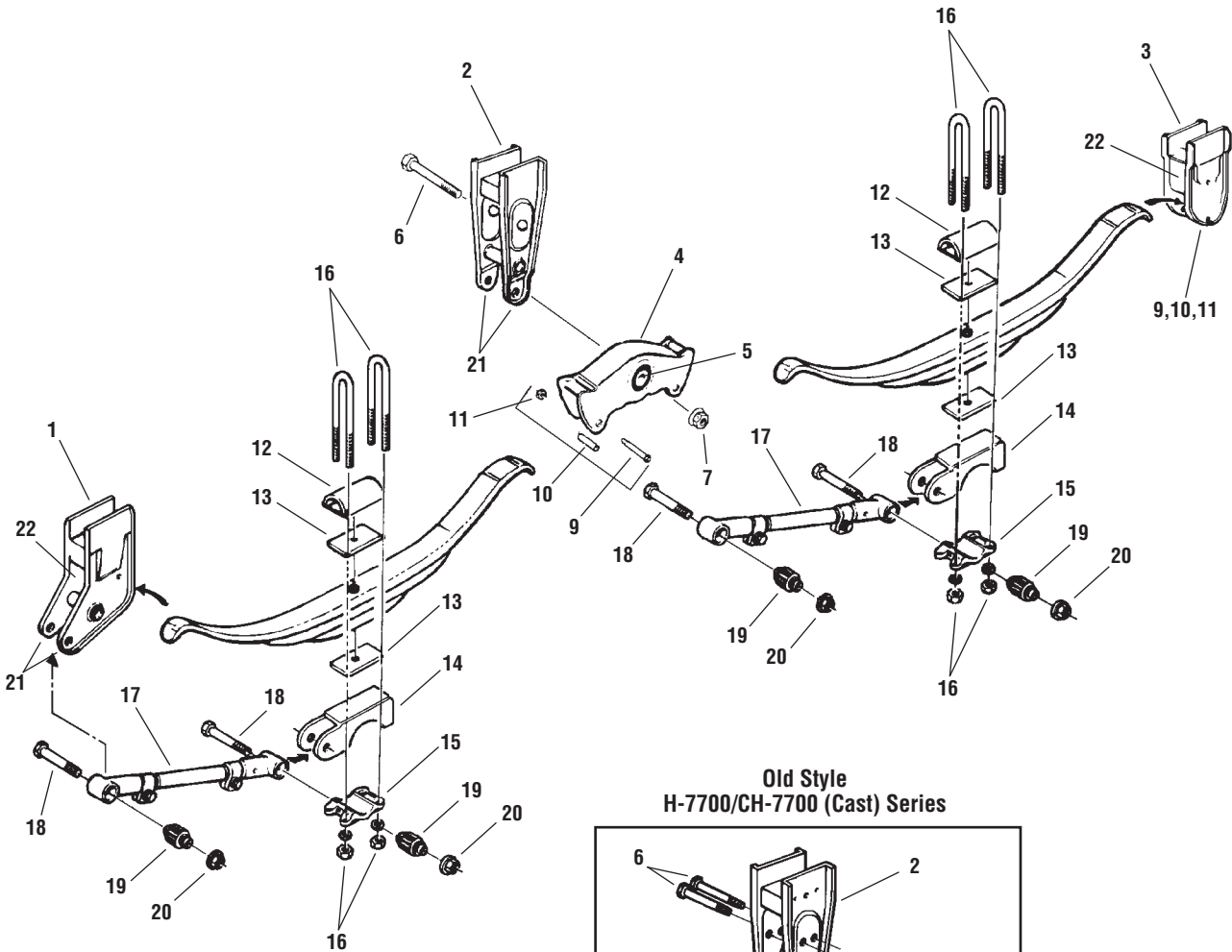
For "No-Hop" Optional Parts, Contact S.O.S.

For "Inverted U-Bolt" Optional Parts, contact S.O.S.

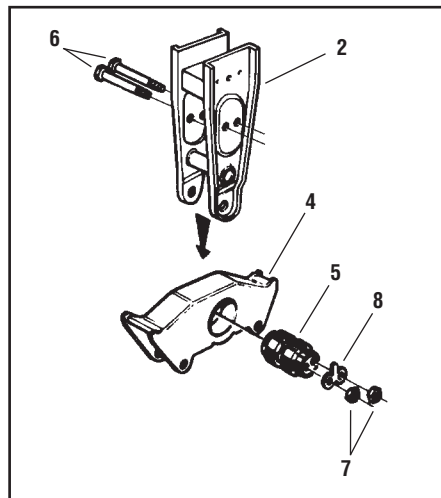
Continued on next page

HUTCHENS SUSPENSION

H-9700/CH-9700 (Cast) and H-7700/CH-7700 (Cast) Series Trailer



Old Style H-7700/CH-7700 (Cast) Series



LEAF SPRING REFERENCES

SRI No.

TRA 021	Single Leaf
TRA 023	Single Leaf
TRA 2726	3 Leaf
TRA 2727	3 Leaf
TRA 2728	3 Leaf
TRA 2705	7 Leaf
TRA 2706	7 Leaf
TRA 2732	8 Leaf
TRA 2260	8 Leaf

HUTCHENS SUSPENSIONS PARTS

H-9700/CH-9700 (Cast) and H-7700/CH-7700 (Cast) Series

Trailer

KEY NO.	EUCLID NO.	REPLACES HUTCHENS NO.	DESCRIPTION	QTY. PER TANDEM	H-9700	CH-9700	H-7700	CH-7700	PAGE NO.
16	See U-Bolt Chart		U-Bolt Assembly	8	X	X	X	X	1-261
17	E-3277	16398-04 (New) 713-05 (Old)	Adjustable Torque Arm	2	X	X	X	X	1-267
	E-2899	715-00	Rigid Torque Arm	2	X	X	X	X	1-267
—	E-3079 (Rubber)	—	Torque Arm Bushing Assembly Includes Key Nos. 18, 19 and 20	8	X	X	X	X	1-266
	E-9486 (Poly)								
18	E-2891	719-02	Torque Arm Bolt	8	X	X	X	X	2-32
19	E-934 (Rubber)	722-00	Torque Arm Bushing	8	X	X	X	X	1-266
	E-7453 (Poly)								
20	E-2892	10562-00	Torque Arm Nut	8	X	X	X	X	2-34
21	E-7682	7717-01	Replacement Hanger Washer Bushing	As Required	X		X		—
22	E-9487	755-03	Hanger Replacement Wear Pad	As Required	X		X		1-274

S.O.S. = Available through Euclid's S.O.S. Department

Notes: For Optional Conversion to 3/4" U-Bolts, Use Bottom Plate # 16297-01 (available only for 5" Rd. axles) - Contact S.O.S.

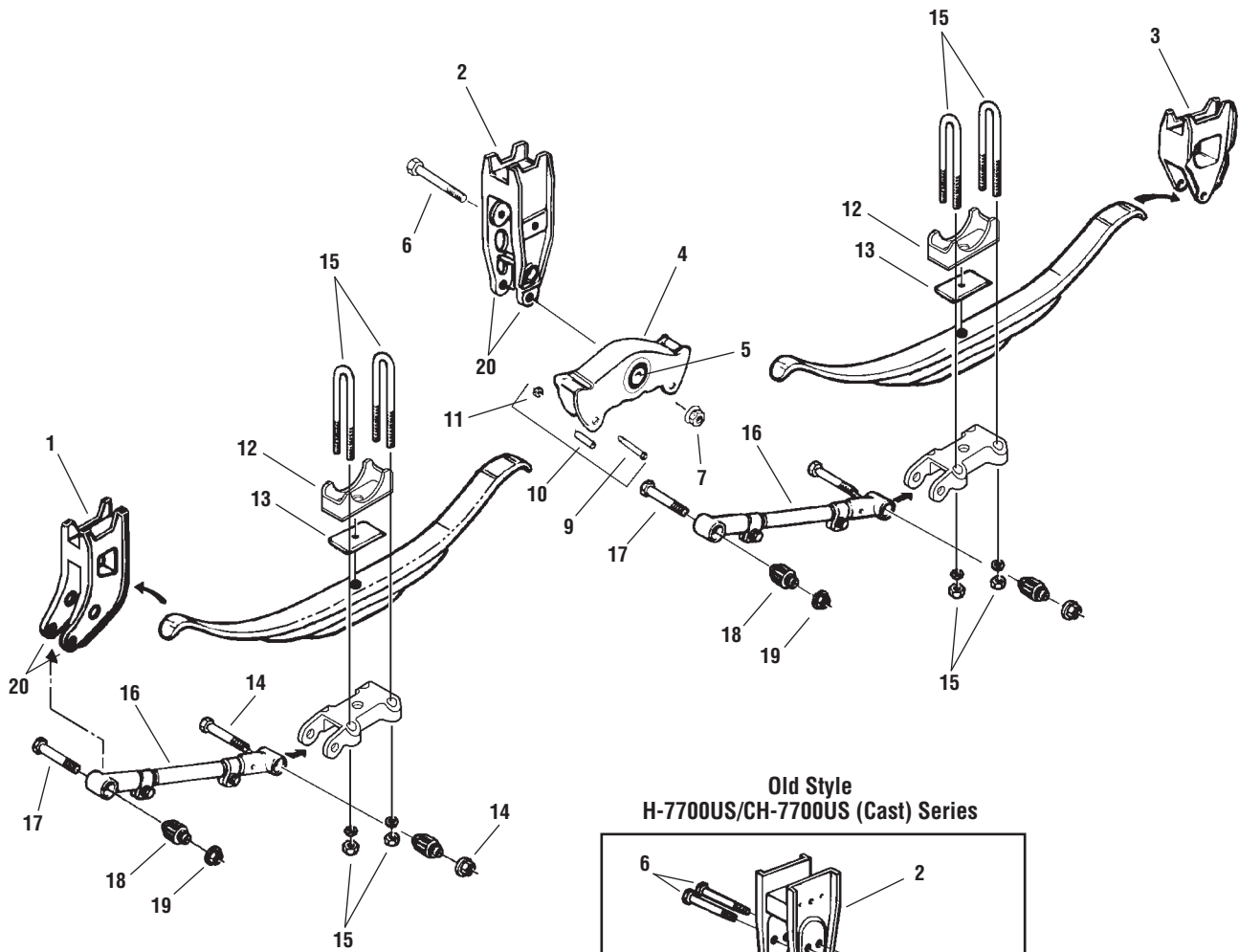
For Optional 3/4" U-Bolts, See U-Bolt Section

For "No-Hop" Optional Parts, Contact S.O.S.

For "Inverted U-Bolt" Optional Parts, contact S.O.S.

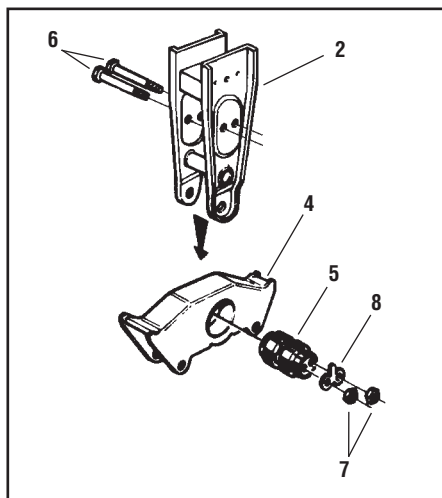
HUTCHENS SUSPENSION

H-9700US/CH-9700US (Cast) and H-7700US/CH-7700US (Cast) Series Trailer



1

Old Style H-7700US/CH-7700US (Cast) Series



LEAF SPRING REFERENCES

SRI No.

TRA 021	Single Leaf
TRA 023	Single Leaf
TRA 2726	3 Leaf
TRA 2727	3 Leaf
TRA 2728	3 Leaf
TRA 2705	7 Leaf
TRA 2706	7 Leaf
TRA 2732	8 Leaf
TRA 2260	8 Leaf

HUTCHENS SUSPENSIONS PARTS

H-9700US/CH-9700US (Cast) and H-7700US/CH-7700US (Cast) Series

Trailer

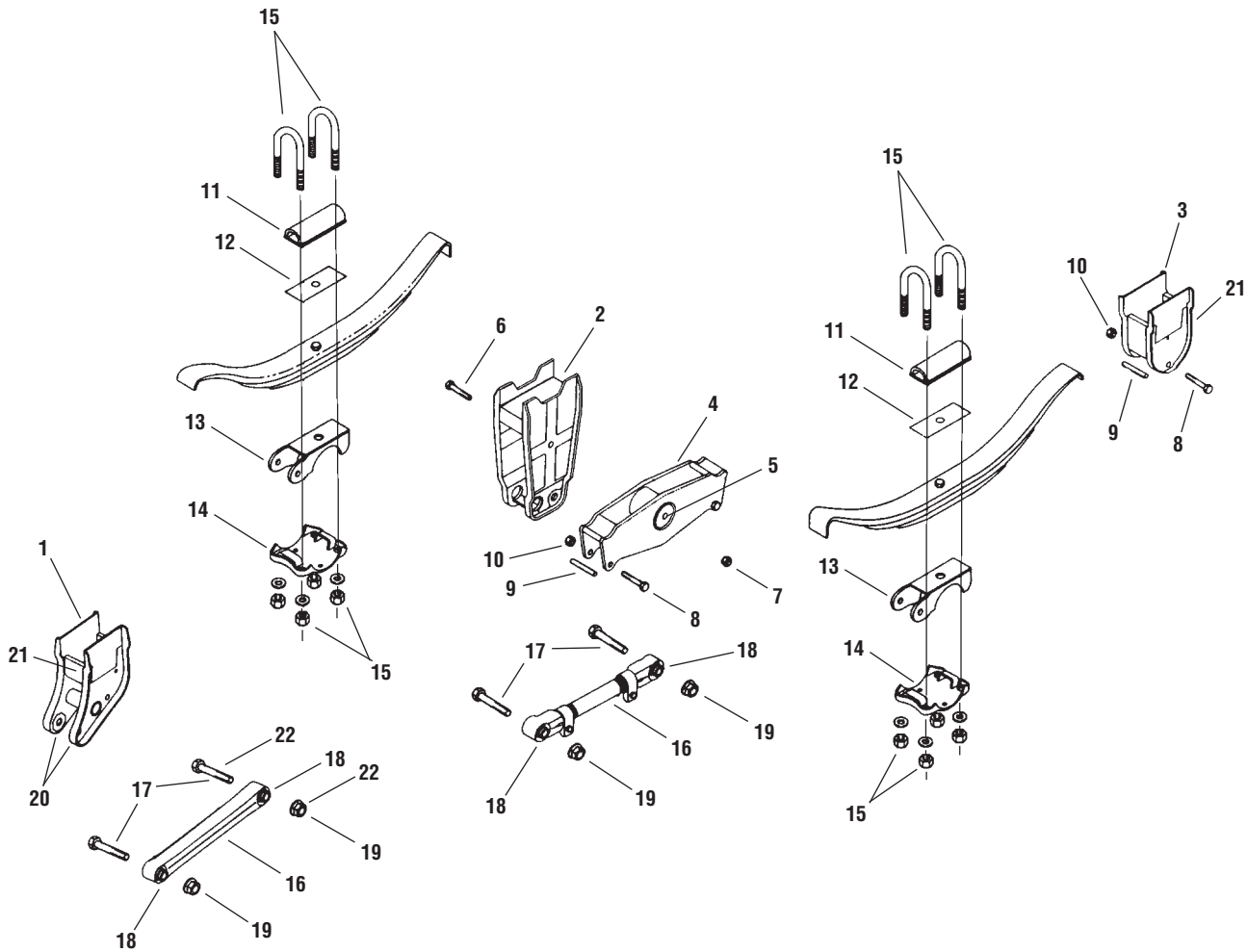
KEY NO.	EUCLID NO.	REPLACES HUTCHENS NO.	DESCRIPTION	QTY. PER TANDEM	H-9700 US	CH-9700 US	H-7700 US	CH-7700 US	PAGE NO.
—	E-9484	16319-01	Hanger/Equalizer Assembly, Straddle Mount	2	X				1-270
	E-9485	16319-02	Hanger/Equalizer Assembly, Under Mount		X				1-270
	S.O.S.	Other Hanger/Equalizer Assemblies, Specify Hanger Type			X	X	X	X	—
1	See Hanger Chart		Front Hanger	2	X	X	X	X	1-258
2	See Hanger Chart		Equalizer Hanger	2	X	X	X	X	1-258
3	See Hanger Chart		Rear Hanger	2	X	X	X	X	1-258
4	E-7532	16158-01	Equalizer, Fabricated, One Bolt	2	X				1-263
	E-9471	16290-01 (Old) 17784-01 (New)	Equalizer, Cast, One Bolt			X			
	E-9567	—	Equalizer with Poly Bushing, One Bolt		X				
	E-2781	750-03	Equalizer, Heavy Duty, Two Bolt				X		
	E-2781A		Equalizer, OE Equivalent, Two Bolt				X		
	E-9570	750-03	Equalizer, Standard Duty, Two Bolt				X		
	E-7918	—	Equalizer with Poly Bushing, Two Bolt				X		
	E-2889	704-01 (Old) 19137-01 (New)	Equalizer, Cast, Two Bolt					X	
—	E-9472 (Rubber)	—	Equalizer Bushing Assembly	2	X	X			1-264
	E-9473 (Poly)		Includes Key Nos. 5, 6, 7						
—	E-2003 (Rubber)	—	Equalizer Bushing Assembly	2			X	X	1-264
	E-9474 (Poly)		Includes Key Nos. 5, 6, 7, 8						
—	E-9475	—	Equalizer Bolt Kit Includes Key Nos. 6, 7, 9, 10, 11	2	X	X			1-264
—	E-3414	—	Equalizer Bolt Kit Includes Key Nos. 6, 7, 8, 9, 10, 11	2			X	X	1-265
5	E-7621 (Rubber)	16146-01 (Old)	Equalizer Bushing	2	X	X			1-264
	E-8666 (Poly)	18723-01 (New)							
	E-1999A (Rubber)	7010-00							
	E-7452 (Poly)								
6	E-7533	16150-01	Equalizer Center Bolt	2	X	X			2-32
	E-2000	7016-01		4			X	X	1-265
7	E-4358	11154-00	Equalizer Nut	2	X	X			2-34
	E-2002	37-01		4			X	X	2-34
8	E-2001	729-00	Lock Tab	2			X	X	1-265
9	E-3415	759-00	Equalizer Rebound Bolt	4	X	X	X	X	2-32
10	E-3416	756-00	Equalizer Rebound Spacer	4	X	X	X	X	1-265
11	E-2002	37-01	Equalizer Rebound Nut	4	X	X	X	X	2-34
12*	See Spring Seat Chart		Spring Seat	4	X	X	X	X	1-260
13	E-2842	7052-02 (Old) 17350-02 (New)	Delrin Spring Liner Pad	8	X	X	X	X	1-268
14	E-9839	—	Torque Arm Bolt and Nut	8	X	X	X	X	—
15	See U-Bolt Chart		U-Bolt Assembly	8	X	X	X	X	1-261
16	E-3277	16398-04 (New) 713-05 (Old)	Adjustable Torque Arm	2	X	X	X	X	1-267
	E-2899	715-00	Rigid Torque Arm	2	X	X	X	X	1-267
—	E-3079 (Rubber)	—	Torque Arm Bushing Assembly	8	X	X	X	X	1-266
	E-9486 (Poly)		Includes Key Nos. 17, 18, and 19						
17	E-2891	719-02	Torque Arm Bolt	8	X	X	X	X	2-32
18	E-934 (Rubber)	722-00	Torque Arm Bushing	8	X	X	X	X	1-266
	E-7453 (Poly)								
19	E-2892	10562-00	Torque Arm Nut	8	X	X	X	X	2-34
20	E-7682	7717-01	Replacement Hanger Washer Bushing	As Required	X		X		—
21	E-9487	755-03	Hanger Replacement Wear Pad	As Required	X		X		1-274

S.O.S. = Available through Euclid's S.O.S. Department

Notes: * For 4" x 6" Axles, contact S.O.S.

HUTCHENS TWS (TANDEM WIDESPREAD) SUSPENSION

H-9700 and CH-9700 (Cast) TWS 54.5
Trailer



LEAF SPRING REFERENCES

SRI No.

TRA 021	Single Leaf
TRA 023	Single Leaf
TRA 2726	3 Leaf
TRA 2727	3 Leaf
TRA 2728	3 Leaf
TRA 2705	7 Leaf
TRA 2706	7 Leaf
TRA 2732	8 Leaf
TRA 2260	8 Leaf

HUTCHENS TWS (TANDEM WIDESPREAD) SUSPENSION PARTS

H-9700 and CH-9700 (Cast) TWS 54.5 Trailer

KEY NO.	EUCLID NO.	REPLACES HUTCHENS NO.	DESCRIPTION	QUANTITY PER TANDEM	H-9700 TWS 54.5	CH-9700 TWS 54.5	PAGE NO.
1	See Hanger Chart		Front Hanger	2	X	X	1-258
2	See Hanger Chart		Equalizer Hanger	2	X	X	1-258
3	See Hanger Chart		Rear Hanger	2	X	X	1-258
4	S.O.S.	17604-01	Equalizer, Fabricated, Replaced with Cast	2	X	X	—
—	E-9472 (Rubber)	—	Equalizer Bushing Assembly Includes Key Nos. 5, 6, 7	2	X	X	1-264
	E-9473 (Poly)						
—	E-9475	—	Equalizer Bolt Kit Includes Key Nos. 6, 7, 9, 10, 11	2	X	X	1-264
5	E-7621 (Rubber)	16146-01(Old)	Equalizer Bushing	2	X	X	1-264
	E-8666 (Poly)	18723-01(New)					
6	E-7533	16150-01	Equalizer Center Bolt	2	X	X	2-32
7	E-4358	11154-00	Equalizer Nut	2	X	X	2-34
8	E-3415	759-00	Equalizer Rebound Bolt	4	X	X	2-32
9	E-3416	756-00	Equalizer Rebound Spacer	4	X	X	1-265
10	N/A	37-02	Equalizer Rebound Nut	4	X	X	—
11	E-2907A	16868-01 (New) 7029-00 (Old)	U-Bolt Top Plate	4	X	X	1-268
12	E-2842	7052-02 (Old) 17350-02(New)	Delrin Spring Liner Pad	8	X	X	1-268
13	See Spring Seat Chart		Spring Seat	4	X	X	1-260
14	E-2909	710-00	Bottom Plate, 5" Rd.	4	X	X	1-269
	E-7636	7747-01	Bottom Plate, 5" Sq. Axle		X	X	
	E-7635	7746-00	Bottom Plate, 4" x 6" Axle		X	X	
15	See U-Bolt Chart		U-Bolt Assembly	8	X	X	1-261
16	E-3277	16398-04	Adjustable Torque Arm, 19 1/4" Center-to-Center Front, Roadside	2	X	X	1-267
	E-7683	16398-05	Adjustable Torque Arm, 20 1/4" Center-to-Center Rear, Both	2	X	X	1-267
	E-2899	715-00	Rigid Torque Arm, 19 1/4" Front, Curbside	2	X	X	1-267
—	E-3079 (Rubber)	—	Torque Arm Bushing Assembly Includes Key Nos. 17, 18, and 19	8	X	X	1-266
	E-9486 (Poly)						
17	E-2891	719-02	Torque Arm Bolt	8	X	X	2-32
18	E-934 (Rubber)	722-00	Torque Arm Bushing	8	X	X	1-266
	E-7453 (Poly)						
19	E-2892	10562-00	Torque Arm Nut	8	X	X	2-34
20	E-7682	7717-01	Replacement Hanger Washer Bushing	As Required	X		—
21	E-9487	755-03	Hanger Replacement Wear Pad	As Required	X		1-274
22	E-9839	—	Torque Arm Bolt and Nut	8	X	X	—

S.O.S. = Available through Euclid's S.O.S. Department

Notes:

For Optional Conversion to 3/4" U-Bolts, Use Bottom Plate # 16297-01 (available only for 5" Rd. axles) - Contact S.O.S. For Optional 3/4" U-Bolts, See U-Bolt Section

For "No-Hop" Optional Parts, Contact S.O.S.

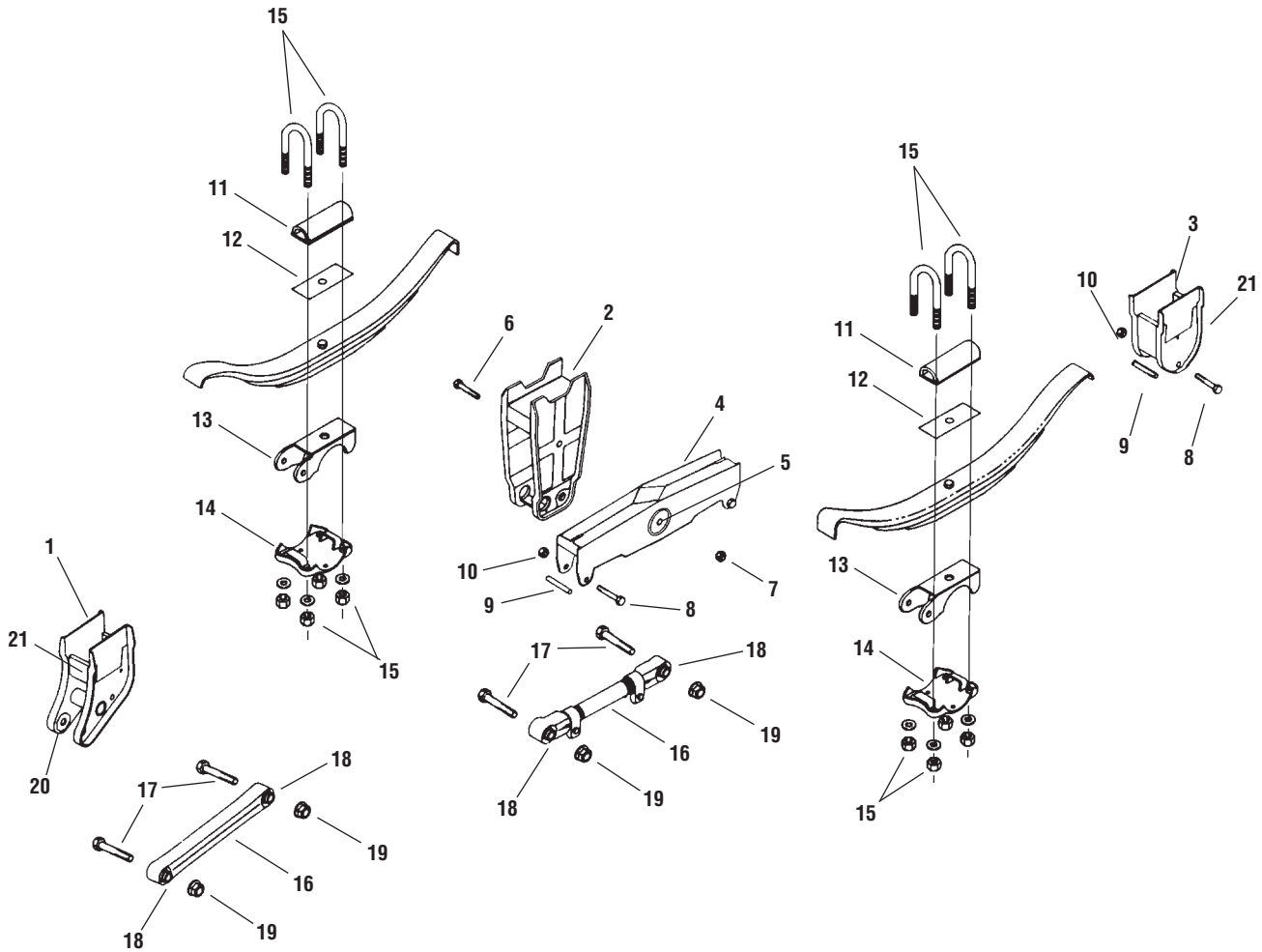
For "Inverted U-Bolt" Optional Parts, Contact S.O.S.

N/A = No Longer Available

HUTCHENS TWS (TANDEM WIDESPREAD) SUSPENSION

H-9700 TWS and CH-9700 (Cast) TWS 61 and 73
Trailer

1



LEAF SPRING REFERENCES

SRI No.

TRA 021	Single Leaf
TRA 023	Single Leaf
TRA 2726	3 Leaf
TRA 2727	3 Leaf
TRA 2728	3 Leaf
TRA 2705	7 Leaf
TRA 2706	7 Leaf
TRA 2732	8 Leaf
TRA 2260	8 Leaf

HUTCHENS TWS (TANDEM WIDESPREAD) SUSPENSION PARTS

H-9700 TWS and CH-9700 (Cast) TWS 61 and 73
Trailer

KEY NO.	EUCLID NO.	REPLACES HUTCHENS NO.	DESCRIPTION	QUANTITY PER TANDEM	H-9700 TWS 61	CH-9700 TWS 61	H-9700 TWS 73	CH-9700 TWS 73	PAGE NO.
1	See Hanger Chart		Front Hanger	2	X	X	X	X	1-258
2	See Hanger Chart		Equalizer Hanger	2	X	X	X	X	1-258
3	See Hanger Chart		Rear Hanger	2	X	X	X	X	1-258
4	E-9489	16168-02 (Old) 21834-01 (New)	Equalizer, Fabricated	2	X	X			1-263
	E-9330	16168-04 (Old) 21835-01 (New)					X	X	1-263
—	E-9472 (Rubber)	—	Equalizer Bushing Assembly, Includes Key Nos. 5, 6, 7	2	X	X	X	X	1-264
	E-9473 (Poly)								
—	E-9475	—	Equalizer Bolt Kit, Includes Key Nos. 6, 7, 9, 10, 11	2	X	X	X	X	1-264
5	E-7621 (Rubber)	16146-01 (Old)	Equalizer Bushing	2	X	X	X	X	1-264
	E-8666 (Poly)	18723-01 (New)							
6	E-7533	16150-01	Equalizer Center Bolt	2	X	X	X	X	2-32
7	E-4358	11154-00	Equalizer Nut	2	X	X	X	X	2-34
8	E-3415	759-00	Equalizer Rebound Bolt	4	X	X	X	X	2-32
9	E-3416	756-00	Equalizer Rebound Spacer	4	X	X	X	X	1-265
10	N/A	37-02	Equalizer Rebound Nut	4	X	X	X	X	—
11	E-2907A	16868-01 (New)	U-Bolt Top Plate	4	X	X	X	X	1-268
		7029-00 (Old)							
12	E-2842	7052-02 (Old) 17350-02 (New)	Delrin Spring Liner Pad	8	X	X	X	X	1-268
13	See Spring Seat Chart		Spring Seat	4	X	X	X	X	1-260
14	E-2909	710-00	Bottom Plate, 5" Rd.	4	X	X	X	X	1-269
	E-7636	7747-01	Bottom Plate, 5" Sq. Axle						
	E-7635	7746-00	Bottom Plate, 4" x 6" Axle						
15	See U-Bolt Chart		U-Bolt Assembly	8	X	X	X	X	1-261
16	E-3277	16398-04	Adjustable Torque Arm, 19 1/4" Center-to-Center Front, Roadside	2	X	X	X	X	1-267
	E-7684	16398-08	Adjustable Torque Arm, 23 1/2" Center-to-Center Rear, Both	2	X	X			1-267
	E-7685	16398-12	Adjustable Torque Arm, 29 1/4" Center-to-Center Rear, Both	2			X	X	1-267
	E-2899	715-00	Rigid Torque Arm, 19 1/4" Center-to-Center Front, Curbside	2	X	X	X	X	1-267
—	E-3079 (Rubber)	—	Torque Arm Bushing Assembly, Includes Key Nos. 17, 18, and 19	8	X	X	X	X	1-266
	E-9486 (Poly)								
17	E-2891	719-02	Torque Arm Bolt	8	X	X	X	X	2-32
18	E-934 (Rubber)	722-00	Torque Arm Bushing	8	X	X	X	X	1-266
	E-7453 (Poly)								
19	E-2892	10562-00	Torque Arm Nut	8	X	X	X	X	2-34
20	E-7682	7717-01	Replacement Hanger Washer Bushing	As Required	X		X		—
21	E-9487	755-03	Hanger Replacement Wear Pad	As Required	X		X		1-274

S.O.S. = Available through Euclid's S.O.S. Department

Notes:

For Optional Conversion to 3/4" U-Bolts, Use Bottom Plate # 16297-01 (available only for 5" Rd. axles) - Contact S.O.S.

For Optional 3/4" U-Bolts, See U-Bolt Section

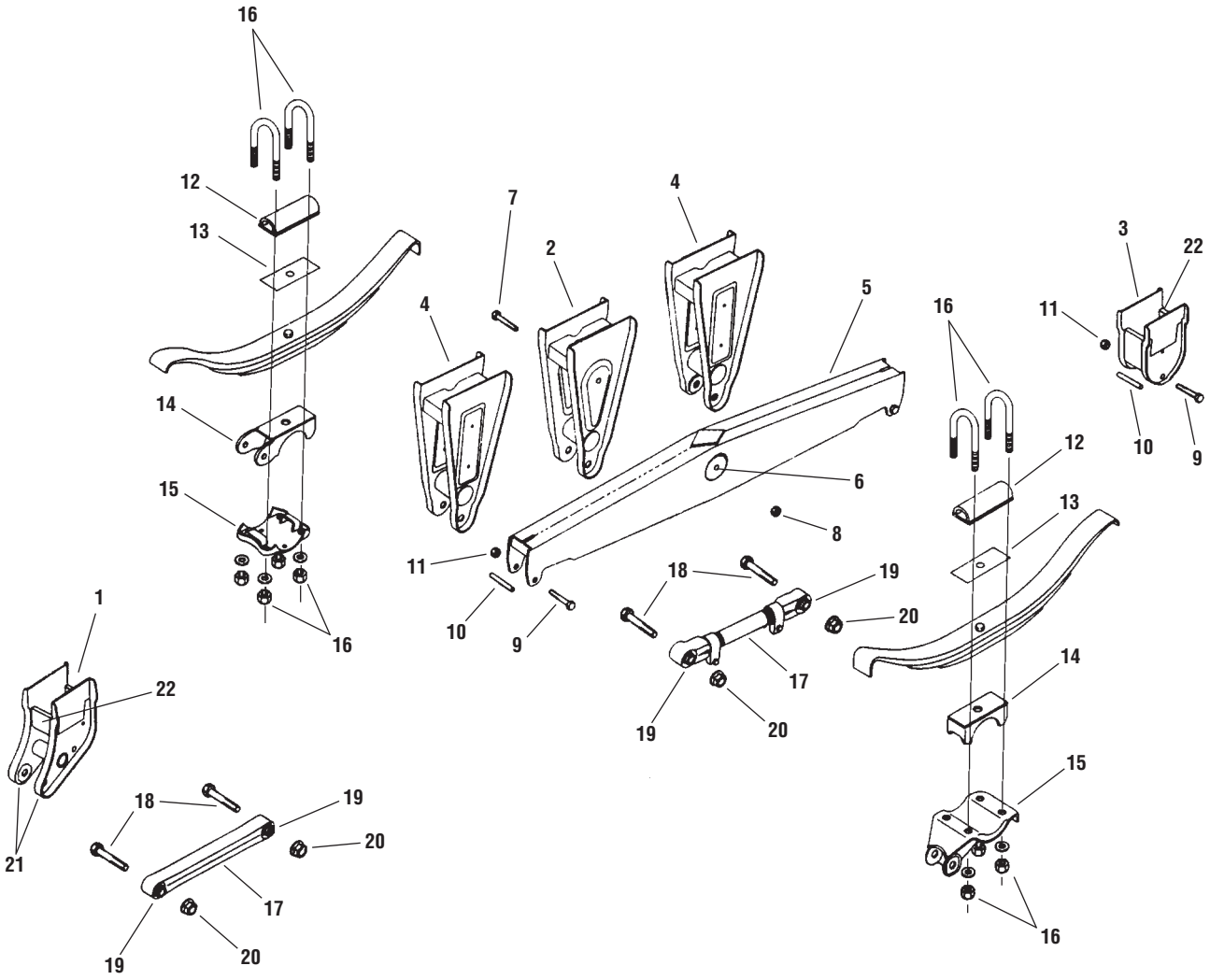
For "No-Hop" Optional Parts, Contact S.O.S.

For "Inverted U-Bolt" Optional Parts, Contact S.O.S.

N/A = No Longer Available

HUTCHENS TWS (TANDEM WIDESPREAD) SUSPENSION

H-9700 and CH-9700 (Cast) TWS 109 and 121
Trailer



LEAF SPRING REFERENCES

SRI No.	
TRA 021	Single Leaf
TRA 023	Single Leaf
TRA 2726	3 Leaf
TRA 2727	3 Leaf
TRA 2728	3 Leaf
TRA 2705	7 Leaf
TRA 2706	7 Leaf
TRA 2732	8 Leaf
TRA 2260	8 Leaf

HUTCHENS TWS (TANDEM WIDESPREAD) SUSPENSION PARTS

H-9700 and CH-9700 (Cast) TWS 109 and 121
Trailer

KEY NO.	EUCLID NO.	REPLACES HUTCHENS NO.	DESCRIPTION	QTY. PER TANDEM	H-9700 TWS 109	CH-9700 TWS 109	H-9700 TWS 121	CH-9700 TWS 121	PAGE NO.
1	See Hanger Chart		Front Hanger	2	X	X	X	X	1-258
2	See Hanger Chart		Equalizer Hanger	2	X	X	X	X	1-258
3	See Hanger Chart		Rear Hanger	2	X	X	X	X	1-258
4	S.O.S.	7707-13	Beam Guide Hanger, Straddle Mount, Fabricated	4	X		X		—
	E-7681	7707-14	Beam Guide Hanger, Under Mount, Fabricated	4	X		X		1-274
	S.O.S.	7708-09	Beam Guide Hanger, Straddle Mount, Cast	4		X		X	—
	S.O.S.	7708-11	Beam Guide Hanger, Under Mount, Cast	4		X		X	—
5	E-9491	16168-10	Equalizer, Fabricated	2	X	X			1-263
	E-9492	16168-13					X	X	1-263
—	E-9472 (Rubber)	—	Equalizer Bushing Assembly, Includes Key Nos. 5, 6, 7	2	X	X	X	X	1-264
—	E-9473 (Poly)								
—	E-9475	—	Equalizer Bolt Kit, Includes Key Nos. 6, 7, 9, 10, 11	2	X	X	X	X	1-264
6	E-7621 (Rubber)	16146-01(Old)	Equalizer Bushing	2	X	X	X	X	1-264
	E-8666 (Poly)	18723-01(New)							
7	E-7533	16150-01	Equalizer Center Bolt	2	X	X	X	X	2-32
8	E-4358	11154-00	Equalizer Nut	2	X	X	X	X	2-34
9	E-3415	759-00	Equalizer Rebound Bolt	4	X	X	X	X	2-32
10	E-3416	756-00	Equalizer Rebound Spacer	4	X	X	X	X	1-265
11	N/A	37-02	Equalizer Rebound Nut	4	X	X	X	X	—
12	E-2907A	16868-01 (New) 7029-00 (Old)	U-Bolt Top Plate	4	X	X	X	X	1-268
13	E-2842	7052-02 (Old) 17350-02(New)	Delrin Spring Liner Pad	8	X	X	X	X	1-268
14	See Spring Seat Chart		Spring Seat	4	X	X	X	X	1-260
15	E-2909	710-00	Bottom Plate, 5" Rd., Front	2	X	X	X	X	1-269
	E-7636	7747-01	Bottom Plate, 5" Sq. Axle, Front		X	X	X	X	
	E-7635	7746-00	Bottom Plate, 4" x 6" Axle, Front		X	X	X	X	
	E-7697	10775-00	Bottom Plate, 5" Rd., Rear	2	X	X	X	X	
	E-7699	7738-01	Bottom Plate, 5" Sq. Axle, Rear		X	X	X	X	
	E-7698	7738-00	Bottom Plate, 4" x 6" Axle, Rear		X	X	X	X	
16	See U-Bolt Chart		U-Bolt Assembly	8	X	X	X	X	1-261
17	E-3277	16398-04	Adjust. T. Arm, 19 1/4" Front, Roadside	1	X	X	X	X	1-267
	E-3390	16398-17	Adjust. T. Arm, 17 1/4", Rear	2	X	X	X	X	1-267
	E-2899	715-00	Rigid T. Arm, 19 1/4" Front, Curbside	1	X	X	X	X	1-267
—	E-3079 (Rubber)	—	Torque Arm Bushing Assembly Includes Key Nos. 18, 19, and 20	8	X	X	X	X	1-266
—	E-9486 (Poly)								
18	E-2891	719-02	Torque Arm Bolt	8	X	X	X	X	2-32
19	E-934 (Rubber)	722-00	Torque Arm Bushing	8	X	X	X	X	1-266
	E-7453 (Poly)								
20	E-2892	10562-00	Torque Arm Nut	8	X	X	X	X	2-34
21	E-7682	7717-01	Replacement Hanger Washer Bushing	As Required	X		X		—
22	E-9487	755-03	Hanger Replacement Wear Pad	As Required	X		X		1-274

S.O.S. = Available through Euclid's S.O.S. Department

Notes:

For Optional Conversion to 3/4" U-Bolts, Use Bottom Plates # 16297-01 & 16308-01(available only for 5" Rd. axles) - Contact S.O.S.

For Optional 3/4" U-Bolts, See U-Bolt Section

For "No-Hop" Optional Parts, Contact S.O.S.

For "Inverted U-Bolt" Optional Parts, Contact S.O.S.

N/A = No Longer Available

HUTCHENS SPRING HANGERS

MOUNTING TYPES: FLB Flange Mount, Bolt-On
 FLW Flange Mount, Weld-On
 SM Side Mount
 ST Straddle Mount
 UM Under Mount

SUSPENSION MODELS

EUCLID NO.	REPLACES HUTCHENS NO.	DESCRIPTION	MOUNTING TYPE	H-9700											PAGE NO.
				H-7600	H-7700	H-9600	H-9700 H-9700	TWS 54.5	H-9700 TWS 61	H-9700 TWS 73	H-9700 TWS 109	TWS 121			
FABRICATED STEEL HANGERS															
S.O.S.	7602-05	Equalizer Hanger	FLB	X											—
E-5072	7702-05	Equalizer Hanger	FLB		X										1-274
S.O.S.	16178-01	Equalizer Hanger	FLB					X							1-271
S.O.S.	16192-01	Equalizer Hanger	FLB				X								—
S.O.S.	7602-03	Equalizer Hanger	FLW	X											—
S.O.S.	7702-04	Equalizer Hanger	FLW		X										—
S.O.S.	16179-01	Equalizer Hanger	FLW					X							—
S.O.S.	16191-01	Equalizer Hanger	FLW				X								—
S.O.S.	7602-04	Equalizer Hanger	SM	X											—
S.O.S.	7702-03	Equalizer Hanger	SM		X										—
S.O.S.	16175-01	Equalizer Hanger	SM					X							—
S.O.S.	16190-01	Equalizer Hanger	SM				X								—
E-9495	7602-01	Equalizer Hanger	ST	X											1-271
E-2911	7702-01	Equalizer Hanger	ST		X										1-273
E-7534	16169-01	Equalizer Hanger	ST					X							1-273
S.O.S.	16184-01	Equalizer Hanger	ST									X	X		—
E-9497	16187-01	Equalizer Hanger	ST				X								1-271
E-9496	7602-02	Equalizer Hanger	UM	X											1-271
E-2914	7702-02	Equalizer Hanger	UM		X										1-273
E-9582	16171-01	Equalizer Hanger	UM					X							1-273
S.O.S.	16185-01	Equalizer Hanger	UM									X	X		—
E-9498	16188-01	Equalizer Hanger	UM				X								1-271
S.O.S.	7601-07	Front Hanger, LH	FLB	X		X									—
E-5070	7701-07	Front Hanger, LH	FLB		X			X	X	X	X	X	X	X	1-274
S.O.S.	7601-08	Front Hanger, RH	FLB	X		X									—
E-5071	7701-08	Front Hanger, RH	FLB		X			X	X	X	X	X	X	X	1-274
S.O.S.	7601-03	Front Hanger, LH	FLW	X		X									—
S.O.S.	7701-05	Front Hanger, LH	FLW		X			X	X	X	X	X	X	X	—
S.O.S.	7601-04	Front Hanger, RH	FLW	X		X									—
S.O.S.	7701-06	Front Hanger, RH	FLW		X			X	X	X	X	X	X	X	—
S.O.S.	7601-05	Front Hanger, LH	SM	X		X									—
S.O.S.	7701-03	Front Hanger, LH	SM		X			X	X	X	X	X	X	X	—
S.O.S.	7601-06	Front Hanger, RH	SM	X		X									—
S.O.S.	7701-04	Front Hanger, RH	SM		X			X	X	X	X	X	X	X	—
E-9493	7601-01	Front Hanger	ST	X		X									1-271
E-2910A	7701-01	Front Hanger	ST					X	X	X	X	X	X	X	1-273
E-9494	7601-02	Front Hanger	UM	X		X									1-271
E-2913A	7701-02	Front Hanger	UM					X	X	X	X	X	X	X	1-273
S.O.S.	16481-01	Front Hanger - I-Beam	UM					X	X	X	X	X	X	X	—
S.O.S.	16482-02	Front Hanger - I-Beam	UM				X								—
E-5073	7703-07	Rear Hanger, LH	FLB	X	X	X	X	X	X	X	X	X	X	X	1-274
E-5074	7703-08	Rear Hanger, RH	FLB	X	X	X	X	X	X	X	X	X	X	X	1-274
S.O.S.	7703-05	Rear Hanger, LH	FLW	X	X	X	X	X	X	X	X	X	X	X	—
S.O.S.	7703-06	Rear Hanger, RH	FLW	X	X	X	X	X	X	X	X	X	X	X	—
S.O.S.	7703-03	Rear Hanger, LH	SM	X	X	X	X	X	X	X	X	X	X	X	—
S.O.S.	7703-04	Rear Hanger, RH	SM	X	X	X	X	X	X	X	X	X	X	X	—
E-2912A	7703-01	Rear Hanger	ST	X	X	X	X	X	X	X	X	X	X	X	1-273
E-2915A	7703-02	Rear Hanger	UM	X	X	X	X	X	X	X	X	X	X	X	1-273
S.O.S.	16483-01	Rear Hanger - I-Beam	UM			X	X	X	X	X	X	X	X	X	—

HUTCHENS SPRING HANGERS

MOUNTING TYPES:
 FLB Flange Mount, Bolt-On
 FLW Flange Mount, Weld-On
 SM Side Mount
 ST Straddle Mount
 UM Under Mount

SUSPENSION MODELS

EUCLID NO.	REPLACES HUTCHENS NO.	DESCRIPTION	MOUNTING TYPE	SUSPENSION MODELS										PAGE NO.	
				CH-7600	CH-7700	CH-9600	CH-9700	CH-9700 TWS 54.5	CH-9700 TWS 61	CH-9700 TWS 73	CH-9700 TWS 109	TWS 121			
CAST STEEL HANGERS															
S.O.S.	703-06	Use E-HC16199-03 w/ proper Sgl. Hole Equal.	FLB		X										
S.O.S.	7656-07	Use E-HC16202-03 w/ proper Sgl. Hole Equal.	FLB	X											
S.O.S.	16199-03	Equalizer Hanger	FLB					X							
S.O.S.	16202-03	Equalizer Hanger	FLB			X									
S.O.S.	16641-03	Equalizer Hanger	FLB										X	X	
S.O.S.	16183-03	Equalizer Hanger - LH	FLB						X	X	X				
S.O.S.	16183-04	Equalizer Hanger - RH	FLB						X	X	X				
S.O.S.	703-05	Use E-HC16199-05 w/ proper Sgl. Hole Equal.	FLW		X										
S.O.S.	7656-06	Use E-HC16202-05 w/ proper Sgl. Hole Equal.	FLW	X											
S.O.S.	16199-05	Equalizer Hanger	FLW					X							
S.O.S.	16202-05	Equalizer Hanger	FLW			X									
S.O.S.	16183-05	Equalizer Hanger - LH	FLW						X	X	X				
S.O.S.	16183-06	Equalizer Hanger - RH	FLW						X	X	X				
S.O.S.	703-03	Equalizer Hanger	SM / UM		X										
S.O.S.	7656-04	Equalizer Hanger	SM / UM	X											
S.O.S.	16181-01	Equalizer Hanger	SM / UM						X	X	X				
E-9501	16197-03	Equalizer Hanger	SM / UM					X							1-272
S.O.S.	16201-03	Equalizer Hanger	SM / UM			X									
S.O.S.	703-01	Use E-HC16196-03 w/ proper Sgl. Hole Equal.	ST		X										
S.O.S.	7656-01	E-HC16200-03 w/ proper Sgl. Hole Equal.	ST	X											
S.O.S.	16180-01	Equalizer Hanger	ST						X	X	X				
S.O.S.	16196-03	Equalizer Hanger	ST					X							
S.O.S.	16200-03	Equalizer Hanger	ST			X									
S.O.S.	16639-03	Equalizer Hanger	ST										X	X	
S.O.S.	16640-03	Equalizer Hanger	UM										X	X	
S.O.S.	702-11	Front Hanger, LH	FLB		X			X	X	X	X		X	X	
S.O.S.	7655-07	Front Hanger, LH	FLB	X		X									
S.O.S.	702-12	Front Hanger, RH	FLB		X			X	X	X	X		X	X	
S.O.S.	7655-08	Front Hanger, RH	FLB	X		X									
S.O.S.	702-09	Front Hanger, LH	FLW		X			X	X	X	X		X	X	
S.O.S.	7655-05	Front Hanger, LH	FLW	X		X									
S.O.S.	702-10	Front Hanger, RH	FLW		X			X	X	X	X		X	X	
S.O.S.	7655-06	Front Hanger, RH	FLW	X		X									
E-9499	16291-03	Front Hanger, LH	SM / UM		X			X	X	X	X		X	X	1-272
S.O.S.	7655-03	Front Hanger, LH	SM / UM	X		X									
E-9500	16291-04	Front Hanger, RH	SM / UM		X			X	X	X	X		X	X	1-272
S.O.S.	7655-04	Front Hanger, RH	SM / UM	X		X									
S.O.S.	702-01	Front Hanger	ST		X			X	X	X	X		X	X	
S.O.S.	7655-00	Front Hanger	ST	X		X									
S.O.S.	712-11	Rear Hanger, LH	FLB	X	X	X		X	X	X	X		X	X	
S.O.S.	712-12	Rear Hanger, RH	FLB	X	X	X		X	X	X	X		X	X	
S.O.S.	712-09	Rear Hanger, LH	FLW	X	X	X		X	X	X	X		X	X	
S.O.S.	712-10	Rear Hanger, RH	FLW	X	X	X		X	X	X	X		X	X	
E-9502	16293-01	Rear Hanger, LH	SM / UM	X	X	X		X	X	X	X		X	X	1-272
E-9503	16293-02	Rear Hanger, RH	SM / UM	X	X	X		X	X	X	X		X	X	1-272
S.O.S.	712-01	Rear Hanger	ST	X	X	X		X	X	X	X		X	X	

1

HUTCHENS SPRING SEATS

EUCOLID NO.	REPLACE HUTCHENS NO.	DESCRIPTION	H-9600	H-9700	H-9700US	H-9700	H-9700
			CH-9600 H-7600 CH-7600	CH-9700 H-7700 CH-7700	CH-9700US CH-7700US H-7700US	CH-9700 TWS 54.5 61 and 73	CH-9700 TWS 109 and 121
5" ROUND AXLE							
E-7686	22215-05	Spring Seat, 3/4" High			X		Rear
E-7687	22215-02	Spring Seat, 1 1/4" High			X		Rear
E-7688	22215-03	Spring Seat, 1 3/4" High			X		Rear
E-7689	22215-04	Spring Seat, 2 1/4" High			X		Rear
E-2908	19360-01	Spring Seat, 3/4" High		X		X	Front
E-7622	19360-02	Spring Seat, 1 1/4" High		X		X	Front
E-7623	19360-03	Spring Seat, 1 3/4" High		X		X	Front
E-7624	19360-04	Spring Seat, 2 1/4" High		X		X	Front
E-7625	19360-05	Spring Seat, 2 3/4" High		X		X	Front
E-7535	19360-06	Spring Seat, 3 1/4" High		X		X	Front
S.O.S.	19360-07	Spring Seat, 3 3/4" High		X		X	Front
S.O.S.	19360-08	Spring Seat, 4 1/4" High		X		X	Front
S.O.S.	19360-09	Spring Seat, 4 3/4" High		X		X	Front
E-9527	19361-01	Spring Seat, 3/4" High	X				
S.O.S.	19361-02	Spring Seat, 1 1/4" High	X				
S.O.S.	19361-03	Spring Seat, 1 3/4" High	X				
E-9528	19361-04	Spring Seat, 2 1/4" High	X				
S.O.S.	19361-05	Spring Seat, 2 3/4" High	X				
E-9529	19361-06	Spring Seat, 3 1/4" High	X				
S.O.S.	19361-07	Spring Seat, 3 3/4" High	X				
S.O.S.	19361-08	Spring Seat, 4 1/4" High	X				
5" x 5" SQUARE AXLE							
S.O.S.	19362-01	Spring Seat, 3/4" High	X				
S.O.S.	19362-04	Spring Seat, 2 1/4" High	X				
S.O.S.	19362-06	Spring Seat, 3 1/4" High	X				
S.O.S.	19362-08	Spring Seat, 4 1/4" High	X				
E-7630	19365-01	Spring Seat, 3/4" High		X		X	Front
E-7631	19365-02	Spring Seat, 1 1/4" High		X		X	Front
E-7632	19365-03	Spring Seat, 1 3/4" High		X		X	Front
E-7633	19365-04	Spring Seat, 2 1/4" High		X		X	Front
E-7634	19365-05	Spring Seat, 2 3/4" High		X		X	Front
S.O.S.	19365-06	Spring Seat, 3 1/4" High		X		X	Front
S.O.S.	19365-07	Spring Seat, 3 3/4" High		X		X	Front
S.O.S.	19365-08	Spring Seat, 4 1/4" High		X		X	Front
S.O.S.	19365-09	Spring Seat, 4 3/4" High		X		X	Front
E-7693	7759-01 (Old) 22226-01 (New)	Spring Seat, 3/4" High			X		Rear
E-7694	7759-02 (Old) 22226-04 (New)	Spring Seat, 1 1/4" High			X		Rear
E-7695	7759-03 (Old) 22226-06 (New)	Spring Seat, 1 3/4" High			X		Rear
E-7696	7759-04 (Old) 22226-08 (New)	Spring Seat, 2 1/4" High			X		Rear
4" x 6" RECTANGULAR AXLE							
S.O.S.	19363-01	Spring Seat, 3/4" High	X				
S.O.S.	19363-04	Spring Seat, 2 1/4" High	X				
S.O.S.	19363-06	Spring Seat, 3 1/4" High	X				
S.O.S.	19363-08	Spring Seat, 4 1/4" High	X				
E-3867	19364-01	Spring Seat, 3/4" High		X		X	Front
E-7626	19364-02	Spring Seat, 1 1/4" High		X		X	Front
E-7627	19364-03	Spring Seat, 1 3/4" High		X		X	Front
E-7628	19364-04	Spring Seat, 2 1/4" High		X		X	Front
E-7629	19364-05	Spring Seat, 2 3/4" High		X		X	Front
S.O.S.	19364-06	Spring Seat, 3 1/4" High		X		X	Front
S.O.S.	19364-07	Spring Seat, 3 3/4" High		X		X	Front
S.O.S.	19364-08	Spring Seat, 4 1/4" High		X		X	Front
S.O.S.	19364-09	Spring Seat, 4 3/4" High		X		X	Front
E-7690	7727-02	Spring Seat, 1 1/4" High			X		Rear
E-11728							

HUTCHENS U-BOLT ASSEMBLIES

EUCLID NO.	REPLACE HUTCHENS NO.	DESCRIPTION	H-9600	H-9700	H-9700US	H-9700	H-9700
			CH-9600 H-7600 CH-7600	CH-9700 H-7700 CH-7700	CH-9700US CH-7700US H-7700US	CH-9700 TWS 54.5 61 and 73	CH-9700 TWS 109 and 121
SPRINGS OVERSLUNG - ALL AXLES							
E-UB8161-10	7040-06 (9 3/4")	U-Bolt Assembly, Round Bend, 7/8"-14 Thd. x 3" Wide x 10" Long	X	X	X	X	X
E-UB5161-12 E-UB8161-12	7040-07 (10 1/4")	U-Bolt Assembly, Round Bend, 7/8"-14 Thd. x 3" Wide x 12" Long	X	X	X	X	X
	7040-08 (10 3/4")		X	X	X	X	
	7040-09 (11 1/4") 7040-10 (11 3/4")		X	X	X	X	
E-UB5161-13	7040-11 (12 1/4")	U-Bolt Assembly, Round Bend, 7/8"-14 Thd. x 3" Wide x 13" Long	X	X	X	X	X
	7040-12 (12 3/4")		X	X	X	X	
E-UB5161-14 E-UB8161-14	7040-13 (13 1/4")	U-Bolt Assembly, Round Bend, 7/8"-14 Thd. x 3" Wide x 14" Long	X	X	X	X	X
	7040-14 (13 3/4")		X	X	X	X	
E-UB8161-16	7040-15 (14 1/4")	U-Bolt Assembly, Round Bend, 7/8"-14 Thd. x 3" Wide x 16" Long	X	X	X	X	X
	7040-16 (14 3/4")		X	X	X	X	
	7040-17 (15 1/4")		X	X	X	X	
	7040-18 (15 3/4")		X	X	X	X	
E-UB5161-18 E-UB8161-18	7040-19 (16 1/4")	U-Bolt Assembly, Round Bend, 7/8"-14 Thd. x 3" Wide x 18" Long	X	X	X	X	X
	7040-20 (16 3/4")		X	X	X	X	
	7040-21 (17 1/4")		X	X	X	X	
	7040-22 (17 3/4")		X	X	X	X	
E-UB5161-22 E-UB8161-22	7040-23 (18 1/4")	U-Bolt Assembly, Round Bend, 7/8"-14 Thd. x3" Wide x 22" Long	X	X	X	X	X
SPRINGS UNDERSLUNG ("US" MODELS) or OVERSLUNG WITH INVERTED U-BOLTS WITH 5" ROUND AXLES							
E-UB8165-10	7816-05 (9 1/4")	U-Bolt Assembly, Round Bend, 7/8"-14 Thd. X 5" Wide x 10" Long	X	X			
	7816-06 (9 3/4")		X	X			
E-UB5165-12 E-UB8165-12	7816-07 (10 1/4")	U-Bolt Assembly, Round Bend, 7/8"-14 Thd. x 5" Wide x 12" Long	X	X	X	X	
	7816-08 (10 3/4")		X	X	X	X	
	7816-09 (11 1/4") 7816-10 (11 3/4")		X	X	X	X	
E-UB5165-14 E-UB8165-14	7816-11 (12 1/4")	U-Bolt Assembly, Round Bend, 7/8"-14 Thd. x 5" Wide x 14" Long	X	X	X	X	X
	7816-12 (12 3/4")		X	X	X	X	
	7816-13 (13 1/4")		X	X	X	X	
	7816-14 (13 3/4")		X	X	X	X	
E-UB5165-16 E-UB8165-16	7816-15 (14 1/4")	U-Bolt Assembly, Round Bend, 7/8"-14 Thd. X 5" Wide x 16" Long	X	X	X	X	
	7816-16 (14 3/4")		X	X			
	7816-17 (15 1/4") 7816-18 (15 3/4")		X	X			

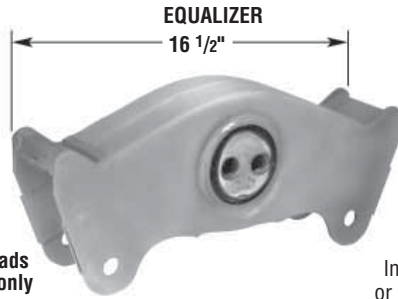
Reference pages 2-23 thru 2-30 for Euclid's complete U-Bolt program.

HUTCHENS U-BOLT ASSEMBLIES

N/A = No Longer Available

EUCLID NO.	REPLACE HUTCHENS NO.	DESCRIPTION	H-9600 CH-9600 H-7600 CH-7600	H-9700 CH-9700 H-7700 CH-7700	H-9700US CH-9700US CH-7700US H-7700US	H-9700 CH-9700 TWS 54.5 61 and 73	H-9700 CH-9700 TWS 109 and 121
WITH 5" SQUARE AXLES							
N/A	7840-01 (9 1/4") 7840-02 (9 3/4")	U-Bolt Assembly, Square Bend, 7/8"-14 Thd. x 5" Wide x 10" Long	X	X			
N/A	7840-03 (10 1/4") 7840-04 (10 3/4") 7840-05 (11 1/4") 7840-06 (11 3/4")	U-Bolt Assembly, Square Bend, 7/8"-14 Thd. x 5" Wide x 12" Long	X	X	X	X	X
N/A	7840-07 (12 1/4") 7840-08 (12 3/4") 7840-09 (13 1/4") 7840-10 (13 3/4")	U-Bolt Assembly, Square Bend, 7/8"-14 Thd. x 5" Wide x 14" Long	X	X	X	X	X
1 E-UB8265-16	7840-11 (14 1/4") 7840-12 (14 3/4") 7840-13 (15 1/4") 7840-14 (15 3/4")	U-Bolt Assembly, Square Bend, 7/8"-14 Thd. x 5" Wide x 16" Long	X	X	X	X	X
WITH 4" x 6" RECTANGULAR AXLES							
E-UB8161-12	7040-09 (11 1/4") 7040-10 (11 3/4")	U-Bolt Assembly, Round Bend, 7/8"-14 Thd. x 3" Wide x 12" Long	X	X	X	X	X
E-UB8161-14	7040-11 (12 1/4") 7040-12 (12 3/4") 7040-13 (13 1/4") 7040-14 (13 3/4")	U-Bolt Assembly, Round Bend, 7/8"-14 Thd. x 3" Wide x 14" Long	X	X	X	X	X
E-UB8161-16	7040-15 (14 1/4") 7040-16 (14 3/4")	U-Bolt Assembly, Round Bend, 7/8"-14 Thd. x 3" Wide x 16" Long	X	X	X	X	X
S.O.S.	7820-02 thru 7820-14	U-Bolts for Inverted Applications	X	X			
OPTIONAL 3/4" DIAMETER U-BOLTS							
E-UB8151-10	16300-06 (9 3/4")	U-Bolt Assembly, Round Bend, 3/4"-16 Thd. x 3" Wide x 10" Long		X	X	X	X
E-UB8151-12	16300-07 (10 1/4") 16300-08 (10 3/4") 16300-09 (11 1/4") 16300-10 (11 3/4")	U-Bolt Assembly, Round Bend, 3/4"-16 Thd. x 3" Wide x 12" Long		X	X	X	X
E-UB8151-14	16300-11 (12 1/4") 16300-12 (12 3/4") 16300-13 (13 1/4") 16300-14 (13 3/4")	U-Bolt Assembly, Round Bend, 3/4"-16 Thd. x 3" Wide x 14" Long		X	X	X	X
E-UB8151-16	16300-15 (14 1/4") 16300-16 (14 3/4") 16300-17 (15 1/4") 16300-18 (15 3/4")	U-Bolt Assembly, Round Bend, 3/4"-16 Thd. x 3" Wide x 16" Long		X	X	X	X
E-UB8151-18	16300-19 (16 1/4")	U-Bolt Assembly, Round Bend, 3/4"-16 Thd. X 3" Wide x 18" Long		X	X	X	X

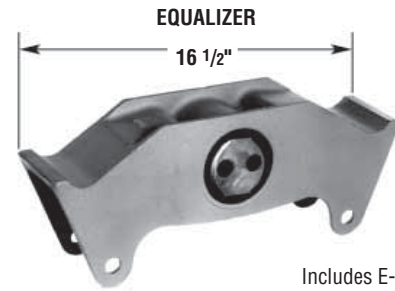
HUTCHENS EQUALIZERS AND BUSHINGS



Wear Pads
E-2781 only

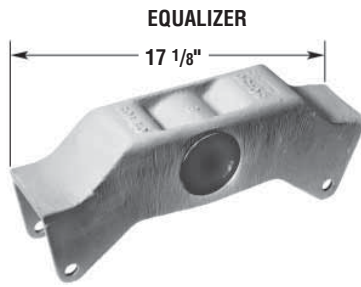
Fabricated Steel
Includes E-1999A
or E-7452 Bushing

EUCLID NO.	REPLACES	FOR MODEL	GENERAL INFORMATION
E-2781 (Shown)	Hutchens 750-03	H-7600, H-7700 H-7700US	Heavy-Duty with Side Plates
E-2781A	Hutchens 750-03	H-7600, H-7700 H-7700US	OE Equivalent less Side Plates
E-9570	Hutchens 750-03	H-7600, H-7700 H-7700US	Standard Duty
E-7918	Hutchens 750-03	H-7600, H-7700 H-7700US	Includes E-7452 Poly Bushing



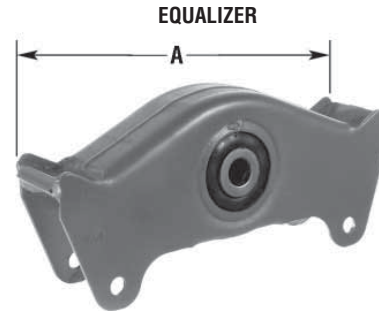
Includes E-1999A Bushing

EUCLID NO.	REPLACES	FOR MODEL	APPLICATION
E-2889	Hutchens 704-01 (Old) 19137-01 (New)	CH-7600 CH-7700 CH-7700US CH-9700	(Cast Steel) Trailer



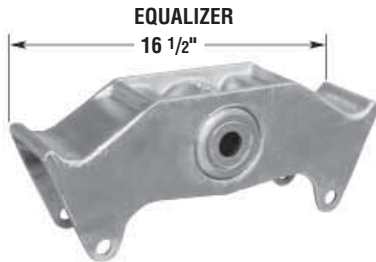
E-2004 Bushing

EUCLID NO.	REPLACES	FOR MODEL	APPLICATION
E-2890	Hutchens 2224-01	H-2200	(Cast Steel) Truck

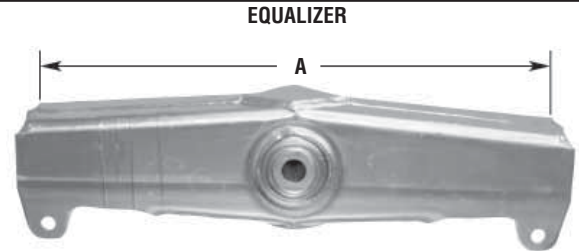


Fabricated

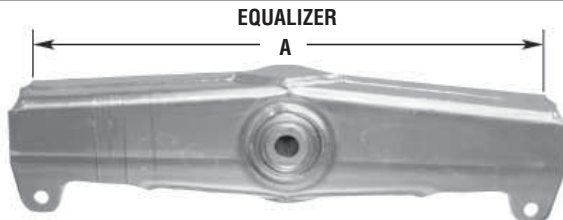
EUCLID NO.	REPLACES	APPLICATION & GENERAL INFORMATION
E-7532	Hutchens 16158-01	H-9700 with E-7621 Rubber Bushing; A = 16 1/2"
E-9567	—	H-9700 w/ Poly Bushing; A = 16 1/2"
E-11452	Hutchens 16159-01 (Old) 24711-01 (New)	H-9700 and CH-9700; A = 17 3/8"



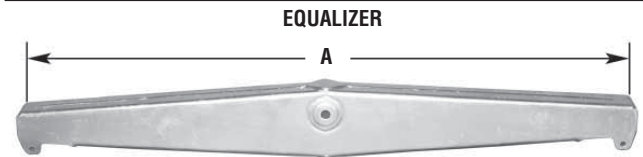
EUCLID NO.	REPLACES	FOR MODEL	APPLICATION
E-9471	Hutchens 16290-01 (Old) 17784-01 (New)	CH-9600 CH-9700 CH-9700US	Includes E-7621 Bushing



EUCLID NO.	REPLACES	FOR MODEL	APPLICATION
E-9330	Hutchens 16168-04 (Old) 21835-01 (New)	H-9700 CH-9700	73" Widespread A = 38 1/2"



EUCLID NO.	REPLACES	FOR MODEL	APPLICATION
E-9489	Hutchens 16168-02 (Old) 21834-01 (New)	H-9700 CH-9700	61" Widespread A = 26 1/2"



EUCLID NO.	REPLACES	FOR MODEL	APPLICATION
E-9491	Hutchens 16168-10	H-9700 CH-9700	109" Widespread A = 75"
E-9492	16168-13	H-9700 CH-9700	121" Widespread A = 87"

HUTCHENS EQUALIZERS AND BUSHINGS

EQUALIZER BUSHING ASSEMBLY



EQUALIZER BUSHING



EUCLID NO.	FOR MODEL	INCLUDES
E-2003 (Rubber)	H-7600 H-7700	1 E-1999A Bushing 2 E-2000 Bolt
E-9474 (Poly)	CH-7700 CH-7800	1 E-2001 Tab Lock 2 E-2002 Nut

EUCLID NO.	REPLACES	FOR MODEL	O.D.	I.D.	LENGTH
E-7621 (Rubber)	Hutchens 16146-01	H-9600	3 1/2"	1 1/8"	3 7/8"
E-8666 (Poly)		H-9700 CH-9600 CH-9600			

EQUALIZER BUSHING ASSEMBLY



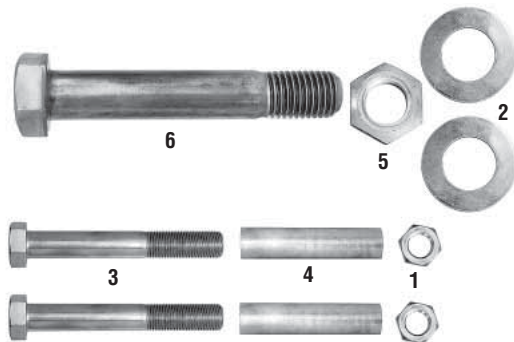
RUBBER EQUALIZER BUSHING



EUCLID NO.	FOR MODEL	INCLUDES
E-9472 (Rubber)	H-9600 H-9700	1 E-7621 Bushing 1 E-7533 Bolt
E-9473 (Poly)	CH-9600 CH-9700	1 E-4358 Nut

EUCLID NO.	REPLACES	FOR MODEL	O.D.	LENGTH
E-1999A (Rubber)	Hutchens 7010-00	H-7600	3 1/4"	3 7/8"
E-7452 (Poly)		H-7700 CH-7700 CH-7800 CH-7600		

EQUALIZER BOLT ASSEMBLY E-9475



ITEM	QTY.	EUCLID NO.	REPLACES HUTCHENS NO. OR MODEL NO.	DESCRIPTION
1	2	E-2002	37-01	Nut 5/8"-18 x 15/16" Hex x 17/32" High
2	2	E-2548	H9600, H9700 CH-9600, CH9700	Washer
3	2	E-3415	759-00	Rebound Bolt 5/8"-18 x 4 1/2" Long
4	2	E-3416	756-00	Spacer Sleeve 7/8" O.D. x 21/32" I.D. x 3 7/32" O.A.L.
5	1	E-4358	H9600, H9700 CH-9600, CH9700	Nut
6	1	E-7533	H9600, H9700 CH-9600, CH9700	Equalizer Bolt

TORQUE ARM BUSHING ASSEMBLY



EUCLID NO.	REPLACES	FOR MODEL	QTY.	EUCLID NO.	DESCRIPTION
E-9478 (Rubber)	H-7600 CH-7600 H-9600 CH-9600	H	1	E-9480	Bolt
E-9479 (Poly)			1	E-1835	Nut
			1	E-2833	Washer
			1	E-9482	Washer
			2	E-927	Bushing or (Rubber) Bushing
			2	E-7433 (Poly)	Bushing

HUTCHENS EQUALIZER BUSHINGS & HARDWARE

TAB LOCK



EQUALIZER STEP BOLT



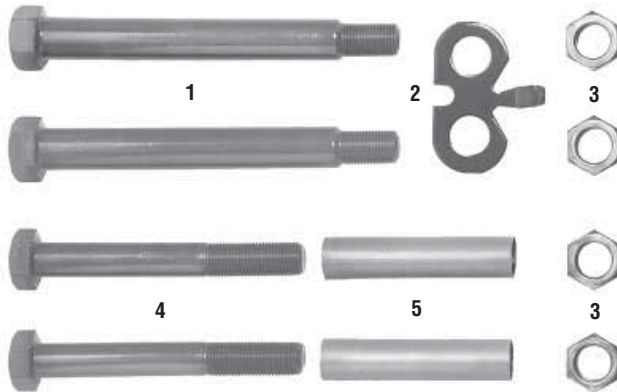
EUCLID NO.	REPLACES	FOR MODEL
E-2001	Hutchens 729-00	All

EUCLID NO.	REPLACES	FOR MODEL	THD.	DIA.	LENGTH
E-2000	Hutchens 7016-01	H-2200 H-7600 H-7700 CH-7600 CH-7700	5/8" - 18	3/4"	6"

HUTCHENS EQUALIZER BOLT KIT

EQUALIZER BOLT KIT EUCLID KIT E-3414

For Hutchens H-7600, H-7700 and H-2200



ITEM	QTY.	EUCLID NO.	REPLACES HUTCHENS NO.	DESCRIPTION
1	2	E-2000	7016-01	Equalizer Step Bolt 5/8"-18 x 3/4"x 6" Long
2	1	E-2001	729-00	Lock Tab
3	4	E-2002	37-01	Nut 5/8"-18 x 15/16" Hex x 17/32" High
4	2	E-3415	759-00	Rebound Bolt 5/8" -18 x 4 1/2" Long
5	2	E-3416	756-00	Spacer Sleeve 7/8" O.D. x 21/32" I.D. x 3 7/32" O.A.L.

HUTCHENS TORQUE ARM BUSHINGS

BUSHING ASSEMBLY



BUSHING ASSEMBLY



EUCLID NO.	FOR MODEL	INCLUDES
E-1075	H-2200	2 E-1038 Bushing 1 E-1073 Bolt 2 E-1074 Washer 1 E-725 Nut

EUCLID NO.	FOR MODEL	INCLUDES
E-9478	H-7600 CH-7600 H-9600 CH-9600	2 E-927 Bushing 1 E-2833 Washer 1 E-1835 Nut 1 E-9480 Bolt 1 E-9482 Washer

HUTCHENS TORQUE ARM BUSHINGS

BUSHING ASSEMBLY



BUSHING



EUCLID NO.	FOR MODEL	INCLUDES
E-3079 (Rubber)	H-7700 CH-7700	1 E-934 Bushing 1 E-2891 Bolt
E-9486 (Poly)	CH-7800	1 E-2892 Nut

EUCLID NO.	REPLACES	DIMENSIONS
E-927 (Rubber)	Hutchens 7620-00 H-9600, CH-9600	2 3/16" Large O.D. 1 1/4" I.D. 2 3/8" Long
E-7433 (Poly)	H-7600, CH-7600	

1

TORQUE ARM BUSHING



TORQUE ARM BUSHING
with Steel Insert



EUCLID NO.	REPLACES	FOR MODEL	DIMENSIONS
E-1038 (Rubber)	Hutchens 222-00	H-2200	1 3/4" Sm. O.D. 2 3/16" Lg.O.D. 1" I.D. 3 1/8" Long

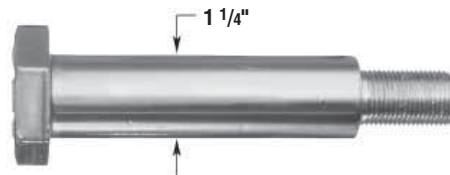
EUCLID NO.	REPLACES	FOR MODEL	DIMENSIONS
E-934 (Rubber)	Hutchens 722-00	H-7700	1 29/32" O.D. 1" I.D. 3" Long
E-7453 (Poly)		CH-7700 CH-7800	

HUTCHENS TORQUE ARM BOLTS AND HARDWARE

TORQUE ARM BOLT



TORQUE ARM BOLT



EUCLID NO.	REPLACES	FOR MODEL	DIMENSIONS
E-1073	Hutchens 2219-02	H-2200	1" - 14 Thd. 7 1/4" Long

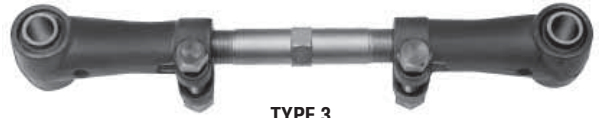
EUCLID NO.	REPLACES	FOR MODEL	DIMENSIONS
E-9480	Hutchens 12709-01	H-7600 H-9600 CH-7600 CH-9600	7/8"-14 Thd.

HUTCHENS TORQUE ARMS

ADJUSTABLE



TYPE 1



TYPE 3

Heavy-Duty Cast Version of Type 1



TYPE 2



TYPE 4

EUCLID NO. WITH BUSHINGS	EUCLID NO. LESS BUSHINGS	REPLACES HUTCHENS NO.	FOR MODEL	EUCLID BUSHING NO.	EUCLID BUSHING KIT NO.	LENGTH Center-to-Center	TYPE
E-3276	—	713-02 16398-02	H-7700, CH-7700, CH-7800, H-9700, CH-9700	E-934	E-3079	16"	1
E-3277	—	713-05 16398-04	H-7700, CH-7700, CH-7800, H-9700, CH-9700	E-934	E-3079	19 1/4"	1
E-3390	—	16398-17	H-7700, CH-7700, CH-7800, H-9700, CH-9700	E-934	E-3079	17 1/4"	1
E-7683	—	16398-05	H-7700, CH-7700, CH-7800, H-9700, CH-9700	E-934	E-3079	20 1/4"	1
E-11448	—	16398-06	H-7700, CH-7700, CH-7800, H-9700, CH-9700	E-934	E-3079	21 1/2"	1
E-7684	—	16398-08	H-7700, CH-7700, CH-7800, H-9700, CH-9700	E-934	E-3079	23 1/2"	1
E-7685	—	16398-12	H-7700, CH-7700, CH-7800, H-9700, CH-9700	E-934	E-3079	29 1/4"	1
—	E-2898	2213-00 16399-01	H-2200	E-1038	E-1075	19 1/4"	2
E-2510	E-2292	713-02 16398-02	H-7700, CH-7700, CH-7800, H-9700, CH-9700	E-934	E-3079	16"	3
E-2511	E-2293	713-05 16398-04	H-7700, CH-7700, CH-7800, H-9700, CH-9700	E-934	E-3079	19 1/4"	3
—	E-9476	16167-04	H-7600, H-9600, CH-7600, CH-9600	E-927	E-9478	19 1/4"	4

1

RIGID



E-2899



E-9477

EUCLID NO. WITH BUSHINGS	EUCLID NO. LESS BUSHINGS	REPLACES HUTCHENS NO.	FOR MODEL	EUCLID BUSHING NO.	EUCLID BUSHING KIT NO.	LENGTH Center-to-Center
E-2899	—	715-00	H-7700, CH-7700, CH-7800, H-9700, CH-9700	E-934	E-3079	19 1/4"
—	E-9477	11953-01	H-7600, H-9600 CH-7600, CH-9600 H-9700, CH-9700	E-927	E-9478	19 1/4"

HUTCHENS AXLE ATTACHING PARTS

TOP PLATE



3" Wide
7 1/2" Long

For Alternate
"Solid" Version
Use E-2873

DELTRIN SPRING LINER

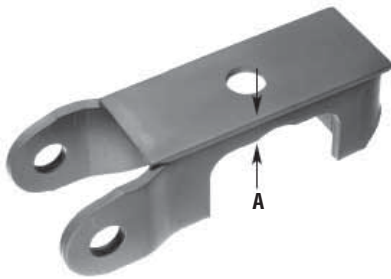


.043" Thick
2 7/8" Wide
8" Long

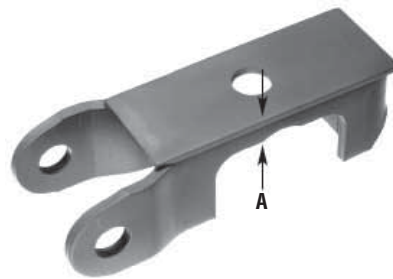
EUCLID NO.	REPLACES	FOR MODEL	APPLICATION
E-2907A	Hutchens 16868-01 7029-00	All	For All Standard & No-Hop Axle Applications

EUCLID NO.	REPLACES	FOR MODEL	APPLICATION
E-2842	Hutchens 7052-02	All	For Single and Three Leaf Springs

SPRING SEAT - 4" x 6" AXLE



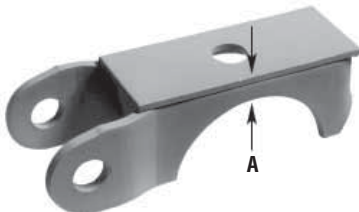
AXLE SEAT - 5" SQUARE AXLE



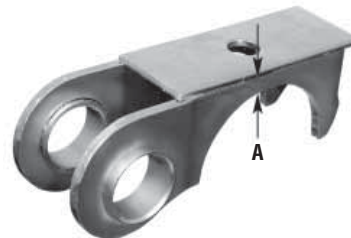
EUCLID NO.	REPLACES HUTCHENS	SEAT HEIGHT "A"	APPLICATION & GENERAL INFORMATION
E-3867	19364-01	3/4"	H-7700, CH-7700, H-9700 and CH-9700 Sus- pensions
E-7626	19364-02	1 1/4"	
E-7627	19364-03	1 3/4"	
E-7628	19364-04	2 1/4"	
E-7629	19364-05	2 3/4"	

EUCLID NO.	REPLACES HUTCHENS	SEAT HEIGHT "A"	APPLICATION & GENERAL INFORMATION
E-7630	19365-01	3/4"	H-7700, CH-7700, H-9700 and CH-9700 Sus- pensions
E-7631	19365-02	1 1/4"	
E-7632	19365-03	1 3/4"	
E-7633	19365-04	2 1/4"	
E-7634	19365-05	2 3/4"	

SPRING SEAT - 5" ROUND AXLE



SPRING SEAT - 5" ROUND AXLE



EUCLID NO.	REPLACES HUTCHENS	SEAT HEIGHT "A"	APPLICATION & GENERAL INFORMATION
E-2908	19360-01	3/4"	H-7700, CH-7700, H-9700 and CH-9700 Suspensions
E-7622	19360-02	1 1/4"	
E-7623	19360-03	1 3/4"	
E-7624	19360-04	2 1/4"	
E-7625	19360-05	2 3/4"	
E-7535	19360-06	3 1/4"	

EUCLID NO.	REPLACES	FOR MODEL	A
E-9527	Hutchens 19361-01	H-9600 CH-9600 H-7600 CH-7600	3/4" High
E-9528	Hutchens 19361-02		2 1/4" High
E-9529	Hutchens 19361-06		3 1/4" High

HUTCHENS AXLE ATTACHING PARTS

BOTTOM PLATE - 5" ROUND AXLE



EUCLID NO.	REPLACES	APPLICATION & GENERAL INFORMATION
E-2909	Hutchens 710-00	All

BOTTOM PLATE - 4" x 6" AXLE



EUCLID NO.	REPLACES	APPLICATION & GENERAL INFORMATION
E-7635	Hutchens 7746-00	H-7700, CH-7700, H-9700 and CH-9700 Suspensions

BOTTOM PLATE - 5" AXLE



EUCLID NO.	REPLACES	APPLICATION & GENERAL INFORMATION
E-7636	Hutchens 7747-01	H-7700, CH-7700, H-9700 and CH-9700 Suspensions

BOTTOM PLATE - NO HOP



EUCLID NO.	REPLACES	APPLICATION & GENERAL INFORMATION
E-7697	Hutchens 10775-00	5" Round, Rear
E-7698	7738-00	4" x 6", Rear
E-7699	7738-01	5" Square, Rear

BOTTOM PLATE - 5" x 5" AXLE



EUCLID NO.	REPLACES	APPLICATION & GENERAL INFORMATION
E-5229	Hutchens 10488-00	H-900 Suspension

BOTTOM PLATE



EUCLID NO.	REPLACES	APPLICATION & GENERAL INFORMATION
E-5231A	Hutchens 820-00	H-900 Suspension

BOTTOM PLATE



EUCLID NO.	REPLACES	APPLICATION & GENERAL INFORMATION
E-11728	Hutchens 706-01	H-9700US (underslung) CH-9700US (underslung)

HUTCHENS HANGER & EQUALIZER ASSEMBLIES

**HANGER / EQUALIZER
STRADDLE MOUNT**



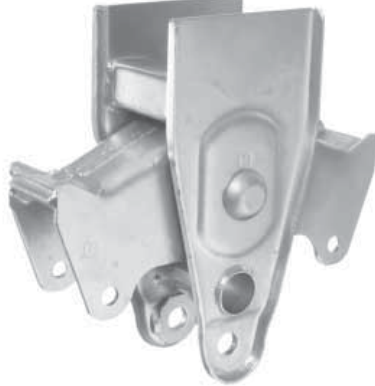
EUCLID NO.	REPLACES	APPLICATION
E-9469	Hutchens 16321-01	H-9600

**HANGER / EQUALIZER
UNDER MOUNT**



EUCLID NO.	REPLACES	APPLICATION
E-9470	Hutchens 16321-02	H-9600

**HANGER / EQUALIZER
STRADDLE MOUNT**



EUCLID NO.	REPLACES	APPLICATION
E-9484	Hutchens 16319-01	H-9700

**HANGER / EQUALIZER
UNDER MOUNT**











EUCLID NO.	REPLACES	APPLICATION
E-9485	Hutchens 16319-02	H-9700

1

HUTCHENS SPRING HANGERS PARTS




H-7600/H-9600

FRONT HANGER STRADDLE MOUNT	EUCLID NO.	REPLACES	FOR MODEL	FRONT HANGER UNDER MOUNT	EUCLID NO.	REPLACES	FOR MODEL
	E-9493	Hutchens 7601-01	H-7600 H-9600		E-9494	Hutchens 7601-02	H-7600 H-9600
	E-9495	Hutchens 7602-01	H-7600		E-9496	Hutchens 7602-02	H-7600
	E-9497	Hutchens 16187-01	H-9600		E-9498	Hutchens 16188-01	H-9600
	E-2912A	Hutchens 7703-1	H-7600 H-9600		E-2915A	Hutchens 7703-02	H-7600 H-9600

1

HUTCHENS SPRING HANGERS PARTS









Cast - CH-7700/CH-9700

FRONT HANGER SIDE/UNDER MOUNT	EUCLID NO.	REPLACES	FOR MODEL	REAR HANGER SIDE/UNDER MOUNT	EUCLID NO.	REPLACES	FOR MODEL
 <p>Wide Flange On This Side For Right Hand</p>	E-9499 Left Hand	Hutchens 16291-03	CH-7700 CH-9700	 <p>Wide Flange On This Side For Right Hand</p>	E-9502 Left Hand	Hutchens 16293-01	CH-7700 CH-9700
	E-9500 Right Hand (Shown)	Hutchens 16291-04			E-9503 Right Hand (Shown)	Hutchens 16293-02	
CENTER HANGER SIDE/UNDER MOUNT	EUCLID NO.	REPLACES	FOR MODEL				
	E-9501	Hutchens 16197-03	CH-9700				

1

HUTCHENS SPRING HANGERS PARTS

H-7700/H-9700


FRONT HANGER STRADDLE MOUNT	EUCLID NO.	REPLACES	FOR MODEL	FRONT HANGER UNDER MOUNT	EUCLID NO.	REPLACES	FOR MODEL
	E-2910A	Hutchens 7701-01	H-7700 H-9700		E-2913A	Hutchens 7701-02	H-7700 H-9700
CENTER HANGER STRADDLE MOUNT	EUCLID NO.	REPLACES	FOR MODEL	CENTER HANGER UNDER MOUNT	EUCLID NO.	REPLACES	FOR MODEL
	E-2911	Hutchens 7702-01	H-7700		E-2914	Hutchens 7702-02	H-7700
CENTER HANGER STRADDLE MOUNT	EUCLID NO.	REPLACES	FOR MODEL	CENTER HANGER UNDER MOUNT	EUCLID NO.	REPLACES	FOR MODEL
	E-7534	Hutchens 16169-01	H-9700		E-9582	Hutchens 16171-01	H-9700
REAR HANGER STRADDLE MOUNT	EUCLID NO.	REPLACES	FOR MODEL	REAR HANGER UNDER MOUNT	EUCLID NO.	REPLACES	FOR MODEL
	E-2912A	Hutchens 7703-01	H-7700 H-9700		E-2915A	Hutchens 7703-02	H-7700 H-9700


1


HUTCHENS SPRING HANGERS PARTS

H-7700/H-9700

1

FRONT HANGER FLANGE MOUNT	EUCLID NO.	REPLACES	APPLICATION & GENERAL INFORMATION
	E-5070 (Shown)	Hutchens 7701-07 Left Hand Drilled	H-7700
	E-5071	Hutchens 7701-08 Right Hand Drilled	

CENTER HANGER FLANGE MOUNT	EUCLID NO.	REPLACES	APPLICATION & GENERAL INFORMATION
	E-5072	Hutchens 7702-05 Drilled	H-7700

REAR HANGER FLANGE MOUNT	EUCLID NO.	REPLACES	APPLICATION & GENERAL INFORMATION
	E-5073 (Shown)	Hutchens 7703-07 Left Hand Drilled	H-7700
	E-5074	Hutchens 7703-08 Right Hand Drilled	

HANGER WEAR PAD		
		

EUCLID NO.	REPLACES	GENERAL INFORMATION
E-4828	—	Use with E-2910, E-2911, and E-2912. Fits standard version. Cannot be used with "A" version of hangers.

HANGER WEAR PAD		
		
3" wide x 7" Long x 5/16" Thick		
Use with all Hangers except E-2910A, E-2911A, and E-2912A.		

EUCLID NO.	REPLACES	FOR MODEL
E-9487	Hutchens 755-03	H-9700 H-7700

BEAM GUIDE HANGER UNDER MOUNT	EUCLID NO.	REPLACES	APPLICATION & GENERAL INFORMATION
	E-7681	Hutchens 7707-14	H-9700 CH-9700 TWS-109 TWS-121

HUTCHENS H-900 SINGLE POINT SUSPENSION PARTS

TRUNNION HALF



EUCLID NO.	REPLACES	APPLICATION
E-5210	Hutchens 850-01	Upper Half — Overslung Lower Half — Underslung

TRUNNION HALF



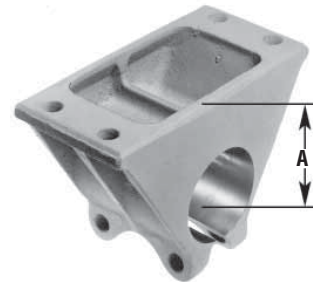
EUCLID NO.	REPLACES	APPLICATION
E-5211	Hutchens 898-00	Lower Half — Overslung

TRUNNION HALF



EUCLID NO.	REPLACES	APPLICATION
E-5212	Hutchens 892-00	Upper Half — Underslung

TRUNNION MOUNTING BRACKET



1

TRUNNION BUSHING



EUCLID NO.	REPLACES	O.D.	I.D.	LENGTH
E-5216 (Rubber)	Hutchens 890-00	5"	4"	9"
E-7455 (Poly)				

EUCLID NO.	REPLACES	MOUNTING HEIGHT "A"
E-5213	Hutchens 8509-01	2 1/2"
E-4312	Hutchens 10476-03	4 1/2"
E-5214	Hutchens 849-01	6 1/2"
E-5215	Hutchens 897-01	8 1/2"

TRUNNION SHAFT



EUCLID NO.	REPLACES	O.D.	LENGTH	WALL THICKNESS
E-2964	Hutchens 893-01	4"	48"	1/2"
E-5218	Hutchens 893-02	4"	48"	3/4"

TRUNNION WASHER



EUCLID NO.	REPLACES	O.D.	I.D.	THICKNESS
E-5219	Hutchens 895-00	5 3/4"	4 1/32"	3/16"

HUTCHENS H-900 SINGLE POINT SUSPENSION PARTS

SPRING END CAP — OVERSLUNG AXLE
2 Main Leaf Spring



EUCLID NO.	REPLACES	APPLICATION
E-5220	Hutchens 10049-00	36,000 lb. suspensions

SPRING END CAP — OVERSLUNG AXLE
3 Main Leaf Spring



EUCLID NO.	REPLACES	APPLICATION
E-5221	Hutchens 9937-00	42,000 -50,000 lb. suspensions

SPRING SEAT — OVERSLUNG AXLE
5" Round Axle



EUCLID NO.	REPLACES	APPLICATION
E-5222	Hutchens 9934-02 50,000 lb. suspensions	36,000, 42,000 & 50,000 lb. suspensions

SPRING SEAT — OVERSLUNG AXLE
5" Square Axle



EUCLID NO.	REPLACES	APPLICATION
E-5223	Hutchens 9935-02	36,000, 42,000 & 50,000 lb. suspensions

SPRING END CAP — UNDERSLUNG AXLE
2 Main Leaf Spring



EUCLID NO.	REPLACES	APPLICATION
E-5224 10050-02	Hutchens	36,000 lb. suspensions

SPRING END CAP — OVERSLUNG AXLE
3 Main Leaf Spring



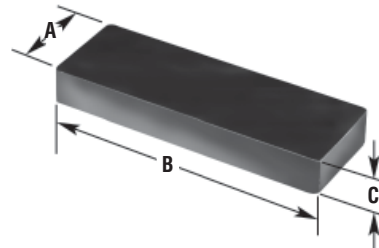
EUCLID NO.	REPLACES	APPLICATION
E-5225	Hutchens 9941-02	42,000 - 50,000 lb. suspensions

SPRING SEAT — UNDERSLUNG AXLE
5" Round Axle



EUCLID NO.	REPLACES	APPLICATION
E-5226 9938-00	Hutchens 50,000 lb. suspensions	36,000, 42,000 & 50,000 lb. suspensions

SPRING END PAD



EUCLID NO.	REPLACES	A	B	C
E-5227 (Rubber)	Hutchens 814-000	2 7/8"	5"	13/16"
E-8665 (Poly)				

HUTCHENS H-900 SINGLE POINT SUSPENSION PARTS

ALIGNMENT ADJUSTMENT PLATE



EUCLID NO.	REPLACES	APPLICATION
E-5228	Hutchens 10608-00	For all model H-900 multiple pound suspensions

U-BOLT TOP PLATE — OVERSLUNG TRUNNION



EUCLID NO.	REPLACES	APPLICATION
E-5230	Hutchens 9640-00	For all model H-900 multiple pound suspensions

U-BOLT TOP PLATE - OVERSLUNG TRUNNION



EUCLID NO.	REPLACES	APPLICATION
E-5231A	Hutchens 820-00	For all model H-900 multiple pound suspensions

AXLE CLAMP BOLT

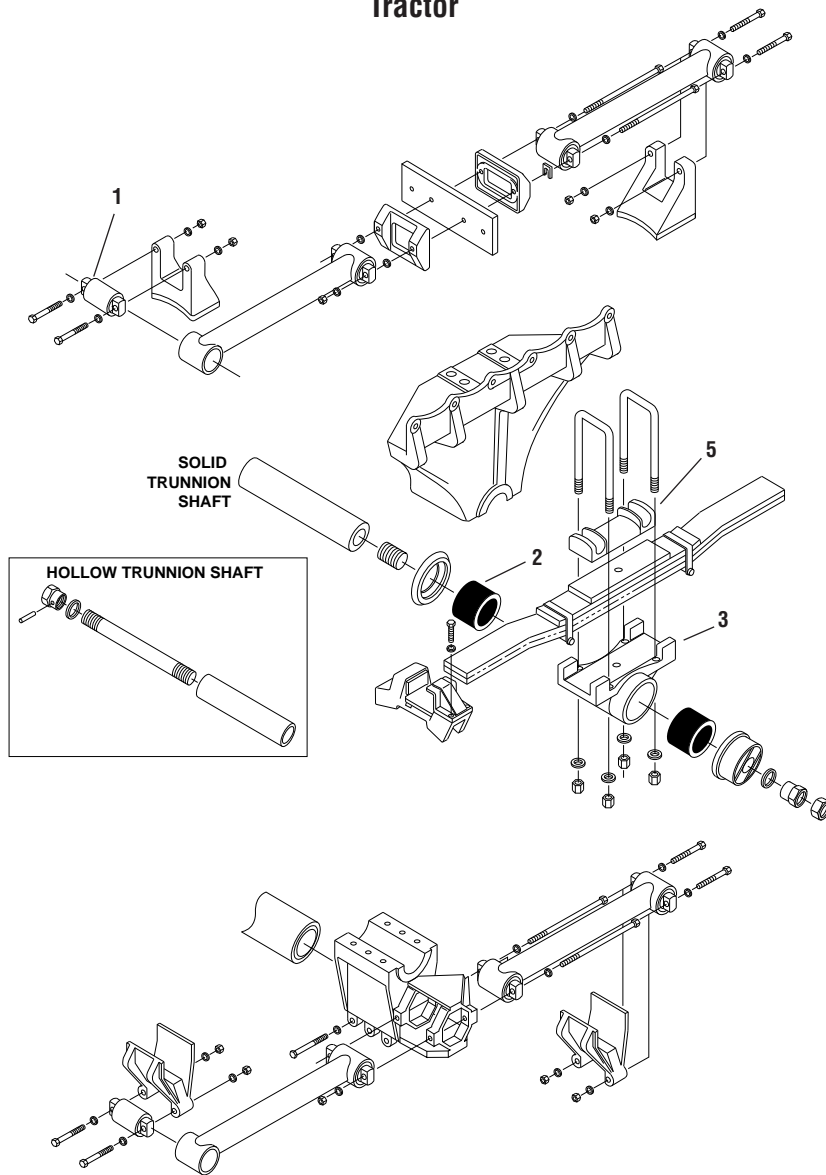


EUCLID NO.	REPLACES	THREAD SIZE	LENGTH
E-4348	Hutchens 9293-00	5/8" - 11	2"

1

KENWORTH "BIG 6" SUSPENSION

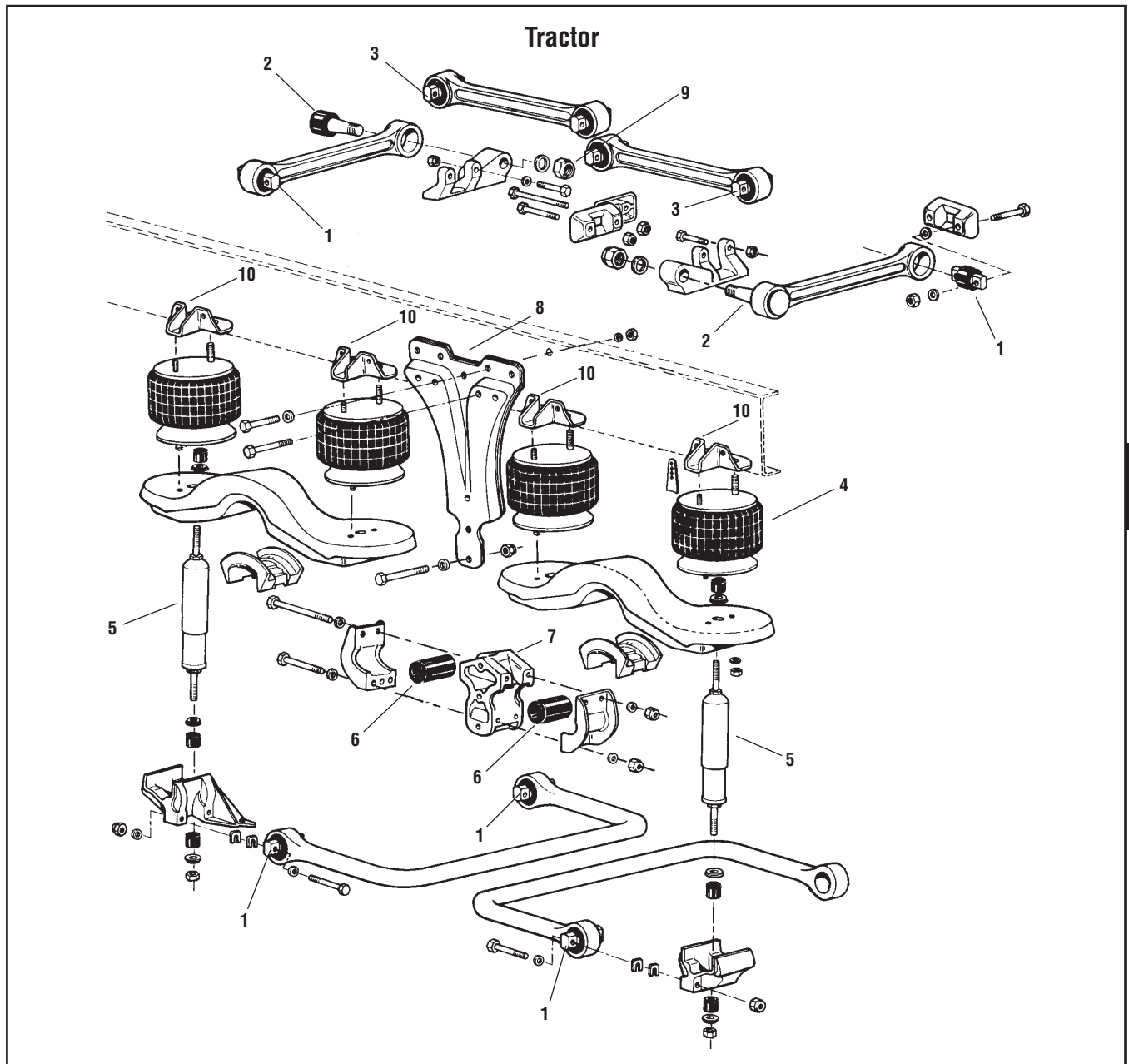
Tractor



N/A = Part no longer available

KEY NO.	EUCLID NO.	REPLACES KENWORTH NO.	DESCRIPTION	QUANTITY PER TANDEM	PAGE NO.
1	E-2226 (Rubber)	Gould 227720	Torque Arm Bushing	16	1-281
	E-7639 (Poly)				1-281
	E-9321 (Rubber)	Meritor A-2297-K-1051			2-16
	E-8655 (Poly)				1-281
	E-9322	Meritor A-2297-X-3664			
	E-9323	Meritor A-2297-V-4806			
		Meritor A-2297-K-1052			
E-9324	Gould 932420				
2	N/A	K066-232	Rubber Trunnion Bushing	4	—
3	N/A	K360-20	Trunnion	2	—

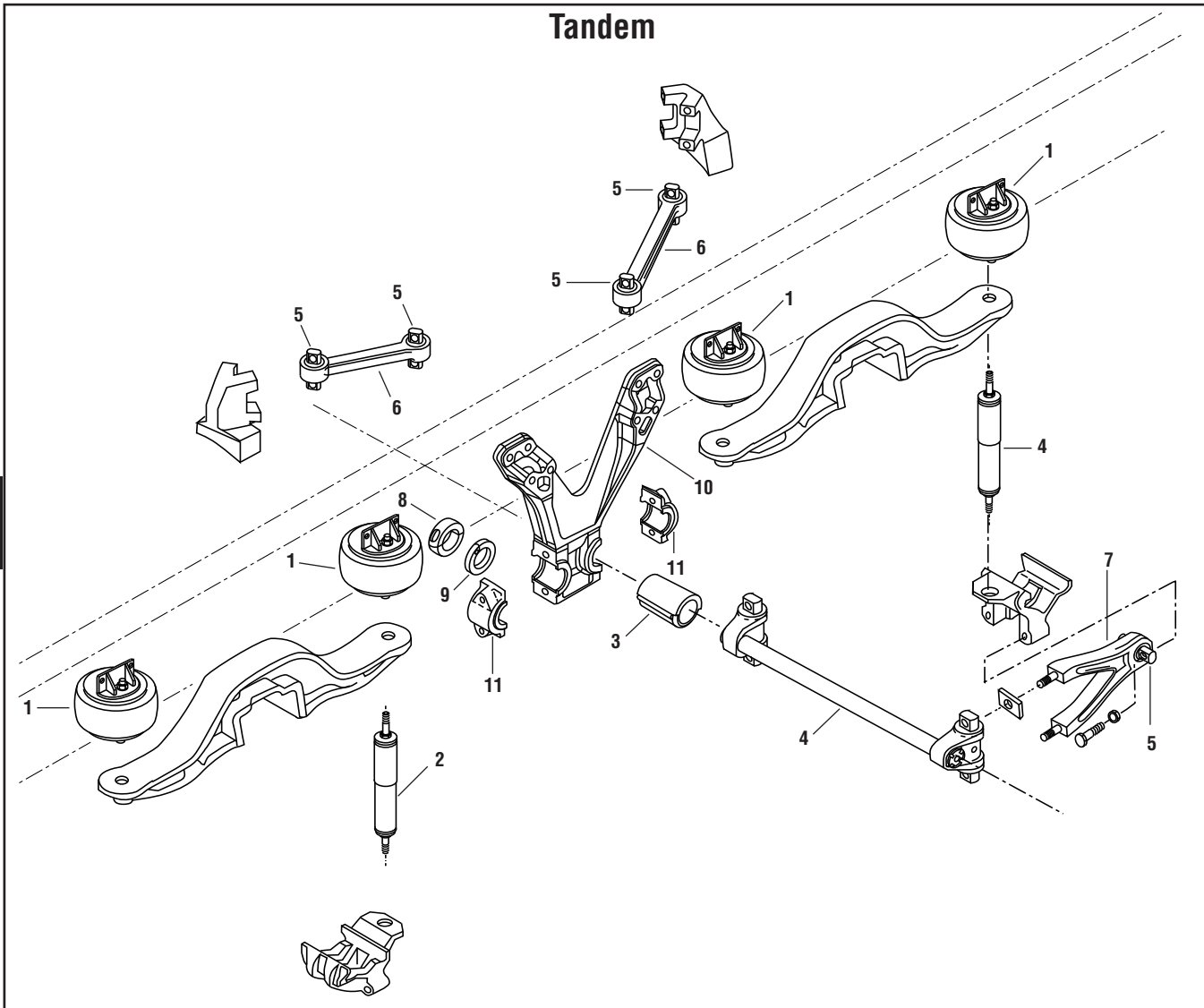
KENWORTH AIRGLIDE® 100 AIR RIDE SUSPENSION



KEY NO.	EUCLID NO.	REPLACES KENWORTH NO.	DESCRIPTION	QUANTITY PER TANDEM	PAGE NO.
1	E-2226 (Rubber)	227720	Torque Arm & Stabilizer Rod Bushing	6	1-281
2	E-2228 (Rubber)	229610	Torque Arm Bushing, Tapered	2	1-281
	E-8651 (Poly)				
3	E-4664	227722	Torque Arm Bushing, Aluminum Pin	8	1-281
4	FS9422	K303-6, 14, 15	Air Spring to 1994	8	—
	FS9616	K303-16	Air Spring with Bracket, 1995 and up		
5	M85310	K374-87	Shock Absorber	4	3-18
	M89423	K374-7,9,29	Shock Absorber	4	3-17
6	E-4669 (Rubber)	K066-58	Rubber Stabilizer Bushing, Black	4	1-282
	E-7446A (Poly)	K066-449	Urethane Stabilizer Bushing, Yellow	4	
7	E-10767	K197-2943	Stabilizer Bar Bracket, Aluminum	2	—
8	E-10766	K272-145	Center Support Bracket, Stamped Steel to 1994	2	—
9	E-2017	49NE2012	Torque Arm Mounting Nut for Tapered Pin Bushing	2	1-282
10	E-5075	K048-449	Air Spring Bracket	8	1-282

KENWORTH AIRGLIDE® 200 AIR RIDE SUSPENSION

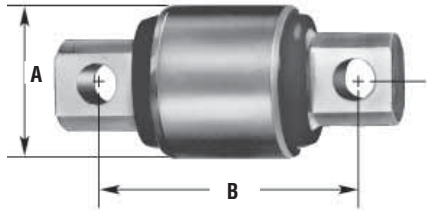
Tandem



KEY NO.	EUCLID NO.	REPLACES KENWORTH NO.	DESCRIPTION	QUANTITY PER TANDEM	PAGE NO.	
1	FS9617	K303-18	Air Spring 86 through 97, 3/4"-16 air inlet	8	—	
	FS9618					
	FS9622	K303-22				Air Spring 98 & up, 1 5/16"-22 air inlet
	FS9625					
2	M85900	70701	Shock Absorber	4	3-17	
		665944				
		665903				
3	E-10302	K066-450	Sway Bar Bushing-Urethane	4	—	
4	N/A	K202-2548	Sway Bar Rod Assembly	2	—	
5	E-10303	836940	Torque Rod/Sway Bar Arm Bushing	12	1-281	
6	N/A	K195-474	Torque Rod Assembly	4	—	
7	N/A	K029-318	Sway Bar Arm Assembly	4	—	
8	N/A	2SC212	Collar Bearing-McGuire	4	—	
9	N/A	K06-454	Thrust Bushing	4	—	
10	N/A	K272-187	Center Frame Bracket	2	—	
11	N/A	K071-429	Frame Bracket Cap	4	—	

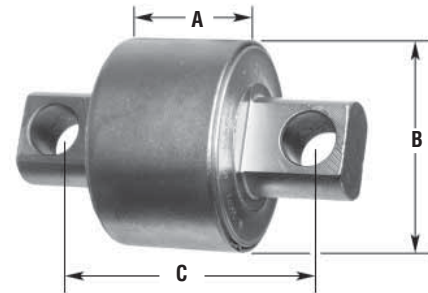
KENWORTH SUSPENSION PARTS

TORQUE ARM BUSHING



EUCLID NO.	REPLACES	A	B	HOLE DIA.
E-2226 (Rubber)	Clevite 227720	2 3/4"	4 3/8"	21/32"
E-7639 (Poly)	Steel Pin			
E-4664	Clevite 227722 Aluminum Pin			

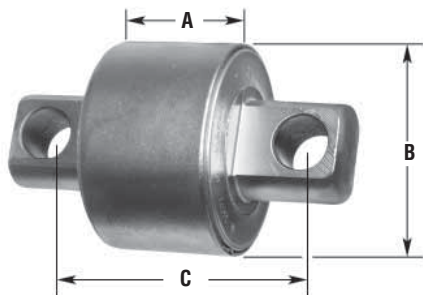
TORQUE ARM BUSHING



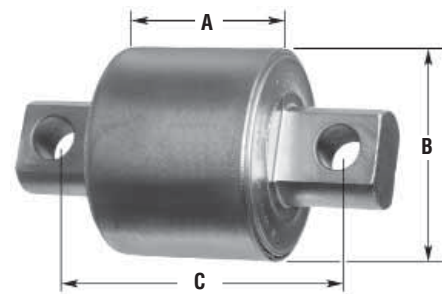
EUCLID NO.	REPLACES	A	B	C	HOLE DIA.
E-9321	Meritor A-2297-K-1051	2 1/2"	4 1/8"	5 1/4"	29/32"
E-9322	Meritor A-2297-X-3664				1 1/32"

TORQUE ARM BUSHING

TORQUE ARM BUSHING

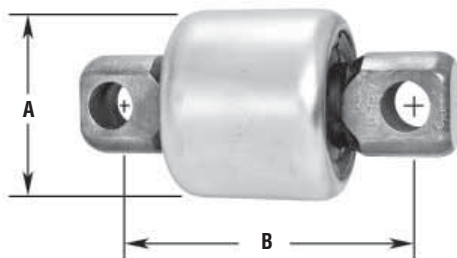


EUCLID NO.	REPLACES	A	B	C	HOLE DIA.
E-9323	Meritor A-2297-V-4806 A-2297-K-1052	2 1/2"	4 1/8"	4 3/8"	21/32"



EUCLID NO.	REPLACES	A	B	C	HOLE DIA.
E-9324	Gould 932420	2 13/16"	3 1/2"	4 3/8"	21/32"

TORQUE ARM BUSHING



EUCLID NO.	REPLACES	A	B	HOLE DIA.
E-10303	Clevite 836940	2 3/4"	4 3/8"	21/32"

TORQUE ARM BUSHING — TAPERED PIN



1 1/4"-12 Thd.

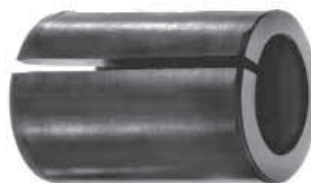
EUCLID NO.	REPLACES	FOR MODEL
E-2228 (Rubber)	Kenworth 229610	Air Ride
E-8651 (Poly)		

KENWORTH SUSPENSION PARTS

TORQUE ARM MOUNTING NUT FOR TAPERED PIN BUSHING



STABILIZER BUSHING



EUCLID NO.	REPLACES	THREAD	HEX	HIGH
E-2017	Kenworth 49NE2012	1 1/4"-12	1 13/16"	11/16"

EUCLID NO.	REPLACES	O.D.	I.D.	LENGTH
E-4669 (Rubber)	Kenworth K066-58 (Old) K066-050 (New)	2 7/8"	2"	4"
E-7446A (Poly)				

AIR SPRING BRACKET



ALIGNMENT SHIM

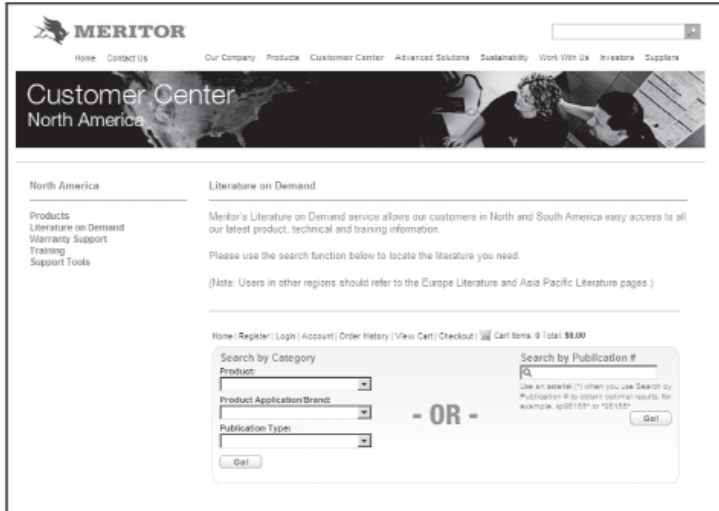


EUCLID NO.	REPLACES	FOR MODEL
E-5075	Kenworth K048-449	"8 Bag" Air Ride

EUCLID NO.	REPLACES	FOR MODEL	HOLE DIA.	WIDTH	THICK
E-5076	Kenworth K221-922-3	"Glide Ride" 4-Spring	3/4"	1 1/4"	1/8"

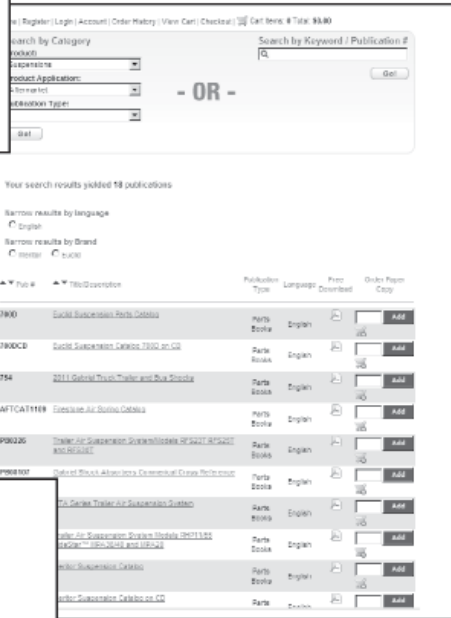
1

Literature on Demand available at meritor.com

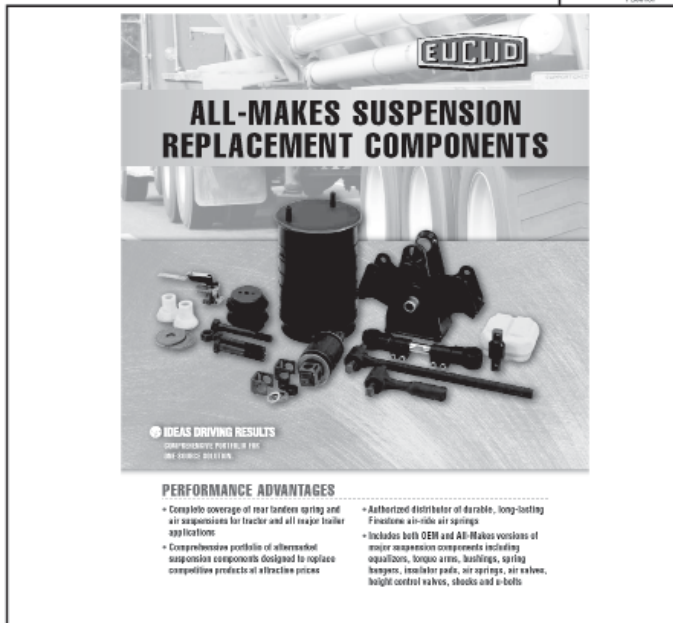


1. Visit the Customer Center at meritor.com

2. Search for a publication - parts book, sales flier or technical publication



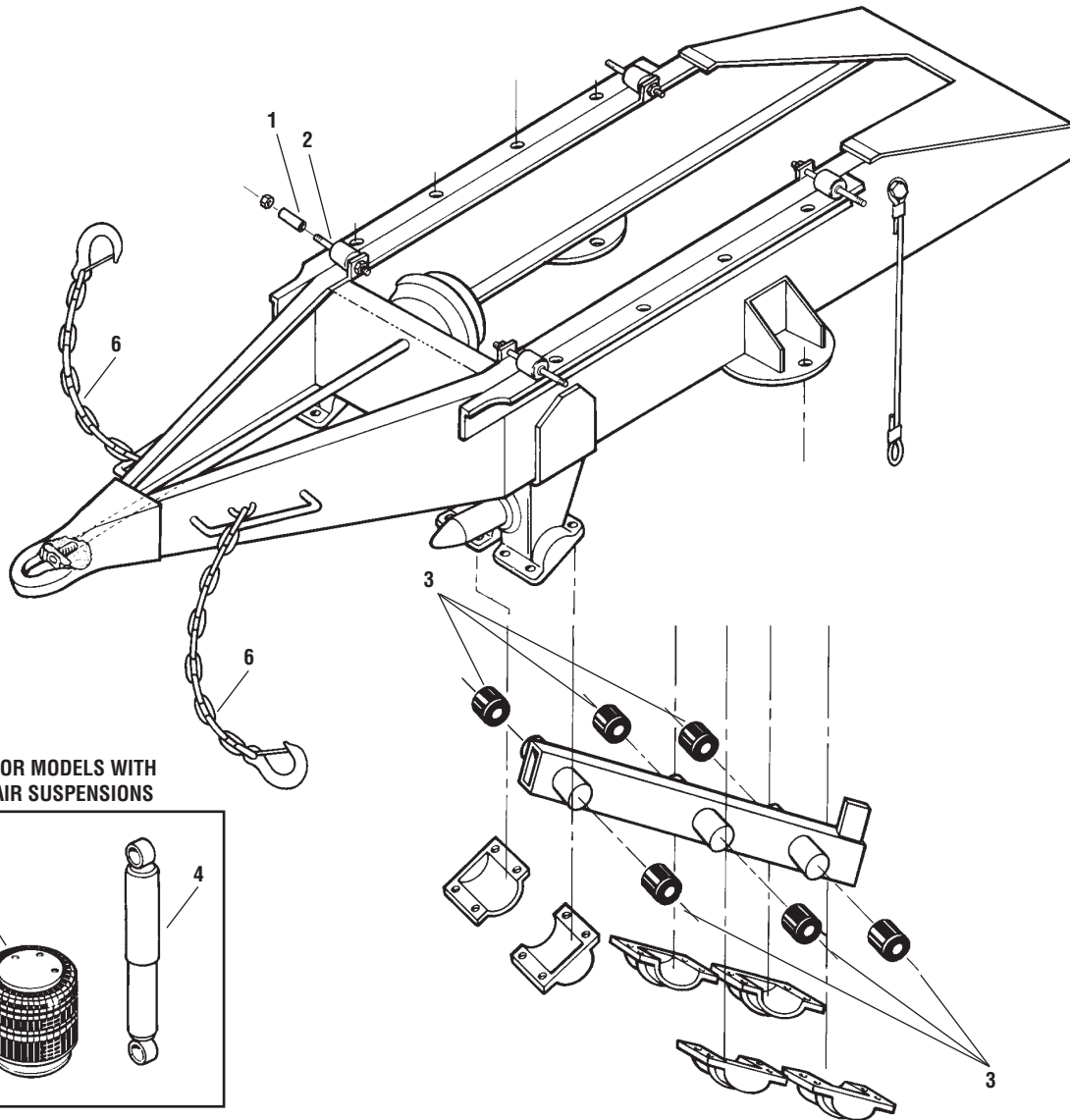
3. Select format - electronic or print



For additional product, technical and training information, contact your nearest product sales team, whose contact information can be found in the online Customer Center.

KWIK-LOC (JIFFLOX) DOLLY

6000 and 7000 MODEL SERIES



FOR MODELS WITH
AIR SUSPENSIONS

KEY NO.	EUCLID NO.	REPLACES KWIK-LOC NO.	DESCRIPTION	QUANTITY PER TANDEM	PAGE NO.
1	E-5458	529817	Fifth Wheel Roller Spacer	2	1-285
2	E-5457	529717	Fifth Wheel Roller Spacer Shaft	2	1-285
3	E-5453	657017	Trailing Arm Bushing	6	1-285
4	M85315	522217	Shock Absorber	1	3-9
5	FS9082	—	Air Spring	1	—
	FS7429	—	Air Spring	1	—
	FS7123	—	Air Spring	1	—
6	E-5465	—	Chain	2	1-285

KWIK-LOC (JIFFLOX) DOLLY PARTS

TRAILING ARM BUSHING



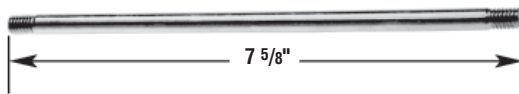
EUCLID NO.	REPLACES	FOR MODEL
E-5453	Kwik-Loc 657017 Jifflox 65701	6000, 7000

ROLLER ASSEMBLY



EUCLID NO.	REPLACES	FOR MODEL
E-5455	Kwik-Loc 529957	6000, 7000

FIFTH WHEEL ROLLER SHAFT



EUCLID NO.	REPLACES	FOR MODEL
E-5457	Kwik-Loc 529717 Jifflox 52971	6000, 7000

PINTLE EYE



EUCLID NO.	REPLACES	FOR MODEL
E-5459	Kwik-Loc 529717 Jifflox 52971	6000, 7000

SHAFT



EUCLID NO.	REPLACES	FOR MODEL
E-5462	Kwik-Loc 657557	6000, 7000

CHAIN



EUCLID NO.	REPLACES	FOR MODEL
E-5465	Kwik-Loc	6000, 7000

STA-PIN ASSEMBLY



EUCLID NO.	REPLACES	FOR MODEL
E-5454	Kwik-Loc 656857	6000, 7000

ROLLER



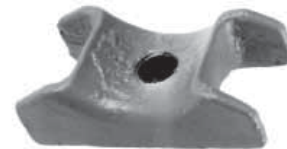
EUCLID NO.	REPLACES	FOR MODEL
E-5456	Kwik-Loc 656957	6000, 7000

FIFTH WHEEL ROLLER SPACER



EUCLID NO.	REPLACES	FOR MODEL
E-5458	Kwik-Loc 529817 Jifflox 52981	6000, 7000

WEAR SHOE



EUCLID NO.	REPLACES	FOR MODEL
E-5460	Kwik-Loc 602517	6000, 7000

COUPLING



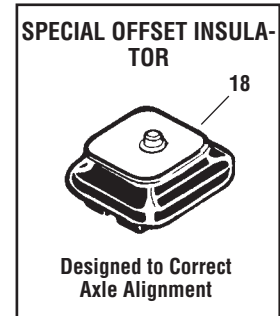
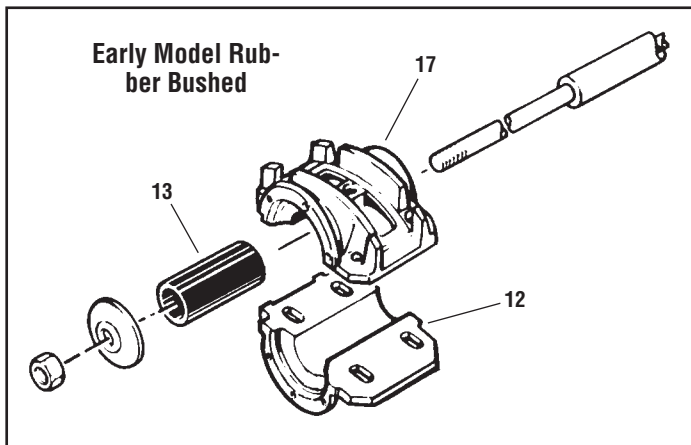
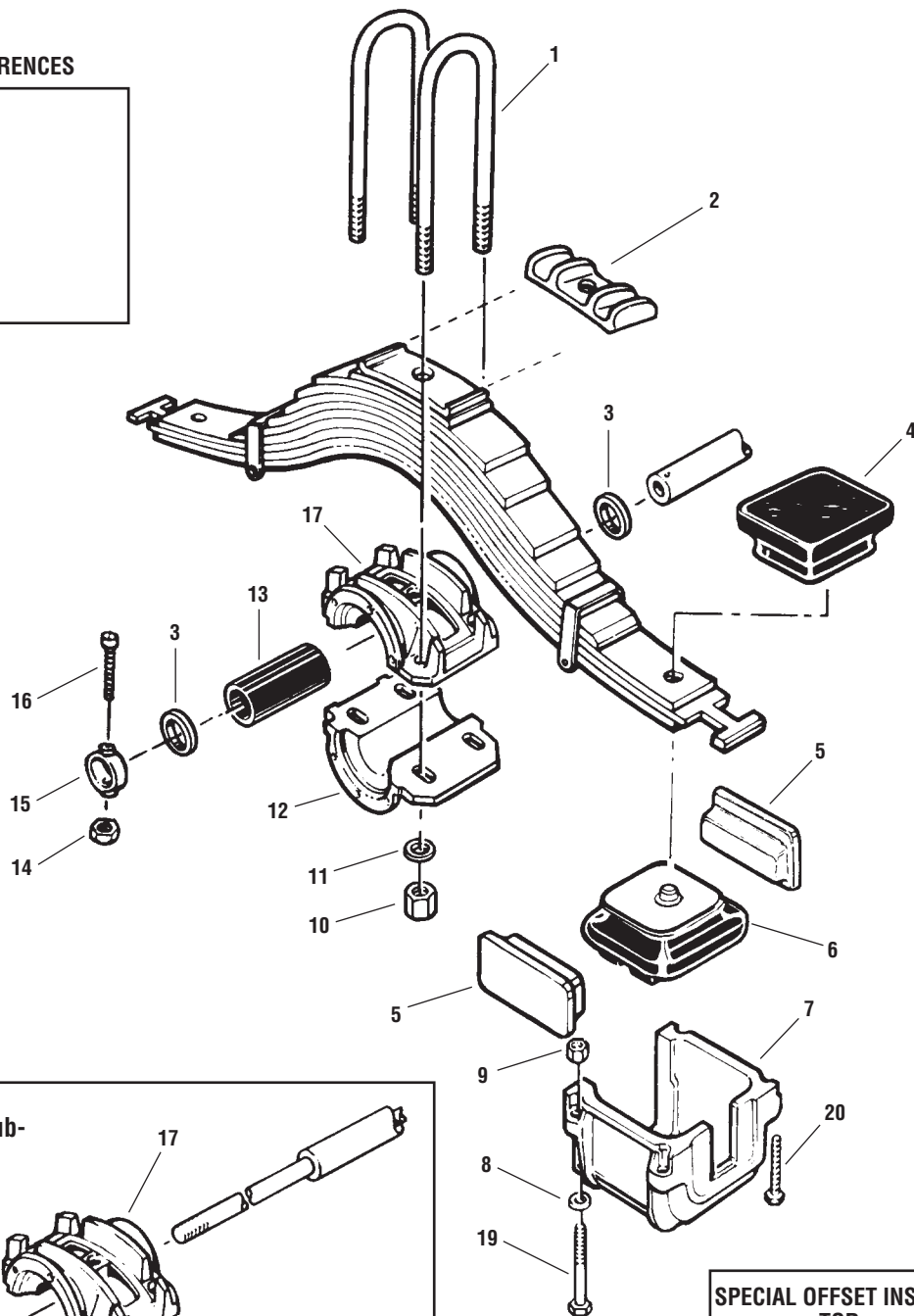
EUCLID NO.	REPLACES	FOR MODEL
E-5463	Kwik-Loc 657547	6000, 7000

MACK SS34 & 38 TANDEM SUSPENSION

(Formerly designated SWS 56 & 57)
(34,000 & 38,000 lb.)
Tractor

LEAF SPRING REFERENCES

SRI No.	
62-137	9 Leaf
62-173	9 Leaf
62-109	9 Leaf
62-153	10 Leaf
62-139	10 Leaf
62-155	10 Leaf
62-113	10 Leaf



1

MACK SS34 & 38 TANDEM SUSPENSION PARTS

(Formerly designated SWS 56 & 57)

(34,000 & 38,000 lb.)

Tractor

KEY NO.	EUCLID NO.	REPLACES MACK NO.	DESCRIPTION	QUANTITY PER TANDEM	PAGE NO.
1	E-UB8394-144	—	U-Bolt Assembly, Semi Rd. Bend, 1 1/4"-12 Thd. x 4" Wide x 14 1/2" Long	4	2-29
	E-UB8394-162S	—	U-Bolt Assembly, Semi Rd. Bend, 1 1/4"-12 Thd. x 4" Wide x 16 1/4" Long		
	E-UB8394-18	—	U-Bolt Assembly, Semi Rd. Bend, 1 1/4"-12 Thd. x 4" Wide x 18" Long		
2	N/A	8PK335P1	Top Plate	2	—
3	E-3702	44RU2223P2	Inner Spacer	2	1-302
	E-3703	44RU2223P1			1-302
4	E-2917 (Rubber)	10QK365A	Upper Insulator Pad	4	1-305
	E-7481 (Poly)				—
	N/A	10QK33A			—
	E-2919 (Rubber)	10QK370			1-305
E-8667 (Poly)	—				
5	E-3689	13QK246	Insulator Spacer Block	8	1-304
6	E-2920 (Rubber)	10QK36B	Lower Insulator Pad	4	1-305
	E-7480 (Poly)	10QK36B			
7	E-3688	52QK418AP4	Insulator Box	2	1-304
8	E-2546	37AX1310	Washer	8	2-35
9	E-1835	21AX480	Lock Nut	8	2-34
10	E-3005	—	Hi-Nut	8	2-34
	E-3006	21AX655			2-34
11	E-2934	35AX1435	Washer	8	2-35
12	E-3685	39QK37B	Lower Trunnion Half	2	1-301
		39QK37C			
		39QK433			
13	E-2921A (Rubber)	10QK219P1	Trunnion Bushing	2	1-302
	E-7478 (Poly)				1-302
	E-2922A (Rubber)	10QK219P2			1-302
	N/A	10QK219P2			—
	E-7479 (Poly)	10QK219P2 10QK276			1-302
14	E-4347	21AX786	Lock Nut	4	2-34
15	E-10116	44RU221P2	Collar (Late)	2	1-303
	E-3704	44BU2221P2	Collar (Early)		
16	N/A	1AX127	Bolt	2	—
17	E-3683	39QK433A	Upper Trunnion Half	2	1-301
18	E-3919	10QK48	Special Offset Lower Insulator Pad	As Required	1-305
19	E-3690	1AX425	Insulator Box Bolt, 7/8"-14 Thd. x 5" Long	8	2-33
	E-3691	1AX475	Insulator Box Bolt, 7/8"-14 Thd. x 5 1/4" Long		2-32
	E-3692	1AX427	Insulator Box Bolt, 7/8"-14 Thd. x 6" Long		2-33
		3AX987			
	E-3693	3AX1344	Insulator Box Bolt, 7/8"-14 Thd. x 6 1/2" Long		2-33
	E-5439	3AX1050	Insulator Box Bolt, 7/8"-14 Thd. x 7 1/2" Long		2-33
E-5428	3AX1348	Insulator Box Bolt, 7/8"-14 Thd. x 8" Long	2-33		
20	E-3696	4AX320	Insulator Box Stud, 7/8"-9 Thd. x 4 1/2" Long	8	2-32
		6AX837			
	E-5427	6AX1160	Insulator Box Stud, 7/8"-9 Thd. x 6" Long		2-33

N/A = No Longer Available

MACK SS44 SERIES SUSPENSION

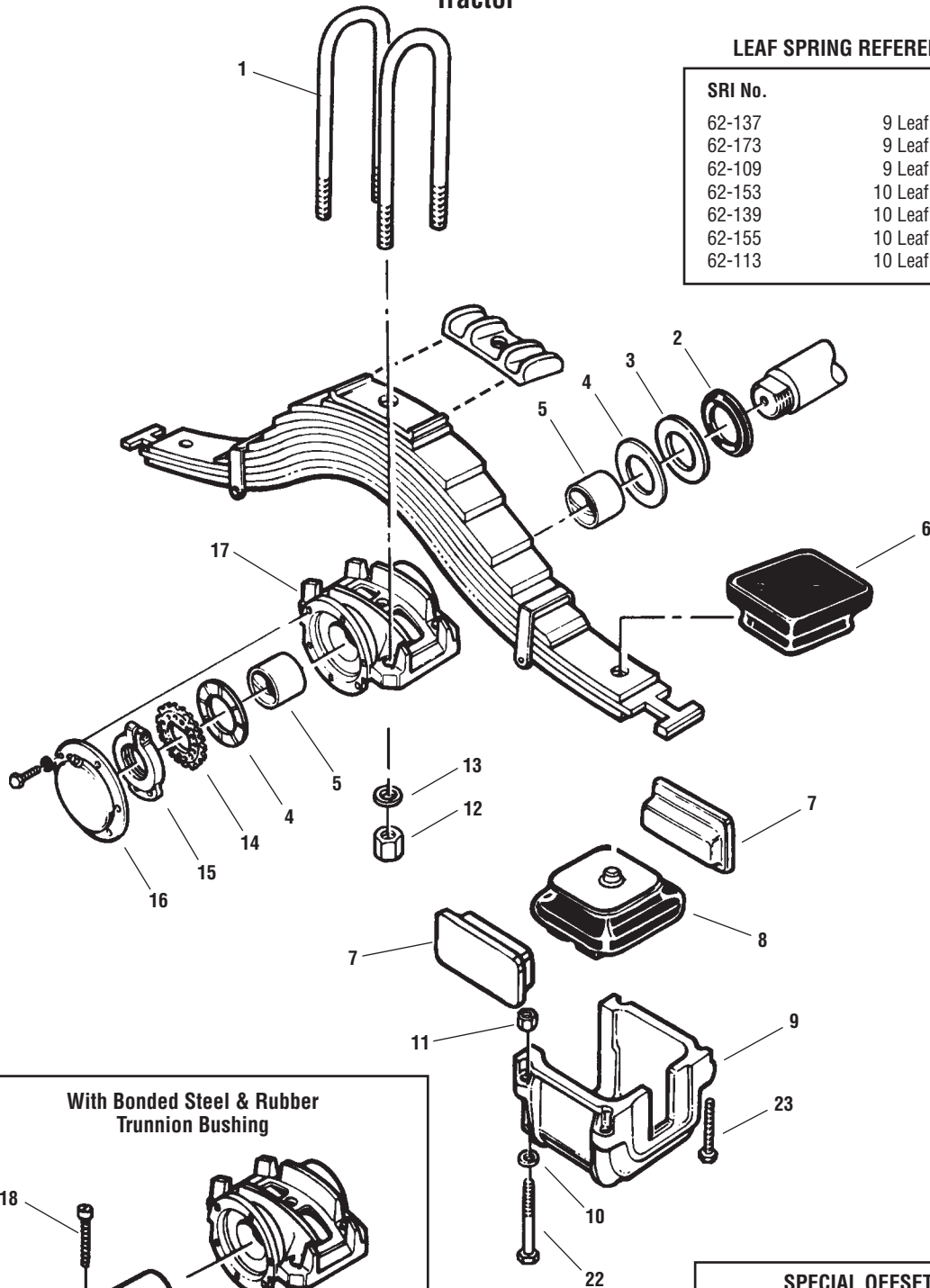
(Formerly designated SWS 573)
(44,000 lb.)

Tractor

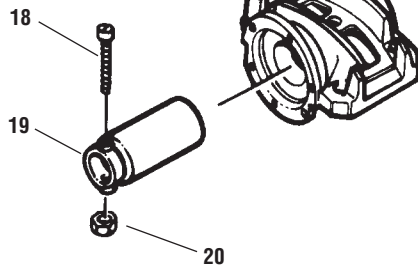
LEAF SPRING REFERENCES

SRI No.

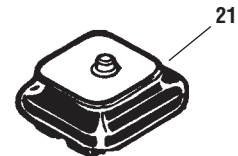
62-137	9 Leaf
62-173	9 Leaf
62-109	9 Leaf
62-153	10 Leaf
62-139	10 Leaf
62-155	10 Leaf
62-113	10 Leaf



With Bonded Steel & Rubber
Trunnion Bushing



SPECIAL OFFSET
INSULATOR



Designed to Correct Axle Alignment

1

MACK SS44 SERIES SUSPENSION PARTS

(Formerly designated SWS 573 - 44,000 lb.)

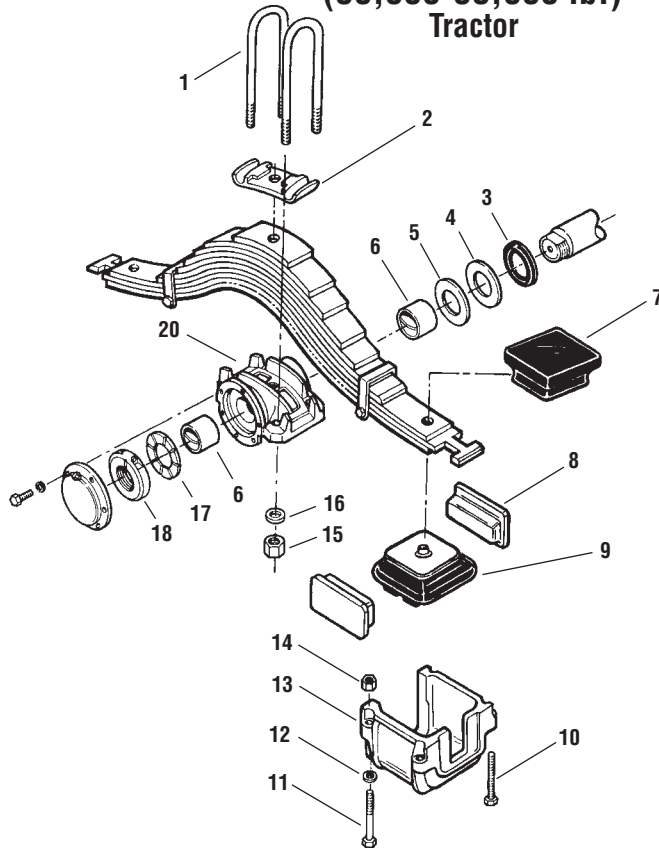
Tractor

KEY NO.	EUCLID NO.	REPLACES MACK NO.	DESCRIPTION	QUANTITY PER TANDEM	PAGE NO.	
1	E-UB8394-144	—	U-Bolt Assembly, Semi Rd. Bend, 1 1/4"-12 Thd. x 4" Wide x 14 1/2" Long	4	2-29	
	E-UB8394-162S	—	U-Bolt Assembly, Semi Rd. Bend, 1 1/4"-12 Thd. x 4" Wide x 16 1/4" Long		2-29	
	E-UB8394-18	—	U-Bolt Assembly, Semi Rd. Bend, 1 1/4"-12 Thd. x 4" Wide x 18" Long		2-29	
2	E-3187	88AX244 88AX446	Trunnion Seal	2	1-303	
3	E-3699	43QK117	Washer	2	1-303	
4	E-3698	35AX688	Bronze Washer	2	1-303	
		43QJ116				
5	E-2925	10QK157	Bronze Trunnion Bushing	2	1-301	
		80AX300				
6	E-2917 (Rubber)	10QK365A	Upper Insulator Pad	4	1-305	
	E-7481 (Poly)				—	
	N/A				10QK33A	—
	E-2919 (Rubber)				10QK370	1-305
	E-8667 (Poly)				10QK32BP1	1-305
7	E-3689	13QK246	Insulator Spacer Block	8	1-304	
	E-2920 (Rubber)	10QK36B	Lower Insulator Pad	4	1-305	
	E-7480 (Poly)	10QK36B				
E-3919 (Rubber)	10QK48					
9	E-3688	52QK418AP4	Insulator Box	2	1-304	
		52QK418BP4				
10	E-2546	37AX1310	Washer	8	2-35	
11	E-1835	21AX480	Lock Nut	8	2-34	
12	E-3005	—	Hi-Nut	8	2-34	
	E-3006	21AX655			2-34	
13	E-2934	35AX1435	Washer	8	2-35	
14	E-3915	23QJ112B	Washer	2	1-303	
15	E-3700	25QJ223	Trunnion Nut	2	1-303	
16	E-3697	97QL399P2	Trunnion Grease Cap	2	1-303	
17	E-3687	39QK27E	Trunnion and Bushing Assembly	2	1-300	
		39QK27F				
		39QK326				
18	N/A	1AX127	Bolt	2	—	
19	E-2927	10QK371A	Bonded Rubber Trunnion Bushing	2	1-302	
20	E-4347	21AX786	Lock Nut	4	2-34	
21	E-3919	10QK48	Special Offset Lower Insulator Pad	As Required	1-305	
22	E-3690	1AX425	Insulator Box Bolt, 7/8"-14 Thd. x 5" Long	8	2-33	
	E-3691	1AX475	Insulator Box Bolt, 7/8"-14 Thd. x 5 1/4" Long		2-32	
	E-3692	1AX427	Insulator Box Bolt, 7/8"-14 Thd. x 6" Long		2-33	
		3AX987				
	E-3693	3AX1344	Insulator Box Bolt, 7/8"-14 Thd. x 6 1/2" Long		2-33	
	E-5439	3AX1050	Insulator Box Bolt, 7/8"-14 Thd. x 7 1/2" Long		2-34	
E-5428	3AX1348	Insulator Box Bolt, 7/8"-14 Thd. x 8" Long	2-33			
23	E-3696	4AX320	Insulator Box Stud, 7/8"-9 Thd. x 4 1/2" Long	8	2-32	
		6AX837				
—	E-5427	6AX1160	Insulator Box Stud, 7/8"-9 Thd. x 6" Long	2	2-33	
		E-5077			39QK226C	Trunnion and Rubber Bushing Assembly

N/A = No Longer Available

MACK SS50C, SS58C SERIES SUSPENSION

(50,000-58,000 lb.)
Tractor



LEAF SPRING REFERENCES

SRI No.

62-097

62-983

8 Leaf

13 Leaf

KEY NO.	EUCLID NO.	REPLACES MACK NO.	DESCRIPTION	QUANTITY PER TANDEM	PAGE NO.
1	E-UB8396-165S	—	U-Bolt Assembly, Semi Rd. Bend, 1 1/4"-12 Thd. x 5" Wide x 16 5/8" Long	4	2-29
2	E-5426	8QK232A	Top Plate	2	1-305
3	E-5425	88AX253	Seal	2	1-303
4	E-5423	43QK118	Washer	2	1-303
5	E-5422	43QK115	Bronze Washer	4	1-303
6	E-5421	10QK158 10QK158A	Bronze Trunnion Bushing	2	1-301
7	E-3679	10QK32BP1	Upper Insulator Pad	4	1-305
8	E-3689	13QK246	Insulator Spacer Block	8	1-304
9	E-3680	10QK372	Lower Insulator Pad	4	1-305
10	E-5427	6AX1160	Insulator Box Stud	4	2-33
11	E-5428	3AX1348	Bolt	4	2-33
12	E-5429	35AX1310	Washer	4	2-35
13	N/A	52QK434BP3 52QK434BP4	Insulator Box	2	—
14	E-1835	21AX480	Lock Nut	8	2-34
15	E-3006	21AX655	Hi-Nut	8	2-34
16	E-2934	35AX1435	Washer	8	2-35
17	E-5422	43QK115	Bronze Washer	4	1-303
18	E-5424	25QJ220BP2	Trunnion Nut	2	1-303
19	—	97QL3001P2	Trunnion Cap	2	—
20	E-5417	39QK319	Trunnion & Bushing Assembly	2	1-301

Reference page 2-23 thru 2-30 for Euclid's complete U-Bolt program.

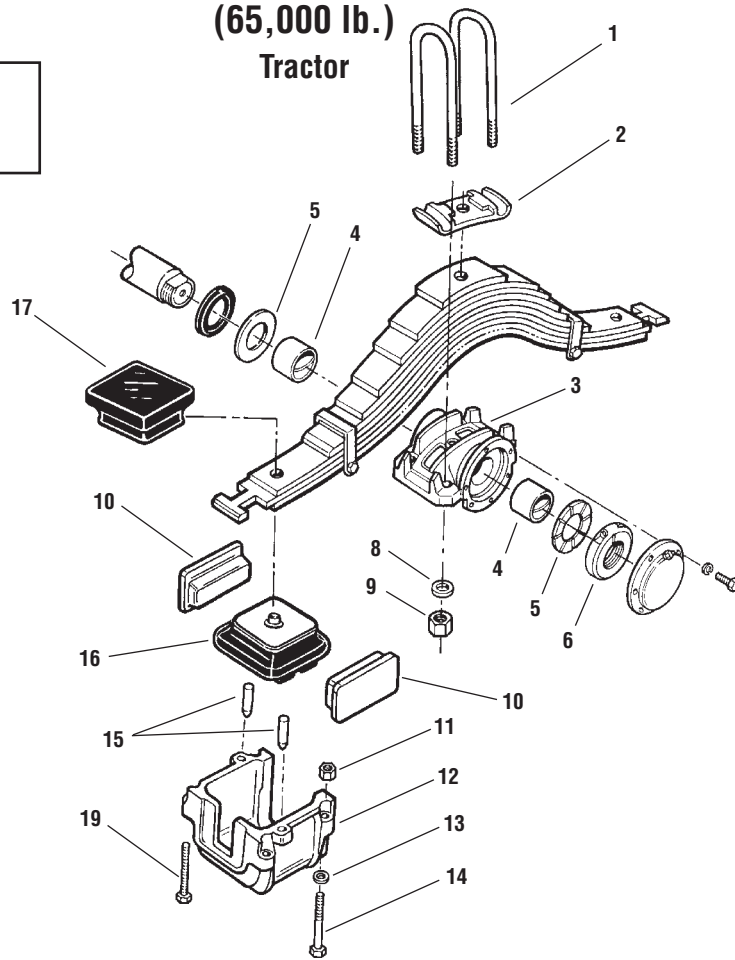
N/A = No Longer Available

MACK SS65C-W SERIES SUSPENSION

LEAF SPRING REFERENCES

SRI No.	
62-097	8 Leaf
62-983	13 Leaf

(65,000 lb.)
Tractor

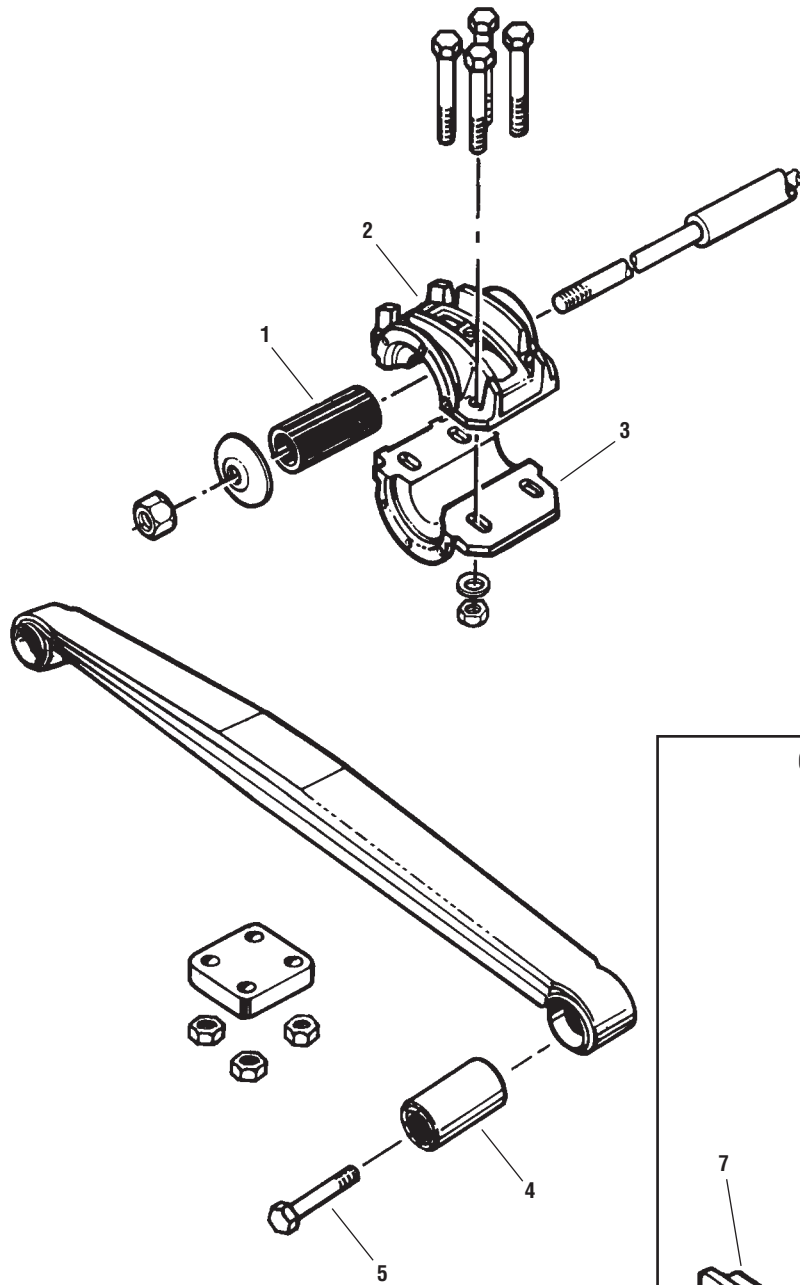


KEY NO.	EUCLID NO.	REPLACES MACK NO.	DESCRIPTION	QUANTITY PER TANDEM	PAGE NO.
1	E-UB8396-165S	—	U-Bolt Assembly, Semi Rd. Bend, 1 1/4"-12 Thd. x 5" Wide x 16 5/8" Long	4	2-29
2	E-5426	8QK232A	Top Plate	2	1-305
3	E-5431	39QK328 39QK39D	Trunnion & Bushing Assembly	2	1-301
4	E-5432	10QK393 80AX560	Bronze Trunnion Bushing	4	1-301
5	E-5433	43QK23A	Bronze Washer	4	1-303
6	E-5434	25QJ220B	Trunnion Nut	2	1-303
7	—	97QL3001P2	Trunnion Cap	2	—
8	E-2934	35AX1435	Washer	8	2-35
9	E-3006	21AX655	Hi-Nut	8	2-34
10	E-3689	13QK246	Insulator Spacer Block	8	1-304
11	E-1835	21AX480	Lock Nut	8	2-34
12	E-5436	52QK434B91	Insulator Box	4	1-304
13	E-5429	35AX1310	Washer	4	2-35
14	E-5439	3AX1050	Bolt	4	2-33
15	N/A	65RU1269	Dowel	4	—
16	E-3680	10QK372	Lower Insulator Pad	4	1-305
17	E-3679	10QK32BP1	Upper Insulator Pad	4	1-305

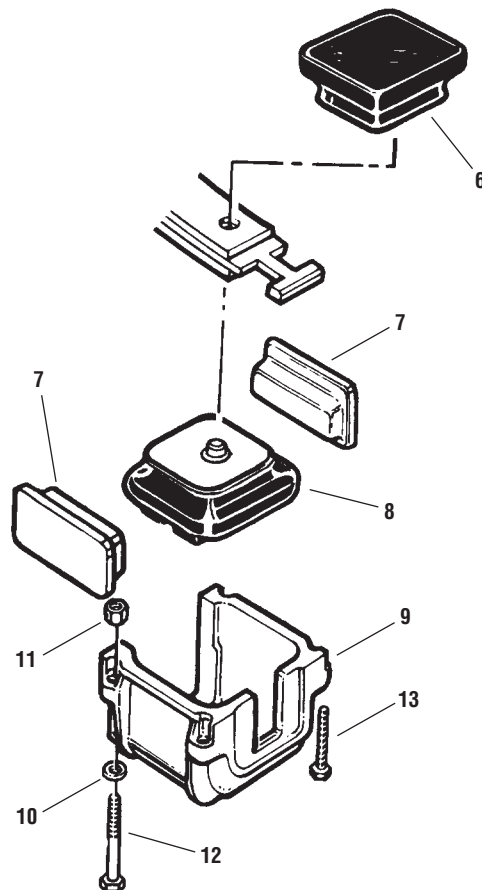
N/A = No Longer Available

MACK ST SERIES - TAPERED LEAF SUSPENSION

(Formerly designated SWT Series)
Tractor



OPTIONAL SPRING END DESIGN



LEAF SPRING REFERENCES

SRI No.	
62-181	8 Leaf
62-193	8 Leaf
62-211	8 Leaf
62-213	8 Leaf

1

MACK ST SERIES - TAPERED LEAF SUSPENSION PARTS

(Formerly designated SWT Series)

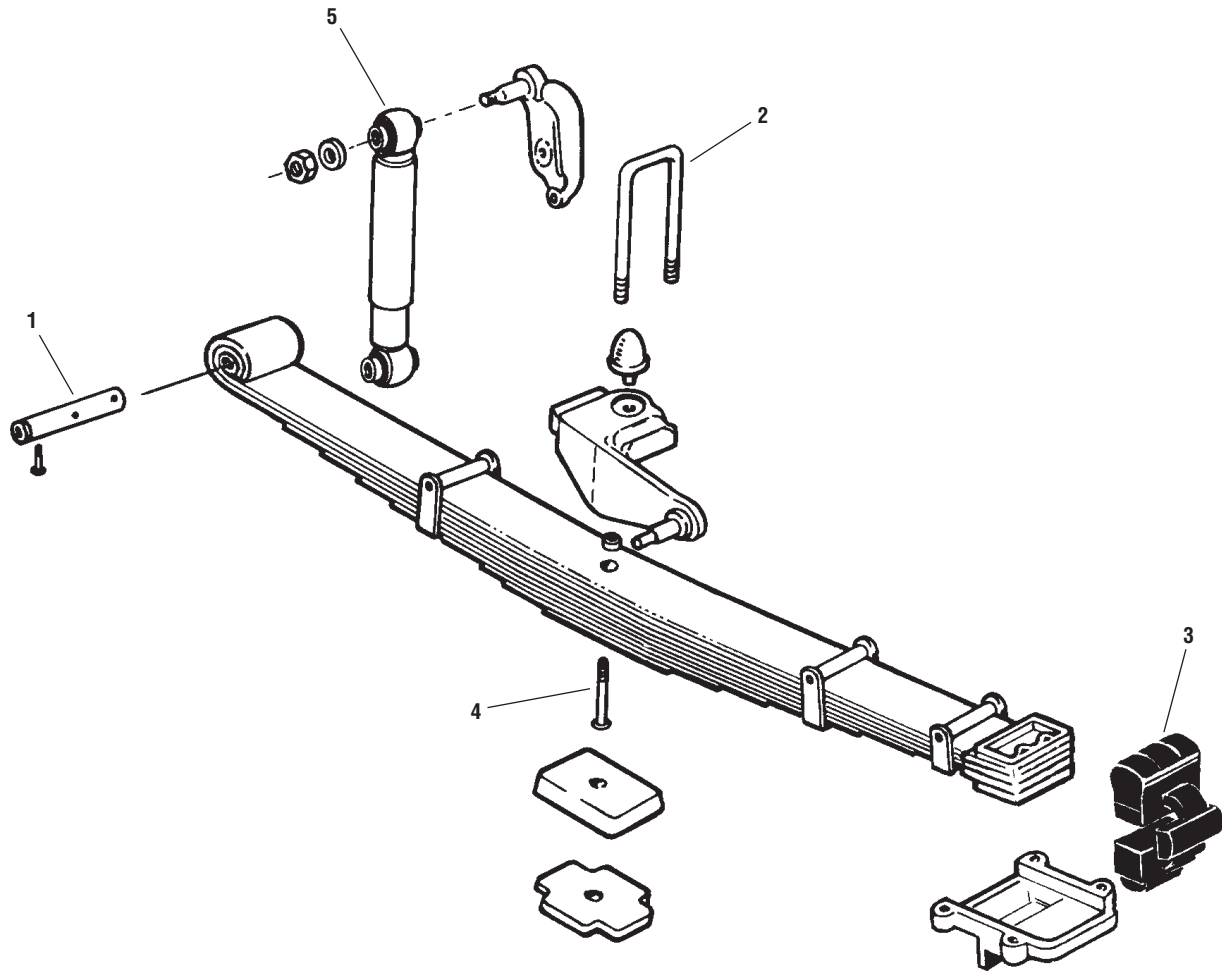
Tractor

KEY NO.	EUCLID NO.	REPLACES MACK NO.	DESCRIPTION	QUANTITY PER TANDEM	PAGE NO.
1	E-2921A (Rubber)	10QK219P1	Trunnion Bushing	2	1-302
		10QK219			
	E-7478 (Poly)				
	E-2923A (Rubber)	10QK149			1-302
	E-2924A (Rubber)	10QK130P1			1-301
	E-7441 (Poly)				
	E-2922A (Rubber)	10QK219P2			1-302
E-7479 (Poly)					
2	E-3683	39QK423A	Upper Trunnion Half	2	1-301
		39QK423B			
		39QK423C			
3	E-3685	39QK37B	Lower Trunnion Half	2	1-301
		39QK37C			
		39QK431			
4	E-3900	10QK146	Spring Eye Bushing	4	1-300
5	N/A	3AX1682	Spring Eye Bolt	4	—
6	E-2917 (Rubber)	10QK365A	Upper Insulator Pad	4	1-305
	E-7481 (Poly)				
	N/A	10QK33A			—
	E-2919 (Rubber)	10QK370			1-305
	E-8667 (Poly)				
E-3679 (Rubber)	10QK32BP1	Upper Insulator Pad, 50,000 lb. Applications	1-305		
7	E-3689	13QK246	Insulator Spacer Block	8	1-304
8	E-2920 (Rubber)	10QK36B	Bottom Insulator Pad	4	1-305
	E-7480 (Poly)	10QK36B			
	E-3680 (Rubber)	10QK372	Bottom Insulator Pad, 50,000 lb. Applications		1-305
9	E-3688	52QK418AP4	Insulator Box	2	1-304
		52QK418BP4			
10	E-2546	37AX1310	Washer	8	2-35
11	E-1835	21AX480	Lock Nut	8	2-34
12	E-3690	1AX425	Insulator Box Bolt, 7/8"-14 Thd. x 5" Long	8	2-33
	E-3691	1AX475	Insulator Box Bolt, 7/8"-14 Thd. x 5 1/4" Long		2-32
	E-3692	1AX427	Insulator Box Bolt, 7/8"-14 Thd. x 6" Long		2-33
		3AX987			
	E-3693	3AX1344	Insulator Box Bolt, 7/8"-14 Thd. x 6 1/2" Long		2-33
	E-5439	3AX1050	Insulator Box Bolt, 7/8"-14 Thd. x 7 1/2" Long		2-33
	E-5428	3AX1348	Insulator Box Bolt, 7/8"-14 Thd. x 8" Long		2-33
13	E-3696	4AX320	Insulator Box Stud, 7/8"-9 Thd. x 4 1/2" Long	8	2-32
		6AX837			
	E-5427	6AX1160	Insulator Box Stud, 7/8"-9 Thd. x 6" Long		2-33

N/A = No Longer Available

MACK STEERING AXLE SUSPENSION

Tractor



LEAF SPRING REFERENCES

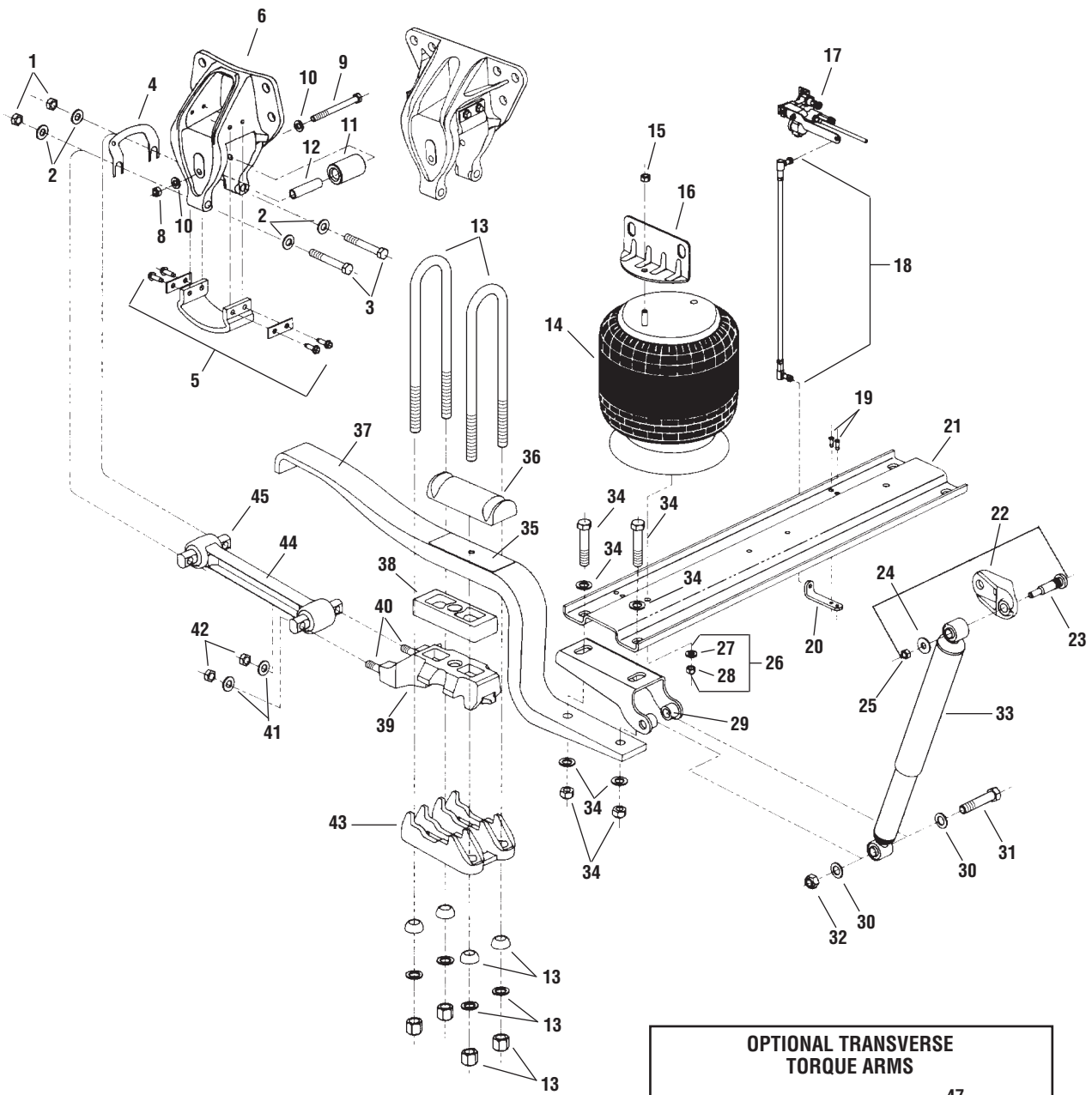
SRI No.	
62-584	9 Leaf
62-538	11 Leaf
62-642	11 Leaf
62-640	12 Leaf
62-544	14 Leaf

KEY NO.	EUCLID NO.	REPLACES MACK NO.	DESCRIPTION	QUANTITY PER TANDEM	PAGE NO.
1	E-3715	44QK29301B	Spring Eye Pin	2	1-300
2	E-UB8253-12	—	U-Bolt Assembly, Sq. Bend, 3/4"-16 Thd. x 3 1/2" Wide x 12" Long	4	2-27
3	E-3722	10QK332A	Front Spring Rubber Insulator	2	1-305
4	E-3191	—	Spring Center Bolt	2	2-31
	E-3193	—			
5	M83221	14QK2100P1	Shock Absorber with Rubber Pads	2	3-13

NOTES

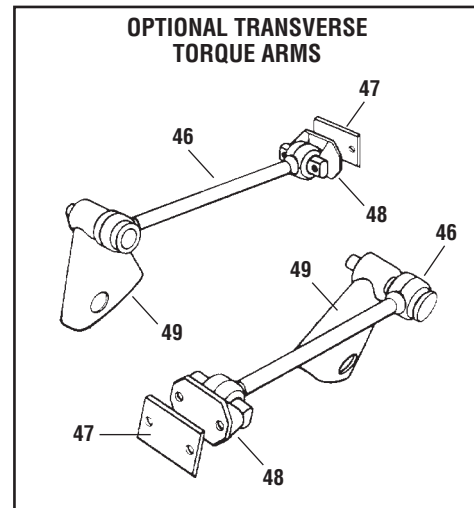
MACK HENDRICKSON AL-40 SUSPENSION

Tractor



LEAF SPRING REFERENCES

SRI No.
50-323
50-325



MACK HENDRICKSON AL-40 SUSPENSION PARTS

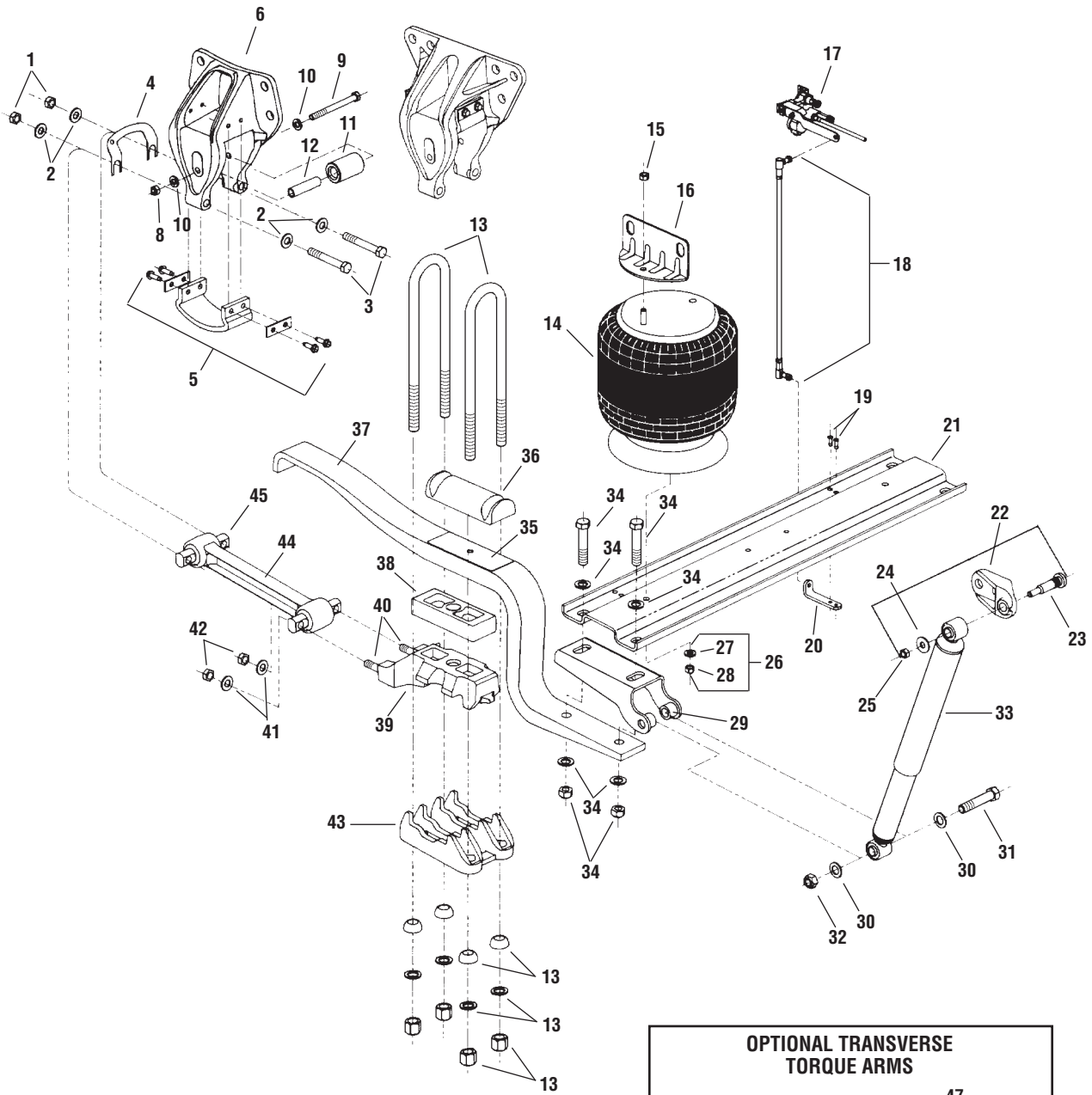
Tractor

KEY NO.	EUCLID NO.	REPLACES MACK NO.	HENDRICKSON NO.	DESCRIPTION	QUANTITY PER TANDEM	PAGE NO.
—	E-5277	—	49176-001	Torque Rod Fastener Kit, Includes Key Nos. 1, 2, 3	8	1-306
1	Part of E-5277	23AX512	47764-000	Torque Rod Nut	8	1-306
2	Part of E-5277	35AX1466	29262-004	Flat Washer, 5/8" Hardened	16	1-306
3	Part of E-5277	43RU2134	32043-005	Torque Rod Bolt	8	1-306
4	E-5281	44RU2384M	49689-000	Torque Rod Shim	As Required	1-306
5	E-9391	—	56557-002	Slipper Pad Kit	4	1-306
6	S.O.S.	47QK4215M	50752-002	Front Spring Hanger Assembly w/ Wear Pad	4	—
7	E-9432A	—	49175-005	Rebound Roller Assembly Includes Key Nos. 8,9,10,11,12	4	1-307
8	Part of E-9432A	—	49846-000	Rebound Bolt Nut	4	1-307
9	Part of E-9432A	—	24531-015	Rebound Bolt	4	1-307
10	Part of E-9432A	—	22962-014	Flat Washer, 1/2" Hardened	8	1-307
11	Part of E-9432A	—	48883-000	Rebound Roller	4	1-307
12	Part of E-9432A	—	47458-000	Rebound Bolt Spacer	4	1-307
13	E-UB8161-18S1	7QK2174M	48718-050	U-Bolt Assembly, Rd. Bend, 7/8"-14 Thd. x 3" Wide x 18" Long	8	2-25
14	FS9375	57QL414M	50899-002	Air Spring, Includes Key Nos. 15, 16	4	—
15	—	23AX335	17700-010	Air Spring Lock Nut	4	—
16	E-9392	—	50804-002	Air Spring Frame Hanger	4	1-302
17	E-11494	20QE3345	60826-000	Height Control Valve, Right Hand Frame Rail	1	2-57
18	E-3760A	21QB3403M3	58994-021	Height Control Valve Arm Assembly	1	2-61
19	S.O.S.	—	57430-000	Arm Bracket Fastener Kit, Includes Key No. 20	2	—
20	S.O.S.	73RU3970M	56789-000	Control Valve Arm Bracket	1	—
21	S.O.S.	48QK4114M	57318-001	Cross Channel	2	—
22	E-9390	—	57322-001	Shock Frame Hanger Assembly Includes Key Nos. 27, 28, 29	4	1-307
23	Part of E-9390	—	50368-000	Shank Bolt, 1/2" Serrated	4	1-307
24	Part of E-9390	—	22962-031	Flat Washer, 1/2" Hardened	4	1-307
25	Part of E-9390	68RU224	49846-000	Lock Nut	4	1-307
26	S.O.S.	—	49177-005	Air Spring Fastener Kit, Includes Key No. 31, 32	1	—
27	S.O.S.	35AX1548	22962-014	Flat Washer, 1/2" Hardened	4	—
28	S.O.S.	23AX335	17700-010	Lock Nut	4	—
29	S.O.S.	20QK4124M	57356-000	Lower Shock Bracket Assembly Includes Key Nos. 31, 34, 36, 38	4	—
30	S.O.S.	35AX1500	22962-001	Flat Washer, 3/4" Hardened	8	—
31	S.O.S.	—	50764-002	Bolt, 5 1/2"	4	—
32	S.O.S.	68RU245	49842-000	Lock Nut	4	—
33	M83125	—	47902-025	Shock Absorber, HAS400	4	3-13
	M83110	—	57241-004	Shock Absorber, HAS40LH	4	3-14
	E-HN57905-002	—	57905-002	High Torque Shock, HAS4000	4	—
34	S.O.S.	—	50763-001	Cross Channel Fastener Kit	1	—
35	E-9393	—	47905-000	Spring Liner	4	1-307
36	E-9397	11QK86M	56805-000	Top Pad	4	1-307

S.O.S. = Available through Euclid's S.O.S. Department

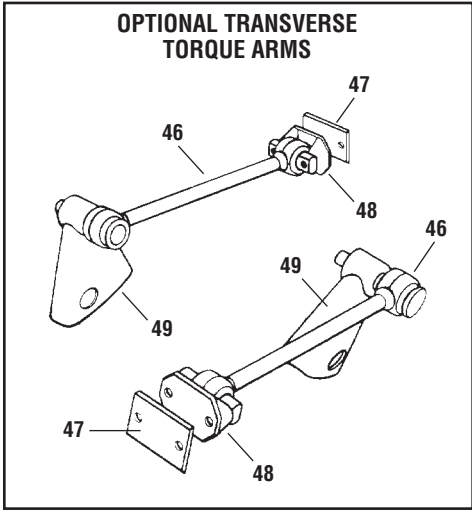
MACK HENDRICKSON AL-40 SUSPENSION

Tractor



LEAF SPRING REFERENCES

SRI No.
50-323
50-325



MACK HENDRICKSON AL-40 SUSPENSION PARTS

Tractor

KEY NO.	EUCLID NO.	REPLACES MACK NO.	HENDRICKSON NO.	DESCRIPTION	QUANTITY PER TANDEM	PAGE NO.
37	S.O.S.	4QK4149M	56943-000	Main Support Member, 1 7/8"	4	—
38	E-3740	—	48902-000	Spring Spacer, 1"	As Required	1-307
	E-3741	—	48903-000	Spring Spacer, 1 1/2"	As Required	1-307
39	S.O.S.	—	Various	Spring Seat Assembly Includes Key Nos. 40, 41, 42	4	—
40	S.O.S.	43RU310M	50918-000	Spring Seat Stud	8	—
41	S.O.S.	35AX1466	22962-004	Flat Washer, 5/8" Hardened	8	—
42	S.O.S.	23AX512	47764-000	Spring Seat Nut	8	—
43	S.O.S.	11QK451BM	50914-000	Axle Bottom Cap, Left Hand	4	—
		11QK452BM	50913-000	Axle Bottom Cap, Right Hand	4	—
44	E-9409	17QF357M	49681-001	Torque Rod, 14 13/32" Center-to-Center	4	1-306
	E-9581	17QF466M	56903-007	Torque Rod, 14 13/32" Center-to-Center		1-306
45	E-5275	47691-000L	47691-000	Torque Rod Bushing	8	1-306
	E-9395	—	57256-000	Torque Rod Bushing		
46	See Torque Rod Section		17QF362P2	Transverse Rod Assembly	2	2-36
47	S.O.S.	71RU3177M7	45045-003	Back Up Plate	2	—
48	E-2634	—	22186-000	Transverse Rod Frame Bracket	2	1-306
49	S.O.S.	Various	—	Transverse Rod Axle Bracket	2	—
—	E-9389	—	48689-001	Quick Release Kit Includes Part Nos. 48914, 49193-1, 48940	1	1-307
—	Part of E-9389	—	49193-001	Synchro Relay Valve	1	1-307
—	Part of E-9389	—	48914-000	Air Dump Switch (located in Cab)	1	1-307
—	Part of E-9389	—	48940-000	Air Switch Name Plate (located in Cab)	1	1-307
—	E-3762	—	30272-000	Pressure Protection Valve	1	1-307

S.O.S. = Available through Euclid's S.O.S. Department

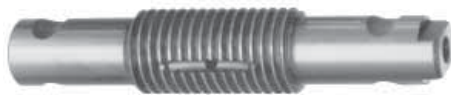
MACK SUSPENSION PARTS

SPRING EYE PIN



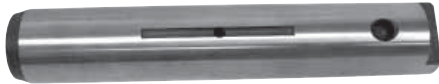
EUCLID NO.	REPLACES	SERIES	O.D.	O.A.L.
E-3715	Mack 44QK173B	Front Suspension 1962-Up	1 1/4"	6 1/4"

SPRING EYE PIN



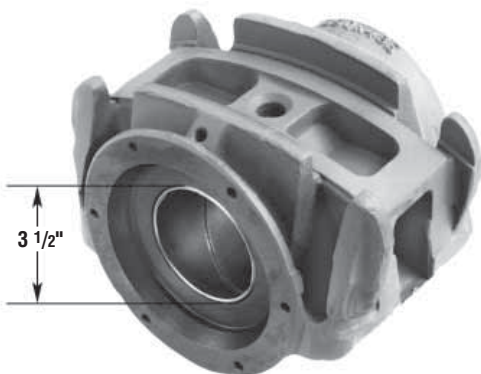
EUCLID NO.	REPLACES	SERIES	O.D.	O.A.L.
E-3717	Mack 44QK26A	Late Model FL, FS, RL, RS	1 5/16"	6 9/16"

SPRING EYE PIN



EUCLID NO.	REPLACES	O.D.	O.A.L.
E-3718	Mack 44QK19301B	1 1/4"	7 5/64"

TRUNNION AND BUSHING ASSEMBLY



Includes E-2925 Bronze Bushing

EUCLID NO.	REPLACES	SERIES
E-3687	Mack 39QK27E 39QK27F	SS38 SS44

SPRING EYE BUSHING



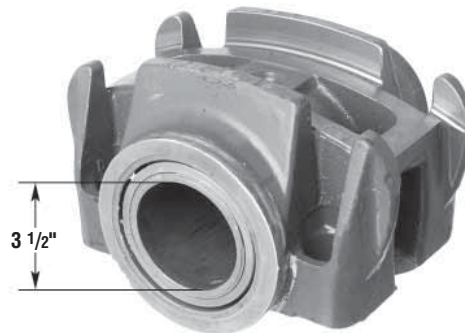
EUCLID NO.	REPLACES	SERIES	O.D.	I.D.	O.A.L.
E-3900	Mack 10QK146	SC, ST	2 1/2"	1 1/4"	4"

SHACKLE



EUCLID NO.	REPLACES	APPLICATION
E-3720	Mack 22QK39301	For West Coast Front Suspension

TRUNNION AND BUSHING ASSEMBLY

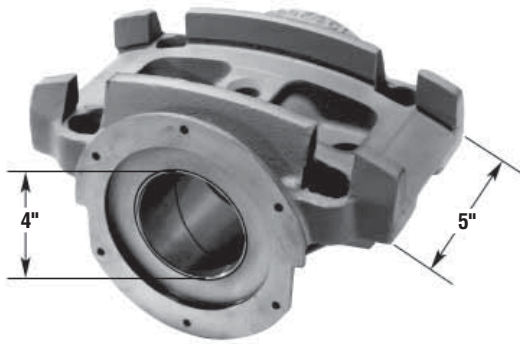


Includes E-2927 Rubber Bushing

EUCLID NO.	REPLACES	SERIES
E-5077 Rubber Bushed	Mack 39QK226C	SS44 44,000 lb. Suspension

MACK SUSPENSION PARTS

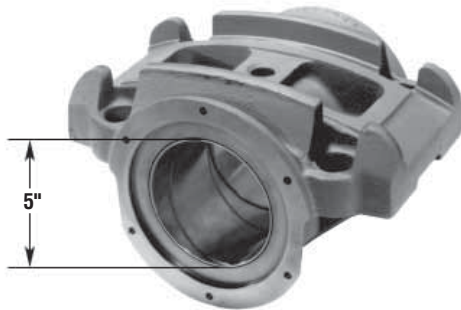
TRUNNION AND BUSHING ASSEMBLY



Includes E-5421
Bronze Bushing

EUCLID NO.	REPLACES	SERIES
E-5417	Mack 39QK319	SS50C, SS58C

TRUNNION AND BUSHING ASSEMBLY



Includes E-5432
Bronze Bushing

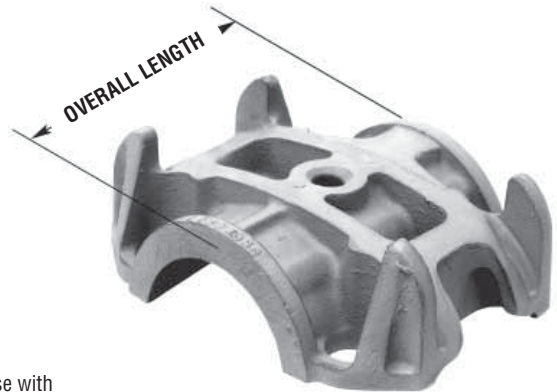
EUCLID NO.	REPLACES	SERIES
E-5431	Mack 39QK39D	SS65C-W

BRONZE TRUNNION BUSHING



EUCLID NO.	REPLACES	SERIES	O.D.	I.D.	LENGTH
E-2925	Mack 10QK157 80AX300	SS44	3 3/4"	3 1/2"	3 7/16"
E-5421	Mack 10QK158A	SS50C SS58C	4 1/4"	4"	4 5/16"
E-5432	Mack 80AX560	SS65C-W	5 1/4"	5"	4 5/16"

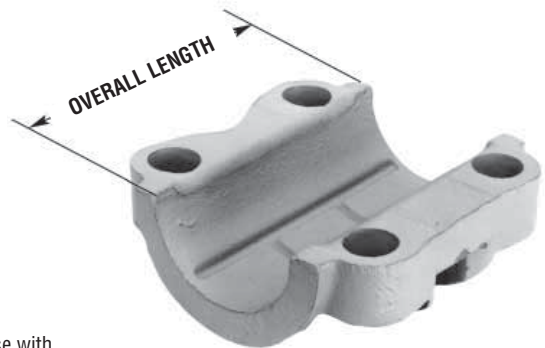
TRUNNION — UPPER HALF



Use with
E-2922A Bushing

EUCLID NO.	REPLACES	SERIES	OVERALL LENGTH
E-3683	Mack 39QK433A	SS34, SS38, ST	8 3/4"

TRUNNION — LOWER HALF



Use with
E-2922A Bushing

EUCLID NO.	REPLACES	SERIES	OVERALL LENGTH
E-3685	Mack 39QK431	SS34, SS38, ST	8 3/4"

TRUNNION BUSHING

Early Model Suspension with only Bottom Insulators



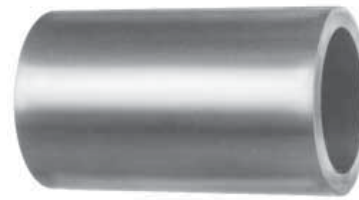
EUCLID NO.	REPLACES	SERIES	O.D.	I.D.	LENGTH
E-2924A (Rubber)	Mack 10QK130-P1	SS34 SS38	4 7/16"	3 7/16"	8 3/8"
E-7441 (Poly)	Mack 10QK130-P1	SS34 SS38	4 7/16"	3 7/16"	8 3/8"

MACK SUSPENSION PARTS

TRUNNION BUSHING
Early Model



TRUNNION BUSHING
Late Model with new Semi-Round U-Bolts

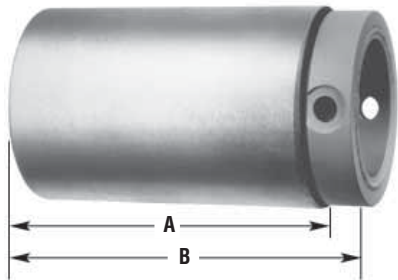


EUCLID NO.	REPLACES	SERIES	O.D.	I.D.	LENGTH
E-2921A (Rubber)	Mack 10QK219-P1	SS34, SS38	4 11/16"	3 7/16"	5 9/16"
E-7478 (Poly)					

EUCLID NO.	REPLACES	SERIES	O.D.	I.D.	LENGTH
E-2922A (Rubber)	Mack 10QK219-P2 and 10QK219-P3	SS34 SS38	4 11/16"	3 7/16"	6 5/16"
E-7479 (Poly)			4 11/16"	3 7/16"	6 5/16"

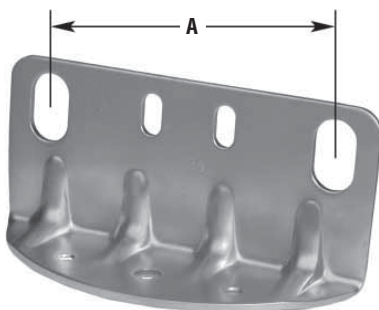
RUBBER TRUNNION BUSHING
For Inverted Camel Back Spring

BONDED STEEL AND RUBBER TRUNNION BUSHING



EUCLID NO.	REPLACES	SERIES	O.D.	I.D.	A	B
E-2927	Mack 10QK371A	SS 44 SW	5 1/4"	3 1/2"	9"	10 5/8"

AIR SPRING FRAME HANGER



EUCLID NO.	REPLACES	SERIES	O.D.	I.D.	LENGTH
E-2923A	Mack 10QK149	SS34 SS38	4 7/16"	3 7/16"	7 9/16"

INNER SPACER



EUCLID NO.	REPLACES	GENERAL INFORMATION	"A" Center-to-Center
E-9392	Hendrickson 50804-002	7 3/4" x 3 7/8" x 2 3/4"	6"

EUCLID NO.	REPLACES	SERIES	O.D.	I.D.	THICKNESS
E-3702	Mack 44RU2223-P2	SS44	4 1/8"	3 1/2"	7/16"
E-3703	Mack 44RU2223-P1	SS44	4 1/8"	3 1/2"	1/2"

MACK SUSPENSION PARTS

COLLAR



EUCLID NO.	REPLACES	SERIES	O.D.	I.D.	WIDTH
E-3704	Mack 44RU2221-P1	SS44	4 1/8"	3 1/2"	2 1/4"
E-10116	Mack 44RU2221-P2	S44	4 1/8"	3 1/2"	1 3/4"

BRONZE WASHER



EUCLID NO.	REPLACES	SERIES	O.D.	I.D.	THICKNESS
E-3698	Mack 43QJ116 35AX688	SS44, SW	5 1/4"	3 1/2"	1/4"
E-5422	Mack 43QK115	SS50C SS58C	6 3/16"	4 1/32"	1/4"
E-5433	Mack 43QK23A	SS65C-W	6 11/16"	5 1/64"	1/4"

LOCK WASHER



EUCLID NO.	REPLACES	SERIES	O.D.	I.D.	THICKNESS
E-3915	Mack 23QJ112B	SS44, SW	4 7/8"	3 5/16"	1/4"

TRUNNION NUT



E-3700



E-5424 & E-5434

EUCLID NO.	REPLACES	SERIES	O.D.	THREAD
E-3700	Mack 25QJ223	SS44, SW	4 1/16"	3 5/16"-12
E-5424	Mack 25QJ220BP2	SS50C SS58C	6 1/8"	3 7/8"-12
E-5434	Mack 25QJ220B	SS65C-W	6 1/8"	3 7/8"-8

TRUNNION CAP



EUCLID NO.	REPLACES	SERIES	GENERAL INFORMATION
E-3697	Mack 97QL399P2	SS44, SW	6 Holes, 7" Bolt Circle Used on E-3687 Trunnion

STEEL WASHER



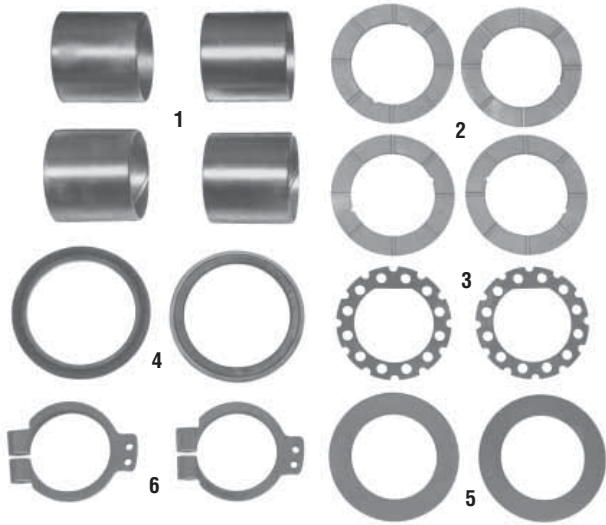
EUCLID NO.	REPLACES	SERIES	O.D.	I.D.	THICKNESS
E-3699	Mack 43QK117	SS44, SW	5 3/8"	3 1/2"	5/16"
E-5423	Mack 43QK118	SS50C SS58C	6 1/4"	4 1/32"	5/16"

SEAL



EUCLID NO.	REPLACES	SERIES	O.D.	I.D.	THICKNESS
E-3187	Mack 88AX449 88AX446 88AX244	SS44, SW	5 1/2"	4 3/8"	9/16"
E-5425	Mack 88AX253	SS50C SS58C	6 3/8"	5 1/8"	1/2"

MACK SUSPENSION PARTS



MACK TRUNNION SHAFT KIT

EUCLID KIT E-3916
FOR SS44

ITEM	QTY.	EUCLID NO.	REPLACES MACK NO.	DESCRIPTION
1	4	E-2925	10QK157 80AX300	Bronze Bushing
2	4	E-3698	43QJ116 35AX68B	Bronze Washer
3	2	E-3915	23QJ112B	Lock Washer
4	2	E-3187	83AX446 88AX244	Seal
5	2	E-3699	43QK117	Steel Washer
6	2	E-3700	25QJ223	Nut

1

INSULATOR BOX



EUCLID NO.	REPLACES	SERIES	OUTSIDE HEIGHT
E-3688	Mack 52QK418-AP4	SC,SS44, ST, SW	7 5/16"

INSULATOR BOX



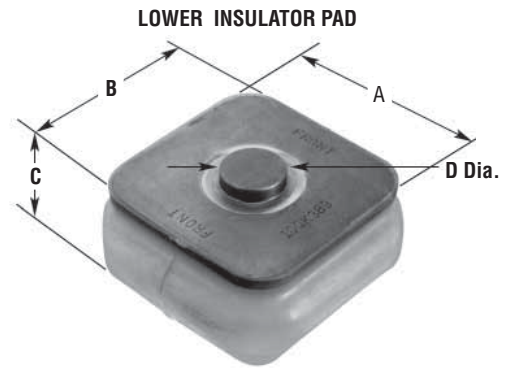
EUCLID NO.	REPLACES	SERIES	GENERAL INFORMATION	OUTSIDE HEIGHT
E-5436	Mack 52QK434BP1	SS65C-W	For Standard Spring	7 3/4"

INSULATOR SPACER BLOCK



EUCLID NO.	REPLACES	SERIES
E-3689	Mack 13QK246	SC, SS, ST, SW

MACK SUSPENSION PARTS

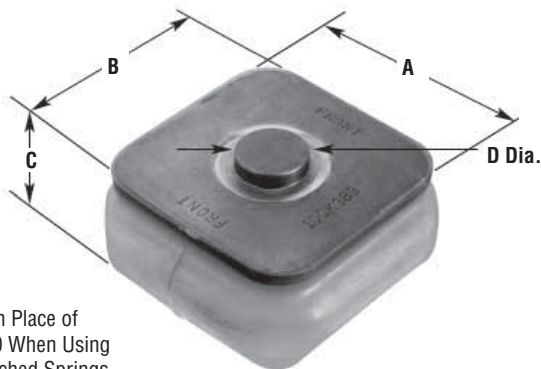


N/A = No Longer Available

EUCLID NO.	REPLACES	SERIES	A	B	C	D DIA.
E-2917 (Rubber)	Mack 10QK365A	SS34 SS38	4 1/2"	6"	2 1/2"	1 3/4"
E-7481 (Poly)						
N/A (Rubber)	Mack		4 1/2"	6"	3"	1 1/4"
E-2919 (Rubber)	Mack 10QK370	SS44	4 1/2"	6"	3"	1 3/4"
E-8667 (Poly)						
E-3679 (Rubber)	Mack 10QK32B-P1	SS50C SS58C SS65C-W	5 3/8"	6 7/8"	3 3/4"	1 1/2"

SPECIAL SERVICE LOWER INSULATOR PAD

Insulator Pin is Located 1/8" Off
Center For Axle Alignment Correction



Used in Place of
E-2920 When Using
Unmatched Springs

EUCLID NO.	REPLACES	SERIES	A	B	C	D DIA.
E-2920 (Rubber)	Mack 10QK36B	SS34 SS38 SS44	6"	6"	3 3/4"	1 3/4"
E-7480 (Poly)	Mack 10QK388					
E-3680 (Rubber)	Mack 10QK372	SS50C SS58C SS65C-W	7"	7"	4 1/4"	2"

FRONT SPRING INSULATOR



EUCLID NO.	REPLACES	APPLICATION
E-3722	Mack 10QK332A	East Coast Front Suspension

TOP PLATE

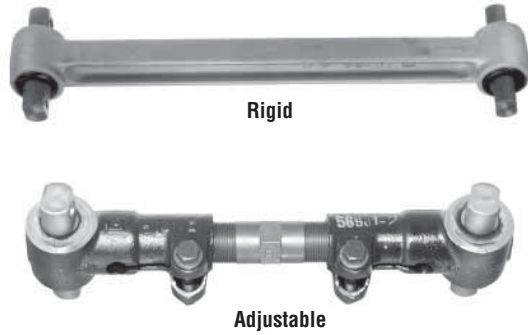


EUCLID NO.	REPLACES	SERIES	A	B	C	D
E-3919	Mack 10QK48	SS34 SS38 SS44	6"	6"	3 3/4"	1 3/4"

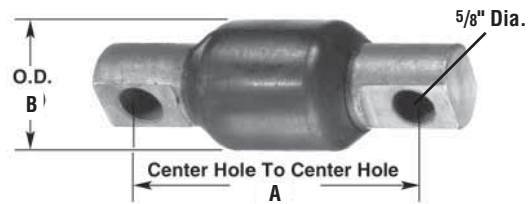
EUCLID NO.	REPLACES	SERIES	O.A.L.
E-5426	Mack 8QK232A	SS50C, SS58C, SS65C-W	10 11/16"

MACK AL-40 SUSPENSION PARTS

TORQUE ARM



TORQUE ARM BUSHING



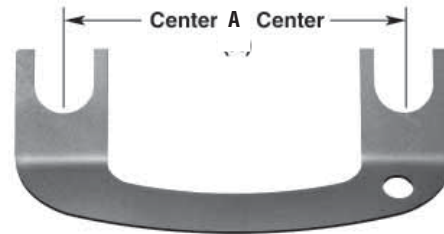
EUCLID NO.	REPLACES	LENGTH Center-to-Center
E-9409	Mack 17QF357M (Rigid)	14 13/32"
E-9581	Mack 17QF466M (Adjustable)	14 13/32"

EUCLID NO.	REPLACES	A	B
E-5275	Mack 47691-000L	4 3/8"	2"
E-9395	Mack 57256-000	4 3/8"	2 15/32"

TORQUE ARM FASTENER KIT



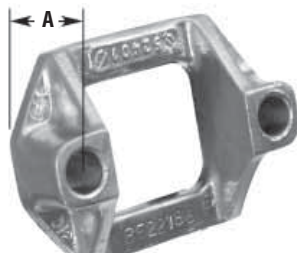
TORQUE ARM SHIM



EUCLID NO.	REPLACES	BOLT DIMENSIONS
E-5277	Mack 35AX1466 43RU2134 23AX512 Hendrickson 49176-001 (Assembly) 32043-005 Bolt 22962-004 Washer 47764-000 Nut	5/8" x 4 1/2"

EUCLID NO.	REPLACES	A	THICKNESS
	Mack 44RU2384M	4 3/8"	1/16"

TORQUE ROD BRACKET



SLIPPER PAD KIT

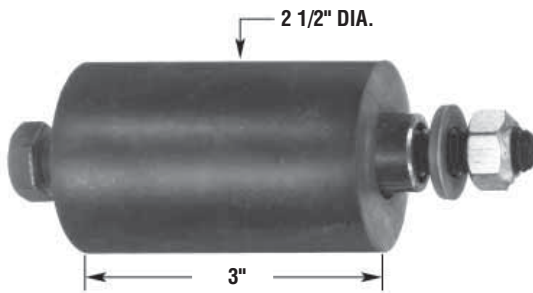


EUCLID NO.	REPLACES	A	CENTER-TO-CENTER
E-2634	Hendrickson 22186-000	1 29/32"	4 3/8"

EUCLID NO.	REPLACES	GENERAL INFORMATION
E-9391	Hendrickson 56557-002 (Assembly) 50612-000 Pad 50597-000 Plate 57306-000 Screw	For All HAS Models Includes: 1 Pad 2 Plates 4 Self-Tapping Screw

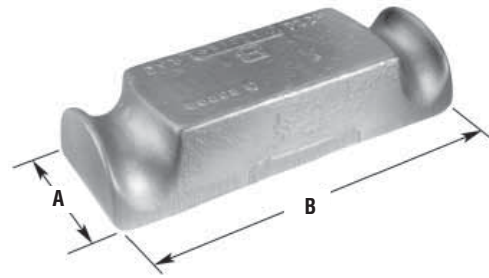
MACK AL-40 SUSPENSION PARTS

ROLLER ASSEMBLY



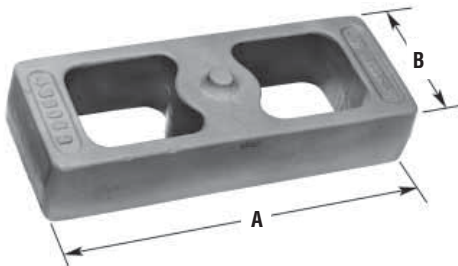
EUCLID NO.	REPLACES	GENERAL INFORMATION
E-9432A	Hendrickson 24531-014 Bolt 47458-000 Spacer 49846-000 Nut 22962-014 Washer 48883-000 Roller	Bolt 1/2"-20 Thd. x 5 1/2" Long

TOP PAD



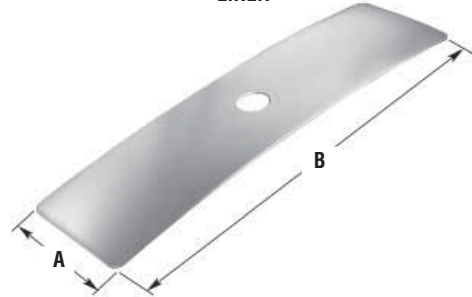
EUCLID NO.	REPLACES	A	B
E-9397	Mack 11QK86M Hendrickson 56805-000	3"	8 1/8"

SPRING SPACER



EUCLID NO.	REPLACES	HEIGHT	A	B
E-3740	Hendrickson 48902-000	1"	7 3/4"	3"
E-3741	Hendrickson 48903-000	1 1/2"	7 3/4"	3"

LINER



EUCLID NO.	REPLACES	A	B
E-9393	Hendrickson 47905-000	2 3/16"	8"

SHOCK FRAME HANGER ASSEMBLY



EUCLID NO.	REPLACES	GENERAL INFORMATION
E-9390	Hendrickson 57322-001 (Assembly) 50368-000 Bolt 50368-000 Washer Mack 68RU224 Lock Nut Hendrickson 49846-000	Includes: Hanger, Stud, Washer, Lock Nut

QUICK RELEASE KIT



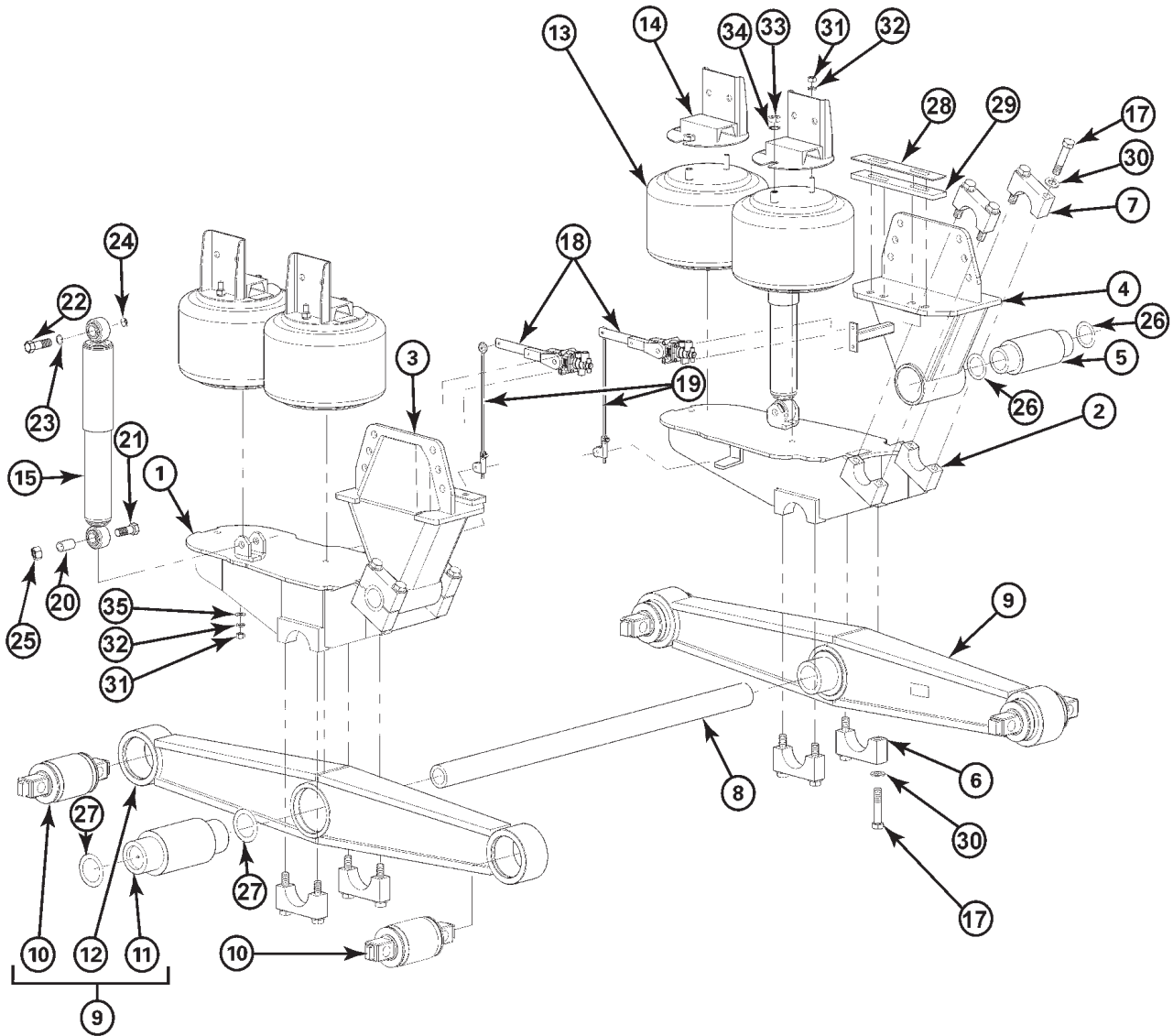
EUCLID NO.	REPLACES	GENERAL INFORMATION
E-9389	Hendrickson 48689-001 (Assembly) 49689-001 Valve 48914-000 Switch 48940-000 Plate	Includes: 1 Synchro Relay Valve (mounted near air springs), and 1 each, Air Dump Switch and Name Plate (installed in Cab)

MERITOR AIR LINK™ MWA SUSPENSION

INTERNATIONAL TRUCK & ENGINE MWA46 AND MWA52

SERIES APPLICATIONS

1



MERITOR AIR LINK™ MWA SUSPENSION PARTS INTERNATIONAL TRUCK & ENGINE MWA46 AND MWA52 SERIES APPLICATIONS

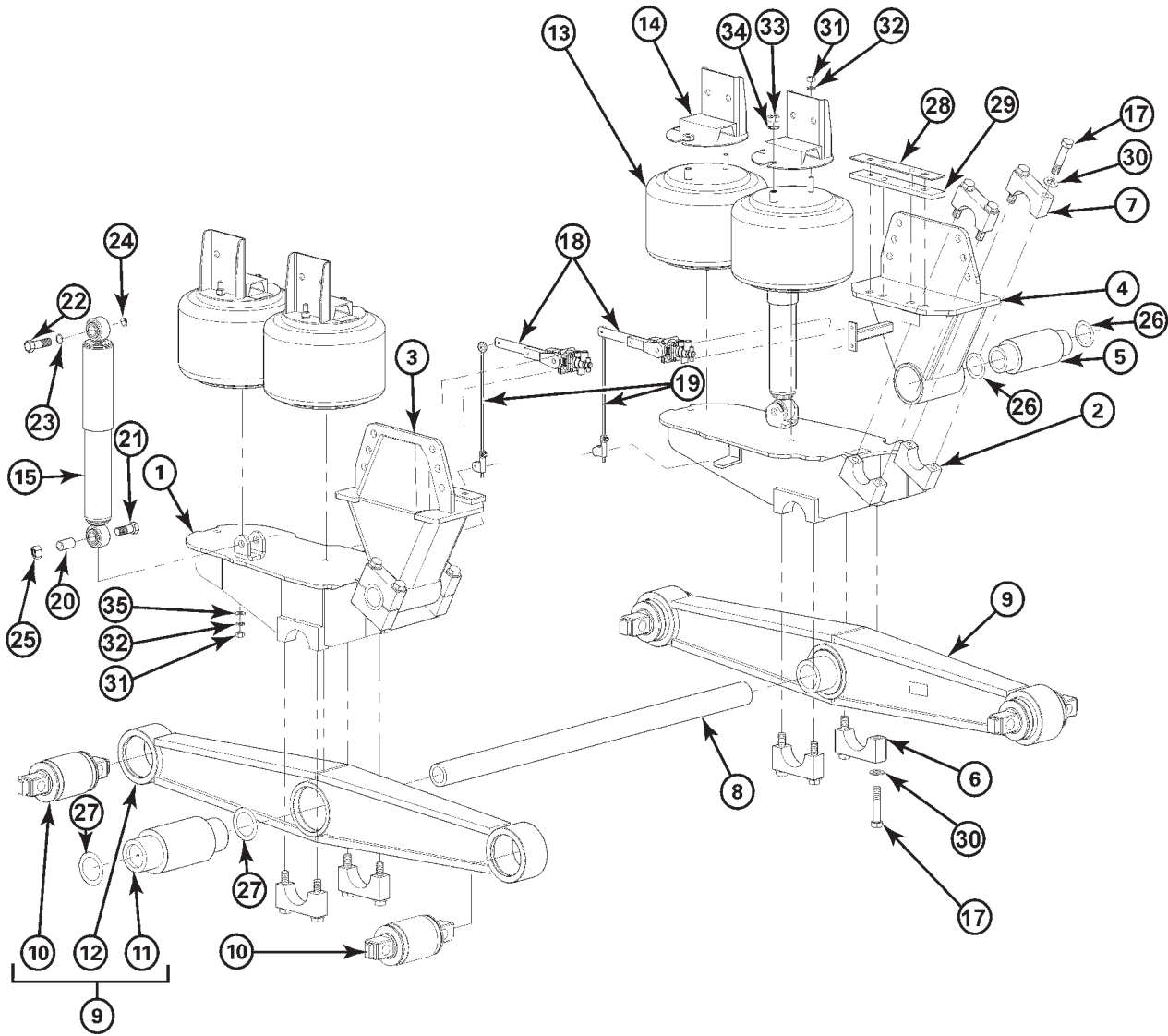
KEY NO.	EUCLID NO.	REPLACES MERITOR NO.	DESCRIPTION	QTY. PER TANDEM	PAGE NO.
1	S.O.S.	B3-3305-E-2033	Trailing Arm - Right for MWA46 - 7000 Series	1	—
		B1-3305-S-2151	Trailing Arm - Right for MWA46 - 9800 Series (Export)	1	—
		B1-3305-V-2154	Trailing Arm - Right for MWA52 - Military	1	—
2	S.O.S.	B2-3305-E-2033	Trailing Arm - Left for MWA46 - 7000 Series	1	—
		B-3305-S-2151	Trailing Arm - Left for MWA46 - 9800 Series (Export)	1	—
		B-3305-V-2154	Trailing Arm - Left for MWA52 - Military	1	—
3	S.O.S.	B1-3305-X-1896	Hanger Bracket - Right for MWA46 - 7000 Series	1	—
		B1-3305-B-1900	Hanger Bracket - Right for MWA52 - Military	1	—
4	S.O.S.	B-3305-X-1896	Hanger Bracket - Left for MWA46 - 7000 Series	1	—
		B-3305-B-1900	Hanger Bracket - Left for MWA52 - Military	1	—
		B2-3305-X-1896	Hanger Bracket - Front Right/Left (HCV Brkt excluded) for MWA46 - 9800 Series (Export)	2	—
5	S.O.S.	1225-F-1436	Hanger Bracket Bushing	2	—
6	—	NSS	Walking Beam Retainer Block 3.50" Bore	4	—
7	—	NSS	Hanger Bracket Retainer Block 2.75" Bore	4	—
8	S.O.S.	3196-Q-1291	Cross Tube	1	—
9	S.O.S.	B1-3216-Q-4671	Walking Beam Assembly	2	—
10	S.O.S.	A-1225-E-1435	Walking Beam End Bushing Assembly (Includes flat washer, shim washer, nut and bolt)	4	—
11	S.O.S.	1225-D-1434	Walking Beam Center Bushing	2	—
12	—	NSS	Walking Beam Weldment	2	—
13	S.O.S.	2258-Z-1508	Air Spring	4	—
14	S.O.S.	A-3380-B-1302	Air Spring Hanger Bracket	4	—
15	S.O.S.	7805-S-1033	Shock Absorber	2	—
17	S.O.S.	S-11232-P-2	Bolt, UNF Grade 8, Black (3/4" x 4")	16	—
18	S.O.S.	7806-L-1026	Height Control Valve	2	—
19	S.O.S.	1245-F-1098	Height Control Valve Linkage	2	—
20	S.O.S.	3216-J-4690	Shock Tube	2	—
21	S.O.S.	S-11228-2	Shock Bolts, 3/4"	2	—
22	S.O.S.	S-21656-2	Shock Bolts, 1"	2	—
23	S.O.S.	WA-316-K-1	Flat washer 1" Uss Black	2	—
24	S.O.S.	1227-F-1722	Nut NC 1"	2	—
25	S.O.S.	1227-G-1723	Nut NF Nylock 3/4" Black	2	—
26	S.O.S.	3380-N-1132	Shims, Small	4	—
27	S.O.S.	3380-M-1131	Shims, Large	4	—
28	S.O.S.	3305-U-2153	Hanger, Spacer (.313" thick)	4	—
29	S.O.S.	3305-T-2152	Hanger, Spacer (.25" thick)	2	—
30	S.O.S.	1229-V-1504Z	Flat Washer, Grade 8, 3/4"	16	—
31	S.O.S.	N-38-M-1	1/2" C Nut (Qty 4 to connect Air Spring to Air Spring Hanger Brkt) (Qty 4 to connect Air Spring and Hanger Brkt to Trailing Arm)	8	—
32	S.O.S.	WA-18-K-1	Washer Lock 1/2" - Zinc Plating (Qty 4 to connect Air Spring to Air Spring Hanger Brkt) (Qty 4 to connect Air Spring and Hanger Brkt to Trailing Arm)	8	—
33	S.O.S.	NL-112-M-1	Nut NF 3/4" Jam - Zinc Rich Coating	4	—
34	S.O.S.	1229-R-5062	Internal Tooth Lock Washer 3/4"	4	—
35	S.O.S.	WA-38-K-1	Flat Washer 1/2"	4	—
Not Shown	S.O.S.	2206-P-1550	Fitting, Elbow, orientation towards road side	2	—
Not Shown	S.O.S.	2206-Q-1551	Fitting, Tee	2	—

NSS - Not Sold Separately

S.O.S. = Available through Euclid's S.O.S. Department

MERITOR AIR LINK™ MWA SUSPENSION MACK MWA46 AND MWA52 SERIES APPLICATIONS

1



MERITOR AIR LINK™ MWA SUSPENSION PARTS

MACK

MWA46 AND MWA52 SERIES APPLICATIONS

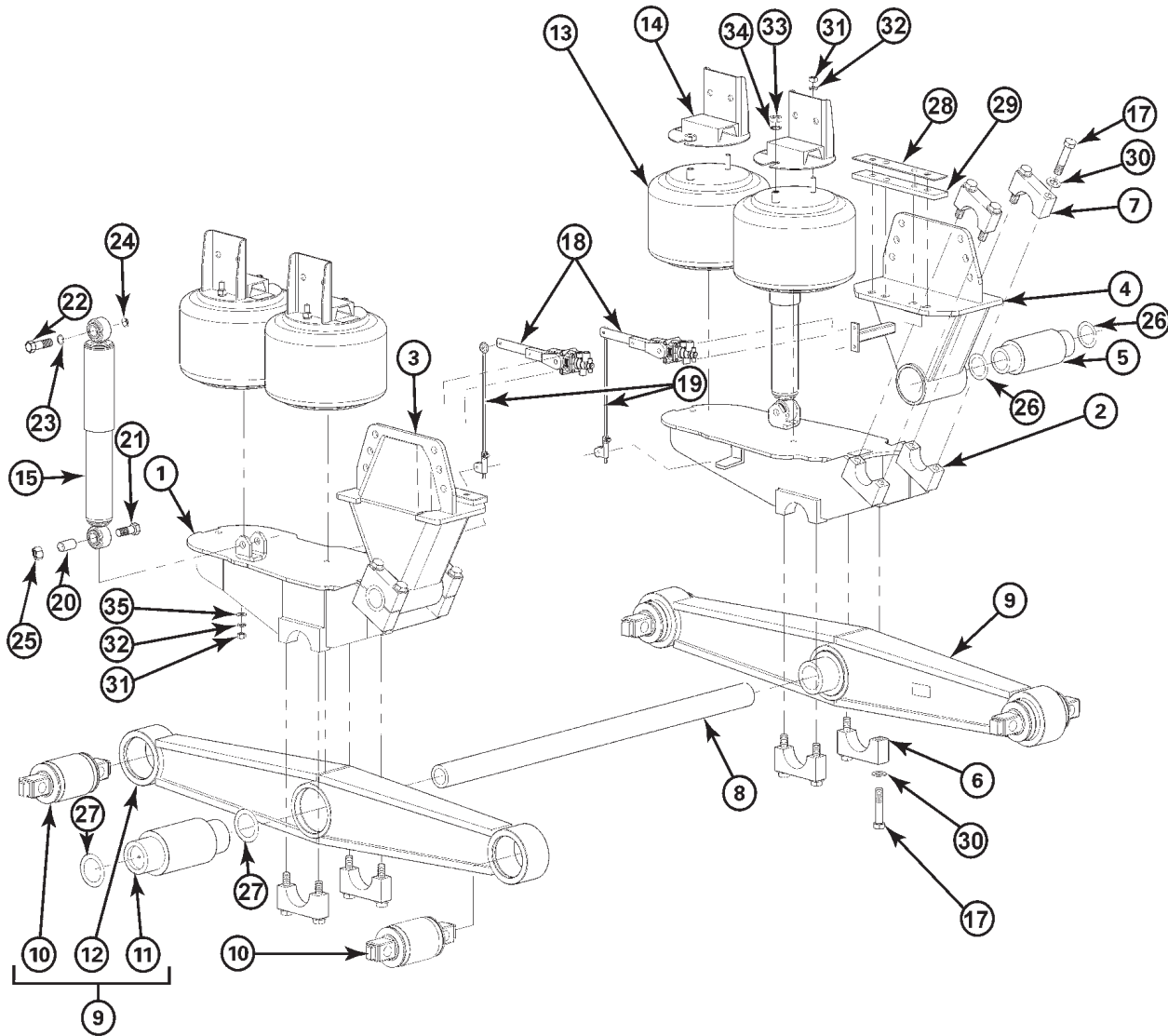
KEY NO.	EUCLID NO.	MERITOR NO.	DESCRIPTION	QTY. PER TANDEM	PAGE NO.
1	S.O.S.	B1-3305-E-2033	Trailing Arm - Right for MWA46	1	—
	S.O.S.	B1-3305-K-2039	Trailing Arm - Right for MWA52	1	—
2	S.O.S.	B-3305-E-2033	Trailing Arm - Left for MWA46	1	—
	S.O.S.	B-3305-K-2039	Trailing Arm - Left for MWA52	1	—
3	S.O.S.	B1-3305-X-1896	Hanger Bracket - Right for MWA46	1	—
	S.O.S.	B5-3305-X-1896	Hanger Bracket - Right for MWA52	1	—
4	S.O.S.	B-3305-X-1896	Hanger Bracket - Left for MWA46	1	—
	S.O.S.	B4-3305-X-1896	Hanger Bracket - Left for MWA52	1	—
5	S.O.S.	1225-F-1436	Hanger Bracket Bushing	2	—
6	—	NSS	Walking Beam Retainer Block 3.50" Bore	4	—
7	—	NSS	Hanger Bracket Retainer Block 2.75" Bore	4	—
8	S.O.S.	3196-Q-1291	Cross Tube	1	—
9	S.O.S.	B1-3216-Q-4671	Walking Beam Assembly	1	—
10	S.O.S.	A-1225-E-1435	Walking Beam End Bushing Assembly (Includes flat washer, shim washer, nut and bolt)	4	—
11	S.O.S.	1225-D-1434	Walking Beam Center Bushing	2	—
12	—	—	Walking Beam Weldment	1	—
13	S.O.S.	2258-Z-1508	Air Spring	4	—
14	S.O.S.	A-3380-D-1122	Air Spring Hanger Bracket	4	—
15	S.O.S.	7805-S-1033	Shock Absorber	2	—
17	S.O.S.	S-11232-P-2	Bolt, UNF Grade 8, Black (3/4" x 4")	16	—
18	S.O.S.	7806-L-1026	Height Control Valve	2	—
19	S.O.S.	1245-F-1098	Height Control Valve Linkage	2	—
20	S.O.S.	3216-J-4690	Shock Tube	2	—
21	S.O.S.	S-11228-2	Shock Bolts, 3/4"	2	—
22	S.O.S.	S-21656-2	Shock Bolts, 1"	2	—
23	S.O.S.	WA-316-K-1	Flat washer 1" Uss Black	2	—
24	S.O.S.	1227-F-1722	Nut NC 1"	2	—
25	S.O.S.	1227-G-1723	Nut NF Nylock 3/4" Black	2	—
26	S.O.S.	3380-N-1132	Shims, Small	4	—
27	S.O.S.	3380-M-1131	Shims, Large	4	—
28	S.O.S.	3305-L-1884	Hanger, Spacer (.125" thick)	4	—
29	S.O.S.	3305-M-1885	Hanger, Spacer (.25" thick)	4	—
30	S.O.S.	1229-V-1504K	Flat Washer, Grade 8, 3/4"	16	—
31	S.O.S.	N-38-M-1	1/2" C Nut (Qty 4 to connect Air Spring to Air Spring Hanger Brkt) (Qty 4 to connect Air Spring and Hanger Brkt to Trailing Arm)	8	—
32	S.O.S.	WA-18-K-1	Washer Lock 1/2" - Zinc Plating (Qty 4 to connect Air Spring to Air Spring Hanger Brkt) (Qty 4 to connect Air Spring and Hanger Brkt to Trailing Arm)	8	—
33	S.O.S.	NL-112-M-1	Nut NF 3/4" Jam - Zinc Rich Coating	4	—
34	S.O.S.	1229-R-5062	Internal Tooth Lock Washer 3/4"	4	—
35	S.O.S.	WA-38-K-1	Flat Washer 1/2"	4	—
Not Shown	S.O.S.	2206-P-1550	Fitting, Elbow, orientation towards road side	2	—
Not Shown	S.O.S.	2206-Q-1551	Fitting, Tee	1	—

NSS - Not Sold Separately

S.O.S. = Available through Euclid's S.O.S. Department

MERITOR AIR LINK™ MWA SUSPENSION VOLVO MWA46 SERIES APPLICATIONS

1



MERITOR AIR LINK™ MWA SUSPENSION PARTS

VOLVO

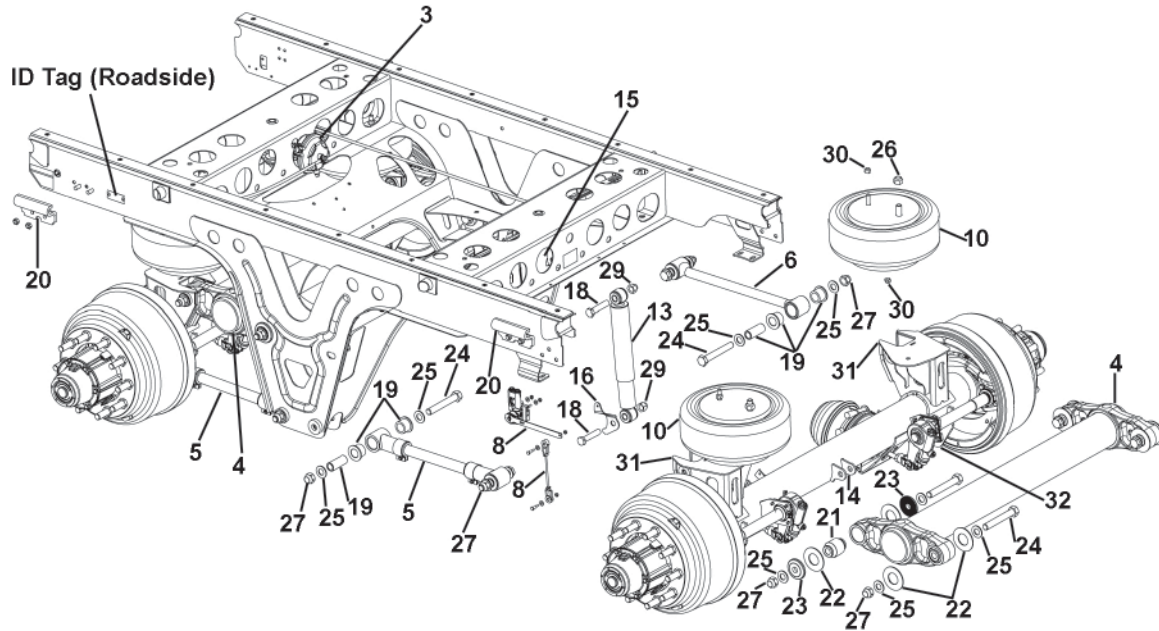
MWA46 SERIES APPLICATIONS

KEY NO.	EUCLID NO.	MERITOR PART NO.	DESCRIPTION	QTY. PER TANDEM	PAGE NO.
1	S.O.S.	B1-3305-E-2033	Trailing Arm - Right for MWA46	1	—
2	S.O.S.	B-3305-E-2033	Trailing Arm - Left for MWA46	1	—
3	S.O.S.	B1-3305-X-1896	Hanger Bracket - Right for MWA46	1	—
4	S.O.S.	B-3305-X-1896	Hanger Bracket - Left for MWA46	1	—
5	S.O.S.	1225-F-1436	Hanger Bracket Bushing	2	—
6	—	—	Walking Beam Retainer Block 3.50" Bore	4	—
7	—	—	Hanger Bracket Retainer Block 2.75" Bore	4	—
8	S.O.S.	3196-Q-1291	Cross Tube	1	—
9	S.O.S.	B1-3216-Q-4671	Walking Beam Assembly	1	—
10	S.O.S.	A-1225-E-1435	Walking Beam End Bushing Assembly (Includes flat washer, shim washer, nut and bolt)	4	—
11	S.O.S.	1225-D-1434	Walking Beam Center Bushing	2	—
12	—	—	Walking Beam Weldment	1	—
13	S.O.S.	2258-Z-1508	Air Spring	4	—
14	S.O.S.	A-3380-B-1302	Air Spring Hanger Bracket	4	—
15	S.O.S.	7805-S-1033	Shock Absorber	2	—
17	S.O.S.	S-11232-P-2	Bolt, UNF Grade 8, Black (3/4" x 4")	16	—
18	S.O.S.	7806-L-1026	Height Control Valve	2	—
19	S.O.S.	1245-F-1098	Height Control Valve Linkage	2	—
20	S.O.S.	3216-J-4690	Shock Tube	2	—
21	S.O.S.	S-11228-2	Shock Bolts, 3/4"	4	—
22	S.O.S.	S-21656-2	Shock Bolts, 1"	4	—
23	S.O.S.	WA-316-K-1	Flat washer 1" Uss Black	2	—
24	S.O.S.	1227-F-1722	Nut NC 1"	2	—
25	S.O.S.	1227-G-1723	Nut NF Nylock 3/4" Black	2	—
26	S.O.S.	3380-N-1132	Shims, Small	4	—
27	S.O.S.	3380-M-1131	Shims, Large	4	—
28	S.O.S.	3305-L-1884	Hanger, Spacer (.125" thick)	4	—
29	S.O.S.	3305-M-1885	Hanger, Spacer (.25" thick)	4	—
30	S.O.S.	1229-V-1504K	Flat Washer, Grade 8, 3/4"	16	—
31	S.O.S.	N-38-M-1	1/2" C Nut (Qty 4 to connect Air Spring to Air Spring Hanger Brkt) (Qty 4 to connect Air Spring and Hanger Brkt to Trailing Arm)	8	—
32	S.O.S.	WA-18-K-1	Washer Lock 1/2" - Zinc Plating (Qty 4 to connect Air Spring to Air Spring Hanger Brkt) (Qty 4 to connect Air Spring and Hanger Brkt to Trailing Arm)	8	—
33	S.O.S.	NL-112-M-1	Nut NF 3/4" Jam - Zinc Rich Coating	4	—
34	S.O.S.	1229-R-5062	Internal Tooth Lock Washer 3/4"	4	—
35	S.O.S.	WA-38-K-1	Flat Washer 1/2"	1	—
Not Shown	S.O.S.	2206-P-1550	Fitting, Elbow, orientation towards road side	2	—
Not Shown	S.O.S.	2206-Q-1551	Fitting, Tee	1	—

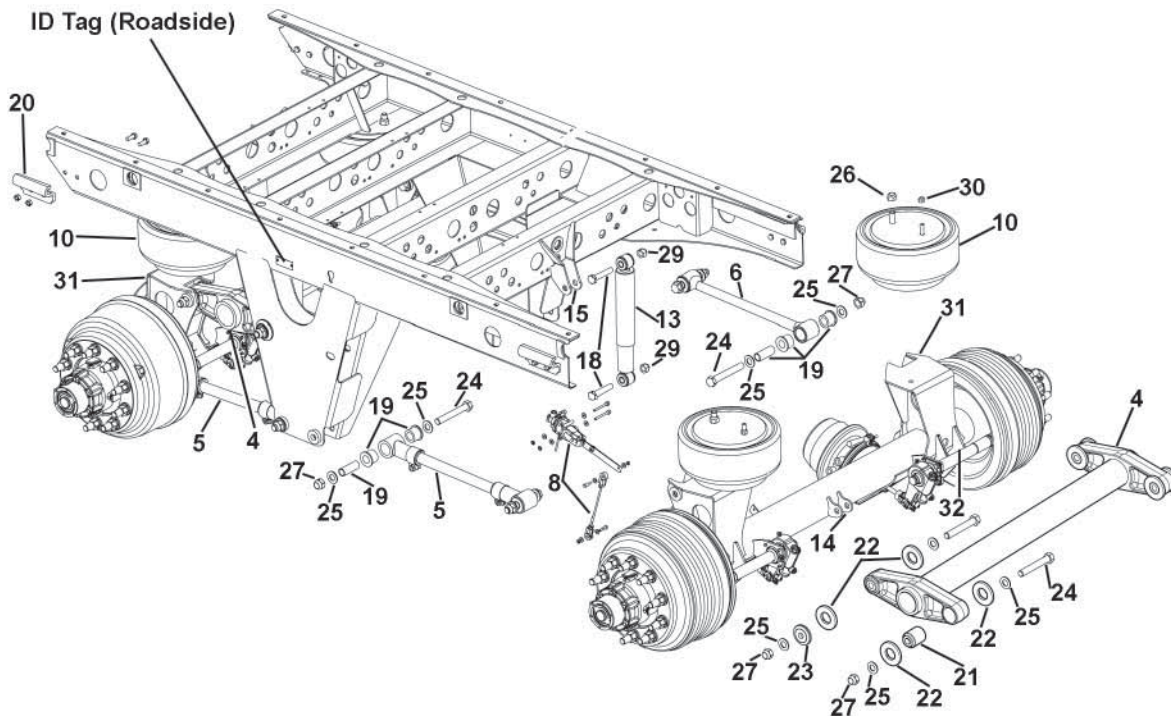
S.O.S. = Available through Euclid's S.O.S. Department

MERITOR RIDESENTRY™ MPA & RHP SERIES TRAILER SUSPENSION

RIDESENTRY™ MPA SERIES TANDEM TRAILER AIR SUSPENSION SYSTEM



RHP SERIES TANDEM TRAILER AIR SUSPENSION SYSTEM



MERITOR RIDESENTRY™ MPA & RHP SERIES TRAILER SUSPENSION PARTS

KEY NO.	EUCLID NO.	REPLACES O.E.M. NO.	DESCRIPTION	QUANTITY PER TANDEM	PAGE NO.
3	S.O.S.	KIT 11330	Retrofit Kit for Adding Pneumatic PinLoc - Retrofit to MPA RideSentry Slider with EZ Pull 2	1	—
4	E-11914	A2-3216-D-4632K	Upper Control Arm Assembly (with Bushing and Hardware)	2	—
5	E-13976	A1-3133-C-8921	Lower Control Arm Assembly (Adjustable with Bushings)	2	1-320
6	E-11768	A-3133-G-8249	Lower Control Arm Assembly (Non-Adjustable with Bushings)	2	1-320
8	E-13907	KIT 11308	Height Control Valve Kit With Automatic Dump Valve - RHP Only	2	1-321
	S.O.S.	KIT 11309	Height Control Valve Kit Without Automatic Dump Valve - RHP Only	2	—
	S.O.S.	KIT 11332	Height Control Valve Kit With Automatic Dump Valve - MPA Ride Sentry Only	2	—
	S.O.S.	KIT 11333	Height Control Valve Kit Without Automatic Dump Valve - MPA Ride Sentry Only	2	—
10	S.O.S.	A-2258-A-1457	Air Spring - Double Convolute - RHP11 only - Not Used on RHP55	4	—
	FS8729	A-2258-F-1410	Air Spring - All RHP11 and MPA 16.5" Ride Height	4	—
	S.O.S.	A-2258-X-1532	Air Spring - MPA 18.5" Ride Height and 17.5" Ride Height *	4	—
13	M85919	85919	Shock Absorber	2	3-14
14	S.O.S.	M312508	Shock Bracket at Axle Location for All Right Heights	2	—
15	S.O.S.	M312520	Shock Bracket at Slider Location for 16.5" thru 17.5" Ride Heights - RHP11	2	—
	S.O.S.	3155-W-1349	Shock Bracket at Slider Location for 16.5" thru 17.5" Ride Heights - RHP55	2	—
	S.O.S.	2258-Q-1421	Shock Bracket at Slider Location for All Ride Heights - MPA RideSentry Only	2	—
	S.O.S.	M315521	Shock Bracket at Slider Location for 18.5" Ride Heights - RHP11 Only	2	—
16	S.O.S.	2255-D-1408	Height Control Linkage - MPA RideSentry Only	2	—
18	S.O.S.	M301501	Capscrew - 3/4"-10 x 3-1/2", Grade 8	4	—
	S.O.S.	M301502	Capscrew - 3/4"-10 x 4-1/2", Grade 8	4	—
19	E-11766	M302502	Urethane Ctrl Arm Bush w/ Inner Metal Tube	8	1-320
20	S.O.S.	2257-P-1264	Hold Down Clip	4	—
21	S.O.S.	A1225-G-1437	Bushing	8	—
22	S.O.S.	1229-N-5006	Thrust Washer	16	—
23	E-11762	M301532	Pivot Bolt Washer, 3" OD x 7/8" ID x 1/2" Thk	4	—
	S.O.S.	1229-K-4899	Washer - Outer	4	—
	S.O.S.	1229-L-4900	Washer - Inner	4	—
24	S.O.S.	S-21448P-2	Pivot Bolt - 7/8"-9 x 6", Grade A-490	8	—
25	E-11765	M301530	Hardened Flat Washer - 7/8" ID	8	1-320
26	E-4961A	R004961A	Lock Nut - 3/4"-16, Grade 8	4	2-34
27	S.O.S.	1227-R-1604	Torque Nut, 7/8"-9, Grade C	8	—
29	S.O.S.	M301552	Lock Nut - 3/4"-10, Grade C	4	—
30	S.O.S.	1227-B-1614	Lock Nut - 1/2"-13, Grade B	4	—
31	S.O.S.	NSS	Upper Axle Seat	4	—
32	S.O.S.	NSS	Lower Axle Seat	4	—
Not shown	S.O.S.	1244-C-2733	Air Spring Spacer - MPA - 17.5" and 18.5" Ride Height	4	—

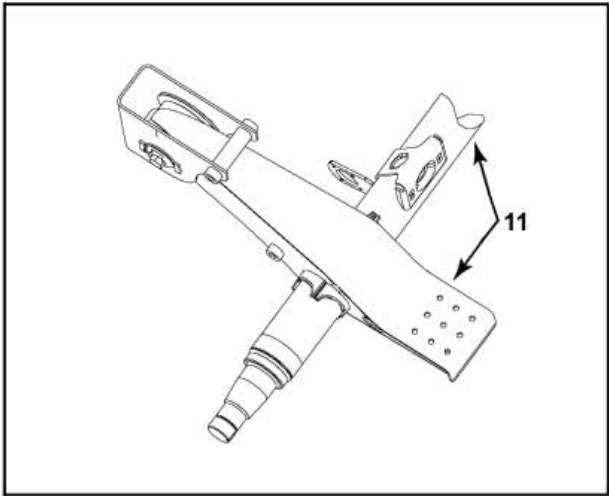
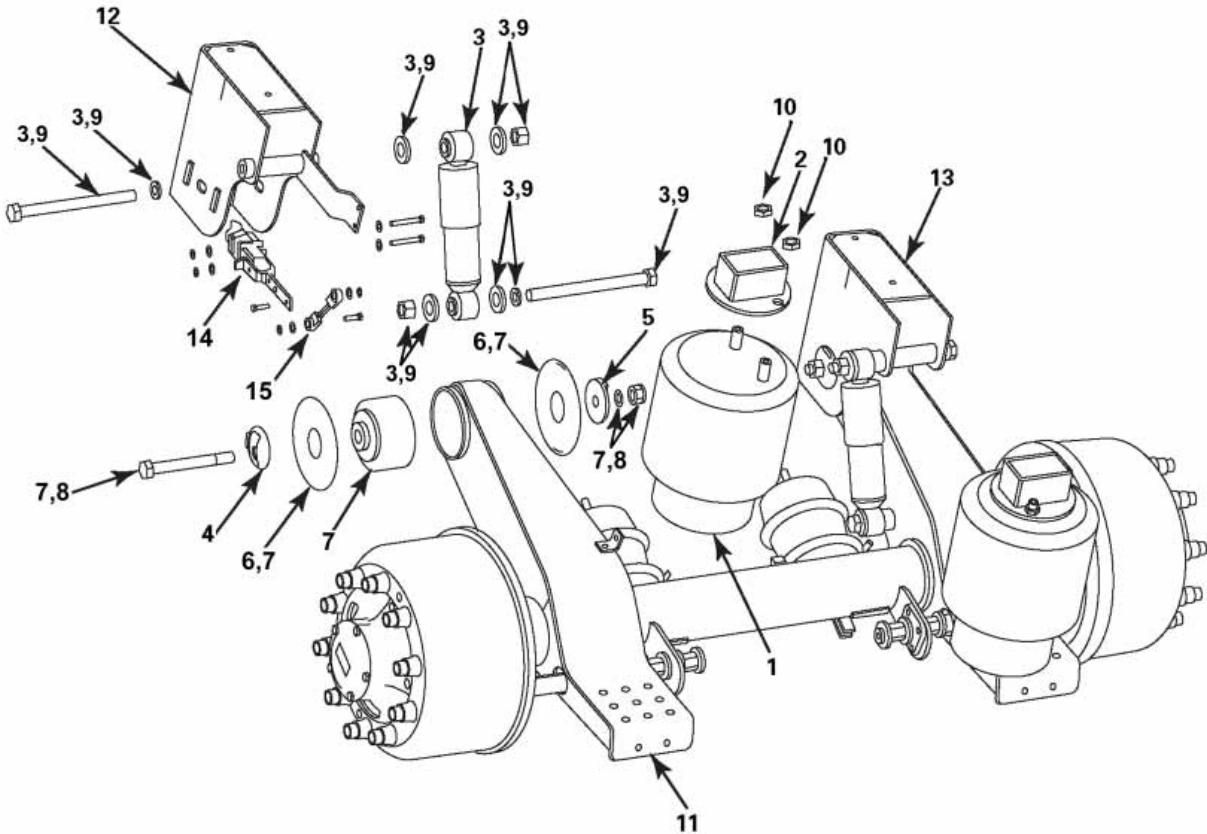
S.O.S. = Available through Euclid's S.O.S. Department

NSS - Not Sold Separately

* Requires use of 1244-C-2733 spacer

MERITOR RFS23T TRAILER SUSPENSION

RFS23T Model



1

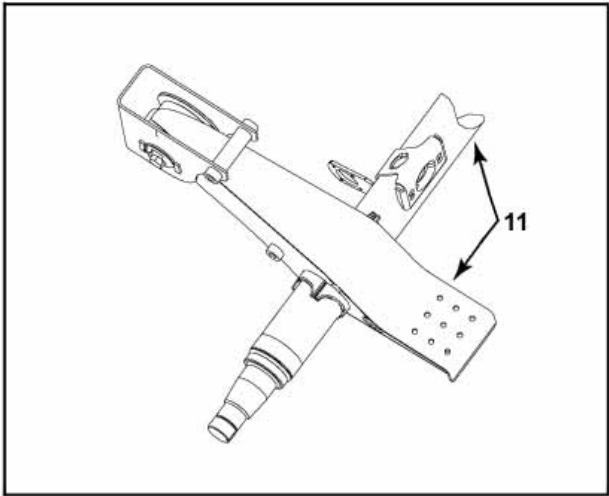
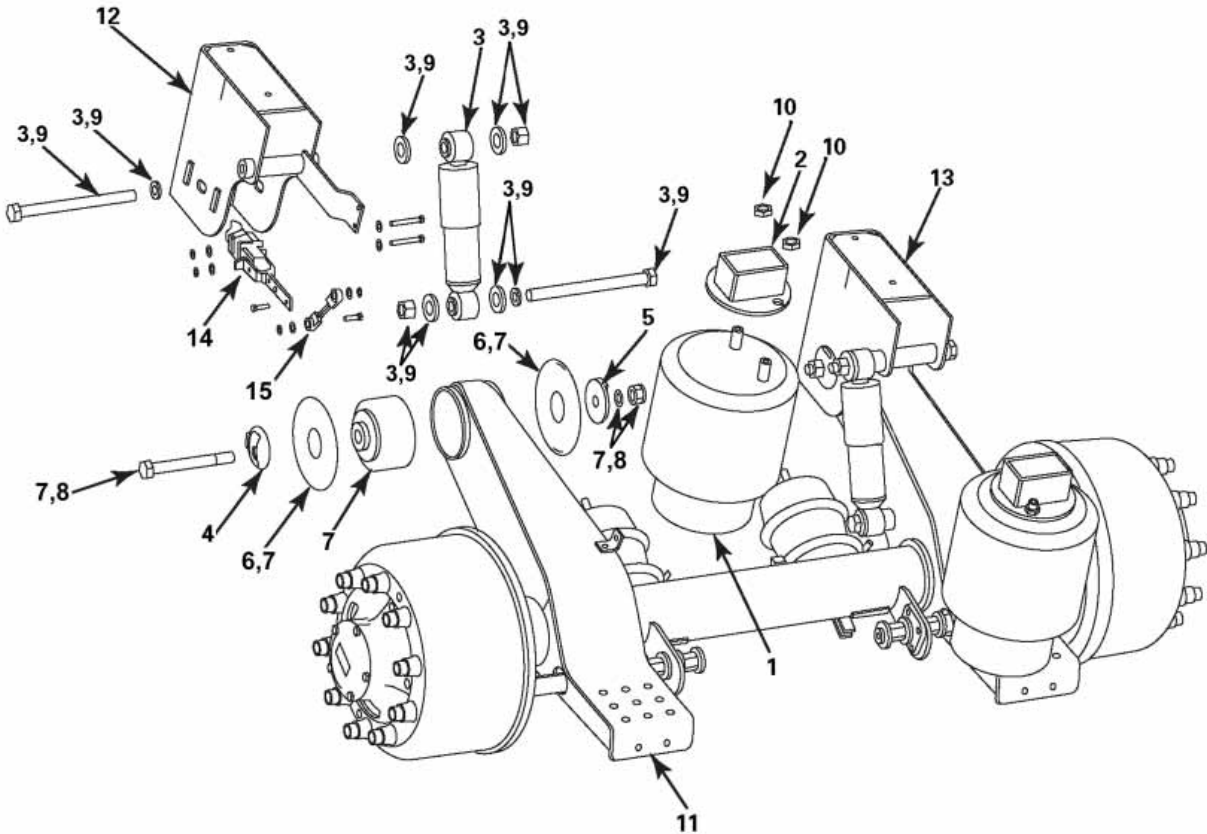
MERITOR RFS23T TRAILER SUSPENSION PARTS

KEY* NO.	EUCLID NO.	REPLACES MERITOR NO.	DESCRIPTION	QTY. PER TANDEM	PAGE NO.
1	FS6231	21227742	Air Spring	2	—
2	S.O.S.		Air Spring Pedestal (Std. Ride Heights)		—
	S.O.S.	21227629	14" Ride Height	2	—
	S.O.S.	21227667	15" Ride Height	2	—
	S.O.S.	21227668	16" Ride Height	2	—
	S.O.S.	21227630	17" Ride Height	2	—
	S.O.S.	3305-M-1651	14" Ride Height (Bolt-On 9/16" Dia. Holes)	2	—
	S.O.S.	A-3150-V-2674	15" Ride Height (Bolt-On 9/16" Dia. Holes)	2	—
	S.O.S.	A-3150-W-2675	16" Ride Height (Bolt-On 9/16" Dia. Holes)	2	—
	S.O.S.	A-3150-X-2676	17" Ride Height (Bolt-On 9/16" Dia. Holes)	2	—
3	M87015	KIT 11210	Shock Absorber Kit	2	3-12
4	S.O.S.	21226276	Eccentric Alignment Collar	2	—
5	S.O.S.	21226275	Concentric Alignment Collar	2	—
6	S.O.S.	21226663	Wear Washer	4	—
7	E-14347	KIT 11201	Pivot Bolt and Bushing Kit	2	1-324
8	E-14348	KIT 11202	Pivot Bolt Kit	2	1-324
9	E-14349	KIT 11200	Shock Absorber Bolt Kit	2	1-324
10	E-14350	KIT 11203	Air Spring Bolt Kit	2	1-324
11	S.O.S.	—	Trailing Arm/Axle Subassembly	1	—
12	—	—	Roadside Hanger (Standard Models)		—
	S.O.S.	A-3152-N-1158	14" Ride Height (Weld-On)	1	—
	S.O.S.	A1-3152-N-1158	15" Ride Height (Weld-On)	1	—
	S.O.S.	A2-3152-N-1158	16" Ride Height (Weld-On)	1	—
	S.O.S.	A3-3152-N-1158	17" Ride Height (Weld-On)	1	—
	S.O.S.	A-3152-Y-1169	14" Ride Height (Bolt-On 9/16" Dia. Holes)	1	—
	S.O.S.	A1-3152-Y-1169	15" Ride Height (Bolt-On 9/16" Dia. Holes)	1	—
	S.O.S.	A2-3152-Y-1169	16" Ride Height (Bolt-On 9/16" Dia. Holes)	1	—
	S.O.S.	A3-3152-Y-1169	17" Ride Height (Bolt-On 9/16" Dia. Holes)	1	—
	S.O.S.	A-3152-K-1155	14" Ride Height (Bolt-On 11/16" Dia. Holes)	1	—
	S.O.S.	A1-3152-K-1155	15" Ride Height (Bolt-On 11/16" Dia. Holes)	1	—
	S.O.S.	A2-3152-K-1155	16" Ride Height (Bolt-On 11/16" Dia. Holes)	1	—
S.O.S.	A3-3152-K-1155	17" Ride Height (Bolt-On 11/16" Dia. Holes)	1	—	
13	—	—	Curbside Hanger (Standard Models)		—
	S.O.S.	A-3152-P-1160	14" Ride Height (Weld-On)	1	—
	S.O.S.	A1-3152-P-1160	15" Ride Height (Weld-On)	1	—
	S.O.S.	A2-3152-P-1160	16" Ride Height (Weld-On)	1	—
	S.O.S.	A3-3152-P-1160	17" Ride Height (Weld-On)	1	—
	S.O.S.	A-3152-X-1168	14" Ride Height (Bolt-On 9/16" Dia. Holes)	1	—
	S.O.S.	A1-3152-X-1168	15" Ride Height (Bolt-On 9/16" Dia. Holes)	1	—
	S.O.S.	A2-3152-X-1168	16" Ride Height (Bolt-On 9/16" Dia. Holes)	1	—
	S.O.S.	A3-3152-X-1168	17" Ride Height (Bolt-On 9/16" Dia. Holes)	1	—
	S.O.S.	A-3152-J-1154	14" Ride Height (Bolt-On 11/16" Dia. Holes)	1	—
	S.O.S.	A1-3152-J-1154	15" Ride Height (Bolt-On 11/16" Dia. Holes)	1	—
	S.O.S.	A2-3152-J-1154	16" Ride Height (Bolt-On 11/16" Dia. Holes)	1	—
S.O.S.	A3-3152-J-1154	17" Ride Height (Bolt-On 11/16" Dia. Holes)	1	—	
14	E-14351	A-7806-Z-1014	Valve Assemblies With Auto Dump	1	1-325
	E-14352	A-7806-Y-1013	Valve Assemblies Without Auto Dump	1	1-325
15	E-14353	M306538	Linkage Assembly	1	1-325
1	FS6258	21227892	Air Spring	2	—

S.O.S. = Available through Euclid's S.O.S. Department

MERITOR RFS25T TRAILER SUSPENSION

RFS25T Model



1

MERITOR RFS25T TRAILER SUSPENSION PARTS

KEY* NO.	EUCLID NO.	REPLACES MERITOR NO.	DESCRIPTION	QTY. PER TANDEM	PAGE NO.
2	S.O.S.		Air Spring Pedestal (Std. Ride Heights)		—
	S.O.S.	21227629	14" Ride Height	2	—
	S.O.S.	21227667	15" Ride Height	2	—
	S.O.S.	21227668	16" Ride Height	2	—
	S.O.S.	21227630	17" Ride Height	2	—
	S.O.S.	3305-M-1651	14" Ride Height (Bolt-On 9/16" Dia. Holes)	2	—
	S.O.S.	A-3150-V-2674	15" Ride Height (Bolt-On 9/16" Dia. Holes)	2	—
	S.O.S.	A-3150-W-2675	16" Ride Height (Bolt-On 9/16" Dia. Holes)	2	—
	S.O.S.	A-3150-X-2676	17" Ride Height (Bolt-On 9/16" Dia. Holes)	2	—
3	M87015	KIT 11210	Shock Absorber Kit	2	3-12
4	S.O.S.	21226276	Eccentric Alignment Collar	2	—
5	S.O.S.	21226275	Concentric Alignment Collar	2	—
6	S.O.S.	21226663	Wear Washer	4	—
7	E-14355	KIT 11205	Pivot Bolt and Bushing Kit	2	1-324
8	E-14354	KIT 11204	Pivot Bolt Kit	2	1-324
9	E-14349	KIT 11200	Shock Absorber Bolt Kit	2	1-324
10	E-14350	KIT 11203	Air Spring Bolt Kit	2	1-324
11	S.O.S.	—	Trailing Arm/Axle Subassembly	1	—
12	—	—	Roadside Hanger (Standard Models)		—
	S.O.S.	A-3152-T-1164	14" Ride Height (Weld-On)	1	—
	S.O.S.	A1-3152-T-1164	15" Ride Height (Weld-On)	1	—
	S.O.S.	A2-3152-T-1164	16" Ride Height (Weld-On)	1	—
	S.O.S.	A3-3152-T-1164	17" Ride Height (Weld-On)	1	—
	S.O.S.	A-3152-V-1166	14" Ride Height (Bolt-On 9/16" Dia. Holes)	1	—
	S.O.S.	A1-3152-V-1166	15" Ride Height (Bolt-On 9/16" Dia. Holes)	1	—
	S.O.S.	A2-3152-V-1166	16" Ride Height (Bolt-On 9/16" Dia. Holes)	1	—
	S.O.S.	A3-3152-V-1166	17" Ride Height (Bolt-On 9/16" Dia. Holes)	1	—
	S.O.S.	A-3152-R-1162	14" Ride Height (Bolt-On 11/16" Dia. Holes)	1	—
	S.O.S.	A1-3152-R-1162	15" Ride Height (Bolt-On 11/16" Dia. Holes)	1	—
	S.O.S.	A2-3152-R-1162	16" Ride Height (Bolt-On 11/16" Dia. Holes)	1	—
S.O.S.	A3-3152-R-1162	17" Ride Height (Bolt-On 11/16" Dia. Holes)	1	—	
13	—	—	Curbside Hanger (Standard Models)		—
	S.O.S.	A-3152-U-1165	14" Ride Height (Weld-On)	1	—
	S.O.S.	A1-3152-U-1165	15" Ride Height (Weld-On)	1	—
	S.O.S.	A2-3152-U-1165	16" Ride Height (Weld-On)	1	—
	S.O.S.	A3-3152-U-1165	17" Ride Height (Weld-On)	1	—
	S.O.S.	A-3152-W-1167	14" Ride Height (Bolt-On 9/16" Dia. Holes)	1	—
	S.O.S.	A1-3152-W-1167	15" Ride Height (Bolt-On 9/16" Dia. Holes)	1	—
	S.O.S.	A2-3152-W-1167	16" Ride Height (Bolt-On 9/16" Dia. Holes)	1	—
	S.O.S.	A3-3152-W-1167	17" Ride Height (Bolt-On 9/16" Dia. Holes)	1	—
	S.O.S.	A-3152-S-1163	14" Ride Height (Bolt-On 11/16" Dia. Holes)	1	—
	S.O.S.	A1-3152-S-1163	15" Ride Height (Bolt-On 11/16" Dia. Holes)	1	—
	S.O.S.	A2-3152-S-1163	16" Ride Height (Bolt-On 11/16" Dia. Holes)	1	—
S.O.S.	A3-3152-S-1163	17" Ride Height (Bolt-On 11/16" Dia. Holes)	1	—	
14	E-14351	A-7806-Z-1014	Valve Assemblies With Auto Dump	1	1-325
	E-14352	A-7806-Y-1013	Valve Assemblies Without Auto Dump	1	1-325
15	E-14353	M306538	Linkage Assembly	1	1-325

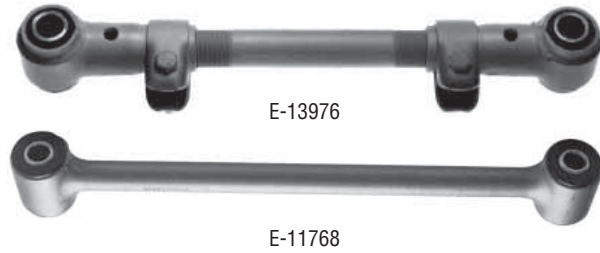
S.O.S. = Available through Euclid's S.O.S. Department

MERITOR MPA & RHP TRAILER SUSPENSION PARTS

LOWER CONTROL ARM BUSHING With Inner Metal Tube



LOWER CONTROL ARM



E-13976

E-11768

EUCLID NO.	REPLACES	QTY.	DESCRIPTION
E-11766	Meritor M302502	2 1	Bushings Inner Sleeve

EUCLID NO.	REPLACES	GENERAL INFORMATION
E-11768	Meritor A3133G8249	Rigid with Bushings
E-13976	Meritor A13133C8921	Adjustable with Bushings

1

LOWER CONTROL ARM BOLT & BUSHING KIT



BOLT & BUSHING KIT



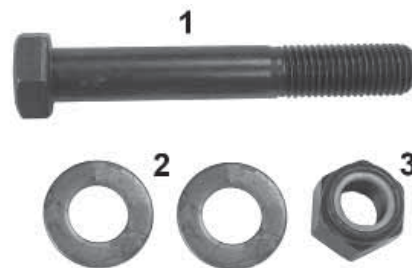
EUCLID NO.	REPLACES	ITEM	QTY.	EUCLID NO.	DESCRIPTION
E-11770	Meritor KIT11102	1	1	E-11764	Bolt
		2	2	E-11765	Hardened Flat Washer
		3	1	E-11767	Shear Nut
		4	2	E-11766	Control Arm Bushing
		5	1	E-11766	Inner Sleeve

EUCLID NO.	REPLACES	DESCRIPTION	
E-11912	Meritor KIT11300	4	Bushings
		8	Thrust Washers
		4	Torque Nuts
		4	Capscrews
		2	Align Washers
		8	Flat Washers

UPPER CONTROL ARM BUSHING INSTALLATION TOOL



PIVOT BOLT KIT



EUCLID NO.	REPLACES	GENERAL INFORMATION
E-11913	Meritor A3256H1152	For use on both RHP11 and MPA suspensions.

EUCLID NO.	REPLACES	ITEM	QTY.	DESCRIPTION
E-13906	Meritor KIT11107	1	1	Capscrew
		2	2	Flat Washer
		3	1	Nut - Torque

MERITOR MPA & RHP TRAILER SUSPENSION PARTS

S. PLATE REPAIR



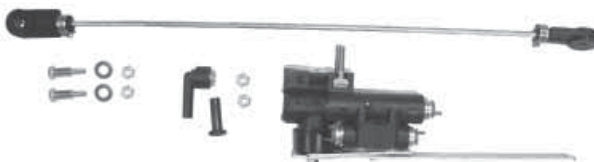
EUCLID NO.	REPLACES	ITEM	QTY.	DESCRIPTION
E-13902	Meritor KIT11301	1	4	Capscrew
		2	8	Thrust Washer
		3	1	Washer - Outer
		4	1	Washer - Inner
		5	4	Nut - Torque
		6	8	Flat Washer
		7	4	Bushing-UCA
		8	1	P80 Lube 4 oz.

WASHERS - SPECIAL



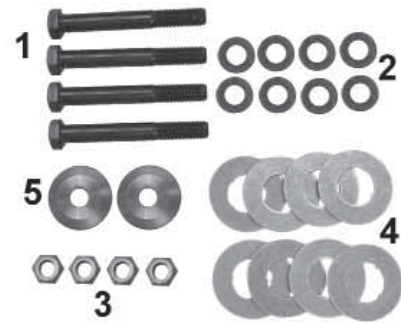
EUCLID NO.	REPLACES	ITEM	QTY.	DESCRIPTION
E-13904	Meritor Kit 11304	1	1	Washer - Outer
		2	1	Washer - Inner

HEIGHT CONTROL VALVE KIT



EUCLID NO.	REPLACES	GENERAL INFORMATION
E-13907	Meritor KIT11308 Hadley H01500DAS	RHP Only Without Automatic Dump Valve

HARDWARE KIT - UCA



EUCLID NO.	REPLACES	ITEM	QTY.	DESCRIPTION
E-13903	Meritor KIT11302	1	4	Capscrew
		2	8	Flat Washer
		3	4	Nut - Torque
		4	8	Thrust Washer
		5	2	Align Washer

PIVOT BOLT KIT



EUCLID NO.	REPLACES	ITEM	QTY.	DESCRIPTION
E-13905	Meritor KIT11106	1	1	Capscrew
		2	2	Flat Washer
		3	1	Nut - Torque
		4	2	Align Washer

MERITOR MPA & RHP TRAILER SUSPENSION PARTS

REPAIR COMPONENTS FOR AXLE SEAT



REPAIR TOOL KIT For Axle Seat



EUCLID NO.	REPLACES	GENERAL INFORMATION
E-14371	Meritor KIT 11347	For use with both MPA and RHP suspensions

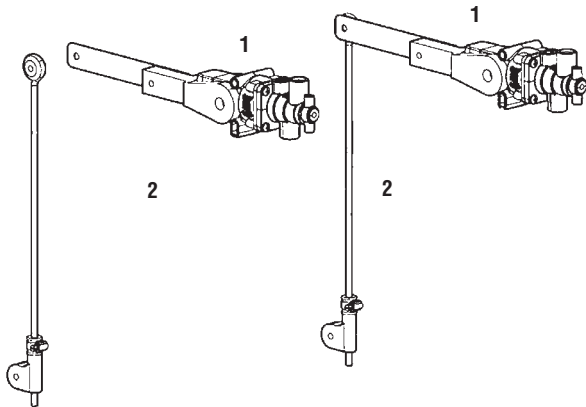
EUCLID NO.	REPLACES	GENERAL INFORMATION
E-14372	Meritor KIT 11348	For use with both MPA and RHP suspensions

1

MERITOR AIR LINK™ REPAIR KITS AND COMPONENTS

HADLEY VALVE ASSEMBLY includes Hardware

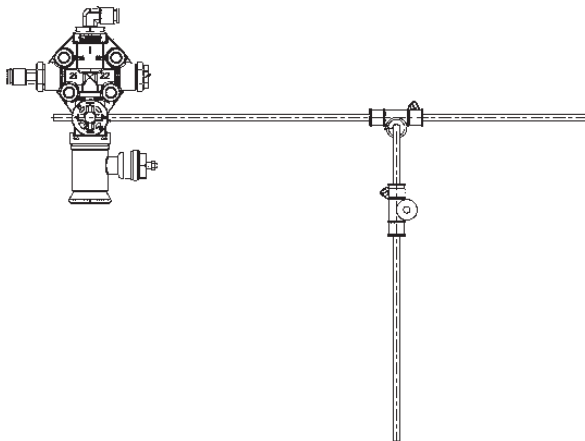
EUCLID NO. E-14356



ITEM	QTY.	REPLACES MERITOR NO.	DESCRIPTION
1	2	KIT11346	Valve, Height Control - Hadley 50CC (Hadley - H00500-1)
2	2		Linkage, Height Control Valve, 7-1/2" Rod Length (Hadley - H00500CD)
—	2		Bolt GR5 NC 1/4" x 1/2" Black
—	6		Washer, Flat, 1/4"
—	2		Nut - NC Nylok 1/4"

HALDEX VALVE ASSEMBLY, RIGHT Includes Fittings, Adapter, Rods and Cannon Assembly (Rubber Sliders)

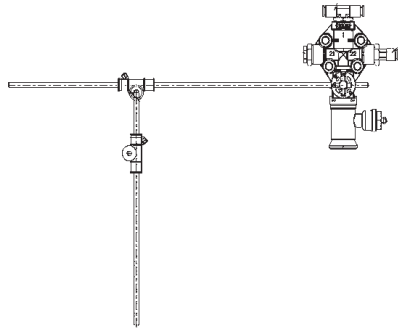
EUCLID NO. E-14357



QTY.	REPLACES MERITOR NO.	DESCRIPTION
1	A-7806-X-1038 3/8" Tube)	Height Control Valve w/ Rod, Haldex (Haldex - 90555322)
1		Fitting-Elb (3/8" NPT x 1/4")
1		Fitting, PC, Connector, Straight (1/4" MNPT x 3/8" Tube)
1		Fitting, Plug, Hex Head (1/4 MNPT)
1		Adapter

MERITOR AIR LINK™ REPAIR KITS AND COMPONENTS

HALDEX VALVE ASSEMBLY, LEFT
Includes Fittings, Adapter, Rods and Cannon Assembly (Rubber Sliders)



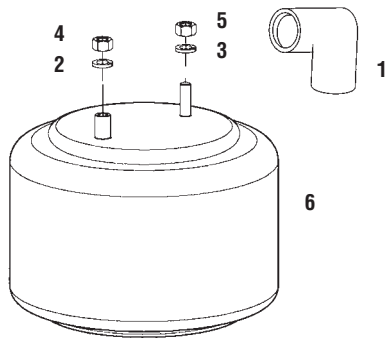
SHOCK KIT ASSEMBLY
For International Models



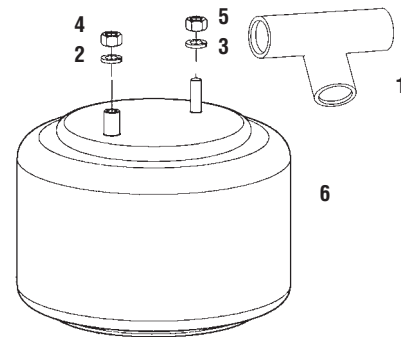
EUCLID NO.	REPLACES	DESCRIPTION
E-14358	Meritor A-7806-Y-1039	Height Control Valve w/ Rod, Haldex (Hal-dex - 90555322) Fitting-Tee Fitting, Plug, Hex Head (1/4 MNPT) Fitting, PC, Connector, Straight (1/4 MNPT x 3/8 Tube) Adapter

EUCLID NO.	REPLACES	ITEM	QTY.	DESCRIPTION
E-14359	Meritor KIT11340	1	2	Shock Absorber
		2	2	Flat Washer 1" USS Black
		3	2	Shock Spacer
		4	2	Shock Tube
		5	2	Nut NC 1"
		6	2	Shock Bolt, 1"
		7	2	Nut NC 1"
		8	2	Shock Bolt, 3/4"

AIR SPRING ASSEMBLY
LEFT FRONT OR RIGHT FRONT



AIR SPRING ASSEMBLY - REAR



EUCLID NO.	REPLACES	ITEM	QTY.	DESCRIPTION
E-14360	Meritor KIT11343	1	1	Fitting - Elbow
		2	1	Internal Tooth Lock Washer 3/4"
		3	1	Washer Lock 1/2" Zinc Plating
		4	1	Nut NF 3/4" Jam - Zinc Rich Coating
		5	1	Nut
		6	1	Air Spring

** Requires two kits to service a Tandem.

EUCLID NO.	REPLACES	ITEM	QTY.	DESCRIPTION
E-14361	Meritor KIT11345*	1	1	Fitting - Tee
		2	1	Internal Tooth Lock Washer 3/4"
		3	1	Washer Lock 1/2"
		4	1	Nut NF 3/4" Jam - Zinc Rich Coating
		5	1	1/2" C Nut
		6	1	Air Spring

* Only difference between left front vs. right front assembly is the elbow fitting orientation.

MERITOR REPAIR KITS AND COMPONENTS

HEIGHT CONTROL VALVE KIT



EUCLID NO.	REPLACES	APPLICATION INFORMATION	COMMENTS
E-14332	Meritor KIT11309	Meritor RHP	Without Automatic Dump Valve. Linkage assembly provided with instructions. Linkage rod is cut to fit various ride heights.

HEIGHT CONTROL VALVE KIT



EUCLID NO.	REPLACES	APPLICATION INFORMATION	COMMENTS
E-14333	Meritor KIT11332	RideSentry MPA Only Height Control Valve Kits with Automatic Dump Valve	With Automatic Dump Valve. Linkage assembly provided with instructions. Linkage rod is cut to fit various ride heights.

1

HEIGHT CONTROL VALVE KIT



EUCLID NO.	REPLACES	APPLICATION INFORMATION	COMMENTS
E-14334	Meritor KIT11333	Meritor RideSentry MPA Only	Without Automatic Dump Valve. Linkage assembly provided with instructions. Linkage rod is cut to fit various ride heights.

PIVOT BOLT AND BUSHING KIT



EUCLID NO.	REPLACES	GENERAL INFORMATION
E-14347 E-14355	Meritor KIT 11201 KIT 11205	Used on Meritor RFS23T & RFS25T Trailer Suspension

PIVOT BOLT KIT



EUCLID NO.	REPLACES	GENERAL INFORMATION
E-14348 E-14354	Meritor KIT 11202 KIT 11204	Used on Meritor RFS23T & RFS25T Trailer Suspension

SHOCK ABSORBER BOLT KIT



EUCLID NO.	REPLACES	GENERAL INFORMATION
E-14349	Meritor KIT 11200	Used on Meritor RFS23T Trailer Suspension

CONVERSION KIT TO AUTOMATIC DUMP FROM NO DUMP

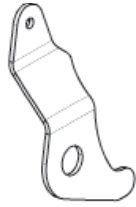


EUCLID NO.	REPLACES	GENERAL INFORMATION
E-14350	Meritor KIT 11203	Used on Meritor RFS23T Trailer Suspension

EUCLID NO.	REPLACES	ITEM	QTY.	DESCRIPTION
E-14363	Meritor M306531	1	1	Pilot Valve Fitting
		2	1	

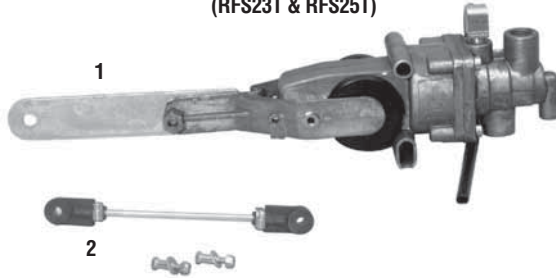
MERITOR REPAIR KITS AND COMPONENTS

HEIGHT CONTROL LINKAGE



EUCLID NO.	REPLACES	GENERAL INFORMATION
E-14362	Meritor 2225D1408	RideSentry MPA Only Height Control Linkage

VALVE KIT WITHOUT AUTO DUMP (RFS23T & RFS25T)



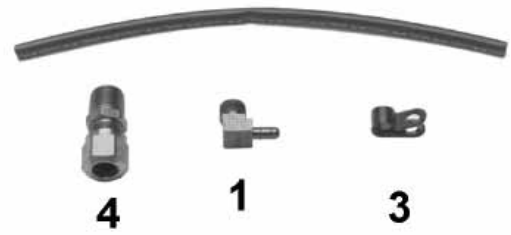
EUCLID NO.	REPLACES	ITEM	QTY.	EUCLID NO.	DESCRIPTION
E-14365	Meritor KIT11207	1	1	E-14352	Height Control Valve
		2	1	E-14353	Linkage Assembly

CONVERSION KIT TO MANUAL DUMP FROM AUTOMATIC DUMP



EUCLID NO.	REPLACES	ITEM	QTY.	DESCRIPTION
E-14367	Meritor M306533	1	1	Dump (Pilot) Valve
		2	3	Fitting
		3	1	Fitting

CONVERSION KIT TO AUTOMATIC DUMP FROM NO DUMP 2



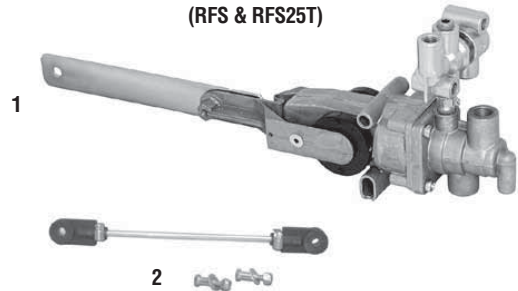
EUCLID NO.	REPLACES	ITEM	QTY.	DESCRIPTION
E-14364	Meritor M306532	1	1	Male Elbow
		2	1	Vent Tube
		3	1	Loop Clamp
		4	1	Fitting

CONVERSION KIT TO MANUAL DUMP AUTO RESET FROM AUTOMATIC DUMP

Photo Not Available
At Time of Printing

EUCLID NO.	REPLACES	ITEM	QTY.	DESCRIPTION
E-14366	Meritor M306537	1	1	Dump Valve
		2	4	Fitting
		3	1	Fitting

VALVE KIT WITH AUTO DUMP (RFS & RFS25T)



EUCLID NO.	REPLACES	ITEM	QTY.	EUCLID NO.	DESCRIPTION
E-14368	Meritor KIT11206	1	1	E-14351	Height Control Valve
		2	1	E-14353	Linkage Assembly

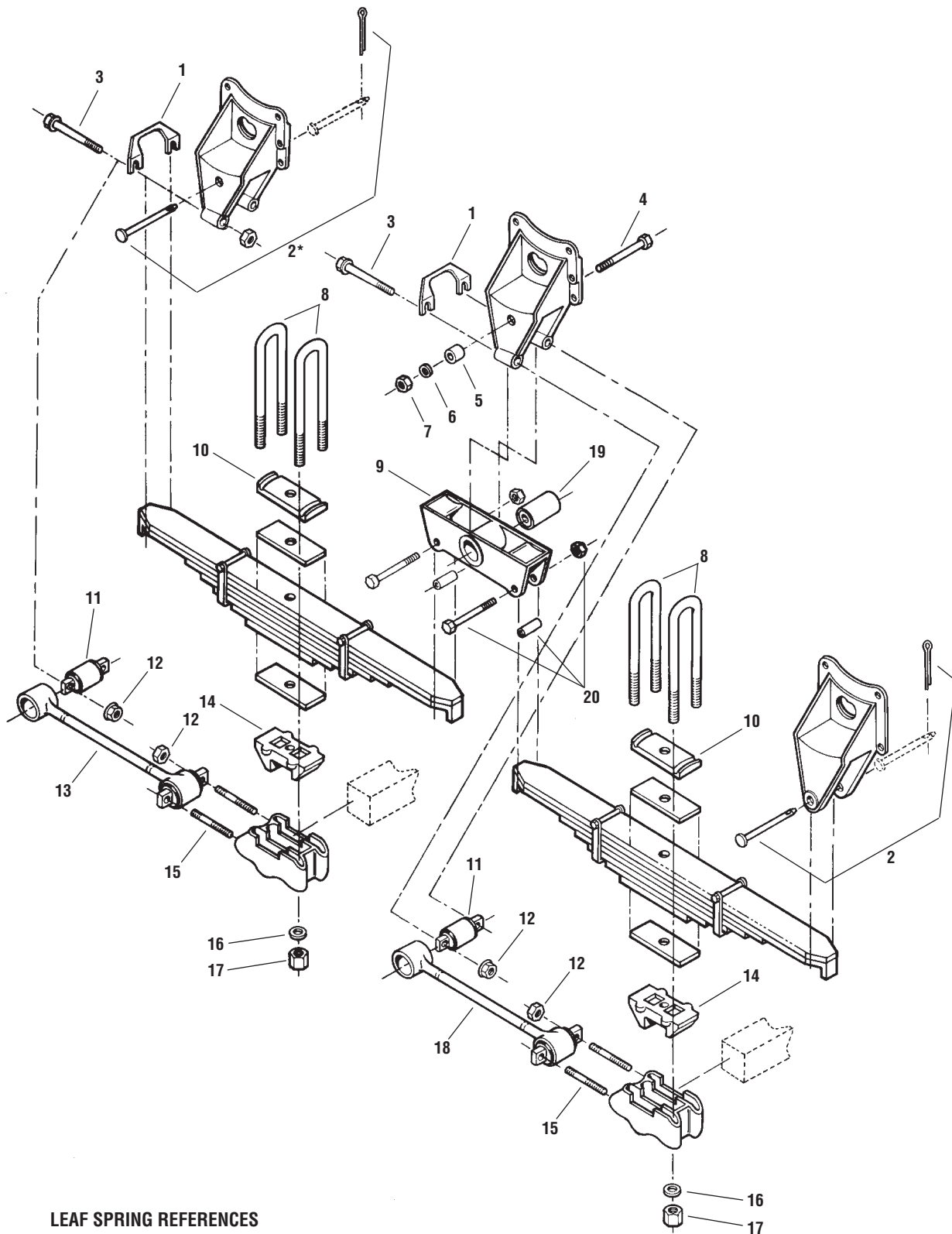
BUSHING TOOL



EUCLID NO.	REPLACES	GENERAL INFORMATION
E-14369	Meritor A3256R1188	For RFS suspensions - Upper Control Arm Bushing

NAVISTAR "CORPORATE" SPRING SUSPENSION

Tractor



LEAF SPRING REFERENCES

SRI No.

55-023	7 Leaf
55-021	8 Leaf

* The OEM design calls for the use of a pin and cotter pin assembly, our Aftermarket suggestion is to replace with bolt and locking nut.

NAVISTAR "CORPORATE" SPRING SUSPENSION PARTS

Tractor

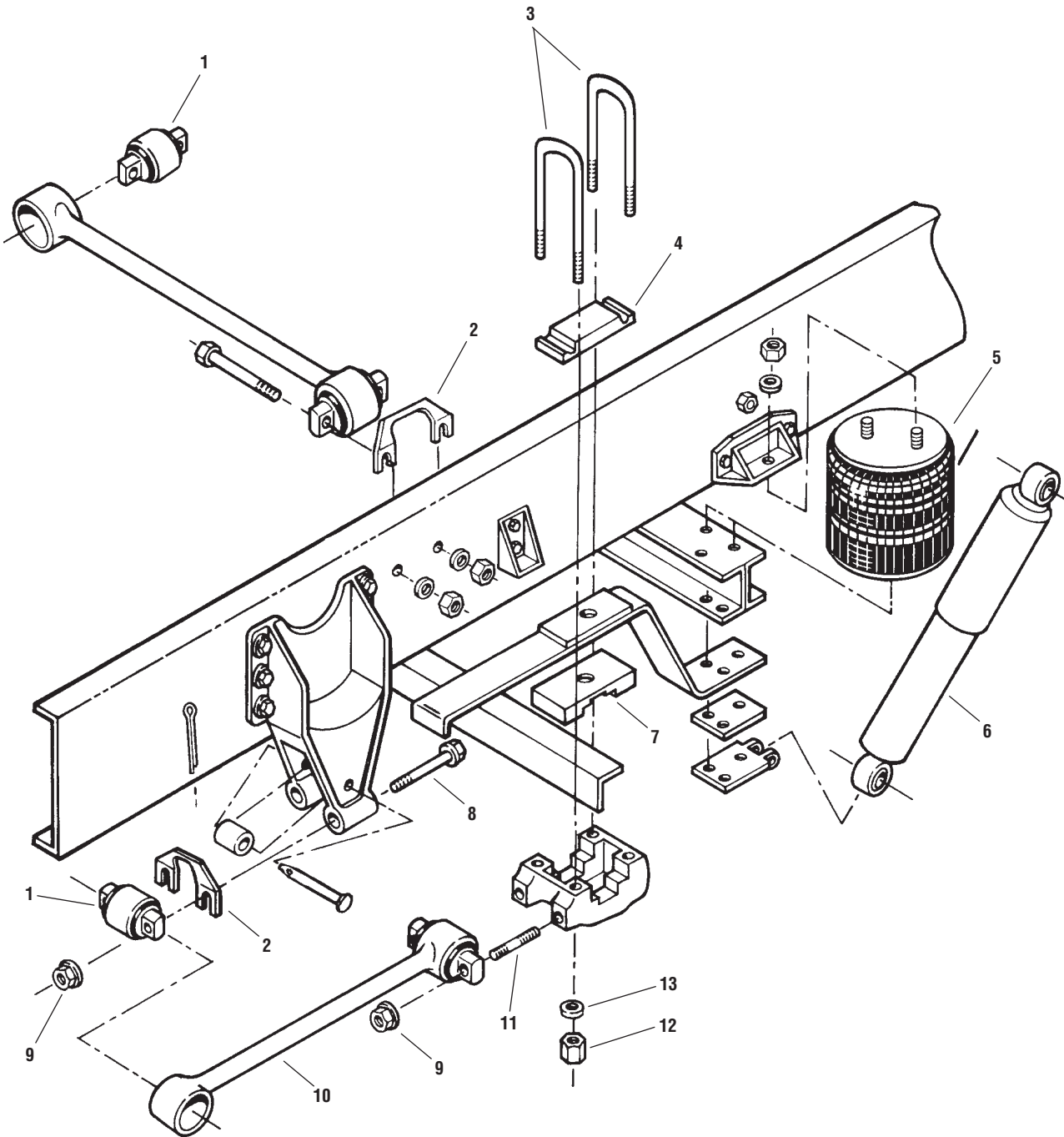
KEY NO.	EUCLID NO.	REPLACES NAVISTAR NO.	DESCRIPTION	QUANTITY PER TANDEM	PAGE NO.
1	E-3790	488916C91	Torque Arm Shim	As Required	1-331
2	E-3794	1841R1	Retainer Pin Assembly	1	1-331
		5747786C2			
3	E-3792	438286C1	Torque Arm Bolt	8	1-331
4	E-3785	26015R1	Equalizer Bolt	2	2-33
5	E-3786	497785C2	Equalizer Adapter	2	1-330
6	E-3975	131048	Lock Washer	4	1-330
7	E-4421	25531R1	Lock Nut	2	2-34
		131556C1			
8	E-UB8353-15	590621C1	U-Bolt Assembly, Semi Round, Bend, 3/4"-16 Thd. x 3 1/2" Wide x 15" Long	8	2-29
	E-UB8363-15N	1610312C2	U- Bolt Assembly, Semini Round, Bend 7/8"-14 Thd. x 3 1/2" Wide x 15" Long		
9	E-3783	497790C2	Equalizer	2	1-330
10	E-3796	581744C1	U-Bolt Top Plate	4	1-331
11	E-2225 (Rubber)	1693060C1	Torque Arm Bushing	8	1-331
	E-7638 (Poly)				
	E-2226 (Rubber)	227720			1-331
	E-7639 (Poly)				
12	E-3793	414089C1	Torque Arm Flange Nut	16	2-34
13	E-3788	493920C1, C2	Rigid Torque Arm, 18 1/8" Center-to-Center	2	1-330
	E-10764	588117C91, C92	Tubular Torque Arm, 18 1/8" Center-to-Center	2	—
14	E-3797	493478C2	Spring Seat	4	1-331
	E-3798	493480C2	Spring Seat	4	1-331
	E-3799	1649755C1	Spring Seat	4	1-331
15	N/A	488906C4	Torque Arm Stud	8	—
		488906C6			
16	E-2545	—	Washer	16	2-35
17	E-3001	—	Hex Nut, Self-Locking 3/4"-16 UNF	16	2-34
18	E-3789	493921C1, C2	Rigid Torque Arm, 21 31/32" Center-to-Center	2	1-330
	E-10765	588118C91, C92	Tubular Torque Arm, 21 31/32" Center-to-Center	2	—
19	E-3784	497501C2	Equalizer Bushing	2	1-330
20	E-4770	—	Equalizer Roller Assembly	4	1-330

CAUTION: Euclid replacement Torque Arms use E-2226 Bushing. Other manufacturers may use E-2225 Bushing.

N/A = No Longer Available

NAVISTAR "CORPORATE" AIR RIDE SUSPENSION

Tractor



LEAF SPRING REFERENCES

SRI No.

55-067

NAVISTAR "CORPORATE" AIR RIDE SUSPENSION PARTS

Tractor

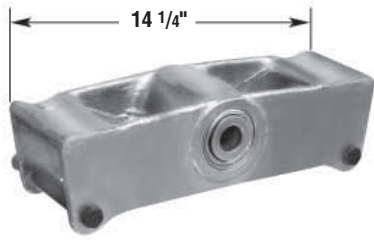
KEY NO.	EUCLID NO.	REPLACES NAVISTAR NO.	DESCRIPTION	QUANTITY PER TANDEM	PAGE NO.
1	E-2225 (Rubber)	1693060C1	Torque Arm Bushing	8	1-331
	E-7638 (Poly)				
	E-2226 (Rubber)	227720			1-331
	E-7639 (Poly)				
2	E-3790	488916C1	Torque Arm Shim	As Required	1-331
		488916C91			
3	E-UB8353-15	590621C1	U-Bolt Assembly, Semi Rd. Bend, 3/4"-16 Thd. x 3 1/2" Wide x 15" Long	8	2-29
	E-UB8363-15N	590621C1	U-Bolt Assembly, Semi Rd. Bend, 7/8"-14 Thd. x 3 1/2" Wide x 15" Long	8	2-29
4	E-3796	488918C1	U-Bolt Top Plate	4	1-331
5	S.O.S.	Various	Air Spring	4	—
6	M85003	1675455C1	Shock Absorber	4	3-15
	M89411	501553C91	Shock Absorber		3-15
7	E-3797	493478C2	Spring Seat	4	1-331
	E-3798	493480C2			1-331
	E-3799	1649755C1			1-331
8	E-3792	438286C1	Torque Arm Bolt	8	1-331
		43828C1			
9	E-3793	414089C1	Torque Arm Flange Nut	16	2-34
10	E-3788	493920C1 , C2	Rigid Torque Arm, 18 1/8" Center-to-Center	2	2-42
	E-10764	588117C91, 92	Tubular Torque Arm, 18 1/8" Center-to-Center	2	—
11	N/A	488906C4	Torque Arm Stud	8	—
		488906C6			
12	E-3001	—	Hi-Nut	16	2-34
13	E-2545	—	Washer	16	2-35

N/A = No Longer Available

S.O.S. = Available through Euclid's S.O.S. Department

NAVISTAR INTERNATIONAL SUSPENSION PARTS

EQUALIZER ASSEMBLY



EQUALIZER BUSHING



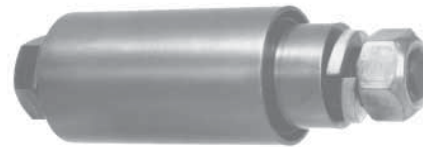
EUCLID NO.	REPLACES	INCLUDES
E-3783	Navistar 497790C2	1 E-3784 Bushing 2 E-4770 Roller Assembly

EUCLID NO.	REPLACES	O.D.	I.D.	LENGTH
E-3784	Navistar 497501C2	2 1/2"	1 1/32"	4 23/32"

EQUALIZER ADAPTER



EQUALIZER BUSHING ASSEMBLY



EUCLID NO.	REPLACES	O.D.	I.D.	THICKNESS
E-3786	Navistar 497785C2	1 7/8"	1 1/32"	29/32"

EUCLID NO.	QTY	EUCLID NO.	DESCRIPTION
E-3787	1	E-3784	Bushing
	1	E-3785	Bolt
	1	E-3786	Adapter
	1	E-4421	Nut
	1	E-3975	Lock Washer

EQUALIZER LOCK WASHER



EQUALIZER ROLLER ASSEMBLY



EUCLID NO.	REPLACES	GENERAL INFORMATION
E-3975	Navistar 131048	1" I.D.

EUCLID NO.	INCLUDES
E-4770	Bolt, Roller And Nut

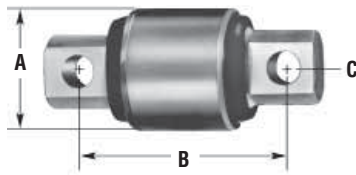
RIGID TORQUE ARM



EUCLID NO.	REPLACES	FOR MODEL	EUCLID BUSHING NO.	LENGTH Center-to-Center
E-3788	Navistar 493920C1, 923905	Front 4-Spring and Air Ride	E-2225	18 1/8"
E-3789	Navistar 493921C1, 923915	Rear 4-Spring and Air Ride	E-2225	21 31/32"

NAVISTAR INTERNATIONAL SUSPENSION PARTS

TORQUE ARM BUSHING



EUCLID NO.	REPLACES	A	B	C
E-2225 (Rubber)	Navistar 1693060C1	2 17/32"	4 3/8"	5/8"
E-7638 (Poly)				
E-2226 (Rubber)	Navistar	2 3/4"	4 3/8"	5/8"
E-7639 (Poly)	1693061C1			

TORQUE ARM BOLT



EUCLID NO.	REPLACES	THREAD	LENGTH
E-3792	Navistar 438286C1	5/8"-18	4 1/2"

SPRING ROLLER ASSEMBLY



EUCLID NO.	REPLACES	APPLICATION
E-3795	Navistar 574778C2 18481R1 501535C2	Air Ride Suspension

SPRING SEAT



EUCLID NO.	REPLACES	APPLICATION
E-3797	Navistar 493478C2	For 4 5/8" Axle
E-3798	Navistar 493480C2	For 4 5/16" Axle

TORQUE ARM SHIM



EUCLID NO.	REPLACES	GENERAL INFORMATION
E-3790	Navistar 488916C91	1/16" Thick

RETAINER PIN ASSEMBLY



EUCLID NO.	REPLACES	INCLUDES
E-3794	Navistar 1841R1 5747786C2	4 - Bolts, 5/8" x 4 7/8" Long 4 - Lock nuts

U-BOLT TOP PLATE



EUCLID NO.	REPLACES	APPLICATION
E-3796	Navistar 581744C1	4-Spring and Air Ride Suspension

SPRING SEAT



EUCLID NO.	REPLACES	APPLICATION
E-3799	Navistar 1649755C1	4-Spring and Air Ride Suspension

1

NAVISTAR INTERNATIONAL SPRING HANGERS FOR HENDRICKSON SUSPENSIONS

FRONT HANGER



SPRING PIN DIA.

**EUCLID
NO.**

REPLACES

**SPRING PIN
DIAMETER**

APPLICATION

E-3599

Navistar 423450C1

1 3/8"

For Single Frame
With No Reinforcement

1

REAR HANGER



**EUCLID
NO.**

REPLACES

APPLICATION

E-3604

Navistar 422484C1
Hendrickson 35400-2

For Single Frame
with No Reinforcement

E-3605

Navistar 422483C1
Hendrickson 35400-1

For Frame with 1/4" Thick
Angle Reinforcement

E-3606

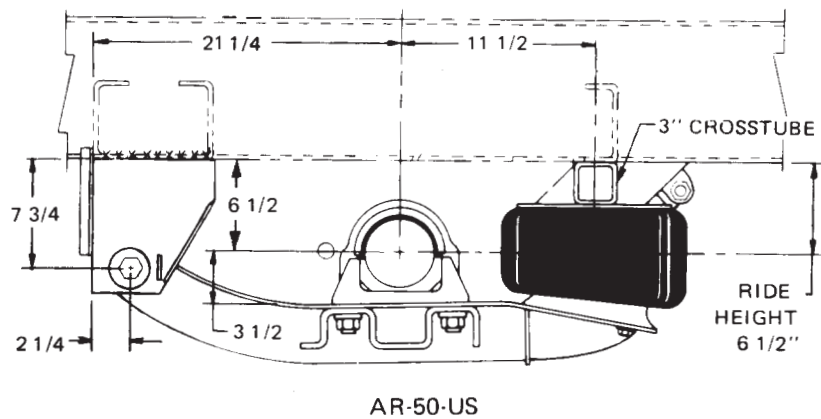
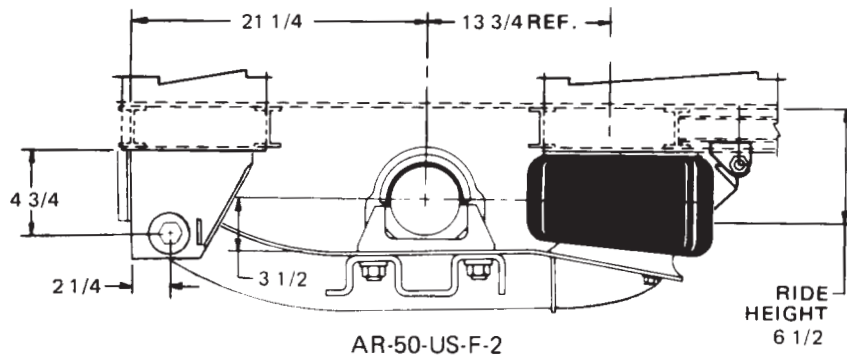
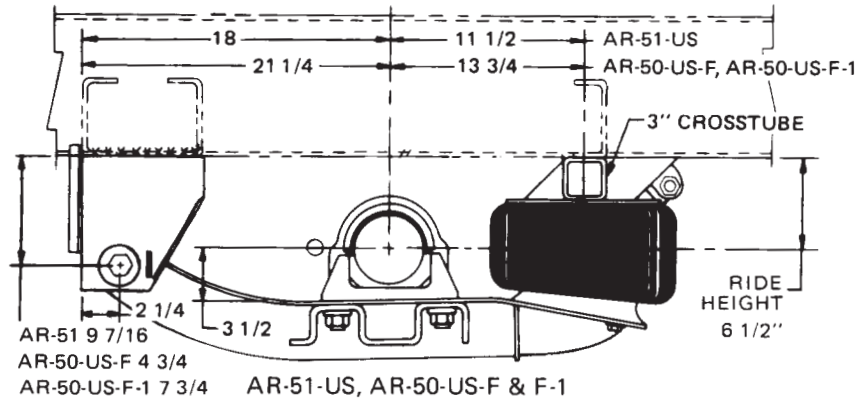
Navistar 422485C1
Hendrickson 35400-3

For "Double" Frame with 5/16"
Channel Reinforcement

NEWAY MODEL IDENTIFICATION

AR-50-US & AR-51-US SERIES

The basic differences in the models are the frame brackets and equalizing beam. To identify the correct model, refer to the views and dimensions below.



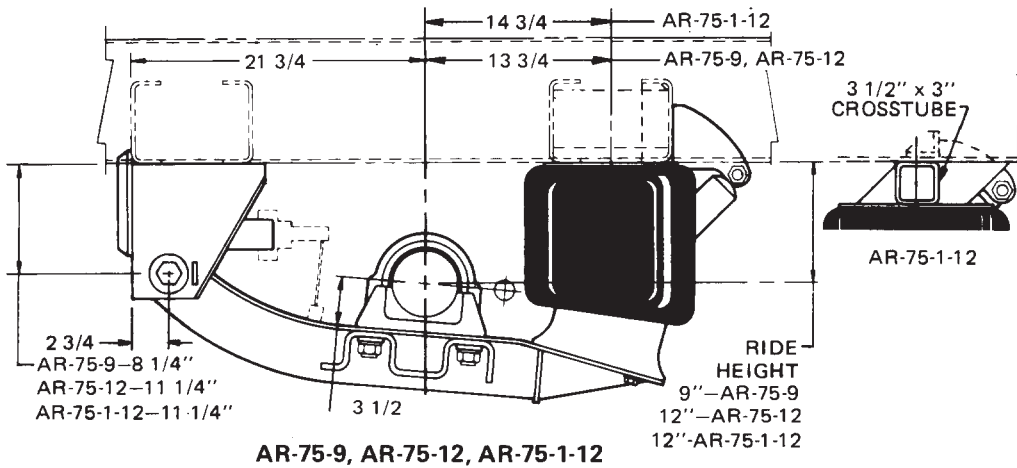
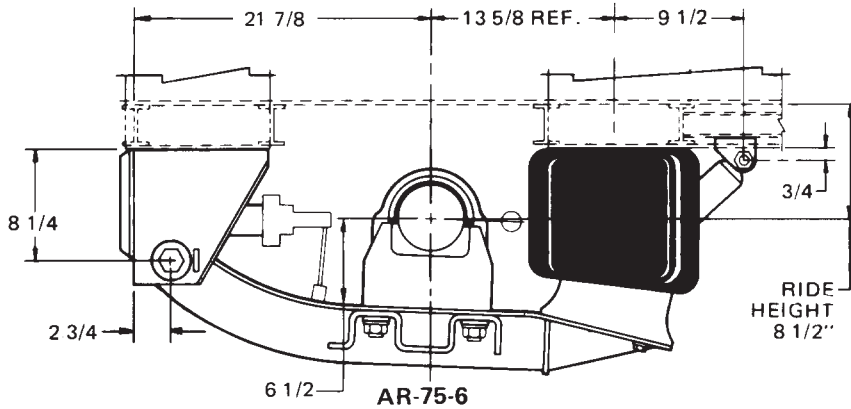
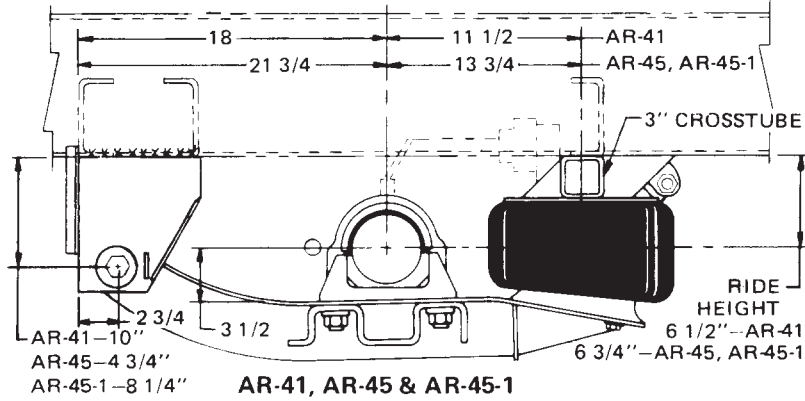
1

NEWAY MODEL IDENTIFICATION

AR-41, AR-45 & AR-75 SERIES

The basic differences in the models are the frame brackets, equalizing beam, beam seats and air springs. To identify the correct model, refer to the views and dimensions below.

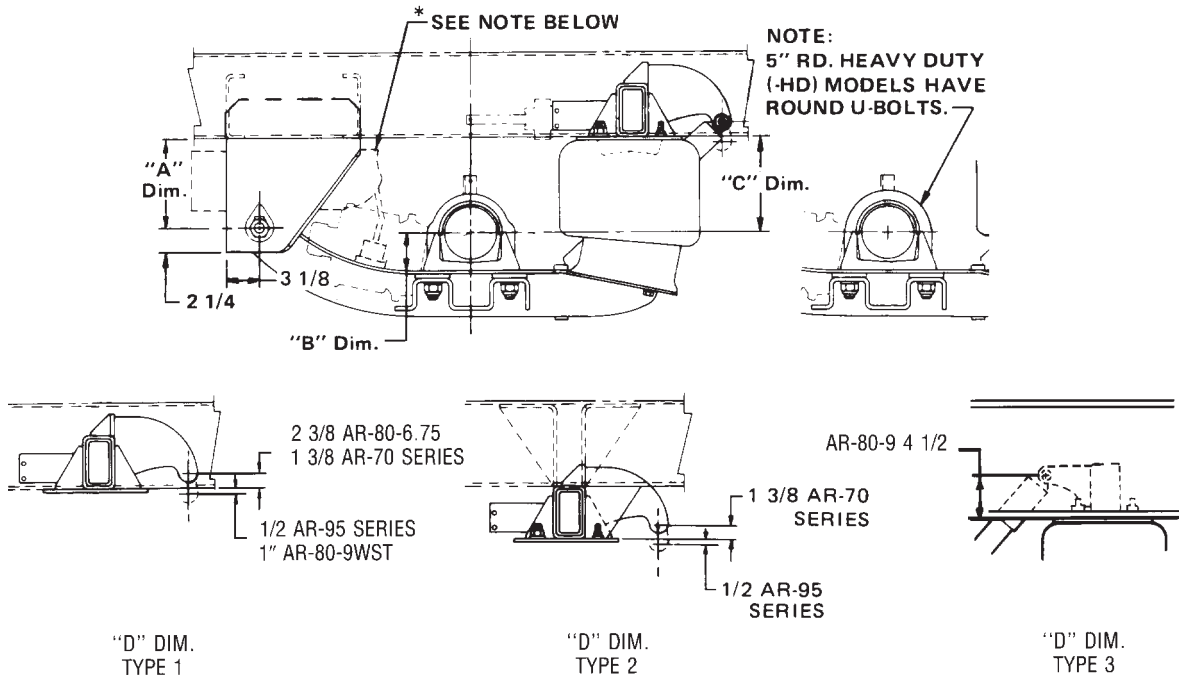
1



NEWAY MODEL IDENTIFICATION

AR-70, AR-80, AR-95 & AR-955 SERIES

The basic differences in the models are the frame brackets, equalizing beam, beam seats and air springs. To identify the correct model, refer to the views and dimensions below.

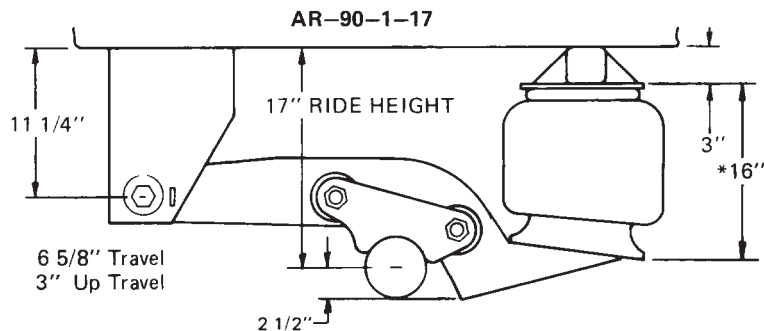
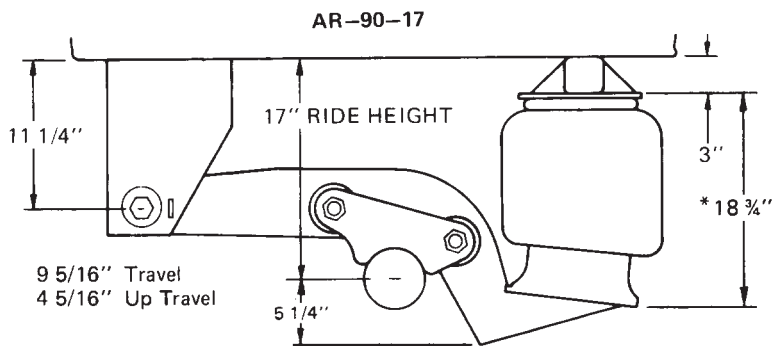
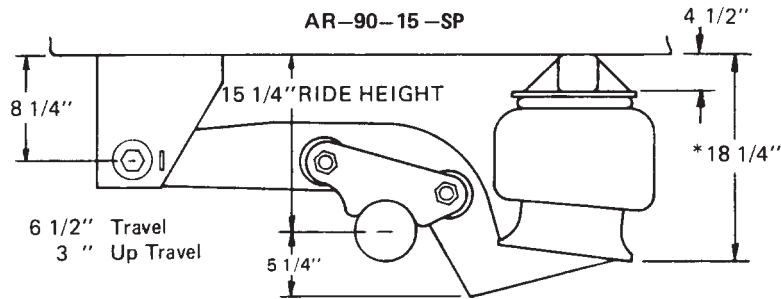
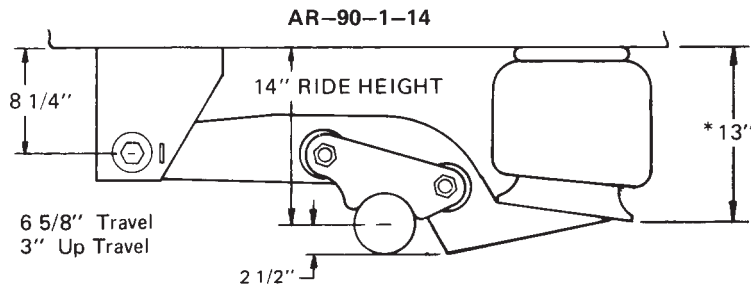
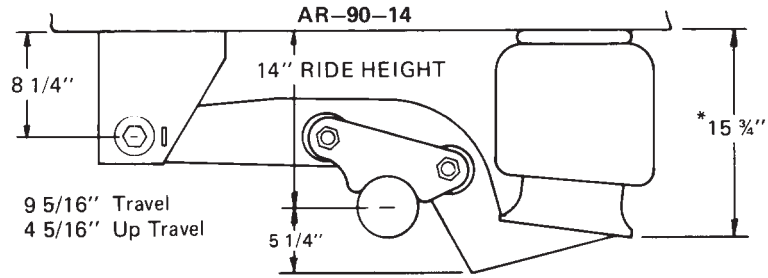


MODEL	"A" DIMENSION	"B" DIMENSION	"C" DIMENSION	"D" DIMENSION
AR-70-9	8 1/2"	3 1/2"	9"	Type 1 1 3/8"
AR-70-14	13 1/2"	3 1/2"	14"	Type 2 1 3/8"
AR-80-6.75	6 3/4"	3 1/2"	6 3/4"	Type 1 2 3/8"
AR-80-9	8 1/4"	3 1/2"	9"	Type 3 4 1/2"
AR-80-9WST	8 1/4"	3 1/2"	9"	Type 1 1"
AR-95-9	11 1/2"	6 1/2"	9"	Type 1 1/2"
AR-955-9	11 1/2"	6 1/2"	9"	Type 1 1/2"
AR-95-9-HD	11 1/2"	6 1/2"	9"	Type 1 1/2"
AR-955-9-HD	11 1/2"	6 1/2"	9"	Type 1 1/2"
AR-95-12	11 1/2"	3 1/2"	12"	Type 1 1/2"
AR-955-12	11 1/2"	3 1/2"	12"	Type 1 1/2"
AR-95-12-HD	11 1/2"	3 1/2"	12"	Type 1 1/2"
AR-955-12-HD	11 1/2"	3 1/2"	12"	Type 1 1/2"
AR-95-14	16 1/2"	6 1/2"	14"	Type 2 1/2"
AR-955-14	16 1/2"	6 1/2"	14"	Type 2 1/2"
AR-95-14-HD	16 1/2"	6 1/2"	14"	Type 2 1/2"
AR-955-14-HD	16 1/2"	6 1/2"	14"	Type 2 1/2"
AR-95-17	16 1/2"	3 1/2"	17"	Type 2 1/2"
AR-955-17	16 1/2"	3 1/2"	17"	Type 2 1/2"
AR-95-17-HD	16 1/2"	3 1/2"	17"	Type 2 1/2"
AR-955-17-HD	16 1/2"	3 1/2"	17"	Type 2 1/2"

*Indicates Coil Spring Lift

NEWAY MODEL IDENTIFICATION

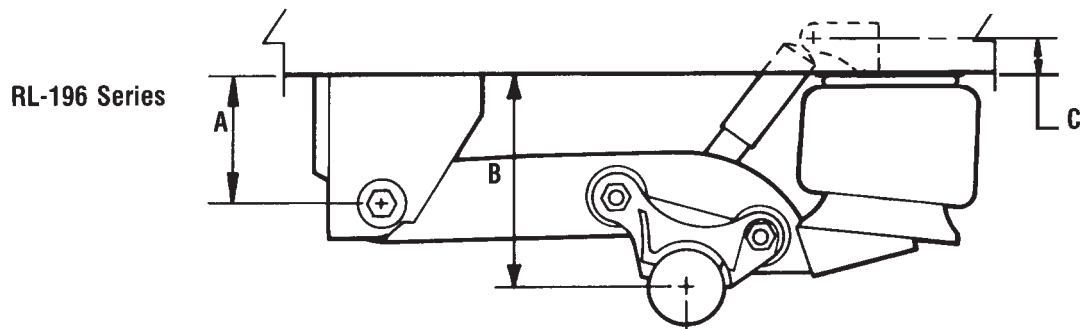
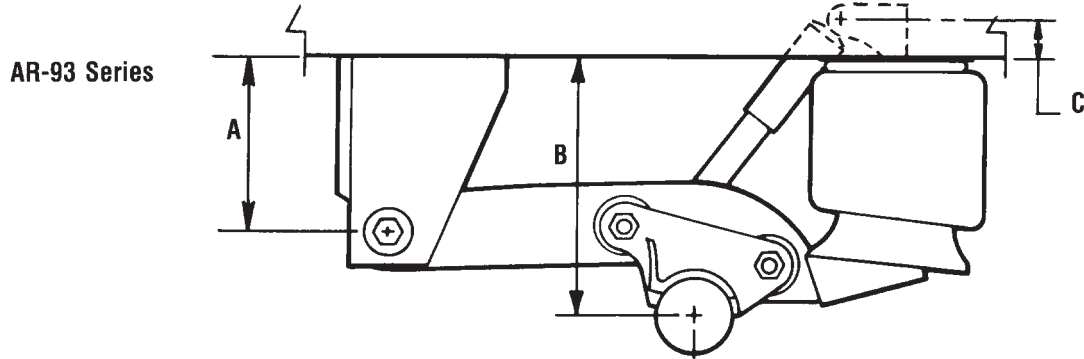
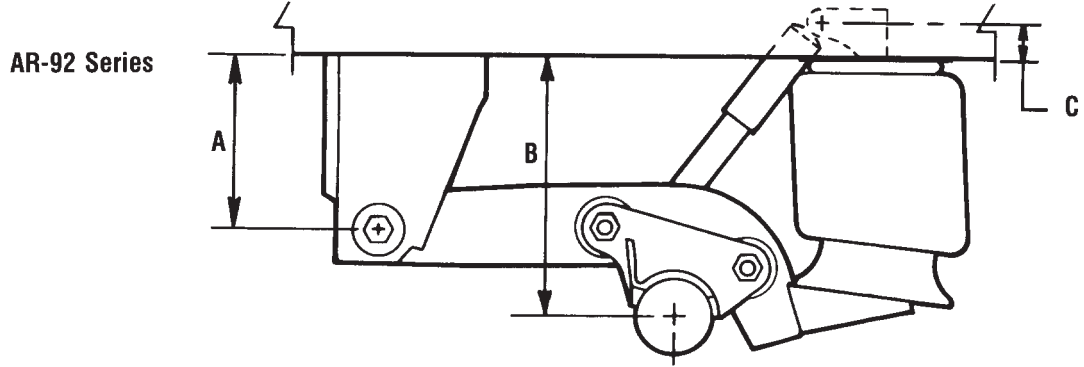
AR-90 SERIES



*Reference dimension of proper ride height

NEWAY MODEL IDENTIFICATION

AR-92, AR-93 & AR-196 SERIES



1

MODEL	"A"	"B"	"C"	FULL TRAVEL	UP TRAVEL
AR-92-12	5 1/4"	12"	2 1/4"	8"	3"
AR-92-14	7 1/4"	14"	2 1/4"	8"	4"
AR-92-15	8 1/4"	15"	2 1/4"	8"	4"
AR-92-16	10 3/4"	16"	2 1/4"	8"	4"
AR-92-17	10 3/4"	17"	2 1/4"	8"	4"
AR-92-18	12 1/2"	18"	2 1/4"	8 3/8"	4 3/8"
AR-93-14	7 1/4"	14"	2 1/4"	8"	3"
AR-93-15	8 1/4"	15"	2 1/4"	8 1/4"	3"
AR-93-16	10 3/4"	16"	2 1/4"	8"	3"
AR-93-17	10 3/4"	17"	2 1/4"	8 1/4"	3"
RL-196-12	5 1/4"	12"	2 1/4"	7"	3"
RL-196-14	7 1/4"	14"	2 1/4"	7"	3"
RL-196-15	8 1/2"	15"	2 1/4"	6"	3"
RL-196-16	10 1/2"	16"	2 1/4"	7"	3"
RL-196-17	10 1/2"	17"	2 1/4"	8"	3"

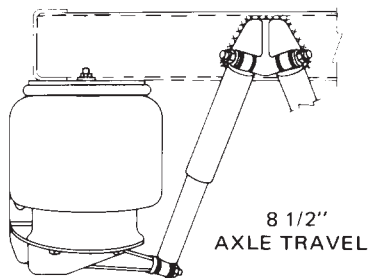
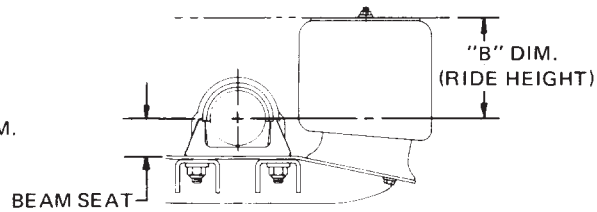
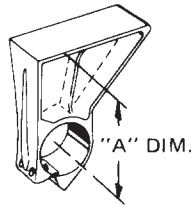
NEWAY MODEL IDENTIFICATION

AR-120/125 TOPMOUNT AND AR-120/125-US UNDERSLUNG SERIES

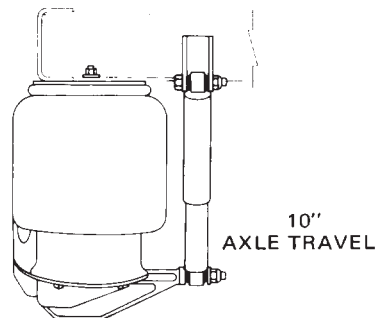
The basic differences in the AR-1 models are the frame bracket, equalizing beam, shock absorbers, beam seats (underslung models only) and air springs. To identify the models, refer to the views below.

MODEL	"A" DIMENSION	"B" DIMENSION	SHOCK ABSORBER	BEAM SEAT	*AXLE CAP.	AXLE TRAVEL
AR-120	8 3/8"	14"	Type I		20,000 lbs.	8 1/2"
AR-125	8 3/8"	14"	Type I		25,000 lbs.	8 1/2"
AR-120-L	11 3/8"	17"	Type II		20,000 lbs.	10"
AR-125-L	11 3/8"	17"	Type II		25,000 lbs.	10"
AR-120-US	8 3/8"	9"	Type I	3 1/2"	20,000 lbs.	8 1/2"
AR-125-US	8 3/8"	9"	Type I	3 1/2"	25,000 lbs.	8 1/2"
AR-120-US-L-1	11 3/8"	9"	Type II	6 1/2"	20,000 lbs.	10"
AR-120-US-L-2	11 3/8"	10 1/2"	Type II	5 1/4"	20,000 lbs.	10"
AR-120-US-L-3	11 3/8"	12"	Type II	3 1/2"	20,000 lbs.	10"
AR-125-US-L-1	11 3/8"	9"	Type II	6 1/2"	25,000 lbs.	10"
AR-125-US-L-2	11 3/8"	10 1/2"	Type II	5 1/4"	25,000 lbs.	10"
AR-125-US-L-3	11 3/8"	12"	Type II	3 1/2"	25,000 lbs.	10"
AR-120-US-F	8 3/8"	9"	Type I	3 1/2"	20,000 lbs.	7 3/4"
AR-125-US-F	8 3/8"	9"	Type I	3 1/2"	25,000 lbs.	7 3/4"
AR-165-US	7 3/8"	*7 1/8"	Type I	6 1/2"	20,000 lbs.	7 1/8"

* May vary slightly with trailer manufacturer's frame design.



TYPE I LOCATION



TYPE II LOCATION

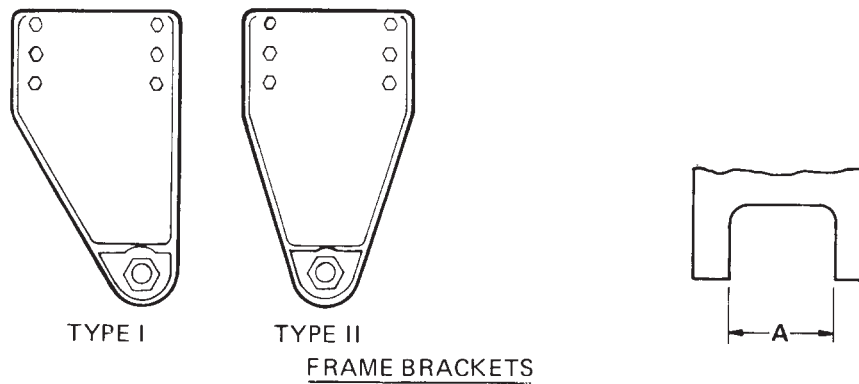
NEWAY MODEL IDENTIFICATION

ARD SERIES

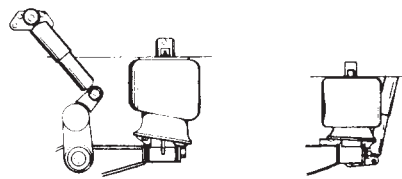
The basic differences in the ARD (Air Ride Drive Axle) models are in the frame brackets, equalizing beam, shock absorbers and transverse beams. To identify models, refer to the views below.

MODEL	FRAME BRACKET	"A"	SHOCK ABSORBER	TRANSVERSE BEAM
ARD-125-6	Type I	5 1/2"	Type II	Type I
ARD-125-8	Type I	5 1/2"	Type I	Type I
ARD-244-6	Type I	5 1/2"	Type II	Type I
ARD-244-8	Type I	5 1/2"	Type I	Type I
ARD-234	Type II	5 1/2"	Type II	Type I
ARD-238	Type II	5 1/2"	Type II	Type II

1



FRAME BRACKETS



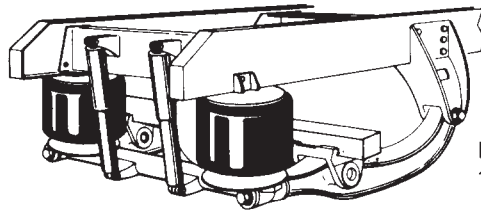
TYPE I TYPE II
SHOCK ABSORBERS



TYPE I TYPE II
TRANSVERSE BEAMS

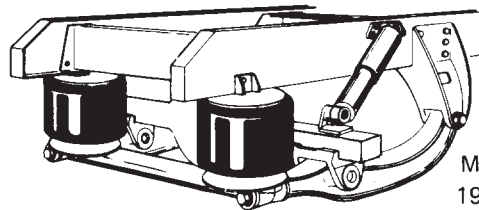
NEWAY MODEL IDENTIFICATION

ARD SERIES



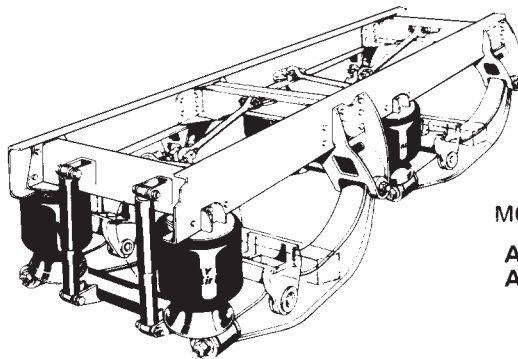
MODEL YEARS
1970 – Present

ARD-125-6 Single (Shown)
ARD-244-6 Tandem



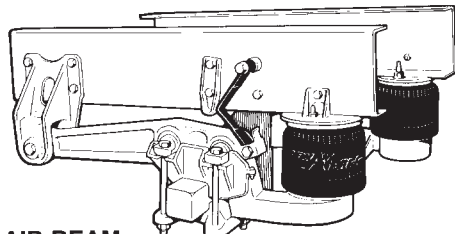
MODEL YEARS
1970 – Present

ARD-125-8 Single (Shown)
ARD-244-8 Tandem

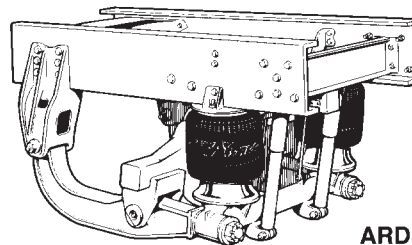


ARD-234-6 Tandem
MODEL YEARS 1978— Present

ARD-120-6 Single
ARD-238-6 Tandem (Shown)
MODEL YEARS
1984 – Present



AIR BEAM
ARDAB-120 & 240-5



ARDST-123 & 246-6

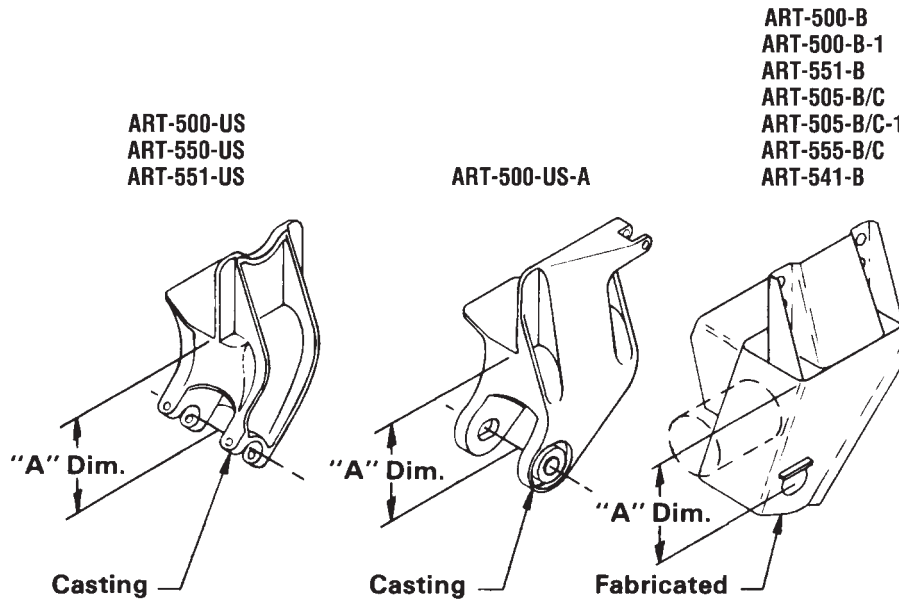
NEWAY MODEL IDENTIFICATION

ART-500-US SERIES & AR-80-9FM

To determine your "ART" model when ordering replacement parts or for service information, compare the frame brackets on the unit to those shown below.

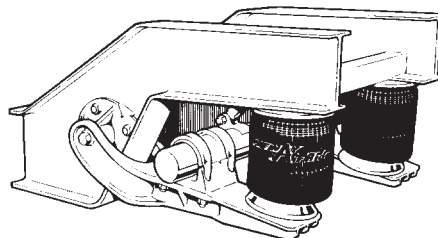
The basic ART-500 Series has a total axle travel of 8 1/2". The basic ART-550 and ART-551 Series have 10" of axle travel.

Note the frame to centerline of pivot dimensions on the various models. The shock absorbers and air springs are different for each model.



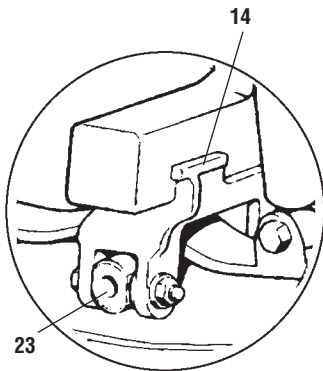
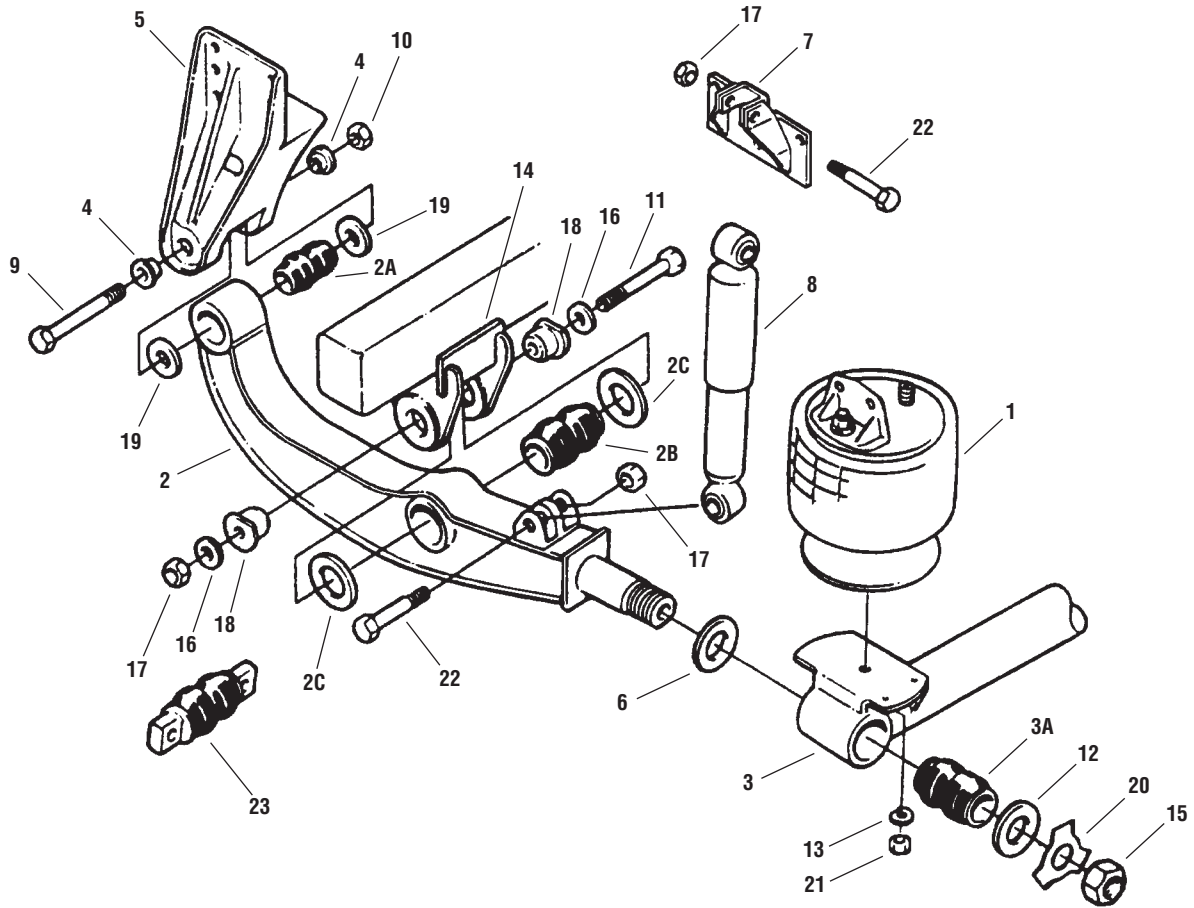
	"A" Dim.
ART-500	8 3/8"
ART-550	11 1/2"
ART-551	11 1/2"
ART-500-A	8 1/2"
ART-500-B	8 1/2"
ART-500-B-1	8 1/2"
ART-551-B	11 1/2"
ART-505-B/C	8 1/2"
ART-505-B/C-1	8 1/2"
ART-555-B/C	11 1/2"
ART-541-B	11 1/2"

AR-80-9FM



NEWAY SUSPENSION

AD-123/246 -6.5, -8.75, -10 Series
Tractor



Optional Bar Pin Style
Beam Center Bushing

1

NEWAY SUSPENSION PARTS

AD-123/246 -6.5, -8.75, -10 Series

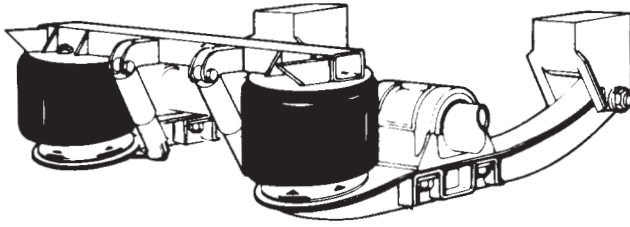
Tractor

KEY NO.	EUCLID NO.	REPLACES NEWAY NO.	DESCRIPTION	QTY. PER AXLE	AD-123/246			PAGE NO.
					6.5	8.75	10	
1	FS9471	905 57 146	Air Spring Assembly, Includes Mounting Bracket	2		X		—
	FS9472	905 57 147			X	X		—
2	S.O.S.	905 16 531	Equalizing Beam Assembly	2	X	X	X	—
2A	E-9292	900 08 151	Beam Bushing	2	X	X	X	2-51
2B	E-4253 (Rubber)	900 08 008	Beam Center Bushing	2	X	X	X	2-50
	E-8681 (Poly)							
2C	E-4315	900 01 065	Beam Adapter	4	X	X	X	2-35
3	S.O.S.	905 45 220	Transverse Beam Assembly	1	X	X	X	—
3A	E-4252	900 08 006	Transverse Beam Bushing	2	X	X	X	2-50
4	E-4267	900 08 120	Alignment Block	4	X	X	X	1-472
5	S.O.S.	Various	Frame Bracket, Left Hand	1	X	X	X	—
	S.O.S.	Various	Frame Bracket, Right Hand	1	X	X	X	—
6	S.O.S.	936 00 498	Washer	2	X	X	X	—
7	S.O.S.	905 20 520	Shock Absorber Mounting Bracket, Left Hand	1	X	X	X	—
	S.O.S.	905 20 521	Shock Absorber, Mounting Bracket, Right Hand	1	X	X	X	—
8	M85906	900 45 099	Shock Absorber	2	X	X	X	3-14
	M85909	900 45 132	Shock Absorber (Optional, 24 1/4" Extended Length)		X	X	X	3-13
9	E-4364	932 01 055	Bolt	2	X	X	X	2-32
10	E-4358	934 00 506	Lock Nut	2	X	X	X	2-34
11	Part of E-2374	930 03 693	Bolt	2	X	X	X	1-471
12	S.O.S.	900 36 006	Spacer Washer	2	X	X	X	—
13	S.O.S.	936 00 072	Lock Washer, 1/2"	2	X	X	X	—
14	S.O.S.	Various	Beam Hanger Bracket	2	X	X	X	—
15	S.O.S.	934 00 607	Hex Nut, 2 1/4"- 8 Thd.	2	X	X	X	—
16	Part of E-2374	936 00 156	Plain Washer	4	X	X	X	1-471
17	E-4347	934 00 492	Lock Nut, 3/4"-10 Thd.	6	X	X	X	2-34
18	Part of E-2374	900 01 002	Adapter Bushing	4	X	X	X	1-471
19	S.O.S.	936 00 502	Spacer Washer	4	X	X	X	—
20	S.O.S.	900 36 184	Tab Washer	2	X	X	X	—
21	S.O.S.	934 00 136	Hex Nut, 1/2"- 13 Thd.	2	X	X	X	—
22	S.O.S.	930 03 615	Cap Screw, 3/4"- 10 Thd. x 5 1/2"	4	X	X	X	—
23	E-10678	900 08 175	Bar Pin Center Beam Bushing	2	X	X	X	—
—	E-2374	Various	Beam Bushing Adapter Kit, Includes Key Nos. 11,16,17 & 18	2	X	X	X	1-471

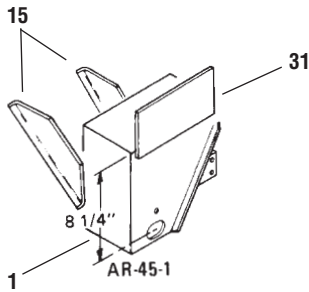
S.O.S. = Available through Euclid's S.O.S. Department

NEWAY SUSPENSION

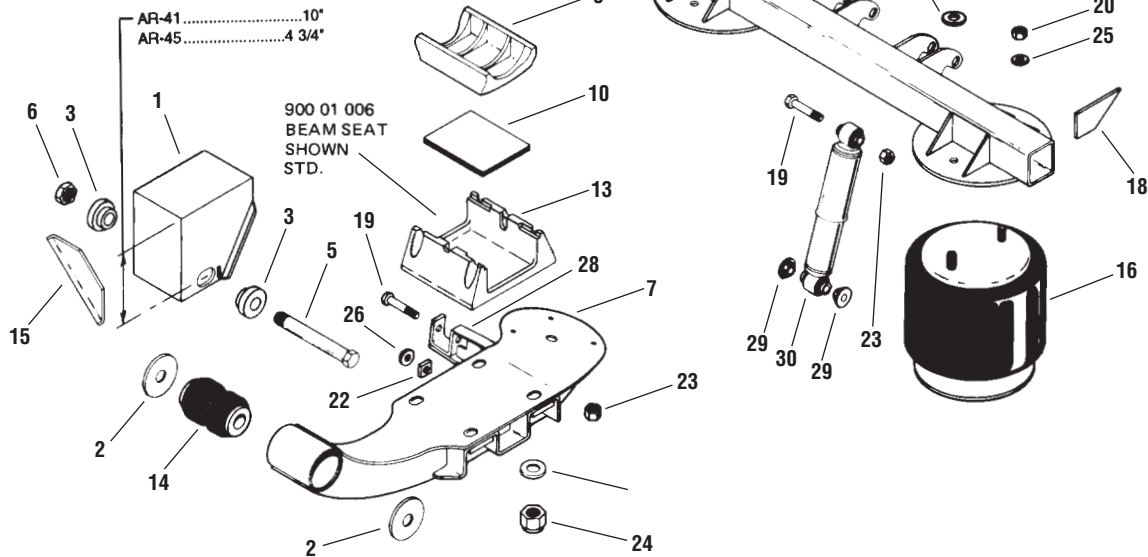
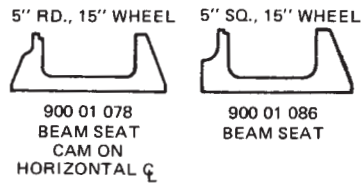
AR-41, AR-45, AR-45-1 Series Trailer



NOTE: For 15" wheel axle connection parts, with cam on horizontal centerline, refer to 15" WHEEL AXLE CONNECTION on last page of this section.



AR-41



NEWAY SUSPENSION PARTS

AR-41, AR-45, AR-45-1 Series Trailer

KEY NO.	EUCLID NO.	REPLACES NEWAY NO.	DESCRIPTION	QTY. PER AXLE	AR-			PAGE NO.
					41	45	45-1	
1	S.O.S.	905 20 189	Adjustable Frame Bracket Assembly, Left Hand	1	X			—
	S.O.S.	915 20 153				X		—
	S.O.S.	905 19 714					X	—
	S.O.S.	905 20 152	Fixed Frame Bracket Assembly, Right Hand	1		X		—
	S.O.S.	905 20 151			X		—	
	S.O.S.	905 19 715					X	—
2	E-4363	900 36 177	Washer	4	X	X	X	2-35

NEWAY SUSPENSION PARTS

AR-41, AR-45, AR-45-1 Series

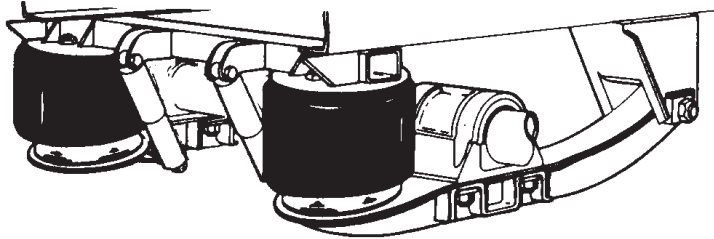
Trailer

KEY NO.	EUCLID NO.	REPLACES NEWAY NO.	DESCRIPTION	QTY. PER AXLE	AR-			PAGE NO.
					41	45	45-1	
3	E-9284	900 08 147	Alignment Block	4	X	X	X	1-472
4	S.O.S.	900 32 561	Upper Shock Mounting Bracket	4	X	X	X	—
5	E-4364	932 01 055	Bolt, 1 1/8" - 7" x 9 1/4"	2	X	X	X	2-32
6	E-4358	934 00 506	Lock Nut, 1 1/8" - 7 GrC	2	X	X	X	2-34
7	S.O.S.	905 16 054	Equalizing Beam, Left Hand	1	X			—
	S.O.S.	905 15 857			X	X		
	S.O.S.	905 16 055	Equalizing Beam, Right Hand	1	X			—
	S.O.S.	905 15 858			X	X		
8	E-4289	900 01 082	Axle Adapter	2	X	X	X	1-466
	E-4290	900 01 083			X	X	X	1-467
9	E-4282	900 10 032	Axle Cap	2	X	X	X	1-466
	E-4283	900 10 022			X	X	X	
10	E-2947A (Rubber)	900 28 075	Axle Pad	2	X	X	X	1-452
	E-8680 (Poly)				X	X	X	1-452, 2-10
11	E-2943 (Rubber)	900 28 047	Wrapper, 5" Round Axle	2	X	X	X	1-451
	E-8678 (Poly)				X	X	X	1-451, 2-9
	E-4409 (Rubber)				900 28 073	Wrapper, 5" Square Axle	X	X
12	E-UB8479-090	900 41 878	U-Bolt Assembly, Flat Rd. Bend, 1"- 14 Thd. x 6 5/16" Wide x 9" Long	4	X	X	X	2-30
	E-UB8578-124A	900 42 794	U-Bolt Assembly, Flat Sq. Bend, 1"- 14 Thd. x 6 5/16" Wide x 12 1/2" Long		X	X	X	2-20
13	E-4292	900 01 006	Axle Seat	2	X	X	X	1-468
14	E-4382A	900 08 139	Bushing	2	X	X	X	1-450
15	S.O.S.	900 23 002	Angle Brace	2	X	X		—
	S.O.S.	900 23 003		4			X	—
16A	FS9039	905 57 023	Air Spring Assembly	2	X	X	X	—
16B	FS9307	905 57 129	Air Spring Assembly (Composite Piston)	2	X	X	X	—
17	S.O.S.	905 44 615	Crossmember Assembly	1	X			—
	S.O.S.	905 44 573			X	X		
18	S.O.S.	900 31 443	Gusset	2	X	X	X	—
19	E-4345	930 03 599	Bolt	4	X	X	X	1-476, 2-33
20	S.O.S.	934 00 136	Hex Nut, 1/2"-13 Thd.	2	X	X	X	—
21	E-1107	934 00 149	Hex Nut, 3/4"-16 Thd.	2	X	X	X	2-34
22	S.O.S.	934 00 367	Square Nut, 3/4"-10 Thd.	2	X	X	X	—
23	E-4347	934 00 492	Lock Nut, 3/4"-10 Thd.	4	X	X	X	2-34
24	E-4421	934 00 502	Lock Nut	8	X	X	X	2-34
25	S.O.S.	936 00 072	Lock Washer, 1/2"	2	X	X	X	—
26	S.O.S.	936 00 077	Lock Washer, 3/4"	4	X	X	X	—
27	E-4353	939 00 027	Washer, 1 5/8"	8	X	X	X	2-35
28	E-4338	905 19 009	Lower Shock Mounting Bracket	2	X			1-476
	S.O.S.	905 19 425				X	X	—
29	E-4403 (Rubber)	905 08 004	Bushing	8	X	X	X	2-53, 3-2
	E-8684 (Poly)				X	X	X	2-10, 3-2
30	M83128	900 44 162	Shock Absorber	2	X	X	X	3-14
31	S.O.S.	900 31 437	Plate	2			X	—
—	E-4398A	SRK-145 481 00 202	Pivot Connection Kit Includes Key Nos. 2, 5, 6, 14	1	X	X	X	1-457
—	E-2977A	SRK-64 481 00 108	5" Round Axle Connection Kit Includes Key Nos. 10, 11, 12, 24, 27	1	X	X	X	1-453

S.O.S. = Available through Euclid's S.O.S. Department

NEWAY SUSPENSION

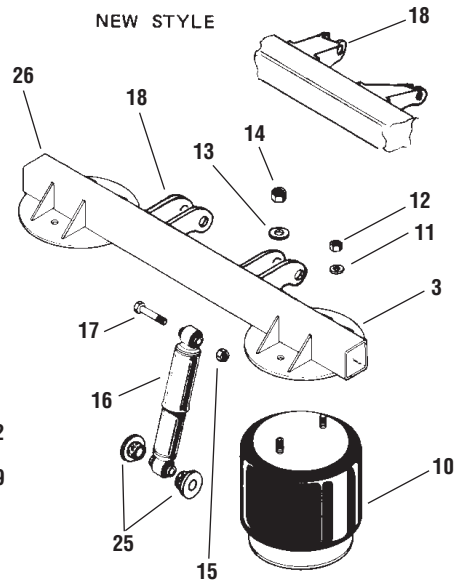
AR-50-US, AR-50-US-F, AR-50-US-F-1, AR-50-US-F-2, AR-51-US Series Trailer



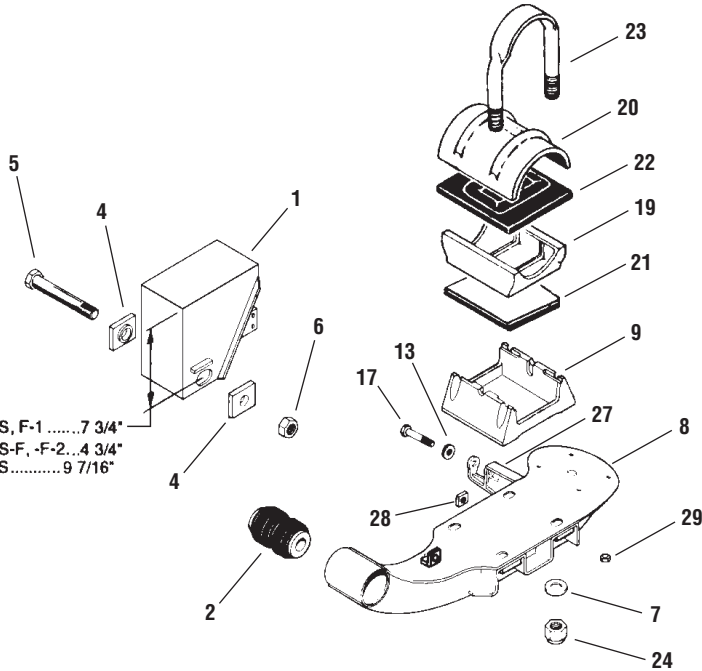
NOTE: Conversion to NEW STYLE Shock Brackets - SRK-109 UP-TO-DATE 151

OLD STYLE

NEW STYLE



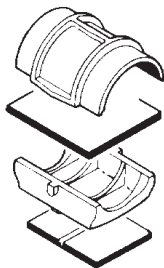
NOTE: For 15" wheel axle connection parts, with cam on horizontal centerline, refer to 15" WHEEL AXLE CONNECTION on last page of this section.



AR-50-US, F-1 7 3/4"
AR-50-US-F, -F-2... 4 3/4"
AR-51-US..... 9 7/16"

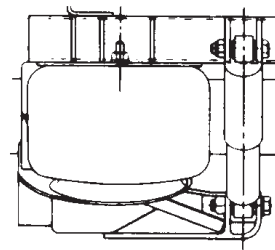
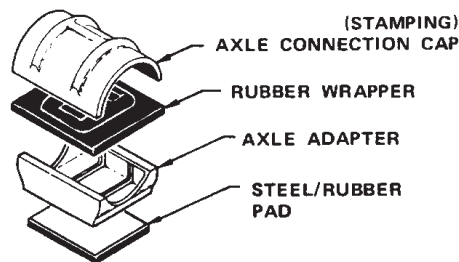
OLD STYLE

5" Rd. (Shown) & 5" Sq.

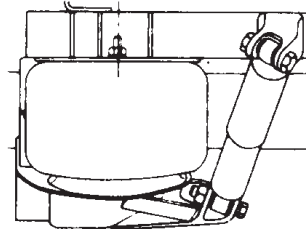


NEW STYLE

5" Rd. (all parts) & 5" Sq. (axle adapter & pad)



AR-50-US
NEW STYLE



AR-50-US
OLD STYLE

NEWAY SUSPENSION PARTS

AR-50-US, AR-50-US-F, AR-50-US-F-1, AR-50-US-F-2, AR-51-US Series Trailer

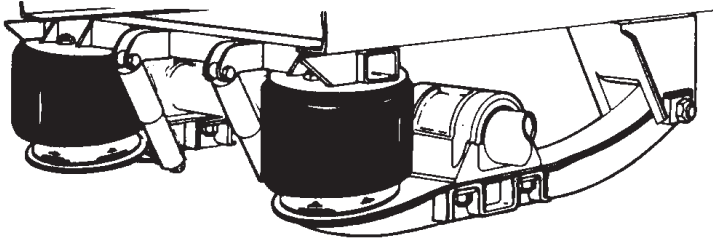
KEY NO.	EUCLID NO.	REPLACES NEWAY NO.	DESCRIPTION	QTY. PER AXLE	AR-					PAGE NO.
					50-US	50-US-F	50-US-F-1	50-US-F-2	51-US	
1	S.O.S.	905 18 081	Adjustable Frame Bracket Assembly	1	X		X			—
	S.O.S.	905 18 078				X		X		
	S.O.S.	905 18 071							X	
2	E-4255	900 08 131	Rubber Bushing	2	X	X	X	X	X	1-448
3	E-4321	900 31 027	Air Spring Mounting Plate	2	X	X	X	X	X	1-475
4	E-4263	900 01 045	Alignment Block	4	X	X	X	X	X	1-473
5	E-4361	932 01 045	Bolt	2	X	X	X	X	X	1-472, 2-32
6	E-4358	934 00 506	Lock Nut	2	X	X	X	X	X	2-34
7	E-4353	939 00 027	Washer, 1 5/8"	8	X	X	X	X	X	2-35
8	S.O.S.	905 16 008	Equalizing Beam, Left Hand (New Style)	1	X					—
	S.O.S.	905 16 000				X	X	X		
	S.O.S.	905 16 012							X	
	S.O.S.	905 15 141	Equalizing Beam, Left Hand (Old Style)	1	X					—
	S.O.S.	905 15 132				X	X	X		
	S.O.S.	905 16 009	Equalizing Beam, Right Hand (New Style)	1	X					—
	S.O.S.	905 16 001				X	X	X		
	S.O.S.	905 16 013							X	
S.O.S.	905 15 142	Equalizing Beam, Right Hand (Old Style)	1	X					—	
S.O.S.	905 15 131				X	X	X			
9	E-4292	900 01 006	Axle Seat	2	X	X	X	X	X	1-468
10	FS9039	905 57 023	Air Spring Assembly	2	X	X	X	X	X	—
11	S.O.S.	936 00 072	Lock Washer, 1/2"	2	X	X	X	X	X	—
12	S.O.S.	934 00 136	Hex Nut, 1/2"-13 Thd.	2	X	X	X	X	X	—
13	S.O.S.	936 00 077	Washer, 3/4"	4	X	X	X	X	X	—
14	E-1107	934 00 149	Hex Nut, 3/4"-16 Thd.	2	X	X	X	X	X	2-34
15	E-4347	934 00 492	Lock Nut, 3/4"-10 Thd.	2	X	X	X	X	X	2-34
16	M83128	900 44 162	Shock Absorber	2	X	X	X	X	X	3-14
17	E-4345	930 03 599	Bolt	4	X	X	X	X	X	1-476, 2-33
18	S.O.S.	900 32 561	Upper Shock Mounting Bracket (New Style)	4	X	X	X		X	—
	S.O.S.	900 18 061	Upper Shock Mounting Bracket, Left Hand (Old Style)	1	X	X	X		X	—
	S.O.S.	900 18 062	Upper Shock Mounting Bracket, Right Hand (Old Style)	1	X	X	X		X	—
	S.O.S.	905 19 040	Upper Shock Mounting Bracket (New Style)	2				X		—
	S.O.S.	900 18 114	Upper Shock Mounting Bracket (Old Style)	2				X		—
19	E-4289	900 01 082	Axle Adapter, 5" Round Axle	2	X	X	X	X	X	1-466
	E-4290	900 01 083	Axle Adapter, 5" Square Axle		X	X	X	X	X	1-467
20	E-4282	900 10 032	Axle Cap, 5" Round Axle (New Style)	2	X	X	X	X	X	1-466
	E-4283	900 10 022	Axle Cap, 5" Square Axle		X	X	X	X	X	1-466
21	E-2947A (Rubber)	900 28 075	Axle Pad (New Style)	2	X	X	X	X	X	1-452
	E-8680 (Poly)									1-452, 2-10
	E-2010 (Rubber)	900 28 016	Axle Pad (Old Style)		X	X	X	X	X	1-451
	E-8674 (Poly)									1-451, 2-10

S.O.S. = Available through Euclid's S.O.S. Department

Continued on next page

NEWAY SUSPENSION

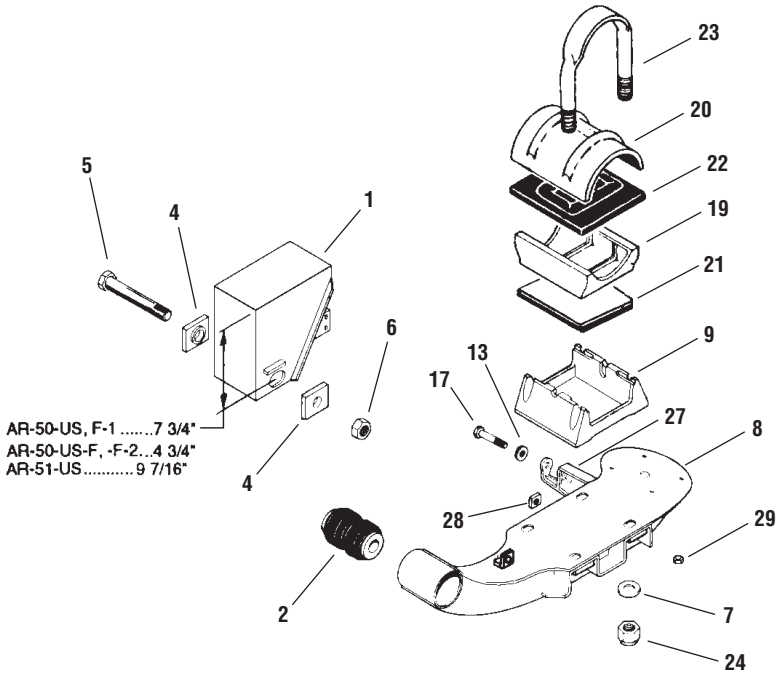
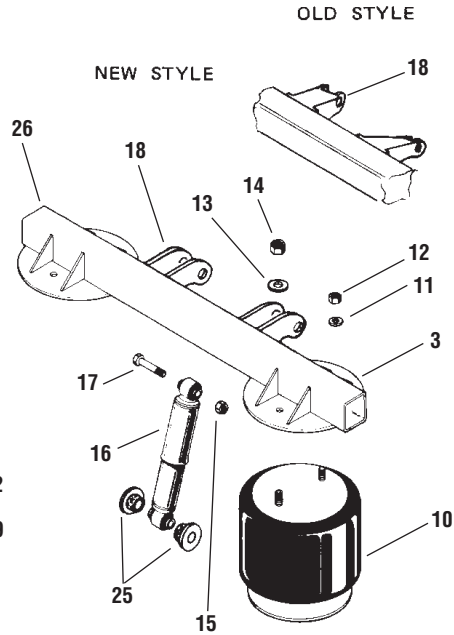
AR-50-US, AR-50-US-F, AR-50-US-F-1, AR-50-US-F-2, AR-51-US Series Trailer



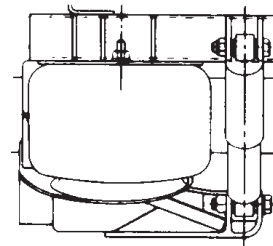
NOTE: Conversion to NEW STYLE Shock Brackets - SRK-109 UP-TO-DATE 151

1

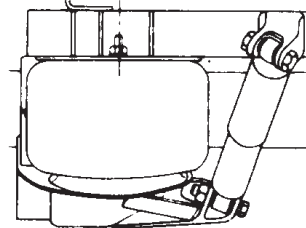
NOTE: For 15" wheel axle connection parts, with cam on horizontal centerline, refer to 15" WHEEL AXLE CONNECTION on last page of this section.



AR-50-US, F-1 7 3/4"
 AR-50-US-F, -F-2... 4 3/4"
 AR-51-US 9 7/16"

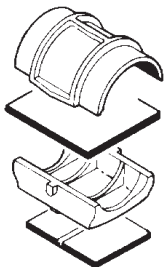


AR-50-US
NEW STYLE

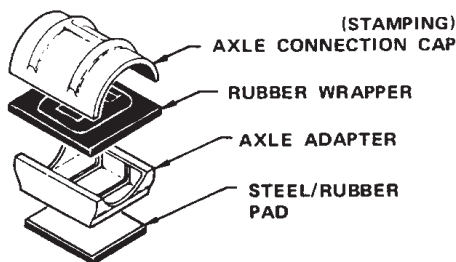


AR-50-US
OLD STYLE

OLD STYLE
5" Rd. (Shown) & 5" Sq.



NEW STYLE
5" Rd. (all parts) & 5" Sq. (axle adapter & pad)



NEWAY SUSPENSION PARTS

AR-50-US, AR-50-US-F, AR-50-US-F-1, AR-50-US-F-2, AR-51-US Series Trailer

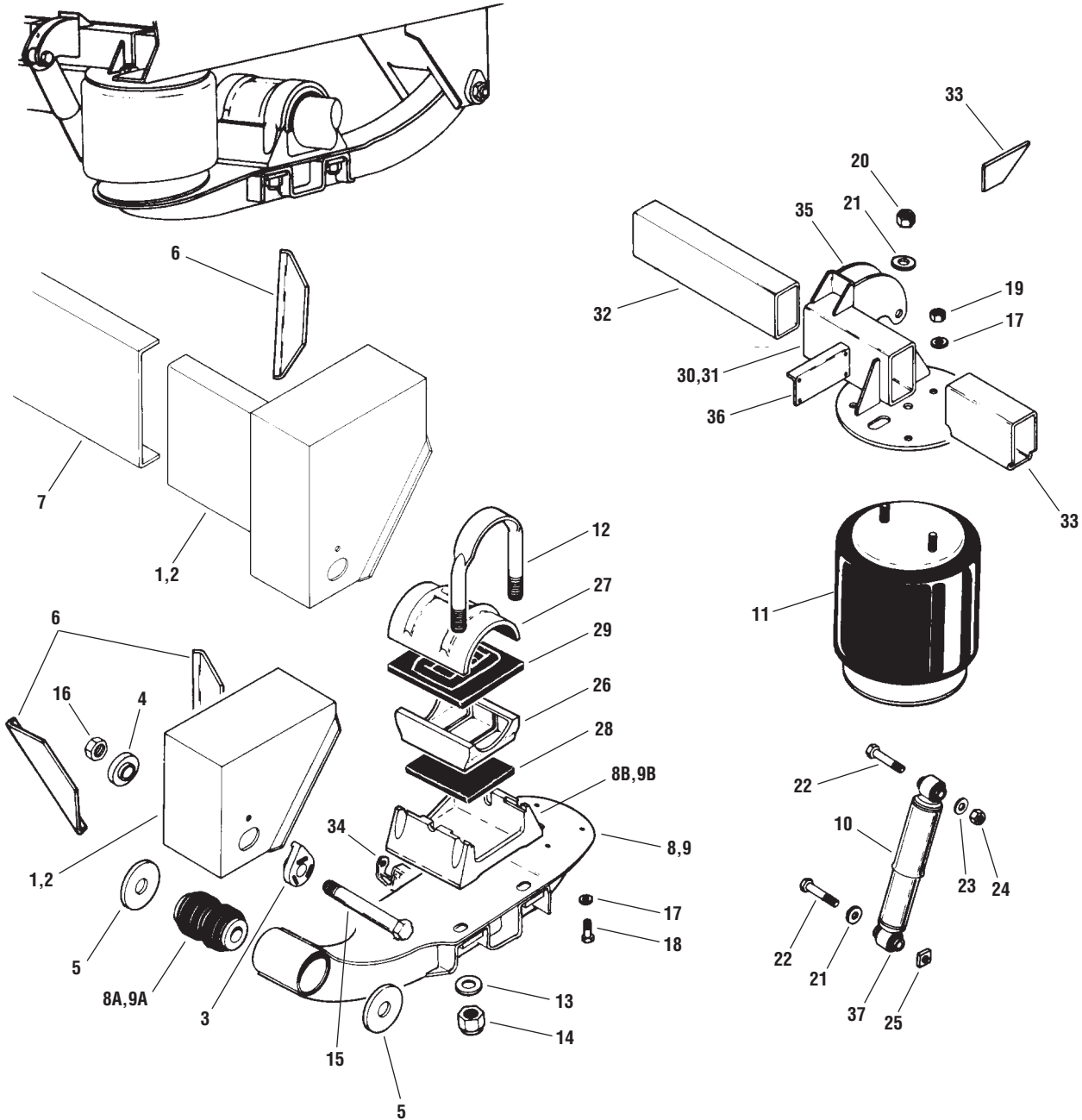
KEY NO.	EUCLID NO.	REPLACES NEWAY NO.	DESCRIPTION	QTY. PER AXLE	AR-					PAGE NO.
					50-US	50-US-F	50-US-F-1	50-US-F-2	51-US	
22	E-2943 (Rubber)	900 28 047	Wrapper, Round Axle (New Style)	2	X	X	X	X	X	1-451
	E-8678 (Poly)									1-451, 2-9
	E-2009 (Rubber)	900 28 073	Wrapper, Square Axle (Old Style)		X	X	X	X	X	1-451
	E-8673 (Poly)									1-451, 2-9
	E-4409 (Rubber)				900 28 007	Wrapper, Round Axle	X	X	X	X
23	E-UB8479-090	900 41 878	U-Bolt Assembly, Flat Rd. Bend, 1"- 14 Thd. x 6 5/16" Wide x 9" Long	4	X	X	X	X	X	2-30
	E-UB8578-094	900 41 997	U-Bolt Assembly, Flat Sq. Bend, 1"- 14 Thd. x 6 5/16" Wide x 9 1/2" Long	4	X	X	X	X	X	2-30
24	E-4421	934 00 502	Lock Nut, 1"- 8 Thd.	8	X	X	X	X	X	2-34
25	E-4403 (Rubber)	905 08 004	Bushing	8	X	X	X	X	X	2-53, 3-2
	E-8684 (Poly)									2-10, 3-2
26	S.O.S.	905 44 573	Crossmember Assembly (New Style)	1	X	X	X	X	X	—
	S.O.S.	905 44 615								—
	S.O.S.	905 18 065	Crossmember Assembly (Old Style)							1
27	E-4338	905 19 009	Lower Shock Mounting Bracket (New Style)	2	X	X	X	X	X	1-476
	S.O.S.	900 18 067	Lower Shock Mounting Bracket (Old Style)							X
28	S.O.S.	934 00 367	Square Nut, 3/4"-10 Thd.	2	X	X	X	X	X	—
29	S.O.S.	934 00 553	Lock Nut, 3/4"-10 Thd.	2	X	X	X	X	X	—
—	E-4396	SRK-48-A	Pivot Connection Kit (New Style) Includes Key Nos. 2, 5, 6	1	X	X	X	X	X	1-458
—	E-2977A	SRK-64	5" Round Axle Connection Kit (New Style) Includes Key Nos. 7, 21, 22, 23, 24	1	X	X	X	X	X	1-453
—	S.O.S.	SRK-109	Shock Absorber & Bracket Conversion Kit Includes Key Nos. 13, 15, 16, 17, 18, 27, 28	1	X	X	X	X	X	—

S.O.S. = Available through Euclid's S.O.S. Department

NEWAY SUSPENSION

AR-70-9, -14, AR-95-9, -12, -14, -17 Series
Trailer

1



NEWAY SUSPENSION PARTS

AR-70-9, -14, AR-95-9, -12, -14, -17 Series

Trailer

KEY NO.	EUCLID NO.	REPLACES NEWAY NO.	DESCRIPTION	QTY. PER AXLE	AR-						PAGE NO.
					70-9	70-14	95-9	95-12	95-14	95-17	
1	S.O.S.	905 18 716	Adjustable Frame Bracket Assembly, Left Hand	1	X						—
	S.O.S.	905 18 722				X					
	S.O.S.	905 18 714					X	X			
	S.O.S.	905 18 720							X X		
2	S.O.S.	905 18 716	Adjustable Frame Bracket Assembly, Right Hand	1	X	X					—
	S.O.S.	905 18 714					X	X			
	S.O.S.	905 18 719							X X		
3	E-4268	900 08 091	Alignment Block	2	X	X	X	X	X	X	1-472
4	E-4265	900 08 092	Alignment Block	2	X	X	X	X	X	X	1-472
5	E-4363	900 36 177	Washer		X	X	X	X	X	X	2-35
6	S.O.S.	900 23 002	Angle Brace	4	X						—
	S.O.S.	900 23 866		4			X	X			
	S.O.S.	900 23 866	Angle Brace, Left Hand	1		X					—
	S.O.S.	900 23 918							X	X	
	S.O.S.	900 23 866	Angle Brace, Right Hand	1		X					—
	S.O.S.	900 23 919							X	X	
7	S.O.S.	410 23 327	Channel	1		X			X	X	—
8	S.O.S.	905 15 624	Equalizer Beam Assembly, Left Hand, Includes 8A & 8B	1	X	X		X		X	—
	S.O.S.	905 15 667					X		X		
8A	E-4382A	900 08 139	Bushing	1	X	X	X	X	X	X	1-450
8B	E-4292	900 01 006	Axle Seat	1	X	X		X		X	1-468
	S.O.S.	900 01 008					X		X		
9	S.O.S.	905 15 625	Equalizer Beam Assembly, Right Hand, Includes 9A & 9B	1	X	X		X		X	—
	S.O.S.	905 15 668					X		X		
9A	E-4382A	900 08 139	Bushing	1	X	X	X	X	X	X	1-450
9B	E-4292	900 01 006	Axle Seat	1	X	X		X		X	1-468
	S.O.S.	900 01 008					X		X		
10	M83126	900 44 626	Shock Absorber	2	X	X					3-13
	M89430		Shock Absorber								
	M83125		Shock Absorber								
11	FS9121	905 57 078	Air Spring Assembly	2	X	X					—
	FS9122	905 57 077					X	X	X	X	
12	E-UB8479-090	900 41 878	U-Bolt Assembly, Flat Rd. Bend, 1"-14 Thd. x 6 5/16" Wide x 9" Long	4	X	X		X		X	2-30
	E-UB8479-124A	900 42 792	U-Bolt Assembly, Flat Rd. Bend, 1"-14 Thd. x 6 5/16" Wide x 12 1/2" Long	4			X		X		2-30
	E-UB8578-124A	900 42 795	U-Bolt Assembly, Flat Sq. Bend, 1"-14 Thd. x 6 5/16" Wide x 12 1/2" Long	4			X		X		2-30
	E-UB8578-094	900 41 997	U-Bolt Assembly, Flat Sq. Bend, 1"-14 Thd. x 6 5/16" Wide x 9 1/2" Long	4	X	X		X		X	2-30
13	E-4353	939 00 027	Flat Washer, 1 5/8"	8	X	X	X	X	X	X	2-35
14	E-4421	934 00 502	Lock Nut	8	X	X	X	X	X	X	2-34
15	E-4364	932 01 046	Bolt	2	X	X	X	X	X	X	2-32
16	E-4358	934 00 506	Lock Nut	2	X	X	X	X	X	X	2-34
17	S.O.S.	936 00 072	Lock Washer, 1/2"	8	X	X	X	X	X	X	—
18	S.O.S.	930 02 893	Bolt, 1/2" - 13 Thd. x 1"	6	X	X	X	X	X	X	—
19	S.O.S.	934 00 136	Hex Nut, 1/2" - 13 Thd.	2	X	X	X	X	X	X	—
20	E-1107	934 00 149	Hex Nut, 3/4" - 16 Thd.	2	X	X	X	X	X	X	2-34
21	S.O.S.	936 00 077	Lock Washer, 3/4"	4	X	X	X	X	X	X	—
22	S.O.S.	930 03 603	Bolt, 3/4"-10 Thd. x 3 3/4"	4	X	X	X	X	X	X	—
23	E-2545	936 00 156	Washer	2	X	X	X	X	X	X	2-35
24	E-4347	934 00 492	Lock Nut, 3/4"-10 Thd.	2	X	X	X	X	X	X	2-34

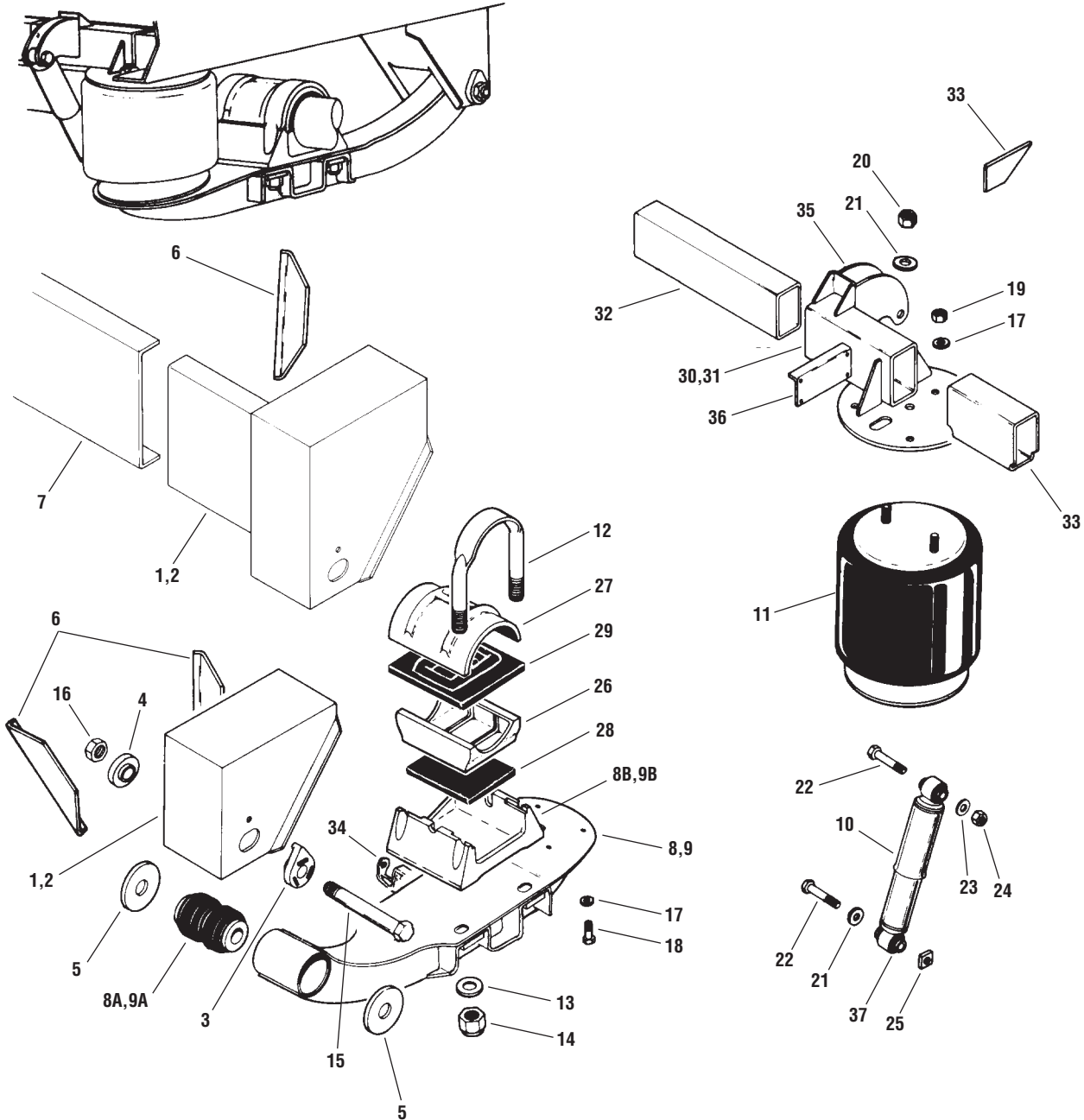
S.O.S. = Available through Euclid's S.O.S. Department

Continued on next page

NEWAY SUSPENSION

AR-70-9, -14, AR-95-9, -12, -14, -17 Series
Trailer

1



NEWAY SUSPENSION PARTS

AR-70-9, -14, AR-95-9, -12, -14, -17 Series

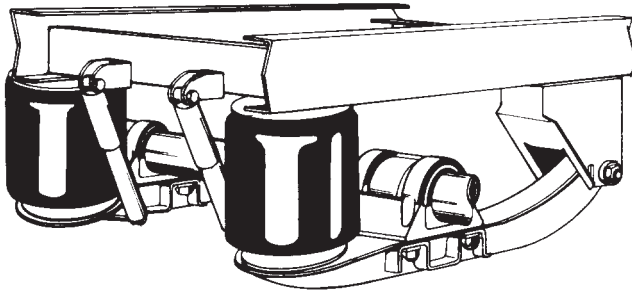
Trailer

KEY NO.	EUCLID NO.	REPLACES NEWAY NO.	DESCRIPTION	QTY. PER AXLE	AR-						PAGE NO.
					70-9	70-14	95-9	95-12	95-14	95-17	
25	S.O.S.	934 00 367	Square Nut, 3/4"-10 Thd.	2	X	X	X	X	X	X	—
26	E-4289	900 01 082	Axle Adapter, 5" Round	2	X	X	X	X	X	X	1-466
	E-4290	900 01 083	Axle Adapter, 5" Square		X	X	X	X	X	X	1-467
27	E-4282	900 10 032	Axle Cap, 5" Round	2	X	X	X	X	X	X	1-466
	E-4283	900 10 022	Axle Cap, 5" Square		X	X	X	X	X	X	1-466
28	E-2947A (Rubber)	900 28 075	Axle Pad	2	X	X	X	X	X	X	1-452
	E-8680 (Poly)				X	X	X	X	X	X	1-452, 2-10
29	E-2943 (Rubber)	900 28 047	Wrapper, 5" Round Axle	2	X	X	X	X	X	X	1-451
	E-8678 (Poly)										1-451, 2-9
	E-4409 (Rubber)										900 28 073
30	S.O.S.	905 18 723	Crossmember Assembly, Left Hand, Includes 35 & 36	1	X						—
	S.O.S.	905 18 728				X					
	S.O.S.	905 18 727					X	X			
	S.O.S.	905 18 726							X	X	
31	S.O.S.	905 18 751	Crossmember Assembly, Right Hand, Includes 35 & 36	1	X						—
	S.O.S.	905 18 752				X					
	S.O.S.	905 18 754					X	X			
	S.O.S.	905 18 753							X	X	
32	S.O.S.	905 38 008	Channel Assembly	1	X	X	X	X	X	X	—
33	S.O.S.	905 38 007	Channel Assembly	2	X		X	X			—
	S.O.S.	900 32 137	Gusset			X			X	X	
34	S.O.S.	900 18 179	Lower Shock Bracket	2	X	X	X	X	X	X	—
35	S.O.S.	900 18 322	Shock Bracket	2	X	X	X	X	X	X	—
36	S.O.S.	900 23 865	Bracket	2	X	X	X	X	X	X	—
37	E-4403 (Rubber)	905 08 004	Bushing	8	X	X	X	X	X	X	2-53, 3-2
	E-8684 (Poly)										2-10, 3-2
—	E-4398A	SRK-145	Pivot Connection Kit Includes Key Nos. 5, 8A, 15, 16	1	X	X	X	X	X	X	1-457
	E-2977A	SRK-64 481 00 108	5" Round Standard Axle Connection Kit, Includes Key Nos. 12, 13, 14, 28, 29		X	X		X		X	1-453
	E-6898	SRK-68 481 00 112	20" Wheels 5" Square Std. Axle Connection Kit, Includes Key Nos. 12, 13, 14, 28, 29		X	X		X		X	1-454
	E-4390	SRK-128 481 00 181	5" Round Standard Axle Connection Kit, Includes Key Nos. 12, 13, 14, 28, 29				X		X		1-454
	S.O.S.	SRK-129	20" Wheels 5" Square Std. Axle Connection Kit, Includes Key Nos. 12, 13, 14, 28, 29				X		X		—
	S.O.S.	SRK-132	5" Round Heavy-Duty Axle Connection Kit, Includes Key Nos. 12, 13, 14, 28, 29				X		X		—

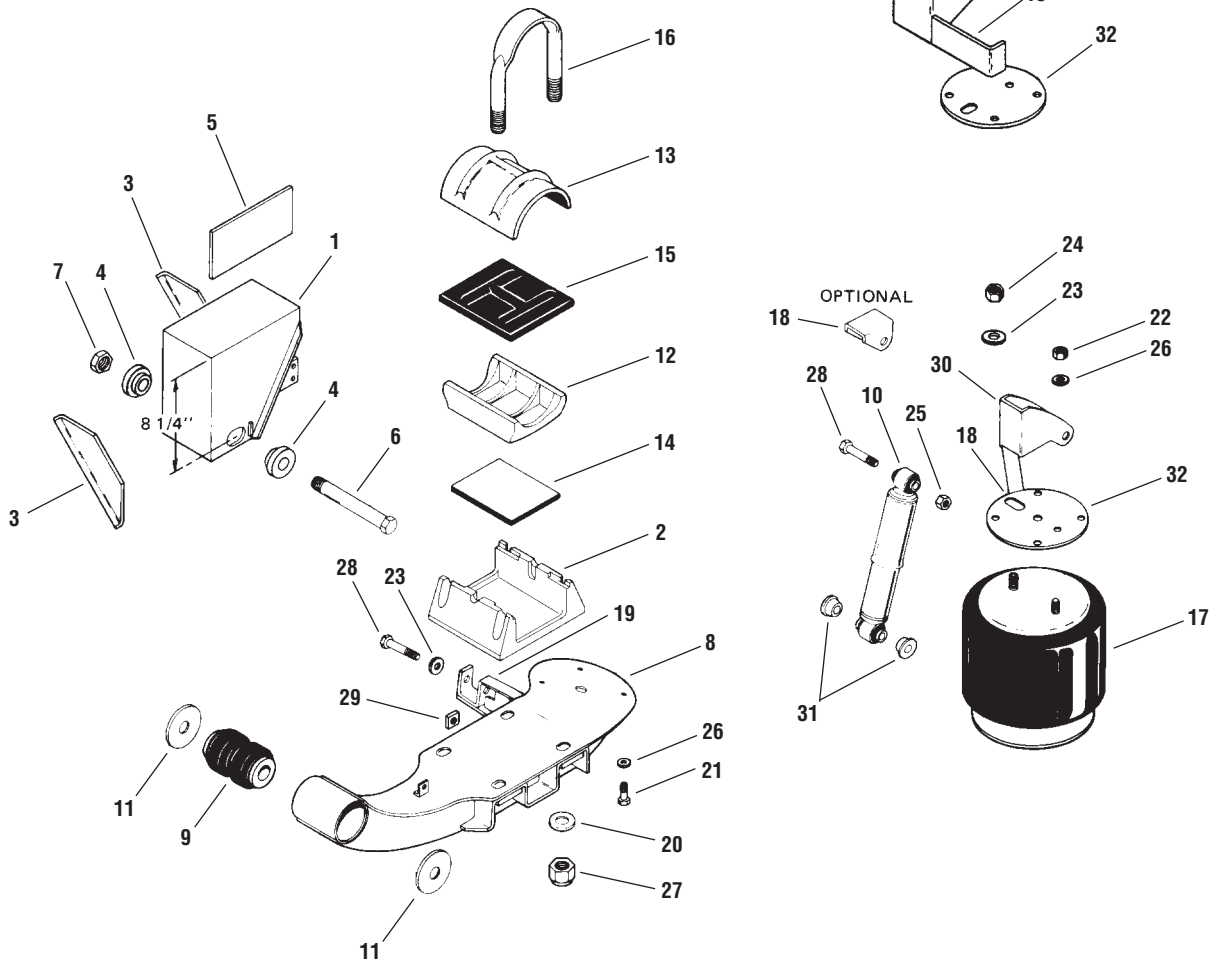
S.O.S. = Available through Euclid's S.O.S. Department

NEWAY SUSPENSION

AR-75-6, -9, AR-85-A Series Trailer



1



NEWAY SUSPENSION PARTS

AR-75-6, -9, AR-85-A Series

Trailer

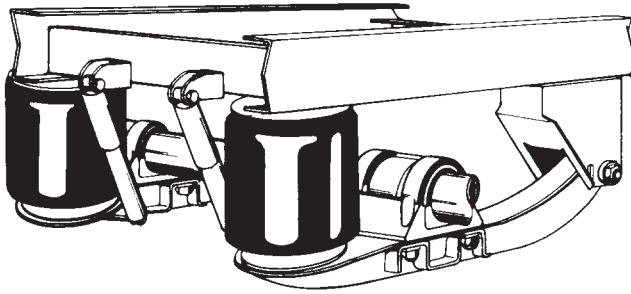
KEY NO.	EUCLID NO.	REPLACES NEWAY NO.	DESCRIPTION	QTY. PER AXLE	AR-			PAGE NO.
					75-6	75-9	85-A	
1	S.O.S.	905 19 714	Adjustable Frame Bracket, Left Hand	1	X	X	X	—
	S.O.S.	905 19 151	Adjustable Frame Bracket, Right Hand		X	X	X	
2	S.O.S.	900 01 008	Axle Seat	2	X			—
	E-4292	900 01 006				X	X	
3	S.O.S.	900 23 002	Angle Brace	4	X	X	X	—
4	E-9284	900 08 147	Alignment Block	4	X	X	X	1-472
5	S.O.S.	900 31 437	Plate	2		X	X	—
6	E-4364	932 01 046	Bolt	2	X	X	X	2-32
7	E-4358	934 00 506	Lock Nut	2	X	X	X	2-34
8	S.O.S.	905 15 859	Equalizer Beam Assembly Includes Key Nos. 2, 9. Left Hand	1	X			—
	S.O.S.	905 15 857				X		
	S.O.S.	905 16 195					X	
	S.O.S.	905 15 860	Equalizer Beam Assembly Includes Key Nos. 2, 9. Right Hand	1	X			—
	S.O.S.	905 15 858				X		
	S.O.S.	905 16 196					X	
9	E-4382A (Rubber)	900 08 139	Bushings	2	X	X	X	1-450
	E-8683 (Poly)							1-450, 2-10
10	M83126	900 44 626	Shock Absorber	2	X	X		3-13
	M89430		Shock Absorber					
	M83125	900 44 625	Shock Absorber				X	3-13
11	E-4363	900 36 177	Washer, 1 1/8"	4	X	X	X	2-35
12	E-4289	900 01 082	Adapter, 5" Round Axle	2	X	X	X	1-466
	E-4290	900 01 083	Adapter, 5" Square Axle		X	X	X	1-467
13	E-4282	900 10 032	Axle Cap, 5" Round Axle	2	X	X	X	1-466
	E-4283	900 10 022	Axle Cap, 5" Square Axle		X	X	X	1-466
14	E-2947A (Rubber)	900 28 075	Pad	2	X	X	X	1-452
	E-8680 (Poly)				X	X	X	1-452, 2-10
15	E-2943 (Rubber)	900 28 047	Wrapper, 5" Round Axle	2	X	X	X	1-451
	E-8678 (Poly)				X	X	X	1-451, 2-9
	E-4409 (Rubber)	900 28 073	Wrapper, 5" Square Axle		X	X	X	1-451
16	E-UB8479-124A	900 42 792	U-Bolt Assembly, Flat Round Bend, 1"-14 Thd. x 6 5/16" Wide x 12 1/2" Long	4	X			2-30
	E-UB8479-090	900 41 878	U-Bolt Assembly, Flat Round Bend, 1"-14 Thd. x 6 5/16" Wide x 9" Long			X	X	2-30
	E-UB8578-124A	900 42 795	U-Bolt Assembly, Flat Square Bend, 1"-14 Thd. x 6 5/16" Wide x 12 1/2" Long		X			2-30
	E-UB8578-124A	900 42 794	U-Bolt Assembly, Flat Square Bend, 1"-14 Thd. x 6 5/16" Wide x 12 1/2" Long			X		2-30
	E-UB8578-094	900 42 836	U-Bolt Assembly, Flat Square Bend, 1"-14 Thd. x 6 5/16" Wide x 9 1/2" Long				X	2-30
17	FS9082	905 57 027	Air Spring Assembly	2	X	X		—
	FS9121	905 57 078					X	—

S.O.S. = Available through Euclid's S.O.S. Department

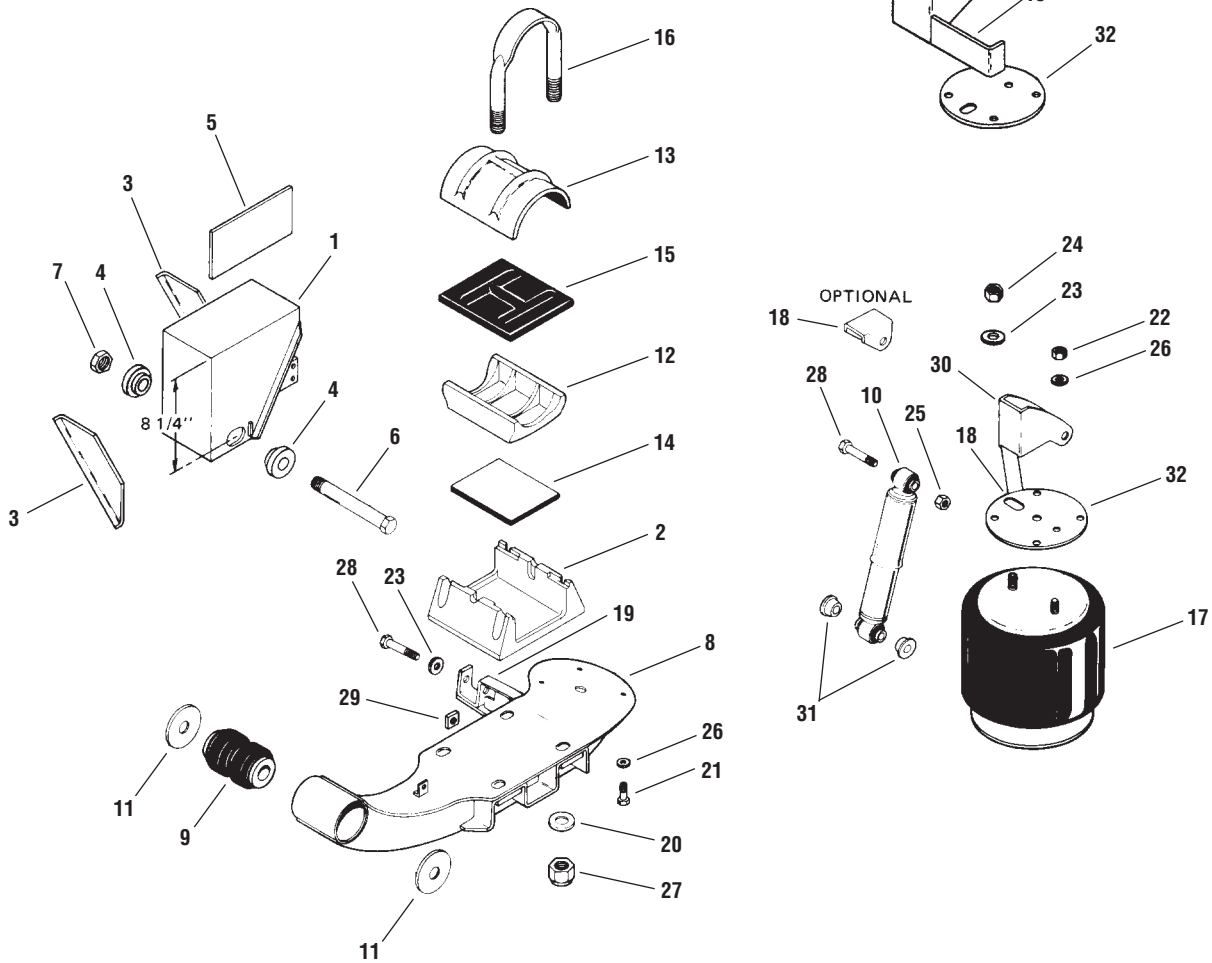
Continued on next page

NEWAY SUSPENSION

AR-75-6, -9, AR-85-A Series Trailer



1



NEWAY SUSPENSION PARTS

AR-75-6, -9, AR-85-A Series

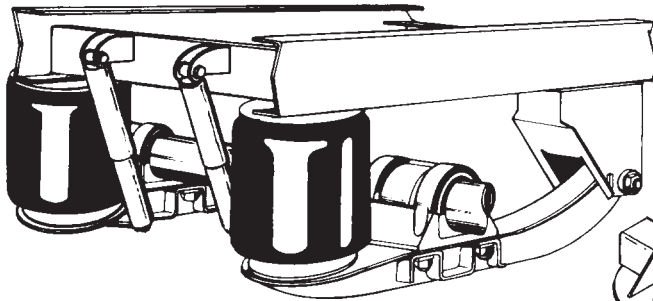
Trailer

KEY NO.	EUCLID NO.	REPLACES NEWAY NO.	DESCRIPTION	QTY. PER AXLE	AR-			PAGE NO.
					75-6	75-9	85-A	
18	S.O.S.	905 19 040	Upper Shock Bracket (Optional on AR-75-9)	2	X	X		—
	S.O.S.	905 31 073	Air Spring Mounting & Shock Bracket Assembly, Left Hand	1		X		—
	S.O.S.	905 31 115					X	
	S.O.S.	905 31 074	Air Spring Mounting & Shock Bracket Assembly, Right Hand	1		X		—
	S.O.S.	905 31 116					X	
19	S.O.S.	905 19 425	Lower Shock Mounting Bracket	2	X	X		—
	S.O.S.	905 19 809					X	
20	E-4353	939 00 027	Washer, 1 5/8"	8	X	X	X	2-35
21	S.O.S.	930 02 893	Cap Screw, 1/2" - 13 Thd. x 1", Grade 2	6	X	X	X	—
22	S.O.S.	934 00 136	Hex Nut, 1/2" - 13 Thd., Grade B	2	X	X	X	—
23	S.O.S.	936 00 077	Lock Washer, 3/4"	4	X	X	X	—
24	S.O.S.	934 00 149	Hex Nut, 3/4" - 16 Thd., Grade B	2	X	X	X	—
25	E-4347	934 00 492	Lock Nut, 3/4" - 10 Thd.	2	X	X	X	2-34
26	S.O.S.	936 00 072	Lock Washer, 1/2"	8	X	X	X	—
27	E-4421	934 00 502	Lock Nut, 1" - 8 Thd.	8	X	X	X	2-34
28	E-4345	930 03 597	Bolt, 3/4"-10 Thd. x 3 1/2"	4	X	X		1-476, 2-33
				2			X	
29	S.O.S.	934 00 367	Square Nut, 3/4"-10 Thd., Grade A	2	X	X	X	—
30	S.O.S.	900 18 348	Upper Shock Mounting Bracket	2		X		—
	S.O.S.	905 19 810					X	
31	E-4403 (Rubber)	905 08 004	Bushing	8	X	X	X	2-53, 3-2
	E-8684 (Poly)							2-10, 3-2
32	E-4321	900 31 027	Air Spring Mounting Plate	2		X	X	1-475
33	E-2989	930 03 633	Bolt, 3/4"-10 Thd. x 5"	2			X	2-32
—	E-4398A	SRK-145 481 00 202	Pivot Connection	1	X	X	X	1-457
—	E-4390	SRK-128 481 00 181	5" Round Axle Connection	1	X			1-454
—	S.O.S.	SRK-129	20" Wheels 5" Square Axle Connection	1	X			—
—	E-2977A	SRK-64 481 00 108	5" Round Axle Connection	1		X	X	1-453
—	S.O.S.	SRK-72	15" Wheels 5" Square Axle Connection	1		X		—
—	E-6898	SRK-68 481 00 112	20" Wheels 5" Square Axle Connection	1		X		1-454

S.O.S. = Available through Euclid's S.O.S. Department

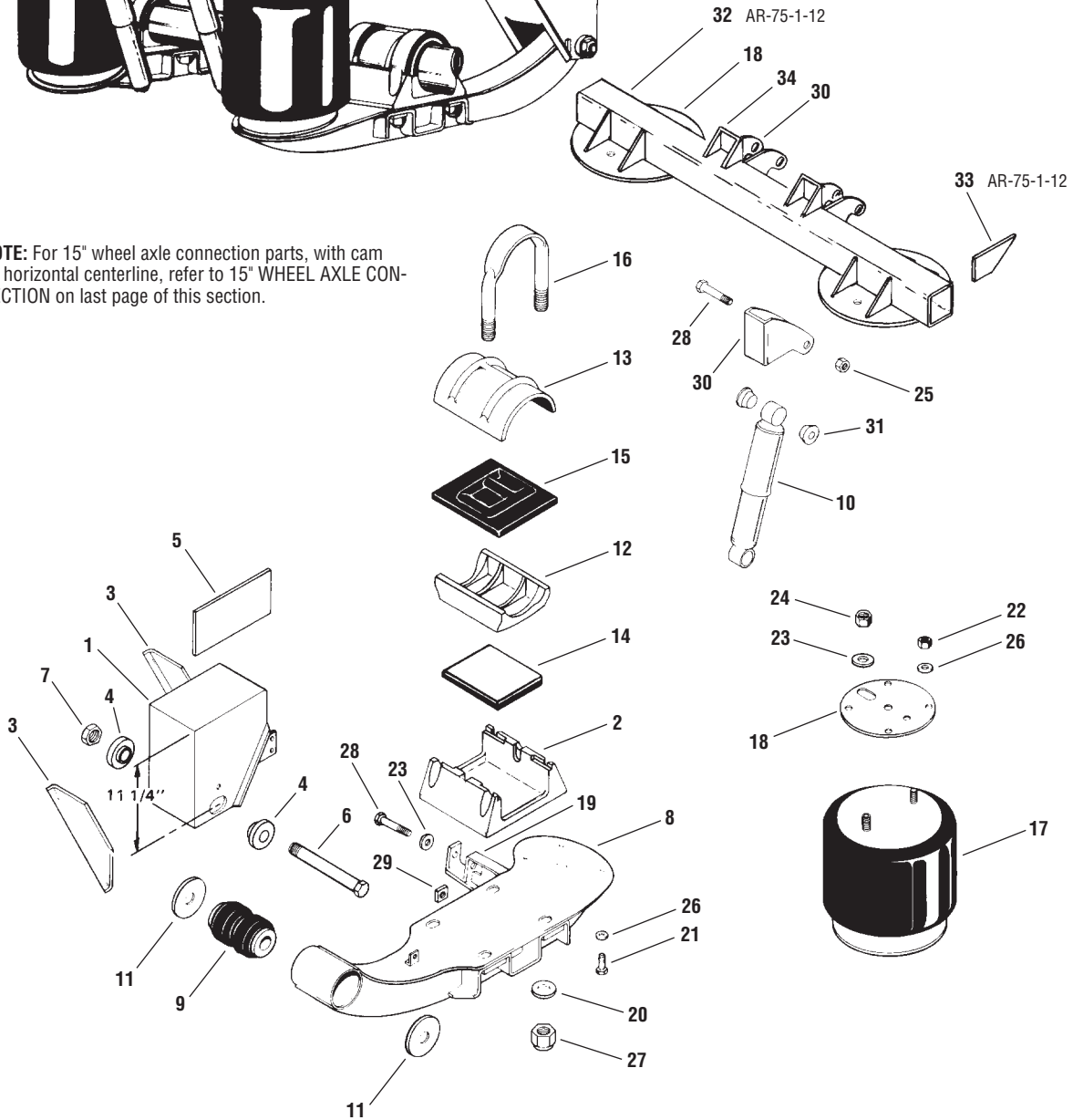
NEWAY SUSPENSION

AR-75-12, 1-12 Series Trailer



1

NOTE: For 15" wheel axle connection parts, with cam on horizontal centerline, refer to 15" WHEEL AXLE CONNECTION on last page of this section.



NEWAY SUSPENSION PARTS

AR-75-12, 1-12 Series

Trailer

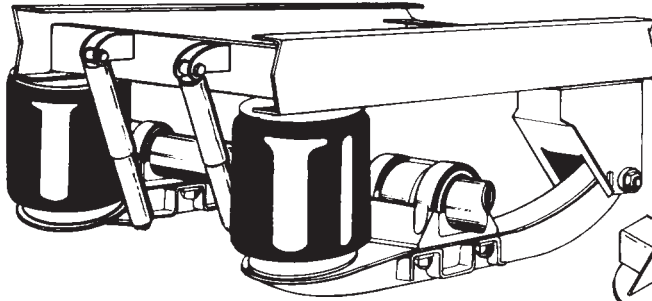
KEY NO.	EUCLID NO.	REPLACES NEWAY NO.	DESCRIPTION	QTY. PER AXLE	AR-75-		PAGE NO.
					12	1-12	
1	S.O.S.	905 19 714	Adjustable Frame Bracket, Left Hand	1	X	X	—
	S.O.S.	905 20 151	Fixed Frame Bracket, Right Hand	1	X	X	
2	E-4292	900 01 006	Axle Seat	2	X	X	1-468
3	S.O.S.	900 23 001	Angle Brace	4	X	X	—
4	E-9284	900 08 147	Alignment Block	4	X	X	1-472
5	S.O.S.	900 31 437	Plate	2	X	X	—
6	E-4364	932 01 046	Bolt	2	X	X	2-32
7	E-4358	934 00 506	Lock Nut	2	X	X	2-34
8	S.O.S.	905 15 857	Equalizing Beam, Left Hand	1	X	X	—
	S.O.S.	905 15 858	Equalizing Beam, Right Hand	1	X	X	
9	E-4382A (Rubber)	900 08 139	Bushings	2	X	X	1-450
	E-8683 (Poly)						1-450, 2-10
10	M83126	900 44 626	Shock Absorber	2	X	X	3-13
	M89430		Shock Absorber				
11	E-4363	900 36 177	Washer, 1 1/8"	4	X	X	2-35
12	E-4289	900 01 082	Adapter, 5" Round Axle	2	X	X	1-466
	E-4290	900 01 083	Adapter, 5" Square Axle		X	X	1-467
13	E-4282	900 10 032	Axle Cap, 5" Round Axle	2	X	X	1-466
	E-4283	900 10 022	Axle Cap, 5" Square Axle		X	X	1-466
14	E-2947A (Rubber)	900 28 075	Pad	2	X	X	1-452
	E-8680 (Poly)				X	X	1-452, 2-10
15	E-2943 (Rubber)	900 28 047	Wrapper, Round Axle	2	X	X	1-451
	E-8678 (Poly)						1-451, 2-9
	E-4409 (Rubber)	900 28 073	Wrapper, Square Axle		X	X	1-451
16	E-UB8479-090	900 41 878	U-Bolt Assembly, Flat Rd. Bend, 1"-14 Thd. x 6 5/16" Wide x 9" Long	4	X	X	2-30
	E-UB8578-124A	900 42 794	U-Bolt Assembly, Flat Sq. Bend, 1"-14 Thd. x 6 5/16" Wide x 12 1/2" Long				X
	E-UB8578-094	900 41 997	U-Bolt Assembly, Flat Sq. Bend, 1"-14 Thd. x 6 5/16" Wide x 9 1/2" Long			X	2-30
17	FS9101	905 57 009	Air Spring Assembly	2	X	X	—
	FS9346	905 57 126			X	X	—
18	E-4321	900 31 027	Plate	2	X	X	1-475
19	S.O.S.	905 19 425	Lower Shock Mounting Bracket	2	X	X	—
20	E-4353	939 00 027	Washer, 1 5/8"	8	X	X	2-35
21	S.O.S.	930 02 893	Cap Screw, 1/2"-13 Thd. x 1"	6	X	X	—
22	S.O.S.	934 00 136	Hex Nut, 1/2"-13 Thd.	2	X	X	—
23	S.O.S.	936 00 077	Lock Washer, 3/4"	4	X	X	—
24	E-1107	934 00 149	Hex Nut, 3/4"-16 Thd.	2	X	X	2-34
25	E-4347	934 00 492	Lock Nut, 3/4"-10 Thd.	2	X	X	2-34
26	S.O.S.	936 00 072	Lock Washer, 3/4"	8	X	X	—
27	E-4421	934 00 502	Lock Nut	8	X	X	2-34
28	E-4345	903 03 597	Bolt	4	X	X	1-476, 2-33
29	S.O.S.	934 00 367	Square Nut, 3/4"- 10 Thd.	2	X	X	—

S.O.S. = Available through Euclid's S.O.S. Department

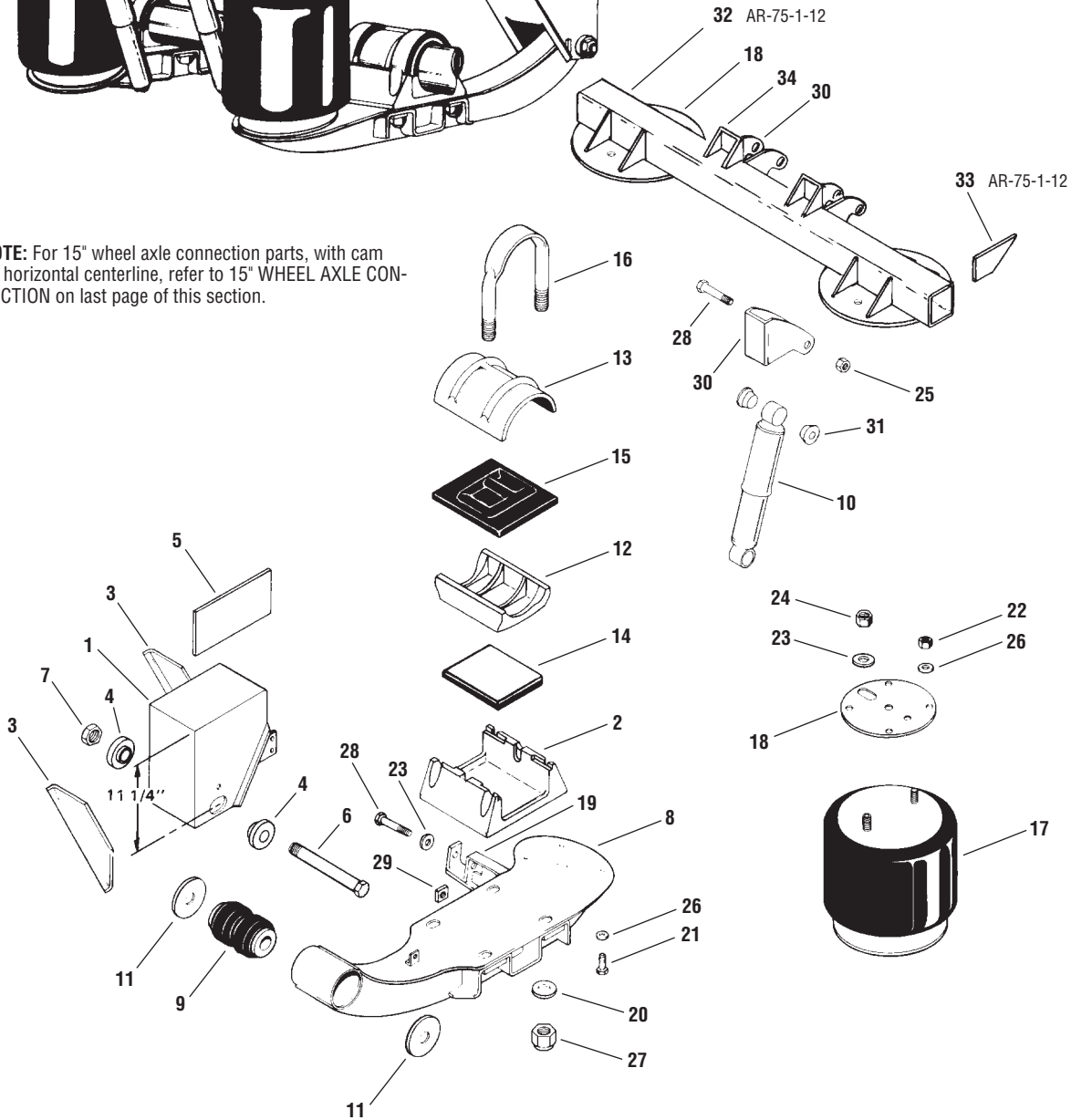
Continued on next page

NEWAY SUSPENSION

AR-75-12, 1-12 Series Trailer



NOTE: For 15" wheel axle connection parts, with cam on horizontal centerline, refer to 15" WHEEL AXLE CONNECTION on last page of this section.



1

NEWAY SUSPENSION PARTS

AR-75-12, 1-12 Series

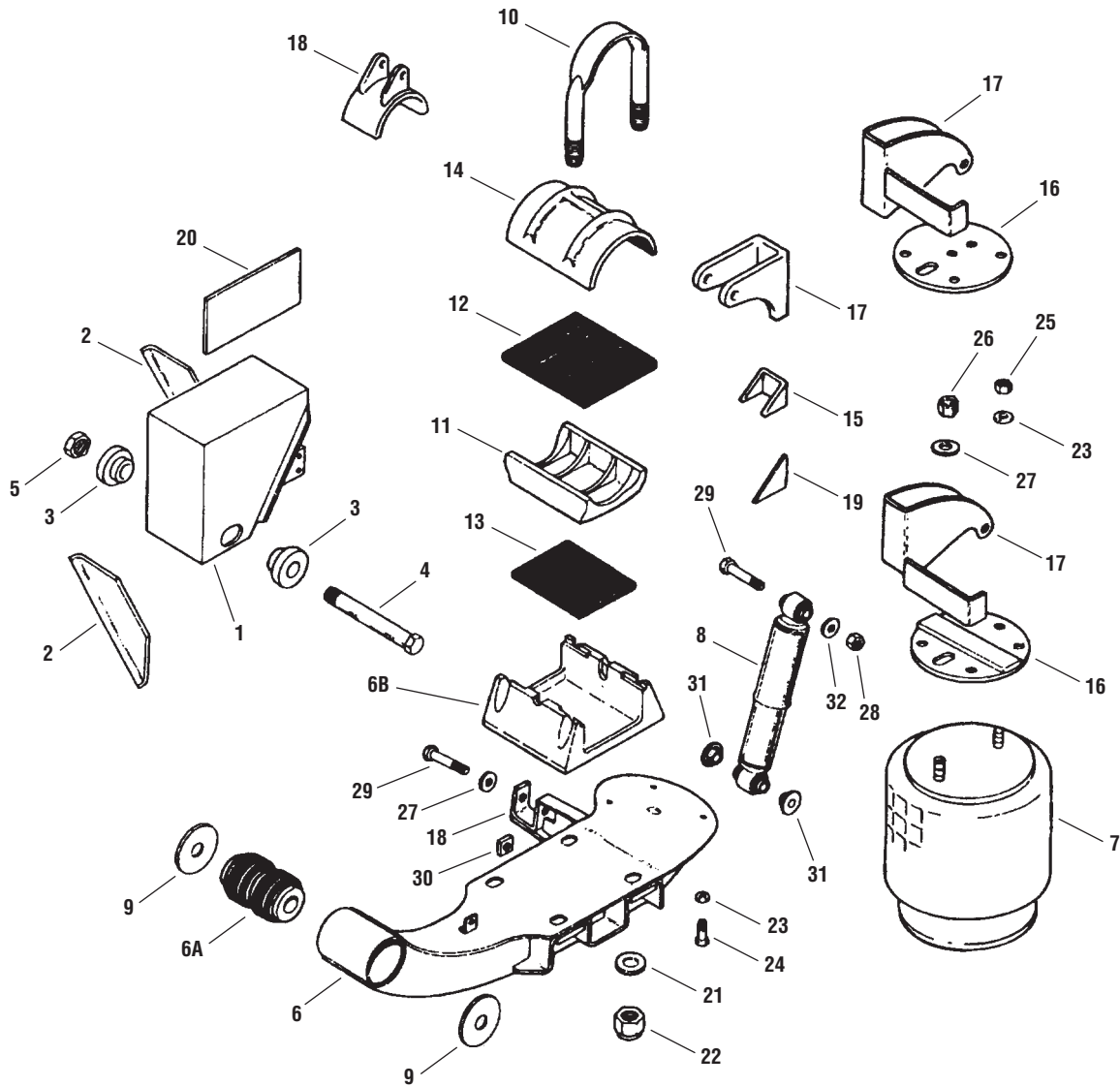
Trailer

KEY NO.	EUCLID NO.	REPLACES NEWAY NO.	DESCRIPTION	QTY. PER AXLE	AR-75-		PAGE NO.
					12	1-12	
30	S.O.S.	900 18 348	Upper Shock Mounting Bracket	2	X		—
	S.O.S.	900 18 301		4		X	—
31	E-4403 (Rubber)	905 08 004	Bushing	8	X	X	2-53, 3-2
	E-8684 (Poly)						2-10, 3-2
32	S.O.S.	905 38 041	Rear Crossmember	1		X	—
33	S.O.S.	900 31 445	Gusset	2		X	—
34	S.O.S.	900 23 876	Reinforcement Bracket	2		X	—
—	E-4398A	SRK-145 481 00 202	Pivot Connection Kit, Includes Key Nos. 6, 7, 9, 11	1	X	X	1-457
—	E-2977A	SRK-64 481 00 108	5" Round Axle Connection Kit, Includes Key Nos. 14, 15, 16, 20, 27	1	X	X	1-453
—	E-6898	SRK-68 481 00 112	20" Wheels 5" Square Axle Connection Kit, Includes Key Nos. 14, 15, 16, 20, 27	1	X		1-454

S.O.S. = Available through Euclid's S.O.S. Department

NEWAY SUSPENSION

Models AR-80 -6.75, -9, -9-WST Series Trailer



1

NEWAY SUSPENSION PARTS

Models AR-80 -6.75, -9, -9-WST Series

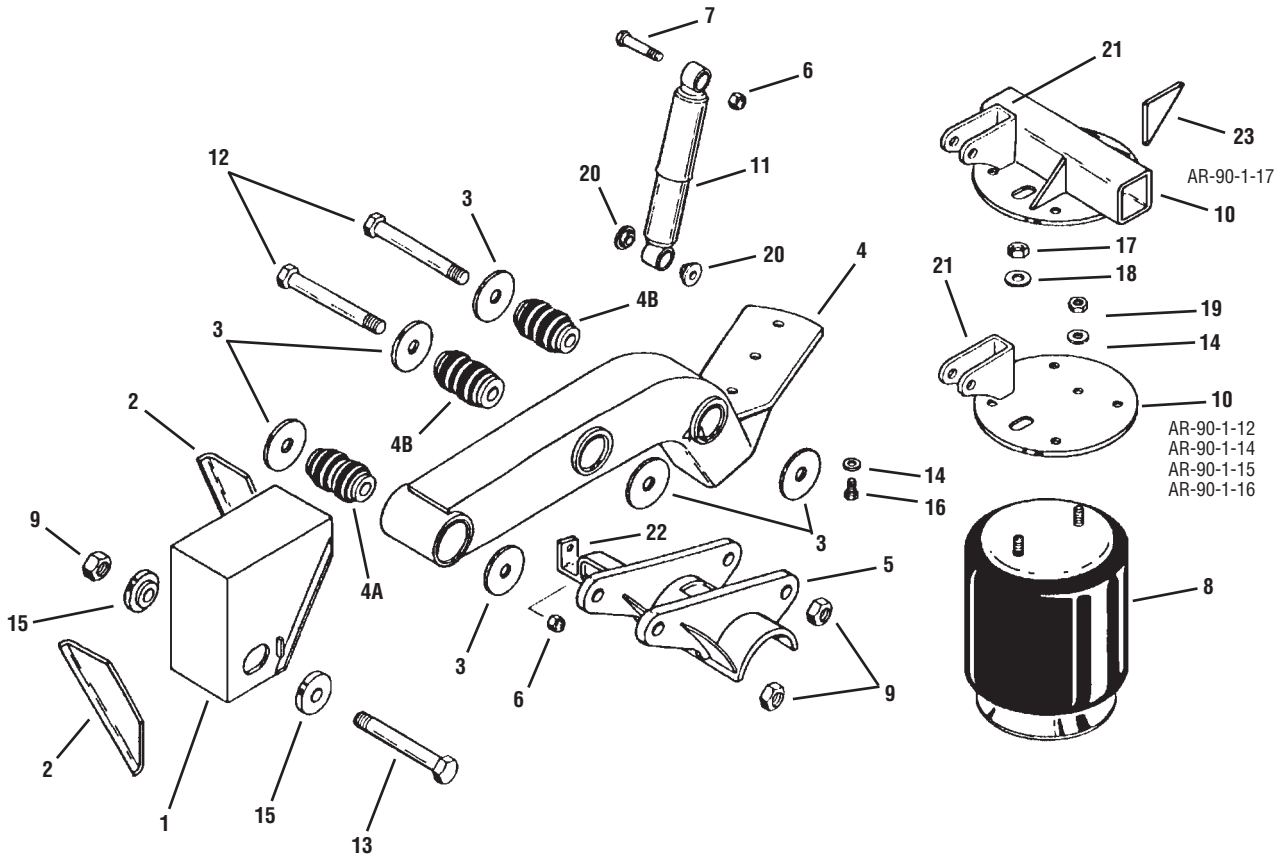
KEY NO.	EUCLID NO.	REPLACES NEWAY NO.	DESCRIPTION	QTY. PER AXLE	AR-80			PAGE NO.
					-6.75	-9	-9-WST	
1	S.O.S.	905 20 351	Adjustable Frame Bracket, Left Hand	1	X			—
	S.O.S.	905 19 714				X	X	
	S.O.S.	905 20 352	Fixed Frame Bracket, Right Hand	1	X			—
	S.O.S.	905 20 151	Adjustable Frame Bracket, Right Hand			X	X	
2	S.O.S.	900 23 002	Angle Brace	4	X	X	X	—
3	E-9284	900 08 147	Alignment Block	4	X	X	X	1-472
4	E-4364	932 01 055	Bolt, 1 1/8" - 7 Thd. x 9 3/16"	2	X	X	X	2-32
5	E-4358	934 00 506	Lock Nut, 1 1/8" - 7 Thd.	2	X	X	X	2-34
6	S.O.S.	905 16 447	Equalizing Beam Assembly, Left Hand	1	X		X	—
	S.O.S.	905 16 449				X		
	S.O.S.	905 16 448	Equalizing Beam Assembly, Right Hand	1	X		X	—
	S.O.S.	905 16 450				X		
6A	E-4382A	900 08 139	Rubber Bushing	2	X	X	X	1-450
6B	S.O.S.	900 01 131	Beam Seat	2	X	X	X	—
7	FS9121	905 57 078	Air Spring Assembly	2	X			—
	FS9134	905 57 125				X	X	
8	M83123	900 44 046	Shock Absorber	2	X			3-13
	M89405		Shock Absorber					
	M85045	900 44 868	Shock Absorber			X		3-14
	M89430		Shock Absorber					3-13
9	E-4363	900 36 177	Spacer Washer	4	X	X	X	2-35
10	E-UB8479-090	900 41 878	U-Bolt Assembly, Flat Rd. Bend, 1"- 14 Thd. x 6 5/16" Wide x 9" Long	4	X	X	X	2-30
11	S.O.S.	900 01 132	Axle Adapter, 5" Round Axle	2	X	X	X	—
12	E-2943	900 28 047	Rubber Wrapper, 5" Round Axle	2	X	X	X	1-451
13	E-2947A	900 28 075	Rubber Pad	2	X	X	X	1-452
14	E-4282	900 01 032	Axle Cap, 5" Round Axle	2	X	X	X	1-466
15	S.O.S.	900 23 876	Reinforcement Bracket	2	X			—
16	S.O.S.	905 31 199	Air Spring Plate & Shock Bracket	1	X			—
	S.O.S.	905 31 182					X	
	S.O.S.	905 31 200			X			
	S.O.S.	905 31 183					X	
		E-4321	900 31 027	Air Spring Mounting Plate	2		X	
17	S.O.S.	900 18 427	Upper Shock Bracket	2	X			—
	E-4343	900 18 116				x		
18	S.O.S.	905 19 425	Lower Shock Bracket	2	X		X	—
	S.O.S.	905 20 276				X		
19	S.O.S.	900 31 182	Gusset	2	X		X	—
20	S.O.S.	900 31 437	Plate	2			X	—
21	E-4353	939 00 027	Flat Washer, 1 5/8"	8	X	X	X	2-35
22	E-4421	934 00 502	Lock Nut, 1" - 8 Thd.	8	X	X	X	2-34
23	S.O.S.	936 00 072	Lock Washer, 1/2"	8	X	X	X	—
24	S.O.S.	930 02 893	Cap Screw, 1/2" - 13 Thd. x 1"	6	X	X	X	—
25	S.O.S.	934 00 136	Hex Nut, 1/2" - 13 Thd.	2	X	X	X	—
26	E-1107	934 00 149	Hex Nut, 3/4" - 16 Thd.	2	X	X	X	2-34
27	S.O.S.	936 00 077	Lock Washer	2	X	X	X	—
28	E-4347	934 00 492	Lock Nut, 3/4" - 10 Thd.	4	X	X	X	2-34
29	E-4345	930 03 597	Bolt, 3/4" - 10 Thd. x 3 1/2"	4	X	X	X	1-476, 2-33
30	S.O.S.	934 00 367	Square Nut, 3/4" - 10 Thd.	2	X		X	—
31	E-4403	905 08 004	Replacement Bushing, 4 Per Shock	8	X	X	X	2-53, 3-2
32	E-2545	936 00 156	Flat Washer, 3/4"	2	X		X	2-35
—	E-4398A	SRK-145	Pivot Connection Kit	1	X	X	X	1-457
		481 00 202						
—	E-2977A	SRK-64	Axle Connection Kit	1	X	X	X	1-453
		481 00 108						

S.O.S. = Available through Euclid's S.O.S. Department

NEWAY SUSPENSION

AR-90-1-12, AR-90-1-14, AR-90-1-15, AR-90-1-16, AR-90-1-17 Series Trailer

1



NEWAY SUSPENSION PARTS

AR-90-1-12, AR-90-1-14, AR-90-1-15, AR-90-1-16, AR-90-1-17 Series Trailer

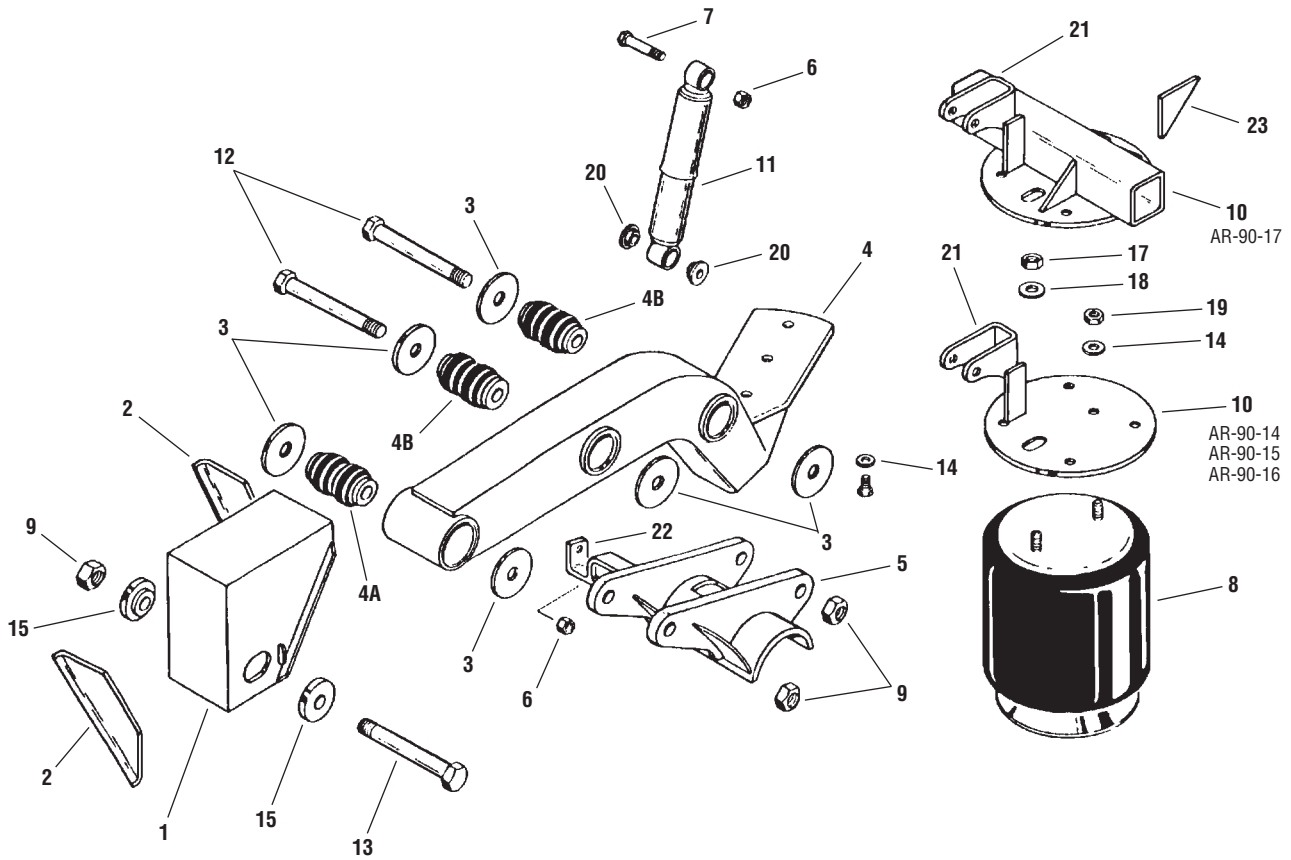
KEY NO.	EUCLID NO.	REPLACES NEWAY NO.	DESCRIPTION	QTY. PER AXLE	AR-90-1					PAGE NO.
					12	14	15	16	17	
1	S.O.S.	905 20 219	Adjustable Frame Bracket	2	X					—
	S.O.S.	905 19 710				X	X			
	S.O.S.	905 20 235						X		
	S.O.S.	905 19 712							X	
2	S.O.S.	900 23 002	Angle Brace	4	X	X	X			—
	S.O.S.	900 23 001						X	X	
3	E-4363	900 36 177	Washer	12	X	X	X	X	X	2-35
4	S.O.S.	905 16 500	Equalizing Beam, Left Hand (Includes 4A & 4B)	1	X	X	X	X	X	—
	S.O.S.	905 16 501	Equalizing Beam, Right Hand (Includes 4A & 4B)	1	X	X	X	X	X	
4A	E-4382A	900 08 139	Bushing, Rubber (Front Pivot)	2	X	X	X	X	X	1-450
4B	E-4410A	900 08 149	Bushing, Rubber (Axle Connection)	4	X	X	X	X	X	1-448
5	S.O.S.	905 01 289	Axle Adapter, Left Hand	1	X	X	X	X	X	—
	S.O.S.	905 01 290	Axle Adapter, Right Hand	1	X	X	X	X	X	—
6	E-4347	934 00 492	Lock Nut, 3/4"-10 Thd.	4	X	X	X	X	X	2-34
7	E-4345	930 03 597	Bolt	4	X	X	X	X	X	1-476, 2-33
8	FS9070*	905 57 131	Air Spring Assembly, Left Hand	1	X					—
	FS9070	905 57 130	Air Spring Assembly, Right Hand	1	X					—
	FS9362	905 57 113	Air Spring Assembly	2		X			X	—
	FS9304	905 57 124					X	X		—
9	E-4358	934 00 506	Lock Nut	6	X	X	X	X	X	2-34
10	S.O.S.	900 33 785	Air Spring Mounting Plate & Upper Shock Bracket	2	X	X	X	X	X	—
11	M83128	900 44 162	Shock Absorber	2	X	X			X	3-14
	M85051	900 44 448					X	X		
		900 45 054								
12	E-4361	932 01 051	Bolt 1 1/8"-7 x 8 1/2"	4	X	X	X	X	X	1-472, 2-32
13	E-4364	932 01 055	Bolt 1 1/8"-7 x 9 1/4"	2	X	X	X	X	X	2-32
14	S.O.S.	936 00 072	Lock Washer, 1/2"	4	X	X	X	X	X	—
15	E-9284	900 08 147	Alignment Block	4	X	X	X	X	X	1-472
16	S.O.S.	930 02 893	Cap Screw, 1/2"-13 Thd. x 1"	4	X					—
	S.O.S.	930 02 993	Cap Screw, 1/2"-13 Thd. x 5"	2		X			X	
	S.O.S.	930 03 029	Cap Screw, 1/2"-13 Thd. x 6 1/2"	2			X	X		
17	E-1107	934 00 149	Hex Nut, 3/4"-16 Thd.	2	X	X	X	X	X	2-34
18	S.O.S.	936 00 077	Lock Washer, 3/4"	2	X	X	X	X	X	—
19	S.O.S.	934 00 136	Hex Nut, 1/2"-13 Thd.	2	X	X	X	X	X	—
20	E-4403 (Rubber)	905 08 004	Bushing	8	X	X	X	X	X	2-53, 3-2
	E-8684 (Poly)									2-10, 3-2
21	S.O.S.	900 18 445	Upper Shock Bracket	2	X	X	X	X	X	—
22	S.O.S.	905 19 773	Lower Shock Bracket	2	X	X	X	X	X	—
23	S.O.S.	900 31 182	Gusset	2					X	—
—	E-4398A	SRK-145	Pivot Connection Kit, Includes Kit Nos. 4, 4A, 9, 13	1	X	X	X	X	X	1-457
—	E-4411A	SRK-149	20" Wheels 5" Round Axle Connection Kit Includes Key Nos. 3, 4B, 9, 12	1	X	X	X	X	X	1-456

* = Must rotate piston for proper alignment

S.O.S. = Available through Euclid's S.O.S. Department

NEWAY SUSPENSION

AR-90-14, AR-90-15, AR-90-16, AR-90-17 Series Trailer



1

NEWAY SUSPENSION PARTS

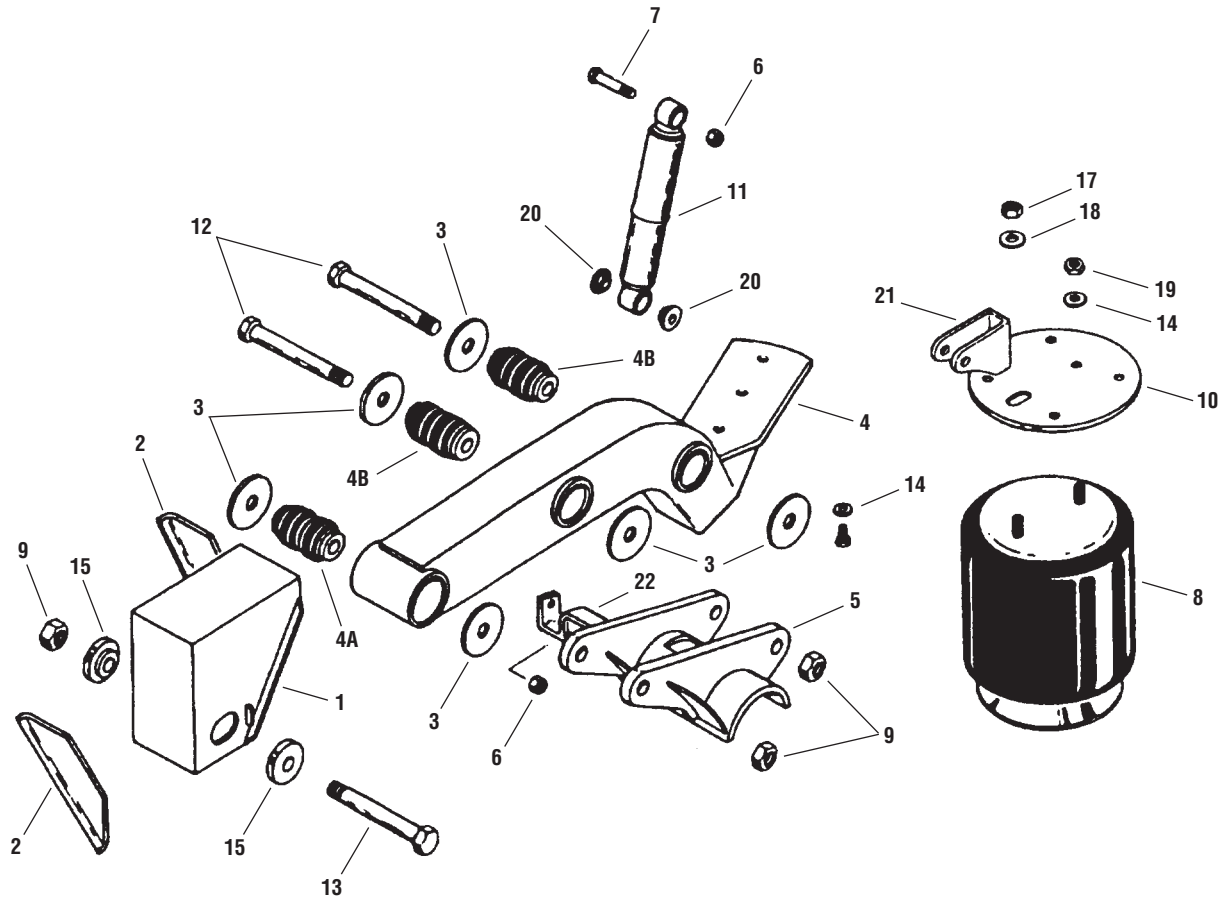
AR-90-14, AR-90-15, AR-90-16, AR-90-17 Series Trailer

KEY NO.	EUCLID NO.	REPLACES NEWAY NO.	DESCRIPTION	QTY. PER AXLE	AR-90-1				PAGE NO.
					14	15	16	17	
1	S.O.S.	905 19 710	Adjustable Frame Bracket	2	X	X			—
	S.O.S.	905 20 235					X		
	S.O.S.	905 19 712						X	
2	S.O.S.	900 23 002	Angle Brace	4	X	X			—
	S.O.S.	900 23 001					X	X	
3	E-4363	900 36 177	Washer	12	X	X	X	X	2-35
4	E-9532	905 16 112	Equalizing Beam, Left Hand (Includes 4A & 4B)	1	X	X	X	X	1-477
	E-9533	905 16 113	Equalizing Beam, Right Hand (Includes 4A & 4B)	1	X	X	X	X	1-477
4A	E-4382A	900 08 139	Bushing, Front Pivot	2	X	X	X	X	1-450
4B	E-4410A	900 08 149	Bushing , Axle Connection	4	X	X	X	X	1-448
5	S.O.S.	905 01 289	Axle Adapter, Left Hand, 5" Round Axle	1	X	X	X	X	—
	S.O.S.	905 01 290	Axle Adapter, Right Hand, 5" Round Axle	1	X	X	X	X	
6	E-4347	934 00 492	Lock Nut, 3/4"-10 Thd.	4	X	X	X	X	2-34
7	E-4345	930 03 597	Bolt	4	X	X	X	X	1-476, 2-33
8	FS9243	905 57 112	Air Spring Assembly	2	X	X	X	X	—
9	E-4358	934 00 506	Lock Nut	6	X	X	X	X	2-34
10	S.O.S.	900 33 785	Air Spring Mounting Plate & Upper Shock Bracket	2	X	X	X	X	—
11	M83124	900 44 089	Shock Absorber	2	X	X	X	X	3-14
	M89407		Shock Absorber						
12	E-4361	932 01 051	Bolt	4	X	X	X	X	1-472, 2-32
13	E-4364	932 01 055	Bolt	2	X	X	X	X	2-32
14	S.O.S.	936 00 072	Lock Washer, 1/2"	4	X	X	X	X	—
15	E-9284	900 08 147	Alignment Block	4	X	X	X	X	1-472
17	E-1107	934 00 149	Hex Nut, 3/4"-16 Thd.	2	X	X	X	X	2-34
18	S.O.S.	936 00 077	Lock Washer, 3/4"	2	X	X	X	X	—
19	S.O.S.	934 00 136	Hex Nut, 1/2"-13 Thd.	2	X	X	X	X	—
20	E-4403 (Rubber)	905 08 004	Bushing	8	X	X	X	X	2-53, 3-2
	E-8684 (Poly)								2-10, 3-2
21	E-4343	900 18 116	Upper Shock Bracket	2	X	X	X	X	1-476
22	S.O.S.	905 19 773	Lower Shock Bracket	2	X	X	X	X	—
23	S.O.S.	900 31 182	Gusset	2				X	—
—	E-4398A	SRK-145	Pivot Connection Kit, Includes Key Nos. 3, 4A, 9, 13	1	X	X	X	X	1-457
		481 00 202							
—	E-4411A	SRK-149	5" Round Axle Connection Kit, Includes Key Nos. 3, 4B, 9, 12	1	X	X	X	X	1-456
		481 00 206							

S.O.S. = Available through Euclid's S.O.S. Department

NEWAY SUSPENSION

AR-92 -12, -14, -15, -16, -17, -18 Series Trailer



1

NEWAY SUSPENSION PARTS

AR-92 -12, -14, -15, -16, -17, -18 Series

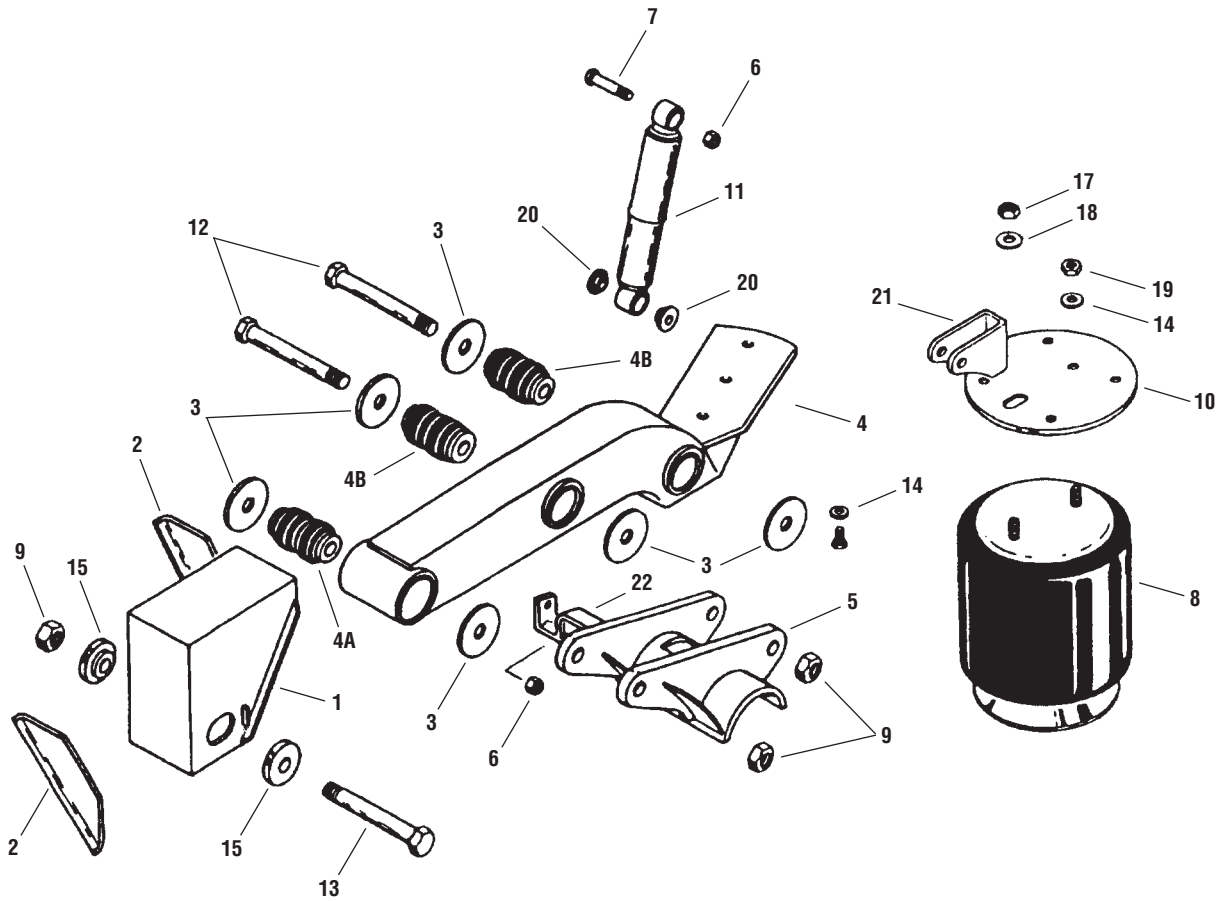
Trailer

KEY NO.	EUCLID NO.	REPLACES NEWAY NO.	DESCRIPTION	QTY. PER AXLE	AR-92						PAGE NO.
					12	14	15	16	17	18	
1	S.O.S.	905 20 383	Frame Bracket, Adjustable	2	X						—
	S.O.S.	905 20 346				X					
	S.O.S.	905 19 710					X				
	S.O.S.	905 20 235						X	X		
	S.O.S.	905 20 385								X	
2	S.O.S.	900 23 002	Angle Brace	4	X	X	X				—
	S.O.S.	900 23 001						X	X	X	
3	E-4363	900 36 177	Space Washer	12	X	X	X	X	X	X	2-35
4	S.O.S.	905 16 500	Equalizing Beam, Left Hand	1	X	X	X	X	X	X	—
	S.O.S.	905 16 501	Equalizing Beam, Right Hand	1	X	X	X	X	X	X	—
4A	E-4382A	900 08 139	Rubber Bushing, Front Pivot	2	X	X	X	X	X	X	1-450
4B	E-4410A	900 08 149	Rubber Bushing, Axle Connection	4	X	X	X	X	X	X	1-448
5	S.O.S.	905 01 289	Axle Adapter, 5" Round Axle, Left Hand	1	X	X	X	X	X	X	—
	S.O.S.	905 01 290	Axle Adapter, 5" Round Axle, Right Hand	1	X	X	X	X	X	X	—
6	E-4347	934 00 492	Lock Nut, 3/4"-10 Thd.	4	X	X	X	X	X	X	2-34
7	E-4345	930 03 597	Bolt, 3/4"-10 Thd. x 3 1/2"	4	X	X	X	X	X	X	1-476, 2-33
8	FS9921	905 57 117	Air Spring Assembly	2	X	X	X	X	X	X	—
9	E-4358	934 00 506	Lock Nut, 1 1/8"-7 Thd.	6	X	X	X	X	X	X	2-34
10	S.O.S.	900 33 785	Air Spring Mounting Plate & Upper Shock Bracket	2	X	X	X	X	X	X	—
11	M83128	900 44 162	Shock Absorber	2	X						3-14
	M83130	900 45 040				X					
	M85051	900 45 054					X				
	M83127	900 44 794 900 44 642						X			
	M83124	900 44 089							X		
	M89407		Shock Absorber						X		
12	E-4361	932 01 051	Bolt, 1 1/8"-7 Thd. x 8 1/2"	4	X	X	X	X	X	X	1-472, 2-32
13	E-4364	932 01 055	Bolt, 1 1/8"-7 Thd. x 9 1/4"	2	X	X	X	X	X	X	2-32
14	S.O.S.	936 00 072	Lock Washer, 1/2"	4	X	X	X	X	X	X	—
15	E-9284	900 08 147	Alignment Block	4	X	X	X	X	X	X	1-472
17	E-1107	934 00 149	Hex Nut, 3/4"-16 Thd.	2	X	X	X	X	X	X	2-34
18	S.O.S.	936 00 077	Lock Washer, 3/4"	2	X	X	X	X	X	X	—
19	S.O.S.	934 00 136	Hex Nut, 1/2"-13 Thd.	2	X	X	X	X	X	X	—
20	E-4403	905 08 004	Replacement Bushing, Shock Absorber	8	X	X	X	X	X	X	2-53, 3-2
21	E-4343	900 18 116	Upper Shock Bracket	2	X	X	X	X	X	X	1-476
22	S.O.S.	905 19 773	Lower Shock Bracket	2	X	X	X	X	X	X	—
—	E-4398A	SRK-145	Pivot Connection Kit	1	X	X	X	X	X	X	1-457
		481 00 202									
—	E-4411A	SRK-149	Axle Connection Kit	1	X	X	X	X	X	X	1-456
		481 00 206									

S.O.S. = Available through Euclid's S.O.S. Department

NEWAY SUSPENSION

Models AR-93 -14, -15, -16, -17 Series
Trailer



1

NEWAY SUSPENSION PARTS

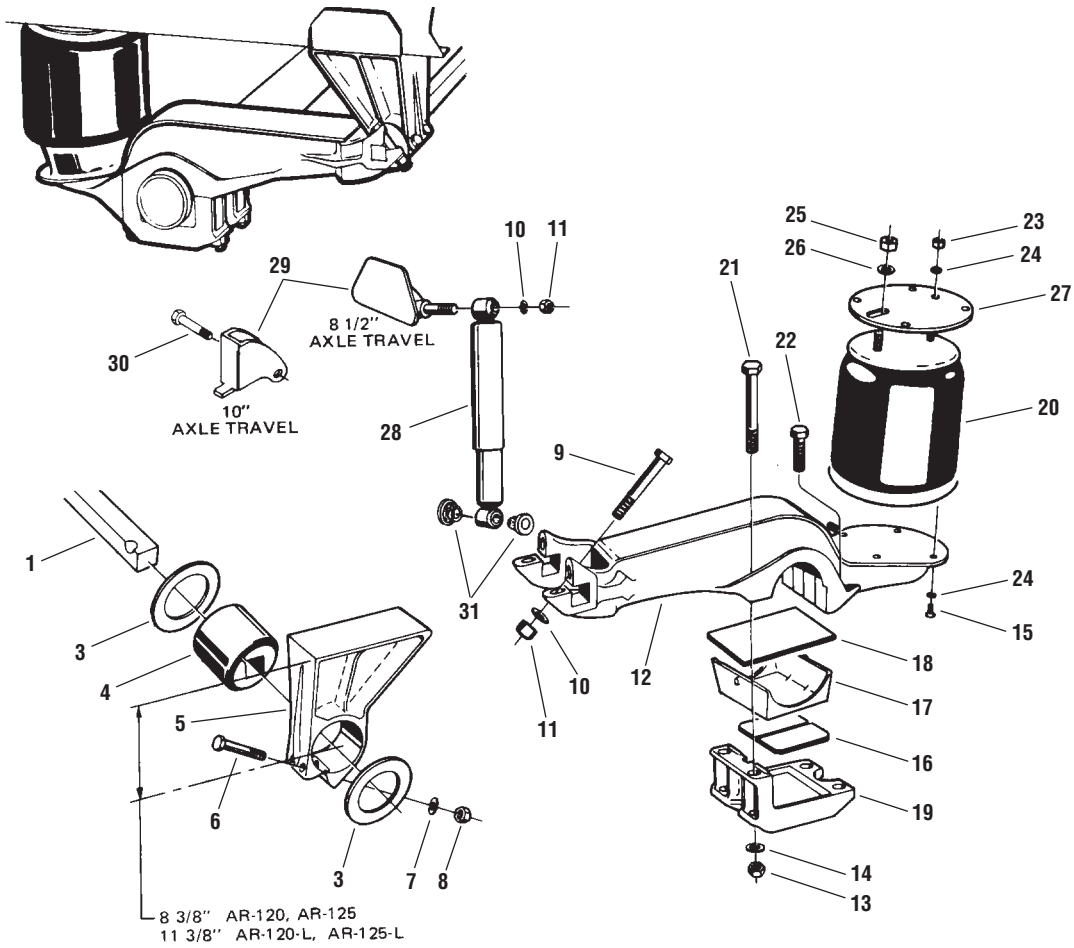
Models AR-93 -14, -15, -16, -17 Series
Trailer

KEY NO.	EUCLID NO.	REPLACES NEWAY NO.	DESCRIPTION	QTY. PER AXLE	AR-93				PAGE NO.
					14	15	16	17	
1	S.O.S.	905 20 346	Frame Bracket, Adjustable	2	X				—
	S.O.S.	905 19 710				X			
	S.O.S.	905 20 235					X	X	
2	S.O.S.	900 23 002	Angle Brace	4	X	X			—
	S.O.S.	930 23 001					X	X	
3	E-4363	900 36 177	Space Washer	12	X	X	X	X	2-35
4	S.O.S.	905 16 482	Equalizing Beam, Left Hand	1	X	X	X	X	—
	S.O.S.	905 16 483	Equalizing Beam, Right Hand	1	X	X	X	X	
4A	E-4382A	900 08 139	Rubber Bushing, Front Pivot	2	X	X	X	X	1-450
4B	E-4410A	900 08 149	Rubber Bushing, Axle Connection	4	X	X	X	X	1-448
5	S.O.S.	905 01 289	Axle Adapter, 5" Round Axle, LH	1	X	X	X	X	—
	S.O.S.	905 01 290	Axle Adapter, 5" Round Axle, RH	1	X	X	X	X	
6	E-4347	934 00 492	Lock Nut, 3/4"-10 Thd.	4	X	X	X	X	2-34
7	E-4345	903 03 597	Bolt, 3/4" -10 Thd. x 3 1/2"	4	X	X	X	X	1-476, 2-33
8	FS9921	905 57 117	Air Spring Assembly	2	X				—
	FS9923	905 57 118				X	X		
	FS9922	905 57 119						X	
9	E-4358	934 00 506	Lock Nut, 1 1/8"-7 Thd.	6	X	X	X	X	2-34
10	S.O.S.	900 33 785	Air Spring Mounting Plate & Upper Shock Bracket	2	X	X	X	X	—
11	M85051	900 45 054	Shock Absorber	2	X				3-14
	M83127	900 44 794				X			
		900 44 642					X		
	M89407	900 44 089	Shock Absorber					X	
12	E-4361	932 01 051	Bolt, 1 1/8"-7 Thd. x 8 1/2"	4	X	X	X	X	1-472, 2-32
13	E-4364	932 01 055	Bolt, 1 1/8"-7 Thd. x 9 1/4"	2	X	X	X	X	2-32
14	S.O.S.	936 00 072	Lock Washer, 1/2"	4	X	X	X	X	—
15	E-9284	900 08 147	Alignment Block	4	X	X	X	X	1-472
17	E-1107	934 00 149	Hex Nut, 3/4"-16 Thd.	2	X	X	X	X	2-34
18	S.O.S.	936 00 077	Lock Washer, 3/4"	2	X	X	X	X	—
19	S.O.S.	934 00 136	Hex Nut, 1/2"-13 Thd.	2	X	X	X	X	—
20	E-4403	905 08 004	Shock Replacement Bushing	8	X	X	X	X	2-53, 3-2
21	E-4343	900 18 116	Upper Shock Bracket	2	X	X	X	X	1-476
22	S.O.S.	905 19 773	Lower Shock Bracket	2	X	X	X	X	—
—	E-4398A	SRK-145	Pivot Connection Kit	2	X	X	X	X	1-457
		481 00 202							
—	E-4411A	SRK-149	Axle Connection Kit	2	X	X	X	X	1-456
		481 00 206							

S.O.S. = Available through Euclid's S.O.S. Department

NEWAY SUSPENSION

AR-120/120-L, AR-125/125-L Series Trailer



1

NEWAY SUSPENSION PARTS

AR-120/120-L, AR-125/125-L Series

Trailer

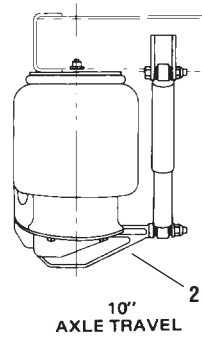
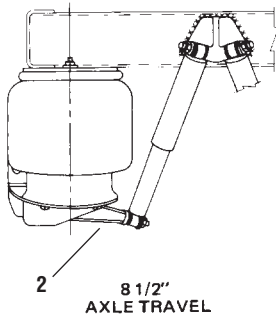
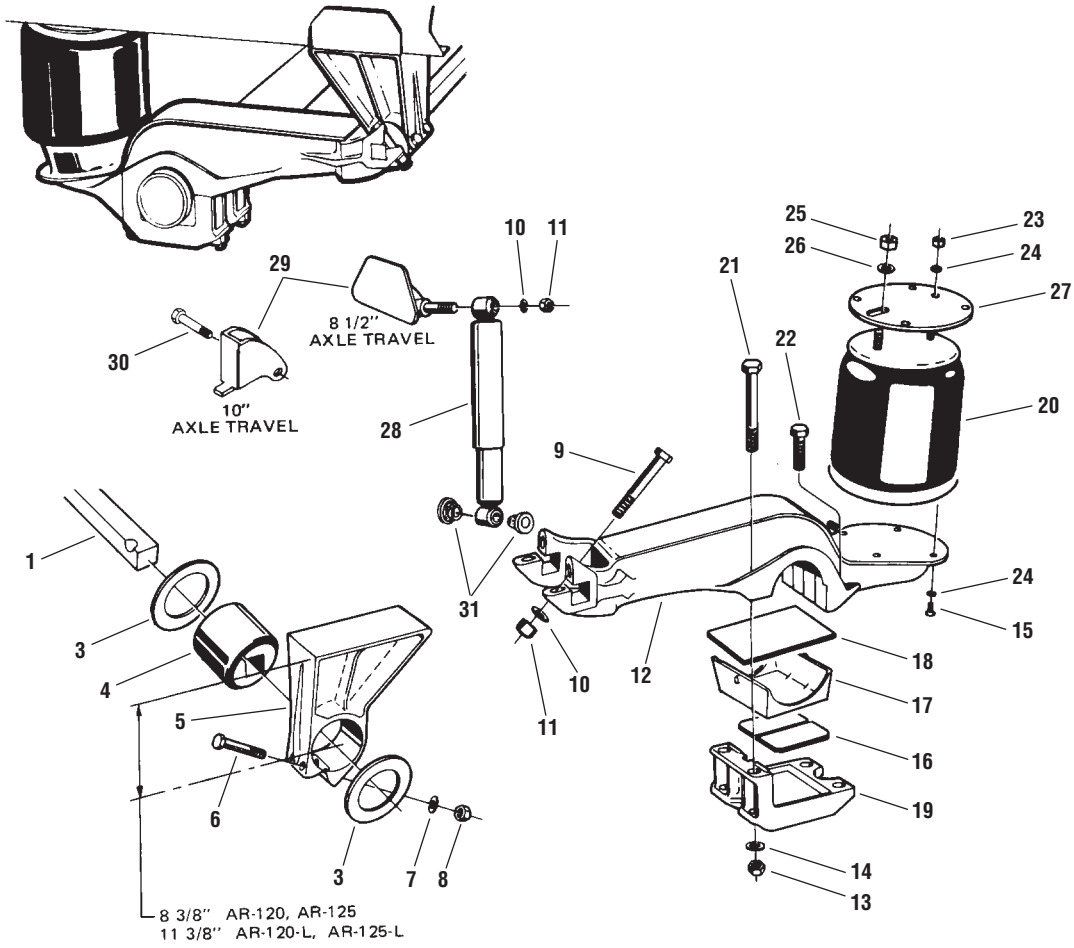
KEY NO.	EUCLID NO.	REPLACES NEWAY NO.	DESCRIPTION	QTY. PER AXLE	AR-				PAGE NO.
					120	120-L	125	125-L	
1	E-4405	900 06 003	Bar	1	X	X	X	X	1-450
2	S.O.S.	905 18 008	Lower Shock Mounting Bracket	2	X		X		—
	S.O.S.	905 18 009				X		X	
3	E-2959	936 00 035	Washer	4	X	X	X	X	2-35
4	E-2998	905 08 001	Bushing	2	X	X	X	X	1-450
5	S.O.S.	900 18 010	Frame Bracket	2	X		X		—
6	S.O.S.	930 03 395	Cap Screw, 5/8"-11 Thd. x 4"	4	X	X	X	X	—
7	E-2547	939 00 025	Washer	4	X	X	X	X	2-35
8	E-2988	934 00 490	Lock Nut, 5/8"-11	4	X	X	X	X	1-478, 2-34
9	E-2989	930 03 633	Bolt, 3/4"-10 x 5" Grade 5	4	X	X	X	X	2-32
10	S.O.S.	936 00 156	Washer, 3/4"	8	X	X	X	X	—
11	E-4347	934 00 492	Lock Nut, 3/4"-10 Thd.	8	X	X	X	X	2-34
12	S.O.S.	905 15 009	Equalizing Beam, Left Hand, 5" Round Axle	1	X		X		—
	S.O.S.	905 15 010	Equalizing Beam, Right Hand, 5" Round Axle	1	X		X		—
13	E-2983	934 00 496	Lock Nut	8	X	X	X	X	2-34
14	E-2546	936 00 162	Washer	8	X	X	X	X	2-35
15	S.O.S.	930 02 893	Cap Screw, 1/2"-13 Thd. x 1" Hex Head	8	X	X	X	X	—
16	E-2010 (Rubber)	900 28 016	Pad	2	X	X	X	X	1-451
	E-8674 (Poly)								1-451, 2-10
17	E-4289	900 01 082	Adapter, 5" Round Axle	2	X	X	X	X	1-466
	E-4290	900 01 083	Adapter, 5" Square Axle						1-467
18	E-2009 (Rubber)	900 28 007	Wrapper, Round Axle	2	X	X	X	X	1-451
	E-8673 (Poly)								1-451, 2-9
	E-2944								900 28 005
19	N/A	900 10 001	Axle Cap, 5" Round Axle	2	X	X	X	X	1-451
20	FS9082	905 57 027	Air Spring Assembly, 2 Stud Top	2	X				—
	FS9101	905 57 009							
	FS9177	905 57 003	Air Spring Assembly, 4 Stud Top						
	FS9158	905 57 005							
21	S.O.S.	939 00 178	Bolt, 7/8"-9 Thd. x 6"	4	X	X	X	X	—
22	E-2981	932 00 754	Bolt, 7/8"-9 Thd. x 2 3/4"	4	X	X	X	X	2-32
23	S.O.S.	934 00 136	Hex Nut, 1/2"-13 Thd.	8	X	X	X	X	—
24	S.O.S.	936 00 072	Lock Washer	16	X	X	X	X	—
25	E-1107	934 00 149	Hex Nut, 3/4"-16 Thd.	2	X	X	X	X	2-34
26	S.O.S.	936 00 077	Lock Washer, 3/4"	2	X	X	X	X	—
27	E-4321	900 31 027	Air Spring Mounting Plate	2	X	X	X	X	1-475
28	M83126	900 44 626	Shock Absorber	2	X	X	X	X	3-13
	M89430		Shock Absorber						
29	E-4339	905 18 011	Bracket	1	X		X		1-476
	S.O.S.	900 18 301	Bracket	2		X		X	

S.O.S. = Available through Euclid's S.O.S. Department
 N/A = No Longer Available

Continued on next page

NEWAY SUSPENSION

AR-120/120-L, AR-125/125-L Series Trailer



1

NEWAY SUSPENSION PARTS

AR-120/120-L, AR-125/125-L Series

Trailer

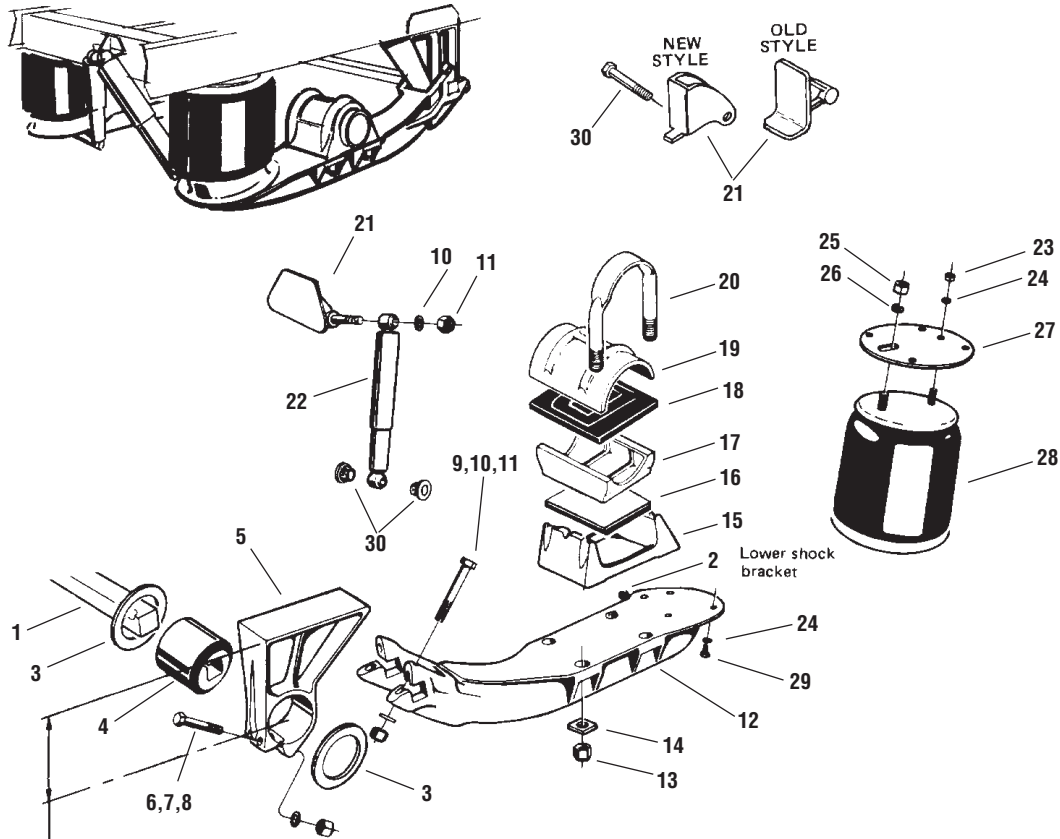
KEY NO.	EUCLID NO.	REPLACES NEWAY NO.	DESCRIPTION	QTY. PER AXLE	AR-				PAGE NO.
					120	120-L	125	125-L	
30	E-4345	930 03 597	Bolt, Use With Neway 900 18 301 Bracket	2		X		X	1-476, 2-33
31	E-4403 (Rubber)	905 08 004	Bushing, 4 Per Shock	8	X	X	X	X	2-53, 3-2
	E-8684 (Poly)								2-10, 3-2
—	E-2984A	SRK-15 481 00 016	5" Round Axle Connection Kit, Old Style Includes Key Nos. 13, 14, 16, 18, 21, 22	1	X	X	X	X	1-455
—	E-2985A	SRK-71	5" Round Axle Connection Kit, New Style Includes Key Nos. 13, 14, 16, 18, 21, 22,	1	X	X	X	X	1-455

S.O.S. = Available through Euclid's S.O.S. Department

N/A = No Longer Available

NEWAY SUSPENSION

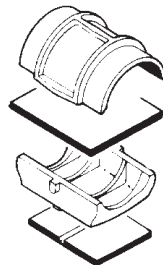
AR-120-US, AR-125-US, AR-120-US-L, AR-125-US-L Series Trailer



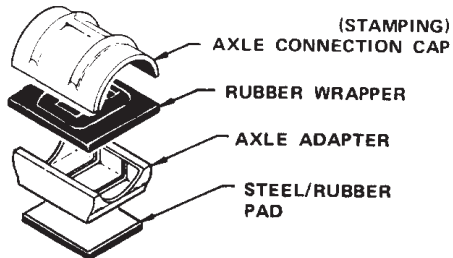
AR-120/125-US.....8 3/8"
AR-120/125-US-L ...11 3/8"
LONG TRAVEL MODELS

NOTE: For 15" wheel axle connection parts, with cam on horizontal centerline, refer to 15" WHEEL AXLE CONNECTION on last page of this section.

OLD STYLE
5" Rd. (Shown) & 5" Sq.



NEW STYLE
5" Rd. (all parts) & 5" Sq. (axle adapter & pad)



NEWAY SUSPENSION PARTS

AR-120-US, AR-125-US, AR-120-US-L, AR-125-US-L Series

Trailer

KEY NO.	EUCLID NO.	NEWAY REPLACES NO.	DESCRIPTION	PER QTY. AXLE	AR-				PAGE NO.
					120-US	125-US	120-US-L -1,-2,-3	125-US-L -1,-2,-3	
1	E-4405	900 06 003	Torsion Bar, 42 7/8"	1	X	X	X	X	1-450
2	S.O.S.	905 18 008	Bracket	2	X	X			—
	E-4341	905 18 027					X	X	—
3	E-2959	936 00 035	Washer	4	X	X	X	X	2-35
4	E-2998	905 08 001	Bushing	2	X	X	X	X	1-450
5	S.O.S.	900 18 010	Frame Bracket	2	X	X			—
	S.O.S.	900 18 011					X	X	
6	S.O.S.	930 03 389	Bolt, 5/8"-11 Thd. x 3 1/2"	4	X	X	X	X	—
7	E-2547	939 00 025	Washer	4	X	X	X	X	2-35
8	E-2988	934 00 490	Lock Nut, 5/8"-11 Thd.	4	X	X	X	X	1-478, 2-34
9	E-2989	930 03 633	Bolt	4	X	X	X	X	2-32
10	E-2545	936 00 156	Washer	8	X	X	X	X	2-35
11	S.O.S.	934 00 492	Lock Nut, 3/4"-10 Thd.	8	X	X	X	X	—
12	E-9530	905 15 026	Equalizing Beam, Left Hand	1	X	X			1-477
	S.O.S.	905 15 021					X	X	—
	E-9531	905 15 027	Equalizing Beam, Right Hand	1	X	X			1-477
	S.O.S.	905 15 022					X	X	—
13	E-4421	934 00 502	Lock Nut	8	X	X	X	X	2-34
14	E-2960	936 00 028	Washer	8	X	X	X	X	1-473, 2-35
	E-4292	900 01 006	Axle Seat	2	X	X	X	X	1-468
	E-4293	900 01 119			X	X			1-468
	S.O.S.	900 01 007					X	X	—
S.O.S.	900 01 008					X	X	—	
16	E-2947A (Rubber)	900 28 075	Axle Pad (New Style)	2	X	X	X	X	1-452
	E-8680 (Poly)				X	X	X	X	1-452, 2-10
	E-2010 (Rubber)	900 28 016	Axle Pad (Old Style)	2	X	X	X	X	1-451
	E-8674 (Poly)				X	X	X	X	1-451, 2-10
17	E-4289	900 01 082	Adapter, 5" Round Axle	2	X	X	X	X	1-466
	E-4290	900 01 083	Adapter, 5" Square Axle		X	X	X	X	1-467
18	E-2943 (Rubber)	900 28 047	Wrapper, Round Axle	2	X	X	X	X	1-451
	E-8678 (Poly)				X	X	X	X	1-451, 2-9
	E-2009 (Rubber)	900 28 007	Wrapper, Round Axle	2	X	X	X	X	1-451
	E-8673 (Poly)				X	X	X	X	1-451, 2-9
	E-4409 (Rubber)		Wrapper, Square Axle		X	X	X	X	1-451
19	E-4282	900 10 032	Axle Cap, 5" Round Axle	2	X	X	X	X	1-466
	E-4283	900 10 022	Axle Cap, 5" Square Axle		X	X	X	X	1-466
20	E-UB8479-090	900 41 878	U-Bolt Assembly, Flat Rd. Bend, 1"-14 Thd. x 6 5/16" Wide x 9" Long	4	X	X	X	X	2-30
	E-UB8578-094	900 41 997	U-Bolt Assembly, Flat Sq. Bend, 1"-14 Thd. x 6 5/16" Wide x 9 1/2" Long		X	X	X	X	2-30
	E-UB8479-124A	900 41 886	U-Bolt Assembly, Flat Rd. Bend, 1"-14 Thd. x 6 5/16" Wide x 12 1/2" Long				X	X	2-30
	E-UB8479-124A	900 42 792	U-Bolt Assembly, Flat Rd. Bend, 1"-14 Thd. x 6 5/16" Wide x 12 1/2" Long				X	X	2-30
	E-UB8578-124A	900 42 795	U-Bolt Assembly, Flat Sq. Bend, 1"- 14 Thd. x 6 5/16" Wide x 12 1/2" Long				X	X	2-30
21	E-4339	905 18 011	Bracket	1	X	X			1-476
	S.O.S.	900 18 301	Bracket	2			X	X	—

S.O.S. = Available through Euclid's S.O.S. Department

* = Included on Model AR-120-US-L-3 only

y = Included on Model AR-120-US-L-1 only

z = Included on Model AR-120-US-L-2 only

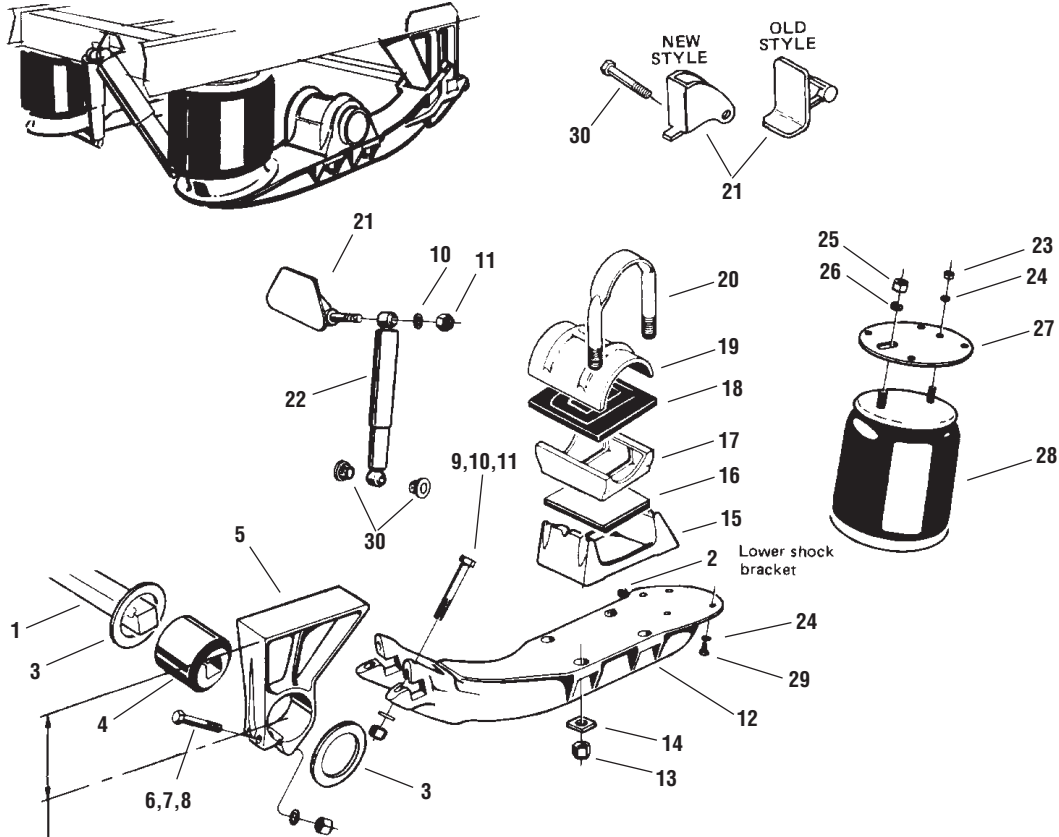
Contact Customer Care
USA - 1-888-725-9355 CANADA - 800-387-3889

Continued on next page

XpresswayPlus.com

NEWAY SUSPENSION

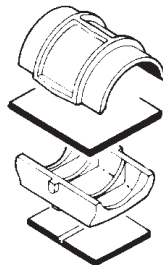
AR-120-US, AR-125-US, AR-120-US-L, AR-125-US-L Series Trailer



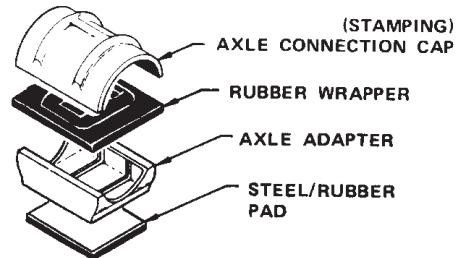
AR-120/125-US 8 3/8"
AR-120/125-US-L ... 11 3/8"
LONG TRAVEL MODELS

NOTE: For 15" wheel axle connection parts, with cam on horizontal centerline, refer to 15" WHEEL AXLE CONNECTION on last page of this section.

OLD STYLE
5" Rd. (Shown) & 5" Sq.



NEW STYLE
5" Rd. (all parts) & 5" Sq. (axle adapter & pad)



NEWAY SUSPENSION PARTS

AR-120-US, AR-125-US, AR-120-US-L, AR-125-US-L Series Trailer

KEY NO.	EUCLID NO.	NEWAY REPLACES NO.	DESCRIPTION	PER QTY. AXLE	AR-				PAGE NO.
					120-US	125-US	120-US-L -1,-2,-3	125-US-L -1,-2,-3	
22	M83126	900 44 626	Shock Absorber	2	X	X			3-13
	M89430		Shock Absorber						
23	S.O.S.	934 00 136	Hex Nut, 1/2"-13 Thd.	8	X	X	X	X	—
24	S.O.S.	936 00 072	Lock Washer, 1/2"	16	X	X	X	X	—
25	S.O.S.	934 00 149	Hex Nut, 3/4"-16 Thd.	2	X	X	X	X	—
26	S.O.S.	936 00 077	Lock Washer, 3/4"	2	X	X	X	X	—
27	E-4321	900 31 027	Plate	2	X	X	X	X	1-475
28	FS9082	905 57 027	Air Spring Assembly	2	X				—
	FS9101	905 57 009					X		
	FS9177	905 57 003				X			
	FS9158	905 57 005						X	
29	S.O.S.	930 02 893	Cap Screw, 1/2"-13 Thd. x 1"	8	X	X	X	X	—
30	E-4403 (Rubber)	905 08 004	Bushing	8	X	X	X	X	2-53, 3-2
	E-8684 (Poly)								2-10, 3-2
31	E-4345	930 03 597	Bolt	2			X	X	1-476, 2-33
—	S.O.S.	SRK-11 481 00 022	Pivot Connection Kit (If Torsion Bar is Required)	1	X	X	X	X	—
	E-2992A	SRK-11A 481 00 132	Pivot Connection Kit (If Torsion Bar is Not Required)		X	X	X	X	1-459
—	E-2978A	SRK-4	5" Round Axle Connection Kit (Old Style) Includes Key Nos. 13, 14, 16, 18, 20	1	X	X	*	*	1-453
	E-2977A	SRK-64 481 00 108	5" Round Axle Connection Kit (New Style) Includes Key Nos. 13, 14, 16, 18, 20		X	X	*	*	1-453
	E-6898	SRK-68 481 00 112	5" Square Axle Connection Kit (New Style) Includes Key Nos. 13,14,16,18,20		X	X	*	*	1-454
	E-2979A	SRK-126	5" Round Axle Connection Kit (Old Style) Includes Key Nos. 13, 14, 16, 18, 20				y	y	1-454
	E-4390	SRK-128 481 00 181	5" Round Axle Connection Kit(New Style) Includes Key Nos. 13, 14, 16, 18, 20				y	y	1-454
	S.O.S.	SRK-129	5" Square Axle Connection Kit (New Style) Includes Key Nos. 13, 14, 16, 18, 20				y	y	—
	S.O.S.	SRK-6	5" Round Axle Connection Kit (Old Style) Includes Key Nos. 13, 14, 16, 18, 20				z	z	—
	S.O.S.	SRK-66 481 00 110	5" Round Axle Connection Kit (New Style) Includes Key Nos. 13, 14, 16, 18, 20				z	z	—
	S.O.S.	SRK-70	5" Square Axle Connection Kit (New Style) Includes Key Nos. 13, 14, 16, 18, 20				z	z	—

S.O.S. = Available through Euclid's S.O.S. Department

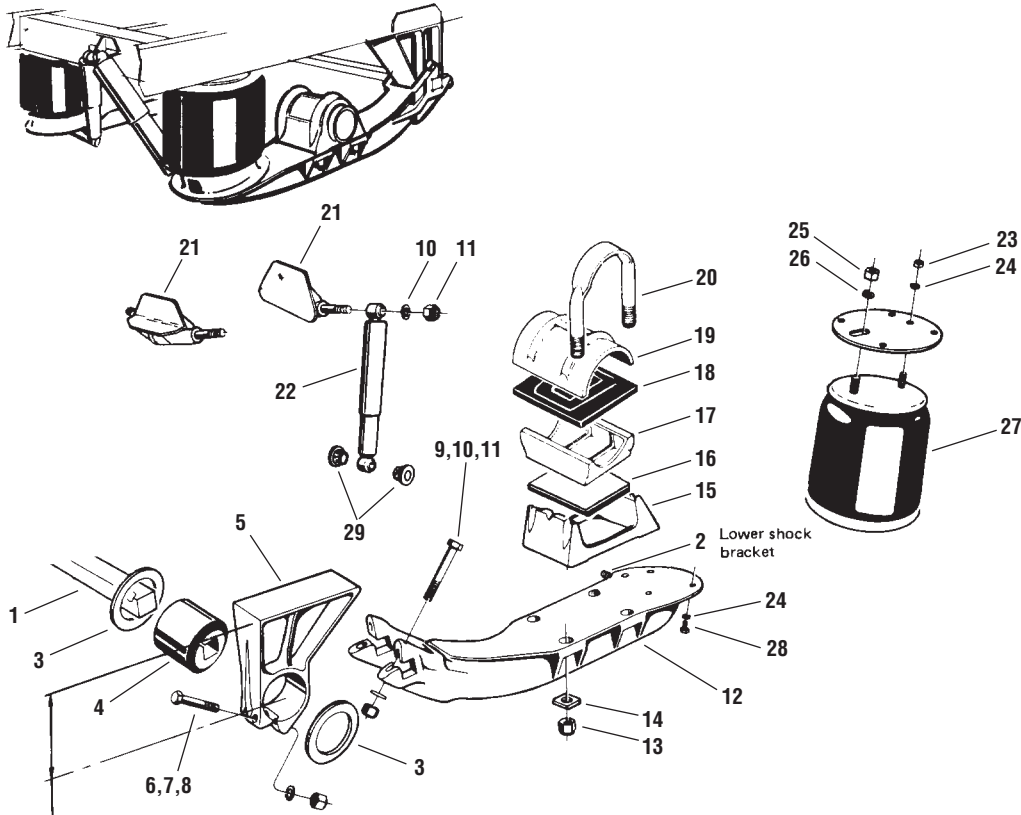
* = Included on Model AR-120-US-L-3 only

y = Included on Model AR-120-US-L-1 only

z = Included on Model AR-120-US-L-2 only

NEWAY SUSPENSION

AR-165-US Series Trailer

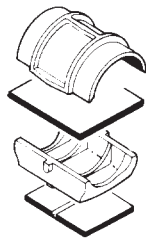


AR-120/125-US-F8 3/8"
AR-165-US.....7 3/8"
AR-165-US MODELS

NOTE: For 15" wheel axle connection parts, with cam on horizontal centerline, refer to 15" WHEEL AXLE CONNECTION on last page of this section.

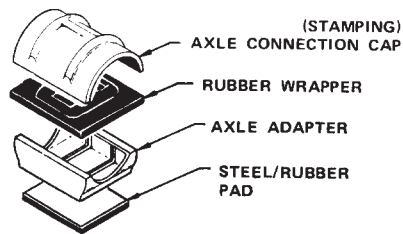
OLD STYLE

5" Rd. (Shown) & 5" Sq.



NEW STYLE

5" Rd. (all parts) & 5" Sq. (axle adapter & pad)



NEWAY SUSPENSION PARTS

AR-165-US Series

Trailer

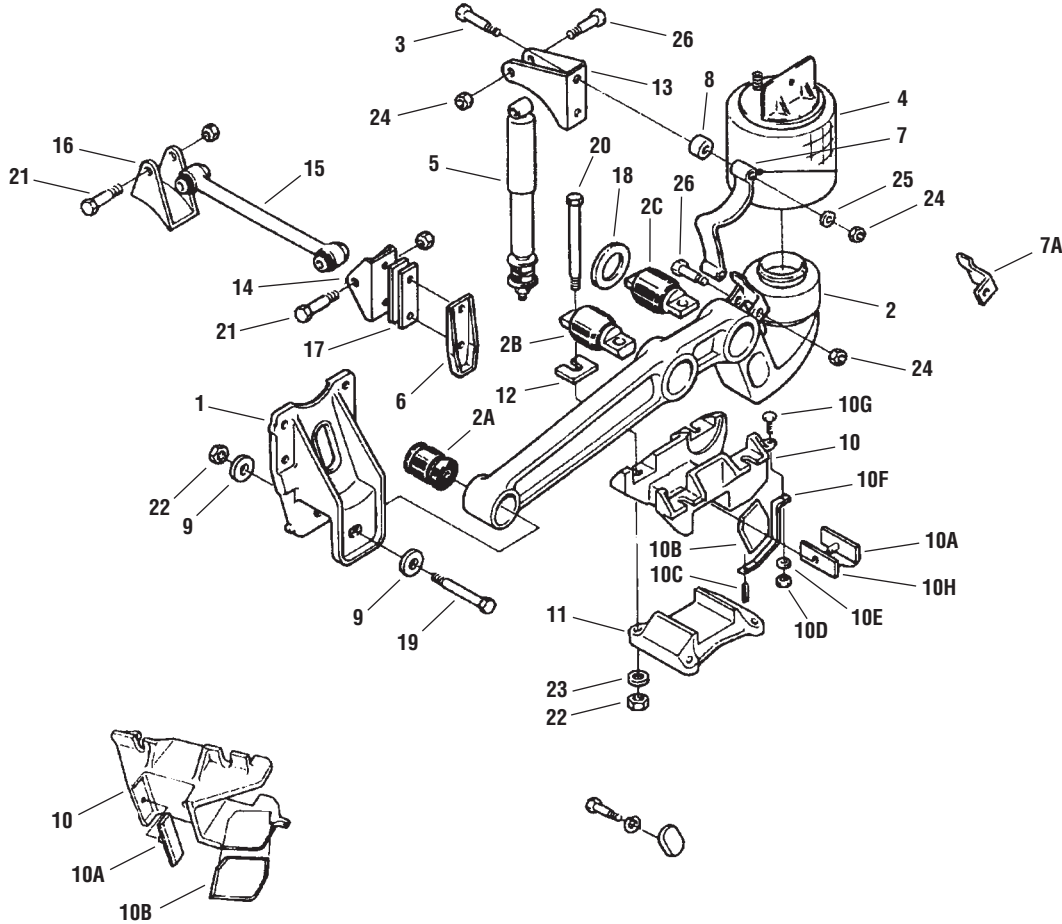
N/A = No Longer Available

KEY NO.	EUCLID NO.	REPLACES NEWAY NO.	DESCRIPTION	QTY. PER AXLE	PAGE NO.
1	E-4406	900 06 034	Torsion Bar, 45 3/4"	1	1-450
2	S.O.S.	905 18 042	Lower Shock Mounting Bracket, Left Hand	1	—
	S.O.S.	905 18 043	Lower Shock Mounting Bracket, Right Hand	1	
3	E-2959	936 00 035	Washer, 3 1/2"	4	2-35
4	E-2998	905 08 001	Bushing	2	1-450
5	N/A	900 18 004	Frame Bracket	2	—
6	S.O.S.	930 03 383	Bolt	4	—
7	E-2547	939 00 025	Washer	4	2-35
8	E-2988	934 00 490	Lock Nut	4	1-478, 2-34
9	E-2989	930 03 633	Bolt	4	2-32
10	E-2545	936 00 156	Washer	8	2-35
11	E-4347	934 00 492	Lock Nut, 3/4"-10 Thd.	8	2-34
12	S.O.S.	905 15 030	Equalizing Beam, Left Hand	1	—
	S.O.S.	905 15 031	Equalizing Beam, Right Hand	1	—
13	E-4421	934 00 502	Lock Nut	8	2-34
14	E-2960	936 00 028	Washer	8	1-473, 2-35
15	S.O.S.	900 01 008	Axle Seat	2	—
16	E-2947A (Rubber)	900 28 075	Pad	2	1-452
	E-8680 (Poly)	900 28 075			1-452, 2-10
	E-2010 (Rubber)	900 28 016			1-451
	E-8674 (Poly)	900 28 016			1-451, 2-10
17	E-4289	900 01 082	Adapter	2	1-466
	E-4290	900 01 083			1-467
18	E-2943 (Rubber)	900 28 047	Wrapper, Round Axle	2	1-451
	E-8678 (Poly)				1-451, 2-9
	E-2009 (Rubber)	900 28 007	Wrapper, Round Axle		1-451
	E-8673 (Poly)				1-451, 2-9
	E-4409 (Rubber)	900 28 073	Wrapper, Square Axle		1-451
19	E-4282	900 10 032	Axle Cap	2	1-466
	E-4283	900 10 022	Axle Cap		
20	E-UB8479-124A	900 42 792	U-Bolt Assembly, Flat Rd. Bend, 1"-8 Thd. x 6 5/16" Wide x 12 1/2" Long	4	2-30
	E-UB8578-124A	900 42 795	U-Bolt Assembly, Flat Sq. Bend, 1"-14 Thd. x 6 5/16" Wide x 12 1/2" Long		2-30
21	S.O.S.	905 18 041	Upper Shock Mounting Bracket	1	—
22	M83126	900 44 626	Shock Absorber	2	3-13
	M89430		Shock Absorber		
23	S.O.S.	934 00 136	Hex Nut, 1/2"-13 Thd.	8	—
24	S.O.S.	939 00 072	Lock Washer, 1/2"	16	—
25	E-1107	934 00 149	Hex Nut, 3/4"-16 Thd.	2	2-34
26	S.O.S.	936 00 077	Lock Washer, 3/4"	2	—
27	FS9082	905 57 027	Air Spring Assembly	2	—
28	S.O.S.	930 02 893	Cap Screw, 1/2"-13 Thd.	8	—
29	E-4403 (Rubber)	905 08 004	Bushing	8	2-53, 3-2
	E-8684 (Poly)				2-10, 3-2
—	E-2979A	SRK-126	5" Round Axle Connection Kit (Old Style) Includes Key Nos. 13, 14, 16, 18, 20	1	1-454
—	E-4390	SRK-128	5" Round Axle Connection Kit (New Style) Includes Key Nos. 13, 14, 16, 18, 20	1	1-454
—	S.O.S.	SRK-129	5" Square Axle Connection Kit (New Style) Includes Key Nos. 13, 14, 16, 18, 20	1	—

S.O.S. = Available through Euclid's S.O.S. Department

NEWAY ARDAB "AIR BEAM" SERIES

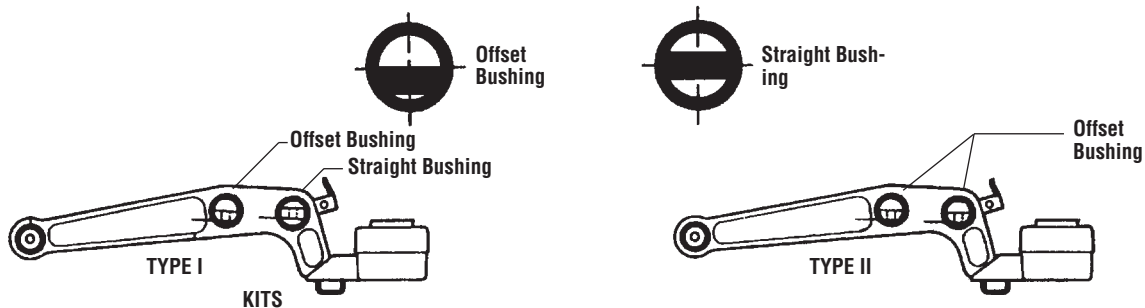
Models -120-5, -240-5



"AIR BEAM" IDENTIFICATION

When ordering an equalizing beam, axle bushings or axle shims, the correct beam type (I or II) must be specified so that it will fit and maintain the correct pinion angle. Further, the correct type and number of shims must be installed in each bushing location to complete the assembly.

To determine the beam type, check the type of bushings used by comparing those in the beam to those shown on this page. If the rear bushing is straight, it is a Type I beam; if bushing is offset it is a Type II beam.



EUCLID NO.	APPLICATION
E-9295	Pivot Connection Kit - with Alignment Blocks
E-9296	Axle Connection Kit - Type I Beam
E-9297	Axle Connection Kit - Type II Beam
E-9299	Beam Wear Pad Kit

NEWAY ARDAB "AIR BEAM" PARTS

KEY NO.	EUCLID NO.	REPLACES NEWAY NO.	DESCRIPTION	QTY. PER AXLE	ARDAB		PAGE NO.
					-125	-240-5 ^①	
1	S.O.S.	900 18 475	Frame Bracket Assembly	2	X	X	—
2	S.O.S.	—	Equalizing Beam Right Hand & Left Hand, Includes Key Nos. 2A-2C	1	X	X	—
2A	E-9286	900 08 165	Hanger Pivot Bushing	2	X	X	1-464
2B	E-9287	900 08 169	Type I Rear Beam Bushing, Straight	2	X	X	1-464
	E-9288	900 08 172	Type I Front Beam Bushing, Offset	2	X	X	1-464
2C	E-9288	900 08 172	Type II Front & Rear Beam Bushing, Offset	4	X	X	1-464
3	E-2989	930 03 633	Bolt, 3/4"-10 Thd. x 5"	2	X	X	2-32
4	FS9268	905 57 123	Air Spring	2	X	X	—
5	83635	900 44 907	Fleetline Shock Absorber Assembly	2	X	X	3-14
6	S.O.S.	900 44 871	Axle Stop	2	X	X	—
7	E-9289	900 44 882	Down Strap	2	X	X	1-475
7A	S.O.S.	905 20 245	Down Strap Guide, Left Hand	1	X	X	—
	S.O.S.	905 20 246	Down Strap Guide, Right Hand	1	X	X	—
8	S.O.S.	900 36 159	Boss (Upper Strap Attachment)	2	X	X	—
9	Part of E-9295	900 08 166	Alignment Blocks	4	X	X	1-458
10	S.O.S.	905 01 191	Upper Axle Clamp Casting, Left Hand,	1	X	X	—
	S.O.S.	905 01 199	Upper Axle Clamp Casting, Right Hand, Includes Key Nos. 10A-10G	1	X	X	—
10A	E-9290	900 44 887	Plastic Shim	2	X	X	1-470
10B	Part of E-9299	900 44 883	Adapter Wear Pad, Left Hand	1	X	X	1-470
		900 44 884	Adapter Wear Pad, Right Hand	1	X	X	
10C	Part of E-9299	939 00 214	Spring Pin	2	X	X	1-470
10D	Part of E-9299	934 00 060	Lock Nut, 1/4"-20 Thd.	2	X	X	
10E	Part of E-9299	936 09 112	Flat Washer, 1/4"	2	X	X	
10F	Part of E-9299	900 24 932	Retainer	2	X	X	
10G	Part of E-9299	930 02 353	Cap Screw, 1/4"-20 Thd. x 1"	2	X	X	
10H ^②	E-9291	900 33 376	Steel Shim	2	X	X	1-470
11	S.O.S.	900 01 136	Lower Axle Clamp Casting, Right Hand	1	X	X	—
	S.O.S.	900 01 137	Lower Axle Clamp Casting, Left Hand	1	X	X	
12	S.O.S.	900 33 361	Shims, Axle Connections	—	X	X	—
13	S.O.S.	900 24 926	Upper Shock Bracket	2	X	X	—
14	S.O.S.	900 18 472	Track Bar Frame Bracket	1	X	X	—
15 ^③	S.O.S.	900 44 972	Track Bar, Bearing Style	1	X	X	—
16	S.O.S.	900 44 874	Track Bar Axle Bracket	1	X	X	—
17	S.O.S.	900 36 160	Shims, Track Bar Frame Bracket	1	X	X	—
18	Part of E-9295, E-9297, E-9299	939 00 212	Wear Washers, Rear Axle Bushing	2	X	X	1-458, 1-456, 1-470
19	Part of E-9295	930 03 905	Cap Screw, 7/8"-9 Thd. x 7 1/2"	2	X	X	1-458
20	Part of E-9296, E-9297	939 00 213	Cap Screw, 7/8"-9 Thd. x 12 1/2"	8	X	X	1-455, 1-456
21	E-3696	930 03 831	Cap Screw, 7/8"-9 Thd. x 4 1/2"	2	X	X	2-32
22	Part of E-9295, E-9296, E-9297	93400498	Lock Nut, 7/8"-9 Thd.	12	X	X	1-458, 1-456, 1-470
23	E-2546	936 00 162	Flat Washer, 7/8"	16	X	X	2-35
24	E-4347	934 00 492	Lock Nut, 3/4"-10 Thd.	6	X	X	2-34
25	E-2545	936 00 157	Washer, 3/4" (2" O.D.)	2	X	X	2-35
26	S.O.S.	930 03 603	Cap Screw, 3/4"-10 Thd. x 3 3/4"	4	X	X	—
—	E-9295	SRK-188-1 481 00 253	Pivot Connection Kit	1	X	X	1-458
—	E-9296	SRK-189 481 00 246	Axle Connection Kit, Type I Beam	1	X	X	1-458
—	E-9297	SRK-190 481 00 247	Axle Connection Kit, Type II beam	1	X	X	1-456
—	145054	SRK-191	Shock Absorber Bushing Kit	2	X	X	3-2
—	E-9299	SRK-192 481 00 249	Beam Wear Kit	—	X	X	1-470

S.O.S. = Available through Euclid's S.O.S. Department

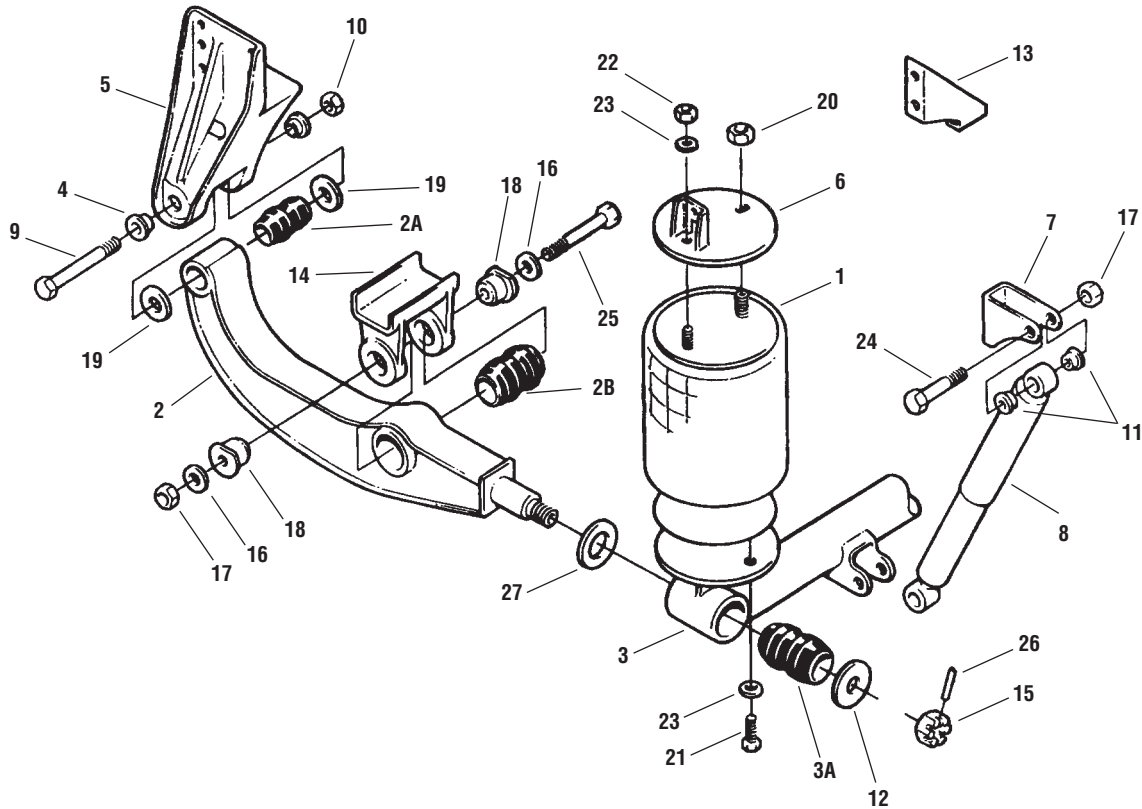
① = For ARDAB-240-5 Tandem model, double the quantity per axle required

② = Neway Steel Shim No. 90033376 used in Upper Axle Clamp Casting No. 90501184 and 90501185

③ = Neway No. 90044877 Std. Track Bar (Rubber Bushed); 90045017 Ford Only Track Bar (Special Ends)

NEWAY ARDST/ARDSTM & L SERIES

Models -123-6, -244-6, -246-6



KITS

PART NO.	APPLICATION
E-9300A	Pivot Connection Kit
E-4387	Axle Connection Kit
E-9301	Transverse Beam Connection Kit

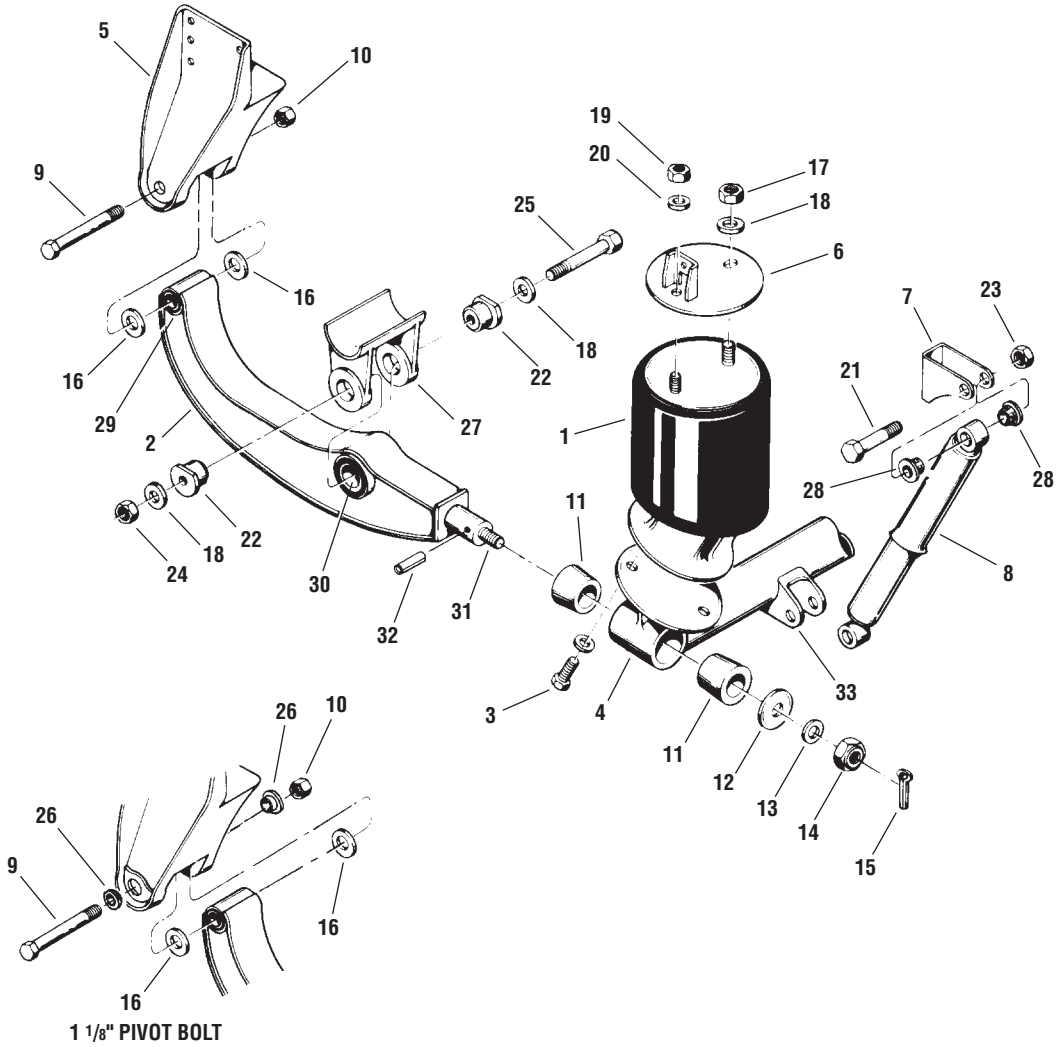
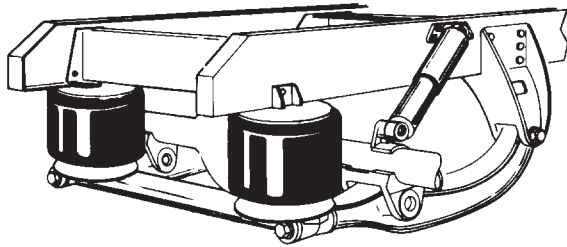
NEWAY ARDST/ARDSTM & L PARTS

KEY NO.	EUCLID NO.	NEWAY NO.	DESCRIPTION	PER QTY. AXLE	ARDST					PAGE NO.
					-123	-244	-246	(M/L) -123	(M/L) -246	
1	FS9121	905 57 078	Air Spring	2			X		X	—
	FS9082	905 57 027			X	X		X		
2	E-10686	905 16 286	Equalizing Beam Assembly	2	X	X		X	X	—
	S.O.S.	905 16 352					X			
2A	E-9292	900 08 151	Bushing (Front End)	2	X			X		2-51
	E-9292	900 08 151		4		X	X		X	
2B	E-4253	900 08 008	Bushing (Beam Center)	2	X	X				2-50
	E-4253	900 08 008		4	X	X		X		
3	S.O.S.	905 44 617	Transverse Beam Assembly	1	X			X		—
	S.O.S.	905 44 617		2		X	X		X	
3A	E-9293	900 08 135	Transverse Beam Bushing	2	X			X		1-448
	E-9293	900 08 135		4		X	X		X	
4	E-4267	900 08 120	Alignment Block	4	X			X		1-472
	E-4267	900 08 120		8		X	X		X	
5	S.O.S.	900 18 578	Frame Bracket Single Axle, Left Hand	1						—
	S.O.S.	900 18 579	Frame Bracket Single Axle, Right Hand	1						—
6	S.O.S.	905 31 001	Air Spring Mounting Plate	2	X			X		—
	S.O.S.	905 31 001		4		X	X		X	
7	E-4343	900 18 116	Shock Absorber Mounting Bracket	2	X			X		1-476
	E-4343	900 18 116		4		X	X		X	
8	M83209	900 44 025	Shock Absorber	2	X			X		3-13
	M89414	900 44 025	Shock Absorber	4		X	X		X	
9	E-4364	932 01 046 (Old)	Rod Bolt, 1 1/8"-7 Thd.	2	X			X		2-32
		932 01 055 (New)		4		X	X		X	
10	E-4358	934 00 506	Lock Nut, 1 1/8"-7 Thd.	2	X			X		2-34
	E-4358	934 00 506		4		X	X		X	
11	E-4403	905 08 004	Shock Absorber Bushing	8	X			X		2-53, 3-2
	E-4403	905 08 004		16		X	X		X	
12	Part of E-9301	900 36 118	Spacer Washer	2	X			X		1-462
	Part of E-9301	900 36 118		4		X	X		X	
13	S.O.S.	900 23 131	Brace	2	X			X		—
	S.O.S.	900 23 131				X	X		X	
14	S.O.S.	—	Beam Hanger Brackets, Single Axle	2						—
15	Part of E-9301	934 00 603	Hex Slotted Nut, 2 1/4"-12 Thd.	2	X	X	X	X	X	1-462
16	E-2545	936 00 156	Plain Washer, 3/4"	4	X			X		2-35
	E-2545	936 00 156		8		X	X		X	
17	Part of E-4387	934 00 492	Lock Nut, 3/4"-10 Thd.	6	X			X		1-456
	Part of E-4387	934 00 492		12		X	X		X	
18	Part of E-4387	900 01 002	Adapter Bushing	4	X			X		1-456
	Part of E-4387	900 01 002		8		X	X		X	
19	Part of E-9300A	936 00 502	Spacer Washer	4	X			X		1-461
	Part of E-9300A	936 00 502		8		X	X		X	
20	S.O.S.	934 00 417	Lock Nut, Light 3/4"-16 Thd.	2	X			X		—
	S.O.S.	934 00 417		4		X	X		X	
21	S.O.S.	930 02 893	Cap Screw, 1/2"-13 Thd. x 1"	4	X			X		—
	S.O.S.	930 02 893				X	X		X	
22	S.O.S.	934 00 136	Hex Nut, 1/2"-13 Thd.	2	X			X		—
	S.O.S.	934 00 136		4		X	X		X	
23	S.O.S.	936 00 072	Lock Washer, 1/2"	6	X			X		—
	S.O.S.	936 00 072		12		X	X		X	
24	S.O.S.	930 03 597	Cap Screw, 3/4"-10 Thd. x 3 1/2"	4	X			X		—
	S.O.S.	930 03 597		8		X	X		X	
25	Part of E-4387	930 03 693	Cap Screw, 3/4"-10 Thd. x 7 1/2"	2	X			X		1-456
	Part of E-4387	930 03 693		4		X	X		X	
26	Part of E-9301	938 00 235	Roll Pin, 3/8" Diameter x 3 1/2" Long	2	X			X		1-462
	Part of E-9301	938 00 235		4		X	X		X	
27	Part of E-9301	936 00 498	Washer	2	X			X		1-462
	Part of E-9301	936 00 498		4		X	X		X	
—	E-9300A	SRK-200 481 00 260	Pivot Connection Kit	1	X	X	X	X	X	1-461
—	E-4387	SRK-80 481 00 124	Axle Pivot Connection Kit	1	X	X	X	X	X	1-456
—	E-9301	SRK-201 481 00 261	Transverse Connection Kit	1	X	X	X	X	X	1-462

S.O.S. = Available through Euclid's S.O.S. Department

NEWAY SUSPENSION

ARD-125-6, -244-6 Series Trailer/Tractor



1

NEWAY SUSPENSION PARTS

ARD-125-6, -244-6 Series

Trailer/Tractor

KEY NO.	EUCLID NO.	REPLACES NEWAY NO.	DESCRIPTION	QTY. PER AXLE		FORD	GMC & IHC	MACK	WHITE	PAGE NO.
				ARD-125-6	ARD-244-6					
1	FS9093	905 57 032	Air Spring Assembly	2	4	X				—
	FS9082	905 57 027					X	X	X	
2	S.O.S.	Various	Equalizing Beam, 5 1/4" Wide	2	4	X	X	X	X	—
	S.O.S.	Various	Equalizing Beam, 5 3/4" Wide	2	4	X	X	X	X	
3	S.O.S.	930 02 893	Cap Screw, 1/2" - 13 Thd. x 1"	4	8	X	X	X	X	—
4	S.O.S.	905 44 079	Transverse Beam	1	2	X	X	X	X	—
5	S.O.S.	900 18 578	Frame Bracket, Left Hand (with SRK-120)	1	2	X	X	X	X	—
	S.O.S.	900 18 579	Frame Bracket, Right Hand (with SRK-120)	1	2	X	X	X	X	
6	S.O.S.	905 31 001	Air Spring Mounting Plate	2	4	X	X	X	X	—
7	E-4343	900 18 116	Bracket	2	4	X	X	X	X	1-476
8	M83209	900 44 025	Shock Absorber	2	4	X	X	X	X	3-13
	M89414		Shock Absorber							
9	S.O.S.	932 00 132	Bolt, 1 1/4"-12 Thd. x 9"	2	4	X	X	X		—
	S.O.S.	932 01 030	Bolt, 1 1/4"-12 Thd. x 10 9/16"							X
	E-4364	932 01 046 (Old) 932 01 055 (New)	Bolt, 1 1/8"-7 Thd. x 9 1/4"	2	4		X	X		2-32
	E-4361	932 01 045	Bolt, 1 1/8"-7 Thd. x 8 1/2"					X	1-472, 2-32	
10	E-2854	934 00 509 (Old) 934 00 511 (New)	Lock Nut, 1 1/4"	2	4	X	X	X	X	2-34
	E-4358	934 00 506	Lock Nut, 1 1/8"			X	X	X	X	
11	E-4257 (Rubber)	900 08 113	Bushing	4	8	X	X	X	X	1-450
	E-8682 (Poly)									1-450, 2-10
12	E-4278	900 36 007	Washer	2	4	X	X	X	X	2-35
13	S.O.S.	936 00 180	Washer	2	4	X	X	X	X	—
	E-4358	934 00 506	Lock Nut	2	4	X				2-34
E-2854	934 00 509 (Old) 934 00 511 (New)	X				X	X			
15	S.O.S.	938 00 065	Cotter Pin (Pre-1981 Vehicles Only)	2	4	X	X	X	X	—
16	E-4277	900 36 001	Washer	4	8	X	X	X	X	2-35
	S.O.S.	936 00 495				X	X	X	X	—
17	S.O.S.	934 00 417	Lock Nut, 3/4"-16 Thd.	4	8	X	X	X	X	—
18	E-2545	936 00 157	Washer	4	8	X	X	X	X	2-35
19	S.O.S.	934 00 136	Hex Nut, 1/2"-13 Thd.	2	4	X	X	X	X	—
20	S.O.S.	936 00 072	Lock Washer, 1/2"	2	4	X	X	X	X	—
21	E-4345	930 03 599 (Old) 930 03 597 (New)	Bolt	4	8	X	X	X	X	1-476, 2-33
22	Part of E-2372 or E-4387	900 01 002	Adapter Bushing, 5 1/4" Wide Hanger	4	8	X	X	X	X	1-471, 1-456
			Adapter Bushing, 5 3/4" Wide Hanger							
23	S.O.S.	934 00 553	Lock Nut	4	8	X	X	X	X	—
24	Part of E-2372 or E-4387	934 00 492	Lock Nut, 3/4"-10 Thd	2	4	X	X	X	X	1-471, 1-456, 2-34
25	Part of E-2372	930 03 681	Bolt, Adapter Assembly, 5 1/4" Wide Hanger	2	4	X		X		1-471
	Part of E-4387	930 03 693	Bolt, Adapter Assembly, 5 3/4" Wide Hanger				X	X	X	1-456
26	E-4266	900 08 110	Alignment Block (Pre-1981), 1 1/4" I.D.	4	8	X	X	X		1-472
	E-4267	900 08 120	Alignment Block, (Pre-1981), Later Vehicles, 1 1/8" I.D.			X	X	X	X	1-472
27	S.O.S.	Various	Available Per Axle Specification	2	4	X	X	X	X	—

S.O.S. = Available through Euclid's S.O.S. Department

Continued on next page

Contact Customer Care

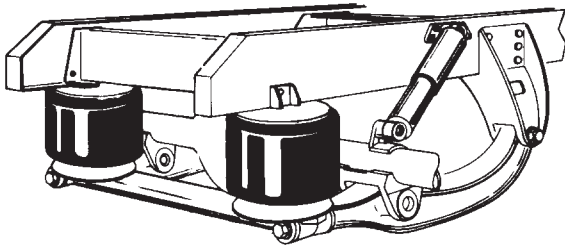
USA - 1-888-725-9355

CANADA - 800-387-3889

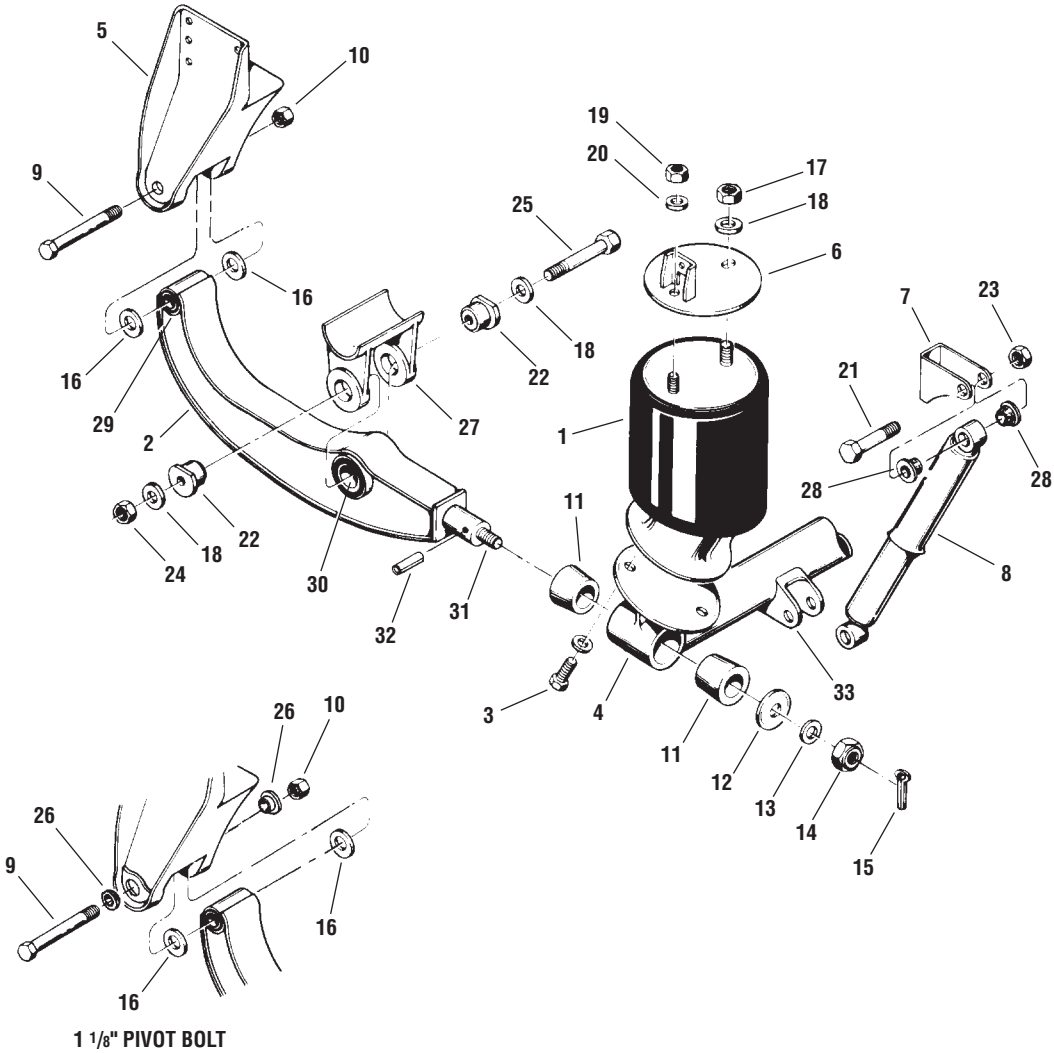
XpresswayPlus.com

NEWAY SUSPENSION

ARD-125-6, -244-6 Series Trailer/Tractor



1



NEWAY SUSPENSION PARTS

ARD-125-6, -244-6 Series

Trailer/Tractor

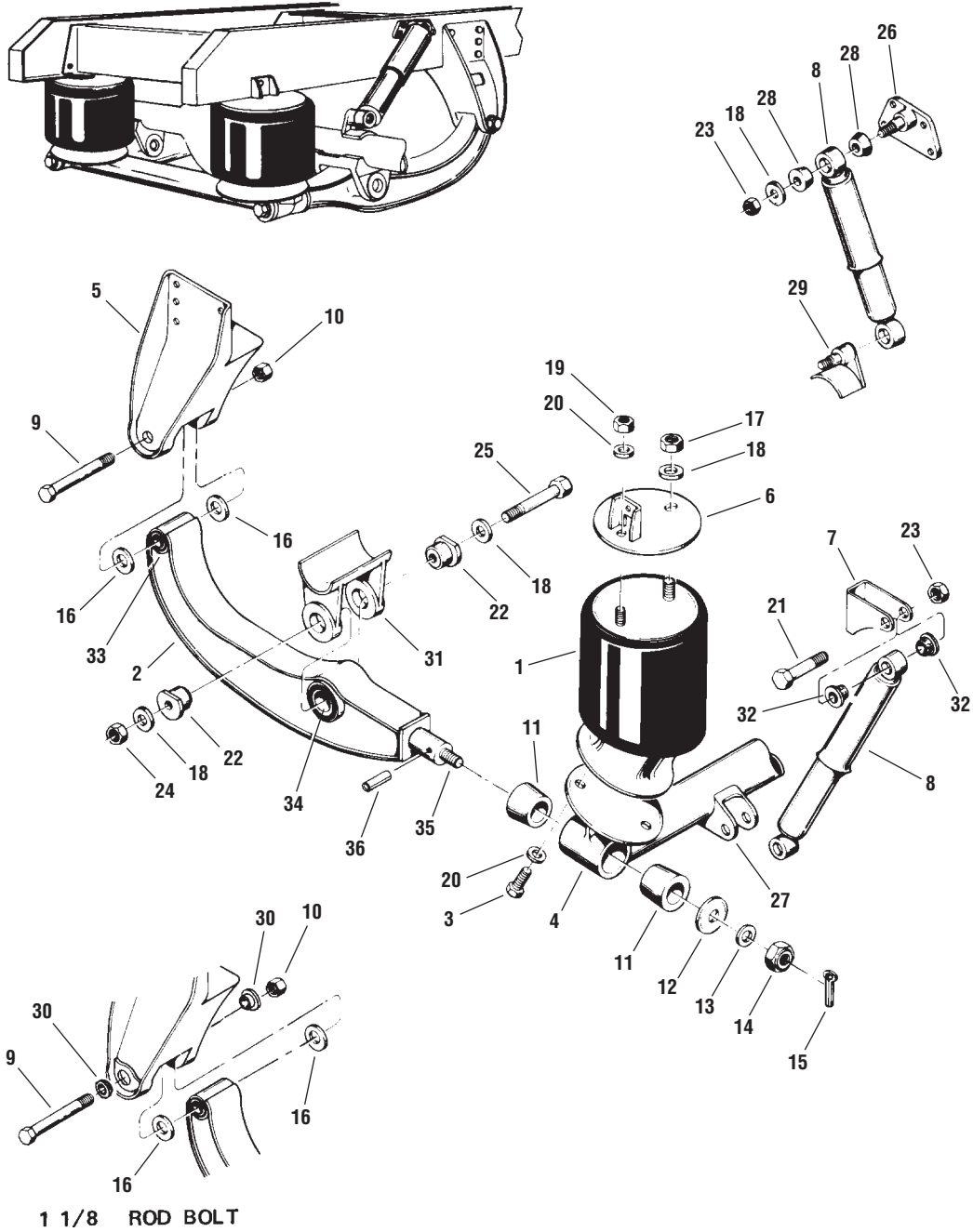
KEY NO.	EUCLID NO.	REPLACES NEWAY NO.	DESCRIPTION	QTY. PER AXLE		FORD	GMC & IHC	MACK	WHITE	PAGE NO.
				ARD-125-6	ARD-244-6					
28	E-4403 (Rubber)	905 08 004	Bushing	8	16	X	X	X	X	2-53, 3-2
	E-8684 (Poly)									2-10, 3-2
29	E-2940 (Rubber)	900 08 002	Bushing, Old Style 1 1/4" I.D.	2	4	X	X	X	X	1-448
	E-8677 (Poly)									2-10
	E-4255 (Rubber)	900 08 131	Bushing, New Style 1 1/8" I.D.	2	4	X	X	X	X	1-448
30	E-4252 (Rubber)	900 08 006	Bushing , 5 1/4" (Assembled In Item 2)	2	4			X	X	2-50
	E-4253 (Rubber)	900 08 008	Bushing, 5 3/4" (Assembled In Item 2)	2	4	X	X	X	X	
31	E-4258	900 06 380	Stud	2	4	X	X	X	X	1-472
32	S.O.S.	900 44 174	Roll Pin	2	4	X	X	X	X	—
33	S.O.S.	900 18 482	Lower Shock Bracket	2	4	X	X	X	X	—
—	E-4393	SRK-120 481 00 170	1 1/8" Adjustable Pivot Connection Kit Includes Key Nos. 9, 10, 16, 29	2	4	X	X	X	X	1-460
	E-4392	SRK-105 481 00 154	1 1/4" Adjustable Pivot Connection Kit Includes Key Nos. 9, 10, 16, 29 NOTE: E-4392 is for Pre-1981 vehicles which require E-2940 bushings with alignment bushings	1	2	X	X	X	X	1-460
	E-4387	SRK-80 481 00 124	5 3/4" Axle Connection Kit Includes Key Nos. 18, 22, 24, 25, 30	1	2	X	X	X	X	1-456
	E-4401A	SRK-77-1 481 00 161	Transverse Beam Stud Kit Includes Key Nos. 10, 11, 12, 13	1	2	X	X	X	X	1-462

S.O.S. = Available through Euclid's S.O.S. Department

1

NEWAY SUSPENSION

ARD-125, -6, -8, -244-6, -8 Series
Trailer/Tractor



1

NEWAY SUSPENSION PARTS

ARD-125, -6, -8, -244-6, -8 Series

Trailer/Tractor

KEY NO.	EUCLID NO.	REPLACES NEWAY NO.	DESCRIPTION	QTY. PER AXLE				NEWAY	MACK WESTERN	FREIGHTLINER & WHITE WESTERN STAR	PAGE NO.
				ARD-							
				125-6	244-6	125-8	244-8				
1	FS9082	905 57 027	Air Spring Assembly	2	4	2	4	X	X	X	—
2	S.O.S.	Various	Equalizing Beam, 5 1/4" Wide	2	4	2	4	X	X	X	—
	S.O.S.	Various	Equalizing Beam, 5 3/4" Wide								
3	S.O.S.	930 02 893	Cap Screw, 1/2"-13 Thd. x 1"	4	8	4	8	X	X	X	—
4	S.O.S.	905 44 112	Transverse Beam (-8 Model)	—	—	1	2	X	X	X	
	S.O.S.	905 44 079	Transverse Beam (-6 Model)	1	2	—	—	X	X	X	—
5	S.O.S.	900 18 578	Frame Bracket, Left Hand (with SRK-120)	1	2	1	2	X	X	X	—
	S.O.S.	980 18 579	Frame Bracket, Right Hand (with SRK-120)	1	2	1	2				
6	S.O.S.	905 31 001	Air Spring Mounting Plate	2	4	2	4	X	X	X	—
7	E-4343	900 18 116	Bracket	2	4	—	—	X	X	X	1-476
8	M83209	900 44 025	Shock Absorber	2	4	—	—	X	X	X	3-13
	M89414		Shock Absorber								
	M85004	900 44 011	Shock Absorber	—	—	2	4	X		X	3-10
9	S.O.S.	932 00 132	Bolt, 1 1/4"-12 Thd. x 9"	2	4	2	4	X	X	X	—
	S.O.S.	932 01 030	Bolt, 1 1/4"-12 Thd. x 10 9/16"								
	E-4361	932 01 045	Bolt, 1 1/8"-7 Thd. x 8 1/2"	2	4	2	4	X	X	X	1-472, 2-32
	E-4364	932 01 046 (Old) 932 01 055 (New)	Bolt, 1 1/8"-7 Thd. x 9 1/4"								
10	E-2854	934 00 509 (Old) 934 00 511 (New)	Lock Nut	2	4	2	4	X	X	X	2-34
	E-4358	934 00 506		2	4	2	4				
11	E-4257 (Rubber)	900 08 113	Bushing	4	8	4	8	X	X	X	1-450
	E-8682 (Poly)										1-450, 2-10
12	E-4278	900 36 007	Washer	2	4	2	4	X	X	X	2-35
13	S.O.S.	936 00 180	Washer, 1 1/4"	2	4	2	4	X	X	X	—
14	E-4358	934 00 506	Lock Nut	2	4	2	4	X	X	X	2-34
	E-2854	934 00 509 (Old) 934 00 511 (New)									
15	S.O.S.	938 00 065	Cotter Pin (Pre-1981 Vehicles Only)	2	4	2	4	X	X	X	—
16	E-4277	900 36 001	Washer	4	8	4	8	X	X	X	2-35
	S.O.S.	936 00 495									X
17	S.O.S.	934 00 149	Lock Nut, 3/4"-16 Thd.	4	8	4	8	X	X	X	—
	S.O.S.	934 00 417									
18	E-2545	936 00 157	Washer	4	8	4	8	X	X	X	2-35
	E-2545	936 00 156									
19	S.O.S.	934 00 136	Hex Nut, 1/2"-13 Thd.	2	4	2	4	X	X	X	—
20	S.O.S.	936 00 072	Lock Washer, 1/2"	2	4	2	4	X	X	X	—
21	E-4345	930 03 599 (Old) 930 03 597 (New)	Bolt	4	8	—	—	X	X	X	1-476, 2-33
—	S.O.S.	905 18 335	Upper Shock Bracket (LH)			1	8	X			—
—	S.O.S.	905 18 336	Upper Shock Bracket (RH)			1	2	X			—
22	E-2372	900 01 002	End Beam Adapter Assembly, 5 1/4" Wide Hanger	4	8	4	8	X	X	X	1-471
	E-4387		End Beam Adapter Assembly, 5 3/4" Wide Hanger								1-456
23	S.O.S.	934 00 553	Lock Nut, 3/4"-10 Thd.	4	8	4	8	X	X	X	—

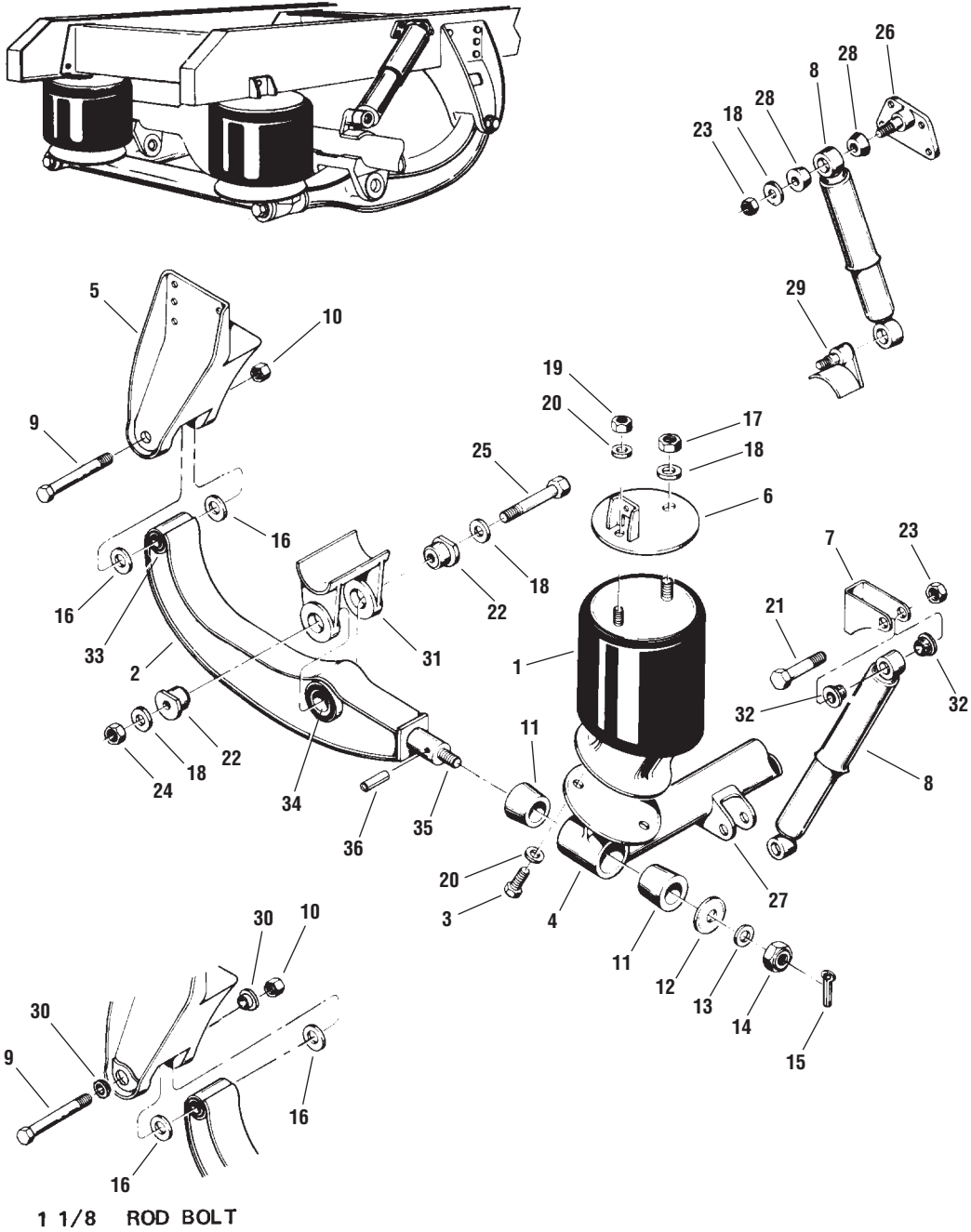
S.O.S. = Available through Euclid's S.O.S. Department

N/A = No Longer Available

Continued on next page

NEWAY SUSPENSION

ARD-125, -6, -8, -244-6, -8 Series
Trailer/Tractor



1

NEWAY SUSPENSION PARTS

ARD-125, -6, -8, -244-6, -8 Series

Trailer/Tractor

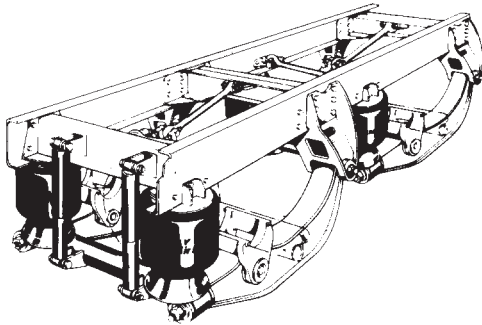
KEY NO.	EUCLID NO.	REPLACES NEWAY NO.	DESCRIPTION	QTY. PER AXLE				NEWAY	MACK WESTERN	FREIGHTLINER & WHITE WESTERN STAR	PAGE NO.							
				ARD-														
				125-6	244-6	125-8	244-8											
24	E-4347	934 00 492	Lock Nut, 3/4"-10 Thd.	2	4	2	4	X	X	X	2-34							
25	Part of E-2372	930 03 681	Bolt, 5 1/4" Wide Hanger	2	4	2	4	X	X	X	1-471							
	Part of E-4387	930 03 693	Bolt, 5 3/4" Wide Hanger								1-456							
26	E-4342	905 18 020	Bracket			2	4	X	X	X	1-476							
27	S.O.S.	905 19 240	Lower Shock Bracket	2	4	2	4	X	X	X	—							
28	E-401754	900 08 182 900 08 003	Bushing			2	4	X	X	X	3-2							
29	S.O.S.	905 19 240	Lower Shock Bracket (-8 Model)			2	4	X	X	X	—							
30	E-4266	900 08 110	Alignment Block	4	8	4	8	X	X	X	1-472							
	E-4267	900 08 120																
31	N/A	—	Contact Axle Manufacturer	2	4	2	4	X	X	X	—							
32	E-4403 (Rubber)	905 08 004	Bushing	8	16	8	16	X	X	X	2-53, 3-2							
	E-8684 (Poly)										2-10, 3-2							
33	E-2940 (Rubber)	900 08 002	Beam Bushing (Assembled in Item 2) Old Style 1 1/4" I.D.	2	4	2	4	X	X	X	1-448							
	E-8677 (Poly)										2-10							
	E-4255 (Rubber)	900 08 131	Beam Bushing (Assembled in Item 2) New Style 1 1/8" I.D.	2	4	2	4	X	X	X	1-448							
34	E-4252 (Rubber)	900 08 006	Center Bushing	2	4	2	4	X	X	X	1-448, 2-50							
	E-4253 (Rubber)	900 08 008									2	4	2	4	X	X	X	1-448, 2-50
	E-8681 (Poly)																	1-448, 2-10
35	E-4258	900 06 380	Stud	2	4	2	4	X	X	X	1-472							
36	S.O.S.	900 44 174	Roll Pin	2	4	2	4	X	X	X	—							
—	E-4397	SRK-76 481 00 120	1 1/4" Fixed Pivot Connection Kit Includes Key Nos. 9, 10, 16, 33. For Pre-1981 w/900 08 002 bushings without alignment bushings	1	2	1	2	X	X	X	1-459							
—	E-4393	SRK-139A 481 00 194	1 1/8" Adjustable Pivot Connection Kit Includes Key Nos. 9, 14, 16, 30, 33 Use SRK-139A if alignment bushings not required	1	2	1	2	X	X	X	1-460							
—	E-4392	SRK-105 481 00 154	1 1/4" Adjustable Pivot Connection Kit Includes Key Nos. 9, 14, 16, 33. For Pre-1981 vehicles w/900 08 002 bushings with alignment bushings	1	2	1	2	X	X	X	1-460							
—	E-4387	SRK-80 481 00 124	5 3/4" Axle Connection Kit Includes Key Nos. 18, 22, 24, 25, 34	1	2	1	2	X	X	X	1-456							
—	E-4401A	SRK-77-1 481 00 161	Transverse Beam Stud Kit Includes Key Nos. 11, 12, 13, 14	1	2	1	2	X	X	X	1-462							

S.O.S. = Available through Euclid's S.O.S. Department

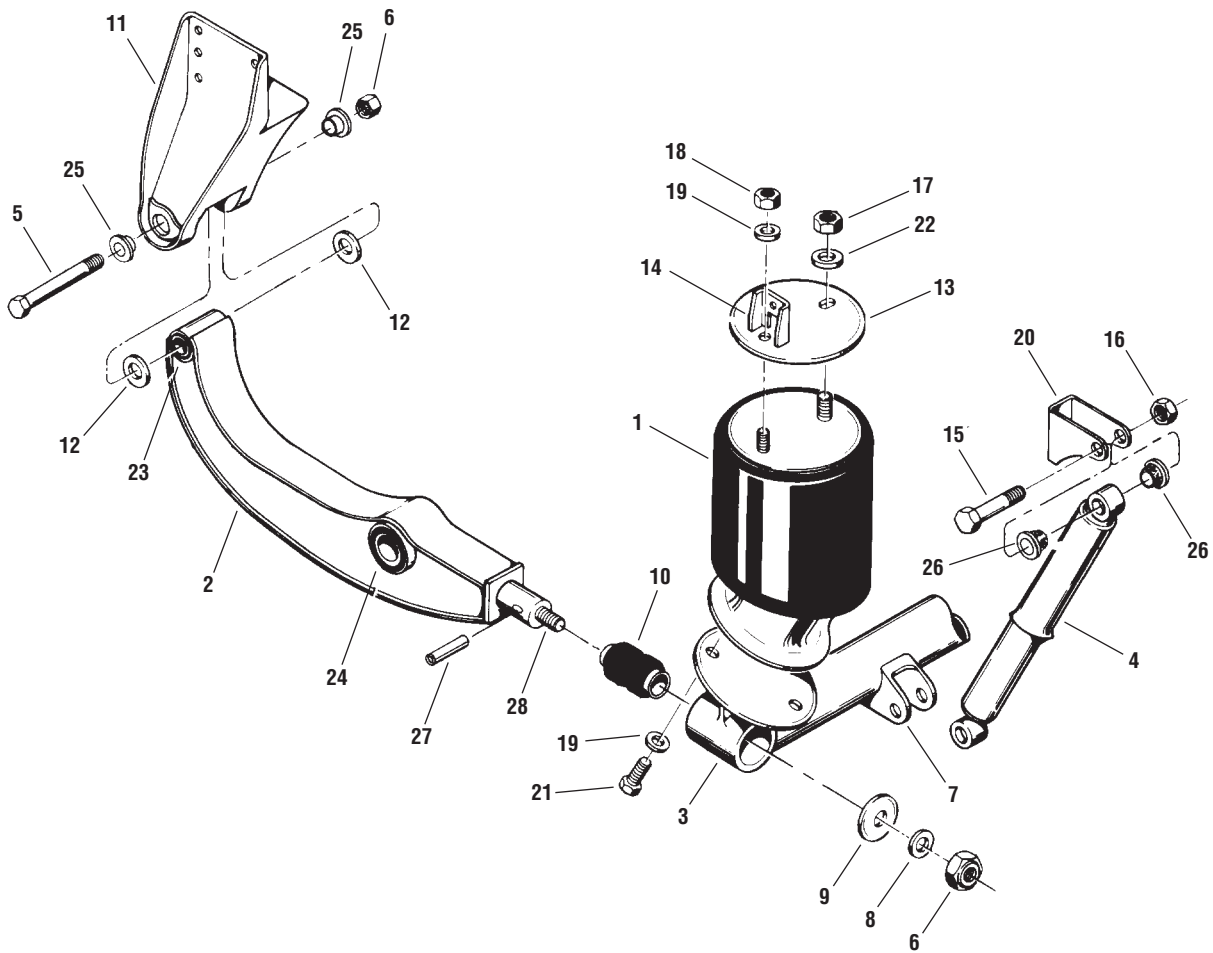
N/A = No Longer Available

NEWAY SUSPENSION

ARD-234-6 Series Trailer/Tractor



1



NEWAY SUSPENSION PARTS

ARD-234-6 Series

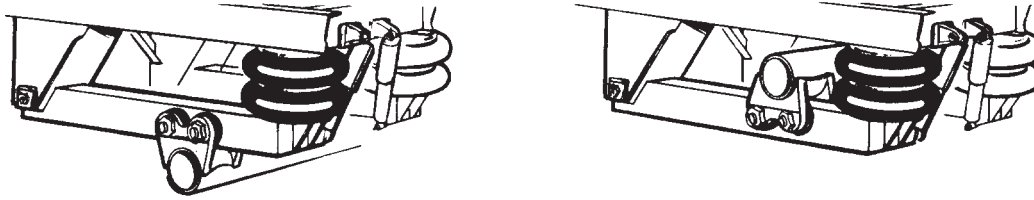
Trailer/Tractor

KEY NO.	EUCLID NO.	REPLACES NEWAY NO.	DESCRIPTION	QTY. PER TANDEM	PAGE NO.
1	E-NW90557070	905 57 070	Air Spring Assembly	4	—
2	S.O.S.	905 15 773	Equalizing Beam Assembly, Includes Key Nos. 23 & 24	4	—
3	S.O.S.	905 44 491	Transverse Beam	2	—
4	M83123	900 44 046	Shock Absorber	4	3-13
	M89405		Shock Absorber		3-13
5	E-4364	932 01 046 (Old) 932 01 049 (New)	Bolt, 1 1/8"-7 Thd. x 9 1/4"	4	2-32
6	E-4358	934 00 506	Lock Nut, 1 1/8"-7 Thd.	8	2-34
7	S.O.S.	900 32 386	Lower Shock Bracket	8	—
8	S.O.S.	936 00 493	Washer	4	—
9	E-2548	936 00 174	Washer, 1 1/4"	4	2-35
10	E-4254	900 08 104	Transverse Beam Bushing	4	1-450
11	S.O.S.	905 19 311	Frame Bracket	4	—
12	S.O.S.	936 00 495	Spacer Washer	8	—
13	S.O.S.	900 32 382	Air Spring Mounting Plate	4	—
14	S.O.S.	900 23 131	Air Spring Mounting Plate Brace	4	—
15	E-4345	936 03 599 (Old) 930 03 597 (New)	Bolt, 3/4"-10 Thd. x 3 1/2"	8	1-476, 2-33
16	S.O.S.	934 00 492	Lock Nut, 3/4"-10 Thd.	8	—
17	S.O.S.	934 00 149	Hex Nut, 3/4"-16 Thd.	4	—
18	S.O.S.	934 00 136	Hex Nut, 1/2"-13 Thd.	4	—
19	S.O.S.	936 00 072	Lock Washer, 1/2"	12	—
20	S.O.S.	900 18 367	Upper Shock Bracket	4	—
21	S.O.S.	930 02 893	Cap Screw, 1/2"-13 Thd. x 1"	8	—
22	E-2545	936 00 156	Washer, 3/4"	4	2-35
23	E-4256	900 08 145	Bushing, Front	4	1-448
24	E-4253 (Rubber)	900 08 008	Bushing, Center	4	1-448
	E-8681 (Poly)				1-448, 2-10
25	E-4267	900 08 120	Alignment Block	4	1-472
26	E-4403 (Rubber)	905 08 004	Shock Bushing	16	2-53, 3-2
	E-8684 (Poly)				2-10, 3-2
27	S.O.S.	900 44 309	Roll Pin	4	—
28	S.O.S.	900 06 338	Stud	4	—
—	S.O.S.	SRK-147 481 00 204	1 1/8" Adjustable Pivot Connection Kit Includes Key Nos. 5, 6, 23	2	—
—	S.O.S.	SRK-95 481 00 143	Transverse Beam Stud Kit Includes Key Nos. 6, 8, 9, 10	2	—

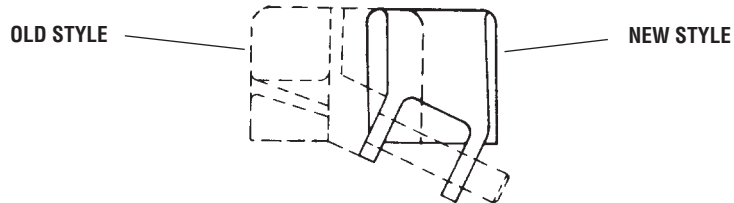
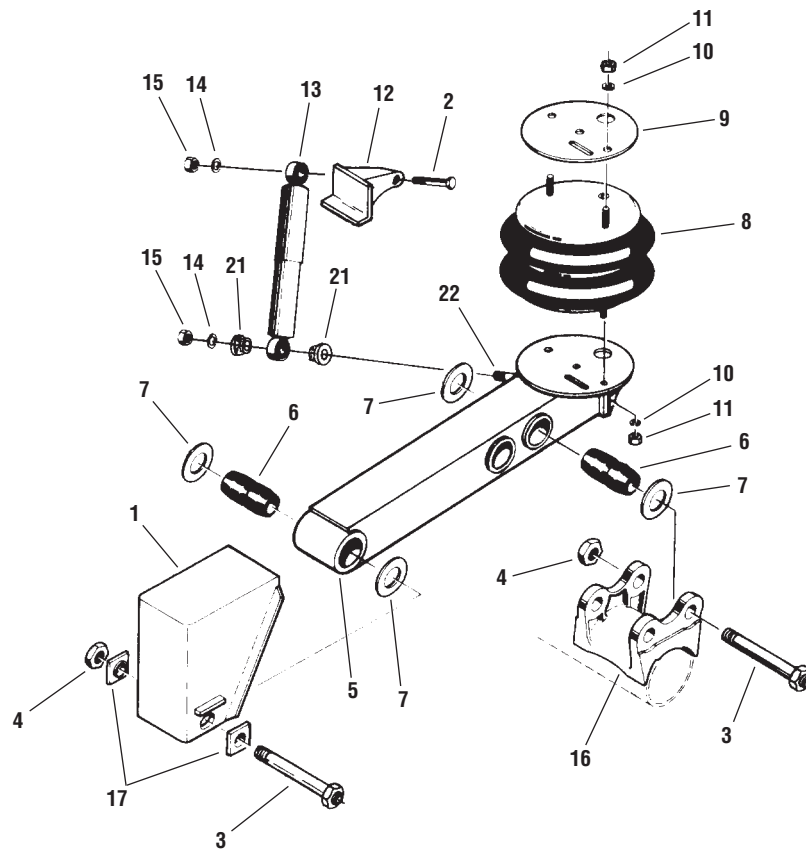
S.O.S. = Available through Euclid's S.O.S. Department

NEWAY SUSPENSION

ARL-20-D and ARL-20-D-US Series



1



NEWAY SUSPENSION PARTS

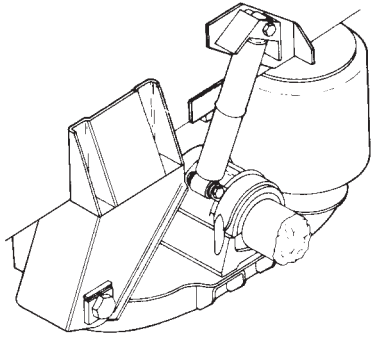
ARL-20-D and ARL-20-D-US Series

KEY NO.	EUCLID NO.	REPLACES NEWAY NO.	DESCRIPTION	QTY. PER AXLE	ARL-20-		PAGE NO.
					D	D-US	
1	S.O.S.	905 18 002	Non-Adjustable Frame Bracket, Left Hand	1	X	X	—
	S.O.S.	905 18 001	Non-Adjustable Frame Bracket, Right Hand	1	X	X	—
2	E-4345	930 03 599 (Old) 930 03 597 (New)	Hex Head Bolt, 3 1/4"-10 Thd. x 3 1/2"	2	X	X	1-476, 2-33
3	E-2951	932 00 959	Bolt, 1 1/4"-7 Thd. x 8 1/8"	6	X	X	1-472, 2-32
4	N/A	934 00 510	Lock Nut, 1 1/4"-7 Thd.	6	X	X	—
5	S.O.S.	905 15 359	Equalizing Beam Assembly, Left Hand	1	X	X	—
	S.O.S.	905 15 360	Equalizing Beam Assembly, Right Hand	1	X	X	—
6	E-2940 (Rubber)	900 08 002	Bushing	6	X	X	1-448
	E-8677 (Poly)						2-10
7	E-2956	936 00 029	Washer, 1 11/16" x 3 1/4" x 1/8"	12	X	X	2-35
8	FS7437	905 57 015	Air Spring Assembly (Double Convolution Style)	2	X	X	—
	FS9039	905 57 023	Air Spring Assembly (Rolling Lobe Style)		X	X	—
9	S.O.S.	900 31 025	Air Spring Mounting Plate	2	X	X	—
10	S.O.S.	936 00 072	Lock Washer, 1/2"	8	X	X	—
11	S.O.S.	934 00 136	Hex Nut, 1/2"-13 Thd.	8	X	X	—
12	S.O.S.	900 18 061	Upper Shock Bracket, Left Hand	1	X	X	—
	S.O.S.	900 18 062	Upper Shock Bracket, Right Hand	1	X	X	—
13	M83128	900 44 162	Shock Absorber	2	X	X	3-14
14	S.O.S.	936 00 005	Washer, 3/4"	4	X	X	—
15	E-4347	934 00 494	Lock Nut, 3/4"-10 Thd.	4	X	X	2-34
16	S.O.S.	900 01 019	Beam Axle Bracket, 5" Rd. Axle	2	X	X	—
	S.O.S.	900 01 020	Beam Axle Bracket, 5" Sq. Axle		X	X	—
17	E-4262	900 01 001	Alignment Block	2	X	X	1-473
18	S.O.S.	930 03 549	Cap Screw, 3/4"-10 Thd. x 1 1/2"	2	X	X	—
19	S.O.S.	936 00 077	Lock Washer, 3/4"	4	X	X	—
20	E-1107	934 00 149	Hex Nut, 3/4"-16 Thd.	2	X	X	2-34
21	E-4403 (Rubber)	905 08 004	Shock Bushing	8	X	X	2-53, 3-2
	E-8684 (Poly)						2-10, 3-2
22	S.O.S.	932 00 005	Shock Mounting Stud, 3/4"-10 Thd. x 4 3/4"	2	X	X	—

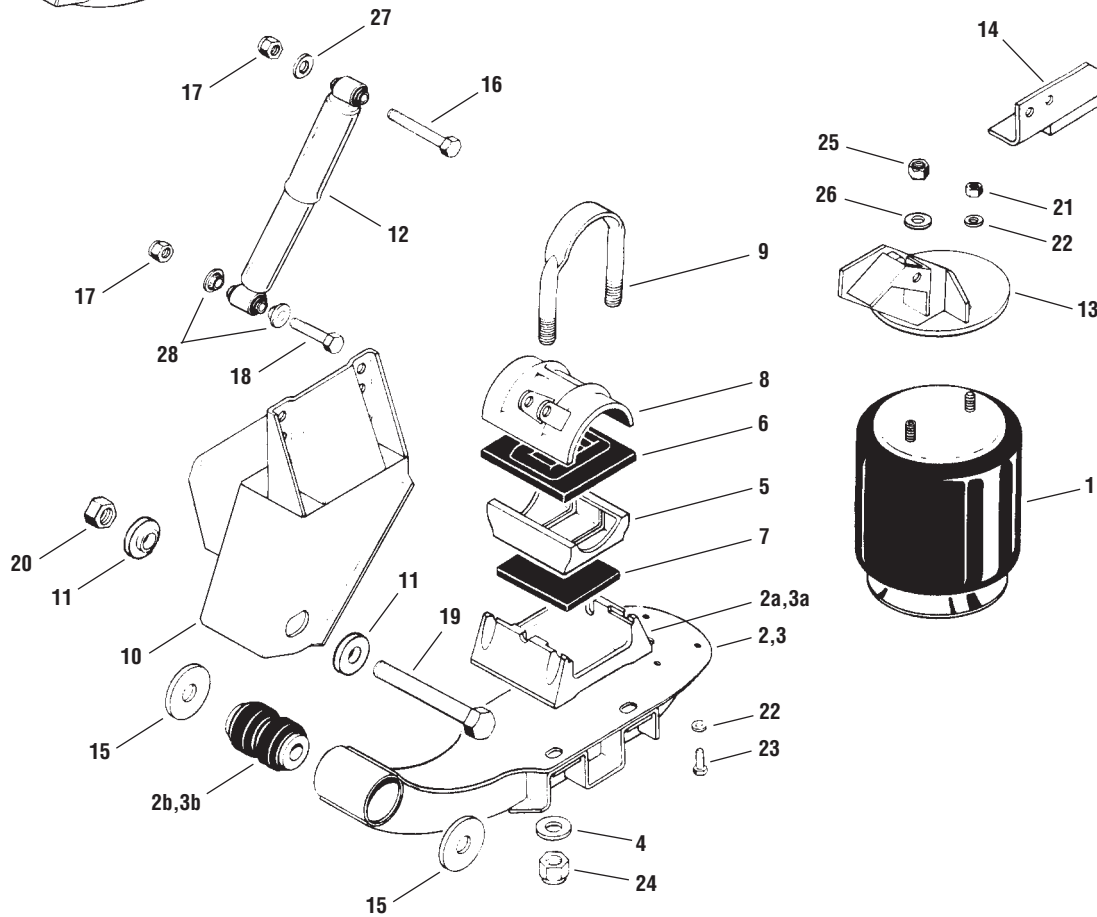
S.O.S. = Available through Euclid's S.O.S. Department
N/A = Not Longer Available

NEWAY SUSPENSION

ART-500-B, ART-551-B-1, -2, -3 Series Truck/Tractor



NOTE: For 15" wheel axle connection parts, with cam on horizontal centerline, refer to 15" WHEEL AXLE CONNECTION on last page of this section.



NEWAY SUSPENSION PARTS

ART-500-B, ART-551-B-1, -2, -3 Series

Truck/Tractor

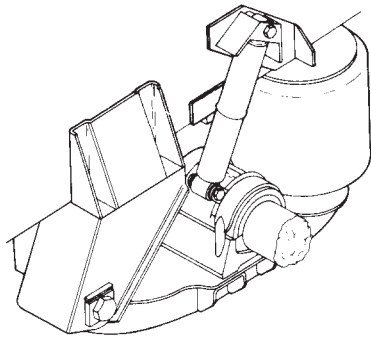
KEY NO.	EUCLID NO.	REPLACES NEWAY NO.	DESCRIPTION	QTY. PER AXLE	ART-					PAGE NO.
					500-B	500-B-1	551-B-1	551-B-2	551-B-3	
1	FS9082	905 57 027	Air Spring Assembly	2	X	X				—
	FS9101	905 57 009					X	X	X	—
2	S.O.S.	905 16 343	Equalizing Beam, Left Hand Includes Key Nos. 2A, 2B	1	X				X	—
	S.O.S.	905 16 345				X		X		
	S.O.S.	905 16 349					X			
2A	E-4292	900 01 006	Axle Seat	1	X				X	1-468
	S.O.S.	905 01 037				X		X		—
	S.O.S.	900 01 008					X			—
2B	E-4382A (Rubber)	900 08 139	Beam Bushing	1	X	X	X	X	X	1-450
	E-8683 (Poly)									
3	S.O.S.	905 16 344	Equalizing Beam, Right Hand Includes Key Nos. 3A, 3B	1	X				X	—
	S.O.S.	905 16 346				X		X		
	S.O.S.	905 16 350					X			
3A	E-4292	900 01 006	Axle Seat	1	X				X	1-468
	S.O.S.	905 01 037				X		X		—
	S.O.S.	900 01 008					X			—
3B	E-4382A (Rubber)	900 08 139	Beam Bushing	1	X	X	X	X	X	1-450
	E-8683 (Poly)									
4	E-4353	939 00 027	Washer, 1 5/8"	8	X	X	X	X	X	2-35
5	E-4289	900 01 082	Adapter, 5" Round Axle	2	X	X	X	X	X	1-466
	E-4290	900 01 083	Adapter, 5" Square Axle		X	X	X	X	X	1-467
6	E-2943 (Rubber)	900 28 047	Wrapper, 5" Round Axle	2	X	X	X	X	X	1-451
	E-8678 (Poly)									1-451, 2-9
	E-4409 (Rubber)				900 28 073	Wrapper, 5" Square Axle	X	X	X	X
7	E-2947A (Rubber)	900 28 075	Axle Pad	2	X	X	X	X	X	1-452
	E-8680 (Poly)									
8	S.O.S.	905 10 061	Axle Cap Assembly without Stops, Left Hand, 5" Round Axle	1	X	X	X	X	X	—
	S.O.S.	905 10 064	Axle Cap Assembly with Stops, Left Hand, 5" Round Axle		X	X	X	X	X	—
	S.O.S.	905 10 063	Axle Cap Assembly with Stops, Right Hand, 5" Round Axle	1	X	X	X	X	X	—
	S.O.S.	905 10 062	Axle Cap Assembly without Stops, Right Hand, 5" Round Axle		X	X	X	X	X	—
9	E-UB8479-090	900 41 878	U-Bolt Assembly, Flat Rd., 1"-14 Thd. x 6 5/16" Wide x 9" Long	4	X				X	2-30
	E-UB8479-104	900 42 791	U-Bolt Assembly, Flat Rd., 1"-14 Thd. x 6 5/16" Wide x 10 1/2" Long			X		X		2-30
	E-UB8479-124A	900 42 792	U-Bolt Assembly, Flat Rd., 1"-14 Thd. x 6 5/16" Wide x 12 1/2" Long				X			2-30
	E-UB8578-094	900 41 997	U-Bolt Assembly, Flat Sq., 1"-14 Thd. x 6 5/16" Wide x 9 1/2" Long		X				X	2-30
	E-UB8578-124A	900 42 794	U-Bolt Assembly, Flat Sq., 1"-14 Thd. x 6 5/16" Wide x 12 1/2" Long			X		X		2-30
	E-UB8578-124A	900 42 795	U-Bolt Assembly, Flat Sq., 1"-14 Thd. x 6 5/16" Wide x 12 1/2" Long				X			2-30
10	S.O.S.	905 18 457	Adjustable Frame Bracket, Left Hand	1	X	X				—
	S.O.S.	905 18 461					X	X	X	
	S.O.S.	905 18 458	Non-Adjustable Frame Bracket, Right Hand	1	X	X				—
	S.O.S.	905 18 462					X	X	X	

S.O.S. = Available through Euclid's S.O.S. Department

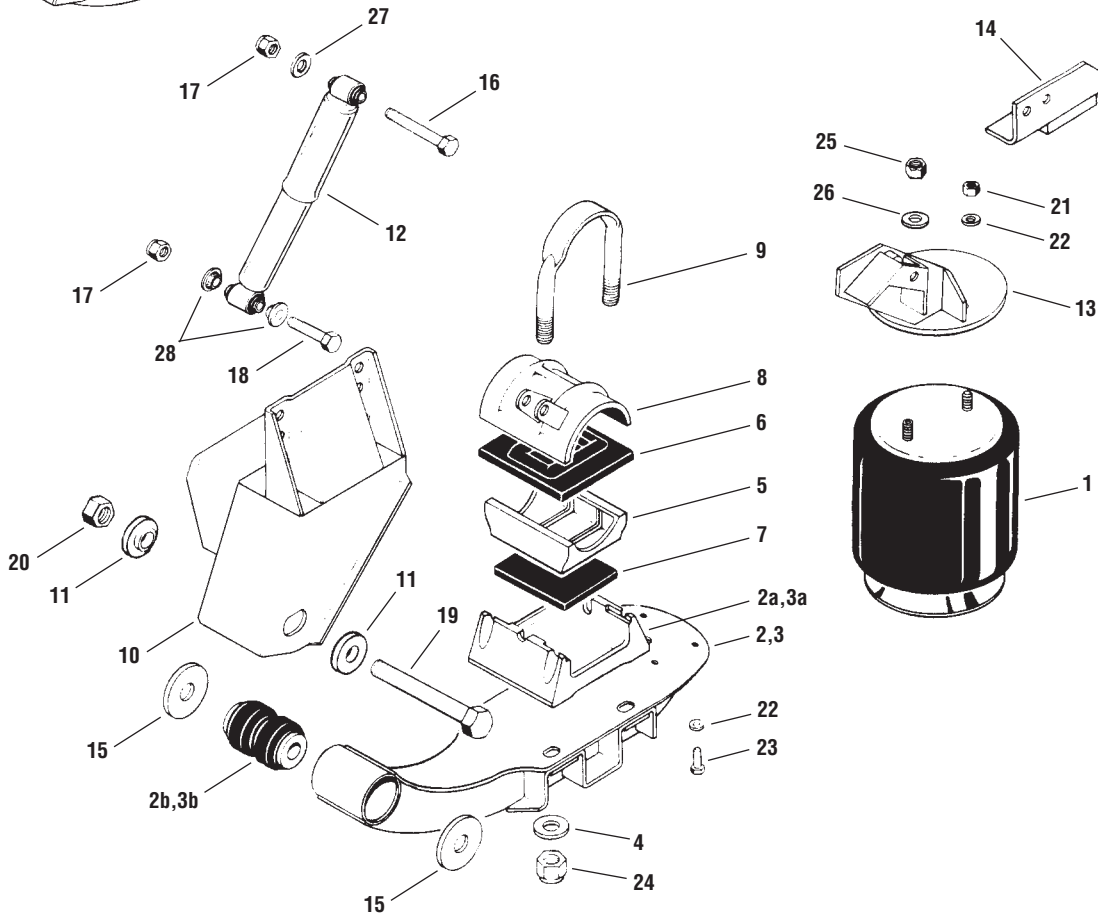
Continued on next page

NEWAY SUSPENSION

ART-500-B, ART-551-B-1, -2, -3 Series Truck/Tractor



NOTE: For 15" wheel axle connection parts, with cam on horizontal centerline, refer to 15" WHEEL AXLE CONNECTION on last page of this section.



NEWAY SUSPENSION PARTS

ART-500-B, ART-551-B-1, -2, -3 Series

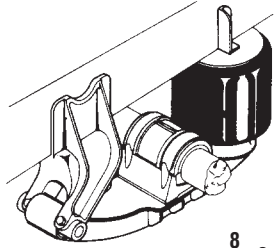
Truck/Tractor

KEY NO.	EUCLID NO.	REPLACES NEWAY NO.	DESCRIPTION	QTY. PER AXLE	ART-					PAGE NO.
					500-B	500-B-1	551-B-1	551-B-2	551-B-3	
11	E-9284	900 08 147	Alignment Block, 1 1/8" ID x 3 1/4" OD x 7/8" Thick	4	X	X	X	X	X	1-472
—	E-4263	900 01 045	Alignment Block, 1 1/8" ID x 2 1/2" OD x 7/8" Thick	4	X	X	X	X	X	1-473
12	M83128	900 44 162	Shock Absorber	2	X	X	X	X	X	3-14
13	S.O.S.	905 18 319	Air Spring & Shock Mounting Plate, Left Hand	1	X		X		X	—
	S.O.S.	905 18 321				X		X		
	S.O.S.	905 18 320	Air Spring & Shock Mounting Plate, Right Hand	1	X		X		X	—
	S.O.S.	905 18 322				X		X		
14	S.O.S.	905 44 241	Axle Stop Assembly, Left Hand - 5" Round Axle	1	X					—
	S.O.S.	905 44 243				X	X			
	S.O.S.	905 44 245						X		
	S.O.S.	905 44 247							X	
	S.O.S.	905 44 242	Axle Stop Assembly, Right Hand, 5" Round Axle	1	X		X			—
	S.O.S.	905 44 244				X	X			
	S.O.S.	905 44 246						X		
S.O.S.	905 44 248					X				
15	E-4363	900 36 177	Spacer Washer	4	X	X	X	X	X	2-35
16	S.O.S.	930 03 645	Bolt, 3/4"-10 Thd. x 5 1/2"	2	X	X	X	X	X	—
17	S.O.S.	934 00 492	Lock Nut, 3/4"-10 Thd.	4	X	X	X	X	X	—
18	E-4345	930 03 597	Hex Head Bolt	2	X	X	X	X	X	1-476, 2-33
19	E-4364	932 01 046 (Old) 932 01 055 (New)	Hex Head Bolt	2	X	X	X	X	X	2-32
20	E-4358	934 00 506	Lock Nut, 1 1/8"-7 Thd.	2	X	X	X	X	X	2-34
21	S.O.S.	934 00 136	Hex Nut, 1/2"-13 Thd.	2	X	X	X	X	X	—
22	S.O.S.	936 00 072	Lock Washer, 1/2"	8	X	X	X	X	X	—
23	S.O.S.	930 02 893	Bolt, 1/2"-13 Thd. x 1"	6	X	X	X	X	X	—
24	E-4421	934 00 502	Lock Nut, 1"-8 Thd.	8	X	X	X	X	X	2-34
25	E-1107	934 00 149	Hex Nut, 3/4"-16 Thd.	2	X	X	X	X	X	2-34
26	S.O.S.	936 00 077	Lock Washer, 3/4"	2	X	X	X	X	X	—
27	S.O.S.	936 00 005	Washer, 3/4"	2	X	X	X	X	X	—
28	E-4403 (Rubber)	905 08 004	Shock Bushing	8	X	X	X	X	X	2-53, 3-2
	E-8684 (Poly)									2-10, 3-2
—	E-4398A	SRK-145 481 00 202	Pivot Connection Kit Includes Key Nos. 2B, 15, 19, 20	1	X	X	X	X	X	1-457
	E-2977A	SRK-64 481 00 108	5" Round Axle Connection Kit Includes Key Nos. 4, 6, 7, 9, 24	1	X				X	1-453
	S.O.S.	SRK-66 481 00 110				X		X		—
	E-4390	SRK-128 481 00 181				X		X		1-454
	E-6898	SRK-68 481 00 112	5" Square Axle Connection Kit Includes Key Nos. 4, 6, 7, 9, 24	1	X				X	1-454
	S.O.S.	SRK-70				X		X		—
S.O.S.	SRK-129					X			—	

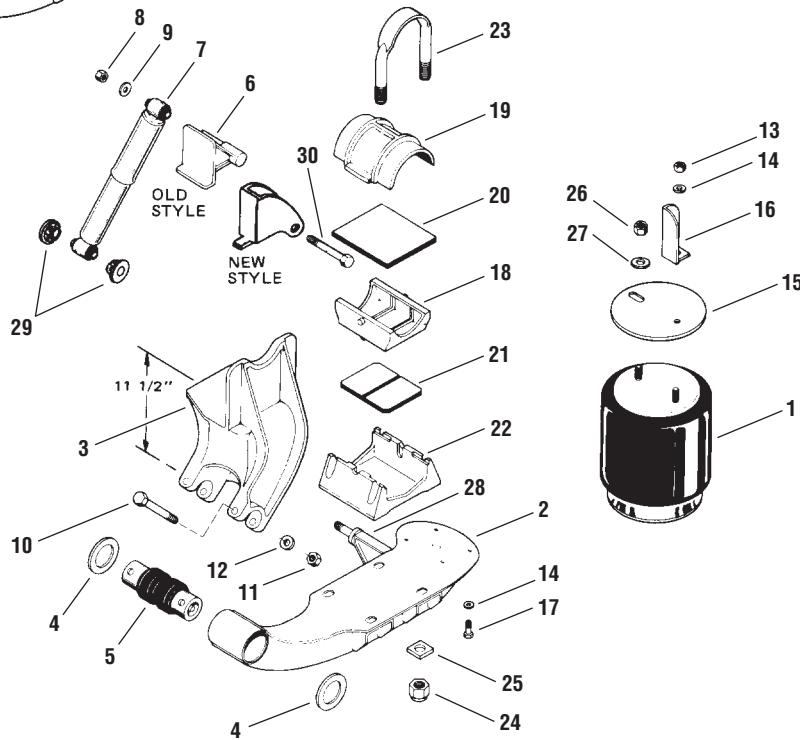
S.O.S. = Available through Euclid's S.O.S. Department

NEWAY SUSPENSION

ART-500-US, ART-551-US-1, -2, -3 Series Truck/Tractor

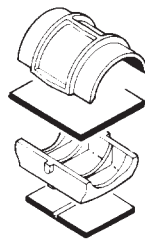


NOTE: For 15" wheel axle connection parts, with cam on horizontal centerline, refer to 15" WHEEL AXLE CONNECTION on last page of this section.



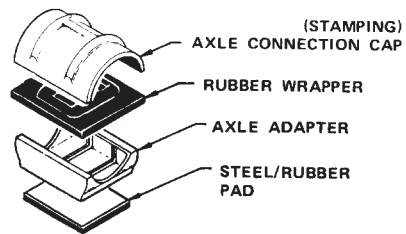
OLD STYLE

5" Rd. (Shown) & 5" Sq.



NEW STYLE

5" Rd. (all parts) & 5" Sq. (axle adapter & pad)



NEWAY SUSPENSION PARTS

ART-500-US, ART-551-US-1, -2, -3 Series

Truck/Tractor

N/A = No Longer Available

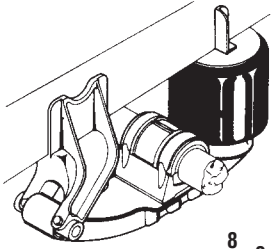
KEY NO.	EUCLID NO.	REPLACES NEWAY NO.	DESCRIPTION	QTY. PER AXLE	ART-				PAGE NO.
					500-US	500-US-1	551-US-2	551-US-3	
1	FS9082	905 57 027	Air Spring Assembly	2	X				—
	FS9101	905 57 009				X	X	X	—
2	S.O.S.	905 15 061	Equalizing Beam, Left Hand	1	X	X	X	X	—
	S.O.S.	905 15 062	Equalizing Beam, Right Hand		X	X	X	X	—
3	N/A	481 00 103	Frame Bracket, Left Hand (SRK-61-1 Left Hand Only)	1	X				—
	N/A	481 00 107				X	X	X	—
	N/A	481 00 176	Frame Bracket, Right Hand (SRK-61-2 Right Hand Only)	1	X				—
	N/A	481 00 177				X	X	X	—
4	E-2958	900 36 003	Washer	1	X	X	X	X	2-35
5	E-2936	900 08 005	Bushing	2	X	X	X	X	1-448
6	S.O.S.	905 18 010	Upper Shock Mounting Bracket	2	X	X	X	X	—
7	M83128	900 44 162	Shock Absorber	2	—	X	X	X	3-23
	M83127	900 44 642	Shock Absorber						
8	E-4347	934 00 492	Lock Nut, 3/4"-10 Thd.	4	X	X	X	X	2-34
9	S.O.S.	936 00 005	Washer, 3/4"	4	X	X	X	X	—
10	E-2996	930 03 855	Bolt	4	X	X	X	X	2-33
11	E-2983	934 00 498	Lock Nut	4	X	X	X	X	2-34
12	E-2546	936 00 162	Washer	4	X	X	X	X	2-35
13	S.O.S.	934 00 136	Hex Nut, 1/2"-13 Thd.	2	X	X	X	X	—
14	S.O.S.	936 00 072	Lock Washer, 1/2"	10	X	X	X	X	—
15	E-4321	900 31 027	Air Spring Mounting Plate	2	X	X	X	X	1-475
16	S.O.S.	900 18 018	Air Spring Mounting Bracket	2	X	X	X	X	—
17	S.O.S.	930 02 893	Cap Screw, 1/2"-13 Thd. x 1"	8	X	X	X	X	—
18	E-4289	900 01 082	5" Round Axle (New Style)	2	X	X	X	X	1-466
19	E-4284	905 10 100	Axle Cap & Shock Bracket, Left Hand, Requires Key No. 28	1	X				1-466
	S.O.S.	905 10 074	Axle Cap & Shock Bracket without Axle Stops, Left Hand, New Style, Requires Key No. 28			X	X	X	—
	N/A	905 10 102	Axle Cap & Shock Bracket, Left Hand, Requires Key No. 28		X				—
	S.O.S.	905 10 076	Axle Cap & Shock Bracket with Axle Stops, Left Hand, New Style, Requires Key No. 28			X	X	X	—
	E-4285	905 10 101	Axle Cap & Shock Bracket, Right Hand, Requires Key No. 28	1	X				1-466
	S.O.S.	905 10 075	Axle Cap & Shock Bracket without Axle Stops, Right Hand, New Style, Requires Key No. 28			X	X	X	—
	E-4287	905 10 103	Axle Cap & Shock Bracket, Right Hand, Requires Key No. 28		X				1-466
	S.O.S.	905 10 077	Axle Cap & Shock Bracket with Axle Stops, Right Hand, New Style, Requires Key No. 28			X	X	X	—

S.O.S. = Available through Euclid's S.O.S. Department

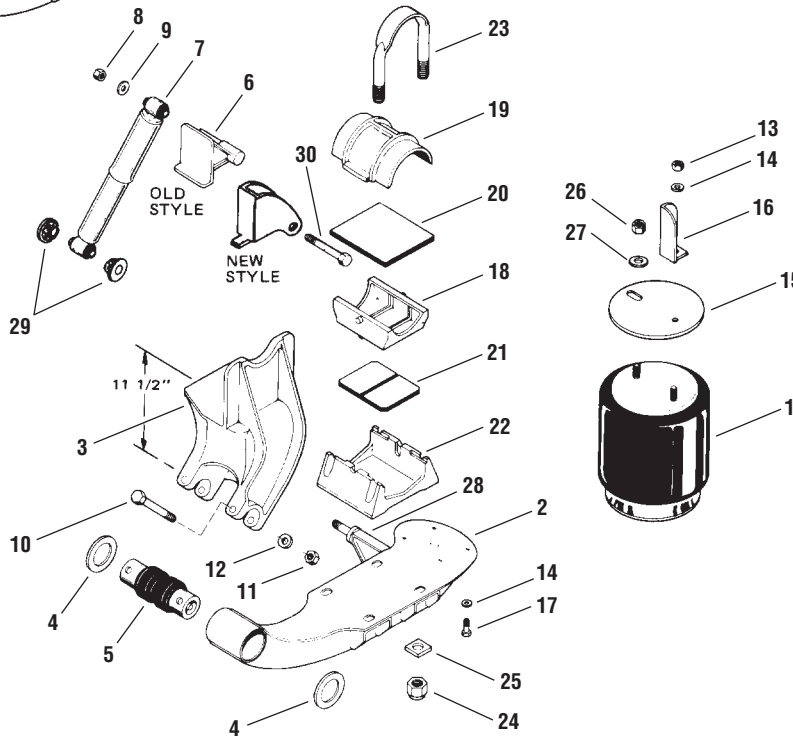
Continued on next page

NEWAY SUSPENSION

ART-500-US, ART-551-US-1, -2, -3 Series Truck/Tractor

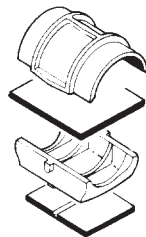


NOTE: For 15" wheel axle connection parts, with cam on horizontal centerline, refer to 15" WHEEL AXLE CONNECTION on last page of this section.



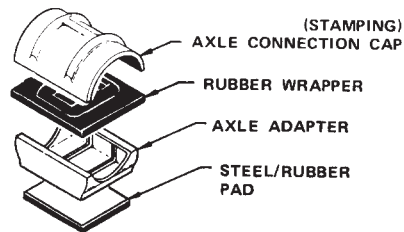
OLD STYLE

5" Rd. (Shown) & 5" Sq.



NEW STYLE

5" Rd. (all parts) & 5" Sq. (axle adapter & pad)



NEWAY SUSPENSION PARTS

ART-500-US, ART-551-US-1, -2, -3 Series

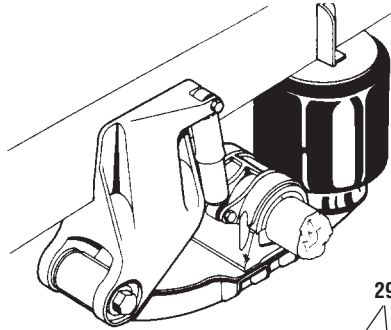
Truck/Tractor

KEY NO.	EUCLID NO.	REPLACES NEWAY NO.	DESCRIPTION	QTY. PER AXLE	ART-				PAGE NO.				
					500-US	500-US-1	551-US-2	551-US-3					
20	E-2943 (Rubber)	900 28 047	Wrapper - Round Axle	2	X	X	X	X	1-451				
	E-8678 (Poly)								1-451, 2-9				
	E-2009 (Rubber)	900 28 007	Wrapper - Round Axle		X	X	X	X	1-451				
	E-8673 (Poly)								1-451, 2-9				
21	E-2010 (Rubber)	900 28 016	Axle Pad	2	X	X	X	X	1-451				
	E-8674 (Poly)								1-451, 2-10				
	E-2947A (Rubber)	900 28 043							X	X	X	X	1-452
22	E-4292	900 01 006	Axle Seat	2	X			X	1-468				
	S.O.S.	900 01 008								X			—
	S.O.S.	900 01 007									X		—
23	E-UB8479-090	900 41 878	U-Bolt Assembly, Flat Rd. Bend, 1"-14 Thd. x 6 5/16" Wide x 9" Long	4	X			X	2-30				
	E-UB8479-124A	900 41 886	U-Bolt Assembly, Flat Rd. Bend, 1"-14 Thd. x 6 5/16" Wide x 12 1/2" Long								X		2-30
	E-UB8479-124A	900 42 792	U-Bolt Assembly, Flat Rd. Bend, 1"-14 Thd. x 6 5/16" Wide x 12 1/2" Long							X			2-30
24	E-4421	934 00 502	Lock Nut	8	X	X	X	X	2-34				
25	E-2960	936 00 028	Washer	8	X	X	X	X	1-473, 2-35				
26	E-1107	934 00 149	Hex Nut, 3/4"-16 Thd.	2	X	X	X	X	2-34				
27	S.O.S.	936 00 077	Lock Washer, 3/4"	2	X	X	X	X	—				
28	E-4345	930 03 597	Bolt, Use with Key No. 19	2	X	X	X	X	1-476, 2-33				
29	E-4403 (Rubber)	905 08 004	Shock Absorber Bushing	8	X	X	X	X	2-53, 3-2				
	E-8684 (Poly)								2-10, 3-2				
—	E-2978A	SRK-4	5" Rd. Axle Connection Kit Includes Key Nos. 20, 21, 23, 24, 25	1	X			X	1-453				
—	E-2979A	SRK-126						X	1-454				
—	S.O.S.	SRK-6						X		—			

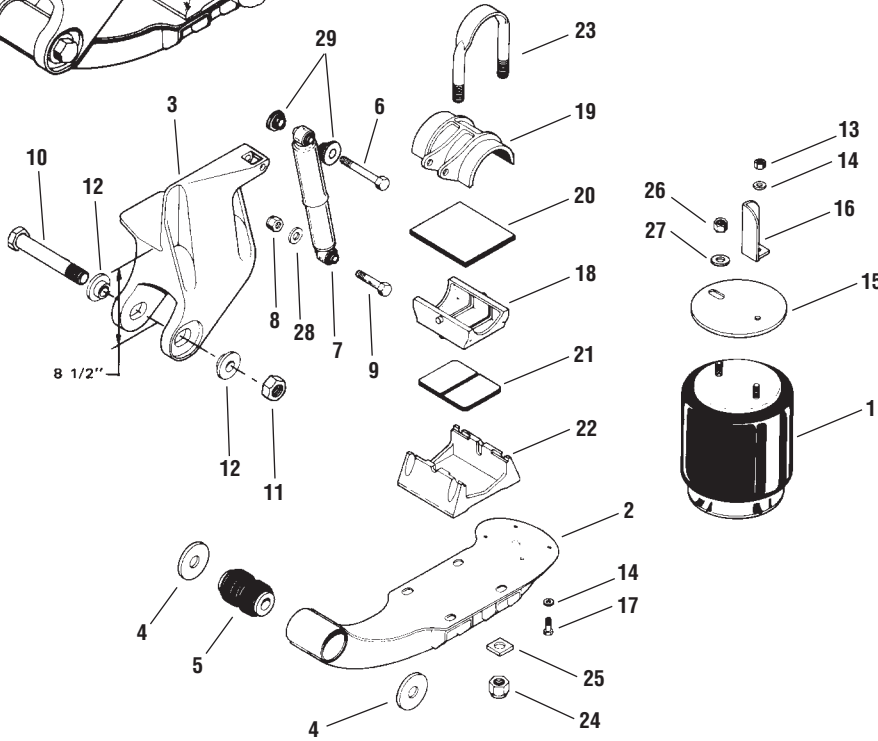
S.O.S. = Available through Euclid's S.O.S. Department

NEWAY SUSPENSION

ART-500-US-A Series Truck/Tractor

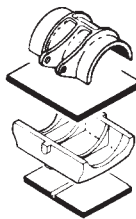


NOTE: For 15" wheel axle connection parts, with cam on horizontal centerline, refer to 15" WHEEL AXLE CONNECTION on last page of this section.



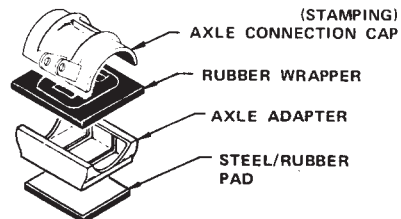
OLD STYLE

5" Rd. (Shown) & 5" Sq.



NEW STYLE

5" Rd. (all parts) & 5" Sq. (axle adapter & pad)



NEWAY SUSPENSION PARTS

ART-500-US-A Series

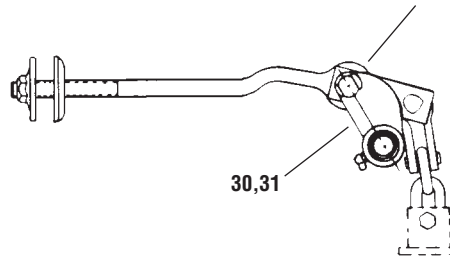
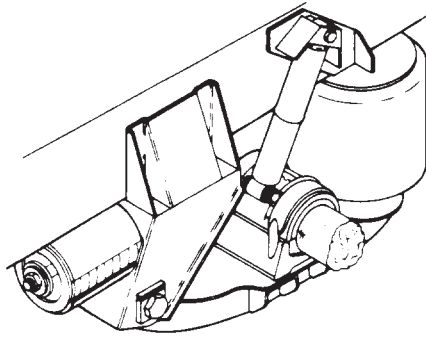
Truck/Tractor

KEY NO.	EUCLID NO.	REPLACES NEWAY NO.	DESCRIPTION	QTY. PER AXLE	PAGE NO.
1	FS9082	905 57 027	Air Spring Assembly	2	—
2	S.O.S.	905 16 343	Equalizing Beam- Left Hand	1	—
	S.O.S.	905 16 344	Equalizing Beam- Right Hand	1	—
3	S.O.S.	481 00 105	Frame Bracket- Left Hand , SRK-62-1 Left Hand Only	1	—
	S.O.S.	481 00 175	Frame Bracket- Right Hand, SRK-62-2 Right Hand Only	1	—
4	E-4363	900 36 140 (Old) 900 36 177 (New)	Washer	4	2-35
5	E-4382A	900 08 139	Bushing	2	1-450
6	S.O.S.	930 03 645	Bolt, 3/4"-10 Thd. x 5 1/2"	2	—
7	M83128	900 44 162	Shock Absorber	2	3-14
8	E-4347	934 00 492	Lock Nut, 3/4"-10 Thd.	4	2-34
9	E-4345	936 03 599 (Old) 930 03 597 (New)	Bolt	2	1-476, 2-33
10	E-4364	932 01 046 (Old) 932 01 055 (New)	Bolt	2	2-32
11	E-4358	934 00 506	Lock Nut	2	2-34
12	S.O.S.	900 08 012	Alignment Bushing	4	—
13	S.O.S.	934 00 136	Hex Nut, 1/2"-13 Thd.	2	—
14	S.O.S.	936 00 072	Lock Washer, 1/2"	10	—
15	E-4321	900 31 027	Plate	2	1-475
16	S.O.S.	900 31 051	Air Spring Mounting Bracket	2	—
17	S.O.S.	930 02 893	Hex Head Bolt, 1/2"-13 Thd. x 1"	8	—
18	E-4289	900 01 082	Adapter	2	1-466
19	E-4284	905 10 100	Axle Cap without Axle Stops (New Style)	2	1-466
	E-4285	905 10 101			
	N/A	905 10 102	Axle Cap with Axle Stops (New Style)		1-466
	E-4287	905 10 103			
20	E-2943 (Rubber)	900 28 047	Wrapper, Round Axle (New Style)	2	1-451
	E-8678 (Poly)				1-451, 2-9
	E-2009 (Rubber)	900 28 007	Wrapper, Round Axle (Old Style)		1-451
	E-8673 (Poly)				1-451, 2-9
21	E-2010 (Rubber)	900 28 016 (Old Style)	Pad	2	1-451
	E-8674 (Poly)				1-451, 2-10
	E-2947A (Rubber)	900 28 075 (New Style)			1-452
	E-8680 (Poly)				1-452, 2-10
22	E-4292	900 01 006	Axle Seat	2	1-468
23	E-UB8479-090	900 41 878	U-Bolt Assembly, Flat Rd. Bend, 1"-14 Thd. x 6 5/16" Wide x 9" Long	4	2-30
24	E-4421	934 00 502	Lock Nut	8	2-34
25	E-2960	936 00 028	Washer	8	1-473, 2-35
26	E-1107	934 00 149	Hex Nut, 3/4"-16 Thd.	2	2-34
27	S.O.S.	936 00 077	Lock Washer, 3/4"	2	—
28	S.O.S.	936 00 005	Washer, 3/4"	2	—
29	E-4403 (Poly)	905 08 004	Bushing	8	2-53, 3-2
	E-8684 (Poly)				2-10, 3-2
—	E-4398A	SRK-12 481 00 023	Pivot Connection Kit Includes Key Nos. 5, 10, 11	1	1-457
—	E-2978A	SRK-4	5" Round Axle Connection Kit (Old Style) Includes Key Nos. 20, 21, 23, 24, 25	1	1-453
—	E-2977A	SRK-64 481 00 108	5" Round Axle Connection Kit (New Style) Includes Key Nos. 20, 21, 23, 24, 25	1	1-453

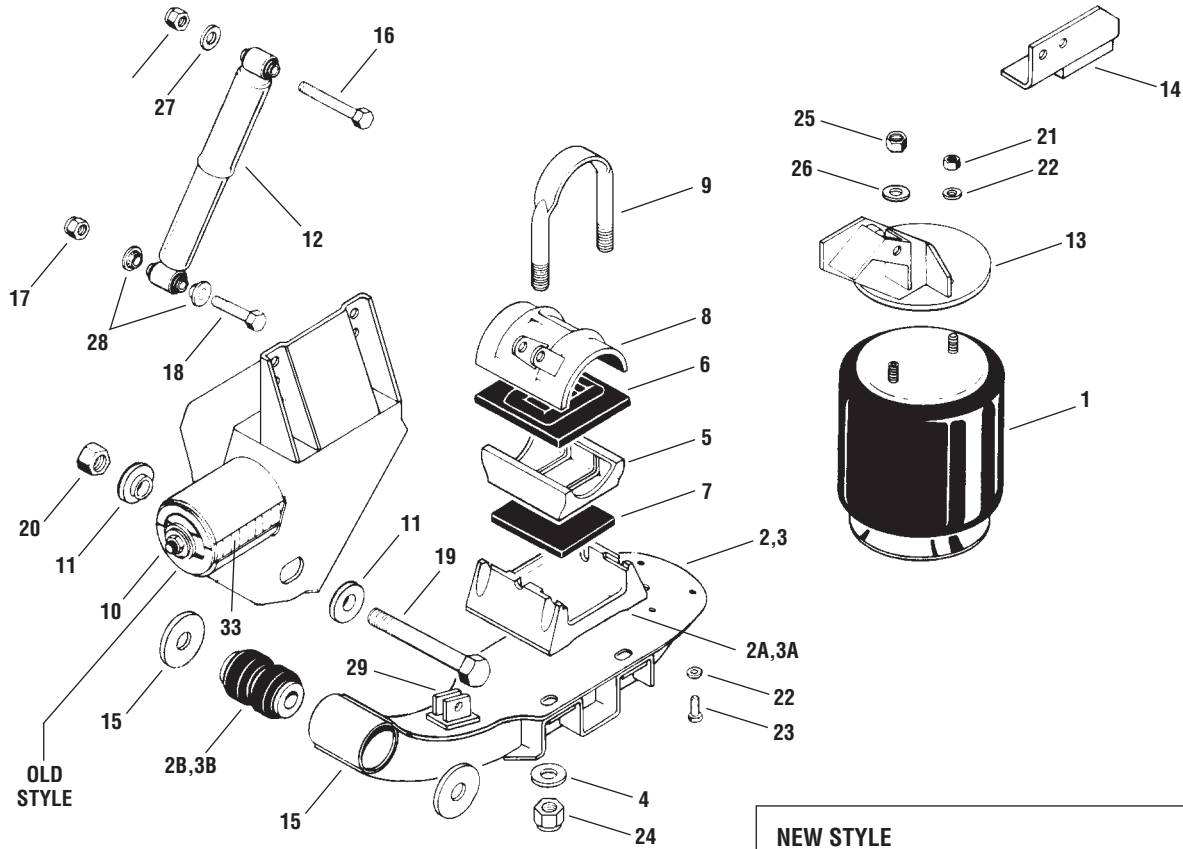
S.O.S. = Available through Euclid's S.O.S. Department

NEWAY SUSPENSION

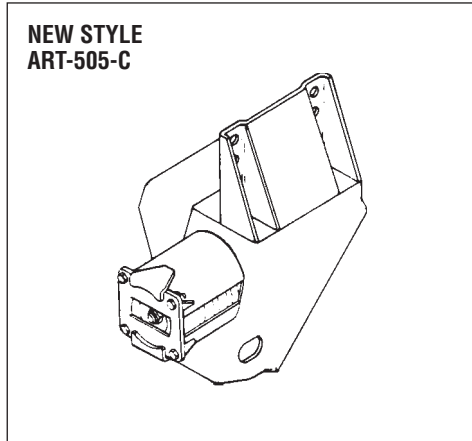
ART-505-B, B-1, ART-555-B-1, -2 -3 Series
Truck/Tractor



1



OLD
STYLE



NEWAY SUSPENSION PARTS

ART-505-B, B-1, ART-555-B-1, -2 -3 Series

Truck/Tractor

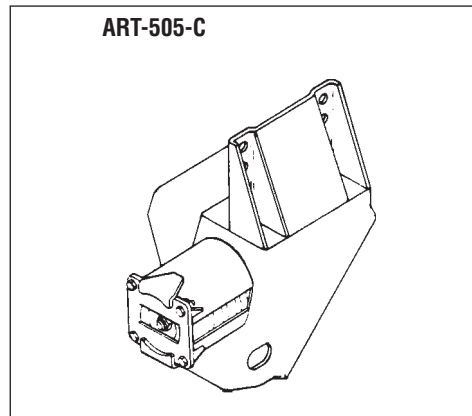
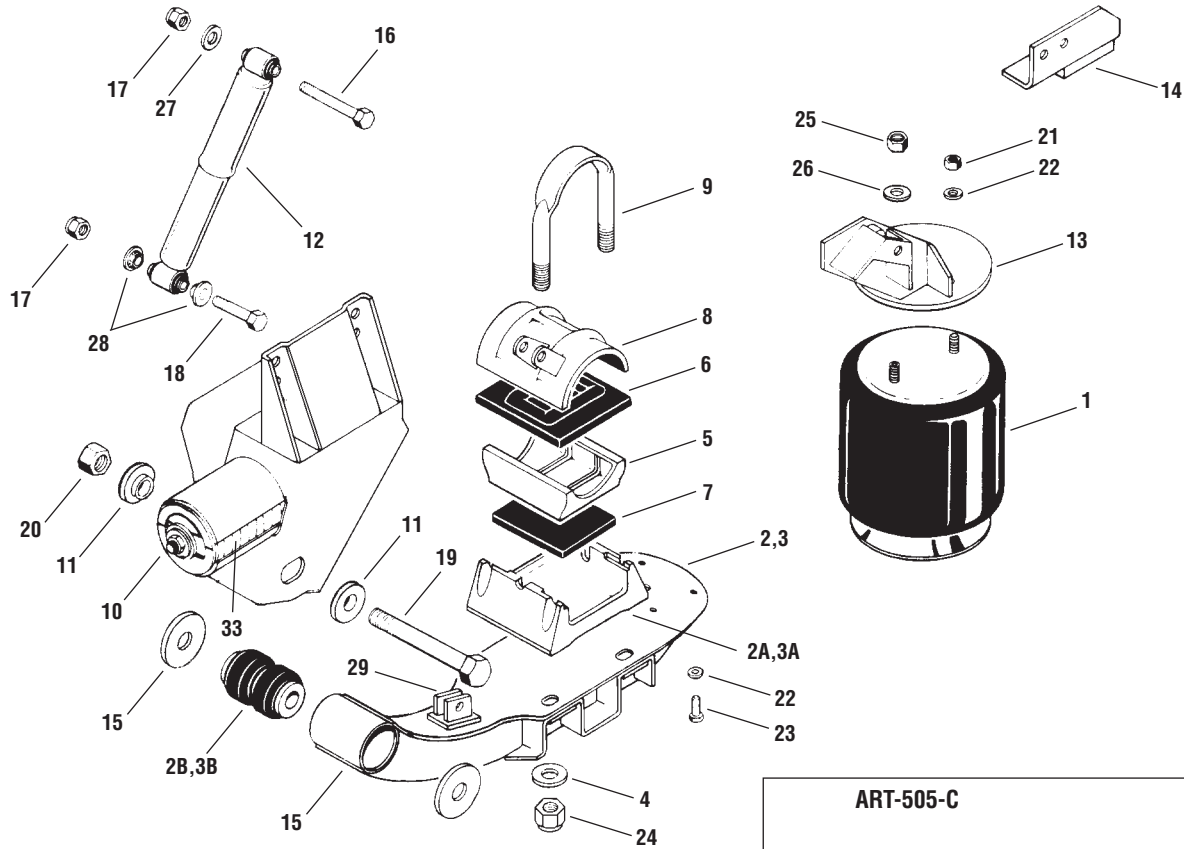
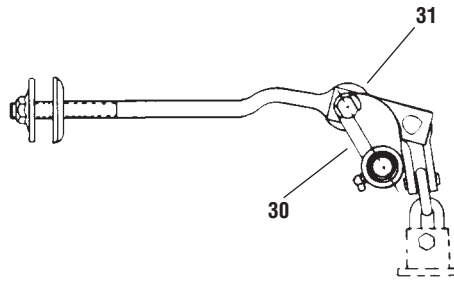
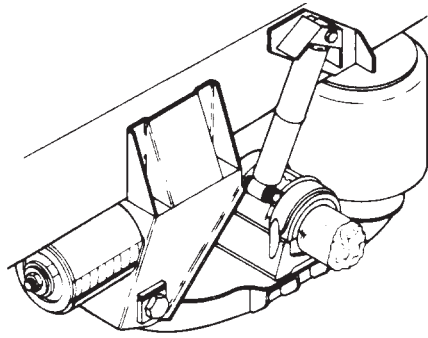
KEY NO.	EUCLID NO.	REPLACES NEWAY NO.	DESCRIPTION	QTY. PER AXLE	ART-					PAGE NO.
					505-B	505-B-1	555-B-1	555-B2	555-B3	
1	FS9082	905 57 027	Air Spring Assembly	2	X	X				—
	FS9101	905 57 009					X	X	X	—
2	S.O.S.	905 16 335	Equalizing Beam Assembly, Left Hand Includes Key Nos. 2A & 2B	1	X				X	—
	S.O.S.	905 16 337				X				
	S.O.S.	905 16 341				X				
2A	E-4292	900 01 006	Axle Seat	1	X				X	1-468
	S.O.S.	905 01 037				X		X		—
	S.O.S.	900 01 008					X			—
2B	E-4382A	900 08 139	Bushing	1	X	X	X	X	X	1-450
3	S.O.S.	905 16 336	Equalizing Beam Assembly, Right Hand Includes Key Nos. 3A & 3B	1	X				X	—
	S.O.S.	905 16 338				X		X		
	S.O.S.	905 16 342					X			
3A	E-4292	900 01 006	Axle Seat	1	X				X	1-468
	S.O.S.	905 01 037				X		X		—
	S.O.S.	900 01 008					X			—
3B	E-4382A	900 08 139	Bushing	1	X	X	X	X	X	1-450
4	E-4353	939 00 027	Washer, 1 5/8"	8	X	X	X	X	X	2-35
5	E-4289	900 01 082	Adapter, 5" Round Axle	2	X	X	X	X	X	1-466
	E-4290	900 01 083	Adapter, 5" Square Axle		X	X	X	X	X	1-467
6	E-2943 (Rubber)	900 28 047	Wrapper, 5" Round Axle	2	X	X	X	X	X	1-451
	E-8678 (Poly)									1-451, 2-9
	E-4409 (Rubber)									900 28 073
7	E-2947A (Rubber)	900 28 075	Axle Pad	2	X	X	X	X	X	1-452
	E-8680 (Poly)									1-452, 2-10
8	S.O.S.	905 10 061	Axle Cap Assembly, LH Rd. without Stops	1	X	X	X	X	X	—
	S.O.S.	905 10 063	Axle Cap Assembly, LH Rd. with Stops		X	X	X	X	X	—
	S.O.S.	905 10 062	Axle Cap Assembly, RH Rd. without Stops	1	X	X	X	X	X	—
	S.O.S.	905 10 064	Axle Cap Assembly, RH Rd. with Stops		X	X	X	X	X	—
9	E-UB8479-090	900 41 878	U-Bolt Assembly, Flat Rd. Bend, 1"-14 Thd. x 6 5/16" Wide x 9" Long	4	X				X	2-30
	E-UB8479-104	900 42 79	U-Bolt Assembly, Flat Rd. Bend, 1"-14 Thd. x 6 5/16" Wide x 10 1/2" Long			X		X		2-30
	E-UB8479-124A	900 42 792	U-Bolt Assembly, Flat Rd. Bend, 1"-14 Thd. x 6 5/16" Wide x 12 1/2" Long				X			2-30
	E-UB8578-094	900 41 997	U-Bolt Assembly, Flat Sq. Bend, 1"-14 Thd. x 6 5/16" Wide x 9 1/2" Long		X				X	2-30
	E-UB8578-124A	900 42 794	U-Bolt Assembly, Flat Sq. Bend, 1"-14 Thd. x 6 5/16" Wide x 12 1/2" Long			X		X		2-30
	E-UB8578-124A	900 42 795	U-Bolt Assembly, Flat Sq. Bend, 1"-14 Thd. x 6 5/16" Wide x 12 1/2" Long				X			2-30
10	S.O.S.	905 19 995	Adjustable Frame Bracket Assembly with Holes, Left Hand	1	X	X				—
	S.O.S.	905 19 993					X	X	X	
	S.O.S.	905 19 996	Adjustable Frame Bracket Assembly with Holes, Right Hand	1	X	X				—
	S.O.S.	905 19 994					X	X	X	
11	E-9284	900 08 147	Alignment Block	2	X	X	X	X	X	1-472

S.O.S. = Available through Euclid's S.O.S. Department

Continued on next page

NEWAY SUSPENSION

ART-505-B, B-1, ART-555-B-1, -2 -3 Series
Truck/Tractor



1

NEWAY SUSPENSION

ART-505-B, B-1, ART-555-B-1, -2 -3 Series

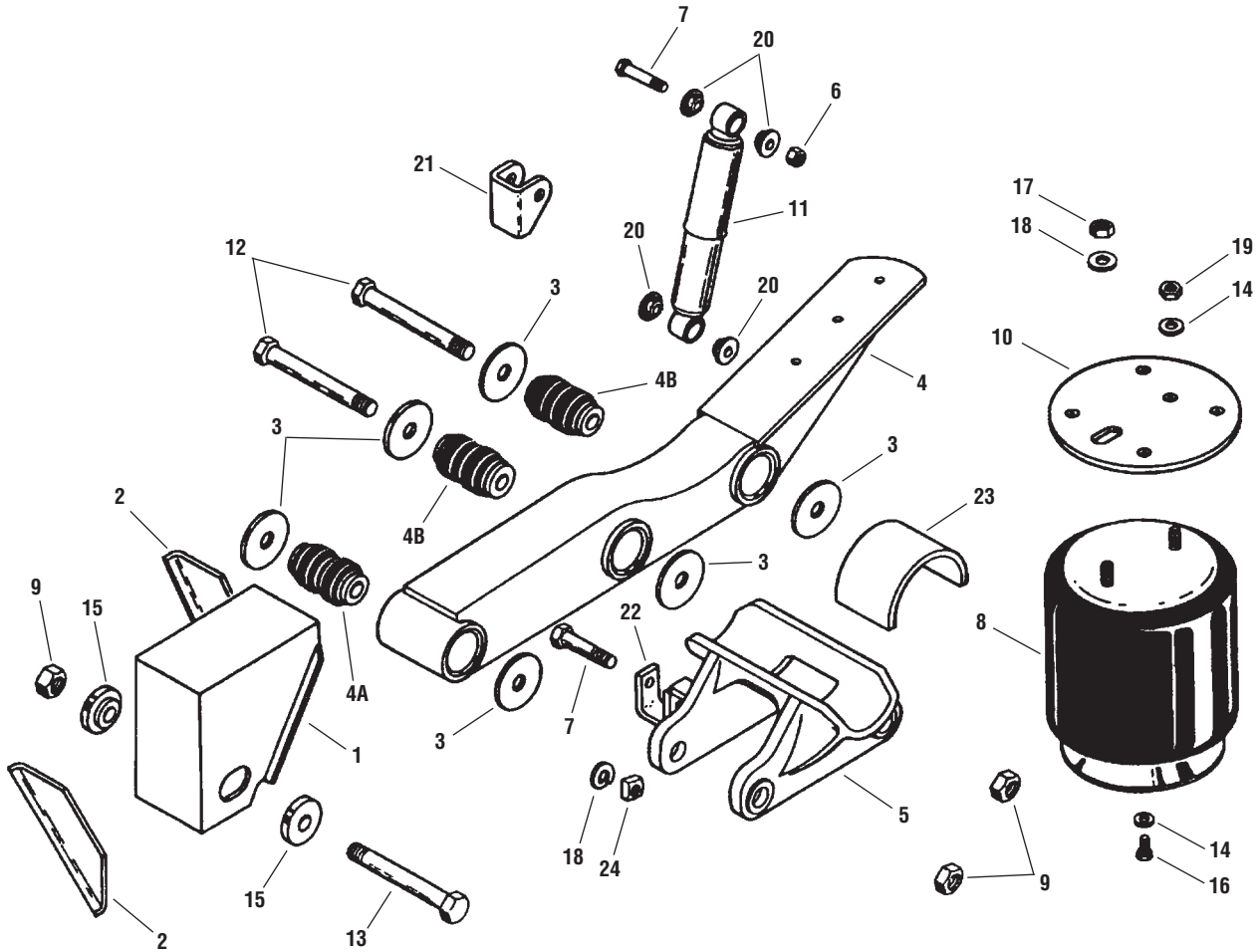
Truck/Tractor

KEY NO.	EUCLID NO.	REPLACES NEWAY NO.	DESCRIPTION	QTY. PER AXLE	ART-					PAGE NO.	
					505-B	505-B-1	555-B-1	555-B2	555-B3		
12	M83128	900 44 162	Shock Absorber	2	X	X	X			3-14	
	M83127	900 44 642	Shock Absorber					X	X		
13	S.O.S.	905 18 319	Air Spring & Shock Bracket Assembly, Left Hand	1	X		X		X	—	
	S.O.S.	905 18 321				X		X			
	S.O.S.	905 18 320	Air Spring & Shock Bracket Assembly, Right Hand	1	X		X		X	—	
	S.O.S.	905 18 322				X		X			
14	S.O.S.	905 44 241	Axle Stop Assembly, Left Hand, 5" Round Axle	1		X				—	
	S.O.S.	905 44 243				X	X				
	S.O.S.	905 44 245						X			
	S.O.S.	905 44 247							X		
	S.O.S.	905 44 242	Axle Stop Assembly, Right Hand, 5" Round Axle	1		X	X			—	
	S.O.S.	905 44 244				X	X				
	S.O.S.	905 44 246						X			
	S.O.S.	905 44 248							X		
15	E-4363	900 36 177	Washer	4	X	X	X	X	X	2-35	
16	S.O.S.	930 03 645	Bolt	2	X	X	X	X	X	—	
17	S.O.S.	934 00 492	Lock Nut	4	X	X	X	X	X	—	
18	E-4345	936 03 599 (Old) 930 03 597 (New)	Bolt	2	X	X	X	X	X	1-476, 2-33	
19	E-4364	932 01 046 (Old) 932 01 055 (New)	Hex Head Bolt, 1 1/8"-7 Thd. x 9 1/4"	2	X	X	X	X	X	2-32	
20	E-4358	934 00 506	Nut	2	X	X	X	X	X	2-34	
21	S.O.S.	934 00 136	Hex Nut, 1/2"-13 Thd.	2	X	X	X	X	X	—	
22	S.O.S.	936 00 072	Lock Washer, 1/2"	8	X	X	X	X	X	—	
23	S.O.S.	930 02 893	Hex Head Bolt, 1/2"-13 Thd. x 1"	6	X	X	X	X	X	—	
24	E-4421	934 00 502	Lock Nut	8	X	X	X	X	X	2-34	
25	E-1107	934 00 149	Hex Nut, 3/4"-16 Thd.	2	X	X	X	X	X	2-34	
26	S.O.S.	936 00 077	Lock Washer, 3/4"	2	X	X	X	X	X	—	
27	S.O.S.	936 00 005	Washer, 3/4"	2	X	X	X	X	X	—	
28	E-4403 (Rubber)	905 08 004	Shock Absorber Bushing	8	X	X	X	X	X	2-53, 3-2	
	E-8684 (Poly)									2-10, 3-2	
29	S.O.S.	905 31 040	Beam Lift Bracket	2	X	X	X	X	X	—	
30	E-4399	SRK-96	Cam Assembly, 1"	1	X	X	X	X	X	1-463	
31	E-4400	SRK-103	Coil Spring Lift Kit, 1/2" Pin	1	X	X	X	X	X	1-463	
	E-10799	SRK-158	Coil Spring Lift Kit for ART-505C	1						1-463	
32	S.O.S.	SRK-159 481 00 216	Coil Spring Replacement, For "B" Models Only	2	X	X	X	X	X	—	
—	E-4398A	SRK-145 481 00 202	Pivot Connection Kit Includes Key Nos. 2B, 4, 19, 20	1	X	X	X	X	X	1-457	
—	E-2977A	SRK-64 481 00 108	5" Round Axle Connection Kit Includes Key Nos. 4, 6, 7, 9, 24	1	X				X	1-453	
—	S.O.S.	SRK-66 481 00 110				X	X				—
—	E-4390	SRK-128 481 00 181						X			1-454

S.O.S. = Available through Euclid's S.O.S. Department

NEWAY SUSPENSION

ARU-92-8, -9, -10, -12 Series Trailer



NEWAY SUSPENSION PARTS

ARU-92-8, -9, -10, -12 Series

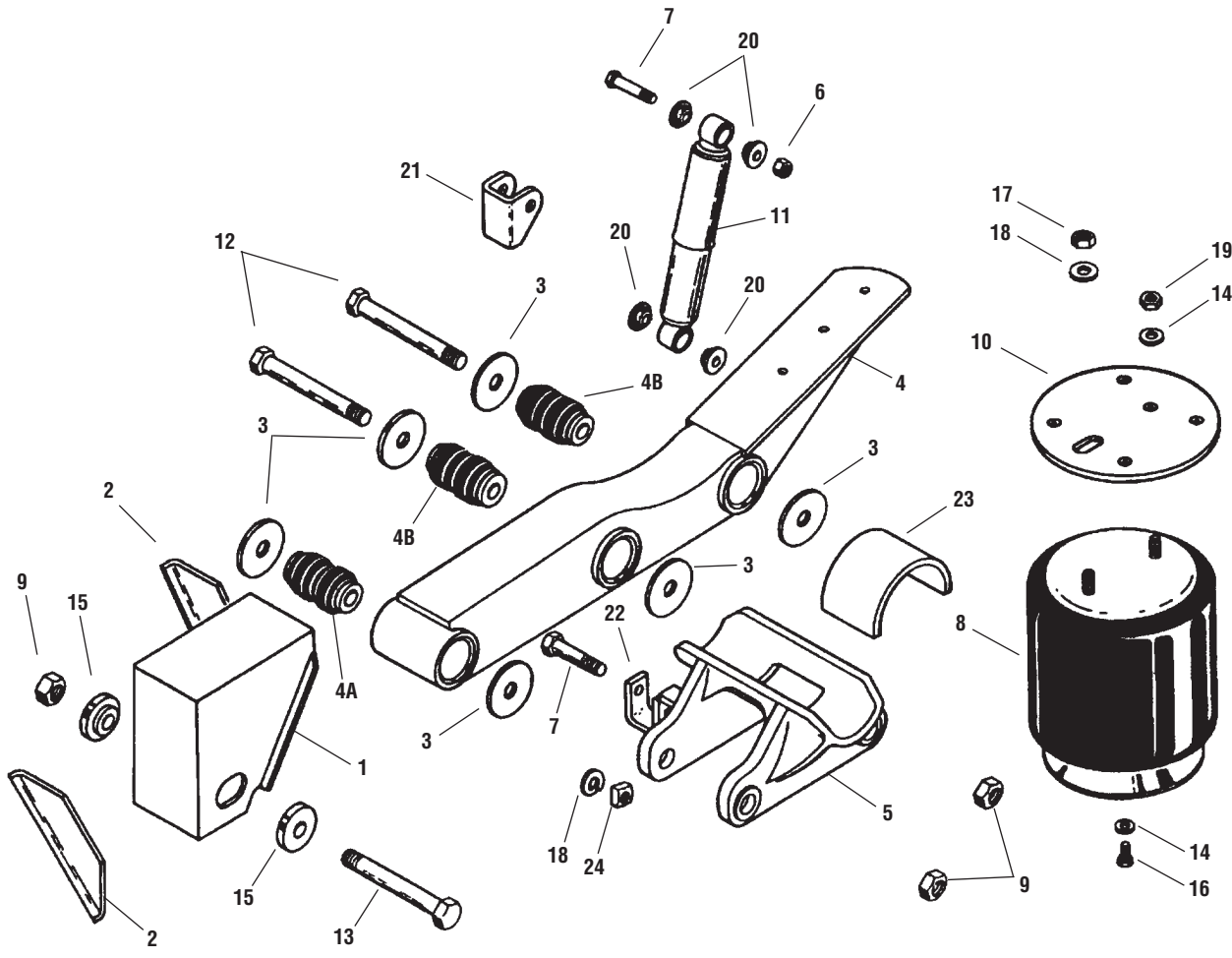
Trailer

KEY NO.	EUCLID NO.	NEWAY REPLACES NO.	DESCRIPTION	PER QTY. AXLE	ARU-92-				PAGE NO.
					8	9	10	12	
1	S.O.S.	905 20 346	Adjustable Frame Bracket Assembly	1		X			—
	S.O.S.	905 19 710				X			
	S.O.S.	905 20 395					X		
	S.O.S.	905 19 712						X	
	S.O.S.	905 20 397	Fixed Frame Bracket Assembly	1		X			—
	S.O.S.	905 19 711				X			
	S.O.S.	905 20 396					X		
	S.O.S.	905 19 713						X	
2	S.O.S.	900 23 002	Angle Brace	4	X	X			—
	S.O.S.	900 23 001					X	X	
3	E-4363	900 36 177	Washer	12	X	X	X	X	2-35
4	S.O.S.	905 16 552	Equalizing Beam, Left Hand, Includes Key Nos. 4A & 4B	1	X	X	X	X	—
	S.O.S.	905 16 553	Equalizing Beam, Right Hand, Includes Key Nos. 4A & 4B	1	X	X	X	X	
4A	E-4382A	900 08 139	Bushing	2	X	X	X	X	1-450
4B	E-4410A	900 08 149	Center Beam Bushing	4	X	X	X	X	1-448
5	S.O.S.	905 01 263	Adapter, Left Hand	1	X	X	X	X	—
	S.O.S.	905 01 264	Adapter, Right Hand	1	X	X	X	X	
6	E-4347	934 00 492	Lock Nut	2	X	X	X	X	2-34
7	E-4345	936 03 599 (Old) 930 03 597 (New)	Bolt	4	X	X	X	X	1-476, 2-33
8	FS9921	905 57 117	Air Spring Assembly	2	X				—
	FS9243	905 57 112				X	X		
	FS9346	905 57 126						X	
9	E-4358	934 00 506	Lock Nut	6	X	X	X	X	2-34
10	S.O.S.	900 33 785	Air Spring Mounting Plate	2	X	X	X	X	—
11	M83127	900 44 642	Shock Absorber	2	X	X	X		3-14
	M83128	900 44 162						X	
12	E-4361	932 01 051	Bolt	4	X	X	X	X	1-472, 2-32
13	E-4364	932 01 046 (Old) 932 01 055 (New)	Bolt	2	X	X	X	X	2-32
14	S.O.S.	936 00 072	Lock Washer, 1/2"	4	X	X	X	X	—
15	E-9284	900 08 147	Alignment Block	4	X	X	X	X	1-472
16	S.O.S.	930 02 969	Cap Screw, 1/2"-13 Thd. x 4"	2	X				—
	S.O.S.	930 02 993	Cap Screw, 1/2"-13 Thd. x 5"			X	X		
	S.O.S.	930 03 029	Cap Screw, 1/2"-13 Thd. x 6 1/2"					X	
17	E-1107	934 00 149	Hex Nut, 3/4"-16 Thd.	2	X	X	X	X	2-34
18	S.O.S.	936 00 077	Lock Washer, 3/4"	4	X	X	X	X	—
19	S.O.S.	934 00 136	Hex Nut, 1/2"-13 Thd.	2	X	X	X	X	—
20	E-4403 (Rubber)	905 08 004	Shock Absorber Bushing	8	X	X	X	X	2-53, 3-2
	E-8684 (Poly)								2-10, 3-2
21	S.O.S.	905 19 040	Upper Shock Bracket	2	X	X	X	X	—
22	S.O.S.	905 19 773	Lower Shock Bracket	2	X	X	X	X	—
23	S.O.S.	900 25 288	Safety Strap	2	X	X	X	X	—
24	S.O.S.	934 00 367	Square Nut, 3/4"-10 Thd.	2	X	X	X	X	—
—	S.O.S.	941 00 590	Torque Decal	1	X	X	X	X	—

S.O.S. = Available through Euclid's S.O.S. Department

NEWAY SUSPENSION

ARU-93-6, -7, -8, -9, -10 Series Trailer



1

NEWAY SUSPENSION PARTS

ARU-93-6, -7, -8, -9, -10 Series

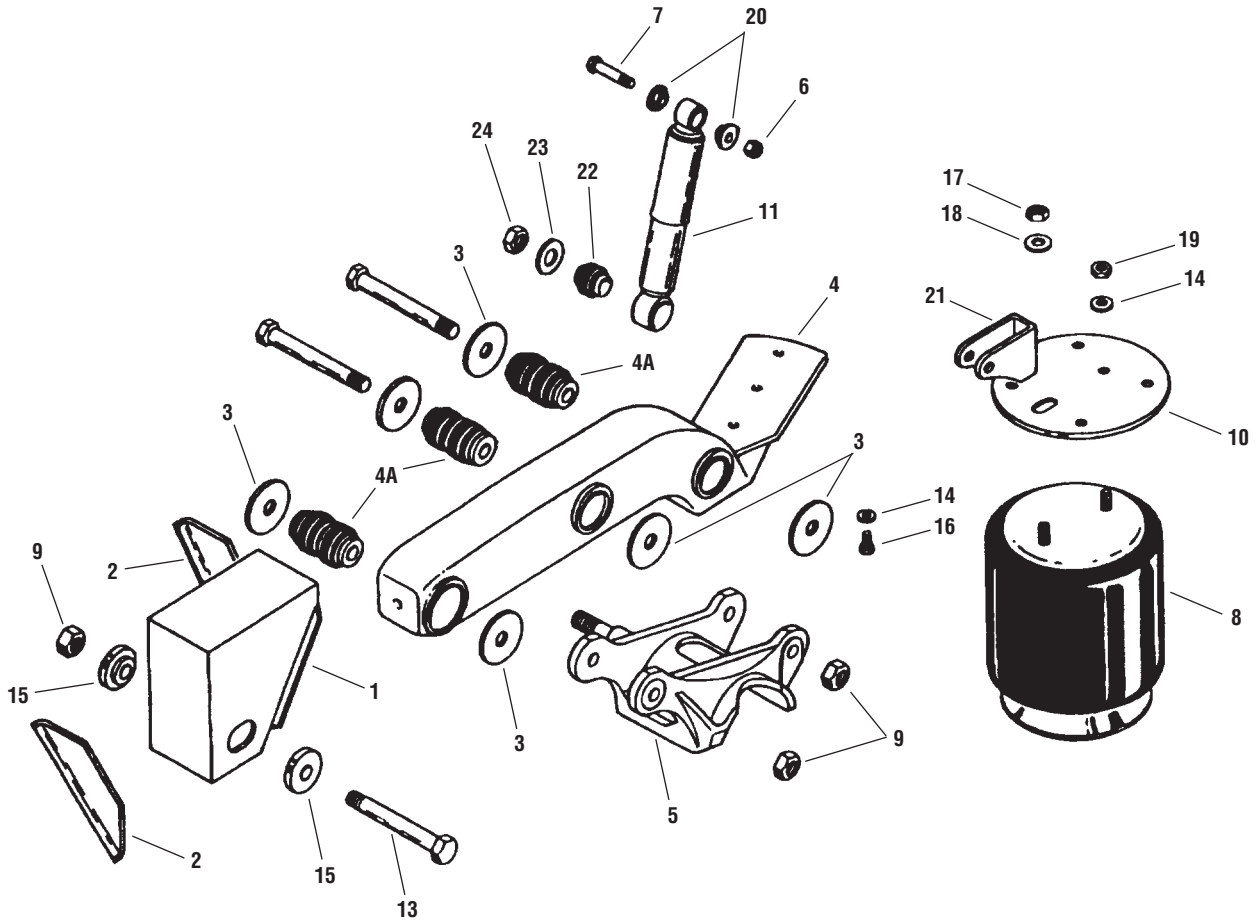
Trailer

KEY NO.	EUCLID NO.	REPLACES NEWAY NO.	DESCRIPTION	QTY. PER AXLE	ARU-93-					PAGE NO.
					6	7	8	9	10	
1	S.O.S.	905 20 346	Adjustable Frame Bracket Assembly	1	X	X				—
	S.O.S.	905 19 710					X	X		
	S.O.S.	905 20 235							X	
	S.O.S.	905 20 397	Fixed Frame Bracket Assembly	1	X	X				—
	S.O.S.	905 19 711					X	X		
	S.O.S.	905 20 236							X	
2	S.O.S.	900 23 002	Angle Brace	4	X	X	X	X		—
	S.O.S.	900 23 001							X	
3	E-4363	900 36 177	Washer	12	X	X	X	X	X	2-35
4	S.O.S.	905 16 552	Equalizing Beam, Left Hand, Includes Key Nos. 4A & 4B	1	X	X	X	X	X	—
	S.O.S.	905 16 553	Equalizing Beam, Right Hand, Includes Key Nos. 4A & 4B		X	X	X	X	X	—
4A	E-4382A	900 08 139	Bushing	2	X	X	X	X	X	1-450
4B	E-4410A	900 08 149	Center Beam Bushing	4	X	X	X	X	X	1-448
5	S.O.S.	905 01 263	Adapter, Left Hand	1	X	X	X	X	X	—
	S.O.S.	905 01 264	Adapter, Right Hand	1	X	X	X	X	X	—
6	E-4347	934 00 492	Lock Nut, 3/4"-10 Thd.	2	X	X	X	X	X	2-34
7	E-4345	936 03 599 (Old) 930 03 597 (New)	Bolt	4	X	X	X	X	X	1-476, 2-33
8	FS9921	905 57 117	Air Spring Assembly	2	X	X				—
	FS9923	905 57 118					X			—
	FS9922	905 57 119						X	X	—
9	E-4358	934 00 506	Lock Nut	6	X	X	X	X	X	2-34
10	S.O.S.	900 33 785	Air Spring Mounting Plate	2	X	X	X	X	X	—
11	M83127	900 44 642	Shock Absorber	2	X	X	X	X	X	3-14
12	E-4361	932 01 051	Bolt	4	X	X	X	X	X	1-472, 2-32
13	E-4364	932 01 046 (Old) 932 01 055 (New)	Bolt	2	X	X	X	X	X	2-32
14	S.O.S.	936 00 072	Lock Washer, 1/2"	4	X	X	X	X	X	—
15	E-9284	900 08 147	Alignment Block	4	X	X	X	X	X	1-472
16	S.O.S.	930 02 969	Cap Screw, 1/2"-13 Thd. x 4"	2		X				—
	S.O.S.	930 02 993	Cap Screw, 1/2"-13 Thd. x 5"		X		X			
	S.O.S.	930 03 029	Cap Screw, 1/2"-13 Thd. x 6 1/2"				X	X		
17	E-1107	934 00 149	Hex Nut, 3/4"-16 Thd.	2	X	X	X	X	X	2-34
18	S.O.S.	936 00 077	Lock Washer, 3/4"	4	X	X	X	X	X	—
19	S.O.S.	934 00 136	Hex Nut, 1/2"-13 Thd.	2	X	X	X	X	X	—
20	E-4403 (Rubber)	905 08 004	Shock Absorber Bushing	8	X	X	X	X	X	2-53, 3-2
	E-8684 (Poly)									2-10, 3-2
21	S.O.S.	905 19 040	Upper Shock Bracket	2	X	X	X	X	X	—
22	S.O.S.	905 19 773	Lower Shock Bracket	2	X	X	X	X	X	—
23	S.O.S.	900 25 288	Safety Strap	2	X	X	X	X	X	—
24	S.O.S.	934 00 367	Square Nut, 3/4"-10 Thd.	2	X	X	X	X	X	—
—	S.O.S.	941 00 590	Torque Decal	1	X	X	X	X	X	—

S.O.S. = Available through Euclid's S.O.S. Department

NEWAY SUSPENSION

RL-196 Series Trailer



1

NEWAY SUSPENSION PARTS

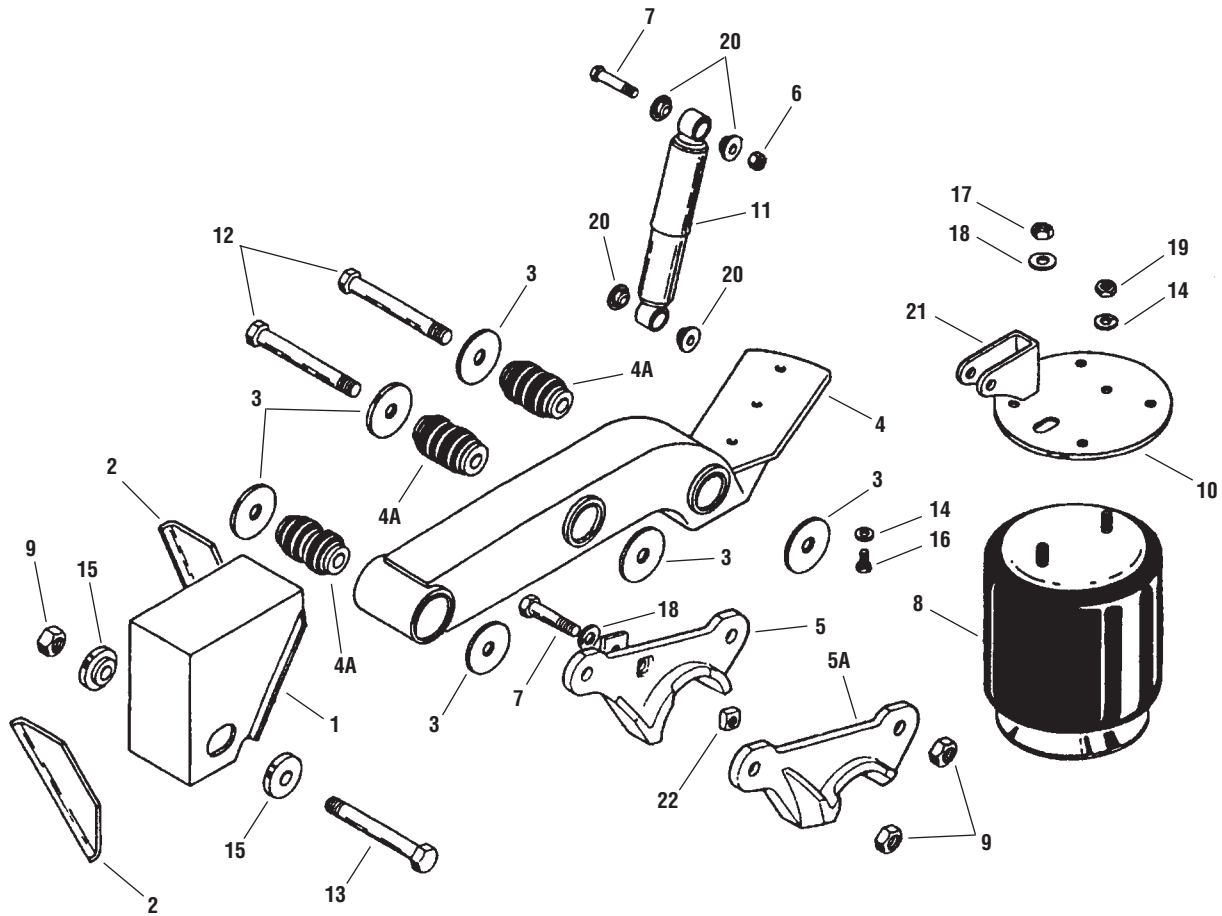
RL-196 Series Trailer

KEY NO.	EUCLID NO.	NEWAY REPLACES NO.	DESCRIPTION	PER QTY. AXLE	RL-196-					PAGE NO.
					-12	-14	-15	-16	-17	
1	S.O.S.	905 20 367	Frame Bracket - Adjustment	2	X					—
	S.O.S.	905 20 363				X				
	S.O.S.	905 20 338					X			
	S.O.S.	905 20 340						X	X	
2	S.O.S.	900 23 002	Angle Brace	4	X	X	X			—
	S.O.S.	900 23 001						X	X	
3	E-4363	900 36 177	Washer	12	X	X	X	X	X	2-35
4	S.O.S.	905 16 542	Equalizing Beam, Left Hand	1	X	X	X	X	X	—
	S.O.S.	905 16 543	Equalizing Beam, Right Hand	1	X	X	X	X	X	—
4A	E-4410A	900 08 149	Rubber Bushing	6	X	X	X	X	X	1-448
5	S.O.S.	481 00 291	Axle Adapter 5" Round Axle, Left Hand	1	X	X	X	X	X	—
	S.O.S.	481 00 292	Axle Adapter 5" Round Axle, Right Hand	1	X	X	X	X	X	—
6	E-4347	934 00 492	Lock Nut, 3/4"-10 Thd.	2	X	X	X	X	X	2-34
7	E-4345	936 03 599 (Old) 930 03 597 (New)	Bolt, 3/4"-10 Thd. x 3 1/2"	2	X	X	X	X	X	1-476, 2-33
8	FS9293	905 57 120	Air Spring Assembly	2		X				—
	FS9295	905 57 121					X	X		—
	FS9291	905 57 122							X	—
	FS9294	905 57 127			X					—
9	E-4358	934 00 506	Lock Nut, 1 1/8"-7 Thd.	6	X	X	X	X	X	2-34
10	S.O.S.	900 33 785	Air Spring Mounting Plate	2	X	X	X	X	X	—
11	M83115	900 44 977	Shock Absorber	2	X					3-13
	M85059	900 44 978				X	X			
	M83113	900 44 979						X	X	
12	E-4361	932 01 051	Bolt, 1 1/8"-7 Thd. x 8 1/2"	4	X	X	X	X	X	1-472, 2-32
13	E-4364	932 01 046 (Old) 932 01 055 (New)	Bolt, 1 1/8"-7 Thd. x 9 1/4"	2	X	X	X	X	X	2-32
14	S.O.S.	936 00 072	Lock Washer, 1/2"	4	X	X	X	X	X	—
15	E-9284	900 08 147	Alignment Block	4	X	X	X	X	X	1-472
17	E-1107	934 00 149	Hex Nut, 3/4"-16 Thd.	2	X	X	X	X	X	2-34
18	S.O.S.	936 00 077	Lock Washer, 3/4"	2	X	X	X	X	X	—
19	S.O.S.	934 00 136	Hex Nut 1/2"-13 Thd.	2	X	X	X	X	X	—
20	E-4403 (Rubber)	905 08 004	Shock Absorber Bushing	4	X	X	X	X	X	2-53, 3-2
21	S.O.S.	900 18 445	Upper Shock Bracket	2	X	X	X	X	X	—
22	E-401754	900 08 182	Rubber Bushing, Lower Shock Connection	2	X	X	X	X	X	3-2
23	S.O.S.	936 00 168	Flat Washer	1	X	X	X	X	X	—
24	E-4421	934 00 500	Lock Nut, 1"-8 Thd.	2	X	X	X	X	X	2-34
—	E-9294	SRK-203 481 00 264	Pivot Connection Kit	2	X	X	X	X	X	1-457
—	E-4411A	SRK-149 481 00 206	20" Wheels Axle Connection Kit, 5" Round Axle	2	X	X	X	X	X	1-456

S.O.S. = Available through Euclid's S.O.S. Department

NEWAY SUSPENSION

RL-196A Series Trailer



1

NEWAY SUSPENSION PARTS

RL-196A Series

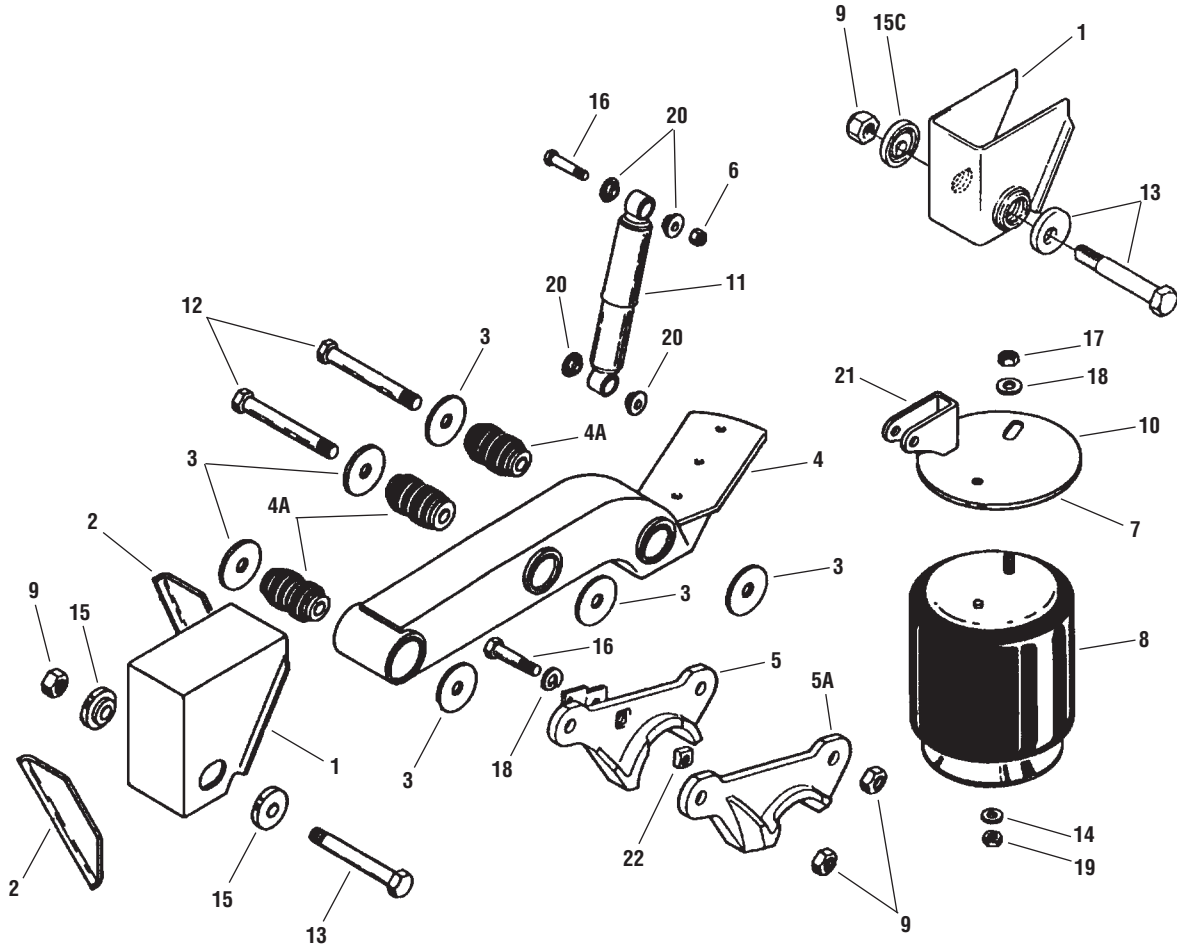
Trailer

KEY NO.	EUCLID NO.	REPLACES NEWAY NO.	DESCRIPTION	QTY. PER AXLE	RL-196A-					PAGE NO.
					12	14	15	16	17	
1	S.O.S.	905 20 367	Adjustable Frame Bracket Assembly	2		X				—
	S.O.S.	905 20 363			X					
	S.O.S.	905 20 338					X			
	S.O.S.	905 20 340						X	X	
	S.O.S.	900 25 257			X					
2	S.O.S.	900 23 002	Angle Brace	4		X	X			—
	S.O.S.	900 23 001						X	X	
3	E-4363	900 36 177	Washer	12	X	X	X	X	X	2-35
4	S.O.S.	905 16 542	Equalizing Beam, Left Hand, Includes Key No. 4A	1	X	X	X	X	X	—
	S.O.S.	905 16 543	Equalizing Beam, Right Hand, Includes Key No. 4A	1	X	X	X	X	X	—
4A	E-4410A	900 08 149	Center Beam Bushing	6	X	X	X	X	X	1-448
5	S.O.S.	905 01 261	Adapter, Left Hand, Inside	1	X	X	X	X	X	—
	S.O.S.	905 01 262	Adapter, Right Hand, Inside	1	X	X	X	X	X	—
5A	S.O.S.	900 01 195	Adapter, Left Hand, Outside	1	X	X	X	X	X	—
	S.O.S.	900 01 196	Adapter- Right Hand, Outside	1	X	X	X	X	X	—
6	E-4347	934 00 492	Lock Nut, 3/4"-10 Thd.	2	X	X	X	X	X	2-34
7	S.O.S.	930 03 609	Bolt, 3/4"-10 Thd. x 4"	4	X	X	X	X	X	—
8	FS9294	905 57 127	Air Spring Assembly	2	X					—
	FS9293	905 57 120				X				—
	FS9295	905 57 121					X	X		—
	FS9291	905 57 139							X	—
9	E-4358	934 00 506	Lock Nut	6	X	X	X	X	X	2-34
10	S.O.S.	905 31 233	Air Spring Mounting Plate & Upper Shock Bracket Assembly, Right Hand	1	X	X	X	X	X	—
	S.O.S.	905 31 234	Air Spring Mounting Plate & Upper Shock Bracket Assembly, Left Hand	1	X	X	X	X	X	—
11	M83128	900 44 162	Shock Absorber	2	X					3-14
	M83130	900 45 040				X	X			
	M83127	900 44 794						X	X	
12	E-4361	932 01 051	Bolt	4	X	X	X	X	X	1-472, 2-32
13	E-4364	932 01 046 (Old) 932 01 055 (New)	Bolt	2	X	X	X	X	X	2-32
14	S.O.S.	936 00 072	Lock Washer, 1/2"	4	X	X	X	X	X	—
15	E-9284	900 08 147	Alignment Block	4	X	X	X	X	X	1-472
16	S.O.S.	930 02 921	Cap Screw, 1/2"-13 Thd. x 2"	2	X					—
	S.O.S.	930 02 969	Cap Screw, 1/2"-13 Thd. x 4"			X				—
	S.O.S.	930 02 993	Cap Screw, 1/2"-13 Thd. x 5"				X	X		—
	S.O.S.	930 03 029	Cap Screw, 1/2"-13 Thd. x 6 1/2"						X	—
17	E-1107	934 00 149	Hex Nut, 3/4"-16 Thd.	2	X	X	X	X	X	2-34
18	S.O.S.	936 00 077	Lock Washer, 3/4"	4	X	X	X	X	X	—
19	E-2988	934 00 136	Hex Nut	2	X	X	X	X	X	1-478, 2-34
20	E-4403 (Rubber)	905 08 004	Shock Absorber Bushing	8	X	X	X	X	X	2-53, 3-2
	E-8684 (Poly)									2-10, 3-2
21	S.O.S.	900 18 445	Upper Shock Bracket	2	X	X	X	X	X	—
22	S.O.S.	934 00 367	Square Nut, 3/4"-10 Thd.	2	X	X	X	X	X	—
—	S.O.S.	941 00 590	Torque Decal	1	X	X	X	X	X	—

S.O.S. = Available through Euclid's S.O.S. Department

NEWAY SUSPENSION

RL-228-14, -15, -16, -17 Series Trailer



1

NEWAY SUSPENSION PARTS

RL-228-14, -15, -16, -17 Series

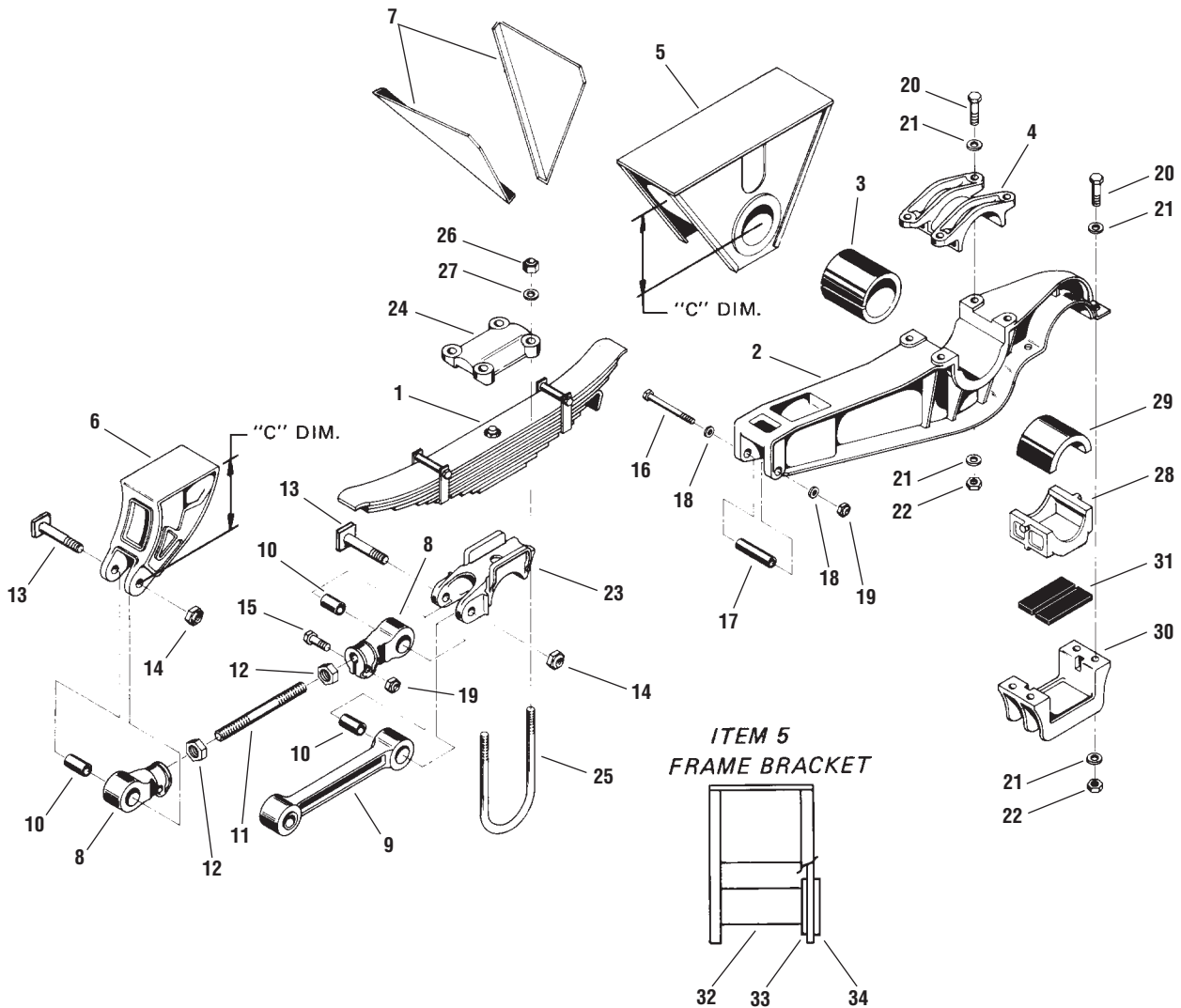
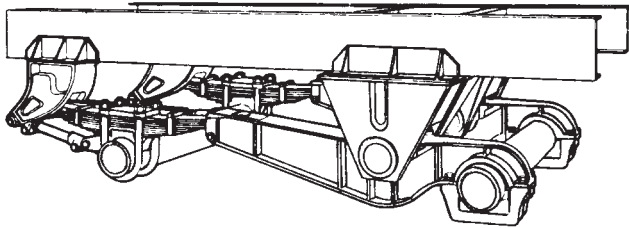
Trailer

KEY NO.	EUCLID NO.	REPLACES NEWAY NO.	DESCRIPTION	QTY. PER AXLE	RL-228-				PAGE NO.
					14	15	16	17	
1	S.O.S.	Various	Frame Bracket	2	X	X	X	X	—
2	S.O.S.	900 23 157	Angle Brace	4	X				—
	S.O.S.	900 23 002				X	X	X	
3	E-4363	900 36 177	Washer	12	X	X	X	X	2-35
4	S.O.S.	905 16 566	Equalizing Beam, Left Hand, Includes Key No. 4A	1	X	X	X	X	—
	S.O.S.	905 16 567	Equalizing Beam, Right Hand, Includes Key No. 4A	1	X	X	X	X	—
4A	E-4410A	900 08 149	Center Beam Bushing	6	X	X	X	X	1-448
5	S.O.S.	905 01 261	Adapter, Left Hand, Inside	1	X	X	X	X	—
	S.O.S.	905 01 262	Adapter, Right Hand, Inside	1	X	X	X	X	—
5A	S.O.S.	900 01 215	Adapter, Left Hand, Outside	1	X	X	X	X	—
	S.O.S.	900 01 216	Adapter- Right Hand, Outside	1	X	X	X	X	—
6	E-4347	934 00 492	Lock Nut, 3/4"-10 Thd.	2	X	X	X	X	2-34
7	S.O.S.	900 33 785	Air Spring Mounting Plate	2	X	X	X	X	—
8	S.O.S.	905 57 156	Air Spring Assembly	2	X	X	X		—
	S.O.S.	905 57 157						X	
9	E-4358	934 00 506	Lock Nut	6	X	X	X	X	2-34
10	S.O.S.	905 31 245	Air Spring Mounting Plate & Upper Shock Bracket Assembly, Left Hand	1		X	X	X	—
	S.O.S.	905 31 246	Air Spring Mounting Plate & Upper Shock Bracket Assembly, Right Hand	1		X	X	X	—
11	M83127	900 44 642	Shock Absorber	2	X	X	X		3-14
	M83124	900 44 089	Shock Absorber					X	
	M89407		Shock Absorber						
12	E-4361	932 01 051	Bolt	4	X	X	X	X	1-472, 2-32
13	E-4364	932 01 046 (Old) 932 01 055 (New)	Bolt	2	X	X	X	X	2-32
	S.O.S.	932 01 057 (Old) 905 08 099 (New)	Bolt, 1 1/8"-7 Thd. x 9 1/4"		X	X	X	X	—
14	S.O.S.	936 00 072	Lock Washer, 1/2"	2	X	X	X	X	—
15	E-9284	Various	Alignment Bushing	4	X	X	X	X	1-472
15C	S.O.S.	900 08 186	Alignment Bushing (Used in all RL-228-14, -15, -16, -17)		X	X	X	X	—
16	S.O.S.	930 03 609	Cap Screw, 3/4"-10 Thd. x 4"	4	X	X	X	X	—
17	E-1107	934 00 149	Hex Nut, 3/4"-16 Thd.	2	X	X	X	X	2-34
18	S.O.S.	936 00 077	Lock Washer, 3/4"	4	X	X	X	X	—
19	S.O.S.	934 00 136	Hex Nut, 1/2"-13 Thd.	2	X	X	X	X	—
20	E-4403 (Rubber)	905 08 004	Bushings	8	X	X	X	X	2-53, 3-2
	E-8684 (Poly)								2-10, 3-2
21	S.O.S.	900 18 515	Upper Shock Bracket	2	X	X	X	X	—
22	S.O.S.	934 00 367	Square Nut, 3/4"-10 Thd.	2	X	X	X	X	—
—	S.O.S.	941 00 590	Torque Decal	1	X	X	X	X	—

S.O.S. = Available through Euclid's S.O.S. Department

NEWAY SUSPENSION

RTS-536-1, -2, -3, -4 Spring Series
RTS-544-1, -2, -3, -4 Spring Series
Trailer



LEAF SPRING REFERENCES

SRI No.	
TRA 2661	11 Leaf
TRA 2671	12 Leaf
TRA 2660	13 Leaf

NEWAY SUSPENSION PARTS

RTS-536-1, -2, -3, -4 Spring Series

RTS-544-1, -2, -3, -4 Spring Series

Trailer

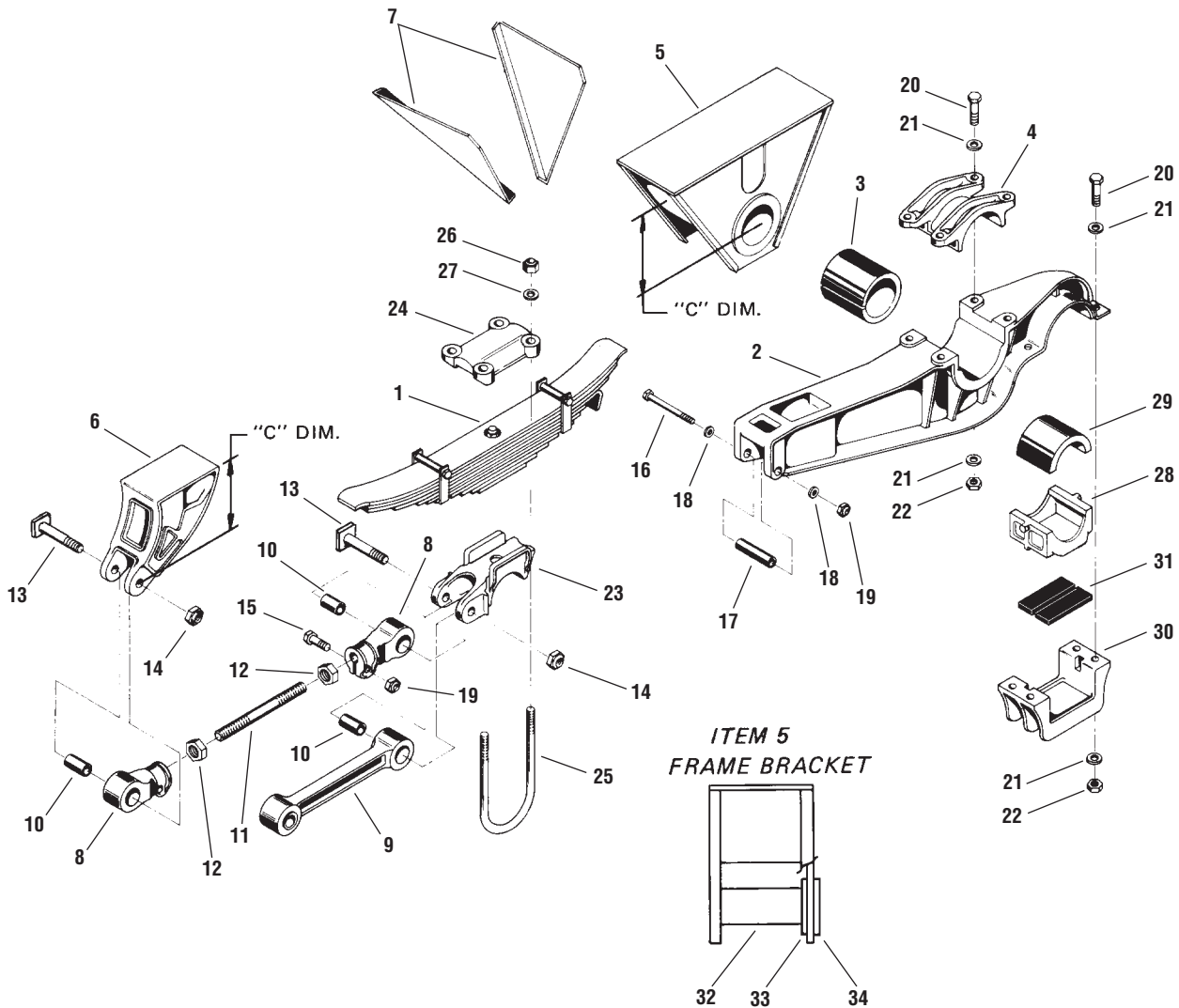
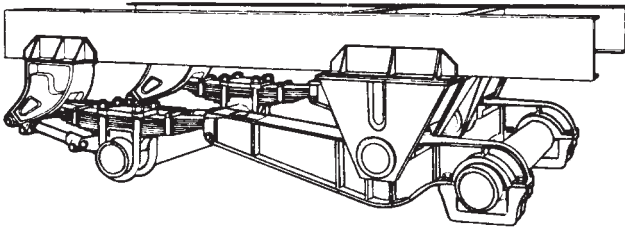
KEY NO.	EUCLID NO.	REPLACES NEWAY NO.	DESCRIPTION	QTY. PER TANDEM	RTS-536-1	RTS-536-2	RTS-536-3	RTS-536-4	PAGE NO.
					RTS-544-1	RTS-544-2	RTS-544-3	RTS-544-4	
1	S.O.S.	915 57 152	Spring Assembly, 536 Models, 11 Leaf	2	X	X	X	X	—
	S.O.S.	915 57 153	Spring Assembly, 544 Models, 13 Leaf		X	X	X	X	
	S.O.S.	915 57 154	Spring Assembly, 544 Models, 14 Leaf		X	X	X	X	
2	E-9535	915 15 001	Equalizing Beam Assembly	2	X	X	X	X	1-477
3	E-1333 (Rubber)	910 08 014	Bushing	2	X	X	X	X	1-448
	E-8672 (Poly)								1-448, 2-11
4	E-4303	910 10 098	Trunnion Cap	2	X	X	X	X	1-469
5	S.O.S.	915 18 005	Trunnion Frame Bracket, 8 1/2" C Dimension	2	X				—
	S.O.S.	915 18 006	Trunnion Frame Bracket, 10 1/2" C Dimension			X			
	S.O.S.	915 18 007	Trunnion Frame Bracket, 12 1/2" C Dimension				X		
	S.O.S.	915 18 008	Trunnion Frame Bracket, 14 1/2" C Dimension					X	
6	S.O.S.	910 18 002	Spring Hanger, 8 1/2" C Dimension	2	X				—
	S.O.S.	910 18 003	Spring Hanger, 10 1/2" C Dimension			X			
	S.O.S.	910 18 004	Spring Hanger, 12 1/2" C Dimension				X		
	E-9536	910 18 036	Spring Hanger, 14 1/2" C Dimension					X	1-478
7	S.O.S.	910 23 001	Diagonal Brace	4	X				—
	S.O.S.	910 23 002	Diagonal Brace, Left Hand	2		X			—
	S.O.S.	910 23 004					X		
	S.O.S.	910 23 006						X	
	S.O.S.	910 23 003	Diagonal Brace, Right Hand	2			X		—
	S.O.S.	910 23 005					X		
S.O.S.	910 23 007						X		
8	E-4316	915 44 002	Torque Arm End, Left Hand	1	X	X	X	X	1-452
	E-4317	915 44 003	Torque Arm End, Right Hand	1	X	X	X	X	1-452
9	E-4319	915 44 001	Rigid Torque Arm	1	X	X	X	X	1-452
10	E-2939 (Rubber)	910 08 007	Torque Arm Bushing	4	X	X	X	X	1-452
	E-8676 (Poly)								1-452, 2-11
11	E-4318A	932 00 047	Bolt	1	X	X	X	X	1-452
12	E-4274	934 00 036	Jam Nut, Left Hand	1	X	X	X	X	2-34
	E-4275	934 00 284	Jam Nut, Right Hand	1	X	X	X	X	2-34
13	E-4261	939 00 009	Bolt	4	X	X	X	X	1-472
14	E-4273	934 00 569	Lock Nut	4	X	X	X	X	2-34
15	S.O.S.	930 02 921	Cap Screw, 1/2"-13 Thd. x 2"	2	X	X	X	X	—
16	S.O.S.	930 03 003	Cap Screw, 1/2"-13 Thd. x 5 1/2"	2	X	X	X	X	—
17	S.O.S.	910 36 092	Pipe Spacer, 1/2"	2	X	X	X	X	—
18	S.O.S.	936 00 138	Washer, 1/2"	4	X	X	X	X	—
19	S.O.S.	934 00 482	Lock Nut, 1/2"-13 Thd.	4	X	X	X	X	—
20	S.O.S.	930 03 575	Bolt, 3/4"-10 Thd. x 2 1/2"	16	X	X	X	X	—
21	E-2545	936 00 156	Washer	32	X	X	X	X	2-35
22	E-4347	934 00 492	Lock Nut, 3/4"-10 Thd.	16	X	X	X	X	2-34
23	E-4294	910 01 034	Axle Seat	2	X	X	X	X	1-468
24	E-4299	910 10 103	Top Plate	2	X	X	X	X	1-468

S.O.S. = Available through Euclid's S.O.S. Department

Continued on next page

NEWAY SUSPENSION

RTS-536-1, -2, -3, -4 Spring Series
 RTS-544-1, -2, -3, -4 Spring Series
 Trailer



LEAF SPRING REFERENCES

SRI No.	
TRA 2661	11 Leaf
TRA 2671	12 Leaf
TRA 2660	13 Leaf

NEWAY SUSPENSION PARTS

RTS-536-1, -2, -3, -4 Spring Series

RTS-544-1, -2, -3, -4 Spring Series

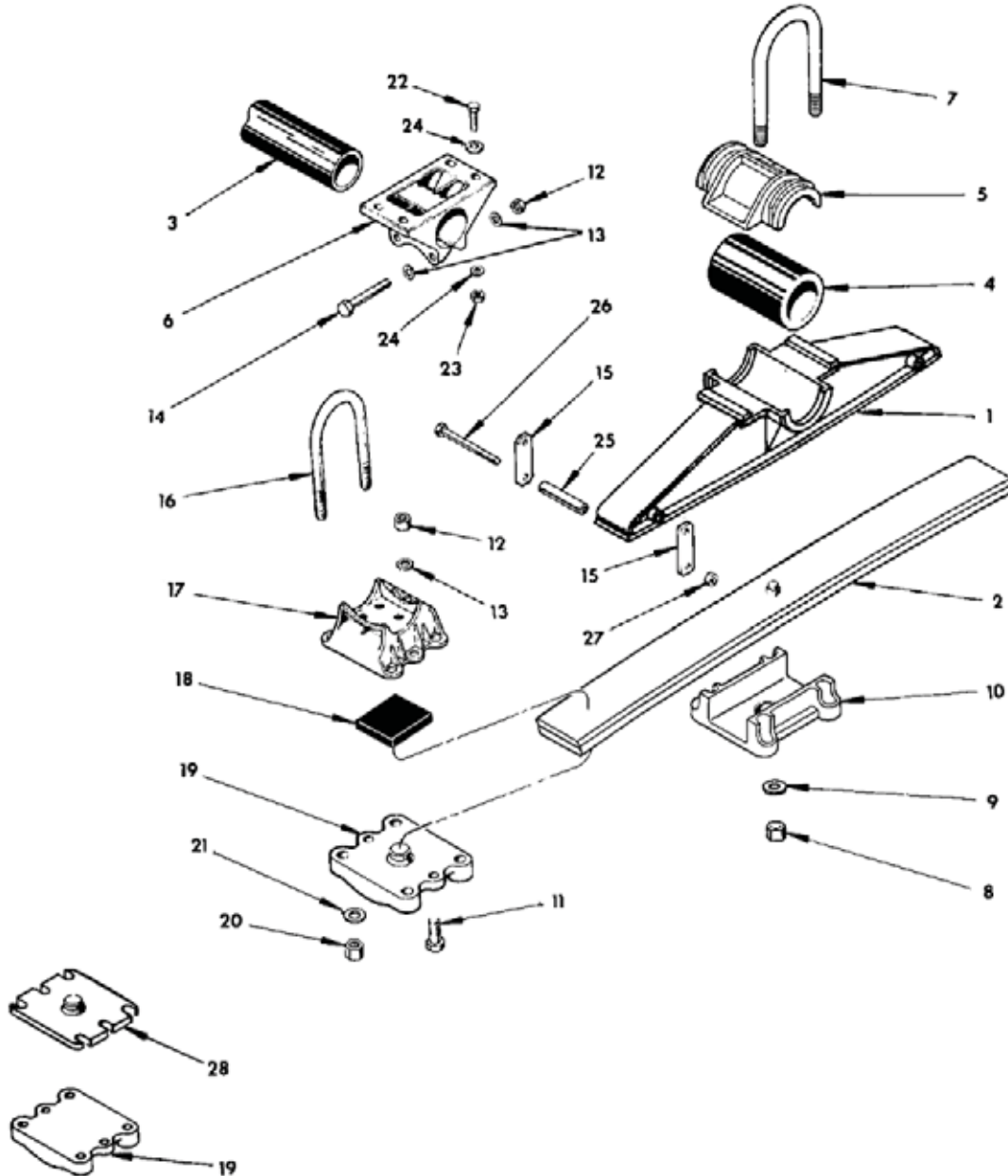
Trailer

KEY NO.	EUCLID NO.	REPLACES NEWAY NO.	DESCRIPTION	QTY. PER TANDEM	RTS-536-1	RTS-536-2	RTS-536-3	RTS-536-4	PAGE NO.
					RTS-544-1	RTS-544-2	RTS-544-3	RTS-544-4	
25	E-UB8166-12	900 41 174	U- Bolt Assembly, Rd. Bend, 7/8"-14 Thd. x 5" Wide x 12" Long	4	X	X	X	X	2-26
26	E-2983	934 00 496	Lock Nut	8	X	X	X	X	2-34
27	E-2546	936 00 162	Washer	8	X	X	X	X	2-35
28	E-4291	910 01 040	Axle Adapter	2	X	X	X	X	1-467
29	E-2011	910 28 010	Wrapper, Round Axle	2	X	X	X	X	1-451
30	E-4288	910 10 031	Axle Cap	2	X	X	X	X	1-466
31	E-1331 (Rubber)	910 28 023	Spring End Pad	4	X	X	X	X	1-452
	E-8671 (Poly)								1-452, 2-11
32	E-9610	910 38 210	Trunnion Tube	2	X	X	X	X	1-478
33	E-9611	936 00 002	Inner Washer, 3/16" Thick	4	X	X	X	X	1-478
34	E-9612	936 00 003	Outer Washer, 5/16" Thick	4	X	X	X	X	1-478
—	S.O.S.	910 23 307	Spring Hanger Wear Pad	2	X	X	X	X	—
—	S.O.S.	910 28 028	Equalizing Beam Wear Pad	2	X	X	X	X	—
—	E-4385	SRK-36 481 00 033	5" Round Axle & Trunnion Connection Kit Includes Key Nos. 3, 20, 21, 22, 29 & 31	1	X	X	X	X	1-465
—	E-4391	SRK-39 481 00 050	Radius Rod Bushing Kit Includes Key Nos. 10, 13 & 14	1	X	X	X	X	1-464

S.O.S. = Available through Euclid's S.O.S. Department

NEWAY SUSPENSION

SB-360-B, -500, 600B
Trailer



1

NEWAY SUSPENSION PARTS

SB-360-B, -500, 600B

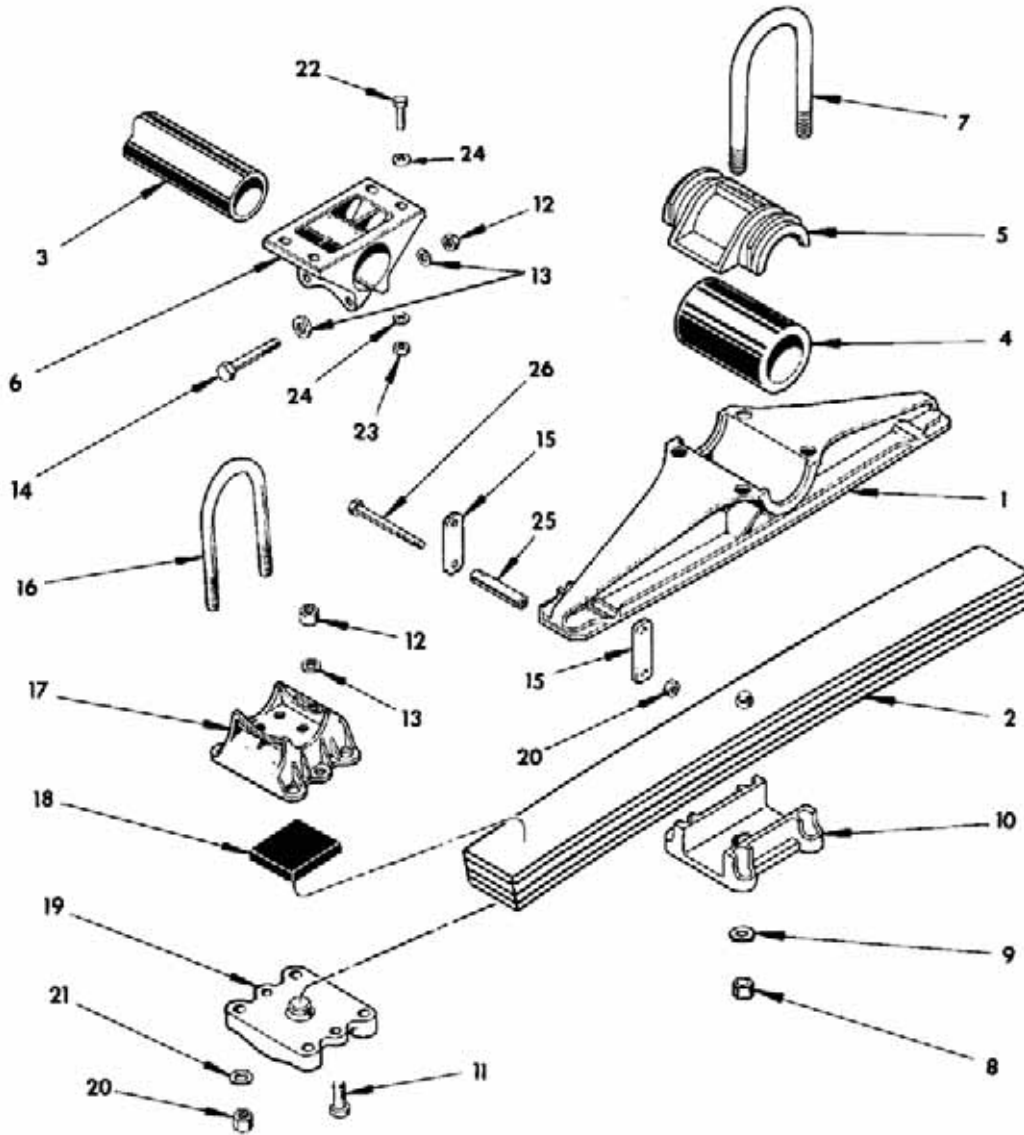
Trailer

KEY NO.	EUCLID PART NO.	REPLACES NEWAY NO.	DESCRIPTION	SB-360B	SB-500-B	SB-600-B	QTY REQUIRED	PAGE NO.
1	S.O.S.	915 15 108	Equalizing Beam	X	X	X	2	—
2	S.O.S.	915 57 100	Spring Assembly 2 Leaf	X	X		2	—
	S.O.S.	915 57 136	Spring Assembly 2 Leaf			X	2	—
3	E-2964	910 38 003	Trunnion Tube 4" OD x 1/2" Wall x 48" (Other Sizes Available)	X			1	1-471
	S.O.S.	910 38 004	Trunnion Tube 4" OD x 1/2" Wall x 48" HT (Other Sizes Available)		X	X	1	—
4	E-1332	910 08 022	Trunnion Rubber Bushing	X	X	X	2	1-448
5	S.O.S.	910 10 089	Trunnion Rubber Cap Casting	X	X	X	2	—
6	E-5213	910 01 054	Trunnion Clamp Casting	X	X	X	2	1-471
7	E-UB8186-154	900 41 478	U-Bolt Assembly, Rd. Bend, 1 1/8"-12 Thd. x 5 3/4" Wide x 15 1/2" Long	X	X	X	4	2-26
8	E-4358	934 00 506	Lock Nut 1 1/8"-7 Thd. GrC	X	X	X	8	2-34
9	E-2548	936 00 174	Washer 1 1/4"	X	X	X	8	2-35
10	S.O.S.	910 01 103	Spring Saddle Casting	X	X	X	2	—
11	S.O.S.	930 03 575	Cap Screw 3/4"-10 Thd. x 2 1/2" Gr8	X	X	X	8	—
12	E-4347	934 00 492	Lock Nut 3/4"-10 Gr8	X	X	X	12	2-34
13	E-2545	936 00 156	Washer 3/4"	X	X	X	16	2-35
14	S.O.S.	930 03 621	Cap Screw 3/4"-10 Thd. x 4 1/2" Gr5	X	X	X	4	—
15	S.O.S.	910 23 056	Spring Clip	X	X	X	8	—
16	E-UB8178-126	900 41 324	U-Bolt Assembly, Rd. Bend, 1"-14 Thd. x 5" Wide x 12 3/4" Long	X	X	X	8	2-26
	S.O.S.	900 41 350	U-Bolt Assembly, Rd. Bend, 1"-14 Thd. x 11" Long (5 3/4" and 6" Round)		X	X	8	—
	S.O.S.	900 41 971	U-Bolt Assembly, Rd. Bend, 1"-14 Thd. x 11" Long (5" Square)	X	X	X	8	—
17	S.O.S.	910 10 041	Spring End Cap Casting (5" Round)	X	X	X	4	—
	S.O.S.	910 10 130	Spring End Cap Casting (5 3/4" and 6" Round)		X	X	4	—
	S.O.S.	910 01 188	Spring End Cap Casting (5" Square)	X	X	X	4	—
18	S.O.S.	910 28 153	Spring End Rubber Pad	X	X	X	4	—
19	S.O.S.	910 01 038	Spring End Pad Casting (5" Round)	X	X	X	4	—
	S.O.S.	910 01 050	Spring End Pad Casting (5 3/4" and 6" Round)		X	X	4	—
	S.O.S.	910 01 182	Spring End Pad Casting (5" Square)	X	X	X	4	—
20	E-4421	934 00 502	Lock Nut 1"-8 Thd. GrC	X	X	X	16	2-34
21	E-4353	939 00 027	Washer 1 5/8"	X	X	X	16	2-35
22	E-4348	930 03 345	Bolt 5/8"-11 Thd. x 2" Grade 5	X	X	X	8	2-32
23	E-2988	934 00 488	Lock Nut 5/8"-11 Thd. Grade 8	X	X	X	8	1-478, 2-34
24	E-2547	936 00 150	Washer	X	X	X	16	2-35
25	S.O.S.	910 36 008	Spring Clip Spacer	X	X	X	4	—
26	S.O.S.	930 03 465	Cap Screw 5/8"-11 Thd. x 7" Gr5	X	X	X	8	—
27	E-2988	934 00 488	Lock Nut 5/8"-11 Thd. Grade 8	X	X	X	8	1-478, 2-34
28	S.O.S.	910 01 181	Adjustable Spring End Pad (5" Square)	X	X	X	4	—

S.O.S. = Available through Euclid's S.O.S. Department

NEWAY SUSPENSION

SB-360-HD-A Trailer



1

NEWAY SUSPENSION PARTS

SB-360-HD-A

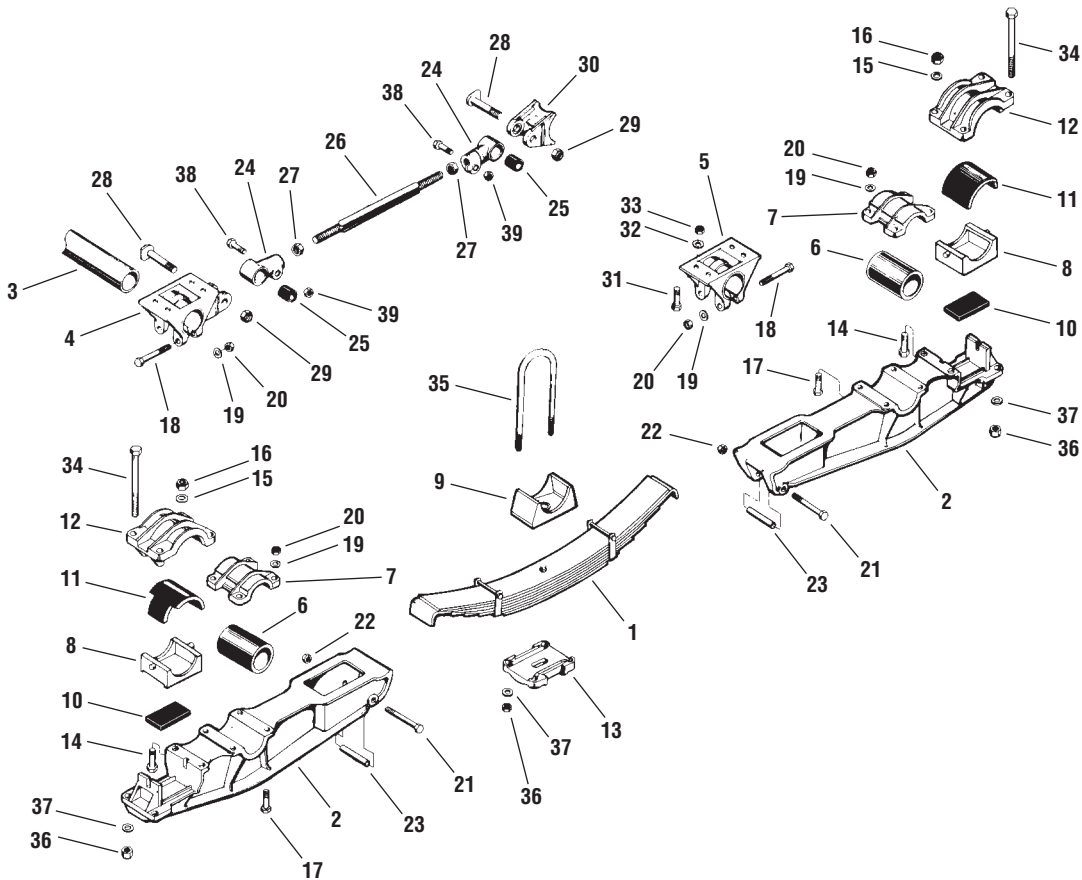
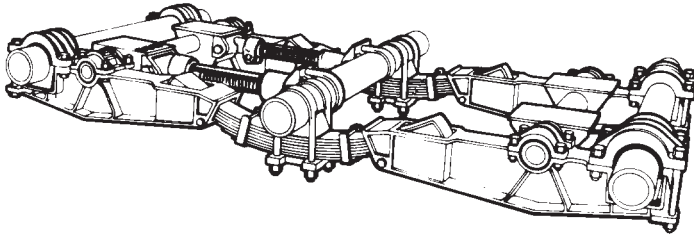
Trailer

KEY NO.	EUCLID PART NO.	REPLACES NEWAY NO.	DESCRIPTION	QTY REQUIRED	PAGE NO.
1	S.O.S.	910 15 025	Equalizing Beam	2	—
2	S.O.S.	915 57 122	Spring Assembly 4 Leaf	2	—
3	S.O.S.	910 38 004	Trunnion Tub 4 OD x 1/2 Wall x 48 HT	1	—
4	E-1332	910 08 022	Trunnion Rubber Bushing	2	1-448
5	S.O.S.	910 10 089	Trunnion Rubber Cap Casting	2	—
6	E-5213	910 01 054	Trunnion Clamp Casting	2	1-471
7	E-UB8186-154	900 41 482	U-Bolt Assembly, Rd. Bend, 1 1/8"-12 Thd. x 5 3/4" wide x 15 1/2" Long	4	2-26
8	E-4358	934 00 506	Lock Nut 1 1/8" - 7 Grade C	8	2-34
9	S.O.S.	936 00 030	Washer 1 1/8"	8	—
10	S.O.S.	910 01 103	Spring Saddle Casting	2	—
11	S.O.S.	930 03 575	Cap Screw 3/4" - 10 x 2 1/2" Grade 8	8	—
12	E-4347	934 00 492	Lock Nut 3/4" - 10 Grade 8	12	2-34
13	S.O.S.	936 00 005	Washer 3/4"	16	—
14	E-2989	930 03 633	Bolt 3/4" - 10 x 5" Grade 5	4	2-32
15	S.O.S.	910 31 058	Spring Clip	8	—
16	E-UB8178-126	900 41 324	U-Bolt Assembly, Rd. Bend, 1"-14 Thd. x 5" Wide x 12 3/4" Long	8	2-26
	S.O.S.	900 41 354	U-Bolt Assembly, Rd. Bend, 1"-14 Thd. x 12" Long (5 3/4" and 6" Round)	8	—
17	S.O.S.	910 10 032	Spring End Cap Casting (5" Round)	4	—
	S.O.S.	910 10 145	Spring End Cap Casting (5 3/4" and 6" Round)	4	—
18	S.O.S.	910 28 153	Spring End Rubber Pad	4	—
19	S.O.S.	915 01 044	Spring End Pad Casting (5 3/4" and 6" Round)	4	—
20	E-4421	934 00 502	Lock Nut 1"-8 Grade C	24	2-34
21	E-4353	939 00 027	Washer 1 5/8"	16	2-35
22	E-4348	930 03 345	Bolt 5/8"-11 x 2" Grade 5	8	2-32
23	E-2988	934 00 488	Lock Nut 5/8"-11	8	1-478, 2-34
24	E-2547	936 00 150	Washer	16	2-35
25	S.O.S.	910 36 007	Spring Clip Spacer	4	—
26	S.O.S.	930 04 323	Cap Screw 1"-8 x 7" Grade 5	8	—

S.O.S. = Available through Euclid's S.O.S. Department

NEWAY SUSPENSION

T-8540 Series Tri-Axle Spring Trailer



LEAF SPRING REFERENCES

SRI No.

TRA 2688

6 Leaf

NEWAY SUSPENSION PARTS

T-8540 Series — Tri-Axle Spring

Trailer

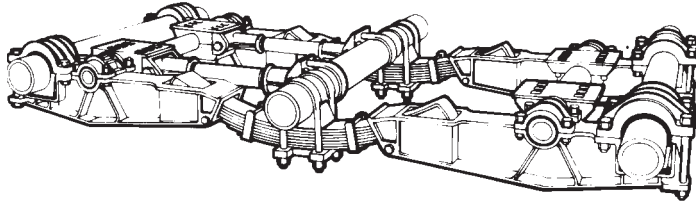
N/A = No Longer Available

KEY NO.	EUCLID NO.	REPLACES NEWAY NO.	DESCRIPTION	QTY. PER TRI-AXLE	PAGE NO.
1	S.O.S.	915 57 175	Spring Assembly	2	—
2	E-9534	910 15 015	Equalizing Beam, 15" & 20" Wheels, Use with 910 28 089	4	1-477
3	S.O.S.	910 38 290	Trunnion Tube	2	—
4	S.O.S.	910 01 088	Trunnion Clamp & Radius Rod Casting, Front	2	—
5	S.O.S.	910 01 066	Rear Trunnion Clamp Casting	2	—
6	E-2935 (Rubber)	900 08 011	Trunnion Bushing	4	1-448
	E-7443 (Poly)				1-448, 2-11
7	S.O.S.	900 10 009	Trunnion Cap Casting	4	—
8	S.O.S.	910 01 089	Axle Adapter, End, 5" Round Axle, 15" Wheel	4	—
	S.O.S.	910 01 094	Axle Adapter, End, 5" Round Axle, 20" Wheel		—
9	S.O.S.	910 01 075	Axle Seat	2	—
10	S.O.S.	910 28 075	Lower Pad	4	—
11	E-2945 (Rubber)	910 28 051	Wrapper, Round Axle	4	1-451
	E-8679 (Poly)				1-451, 2-9
12	S.O.S.	910 10 060	Axle Cap, End, 5" Round Axle, 15" Wheel	4	—
	S.O.S.	910 10 061	Axle Cap, End, 5" Round Axle, 20" Wheel		
13	E-4300	910 10 108	Top Plate	2	1-468
14	S.O.S.	930 04 239	Cap Screw, 1"-8 Thd. x 3 1/2"	8	—
15	E-4353	939 00 027	Washer, 1 5/8"	8	2-35
16	E-4421	934 00 502	Lock Nut	8	2-34
17	S.O.S.	930 03 575	Bolt	16	—
18	S.O.S.	930 03 635	Cap Screw, 3/4"-10 Thd. x 5"	8	—
19	S.O.S.	936 00 005	Washer, 3/4"	48	—
20	E-4347	934 00 494	Lock Nut	24	2-34
21	S.O.S.	930 03 657	Cap Screw, 3/4"-10 Thd. x 6"	4	—
22	E-1107	934 00 149	Hex Nut, 3/4"-16 Thd.	4	2-34
23	S.O.S.	910 36 078	Pipe Spacer	4	—
24	E-4317	915 44 003	Torque Arm, Right Hand	2	1-452
	E-4316	915 44 002	Torque Arm, Left Hand		1-452
25	E-2939 (Rubber)	910 08 007	Torque Arm Bushing	4	1-452
	E-8676 (Poly)				1-452, 2-11
26	S.O.S.	915 06 003	Radius Rod Bolt, 1 1/4"-7 Thd. x 21 3/4"	2	—
27	E-4274	934 00 036	Jam Nut, Left Hand	2	2-34
	E-4275	934 00 284	Jam Nut, Right Hand		2-34
28	E-4261	939 00 009	Bolt	4	1-472
29	E-4273	934 00 569	Lock Nut	4	2-34
30	S.O.S.	910 18 005	Radius Rod Axle Bracket	2	—
31	E-4348	930 03 345	Bolt	16	2-32
32	E-2547	939 00 025	Washer	16	2-35
33	E-2988	934 00 490	Lock Nut	16	1-478, 2-34
34	S.O.S.	930 03 941	Rod Bolt, 7/8"-14 Thd. x 9 5/8"	8	—
35	S.O.S.	900 42 106	U-Bolt Assembly, Rd. Bend, 7/8"-9 Thd. x 11 1/2"	4	—
36	E-2983	934 00 498	Lock Nut	16	2-34
37	E-2546	936 00 162	Washer	16	2-35
38	S.O.S.	930 02 921	Cap Screw, 1/2"-13 Thd. x 2"	4	—
39	S.O.S.	934 00 482	Lock Nut	4	—
—	E-4391	SRK-39 481 00 505	Torque Arm Kit Includes Key Nos. 25, 28 & 29	1	1-464
—	S.O.S.	SRK-38 481 00 035	5" Round Trunnion & End Axle Kit Includes Key Nos. 6, 10, 11, 14, 15, 16, 17, 19, 20, 34, 36, 37	1	—

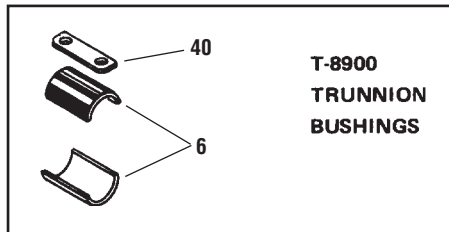
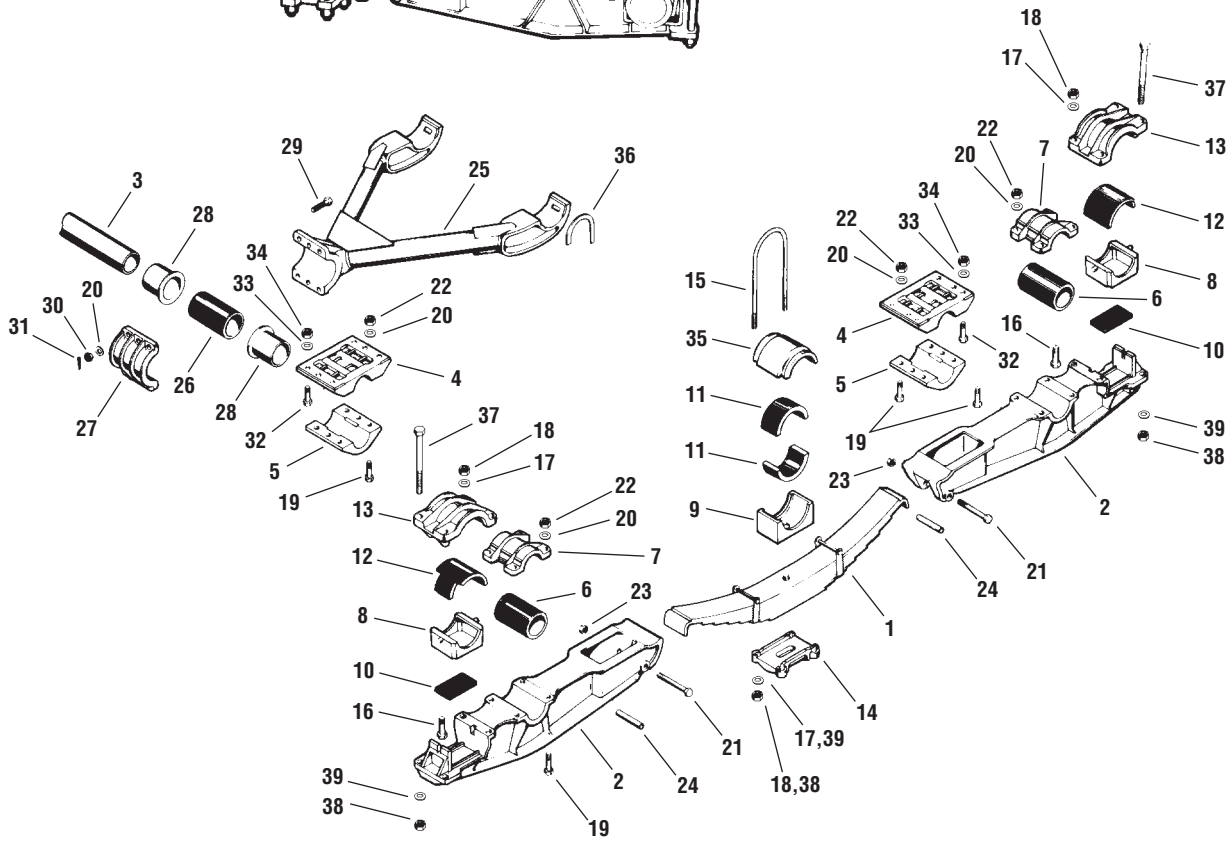
S.O.S. = Available through Euclid's S.O.S. Department

NEWAY SUSPENSION

T-8750, T-8900 Series Tri-Axle Spring Trailer



1



LEAF SPRING REFERENCES

SRI No.	
TRA 2678	9 Leaf

NEWAY SUSPENSION PARTS

T-8750, T-8900 Series

Tri-Axle Spring

Trailer

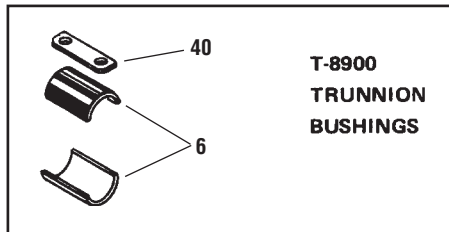
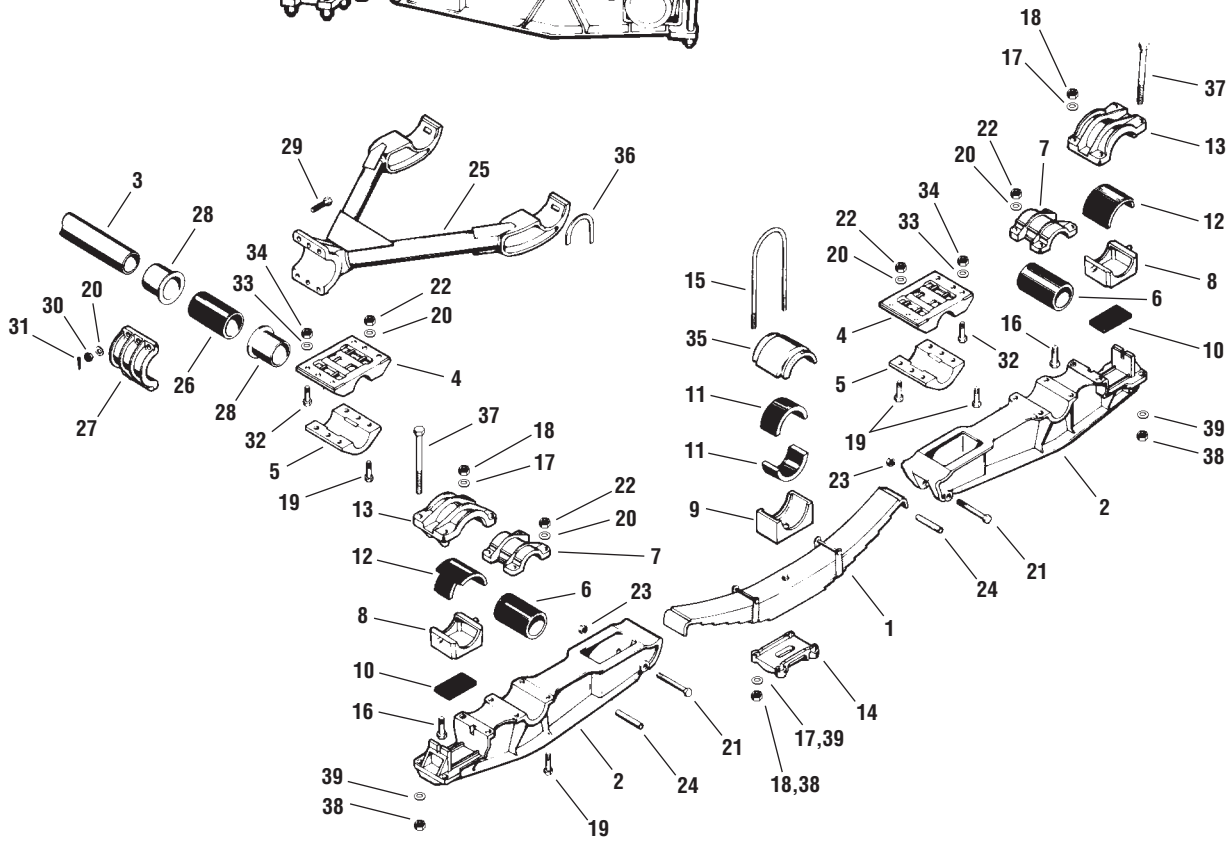
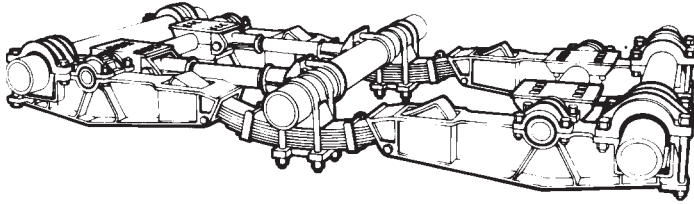
KEY NO.	EUCLID NO.	REPLACES NEWAY NO.	DESCRIPTION	QTY. PER TRI-AXLE	T-		PAGE NO.
					8750	8900	
1	S.O.S.	915 57 172	Spring Assembly	2	X	X	—
2	E-9534	910 15 015 (Old) 915 15 011 (New)	Equalizing Beam	4	X	X	1-477
3	S.O.S.	910 38 290	Trunnion Tube	2	X	X	—
4	S.O.S.	910 01 002	Trunnion Clamp Casting	4	X	X	—
5	S.O.S.	910 10 020	Trunnion Clamp Cap Casting	4	X	X	—
6	E-2935 (Rubber)	900 08 011	Trunnion Bushing	4	X	X	1-448
	E-7443 (Poly)	910 08 112					1-448, 2-11
7	S.O.S.	900 10 009	Trunnion Cap Casting	4	X	X	—
8	S.O.S.	910 01 089	Axle Adapter Casting, 15" Wheel, 5" Round Axle	4	X	X	—
	S.O.S.	910 01 094	Axle Adapter Casting, 20" Wheel, 5" Round Axle		X	X	
	S.O.S.	910 01 120	Axle Adapter Casting, 20" Wheel, 5 3/4" Round Axle		X	X	
9	S.O.S.	910 01 130	Axle Spring Seat Casting, 15" Wheel, 5" Round Axle	2	X	X	—
	S.O.S.	910 01 080	Axle Spring Seat Casting, 20" Wheel, 5" Round Axle		X	X	
	S.O.S.	910 01 120	Axle Spring Seat Casting, 20" Wheel, 5 3/4" Round Axle		X	X	
10	S.O.S.	910 28 075	Lower Pad	4	X	X	—
11	S.O.S.	910 28 076	Wrapper, 15" Wheel, 5" Round Center Axle	4	X	X	—
	S.O.S.	910 28 039	Wrapper, 20" Wheel, 5" Round Center Axle		X	X	
	S.O.S.	910 28 040	Wrapper, 20" Wheel, 5 3/4" Round Center Axle		X	X	
12	E-2945 (Rubber)	910 28 051	Wrapper, 5" Round Axle	4	X	X	1-451
	E-8679 (Poly)						1-451, 2-9
	E-2946 (Rubber)	910 28 053	Wrapper, 5 3/4" Round Axle		X	X	1-451
13	S.O.S.	910 10 060	Axle Cap, 15" Wheel, 5" Round Axle	4	X	X	—
	S.O.S.	910 10 061	Axle Cap, 20" Wheel, 5" Round Axle		X	X	
	S.O.S.	910 10 059	Axle Cap, 20" Wheel, 5 3/4" Round Axle		X	X	
14	S.O.S.	910 10 096	Spring Clamp, 15" Wheel	2	X	X	—
	S.O.S.	910 31 054	Spring Clamp, 20" Wheel		X	X	
15	S.O.S.	900 41 430	U-Bolt Assembly, Rd. Bend, 1"-8 Thd. x 7 1/4" Wide x 14" Long, 20" Wheel	4	X	X	—
	S.O.S.	900 42 152	U-Bolt Assembly, Rd. Bend, 7/8"-9 Thd. x 5 13/16" Wide x 12 5/8" Long, 15" Wheel		X	X	
16	S.O.S.	930 04 239	Cap Screw, 1"-8 Thd. x 3 1/2"	8	X	X	—
	S.O.S.	930 04 251	Cap Screw, 1"-8 Thd. x 4" (5 3/4" Round Axle Only)		X	X	
17	E-4353	939 00 027	Washer, 1 5/8"	8	X	X	2-35
18	E-4421	934 00 502	Lock Nut	8	X	X	2-34
19	S.O.S.	930 03 585	Cap Screw, 3/4"-10 Thd. x 3"	40	X	X	—
20	S.O.S.	936 00 005	Washer, 3/4"	92	X	X	—
21	S.O.S.	930 03 657	Cap Screw, 3/4"-10 Thd. x 6"	4	X	X	—
22	E-4347	934 00 494	Lock Nut	40	X	X	2-34
23	E-1107	934 00 149	Hex Nut, 3/4"-16 Thd.	4	X	X	2-34
24	S.O.S.	910 36 078	Pipe Spacer	4	X	X	—
25	S.O.S.	Various	Drag Yoke Assembly, 5" Round Axle	1	X	X	—
	S.O.S.	Various	Drag Yoke Assembly, 5 3/4" Round Axle		X	X	
26	S.O.S.	910 08 024	Drag Yoke Rubber Bushing	1	X	X	—

S.O.S. = Available through Euclid's S.O.S. Department

Continued on next page

NEWAY SUSPENSION

T-8750, T-8900 Series Tri-Axle Spring Trailer



LEAF SPRING REFERENCES

SRI No.	
TRA 2678	9 Leaf

NEWAY SUSPENSION PARTS

T-8750, T-8900 Series

Tri-Axle Spring

Trailer

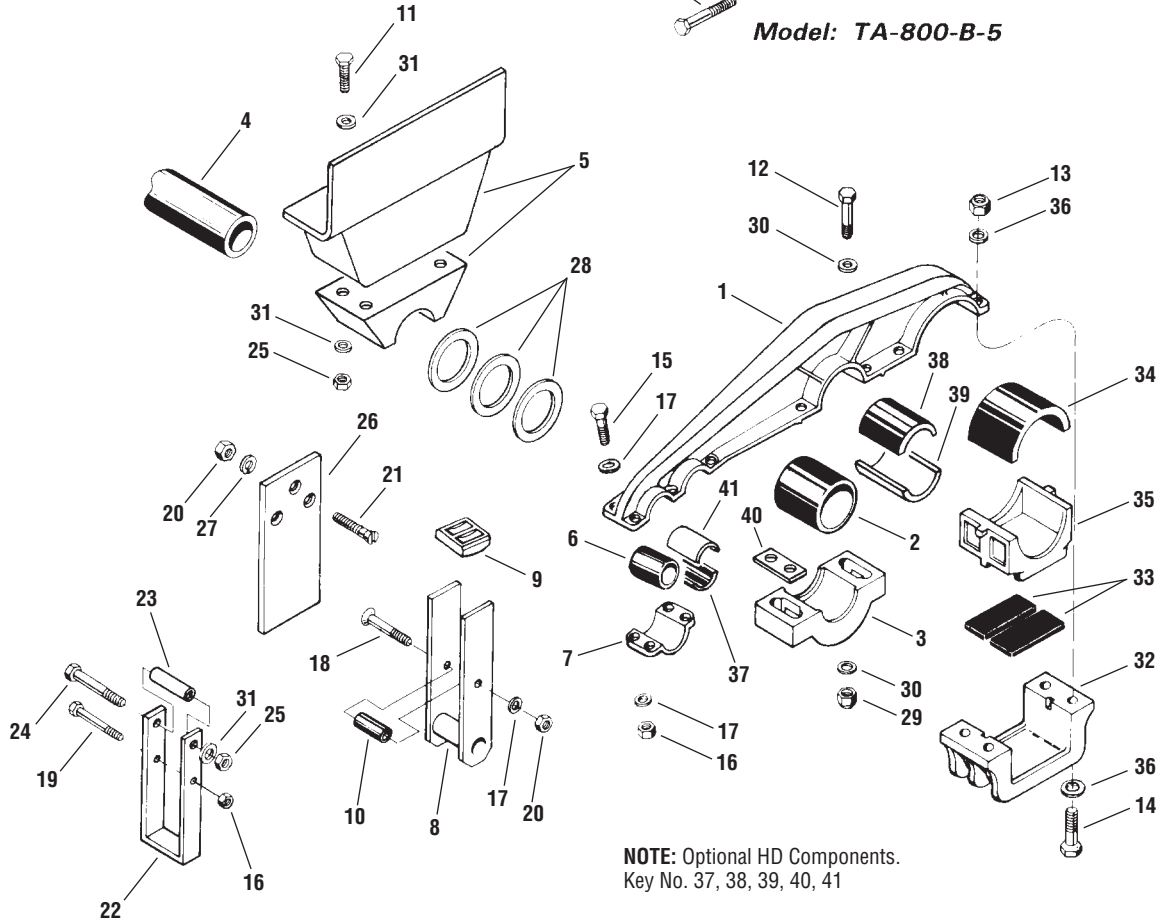
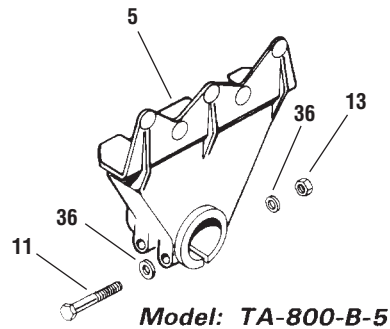
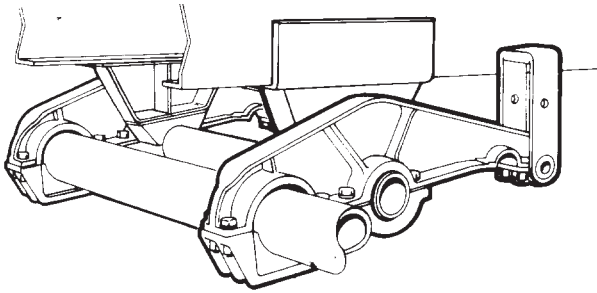
KEY NO.	EUCLID NO.	REPLACES NEWAY NO.	DESCRIPTION	QTY. PER TRI-AXLE	T-		PAGE NO.
					8750	8900	
27	S.O.S.	910 10 062	Drag Yoke Cap	1	X	X	—
28	S.O.S.	910 36 010	Drag Yoke Spacer	2	X	X	—
29	S.O.S.	930 03 575	Bolt	6	X	X	—
30	S.O.S.	Various	Nut	6	X	X	—
31	S.O.S.	Various	Cotter Pin, 1/8" x 1 1/2"	6	X	X	—
32	S.O.S.	Various	Cap Screw, 5/8"-18 Thd. x 2, 15" Wheel	24	X	X	—
	S.O.S.	Various	5/8"-18 Thd. x 2, 20" Wheel	28	X	X	
33	E-2547	939 00 025	Washer	48	X	X	2-35
34	E-2988	934 00 488	Lock Nut, 5/8"-11 Thd.	24	X	X	1-478, 2-34
35	S.O.S.	910 10 069	Axle Cap, 15" Wheel, 5" Round Center Axle	2	X	X	—
	S.O.S.	910 10 058	Axle Cap, 20" Wheel, 5" Round Center Axle		X	X	
	S.O.S.	910 10 063	Axle Cap, 20" Wheel, 5 3/4" Round Center Axle		X	X	
36	S.O.S.	900 23 044	Axle Collar, 5" Round Axle	2	X	X	—
	S.O.S.	900 23 046	Axle Collar, 5 3/4" Round Axle		X	X	—
37	S.O.S.	930 03 941	Cap Screw, 7/8"-9 Thd. x 9"	8	X	X	—
38	E-2983	934 00 498	Lock Nut, 15" Wheel	16	X	X	2-34
	E-2983	934 00 498	Lock Nut, 20" Wheel	8	X	X	
39	E-2546	936 00 162	Washer, 15" Wheel	16	X	X	2-35
	E-2546	936 00 162	Washer, 20" Wheel	8	X		
40	S.O.S.	910 36 001	Trunnion Cap Spacer	8		X	—
—	S.O.S.	SRK-38 481 01 035	5" Round Trunnion & End Axle Kit Includes Key Nos. 6, 10, 12, 16, 17, 18, 19, 20, 22, 37, 38, 39	1	X	X	—

S.O.S. = Available through Euclid's S.O.S. Department

1

NEWAY SUSPENSION

TA-800-B-5, TA-800-C-5 Series Truck/Tractor



NEWAY MECHANICAL SUSPENSION PARTS

TA-800-B-5, TA-800-C-5 Series

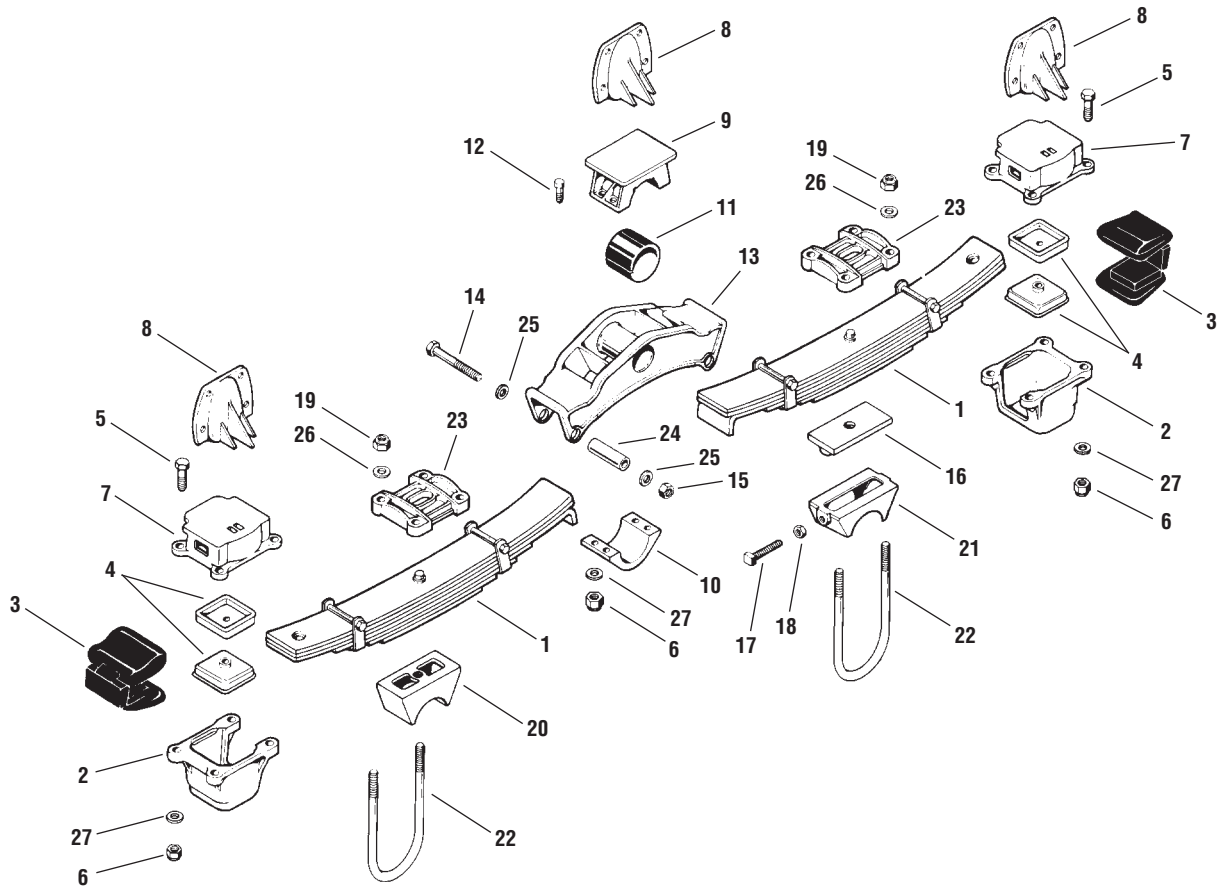
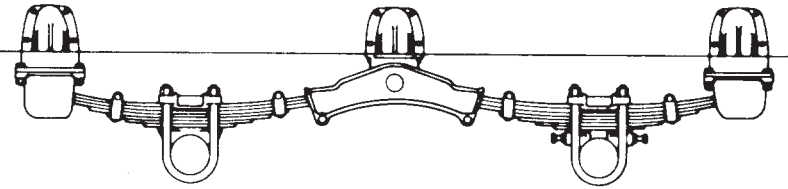
Truck/Tractor

KEY NO.	EUCLID NO.	REPLACES NEWAY NO.	DESCRIPTION	QTY. PER TRI-AXLE	TA-800-		PAGE NO.
					B-5	C-5	
1	S.O.S.	910 15 010	Equalizing Beam	2	X	X	—
2	E-1334 (Rubber)	910 08 040	Bushing	2			1-448
	E-7442 (Poly)				X	X	1-448, 2-11
3	S.O.S.	910 10 081	Trunnion Cap	2	X	X	—
4	S.O.S.	910 38 397	Trunnion Tube, 45 1/2" Long	1	X	X	—
5	S.O.S.	910 18 125	Frame Bracket, 8 1/2" High	2	X		—
	S.O.S.	910 18 030	Frame Bracket, 12" High		X		
	S.O.S.	915 18 125	Upper Frame Bracket, 8 1/2" High		X		
	S.O.S.	915 18 126	Lower Frame Bracket		X		
6	E-1336	910 08 047	Bushing	2	X	X	1-449
7	S.O.S.	910 10 073	Shackle Bushing Cap	2	X	X	—
8	S.O.S.	915 31 002	Shackle Assembly, 2 1/2" & 3" Wide Springs	2	X	X	—
9	S.O.S.	910 28 081	Spring End Pad	2	X	X	—
10	S.O.S.	910 44 017	Tube	2	X	X	—
11	E-2989	930 03 633	Bolt	4	X		2-32
	S.O.S.	930 03 049	Bolt, 5/8"-11 Thd. x 2"	8		X	—
12	S.O.S.	930 03 809	Cap Screw, 7/8"-9 Thd. x 3 1/2"	8	X	X	—
13	E-4347	934 00 494	Lock Nut	8	X		2-34
	E-4347			12		X	
14	S.O.S.	930 03 575	Bolt	8	X	X	—
15	S.O.S.	930 02 921	Cap Screw, 1/2"-13 Thd. x 2"	8	X	X	—
16	S.O.S.	934 00 482	Lock Nut, 1/2"-13 Thd.	10	X	X	—
17	S.O.S.	936 00 138	Washer, 1/2"	18	X	X	—
18	S.O.S.	930 00 617	Screw, 1/2"-13 Thd. x 4 3/4"	2	X		—
	S.O.S.	930 00 621	Screw, 1/2"-13 Thd. x 5"			X	
19	S.O.S.	930 02 993	Cap Screw, 1/2"-13 Thd. x 5"	2	X	X	—
20	S.O.S.	934 00 138	Hex Nut, 1/2"-13 Thd.	8	X	X	—
21	S.O.S.	930 00 567	Screw, 1/2"-13 Thd. x 1 1/2"	6	X	X	—
22	S.O.S.	910 31 087	Spring Clip	2	X	X	—
23	S.O.S.	910 36 108	Spring Clip Spacer	2	X	X	—
24	S.O.S.	930 03 419	Cap Screw, 5/8"-11 Thd. x 5"	2	X	X	—
25	E-2988	934 00 490	Lock Nut	10	X	X	1-478, 2-34
26	S.O.S.	910 31 080	Guide Plate	2	X	X	—
27	S.O.S.	936 00 072	Lock Washer, 1/2"	6	X	X	—
28	E-2959	936 00 035	Washer	6	X	X	2-35
29	E-2983	934 00 498	Lock Nut	8	X	X	2-34
30	S.O.S.	936 00 022	Washer, 7/8"	16	X	X	—
31	E-2547	939 00 025	Washer	18		X	2-35
	E-2547			10	X		
32	E-4288	910 10 031	Axle Cap	2	X	X	1-466
33	E-1331 (Rubber)	910 28 023	Spring End Pad	4	X	X	1-452
	E-8671 (Poly)						1-452, 2-11
34	E-1326	910 28 060	Wrapper	2	X	X	1-451
35	E-4291	910 01 040	Axle Adapter	2	X	X	1-467
	S.O.S.	910 01 097	Axle Adapter, Upper Universal Connection		X	X	—
	S.O.S.	910 01 041	Axle Adapter, Lower Universal Connection		X	X	—
36	S.O.S.	936 00 005	Washer, 3/4"	16	X		—
	S.O.S.			24		X	
37	S.O.S.	910 08 048	Shackle Bushing, Heavy-Duty Version	2	X	X	—
38	S.O.S.	910 08 072	Trunnion Bushing, Heavy-Duty Version	2	X	X	—
39	S.O.S.	910 08 050	Fiber Trunnion Bushing, Heavy-Duty Version	2	X	X	—
40	S.O.S.	910 31 083	Spacer Plate, Heavy-Duty Version	4	X	X	—
41	S.O.S.	910 08 049	Fiber Shackle Bushing, Heavy-Duty Version	2	X	X	—
—	S.O.S.	SRK-21	Shackle Connection Kit Includes Key Nos. 6, 15, 16, 17	1	X	X	—

S.O.S. = Available through Euclid's S.O.S. Department

NEWAY SUSPENSION

TL-636-1, -2, -3, -4, -5 Series Tandem Four Spring Trailer



LEAF SPRING REFERENCES

SRI No.	
TRA 2686	7 Leaf
TRA 2689	9 Leaf
TRA 3213	12 Leaf

NEWAY SUSPENSION PARTS

TL-636-1, -2, -3, -4, -5 Series

Tandem Four Spring

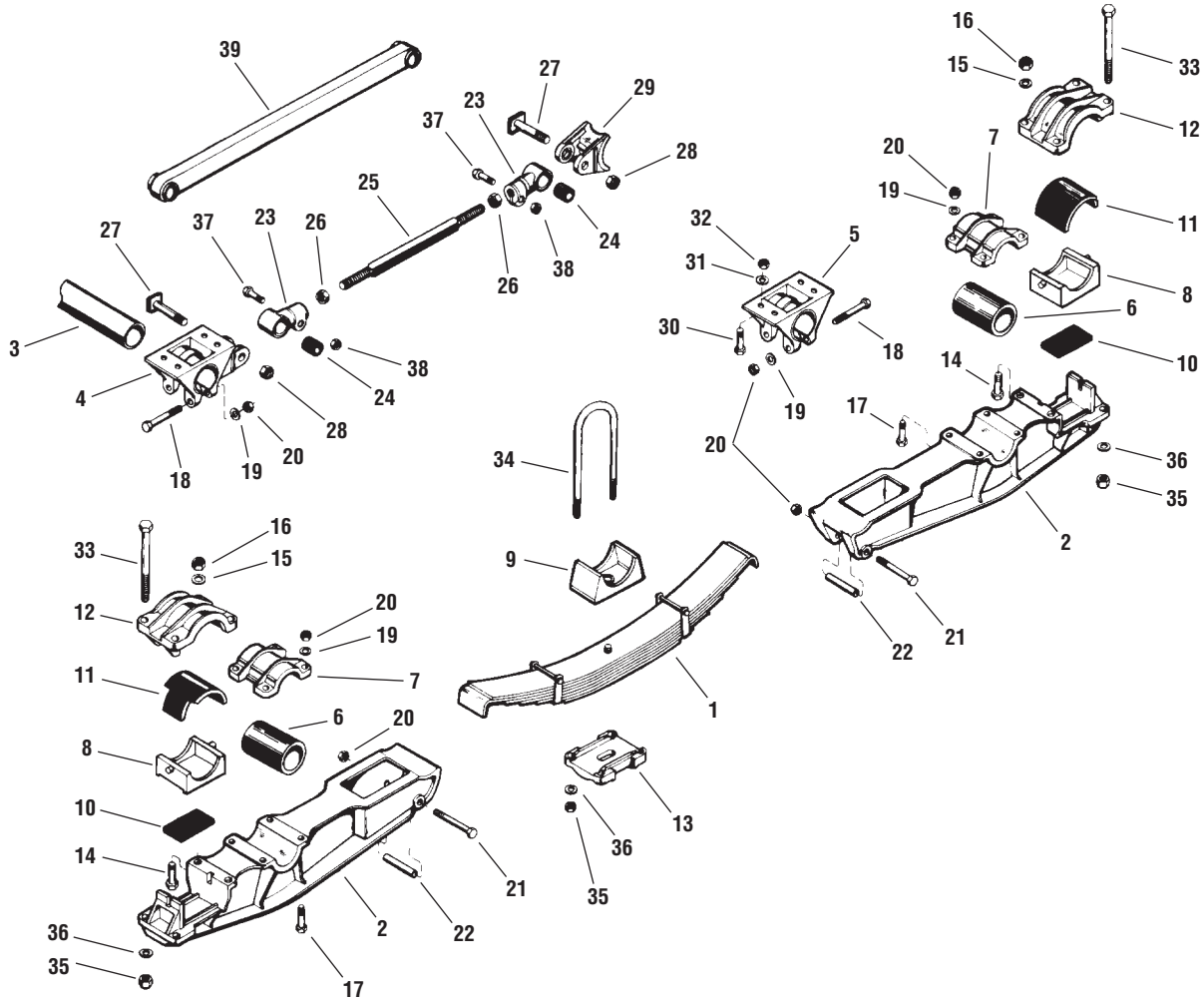
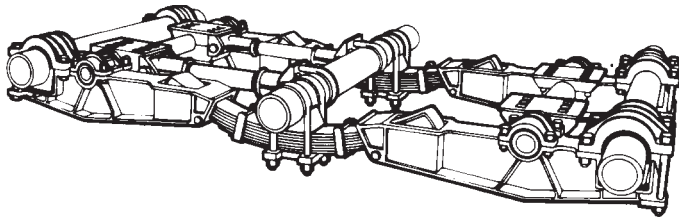
Trailer

KEY NO.	EUCLID NO.	REPLACES NEWAY NO.	DESCRIPTION	QTY. PER TANDEM	TL-636-					PAGE NO.	
					1	2	3	4	5		
1	S.O.S.	915 57 005	Spring Assembly (7 Leaf- 4 Wide)	4	X	X	X	X	X	—	
2	E-4310	910 10 054	Spring End Cap	4	X	X	X	X	X	1-470	
3	E-4307	910 08 032	Spring End Boot	4	X	X	X	X	X	1-469	
4	E-4306	910 01 062	Spring End Retainer	8	X	X	X	X	X	1-469	
5	S.O.S.	930 03 359	Bolt, 5/8"-11 Thd. x 2 1/2"	16	X	X	X	X	X	—	
6	E-2988	934 00 488	Lock Nut, 5/8"-11 Thd.	24	X	X	X	X	X	1-478, 2-34	
7	S.O.S.	910 18 011	Frame Mounting Bracket, Left Hand, 2 1/2" High	2	X					—	
	S.O.S.	910 18 009	Frame Mounting Bracket, Left Hand, 4" High			X	X				—
	S.O.S.	910 18 016	Frame Mounting Bracket, Left Hand, 6" High					X	X		—
	S.O.S.	910 18 012	Frame Mounting Bracket, Right Hand, 2 1/2" High	2	X					—	
	S.O.S.	910 18 010	Frame Mounting Bracket, Right Hand, 4" High			X	X				—
	S.O.S.	910 18 017	Frame Mounting Bracket, Right Hand, 6" High					X	X		—
8	S.O.S.	910 44 007	Frame Mounting Bracket, Flanges Optional	6	X	X	X	X	X	—	
9	S.O.S.	910 18 025	Equalizer Frame Mounting Bracket, 3 7/16" High	2	X					—	
	S.O.S.	910 18 024	Equalizer Frame Mounting Bracket, 4 15/16" High			X	X				
	S.O.S.	910 18 023	Equalizer Frame Mounting Bracket, 6 15/16" High					X	X		
10	S.O.S.	910 10 057	Equalizer Mounting Bracket Cap	2	X	X	X	X	X	—	
11	E-1335	910 08 037	Bushing	2	X	X	X	X	X	1-449	
12	E-4348	930 03 345	Bolt	8	X	X	X	X	X	2-32	
13	S.O.S.	915 15 006	Equalizer Assembly	2	X	X	X	X	X	—	
14	S.O.S.	930 03 017	Bolt, 1/2"-13 Thd. x 6"	4	X	X	X	X	X	—	
15	S.O.S.	934 00 482	Lock Nut, 1/2"-13 Thd.	4	X	X	X	X	X	—	
16	S.O.S.	910 01 078	Alignment Plate	2	X	X	X	X	X	—	
17	S.O.S.	932 00 079	Screw, 3/4"-10 Thd. x 3 1/4"	4	X	X	X	X	X	—	
18	S.O.S.	934 00 268	Jam Nut, 3/4"-10 Thd.	4	X	X	X	X	X	—	
19	E-2983	934 00 498	Lock Nut	16	X	X	X	X	X	2-34	
20	S.O.S.	910 01 074	Fixed Axle Seat, 4 1/2" Round Axle	2	X	X		X		—	
	S.O.S.	910 01 069					X		X		
	S.O.S.	910 01 075	Fixed Axle Seat, 5" Round Axle		X	X		X		—	
	S.O.S.	910 01 070					X		X		
21	S.O.S.	910 01 071	Adjustable Axle Seat, 4 1/2" Round Axle	2	X	X		X		—	
	S.O.S.	910 01 076					X		X		
	S.O.S.	910 01 072	Adjustable Axle Seat, 5" Round Axle		X	X		X		—	
	S.O.S.	910 01 077					X		X		
22	S.O.S.	900 42 106	U-Bolt Assembly, Rd. Bend 7/8"-9 Thd. x 4 1/2" Wide x 11 1/2" Long	8	X	X		X		—	
	S.O.S.	900 42 110	U-Bolt Assembly, Rd. Bend 7/8"-9 Thd. x 4 1/2" Wide x 12 1/2" Long				X		X	—	
	E-UB8166-12	900 41 174	U-Bolt Assembly, Rd. Bend 7/8"-14 Thd. x 5" Wide x 12" Long		X	X	X	X	X	2-26	
23	E-4300	910 10 108	Top Plate	4	X	X	X	X	X	1-468	
24	S.O.S.	910 36 083	Equalizer Tube End	4	X	X	X	X	X	—	
25	S.O.S.	936 00 138	Washer, 1/2"	8	X	X	X	X	X	—	
26	E-2546	936 00 162	Washer	16	X	X	X	X	X	2-35	
27	E-2547	939 00 025	Washer	24	X	X	X	X	X	2-35	

NOTE: There are no Service Repair Kits available for the above suspensions
S.O.S. = Available through Euclid's S.O.S. Department

NEWAY SUSPENSION

TR-8540, TR-8600 Series Tri-Axle Spring Trailer



1

NEWAY SUSPENSION PARTS

TR-8540, TR-8600 Series

Tri-Axle Spring

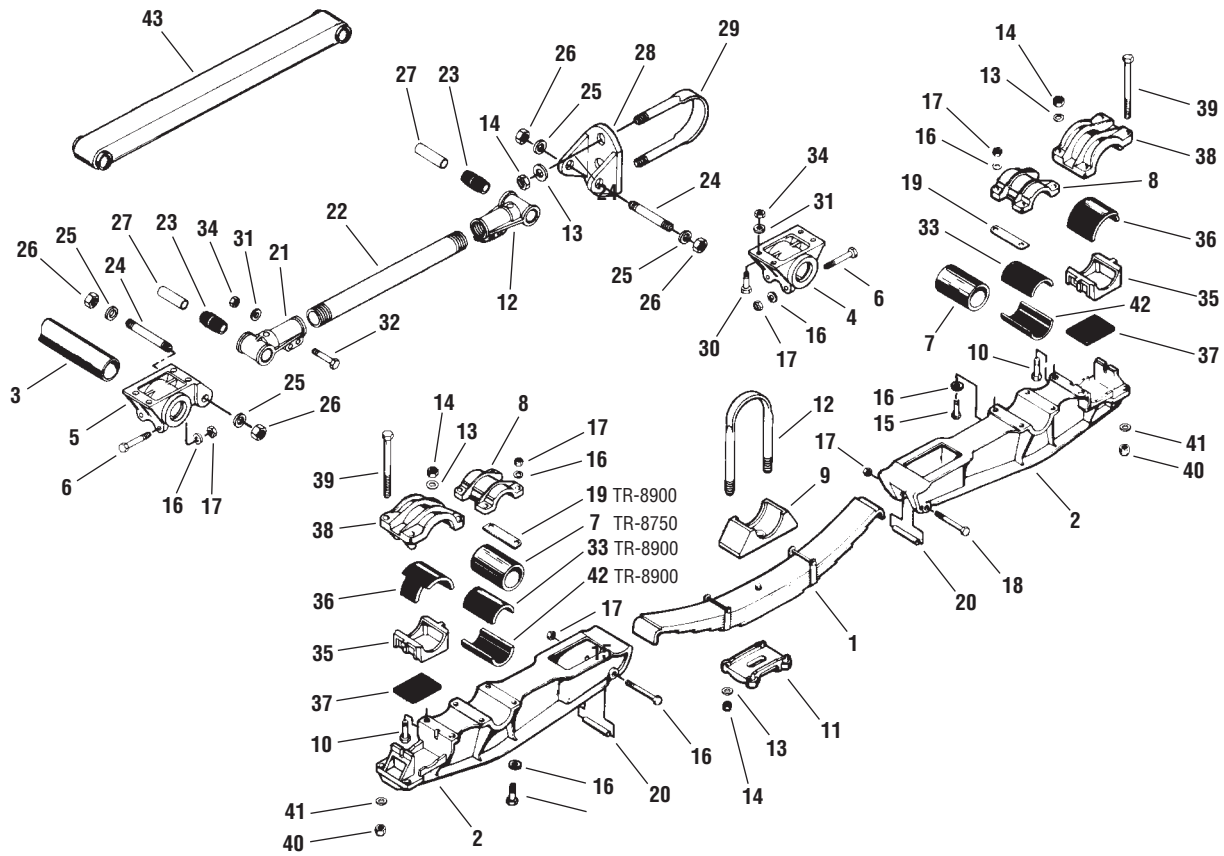
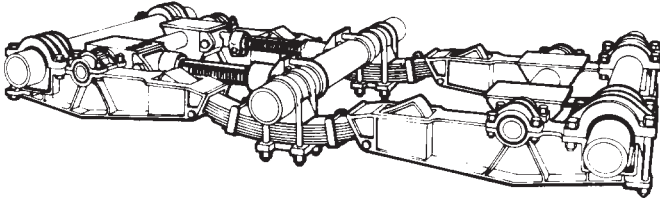
Trailer

KEY NO.	EUCLID NO.	REPLACES NEWAY NO.	DESCRIPTION	QTY. PER TRI-AXLE	TR-		PAGE NO.
					8540	8600	
1	S.O.S.	915 57 175	Spring Assembly	2	X		—
	S.O.S.	915 57 172				X	—
2	E-9534	910 15 015	Equalizing Beam	4	X	X	1-477
3	S.O.S.	910 38 290	Trunnion Tube	2	X	X	—
4	S.O.S.	910 01 088	Front Trunnion Clamp & Radius Rod Casting	2	X	X	—
5	S.O.S.	910 01 066	Rear Trunnion Clamp Casting	2	X	X	—
6	E-2935 (Rubber)	900 08 011	Bushing	4	X	X	1-448
	E-7443 (Poly)						1-448, 2-11
7	S.O.S.	910 10 157	Trunnion Cap Casting	4	X	X	—
8	S.O.S.	910 01 089	Axle Adapter, 5" Round Axle, 15" Wheels	4	X	X	—
9	S.O.S.	910 01 075	Axle Seat, 5" Round, Center Axle	2	X	X	—
10	E-1330 (Rubber)	910 28 089	Spring End Pad	4	X	X	1-452
	E-8670 (Poly)						1-452, 2-11
11	E-2945 (Rubber)	910 28 051	Wrapper	4	X	X	1-451
	E-8679 (Poly)						1-451, 2-9
12	S.O.S.	910 10 060	Axle Cap, 5" Round Axle	4	X	X	—
13	E-4300	910 10 108	Top Plate	2	X	X	1-468
14	S.O.S.	930 04 239	Cap Screw, 1"-8 Thd. x 3 1/2"	8	X	X	—
15	E-2975	936 00 168	Washer	8	X	X	2-35
16	E-4421	934 00 502	Lock Nut	8	X	X	2-34
17	S.O.S.	930 03 575	Bolt	16	X	X	—
18	E-2989	930 03 633	Bolt	8	X	X	2-32
19	E-2545	936 00 156	Washer	32	X	X	2-35
20	E-4347	934 00 492	Lock Nut, 3/4"-10 Thd.	28	X	X	2-34
21	S.O.S.	930 03 657	Cap Screw, 3/4"-10 Thd. x 6"	4	X	X	—
22	S.O.S.	910 36 078	Pipe Spacer	4	X	X	—
23	E-4316	915 44 002	Torque Arm End, Left Hand	1	X	X	1-452
	E-4317	915 44 003	Torque Arm End, Right Hand	1	X	X	1-452
24	E-2939 (Rubber)	910 08 007	Torque Arm Bushing	4	X	X	1-452
	E-8676 (Poly)						1-452, 2-11
25	S.O.S.	915 06 003	Radius Rod, 1 1/4"-7 Thd. x 21 3/4"	1	X	X	—
26	E-4274	934 00 036	Jam Nut, Left Hand	1	X	X	2-34
	E-4275	934 00 284	Jam Nut, Right Hand	1	X	X	2-34
27	E-4261	939 00 009	Bolt	4	X	X	1-472
28	E-4273	934 00 569	Lock Nut	4	X	X	2-34
29	S.O.S.	910 18 005	Radius Rod Axle Bracket, 5" Round Axle	2	X	X	—
30	S.O.S.	903 03 345	Bolt	16	X	X	—
31	E-2547	939 00 025	Washer	16	X	X	2-35
32	E-2988	934 00 488	Lock Nut, 5/8"-11 Thd.	16	X	X	1-478, 2-34
33	S.O.S.	930 03 941	Cap Screw, 7/8"-9 Thd. x 9"	8	X	X	—
34	S.O.S.	900 41 170	U-Bolt Assembly, Rd. Bend, 7/8"-9 Thd. x 5 1/16" Wide x 11" Long	4	X	X	—
35	E-2983	934 00 498	Lock Nut	16	X	X	2-34
36	E-2546	936 00 162	Washer	16	X	X	2-35
37	S.O.S.	930 02 921	Cap Screw, 1/2"-13 Thd. x 2"	2	X	X	—
38	S.O.S.	934 00 482	Lock Nut, 1/2"-13 Thd.	2	X	X	—
39	S.O.S.	915 44 149	Fixed Radius Rod, Includes two (2) 900 08 007 Bushings	1	X	X	—
—	E-4391	SRK-39 481 00 050	Radius Rod Repair Kit Includes Key Nos. 24, 27, 28	1	X	X	1-464
—	S.O.S.	SRK-97 481 00 145	5" Round Trunnion & End Axle Kit Includes Key Nos. 6, 10, 11, 14, 15, 16, 17, 19, 20, 33, 35, 36	1	X	X	—

S.O.S. = Available through Euclid's S.O.S. Department

NEWAY SUSPENSION

TR-8750, TR-8900 Series Tri-Axle Spring Trailer



LEAF SPRING REFERENCES

SRI No.	
TRA 2687	7 Leaf

NEWAY SUSPENSION PARTS

TR-8750, TR-8900 Series

Tri-Axle Spring

Trailer

N/A = No Longer Available

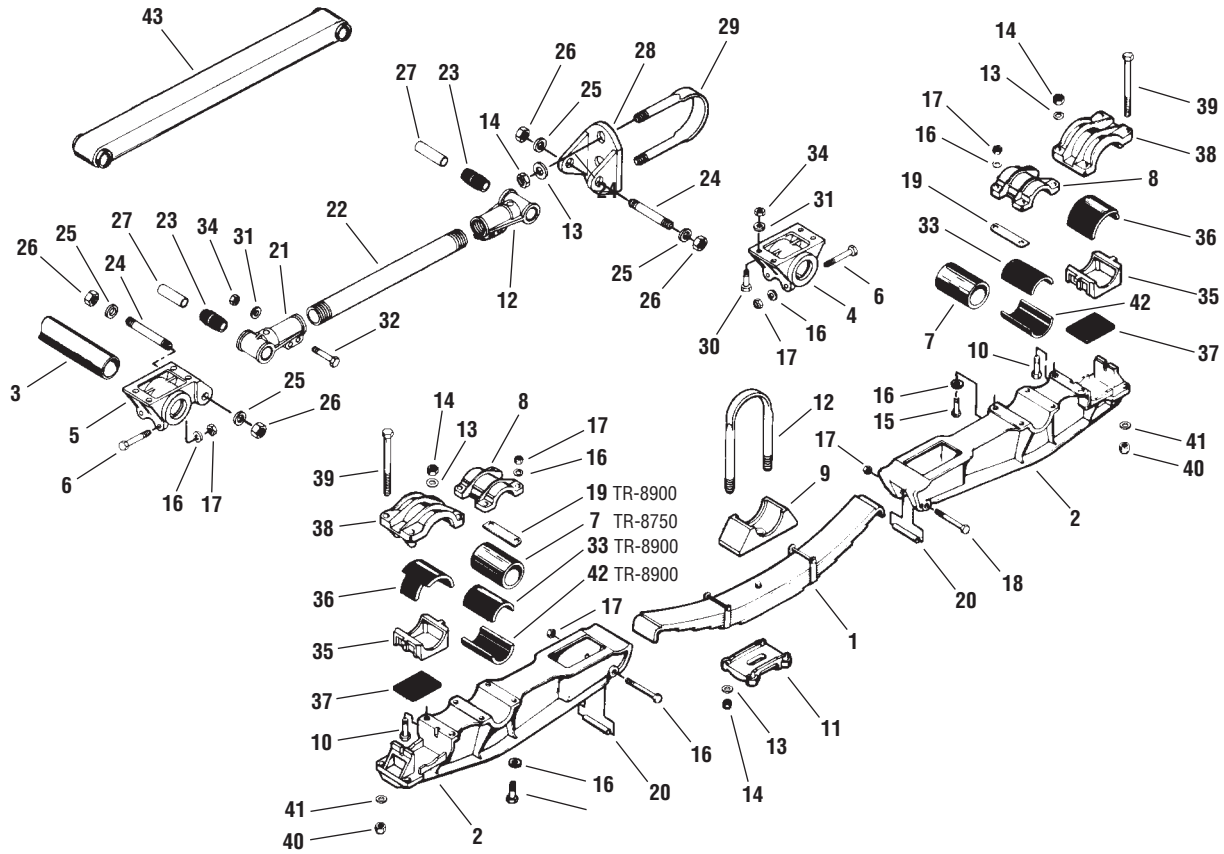
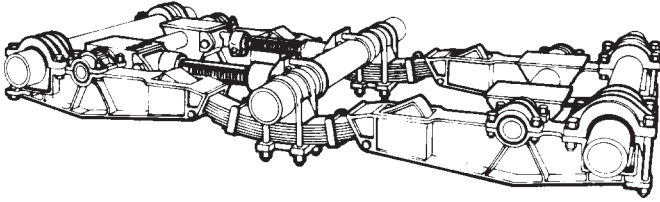
KEY NO.	EUCLID NO.	REPLACES NEWAY NO.	DESCRIPTION	QTY. PER TRI-AXLE	TR-		PAGE NO.
					8750	8900	
1	S.O.S.	915 57 172	Spring Assembly	2	X	X	—
2	E-9534	910 15 015	Equalizing Beam, 5" Round Axle	4	X	X	1-477
	S.O.S.	915 15 011	Equalizing Beam, 5 3/4" Round Axle	2	X	X	
3	S.O.S.	910 38 290	Trunnion Tube	2	X	X	—
4	S.O.S.	915 01 011	Rear Trunnion Clamp	2	X	X	—
5	S.O.S.	915 18 040	Front Trunnion Clamp, Left Hand	1	X	X	—
	S.O.S.	915 18 041	Front Trunnion Clamp, Right Hand	1	X	X	—
6	E-2989	930 03 633	Bolt	8	X	X	2-32
7	E-2935 (Rubber)	900 08 011	Trunnion Bushing	4	X		1-448
	E-7443 (Poly)						1-448, 2-11
8	S.O.S.	910 10 157	Trunnion Cap	4	X	X	—
9	S.O.S.	910 01 075	Axle Seat, 5" Round Axle	2	X	X	—
	S.O.S.	910 01 073	Axle Seat, 5 3/4" Round Axle		X	X	
10	S.O.S.	930 04 239	Cap Screw, 1"-8 Thd. x 3 1/2", 5" Round Axle	8	X	X	—
	S.O.S.	930 04 251	Cap Screw, 1"-8 Thd. x 4", 5 3/4" Round Axle		X	X	
11	E-4300	910 10 108	Top Plate, 5" Round Axle	2	X	X	1-468
	S.O.S.	910 10 093	Top Plate, 5 3/4" Round Axle		X	X	—
12	E-UB8475-114	900 41 824	U-Bolt Assembly, Flat Rd. Bend, 1"-14 Thd. x 5" Wide x 11 1/2" Long	4	X	X	2-30
	S.O.S.	900 42 814	U-Bolt Assembly, Flat Rd. Bend 1"-14 Thd. x 5" Wide x 12" Long		X	X	—
13	E-2975	936 00 168	Washer	20	X	X	2-35
14	E-4421	934 00 500 (Old) 934 00 502 (New)	Lock Nut	20	X	X	2-34
15	S.O.S.	930 03 585	Cap Screw, 3/4"-10 Thd. x 3"	16	X	X	—
16	E-2545	936 00 156	Washer	32	X	X	2-35
17	E-4347	934 00 492	Lock Nut, 3/4"-10 Thd.	28	X	X	2-34
18	S.O.S.	930 03 657	Cap Screw, 3/4"-10 Thd. x 6"	4	X	X	—
19	S.O.S.	910 36 078	Trunnion Cap Spacer	8		X	—
20	S.O.S.	910 36 078	Pipe Spacer	4	X	X	—
21	S.O.S.	915 44 137	Radius Rod End, Left Hand, Includes E-2940 Bushing	1	X	X	—
	S.O.S.	915 44 138	Radius Rod End, Right Hand, Includes E-2940 Bushing	1	X	X	—
22	S.O.S.	910 38 475	Radius Rod Screw	1	X	X	—
23	E-2940 (Rubber)	900 08 002	Beam End Bushing	4	X	X	1-448
	E-8677 (Poly)						1-448, 2-10
24	E-4361	932 00 945	Bolt	4	X	X	1-472, 2-32
25	E-2548	936 00 174	Washer	8	X	X	2-35
26	E-4358	934 00 506	Lock Nut	4	X	X	2-34
27	S.O.S.	900 38 083	Derlin Liner, S.O.S. only	4	X	X	—
28	S.O.S.	910 18 039	Radius Rod Axle Bracket	2	X	X	—
29	S.O.S.	900 41 808	U-Bolt Assembly, Flat Rd., 1"-8 Thd. x 5 1/16" Wide x 7 1/2" Long	2	X	X	—
	S.O.S.	900 41 842	U-Bolt Assembly, Flat Rd., 1"-8 Thd. x 5 13/16" Wide x 8" Long		X	X	—
30	E-4348	930 03 345	Bolt	16	X	X	2-32
31	E-2547	939 00 025	Washer	20	X	X	2-35

S.O.S. = Available through Euclid's S.O.S. Department

Continued On Next Page

NEWAY SUSPENSION

TR-8750, TR-8900 Series Tri-Axle Spring Trailer



LEAF SPRING REFERENCES

SRI No.	
TRA 2687	7 Leaf

NEWAY SUSPENSION PARTS

TR-8750, TR-8900 Series

Tri-Axle Spring

Trailer

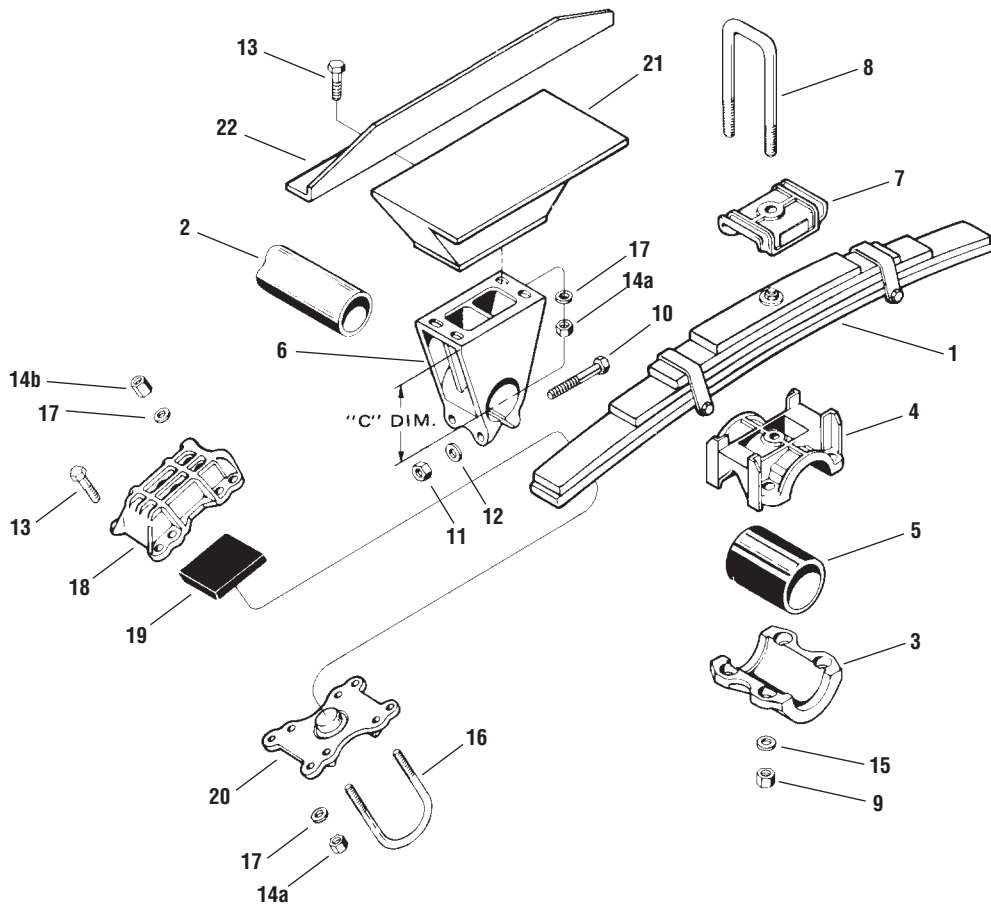
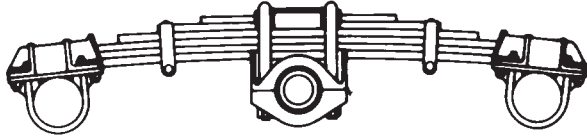
N/A = No Longer Available

KEY NO.	EUCLID NO.	REPLACES NEWAY NO.	DESCRIPTION	QTY. PER TRI-AXLE	TR-		PAGE NO.
					8750	8900	
32	S.O.S.	930 03 387	Cap Screw 5/8"-11 Thd. x 2" Grade 5	4	X	X	—
33	N/A	910 08 112	Replaced By Complete Trunnion Part No. E-7443	4		X	—
34	E-2988	934 00 488	Lock Nut, 5/8"-11 Thd.	20	X	X	1-478, 2-34
35	S.O.S.	910 01 089	Axle Adapter, 5" Round Axle	4	X	X	—
	S.O.S.	910 01 120	Axle Adapter, 5 3/4" Round Axle		X	X	
36	E-2945 (Rubber)	910 28 051	Wrapper, 5" Round Axle	4	X	X	1-451
	E-8679 (Poly)						1-451, 2-9
	E-2946 (Rubber)	910 28 053	Wrapper, 5 3/4" Round Axle		X	X	1-451
37	E-1330 (Rubber)	910 28 089	End Pad	4	X	X	1-452
	E-8670 (Poly)						1-452, 2-11
38	S.O.S.	910 10 060	Axle Cap, 5" Round Axle	4	X	X	—
	S.O.S.	910 10 059	Axle Cap, 5 3/4" Round Axle		X	X	
39	S.O.S.	930 03 941	Cap Screw, 7/8"-9 Thd. x 9"	8	X	X	—
40	E-2983	934 00 498	Lock Nut	8	X	X	2-34
41	E-2546	936 00 162	Washer	8	X	X	2-35
42	E-7443	910 08 112	Upper & Lower Half Trunnion Bushing	4		X	1-448, 2-11
43	S.O.S.	915 44 147	Fixed Radius Rod, Includes two (2) E-2940 900 08 002 Bushings	1	X	X	—
—	S.O.S.	SRK-98	Radius Rod Kit, Includes Key Nos. 23, 24, 25, 26, 27, 31, 32, 34	1	X	X	—
—	S.O.S.	SRK-88	Heavy-Duty Fiber Trunnion, Kit Includes Key Nos. 15, 16, 17, 33	1	X	X	—
—	S.O.S.	SRK-97	5" Round Trunnion & End Axle Kit Includes Key Nos. 7, 10, 13, 14, 15, 16, 17, 36, 37, 39, 40, 41	1	X		—
—	S.O.S.	SRK-134	5" Round Trunnion & End Axle, Kit Includes Key Nos. 10, 13, 14, 15, 16, 17, 36, 37, 39, 40, 41, 42	1		X	—
—	S.O.S.	SRK-100	5 3/4" Round Trunnion & End Axle, Kit Includes Key Nos. 10, 13, 14, 15, 16, 17, 36, 37, 39, 40, 41, 42	1	X	X	—

S.O.S. = Available through Euclid's S.O.S. Department

NEWAY SUSPENSION

TS-426-A, 432, 436, 442, 536, 542 Series
Two Spring Tandem
Trailer



LEAF SPRING REFERENCES

SRI No.

TRA 2241	5 Leaf - TS536
TRA 2662	5 Leaf - TS426A
TRA 2663	5 Leaf - TS432
TRA 2670	5 Leaf - TS436
TRA 2247	6 Leaf - TS542
TRA 2670	6 Leaf - TS442
TRA 2665	7 Leaf - TS550
TRA 2681	9 Leaf - TS560

NEWAY SUSPENSION PARTS

TS-426-A, 432, 436, 442, 536, 542 Series

Two Spring Tandem - Trailer

KEY NO.	EUCLID NO.	REPLACES NEWAY NO.	DESCRIPTION	QTY. PER TANDEM	TS-						PAGE NO.
					426-A	432	436	442	536	542	
1	S.O.S.	915 57 014	Spring Assembly, 5 Leaf- 5 Wide 2 Main Leaf	2	X						—
	S.O.S.	915 57 016				X	X				
	S.O.S.	915 57 018	Spring Assembly, 6 Leaf- 5 Wide 3 Main Leaf	2				X			—
	S.O.S.	915 57 017								X	
2	E-2964	910 38 003	Trunnion Shaft	1	X	X	X	X	X	X	1-471
	S.O.S.	910 38 004						X		X	—
3	E-4302	910 10 047	Trunnion Cap	2	X	X	X	X	X	X	1-469
4	E-4301	910 01 051	Trunnion Cap	2	X	X	X	X	X	X	1-469
5	E-1332 (Rubber)	910 08 022	Trunnion Bushing	2	X	X	X	X	X	X	1-448
	E-7486 (Poly)										1-448, 2-11
6	E-5213	910 01 054	Trunnion Mounting Bracket, 2 1/2" C Dimension	2	X	X	X	X	X	X	1-471
	E-4312	910 01 055	Trunnion Mounting Bracket, 4 1/2" C Dimension		X	X	X	X	X	X	
	E-5214	910 01 056	Trunnion Mounting Bracket, 6 1/2" C Dimension		X	X	X	X	X	X	
	E-5215	910 01 058	Trunnion Mounting Bracket, 8 1/2" C Dimension		X	X	X	X	X	X	
7	E-4298	910 10 021	Top Plate	2	X	X	X	X	X	X	1-468
8	E-UB8287-11	900 42 796	U-Bolt Assembly, Sq. Bend, 1 1/8"-12 Thd. x 5 3/4" Wide x 11" Long, 5 and 6 Leaf Springs	4	X	X	X	X	X	X	2-28
	E-UB8287-14	—	U-Bolt Assembly, Sq. Bend, 1 1/8"-12 Thd. x 5 3/4" Wide x 14" Long, 7 and 8 Leaf Springs								
9	E-4358	934 00 506	Lock Nut	8	X	X	X	X	X	X	2-34
10	S.O.S.	930 03 621	Cap Screw, 3/4"-10 Thd. x 4 1/2"	4	X	X	X	X	X	X	—
11	E-4347	934 00 492	Lock Nut, 3/4"-10 Thd.	4	X	X	X	X	X	X	2-34
12	E-2545	936 00 156	Washer	4	X	X	X	X	X	X	2-35
13	E-4348	930 03 345	Bolt	24	X	X	X	X	X	X	2-32
14a	E-2988	934 00 488	Lock Nut, 5/8"-11 Thd.	20	X	X	X	X	X	X	1-478, 2-34
14b	E-3000	—	Hi-Nut, 5/8"-18 Thd., 1 15/16" Hex, 27/32" High	20	X	X	X	X	X	X	2-34
15	E-2548	936 00 174	Washer	8	X	X	X	X	X	X	2-35
16	E-UB8145-076	900 41 067	U-Bolt Assembly, Rd. Bend, 5/8"-18 Thd. x 5" Wide x 7 3/4" Long	8	X	X	X	X	X	X	2-25
	S.O.S.	900 42 061	U-Bolt Assembly, Rd. Bend, 5/8"-18 Thd. x 8 1/2" Long, 7 & 9 Leaves Spring								—
17	E-2547	939 00 025	Washer	40	X	X	X	X	X	X	2-35
18	E-4309	910 10 043	Spring End Cap	4	X	X	X	X	X	X	1-470
	E-4308	910 10 038									X
19	E-1330 (Rubber)	910 28 089	Rubber End Pad	4	X						1-452
	E-8670 (Poly)										1-452, 2-11
	E-1329A (Rubber)	910 28 152	Rubber End Pad								
20	E-4305	910 01 044	Spring End Pad	4	X	X	X	X	X	X	1-469
	E-2965	910 01 049	Spring End Repair Pad	4	X	X	X	X	X	X	1-469
21	S.O.S.	910 18 008	Frame Bracket	2	X	X	X	X	X	X	—
22	S.O.S.	910 23 057	Frame Support Angle	2	X	X	X	X	X	X	—
—	S.O.S.	SRK-22	Trunnion Connection Kit Includes Key Nos. 5, 9, 15, 16	1			X	X	X	X	—
—	E-4383	SRK-23 481 00 020	5" Round Axle Connection Kit Includes Key Nos. 13, 14, 16, 17, 19	2			X	X	X	X	1-465
—	S.O.S.	SRK-24					X	X	X	X	—

NOTE: To serve a TSF model, use SRK-52-1

S.O.S. = Available through Euclid's S.O.S. Department

NEWAY TRUNNION AND BEAM END BUSHING

TRUNNION BUSHING



CENTER BEAM BUSHING



EUCLID NO.	REPLACES NEWAY	FOR MODEL	O.D.	I.D.	LENGTH
E-1334 (Rubber)	910 08 040	TA	4 1/2"	3 1/2"	3 1/2"
E-7442 (Poly)					
E-2935 (Rubber)	900 08 011	TR	4 1/2"	3 1/2"	5 3/4"
E-7443 (Poly)					
E-1333 (Rubber)	910 08 014	RTS	5"	4"	5 3/4"
E-8672 (Poly)					
E-1332 (Rubber)	910 08 022	TS, USR	5"	4"	8 3/4"
E-7486 (Poly)					

TRUNNION BUSHING - UPPER & LOWER HALF
Rubber



Replaced by Trunnion Bushing E-7443 (Neway 910 08 014)

EUCLID NO.	REPLACES NEWAY	FOR MODEL	LENGTH
N/A	910 08 005	TR8900	5 3/4"

EUCLID NO.	REPLACES NEWAY	FOR MODEL	O.D.	I.D.	LENGTH
E-4252 (Rubber)	900 08 006	ARD with 5 1/4" wide Hanger	3 7/8"	2 1/2"	5 1/4"
E-4253 (Rubber)		ARD with 5 3/4" wide Hanger			
E-8681 (Poly)	900 08 008	ARD with 5 3/4" wide Hanger	3 7/8"	2 1/2"	5 3/4"
E-4410A (Rubber)	900 08 148 900 08 149	AR-90	2 3/4"	1 1/8"	5"
E-9293 (Rubber)	900 08 135	ARDST, ARDSTM & ARDSTL	4 1/8"	2 5/8"	5 1/4"

BEAM END BUSHING



EUCLID NO.	REPLACES NEWAY	FOR MODEL	O.D.	I.D.	LENGTH
E-2936	Neway 900 08 005 Reyco 0926-00 Trailmobile 30-90008005	ART-500-US	3 1/4"	2 1/2"	9"

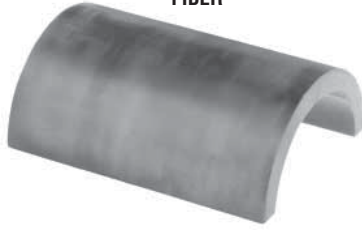
BEAM END BUSHING



EUCLID NO.	REPLACES NEWAY	FOR MODEL	O.D.	I.D.	LENGTH
E-2940 (Rubber)	AR-50,	Old Style 2 3/8" ARD	1 1/4"	5"	
E-8677 (Poly)					
E-4255 (Rubber)	900 08 131 AR-50	New Style	2 3/8"	1 1/8"	5"
E-7485 (Poly)					
E-4256 (Rubber)	900 08 145	New Style ARD	2 5/8"	1 1/8"	5"

NEWAY EQUALIZER AND SHACKLE PIN BUSHING

**EQUALIZER BUSHING - UPPER HALF
FIBER**



EUCLID NO.	REPLACES NEWAY	FOR MODEL	LENGTH
E-5080	910 08 006	TL-644	4"

RUBBER EQUALIZER BUSHING



EUCLID NO.	REPLACES NEWAY	FOR MODEL	O.D.	I.D.	LENGTH
E-1335	910 08 037	TL	3 3/4"	2 13/16"	4"

**EQUALIZER BUSHING - LOWER HALF
RUBBER**



EUCLID NO.	REPLACES NEWAY	FOR MODEL	LENGTH
E-5081	910 08 033	TL-644	4"

RUBBER SHACKLE PIN BUSHING



EUCLID NO.	REPLACES NEWAY	FOR MODEL	O.D.	I.D.	LENGTH
E-1336	910 08 047	TA	2 3/4"	1 3/4"	2 3/8"

EQUALIZER BUSHING SPACER



EUCLID NO.	REPLACES NEWAY	FOR MODEL	HOLE DIA.	LENGTH	THICK
E-5079	910 31 001	TL-644	2 1/32"	4"	1/8"

1

NEWAY BEAM END AND TRANSVERSE BEAM BUSHINGS

BEAM END BUSHING



TRANSVERSE BEAM BUSHING
(Use Two Per Beam)



EUCLID NO.	REPLACES NEWAY	FOR MODEL	O.D.	I.D.	LENGTH
E-2938 (Rubber)	900 08 102	OLD STYLE AR70 AR-95	3 1/2"	1 1/4"	5 13/16"
E-4382A (Rubber)	900 08 139	AR-41, 70, 75M90,95	3 1/2"	1 1/8"	5 1/4"
E-8683 (Poly)		ART-500-B 500-7S-A			
E-9292 (Rubber)	900 08 151	ARDST, ARDSTM & ARDSTML	3 1/2"	1 1/8"	5"

EUCLID NO.	REPLACES NEWAY	FOR MODEL	O.D.	I.D.	LENGTH
E-4257 (Rubber)	900 08 113	ARD (Except ARD-234-6)	Large 3 9/32"	Large 3 13/16"	2 1/8"
E-8682 (Poly)			Small 2 25/32"	Small 3 9/16"	

BEAM END BUSHING



TRANSVERSE BEAM BUSHING
(Use One Per Beam)

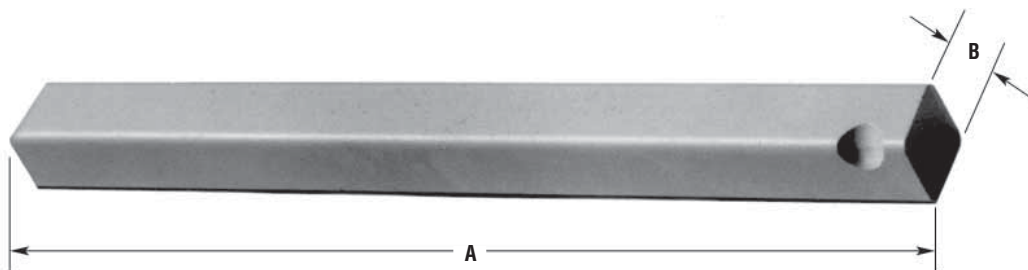


EUCLID NO.	REPLACES NEWAY	FOR MODEL	O.D.	I.D.	LENGTH
E-2998	950 08 001	AR-120/125 AR-120/125L AR-120/125US AR-165-US	4 1/2"	1 1/2" Sq.	4 9/16"

EUCLID NO.	REPLACES NEWAY	FOR MODEL	O.D.	I.D.	LENGTH
E-4254	900 08 104	ARD-234-6	3 3/8"	2"	5 1/4"

TORSION BAR

Heat Treated

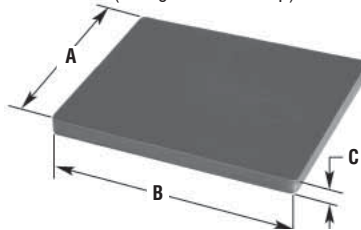


EUCLID NO.	REPLACES NEWAY	FOR MODEL	A	B
E-4405	900 06 003	AR-120 AR-125 AR-165	42 7/8"	1 1/2" Sq.
E-2963	900 06 001		43 7/8"	
E-4406	900 06 034		45 3/4"	
E-4313	900 06 025		50"	

NEWAY WRAPPERS AND PADS

5"
Round
Axle

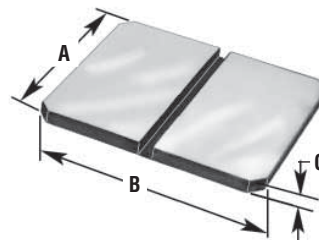
AXLE WRAPPER
(Using Cast Axle Cap)



EUCLID NO.	REPLACES NEWAY	FOR MODEL	A	B	C
E-2009 (Rubber)	900 28 007	Old Style AR-50 AR-95-HD AR-165-US AR-120/125 ART-500-US ART-500-US-A 5" Rd. Axle	7 1/4"	7 1/4"	3/8"
E-8673 (Poly)					
E-2941 (Rubber)	900 28 022	AR-50 Old Style 5" Rd. Axle	7 1/4"	8"	7/16"
E-2011 (Rubber)	910 28 010	RTS 5" Rd. Axle	4"	8 3/4"	3/4"
E-1326 (Rubber)	910 28 060	TA 5" Rd. Axle	3 1/2"	8 5/8"	5/8"

For All
Axles

BOTTOM AXLE PAD

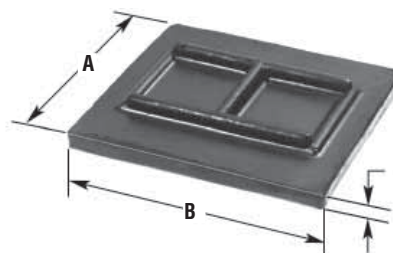


Steel
Bonded to
Rubber

EUCLID NO.	REPLACES NEWAY	FOR MODEL	A	B	C
E-2010 (Rubber)	900 28 016	Old Style AR-50, AR-165 AR-120/125	5 5/8"	7"	3/8"
E-8674 (Poly)					

5"
Round
Axle

AXLE WRAPPER
(Using Fabricated Axle Cap)

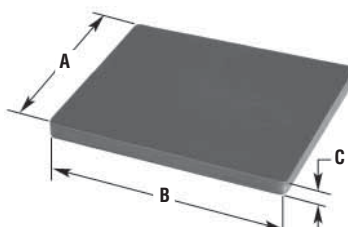


Raised "H"
Pattern

EUCLID NO.	REPLACES NEWAY	FOR MODEL	A	B	C
E-2943 (Rubber)	900 28 047	New Style All AR and ART Models Except AR-90 and AR-95 HD 5" Rd. Axle	7 1/4"	8"	1/2"
E-8678 (Poly)					

5"
Square
Axle

RUBBER AXLE WRAPPER



EUCLID NO.	REPLACES NEWAY	FOR MODEL	A	B	C
E-2944	900 28 005	Old Style AR-50 AR-95-HD AR-120/125 AR-165-US 5" Sq. Axle	7 1/8"	9 9/16"	3/8"

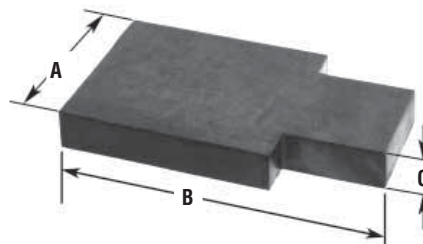
5"
Square
Axle

RUBBER AXLE WRAPPER



EUCLID NO.	REPLACES NEWAY	FOR MODEL	A	B	C
E-4409	900 28 073	New Style All AR & ART (Except AR-90 & AR-95-HD)	7 1/4"	9 5/8"	3/8"

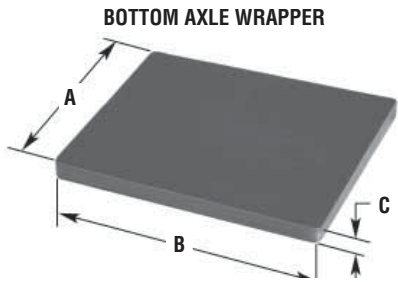
AXLE PAD



EUCLID NO.	REPLACES NEWAY	FOR MODEL	A	B	C
E-2945 (Rubber)	910 28 051	TR 5" Rd. Axle	5"	9"	3/4"
E-8679 (Poly)					
E-2946 (Rubber)	910 28 053	TR 5 3/4" Rd. Axle	5"	9 1/2"	3/8"

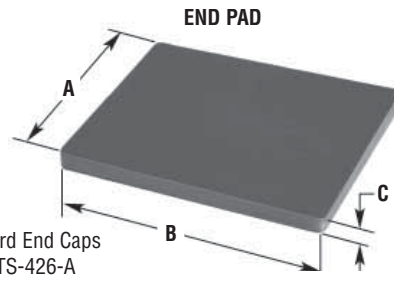
NEWAY PADS & TORQUE ARMS

For All Axles



Steel Bonded to Rubber

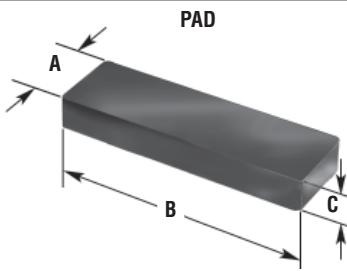
EUCLID NO.	REPLACES NEWAY	FOR MODEL	A	B	C
E-2947A (Rubber)	900 28 075	New Style All AR and ART Models (Except AR-90)	5 5/8"	7 1/16"	7/16"
E-8680 (Poly)					



For Standard End Caps except on TS-426-A

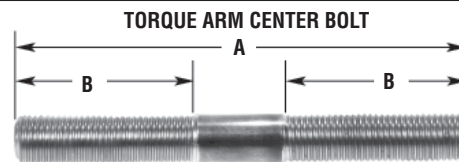
EUCLID NO.	REPLACES NEWAY	FOR MODEL	A	B	C
E-1329A (Rubber)	910 28 152	SB, TS, USR	4 5/8"	6 1/2"	5/8"
E-1330 (Rubber)	910 28 089	SB, TR TS, USR	4 5/8"	5 1/4"	13/16"
E-8670 (Poly)					

1



4 per Tandem
8 per Tri-axle

EUCLID NO.	REPLACES NEWAY	FOR MODEL	A	B	C
E-1331 (Rubber)	910 28 023	RTS, TA	1 5/8"	5 7/16"	11/16"
E-8671 (Poly)					



1 1/4"-7 Left Hand Thd. One End
1 1/4"-7 Right Hand Thd. Opposite End

EUCLID NO.	REPLACES NEWAY	FOR MODEL	A	B
E-4318A 1/4"	932 00 047	ARD-165, RTS, TR	11"	4

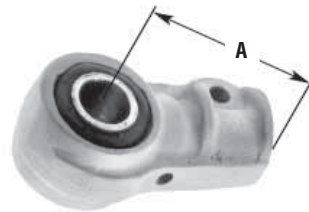
TORQUE ARM - LEFT HAND END



Includes E-2939 Bushing

EUCLID NO.	REPLACES NEWAY	FOR MODEL	A	THREAD
E-4316	915 44 002	ARD-165 RTS,TR	4 1/2"	1 1/4"-7 LH

TORQUE ARM - RIGHT HAND END



Includes E-2939 Bushing

EUCLID NO.	REPLACES NEWAY	FOR MODEL	A	THREAD
E-4317	915 44 003	ARD-165, RTS, TR	4 1/2"	1 1/4"-7 RH

RIGID TORQUE ARM



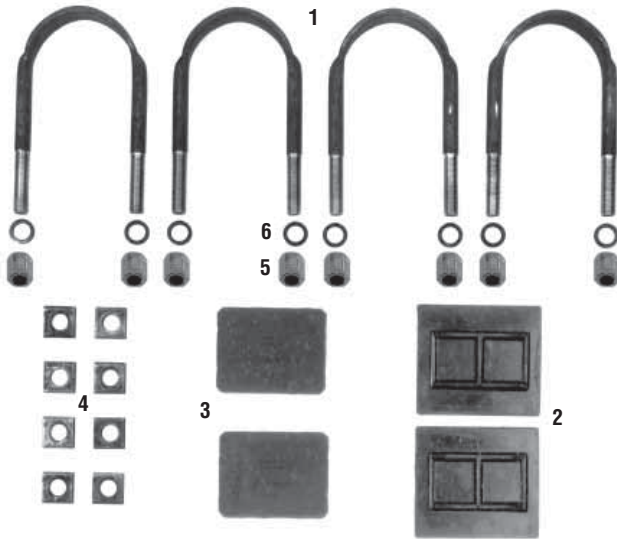
Includes E-2939 Bushings

EUCLID NO.	REPLACES NEWAY	FOR MODEL	CENTER-TO-CENTER
E-4319	915 44 001	RTS-218, 222 536, 544	14 9/16"



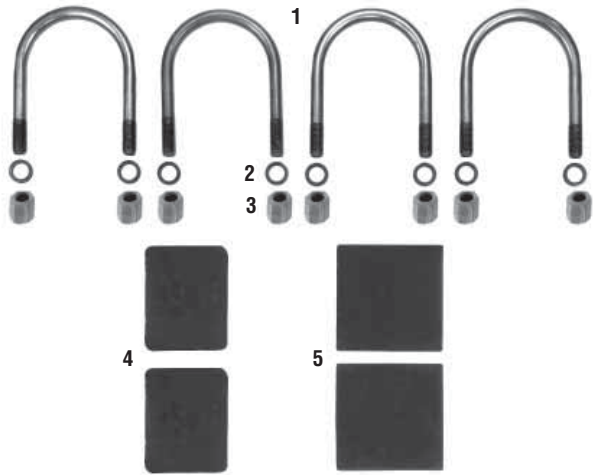
EUCLID NO.	REPLACES NEWAY	FOR MODEL	O.D.	I.D.	LGTH.
E-2939 (Rubber)	910 08 007	ARD-165	23/8"	1 1/4"	2 1/2"
E-8676 (Poly)		All RTS, T-8540, TR-8540, 8600			

NEWAY AIR SUSPENSION AXLE CONNECTION KITS



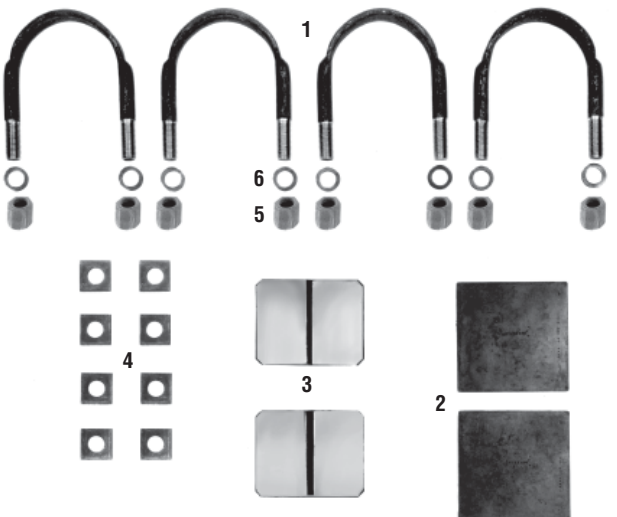
EUCLID KIT E-2977A
Replaces Neway Kit SRK-64

ITEM	QTY.	EUCLID NO.	REPLACES NEWAY	DESCRIPTION
1	4	E-UB8479-090 (Replaces E-4414-1)	900 41 878	U-Bolt- 1"-14 Thd. UNC x 9" Long
2	2	E-2943	900 28 047	Axle Wrapper
3	2	E-2947A	900 28 075	Axle Pad
4	8	E-2975	936 00 028	1" Flat Sq. Washer
5	8	E-3003	934 00 502	1"-14 Thd. Lock Nut
6	8	E-4353	939 00 027	1 5/8" Washer



EUCLID KIT E-4389
(Heavy-Duty Version of E-2977A)
Replaces Neway Kit SRK-117

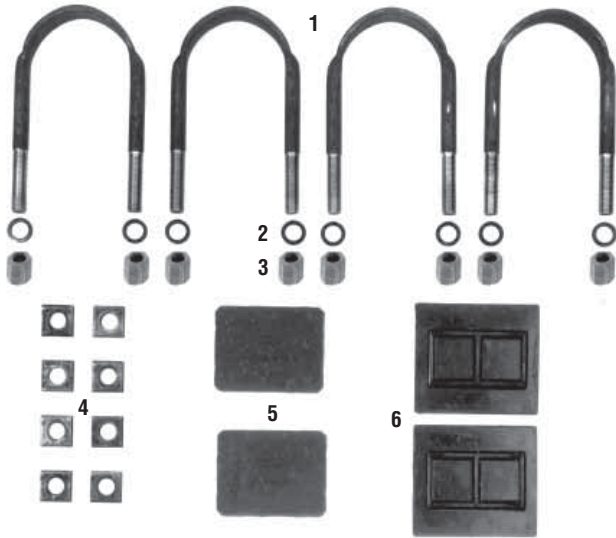
ITEM	QTY.	EUCLID NO.	REPLACES NEWAY	DESCRIPTION
1	4	E-UB8179-09 (Replaces E-4424-1)	900 41 382	U-Bolt Assembly, Rd. Bend, 1"-14 Thd. x 6 3/8" Wide x 9" Long
2	8	E-4353	939 00 027	1 5/8" Washer
3	8	E-3003	934 00 502	1"-14 Thd. Lock Nut
4	2	E-2947A	900 28 075	Axle Pad
5	2	E-2009	900 28 007	Axle Wrapper



EUCLID KIT E-2978A
Old Style Version of E-2977A
Replaces Neway Kit SRK-4

ITEM	QTY.	EUCLID NO.	REPLACES NEWAY	DESCRIPTION
1	4	E-UB8479-090 (Replaces E-4414-1)	900 41 878	U-Bolt-1"-14 Thd. UNC x 9" Long
2	2	E-2009	900 28 007	Axle Wrapper
3	2	E-2947A	900 28 016	Axle Pad
4	8	E-2960	936 00 028	1" Flat Sq. Washer
5	8	E-3003	934 00 502	1"-14 Thd. Lock Nut
6	8	E-4353	939 00 027	1 5/8" Washer

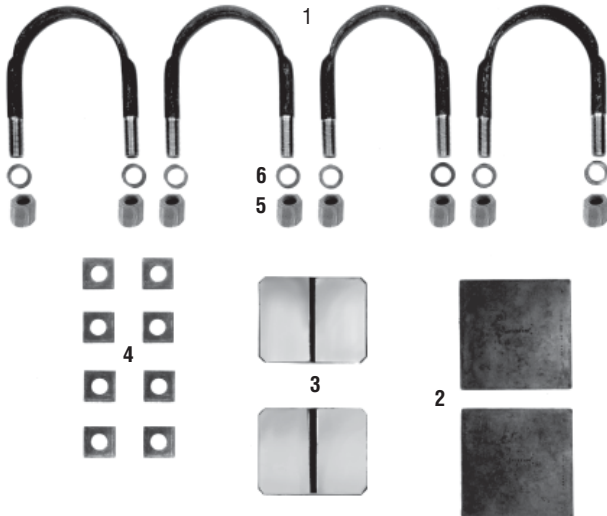
NEWAY AIR SUSPENSION AXLE CONNECTION KITS



EUCLID KIT E-4390
Replaces Neway Kit SRK-128

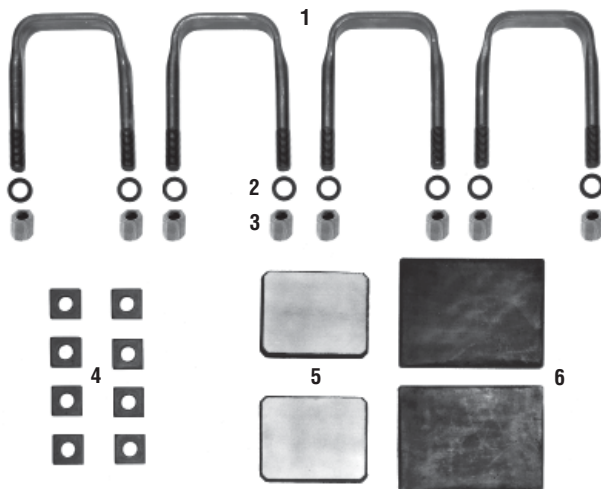
ITEM	QTY.	EUCLID NO.	REPLACES NEWAY	DESCRIPTION
1	4	E-UB8479-124A (Replaces E-4417-1)	900 42 792	U-Bolt 1"-14 Thd. x 12 1/2" Long
2	8	E-4353	939 00 027	1 5/8" Washer
3	8	E-3003	934 00 502	1"-14 Thd. LockNut
4	8	E-2975	936 00 028	1" Flat Sq. Washer
5	2	E-2947A	900 28 075	Axle Pad
6	2	E-2943	900 28 047	Axle Wrapper

1



EUCLID KIT E-2979A
Old Style Version of E-4390
Replaces Neway Kit SRK-5 & SRK-126

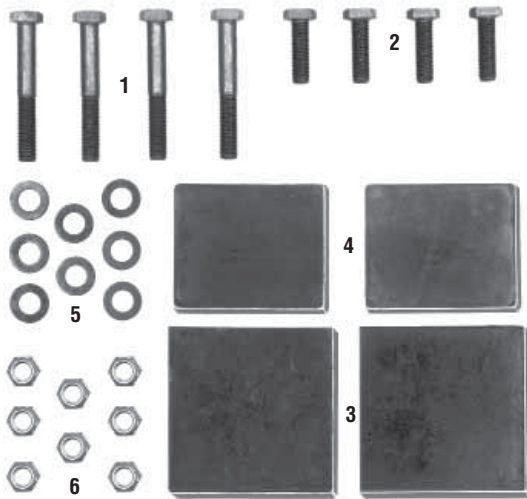
ITEM	QTY.	EUCLID NO.	REPLACES NEWAY	DESCRIPTION
1	4	E-UB8479-124A (Replaces E-4417-1)	900 42 792	U-Bolt 1"-14 Thd. UNC x 12 1/2" Lg.
2	2	E-2009	900 28 007	Axle Wrapper
3	2	E-2010	900 28 016	Axle Pad
4	8	E-2975	936 00 028	1" Flat Sq. Washer
5	8	E-3003	934 00 502	1"-14 Thd. LockNut
6	8	E-4353	939 00 027	1 5/8" Washer



EUCLID KIT E-6898
Replaces Neway Kit SRK-68

ITEM	QTY.	EUCLID NO.	REPLACES NEWAY	DESCRIPTION
1	4	E-UB8578-094 (Replaces E-4407-1)	900 41 997	U-Bolt 1"-14 Thd. x 9 1/2" Long
2	8	E-4353	939 00 027	1 5/8" Washer
3	8	E-3003	934 00 502	1"-14 Thd. LockNut
4	8	E-2975	936 00 028	1" Flat Sq. Washer
5	2	E-2944	900 28 005	Rubber Axle Wrapper
6	2	E-2947A	900 28 075	Axle Pad

NEWAY AIR SUSPENSION AXLE CONNECTION KITS

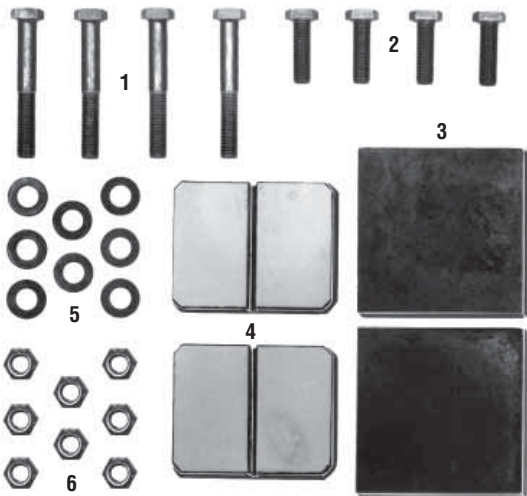


EUCLID KIT E-2985A
Replaces Neway Kit SRK-71

N.S.S. = Not Sold Separately

ITEM	QTY.	EUCLID NO.	REPLACES NEWAY	DESCRIPTION
1	4	N.S.S.	939 00 178	Clipped Head Rod Bolt 7/8"-9 Thd. x 6"
2	4	E-2981	932 00 754	Clipped Head Rod Bolt 7/8"-9 Thd. x 2 3/4"
3	2	E-2009	900 28 007	Axle Wrapper
4	2	E-2947A	900 28 075	Axle Pad
5	8	E-2546	936 00 162	7/8" Washer
6	8	E-2983	934 00 496	7/8"-9 Thd. Lock Nut

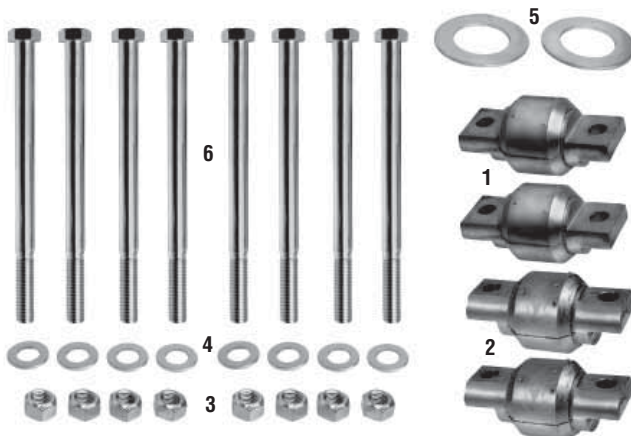
1



EUCLID KIT E-2984A
Old Style Version of E-2985A
Replaces Neway Kit SRK-15

N.S.S. = Not Sold Separately

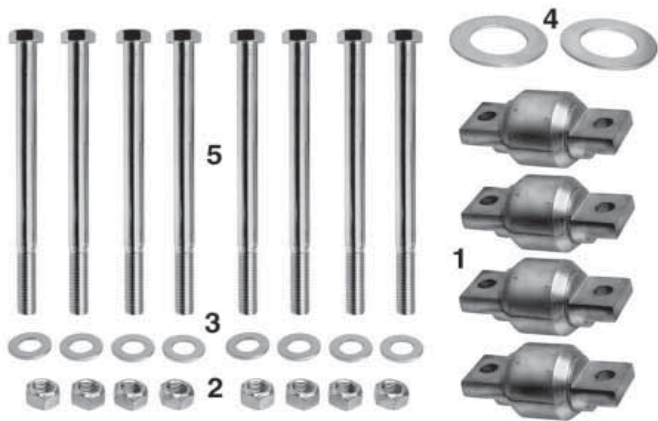
ITEM	QTY.	EUCLID NO.	REPLACES NEWAY	DESCRIPTION
1	4	N.S.S.	939 00 178	Clipped Head Rod Bolt 7/8"-9 x 6"
2	4	E-2981	932 00 754	Clipped Head Rod Bolt 7/8"-9 x 2 3/4"
3	2	E-2009	900 28 007	Axle Wrapper
4	2	E-2010	900 28 016	Axle Pad
5	2	E-2546	936 00 162	7/8" Washer
6	2	E-2983	934 00 496	7/8"-9 Thd. Lock Nut



EUCLID KIT E-9296
Replaces Neway Kit SRK-189

ITEM	QTY.	EUCLID NO.	REPLACES NEWAY	DESCRIPTION
1	2	E-9287	900 08 169	Axle Bushing
2	2	E-9288	900 08 172	Axle Bushing
3	8	E-2983	934 00 498	7/8"-9 Thd. Lock Nut
4	8	E-2546	936 00 169	Washer
5	2	E-2958	939 00 212	Wear Washer - Hardened
6	8	—	939 00 213	7/8" x 12 1/2" Bolt

NEWAY AIR SUSPENSION AXLE CONNECTION KITS

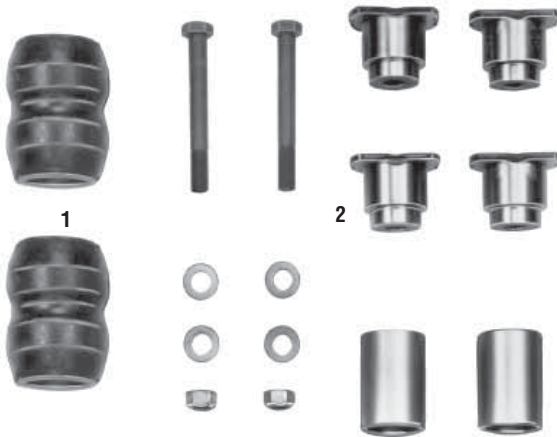


EUCLID KIT E-9297
Replaces Neway Kit SRK-190

N.S.S. = Not Sold Separately

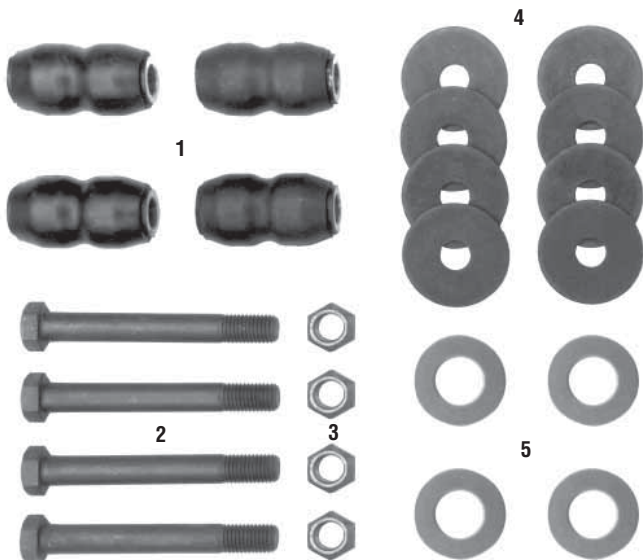
ITEM	QTY.	EUCLID NO.	REPLACES NEWAY	DESCRIPTION
1	4	E-9288	900 08 172	Axle Bushing
2	8	E-2983	934 00 498	7/8"-9 Thd. Lock Nut
3	8	E-2546	936 00 169	7/8" Flat Washer
4	2	E-2958	939 00 212	Wear Washer - Hardened
5	8	—	939 00 213	7/8"-9 Thd. x 12 1/2" Bolt

1



EUCLID KIT E-4387
For Use with 5 3/4" Wide Hangers
Replaces Neway Kit SRK-80

ITEM	QTY.	EUCLID NO.	REPLACES NEWAY	DESCRIPTION
1	2	E-4253	900 08 008	Center Beam Bushing
2	2	E-2374	930 03 693 934 00 492 936 00 156 900 01 002	Beam End Adapter Assembly



EUCLID KIT E-4411A
Replaces Neway Kit SRK-149

Service two beams.

N.S.S. = Not Sold Separately

ITEM	QTY.	EUCLID NO.	REPLACES NEWAY	DESCRIPTION
1	4	E-4410A	900 08 149	Center Beam Bushing
2	4	E-4361	932 01 045	1 1/8"-7 Thd. x 8 1/2" Bolt
3	4	E-4358	934 00 506	1 1/8"-7 Thd. Lock Nut
4	8	E-4363	900 36 140	Washer
5	8	N.S.S.	900 36 175	Service Wear Washer

NEWAY AIR SUSPENSION PIVOT CONNECTION KITS



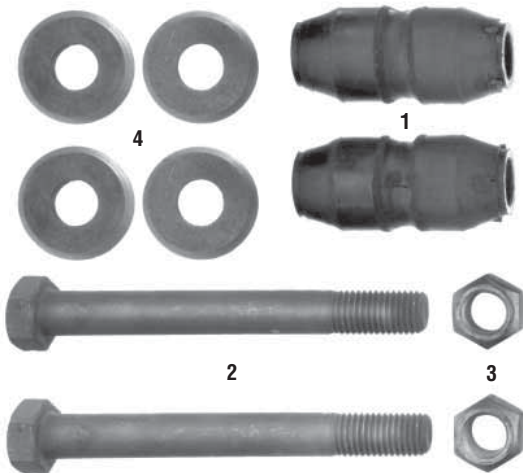
EUCLID KIT E-4398A

Replaces Neway Kit SRK-145

NOTE: To change from 1 1/4" Bolt to 1 1/8" use Alignment Blocks E-9284 and E-4267.

ITEM	QTY.	EUCLID NO.	REPLACES NEWAY	DESCRIPTION
1	4	E-4363	900 36 140	Spacer Washer
2	2	E-4382A	900 08 139	Beam End Bushing
3	2	E-4364	932 01 046	Beam End Bolt 1 1/8"-7 Thd. x 9 1/4" Lg.
4	2	E-4358	934 00 506	1 1/8"-7 Lock Nut

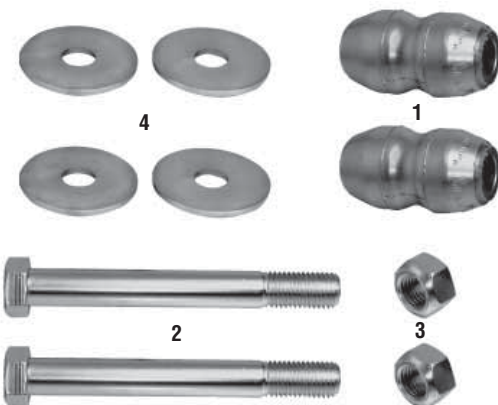
1



EUCLID KIT E-4429

Replaces Neway Kit SRK-139A

ITEM	QTY.	EUCLID NO.	REPLACES NEWAY	DESCRIPTION
1	2	E-4255	900 08 131	Beam End Bushing
2	2	E-4364	932 01 046	1 1/8"-7 Thd.x 9 1/4" Bolt
3	2	E-4358	934 005 06	1 1/8"-7 Thd. Lock Nut
4	4	E-4359	936 00 495	Spacer Washer

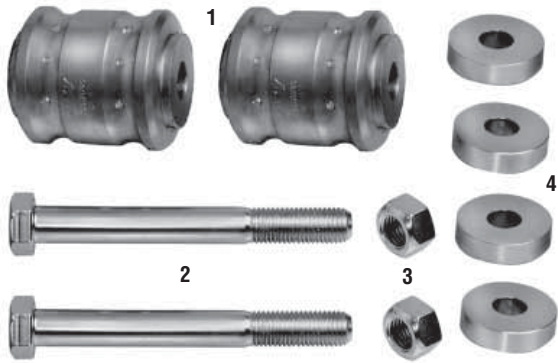


EUCLID KIT E-9294

Replaces Neway Kit SRK-203

ITEM	QTY.	EUCLID NO.	REPLACES NEWAY	DESCRIPTION
1	2	E-4410A	900 08 148	Center Beam Bushing
2	2	E-4361	932 01 045	1 1/8"-7 x 9" Bolt
3	2	E-4358	934 00 506	1 1/8"-7 Lock Nut
4	4	E-4363	900 36 140	Washer

NEWAY AIR SUSPENSION PIVOT CONNECTION KITS



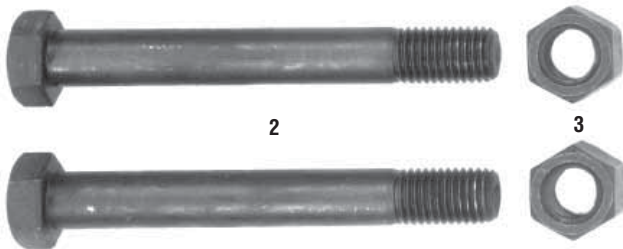
EUCLID KIT E-9295
Replaces Neway Kit SRK-188-1

ITEM	QTY.	EUCLID NO.	REPLACES NEWAY	DESCRIPTION
1	2	Parts Not Sold Separately	900 08 165	Center Beam Bushing
2	2		930 03 905	7/8"-9 x 7 1/2" Bolt
3	2		934 00 498	7/8"-9 Lock Nut
4	4		900 08 166	Alignment Block

1



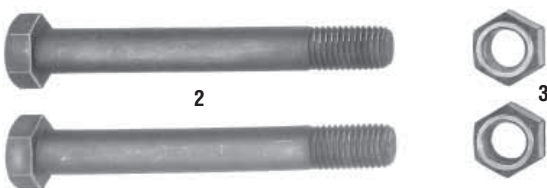
EUCLID KIT E-4396
Replaces Neway Kit SRK-48A



ITEM	QTY.	EUCLID NO.	REPLACES NEWAY	DESCRIPTION
1	2	E-4255	900 08 131	Beam End Bushing
2	2	E-4361	932 01 045	Beam End Bolt 1 1/8"-7 x 8 1/16" Lg.
3	2	E-4358	934 00 506	1 1/8"-7 Lock Nut



EUCLID KIT E-4402
Same as E-4396 Except Contains Alignment Blocks
Replaces Neway Kit SRK-48

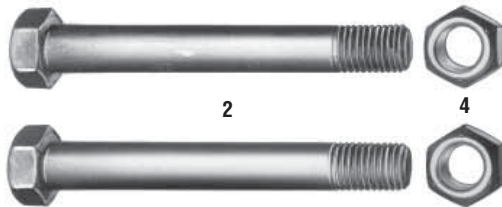


ITEM	QTY.	EUCLID NO.	REPLACES NEWAY	DESCRIPTION
1	2	E-4255	900 08 131	Beam End Bushing
2	2	E-4361	932 01 045	Beam End Bolt 1 1/8"-7 Thd. x 8 1/16" Lg.
3	2	E-4358	934 00 506	1 1/8"-7 Thd. Lock Nut
4	4	E-4263	900 01 045	Alignment Block

NEWAY AIR SUSPENSION PIVOT CONNECTION KITS



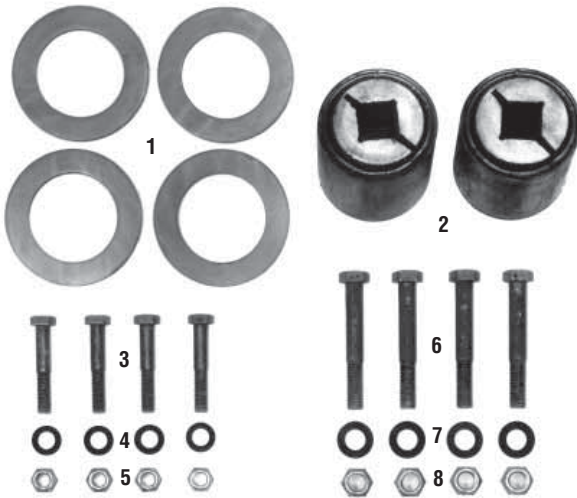
EUCLID KIT E-4396
Replaces Neway Kit SRK-48A



S.O.S. = Available through Euclid's S.O.S. Department

ITEM	QTY.	EUCLID NO.	REPLACES NEWAY	DESCRIPTION
1	2	E-2940	900 08 002	Beam End Bushing
2	2	E-4361	932 01 045	Beam End Bolt 1 1/8"-7 Thd. x 8 1/2" Lg.
3	2	S.O.S.	900 38 083	Delrin Liner
4	2	E-4358	934 00 506	1 1/8"-7 Thd. Lock Nut

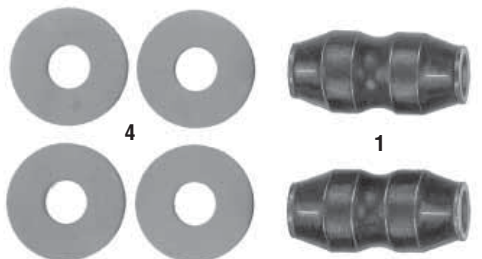
1



EUCLID KIT E-2992A
Replaces Neway Kit SRK-11-A
(To replace SRK-11, add E-4405 Torsion Bar)

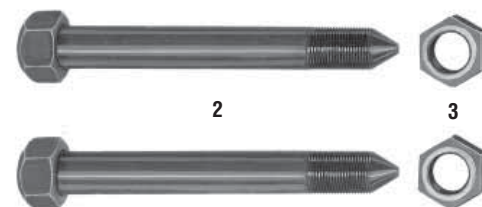
N.S.S. = Not Sold Separately

ITEM	QTY.	EUCLID NO.	REPLACES NEWAY	DESCRIPTION
1	4	E-2959	936 00 035	Spacer Washer
2	2	E-2998	905 08 001	Beam End Bushing
3	4	N.S.S.	930 03 389	Beam End Bolt 5/8"x 11 x 3 3/4" Lg.
4	4	E-2547	939 00 025	Washer
5	4	E-2988	934 00 490	5/8"-11 Lock Nut
6	4	E-2989	930 03 633	Beam End Bolt 3/4"-10 Thd. x 5" Lg.
7	4	E-2545	936 00 156	3/4" Washer
8	4	E-4347	934 00 492 934 00 494	3/4"-10 Thd. Lock Nut



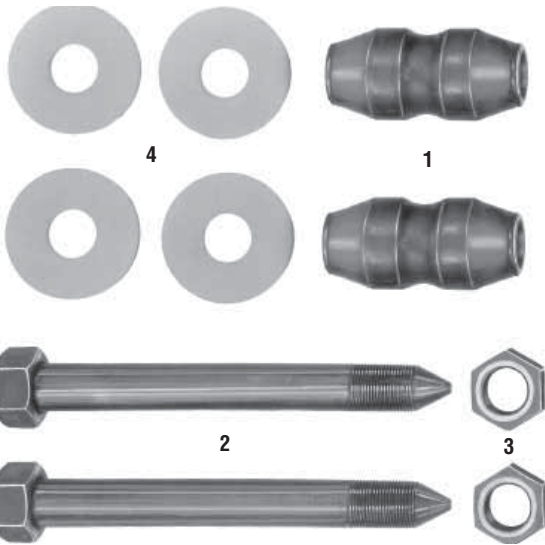
EUCLID KIT E-4397
Replaces Neway Kit SRK-76

N.S.S. = Not Sold Separately



ITEM	QTY.	EUCLID NO.	REPLACES NEWAY	DESCRIPTION
1	2	E-2940	900 08 002	Beam End Bushing
2	2	N.S.S.	932 00 132	Beam End Bolt 1 1/4"-12 Thd. x 9 11/16"
3	2	E-2854	934 00 511	1 1/4"-12 Lock Nut
4	4	E-4277	900 36 001	Spacer Washer

NEWAY AIR SUSPENSION PIVOT CONNECTION KITS

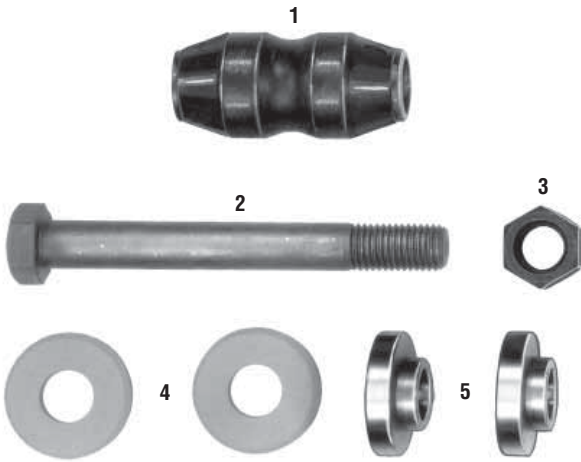


EUCLID KIT E-4392
Replaces Neway Kit SRK-105

N.S.S. = Not Sold Separately

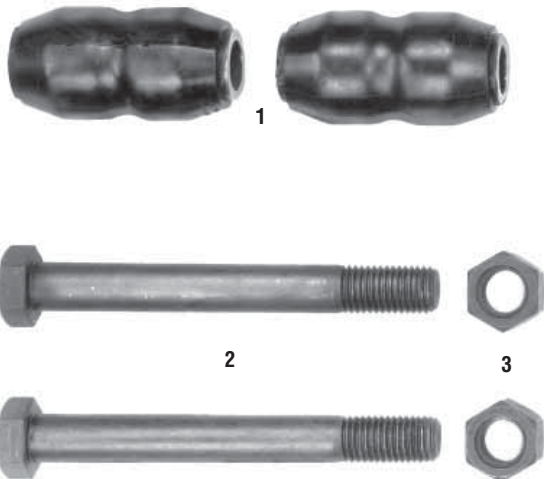
ITEM	QTY.	EUCLID NO.	REPLACES NEWAY	DESCRIPTION
1	2	E-2940	900 08 002	Beam End Bushing
2	2	N.S.S.	932 01 030	Beam End Bolt 1 1/4"-12 Thd. x 10" Long
3	2	E-2854	934 00 511	1 1/4"-12 Thd. Lock Nut
4	4	E-4277	900 36 001	Spacer Washer

1



EUCLID KIT E-4393
Replaces Neway Kit SRK-120
or 1/2 of Neway Kit SRK-139

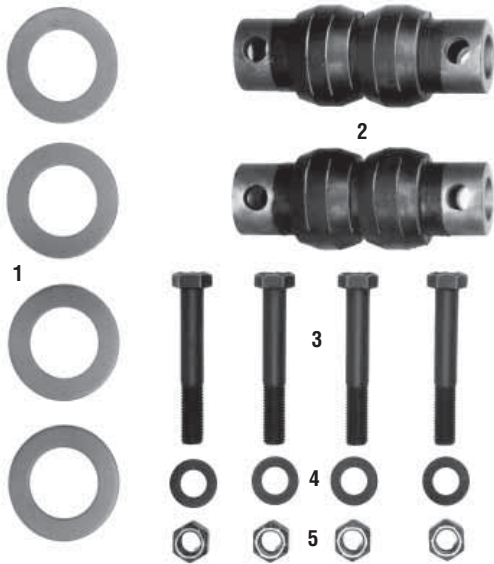
ITEM	QTY.	EUCLID NO.	REPLACES NEWAY	DESCRIPTION
1	1	E-4255	900 08 131	Beam End Bushing
2	1	E-4364	932 01 046	Beam End Bolt 1 1/8"-7 Thd. x 9 1/4" Long
3	1	E-4358	934 00 506	1 1/8"-7 Thd. Lock Nut
4	2	E-4359	936 00 495	Spacer Washer
5	2	E-4267	900 08 120	Alignment Block



EUCLID KIT E-4394
Replaces Neway Kit SRK-148

ITEM	QTY.	EUCLID NO.	REPLACES NEWAY	DESCRIPTION
1	2	E-4256	900 08 145	Beam End Bushing
2	2	E-4364	932 01 046	Beam End Bolt 1 1/8"-7 Thd. x 9 1/4" Long
3	2	E-4358	934 00 506 939 00 165	1 1/8" -7 Thd. Lock Nut

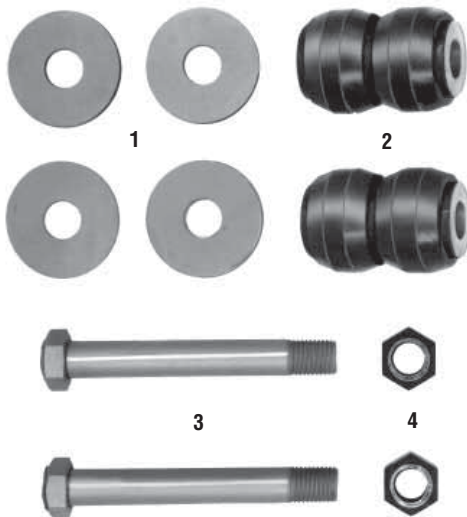
NEWAY AIR SUSPENSION PIVOT CONNECTION KITS



EUCLID KIT E-2997
Replaces Neway Kit SRK-13

ITEM	QTY.	EUCLID NO.	REPLACES NEWAY	DESCRIPTION
1	4	E-2958	900 36 003	Spacer Washer
2	2	E-2936	900 08 005	Beam End Bushing
3	4	E-2996	930 03 855	Beam End Bolt 7/8"-9 Thd. x 5 1/2" Long
4	4	E-2546	936 00 162	7/8" Washer
5	4	E-2983	934 00 496	7/8"-9 Thd. Lock Nut

1

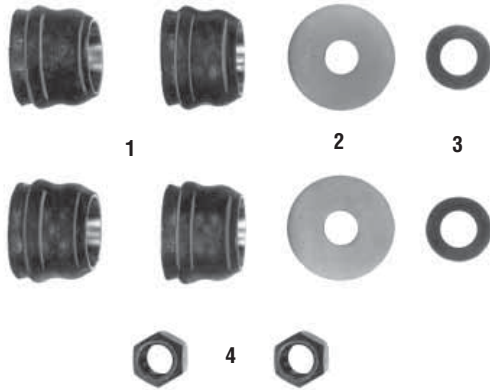


EUCLID KIT E-9300A
Replaces Neway Kit SRK-200

N.S.S. = Not Sold Separately

ITEM	QTY.	EUCLID NO.	REPLACES NEWAY	DESCRIPTION
1	4	NSS	936 00 502	Spacer Washer
2	2	E-9292	900 08 151	Beam End Bushing
3	2	E-4364	932 01 046	Beam End Bolt 1 1/8"-7 Thd. x 9 1/4" Lg.
4	2	E-4358	934 00 506	1 1/8"-7 Thd. Lock Nut

TRANSVERSE BEAM BUSHING CONNECTION KITS

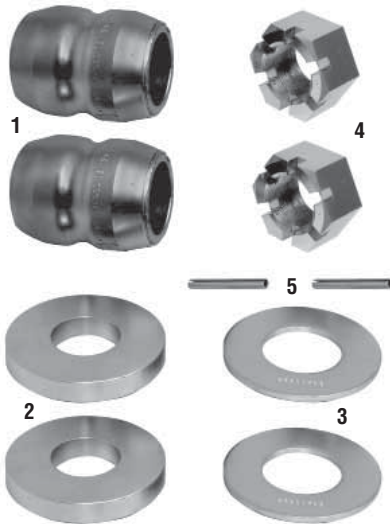


EUCLID KIT E-4401A
Replaces Neway Kit SRK-77-1

N.S.S. = Not Sold Separately

ITEM	QTY.	EUCLID NO.	REPLACES NEWAY	DESCRIPTION
1	4	E-4257	900 08 113	Beam End Bushing
2	2	E-4278	900 36 007	Spacer Washer
3	2	N.S.S.	936 00 180	1 1/4" Washer
4	2	E-2854	934 00 511	1 1/4"-12 Thd. Lock Nut

1



EUCLID KIT E-9301
Replaces Neway Kit SRK-201

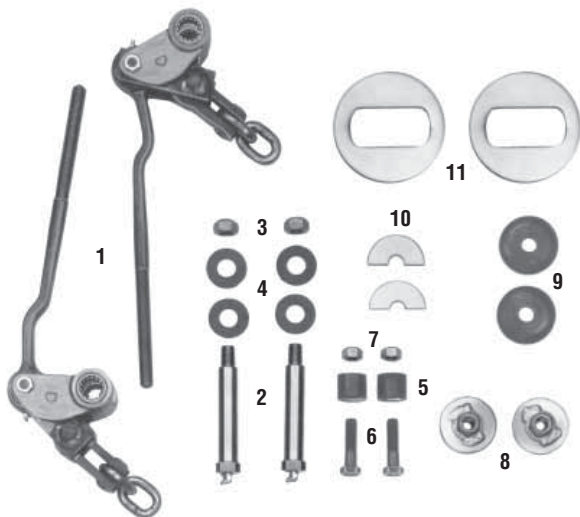
ITEM	QTY.	EUCLID NO.	REPLACES NEWAY	DESCRIPTION
1	2	Parts	900 08 135	Beam End Bushing
2	2	Not	900 36 118	Spacer Washer
3	2	Sold	936 00 498	Washer
4	2	Separately	934 00 603	1 1/4"-12 Thd. Lock Nut
5	2		938 00 235	Roll Pin

NEWAY COIL SPRING LIFT KITS

EUCLID KIT E-4399

New Style Lift Kit with 1" Lower Cam Pin (Item #2)

Replaces Neway Kit SRK-96

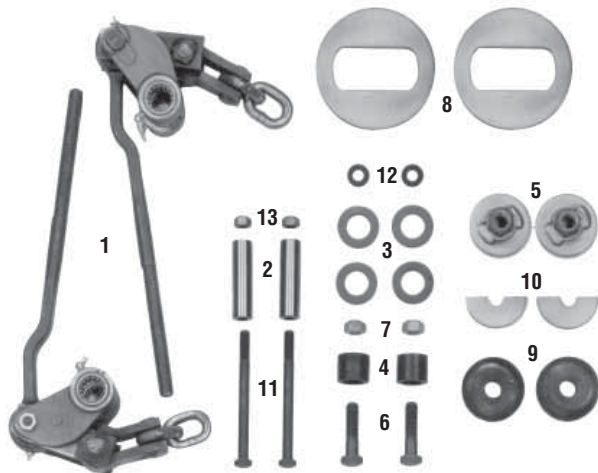


ITEM	QTY.	EUCLID NO.	REPLACES NEWAY	DESCRIPTION
1	2	Parts Not Sold Separately	905 44 670	Cam Assembly
2	2		905 44 661	Lower Cam Pin
3	2		934 00 494	3/4"-10 Thd. Lock Nut
4	4		900 44 574	Lower Cam Brg. Spacer Seal
5	2		900 44 576	Lower Cam Brg. Inner Seal
6	2		930 03 359	Cap Screw 5/8"-11 Thd. x 2 1/2" Lg.
7	2		934 004 90	5/8"-11 Thd. Lock Nut
8	2		939 00 151	Adjustment Lock Nut
9	2		900 44 218	Yoke Grommet
10	2		900 44 572	Half Washer
11	2		900 31 785	End Plate

EUCLID KIT E-4400

Old Style Lift Kit with 1/2" Lower Cam Bolt (Item #11)

Replaces Neway Kit SRK-103

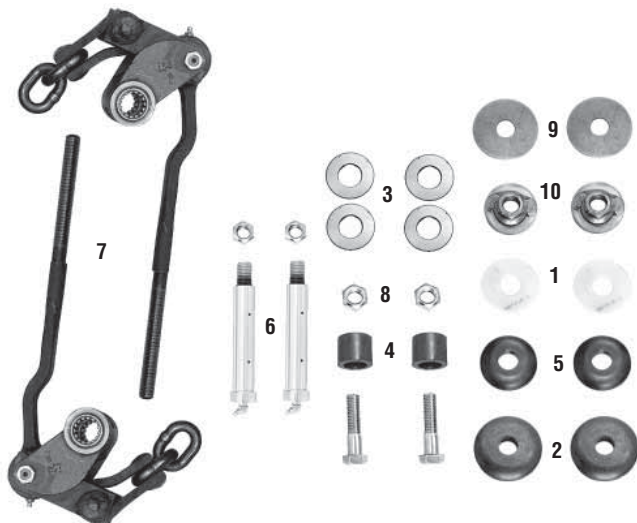


ITEM	QTY.	EUCLID NO.	REPLACES NEWAY	DESCRIPTION
1	2	Parts Not Sold Separately	905 44 498	Cam Assembly
2	2		900 44 586	Inner Sleeve
3	4		936 00 168	Washer Cam Brg. Spring Seal
4	2		900 44 576	Lower Cam Brg. Inner Seal
5	2		939 00 151	Adjustment Lock Nut
6	2		930 03 359	Cap Screw 5/8"-11 Thd. x 2 1/2" Lg.
7	2		934 00 490	5/8"-11 Lock Nut
8	2		900 31 785	End Plate
9	2		900 44 218	Yoke Grommet
10	2		900 44 572	Half Washer
11	2		930 03 017	Lower Cam Bolt 1/2"-13 Thd. x 6" Lg.
12	2		936 00 138	1/2" Washer
13	2		934 00 482	1/2"-13 Thd. Lock Nut

EUCLID KIT E-10799

For AR-955A, ART-505C

Replaces Neway Kit SRK-158



ITEM	QTY.	EUCLID NO.	REPLACES NEWAY	DESCRIPTION
1	2	Parts Not Sold Separately	900 36 161	Spacer Washer
2	2		900 44 218	Yoke Grommet
3	4		900 44 574	Lower Cam Bearing Spacer Seal
4	2		900 44 576	Lower Cam Bearing Inner Seal
5	2		900 44 776	Yoke Grommet
6	2		905 44 661	Lower Cam Pin
7	2		905 44 670	Cam Assembly
8	2		934 00 494	Lock Nut
9	2		936 00 508	Washer
10	2		939 00 195	Lock Nut

NEWAY ARDAB AIR BEAM BUSHINGS

REAR BEAM BUSHING
STRAIGHT



HANGER PIVOT BUSHING

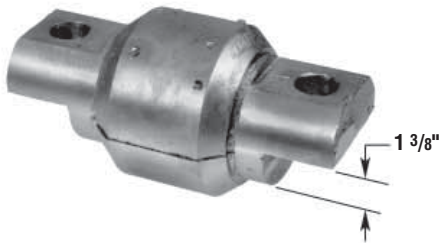


EUCLID NO.	REPLACES NEWAY	FOR MODEL	O.D.	LENGTH
E-9287	900 08 169	ARDAB	3 3/4"	7 7/8"

EUCLID NO.	REPLACES NEWAY	FOR MODEL	O.D.	I.D.	LENGTH
E-9286	900 08 165	ARDAB	3 1/2"	15/16"	4 1/4"

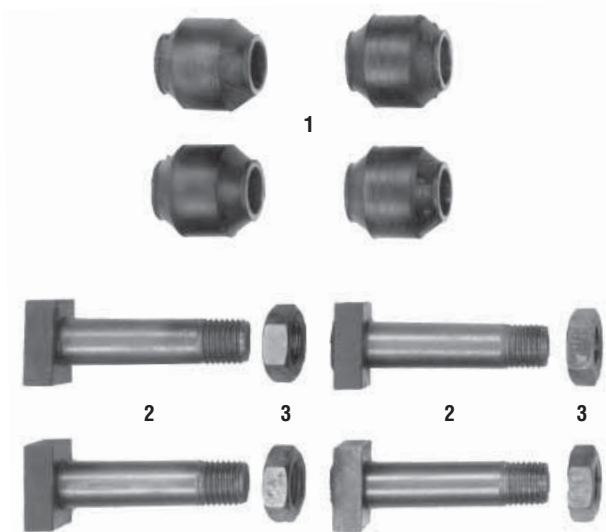
1

FRONT BEAM BUSHING
OFFSET



EUCLID NO.	REPLACES NEWAY	FOR MODEL	O.D.	LENGTH
E-9288	900 08 172	ARDAB	3 3/4"	7 7/8"

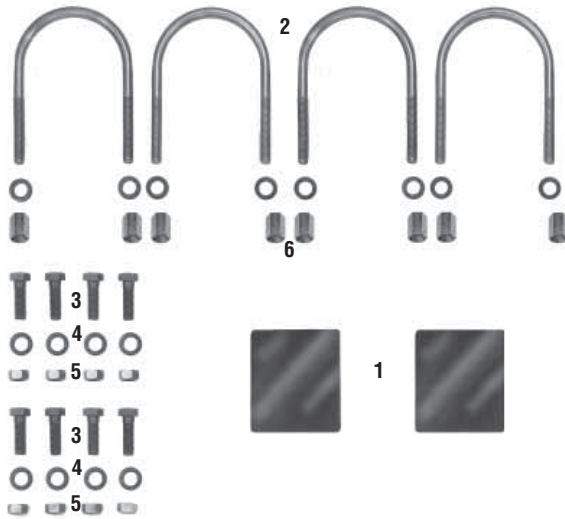
NEWAY MECHANICAL SUSPENSION REPAIR KITS



EUCLID KIT E-4391
Torque Arm Kit for RTS, T, TR Models
Replaces Neway Kit SRK-39

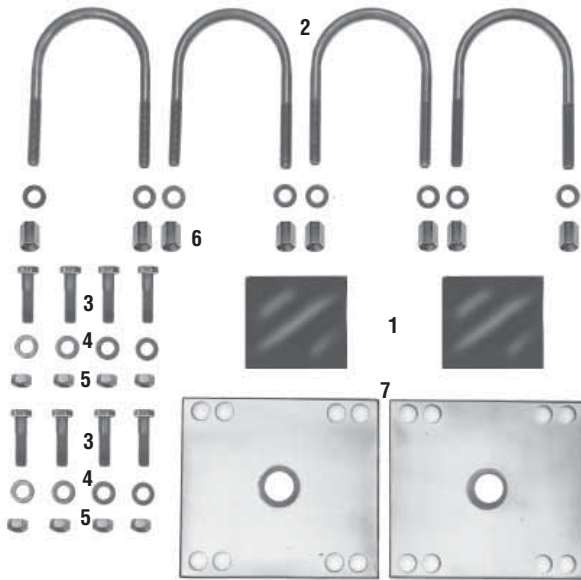
ITEM	QTY.	EUCLID NO.	REPLACES NEWAY	DESCRIPTION
1	4	E-2939	910 08 007	Torque Arm Bushing
2	4	E-4261	939 00 009	Torque Arm Bolt 1 1/4"-7 Thd.
3	4	E-4273	934 00 569	1 1/4"-7 Thd. Lock Nut

NEWAY MECHANICAL SUSPENSION REPAIR KITS



EUCLID KIT E-4383
Axle Connection Kit For TS Models
 Replaces Neway Kit SRK-23

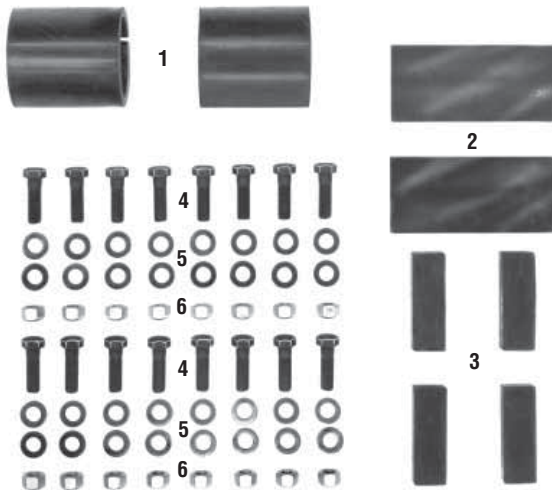
ITEM	QTY.	EUCLID NO.	REPLACES NEWAY	DESCRIPTION
1	2	E-1329A	910 28 013	Rubber End Pad
2	4	E-UB8145-076 (Replaces E-4412-1)	900 41 067	U-Bolt Assembly 5/8"-18 Thd. x 7 3/4" Lg.
3	8	E-4348	930 03 345	Bolt 5/8"-11 Thd. x 2" Long
4	16	E-2547	939 00 025	Washer
5	8	E-2988	934 00 490	5/8"-11 Thd. Lock Nut
6	8	E-3000	—	Hi-Nut 5/8"-18 Thd.



EUCLID KIT E-4384
Axle Connection Kit With End Pad Castings For TS Models
 Replaces Neway Kit SRK-25

N.S.S. = Not Sold Separately

ITEM	QTY.	EUCLID NO.	REPLACES NEWAY	DESCRIPTION
1	2	E-1329A	910 28 013	Rubber End Pad
2	4	E-UB8145-076 (Replaces E-4412-1)	900 41 067	U-Bolt Assembly 5/8"-18 Thd. x 7 3/4" Lg.
3	8	N.S.S.	930 03 359	Cap Screw 5/8"-11 Thd. x 2 1/2" Lg.
4	16	E-2547	939 00 025	Washer
5	8	E-2988	934 00 490	5/8"-11 Thd. Lock Nut
6	8	E-3000	—	Hi-Nut 5/8"-18 Thd.
7	2	E-2965	910 01 049	Spring End Repair Pad



EUCLID KIT E-4385
Axle and Trunnion Connection Kit
For RTS-536, 544, 754-HD Models
 Replaces Neway Kit SRK-36

N.S.S. = Not Sold Separately

ITEM	QTY.	EUCLID NO.	REPLACES NEWAY	DESCRIPTION
1	2	E-1333	910 08 014	Trunnion Bushing
2	2	E-2011	910 28 010	Rubber Axle Wrapper
3	4	E-1331	910 28 023	Pad
4	16	N.S.S.	930 03 575	Cap Screw 3/4" I.D., 2 1/2" Long
5	32	E-2545	936 00 156	3/4" Washer
6	16	E-4347	934 00 494	3/4"-10 Thd. Lock Nut

NEWAY AXLE CAPS

AXLE CAP WITHOUT AXLE STOPS
Left Hand



EUCLID NO.	REPLACES NEWAY	FOR MODEL
E-4284	905 10 100	ART-500-US, ART-500-US-A

AXLE CAP WITHOUT AXLE STOPS
Right Hand



EUCLID NO.	REPLACES NEWAY	FOR MODEL
E-4285	905 10 101	ART-500-US, ART-500-US-A

AXLE CAP 5" SQUARE
Right Hand



EUCLID NO.	REPLACES NEWAY	FOR MODEL
E-4287	905 10 103	ART-500-US, ART-500-US-A

AXLE CAP



EUCLID NO.	REPLACES NEWAY	FOR MODEL
E-4283	900 10 022	AR-70, AR-95, AR-120-US, 125-US, 165-US, 50-US, 51-US, AR-70, 95

AXLE CAP



EUCLID NO.	REPLACES NEWAY	FOR MODEL
E-4288	910 10 031	TA-800, RTS-536, 544, 754, 945

AXLE CAP



EUCLID NO.	REPLACES NEWAY	FOR MODEL
E-4282	900 10 032	AR-120-US, 125-US, 165-US, 50-US, 51-US, AR-70, 95

AXLE CAP



EUCLID NO.	REPLACES NEWAY	FOR MODEL
E-4281	900 10 002	AR-70, AR-95

AXLE ADAPTER



EUCLID NO.	REPLACES NEWAY	FOR MODEL	APPLICATION
E-4289	900 01 082	All AR (except ARL) All ART	5" Rd. Axle

NEWAY AXLE CAPS AND AXLE ADAPTERS

AXLE ADAPTER



AXLE ADAPTER

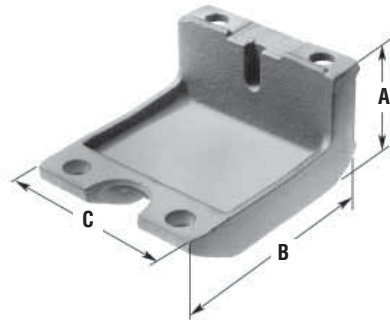


EUCLID NO.	REPLACES NEWAY	FOR MODEL	APPLICATION
E-4290	900 01 083	All AR (except ARL) All ART	5" Square Axle

EUCLID NO.	REPLACES NEWAY	FOR MODEL	APPLICATION
E-4291	910 01 040	TA, RTS	5" Rd. Axle

DISCONTINUED

AXLE CAP — 5" ROUND



EUCLID NO.	REPLACES NEWAY	FOR MODEL	A	B	C
N/A	900 10 001	AR-120, AR-125	5 1/16"	9 3/4"	8"

1

NEWAY AXLE SEATS & U-BOLT TOP PLATES

AXLE SEAT



AXLE SEAT



EUCLID NO.	REPLACES NEWAY	FOR MODEL	A
E-4292	900 01 006	ART-120-US, 125-US, 50-US, 51-US, AR-70, 95	3 1/2"
E-4293	900 01 119 Heavy Duty	All ART (Except 505-B)	3 5/8"

EUCLID NO.	REPLACES NEWAY	FOR MODEL
E-4294	910 01 034	All RTS (Except 754)

1

U-BOLT TOP PLATE



U-BOLT TOP PLATE



EUCLID NO.	REPLACES NEWAY	FOR MODEL
E-4299	910 10 103	All RTS

EUCLID NO.	REPLACES NEWAY	FOR MODEL
E-4298	910 10 021	TS, US, USR

U-BOLT TOP PLATE



EUCLID NO.	REPLACES NEWAY	FOR MODEL
E-4300	910 10 108	SL-718, TL-636, 644

NEWAY AXLE ATTACHING PARTS

UPPER TRUNNION CAP



EUCLID NO.	REPLACES NEWAY	FOR MODEL
E-4301	910 01 051	TS, US, USR, LD (Except TS-660, 680, 6100)

LOWER TRUNNION CAP



EUCLID NO.	REPLACES NEWAY	FOR MODEL
E-4302	910 10 047	TS, US, USR, LD (Except TS-660, 680, 6100)

TRUNNION CAP



EUCLID NO.	REPLACES NEWAY	FOR MODEL
E-4303	910 10 098	RTS-536, 544,754

SPRING END BOOT



EUCLID NO.	REPLACES NEWAY	FOR MODEL
E-4307	910 08 032	All SL and TL

SPRING END PAD



EUCLID NO.	REPLACES NEWAY	FOR MODEL
E-4305	910 01 044	TS & LD

SPRING END REPAIR PAD



Cut off worn knob and grind smooth.
Install pad. Weld ends to seat when assembled.

EUCLID NO.	REPLACES NEWAY	FOR MODEL	APPLICATION
E-2965	910 01 049	TS & LD 4360, 4440, 5500, 5600	Use to avoid replacing entire axle seat when knob is worn

SPRING END RETAINER



EUCLID NO.	REPLACES NEWAY	FOR MODEL
E-4306	910 01 062	All SL and TL

NEWAY AXLE ATTACHING PARTS

PLASTIC SHIM



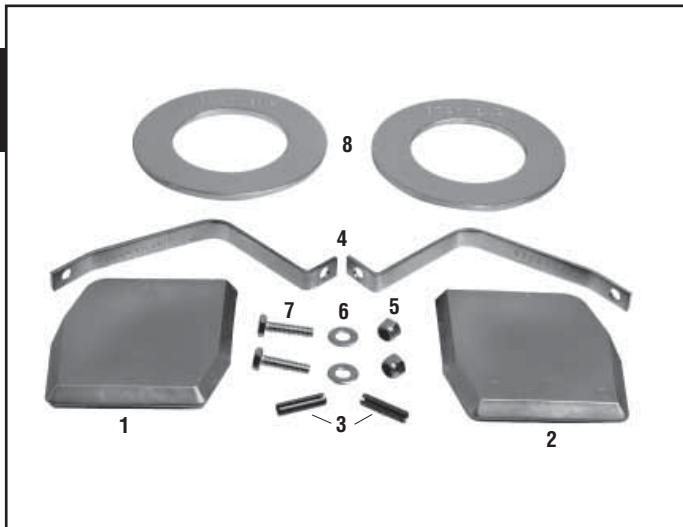
STEEL SHIM



EUCLID NO.	REPLACES NEWAY	FOR MODEL	LENGTH	WIDTH	THICKNESS
E-9290	900 44 887	ARDAB Air Beam	4 1/4"	1 1/4"	19/64"

EUCLID NO.	REPLACES NEWAY	FOR MODEL	LENGTH	WIDTH	THICKNESS
E-9291	900 33 376	ARDAB Air Beam	4 1/4"	1 1/4"	1/16"

1



EUCLID KIT E-9299 BEAM WEAR KIT Replaces Neway Kit SRK-192				
ITEM	QTY.	EUCLID NO.	REPLACES NEWAY	DESCRIPTION
1	1	Parts Not Sold Separately	900 44 883	Wear Pad, Left Hand
2	1		900 44 884	Wear Pad, Right Hand
3	2		939 00 214	Spring Pin
4	2		900 24 932	Retainer
5	2		934 00 060	1/4"-20 Lock Nut
6	2		936 00 112	1/4" Washer
7	2		930 02 353	1/4"-20 x 1" Bolt
8	2		939 00 212	Wear Washer

NEWAY END CAPS

SPRING END CAP



SPRING END CAP

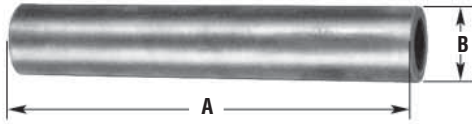


EUCLID NO.	REPLACES NEWAY	FOR MODEL	A
E-4308	910 10 038	TS - 3 Main Leaf Spring	3 7/8"
E-4309	910 10 043	TS - 2 Main Leaf Spring	2 13/16"

EUCLID NO.	REPLACES NEWAY	FOR MODEL
E-4310	910 10 054	All SL and TL

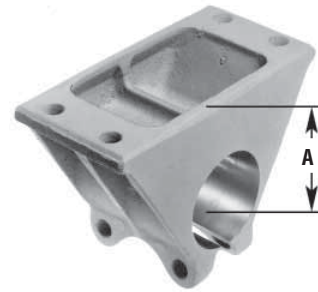
NEWAY END CAPS, TRUNNION SHAFTS & ADAPTERS

TRUNNION SHAFT
Hollow Shaft with 1/2" Thick Wall



EUCLID NO.	REPLACES NEWAY	FOR MODEL
E-2964	910 38 003	TS A = 48" Length & B = 4" O.D.

TRUNNION CLAMP CASTING



BEAM ADAPTER



Product Code 709

EUCLID NO.	REPLACES NEWAY	FOR MODEL	O.D.	I.D.	THICKNESS
E-4315	900 01 065	ARD-165 ARD-190	4 1/4"	3"	5/16"

EUCLID NO.	REPLACES NEWAY	FOR MODEL	A
E-4312	910 01 055	TS, US, USR, ARD (Except TS-660, 680, 6100)	4 1/2"
E-5213	910 01 054	TS-427-A, 432, 436, 442, 536, 542 Series	2 1/2"
E-5214	910 01 056		6 1/2"
E-5215	910 01 058		8 1/2"

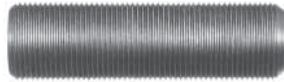
BEAM END ADAPTER ASSEMBLY



EUCLID NO.	REPLACES NEWAY	FOR MODEL	APPLICATION
E-2372	930 03 681 934 00 492 936 00 156 900 01 002	All ARD Series	For 5 1/4" Wide Beam Hangers
E-2374	930 03 693 934 00 492 936 00 156 900 01 002		For 5 3/4" Wide Beam Hangers

NEWAY AIR RIDE — ATTACHING PARTS

BEAM END STUD



TORQUE ARM BOLT

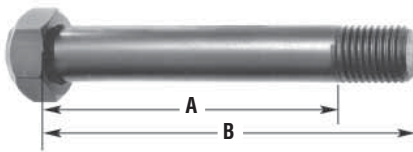


EUCLID NO.	REPLACES NEWAY	FOR MODEL	THD.	LENGTH
E-4258	900 06 380	ARD-125, 244	1 1/4" -12	4 1/2"

EUCLID NO.	REPLACES NEWAY	FOR MODEL	THREAD	LENGTH
E-4261	939 00 009	All RTS, TR-8540, 8600	1 1/4"-7	4 3/4"

BEAM END BOLT

DELTRIN LINER



1

EUCLID NO.	REPLACES NEWAY	FOR MODEL	THD.	A	B
E-4364	932 01 046	AR-70, AR-95 ART-500-B ART-551-B	1 1/8"-7	6 7/8"	9 1/4"
E-4361	932 01 045	AR-41, AR-50-US AR-51-US TR-8750 TR-8900	1 1/8"-7	6 1/2"	8 1/2"
E-2951	932 00 959	ARL, ART-500-US	1 1/4"-7	6 5/8"	8 1/8"

N/A = No Longer Available

EUCLID NO.	REPLACES NEWAY	FOR MODEL	O.D.	I.D.	LGTH.
N/A	900 38 083	AR-50-US AR-51-US ARD (except ARD-165)	1 1/4"	1 1/8"	5"

ALIGNMENT BLOCK

ALIGNMENT BLOCK



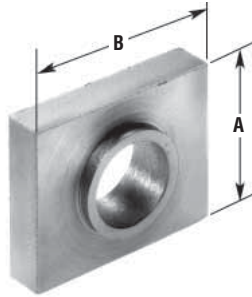
A = Thickness

EUCLID NO.	REPLACES NEWAY	FOR MODEL	O.D.	I.D.	A
E-4265	AR-70 900 08 092	AR-95 (inner)	2 3/4"	1 1/8"	7/8"
E-4266	900 08 110 (Pre-1981)	AR-125,244	2 1/2"	1 1/4"	3/4"
E-4267	900 08 120 (1981 & later)	ARD-125, 244	2 3/4"	1 1/8"	1"
E-9284	900 08 147 AR-93, RL-196	AR-80, AR-92,	3 1/4"	1 1/8"	7/8"

EUCLID NO.	REPLACES NEWAY	FOR MODEL	I.D.	THICKNESS without bump outs
E-4268	900 08 091	AR-70, AR-95 (outer)	1 1/8"	7/8"

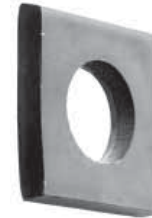
NEWAY AIR RIDE — ATTACHING PARTS

ALIGNMENT BLOCK



EUCLID NO.	REPLACES NEWAY	FOR MODEL	I.D.	THICKNESS	A	B
E-4262	900 01 001	ARL	1 1/4"	7/8"	2 1/2"	3"
E-4263	900 01 045	AR-50-US, 51-US, ART-500-B 551-B	1 1/8"	7/8"	2 1/2"	3"

SQUARE WASHER



JAM NUT



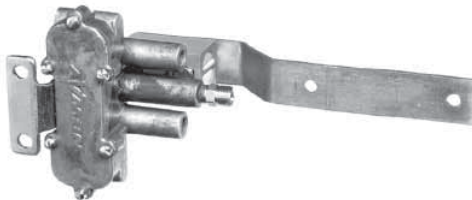
EUCLID NO.	REPLACES NEWAY	FOR MODEL	I.D.	HEX	THICKNESS
E-4274	934 00 036	RTS Torque Arm LH Thread	1 1/4"-7 LH	1 7/8"	23/32"
E-4275	934 00 284	RTS Torque Arm RH Thread	1 1/4"-7 RH	1 7/8"	23/32"

EUCLID NO.	REPLACES NEWAY	FOR MODEL	I.D.	SQ.	THICKNESS
E-2960	936 00 028	ART, AR-US	1"	2"	3/8"

1

NEWAY VALVES AND LINKS

NEWAY HEIGHT CONTROL VALVE



EUCLID NO.	REPLACES NEWAY	FOR MODEL
E-4323	900 54 007	Used on All Models

HAND VALVE

Handle 900-54-083
S.O.S. only



EUCLID NO.	REPLACES NEWAY	FOR MODEL
E-4329	900 54 082	Used on All Models

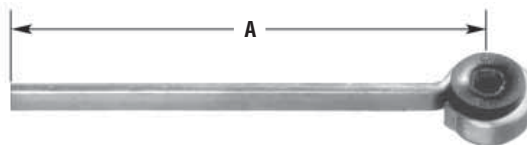
NEWAY VALVES AND LINKS

NEWAY "IMMEDIATE RESPONSE" (IR)



Includes Linkage Kit E-9838

LINK HALF



EUCLID NO.	REPLACES NEWAY	FOR MODEL	A	I.D.
E-4333	900 54 188	Used on All Models	8"	1/4"
E-4334	900 54 460	Used on All Models	14"	1/4"

LEVELING VALVE LINK ASSEMBLY



1

EUCLID NO.	REPLACES	APPLICATION & GENERAL INFORMATION
E-13922	Neway 905 55 105 905 54 241 SRK-205 Midland KN270000	Can be mounted vertically or horizontally. Fits Late Model Freightliner, Navistar and other air suspensions. Linkage kit included with valve.

EUCLID NO.	REPLACES	GENERAL INFORMATION
E-7852	Neway SRK-168 Peterbilt 03-06224	Use for applications requiring vertical mounting only.

ELECTRIC VALVE (Normally Open)



EUCLID NO.	REPLACES NEWAY	FOR MODEL
E-4331	900 54 075	Used on All Models

ELECTRIC VALVE (Normally Closed)



EUCLID NO.	REPLACES NEWAY	FOR MODEL
E-4325	900 54 074	Used on All Models

PRESSURE PROTECTION VALVE



Includes Internal Filter

EUCLID NO.	REPLACES NEWAY	FOR MODEL
E-4324	900 54 001 905 54 107	Used on All Models

QUICK RELEASE VALVE



EUCLID NO.	REPLACES NEWAY	FOR MODEL
E-4330A	900 54 096	Used on All Models

NEWAY VALVES

PILOT VALVE



EUCLID NO.	REPLACES NEWAY	FOR MODEL
E-4328	900 54 079	Used on All Models

PRESSURE REGULATOR VALVE



EUCLID NO.	REPLACES NEWAY	FOR MODEL
E-4327	900 54 077	Used on All Models

MANUAL VALVE



EUCLID NO.	REPLACES NEWAY	FOR MODEL
E-4326	900 54 088	Used on All Models

AIR GAUGE



EUCLID NO.	REPLACES NEWAY	FOR MODEL
E-4332	900 54 280	Used on All Models

NEWAY AIR SPRING MOUNTING PLATE, SHOCK BUSHINGS AND DOWN STRAP

AIR SPRING PLATE



EUCLID NO.	REPLACES NEWAY	FOR MODEL
E-4321	900 31 027	AR-120, 125 120-US 125-US ART-500-US 500-US-A

RUBBER DOWN STRAP



EUCLID NO.	REPLACES NEWAY	FOR MODEL
E-9289	900 44 882	ARDAB Air Beam

NEWAY SHOCK MOUNTING BRACKETS & HARDWARE

LOWER SHOCK MOUNTING BRACKET



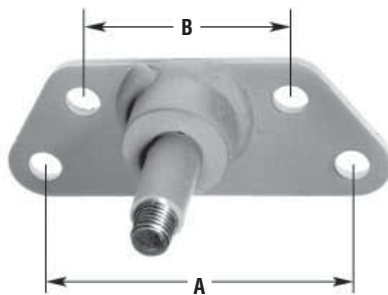
EUCLID NO.	REPLACES NEWAY	FOR MODEL
E-4338	905 19 009	AR-80-US, AR-51-US

UPPER SHOCK MOUNTING BRACKET



EUCLID NO.	REPLACES NEWAY	FOR MODEL	STUD	
			THD.	LGTH.
E-4339	900 18 011	AR-120, 125 AR-120-US 125-US	3/4"-10	3"

UPPER SHOCK MOUNTING BRACKET



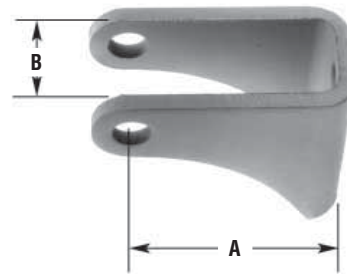
EUCLID NO.	REPLACES NEWAY	FOR MODEL	A	B	STUD	
					THD.	LGTH.
E-4342	905 18 020	ARD-165 ARD-125 ARD-244	6"	4"	3/4"-10	3 13/16"

SHOCK MOUNTING BOLT



EUCLID NO.	REPLACES NEWAY	FOR MODEL	GRADE	THD.	O.A.L.
E-4345	930 03 599	ARL	8	3/4"-10	3 1/2"

UPPER SHOCK MOUNTING BRACKET



EUCLID NO.	REPLACES NEWAY	FOR MODEL	A	B
E-4343	900 18 116	ARD-125 ARD-244	4 1/2"	1 25/32"

1

NEWAY BEAMS

BEAM - LEFT HAND



EUCLID NO.	REPLACES NEWAY	FOR MODEL	DIMENSIONS
E-9530	905 15 026	For Model AR-120 US	40" O.A.L.

BEAM - RIGHT HAND



EUCLID NO.	REPLACES NEWAY	FOR MODEL	DIMENSIONS
E-9531	905 15 027	For Model AR-120 US	40" O.A.L.

BEAM - LEFT HAND



EUCLID NO.	REPLACES NEWAY	FOR MODEL	DIMENSIONS
E-9532	905 16 112	AR-90	43" O.A.L.

BEAM - RIGHT HAND



EUCLID NO.	REPLACES NEWAY	FOR MODEL	DIMENSIONS
E-9533	905 16 113	AR-90	43" O.A.L.

BEAM



EUCLID NO.	REPLACES NEWAY	FOR MODEL	DIMENSIONS
E-9534	910 15 015	T-8540	43 3/8" O.A.L.

BEAM



EUCLID NO.	REPLACES NEWAY	FOR MODEL	DIMENSIONS
E-9535	915 15 001	RTS-536, 544	43 3/8" O.A.L.

1

NEWAY BEAM ATTACHING HARDWARE

TRUNNION TUBE



INNER WASHER



EUCLID NO.	REPLACES NEWAY	O.D.	I.D.	THICKNESS
E-9611	936 00 002	6"	4 1/16"	3/16"

OUTER WASHER



EUCLID NO.	REPLACES NEWAY	O.D.	I.D.	THICKNESS
E-9612	936 00 003	6"	4 1/16"	5/16"

LOCK NUT GRADE 8

Use for Neway Air Suspension

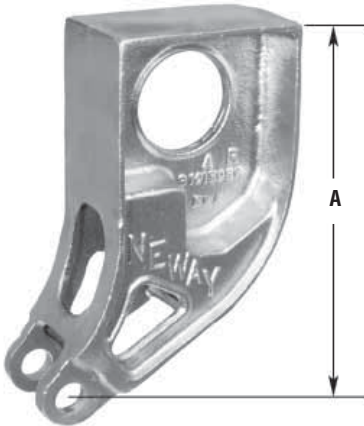


EUCLID NO.	REPLACES NEWAY	THREAD	HEX	HIGH
E-2988	934 00 488	5/8"-11	15/16"	17/32"

EUCLID NO.	REPLACES NEWAY	O.D.	WALL THICK.	LENGTH
E-9610	910 38 210	4"	1/2"	8 3/8"

1

NEWAY LEAF SPRING HANGER

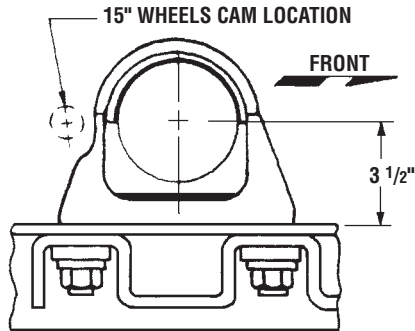


FRONT SPRING HANGER

EUCLID NO.	REPLACES NEWAY	A	FOR MODEL
E-9536	910 18 036	14 1/2"	RTS-536-1, -2, -3, -4 and RTS-544-1, -2, -3, -4 Spring Series

NEWAY SUSPENSION

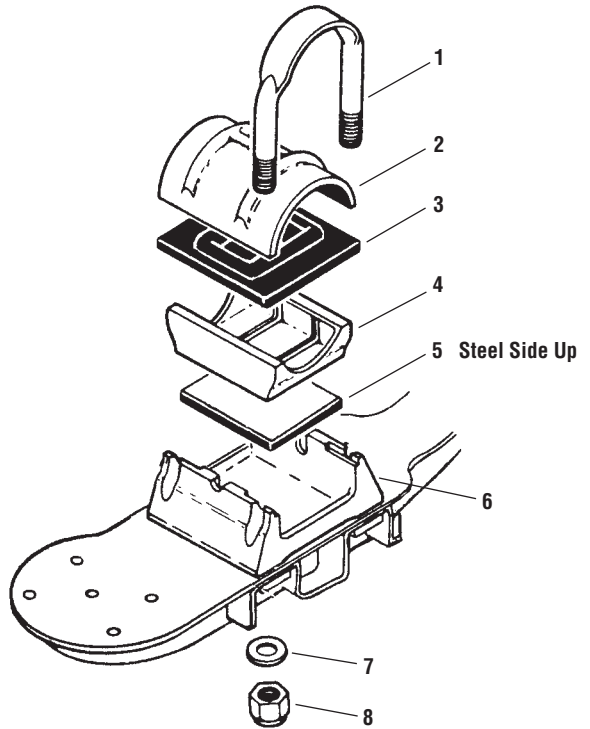
15" Wheel Connection 5" Rd. and 5" Sq. (With Brake Cams on Horizontal Centerline)



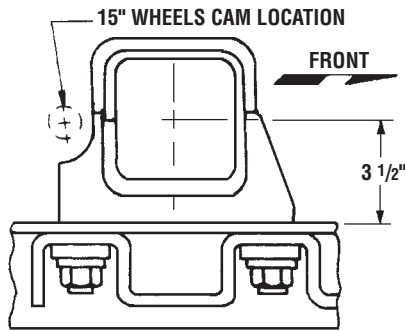
5" ROUND AXLE CONNECTION

N.S.S. = Not Sold Separately

KEY NO.	EUCLID NUMBER	REPLACES NEWAY NUMBER	DESCRIPTION	PAGE NO.
1	E-UB8479-090	900 41 878	U-Bolt Assembly	2-30
2	S.O.S.	905 10 093	Axle Cap	—
3	E-2943900 28 047	Rubber Wrapper 1-451		
4	E-4289900 01 082	Axle Adapter 1-466		
5	E-2947A	900 28 075	Steel/Rubber Pad	1-452
6	S.O.S.	900 01 078	Beam Seat	—
7	N.S.S.	939 00 027	Washer	—
8	E-4421934 00 502	Lock Nut	2-34	



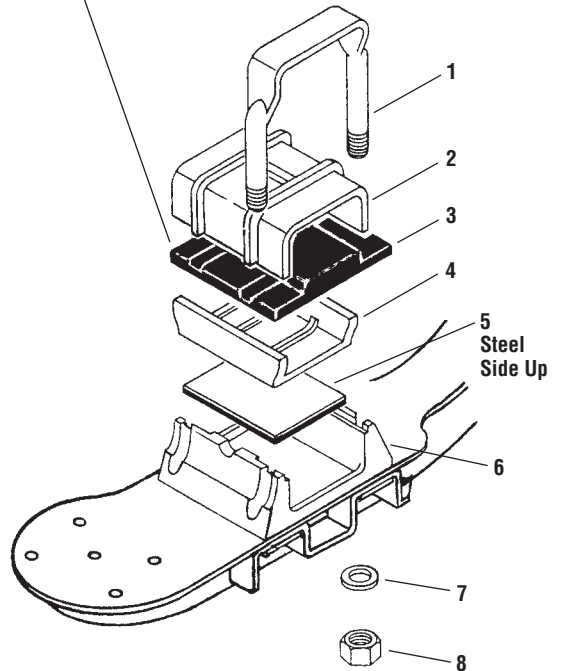
NOTE: Rubber Wrapper must be inserted in axle cap with slots matching internal ribs in axle cap.



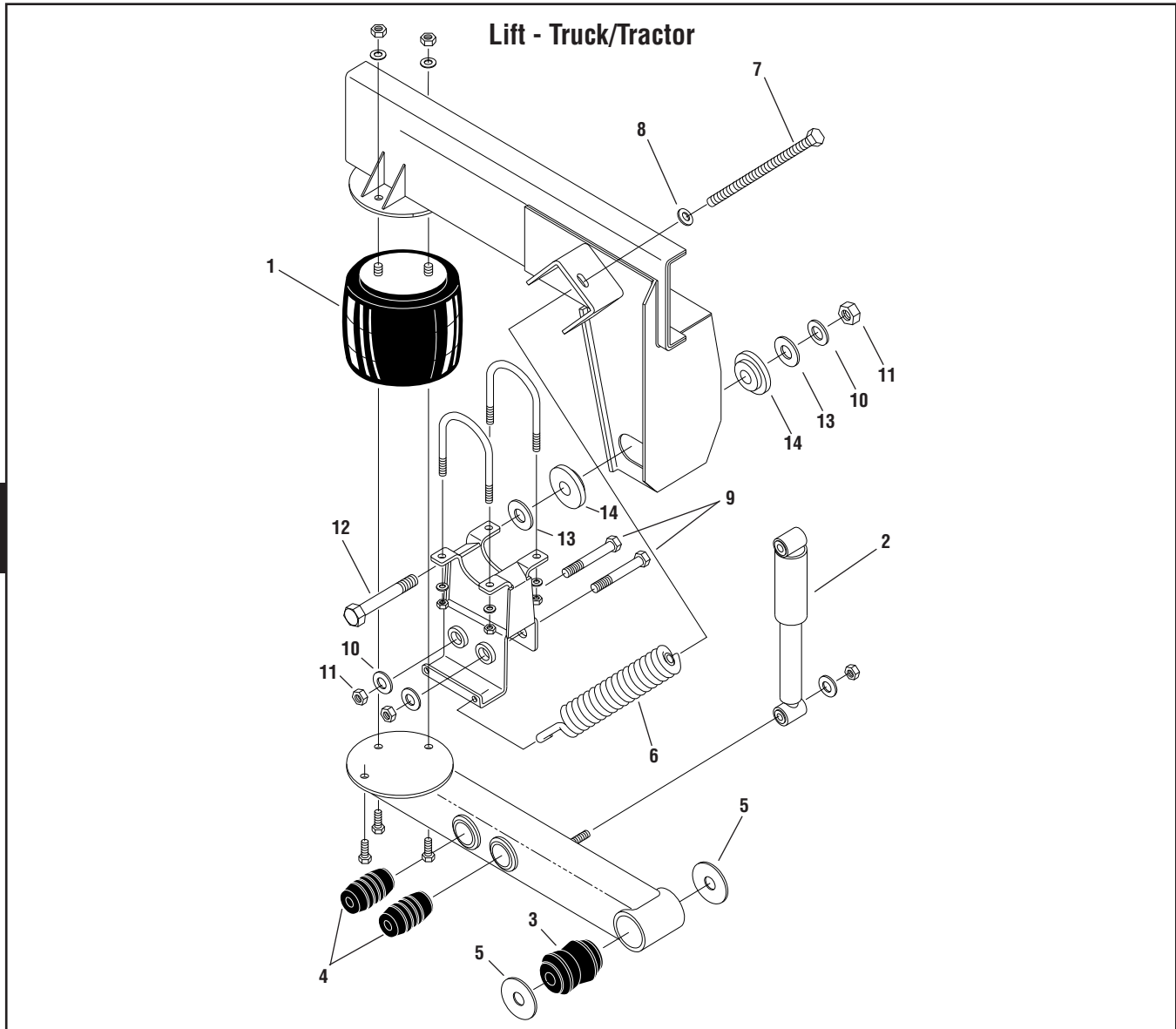
5" SQUARE AXLE CONNECTION

N.S.S. = Not Sold Separately

KEY NO.	EUCLID NUMBER	REPLACES NEWAY NUMBER	DESCRIPTION	PAGE NO.
1	E-UB8578-094	900 42 430	U-Bolt Assembly	2-30
2	S.O.S.	900 10 026	Axle Cap	—
3	E-4409	900 28 073	Rubber Wrapper	1-451
4	E-4290	900 01 083	Axle Adapter	1-467
5	E-2947A	900 28 075	Steel/Rubber Pad	1-452
6	S.O.S.	900 01 086	Beam Seat	—
7	N.S.S.	939 00 027	Washer	—
8	E-4421	934 00 502	Lock Nut	2-34



PAGE LM-2000 SERIES LIFT AXLE SUSPENSION

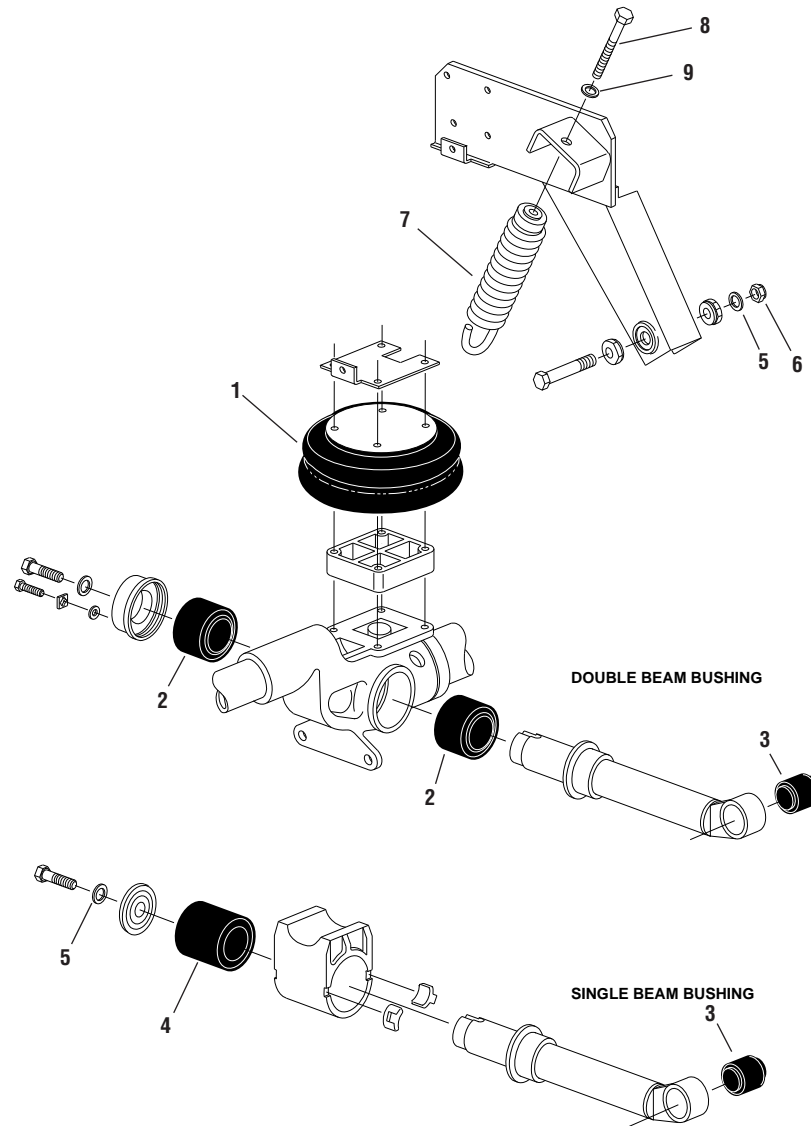


1

KEY NO.	EUCLID NO.	REPLACES PAGE NO.	DESCRIPTION	QUANTITY PER SUSPENSION	PAGE NO.
1	FS9164	1090326	Air Spring	2	—
2	M83203	1080099	Shock Absorber	2	3-14
	M85000				
3	E-4382A	1090436	Beam End Bushing	2	1-485
4	E-4255	1090237	Axle Bracket Bushing	4	1-485
5	E-2957	1090437	Thrust Washer	4	2-35
6	E-9448	1027637	Coil Lift Spring	2	1-485
7	E-9449	1027645	Coil Lift Spring Bolt	2	1-485
8	E-9450	1027644	Coil Lift Spring Washer	2	1-486
9	E-4361	1090452	Axle Bracket Bolt	4	2-32
10	E-9452	1025264	Axle Bracket Washer	6	1-486
11	E-4358	1027534	Lock Nut	6	2-34
12	E-4361	1090438	Beam End Bolt	2	2-32
13	E-9454	1082048	Beam End Washer	4	1-486
14	E-9455	1082047	Alignment Collar	4	1-486

PAGE LM-3000 SERIES LIFT AXLE SUSPENSION

Lift - Truck/Tractor

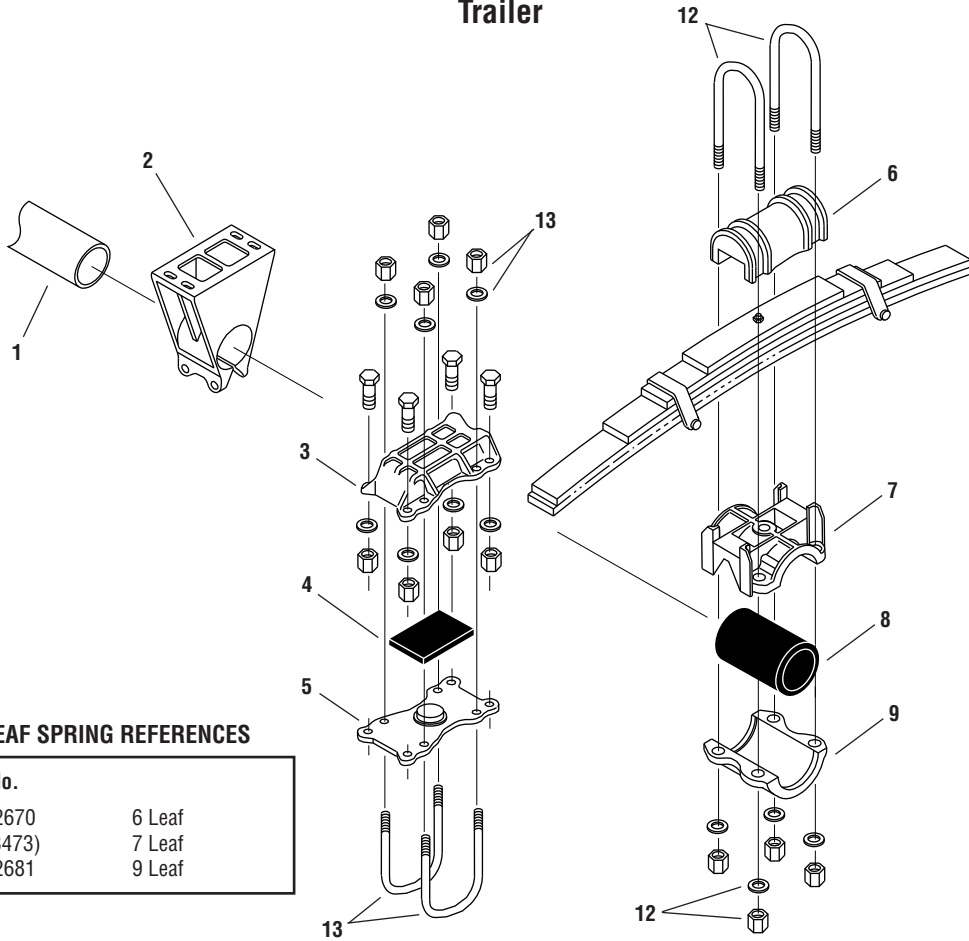


KEY NO.	EUCLID NO.	PAGE REPLACES NO.	DESCRIPTION	PER QUANTITY SUSPENSION	PAGE NO.
1	FS7136	1027556	Air Spring	2	—
2	E-9456	1027371	Pivot Arm Bushing	4	1-485
3	E-9457	1080044	Beam End Bushing	4	1-485
4	E-9458	1080082	Pivot Arm Bushing	2	1-485
5	E-9452	1025264	Washer	2	1-486
6	E-2079	1027534	Lock Nut	2	2-34
7	E-9448	1027637	Coil Lift Spring	2	1-485
8	E-9449	1027645	Coil Lift Spring Bolt	2	1-485
9	E-9450	1027644	Coil Lift Spring Washer	2	1-486

S.O.S. = Available through Euclid's S.O.S. Department

PAGE SINGLE POINT SUSPENSION

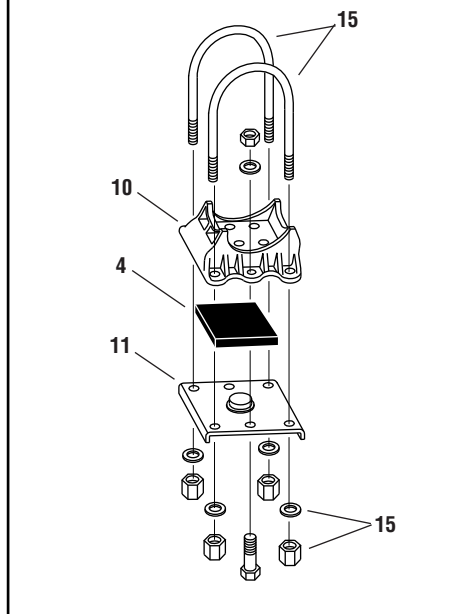
Trailer



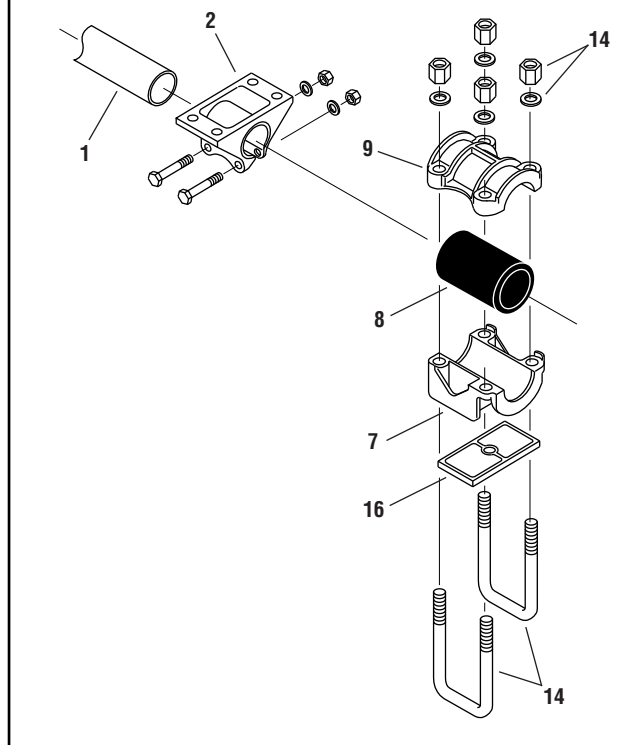
LEAF SPRING REFERENCES

SRI No.	
TRA 2670	6 Leaf
(1083473)	7 Leaf
TRA 2681	9 Leaf

OPTIONAL UNDERSLUNG AXLE



OPTIONAL UNDERSLUNG TRUNNION



PAGE SINGLE POINT SUSPENSION PARTS

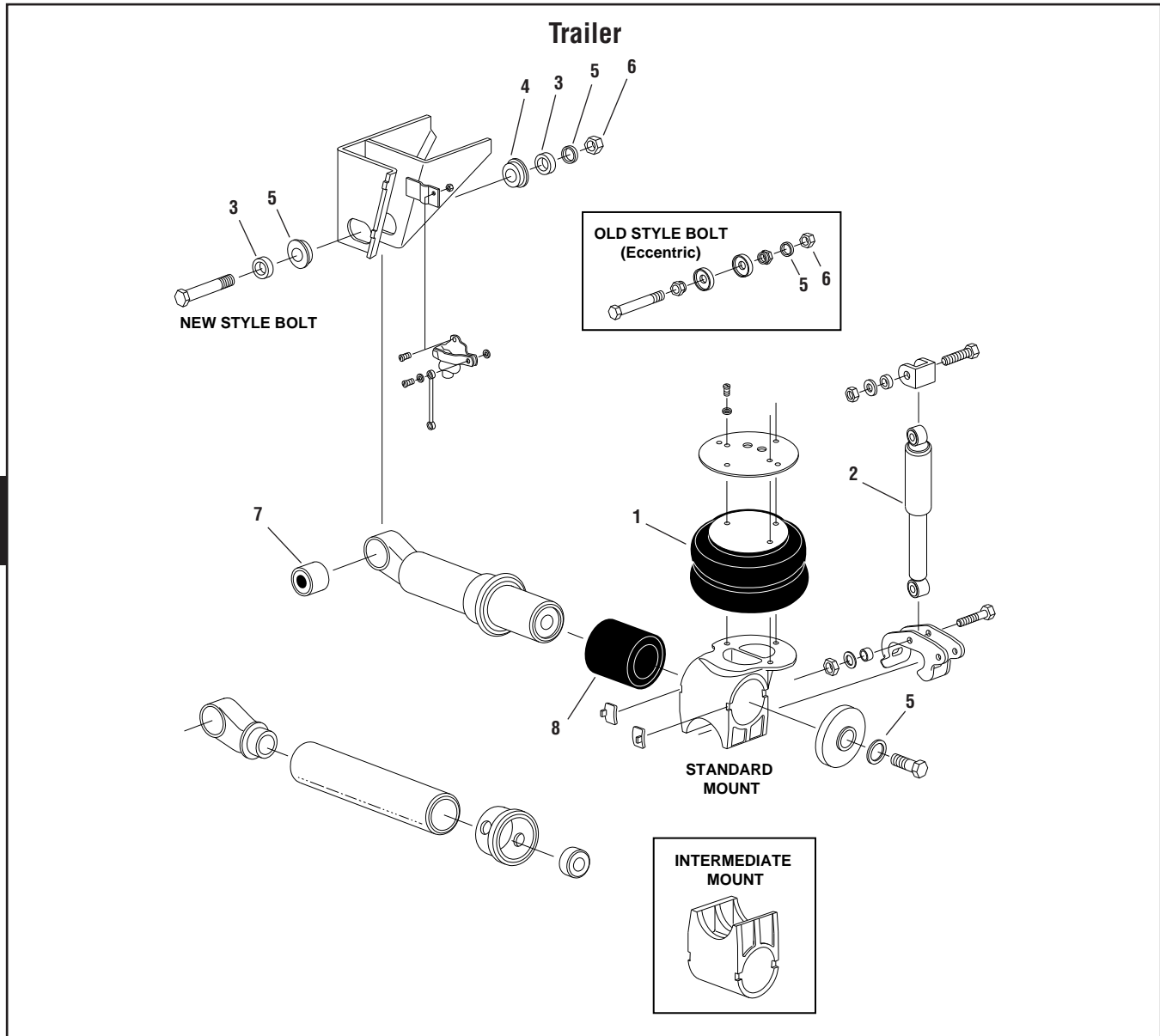
Trailer

N/A = No Longer Available

KEY NO.	EUCLID NO.	REPLACES PAGE NO.	DESCRIPTION	QUANTITY PER SUSPENSION	PAGE NO.
1	E-5218	1083482	Trunnion Shaft	1	1-486
2	E-5213	1084526	Trunnion Bracket, 2 1/2" High	2	1-486
	E-4312	1084538	Trunnion Bracket, 4 1/2" High		1-486
	E-5214	1084554	Trunnion Bracket, 6 1/2" High		1-486
	E-5215	1083495	Trunnion Bracket, 8 1/2" High		1-486
3	E-4308	1083493	Spring End Cap	4	1-486
4	E-1330 (Rubber)	—	Spring End Pad	4	1-486
	E-8670 (Poly)				1-486
5	E-4305	1083492	Spring Seat, 5" Round Axle	4	1-487
6	E-9459	1083472	U-Bolt Cap	2	1-487
7	E-4301	1083471	Trunnion Half	2	1-487
8	E-1332 (Rubber)	1083483	Trunnion Bushing	2	1-487
	E-7486 (Poly)				1-487
9	E-4302	1083489	Trunnion Half	2	1-487
10	E-9460	1084524	Spring End Cap	4	1-487
11	E-9461	1084521	Spring End Pad	4	1-487
12	E-UB8186-154	1085153 1083485 1090188	U-Bolt Assembly, Rd. Bend, 1 1/8"-12 Thd. x 5 3/4" Wide x 15 1/2" Long	4	2-26
13	E-UB8145-076	1083486	U-Bolt Assembly, Rd. Bend, 5/8"-18 Thd. x 5" Wide x 7 3/4" Long	8	2-25
14	E-UB8287-14	1084523	U-Bolt Assembly, Sq. Bend, 1 1/8"-12 Thd. x 5 3/4" Wide x 14" Long	4	2-28
15	E-UB8178-126	1084525	U-Bolt Assembly, Rd. Bend, 1"-14 Thd. x 5" Wide x 12 3/4" Long	8	2-26
16	N/A	—	Plate	2	—
—	E-2965	—	Spring Seat Repair Pad	As Required	1-487

S.O.S. = Available through Euclid's S.O.S. Department

PAGE TRAILMASTER AIR SPRING SUSPENSION



KEY NO.	EUCLID NO.	REPLACES PAGE NO.	DESCRIPTION	QUANTITY PER SUSPENSION	PAGE NO.
1	FS7136	1027556	Air Spring	2	—
2	M83203	1080099	Shock Absorber	2	3-14
	M85000				
	M83204	1081933			
3	E-9454	1082048	Beam End Washer	4	1-486
4	E-9455	1082047	Alignment Collar	4	1-486
5	E-9452	1025264	Axle Bracket Washer	4	1-486
6	E-2079	1027534	Lock Nut	2	2-34
7	E-9457	1080044	Beam End Bushing	2	1-485
8	E-9458	1080082	Pivot Arm Bushing	2	1-485

S.O.S. = Available through Euclid's S.O.S. Department

PAGE LM-2000/3000 SERIES LIFT AXLES AND TRAILMASTER AIR SPRING SUSPENSION PARTS

AXLE BRACKET BUSHING



EUCLID NO.	REPLACES	O.D.	I.D.	LENGTH
E-4255	Page 1090237	2 3/8"	1 1/8"	5"

PIVOT ARM BUSHING



EUCLID NO.	REPLACES	O.D.	I.D.	LENGTH
E-9456	Page 1027371	4 1/2"	3 1/2"	4 3/16"

PIVOT ARM BUSHING



EUCLID NO.	REPLACES	O.D.	I.D.	LENGTH
E-9458	Page 1080082	5"	3 5/8"	5 5/8"

COIL LIFT SPRING



EUCLID NO.	REPLACES	DIMENSIONS
E-9448	Page 1027637	3 5/8" O.D. x 18" Long

BEAM END BUSHING



EUCLID NO.	REPLACES	O.D.	I.D.	LENGTH
E-4382A	Page 1090436	3 1/2"	1 1/8"	5 1/4"

BEAM END BUSHING



EUCLID NO.	REPLACES	O.D.	I.D.	LENGTH
E-9457	Page 1080044	3"	1 1/8"	2 15/16"

COIL LIFT SPRING BOLT



EUCLID NO.	REPLACES	DIMENSIONS
E-9449	Page 1027645	3/4"-16 Thd. x 10" Long

PAGE LM-2000/3000 SERIES LIFT AXLES AND TRAILMASTER AIR SPRING SUSPENSION PARTS

AXLE BRACKET WASHER



EUCLID NO.	REPLACES	O.D.	I.D.	THICK
E-9452	Page 1025264	1 3/4"	1 3/16"	1/8"

COIL LIFT SPRING WASHER



EUCLID NO.	REPLACES	O.D.	I.D.	THICK
E-9450	Page 1027644	1 1/2"	3/4"	3/8"

ALIGNMENT COLLAR



EUCLID NO.	REPLACES	O.D.	I.D.	THICK
E-9455	Page 1082047	3 1/2"	1 7/16"	15/16"

BEAM END WASHER



EUCLID NO.	REPLACES	O.D.	I.D.	THICK
E-9454	Page 1082048	2 1/4"	1 1/8"	3/8"

1

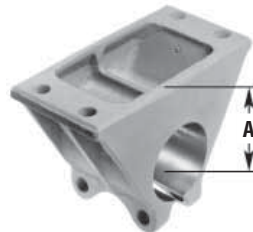
PAGE SINGLE POINT SUSPENSION PARTS

TRUNNION SHAFT



EUCLID NO.	REPLACES	O.D.	LENGTH	WALL THICKNESS
E-5218	Page 1083482	4"	48"	3/4"

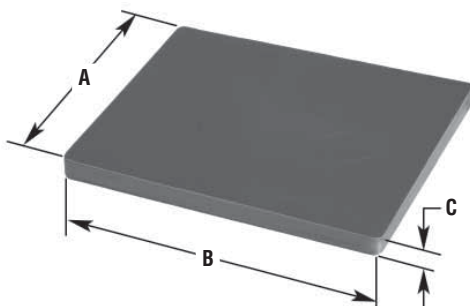
TRUNNION BRACKET



Material
Ductile Iron

EUCLID NO.	REPLACES	A
E-5213	Page 1084526	2 1/2" High
E-4312	Page 1084538	4 1/2" High
E-5214	Page 1084554	6 1/2" High
E-5215	Page 1083495	8 1/2" High

SPRING END PAD



EUCLID NO.	REPLACES	A	B	C
E-1330 (Rubber)	—	4 5/8"	5 1/4"	13/16"
E-8670 (Poly)				

SPRING END CAP



EUCLID NO.	REPLACES	A
E-4308	Page 1083493	3.88"

PAGE SINGLE POINT SUSPENSION PARTS

SPRING SEAT 5" ROUND AXLE



Made with
Ductile Iron
Not weldable

EUCLID NO.	REPLACES
E-4305	Page 1083492

TRUNNION HALF



EUCLID NO.	REPLACES
E-4301	Page 1083471

TRUNNION BUSHING



EUCLID NO.	REPLACES	O.D.	I.D.	LENGTH
E-1332 (Rubber)	Page 1083483	5"	4"	8 3/4"
E-7486 (Poly)				

SPRING END PAD



EUCLID NO.	REPLACES
E-9461	Page 1084521

U-BOLT CAP



EUCLID NO.	REPLACES
E-9459	Page 1083472

TRUNNION HALF



EUCLID NO.	REPLACES
E-4302	Page 1083489

SPRING END CAP



EUCLID NO.	REPLACES
E-9460	Page 1084524

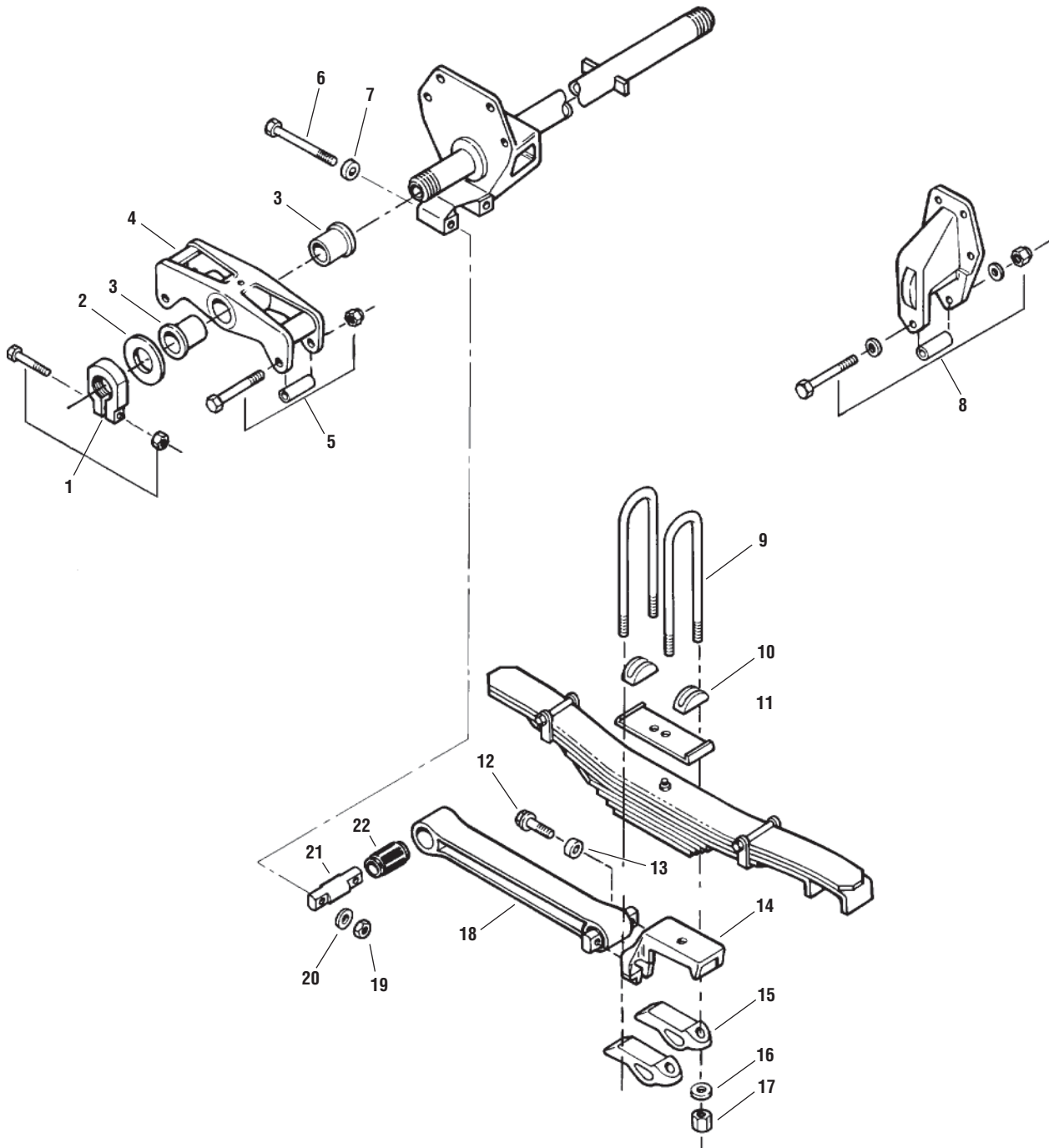
SPRING SEAT REPAIR PAD



EUCLID NO.	REPLACES
E-2965	Page 91001049

PETERBILT 4-SPRING SUSPENSION

1



LEAF SPRING REFERENCES

SRI No.	
75-141	4/Pad/3/Pad
75-107	11 Leaf
75-117	11 Leaf

PETERBILT 4-SPRING SUSPENSION PARTS

Tractor

N/A = No Longer Available

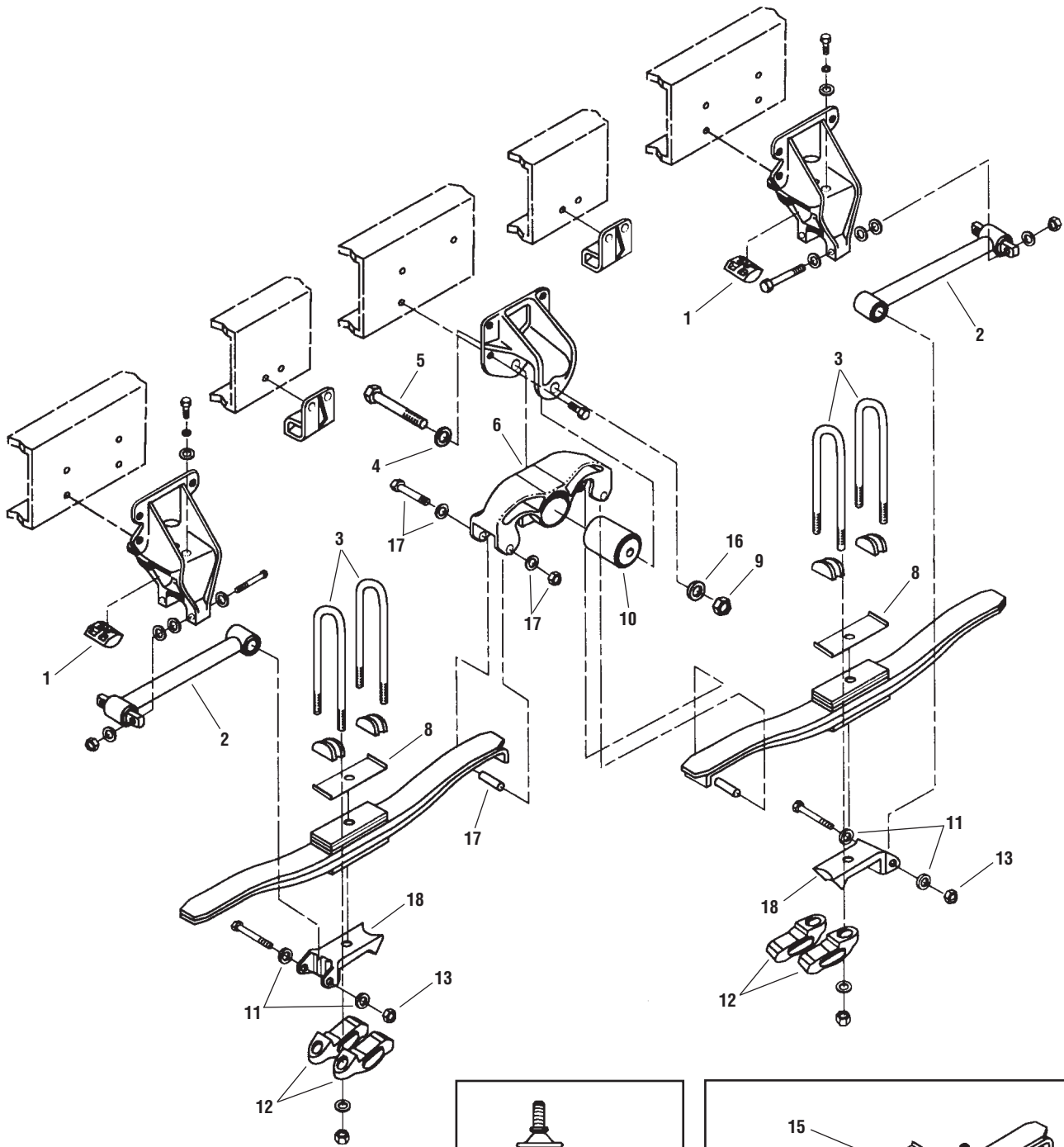
KEY NO.	EUCLID NO.	REPLACES PETERBILT NO.	DESCRIPTION	QUANTITY PER TANDEM	PAGE NO.
1	N/A	—	Equalizer Clamp Nut Assembly	2	—
2	E-4755	03-1771	Equalizer Washer	2	1-498
3	E-4745	03-02099	Equalizer Bushing	4	1-498
	E-7510 (Poly)				
5	E-4761	—	Equalizer Spacer Assembly	4	1-498
7	N/A	03-00869	Torque Arm Spacer Washer, 7/32" Thick	4	—
	E-4754	03-00870	Torque Arm Spacer Washer, 1/2" Thick		—
8	E-4770	—	Hanger Spacer Assembly	4	1-499
9	E-UB8151-18	Various	U-Bolt Assembly, Rd. Bend, 3/4"-16 Thd. x 3" Wide x 18" Long	8	2-25
10	—	03-01766	U-Bolt Saddle	8	—
11	N/A	03-01769	U-Bolt Saddle Plate	4	—
12	E-4759	27-00702-009	Torque Arm Bolt	8	1-499
13	N/A	03-00870	Torque Arm Spacer Washer	8	—
14	E-4767	03-02864M002	Axle Seat, Front	2	1-499
	E-4768	03-02865M002	Axle Seat, Rear	2	1-499
15	N/A	03-01765	Axle Clamp	8	—
16	E-2545	03-01199	Washer	16	2-35
17	E-3001	27-00433 27-00508-012	Hi-Nut	16	2-34
18	E-4753	03-04839	Torque Arm, E-4753 Non-Rebushable	4	1-498
19	E-3000	29-00508-010	Hi-Nut	16	2-34
20	N/A	27-00304-010	Torque Arm Lock Washer	16	—
21	E-4751	03-01768	Torque Arm Pin	8	1-498
22	E-4752	03-01776	Torque Arm Bushing	8	1-498

1

PETERBILT "QUADRAFLEX" 4-SPRING SUSPENSION

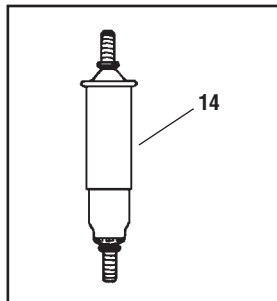
Tractor

1

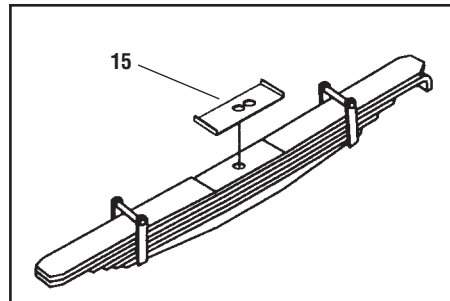


LEAF SPRING REFERENCES

SRI No.	
75-141	4/Pad/3/Pad
75-107	11 Leaf
75-117	11 Leaf



Shock Absorber



Optional Spring Assembly

PETERBILT "QUADRAFLEX" 4-SPRING SUSPENSION PARTS

Tractor

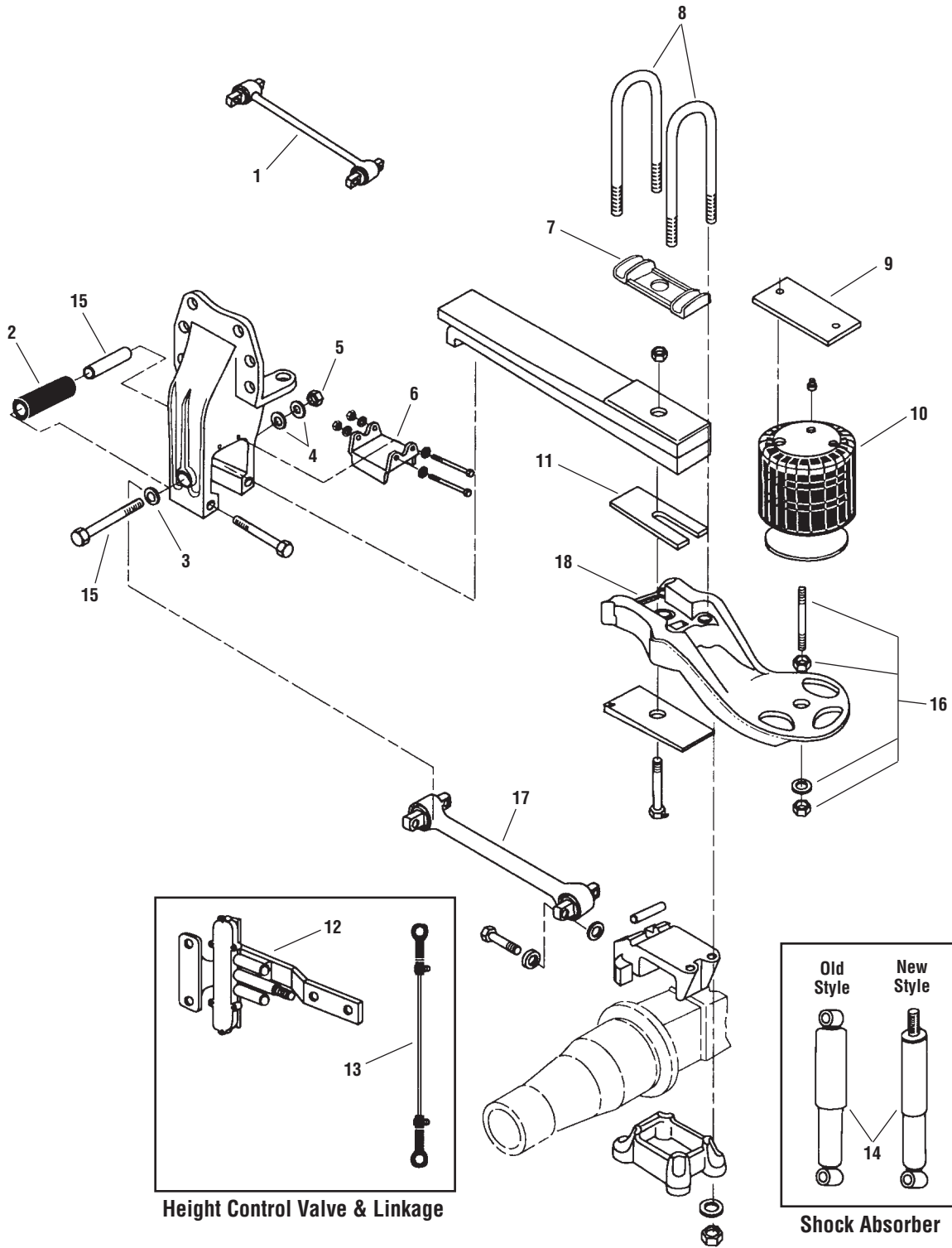
N/A = No Longer Available

KEY NO.	EUCLID NO.	REPLACES PETERBILT NO.	DESCRIPTION	QUANTITY PER TANDEM	PAGE NO.
1	E-7879	03-05851M001	Hanger Wear Pad	4	1-500
2	E-7887	03-05849	Torque Arm	4	1-500
3	E-UB8151-14	03-04524-01	U-Bolt Assembly, Rd. Bend, 3/4"-16 Thd. x 3" Wide x 14" Long	8	2-25
	E-UB8151-16	03-04524-150	U-Bolt Assembly, Rd. Bend, 3/4"-16 Thd. x 3" Wide x 16" Long		2-25
4	E-2275	27-00790-016	Washer	2	2-35
5	E-4778	03-01668	Spring Eye Bolt	4	2-33
6	E-7869	03-06771M001	Equalizer	2	1-500
7	—	03-01766	U-Bolt Saddle	8	—
8	N/A	03-05863	Top Plate	4	—
9	E-4779	27-00791-016 41NE1614	Spring Eye Nut	2	2-34
10	E-7870	03-06843	Equalizer Bushing	2	1-500
11	E-2545	03-01199	Washer	8	2-35
12	N/A	03-02634R	Axle Clamp, Right Hand	4	—
	N/A	03-02634L	Axle Clamp, Left Hand	4	—
	N/A	03-04776	Axle Clamp	8	—
13	E-4347	12841-003-20CA	Lock Nut	4	2-34
14	M85326	03-04628	Shock Absorber	4	3-17
15	N/A	03-01769	U-Bolt Saddle Plate	4	—
16	E-2275	27-00790-016	Equalizer Washer	2	2-35
17	E-7871	—	Equalizer Bolt Kit Includes Key Nos. 4, 5, 9, 21	2	1-500
18	N/A	03-05859M001	Axle Seat, Front	2	—
	N/A	03-05858M001	Axle Seat, Rear	2	—

1

PETERBILT "AIR TRAC " AIR RIDE SUSPENSION

Tractor



Height Control Valve & Linkage

Shock Absorber

LEAF SPRING REFERENCES

SRI No.	
75-125	2 Leaf
75-109	3 Leaf

1

PETERBILT "AIR TRAC" AIR RIDE SUSPENSION PARTS

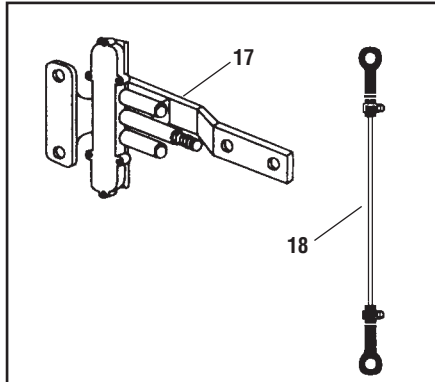
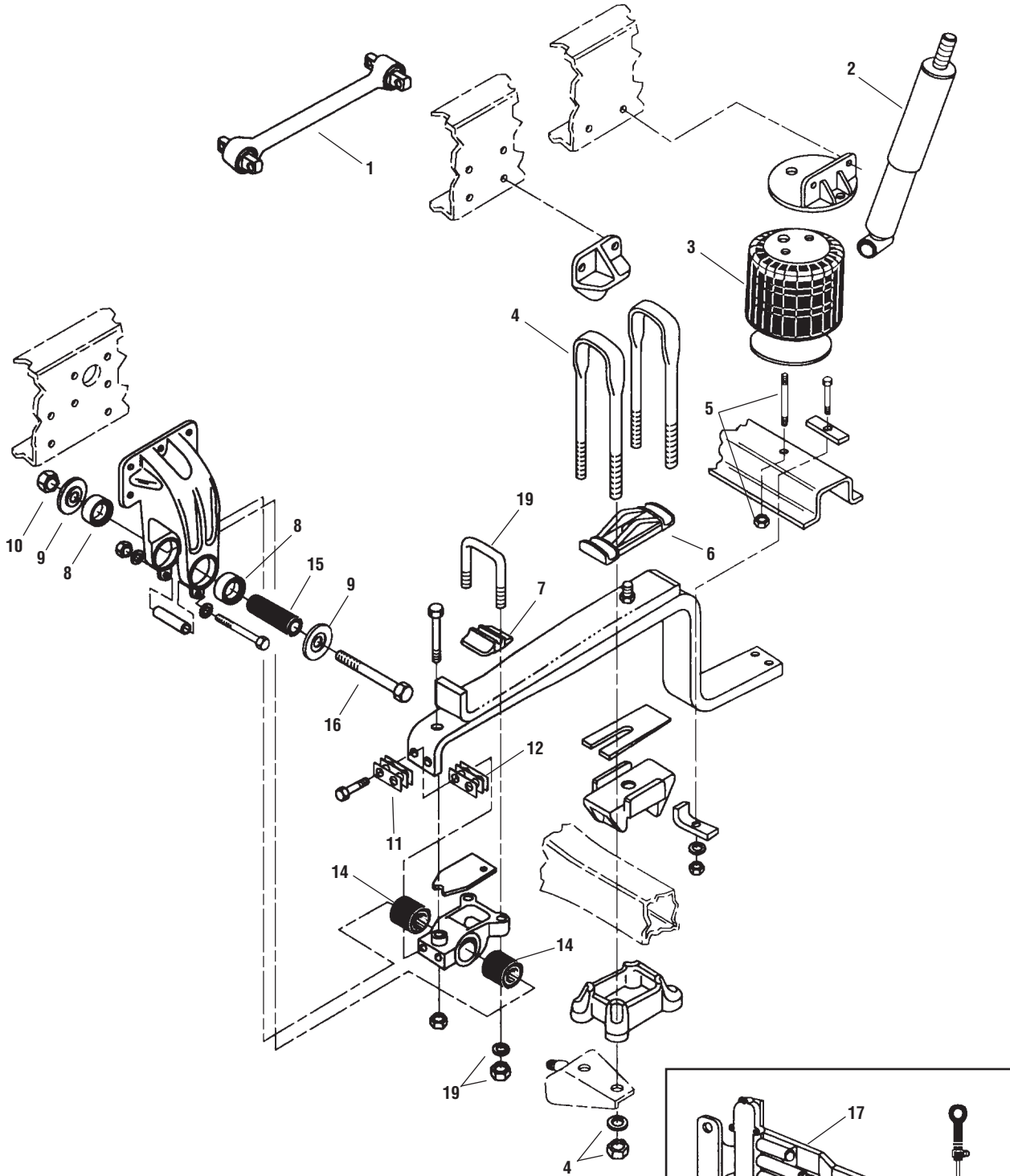
Tractor

KEY NO.	EUCLID NO.	REPLACES PETERBILT NO.	DESCRIPTION	QUANTITY PER AXLE	PAGE NO.
1	E-4771	03-04059	Torque Arm, 23" Long	2	1-503
2	E-7855	03-04623	Spring Eye Bushing	2	1-501
3	E-2547	03-04962	Washer	2	2-35
4	S.O.S.	27-00428-010	Washer	4	—
5	E-1943	22NE1018 27-00791-008	Lock Nut	2	2-34
6	E-7862	23-12566 27-01032-008	Wear Pad Kit For Model Built Date Prior April 1993	2	1-501
7	E-4781	03-01656	Top Plate	2	1-503
8	E-UB8375-14	03-03133-150	U-Bolt Assembly, Semi Rd. Bend, 1"-14 Thd. x 4 1/8" Wide x 14" Long	4	2-29
	E-UB8375-154	03-03134-151	U-Bolt Assembly, Semi Rd. Bend, 1"-14 Thd. x 4 1/8" Wide x 15 1/2" Long		
9	E-7865	03-03846	Air Spring Spacer	2	1-501
10	FS9069	03-01649 03-02038 03-02456	Air Spring	2	—
11	E-7864	03-04106	Leaf Spring Shim	2	1-501
12	E-4323	—	Height Control Valve	1	2-58
13	E-7852	03-06224	Leveling Valve Link Assembly	1	2-61
14	M85308	03-04176	Shock Absorber	4	3-10
	M89422		Shock Absorber		
	M85311	03-04629	Shock Absorber		3-16
	M89424		Shock Absorber		
15	E-7854	—	Spring Eye Bushing Kit Includes Key Nos. 2, 3, 4, 5, 18	2	1-501
16	E-7868	27-00173 27-00311-008 27-00304-008	Air Spring Stud Assembly	2	1-501
17	E-5082	03-04119	Torque Arm with 5/8" Hole in Both Bushings	2	1-503
	E-5083	03-04327	Torque Arm with 5/8" One End and 3/4" Other End	2	1-503
18	E-7866	03-2559L	Spring Support, Left Hand	1	1-501
		03-06747L			
	E-7867	03-02559R	Spring Support, Right Hand	1	1-501
		03-06747R			

S.O.S. = Available through Euclid's S.O.S. Department

PETERBILT "LOW AIR LEAF" SUSPENSION

Tractor



Height Control Valve & Linkage

1

PETERBILT "LOW AIR LEAF" SUSPENSION PARTS

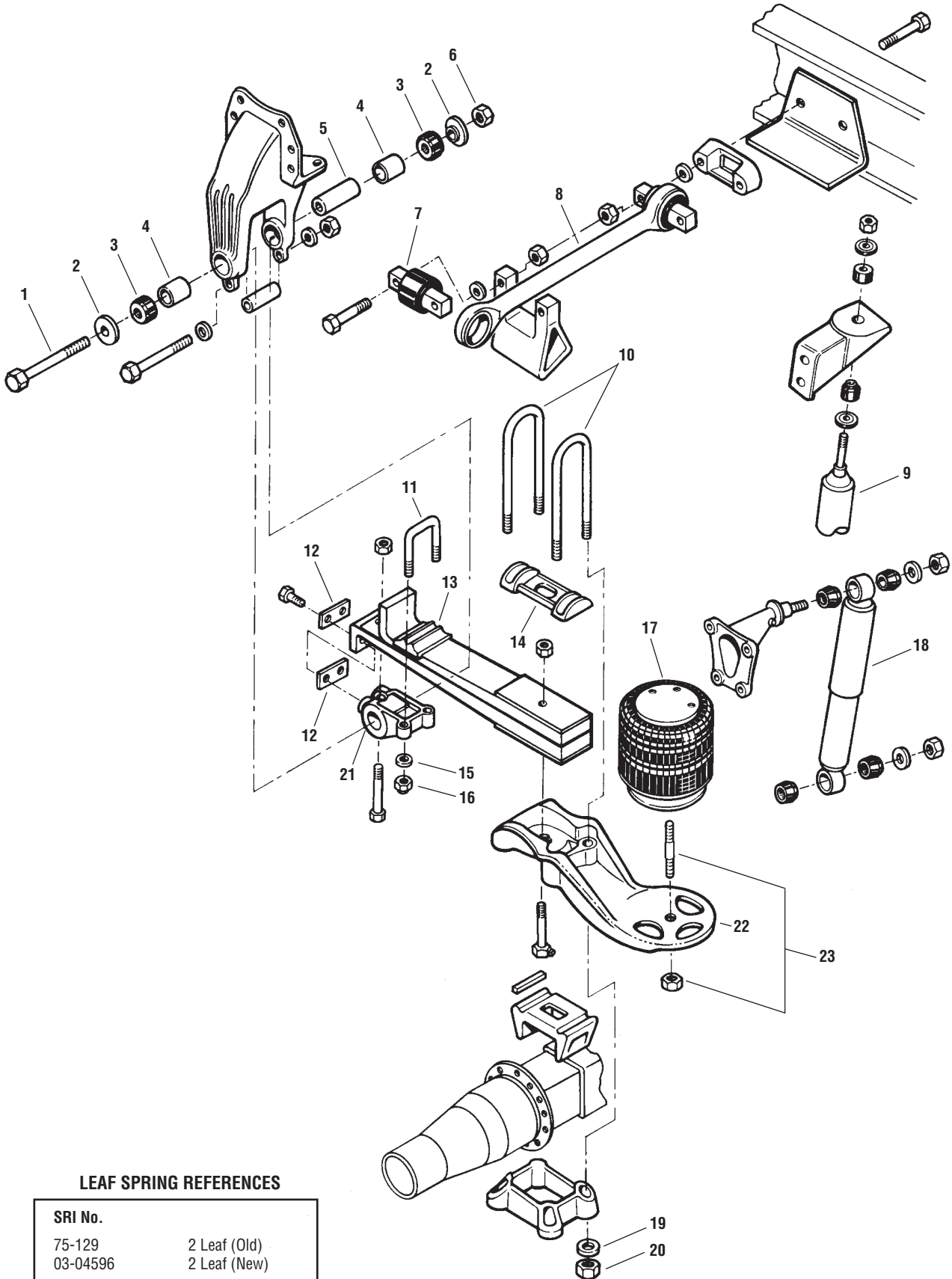
Tractor

KEY NO.	EUCLID NO.	REPLACES PETERBILT NO.	DESCRIPTION	QUANTITY PER AXLE	PAGE NO.
1	E-7853	03-05108	Torque Arm	2	1-502, 2-42
2	M85033	03-07423	Shock Absorber	2	3-16
	M89427		Shock Absorber		
3	FS9026	03-0613	Air Spring	2	—
	FS9194	03-05107	Air Spring	2	—
4	E-UB8673-154	03-05110-155	U-Bolt Assembly, Flat-Semi Round. Bend, 1"-14 Thd. x 3 9/16" Wide x 15 1/2" Long	4	2-29
5	E-7851	27-00791-008 27-00972	Air Spring Stud & Nut Assembly	2	1-502
6	N/A	03-05380	Top Plate	2	—
7	N/A	03-05100	Top Plate	2	—
8	E-4776	03-01675	Spring Hanger Bushing	4	1-503
9	E-4777	03-01670	Spring Hanger Washer	4	1-503
10	E-4779	41NE1614 27-00791	Spring Eye Nut	2	2-34
11	E-7844	03-05114-002	Shim	—	1-502
12	E-7845	03-05114-001	Shim	—	1-502
14	E-7841	03-05101	Spring Eye Bushing	4	1-502
15	Part of E-7840	03-05102	Sleeve	2	1-502
16	Part of E-7840	03-05103	Bolt	2	1-502
—	E-7840	—	Spring Eye Bushing Kit, Includes Key Nos. 8, 9, 10, 14, 15, 16.	2	1-502
17	E-4323	—	Height Control Valve	1	2-58
18	E-7852	03-06224	Leveling Valve Link Kit	1	2-61
19	E-UB8253-05	03-05105	U-Bolt Assembly, Sq. Bend, 3/4"-16 Thd. x 3 1/2" Wide x 5" Long	2	2-27

N/A = No Longer Available

PETERBILT "AIR LEAF" SUSPENSION

Tractor



LEAF SPRING REFERENCES

SRI No.	
75-129	2 Leaf (Old)
03-04596	2 Leaf (New)

PETERBILT "AIR LEAF" SUSPENSION PARTS

Tractor

KEY NO.	EUCLID NO.	REPLACES PETERBILT NO.	DESCRIPTION	QUANTITY PER AXLE	PAGE NO.
1	E-4778	03-01668	Spring Eye Bolt	2	2-33
2	E-4777	03-01670	Spring Hanger Washer	4	1-503
3	E-4776	03-01675	Spring Hanger Bushing	4	1-503
4	E-4775 (Rubber)	03-01674	Spring Eye Bushing	4	1-503
	E-7509 (Poly)				1-503
5	E-4774	03-01669	Spring Eye Sleeve	2	1-503
6	E-4779	41NE1614 27-00791-016	Spring Eye Nut	2	2-34
—	E-4773	—	Spring Eye Bushing Kit, Includes Key Nos. 1, 2, 3, 4, 5, 6.	2	1-502
7	E-2225 (Rubber)	227710	Straddle Cartridge 44694	4	1-503
	E-7638 (Poly)				1-503
8	E-4771	03-04059	Torque Arm	2	1-503
9	M85311	03-04629	Shock Absorber	2	3-16
	M89424		Shock Absorber		
10	E-UB8375-14	03-03133-150	U-Bolt Assembly, Semi Rd. Bend, 1"-14 Thd. x 4 1/8" Wide x 14" Long	2	2-29
	E-UB8375-154	03-03134-151	U-Bolt Assembly, Semi Rd. Bend, 1"-14 Thd. x 4 1/8" Wide x 15 1/2" Long	2	2-29
11	E-UB8255-05	03-04523	U-Bolt Assembly, Sq. Bend, 3/4"-16 Thd. x 4" Wide x 5" Long	4	2-27
12	E-4780	03-04959-001	Shim	4	1-503
13	E-4782	03-01657	Top Plate	2	1-503
14	E-4781	03-01656	Top Plate	2	1-503
15	E-2545	03-01199	Washer	4	2-35
16	E-3001	27-00433	U-Bolt Hi-Nut	4	2-34
		27-00508-012			
17	FS9069	03-01649	Air Spring	2	—
		03-02038			
18	M85308	03-04176	Shock Absorber	2	3-10
	M89422		Shock Absorber		
19	E-2975	03-01203	Washer	8	2-35
20	E-3003	27-00508-016	U-Bolt Hi-Nut	8	2-34
21	E-11749	03-01654	Spring Eye Pivot	2	1-498
22	E-7866	03-2559L	Spring Support, Left Hand	1	1-501
		03-06747L			
	E-7867	03-02559R	Spring Support, Right Hand	1	1-501
		03-06747R			
23	E-7868	27-00173	Air Spring Stud Assembly	2	1-501
		27-00311-008			
		27-00304-008			

S.O.S. = Available through Euclid's S.O.S. Department

PETERBILT 4-SPRING SUSPENSION PARTS

EQUALIZER BUSHING



EUCLID NO.	REPLACES	O.D.	I.D.	LENGTH
E-4745 (Plastic)	Peterbilt	3 1/8"	2 1/2"	2 1/4"
E-7510 (Cast Poly)	03-02099			

SPRING EYE PIVOT



EUCLID NO.	REPLACES	LENGTH
E-11749	Peterbilt 03-0164	—

CROSS TUBE SPACER



EUCLID NO.	REPLACES	O.D.	I.D.	THICK
E-4755	Peterbilt 03-01771	4"	2 9/16"	1/4"

EQUALIZER REBOUND BOLT ASSEMBLY



Bolt Size 1/2"-20 Thd. x 4 3/4"

EUCLID NO.	REPLACES	INCLUDES
E-4761	Peterbilt 27-00279-020 03-01772 22NE820	1 Rebound Bolt 1 Spacer Tube 1 Lock Nut

NEW STYLE TORQUE ARM LIGHTWEIGHT TUBULAR STEEL



Not Rebushable

EUCLID NO.	REPLACES	LENGTH Center-to-Center
E-4753	Peterbilt 03-04839	19 1/8"

OLD STYLE TORQUE ARM BUSHING



For Old Style Rebushable Torque Arms

EUCLID NO.	REPLACES	O.D.	I.D.	LENGTH
E-4752 (Poly)	Peterbilt 03-01776	2 1/8"	1 3/8"	2 1/2"

OLD STYLE TORQUE ARM PIN



EUCLID NO.	REPLACES	HOLE DIA.	LENGTH Center-to-Center
E-4751	Peterbilt 03-01768	1 1/16"	4 3/8"

PETERBILT 4-SPRING SUSPENSION PARTS

TORQUE ARM BOLT
Axle Seat End - Nylon Patch Lock
Grade 8



EUCLID NO.	REPLACES	DIMENSIONS
E-4759	Peterbilt 27-00702-009	5/8"-11 Thread x 2 1/4" Long

AXLE SEAT - FRONT AXLE



EUCLID NO.	REPLACES	GENERAL INFORMATION
E-4767	Peterbilt 03-02864M002	4° Angle For Rockwell SQHD 4 1/4" x 5" Axle

HANGER REBOUND BOLT ASSEMBLY



Bolt Size 1/2"-20 Thd. x 6"

EUCLID NO.	REPLACES	GENERAL INFORMATION
E-4770	Peterbilt 27-00279-024 03-01773 22NE820	1 Rebound Bolt 1 Spacer Tube 1 Lock Nut

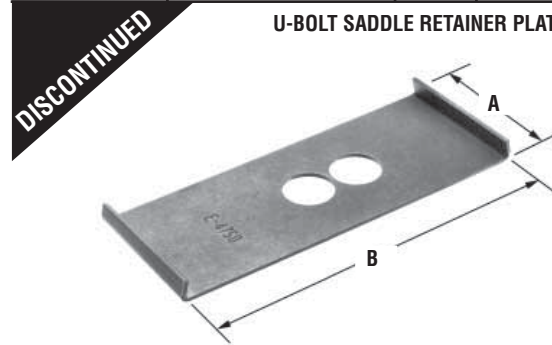
TORQUE ARM SPACER



N/A = No Longer Available

EUCLID NO.	REPLACES	O.D.	I.D.	THICK
N/A Hanger or Axle Seat End	Peterbilt 03-00870	1 5/16"	2 1/32"	1/2"
N/A Axle Seat End	Peterbilt 03-00869	1 5/16"	1 1/16"	7/32"

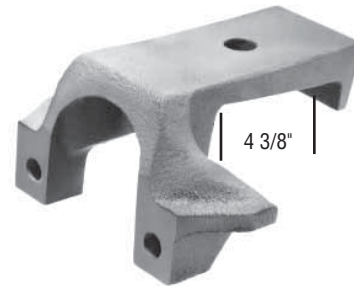
U-BOLT SADDLE RETAINER PLATE



1

EUCLID NO.	REPLACES	A	B
N/A	Peterbilt 03-01769	2 7/8"	7 11/16"

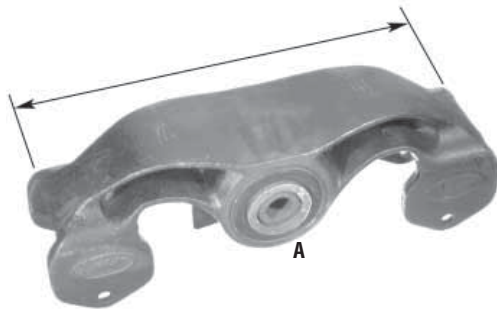
AXLE SEAT - REAR AXLE



EUCLID NO.	REPLACES	GENERAL INFORMATION
E-4768	Peterbilt 03-02865M002	4° Angle For Rockwell SQHD 4 1/4" x 5" Axle

PETERBILT "QUADRAFLEX" SUSPENSION PARTS

EQUALIZER



E-7870 Bushing Included

EUCLID NO.	REPLACES	A	INSIDE WIDTH
E-7869	Peterbilt 03-06771M001	14 1/8"	3 3/4"

EQUALIZER BOLT KIT

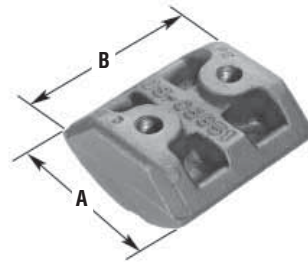


EQUALIZER BUSHING



EUCLID NO.	REPLACES	O.D.	I.D.	O.A.L.
E-7870	Peterbilt 03-06843	3 3/4"	1 1/64"	5 1/4"

HANGER WEAR PAD



EUCLID NO.	REPLACES	THD.	A	B
E-7879	Peterbilt 03-05851M001	M12 x 1.75	2 7/8"	3 1/8"

TORQUE ARM



EUCLID NO.	REPLACES	INCLUDES
E-7871	Peterbilt 03-01668	1 E-4778 Equalizer Bolt
	27-00790-016	2 E-2275 Washer
	27-00791-016	1 E-4779 Nut
	27-00532-020	2 E-7875* Rebound Bolt
	27-00790-008	4 E-4378* Washer
	27-00792-008	2 E-7877* Nut
	03-06792	2 E-7878* Spacer
* (Not Sold Separately)		

Not Rebushable

EUCLID NO.	REPLACES	LENGTH Center-to-Center
E-7887	Peterbilt 03-05849	18 1/2"

PETERBILT "AIR TRAC" AIR RIDE SUSPENSION PARTS

SPRING SUPPORT - LEFT HAND



EUCLID NO.	REPLACES
E-7866 (Steel)	Peterbilt 03-06747L 03-02559L Casting No. 125A4AA

SPRING EYE BUSHING KIT



EUCLID NO.	REPLACES	INCLUDES
E-7854 22NE1018	Peterbilt 03-04623 03-04624 27-00285-032 27-00428-010 03-04962	1 E-7855 Bracket Bushing 1 E-7856* Spacer 1 E-7857* Bolt 2 E-5280 Washer 1 E-2547 Washer 1 E-1943 Nut * (Not Sold Separately)

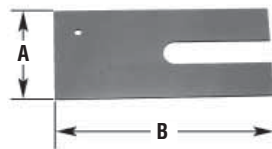
WEAR PAD KIT



For models built prior to April 1993

EUCLID NO.	REPLACES	INCLUDES
E-7862	Peterbilt 23-12566 27-01032-008 27-00790-006	1 Wear Pad* 2 Bolt* 4 Washer* 2 Nut* * (Not Sold Separately)

LEAF SPRING SHIM



EUCLID NO.	REPLACES	THICK	A	B
E-7864	Peterbilt 03-04106	1/8"	9"	4"

SPRING SUPPORT - RIGHT HAND



EUCLID NO.	REPLACES
E-7867 (Steel)	Peterbilt 03-06747R 03-02559R Casting No. 125A4AA

SPRING EYE BRACKET BUSHING



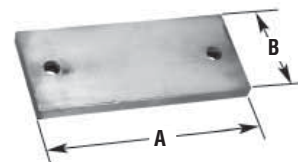
EUCLID NO.	REPLACES	O.D.	I.D.	O.A.L.
E-7855 (Rubber)	Peterbilt 03-04623	1 7/8"	1 1/16"	5 1/8"

AIR SPRING STUD KIT



EUCLID NO.	REPLACES	INCLUDES	O.A.L.
E-7868	Peterbilt 27-00173 27-00311-008 27-00304-008	1 Stud* 1 Nut* 1 Washer* * (Not Sold Separately)	5"

AIR SPRING SPACER



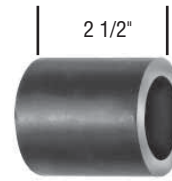
EUCLID NO.	REPLACES	THICK	A	B	LENGTH Center-to-Center
E-7865	Peterbilt 03-03846	1/2"	8"	3 1/2"	6 3/16"

PETERBILT "LOW AIR LEAF" SUSPENSION PARTS

SPRING EYE BUSHING KIT



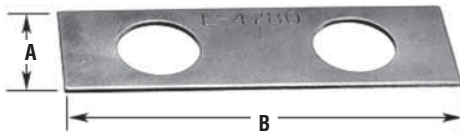
SPRING EYE BUSHING



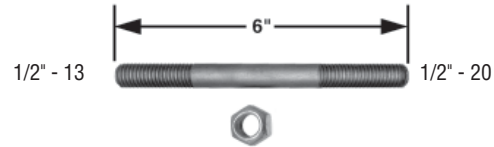
EUCLID NO.	REPLACES	QTY.	EUCLID NO.	DESCRIPTION
E-7840	Peterbilt			
	03-05101	2	E-7841	Spring Eye Bushing
	03-05103	1	E-7842*	Bolt
	03-01670	2	E-4777	Washer
	03-05102	1	E-7843*	Sleeve
	03-01675	2	E-4776	Hanger Bushing
	41NE1614	1	E-4779	Nut
			* (Not Sold Separately)	

EUCLID NO.	REPLACES	O.D.	I.D.
E-7841 (Rubber)	Peterbilt 03-05101	2 1/2"	1 3/4"

SHIM



AIR SPRING STUD AND NUT ASSEMBLY



EUCLID NO.	REPLACES	INCLUDES	O.A.L.
E-7851	Peterbilt 27-00972 27-00791-008	1 Mounting Stud* 1 Mounting Nut* * (Not Sold Separately)	6"

TORQUE ARM



EUCLID NO.	REPLACES	I.D.	THICK	A	B
E-7844 (Shown)	Peterbilt 03-05114-001	13/16"	1/16"	3 3/4"	1 1/4"
E-7845	Peterbilt 03-054114-002		3/32"		

Non Replaceable Bushings

EUCLID NO.	REPLACES	LENGTH Center-to-Center
E-7853	Peterbilt 03-05108	25 5/8"

PETERBILT AIR RIDE SUSPENSION PARTS

SPRING EYE BUSHING KIT



EUCLID NO.	FOR MODEL	ITEM	QTY.	EUCLID NO.	REPLACES PETERBILT	DESCRIPTION
E-4773	Peterbilt Air Ride	1	1	E-4778	03-01668	Spring Eye Bolt
		2	2	E-4777	03-01670	Spring Eye Washer
		3	2	E-4776	03-01675	Spring Eye Washer
		4	2	E-4775	03-01674	Spring Eye Bushing
		5	1	E-4774	03-01669	Spring Eye Sleeve
		6	1	E-4779	41NE1614	Spring Eye Nut

PETERBILT AIR RIDE SUSPENSION PARTS

SPRING EYE SLEEVE



EUCLID NO.	REPLACES	O.D.	I.D.	LENGTH
E-4774	Peterbilt 03-01669	1 3/4"	1 1/8"	5 3/4"

SPRING EYE WASHER
90 DUROMETER URETHANE



EUCLID NO.	REPLACES	O.D.	I.D.	THICK
E-4776 (Poly)	Peterbilt 03-01675	2 5/8"	1 3/4"	15/16"

TORQUE ARM



Non-Rebushable

EUCLID NO.	REPLACES	LENGTH Center-to-Center	HOLE DIA.	FOR MODEL
E-4771	Peterbilt 03-04059	23"	5/8"	"Air Trac" Air Ride
E-5082	Peterbilt 03-04119	17 11/32"	5/8"	"Air Trac" Air Ride
E-5083	Peterbilt 03-04327	17 11/32"	3/4" / 5/8"	

TORQUE ARM BUSHING



EUCLID NO.	REPLACES	LARGE O.D.	LENGTH Center-to-Center
E-2225 (Rubber)	Peterbilt 227710	2 17/32"	4 3/8"
E-7638 (Poly)			

SPRING EYE BUSHING



EUCLID NO.	REPLACES	O.D.	I.D.	LENGTH
E-4775 (Rubber)	Peterbilt 03-01674	2 1/2"	1 3/4"	2 3/4"
E-7509 (Poly)				

SPRING EYE WASHER



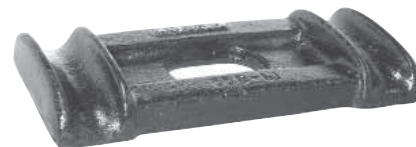
EUCLID NO.	REPLACES	O.D.	I.D.	THICK
E-4777	Peterbilt 03-01670	3 5/16"	1"	9/16"

ALIGNMENT SHIM



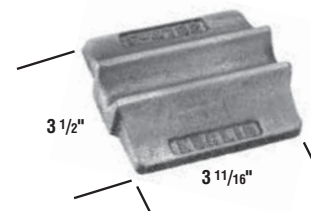
EUCLID NO.	REPLACES	THICKNESS
E-4780	Peterbilt 03-04959-001	1/16"

U-BOLT PLATE



EUCLID NO.	REPLACES	GENERAL INFORMATION
E-4781	Peterbilt 03-01656	Cast Iron

U-BOLT TOP PLATE

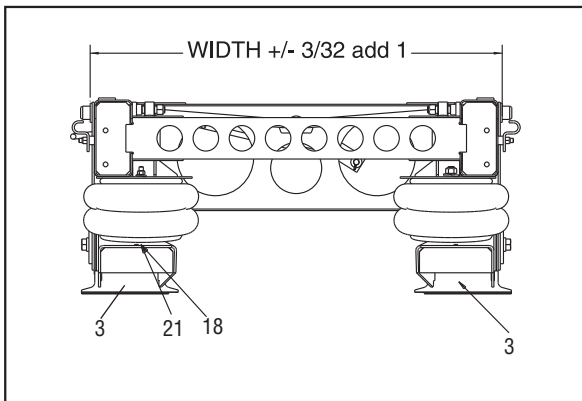
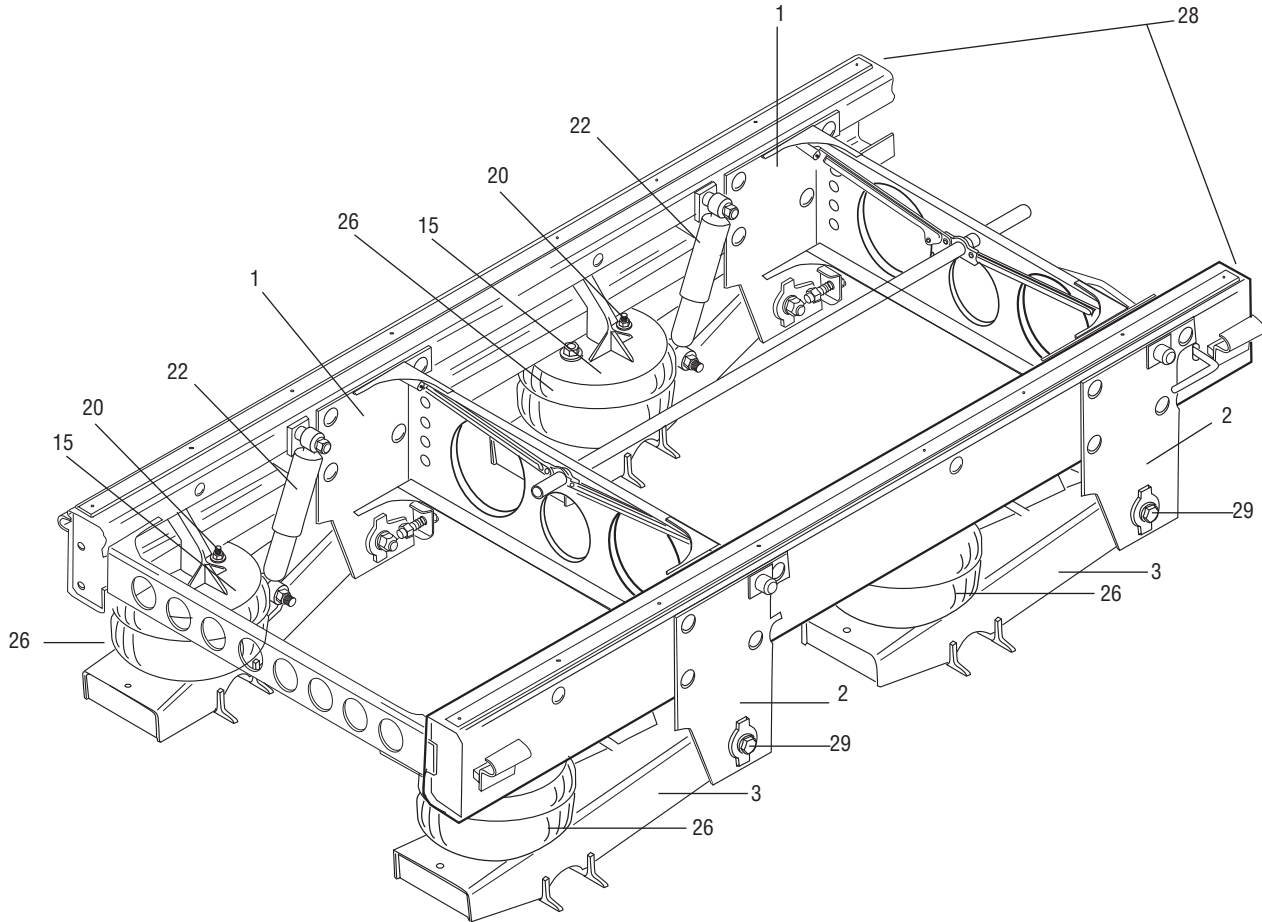


EUCLID NO.	REPLACES
E-4782	Peterbilt 03-01657

1

REYCO/GRANNING 19AR/RS1062 SERIES SUSPENSION

Trailer



1

REYCO/GRANNING 19AR/RS1062 SERIES

SUSPENSION PARTS

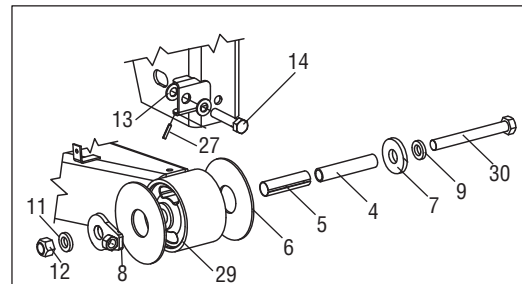
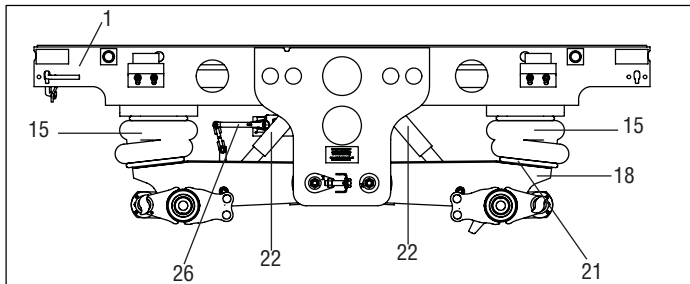
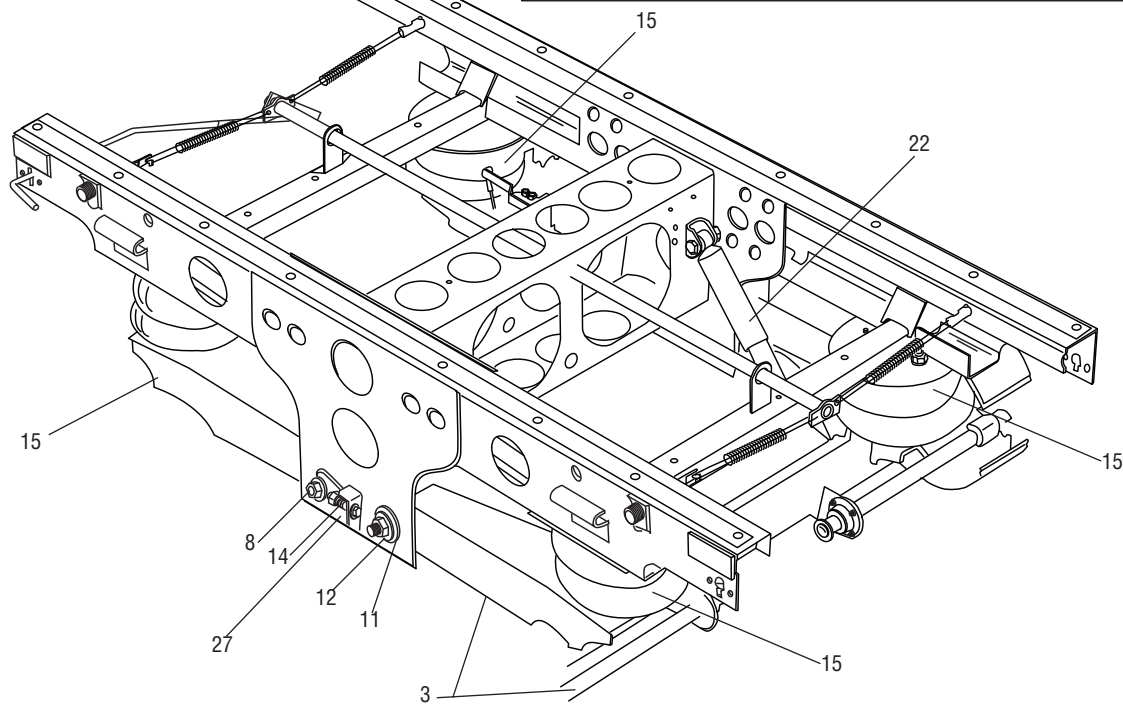
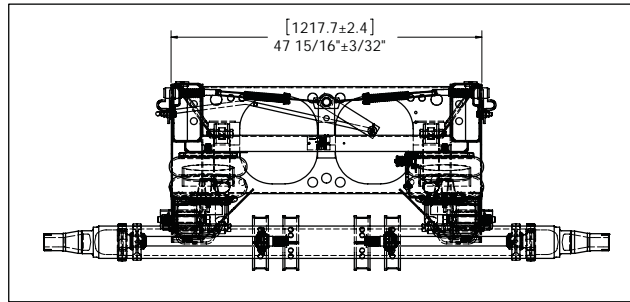
Trailer

KEY NO.	EUCLID NO.	REPLACES REYCO NO.	DESCRIPTION	QTY. PER AXLE	PAGE NO.
1	S.O.S.	702308-11	Front Hanger	1	—
2	S.O.S.	702308-12	Front Hanger	1	—
3	S.O.S.	702247-01	Trailing Beam & Axle Assembly	1	—
4	S.O.S.	23427-01	Beam Spacer	4	—
5	S.O.S.	23432-02	Sleeve Cover (4.375)	2	—
6	S.O.S.	23674-02	Pivot Shaft Tube	2	—
7	S.O.S.	23656-01	Rey-Align Flange Washer	2	—
8	S.O.S.	23673-01	Rey-Align Assembly	2	—
9	S.O.S.	23952-01	Washer (7/8 ID)	4	—
10	S.O.S.	23286-02	Fnsh Hex Bolt (7/8-14UNG-2A) Grade 8	2	—
11	S.O.S.	20852-01	Washer (3/4 ID)	4	—
12	E-1835	14345-01	Lock Nut (7/8-14UNF-2B) Class C	2	2-34
13	S.O.S.	24398-01	Rey-Align Bolt (3/4-10UNC) x 3.5 Long	2	—
14	S.O.S.	24453-01	Coiled Spring Pin	2	—
15	S.O.S.	703371-01	Upper Air Spring Support	2	—
16	S.O.S.	T-3164	Lock Washer 0.75 ID	2	—
17	S.O.S.	T-1705	Lock Washer 0.5 ID	2	—
18	S.O.S.	T-1859	Lock Washer 0.375 ID	4	—
19	S.O.S.	08211-01	Hex Nut (3/4-16UNF-2B) Class B	2	—
20	S.O.S.	12920-01	Hex Nut (1/2-13UNC-2B) Class B	2	—
21	S.O.S.	20029-01	Hex Nut (3/8-16UNC-2B) Class B	4	—
22	S.O.S.	24392-01 (New)	Shock Absorber	2	—
	M85052	700098-03 (Old)			3-14
23	S.O.S.	12889-02	Fnsh Hex Bolt (3/4-16UNF-2A) Grade 8	4	—
24	E-4961A	14344-01	Lock Nut (3/4-16UNF-2B) Class C	4	2-34
25	S.O.S.	700318-14	Height Control Valve	1	—
26	FS7555	20018-01	Air Spring	2	—
27	S.O.S.	17854-01	Hanger Gusset	2	—
28	—	—	Frame - Customer Supplied	1	—
29	S.O.S.	25770-01	Pivot Bushing	2	—

S.O.S. = Available through Euclid's S.O.S. Department

REYCO/GRANNING 20AR/RS3162 SERIES SUSPENSION

Trailer - Air Ride - Dockmaster II



REYCO/GRANNING 20AR/RS3162 SERIES

SUSPENSION PARTS

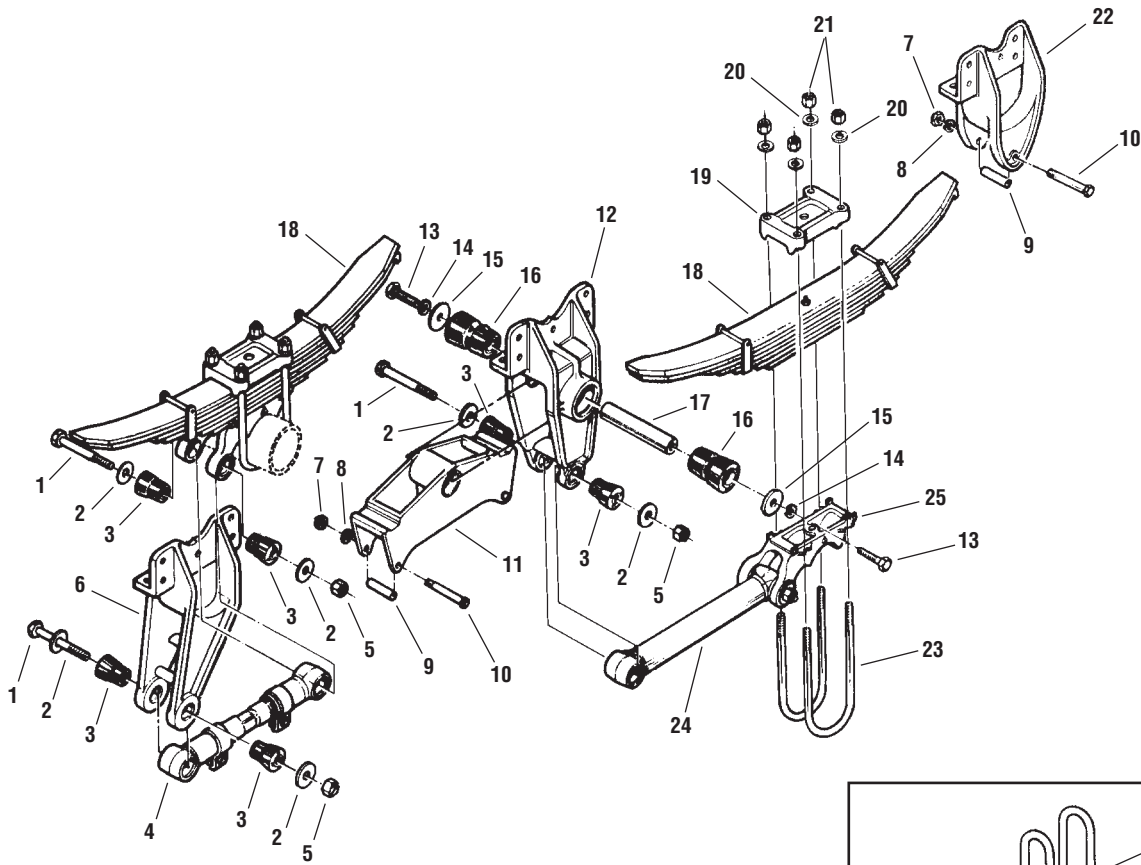
Trailer - Air Ride - Dockmaster II

KEY NO.	EUCLID NO.	REPLACES REYCO NO.	DESCRIPTION	QTY PER AXLE	PAGE NO
1	S.O.S.	704609-04	Subframe	1	—
2	S.O.S.	704640-01	Trailing Beam & Axle Assy-Front	1	—
3	S.O.S.	704641-01	Trailing Beam & Axle Assy-Rear	1	—
4	S.O.S.	23674-02	Pivot Shaft Sleeve	4	—
5	S.O.S.	23432-02	Sleeve Cover (4.375")	4	—
6	S.O.S.	23427-01	Beam Spacer	8	—
7	S.O.S.	23656-02	Rey-Align Flange Washer	6	—
8	S.O.S.	23673-02	Rey-Align Assembly	2	—
9	E-2546	T7292	Washer (7/8" I.D.)	4	2-35
10	S.O.S.	23286-02	Hcs (7/8"-14Unf-2A X 7.5 Lg) Grade 8	4	—
11	S.O.S.	23952-01	Disc Spring Washer (7/8" I.D.)	4	—
12	E-1835	14345-01	Lock Nut (7/8"-14Unf-2B)	4	2-34
13	S.O.S.	20852-01	Washer (3/4" I.D.)	4	—
14	S.O.S.	24398-01	Rey-Align Adjustment Shaft	2	—
15	FS7555	20018-01	Air Spring Assembly	4	—
16	S.O.S.	T1705	0.5" I.D. Lock Washer	4	—
17	S.O.S.	T3164	0.75 I.D. Lock Washer	4	—
18	S.O.S.	T1859	0.375 I.D. Lock Washer	8	—
19	S.O.S.	0821101	Hex Nut (3/4"-16Unf-2B) Class B	4	—
20	S.O.S.	1292001	Hex Nut (1/2"-13Unc-2B) Class B	4	—
21	S.O.S.	20029-01	Hex Nut (3/8"-16Unc-2B) Class B	8	—
22	M83207	18163-01	Shock Absorber	4	3-14
23	S.O.S.	1811601	Hcs (3/4"-16Unf-2A X 3.5 Lg) Grade 8	4	—
24	S.O.S.	12889-02	Hcs (3/4"-16Unf-2A X 10 Lg) Grade 8	4	—
25	E-4961A	14344-01	Lock Nut (3/4"-16Unf-2B) Class C	8	2-34
26	S.O.S.	706235-01	Height Control Valve-Hadley 1500	1	—
27	S.O.S.	24453-01	Coiled Spring Pin	2	—
28	S.O.S.	D706110	Pivot Nut Torque Decal	2	—
29	S.O.S.	25770-01	Pivot Bushing, 4 1/2" Width	2	—
30	S.O.S.	23286-02	Pivot Shaft	2	—

S.O.S. = Available through Euclid's S.O.S. Department

REYCO/GRANNING 21B SERIES SUSPENSION

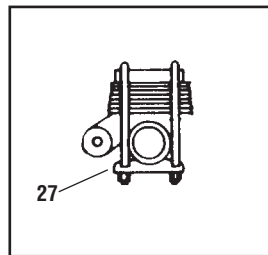
Trailer



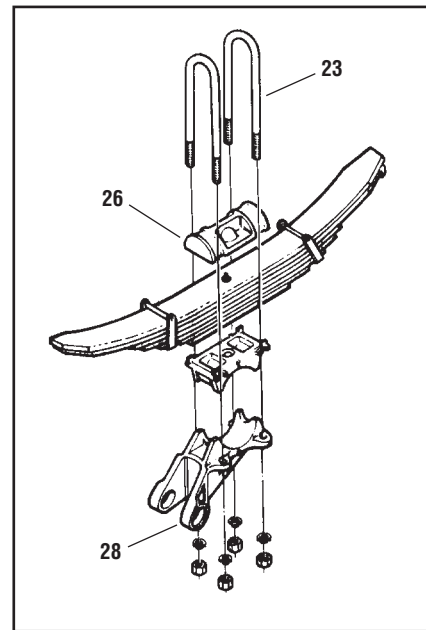
LEAF SPRING REFERENCES

SRI No.

TRA 2291	3 Leaf
TRA 2256	7 Leaf
TRA 2283	7 Leaf
TRA 2270	8 Leaf
TRA 2297	9 Leaf



Inverted U-Bolts



Inverted U-Bolts
No Hops

REYCO/GRANNING 21B SERIES SUSPENSION PARTS

Trailer

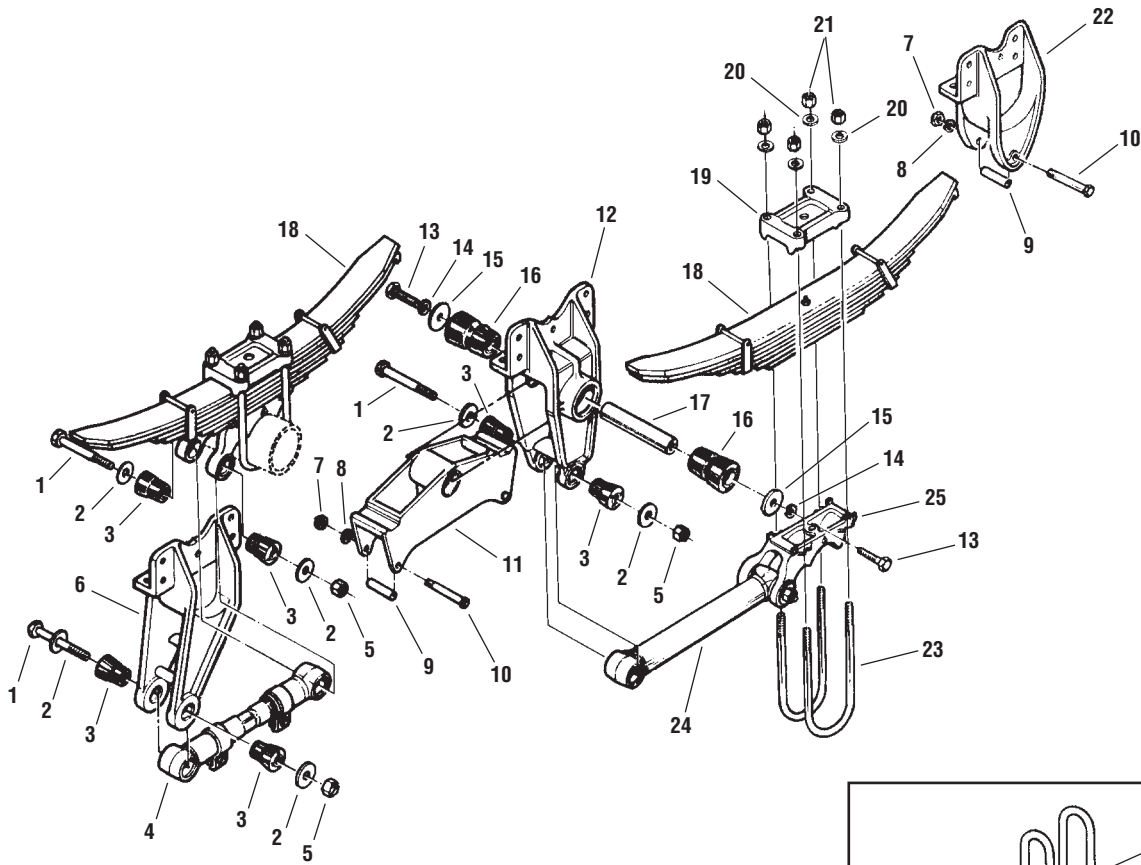
KEY NO.	EUCLID NO.	REPLACES REYCO NO.	DESCRIPTION	QUANTITY PER TANDEM	PAGE NO.
1	E-1166	T-5492	Bolt	8	2-32
2	E-907	T-2224	Washer	16	2-35
3	E-1160 (Rubber)	T-5493	Torque Arm Bushing	16	1-560
	E-7523 (Poly)				1-560
4	E-3283A	15172-01	Adjustable Torque Arm without Bushings, Front	1	1-568
	E-3284A	15173-01	Adjustable Torque Arm without Bushings, Rear	1	1-568
5	E-1828	T-5495	Nut	8	2-34
—	E-1312A (Rubber)	TK-18997	Torque Arm Bushing Assembly Includes Key Nos. 1, 2, 3, 5.	8	1-558
	E-9545 (Poly)				
6	E-2880	T-5425	Front Hanger, Left, Flange Mount	1	1-570
	E-2879	T-5424	Front Hanger, Right, Flange Mount	1	1-570
	E-5257	T-5563	Front Hanger, Left, Under Mount	1	1-570
	E-5258	T-5562	Hanger, Right, Under Mount	1	1-570
7	E-5032	T-1704	Nut	6	2-34
8	E-1974	T-2248	Lock Washer	6	1-589
9	E-1971	T-2106	Spring Roller	6	1-563
10	E-1972	T-5544	Bolt	6	2-32
—	E-1975	TK19011	Spring Roller Assembly Includes Key Nos. 7, 8, 9, 10.	6	1-562
11	E-2846A	21725-01	Equalizer without Bushing, Standard, 49" Spacing	2	1-552
	E-10768A	25222-01	Heavy-Duty Equalizer with Bump Stop-44" Axle Spacing, Will Need Kit 700073 for Bump Stop	2	1-552
12	E-2881	T-5426	Center Hanger, Flange Mount	2	1-570
	E-5259	T-5564	Center Hanger, Under Mount		
13	E-1987	14248-02	Equalizer Shaft Lock Screw, 1" Diameter	4	2-32
14	E-3975	14250-01	Lock Washer, 1" Diameter	4	—
15	E-1986A	14249-01	Washer, 1 1/16" Hole Diameter	4	2-35
16	E-1159 (Rubber)	T-5524	Equalizer Bushing	4	1-555
	E-8653 (Poly)				1-555
17	E-3972	14247-02	Equalizer Shaft , 1" Diameter Holes	2	1-557
—	E-3976 (Rubber)	TK18998	Equalizer Bushing Assembly Includes Key Nos. 13, 14, 15, 16, 17.	2	1-554
	E-9555 (Poly)				
18	S.O.S.	Various	Spring	4	—
19	E-2875	T-7175 T-5488	Top Plate - 5" Round Axle	4	1-564
	E-9554	T-1734	Top Plate - 5" Square Axle		
20	E-2546	T-7292	Washer	16	2-35
21	E-3001	T-5497	Hi Nut	16	2-34
22	E-2883	T-5429	Rear Hanger, Left, Flange Mount	1	1-570
	E-2882	T-5428	Rear Hanger, Right, Flange Mount	1	1-570
	E-5260	T-5565	Rear Hanger, Left, Under Mount	1	1-570
	E-5261	T-5566	Rear Hanger, Right, Under Mount	1	1-570

S.O.S. = Available through Euclid's S.O.S. Department

Continued on next page

REYCO/GRANNING 21B SERIES SUSPENSION

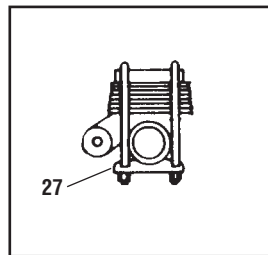
Trailer



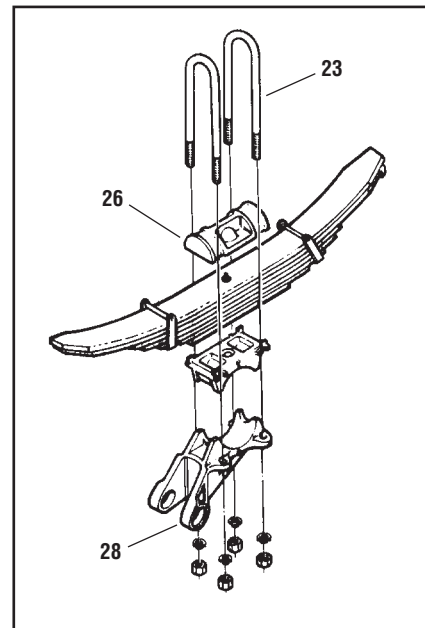
LEAF SPRING REFERENCES

SRI No.

TRA 2291	3 Leaf
TRA 2256	7 Leaf
TRA 2283	7 Leaf
TRA 2270	8 Leaf
TRA 2297	9 Leaf



Inverted U-Bolts



Inverted U-Bolts
No Hops

REYCO/GRANNING 21B SERIES SUSPENSION PARTS

Trailer

KEY NO.	EUCLID NO.	REPLACES REYCO NO.	DESCRIPTION	QUANTITY PER TANDEM	PAGE NO.
23	E-UB5165-14	Various	U-Bolt Assembly, Rd. Bend, 7/8"-14 Thd. x 5" Wide x 14" Long	8	2-27
	E-UB5165-18		U-Bolt Assembly, Rd. Bend, 7/8"-14 Thd. x 5" Wide x 18" Long		2-27
	E-UB5161-14		U-Bolt Assembly, Rd. Bend, 7/8"-14 Thd. x 3" Wide x 14" Long		2-27
	E-UB5161-18		U-Bolt Assembly, Rd. Bend, 7/8"-14 Thd. x 3" Wide x 18" Long		2-27
24	E-2855	15178-01 T-7635	Rigid Torque Arm without Bushings, Front	1	1-569
	E-2856	15179-01 T-2293	Rigid Torque Arm without Bushings, Rear	1	1-569
25	E-5254	09730-01	Axle Seat, 5" Round Axle, 3/4" High	4	1-567
	E-9573	07980-01	Axle Seat, 5" Square Axle, 3/4" High		
26	E-2873	08677-01	Top Plate	4	1-564
27	E-2874	09139-01	Bottom Plate, 5" Round Axle	4	1-564
28	E-9572	08061-01	Stabilizer, 5" Square Axle	4	1-567
	E-9558	08480-01	Stabilizer, 5" Round Axle		
—	E-9559	11851-01	Equalizer Stiffener Plate		1-557
—	E-9560	11852-01	Equalizer Wear Pad		1-557
—	E-9561	15630-01	Equalizer Wear Pad	As Required	1-557
—	E-9562	T-7555	Spacer, 1/2"		1-565
—	E-9563	T-7716	Spacer, 1"		1-565
—	E-9564	T-7654	Spacer, 1 1/2"		1-565
—	E-2878	T-7655	Spacer, 2"		1-565

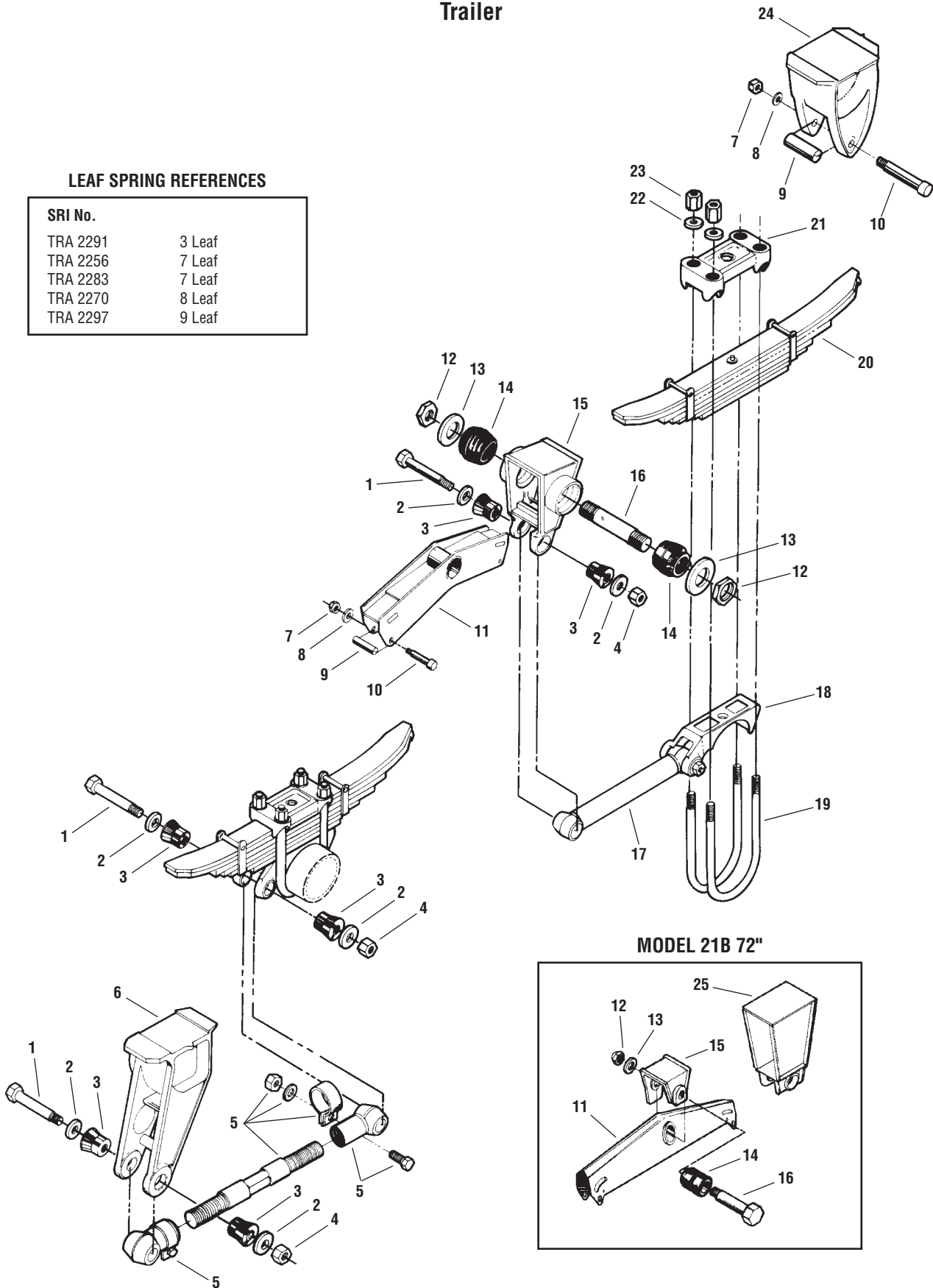
S.O.S. = Available through Euclid's S.O.S. Department

REYCO/GRANNING 21B WIDESPREAD SUSPENSION

Tandem 60" & 72" Widespread Axle Spacing Trailer

LEAF SPRING REFERENCES

SRI No.	
TRA 2291	3 Leaf
TRA 2256	7 Leaf
TRA 2283	7 Leaf
TRA 2270	8 Leaf
TRA 2297	9 Leaf



REYCO/GRANNING 21B WIDESPREAD SUSPENSION PARTS

Tandem 60" & 72" Widespread Axle Spacing Trailer

KEY NO.	EUCLID NO.	REPLACES REYCO NO.	DESCRIPTION	QUANTITY PER TANDEM	60" SPRD.	72" SPRD.	PAGE NO.
1	E-1166	T-5492	Bolt	8	X	X	2-32
2	E-907	T-2224	Washer	16	X	X	2-35
3	E-1160 (Rubber)	T-5493	Torque Arm Bushing	16	X	X	1-560
	E-7523 (Poly)						1-560
4	E-1828	T-5495	Nut	8	X	X	2-34
—	E-1312A (Rubber)	TK-18997	Torque Arm Bushing, Includes Key No. 1,2,3,4	8	X	X	1-558
	E-9545 (Poly)						
5	E-3283A	15172-01	Adjustable Torque Arm, Front, 15 1/2" to 17 1/2" Center-to-Center	2	X	X	1-568
	E-2855	T-7635	Rigid Torque Arm, Front, 16 1/4" Center-to-Center	2	X	X	1-569
6	E-5257	T-5563	Front Hanger, Cast, Left	1	X	X	1-570
	E-5258	T-5562	Front Hanger, Cast, Right	1	X	X	1-570
	E-9537	09832-01	Front Hanger, Fabricated	2	X	X	1-571
—	E-1975	TK19011	Spring Roller Assembly, Contains Key Nos. 7,8,9,10	6	X		1-562
7	E-5032	T-1704	Nut	6	X	X	2-34
8	E-1974	T-2248	Lock Washer	6	X	X	1-589
9	E-1971	T-2106	Roller	6	X	X	1-563
10	E-1972	T-5544	Bolt	6	X	X	2-32
11	E-5245	09713-01	Equalizer for Cast Suspensions	2	X		1-553
	E-7710	14696-01	Equalizer for Fabricated Suspensions, Includes Bushing		X		1-553, 2-72
	E-5246	11143-01	Equalizer for Cast Suspensions			X	1-553
	S.O.S.	14763-01	Equalizer for Fabricated Suspensions, Includes Bushing			X	—
—	E-2116A	—	Equalizer Bushing Assembly for Cast Suspensions Contains Key Numbers 12, 13, 14, 16	2	X		1-554
	E-5247	—	Equalizer Bushing Assembly for Cast Suspensions Contains Key Numbers 12, 13, 14, 16	2		X	1-554
—	E-9538	—	Equalizer Bolt Kit	2	X		1-557
12	E-3979	11129-01	Lock Nut for Cast Suspensions	4	X		1-557
	S.O.S.	11149-01		2		X	—
	E-2854	08914-01	Lock Nut for Fabricated Suspensions	2	X	X	2-34
13	S.O.S.	T-2103	Washer, Cast Suspensions Only	4	X		—
14	E-1072	T-3214	Equalizer Bushing	2		X	1-556
	E-813 (Rubber)	T-2102	Equalizer Bushing for Cast Suspensions	4	X		1-555
	E-8691 (Poly)						
	E-1072 (Rubber)	T-3214		2		X	1-556
	E-8688 (Poly)						
E-7713 (Rubber)	14682-01	Equalizer Bushing for Fabricated Suspensions		2	X	X	1-555
15	E-5262	T-2212-5	Center Hanger, Under Mount, Cast	2	X		1-571
	E-9539	14684-01	Center Hanger, Under Mount, Fabricated	2	X		1-571
	E-5263	11150-01	Center Hanger, Under Mount, Cast	2		X	1-571
	S.O.S.	14688-01	Center Hanger, Under Mount, Fabricated	2		X	—
16	E-837	T-2158	Equalizer Shaft for Cast Suspensions	2	X		—
	S.O.S.	11147-01	Equalizer Bolt for Cast Suspensions	2		X	—
	E-7719	14683-01	Bolt for Fabricated Suspensions	2	X	X	1-557

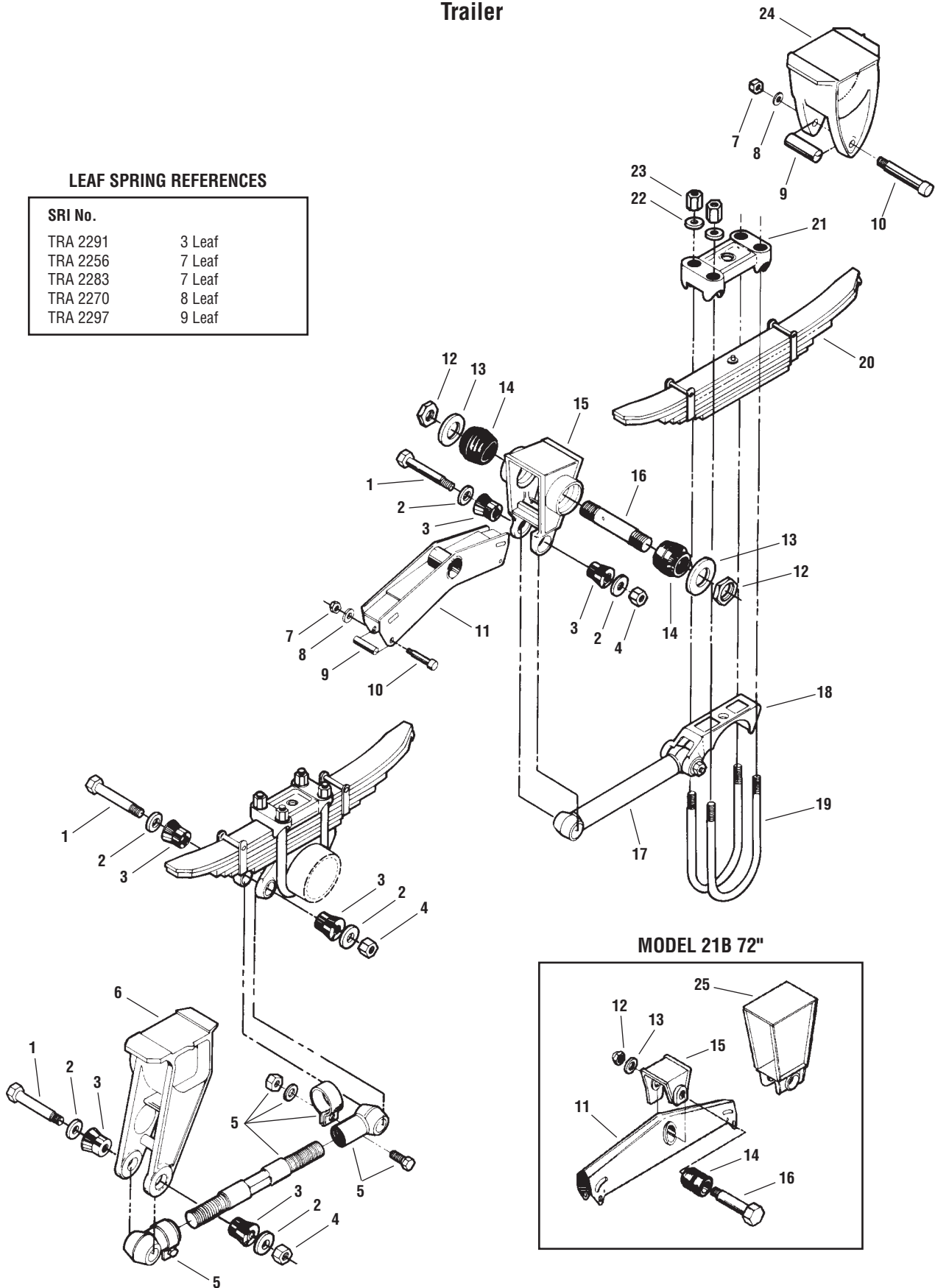
S.O.S. = Available through Euclid's S.O.S. Department

REYCO/GRANNING 21B WIDESPREAD SUSPENSION

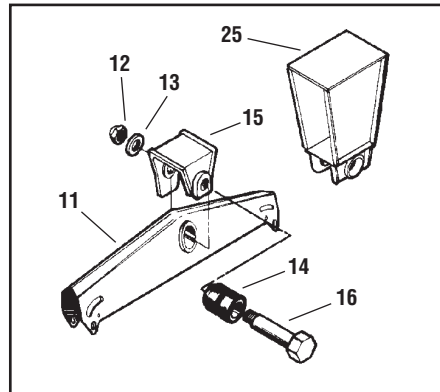
Tandem 60" & 72" Widespread Axle Spacing Trailer

LEAF SPRING REFERENCES

SRI No.	
TRA 2291	3 Leaf
TRA 2256	7 Leaf
TRA 2283	7 Leaf
TRA 2270	8 Leaf
TRA 2297	9 Leaf



MODEL 21B 72"



REYCO/GRANNING 21B WIDESPREAD SUSPENSION PARTS

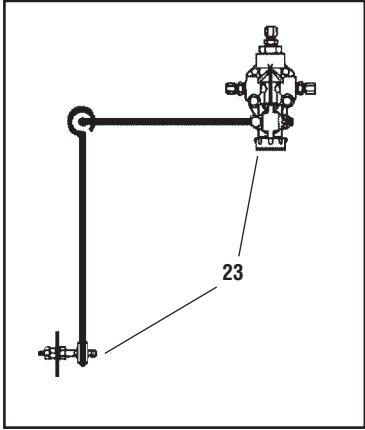
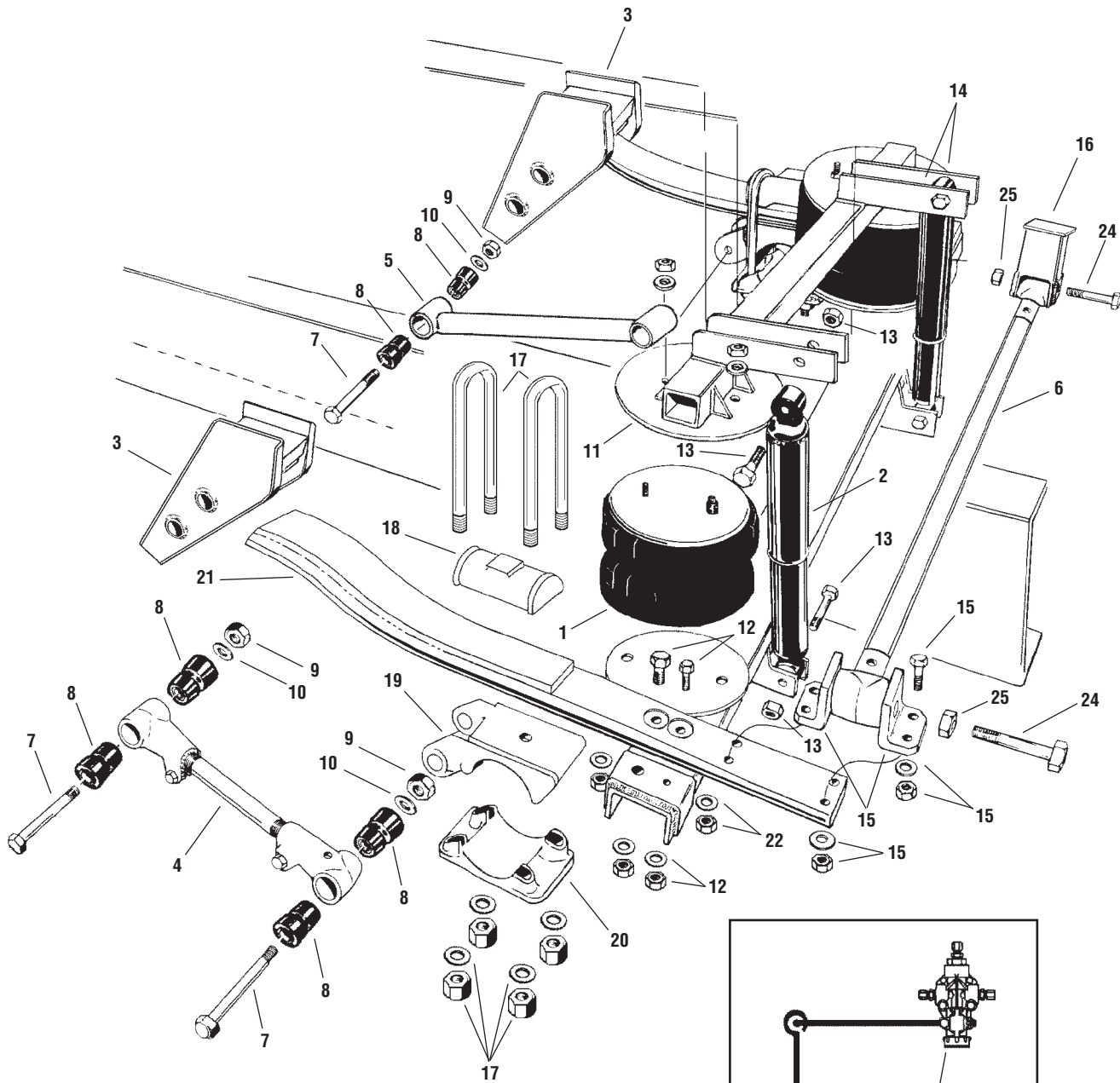
Tandem 60" & 72" Widespread Axle Spacing Trailer

KEY NO.	EUCLID NO.	REPLACES REYCO NO.	DESCRIPTION	QUANTITY PER TANDEM	60" SPRD.	72" SPRD.	PAGE NO.
17	E-5255A	15176-01	Adjustable Torque Arm, Rear	1	X		1-568
		09682-01					
	E-5256	09686-01	Rigid Torque Arm, Rear	1	X		1-569
	E-3284A	15173-01	Adjustable Torque Arm, Rear	1		X	1-568
	S.O.S.	15286-01	Rigid Torque Arm, Rear	1		X	—
	E-2856	T-2293	Rigid Torque Arm, Rear, Cast Suspensions	1		X	1-569
18	E-5254	09730-01	Axle Seat for Cast Suspensions	4	X	X	1-567
	E-9557	08757-01					
19	E-UB5165-14	—	U-Bolt Assembly, Round Bend, 7/8"-14 Thd. x 5" Wide x 14" Long	8	X	X	2-27
	E-UB5165-18	—	U-Bolt Assembly, Round Bend, 7/8"-14 Thd. x 5" Wide x 18" Long	8	X	X	2-27
20	S.O.S.	—	Spring	4	X	X	—
21	E-2875	T-7175	Top Plate 5" Round for Fabricated Suspensions	4	X	X	1-564
22	E-2545	T-5496	Washer	16	X	X	2-35
23	E-3001	T-5497	Hi-Nut	16	X	X	2-34
24	E-5260	T-5565	Rear Hanger, Under Mount, Cast, Left	1	X	X	1-570
	E-5261	T-5566	Rear Hanger, Under Mount, Cast, Right	1	X	X	1-570
	E-9541	08595-01	Rear Hanger, Under Mount, Fabricated	2	X	X	1-571
25	E-5264	11610-01	Torque Arm Attachment Bracket	2		X	1-571

S.O.S. = Available through Euclid's S.O.S. Department

REYCO/GRANNING 21AR SERIES SUSPENSION

Trailer - Air



Height Control Valve & Linkage

1

REYCO/GRANNING 21AR SERIES SUSPENSION PARTS

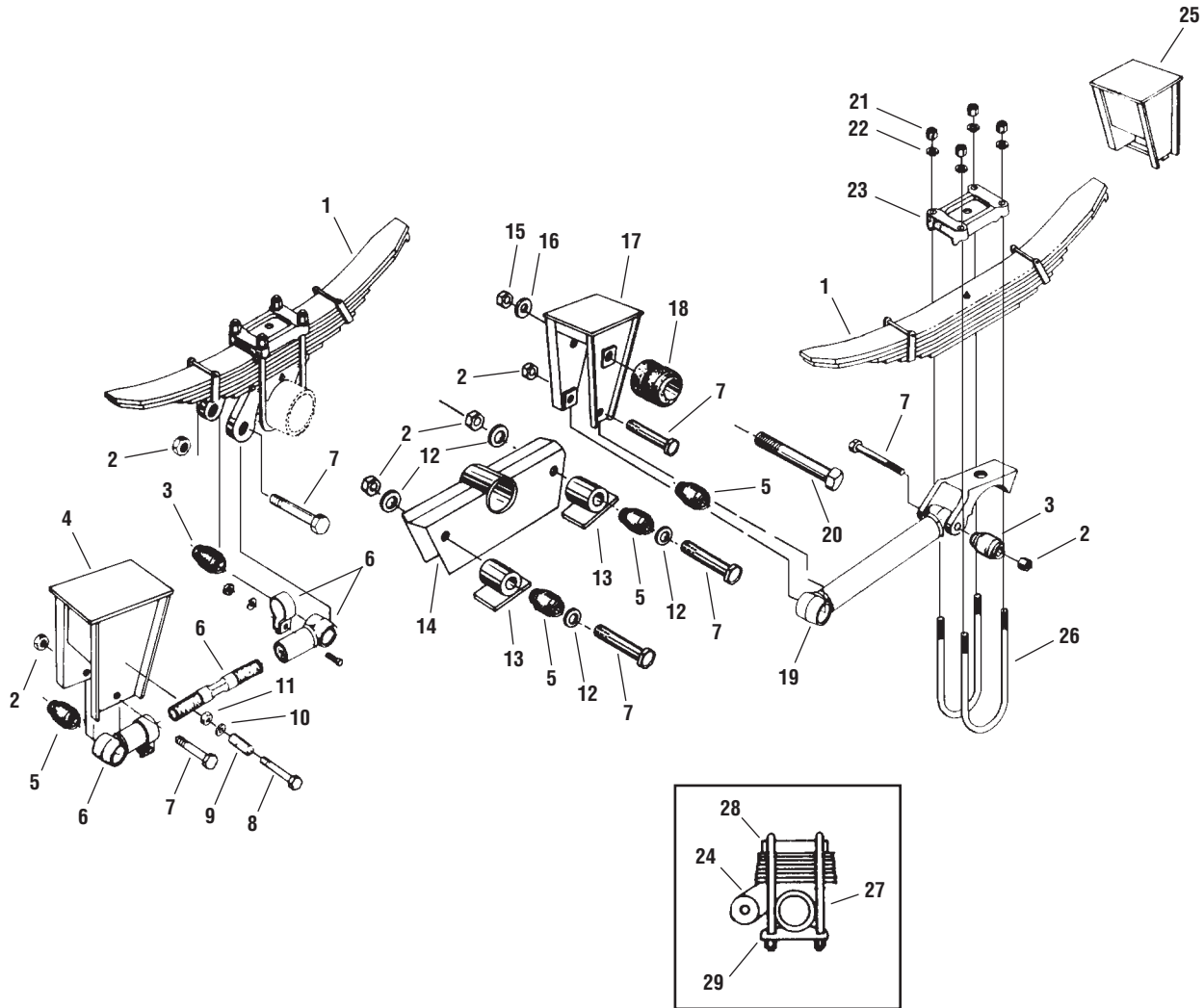
Trailer - Air

KEY NO.	EUCLID NO.	REYCO NO.	DESCRIPTION	QUANTITY PER TANDEM	PAGE NO.
1	FS7557	19983-01	Air Spring Assembly	4	—
2	M85013	12887-01	Shock Absorber	4	3-13
	M89414		Shock Absorber		
3	S.O.S.	21949-01	Hanger, Under Mount	4	—
4	E-3283A	15172-01	Adjustable Torque Arm	2	1-568
5	E-2855	15178-01	Rigid Torque Arm	2	1-569
6	S.O.S.	20012-01	Track Rod Rigid, 38" Frame Width	2	—
	S.O.S.	20969-01	Track Rod Rigid, 40" Frame Width		
	S.O.S.	20314-01	Track Rod Rigid, 42" Frame Width		
	S.O.S.	10910-01	Track Rod Rigid, 44" Frame Width		
7	E-1166	T5492	Torque Arm Bolt, 1"-14 x 6 3/4"	8	2-32
8	E-1160 (Rubber)	T-5493	Torque Arm Bushing	16	1-560
	E-7523 (Poly)				1-560
9	E-937	T-5495	Torque Arm Nut, 1"-14	8	2-34
10	E-907	T-2224	Washer	16	2-35
—	E-1312A (Rubber)	TK-18997	Torque Arm Bushing Assembly Includes Key Nos. 7,8,9,10	8	1-558
	E-9545 (Poly)				
11	S.O.S.	17856-01	Upper Air Spring Mounting Plate	4	—
12	S.O.S.	20747-02	Lower Air Spring Support Assembly, 38" Frame Width	2	—
	S.O.S.	20878-02	Lower Air Spring Support Assembly, 40" Frame Width		
	S.O.S.	20270-02	Lower Air Spring Support Assembly, 42" Frame Width		
	S.O.S.	19915-02	Lower Air Spring Support Assembly, 44" Frame Width		
13	S.O.S.	08210-01	Shock Absorber Bolt, 3/4" Dia.	8	—
—	S.O.S.	14344-01	Nut, 3/4"	8	—
14	S.O.S.	21778-01	Upper Shock Mounting Bracket	8	—
15	E-9358	21491-01	Track Rod Bracket, Lower Left Hand with Hardware	4	1-560
16	S.O.S.	18919-01	Track Rod Bracket, Upper Right Hand	4	—
17	E-UB8161-14	18885-01	U-Bolt Assembly, Rd. Bend, 7/8"-14 Thd. x 3" Wide x 14" Long	8	2-25
	E-UB8161-16	08498-01	U-Bolt Assembly, Rd. Bend, 7/8"-14 Thd. x 3" Wide x 16" Long		
18	E-9553	20050-01	U-Bolt Top Plate	4	1-564
19	S.O.S.	20051-01	Axle Seat, Round Axle, 14" Mounting Height	4	—
	S.O.S.	11336-02	Axle Seat, Round Axle, 15 1/4" Mounting Height		
	S.O.S.	20051-03	Axle Seat, Round Axle, 16 1/2" Mounting Height		
20	E-2909	0538-00	Bottom Plate, 5" Round Axle	4	1-564
21	E-10774	19879-01	Spring Beam, Left Hand	2	—
	E-10775	19880-01	Spring Beam, Right Hand	2	—
22	S.O.S.	T-1859	Lock washer, 3/8"	8	—
	S.O.S.	20029-01	Nut, 3/8"-16 Thd.	8	—
23	E-12525	23329-02	Height Control Valve, 3/8" Fitting, Includes Linkage	2	2-61
—	S.O.S.	23329-01	Height Control Valve, 1/4" Fitting	2	—
—	E-4324	12915-03	Pressure Protection Valve, Includes Filter	2	2-56
—	S.O.S.	12915-04	Pressure Protection Valve Filter	2	—
24	E-901	10033-01	Track Rod Bolt, 7/8"-9 Thd. x 5 1/2"	2	2-32
25	E-1835	10092-01	Track Rod Nut, 7/8"-14 Thd.	2	2-34

S.O.S. = Available through Euclid's S.O.S. Department

REYCO/GRANNING 73 SERIES WIDESPREAD SUSPENSION

Tandem 49" Axle Spacing Trailer



**Inverted U-Bolts
Design**

REYCO/GRANNING 73 SERIES WIDESPREAD SUSPENSION PARTS

Tandem 49" Axle Spacing Trailer

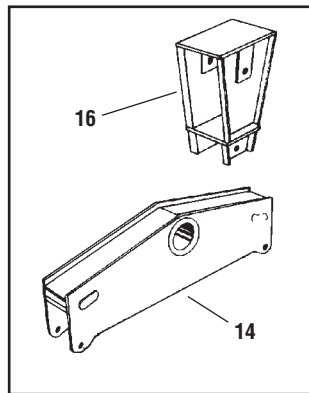
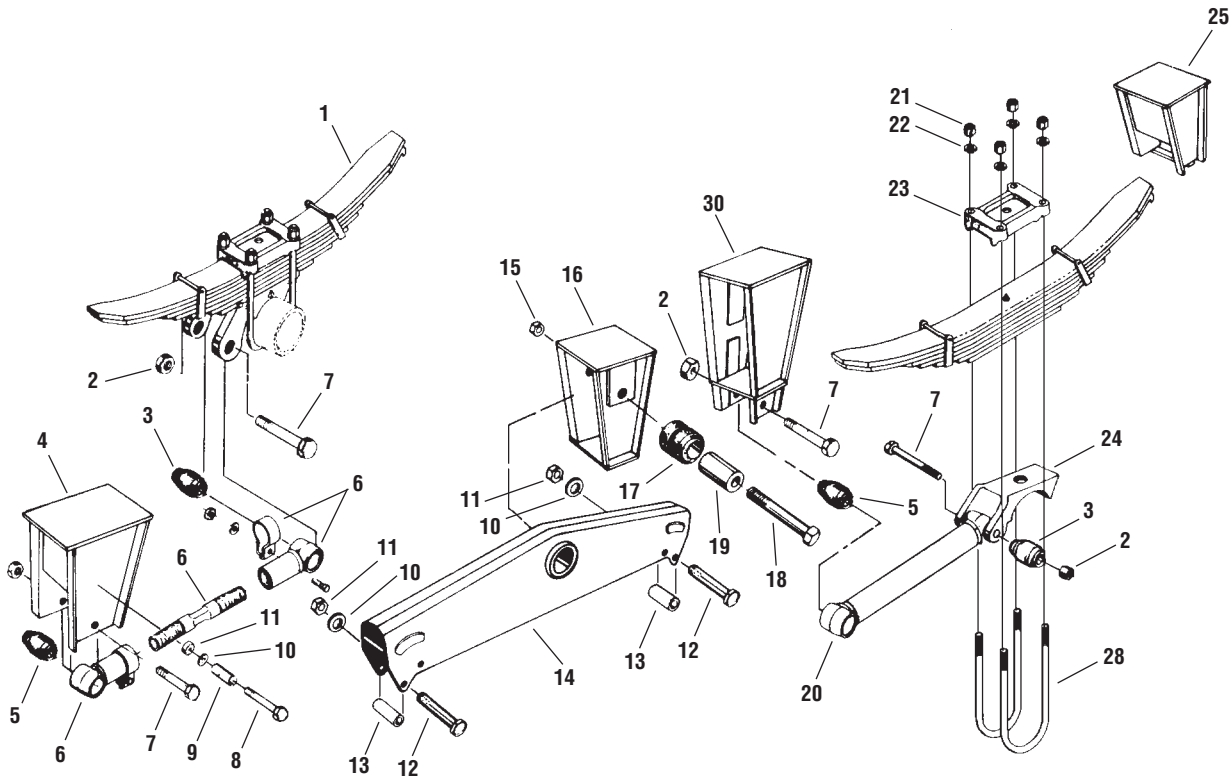
KEY NO.	EUCLID NO.	REPLACES REYCO NO.	DESCRIPTION	QUANTITY PER TANDEM	PAGE NO.
1	S.O.S.	Various	Spring	4	—
2	E-2983	10092-01	Nut	12	2-34
3	E-1980 (Rubber)	09729-01	Torque Arm Bushing	4	1-559
	E-7520 (Poly)	09829-01			1-559
4	N/A	11387-01	Front Hanger	2	—
5	E-7750	10051-01	Bushing	8	1-560
6	E-7741	16031-01	Adjustable Torque Arm with Bushings, Front	1	1-568
	E-7744	10040-01	Rigid Torque Arm with Bushings, Front	1	1-569
7	E-901	10033-01	Bolt	12	2-32
—	E-7749	—	Torque Arm Bushing Assembly, Hanger End Includes Key Nos. 2, 5, 7.	4	1-558
—	E-1981 (Rubber)	—	Torque Arm Bushing Assembly, Axle Seat End Includes Key Nos. 2, 3, 7.	4	1-558
	E-9552 (Poly)				
8	E-2022	T-5549	Bolt	2	2-32
9	S.O.S.	11703-01	Spring Roller	2	—
10	E-1974	T-2248	Lock Washer	2	1-589
11	E-5032	T-1704	Flat Wheel Nut	2	2-34
—	S.O.S.	—	Hanger Roller Assembly Includes Key Nos. 8, 9, 10, 11.	2	—
12	E-2546	T-7292	Washer	4	2-35
13	E-7717	10055-01	Equalizer Pad	4	1-556
14	N/A	10063-01	Equalizer with Bushing	2	—
15	E-937	T-5495	Nut	2	2-34
16	E-2975	T-5770	Washer	2	2-35
17	N/A	11389-01	Center Hanger	2	—
18	E-7712	T-3214	Equalizer Bushing	2	1-555
19	E-7742	16032-01	Adjustable Torque Arm, Rear	1	1-568
—	S.O.S.	10041-01	Rigid Torque Arm, Rear	1	—
20	E-1166	T-5492	Bolt	2	2-32
21	E-3001	T-5497	Hi-Nut	16	2-34
22	E-2545	T-5496	Washer	16	2-35
23	E-2875	T-7175	Top Plate	4	1-564
24	N/A	T-3013	Axle Seat	4	—
25	N/A	12489-01	Rear Hanger	2	—
26	E-UB8155-14	08554-01	U-Bolt Assembly, Rd. Bend, 3/4"-16 Thd. x 5" Wide x 14" Long	8	2-25
27	E-UB8151-14	08541-01	U-Bolt Assembly, Rd. Bend, 3/4"-16 Thd. x 3" Wide x 14" Long	8	2-25
28	S.O.S.	11760-01	Top Plate	4	—
29	E-2874	09139-01	Bottom Plate, Inverted U-Bolts	4	1-564

S.O.S. = Available through Euclid's S.O.S. Department

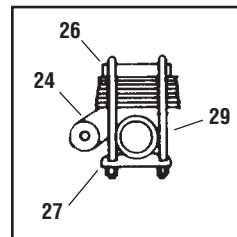
N/A = Reyco no longer manufactures. Parts not available thru S.O.S.

REYCO/GRANNING 73 SERIES WIDESPREAD SUSPENSION

Tandem 60" and 72" Axle Spacing Trailer



Hanger & Equalizer
for 60" Model



Inverted U-Bolts
Design

LEAF SPRING REFERENCES

SRI No.	
TRA 2291	3 Leaf
TRA 2256	7 Leaf
TRA 2283	7 Leaf
TRA 2270	8 Leaf
TRA 2297	9 Leaf

1

OBSOLETE

REYCO/GRANNING 73 SERIES WIDESPREAD SUSPENSION PARTS

Tandem 60" and 72" Axle Spacing Trailer

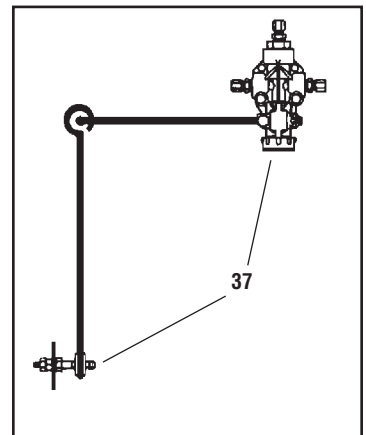
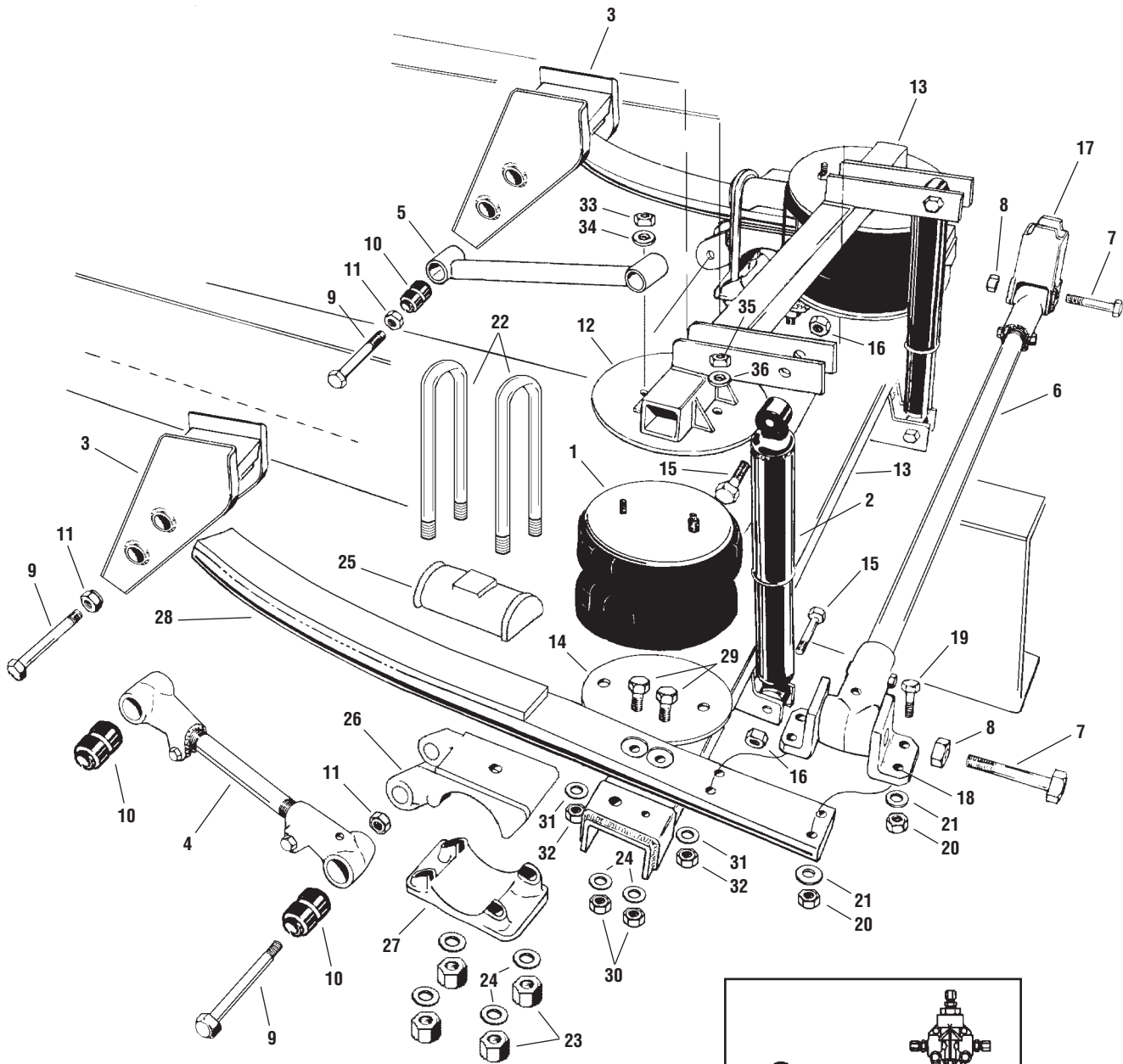
KEY NO.	EUCLID NO.	REPLACES REYCO NO.	DESCRIPTION	QUANTITY PER TANDEM	60"	72"	PAGE NO.
1	S.O.S.	Various	Spring	4	X	X	—
2	E-2983	10092-01	Nut	4	X	X	2-34
3	E-1980 (Rubber)	09729-01 09829-01	Torque Arm Bushing	4	X	X	1-559
	E-7520 (Poly)	09729-01			Torque Arm Bushing	X	
4	N/A	11387-01	Front Hanger	2	X	X	—
5	E-7750	10051-01	Torque Arm Bushing	4	X	X	1-560
6	E-7741	16031-01	Adjustable Torque Arm with Bushing, Front	1	X	X	1-568
	E-7744	10040-01	Rigid Torque Arm with Bushing, Front	1	X	X	1-569
7	E-901	10033-01	Bolt	8	X	X	2-32
—	E-1981 (Rubber)	—	Torque Arm Bushing Assembly, Axle Seat End Includes Key Nos. 2, 3, 7.	4	X	X	1-558
	E-9552 (Poly)						
8	E-2022	T-5549	Bolt	2	X	X	2-32
9	S.O.S.	11703-01	Spring Roller, Hanger End	2	X	X	—
10	E-1974	T-2248	Lock Washer	6	X	X	1-589
11	E-5032	T-1704	Nut	6	X	X	2-34
12	E-1972	T-5544	Bolt	4	X	X	2-32
13	E-1971	T-2106	Spring Roller	4	X	X	1-563
—	E-1975	TK19011	Spring Roller Assembly Includes Key Nos. 10, 11, 12, 13.	4	X	X	1-562
14	N/A	12419-01	Equalizer with Bushing	2	X		—
	E-5246	11143-01				X	
15	E-937	T-5495	Nut	2	X	X	2-34
16	N/A	12369-01	Center Hanger	2	X		—
	N/A	12332-01		2		X	
17	E-1072 (Rubber)	T-3214	Bushing	2	X	X	1-556
	E-8688 (Poly)						
18	E-1166	T-5492	Equalizer Bolt	2	X	X	2-32
19	N/A	—	Equalizer Bolt Kit, Includes Key Nos. 10, 11, 12, 13, 15, 18, 19.	2	X		—
	N/A				X		
20	E-7742	16032-01	Adjustable Torque Arm with Bushings, Rear	1		X	1-568
	E-7743	16034-01			X		1-568
	E-7744	10040-01	Rigid Torque Arm with Bushings, Rear	1		X	1-569
21	E-3001	T-5497	Hi-Nut	16	X	X	2-34
22	E-2545	T-5496	Washer	16	X	X	2-35
23	E-2875	T-7175	Top Plate	4	X	X	1-564
24	N/A	T-3013	Axle Seat	4	X	X	—
25	N/A	12489-01	Rear Hanger	2	X	X	—
26	S.O.S.	11760-01	Top Plate	4	X	X	—
27	E-2874	09139-01	Bottom Plate, Inverted U-Bolts	4	X	X	1-564
28	E-UB8155-14	08554-01	U-Bolt Assembly, Rd. Bend, 3/4"-16 Thd. x 5" Wide x 14" Long	8	X	X	2-25
29	E-UB8151-14	08541-01	U-Bolt Assembly, Rd. Bend, 3/4"-16 Thd. x 3" Wide x 14" Long	8	X	X	2-25
30	S.O.S.	15100-01	Torque Arm Bracket	2		X	—

S.O.S. = Available through Euclid's S.O.S. Department

N/A = Reyco no longer manufactures. Parts not available thru S.O.S.

REYCO/GRANNING 74AR SERIES SUSPENSION

Trailer - Air



Height Control Valve & Linkage

REYCO/GRANNING 74AR SERIES SUSPENSION PARTS

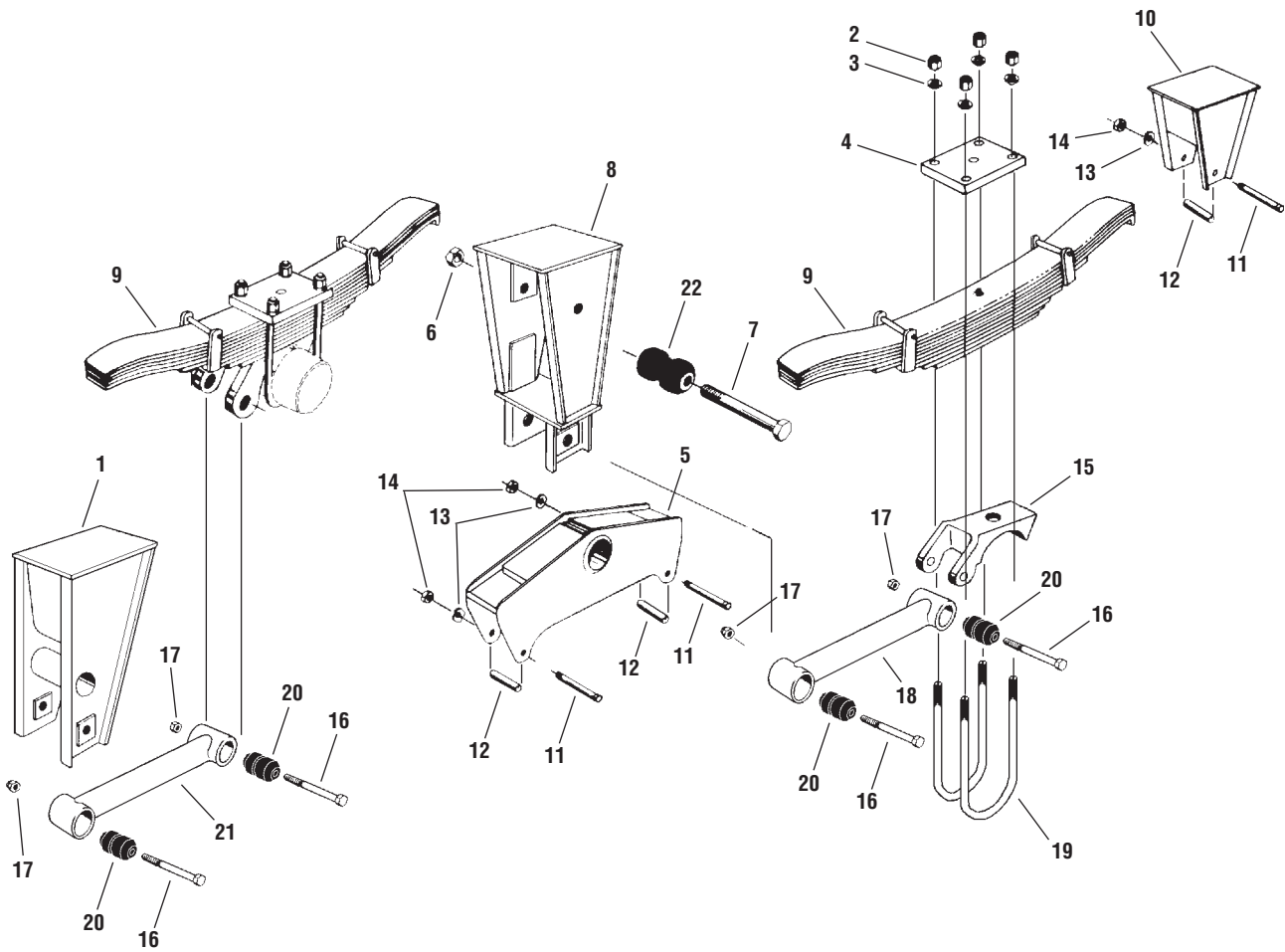
Trailer - Air

KEY NO.	EUCLID NO.	REPLACE REYCO NO.	DESCRIPTION	QUANTITY PER AXLE	QUANTITY PER TANDEM	PAGE NO.
1	FS7557	19983-01	Air Spring Assembly	2	4	—
2	M85013	12887-01	Shock Absorber	2	4	3-13
	M89414		Shock Absorber			
3	E-9615	16671-01	Hanger, Under Mount	2	4	—
4	E-9585	16585-01	Adjustable Torque Arm	1	2	1-568
5	E-9584	16595-01	Rigid Torque Arm	1	2	1-568
6	S.O.S.	10910-01	Track Rod, Rigid	1	2	—
7	S.O.S.	10033-01	Track Rod Bolt	2	4	—
8	E-1835	10092-01	Track Rod Nut, 7/8"	2	4	2-34
9	E-1166	T-5492	Torque Rod Bolt	4	8	2-32
10	E-9549	15737-01	Torque Rod Bushing	4	8	1-560
11	E-937	T-5495	Torque Rod Nut	4	8	2-34
—	E-9587	—	Torque Rod Bushing Assembly Includes Key Nos. 9, 10, 11.	4	8	1-559
12	S.O.S.	17856-01	Upper Air Spring Mounting Plate	2	4	—
13	S.O.S.	19915-01	Front Lower Air Spring Support Assembly	0	1	—
	S.O.S.	19915-02	Rear Lower Air Spring Support Assembly	1	1	—
14	S.O.S.	19790-01	Lower Air Spring Mounting Plate	2	4	—
15	S.O.S.	08210-01	Shock Absorber Bolt, 3/4"-16 Thd. x 3" Long, Grade 5	4	8	—
16	E-4961A	14344-01	Nut	4	8	2-34
17	S.O.S.	18919-01	Track Rod Hanger, Upper Right Hand	1	2	—
18	S.O.S.	21491-0	Track Rod Bracket, Lower Left Hand	1	2	—
19	S.O.S.	17353-01	Bolt, Track Rod Hanger	4	8	—
20	S.O.S.	17357-01	Nut, Track Rod Hanger	4	8	—
21	S.O.S.	10016-01	Washer, Track Rod Hanger	4	8	—
22	E-UB8164-16	20996-08	U-Bolt Assembly, Round Bend, 7/8"-14 Thd. x 4" Wide x 16" Long	4	8	2-26
23	E-3002A	—	Hi-Nut	8	16	2-34
24	E-2546	T-7292	Washer	12	24	2-35
25	S.O.S.	20157-01	Top Plate	2	4	—
26	S.O.S.	19996-01	Axle Seat, 5" Round Axle, 15 1/4" Mounting Height	2	4	—
27	S.O.S.	19989-01	Bottom Plate, 5" Round Axle	2	4	—
28	S.O.S.	19897-01	Spring Beam Left Hand	1	2	—
	S.O.S.	19898-01	Spring Beam Right Hand	1	2	—
29	S.O.S.	18842-01	Bolt, 7/8"-14 Thd. x 3" Long, Grade 8	4	8	—
30	E-1835	14345-01	Lock Nut	4	8	2-34
31	S.O.S.	T-1859	Lock Washer, 3/8"	4	8	—
32	S.O.S.	20029-01	UNC Nut, 3/8"-16	4	8	—
33	S.O.S.	12920-01	Nut, 1/2"	2	4	—
34	S.O.S.	T-1705	Lock Washer, 1/2"	2	4	—
35	S.O.S.	08211-01	Nut, 3/4"	2	4	—
36	S.O.S.	T-3164	Lock Washer, 3/4"	2	4	—
37	E-12525	23329-02	Height Control Valve, 3/8" Fitting, Includes Linkage	1	1	2-61
	S.O.S.	23329-01	Height Control Valve, 1/4" Fitting	1	1	—
—	E-4324	12915-03	Pressure Protection Valve, Includes Filter	1	1	2-56
—	S.O.S.	12915-04	Pressure Protection Valve Filter	1	1	—

S.O.S. = Available through Euclid's S.O.S. Department

REYCO/GRANNING MODEL 74B SERIES TRAILER SUSPENSION

Tandem 50", 54", 60" Axle Spacing
Trailer



LEAF SPRING REFERENCES

SRI No.	
TRA 2291	3 Leaf
TRA 2256	7 Leaf
TRA 2283	7 Leaf
TRA 2270	8 Leaf
TRA 2297	9 Leaf

REYCO/GRANNING MODEL 74B SERIES TRAILER SUSPENSION PARTS

Tandem 50", 54", 60" Axle Spacing Trailer

KEY NO.	EUCLID NO.	REPLACES REYCO NO.	DESCRIPTION	QUANTITY PER TANDEM	54"	60"	PAGE NO.
1	E-9615	16671-01	Front Hanger	2	X	X	—
2	E-3002A	14066-01	Hi-Nut	16	X	X	2-34
3	E-2546	T-7292	Washer	16	X	X	2-35
4	E-9616	13798-01	Top Plate, 5" Round Axle	4	X	X	—
	E-9617	14527-01	Top Plate, 5 3/4" Round Axle		X	X	—
5	E-9586	13806-01	Equalizer with Bushing	2	X		1-553
	E-14724	14135-01	Equalizer with Bushing			X	—
	S.O.S.	17512-01	Equalizer with Bushing, 50" Axle Spacing			—	
6	E-2854	08914-01	Nut	2	X	X	2-34
7	E-2852	10949-01	Equalizer Bolt	2	X	X	2-32
8	E-9618	16672-01	Center Hanger	2	X	X	—
9	S.O.S.	Various	Spring	4	X	X	—
10	E-9622	13814-01	Rear Hanger	2	X	X	—
11	S.O.S.	13817-01	Bolt	6	X	X	—
12	S.O.S.	13818-01	Spring Roller	6	X	X	—
13	E-1974	T-2248	Lock Washer	6	X	X	1-589
14	E-5032	T-1704	Nut	6	X	X	2-34
15	E-9626	15751-01	Axle Seat, 5" Round Axle	4	X	X	—
	N/A	15752-01	Axle Seat, 5 3/4" Round Axle		X	X	—
16	E-1166	T-5492	Bolt	8	X	X	2-32
17	E-937	T-5495	Nut	8	X	X	2-34
18	E-9619	16588-01	Rigid Torque Arm Assembly, Rear, 21 1/4" Center-to-Center	1	X		1-568
	E-9620	16596-01	Adjustable Torque Arm Assembly, Rear, 21 1/4" Center-to-Center		X		1-568
	S.O.S.	16589-01	Rigid Torque Arm Assembly, Rear, 24 1/2" Center-to-Center			X	—
	S.O.S.	16597-01	Adjustable Torque Arm Assembly, Rear, 24 1/2" Center-to-Center			X	—
	S.O.S.	17532-01	Rigid Torque Arm Assembly, Rear, 50" Axle Spacing, 19 1/4" Center-to-Center				—
	S.O.S.	17534-01	Adjustable Torque Arm Assembly, Rear, 50" Axle Spacing, 19 1/4" Center-to-Center			—	
19	E-UB8165-14	08513-01	U-Bolt Assembly, Rd. Bend, 7/8"-14 Thd. x 5" Wide x 14" Long	8	X	X	2-26
	N/A	08950-01	U-Bolt Assembly, Rd. Bend, 7/8"-14 Thd. x 5 3/4" Wide x 13 1/2" Long	8	X	X	—
20	E-9549	15737-01	Torque Arm Bushing	8	X	X	1-560
—	E-9587	—	Torque Arm Bushing Assembly, Includes Key Nos. 16, 17, 20	8	X	X	1-559
21	E-9585	16585-01	Rigid Torque Arm Assembly, Front, 14 1/4" Center-to-Center	1	X	X	1-568
	E-9584	16595-01	Adjustable Torque Arm Assembly, Front	1	X	X	1-568
22	E-9550	13805-01	Equalizer Bushing	2	X	X	1-556
—	E-9801	—	Equalizer Bushing Assembly, Key Nos. 6,7,22	2	X	X	—

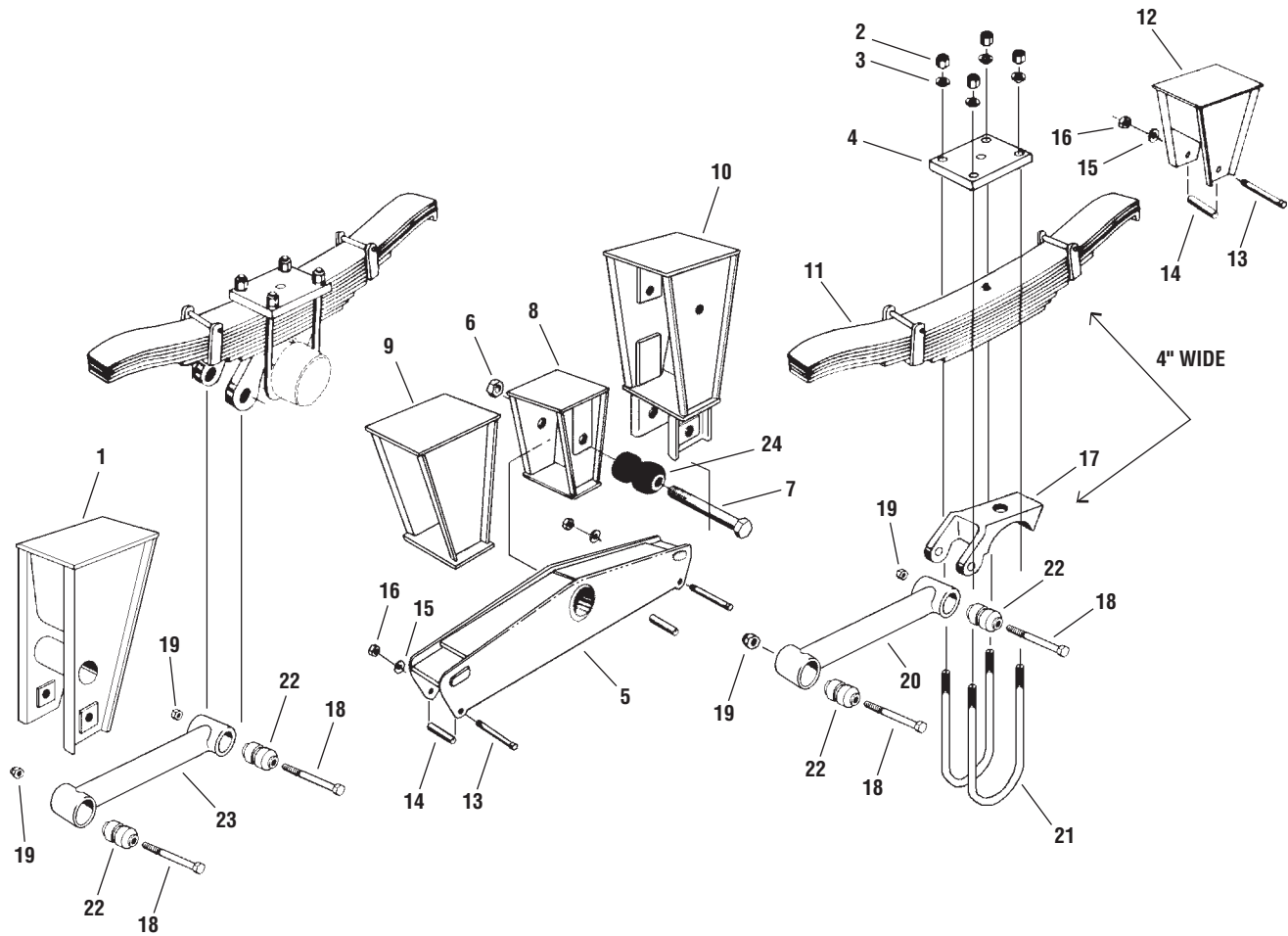
S.O.S. = Available through Euclid's S.O.S. Department

N/A = Reyco no longer manufactures. Parts not available thru S.O.S.

REYCO/GRANNING MODEL 74B SERIES TRAILER SUSPENSION

Tandem 72", 77", 97", 109" Axle Spacing
Trailer

1



LEAF SPRING REFERENCES

SRI No.	
TRA 2291	3 Leaf
TRA 2256	7 Leaf
TRA 2283	7 Leaf
TRA 2270	8 Leaf
TRA 2297	9 Leaf

REYCO/GRANNING MODEL 74B SERIES TRAILER SUSPENSION PARTS

Tandem 72", 77", 97", 109" Axle Spacing
Trailer

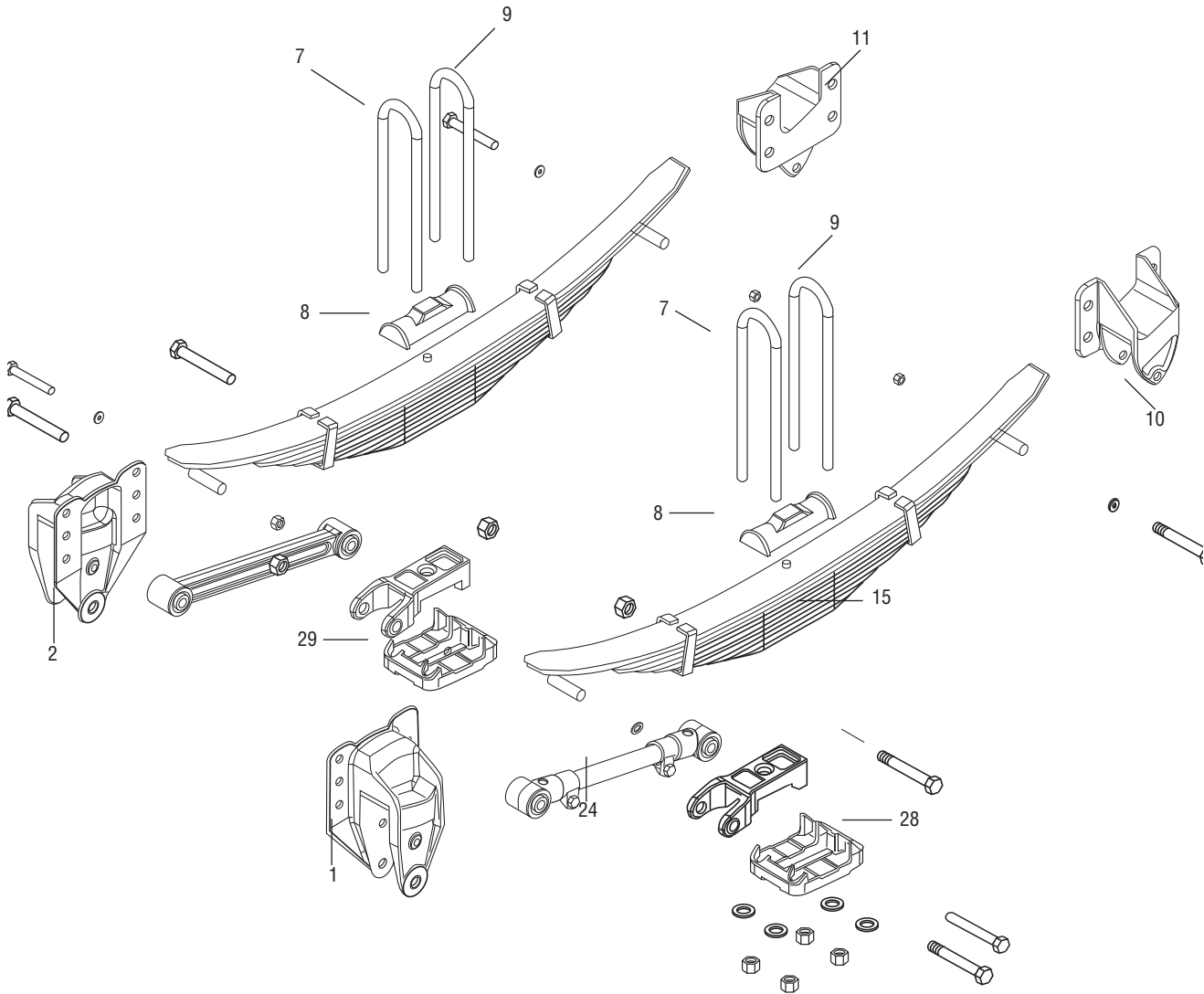
KEY NO.	EUCLID NO.	REPLACES REYCO NO.	DESCRIPTION	QUANTITY PER TANDEM	72"	77"	97"	109"	PAGE NO.
1	E-9615	16671-01	Front Hanger	2	X	X	X	X	—
2	E-3002A	14066-01	Hi-Nut	16	X	X	X	X	2-34
3	E-2546	T-7292	Washer	16	X	X	X	X	2-35
4	E-9616	13798-01	Top Plate, 5" Round Axle	4	X	X	X	X	—
	E-9617	14527-01	Top Plate, 5 3/4" Round Axle		X	X	X	X	
5	S.O.S.	13909-01	Equalizer with Bushing	2		X			—
	S.O.S.	15227-01				X			
	S.O.S.	15724-01					X		
	S.O.S.	15720-01						X	
6	E-2854	08914-01	Nut	2	X	X	X	X	2-34
7	E-2852	10949-01	Equalizer Bolt	2	X	X	X	X	2-32
8	S.O.S.	15735-01	Equalizer Hanger	2	X	X	X	X	—
9	S.O.S.	13861-01	Equalizer Guide Bracket	2	X	X	X	X	—
10	S.O.S.	16673-01	Torque Arm Attachment Bracket	2	X	X	X	X	—
11	S.O.S.	Various	Spring	4	X	X	X	X	—
12	E-9622	13814-01	Rear Hanger	2	X	X	X	X	—
13	S.O.S.	13817-01	Bolt	6	X	X	X	X	—
14	S.O.S.	13818-01	Spring Roller	6	X	X	X	X	—
15	E-1974	T-1705	Lock Washer	6	X	X	X	X	1-589
16	E-5032	T-1704	Nut	6	X	X	X	X	2-34
17	E-9626	15751-01	Axle Seat, 5" Round Axle	4	X	X	X	X	—
	S.O.S.	15752-01	Axle Seat, 5 3/4" Round Axle		X	X	X	X	
18	E-1166	T-5492	Bolt	8	X	X	X	X	2-32
19	E-937	T-5495	Nut	8	X	X	X	X	2-34
20	S.O.S.	16586-01	Rigid Torque Arm Assembly, Rear	1	X				—
	S.O.S.	16587-01	Rigid Torque Arm Assembly, Rear			X	X	X	
	E-9620	16596-01	Adjustable Torque Arm Assembly, Rear	1	X	X	X	X	1-568
21	E-UB8165-14	08512-01	U-Bolt Assembly, Rd. Bend, 7/8"-14 Thd. x 5" Wide x 14" Long	8	X	X	X	X	2-26
	S.O.S.	08950-01	U-Bolt Assembly, Rd. Bend, 7/8"-14 Thd. x 5 3/4" Wide x 14" Long		X	X	X	X	—
22	E-9549	15737-01	Torque Arm Bushing	8	X	X	X	X	1-560
23	E-9585	16585-01	Rigid Torque Arm Assembly, Front	1	X	X	X	X	1-568
	E-9584	16595-01	Adjustable Torque Arm Assembly, Front	1	X	X	X	X	1-568
24	E-9550	13805-01	Equalizer Bushing	2	X	X	X	X	1-556
—	E-9801	—	Equalizer Bushing Assembly, Key Nos. 6, 7, 24	2	X	X	X	X	—

S.O.S. = Available through Euclid's S.O.S. Department

REYCO/GRANNING MODEL 79KB SERIES TRUCK SUSPENSION

Truck

1



REYCO/GRANNING MODEL 79KB SERIES TRUCK SUSPENSION PARTS

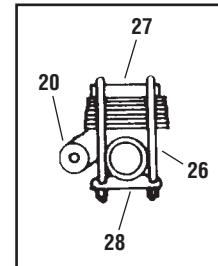
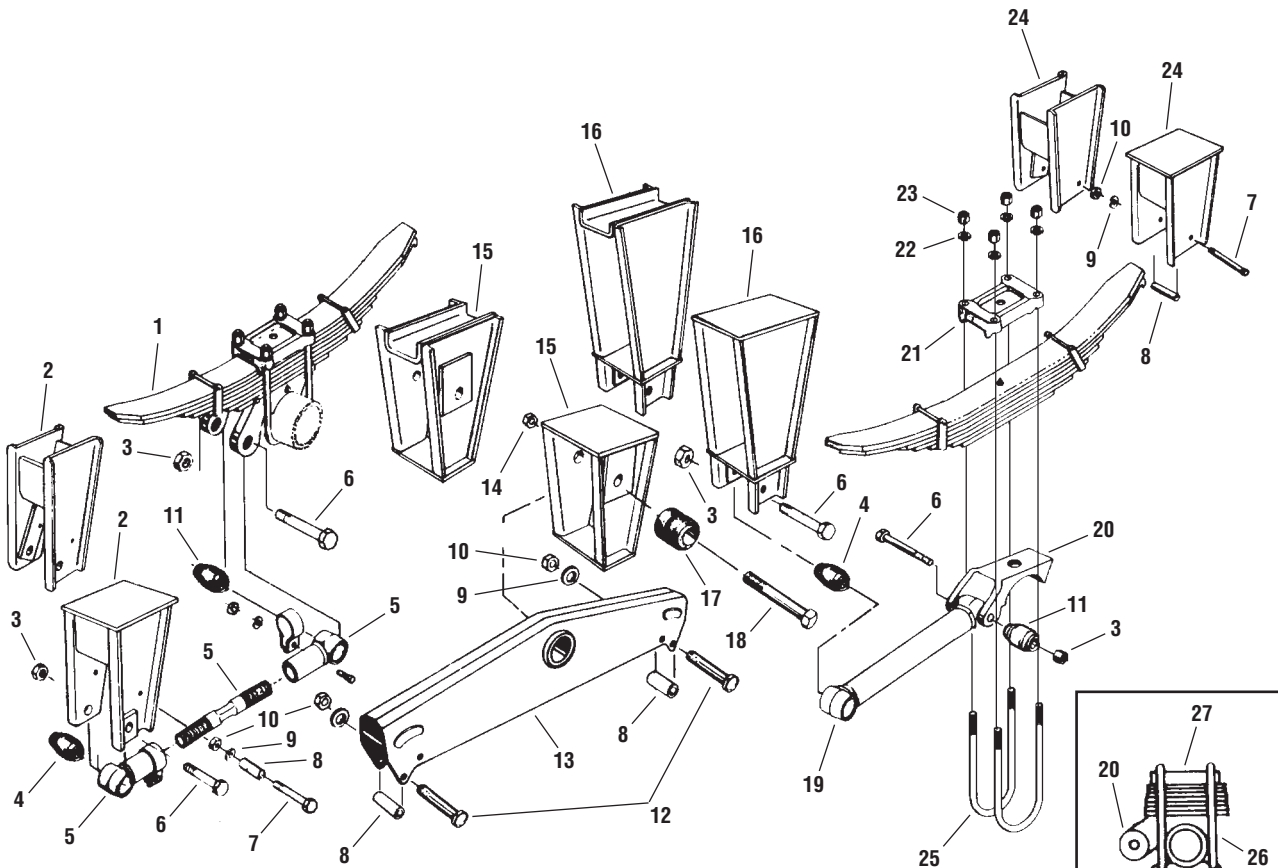
Truck

KEY NO.	EUCLID NO.	REPLACES REYCO NO.	DESCRIPTION	QTY. PER AXLE	PAGE NO.
1	S.O.S.	22404-01	Front Hanger - Left - Standard	1	—
2	S.O.S.	22404-02	Front Hanger - Right - Hole Pattern	1	—
3	S.O.S.	16281-01	Bumper	2	—
4	S.O.S.	1963501	Upper Shock Absorber Mount	4	—
5	S.O.S.	21496-01	Shock Absorber Bolt	2	—
6	E-4961A	1434401	Shock Mount Nut	4	2-34
7	S.O.S.	Various	Front U-Bolt	2	—
8	E-2873	0867701	Top Plate	2	1-564
9	S.O.S.	Various	Rear U-Bolt	2	—
10	S.O.S.	22405-01	Rear Hanger - Left - Standard	1	—
11	S.O.S.	22405-02	Rear Hanger - Right - Hole Pattern	1	—
12	S.O.S.	T1705	Lock Washer - 1/2"	12	—
13	E-1971	T2106	Spring Roller	4	1-563
14	E-1972	T-5544	Spring Retainer Bolt - Front Hanger	2	2-32
15	S.O.S.	Various	Spring Assembly	2	—
16	S.O.S.	Various	Spacer Block	2	—
17	S.O.S.	12889-01	Shock Absorber Bolt	2	—
18	E-2546	T7292	Washer - 7/8"	8	2-35
19	E-1835	1434501	Locknut - 7/8"	8	2-34
20	S.O.S.	1949901	Lower Shock Mount - Left	1	—
21	S.O.S.	Various	Axle Seat - Left	1	—
22	S.O.S.	Various	Axle Seat - Right	1	—
23	M85030	1949501	Shock Absorber	2	3-13
24	S.O.S.	1634801	Adjustable T/A Includes Bushings (2 Pc Part # 09729-01)	1	—
25	S.O.S.	1976201	Rigid T/A Includes Bushings (2 Pc Part # 09729-01)	1	—
26	E-901	1003301	Torque Arm Bolt	4	2-32
27	E-2983	1009201	Torque Arm Bolt Nut	4	2-34
28	S.O.S.	Various	Bottom Plate - Left	1	—
29	S.O.S.	Various	Bottom Plate - Right	1	—
30	S.O.S.	1949801	Lower Shock Mount - Right	1	—
33	E-5032	T1704	Nut - 1/2"	2	2-34
34	S.O.S.	19570-01	Bolt - 5/8" X 9"	2	—
35	E-14389	1957201	Stabilizer Bushing - Axle	8	—
36	S.O.S.	1957301	Bushing Sleeve	4	—
37	S.O.S.	1957401	Spacer Sleeve	2	—
38	S.O.S.	1289301	Locknut - 5/8"	2	—
39	S.O.S.	1957701	Compression Washer	8	—
40	S.O.S.	1948701	Sway Bar (Stabilizer)	1	—
41	S.O.S.	1950701	Bushing Clamp	2	—
42	S.O.S.	1957101	Stabilizer Bushing - Hanger	2	—
43	S.O.S.	1966701	Stabilizer Mount - Hanger	2	—
44	S.O.S.	1967201	Bolt - 1/2" - 1	8	—
45	S.O.S.	T5549	Spring Retainer Bolt - Rear Hanger With Stabilizer	2	—
46	S.O.S.	16286-01	Auxiliary Spring Leaf	2	—

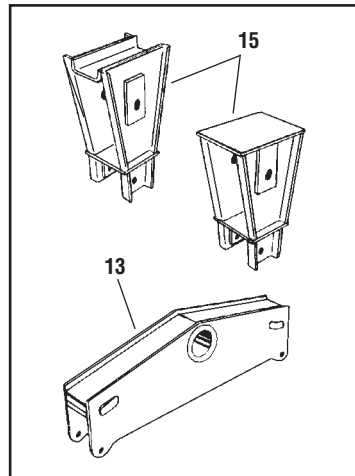
S.O.S. = Available through Euclid's S.O.S. Department

REYCO/GRANNING 83 SERIES WIDESPREAD SUSPENSION

Tandem 50", 54", 60", 65 1/2", 72", 97" and 109" Axle Spacing
Trailer



**Inverted U-Bolts
Design**



**Hangers & Equalizer for
50" and 60" Models**

LEAF SPRING REFERENCES

SRI No.	
TRA 2291	3 Leaf
TRA 2256	7 Leaf
TRA 2283	7 Leaf
TRA 2270	8 Leaf
TRA 2297	9 Leaf

REYCO/GRANNING 83 SERIES WIDESPREAD SUSPENSION PARTS

Tandem 50", 54", 60", 65 1/2", 72", 97" and 109" Axle Spacing
Trailer

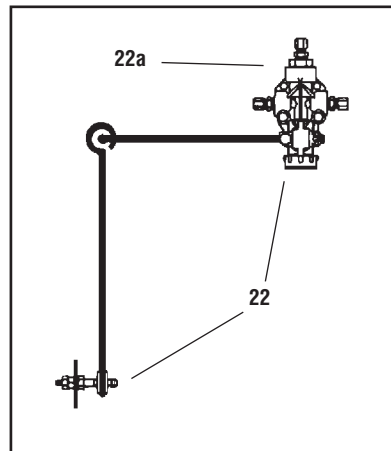
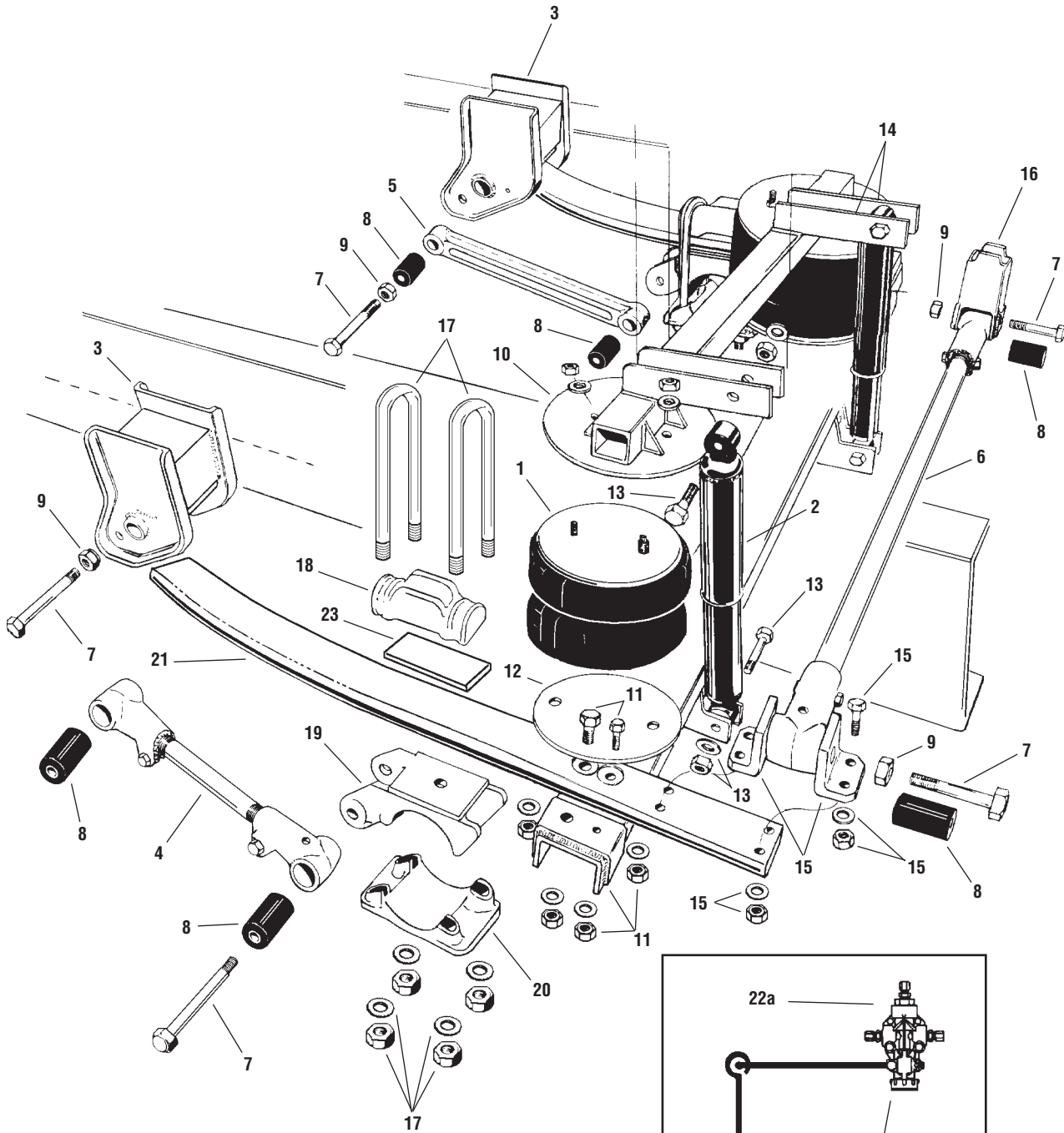
KEY NO.	EUCLID NO.	REPLACES REYCO NO.	DESCRIPTION	QUANTITY PER TANDEM	60"	50"/72"	PAGE NO.
1	S.O.S.	Various	Spring	2	X	X	—
2	S.O.S.	15095-01	Front Hanger, Under Mount	2	X	X	—
3	E-1835	10092-01	Nut	4	X	X	2-34
4	E-7750	10051-01	Torque Arm Bushing, Hanger End	2	X	X	1-560
5	E-7741	16031-01	Adjustable Torque Arm with Bushings, Front	2	X	X	1-568
	E-7744	10040-01	Rigid Torque Arm with Bushings, Front		X	X	1-569
6	E-901	10033-01	Bolt	4	X	X	2-32
7	S.O.S.	T-1703	Bolt, Straddle Mount	6	X	X	—
	E-1972	T-5544	Bolt, Under Mount		X	X	2-32
8	E-1971	T-2106	Spring Roller	6	X	X	1-563
9	E-1974	T-2248	Lock Washer	6	X	X	1-589
10	E-5032	T-1704	Nut	6	X	X	2-34
—	E-1975	TK19011	Spring Roller Assembly Includes Key Nos. 7, 8, 9, 10. Under Mount Hangers Only	4	X	X	1-562
11	E-1980 (Rubber)	09829-01	Torque Arm Bushing, Axle Seat End	8	X	X	1-559
	E-7520 (Poly)	09729-01					
—	E-1981 (Rubber)	—	Torque Arm Bushing Assembly, Axle Seat End Includes Key Nos. 3, 6, 11.	4	X	X	1-558
	E-9552 (Poly)						
12	E-1972	T-5544	Bolt	6	X	X	2-32
13	N/A	14763-01	Equalizer, 72"	2		X	—
	E-7709	14689-01	Equalizer, 50"			X	1-553
	E-7710	14696-01	Equalizer, 60"		X		1-553
14	E-2854	08914-01	Nut	2	X	X	2-34
15	S.O.S.	15062-01	Center Hanger, Straddle Mount, 50" thru 65 1/2"	2			—
	S.O.S.	15105-01	Center Hanger, Under Mount, 50" thru 65 1/2"				—
	S.O.S.	15008-01	Center Hanger, Straddle Mount, 72" thru 109"				—
	S.O.S.	14688-01	Center Hanger, Under Mount, 72" thru 109"				—
16	S.O.S.	15005-01	Torque Arm Bracket, Straddle Mount, 72" thru 109"	2			—
	S.O.S.	15100-01	Torque Arm Bracket, Under Mount, 72" thru 109"				—
17	E-1072	T-3214	Bushing, 72" thru 109"	2			1-556
	E-7713	14682-01	Bushing, 50" thru 65 1/2"				1-555
18	E-7719	14683-01	Equalizer Bolt, All	2	X	X	1-557
19	E-7742	16032-01	Adjustable Torque Arm, Rear, 50" & 72"	1		X	1-568
	E-7743	16034-01	Adjustable Torque Arm, Rear, 60"		X		1-568
20	N/A	Various	Axle Seat	4	X	X	—
21	E-2875	T-7175	Top Plate	4	X	X	1-564
22	E-2545	T-5496	Washer	16	X	X	2-35
23	E-3001	T-5497	Hi-Nut	16	X	X	2-34
24	E-7739	14999-01	Rear Hanger, Straddle Mount	2	X	X	1-574
	S.O.S.	15098-01	Rear Hanger, Under Mount		X	X	—
25	E-UB8155-14	08554-01	U-Bolt Assembly, Rd. Bend, 3/4"-16 Thd. x 5" Wide x 14" Long	8	X	X	2-25
26	E-UB8151-14	08541-01	U-Bolt Assembly, Rd. Bend, 3/4"-16 Thd. x 3" Wide x 14" Long		X	X	2-25
27	S.O.S.	11760-01	Top Plate	4	X	X	—
28	E-2874	09139-01	Bottom Plate, Inverted U-Bolts	4	X	X	1-564
	S.O.S.	11791-01	Bottom Plate, Underslung		X	X	—

S.O.S. = Available through Euclid's S.O.S. Department

N/A = Reyco no longer manufactures. Parts not available thru S.O.S.

REYCO/GRANNING 86AR AIR SUSPENSION

Trailer



Height Control Valve & Linkage

REYCO/GRANNING 86AR TRAILER AIR SUSPENSION

PARTS

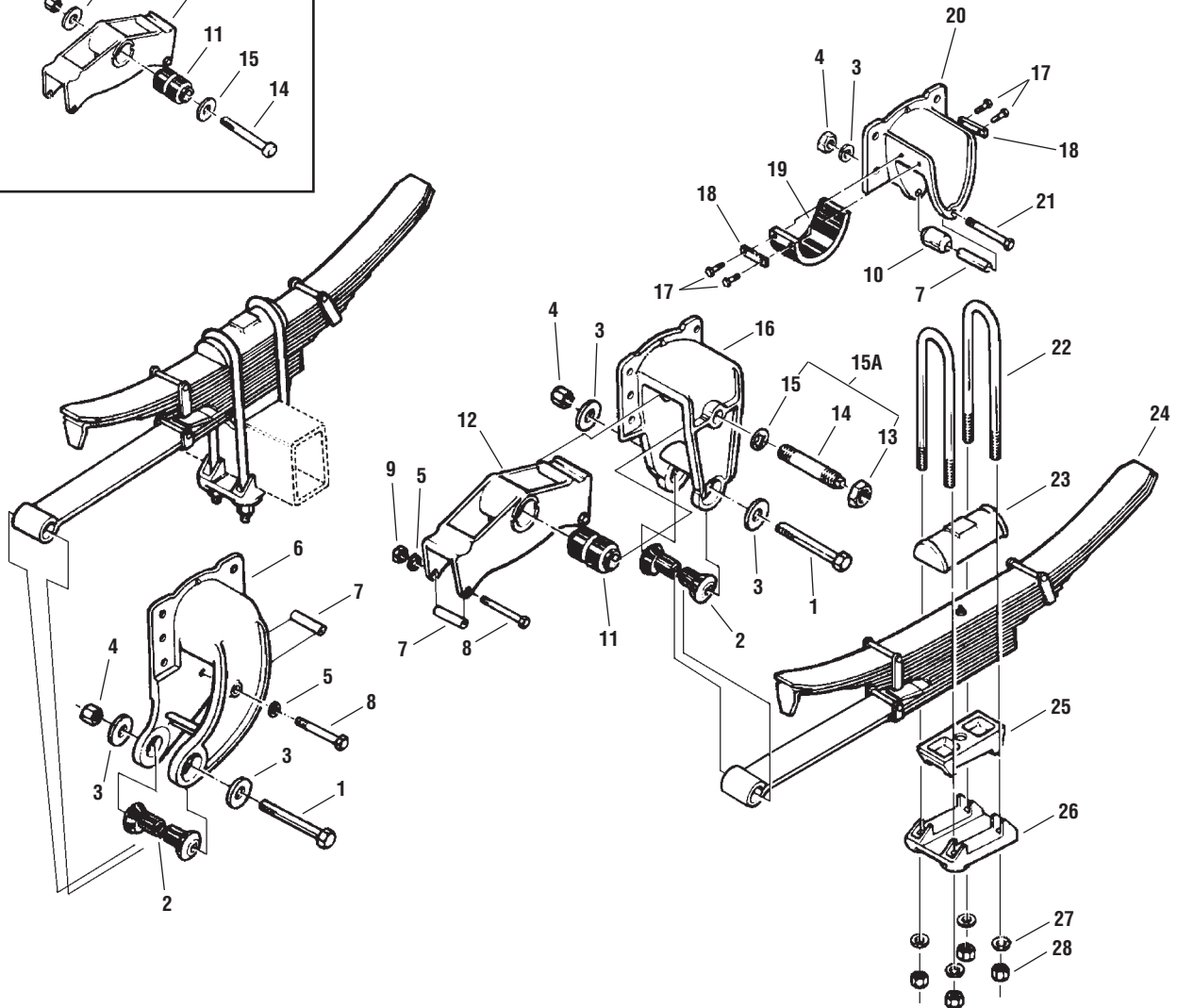
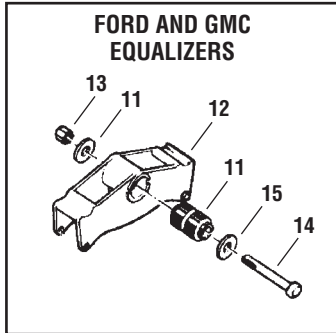
Trailer

KEY NO.	EUCLID NO.	REPLACES REYCO NO.	DESCRIPTION	QUANTITY PER AXLE	PAGE NO.
1	FS7555	20018-01	Air Spring Assembly	2	—
2	M85006	18165-01	Shock Absorber	2	3-13
3	E-9351A	22662-01	Hanger, Straddle Mount, to 1997 and Up	2	1-574
4	E-4824 (fabricated)	1035-20	Adjustable Torque Arm	1	1-569
	E-2513 (cast)				1-568
5	E-4825	0075-20	Rigid Torque Arm	1	1-569
6	S.O.S.	20012-01	Track Rod Rigid, Standard, 42" Frame Width	1	—
	S.O.S.	10910-01	Track Rod Rigid, Standard, 48" Frame Width		
	S.O.S.	17857-01	Track Rod Adjustable Option, 42" Frame Width		
	S.O.S.	18869-01	Track Rod Adjustable Option, 48" Frame Width		
—	E-4834A	TK19214 TK19215	Torque Arm/Track Rod Bushing Assembly with Rubber Bushing. Includes Key Nos. 7,8,9	6	1-558
7	E-4833	0001-08	Torque/Track Rod Bolt	6	2-32
8	E-1980 (Rubber)	0022-00	Torque/Track Rod Bushing	6	1-559
	E-7520 (Poly)				
9	E-1835	0002-12	Torque/Track Rod Nut	6	2-34
10	S.O.S.	17856-01	Upper Air Spring Mounting Plate	2	—
11	S.O.S.	TK21567	Lower Air Spring Support Assembly, 42" Frame Width with Mounting Hardware	1	—
	S.O.S.	TK21569	Lower Air Spring Support Assembly, 48" Frame Width with Mounting Hardware		—
12	S.O.S.	19790-01	Lower Air Spring Plate	2	—
13	S.O.S.	TK19216	Shock Absorber Mounting Hardware Kit, 2 Kit / Shock	1	—
14	S.O.S.	19769-01	Upper Shock Mounting Bracket (2 pieces per Kit)	2	—
15	E-9358	21491-01	Track Rod Bracket, Lower Left Hand with Hardware	2	1-560
16	S.O.S.	19772-01	Track Rod Bracket, Upper Right Hand, Straddle Mount	2	—
17	E-UB8151-12	19780-110 to 120	U-Bolt Assembly, Rd. Bend, 3/4"- 16 Thd. x 3" Wide x 12" Long	4	2-25
	E-UB8151-14	19780-125 to 140	U-Bolt Assembly, Rd. Bend, 3/4"- 16 Thd. x 3" Wide x 14" Long		2-25
	E-UB8151-16	19780-145 to 160	U-Bolt Assembly, Rd. Bend, 3/4"- 16 Thd. x 3" Wide x 16" Long		2-25
18	E-9353	1098-00	U-Bolt Top Plate	4	1-564
19	E-4814	0636-01	Axle Seat, Round Axle, 1 1/8" High	2	1-566
	S.O.S.	0836-015	Axle Seat, Round Axle, 1 5/8" High		—
	S.O.S.	0836-02	Axle Seat, Round Axle, 2 1/8" High		—
	E-9355	0836-025	Axle Seat, Round Axle, 2 5/8" High		1-567
	S.O.S.	0836-03	Axle Seat, Round Axle, 3 1/8" High		—
	S.O.S.	0836-035	Axle Seat, Round Axle, 3 5/8" High		—
	S.O.S.	0836-04	Axle Seat, Round Axle, 4 1/8" High		—
20	E-2909	0538-00	Bottom Plate, 5" Round Axle	2	1-564
	E-4823	0149-00	Bottom Plate, 5" Square Axle		1-565
21	E-10772	19913-01	Spring Beam, Left Hand	1	—
	E-10773	19914-01	Spring Beam, Right Hand	1	—
22	E-12525	23329-02	Height Control Valve, 3/8" Fitting, Includes Linkage	1	2-61
	S.O.S.	23329-01	Height Control Valve, 1/4" Fitting	1	—
—	E-4324	12915-03	Pressure Protection Valve, Includes Filter	1	2-56
22a	S.O.S.	—	Height Control Valve - Haldey part # 700318-14 for units prior to July 17, 2006	As Required	—
	S.O.S.	—	Height Control Valve - Haldey part # 706235-01 for units after July 17, 2006	As Required	—
—	S.O.S.	12915-04	Pressure Protection Valve Filter	1	—
23	E-11305	16810-00	Galvanized Spring Liner	1	—

S.O.S. = Available through Euclid's S.O.S. Department

REYCO/GRANNING 101 SERIES SUSPENSION

Tractor



LEAF SPRING REFERENCES

SRI No.	
83-111	13 Leaf
83-109	13 Leaf
83-107	13 Leaf

REYCO/GRANNING 101 SERIES SUSPENSION PARTS

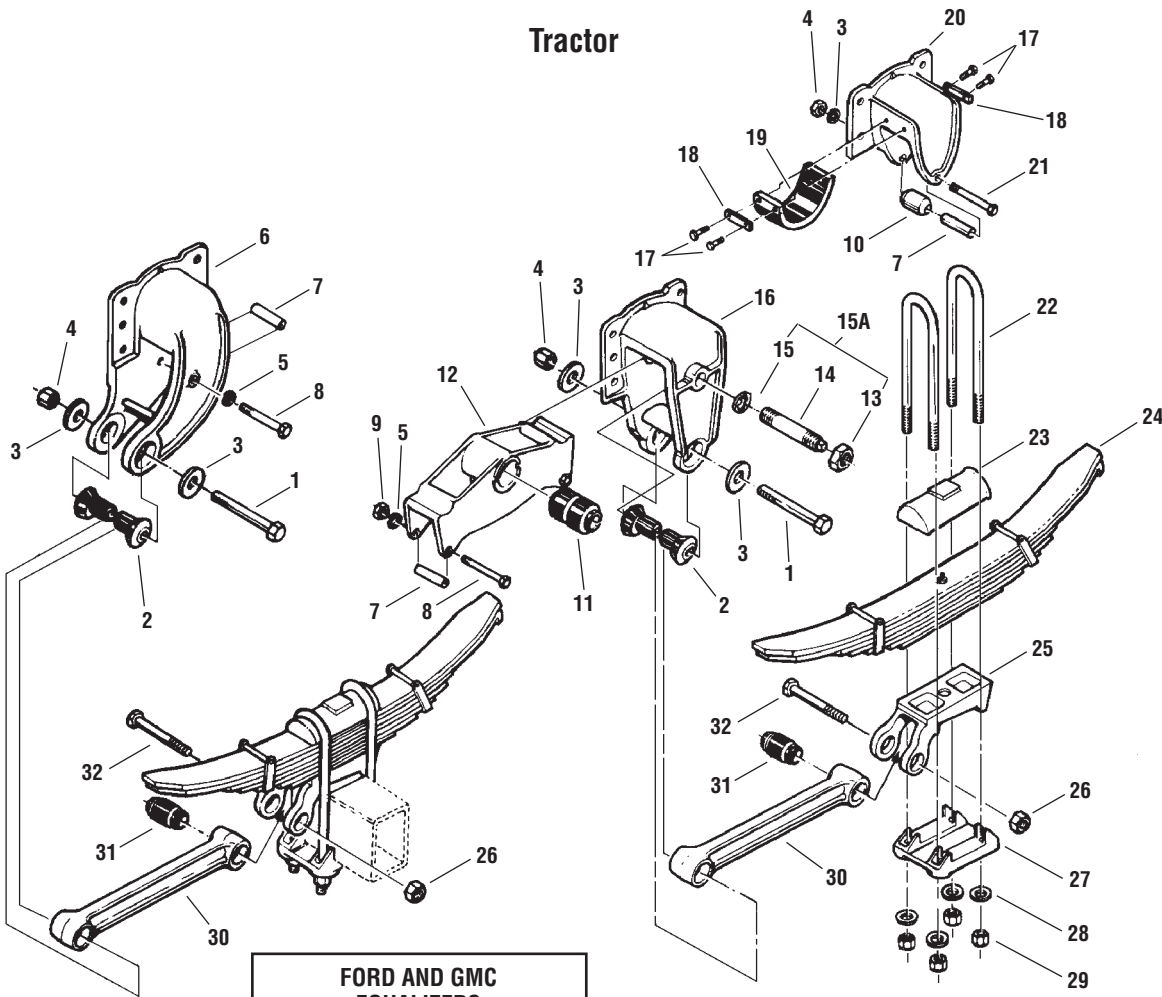
Tractor

KEY NO.	EUCLID NO.	REPLACES REYCO NO.	DESCRIPTION	QUANTITY PER TANDEM	PAGE NO.
1	E-1965	17210-01	Bolt	4	1-561
2	E-1964 (Rubber)	T-1723	Eccentric Torque Leaf Bushing	8	1-560
	E-8689 (Poly)				
3	E-905	T-1724	Washer	8	2-35
4	E-4421	12327-01	Nut	4	2-34
—	E-1963 (Rubber)	TK19166	Torque Arm Bushing Assembly Includes Key Nos. 1, 2, 3, 4.	4	1-558
	E-9548 (Poly)				
5	E-1974	T-2248	Spring Roller Lock Washer	6	1-589
6	E-2885	22272-01	Undrilled Front Hanger, Left Hand	1	1-572
	E-2884	22272-02	Undrilled Front Hanger, Right Hand	1	1-572
7	E-1971	T-2106	Spring Roller	8	1-563
8	E-1972	T-5544	Bolt	6	2-32
9	E-5032	T-1704	Nut	6	2-34
10	E-1061	T-3016	Rear Hanger Bushing	2	1-563
		09729-01			
—	E-1975	TK19011	Spring Roller Assembly Includes Key Nos. 5, 7, 8, 9.	6	1-562
11	E-3977 (Rubber)	14713-01	Equalizer Bushing, No Slots	2	1-556
	E-8654 (Poly)				1-556
	E-1966	08363-01	Rubber Equalizer Bushing, Slotted Both Ends		1-555
	E-2849	08995-01	Rubber Equalizer Bushing, One Slot, Ford		1-555
	E-2850	08915-01	Rubber Equalizer Bushing No Slots, GM/Volvo		1-555
12	E-3978	14743-01	Equalizer with Bushing, No Slots	2	1-552
	E-2843	09120-01	Equalizer with Bushing, Slotted Both Ends		1-552
	E-2844	08996-01	Equalizer with Bushing, One Slot, Ford		1-552
	E-2845	08918-01	Equalizer with Bushing, No Slots, GM/Volvo		1-552
13	E-1968	08687-01	Nut, Not Ford or GM/Volvo	2	1-556
	E-2854	08914-01	Nut, Ford & GM/Volvo		2-34
14	E-1967	08686-01	Equalizer Shaft, Not Ford or GM/Volvo, 1 1/2" O.D.	2	1-557
	E-2852	10949-01	Equalizer Shaft, Ford & GM/Volvo, 1 1/4" O.D.		2-32
15	E-1969	14246-01	Washer, Not Ford or GM/Volvo	2	—
	E-2853	08913-01	Washer, Ford & GM/Volvo	4	2-35
15A	E-9840	—	Equalizer Shaft Kit, Includes key 13, 14, 15	2	—
—	E-1970	TK19056	Equalizer Bushing Assembly, Slotted Both Ends	2	1-554
	E-2847	TK19164	Equalizer Bushing Assembly, One Slot, Ford		1-554
	E-2848	TK19163	Equalizer Bushing Assembly, No Slots, GM/Volvo		1-554
	—	—	NOTE: All Equalizer Bushing Assemblies Include Key Nos. 11, 13, 14, 15.		—
16	E-2886	22274-01	Undrilled Center Hanger	2	1-572
17	Part of E-2867A	14988-01	Bolt	8	1-563
18	Part of E-2867A	T-7659	Plate	4	1-563
19	Part of E-2867A	13195-01	Wear Pad	2	1-563
—	E-2867A	TK15161	Rear Hanger Pad Assembly Includes Key Nos. 17, 18, 19	2	1-563
20	E-2887	22299-01	Undrilled Rear Hanger , Left Hand	1	1-572
	E-2888	22299-02	Undrilled Rear Hanger , Right Hand	1	1-572
21	E-2022	T-5549	Bolt	2	2-32
22	E-UB8151-18	09741-01 thru 09751-01	U-Bolt Assembly, Rd. Bend, 3/4"-16 Thd. x 3" Wide x 18" Long	8	2-25
23	E-2873	08677-01	Top Plate	4	1-564
24	S.O.S.	Various	Spring Assembly	4	—
25	S.O.S.	Various	Axle Seat	4	—
26	S.O.S.	Various	Bottom Plate	4	—
27	E-2545	T-5496	Washer	16	2-35
28	E-3001	T-5497	Hi-Nut	16	2-34

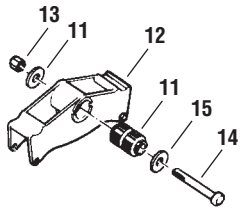
S.O.S. = Available through Euclid's S.O.S. Department

REYCO/GRANNING 101A SERIES SUSPENSION

Tractor



FORD AND GMC EQUALIZERS



LEAF SPRING REFERENCES

SRI No.	
83-115	11/3 Leaf
83-121	11/3 Leaf
83-133	3 Leaf

KEY NO.	EUCLID NO.	REPLACES REYCO NO.	DESCRIPTION	QUANTITY PER TANDEM	PAGE NO.
1	E-1965	17210-01	Bolt	4	1-561
2	E-1964 (Rubber)	T-1723	Eccentric Torque Leaf Bushing	8	1-560
	E-8689 (Poly)				
3	E-905	T-1724	Washer	8	2-35
4	E-4421	12327-01	Nut	4	2-34
—	E-1963 (Rubber)	TK-19166	Torque Arm Bushing Assembly Includes Key Nos. 1, 2, 3, 4.	4	1-558
	E-9548 (Poly)				
5	E-1974	T-2248	Spring Roller Lock Washer	6	1-589
6	E-2885	22272-01	Undrilled Front Hanger, Left Hand	1	1-572
	E-2884	22272-02	Undrilled Front Hanger, Right Hand	1	1-572
7	E-1971	T-2106	Spring Roller	8	1-563
8	E-1972	T-5544	Bolt	6	2-32

S.O.S. = Available through Euclid's S.O.S. Department

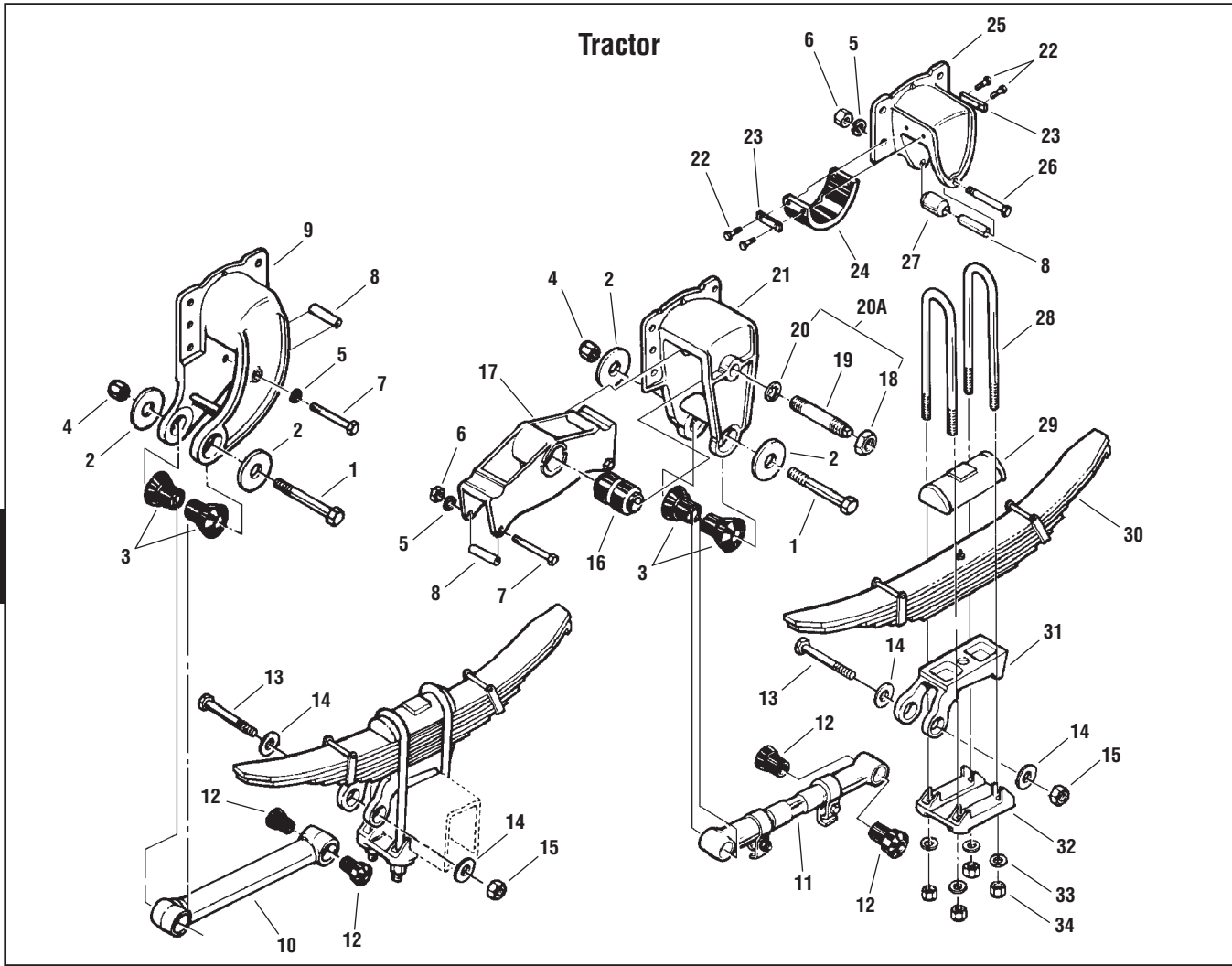
REYCO/GRANNING 101A SERIES SUSPENSION PARTS

Tractor

KEY NO.	EUCLID NO.	REPLACES REYCO NO.	DESCRIPTION	QUANTITY PER TANDEM	PAGE NO.
9	E-5032	T-1704	Nut	6	2-34
10	E-1061	T-3016 09729-01	Rear Hanger Bushing	2	1-563
—	E-1975	TK19011	Spring Roller Assembly Includes Key Nos. 5, 7, 8, 9.	6	1-562
11	E-3977 (Rubber)	14713-01	Equalizer Bushing, No Slots	2	1-556
	E-8654 (Poly)				
	E-1966	08363-01	Rubber Equalizer Bushing, Slotted Both Ends		1-555
	E-2849	08995-01	Rubber Equalizer Bushing, One Slot, Ford		1-555
12	E-2850	08915-01	Rubber Equalizer Bushing, No Slots, GM/Volvo	2	1-555
	E-3978	14743-01	Equalizer with Bushing , No Slots		1-552
	E-2843	09120-01	Equalizer with Bushing, Slotted Both Ends		1-552
	E-2844	08996-01	Equalizer with Bushing, One Slot, Ford		1-552
13	E-2845	08918-01	Equalizer with Bushing, No Slots, GM/Volvo	2	1-552
	E-1968	08687-01	Nut, Not Ford or GM/Volvo		1-556
14	E-2854	08914-01	Nut, Ford & GM/Volvo	2	2-34
	E-1967	08686-01	Equalizer Shaft , Not Ford or GM/Volvo		1-557
15	E-2852	10949-01	Equalizer Shaft, Ford & GM/Volvo	4	2-32
	E-1969	14246-01	Washer, Not Ford or GM/Volvo	2	—
15A	E-2853	08913-01	Washer, Ford & GM/Volvo		2-35
—	E-9840	—	Equalizer Shaft Kit, Includes Key 13, 14, 15	2	—
—	E-1970	TK-19056	Equalizer Bushing Assembly, Slotted Both Ends	2	1-554
	E-2847	TK-19164	Equalizer Bushing Assembly, One Slot, Ford		1-554
	E-2848	TK-19163	Equalizer Bushing Assembly, No Slots, GM/Volvo		1-554
	—	—	NOTE: All Equalizer Bushing Assemblies Include Key Nos. 11, 13, 14, 15.		—
16	E-2886	22274-01	Undrilled Center Hanger	2	1-572
17	Part of E-2867A	14988-01	Bolt	8	1-563
18	Part of E-2867A	T-7659	Plate	4	1-563
19	Part of E-2867A	13195-01	Wear Pad	2	1-563
—	E-2867A	TK-15161	Rear Hanger Pad Assembly Includes Key Nos. 17, 18, 19	2	1-563
20	E-2887	22299-01	Undrilled Rear Hanger, Left Hand	1	1-572
	E-2888	22299-02	Undrilled Rear Hanger, Right Hand	1	1-572
21	E-2022	T-5549	Bolt	2	2-32
22	E-UB8151-18	09741-01 thru 09751-01	U-Bolt Assembly, Rd. Bend, 3/4"-16 Thd. x 3" Wide x 18" Long	8	2-25
23	E-2873	08677-01	Top Plate	4	1-564
24	S.O.S.	Various	Spring Assembly	4	—
25	S.O.S.	Various	Axle Seat	4	—
26	E-2983	10092-01	Nut	4	2-34
27	S.O.S.	Various	Bottom Plate	4	—
28	E-2545	T-5496	Washer	16	2-35
29	E-3001	T-5497	Hi-Nut	16	2-34
30	E-2860	10938-01	Front & Rear Rigid Torque Arm	4	1-569
31	E-1980 (Rubber)	09729-01	Torque Arm Bushing	4	1-559
	E-7520 (Poly)				
32	E-901	10033-01	Bolt	4	2-32

S. O. S. = Available through Euclid's S.O.S. Department

REYCO/GRANNING 102 SERIES SUSPENSION



KEY NO.	EUCLID NO.	REPLACES REYCO NO.	DESCRIPTION	QUANTITY PER TANDEM	PAGE NO.
1	E-1166	T-5492	Bolt	4	2-32
2	E-905	T-1724	Washer	8	2-35
3	E-10057	21238-01	Torque Arm Bushing	8	1-559
4	E-937	T-5495	Nut	4	2-34
—	E-9350 (Rubber) N/A (Poly)	—	Torque Arm Bushing Assembly, Hanger End, Includes Key Nos. 1, 2, 3, 4.	4	1-558
5	E-1974	T-2248	Spring Roller Lock Washer	6	1-589
6	E-5032	T-1704	Nut	6	2-34
—	E-1975	—	Spring Roller Assembly Includes Key Nos. 5,6,7,8	6	1-562
7	E-1972	T-5544	Bolt	6	2-32
8	E-1971	T-2106	Spring Roller	8	1-563
9	E-2885	22272-01	Undrilled Front Hanger, Left Hand	1	1-572
	E-2884	22272-02	Undrilled Front Hanger, Right Hand	1	1-572
10	E-2858	15012-01	Rigid Torque Arm	2	1-569
11	E-2866A	15354-01	Adjustable Torque Arm	2	1-568
12	E-1982 (Rubber) E-7522 (Poly)	T-2242	Torque Arm Bushing	8	1-559
13	E-900	T-2243	Bolt	4	2-32

S.O.S. = Available through Euclid's S.O.S. Department

N/A = No Longer Available

REYCO/GRANNING 102 SERIES SUSPENSION PARTS

Tractor

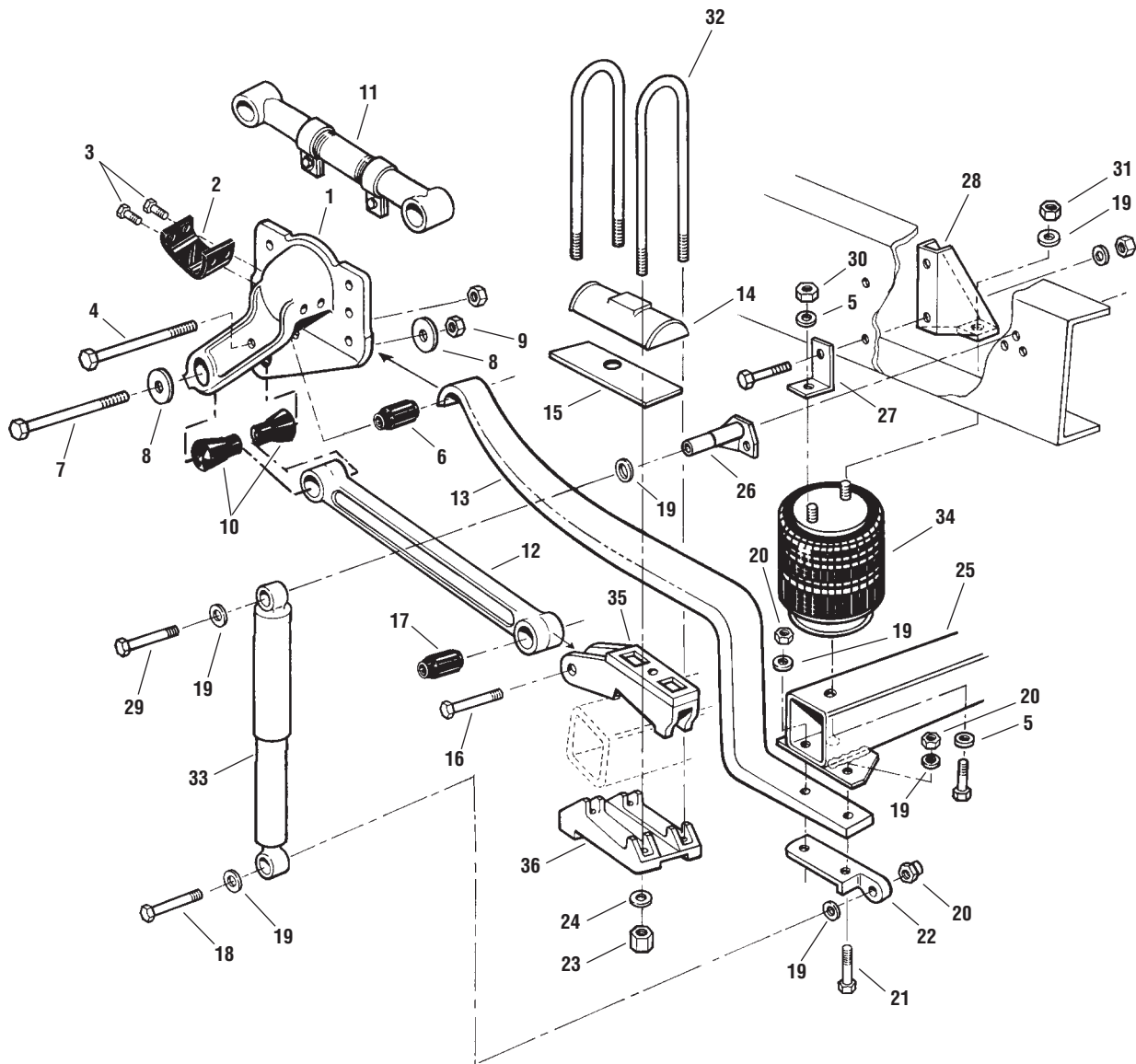
KEY NO.	EUCLID NO.	REPLACES REYCO NO.	DESCRIPTION	QUANTITY PER TANDEM	PAGE NO.
14	E-907	T-2224	Washer	8	2-35
15	E-4421	T-1722	Nut	4	2-34
—	E-1983 (Rubber)	—	Torque Arm Bushing Assembly Axle Seat End, Includes Key Nos. 12, 13, 14, 15.	4	1-558
16	E-3977 (Rubber)	14713-01	Equalizer Bushing, No Slots	2	1-556
	E-8654 (Poly)				
	E-1966	08363-01	Rubber Equalizer Bushing, Slotted Both Ends		1-555
	E-2849	08995-01	Rubber Equalizer Bushing, One Slot, Ford		1-555
	E-2850	08915-01	Rubber Equalizer Bushing, No Slots, GM/Volvo	1-555	
17	E-3978	14743-01	Equalizer with Bushing, No Slots	2	1-552
	E-2843	09120-01	Equalizer with Bushing, Slotted Both Ends		1-552
	E-2844	08996-01	Equalizer with Bushing, One Slot, Ford		1-552
	E-2845	08918-01	Equalizer with Bushing, No Slots, GM/Volvo		1-552
18	E-1968	08687-01	Nut, Not Ford or GM/Volvo (in Kit E-9840)	2	1-556
	E-2854	08914-01	Nut, Ford & GM/Volvo		1-557, 2-34
19	E-1967	08686-01	Equalizer Shaft , Not Ford or GM/Volvo (in Kit E-9840)	2	1-557
	E-2852	10949-01	Equalizer Bolt, Ford & GM/Volvo	2	2-32
20	E-1969	14246-01	Washer, Not Ford or GM/Volvo (in Kit E-9840)	2	—
	E-2853	08913-01	Washer, Ford & GM/Volvo		2-35
20A	E-9840	—	Equalizer Shaft Kit, Includes Key 18, 19, 20	2	—
—	E-1970	TK-19056	Equalizer Bushing Assembly, Slotted Both Ends	2	1-554
	E-2847	TK-19164	Equalizer Bushing Assembly, One Slot, Ford		1-554
	E-2848	TK-19163	Equalizer Bushing Assembly, No Slots, GM/Volvo		1-554
	—	—	NOTE: All Equalizer Bushing Assemblies Include Key Nos. 16, 18, 19, 20.		—
21	E-2886	22274-01	Undrilled Center Hanger not for Ford or GM (S.O.S. 22536-01)	2	1-572
—	E-14388	22273-01	Center Hanger, Drilled	2	1-572
22	Part of E-2867A	14988-01	Bolt	8	1-563
23	Part of E-2867A	T-7659	Plate	4	1-563
24	Part of E-2867A	13195-01	Wear Pad	2	1-563
—	E-2867A	TK-15161	Rear Hanger Pad Arm Includes Key Nos. 17, 18, 19	2	1-563
25	E-2887	22299-01	Undrilled Rear Hanger, Left Hand	1	1-572
	E-2888	22299-02	Undrilled Rear Hanger, Right Hand	1	1-572
26	E-2022	T-5549	Bolt	2	2-32
27	E-1061	T-3016 09729-01	Rear Hanger Bushing	2	1-563
28	E-UB8151-18	09741-01 thru 09751-01	U-Bolt Assembly, Rd. Bend, 3/4" -16 Thd. x 3" Wide x 18" Long	8	2-25
29	E-2873	08677-01	Top Plate	4	1-564
30	S.O.S.	Various	Spring Assembly	4	—
31	S.O.S.	Various	Axle Seat	4	—
32	S.O.S.	Various	Bottom Plate	4	—
33	E-2545	T-5496	Washer	16	2-35
34	E-3001	T-5497	Hi-Nut	16	2-34

S.O.S. = Available through Euclid's S.O.S. Department

N/A = No Longer Available

REYCO/GRANNING 102AR SERIES SUSPENSION

Air Ride — Truck



REYCO/GRANNING 102AR SERIES SUSPENSION PARTS

Air Ride — Truck

KEY NO.	EUCLID NO.	REPLACES REYCO NO.	DESCRIPTION	QUANTITY PER AXLE	PAGE NO.
1	E-4794	22521-01	Standard Front Hanger, Left Hand, Includes Key Nos. 2, 3.	1	1-574
	E-4795	22521-02	Standard Front Hanger, Right Hand, Includes Key Nos. 2, 3.	1	1-574
2	Part of E-2867A	13195-01	Wear Pad	2	1-563
3	Part of E-2867A	14988-01	Screw	8	1-563
—	E-2867A	TK-19168	Rear Wear Pad Assembly	2	1-563
4	E-1972	T-5544	Bolt	2	2-32
5	E-5032	T-1705	Nut	2	2-34
6	E-1061	13677-04	Bushing	2	1-563
—	E-2024	TK-19182	Hanger Bushing Assembly, Includes Key Nos. 4, 5, 6.	2	1-562
7	E-1166	T-5492	Torque Arm Bolt	2	2-32
8	E-905	T-1724	Washer	4	2-35
9	E-937	T-5495	Nut	2	2-34
10	E-10057 (Rubber)	21238-01	Torque Arm Bushing, Hanger End	4	1-559
	E-9579 (Poly)				
—	E-9350 (Rubber)	—	Torque Arm Bushing Assembly Includes Key Nos. 7, 8, 9, 10.	2	1-558
—	E-9583 (Poly)				
11	E-4796	15186-01	Adjustable Torque Arm	1	1-568
12	E-2860	11012-03	Rigid Torque Arm	1	1-569
13	S.O.S.	15676-01	Spring Beam	2	—
14	E-2873	08677-01	Top Plate	2	1-564
15	E-2842	T-5166	Delrin Liner	2	1-561
16	E-901	10033-01	Bolt	2	2-32
17	E-1980 (Rubber)	09729-01	Torque Arm Bushing	2	1-559
	E-7520 (Poly)				
18	S.O.S.	12889-01	Bolt	4	—
19	E-2545	T-5496	Washer	14	2-35
20	S.O.S.	14344-01	Nut	2	—
21	S.O.S.	15669-01	Bolt	4	—
22	S.O.S.	15675-03LH	Lower Shock Mount Bracket, Left Hand	1	—
	S.O.S.	15674-03RH	Lower Shock Mount Bracket, Right Hand	1	—
23	E-3002A	09352-01	Nut	8	2-34
24	E-2546	T-7292	Washer	8	2-35
25	S.O.S.	15766-01	Air Spring Support Assembly	1	—
26	S.O.S.	18256-01	Upper Shock Mount Bracket	2	—
27	S.O.S.	18258-01	Outboard Air Spring Bracket	2	—
28	S.O.S.	18259-01	Inboard Air Spring Bracket	2	—
29	S.O.S.	15246-01	Bolt	2	—
30	S.O.S.	12920-01	Nut	2	—
31	S.O.S.	08211-01	Nut	2	—
32	E-UB5161-14	08490-01 thru 08495-01	U-Bolt Assembly, Rd. Bend, 7/8"-14 Thd. x 3" Wide x 14" Long	4	2-27
33	M85013	12887-01	Shock Absorber	2	3-13
34	FS9223	12884-01	Air Spring	2	—
35	S.O.S.	Various	Axle Seat	2	—
36	S.O.S.	Various	Bottom Seat	2	—

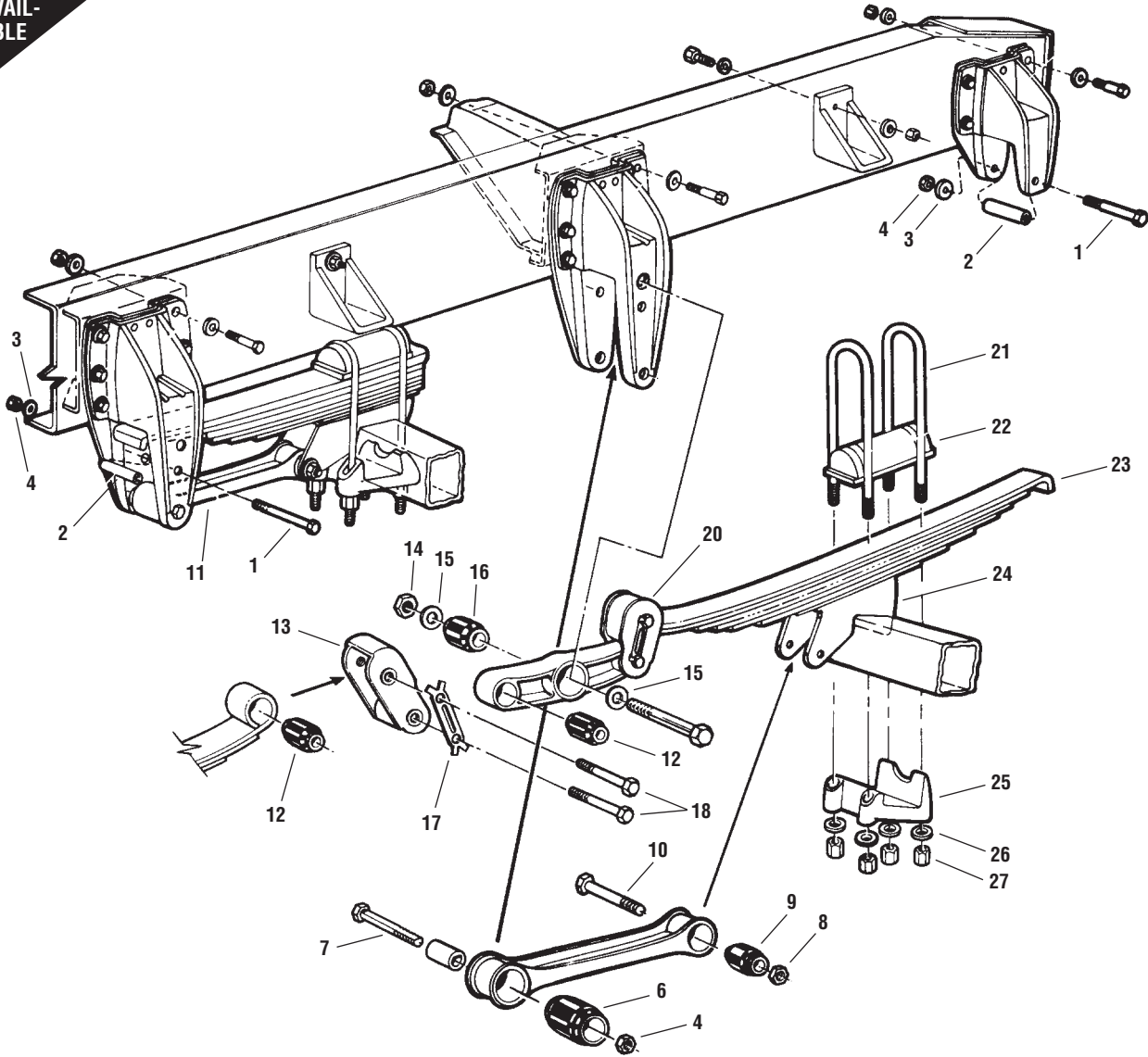
S.O.S. = Available through Euclid's S.O.S. Department

REYCO/GRANNING 181/ FORD 101F SUSPENSION

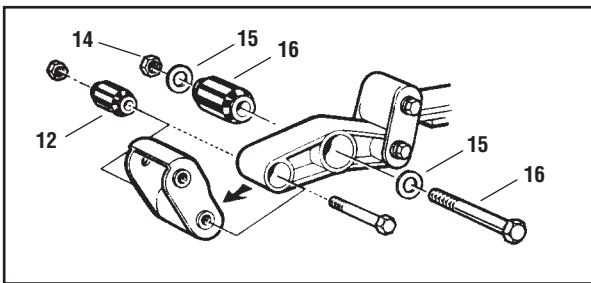
Late Model - 7 Leaf - Obsolete

DISCONTINUED
1980
NO LONGER
AVAIL-
ABLE

1



EARLY MODEL 3 and 4 LEAF



LEAF SPRING REFERENCES

SRI No.

83-123

4 Leaf

83-129

7 Leaf

REYCO/GRANNING 181/ FORD 101F

SUSPENSION PARTS

Late Model - 7 Leaf

KEY NO.	EUCLID NO.	REPLACES REYCO NO.	DESCRIPTION	QUANTITY PER TANDEM	PAGE NO.
1	E-1972	T-5544	Bolt	4	2-32
2	E-1971	T-2106	Spring Roller	4	1-563
3	E-1974	T-1705	Lock Washer	6	1-589
		T-2248			
4	E-4421	T-1704	Nut	6	2-34
—	E-1975	TK19011	Spring Roller Assembly includes Key Nos. 1, 3, 4.	4	1-562
5	E-4421	14169-01	Nut	8	2-34
6	E-3360	13944-01	Torque Arm Bushing, Hanger End	4	1-559
7	E-3247	11824-01	Bolt	4	1-561
—	N/A	—	Torque Arm Bushing Assembly, Hanger End. Includes Key Nos. 8, 9, 10, and 11.	4	—
8	E-1835	10092-01	Nut	4	2-34
9	E-3362	13945-01	Torque Arm Bushing, Axle Seat End	4	1-559
10	E-901	10033-01	Bolt	4	2-32
—	E-3363	—	Torque Arm Bushing Assembly, Axle Seat End Includes Key Nos. 8, 9, 10.	4	1-558
11	N/A	13948-01	Torque Arm with Bushings, Front, 14 15/16" Center-to-Center	2	—
12	E-3359	13941-01	Equalizer Shackle Bushing	8	1-561
13	N/A	—	Shackle, Left Front & Right Rear	2	—
14	E-1828	T-5495	Nut	2	2-34
15	E-2975	T-5770	Washer	4	2-35
16	N/A	13940-01	Equalizer Bushing	2	—
17	E-3244	12488-01	Shackle Lock Strip	4	1-562
18	N/A	12492-01	Bolt	8	—
19	E-3240	11823-01	Bolt	2	2-32
—	N/A	—	Equalizer Bushing Assembly Includes Key Nos. 18, 19, 20, 24.	2	—
20	N/A	—	Shackle, Right Front & Left Rear	2	—
21	E-UB8151-18	—	U-Bolt Assembly, Rd. Bend, 3/4"-16 Thd. x 3" Wide x 18" Long	8	2-25
22	E-2873	08677-01	Top Plate	4	1-564
23	S.O.S.	Various	Spring	4	—
24	—	Various	Axle Seats	4	—
25	N/A	Various	Bottom Plate	4	—
26	E-2545	T-5496	Washer	16	2-35
27	E-3001	T-5497	Hi-Nut	16	2-34

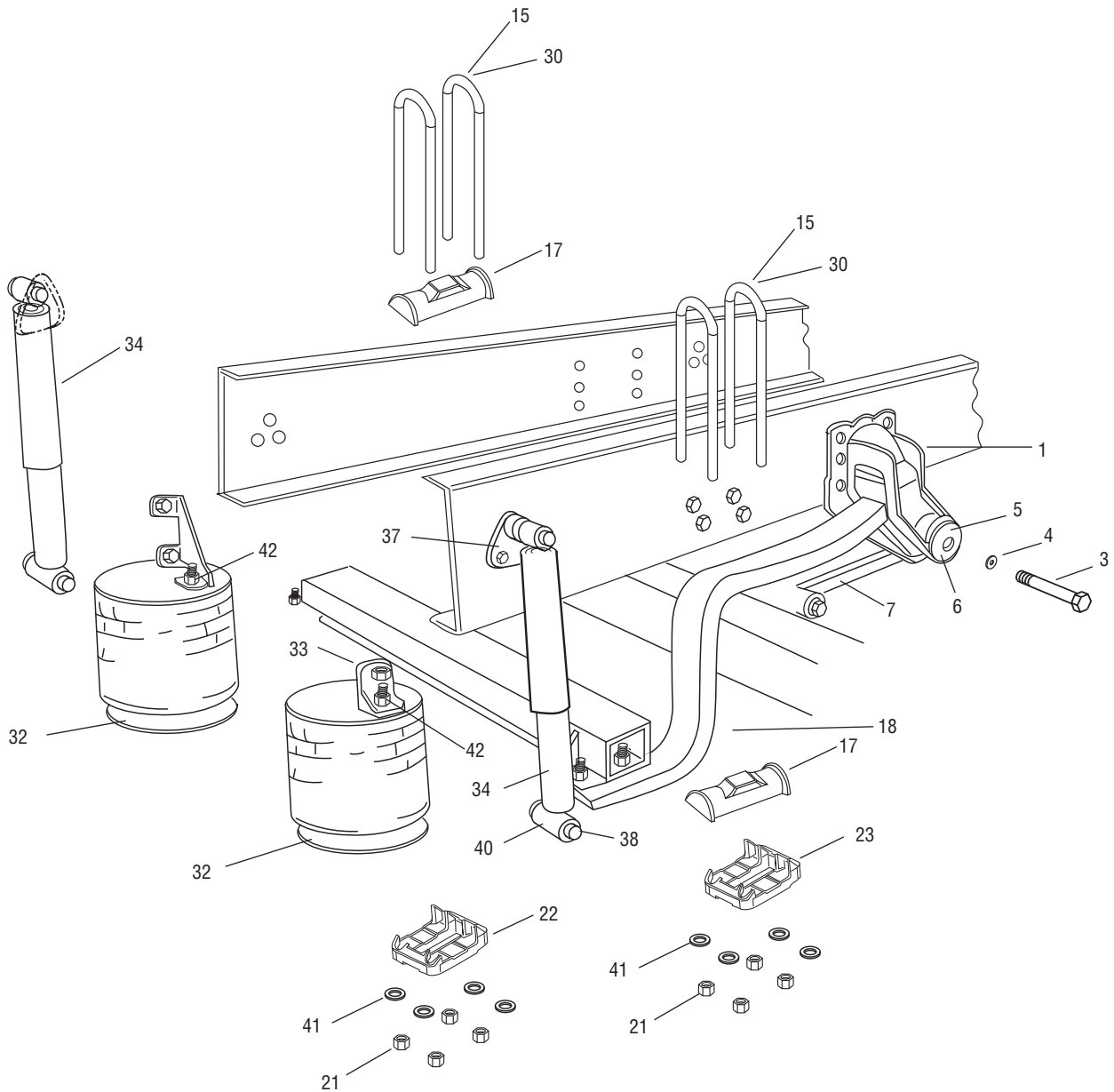
S.O.S. = Available through Euclid's S.O.S. Department.

N/A = No Longer Available

Refer to Photo Pages For Ford Part Number Cross References

REYCO/GRANNING 240AR SUSPENSION

Air Ride - Truck



1

REYCO/GRANNING 240AR SUSPENSION PARTS

Air Ride - Truck

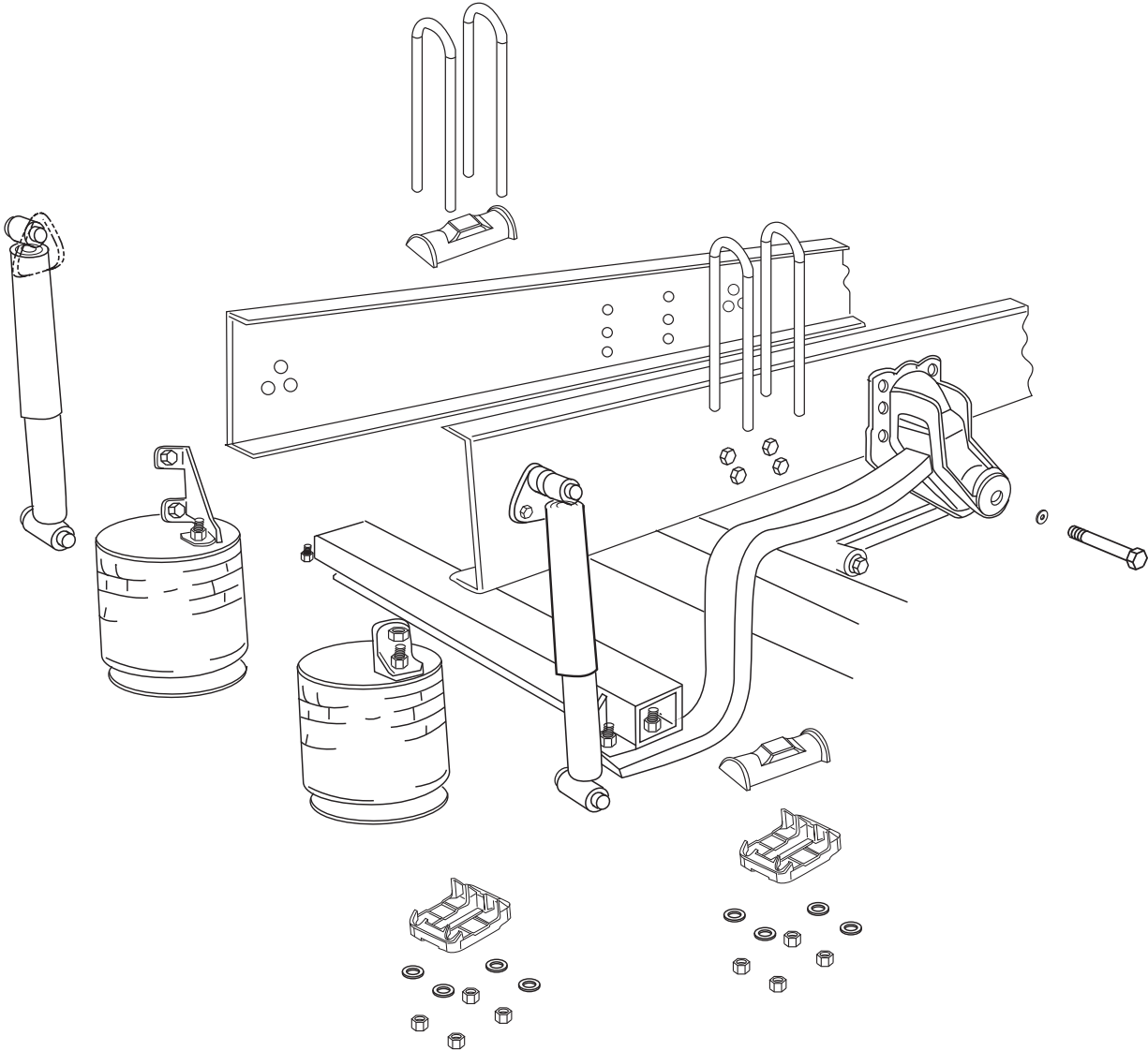
KEY NO.	EUCLID NO.	REPLACES REYCO NO.	DESCRIPTION	17K - 25K	34K - 40K	PAGE NO
				QTY PER AXLE	QTY PER TANDEM	
1	S.O.S.	2098101	Hanger Assembly (LH)	1	2	—
2	S.O.S.	2098201	Hanger Assembly (RH)	1	2	—
3	S.O.S.	23882-01	Bolt, 1"-14UNF x7	2	4	—
4	E-905	T1724	Flat Washer, 1-1/16"	4	8	2-35
5	S.O.S.	2313801S	Bushing	4	8	—
—	E-14390	TK21640T	Bushing Kit	As Required		—
6	E-937	T5495	Lock Nut, 1"-14 UNF	2	4	2-34
7	S.O.S.	2012101	Torque Arm, Rigid	1	2	—
8	S.O.S.	2013801	Torque Arm, Adjustable	1	2	—
9	E-901	1003301	Bolt 7/8"-9 UNC x 5-1/2"	4	8	2-32
10	E-2983	1009201	Lock Nut, 7/8"-9 Thd.	4	8	2-34
11	E-1980 (Rubber)	0972901	Bushing, Inc. w/Torque Arm	As Required		1-559
12	S.O.S.	1289101	Bolt, 5/8"-18 UNF x 4-1/2" Gr. 8	2	4	—
13	S.O.S.	T2131	Lock Washer, 5/8"	2	4	—
14	S.O.S.	1367708	Rubber Roller, 2-1/2"	2	4	—
15	S.O.S.	1563701	U-Bolt, 15" for 8-1/2" Ride Height	2	2	—
16	S.O.S.	1628901	U-Bolt, 12-1/2" for 8-1/2" Ride Height	2	2	—
17	E-2873	0867701	Top Plate	2	4	1-564
18	S.O.S.	19876K1	Spring Beam, RH	1	2	—
19	S.O.S.	19877K1	Spring Beam, LH	1	2	—
20	S.O.S.	16810-09	Spring Liner, Inc. w/Spring Beam	As Required		—
21	E-3002A	2068801	Hi Nut, 7/8"-14 UNF Gr. 8	8	16	2-34
22	S.O.S.	—	Bottom Plate, Front Left	1	1	—
23	S.O.S.	—	Bottom Plate, Front Right	1	1	—
24	S.O.S.	—	Axle Seat, Front Left	1	1	—
25	S.O.S.	—	Axle Seat, Front Right	1	1	—
26	S.O.S.	—	Axle Seat, Rear Left (Tandem)	—	1	—
27	S.O.S.	—	Axle Seat, Rear Right (Tandem)	—	1	—
28	S.O.S.	—	Bottom Plate, Rear Left (Tandem)	—	1	—
29	S.O.S.	—	Bottom Plate, Rear Right (Tandem)	—	1	—
30	S.O.S.	1628901	U-Bolt, 12-1/2" for 8-1/2" Ride Ht. (Tandem)	—	2	—
31	S.O.S.	1563701	U-Bolt, 15" for 8-1/2" Ride Ht. (Tandem)	—	2	—
32	S.O.S.	2014201	Air Spring, Std.	2	4	—
32A	S.O.S.	20124-12	Air Spring, Opt.	As Required		—
33	S.O.S.	2012301	Bracket, Inc. w/Air Spring	As Required		—
34A	M89440	2012601	Shock Absorber, 1.75", Premium	8		3-13
34B	M85713	2012901	Shock Absorber, 1.62", Heavy Duty	As Required		3-10
35	S.O.S.	2015501	Bracket, Lower Shock, LH	1	2	—
36	S.O.S.	2015401	Bracket, Lower Shock, RH	1	2	—
37A	S.O.S.	20185-03	Bracket, Upper Shock, 8-1/2" Mounting Ht.	2	4	—
37B	S.O.S.	14480-01	Bolt, 3/4"-16 UNF X 5.5" Gr. 8	2	4	—
38	E-4961A	14344-01	Lock Nut, 3/4"	4	8	2-34

S.O.S. = Available through Euclid's S.O.S. Department.

REYCO/GRANNING 240AR SUSPENSION

Air Ride - Truck

1



REYCO/GRANNING 240AR SUSPENSION PARTS

Air Ride - Truck

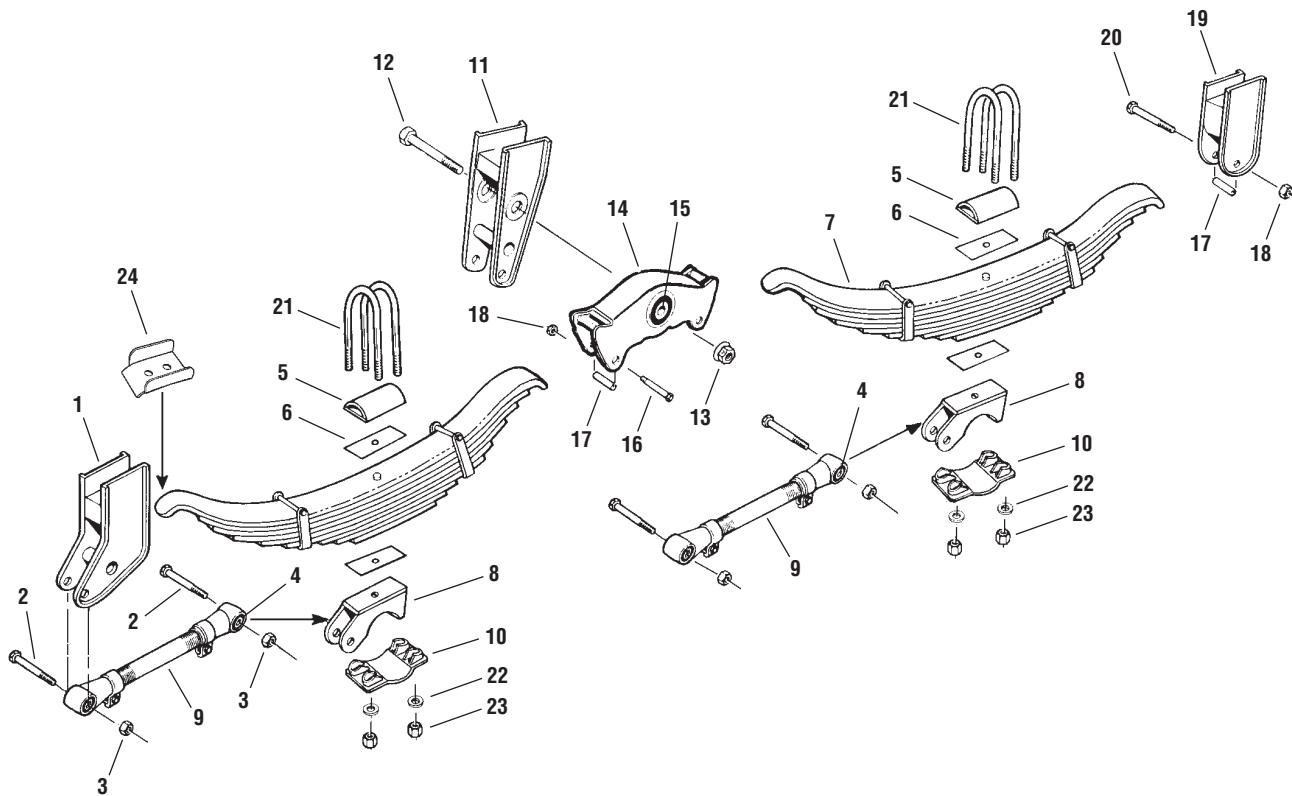
KEY NO.	EUCLID NO.	REPLACES REYCO NO.	DESCRIPTION	17K - 25K	34K - 40K	PAGE NO
				QTY PER AXLE	QTY PER TANDEM	
39	S.O.S.	1289502	Compression Washer, 3/4"	8	16	—
40	S.O.S.	1288802	Sleeve, 1.87" Inc. w/Shock Absorber	As Required		—
41	E-2546	T7292	Hardened Washer, 7/8"	8	16	2-35
42	S.O.S.	1641801	Nut, 1/2"-13 UNC	2	4	—
43	S.O.S.	2334808	Height Control Valve Assembly	1	1	—
44	S.O.S.	1291101	Bolt, 1/4"-20 UNC x 1", Gr. 2	2	2	—
45	S.O.S.	1291201	Lock Nut, 1/4"-20 UNC, Gr. 5	2	2	—
46	S.O.S.	1291301	Washer, 1/4"	2	2	—
47	S.O.S.	2094501	Cap Screw 3/8" x 1-1/2"	1	1	—
48	S.O.S.	2106801	Lock Nut, 3/8" UNC	1	1	—
49	S.O.S.	1475001	Angle -Link	1	1	—
50	S.O.S.	2015601	Lower Height Control Valve Bracket	1	1	—
51	S.O.S.	1735401	Bolt, 3/4"-16 UNF x 4-1/2", Gr. 8	2	4	—
52	S.O.S.	2051301	Spacer, 1-1/2" for 10-1/2" Mounting Ht.	2	4	—
53	S.O.S.	2194001	Track Rod -23-1/2"	1	1	—
54	S.O.S.	2034601	Track Rod -21"	---	1	—
55	S.O.S.	1827301	Frame Bracket	1	2	—
56A	S.O.S.	1825102	Axle Bracket, Front Axle	1	1	—
56B	S.O.S.	2164601	Axle Bracket, Rear Axle (Tandem)	---	1	—
57	S.O.S.	2137001	Frame Plate, Track Rod	1	2	—
58	S.O.S.	1291501	Protection Valve and Filter	1	1	—

S.O.S. = Available through Euclid's S.O.S. Department.

1

REYCO/GRANNING TRANSPRO 86/88 SUSPENSION

Heavy Weight/Super Heavy Weight Trailer



LEAF SPRING REFERENCES

SRI No.

TRA 3339	3 Leaf High Arch
TRA 3340	3 Leaf High Arch
TRA 3341	3 Leaf Lower Arch
TRA 3309	8 Leaf High Arch
TRA 3310	8 Leaf Medium Arch

REYCO/GRANNING TRANSPRO 86/88

SUSPENSION PARTS

Heavy Weight/Super Heavy Weight Trailer

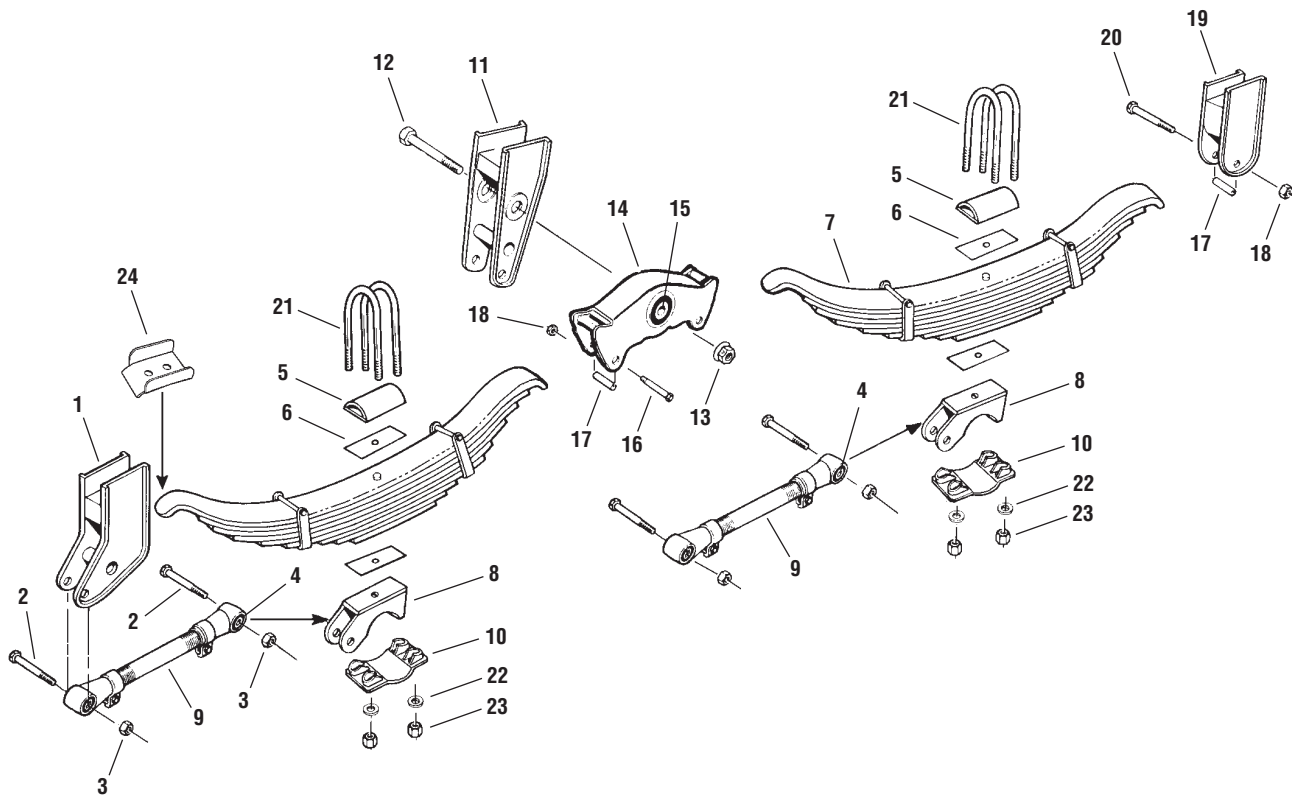
KEY NO.	EUCLID NO.	REPLACES REYCO NO.	DESCRIPTION	QUANTITY PER TANDEM	86	88	PAGE NO.
1	E-4807	0311-01	Front Hanger, Flange Mount, Left Hand	1	X	X	1-573
	E-4808	311-02	Front Hanger, Flange Mount, Right Hand	1	X	X	1-573
	E-4801	0046-00	Front Hanger, Straddle Mount	2	X	X	1-573
	E-4804	0049-00	Front Hanger, Under Mount	2	X	X	1-573
2	E-4833	0001-08	Bolt	8	X	X	2-32
3	E-9607	0002-12	Flanged Lock Nut	8	X	X	2-34
4	E-1980 (Rubber)	0022-00	Torque Arm Bushing	8	X	X	1-559
	E-7520 (Poly)						
—	E-4834A (Rubber)	0022-01K	Torque Arm Bushing Assembly Includes Key Nos. 2, 3, 4.	8	X	X	1-558
	E-9551 (Poly)						
5	E-2907A	0077-00	Top Plate, Fabricated, 3" Wide	4	X	X	1-564
	E-2873	08677-01	Top Plate, Cast, 3" Wide		X	X	1-564
	E-2875	T-7175 T-5488	Top Plate, 5" Round Axle		X	X	1-564
	S.O.S.	T-1734	Top Plate, 5" Square Axle		X		—
	S.O.S.	0716-00	Top Plate, 4" x 6" Axle		X		—
6	E-2842	0375-00	Delrin Spring Liner	4	X	X	1-561
7	S.O.S.	Various	Spring	4	X	X	—
8	E-4814	0636-01	Axle Seat, 5" Round Axle, 1" Height	4	X	X	1-566
	E-4815	0636-02	Axle Seat, 5" Round Axle, 2" Height		X	X	1-566
	E-4817	0632-01	Axle Seat, 5" Square Axle, 1" Height		X	X	1-566
	E-4818	0632-02	Axle Seat, 5" Square Axle, 2" Height		X	X	1-566
9	E-4824	1035-20	Adjustable Torque Arm with Bushing, 20" Center-to-Center	2	X	X	1-569
	S.O.S.	1035-23	Adjustable Torque Arm with Bushing, 23" Center-to-Center		X		—
	E-4825	0075-20	Rigid Torque Arm with Bushing, 20" Center-to-Center		X	X	1-569
	S.O.S.	0678-00	Rigid Torque Arm with Bushing, 23" Center-to-Center		X		—
10	E-2909	0538-00	Bottom Plate, 5" Round Axles	4	X	X	1-564
	E-4823	0149-00	Bottom Plate, 5" Square Axles		X	X	1-565
11	E-4809	0312-00	Center Hanger, Flange Mount	2	X	X	1-573
	E-4802	0062-00	Center Hanger, Straddle Mount		X	X	1-573
	E-4805	0065-00	Center Hanger, Under Mount		X	X	1-573
12	E-4830	0001-14	Equalizer Bolt	2	X	X	2-32
13	E-2892	0274-01	Flanged Nut	2	X	X	2-34
14	E-4813	0758-00	Fabricated Equalizer with Bushing	2	X	X	1-552
	E-10250	0850-00	Cast Equalizer with Bushing				1-552
15	E-4827	0649-02	Equalizer Bushing, New Style	2	X	X	1-555
	Part of E-4832	0106-06	Equalizer Bushing, Old Style Before Sept. 1986.		X	X	1-554
—	E-4832	0649-04K	Equalizer Bushing Assembly Includes Key Nos. 12, 13, 15.	2	X	X	1-554
	N/A	0106-07	Equalizer Bushing Assembly, Old Style Before Sept. 1986.		X	X	—
16	E-3415	0001-04	Bolt	4	X	X	2-32

S.O.S. = Available through Euclid's S.O.S. Department
N/A = No Longer Available

Continued on next page

REYCO/GRANNING TRANSPRO 86/88 SUSPENSION

Heavy Weight/Super Heavy Weight Trailer



LEAF SPRING REFERENCES

SRI No.

TRA 3339	3 Leaf High Arch
TRA 3340	3 Leaf High Arch
TRA 3341	3 Leaf Lower Arch
TRA 3309	8 Leaf High Arch
TRA 3310	8 Leaf Medium Arch

REYCO/GRANNING TRANSPRO 86/88 SUSPENSION PARTS

Trailer

KEY NO.	EUCLID NO.	REPLACES REYCO NO.	DESCRIPTION	QUANTITY PER TANDEM	86	88	PAGE NO.
17	E-3416	0741-01	Spring Roller	6	X	X	1-561
18	E-2002	0002-07	Nut	6	X	X	2-34
—	E-4835	0741-00	Equalizer Spring Roller Assembly Includes Key Nos. 16, 17, 18.	4	X	X	1-562
—	E-4837	—	Hanger Spring Roller Assembly Includes Key Nos. 17, 18, 20.	2	X	X	1-562
19	E-4810	0313-01	Rear Hanger, Flange Mount, Left Hand	1	X	X	1-573
		0402-01					
	E-4811	0313-02	Rear Hanger, Flange Mount, Right Hand	1	X	X	1-573
		0402-02					
	E-4803	0051-00	Rear Hanger, Straddle Mount	2	X	X	1-573
		0051-20					
E-4806	0053-00	Rear Hanger, Under Mount	2	X	X	1-573	
	0086-00						
20	Part of E-4837	0001-02	Bolt	2	X	X	1-562
21	E-UB5161-12	0078-10 Thru 18	U-Bolt Assembly Rd. Bend, 7/8"-14 Thd. x 3" Wide x 12" Long	8	X	X	2-27
	E-UB5161-13	0078-10 Thru 18	U-Bolt Assembly, Rd. Bend, 7/8"-14 Thd. x 3" Wide x 13" Long		X	X	2-27
	E-UB5161-14	0078-10 Thru 18	U-Bolt Assembly, Rd. Bend, 7/8"-14 Thd. x 3" Wide x 14" Long		X	X	2-27
	E-UB5161-18	0078-10 Thru 18	U-Bolt Assembly, Rd. Bend, 7/8"-14 Thd. x 3" Wide x 18" Long		X	X	2-27
	E-UB5165-14	0102-10 Thru 17	U-Bolt Assembly, Rd. Bend, 7/8"-14 Thd. x 5" Wide x 14" Long		X	X	2-27
	E-UB5165-18	0102-10 Thru 17	U-Bolt Assembly, Rd. Bend, 7/8"-14 Thd. x 5" Wide x 18" Long		X	X	2-27
	N/A	0159-12	U-Bolt Assembly, Sq. Bend, 7/8"-14 Thd. x 5" Wide x 12" Long		X	X	—
	E-UB8264-12	060-12 Thru 15	U-Bolt Assembly, Sq. Bend, 7/8"-14 Thd. x 4" Wide x 12" Long		X	X	2-27
	E-UB8264-14	060-12 Thru 15	U-Bolt Assembly, Sq. Bend, 7/8"-14 Thd. x 4" Wide x 14" Long		X	X	2-27
	E-UB8264-16	060-12 Thru 15	U-Bolt Assembly, Sq. Bend, 7/8"-14 Thd. x 4" Wide x 16" Long		X	X	2-28
22	E-2546	T-7292	Washer	16	X	X	2-35
23	E-3002A	—	Hi-Nut	16	X	X	2-34
24	E-4828	0045-00	Hanger Wear Pad	2	X	X	1-574

S.O.S. = Available through Euclid's S.O.S. Department

N/A = No Longer Available

REYCO/GRANNING EQUALIZERS

EQUALIZER - TRAILER



Bushings Not Included

EUCLID NO.	REPLACES	O.A.L.	FOR MODEL
E-2846A	Reyco 21725-01 Austempered Ductile Iron	18"	21B

EQUALIZER - TRUCK (Standard)

1984 and Up
Use E-3978



Bushing Slotted Both Sides
Includes Bushing

EUCLID NO.	REPLACES	O.A.L.	FOR MODEL
E-2843 (Shown)	Reyco 09120-01	16"	101, 101A, with E-1966 Bushing, 1 1/2" I.D. (Not Ford - GMC)
E-3978	Reyco 14743-01 14723-01	16"	New version, 101, 101A, 102, with E-3977 Bushings No slots

EQUALIZER - TRUCK (Ford)

Through 1984
Can Use
E-2845



Bushing Slotted One End
Includes 1 E-2849 Bushing

EUCLID NO.	REPLACES	O.A.L.	FOR MODEL
E-2844	Reyco 08996-01	16"	Ford 101, 102

EQUALIZER - TRUCK (GMC/Ford)



Bushings Not Slotted
Includes 1 E-2850 Bushing

EUCLID NO.	REPLACES	O.A.L.	FOR MODEL
E-2845	Reyco 12859-01 08918-01	16"	GMC 101, 102

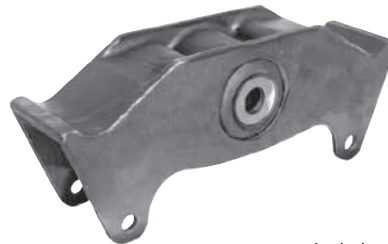
EQUALIZER



Includes E-4827 Bushing

EUCLID NO.	REPLACES	FOR MODEL	O.A.L.	BUSHING HOLE DIA.
E-4813	Transpro 0650-00 0758-00 0058-00	Super Heavy-Duty Model 88	16 1/2"	3 1/4"

CAST EQUALIZER



Includes E-4827 Bushing

EUCLID NO.	REPLACES	O.A.L.	FOR MODEL
E-10250	Transpro 0850-00	16 1/2"	Super Heavy-Duty Model 88

HEAVY DUTY EQUALIZER - WITH BUMP STOP



EUCLID NO.	REPLACES	FOR MODEL	O.A.L.	GENERAL INFORMATION
E-10768A	Reyco 25222-01 Austempered Ductile Iron	21B	17 1/2"	44" Axle Spacing. Will need KIT 700073 for Bump Stop. Order through S.O.S.

REYCO/GRANNING EQUALIZERS

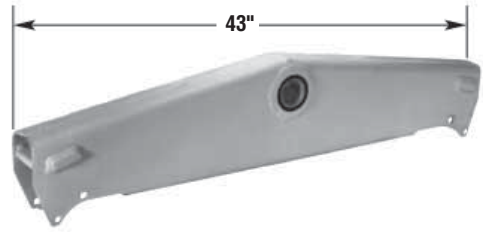
EQUALIZER



Does Not Includes Bushing

EUCLID NO.	REPLACES	O.A.L.	FOR MODEL
E-5245	Reyco 09713-01	30"	21B 60" Widespread

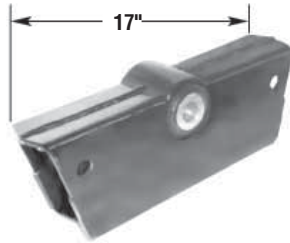
EQUALIZER



Includes Bushing

EUCLID NO.	REPLACES	O.A.L.	FOR MODEL
E-5246	Reyco 11143-01	43"	21B 72" Widespread

EQUALIZER



N/A = No Longer Available

Includes Bushing

EUCLID NO.	REPLACES	O.A.L.	FOR MODEL
N/A	Reyco 10063-00	17"	73-49"

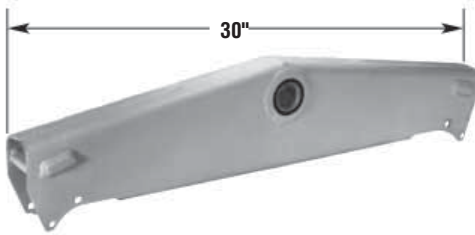
EQUALIZER



Includes E-7713 Bushing

EUCLID NO.	REPLACES	O.A.L.	FOR MODEL
E-7709	Reyco 14689-01	18"	83-50" Widespread

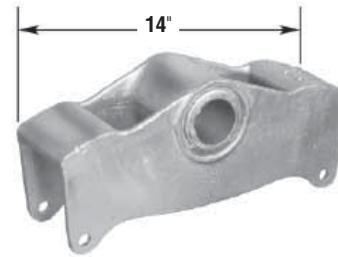
EQUALIZER



Includes E-7713 Bushing

EUCLID NO.	REPLACES	O.A.L.	FOR MODEL
E-7710	Reyco 14696-01	30"	83-60"

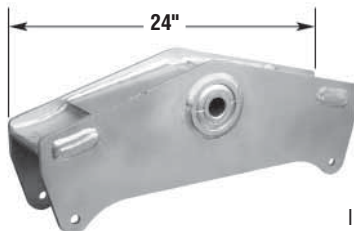
EQUALIZER



Includes E-1072 Bushing

EUCLID NO.	REPLACES	O.A.L.	FOR MODEL
E-9574	Reyco T-3225	14"	86/88

EQUALIZER



Includes Bushing

EUCLID NO.	REPLACES	O.A.L.	FOR MODEL
E-9586	Reyco 13806-01	24"	74B-54" Widespread

REYCO/GRANNING EQUALIZER BUSHING ASSEMBLIES

EQUALIZER BUSHING ASSEMBLY (Trailer)



EUCLID NO.	FOR MODEL	INCLUDES
E-3976 (Rubber)	Reyco 21B	1 E-3972 Shaft
		2 E-1159 Bushing
E-9555 (Poly) (1" Lock Screws)		2 E-1986A Washer
		2 E-1987 Screw 2 E-3975 Lock Washer

EQUALIZER BUSHING ASSEMBLY



EUCLID NO.	FOR MODEL	INCLUDES
E-4832 (New Style)	Transpro 86 & 88	1 E-4827 Bushing (New Style) 1 E-4830 Bolt 1 E-2892 Nut

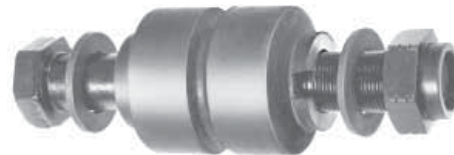
EQUALIZER BUSHING ASSEMBLY (Standard)



1 1/2" I.D.

EUCLID NO.	FOR MODEL	INCLUDES
E-1970	Reyco 101, 101A, 102	1 E-1966 Bushing 1 E-1967 Shaft 1 E-1968 Nut 1 E-1969 Washer

EQUALIZER BUSHING ASSEMBLY
Use E-2848 For 1984 And Up



EUCLID NO.	FOR MODEL	INCLUDES
E-2847	Reyco 101 (Ford)	1 E-2849 Bushing 1 E-2852 Bolt 1 E-2854 Nut 2 E-2853 Washer

EQUALIZER BUSHING ASSEMBLY



1 1/4" I.D.

EUCLID NO.	FOR MODEL	INCLUDES
E-2848	Reyco 101, 102 GMC/Ford	1 E-2850 Bushing 1 E-2852 Bolt 1 E-2854 Nut 2 E-2853 Washer

EQUALIZER CENTER BUSHING ASSEMBLY



N/A = No Longer Available

EUCLID NO.	APPLICATION	FOR MODEL	INCLUDES
N/A	Use on 4 and 7 Leaf Spring Suspensions	Reyco 101F, 181	1 N/A Bushing 1 E-3240 Bolt 1 E-1828 Nut 2 E-2975 Washer

EQUALIZER BUSHING ASSEMBLY



2 1/2" -16 Thd.

EUCLID NO.	FOR MODEL	INCLUDES
E-2116A	Reyco 21B 60" Widespread	1 E-837 Shaft T-2158 2 — Washer T-2103 2 E-813 Bushing T-2102 2 E-3979 Lock Nut 11129-01

EQUALIZER BUSHING ASSEMBLY



EUCLID NO.	FOR MODEL	INCLUDES
E-5247	Reyco 21B 72" Widespread	1 N.S.S. Shaft 11147-01 1 N.S.S. Washer T-2403 1 E-1072 Bushing T-3214 1 N.S.S. Lock Nut 11149-01

REYCO/GRANNING EQUALIZER BUSHINGS

EQUALIZER BUSHING (Standard) Old Style

Use E-3977
for 1984 and Up



Slotted
Both Ends

EUCLID NO.	REPLACES	FOR MODEL	O.D.	I.D.	LENGTH
E-1966	Reyco 08363-01	101,101A 102	3 1/8"	1 1/2"	4 1/2"

EQUALIZER BUSHING (GMC/Ford)



No Slots

EUCLID NO.	REPLACES	FOR MODEL	O.D.	I.D.	LENGTH
E-2850	Reyco 08915-01	GMC 101, 102	3 1/8"	1 1/4"	4 1/2"

EQUALIZER BUSHING (Trailer)



EUCLID NO.	REPLACES	FOR MODEL	O.D.	I.D.	LENGTH
E-1159 (Rubber)	Reyco T-5524	21B	3 3/8"	1 5/8"	4 13/32"
E-8653 (Poly)					

EQUALIZER BUSHING



EUCLID NO.	REPLACES	FOR MODEL	O.D.	I.D.	LENGTH
E-7712	Reyco 16095-01	73-49"	3 1/8"	1"	4"
E-7713	Reyco 14682-01	All 83	3 1/8"	1 1/4"	4 5/8"

EQUALIZER BUSHING ASSEMBLY



EUCLID NO.	FOR MODEL	INCLUDES
E-2118	30, 31, 41, 42	1 E-1181 Shaft 1 E-1072 Bushing 1 E-898 Roll Pin

EQUALIZER BUSHING



EUCLID NO.	REPLACES	FOR MODEL	O.D.	I.D.	LENGTH
E-813 (Rubber)	Reyco T-2102	21, 21-4, 21SK, 21B 60" Widespread	4 1/16"	2 3/8"	2 9/16"
E-8691 (Poly)					

EQUALIZER BUSHING (Ford) Use E-2850, 1984 And Up



Slotted
One End

EUCLID NO.	REPLACES	FOR MODEL	O.D.	I.D.	LENGTH
E-2849	Reyco 08995-01	Ford 101	3 1/8"	1 1/4"	4 1/2"

EQUALIZER BUSHING



Not Offered in Poly

EUCLID NO.	REPLACES	FOR MODEL	O.D.	I.D.	LENGTH
E-4827 (New Style)	Transpro 0649-02	Super Heavy-Duty Model 86 & 88	3 5/16"	1 1/32"	4"

REYCO/GRANNING EQUALIZER BUSHINGS

EQUALIZER BUSHING (Standard) New Style, 1984 And Up



Hardware E-9840

No Slots

EUCLID NO.	REPLACES	FOR MODEL	O.D.	I.D.	LENGTH
E-3977 (Rubber)	Reyco 14713-01	101, 101A, 102	3 1/8"	1 1/2"	4 1/2"
E-8654 (Poly)					

EQUALIZER CENTER BUSHING



N/A = No Longer Available

EUCLID NO.	REPLACES	FOR MODEL	O.D.	I.D.	LENGTH
N/A	Reyco 13940-01 Ford E1HT5781-BA	Ford 101F, 181	3 1/16"	1"	3 1/4"

EQUALIZER BUSHING



EQUALIZER BUSHING



EUCLID NO.	REPLACES	FOR MODEL	O.D.	I.D.	LENGTH
E-1072 (Rubber)	Reyco T-3214	30, 31, 41, 42, 21B 72" Widespread	3 1/8"	2"	4 1/4"
E-8688 (Poly)					

EUCLID NO.	REPLACES	FOR MODEL
E-9550	Reyco 13805-01	All 74B Widespreads

EQUALIZER PAD



EQUALIZER SHAFT NUT



EUCLID NO.	REPLACES	FOR MODEL
E-7717	Reyco 10055-01	73-49"

EUCLID NO.	REPLACES	FOR MODEL	THREAD	APPLICATION
E-1968	Reyco 08687-01	101 101A,102	1 7/16" -12	Equalizer

REYCO/GRANNING EQUALIZER HARDWARE

EQUALIZER BOLT KIT



EUCLID NO.	FOR MODEL	INCLUDES
E-9538	21B - 60" Spread	1 E-2854 Nut 1 E-7719 Bolt

EQUALIZER SHAFT
(Standard)



EUCLID NO.	REPLACES	FOR MODEL	O. D.	LENGTH	THREAD
E-1967	Reyco 08686-01	101, 101A 102	1 1/2"	8"	1 7/16" -12

EQUALIZER SHAFT NUT



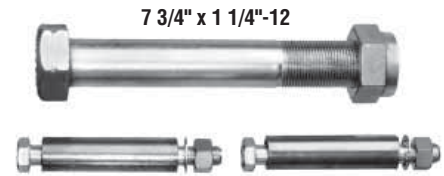
EUCLID NO.	REPLACES	FOR MODEL	THREAD
E-3979	Reyco 11129-01	21, 21-4 21SK	2 1/2" -16

EQUALIZER STIFFENER PLATE



EUCLID NO.	REPLACES	FOR MODEL
E-9559	Reyco 11851-01	21B

EQUALIZER BOLT KIT



EUCLID NO.	REPLACES	FOR MODEL	INCLUDES
E-7716	Reyco	All 83	1 E-7719 Bolt 1 E-2854 Nut 2 E-1975 Assembly

EQUALIZER SHAFT
(Trailer)



EUCLID NO.	REPLACES	FOR MODEL	O. D.	LENGTH	NOTE
E-3972	Reyco 14247-01	21B	1 5/8"	8 11/16"	1" -8 Bolt Holes at Both Ends

EQUALIZER NUT



EUCLID NO.	REPLACES	FOR MODEL	THREAD
E-2854	Reyco 08914-01	Ford GMC	1 1/4" -12

21B WEAR PADS



E-9560



E-9561

EUCLID NO.	REPLACES	APPLICATION
E-9560	Reyco 11852-01	Equalizer
E-9561	Reyco 15630-01	Rear Hanger

REYCO/GRANNING TORQUE ARM BUSHING ASSEMBLIES

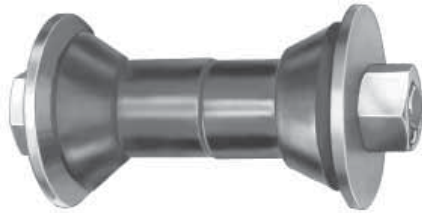


EUCLID NO.	FOR MODEL	INCLUDES
E-1963 (Rubber)	101 (Torque Leaf)	2 E-1964 Bushing 1 E-1965 Bolt
E-9548 (Poly)	101A (Hanger End)	1 E-4421 Nut 2 E-905 Washer



EUCLID NO.	FOR MODEL	INCLUDES
E-1983	102 (Axle Seat End)	2 E-1982 Bushing 1 E-900 Bolt 2 E-907 Washer 1 E-4421 Nut

1



EUCLID NO.	FOR MODEL	INCLUDES
E-9350 (Rubber)	102 (Hanger End)	2 E-10057 Bushing 1 E-1166 Bolt
E-9583 (Poly)		1 E-937 Nut 2 E-905 Washer



EUCLID NO.	FOR MODEL	INCLUDES
E-1312A (Rubber)	21B	2 E-1160 Bushing 1 E-1166 Bolt
E-9545 (Poly)		2 E-907 Washer 1 E-1828 Nut



EUCLID NO.	FOR MODEL	INCLUDES
E-1313	30, 31, 41, 42	1 E-901 Bolt 1 E-1061 Bushing 1 E-2983 Nut



EUCLID NO.	FOR MODEL	INCLUDES
E-1981 (Rubber)	101A, 102W, 102AR (Axle Seat End)	1 E-1980 Bushing 1 E-901 Bolt
E-9552 (Poly)		1 E-2983 Nut
E-3363	Use on Late Model 101F and 181	1 E-3362 Bushing 1 E-901 Bolt 1 E-2983 Nut
E-4834A (Rubber)	Heavyweight and SuperHeavy-Duty Model 88	1 E-1980 Bushing 1 E-4833 Bolt
E-9551 (Poly)		1 E-9607 Nut
E-7749	All 73,83	1 E-2983 Lock Nut 1 E-7750 Bushing 1 E-901 Bolt

REYCO/GRANNING TORQUE ARM BUSHING ASSEMBLIES

TORQUE ARM BUSHING ASSEMBLY



EUCLID NO.	FOR MODEL	INCLUDES
E-9587	Reyco 74B Tandem 50", 54", 60" Axle Spacing	E-1166 Bolt E-937 Nuts E-9549 Torque Arm Bushing

REYCO/GRANNING TORQUE ARM BUSHINGS

1

TORQUE ARM BUSHING
Hanger End



TORQUE ARM BUSHING
Axle Seat End



EUCLID NO.	REPLACES	FOR MODEL	O.D.	I.D.	LENGTH
E-3360 (Rubber)	Reyco 13944-01 Ford E1HT5781-0A Was E-3246	181 101F	2 3/4"	1 1/2"	3 3/8"

TORQUE ARM BUSHING
Hanger End



EUCLID NO.	REPLACES	FOR MODEL	O.D.	I.D.	LENGTH
E-1980 (Rubber)	Reyco 09729-01 Transpro 0022-00	101A	1 29/32"	7/8"	3"
E-7520 (Poly)					
E-3362 (Rubber)	Reyco 13945-01 Ford E1HT5781-EA	181 101F	2 1/32"	7/8"	3"

TORQUE ARM BUSHING
Axle Seat End



Replaced E-812 had 1.0, 1 1/16"
Not a direct replacement see UD-49

EUCLID NO.	REPLACES	FOR MODEL	SMALL O.D.	LG. O.D.	I.D.	LENGTH
E-10057 (Rubber)	Reyco 21238-01	102	1 13/16"	3 5/32"	1"	2 3/4"
E-9579 (Poly)						

EUCLID NO.	REPLACES	FOR MODEL	SMALL O.D.	LG. O.D.	I.D.	LENGTH
E-1982 (Rubber)	Reyco T-2242	102	1 3/4"	2 3/8"	1"	2 11/16"
E-7522 (Poly)						

REYCO/GRANNING TORQUE ARM BUSHINGS

TORQUE ARM BUSHING



ECCENTRIC BUSHING WITH STEEL INSERT



EUCLID NO.	REPLACES	FOR MODEL	SMALL O.D.	LG. O.D.	I.D.	LENGTH
E-1160 (Rubber)	Reyco T-5493	21B	1 13/16"	2 3/8"	1"	3"
E-7523 (Poly)						

EUCLID NO.	REPLACES	FOR MODEL	SMALL O.D.	LG. O.D.	LENGTH
E-1964 (Rubber)	Reyco T-1723	101 (Torque Leaf)	1 13/16"	3 1/16"	2 7/8"
E-8689 (Poly)		101A (Hanger End)			

TORQUE ARM BUSHING



TORQUE ARM BUSHING



EUCLID NO.	REPLACES	FOR MODEL	O.D.	I.D.	LENGTH
E-7750 (Rubber)	Reyco 10051-01	All 73, 83	1 29/32"	7/8"	3 3/8"

EUCLID NO.	REPLACES	FOR MODEL	O.D.	I.D.	LENGTH
E-9549 (Rubber)	Reyco 15737-01	All 74B Widespread	2 3/8"	1"	4"

REYCO/GRANNING TORQUE ROD BRACKET KITS

TORQUE ARM BRACKET KIT



EUCLID NO.	REPLACES	FOR MODEL
E-9358	Reyco 21491-01	21AR, 86AR

REYCO/GRANNING TORQUE ARM HARDWARE

TORQUE ARM BOLT
Hanger End



Flat on one side

EUCLID NO.	REPLACES	FOR MODEL	THREAD	LENGTH
E-1965	Reyco 17210-01	101 101A	1"-8	7 1/2"
E-3247	Reyco 11824-01 Ford D8HZ5882C	181 101F	1"-8	6"

BEAM END BUSHING



EUCLID NO.	REPLACES NEWAY	FOR MODEL	O.D.	I.D.	LENGTH
E-2936	Neway 90008005 Reyco 0926-00 Trailmobile 30-90008005	ART-500-US	3 1/4"	2 1/2"	9"

REYCO/GRANNING SUSPENSION PARTS

SHACKLE BOLT
7 Leaf Suspension



N/A = No Longer Available

EUCLID NO.	REPLACES	THREAD	LENGTH
N/A	Reyco 12492-01 Ford D8HZ5A611C	3/4" -10	4 1/4"

EQUALIZER SHACKLE BUSHING



Product Code 702

EUCLID NO.	REPLACES	FOR MODEL	O.D.	I.D.	O.A.L.
E-3359	Reyco 13941-01 Ford E1HT5781-CA	181 101F	2 3/8"	3/4"	3"

BOLT ASSEMBLY



EUCLID NO.	REPLACES	QTY	EUCLID NO.	DESCRIPTION
E-13901	Reyco —	2	E-2002	Nut
		2	E-3416	Sleeve
		2	E-4836	Bolt
		1	E-4830	Bolt
		1	E-2892	Lock Nut

DELRIN SPRING LINER PAD



EUCLID NO.	REPLACES	FOR MODEL	WIDTH	LENGTH	THICKNESS
E-2842	Reyco T-5166	102AR series	2 7/8"	8"	.043"

REYCO/GRANNING SUSPENSION PARTS

RUBBER PAD



SHACKLE LOCK STRIP
7 Leaf Suspension



EUCLID NO.	REPLACES	FOR MODEL	DIMENSIONS
E-9543	Reyco 08605-01	70B	4" x 4" x 3/8"

TRUNNION BUSHING



EUCLID NO.	REPLACES	FOR MODEL	O.D.	I.D.	O.A.L.
E-9544	Reyco T-5711	70B	5"	4"	9 3/8"

EUCLID NO.	REPLACES	FOR MODEL	APPLICATION
E-3244	Reyco 12488-01 Ford D8HZ5A879A	181 101F	Crimp tabs over head of bolt to prevent bolt turning

1

REYCO/GRANNING HANGER & SPRING HARDWARE

REAR HANGER BUSHING ASSEMBLY



EUCLID NO.	FOR MODEL	INCLUDES
E-2024	101, 101A, 102 102AR	1 E-2022 Bolt 1 E-1061 Bushing 1 E-1971 Roller 1 E-1822 Washer 1 N.S.S. Nut

EQUALIZER SPRING ROLLER ASSEMBLY



EUCLID NO.	REPLACES	FOR MODEL	INCLUDES
E-4835	Transpro 0741-00	Heavyweight and Super Heavy-Duty Model 88	1 E-3416 Roller 1 E-3415 Bolt 1 E-2002 Nut

SPRING ROLLER ASSEMBLY



EUCLID NO.	FOR MODEL	INCLUDES
E-1975	All Non-Transpro Models	1 E-1972 Bolt 1 E-1971 Roller 1 E-5032 Nut 1 E-1974 Washer

HANGER SPRING ROLLER ASSEMBLY



EUCLID NO.	REPLACES	FOR MODEL	INCLUDES
E-4837	—	Super Heavy-Duty Model 88	1 E-3416 Roller 1 N.S.S. Bolt 1 E-2002 Nut

Use with E-4803,
E-4810, E-4811 Hangers

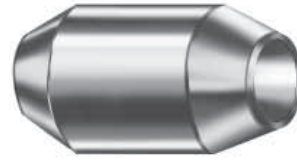
REYCO/GRANNING HANGER & SPRING HARDWARE

SPRING ROLLER



EUCLID NO.	REPLACES	FOR MODEL	O.D.	I.D.	LENGTH
E-1971	Reyco T-2106	All Non- Transpro Models	27/32"	5/8"	3 5/16"

REAR HANGER BUSHING



EUCLID NO.	REPLACES	FOR MODEL	O.D.	I.D.	LENGTH
E-1061 (Rubber)	Reyco T-3016	101, 101A 102	1 29/32"	7/8"	3"

REAR HANGER PAD ASSEMBLY

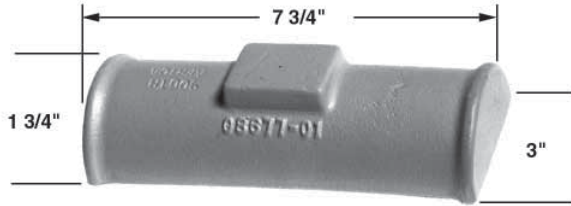


EUCLID NO.	REPLACES	FOR MODEL
E-2867A	Reyco TK15161	101, 101A, 102

1

REYCO/GRANNING SUSPENSION PARTS

TOP PLATE
Cast



TOP PLATE



EUCLID NO.	REPLACES	FOR MODEL
E-2873 Ford D8H25708A	Reyco 08677-01 08065-01 11808-01	All Models with Inverted U-Bolts

EUCLID NO.	REPLACES	FOR MODEL
E-2875	Reyco T-7175 (New) T-5488 (Old)	21B with Conventional Mounted U-Bolts

TOP PLATE
Inverted U-Bolt Mounting



TOP PLATE



EUCLID NO.	REPLACES	FOR MODEL
E-2907A	Reyco 0077-00	60" and 72" All Axles and Model 88

EUCLID NO.	REPLACES	FOR MODEL	DIMENSIONS
E-9353	Reyco 1098-00	86AR	3" Wide x 7" Long

TOP PLATE



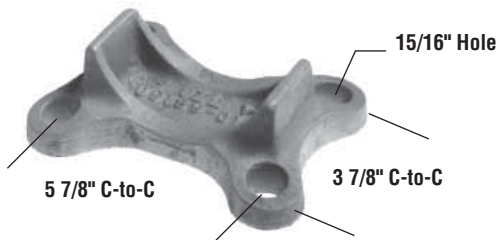
TOP PLATE
5" Square Axle



EUCLID NO.	REPLACES	FOR MODEL
E-9553	Reyco 20050-01	21AR

EUCLID NO.	REPLACES	FOR MODEL
E-9554	Reyco T-1734 Reyco Canada	21B

BOTTOM PLATE
Round Axle



BOTTOM PLATE
FOR 5" ROUND AXLE

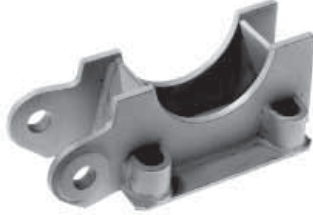


EUCLID NO.	REPLACES	FOR MODEL
E-2874	Reyco 09139-01	21B with Inverted U-Bolt Application

EUCLID NO.	REPLACES	FOR MODEL
E-2909	Transpro 0538-00	Heavyweight and Super Heavy-Duty Model 88

REYCO/GRANNING SUSPENSION PARTS

**BOTTOM PLATE
FOR NO-HOP 5" ROUND AXLE**



Use with E-4816 or
E-4839 Axle Seat on
Rear Axle for No-Hop Feature

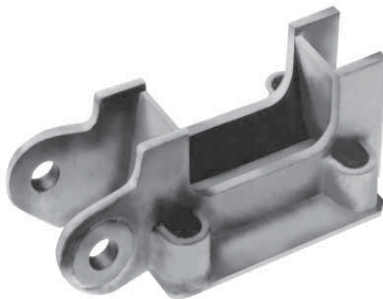
EUCLID NO.	REPLACES	FOR MODEL
E-4822	Transpro 0415-00	Heavyweight and Super Heavy-Duty Model 88

**BOTTOM PLATE
FOR 5" SQUARE AXLE**



EUCLID NO.	REPLACES	FOR MODEL
E-4823	Transpro 0149-00	Heavyweight and Super Heavy-Duty Model 88

**BOTTOM PLATE
FOR NO-HOP 5" SQUARE AXLE**



Use with E-4819 or
E-4838 Axle Seat on
Rear Axle for No-Hop Feature

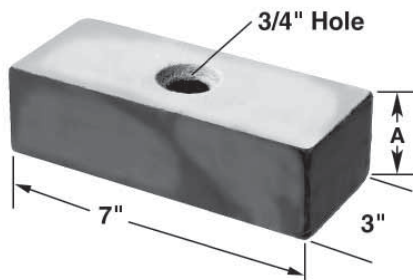
EUCLID NO.	REPLACES	FOR MODEL
E-4840	Transpro 0416-00	Heavyweight and Super Heavy-Duty Model 88

BOTTOM PLATE



EUCLID NO.	REPLACES	FOR MODEL
E-5253	Reyco T-5727	60" Underslung 5" Round Axles

SPACER BLOCK



EUCLID NO.	REPLACES	FOR MODEL	A	TYPE
E-9562	Reyco T-7555	21B	1/2"	Fabricated
E-9563	Reyco 24081-1		1"	Ductile Iron
E-9564	Reyco 24082-1		1 1/2"	Ductile Iron
E-2878	Reyco 24083-1		2"	Ductile Iron

REYCO/GRANNING SUSPENSION PARTS

AXLE SEAT
New Style 7 Leaf & Old Style 4 Leaf

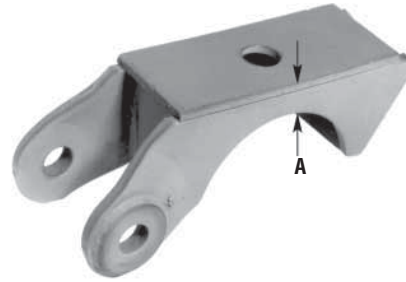


O.E.M. number stamped on part for identification.

EUCLID NO.	REPLACES	FOR MODEL	SPRING LEAVES	ANGLE	USE WITH
Reyco E-3258 Ford	12763-01 E0HZ5793B	Eaton Front	7	4°	E-3264 or E-3265

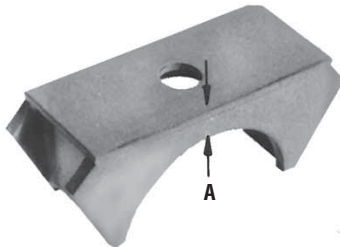
AXLE SEAT FOR NO-HOP
5" Round Axle

AXLE SEAT



EUCLID NO.	REPLACES	FOR MODEL	AXLE SEAT HEIGHT "A"
E-4814	Transpro 0636-01	Heavyweight and Super Heavy-Duty Model 88, 86AR	1"
E-4815	Transpro 0636-02		2"

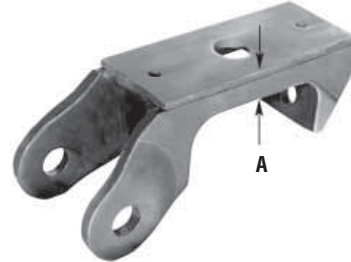
AXLE SEAT
5" Square Axle



Use with E-4822
Bottom Plate on Rear
Axle for No-Hop Feature

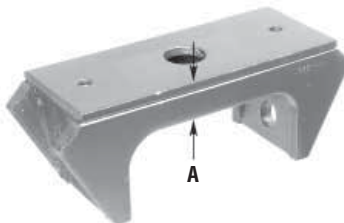
EUCLID NO.	REPLACES	FOR MODEL	AXLE SEAT HEIGHT "A"
E-4816	Transpro 0637-01	Heavyweight and Super Heavy-Duty Model 88	1"
E-4839	Transpro 0637-02		2"

AXLE SEAT FOR HOP
5" Square Axle



EUCLID NO.	REPLACES	FOR MODEL	AXLE SEAT HEIGHT "A"
E-4817	Transpro 0632-01	Heavyweight and Super Heavy-Duty Model 88	1"
E-4818	Transpro 0632-02		2"

AXLE SEAT



Use with E-4840
Bottom Plate on Rear
Axle for No-Hop Feature

EUCLID NO.	REPLACES	FOR MODEL	AXLE SEAT HEIGHT "A"
E-4819	Transpro 0635-01	Heavyweight and Super Heavy-Duty Model 88	1"
E-4838	Transpro 0635-02		2"



EUCLID NO.	REPLACES	FOR MODEL
E-5085	Reyco T-7650	21B with 4" x 6" Rectangular Axles

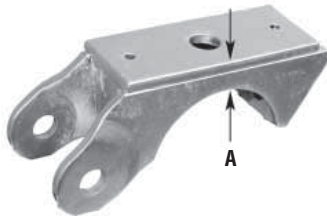
REYCO/GRANNING SUSPENSION PARTS

**AXLE SEAT
5" Round Axle**



EUCLID NO.	REPLACES	FOR MODEL	A
E-5254	Reyco 09730-01	21B, 60" and 72" Spreads with Fabricated Hangers	3/4"
E-9557	Reyco 08757-01		3 1/4"

**AXLE SEAT
5" Round Axle**



EUCLID NO.	REPLACES	FOR MODEL	A
E-9355	Reyco 0636-025	86AR	2 5/8"

**STABILIZER
5" Round Axle**



EUCLID NO.	REPLACES	FOR MODEL
E-9558	Reyco 08480-01	21B

**AXLE SEAT
5" Square Axle**



EUCLID NO.	REPLACES	FOR MODEL
E-9573	Reyco 07980-01	21B with with 5" x 5" Square Axle

**STABILIZER
5" Square Axle**



EUCLID NO.	REPLACES	FOR MODEL
E-9572	Reyco 08061-01	21B with with 5" x 5" Square Axle

REYCO/GRANNING TORQUE ARMS

REYCO



EUCLID NO.	REPLACES REYCO NO.	FOR MODEL	USE HANGER END BUSHING	USE AXLE SEAT END BUSHING	HANGER END BUSHING ASSEMBLY	AXLE SEAT END BUSHING ASSEMBLY	LENGTH Center-to-Center	TYPE
E-2512	T-3683 T-3036	31, 41, 42	E-1061 or E-1980	E-1061 or E-1980	E-1313 or E-1981	E-1313 or E-1981	14 3/4" to 18"	2
E-2513	T-3035 T-3343	31, 41, 42	E-1061 or E-1980	E-1061 or E-1980	E-1313 or E-1981	E-1313 or E-1981	18 1/2" to 21 3/8"	2
E-3283A	T-5485 15172-01	21B	E-1160	E-1160	E-1312A	E-1312A	15 1/2" to 17 1/2"	1
E-3284A	T-5486 15173-01	21B	E-1160	E-1160	E-1312A	E-1312A	17 1/2" to 19 1/2"	1
E-2866A	T-7434 15354-01	102	E-10057	E-1982	E-9350	E-1983	19 1/2" to 21 3/4"	1
E-5255A	09682-01 15176-01	102	E-10057	E-1982	E-9350	E-1983	24" to 26"	1
E-7741	16031-01	All 73 & 83	E-7750	E-1980	E-7749	E-1981	12 3/4" to 15"	2
E-7742	16032-01	73-49" & 72" 83-50" & 72"	E-7750	E-1980	E-7749	E-1981	19 1/2" to 21 3/4"	2
E-7743	16034-01	73, 83-60"	E-7750	E-1980	E-7749	E-1981	24" to 26 1/4"	2



EUCLID NO.	REPLACES REYCO NO.	FOR MODEL	BUSHING NO.	BUSHING KIT NO.	LENGTH Center-to-Center
E-9584 Adjustable	16595-01	74B, 74AR			13" to 15"
E-9620 Adjustable	16596-01		E-9549	E-9549	21 1/4"
E-9585 Rigid	16585-01				14 1/4"
E-9619 Rigid	16588-01				21 1/4"



EUCLID NO.	REPLACES REYCO NO.	FOR MODEL	USE HANGER END BUSHING	USE AXLE SEAT END BUSHING	HANGER END BUSHING ASSEMBLY	AXLE SEAT END BUSHING ASSEMBLY	LENGTH Center-to-Center	TYPE
E-3764	15187-01	102W	E-10057	E-1980	E-9350	E-1981	17 1/2" to 19 1/2"	1
E-4796	15186-01	102AR 102W	E-10057	E-1980	E-9350	E-1981	19 1/2" to 21 1/2"	1

REYCO/GRANNING TORQUE ARMS

RIGID



TYPE 1



TYPE 2



TYPE 3



TYPE 4

EUCLID NO.	REPLACES REYCO NO.	FOR MODEL	HANGER END BUSHING	AXLE SEAT END BUSHING	HANGER END BUSHING KIT	AXLE SEAT END BUSHING KIT	LENGTH Center-to-Center	TYPE
E-2855	T-7635 15178-01	21B	E-1160	E-1160	E-1312A	E-1312A	16 1/4"	1
E-2856	T-2293 15179-01	21B	E-1160	E-1160	E-1312A	E-1312A	18 7/8"	1
E-2859	10937-01	101A 102W	E-1964 (101A) N/A (102W)	E-1980	E-1963 (101A) E-9350 (102W)	E-1981	19 5/16"	3
E-2860	11012-03 10938-01	101A (GMC) 102W	E-1964 (101A) N/A (102W)	E-1980	E-1963 (101A) E-9350 (102W)	E-1981	20 1/2"	3
E-2858	09481-01 15012-01	102	E-10057	E-1982	E-9350	E-1983	21"	1
E-5256	09686-01	21B	E-1160	E-1160	E-1312A	E-1312A	25"	1
E-7744	10040-01	All 73, 83	E-7750	E-1980	E-7749	E-1981	14 5/8"	4

ADJUSTABLE




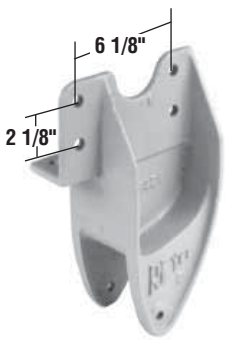



RIGID Heavy-Duty — Ductile



EUCLID NO. WITH BUSHINGS	REPLACES	FOR MODEL	EUCLID BUSHING NO.	EUCLID BUSHING KIT NO.	LENGTH Center-to-Center
E-4824 Adjustable	Transpro & Binkley 0030-20 1035-20	Heavyweight and Super Heavy-Duty Model 88	E-1980	E-4834A	18 1/4" to 20 3/4"
E-4825 Rigid	Transpro 0075-20		E-1980	E-4834A	19 7/8"

REYCO/GRANNING SPRING HANGERS

FRONT FLANGE MOUNT HANGER	EUCLID NO.	REPLACES	FOR MODEL	FRONT UNDER MOUNT HANGER	EUCLID NO.	REPLACES	FOR MODEL
 <p>9" C-to-C</p>	E-2879	Reyco T-5424 Right Hand Drilled	21B		E-5257 (Shown)	Reyco T-5563 LeftHand	All 21B
	E-2880 (Shown)	Reyco T-5425 Left Hand Drilled	21B		E-5258	Reyco T-5562 Right Hand	All 21B
CENTER FLANGE MOUNT HANGER	EUCLID NO.	REPLACES	FOR MODEL	CENTER UNDER MOUNT HANGER	EUCLID NO.	REPLACES	FOR MODEL
	E-2881	Reyco T-5426 Drilled	21B		E-5259	Reyco T-5564	Standard 21B
REAR FLANGE MOUNT HANGER	EUCLID NO.	REPLACES	FOR MODEL	REAR UNDER MOUNT HANGER	EUCLID NO.	REPLACES	FOR MODEL
<p>All Holes 5/8"</p>  <p>6 1/8" 2 1/8"</p>	E-2882	Reyco T-5428 Right Hand Drilled	21B		E-5260 (Shown)	Reyco T-5565 Left Hand	All 21B
	E-2883 (Shown)	Reyco T-5429 Left Hand Drilled	21B		E-5261	Reyco T-5566 Right Hand	All 21B




1

REYCO/GRANNING SPRING HANGERS

FRONT UNDER MOUNT HANGER	EUCLID NO.	REPLACES	FOR MODEL	CENTER UNDER MOUNT HANGER	EUCLID NO.	REPLACES	FOR MODEL
	E-9537	Reyco 09832-01	21B 60"- 72"		E-5263	Reyco 11150-01	21B 72"
CENTER UNDER MOUNT HANGER	EUCLID NO.	REPLACES	FOR MODEL	CENTER UNDER MOUNT HANGER	EUCLID NO.	REPLACES	FOR MODEL
	E-9539	Reyco 14684-01	21B 60"		E-5262	Reyco T-2212-5	21B 60" Spread
TORQUE ARM ATTACHMENT BRACKET	EUCLID NO.	REPLACES	FOR MODEL	REAR UNDER MOUNT HANGER	EUCLID NO.	REPLACES	FOR MODEL
	E-5264	Reyco 11610-01	21B 72" Spread		E-9541	Reyco 08595-01	21B 60"-72"










1

REYCO/GRANNING SPRING HANGERS

FRONT FLANGE MOUNT HANGER	EUCLID NO.	REPLACES	FOR MODEL	CENTER FLANGE MOUNT HANGER	EUCLID NO.	REPLACES	FOR MODEL
	E-2884	Reyco 22272-02 Right Hand Undrilled	101 101A 102	 <p>Not for GM/Volvo or Ford Hole is too big for Equalizer Bolt.</p> <p>Use S.O.S. 22536-01 1 1/4" Hole w/o Mounting Holes Drilled Ford / GM only</p>	E-2886 (Shown)	Reyco 22274-01 Undrilled	101 101A 102
		E-2885 (Shown)	Reyco 22272-01 Left Hand Undrilled			101 101A 102	E-14388
REAR FLANGE MOUNT HANGER	EUCLID NO.	REPLACES	FOR MODEL				
	E-2887 (Shown)	Reyco 22299-01 Left Hand Undrilled	101 101A 102				
		E-2888	Reyco 22299-02 Right Hand Undrilled	101 101A 102			


1


REYCO/GRANNING TRANSPRO SPRING HANGERS


FRONT HANGER			CENTER HANGER			REAR HANGER		
								
Straddle Mount			Straddle Mount			Straddle Mount		
EUCLID NO.	REPLACES TRANSPRO	FOR MODEL	EUCLID NO.	REPLACES TRANSPRO	FOR MODEL	EUCLID NO.	REPLACES TRANSPRO	FOR MODEL
E-4801	0046-20 Model 88 (Also replaces 0046-00 Heavyweight)	Heavyweight and Super Heavy-Duty Model 88	E-4802	0062-20 Model 88 (Also replaces 0062-00 Heavyweight)	Heavyweight and Super Heavy-Duty Model 88	E-4803	0051-20 Model 88 (Also replaces 0051-00 Heavyweight)	Heavyweight and Super Heavy-Duty Model 88
FRONT HANGER			CENTER HANGER			REAR HANGER		
								
Under Mount			Under Mount			Under Mount		
EUCLID NO.	REPLACES TRANSPRO	FOR MODEL	EUCLID NO.	REPLACES TRANSPRO	FOR MODEL	EUCLID NO.	REPLACES TRANSPRO	FOR MODEL
E-4804	0084-00 Model 88 (Also replaces 0049-00 Heavyweight)	Heavyweight and Super Heavy-Duty Model 88	E-4805	0088-00 Model 88 (Also replaces 0065-00 Heavyweight)	Heavyweight and Super Heavy-Duty Model 88	E-4806	0086-00 Model 88 (Also replaces 0053-00 Heavyweight)	Heavyweight and Super Heavy-Duty Model 88
FRONT HANGER			CENTER HANGER			REAR HANGER		
								
Flange Mount			Flange Mount			Flange Mount		
EUCLID NO.	REPLACES TRANSPRO	FOR MODEL	EUCLID NO.	REPLACES TRANSPRO	FOR MODEL	EUCLID NO.	REPLACES TRANSPRO	FOR MODEL
E-4807 Left (Shown)	0400-01 Model 88 (Also replaces 0311-01 Heavyweight)	Heavyweight and Super Heavy-Duty Model 88	E-4809	0401-00 Model 88 (Also replaces 0312-00 Heavyweight)	Heavyweight and Super Heavy-Duty Model 88	E-4810 Left (Shown)	0402-01 Model 88 (Also replaces 0313-12 Heavyweight)	Heavyweight and Super Heavy-Duty Model 88
E-4808 Right	0400-02 Model 88 (Also replaces 0311-02 Heavyweight)					E-4811 Right	0402-02 Model 88 (Also replaces 0313-01 Heavyweight)	


1

REYCO/GRANNING SUSPENSION PARTS

REAR HANGER	EUCLID NO.	REPLACES	FOR MODEL
	E-7739	Reyco 14999-01	All 83

HANGER AND WEAR PAD ASSEMBLY	EUCLID NO.	REPLACES	FOR MODEL
	E-4795	Reyco 22521-02 Right Hand	102AR
	E-4794 (Shown)	Reyco 22521-01 Left Hand	102AR

STRADDLE MOUNT HANGER	EUCLID NO.	REPLACES	FOR MODEL
	E-9351A	Reyco 22662-01	86AR

WEAR PAD		
		
EUCLID NO.	REPLACES	FOR MODEL
E-4828	Transpro 0045-00	Heavyweight and Super Heavy-Duty Model 88

1

S.O.S

Special Order Service

The Euclid brand of products offers a wide variety of parts for the commercial vehicle customer. Having trouble locating a part? Special Order Service is here to help. S.O.S provides access to the products and manufacturers listed below.

Contact the S.O.S department by calling 888-725-9355 (option 2 then option 3) in the U.S. or 800-387-3889 in Canada.

AIR BRAKE PARTS

- Anchorlok
- Bendix/Spicer-Eaton
- Brake Shoes
- Camshafts
- Fruehauf
- Haldex

HYDRAULIC BRAKE PARTS

- Calipers
- Clutch Master Cylinders
- Clutch Slave Cylinders
- Master Cylinders
- Wagner Brake
- Wheel Cylinders

WHEEL & HUB PARTS

- ConMet
- Gunite
- Webb Wheel

SHOCK ABSORBERS & AIR SPRINGS

- Firestone
- Hendrickson
- Neway

SUSPENSION PARTS

- Binkley
- Chalmers
- Fruehauf
- Hendrickson Auxiliary Lift Axle
- Hendrickson Trailer
- Hendrickson Truck
- Hutchens
- Kwik-Loc (Jifflox)
- Neway
- Reyco/Transpro/Granning
- Ridewell
- Full Suspensions Are Available

FRONT END PARTS

- King Pin Kits

TOOLS & SHOP EQUIPMENT

- Fraser Gauge Company
- Hendrickson
- Kent Moore
- Ken Tool
- OTC (Owatonna Tool Company)
- Tiger Tool

1

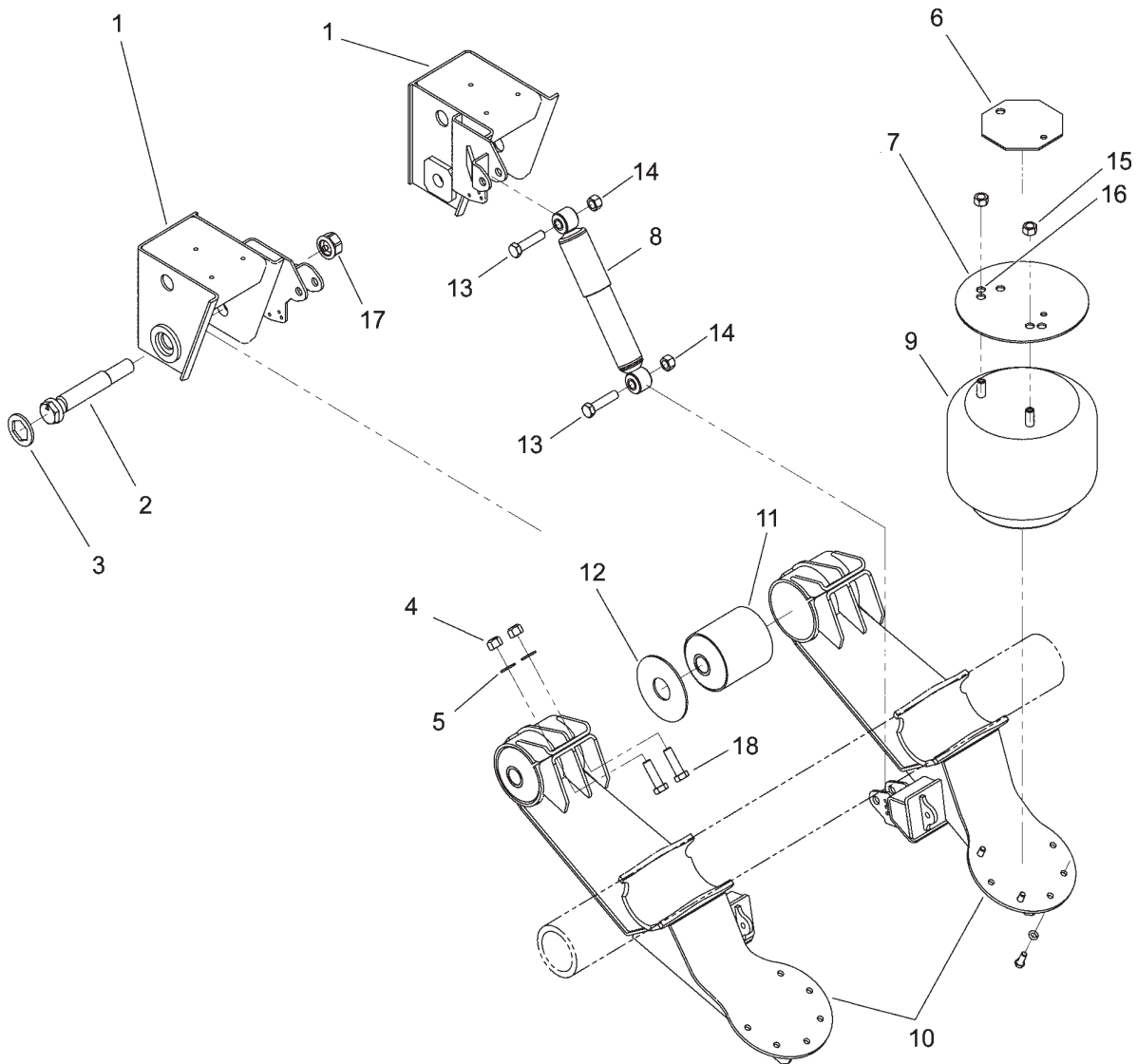
Vehicle models, brands and names depicted herein are the property of their respective owners, and are not in any way associated with Meritor, Inc., or its affiliates.

RIDEWELL SUSPENSION

MONOPIVOT RAR-240 SERIES

Underslung - 25,000 lb. Capacity

Manufactured after 10/1/1995



RIDEWELL SUSPENSION PARTS

MONOPIVOT RAR-240 SERIES

Underslung - Manufactured after 10/1/1995

KEY NO.	EUCLID NO.	REPLACES RIDEWELL NO.	DESCRIPTION	QTY PER AXLE						PAGE NO.
				MODEL 2400306	MODEL 2400308	MODEL 2404105*	MODEL 2404106**	MODEL 2404107***	MODEL 2404108****	
1	S.O.S.	3267744C106	Hanger Assembly (LH)	1						—
	S.O.S.	3267744C206	Hanger Assembly (RH)	1						—
	S.O.S.	3267744C108	Hanger Assembly (LH)		1					—
	S.O.S.	3267744C208	Hanger Assembly (RH)		1					—
	S.O.S.	3267744C105	Hanger Assembly (LH)			1				—
	S.O.S.	3267744C205	Hanger Assembly (RH)			1				—
	S.O.S.	3267744C106	Hanger Assembly (LH)				1			—
	S.O.S.	3267744C206	Hanger Assembly (RH)				1			—
	S.O.S.	3267744C107	Hanger Assembly (LH)					1		—
	S.O.S.	3267744C207	Hanger Assembly (RH)					1		—
	S.O.S.	3267744C108	Hanger Assembly (LH)						1	—
	S.O.S.	3267744C208	Hanger Assembly (RH)						1	—
2	S.O.S.	1137694B000	Eccentric Bolt	2	2	2	2	2	2	—
3	S.O.S.	9003092B000	Anti-Turn Washer	2	2	2	2	2	2	—
4	S.O.S.	1150709B105	Nut - 3/4"	2	2	2	2	2	2	—
5	S.O.S.	1167140B100	Washer - 3/4"	2	2	2	2	2	2	—
6	S.O.S.	7001723B000	Alternate Air Spring Support Plate				2	2	2	—
7	S.O.S.	7000407	Standard Air Spring Support Plate	2	2	2				—
8	S.O.S.	1270563B003	Shock Absorber	2	2	2	2	2	2	—
9	S.O.S.	1000003	Air Spring	2						—
	S.O.S.	1000001			2					—
	S.O.S.	1003589334C				2				—
	S.O.S.	1003588802X					2			—
	S.O.S.	1003589010C						2		—
	S.O.S.	1003589082C							2	—
10	S.O.S.	4280023	Trailing Arm Beam - w/o assembly	1	1					—
	S.O.S.	4280024	Trailing Arm Beam - w/o assembly	1	1					—
	S.O.S.	4287744D100	Trailing Arm Beam - w/o assembly (LH)			1	1	1	1	—
	S.O.S.	4287744D200	Trailing Arm Beam - w/o assembly (RH)			1	1	1	1	—
11	S.O.S.	1117680B075	Pivot Bushing	2	2	2	2	2	2	—
12	S.O.S.	1167680B000	Wear Washer, Plastic	2	2	2	2	2	2	—
13	S.O.S.	1147698B105	Bolt - Shock Attaching Hardware	4	4	4	4	4	4	—
14	S.O.S.	1150709B105	Nut - 3/4"	4	4	4	4	4	4	—
15	S.O.S.	1145383B105	Bolt - Air Spring Attaching Hardware	6	6		6	6	6	—
16	S.O.S.	1160556B100	Washer - Air Spring Attaching Hardware	6	6		6	6	6	—
17	S.O.S.	1150033	Sucurelok Nut	2	2	2	2	2	2	—
18	S.O.S.	1140604B108	Bolt - 3/4"	4	4	4	4	4	4	—
Not Shown	E-14376	6040029	Bushing Replacement Kit	1	1	1	1	1	1	—

S.O.S. = Available through Euclid's S.O.S. Department

* Model number 2404105 formally known as model 2407744D105

** Model number 2404106 formally known as model 2407744D106 and 306

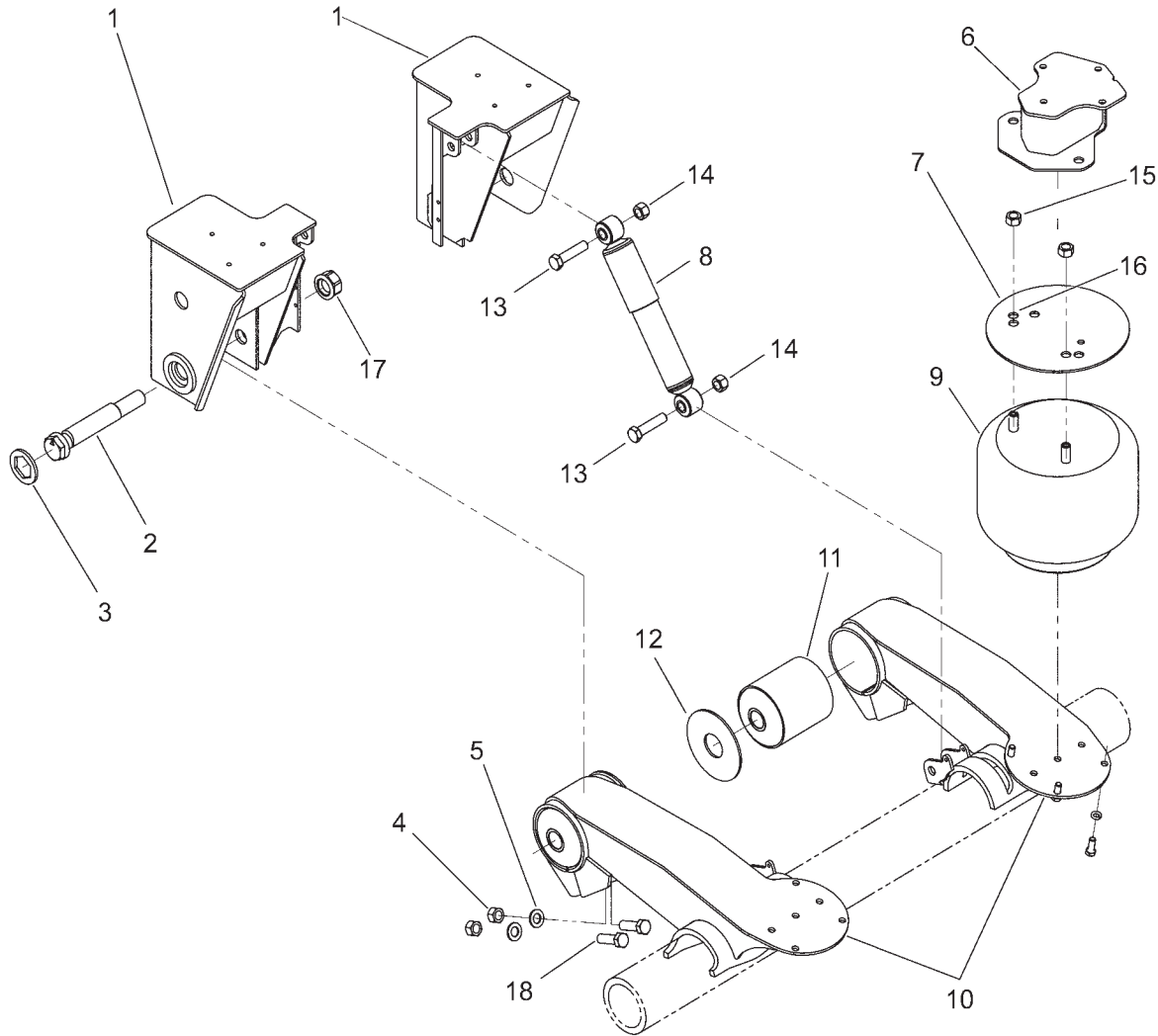
*** Model number 2404107 formally known as model 2407744D107 and 307

**** Model number 2404108 formally known as model 2407744D108 and 308

RIDEWELL SUSPENSION

MONOPIVOT RAR-240 SERIES Overslung - 25,000 lb. Capacity

Manufactured after 10/1/1995



1

RIDEWELL SUSPENSION PARTS

MONOPIVOT RAR-240 SERIES

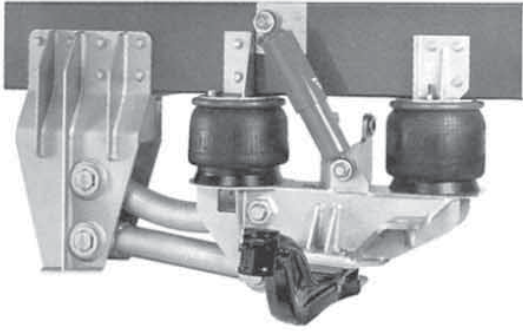
Overslung - Manufactured after 10/1/1995

KEY NO.	EUCLID NO.	REPLACES RIDEWELL NO.	DESCRIPTION	QTY PER AXLE			PAGE NO.
				MODEL 2400317	MODEL 2400715	MODEL 2400717	
1	S.O.S.	3267739C103	Hanger Assembly (LH)	1			—
	S.O.S.	3267739C203	Hanger Assembly (RH)	1			—
	S.O.S.	3267739C100	Hanger Assembly (LH)		1	1	—
	S.O.S.	3267739C200	Hanger Assembly (RH)		1	1	—
2	S.O.S.	1137694B000	Eccentric Bolt	2	2	2	—
3	S.O.S.	9003092B000	Anti-Turn Washer	2	2	2	—
4	S.O.S.	1150709B105	Nut - 3/4"	2	2	2	—
5	S.O.S.	1167140B100	Washer - 3/4"	2	2	2	—
7	S.O.S.	7000407	Air Spring Support Plate	2	2	2	—
8	S.O.S.	1270563B003	Shock Absorber	2	2	2	—
9	S.O.S.	1001R13109G	Air Spring	2	2	2	—
10	S.O.S.	4287739D102	Beam Assembly (LH)	1		1	—
	S.O.S.	4287739D202	Beam Assembly (RH)	1		1	—
	S.O.S.	4287739D100	Beam Assembly (LH)		1		—
	S.O.S.	4287739D200	Beam Assembly (RH)		1		—
11	S.O.S.	1117680B075	Pivot Bushing	2	2	2	—
12	S.O.S.	1167680B000	Wear Washer, Plastic	2	2	2	—
13	S.O.S.	1147698B105	Bolt - Shock Attaching Hardware	4	4	4	—
14	S.O.S.	1150709B105	Nut - 3/4"	4	4	4	—
15	S.O.S.	1145383B105	Bolt - Air Spring Attaching Hardware	6	6	6	—
16	S.O.S.	1160556B100	Washer - Air Spring Attaching Hardware	6	6	6	—
17	S.O.S.	1150033	Sucurelok Nut	2	2	2	—
18	S.O.S.	1140604B108	Bolt - 3/4"	4	4	4	—
Not Shown	E-14376	6040029	Bushing Replacement Kit	1	1	1	—

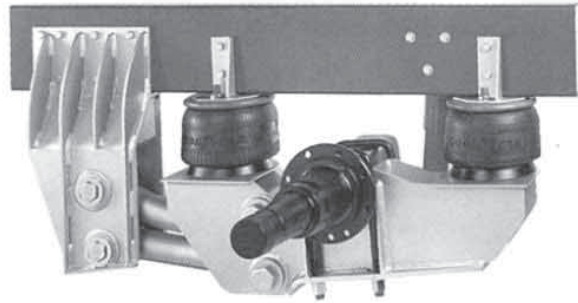
S.O.S. = Available through Euclid's S.O.S. Department

RIDEWELL SUSPENSION

RAS-227 for Steer Axle and RAD-227 for Drive Axle



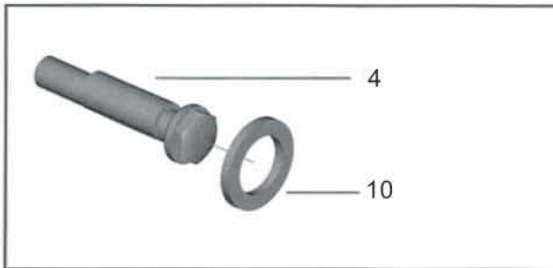
RAS-227 Parallelogram Designed Steer Axle Suspension; 7,000 - 15,000 lb. cap.



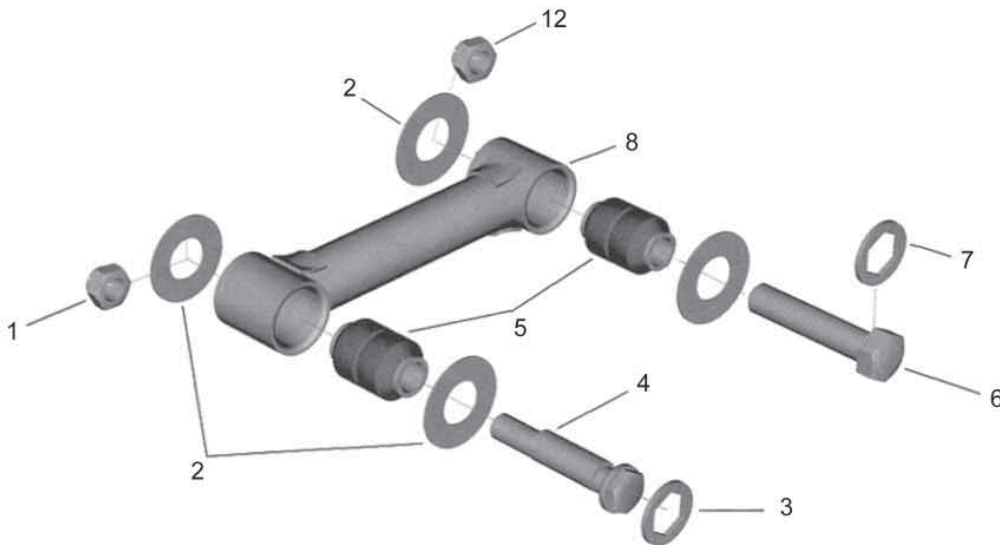
RAD-227 Parallelogram Designed Drive Axle Suspension; 10,000 - 25,000 lb. cap.

1

Common replacement parts are shown below. For air springs, hangers and torque beams, refer to your specific installation drawing.



NOTE: This new style eccentric bolt replaces previous style with square head



RIDEWELL SUSPENSION PARTS

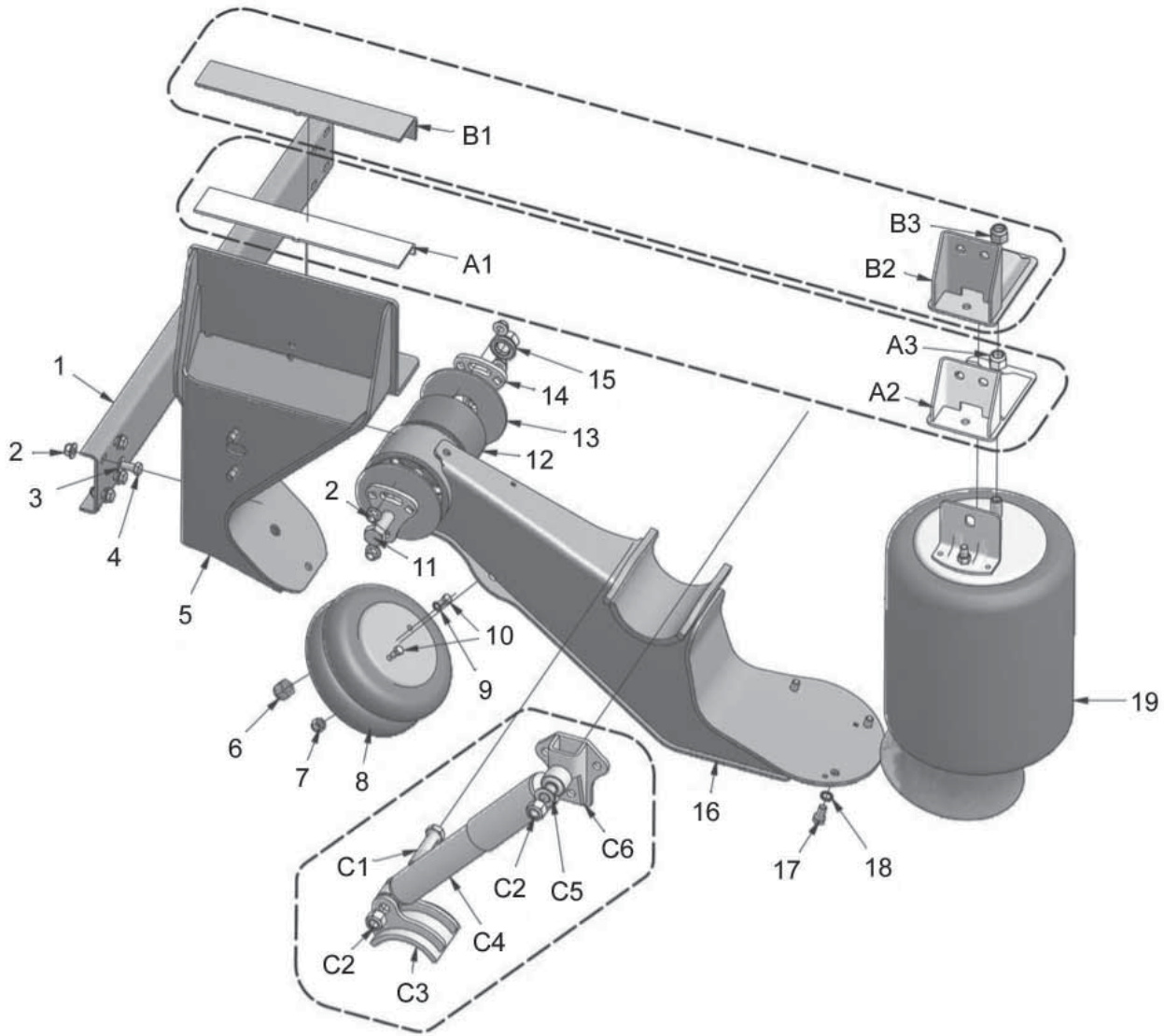
RAS-227 for Steer Axle and RAD-227 for Drive Axle

KEY NO.	EUCLID PART NO.	REPLACES RIDEWELL NO.	DESCRIPTION	QTY PER AXLE	PAGE NO.
1	S.O.S.	1150033	Lock Nut 1 1/4" 7NC GR8-waxed	4	—
2	S.O.S.	1160519B903	Bearing Washer Shim	8	—
3	E-14385	9003092B000	Anti-turn Washer	4	—
4	S.O.S.	1130003	Eccentric Bolt 7" Forged F/4-7-16 Bushing	4	—
5	E-9439	1110512B000	Bonded Rubber Bushing, 70 Durometer	8	1-590
6	E-9445	1130670B105	HHCS 1 1/2" - 6NC, 7" Long	4	1-591
7	S.O.S.	9004565B000	Locking Plate	4	—
8	S.O.S.	—	Torque Beam	—	—
—	E-14384	1152880B102	Lock Nut 1 1/4" 7NC Std.	As Required	—
10	S.O.S.	9090005	Receiver Ring 3.5" OD, 2.28" ID	4	—
12	S.O.S.	1151065B002	Nut 1 1/2"	4	—

S.O.S. = Available through Euclid's S.O.S. Department

RIDEWELL SUSPENSION

Model RCA-215 FLEX-MOUNT™ AUXILIARY AXLE SUSPENSION Truck



RIDEWELL SUSPENSION PARTS

Model RCA-215 FLEX-MOUNT™ AUXILIARY AXLE SUSPENSION

Truck/Tractor

KEY NO.	EUCLID PART NO.	REPLACES RIDEWELL NO.	DESCRIPTION	QTY PER AXLE	PAGE NO.
1	S.O.S.	8001809	Crossmember Channel	1	—
2	S.O.S.	1150012	Lock Nut 1/2" 13NC Flanged Grade 8	16	—
3	S.O.S.	1167053B100	Washer 1/2" A-325 Flat	8	—
4	S.O.S.	1145383B105	HHCS 1/2" 13NC 1-1/4"L, Grade 5, Zinc	8	—
5	S.O.S.	3360046	Hanger Assembly, LH	1	—
		3360047	Hanger Assembly, RH	1	—
6	S.O.S.	1150011	Lock Nut 3/4" - 16NF Nyl	2	—
7	S.O.S.	1150555B112	Lock Nut 1/2" 13NC Nyl	2	—
8	S.O.S.	1002B09604G	Lift Air Spring 2B9-604	2	—
9	S.O.S.	1160011	Lock Washer 3/8" Internal Tooth	2	—
10	S.O.S.	1147376B105	HHCS 3/8" 16NC 5/8"L, Grade 5, Zinc	4	—
11	S.O.S.	1140056	HHCS 7/8" 14NF 7"L, Grade 8, P&O	2	—
12	S.O.S.	1110083	Bushing, Fibertech, Narrow	2	—
13	S.O.S.	1167680B000	Washer 6.25x2.125x.188	4	—
14	S.O.S.	7001634	Adjustment Plate	4	—
15	S.O.S.	1150028	Lock Nut 7/8" 14NF, Grade 8, Securelok	2	—
16	S.O.S.	5970322	Bushing / Beam Assembly, LH	1	—
	S.O.S.	5970323	Bushing / Beam Assembly, RH	1	—
	S.O.S.	5970326	Bushing / Beam Assembly, LH	1	—
	S.O.S.	5970327	Bushing / Beam Assembly, RH	1	—
17	S.O.S.	1140554B105	HHCS 1/2" 13NC 1"L, Grade 5, Zinc	6	—
18	S.O.S.	1167482B000	Lock Washer 1/2" Internal Tooth	6	—
22	S.O.S.	1001R12444G	Air Spring 1R12-444	2	—

OPTIONAL KITS

SPACER KIT, 1"

KEY NO.	EUCLID PART NO.	REPLACES RIDEWELL NO.	DESCRIPTION	QTY PER AXLE	PAGE NO.
A1	S.O.S.	8001811	Spacer, Hanger, 1"	2	—
A2	S.O.S.	3450126	Air Spring Plate / Spacer, 1"	2	—
A3	S.O.S.	1150011	Lock Nut 3/4" 16NF Nyl	2	—

SPACER KIT, 1"

KEY NO.	EUCLID PART NO.	REPLACES RIDEWELL NO.	DESCRIPTION	QTY PER AXLE	PAGE NO.
B1	S.O.S.	8001812	Spacer, Hanger, 2"	2	—
B2	S.O.S.	3450127	Air Spring Plate / Spacer, 2"	2	—
B3	S.O.S.	1150011	Lock Nut 3/4" 16NF Nyl	2	—

SHOCK KIT

KEY NO.	EUCLID PART NO.	REPLACES RIDEWELL NO.	DESCRIPTION	QTY PER AXLE	PAGE NO.
C1	S.O.S.	1143077B105	HHCS 3/4" 10NC 3 1/2"LG	2	—
C2	S.O.S.	1151384B102	Lock Nut 3/4" 10NC Nyl-Wax	4	—
C3	S.O.S.	4670013	Bracket, Lower Shock, Axle Mount	2	—
C4	M85014	1250789B000	Shock Assembly	2	3-14
C5	S.O.S.	1160576B100	Washer 3/4" SAE Flat, Zinc	2	—
C6	S.O.S.	3500026	Bracket, Upper Shock, Frame Mount	2	—

S.O.S. = Available through Euclid's S.O.S. Department

RIDEWELL SUSPENSION

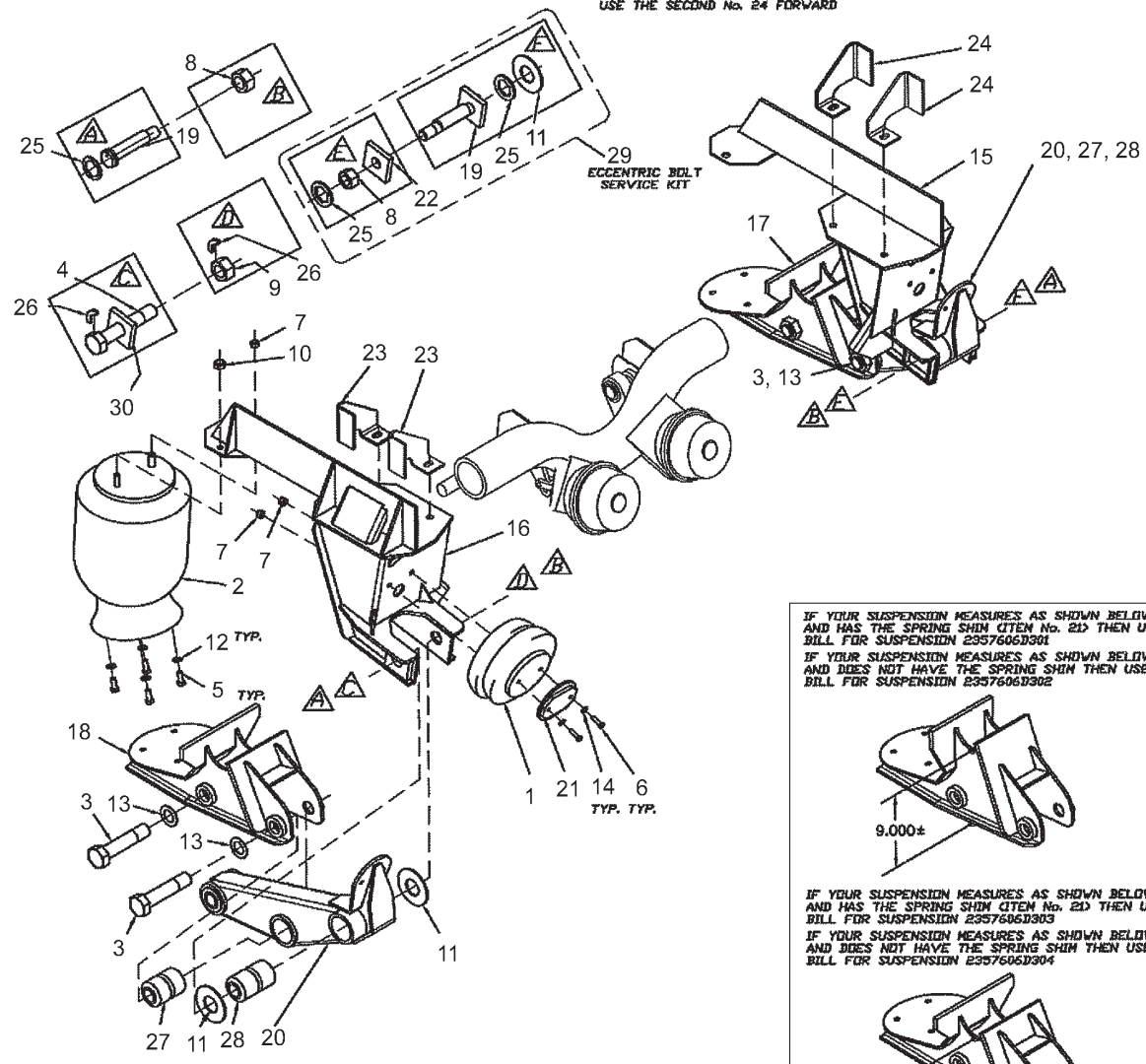
MODEL RCA-235 COMPACT HEAVY DUTY AIR-RIDE/AIR-LIFT SUSPENSION FOR AUXILIARY AXLES

Truck/Trailer - 22,000 lb. Capacity

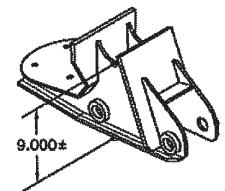
PARTS FOR MODELS MANUFACTURED BEFORE
06/30/2000

FASTENER NOTE
 - MODELS MFG AFTER 6-30-00
 - MODELS MFG BEFORE 6-30-00

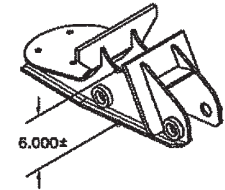
CROSSMEMBER RECOMMENDED, BUT
IF NOT SUITABLE FOR INSTALLATION
USE THE SECOND No. 24 FORWARD



IF YOUR SUSPENSION MEASURES AS SHOWN BELOW
AND HAS THE SPRING SHIM CITEM No. 21) THEN USE
BILL FOR SUSPENSION 2357606D301
 IF YOUR SUSPENSION MEASURES AS SHOWN BELOW
AND DOES NOT HAVE THE SPRING SHIM THEN USE
BILL FOR SUSPENSION 2357606D302



IF YOUR SUSPENSION MEASURES AS SHOWN BELOW
AND HAS THE SPRING SHIM CITEM No. 21) THEN USE
BILL FOR SUSPENSION 2357606D303
 IF YOUR SUSPENSION MEASURES AS SHOWN BELOW
AND DOES NOT HAVE THE SPRING SHIM THEN USE
BILL FOR SUSPENSION 2357606D304



RIDEWELL SUSPENSION PARTS

MODEL RCA-235 COMPACT HEAVY DUTY AIR-RIDE/AIR-LIFT SUSPENSION FOR AUXILIARY AXLES

Truck/Trailer - 22,000 lb. Capacity

Parts for Models Manufactured Before 06/30/2000

KEY NO.	EUCLID PART NO.	REPLACES RIDEWELL NO.	DESCRIPTION	QTY PER AXLE				PAGE NO.
				MODEL 2357606D301	MODEL 2357606D302	MODEL 2357606D303	MODEL 2357606D304	
1	S.O.S.	1003586905C	Air Spring (Lift)	2	2	2	2	—
2	S.O.S.	1003589245C	Air Spring (Load)	2		2		—
		1003589320C			2		2	—
3	E-9445	1130670B105	HHCS 1-1/2" 6NC 7" Lg	4	4	4	4	1-591
4	S.O.S.	1135873B105	HHCS 1-1/2" 6NC 8-1/2" Lg	1	1	1	1	—
5	S.O.S.	1140554B105	HHCS 1/2" 13NC 1" Lg	8	8	8	8	—
6	S.O.S.	1141191B105	HHCS 3/8" 16 NC Air Spring Mounting Bolt	4		4		—
		1140674B105			4		4	—
7	S.O.S.	1150555B112	Lock Nut 1/2" 13NC Nylon Insert	6	6	6	6	—
8	S.O.S.	1152880B102	Nut 1-1/4" 7 NC	1	1	1	1	—
9	S.O.S.	1154410B102	HHCS 1-1/2" 6NC Standard	1	1	1	1	—
10	S.O.S.	1154700B102	Lock Nut 3/4" 16 NF Hex Jam Nut, Thin	2	2	2	2	—
11	S.O.S.	1160519B903	Washer 6.25 x 2, 125 x 135 UHMW	4	4	4	4	—
12	S.O.S.	1160556B100	Lock Washer 1/2" S/T Med	8	8	8	8	—
13	S.O.S.	1160673B000	Lock Washer 1-1/2" Int. Tooth	4	4	4	4	—
14	S.O.S.	1160675B100	Lock Washer 3/8" S/T Med	4	4	4	4	—
15	S.O.S.	3167606C100	Hanger Assembly LH	1	1	1	1	—
16	S.O.S.	3167606C200	Hanger Assembly RH	1	1	1	1	—
17	S.O.S.	4050004	Load Beam Assembly RH	1	1			—
	S.O.S.	4050006				1	1	—
18	S.O.S.	4050003	Load Beam Assembly LH	1	1			—
	S.O.S.	4050005				1	1	—
19	S.O.S.	5007177B000	Eccentric Bolt Assembly 8.25"	1	1	1	1	—
20	S.O.S.	5097606B000	T'Beam Assy.-Lift 21.5" Lg	2	2	2	2	—
21	S.O.S.	5487606B000	Lift Spring Shim Assembly	2		2		—
22	S.O.S.	7401494B000	Clamp Plt, 3.5" Sq. 1-1/4" D	1	1	1	1	—
23	S.O.S.	8257606B102	Angle Clip - HGR Reinforced LH	2	2	2	2	—
24	S.O.S.	8257606B202	Angle Clip - HGR Reinforced RH	2	2	2	2	—
25	S.O.S.	9003092B000	Anti-Turn Washer	2	2	2	2	—
26	S.O.S.	9004565B000	Locking Plate	2	2	2	2	—
27	E-9439	1110512B000	Bushing 4-7/16" x 1-1/2" 70 Durometer	4	4	4	4	1-590
28	S.O.S.	1116176B000	Bushing 5-1/4 LG 70-75 Durometer	2	2	2	2	—
29	S.O.S.	5027177B235	Eccentric Bolt Service Kit 8-1/4" Truck*	1	1	1	1	—
30	S.O.S.	7407511B00	Clamp Plt Offset 1-1/2" D	1	1	1	1	—

* Kit includes two (2) of item # 11

Special Note: When replacing a hanger on model made before June 2000, treat it like models made after June 2000.

S.O.S. = Available through Euclid's S.O.S. Department

RIDEWELL SUSPENSION

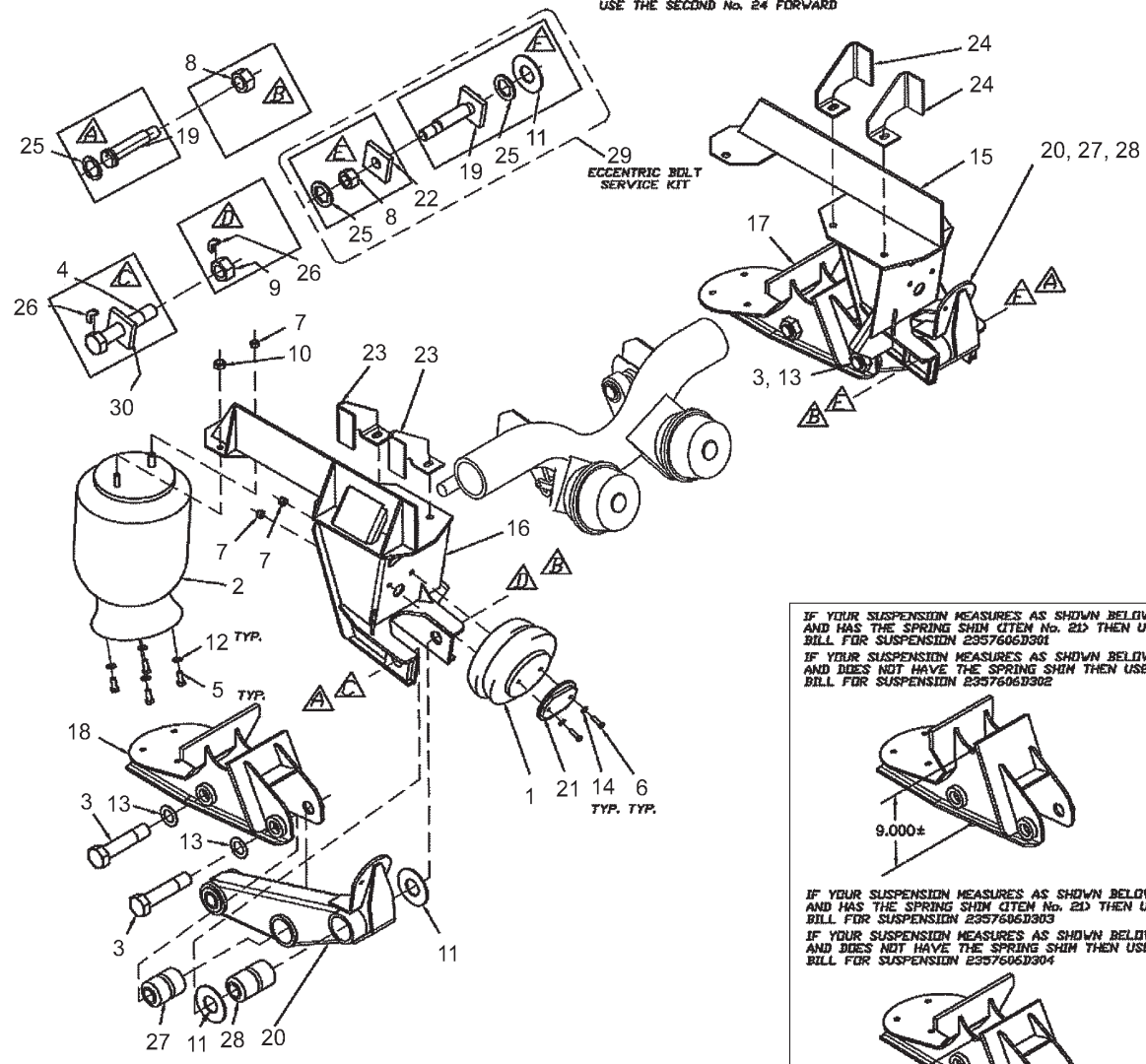
MODEL RCA-235 COMPACT HEAVY DUTY AIR-RIDE/AIR-LIFT SUSPENSION FOR AUXILIARY AXLES

Truck/Trailer - 22,000 lb. Capacity

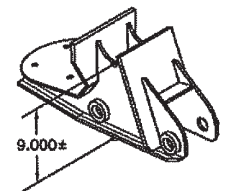
**PARTS FOR MODELS MANUFACTURED AFTER
06/30/2000**

FASTENER NOTE
 - MODELS MFG AFTER 6-30-00
 - MODELS MFG BEFORE 6-30-00

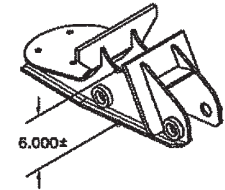
CROSSMEMBER RECOMMENDED, BUT
IF NOT SUITABLE FOR INSTALLATION
USE THE SECOND No. 24 FORWARD



IF YOUR SUSPENSION MEASURES AS SHOWN BELOW
AND HAS THE SPRING SHIM CITEM No. 21 THEN USE
BILL FOR SUSPENSION 2357606D301
IF YOUR SUSPENSION MEASURES AS SHOWN BELOW
AND DOES NOT HAVE THE SPRING SHIM THEN USE
BILL FOR SUSPENSION 2357606D302



IF YOUR SUSPENSION MEASURES AS SHOWN BELOW
AND HAS THE SPRING SHIM CITEM No. 21 THEN USE
BILL FOR SUSPENSION 2357606D303
IF YOUR SUSPENSION MEASURES AS SHOWN BELOW
AND DOES NOT HAVE THE SPRING SHIM THEN USE
BILL FOR SUSPENSION 2357606D304



RIDEWELL SUSPENSION PARTS

MODEL RCA-235 COMPACT HEAVY DUTY AIR-RIDE/AIR-LIFT SUSPENSION FOR AUXILIARY AXLES

Truck/Trailer - 22,000 lb. Capacity

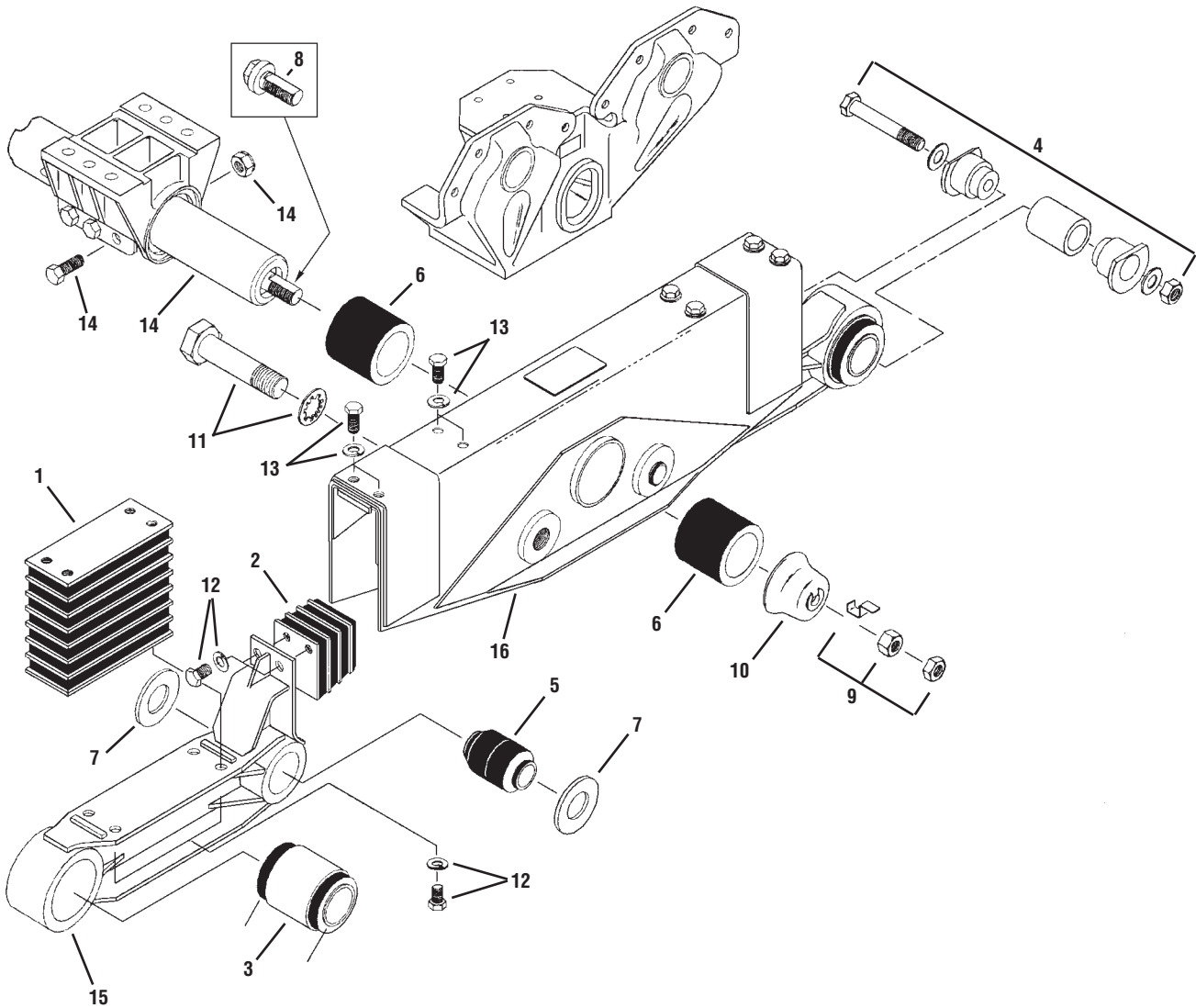
Parts for Models Manufactured After 06/30/2000

KEY NO.	EUCLID PART NO.	REPLACES RIDEWELL NO.	DESCRIPTION	QTY PER AXLE				PAGE NO.
				MODEL 2350007	MODEL 2350008	MODEL 2350009	MODEL 2350010	
1	S.O.S.	1003586905C	Air Spring (Lift)	2	2	2	2	—
2	S.O.S.	1003589245C	Air Spring (Load)	2		2		—
		1003589320C			2	2	—	
3	E-9445	1130670B105	HHCS 1-1/2" 6NC 7" Lg	4	4	4	4	1-591
5	S.O.S.	1140554B105	HHCS 1/2" 13NC 1" Lg	8	8	8	8	—
6	S.O.S.	1141191B105	HHCS 3/8" 16 NC Air Spring Mounting Bolt	4		4		—
		1140674B105			4	4	—	
7	S.O.S.	1150555B112	Lock Nut 1/2" 13NC Nylon Insert	6	6	6	6	—
8	S.O.S.	1155648B108	Nut 1-1/4" 7 NC	2	2	2	2	—
10	S.O.S.	1154700B102	Lock Nut 3/4" 16 NF Hex Jam Nut Thin	2	2	2	2	—
11	S.O.S.	1160519B903	Washer 6.25 x 2.125 x 135 UHMW	4	4	4	4	—
12	S.O.S.	1160556B100	Lock Washer 1/2" S/T Med	8	8	8	8	—
13	S.O.S.	1160673B000	Lock Washer 1-1/2" Int. Tooth	4	4	4	4	—
14	S.O.S.	1160675B100	Lock Washer 3/8" S/T Med	4	4	4	4	—
15	S.O.S.	3160003	Hanger Assembly LH	1	1	1	1	—
16	S.O.S.	3160004	Hanger Assembly RH	1	1	1	1	—
17	S.O.S.	4050004	Load Beam Assembly RH	1	1			—
		4050006				1	1	—
18	S.O.S.	4050003	Load Beam Assembly LH	1	1			—
		4050005				1	1	—
19	S.O.S.	1130009	Eccentric Bolt	2	2	2	2	—
20	S.O.S.	5097606B000	T'Beam Assy.-Lift 21.5" Lg	2	2	2	2	—
21	S.O.S.	5487606B000	Lift Spring Shim Assembly	2		2		—
23	S.O.S.	8257606B102	Angle Clip - Hanger Reinforced LH	2	2	2	2	—
24	S.O.S.	8257606B202	Angle Clip - Hanger Reinforced RH	2	2	2	2	—
25	S.O.S.	9003092B000	Anti-Turn Washer	2	2	2	2	—
27	E-9439	1110512B000	Bushing 4-7/16" x 1-1/2" 70 Durometer	4	4	4	4	1-590
28	S.O.S.	1116176B000	Bushing 5-1/4" LG 70-75 Durometer	2	2	2	2	—

S.O.S. = Available through Euclid's S.O.S. Department

RIDEWELL "DYNALASTIC" SUSPENSION

Model RD-202C-54-44L-0L
Truck/Tractor



RIDEWELL "DYNALASTIC" SUSPENSION PARTS

Model RD-202C-54-44L-OL-KS and RD-202B-54-48-K Trunion Mount Style Truck/Tractor

KEY NO.	EUCLID NO.	REPLACES RIDEWELL NO.	DESCRIPTION	QUANTITY PER TANDEM	PAGE NO.
1	E-9437	9030595D000	Elastomer Spring, "C" Models; 4 1/16" wide x 10 1/8" Long	4	1-590
	E-10677	1037326D003	Elastomer Spring, "B" Models; 4 1/2" wide x 8 1/2" Long	4	1-590
2	E-9438	1037261C001 (New)	Overload Spring	4	1-590
		9031221B302 (Old)			
3	E-1341A	1117564B000 (New)	Beam End Bushing	4	1-590
		1116755B000 (Old)			
4	E-2374	1307564B000 (New)	Beam End Adapter Assembly	4	1-590
		1302975B000 (Old)			
5	E-9439	1110512B000	Pivot Bushing, 70 Durometer	4	1-590
6	E-9440	1100608B000	Trunion Bushing	4	1-590
7	E-9441A	1160519B901 (New)	Bearing Sleeve Washer	8	1-591
		1160519B301 (Old)			
8	E-9442	5802876B302	Compression Bolt Assembly, Included with Trunion Shaft, Includes Key No. 9	2	1-591
9	E-9443	1150818B102 (Nut)	Lock Nut Assembly	2	1-591
		1150609B102 (Nut)			
		8990777B000 (Lock)			
10	E-9444	1527487B000 (New)	Compression Cap	2	1-591
		1520599B000 (Old)			
11	E-9445	1130670B105 (Bolt)	Pivot Bolt and Lock Assembly	4	1-591
		1160673B000 (Lock)			
12	E-9446	1140665B105 (Screw)	Spring Attaching Bolt and Lock Washer Assembly, 5/8"-18 Thd. x 1" Long	24	1-590
		1160598B100 (Lock)			
13	E-9447	1142735B105 (Screw)	Spring Attaching Bolt and Lock Washer Assembly, 5/8"-18 Thd. x 1 1/4" Long	16	1-590
		1160598B100 (Lock)			
14	S.O.S.	5263280C301	Trunion Shaft Assembly	1	—
15	S.O.S.	5275225C 100L	Torque Beam, Left Hand	2	—
	S.O.S.	5275225C 200L	Torque Beam, Right Hand	2	—
16	S.O.S.	5254785C000	Compensator	2	—

S.O.S. = Available through Euclid's S.O.S. Department

RIDEWELL SUSPENSION PARTS

ELASTOMER SPRING



OVERLOAD SPRING



EUCLID NO.	REPLACES RIDEWELL	WIDE	HIGH	LENGTH
E-9437	9030595D000	4 1/16"	7 1/2"	10 1/8"
E-10677	1037326D003	4 1/2"	7 1/2"	8 1/2"

EUCLID NO.	REPLACES RIDEWELL	FOR MODEL	WIDE	HIGH	LENGTH
E-9438	1037261C001 9031221B302	RD-202C-54-44L-OL	4"	3 3/4"	4 1/2"

BUSHING



BUSHING



EUCLID NO.	REPLACES RIDEWELL	O.D.	I.D.	LENGTH
E-9439	1110512B000	3 3/16"	1 1/2"	4 7/16"

70 Durometer

EUCLID NO.	REPLACES RIDEWELL	O.D.	I.D.	LENGTH
E-9440	1100608B000	4 1/2"	3 7/16"	4"

BEAM END BUSHING



BEAM END ADAPTER ASSEMBLY



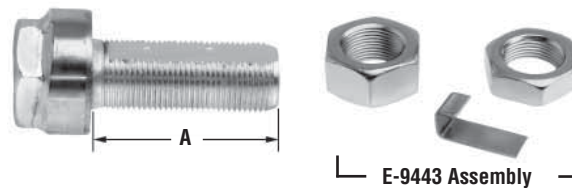
EUCLID NO.	REPLACES RIDEWELL	O.D.	I.D.	LENGTH
E-1341A	1116755B000 (Old) 1117564B000 (New)	4 3/8"	2 1/2"	5 3/4"

EUCLID NO.	REPLACES RIDEWELL	APPLICATION
E-2374	1307564B000 (New) 1302975B000 (Old)	For Model RD-202C-54-44L-OL

SPRING ATTACHING BOLT AND LOCK WASHER



COMPRESSION BOLT ASSEMBLY



EUCLID NO.	REPLACES RIDEWELL	DIMENSIONS
E-9446	1140665B105 (Screw) 1160598B100 (Lock)	5/8"-18 Thd. x 1" Long
E-9447	1142735B105 (Screw) 1160598B100 (Lock)	5/8"-18 Thd. x 1 1/4" Long

EUCLID NO.	REPLACES RIDEWELL	THREAD	A
E-9442	5802876B302	1 1/8"-12	3 3/4"

RIDEWELL SUSPENSION PARTS

PIVOT BOLT AND LOCK ASSEMBLY



EUCLID NO.	REPLACES RIDEWELL	THREAD	BOLT LENGTH
E-9445	1130670B105 (Bolt) 1160673B000 (Lock)	1 1/2"-6	7"

LOCK NUT ASSEMBLY



Part of E-9442
Compression Bolt Assembly

EUCLID NO.	REPLACES RIDEWELL	THREAD
E-9443	1150818B102 (Nut) 1150609B102 (Nut) 8990777B000 (Lock)	1 1/8"-12

COMPRESSION CAP



EUCLID NO.	REPLACES RIDEWELL	O.D.	I.D.	HIGH
E-9444	1527487B000 (New) 1520599B000 (Old)	5 1/2"	3 1/2"	3"

BEARING SLEEVE WASHER

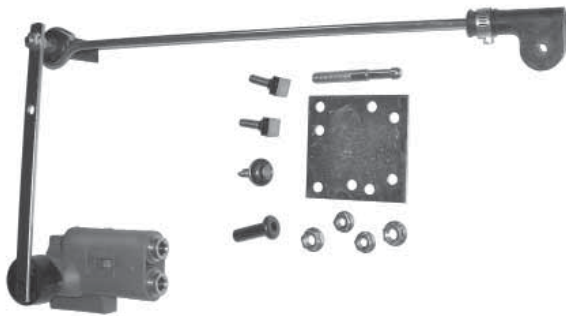


EUCLID NO.	REPLACES RIDEWELL	O.D.	I.D.	THICKNESS
E-9441A	1160519B901 (New) 1160519B301 (Old)	4 1/2"	2 1/8"	1/8"

1

RIDEWELL HEIGHT CONTROL VALVES

RIDEWELL - VERTICAL MOUNT



EUCLID NO.	REPLACES RIDEWELL	APPLICATION
E-12525	Ridewell 124723B205 6240605 (New) Ridewell 124723B204 6240604 (New)	Use for applications requiring vertical mounting only.

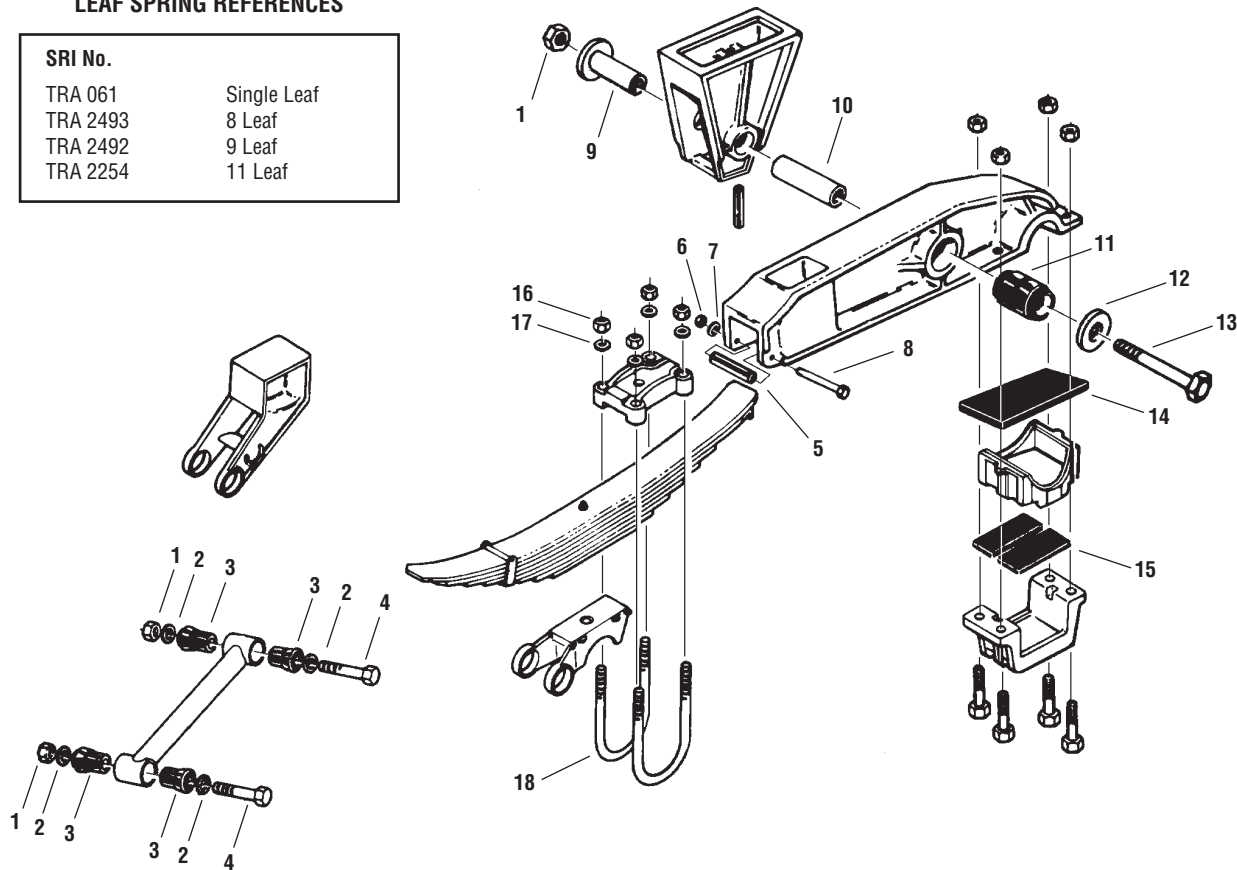
SPICER (DANA) SUSPENSION

36 Series - Tandem Assembly Trailer

LEAF SPRING REFERENCES

SRI No.

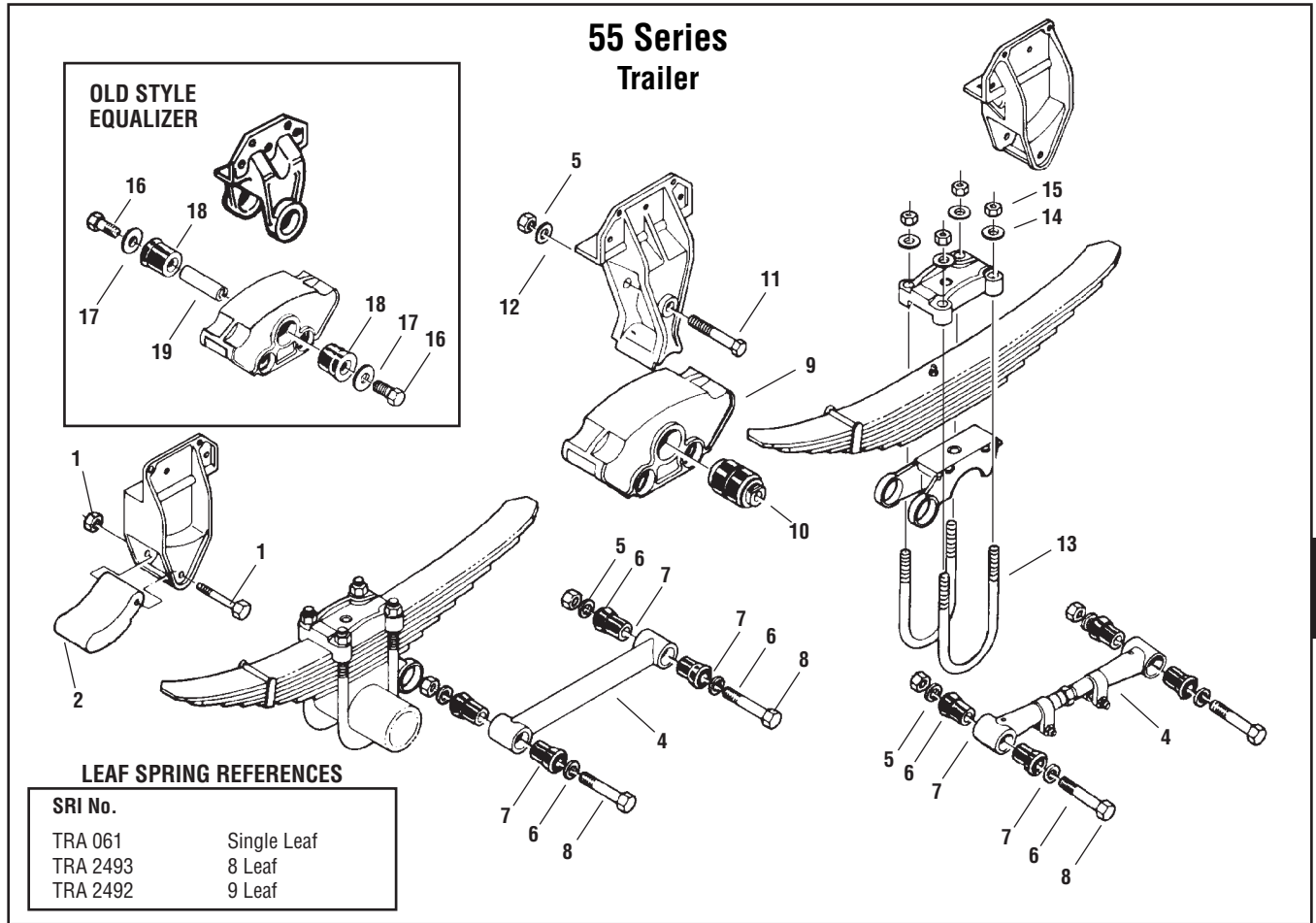
TRA 061	Single Leaf
TRA 2493	8 Leaf
TRA 2492	9 Leaf
TRA 2254	11 Leaf



KEY NO.	EUCLID NO.	REPLACES SPICER/DANA NO.	DESCRIPTION	QUANTITY PER TANDEM	PAGE NO.
1	E-4421	H76008	Nut	10	2-34
2	E-907	H231	Washer	16	2-35
3	E-1982	L1132	Torque Arm Bushing	16	1-598
4	E-900	H80063	Bolt	8	2-32
—	E-1983	L4032	Torque Arm Bushing Assembly, Includes Key Nos. 1, 2, 3, 4.	8	1-598
5	E-1971	—	Roller	2	1-599
6	E-5032	—	Nut	2	2-34
7	E-1974	—	Lock Washer	2	1-599
8	E-1972	—	Bolt	2	2-32
—	E-1975	—	Spring Roller Assembly, Includes Key Nos. 5, 6, 7, 8.	2	1-599
9	N/A	—	Retainer	2	—
10	E-3051	K1127	Equalizer Shaft	2	—
11	E-3016	L1336	Equalizer Bushing	2	1-597
12	N/A	—	Washer	2	—
13	N/A	—	Bolt	2	—
14	E-2011	L1338	Rubber Axle Pad	2	1-599
15	E-1331	L1337	Rubber Axle Pad	4	1-599
16	E-3002A	H75814	Hi-Nut	8	2-34
17	E-2546	H229	Washer	8	2-35
18	E-UB5165-14	—	U-Bolt Assembly, Rd. Bend, 7/8"-14 Thd. x 5" Wide x 14" Long	4	2-27

N/A = Spicer no longer manufactures. Parts not available thru S.O.S.

SPICER (DANA) SUSPENSION



KEY NO.	EUCLID NO.	REPLACES SPICER/DANA NO.	DESCRIPTION	QUANTITY PER TANDEM	PAGE NO.
1	E-4347	H75710	Nut	2	2-34
2	N/A	H87550	Bolt	2	—
3	E-3031	L3049	Rubber Spring Retainer	2	1-599
4	Use E-2294	M209475	Rigid Torque Arm, 17 1/2"	2	1-598
	E-2294	M10901	Adjustable Torque Arm, 14" - 18 1/2" Center-to-Center		1-598
	E-2295	M10902	Adjustable Torque Arm, 18 1/2" - 21 3/8" Center-to-Center		1-598
5	E-4421	H76008	Nut	10	2-34
6	E-907	H231	Washer	8	2-35
7	E-1982	L1132	Torque Arm Bushing	16	1-598
8	E-900	H80063	Bolt	8	2-32
—	E-1983	L4032	Torque Arm Bushing Assembly Includes Key Nos. 5, 6, 7, 8.	8	1-598
9	E-3012	B55536	Equalizer	2	1-596
10	E-2273	L1425	Equalizer Bushing	2	1-596
11	E-2274	H80080	Bolt	2	1-597
12	E-2275	H230	Washer	2	2-35
—	E-2272	L4025	Equalizer Bushing Assembly Includes Key Nos. 10, 11, 12.	2	1-596
13	E-UB5165-14	—	U-Bolt Assembly, Rd. Bend, 7/8"-14 Thd. x 5" Wide x 14" Long	8	2-27
14	E-2546	H229	Washer	16	2-35
15	E-3002A	H75814	Hi-Nut	16	2-34
16	E-1987	H80025	Bolt	2	2-32
17	E-1986A	H241	Washer	4	2-35
18	E-1984	L1325	Bushing	4	1-596
19	N/A	K1410	Equalizer Shaft	2	—
—	N/A	L4325	Equalizer Bushing Assembly Includes Key Nos. 16, 17, 18, 19.	2	—

N/A = Spicer no longer manufactures. Parts not available thru S.O.S.

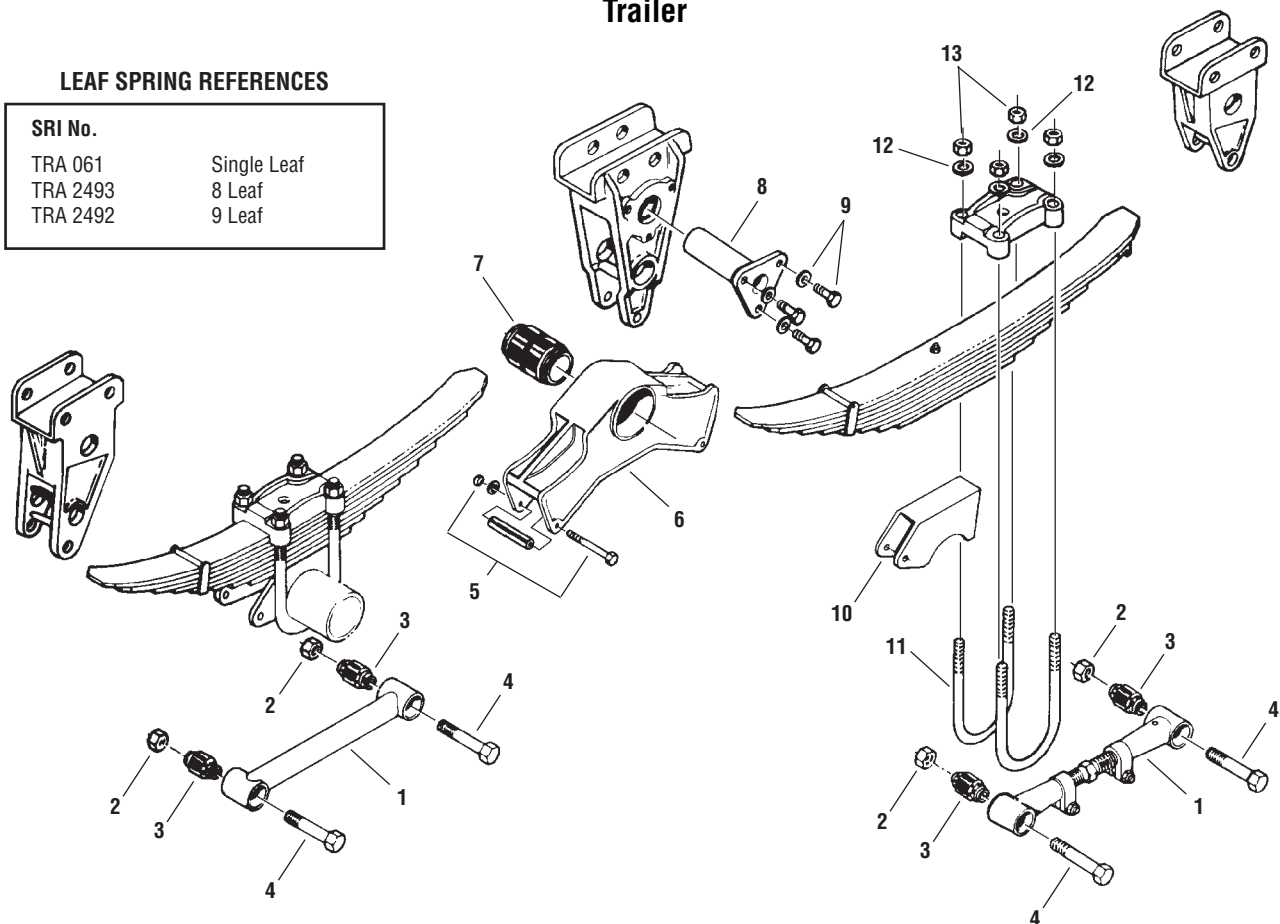
SPICER (DANA) SUSPENSION

62 Series Trailer

LEAF SPRING REFERENCES

SRI No.

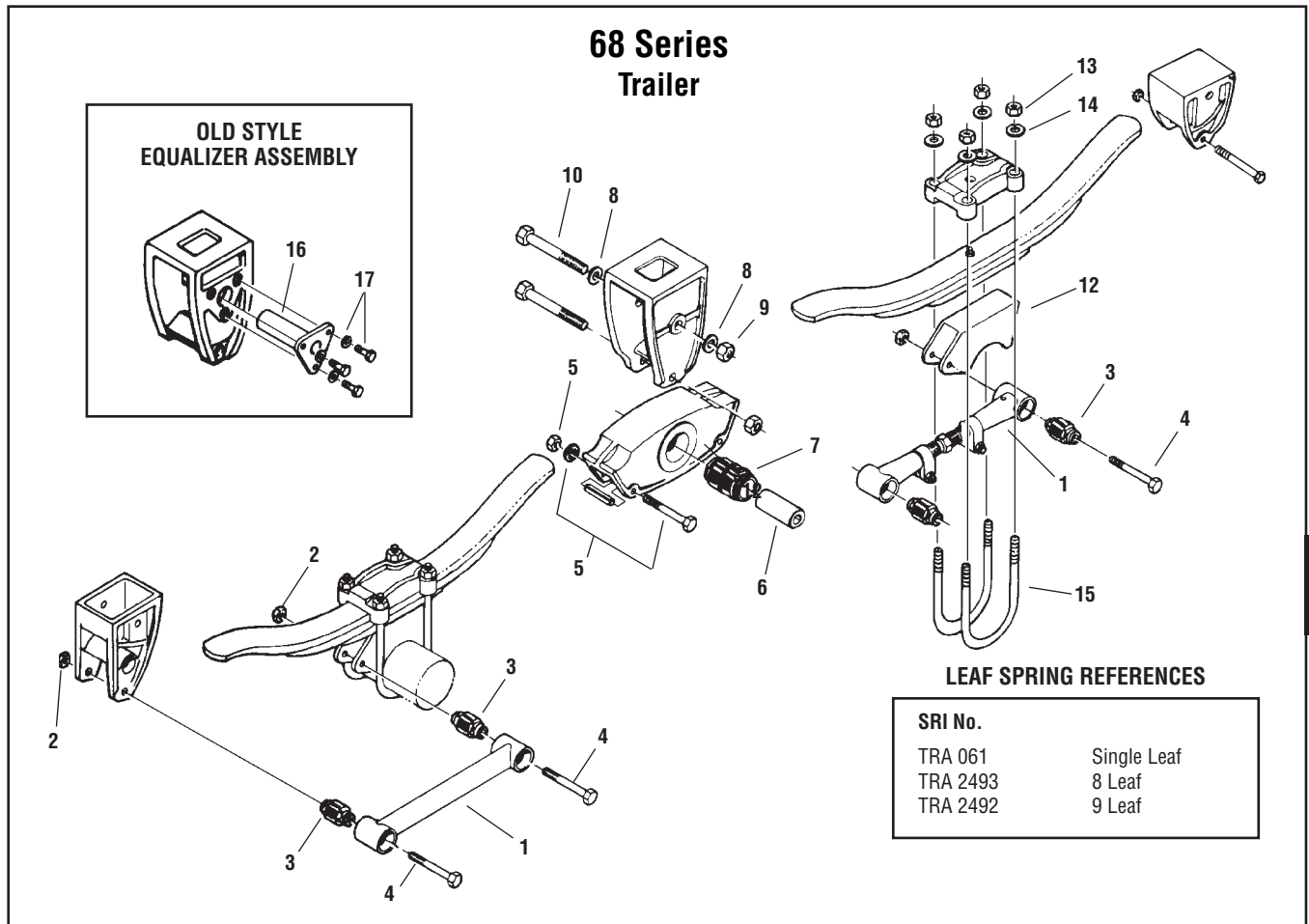
TRA 061	Single Leaf
TRA 2493	8 Leaf
TRA 2492	9 Leaf



KEY NO.	EUCLID NO.	REPLACES SPICER/DANA NO.	DESCRIPTION	QUANTITY PER TANDEM	PAGE NO.
1	E-2292	M109201	Adjustable Torque Arm, 14" - 18 1/2" Center-to-Center	2	1-598
	E-2293	M109202	Adjustable Torque Arm, 18 1/2" - 21 3/8" Center-to-Center		1-598
2	E-2983	H75809	Nut	8	2-34
3	E-1980 (Rubber)	L1032	Torque Arm Bushing	8	1-598
	E-7520 (Poly)				2-14
4	E-901	H88755	Bolt	8	2-32
—	E-1981 (Rubber)	L4032	Torque Arm Bushing Assembly Includes Key Nos. 2, 3, 4.	8	1-598
	E-9552 (Poly)				1-558
5	E-1975	—	Spring Roller Assembly	4	1-599
6	N/A	B56634	Equalizer with Bushing	2	—
7	E-1072	L1025	Equalizer Bushing	2	1-597
8	E-1993	K1124	Equalizer Shaft	2	1-597
9	Part of E-1995	—	Lock Screw and Washer	6	1-597
—	E-1995	L4026	Equalizer Bushing Assembly Includes Key Nos. 7, 8, 9.	2	1-597
10	N/A	E550275	Axle Seat	2	—
11	E-UB5165-14	—	U-Bolt Assembly, Rd. Bend, 7/8"-14 Thd. x 5" Wide x 14" Long	4	2-27
12	E-2546	H229	Washer	16	2-35
13	E-3002A	H75814	Hi-Nut	16	2-34

N/A = Spicer no longer manufactures. Parts not available thru S.O.S.

SPICER (DANA) SUSPENSION



KEY NO.	EUCLID NO.	REPLACES SPICER/DANA NO.	DESCRIPTION	QUANTITY PER TANDEM	PAGE NO.
1	E-2292	M109201	Adjustable Torque Arm, 14" - 18 1/2" Center-to-Center	2	1-598
	E-2293	M109202	Adjustable Torque Arm, 18 1/2" - 21 3/8" Center-to-Center		1-598
2	E-2983	H75809	Nut	10	2-34
3	E-1980 (Rubber)	L1032	Torque Arm Bushing	16	1-598
4	E-901	H88755	Bolt	8	2-32
—	E-1981	L4032	Torque Arm Bushing Assembly Includes Key Nos. 2, 3, 4.	8	1-598
5	E-1975	—	Spring Roller Assembly	2	1-599
6	Part of E-1998A	K1424	Equalizer Shaft	2	—
7	E-1072	L1025	Equalizer Bushing	2	1-597
8	E-1986A	H241	Washer	2	2-35
9	E-4421	H76008	Nut	2	2-34
10	E-1997	H80070	Bolt	2	1-597
—	E-1998A	L4425	Equalizer Bushing Assembly Includes Key Nos. 6, 7, 8, 9, 10.	2	1-596
12	N/A	E550275	Axle Seat	2	—
13	E-3002A	H75814	Hi-Nut	8	2-34
14	E-2546	H229	Washer	8	2-35
15	E-UB5165-14	—	U-Bolt Assembly, Rd. Bend, 7/8"-14 Thd. x 5" Wide x 14" Long	4	2-27
16	E-1993	K1124	Equalizer Shaft	2	1-597
17	Part of E-1995	L4026	Lock Screw and Washer	2	1-597
—	E-1995	—	Equalizer Bushing Assembly, Old Style, Includes Key Nos. 16, 17.	2	1-597

N/A = Spicer no longer manufactures. Parts not available thru S.O.S.

SPICER EQUALIZERS AND BUSHING ASSEMBLIES

EQUALIZER



Includes E-2273 Bushing

EUCLID NO.	REPLACES	FOR MODEL
E-3012	Spicer B55536	Late Model 55

EQUALIZER BUSHING ASSEMBLY



EUCLID NO.	REPLACES	FOR MODEL	QTY	EUCLID NO.	DESCRIPTION
E-2272	Spicer L4025	Late Model 55	1	E-2273	Bushing
			1	E-2274	Shaft
			2	E-2275	Washer
			1	E-4421	Nut

EQUALIZER BUSHING ASSEMBLY



EUCLID NO.	REPLACES	FOR MODEL	QTY	EUCLID NO.	DESCRIPTION
E-1998A	Spicer L4425	Late Model 68	1	E-1072	Bushing
			1	E-1997	Bolt
			1	E-1996	Shaft
			2	E-1986A	Washer
			1	E-4421	Nut

EQUALIZER BUSHING



EUCLID NO.	REPLACES	FOR MODEL	DIMENSIONS
E-1984	Spicer L1325	Early Model 55	1 3/4" I.D. x 3 5/8" Lg. O.D. x 4 1/16" O.A.L.

EQUALIZER BUSHING



EUCLID NO.	REPLACES	FOR MODEL	DIMENSIONS
E-2273	Spicer L1425	Late Model 55	1 1/64" I.D. x 3 1/8" Lg. O.D. x 5" O.A.L.

1

SPICER EQUALIZER BUSHINGS & HARDWARE

EQUALIZER BUSHING ASSEMBLY



EUCLID NO.	REPLACES	FOR MODEL	QTY	EUCLID NO.	DESCRIPTION
E-1995	Spicer L4026	62 & Early Model 68	1	E-1072	Bushing
			1	E-1993	Shaft
			3	N.S.S.	Lock Screws and Washer

EQUALIZER BUSHING



EUCLID NO.	REPLACES	FOR MODEL	DIMENSIONS
E-1072	Spicer L1025	62 & Early & Late Model 68	2" I.D. x 3 1/8" O.D. x 4 7/32" O.A.L.

EQUALIZER BUSHING



EUCLID NO.	REPLACES	FOR MODEL	DIMENSIONS
E-1989	Spicer L1125	26 & 36 Tri-Axle	2 1/2" I.D. x 4" Lg. O.D. x 3 1/2" Sm. O.D. x 2 3/4" O.A.L.

EQUALIZER BOLT



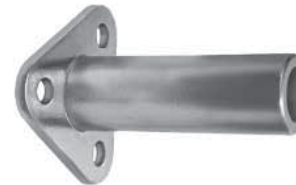
EUCLID NO.	REPLACES	FOR MODEL	DIMENSIONS
E-2274	Spicer H80080	Late Model 55	1"-8 Thd. x 8" Long
E-1997	Spicer H80070	Late Model 68	1"-8 Thd. x 7" Long

EQUALIZER BUSHING



EUCLID NO.	REPLACES	FOR MODEL	DIMENSIONS
E-3016	Spicer L1336	36 Tri-Axle & Tandem Axle	3 1/2" I.D. x 5 3/16" Lg. O.D. x 5" O.A.L.

EQUALIZER SHAFT



EUCLID NO.	REPLACES	FOR MODEL	DIMENSIONS
E-1993	Spicer K1124	62 & Early Model 68	2" O.D. x 6 1/2" O.A.L.

EQUALIZER SHAFT



EUCLID NO.	REPLACES	FOR MODEL	DIMENSIONS
E-1996	Spicer K1424	Late Model 68	1" I.D. x 2" O.D. x 4 11/32" O.A.L.

SPICER TORQUE ARM BUSHING ASSEMBLIES & HARDWARE

TORQUE ARM BUSHING ASSEMBLY



TORQUE ARM BUSHING ASSEMBLY



EUCLID NO.	REPLACES	FOR MODEL	QTY	EUCLID NO.	DESCRIPTION
E-1983	Spicer L4132 55	26, 36,	E-1982	1 E-900 E-4421 E-907 Washer	Bushing Bolt Nut
		1			
		2			

EUCLID NO.	REPLACES	FOR MODEL	QTY	EUCLID NO.	DESCRIPTION
E-1981	Spicer L4032	62 & 68	1	E-1980	Bushing
			1	E-901	Bolt
			1	E-2983	Nut

TORQUE ARM BUSHING



TORQUE ARM BUSHING



EUCLID NO.	REPLACES	FOR MODEL	DIMENSIONS
E-1982	Spicer L1132	26, 36, 55	1" I.D. x 1 13/16" Sm. O.D. x 2 3/8" Lg. O.D. x 2 11/16" O.A.L.

EUCLID NO.	REPLACES	FOR MODEL	DIMENSIONS
E-1980	Spicer L1032	62 & 68	7/8" I.D. x 1 29/32" O.D. x 3" O.A.L.

SPICER TORQUE ARMS



TYPE 1

Use with One-Piece, Press-In Bushing



TYPE 2

Use with Two-Piece Bushings

NOTE: Rigid Torque Arms are no longer available. Use Adjustable Torque Arms.

EUCLID NO. WITH/WITHOUT BUSHINGS	EUCLID NO. SPICER BUSHINGS	REPLACES FOR MODEL NO.	BUSHING	EUCLID BUSHING NO.	EUCLID LENGTH ASSEMBLY	TYPE Center-to-Center	
E-2512	E-2292	M109201	62, 68	E-1980	E-1981	14 3/4" to 18"	1
E-2513	E-2293	M109202	62, 68	E-1980	E-1981	18 1/2" to 21 3/8"	1
—	E-2294	M109101	26, 55	E-1982	E-1983	14" to 18 1/2"	2
—	E-2295	M109102	26, 36, 55	E-1982	E-1983	18 1/2" to 21 3/8"	2

SPICER U-BOLT ASSEMBLIES & SPRING HARDWARE

SPRING ROLLER ASSEMBLY



EUCLID NO.	REPLACES	FOR MODEL	QTY	EUCLID NO.	DESCRIPTION
E-1975	Spicer	1	1	E-1971	Roller Bolt
		1	1	E-1972	Nut
		26, 36, 55	1	E-5032	Lock Washer
		1	1	E-1974	

RUBBER SPRING RETAINER



EUCLID NO.	REPLACES	FOR MODEL	DIMENSIONS
E-3031	Spicer L3049	Late Model 55	Use with 1, 3, 7, 8 & 9 Leaf Springs

SPICER AXLE ATTACHING HARDWARE

1

TOP PLATE



EUCLID NO.	REPLACES	FOR MODEL	APPLICATION
E-2907A	All Models Spicer K1215 Down	With U-Bolts	Universal Axle

RUBBER AXLE PAD



EUCLID NO.	REPLACES	FOR MODEL	DIMENSIONS
E-1331	Spicer L1337	36	5 7/16" Long x 1 5/8" Wide x 11/16" Thick

RUBBER AXLE WRAPPER



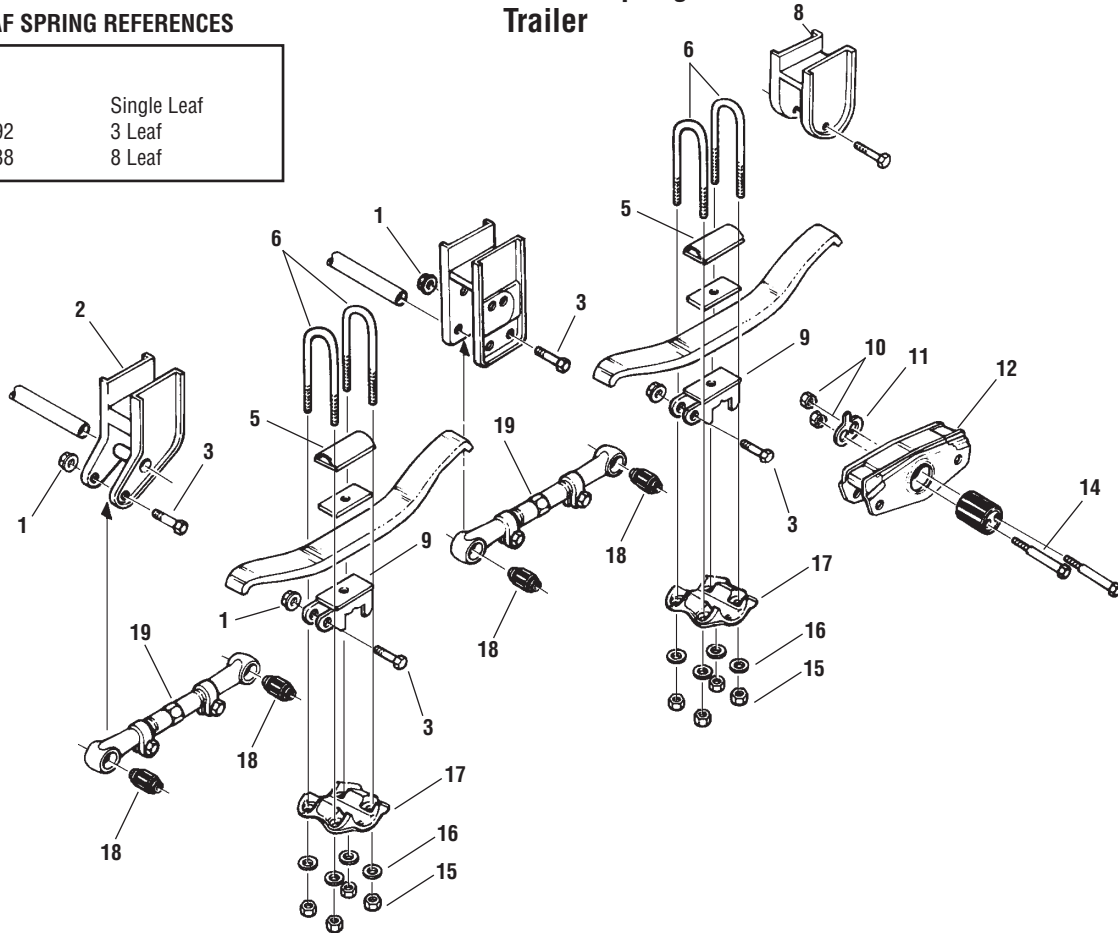
EUCLID NO.	REPLACES	FOR MODEL	DIMENSIONS
E-2011	Spicer L1338	8 3/4" Long x 36 3/4" Thick	4" Wide x

TRAILMOBILE SUSPENSION

Late Model - Fabricated Uses 3 1/2" Wide Springs Trailer

LEAF SPRING REFERENCES

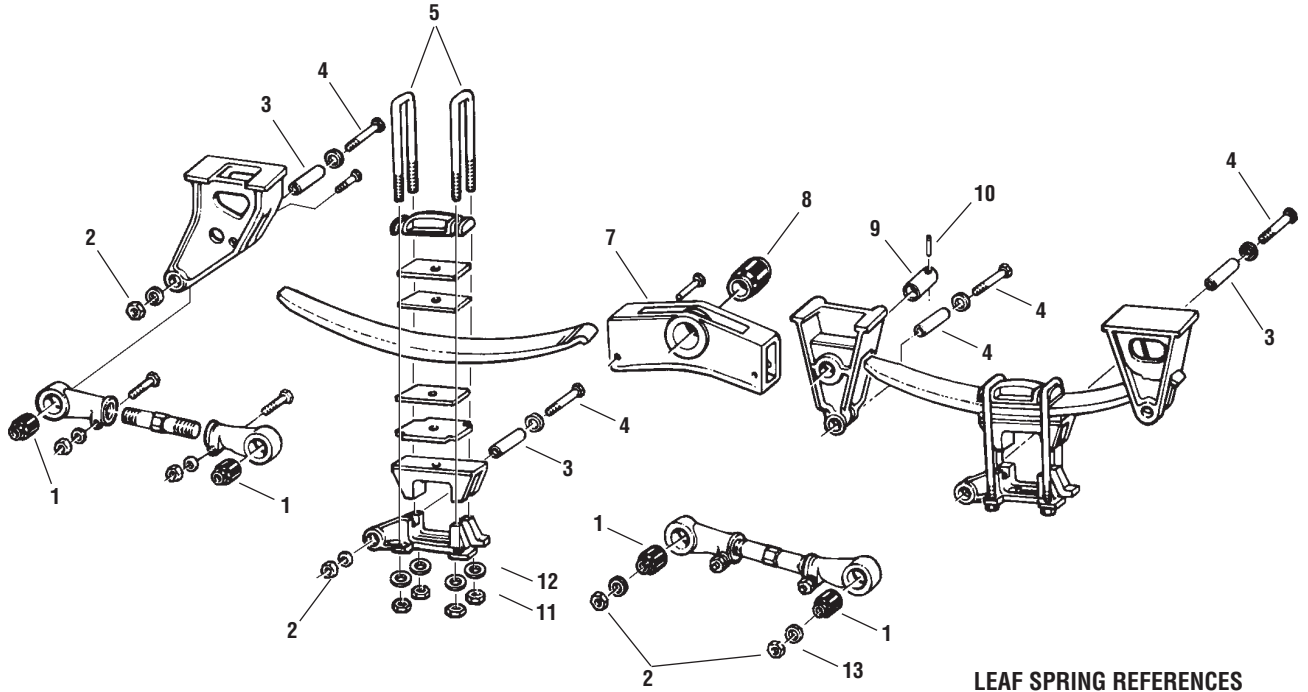
SRI No.	
TRA 051	Single Leaf
TRA 1492	3 Leaf
TRA 1488	8 Leaf



KEY NO.	EUCLID NO.	REPLACES TRAILMOBILE NO.	DESCRIPTION	QUANTITY PER TANDEM	PAGE NO.
1	E-2892	3-23-5, 43-1-003, & 38-2892	Nut	8	2-34
2	E-3380	3-A1-16	Front Hanger	2	1-605
3	E-2891	3-13-29, 43-1-001, 47190 & 3496071902	Bolt	8	2-32
5	E-3385	3-A26-11, 3-A26-10	U-Bolt Top Plate	4	1-603
6	E-UB5163-14	700-3-29, 700-3-29A	U-Bolt Assembly, Rd. Bend, 7/8"-14 Thd. x 3 1/2" Wide x 14" Long	8	2-27
8	E-3382	3-A1-17	Rear Hanger	2	1-605
9	E-3409	3-A5-7A	Axle Seat	4	1-604
	E-3410	3-A5-7B			
10	E-2002	50-2Z-69, 38-2002	Nut	4	1-603
11	E-2001	3-36-16, 38-2001	Tab Lock	2	1-603
12	E-3383	3-A66-43	Equalizer	2	1-602
14	E-3392	50-B1T-34	Equalizer Bolt	4	1-603
15	E-3002A	38-3002A	Hi-Nut	16	2-34
16	E-2546	30-93600162, 22-T7292 & 38-2546	Washer	16	2-35
17	E-3384	3-A5-8, 38-3384	Bottom Plate for 4" x 6" Rectangular Axle	4	1-604
18	E-934	3-12-35, 43-1-004, 12855, 38-934, and 3496072200	Torque Arm Bushing	8	1-603
19	E-3390	3-A11-65A, 38-3390	Adjustable Torque Arm	4	1-604

TRAILMOBILE SUSPENSION

**Early Model - Cast
Short Rocker
Uses 3 1/2" Wide Springs
Trailer**



LEAF SPRING REFERENCES

SRI No.

TRA 051	Single Leaf
TRA 1492	3 Leaf
TRA 1488	5 Leaf

KEY NO.	EUCLID NO.	REPLACES TRAILMOBILE NO.	DESCRIPTION	QUANTITY PER TANDEM	PAGE NO.
1	E-640	3-12-16, 38788	Torque Arm Bushing	8	1-603
2	E-1107	3-23-2 or 3-23-3, 37703, 37338 & 50-BZF-23C	Anchor Pin Jam Nut	8	2-34
3	E-641	39153, 21-SA1814	Torque Arm Pin	8	1-603
4	E-1204	50-1B-200	Bolt	8	2-32
5	E-UB5263-14	700-3-24	U-Bolt Assembly, Sq. Bend, 7/8"-14 Thd. x 3 1/2" Wide x 14" Long	8	2-28
7	E-3398	3-A66-42	Equalizer	2	1-602
8	E-1072	3-12-20, 21-SA1008 & 43902	Equalizer Bushing	2	1-602
9	N/A	3-10-34	Equalizer Shaft	2	—
10	E-1279	3-10-36, 21-1075, & 13219	Lock Pin, 1/2" O.D. x 2 3/4" Long	2	1-604
11	E-3002A	38-3002A	Hi-Nut	16	2-34
12	E-2546	22-T7292, 30-93600162 & 38-2546	Washer	16	2-35
—	E-1277	38-1277 & 700-7-44	Torque Arm Bushing Kit, Includes 1, 2, 3, 4.	—	1-602
13	E-1206	3-36-5	Washer	—	1-602

N/A = No Longer Available

TRAILMOBILE SUSPENSION PARTS

EQUALIZER



Includes E-3394 Bushing

EUCLID NO.	REPLACES	FOR MODEL	O.A.L.
E-3383 3-A66-43 38-3383	Trailmobile	3 1/2" Fabricated	16"

EQUALIZER



Includes E-1072 Bushing

EUCLID NO.	REPLACES	FOR MODEL	O.A.L.
E-3398	Trailmobile 3-A66-42	Short Rocker	16 1/2"

EQUALIZER BUSHING



EUCLID NO.	REPLACES	FOR MODEL	O.D.	I.D.	LGTH.
E-1072	Trailmobile 21-SA1008 43902	Short Rocker	3 1/8"	2"	4 1/4"

EQUALIZER BUSHING



EUCLID NO.	REPLACES	FOR MODEL	O.D.	O.A.L.
E-3394A	Trailmobile 3-12-32	3 1/2" Fabricated	3 1/4"	4 7/16"

EQUALIZER BUSHING ASSEMBLY



EUCLID NO.	FOR MODEL	QTY	EUCLID NO.	DESCRIPTION
E-3393	3 1/2" Fabricated	1	E-3394A	Bushing
		2	E-3392	Bolt
		1	E-2001	Tab Lock
		2	E-2002	Nut

TORQUE ARM BUSHING ASSEMBLY



EUCLID NO.	FOR MODEL	QTY	EUCLID NO.	DESCRIPTION
E-3079	3 1/2" Fabricated	1	E-934	Bushing
		1	E-2891	Bolt
		1	E-2892	Nut (Flange)

TORQUE ARM BUSHING ASSEMBLY

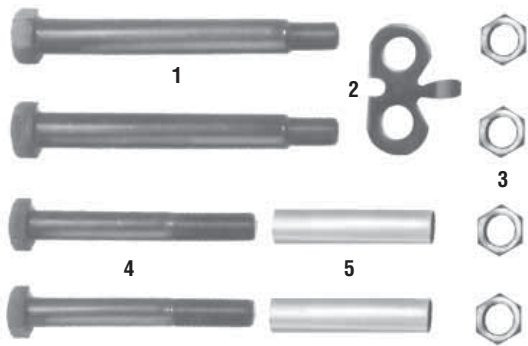


EUCLID NO.	FOR MODEL	QTY	EUCLID NO.	DESCRIPTION
E-1277	Trailmobile 700-7-144	1	E-640	Bushing
		1	E-641	Pin
		1	E-1204	Bolt
		2	E-1206	Washer
		1	E-1107	Nut

1

TRAILMOBILE SUSPENSION PARTS

EQUALIZER BOLT KIT



EUCLID KIT E-3527 For Trailmobile Fabricated with 3 1/2" Wide Springs Replaces Trailmobile 700-7-155

ITEM	QTY.	EUCLID NO.	REPLACES TRAILMOBILE	DESCRIPTION
1	2	E-3392	50B1T-34	Equalizer Step Bolt 5/8"-18 Thd. x 3/4" x 6 1/2" Long
2	1	E-2001	3-36-16 38-2001	Lock Tab
3	4	E-2002	50-2Z-69 38-2002	Nut 5/8"-18 Thd'
4	2	E-3528	50-1B-146	Rebound Bolt 5/8"-18 Thd. x 5" Long
5	2	E-3529	3-34-45	Spacer Sleeve 2 1/32" I.D. x 7/8" O.D. x 3 3/4" O.A.L.

TORQUE ARM BUSHING



EUCLID NO.	REPLACES	FOR MODEL	O.D.	I.D.	O.A.L.
E-640	Trailmobile 3-12-6	Short Rocker	2 5/16"	1 5/16"	2 1/4"

TORQUE ARM BUSHING



EUCLID NO.	REPLACES	FOR MODEL	O.D.	I.D.	O.A.L.
E-934 (Rubber)	Trailmobile 3-12-35, 43-1-004, 12855, 38-934, & 3496072200	3 1/2" Fabricated	1 29/32"	1"	3"
E-7453 (Poly)					

TORQUE ARM PIN



EUCLID NO.	REPLACES	FOR MODEL	O.D.	I.D.	O.A.L.
E-641	Trailmobile 3-12-6 21-SA1814	Short Rocker	15/16"	13/16"	4 3/16"

BEAM END BUSHING



EUCLID NO.	REPLACES NEWAY	FOR MODEL	O.D.	I.D.	LENGTH
E-2936	Neway 90008005 Reyco 0926-00 Trailmobile 30-90008005	ART-500-US	3 1/4"	2 1/2"	9"

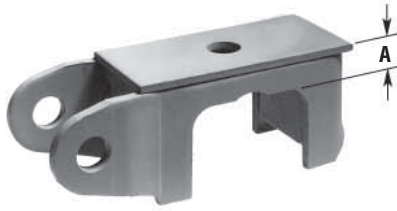
TOP PLATE



EUCLID NO.	REPLACES	FOR MODEL
E-3385	Trailmobile 3-A26-11, 3-A26-10	3 1/2" Fabricated

TRAILMOBILE SUSPENSION PARTS

AXLE SEAT
4" x 6" AXLE



BOTTOM PLATE
4" x 6" AXLE



EUCLID NO.	REPLACES	FOR MODEL	A
E-3409	Trailmobile 3-A5-7A	3 1/2" Fabricated	1"
E-3410	Trailmobile 3-A5-7B		1 3/4"

EUCLID NO.	REPLACES	FOR MODEL
E-3384	Trailmobile 3-A5-8 38-3384	3 1/2" Fabricated

ADJUSTABLE



TYPE 1

EUCLID NO. WITH BUSHINGS	REPLACES	FOR MODEL	HANGER END BUSHING	AXLE SEAT END BUSHING	HANGER END BUSHING KIT	AXLE SEAT END BUSHING KIT	LENGTH Center-to-Center	TYPE
E-3390	Trailmobile 3-A11-65A 38-3390	3 1/2" Fabricated	E-934	E-934	E-3079	E-3079	17"	1

RIGID



EUCLID NO. WITHREPLACES BUSHINGS	FOR	END MODEL	HANGER END BUSHING	AXLE SEAT BUSHING BUSHING	HANGER END END KIT	AXLE SEAT LENGTH BUSHING KIT	Center-to-Center
E-3391	Trailmobile 3-A11-64	3 1/2" Fabricated	E-934	E-934	E-3079	E-3079	17"

LOCK PIN



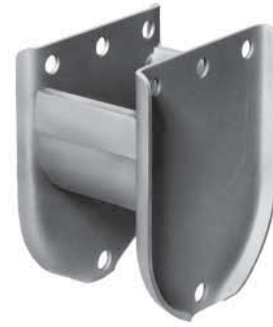
EUCLID NO.	REPLACES	APPLICATION	O.D.	LENGTH
E-1279	Trailmobile 3-10-36 21-1075 13219	Four-Spring Suspension with Steel Hangers	1/2"	2 3/4"

TRAILMOBILE SUSPENSION PARTS

FRONT HANGER



REAR HANGER

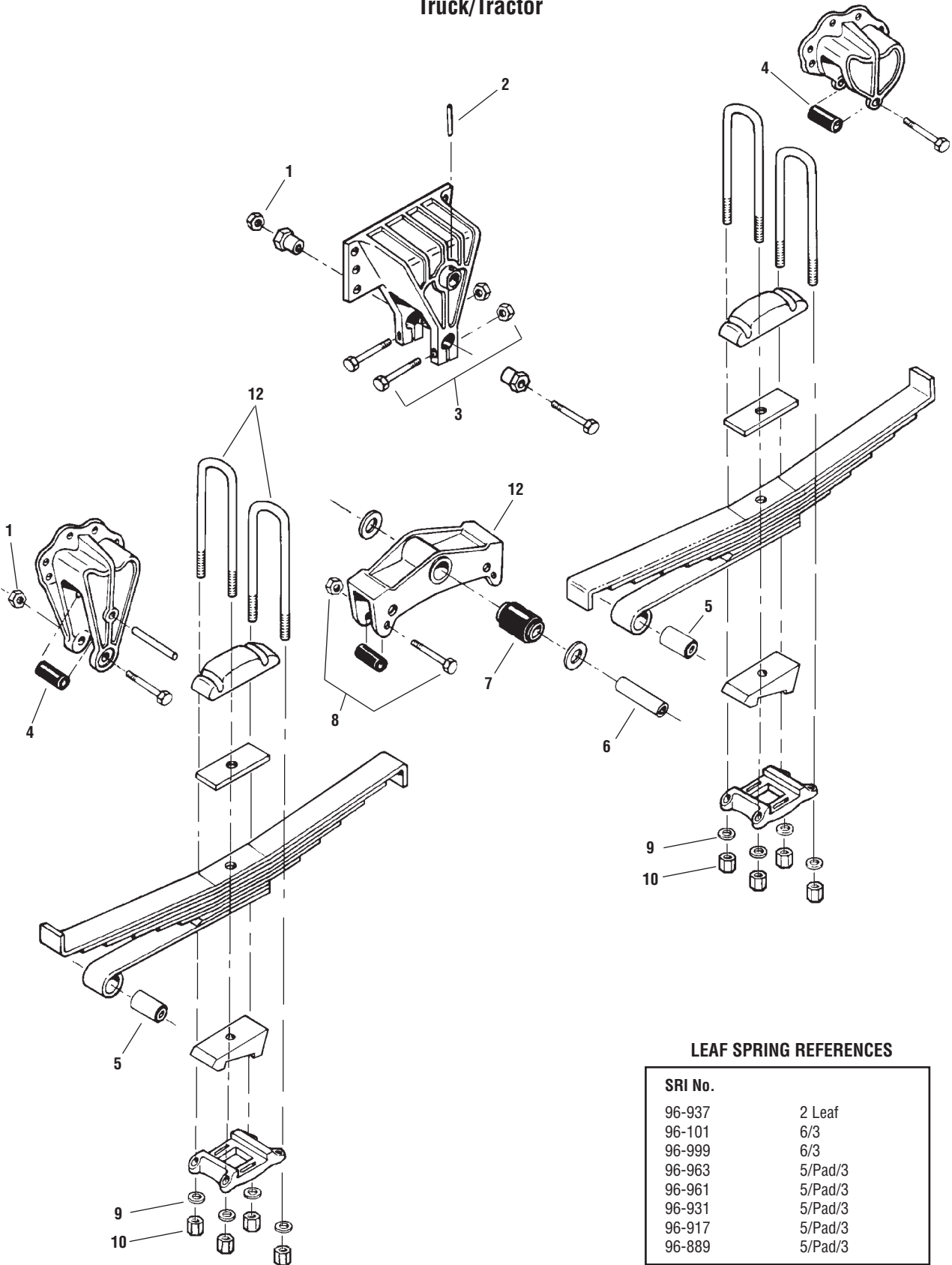


EUCLID NO.	REPLACES	FOR MODEL	EUCLID NO.	REPLACES	FOR MODEL
E-3380	Trailmobile 3-A1-16	3 1/2" Fabricated	E-3382	Trailmobile 3-A1-17	3 1/2" Fabricated

1

VOLVO FOUR-SPRING SUSPENSION

With Steel Hangers
Old Style
Truck/Tractor



LEAF SPRING REFERENCES

SRI No.

96-937	2 Leaf
96-101	6/3
96-999	6/3
96-963	5/Pad/3
96-961	5/Pad/3
96-931	5/Pad/3
96-917	5/Pad/3
96-889	5/Pad/3

VOLVO FOUR-SPRING SUSPENSION PARTS

With Steel Hangers

Old Style

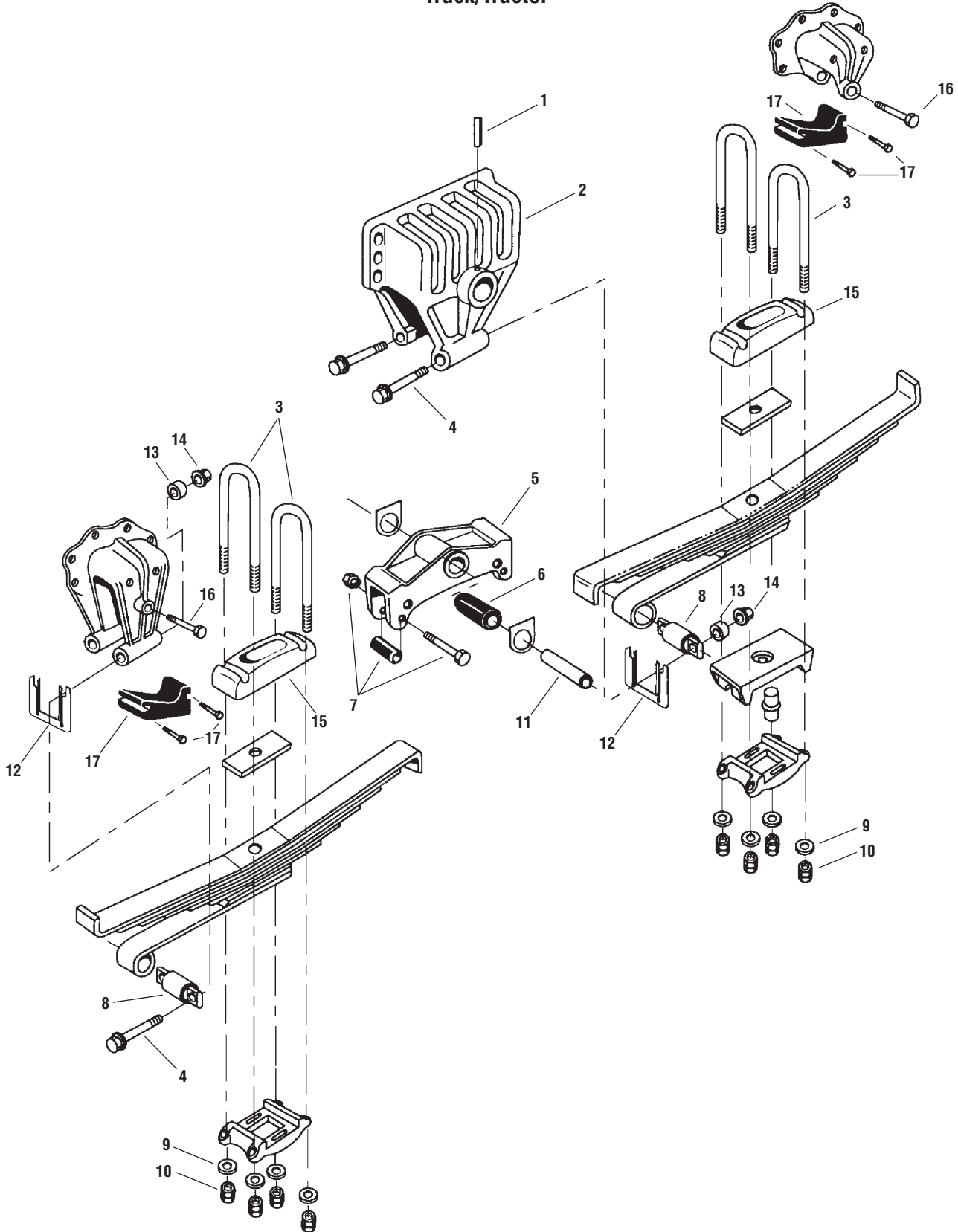
Truck/Tractor

KEY NO.	EUCLID NO.	REPLACES VOLVO NO.	DESCRIPTION	QUANTITY PER TANDEM	PAGE NO.
1	E-2983	550631	Lock Nut	4	2-34
2	E-1279	V8020421	Lock Pin	2	1-614
3	E-3846	—	Clamp Bolt & Nut Assembly	4	1-615
4	E-3839	35042-0001	Rubber Ferrule	4	1-615
5	E-3849	02-7012438	Spring Eye Bushing	4	1-614
6	E-3083A	V8027425	Equalizer Shaft	2	1-614
7	E-3082	V8027424	Equalizer Bushing	2	1-614
8	E-3852	—	Equalizer Roller Assembly	4	1-614
9	E-2545	V8060235	Washer	16	2-35
10	E-3001	V8027431	Hi-Nut	16	2-34
11	E-UB8151-18	35019-0013	U-Bolt Assembly Rd. Bend, 3/4"-16 Thd. x 3" Wide x 18" Long	8	2-25
		35019-0012			
		V8027431			
12	E-3844	35011-5002	Equalizer	4	1-614
		V8061451			
		V8027430			

1

VOLVO FOUR-SPRING SUSPENSION

With Steel Hangers
New Style
Truck/Tractor



1

VOLVO FOUR-SPRING SUSPENSION PARTS

With Steel Hangers New Style Truck/Tractor

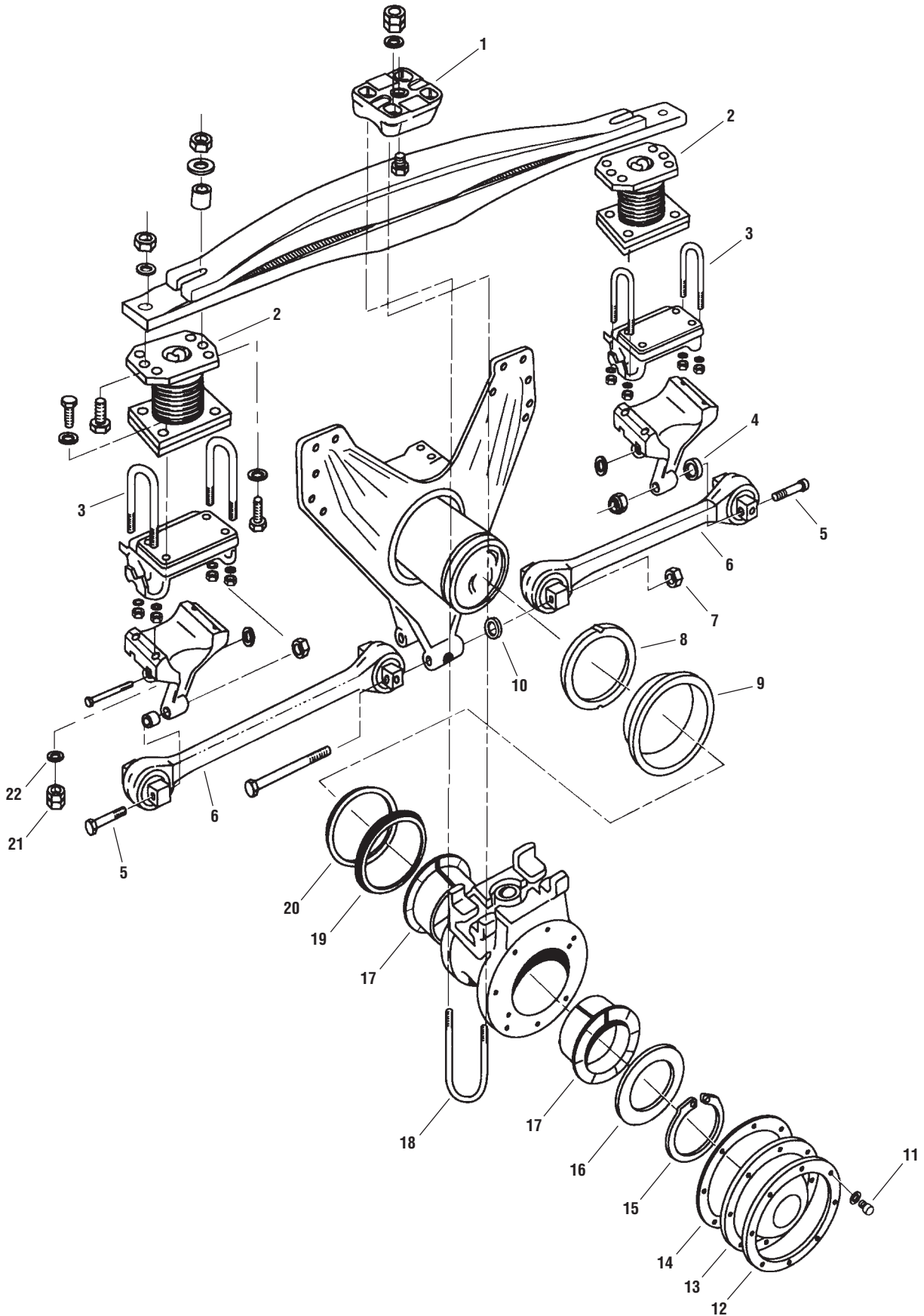
KEY NO.	EUCLID NO.	REPLACES VOLVO NO.	DESCRIPTION	QUANTITY PER TANDEM	PAGE NO.
1	E-1279	V8020421	Lock Pin	2	1-614
2	S.O.S.	35023-0001 (Old)	Equalizer Hanger Bracket	2	—
	E-11393	V8027428 (New)			
3	E-UB8151-18	35019-0013	U-Bolt Assembly, Rd. Bend, 3/4"-16 Thd. x 3" Wide x 18" Long	8	2-25
		35019-0012			
		V8027431			
4	E-8909	V8397091	Radius Leaf Attaching Bolt, Front	4	1-615
	E-8910	V8397092	Radius Leaf Attaching Bolt, Back	4	1-615
5	E-3844	35011-5002 (Old)	Equalizer with Bushing	2	1-614
		V8027430 (New)			
6	E-3082	V8027424	Equalizer Bushing	2	1-614
7	E-3852	—	Equalizer Roller Assembly	4	1-614
8	E-2225	35033-3201 (Old)	Spring Bushing	4	1-615
		V8027424 (New)			
9	E-2545	V8060235	Washer	16	2-35
10	E-3001	V8027431	Hi-Nut	16	2-34
11	E-3083A	V8027425	Equalizer Shaft	2	1-614
12	E-5281	V8020329	Radius Leaf Shim	4	1-615
13	E-8912	514834	Radius Leaf Spacer	8	1-615
14	E-8911	V8397202	Radius Leaf Nut	8	2-34
15	E-8818	V8027433	Top Plate	4	1-615
16	N/A	V8060022	Bolt	4	—
17	E-8819	—	Wear Pad Kit	4	1-615

S.O.S. = Available through Euclid's S.O.S. Department

N/A = No Longer Available

VOLVO "T-RIDE" SUSPENSION

1



VOLVO "T-RIDE" SUSPENSION PARTS

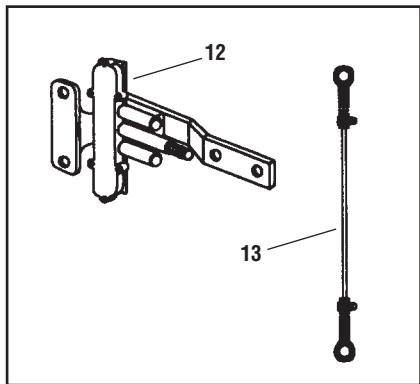
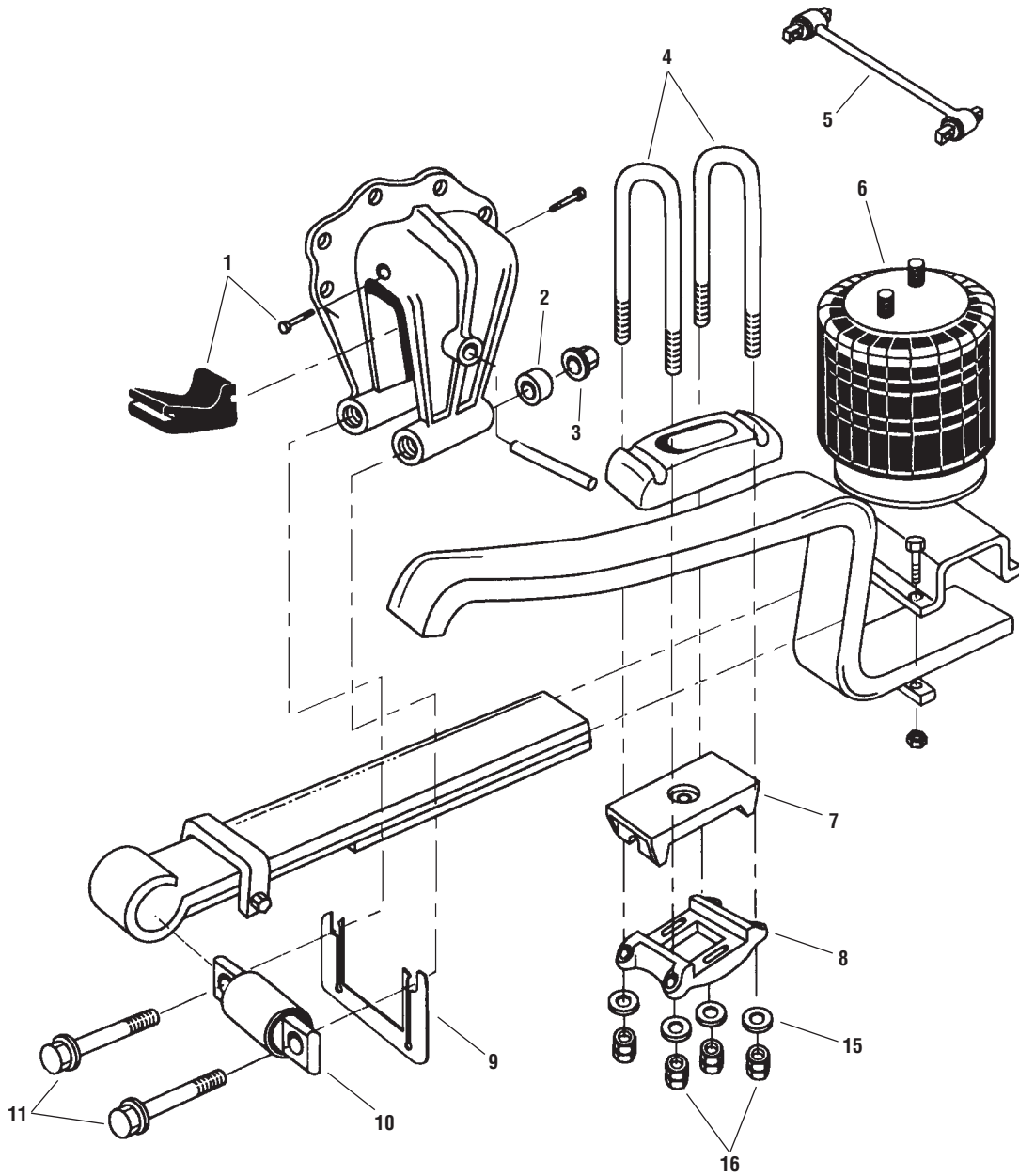
KEY NO.	EUCLID NO.	REPLACES VOLVO NO.	DESCRIPTION	QUANTITY PER TANDEM	PAGE NO.
1	E-8850	V8057237	Top Plate	2	1-617
2	E-8851	1629553	Rubber Load Spring	4	1-616
3	E-UB8151-10	V8057236	U-Bolt Assembly, Rd. Bend, 3/4"-16 Thd. x 3" Wide x 10" Long	8	2-25
	E-UB8151-12	V8059359	U-Bolt Assembly, Rd. Bend, 3/4"-16 Thd. x 3" Wide x 12" Long		
4	N/A	665306	Forward Axle Spacer Washer, M16 x 2 Thd. x 4 1/4" Long	4	1-616
5	S.O.S.	V955375	Forward Torque Arm Screw, M16 x 2 Thd. x 5" Long	4	—
	S.O.S.	V955376	Rear Torque Arm Screw, M16 x 2 Thd. x 4 1/2" Long		
6	E-8853	8028945	Rigid Torque Arm, Bar Type	4	1-616
	E-8853A	8074268	Rigid Torque Arm, Tube Type		
7	S.O.S.	V945884	Torque Rod Lock Nut	12	—
8	E-8830	V1509219	Thrust Washer	2	1-616
9	E-8834	V1586518	Wear Ring	2	1-617
10	E-8844	99-9419279	Torque Arm Spacer Washer	4	2-35
11	E-8840	V946440	Hub Cap Screw	16	1-617
12	E-8839	V1590508	Hub Cap Ring	2	1-618
13	E-8838	V1502292	Trunnion Hub Cap	2	1-616
14	E-8837	V1620742	Gasket	2	1-618
15	E-8832	V951082	Lock Ring	2	1-617
16	E-8831	V1590064	Thrust Washer	2	1-616
17	E-8833	V1620443	Trunnion Bushing	4	1-617
18	E-UB8142-06	V1590074	U-Bolt Assembly, Rd. Bend, 5/8"-18 Thd. x 3 1/8" Wide x 6" Long	4	2-25
19	E-8836	V1586520	Sealing Ring	2	1-617
20	E-8835	V1593522	Sealing Ring	2	1-617
21	E-3001	—	U-Bolt Hi-Nut	16	2-34
22	E-2545	—	Washer	16	2-35

S.O.S. = Available through Euclid's S.O.S. Department

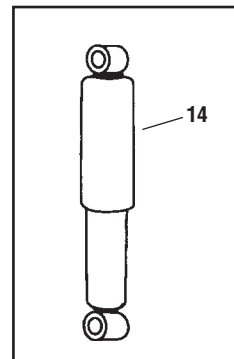
N/A = No Longer Available

VOLVO CORPORATE AIR RIDE SUSPENSION

1



Height Control Valve & Link



Shock Absorber

VOLVO CORPORATE AIR RIDE SUSPENSION PARTS

KEY NO.	EUCLID NO.	REPLACES VOLVO NO.	DESCRIPTION	QUANTITY PER AXLE	PAGE NO.
1	E-8819	V8027423	Wear Pad Kit	4	1-615
2	E-8912	514834	Front Leaf Spacer	4	1-615
3	E-8911	V8397202	Leaf Attaching Nut	4	2-34
4	E-UB8151-16	V8027431	U-Bolt Assembly, Rd. Bend, 3/4"-16 Thd. x 3" Wide x 16" Long	4	2-25
5	E-8821	35801-0068	Rigid Torque Arrm	1	1-616
6	FS9219	35003-3204	Air Spring	2	—
		35003-3209			
7	N/A	35028-0137	Axle Seat - Forward Eaton	2	—
	N/A	35028-0119	Axle Seat - Forward Rockwell		—
	N/A	35028-0120	Rear Axle Seat		2
8	N/A	35020-0102	Bottom Plate, Forward Axle, Left Hand	1	—
	N/A	35020-0103	Bottom Plate, Forward Axle, Right Hand	1	—
	N/A	35020-0104	Bottom Plate Rear, Left Hand	1	—
	N/A	35020-0105	Bottom Plate Rear, Right Hand	1	—
9	E-5281	V8020329	Radius Leaf Shim	2	1-615
10	E-2225	35033-3201	Spring Bushing	2	1-615
11	E-8909	V8397091	Radius Leaf Attaching Bolt, Front	4	1-615
	E-8910	V8397092	Radius Leaf Attaching Bolt, Rear	4	1-615
12	E-4323	—	Height Control Valve	1	2-58
13	E-7852	—	Leveling Valve Link Kit	1	2-61
14	M85047	8169859	Shock Absorber	2	3-9
	M85024	8071524			
	M85046	8026658			
15	E-2545	—	Washer	8	2-35
16	E-3001	35901-3201	Hi-Nut	8	2-34

N/A = No Longer Available

VOLVO FOUR-SPRING SUSPENSION PARTS

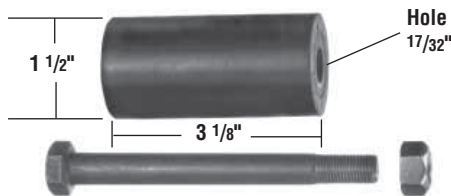
EQUALIZER



Includes E-3082 Bushing

EUCLID NO.	REPLACES	APPLICATION
E-3844 35011-5002	Volvo with Steel Hangers	Four-Spring Suspension

EQUALIZER SPRING ROLLER ASSEMBLY



N.S.S. = Not sold separately.

EUCLID NO.	APPLICATION	QTY	EUCLID NO.	DESCRIPTION
Four-Spring E-3852 Steel Hangers	1 E-1972 Suspension with Steel Hangers	1	Bolt 1 N.S.S.	Roller
		1	Nut 1 N.S.S.	

EQUALIZER SHAFT



EUCLID NO.	REPLACES	APPLICATION	O.D.	LENGTH
E-3083A	Volvo V8027425	Four-Spring Suspension with Steel Hangers	2"	6 7/8"

LOCK PIN



EUCLID NO.	REPLACES	APPLICATION	O.D.	LENGTH
E-1279	Volvo V8020421	Four-Spring Suspension with Steel Hangers	1/2"	2 3/4"

EQUALIZER BUSHING ASSEMBLY



N.S.S. = Not sold separately.

EUCLID NO.	APPLICATION	QTY	EUCLID NO.	DESCRIPTION
E-3845	Four-Spring Suspension with Steel Hangers	1	E-3082	Bushing
		1	E-3083A	Shaft
		4	E-3828	Washer N.S.S.
		1	E-1279	Lock Pin

EQUALIZER BUSHING



EUCLID NO.	REPLACES	APPLICATION	O.D.	I.D.	LENGTH
E-3082	Volvo V8027424	Four-Spring Suspension with Steel Hangers	3 1/8"	2"	4 1/4"

SPRING EYE BUSHING



EUCLID NO.	REPLACES	APPLICATION	O.D.	I.D.	LENGTH
E-3849	Volvo 02-7012438	Four-Spring Suspension with Steel Hangers	1 3/4"	7/8"	3 1/4"

VOLVO FOUR-SPRING SUSPENSION PARTS

CLAMP BOLT AND NUT ASSEMBLY



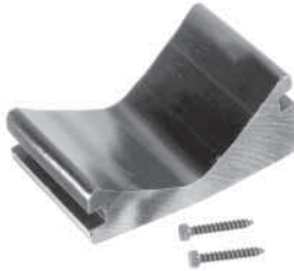
EUCLID NO.	APPLICATION	BOLT DIMENSIONS
E-3846	Four-Spring Suspension with Steel Hangers	5/8"-18 Thread x 3 1/4" Long

SPRING EYE RUBBER FERRULE



EUCLID NO.	REPLACES	APPLICATION	O.D.	I.D.	LENGTH
E-3839	Volvo 35042-0001	Rear Hanger Spring Eye	1 3/8"	25/32"	3"

WEAR PAD KIT



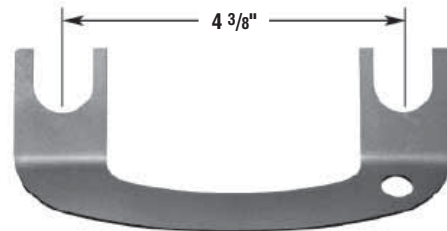
EUCLID NO.	REPLACES	INCLUDES	FOR MODEL	WIDTH	SLOT WIDTH
E-8819	Volvo 8061971 (New) Wear Pad V8027423 (Old) Wear Pad V8020446 Mounting Screw	1 Wear Pad* 2 Mounting Screws* *Not Sold Separately	Four-Spring Air Ride	3 1/4"	1/2"

U-BOLT TOP PLATE



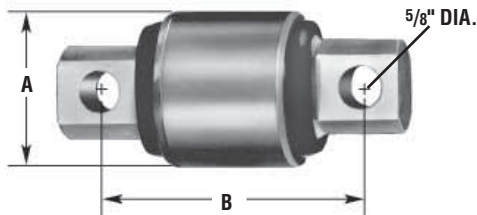
EUCLID NO.	REPLACES	FOR MODEL	LENGTH	WIDTH
E-8818	Volvo V8027433	Four-Spring Air Ride	8 1/2"	3"

RADIUS LEAF SHIM



EUCLID NO.	REPLACES	FOR MODEL	HOLE SIZE	LENGTH Center-to-Center
E-5281	Volvo V8020329	Four-Spring Air Ride	5/8"	4 3/8"

SPRING BUSHING



EUCLID NO.	REPLACES	FOR MODEL	A	B
E-2225	Volvo 35033-3201	Four-Spring Air Ride	2 17/32"	4 3/8"

RADIUS LEAF ATTACHING BOLT



EUCLID NO.	REPLACES	FOR MODEL	THREAD	LENGTH
E-8909 (Front)	Volvo V8397091	Four-Spring	5/8"-11	6"
E-8910 (Rear)	Volvo V8397092		5/8"-11	6 5/8"

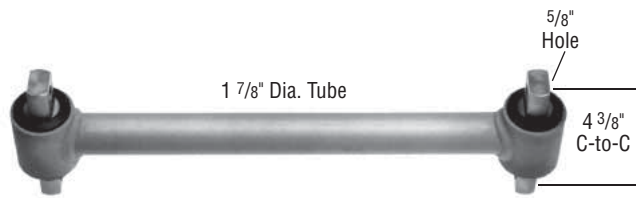
RADIUS LEAF SPACER



EUCLID NO.	REPLACES	FOR MODEL	O.D.	I.D.	THICK
E-8912	Volvo 514834	Four-Spring	1 1/4"	5/8"	3/8"

VOLVO SUSPENSION PARTS

RIGID TORQUE ARM



For small tube use
Volvo Part No. 3187322

EUCLID NO.	REPLACES	FOR MODEL	LENGTH Center-to-Center
E-8821	Volvo 35801-0068	Air Ride	22 1/8"

**RIGID TORQUE ARM
Tube Type**



EUCLID NO.	REPLACES	FOR MODEL	LENGTH Center-to-Center
E-8853	Volvo 8028945	T-Ride	22 5/8"

RIGID TORQUE ARM

1



For small tube use
Volvo Part No. 3187322

EUCLID NO.	REPLACES	FOR MODEL	LENGTH Center-to-Center
E-8853A	Volvo 8074268	T-Ride	22 5/8"

TRUNNION HUB CAP



EUCLID NO.	REPLACES	FOR MODEL	O.D.	I.D.	BOLT CIRCLE
E-8838	Volvo V1502292	T-Ride	9"	7 5/16"	8 1/8"

THRUST WASHER



EUCLID NO.	REPLACES	FOR MODEL	O.D.	I.D.	THICKNESS
E-8830	Volvo V1509219	T-Ride	6 15/16"	5 1/8"	1/4"

THRUST WASHER



EUCLID NO.	REPLACES	FOR MODEL	O.D.	I.D.	THICKNESS
E-8831	Volvo V1590064	T-Ride	7"	5 1/8"	1/4"

VOLVO SUSPENSION PARTS

TRUNNION BUSHING



EUCLID NO.	REPLACES	FOR MODEL	O.D.	I.D.
E-8833	Volvo V1620443	T-Ride	5 1/4"	5 1/16"

LOCK RING



EUCLID NO.	REPLACES	FOR MODEL	I.D.	THICKNESS
E-8832	Volvo V951082	T-Ride	4 13/16"	5/32"

SEALING RING



EUCLID NO.	REPLACES	FOR MODEL	O.D.	I.D.
E-8835	Volvo V1593522	T-Ride	7"	6 3/8"
E-8836	Volvo V1586520		7 1/4"	6 1/4"

WEAR RING



EUCLID NO.	REPLACES	FOR MODEL	O.D.	I.D.
E-8834	Volvo V1586518	T-Ride	7 1/16"	6 15/16"

HUB CAP SCREW



EUCLID NO.	REPLACES	FOR MODEL	THD. SIZE	BOLT LENGTH	THREAD LENGTH
E-8840	Volvo V946440	T-Ride	M8x1.25	16mm	5/8"

TOP PLATE

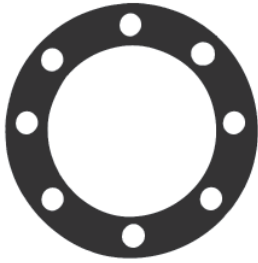


EUCLID NO.	REPLACES	FOR MODEL	O.D.	I.D.	BOLT CIRCLE
E-8850	Volvo V8057237	T-Ride	—	—	—

1

VOLVO SUSPENSION PARTS

GASKET



HUB CAP RING

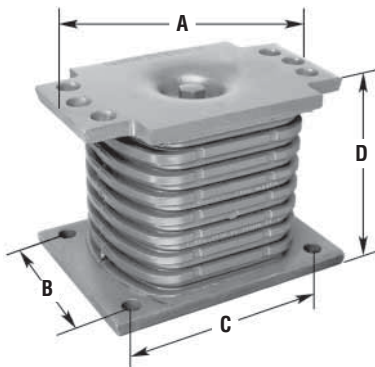


1

EUCLID NO.	REPLACES	FOR MODEL	O.D.	I.D.	BOLT CIRCLE
E-8837	Volvo V1620742	T-Ride	9"	7 5/16"	8 1/8"

EUCLID NO.	REPLACES	FOR MODEL	O.D.	I.D.	BOLT CIRCLE
E-8839	Volvo V1590508	T-Ride	8 13/16"	7 1/2"	8 1/8"

RUBBER LOAD SPRING



EUCLID NO.	REPLACES	FOR MODEL	A	B	C	D
E-8851	Volvo 1629553	T-Ride	7 1/16"	4 1/2"	6 1/4"	6"

SECTION 2

INDEX

Component Parts	Page
Adjustable Torque Arms.....	2-36
Air Valves.....	2-55
Bushing and Bolt Hardware	2-63
E.S.P. Equalizer to Suspension Model Guide.....	2-67
Fifth Wheel Parts	2-22
Height Control Valves	2-56
King Pins	2-22
Miscellaneous Suspension Bolts	2-32
Miscellaneous Suspension Nuts	2-34
Miscellaneous Suspension Washers.....	2-35
Rigid Torque Arms.....	2-40
Rubber to Polyurethane Interchange	2-19
Shock Absorber Bushings & Installation Kits	2-74
Sleeve and Washer Kits	2-75
Specialty Polyurethane Components	2-2
Spring Center Bolts.....	2-31
Suspension Bushings	2-48
Suspension Service Tools.....	2-21
Threaded Rod	2-24
U-Bolt Assemblies	2-25
Uni-Rod Kits	2-46
Uni-Rod Universal Ball Joint Torque Arms.....	2-45

SPECIALTY POLYURETHANE COMPONENTS

**"The Problem Solvers When Rubber Won't Last"
For Severe Service Applications**

Euclid's line of Specialty Polyurethane Components has been designed to meet the severe service needs of the Heavy-Duty Trucking industry. Through extensive field testing, product design and compound development, a new and unique polyurethane material has evolved called "Double Bond."

"Double Bond" polyurethane is a unique material that offers the elasticity of rubber with the toughness and durability of metal. "Double Bond," unlike natural rubber compounds, has outstanding strength and abrasion characteristics, provides for excellent aging, and offers resistance to oils, fuels and ozone. Test results have shown "Double Bond" to outperform natural rubber components by approximately three to ten times depending upon application.

These Specialty Polyurethane Components have proven to be ideally suited for tanker, logging, refuse and construction applications where the extreme loads create the special need for longer lasting "Double Bond" Polyurethane Components.



2

Listed Alphabetically by O.E.M.

SPRING EYE BUSHING
For Cambria



Included in E-9341

EUCLID NO.	REPLACES	O.D.	I.D.	LENGTH
E-7447	Cambria A80BL0017	1 1/2"	7/8"	2 3/4"

TORQUE ARM BUSHING
For Chalmers



Require 4 per Torque Arm

EUCLID NO.	REPLACES	LIP O.D.	I.D.	LENGTH
E-7426	Chalmers 800010	4 1/4"	2 1/2"	2 1/8"

TORQUE ARM BUSHING
For Chalmers



Require 4 per Torque Arm

EUCLID NO.	REPLACES	LIP O.D.	I.D.	LENGTH
E-7427	Chalmers 22129	3 5/8"	2 3/8"	1 7/8"

OVERSIZE TORQUE ARM BUSHING
For Chalmers



Requires 4 per Torque Arm

EUCLID NO.	REPLACES	LIP O.D.	I.D.	LENGTH
E-8917	Chalmers 800009	4 1/2"	2 1/2"	2 1/16"

SPECIALTY POLYURETHANE COMPONENTS

Listed Alphabetically by O.E.M.

SUSPENSION BUSHING
For Crown Coach



EUCLID NO.	REPLACES	O.D.	I.D.	LENGTH
E-7429	Crown Coach 3522-18	2 1/4" (Lg.) 2 3/4" (Sm)	1 1/4"	2 3/4"

FIFTH WHEEL BUSHING
For Fontaine



EUCLID NO.	REPLACES	O.D.	I.D.	LENGTH
E-7445	Fontaine	4"	1 1/4"	2 1/4"

TORQUE ARM BUSHING
For Dayton



EUCLID NO.	REPLACES	O.D.	I.D.	LENGTH
E-7520	Dayton 39400016 Navistar 347374C1	1 29/32"	7/8"	3"

MOTOR MOUNT
For Ford



EUCLID NO.	REPLACES	O.D.	I.D.	LENGTH
E-8918	Ford D0HZ-6068B	3"	1 1/2"	3"

MOTOR MOUNT
For Freightliner



EUCLID NO.	REPLACES	WIDTH	LENGTH	THICK	HOLE DIA.
E-7430	Freightliner A01-11166-000	1 13/16"	2 13/16"	7/16"	1 1/16"

MOTOR MOUNT
For Freightliner



EUCLID NO.	REPLACES	O.D.	I.D.	LENGTH
E-7431	Freightliner CBA/24-650-17	2 3/8" (Lg.) 1 1/2" (Sm.)	2 1/32"	2 1/8"

EQUALIZER BUSHING
For Fruehauf



EUCLID NO.	REPLACES	O.D.	I.D.	LENGTH
E-7432	Fruehauf UXA-000004	3 1/2"	2"	4 3/8"

HOOD PIN
For Freightliner



EUCLID NO.	REPLACES	O.D.	I.D.	LENGTH
E-11853	Freightliner A17-10464-001	4"	1/2"	2 3/4"

SPECIALTY POLYURETHANE COMPONENTS

Listed Alphabetically by O.E.M.

TORQUE ARM BUSHING
For Fruehauf



EUCLID NO.	REPLACES	O.D.	I.D.	LENGTH
E-7433	Fruehauf UXA-000011	2 3/16"	1 1/4"	2 3/8"

TRUNNION BUSHING
For Fruehauf



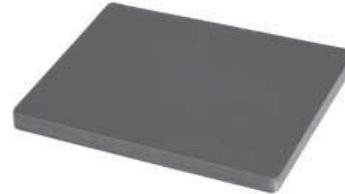
EUCLID NO.	REPLACES	O.D.	I.D.	LENGTH
E-7442	Fruehauf 356051	4 1/2"	3 1/2"	3 1/2"

TRUNNION BUSHING
For Fruehauf M2



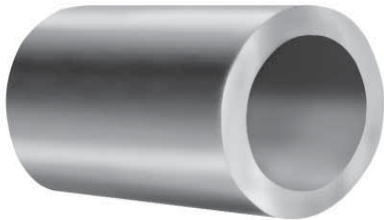
EUCLID NO.	REPLACES	O.D.	I.D.	LENGTH
E-8663	Fruehauf UXA-000160	5"	4"	8 5/16"

SPRING END PAD
For Fruehauf



EUCLID NO.	REPLACES	WIDTH	LENGTH	THICKNESS
E-8664	Fruehauf UCD-005635-001	7 5/8"	4 3/4"	1"

TRUNNION BUSHING
For General Trailer



EUCLID NO.	REPLACES	O.D.	I.D.	LENGTH
E-7434	General 70-703	4 15/16"	4"	7 7/8"

CAB MOUNT
For GMC



EUCLID NO.	REPLACES	O.D.	I.D.	LENGTH
E-7439	GMC 2005774 CBA/24-650-17	3 1/4" (Lg.) 1 5/8" (Sm.)	9/16"	2 1/4"

MOTOR MOUNT
For GMC



EUCLID NO.	REPLACES	O.D.	I.D.	LENGTH
E-7440	GMC 702727	3 1/4" (Lg.) 2 1/4" (Sm.)	5/8"	2 5/8"

MOTOR MOUNT
For GMC



EUCLID NO.	REPLACES	O.D.	I.D.	LENGTH
E-8650	GMC 15906936	2 3/8" Lg. 1 1/2" Sm.	5/8"	2 1/4"

SPECIALTY POLYURETHANE COMPONENTS

Listed Alphabetically by O.E.M.

FIFTH WHEEL BUSHING
For Holland



EUCLID NO.	REPLACES	O.D.	I.D.	LENGTH
E-7450	Holland XB-0011-2	2 1/4"	1 1/8"	4 1/4"

FIFTH WHEEL BUSHING
For Holland



EUCLID NO.	REPLACES	O.D.	I.D.	LENGTH
E-8652	Holland 1604-9	2 1/2"	1 1/2"	4 1/4"

EQUALIZER BUSHING
For Hutchens H-7700



EUCLID NO.	REPLACES	O.D.	LENGTH
E-7452	Hutchens 7010-00	3 1/4"	3 7/8"

FIFTH WHEEL BUSHING
For Holland



EUCLID NO.	REPLACES	O.D.	I.D.	LENGTH
E-7451	Holland 1604-5	2 3/4"	1 1/8"	4 1/4"

FIFTH WHEEL BUSHING
For Holland



EUCLID NO.	REPLACES	O.D.	I.D.	LENGTH
E-8927	Holland XB-0012-2	2 1/4"	1 7/16"	4 1/4"

TORQUE ARM BUSHING
For Hutchens H-7700



EUCLID NO.	REPLACES	O.D.	I.D.	LENGTH
E-7453	Hutchens 722-00	1 29/32"	1"	3"

TRUNNION BUSHING
For Hutchens H900



EUCLID NO.	REPLACES	O.D.	I.D.	LENGTH
E-7455	Hutchens 11357-00	5"	4"	9"

SPECIALTY POLYURETHANE COMPONENTS

Listed Alphabetically by O.E.M.

SPRING END PAD
For Hutchens



EUCLID NO.	REPLACES	LENGTH	WIDTH	THICKNESS
E-8665	Hutchens 814-00	5"	2 7/8"	13/16"

EQUALIZER BUSHING
For Hutchens H9600 and H-9700



EUCLID NO.	REPLACES	O.D.	I.D.	LENGTH
E-8666	Hutchens 16146-01	3 1/2"	1 1/8"	3 7/8"

SUSPENSION BUSHING
For Hyster



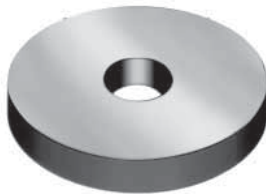
EUCLID NO.	REPLACES	O.D.	I.D.	LENGTH
E-7457	Hyster 400329	5 21/32"	3"	2 7/8"

BATTERY BOX BUSHING
For Kenworth



EUCLID NO.	REPLACES	O.D.	I.D.	LENGTH
E-7458	Kenworth 4023	1 1/2"	3/8"	1"

BATTERY BOX WASHER
For Kenworth



EUCLID NO.	REPLACES	O.D.	I.D.	THICKNESS
E-7459	Kenworth K363-409	1 1/2"	3/8"	3/16"

BROWNIE MOUNT
For Kenworth
Use with E-7461 as a Set



EUCLID NO.	REPLACES	O.D.	I.D.	LENGTH
E-7460	Kenworth K066-269	2 1/4"	7/8"	1 1/64"

BROWNIE WASHER
For Kenworth
Use with E-7460 as a Set



EUCLID NO.	REPLACES	O.D.	I.D.	THICKNESS
E-7461	Kenworth K363-275	2 1/4"	1 5/64"	3/8"

REAR CAB MOUNT
For Kenworth

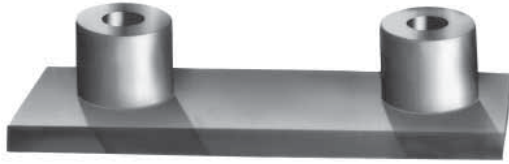


EUCLID NO.	REPLACES	LARGE O.D.	SMALL O.D.	I.D.	LENGTH
E-7462	Kenworth M600	3"	1 7/8"	5/8"	2 1/2"

SPECIALTY POLYURETHANE COMPONENTS

Listed Alphabetically by O.E.M.

REAR CAB MOUNT
For Kenworth



EUCLID NO.	REPLACES	WIDTH	LENGTH	HEIGHT
E-7463	—	3 1/16"	9 3/8"	2 5/16"

CABOVER HINGE BUSHING
For Kenworth



EUCLID NO.	REPLACES	O.D.	I.D.	LENGTH
E-7464	Kenworth K066-178	2 1/8"	1 5/16"	2 1/4"

DOOR JAM
For Kenworth



EUCLID NO.	REPLACES	WIDTH	LENGTH	HEIGHT
E-7465	Kenworth K036-136	1 9/16"	1 3/4"	7/8"

HOOD HINGE BUSHING
For Kenworth



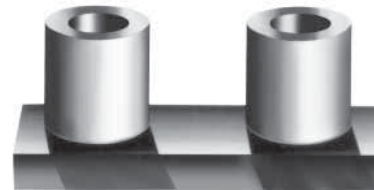
EUCLID NO.	REPLACES	O.D.	I.D.	LENGTH
E-7466	Kenworth M300	1 13/16" (Lg.) 1 3/16" (Sm.)	1/2"	1"

HOOD PIN
For Kenworth



EUCLID NO.	REPLACES	O.A.L.	THREAD SIZE	THREAD LENGTH
E-7467	Kenworth K179D450	4 13/16"	1/2" - 13	1"

MOTOR MOUNT
For Kenworth



EUCLID NO.	REPLACES	WIDTH	LENGTH	HEIGHT
E-7468	Kenworth M506-70NR	2"	5 1/2"	2 3/8"

MOTOR MOUNT
For Kenworth



EUCLID NO.	REPLACES	O.D.	I.D.	LENGTH
E-7469	Kenworth K700	3 25/32" (Lg.) 2 1/16" (Sm.)	3/4"	2 19/32"

MOTOR MOUNT
For Kenworth



EUCLID NO.	REPLACES	O.D.	I.D.	HOLE DIA.	WIDTH
E-7470	Kenworth K174-155 K174B456	4 1/2"	3 1/2"	3/4" x 1 1/4"	2"

SPECIALTY POLYURETHANE COMPONENTS

Listed Alphabetically by O.E.M.

RADIATOR MOUNT
For Kenworth



EUCLID NO.	REPLACES	O.D.	I.D.	LENGTH
E-7471	Kenworth M5001 1/2" (Sm.)	2 13/64" (Lg.)	5/8"	2 3/16"

MOUNT
For Kenworth



EUCLID NO.	REPLACES	O.D.	I.D.	LENGTH
E-7472	Kenworth 814-00	3 1/64" (Lg.) 1 13/16" (Sm.)	21/32"	1 3/16"

MOUNT
For Kenworth



SHOCK BUSHING
For Kenworth



EUCLID NO.	REPLACES	O.D.	I.D.	LENGTH
E-7473	Kenworth M602	3 1/64" (Lg.) 1 53/64" (Sm.)	5/8"	1 15/16"

EUCLID NO.	REPLACES	O.D.	I.D.	LENGTH
E-7474	Kenworth CA368-6	1 13/16"	5/8"	1 1/4"

AIR RIDE BUSHING
For Kenworth



AIR RIDE BUSHING
For Kenworth



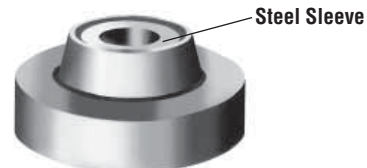
EUCLID NO.	REPLACES	O.D.	I.D.	O.A.L.
E-7446A	Kenworth CA-293	2 7/8"	2"	4"

EUCLID NO.	REPLACES	O.D.	I.D.	LENGTH
E-7475	Kenworth K066-162	3 3/4" (Lg.) 2 3/4" (Sm.)	2"	2 3/8"

RADIATOR BUSHING
For Kenworth



MOTOR MOUNT
For Mack



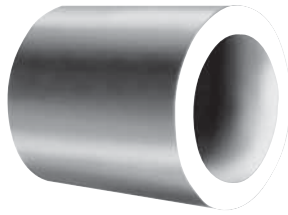
EUCLID NO.	REPLACES	O.D.	I.D.	LENGTH
E-7640	Kenworth K264-84	1 5/8" (Lg.) 3/4" (Sm.)	5/8"	1"

EUCLID NO.	REPLACES	O.D.	I.D.	LENGTH
E-7477	Mack 20QL1175 20QL118A	3 1/4" (Lg.) 2" (Sm.)	3/4"	1 1/2"
E-7641	Mack 20QL324M	3 3/4" (Lg.) 2 1/4" (Sm.)	7/8"	1 7/8"

SPECIALTY POLYURETHANE COMPONENTS

Listed Alphabetically by O.E.M.

TRUNNION BUSHING
For Mack



EUCLID NO.	REPLACES	O.D.	I.D.	LENGTH
E-7478	Mack 10QK219P1	4 11/16"	3 7/16"	5 9/16"
E-7479	Mack 10QK219P2 10QL276	4 11/16"	3 7/16"	6 5/16"
E-7441	Mack 10QK130P1	4 7/16"	3 7/16"	8 3/8"

INSULATOR PAD
for Mack



EUCLID NO.	REPLACES MACK	WIDTH	LENGTH	HEIGHT	PIN DIA.
E-7480	10QK36B 10QK388	6"	6"	3 3/4"	1 3/4"
E-7481	10QK365A	4 1/2"	6"	2 1/2"	1 3/4"
E-8667	10QK370	4 1/2"	6"	3"	1 3/4"

CABOVER HINGE BUSHING
For Navistar



EUCLID NO.	REPLACES	O.D.	I.D.	LENGTH
E-7482	Navistar 987395R2	1 5/8"	3/4"	3/16"

HOOD PIN
For Navistar



EUCLID NO.	REPLACES	O.D.	LENGTH	THREAD SIZE
E-7483	Navistar 472697C1	2 3/8" (Lg.) 1 3/4" (Sm.)	2 7/8"	5/16" - 18

RADIATOR SUPPORT BUSHING
For Navistar



EUCLID NO.	REPLACES	O.D.	I.D.	THICKNESS
E-7643	Navistar 200106R1	1 1/2" (Lg.) 7/8" (Sm.)	5/8"	3/4"

MOTOR MOUNT
For Navistar



EUCLID NO.	REPLACES	O.D.	I.D.	LENGTH
E-7484	Navistar 753997C93	3" (Lg.) 2" (Sm.)	5/8"	2 1/4"

CAB MOUNT BUSHING
For Navistar



EUCLID NO.	REPLACES	O.D.	I.D.	LENGTH
E-7644	Navistar 270203C1	1 1/3" (Lg.) 7/8" (Sm.)	1/2"	3/4"

MOTOR MOUNT
For Navistar

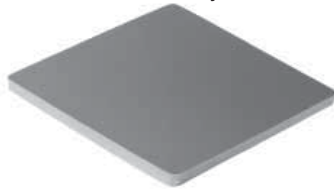


EUCLID NO.	REPLACES	O.D.	I.D.	LENGTH
E-10792	Navistar 479237C1	3 13/100" (Lg.) 1 56/100" (Sm.)	16/25"	2 59/100"

SPECIALTY POLYURETHANE COMPONENTS

Listed Alphabetically by O.E.M.

AXLE WRAPPER
For Neway



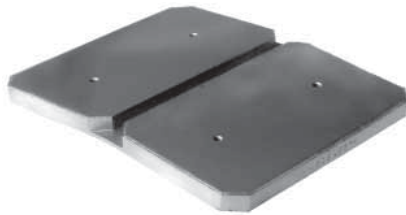
BEAM END BUSHING
For Neway



EUCLID NO.	REPLACES	WIDTH	LENGTH	THICKNESS
E-8673	Neway 90028007	7 1/4"	7 1/4"	3/8"
E-8678	Neway 90028047	8"	7 1/4"	1/2"
E-8679	Neway 91028051	9"	5"	3/4"

EUCLID NO.	REPLACES	O.D.	I.D.	LENGTH
E-8683	Neway 90008139	3 1/2"	1 1/8"	5 1/4"

AXLE PAD
For Neway



BEAM END BUSHING
For Neway



EUCLID NO.	REPLACES	LENGTH	WIDTH	THICKNESS
E-8674	Neway 90028007	7"	5 5/8"	3/8"
E-8680	Neway 90028075	7 1/16"	5 5/8"	7/16"

EUCLID NO.	REPLACES	O.D.	I.D.	LENGTH
E-7444	Neway	2 3/4"	1 1/8"	5"

BEAM PIVOT BUSHING
For Neway



BEAM END BUSHING
For Neway



EUCLID NO.	REPLACES	O.D.	I.D.	LENGTH
E-7485	Neway 90008131	2 3/8"	1 1/8"	5"

EUCLID NO.	REPLACES	O.D.	I.D.	LENGTH
E-8677	Neway 90008002	2 3/8"	1 1/4"	5"

BEAM BUSHING
For Neway



BEAM BUSHING
For Neway



EUCLID NO.	REPLACES	O.D.	I.D.	LENGTH

EUCLID NO.	REPLACES	O.D.		I.D.		LGTH.
		Sm.	Lg.	Sm.	Lg.	
E-8682	Neway 90008113	2 25/32"	3 9/32"	2 13/16"	3 15/16"	2 1/8"

SPECIALTY POLYURETHANE COMPONENTS

Listed Alphabetically by O.E.M.

SHOCK ABSORBER BUSHING
For Neway



EUCLID NO.	REPLACES	O.D.		I.D.	LENGTH
		Sm.	Lg.		
E-8684	Neway 90508004	1 1/4"	1 17/32"	3/4"	15/16"

SPRING END PAD
For Neway



EUCLID NO.	REPLACES	LENGTH	WIDTH	THICKNESS
E-8669	Neway 91028013	5 1/8"	4 5/8"	5/8"
E-8670	Neway 91028089	5 1/4"	4 5/8"	13/16"
E-8671	Neway 91028023	5 7/16"	1 5/8"	11/16"

TRUNNION BUSHING
For Page



EUCLID NO.	REPLACES PAGE	O.D.	I.D.	LENGTH
E-7487	—	4 1/4"	3 1/4"	4"
E-7488	X1004782	4 1/2"	3 1/2"	4"
E-7489	X1004785	4 1/2"	3 1/2"	8 3/4"
E-7491	X1003544	4 13/16"	3 7/8"	4 11/16"
E-7492	X1006731	5"	4"	4 11/16"
E-7493	X1003546	5 1/2"	4 1/2"	4 7/8"

TRUNNION BUSHING
For Neway



EUCLID NO.	REPLACES	O.D.	I.D.	LENGTH
E-7442	Neway 91008040	4 1/2"	3 1/2"	3 1/2"
E-7443	Neway 90008011			5 3/4"
E-8672	Neway 91008014	5"	4"	5 3/4"

TRUNNION BUSHING
For Neway



EUCLID NO.	REPLACES	O.D.	I.D.	LENGTH
E-7486 (Poly)	Neway 91008022	5"	4"	8 3/4"

TORQUE ARM BUSHING
For Neway



EUCLID NO.	REPLACES	O.D.	I.D.	LENGTH
E-8676	Neway 91008007	2 3/8"	1 1/4"	2 1/2"

TRUNNION BUSHING
For Peerless



EUCLID NO.	REPLACES	O.D.	I.D.	LENGTH
E-7449	Peerless 36-500	5"	4"	10 3/8"

SPECIALTY POLYURETHANE COMPONENTS

Listed Alphabetically by O.E.M.

REACH CRADLE
For Peerless



EUCLID NO.	REPLACES	WIDTH	LENGTH	HEIGHT
E-7497	Peerless 31-20623	4"	11 5/8"	4 1/2"

HOOD PIN
For Peterbilt



EUCLID NO.	REPLACES	O.A.L.	THREAD SIZE	THREAD LENGTH
E-7504	Peterbilt 13-01840	6 35/64"	5/8"-18	3 7/8"

TRUNNION BUSHING
For Peerless



EUCLID NO.	REPLACES	O.D.	I.D.	LENGTH
E-7434	Peerless 36-10	4 15/16"	4"	7 7/8"

WALKING BEAM BUSHING
For Peerless



EUCLID NO.	REPLACES	O.D.	I.D.	LENGTH
E-7498	Peerless 36-22	4 1/2"	3 1/2"	7 1/2"

TRAILING ARM BUSHING
For Peerless



EUCLID NO.	REPLACES	O.D.	I.D.	LENGTH
E-7499	Peerless 36-15	4 1/2"	3 1/2"	10 1/2"

PIVOT ARM BUSHING
For Peerless



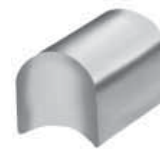
EUCLID NO.	REPLACES	O.D.	I.D.	LENGTH
E-7500	Peerless	3 1/2"	2 1/2"	7"

SPRING END PAD
For Peerless



EUCLID NO.	REPLACES	WIDTH	LENGTH	THICKNESS
E-7501	Peerless 31-12	4 1/2"	6 1/4"	5/8"

HOOD HINGE BUSHING
For Peterbilt



EUCLID NO.	REPLACES	WIDTH	LENGTH	HEIGHT
E-7502	Peterbilt 13-03318	1 3/8"	1 13/16"	1 1/4"

SPECIALTY POLYURETHANE COMPONENTS

Listed Alphabetically by O.E.M.

HOOD HINGE BUSHING
For Peterbilt



EUCLID NO.	REPLACES	O.D.		LENGTH
		Sm.	Lg.	
E-7503	Peterbilt 13-03440	1 3/8"	5/8"	1 5/8"

CAB MOUNT
For Peterbilt



EUCLID NO.	REPLACES	O.D.		I.D.		LGTH.
		Sm.	Lg.	Sm.	Lg.	
E-8919	Peterbilt 20-08257	2 9/32"	3"	5/8"	1 1/2"	1 7/16"

MOTOR MOUNT
For Peterbilt



EUCLID NO.	REPLACES	O.D.		LENGTH
		Sm.	Lg.	
E-7506	Peterbilt 05-08968	1 5/8" (Sm.)	2 1/2" (Lg.)	2"

HOOD ROLLER
For Peterbilt



EUCLID NO.	REPLACES	O.D.	I.D.	LENGTH

MOTOR MOUNT
For Peterbilt



EUCLID NO.	REPLACES	O.D.		LENGTH
		Sm.	Lg.	
E-7462	Peterbilt 05-14794	1 7/8" (Sm.)	3" (Lg.)	2 1/2"

MOTOR MOUNT
For Peterbilt



EUCLID NO.	REPLACES	O.D.		LENGTH
		Sm.	Lg.	
E-7469	Peterbilt 05-08969	2 1/16" (Sm.)	3 13/16" (Lg.)	2 19/32"

MOTOR MOUNT
For Peterbilt



EUCLID NO.	REPLACES	O.D.		LENGTH
		Sm.	Lg.	
E-7507	Peterbilt 05-10197	1 5/8" (Sm.)	2 7/8" (Lg.)	2 1/2"

MOUNT
For Peterbilt



EUCLID NO.	REPLACES	O.D.		LENGTH
		Sm.	Lg.	
E-7472	Peterbilt 07-03286	1 13/16" (Sm.)	3" (Lg.)	1 3/16"

SPECIALTY POLYURETHANE COMPONENTS

Listed Alphabetically by O.E.M.

RADIATOR MOUNT
For Peterbilt



EUCLID NO.	REPLACES	O.D.	I.D.	LENGTH
E-7448	Peterbilt 13-01633	1" (Lg.) 13/16" (Sm.)	3/8"	15/16"

RADIATOR SHOCK BUSHING
For Peterbilt



EUCLID NO.	REPLACES	O.D.	I.D.	LENGTH
E-7508	Peterbilt 07-02552	1 3/16"	5/8"	11/16"

AIR RIDE BUSHING
For Peterbilt



EUCLID NO.	REPLACES	O.D.	I.D.	LENGTH
E-7509	Peterbilt 03-01674	2 1/2"	1 3/4"	2 3/4"

EQUALIZER BUSHING
For Peterbilt



EUCLID NO.	REPLACES	O.D.	I.D.	LENGTH
E-7510	Peterbilt 03-02099	3 1/8"	2 1/2"	2 1/4"

BUSHING
For Premier



EUCLID NO.	REPLACES PREMIER	O.D.	I.D.	LENGTH
E-7515	344-A	3 1/2"	1 5/8"	4 1/2"
E-7516	448-A	3 1/2"	2"	1 7/8"
E-7517	348-A	3 1/2"	2"	3 1/2"
E-7518	437-A	4 1/4"	2"	4 1/2"

EYE BUSHING
For Premier



EUCLID NO.	REPLACES	O.D.	I.D.	LENGTH
E-7645	Premier P-205	4 3/4"	2"	5 1/4"

TORQUE ARM BUSHING
For Reyco 101A



EUCLID NO.	REPLACES	O.D.	I.D.	LENGTH
E-7520	Reyco 09729-01	1 29/32"	7/8"	3"

EQUALIZER BUSHING
For Reyco 101 (Ford)



EUCLID NO.	REPLACES	O.D.	I.D.	LENGTH
E-8654	Reyco 14713-01	3 1/8"	1 1/2"	4 1/2"

2

SPECIALTY POLYURETHANE COMPONENTS

Listed Alphabetically by O.E.M.

TORQUE ARM BUSHING
For Reyco 101, 101A



Side View



End View

EUCLID NO.	REPLACES	O.D.		LENGTH
		Sm.	Lg.	
E-8689	Reyco T1723	1 13/16"	3 1/16"	2 7/8"

TORQUE ARM BUSHING
For Reyco 102



EUCLID NO.	REPLACES	O.D.		I.D.	LENGTH
		Sm.	Lg.		
E-9579	Reyco 102 & 102 AR	1 13/16"	3 5/32"	1"	2 3/4"

TORQUE ARM BUSHING
For Reyco 102



EUCLID NO.	REPLACES	O.D.		I.D.	LENGTH
		Sm.	Lg.		
E-7522	Reyco T-2242	1 3/4"	2 3/8"	1"	2 11/16"

EQUALIZER BUSHING
For Reyco 21B



EUCLID NO.	REPLACES	O.D.		I.D.	LENGTH
		Sm.	Lg.		
E-8653	Reyco T-5524	2 3/4"	3 3/8"	1 5/8"	4 13/32"

EQUALIZER BUSHING
For Reyco 21B - 72" Widespread



EUCLID NO.	REPLACES	O.D.	I.D.	LENGTH
E-8688	Reyco T-3214	3 1/8"	2"	4 1/4"

EQUALIZER BUSHING
For Reyco 21B - 72" Widespread



EUCLID NO.	REPLACES	O.D.	I.D.	LENGTH
E-8691	Reyco T-2102	4 1/16"	2 3/8"	2 9/16"

TORQUE ARM BUSHING
For Reyco 21B



EUCLID NO.	REPLACES	O.D.		I.D.	LENGTH
		Sm.	Lg.		
E-7523	Reyco T-5493	1 13/16"	2 3/8"	1"	3"

TORQUE ARM BUSHING
For Meritor

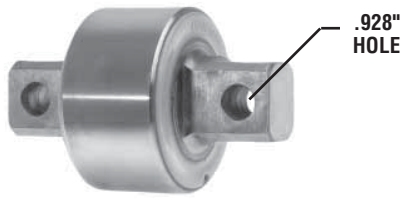


EUCLID NO.	REPLACES	O.D.	I.D.	LENGTH
E-8920	Meritor A-2297-J-1050	4 1/8"	2 7/32" to 1 3/4" Tapered	3 15/32"

SPECIALTY POLYURETHANE COMPONENTS

Listed Alphabetically by O.E.M.

TORQUE ARM BUSHING
For Meritor



HINGE BUSHING
For Silver Eagle



EUCLID NO.	REPLACES	O.D.	LENGTH Center-to-Center
E-8655	Meritor A-2297-K-1051	4 1/8"	5 1/4"

EUCLID NO.	REPLACES	O.D.	I.D.	THICKNESS
E-7525	Silver Eagle R-213	3 3/4"	2 1/2"	2 3/16"

EYE BUSHING
For Silver Eagle



MOTOR MOUNT
For Volvo



EUCLID NO.	REPLACES	O.D.	I.D.	LENGTH
E-7524	Silver Eagle R-205	4 3/4"	2 1/2"	5 3/16"

EUCLID NO.	REPLACES	O.D.	I.D.	LENGTH
E-8918	Volvo 12004-0007	3"	1 1/2"	3"

SPRING END BUSHINGS
For Silver Eagle
Sold only as a Pair



EUCLID NO.	REPLACES	O.D.	I.D.	LENGTH
E-7526	Silver Eagle G-34/G-35	5"	1"	5 1/2"

HINGE BUSHING
For Utility Trailer



EUCLID NO.	REPLACES	WIDTH	LENGTH	HEIGHT	HOLE DIA.
E-7527	Utility Trailer 3-1306	3"	2 7/8"	3"	1 7/8"

2

SPECIALTY POLYURETHANE COMPONENTS

Listed Alphabetically by O.E.M.

CAB TILT BUSHING
For Volvo



EUCLID NO.	REPLACES	O.D.	I.D.	LENGTH
E-9506	Volvo 66108-0006, A80BL0024	2 1/8"	1 1/8"	2 13/16"

CAB LATCH INSULATOR
For Volvo



EUCLID NO.	REPLACES	LENGTH	WIDTH	LENGTH
E-9507	Volvo 66206-0002, A80BL0025	2 1/4"	2"	3"

SHOCK ABSORBER BUSHINGS
For All Makes of Shock Absorbers



EUCLID NO.	O.D.	I.D.	LENGTH
E-7528	1 7/16"	3/4"	7/8"
E-7529	1 7/8"	1"	1"

HINGE BUSHING
For Western Unit Dolly



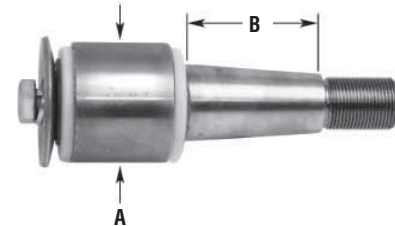
EUCLID NO.	REPLACES	I.D.	LENGTH
E-8656	Western Unit 102308	1 7/8"	3"

TORQUE ARM BUSHING
Miscellaneous Applications



EUCLID NO.	REPLACES	O.D.	LENGTH Center-to-Center
E-7638	Clevite 227710	2 17/32"	4 3/8"
E-7639	Clevite 227720	2 3/4"	4 3/8"

TORQUE ARM BUSHING
Miscellaneous Applications



EUCLID NO.	REPLACES	A	THREAD	B
E-8651	Gould 229610	2 3/4"	1 1/4"-12	3"
E-9518	Mack	2 3/4"	1 1/4"-12	1 7/8"

BEAM CENTER BUSHING
Miscellaneous Applications



EUCLID NO.	SMALL O.D.	LARGE O.D.	O.A.L.
E-9510	3 1/2"	4 3/4"	12"

BEAM END BUSHING
Miscellaneous Applications



EUCLID NO.	O.D.	I.D.	LENGTH
E-9512A	4 3/8"	2 1/2"	5 3/4"

SPECIALTY POLYURETHANE COMPONENTS

Listed Alphabetically by O.E.M.

LOAD CUSHION
Miscellaneous Applications



EUCLID NO.	HEIGHT	WIDTH	LENGTH
E-9513	4"	6 3/4"	12"

LOAD CUSHION
Miscellaneous Applications



EUCLID NO.	LARGE O.D.	HEIGHT
E-9514	7 7/8"	3 13/16"

VERTICAL DRIVE BUSHING
Miscellaneous Applications



EUCLID NO.	O.D.	I.D.	LENGTH
E-9515	4 1/8"	2"	4"

2

EUCLID RUBBER TO POLYURETHANE SUSPENSION COMPONENTS INTERCHANGE

EUCLID NO.		DESCRIPTION	MANUFACTURER
RUBBER	POLYURETHANE		
E-813	E-8691	EQUALIZER BUSHING	REYCO
E-927	E-7433	TORQUE ARM BUSHING	FRUEHAUF
E-934	E-7453	TORQUE ARM BUSHING	HUTCHENS, TRAILMOBILE
E-1020	E-7432	EQUALIZER BUSHING	FRUEHAUF
E-1023	E-9362	TORQUE ARM BUSHING ASSEMBLY	FRUEHAUF
E-1024	E-9361	EQUALIZER BUSHING ASSEMBLY	FRUEHAUF
E-1038	N/A	TORQUE ARM BUSHING	HUTCHENS
E-1072	E-8688	EQUALIZER BUSHING	REYCO
E-1075	N/A	TORQUE ARM BUSHING ASSEMBLY	HUTCHENS
E-1159	E-8653	EQUALIZER BUSHING	REYCO
E-1160	E-7523	TORQUE ARM BUSHING	REYCO
N/A	E-9545	TORQUE ARM BUSHING ASSEMBLY	REYCO
E-1330	E-8670	SPRING END PAD	NEWAY
E-1331	E-8671	SPRING END PAD	NEWAY
E-1332	E-7486	TRUNNION BUSHING	NEWAY
E-1333	E-8672	TRUNNION BUSHING	NEWAY
E-1334	E-7442	TRUNNION BUSHING	FRUEHAUF, NEWAY
E-1338	—	BEAM CENTER BUSHING	MISCELLANEOUS APPLICATION
E-1339	E-9510	BEAM CENTER BUSHING	MISCELLANEOUS APPLICATION
E-1340	—	BEAM END BUSHING	MISCELLANEOUS APPLICATION
E-1341A	N/A	BEAM END BUSHING	MISCELLANEOUS APPLICATION
E-1940	E-9515	VERTICAL DRIVE BUSHING	MISCELLANEOUS APPLICATION
E-1960	E-9513	LOAD CUSHION	MISCELLANEOUS APPLICATION
E-1963	E-9548	TORQUE ARM BUSHING ASSEMBLY	REYCO
E-1964	E-8689	TORQUE ARM BUSHING	REYCO
E-1980	E-7520	TORQUE ARM BUSHING	DAYTON,REYCO/TRANSPRO,SPICER,HENDRICKSON
E-1981	E-9552	TORQUE ARM BUSHING ASSEMBLY	REYCO
E-1982	E-7522	TORQUE ARM BUSHING	REYCO, SPICER
E-1999A	E-7452	EQUALIZER BUSHING	HUTCHENS
E-2003	E-9474	EQUALIZER BUSHING ASSEMBLY	HUTCHENS
E-2009	E-8673	AXLE WRAPPER	NEWAY
E-2010	E-8674	AXLE PAD	NEWAY
E-2225	E-7638	TORQUE ROD BUSHING	CLEVITE
E-2226	E-7639	TORQUE ROD BUSHING	CLEVITE
E-2228	E-8651	TORQUE ARM BUSHING	CLEVITE
E-2232	E-9514	LOAD CUSHION	MISCELLANEOUS APPLICATION
E-2815	E-9518	TORQUE ARM BUSHING	MISCELLANEOUS APPLICATION
E-2917	E-7481	INSULATOR PAD	MACK
N/A	N/A	INSULATOR PAD	MACK
E-2919	E-8667	INSULATOR PAD	MACK
E-2920	E-7480	INSULATOR PAD	MACK
E-2921A	E-7478	TRUNNION BUSHING	MACK
E-2924A	E-7441	TRUNNION BUSHING	MACK
E-2935	E-7443	TRUNNION BUSHING	NEWAY
E-2938	N/A	BEAM END BUSHING	NEWAY

N/A = No Longer Available

EUCLID RUBBER TO POLYURETHANE SUSPENSION COMPONENTS INTERCHANGE

EUCLID NO.		DESCRIPTION	MANUFACTURER
RUBBER	POLYURETHANE		
E-2939	E-8676	TORQUE ARM BUSHING	NEWAY
E-2940	E-8677	BEAM END BUSHING	NEWAY
E-2943	E-8678	AXLE WRAPPER	NEWAY
E-2945	E-8679	AXLE WRAPPER	NEWAY
E-2947A	E-8680	AXLE PAD	NEWAY
E-3079	E-9486	EQUALIZER BUSHING ASSEMBLY	HUTCHENS
E-3086	N/A	TORQUE ARM BUSHING	DAYTON, NAVISTAR
E-2922A	E-7479	TRUNNION BUSHING	MACK
E-3394A	N/A	EQUALIZER BUSHING	TRAILMOBILE
E-3579	E-8663	TRUNNION BUSHING	FRUEHAUF
E-3582	E-8664	SPRING END PAD	FRUEHAUF
E-3976	E-9555	EQUALIZER BUSHING ASSEMBLY	REYCO
E-3977	E-8654	EQUALIZER BUSHING	REYCO
E-4253	E-8681	BEAM BUSHING	NEWAY
E-4255	E-7485	BEAM PIVOT BUSHING	NEWAY
E-4257	E-8682	BEAM BUSHING	NEWAY
E-4382A	E-8683	BEAM END BUSHING	NEWAY
E-4403	E-8684	SHOCK ABSORBER BUSHING	NEWAY
E-4410A	E-7444	BEAM END BUSHING	NEWAY
E-4669	E-7446A	AIR RIDE BUSHING	KENWORTH
E-4677A	E-7427	TORQUE ROD BUSHING	CHALMERS
E-4745	E-7510	EQUALIZER BUSHING	PETERBILT
E-4775	E-7509	AIR RIDE BUSHING	PETERBILT
E-4834A	E-9551	TORQUE ARM BUSHING ASSEMBLY	REYCO/TRANSPRO
E-5216	E-7455	TRUNNION BUSHING	HUTCHENS
E-5227	E-8665	SPRING END PAD	HUTCHENS
E-5275	—	TORQUE ARM BUSHING	MISCELLANEOUS APPLICATION
E-7532	E-9567	EQUALIZER BUSHING ASSEMBLY	HUTCHENS
E-7621	E-8666	EQUALIZER BUSHING	HUTCHENS
E-7766	E-7426	TORQUE ROD BUSHING	CHALMERS
E-7767	E-8917	TORQUE ROD BUSHING	CHALMERS
E-9321	E-8655	TORQUE ARM BUSHING	MERITOR, ROCKWELL, KENWORTH "BIG 6"
N/A	E-7447	SPRING EYE BUSHING	CAMBRIA
E-9350	E-9583	TORQUE ARM BUSHING ASSEMBLY	REYCO
E-9472	E-9473	EQUALIZER BUSHING ASSEMBLY	HUTCHENS
E-9478	E-9479	TORQUE ARM BUSHING ASSEMBLY	HUTCHENS
E-401011	E-7528	SHOCK ABSORBER BUSHING	GABRIEL
E-401754	E-7529	SHOCK ABSORBER BUSHING	GABRIEL
—	E-7445	FIFTH WHEEL BUSHING	FONTAINE
—	E-7448	RADIATOR MOUNT	PETERBILT
—	E-7449	TRUNNION BUSHING	PEERLESS
—	E-9506	CAB TILT BUSHING	VOLVO
—	E-9507	CAB LATCH INSULATOR	VOLVO

N/A = No Longer Available

MeritorPartsOnline.com

SUSPENSION SERVICE TOOLS

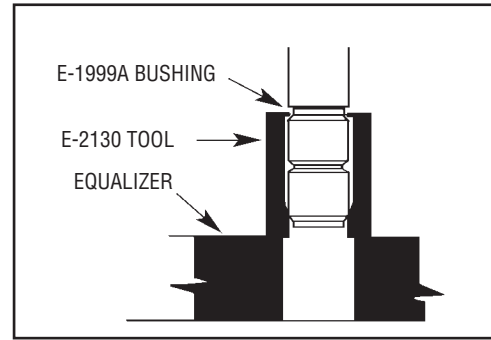
TOOL FOR INSTALLING HUTCHENS, TRAILMOBILE AND TRANSPRO EQUALIZER BUSHINGS



3 3/4" O.D. x 3 3/8" I.D.
x 3 1/2" Long

EUCLID E-2130

Tool automatically centers bushing for perfect alignment and ease of installation. Use to install E-1999A, E-3394A, E-4827 and E-7621 Bushings.



TORQUE ARM BUSHING INSTALLATION TOOL



For Hutchens Torque Arms

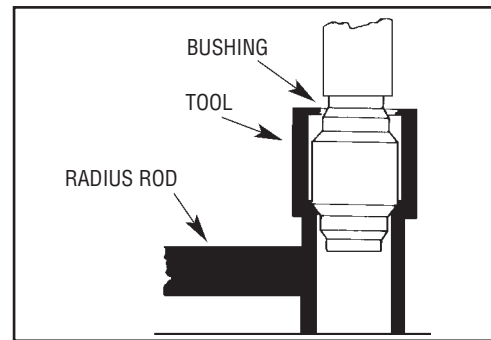
Use to install E-934 Bushing in original equipment Hutchens Torque Arms

2 1/2" O.D. x 1 5/16" I.D. x 2 1/2" Long

EUCLID E-1600

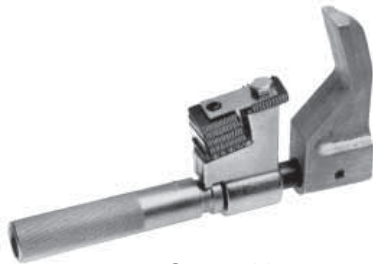
EUCLID E-2652 For Euclid Torque Arms

Tool for installing E-934, E-1980 and E-1061 Torque Arm Bushings in Euclid Torque Arms. Tapered Counter Bore automatically centers bushing for perfect alignment and compression.



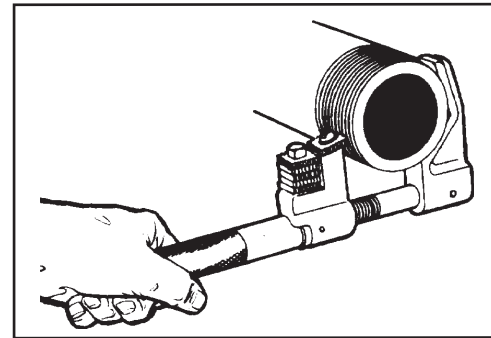
2

UNIVERSAL OUTSIDE THREAD CHASER



EUCLID E-2644

Restores threads to their original condition. Eliminates the need for expensive thread cutting equipment. OPERATION: Tighten the tool slightly on the good threads, then back off over the damaged thread area to restore the threads. The aluminum alloy V Pad will not damage the threads. Capacity from 1 1/4" to 5" O.D.



Complete with 6 dies — Threads per inch 4, 5, 6, 7, 7 1/2, 8, 9, 10, 11, 11 1/2, 12, 14, 16, 18, 20 and 24.

HENDRICKSON BEAM END BUSHING INSTALLATION TOOL



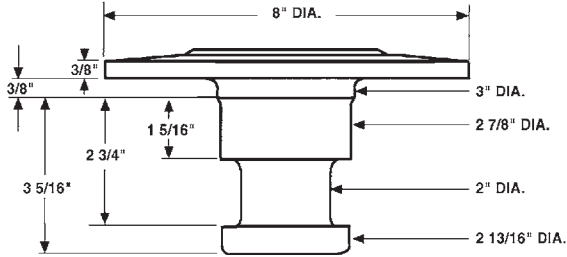
EUCLID E-9575

For Tri-Functional Bushings used in Hendrickson T, HT, Intraax and HLM Suspensions

Replaces Hendrickson S-21307

E-700 TRAILER KING PIN

KING PIN



KING PIN LOCK



2

EUCLID NO.	REPLACES
E-700	VARIOUS APPLICATIONS WITH WELD-ON KING PINS. 8" FLANGE DIAMETER.

EUCLID NO.	REPLACES
E-702A	FRUEHAUF MFAKLOCK-900

FIFTH WHEEL PARTS

FIFTH WHEEL BUSHING AND PIVOT PIN ASSEMBLY



FIFTH WHEEL BUSHING For Holland



EUCLID NO.	REPLACES	QTY	EUCLID NO.	DESCRIPTION
E-9569 (Polyurethane)	Holland	2	E-7450	Bushing
		2	E-9568	Pin

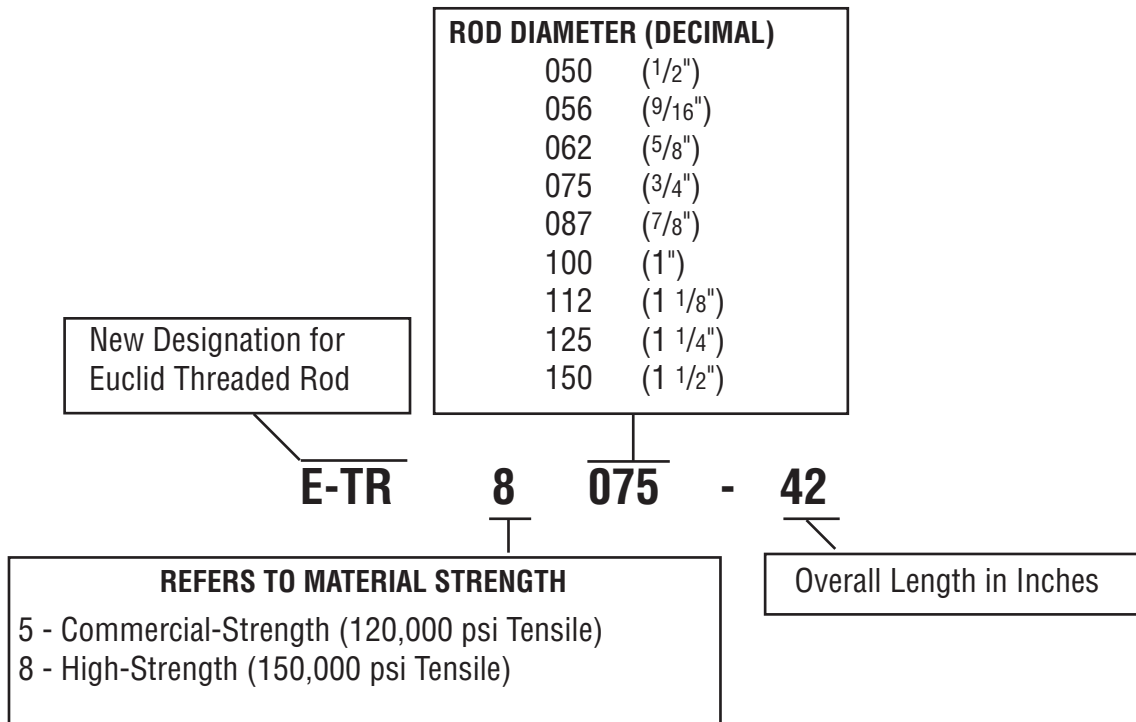
FIFTH WHEEL BUSHING For Holland



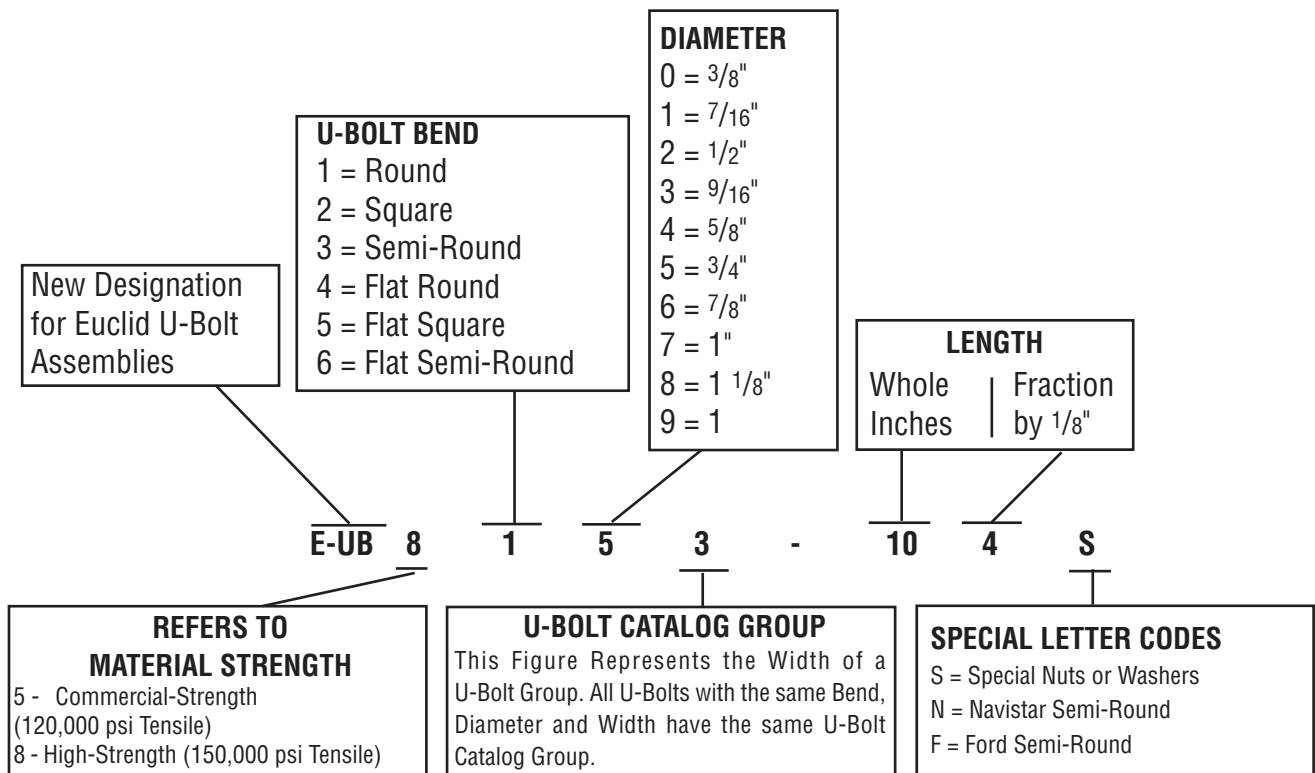
EUCLID NO.	REPLACES	O.D.	I.D.	LENGTH
E-7451 (Polyurethane)	Holland 1604-5	2 3/4"	1 1/8"	4 1/4"
E-8652 (Polyurethane)	Holland 1604-9	2 1/2"	1 1/2"	4 1/4"

EUCLID NO.	REPLACES	O.D.	I.D.	LENGTH
E-7450 (Polyurethane)	Holland XB-0011-2	2 1/4"	1 1/8"	4 1/4"
E-8927 (Polyurethane)	Holland XB-0012-2	2 1/4"	1 7/16"	4 1/4"

NEW EUCLID THREADED ROD PART NUMBER DESIGNATION



NEW EUCLID U-BOLT ASSEMBLIES PART NUMBER DESIGNATION



NOTE: Commercial-Strength and High-Strength have often been referred to as Grade 5 (120,000 psi tensile strength) and Grade 8 (150,000 psi tensile strength) respectively. These designations do not define manufacturing processes.

EUCLID THREADED ROD



EUCLID COMMERCIAL-STRENGTH THREADED ROD

TOTAL LENGTH	THREAD LENGTH (Nominal)	THREAD SIZE	
		1/2" - 20	9/16" - 18
8"	2 1/4"	E-TR5050-08	E-TR5056-08
10"	2 1/4"	E-TR5050-10	E-TR5056-10
12"	2 1/4"	E-TR5050-12	E-TR5056-12
14"	3 1/4"	E-TR5050-14	E-TR5056-14
16"	3 1/4"	E-TR5050-16	E-TR5056-16
18"	3 1/4"	E-TR5050-18	E-TR5056-18
20"	3 1/4"	E-TR5050-20	E-TR5056-20
22"	3 1/4"	E-TR5050-22	E-TR5056-22
24"	4"	E-TR5050-24	E-TR5056-24
26"	4"	E-TR5050-26	E-TR5056-26
28"	4"	E-TR5050-28	E-TR5056-28
30"	4"	E-TR5050-30	E-TR5056-30
32"	4"	E-TR5050-32	E-TR5056-32
34"	4"	E-TR5050-34	E-TR5056-34
36"	4"	E-TR5050-36	E-TR5056-36
38"	4"	—	E-TR5056-38
40"	4"	—	E-TR5056-40
42"	4"	—	E-TR5056-42
44"	4"	—	—
46"	4"	—	—
48"	4"	—	—

TO DETERMINE REQUIRED THREADED ROD:

1. Multiply U-Bolt Leg Length x 2
2. Add U-Bolt Width
3. a. If Round Bend, subtract B-Bolt diameter
b. If Square Bend, add U-Bolt diameter
c. If Semi-Round Bend, disregard U-Bolt diameter
4. If length is an odd size, use the next longer length rod.

Example: For a 7/8" Diameter, 18" Long, 3 1/2" Wide Round Bend U-Bolt, the correct length rod is:

$$\begin{array}{r}
 36" \quad (18" \text{ Long} \times 2) \\
 \text{Plus} \quad + \quad 3.5" \quad (3 \frac{1}{2}" \text{ Wide}) \\
 \text{Minus} \quad - \quad 0.875" \quad (\text{Subtract } \frac{7}{8}" \text{ Dia.}, \text{ Round Bend}) \\
 \hline
 \text{Rod Length} = \quad \mathbf{38.625"}
 \end{array}$$

USE ROD LENGTH 40"
(38.625" Rounded up to the next length.)

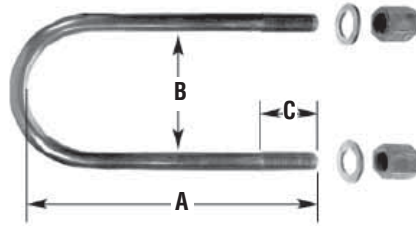
NOTE: Commercial-Strength and High-Strength have often been referred to as Grade 5 (120,000 psi tensile strength) and Grade 8 (150,000 psi tensile strength) respectively. These designations do not define manufacturing processes.

EUCLID HIGH-STRENGTH THREADED ROD

TOTAL LENGTH	THREAD LENGTH (Nominal)	THREAD SIZE					
		5/8" - 18	3/4" - 16	7/8" - 14	1"-14	1 1/8" - 12	1 1/4" - 12
12"	2 1/4"	E-TR8062-12	E-TR8075-12	—	—	—	—
14"	3 1/4"	E-TR8062-14	E-TR8075-14	—	—	—	—
16"	3 1/4"	E-TR8062-16	E-TR8075-16	—	E-TR8100-16	—	—
18"	3 1/4"	E-TR8062-18	E-TR8075-18	E-TR8087-18	—	—	—
20"	3 1/4"	E-TR8062-20	E-TR8075-20	E-TR8087-20	E-TR8100-20	—	—
22"	3 1/4"	E-TR8062-22	E-TR8075-22	E-TR8087-22	—	—	—
24"	6"	E-TR8062-24	E-TR8075-24	E-TR8087-24	E-TR8100-24	—	—
26"	6"	E-TR8062-26	E-TR8075-26	E-TR8087-26	—	—	—
28"	6"	E-TR8062-28	E-TR8075-28	E-TR8087-28	E-TR8100-28	—	—
30"	6"	E-TR8062-30	E-TR8075-30	E-TR8087-30	—	E-TR8112-30	E-TR8125-30
32"	6"	E-TR8062-32	E-TR8075-32	E-TR8087-32	E-TR8100-32	E-TR8112-32	E-TR8125-32
34"	6"	E-TR8062-34	E-TR8075-34	E-TR8087-34	—	E-TR8112-34	E-TR8125-34
36"	6"	E-TR8062-36	E-TR8075-36	E-TR8087-36	E-TR8100-36	E-TR8112-36	E-TR8125-36
38"	6"	E-TR8062-38	E-TR8075-38	E-TR8087-38	—	E-TR8112-38	E-TR8125-38
40"	6"	E-TR8062-40	E-TR8075-40	E-TR8087-40	E-TR8100-40	—	—
42"	6"	E-TR8062-42	E-TR8075-42	E-TR8087-42	—	—	—
44"	6"	E-TR8062-44	E-TR8075-44	E-TR8087-44	E-TR8100-44	—	—
46"	6"	E-TR8062-46	E-TR8075-46	E-TR8087-46	—	—	—
48"	6"	E-TR8062-48	E-TR8075-48	E-TR8087-48	E-TR8100-48	—	—
50"	6"	—	E-TR8075-50	E-TR8087-50	—	—	—
52"	6"	—	E-TR8075-52	E-TR8087-52	—	—	—

U-BOLT ASSEMBLIES

Includes Nuts and Washers



EUCLID HIGH-STRENGTH ROUND BEND U-BOLT ASSEMBLIES

EUCLID NO.	THREAD SIZE	A	B	C	NUT	INCLUDES WASHER	SPECIAL APPLICATION
E-UB8142-06	5/8"-18	6"	3 1/8"	2"	E-3000	E-2547	Volvo T-Ride
E-UB8143-074	5/8"-18	7 1/2"	3 1/2"	3"	E-3000	E-2547	Freightliner
E-UB8145-076	5/8"-18	7 3/4"	5"	3 1/2"	E-3000	E-2547	Neway
E-UB8151-10	3/4"-16	10"	3"	3"	E-3001	E-2545	
E-UB8151-12	3/4"-16	12"	3"	3"	E-3001	E-2545	
E-UB8151-14	3/4"-16	14"	3"	6"	E-3001	E-2545	
E-UB8151-16	3/4"-16	16"	3"	6"	E-3001	E-2545	
E-UB8151-18	3/4"-16	18"	3"	6"	E-3001	E-2545	
E-UB8151-22	3/4"-16	22"	3"	6"	E-3001	E-2545	
E-UB8153-10	3/4"-16	10"	3 1/2"	3"	E-3001	E-2545	
E-UB8153-12	3/4"-16	12"	3 1/2"	3"	E-3001	E-2545	
E-UB8153-14	3/4"-16	14"	3 1/2"	6"	E-3001	E-2545	
E-UB8153-18	3/4"-16	18"	3 1/2"	6"	E-3001	E-2545	
E-UB8154-10	3/4"-16	10"	4"	3"	E-3001	E-2545	
E-UB8154-12	3/4"-16	12"	4"	3"	E-3001	E-2545	Freightliner
E-UB8154-18	3/4"-16	18"	4"	6"	E-3001	E-2545	
E-UB8155-073	3/4"-16	7 1/2"	5"	3"	E-3001	E-2545	
E-UB8155-12	3/4"-16	12"	5"	3"	E-3001	E-2545	
E-UB8155-14	3/4"-16	14"	5"	6"	E-3001	E-2545	
E-UB8155-16	3/4"-16	16"	5"	6"	E-3001	E-2545	
E-UB8161-10	7/8"-14	10"	3"	3"	E-3002A	E-2546	
E-UB8161-11	7/8"-14	11"	3"	3"	E-3002A	E-2546	
E-UB8161-12	7/8"-14	12"	3"	3"	E-3002A	E-2546	
E-UB8161-122	7/8"-14	12 1/4"	3"	6"	E-3002A	E-2546	Hutchens
E-UB8161-13	7/8"-14	13"	3"	6"	E-3002A	E-2546	
E-UB8161-14	7/8"-14	14"	3"	6"	E-3002A	E-2546	
E-UB8161-15	7/8"-14	15"	3"	6"	E-3002A	E-2546	
E-UB8161-16	7/8"-14	16"	3"	6"	E-3002A	E-2546	
E-UB8161-17	7/8"-14	17"	3"	6"	E-3002A	E-2546	
E-UB8161-18	7/8"-14	18"	3"	6"	E-3002A	E-2546	
E-UB8161-18S1	7/8"-14	18"	3"	6"	E-3002A	E-1834/E-3738 CONE WASHER	Hendrickson
E-UB8161-20	7/8"-14	20"	3"	6"	E-3002A	E-2546	
E-UB8161-22	7/8"-14	22"	3"	6"	E-3002A	E-2546	
E-UB8162-18	7/8"-14	18"	3 1/8"	6"	E-3002A	E-2546	
E-UB8162-22	7/8"-14	22"	3 1/8"	6"	E-3002A	E-2546	

NOTE: Commercial-Strength and High-Strength have often been referred to as Grade 5 (120,000 psi tensile strength) and Grade 8 (150,000 psi tensile strength) respectively. These designations do not define manufacturing processes.

U-BOLT ASSEMBLIES

Includes Nuts and Washers

EUCLID HIGH-STRENGTH ROUND BEND U-BOLT ASSEMBLIES (Cont'd.)

EUCLID NO.	THREAD SIZE	A	B	C	INCLUDES		SPECIAL APPLICATION
					NUT	WASHER	
E-UB8163-14	7/8"-14	14"	3 1/2"	6"	E-3002A	E-2546	
E-UB8163-16	7/8"-14	16"	3 1/2"	6"	E-3002A	E-2546	
E-UB8164-10	7/8"-14	10"	4"	3"	E-3002A	E-2546	
E-UB8164-12	7/8"-14	12"	4"	3"	E-3002A	E-2546	
E-UB8164-16	7/8"-14	16"	4"	6"	E-3002A	E-2546	
E-UB8164-18	7/8"-14	18"	4"	6"	E-3002A	E-2546	
E-UB8165-076	7/8"-14	7 3/4"	5"	3"	E-3002A	E-2546	
E-UB8165-10	7/8"-14	10"	5"	3"	E-3002A	E-2546	
E-UB8165-12	7/8"-14	12"	5"	3"	E-3002A	E-2546	
E-UB8165-13	7/8"-14	13"	5"	4"	E-3002A	E-2546	Hendrickson
E-UB8165-14	7/8"-14	14"	5"	4"	E-3002A	E-2546	
E-UB8165-16	7/8"-14	16"	5"	6"	E-3002A	E-2546	
E-UB8165-18	7/8"-14	18"	5"	6"	E-3002A	E-2546	
E-UB8166-12	7/8"-9	12"	5"	3"	E-2983	E-2546	Neway
E-UB8168-082	7/8"-14	8 1/4"	6"	3 5/8"	E-3002A	E-2546	Hendrickson
E-UB8175-104	1"-14	10 1/2"	5"	3 1/2"	E-2892	—	Hutchens
E-UB8178-126	1"-14	12 3/4"	5"	6"	E-3003	N.S.S.	
E-UB8179-09	1"-14	9"	6 3/8"	3"	E-3003	N.S.S.	Neway
E-UB8186-154	1 1/8"-12	15 1/2"	5 3/4"	6"	E-3004	E-2548	
E-UB8187-154	1 1/8"-12	15 1/2"	5 7/8"	6"	E-3004	E-2548	Hutchens

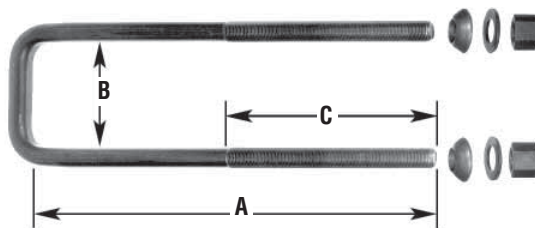
NOTE: Commercial-Strength and High-Strength have often been referred to as Grade 5 (120,000 psi tensile strength) and Grade 8 (150,000 psi tensile strength) respectively. These designations do not define manufacturing processes.

EUCLID COMMERCIAL-STRENGTH ROUND BEND U-BOLT ASSEMBLIES

EUCLID NO.	THREAD SIZE	A	B	C	INCLUDES	
					NUT	WASHER
E-UB5161-22	7/8"-9	22"	3"	6"	E-2983	E-2546
E-UB5161-12	7/8"-14	12"	3"	4"	E-3002A	E-2546
E-UB5161-13	7/8"-14	13"	3"	4"	E-3002A	E-2546
E-UB5161-14	7/8"-14	14"	3"	4"	E-3002A	E-2546
E-UB5161-15	7/8"-14	15"	3"	6"	E-3002A	E-2546
E-UB5161-16	7/8"-14	16"	3"	6"	E-3002A	E-2546
E-UB5161-18	7/8"-14	18"	3"	6"	E-3002A	E-2546
E-UB5163-14	7/8"-14	14"	3 1/2"	6"	E-3002A	E-2546
E-UB5163-18	7/8"-14	18"	3 1/2"	6"	E-3002A	E-2546
E-UB5165-12	7/8"-14	12"	5"	6"	E-3002A	E-2546
E-UB5165-14	7/8"-14	14"	5"	6"	E-3002A	E-2546
E-UB5165-15	7/8"-14	15"	5"	6"	E-3002A	E-2546
E-UB5165-16	7/8"-14	16"	5"	6"	E-3002A	E-2546
E-UB5165-18	7/8"-14	18"	5"	6"	E-3002A	E-2546

U-BOLT ASSEMBLIES

Includes Nuts and Washers



EUCLID HIGH-STRENGTH SQUARE BEND U-BOLT ASSEMBLIES

EUCLID NO.	THREAD SIZE	A	B	C	INCLUDES		SPECIAL APPLICATION
					NUT	WASHER	
E-UB8253-05	3/4"-16	5"	3 1/2"	2"	E-3001	E-2545	Peterbilt
E-UB8253-12	3/4"-16	12"	3 1/2"	3"	E-3001	E-2545	
E-UB8254-10	3/4"-16	10"	4"	3"	E-3001	E-2545	
E-UB8254-12	3/4"-16	12"	4"	3"	E-3001	E-2545	
E-UB8254-14	3/4"-16	14"	4"	6"	E-3001	E-2545	
E-UB8255-05	3/4"-16	5"	4"	2"	E-3001	E-2545	Peterbilt
E-UB8256-077	3/4"-16	7 7/8"	5"	3"	E-3001	E-2545	Hutchens
E-UB8261-18	7/8"-14	18"	3"	6"	E-3002A	E-2546	
E-UB8263-14	7/8"-14	14"	3 1/2"	6"	E-3002A	E-2546	
E-UB8264-083	7/8"-14	8 3/8"	4"	2 1/4"	E-1835	E-1834	Hendrickson
E-UB8264-10	7/8"-14	10"	4"	3"	E-3002A	E-2546	
E-UB8264-12	7/8"-14	12"	4"	3"	E-3002A	E-2546	
E-UB8264-14	7/8"-14	14"	4"	6"	E-3002A	E-2546	
E-UB8264-16	7/8"-14	16"	4"	6"	E-3002A	E-2546	Kenworth
N/A	7/8"-14	16"	4"	6"	E-3002A	E-2546	
E-UB8265-084	7/8"-14	8 1/2"	5"	3 3/4"	E-3002A	E-2546	Hendrickson
E-UB8265-16	7/8"-14	16"	5"	6"	E-3002A	E-2546	
E-UB8267-153	7/8"-14	15 3/8"	5 3/16"	3 1/2"	E-3002A	E-2546	Freightliner
E-UB8286-134	1 1/8"-12	13 1/2"	5 1/8"	4"	E-3004	E-2548	
E-UB8286-154	1 1/8"-12	15 1/2"	5 1/8"	6"	E-3004	E-2548	
E-UB8287-11	1 1/8"-12	11"	5 3/4"	3"	E-3004	E-2548	Neway
E-UB8287-14	1 1/8"-12	14"	5 3/4"	6"	E-3004	E-2548	Neway

N/A = No Longer Available

NOTE: Commercial-Strength and High-Strength have often been referred to as Grade 5 (120,000 psi tensile strength) and Grade 8 (150,000 psi tensile strength) respectively. These designations do not define manufacturing processes.

U-BOLT ASSEMBLIES

Includes Nuts and Washers

EUCLID COMMERCIAL-STRENGTH SQUARE BEND U-BOLT ASSEMBLIES

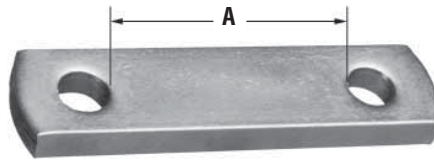
EUCLID NO.	THREAD SIZE	A	B	C	INCLUDES		SPECIAL APPLICATION
					NUT	WASHER	
E-UB5243-16	5/8"-18	16"	3 1/2"	6"	E-3000	E-2547	Use U-Bolt Plate E-9613
E-UB5243-18	5/8"-18	18"	3 1/2"	6"	E-3000	E-2547	Use U-Bolt Plate E-9613
E-UB5243-20	5/8"-18	20"	3 1/2"	6"	E-3000	E-2547	Use U-Bolt Plate E-9613
E-UB5244-16	5/8"-18	16"	4"	6"	E-3000	E-2547	Use U-Bolt Plate E-9614
E-UB5244-18	5/8"-18	18"	4"	6"	E-3000	E-2547	Use U-Bolt Plate E-9614
E-UB5244-20	5/8"-18	20"	4"	6"	E-3000	E-2547	Use U-Bolt Plate E-9614
E-UB5261-18	7/8"-14	18"	3"	6"	E-3002A	E-2546	
E-UB5263-14	7/8"-14	14"	3 1/2"	6"	E-3002A	E-2546	
E-UB5263-18	7/8"-14	18"	3 1/2"	6"	E-3002A	E-2546	

NOTE: Commercial-Strength and High-Strength have often been referred to as Grade 5 (120,000 psi tensile strength) and Grade 8 (150,000 psi tensile strength) respectively. These designations do not define manufacturing processes.

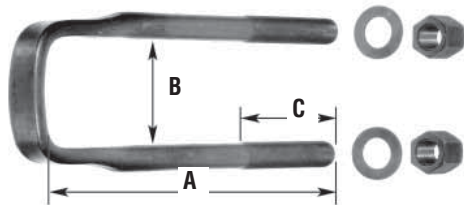
U-BOLT ASSEMBLIES

Includes Nuts and Washers

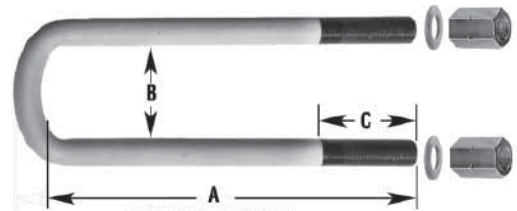
BODY MOUNTING PLATE



EUCLID NO.	DIAMETER	A	THICKNESS	SPECIAL APPLICATION
E-9613	5/8"	3 1/2"	1/2"	Body Mounting Plate used with 5/8" U-Bolt and 5/8" Threaded Rod
E-9614	5/8"	4"		



FLAT SEMI-ROUND BEND



SEMI-ROUND BEND

2

EUCLID HIGH-STRENGTH FLAT SEMI-ROUND BEND U-BOLT ASSEMBLIES

EUCLID NO.	THREAD SIZE	A	B	C	INCLUDES		SPECIAL APPLICATION
					NUT	WASHER	
E-UB8673-154	1"-14	15 1/2"	3 9/16"	5"	E-3003	E-2975	Peterbilt

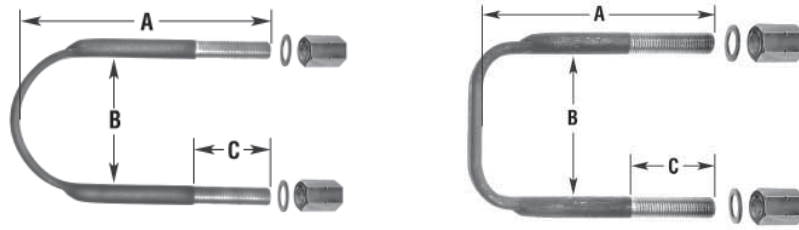
EUCLID HIGH-STRENGTH SEMI-ROUND BEND U-BOLT ASSEMBLIES

EUCLID NO.	THREAD SIZE	A	B	C	INCLUDES		BEND RADIUS	CORNER RADIUS	SPECIAL APPLICATION
					NUT	WASHER			
E-UB8351-18	3/4"-16	18"	3"	6"	E-3001	E-2545	6"	.750"	Navistar
E-UB8353-10	3/4"-16	10"	3 1/2"	3"	E-3001	E-2545	4 5/8"	.750"	Peterbilt
E-UB8353-12	3/4"-16	12"	3 1/2"	3"	E-3001	E-2545	4 5/8"	.750"	Peterbilt
E-UB8353-15	3/4"-16	15"	3 1/2"	6"	E-3001	E-2545	4"	.625"	Navistar
E-UB8354-10	3/4"-16	10"	4"	3"	E-3001	E-2545	6"	.500"	Kenworth
E-UB8354-12	3/4"-16	12"	4"	3"	E-3001	E-2545	5"	.500"	
E-UB8362-19F	7/8"-14	19"	3 1/16"	7"	E-3002A	E-2546	3 1/4"	.500"	Ford
E-UB8363-15N	7/8"-14	15"	3 1/2"	6"	E-3002A	E-2546	4"	.625"	Navistar
E-UB8375-14	1"-14	14"	4 1/8"	3"	E-3003	E-2975	5"	.500"	Peterbilt
E-UB8375-154	1"-14	15 1/2"	4 1/8"	3"	E-3003	E-2975	5"	.500"	Peterbilt
E-UB8394-144	1 1/4"-12	14 1/2"	4"	3 1/2"	E-3006	E-2934	4"	1.00"	Mack
E-UB8394-162S	1 1/4"-12	16 1/4"	4"	3 1/2"	E-3005	E-2934	4"	1.00"	Mack
E-UB8394-172S	1 1/4"-12	17 1/4"	4"	3 1/2"	E-3005	E-2934	4"	1.00"	Mack
E-UB8394-18	1 1/4"-12	18"	4"	3 1/2"	E-3006	E-2934	4"	1.00"	Mack
E-UB8394-192S	1 1/4"-12	19 1/4"	4"	3 1/2"	E-3005	E-2934	4"	1.00"	Mack
E-UB8396-165S	1 1/4"-12	16 5/8"	5"	3 1/2"	E-3006	E-2934	6"	.750"	Mack

NOTE: Commercial-Strength and High-Strength have often been referred to as Grade 5 (120,000 psi tensile strength) and Grade 8 (150,000 psi tensile strength) respectively. These designations do not define manufacturing processes.

U-BOLT ASSEMBLIES

Includes Nuts and Washers



EUCLID HIGH-STRENGTH FLAT ROUND BEND U-BOLT ASSEMBLIES

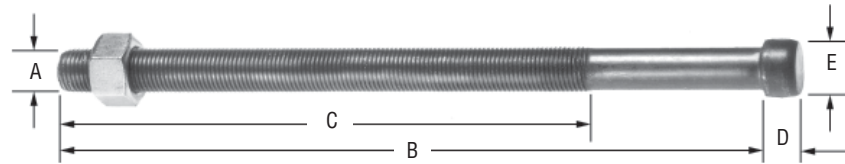
EUCLID NO.	THREAD SIZE	A	B	C	INCLUDES		SPECIAL APPLICATION
					NUT	WASHER	
E-UB8475-114	1"- 14	11 1/2"	5"	3"	E-3003	E-2975	Neway
E-UB8479-090	1"- 14	9"	6 5/16"	2 1/4"	E-3003	E-2975	Neway
E-UB8479-104	1"- 14	10 1/2"	6 5/16"	3"	E-3003	E-2975	Neway
E-UB8479-124A	1"- 14	12 1/2"	6 5/16"	6"	E-3003	E-2975	Neway

2 EUCLID HIGH-STRENGTH FLAT SQUARE BEND U-BOLT ASSEMBLIES

EUCLID NO.	THREAD SIZE	A	B	C	INCLUDES		SPECIAL APPLICATION
					NUT	WASHER	
E-UB8554-033	3/4"- 16	3 3/8"	4"	1 3/4"	E-4961A	E-2545	Freightliner
E-UB8575-126	1"- 14	12 3/4"	5"	4"	E-3003	E-2975	Fruehauf
E-UB8578-094	1"- 14	9 1/2"	6 5/16"	3"	E-3003	E-2975	Neway
E-UB8578-124A	1"- 14	12 1/2"	6 5/16"	6"	E-3003	E-2975	Neway
E-UB8585-132	1 1/8"- 12	13 1/4"	5"	4"	E-3004	E-2548	Fruehauf

SPRING CENTER BOLTS

LISTED BY THREAD SIZE (A)



Bolts Furnished With Nuts

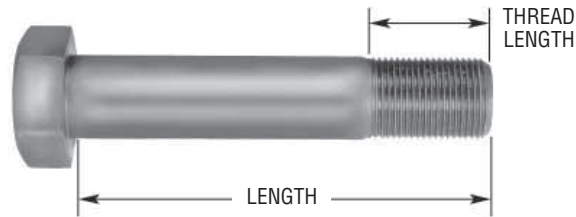
GRADE 2

EUCLID NO.	THREAD SIZE (A)	BOLT LENGTH (B)	MINIMUM THREAD LENGTH (C)	HEAD HEIGHT (D)	HEAD DIAMETER (E)
E-3188 E-3188-2	3/8"-24	8"	6"	3/8"	9/16"
E-3189	7/16"-20	8"	5 1/2"	3/8"	5/8"
E-3190	7/16"-20	12"	9 1/2"	3/8"	5/8"
E-3191 E-3191-1	1/2"-20	6"	4"	5/8"	5/8"
E-3192 E-3192-1	1/2"-20	8"	5 1/2"	3/8"	5/8"
E-3193	1/2"-20	8"	5 1/2"	7/16"	3/4"
E-3194	1/2"-20	8"	5 1/2"	3/4"	3/4"
E-3195	1/2"-20	10"	9 1/2"	5/8"	5/8"
E-3196	1/2"-20	12"	9 1/2"	3/8"	5/8"
E-3197	1/2"-20	12"	9 1/2"	7/16"	3/4"
E-3198	1/2"-20	12"	9 1/2"	3/4"	3/4"
E-3199A E-3199A-1	5/8"-18	18"	9 1/2"	1/2"	7/8"

2

MISCELLANEOUS SUSPENSION BOLTS

GRADE 5 - LISTED BY THREAD SIZE



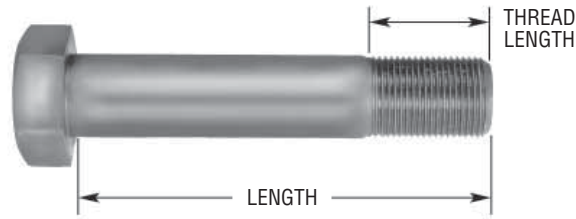
GRADE 5

EUCLID NO.	THREAD SIZE	BOLT LENGTH	THREAD LENGTH	PRIMARY APPLICATION
E-1972	1/2"-20	4 3/4"	3/4"	Reyco
E-2022	1/2"-20	5 1/2"	1 1/4"	Freightliner
E-4348	5/8"-11	2"	1 1/2"	Hutchens
E-3224	5/8"-11	5 1/2"	1 1/2"	Dayton
E-3415*	5/8"-18	4 1/2"	1 1/2"	Hutchens
E-2989	3/4"-10	5"	1 3/4"	Neway
E-1204	3/4"-16	5 1/4"	1 3/4"	Trailmobile
E-3542	3/4"-16	8 1/2"	2"	Freightliner
E-2981	7/8"-9	2 3/4"	2 3/4"	Neway
E-3696	7/8"-9	4 1/2"	2"	Mack
E-2996	7/8"-9	5 1/2"	2"	Neway
E-901	7/8"-9	5 1/2"	1 1/4"	Dayton, Reyco, Spicer, Hendrickson
E-4833	7/8"-14	5 1/4"	1 1/2"	Transpro
E-3691	7/8"-14	5 1/4"	2"	Mack
E-1987	1"-8	2 1/2"	2 1/2"	Reyco, Spicer
E-900	1"-8	6 3/8"	1 3/4"	Reyco, Spicer
E-1997	1"-8	7"	1 1/2"	Spicer
E-2274	1"-8	8"	2"	Spicer
E-2891*	1"-14	5"	1 1/4"	Hutchens, Trailmobile
E-3240	1"-14	5 1/2"	2"	Reyco
E-4830	1"-14	6 1/2"	1 3/4"	Transpro
E-1166	1"-14	6 3/4"	1 1/2"	Reyco
E-7533	1 1/8"-7	6 5/8"	1 7/8"	Hutchens
E-4361	1 1/8"-7	8 1/2"	2"	Neway
E-4364	1 1/8"-7	9 1/4"	2"	Neway
E-2951	1 1/4"-7	8 1/8"	1 1/2"	Neway
E-2852	1 1/4"-12	8 7/8"	2 1/2"	Reyco
E-8840	M8x1.25	16mm	5/8"	Volvo

* Grade 2

MISCELLANEOUS SUSPENSION BOLTS

GRADE 8 - LISTED BY THREAD SIZE



GRADE 8

EUCLID NO.	THREAD SIZE	BOLT LENGTH	THREAD LENGTH	PRIMARY APPLICATION
E-1820	1/2"-13	6 1/2"	1 1/2"	Hendrickson
E-8909	5/8"-11	6"	1 5/8"	Volvo
E-8910	5/8"-11	6 5/8"	1 3/4"	Volvo
E-3792	5/8"-18	4 1/2"	1 1/2"	Navistar
E-4345	3/4"-10	3 1/2"	2"	Neway
E-9376	3/4"-16	7"	2"	Granning
E-7703	3/4"-16	9"	2"	Freightliner
E-5272	7/8"-9	4 1/4"	1"	Hendrickson
E-5427	7/8"-9	6"	2"	Mack
E-3690	7/8"-14	5"	2"	Mack
E-3692	7/8"-14	6"	2"	Mack
E-3693	7/8"-14	6 1/2"	2 1/4"	Mack
E-5439	7/8"-14	7 1/2"	2 1/4"	Mack
E-3818	7/8"-14	7 3/4"	1 1/2"	Freightliner
E-5428	7/8"-14	8"	2 1/4"	Mack
E-3785	1"-8	7 1/2"	2 1/2"	Navistar
E-5271	1"-14	7"	2"	Hendrickson
E-3564	1"-14	8"	1 9/16"	Freightliner
E-4778	1"-14	8 1/2"	2 1/2"	Peterbilt
E-1860	1"-14	9"	1 7/8"	Hendrickson
E-1859	1"-14	9 1/2"	1 7/8"	Hendrickson
E-1856	1"-14	10"	1 7/8"	Hendrickson
E-1855	1"-14	10 1/4"	1 7/8"	Hendrickson
E-9430	1"-14	10 1/2"	1 7/8"	Hendrickson
E-2570	1"-14	11"	2"	Hendrickson

2

MISCELLANEOUS SUSPENSION NUTS

NON-LOCKING



EUCLID NO.	THREAD	HEX	HIGH	PRIMARY APPLICATION
E-5032	1/2"-20	3/4"	7/16"	Reyco
E-2002	5/8"-18	15/16"	9/16"	Hutchens Trailmobile
E-1107	3/4"-16	1 1/8"	13/32"	Neway, Trailmobile

FLANGED



EUCLID NO.	THREAD	HEX	HIGH	PRIMARY APPLICATION
E-2892	1"-14	1 1/2"	1"	Hutchens Trailmobile
E-8911	5/8"-11	15/16"	5/8"	Volvo
E-3793	5/8"-18	15/16"	5/8"	Navistar
E-9607	7/8"-14	1 5/16"	3/4"	Reyco

CASTELLATED



EUCLID NO.	THREAD	HEX	HIGH	PRIMARY APPLICATION
E-2035	1 3/8"-12	2"	15/16"	Hendrickson

SLOTTED



EUCLID NO.	THREAD	HEX	HIGH	PRIMARY APPLICATION
E-1354	1 1/8"-12	1 21/32"	15/16"	Hendrickson

LOCK NUT



EUCLID NO.	THREAD	HEX	HIGH	PRIMARY APPLICATION
E-4421	1"-8	1 1/2"	1"	Reyco, Spicer
E-937	1"-14	17/16"	7/8"	Fruehauf Reyco

LOCK NUT — NYLON INSERT



EUCLID NO.	THREAD	HEX	HIGH	PRIMARY APPLICATION
E-4779	1"-14	1 7/16"	1 1/32"	Peterbilt
E-2079	1 1/8"-12	1 5/8"	1 3/16"	Hendrickson Kenworth
E-2017	1 1/4"-12	1 13/16"	47/64"	Hendrickson

UPSET THREAD



Type 1

Type 2

Type 4

EUCLID NO.	TYPE	THREAD	HEX	HIGH	PRIMARY APPLICATION
E-3560	1	1/2"-20	3/4"	7/16"	Freightliner Kenworth
E-4347	1	3/4"-10	1 1/8"	5/8"	Mack, Neway, Reyco
E-4961A	1	3/4"-16	1 1/8"	5/8"	Freightliner Hendrickson Neway
E-2988	1	5/8"-11	15/16"	17/32"	Hutchens
E-1943	1	5/8"-18	15/16"	35/64"	Hendrickson
E-2983	1	7/8"-9	1 5/16"	13/16"	Neway
E-1835	1	7/8"-14	1 5/16"	3/4"	Hendrickson Mack Reyco
E-4421	1	1"-8	1 1/2"	1"	Neway Freightliner
E-1828	1	1"-14	1 1/2"	7/8"	Hendrickson Reyco
E-4358	1	1 1/8"-7	1 11/16"	15/16"	Neway
E-2854	2	1 1/4"-12	1 7/8"	1 1/4"	Neway, Reyco
E-4273	4	1 1/4"-7	1 7/8"	12/32"	Neway
E-4274	4	1 1/4"-7LH	1 7/8"	23/32"	Neway
E-4275	4	1 1/4"-7RH	1 7/8"	23/32"	Neway
E-3298	4	1 5/16"-12	1 3/4"	5/16"	Freightliner
E-8841	1	M16-2	15/16"	5/8"	Volvo

U-BOLT HI-NUT



Heat Treated
Thru Hardened
Grade 8

EUCLID NO.	THREAD	HEX	HIGH
E-9605*	1/2"-20	3/4"	11/16"
E-9606	9/16"-18	7/8"	3/4"
E-3000	5/8"-18	1 15/16"	27/32"
E-3001	3/4"-16	1 1/16"	1"
E-3002A	7/8"-14	1 1/4"	1 5/32"
E-3003	1"-14	1 1/2"	1 5/16"
E-3004	1 1/8"-12	1 5/8"	1 15/32"
E-3005	1 1/4"-12	1 13/16"	1 5/8"
E-3006	1 1/4"-12	1 13/16"	2 3/4"

*Grade 5

Contact Customer Care
USA - 1-888-725-9355 CANADA - 800-387-3889

MISCELLANEOUS SUSPENSION WASHERS

LISTED BY O.D.



EUCLID NO.	O.D.	I.D.	THICKNESS	PRIMARY APPLICATION
E-9603	1 1/16"	1/2"	1/8"	Hardened U-Bolt
E-9604	1 3/16"	9/16"	1/8"	Hardened U-Bolt
E-8844	1 1/4"	5/8"	1/8"	Volvo
E-2547	1 5/16"	11/16"	1/8"	Hardened U-Bolt
E-5429	1 3/8"	29/32"	3/16"	Mack
E-2545	1 15/32"	3/4"	1/8"	Hardened U-Bolt
E-1834	1 1/2"	15/16"	7/64"	Hendrickson
E-4353	1 5/8"	1 1/16"	1/8"	U-Bolt
E-2546	1 3/4"	15/16"	1/8"	Hardened U-Bolt
E-2573	1 3/4"	1 1/8"	7/64"	Hendrickson
E-2975	2"	1 1/8"	5/32"	Hardened U-Bolt
E-2275	2"	1 1/16"	1/8"	Spicer
E-2960	SQ 2"	1"	3/8"	Square Washer
E-2548	2 1/4"	1 1/4"	1/8"	Hardened U-Bolt
E-2853	2 1/4"	1 5/16"	3/16"	Reyco
E-1074	2 1/2"	1 1/16"	1/4"	Fruehauf, Hutchens
E-3565	2 1/2"	1 1/16"	5/16"	Freightliner
E-2934	2 1/4"	1 5/16"	1/4"	Hardened U-Bolt
E-2833	2 1/2"	1 5/16"	1/16"	Fruehauf
E-907	2 3/4"	1 1/16"	3/16"	Reyco
E-4359	2 7/8"	1 1/8"	1/4"	Spacer Washer
E-2956	3 1/4"	1 11/16"	1/8"	Neway
E-4277	3 1/2"	1 1/4"	1/4"	Neway
E-905	3 3/4"	1 1/16"	1/4"	Reyco
E-5273	3 11/16"	1 29/32"	1/8"	Hendrickson
E-1986A	3 3/4"	1 1/16"	1/2"	Reyco, Spicer
E-3541	3 3/4"	2 1/4"	1/16"	Freightliner
E-1021	4"	1 1/16"	1/4"	Fruehauf
E-4363	4"	1 1/8"	1/4"	Neway
E-4278	4"	1 1/4"	1/2"	Neway
E-2832	4"	2 1/16"	1/16"	Fruehauf
E-2957	4"	2 9/16"	1/4"	Neway
E-2958	4 1/16"	2 9/16"	5/32"	Neway
E-4315	4 1/4"	3"	5/16"	Neway
E-3699	5 3/8"	3 1/2"	5/16"	Mack
E-2959	5 7/16"	3 1/2"	1/4"	Neway
E-2021	5 3/4"	3 1/2"	1/8"	Hendrickson
E-5219	5 3/4"	4 1/32"	3/16"	Hutchens
E-5423	6 1/4"	4 1/32"	5/16"	Mack
E-8831	7"	5 1/8"	1/4"	Volvo

2

ADJUSTABLE TORQUE ARMS

Listed Alphabetically by O.E.M.

BINKLEY



EUCLID NO.	REPLACES	FOR MODEL	EUCLID BUSHING NO.	LENGTH Center-to-Center
E-4824	Binkley SP0123	SP900 "DURALITE"	E-1980	19 1/4"

CHALMERS



Bushings Not Included

EUCLID NO.	REPLACES	FOR MODEL	EUCLID BUSHING NO.	LENGTH Center-to-Center
E-4789	Chalmers 216214	All Models	E-4677A	21 1/4"
E-4790	Chalmers 216240	All Models	E-4677A	24"

2 DAYTON



EUCLID NO. WITH BUSHINGS	EUCLID NO. LESS BUSHINGS	REPLACES	FOR MODEL	BUSHING NO.	BUSHING KIT	ADJUSTABLE LENGTH
E-2512	E-2292	Dayton 39090029 Front	"Tri-Lite"	E-1980	E-1981	14 3/4" to 18"
E-2513	E-2293	Dayton 39090030 Rear	"Tri-Lite"	E-1980	E-1981	18 1/2" to 21 1/2"

FRUEHAUF

Double Clamping Bolt Design



Bushings Not Included with Torque Arm

EUCLID NO.	REPLACES	FOR MODEL	EUCLID BUSHING NO.	BUSHING KIT NO.	LENGTH Center-to-Center
E-3763	Fruehauf UCF-002640-004	"F" Series Suspension	E-927	E-1023	12 3/8"
E-2515	Fruehauf UCF-002640-001				13 1/2" - 16 1/8" 15 7/16"

GREAT DANE



Bushings Not Included

EUCLID NO.	REPLACES	FOR MODEL	EUCLID BUSHING NO.	EUCLID BUSHING KIT NO.	LENGTH Center-to-Center
E-9476	Great Dane 16167-04	H	E-927	E-9478	19 1/4"

ADJUSTABLE TORQUE ARMS

Listed Alphabetically by O.E.M.

HENDRICKSON



TYPE 1



TYPE 2

EUCLID NO.	REPLACES	FOR MODEL	EUCLID BUSHING NO.	EUCLID BUSHING ASSEMBLY NO.	LENGTH Center-to-Center	TYPE
E-2512	Hendrickson C-1032	Q-SR	E-1980	E-1981	14 3/4" to 18"	1
E-2513	Hendrickson C-1032-1	Q-AH	E-1980	E-1981	18 1/2" to 21 1/2"	1
E-9581	Hendrickson 56903-007 Mack 17QF466M	Mack, AL-40	E-9395	—	14 13/32"	2

HUTCHENS Listed by Type



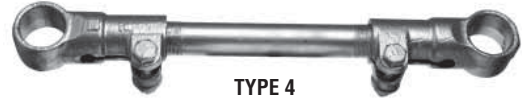
TYPE 1



TYPE 3
Heavy-Duty Cast Version of Type 1



TYPE 2



TYPE 4

EUCLID NO. WITH BUSHINGS	EUCLID NO. LESS BUSHINGS	REPLACES HUTCHENS NO.	FOR MODEL	EUCLID BUSHING NO.	EUCLID BUSHING KIT NO.	LENGTH Center-to-Center	TYPE
E-3276	—	713-02	H-7700, CH-7700, CH-7800, H-9700,	E-934	E-3079	16"	1
E-3277	—	713-05 16398-04	H-7700, CH-7700, CH-7800, H-9700, CH-9700	E-934	E-3079	19 1/4"	1
E-11448	—	16898-06	H-7700, CH-7700, CH-7800, H-9700, CH-9700	E-934	E-3079	21 1/2"	1
—	E-2898	2213-00	H-2200	E-1038	E-1075	19 1/4"	2
E-2510	E-2292	713-02	H-7700, CH-7700, CH-7800, H-9700, CH-9700	E-934	E-3079	16"	3
E-2511	E-2293	713-05 16398-04	H-7700, CH-7700, CH-7800, H-9700, CH-9700	E-934	E-3079	19 1/4"	3
—	E-9476	16167-04	H-7600, H-9600, CH-7600, CH-9600	E-927	E-9478	19 1/4"	4

MACK



TYPE 2

EUCLID NO.	REPLACES	FOR MODEL	EUCLID BUSHING NO.	EUCLID BUSHING ASSEMBLY NO.	LENGTH Center-to-Center	TYPE
E-9581	Hendrickson 56903-007 Mack 17QF466M	Mack, AL-40	E-9395	—	14 3/8"	2

ADJUSTABLE TORQUE ARMS

Listed Alphabetically by O.E.M.

REYCO



TYPE 1



TYPE 2



TYPE 3

Sorted by Type

EUCLID NO.	REPLACES REYCO NO.	FOR MODEL	HANGER END BUSHING	AXLE SEAT END BUSHING	HANGER END BUSHING ASSEMBLY	AXLE SEAT END BUSHING ASSEMBLY	LENGTH Center-to-Center	TYPE
E-3283A 15172-01	T-5485	21B	E-1160	E-1160	E-1312A	E-1312A	15 1/2" to 17 1/2"	1
E-3284A 15173-01	T-5486	21B	E-1160	E-1160	E-1312A	E-1312A	17 1/2" to 19 1/2"	1
E-2866A 15354-01	T-7434	102	E-10057	E-1982	E-9350	E-1983	19 1/2" to 21 3/4"	1
E-3764	15187-01	102W	E-10057	E-1980	E-9350	E-1981	17 1/2" to 19 1/2"	1
E-4796	15186-01 102W	102AR	E-10057	E-1980	E-9350	E-1981	19 1/2" to 21 1/2"	1
E-5255A 15176-01	09682-01	102	E-10057	E-1982	E-9350	E-1983	24" to 26"	1
E-2513 T-3343	T-3035	31, 41, 42 E-1980	E-1061 or E-1980	E-1061 or E-1981	E-1313 or E-1981	E-1313 or	18 1/2" to 21 3/8"	2
E-2512 T-3036	T-3683	31, 41, 42 E-1980	E-1061 or E-1980	E-1061 or E-1981	E-1313 or E-1981	E-1313 or	14 3/4" to 18"	2
E-7741	16031-01	All 73 & 83	E-7750	E-1980	E-7749	E-1981	12 3/4" to 15"	2
E-7742	16032-01 83-50" & 72"	73-49" & 72"	E-7750	E-1980	E-7749	E-1981	19 1/2" to 21 3/4"	2
E-7743	16034-01	73, 83-60"	E-7750	E-1980	E-7749	E-1981	24" to 26 1/4"	2
E-9584	16595-01	74B & 74AR	E-9549	E-9549	—	—	13 1/4"	3
E-9620	16595-01	74B	E-9549	E-9549	—	—	21 1/4"	3

REYCO/TRANSPRO

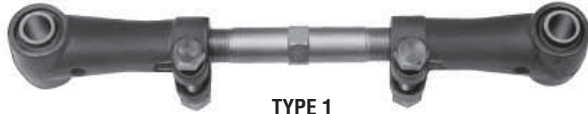


EUCLID NO. WITH BUSHINGS	REPLACES	FOR MODEL	EUCLID BUSHING NO.	EUCLID BUSHING KIT NO.	LENGTH Center-to-Center
E-4824	Transpro 0030-20 1035-20	Heavyweight and Super Heavy-Duty Model 88	E-1980	E-4834A	18 1/4" to 20 3/4"

ADJUSTABLE TORQUE ARMS

Listed Alphabetically by O.E.M.

SPICER (DANA/WEBB)



TYPE 1
Use with One-Piece Press-In Bushing



TYPE 2
Use with One-Piece Press-In Bushing (Not Included)

Sorted by Type

EUCLID NO. WITH BUSHINGS	EUCLID NO. WITHOUT BUSHINGS	REPLACES SPICER NO.	FOR MODEL	EUCLID BUSHING NO.	EUCLID BUSHING ASSEMBLY	LENGTH Center-to-Center	TYPE
E-2512	E-2292	M109201	62, 68	E-1980	E-1981	14 3/4" to 18"	1
E-2513	E-2293	M109202	62, 68	E-1980	E-1981	18 1/2" to 21 3/8"	1
—	E-2294	M109101	26, 55	E-1982	E-1983	14" to 18 1/2"	2
—	E-2295	M109102	26, 36, 55	E-1982	E-1983	18 1/2" to 21 3/8"	2

TRAILMOBILE



TYPE 1

2

EUCLID NO. WITH BUSHINGS	REPLACES	FOR MODEL	HANGER END BUSHING	AXLE SEAT END BUSHING	HANGER END BUSHING KIT	AXLE SEAT END BUSHING KIT	LENGTH Center-to-Center	TYPE
E-3390	Trailmobile 3-A11-65A	3 1/2" Fabricated	E-934	E-934	E-3079	E-3079	17"	1

RIGID TORQUE ARMS

Listed Alphabetically by O.E.M.

BINKLEY



EUCLID NO.	REPLACES	FOR MODEL	EUCLID BUSHING NO.	LENGTH Center-to-Center
E-9307	Binkley SP0143	SP900 "DURALITE"	E-1980	19 1/4"

CHALMERS



EUCLID NO.	REPLACES	FOR MODEL	EUCLID BUSHING NO.	LENGTH Center-to-Center
E-4791	Chalmers 223214	All Models	E-4677A	21 1/4"
E-4792	Chalmers 223240	All Models	E-4677A	24"

2

FREIGHTLINER

Alternate Version of O.E.M.
Aluminum Rod. E-3546 and E-8941
are Lightweight Steel Tubular Rods



EUCLID NO.	REPLACES	FOR MODEL	EUCLID BUSHING NO.	LENGTH Center-to-Center
E-8941	Freightliner 16-13053	FH34	Not Replaceable	16 5/8"
E-3546	Freightliner B16-10420-1	FH34	Not Replaceable	18 3/16"
E-8808	Freightliner 681-326-63-16	FAS Air Ride	Not Replaceable	23"

RIGID TORQUE ARMS

Listed Alphabetically by O.E.M.

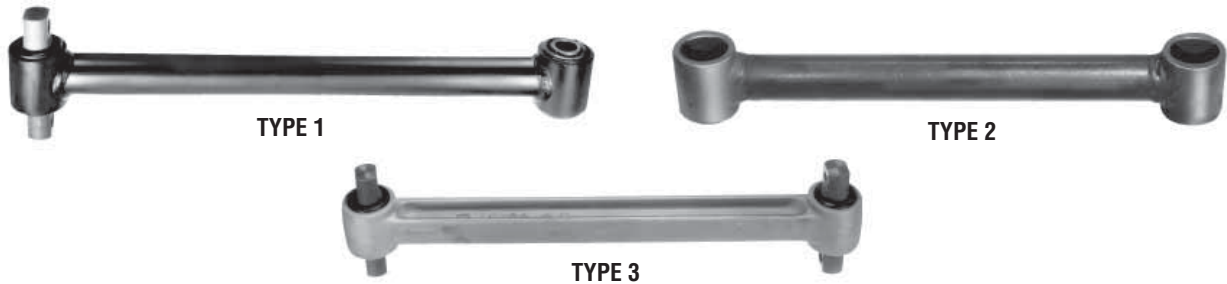
FRUEHAUF



Bushings not Included
with Torque Arm

EUCLID NO.	REPLACES	FOR MODEL	EUCLID BUSHING NO.	BUSHING KIT NO.	LENGTH Center-to-Center
E-2514	Fruehauf UXA-000026-001	"F" Series Suspensions	E-927	E-1023	15 7/16"

HENDRICKSON



EUCLID NO.	REPLACES	FOR MODEL	EUCLID BUSHING NO.	EUCLID BUSHING ASSEMBLY NO.	LENGTH Center-to-Center	TYPE
E-3773	Hendrickson C-1031	Q-SR	E-1980	E-1981	15 1/2"	2
E-3774A-2	Hendrickson C-1031-1	Q-AH	E-1980	E-1981	19"	2
E-3731	Hendrickson 48411-001	HA	E-5275	—	15 27/32"	3
E-3732	Hendrickson 48411-002	HA	E-5275	—	21 15/16"	3
E-5282	Hendrickson 48158-01 Ford E4HZ4612A	E4 E-5276	E-5275	—	15 7/8"	1
E-5283	Hendrickson 48158-02 Ford E4HZ4612B	E4 E-5276	E-5275	—	21 15/16"	1
E-9409 (Front)	Hendrickson 48411-006 Mack 17QF357M	HFS, HAS	E-5275	—	14 13/32"	3
E-9407 (Rear)	Hendrickson 48411-007	HFS	E-5275	—	20 5/16"	3

2

HUTCHENS



E-2899



E-9477

EUCLID NO. WITH BUSHINGS	EUCLID NO. LESS BUSHINGS	REPLACES HUTCHENS NO.	FOR MODEL	EUCLID BUSHING NO.	EUCLID BUSHING KIT NO.	LENGTH Center-to-Center
E-2899	—	715-00	H-7700, CH-7700, CH-7800, H-9700, CH-9700	E-934	E-3079	19 1/4"
—	E-9477	11953-01	H-7600, H-9600 CH-7600, CH-9600	E-927	E-9478	19 1/4"

RIGID TORQUE ARMS

Listed Alphabetically by O.E.M.

NAVISTAR



EUCLID NO.	REPLACES	FOR MODEL	EUCLID BUSHING NO.	LENGTH Center-to-Center
E-3788	Navistar 493920C1, 588117C91, 923905	Front 4-Spring and Air Ride	E-2225	18 1/8"
E-3789	Navistar 493921C1, 588118C91, 923915	Rear 4-Spring and Air Ride	E-2225	21 31/32"

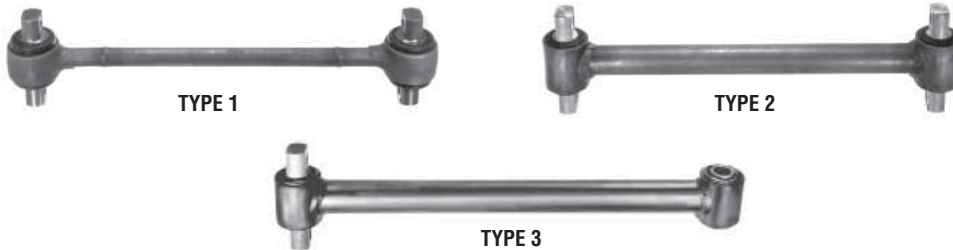
NEWAY

2



EUCLID NO.	REPLACES	FOR MODEL	EUCLID BUSHING NO.	LENGTH Center-to-Center
E-4319	Neway 915 44 001	RTS-218, 222, 536, 544	E-2939	14 9/16"

PETERBILT



EUCLID NO.	REPLACES	FOR MODEL	EUCLID BUSHING NO.	LENGTH Center-to-Center	TYPE
E-5082	Peterbilt 03-04119	"Air Trac" Air Ride	Not Rebushable	17 11/32"	2
E-5083	Peterbilt 03-04327		Not Rebushable	17 11/32"	2
E-7887	Peterbilt 03-05849	Quadraflex	Not Rebushable	18 1/2"	3
E-4753	Peterbilt 03-04839	4-Spring	Not Rebushable	19 1/8"	2
E-4771	Peterbilt 03-04059	Air Ride	E-2225	23"	1
E-7853	Peterbilt 03-05108	Low Air Leaf	Not Rebushable	25 5/8"	1

RIGID TORQUE ARMS

Listed Alphabetically by O.E.M.

REYCO & REYCO/TRANSPRO



TYPE 1



TYPE 2



TYPE 3



TYPE 4

Bushings Included Where Indicated By Photo

EUCLID NO.	REPLACES REYCO NO.	FOR MODEL	HANGER END BUSHING	AXLE SEAT END BUSHING	HANGER END BUSHING KIT	AXLE SEAT END BUSHING KIT	LENGTH Center-to-Center	TYPE
E-2855	T-7635 15178-01	21B	E-1160	E-1160	E-1312A	E-1312A	16 1/4"	1
E-2856	T-2293 15179-01	21B	E-1160	E-1160	E-1312A	E-1312A	18 7/8"	1
E-2858	09481-01 15012-01	102	E-10057	E-1982	E-9350	E-1983	21"	1
E-5256	09686-01	21B	E-1160	E-1160	E-1312A	E-1312A	25"	1
E-9585	16585-01	74AR/74B	E-9549	E-9549	E-9587	E-9587	14 1/4"	2
E-2859	10937-01	101A 102W	E-1964 (101A)	E-1980	E-1963 (101A) E-9350 (102W)	E-1981	19 5/16"	3
E-2860	11012-03 10938-01	101A (GMC) 102W	E-1964 (101A)	E-1980	E-1963 (101A) E-9350 (102W)	E-1981	20 1/2"	3
E-7744	10040-01	All 73, 83	E-7750	E-1980	E-7749	E-1981	15"	4
E-4825	Transpro 0075-20	Heavyweight and Super Heavy-Duty Model 88	E-1980	E-1980	E-4834A	E-4834A	19 7/8"	4
E-9619	16588-01	74B	E-9549	E-9549	E-9587	E-9587	21 1/4"	4
E-7746	12422-01	73, 83-60"	E-7750	E-1980	E-7749	E-1981	35 1/4"	4

2

RIGID TORQUE ARMS

Listed Alphabetically by O.E.M.

TRAILMOBILE

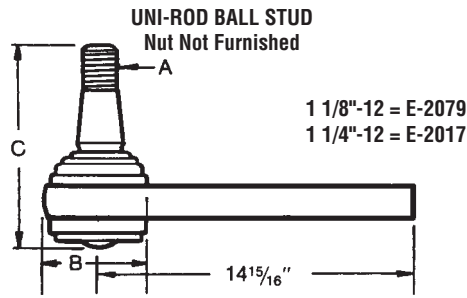


EUCLID NO. WITH BUSHINGS	REPLACES	FOR MODEL	EUCLID BUSHING NO.	EUCLID BUSHING ASSEMBLY	LENGTH Center-to-Center	TYPE
E-3391	Trailmobile 3-A11-64	3 1/2" Fabricated	E-934	E-3079	17"	1

2

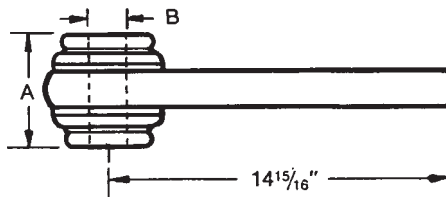
UNI-ROD UNIVERSAL BALL JOINT TORQUE ARMS

FOR ON/OFF HIGHWAY TRACTOR APPLICATIONS

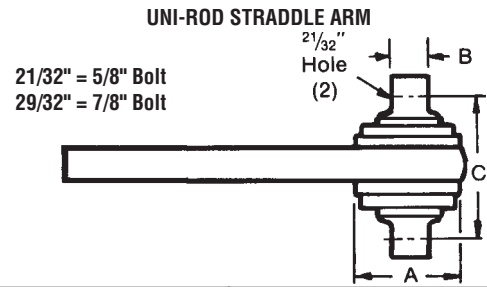


EUCLID NO.	REPLACES	A THREAD	B	C
E-3165	O&S BU 235	1 1/8"-12	3 3/8"	6 9/64"
E-3166	O&S MU 239	1 1/4"-12	3 3/8"	6 11/64"
E-3167	O&S BU 347	1 1/4"-12	3 3/4"	7 43/64"
E-3168	O&S MU 318	1 1/4"-12	3 3/4"	6 39/64"

UNI-ROD HOLLOW BALL

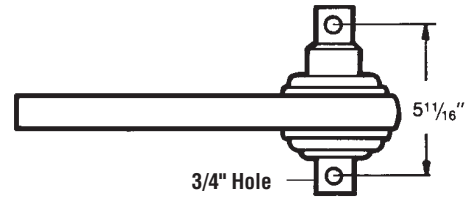


EUCLID NO.	REPLACES	A	B
E-3169	O&S HU 351	3 1/4"	1 1/8"



EUCLID NO.	REPLACES	HOLE DIA.	A	B	C
E-3170	O&S SU 236	2 1/32"	3 3/8"	1 1/8"	4 3/8"
E-3171	O&S SU 348	2 1/32"	3 3/4"	1 1/8"	4 3/8"
E-3987	O&S SU 37	29/32"	3 3/4"	1 1/8"	4

UNI-ROD OFFSET STRADDLE BALL



EUCLID NO.	REPLACES
E-3185	O&S SU 359

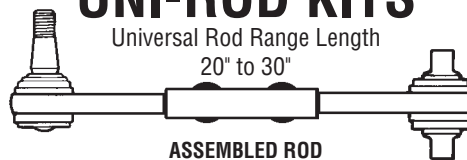
UNI-DAPTOR (CONNECTOR TUBE)



EUCLID NO.	REPLACES	A	I.D.
E-3172	O&S 8151-1	8"	1.130"
E-3173	O&S 8607-1	18"	1.135"

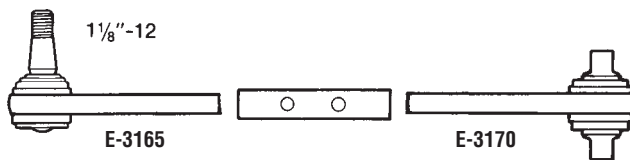
UNI-ROD KITS

Universal Rod Range Length
20" to 30"



E-2079

BALL STUD — STRADDLE BALL
34,000 - 36,000 lb. Suspensions

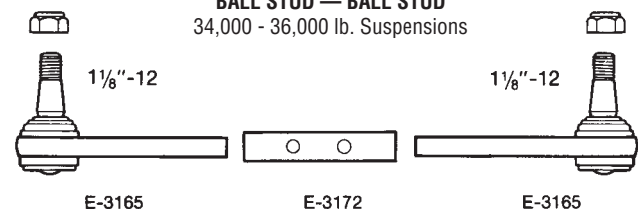


EUCLID E-3174

Replaces O&S SBU 3436

BALL STUD — BALL STUD

34,000 - 36,000 lb. Suspensions

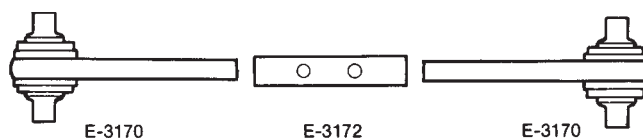


EUCLID E-3175

Replaces O&S SBU 3436

STRADDLE BALL — STRADDLE BALL

34,000 - 36,000 lb. Suspensions

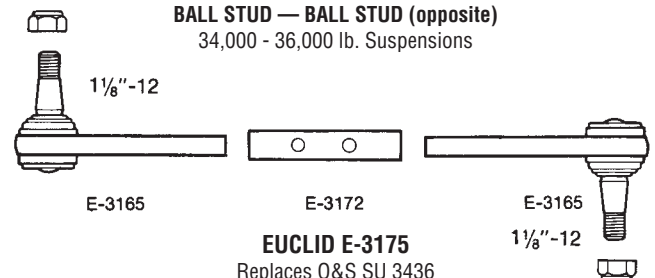


EUCLID E-3176

Replaces O&S SU 3436

BALL STUD — BALL STUD (opposite)

34,000 - 36,000 lb. Suspensions

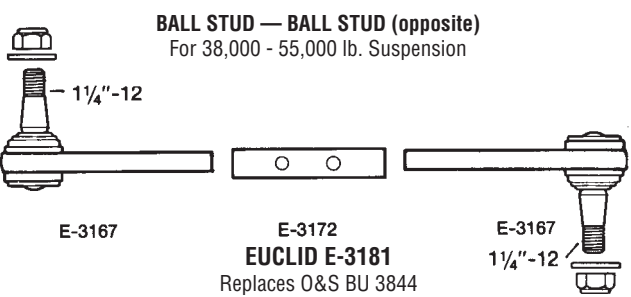
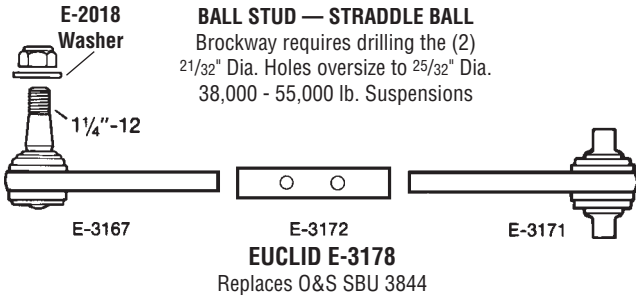
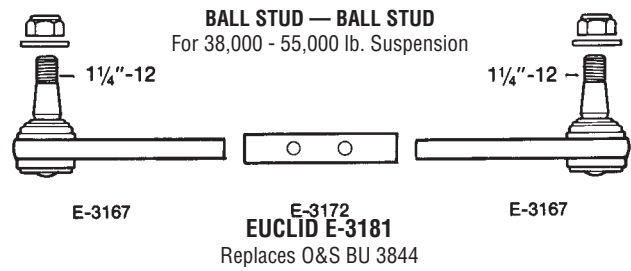
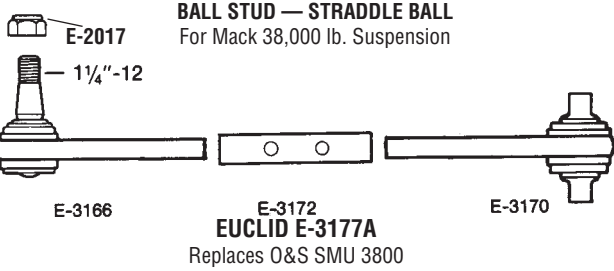


EUCLID E-3175

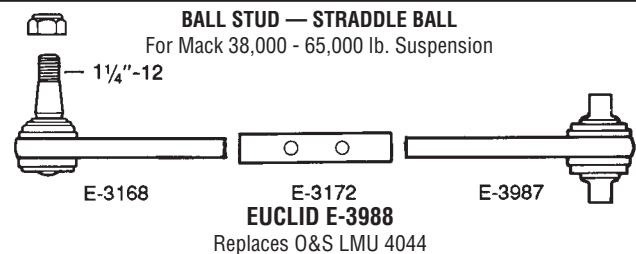
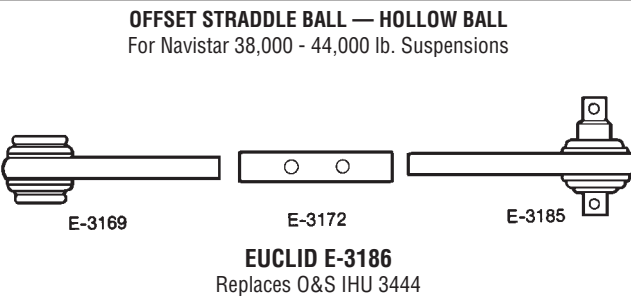
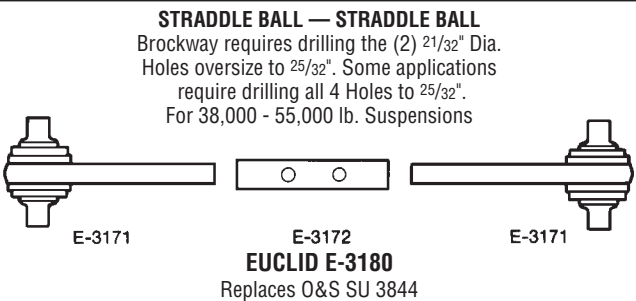
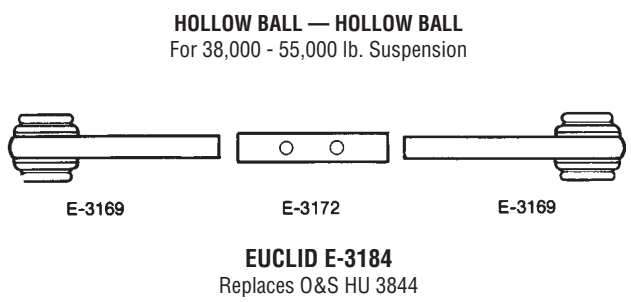
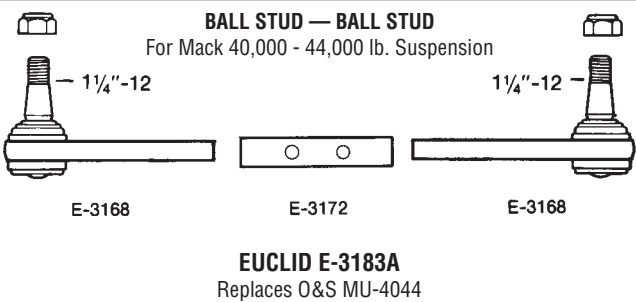
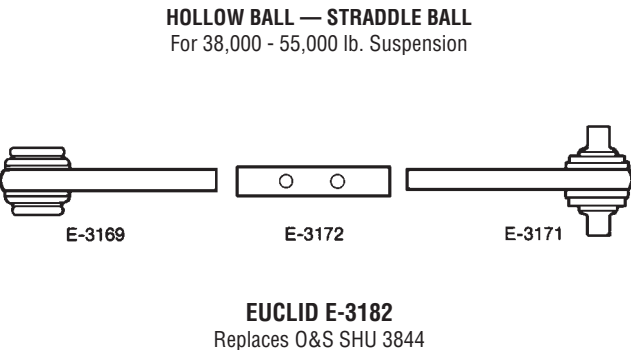
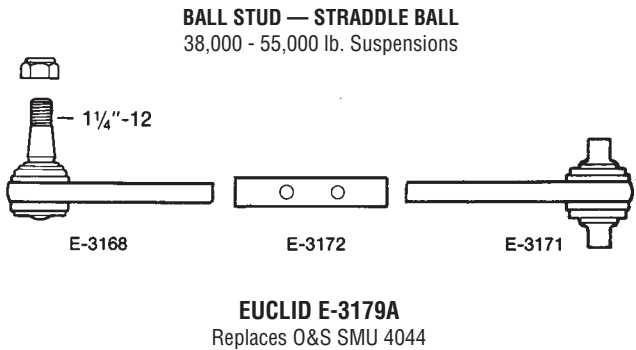
Replaces O&S SU 3436

UNI-ROD KITS

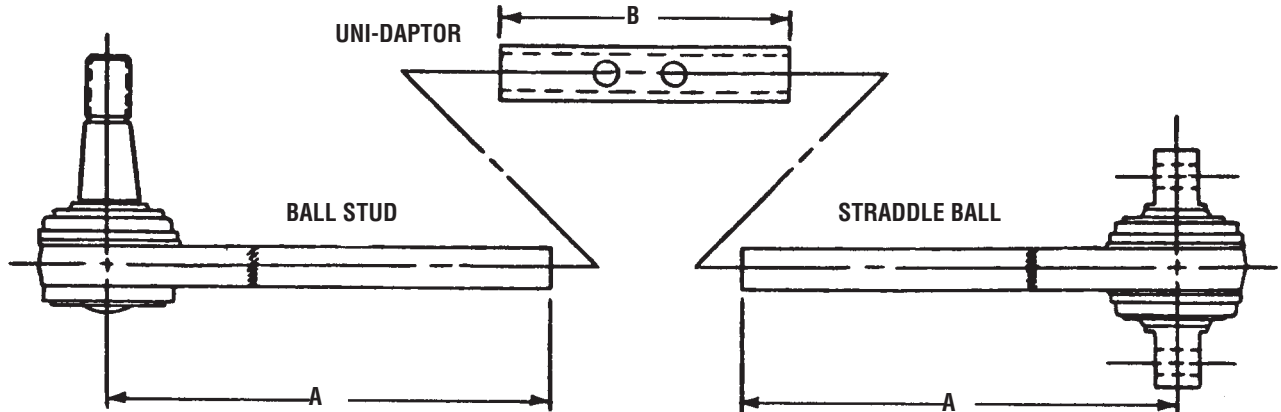
FOR ON/OFF HIGHWAY TRACTOR APPLICATIONS



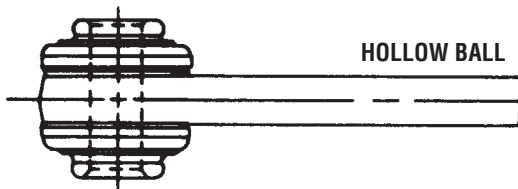
2



UNI-ROD UNIVERSAL BALL JOINT TORQUE ARMS ASSEMBLY INSTRUCTIONS



Dim. A — $14 \frac{15}{16} \pm 1/16$ " Dim. B — 8"

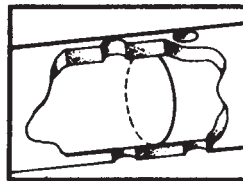


To fabricate Uni-Rod to required length:

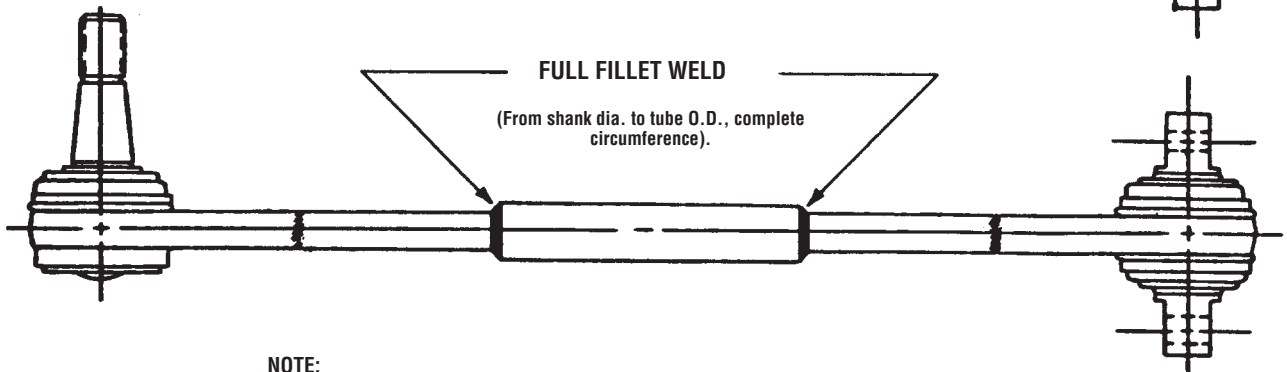
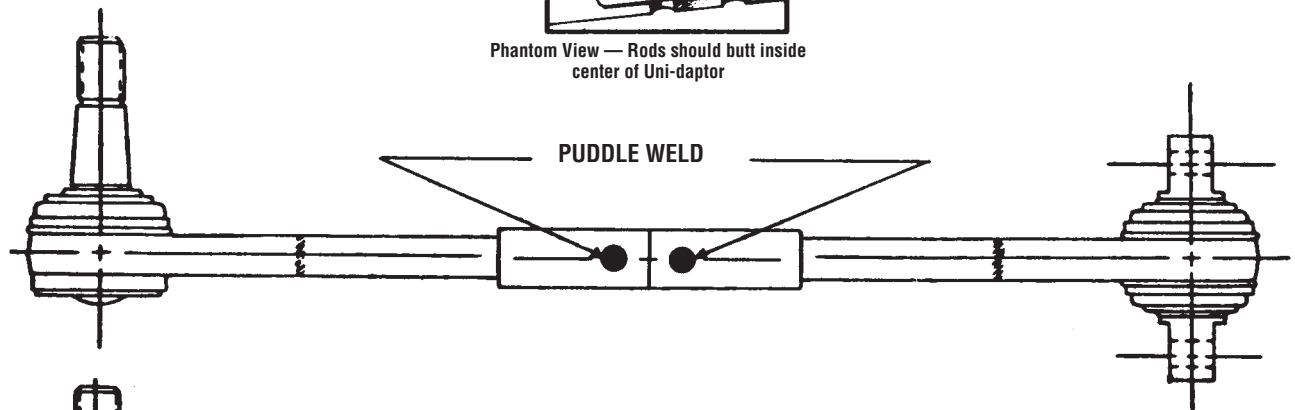
- (1) Determine finished length
- (2) Reading from tape supplied with Uni-Rod, cut each Uni-Rod end to proper length
- (3) Slip Uni-Rod ends into Uni-daptor so that the rods butt in the center
- (4) Puddle weld and fillet weld according to instructions

NOTE: The measuring tapes supplied have been calibrated to provide the proper finished length.

2



Phantom View — Rods should butt inside center of Uni-daptor



NOTE:
Euclid accepts no responsibility for the welding, the welds, or methods reliability.

SUSPENSION BUSHINGS







Select Type, Then Listed By I.D.

E.S.P. GUIDE

Easy Search for Parts

HOW TO USE THIS GUIDE:

1. Identify bushing type. Bushings are listed by type beginning with Type 1.
2. Measure bushing I.D. For Type 5 and Type 6 bushings, the thread size is shown in the I.D. column.
3. Bushings in this guide are listed in order from smallest to largest I.D., then O.D., then Length.
4. If there is not a typical measurement for I.D., such as Type 6 bushings, then the I.D. space is blank.
5. Where two I.D.s or O.D.s are listed for a bushing, the small I.D. or O.D. is used for reference.
6. After matching up bushing dimensions, confirm your choice by bushing type, end component, material and application.

TYPE 1 One-Piece  <p>One bushing is required to service one component or one component end.</p>	TYPE 2 Straight Two-Piece  <p>Two bushings are required to service one component or component end.</p>	TYPE 3 Straddle Mount  <p>Length on guide is center-to-center.</p>	TYPE 4 Tapered Two-Piece  <p>Two bushings are required to service one component or component end.</p>	TYPE 5 Tapered Stud  <p>Length on guide is stud shoulder length; I.D. is thread size.</p>	TYPE 6 Hendrickson Center Bushing  <p>I.D. is not measured on guide (left blank), small O.D. is measured first.</p>
--	---	---	--	--	--

EUCLID NO.	I.D.	O.D.	LENGTH	TYPE	END COMPONENT	MATERIAL	APPLICATION / NOTES
E-7452	5/8" (2)	3 1/4"	3 7/8"	1	Equalizer	Urethane/Steel	Hutch
E-1999A	5/8" (2)	3 1/4"	3 7/8"	1	Equalizer	Rubber/Steel	Hutch, Great Dane
N/A	5/8" (2)	3 1/4"	4 7/16"	1	Equalizer	Urethane/Steel	Trailmobile
E-3359	3/4"	2 3/8"	3"	1	Equalizer	Rubber/Steel	Reyco Shackle Bushing
E-3849	7/8"	1 3/4"	3 1/4"	1	Spring Eye	Rubber/Steel	Volvo/White
E-3817	7/8"	1 3/4"	4"	1	Spring Eye Bracket	Rubber/Steel	Freightliner
E-1980	7/8"	1 29/32"	3"	1	Torque Arm	Rubber/Steel	Reyco, Navistar/Dayton
E-7520	7/8"	1 29/32"	3"	1	Torque Arm	Urethane/Steel	Reyco, Navistar/Dayton
E-1061	7/8"	1 29/32"	3"	1	Hanger	Rubber/Steel	Reyco rebound roller
E-5276	7/8"	2"	3"	1	Torque Arm	Rubber/Steel	Hendrickson
E-3362	7/8"	2 1/32"	3"	1	Torque Arm	Rubber/Steel	Ford/Reyco 181/101F
E-3086	7/8"	2 3/8"	3"	1	Torque Arm	Rubber/Steel	Navistar/Dayton Tractor
E-5270	7/8"	2 3/8"	3"	1	Equalizer	Rubber/Steel	Hendrickson E-360
E-9286	15/16"	3 1/2"	4 1/4"	1	Beam	Rubber/Steel	Neway ARDAB
E-934	1"	1 29/32"	3"	1	Torque Arm	Rubber/Steel	Hutch, Trailmobile
E-7453	1"	1 29/32"	3"	1	Torque Arm	Polyurethane/Steel	Hutch
E-9549	1"	2 3/8"	4"	1	Torque Arm	Rubber/Steel	Reyco 74B
E-5269	1"	2 3/4"	4 5/8"	1	Equalizer	Rubber/Steel	Hendrickson E4-360, E4-400
N/A	1"	3 1/16"	3 1/4"	1	Equalizer	Rubber/Steel	Ford/Reyco 181/101F
E-7870	1 1/64"	3 3/4"	5 1/4"	1	Equalizer	Rubber/Steel	Peterbilt Quadreflex
E-3784	1 1/32"	2 1/2"	4 23/32"	1	Equalizer	Rubber/Steel	Navistar Corporate
E-4827	1 1/32"	3 5/16"	4"	1	Equalizer	Rubber/Steel	Binkley, Reyco/Transpro 86,88
E-9506	1 1/8"	2 1/8"	2 13/16"	1	Cab Tilt	Urethane/Steel	Volvo
E-4255	1 1/8"	2 3/8"	5"	1	Beam	Rubber/Steel	Neway
E-7485	1 1/8"	2 3/8"	5"	1	Beam	Urethane/steel	Neway
E-4256	1 1/8"	2 5/8"	5"	1	Beam	Rubber/Steel	Neway







N/A = No Longer Available

Continued on next page

(2) = Bushing with 2 - 5/8" holes.

SUSPENSION BUSHINGS

Select Type, Then Listed By I.D.

TYPE 1 One-Piece  One bushing is required to service one component or one component end.	TYPE 2 Straight Two-Piece  Two bushings are required to service one component or one component end.	TYPE 3 Straddle Mount  Length on guide is center-to-center.	TYPE 4 Tapered Two-Piece  Two bushings are required to service one component or one component end.	TYPE 5 Tapered Stud  Length on guide is stud shoulder length; I.D. is thread size.	TYPE 6 Hendrickson Center Bushing  I.D. is not measured on guide (left blank), small O.D. is measured first.
---	--	--	--	---	---







EUCLID NO.	I.D.	O.D.	LENGTH	TYPE	END COMPONENT	MATERIAL	APPLICATION / NOTES
E-2816	1 1/8"	2 3/4"	3 1/4"	1	Torque Arm	Rubber/Steel	Hendrickson, Navistar
E-4410A	1 1/8"	2 3/4"	5"	1	Beam	Rubber/Steel	Neway
E-1351	1 1/8"	2 7/8"	7"	1	Torque Arm	Rubber/Steel	Hendrickson, Navistar
E-9457	1 1/8"	3"	2 15/16"	1	Beam	Rubber/Steel	Page
E-2238	1 1/8"	3"	3 1/4"	1	Torque Arm	Rubber/Steel	Hendrickson, Navistar
E-1352	1 1/8"	3 3/8"	3 1/4"	1	Torque Arm	Rubber/Steel	Hendrickson, Navistar
E-7621	1 1/8"	3 1/2"	3 7/8"	1	Equalizer	Rubber/Steel	Hutch 9600,9700
E-4382A	1 1/8"	3 1/2"	5 1/4"	1	Beam	Rubber/Steel	Neway
E-13966	1 1/8"	2 3/4"	3 1/4"	1	Torque Rod	Rubber/Steel	Hendrickson
E-13967	1 1/8"	3 1/4"	3 1/4"	1	Torque Rod	Rubber/Steel	Hendrickson - Bonded bushing - covalent chemical bonding
E-3533	1 1/4"	1 1/2"	3 1/2"	1	Spring Eye	Bronze	Freightliner
E-2939	1 1/4"	2 3/8"	2 1/2"	1	Torque Arm	Rubber/Steel	Neway
E-2940	1 1/4"	2 3/8"	5"	1	Beam	Rubber/Steel	Neway
E-3900	1 1/4"	2 1/2"	4"	1	Spring Eye	Rubber/Steel	Mack
E-2849	1 1/4"	3 1/8"	4 1/2"	1	Equalizer	Rubber/Steel	Ford/Reyco 101, Slotted
E-2850	1 1/4"	3 1/8"	4 1/2"	1	Equalizer	Rubber/Steel	GM/Ford/Reyco, No Slots
E-6127	1 1/4"	3 3/8"	5 1/4"	1	Beam	Rubber/Steel	Hendrickson
E-6126	1 1/4"	3 3/8"	10 1/2"	1	Beam	Rubber/Steel	Hendrickson
N/A	1 1/4"	3 1/2"	5 1/4"	1	Beam	Rubber/Steel	Neway
E-2938	1 1/4"	3 1/2"	5 13/16"	1	Beam	Rubber/Steel	Neway
E-640	1 5/16"	2 5/16"	2 1/4"	1	Torque Arm	Rubber/Steel	Trailmobile
N/A	1 5/16"	2 27/64"	1 29/32"	1	Torque Arm	Urethane	Freightliner
E-4752	1 3/8"	2 5/32"	2 1/2"	1	Torque Arm	Rubber	Peterbilt Old Style
E-3360	1 1/2"	2 3/4"	3 3/8"	1	Torque Arm	Rubber/Steel	Ford/Reyco 181/101F
E-1966	1 1/2"	3 1/8"	4 1/2"	1	Equalizer	Rubber/Steel	Reyco, Slotted Ends
E-3977	1 1/2"	3 1/8"	4 1/2"	1	Equalizer	Rubber/Steel	Reyco, No Slots
E-8654	1 1/2"	3 1/8"	4 1/2"	1	Equalizer	Urethane/Steel	Reyco, No Slots
E-9439	1 1/2"	3 3/16"	4 7/16"	1	Beam	Rubber/Steel	Ridewell
E-4775	1 3/4"	2 1/2"	2 3/4"	1	Spring Eye	Rubber	Peterbilt
E-1336	1 3/4"	2 3/4"	2 3/8"	1	Shackle Pin	Rubber	Neway TL
E-6121	1 3/4"	6"	6 3/4"	1	Beam	Rubber/Steel	Hendrickson Tri-Functional
E-4669	2"	2 7/8"	4"	1	Stabilizer	Rubber	Kenworth
E-7446A	2"	2 7/8"	4"	1	Stabilizer	Eurethane	Kenworth
E-3082	2"	3 1/8"	4 1/4"	1	Equalizer	Rubber	Navistar/Dayton, Volvo
E-1072	2"	3 1/8"	4 1/4"	1	Equalizer	Rubber/Steel	Reyco, Spicer
E-4254	2"	3 3/8"	5 1/4"	1	Beam	Rubber/Steel	Neway
E-7515	1 5/8"	3 1/2"	4 1/2"	1	Miscellaneous	Urethane	Premier
E-7516	2"	3 1/2"	1 7/8"	1	Miscellaneous	Urethane	Premier

N/A = No Longer Available

Continued on next page

SUSPENSION BUSHINGS

Select Type, Then Listed By I.D.

TYPE 1 One Piece  One bushing is required to service one component or one component end.	TYPE 2 Straight Two-Piece  Two bushings are required to service one component or one component end.	TYPE 3 Straddle Mount  Length on guide is center-to-center.	TYPE 4 Tapered Two-Piece  Two bushings are required to service one component or one component end.	TYPE 5 Tapered Stud  Length on guide is stud shoulder length; I.D. is thread size.	TYPE 6 Hendrickson Center Bushing  I.D. is not measured on guide (left blank), small O.D. is measured first.
---	--	--	---	---	---

EUCLID NO.	I.D.	O.D.	LENGTH	TYPE	END COMPONENT	MATERIAL	APPLICATION / NOTES
E-7517	2"	3 1/2"	3 1/2"	1	Miscellaneous	Urethane	Premier
E-9368	2"	3 1/2"	4"	1	Equalizer	Rubber/Steel	Fruehauf
E-1940	2"	4 1/8"	4"	1	Saddle Drive Pin	Rubber/Steel	Hendrickson
E-9515	2"	4 1/8"	4"	1	Saddle Drive Pin	Poly/Steel	Hendrickson
E-8920	2 7/32"	4 1/8"	3 15/32"	1	Torque Arm	Urethane/Steel	Meritor, Rockwell, Tapered I.D.
E-4677A	2 11/32"	3 5/8"	3 3/4"	1	Torque Arm	Rubber	Chalmers, Standard
E-4678A	2 11/32"	3 11/16"	3 3/4"	1	Torque Arm	Rubber	Chalmers, Oversize
E-4252	2 1/2"	3 7/8"	5 1/4"	1	Beam	Rubber/Steel	Neway ARD
E-6128	2 1/2"	3 7/8"	5 1/4"	1	Beam	Rubber/Steel	Hendrickson MTL45
E-4253	2 1/2"	3 7/8"	5 3/4"	1	Beam	Rubber/Steel	Neway ARD
E-8681	2 1/2"	3 7/8"	5 3/4"	1	Beam	Urethane/Steel	Neway ARD
E-1340	2 1/2"	4 3/8"	5 1/4"	1	Beam End	Rubber/Steel	Hendrickson 340
N/A	2 1/2"	4 3/8"	5 1/4"	1	Beam End	Urethane/Steel	Hendrickson 340
E-2771	2 1/2"	4 3/8"	5 3/4"	1	Beam End	Rubber/Steel	Hendrickson 480
E-1341A	2 1/2"	4 3/8"	5 3/4"	1	Beam End	Rubber/Steel	Hendrickson 400/460
E-9512A	2 1/2"	4 3/8"	5 3/4"	1	Beam End	Urethane/Steel	Hendrickson 400/460
E-9419	2 1/2"	4 3/8"	6"	1	Beam End	Rubber/Steel	Hendrickson 520/650
E-7524	2 1/2"	4 3/4"	5 3/16"	1	Eye	Urethane	Silver Eagle
E-9293	2 5/8"	4 1/8"	5 1/4"	1	Beam	Rubber/Steel	Neway
E-1545	2 3/4"	3 5/8"	5 7/8"	1	Beam Center	Bronze	Hendrickson
E-1335	2 13/16"	3 3/4"	4"	1	Equalizer	Rubber	Neway TL
E-2554	3"	6"	6"	1	Beam End	Rubber/Steel	Hendrickson 650
E-2923A	3 7/16"	4 7/16"	7 9/16"	1	Trunnion	Rubber	Mack
E-2924A	3 7/16"	4 7/16"	8 3/8"	1	Trunnion	Rubber	Mack
E-7441	3 7/16"	4 7/16"	8 3/8"	1	Trunnion	Urethane	Mack
E-2921A	3 7/16"	4 11/16"	5 9/16"	1	Trunnion	Rubber	Mack
E-7478	3 7/16"	4 11/16"	5 9/16"	1	Trunnion	Urethane	Mack
E-7479	3 7/16"	4 11/16"	6 5/16"	1	Trunnion	Urethane	Mack
E-2922A	3 7/16"	4 11/16"	6 5/8"	1	Trunnion	Rubber	Mack
E-2925	3 1/2"	3 3/4"	3 7/16"	1	Trunnion	Bronze	Mack
E-4683	3 1/2"	4 1/16"	3 1/4"	1	Wishbone	Rubber/Steel	Chalmers
E-1334	3 1/2"	4 1/2"	3 1/2"	1	Trunnion	Rubber	Neway
E-7442	3 1/2"	4 1/2"	3 1/2"	1	Trunnion	Urethane	Neway, Fruehauf
E-7488	3 1/2"	4 1/2"	4"	1	Trunnion	Urethane	Page
E-2935	3 1/2"	4 1/2"	5 3/4"	1	Trunnion	Rubber	Neway
E-7443	3 1/2"	4 1/2"	5 3/4"	1	Trunnion	Urethane	Neway
E-7489	3 1/2"	4 1/2"	8 3/4"	1	Trunnion	Urethane	Page
E-7499	3 1/2"	4 1/2"	10 1/2"	1	Trailing Arm	Urethane	Peerless
E-1552	3 1/2"	4 3/4"	5 7/8"	1	Beam Center	Bronze	Hendrickson

N/A = No Longer Available

Continued on next page

SUSPENSION BUSHINGS

Select Type, Then Listed By I.D.

TYPE 1
One-Piece



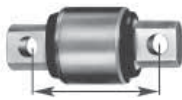
One bushing is required to service one component or one component end.

TYPE 2
Straight Two-Piece



Two bushings are required to service one component or component end.

TYPE 3
Straddle Mount




Length on guide is center-to-center.

TYPE 4
Tapered Two-Piece




Two bushings are required to service one component or component end.

TYPE 5
Tapered Stud



Length on guide is stud shoulder length; I.D. is thread size.

TYPE 6
Hendrickson Center Bushing



I.D. is not measured on guide (left blank), small O.D. is measured first.







EUCLID NO.	I.D.	O.D.	LENGTH	TYPE	END COMPONENT	MATERIAL	APPLICATION / NOTES
E-2927	3 1/2"	5 1/4"	10 5/8"	1	Trunnion	Rubber/Steel	Mack
E-5421	4"	4 1/4"	4 5/16"	1	Trunnion	Bronze	Mack
E-7434	4"	4 15/16"	7 7/8"	1	Trunnion	Urethane	General Trailer
E-7492	4"	5"	4 11/16"	1	Trunnion	Urethane	Page
E-1333	4"	5"	5 3/4"	1	Trunnion	Rubber	Neway
E-9544	4"	5"	9 3/8"	1	Trunnion	Rubber	Reyco 70B
E-3579	4"	5"	8 5/16"	1	Trunnion	Rubber	Fruehauf M2
E-8663	4"	5"	8 5/16"	1	Trunnion	Urethane	Fruehauf M2
E-1332	4"	5"	8 3/4"	1	Trunnion	Rubber	Neway TS
E-7486	4"	5"	8 3/4"	1	Trunnion	Urethane	Neway TS
E-5216	4"	5"	9"	1	Trunnion	Rubber	Hutch H900
E-7455	4"	5"	9"	1	Trunnion	Urethane	Hutch H900
E-7434	4"	4 7/8"	7 7/8"	1	Trunnion	Urethane	Peerless
E-7493	4 1/2"	5 1/2"	4 7/8"	1	Trunnion	Urethane	Page
E-5432	5"	5 1/4"	4 5/16"	1	Trunnion	Bronze	Mack
E-2998	1 1/2"	4 1/2"	4 9/16"	1	Beam	Rubber/Steel	Neway, Square I.D.
E-8797	1 1/4"	1 5/8"	4"	1	Spring Eye	Bronze	Freightliner
E-3534	1 1/4"-8	1 1/2"	3 1/2"	1	Spring Eye	Bronze	Freightliner
E-3534	1 1/4"-8	1 1/2"	3 1/2"	1	Spring	Bronze	Freightliner
E-8799	1 1/4"-8	1 1/2"	4"	1	Spring Eye	Steel	Freightliner
E-9292	1 1/8"	3 1/2"	5"	1	Beam	Rubber/Steel	Neway
E-8920	1 3/4"	4 1/8"	3 15/32"	1	Torque Arm	Urethane/Steel	Meritor, Rockwell, Tapered I.D.
E-9458	3 5/8"	5"	5 5/8"	1	Pivot Arm	Rubber	Page Lift Axles
E-7474	5/8"	1 13/16"	1 1/4"	2	Shock	Urethane	Multiple
E-7447	7/8"	1 1/2"	2 3/4"	2	Spring Eye	Urethane	Cambria
E-3563	1 1/16"	1 5/8"	3 3/16"	2	Spring Eye Bracket	Urethane	Freightliner
E-7429	1 1/4"	2 1/4"	2 3/4"	2	Spring Eye	Urethane	Crown Coach, Flanged End
E-7841	1 3/4"	2 1/2"	2 1/2"	2	Spring Eye	Rubber	Peterbilt
E-7509	1 3/4"	2 1/2"	2 3/4"	2	Spring Eye	Urethane	Peterbilt
E-7701	2 1/4"	2 49/64"	2 9/32"	2	Equalizer	Urethane	Freightliner, Flanged End
E-3540A	2 1/4"	2 3/4"	2 3/8"	2	Equalizer	Urethane	Freightliner, Flanged End
E-7427	2 3/8"	3 5/8"	1 7/8"	2	Torque Arm	Urethane	Chalmers, Standard
E-4745	2 1/2"	3 1/8"	2 1/4"	2	Equalizer	Injected Urethane	Peterbilt, Flanged end
E-7510	2 1/2"	3 1/8"	2 1/4"	2	Equalizer	Cast Urethane	Peterbilt, Flanged end
E-7426	2 1/2"	4 1/4"	2 1/8"	2	Torque Arm	Urethane	Chalmers
E-8917	2 1/2"	4 1/2"	2 1/16"	2	Torque Arm	Urethane	Chalmers
E-9440	3 7/16"	4 1/2"	4"	2	Trunnion	Rubber	Ridewell Dynalastic

N/A = No Longer Available

Continued on next page

SUSPENSION BUSHINGS

Select Type, Then Listed By I.D.

TYPE 1 One Piece  <p>One bushing is required to service one component or one component end.</p>	TYPE 2 Straight Two Piece  <p>Two bushings are required to service one component or one component end.</p>	TYPE 3 Straddle Mount  <p>Length on guide is center to center.</p>	TYPE 4 Tapered Two Piece  <p>Two bushings are required to service one component or one component end.</p>	TYPE 5 Tapered Stud  <p>Length on guide is stud shoulder length; I.D. is thread size.</p>	TYPE 6 Hendrickson Center Bushing  <p>I.D. is not measured on guide (left blank), small O.D. is measured first.</p>
--	---	---	--	--	--

EUCLID NO.	I.D.	O.D.	LENGTH	TYPE	END COMPONENT	MATERIAL	APPLICATION / NOTES
E-8833	5 1/16"	5 1/4"	2 3/4"	2	Trunnion	Nylon	Volvo
E-13961	5/8"	3 1/4"	4 3/8"	3	Torque Rod	Rubber/Steel	Hendrickson - Bonded bushing - covalent chemical bonding
E-13963	3/4"	2 3/4"	5 11/16"	3	Torque Rod	Rubber/Steel	Hendrickson
E-13964	3/4"	3 1/4"	5 11/16"	3	Torque Rod	Rubber/Steel	Hendrickson - Bonded bushing - covalent chemical bonding
E-13970	3/4"	3 1/4"	4 3/8"	3	Torque Rod	Rubber/Steel	Hendrickson - Bonded bushing - covalent chemical bonding
E-13971	7/8"	3 1/4"	5 1/4"	3	Torque Rod	Rubber/Steel	Hendrickson - Bonded bushing - covalent chemical bonding
E-5275	N/A	2"	4 3/8"	3	Torque Arm	Rubber/Steel	5/8" Bolt Holes
E-9395	N/A	2 7/16"	4 3/8"	3	Torque Arm	Rubber/Steel	5/8" Bolt Holes
E-2225	N/A	2 17/32"	4 3/8"	3	Torque Arm	Rubber/Steel	5/8" Bolt Holes
E-7638	N/A	2 17/32"	4 3/8"	3	Torque Arm	Urethane/Steel	5/8" Bolt Holes
E-8804	N/A	2 1/2"	5 21/32"	3	Spring Eye	Rubber/Steel	3/4" Bolt Holes
E-4664	N/A	2 3/4"	4 3/8"	3	Torque Arm	Rubber/Steel/Alum.	5/8" Bolts , Aluminum Pin
E-7639	N/A	2 3/4"	4 3/8"	3	Torque Arm	Urethane/Steel	5/8" Bolts
E-3868	N/A	2 3/4"	4 3/8"	3	Torque Arm	Rubber/Steel	3/4" Bolts
E-2226	N/A	2 3/4"	4 3/8"	3	Torque Arm	Rubber/Steel	5/8" Bolts
E-9517	N/A	2 3/4"	5 11/16"	3	Torque Arm	Poly/Steel	3/4" Bolts
E-2814	N/A	2 3/4"	5 11/16"	3	Torque Arm	Rubber/Steel	3/4" Bolts
E-3411	N/A	3"	5 11/16"	3	Torque Arm	Rubber/Steel	3/4" Bolts
E-9324	N/A	3 1/2"	4 3/8"	3	Torque Arm	Rubber /Steel	5/8" Bolts
E-9288	N/A	3 3/4"	7 7/8"	3	Front Beam	Rubber/Steel	7/8" Bolts
E-9287	N/A	3 3/4"	7 7/8"	3	Rear Beam	Rubber/Steel	7/8" Bolts
E-9323	N/A	4 1/8"	4 3/8"	3	Torque Arm	Rubber / Steel	5/8" Bolts
E-8655	N/A	4 1/8"	5 1/4"	3	Torque Arm	Urethane/Steel	5/8" Bolts
E-9321	N/A	4 1/8"	5 1/4"	3	Torque Arm	Rubber / Steel	3/4" Bolts
E-9322	N/A	4 1/8"	5 1/4"	3	Torque Arm	Rubber / Steel	1" Bolts
E-4403	3/4"	1 17/32"	13/16"	4	Shock	Rubber/Steel	Neway
E-7528	3/4"	1 7/16"	7/8"	4	Shock	Urethane	Multiple
E-8684	3/4"	1 17/32"	15/16"	4	Shock	Urethane/Steel	Neway
E-3296	3/4"	2 5/32"	1 3/16"	4	Torque Arm	Urethane	Freightliner
E-1982	1"	1 3/4"	2 11/16"	4	Torque Arm	Rubber/Steel	Reyco, Spicer
E-7522	1"	1 3/4"	2 11/16"	4	Torque Arm	Urethane/Steel	Reyco
E-1038	1"	1 3/4"	3 1/8"	4	Torque Arm	Rubber/Steel	Hutch
N/A	1"	1 3/4"	3 1/8"	4	Torque Arm	Urethane/Steel	Hutch
E-1964	1"	1 13/16"	2 7/8"	4	Torque Arm	Rubber/Steel	Reyco/Eccentric I.D.
E-8689	1"	1 13/16"	2 7/8"	4	Torque Arm	Urethane/Steel	Reyco/Eccentric I.D.
E-1160	1"	1 13/16"	3"	4	Torque Arm	Rubber/Steel	Reyco 21B

N/A = No Longer Available

Continued on next page

SUSPENSION BUSHINGS

Select Type, Then Listed By I.D.

TYPE 1
One-Piece




One bushing is required to service one component or one component end.

TYPE 2
Straight Two-Piece



Two bushings are required to service one component or component end.

TYPE 3
Straddle Mount




Length on guide is center-to-center.

TYPE 4
Tapered Two-Piece




Two bushings are required to service one component or component end.

TYPE 5
Tapered Stud



Length on guide is stud shoulder length; I.D. is thread size.

TYPE 6
Hendrickson Center Bushing



I.D. is not measured on guide (left blank), small O.D. is measured first.

EUCLID NO.	I.D.	O.D.	LENGTH	TYPE	END COMPONENT	MATERIAL	APPLICATION / NOTES
E-7523	1"	1 13/16"	3"	4	Torque Arm	Urethane/Steel	Reyco 21B
E-7529	1"	1 7/8"	1"	4	Shock	Urethane	Multiple
E-927	1 1/4"	2 3/16"	2 3/8"	4	Torque Arm	Rubber/Steel	Fruehauf, Hutch
E-7433	1 1/4"	2 3/16"	2 3/8"	4	Torque Arm	Urethane/Steel	Fruehauf, Hutch
E-1159	1 5/8"	3 3/8"	4 13/32"	4	Equalizer	Rubber/Steel	Reyco 21B
E-8653	1 5/8"	3 3/8"	4 13/32"	4	Equalizer	Urethane/Steel	Reyco 21B
E-1020	2"	3 1/2"	4 3/8"	4	Equalizer	Rubber/Steel	Fruehauf
E-7432	2"	3 1/2"	4 3/8"	4	Equalizer	Urethane/Steel	Fruehauf
E-813	2 3/8"	4 1/16"	2 9/16"	4	Equalizer	Rubber	Reyco 21
E-7457	3"	5 21/32"	2 7/8"	4	Suspension	Urethane	Hyster
E-2227	1 1/8"-12	2 17/32"	2"	5	Torque Arm	Rubber/Steel	Multiple
E-2916	1 1/8"-12	2 3/4"	2"	5	Torque Arm	Rubber/Steel	Multiple
E-9518	1 1/4"-12	2 3/4"	1 7/8"	5	Torque Arm	Urethane/Steel	Multiple
E-2815	1 1/4"-12	2 3/4"	1 7/8"	5	Torque Arm	Rubber/Steel	Multiple
E-2228	1 1/4"-12	2 3/4"	3"	5	Torque Arm	Rubber/Steel	Multiple
E-8651	1 1/4"-12	2 3/4"	3"	5	Torque Arm	Urethane/Steel	Multiple
E-13965	1 7/8"	3 1/4"	7"	5	Torque Rod	Rubber/Steel	Hendrickson - Bonded bushing - covalent chemical bonding
E-13968	2"	2 3/4"	6 5/8"	5	Torque Rod	Rubber/Steel	Hendrickson
E-13969	2"	3 1/4"	6 5/8"	5	Torque Rod	Rubber/Steel	Hendrickson - Bonded bushing - covalent chemical bonding
E-13972	3"	3 1/4"	8 3/4"	5	Torque Rod	Rubber/Steel	Hendrickson - Bonded bushing - covalent chemical bonding
E-1338	1 5/16"	2 3/4" SM 3 5/8" LG	12"	6	Center Beam	Rubber/Steel	Hendrickson
E-1594	1 5/16"	2 3/4" SM 3 5/8" LG	12"	6	Center Beam	Rubber/Steel	Hendrickson
E-6979	2 7/16"	3 1/2" SM 4 3/4" LG	12"	6	Center Beam	Rubber/Steel	Hendrickson
E-1339	2 7/16"	3 1/2" SM 4 3/4" LG	12"	6	Center Beam	Rubber/Steel	Hendrickson
E-1595	2 7/16"	3 1/2" SM 4 3/4" LG	12"	6	Center Beam	Rubber/Steel	Hendrickson
E-6979	2 7/16"	3 1/2" SM 4 3/4" LG	12"	6	Center Beam	Rubber/Steel	Hendrickson High Confinement
E-6980	2 7/16"	3 1/2" SM 4 3/4" LG	12"	6	Center Beam	Rubber/Steel	Hendrickson High Confinement
E-9510	2 7/16"	3 1/2" SM 4 3/4" LG	12"	6	Center Beam	Urethane/Steel	Hendrickson
E-2553	4"	4" SM 5 1/2" LG	14 5/8"	6	Center Beam	Rubber/Steel	Hendrickson

2

AIR VALVES

AIR GAUGE

2 1/2" Dia
0-200 PSI



1/4" P.T.

EUCLID NO.	REPLACES
E-4332	Neway 900 54 280

ELECTRIC VALVE (Normally Closed)



EUCLID NO.	REPLACES
E-4325	Neway 900 54 074

MANUAL VALVE



EUCLID NO.	REPLACES
E-4326	Neway 900 54 088

PRESSURE REGULATOR VALVE

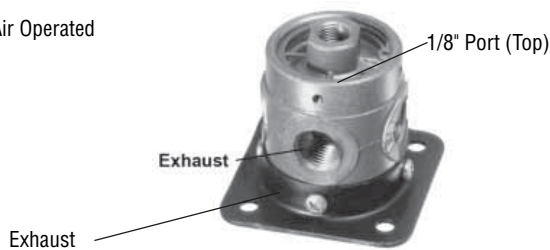


1/4" All Ports

EUCLID NO.	REPLACES
E-4327	Neway 900 54 077

PILOT VALVE

Air Operated

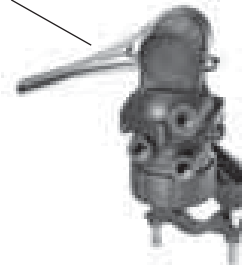


All Side Ports 1/4"

EUCLID NO.	REPLACES
E-4328	Neway 900 54 079

HAND VALVE

Handle 900-54-083
S.O.S. only



1/4" Ports

EUCLID NO.	REPLACES
E-4329	Neway 900 54 082

QUICK RELEASE VALVE



1/4" Ports

EUCLID NO.	REPLACES
E-4330A	Neway 900 54 096

ELECTRIC VALVE (Normally Open)



1/4" Ports

EUCLID NO.	REPLACES
E-4331	Neway 900 54 075

AIR VALVES

PRESSURE PROTECTION VALVE



1/4" P.T.
Includes Internal Filter

EUCLID NO.	REPLACES	FILTER
E-4324	Neway 900 54 001	900 54 466 SRK-143
	905 54 107	
	Reyco 12915-03	

PRESSURE PROTECTION VALVE



EUCLID NO.	REPLACES
E-3762	Hendrickson 30272-000
	Bendix 277822

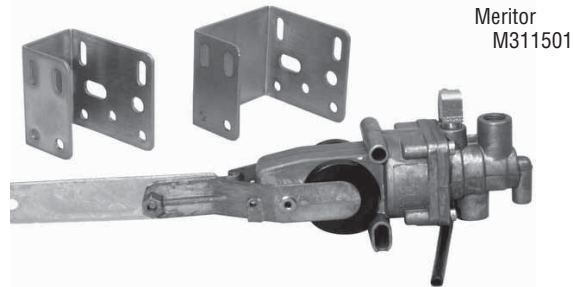
HEIGHT CONTROL VALVES

HADLEY DELAY TYPE



EUCLID NO.	REPLACES	GENERAL INFORMATION
E-9623	Hadley H00450CE	Use E-9625 Linkage Assembly

HADLEY DELAY TYPE WITH INTEGRAL DUMP VALVE



Meritor M311501

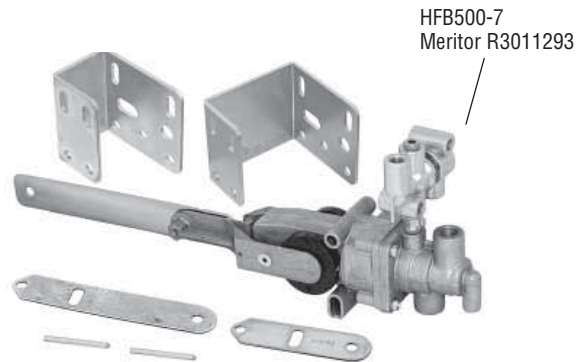
EUCLID NO.	REPLACES	GENERAL INFORMATION
E-9624	Hadley H00500C Meritor M311501	Eliminates need for separate dump valve. Tight dead band and fast fill and exhaust rates. Use E-9625 Linkage Assembly

HADLEY LEVELING VALVE LINK ASSEMBLY



EUCLID NO.	REPLACES	GENERAL INFORMATION
E-9625	Hadley HPB450-3	Use with E-9623 and E-9624 Valves. Length range is 3 5/8" to 19 5/8" MOS2 filled rubber pushing ends.

HADLEY DELAY With Automatic Integral Dump Valve



HFB500-7
Meritor R3011293

M311500 = E11293

EUCLID NO.	REPLACES	GENERAL INFORMATION
E-11293	Hadley H00500CA	Eliminates need for separate dump valve. Tight dead band and fast fill and exhaust rates. Use E-9625 Linkage Assembly. For trailer only.

HEIGHT CONTROL VALVES

HADLEY UNIVERSAL VALVE FOR AIR CAB SUSPENSION SYSTEM



Link Kit E-9625

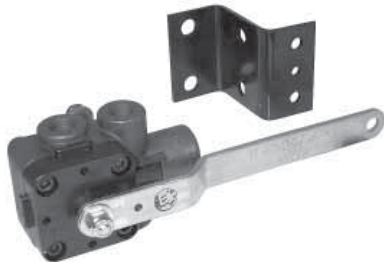
EUCLID NO.	REPLACES	GENERAL INFORMATION
E-11464	Hadley H00600P	Low cost, compact size. Complete with Valve Link Kit.

HENDRICKSON TRUCK BARKSDALE VALVE



EUCLID NO.	REPLACES	FOR MODEL	GENERAL INFORMATION
E-11494	Hendrickson 60826-000	HA	Use E-3760A Leveling Valve Link Assembly

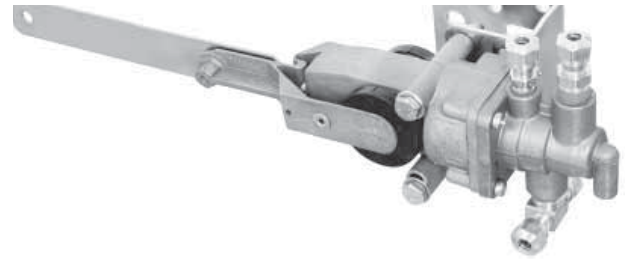
HENDRICKSON TRUCK (Barksdale) With Automatic Integral Dump Valve



4 Ports & 1 Dump

EUCLID NO.	REPLACES	GENERAL INFORMATION
E-11870	Hendrickson 57977-000	Eliminates need for separate dump valve. Arm is unique to Hendrickson Truck Suspensions

HADLEY WITH INTEGRAL DUMP VALVE To replace Barksdale valves



Substitute for 57977 (E-11870)

EUCLID NO.	REPLACES	GENERAL INFORMATION
E-11465	Hadley H00500CB	Contains correct mounting bracket, lever, and fittings to replace Barksdale Valves on most Peterbilts.

HENDRICKSON BARKSDALE VALVE

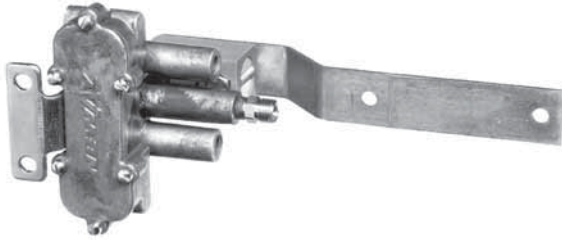


EUCLID NO.	REPLACES	GENERAL INFORMATION
E-11855	Hendrickson VS-227	Standard OE on all INTRAAX and VANTRAAX trailer air suspensions. Improved response and exhaust during loading and unloading.

2

HEIGHT CONTROL VALVES

NEWAY CONTROLLED REPOSE HEIGHT CONTROL VALVE



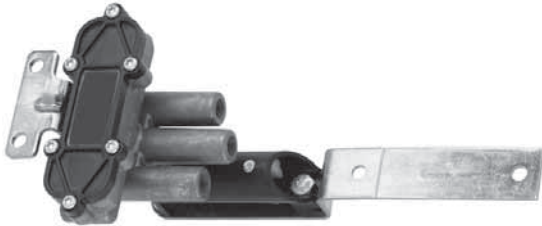
EUCLID NO.	REPLACES	DUMP VALVE INCLUDED	FITTINGS PROVIDED	GENERAL INFORMATION
E-4323	Neway 900 54 007	No	1/4"	Uses E-7852 Leveling Valve Link Assembly

NEWAY CONTROLLED REPOSE HEIGHT CONTROL VALVE



EUCLID NO.	REPLACES	DUMP VALVE INCLUDED	FITTINGS PROVIDED	GENERAL INFORMATION
E-13909	Neway 905 54 114	No	No fittings	Uses E-7852 Leveling Valve Link Assembly

NEWAY CONTROLLED REPOSE HEIGHT CONTROL VALVE



EUCLID NO.	REPLACES	DUMP VALVE INCLUDED	FITTINGS PROVIDED	GENERAL INFORMATION
E-13910	Neway 905 54 147	No	Metric adapter (1/8" NPT to M10 x 1)	Uses E-7852 Leveling Valve Link Assembly

NEWAY CONTROLLED REPOSE HEIGHT CONTROL VALVE



EUCLID NO.	REPLACES	DUMP VALVE INCLUDED	FITTINGS PROVIDED	GENERAL INFORMATION
E-13911	Neway 905 54 183	No	3/8"	Uses E-7852 Leveling Valve Link Assembly

NEWAY CONTROLLED REPOSE HEIGHT CONTROL VALVE



EUCLID NO.	REPLACES	DUMP VALVE INCLUDED	FITTINGS PROVIDED	GENERAL INFORMATION
E-13912	Neway 905 54 334	Yes	1/4" & 3/8"	Uses E-7852 Leveling Valve Link Assembly Dump normally open

NEWAY CONTROLLED REPOSE HEIGHT CONTROL VALVE



EUCLID NO.	REPLACES	DUMP VALVE INCLUDED	FITTINGS PROVIDED	GENERAL INFORMATION
E-13913	Neway 905 54 648	Yes	1/4" & 3/8"	Uses E-7852 Leveling Valve Link Assembly Dump normally closed

HEIGHT CONTROL VALVES

NEWAY DUMP VALVE FOR CR HEIGHT CONTROL VALVE



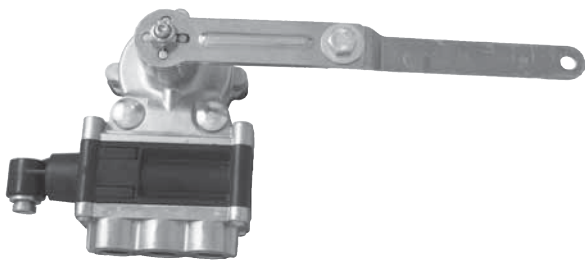
EUCLID NO.	REPLACES	ALL PORTS	FITTINGS PROVIDED	GENERAL INFORMATION
E-13914	Neway 905 54 335	1/8" NPT	1/4" & 3/8"	Normally closed

NEWAY IMMEDIATE RESPONSE HEIGHT CONTROL VALVE



EUCLID NO.	REPLACES	DUMP VALVE INCLUDED	FITTINGS PROVIDED	GENERAL INFORMATION
E-13916	Neway 905 55 106	Yes	1/4" NPT	Type EGP

NEWAY PRECISION RESPONSE HEIGHT CONTROL VALVE



PTC (Push to connect)

EUCLID NO.	REPLACES	DUMP VALVE INCLUDED	PORTS
E-13918	Neway 905 54 950	Yes	Pilot Port 1/4"PTC All Other Ports 1/4" NPT

NEWAY DUMP VALVE FOR CR HEIGHT CONTROL VALVE



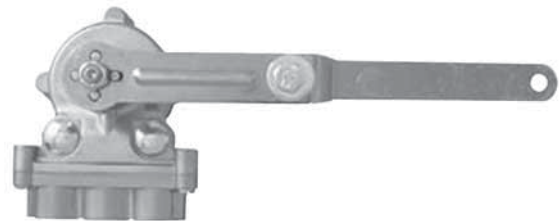
EUCLID NO.	REPLACES	ALL PORTS	FITTINGS PROVIDED	GENERAL INFORMATION
E-13915	Neway 905 54 902	1/8" NPT	1/4" & 3/8"	Normally opened

NEWAY PRECISION RESPONSE HEIGHT CONTROL VALVE



EUCLID NO.	REPLACES	DUMP VALVE INCLUDED	PORTS
E-13917	Neway 905 54 945	No	All Ports 1/4" NPT

NEWAY PRECISION RESPONSE HEIGHT CONTROL VALVE



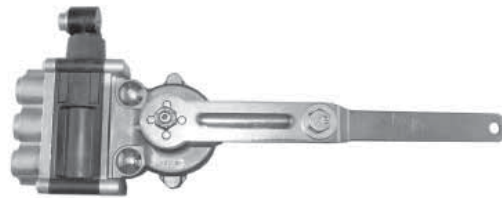
EUCLID NO.	REPLACES	DUMP VALVE INCLUDED	PORTS
E-13919	Neway 905 55 085	No	M12 x 1.5

HEIGHT CONTROL VALVES

NEWAY PRECISION RESPONSE HEIGHT CONTROL VALVE



NEWAY PRECISION RESPONSE HEIGHT CONTROL VALVE



PTC (Push to connect)

EUCLID NO.	REPLACES	DUMP VALVE INCLUDED	PORTS
E-13920	Neway 905 55 273	No	All Ports 3/8" PTC

NEWAY IMMEDIATE RESPONSE HEIGHT CONTROL VALVE



Includes linkage Kit E-9838 sold separately

EUCLID NO.	REPLACES	DUMP VALVE INCLUDED	PORTS
E-13922	Neway 905 55 105, 905 54 241	No	1/4" NPT

NEWAY LINK HALF

A



Use with E-13922
E-12525 and E-8930A Valves

EUCLID NO.	REPLACES	A	I.D.
E-4333	Neway 900 54 188	8"	1/4"
E-4334	Neway 900 54 460	14"	1/4"

PTC (Push to connect)

EUCLID NO.	REPLACES	DUMP VALVE INCLUDED	PORTS
E-13921	Neway 905 55 274	Yes	Pilot Port 1/4" PTC All Other Ports 3/8" NPT

LINKAGE



EUCLID NO.	REPLACES	APPLICATION & GENERAL INFORMATION
E-9838	Neway SRK-205	Linkage kit to be used with Neway valve 905-55-105 and Midland valve KN27000

HEIGHT CONTROL VALVES

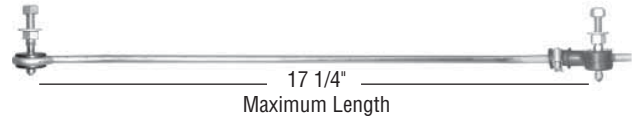
LEVELING VALVE LINK ASSEMBLY



13 3/4" Long C/C w/ Ends Installed

EUCLID NO.	REPLACES	GENERAL INFORMATION
E-7852	Neway SRK-168 Peterbilt 03-06224 Haldex 48100-225	Use for applications requiring vertical mounting only.

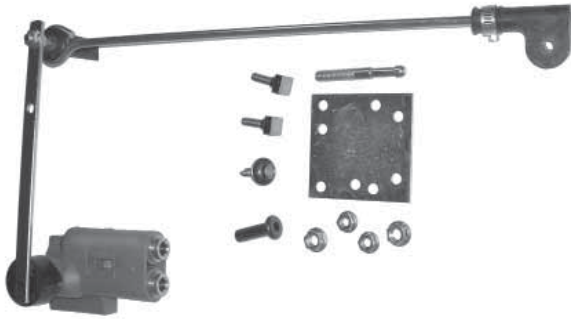
LEVELING VALVE LINK ASSEMBLY



Use with E-11494 Valves

EUCLID NO.	REPLACES	GENERAL INFORMATION
E-3760A	Hendrickson 58994-021	Adjustable Length

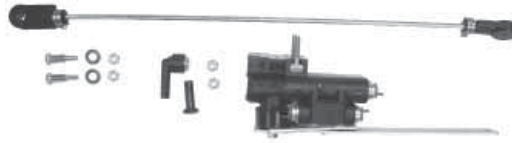
RIDEWELL - VERTICAL MOUNT DELAY (Includes Linkage Bracket)



EUCLID NO.	REPLACES	FOR MODEL
E-12525	Ridewell 124723B205 124723B204 Reyco 23329-02	Use for applications requiring vertical mounting only. Ridewell Linkage Kit #1247423C011

2

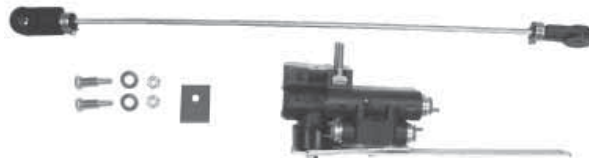
HEIGHT CONTROL VALVES



EUCLID NO.	REPLACES	APPLICATION INFORMATION	COMMENTS
E-13907	Meritor KIT11308	Meritor RHP11 and RPH55	With Automatic Dump Valve. Linkage assembly provided with instructions. Linkage rod is cut to fit various ride heights.



EUCLID NO.	REPLACES	APPLICATION INFORMATION	COMMENTS
E-14332	Meritor KIT11309	Meritor RHP	Without Automatic Dump Valve. Linkage assembly provided with instructions. Linkage rod is cut to fit various ride heights.



EUCLID NO.	REPLACES	APPLICATION INFORMATION	COMMENTS
E-14333	Meritor KIT11332	Meritor RideSentry MPA	With Automatic Dump Valve. Linkage assembly provided with instructions. Linkage rod is cut to fit various ride heights.



EUCLID NO.	REPLACES	APPLICATION INFORMATION	COMMENTS
E-14334	Meritor KIT11333	Meritor RideSentry MPA	Without Automatic Dump Valve. Linkage assembly provided with instructions. Linkage rod is cut to fit various ride heights.

2

BUSHING AND BOLT HARDWARE

BOLT / BUSHING KIT



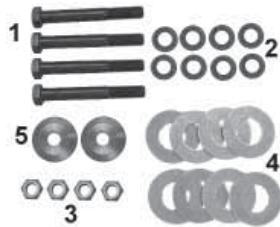
EUCLID NO.	REPLACES	ITEM	QTY.	DESCRIPTION
E-11912	Meritor Kit 11300	1	4	Pivot Bolt - 7/8"-9 x 6" Grade A-490
		2	8	Hardened Flat Washer - 7/8" ID
		3	4	Torque Nut, 7/8"-9, Grade C
		4	8	Trust Washer
		5	4	Bushing
		6	2	Pivot Bolt Washer, 3"OD x 7/8" ID x 1/2" Thick
		7	1	P80 Lube 4 oz.

HEIGHT CONTROL VALVE



EUCLID NO.	REPLACES	ITEM	QTY.	DESCRIPTION
E-13902 11301	Meritor Kit	1	4	Capscrew
		2	8	Thrust Washer
		3	1	Washer - Outer
		4	1	Washer - Inner
		5	4	Nut - Torque
		6	8	Flat Washer
		7	4	Bushing-UCA
		8	1	P80 Lube 4 oz.

KIT UCA-HARDWARE

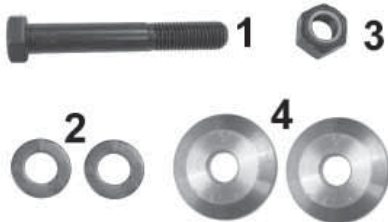


EUCLID NO.	REPLACES	ITEM	QTY.	DESCRIPTION
E-13903	Meritor Kit 11302	1	4	Capscrew
		2	8	Flat Washer
		3	4	Nut - Torque
		4	8	Thrust Washer
		5	2	Align Washer

PIVOT BOLT KIT



PIVOT BOLT KIT



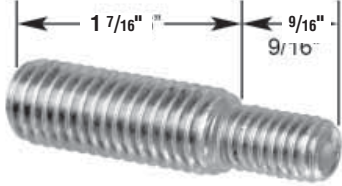
EUCLID NO.	REPLACES	ITEM	QTY.	DESCRIPTION
E-13905	Meritor Kit 11106	1	1	Pivot Bolt - 7/8"-9 x 6", Grade A-490
		2	2	Hardened Flat Washer - 7/8" ID
		3	1	Torque Nut, 7/8"-9, Grace C
		4	2	Pivot Bolt Washer, 3"OD x 7/8" ID x 1/2" Thick

PIVOT BOLT KIT



EUCLID NO.	REPLACES	ITEM	QTY.	DESCRIPTION
E-13906 11107	Meritor Kit	1	1	Pivot Bolt - 7/8"-9 x 6", Grade A-490
		2	2	Hardened Flat Washer - 7/8" ID
		3	1	Torque Nut, 7/8"-9, Grace C

BUSHING AND BOLT HARDWARE

RIDEWELL - VERTICAL MOUNT DELAY (Includes Linkage Bracket)	EUCLID NO.	APPLICATION & GENERAL INFORMATION
<p style="text-align: center;">SHOULDER STUD</p> 	E-4597	<p>If the air spring you are replacing has studs attached to the top or bottom plates and the replacement Euclid Air Spring is identical except that it has recessed blind taps, use the optional shoulder studs E-4597. Screw them into the plate using Locktite #271 or an equivalent material as a thread lubricant for installation and to insure that the studs do not loosen in service.</p> <p>If the user wishes to use cap screws or his own bolts for attaching air springs with recessed, blind nuts to his suspension, caution him that the screw must have 3/8"-16 threads and must extend no more than .562 into the air spring. If long screws are forced into the blind taps, the new air spring will leak and cannot be satisfactorily repaired.</p> <p><i>Springs with damaged blind taps are not considered for warranty claims.</i></p>

2

BUSHING TOOL



EUCLID NO.	REPLACES	APPLICATION & GENERAL INFORMATION
E-13908	Meritor A3256H1152	Bushing Installation Tool. For the newer one piece design bushings in the RHP11 upper control arms.

EUCLID E.S.P. EQUALIZER TO SUSPENSION MODEL GUIDE

E.S.P. GUIDE

Easy Search for Parts

PURPOSE:

Fleet users do not always know the actual brand of the 4-Spring suspension on their truck or trailer. This problem can often be overcome by visually looking at the style and shape of the equalizer either at the parts counter or with the suspension still installed on the vehicle.

HOW TO USE THIS GUIDE:

The equalizers are arranged on page 2-66 by overall length and on pages 2-67 thru 2-73 by suspension manufacturer. Simply:

1. Measure overall length and refer to chart on page 2-66.
2. Measure bushing I.D. or equalizer shaft O.D. if required and refer to page 2-66.
3. Refer to E.S.P. Guide photograph to visually compare if more than one of same length.
4. Turn to the correct page of the 700D Suspension catalog to identify bushings, equalizer shaft or other parts required to do a complete suspension repair.

2

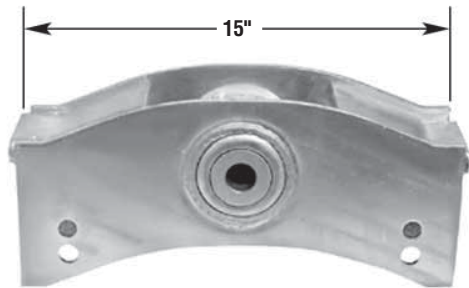
EUCLID E.S.P. EQUALIZER TO SUSPENSION MODEL GUIDE

OVERALL LENGTH	SHAFT O. D. AND BUSHING I. D.	SUSPENSION MAKE/MODEL	CATALOG 7000 PAGE NO.	EQUALIZER NO.	
13 1/2"	2 1/4"	Freightliner FH34A	1-44, 2-67	E-7700	
14"	1"	Reyco Transpro 86/88, Cast	1-553, 2-72	E-9574	
	2"	Dayton/Navistar with 3" Wide Springs	1-29, 2-67	E-3081	
14 1/4"	1"	Navistar - 3 1/2" Wide Springs	1-330, 2-70	E-3783	
15"	1"	Binkley SP900 Trailer	1-4, 2-67	E-9305	
15 3/4"	1"	Spicer 55	1-596, 2-73	E-3012	
16"	3/4"	Trailmobile with 3 1/2" Wide Springs	1-602, 2-73	E-3383	
	1 1/4"	Reyco 100 Series Ford only Pre-1984	1-552, 2-71	E-2844	
	1 1/4"	Reyco 100 Series GM/Ford 1984 up	1-552, 2-71	E-2845	
	1 1/2"	Reyco 100 Series Standard Pre-1984	1-552, 2-71	E-2843	
	1 1/2"	Reyco 100 Series Standard Pre-1985	1-552, 2-71	E-3978	
	2"	Dayton "Truckmaster"/"Tri-lite"	1-29, 2-67	E-3080	
	2"	Freightliner FH34	1-42, 2-67	E-3917	
	2"	Volvo	1-614, 2-73	E-3844	
16 3/8"	1"	Fruehauf F2, J2, NF-2	1-68, 2-68	E-9366	
	2"	Fruehauf F2, J2	1-66, 2-68	E-8931	
16 1/2"	3/4"	Hutch CH-7600/7700, CH-7700US 2-Bolt Cast	1-263, 2-69	E-2889	
	3/4"	Hutch H-7600/7700, H-7700US - 2-Bolt	1-265, 2-69	E-2781	
	3/4"	Hutch H-7600/7700 2-Bolt Fabricated	1-263, 2-69	E-2781A	
	3/4"	Hutch H-7600/7700, H-7700US - 2-Bolt	1-265, 2-69	E-9570	
	3/4"	Hutch H-7600/7700, H-7700US - 2-Bolt	1-265, 2-69	E-7918	
	1"	Reyco Transpro 86/88	1-552, 2-71	E-4813	
	1"	Reyco Transpro 88, Cast	1-552, 2-72	E-10250	
	1 1/8"	Hutch H-9600/9700 1-Bolt Fabricated	1-268, 2-69	E-7632	
	1 1/8"	Hutch CH-9600/9700, CH-9700US 1-Bolt Cast	1-263, 2-69	E-9471	
	1 1/8"	Hutch H-9600, H-9700, H-9700US- 1-Bolt	1-263, 2-70	E-9567	
	1 1/8"	Hutch H-9700 and CH-9700, 1-Bolt	1-263, 2-70	E-11452	
	1 1/8"	Hutch H-9600, H-9700, H-9700US - 1-Bolt Fabricated	1-263, 2-70	E-7532	
	2"	Trailmobile Short Rocker	1-602, 2-73	E-3398	
	17"	1"	Hendrickson E4-340/360/380	1-214, 2-68	E-5265
		1"	Hendrickson E4-400	1-214, 2-68	E-5265
2"		Fruehauf F2, J2 Fabricated Old Style	2-67	E-2831	
17 1/8"	2 5/8"	Hutch 2200 Truck/Tractor	1-263, 2-69	E-2890	
17 1/4"	1"	Peterbilt "Quadraflex"	1-500, 2-70	E-7869	
17 1/2"	1 5/8"	Reyco 21B-44" Axle Spacing	1-552, 2-70	E-10768A	
	2"	Fruehauf F2, F3 Cast	1-66, 2-68	E-2830	
18"	1 1/4"	Reyco 83-50" Axle Spacing	1-553, 2-72	E-7709	
	1 5/8"	Reyco 21B-49" Axle Spacing	1-552, 2-70	E-2846A	
19"	1"	Hendrickson HFS-360	1-218, 2-68	E-9402	
	1"	Hendrickson HFS-400	1-218, 2-68	E-9402	
24"	1 1/4"	Reyco 74B-54" Axle Spacing	1-553, 2-73	E-9586	
26 1/2"	1 1/8"	Hutch H/CH9700 TWS-61" Spacing	1-263, 2-69	E-9489	
30"	1 5/8"	Reyco 21B-60" Axle Spacing	1-553, 2-72	E-5245	
	2 1/4"	Reyco 83-60" Axle Spacing	1-553, 2-72	E-7710	
38 1/2"	1 1/8"	Hutch H/CH9700 TWS-73" Spacing	1-263, 2-69	E-9330	
43"	1 5/8"	Reyco 21B-72" Axle Spacing	1-553, 2-72	E-5246	
75"	1 1/8"	Hutch H/CH9700 TWS-109" Spacing	1-263, 2-70	E-9491	
87"	1 1/8"	Hutch H/CH9700 TWS-121" Spacing	1-263, 2-70	E-9492	

2

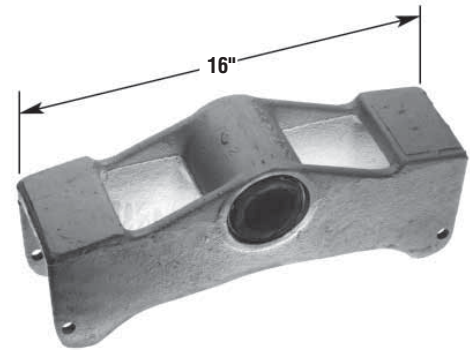
EUCLID E.S.P. EQUALIZER TO SUSPENSION MODEL GUIDE

BINKLEY - SP900 "DURALITE"
Page 1-3, 1-4



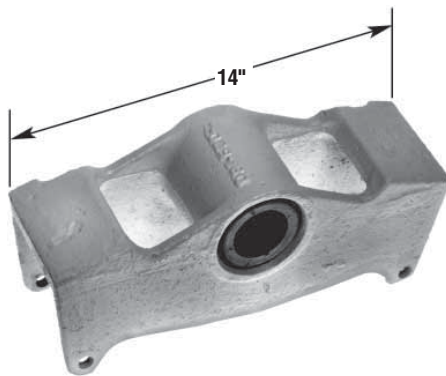
E-9305

DAYTON "TRUCKMASTER" - "TRI-LITE"
Page 1-25, 1-28, & 1-29



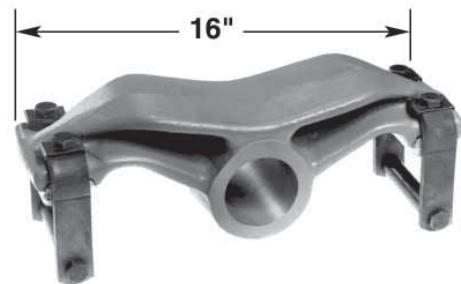
E-3080

DAYTON (NAVISTAR ONLY)
Page 1-27, 1-29



E-3081

FREIGHTLINER - FH34
Page 1-35, 1-42



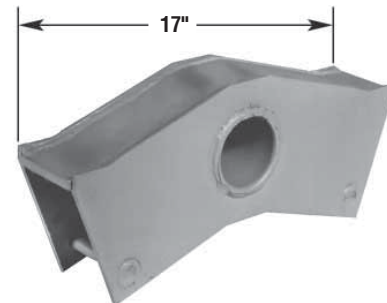
E-3917

FREIGHTLINER - FH34A
Page 1-36, 1-44



E-7700

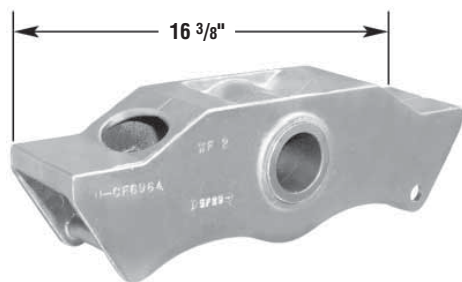
FRUEHAUF (FABRICATED) DUCTILE IRON - F2, J2
Pages 1-49, 1-51, 1-57
Can Use E-8931



E-2831

EUCLID E.S.P. EQUALIZER TO SUSPENSION MODEL GUIDE

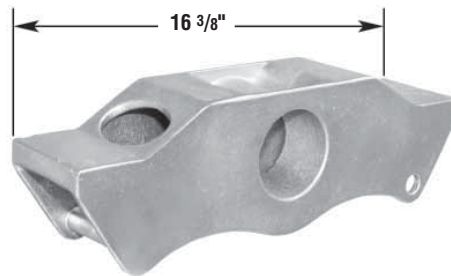
FRUEHAUF - NF-2, F2 & J2
Page 1-49, 1-51, 1-57, 1-61, 1-66



One Piece Bushing

E-9366

FRUEHAUF (CAST) DUCTILE IRON - F2, J2
Pages 1-49, 1-51, 1-57, & 1-66
Will Replace E-2831

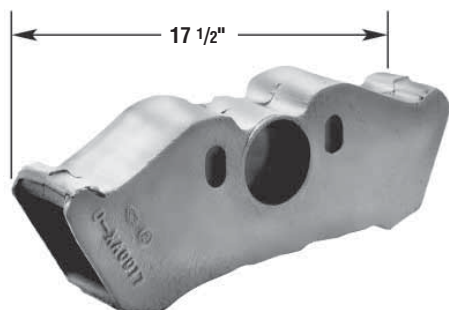


Two Piece Bushing
Single and Three Leaf Springs

E-8931

2

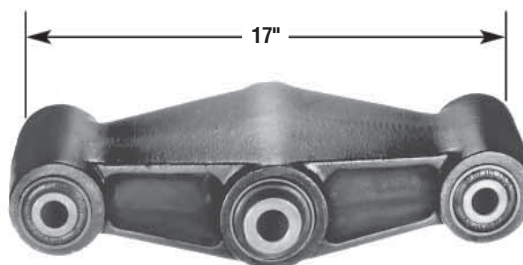
FRUEHAUF (CAST) - F2
Page 1-49, 1-51, & 1-66
Will Replace E-2831



Multi Leaf Springs

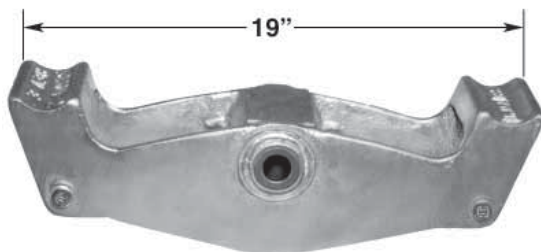
E-2830

HENDRICKSON - E4-340/360/380/400
Page 1-115, 1-214



E-5265

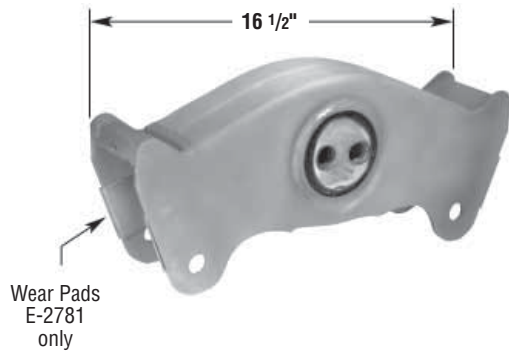
HENDRICKSON - HFS-360/400
Page 1-127 & 1-218



E-9402

EUCLID E.S.P. EQUALIZER TO SUSPENSION MODEL GUIDE

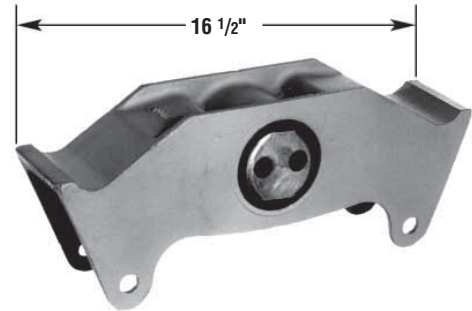
HUTCHENS (FABRICATED) - H-7600/7700, H-7700US
Page 1-77, 1-78, 1-245, 1-247, 1-257 & 1-263



2-Bolt Equalizer Shaft

E-2781, E-2781A, E-7918, & E-9570

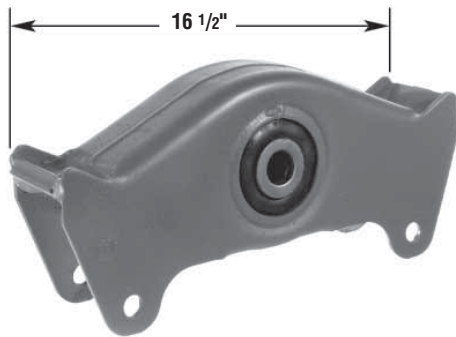
HUTCHENS (CAST) - CH-7600/7700, CH-7700US, & CH-9700
Page 1-245, 1-247, 1-251 & 1-263
Will Replace E-2781 & E-2781A



2-Bolt Equalizer Shaft

E-2889

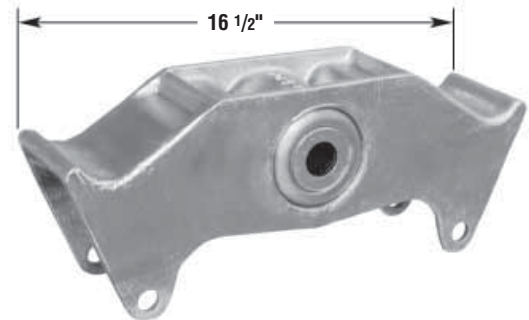
HUTCHENS (FABRICATED) - H-9600/9700
Page 1-260 & 1-268



Single Bolt Equalizer Shaft

E-7632

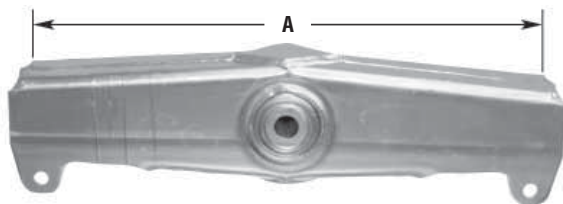
HUTCHENS (CAST) - CH-9600/9700, CH-9700US
Page 1-245, 1-247, 1-251 & 1-263
Will Replace E-7632



Single Bolt Equalizer Shaft

E-9471

HUTCHENS (FABRICATED)
H/CH-9700 TWS - 61", 73" WIDESPREAD
Page 1-255 & 1-263



E-9330 (A = 38 1/2")
E-9489 (A = 26 1/2")

HUTCHENS - H-2200 and H-2300
Page 1-242 & 1-263

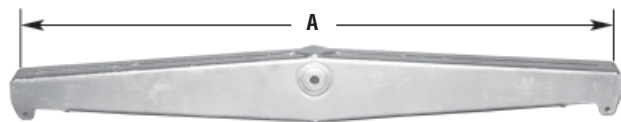


E-2890

2

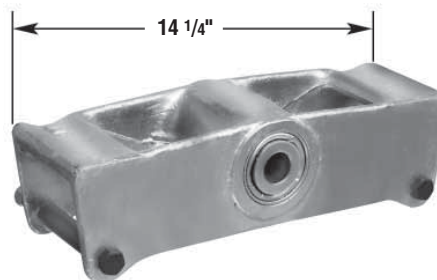
EUCLID E.S.P. EQUALIZER TO SUSPENSION MODEL GUIDE

HUTCHENS - H/CH-9700 TWS - 109", 121" WIDESPREAD
Page 1-257 & 1-263



E-9491 (A = 75")
E-9492 (A = 87")

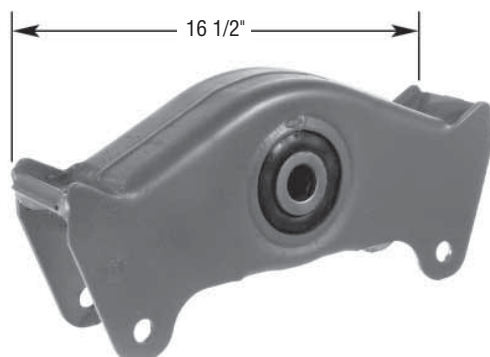
NAVISTAR CORPORATE
Page 1-327 & 1-330



E-3783

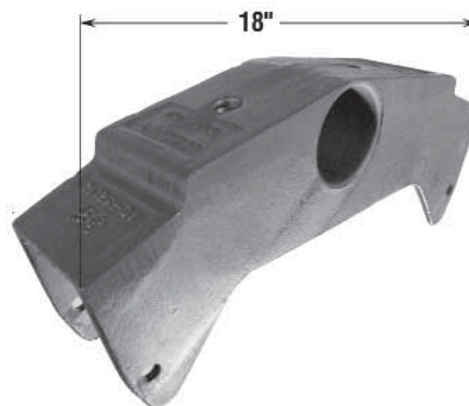
2

HUTCHENS
H-9600/9700 and H-9700US
Pages 1-257 and 1-263



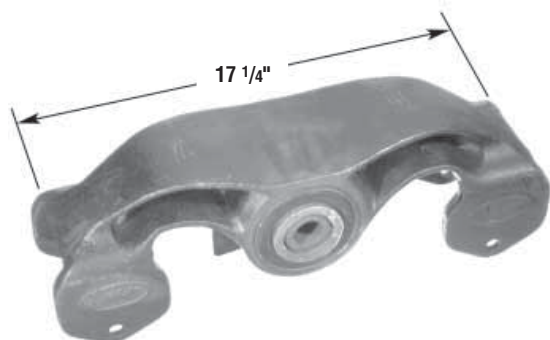
E-7532, E-9567, & E-11452

REYCO - 21B TRAILER
Page 1-509 & 1-552



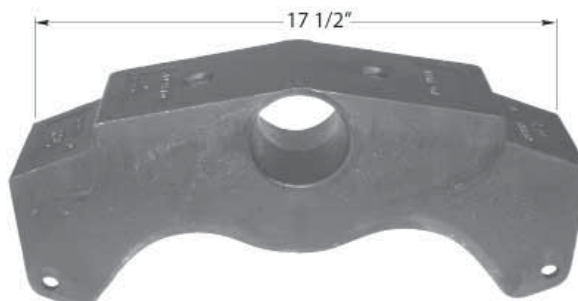
E-2846A

PETERBILT "QUADRAFLEX"
Page 1-491 & 1-500



E-7869

REYCO - 21B SERIES
Heavy Duty with Bump Stop
Pages 1-509 and 1-552

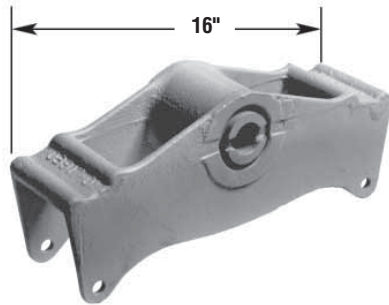


E-10768A

EUCLID E.S.P. EQUALIZER TO SUSPENSION MODEL GUIDE

REYCO (STANDARD) - 101, 101A, 102, 102W SERIES

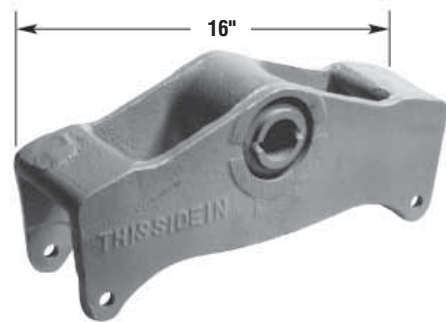
Pages 1-535 thru 1-539 & 1-552
E-3978 Will Replace E-2543



E-2843 - Pre-1984 (with Slotted bushing)
E-3978 - 1984 thru current (No Slots)

REYCO - 101, 101A, 102, 102W SERIES

Pages 1-535 thru 1-539 & 1-552
Can Use E-2845



Ford Pre-1984 (With Slotted Bushing)

E-2844

REYCO - 101, 101A, 102, 102W SERIES

Pages 1-535 thru 1-539 & 1-552
Will Replace E-2844

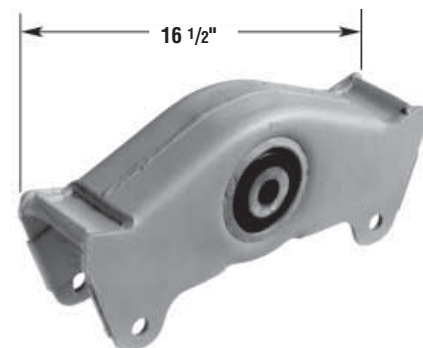


GMC All, Ford - 1984 thru current

E-2845

REYCO TRANSPRO (FABRICATED) - 86/88 SERIES

Page 1-549 & 1-552



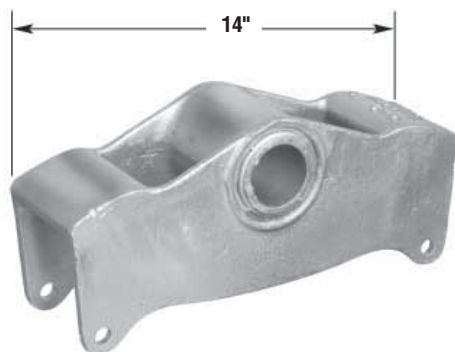
With 1" Bushing I.D.

E-4813

2

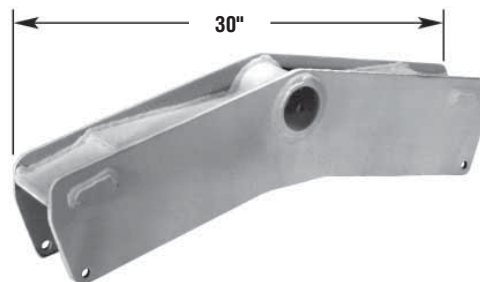
EUCLID E.S.P. EQUALIZER TO SUSPENSION MODEL GUIDE

REYCO TRANSPRO (CAST) - 86/88 SERIES
Page 1-553



E-9574

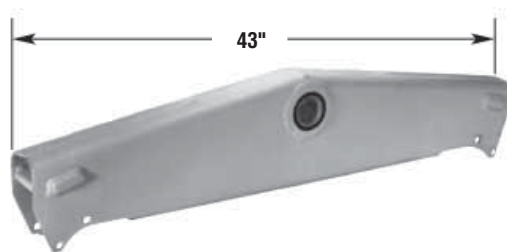
REYCO 21B SERIES - 60" WIDESPREAD
Page 1-513 & 1-553



E-5245

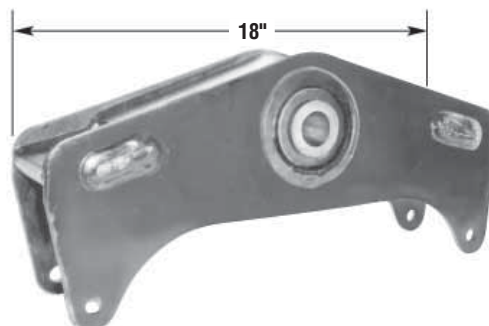
2

REYCO 21B SERIES - 72" WIDESPREAD
Page 1-513, 1-521, & 1-553



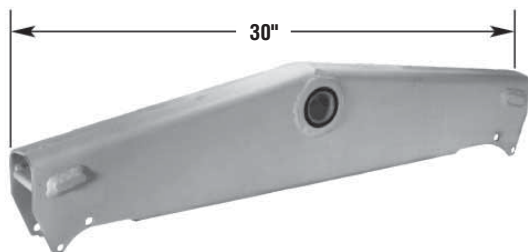
E-5246

REYCO 83 SERIES - 50" WIDESPREAD
Page 1-531 & 1-553



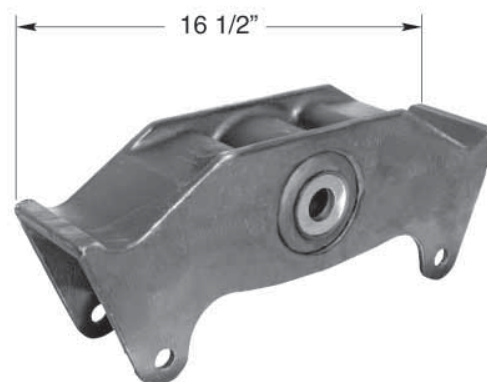
E-7709

**REYCO 83 SERIES 60" WIDESPREAD and
REYCO 21B SERIES - 60" WIDESPREAD**
Page 1-513, 1-531, & 1-553



E-7710

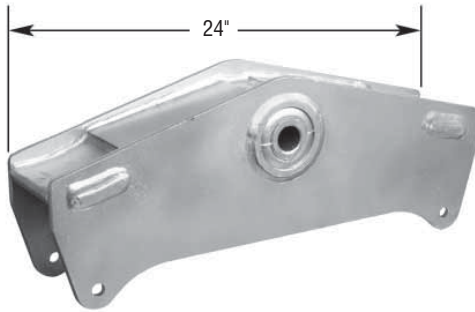
REYCO TRANSPRO 86/88 SERIES
Pages 1-549 and 1-552



E-10250

EUCLID E.S.P. EQUALIZER TO SUSPENSION MODEL GUIDE

REYCO 74B SERIES - 54"
Page 1-525 & 1-553



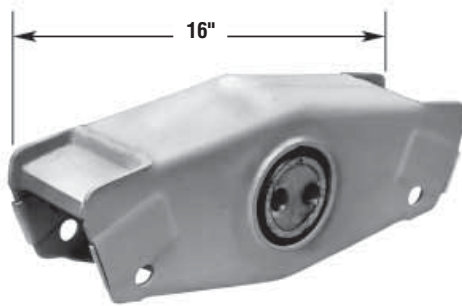
E-9586

SPICER (LATE) - 55 SERIES
Page 1-593 & 1-596



E-3012

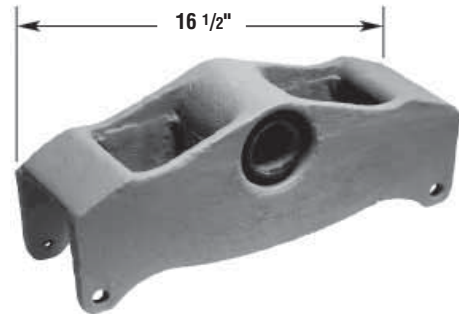
TRAILMOBILE (FABRICATED)
Page 1-600 & 1-602



With 3 1/2" Wide Springs

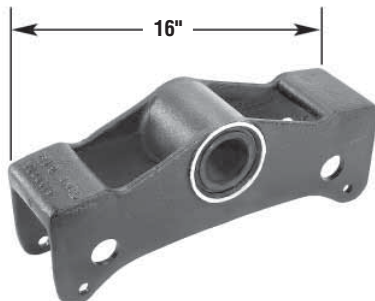
E-3383

TRAILMOBILE (SHORT ROCKER - CAST)
Page 1-601 & 1-602



E-3398

VOLVO FOUR SPRING
Page 1-607, 1-609, & 1-614



With Steel Hangers

E-3844

2

SHOCK ABSORBER BUSHINGS & INSTALLATION KITS



E-401754



E-8684

FOR ALL MAKES OF SHOCK ABSORBERS WITH TWO PIECE BUSHING EYES

EUCLID PART NO.	DESCRIPTION	MATERIAL	I.D.	O.D.	MOUNTING CODES	
					GABRIEL	MONROE
E-402158	Bushing	Rubber	5/8"	1 5/32"	EB1	L1
E-401011	Bushing	Rubber	3/4"	1 7/16"	EB2	L3
E-7528	Bushing	Polyurethane	3/4"	1 7/16"	EB2	L3
E-4403	Bushing	Rubber/Steel	3/4"	1 17/32"	EB2	L3
E-8684	Bushing	Poly./Steel	3/4"	1 17/32"	EB2	L3
E-140149	(4) E-401011	Rubber	3/4"	1 7/16"	EB2	L3
E-401754	Bushing	Rubber	1"	1 7/8"	EB3	L4
E-7529	Bushing	Polyurethane	1"	1 7/8"	EB3	L4
E-140115	(4) E-401754	Rubber	1"	1 7/8"	EB3	L4

2



E-7474

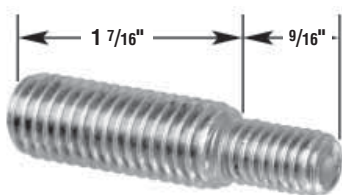


145054

FOR ALL MAKES OF SHOCK ABSORBERS WITH STUD MOUNTS

EUCLID PART NO.	DESCRIPTION	MATERIAL	I.D.	O.D.	MOUNTING CODES	
					GABRIEL	MONROE
E-7474	Bushing	Polyurethane	5/8"	1 13/16"	S21	S
145054	Bushing Kit	Rubber	5/8"	1 13/16"	S21	S

SHOULDER STUD



EUCLID NO.

E-4597

If the air spring you are replacing has studs attached to the top or bottom plates and the replacement Euclid Air Spring is identical except that it has recessed blind taps, use the optional shoulder studs E-4597. Screw them into the plate using Locktite #271 or an equivalent material as a thread lubricant for installation and to insure that the studs do not loosen in service.

If the user wishes to use cap screws or his own bolts for attaching air springs with recessed, blind nuts to his suspension, caution him that the screw must have 3/8"-16 threads and must extend no more than .562 into the air spring. If long screws are forced into the blind taps, the new air spring will leak and cannot be satisfactorily repaired.

Springs with damaged blind taps are not considered for warranty claims.

SLEEVE AND WASHER KITS

PART NO. E-141250

Sleeve Kit for EB3 and L4 mounting codes



NOTES

NUMERICAL LISTING OF PART NUMBERS

EUCLID NO.	PAGE NO.	EUCLID NO.	PAGE NO.	EUCLID NO.	PAGE NO.
E-10057	1-538, 1-541, 1-558, 1-559, 1-568, 1-569, 2-38, 2-43	E-10315	1-210, 1-212	E-11393	1-609
E-10058	1-175, 1-179, 1-198	E-10316	1-210, 1-212	E-11447	1-210, 1-213
E-10060	1-205	E-10317	1-210, 1-212	E-11448	1-267, 2-37
E-10061	1-205	E-10318	1-210, 1-212	E-11452	1-247, 1-257, 1-263
E-10062	1-205	E-10319	1-210, 1-212	E-11464	2-57
E-10063	1-205	E-10320	1-210, 1-213	E-11465	2-57
E-10064	1-205	E-10321	1-210, 1-213	E-11494	1-121, 1-123, 1-222, 1-297, 2-57
E-10066	1-205	E-10322	1-147, 1-157, 1-165, 1-211, 1-213, 1-231	E-11496	1-135, 1-139, 1-141, 1-224
E-10068	1-205	E-1038	1-243, 1-265, 1-266, 1-267, 2-19, 2-37, 2-52	E-1159	1-509, 1-554, 1-555, 2-19, 2-53
E-10069	1-205	E-1061	1-535, 1-537, 1-539, 1-541, 1-558, 1-562, 1-563, 1-568, 2-21, 2-38, 2-48	E-1160	1-509, 1-513, 1-517, 1-558, 1-560, 1-568, 1-569, 2-19, 2-38, 2-43, 2-52
E-10070	1-205	E-10677	1-590	E-1166	1-61, 1-66, 1-509, 1-513, 1-517, 1-519, 1-521, 1-523, 1-525, 1-527, 1-538, 1-541, 1-558, 1-559, 2-32
E-10071	1-205	E-10678	1-343	E-11728	1-260, 1-269
E-10072	1-205	E-10686	1-385	E-11748	1-211
E-10073	1-205	E-1072	1-513, 1-521, 1-531, 1-553, 1-554, 1-555, 1-556, 1-594, 1-595, 1-596, 1-597, 1-601, 1-602, 2-19, 2-49	E-11749	1-497, 1-498
E-10116	1-287, 1-303	E-10729A	1-133, 1-143, 1-225	E-11762	1-315
E-1018	1-49, 1-51, 1-53, 1-55, 1-57, 1-61, 1-63, 1-67	E-1073	1-243, 1-265, 1-266	E-11764	1-320
E-1019	1-48, 1-51, 1-53, 1-55, 1-57, 1-64, 1-65, 1-66	E-10730A	1-133, 1-143, 1-225	E-11765	1-315, 1-320
E-1020	1-49, 1-51, 1-53, 1-55, 1-57, 1-64, 1-65, 1-66, 2-19, 2-53	E-1074	1-49, 1-51, 1-53, 1-55, 1-57, 1-61, 1-63, 1-67, 1-243, 1-265, 2-35	E-11766	1-315, 1-320
E-1021	1-49, 1-51, 1-53, 1-55, 1-57, 1-64, 1-65, 1-66, 2-35	E-1075	1-243, 1-265, 1-267, 2-19, 2-37	E-11767	1-320
E-1023	1-49, 1-51, 1-53, 1-55, 1-57, 1-61, 1-63, 1-67, 2-19, 2-36, 2-41	E-10754	1-133	E-11768	1-315, 1-320
E-1024	1-48, 1-51, 1-52, 1-55, 1-57, 1-64, 1-65, 1-66, 2-19	E-10755	1-133	E-11770	1-320
E-10250	1-549, 1-552	E-10758	1-63	E-11784	1-211
E-10263	1-202	E-10764	1-327, 1-329	E-1181	1-555
E-10264	1-202	E-10765	1-327	E-11820	1-212
E-10265	1-202	E-10766	1-279	E-11821	1-212
E-10266	1-202, 1-204	E-10767	1-279	E-11831	1-133, 1-143
E-10267	1-202	E-10768A	1-509, 1-552	E-11853	2-3
E-10276	1-203, 1-204	E-10772	1-533	E-11855	2-57
E-10277	1-203, 1-204	E-10773	1-533	E-11870	1-147, 1-151, 1-157, 1-161, 1-165, 2-57
E-10302	1-280	E-10774	1-517	E-11912	1-320, 2-63
E-10303	1-280, 1-281	E-10775	1-517	E-11913	1-320, 1-321
E-10308	1-210, 1-213	E-10778	1-63	E-11914	1-315
E-10309	1-131, 1-210, 1-213	E-10792	2-9	E-11995	1-193
E-10310	1-210, 1-212	E-10799	1-411, 1-463	E-11996	1-193
E-10311	1-177, 1-210, 1-212	E-1107	1-345, 1-347, 1-351, 1-359, 1-363, 1-365, 1-367, 1-369, 1-371, 1-373, 1-381, 1-397, 1-401, 1-405, 1-407, 1-411, 1-413, 1-415, 1-417, 1-419, 1-421, 1-431, 1-433, 1-601, 1-602, 2-34, 2-56	E-12001	1-183
E-10312	1-210, 1-212	E-11293	2-56	E-1204	1-601, 1-602, 2-32
E-10313	1-210, 1-212	E-11305	1-533	E-1206	1-601, 1-602
E-10314	1-210, 1-212			E-12525	1-517, 1-523, 1-533, 1-591, 2-60, 2-61
				E-1277	1-601, 1-602
				E-1279	1-25, 1-27, 1-28, 1-30, 1-601, 1-604, 1-607, 1-609, 1-614
				E-1307	1-89, 1-175, 1-179, 1-181, 1-183, 1-200, 1-201

NUMERICAL LISTING OF PART NUMBERS

EUCLID NO.	PAGE NO.	EUCLID NO.	PAGE NO.	EUCLID NO.	PAGE NO.
E-1312A	1-509, 1-513, 1-517, 1-558, 1-568, 1-569, 2-38, 2-43	E-13961	1-197, 1-227, 2-52	E-14033	1-149
E-1313	1-558, 1-568, 2-38	E-13962	1-197	E-14034	1-149
E-1326	1-437, 1-451	E-13963	1-197, 2-52	E-14035	1-149, 1-232
E-1329A	1-447, 1-452, 1-465	E-13964	1-197, 2-52	E-14037	1-151, 1-232
E-1330	1-441, 1-445, 1-447, 1-452, 1-483, 1-486, 2-19	E-13964	2-52	E-14039	1-155, 1-163, 1-232
E-1331	1-425, 1-437, 1-452, 1-465, 1-592, 1-599, 2-19	E-13965	1-197, 2-53	E-14040	1-155, 1-163, 1-232
E-1332	1-427, 1-429, 1-447, 1-448, 1-483, 1-487, 2-19, 2-51	E-13966	1-197, 2-49	E-14041	1-157, 1-165, 1-232
E-1333	1-423, 1-448, 1-465, 2-19, 2-51	E-13967	1-197, 2-49	E-14042	1-157, 1-165, 1-232
E-1334	1-437, 1-448, 2-19, 2-50	E-13968	1-197, 2-53	E-14043	1-157, 1-165, 1-233
E-1335	1-439, 1-449, 2-50	E-13969	1-197, 2-53	E-14044	1-129, 1-234
E-1336	1-437, 1-449, 2-49	E-13970	1-197, 2-52	E-14045	1-132, 1-233
E-1338	1-89, 1-177, 1-186, 1-187, 1-189, 2-19, 2-53	E-13971	1-197, 2-52	E-14046	1-132, 1-233
E-1339	1-186, 1-187, 1-189, 1-194, 2-19, 2-20, 2-53	E-13972	1-197, 2-53	E-14047	1-129, 1-135, 1-227
E-1340	1-74, 1-89, 1-191, 1-192, 2-19, 2-50	E-13973	1-197, 1-227	E-14332	1-324, 2-62
E-1341A	1-74, 1-75, 1-141, 1-169, 1-173, 1-177, 1-179, 1-191, 1-192, 1-193, 1-194, 1-589, 1-590, 2-19, 2-50	E-13974	1-197, 1-227	E-14333	1-324, 2-62
E-1351	1-214, 2-49	E-13976	1-315, 1-320	E-14334	1-324, 2-62
E-1352	1-214, 2-49	E-13983	1-155, 1-163, 1-230	E-14337	1-133, 1-233
E-1353	1-214	E-13986	1-129, 1-135, 1-227	E-14338	1-133, 1-233
E-1354	1-214, 2-34	E-13988	1-137, 1-223	E-14339	1-133, 1-233
E-13901	1-561	E-13989	1-137, 1-223	E-14340	1-133, 1-233
E-13902	1-321, 2-63	E-13992	1-145, 1-149, 1-155, 1-159, 1-163, 1-230	E-14341	1-133, 1-233
E-13903	1-321, 2-63	E-13993	1-147, 1-161, 1-230	E-14342	1-133, 1-233
E-13904	1-321, 2-63	E-13994	1-103, 1-228	E-14343	1-133, 1-233
E-13905	1-321, 2-63	E-13995	1-103, 1-228	E-14344	1-133, 1-233
E-13906	1-320, 2-63	E-13996	1-91, 1-95, 1-100, 1-228	E-14347	1-317, 1-324
E-13907	1-315, 1-321, 2-62	E-13997	1-91, 1-95, 1-228	E-14348	1-317, 1-324
E-13908	2-64	E-13999	1-109	E-14349	1-317, 1-319, 1-324
E-13909	2-58	E-14000	1-109	E-14350	1-317, 1-319, 1-324
E-13910	2-58	E-14001	1-109	E-14351	1-317, 1-319, 1-325
E-13911	2-58	E-14002	1-109	E-14352	1-317, 1-319, 1-325
E-13912	2-58	E-14007	1-111	E-14353	1-317, 1-319, 1-325
E-13913	2-58	E-14009	1-109, 1-229	E-14354	1-319, 1-324
E-13914	2-59	E-140115	2-74	E-14355	1-319, 1-324
E-13915	2-59	E-14013	1-113	E-14356	1-322
E-13916	2-59	E-14014	1-113	E-14357	1-322
E-13917	2-59	E-140149	2-74	E-14358	1-323
E-13918	2-59	E-14015	1-107	E-14359	1-323
E-13919	2-59	E-14016	1-107	E-14360	1-323
E-13920	2-60	E-14017	1-107	E-14361	1-323
E-13921	2-60	E-14017	1-107	E-14362	1-325
E-13922	1-474, 2-60	E-14018	1-107	E-14363	1-324
		E-14019	1-113	E-14364	1-325
		E-14020	1-113	E-14365	1-325
		E-14021	1-91, 1-95, 1-229	E-14366	1-325
		E-14022	1-91, 1-95, 1-229	E-14367	1-325
		E-14025	1-145, 1-155, 1-159, 1-163, 1-230	E-14368	1-325
		E-14026	1-145, 1-149, 1-159, 1-230	E-14369	1-325
		E-14027	1-145, 1-159, 1-231	E-14371	1-322

NUMERICAL LISTING OF PART NUMBERS

EUCLID NO.	PAGE NO.	EUCLID NO.	PAGE NO.	EUCLID NO.	PAGE NO.
E-14372	1-322	E-1835	1-39, 1-64, 1-65, 1-77, 1-78, 1-147, 1-151, 1-155, 1-161, 1-163 1-167, 1-171, 1-177, 1-179, 1-181, 1-199, 1-245, 1-264, 1-265, 1-287, 1-289, 1-290, 1-291, 1-293, 1-505, 1-507, 1-517, 1-523, 1-529, 1-531, 1-533, 1-543, 2-27, 2-34	E-1971	1-509, 1-513, 1-521, 1-529, 1-531, 1-535, 1-536, 1-538, 1-543, 1-562, 1-563, 1-592, 1-599
E-14373	1-129, 1-234			E-1972	1-509, 1-513, 1-521, 1-529, 1-531, 1-535, 1-536, 1-538, 1-541, 1-543, 1-562, 1-592, 1-599, 1-614, 2-32
E-14374	1-129			E-1974	1-509, 1-513, 1-519, 1-521, 1-525, 1-527, 1-531, 1-535, 1-536, 1-538, 1-543, 1-562, 1-592, 1-599, 2-35
E-14375	1-129, 1-234	E-1840	1-89, 1-177, 1-188	E-1975	1-509, 1-513, 1-521, 1-531, 1-535, 1-537, 1-538, 1-543, 1-557, 1-562, 1-592, 1-594, 1-595, 1-599
E-14376	1-577, 1-579	E-1842	1-167, 1-171, 1-177, 1-179, 1-181, 1-188	E-1980	1-3, 1-4, 1-25, 1-27, 1-28, 1-29, 1-30, 1-85, 1-226, 1-227, 1-519, 1-521, 1-531, 1-533, 1-537, 1-541, 1-545, 1-549, 1-558, 1-559, 1-568, 1-569, 1-594, 1-595, 1-598, 2-19, 2-21, 2-36, 2-37, 2-38, 2-39, 2-40, 2-41, 2-43, 2-48
E-14384	1-581	E-1849	1-175, 1-198	E-1981	1-25, 1-27, 1-28, 1-29, 1-30, 1-85, 1-226, 1-227, 1-519, 1-521, 1-531, 1-558, 1-568, 1-569, 1-594, 1-595, 1-598, 2-19, 2-36, 2-37, 2-38, 2-39, 2-41, 2-43
E-14385	1-581	E-1850	1-175, 1-198	E-1982	1-539, 1-559, 1-568, 1-569, 1-592, 1-593, 1-598, 2-19, 2-38, 2-39, 2-43, 2-52
E-14388	1-539, 1-572	E-1851	1-89, 1-198	E-1983	1-539, 1-558, 1-568, 1-569, 1-592, 1-593, 1-598, 2-38, 2-39, 2-43
E-14389	1-539	E-1852	1-89, 1-198	E-1984	1-593, 1-596
E-14390	1-545	E-1853	1-175, 1-179, 1-198	E-1986A	1-509, 1-554, 1-593, 1-595, 1-596, 2-35
E-14634	1-225	E-1854	1-175, 1-179, 1-198	E-1987	1-509, 1-554, 1-593, 2-32
E-14635	1-225	E-1855	1-195, 2-33	E-1989	1-597
E-14673	1-230	E-1856	1-195, 2-33	E-1993	1-594, 1-595, 1-597
E-1545	1-186, 1-187, 1-190, 2-50	E-1859	1-195, 2-33	E-1995	1-594, 1-595, 1-597
E-1546	1-169, 1-173, 1-177, 1-179, 1-181, 1-190	E-1860	1-195, 2-33	E-1996	1-596, 1-597
E-1548	1-187, 1-190	E-1869	1-175, 1-179, 1-181, 1-198	E-1997	1-595, 1-596, 1-597, 2-32
E-1551	1-169, 1-173, 1-177, 1-179, 1-181, 1-190, 1-194	E-1876	1-33, 1-40, 1-200, 1-201	E-1998A	1-595, 1-596
E-1552	1-169, 1-173, 1-177, 1-179, 1-181, 1-186, 1-187, 1-188, 1-190, 1-194, 2-50	E-1877	1-89, 1-175, 1-179, 1-181, 1-200, 1-201	E-1999A	1-77, 1-78, 1-245, 1-247, 1-251, 1-263, 2-19, 2-21, 2-48
E-1553	1-169, 1-173, 1-177, 1-179, 1-181, 1-183, 1-190, 1-191, 1-194	E-1878	1-201	E-2000	1-77, 178, 1-79, 1-243, 1-245, 1-247, 1-251, 1-264, 1-265
E-1594	1-89, 1-177, 1-189, 2-53	E-1879	1-201	E-2001	1-77, 1-78, 1-79, 1-243, 1-245, 1-247, 1-251, 1-264, 1-265
E-1594-2	1-189	E-1940	1-167, 1-171, 1-208, 2-19, 2-50	E-2002	1-3, 1-77, 1-78, 1-245, 1-247, 1-251, 1-264, 1-265, 1-551, 1-561, 1-562, 1-600, 1-602, 1-603, 2-34
E-1595	1-189, 1-194, 2-53	E-1941	1-167, 1-208		
E-1595-2	1-189	E-1942	1-167, 1-171, 1-208		
E-1598A	1-167, 1-208	E-1943	1-167, 1-171, 1-209, 1-493, 1-501, 2-34		
E-1600	2-21	E-1944	1-199		
E-1817	1-200, 1-201	E-1945	1-167, 1-171, 1-208		
E-1818	1-200, 1-201	E-1946	1-167, 1-171, 1-209		
E-1819-1	1-200, 1-201	E-1947	1-167, 1-171, 1-199		
E-1820	1-175, 1-201, 2-33	E-1948	1-209		
E-1821	1-175, 1-200, 1-201	E-1960	1-167, 1-171, 1-208, 2-19		
E-1822	1-562	E-1963	1-535, 1-536, 1-558, 1-569, 2-19, 2-43		
E-1825	1-195	E-1964	1-535, 1-536, 1-558, 1-560, 1-569, 2-19, 2-43, 2-52		
E-1828	1-39, 1-44, 1-115, 1-127, 1-175, 1-179, 1-181, 1-183, 1-195, 1-509, 1-513, 1-543, 1-554, 1-558, 2-34	E-1965	1-535, 1-536, 1-558, 1-561		
E-1829	1-177, 1-199	E-1966	1-535, 1-537, 1-539, 1-552, 1-554, 1-555, 2-49		
E-1830	1-177, 1-179, 1-181, 1-199	E-1967	1-535, 1-537, 1-539, 1-554, 1-557		
E-1832	1-89, 1-199	E-1968	1-535, 1-537, 1-539, 1-554, 1-556		
E-1833A	1-169, 1-173, 1-177, 1-179, 1-181, 1-199	E-1969	1-535, 1-537, 1-539, 1-554		
E-1834	1-167, 1-171, 1-177, 1-179, 1-181, 1-199, 2-25, 2-27, 2-35	E-1970	1-535, 1-537, 1-539, 1-554		

NUMERICAL LISTING OF PART NUMBERS

EUCLID NO.	PAGE NO.	EUCLID NO.	PAGE NO.	EUCLID NO.	PAGE NO.
E-2003	1-77, 1-78, 1-245, 1-247, 1-251, 1-264, 2-19	E-2294	1-593, 1-598, 2-39	E-2554	1-183, 1-192, 2-50
E-2004	1-243, 1-263	E-2295	1-593, 1-598, 2-39	E-2555	1-183, 1-193
E-2009	1-349, 1-373, 1-377, 1-381, 1-405, 1-407, 1-451, 1-453, 1-454, 1-455, 2-19	E-2372	1-89, 1-191, 1-193, 1-387, 1-391, 1-393, 1-471	E-2556	1-183, 1-200
E-2010	1-347, 1-373, 1-377, 1-381, 1-405, 1-407, 1-451, 1-454, 1-455, 2-19	E-2373	1-89, 1-193	E-2557	1-183, 1-200
E-2011	1-425, 1-451 1-465, 1-592, 1-599	E-2374	1-169, 1-173, 1-177, 1-179, 1-191, 1-193, 1-194, 1-343, 1-456, 1-471, 1-589, 1-590	E-2558	1-183, 1-200
E-2017	1-213, 1-279, 1-282, 2-34, 2-46	E-2375	1-169, 1-173, 1-179, 1-193	E-2566	1-183, 1-193
E-2018	1-213, 2-46	E-2510	1-267, 2-37	E-2567	1-183, 1-193
E-2021	1-169, 1-173, 1-177, 1-179, 1-181, 1-190, 1-191, 1-194, 2-35	E-2511	1-267, 2-37	E-2570	1-195, 2-33
E-2022	1-35, 1-42, 1-43, 1-519, 1-521, 1-535, 1-537, 1-539, 1-562, 2-32	E-2512	1-25, 1-27, 1-28, 1-30, 1-85, 1-227, 1-568, 1-598, 2-36, 2-37, 2-38, 2-39	E-2573	1-115, 1-127, 1-175, 1-179, 1-181, 1-183, 1-195, 2-35
E-2024	1-541, 1-562	E-2513	1-25, 1-27, 1-28, 1-30, 1-85, 1-227, 1-533, 1-568, 1-598, 2-36, 2-37, 2-38, 2-39	E-2598A	1-206
E-2031A	1-194	E-2514	1-49, 1-51, 1-53, 1-55, 1-57, 1-61, 1-63, 1-67, 2-41	E-2599A	1-206
E-2032	1-188	E-2515	1-49, 1-51, 1-53, 1-55, 1-57, 1-61, 1-63, 1-67, 2-36	E-2600A	1-206
E-2033	1-188	E-2543	2-71	E-2601A	1-206
E-2034	1-194	E-2545	1-3, 1-35, 1-36, 1-44, 1-89, 1-91, 1-93, 1-95, 1-97, 1-98, 1-103, 1-105, 1-121, 1-123, 1-135, 1-137, 1-139, 1-141, 1-145, 1-147, 1-149, 1-151, 1-155, 1-157, 1-159, 1-161, 1-163, 1-165, 1-237, 1-327, 1-329, 1-351, 1-363, 1-377, 1-381, 1-383, 1-385, 1-387, 1-391, , 1-395, 1-423, 1-427, 1-441, 1-443, 1-447, 1-459, 1-465, 1-489, 1-491, 1-497, 1-515, 1-519, 1-521, 1-531, 1-535, 1-537, 1-539, 1-541, 1-543, 1-607, 1-609, 1-611, 1-613, 2-25, 2-26, 2-27, 2-28, 2-29, 2-30, 2-35	E-2604	1-167, 1-171, 1-233
E-2035	1-194, 2-34	E-2546	1-25, 1-27, 1-29, 1-64, 1-65, 1-237, 1-287, 1-289, 1-293, 1-373, 1-383, 1-403, 1-425, 1-431, 1-435, 1-439, 1-441, 1-445, 1-455, 1-456, 1-461	E-2605	1-202
E-2040	1-200, 1-201	E-2547	1-373, 1-377, 1-381, 1-427 1-429 1-431 1-435 1-437 1-439 1-441 1-445 1-447, 1-459, 1-465, 1-493, 2-25, 2-28, 2-35	E-2607	1-202
E-2079	1-213, 1-481, 1-484, 2-34, 2-45	E-2548	1-264, 1-395, 1-427, 1-443, 1-447, 2-26, 2-28, 2-30, 2-35	E-2608	1-202
E-2116A	1-513, 1-554	E-2553	1-183, 1-189, 2-53	E-2609	1-202
E-2118	1-555			E-2610	1-202
E-2130	2-21			E-2611	1-202
E-2225	1-213, 1-327, 1-329, 1-330, 1-331, 1-497, 1-503, 1-609, 1-613, 1-615, 2-19, 2-42, 2-52			E-2612	1-202
E-2226	1-213, 1-278, 1-279, 1-281, 1-327, 1-329, 1-331, 2-19, 2-52			E-2613	1-203
E-2227	1-213, 2-53			E-2614	1-203
E-2228	1-213, 1-279, 1-281, 2-19, 2-53			E-2615	1-203
E-2229	1-89, 1-199			E-2625	1-204
E-2232	1-167, 1-171, 1-208, 2-19			E-2634	1-89, 1-121, 1-125, 1-131, 1-137, 1-139, 1-141, 1-147, 1-157, 1-161, 1-165, 1-167, 1-169, 1-171, 1-173, 1-175, 1-179, 1-181, 1-214, 1-222, 1-299, 1-306
E-2233	1-167, 1-171, 1-209			E-2644	2-21
E-2238	1-213, 1-214, 2-49			E-2652	2-21
E-2272	1-593, 1-596			E-2771	1-169, 1-173, 1-181, 1-191, 1-192, 2-50
E-2273	1-593, 1-596			E-2781	1-77, 1-78, 1-245, 1-247, 1-251, 1-263, 2-69
E-2274	1-593, 1-596, 1-597, 2-32			E-2781A	1-77, 1-78, 1-245, 1-247, 1-251, 1-263, 2-66, 2-69
E-2275	1-61, 1-66, 1-491, 1-500, 1-593, 1-596, 2-35			E-2814	1-213, 2-52
E-2292	1-30, 1-267, 1-594, 1-595, 1-598, 2-37, 2-39			E-2815	1-213, 2-19, 2-53
E-2293	1-30, 1-267, 1-594, 1-595, 1-598, 2-37, 2-39			E-2816	1-213, 2-49

NUMERICAL LISTING OF PART NUMBERS

EUCLID NO.	PAGE NO.	EUCLID NO.	PAGE NO.	EUCLID NO.	PAGE NO.
E-2830	1-49,1-51,1-66, 2-66, 2-68	E-2867A	1-535, 1-537, 1-539, 1-541, 1-563	E-2920	1-287, 1-289, 1-293, 1-305, 2-19
E-2831	1-49,1-51,1-57, 1-66, 2-66, 2-67, 2-68	E-2873	1-511, 1-529, 1-535, 1-537, 1-539, 1-541, 1-543, 1-545, 1-549, 1-564, 2-66	E-2921A	1-287, 1-293, 1-302, 2-19, 2-50
E-2832	1-48,1-51,1-53,1-55,1-57,1-64,1-65,1-66, 2-35	E-2874	1-511, 1-519, 1-521, 1-531, 1-564	E-2922A	1-287, 1-293, 1-302, 2-20, 2-50
E-2833	1-49,1-51,1-53,1-55,1-57,1-61,1-63,1-67, 1-77, 1-78, 1-245, 1-264, 1-265, 2-35	E-2875	1-509, 1-515, 1-519, 1-521, 1-531, 1-549, 1-564	E-2923A	1-293, 1-302, 2-50
E-2836	1-49,1-51,1-55,1-68	E-2878	1-511, 1-565	E-2924A	1-293, 1-301, 2-19, 2-50
E-2837	1-49,1-51,1-55,1-57, 1-61,1-68	E-2879	1-509, 1-570	E-2925	1-289, 1-300,1-301, 1-304, 2-50
E-2838	1-49,1-51,1-53,1-55, 1-61,1-68	E-2880	1-509, 1-570	E-2927	1-289, 1-300, 1-302, 2-51
E-2839	1-49,1-51,1-53,1-55, 1-61,1-68	E-2881	1-509, 1-570	E-2934	1-287, 1-289, 1-290, 1-291, 2-29, 2-35
E-2840	1-28, 1-30, 1-49,1-51, 1-53,1-55,1-61,1-63,1-68	E-2882	1-509, 1-570	E-2935	1-431 1-433 1-441 1-443, 1-448, 2-19, 2-50
E-2842	1-3, 1-4, 1-28, 1-30, 1-49,1-51,1-55,1-57, 1-61,1-68, 1-77, 1-245, 1-247, 1-251, 1-253, 1-255, 1-257, 1-268, 1-541, 1-549, 1-561	E-2883	1-509, 1-570	E-2935	2-50
E-2843	1-535, 1-537, 1-539, 1-552, 2-71	E-2884	1-535, 1-536, 1-538, 1-572	E-2936	1-403, 1-448, 1-461, 1-561, 1-603
E-2844	1-535, 1-537, 1-539, 1-552, 2-66, 2-71	E-2885	1-535, 1-536, 1-538, 1-572	E-2938	1-450, 2-19, 2-49
E-2845	1-535, 1-537, 1-539, 1-552, 2-66, 2-71	E-2886	1-535, 1-537, 1-539, 1-572	E-2939	1-423, 1-431, 1-441, 1-452, 1-464, 2-19, 2-42, 2-49
E-2846A	1-509, 1-552, 2-66, 2-70	E-2887	1-535, 1-537, 1-539, 1-572	E-2940	1-389, 1-393, 1-397, 1-443, 1-448, 1-459, 1-460, 2-19, 2-49
E-2847	1-535, 1-537, 1-539, 1-554	E-2888	1-535, 1-537, 1-539, 1-572	E-2941	1-451
E-2848	1-535, 1-537, 1-539, 1-554	E-2889	1-245, 1-247, 1-251, 1-263, 2-66, 2-69	E-2943	1-345, 1-349, 1-353, 1-355, 1-359, 1-363, 1-377, 1-381, 1-399, 1-405, 1-407, 1-409, 1-451, 1-453, 1-454, 1-479, 2-20
E-2849	1-535, 1-537, 1-539, 1-552, 1-554, 1-555, 2-49	E-2890	1-243, 1-263, 2-66, 2-69	E-2944	1-373, 1-451, 1-454
E-2850	1-535, 1-537, 1-539, 1-552, 1-554, 1-555, 2-49	E-2891	1-249, 1-251, 1-253, 1-255, 1-257, 1-266, 1-600, 1-602, 2-32	E-2945	1-431, 1-433, 1-441, 1-445, 1-451, 2-20
E-2852	1-525, 1-527, 1-535, 1-537, 1-539, 1-554, 2-32	E-2892	1-3, 1-249, 1-251, 1-253, 1-255, 1-257, 1-266, 1-549, 1-554, 1-561, 1-600, 1-602, 2-26, 2-34	E-2946	1-433, 1-445, 1-451
E-2853	1-535, 1-537, 1-539, 1-554, 2-35	E-2898	1-243, 1-267, 2-37	E-2947A	1-345, 1-347, 1-353, 1-355, 1-359, 1-363, 1-377, 1-381, 1-399, 1-405, 1-407, 1-409, 1-452, 1-453, 1-454, 1-455, 1-479, 2-20
E-2854	1-387, 1-391, 1-459, 1-460, 1-462, 1-513, 1-525, 1-527, 1-531, 1-535, 1-537, 1-539, 1-554, 1-557, 2-34	E-2899	1-249, 1-251, 1-253, 1-255, 1-257, 1-267, 2-41	E-2951	1-397, 1-472, 2-32
E-2855	1-511, 1-513, 1-517, 1-569, 2-43	E-2907A	1-3, 1-77, 1-79, 1-243, 1-245, 1-247, 1-253, 1-255, 1-257, 1-268, 1-549, 1-564, 1-599	E-2956	1-397, 2-35
E-2856	1-511, 1-515, 1-569, 2-43	E-2908	1-260, 1-268	E-2957	1-480, 2-35
E-2858	1-538, 1-569, 2-43	E-2909	1-3, 1-77, 1-79, 1-243, 1-245, 1-249, 1-253, 1-255, 1-257, 1-269, 1-517, 1-533, 1-549, 1-564	E-2958	1-403, 1-455, 1-456, 1-461, 2-35
E-2859	1-569, 2-43	E-2910A	1-258, 1-273, 1-274	E-2959	1-373, 1-377, 1-381, 1-437, 1-459, 2-35
E-2860	1-537, 1-541, 1-569, 2-43	E-2911	1-258, 1-273,1-274	E-2960	1-377, 1-381, 1-405, 1-407, 1-453, 1-473, 2-35
E-2863A	1-194	E-2912A	1-77, 1-80, 1-258, 1-271, 1-273	E-2963	1-450
E-2864A	1-194	E-2913A	1-258, 1-273	E-2964	1-239, 1-275, 1-427, 1-447, 1-471
E-2865A	1-194	E-2914	1-258, 1-273	E-2965	1-447, 1-465, 1-469, 1-483, 1-487
E-2866A	1-538, 1-568, 2-38	E-2915A	1-77, 1-80, 1-258, 1-271, 1-273	E-2975	1-441, 1-443, 1-453, 1-454, 1-497, 1-519, 1-543, 1-554, 2-29, 2-30, 2-35
		E-2916	1-213, 2-53		
		E-2917	1-287, 1-289, 1-293, 1-305, 2-19		
		E-2919	1-287, 1-289, 1-293, 1-305, 2-19		

NUMERICAL LISTING OF PART NUMBERS

EUCLID NO.	PAGE NO.	EUCLID NO.	PAGE NO.	EUCLID NO.	PAGE NO.
E-2977A	1-345, 1-349, 1-353, 1-357, 1-361, 1-363, 1-379, 1-401, 1-407, 1-411, 1-453	E-3081	1-27,1-29, 2-66, 2-67	E-3240	1-543, 1-554, 2-32
E-2978A	1-379, 1-405, 1-407, 1-453	E-3082	1-25,1-27,1-28,1-29, 1-607, 1-609, 1-614, 2-49	E-3244	1-543, 1-562
E-2979A	1-379, 1-381, 1-405, 1-454	E-3083A	1-25,1-27,1-28, 1-29, 1-30, 1-607, 1-609, 1-614	E-3247	1-543, 1-561
E-2981	1-373, 1-455, 2-32	E-3085A	1-25,1-27,1-28,1-29	E-3258	1-566
E-2983	1-25,1-27,1-28, 1-29, 1-226, 1-373, 1-403, 1-425, 1-431, 1-435, 1-437, 1-439, 1-441, 1-445, 1-455, 1-456, 1-461, 1-519, 1-521, 1-529, 1-537, 1-545, 1-558, 1-594, 1-595, 1-598, 1-607, 1-644, 2-26, 2-34	E-3086	1-25,1-27,1-29, 2-20, 2-48	E-3276	1-267, 2-37
E-2984A	1-375, 1-455	E-3087	1-25,1-27,1-29	E-3277	1-249, 1-251, 1-253, 1-255, 1-257, 1-267, 2-37
E-2985A	1-375, 1-455	E-3165	2-45	E-3283A	1-509, 1-513, 1-517, 1-568, 2-38
E-2988	1-25,1-27, 1-239, 1-373, 1-377, 1-381, 1-419, 1-427, 1-429, 1-431, 1-435, 1-437, 1-439, 1-441, 1-445, 1-447, 1-459, 1-465, 1-478, 2-25, 2-34	E-3166	2-45, 2-46	E-3284A	1-509, 1-515, 1-568, 2-38
E-2989	1-357, 1-373, 1-377, 1-381, 1-383, 1-429, 1-437, 1-441, 1-443, 1-459, 2-32	E-3167	2-45, 2-46	E-3294	1-35,1-43
E-2992A	1-379, 1-459	E-3168	2-45, 2-46	E-3295	1-35,1-43
E-2996	1-403, 1-461, 2-32	E-3169	2-45, 2-46	E-3296	1-35,1-43, 2-48
E-2997	1-461	E-3170	2-45, 2-46	E-3297	1-35,1-43
E-2998	1-373, 1-377, 1-381, 1-450, 1-459, 2-51	E-3171	2-45, 2-46	E-3298	1-35,1-43, 2-34
E-3000	1-447, 1-465, 1-489, 2-25, 2-28, 2-34	E-3172	2-45, 2-46	E-3299	1-35,1-43
E-3001	1-3, 1-237, 1-327, 1-329, 1-489, 1-497, 1-509, 1-515, 1-519, 1-521, 1-531, 1-535, 1-537, 1-539, 1-543, 1-607, 1-609, 1-611, 1-613, 2-25, 2-27, 2-29, 2-34	E-3173	2-45	E-3359	1-543, 1-561, 2-48
E-3002A	1-523, 1-525, 1-527, 1-541, 1-545, 1-551, 1-592, 1-593, 1-594, 1-595, 1-600, 1-601, 2-25, 2-26, 2-27, 2-28, 2-29, 2-34	E-3174	2-45	E-3360	1-543, 1-559, 2-43, 2-49
E-3003	1-453, 1-454, 1-497, 2-26, 2-29, 2-30, 2-34	E-3175	2-45	E-3362	1-543, 1-558, 1-559, 2-43, 2-48
E-3004	2-26, 2-28, 2-30, 2-34	E-3176	2-45	E-3363	1-543, 1-558, 2-43
E-3005	1-287, 1-289, 2-29, 2-34	E-3177A	2-46	E-3380	1-600, 1-605
E-3006	1-287, 1-289, 1-290, 1-291, 2-29, 2-34	E-3178	2-46	E-3382	1-600, 1-605
E-3012	1-593, 1-596, 2-66, 2-73	E-3179A	2-46	E-3383	1-600, 1-602, 2-66, 2-73
E-3016	1-592, 1-597	E-3180	2-46	E-3384	1-600, 1-604
E-3031	1-593, 1-599	E-3181	2-46	E-3385	1-600, 1-603
E-3051	1-592	E-3182	2-46	E-3390	1-257, 1-267, 1-600, 1-604
E-3079	1-249, 1-251, 1-253, 1-255, 1-257, 1-266, 1-267, 1-602, 1-604, 2-20, 2-37, 239, 2-41, 2-44	E-3183A	2-46	E-3391	1-604, 2-44
E-3080	1-25,1-28,1-29, 2-66, 2-67	E-3184	2-46	E-3392	1-600, 1-602, 1-603
		E-3185	2-45, 2-46	E-3393	1-602
		E-3186	2-46	E-3394A	1-602, 2-20, 2-21
		E-3187	1-289, 1-303, 1-304	E-3398	1-601, 1-602, 2-66, 2-73
		E-3188	2-31	E-3409	1-600, 1-604
		E-3188-2	2-31	E-3410	1-600, 1-604
		E-3189	2-31	E-3411	1-213, 2-52
		E-3190	2-31	E-3414	1-77, 1-78, 1-243, 1-245, 1-247, 1-251, 1-265
		E-3191	1-294, 2-31	E-3415	1-3, 1-77, 1-78, 1-243, 1-245, 1-247, 1-251, 1-253, 1-255, 1-257, 1-264, 1-265, 1-551, 1-562, 2-32
		E-3191-1	2-31	E-3416	1-3, 1-77, 1-78, 1-243, 1-245, 1-247, 1-251, 1-253, 1-255, 1-257, 1-264, 1-265, 1-551, 1-561, 1-562
		E-3192	2-31	E-3527	1-603
		E-3192-1	2-31	E-3528	1-603
		E-3193	1-294, 2-31	E-3529	1-603
		E-3194	2-31	E-3530	1-32,1-40
		E-3195	2-31	E-3531	1-32,1-40
		E-3196	2-31	E-3532	1-32,1-40
		E-3197	2-31		
		E-3198	2-31		
		E-3199A	2-31		
		E-3199A-1	2-31		
		E-3214	1-27,1-30		
		E-3224	1-25,1-27, 2-32		

NUMERICAL LISTING OF PART NUMBERS

EUCLID NO.	PAGE NO.	EUCLID NO.	PAGE NO.	EUCLID NO.	PAGE NO.
E-3533	1-32,1-40, 2-49	E-3685	1-287, 1-293, 1-301	E-3785	1-327, 1-330, 2-33
E-3534	1-32,1-40, 2-51	E-3687	1-289, 1-300, 1-303	E-3786	1-327, 1-330
E-3536	1-32,1-40	E-3688	1-287, 1-289, 1-293, 1-304	E-3787	1-330
E-3537A	1-32,1-41	E-3689	1-287, 1-289, 1-290, 1-291, 1-293, 1-304	E-3788	1-327, 1-329, 1-330, 2-42
E-3538	1-35,1-42	E-3690	1-287, 1-289, 1-293, 2-33	E-3789	1-327, 1-330, 2-42
E-3539	1-35,1-42	E-3691	1-287, 1-289, 1-293, 2-32	E-3790	1-35,1-36,1-43, 1-327, 1-329, 1-331
E-3540A	1-35,1-42, 2-51	E-3692	1-287, 1-289, 1-293, 2-33	E-3792	1-327, 1-329, 1-331, 2-33
E-3541	1-35,1-36,1-44, 2-35	E-3693	1-287, 1-289, 1-293, 2-33	E-3793	1-327, 1-329, 2-34
E-3542	1-35, 2-32	E-3696	1-287, 1-289, 1-293, 1-383, 2-32	E-3794	1-36, 1-41, 1-327, 1-331
E-3546	1-35,1-42, 2-40	E-3697	1-289, 1-303	E-3795	1-331
E-3555	1-35,1-42,1-43	E-3698	1-289, 1-303, 1-304	E-3796	1-327, 1-329, 1-331
E-3556	1-35,1-42,1-43	E-3699	1-289, 1-303, 1-304, 2-35	E-3797	1-327, 1-329, 1-331
E-3557	1-35,1-42,1-43	E-3700	1-289, 1-303, 1-304	E-3798	1-327, 1-329, 1-331
E-3558	1-35,1-43	E-3702	1-287, 1-302	E-3799	1-327, 1-329, 1-331
E-3560	1-27, 1-28, 1-35,1-42, 1-43, 2-34	E-3703	1-287, 1-302	E-3816	1-39,1-45
E-3561A	1-35, 1-43	E-3704	1-287, 1-303	E-3817	1-39,1-44, 2-48
E-3562	1-39,1-44	E-3715	1-294, 1-300	E-3818	1-39, 2-33
E-3563	1-39,1-44, 2-51	E-3717	1-300	E-3819	1-39,1-45
E-3564	1-39,1-44, 2-33	E-3718	1-300	E-3820	1-45
E-3565	1-39,1-44, 2-35	E-3720	1-300	E-3821A	1-39,1-45
E-3567	1-39,1-45	E-3722	1-294, 1-305	E-3828	1-614
E-3568	1-39,1-45	E-3731	1-117, 1-119, 1-220, 2-41	E-3839	1-607, 1-615
E-3569	1-39,1-45	E-3732	1-117, 1-119, 1-220, 2-41	E-3844	1-607, 1-609, 1-614, 2-66, 2-73
E-3576	1-59,1-71	E-3738	1-117, 1-220, 2-25	E-3845	1-614
E-3577	1-59,1-71	E-3739	1-115, 1-216	E-3846	1-607, 1-615
E-3578	1-59,1-71	E-3740	1-119, 1-125, 1-127, 1-219, 1-221, 1-222, 1-299, 1-307	E-3849	1-607, 1-614, 2-48
E-3579	1-47,1-59,1-71, 2-20, 2-51	E-3741	1-117, 1-119, 1-125, 1-127, 1-219, 1-221, 1-222, 1-299, 1-307	E-3852	1-607, 1-609, 1-614
E-3580	1-59,1-71	E-3753A	1-117, 1-119, 1-221	E-3867	1-260, 1-268
E-3581	1-47,1-59,1-71	E-3754A	1-117, 1-119, 1-221	E-3868	1-213, 2-52
E-3582	1-47,1-59,1-71, 2-20	E-3755	1-117, 1-119, 1-127, 1-220	E-3881	1-193
E-3583	1-59,1-71	E-3760A	1-121, 1-123, 1-222, 1-297, 2-57, 2-61	E-3882	1-193
E-3586	1-64,1-65,1-72	E-3761	1-89, 1-175, 1-179, 1-181, 1-200	E-3900	1-293, 1-300, 2-49
E-3587	1-64,1-65,1-72	E-3762	1-121, 1-125, 1-299, 2-56	E-3913	1-169, 1-173, 1-179, 1-181, 1-183, 1-190, 1-191, 1-194
E-3588	1-64,1-72	E-3763	1-67, 2-36	E-3915	1-289, 1-303, 1-304
E-3589	1-64,1-72	E-3764	1-568, 2-38	E-3916	1-304
E-3590	1-64,1-72	E-3768	1-83, 1-143, 1-226	E-3917	1-35,1-42, 2-66, 2-67
E-3594	1-65,1-72	E-3771	1-83, 1-87, 1-143, 1-184, 1-185, 1-226	E-3917A	1-35,1-42
E-3595	1-65,1-72	E-3772	1-225	E-3919	1-287, 1-289, 1-305
E-3596	1-64,1-65,1-72	E-3773	1-85, 1-227, 2-41	E-3972	1-509, 1-554, 1-557
E-3599	1-332	E-3774A-2	1-85, 1-227, 2-41	E-3975	1-327, 1-330, 1-509, 1-554
E-3604	1-203, 1-332	E-3779	1-85, 1-226	E-3976	1-509, 1-554, 2-20
E-3605	1-203, 1-332	E-3783	1-327, 1-330, 2-66, 2-70	E-3977	1-535, 1-537, 1-539, 1-552, 1-555, 1-556, 2-20, 2-49
E-3606	1-203, 1-332	E-3784	1-327, 1-330, 2-48	E-3978	1-535, 1-537, 1-539, 1-552, 2-66, 2-71
E-3677	1-35,1-42,1-43			E-3979	1-513, 1-554, 1-557
E-3679	1-289, 1-290, 1-291, 1-293, 1-305			E-3987	2-45
E-3680	1-290, 1-291, 1-293, 1-305				
E-3683	1-287, 1-293, 1-301				

NUMERICAL LISTING OF PART NUMBERS

EUCLID NO.	PAGE NO.	EUCLID NO.	PAGE NO.	EUCLID NO.	PAGE NO.
E-3988	2-46	E-4292	1-345, 1-347, 1-351, 1-355, 1-359, 1-377, 1-399, 1-405, 1-407, 1-409, 1-468	E-4345	1-345, 1-347, 1-357, 1-359, 1-363, 1-365, 1-367, 1-369, 1-371, 1-375, 1-379, 1-387, 1-391, 1-395, 1-397
E-401011	2-20, 2-74			E-4345	1-401, 1-405, 1-407, 1-411, 1-413, 1-415, 1-417, 1-476, 2-33
E-401754	1-393, 1-417, 2-20, 2-74	E-4293	1-377, 1-468		
E-402158	2-74	E-4294	1-425, 1-468	E-4347	1-123, 1-139, 1-287, 1-289, 1-343, 1-345, 1-347, 1-353, 1-357, 1-359, 1-363, 1-365, 1-367, 1-369, 1-371, 1-373, 1-381, 1-383, 1-393, 1-397, 2-34
E-4252	1-343, 1-389, 1-393, 1-448, 2-50	E-4298	1-447, 1-468		
E-4253	1-343, 1-385, 1-389, 1-393, 1-395, 1-448, 1-456, 2-20, 2-50	E-4299	1-425, 1-468	E-4347	1-403, 1-407, 1-413, 1-415, 1-417, 1-419, 1-421, 1-425, 1-427, 1-429, 1-431, 1-433, 1-437, 1-441, 1-443, 1-447, 1-459, 1-465, 1-491, 1-593, 2-34
E-4254	1-395, 1-450, 2-49	E-4300	1-431, 1-439, 1-441, 1-443, 1-468		
E-4255	1-347, 1-389, 1-393, 1-448, 1-457, 1-458, 1-460, 1-480, 1-485, 2-20, 2-48	E-4301	1-447, 1-469, 1-483, 1-487	E-4348	1-237, 1-239, 1-277, 1-427, 1-429, 1-431, 1-439, 1-445, 1-447, 1-465, 2-32
E-4256	1-395, 1-448, 1-460, 2-48	E-4302	1-447, 1-469, 1-483, 1-487		
E-4257	1-387, 1-391, 1-450, 1-462, 2-20	E-4303	1-423, 1-469	E-4353	1-345, 1-347, 1-351, 1-357, 1-359, 1-363, 1-399, 1-409, 1-427, 1-429, 1-431, 1-433, 1-453, 1-454, 2-35
E-4258	1-389, 1-393, 1-472	E-4305	1-447, 1-469, 1-483, 1-487		
E-4261	1-423, 1-431, 1-441, 1-464, 1-472	E-4306	1-439, 1-469	E-4358	1-245, 1-247, 1-251, 1-253, 1-255, 1-257, 1-264, 1-343, 1-345, 1-347, 1-351, 1-355, 1-359, 1-363, 1-365, 1-367, 1-369, 1-371, 1-385, 1-387, 1-391, 1-395
E-4262	1-397, 1-473	E-4307	1-439, 1-469		
E-4263	1-347, 1-401, 1-458, 1-473	E-4308	1-447, 1-470, 1-483, 1-486	E-4358	1-401, 1-407, 1-411, 1-413, 1-415, 1-417, 1-419, 1-421, 1-427, 1-429, 1-443, 1-447, 1-456, 1-457, 1-458, 1-459, 1-460, 1-461, 1-480, 2-28, 2-30, 2-34
E-4265	1-351, 1-472	E-4309	1-447, 1-470		
E-4266	1-389, 1-393, 1-472	E-4310	1-439, 1-470	E-4359	1-457, 1-460, 2-35
E-4267	1-343, 1-385, 1-389, 1-393, 1-395, 1-460, 1-472	E-4312	1-239, 1-275, 1-447, 1-471, 1-483, 1-486	E-4361	1-347, 1-365, 1-367, 1-369, 1-371, 1-387, 1-391, 1-413, 1-415, 1-417, 1-419, 1-421, 1-443, 1-456, 1-457, 1-458, 1-459, 1-480, 2-32
E-4268	1-351, 1-472	E-4313	1-450		
E-4273	1-423, 1-431, 1-441, 1-464, 2-34	E-4315	1-343, 1-471, 2-35	E-4363	1-345, 1-351, 1-355, 1-359, 1-363, 1-365, 1-367, 1-369, 1-371, 1-401, 1-407, 1-411, 1-413, 1-415, 1-417, 1-419, 1-421, 1-456, 1-457, 2-35
E-4274	1-423, 1-431, 1-441, 1-473, 2-34	E-4316	1-423, 1-431, 1-441, 1-452		
E-4275	1-423, 1-431, 1-441, 1-473, 2-34	E-4317	1-423, 1-431, 1-441, 1-452	E-4364	1-343, 1-345, 1-351, 1-355, 1-359, 1-363, 1-365, 1-367, 1-369, 1-371, 1-385, 1-387, 1-391, 1-395, 1-401, 1-407, 1-411, 1-413, 1-415, 1-417, 1-419, 1-421, 1-456, 1-457, 2-35
E-4277	1-387, 1-391, 1-459, 1-460, 2-35	E-4318A	1-423, 1-452		
E-4278	1-387, 1-391, 1-462, 2-35	E-4319	1-423, 1-452, 2-42		
E-4281	1-466	E-4321	1-347, 1-357, 1-359, 1-363, 1-373, 1-379, 1-403, 1-407, 1-475		
E-4282	1-345, 1-347, 1-353, 1-355, 1-359, 1-363, 1-377, 1-381, 1-466	E-4323	1-37, 1-46, 1-473, 1-493, 1-495, 1-613, 2-58		
E-4283	1-345, 1-347, 1-353, 1-355, 1-359, 1-377, 1-381, 1-466	E-4324	1-474, 1-517, 1-523, 1-533, 2-56		
E-4284	1-403, 1-407, 1-466	E-4325	1-474, 2-55		
E-4285	1-403, 1-407, 1-466	E-4326	1-475, 2-55		
E-4287	1-403, 1-407, 1-466	E-4327	1-475, 2-55		
E-4288	1-425, 1-437, 1-466	E-4328	1-475, 2-55		
E-4289	1-345, 1-347, 1-353, 1-355, 1-359, 1-373, 1-377, 1-381, 1-399, 1-403, 1-407, 1-409, 1-466, 1-479	E-4329	1-473, 2-55		
E-4290	1-345, 1-347, 1-353, 1-355, 1-359, 1-373, 1-377, 1-381, 1-399, 1-409, 1-467, 1-479	E-4330A	1-474, 2-55		
E-4291	1-425, 1-437, 1-467	E-4331	1-474, 2-55		
		E-4332	1-475, 2-55		
		E-4333	1-474, 2-60		
		E-4334	1-474, 2-60		
		E-4338	1-345, 1-349, 1-476		
		E-4339	1-375, 1-379, 1-476		
		E-4341	1-377		
		E-4342	1-393, 1-476		
		E-4343	1-363, 1-367, 1-369, 1-371, 1-385, 1-387, 1-391, 1-476		
				E-4382A	1-345, 1-351, 1-355, 1-359, 1-363, 1-367, 1-369, 1-371, 1-399, 1-407, 1-409, 1-413, 1-415, 1-450, 1-457, 1-480, 1-485, 2-20, 2-49
				E-4383	1-447, 1-465
				E-4384	1-465

NUMERICAL LISTING OF PART NUMBERS

EUCLID NO.	PAGE NO.	EUCLID NO.	PAGE NO.	EUCLID NO.	PAGE NO.
E-4385	1-425, 1-465	E-4669	1-279, 1-282, 2-20, 2-49	E-4795	1-541, 1-574
E-4387	1-384, 1-385, 1-387, 1-389, 1-391, 1-393, 1-456	E-4674	1-7,1-20	E-4796	1-541, 1-568, 2-38
E-4389	1-453	E-4675	1-7,1-20	E-4801	1-549, 1-573
E-4390	1-353, 1-357, 1-379, 1-381, 1-401, 1-411, 1-454	E-4677A	1-7,1-9,1-11,1-13,1-15,1- 17,1-22, 2-20, 2-36, 2-40, 2-50	E-4802	1-549, 1-573
E-4391	1-425, 1-431, 1-441, 1-464	E-4678A	1-7,1-9,1-11,1-13,1-15, 1-17,1-22, 2-50	E-4803	1-551, 1-562, 1-573
E-4392	1-389, 1-393, 1-460	E-4680	1-7,1-9,1-13,1-15,1-21	E-4804	1-549, 1-573
E-4393	1-389, 1-393, 1-460	E-4681	1-7,1-20	E-4805	1-549, 1-573
E-4394	1-460	E-4682	1-7,1-20	E-4806	1-551, 1-573
E-4396	1-349, 1-458, 1-459	E-4683	1-7,1-20, 2-50	E-4807	1-549, 1-573
E-4397	1-393, 1-459	E-4684	1-7,1-21	E-4808	1-549, 1-573
E-4398A	1-345, 1-353, 1-357, 1-361, 1-363, 1-365, 1-367, 1-369, 1-371, 1-401, 1-407, 1-411, 1-457	E-4685	1-7,1-9,1-13,1-15,1-18	E-4809	1-549, 1-573
E-4399	1-411, 1-463	E-4686	1-11,1-17,1-18	E-4810	1-551, 1-562, 1-573
E-4400	1-411, 1-463	E-4687	1-11,1-17,1-18	E-4811	1-551, 1-562, 1-573
E-4401A	1-389, 1-393, 1-462	E-4688A	1-7,1-9,1-13,1-15,1-19	E-4813	1-549, 1-552, 2-66, 2-71
E-4402	1-458	E-4745	1-489, 1-498, 2-20, 2-51	E-4814	1-533, 1-549, 1-566
E-4403	1-345, 1-349, 1-353, 1-357, 1-361, 1-363, 1-365, 1-367, 1-369, 1-371, 1-375, 1-379, 1-381, 1-385, 1-389, 1-393, 1-395, 1-397, 1-401, 1-405, 1-407, 1-411, 1-413, 1-415, 1-417, 1-419, 1-421, 2-20, 2-53, 2-74	E-4751	1-489, 1-498	E-4815	1-549, 1-566
E-4405	1-373, 1-377, 1-450	E-4752	1-489, 1-498, 2-49	E-4816	1-566
E-4406	1-381, 1-450	E-4753	1-489, 1-498, 2-42	E-4817	1-549, 1-566
E-4407-1	1-454	E-4754	1-489	E-4818	1-549, 1-566
E-4409	1-345, 1-349, 1-353, 1-355, 1-359, 1-377, 1-381, 1-399, 1-409, 1-451	E-4755	1-489, 1-498	E-4819	1-566
E-4410A	1-365, 1-367, 1-369, 1-371, 1-413, 1-415, 1-417, 1-419, 1-421, 1-448, 1-456, 1-457, 2-20, 2-49	E-4759	1-489, 1-499	E-4822	1-565, 1-566
E-4411A	1-365, 1-367, 1-369, 1-371, 1-417, 1-456	E-4761	1-489, 1-498	E-4823	1-533, 1-549, 1-565
E-4412-1	1-465	E-4767	1-489, 1-499	E-4824	1-3,1-4, 1-533, 1-549, 1-569, 2-36, 2-38
E-4414-1	1-453	E-4768	1-489, 1-499	E-4825	1-533, 1-549, 1-569, 2-43
E-4417-1	1-454	E-4770	1-327, 1-330, 1-489, 1-499	E-4827	1-3,1-4, 1-549, 1-552, 1-554, 1-555, 2-21, 2-48
E-4421	1-327, 1-330, 1-345, 1-349, 1-351, 1-357, 1-359, 1-363, 1-377, 1-381, 1-401, 1-405, 1-407, 1-411, 1-417, 1-427, 1-429, 1-431, 1-433, 1-441, 1-443, 1-479, 1-535, 1-536, 1-539, 1-543, 1-558, 1-592, 1-593, 1-595, 1-596, 1-598, 2-34	E-4771	1-493, 1-497, 1-503, 2-42	E-4828	1-274, 1-551, 1-574
E-4424-1	1-453	E-4773	1-497, 1-502	E-4830	1-549, 1-554, 1-561, 2-32
E-4429	1-457	E-4774	1-497, 1-502, 1-503	E-4832	1-549, 1-554
E-4597	2-64, 2-74	E-4775	1-497, 1-502, 1-503, 2-20, 2-49	E-4833	1-533, 1-549, 1-558, 2-32
E-4664	1-279, 1-281, 2-52	E-4776	1-495, 1-497, 1-502, 1-503	E-4834A	1-533, 1-549, 1-558, 1-569, 2-20, 2-38, 2-43
		E-4777	1-495, 1-497, 1-502, 1-503	E-4835	1-3,1-5, 1-551, 1-562
		E-4778	1-491, 1-497, 1-500, 1-502, 2-33	E-4836	1-561
		E-4779	1-491, 1-495, 1-497, 1-500, 1-502, 2-34	E-4837	1-551, 1-562
		E-4780	1-497, 1-503	E-4838	1-566
		E-4781	1-493, 1-497, 1-503	E-4839	1-566
		E-4782	1-497, 1-503	E-4840	1-565
		E-4786	1-7,1-19	E-4844	1-193
		E-4788A	1-13,1-19	E-4961A	1-35,1-36, 1-42, 1-44, 1-74, 1-75, 1-199, 1-315, 1-505, 1-507, 1-523, 1-529, 1-545, 2-30, 2-34
		E-4789	1-7,1-13,1-23, 2-36	E-5032	1-509, 1-513, 1-519, 1-521, 1-525, 1-527, 1-529, 1-531, 1-535, 1-537, 1-538, 1-541, 1-562, 1-592, 1-599, 2-34
		E-4790	1-7,1-13,1-23, 2-36	E-5070	1-258, 1-274
		E-4791	1-7,1-13,1-23, 2-40	E-5071	1-258, 1-274
		E-4792	1-7,1-13,1-23, 2-40	E-5072	1-258, 1-274
		E-4793	1-13,1-20		
		E-4794	1-541, 1-574		

NUMERICAL LISTING OF PART NUMBERS

EUCLID NO.	PAGE NO.	EUCLID NO.	PAGE NO.	EUCLID NO.	PAGE NO.
E-5073	1-258, 1-274	E-5263	1-513, 1-571	E-5433	1-291, 1-303
E-5074	1-258, 1-274	E-5264	1-515, 1-571	E-5434	1-291, 1-303
E-5075	1-279, 1-282	E-5265	1-115, 1-214, 2-66, 2-68	E-5436	1-291, 1-304
E-5076	1-282	E-5267	1-115, 1-215	E-5439	1-287, 1-289, 1-291, 1-293, 2-33
E-5077	1-289, 1-300	E-5268	1-115, 1-215	E-5453	1-284, 1-285
E-5079	1-449	E-5269	1-117, 1-127, 1-214, 1-218, 2-48	E-5454	1-285
E-5080	1-449	E-5270	1-115, 1-117, 1-215, 2-48	E-5455	1-285
E-5081	1-449	E-5271	1-115, 1-131, 2-33	E-5456	1-285
E-5082	1-493, 1-503, 2-42	E-5272	1-115, 1-131, 2-33	E-5457	1-284, 1-285
E-5083	1-493, 1-503, 2-42	E-5273	1-115, 1-127, 2-35	E-5458	1-284, 1-285
E-5085	1-566	E-5274	1-115, 1-215	E-5459	1-285
E-5210	1-241, 1-275	E-5275	1-117, 1-119, 1-125, 1-127, 1-131, 1-147, 1-151, 1-157, 1-161, 1-165, 1-210, 1-213, 1-215, 1-218, 1-220, 1-231, 1-299, 1-306, 2-20, 2-41, 2-52	E-5460	1-285
E-5211	1-241, 1-275	E-5276	1-147, 1-151, 1-215, 1-231, 2-41, 2-48	E-5462	1-285
E-5212	1-241, 1-275	E-5277	1-115, 1-119, 1-123, 1-127, 1-215, 1-218, 1-220, 1-297, 1-306	E-5463	1-285
E-5213	1-237, 1-239, 1-275, 1-427, 1-429, 1-447, 1-471, 1-483, 1-486	E-5278	1-215	E-5465	1-284, 1-285
E-5214	1-239, 1-275, 1-447, 1-471, 1-483, 1-486	E-5281	1-117, 1-119, 1-123, 1-127, 1-147, 1-151, 1-157, 1-161, 1-165, 1-216, 1-218, 1-220, 1-297, 1-306, 1-609, 1-613, 1-615	E-6121	1-83, 1-143, 1-184, 1-185, 1-225, 2-49
E-5215	1-239, 1-275, 1-447, 1-471, 1-483, 1-486	E-5282	1-216, 2-41	E-6122	1-83, 1-133, 1-143, 1-226
E-5216	1-241, 1-275, 2-20, 2-51	E-5283	1-216, 2-41	E-6124	1-83, 1-143, 1-227
E-5218	1-239, 1-275, 1-483, 1-486	E-5286	1-216	E-6126	1-87, 1-226, 2-49
E-5219	1-237, 1-239, 1-275, 2-35	E-5292	1-216	E-6127	1-87, 1-225, 2-49
E-5220	1-239, 1-276	E-5299	1-115, 1-119, 1-217, 1-221	E-6128	1-87, 1-225, 2-50
E-5221	1-239, 1-276	E-5300	1-115, 1-217	E-6129	1-87, 1-226
E-5222	1-241, 1-276	E-5301	1-115, 1-217	E-6130	1-87, 1-226
E-5223	1-241, 1-276	E-5308	1-89, 1-191	E-6131	1-87, 1-226
E-5224	1-239, 1-276	E-5309	1-169, 1-173, 1-177, 1-179, 1-191	E-640	1-601, 1-602, 1-603, 2-49
E-5225	1-239, 1-276	E-5417	1-290, 1-301	E-641	1-601, 1-602, 1-603
E-5226	1-241, 1-276	E-5421	1-290, 1-301, 2-51	E-6898	1-353, 1-357, 1-361, 1-379, 1-401, 1-454
E-5227	1-237, 1-241, 1-276, 2-20	E-5422	1-290, 1-303	E-6979	1-169, 1-173, 1-177, 1-179, 1-186, 1-187, 1-189, 2-53, 2-53
E-5228	1-241, 1-277	E-5423	1-290, 1-303, 2-35	E-6980	1-169, 1-173, 1-177, 1-179, 1-189, 2-53
E-5229	1-241, 1-269	E-5424	1-290, 1-303	E-700	2-22
E-5230	1-239, 1-277	E-5425	1-290, 1-303	E-702A	2-22
E-5231A	1-241, 1-269	E-5426	1-290, 1-291, 1-305	E-725	1-265
E-5245	1-513, 1-553, 2-66, 2-72	E-5427	1-287, 1-289, 1-290, 1-293, 2-33	E-7426	1-11, 1-13, 1-15, 1-17, 1-22, 2-2, 2-20, 2-51
E-5246	1-513, 1-521, 1-553, 2-66, 2-72	E-5428	1-287, 1-289, 1-290, 1-293, 2-33	E-7427	1-7, 1-9, 1-11, 1-13, 1-15, 1-17, 1-22, 2-2, 2-20, 2-51
E-5247	1-513, 1-554	E-5429	1-290, 1-291, 2-35	E-7429	2-3, 2-51
E-5253	1-565	E-5431	1-291, 1-301	E-7430	2-3
E-5254	1-511, 1-515, 1-567	E-5432	1-291, 1-301, 2-51	E-7431	2-3
E-5255A	1-515, 1-568, 2-38			E-7432	1-49, 1-51, 1-53, 1-55, 1-57, 1-64, 1-65, 1-66, 2-3, 2-19, 2-53
E-5256	1-515, 1-569, 2-43			E-7433	1-49, 1-51, 1-53, 1-55, 1-57, 1-61, 1-63, 1-67, 1-77, 1-78, 1-245, 1-264, 1-266, 2-4, 2-19, 2-53
E-5257	1-509, 1-513, 1-570				
E-5258	1-509, 1-513, 1-570				
E-5259	1-509, 1-570				
E-5260	1-509, 1-515, 1-570				
E-5261	1-509, 1-515, 1-570				
E-5262	1-513, 1-571				

NUMERICAL LISTING OF PART NUMBERS

EUCLID NO.	PAGE NO.	EUCLID NO.	PAGE NO.	EUCLID NO.	PAGE NO.
E-7434	2-4, 2-12, 2-51	E-7480	1-287, 1-289, 1-293, 1-305, 2-9, 2-19	E-7531	1-181, 1-198
E-7439	2-4	E-7481	1-287, 1-289, 1-293, 1-305, 2-9, 2-19	E-7532	1-245, 1-247, 1-251, 1-263, 2-20
E-7440	2-4	E-7482	2-9	E-7533	1-245, 1-247, 1-251, 1-253, 1-255, 1-257, 1-264, 2-32
E-7441	1-293, 1-301, 2-9, 2-19, 2-50	E-7483	2-9	E-7534	1-258, 1-273
E-7442	1-437, 1-448, 2-4, 2-11, 2-19, 2-50	E-7484	2-9	E-7535	1-260, 1-268
E-7443	1-431, 1-433, 1-441, 1-443, 1-445, 1-448, 2-11, 2-19, 2-50	E-7485	1-448, 2-10, 2-20, 2-48	E-7536	1-202
E-7444	2-10, 2-20	E-7486	1-447, 1-448, 1-483, 1-487, 2-11, 2-19, 2-51	E-7537	1-202
E-7445	2-3, 2-20	E-7487	2-11	E-7540	1-202
E-7446A	1-279, 1-282, 2-8, 2-20, 2-49	E-7488	2-11, 2-50	E-7541	1-202
E-7447	2-2, 2-20, 2-51	E-7489	2-11, 2-50	E-7544	1-202
E-7448	2-14, 2-20	E-7491	2-11	E-7546	1-202
E-7449	2-11, 2-20	E-7492	2-11, 2-51	E-7562	1-203
E-7450	2-5, 2-22	E-7493	2-11, 2-51	E-7566	1-203
E-7451	2-5, 2-22	E-7497	2-12	E-7568A	1-203
E-7452	1-77, 1-78, 1-245, 1-247, 1-251, 1-264, 2-5, 2-19, 2-48	E-7498	2-12	E-7569A	1-203
E-7453	1-249, 1-251, 1-253, 1-255, 1-257, 1-266, 1-603, 2-5, 2-19, 2-48	E-7499	2-12, 2-50	E-7570	1-203
E-7455	1-241, 1-275, 2-5, 2-20, 2-51	E-7500	2-12	E-7571	1-203
E-7457	2-6, 2-53	E-7501	2-12	E-7572A	1-203
E-7458	2-6	E-7502	2-12	E-7582	1-204
E-7459	2-6	E-7503	2-13	E-7584	1-204
E-7460	2-6	E-7504	2-12	E-7599	1-206
E-7461	2-6	E-7505	2-13	E-7600	1-206
E-7462	2-6, 2-13	E-7506	2-13	E-7601	1-206
E-7463	2-7	E-7507	2-13	E-7602	1-206
E-7464	2-7	E-7508	2-14	E-7603	1-206
E-7465	2-7	E-7509	1-497, 1-503, 2-14, 2-20, 2-51	E-7604	1-206
E-7466	2-7	E-7510	1-489, 1-498, 2-14, 2-20, 2-51	E-7606	1-206
E-7467	2-7	E-7515	2-14, 2-49	E-7607	1-206
E-7468	2-7	E-7516	2-14, 2-49	E-7608	1-206
E-7469	2-7, 2-13	E-7517	2-14, 2-50	E-7609	1-206
E-7470	2-7	E-7518	2-14	E-7610	1-206
E-7471	2-8	E-7520	1-3, 1-4, 1-25, 1-27, 1-28, 1-29, 1-519, 1-521, 1-531, 1-533, 1-537, 1-541, 1-549, 1-559, 1-594, 2-14, 2-19, 2-48	E-7611	1-207
E-7472	2-8, 2-13	E-7522	1-539, 1-559, 2-15, 2-19, 2-52	E-7617	1-167, 1-171, 1-207
E-7473	2-8	E-7523	1-509, 1-513, 1-517, 1-560, 2-15, 2-19, 2-53	E-7618	1-207
E-7474	2-8, 2-51, 2-74	E-7524	2-16, 2-50	E-7619	1-167, 1-171, 1-207
E-7475	2-8	E-7525	2-16	E-7620	1-167, 1-171, 1-209
E-7477	2-8	E-7526	2-16	E-7621	1-245, 1-247, 1-251, 1-253, 1-255, 1-257, 1-264, 2-20, 2-21, 2-49
E-7478	1-287, 1-293, 1-302, 2-9, 2-19, 2-50	E-7527	2-16	E-7622	1-245, 1-249, 1-260, 1-268
E-7479	1-287, 1-293, 1-302, 2-9, 2-20, 2-50	E-7528	2-17, 2-20, 2-52, 2-74	E-7623	1-260, 1-268
		E-7529	2-17, 2-20, 2-53, 2-74	E-7624	1-260, 1-268
		E-7530	1-175, 1-179, 1-198	E-7625	1-260, 1-268
				E-7626	1-260, 1-268
				E-7627	1-260, 1-268
				E-7628	1-260, 1-268
				E-7629	1-260, 1-268
				E-7630	1-260, 1-268

NUMERICAL LISTING OF PART NUMBERS

EUCLID NO.	PAGE NO.	EUCLID NO.	PAGE NO.	EUCLID NO.	PAGE NO.
E-7631	1-260, 1-268	E-7719	1-515, 1-531, 1-557	E-7869	1-491, 1-500, 2-66, 2-70
E-7632	1-260, 1-268, 2-66, 2-69	E-7739	1-531, 1-574	E-7870	1-491, 1-500, 2-48
E-7633	1-260, 1-268	E-7741	1-519, 1-521, 1-531, 1-568, 2-38	E-7871	1-491, 1-500
E-7634	1-260, 1-268	E-7742	1-519, 1-521, 1-531, 1-568, 2-38	E-7879	1-491, 1-500
E-7635	1-245, 1-249, 1-253, 1-255, 1-257, 1-269	E-7743	1-521, 1-531, 1-568, 2-38	E-7887	1-491, 1-500, 2-42
E-7636	1-61, 1-63, 1-69, 1-245, 1-249, 1-253, 1-255, 1-257, 1-269	E-7744	1-519, 1-521, 1-531, 1-569, 2-43	E-7918	1-77, 1-78, 1-245, 1-247, 1-251, 1-263
E-7637	1-63, 1-67	E-7746	2-43	E-812	1-559
E-7638	1-327, 1-329, 1-331, 1-497, 1-503, 2-17, 2-19, 2-52	E-7749	1-519, 1-558, 1-568, 1-569, 2-38, 2-43	E-813	1-513, 1-554, 1-555, 2-19, 2-53
E-7639	1-278, 1-281, 1-327, 1-329, 1-331, 2-17, 2-19, 2-52	E-7750	1-519, 1-521, 1-531, 1-558, 1-560, 1-568, 1-569, 2-38, 2-43	E-837	1-515, 1-554
E-7640	2-8	E-7754	1-19	E-8650	2-4
E-7641	2-8	E-7755	1-11, 1-17, 1-18	E-8651	1-279, 1-281, 2-17, 2-19, 2-53
E-7643	2-9	E-7756	1-7, 1-13, 1-22	E-8652	2-5, 2-22
E-7644	2-9	E-7757	1-7, 1-9, 1-13, 1-21	E-8653	1-509, 1-555, 2-15, 2-19, 2-53
E-7645	2-14	E-7758	1-13, 1-15, 1-19	E-8654	1-535, 1-537, 1-539, 1-556, 2-14, 2-20, 2-49
E-7681	1-257, 1-274	E-7763	1-19	E-8655	1-278, 2-16, 2-20, 2-52
E-7682	1-249, 1-251, 1-253, 1-255, 1-257	E-7764	1-7, 1-20	E-8656	2-17
E-7683	1-253, 1-267	E-7765	1-22	E-8663	1-47, 1-59, 1-71, 2-4, 2-20, 2-51
E-7684	1-255, 1-267	E-7766	1-11, 1-13, 1-15, 1-17, 1-22, 2-20	E-8664	1-59, 1-71, 2-4, 2-20
E-7685	1-255, 1-267	E-7767	1-11, 1-13, 1-15, 1-17, 1-22, 2-20	E-8665	1-237, 1-241, 1-276, 2-6, 2-20
E-7686	1-260	E-7768	1-11, 1-13, 1-15, 1-17, 1-21	E-8666	1-245, 1-247, 1-251, 1-253, 1-255, 1-257, 1-264, 2-6, 2-20
E-7687	1-260	E-7769	1-15, 1-19	E-8667	1-287, 1-289, 1-293, 1-305, 2-9, 2-19
E-7688	1-260	E-7770	1-15, 1-19	E-8669	2-11
E-7689	1-260	E-7771	1-11, 1-17, 1-20	E-8670	1-441, 1-445, 1-447, 1-452, 1-483, 1-486, 2-11, 2-19
E-7690	1-260	E-7772	1-7, 1-9, 1-13, 1-15, 1-21	E-8671	1-425, 1-437, 1-452, 2-11, 2-19
E-7693	1-260	E-7773	1-11, 1-13, 1-15, 1-17, 1-21	E-8672	1-423, 1-448, 2-11, 2-19
E-7694	1-260	E-7774	1-11, 1-13, 1-15, 1-17, 1-21	E-8673	1-349, 1-373, 1-377, 1-381, 1-405, 1-407, 2-10, 2-19
E-7695	1-260	E-7840	1-495, 1-502	E-8674	1-347, 1-373, 1-377, 1-381, 1-405, 1-407, 2-10, 2-19
E-7696	1-260	E-7841	1-495, 1-502, 2-51	E-8676	1-423, 1-431, 1-441, 1-452, 2-11, 2-19
E-7697	1-257, 1-269	E-7844	1-495, 1-502	E-8677	1-389, 1-393, 1-397, 1-443, 1-448, 2-10, 2-19
E-7698	1-257, 1-269	E-7845	1-495, 1-502	E-8678	1-345, 1-349, 1-353, 1-355, 1-359, 1-377, 1-381, 1-399, 1-405, 1-407, 1-409, 1-451, 2-10, 2-20
E-7699	1-257, 1-269	E-7851	1-495, 1-502	E-8679	1-431, 1-433, 1-441, 1-445, 1-451, 2-10, 2-20
E-7700	1-36, 1-44, 2-66, 2-67	E-7852	1-37, 1-46, 1-474, 1-493, 1-495, 1-613, 2-58, 2-61	E-8680	1-345, 1-347, 1-353, 1-355, 1-359, 1-377, 1-381, 1-399, 1-407, 1-409, 1-452, 2-10, 2-20
E-7701	1-36, 1-44, 2-51	E-7853	1-495, 1-502, 2-42		
E-7702	1-36, 1-44	E-7854	1-493, 1-501		
E-7703	1-36, 1-44, 2-33	E-7855	1-493, 1-501		
E-7704	1-36, 1-44	E-7862	1-493, 1-501		
E-7706	1-36, 1-44	E-7864	1-493, 1-501		
E-7709	1-531, 1-553, 2-66, 2-72	E-7865	1-493, 1-501		
E-7710	1-513, 1-531, 1-553, 2-66, 2-72	E-7866	1-493, 1-497, 1-501		
E-7712	1-519, 1-555	E-7867	1-493, 1-497, 1-501		
E-7713	1-513, 1-531, 1-553, 1-555	E-7868	1-493, 1-497, 1-501		
E-7716	1-557				
E-7717	1-519, 1-556				

NUMERICAL LISTING OF PART NUMBERS

EUCLID NO.	PAGE NO.	EUCLID NO.	PAGE NO.	EUCLID NO.	PAGE NO.
E-8681	1-343, 1-393, 1-395, 1-448, 2-10, 2-20, 2-50	E-8850	1-611, 1-617	E-9295	1-382, 1-383, 1-458
E-8682	1-387, 1-391, 1-450, 2-10, 2-20	E-8851	1-611, 1-616	E-9296	1-382, 1-383, 1-455
E-8683	1-355, 1-359, 1-399, 1-450, 2-10, 2-20	E-8853	1-611, 1-616	E-9297	1-382, 1-383, 1-456
E-8684	1-345, 1-349, 1-353, 1-357, 1-361, 1-365, 1-367, 1-375, 1-379, 1-381, 1-389, 1-393, 1-395, 1-397, 1-401, 1-405, 1-407, 1-411, 1-413, 1-415, 1-419, 1-421, 2-11, 2-20, 2-52, 2-74	E-8853A	1-611, 1-616	E-9299	1-382, 1-383, 1-470
E-8688	1-513, 1-521, 1-556, 2-15, 2-19	E-8854	1-33,1-41	E-9300A	1-384, 1-385, 1-461
E-8689	1-535, 1-536, 1-560, 2-15, 2-19, 2-52	E-8855	1-33,1-41	E-9301	1-384, 1-385, 1-462
E-8691	1-513, 1-555, 2-15, 2-19	E-8909	1-609, 1-613, 1-615, 2-33	E-9302	1-3,1-5
E-8701	1-7, 1-9, 1-11, 1-13, 1-15, 1-17, 1-22, 1-23	E-8910	1-609, 1-613, 1-615, 2-33	E-9303	1-3,1-5
E-8702	1-7, 1-9, 1-11, 1-13, 1-15, 1-17, 1-22	E-8911	1-609, 1-613, 2-34	E-9304	1-3,1-5
E-8795	1-33,1-41	E-8912	1-609, 1-613, 1-615	E-9305	1-3,1-4, 2-66, 2-67
E-8796	1-33,1-40	E-8917	1-11,1-13,1-15,1-17, 1-22, 2-2, 2-20, 2-51	E-9307	1-3,1-4, 2-40
E-8797	1-33,1-40, 2-51	E-8918	2-3, 2-16	E-9308	1-3,1-4
E-8798	1-33,1-41	E-8919	2-13	E-9309	1-3,1-4
E-8799	1-32, 1-33, 1-40, 2-51	E-8920	2-15, 2-50, 2-51	E-9321	1-278, 1-281, 2-20, 2-52
E-8800	1-33,1-40	E-8926	1-119, 1-221	E-9322	1-278, 1-281, 2-52
E-8802	1-37,1-46	E-8927	2-5, 2-22	E-9323	1-278, 1-281, 2-52
E-8803	1-37,1-46	E-8931	1-49,1-51,1-57,1-66, 2-66, 2-67, 2-68	E-9324	1-278, 1-281, 2-52
E-8804	1-37,1-46, 2-52	E-8941	1-35,1-36,1-42, 2-40	E-9325	1-89, 1-139, 1-141, 1-167, 1-171, 1-179, 1-181, 1-192
E-8805	1-37,1-46	E-898	1-555	E-9326	1-89, 1-129, 1-137, 1-139, 1-141, 1-167, 1-171, 1-177, 1-179, 1-181, 1-192
E-8806	1-37,1-46	E-900	1-539, 1-558, 1-592, 1-593, 1-598, 2-32	E-9327	1-129, 1-137, 1-192
E-8808	1-37,1-46, 2-40	E-901	1-25,1-27,1-28, 1-29, 1-226, 1-517, 1-519, 1-521, 1-529, 1-531, 1-537, 1-541, 1-543, 1-545, 1-558, 1-594, 1-595, 1-598, 2-32	E-9328	1-129, 1-137, 1-192
E-8809	1-37,1-46	E-905	1-535, 1-536, 1-538, 1-541, 1-545, 1-558, 2-35	E-9329	1-192
E-8810	1-37,1-46	E-907	1-509, 1-513, 1-517, 1-539, 1-558, 1-592, 1-593, 1-598, 2-35	E-9330	1-255, 1-263, 2-66, 2-69
E-8818	1-609, 1-615	E-927	1-49,1-51,1-53,1-55, 1-57,1-61,1-63,1-67, 1-77, 1-78, 1-79, 1-245, 1-264, 1-265, 1-266, 1-267, 2-19, 2-36, 2-37, 2-41, 2-53	E-934	1-249, 1-251, 1-253, 1-255, 1-257, 1-266, 1-267, 1-600, 1-602, 1-603, 1-604, 2-21, 2-37, 2-39, 2-41, 2-44, 2-48
E-8819	1-609, 1-613, 1-615	E-9284	1-345, 1-355, 1-359, 1-363, 1-365, 1-367, 1-369, 1-371, 1-401, 1-409, 1-413, 1-415, 1-417, 1-419, 1-421, 1-457, 1-472	E-9350	1-538, 1-541, 1-558, 1-568, 1-569, 2-20, 2-38, 2-43
E-8821	1-613, 1-616	E-9286	1-383, 1-464, 2-48	E-9351A	1-533, 1-574
E-8830	1-611, 1-616	E-9287	1-383, 1-455, 1-464, 2-52	E-9353	1-533, 1-564
E-8831	1-611, 1-616, 2-35	E-9288	1-383, 1-455, 1-456, 4-464, 2-52	E-9355	1-533, 1-567
E-8832	1-611, 1-617	E-9289	1-383, 1-475	E-9358	1-517, 1-533, 1-560
E-8833	1-611, 1-617, 2-52	E-9290	1-383, 1-470	E-9359	1-169, 1-173, 1-177, 1-179, 1-181, 1-186, 1-187, 1-189
E-8834	1-611, 1-617	E-9291	1-383, 1-470	E-9361	1-48,1-51,1-52,1-55, 1-57,1-64,1-65,1-66, 2-19
E-8835	1-611, 1-617	E-9292	1-343, 1-385, 1-450, 1-461, 2-51	E-9362	1-49,1-51,1-53,1-55, 1-57,1-61,1-63,1-67, 2-19
E-8836	1-611, 1-617	E-9293	1-385, 1-448, 2-50	E-9363	1-61,1-63,1-69
E-8837	1-611, 1-617, 1-618	E-9294	1-417, 1-457	E-9364	1-61,1-69
E-8838	1-611, 1-616			E-9365	1-61,1-69
E-8839	1-611, 1-617, 1-618			E-9366	1-49,1-51,1-57,1-61, 1-66, 2-66, 2-68
E-8840	1-611, 1-617, 2-32			E-9367	1-61,1-66
E-8841	2-34			E-9368	1-61,1-66, 2-50
E-8844	1-611, 2-35				

NUMERICAL LISTING OF PART NUMBERS

EUCLID NO.	PAGE NO.	EUCLID NO.	PAGE NO.	EUCLID NO.	PAGE NO.
E-937	1-49,1-51,1-53,1-55, 1-57,1-61,1-63,1-64, 1-65,1-66,1-67, 1-517, 1-519, 1-521, 1-523, 1-525, 1-527, 1-538, 1-541, 1-545, 1-558, 1-559, 2-34	E-9420	1-141, 1-169, 1-173, 1-177, 1-179, 1-181, 1-191, 1-193	E-9477	1-77, 1-79, 1-245, 1-267, 2-41
E-9370	1-61,1-66,1-67	E-9421	1-169, 1-173, 1-181, 1-193	E-9478	1-77, 1-78, 1-245, 1-264, 1-265, 1-267, 2-20, 2-36, 2-41
E-9372	1-61,1-67	E-9426	1-171, 1-181, 1-188	E-9479	1-77,1-78, 1-245, 1-264, 2-20
E-9373	1-74,1-75	E-9427	1-89, 1-179, 1-181, 1-201	E-9480	1-77, 1-78, 1-79, 1-245, 1-264, 1-265, 1-266
E-9374	1-74,1-75	E-9428	1-89, 1-175, 1-179, 1-181, 1-201	E-9482	1-77,1-78, 1-245, 1-264, 1-265
E-9375	1-74,1-75	E-9429	1-179, 1-181, 1-195	E-9484	1-247, 1-251, 1-270
E-9376	1-74, 1-75, 2-33	E-9430	1-195, 2-33	E-9485	1-247, 1-251, 1-270
E-9377	1-74,1-75	E-9432A	1-115, 1-119, 1-123, 1-127, 1-216, 1-219, 1-220, 1-297, 1-307	E-9486	1-249, 1-251, 1-253, 1-255, 1-257, 1-266, 2-20
E-9378	1-74,1-75	E-9437	1-590	E-9487	1-249, 1-251, 1-253, 1-255, 1-257, 1-274
E-9379	1-74,1-75	E-9438	1-590	E-9489	1-255, 1-263, 2-66, 2-69
E-9380	1-74,1-75	E-9439	1-581, 1-585, 1-587, 1-589, 1-590, 2-49	E-9491	1-257, 1-263, 2-66, 2-70
E-9381	1-74,1-75	E-9440	1-589, 1-590, 2-51	E-9492	1-257, 1-263, 2-66, 2-70
E-9384	1-125, 1-223	E-9441A	1-589,1-591	E-9493	1-77, 1-80, 1-258, 1-271
E-9385	1-125, 1-223	E-9442	1-589, 1-590, 1-591	E-9494	1-77,1-80, 1-258, 1-271
E-9386	1-123, 1-222	E-9443	1-581, 1-590, 1-591	E-9495	1-77, 1-80, 1-258, 1-271
E-9387	1-123, 1-222	E-9444	1-589, 1-591	E-9496	1-77, 1-80, 1-258, 1-271
E-9389	1-121, 1-125, 1-223, 1-299, 1-307	E-9445	1-581, 1-585, 1-587, 1-589, 1-591	E-9497	1-258, 1-271
E-9390	1-123, 1-223, 1-297, 1-307	E-9446	1-589,1-590	E-9498	1-258, 1-271
E-9391	1-123, 1-221, 1-297, 1-306	E-9447	1-589,1-590	E-9499	1-259, 1-272
E-9392	1-123, 1-223, 1-297, 1-302	E-9448	1-480, 1-481, 1-485	E-9500	1-259, 1-272
E-9393	1-125, 1-297, 1-307	E-9449	1-480, 1-481, 1-485	E-9501	1-259, 1-272
E-9394	1-125, 1-220	E-9450	1-480, 1-481, 1-486	E-9502	1-259, 1-272
E-9395	1-119, 1-125, 1-220, 1-299, 1-306, 2-37, 2-52	E-9452	1-480, 1-481, 1-484, 1-486	E-9503	1-259, 1-272
E-9397	1-125, 1-222, 1-299, 1-307	E-9454	1-480, 1-484, 1-486	E-9506	2-17, 2-20, 2-48
E-9400	1-127, 1-219	E-9455	1-480, 1-484, 1-486	E-9507	2-17, 2-20
E-9402	1-127, 1-218, 2-66, 2-68	E-9456	1-481, 1-485	E-9510	1-189, 2-17, 2-19, 2-53
E-9404	1-127, 1-219	E-9457	1-481, 1-484, 1-485, 2-49	E-9512A	1-192, 2-17, 2-50
E-9405	1-127, 1-219	E-9458	1-481, 1-484, 1-485, 2-51	E-9513	2-18, 2-19
E-9406	1-127, 1-219	E-9459	1-483, 1-487	E-9514	2-18, 2-19
E-9407	1-127, 1-218, 2-41	E-9460	1-483, 1-487	E-9515	1-167, 1-171, 1-208, 2-18, 2-19, 2-50
E-9408	1-115, 1-127, 1-219	E-9461	1-483, 1-487	E-9517	2-52
E-9409	1-125, 1-127, 1-218, 1-220, 1-299, 1-306, 2-41	E-9469	1-245, 1-270	E-9518	2-17, 2-19, 2-53
E-9411	1-141, 1-224	E-9470	1-245, 1-270	E-9527	1-77,1-79, 1-260, 1-268
E-9412	1-141, 1-188, 1-224	E-9471	1-245, 1-247, 1-251, 1-263, 2-66, 2-69	E-9528	1-77,1-79, 1-260, 1-268
E-9413	1-141, 1-224	E-9472	1-245, 1-247, 1-251, 1-253, 1-255, 1-257, 1-264, 2-20	E-9529	1-77,1-79, 1-260, 1-268
E-9414	1-141, 1-224	E-9473	1-245, 1-247, 1-251, 1-253, 1-255, 1-257, 1-264, 2-20	E-9530	1-377, 1-477
E-9415	1-141, 1-224	E-9474	1-77, 1-78, 1-245, 1-247, 1-251, 1-264, 2-19	E-9531	1-377, 1-477
E-9416	1-141, 1-224	E-9475	1-245, 1-247, 1-251, 1-253, 1-255, 1-257	E-9532	1-367, 1-477
E-9417	1-141, 1-224	E-9476	1-77, 1-79, 1-245, 1-267, 2-36, 2-37	E-9533	1-367, 1-477
E-9418	1-167, 1-171, 1-209			E-9534	1-431, 1-433, 1-441, 1-443, 1-447
E-9419	1-169, 1-173, 1-181, 1-192, 2-50			E-9535	1-423, 1-477

NUMERICAL LISTING OF PART NUMBERS

EUCLID NO.	PAGE NO.	EUCLID NO.	PAGE NO.	EUCLID NO.	PAGE NO.
E-9536	1-423, 1-478	E-9604	2-35	E-TR5050-16	2-24
E-9537	1-513, 1-571	E-9605	2-34	E-TR5050-18	2-24
E-9538	1-513, 1-557	E-9606	2-34	E-TR5050-20	2-24
E-9539	1-513, 1-571	E-9607	1-3, 1-549, 1-558, 2-34	E-TR5050-22	2-24
E-9541	1-515, 1-571	E-9610	1-425, 1-478	E-TR5050-24	2-24
E-9543	1-562	E-9611	1-425, 1-478	E-TR5050-26	2-24
E-9544	1-562, 2-51	E-9612	1-425, 1-478	E-TR5050-28	2-24
E-9545	1-509, 1-513, 1-517, 1-558, 2-19	E-9613	2-28, 2-29	E-TR5050-30	2-24
E-9548	1-535, 1-536, 1-558, 2-19	E-9614	2-28, 2-29	E-TR5050-32	2-24
E-9549	1-523, 1-525, 1-527, 1-559, 1-560, 1-568, 2-38, 2-43, 2-48	E-9615	1-523, 1-525, 1-527	E-TR5050-34	2-24
E-9550	1-525, 1-527, 1-556	E-9616	1-525, 1-527	E-TR5050-36	2-24
E-9551	1-549, 1-558, 2-20	E-9617	1-525, 1-527	E-TR5056-08	2-24
E-9552	1-519, 1-521, 1-531, 1-558, 1-594, 2-19	E-9618	1-525	E-TR5056-10	2-24
E-9553	1-517, 1-564	E-9619	1-525, 1-568, 2-43	E-TR5056-12	2-24
E-9554	1-509, 1-564	E-9620	1-525, 1-527, 1-568, 2-38	E-TR5056-14	2-24
E-9555	1-509, 1-554, 2-20	E-9622	1-525, 1-527	E-TR5056-16	2-24
E-9557	1-515, 1-567	E-9623	2-56	E-TR5056-18	2-24
E-9558	1-511, 1-567	E-9624	2-56	E-TR5056-20	2-24
E-9559	1-511, 1-557	E-9625	2-56, 2-57	E-TR5056-22	2-24
E-9560	1-511, 1-557	E-9626	1-525, 1-527	E-TR5056-24	2-24
E-9561	1-511, 1-557	E-9628	1-202	E-TR5056-26	2-24
E-9562	1-511, 1-565	E-9629	1-202	E-TR5056-28	2-24
E-9563	1-511, 1-565	E-9630	1-202	E-TR5056-30	2-24
E-9564	1-511, 1-565	E-9631	1-202	E-TR5056-32	2-24
E-9567	1-245, 1-247, 1-251, 1-263, 2-20	E-9632	1-202	E-TR5056-34	2-24
E-9569	2-22	E-9633A	1-203	E-TR5056-36	2-24
E-9570	1-77, 1-78, 1-245, 1-247, 1-251, 1-263	E-9634A	1-203	E-TR5056-38	2-24
E-9571	1-11,1-13,1-15,1-17,1-21	E-9635A	1-203	E-TR5056-40	2-24
E-9572	1-511, 1-567	E-9636	1-203	E-TR5056-42	2-24
E-9573	1-511, 1-567	E-9637	1-203	E-TR8062-12	2-24
E-9574	1-553, 2-66, 2-72	E-9638	1-203	E-TR8062-14	2-24
E-9575	1-225, 2-21	E-9639	1-203	E-TR8062-16	2-24
E-9576	1-169, 1-173, 1-177, 1-191	E-9640	1-203	E-TR8062-18	2-24
E-9577	1-169, 1-173, 1-191	E-9641	1-203	E-TR8062-20	2-24
E-9579	1-541, 1-559, 2-15	E-9642	1-203	E-TR8062-22	2-24
E-9581	1-299, 1-306, 2-37	E-9801	1-525, 1-527	E-TR8062-24	2-24
E-9582	1-53, 1-273	E-9838	2-60	E-TR8062-26	2-24
E-9583	1-541, 1-558, 2-20	E-9839	1-251, 1-253, 2-60	E-TR8062-28	2-24
E-9584	1-523, 1-525, 1-527, 1-568, 2-38	E-9840	1-535, 1-537, 1-539, 1-556	E-TR8062-30	2-24
E-9585	1-523, 1-525, 1-527, 1-568, 2-43	E-9869	1-35,1-36,1-42	E-TR8062-32	2-24
E-9586	1-525, 1-553, 2-66, 2-73	E-9874	1-39,1-46	E-TR8062-34	2-24
E-9587	1-523, 1-525, 1-559, 2-43	E-HN45045-003	1-175	E-TR8062-36	2-24
E-9603	1-139, 2-35	E-HN57905-002	1-297	E-TR8062-38	2-24
		E-NW90557070	1-395	E-TR8062-40	2-24
		E-TR5050-08	2-24	E-TR8062-42	2-24
		E-TR5050-10	2-24	E-TR8062-44	2-24
		E-TR5050-12	2-24	E-TR8062-46	2-24
		E-TR5050-14	2-24	E-TR8062-48	2-24

NUMERICAL LISTING OF PART NUMBERS

EUCLID NO.	PAGE NO.	EUCLID NO.	PAGE NO.	EUCLID NO.	PAGE NO.
E-TR8075-12	2-24	E-TR8112-30	2-24	E-UB8151-22	2-25
E-TR8075-14	2-24	E-TR8112-32	2-24	E-UB8153-10	1-32, 2-25
E-TR8075-16	2-24	E-TR8112-34	2-24	E-UB8153-12	2-25
E-TR8075-18	2-24	E-TR8112-36	2-24	E-UB815	2-25
E-TR8075-20	2-24	E-TR8112-38	2-24	E-UB8153-18	2-25
E-TR8075-22	2-24	E-TR8125-30	2-24	E-UB8154-10	1-33, 2-25
E-TR8075-24	2-24	E-TR8125-32	2-24	E-UB8154-12	1-33, 2-25
E-TR8075-26	2-24	E-TR8125-34	2-24	E-UB8154-18	1-35, 2-25
E-TR8075-28	2-24	E-TR8125-36	2-24	E-UB8155-073	1-237, 1-239, 2-25
E-TR8075-30	2-24	E-TR8125-38	2-24	E-UB8155-12	2-25
E-TR8075-32	2-24	E-UB5161-12	1-243, 1-261, 1-551, 2-26	E-UB8155-14	1-519, 1-521, 1-531, 2-25
E-TR8075-34	2-24	E-UB5161-13	1-261, 1-551, 2-26	E-UB8155-16	2-25
E-TR8075-36	2-24	E-UB5161-14	1-243, 1-261, 1-511, 1-541, 1-551, 2-26	E-UB8161-10	1-49,1-51,1-53,1-55,1- 61,1-63, 1-261, 2-25
E-TR8075-38	2-24	E-UB5161-15	2-26	E-UB8161-11	2-25
E-TR8075-40	2-24	E-UB5161-16	2-26	E-UB8161-12	1-25, 1-27, 1-28, 1-49,1- 51,1-53,1-55,1-61,1-63, 1-261, 1-262, 2-25
E-TR8075-42	2-24	E-UB5161-18	1-243, 1-261, 1-511, 1-551, 2-26	E-UB8161-122	2-25
E-TR8075-44	2-24	E-UB5161-22	1-261, 2-26	E-UB8161-13	2-25
E-TR8075-46	2-24	E-UB516	1-600, 2-26	E-UB8161-14	1-25,1-27,1-28, 1-77, 1-243, 1-261, 1-262, 1-517, 2-25
E-TR8075-48	2-24	E-UB5163-18	2-26	E-UB8161-15	2-25
E-TR8075-50	2-24	E-UB5165-12	1-261, 2-26	E-UB8161-16	1-25, 1-27, 1-28, 1-49,1- 51,1-53,1-55,1-61,1-63, 1-77, 1-243, 1-261, 1-262, 1-517, 2-25
E-TR8075-52	2-24	E-UB5165-14	1-261, 1-511, 1-515, 1-551, 1-592, 1-593, 1-594, 1-595, 2-26	E-UB8161-17	2-25
E-TR8087-18	2-24	E-UB5165-15	2-26	E-UB8161-18	1-25, 1-27, 1-28, 1-49,1- 51,1-53,1-55,1-61,1-63, 1-77, 1-243, 1-261, 2-25
E-TR8087-20	2-24	E-UB5165-16	1-261, 2-26	E-UB8161-18S1	1-115, 1-119, 1-123, 1-127, 1-297, 2-25
E-TR8087-22	2-24	E-UB5165-18	1-511, 1-515, 1-551, 2-26	E-UB8161-20	2-25
E-TR8087-24	2-24	E-UB5243-16	2-28	E-UB8161-22	1-261, 2-26
E-TR8087-26	2-24	E-UB5243-18	2-28	E-UB8162-18	1-36, 2-26
E-TR8087-28	2-24	E-UB5243-20	2-28	E-UB8162-22	1-36, 2-26
E-TR8087-30	2-24	E-UB5244-16	2-28	E-UB816	2-26
E-TR8087-32	2-24	E-UB5244-18	2-28	E-UB8163-16	2-26
E-TR8087-34	2-24	E-UB5244-20	2-28	E-UB8164-10	1-33, 2-26
E-TR8087-36	2-24	E-UB5261-18	2-28	E-UB8164-12	1-33, 2-26
E-TR8087-38	2-24	E-UB526	1-601, 2-28	E-UB8164-16	1-39, 1-523, 2-26
E-TR8087-40	2-24	E-UB5263-18	2-28	E-UB8164-18	2-26
E-TR8087-42	2-24	E-UB8142-06	1-611, 2-25	E-UB8165-076	1-87, 2-26
E-TR8087-44	2-24	E-UB8143-074	1-39, 2-25	E-UB8165-10	1-184, 1-185, 1-261, 2-26
E-TR8087-46	2-24	E-UB8145-076	1-447, 1-465, 1-483, 2-25	E-UB8165-12	1-25,1-27,1-28, 1-85, 1-184, 1-261, 2-26
E-TR8087-48	2-24	E-UB8151-10	1-3,1-5, 1-262, 1-611, 2-25	E-UB8165-13	2-26
E-TR8087-50	2-24	E-UB8151-12	1-3,1-5, 1-262, 1-533, 1-611, 2-25	E-UB8165-14	1-25,1-27,1-28, 1-261, 1-525, 1-527, 2-26
E-TR8087-52	2-24	E-UB8151-14	1-3, 1-5, 1-262, 1-491, 1-519, 1-521, 1-531, 1-533, 2-25	E-UB8165-16	1-261, 2-26
E-TR8100-16	2-24	E-UB8151-16	1-262, 1-491, 1-533, 1-613, 2-25		
E-TR8100-20	2-24	E-UB8151-18	1-262, 1-489, 1-535, 1-537, 1-539, 1-543, 1-607, 1-609, 2-25		
E-TR8100-24	2-24				
E-TR8100-28	2-24				
E-TR8100-32	2-24				
E-TR8100-36	2-24				
E-TR8100-40	2-24				
E-TR8100-44	2-24				
E-TR8100-48	2-24				

NUMERICAL LISTING OF PART NUMBERS

EUCLID NO.	PAGE NO.	EUCLID NO.	PAGE NO.	EUCLID NO.	PAGE NO.
E-UB8165-18	2-26	E-UB8479-090	1-345, 1-349, 1-351, 1-355, 1-359, 1-363, 1-377, 1-399, 1-405, 1-407, 1-409, 1-453, 1-479, 2-30	FS9101	1-359, 1-373, 1-379, 1-399, 1-403, 1-409
E-UB8166-12	1-425 1-439, 2-26			FS9105	1-184
E-UB8168-082	1-83, 1-143, 2-26			FS9121	1-351, 1-355, 1-363, 1-385
E-UB8175-104	1-239, 2-26	E-UB8479-104	1-399, 1-409, 2-30	FS9122	1-184, 1-351
E-UB8178-126	1-47, 1-427, 1-429, 1-483, 2-26	E-UB8479-124A	1-351, 1-355, 1-377, 1-381, 1-399, 1-405, 1-409, 1-454, 2-30	FS9134	1-363
E-UB8179-09	1-453, 2-26			FS9158	1-373, 1-379
E-UB8186-154	1-427, 1-429, 1-483, 2-26	E-UB8554-033	1-39,1-45, 2-30	FS9164	1-480
E-UB8187-154	1-241, 2-26	E-UB8575-126	1-47,1-57,1-64,1-65, 2-30	FS9177	1-373, 1-379
E-UB8253-05	1-495, 2-27	E-UB8578-094	1-349, 1-351, 1-355, 1-359, 1-377, 1-399, 1-409, 1-454, 1-479, 2-30	FS9194	1-495
E-UB8253-12	1-294, 2-27			FS9219	1-613
E-UB8254-10	2-27	E-UB8578-124A	1-345, 1-351, 1-355, 1-359, 1-377, 1-381, 1-399, 1-409, 2-30	FS9223	1-541
E-UB8254-12	2-27			FS9227	1-121
E-UB8254-14	2-27			FS9228	1-184
E-UB8255-05	1-497, 2-27	E-UB8585-132	1-59, 2-30	FS9243	1-367, 1-413
E-UB8256-077	1-239, 2-27	E-UB8673-154	1-495, 2-29	FS9268	1-383
E-UB8261-18	2-27	FS6231	1-317	FS9270	1-143
E-UB826	2-27	FS6258	1-319	FS9287	1-121
E-UB8264-083	1-89, 2-27	FS6902	1-87	FS9291	1-417, 1-419
E-UB8264-10	2-27	FS6935	1-83	FS9293	1-417, 1-419
E-UB8264-12	1-551, 2-27	FS7123	1-284	FS9294	1-417, 1-419
E-UB8264-14	1-551, 2-27	FS7136	1-481, 1-484	FS9295	1-417, 1-419
E-UB8264-16	1-551, 2-27	FS7400	1-39	FS9304	1-365
E-UB8265-084	2-27	FS7403	1-85	FS9307	1-345
E-UB8265-16	1-262, 2-27	FS7410	1-39	FS9321	1-87
E-UB8267-153	1-37, 2-27	FS7429	1-284	FS9346	1-359, 1-413
E-UB8286-134	1-239, 2-27	FS7437	1-397	FS9362	1-365
E-UB8286-154	1-239, 2-27	FS7443	1-74	FS9367	1-83
E-UB8287-11	1-447, 2-27	FS7555	1-505, 1-507, 1-533	FS9373	1-123
E-UB8287-14	1-447, 1-483, 2-27	FS7557	1-517, 1-523	FS9375	1-297
E-UB8351-18	2-29	FS7818	1-74	FS9394	1-63,1-64
E-UB8353-10	2-29	FS8050	1-185	FS9422	1-279
E-UB8353-12	2-29	FS8091	1-133	FS9466	1-121
E-UB8353-15	1-327, 1-329, 2-29	FS8597	1-91	FS9471	1-343
E-UB8354-10	2-29	FS8709	1-133	FS9472	1-343
E-UB8354-12	2-29	FS8729	1-315	FS9554	1-229
E-UB8362-19F	2-29	FS8944	1-143	FS9616	1-279
E-UB8363-15N	1-327, 1-329, 2-29	FS9026	1-495	FS9617	1-280
E-UB8375-14	1-493, 1-497, 2-29	FS9039	1-184, 1-345, 1-347, 1-397	FS9618	1-280
E-UB8375-154	1-493, 1-497, 2-29	FS9053	1-65	FS9622	1-280
E-UB8394-144	1-287, 1-289, 2-29	FS9069	1-493, 1-497	FS9625	1-280
E-UB8394-162S	1-287, 1-289, 2-29	FS9070	1-365	FS9640	1-143
E-UB8394-172S	2-29	FS9082	1-184, 1-284, 1-355, 1-373, 1-379, 1-381, 1-385, 1-387, 1-391, 1-399, 1-403, 1-407, 1-409	FS9663	1-147, 1-159
E-UB8394-18	1-287, 1-289, 2-29			FS9780	1-37
E-UB8394-192S	2-29			FS9911	1-103, 1-228
E-UB8396-165S	1-290, 1-291, 2-29	FS9083	1-74	FS9913	1.109, 1-229
E-UB8475-114	1-443, 2-30	FS9092	1-184	FS9921	1-369, 1-371, 1-413, 1-415
		FS9093	1-387	FS9922	1-371, 1-415
				FS9923	1-371, 1-415

NUMERICAL LISTING OF PART NUMBERS

EUCLID NO.	PAGE NO.	EUCLID NO.	PAGE NO.	EUCLID NO.	PAGE NO.
145054	1-383, 2-74	M85302	1-32,1-33		
M83109	1-125,	M85305	1-15		
M83110	1-297,	M85308	1-493, 1-497		
M83111	1-125,	M85310	1-279		
M83112	1-137, 1-139, 1-141	M85311	1-493, 1-497		
M83113	1-417	M85315	1-284		
M83115	1-417	M85319	1-37, 3-19		
M83121	1-125	M85320	1-32,1-33		
M83122	1-121	M85321	1-63		
M83123	1-121, 1-125, 1-363, 1-395	M85322	1-65		
M83124	1-367, 1-369, 1-371, 1-421	M85323	1-133,		
M83125	1-297, 1-351, 1-355	M85326	1-491		
M83126	1-351, 1-355, 1-359, 1-373, 1-379, 1-381	M85713	1-545		
M83127	1-369, 1-371, 1-403, 1-411, 1-413, 1-415, 1-419, 1-421	M85724	1-37		
M83128	1-345, 1-347, 1-365, 1-369, 1-397, 1-401, 1-403, 1-407, 1-411, 1-413, 1-419,	M85900	1-280		
M83130	1-369, 1-419	M85906	1-343		
M83203	1-480, 1-484,	M85909	1-343		
M83204	1-484,	M85919	1-315		
M83207	1-141, 1-507,	M85961	1-142		
M83209	1-385, 1-387, 1-391	M85962	1-142		
M83221	1-184, 1-294	M85972	1-142		
M83635	1-383,	M87015	1-317, 1-319		
M85000	1-87, 1-133, 1-143, 1-184	M89405	1-121, 1-125, 1-363, 1-395		
M85003	1-329	M89406	1-121		
M85004	1-391	M89407	1-141, 1-367, 1-369, 1-371, 1-421,		
M85005	1-184	M89411	1-329		
M85006	1-533	M89412	1-39		
M85007	1-39	M89414	1-125, 1-184, 1-385, 1-387, 1-391, 1-517, 1-523		
M85010	1-184	M89419	1-64		
M85013	1-125, 1-184, 1-517, 1-523, 1-541	M89420	1-33		
M85014	1-583,	M89422	1-493, 1-497		
M85024	1-613	M89423	1-279		
M85029	1-184	M89424	1-493, 1-497		
M85030	1-185, 1-529	M89427	1-495		
M85033	1-495	M89428	1-37		
M85045	1-363,	M89429	1-33		
M85046	1-613	M89430	1-184,1-351, 1-355, 1-359, 1-363, 1-373, 1-379, 1-381		
M85047	1-613	M89436	1-87, 1-133, 1-143, 1-184		
M85051	1-365, 1-369, 1-371	M89440	1-185, 1-545		
M85052	1-505				
M85059	1-417				
M85060	1-11,1-17				
M85072	1-231				
M85300	1-64				
M85301	1-15				

EUCLID AFTERMARKET PARTS WARRANTY

Euclid warrants all new parts for one year from date of shipment to the Distributor against defective material or workmanship (but not against damage caused by accident, abuse or improper installation, maintenance or repair) when such parts are used on vehicles the specifications of which have been approved by Euclid's Engineering Department.

As the exclusive remedy under this warranty, Euclid will, at its option, repair or replace such defective parts free of charge, or take back the non-conforming parts and refund the monies paid by Distributor for such parts, if found on examination by Euclid to be non-conforming and if any necessary return charges are prepaid.

If it is necessary to return any parts under this warranty, Distributor agrees not to make any deduction on account thereof from remittances on current accounts while claims are in process of disposition. Any expense incurred without Euclid's consent for repairs or replacement will not be allowed.

THIS WARRANTY IS EXPRESSLY IN LIEU OF ALL OTHER WARRANTIES OR CONDITIONS, EXPRESS, IMPLIED OR STATUTORY, INCLUDING ANY IMPLIED WARRANTY OF MERCHANTABILITY OR FITNESS FOR PARTICULAR PURPOSE. IN NO EVENT SHALL EUCLID BE LIABLE FOR INCIDENTAL OR CONSEQUENTIAL DAMAGES OF ANY NATURE.

Only genuine Euclid replacement parts are covered by this aftermarket parts warranty.



Meritor Heavy Vehicle Systems, LLC

7975 Dixie Highway
Florence, KY 41042 USA
USA 888-725-9355
Canada 800-387-3889

meritor.com
MeritorPartsOnline.com

Distributed by:

Information contained in this publication was in effect at the time the publication was approved for printing and is subject to change without notice or liability. Meritor reserves the right to revise the information presented or discontinue the production of parts at any time.

Litho in USA
Revised 10-13
700D
©2013 Meritor, Inc.