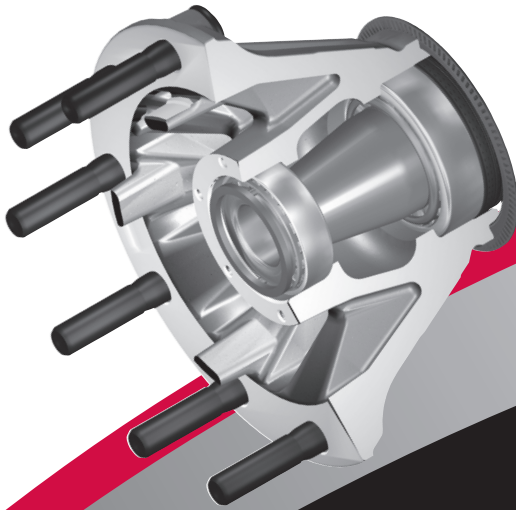
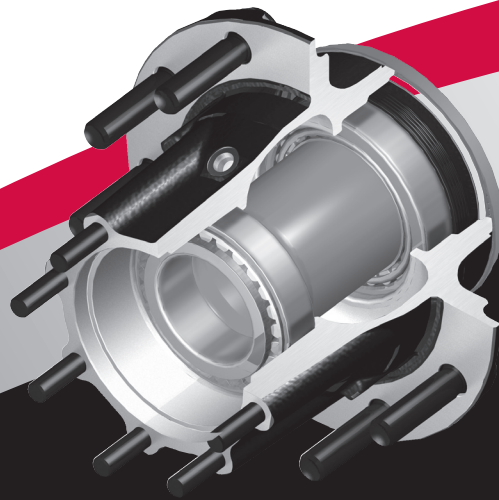


# Hub Catalog

for Outboard Mounted Drums



Aluminum PreSet® Hub



Iron PreSet® Hub



Standard Aluminum Hub



Standard Iron Hub

**CON**  **MET**  
Pointing the Way™

Catalog also includes

PreSet® Hubcaps

PreSet® Service Kits

Replacement Studs

# Introduction

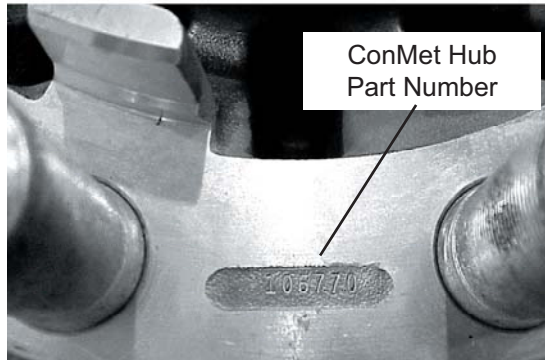
ConMet® has been the industry leader in wheel hub technology for many years. Whether it's our traditional lightweight aluminum hub, our standard ductile iron hubs, or our PreSet® hub assemblies, ConMet has always pushed the boundaries of conventional hub technology. At ConMet, we are guided by the needs of our customers and the increasing challenges of the trucking industry. We continue to apply extensive design and engineering resources to satisfy those needs with innovative, lightweight / low maintenance quality products.

The ConMet Hub Catalog includes the most popular hub designs currently in production at ConMet. It does not include older designs that are no longer in production or hubs typically used for low volume specialty type applications.

If you are replacing a ConMet hub, you should be able to locate the assembly part number on the flange of the hub (pictured at right). Depending on the hub type, the assembly part number may be located on the barrel of the hub. The casting part number is "cast" into the hub versus the assembly part number, which is "stamped" into the hub. If you locate the part number and cannot find it referenced in this catalog or if you cannot find the part number on the hub, give us a call at 800-547-9473. A ConMet sales professional can help you identify and provide the most current replacement hub part number for your application.

The hub products in this catalog have been grouped by "Axle Type."

The stud part number is "stamped" into the head of the stud (pictured at right). In the back of this catalog is an index in part number sequence along with a stud replacement chart. Again, if you run into difficulty our sales professionals at 800-547-9473 can provide assistance.



## **GENERAL NOTES:**

All dimensions are in inches unless otherwise noted.

AVOID mixing wheels or hub and bolt assemblies of different mounting systems with common bolt patterns.

When converting from one manufacturer's outboard drum to another, wheel bolts may have to be changed in order to maintain sufficient stud standout. See ConMet service manuals for details on measuring for adequate stud standout.

All possible care was exercised in the preparation of this catalog. ConMet cannot guarantee all applications due to the wide variety of vehicle models, chassis construction and other variables. It is recommended that a qualified person inspect each application at the time of installation to ensure proper fit and applicability to all performance requirements and axle capacity ratings.

# Table Of Contents

	<u>Page</u>
<b>Aluminum Hubs</b>	
FF - FRONT STEER AXLE / 13,200 Lbs. GAWR	4
FF - FRONT STEER AXLE / 14,600 Lbs. GAWR	4
FL - FRONT STEER AXLE / 20,000 Lbs. GAWR	5
MACK FRONT STEER AXLE - FAW12 / 12,000 Lbs. GAWR	5
R-DRIVE AXLE - LONG BARREL / 23,000 Lbs. GAWR	5-6
R-DRIVE AXLE - SHORT BARREL - 5/8" Drive Stud	6
R-DRIVE AXLE - SHORT BARREL - 3/4" Drive Stud	7
MACK DRIVE AXLE - S34/38 / 20,000 Lbs. GAWR	8
TN TRAILER AXLE / 23,000 Lbs. GAWR	8
TP TRAILER AXLE / 25,000 Lbs. GAWR	9
<b>Ductile Iron Hubs</b>	
FF - FRONT STEER AXLE / 14,700 Lbs. GAWR	10
FL - FRONT STEER AXLE / 23,000 Lbs. GAWR	10
R-DRIVE - LONG BARREL / 26,000 Lbs. GAWR	10-11
R DRIVE - SHORT BARREL - 5/8" DRIVE STUD	11
R DRIVE - SHORT BARREL - 3/4" DRIVE STUD	11
TN AXLE / 25,000 Lbs. GAWR	12
TP AXLE / 25,000 Lbs. GAWR	12
<b>PreSet Aluminum Hubs</b>	
FF - FRONT STEER AXLE / 13,200 Lbs. GAWR	13
FF - FRONT STEER AXLE / 14,600 Lbs. GAWR	13
FL - FRONT STEER AXLE / 20,000 Lbs. GAWR	13
R- DRIVE AXLE - LONG BARREL 5/8" DRIVE STUD	14
R - DRIVE AXLE - SHORT BARREL 5/8" DRIVE STUD	14
R - DRIVE AXLE - SHORT BARREL 3/4" DRIVE STUD	15
TN TRAILER AXLE / 23,000 Lbs. GAWR	16
TP TRAILER AXLE / 25,000 Lbs. GAWR	16
<b>PreSet Ductile Iron Hubs</b>	
FF - FRONT STEER AXLE / 14,700 Lbs. GAWR	17
FL - FRONT STEER AXLE / 23,000 Lbs. GAWR	17
R - DRIVE LONG BARREL - 5/8" DRIVE STUD	17
R - DRIVE SHORT BARREL - 5/8" DRIVE STUD	17
R - DRIVE SHORT BARREL - 3/4" DRIVE STUD	17
<b>PreSet Service Parts</b>	18
<b>PreSet Trailer Hubcaps</b>	19
<b>Standard and PreSet Hub ABS Rings</b>	20
<b>Replacement Wheel and Axle Studs</b>	21-22

# Aluminum Hubs

<b>ALUMINUM HUB / FF - FRONT STEER AXLE / 13,200 Lbs. GAWR</b>						
<b>Part Number</b>	<b>Description</b>	<b>Offset*</b>	<b>Drum Pilot</b>	<b>Stud Standout</b>	<b>Hubcap BCD</b>	<b>ABS</b>
10018163	10-Stud Hub Piloted Assy.	5.06	8.78"	2.47	4.50	Yes
10018164	10-Stud Hub Piloted Assy.	5.06	8.78"	2.65	4.50	Yes
10018165	10-Stud Hub Piloted Assy.	5.06	8.78"	2.92	4.50	Yes
10016521	10-Stud Hub Piloted Assy.	5.44	8.78"	2.47	4.50	Yes
10016522	10-Stud Hub Piloted Assy.	5.44	8.78"	2.92	4.50	Yes
10018169	10-Stud BSN Stud Piloted Assy.LH	5.06	8.78"	1.91	4.50	Yes
10018170	10-Stud BSN Stud Piloted Assy.RH	5.06	8.78"	1.91	4.50	Yes
10018171	10-Stud BSN Stud Piloted Assy.LH	5.06	8.78"	2.38	4.50	Yes
10018172	10-Stud BSN Stud Piloted Assy.RH	5.06	8.78"	2.38	4.50	Yes
10016515	10-Stud BSN Stud Piloted Assy.LH	5.44	8.78"	1.91	4.50	Yes
10016516	10-Stud BSN Stud Piloted Assy.RH	5.44	8.78"	1.91	4.50	Yes
10016519	10-Stud BSN Stud Piloted Assy.LH	5.44	8.78"	2.38	4.50	Yes
10016520	10-Stud BSN Stud Piloted Assy.RH	5.44	8.78"	2.38	4.50	Yes

\* Note: 5.06 offset is commonly used by Kenworth, Peterbilt, International and Mack. 5.44 offset most commonly used by Freightliner, Western Star, Volvo and Sterling.

<b>ALUMINUM HUB / FF - FRONT STEER AXLE / 14,600 Lbs. GAWR</b>						
<b>Part Number</b>	<b>Description</b>	<b>Offset*</b>	<b>Drum Pilot</b>	<b>Stud Standout</b>	<b>Hubcap BCD</b>	<b>ABS</b>
10018124	10-Stud Hub Piloted Assy.	5.06	8.78"	2.47	4.50	Yes
10018128	10-Stud Hub Piloted Assy.	5.06	8.78"	2.65	4.50	Yes
10018123	10-Stud Hub Piloted Assy.	5.06	8.78"	2.97	4.50	Yes
10018125	10-Stud Hub Piloted Assy.	5.06	8.78"	2.47	5.50	Yes
10017875	10-Stud Hub Piloted Assy.	5.44	8.78"	2.47	4.50	Yes
10017876	10-Stud Hub Piloted Assy.	5.44	8.78"	2.65	4.50	Yes
10017877	10-Stud Hub Piloted Assy.	5.44	8.78"	2.97	4.50	Yes
10017890	10-Stud Hub Piloted Assy.	5.44	8.78"	2.47	5.50	Yes
10017891	10-Stud Hub Piloted Assy.	5.44	8.78"	2.97	5.50	Yes
10018119	10-Stud BSN Stud Piloted Assy.LH	5.06	8.78"	1.91	4.50	Yes
10018120	10-Stud BSN Stud Piloted Assy.RH	5.06	8.78"	1.91	4.50	Yes
10018121	10-Stud BSN Stud Piloted Assy.LH	5.06	8.78"	2.38	4.50	Yes
10018122	10-Stud BSN Stud Piloted Assy.RH	5.06	8.78"	2.38	4.50	Yes
10018126	10-Stud BSN Stud Piloted Assy.LH	5.06	8.78"	2.38	5.50	Yes
10018127	10-Stud BSN Stud Piloted Assy.RH	5.06	8.78"	2.38	5.50	Yes
10017911	10-Stud BSN Stud Piloted Assy.LH	5.44	8.78"	2.38	4.50	Yes
10017912	10-Stud BSN Stud Piloted Assy.RH	5.44	8.78"	2.38	4.50	Yes
10017921	10-Stud BSN Stud Piloted Assy.LH	5.44	8.78"	1.91	5.50	Yes
10017922	10-Stud BSN Stud Piloted Assy.RH	5.44	8.78"	1.91	5.50	Yes
10017934	8-Stud Hub Piloted Assy.	5.44	9.00"	2.47	4.50	Yes
10017935	8-Stud Hub Piloted Assy.	5.44	9.00"	2.65	4.50	Yes
10017936	8-Stud Hub Piloted Assy.	5.44	9.00"	2.97	4.50	Yes
10017969	8-Stud Hub Piloted Assy.	5.44	9.00"	2.47	5.50	Yes
10017970	8-Stud Hub Piloted Assy.	5.44	9.00"	2.97	5.50	Yes

\* Note: 5.06 offset is commonly used by Kenworth, Peterbilt, International and Mack. 5.44 offset most commonly used by Freightliner, Western Star, Volvo and Sterling.

# Aluminum Hubs

<b>ALUMINUM HUB / FL - FRONT STEER AXLE / 20,000 Lbs. GAWR</b>						
<b>Part Number</b>	<b>Description</b>	<b>Offset</b>	<b>Drum Pilot</b>	<b>Stud Standout</b>	<b>Hubcap BCD</b>	<b>ABS</b>
108165	10-Stud Hub Piloted Assy.	4.29	8.78"	2.47	5.56	Yes
108166	10-Stud Hub Piloted Assy.	4.29	8.78"	2.65	5.56	Yes
108167	10-Stud Hub Piloted Assy.	4.29	8.78"	2.97	5.56	Yes
108168	10-Stud Hub Piloted Assy.	4.29	8.78"	3.25	5.56	Yes
108157	10-Stud BSN Stud Piloted Assy.LH	4.29	8.78"	1.91	5.56	Yes
108158	10-Stud BSN Stud Piloted Assy.RH	4.29	8.78"	1.91	5.56	Yes
108159	10-Stud BSN Stud Piloted Assy.LH	4.29	8.78"	2.38	5.56	Yes
108160	10-Stud BSN Stud Piloted Assy.RH	4.29	8.78"	2.38	5.56	Yes

<b>ALUMINUM HUB / MACK FRONT STEER AXLE - FAW12 / 12,000 Lbs. GAWR</b>						
<b>Part Number</b>	<b>Description</b>	<b>Offset</b>	<b>Drum Pilot</b>	<b>Stud Standout</b>	<b>Hubcap BCD</b>	<b>ABS</b>
103837	10-Stud Hub Piloted Assy.	5.78	8.78"	2.59	5.50	Yes
103898	10-Stud Hub Piloted Assy.	5.78	8.78"	2.97	5.50	Yes
103911	10-Stud BSN Stud Piloted Assy.LH	5.78	8.78"	1.91	5.50	Yes
103912	10-Stud BSN Stud Piloted Assy.RH	5.78	8.78"	1.91	5.50	Yes
103915	10-Stud BSN Stud Piloted Assy.LH	5.78	8.78"	2.38	5.50	Yes
103916	10-Stud BSN Stud Piloted Assy.RH	5.78	8.78"	2.38	5.50	Yes
107586	8-Stud Hub Piloted Assy.	5.78	9.00"	2.59	5.50	Yes
107587	8-Stud Hub Piloted Assy.	5.78	9.00"	2.97	5.50	Yes

<b>ALUMINUM HUB / R-DRIVE AXLE - LONG BARREL / 23,000 Lbs. GAWR</b>						
<b>Part Number</b>	<b>Description</b>	<b>Drive Stud</b>	<b>Drum Pilot</b>	<b>Stud Standout</b>	<b>Fill* Hole</b>	<b>ABS</b>
10001339	10-Stud Hub Piloted Assy.	5/8"	8.78"	2.94	No	No
10001340	10-Stud Hub Piloted Assy.	5/8"	8.78"	3.44	No	No
10001341	10-Stud Hub Piloted Assy.	5/8"	8.78"	3.81	No	No
10001342	10-Stud Hub Piloted Assy.	5/8"	8.78"	2.94	No	Yes
10001343	10-Stud Hub Piloted Assy.	5/8"	8.78"	3.44	No	Yes
10001344	10-Stud Hub Piloted Assy.	5/8"	8.78"	3.81	No	Yes
10001345	10-Stud BSN Stud Piloted Assy.LH	5/8"	8.78"	1.62	No	No
10001346	10-Stud BSN Stud Piloted Assy.RH	5/8"	8.78"	1.62	No	No
10001347	10-Stud BSN Stud Piloted Assy.LH	5/8"	8.78"	1.88	No	No
10001348	10-Stud BSN Stud Piloted Assy.RH	5/8"	8.78"	1.88	No	No
10001349	10-Stud BSN Stud Piloted Assy.LH	5/8"	8.78"	1.62	No	Yes
10001350	10-Stud BSN Stud Piloted Assy.RH	5/8"	8.78"	1.62	No	Yes
10001351	10-Stud BSN Stud Piloted Assy.LH	5/8"	8.78"	1.88	No	Yes
10001352	10-Stud BSN Stud Piloted Assy.RH	5/8"	8.78"	1.88	No	Yes
105197	8-Stud Hub Piloted Assy.	5/8"	9.00"	2.94	No	No
105199	8-Stud Hub Piloted Assy.	5/8"	9.00"	3.44	No	No
105198	8-Stud Hub Piloted Assy.	5/8"	9.00"	3.81	No	No
105200	8-Stud Hub Piloted Assy.	5/8"	9.00"	2.94	No	Yes
105201	8-Stud Hub Piloted Assy.	5/8"	9.00"	3.44	No	Yes
105202	8-Stud Hub Piloted Assy.	5/8"	9.00"	3.81	No	Yes
10001574	10-Stud Hub Piloted Assy.	5/8"	8.78"	2.94	Yes	No
10001575	10-Stud Hub Piloted Assy.	5/8"	8.78"	3.44	Yes	No
10001576	10-Stud Hub Piloted Assy.	5/8"	8.78"	3.81	Yes	No
10001571	10-Stud Hub Piloted Assy.	5/8"	8.78"	2.94	Yes	Yes

# Aluminum Hubs

<b>ALUMINUM HUB / R-DRIVE AXLE - LONG BARREL / 23,000 Lbs. GAWR (Continued)</b>						
<b>Part Number</b>	<b>Description</b>	<b>Drive Stud</b>	<b>Drum Pilot</b>	<b>Stud Standout</b>	<b>Fill* Hole</b>	<b>ABS</b>
10001572	10-Stud Hub Piloted Assy.	5/8"	8.78"	3.44	Yes	Yes
10001573	10-Stud Hub Piloted Assy.	5/8"	8.78"	3.81	Yes	Yes
10001522	10-Stud BSN Stud Piloted Assy.LH	5/8"	8.78"	1.62	Yes	No
10001523	10-Stud BSN Stud Piloted Assy.RH	5/8"	8.78"	1.62	Yes	No
10001524	10-Stud BSN Stud Piloted Assy.LH	5/8"	8.78"	1.88	Yes	No
10001525	10-Stud BSN Stud Piloted Assy.RH	5/8"	8.78"	1.88	Yes	No
10001516	10-Stud BSN Stud Piloted Assy.LH	5/8"	8.78"	1.62	Yes	Yes
10001517	10-Stud BSN Stud Piloted Assy.RH	5/8"	8.78"	1.62	Yes	Yes
10001518	10-Stud BSN Stud Piloted Assy.LH	5/8"	8.78"	1.88	Yes	Yes
10001519	10-Stud BSN Stud Piloted Assy.RH	5/8"	8.78"	1.88	Yes	Yes
105209	8-Stud Hub Piloted Assy.	5/8"	9.00"	2.94	Yes	No
105210	8-Stud Hub Piloted Assy.	5/8"	9.00"	3.44	Yes	No
105211	8-Stud Hub Piloted Assy.	5/8"	9.00"	3.81	Yes	No
105212	8-Stud Hub Piloted Assy.	5/8"	9.00"	2.94	Yes	Yes
105213	8-Stud Hub Piloted Assy.	5/8"	9.00"	3.44	Yes	Yes
105214	8-Stud Hub Piloted Assy.	5/8"	9.00"	3.81	Yes	Yes

\*Note: Drive hubs with fill hole require ConMet 105272 O' Ring Plug sold separately.

<b>ALUMINUM HUB / R-DRIVE AXLE - SHORT BARREL - 5/8" Drive Stud / 23,000 Lbs. GAWR</b>						
<b>Part Number</b>	<b>Description</b>	<b>Drive Stud</b>	<b>Drum Pilot</b>	<b>Stud Standout</b>	<b>Fill Hole</b>	<b>ABS</b>
10001510	10-Stud Hub Piloted Assy.	5/8"	8.78"	2.94	No	Yes
10001511	10-Stud Hub Piloted Assy.	5/8"	8.78"	3.44	No	Yes
10001512	10-Stud Hub Piloted Assy.	5/8"	8.78"	3.81	No	Yes
10001513	10-Stud Hub Piloted Assy.	5/8"	8.78"	2.94	No	No
10001514	10-Stud Hub Piloted Assy.	5/8"	8.78"	3.44	No	No
10001515	10-Stud Hub Piloted Assy.	5/8"	8.78"	3.81	No	No
10001464	10-Stud BSN Stud Piloted Assy.LH	5/8"	8.78"	1.62	No	Yes
10001465	10-Stud BSN Stud Piloted Assy.RH	5/8"	8.78"	1.62	No	Yes
10001466	10-Stud BSN Stud Piloted Assy.LH	5/8"	8.78"	1.88	No	Yes
10001467	10-Stud BSN Stud Piloted Assy.RH	5/8"	8.78"	1.88	No	Yes
10001468	10-Stud BSN Stud Piloted Assy.LH	5/8"	8.78"	1.62	No	No
10001469	10-Stud BSN Stud Piloted Assy.RH	5/8"	8.78"	1.62	No	No
10001470	10-Stud BSN Stud Piloted Assy.LH	5/8"	8.78"	1.88	No	No
10001471	10-Stud BSN Stud Piloted Assy.RH	5/8"	8.78"	1.88	No	No
105216	8-Stud Hub Piloted Assy.	5/8"	9.00"	2.94	No	No
105215	8-Stud Hub Piloted Assy.	5/8"	9.00"	3.44	No	No
105217	8-Stud Hub Piloted Assy.	5/8"	9.00"	3.81	No	No
106584	8-Stud Hub Piloted Assy.	5/8"	9.00"	2.94	No	Yes
106583	8-Stud Hub Piloted Assy.	5/8"	9.00"	3.44	No	Yes
106585	8-Stud Hub Piloted Assy.	5/8"	9.00"	3.81	No	Yes

# Aluminum Hubs

<b>ALUMINUM HUB / R-DRIVE AXLE - SHORT BARREL - 3/4" Drive Stud / 23,000 Lbs. GAWR</b>						
<b>Part Number</b>	<b>Description</b>	<b>Drive Stud</b>	<b>Drum Pilot</b>	<b>Stud Standout</b>	<b>Fill* Hole</b>	<b>ABS</b>
10001495	10-Stud Hub Piloted Assy.	3/4"	8.78"	2.94	No	No
10001496	10-Stud Hub Piloted Assy.	3/4"	8.78"	3.44	No	No
10001497	10-Stud Hub Piloted Assy.	3/4"	8.78"	3.81	No	No
10001492	10-Stud Hub Piloted Assy.	3/4"	8.78"	2.94	No	Yes
10001493	10-Stud Hub Piloted Assy.	3/4"	8.78"	3.44	No	Yes
10001494	10-Stud Hub Piloted Assy.	3/4"	8.78"	3.81	No	Yes
10001444	10-Stud BSN Stud Piloted Assy.LH	3/4"	8.78"	1.62	No	No
10001445	10-Stud BSN Stud Piloted Assy.RH	3/4"	8.78"	1.62	No	No
10001446	10-Stud BSN Stud Piloted Assy.LH	3/4"	8.78"	1.88	No	No
10001447	10-Stud BSN Stud Piloted Assy.RH	3/4"	8.78"	1.88	No	No
10001440	10-Stud BSN Stud Piloted Assy.LH	3/4"	8.78"	1.62	No	Yes
10001441	10-Stud BSN Stud Piloted Assy.RH	3/4"	8.78"	1.62	No	Yes
10001442	10-Stud BSN Stud Piloted Assy.LH	3/4"	8.78"	1.88	No	Yes
10001443	10-Stud BSN Stud Piloted Assy.RH	3/4"	8.78"	1.88	No	Yes
10003384	8-Stud Hub Piloted Assy.	3/4"	9.00"	3.44	No	No
10001989	8-Stud Hub Piloted Assy.	3/4"	9.00"	3.81	No	No
10003387	8-Stud Hub Piloted Assy.	3/4"	9.00"	2.94	No	Yes
10003386	8-Stud Hub Piloted Assy.	3/4"	9.00"	3.81	No	Yes
10001479	10-Stud Hub Piloted Assy.	3/4"	8.78"	2.94	Yes	No
10001480	10-Stud Hub Piloted Assy.	3/4"	8.78"	3.44	Yes	No
10001481	10-Stud Hub Piloted Assy.	3/4"	8.78"	3.81	Yes	No
10001472	10-Stud Hub Piloted Assy.	3/4"	8.78"	2.94	Yes	Yes
10001473	10-Stud Hub Piloted Assy.	3/4"	8.78"	3.44	Yes	Yes
10001474	10-Stud Hub Piloted Assy.	3/4"	8.78"	3.81	Yes	Yes
10001428	10-Stud BSN Stud Piloted Assy.LH	3/4"	8.78"	1.62	Yes	No
10001429	10-Stud BSN Stud Piloted Assy.RH	3/4"	8.78"	1.62	Yes	No
10001430	10-Stud BSN Stud Piloted Assy.LH	3/4"	8.78"	1.88	Yes	No
10001431	10-Stud BSN Stud Piloted Assy.RH	3/4"	8.78"	1.88	Yes	No
10001423	10-Stud BSN Stud Piloted Assy.LH	3/4"	8.78"	1.62	Yes	Yes
10001425	10-Stud BSN Stud Piloted Assy.RH	3/4"	8.78"	1.62	Yes	Yes
10001426	10-Stud BSN Stud Piloted Assy.LH	3/4"	8.78"	1.88	Yes	Yes
10001427	10-Stud BSN Stud Piloted Assy.RH	3/4"	8.78"	1.88	Yes	Yes
10001290	8-Stud Hub Piloted Assy.	3/4"	9.00"	2.94	Yes	No
10001288	8-Stud Hub Piloted Assy.	3/4"	9.00"	3.81	Yes	No
10001291	8-Stud Hub Piloted Assy.	3/4"	9.00"	2.94	Yes	Yes
10001289	8-Stud Hub Piloted Assy.	3/4"	9.00"	3.81	Yes	Yes

**\*Note: Drive hubs with fill hole require ConMet 105272 O' Ring Plug sold separately.**

# Aluminum Hubs

<b>ALUMINUM HUB / MACK DRIVE AXLE - S34/38 / 20,000 Lbs. GAWR</b>						
<b>Part Number</b>	<b>Description</b>	<b>Drive Stud</b>	<b>Drum Pilot</b>	<b>Stud Standout</b>	<b>Fill Hole</b>	<b>ABS</b>
103929	10-Stud Hub Piloted Assy.	9/16"	8.78"	2.94	No	No
103931	10-Stud Hub Piloted Assy.	9/16"	8.78"	3.81	No	No
103928	10-Stud Hub Piloted Assy.	9/16"	8.78"	2.94	No	Yes
103930	10-Stud Hub Piloted Assy.	9/16"	8.78"	3.81	No	Yes
103943	10-Stud BSN Stud Piloted Assy.LH	9/16"	8.78"	1.88	No	No
103944	10-Stud BSN Stud Piloted Assy.RH	9/16"	8.78"	1.88	No	No
103941	10-Stud BSN Stud Piloted Assy.LH	9/16"	8.78"	1.88	No	Yes
103942	10-Stud BSN Stud Piloted Assy.RH	9/16"	8.78"	1.88	No	Yes
103935	8-Stud Hub Piloted Assy.	9/16"	9.00"	2.94	No	No
103937	8-Stud Hub Piloted Assy.	9/16"	9.00"	3.81	No	No
103934	8-Stud Hub Piloted Assy.	9/16"	9.00"	2.94	No	Yes
103936	8-Stud Hub Piloted Assy.	9/16"	9.00"	3.81	No	Yes

<b>ALUMINUM HUB / TN TRAILER AXLE / 23,000 Lbs. GAWR</b>						
<b>Part Number</b>	<b>Description</b>		<b>Drum Pilot</b>	<b>Stud Standout</b>	<b>Fill* Hole</b>	<b>ABS</b>
105767	10-Stud Hub Piloted Assy.		8.78"	2.94	Yes	No
105769	10-Stud Hub Piloted Assy.		8.78"	3.44	Yes	No
105768	10-Stud Hub Piloted Assy.		8.78"	3.80	Yes	No
105775	10-Stud Hub Piloted Assy.		8.78"	2.94	Yes	Yes
105777	10-Stud Hub Piloted Assy.		8.78"	3.44	Yes	Yes
105776	10-Stud Hub Piloted Assy.		8.78"	3.80	Yes	Yes
105719	10-Stud BSN Stud Piloted Assy.LH		8.78"	1.62	Yes	No
105720	10-Stud BSN Stud Piloted Assy.RH		8.78"	1.62	Yes	No
105721	10-Stud BSN Stud Piloted Assy.LH		8.78"	1.88	Yes	No
105722	10-Stud BSN Stud Piloted Assy.RH		8.78"	1.88	Yes	No
105739	10-Stud BSN Stud Piloted Assy.LH		8.78"	1.62	Yes	Yes
105740	10-Stud BSN Stud Piloted Assy.RH		8.78"	1.62	Yes	Yes
105741	10-Stud BSN Stud Piloted Assy.LH		8.78"	1.88	Yes	Yes
105742	10-Stud BSN Stud Piloted Assy.RH		8.78"	1.88	Yes	Yes
105751	8-Stud Hub Piloted Assy.		9.00"	2.94	Yes	No
105753	8-Stud Hub Piloted Assy.		9.00"	3.44	Yes	No
105752	8-Stud Hub Piloted Assy.		9.00"	3.80	Yes	No
105759	8-Stud Hub Piloted Assy.		9.00"	2.94	Yes	Yes
105761	8-Stud Hub Piloted Assy.		9.00"	3.44	Yes	Yes
105760	8-Stud Hub Piloted Assy.		9.00"	3.80	Yes	Yes

**\*Note: Trailer hubs with fill hole have the 105272 O'Ring fill plug already installed.**



# Aluminum Hubs

ALUMINUM HUB / TP TRAILER AXLE / 25,000 Lbs. GAWR						
Part Number	Description		Drum Pilot	Stud Standout	Fill* Hole	ABS
10001187	10-Stud Hub Piloted Assy.		8.78"	2.94	Yes	No
10001188	10-Stud Hub Piloted Assy.		8.78"	3.44	Yes	No
10001189	10-Stud Hub Piloted Assy.		8.78"	3.81	Yes	No
10001196	10-Stud Hub Piloted Assy.		8.78"	2.94	Yes	Yes
10001197	10-Stud Hub Piloted Assy.		8.78"	3.44	Yes	Yes
10001198	10-Stud Hub Piloted Assy.		8.78"	3.81	Yes	Yes
10005377	10-Stud BSN Stud Piloted Assy.LH		8.78"	1.62	Yes	No
10005378	10-Stud BSN Stud Piloted Assy.RH		8.78"	1.62	Yes	No
10005379	10-Stud BSN Stud Piloted Assy.LH		8.78"	1.88	Yes	No
10005380	10-Stud BSN Stud Piloted Assy.RH		8.78"	1.88	Yes	No
10005385	10-Stud BSN Stud Piloted Assy.LH		8.78"	1.62	Yes	Yes
10005386	10-Stud BSN Stud Piloted Assy.RH		8.78"	1.62	Yes	Yes
10005387	10-Stud BSN Stud Piloted Assy.LH		8.78"	1.88	Yes	Yes
10005388	10-Stud BSN Stud Piloted Assy.RH		8.78"	1.88	Yes	Yes
106299	8-Stud Hub Piloted Assy.		9.00"	2.94	Yes	No
106300	8-Stud Hub Piloted Assy.		9.00"	3.44	Yes	No
106301	8-Stud Hub Piloted Assy.		9.00"	3.81	Yes	No
106302	8-Stud Hub Piloted Assy.		9.00"	2.94	Yes	Yes
106303	8-Stud Hub Piloted Assy.		9.00"	3.44	Yes	Yes
106304	8-Stud Hub Piloted Assy.		9.00"	3.81	Yes	Yes

**\*Note: Trailer hubs with fill hole have the 105272 O'Ring fill plug already installed.**

## Ductile Iron Hubs

<b>DUCTILE IRON HUB / FF - FRONT STEER AXLE / 14,700 Lbs. GAWR</b>						
<b>Part Number</b>	<b>Description</b>	<b>Offset*</b>	<b>Drum Pilot</b>	<b>Stud Standout</b>	<b>HUBCAP BCD</b>	<b>ABS</b>
10018268	10-Stud Hub Piloted Assy.	5.44	8.78"	2.60	4.50	Yes
10018269	10-Stud Hub Piloted Assy.	5.44	8.78"	3.06	4.50	Yes
10018252	10-Stud Hub Piloted Assy.	5.06	8.78"	2.60	4.50	Yes
10018253	10-Stud Hub Piloted Assy.	5.06	8.78"	3.06	4.50	Yes
10018270	10-Stud BSN Stud Piloted Assy.LH	5.44	8.78"	1.95	4.50	Yes
10018271	10-Stud BSN Stud Piloted Assy.RH	5.44	8.78"	1.95	4.50	Yes
10018272	10-Stud BSN Stud Piloted Assy.LH	5.44	8.78"	2.44	4.50	Yes
10018273	10-Stud BSN Stud Piloted Assy.RH	5.44	8.78"	2.44	4.50	Yes
10018248	10-Stud BSN Stud Piloted Assy.LH	5.06	8.78"	1.95	4.50	Yes
10018249	10-Stud BSN Stud Piloted Assy.RH	5.06	8.78"	1.95	4.50	Yes
10018250	10-Stud BSN Stud Piloted Assy.LH	5.06	8.78"	2.44	4.50	Yes
10018251	10-Stud BSN Stud Piloted Assy.RH	5.06	8.78"	2.44	4.50	Yes

\* **Note:** 5.06 offset is commonly used by Kenworth, Peterbilt, International and Mack. 5.44 offset most commonly used by Freightliner, Western Star, Volvo and Sterling.

<b>DUCTILE IRON HUB / FL - FRONT STEER AXLE / 23,000 Lbs. GAWR</b>						
<b>Part Number</b>	<b>Description</b>	<b>Offset</b>	<b>Drum Pilot</b>	<b>Stud Standout</b>	<b>HUBCAP BCD</b>	<b>ABS</b>
10014452	10-Stud Hub Piloted Assy.	4.29	8.78"	2.76	5.56	Yes
10014453	10-Stud Hub Piloted Assy.	4.29	8.78"	3.30	5.56	Yes
10005730	10-Stud BSN Stud Piloted Assy.LH	4.29	8.78"	1.91	5.56	Yes
10005731	10-Stud BSN Stud Piloted Assy.RH	4.29	8.78"	1.91	5.56	Yes
10005732	10-Stud BSN Stud Piloted Assy.LH	4.29	8.78"	2.38	5.56	Yes
10005733	10-Stud BSN Stud Piloted Assy.RH	4.29	8.78"	2.38	5.56	Yes

<b>DUCTILE IRON HUB / R-DRIVE - LONG BARREL / 26,000 Lbs. GAWR</b>						
<b>Part Number</b>	<b>Description</b>	<b>Drive Stud</b>	<b>Drum Pilot</b>	<b>Stud Standout</b>	<b>Fill* Hole</b>	<b>ABS</b>
10003468	10-Stud Hub Piloted Assy.	5/8"	8.78"	3.06	No	No
10003469	10-Stud Hub Piloted Assy.	5/8"	8.78"	3.97	No	No
10003466	10-Stud Hub Piloted Assy.	5/8"	8.78"	3.06	No	Yes
10003467	10-Stud Hub Piloted Assy.	5/8"	8.78"	3.97	No	Yes
10003474	10-Stud BSN Stud Piloted Assy.LH	5/8"	8.78"	1.62	No	No
10003475	10-Stud BSN Stud Piloted Assy.RH	5/8"	8.78"	1.62	No	No
10003476	10-Stud BSN Stud Piloted Assy.LH	5/8"	8.78"	1.88	No	No
10003477	10-Stud BSN Stud Piloted Assy.RH	5/8"	8.78"	1.88	No	No
10003470	10-Stud BSN Stud Piloted Assy.LH	5/8"	8.78"	1.62	No	Yes
10003471	10-Stud BSN Stud Piloted Assy.RH	5/8"	8.78"	1.62	No	Yes
10003472	10-Stud BSN Stud Piloted Assy.LH	5/8"	8.78"	1.88	No	Yes
10003473	10-Stud BSN Stud Piloted Assy.RH	5/8"	8.78"	1.88	No	Yes
10008818	10-Stud Hub Piloted Assy.	5/8"	8.78"	3.06	Yes	No
10008819	10-Stud Hub Piloted Assy.	5/8"	8.78"	3.97	Yes	No
10008820	10-Stud Hub Piloted Assy.	5/8"	8.78"	3.06	Yes	Yes
10008821	10-Stud Hub Piloted Assy.	5/8"	8.78"	3.97	Yes	Yes

# Ductile Iron Hubs

<b>DUCTILE IRON HUB / R-DRIVE - LONG BARREL / 26,000 Lbs. GAWR (Continued)</b>						
<b>Part Number</b>	<b>Description</b>	<b>Drive Stud</b>	<b>Drum Pilot</b>	<b>Stud Standout</b>	<b>Fill* Hole</b>	<b>ABS</b>
10008810	10-Stud BSN Stud Piloted Assy.LH	5/8"	8.78"	1.62	Yes	No
10008811	10-Stud BSN Stud Piloted Assy.RH	5/8"	8.78"	1.62	Yes	No
10008812	10-Stud BSN Stud Piloted Assy.LH	5/8"	8.78"	1.88	Yes	No
10008813	10-Stud BSN Stud Piloted Assy.RH	5/8"	8.78"	1.88	Yes	No
10008814	10-Stud BSN Stud Piloted Assy.LH	5/8"	8.78"	1.62	Yes	Yes
10008815	10-Stud BSN Stud Piloted Assy.RH	5/8"	8.78"	1.62	Yes	Yes
10008816	10-Stud BSN Stud Piloted Assy.LH	5/8"	8.78"	1.88	Yes	Yes
10008817	10-Stud BSN Stud Piloted Assy.RH	5/8"	8.78"	1.88	Yes	Yes

\*Note: Drive hubs with fill hole require ConMet 105272 O' Ring Plug sold separately.

<b>DUCTILE IRON HUB / R DRIVE - SHORT BARREL - 5/8" DRIVE STUD / 26,000 Lbs. GAWR</b>						
<b>Part Number</b>	<b>Description</b>	<b>Drive Stud</b>	<b>Drum Pilot</b>	<b>Stud Standout</b>	<b>Fill Hole</b>	<b>ABS</b>
10005354	10-Stud Hub Piloted Assy.	5/8"	8.78"	3.06	No	No
10005355	10-Stud Hub Piloted Assy.	5/8"	8.78"	3.97	No	No
10005352	10-Stud Hub Piloted Assy.	5/8"	8.78"	3.06	No	Yes
10005353	10-Stud Hub Piloted Assy.	5/8"	8.78"	3.97	No	Yes
10005360	10-Stud BSN Stud Piloted Assy.LH	5/8"	8.78"	1.62	No	No
10005361	10-Stud BSN Stud Piloted Assy.RH	5/8"	8.78"	1.62	No	No
10005362	10-Stud BSN Stud Piloted Assy.LH	5/8"	8.78"	1.88	No	No
10005363	10-Stud BSN Stud Piloted Assy.RH	5/8"	8.78"	1.88	No	No
10005356	10-Stud BSN Stud Piloted Assy.LH	5/8"	8.78"	1.62	No	Yes
10005357	10-Stud BSN Stud Piloted Assy.RH	5/8"	8.78"	1.62	No	Yes
10005358	10-Stud BSN Stud Piloted Assy.LH	5/8"	8.78"	1.88	No	Yes
10005359	10-Stud BSN Stud Piloted Assy.RH	5/8"	8.78"	1.88	No	Yes

<b>DUCTILE IRON HUB / R DRIVE - SHORT BARREL - 3/4" DRIVE STUD / 26,000 Lbs. GAWR</b>						
<b>Part Number</b>	<b>Description</b>	<b>Drive Stud</b>	<b>Drum Pilot</b>	<b>Stud Standout</b>	<b>Fill* Hole</b>	<b>ABS</b>
10008943	10-Stud Hub Piloted Assy.	3/4"	8.78"	3.06	Yes	No
10008944	10-Stud Hub Piloted Assy.	3/4"	8.78"	3.97	Yes	No
10008941	10-Stud Hub Piloted Assy.	3/4"	8.78"	3.06	Yes	Yes
10008942	10-Stud Hub Piloted Assy.	3/4"	8.78"	3.97	Yes	Yes

\*Note: Drive hubs with fill hole require ConMet 105272 O' Ring Plug sold separately.

## Ductile Iron Hubs

<b>DUCTILE IRON HUB / TN AXLE / 25,000 Lbs. GAWR</b>						
<b>Part Number</b>	<b>Description</b>		<b>Drum Pilot</b>	<b>Stud Standout</b>	<b>Fill* Hole</b>	<b>ABS</b>
10003647	10-Stud Hub Piloted Assy.		8.78"	3.06	Yes	No
10003648	10-Stud Hub Piloted Assy.		8.78"	3.97	Yes	No
10003649	10-Stud Hub Piloted Assy.		8.78"	3.06	Yes	Yes
10003650	10-Stud Hub Piloted Assy.		8.78"	3.97	Yes	Yes
10003639	10-Stud BSN Stud Piloted Assy.LH		8.78"	1.62	Yes	No
10003640	10-Stud BSN Stud Piloted Assy.RH		8.78"	1.62	Yes	No
10003641	10-Stud BSN Stud Piloted Assy.LH		8.78"	1.88	Yes	No
10003642	10-Stud BSN Stud Piloted Assy.RH		8.78"	1.88	Yes	No
10003643	10-Stud BSN Stud Piloted Assy.LH		8.78"	1.62	Yes	Yes
10003644	10-Stud BSN Stud Piloted Assy.RH		8.78"	1.62	Yes	Yes
10003645	10-Stud BSN Stud Piloted Assy.LH		8.78"	1.88	Yes	Yes
10003646	10-Stud BSN Stud Piloted Assy.RH		8.78"	1.88	Yes	Yes

**\*Note: Trailer hubs with fill hole have the 105272 O'Ring fill plug already installed.**

<b>DUCTILE IRON HUB / TP AXLE / 25,000 Lbs. GAWR</b>						
<b>Part Number</b>	<b>Description</b>		<b>Drum Pilot</b>	<b>Stud Standout</b>	<b>Fill Hole</b>	<b>ABS</b>
10003664	10-Stud Hub Piloted Assy.		8.78"	3.06	Yes	No
10003665	10-Stud Hub Piloted Assy.		8.78"	3.97	Yes	No
10003666	10-Stud Hub Piloted Assy.		8.78"	3.06	Yes	Yes
10003667	10-Stud Hub Piloted Assy.		8.78"	3.97	Yes	Yes
10003656	10-Stud BSN Stud Piloted Assy.LH		8.78"	1.62	Yes	No
10003657	10-Stud BSN Stud Piloted Assy.RH		8.78"	1.62	Yes	No
10003658	10-Stud BSN Stud Piloted Assy.LH		8.78"	1.88	Yes	No
10003659	10-Stud BSN Stud Piloted Assy.RH		8.78"	1.88	Yes	No
10003660	10-Stud BSN Stud Piloted Assy.LH		8.78"	1.62	Yes	Yes
10003661	10-Stud BSN Stud Piloted Assy.RH		8.78"	1.62	Yes	Yes
10003662	10-Stud BSN Stud Piloted Assy.LH		8.78"	1.88	Yes	Yes
10003663	10-Stud BSN Stud Piloted Assy.RH		8.78"	1.88	Yes	Yes

**\*Note: Trailer hubs with fill hole have the 105272 O'Ring fill plug already installed.**

## Aluminum PreSet Hubs

<b>ALUMINUM PRESET HUB / FF - FRONT STEER AXLE / 13,200 Lbs. GAWR</b>						
<b>Part Number</b>	<b>Description</b>	<b>Offset*</b>	<b>Drum Pilot</b>	<b>Stud Standout</b>	<b>Hubcap BCD</b>	<b>ABS</b>
10018243	10-Stud Hub Piloted Assy.	5.06	8.78"	2.47	4.50	Yes
10018244	10-Stud Hub Piloted Assy.	5.06	8.78"	2.92	4.50	Yes
10016535	10-Stud Hub Piloted Assy.	5.44	8.78"	2.47	4.50	Yes
10016536	10-Stud Hub Piloted Assy.	5.44	8.78"	2.92	4.50	Yes
10016533	10-Stud BSN Stud Piloted Assy.LH	5.44	8.78"	2.38	4.50	Yes
10016534	10-Stud BSN Stud Piloted Assy.RH	5.44	8.78"	2.38	4.50	Yes
10016529	10-Stud BSN Stud Piloted Assy.LH	5.44	8.78"	1.91	4.50	Yes
10016530	10-Stud BSN Stud Piloted Assy.RH	5.44	8.78"	1.91	4.50	Yes

\* Note: 5.06 offset is commonly used by Kenworth, Peterbilt, International and Mack. 5.44 offset most commonly used by Freightliner, Western Star, Volvo and Sterling.

<b>ALUMINUM PRESET HUB / FF - FRONT STEER AXLE / 14,600 Lbs. GAWR</b>						
<b>Part Number</b>	<b>Description</b>	<b>Offset*</b>	<b>Drum Pilot</b>	<b>Stud Standout</b>	<b>Hubcap BCD</b>	<b>ABS</b>
10018153	10-Stud Hub Piloted Assy.	5.06	8.78"	2.47	4.50	Yes
10018154	10-Stud Hub Piloted Assy.	5.06	8.78"	2.65	4.50	Yes
10018155	10-Stud Hub Piloted Assy.	5.06	8.78"	2.97	4.50	Yes
10017880	10-Stud Hub Piloted Assy.	5.44	8.78"	2.47	4.50	Yes
10017881	10-Stud Hub Piloted Assy.	5.44	8.78"	2.65	4.50	Yes
10017882	10-Stud Hub Piloted Assy.	5.44	8.78"	2.97	4.50	Yes
10018158	10-Stud BSN Stud Piloted Assy.LH	5.06	8.78"	1.91	4.50	Yes
10018159	10-Stud BSN Stud Piloted Assy.RH	5.06	8.78"	1.91	4.50	Yes
10018150	10-Stud BSN Stud Piloted Assy.LH	5.06	8.78"	2.38	4.50	Yes
10018151	10-Stud BSN Stud Piloted Assy.RH	5.06	8.78"	2.38	4.50	Yes
10017915	10-Stud BSN Stud Piloted Assy.LH	5.44	8.78"	2.38	4.50	Yes
10017916	10-Stud BSN Stud Piloted Assy.RH	5.44	8.78"	2.38	4.50	Yes
10017959	8-Stud Hub Piloted Assy.	5.44	9.00"	2.47	4.50	Yes
10017960	8-Stud Hub Piloted Assy.	5.44	9.00"	2.97	4.50	Yes

\* Note: 5.06 offset is commonly used by Kenworth, Peterbilt, International and Mack. 5.44 offset most commonly used by Freightliner, Western Star, Volvo and Sterling.

<b>ALUMINUM PRESET HUB / FL - FRONT STEER AXLE / 20,000 Lbs. GAWR</b>						
<b>Part Number</b>	<b>Description</b>	<b>Offset</b>	<b>Drum Pilot</b>	<b>Stud Standout</b>	<b>Hubcap BCD</b>	<b>ABS</b>
10005531	10-Stud Hub Piloted Assy.	4.29	8.78"	2.47	5.56	Yes
10005532	10-Stud Hub Piloted Assy.	4.29	8.78"	2.65	5.56	Yes
10005533	10-Stud Hub Piloted Assy.	4.29	8.78"	3.97	5.56	Yes
10005534	10-Stud Hub Piloted Assy.	4.29	8.78"	3.25	5.56	Yes
10005523	10-Stud BSN Stud Piloted Assy.LH	4.29	8.78"	1.91	5.56	Yes
10005524	10-Stud BSN Stud Piloted Assy.RH	4.29	8.78"	1.91	5.56	Yes
10005526	10-Stud BSN Stud Piloted Assy.LH	4.29	8.78"	2.38	5.56	Yes
10005527	10-Stud BSN Stud Piloted Assy.RH	4.29	8.78"	2.38	5.56	Yes

## Aluminum PreSet Hubs

<b>ALUMINUM PRESET HUB / R- DRIVE AXLE - LONG BARREL 5/8" DRIVE STUD / 23,000 Lbs. GAWR</b>						
<b>Part Number</b>	<b>Description</b>	<b>Drive Stud</b>	<b>Drum Pilot</b>	<b>Stud Standout</b>	<b>Fill* Hole</b>	<b>ABS</b>
10004032	10-Stud Hub Piloted Assy.	5/8"	8.78"	2.94	No	No
10004033	10-Stud Hub Piloted Assy.	5/8"	8.78"	3.44	No	No
10004034	10-Stud Hub Piloted Assy.	5/8"	8.78"	3.81	No	No
10004029	10-Stud Hub Piloted Assy.	5/8"	8.78"	2.94	No	Yes
10004030	10-Stud Hub Piloted Assy.	5/8"	8.78"	3.44	No	Yes
10004031	10-Stud Hub Piloted Assy.	5/8"	8.78"	3.81	No	Yes
10004019	10-Stud BSN Stud Piloted Assy.LH	5/8"	8.78"	1.62	No	No
10004020	10-Stud BSN Stud Piloted Assy.RH	5/8"	8.78"	1.62	No	No
10004021	10-Stud BSN Stud Piloted Assy.LH	5/8"	8.78"	1.88	No	No
10004022	10-Stud BSN Stud Piloted Assy.RH	5/8"	8.78"	1.88	No	No
10004015	10-Stud BSN Stud Piloted Assy.LH	5/8"	8.78"	1.62	No	Yes
10004016	10-Stud BSN Stud Piloted Assy.RH	5/8"	8.78"	1.62	No	Yes
10004017	10-Stud BSN Stud Piloted Assy.LH	5/8"	8.78"	1.88	No	Yes
10004018	10-Stud BSN Stud Piloted Assy.RH	5/8"	8.78"	1.88	No	Yes
10003886	8-Stud Hub Piloted Assy.	5/8"	9.00"	2.94	No	No
10003885	8-Stud Hub Piloted Assy.	5/8"	9.00"	3.81	No	No
10003884	8-Stud Hub Piloted Assy.	5/8"	9.00"	2.94	No	Yes
10003883	8-Stud Hub Piloted Assy.	5/8"	9.00"	3.81	No	Yes
10004026	10-Stud Hub Piloted Assy.	5/8"	8.78"	2.94	Yes	No
10004027	10-Stud Hub Piloted Assy.	5/8"	8.78"	3.44	Yes	No
10004028	10-Stud Hub Piloted Assy.	5/8"	8.78"	3.81	Yes	No
10004023	10-Stud Hub Piloted Assy.	5/8"	8.78"	2.94	Yes	Yes
10004024	10-Stud Hub Piloted Assy.	5/8"	8.78"	3.44	Yes	Yes
10004025	10-Stud Hub Piloted Assy.	5/8"	8.78"	3.81	Yes	Yes
10004011	10-Stud BSN Stud Piloted Assy.LH	5/8"	8.78"	1.62	Yes	No
10004012	10-Stud BSN Stud Piloted Assy.RH	5/8"	8.78"	1.62	Yes	No
10004013	10-Stud BSN Stud Piloted Assy.LH	5/8"	8.78"	1.88	Yes	No
10004014	10-Stud BSN Stud Piloted Assy.RH	5/8"	8.78"	1.88	Yes	No
10004007	10-Stud BSN Stud Piloted Assy.LH	5/8"	8.78"	1.62	Yes	Yes
10004008	10-Stud BSN Stud Piloted Assy.RH	5/8"	8.78"	1.62	Yes	Yes
10004009	10-Stud BSN Stud Piloted Assy.LH	5/8"	8.78"	1.88	Yes	Yes
10004010	10-Stud BSN Stud Piloted Assy.RH	5/8"	8.78"	1.88	Yes	Yes

**\*Note: Drive hubs with fill hole require ConMet 105272 O' Ring Plug sold separately.**

<b>ALUMINUM PRESET HUB / R - DRIVE AXLE - SHORT BARREL 5/8" DRIVE STUD / 23,000 Lbs. GAWR</b>						
<b>Part Number</b>	<b>Description</b>	<b>Drive Stud</b>	<b>Drum Pilot</b>	<b>Stud Standout</b>	<b>Fill Hole</b>	<b>ABS</b>
10005274	10-Stud Hub Piloted Assy.	5/8"	8.78"	2.94	No	No
10005276	10-Stud Hub Piloted Assy.	5/8"	8.78"	3.81	No	No
10005275	10-Stud Hub Piloted Assy.	5/8"	8.78"	2.94	No	Yes
10005277	10-Stud Hub Piloted Assy.	5/8"	8.78"	3.81	No	Yes

# Aluminum PreSet Hubs

<b>ALUMINUM PRESET HUB / R - DRIVE AXLE - SHORT BARREL 3/4" DRIVE STUD / 23,000 Lbs. GAWR</b>						
<b>Part Number</b>	<b>Description</b>	<b>Drive Stud</b>	<b>Drum Pilot</b>	<b>Stud Standout</b>	<b>Fill* Hole</b>	<b>ABS</b>
10003998	10-Stud Hub Piloted Assy.	3/4"	8.78"	2.94	No	No
10003999	10-Stud Hub Piloted Assy.	3/4"	8.78"	3.44	No	No
10004000	10-Stud Hub Piloted Assy.	3/4"	8.78"	3.81	No	No
10003995	10-Stud Hub Piloted Assy.	3/4"	8.78"	2.94	No	Yes
10003996	10-Stud Hub Piloted Assy.	3/4"	8.78"	3.44	No	Yes
10003997	10-Stud Hub Piloted Assy.	3/4"	8.78"	3.81	No	Yes
10003983	10-Stud BSN Stud Piloted Assy.LH	3/4"	8.78"	1.62	No	No
10003984	10-Stud BSN Stud Piloted Assy.RH	3/4"	8.78"	1.62	No	No
10003985	10-Stud BSN Stud Piloted Assy.LH	3/4"	8.78"	1.88	No	No
10003986	10-Stud BSN Stud Piloted Assy.RH	3/4"	8.78"	1.88	No	No
10003979	10-Stud BSN Stud Piloted Assy.LH	3/4"	8.78"	1.62	No	Yes
10003980	10-Stud BSN Stud Piloted Assy.RH	3/4"	8.78"	1.62	No	Yes
10003981	10-Stud BSN Stud Piloted Assy.LH	3/4"	8.78"	1.88	No	Yes
10003982	10-Stud BSN Stud Piloted Assy.RH	3/4"	8.78"	1.88	No	Yes
10004004	10-Stud Hub Piloted Assy.	3/4"	8.78"	2.94	Yes	No
10004005	10-Stud Hub Piloted Assy.	3/4"	8.78"	3.44	Yes	No
10004006	10-Stud Hub Piloted Assy.	3/4"	8.78"	3.81	Yes	No
10004001	10-Stud Hub Piloted Assy.	3/4"	8.78"	2.94	Yes	Yes
10004002	10-Stud Hub Piloted Assy.	3/4"	8.78"	3.44	Yes	Yes
10004003	10-Stud Hub Piloted Assy.	3/4"	8.78"	3.81	Yes	Yes
10003991	10-Stud BSN Stud Piloted Assy.LH	3/4"	8.78"	1.62	Yes	No
10003992	10-Stud BSN Stud Piloted Assy.RH	3/4"	8.78"	1.62	Yes	No
10003993	10-Stud BSN Stud Piloted Assy.LH	3/4"	8.78"	1.88	Yes	No
10003994	10-Stud BSN Stud Piloted Assy.RH	3/4"	8.78"	1.88	Yes	No
10003987	10-Stud BSN Stud Piloted Assy.LH	3/4"	8.78"	1.62	Yes	Yes
10003988	10-Stud BSN Stud Piloted Assy.RH	3/4"	8.78"	1.62	Yes	Yes
10003989	10-Stud BSN Stud Piloted Assy.LH	3/4"	8.78"	1.88	Yes	Yes
10003990	10-Stud BSN Stud Piloted Assy.RH	3/4"	8.78"	1.88	Yes	Yes

**\*Note: Drive hubs with fill hole require ConMet 105272 O' Ring Plug sold separately.**

## Aluminum PreSet Hubs

ALUMINUM PRESET HUB / TN TRAILER AXLE / 23,000 Lbs. GAWR						
Part Number	Description		Drum Pilot	Stud Standout	Fill* Hole	ABS
10005475	10-Stud Hub Piloted Assy.		8.78"	2.94	Yes	No
10005476	10-Stud Hub Piloted Assy.		8.78"	3.44	Yes	No
10005477	10-Stud Hub Piloted Assy.		8.78"	3.80	Yes	No
10005478	10-Stud Hub Piloted Assy.		8.78"	2.94	Yes	Yes
10005479	10-Stud Hub Piloted Assy.		8.78"	3.44	Yes	Yes
10005480	10-Stud Hub Piloted Assy.		8.78"	3.80	Yes	Yes
10005467	10-Stud BSN Stud Piloted Assy.LH		8.78"	1.62	Yes	No
10005468	10-Stud BSN Stud Piloted Assy.RH		8.78"	1.62	Yes	No
10005469	10-Stud BSN Stud Piloted Assy.LH		8.78"	1.88	Yes	No
10005470	10-Stud BSN Stud Piloted Assy.RH		8.78"	1.88	Yes	No
10005471	10-Stud BSN Stud Piloted Assy.LH		8.78"	1.62	Yes	Yes
10005472	10-Stud BSN Stud Piloted Assy.RH		8.78"	1.62	Yes	Yes
10005473	10-Stud BSN Stud Piloted Assy.LH		8.78"	1.88	Yes	Yes
10005474	10-Stud BSN Stud Piloted Assy.RH		8.78"	1.88	Yes	Yes
10008841	8-Stud Hub Piloted Assy.		9.00"	2.94	Yes	No
10008842	8-Stud Hub Piloted Assy.		9.00"	3.44	Yes	No
10008843	8-Stud Hub Piloted Assy.		9.00"	3.80	Yes	No
10008844	8-Stud Hub Piloted Assy.		9.00"	2.94	Yes	Yes
10008845	8-Stud Hub Piloted Assy.		9.00"	3.44	Yes	Yes
10008846	8-Stud Hub Piloted Assy.		9.00"	3.80	Yes	Yes

**\*Note: Trailer hubs with fill hole have the 105272 O'Ring fill plug already installed.**

ALUMINUM PRESET HUB / TP TRAILER AXLE / 25,000 Lbs. GAWR						
Part Number	Description		Drum Pilot	Stud Standout	Fill* Hole	ABS
10001199	10-Stud Hub Piloted Assy.		8.78"	2.94	Yes	No
10001200	10-Stud Hub Piloted Assy.		8.78"	3.44	Yes	No
10001201	10-Stud Hub Piloted Assy.		8.78"	3.81	Yes	No
10001202	10-Stud Hub Piloted Assy.		8.78"	2.94	Yes	Yes
10001203	10-Stud Hub Piloted Assy.		8.78"	3.44	Yes	Yes
10001204	10-Stud Hub Piloted Assy.		8.78"	3.81	Yes	Yes
10005389	10-Stud BSN Stud Piloted Assy.LH		8.78"	1.62	Yes	No
10005390	10-Stud BSN Stud Piloted Assy.RH		8.78"	1.62	Yes	No
10005391	10-Stud BSN Stud Piloted Assy.LH		8.78"	1.88	Yes	No
10005392	10-Stud BSN Stud Piloted Assy.RH		8.78"	1.88	Yes	No
10005393	10-Stud BSN Stud Piloted Assy.LH		8.78"	1.62	Yes	Yes
10005394	10-Stud BSN Stud Piloted Assy.RH		8.78"	1.62	Yes	Yes
10005395	10-Stud BSN Stud Piloted Assy.LH		8.78"	1.88	Yes	Yes
10005396	10-Stud BSN Stud Piloted Assy.RH		8.78"	1.88	Yes	Yes
10005489	8-Stud Hub Piloted Assy.		9.00"	2.94	Yes	No
10005490	8-Stud Hub Piloted Assy.		9.00"	3.44	Yes	No
10005491	8-Stud Hub Piloted Assy.		9.00"	3.81	Yes	No
10005492	8-Stud Hub Piloted Assy.		9.00"	2.94	Yes	Yes
10005493	8-Stud Hub Piloted Assy.		9.00"	3.44	Yes	Yes
10005494	8-Stud Hub Piloted Assy.		9.00"	3.81	Yes	Yes

**\*Note: Trailer hubs with fill hole have the 105272 O'Ring fill plug already installed.**



# Ductile Iron PreSet Hubs

DUCTILE IRON PRESET HUB / FF - FRONT STEER AXLE / 14,700 Lbs. GAWR						
Part Number	Description	Offset	Drum Pilot	Stud Standout	HUBCAP BCD	ABS
10018288	10-Stud Hub Piloted Assy.	5.44	8.78"	2.60	4.50	Yes
10018289	10-Stud Hub Piloted Assy.	5.44	8.78"	3.06	4.50	Yes
10018290	10-Stud BSN Stud Piloted Assy.LH	5.44	8.78"	1.95	4.50	Yes
10018291	10-Stud BSN Stud Piloted Assy.RH	5.44	8.78"	1.95	4.50	Yes
10018292	10-Stud BSN Stud Piloted Assy.LH	5.44	8.78"	2.44	4.50	Yes
10018293	10-Stud BSN Stud Piloted Assy.RH	5.44	8.78"	2.44	4.50	Yes

DUCTILE IRON PRESET HUB / FL - FRONT STEER AXLE / 23,000 Lbs. GAWR						
Part Number	Description	Offset	Drum Pilot	Stud Standout	HUBCAP BCD	ABS
10014460	10-Stud Hub Piloted Assy.	4.29	8.78"	2.76	5.56	Yes
10014461	10-Stud Hub Piloted Assy.	4.29	8.78"	3.30	5.56	Yes
10008778	10-Stud BSN Stud Piloted Assy.LH	4.29	8.78"	1.91	5.56	Yes
10008779	10-Stud BSN Stud Piloted Assy.RH	4.29	8.78"	1.91	5.56	Yes
10008780	10-Stud BSN Stud Piloted Assy.LH	4.29	8.78"	2.38	5.56	Yes
10008781	10-Stud BSN Stud Piloted Assy.RH	4.29	8.78"	2.38	5.56	Yes

DUCTILE IRON PRESET HUB / R - DRIVE LONG BARREL - 5/8" DRIVE STUD / 26,000 Lbs. GAWR						
Part Number	Description	Drive Stud	Drum Pilot	Stud Standout	Fill Hole	ABS
10008656	10-Stud Hub Piloted Assy.	5/8"	8.78"	3.06	No	No
10008657	10-Stud Hub Piloted Assy.	5/8"	8.78"	3.97	No	No
10008654	10-Stud Hub Piloted Assy.	5/8"	8.78"	3.06	No	Yes
10008655	10-Stud Hub Piloted Assy.	5/8"	8.78"	3.97	No	Yes
10008662	10-Stud BSN Stud Piloted Assy.LH	5/8"	8.78"	1.62	No	No
10008663	10-Stud BSN Stud Piloted Assy.RH	5/8"	8.78"	1.62	No	No
10008664	10-Stud BSN Stud Piloted Assy.LH	5/8"	8.78"	1.88	No	No
10008665	10-Stud BSN Stud Piloted Assy.RH	5/8"	8.78"	1.88	No	No
10008658	10-Stud BSN Stud Piloted Assy.LH	5/8"	8.78"	1.62	No	Yes
10008659	10-Stud BSN Stud Piloted Assy.RH	5/8"	8.78"	1.62	No	Yes
10008660	10-Stud BSN Stud Piloted Assy.LH	5/8"	8.78"	1.88	No	Yes
10008661	10-Stud BSN Stud Piloted Assy.RH	5/8"	8.78"	1.88	No	Yes

DUCTILE IRON PRESET HUB / R - DRIVE SHORT BARREL - 5/8" DRIVE STUD / 26,000 Lbs. GAWR						
Part Number	Description	Drive Stud	Drum Pilot	Stud Standout	Fill Hole	ABS
10008674	10-Stud Hub Piloted Assy.	5/8"	8.78"	3.06	No	No
10008675	10-Stud Hub Piloted Assy.	5/8"	8.78"	3.97	No	No
10008672	10-Stud Hub Piloted Assy.	5/8"	8.78"	3.06	No	Yes
10008673	10-Stud Hub Piloted Assy.	5/8"	8.78"	3.97	No	Yes

DUCTILE IRON PRESET HUB / R - DRIVE SHORT BARREL - 3/4" DRIVE STUD / 26,000 Lbs. GAWR						
Part Number	Description	Drive Stud	Drum Pilot	Stud Standout	Fill Hole	ABS
10008947	10-Stud Hub Piloted Assy.	3/4"	8.78"	3.06	Yes	No
10008948	10-Stud Hub Piloted Assy.	3/4"	8.78"	3.97	Yes	No
10008945	10-Stud Hub Piloted Assy.	3/4"	8.78"	3.06	Yes	Yes
10008946	10-Stud Hub Piloted Assy.	3/4"	8.78"	3.97	Yes	Yes

# PreSet Service Parts

<b>FF FRONT STEER AXLE</b>	
<b>Part Number</b>	<b>Description</b>
107500	FF-Steer / TN Trailer Inner Bearing Set
107501	FF-Steer Outer Bearing Set
107545	FF-Steer PreSet Rebuild Kit - Outrunner Seal
107551	FF-Steer PreSet Oil Seal - Outrunner 847
10005430	FF-Steer PreSet Oil Seal - SKF 35058

<b>FL FRONT STEER AXLE</b>	
<b>Part Number</b>	<b>Description</b>
10009902	FL - Front Steer - Inner Bearing Set
10009903	FL - Front Steer - Outer Bearing Set
10008722	Scotseal Plus XL 43671

<b>R-SERIES DRIVE AXLE</b>	
<b>Part Number</b>	<b>Description</b>
107502	R-Drive Inner Bearing Set
107503	R-Drive Outer Bearing Set
107552	R-Drive PreSet Oil Seal - Outrunner 861
10005431	R-Drive PreSet Oil Seal - SKF 47692

<b>TN TRAILER AXLE</b>	
<b>Part Number</b>	<b>Description</b>
107504	TN Trailer Inner Bearing Set
107500	TN Trailer Outer Bearing Set
107553	TN Trailer PreSet Oil Seal - Outrunner 859
10005432	TN Trailer PreSet Oil Seal - SKF 46300

<b>TP TRAILER AXLE</b>	
<b>Part Number</b>	<b>Description</b>
107506	TP Trailer Bearing Set - Both Inner and Outer
107550	TP Trailer PreSet Rebuild Kit - Outrunner Seal
107554	TP Trailer PreSet Oil Seal - Outrunner - 851
10005433	TP Trailer PreSet Oil Seal - SKF 42627

## PreSet Trailer Hubcaps

<b>TN TRAILER HUB CAPS</b>	
<b>Part Number</b>	<b>Description</b>
106819	TN PreSet Oil Hubcap
10018622	TN PreSet Semi-Fluid Hubcap
107836	TN Hubodometer Bracket

<b>TP TRAILER HUB CAPS</b>	
<b>Part Number</b>	<b>Description</b>
106870	TP PreSet Oil Hubcap
10018621	TP PreSet Semi-Fluid Hubcap
107835	TP Hubodometer Bracket

<b>MISCELLANEOUS</b>	
<b>Part Number</b>	<b>Description</b>
106823	Hub Cap Plug - Oil
10020225	Vent Cap Cover - Semi Fluid Cap
105272	Fill Hole O'Ring plug

## Standard and PreSet Hub ABS Rings

<b>STANDARD AND PRESET HUBS ABS RINGS / INSTALLATION TOOL</b>	
<b>Part Number</b>	<b>Description</b>
101482	ABS TONE RING - SNS 8959051734
102204	ABS TONE RING - FOR Q PLUS
102213	ABS TONE RING - 895 905 155
103350	ABS TONE RING
103705	Tone Ring - Stamped / Drive
103706	Tone Ring - Stamped / FF
103856	Tone Ring - Mack / Drive S34/48
104372	Tone Ring - Mack / Front FAW12
105459	Tone Ring - Stamped / TN & TP
107119	ABS Ring Installation Tool
107912	Tone Ring - Stamped / FL
10001275	ABS TONE RING - VOLVO DRIVE HUB
10003413	ABS TONE RING
10003424	ABS TONE RING - VOLVO UNITIZED FRONT
10003668	ABS TONE RING - 58MM UNITIZED FRONT
10009780	ABS TONE RING - STAMPED (Replaces 103706)
10012871	ABS TONE RING
10016586	ABS TONE RING - FC IRON FRONT HUB

<b>DISC BRAKE ABS RING SERVICE KITS</b>	
<b>Part Number</b>	<b>Description</b>
10019967	HUB SERVICE KIT - ABS TONE RING KIT
10012252	CMI Rotor / ABS Ring Service Kit

## Replacement Wheel and Axle Studs

<b>REPLACEMENT WHEEL AND AXLE STUDS</b>	
<b>Part Number</b>	<b>Description</b>
100329	STUD WHEEL LEFT-HANDED 3/4" X 4.53"
100330	STUD WHEEL RIGHT-HANDED 3/4" X 4.53"
100343	STUD WHEEL LEFT-HANDED 1-1/8" X 4.62"
100344	STUD WHEEL RIGHT-HANDED 1-1/8" X 4.62"
101150	STUD WHEEL METRIC M22 X 5.25"
101151	STUD WHEEL METRIC M22 X 4.38"
101171	STUD WHEEL METRIC M22 X 4.97"
101442	STUD AXLE 5/8 - 18 UNF
101773	STUD WHEEL LEFT-HANDED 3/4" X 3.15"
101774	STUD WHEEL RIGHT-HANDED 3/4" X 3.15"
101823	STUD AXLE 3/4 - 16 UNF 3/4 - 10UNC X 3.60"
101873	STUD WHEEL LEFT-HANDED 1-1/8" X 3.88"
101874	STUD WHEEL RIGHT-HANDED 1-1/8" X 3.88"
101913	STUD WHEEL METRIC M22 X 4.47"
102033	STUD WHEEL METRIC M22 X 3.97"
102084	STUD WHEEL LEFT-HANDED 1-1/8" X 3.41"
102085	STUD WHEEL RIGHT-HANDED 1-1/8" X 3.41"
102188	STUD WHEEL METRIC M22 X 4.09"
102189	STUD WHEEL METRIC M22 X 4.59"
102190	STUD WHEEL METRIC M22 X 4.95"
102191	STUD WHEEL LEFT-HANDED 3/4" X 2.78"
102192	STUD WHEEL RIGHT-HANDED 3/4" X 2.78"
102193	STUD WHEEL LEFT-HANDED 3/4" X 3.03"
102194	STUD WHEEL RIGHT-HANDED 3/4" X 3.03"
102277	STUD WHEEL LEFT-HANDED 3/4" X 3.15"
102278	STUD WHEEL RIGHT-HANDED 3/4" X 3.15"
102279	STUD WHEEL LEFT-HANDED 3/4" X 3.41"
102280	STUD WHEEL RIGHT-HANDED 3/4" X 3.41"
102281	STUD WHEEL LEFT-HANDED 3/4" X 3.78"
102282	STUD WHEEL RIGHT-HANDED 3/4" X 3.78"
102290	STUD WHEEL METRIC M22 X 4.47"
102291	STUD WHEEL METRIC M22 X 4.97"
102292	STUD WHEEL METRIC M22 X 5.34"
102334	STUD AXLE 5/8 - 18 UNF
103189	STUD WHEEL LEFT-HANDED 1-1/8" X 3.08"
103190	STUD WHEEL RIGHT-HANDED 1-1/8" X 3.08"
103191	STUD WHEEL LEFT-HANDED 1-1/8" X 3.55"
103192	STUD WHEEL RIGHT-HANDED 1-1/8" X 3.55"
103193	STUD WHEEL METRIC M22 X 3.64"
103430	STUD AXLE 5/8 - 18 UNF
103431	STUD WHEEL METRIC M22 X 4.15"
103533	STUD WHEEL METRIC M22 X 4.75"
104811	STUD WHEEL METRIC M22 X 3.82"
104816	STUD WHEEL METRIC M22 X 5.53"
106966	STUD WHEEL LEFT-HANDED 3/4" X 3.41"
106967	STUD WHEEL RIGHT-HANDED 3/4" X 3.41"
107300	STUD WHEEL LEFT-HANDED 3/4" X 2.53"
107301	STUD WHEEL RIGHT-HANDED 3/4" X 2.53"

# Replacement Wheel and Axle Studs

<b>REPLACEMENT WHEEL AND AXLE STUDS (Continued)</b>	
<b>Part Number</b>	<b>Description</b>
107302	STUD WHEEL LEFT-HANDED 3/4" X 2.90"
107303	STUD WHEEL RIGHT-HANDED 3/4" X 2.90"
107477	STUD WHEEL METRIC M22 X 4.35"
107478	STUD WHEEL METRIC M22 X 4.53"
107479	STUD WHEEL METRIC M22 X 4.85"
10001329	STUD WHEEL METRIC M22 X 4.28
10001330	STUD WHEEL METRIC M22 X 4.78"
10001331	STUD WHEEL METRIC M22 X 5.15"
10001332	STUD WHEEL LEFT-HANDED 3/4" X 2.96"
10001333	STUD WHEEL RIGHT-HANDED 3/4" X 2.96"
10001334	STUD WHEEL LEFT-HANDED 3/4" X 3.22"
10001335	STUD WHEEL RIGHT-HANDED 3/4" X 3.22"
10001399	STUD WHEEL METRIC M22 X 3.92"
10001400	STUD WHEEL METRIC M22 X 4.83"
10001401	STUD WHEEL LEFT-HANDED 3/4" X 2.74"
10001402	STUD WHEEL RIGHT-HANDED 3/4" X 2.74"
10001403	STUD WHEEL LEFT-HANDED 3/4" X 2.48"
10001404	STUD WHEEL RIGHT-HANDED 3/4" X 2.48"
10001405	STUD WHEEL METRIC M22 X 3.46"
10001406	STUD WHEEL LEFT-HANDED 1-1/8" X 3.30"
10001407	STUD WHEEL RIGHT-HANDED 1-1/8" X 3.30"
10001408	STUD WHEEL LEFT-HANDED 1-1/8" X 2.81"
10001409	STUD WHEEL RIGHT-HANDED 1-1/8" X 2.81"
10003633	STUD WHEEL LEFT-HANDED 3/4" X 3.59"
10003634	STUD WHEEL RIGHT-HANDED 3/4" X 3.59"
10005300	STUD WHEEL METRIC M22 X 2.87"
10005301	STUD WHEEL METRIC M22 X 4.37"
10005302	STUD WHEEL LEFT-HANDED 3/4" X 2.24"
10005303	STUD WHEEL RIGHT-HANDED 3/4" X 2.24"
10005304	STUD WHEEL LEFT-HANDED 3/4" X 2.61"
10005305	STUD WHEEL RIGHT-HANDED 3/4" X 2.61"