

MERITOR[®]

An *ArvinMeritor*[™] Brand



**HYDRAULIC BRAKE
PRODUCT CATALOG**



PB-99127
Revised 07/08

CONTENTS

HYDRAULIC BRAKE PARTS	
Glossary	6-263
Model Identification	iii
Section 1 — VEHICLE APPLICATION GUIDES	
Brake Hardware / Brake Shoes / Calipers / Caliper Kits/ Disc Pads / Drums / Rotors / Wheel Cylinders:	
Bluebird	1-2
Dodge	1-18
Ford	1-38
Freightliner	1-120
GMC / Chevrolet	1-134
Hino	1-204
Isuzu	1-216
ITEC (International Truck & Engine)	1-230
Iveco	1-264
Mack	1-264
Mitsubishi Fuso	1-264
Nissan UD	1-284
Sterling	1-290
Thomas Built Bus	1-290
Workhorse	1-292
Section 2 — ABS & Meritor Wabco	
PB-01134 Parts Book	2-2
Section 3 — ASSEMBLIES & EXPLODED VIEWS AND REFERENCE CHARTS	
Hydraulic Disc Brake:	
Typical Truck Disc Brake Kit	3-2
Bendix	3-4
Bosch	3-16
Gunite (Kelsey-Hayes)	3-20
Meritor	3-24
Section 4 — DOMESTIC DRUM BRAKE ASSEMBLIES & EXPLODED VIEWS AND REFERENCE CHARTS	
Hydraulic Drum Brake:	
Typical Light-Duty Truck Drum Brake Kit	4-2
Bendix	4-4
Durapark®	4-30
GM	4-16
Gunite (Kelsey-Hayes)	4-22
Lucas (Ford)	4-26
Lucas Girling — Backing Plate Assemblies	4-37
Wagner	4-38
Wagner Anchor Brackets	4-46
Miscellaneous Brake Hardware	4-47
Miscellaneous Adjuster Parts	4-49
Section 5 — IMPORT VEHICLE BRAKES	
Durapark®	5-10
Ford Cargo Front Disc Brakes	5-2
Ford Cargo (Lucas) Rear Drum Brakes	5-6
Hino Hydraulic Disc Brakes	5-18
Isuzu (Chevrolet/GM)	5-26
Isuzu Front Brake Drum	5-32
Isuzu Hydraulic Disc Brake	5-44
Isuzu Front Disc Brake Calipers	5-46
Isuzu Rear Drum Brakes	5-42

Lucas Girling — Backing Plate Assemblies	5-17
Mitsubishi Fuso	5-48
Nissan UD	5-56
Import Brake Shoe Index	5-58
Import Brake Shoes	5-61
Section 6 — PRODUCT ILLUSTRATIONS & PHOTOS	
Brake Boosters	
Application Guide	6-252
Boosters	6-256
Brake Fittings and Hose Gaskets	6-133
Brake Fluid	6-251
Brake Line Displays	6-251
Brake Lines and Fittings	6-249
Brake Hoses	6-186
Brake Shoes	6-100
Calipers	6-24
Clutch Master Cylinders	6-175
Clutch Slave Cylinders	6-179
Disc Brake Bumper Gap Shim Kits	6-83
Disc Brake Pads	6-62
Disc Brake Pad Shims	6-80
Hydraulic Actuated Units	6-261
Hydraulic Brake Cylinder Bleeder Screws	6-134
Master Cylinders	6-136
Service Parts Instructions (TP-0857 thru 0859)	6-18
Steel Brake Lines and Fittings	6-250
Tools	6-262
Wheel Cylinders	6-112
Section 6 — REFERENCE CHARTS	
Brake Hose Progressive Size Charts	6-183
Brake Shoe Stamping No. Cross Ref.	6-99
Clutch Master and Clutch Slave Cylinders:	
Application Guide	6-163
Casting Number Index	6-135
Kit Number Index	6-135
Quadraulic Disc Brake ID Chart	6-58
Disc Brake Caliper Index - by part no.	6-2
Disc Brake Caliper Index - by casting no.	6-ii
Disc Brake Caliper Listing	6-13
Disc Brake Pad/Shim Index	6-59
Disc Brake Rotor Identification Chart	6-96
Disc Brake Rotor Numerical Listing	6-92
Drum Brake Shoe Index	6-98
Drum Mounting Types and Instructions	6-85
Light-Duty Truck Rotors, Hubs and Drums Numerical Listing	6-88
Master Cylinders Casting Number Index	6-135
Rotor Mounting Types and Instructions	6-93
Wheel Cylinders Casting Number Index	6-109
Section 7 — REFERENCE	
MASTER PART NUMBER INDEX	
Competitive Cross Reference	7-2
OEM Cross Reference Listing	7-37
Part Number Index	7-56
Warranties	7-70

CATALOG ILLUSTRATION DISCLAIMER

The Meritor Product Photo and Illustration Sections are to be used as a supplemental aid in identifying the configurations and specifications of many of the hydraulic brake parts found in this Catalog.

CAUTION

IN NO CASE SHOULD THESE PICTURES & ILLUSTRATIONS BE USED TO MAKE PRODUCT SUBSTITUTIONS. USE THE APPROPRIATE CATALOG APPLICATION DATA TO DETERMINE THE CORRECT PART.

These illustrations are intended to show the configurations of **Meritor parts only**. The outward appearance of these parts may or may not match OEM or competitive parts.

The Photographs and Illustrations shown in this catalog are typical and may vary slightly in detail from actual parts due to manufacturing tolerances, and/or OEM design differences. The general configuration of the part will be the same, i.e. port positions, mounting holes, etc.

Many parts may have the same external dimensions, but have different internal dimensions and/or materials. These differences make it imperative that only the application guide be used to determine the suitability of a particular part.

The Casting Number Indexes and related information shown is to identify general product configurations. Casting numbers will change with different manufacturers. Casting numbers and much of the associated information is shown when available. Although Meritor believes the information contained in the Index to be correct, errors may be present and further investigation may be needed. Meritor cannot and does not assume any responsibility or liability for such errors or harm resulting therefrom.

WARNING

MANY PARTS THAT SEEM SIMILAR ARE DIFFERENT AND SHOULD NOT BE INTERCHANGED. AGAIN, NOTE THAT THE PHOTO AND ILLUSTRATION SECTION IN THIS CATALOG IS NOT TO BE USED TO MAKE PRODUCT SUBSTITUTIONS, BUT TO IDENTIFY CONFIGURATIONS AND APPLICATIONS.

USE ONLY THE BRAKE FLUID SPECIFIED BY THE VEHICLE MANUFACTURER. DO NOT USE PETROLEUM BASED SOLVENTS OR CLEANERS.

GVW Classifications for Trucks and Buses:

Class	Gross Vehicle Weight Rating
1	6,000 lbs. or less
2	6,001 - 10,000 lbs.
3	10,001 - 14,000 lbs.
4	14,001 - 16,000 lbs.
5	16,001 - 19,500 lbs.
6	19,501 - 26,000 lbs.
7	26,001 - 33,000 lbs.
8	33,001 - 55,000 lbs.

MODEL IDENTIFICATION

2005 Domestic Vehicle Index Using Hydraulic Brake Systems

DODGE

MODEL	BODY TYPE	GVW RATINGS
2500HD 3500	4x2 / 4x4 Dodge Ram Regular Cab Pickups	9,000 LBS 11,500 - 12,000 LBS
2500HD 3500	4x2 / 4x4 Dodge Ram Quad Cab Pickups	9,000 LBS 11,500 - 12,000 LBS
Cargo Van	Dodge Sprinter Cargo Van	8,500 - 9,900 LBS
Passenger Van	Dodge Sprinter Passenger Van	8,550 LBS

Note: Dodge Ram Pickups and Chassis-Cabs are identified by a letter and three numbers. "D" indicates two wheel drive. "W" indicates four wheel drive. "250" indicates 8,510 lb. GVW rating. "350" indicates 8,700 to 10,100 lb GVW rating

FORD

MODEL	BODY TYPE	GVW RATINGS
E-350	Super Duty Wagons	8,700 - 9,400 LBS
E-350	Super Duty Vans	9,250 - 9,500 LBS
E-350	R.V. Cutaway	9,600 - 11,500 LBS
E-350	Commercial Cutaways	9,600 - 11,500 LBS
E-450	SuperDuty Cutaways	14,050 LBS
F-250	4x2 / 4x4 Super Duty Pickups	8,800 LBS
F-350	4x2 / 4x4 Super Duty Pickups	9,900 - 11,200 LBS
F-350	Super Duty Chassis Cab Series	9,900 - 12,500 LBS
F-450	Super Duty Chassis Cab Series	15,000 LBS
F-550	Super Duty Chassis Cab Series	17,500 - 19,000 LBS
F-650	Super Duty Chassis Cab Series	26,000 LBS
F-750	Super Duty Chassis Cab Series	30,000 - 33,000 LBS
LCF	Super Duty Chassis Cab Series	15,000 - 19,500 LBS

Note: The 17 character number used for titling, registration and identification purposes that is located on the left door above the striker on cab chassis models but on the right hand engine side of the cowl of cowl chassis models.

1st, 2nd, & 3rd digits are the world manufacture identifier

1FB = FMC of USA, Bus 2FB = FMC of Canada, Bus
 1FC = FMC of USA, Truck Stripped Chassis 2FC = FMC of CDA, Truck Stripped Chassis
 1FD = FMC of USA, Imcomplete Vehicle 2FD = FMC of CDA, Imcomplete Vehicle
 1FM = FMC of USA, Multipurpose Vehicle 2FM = FMC of CDA, Multipurpose Vehicle
 1FT = FMC of USA, Truck Complete Vehicle 2FT = FMC of CDA, Truck Complete Vehicle
 9BF Ford Brazil, SA

4th digit is brake type and GVRW

Brakes	Class	GVRW LBS	Brakes	Class	GVRW LBS
K = Hyd	3	10,001-14,000	T = Air	3	10,001-14,000
L = Hyd	4	14,001-16,000	U = Air	4	14,001-16,000
M = Hyd	5	16,001-19,500	V = Air	5	16,001-19,500
N = Hyd	6	19,501-26,000	W = Air	6	19,501-26,000
P = Hyd	7	26,001-33,000	X = Air	7	26,001-33,000
R = Hyd	8	33,001-55,000	Y = Air	8	33,001-55,000
S = Hyd	8	55,001 & over	Z = Air	8	55,001 & over

MODEL IDENTIFICATION

2005 Domestic Vehicle Index Using Hydraulic Brake Systems

5th, 6th, and 7th digit are the Line, Series, Chassis, Cab or Body Type

J65 = B600 Chassis Cowl, Ford Diesel
 J75 = B700 Chassis Cowl, Ford Diesel
 K62 = F600 Chassis Cab, Ford Diesel
 K64 = F600 Chassis Cowl, Ford Diesel
 K72 = F700 Chassis Cab w/LPO, Ford Diesel
 K74 = F700 Chassis Cab, Ford Diesel
 K75 = F700 Chassis Cowl, Ford Diesel
 K84 = F800 Chassis Cab, Ford Diesel

8th digit is the engine type

9th digit is a computer check digit

10th digit is model year

11th digit is Plant of Manufacture

12th through 17th digits are sequence numbers

FREIGHTLINER

MODEL	BODY TYPE	GVW RATINGS
Cargo Van	Dodge Sprinter Cargo Van	8,500 - 9,900 LBS
Passenger Van	Dodge Sprinter Passenger Van	8,550 LBS
M2-106 4x2 M2-106V	Business Class Trucks	16,000 - 50,000 LBS

GM (Chevrolet / GMC)

MODEL	BODY TYPE	GVW RATINGS
C-2500HD C-3500	Pickup Series	9,200 LBS 11,400LBS
C-2500HD C-3500	Crew Cab Series	9,200 LBS 11,400LBS
C3500	Chassis Cab Series	11,400LBS
C4500 C5500 C6500 C7500	C Series	16,000 LBS 18,000 - 19,000 LBS 22,000 - 25,900 LBS 33,000 LBS
T6F042 T7F042	T Series	24,350 - 29,990 LBS 26,990 - 37,600 LBS
W3 / W4	Forward	18,000 - 19,500 LBS

Note: All General Motors Medium Duty Models are identified by seven characters: two Letters, a number, another letter and three more numbers. The first letter "C" indicates a Chevrolet model, a "T" indicates a GMC model. The second letter indicates the model line, "C" Medium Conventional; "D" Aluminum Tilt Astro; "G", Van series; "W" Isuzu manufactured. L-C-F Tiltmaster steel cab. The first number designates the GWR range. The third letter indicates cab style "H", 104" BBC Conventional; "T", Chassis only; "R", Steel tilt; "S" Steel Tilt. The second number is a constant "0" for future use. The third and fourth numbers designate the chassis type, 42 = 4x2, 64 = 6x4.

MODEL IDENTIFICATION

2005 Domestic Vehicle Index Using Hydraulic Brake Systems

INTERNATIONAL TRUCK AND ENGINE

MODEL	BODY TYPE	GVW RATINGS
CF500 CF600	4x2 Medium Low Cab Forward	16,000 - 19,500 LBS
1652 SC	4x2 Forward Control Stripped Chassis	19,500 - 27,000 LBS
3200 3300	4x2 School Bus Chassis Cab 4x2 School Bus Flat Back Cowl with 80 degree Tilt Hood	21,000 - 23,500 LBS 25,000 - 33,000 LBS
4200 4200 LP 4300 4300 LP 4400 4400 LP	Conventional Chassis -Cab Truck Conventional Chassis -Cab Truck LoProfile Conventional Chassis -Cab Truck Conventional Chassis -Cab Truck LoProfile Conventional Chassis -Cab Truck Conventional Chassis -Cab Truck LoProfile	23,500 - 35,000 LBS 21,660 - 27,000 LBS 23,500 - 37,000 LBS 23,500 - 27,000 LBS 25,000 - 40,000 LBS 23,500 - 27,000 LBS

NOTE: International truck models in current production are identified by three or four number combinations, and sometimes followed by letter suffixes. The first number indicates the basic series. The second number indicates engine type. The third number is "0" in all models except the 1000 and 2000 series, where "5" indicates lower and "7" indicates higher GVW ratings within the series. The fourth number for 1000 and 2000 series only indicates vehicle type - "2" = dual rear wheel, stripped chassis truck; "4" = dual rear wheel truck (all other models use "0" as a constant). Suffix "T" indicates Tractor, "LP" indicates Low Profile, "SFA" indicates Set-Forward-Axle, "SBA" indicates Set-Back-Axle, "CH" indicates Car Hauler

STERLING

MODEL	BODY TYPE	GVW RATINGS
Acterra	Conventional Cab Truck	18,000 - 48,000 LBS

2005 IMPORT VEHICLE INDEX USING HYDRAULIC BRAKE SYSTEMS

HINO

MODEL	BODY TYPE	GVW RATINGS
145	4x2 Conventional Chassis -Cab	15,000LBS
165	4x2 Conventional Chassis -Cab	16,000 LBS
185	4x2 Conventional Chassis -Cab	17,600 - 18,000 LBS
238	4x2 Conventional Chassis -Cab	23,000 LBS
268	4x2 Conventional Chassis -Cab	29,950 LBS

Note: Hino truck models are designated by two letters and four numbers. "FA" indicates Class 4; "FB" indicates Class 5; "FD" and "FE" are class 6; "FF" and SG are Class 7.

MODEL IDENTIFICATION

2005 Domestic Vehicle Index Using Hydraulic Brake Systems

ISUZU

MODEL	BODY TYPE	GVW RATINGS
NPR/W35-45	Chassis Cab Gasoline Lo-Cab-Forward	12,050 - 14,050 LBS
	Chassis Cab Diesel	12,000 - 14,500 LBS
	Crew Cab Chassis Cab	14,500 - 17,950LBS
NQR/W55	Chassis Cab Lo-Cab-Forward	17,950 LBS
NRR-HD/W55	Chassis Cab Lo-Cab-Forward	19,500 LBS
T6500-FTR	COE Tilt Cab	24,350 - 29,000 LBS
T7500-FVR	COE Tilt Cab	26,990 - 37,600 LBS
T8500-FXR	COE Tilt Cab	33,000 - 49,090 LBS

Note: Isuzu Trucks are identified by a three letter designation: “NPR” indicates a Class 3 GVW rating; “NRR” indicates Class 4 or 5; “FSR” indicates Class 5 or 6; “FTR” indicates class 6 or 7; “FVR” indicates class 7; “EVR” indicates class 7 tractor. Following the three letter designation is a “/W” and a number. The number indicates relative size or GVW, “4” being the lightest and “7” the heaviest.

MITSUBISHI FUSO

MODEL	BODY TYPE	GVW RATINGS
FE120	COE Tilt Cab	12,000 LBS
FE140/145	COE Tilt Cab	14,050 LBS
FG140 AWD	COE Tilt Cab	14,050 LBS
FE180	COE Tilt Cab	12,000 LBS
FK200	COE Tilt Cab	20,935 LBS
FM260	COE Tilt Cab	25,995 LBS

Note: Mitsubishi Fuso Trucks are identified by two letters and three numbers. All models begin with the letter F. The second letter indicates the vehicle size, “E” being the lightest and “M” being the heaviest.

NISSAN / UD

MODEL	BODY TYPE	GVW RATINGS
UD1300		13,000 LBS
UD1400		14,250 LBS
UD1800CS		17,995 LBS
UD1800HD		17,995 LBS
UD2000		19,500 LBS
UD2300LP		23,000 LBS
UD2300DH		23,000 LBS
UD2600		25,995 LBS
UD3300		32,900 LBS

Note: UD truck model designations are made up of the corporate symbol, “UD”, and a number describing the vehicles approximate GVW or GCW rating. A four number designation indicates a straight truck. A three number designation followed by the letter “T” indicates a tractor.

NOTES

A large, empty rectangular box with a thin black border, intended for handwritten notes.

NOTES

A large, empty rectangular box with a thin black border, intended for handwritten notes.

Application
Section 1

SECTION 1

APPLICATION INFORMATION INDEX

MANUFACTURER / MODEL	PAGE
BLUEBIRD	
A3FE.....	1-2
BBCV.....	1-4
C1FE.....	1-6
C3FE.....	1-8
CSFE.....	1-10
School Bus.....	1-12
TC2000.....	1-14
TCFE.....	1-16
DODGE	
1000 Series.....	1-18
400 Series.....	1-20
500 Series.....	1-20
600 Series.....	1-22
700 Series.....	1-24
800 Series.....	1-26
900 Series.....	1-28
B200, B250 Series Van - 3/4 Ton.....	1-28
B200, B250, PB200, PB250 Series Van - 3/4 Ton.....	1-30
B300, B350, PB300 Series Van - 1Ton.....	1-32
B300, B350, PB300, PB350 Series Van - 1Ton.....	1-34
D200, D250, PD200, PD250, RD250 Series Pickup-3/4 Ton.....	1-46
D300, D350, PD300, PD350, D400, D450, PD400 PD450 Series Pickup-1 Ton.....	1-52
P200 Series Parcel Delivery-3/4 Ton.....	1-56
P300 Series Parcel Delivery-1 Ton.....	1-58
R300, M300 Motor Home.....	1-58
R400, M400 Motor Home.....	1-58
RAM 2500 3/4 Ton Pickup.....	1-60
RAM 3500 1 Ton Pickup.....	1-62
Sprinter Van 2500.....	1-66
Sprinter Van 3500.....	1-68
W200,W250, PW200, PW250 Series 4WD Pickup-3/4 Ton.....	1-68
W300, W350, PW300, PW350, W400, W450, PW400, PW450 Series 4WD Pickup-1 Ton.....	1-74

APPLICATION INFORMATION INDEX (Cont.)

MANUFACTURER / MODEL	PAGE
FORD	
B600 Series: School Bus.....	1-80
B700 Series: School Bus.....	1-84
B800 Series: School Bus.....	1-88
C600 Series: Tilt Cab.....	1-92
C700 Series: Tilt Cab.....	1-94
C800 Series: Tilt Cab.....	1-98
CF600, 6000 Series: Cargo, Cab Forward Design.....	1-100
CF700, 7000 Series: Cargo, Cab Forward Design.....	1-102
CF800, 8000 Series: Cargo, Cab Forward Design.....	1-102
E200, E250 Series Van-3/4 Ton.....	1-104
E250 Series Van-3/4 Ton.....	1-108
E300, E350 Series Van-1 Ton.....	1-112
E350 Series Van-1 Ton.....	1-118
E450 Series Van.....	1-122
F200, F250 Series Pickup-3/4 Ton.....	1-124
F250 Superduty Series Pickup-3/4Ton.....	1-134
F300, F350 Series Pickup-1Ton.....	1-142
F350 Superduty Series Pickup-1Ton	1-150
F350 Superduty Series Stripped Chassis-1Ton.....	1-158
F450.....	1-160
F450, 500 Conventional; F53, 66 Stripped Chassis: Super Duty Series.....	1-164
F53 / F59 Stripped Chassis.....	1-172
F550.....	1-172
F600 Series: Conventional.....	1-176
F650 Series: Conventional.....	1-192
F700 Series: Conventional.....	1-196
F750 Series: Conventional.....	1-214
F800 Series: Conventional.....	1-216
L800 Series: Louisville Conventional 106.4" BBC Tilt Hood Chassis Cab Truck.....	1-234
LN600 Series: Louisville 94.4" BBC Short Conventional Chassis Cab.....	1-244
LN700 Series: Louisville 94.4" BBC Short Conventional Chassis Cab.....	1-262
LN800 Series: Louisville 94.4" BBC Short Conventional Chassis Cab.....	1-280
LNT700 Series: Louisville 94.4" BBC Short Conventional Chassis Cab, Tandem Axle.....	1-290
LNT800 Series: Louisville 94.4" BBC Short Conventional Chassis Cab, Tandem Axle.....	1-308
LT800 Series: Louisville Conventional 106.4" BBC Tandem Chassis Cab Truck.....	1-316
LTS800 Series: Louisville 106.3" BBC Tandem Chassis Cab, Set Back Front Axle Truck.....	1-326

APPLICATION INFORMATION INDEX (Cont.)

MANUFACTURER / MODEL	PAGE
FREIGHTLINER	
FL50.....	1-334
FL60.....	1-336
FL70.....	1-338
FW700.....	1-340
M2.....	1-342
MB50.....	1-344
MB60.....	1-344
MB70.....	1-346
MT45.....	1-346
GMC / CHEV	
2500 Sierra, Silverado.....	1-354
3500 Sierra, Silverado.....	1-356
40, 4000 Series-20,000 lb. GVW.....	1-358
50, 500, 5000 Series.....	1-372
60, 6000 Series-20,000-27,500 lb. GVW.....	1-384
70, 7000 Series.....	1-424
C-2500 Series- 3/4 Ton - Conventional Cab, Pickup and Suburban.....	1-348
C-3500 Series- 1 Ton - Conventional Cab, Pickup and Suburban.....	1-436
C4500 Topkick, Kodiak - 16,000 lb. GVW.....	1-444
C5500 Topkick, Kodiak - 18,000 - 19,500 lb. GVW.....	1-446
C6500 Topkick, Kodiak - 22,000 lb. GVW.....	1-448
C7500 Topkick, Kodiak - 29,000 - 33,900 lb. GVW.....	1-448
G-2500 Series-3/4 Ton Van.....	1-450
G-2500,2600 Series-3/4 Ton Van.....	1-452
G-3500, Series-1 Ton Van.....	1-454
G-3500,3600 Series-1 Ton Van.....	1-458
K-2500 Series-3/4 Ton Pickup and Suburban 4WD.....	1-464
K-3500 Series-1 Ton Pickup and Suburban 4WD.....	1-470
LLV Postal Vehicle.....	1-474
P-20, P-2500 Series-3/4 Ton Forward Control.....	1-474
P-30, P-3500 Series-1 Ton Forward Control and Motor Home Chassis.....	1-478
R-25, R-2500 Series-3/4 TIN Conventional Pickup and Suburban 2WD.....	1-500
R-30, R-3500 Series-1 Ton Conventional Pickup and Suburban 2WD.....	1-502
V-20, V-2500 Series-3/4 Ton Conventional Pickup and Suburban 4WD.....	1-504
V-30, V-3500 Series-1 Ton Pickup and Suburban 4WD.....	1-504
W 4.....	1-506
W 5.....	1-508

APPLICATION INFORMATION INDEX (Cont.)

MANUFACTURER / MODEL	PAGE
HINO	
145.....	1-512
165.....	1-512
185.....	1-512
238 / 238LP.....	1-514
268 / 268A.....	1-514
338.....	1-516
FA.....	1-516
FB.....	1-518
FB-15.....	1-518
FD.....	1-518
FD5H.....	1-520
FE.....	1-520
FE5H.....	1-522
FF4H.....	1-522
FF5H.....	1-522
FG.....	1-524
GC.....	1-524
ISUZU	
FSR Series.....	1-524
FTR Series.....	1-526
NPR Series.....	1-528
NQR Series.....	1-540
NRR Series.....	1-542
ITE	
1000 Series.....	1-544
140, 1400, 1452, 1454 Series.....	1-544
150, 1500 Series.....	1-554
160, 1600, 1650 Series.....	1-556
170, 1700, 1710, 1723, 1724, 1750, 1753, 1754 Series Conventional Cab, School Bus, Tilt Cab.....	1-618
180, 1800, 1810, 1823, 1824, 1850, 1853, 1854 Series Conventional Truck, School Bus, Tilt Cab.....	1-834
190, 1900, 1910, 1950 Series Conventional Tilt Cab.....	1-862
2000 Series: Tractor.....	1-896
3000, 3200, 3300 SC Series School Bus.....	1-904
3000, 3400, 3600, 3800, 3900 Series: School Bus.....	1-908
400 Series: LFE Medium Duty.....	1-914
4000 Series: Medium Conventionals.....	1-914
4200, 4300, 4400, 4600, 4700, 4900 Series: Medium Conventionals.....	1-920
500 Series: LFE Medium Duty.....	1-930
700 Series: LFE Medium Duty.....	1-930

APPLICATION INFORMATION INDEX (Cont.)

MANUFACTURER / MODEL	PAGE
IVECO	
10-14AS.....	1-932
12-16AS.....	1-932
18-14.....	1-932
23-16.....	1-932
Euro 110.....	1-932
Euro 220.....	1-932
EuroTurbo 12-12.....	1-932
EuroTurbo 15-14.....	1-934
EuroTurbo 120A.....	1-932
EuroTurbo 220.....	1-934
EuroTurbo 230.....	1-934
Z100.....	1-934
Z110.....	1-934
Z120TA.....	1-934
Z200.....	1-936
Z220.....	1-936
Z220T.....	1-936
Z230T.....	1-938
MACK	
CS200.....	1-938
MS200.....	1-940
MS300.....	1-942
MAGIRUS	
160 A11FL.....	1-944
160 A13FL.....	1-944
MITSUBISHI FUSO	
FE.....	1-948
FE - HD Model 639L.....	1-950
FE - HD Model 639T.....	1-954
FE - HD Model 640, 649.....	1-960
FG.....	1-964
FG 4 x 4.....	1-964
FH.....	1-968
FK.....	1-968

APPLICATION INFORMATION INDEX (Cont.)

MANUFACTURER / MODEL	PAGE
NISSAN UD	
1100 Series.....	1-968
1200 Series.....	1-968
1300 Series.....	1-970
1400 Series.....	1-970
2600 Series.....	1-970
2800 Series.....	1-970
3000, 3000HD, 3000SD Series.....	1-972
CLA-83.....	1-972
CLE-87.....	1-974
CMA-83.....	1-974
CMA-87/88.....	1-976
CPB-12 Series.....	1-976
STERLING	
Acterra.....	1-978
THOMAS BUILT	
All.....	1-980
VOLVO	
F6.....	1-980
WORKHORSE	
Custom Chassis 4 Wheel Disc Brake.....	1-984
Custom Chassis Front Disc Rear Drum.....	1-986
UFO - GVW 26,000 lb.....	1-992
W20 - GVW 20,700 lb.....	1-992
W22 - GVW 22,000 lb.....	1-992
W24 - GVW 24,000 lb.....	1-994
W25.5 - GVW 25,500 lb.....	1-994
W62 - Diesel - GVW 19,500 lb.....	1-994
W62 - Diesel - GVW 23,500 lb.....	1-996
W62 - Gas - GVW 19,500 lb.....	1-996
W62 - Gas - GVW 23,500 lb.....	1-996

MAKE MODEL YEAR AXLE CODE AXLE WEIGHT	AXLE & BRK. TYPE	BRK. MFG.	BRAKE SIZE	FMSI	MERITOR DISC PAD OR BRAKE SHOE	MERITOR GUIDE PIN OR RETURN SPRING KIT	MERITOR CALIPER HWD. KIT OR RETURN SPRING KIT	MERITOR ADJUSTER KIT (LEFT WHEEL)	MERITOR ADJUSTER KIT (RIGHT WHEEL)
BLUEBIRD									
A3FE									
2007 Type C Vision Series	Fd	Meritor		7636 - D769	MD769	N/A	R4011729	-	-
Type D All American	Fd	Meritor		7636 - D769	MD769	N/A	R4011729	-	-
	Fd	Meritor		7636 - D1032	MD769	N/A	R4011729	-	-
	Fd	Meritor		7636 - D1032	MD769	N/A	R4011729	-	-
	Rd	Meritor		7636 - D1032	MD769	N/A	R4011729	-	-
	Rd	Meritor		7636 - D769	MD769	N/A	R4011729	-	-
	Rd	Meritor		7636 - D1032	MD769	N/A	R4011729	-	-
	Rd	Meritor		7636 - D769	MD769	N/A	R4011729	-	-
2006	Fd	Meritor		7636 - D769	MD769	N/A	R4011729	-	-
	Fd	Meritor		7636 - D769	MD769	N/A	R4011729	-	-
	Fd	Meritor		7636 - D1032	MD769	N/A	R4011729	-	-
	Fd	Meritor		7636 - D1032	MD769	N/A	R4011729	-	-
	Rd	Meritor		7636 - D1032	MD769	N/A	R4011729	-	-
	Rd	Meritor		7636 - D769	MD769	N/A	R4011729	-	-
	Rd	Meritor		7636 - D1032	MD769	N/A	R4011729	-	-
2005	Fd	Meritor		7636 - D1032	MD769	N/A	R4011729	-	-
	Fd	Meritor		7636 - D1032	MD769	N/A	R4011729	-	-
	Fd	Meritor		7636 - D769	MD769	N/A	R4011729	-	-
	Fd	Meritor		7636 - D769	MD769	N/A	R4011729	-	-
	Rd	Meritor		7636 - D1032	MD769	N/A	R4011729	-	-
	Rd	Meritor		7636 - D769	MD769	N/A	R4011729	-	-
	Rd	Meritor		7636 - D1032	MD769	N/A	R4011729	-	-
2004	Fd	Meritor		7636 - D769	MD769	N/A	R4011729	-	-
	Fd	Meritor		7636 - D769	MD769	N/A	R4011729	-	-
	Fd	Meritor		7636 - D1032	MD769	N/A	R4011729	-	-
	Fd	Meritor		7636 - D1032	MD769	N/A	R4011729	-	-
	Rd	Meritor		7636 - D769	MD769	N/A	R4011729	-	-
	Rd	Meritor		7636 - D1032	MD769	N/A	R4011729	-	-
	Rd	Meritor		7636 - D1032	MD769	N/A	R4011729	-	-
2003	Fd	Meritor		7636 - D1032	MD769	N/A	R4011729	-	-
	Fd	Meritor		7636 - D769	MD769	N/A	R4011729	-	-
	Fd	Meritor		7636 - D1032	MD769	N/A	R4011729	-	-
	Fd	Meritor		7636 - D769	MD769	N/A	R4011729	-	-
	Rd	Meritor		7636 - D769	MD769	N/A	R4011729	-	-
	Rd	Meritor		7636 - D1032	MD769	N/A	R4011729	-	-
	Rd	Meritor		7636 - D769	MD769	N/A	R4011729	-	-
2002	Fd	Bendix		7142 - D225	MD225	N/A	R40H5522	-	-
	Fd	Bosch		7655 - D786	MD786	R4011754	N/A	-	-
	Fd	Bosch		7654 - D786	MD786A	R4011754	N/A	-	-
	Fd	Meritor		7636 - D1032	MD769	N/A	R4011121	-	-
	Fd	Meritor		7636 - D769	MD769	N/A	R4011121	-	-
	Rd	Bendix		7142 - D225	MD225	N/A	R40H5522	-	-
	Rd	Bosch		7654 - D786	MD786A	R4011754	N/A	-	-
	Rd	Bosch		7655 - D786	MD786	R4011754	N/A	-	-
	Rd	Meritor		7636 - D769	MD769	N/A	R4011121	-	-
2001	Fd	Bendix		7142 - D225	MD225	N/A	R40H5522	-	-
	Fd	Bosch		7654 - D786	MD786A	R4011754	N/A	-	-
	Fd	Bosch		7655 - D786	MD786	R4011754	N/A	-	-
	Fd	Meritor		7636 - D1032	MD769	N/A	R4011121	-	-
	Fd	Meritor		7636 - D769	MD769	N/A	R4011121	-	-
	Rd	Bendix		7142 - D225	MD225	N/A	R40H5522	-	-
	Rd	Bosch		7654 - D786	MD786A	R4011754	N/A	-	-
	Rd	Bosch		7655 - D786	MD786	R4011754	N/A	-	-

MERITOR DRUM OR ROTOR NO.	CALIPER OR CYLINDER BORE SIZE	MERITOR CALIPER OR WHEEL CYLINDER (LEFT)	MERITOR CALIPER OR WHEEL CYLINDER (RIGHT)	MERITOR CALIPER OR WHEEL CYLINDER REPAIR KIT	MERITOR CALIPER PISTON	MERITOR MASTER CYLINDER	MERITOR MASTER CYLINDER KIT	MERITOR BRAKE HOSE (LEFT)	MERITOR BRAKE HOSE (RIGHT)
BLUEBIRD									
A3FE									
-	64mm	60450474001	60450473001	R4011731	R4011511 ⁷²	-	-	-	-
-	70mm	60450469002	60450468002	R4011731	R4011511 ⁷²	-	-	-	-
-	64mm	60450474001	60450473001	R4011731	R4011511 ⁷²	-	-	-	-
-	70mm	60450469002	60450468002	R4011731	R4011511 ⁷²	-	-	-	-
-	70mm	60450469002	60450468002	R4011731	R4011511 ⁷²	-	-	-	-
-	64mm	60450474001	60450473001	R4011731	R4011511 ⁷²	-	-	-	-
-	64mm	60450474001	60450473001	R4011731	R4011511 ⁷²	-	-	-	-
-	64mm	60450474001	60450473001	R4011731	R4011511 ⁷²	-	-	-	-
-	70mm	60450469002	60450468002	R4011731	R4011511 ⁷²	-	-	-	-
-	64mm	60450474001	60450473001	R4011731	R4011511 ⁷²	-	-	-	-
-	70mm	60450469002	60450468002	R4011731	R4011511 ⁷²	-	-	-	-
-	70mm	60450469002	60450468002	R4011731	R4011511 ⁷²	-	-	-	-
-	64mm	60450474001	60450473001	R4011731	R4011511 ⁷²	-	-	-	-
-	70mm	60450469002	60450468002	R4011731	R4011511 ⁷²	-	-	-	-
-	64mm	60450474001	60450473001	R4011731	R4011511 ⁷²	-	-	-	-
-	64mm	60450474001	60450473001	R4011731	R4011511 ⁷²	-	-	-	-
-	70mm	60450469002	60450468002	R4011731	R4011511 ⁷²	-	-	-	-
-	70mm	60450469002	60450468002	R4011731	R4011511 ⁷²	-	-	-	-
-	64mm	60450474001	60450473001	R4011731	R4011511 ⁷²	-	-	-	-
-	70mm	60450469002	60450468002	R4011731	R4011511 ⁷²	-	-	-	-
-	64mm	60450474001	60450473001	R4011731	R4011511 ⁷²	-	-	-	-
-	64mm	60450474001	60450473001	R4011731	R4011511 ⁷²	-	-	-	-
-	70mm	60450469002	60450468002	R4011731	R4011511 ⁷²	-	-	-	-
-	70mm	60450469002	60450468002	R4011731	R4011511 ⁷²	-	-	-	-
-	64mm	60450474001	60450473001	R4011731	R4011511 ⁷²	-	-	-	-
-	64mm	60450474001	60450473001	R4011731	R4011511 ⁷²	-	-	-	-
-	70mm	60450469002	60450468002	R4011731	R4011511 ⁷²	-	-	-	-
-	70mm	60450469002	60450468002	R4011731	R4011511 ⁷²	-	-	-	-
-	70mm	60450469002	60450468002	R4011731	R4011511 ⁷²	-	-	-	-
-	70mm	60450469002	60450468002	R4011731	R4011511 ⁷²	-	-	-	-
-	2.88"	R4255250	R4255250	R4066365	R4090096 ⁷²	-	-	-	-
-	73mm	R4255850	R4255850	R4011758	R4011757 ⁷²	-	-	-	-
-	66mm	R4255849	R4255849	R4011752	R4011751 ⁷²	-	-	-	-
-	70mm	60450469002	60450468002	R4011731	R4011511 ²⁰¹	-	-	-	-
-	70mm	60050313	60050312	-	-	-	-	-	-
-	2.88"	R4255250	R4255250	R4066365	R4090096 ⁷²	-	-	-	-
-	66mm	R4255849	R4255849	R4011752	R4011751 ⁷²	-	-	-	-
-	73mm	R4255850	R4255850	R4011758	R4011757 ⁷²	-	-	-	-
-	70mm	60050313	60050312	-	-	-	-	-	-
-	70mm	60450469002	60450468002	R4011731	R4011511 ²⁰¹	-	-	-	-
-	2.88"	R4255250	R4255250	R4066365	R4090096 ⁷²	-	-	-	-
-	66mm	R4255849	R4255849	R4011752	R4011751 ⁷²	-	-	-	-
-	73mm	R4255850	R4255850	R4011758	R4011757 ⁷²	-	-	-	-
-	70mm	60450469002	60450468002	R4011731	R4011511 ²⁰¹	-	-	-	-
-	70mm	60050313	60050312	-	-	-	-	-	-
-	2.88"	R4255250	R4255250	R4066365	R4090096 ⁷²	-	-	-	-
-	66mm	R4255849	R4255849	R4011752	R4011751 ⁷²	-	-	-	-
-	73mm	R4255850	R4255850	R4011758	R4011757 ⁷²	-	-	-	-

1 APPLICATION

MAKE MODEL YEAR AXLE CODE AXLE WEIGHT	AXLE & BRK. TYPE	BRK. MFG.	BRAKE SIZE	FMSI	MERITOR DISC PAD OR BRAKE SHOE	MERITOR GUIDE PIN OR RETURN SPRING KIT	MERITOR CALIPER HWD. KIT OR RETURN SPRING KIT	MERITOR ADJUSTER KIT (LEFT WHEEL)	MERITOR ADJUSTER KIT (RIGHT WHEEL)
BLUEBIRD(Cont.)									
A3FE(Cont.)									
2001	Rd Rd	Meritor Meritor		7636 - D1032 7636 - D769	MD769 MD769	N/A N/A	R4011121 R4011121	- -	- -
BBCV									
2007 Type C Vision Series	Fd Fd Fd Fd Rd Rd Rd Rd	Meritor Meritor Meritor Meritor Meritor Meritor Meritor Meritor		7636 - D769 7636 - D1032 7636 - D769 7636 - D1032 7636 - D769 7636 - D769 7636 - D1032 7636 - D1032	MD769 MD769 MD769 MD769 MD769 MD769 MD769 MD769	N/A N/A N/A N/A N/A N/A N/A N/A	R4011729 R4011729 R4011729 R4011729 R4011729 R4011729 R4011729 R4011729	- - - - - - - -	- - - - - - - -
2006	Fd Fd Fd Fd Rd Rd Rd Rd	Meritor Meritor Meritor Meritor Meritor Meritor Meritor Meritor		7636 - D769 7636 - D1032 7636 - D1032 7636 - D769 7636 - D1032 7636 - D769 7636 - D769 7636 - D1032	MD769 MD769 MD769 MD769 MD769 MD769 MD769 MD769	N/A N/A N/A N/A N/A N/A N/A N/A	R4011729 R4011729 R4011729 R4011729 R4011729 R4011729 R4011729 R4011729	- - - - - - - -	- - - - - - - -
2005	Fd Fd Fd Fd Rd Rd Rd Rd	Meritor Meritor Meritor Meritor Meritor Meritor Meritor Meritor		7636 - D769 7636 - D769 7636 - D1032 7636 - D1032 7636 - D1032 7636 - D769 7636 - D769 7636 - D1032	MD769 MD769 MD769 MD769 MD769 MD769 MD769 MD769	N/A N/A N/A N/A N/A N/A N/A N/A	R4011729 R4011729 R4011729 R4011729 R4011729 R4011729 R4011729 R4011729	- - - - - - - -	- - - - - - - -
2004	Fd Fd Fd Fd Rd Rd Rd Rd	Meritor Meritor Meritor Meritor Meritor Meritor Meritor Meritor		7636 - D1032 7636 - D1032 7636 - D769 7636 - D769 7636 - D1032 7636 - D769 7636 - D1032 7636 - D769	MD769 MD769 MD769 MD769 MD769 MD769 MD769 MD769	N/A N/A N/A N/A N/A N/A N/A N/A	R4011729 R4011729 R4011729 R4011729 R4011729 R4011729 R4011729 R4011729	- - - - - - - -	- - - - - - - -
2003	Fd Fd Fd Fd Rd Rd Rd Rd	Meritor Meritor Meritor Meritor Meritor Meritor Meritor Meritor		7636 - D769 7636 - D769 7636 - D1032 7636 - D1032 7636 - D769 7636 - D1032 7636 - D769 7636 - D1032	MD769 MD769 MD769 MD769 MD769 MD769 MD769 MD769	N/A N/A N/A N/A N/A N/A N/A N/A	R4011729 R4011729 R4011729 R4011729 R4011729 R4011729 R4011729 R4011729	- - - - - - - -	- - - - - - - -
2002	Fd Fd Fd Fd Rd Rd Rd Rd	Meritor Meritor Meritor Meritor Meritor Meritor Meritor Meritor		7636 - D1032 7636 - D1032 7636 - D769 7636 - D769 7636 - D1032 7636 - D1032 7636 - D769 7636 - D769	MD769 MD769 MD769 MD769 MD769 MD769 MD769 MD769	N/A N/A N/A N/A N/A N/A N/A N/A	R4011729 R4011729 R4011729 R4011729 R4011729 R4011729 R4011729 R4011729	- - - - - - - -	- - - - - - - -
2001	Fd Fd Fd Rd Rd	Meritor Meritor Meritor Meritor Meritor		7636 - D1032 7636 - D1032 7636 - D769 7636 - D769 7636 - D769	MD769 MD769 MD769 MD769 MD769	N/A N/A N/A N/A N/A	R4011729 R4011729 R4011729 R4011729 R4011729	- - - - -	- - - - -

MERITOR DRUM OR ROTOR NO.	CALIPER OR CYLINDER BORE SIZE	MERITOR CALIPER OR WHEEL CYLINDER (LEFT)	MERITOR CALIPER OR WHEEL CYLINDER (RIGHT)	MERITOR CALIPER OR WHEEL CYLINDER REPAIR KIT	MERITOR CALIPER PISTON	MERITOR MASTER CYLINDER	MERITOR MASTER CYLINDER KIT	MERITOR BRAKE HOSE (LEFT)	MERITOR BRAKE HOSE (RIGHT)
BLUEBIRD(Cont.)									
A3FE(Cont.)									
-	70mm	60450469002	60450468002	R4011731	R4011511 ²⁰¹	-	-	-	-
-	70mm	60450469002	60450468002	R4011731	R4011511 ²⁰¹	-	-	-	-
BBCV									
-	64mm	60450474001	60450473001	R4011731	R4011511 ⁷²	-	-	-	-
-	70mm	60450469002	60450468002	R4011731	R4011511 ⁷²	-	-	-	-
-	70mm	60450469002	60450468002	R4011731	R4011511 ⁷²	-	-	-	-
-	64mm	60450474001	60450473001	R4011731	R4011511 ⁷²	-	-	-	-
-	64mm	60450474001	60450473001	R4011731	R4011511 ⁷²	-	-	-	-
-	70mm	60450469002	60450468002	R4011731	R4011511 ⁷²	-	-	-	-
-	70mm	60450469002	60450468002	R4011731	R4011511 ⁷²	-	-	-	-
-	64mm	60450474001	60450473001	R4011731	R4011511 ⁷²	-	-	-	-
-	70mm	60450469002	60450468002	R4011731	R4011511 ⁷²	-	-	-	-
-	70mm	60450469002	60450468002	R4011731	R4011511 ⁷²	-	-	-	-
-	64mm	60450474001	60450473001	R4011731	R4011511 ⁷²	-	-	-	-
-	64mm	60450474001	60450473001	R4011731	R4011511 ⁷²	-	-	-	-
-	70mm	60450469002	60450468002	R4011731	R4011511 ⁷²	-	-	-	-
-	70mm	60450469002	60450468002	R4011731	R4011511 ⁷²	-	-	-	-
-	64mm	60450474001	60450473001	R4011731	R4011511 ⁷²	-	-	-	-
-	64mm	60450474001	60450473001	R4011731	R4011511 ⁷²	-	-	-	-
-	70mm	60450469002	60450468002	R4011731	R4011511 ⁷²	-	-	-	-
-	70mm	60450469002	60450468002	R4011731	R4011511 ⁷²	-	-	-	-
-	64mm	60450474001	60450473001	R4011731	R4011511 ⁷²	-	-	-	-
-	64mm	60450474001	60450473001	R4011731	R4011511 ⁷²	-	-	-	-
-	70mm	60450469002	60450468002	R4011731	R4011511 ⁷²	-	-	-	-
-	70mm	60450469002	60450468002	R4011731	R4011511 ⁷²	-	-	-	-
-	64mm	60450474001	60450473001	R4011731	R4011511 ⁷²	-	-	-	-
-	64mm	60450474001	60450473001	R4011731	R4011511 ⁷²	-	-	-	-
-	70mm	60450469002	60450468002	R4011731	R4011511 ⁷²	-	-	-	-
-	70mm	60450469002	60450468002	R4011731	R4011511 ⁷²	-	-	-	-
-	64mm	60450474001	60450473001	R4011731	R4011511 ⁷²	-	-	-	-
-	64mm	60450474001	60450473001	R4011731	R4011511 ⁷²	-	-	-	-
-	70mm	60450469002	60450468002	R4011731	R4011511 ⁷²	-	-	-	-
-	70mm	60450469002	60450468002	R4011731	R4011511 ⁷²	-	-	-	-
-	64mm	60450474001	60450473001	R4011731	R4011511 ⁷²	-	-	-	-
-	64mm	60450474001	60450473001	R4011731	R4011511 ⁷²	-	-	-	-

1 APPLICATION

MAKE MODEL YEAR AXLE CODE AXLE WEIGHT	AXLE & BRK. TYPE	BRK. MFG.	BRAKE SIZE	FMSI	MERITOR DISC PAD OR BRAKE SHOE	MERITOR GUIDE PIN OR RETURN SPRING KIT	MERITOR CALIPER HWD. KIT OR RETURN SPRING KIT	MERITOR ADJUSTER KIT (LEFT WHEEL)	MERITOR ADJUSTER KIT (RIGHT WHEEL)
BLUEBIRD(Cont.)									
BBCV(Cont.)									
2001	Rd Rd	Meritor Meritor		7636 - D1032 7636 - D1032	MD769 MD769	N/A N/A	R4011729 R4011729	- -	- -
C1FE									
2007 Type D Commerical Series	Fd Fd Fd Fd Rd Rd Rd Rd	Meritor Meritor Meritor Meritor Meritor Meritor Meritor Meritor		7636 - D769 7636 - D769 7636 - D1032 7636 - D1032 7636 - D1032 7636 - D769 7636 - D1032 7636 - D1032	MD769 MD769 MD769 MD769 MD769 MD769 MD769 MD769	N/A N/A N/A N/A N/A N/A N/A N/A	R4011729 R4011729 R4011729 R4011729 R4011729 R4011729 R4011729 R4011729	- - - - - - - -	- - - - - - - -
2006	Fd Fd Fd Fd Rd Rd Rd Rd	Meritor Meritor Meritor Meritor Meritor Meritor Meritor Meritor		7636 - D769 7636 - D1032 7636 - D1032 7636 - D769 7636 - D769 7636 - D1032 7636 - D1032 7636 - D769	MD769 MD769 MD769 MD769 MD769 MD769 MD769 MD769	N/A N/A N/A N/A N/A N/A N/A N/A	R4011729 R4011729 R4011729 R4011729 R4011729 R4011729 R4011729 R4011729	- - - - - - - -	- - - - - - - -
2005	Fd Fd Fd Fd Rd Rd Rd Rd	Meritor Meritor Meritor Meritor Meritor Meritor Meritor Meritor		7636 - D769 7636 - D1032 7636 - D1032 7636 - D769 7636 - D1032 7636 - D1032 7636 - D769 7636 - D769	MD769 MD769 MD769 MD769 MD769 MD769 MD769 MD769	N/A N/A N/A N/A N/A N/A N/A N/A	R4011729 R4011729 R4011729 R4011729 R4011729 R4011729 R4011729 R4011729	- - - - - - - -	- - - - - - - -
2004	Fd Fd Fd Fd Rd Rd Rd Rd	Meritor Meritor Meritor Meritor Meritor Meritor Meritor Meritor		7636 - D1032 7636 - D1032 7636 - D769 7636 - D769 7636 - D1032 7636 - D769 7636 - D769 7636 - D1032	MD769 MD769 MD769 MD769 MD769 MD769 MD769 MD769	N/A N/A N/A N/A N/A N/A N/A N/A	R4011729 R4011729 R4011729 R4011729 R4011729 R4011729 R4011729 R4011729	- - - - - - - -	- - - - - - - -
2003	Fd Fd Fd Fd Rd Rd Rd Rd	Meritor Meritor Meritor Meritor Meritor Meritor Meritor Meritor		7636 - D1032 7636 - D769 7636 - D1032 7636 - D769 7636 - D1032 7636 - D769 7636 - D769 7636 - D1032	MD769 MD769 MD769 MD769 MD769 MD769 MD769 MD769	N/A N/A N/A N/A N/A N/A N/A N/A	R4011729 R4011729 R4011729 R4011729 R4011729 R4011729 R4011729 R4011729	- - - - - - - -	- - - - - - - -
2002	Fd Fd Fd Fd Fd Rd Rd Rd Rd Rd	Bendix Bosch Bosch Meritor Meritor Bendix Bosch Bosch Meritor Meritor		7142 - D225 7654 - D786 7655 - D786 7636 - D769 7636 - D1032 7142 - D225 7655 - D786 7654 - D786 7636 - D769 7636 - D1032	MD225 MD786A MD786 MD769 MD769 MD225 MD786 MD786A MD769 MD769	N/A R4011754 R4011754 N/A N/A N/A R4011754 R4011754 N/A N/A	R40H5522 N/A N/A R4011121 R4011121 R40H5522 N/A N/A R4011121 R4011121	- - - - - - - - - -	- - - - - - - - - -
2001	Fd Fd Fd	Bendix Bosch Bosch		7142 - D225 7655 - D786 7654 - D786	MD225 MD786 MD786A	N/A R4011754 R4011754	R40H5522 N/A N/A	- - -	- - -

MERITOR DRUM OR ROTOR NO.	CALIPER OR CYLINDER BORE SIZE	MERITOR CALIPER OR WHEEL CYLINDER (LEFT)	MERITOR CALIPER OR WHEEL CYLINDER (RIGHT)	MERITOR CALIPER OR WHEEL CYLINDER REPAIR KIT	MERITOR CALIPER PISTON	MERITOR MASTER CYLINDER	MERITOR MASTER CYLINDER KIT	MERITOR BRAKE HOSE (LEFT)	MERITOR BRAKE HOSE (RIGHT)
BLUEBIRD(Cont.)									
BBCV(Cont.)									
-	64mm	60450474001	60450473001	R4011731	R4011511 ⁷²	-	-	-	-
-	70mm	60450469002	60450468002	R4011731	R4011511 ⁷²	-	-	-	-
C1FE									
-	64mm	60450474001	60450473001	R4011731	R4011511 ⁷²	-	-	-	-
-	70mm	60450469002	60450468002	R4011731	R4011511 ⁷²	-	-	-	-
-	70mm	60450469002	60450468002	R4011731	R4011511 ⁷²	-	-	-	-
-	64mm	60450474001	60450473001	R4011731	R4011511 ⁷²	-	-	-	-
-	64mm	60450474001	60450473001	R4011731	R4011511 ⁷²	-	-	-	-
-	70mm	60450469002	60450468002	R4011731	R4011511 ⁷²	-	-	-	-
-	70mm	60450469002	60450468002	R4011731	R4011511 ⁷²	-	-	-	-
-	64mm	60450474001	60450473001	R4011731	R4011511 ⁷²	-	-	-	-
-	64mm	60450474001	60450473001	R4011731	R4011511 ⁷²	-	-	-	-
-	70mm	60450469002	60450468002	R4011731	R4011511 ⁷²	-	-	-	-
-	70mm	60450469002	60450468002	R4011731	R4011511 ⁷²	-	-	-	-
-	64mm	60450474001	60450473001	R4011731	R4011511 ⁷²	-	-	-	-
-	64mm	60450474001	60450473001	R4011731	R4011511 ⁷²	-	-	-	-
-	70mm	60450469002	60450468002	R4011731	R4011511 ⁷²	-	-	-	-
-	70mm	60450469002	60450468002	R4011731	R4011511 ⁷²	-	-	-	-
-	64mm	60450474001	60450473001	R4011731	R4011511 ⁷²	-	-	-	-
-	64mm	60450474001	60450473001	R4011731	R4011511 ⁷²	-	-	-	-
-	70mm	60450469002	60450468002	R4011731	R4011511 ⁷²	-	-	-	-
-	70mm	60450469002	60450468002	R4011731	R4011511 ⁷²	-	-	-	-
-	64mm	60450474001	60450473001	R4011731	R4011511 ⁷²	-	-	-	-
-	64mm	60450474001	60450473001	R4011731	R4011511 ⁷²	-	-	-	-
-	70mm	60450469002	60450468002	R4011731	R4011511 ⁷²	-	-	-	-
-	70mm	60450469002	60450468002	R4011731	R4011511 ⁷²	-	-	-	-
-	64mm	60450474001	60450473001	R4011731	R4011511 ⁷²	-	-	-	-
-	64mm	60450474001	60450473001	R4011731	R4011511 ⁷²	-	-	-	-
-	70mm	60450469002	60450468002	R4011731	R4011511 ⁷²	-	-	-	-
-	70mm	60450469002	60450468002	R4011731	R4011511 ⁷²	-	-	-	-
-	64mm	60450474001	60450473001	R4011731	R4011511 ⁷²	-	-	-	-
-	64mm	60450474001	60450473001	R4011731	R4011511 ⁷²	-	-	-	-
-	70mm	60450469002	60450468002	R4011731	R4011511 ²⁰¹	-	-	-	-
-	2.88"	R4255250	R4255250	R4066365	R4090096 ⁷²	-	-	-	-
-	66mm	R4255849	R4255849	R4011752	R4011751 ⁷²	-	-	-	-
-	73mm	R4255850	R4255850	R4011758	R4011757 ⁷²	-	-	-	-
-	70mm	60050313	60050312	-	-	-	-	-	-
-	70mm	60450469002	60450468002	R4011731	R4011511 ²⁰¹	-	-	-	-
-	2.88"	R4255250	R4255250	R4066365	R4090096 ⁷²	-	-	-	-
-	73mm	R4255850	R4255850	R4011758	R4011757 ⁷²	-	-	-	-
-	66mm	R4255849	R4255849	R4011752	R4011751 ⁷²	-	-	-	-
-	70mm	60450469002	60450468002	R4011731	R4011511 ²⁰¹	-	-	-	-
-	70mm	60450469002	60450468002	R4011731	R4011511 ²⁰¹	-	-	-	-
-	2.88"	R4255250	R4255250	R4066365	R4090096 ⁷²	-	-	-	-
-	73mm	R4255850	R4255850	R4011758	R4011757 ⁷²	-	-	-	-
-	66mm	R4255849	R4255849	R4011752	R4011751 ⁷²	-	-	-	-

MAKE MODEL YEAR AXLE CODE AXLE WEIGHT	AXLE & BRK. TYPE	BRK. MFG.	BRAKE SIZE	FMSI	MERITOR DISC PAD OR BRAKE SHOE	MERITOR GUIDE PIN OR RETURN SPRING KIT	MERITOR CALIPER HWD. KIT OR RETURN SPRING KIT	MERITOR ADJUSTER KIT (LEFT WHEEL)	MERITOR ADJUSTER KIT (RIGHT WHEEL)
BLUEBIRD(Cont.)									
C1FE(Cont.)									
2001									
	Fd	Meritor		7636 - D769	MD769	N/A	R4011121	-	-
	Fd	Meritor		7636 - D1032	MD769	N/A	R4011121	-	-
	Rd	Bendix		7142 - D225	MD225	N/A	R40H5522	-	-
	Rd	Bosch		7655 - D786	MD786	R4011754	N/A	-	-
	Rd	Bosch		7654 - D786	MD786A	R4011754	N/A	-	-
	Rd	Meritor		7636 - D1032	MD769	N/A	R4011121	-	-
	Rd	Meritor		7636 - D769	MD769	N/A	R4011121	-	-
2000									
	Fd	Bendix		7142 - D225	MD225	N/A	R40H5522	-	-
	Fd	Bosch		7654 - D786	MD786A	R4011754	N/A	-	-
	Fd	Bosch		7655 - D786	MD786	R4011754	N/A	-	-
	Fd	Meritor		7636 - D1032	MD769	N/A	R4011121	-	-
	Fd	Meritor		7636 - D769	MD769	N/A	R4011121	-	-
	Rd	Bendix		7142 - D225	MD225	N/A	R40H5522	-	-
	Rd	Bosch		7654 - D786	MD786A	R4011754	N/A	-	-
	Rd	Bosch		7655 - D786	MD786	R4011754	N/A	-	-
	Rd	Meritor		7636 - D769	MD769	N/A	R4011121	-	-
	Rd	Meritor		7636 - D1032	MD769	N/A	R4011121	-	-
1999									
	Fd	Bendix		7142 - D225	MD225	N/A	R40H5522	-	-
	Fd	Bosch		7655 - D786	MD786	R4011754	N/A	-	-
	Fd	Bosch		7654 - D786	MD786A	R4011754	N/A	-	-
	Fd	Meritor		7636 - D769	MD769	N/A	R4011121	-	-
	Fd	Meritor		7636 - D1032	MD769	N/A	R4011121	-	-
	Rd	Bendix		7142 - D225	MD225	N/A	R40H5522	-	-
	Rd	Bosch		7655 - D786	MD786	R4011754	N/A	-	-
	Rd	Bosch		7654 - D786	MD786A	R4011754	N/A	-	-
	Rd	Meritor		7636 - D1032	MD769	N/A	R4011121	-	-
	Rd	Meritor		7636 - D769	MD769	N/A	R4011121	-	-
C3FE									
2007									
Type D Commerical Shell	Fd	Meritor		7636 - D1032	MD769	N/A	R4011729	-	-
	Fd	Meritor		7636 - D769	MD769	N/A	R4011729	-	-
	Fd	Meritor		7636 - D1032	MD769	N/A	R4011729	-	-
	Fd	Meritor		7636 - D769	MD769	N/A	R4011729	-	-
	Rd	Meritor		7636 - D1032	MD769	N/A	R4011729	-	-
	Rd	Meritor		7636 - D1032	MD769	N/A	R4011729	-	-
	Rd	Meritor		7636 - D769	MD769	N/A	R4011729	-	-
	Rd	Meritor		7636 - D769	MD769	N/A	R4011729	-	-
2006									
	Fd	Meritor		7636 - D769	MD769	N/A	R4011729	-	-
	Fd	Meritor		7636 - D1032	MD769	N/A	R4011729	-	-
	Fd	Meritor		7636 - D1032	MD769	N/A	R4011729	-	-
	Fd	Meritor		7636 - D769	MD769	N/A	R4011729	-	-
	Rd	Meritor		7636 - D1032	MD769	N/A	R4011729	-	-
	Rd	Meritor		7636 - D1032	MD769	N/A	R4011729	-	-
	Rd	Meritor		7636 - D769	MD769	N/A	R4011729	-	-
	Rd	Meritor		7636 - D769	MD769	N/A	R4011729	-	-
2005									
	Fd	Meritor		7636 - D1032	MD769	N/A	R4011729	-	-
	Fd	Meritor		7636 - D769	MD769	N/A	R4011729	-	-
	Fd	Meritor		7636 - D769	MD769	N/A	R4011729	-	-
	Fd	Meritor		7636 - D1032	MD769	N/A	R4011729	-	-
	Rd	Meritor		7636 - D769	MD769	N/A	R4011729	-	-
	Rd	Meritor		7636 - D1032	MD769	N/A	R4011729	-	-
	Rd	Meritor		7636 - D769	MD769	N/A	R4011729	-	-
	Rd	Meritor		7636 - D1032	MD769	N/A	R4011729	-	-
2004									
	Fd	Meritor		7636 - D1032	MD769	N/A	R4011729	-	-
	Fd	Meritor		7636 - D1032	MD769	N/A	R4011729	-	-
	Fd	Meritor		7636 - D769	MD769	N/A	R4011729	-	-
	Fd	Meritor		7636 - D769	MD769	N/A	R4011729	-	-
	Rd	Meritor		7636 - D1032	MD769	N/A	R4011729	-	-

MERITOR DRUM OR ROTOR NO.	CALIPER OR CYLINDER BORE SIZE	MERITOR CALIPER OR WHEEL CYLINDER (LEFT)	MERITOR CALIPER OR WHEEL CYLINDER (RIGHT)	MERITOR CALIPER OR WHEEL CYLINDER REPAIR KIT	MERITOR CALIPER PISTON	MERITOR MASTER CYLINDER	MERITOR MASTER CYLINDER KIT	MERITOR BRAKE HOSE (LEFT)	MERITOR BRAKE HOSE (RIGHT)
BLUEBIRD(Cont.)									
C1FE(Cont.)									
-	70mm 70mm	60050313 60450469002	60050312 60450468002	R4011731	R4011511 ²⁰¹	-	-	-	-
-	2.88" 73mm 66mm 70mm 70mm	R4255250 R4255850 R4255849 60450469002 60450469002	R4255250 R4255850 R4255849 60450468002 60450468002	R4066365 R4011758 R4011752 R4011731 R4011731	R4090096 ⁷² R4011757 ⁷² R4011751 ⁷² R4011511 ²⁰¹ R4011511 ²⁰¹	-	-	-	-
-	2.88" 66mm 73mm 70mm 70mm	R4255250 R4255849 R4255850 60450469002 60050313	R4255250 R4255849 R4255850 60450468002 60050312	R4066365 R4011752 R4011758 R4011731 -	R4090096 ⁷² R4011751 ⁷² R4011757 ⁷² R4011511 ²⁰¹ -	-	-	-	-
-	2.88" 66mm 73mm 70mm 70mm	R4255250 R4255849 R4255850 60450469002 60450469002	R4255250 R4255849 R4255850 60450468002 60450468002	R4066365 R4011752 R4011758 R4011731 R4011731	R4090096 ⁷² R4011751 ⁷² R4011757 ⁷² R4011511 ²⁰¹ R4011511 ²⁰¹	-	-	-	-
-	2.88" 73mm 66mm 70mm 70mm	R4255250 R4255850 R4255849 60050313 60450469002	R4255250 R4255850 R4255849 60050312 60450468002	R4066365 R4011758 R4011752 -	R4090096 ⁷² R4011757 ⁷² R4011751 ⁷² -	-	-	-	-
-	2.88" 73mm 66mm 70mm 70mm	R4255250 R4255850 R4255849 60450469002 60450469002	R4255250 R4255850 R4255849 60450468002 60450468002	R4066365 R4011758 R4011752 R4011731 R4011731	R4090096 ⁷² R4011757 ⁷² R4011751 ⁷² R4011511 ²⁰¹ R4011511 ²⁰¹	-	-	-	-
C3FE									
-	64mm 70mm 70mm 64mm	60450474001 60450469002 60450469002 60450474001	60450473001 60450468002 60450468002 60450473001	R4011731 R4011731 R4011731 R4011731	R4011511 ⁷² R4011511 ⁷² R4011511 ⁷² R4011511 ⁷²	-	-	-	-
-	70mm 64mm 64mm 70mm	60450469002 60450474001 60450474001 60450469002	60450468002 60450473001 60450473001 60450468002	R4011731 R4011731 R4011731 R4011731	R4011511 ⁷² R4011511 ⁷² R4011511 ⁷² R4011511 ⁷²	-	-	-	-
-	70mm 70mm 64mm 64mm	60450469002 60450469002 60450474001 60450474001	60450468002 60450468002 60450473001 60450473001	R4011731 R4011731 R4011731 R4011731	R4011511 ⁷² R4011511 ⁷² R4011511 ⁷² R4011511 ⁷²	-	-	-	-
-	70mm 64mm 64mm 70mm	60450469002 60450474001 60450474001 60450469002	60450468002 60450473001 60450473001 60450468002	R4011731 R4011731 R4011731 R4011731	R4011511 ⁷² R4011511 ⁷² R4011511 ⁷² R4011511 ⁷²	-	-	-	-
-	70mm 64mm 70mm 64mm	60450469002 60450474001 60450469002 60450474001	60450468002 60450473001 60450468002 60450473001	R4011731 R4011731 R4011731 R4011731	R4011511 ⁷² R4011511 ⁷² R4011511 ⁷² R4011511 ⁷²	-	-	-	-
-	64mm 64mm 70mm 70mm	60450474001 60450474001 60450469002 60450469002	60450473001 60450473001 60450468002 60450468002	R4011731 R4011731 R4011731 R4011731	R4011511 ⁷² R4011511 ⁷² R4011511 ⁷² R4011511 ⁷²	-	-	-	-
-	64mm 70mm 64mm 70mm	60450474001 60450469002 60450474001 60450469002	60450473001 60450468002 60450473001 60450468002	R4011731 R4011731 R4011731 R4011731	R4011511 ⁷² R4011511 ⁷² R4011511 ⁷² R4011511 ⁷²	-	-	-	-
-	64mm	60450474001	60450473001	R4011731	R4011511 ⁷²	-	-	-	-

1 APPLICATION

MAKE MODEL YEAR AXLE CODE AXLE WEIGHT	AXLE & BRK. TYPE	BRK. MFG.	BRAKE SIZE	FMSI	MERITOR DISC PAD OR BRAKE SHOE	MERITOR GUIDE PIN OR RETURN SPRING KIT	MERITOR CALIPER HWD. KIT OR RETURN SPRING KIT	MERITOR ADJUSTER KIT (LEFT WHEEL)	MERITOR ADJUSTER KIT (RIGHT WHEEL)
BLUEBIRD(Cont.)									
C3FE(Cont.)									
2004	Rd Rd Rd	Meritor Meritor Meritor		7636 - D769 7636 - D1032 7636 - D769	MD769 MD769 MD769	N/A N/A N/A	R4011729 R4011729 R4011729	- - -	- - -
2003	Fd Fd Fd Fd Rd Rd Rd Rd	Meritor Meritor Meritor Meritor Meritor Meritor Meritor Meritor		7636 - D769 7636 - D769 7636 - D1032 7636 - D1032 7636 - D769 7636 - D769 7636 - D1032 7636 - D1032	MD769 MD769 MD769 MD769 MD769 MD769 MD769 MD769	N/A N/A N/A N/A N/A N/A N/A N/A	R4011729 R4011729 R4011729 R4011729 R4011729 R4011729 R4011729 R4011729	- - - - - - - -	- - - - - - - -
2002	Fd Fd Fd Fd Rd Rd Rd Rd	Meritor Meritor Meritor Meritor Meritor Meritor Meritor Meritor		7636 - D1032 7636 - D769 7636 - D769 7636 - D1032 7636 - D769 7636 - D1032 7636 - D769 7636 - D1032	MD769 MD769 MD769 MD769 MD769 MD769 MD769 MD769	N/A N/A N/A N/A N/A N/A N/A N/A	R4011729 R4011729 R4011729 R4011729 R4011729 R4011729 R4011729 R4011729	- - - - - - - -	- - - - - - - -
2001	Fd Fd Rd Rd	Meritor Meritor Meritor Meritor		7636 - D1032 7636 - D769 7636 - D769 7636 - D1032	MD769 MD769 MD769 MD769	N/A N/A N/A N/A	R4011729 R4011729 R4011729 R4011729	- - - -	- - - -
CSFE									
2004 Type D Commerical Series	Fd Fd Fd Fd Rd Rd Rd Rd	Meritor Meritor Meritor Meritor Meritor Meritor Meritor Meritor		7636 - D769 7636 - D769 7636 - D1032 7636 - D1032 7636 - D1032 7636 - D769 7636 - D769 7636 - D1032	MD769 MD769 MD769 MD769 MD769 MD769 MD769 MD769	N/A N/A N/A N/A N/A N/A N/A N/A	R4011729 R4011729 R4011729 R4011729 R4011729 R4011729 R4011729 R4011729	- - - - - - - -	- - - - - - - -
2003	Fd Fd Fd Fd Rd Rd Rd Rd	Meritor Meritor Meritor Meritor Meritor Meritor Meritor Meritor		7636 - D769 7636 - D769 7636 - D1032 7636 - D1032 7636 - D1032 7636 - D1032 7636 - D769 7636 - D769	MD769 MD769 MD769 MD769 MD769 MD769 MD769 MD769	N/A N/A N/A N/A N/A N/A N/A N/A	R4011729 R4011729 R4011729 R4011729 R4011729 R4011729 R4011729 R4011729	- - - - - - - -	- - - - - - - -
2002	Fd Fd Fd Fd Fd Rd Rd Rd Rd	Bendix Bosch Bosch Meritor Meritor Bendix Bosch Bosch Meritor Meritor		7142 - D225 7654 - D786 7655 - D786 7636 - D1032 7636 - D769 7142 - D225 7654 - D786 7655 - D786 7636 - D1032 7636 - D769	MD225 MD786A MD786 MD769 MD769 MD225 MD786A MD786 MD769 MD769	N/A R4011754 R4011754 N/A N/A N/A R4011754 R4011754 N/A N/A	R40H5522 N/A N/A R4011121 R4011121 R40H5522 N/A N/A R4011121 R4011121	- - - - - - - - - -	- - - - - - - - - -
2001	Fd Fd Fd Rd Rd Rd	Bendix Bosch Bosch Bendix Bosch Bosch		7142 - D225 7654 - D786 7655 - D786 7142 - D225 7655 - D786 7654 - D786	MD225 MD786A MD786 MD225 MD786 MD786A	N/A R4011754 R4011754 N/A R4011754 R4011754	R40H5522 N/A N/A R40H5522 N/A N/A	- - - - - -	- - - - - -

MERITOR DRUM OR ROTOR NO.	CALIPER OR CYLINDER BORE SIZE	MERITOR CALIPER OR WHEEL CYLINDER (LEFT)	MERITOR CALIPER OR WHEEL CYLINDER (RIGHT)	MERITOR CALIPER OR WHEEL CYLINDER REPAIR KIT	MERITOR CALIPER PISTON	MERITOR MASTER CYLINDER	MERITOR MASTER CYLINDER KIT	MERITOR BRAKE HOSE (LEFT)	MERITOR BRAKE HOSE (RIGHT)
BLUEBIRD(Cont.)									
C3FE(Cont.)									
-	64mm	60450474001	60450473001	R4011731	R4011511 ⁷²	-	-	-	-
-	70mm	60450469002	60450468002	R4011731	R4011511 ⁷²	-	-	-	-
-	70mm	60450469002	60450468002	R4011731	R4011511 ⁷²	-	-	-	-
-	64mm	60450474001	60450473001	R4011731	R4011511 ⁷²	-	-	-	-
-	70mm	60450469002	60450468002	R4011731	R4011511 ⁷²	-	-	-	-
-	70mm	60450469002	60450468002	R4011731	R4011511 ⁷²	-	-	-	-
-	64mm	60450474001	60450473001	R4011731	R4011511 ⁷²	-	-	-	-
-	70mm	60450469002	60450468002	R4011731	R4011511 ⁷²	-	-	-	-
-	64mm	60450474001	60450473001	R4011731	R4011511 ⁷²	-	-	-	-
-	70mm	60450469002	60450468002	R4011731	R4011511 ⁷²	-	-	-	-
-	64mm	60450474001	60450473001	R4011731	R4011511 ⁷²	-	-	-	-
-	70mm	60450469002	60450468002	R4011731	R4011511 ⁷²	-	-	-	-
-	70mm	60050313	60050312	-	-	-	-	-	-
-	70mm	60050313	60050312	-	-	-	-	-	-
-	70mm	60050313	60050312	-	-	-	-	-	-
-	70mm	60050313	60050312	-	-	-	-	-	-
CSFE									
-	70mm	60450469002	60450468002	R4011731	R4011511 ⁷²	-	-	-	-
-	64mm	60450474001	60450473001	R4011731	R4011511 ⁷²	-	-	-	-
-	64mm	60450474001	60450473001	R4011731	R4011511 ⁷²	-	-	-	-
-	70mm	60450469002	60450468002	R4011731	R4011511 ⁷²	-	-	-	-
-	64mm	60450474001	60450473001	R4011731	R4011511 ⁷²	-	-	-	-
-	64mm	60450474001	60450473001	R4011731	R4011511 ⁷²	-	-	-	-
-	70mm	60450469002	60450468002	R4011731	R4011511 ⁷²	-	-	-	-
-	70mm	60450469002	60450468002	R4011731	R4011511 ⁷²	-	-	-	-
-	70mm	60450469002	60450468002	R4011731	R4011511 ⁷²	-	-	-	-
-	64mm	60450474001	60450473001	R4011731	R4011511 ⁷²	-	-	-	-
-	64mm	60450474001	60450473001	R4011731	R4011511 ⁷²	-	-	-	-
-	70mm	60450469002	60450468002	R4011731	R4011511 ⁷²	-	-	-	-
-	70mm	60450469002	60450468002	R4011731	R4011511 ⁷²	-	-	-	-
-	2.88"	R4255250	R4255250	R4066365	R4090096 ⁷²	-	-	-	-
-	66mm	R4255849	R4255849	R4011752	R4011751 ⁷²	-	-	-	-
-	73mm	R4255850	R4255850	R4011758	R4011757 ⁷²	-	-	-	-
-	70mm	60450469002	60450468002	R4011731	R4011511 ²⁰¹	-	-	-	-
-	70mm	60050313	60050312	-	-	-	-	-	-
-	2.88"	R4255250	R4255250	R4066365	R4090096 ⁷²	-	-	-	-
-	66mm	R4255849	R4255849	R4011752	R4011751 ⁷²	-	-	-	-
-	73mm	R4255850	R4255850	R4011758	R4011757 ⁷²	-	-	-	-
-	70mm	60450469002	60450468002	R4011731	R4011511 ²⁰¹	-	-	-	-
-	70mm	60450469002	60450468002	R4011731	R4011511 ²⁰¹	-	-	-	-
-	2.88"	R4255250	R4255250	R4066365	R4090096 ⁷²	-	-	-	-
-	66mm	R4255849	R4255849	R4011752	R4011751 ⁷²	-	-	-	-
-	73mm	R4255850	R4255850	R4011758	R4011757 ⁷²	-	-	-	-
-	2.88"	R4255250	R4255250	R4066365	R4090096 ⁷²	-	-	-	-
-	73mm	R4255850	R4255850	R4011758	R4011757 ⁷²	-	-	-	-
-	66mm	R4255849	R4255849	R4011752	R4011751 ⁷²	-	-	-	-

1 APPLICATION

MAKE MODEL YEAR AXLE CODE AXLE WEIGHT	AXLE & BRK. TYPE	BRK. MFG.	BRAKE SIZE	FMSI	MERITOR DISC PAD OR BRAKE SHOE	MERITOR GUIDE PIN OR RETURN SPRING KIT	MERITOR CALIPER HWD. KIT OR RETURN SPRING KIT	MERITOR ADJUSTER KIT (LEFT WHEEL)	MERITOR ADJUSTER KIT (RIGHT WHEEL)
BLUEBIRD(Cont.)									
CSFE(Cont.)									
2000									
Type D Commerical Series	Fd	Bendix		7142 - D225	MD225	N/A	R40H5522	-	-
	Fd	Bosch		7655 - D786	MD786	R4011754	N/A	-	-
	Fd	Bosch		7654 - D786	MD786A	R4011754	N/A	-	-
	Rd	Bendix		7142 - D225	MD225	N/A	R40H5522	-	-
	Rd	Bosch		7655 - D786	MD786	R4011754	N/A	-	-
	Rd	Bosch		7654 - D786	MD786A	R4011754	N/A	-	-
1999									
	Fd	Bendix		7142 - D225	MD225	N/A	R40H5522	-	-
	Rd	Bendix		7142 - D225	MD225	N/A	R40H5522	-	-
1998									
	Fd	Bendix		7142 - D225	MD225	N/A	R40H5522	-	-
	Rd	Bendix		7142 - D225	MD225	N/A	R40H5522	-	-
1997									
	Fd	Bendix		7142 - D225	MD225	N/A	R40H5522	-	-
	Rd	Bendix		7142 - D225	MD225	N/A	R40H5522	-	-
1996									
	Fd	Bendix		7142 - D225	MD225	N/A	R40H5522	-	-
	Rd	Bendix		7142 - D225	MD225	N/A	R40H5522	-	-
1995									
	Fd	Bendix		7142 - D225	MD225	N/A	R40H5522	-	-
	Rd	Bendix		7142 - D225	MD225	N/A	R40H5522	-	-
1994									
	Fd	Bendix		7142 - D225	MD225	N/A	R40H5522	-	-
	Rd	Bendix		7142 - D225	MD225	N/A	R40H5522	-	-
1993									
	Fd	Bendix		7142 - D225	MD225	N/A	R40H5522	-	-
	Rd	Bendix		7142 - D225	MD225	N/A	R40H5522	-	-
1992									
	Fd	Bendix		7142 - D225	MD225	N/A	R40H5522	-	-
	Rd	Bendix		7142 - D225	MD225	N/A	R40H5522	-	-
1991									
	Fd	Bendix		7142 - D225	MD225	N/A	R40H5522	-	-
	Rd	Bendix		7142 - D225	MD225	N/A	R40H5522	-	-
1990									
	Fd	Bendix		7142 - D225	MD225	N/A	R40H5522	-	-
	Rd	Bendix		7142 - D225	MD225	N/A	R40H5522	-	-
1989									
	Fd	Bendix		7142 - D225	MD225	N/A	R40H5522	-	-
	Rd	Bendix		7142 - D225	MD225	N/A	R40H5522	-	-
SCHOOL BUS									
2005									
6000 lb	Fd	Bosch		7654 - D786	MD786A	R4011754	NR	NR	NR
FD965									
10,700 lb.	Fd	Meritor		7636 - D769	MD769	NR	R4011729	NR	NR
FF966 / F943									
12,000 lb	Fd	Meritor		7636 - D769	MD769	NR	R4011729	NR	NR
RS-15 Wide Track									
15,000 lb	Rd	Meritor		7636 - D769	MD769	NR	R4011729	NR	NR
RS-19 L-Spindle									
19,000 lb	Rd	Meritor		7636 - D769	MD769	NR	R4011729	NR	NR
RS-21 R-Spindle									
21,000 lb.	Rd	Meritor		7636 - D769	MD769	NR	R4011729	NR	NR
2004									
FD965									
10,700 lb.	Fd	Meritor		7636 - D769	MD769	NR	R4011729	NR	NR
FF966 / F943									
12,000 lb	Fd	Meritor		7636 - D769	MD769	NR	R4011729	NR	NR
RS-15 Wide Track									
15,000 lb	Rd	Meritor		7636 - D769	MD769	NR	R4011729	NR	NR
RS-19 L-Spindle									
19,000 lb	Rd	Meritor		7636 - D769	MD769	NR	R4011729	NR	NR

72 - Phenolic/Steel Face

356 - Single Hydraulic System, Bosch Cylinder, after Serial No. Q20000, 18,500lb. Rear Axle

MAKE MODEL YEAR AXLE CODE AXLE WEIGHT	AXLE & BRK. TYPE	BRK. MFG.	BRAKE SIZE	FMSI	MERITOR DISC PAD OR BRAKE SHOE	MERITOR GUIDE PIN OR RETURN SPRING KIT	MERITOR CALIPER HWD. KIT OR RETURN SPRING KIT	MERITOR ADJUSTER KIT (LEFT WHEEL)	MERITOR ADJUSTER KIT (RIGHT WHEEL)
BLUEBIRD(Cont.)									
SCHOOL BUS(Cont.)									
2004									
RS-21 R-Spindle 21,000 lb.	Rd	Meritor		7636 - D769	MD769	NR	R4011729	NR	NR
2003									
FD965 10,700 lb.	Fd	Meritor		7636 - D769	MD769	NR	R4011729	NR	NR
FF966 / F943 12,000 lb	Fd	Meritor		7636 - D769	MD769	NR	R4011729	NR	NR
RS-15 Wide Track 15,000 lb	Rd	Meritor		7636 - D769	MD769	NR	R4011729	NR	NR
RS-19 L-Spindle 19,000 lb	Rd	Meritor		7636 - D769	MD769	NR	R4011729	NR	NR
RS-21 R-Spindle 21,000 lb.	Rd	Meritor		7636 - D769	MD769	NR	R4011729	NR	NR
2002									
FD965 10,700 lb.	Fd	Meritor		7636 - D769	MD769	NR	R4011729	NR	NR
FF966 / F943 12,000 lb	Fd	Meritor		7636 - D769	MD769	NR	R4011729	NR	NR
RS-15 Wide Track 15,000 lb	Rd	Meritor		7636 - D769	MD769	NR	R4011729	NR	NR
RS-19 L-Spindle 19,000 lb	Rd	Meritor		7636 - D769	MD769	NR	R4011729	NR	NR
RS-21 R-Spindle 21,000 lb.	Rd	Meritor		7636 - D769	MD769	NR	R4011729	NR	NR
TC2000									
2005									
6000 lb	Fd	Bosch		7654 - D786	MD786A	R4011754	NR	NR	NR
FD965 10,700 lb.	Fd	Meritor		7636 - D769	MD769	NR	R4011729	NR	NR
FF966 / F943 12,000 lb	Fd	Meritor		7636 - D769	MD769	NR	R4011729	NR	NR
RS-15 Wide Track 15,000 lb	Rd	Meritor		7636 - D769	MD769	NR	R4011729	NR	NR
RS-19 L-Spindle 19,000 lb	Rd	Meritor		7636 - D769	MD769	NR	R4011729	NR	NR
RS-21 R-Spindle 21,000 lb.	Rd	Meritor		7636 - D769	MD769	NR	R4011729	NR	NR
2004									
FD965 10,700 lb.	Fd	Meritor		7636 - D769	MD769	NR	R4011729	NR	NR
FF966 / F943 12,000 lb	Fd	Meritor		7636 - D769	MD769	NR	R4011729	NR	NR
RS-15 Wide Track 15,000 lb	Rd	Meritor		7636 - D769	MD769	NR	R4011729	NR	NR
RS-19 L-Spindle 19,000 lb	Rd	Meritor		7636 - D769	MD769	NR	R4011729	NR	NR
RS-21 R-Spindle 21,000 lb.	Rd	Meritor		7636 - D769	MD769	NR	R4011729	NR	NR
2003									
FD965 10,700 lb.	Fd	Meritor		7636 - D769	MD769	NR	R4011729	NR	NR
FF966 / F943 12,000 lb	Fd	Meritor		7636 - D769	MD769	NR	R4011729	NR	NR
RS-15 Wide Track 15,000 lb	Rd	Meritor		7636 - D769	MD769	NR	R4011729	NR	NR
RS-19 L-Spindle 19,000 lb	Rd	Meritor		7636 - D769	MD769	NR	R4011729	NR	NR
RS-21 R-Spindle 21,000 lb.	Rd	Meritor		7636 - D769	MD769	NR	R4011729	NR	NR
2002									
FD965 10,700 lb.	Fd	Meritor		7636 - D769	MD769	NR	R4011729	NR	NR

356 - Single Hydraulic System, Bosch Cylinder, after Serial No. Q20000, 18,500lb. Rear Axle

MERITOR DRUM OR ROTOR NO.	CALIPER OR CYLINDER BORE SIZE	MERITOR CALIPER OR WHEEL CYLINDER (LEFT)	MERITOR CALIPER OR WHEEL CYLINDER (RIGHT)	MERITOR CALIPER OR WHEEL CYLINDER REPAIR KIT	MERITOR CALIPER PISTON	MERITOR MASTER CYLINDER	MERITOR MASTER CYLINDER KIT	MERITOR BRAKE HOSE (LEFT)	MERITOR BRAKE HOSE (RIGHT)
BLUEBIRD(Cont.)									
SCHOOL BUS(Cont.)									
23-123557-004	70mm	60450469002	60450468002	R4011730	60050334	-	-	-	-
23-123557-004	70mm	60450469002	60450468002	R4011730	60050334	-	-	-	-
23-123557-004	70mm	60450469002	60450468002	R4011730	60050334	-	-	-	-
23-123557-004	70mm	60450469002	60450468002	R4011730	60050334	-	-	-	-
23-123557-004	70mm	60450469002	60450468002	R4011730	60050334	-	-	-	-
23-123557-004	70mm	60450469002	60450468002	R4011730	60050334	-	-	-	-
23-123557-004	70mm	60450469002	60450468002	R4011730	60050334	-	-	-	-
23-123557-004	70mm	60450469002	60450468002	R4011730	60050334	-	-	-	-
23-123557-004	70mm	60450469002	60450468002	R4011730	60050334	-	-	-	-
23-123557-004	70mm	60450469002	60450468002	R4011730	60050334	-	-	-	-
23-123557-004	70mm	60450469002	60450468002	R4011730	60050334	-	-	-	-
TC2000									
23-123557-004	66mm	R424153263	R424153263 ³⁵⁶	R4011752	R4011751	-	-	-	-
23-123557-004	70mm	60450469002	60450468002	R4011730	60050334	-	-	-	-
23-123557-004	70mm	60450469002	60450468002	R4011730	60050334	-	-	-	-
23-123557-004	70mm	60450469002	60450468002	R4011730	60050334	-	-	-	-
23-123557-004	70mm	60450469002	60450468002	R4011730	60050334	-	-	-	-
23-123557-004	70mm	60450469002	60450468002	R4011730	60050334	-	-	-	-
23-123557-004	70mm	60450469002	60450468002	R4011730	60050334	-	-	-	-
23-123557-004	70mm	60450469002	60450468002	R4011730	60050334	-	-	-	-
23-123557-004	70mm	60450469002	60450468002	R4011730	60050334	-	-	-	-
23-123557-004	70mm	60450469002	60450468002	R4011730	60050334	-	-	-	-
23-123557-004	70mm	60450469002	60450468002	R4011730	60050334	-	-	-	-
23-123557-004	70mm	60450469002	60450468002	R4011730	60050334	-	-	-	-
23-123557-004	70mm	60450469002	60450468002	R4011730	60050334	-	-	-	-
23-123557-004	70mm	60450469002	60450468002	R4011730	60050334	-	-	-	-
23-123557-004	70mm	60450469002	60450468002	R4011730	60050334	-	-	-	-

MAKE MODEL YEAR AXLE CODE AXLE WEIGHT	AXLE & BRK. TYPE	BRK. MFG.	BRAKE SIZE	FMSI	MERITOR DISC PAD OR BRAKE SHOE	MERITOR GUIDE PIN OR RETURN SPRING KIT	MERITOR CALIPER HWD. KIT OR RETURN SPRING KIT	MERITOR ADJUSTER KIT (LEFT WHEEL)	MERITOR ADJUSTER KIT (RIGHT WHEEL)
BLUEBIRD(Cont.)									
TC2000(Cont.)									
2002 FF966 / F943 12,000 lb	Fd	Meritor		7636 - D769	MD769	NR	R4011729	NR	NR
RS-15 Wide Track 15,000 lb	Rd	Meritor		7636 - D769	MD769	NR	R4011729	NR	NR
RS-19 L-Spindle 19,000 lb	Rd	Meritor		7636 - D769	MD769	NR	R4011729	NR	NR
RS-21 R-Spindle 21,000 lb.	Rd	Meritor		7636 - D769	MD769	NR	R4011729	NR	NR
TCFE									
2004 Type D Transit Series	Fd Fd Fd Fd Rd Rd Rd Rd	Meritor Meritor Meritor Meritor Meritor Meritor Meritor Meritor		7636 - D769 7636 - D769 7636 - D1032 7636 - D1032 7636 - D1032 7636 - D769 7636 - D1032 7636 - D769	MD769 MD769 MD769 MD769 MD769 MD769 MD769 MD769	N/A N/A N/A N/A N/A N/A N/A N/A	R4011729 R4011729 R4011729 R4011729 R4011729 R4011729 R4011729 R4011729	- - - - - - - -	- - - - - - - -
2003	Fd Fd Fd Fd Rd Rd Rd Rd	Meritor Meritor Meritor Meritor Meritor Meritor Meritor Meritor		7636 - D1032 7636 - D1032 7636 - D769 7636 - D769 7636 - D1032 7636 - D769 7636 - D1032 7636 - D1032	MD769 MD769 MD769 MD769 MD769 MD769 MD769 MD769	N/A N/A N/A N/A N/A N/A N/A N/A	R4011729 R4011729 R4011729 R4011729 R4011729 R4011729 R4011729 R4011729	- - - - - - - -	- - - - - - - -
2002	Fd Fd Fd Fd Fd Rd Rd Rd Rd	Bendix Bosch Bosch Meritor Meritor Bendix Bosch Bosch Meritor Meritor		7142 - D225 7655 - D786 7654 - D786 7636 - D769 7636 - D1032 7142 - D225 7654 - D786 7655 - D786 7636 - D769 7636 - D1032	MD225 MD786 MD786A MD769 MD769 MD225 MD786A MD786 MD769 MD769	N/A R4011754 R4011754 N/A N/A N/A R4011754 R4011754 N/A N/A	R40H5522 N/A N/A R4011121 R4011121 R40H5522 N/A N/A R4011121 R4011121	- - - - - - - - - -	- - - - - - - - - -
2001	Fd Fd Fd Rd Rd Rd	Bendix Bosch Bosch Bendix Bosch Bosch		7142 - D225 7655 - D786 7654 - D786 7142 - D225 7654 - D786 7655 - D786	MD225 MD786 MD786A MD225 MD786A MD786	N/A R4011754 R4011754 N/A R4011754 R4011754	R40H5522 N/A N/A R40H5522 N/A N/A	- - - - - -	- - - - - -
2000	Fd Fd Fd Rd Rd Rd	Bendix Bosch Bosch Bendix Bosch Bosch		7142 - D225 7655 - D786 7654 - D786 7142 - D225 7655 - D786 7654 - D786	MD225 MD786 MD786A MD225 MD786 MD786A	N/A R4011754 R4011754 N/A R4011754 R4011754	R40H5522 N/A N/A R40H5522 N/A N/A	- - - - - -	- - - - - -
1999	Fd Rd	Bendix Bendix		7142 - D225 7142 - D225	MD225 MD225	N/A N/A	R40H5522 R40H5522	- -	- -
1998	Fd Rd	Bendix Bendix		7142 - D225 7142 - D225	MD225 MD225	N/A N/A	R40H5522 R40H5522	- -	- -
1997	Fd Rd	Bendix Bendix		7142 - D225 7142 - D225	MD225 MD225	N/A N/A	R40H5522 R40H5522	- -	- -

MERITOR DRUM OR ROTOR NO.	CALIPER OR CYLINDER BORE SIZE	MERITOR CALIPER OR WHEEL CYLINDER (LEFT)	MERITOR CALIPER OR WHEEL CYLINDER (RIGHT)	MERITOR CALIPER OR WHEEL CYLINDER REPAIR KIT	MERITOR CALIPER PISTON	MERITOR MASTER CYLINDER	MERITOR MASTER CYLINDER KIT	MERITOR BRAKE HOSE (LEFT)	MERITOR BRAKE HOSE (RIGHT)
BLUEBIRD(Cont.)									
TC2000(Cont.)									
23-123557-004	70mm	60450469002	60450468002	R4011730	60050334	-	-	-	-
23-123557-004	70mm	60450469002	60450468002	R4011730	60050334	-	-	-	-
23-123557-004	70mm	60450469002	60450468002	R4011730	60050334	-	-	-	-
23-123557-004	70mm	60450469002	60450468002	R4011730	60050334	-	-	-	-
TCFE									
-	70mm	60450469002	60450468002	R4011731	R4011511 ⁷²	-	-	-	-
-	64mm	60450474001	60450473001	R4011731	R4011511 ⁷²	-	-	-	-
-	70mm	60450469002	60450468002	R4011731	R4011511 ⁷²	-	-	-	-
-	64mm	60450474001	60450473001	R4011731	R4011511 ⁷²	-	-	-	-
-	70mm	60450469002	60450468002	R4011731	R4011511 ⁷²	-	-	-	-
-	70mm	60450469002	60450468002	R4011731	R4011511 ⁷²	-	-	-	-
-	64mm	60450474001	60450473001	R4011731	R4011511 ⁷²	-	-	-	-
-	64mm	60450474001	60450473001	R4011731	R4011511 ⁷²	-	-	-	-
-	70mm	60450469002	60450468002	R4011731	R4011511 ⁷²	-	-	-	-
-	64mm	60450474001	60450473001	R4011731	R4011511 ⁷²	-	-	-	-
-	70mm	60450469002	60450468002	R4011731	R4011511 ⁷²	-	-	-	-
-	2.88"	R4255250	R4255250	R4066365	R4090096 ⁷²	-	-	-	-
-	73mm	R4255850	R4255850	R4011758	R4011757 ⁷²	-	-	-	-
-	66mm	R4255849	R4255849	R4011752	R4011751 ⁷²	-	-	-	-
-	70mm	60050313	60050312	-	-	-	-	-	-
-	70mm	60450469002	60450468002	R4011731	R4011511 ²⁰¹	-	-	-	-
-	2.88"	R4255250	R4255250	R4066365	R4090096 ⁷²	-	-	-	-
-	66mm	R4255849	R4255849	R4011752	R4011751 ⁷²	-	-	-	-
-	73mm	R4255850	R4255850	R4011758	R4011757 ⁷²	-	-	-	-
-	70mm	60450469002	60450468002	R4011731	R4011511 ²⁰¹	-	-	-	-
-	70mm	60450469002	60450468002	R4011731	R4011511 ²⁰¹	-	-	-	-
-	2.88"	R4255250	R4255250	R4066365	R4090096 ⁷²	-	-	-	-
-	73mm	R4255850	R4255850	R4011758	R4011757 ⁷²	-	-	-	-
-	66mm	R4255849	R4255849	R4011752	R4011751 ⁷²	-	-	-	-
-	2.88"	R4255250	R4255250	R4066365	R4090096 ⁷²	-	-	-	-
-	66mm	R4255849	R4255849	R4011752	R4011751 ⁷²	-	-	-	-
-	73mm	R4255850	R4255850	R4011758	R4011757 ⁷²	-	-	-	-
-	2.88"	R4255250	R4255250	R4066365	R4090096 ⁷²	-	-	-	-
-	2.88"	R4255250	R4255250	R4066365	R4090096 ⁷²	-	-	-	-
-	2.88"	R4255250	R4255250	R4066365	R4090096 ⁷²	-	-	-	-
-	2.88"	R4255250	R4255250	R4066365	R4090096 ⁷²	-	-	-	-
-	2.88"	R4255250	R4255250	R4066365	R4090096 ⁷²	-	-	-	-
-	2.88"	R4255250	R4255250	R4066365	R4090096 ⁷²	-	-	-	-

1 APPLICATION

MAKE MODEL YEAR AXLE CODE AXLE WEIGHT	AXLE & BRK. TYPE	BRK. MFG.	BRAKE SIZE	FMSI	MERITOR DISC PAD OR BRAKE SHOE	MERITOR GUIDE PIN OR RETURN SPRING KIT	MERITOR CALIPER HWD. KIT OR RETURN SPRING KIT	MERITOR ADJUSTER KIT (LEFT WHEEL)	MERITOR ADJUSTER KIT (RIGHT WHEEL)
BLUEBIRD(Cont.)									
TCFE(Cont.)									
1996	Fd	Bendix		7142 - D225	MD225	N/A	R40H5522	-	-
	Rd	Bendix		7142 - D225	MD225	N/A	R40H5522	-	-
1995	Fd	Bendix		7142 - D225	MD225	N/A	R40H5522	-	-
	Rd	Bendix		7142 - D225	MD225	N/A	R40H5522	-	-
1994	Fd	Bendix		7142 - D225	MD225	N/A	R40H5522	-	-
	Rd	Bendix		7142 - D225	MD225	N/A	R40H5522	-	-
1993	Fd	Bendix		7142 - D225	MD225	N/A	R40H5522	-	-
	Rd	Bendix		7142 - D225	MD225	N/A	R40H5522	-	-
1992	Fd	Bendix		7142 - D225	MD225	N/A	R40H5522	-	-
	Rd	Bendix		7142 - D225	MD225	N/A	R40H5522	-	-
1991	Fd	Bendix		7142 - D225	MD225	N/A	R40H5522	-	-
	Rd	Bendix		7142 - D225	MD225	N/A	R40H5522	-	-
1990	Fd	Bendix		7142 - D225	MD225	N/A	R40H5522	-	-
	Rd	Bendix		7142 - D225	MD225	N/A	R40H5522	-	-
1989	Fd	Bendix		7142 - D225	MD225	N/A	R40H5522	-	-
	Rd	Bendix		7142 - D225	MD225	N/A	R40H5522	-	-
DODGE									
1000 SERIES									
1973 E17	Ra	WG	15 " x 6 "	4596 - 381	R700381	R40H597	R40H9200	R40H3540	R40H3541 ⁸⁰
	Ra	WG	15 " x 6 "	4596 - 381	R700381	R40H597	R40H9200	R40H3540	R40H3541 ⁸⁰
	Ra	WG	15 " x 7 "	4597 - 383	R700383	R40H597	R40H9200	R40H3540	R40H3541 ⁸⁰
	Ra	WG	15 " x 7 "	4597 - 383	R700383	R40H597	R40H9200	R40H3540	R40H3541 ⁸⁰
5000, 7000, 9000 lb.	Fa	WG	15 " x 3 "	1245C - 321	R700321	R40H521	R40H9237	R40H3502	R40H3503
	Fa	WG	15 " x 3 "	1245C - 321	R700321	R40H521	R40H9237	R40H3502	R40H3503
12,000 lb.	Fa	WG	15 " x 3-1/2 "	1280B - 322	R464004	R40H521	R40H9237	R40H3502	R40H3503
1972 E17	Ra	WG	15 " x 6 "	4596 - 381	R700381	R40H597	R40H9200	R40H3540	R40H3541 ⁸⁰
	Ra	WG	15 " x 6 "	4596 - 381	R700381	R40H597	R40H9200	R40H3540	R40H3541 ⁸⁰
	Ra	WG	15 " x 7 "	4597 - 383	R700383	R40H597	R40H9200	R40H3540	R40H3541 ⁸⁰
	Ra	WG	15 " x 7 "	4597 - 383	R700383	R40H597	R40H9200	R40H3540	R40H3541 ⁸⁰
5000, 7000, 9000 lb.	Fa	WG	15 " x 3 "	1245C - 321	R700321	R40H521	R40H9237	R40H3502	R40H3503
	Fa	WG	15 " x 3 "	1245C - 321	R700321	R40H521	R40H9237	R40H3502	R40H3503
12,000 lb.	Fa	WG	15 " x 3-1/2 "	1280B - 322	R464004	R40H521	R40H9237	R40H3502	R40H3503
1971 E17	Ra	WG	15 " x 6 "	4596 - 381	R700381	R40H597	R40H9200	R40H3540	R40H3541 ⁸⁰
	Ra	WG	15 " x 6 "	4596 - 381	R700381	R40H597	R40H9200	R40H3540	R40H3541 ⁸⁰
	Ra	WG	15 " x 7 "	4597 - 383	R700383	R40H597	R40H9200	R40H3540	R40H3541 ⁸⁰
	Ra	WG	15 " x 7 "	4597 - 383	R700383	R40H597	R40H9200	R40H3540	R40H3541 ⁸⁰
5000, 7000, 9000 lb.	Fa	WG	15 " x 3 "	1245C - 321	R700321	R40H521	R40H9237	R40H3502	R40H3503
	Fa	WG	15 " x 3 "	1245C - 321	R700321	R40H521	R40H9237	R40H3502	R40H3503
12,000 lb.	Fa	WG	15 " x 3-1/2 "	1280B - 322	R464004	R40H521	R40H9237	R40H3502	R40H3503
1970 E17	Ra	WG	15 " x 6 "	4596 - 381	R700381	R40H597	R40H9200	R40H3540	R40H3541 ⁸⁰
	Ra	WG	15 " x 6 "	4596 - 381	R700381	R40H597	R40H9200	R40H3540	R40H3541 ⁸⁰
	Ra	WG	15 " x 7 "	4597 - 383	R700383	R40H597	R40H9200	R40H3540	R40H3541 ⁸⁰
	Ra	WG	15 " x 7 "	4597 - 383	R700383	R40H597	R40H9200	R40H3540	R40H3541 ⁸⁰
5000, 7000, 9000 lb.	Fa	WG	15 " x 3 "	1245C - 321	R700321	R40H521	R40H9237	R40H3502	R40H3503
	Fa	WG	15 " x 3 "	1245C - 321	R700321	R40H521	R40H9237	R40H3502	R40H3503
12,000 lb.	Fa	WG	15 " x 3-1/2 "	1280B - 322	R464004	R40H521	R40H9237	R40H3502	R40H3503
1969 E17	Ra	WG	15 " x 6 "	4596 - 381	R700381	R40H597	R40H9200	R40H3540	R40H3541 ⁸⁰
	Ra	WG	15 " x 6 "	4596 - 381	R700381	R40H597	R40H9200	R40H3540	R40H3541 ⁸⁰
	Ra	WG	15 " x 7 "	4597 - 383	R700383	R40H597	R40H9200	R40H3540	R40H3541 ⁸⁰
	Ra	WG	15 " x 7 "	4597 - 383	R700383	R40H597	R40H9200	R40H3540	R40H3541 ⁸⁰

MAKE MODEL YEAR AXLE CODE AXLE WEIGHT	AXLE & BRK. TYPE	BRK. MFG.	BRAKE SIZE	FMSI	MERITOR DISC PAD OR BRAKE SHOE	MERITOR GUIDE PIN OR RETURN SPRING KIT	MERITOR CALIPER HWD. KIT OR RETURN SPRING KIT	MERITOR ADJUSTER KIT (LEFT WHEEL)	MERITOR ADJUSTER KIT (RIGHT WHEEL)
DODGE(Cont.)									
1000 SERIES(Cont.)									
1969									
5000, 7000, 9000 lb.	Fa Fa	WG WG	15" x 3" 15" x 3"	1245C - 321 1245C - 321	R700321 R700321	R40H521 R40H521	R40H9237 R40H9237	R40H3502 R40H3502	R40H3503 R40H3503
12,000 lb.	Fa	WG	15" x 3-1/2"	1280B - 322	R464004	R40H521	R40H9237	R40H3502	R40H3503
400 SERIES									
1981									
	Fd Ra	BX BX	 12" x 3"	7081 - D149 2140AT - 358	MD149 R46358	R40H5010 R40H547	R40H5529 R40H4087	NR R40H2598	NR R40H2599
1973									
RF147, E13, RA115	Ra Rm	BX BX	15" x 4" 15" x 4"	2032 - 402 2032 - 402	Discontinued Discontinued	R40H510 R40H500	R40H9223 R40H9224	NLA R404177	NLA ⁸¹ R404176
4000, 5000 lb.	Fa	KH	14" x 2-1/2"	2060 - 361	Discontinued	R40H596	R40H9219	R40H3536	R40H3537
1972									
RF147, E13, RA115	Ra Rm	BX BX	15" x 4" 15" x 4"	2032 - 402 2032 - 402	Discontinued Discontinued	R40H510 R40H500	R40H9223 R40H9224	NLA R404177	NLA ⁸¹ R404176
4000, 5000 lb.	Fa	KH	14" x 2-1/2"	2060 - 361	Discontinued	R40H596	R40H9219	R40H3536	R40H3537
1971									
RF147, E13, RA115	Ra Rm	BX BX	15" x 4" 15" x 4"	2032 - 402 2032 - 402	Discontinued Discontinued	R40H510 R40H500	R40H9223 R40H9224	NLA R404177	NLA ⁸¹ R404176
4000, 5000 lb.	Fa	KH	14" x 2-1/2"	2060 - 361	Discontinued	R40H596	R40H9219	R40H3536	R40H3537
1970									
RF147, E13, RA115	Ra Rm	BX BX	15" x 4" 15" x 4"	2032 - 402 2032 - 402	Discontinued Discontinued	R40H510 R40H500	R40H9223 R40H9224	NLA R404177	NLA ⁸¹ R404176
4000, 5000 lb.	Fa	KH	14" x 2-1/2"	2060 - 361	Discontinued	R40H596	R40H9219	R40H3536	R40H3537
1969									
RF147, E13, RA115	Ra Rm	BX BX	15" x 4" 15" x 4"	2032 - 402 2032 - 402	Discontinued Discontinued	R40H510 R40H500	R40H9223 R40H9224	NLA R404177	NLA ⁸¹ R404176
4000, 5000 lb.	Fa	KH	14" x 2-1/2"	2060 - 361	Discontinued	R40H596	R40H9219	R40H3536	R40H3537
500 SERIES									
1977									
E16	Ra	WG	15" x 6"	4596 - 381	R700381	R40H597	R40H9200	R40H3540	R40H3541 ⁸⁰
RF1400	Ra Rm	BX BX	15" x 4" 15" x 4"	2032 - 402 2032 - 402	Discontinued Discontinued	R40H510 R40H500	R40H9223 R40H9224	NLA R404177	NLA ⁸¹ R404176
RF147, E13, RA115	Ra Rm	BX BX	15" x 4" 15" x 4"	2032 - 402 2032 - 402	Discontinued Discontinued	R40H510 R40H500	R40H9223 R40H9224	NLA R404177	NLA ⁸¹ R404176
4000, 5000 lb.	Fa	BX	14" x 2-1/2"	2060 - 398	N/A	R40H140	R40H9204	-	-
5,000, 5,500, 7,000 lb.	Fa	WG	15" x 3"	1245C - 321	R700321	R40H521	R40H9237	R40H3502	R40H3503
1976									
E16	Ra	WG	15" x 6"	4596 - 381	R700381	R40H597	R40H9200	R40H3540	R40H3541 ⁸⁰
RF1400	Ra Rm	BX BX	15" x 4" 15" x 4"	2032 - 402 2032 - 402	Discontinued Discontinued	R40H510 R40H500	R40H9223 R40H9224	NLA R404177	NLA ⁸¹ R404176
RF147, E13, RA115	Ra Rm	BX BX	15" x 4" 15" x 4"	2032 - 402 2032 - 402	Discontinued Discontinued	R40H510 R40H500	R40H9223 R40H9224	NLA R404177	NLA ⁸¹ R404176
4000, 5000 lb.	Fa	BX	14" x 2-1/2"	2060 - 398	N/A	R40H140	R40H9204	-	-
5,000, 5,500, 7,000 lb.	Fa	WG	15" x 3"	1245C - 321	R700321	R40H521	R40H9237	R40H3502	R40H3503
1975									
E16	Ra	WG	15" x 6"	4596 - 381	R700381	R40H597	R40H9200	R40H3540	R40H3541 ⁸⁰
RF1400	Ra Rm	BX BX	15" x 4" 15" x 4"	2032 - 402 2032 - 402	Discontinued Discontinued	R40H510 R40H500	R40H9223 R40H9224	NLA R404177	NLA ⁸¹ R404176
RF147, E13, RA115	Ra Rm	BX BX	15" x 4" 15" x 4"	2032 - 402 2032 - 402	Discontinued Discontinued	R40H510 R40H500	R40H9223 R40H9224	NLA R404177	NLA ⁸¹ R404176
4000, 5000 lb.	Fa	BX	14" x 2-1/2"	2060 - 398	N/A	R40H140	R40H9204	-	-
5,000, 5,500, 7,000 lb.	Fa	WG	15" x 3"	1245C - 321	R700321	R40H521	R40H9237	R40H3502	R40H3503
1974									
E16	Ra	WG	15" x 6"	4596 - 381	R700381	R40H597	R40H9200	R40H3540	R40H3541 ⁸⁰
RF1400	Ra Rm	BX BX	15" x 4" 15" x 4"	2032 - 402 2032 - 402	Discontinued Discontinued	R40H510 R40H500	R40H9223 R40H9224	NLA R404177	NLA ⁸¹ R404176
RF147, E13, RA115	Ra Rm	BX BX	15" x 4" 15" x 4"	2032 - 402 2032 - 402	Discontinued Discontinued	R40H510 R40H500	R40H9223 R40H9224	NLA R404177	NLA ⁸¹ R404176
4000, 5000 lb.	Fa	BX	14" x 2-1/2"	2060 - 398	N/A	R40H140	R40H9204	-	-
5,000, 5,500, 7,000 lb.	Fa	WG	15" x 3"	1245C - 321	R700321	R40H521	R40H9237	R40H3502	R40H3503
1973									
E16	Ra	WG	15" x 6"	4596 - 381	R700381	R40H597	R40H9200	R40H3540	R40H3541 ⁸⁰

53 - Power Brakes
119 - Power Brakes, School Bus

80 - 1.67 Ratio
346 - 4500 lb. Casting Number 2238451452, 10mm Inlet

81 - Adjusting Screw is No Longer Available
405 - Rotor Only

MERITOR DRUM OR ROTOR NO.	CALIPER OR CYLINDER BORE SIZE	MERITOR CALIPER OR WHEEL CYLINDER (LEFT)	MERITOR CALIPER OR WHEEL CYLINDER (RIGHT)	MERITOR CALIPER OR WHEEL CYLINDER REPAIR KIT	MERITOR CALIPER PISTON	MERITOR MASTER CYLINDER	MERITOR MASTER CYLINDER KIT	MERITOR BRAKE HOSE (LEFT)	MERITOR BRAKE HOSE (RIGHT)
DODGE(Cont.)									
1000 SERIES(Cont.)									
-	1-1/4 "	R4133582	R4133581	R4166923	NR	-	-	-	-
-	1-1/8 "	R4133714	R4133715	R4166926	NR	-	-	-	-
-	1-1/4 "	R4133582	R4133581	R4166923	NR	-	-	-	-
400 SERIES									
R44141089 ⁴⁰⁵	3-3/8 "	R42R55200	R42R55199 ³⁴⁶	R4066780	R4090021	R4111583 ¹¹⁹	R4122598	R4577173	R4577172
N/A	1-1/16 "	R4133791	R 418145	R4166821	NR	-	-	-	-
-	1-1/2 "	R4133390	R4133390	R4166818	NR	-	-	-	-
-	1-1/2 "	R4133390	R4133390	R4166818	NR	-	-	-	-
-	1.09375	R4133484	R4133485	R4166819	NR	-	-	-	-
-	1-1/2 "	R4133390	R4133390	R4166818	NR	-	-	-	-
-	1-1/2 "	R4133390	R4133390	R4166818	NR	-	-	-	-
-	1.09375	R4133484	R4133485	R4166819	NR	-	-	-	-
-	1-1/2 "	R4133390	R4133390	R4166818	NR	-	-	-	-
-	1-1/2 "	R4133390	R4133390	R4166818	NR	-	-	-	-
-	1.09375	R4133484	R4133485	R4166819	NR	-	-	-	-
-	1-1/2 "	R4133390	R4133390	R4166818	NR	-	-	-	-
-	1-1/2 "	R4133390	R4133390	R4166818	NR	-	-	-	-
-	1.09375	R4133484	R4133485	R4166819	NR	-	-	-	-
-	1-1/2 "	R4133390	R4133390	R4166818	NR	-	-	-	-
-	1-1/2 "	R4133390	R4133390	R4166818	NR	-	-	-	-
-	1.09375	R4133484	R4133485	R4166819	NR	-	-	-	-
500 SERIES									
-	1-5/8 "	R4133338	R4133338	R4166689	NR	-	-	-	-
-	1-1/2 "	R4133390	R4133390	R4166818	NR	-	-	-	-
-	1-1/2 "	R4133390	R4133390	R4166818	NR	-	-	-	-
-	1-1/2 "	R4133390	R4133390	R4166818	NR	-	-	-	-
-	1-1/2 "	R4133390	R4133390	R4166818	NR	-	-	-	-
-	1-1/16 "	R4133540	R4133541	R4166821	NR	R4111583 ⁵³	R4122598	-	-
-	1-1/8 "	R4133714	R4133715	R4166926	NR	R4111583 ⁵³	R4122598	-	-
-	1-5/8 "	R4133338	R4133338	R4166689	NR	-	-	-	-
-	1-1/2 "	R4133390	R4133390	R4166818	NR	-	-	-	-
-	1-1/2 "	R4133390	R4133390	R4166818	NR	-	-	-	-
-	1-1/2 "	R4133390	R4133390	R4166818	NR	-	-	-	-
-	1-1/2 "	R4133390	R4133390	R4166818	NR	-	-	-	-
-	1-1/16 "	R4133540	R4133541	R4166821	NR	R4111583 ⁵³	R4122598	-	-
-	1-1/8 "	R4133714	R4133715	R4166926	NR	R4111583 ⁵³	R4122598	-	-
-	1-5/8 "	R4133338	R4133338	R4166689	NR	-	-	-	-
-	1-1/2 "	R4133390	R4133390	R4166818	NR	-	-	-	-
-	1-1/2 "	R4133390	R4133390	R4166818	NR	-	-	-	-
-	1-1/2 "	R4133390	R4133390	R4166818	NR	-	-	-	-
-	1-1/2 "	R4133390	R4133390	R4166818	NR	-	-	-	-
-	1-1/16 "	R4133540	R4133541	R4166821	NR	-	-	-	-
-	1-1/8 "	R4133714	R4133715	R4166926	NR	-	-	-	-
-	1-5/8 "	R4133338	R4133338	R4166689	NR	-	-	-	-
-	1-1/2 "	R4133390	R4133390	R4166818	NR	-	-	-	-
-	1-1/2 "	R4133390	R4133390	R4166818	NR	-	-	-	-
-	1-1/2 "	R4133390	R4133390	R4166818	NR	-	-	-	-
-	1-1/2 "	R4133390	R4133390	R4166818	NR	-	-	-	-
-	1-1/16 "	R4133540	R4133541	R4166821	NR	-	-	-	-
-	1-1/8 "	R4133714	R4133715	R4166926	NR	-	-	-	-
-	1-5/8 "	R4133338	R4133338	R4166689	NR	-	-	-	-

1 APPLICATION

MAKE MODEL YEAR AXLE CODE AXLE WEIGHT	AXLE & BRK. TYPE	BRK. MFG.	BRAKE SIZE	FMSI	MERITOR DISC PAD OR BRAKE SHOE	MERITOR GUIDE PIN OR RETURN SPRING KIT	MERITOR CALIPER HWD. KIT OR RETURN SPRING KIT	MERITOR ADJUSTER KIT (LEFT WHEEL)	MERITOR ADJUSTER KIT (RIGHT WHEEL)
DODGE(Cont.)									
500 SERIES(Cont.)									
1973									
RF147, E13, RA115	Ra	BX	15" x 4"	2032 - 402	Discontinued	R40H510	R40H9223	NLA	NLA ⁸¹
	Rm	BX	15" x 4"	2032 - 402	Discontinued	R40H500	R40H9224	R404177	R404176
RF147, RH, E13, E16	Ra	WG	15" x 5"	1252 - 379	Discontinued	R40H597	R40H9200	R40H3540	R40H3541 ⁸⁰
4000, 5000 lb.	Fa	BX	14" x 2-1/2"	2060 - 398	N/A	R40H140	R40H9204	-	-
5,000, 5,500, 7,000 lb.	Fa	WG	15" x 3"	1245C - 321	R700321	R40H521	R40H9237	R40H3502	R40H3503
1972									
E16	Ra	WG	15" x 6"	4596 - 381	R700381	R40H597	R40H9200	R40H3540	R40H3541 ⁸⁰
1971									
	Ra	WG	15" x 6"	4596 - 381	R700381	R40H597	R40H9200	R40H3540	R40H3541 ⁸⁰
1970									
	Ra	WG	15" x 6"	4596 - 381	R700381	R40H597	R40H9200	R40H3540	R40H3541 ⁸⁰
1969									
	Ra	WG	15" x 6"	4596 - 381	R700381	R40H597	R40H9200	R40H3540	R40H3541 ⁸⁰
600 SERIES									
1977									
E17	Ra	WG	15" x 6"	4596 - 381	R700381	R40H597	R40H9200	R40H3540	R40H3541 ⁸⁰
	Ra	WG	15" x 6"	4596 - 381	R700381	R40H597	R40H9200	R40H3540	R40H3541 ⁸⁰
	Ra	WG	15" x 7"	4597 - 383	R700383	R40H597	R40H9200	R40H3540	R40H3541 ⁸⁰
	Ra	WG	15" x 7"	4597 - 383	R700383	R40H597	R40H9200	R40H3540	R40H3541 ⁸⁰
RF147, E13, RA115	Ra	BX	15" x 4"	2032 - 402	Discontinued	R40H510	R40H9223	NLA	NLA ⁸¹
	Rm	BX	15" x 4"	2032 - 402	Discontinued	R40H500	R40H9224	R404177	R404176
RF147, RH, E13, E16	Ra	WG	15" x 5"	1252 - 379	Discontinued	R40H597	R40H9200	R40H3540	R40H3541 ⁸⁰
5,000 lb.	Fa	KH	14" x 2-1/2"	2060 - 361	Discontinued	R40H596	R40H9219	R40H3536	R40H3537
5000, 7000 lb.	Fa	WG	15" x 3"	1245C - 321	R700321	R40H521	R40H9237	R40H3502	R40H3503
6,000 lb.	Fm	BX	14" x 2-1/4"	224A - 63	N/A	R40H140	R40H9207	R40H3514	R40H3514
1976									
E17	Ra	WG	15" x 6"	4596 - 381	R700381	R40H597	R40H9200	R40H3540	R40H3541 ⁸⁰
	Ra	WG	15" x 6"	4596 - 381	R700381	R40H597	R40H9200	R40H3540	R40H3541 ⁸⁰
	Ra	WG	15" x 7"	4597 - 383	R700383	R40H597	R40H9200	R40H3540	R40H3541 ⁸⁰
	Ra	WG	15" x 7"	4597 - 383	R700383	R40H597	R40H9200	R40H3540	R40H3541 ⁸⁰
	Ra	WG	15" x 7"	4597 - 383	R700383	R40H597	R40H9200	R40H3540	R40H3541 ⁸⁰
RF147, E13, RA115	Ra	BX	15" x 4"	2032 - 402	Discontinued	R40H510	R40H9223	NLA	NLA ⁸¹
	Rm	BX	15" x 4"	2032 - 402	Discontinued	R40H500	R40H9224	R404177	R404176
RF147, RH, E13, E16	Ra	WG	15" x 5"	1252 - 379	Discontinued	R40H597	R40H9200	R40H3540	R40H3541 ⁸⁰
5,000 lb.	Fa	KH	14" x 2-1/2"	2060 - 361	Discontinued	R40H596	R40H9219	R40H3536	R40H3537
5000, 7000 lb.	Fa	WG	15" x 3"	1245C - 321	R700321	R40H521	R40H9237	R40H3502	R40H3503
6,000 lb.	Fm	BX	14" x 2-1/4"	224A - 63	N/A	R40H140	R40H9207	R40H3514	R40H3514
1975									
E17	Ra	WG	15" x 6"	4596 - 381	R700381	R40H597	R40H9200	R40H3540	R40H3541 ⁸⁰
	Ra	WG	15" x 6"	4596 - 381	R700381	R40H597	R40H9200	R40H3540	R40H3541 ⁸⁰
	Ra	WG	15" x 7"	4597 - 383	R700383	R40H597	R40H9200	R40H3540	R40H3541 ⁸⁰
	Ra	WG	15" x 7"	4597 - 383	R700383	R40H597	R40H9200	R40H3540	R40H3541 ⁸⁰
RF147, E13, RA115	Ra	BX	15" x 4"	2032 - 402	Discontinued	R40H510	R40H9223	NLA	NLA ⁸¹
	Rm	BX	15" x 4"	2032 - 402	Discontinued	R40H500	R40H9224	R404177	R404176
RF147, RH, E13, E16	Ra	WG	15" x 5"	1252 - 379	Discontinued	R40H597	R40H9200	R40H3540	R40H3541 ⁸⁰
5,000 lb.	Fa	KH	14" x 2-1/2"	2060 - 361	Discontinued	R40H596	R40H9219	R40H3536	R40H3537
5000, 7000 lb.	Fa	WG	15" x 3"	1245C - 321	R700321	R40H521	R40H9237	R40H3502	R40H3503
6,000 lb.	Fm	BX	14" x 2-1/4"	224A - 63	N/A	R40H140	R40H9207	R40H3514	R40H3514
1974									
E17	Ra	WG	15" x 6"	4596 - 381	R700381	R40H597	R40H9200	R40H3540	R40H3541 ⁸⁰
	Ra	WG	15" x 6"	4596 - 381	R700381	R40H597	R40H9200	R40H3540	R40H3541 ⁸⁰
	Ra	WG	15" x 7"	4597 - 383	R700383	R40H597	R40H9200	R40H3540	R40H3541 ⁸⁰
	Ra	WG	15" x 7"	4597 - 383	R700383	R40H597	R40H9200	R40H3540	R40H3541 ⁸⁰
RF147, E13, RA115	Ra	BX	15" x 4"	2032 - 402	Discontinued	R40H510	R40H9223	NLA	NLA ⁸¹
	Rm	BX	15" x 4"	2032 - 402	Discontinued	R40H500	R40H9224	R404177	R404176
RF147, RH, E13, E16	Ra	WG	15" x 5"	1252 - 379	Discontinued	R40H597	R40H9200	R40H3540	R40H3541 ⁸⁰
5,000 lb.	Fa	KH	14" x 2-1/2"	2060 - 361	Discontinued	R40H596	R40H9219	R40H3536	R40H3537
5000, 7000 lb.	Fa	WG	15" x 3"	1245C - 321	R700321	R40H521	R40H9237	R40H3502	R40H3503
6,000 lb.	Fm	BX	14" x 2-1/4"	224A - 63	N/A	R40H140	R40H9207	R40H3514	R40H3514
1973									
E16	Ra	WG	15" x 6"	4596 - 381	R700381	R40H597	R40H9200	R40H3540	R40H3541 ⁸⁰
E17	Ra	WG	15" x 6"	4596 - 381	R700381	R40H597	R40H9200	R40H3540	R40H3541 ⁸⁰

53 - Power Brakes

80 - 1.67 Ratio

81 - Adjusting Screw is No Longer Available

MERITOR DRUM OR ROTOR NO.	CALIPER OR CYLINDER BORE SIZE	MERITOR CALIPER OR WHEEL CYLINDER (LEFT)	MERITOR CALIPER OR WHEEL CYLINDER (RIGHT)	MERITOR CALIPER OR WHEEL CYLINDER REPAIR KIT	MERITOR CALIPER PISTON	MERITOR MASTER CYLINDER	MERITOR MASTER CYLINDER KIT	MERITOR BRAKE HOSE (LEFT)	MERITOR BRAKE HOSE (RIGHT)
DODGE(Cont.)									
500 SERIES(Cont.)									
-	1-1/2 "	R4133390	R4133390	R4166818	NR	-	-	-	-
-	1-1/2 "	R4133390	R4133390	R4166818	NR	-	-	-	-
-	1-5/8 "	R4133338	R4133338	R4166689	NR	-	-	-	-
-	1-1/16 "	R4133540	R4133541	R4166821	NR	-	-	-	-
-	1-1/8 "	R4133714	R4133715	R4166926	NR	-	-	-	-
-	1-5/8 "	R4133338	R4133338	R4166689	NR	-	-	-	-
-	1-5/8 "	R4133338	R4133338	R4166689	NR	-	-	-	-
-	1-5/8 "	R4133338	R4133338	R4166689	NR	-	-	-	-
-	1-5/8 "	R4133338	R4133338	R4166689	NR	-	-	-	-
600 SERIES									
-	1-5/8 "	R4133338	R4133338	R4166689	NR	-	-	-	-
-	1-5/8 "	R4133338	R4133338	R4166689	NR	-	-	-	-
-	1-5/8 "	R4133338	R4133338	R4166689	NR	-	-	-	-
-	1-5/8 "	R4133338	R4133338	R4166689	NR	-	-	-	-
-	1-1/2 "	R4133390	R4133390	R4166818	NR	-	-	-	-
-	1-1/2 "	R4133390	R4133390	R4166818	NR	-	-	-	-
-	1-5/8 "	R4133338	R4133338	R4166689	NR	-	-	-	-
-	1-1/16 "	R4133540	R4133541	R4166821	NR	R4111583 ⁵³	R4122598	-	-
-	1-1/8 "	R4133714	R4133715	R4166926	NR	R4111583 ⁵³	R4122598	-	-
-	1.09375	R4133484	R4133485	R4166819	NR	R4111583 ⁵³	R4122598	-	-
-	1-5/8 "	R4133338	R4133338	R4166689	NR	-	-	-	-
-	1-5/8 "	R4133338	R4133338	R4166689	NR	-	-	-	-
-	1-5/8 "	R4133338	R4133338	R4166689	NR	-	-	-	-
-	1-5/8 "	R4133338	R4133338	R4166689	NR	-	-	-	-
-	1-1/2 "	R4133390	R4133390	R4166818	NR	-	-	-	-
-	1-1/2 "	R4133390	R4133390	R4166818	NR	-	-	-	-
-	1-5/8 "	R4133338	R4133338	R4166689	NR	-	-	-	-
-	1-1/16 "	R4133540	R4133541	R4166821	NR	R4111583 ⁵³	R4122598	-	-
-	1-1/8 "	R4133714	R4133715	R4166926	NR	R4111583 ⁵³	R4122598	-	-
-	1.09375	R4133484	R4133485	R4166819	NR	R4111583 ⁵³	R4122598	-	-
-	1-5/8 "	R4133338	R4133338	R4166689	NR	-	-	-	-
-	1-5/8 "	R4133338	R4133338	R4166689	NR	-	-	-	-
-	1-5/8 "	R4133338	R4133338	R4166689	NR	-	-	-	-
-	1-1/2 "	R4133390	R4133390	R4166818	NR	-	-	-	-
-	1-1/2 "	R4133390	R4133390	R4166818	NR	-	-	-	-
-	1-5/8 "	R4133338	R4133338	R4166689	NR	-	-	-	-
-	1-1/16 "	R4133540	R4133541	R4166821	NR	-	-	-	-
-	1-1/8 "	R4133714	R4133715	R4166926	NR	-	-	-	-
-	1.09375	R4133484	R4133485	R4166819	NR	-	-	-	-
-	1-5/8 "	R4133338	R4133338	R4166689	NR	-	-	-	-
-	1-5/8 "	R4133338	R4133338	R4166689	NR	-	-	-	-

MAKE MODEL YEAR AXLE CODE AXLE WEIGHT	AXLE & BRK. TYPE	BRK. MFG.	BRAKE SIZE	FMSI	MERITOR DISC PAD OR BRAKE SHOE	MERITOR GUIDE PIN OR RETURN SPRING KIT	MERITOR CALIPER HWD. KIT OR RETURN SPRING KIT	MERITOR ADJUSTER KIT (LEFT WHEEL)	MERITOR ADJUSTER KIT (RIGHT WHEEL)
DODGE(Cont.)									
600 SERIES(Cont.)									
1973									
	Ra	WG	15" x 6"	4596 - 381	R700381	R40H597	R40H9200	R40H3540	R40H3541 ⁸⁰
	Ra	WG	15" x 7"	4597 - 383	R700383	R40H597	R40H9200	R40H3540	R40H3541 ⁸⁰
	Ra	WG	15" x 7"	4597 - 383	R700383	R40H597	R40H9200	R40H3540	R40H3541 ⁸⁰
RF147, E13, RA115	Ra	BX	15" x 4"	2032 - 402	Discontinued	R40H510	R40H9223	NLA	NLA ⁸¹
	Rm	BX	15" x 4"	2032 - 402	Discontinued	R40H500	R40H9224	R404177	R404176
RF147, RH, E13, E16	Ra	WG	15" x 5"	1252 - 379	Discontinued	R40H597	R40H9200	R40H3540	R40H3541 ⁸⁰
5000, 7000 lb.	Fa	WG	15" x 3"	1245C - 321	R700321	R40H521	R40H9237	R40H3502	R40H3503
1972									
E17	Ra	WG	15" x 6"	4596 - 381	R700381	R40H597	R40H9200	R40H3540	R40H3541 ⁸⁰
	Ra	WG	15" x 6"	4596 - 381	R700381	R40H597	R40H9200	R40H3540	R40H3541 ⁸⁰
	Ra	WG	15" x 7"	4597 - 383	R700383	R40H597	R40H9200	R40H3540	R40H3541 ⁸⁰
	Ra	WG	15" x 7"	4597 - 383	R700383	R40H597	R40H9200	R40H3540	R40H3541 ⁸⁰
RF147, E13, RA115	Ra	BX	15" x 4"	2032 - 402	Discontinued	R40H510	R40H9223	NLA	NLA ⁸¹
	Rm	BX	15" x 4"	2032 - 402	Discontinued	R40H500	R40H9224	R404177	R404176
RF147, RH, E13, E16	Ra	WG	15" x 5"	1252 - 379	Discontinued	R40H597	R40H9200	R40H3540	R40H3541 ⁸⁰
5000, 7000 lb.	Fa	WG	15" x 3"	1245C - 321	R700321	R40H521	R40H9237	R40H3502	R40H3503
1971									
E17	Ra	WG	15" x 6"	4596 - 381	R700381	R40H597	R40H9200	R40H3540	R40H3541 ⁸⁰
	Ra	WG	15" x 6"	4596 - 381	R700381	R40H597	R40H9200	R40H3540	R40H3541 ⁸⁰
	Ra	WG	15" x 7"	4597 - 383	R700383	R40H597	R40H9200	R40H3540	R40H3541 ⁸⁰
	Ra	WG	15" x 7"	4597 - 383	R700383	R40H597	R40H9200	R40H3540	R40H3541 ⁸⁰
RF147, E13, RA115	Ra	BX	15" x 4"	2032 - 402	Discontinued	R40H510	R40H9223	NLA	NLA ⁸¹
	Rm	BX	15" x 4"	2032 - 402	Discontinued	R40H500	R40H9224	R404177	R404176
RF147, RH, E13, E16	Ra	WG	15" x 5"	1252 - 379	Discontinued	R40H597	R40H9200	R40H3540	R40H3541 ⁸⁰
5000, 7000 lb.	Fa	WG	15" x 3"	1245C - 321	R700321	R40H521	R40H9237	R40H3502	R40H3503
1970									
E17	Ra	WG	15" x 6"	4596 - 381	R700381	R40H597	R40H9200	R40H3540	R40H3541 ⁸⁰
	Ra	WG	15" x 6"	4596 - 381	R700381	R40H597	R40H9200	R40H3540	R40H3541 ⁸⁰
	Ra	WG	15" x 7"	4597 - 383	R700383	R40H597	R40H9200	R40H3540	R40H3541 ⁸⁰
	Ra	WG	15" x 7"	4597 - 383	R700383	R40H597	R40H9200	R40H3540	R40H3541 ⁸⁰
RF147, E13, RA115	Ra	BX	15" x 4"	2032 - 402	Discontinued	R40H510	R40H9223	NLA	NLA ⁸¹
	Rm	BX	15" x 4"	2032 - 402	Discontinued	R40H500	R40H9224	R404177	R404176
RF147, RH, E13, E16	Ra	WG	15" x 5"	1252 - 379	Discontinued	R40H597	R40H9200	R40H3540	R40H3541 ⁸⁰
5000, 7000 lb.	Fa	WG	15" x 3"	1245C - 321	R700321	R40H521	R40H9237	R40H3502	R40H3503
1969									
E17	Ra	WG	15" x 6"	4596 - 381	R700381	R40H597	R40H9200	R40H3540	R40H3541 ⁸⁰
	Ra	WG	15" x 6"	4596 - 381	R700381	R40H597	R40H9200	R40H3540	R40H3541 ⁸⁰
	Ra	WG	15" x 7"	4597 - 383	R700383	R40H597	R40H9200	R40H3540	R40H3541 ⁸⁰
RF147, E13, RA115	Ra	BX	15" x 4"	2032 - 402	Discontinued	R40H510	R40H9223	NLA	NLA ⁸¹
	Rm	BX	15" x 4"	2032 - 402	Discontinued	R40H500	R40H9224	R404177	R404176
RF147, RH, E13, E16	Ra	WG	15" x 5"	1252 - 379	Discontinued	R40H597	R40H9200	R40H3540	R40H3541 ⁸⁰
5000, 7000 lb.	Fa	WG	15" x 3"	1245C - 321	R700321	R40H521	R40H9237	R40H3502	R40H3503
700 SERIES									
1971									
E16	Ra	WG	15" x 6"	4596 - 381	R700381	R40H597	R40H9200	R40H3540	R40H3541 ⁸⁰
E17	Ra	WG	15" x 6"	4596 - 381	R700381	R40H597	R40H9200	R40H3540	R40H3541 ⁸⁰
	Ra	WG	15" x 7"	4597 - 383	R700383	R40H597	R40H9200	R40H3540	R40H3541 ⁸⁰
	Ra	WG	15" x 7"	4597 - 383	R700383	R40H597	R40H9200	R40H3540	R40H3541 ⁸⁰
RF147H, E13, E16	Ra	WG	15" x 5"	1252 - 379	Discontinued	R40H597	R40H9200	R40H3540	R40H3541 ⁸⁰
5000, 7000 lb.	Fa	WG	15" x 3"	1245C - 321	R700321	R40H521	R40H9237	R40H3502	R40H3503
9,000 lb.	Fa	WG	15" x 3"	1245C - 321	R700321	R40H521	R40H9237	R40H3502	R40H3503
9,000, 12,000 lb.	Fa	WG	15" x 3-1/2"	1280B - 322	R464004	R40H521	R40H9237	R40H3502	R40H3503
1970									
E16	Ra	WG	15" x 6"	4596 - 381	R700381	R40H597	R40H9200	R40H3540	R40H3541 ⁸⁰
E17	Ra	WG	15" x 6"	4596 - 381	R700381	R40H597	R40H9200	R40H3540	R40H3541 ⁸⁰
	Ra	WG	15" x 7"	4597 - 383	R700383	R40H597	R40H9200	R40H3540	R40H3541 ⁸⁰
	Ra	WG	15" x 7"	4597 - 383	R700383	R40H597	R40H9200	R40H3540	R40H3541 ⁸⁰
RF147H, E13, E16	Ra	WG	15" x 5"	1252 - 379	Discontinued	R40H597	R40H9200	R40H3540	R40H3541 ⁸⁰
5000, 7000 lb.	Fa	WG	15" x 3"	1245C - 321	R700321	R40H521	R40H9237	R40H3502	R40H3503
9,000 lb.	Fa	WG	15" x 3"	1245C - 321	R700321	R40H521	R40H9237	R40H3502	R40H3503
9,000, 12,000 lb.	Fa	WG	15" x 3-1/2"	1280B - 322	R464004	R40H521	R40H9237	R40H3502	R40H3503
1969									
E16	Ra	WG	15" x 6"	4596 - 381	R700381	R40H597	R40H9200	R40H3540	R40H3541 ⁸⁰

80 - 1.67 Ratio

81 - Adjusting Screw is No Longer Available

MERITOR DRUM OR ROTOR NO.	CALIPER OR CYLINDER BORE SIZE	MERITOR CALIPER OR WHEEL CYLINDER (LEFT)	MERITOR CALIPER OR WHEEL CYLINDER (RIGHT)	MERITOR CALIPER OR WHEEL CYLINDER REPAIR KIT	MERITOR CALIPER PISTON	MERITOR MASTER CYLINDER	MERITOR MASTER CYLINDER KIT	MERITOR BRAKE HOSE (LEFT)	MERITOR BRAKE HOSE (RIGHT)
DODGE(Cont.)									
600 SERIES(Cont.)									
-	1-5/8 "	R4133338	R4133338	R4166689	NR	-	-	-	-
-	1-5/8 "	R4133338	R4133338	R4166689	NR	-	-	-	-
-	1-5/8 "	R4133338	R4133338	R4166689	NR	-	-	-	-
-	1-1/2 "	R4133390	R4133390	R4166818	NR	-	-	-	-
-	1-1/2 "	R4133390	R4133390	R4166818	NR	-	-	-	-
-	1-5/8 "	R4133338	R4133338	R4166689	NR	-	-	-	-
-	1-1/8 "	R4133714	R4133715	R4166926	NR	-	-	-	-
-	1-5/8 "	R4133338	R4133338	R4166689	NR	-	-	-	-
-	1-5/8 "	R4133338	R4133338	R4166689	NR	-	-	-	-
-	1-5/8 "	R4133338	R4133338	R4166689	NR	-	-	-	-
-	1-1/2 "	R4133390	R4133390	R4166818	NR	-	-	-	-
-	1-1/2 "	R4133390	R4133390	R4166818	NR	-	-	-	-
-	1-5/8 "	R4133338	R4133338	R4166689	NR	-	-	-	-
-	1-1/8 "	R4133714	R4133715	R4166926	NR	-	-	-	-
-	1-5/8 "	R4133338	R4133338	R4166689	NR	-	-	-	-
-	1-5/8 "	R4133338	R4133338	R4166689	NR	-	-	-	-
-	1-5/8 "	R4133338	R4133338	R4166689	NR	-	-	-	-
-	1-1/2 "	R4133390	R4133390	R4166818	NR	-	-	-	-
-	1-1/2 "	R4133390	R4133390	R4166818	NR	-	-	-	-
-	1-5/8 "	R4133338	R4133338	R4166689	NR	-	-	-	-
-	1-1/8 "	R4133714	R4133715	R4166926	NR	-	-	-	-
-	1-5/8 "	R4133338	R4133338	R4166689	NR	-	-	-	-
-	1-5/8 "	R4133338	R4133338	R4166689	NR	-	-	-	-
-	1-5/8 "	R4133338	R4133338	R4166689	NR	-	-	-	-
-	1-1/2 "	R4133390	R4133390	R4166818	NR	-	-	-	-
-	1-1/2 "	R4133390	R4133390	R4166818	NR	-	-	-	-
-	1-5/8 "	R4133338	R4133338	R4166689	NR	-	-	-	-
-	1-1/8 "	R4133714	R4133715	R4166926	NR	-	-	-	-
-	1-5/8 "	R4133338	R4133338	R4166689	NR	-	-	-	-
-	1-5/8 "	R4133338	R4133338	R4166689	NR	-	-	-	-
-	1-1/2 "	R4133390	R4133390	R4166818	NR	-	-	-	-
-	1-1/2 "	R4133390	R4133390	R4166818	NR	-	-	-	-
-	1-5/8 "	R4133338	R4133338	R4166689	NR	-	-	-	-
-	1-1/8 "	R4133714	R4133715	R4166926	NR	-	-	-	-
700 SERIES									
-	1-5/8 "	R4133338	R4133338	R4166689	NR	-	-	-	-
-	1-5/8 "	R4133338	R4133338	R4166689	NR	-	-	-	-
-	1-5/8 "	R4133338	R4133338	R4166689	NR	-	-	-	-
-	1-5/8 "	R4133338	R4133338	R4166689	NR	-	-	-	-
-	1-1/8 "	R4133714	R4133715	R4166926	NR	-	-	-	-
-	1-1/4 "	R4133582	R4133581	R4166923	NR	-	-	-	-
-	1-1/4 "	R4133582	R4133581	R4166923	NR	-	-	-	-
-	1-5/8 "	R4133338	R4133338	R4166689	NR	-	-	-	-
-	1-5/8 "	R4133338	R4133338	R4166689	NR	-	-	-	-
-	1-5/8 "	R4133338	R4133338	R4166689	NR	-	-	-	-
-	1-5/8 "	R4133338	R4133338	R4166689	NR	-	-	-	-
-	1-1/8 "	R4133714	R4133715	R4166926	NR	-	-	-	-
-	1-1/4 "	R4133582	R4133581	R4166923	NR	-	-	-	-
-	1-1/4 "	R4133582	R4133581	R4166923	NR	-	-	-	-
-	1-5/8 "	R4133338	R4133338	R4166689	NR	-	-	-	-

1 APPLICATION

MAKE MODEL YEAR AXLE CODE AXLE WEIGHT	AXLE & BRK. TYPE	BRK. MFG.	BRAKE SIZE	FMSI	MERITOR DISC PAD OR BRAKE SHOE	MERITOR GUIDE PIN OR RETURN SPRING KIT	MERITOR CALIPER HWD. KIT OR RETURN SPRING KIT	MERITOR ADJUSTER KIT (LEFT WHEEL)	MERITOR ADJUSTER KIT (RIGHT WHEEL)
DODGE(Cont.)									
700 SERIES(Cont.)									
1969									
E17	Ra	WG	15" x 6"	4596 - 381	R700381	R40H597	R40H9200	R40H3540	R40H3541 ⁸⁰
	Ra	WG	15" x 7"	4597 - 383	R700383	R40H597	R40H9200	R40H3540	R40H3541 ⁸⁰
	Ra	WG	15" x 7"	4597 - 383	R700383	R40H597	R40H9200	R40H3540	R40H3541 ⁸⁰
RF147H, E13, E16	Ra	WG	15" x 5"	1252 - 379	Discontinued	R40H597	R40H9200	R40H3540	R40H3541 ⁸⁰
5000, 7000 lb.	Fa	WG	15" x 3"	1245C - 321	R700321	R40H521	R40H9237	R40H3502	R40H3503
9,000 lb.	Fa	WG	15" x 3"	1245C - 321	R700321	R40H521	R40H9237	R40H3502	R40H3503
9,000, 12,000 lb.	Fa	WG	15" x 3-1/2"	1280B - 322	R464004	R40H521	R40H9237	R40H3502	R40H3503
800 SERIES									
1975									
E17	Ra	WG	15" x 6"	4596 - 381	R700381	R40H597	R40H9200	R40H3540	R40H3541 ⁸⁰
	Ra	WG	15" x 6"	4596 - 381	R700381	R40H597	R40H9200	R40H3540	R40H3541 ⁸⁰
	Ra	WG	15" x 7"	4597 - 383	R700383	R40H597	R40H9200	R40H3540	R40H3541 ⁸⁰
	Ra	WG	15" x 7"	4597 - 383	R700383	R40H597	R40H9200	R40H3540	R40H3541 ⁸⁰
5000, 5500, 7000, 9000 lb.	Fa	WG	15" x 3"	1245C - 321	R700321	R40H521	R40H9237	R40H3502	R40H3503
	Fa	WG	15" x 3"	1245C - 321	R700321	R40H521	R40H9237	R40H3502	R40H3503
9,000, 12,000 lb.	Fa	WG	15" x 3-1/2"	1280B - 322	R464004	R40H521	R40H9237	R40H3502	R40H3503
1974									
E17	Ra	WG	15" x 6"	4596 - 381	R700381	R40H597	R40H9200	R40H3540	R40H3541 ⁸⁰
	Ra	WG	15" x 6"	4596 - 381	R700381	R40H597	R40H9200	R40H3540	R40H3541 ⁸⁰
	Ra	WG	15" x 7"	4597 - 383	R700383	R40H597	R40H9200	R40H3540	R40H3541 ⁸⁰
	Ra	WG	15" x 7"	4597 - 383	R700383	R40H597	R40H9200	R40H3540	R40H3541 ⁸⁰
5000, 5500, 7000, 9000 lb.	Fa	WG	15" x 3"	1245C - 321	R700321	R40H521	R40H9237	R40H3502	R40H3503
	Fa	WG	15" x 3"	1245C - 321	R700321	R40H521	R40H9237	R40H3502	R40H3503
9,000, 12,000 lb.	Fa	WG	15" x 3-1/2"	1280B - 322	R464004	R40H521	R40H9237	R40H3502	R40H3503
1973									
E17	Ra	WG	15" x 6"	4596 - 381	R700381	R40H597	R40H9200	R40H3540	R40H3541 ⁸⁰
	Ra	WG	15" x 6"	4596 - 381	R700381	R40H597	R40H9200	R40H3540	R40H3541 ⁸⁰
	Ra	WG	15" x 7"	4597 - 383	R700383	R40H597	R40H9200	R40H3540	R40H3541 ⁸⁰
	Ra	WG	15" x 7"	4597 - 383	R700383	R40H597	R40H9200	R40H3540	R40H3541 ⁸⁰
5000, 5500, 7000, 9000 lb.	Fa	WG	15" x 3"	1245C - 321	R700321	R40H521	R40H9237	R40H3502	R40H3503
	Fa	WG	15" x 3"	1245C - 321	R700321	R40H521	R40H9237	R40H3502	R40H3503
9,000, 12,000 lb.	Fa	WG	15" x 3-1/2"	1280B - 322	R464004	R40H521	R40H9237	R40H3502	R40H3503
1972									
E17	Ra	WG	15" x 6"	4596 - 381	R700381	R40H597	R40H9200	R40H3540	R40H3541 ⁸⁰
	Ra	WG	15" x 6"	4596 - 381	R700381	R40H597	R40H9200	R40H3540	R40H3541 ⁸⁰
	Ra	WG	15" x 7"	4597 - 383	R700383	R40H597	R40H9200	R40H3540	R40H3541 ⁸⁰
	Ra	WG	15" x 7"	4597 - 383	R700383	R40H597	R40H9200	R40H3540	R40H3541 ⁸⁰
5000, 5500, 7000, 9000 lb.	Fa	WG	15" x 3"	1245C - 321	R700321	R40H521	R40H9237	R40H3502	R40H3503
	Fa	WG	15" x 3"	1245C - 321	R700321	R40H521	R40H9237	R40H3502	R40H3503
9,000, 12,000 lb.	Fa	WG	15" x 3-1/2"	1280B - 322	R464004	R40H521	R40H9237	R40H3502	R40H3503
1971									
E17	Ra	WG	15" x 6"	4596 - 381	R700381	R40H597	R40H9200	R40H3540	R40H3541 ⁸⁰
	Ra	WG	15" x 6"	4596 - 381	R700381	R40H597	R40H9200	R40H3540	R40H3541 ⁸⁰
	Ra	WG	15" x 7"	4597 - 383	R700383	R40H597	R40H9200	R40H3540	R40H3541 ⁸⁰
	Ra	WG	15" x 7"	4597 - 383	R700383	R40H597	R40H9200	R40H3540	R40H3541 ⁸⁰
5000, 5500, 7000, 9000 lb.	Fa	WG	15" x 3"	1245C - 321	R700321	R40H521	R40H9237	R40H3502	R40H3503
	Fa	WG	15" x 3"	1245C - 321	R700321	R40H521	R40H9237	R40H3502	R40H3503
9,000, 12,000 lb.	Fa	WG	15" x 3-1/2"	1280B - 322	R464004	R40H521	R40H9237	R40H3502	R40H3503
1970									
E17	Ra	WG	15" x 6"	4596 - 381	R700381	R40H597	R40H9200	R40H3540	R40H3541 ⁸⁰
	Ra	WG	15" x 6"	4596 - 381	R700381	R40H597	R40H9200	R40H3540	R40H3541 ⁸⁰
	Ra	WG	15" x 7"	4597 - 383	R700383	R40H597	R40H9200	R40H3540	R40H3541 ⁸⁰
	Ra	WG	15" x 7"	4597 - 383	R700383	R40H597	R40H9200	R40H3540	R40H3541 ⁸⁰
5000, 5500, 7000, 9000 lb.	Fa	WG	15" x 3"	1245C - 321	R700321	R40H521	R40H9237	R40H3502	R40H3503
	Fa	WG	15" x 3"	1245C - 321	R700321	R40H521	R40H9237	R40H3502	R40H3503
9,000, 12,000 lb.	Fa	WG	15" x 3-1/2"	1280B - 322	R464004	R40H521	R40H9237	R40H3502	R40H3503
1969									
E17	Ra	WG	15" x 6"	4596 - 381	R700381	R40H597	R40H9200	R40H3540	R40H3541 ⁸⁰
	Ra	WG	15" x 6"	4596 - 381	R700381	R40H597	R40H9200	R40H3540	R40H3541 ⁸⁰
	Ra	WG	15" x 7"	4597 - 383	R700383	R40H597	R40H9200	R40H3540	R40H3541 ⁸⁰
	Ra	WG	15" x 7"	4597 - 383	R700383	R40H597	R40H9200	R40H3540	R40H3541 ⁸⁰
5000, 5500, 7000, 9000 lb.	Fa	WG	15" x 3"	1245C - 321	R700321	R40H521	R40H9237	R40H3502	R40H3503
	Fa	WG	15" x 3"	1245C - 321	R700321	R40H521	R40H9237	R40H3502	R40H3503

MERITOR DRUM OR ROTOR NO.	CALIPER OR CYLINDER BORE SIZE	MERITOR CALIPER OR WHEEL CYLINDER (LEFT)	MERITOR CALIPER OR WHEEL CYLINDER (RIGHT)	MERITOR CALIPER OR WHEEL CYLINDER REPAIR KIT	MERITOR CALIPER PISTON	MERITOR MASTER CYLINDER	MERITOR MASTER CYLINDER KIT	MERITOR BRAKE HOSE (LEFT)	MERITOR BRAKE HOSE (RIGHT)
DODGE(Cont.)									
700 SERIES(Cont.)									
-	1-5/8 "	R4133338	R4133338	R4166689	NR	-	-	-	-
-	1-5/8 "	R4133338	R4133338	R4166689	NR	-	-	-	-
-	1-5/8 "	R4133338	R4133338	R4166689	NR	-	-	-	-
-	1-5/8 "	R4133338	R4133338	R4166689	NR	-	-	-	-
-	1-1/8 "	R4133714	R4133715	R4166926	NR	-	-	-	-
-	1-1/4 "	R4133582	R4133581	R4166923	NR	-	-	-	-
-	1-1/4 "	R4133582	R4133581	R4166923	NR	-	-	-	-
800 SERIES									
-	1-5/8 "	R4133338	R4133338	R4166689	NR	-	-	-	-
-	1-5/8 "	R4133338	R4133338	R4166689	NR	-	-	-	-
-	1-5/8 "	R4133338	R4133338	R4166689	NR	-	-	-	-
-	1-5/8 "	R4133338	R4133338	R4166689	NR	-	-	-	-
-	1-1/4 "	R4133582	R4133581	R4166923	NR	-	-	-	-
-	1-1/8 "	R4133714	R4133715	R4166926	NR	-	-	-	-
-	1-1/4 "	R4133582	R4133581	R4166923	NR	-	-	-	-
-	1-5/8 "	R4133338	R4133338	R4166689	NR	-	-	-	-
-	1-5/8 "	R4133338	R4133338	R4166689	NR	-	-	-	-
-	1-5/8 "	R4133338	R4133338	R4166689	NR	-	-	-	-
-	1-5/8 "	R4133338	R4133338	R4166689	NR	-	-	-	-
-	1-1/8 "	R4133714	R4133715	R4166926	NR	-	-	-	-
-	1-1/4 "	R4133582	R4133581	R4166923	NR	-	-	-	-
-	1-1/4 "	R4133582	R4133581	R4166923	NR	-	-	-	-
-	1-5/8 "	R4133338	R4133338	R4166689	NR	-	-	-	-
-	1-5/8 "	R4133338	R4133338	R4166689	NR	-	-	-	-
-	1-5/8 "	R4133338	R4133338	R4166689	NR	-	-	-	-
-	1-5/8 "	R4133338	R4133338	R4166689	NR	-	-	-	-
-	1-1/4 "	R4133582	R4133581	R4166923	NR	-	-	-	-
-	1-1/8 "	R4133714	R4133715	R4166926	NR	-	-	-	-
-	1-1/4 "	R4133582	R4133581	R4166923	NR	-	-	-	-
-	1-5/8 "	R4133338	R4133338	R4166689	NR	-	-	-	-
-	1-5/8 "	R4133338	R4133338	R4166689	NR	-	-	-	-
-	1-5/8 "	R4133338	R4133338	R4166689	NR	-	-	-	-
-	1-5/8 "	R4133338	R4133338	R4166689	NR	-	-	-	-
-	1-1/4 "	R4133582	R4133581	R4166923	NR	-	-	-	-
-	1-1/8 "	R4133714	R4133715	R4166926	NR	-	-	-	-
-	1-1/4 "	R4133582	R4133581	R4166923	NR	-	-	-	-
-	1-5/8 "	R4133338	R4133338	R4166689	NR	-	-	-	-
-	1-5/8 "	R4133338	R4133338	R4166689	NR	-	-	-	-
-	1-5/8 "	R4133338	R4133338	R4166689	NR	-	-	-	-
-	1-5/8 "	R4133338	R4133338	R4166689	NR	-	-	-	-
-	1-1/4 "	R4133582	R4133581	R4166923	NR	-	-	-	-
-	1-1/8 "	R4133714	R4133715	R4166926	NR	-	-	-	-
-	1-1/4 "	R4133582	R4133581	R4166923	NR	-	-	-	-

MAKE MODEL YEAR AXLE CODE AXLE WEIGHT	AXLE & BRK. TYPE	BRK. MFG.	BRAKE SIZE	FMSI	MERITOR DISC PAD OR BRAKE SHOE	MERITOR GUIDE PIN OR RETURN SPRING KIT	MERITOR CALIPER HWD. KIT OR RETURN SPRING KIT	MERITOR ADJUSTER KIT (LEFT WHEEL)	MERITOR ADJUSTER KIT (RIGHT WHEEL)
DODGE(Cont.)									
800 SERIES(Cont.)									
1969 9,000, 12,000 lb.	Fa	WG	15 " x 3-1/2 "	1280B - 322	R464004	R40H521	R40H9237	R40H3502	R40H3503
900 SERIES									
1973	Fa	WG	15 " x 3 "	1245C - 321	R700321	R40H521	R40H9237	R40H3502	R40H3503
E-300, R-SHHD	TRa	WG	15 " x 5 "	1252 - 379	Discontinued	R40H597	R40H9200	R40H3540	R40H3541 ⁸⁰
	TRa	WG	15 " x 6 "	4596 - 381	R700381	R40H597	R40H9200	R40H3540	R40H3541 ⁸⁰
5000, 7000, 9000 lb.	Fa	WG	15 " x 3 "	1245C - 321	R700321	R40H521	R40H9237	R40H3502	R40H3503
12,000 lb.	Fa	WG	15 " x 3-1/2 "	1280B - 322	R464004	R40H521	R40H9237	R40H3502	R40H3503
1972	Fa	WG	15 " x 3 "	1245C - 321	R700321	R40H521	R40H9237	R40H3502	R40H3503
E-300, R-SHHD	TRa	WG	15 " x 5 "	1252 - 379	Discontinued	R40H597	R40H9200	R40H3540	R40H3541 ⁸⁰
	TRa	WG	15 " x 6 "	4596 - 381	R700381	R40H597	R40H9200	R40H3540	R40H3541 ⁸⁰
5000, 7000, 9000 lb.	Fa	WG	15 " x 3 "	1245C - 321	R700321	R40H521	R40H9237	R40H3502	R40H3503
12,000 lb.	Fa	WG	15 " x 3-1/2 "	1280B - 322	R464004	R40H521	R40H9237	R40H3502	R40H3503
1971	Fa	WG	15 " x 3 "	1245C - 321	R700321	R40H521	R40H9237	R40H3502	R40H3503
E-300, R-SHHD	TRa	WG	15 " x 5 "	1252 - 379	Discontinued	R40H597	R40H9200	R40H3540	R40H3541 ⁸⁰
	TRa	WG	15 " x 6 "	4596 - 381	R700381	R40H597	R40H9200	R40H3540	R40H3541 ⁸⁰
5000, 7000, 9000 lb.	Fa	WG	15 " x 3 "	1245C - 321	R700321	R40H521	R40H9237	R40H3502	R40H3503
12,000 lb.	Fa	WG	15 " x 3-1/2 "	1280B - 322	R464004	R40H521	R40H9237	R40H3502	R40H3503
1970	Fa	WG	15 " x 3 "	1245C - 321	R700321	R40H521	R40H9237	R40H3502	R40H3503
E-300, R-SHHD	TRa	WG	15 " x 5 "	1252 - 379	Discontinued	R40H597	R40H9200	R40H3540	R40H3541 ⁸⁰
	TRa	WG	15 " x 6 "	4596 - 381	R700381	R40H597	R40H9200	R40H3540	R40H3541 ⁸⁰
5000, 7000, 9000 lb.	Fa	WG	15 " x 3 "	1245C - 321	R700321	R40H521	R40H9237	R40H3502	R40H3503
12,000 lb.	Fa	WG	15 " x 3-1/2 "	1280B - 322	R464004	R40H521	R40H9237	R40H3502	R40H3503
1969	Fa	WG	15 " x 3 "	1245C - 321	R700321	R40H521	R40H9237	R40H3502	R40H3503
E-300, R-SHHD	TRa	WG	15 " x 5 "	1252 - 379	Discontinued	R40H597	R40H9200	R40H3540	R40H3541 ⁸⁰
	TRa	WG	15 " x 6 "	4596 - 381	R700381	R40H597	R40H9200	R40H3540	R40H3541 ⁸⁰
5000, 7000, 9000 lb.	Fa	WG	15 " x 3 "	1245C - 321	R700321	R40H521	R40H9237	R40H3502	R40H3503
12,000 lb.	Fa	WG	15 " x 3-1/2 "	1280B - 322	R464004	R40H521	R40H9237	R40H3502	R40H3503
B200, B250 SERIES VAN - 3/4 TON									
2003	Ra		12.125 x 3-1/2 "	2171T - 583	R468140	R40H7299	NR	R40H2598	R40H2599
Rear Wheel Antilock Brakes 4000 lb	Fd	KH		7536 - D655	MD655	R40H5735	R4011133	NR	NR
2002	Ra		12.125 x 3-1/2 "	2171T - 583	R468140	R40H7299	NR	R40H2598	R40H2599
Rear Wheel Antilock Brakes 4000 lb	Fd	KH		7536 - D655	MD655	R40H5735	R4011133	NR	NR
2001	Ra		12.125 x 3-1/2 "	2171T - 583	R468140	R40H7299	NR	R40H2598	R40H2599
All Wheel Antilock Brakes 3300 lb	Fd	KH		7536 - D655	MD655	R40H5735	R4011133	NR	NR
Rear Wheel Antilock Brakes 4000 lb	Fd	KH		7536 - D655	MD655	R40H5735	R4011133	NR	NR
2000	Ra		12.125 x 3-1/2 "	2171T - 583	R468140	R40H7299	NR	R40H2598	R40H2599
All Wheel Antilock Brakes 3300 lb	Fd	KH		7536 - D655	MD655	R40H5735	R4011133	NR	NR
Rear Wheel Antilock Brakes 4000 lb	Fd	KH		7536 - D655	MD655	R40H5735	R4011133	NR	NR
1999	Ra Ra		11 " x 2-1/4 " 12.125 x 3-1/2 "	2182TT - 723 2171T - 583	R46723 R468140	R40H7133 R40H7299	NR NR	R40H2534 R40H2598	R40H2535 R40H2599
All Wheel Antilock Brakes 3300 lb	Fd	KH		7536 - D655	MD655	R40H5735	R4011133	NR	NR
Rear Wheel Antilock Brakes 4000 lb	Fd	KH		7536 - D655	MD655	R40H5735	R4011133	NR	NR
1998	Ra		11 " x 2-1/4 "	2182TT - 723	R46723	R40H7133	NR	R40H2534	R40H2535

80 - 1.67 Ratio

405 - Rotor Only

MERITOR DRUM OR ROTOR NO.	CALIPER OR CYLINDER BORE SIZE	MERITOR CALIPER OR WHEEL CYLINDER (LEFT)	MERITOR CALIPER OR WHEEL CYLINDER (RIGHT)	MERITOR CALIPER OR WHEEL CYLINDER REPAIR KIT	MERITOR CALIPER PISTON	MERITOR MASTER CYLINDER	MERITOR MASTER CYLINDER KIT	MERITOR BRAKE HOSE (LEFT)	MERITOR BRAKE HOSE (RIGHT)
DODGE(Cont.)									
800 SERIES(Cont.)									
-	1-1/4 "	R4133582	R4133581	R4166923	NR	-	-	-	-
900 SERIES									
-	1-1/4 "	R4133582	R4133581	R4166923	NR	-	-	-	-
-	1-5/8 "	R4133338	R4133338	R4166689	NR	-	-	-	-
-	1-5/8 "	R4133338	R4133338	R4166689	NR	-	-	-	-
-	1-1/8 "	R4133714	R4133715	R4166926	NR	-	-	-	-
-	1-1/4 "	R4133582	R4133581	R4166923	NR	-	-	-	-
-	1-1/4 "	R4133582	R4133581	R4166923	NR	-	-	-	-
-	1-5/8 "	R4133338	R4133338	R4166689	NR	-	-	-	-
-	1-5/8 "	R4133338	R4133338	R4166689	NR	-	-	-	-
-	1-1/8 "	R4133714	R4133715	R4166926	NR	-	-	-	-
-	1-1/4 "	R4133582	R4133581	R4166923	NR	-	-	-	-
-	1-1/4 "	R4133582	R4133581	R4166923	NR	-	-	-	-
-	1-5/8 "	R4133338	R4133338	R4166689	NR	-	-	-	-
-	1-5/8 "	R4133338	R4133338	R4166689	NR	-	-	-	-
-	1-1/8 "	R4133714	R4133715	R4166926	NR	-	-	-	-
-	1-1/4 "	R4133582	R4133581	R4166923	NR	-	-	-	-
-	1-1/4 "	R4133582	R4133581	R4166923	NR	-	-	-	-
-	1-5/8 "	R4133338	R4133338	R4166689	NR	-	-	-	-
-	1-5/8 "	R4133338	R4133338	R4166689	NR	-	-	-	-
-	1-1/8 "	R4133714	R4133715	R4166926	NR	-	-	-	-
-	1-1/4 "	R4133582	R4133581	R4166923	NR	-	-	-	-
-	1-1/4 "	R4133582	R4133581	R4166923	NR	-	-	-	-
-	1-5/8 "	R4133338	R4133338	R4166689	NR	-	-	-	-
-	1-5/8 "	R4133338	R4133338	R4166689	NR	-	-	-	-
-	1-1/8 "	R4133714	R4133715	R4166926	NR	-	-	-	-
-	1-1/4 "	R4133582	R4133581	R4166923	NR	-	-	-	-
B200, B250 SERIES VAN - 3/4 TON									
R44140716	1 "	R4133004	R4133005	R4133484	-	-	-	-	-
R44145202	56mm	R4255888	R4255887	R4012094	R4012093	R4113488	-	R4578874	R4578873
R44140716	1 "	R4133004	R4133005	R4133484	-	-	-	-	-
R44145202	56mm	R4255888	R4255887	R4012094	R4012093	R4113488	-	R4578874	R4578873
R44140716	1 "	R4133004	R4133005	R4133484	-	-	-	-	-
R44141922 ⁴⁰⁵	56mm	R4255888	R4255887	R4012094	R4012093	R4113488	-	R4578872	R4578873
R44145202	56mm	R4255888	R4255887	R4012094	R4012093	R4113488	-	R4578874	R4578873
R44140716	1 "	R4133004	R4133005	R4133484	-	-	-	-	-
R44141922 ⁴⁰⁵	56mm	R4255888	R4255887	R4012094	R4012093	R4113488	-	R4578872	R4578873
R44145202	56mm	R4255888	R4255887	R4012094	R4012093	R4113488	-	R4578874	R4578873
R44140724	1 "	R4133004	R4133005	R4133484	-	-	-	-	-
R44140716	1 "	R4133004	R4133005	R4133484	-	-	-	-	-
R44141922 ⁴⁰⁵	56mm	R4255888	R4255887	R4012094	R4012093	R4113488	-	R4578872	R4578873
R44145202	56mm	R4255888	R4255887	R4012094	R4012093	R4113488	-	R4578874	R4578873
R44140724	15/16 "	R4133597	R4133597	R4166852	NR	-	-	-	-

MAKE MODEL YEAR AXLE CODE AXLE WEIGHT	AXLE & BRK. TYPE	BRK. MFG.	BRAKE SIZE	FMSI	MERITOR DISC PAD OR BRAKE SHOE	MERITOR GUIDE PIN OR RETURN SPRING KIT	MERITOR CALIPER HWD. KIT OR RETURN SPRING KIT	MERITOR ADJUSTER KIT (LEFT WHEEL)	MERITOR ADJUSTER KIT (RIGHT WHEEL)
DODGE(Cont.)									
B200, B250 SERIES VAN - 3/4 TON(Cont.)									
1998									
9.25 HD Chrysler Rear Axle	Ra		12.125 x 3-1/2 "	2171T - 583	R468140	R40H608	R40H7299	R40H2598	R40H2599
All Wheel Antilock Brakes 3300 lb	Fd	KH		7536 - D655	MD655	R40H5735	R4011133	NR	NR
Rear Wheel Antilock Brakes 4000 lb	Fd	KH		7536 - D655	MD655	R40H5735	R4011133	NR	NR
Dana 60 Rear Axle 5500 lb	Ra		12.125 x 3-1/2 "	2171T - 583	R468140	R40H608	R40H7299	R40H2598	R40H2599
B200, B250, PB200, PB250 SERIES VAN - 3/4 TON									
1997									
	Ra	BX	12 " x 2-1/2 "	2146AT - 357	R46357	R40H547	R40H4087	R40H2598	R40H2599
All Wheel Antilock Brakes	Fd	KH		7179 - D269	MD269	NR	R40H5516	NR	NR
Rear Wheel Antilock Brakes	Fd	KH		7179 - D269	MD269	NR	R40H5516	NR	NR
1996									
	Ra	BX	12 " x 2-1/2 "	2146AT - 357	R46357	R40H547	R40H4087	R40H2598	R40H2599
All Wheel Antilock Brakes	Fd	KH		7179 - D269	MD269	NR	R40H5516	NR	NR
Rear Wheel Antilock Brakes	Fd	KH		7179 - D269	MD269	NR	R40H5516	NR	NR
1995									
	Ra	BX	12 " x 2-1/2 "	2146AT - 357	R46357	R40H547	R40H4087	R40H2598	R40H2599
All Wheel Antilock Brakes	Fd	KH		7179 - D269	MD269	NR	R40H5516	NR	NR
Rear Wheel Antilock Brakes	Fd	KH		7179 - D269	MD269	NR	R40H5516	NR	NR
1994									
	Ra	BX	12 " x 2-1/2 "	2146AT - 357	R46357	R40H547	R40H4087	R40H2598	R40H2599
All Wheel Antilock Brakes	Fd	KH		7179 - D269	MD269	NR	R40H5516	NR	NR
Rear Wheel Antilock Brakes	Fd	KH		7179 - D269	MD269	NR	R40H5516	NR	NR
1993									
	Fd	KH		7179 - D269	MD269	NR	R40H5516	NR	NR
	Ra	BX	11 " x 2-1/2 "	2025T - 446	R46446	R40H111	R40H7133	R40H2534	R40H2535
1992									
	Fd	KH		7179 - D269	MD269	NR	R40H5516	NR	NR
	Ra	BX	11 " x 2-1/2 "	2025T - 446	R46446	R40H111	R40H7133	R40H2534	R40H2535
1991									
	Fd	KH		7179 - D269	MD269	NR	R40H5516	NR	NR
	Ra	BX	11 " x 2-1/2 "	2025T - 446	R46446	R40H111	R40H7133	R40H2534	R40H2535
1990									
	Fd	KH		7179 - D269	MD269	NR	R40H5516	NR	NR
	Ra	BX	11 " x 2-1/2 "	2025T - 446	R46446	R40H111	R40H7133	R40H2534	R40H2535
1989									
	Fd	KH		7179 - D269	MD269	NR	R40H5516	NR	NR
	Ra	BX	11 " x 2-1/2 "	2025T - 446	R46446	R40H111	R40H7133	R40H2534	R40H2535
1988									
	Fd	KH		7179 - D269	MD269	NR	R40H5516	NR	NR
	Ra	BX	11 " x 2-1/2 "	2025T - 446	R46446	R40H111	R40H7133	R40H2534	R40H2535
1987									
	Fd	KH		7179 - D269	MD269	NR	R40H5516	NR	NR
	Ra	BX	11 " x 2-1/2 "	2025T - 446	R46446	R40H111	R40H7133	R40H2534	R40H2535
1986									
	Fd	KH		7179 - D269	MD269	NR	R40H5516	NR	NR
	Ra	BX	11 " x 2-1/2 "	2025T - 446	R46446	R40H111	R40H7133	R40H2534	R40H2535
1985									
	Fd	KH		7179 - D269	MD269	NR	R40H5516	NR	NR
	Ra	BX	11 " x 2-1/2 "	2025T - 446	R46446	R40H111	R40H7133	R40H2534	R40H2535
1984									
	Fd	KH		7179 - D269	MD269	NR	R40H5516	NR	NR
	Ra	BX	11 " x 2-1/2 "	2025T - 446	R46446	R40H111	R40H7133	R40H2534	R40H2535
1983									
	Ra	BX	10 " x 2-1/2 "	2089T - 445	R46445	R40H102	R40H7044	R40H2528	R40H2529
3,300 lb.	Fd	CH		7019 - D86	MD269	NR	R40H5516	NR	NR
1982									
	Ra	BX	10 " x 2-1/2 "	2089T - 445	R46445	R40H102	R40H7044	R40H2528	R40H2529
Except 3300 lb.	Fd	CH		7019 - D86	MD269	NR	R40H5516	NR	NR
3,300 lb.	Fd	CH		7019 - D86	MD269	NR	R40H5516	NR	NR
1981									
	Ra	BX	10 " x 2-1/2 "	2089T - 445	R46445	R40H102	R40H7044	R40H2528	R40H2529

53 - Power Brakes
 82 - 5 Stud Rotor
 118 - Gasoline Engine, Power Brakes, Plastic Reservoir
 www.XpresswayPlus.com

78 - Finned Drum
 83 - 5" Bolt Circle
 405 - Rotor Only

79 - Inboard Mounting
 84 - 9 1/4" Ring Gear, Heavy Duty Axle

MERITOR DRUM OR ROTOR NO.	CALIPER OR CYLINDER BORE SIZE	MERITOR CALIPER OR WHEEL CYLINDER (LEFT)	MERITOR CALIPER OR WHEEL CYLINDER (RIGHT)	MERITOR CALIPER OR WHEEL CYLINDER REPAIR KIT	MERITOR CALIPER PISTON	MERITOR MASTER CYLINDER	MERITOR MASTER CYLINDER KIT	MERITOR BRAKE HOSE (LEFT)	MERITOR BRAKE HOSE (RIGHT)
DODGE(Cont.)									
B200, B250 SERIES VAN - 3/4 TON(Cont.)									
R44140685 ⁸⁴	15/16 "	R4133597	R4133597	R4166852	NR	-	-	-	-
R44141922 ⁴⁰⁵	56mm	R4255888	R4255887	R4012094	R4012093	R4113488	-	R4578872	R4578873
R44145202	56mm	R4255888	R4255887	R4012094	R4012093	R4113488	-	R4578874	R4578873
R44140267 ⁷⁹	15/16 "	R4133597	R4133597	R4166852	NR	-	-	-	-
B200, B250, PB200, PB250 SERIES VAN - 3/4 TON									
R44140267 ⁷⁹	7/8 "	R4133627	R4133628	R4166820	NR	-	-	R4577914	R4577914
R44141922 ⁴⁰⁵	3-3/32 "	R42R55119	R42R55118	R4066587	R4090018P	R4112519 ⁵³	N/A	R4578136	R4577317
R44141381 ⁸²	3-3/32 "	R42R55119	R42R55118	R4066587	R4090018P	R4112519 ⁵³	N/A	R4578137	R4577317
R44140267 ⁷⁹	7/8 "	R4133627	R4133628	R4166820	NR	-	-	R4577914	R4577914
R44141922 ⁴⁰⁵	3-3/32 "	R42R55119	R42R55118	R4066587	R4090018P	R4112519 ⁵³	N/A	R4578136	R4577317
R44141381 ⁸²	3-3/32 "	R42R55119	R42R55118	R4066587	R4090018P	R4112519 ⁵³	N/A	R4578137	R4577317
R44140267 ⁷⁹	7/8 "	R4133627	R4133628	R4166820	NR	-	-	R4577914	R4577914
R44141922 ⁴⁰⁵	3-3/32 "	R42R55119	R42R55118	R4066587	R4090018P	R4112519 ⁵³	N/A	R4578136	R4577317
R44141381 ⁸²	3-3/32 "	R42R55119	R42R55118	R4066587	R4090018P	R4112519 ⁵³	N/A	R4578137	R4577317
R44141381 ⁸²	3-3/32 "	R42R55119	R42R55118	R4066587	R4090018P	R4112519 ⁵³	N/A	R4577909	R4577317
R441404090 ⁸³	15/16 "	R4133597	R4133597	R4166852	NR	-	-	R4577914	R4577914
R44141381 ⁸²	3-3/32 "	R42R55119	R42R55118	R4066587	R4090018P	R4111860 ¹¹⁸	R4122388	R4577909	R4577317
R441404090 ⁸³	15/16 "	R4133597	R4133597	R4166852	NR	-	-	R4577914	R4577914
R44141381 ⁸²	3-3/32 "	R42R55119	R42R55118	R4066587	R4090018P	R4111860 ¹¹⁸	R4122388	R4577909	R4577317
R441404090 ⁸³	15/16 "	R4133597	R4133597	R4166852	NR	-	-	R4577914	R4577914
R44141381 ⁸²	3-3/32 "	R42R55119	R42R55118	R4066587	R4090018P	R4111860 ¹¹⁸	R4122388	R4577909	R4577317
R441404090 ⁸³	15/16 "	R4133597	R4133597	R4166852	NR	-	-	R4577914	R4577914
R44141381 ⁸²	3-3/32 "	R42R55119	R42R55118	R4066587	R4090018P	R4111860 ¹¹⁸	R4122388	R4577909	R4577317
R441404090 ⁸³	15/16 "	R4133597	R4133597	R4166852	NR	-	-	R4577914	R4577914
R44141381 ⁸²	3-3/32 "	R42R55119	R42R55118	R4066587	R4090018P	R4111860 ¹¹⁸	R4122388	R4577909	R4577317
R441404090 ⁸³	15/16 "	R4133597	R4133597	R4166852	NR	-	-	R4577914	R4577914
R44141381 ⁸²	3-3/32 "	R42R55119	R42R55118	R4066587	R4090018P	R4111860 ¹¹⁸	R4122388	R4577909	R4577317
R441404090 ⁸³	15/16 "	R4133597	R4133597	R4166852	NR	-	-	R4577914	R4577914
R44141381 ⁸²	3-3/32 "	R42R55119	R42R55118	R4066587	R4090018P	R4111860 ¹¹⁸	R4122388	R4577909	R4577317
R441404090 ⁸³	15/16 "	R4133597	R4133597	R4166852	NR	-	-	R4577914	R4577914
R44140566 ⁷⁸	15/16 "	R4133597	R4133597	R4166852	NR	-	-	R4577914	R4577914
R44141146 ⁸²	3-3/32 "	R42R55119	R42R55118	R4066587	R4090018P	R4111860 ¹¹⁸	R4122388	R4577909	R4577317
R44140566 ⁷⁸	15/16 "	R4133597	R4133597	R4166852	NR	-	-	-	-
R44141072	3-3/32 "	R42R55119	R42R55118	R4066587	R4090018P	R4111860 ¹¹⁸	R4122388	-	-
R44141146 ⁸²	3-3/32 "	R42R55119	R42R55118	R4066587	R4090018P	R4111860 ¹¹⁸	R4122388	-	-
R44140566 ⁷⁸	15/16 "	R4133597	R4133597	R4166852	NR	-	-	R4577315	R4577315

MAKE MODEL YEAR AXLE CODE AXLE WEIGHT	AXLE & BRK. TYPE	BRK. MFG.	BRAKE SIZE	FMSI	MERITOR DISC PAD OR BRAKE SHOE	MERITOR GUIDE PIN OR RETURN SPRING KIT	MERITOR CALIPER HWD. KIT OR RETURN SPRING KIT	MERITOR ADJUSTER KIT (LEFT WHEEL)	MERITOR ADJUSTER KIT (RIGHT WHEEL)
DODGE(Cont.)									
B200, B250, PB200, PB250 SERIES VAN - 3/4 TON(Cont.)									
1981 Except 3300 lb.	Fd Fd	CH CH		7019 - D86 7019 - D86	MD269 MD269	NR NR	R40H5516 R40H5516	NR NR	NR NR
3,300 lb.	Fd Fd	CH CH		7019 - D86 7019 - D86	MD269 MD269	NR NR	R40H5516 R40H5516	NR NR	NR NR
1980	Ra Ra	BX BX	10 " x 2-1/2 " 11 " x 2-1/2 "	2089T - 445 2025T - 446	R46445 R46446	R40H102 R40H111	R40H7044 R40H7133	R40H2528 R40H2534	R40H2529 R40H2535
Except 3300 lb.	Fd	CH		7019 - D86	MD269	NR	R40H5516	NR	NR
3,300 lb.	Fd	CH		7019 - D86	MD269	NR	R40H5516	NR	NR
1979	Fd Fd	CH CH		7019 - D86 7019 - D86	MD269 MD269	NR NR	R40H5516 R40H5516	NR NR	NR NR
	Ra Ra	BX BX	10 " x 2-1/2 " 11 " x 2-1/2 "	2089T - 445 2025T - 446	R46445 R46446	R40H102 R40H111	R40H7044 R40H7133	R40H2528 R40H2534	R40H2529 R40H2535
1978	Ra Ra	BX BX	10 " x 2-1/2 " 11 " x 2-1/2 "	2089T - 445 2025T - 446	R46445 R46446	R40H102 R40H111	R40H7044 R40H7133	R40H2528 R40H2534	R40H2529 R40H2535
1977	Fd Ra Ra	CH BX BX		7019 - D86 2089T - 445 2025T - 446	MD269 R46445 R46446	NR R40H102 R40H111	R40H5516 R40H7044 R40H7133	NR R40H2528 R40H2534	NR R40H2529 R40H2535
1976	Fd Ra Ra	CH BX BX		7019 - D86 2089T - 445 2025T - 446	MD269 R46445 R46446	NR R40H102 R40H111	R40H5516 R40H7044 R40H7133	NR R40H2528 R40H2534	NR R40H2529 R40H2535
1975	Fd Ra Ra	CH BX BX		7019 - D86 2089T - 445 2025T - 446	MD269 R46445 R46446	NR R40H102 R40H111	R40H5516 R40H7044 R40H7133	NR R40H2528 R40H2534	NR R40H2529 R40H2535
1974	Fd Ra Ra	CH CH CH		7019 - D86 2025T - 335 2025T - 335	MD269 N/A N/A	NR R40H102 R40H111	R40H5516 R40H7044 R40H7133	NR R40H2528 R40H2534	NR R40H2529 R40H2535
1973	Fd Ra Ra	CH BX BX		7019 - D86 2089T - 445 2025T - 446	MD269 R46445 R46446	NR R40H102 R40H111	R40H5516 R40H7044 R40H7133	NR R40H2528 R40H2534	NR R40H2529 R40H2535
1972	Fa Fd Ra	KH KH BX	11 " x 3 "	2055T - 336 781 - D39 2089T - 333	N/A N/A N/A	R40H111 N/A R40H366	- R407991 R40H4030DP	R40H2534 NR R40H2528	R40H2535 NR R40H2529
1971	Fa Fd Ra	KH KH BX	11 " x 3 "	2055T - 336 781 - D39 2089T - 333	N/A N/A N/A	R40H111 N/A R40H366	- R407991 R40H4030DP	R40H2534 NR R40H2528	R40H2535 NR R40H2529
B300, B350, PB300 SERIES VAN - 1TON									
2003	Ra		12.125 x 3-1/2 "	2171T - 583	R468140	R40H7299	NR	R40H2598	R40H2599
All Wheel Antilock Brakes 3300 lb	Fd	KH		7536 - D655	MD655	R40H5735	R4011133	NR	NR
Rear Wheel Antilock Brakes 4000 lb	Fd	KH		7536 - D655	MD655	R40H5735	R4011133	NR	NR
2002	Ra		12.125 x 3-1/2 "	2171T - 583	R468140	R40H7299	NR	R40H2598	R40H2599
All Wheel Antilock Brakes 3300 lb	Fd	KH		7536 - D655	MD655	R40H5735	R4011133	NR	NR
Rear Wheel Antilock Brakes 4000 lb	Fd	KH		7536 - D655	MD655	R40H5735	R4011133	NR	NR
2001	Ra		12.125 x 3-1/2 "	2171T - 583	R468140	R40H7299	NR	R40H2598	R40H2599
All Wheel Antilock Brakes 3300 lb	Fd	KH		7536 - D655	MD655	R40H5735	R4011133	NR	NR

78 - Finned Drum
118 - Gasoline Engine, Power Brakes, Plastic Reservoir

82 - 5 Stud Rotor
405 - Rotor Only

114 - Power Brakes, Except Plastic Reservoir

MERITOR DRUM OR ROTOR NO.	CALIPER OR CYLINDER BORE SIZE	MERITOR CALIPER OR WHEEL CYLINDER (LEFT)	MERITOR CALIPER OR WHEEL CYLINDER (RIGHT)	MERITOR CALIPER OR WHEEL CYLINDER REPAIR KIT	MERITOR CALIPER PISTON	MERITOR MASTER CYLINDER	MERITOR MASTER CYLINDER KIT	MERITOR BRAKE HOSE (LEFT)	MERITOR BRAKE HOSE (RIGHT)
DODGE(Cont.)									
B200, B250, PB200, PB250 SERIES VAN - 3/4 TON(Cont.)									
R44141072 R44141072	3-3/32 " 3-3/32 "	R42R55119 R42R55119	R42R55118 R42R55118	R4066587 R4066587	R4090018P R4090018P	R4111860 ¹¹⁸ R4111633 ¹¹⁴	R4122388 R4122706	R4577173 R4577173	R4577172 R4577172
R44141146 ⁸² R44141146 ⁸²	3-3/32 " 3-3/32 "	R42R55119 R42R55119	R42R55118 R42R55118	R4066587 R4066587	R4090018P R4090018P	R4111633 ¹¹⁴ R4111860 ¹¹⁸	R4122706 R4122388	R4577173 R4577173	R4577172 R4577172
R44140566 ⁷⁸ R44140365	15/16 " 15/16 "	R4133597 R4133597	R4133597 R4133597	R4166852 R4166852	NR NR	- -	- -	R4577167 R4577167	R4577167 R4577167
R44141072 R44141146 ⁸²	3-3/32 " 3-3/32 "	R42R55119 R42R55119	R42R55118 R42R55118	R4066587 R4066587	R4090018P R4090018P	R4111633 ¹¹⁴ R4111860 ¹¹⁸	R4122706 R4122388	R4577173 R4577173	R4577172 R4577172
N/A N/A	3-3/32 " 3-3/32 "	R42R55119 R42R55119	R42R55118 R42R55118	R4066587 R4066587	R4090018P R4090018P	R4111633 ¹¹⁴ R4111860 ¹¹⁸	R4122706 R4122388	R4577173 -	R4577172 -
N/A R44140365	- -	- -	- -	N/A N/A	NR NR	- -	- -	- -	- -
N/A R44140365	- -	- -	- -	N/A N/A	NR NR	- -	- -	- -	- -
- R44140365	3-3/32 " -	R42R55117 -	R42R55116 -	R4066587 -	R4090018S NR NR	- -	- -	- -	- -
- R44140365	3-3/32 " -	R42R55117 -	R42R55116 -	R4066587 -	R4090018S NR NR	- -	- -	- -	- -
- R44140365	3-3/32 " -	R42R55117 -	R42R55116 -	R4066587 -	R4090018S NR NR	- -	- -	- -	- -
- R44140365	3-3/32 " 15/16 "	R42R55117 R4133597	R42R55116 R4133597	R4066587 -	R4090018S NR NR	- -	- -	- -	- -
- R44140365	3-3/32 " -	R42R55117 -	R42R55116 -	R4066587 -	R4090018S NR NR	- -	- -	- -	- -
- -	- -	- -	- -	- -	- -	- -	- -	- -	- -
- -	- -	- -	- -	R4066851 -	R4090015S NR	- -	- -	- -	- -
- -	- -	- -	- -	R4066851 -	R4090015S NR	- -	- -	- -	- -
B300, B350, PB300 SERIES VAN - 1TON									
R44140716	1 "	R4133004	R4133005	R4133484	-	-	-	-	-
R44141922 ⁴⁰⁵	56mm	R4255888	R4255887	R4012094	R4012093	R4113488	-	R4578872	R4578873
R44145202	56mm	R4255888	R4255887	R4012094	R4012093	R4113488	-	R4578874	R4578873
R44140716	1 "	R4133004	R4133005	R4133484	-	-	-	-	-
R44141922 ⁴⁰⁵	56mm	R4255888	R4255887	R4012094	R4012093	R4113488	-	R4578872	R4578873
R44145202	56mm	R4255888	R4255887	R4012094	R4012093	R4113488	-	R4578874	R4578873
R44140716	1 "	R4133004	R4133005	R4133484	-	-	-	-	-
R44141922 ⁴⁰⁵	56mm	R4255888	R4255887	R4012094	R4012093	R4113488	-	R4578872	R4578873

1 APPLICATION

MAKE MODEL YEAR AXLE CODE AXLE WEIGHT	AXLE & BRK. TYPE	BRK. MFG.	BRAKE SIZE	FMSI	MERITOR DISC PAD OR BRAKE SHOE	MERITOR GUIDE PIN OR RETURN SPRING KIT	MERITOR CALIPER HWD. KIT OR RETURN SPRING KIT	MERITOR ADJUSTER KIT (LEFT WHEEL)	MERITOR ADJUSTER KIT (RIGHT WHEEL)
DODGE(Cont.)									
B300, B350, PB300 SERIES VAN - 1TON(Cont.)									
2001 Rear Wheel Antilock Brakes 4000 lb	Fd	KH		7536 - D655	MD655	R40H5735	R4011133	NR	NR
2000 All Wheel Antilock Brakes 3300 lb	Ra		12.125 x 3-1/2 "	2171T - 583	R468140	R40H7299	NR	R40H2598	R40H2599
Rear Wheel Antilock Brakes 4000 lb	Fd	KH		7536 - D655	MD655	R40H5735	R4011133	NR	NR
1999 Rear Wheel Antilock Brakes 4000 lb	Fd	KH		7536 - D655	MD655	R40H5735	R4011133	NR	NR
1999 All Wheel Antilock Brakes 3300 lb	Ra Ra		11 " x 2-1/4 " 12.125 x 3-1/2 "	2182TT - 723 2171T - 583	R46723 R468140	R40H7133 R40H7299	NR NR	R40H2534 R40H2598	R40H2535 R40H2599
Rear Wheel Antilock Brakes 4000 lb	Fd	KH		7536 - D655	MD655	R40H5735	R4011133	NR	NR
1998 All Wheel Antilock Brakes 3300 lb	Fd	KH		7536 - D655	MD655	R40H5735	R4011133	NR	NR
Rear Wheel Antilock Brakes 4000 lb	Fd	KH		7536 - D655	MD655	R40H5735	R4011133	NR	NR
1998 All Wheel Antilock Brakes 3300 lb	Ra Ra		12.125 x 3-1/2 " 12.125 x 3-1/2 "	2171T - 583 2171T - 583	R468140 R468140	R40H7299 R40H7299	NR NR	R40H2598 R40H2598	R40H2599 R40H2599
Rear Wheel Antilock Brakes 4000 lb	Fd	KH		7536 - D655	MD655	R40H5735	R4011133	NR	NR
B300, B350, PB300, PB350 SERIES VAN - 1TON									
1997 All Wheel Antilock Brakes 3,600 lb.	Fd	KH		7179 - D269	MD269	NR	R40H5516	NR	NR
Rear Wheel Antilock Brakes 3,600 lb.	Fd	KH		7179 - D269	MD269	NR	R40H5516	NR	NR
All Wheel Antilock Brakes 4,000 lb.	Fd	KH		7179 - D269	MD269	NR	R40H5516	NR	NR
Rear Wheel Antilock Brakes 4,000 lb.	Fd	KH		7179 - D269	MD269	NR	R40H5516	NR	NR
5,500 lb.	Ra Ra	BX BX	12 " x 2-1/2 " 12 " x 2-1/2 "	2146AT - 316 2146AT - 316	R46357 R46357	R40H547 R40H547	R40H4087 R40H4087	R40H2598 R40H2598	R40H2599 R40H2599
6200 lb.	Ra		12 " x 3 "	2140T - 314	R46358	R40H547	R40H4087	R40H2598	R40H2599
1996 All Wheel Antilock Brakes 3,600 lb.	Fd	KH		7179 - D269	MD269	NR	R40H5516	NR	NR
Rear Wheel Antilock Brakes 3,600 lb.	Fd	KH		7179 - D269	MD269	NR	R40H5516	NR	NR
All Wheel Antilock Brakes 4,000 lb.	Fd	KH		7179 - D269	MD269	NR	R40H5516	NR	NR
Rear Wheel Antilock Brakes 4,000 lb.	Fd	KH		7179 - D269	MD269	NR	R40H5516	NR	NR
5,500 lb.	Ra Ra	BX BX	12 " x 2-1/2 " 12 " x 2-1/2 "	2146AT - 316 2146AT - 316	R46357 R46357	R40H547 R40H547	R40H4087 R40H4087	R40H2598 R40H2598	R40H2599 R40H2599
6200 lb.	Ra		12 " x 3 "	2140T - 314	R46358	R40H547	R40H4087	R40H2598	R40H2599
1995 All Wheel Antilock Brakes 3,600 lb.	Fd	KH		7179 - D269	MD269	NR	R40H5516	NR	NR
Rear Wheel Antilock Brakes 3,600 lb.	Fd	KH		7179 - D269	MD269	NR	R40H5516	NR	NR
All Wheel Antilock Brakes 4,000 lb.	Fd	KH		7179 - D269	MD269	NR	R40H5516	NR	NR
Rear Wheel Antilock Brakes 4,000 lb.	Fd	KH		7179 - D269	MD269	NR	R40H5516	NR	NR
5,500 lb.	Ra Ra	BX BX	12 " x 2-1/2 " 12 " x 2-1/2 "	2146AT - 316 2146AT - 316	R46357 R46357	R40H547 R40H547	R40H4087 R40H4087	R40H2598 R40H2598	R40H2599 R40H2599
6200 lb.	Ra		12 " x 3 "	2140T - 314	R46358	R40H547	R40H4087	R40H2598	R40H2599
1995 All Wheel Antilock Brakes 3,600 lb.	Fd	KH		7179 - D269	MD269	NR	R40H5516	NR	NR
Rear Wheel Antilock Brakes 3,600 lb.	Fd	KH		7179 - D269	MD269	NR	R40H5516	NR	NR
All Wheel Antilock Brakes 4,000 lb.	Fd	KH		7179 - D269	MD269	NR	R40H5516	NR	NR
Rear Wheel Antilock Brakes 4,000 lb.	Fd	KH		7179 - D269	MD269	NR	R40H5516	NR	NR
5,500 lb.	Ra Ra	BX BX	12 " x 2-1/2 " 12 " x 2-1/2 "	2146AT - 316 2146AT - 316	R46357 R46357	R40H547 R40H547	R40H4087 R40H4087	R40H2598 R40H2598	R40H2599 R40H2599
6200 lb.	Ra		12 " x 3 "	2140T - 314	R46358	R40H547	R40H4087	R40H2598	R40H2599

45 - R44141382 is a hub & rotor, for rotor only use R44141193
 84 - 9 1/4" Ring Gear, Heavy Duty Axle
 89 - Rotor Only with 1/2" Studs
 www.XpresswayPlus.com

53 - Power Brakes
 86 - Dana 60 Axle, Stamped 591 or 2339307, Outboard Mount
 333 - Except 9 1/4" Ring Gear

79 - Inboard Mounting
 87 - Dana 60 Axle, Stamped 593 or 2339303, Outboard Mount
 381 - Rotor and Hub One Piece Assembly W/O ABS Ring

MERITOR DRUM OR ROTOR NO.	CALIPER OR CYLINDER BORE SIZE	MERITOR CALIPER OR WHEEL CYLINDER (LEFT)	MERITOR CALIPER OR WHEEL CYLINDER (RIGHT)	MERITOR CALIPER OR WHEEL CYLINDER REPAIR KIT	MERITOR CALIPER PISTON	MERITOR MASTER CYLINDER	MERITOR MASTER CYLINDER KIT	MERITOR BRAKE HOSE (LEFT)	MERITOR BRAKE HOSE (RIGHT)
DODGE(Cont.)									
B300, B350, PB300 SERIES VAN - 1TON(Cont.)									
R44145202	56mm	R4255888	R4255887	R4012094	R4012093	R4113488	-	R4578874	R4578873
R44140716	1 "	R4133004	R4133005	R4133484	-	-	-	-	-
R44141922 ⁴⁰⁵	56mm	R4255888	R4255887	R4012094	R4012093	R4113488	-	R4578872	R4578873
R44145202	56mm	R4255888	R4255887	R4012094	R4012093	R4113488	-	R4578874	R4578873
R44140716	-	-	-	-	-	-	-	-	-
R44141922 ⁴⁰⁵	56mm	R4255888	R4255887	R4012094	R4012093	R4113488	-	R4578872	R4578873
R44145202	56mm	R4255888	R4255887	R4012094	R4012093	R4113488	-	R4578874	R4578873
R44140716	7/8 "	R4133627	R4133628	R4166820	-	-	-	-	-
R44140716	1 "	R4133004	R4133005	R4133484	-	-	-	-	-
R44141922 ⁴⁰⁵	56mm	R4255888	R4255887	R4012094	R4012093	R4113488	-	R4578872	R4578873
R44145202	56mm	R4255888	R4255887	R4012094	R4012093	R4113488	-	R4578874	R4578873
B300, B350, PB300, PB350 SERIES VAN - 1TON									
R44140686 ⁸⁶	7/8 "	R4133627	R4133628	N/A	NR	-	-	R4577915	R4577915
R44140679 ⁸⁷	7/8 "	R4133627	R4133628	N/A	NR	-	-	R4577915	R4577915
R44140679 ⁸⁷	1 "	R4133004	R4133004	R4166822	NR	-	-	R4577915	R4577915
R44140685 ⁸⁴	7/8 "	R4133627	R4133628	N/A	NR	-	-	R4577915	R4577915
R44140685 ⁸⁴	1 "	R4133004	R4133004	R4166822	NR	-	-	R4577915	R4577915
R44141924 ³⁸¹	3-3/32 "	R42R55119	R42R55118	R4066587	R4090018P	R4112519 ⁵³	N/A	R4578136	R4577317
R44141382 ⁴⁵	3-3/32 "	R42R55119	R42R55118	R4066587	R4090018P	R4112519 ⁵³	N/A	R4578137	R4577317
R44141193 ⁸⁹	3-3/32 "	R42R55119	R42R55118	R4066587	R4090018P	R4112519 ⁵³	N/A	R4578136	R4577317
R44141193 ⁸⁹	3-3/32 "	R42R55119	R42R55118	R4066587	R4090018P	R4112519 ⁵³	N/A	R4578137	R4577317
R44140267 ⁷⁹	7/8 "	R4133627	R4133628	N/A	NR	-	-	R4577915	R4577915
R44140267 ⁷⁹	1 "	R4133004	R4133004	R4166822	NR	-	-	R4577915	R4577915
R44140264 ³³³	7/8 "	R4133627	R4133628	N/A	NR	-	-	R4577915	R4577915
R44140686 ⁸⁶	7/8 "	R4133627	R4133628	N/A	NR	-	-	R4577915	R4577915
R44140679 ⁸⁷	7/8 "	R4133627	R4133628	N/A	NR	-	-	R4577915	R4577915
R44140685 ⁸⁴	7/8 "	R4133627	R4133628	N/A	NR	-	-	R4577915	R4577915
R44140685 ⁸⁴	1 "	R4133004	R4133004	R4166822	NR	-	-	R4577915	R4577915
R44140679 ⁸⁷	1 "	R4133004	R4133004	R4166822	NR	-	-	R4577915	R4577915
R44141924 ³⁸¹	3-3/32 "	R42R55119	R42R55118	R4066587	R4090018P	R4112519 ⁵³	N/A	R4578136	R4577317
R44141382 ⁴⁵	3-3/32 "	R42R55119	R42R55118	R4066587	R4090018P	R4112519 ⁵³	N/A	R4578137	R4577317
R44141193 ⁸⁹	3-3/32 "	R42R55119	R42R55118	R4066587	R4090018P	R4112519 ⁵³	N/A	R4578136	R4577317
R44141193 ⁸⁹	3-3/32 "	R42R55119	R42R55118	R4066587	R4090018P	R4112519 ⁵³	N/A	R4578137	R4577317
R44140267 ⁷⁹	1 "	R4133004	R4133004	R4166822	NR	-	-	R4577915	R4577915
R44140267 ⁷⁹	7/8 "	R4133627	R4133628	N/A	NR	-	-	R4577915	R4577915
R44140264 ³³³	7/8 "	R4133627	R4133628	N/A	NR	-	-	R4577915	R4577915
R44140686 ⁸⁶	7/8 "	R4133627	R4133628	N/A	NR	-	-	R4577915	R4577915
R44140679 ⁸⁷	7/8 "	R4133627	R4133628	N/A	NR	-	-	R4577915	R4577915
R44140685 ⁸⁴	1 "	R4133004	R4133004	R4166822	NR	-	-	R4577915	R4577915
R44140685 ⁸⁴	7/8 "	R4133627	R4133628	N/A	NR	-	-	R4577915	R4577915
R44140679 ⁸⁷	1 "	R4133004	R4133004	R4166822	NR	-	-	R4577915	R4577915

405 - Rotor Only

MAKE MODEL YEAR AXLE CODE AXLE WEIGHT	AXLE & BRK. TYPE	BRK. MFG.	BRAKE SIZE	FMSI	MERITOR DISC PAD OR BRAKE SHOE	MERITOR GUIDE PIN OR RETURN SPRING KIT	MERITOR CALIPER HWD. KIT OR RETURN SPRING KIT	MERITOR ADJUSTER KIT (LEFT WHEEL)	MERITOR ADJUSTER KIT (RIGHT WHEEL)
DODGE(Cont.)									
B300, B350, PB300, PB350 SERIES VAN - 1TON(Cont.)									
1995									
All Wheel Antilock Brakes 3,600 lb.	Fd	KH		7179 - D269	MD269	NR	R40H5516	NR	NR
Rear Wheel Antilock Brakes 3,600 lb.	Fd	KH		7179 - D269	MD269	NR	R40H5516	NR	NR
All Wheel Antilock Brakes 4,000 lb.	Fd	KH		7179 - D269	MD269	NR	R40H5516	NR	NR
Rear Wheel Antilock Brakes 4,000 lb.	Fd	KH		7179 - D269	MD269	NR	R40H5516	NR	NR
5,500 lb.	Ra Ra	BX BX	12" x 2-1/2" 12" x 2-1/2"	2146AT - 316 2146AT - 316	R46357 R46357	R40H547 R40H547	R40H4087 R40H4087	R40H2598 R40H2598	R40H2599 R40H2599
6200 lb.	Ra		12" x 3"	2140T - 314	R46358	R40H547	R40H4087	R40H2598	R40H2599
1994									
	Ra Ra Ra Ra Ra	 BX BX BX BX	12" x 3" 12" x 2-1/2" 12" x 2-1/2" 12" x 2-1/2" 12" x 2-1/2"	2140T - 314 2146AT - 316 2146AT - 316 2146AT - 316 2146AT - 316	R46358 R46357 R46357 R46357 R46357	R40H547 R40H547 R40H547 R40H547 R40H547	R40H4087 R40H4087 R40H4087 R40H4087 R40H4087	R40H2598 R40H2598 R40H2598 R40H2598 R40H2598	R40H2599 R40H2599 R40H2599 R40H2599 R40H2599
All Wheel Antilock Brakes 3,600 lb.	Fd	KH		7179 - D269	MD269	NR	R40H5516	NR	NR
Rear Wheel Antilock Brakes 3,600 lb.	Fd	KH		7179 - D269	MD269	NR	R40H5516	NR	NR
All Wheel Antilock Brakes 4,000 lb.	Fd	KH		7179 - D269	MD269	NR	R40H5516	NR	NR
Rear Wheel Antilock Brakes 4,000 lb.	Fd	KH		7179 - D269	MD269	NR	R40H5516	NR	NR
5,500 lb.	Ra Ra	BX BX	12" x 2-1/2" 12" x 2-1/2"	2146AT - 316 2146AT - 316	R46357 R46357	R40H547 R40H547	R40H4087 R40H4087	R40H2598 R40H2598	R40H2599 R40H2599
6200 lb.	Ra		12" x 3"	2140T - 314	R46358	R40H547	R40H4087	R40H2598	R40H2599
1993									
	Ra Ra	BX BX	12" x 2-1/2" 12" x 3"	2146AT - 357 2140AT - 358	R46357 R46358	R40H547 R40H547	R40H4087 R40H4087	R40H2598 R40H2598	R40H2599 R40H2599
3,600 lb.	Fd	KH		7179 - D269	MD269	NR	R40H5516	NR	NR
4,000 lb.	Fd Fd	KH KH		7179 - D269 7179 - D269	MD269 MD269	NR NR	R40H5516 R40H5516	NR NR	NR NR
5,000 lb.	Ra Ra	BX BX	12" x 2-1/2" 12" x 2-1/2"	2146AT - 357 2146AT - 357	R46357 R46357	R40H547 R40H547	R40H4087 R40H4087	R40H2598 R40H2598	R40H2599 R40H2599
6200 lb.	Ra Ra	BX BX	12" x 2-1/2" 12" x 3"	2146AT - 357 2140AT - 358	R46357 R46358	R40H547 R40H547	R40H4087 R40H4087	R40H2598 R40H2598	R40H2599 R40H2599
1992									
	Ra Ra	BX BX	12" x 2-1/2" 12" x 3"	2146AT - 357 2140AT - 358	R46357 R46358	R40H547 R40H547	R40H4087 R40H4087	R40H2598 R40H2598	R40H2599 R40H2599
3,600 lb.	Fd	KH		7179 - D269	MD269	NR	R40H5516	NR	NR
4,000 lb.	Fd Fd	KH KH		7179 - D269 7179 - D269	MD269 MD269	NR NR	R40H5516 R40H5516	NR NR	NR NR
5,000 lb.	Ra Ra	BX BX	12" x 2-1/2" 12" x 2-1/2"	2146AT - 357 2146AT - 357	R46357 R46357	R40H547 R40H547	R40H4087 R40H4087	R40H2598 R40H2598	R40H2599 R40H2599
6200 lb.	Ra Ra	BX BX	12" x 2-1/2" 12" x 3"	2146AT - 357 2140AT - 358	R46357 R46358	R40H547 R40H547	R40H4087 R40H4087	R40H2598 R40H2598	R40H2599 R40H2599
1991									
	Ra Ra	BX BX	12" x 2-1/2" 12" x 3"	2146AT - 357 2140AT - 358	R46357 R46358	R40H547 R40H547	R40H4087 R40H4087	R40H2598 R40H2598	R40H2599 R40H2599
3,600 lb.	Fd	KH		7179 - D269	MD269	NR	R40H5516	NR	NR
4,000 lb.	Fd Fd	KH KH		7179 - D269 7179 - D269	MD269 MD269	NR NR	R40H5516 R40H5516	NR NR	NR NR
5,500 lb.	Ra Ra	BX BX	12" x 2-1/2" 12" x 2-1/2"	2146AT - 357 2146AT - 357	R46357 R46357	R40H547 R40H547	R40H4087 R40H4087	R40H2598 R40H2598	R40H2599 R40H2599
6200 lb.	Ra Ra	BX BX	12" x 2-1/2" 12" x 3"	2146AT - 357 2140AT - 358	R46357 R46358	R40H547 R40H547	R40H4087 R40H4087	R40H2598 R40H2598	R40H2599 R40H2599
1990									
	Ra Ra	BX BX	12" x 2-1/2" 12" x 3"	2146AT - 357 2140AT - 358	R46357 R46358	R40H547 R40H547	R40H4087 R40H4087	R40H2598 R40H2598	R40H2599 R40H2599
3,600 lb.	Fd	KH		7179 - D269	MD269	NR	R40H5516	NR	NR
4,000 lb.	Fd	KH		7179 - D269	MD269	NR	R40H5516	NR	NR

45 - R44141382 is a hub & rotor, for rotor only use R44141193
 84 - 9 1/4" Ring Gear, Heavy Duty Axle
 89 - Rotor Only with 1/2" Studs
 www.XpresswayPlus.com

53 - Power Brakes
 86 - Dana 60 Axle, Stamped 591 or 2339307, Outboard Mount
 333 - Except 9 1/4" Ring Gear

79 - Inboard Mounting
 87 - Dana 60 Axle, Stamped 593 or 2339303, Outboard Mount
 381 - Rotor and Hub One Piece Assembly W/O ABS Ring

MERITOR DRUM OR ROTOR NO.	CALIPER OR CYLINDER BORE SIZE	MERITOR CALIPER OR WHEEL CYLINDER (LEFT)	MERITOR CALIPER OR WHEEL CYLINDER (RIGHT)	MERITOR CALIPER OR WHEEL CYLINDER REPAIR KIT	MERITOR CALIPER PISTON	MERITOR MASTER CYLINDER	MERITOR MASTER CYLINDER KIT	MERITOR BRAKE HOSE (LEFT)	MERITOR BRAKE HOSE (RIGHT)
DODGE(Cont.)									
B300, B350, PB300, PB350 SERIES VAN - 1TON(Cont.)									
R44141924 ³⁸¹	3-3/32 "	R42R55119	R42R55118	R4066587	R4090018P	R4112519 ⁵³	N/A	R4578136	R4577317
R44141382 ⁴⁵	3-3/32 "	R42R55119	R42R55118	R4066587	R4090018P	R4112519 ⁵³	N/A	R4578137	R4577317
R44141193 ⁸⁹	3-3/32 "	R42R55119	R42R55118	R4066587	R4090018P	R4112519 ⁵³	N/A	R4578136	R4577317
R44141193 ⁸⁹	3-3/32 "	R42R55119	R42R55118	R4066587	R4090018P	R4112519 ⁵³	N/A	R4578137	R4577317
R44140267 ⁷⁹	1 "	R4133004	R4133004	R4166822	NR	-	-	R4577915	R4577915
R44140267 ⁷⁹	7/8 "	R4133627	R4133628	N/A	NR	-	-	R4577915	R4577915
R44140264 ³³³	7/8 "	R4133627	R4133628	N/A	NR	-	-	R4577915	R4577915
R44140686 ⁸⁶	7/8 "	R4133627	R4133628	N/A	NR	-	-	R4577915	R4577915
R44140685 ⁸⁴	1 "	R4133004	R4133004	R4166822	NR	-	-	R4577915	R4577915
R44140685 ⁸⁴	7/8 "	R4133627	R4133628	N/A	NR	-	-	R4577915	R4577915
R44140679 ⁸⁷	7/8 "	R4133627	R4133628	N/A	NR	-	-	R4577915	R4577915
R44140679 ⁸⁷	1 "	R4133004	R4133004	R4166822	NR	-	-	R4577915	R4577915
R44141924 ³⁸¹	3-3/32 "	R42R55119	R42R55118	R4066587	R4090018P	R4112519 ⁵³	N/A	R4578136	R4577317
R44141382 ⁴⁵	3-3/32 "	R42R55119	R42R55118	R4066587	R4090018P	R4112519 ⁵³	N/A	R4578137	R4577317
R44141193 ⁸⁹	3-3/32 "	R42R55119	R42R55118	R4066587	R4090018P	R4112519 ⁵³	N/A	R4578136	R4577317
R44141193 ⁸⁹	3-3/32 "	R42R55119	R42R55118	R4066587	R4090018P	R4112519 ⁵³	N/A	R4578137	R4577317
R44140267 ⁷⁹	1 "	R4133004	R4133004	R4166822	NR	-	-	R4577915	R4577915
R44140267 ⁷⁹	7/8 "	R4133627	R4133628	N/A	NR	-	-	R4577915	R4577915
R44140264 ³³³	7/8 "	R4133627	R4133628	N/A	NR	-	-	R4577915	R4577915
R44140547 ⁸⁴	7/8 "	R4133627	R4133628	R4166820	NR	-	-	R4577915	R4577915
R44140542	7/8 "	R4133627	R4133628	R4166820	NR	-	-	R4577915	R4577915
R44141382 ⁴⁵	3-3/32 "	R42R55119	R42R55118	R4066587	R4090018P	R4112519 ⁵³	N/A	R4577909	R4577317
R44141193 ⁸⁹	3-3/32 "	R42R55119	R42R55118	R4066587	R4090018P	R4112519 ⁵³	N/A	R4577909	R4577317
R44141193 ⁸⁹	3-3/32 "	R42R55119	R42R55118	R4066587	R4090018P	R4112519 ⁵³	N/A	R4577909	R4577317
R44140267 ⁷⁹	7/8 "	R4133627	R4133628	R4166820	NR	-	-	R4577915	R4577915
R44140267 ⁷⁹	1 "	R4133005	R4133005	R4166822	NR	-	-	R4577915	R4577915
R44140547 ⁸⁴	1 "	R4133005	R4133005	R4166822	NR	-	-	R4577915	R4577915
R44140542	1 "	R4133005	R4133005	R4166822	NR	-	-	R4577915	R4577915
R44140547 ⁸⁴	7/8 "	R4133627	R4133628	R4166820	NR	-	-	R4577915	R4577915
R44140542	7/8 "	R4133627	R4133628	R4166820	NR	-	-	R4577915	R4577915
R44141382 ⁴⁵	3-3/32 "	R42R55119	R42R55118	R4066587	R4090018P	R4112519 ⁵³	N/A	R4577909	R4577317
R44141193 ⁸⁹	3-3/32 "	R42R55119	R42R55118	R4066587	R4090018P	R4112519 ⁵³	N/A	R4577909	R4577317
R44141193 ⁸⁹	3-3/32 "	R42R55119	R42R55118	R4066587	R4090018P	R4112519 ⁵³	N/A	R4577909	R4577317
R44140267 ⁷⁹	7/8 "	R4133627	R4133628	R4166820	NR	-	-	R4577915	R4577915
R44140267 ⁷⁹	1 "	R4133005	R4133005	R4166822	NR	-	-	R4577915	R4577915
R44140547 ⁸⁴	1 "	R4133005	R4133005	R4166822	NR	-	-	R4577915	R4577915
R44140542	1 "	R4133005	R4133005	R4166822	NR	-	-	R4577915	R4577915
R44140547 ⁸⁴	7/8 "	R4133627	R4133628	R4166820	NR	-	-	R4577915	R4577915
R44140542	7/8 "	R4133627	R4133628	R4166820	NR	-	-	R4577915	R4577915
R44141382 ⁴⁵	3-3/32 "	R42R55119	R42R55118	R4066587	R4090018P	R4112519 ⁵³	N/A	R4577909	R4577317
R44141193 ⁸⁹	3-3/32 "	R42R55119	R42R55118	R4066587	R4090018P	R4112519 ⁵³	N/A	R4577909	R4577317
R44141193 ⁸⁹	3-3/32 "	R42R55119	R42R55118	R4066587	R4090018P	R4112519 ⁵³	N/A	R4577909	R4577317
R44140267 ⁷⁹	1 "	R4133005	R4133005	R4166822	NR	-	-	R4577915	R4577915
R44140267 ⁷⁹	7/8 "	R4133627	R4133628	R4166820	NR	-	-	R4577915	R4577915
R44140547 ⁸⁴	1 "	R4133005	R4133005	R4166822	NR	-	-	R4577915	R4577915
R44140542	1 "	R4133005	R4133005	R4166822	NR	-	-	R4577915	R4577915
R44140547 ⁸⁴	7/8 "	R4133627	R4133628	R4166820	NR	-	-	R4577915	R4577915
R44140542	7/8 "	R4133627	R4133628	R4166820	NR	-	-	R4577915	R4577915
R44141382 ⁴⁵	3-3/32 "	R42R55119	R42R55118	R4066587	R4090018P	R4112519 ⁵³	N/A	R4577909	R4577317
R44141193 ⁸⁹	3-3/32 "	R42R55119	R42R55118	R4066587	R4090018P	R4112519 ⁵³	N/A	R4577909	R4577317
R44141193 ⁸⁹	3-3/32 "	R42R55119	R42R55118	R4066587	R4090018P	R4112519 ⁵³	N/A	R4577909	R4577317
R44140267 ⁷⁹	1 "	R4133005	R4133005	R4166822	NR	-	-	R4577915	R4577915
R44140267 ⁷⁹	7/8 "	R4133627	R4133628	R4166820	NR	-	-	R4577915	R4577915
R44140547 ⁸⁴	1 "	R4133005	R4133005	R4166822	NR	-	-	R4577915	R4577915
R44140542	1 "	R4133005	R4133005	R4166822	NR	-	-	R4577915	R4577915
R44140547 ⁸⁴	7/8 "	R4133627	R4133628	R4166820	NR	-	-	R4577915	R4577915
R44140542	7/8 "	R4133627	R4133628	R4166820	NR	-	-	R4577915	R4577915
R44141382 ⁴⁵	3-3/32 "	R42R55119	R42R55118	R4066587	R4090018P	R4112519 ⁵³	N/A	R4577909	R4577317
R44141193 ⁸⁹	3-3/32 "	R42R55119	R42R55118	R4066587	R4090018P	R4112519 ⁵³	N/A	R4577909	R4577317

1 APPLICATION

MAKE MODEL YEAR AXLE CODE AXLE WEIGHT	AXLE & BRK. TYPE	BRK. MFG.	BRAKE SIZE	FMSI	MERITOR DISC PAD OR BRAKE SHOE	MERITOR GUIDE PIN OR RETURN SPRING KIT	MERITOR CALIPER HWD. KIT OR RETURN SPRING KIT	MERITOR ADJUSTER KIT (LEFT WHEEL)	MERITOR ADJUSTER KIT (RIGHT WHEEL)
DODGE(Cont.)									
B300, B350, PB300, PB350 SERIES VAN - 1TON(Cont.)									
1990									
	Fd	KH		7179 - D269	MD269	NR	R40H5516	NR	NR
5,500 lb.	Ra	BX	12 " x 2-1/2 "	2146AT - 357	R46357	R40H547	R40H4087	R40H2598	R40H2599
	Ra	BX	12 " x 2-1/2 "	2146AT - 357	R46357	R40H547	R40H4087	R40H2598	R40H2599
6200 lb.	Ra	BX	12 " x 2-1/2 "	2146AT - 357	R46357	R40H547	R40H4087	R40H2598	R40H2599
	Ra	BX	12 " x 3 "	2140AT - 358	R46358	R40H547	R40H4087	R40H2598	R40H2599
1989	Ra	BX	12 " x 2-1/2 "	2146AT - 357	R46357	R40H547	R40H4087	R40H2598	R40H2599
	Ra	BX	12 " x 2-1/2 "	2146AT - 357	R46357	R40H547	R40H4087	R40H2598	R40H2599
	Ra	BX	12 " x 3 "	2140AT - 358	R46358	R40H547	R40H4087	R40H2598	R40H2599
	Ra	BX	12 " x 3 "	2140AT - 358	R46358	R40H547	R40H4087	R40H2598	R40H2599
	Ra	BX	12 " x 3 "	2140AT - 358	R46358	R40H547	R40H4087	R40H2598	R40H2599
3,600 lb.	Fd	KH		7179 - D269	MD269	NR	R40H5516	NR	NR
	Fd	KH		7179 - D269	MD269	NR	R40H5516	NR	NR
	Fd	KH		7179 - D269	MD269	NR	R40H5516	NR	NR
	Fd	KH		7179 - D269	MD269	NR	R40H5516	NR	NR
	Fd	KH		7179 - D269	MD269	NR	R40H5516	NR	NR
	Fd	KH		7179 - D269	MD269	NR	R40H5516	NR	NR
4,000 lb.	Fd	KH		7179 - D269	MD269	NR	R40H5516	NR	NR
	Fd	KH		7179 - D269	MD269	NR	R40H5516	NR	NR
	Fd	KH		7179 - D269	MD269	NR	R40H5516	NR	NR
	Fd	KH		7179 - D269	MD269	NR	R40H5516	NR	NR
	Fd	KH		7179 - D269	MD269	NR	R40H5516	NR	NR
	Fd	KH		7179 - D269	MD269	NR	R40H5516	NR	NR
	Fd	KH		7179 - D269	MD269	NR	R40H5516	NR	NR
	Fd	KH		7179 - D269	MD269	NR	R40H5516	NR	NR
	Fd	KH		7179 - D269	MD269	NR	R40H5516	NR	NR
	Fd	KH		7179 - D269	MD269	NR	R40H5516	NR	NR
	Fd	KH		7179 - D269	MD269	NR	R40H5516	NR	NR
	Fd	KH		7179 - D269	MD269	NR	R40H5516	NR	NR
5,500 lb.	Ra	BX	12 " x 2-1/2 "	2146AT - 357	R46357	R40H547	R40H4087	R40H2598	R40H2599
	Ra	BX	12 " x 2-1/2 "	2146AT - 357	R46357	R40H547	R40H4087	R40H2598	R40H2599
1988	Ra	BX	12 " x 2-1/2 "	2146AT - 357	R46357	R40H547	R40H4087	R40H2598	R40H2599
	Ra	BX	12 " x 2-1/2 "	2146AT - 357	R46357	R40H547	R40H4087	R40H2598	R40H2599
	Ra	BX	12 " x 3 "	2140AT - 358	R46358	R40H547	R40H4087	R40H2598	R40H2599
	Ra	BX	12 " x 3 "	2140AT - 358	R46358	R40H547	R40H4087	R40H2598	R40H2599
	Ra	BX	12 " x 3 "	2140AT - 358	R46358	R40H547	R40H4087	R40H2598	R40H2599
3,600 lb.	Fd	KH		7179 - D269	MD269	NR	R40H5516	NR	NR
	Fd	KH		7179 - D269	MD269	NR	R40H5516	NR	NR
	Fd	KH		7179 - D269	MD269	NR	R40H5516	NR	NR
	Fd	KH		7179 - D269	MD269	NR	R40H5516	NR	NR
	Fd	KH		7179 - D269	MD269	NR	R40H5516	NR	NR
	Fd	KH		7179 - D269	MD269	NR	R40H5516	NR	NR
4,000 lb.	Fd	KH		7179 - D269	MD269	NR	R40H5516	NR	NR
	Fd	KH		7179 - D269	MD269	NR	R40H5516	NR	NR
	Fd	KH		7179 - D269	MD269	NR	R40H5516	NR	NR
	Fd	KH		7179 - D269	MD269	NR	R40H5516	NR	NR
	Fd	KH		7179 - D269	MD269	NR	R40H5516	NR	NR
	Fd	KH		7179 - D269	MD269	NR	R40H5516	NR	NR
	Fd	KH		7179 - D269	MD269	NR	R40H5516	NR	NR
	Fd	KH		7179 - D269	MD269	NR	R40H5516	NR	NR
	Fd	KH		7179 - D269	MD269	NR	R40H5516	NR	NR
	Fd	KH		7179 - D269	MD269	NR	R40H5516	NR	NR
	Fd	KH		7179 - D269	MD269	NR	R40H5516	NR	NR
	Fd	KH		7179 - D269	MD269	NR	R40H5516	NR	NR
5,500 lb.	Ra	BX	12 " x 2-1/2 "	2146AT - 357	R46357	R40H547	R40H4087	R40H2598	R40H2599
	Ra	BX	12 " x 2-1/2 "	2146AT - 357	R46357	R40H547	R40H4087	R40H2598	R40H2599
1987	Ra	BX	12 " x 2-1/2 "	2146AT - 357	R46357	R40H547	R40H4087	R40H2598	R40H2599
	Ra	BX	12 " x 2-1/2 "	2146AT - 357	R46357	R40H547	R40H4087	R40H2598	R40H2599
	Ra	BX	12 " x 3 "	2140AT - 358	R46358	R40H547	R40H4087	R40H2598	R40H2599
	Ra	BX	12 " x 3 "	2140AT - 358	R46358	R40H547	R40H4087	R40H2598	R40H2599
	Ra	BX	12 " x 3 "	2140AT - 358	R46358	R40H547	R40H4087	R40H2598	R40H2599
3,600 lb.	Fd	KH		7179 - D269	MD269	NR	R40H5516	NR	NR

45 - R44141382 is a hub & rotor, for rotor only use R44141193
 84 - 9 1/4" Ring Gear, Heavy Duty Axle
 118 - Gasoline Engine, Power Brakes, Plastic Reservoir
 www.XpresswayPlus.com

53 - Power Brakes
 89 - Rotor Only with 1/2" Studs
 119 - Power Brakes, School Bus

79 - Inboard Mounting
 99 - Casting # 95961
 127 - Anchor

MERITOR DRUM OR ROTOR NO.	CALIPER OR CYLINDER BORE SIZE	MERITOR CALIPER OR WHEEL CYLINDER (LEFT)	MERITOR CALIPER OR WHEEL CYLINDER (RIGHT)	MERITOR CALIPER OR WHEEL CYLINDER REPAIR KIT	MERITOR CALIPER PISTON	MERITOR MASTER CYLINDER	MERITOR MASTER CYLINDER KIT	MERITOR BRAKE HOSE (LEFT)	MERITOR BRAKE HOSE (RIGHT)
DODGE(Cont.)									
B300, B350, PB300, PB350 SERIES VAN - 1TON(Cont.)									
R44141193 ⁸⁹	3-3/32 "	R42R55119	R42R55118	R4066587	R4090018P	R4112519 ⁵³	N/A	R4577909	R4577317
R44140267 ⁷⁹	1 "	R4133005	R4133005	R4166822	NR	-	-	R4577915	R4577915
R44140267 ⁷⁹	7/8 "	R4133627	R4133628	R4166820	NR	-	-	R4577915	R4577915
R44140547 ⁸⁴	1 "	R4133005	R4133005	R4166822	NR	-	-	R4577915	R4577915
R44140542	1 "	R4133005	R4133005	R4166822	NR	-	-	R4577915	R4577915
R44140547 ⁸⁴	7/8 "	R4133627	R4133628	R4166820	NR	-	-	R4577315	R4577315
R44140547 ⁸⁴	1 "	R4133005	R4133005	R4166822	NR	-	-	R4577315	R4577315
R44140542	7/8 "	R4133627	R4133628	R4166820	NR	-	-	R4577315	R4577315
R44140542	1 "	R4133005	R4133005	R4166822	NR	-	-	R4577315	R4577315
R44140542	1-1/8 "	R4133206	R4133206	R4166935	NR	-	-	R4577315	R4577315
R44141382 ⁴⁵	3-3/32 "	R42R55119	R42R55118	R4066587	R4090018P	R4111583 ¹¹⁹	R4122598	R4577316 ¹²⁸	R4577317
R44141382 ⁴⁵	3-3/32 "	R42R55119	R42R55118	R4066587	R4090018P	R4113041 ³⁰⁹	R4122934	R4577316 ¹²⁸	R4577317
R44141382 ⁴⁵	3-3/32 "	R42R55119	R42R55118	R4066587	R4090018P	R4113041 ³⁰⁹	R4122934	R4577169 ¹²⁷	R4577169
R44141382 ⁴⁵	3-3/32 "	R42R55119	R42R55118	R4066587	R4090018P	R4111860 ¹¹⁸	R4122388	R4577316 ¹²⁸	R4577317
R44141382 ⁴⁵	3-3/32 "	R42R55119	R42R55118	R4066587	R4090018P	R4111583 ¹¹⁹	R4122598	R4577169 ¹²⁷	R4577169
R44141382 ⁴⁵	3-3/32 "	R42R55119	R42R55118	R4066587	R4090018P	R4111860 ¹¹⁸	R4122388	R4577169 ¹²⁷	R4577169
R44141193 ⁸⁹	3-3/32 "	R42R55119	R42R55118	R4066587	R4090018P	R4113041 ³⁰⁹	R4122934	R4577169 ¹²⁷	R4577169
R44141193 ⁸⁹	3-3/32 "	R42R55119	R42R55118	R4066587	R4090018P	R4113041 ³⁰⁹	R4122934	R4577316 ¹²⁸	R4577317
R44141193 ⁸⁹	3-3/32 "	R42R55119	R42R55118	R4066587	R4090018P	R4111583 ¹¹⁹	R4122598	R4577169 ¹²⁷	R4577169
R44141193 ⁸⁹	3-3/32 "	R42R55119	R42R55118	R4066587	R4090018P	R4111860 ¹¹⁸	R4122388	R4577316 ¹²⁸	R4577317
R44141193 ⁸⁹	3-3/32 "	R42R55119	R42R55118	R4066587	R4090018P	R4113041 ³⁰⁹	R4122934	R4577316 ¹²⁸	R4577317
R44141193 ⁸⁹	3-3/32 "	R42R55119	R42R55118	R4066587	R4090018P	R4111583 ¹¹⁹	R4122598	R4577169 ¹²⁷	R4577169
R44141193 ⁸⁹	3-3/32 "	R42R55119	R42R55118	R4066587	R4090018P	R4111583 ¹¹⁹	R4122598	R4577316 ¹²⁸	R4577317
R44141193 ⁸⁹	3-3/32 "	R42R55119	R42R55118	R4066587	R4090018P	R4111860 ¹¹⁸	R4122388	R4577169 ¹²⁷	R4577169
R44141193 ⁸⁹	3-3/32 "	R42R55119	R42R55118	R4066587	R4090018P	R4111860 ¹¹⁸	R4122388	R4577169 ¹²⁷	R4577169
R44141193 ⁸⁹	3-3/32 "	R42R55119	R42R55118	R4066587	R4090018P	R4113041 ³⁰⁹	R4122934	R4577169 ¹²⁷	R4577169
R44141193 ⁸⁹	3-3/32 "	R42R55119	R42R55118	R4066587	R4090018P	R4111583 ¹¹⁹	R4122598	R4577316 ¹²⁸	R4577317
R44141193 ⁸⁹	3-3/32 "	R42R55119	R42R55118	R4066587	R4090018P	R4111860 ¹¹⁸	R4122388	R4577316 ¹²⁸	R4577317
R44140267 ⁷⁹	1 "	R4133005	R4133005	R4166822	NR	-	-	R4577315	R4577315
R44140267 ⁷⁹	7/8 "	R4133627	R4133628	R4166820	NR	-	-	R4577315	R4577315
R44140547 ⁸⁴	1 "	R4133005	R4133005	R4166822	NR	-	-	R4577315	R4577315
R44140547 ⁸⁴	7/8 "	R4133627	R4133628	R4166820	NR	-	-	R4577315	R4577315
R44140542	7/8 "	R4133627	R4133628	R4166820	NR	-	-	R4577315	R4577315
R44140542	1 "	R4133005	R4133005	R4166822	NR	-	-	R4577315	R4577315
R44140542	1-1/8 "	R4133206	R4133206	R4166935	NR	-	-	R4577315	R4577315
R44141382 ⁴⁵	3-3/32 "	R42R55119	R42R55118	R4066587	R4090018P	R4111583 ¹¹⁹	R4122598	R4577316 ¹²⁸	R4577317
R44141382 ⁴⁵	3-3/32 "	R42R55119	R42R55118	R4066587	R4090018P	R4113041 ³⁰⁹	R4122934	R4577316 ¹²⁸	R4577317
R44141382 ⁴⁵	3-3/32 "	R42R55119	R42R55118	R4066587	R4090018P	R4111583 ¹¹⁹	R4122598	R4577169 ¹²⁷	R4577169
R44141382 ⁴⁵	3-3/32 "	R42R55119	R42R55118	R4066587	R4090018P	R4111860 ¹¹⁸	R4122388	R4577316 ¹²⁸	R4577317
R44141382 ⁴⁵	3-3/32 "	R42R55119	R42R55118	R4066587	R4090018P	R4113041 ³⁰⁹	R4122934	R4577169 ¹²⁷	R4577169
R44141382 ⁴⁵	3-3/32 "	R42R55119	R42R55118	R4066587	R4090018P	R4111860 ¹¹⁸	R4122388	R4577169 ¹²⁷	R4577169
R44141193 ⁸⁹	3-3/32 "	R42R55119	R42R55118	R4066587	R4090018P	R4113041 ³⁰⁹	R4122934	R4577169 ¹²⁷	R4577169
R44141193 ⁸⁹	3-3/32 "	R42R55119	R42R55118	R4066587	R4090018P	R4111583 ¹¹⁹	R4122598	R4577169 ¹²⁷	R4577169
R44141193 ⁸⁹	3-3/32 "	R42R55119	R42R55118	R4066587	R4090018P	R4111860 ¹¹⁸	R4122388	R4577316 ¹²⁸	R4577317
R44141193 ⁸⁹	3-3/32 "	R42R55119	R42R55118	R4066587	R4090018P	R4113041 ³⁰⁹	R4122934	R4577316 ¹²⁸	R4577317
R44141193 ⁸⁹	3-3/32 "	R42R55119	R42R55118	R4066587	R4090018P	R4111583 ¹¹⁹	R4122598	R4577169 ¹²⁷	R4577169
R44141193 ⁸⁹	3-3/32 "	R42R55119	R42R55118	R4066587	R4090018P	R4111860 ¹¹⁸	R4122388	R4577316 ¹²⁸	R4577317
R44141193 ⁸⁹	3-3/32 "	R42R55119	R42R55118	R4066587	R4090018P	R4113041 ³⁰⁹	R4122934	R4577169 ¹²⁷	R4577169
R44141193 ⁸⁹	3-3/32 "	R42R55119	R42R55118	R4066587	R4090018P	R4111583 ¹¹⁹	R4122598	R4577316 ¹²⁸	R4577317
R44141193 ⁸⁹	3-3/32 "	R42R55119	R42R55118	R4066587	R4090018P	R4111860 ¹¹⁸	R4122388	R4577316 ¹²⁸	R4577317
R44140267 ⁷⁹	1 "	R4133005	R4133005	R4166822	NR	-	-	R4577315	R4577315
R44140267 ⁷⁹	7/8 "	R4133627	R4133628	R4166820	NR	-	-	R4577315	R4577315
R44140547 ⁸⁴	7/8 "	R4133627	R4133628	R4166820	NR	-	-	R4577315	R4577315
R44140547 ⁸⁴	1 "	R4133005	R4133005	R4166822	NR	-	-	R4577315	R4577315
R44140312 ⁹⁹	1 "	R4133005	R4133005	R4166822	NR	-	-	R4577315	R4577315
R44140312 ⁹⁹	1-1/8 "	R4133206	R4133206	R4166935	NR	-	-	R4577315	R4577315
R44140312 ⁹⁹	7/8 "	R4133627	R4133628	R4166820	NR	-	-	R4577315	R4577315
R44141382 ⁴⁵	3-3/32 "	R42R55119	R42R55118	R4066587	R4090018P	R4111860 ¹¹⁸	R4122388	R4577169 ¹²⁷	R4577169

MAKE MODEL YEAR AXLE CODE AXLE WEIGHT	AXLE & BRK. TYPE	BRK. MFG.	BRAKE SIZE	FMSI	MERITOR DISC PAD OR BRAKE SHOE	MERITOR GUIDE PIN OR RETURN SPRING KIT	MERITOR CALIPER HWD. KIT OR RETURN SPRING KIT	MERITOR ADJUSTER KIT (LEFT WHEEL)	MERITOR ADJUSTER KIT (RIGHT WHEEL)
DODGE(Cont.)									
B300, B350, PB300, PB350 SERIES VAN - 1TON(Cont.)									
1987	Fd	KH		7179 - D269	MD269	NR	R40H5516	NR	NR
	Fd	KH		7179 - D269	MD269	NR	R40H5516	NR	NR
	Fd	KH		7179 - D269	MD269	NR	R40H5516	NR	NR
	Fd	KH		7179 - D269	MD269	NR	R40H5516	NR	NR
	Fd	KH		7179 - D269	MD269	NR	R40H5516	NR	NR
4,000 lb.	Fd	KH		7179 - D269	MD269	NR	R40H5516	NR	NR
	Fd	KH		7179 - D269	MD269	NR	R40H5516	NR	NR
	Fd	KH		7179 - D269	MD269	NR	R40H5516	NR	NR
	Fd	KH		7179 - D269	MD269	NR	R40H5516	NR	NR
	Fd	KH		7179 - D269	MD269	NR	R40H5516	NR	NR
	Fd	KH		7179 - D269	MD269	NR	R40H5516	NR	NR
	Fd	KH		7179 - D269	MD269	NR	R40H5516	NR	NR
	Fd	KH		7179 - D269	MD269	NR	R40H5516	NR	NR
	Fd	KH		7179 - D269	MD269	NR	R40H5516	NR	NR
	Fd	KH		7179 - D269	MD269	NR	R40H5516	NR	NR
	Fd	KH		7179 - D269	MD269	NR	R40H5516	NR	NR
5,500 lb.	Ra	BX	12 " x 2-1/2 "	2146AT - 357	R46357	R40H547	R40H4087	R40H2598	R40H2599
	Ra	BX	12 " x 2-1/2 "	2146AT - 357	R46357	R40H547	R40H4087	R40H2598	R40H2599
9,000 lb. GVW	Ra	BX	12 " x 3 "	2140AT - 358	R46358	R40H547	R40H4087	R40H2598	R40H2599
	Ra	BX	12 " x 3 "	2140AT - 358	R46358	R40H547	R40H4087	R40H2598	R40H2599
	Ra	BX	12 " x 3 "	2140AT - 358	R46358	R40H547	R40H4087	R40H2598	R40H2599
1986	Ra	BX	12 " x 2-1/2 "	2146AT - 357	R46357	R40H547	R40H4087	R40H2598	R40H2599
	Ra	BX	12 " x 2-1/2 "	2146AT - 357	R46357	R40H547	R40H4087	R40H2598	R40H2599
	Ra	BX	12 " x 3 "	2140AT - 358	R46358	R40H547	R40H4087	R40H2598	R40H2599
	Ra	BX	12 " x 3 "	2140AT - 358	R46358	R40H547	R40H4087	R40H2598	R40H2599
	Ra	BX	12 " x 3 "	2140AT - 358	R46358	R40H547	R40H4087	R40H2598	R40H2599
3,600 lb.	Fd	KH		7179 - D269	MD269	NR	R40H5516	NR	NR
	Fd	KH		7179 - D269	MD269	NR	R40H5516	NR	NR
	Fd	KH		7179 - D269	MD269	NR	R40H5516	NR	NR
	Fd	KH		7179 - D269	MD269	NR	R40H5516	NR	NR
	Fd	KH		7179 - D269	MD269	NR	R40H5516	NR	NR
	Fd	KH		7179 - D269	MD269	NR	R40H5516	NR	NR
	Fd	KH		7179 - D269	MD269	NR	R40H5516	NR	NR
	Fd	KH		7179 - D269	MD269	NR	R40H5516	NR	NR
	Fd	KH		7179 - D269	MD269	NR	R40H5516	NR	NR
	Fd	KH		7179 - D269	MD269	NR	R40H5516	NR	NR
	Fd	KH		7179 - D269	MD269	NR	R40H5516	NR	NR
	Fd	KH		7179 - D269	MD269	NR	R40H5516	NR	NR
	Fd	KH		7179 - D269	MD269	NR	R40H5516	NR	NR
5,500 lb.	Ra	BX	12 " x 2-1/2 "	2146AT - 357	R46357	R40H547	R40H4087	R40H2598	R40H2599
	Ra	BX	12 " x 2-1/2 "	2146AT - 357	R46357	R40H547	R40H4087	R40H2598	R40H2599
9,000 lb. GVW	Ra	BX	12 " x 3 "	2140AT - 358	R46358	R40H547	R40H4087	R40H2598	R40H2599
	Ra	BX	12 " x 3 "	2140AT - 358	R46358	R40H547	R40H4087	R40H2598	R40H2599
	Ra	BX	12 " x 3 "	2140AT - 358	R46358	R40H547	R40H4087	R40H2598	R40H2599
1985	Ra	BX	12 " x 2-1/2 "	2146AT - 357	R46357	R40H547	R40H4087	R40H2598	R40H2599
	Ra	BX	12 " x 2-1/2 "	2146AT - 357	R46357	R40H547	R40H4087	R40H2598	R40H2599
	Ra	BX	12 " x 3 "	2140AT - 358	R46358	R40H547	R40H4087	R40H2598	R40H2599
	Ra	BX	12 " x 3 "	2140AT - 358	R46358	R40H547	R40H4087	R40H2598	R40H2599
	Ra	BX	12 " x 3 "	2140AT - 358	R46358	R40H547	R40H4087	R40H2598	R40H2599
3,600 lb.	Fd	KH		7179 - D269	MD269	NR	R40H5516	NR	NR
	Fd	KH		7179 - D269	MD269	NR	R40H5516	NR	NR
	Fd	KH		7179 - D269	MD269	NR	R40H5516	NR	NR
	Fd	KH		7179 - D269	MD269	NR	R40H5516	NR	NR
	Fd	KH		7179 - D269	MD269	NR	R40H5516	NR	NR
	Fd	KH		7179 - D269	MD269	NR	R40H5516	NR	NR
	Fd	KH		7179 - D269	MD269	NR	R40H5516	NR	NR
4,000 lb.	Fd	KH		7179 - D269	MD269	NR	R40H5516	NR	NR

45 - R44141382 is a hub & rotor, for rotor only use R44141193
 89 - Rotor Only with 1/2" Studs
 119 - Power Brakes, School Bus
 www.XpresswayPlus.com

79 - Inboard Mounting
 99 - Casting # 95961
 127 - Anchor

84 - 9 1/4" Ring Gear, Heavy Duty Axle
 118 - Gasoline Engine, Power Brakes, Plastic Reservoir
 128 - Bracket

MERITOR DRUM OR ROTOR NO.	CALIPER OR CYLINDER BORE SIZE	MERITOR CALIPER OR WHEEL CYLINDER (LEFT)	MERITOR CALIPER OR WHEEL CYLINDER (RIGHT)	MERITOR CALIPER OR WHEEL CYLINDER REPAIR KIT	MERITOR CALIPER PISTON	MERITOR MASTER CYLINDER	MERITOR MASTER CYLINDER KIT	MERITOR BRAKE HOSE (LEFT)	MERITOR BRAKE HOSE (RIGHT)
DODGE(Cont.)									
B300, B350, PB300, PB350 SERIES VAN - 1TON(Cont.)									
R44141382 ⁴⁵	3-3/32 "	R42R55119	R42R55118	R4066587	R4090018P	R4113041 ³⁰⁹	R4122934	R4577316 ¹²⁸	R4577317
R44141382 ⁴⁵	3-3/32 "	R42R55119	R42R55118	R4066587	R4090018P	R4113041 ³⁰⁹	R4122934	R4577169 ¹²⁷	R4577169
R44141382 ⁴⁵	3-3/32 "	R42R55119	R42R55118	R4066587	R4090018P	R4111860 ¹¹⁸	R4122388	R4577316 ¹²⁸	R4577317
R44141382 ⁴⁵	3-3/32 "	R42R55119	R42R55118	R4066587	R4090018P	R4111583 ¹¹⁹	R4122598	R4577316 ¹²⁸	R4577317
R44141382 ⁴⁵	3-3/32 "	R42R55119	R42R55118	R4066587	R4090018P	R4111583 ¹¹⁹	R4122598	R4577169 ¹²⁷	R4577169
R44141193 ⁸⁹	3-3/32 "	R42R55119	R42R55118	R4066587	R4090018P	R4111860 ¹¹⁸	R4122388	R4577316 ¹²⁸	R4577317
R44141193 ⁸⁹	3-3/32 "	R42R55119	R42R55118	R4066587	R4090018P	R4111860 ¹¹⁸	R4122388	R4577169 ¹²⁷	R4577169
R44141193 ⁸⁹	3-3/32 "	R42R55119	R42R55118	R4066587	R4090018P	R4113041 ³⁰⁹	R4122934	R4577169 ¹²⁷	R4577169
R44141193 ⁸⁹	3-3/32 "	R42R55119	R42R55118	R4066587	R4090018P	R4111583 ¹¹⁹	R4122598	R4577169 ¹²⁷	R4577169
R44141193 ⁸⁹	3-3/32 "	R42R55119	R42R55118	R4066587	R4090018P	R4111583 ¹¹⁹	R4122598	R4577316 ¹²⁸	R4577317
R44141193 ⁸⁹	3-3/32 "	R42R55119	R42R55118	R4066587	R4090018P	R4113041 ³⁰⁹	R4122934	R4577169 ¹²⁷	R4577169
R44141193 ⁸⁹	3-3/32 "	R42R55119	R42R55118	R4066587	R4090018P	R4111583 ¹¹⁹	R4122598	R4577169 ¹²⁷	R4577169
R44141193 ⁸⁹	3-3/32 "	R42R55119	R42R55118	R4066587	R4090018P	R4113041 ³⁰⁹	R4122934	R4577316 ¹²⁸	R4577317
R44141193 ⁸⁹	3-3/32 "	R42R55119	R42R55118	R4066587	R4090018P	R4113041 ³⁰⁹	R4122934	R4577316 ¹²⁸	R4577317
R44141193 ⁸⁹	3-3/32 "	R42R55119	R42R55118	R4066587	R4090018P	R4111860 ¹¹⁸	R4122388	R4577316 ¹²⁸	R4577317
R44141193 ⁸⁹	3-3/32 "	R42R55119	R42R55118	R4066587	R4090018P	R4111583 ¹¹⁹	R4122598	R4577316 ¹²⁸	R4577317
R44141193 ⁸⁹	3-3/32 "	R42R55119	R42R55118	R4066587	R4090018P	R4111860 ¹¹⁸	R4122388	R4577169 ¹²⁷	R4577169
R44140267 ⁷⁹	1 "	R4133005	R4133005	R4166822	NR	-	-	R4577315	R4577315
R44140267 ⁷⁹	7/8 "	R4133627	R4133628	R4166820	NR	-	-	R4577315	R4577315
R44140542	7/8 "	R4133627	R4133628	R4166820	NR	-	-	R4577315	R4577315
R44140542	1-1/8 "	R4133206	R4133206	R4166935	NR	-	-	R4577315	R4577315
R44140542	1 "	R4133005	R4133005	R4166822	NR	-	-	R4577315	R4577315
R44140547 ⁸⁴	7/8 "	R4133627	R4133628	R4166820	NR	-	-	R4577315	R4577315
R44140547 ⁸⁴	1 "	R4133005	R4133005	R4166822	NR	-	-	R4577315	R4577315
R44140312 ⁹⁹	1 "	R4133005	R4133005	R4166822	NR	-	-	R4577315	R4577315
R44140312 ⁹⁹	1-1/8 "	R4133206	R4133206	R4166935	NR	-	-	R4577315	R4577315
R44140312 ⁹⁹	7/8 "	R4133627	R4133628	R4166820	NR	-	-	R4577315	R4577315
R44141382 ⁴⁵	3-3/32 "	R42R55119	R42R55118	R4066587	R4090018P	R4113041 ³⁰⁹	R4122934	R4577316 ¹²⁸	R4577317
R44141382 ⁴⁵	3-3/32 "	R42R55119	R42R55118	R4066587	R4090018P	R4111583 ¹¹⁹	R4122598	R4577316 ¹²⁸	R4577317
R44141382 ⁴⁵	3-3/32 "	R42R55119	R42R55118	R4066587	R4090018P	R4113041 ³⁰⁹	R4122934	R4577169 ¹²⁷	R4577169
R44141382 ⁴⁵	3-3/32 "	R42R55119	R42R55118	R4066587	R4090018P	R4111860 ¹¹⁸	R4122388	R4577169 ¹²⁷	R4577169
R44141382 ⁴⁵	3-3/32 "	R42R55119	R42R55118	R4066587	R4090018P	R4111860 ¹¹⁸	R4122388	R4577316 ¹²⁸	R4577317
R44141382 ⁴⁵	3-3/32 "	R42R55119	R42R55118	R4066587	R4090018P	R4111583 ¹¹⁹	R4122598	R4577169 ¹²⁷	R4577169
R44141193 ⁸⁹	3-3/32 "	R42R55119	R42R55118	R4066587	R4090018P	R4113041 ³⁰⁹	R4122934	R4577316 ¹²⁸	R4577317
R44141193 ⁸⁹	3-3/32 "	R42R55119	R42R55118	R4066587	R4090018P	R4111583 ¹¹⁹	R4122598	R4577169 ¹²⁷	R4577169
R44141193 ⁸⁹	3-3/32 "	R42R55119	R42R55118	R4066587	R4090018P	R4111583 ¹¹⁹	R4122598	R4577316 ¹²⁸	R4577317
R44141193 ⁸⁹	3-3/32 "	R42R55119	R42R55118	R4066587	R4090018P	R4111860 ¹¹⁸	R4122388	R4577316 ¹²⁸	R4577317
R44141193 ⁸⁹	3-3/32 "	R42R55119	R42R55118	R4066587	R4090018P	R4113041 ³⁰⁹	R4122934	R4577169 ¹²⁷	R4577169
R44141193 ⁸⁹	3-3/32 "	R42R55119	R42R55118	R4066587	R4090018P	R4111860 ¹¹⁸	R4122388	R4577169 ¹²⁷	R4577169
R44141193 ⁸⁹	3-3/32 "	R42R55119	R42R55118	R4066587	R4090018P	R4111583 ¹¹⁹	R4122598	R4577316 ¹²⁸	R4577317
R44141193 ⁸⁹	3-3/32 "	R42R55119	R42R55118	R4066587	R4090018P	R4111860 ¹¹⁸	R4122388	R4577169 ¹²⁷	R4577169
R44141193 ⁸⁹	3-3/32 "	R42R55119	R42R55118	R4066587	R4090018P	R4113041 ³⁰⁹	R4122934	R4577316 ¹²⁸	R4577317
R44141193 ⁸⁹	3-3/32 "	R42R55119	R42R55118	R4066587	R4090018P	R4111860 ¹¹⁸	R4122388	R4577316 ¹²⁸	R4577317
R44140267 ⁷⁹	7/8 "	R4133627	R4133628	R4166820	NR	-	-	R4577315	R4577315
R44140267 ⁷⁹	1 "	R4133005	R4133005	R4166822	NR	-	-	R4577315	R4577315
R44140542	1 "	R4133005	R4133005	R4166822	NR	-	-	R4577315	R4577315
R44140542	1-1/8 "	R4133206	R4133206	R4166935	NR	-	-	R4577315	R4577315
R44140542	7/8 "	R4133627	R4133628	R4166820	NR	-	-	R4577315	R4577315
R44140547 ⁸⁴	7/8 "	R4133627	R4133628	R4166820	NR	-	-	R4577315	R4577315
R44140547 ⁸⁴	1 "	R4133005	R4133005	R4166822	NR	-	-	R4577315	R4577315
R44140312 ⁹⁹	7/8 "	R4133627	R4133628	R4166820	NR	-	-	R4577315	R4577315
R44140312 ⁹⁹	1-1/8 "	R4133206	R4133206	R4166935	NR	-	-	R4577315	R4577315
R44140312 ⁹⁹	1 "	R4133005	R4133005	R4166822	NR	-	-	R4577315	R4577315
R44141382 ⁴⁵	3-3/32 "	R42R55119	R42R55118	R4066587	R4090018P	R4113041 ³⁰⁹	R4122934	R4577316 ¹²⁸	R4577317
R44141382 ⁴⁵	3-3/32 "	R42R55119	R42R55118	R4066587	R4090018P	R4111583 ¹¹⁹	R4122598	R4577316 ¹²⁸	R4577317
R44141382 ⁴⁵	3-3/32 "	R42R55119	R42R55118	R4066587	R4090018P	R4113041 ³⁰⁹	R4122934	R4577169 ¹²⁷	R4577169
R44141382 ⁴⁵	3-3/32 "	R42R55119	R42R55118	R4066587	R4090018P	R4111860 ¹¹⁸	R4122388	R4577169 ¹²⁷	R4577169
R44141382 ⁴⁵	3-3/32 "	R42R55119	R42R55118	R4066587	R4090018P	R4111583 ¹¹⁹	R4122598	R4577169 ¹²⁷	R4577169
R44141382 ⁴⁵	3-3/32 "	R42R55119	R42R55118	R4066587	R4090018P	R4111860 ¹¹⁸	R4122388	R4577316 ¹²⁸	R4577317
R44141193 ⁸⁹	3-3/32 "	R42R55119	R42R55118	R4066587	R4090018P	R4111860 ¹¹⁸	R4122388	R4577316 ¹²⁸	R4577317

MAKE MODEL YEAR AXLE CODE AXLE WEIGHT	AXLE & BRK. TYPE	BRK. MFG.	BRAKE SIZE	FMSI	MERITOR DISC PAD OR BRAKE SHOE	MERITOR GUIDE PIN OR RETURN SPRING KIT	MERITOR CALIPER HWD. KIT OR RETURN SPRING KIT	MERITOR ADJUSTER KIT (LEFT WHEEL)	MERITOR ADJUSTER KIT (RIGHT WHEEL)
DODGE(Cont.)									
B300, B350, PB300, PB350 SERIES VAN - 1TON(Cont.)									
1985 4,000 lb.	Fd	KH		7179 - D269	MD269	NR	R40H5516	NR	NR
	Fd	KH		7179 - D269	MD269	NR	R40H5516	NR	NR
	Fd	KH		7179 - D269	MD269	NR	R40H5516	NR	NR
	Fd	KH		7179 - D269	MD269	NR	R40H5516	NR	NR
	Fd	KH		7179 - D269	MD269	NR	R40H5516	NR	NR
	Fd	KH		7179 - D269	MD269	NR	R40H5516	NR	NR
	Fd	KH		7179 - D269	MD269	NR	R40H5516	NR	NR
	Fd	KH		7179 - D269	MD269	NR	R40H5516	NR	NR
	Fd	KH		7179 - D269	MD269	NR	R40H5516	NR	NR
	Fd	KH		7179 - D269	MD269	NR	R40H5516	NR	NR
5,500 lb.	Ra	BX	12 " x 2-1/2 "	2146AT - 357	R46357	R40H547	R40H4087	R40H2598	R40H2599
	Ra	BX	12 " x 2-1/2 "	2146AT - 357	R46357	R40H547	R40H4087	R40H2598	R40H2599
9,000 lb. GVW	Ra	BX	12 " x 3 "	2140AT - 358	R46358	R40H547	R40H4087	R40H2598	R40H2599
	Ra	BX	12 " x 3 "	2140AT - 358	R46358	R40H547	R40H4087	R40H2598	R40H2599
	Ra	BX	12 " x 3 "	2140AT - 358	R46358	R40H547	R40H4087	R40H2598	R40H2599
1984	Ra	BX	12 " x 2-1/2 "	2146AT - 357	R46357	R40H547	R40H4087	R40H2598	R40H2599
	Ra	BX	12 " x 2-1/2 "	2146AT - 357	R46357	R40H547	R40H4087	R40H2598	R40H2599
	Ra	BX	12 " x 3 "	2140AT - 358	R46358	R40H547	R40H4087	R40H2598	R40H2599
	Ra	BX	12 " x 3 "	2140AT - 358	R46358	R40H547	R40H4087	R40H2598	R40H2599
	Ra	BX	12 " x 3 "	2140AT - 358	R46358	R40H547	R40H4087	R40H2598	R40H2599
3,600 lb.	Fd	KH		7179 - D269	MD269	NR	R40H5516	NR	NR
	Fd	KH		7179 - D269	MD269	NR	R40H5516	NR	NR
	Fd	KH		7179 - D269	MD269	NR	R40H5516	NR	NR
	Fd	KH		7179 - D269	MD269	NR	R40H5516	NR	NR
	Fd	KH		7179 - D269	MD269	NR	R40H5516	NR	NR
	Fd	KH		7179 - D269	MD269	NR	R40H5516	NR	NR
4,000 lb.	Fd	KH		7179 - D269	MD269	NR	R40H5516	NR	NR
	Fd	KH		7179 - D269	MD269	NR	R40H5516	NR	NR
	Fd	KH		7179 - D269	MD269	NR	R40H5516	NR	NR
	Fd	KH		7179 - D269	MD269	NR	R40H5516	NR	NR
	Fd	KH		7179 - D269	MD269	NR	R40H5516	NR	NR
	Fd	KH		7179 - D269	MD269	NR	R40H5516	NR	NR
	Fd	KH		7179 - D269	MD269	NR	R40H5516	NR	NR
	Fd	KH		7179 - D269	MD269	NR	R40H5516	NR	NR
	Fd	KH		7179 - D269	MD269	NR	R40H5516	NR	NR
	Fd	KH		7179 - D269	MD269	NR	R40H5516	NR	NR
	Fd	KH		7179 - D269	MD269	NR	R40H5516	NR	NR
5,500 lb.	Ra	BX	12 " x 2-1/2 "	2146AT - 357	R46357	R40H547	R40H4087	R40H2598	R40H2599
	Ra	BX	12 " x 2-1/2 "	2146AT - 357	R46357	R40H547	R40H4087	R40H2598	R40H2599
9,000 lb. GVW	Ra	BX	12 " x 3 "	2140AT - 358	R46358	R40H547	R40H4087	R40H2598	R40H2599
	Ra	BX	12 " x 3 "	2140AT - 358	R46358	R40H547	R40H4087	R40H2598	R40H2599
	Ra	BX	12 " x 3 "	2140AT - 358	R46358	R40H547	R40H4087	R40H2598	R40H2599
1983	Ra	BX	12 " x 2-1/2 "	2146AT - 357	R46357	R40H547	R40H4087	R40H2598	R40H2599
	Ra	BX	12 " x 2-1/2 "	2146AT - 357	R46357	R40H547	R40H4087	R40H2598	R40H2599
	Ra	BX	12 " x 3 "	2140AT - 358	R46358	R40H547	R40H4087	R40H2598	R40H2599
	Ra	BX	12 " x 3 "	2140AT - 358	R46358	R40H547	R40H4087	R40H2598	R40H2599
	Ra	BX	12 " x 3 "	2140AT - 358	R46358	R40H547	R40H4087	R40H2598	R40H2599
3,600 lb.	Fd	KH		7179 - D269	MD269	NR	R40H5516	NR	NR
	Fd	KH		7179 - D269	MD269	NR	R40H5516	NR	NR
	Fd	KH		7179 - D269	MD269	NR	R40H5516	NR	NR
	Fd	KH		7179 - D269	MD269	NR	R40H5516	NR	NR
	Fd	KH		7179 - D269	MD269	NR	R40H5516	NR	NR
	Fd	KH		7179 - D269	MD269	NR	R40H5516	NR	NR
4,000 lb.	Fd	KH		7179 - D269	MD269	NR	R40H5516	NR	NR
	Fd	KH		7179 - D269	MD269	NR	R40H5516	NR	NR
	Fd	KH		7179 - D269	MD269	NR	R40H5516	NR	NR
	Fd	KH		7179 - D269	MD269	NR	R40H5516	NR	NR
	Fd	KH		7179 - D269	MD269	NR	R40H5516	NR	NR
	Fd	KH		7179 - D269	MD269	NR	R40H5516	NR	NR
	Fd	KH		7179 - D269	MD269	NR	R40H5516	NR	NR
	Fd	KH		7179 - D269	MD269	NR	R40H5516	NR	NR

45 - R44141382 is a hub & rotor, for rotor only use R44141193
 89 - Rotor Only with 1/2" Studs
 119 - Power Brakes, School Bus
 www.XpresswayPlus.com

79 - Inboard Mounting
 99 - Casting # 95961
 127 - Anchor

84 - 9 1/4" Ring Gear, Heavy Duty Axle
 118 - Gasoline Engine, Power Brakes, Plastic Reservoir
 128 - Bracket

MAKE MODEL YEAR AXLE CODE AXLE WEIGHT	AXLE & BRK. TYPE	BRK. MFG.	BRAKE SIZE	FMSI	MERITOR DISC PAD OR BRAKE SHOE	MERITOR GUIDE PIN OR RETURN SPRING KIT	MERITOR CALIPER HWD. KIT OR RETURN SPRING KIT	MERITOR ADJUSTER KIT (LEFT WHEEL)	MERITOR ADJUSTER KIT (RIGHT WHEEL)
DODGE(Cont.)									
B300, B350, PB300, PB350 SERIES VAN - 1TON(Cont.)									
1983	Fd	KH		7179 - D269	MD269	NR	R40H5516	NR	NR
	Fd	KH		7179 - D269	MD269	NR	R40H5516	NR	NR
	Fd	KH		7179 - D269	MD269	NR	R40H5516	NR	NR
	Fd	KH		7179 - D269	MD269	NR	R40H5516	NR	NR
	Fd	KH		7179 - D269	MD269	NR	R40H5516	NR	NR
5,500 lb.	Ra	BX	12 " x 2-1/2 "	2146AT - 357	R46357	R40H547	R40H4087	R40H2598	R40H2599
	Ra	BX	12 " x 2-1/2 "	2146AT - 357	R46357	R40H547	R40H4087	R40H2598	R40H2599
9,000 lb. GVW	Ra	BX	12 " x 3 "	2140AT - 358	R46358	R40H547	R40H4087	R40H2598	R40H2599
	Ra	BX	12 " x 3 "	2140AT - 358	R46358	R40H547	R40H4087	R40H2598	R40H2599
	Ra	BX	12 " x 3 "	2140AT - 358	R46358	R40H547	R40H4087	R40H2598	R40H2599
1982	Ra	BX	12 " x 2-1/2 "	2146AT - 357	R46357	R40H547	R40H4087	R40H2598	R40H2599
	Ra	BX	12 " x 2-1/2 "	2146AT - 357	R46357	R40H547	R40H4087	R40H2598	R40H2599
	Ra	BX	12 " x 3 "	2140AT - 358	R46358	R40H547	R40H4087	R40H2598	R40H2599
	Ra	BX	12 " x 3 "	2140AT - 358	R46358	R40H547	R40H4087	R40H2598	R40H2599
	Ra	BX	12 " x 3 "	2140AT - 358	R46358	R40H547	R40H4087	R40H2598	R40H2599
3,600 lb.	Fd	KH		7179 - D269	MD269	NR	R40H5516	NR	NR
	Fd	KH		7179 - D269	MD269	NR	R40H5516	NR	NR
	Fd	KH		7179 - D269	MD269	NR	R40H5516	NR	NR
	Fd	KH		7179 - D269	MD269	NR	R40H5516	NR	NR
	Fd	KH		7179 - D269	MD269	NR	R40H5516	NR	NR
	Fd	KH		7179 - D269	MD269	NR	R40H5516	NR	NR
4,000 lb.	Fd	KH		7179 - D269	MD269	NR	R40H5516	NR	NR
	Fd	KH		7179 - D269	MD269	NR	R40H5516	NR	NR
	Fd	KH		7179 - D269	MD269	NR	R40H5516	NR	NR
	Fd	KH		7179 - D269	MD269	NR	R40H5516	NR	NR
	Fd	KH		7179 - D269	MD269	NR	R40H5516	NR	NR
	Fd	KH		7179 - D269	MD269	NR	R40H5516	NR	NR
	Fd	KH		7179 - D269	MD269	NR	R40H5516	NR	NR
	Fd	KH		7179 - D269	MD269	NR	R40H5516	NR	NR
	Fd	KH		7179 - D269	MD269	NR	R40H5516	NR	NR
	Fd	KH		7179 - D269	MD269	NR	R40H5516	NR	NR
5,500 lb.	Ra	BX	12 " x 2-1/2 "	2146AT - 357	R46357	R40H547	R40H4087	R40H2598	R40H2599
	Ra	BX	12 " x 2-1/2 "	2146AT - 357	R46357	R40H547	R40H4087	R40H2598	R40H2599
9,000 lb. GVW	Ra	BX	12 " x 3 "	2140AT - 358	R46358	R40H547	R40H4087	R40H2598	R40H2599
	Ra	BX	12 " x 3 "	2140AT - 358	R46358	R40H547	R40H4087	R40H2598	R40H2599
	Ra	BX	12 " x 3 "	2140AT - 358	R46358	R40H547	R40H4087	R40H2598	R40H2599
1981	Ra	BX	12 " x 2-1/2 "	2146AT - 357	R46357	R40H547	R40H4087	R40H2598	R40H2599
	Ra	BX	12 " x 2-1/2 "	2146AT - 357	R46357	R40H547	R40H4087	R40H2598	R40H2599
	Ra	BX	12 " x 2-1/2 "	2146AT - 357	R46357	R40H547	R40H4087	R40H2598	R40H2599
	Ra	BX	12 " x 3 "	2140AT - 358	R46358	R40H547	R40H4087	R40H2598	R40H2599
	Ra	BX	12 " x 3 "	2140AT - 358	R46358	R40H547	R40H4087	R40H2598	R40H2599
	Ra	BX	12.125 x 2 "	2075T - 33A	N/A	R40H547	R40H4087	R40H2598	R40H2599
3,600 lb.	Fd			7019E - D123	MD269	NR	R40H5516	NR	NR
4,000 lb.	Fd	KH		7019E - D123	MD269	NR	R40H5516	NR	NR
	Fd	KH		7019E - D123	MD269	NR	R40H5516	NR	NR
9,000 lb. GVW	Ra	BX	12 " x 3 "	2140AT - 358	R46358	R40H547	R40H4087	R40H2598	R40H2599
1980	Ra	BX	12 " x 2-1/2 "	2146AT - 357	R46357	R40H547	R40H4087	R40H2598	R40H2599
	Ra	BX	12 " x 2-1/2 "	2146AT - 357	R46357	R40H547	R40H4087	R40H2598	R40H2599
	Ra	BX	12 " x 2-1/2 "	2146AT - 357	R46357	R40H547	R40H4087	R40H2598	R40H2599
	Ra	BX	12 " x 3 "	2140AT - 358	R46358	R40H547	R40H4087	R40H2598	R40H2599
	Ra	BX	12 " x 3 "	2140AT - 358	R46358	R40H547	R40H4087	R40H2598	R40H2599
	Ra	BX	12.125 x 2 "	2075T - 33A	N/A	R40H547	R40H4087	R40H2598	R40H2599
3,600 lb.	Fd			7019E - D123	MD269	NR	R40H5516	NR	NR
4,000 lb.	Fd	KH		7019E - D123	MD269	NR	R40H5516	NR	NR
	Fd	KH		7019E - D123	MD269	NR	R40H5516	NR	NR
9,000 lb. GVW	Ra	BX	12 " x 3 "	2140AT - 358	R46358	R40H547	R40H4087	R40H2598	R40H2599
1979	Ra	BX	12 " x 2-1/2 "	2146AT - 357	R46357	R40H547	R40H4087	R40H2598	R40H2599
	Ra	BX	12 " x 2-1/2 "	2146AT - 357	R46357	R40H547	R40H4087	R40H2598	R40H2599

45 - R44141382 is a hub & rotor, for rotor only use R44141193
 89 - Rotor Only with 1/2" Studs
 127 - Anchor
 www.XpresswayPlus.com

79 - Inboard Mounting
 118 - Gasoline Engine, Power Brakes, Plastic Reservoir
 128 - Bracket

84 - 9 1/4" Ring Gear, Heavy Duty Axle
 119 - Power Brakes, School Bus
 309 - Power Brakes, Hydroboost

MERITOR DRUM OR ROTOR NO.	CALIPER OR CYLINDER BORE SIZE	MERITOR CALIPER OR WHEEL CYLINDER (LEFT)	MERITOR CALIPER OR WHEEL CYLINDER (RIGHT)	MERITOR CALIPER OR WHEEL CYLINDER REPAIR KIT	MERITOR CALIPER PISTON	MERITOR MASTER CYLINDER	MERITOR MASTER CYLINDER KIT	MERITOR BRAKE HOSE (LEFT)	MERITOR BRAKE HOSE (RIGHT)
DODGE(Cont.)									
B300, B350, PB300, PB350 SERIES VAN - 1TON(Cont.)									
R44141193 ⁸⁹	3-3/32 "	R42R55119	R42R55118	R4066587	R4090018P	R4111583 ¹¹⁹	R4122598	R4577316 ¹²⁸	R4577317
R44141193 ⁸⁹	3-3/32 "	R42R55119	R42R55118	R4066587	R4090018P	R4113041 ³⁰⁹	R4122934	R4577169 ¹²⁷	R4577169
R44141193 ⁸⁹	3-3/32 "	R42R55119	R42R55118	R4066587	R4090018P	R4111583 ¹¹⁹	R4122598	R4577169 ¹²⁷	R4577169
R44141193 ⁸⁹	3-3/32 "	R42R55119	R42R55118	R4066587	R4090018P	R4111583 ¹¹⁹	R4122598	R4577169 ¹²⁷	R4577169
R44141193 ⁸⁹	3-3/32 "	R42R55119	R42R55118	R4066587	R4090018P	R4113041 ³⁰⁹	R4122934	R4577316 ¹²⁸	R4577317
R44140267 ⁷⁹	1 "	R4133005	R4133005	R4166822	NR	-	-	R4577315	R4577315
R44140267 ⁷⁹	7/8 "	R4133627	R4133628	R4166820	NR	-	-	R4577315	R4577315
R44140542	1 "	R4133005	R4133005	R4166822	NR	-	-	R4577315	R4577315
R44140542	1-1/8 "	R4133206	R4133206	R4166935	NR	-	-	R4577315	R4577315
R44140542	7/8 "	R4133627	R4133628	R4166820	NR	-	-	R4577315	R4577315
R44140547 ⁸⁴	1 "	R4133005	R4133005	R4166822	NR	-	-	R4577315	R4577315
R44140547 ⁸⁴	7/8 "	R4133627	R4133628	R4166820	NR	-	-	R4577315	R4577315
R44140264 ³³³	7/8 "	R4133627	R4133628	R4166820	NR	-	-	R4577315	R4577315
R44140264 ³³³	1 "	R4133005	R4133005	R4166822	NR	-	-	R4577315	R4577315
R44140264 ³³³	1-1/8 "	R4133206	R4133206	R4166935	NR	-	-	R4577315	R4577315
R44141382 ⁴⁵	3-3/32 "	R42R55119	R42R55118	R4066587	R4090018P	R4113041 ³⁰⁹	R4122934	R4577316 ¹²⁸	R4577317
R44141382 ⁴⁵	3-3/32 "	R42R55119	R42R55118	R4066587	R4090018P	R4111583 ¹¹⁹	R4122598	R4577316 ¹²⁸	R4577317
R44141382 ⁴⁵	3-3/32 "	R42R55119	R42R55118	R4066587	R4090018P	R4111860 ¹¹⁸	R4122388	R4577316 ¹²⁸	R4577317
R44141382 ⁴⁵	3-3/32 "	R42R55119	R42R55118	R4066587	R4090018P	R4113041 ³⁰⁹	R4122934	R4577169 ¹²⁷	R4577169
R44141382 ⁴⁵	3-3/32 "	R42R55119	R42R55118	R4066587	R4090018P	R4111860 ¹¹⁸	R4122388	R4577169 ¹²⁷	R4577169
R44141382 ⁴⁵	3-3/32 "	R42R55119	R42R55118	R4066587	R4090018P	R4111583 ¹¹⁹	R4122598	R4577169 ¹²⁷	R4577169
R44141193 ⁸⁹	3-3/32 "	R42R55119	R42R55118	R4066587	R4090018P	R4111860 ¹¹⁸	R4122388	R4577316 ¹²⁸	R4577317
R44141193 ⁸⁹	3-3/32 "	R42R55119	R42R55118	R4066587	R4090018P	R4111583 ¹¹⁹	R4122598	R4577169 ¹²⁷	R4577169
R44141193 ⁸⁹	3-3/32 "	R42R55119	R42R55118	R4066587	R4090018P	R4113041 ³⁰⁹	R4122934	R4577169 ¹²⁷	R4577169
R44141193 ⁸⁹	3-3/32 "	R42R55119	R42R55118	R4066587	R4090018P	R4111583 ¹¹⁹	R4122598	R4577169 ¹²⁷	R4577169
R44141193 ⁸⁹	3-3/32 "	R42R55119	R42R55118	R4066587	R4090018P	R4113041 ³⁰⁹	R4122934	R4577316 ¹²⁸	R4577317
R44141193 ⁸⁹	3-3/32 "	R42R55119	R42R55118	R4066587	R4090018P	R4111860 ¹¹⁸	R4122388	R4577169 ¹²⁷	R4577169
R44141193 ⁸⁹	3-3/32 "	R42R55119	R42R55118	R4066587	R4090018P	R4113041 ³⁰⁹	R4122934	R4577169 ¹²⁷	R4577169
R44141193 ⁸⁹	3-3/32 "	R42R55119	R42R55118	R4066587	R4090018P	R4111860 ¹¹⁸	R4122388	R4577316 ¹²⁸	R4577317
R44141193 ⁸⁹	3-3/32 "	R42R55119	R42R55118	R4066587	R4090018P	R4111583 ¹¹⁹	R4122598	R4577316 ¹²⁸	R4577317
R44141193 ⁸⁹	3-3/32 "	R42R55119	R42R55118	R4066587	R4090018P	R4111583 ¹¹⁹	R4122598	R4577316 ¹²⁸	R4577317
R44141193 ⁸⁹	3-3/32 "	R42R55119	R42R55118	R4066587	R4090018P	R4113041 ³⁰⁹	R4122934	R4577316 ¹²⁸	R4577317
R44140267 ⁷⁹	7/8 "	R4133627	R4133628	R4166820	NR	-	-	R4577315	R4577315
R44140267 ⁷⁹	1 "	R4133005	R4133005	R4166822	NR	-	-	R4577315	R4577315
R44140542	1 "	R4133005	R4133005	R4166822	NR	-	-	R4577315	R4577315
R44140542	7/8 "	R4133627	R4133628	R4166820	NR	-	-	R4577315	R4577315
R44140542	1-1/8 "	R4133206	R4133206	R4166935	NR	-	-	R4577315	R4577315
R44140267 ⁷⁹	1-1/16 "	R4133792	R 418162	N/A	NR	-	-	R4577315	R4577315
R44140267 ⁷⁹	7/8 "	R4133627	R4133628	N/A	NR	-	-	R4577315	R4577315
R44140267 ⁷⁹	1 "	R4133004	R4133004	R4166822	NR	-	-	R4577315	R4577315
R44140264 ³³³	1-1/16 "	R4133791	R 418145	R4166821	NR	-	-	R4577315	R4577315
R44140264 ³³³	7/8 "	R4133627	R4133628	N/A	NR	-	-	R4577315	R4577315
N/A	7/8 "	R4133627	R4133628	N/A	NR	-	-	R4577315	R4577315
R44141382 ⁴⁵	3-3/32 "	R42R55119	R42R55118	R4066587	R4090018P	R4111860 ¹¹⁸	R4122388	R4577173	R4577172
R44141089 ⁴⁰⁵	3-3/32 "	R42R55119	R42R55118	R4066587	R4090018P	R4111860 ¹¹⁸	R4122388	R4577173	R4577172
R44141193 ⁸⁹	3-3/32 "	R42R55119	R42R55118	R4066587	R4090018P	R4111860 ¹¹⁸	R4122388	R4577173	R4577172
R44140542	1 "	R4133004	R4133004	R4166822	NR	-	-	R4577315	R4577315
R44140267 ⁷⁹	1 "	R4133004	R4133004	R4166822	NR	-	-	R4577315	R4577315
R44140267 ⁷⁹	7/8 "	R4133627	R4133628	N/A	NR	-	-	R4577315	R4577315
R44140267 ⁷⁹	1-1/16 "	R4133792	R 418162	N/A	NR	-	-	R4577315	R4577315
R44140264 ³³³	1-1/16 "	R4133791	R 418145	R4166821	NR	-	-	R4577315	R4577315
R44140264 ³³³	7/8 "	R4133627	R4133628	N/A	NR	-	-	R4577315	R4577315
N/A	7/8 "	R4133627	R4133628	N/A	NR	-	-	R4577315	R4577315
R44141382 ⁴⁵	3-3/32 "	R42R55119	R42R55118	R4066587	R4090018P	R4111860 ¹¹⁸	R4122388	R4577173	R4577172
R44141089 ⁴⁰⁵	3-3/32 "	R42R55119	R42R55118	R4066587	R4090018P	R4111860 ¹¹⁸	R4122388	R4577173	R4577172
R44141193 ⁸⁹	3-3/32 "	R42R55119	R42R55118	R4066587	R4090018P	R4111860 ¹¹⁸	R4122388	R4577173	R4577172
R44140542	1 "	R4133004	R4133004	R4166822	NR	-	-	R4577315	R4577315
R44140267 ⁷⁹	7/8 "	R4133627	R4133628	N/A	NR	-	-	R4577315	R4577315
R44140267 ⁷⁹	1-1/16 "	R4133792	R 418162	N/A	NR	-	-	R4577315	R4577315

MAKE MODEL YEAR AXLE CODE AXLE WEIGHT	AXLE & BRK. TYPE	BRK. MFG.	BRAKE SIZE	FMSI	MERITOR DISC PAD OR BRAKE SHOE	MERITOR GUIDE PIN OR RETURN SPRING KIT	MERITOR CALIPER HWD. KIT OR RETURN SPRING KIT	MERITOR ADJUSTER KIT (LEFT WHEEL)	MERITOR ADJUSTER KIT (RIGHT WHEEL)
DODGE(Cont.)									
B300, B350, PB300, PB350 SERIES VAN - 1TON(Cont.)									
1979	Ra	BX	12 " x 2-1/2 "	2146AT - 357	R46357	R40H547	R40H4087	R40H2598	R40H2599
	Ra	BX	12 " x 3 "	2140AT - 358	R46358	R40H547	R40H4087	R40H2598	R40H2599
	Ra	BX	12 " x 3 "	2140AT - 358	R46358	R40H547	R40H4087	R40H2598	R40H2599
	Ra	BX	12.125 x 2 "	2075T - 33A	N/A	R40H547	R40H4087	R40H2598	R40H2599
3,600 lb.	Fd			7019E - D123	MD269	NR	R40H5516	NR	NR
4,000 lb.	Fd	KH		7019E - D123	MD269	NR	R40H5516	NR	NR
	Fd	KH		7019E - D123	MD269	NR	R40H5516	NR	NR
9,000 lb. GVW	Ra	BX	12 " x 3 "	2140AT - 358	R46358	R40H547	R40H4087	R40H2598	R40H2599
1978	Ra	BX	12 " x 2-1/2 "	2146AT - 357	R46357	R40H547	R40H4087	R40H2598	R40H2599
	Ra	BX	12 " x 2-1/2 "	2146AT - 357	R46357	R40H547	R40H4087	R40H2598	R40H2599
	Ra	BX	12 " x 2-1/2 "	2146AT - 357	R46357	R40H547	R40H4087	R40H2598	R40H2599
	Ra	BX	12 " x 3 "	2140AT - 358	R46358	R40H547	R40H4087	R40H2598	R40H2599
	Ra	BX	12 " x 3 "	2140AT - 358	R46358	R40H547	R40H4087	R40H2598	R40H2599
	Ra	BX	12.125 x 2 "	2075T - 33A	N/A	R40H547	R40H4087	R40H2598	R40H2599
3,600 lb.	Fd			7019E - D123	MD269	NR	R40H5516	NR	NR
4,000 lb.	Fd	KH		7019E - D123	MD269	NR	R40H5516	NR	NR
	Fd	KH		7019E - D123	MD269	NR	R40H5516	NR	NR
9,000 lb. GVW	Ra	BX	12 " x 3 "	2140AT - 358	R46358	R40H547	R40H4087	R40H2598	R40H2599
1977	Dual Rear Wheels	Fd	KH	7179 - D269	MD269	NR	R40H5516	NR	NR
	Single Rear Wheels	Fd	KH	7179 - D269	MD269	NR	R40H5516	NR	NR
1976	Dual Rear Wheels	Fd	KH	7179 - D269	MD269	NR	R40H5516	NR	NR
	Single Rear Wheels	Fd	KH	7179 - D269	MD269	NR	R40H5516	NR	NR
1975	Dual Rear Wheels	Fd	KH	7179 - D269	MD269	NR	R40H5516	NR	NR
	Single Rear Wheels	Fd	KH	7179 - D269	MD269	NR	R40H5516	NR	NR
1974	Dual Rear Wheels	Fd	KH	7179 - D269	MD269	NR	R40H5516	NR	NR
	Single Rear Wheels	Fd	KH	7179 - D269	MD269	NR	R40H5516	NR	NR
1973		Fa	BX	12 " x 3 "	2140AT - 358	R46358	R40H547	R40H4087	R40H2598
	Dual Rear Wheels	Fd	KH	7179 - D269	MD269	NR	R40H5516	NR	NR
	Single Rear Wheels	Fd	KH	7179 - D269	MD269	NR	R40H5516	NR	NR
1972		Fa	BX	12 " x 3 "	2140AT - 358	R46358	R40H547	R40H4087	R40H2598
		Fd	KH	781 - D39	NLA	NLA	R407991	NR	NR
1971		Fa	BX	12 " x 3 "	2140AT - 358	R46358	R40H547	R40H4087	R40H2598
1970		Fa	BX	12 " x 3 "	2140AT - 358	R46358	R40H547	R40H4087	R40H2598
		Fa	BX	12 " x 3 "	2140AT - 358	R46358	R40H547	R40H4087	R40H2598
D200, D250, PD200, PD250, RD250 SERIES PICKUP-3/4 TON									
1993	Ra	BX	11 " x 2-1/2 "	2025T - 446	R46446	R40H111	R40H7133	R40H2534	R40H2535
	Ra	BX	12 " x 2-1/2 "	2146AT - 357	R46357	R40H547	R40H4087	R40H2598	R40H2599
	Ra	BX	11 " x 2-1/2 "	2025T - 446	R46446	R40H111	R40H4030DP	R40H2534	R40H2535
3,300 lb.	Fd	KH		7179 - D269	MD269	NR	R40H5516	NR	NR
4,000 lb.	Fd	KH		7179 - D269	MD269	NR	R40H5516	NR	NR
5,500, 5,800 lb.	Ra	BX	12 " x 2-1/2 "	2146AT - 357	R46357	R40H547	R40H4087	R40H2598	R40H2599
1992	Ra	BX	11 " x 2-1/2 "	2025T - 446	R46446	R40H111	R40H7133	R40H2534	R40H2535
	Ra	BX	12 " x 2-1/2 "	2146AT - 357	R46357	R40H547	R40H4087	R40H2598	R40H2599
	Ra	BX	11 " x 2-1/2 "	2025T - 446	R46446	R40H111	R40H4030DP	R40H2534	R40H2535
3,300 lb.	Fd	KH		7179 - D269	MD269	NR	R40H5516	NR	NR
4,000 lb.	Fd	KH		7179 - D269	MD269	NR	R40H5516	NR	NR
5,500, 5,800 lb.	Ra	BX	12 " x 2-1/2 "	2146AT - 357	R46357	R40H547	R40H4087	R40H2598	R40H2599
1991	Ra	BX	11 " x 2-1/2 "	2025T - 446	R46446	R40H111	R40H4030DP	R40H2534	R40H2535
	Ra	BX	11 " x 2-1/2 "	2025T - 446	R46446	R40H111	R40H7133	R40H2534	R40H2535
	Ra	BX	12 " x 2-1/2 "	2146AT - 357	R46357	R40H547	R40H4087	R40H2598	R40H2599
3,300 lb.	Fd	KH		7179 - D269	MD269	NR	R40H5516	NR	NR

45 - R44141382 is a hub & rotor, for rotor only use R44141193
 83 - 5" Bolt Circle
 118 - Gasoline Engine, Power Brakes, Plastic Reservoir
 www.XpresswayPlus.com

53 - Power Brakes
 84 - 9 1/4" Ring Gear, Heavy Duty Axle
 127 - Anchor

79 - Inboard Mounting
 89 - Rotor Only with 1/2" Studs
 333 - Except 9 1/4" Ring Gear

MERITOR DRUM OR ROTOR NO.	CALIPER OR CYLINDER BORE SIZE	MERITOR CALIPER OR WHEEL CYLINDER (LEFT)	MERITOR CALIPER OR WHEEL CYLINDER (RIGHT)	MERITOR CALIPER OR WHEEL CYLINDER REPAIR KIT	MERITOR CALIPER PISTON	MERITOR MASTER CYLINDER	MERITOR MASTER CYLINDER KIT	MERITOR BRAKE HOSE (LEFT)	MERITOR BRAKE HOSE (RIGHT)
DODGE(Cont.)									
B300, B350, PB300, PB350 SERIES VAN - 1TON(Cont.)									
R44140267 ⁷⁹	1 "	R4133004	R4133004	R4166822	NR	-	-	R4577315	R4577315
R44140264 ³³³	7/8 "	R4133627	R4133628	N/A	NR	-	-	R4577315	R4577315
R44140264 ³³³	1-1/16 "	R4133791	R 418145	R4166821	NR	-	-	R4577315	R4577315
N/A	7/8 "	R4133627	R4133628	N/A	NR	-	-	R4577315	R4577315
R44141382 ⁴⁵	3-3/32 "	R42R55119	R42R55118	R4066587	R4090018P	R4111860 ¹¹⁸	R4122388	R4577173	R4577172
R44141193 ⁸⁹	3-3/32 "	R42R55119	R42R55118	R4066587	R4090018P	R4111860 ¹¹⁸	R4122388	R4577173	R4577172
R44141089 ⁴⁰⁵	3-3/32 "	R42R55119	R42R55118	R4066587	R4090018P	R4111860 ¹¹⁸	R4122388	R4577173	R4577172
R44140542	1 "	R4133004	R4133004	R4166822	NR	-	-	R4577315	R4577315
R44140267 ⁷⁹	1-1/16 "	R4133792	R 418162	N/A	NR	-	-	R4577315	R4577315
R44140267 ⁷⁹	1 "	R4133004	R4133004	R4166822	NR	-	-	R4577315	R4577315
R44140267 ⁷⁹	7/8 "	R4133627	R4133628	N/A	NR	-	-	R4577315	R4577315
R44140264 ³³³	1-1/16 "	R4133791	R 418145	R4166821	NR	-	-	R4577315	R4577315
R44140264 ³³³	7/8 "	R4133627	R4133628	N/A	NR	-	-	R4577315	R4577315
N/A	7/8 "	R4133627	R4133628	N/A	NR	-	-	R4577315	R4577315
R44141382 ⁴⁵	3-3/32 "	R42R55119	R42R55118	R4066587	R4090018P	R4111860 ¹¹⁸	R4122388	R4577173	R4577172
R44141193 ⁸⁹	3-3/32 "	R42R55119	R42R55118	R4066587	R4090018P	R4111860 ¹¹⁸	R4122388	R4577173	R4577172
R44141089 ⁴⁰⁵	3-3/32 "	R42R55119	R42R55118	R4066587	R4090018P	R4111860 ¹¹⁸	R4122388	R4577173	R4577172
R44140542	1 "	R4133004	R4133004	R4166822	NR	-	-	R4577315	R4577315
R44141089 ⁴⁰⁵	3-3/32 "	R42R55119	R42R55118	R4066587	R4090018P	-	-	-	-
-	3-3/32 "	R42R55119	R42R55118	R4066587	R4090018P	-	-	-	-
R44141089 ⁴⁰⁵	3-3/32 "	R42R55119	R42R55118	R4066587	R4090018P	-	-	-	-
-	3-3/32 "	R42R55119	R42R55118	R4066587	R4090018P	-	-	-	-
R44141089 ⁴⁰⁵	3-3/32 "	R42R55119	R42R55118	R4066587	R4090018P	-	-	-	-
-	3-3/32 "	R42R55119	R42R55118	R4066587	R4090018P	-	-	-	-
R44141089 ⁴⁰⁵	3-3/32 "	R42R55119	R42R55118	R4066587	R4090018P	-	-	-	-
-	3-3/32 "	R42R55119	R42R55118	R4066587	R4090018P	-	-	-	-
-	-	-	-	-	-	-	-	-	-
-	3-3/32 "	R42R55119	R42R55118	R4066587	R4090018P	-	-	-	-
-	3-3/32 "	R42R55119	R42R55118	R4066587	R4090018P	-	-	-	-
-	-	-	-	-	-	-	-	-	-
-	-	-	-	R4066851	R4090015S	-	-	-	-
-	-	-	-	-	-	-	-	-	-
-	-	-	-	-	-	-	-	-	-
-	-	-	-	-	-	-	-	-	-
D200, D250, PD200, PD250, RD250 SERIES PICKUP-3/4 TON									
R441404090 ⁸³	1 "	R4133004	R4133004	R4166822	NR	-	-	-	-
R44140547 ⁸⁴	1 "	R4133004	R4133004	R4166822	NR	-	-	-	-
R441404090 ⁸³	7/8 "	R4133627	R4133628	R4166820	NR	-	-	-	-
R44141382 ⁴⁵	3-3/32 "	R42R55119	R42R55118	R4066587	R4090018P	R4111775 ⁵³	R4122596	R4577169 ¹²⁷	R4577169
R44141663 ⁴⁰⁵	3-3/32 "	R42R55119	R42R55118	R4066587	R4090018P	R4111775 ⁵³	R4122596	R4577169 ¹²⁷	R4577169
R44140267 ⁷⁹	7/8 "	R4133627	R4133628	R4166820	NR	-	-	-	-
R441404090 ⁸³	1 "	R4133004	R4133004	R4166822	NR	-	-	-	-
R44140547 ⁸⁴	1 "	R4133004	R4133004	R4166822	NR	-	-	-	-
R441404090 ⁸³	7/8 "	R4133627	R4133628	R4166820	NR	-	-	-	-
R44141382 ⁴⁵	3-3/32 "	R42R55119	R42R55118	R4066587	R4090018P	-	-	R4577169 ¹²⁷	R4577169
R44141663 ⁴⁰⁵	3-3/32 "	R42R55119	R42R55118	R4066587	R4090018P	-	-	R4577169 ¹²⁷	R4577169
R44140267 ⁷⁹	7/8 "	R4133627	R4133628	R4166820	NR	-	-	-	-
R441404090 ⁸³	7/8 "	R4133627	R4133628	R4166820	NR	-	-	-	-
R441404090 ⁸³	1 "	R4133005	R4133005	R4166822	NR	-	-	-	-
R44140547 ⁸⁴	1 "	R4133005	R4133005	R4166822	NR	-	-	-	-
R44141382 ⁴⁵	3-3/32 "	R42R55119	R42R55118	R4066587	R4090018P	-	-	R4577169 ¹²⁷	R4577169

405 - Rotor Only

MAKE MODEL YEAR AXLE CODE AXLE WEIGHT	AXLE & BRK. TYPE	BRK. MFG.	BRAKE SIZE	FMSI	MERITOR DISC PAD OR BRAKE SHOE	MERITOR GUIDE PIN OR RETURN SPRING KIT	MERITOR CALIPER HWD. KIT OR RETURN SPRING KIT	MERITOR ADJUSTER KIT (LEFT WHEEL)	MERITOR ADJUSTER KIT (RIGHT WHEEL)
DODGE(Cont.)									
D200, D250, PD200, PD250, RD250 SERIES PICKUP-3/4 TON(Cont.)									
1991 4,000 lb.	Fd	KH		7179 - D269	MD269	NR	R40H5516	NR	NR
5,500, 5,800 lb.	Ra	BX	12 " x 2-1/2 "	2146AT - 357	R46357	R40H547	R40H4087	R40H2598	R40H2599
1990									
	Ra	BX	11 " x 2-1/2 "	2025T - 446	R46446	R40H111	R40H7133	R40H2534	R40H2535
	Ra	BX	11 " x 2-1/2 "	2025T - 446	R46446	R40H111	R40H4030DP	R40H2534	R40H2535
	Ra	BX	12 " x 2-1/2 "	2146AT - 357	R46357	R40H547	R40H4087	R40H2598	R40H2599
3,300 lb.	Fd	KH		7179 - D269	MD269	NR	R40H5516	NR	NR
4,000 lb.	Fd	KH		7179 - D269	MD269	NR	R40H5516	NR	NR
5,500, 5,800 lb.	Ra	BX	12 " x 2-1/2 "	2146AT - 357	R46357	R40H547	R40H4087	R40H2598	R40H2599
1989									
	Ra	BX	12 " x 2-1/2 "	2146AT - 357	R46357	R40H547	R40H4087	R40H2598	R40H2599
	Ra	BX	12 " x 2-1/2 "	2146AT - 357	R46357	R40H547	R40H4087	R40H2598	R40H2599
	Ra	BX	12 " x 3 "	2140AT - 358	R46358	R40H547	R40H4087	R40H2598	R40H2599
	Ra	BX	12 " x 3 "	2140AT - 358	R46358	R40H547	R40H4087	R40H2598	R40H2599
Diesel Engine 3,300 lb.	Fd	KH		7179 - D269	MD269	NR	R40H5516	NR	NR
Diesel Engine 4,000 lb.	Fd	KH		7179 - D269	MD269	NR	R40H5516	NR	NR
1988									
	Ra	BX	12 " x 2-1/2 "	2146AT - 357	R46357	R40H547	R40H4087	R40H2598	R40H2599
	Ra	BX	12 " x 2-1/2 "	2146AT - 357	R46357	R40H547	R40H4087	R40H2598	R40H2599
	Ra	BX	12 " x 3 "	2140AT - 358	R46358	R40H547	R40H4087	R40H2598	R40H2599
	Ra	BX	12 " x 3 "	2140AT - 358	R46358	R40H547	R40H4087	R40H2598	R40H2599
Diesel Engine 3,300 lb.	Fd	KH		7179 - D269	MD269	NR	R40H5516	NR	NR
Diesel Engine 4,000 lb.	Fd	KH		7179 - D269	MD269	NR	R40H5516	NR	NR
1987									
	Ra	BX	12 " x 2-1/2 "	2146AT - 357	R46357	R40H547	R40H4087	R40H2598	R40H2599
	Ra	BX	12 " x 2-1/2 "	2146AT - 357	R46357	R40H547	R40H4087	R40H2598	R40H2599
	Ra	BX	12 " x 3 "	2140AT - 358	R46358	R40H547	R40H4087	R40H2598	R40H2599
	Ra	BX	12 " x 3 "	2140AT - 358	R46358	R40H547	R40H4087	R40H2598	R40H2599
Diesel Engine 3,300 lb.	Fd	KH		7179 - D269	MD269	NR	R40H5516	NR	NR
Diesel Engine 4,500 lb.	Fd	KH		7179 - D269	MD269	NR	R40H5516	NR	NR
1986									
	Ra	BX	12 " x 2-1/2 "	2146AT - 357	R46357	R40H547	R40H4087	R40H2598	R40H2599
	Ra	BX	12 " x 2-1/2 "	2146AT - 357	R46357	R40H547	R40H4087	R40H2598	R40H2599
	Ra	BX	12 " x 3 "	2140AT - 358	R46358	R40H547	R40H4087	R40H2598	R40H2599
	Ra	BX	12 " x 3 "	2140AT - 358	R46358	R40H547	R40H4087	R40H2598	R40H2599
Diesel Engine 3,300 lb.	Fd	KH		7179 - D269	MD269	NR	R40H5516	NR	NR
Diesel Engine 4,000 lb.	Fd	KH		7179 - D269	MD269	NR	R40H5516	NR	NR
4,500 lb.	Fd	KH		7179 - D269	MD269	NR	R40H5516	NR	NR
1985									
	Ra	BX	12 " x 2-1/2 "	2146AT - 357	R46357	R40H547	R40H4087	R40H2598	R40H2599
	Ra	BX	12 " x 2-1/2 "	2146AT - 357	R46357	R40H547	R40H4087	R40H2598	R40H2599
	Ra	BX	12 " x 3 "	2140AT - 358	R46358	R40H547	R40H4087	R40H2598	R40H2599
	Ra	BX	12 " x 3 "	2140AT - 358	R46358	R40H547	R40H4087	R40H2598	R40H2599
	Ra	BX	12 " x 3 "	2140AT - 358	R46358	R40H547	R40H4087	R40H2598	R40H2599
Diesel Engine 3,300 lb.	Fd	KH		7179 - D269	MD269	NR	R40H5516	NR	NR
Diesel Engine 4,000 lb.	Fd	KH		7179 - D269	MD269	NR	R40H5516	NR	NR
1984									
	Ra	BX	12 " x 2-1/2 "	2146AT - 357	R46357	R40H547	R40H4087	R40H2598	R40H2599
	Ra	BX	12 " x 2-1/2 "	2146AT - 357	R46357	R40H547	R40H4087	R40H2598	R40H2599
	Ra	BX	12 " x 3 "	2140AT - 358	R46358	R40H547	R40H4087	R40H2598	R40H2599
	Ra	BX	12 " x 3 "	2140AT - 358	R46358	R40H547	R40H4087	R40H2598	R40H2599
	Ra	BX	12 " x 3 "	2140AT - 358	R46358	R40H547	R40H4087	R40H2598	R40H2599
Diesel Engine 3,300 lb.	Fd	KH		7179 - D269	MD269	NR	R40H5516	NR	NR

45 - R44141382 is a hub & rotor, for rotor only use R44141193
 79 - Inboard Mounting
 118 - Gasoline Engine, Power Brakes, Plastic Reservoir
 www.XpresswayPlus.com

52 - 18" Length
 83 - 5" Bolt Circle
 127 - Anchor

53 - Power Brakes
 84 - 9 1/4" Ring Gear, Heavy Duty Axle
 137 - Tee

MERITOR DRUM OR ROTOR NO.	CALIPER OR CYLINDER BORE SIZE	MERITOR CALIPER OR WHEEL CYLINDER (LEFT)	MERITOR CALIPER OR WHEEL CYLINDER (RIGHT)	MERITOR CALIPER OR WHEEL CYLINDER REPAIR KIT	MERITOR CALIPER PISTON	MERITOR MASTER CYLINDER	MERITOR MASTER CYLINDER KIT	MERITOR BRAKE HOSE (LEFT)	MERITOR BRAKE HOSE (RIGHT)
DODGE(Cont.)									
D200, D250, PD200, PD250, RD250 SERIES PICKUP-3/4 TON(Cont.)									
R44141663 ⁴⁰⁵	3-3/32 "	R42R55119	R42R55118	R4066587	R4090018P	-	-	R4577169 ¹²⁷	R4577169
R44140267 ⁷⁹	7/8 "	R4133627	R4133628	R4166820	NR	-	-	-	-
R441404090 ⁸³	1 "	R4133005	R4133005	R4166822	NR	-	-	-	-
R441404090 ⁸³	7/8 "	R4133627	R4133628	R4166820	NR	-	-	-	-
R44140547 ⁸⁴	1 "	R4133005	R4133005	R4166822	NR	-	-	-	-
R44141382 ⁴⁵	3-3/32 "	R42R55119	R42R55118	R4066587	R4090018P	R4111775 ⁵³	R4122596	R4577169 ¹²⁷	R4577169
R44141663 ⁴⁰⁵	3-3/32 "	R42R55119	R42R55118	R4066587	R4090018P	R4111775 ⁵³	R4122596	R4577169 ¹²⁷	R4577169
R44140267 ⁷⁹	7/8 "	R4133627	R4133628	R4166820	NR	-	-	-	-
R44140547 ⁸⁴	7/8 "	R4133627	R4133628	R4166820	NR	-	-	-	-
R44140547 ⁸⁴	1 "	R4133005	R4133005	R4166822	NR	-	-	-	-
R44140264 ³³³	1 "	R4133005	R4133005	R4166822	NR	-	-	-	-
R44140264 ³³³	7/8 "	R4133627	R4133628	R4166820	NR	-	-	-	-
R44141382 ⁴⁵	3-3/32 "	R42R55119	R42R55118	R4066587	R4090018P	R4111775 ⁵³	R4122596	R4577169 ¹²⁷	R4577169
R44141663 ⁴⁰⁵	3-3/32 "	R42R55119	R42R55118	R4066587	R4090018P	R4111775 ⁵³	R4122596	R4577921 ¹³⁷	N/A
R44140547 ⁸⁴	1 "	R4133005	R4133005	R4166822	NR	-	-	-	-
R44140547 ⁸⁴	7/8 "	R4133627	R4133628	R4166820	NR	-	-	-	-
R44140264 ³³³	1 "	R4133005	R4133005	R4166822	NR	-	-	-	-
R44140264 ³³³	7/8 "	R4133627	R4133628	R4166820	NR	-	-	-	-
R44141382 ⁴⁵	3-3/32 "	R42R55119	R42R55118	R4066587	R4090018P	-	-	-	-
R44141663 ⁴⁰⁵	3-3/32 "	R42R55119	R42R55118	R4066587	R4090018P	-	-	-	-
R44140547 ⁸⁴	7/8 "	R4133627	R4133628	R4166820	NR	-	-	-	-
R44140547 ⁸⁴	1 "	R4133005	R4133005	R4166822	NR	-	-	-	-
R44140264 ³³³	7/8 "	R4133627	R4133628	R4166820	NR	-	-	-	-
R44140264 ³³³	1 "	R4133005	R4133005	R4166822	NR	-	-	-	-
R44141382 ⁴⁵	3-3/32 "	R42R55119	R42R55118	R4066587	R4090018P	R4111860 ¹¹⁸	R4122388	-	-
R44141663 ⁴⁰⁵	3-3/32 "	R42R55119	R42R55118	R4066587	R4090018P	R4111775 ⁵³	R4122596	-	-
R44140547 ⁸⁴	1 "	R4133005	R4133005	R4166822	NR	-	-	-	-
R44140547 ⁸⁴	7/8 "	R4133627	R4133628	R4166820	NR	-	-	-	-
R44140264 ³³³	1 "	R4133005	R4133005	R4166822	NR	-	-	-	-
R44140264 ³³³	7/8 "	R4133627	R4133628	R4166820	NR	-	-	-	-
R44141382 ⁴⁵	3-3/32 "	R42R55119	R42R55118	R4066587	R4090018P	N/A ⁵²	R4122388	R4577169 ¹²⁷	R4577169
R44141663 ⁴⁰⁵	3-3/32 "	R42R55119	R42R55118	R4066587	R4090018P	R4111860 ¹¹⁸	R4122388	R4577169 ¹²⁷	R4577169
R44141663 ⁴⁰⁵	3-3/32 "	R42R55119	R42R55118	R4066587	R4090018P	R4111775 ⁵³	R4122596	R4577169 ¹²⁷	R4577169
R44140547 ⁸⁴	7/8 "	R4133627	R4133628	R4166820	NR	-	-	-	-
R44140547 ⁸⁴	1 "	R4133005	R4133005	R4166822	NR	-	-	-	-
R44140264 ³³³	1 "	R4133005	R4133005	R4166822	NR	-	-	-	-
R44140264 ³³³	7/8 "	R4133627	R4133628	R4166820	NR	-	-	-	-
R44140264 ³³³	1-1/16 "	R4133792	R 418162	R4166821	NR	-	-	-	-
R44141382 ⁴⁵	3-3/32 "	R42R55119	R42R55118	R4066587	R4090018P	R4111860 ¹¹⁸	R4122388	R4577169 ¹²⁷	R4577169
R44141663 ⁴⁰⁵	3-3/32 "	R42R55119	R42R55118	R4066587	R4090018P	R4111860 ¹¹⁸	R4122388	R4577169 ¹²⁷	R4577169
R44140547 ⁸⁴	7/8 "	R4133627	R4133628	R4166820	NR	-	-	-	-
R44140547 ⁸⁴	1 "	R4133005	R4133005	R4166822	NR	-	-	-	-
R44140264 ³³³	1-1/16 "	R4133792	R 418162	R4166821	NR	-	-	-	-
R44140264 ³³³	7/8 "	R4133627	R4133628	R4166820	NR	-	-	-	-
R44140264 ³³³	1 "	R4133005	R4133005	R4166822	NR	-	-	-	-
R44141382 ⁴⁵	3-3/32 "	R42R55119	R42R55118	R4066587	R4090018P	R4111860 ¹¹⁸	R4122388	R4577169 ¹²⁷	R4577169

333 - Except 9 1/4" Ring Gear

405 - Rotor Only

MAKE MODEL YEAR AXLE CODE AXLE WEIGHT	AXLE & BRK. TYPE	BRK. MFG.	BRAKE SIZE	FMSI	MERITOR DISC PAD OR BRAKE SHOE	MERITOR GUIDE PIN OR RETURN SPRING KIT	MERITOR CALIPER HWD. KIT OR RETURN SPRING KIT	MERITOR ADJUSTER KIT (LEFT WHEEL)	MERITOR ADJUSTER KIT (RIGHT WHEEL)
DODGE(Cont.)									
D200, D250, PD200, PD250, RD250 SERIES PICKUP-3/4 TON(Cont.)									
1984 Diesel Engine 4,000 lb.	Fd	KH		7179 - D269	MD269	NR	R40H5516	NR	NR
1983	Fd	CH		7019 - D123	MD269	NR	R40H5516	NR	NR
	Fd	CH		7019 - D123	MD269	NR	R40H5516	NR	NR
	Ra	BX	12" x 2-1/2"	2146AT - 357	R46357	R40H547	R40H4087	R40H2598	R40H2599
	Ra	BX	12" x 2-1/2"	2146AT - 357	R46357	R40H547	R40H4087	R40H2598	R40H2599
1982	Ra	BX	12" x 3"	2140AT - 358	R46358	R40H547	R40H4087	R40H2598	R40H2599
	Fd	CH		7019 - D123	MD269	NR	R40H5516	NR	NR
	Ra	BX	12" x 2-1/2"	2146AT - 357	R46357	R40H547	R40H4087	R40H2598	R40H2599
1981	Ra	BX	12" x 2-1/2"	2146AT - 357	R46357	R40H547	R40H4087	R40H2598	R40H2599
	Ra	BX	12" x 2-1/2"	2146AT - 357	R46357	R40H547	R40H4087	R40H2598	R40H2599
	Ra	BX	12" x 3"	2140AT - 358	R46358	R40H547	R40H4087	R40H2598	R40H2599
1980	Fd	CH		7019 - D123	MD269	NR	R40H5516	NR	NR
	Ra	BX	12" x 2-1/2"	2146AT - 357	R46357	R40H547	R40H4087	R40H2598	R40H2599
	Ra	BX	12" x 2-1/2"	2146AT - 357	R46357	R40H547	R40H4087	R40H2598	R40H2599
	Ra	BX	12" x 3"	2140AT - 358	R46358	R40H547	R40H4087	R40H2598	R40H2599
	Ra	BX	12" x 3"	2140AT - 358	R46358	R40H547	R40H4087	R40H2598	R40H2599
	Ra	BX	12.125 x 2"	2075A - 33	N/A	R40H130	N/A	N/A	N/A
1979	Fd	CH		7019 - D123	MD269	NR	R40H5516	NR	NR
	Ra	BX	12" x 2-1/2"	2146AT - 357	R46357	R40H547	R40H4087	R40H2598	R40H2599
	Ra	BX	12" x 2-1/2"	2146AT - 357	R46357	R40H547	R40H4087	R40H2598	R40H2599
	Ra	BX	12" x 3"	2140AT - 358	R46358	R40H547	R40H4087	R40H2598	R40H2599
	Ra	BX	12" x 3"	2140AT - 358	R46358	R40H547	R40H4087	R40H2598	R40H2599
	Ra	BX	12.125 x 2"	2075A - 33	N/A	R40H130	N/A	N/A	N/A
1978	Fd	CH		7019 - D123	MD269	NR	R40H5516	NR	NR
	Ra	BX	12" x 2-1/2"	2146AT - 357	R46357	R40H547	R40H4087	R40H2598	R40H2599
	Ra	BX	12" x 2-1/2"	2146AT - 357	R46357	R40H547	R40H4087	R40H2598	R40H2599
	Ra	BX	12" x 3"	2140AT - 358	R46358	R40H547	R40H4087	R40H2598	R40H2599
	Ra	BX	12" x 3"	2140AT - 358	R46358	R40H547	R40H4087	R40H2598	R40H2599
	Ra	BX	12.125 x 2"	2075A - 33	N/A	R40H130	N/A	N/A	N/A
1977	Fd	CH		7019 - D123	MD269	NR	R40H5516	NR	NR
	Ra	BX	12" x 2-1/2"	2146AT - 357	R46357	R40H547	R40H4087	R40H2598	R40H2599
	Ra	BX	12" x 2-1/2"	2146AT - 357	R46357	R40H547	R40H4087	R40H2598	R40H2599
	Ra	BX	12" x 3"	2140AT - 358	R46358	R40H547	R40H4087	R40H2598	R40H2599
	Ra	BX	12" x 3"	2140AT - 358	R46358	R40H547	R40H4087	R40H2598	R40H2599
	Ra	BX	12.125 x 2"	2075A - 33	N/A	R40H130	NR	NR	NR
1976	Fd	CH		7019 - D123	MD269	NR	R40H5516	NR	NR
	Ra	BX	12" x 2-1/2"	2146AT - 357	R46357	R40H547	R40H4087	R40H2598	R40H2599
	Ra	BX	12" x 2-1/2"	2146AT - 357	R46357	R40H547	R40H4087	R40H2598	R40H2599
	Ra	BX	12" x 3"	2140AT - 358	R46358	R40H547	R40H4087	R40H2598	R40H2599
	Ra	BX	12" x 3"	2140AT - 358	R46358	R40H547	R40H4087	R40H2598	R40H2599
	Ra	BX	12.125 x 2"	2075A - 33	N/A	R40H130	NR	NR	NR
1975	Fd	CH		7019 - D123	MD269	NR	R40H5516	NR	NR
	Ra	BX	12" x 2-1/2"	2146AT - 357	R46357	R40H547	R40H4087	R40H2598	R40H2599
	Ra	BX	12" x 2-1/2"	2146AT - 357	R46357	R40H547	R40H4087	R40H2598	R40H2599
	Ra	BX	12" x 3"	2140AT - 358	R46358	R40H547	R40H4087	R40H2598	R40H2599
	Ra	BX	12" x 3"	2140AT - 358	R46358	R40H547	R40H4087	R40H2598	R40H2599
	Ra	BX	12.125 x 2"	2075A - 33	N/A	R40H130	NR	NR	NR
1974	Fd	CH		7019 - D123	MD269	NR	R40H5516	NR	NR
	Ra	BX	12" x 2-1/2"	2146AT - 357	R46357	R40H547	R40H4087	R40H2598	R40H2599

45 - R44141382 is a hub & rotor, for rotor only use R44141193
 127 - Anchor
 405 - Rotor Only
 www.XpresswayPlus.com

79 - Inboard Mounting
 128 - Bracket

118 - Gasoline Engine, Power Brakes, Plastic Reservoir
 333 - Except 9 1/4" Ring Gear

MAKE MODEL YEAR AXLE CODE AXLE WEIGHT	AXLE & BRK. TYPE	BRK. MFG.	BRAKE SIZE	FMSI	MERITOR DISC PAD OR BRAKE SHOE	MERITOR GUIDE PIN OR RETURN SPRING KIT	MERITOR CALIPER HWD. KIT OR RETURN SPRING KIT	MERITOR ADJUSTER KIT (LEFT WHEEL)	MERITOR ADJUSTER KIT (RIGHT WHEEL)
DODGE(Cont.)									
D200, D250, PD200, PD250, RD250 SERIES PICKUP-3/4 TON(Cont.)									
1974	Ra	BX	12" x 2-1/2"	2146AT - 357	R46357	R40H547	R40H4087	R40H2598	R40H2599
	Ra	BX	12" x 3"	2140AT - 358	R46358	R40H546	R40H7181	R40H2598	R40H2599
	Ra	BX	12" x 3"	2140AT - 358	R46358	R40H546	R40H7181	R40H2598	R40H2599
	Ra	BX	12.125 x 2"	2075A - 33	N/A	R40H130	NR	NR	NR
1973	Fd	CH		7019 - D123	MD269	NR	R40H5516	NR	NR
	Ra	BX	12" x 2-1/2"	2146AT - 357	R46357	R40H547	R40H4087	R40H2598	R40H2599
	Ra	BX	12" x 2-1/2"	2146AT - 357	R46357	R40H547	R40H4087	R40H2598	R40H2599
	Ra	BX	12" x 3"	2140AT - 358	R46358	R40H547	R40H4087	R40H2598	R40H2599
	Ra	BX	12" x 3"	2140AT - 358	R46358	R40H547	R40H4087	R40H2598	R40H2599
	Ra	BX	12.125 x 2"	2075A - 33	N/A	R40H130	NR	NR	NR
1972	Fa	BX	12" x 2-1/2"	2146AT - 357	R46357	R40H547	R40H4087	R40H2598	R40H2599
	Fa	BX	12" x 3"	2140AT - 358	R46358	R40H547	R40H4087	R40H2598	R40H2599
	Fa	BX	12.125 x 2"	2075A - 33	N/A	R40H130	NR	NR	NR
	Fd	KH		781 - D39	NLA	NLA	R407991	NR	NR
	Ra	BX	12" x 2-1/2"	2146AT - 357	R46357	R40H547	R40H4087	R40H2598	R40H2599
	Ra	BX	12" x 3"	2140AT - 358	R46358	R40H547	R40H4087	R40H2598	R40H2599
D300, D350, PD300, PD350, D400, D450, PD400 PD450 SERIES PICKUP-1 TON									
1993	Ra	BX	12" x 2-1/2"	2146AT - 357	R46357	R40H547	R40H4087	R40H2598	R40H2599
	Ra	BX	11" x 2-1/2"	2025T - 446	R46446	R40H111	R40H7133	R40H2534	R40H2535
Diesel Engine	Fd	KH		7179 - D269	MD269	NR	R40H5516	NR	NR
Dual Rear Wheels	Ra	BX	12" x 3"	2140AT - 358	R46358	R40H547	R40H4087	R40H2598	R40H2599
Gasoline Engine	Fd	KH		7179 - D269	MD269	NR	R40H5516	NR	NR
5,500, 5,800 lb.	Ra	BX	12" x 2-1/2"	2146AT - 357	R46357	R40H547	R40H4087	R40H2598	R40H2599
6200 lb.	Ra	BX	12" x 3"	2140AT - 358	R46358	R40H547	R40H4087	R40H2598	R40H2599
1992	Ra	BX	12" x 2-1/2"	2146AT - 357	R46357	R40H547	R40H4087	R40H2598	R40H2599
Diesel Engine	Fd	KH		7179 - D269	MD269	NR	R40H5516	NR	NR
Dual Rear Wheels	Ra	BX	12" x 3"	2140AT - 358	R46358	R40H547	R40H4087	R40H2598	R40H2599
Gasoline Engine	Fd	KH		7179 - D269	MD269	NR	R40H5516	NR	NR
	Ra	BX	11" x 2-1/2"	2025T - 446	R46446	R40H111	R40H7133	R40H2534	R40H2535
5,500, 5,800 lb.	Ra	BX	12" x 2-1/2"	2146AT - 357	R46357	R40H547	R40H4087	R40H2598	R40H2599
6200 lb.	Ra	BX	12" x 3"	2140AT - 358	R46358	R40H547	R40H4087	R40H2598	R40H2599
1991	Fd	KH		7179 - D269	MD269	NR	R40H5516	NR	NR
	Ra	BX	12" x 2-1/2"	2146AT - 357	R46357	R40H547	R40H4087	R40H2598	R40H2599
Dual Rear Wheels	Ra	BX	12" x 3"	2140AT - 358	R46358	R40H547	R40H4087	R40H2598	R40H2599
Gasoline Engine	Fd	KH		7179 - D269	MD269	NR	R40H5516	NR	NR
	Ra	BX	11" x 2-1/2"	2025T - 446	R46446	R40H111	R40H7133	R40H2534	R40H2535
5,500, 5,800 lb.	Ra	BX	12" x 2-1/2"	2146AT - 357	R46357	R40H547	R40H4087	R40H2598	R40H2599
6200 lb.	Ra	BX	12" x 3"	2140AT - 358	R46358	R40H547	R40H4087	R40H2598	R40H2599
1990	Ra	BX	11" x 2-1/2"	2025T - 446	R46446	R40H111	R40H7133	R40H2534	R40H2535
	Ra	BX	12" x 2-1/2"	2146AT - 357	R46357	R40H547	R40H4087	R40H2598	R40H2599
	Ra	BX	12" x 2-1/2"	2146AT - 357	R46357	R40H547	R40H4087	R40H2598	R40H2599
	Ra	BX	12" x 3"	2140AT - 358	R46358	R40H547	R40H4087	R40H2598	R40H2599
Dual Rear Wheels	Fd	KH		7179 - D269	MD269	NR	R40H5516	NR	NR
Single Rear Wheels	Fd	KH		7179 - D269	MD269	NR	R40H5516	NR	NR
1989	Ra	BX	11" x 2-1/2"	2025T - 446	R46446	R40H111	R40H7133	R40H2534	R40H2535
	Ra	BX	12" x 2-1/2"	2146AT - 357	R46357	R40H547	R40H4087	R40H2598	R40H2599
	Ra	BX	12" x 2-1/2"	2146AT - 357	R46357	R40H547	R40H4087	R40H2598	R40H2599
	Ra	BX	12" x 3"	2140AT - 358	R46358	R40H547	R40H4087	R40H2598	R40H2599
Dual Rear Wheels	Fd	KH		7179 - D269	MD269	NR	R40H5516	NR	NR
Single Rear Wheels	Fd	KH		7179 - D269	MD269	NR	R40H5516	NR	NR
1988	Ra	BX	11" x 2-1/2"	2025T - 446	R46446	R40H111	R40H7133	R40H2534	R40H2535
	Ra	BX	12" x 2-1/2"	2146AT - 357	R46357	R40H547	R40H4087	R40H2598	R40H2599
	Ra	BX	12" x 2-1/2"	2146AT - 357	R46357	R40H547	R40H4087	R40H2598	R40H2599
	Ra	BX	12" x 3"	2140AT - 358	R46358	R40H547	R40H4087	R40H2598	R40H2599

45 - R44141382 is a hub & rotor, for rotor only use R44141193
 83 - 5" Bolt Circle
 333 - Except 9 1/4" Ring Gear
 www.XpresswayPlus.com

53 - Power Brakes
 84 - 9 1/4" Ring Gear, Heavy Duty Axle
 405 - Rotor Only

79 - Inboard Mounting
 127 - Anchor

MERITOR DRUM OR ROTOR NO.	CALIPER OR CYLINDER BORE SIZE	MERITOR CALIPER OR WHEEL CYLINDER (LEFT)	MERITOR CALIPER OR WHEEL CYLINDER (RIGHT)	MERITOR CALIPER OR WHEEL CYLINDER REPAIR KIT	MERITOR CALIPER PISTON	MERITOR MASTER CYLINDER	MERITOR MASTER CYLINDER KIT	MERITOR BRAKE HOSE (LEFT)	MERITOR BRAKE HOSE (RIGHT)
DODGE(Cont.)									
D200, D250, PD200, PD250, RD250 SERIES PICKUP-3/4 TON(Cont.)									
R44140267 ⁷⁹	1 "	R4133005	R4133004	R4166822	NR	-	-	-	-
R44140264 ³³³	1 "	R4133004	R4133005	R4166822	NR	-	-	-	-
R44140264 ³³³	1-1/16 "	R4133792	R 418162	R4166821	NR	-	-	-	-
-	7/8 "	R4133627	R4133628	R4166820	NR	-	-	-	-
-	3-3/32 "	R42R55119	R42R55118	R4066587	R4090018P	-	-	-	-
R44140267 ⁷⁹	-	-	-	-	NR	-	-	-	-
R44140267 ⁷⁹	1 "	R4133005	R4133004	R4166822	NR	-	-	-	-
R44140264 ³³³	1-1/16 "	R4133792	R 418162	R4166821	NR	-	-	-	-
R44140264 ³³³	1-1/16 "	R4133792	R 418162	R4166821	NR	-	-	-	-
-	7/8 "	R4133627	R4133628	R4166820	NR	-	-	-	-
-	7/8 "	R4133627	R4133628	R4166820	NR	-	-	-	-
-	-	-	-	R4066851	R4090015S	-	-	-	-
R44140267 ⁷⁹	-	-	-	-	NR	-	-	-	-
R44140264 ³³³	-	-	-	-	NR	-	-	-	-
D300, D350, PD300, PD350, D400, D450, PD400 PD450 SERIES PICKUP-1 TON									
R44140547 ⁸⁴	1 "	R4133005	R4133005	R4166822	NR	-	-	-	-
R441404090 ⁸³	15/16 "	R4133597	R4133597	R4166852	NR	-	-	-	-
R44141663 ⁴⁰⁵	3-3/32 "	R42R55119	R42R55118	R4066587	R4090018P	R4111775 ⁵³	R4122596	R4577169 ¹²⁷	R4577169
R44140264 ³³³	1-1/8 "	R4133206	R4133207	R418187	NR	-	-	-	-
R44141382 ⁴⁵	3-3/32 "	R42R55119	R42R55118	R4066587	R4090018P	R4111775 ⁵³	R4122596	R4577169 ¹²⁷	R4577169
R44140267 ⁷⁹	7/8 "	R4133627	R4133628	R4166820	NR	-	-	-	-
R44140264 ³³³	1 "	R4133005	R4133005	R4166822	NR	-	-	-	-
R44140547 ⁸⁴	1 "	R4133005	R4133005	R4166822	NR	-	-	-	-
R44141663 ⁴⁰⁵	3-3/32 "	R42R55119	R42R55118	R4066587	R4090018P	R4111775 ⁵³	R4122596	R4577169 ¹²⁷	R4577169
R44140264 ³³³	1-1/8 "	R4133206	R4133207	R418187	NR	-	-	-	-
R44141382 ⁴⁵	3-3/32 "	R42R55119	R42R55118	R4066587	R4090018P	R4111775 ⁵³	R4122596	R4577169 ¹²⁷	R4577169
R441404090 ⁸³	3-3/32 "	R42R55119	R42R55118	R4066587	R4090018P	R4111775 ⁵³	R4122596	R4577169 ¹²⁷	R4577169
R441404090 ⁸³	15/16 "	R4133597	R4133597	R4166852	NR	-	-	-	-
R44140267 ⁷⁹	7/8 "	R4133627	R4133628	R4166820	NR	-	-	-	-
R44140547 ⁸⁴	1 "	R4133005	R4133005	R4166822	NR	-	-	-	-
R44140264 ³³³	1-1/8 "	R4133206	R4133207	R418187	NR	-	-	-	-
R44141663 ⁴⁰⁵	3-3/32 "	R42R55119	R42R55118	R4066587	R4090018P	R4111775 ⁵³	R4122596	R4577169 ¹²⁷	R4577169
R44141382 ⁴⁵	3-3/32 "	R42R55119	R42R55118	R4066587	R4090018P	R4111775 ⁵³	R4122596	R4577169 ¹²⁷	R4577169
R441404090 ⁸³	15/16 "	R4133597	R4133597	R4166852	NR	-	-	-	-
R44140547 ⁸⁴	1 "	R4133005	R4133005	R4166822	NR	-	-	-	-
R44140267 ⁷⁹	7/8 "	R4133627	R4133628	R4166820	NR	-	-	-	-
R44140264 ³³³	1-1/8 "	R4133206	R4133207	R418187	NR	-	-	-	-
R44141663 ⁴⁰⁵	3-3/32 "	R42R55119	R42R55118	R4066587	R4090018P	R4111775 ⁵³	R4122596	R4577169 ¹²⁷	R4577169
R44141382 ⁴⁵	3-3/32 "	R42R55119	R42R55118	R4066587	R4090018P	R4111775 ⁵³	R4122596	R4577169 ¹²⁷	R4577169
R441404090 ⁸³	15/16 "	R4133597	R4133597	R4166852	NR	-	-	-	-
R44140267 ⁷⁹	7/8 "	R4133627	R4133628	R4166820	NR	-	-	-	-
R44140547 ⁸⁴	1 "	R4133005	R4133005	R4166822	NR	-	-	-	-
R44140264 ³³³	1-1/8 "	R4133206	R4133207	R418187	NR	-	-	-	-

MAKE MODEL YEAR AXLE CODE AXLE WEIGHT	AXLE & BRK. TYPE	BRK. MFG.	BRAKE SIZE	FMSI	MERITOR DISC PAD OR BRAKE SHOE	MERITOR GUIDE PIN OR RETURN SPRING KIT	MERITOR CALIPER HWD. KIT OR RETURN SPRING KIT	MERITOR ADJUSTER KIT (LEFT WHEEL)	MERITOR ADJUSTER KIT (RIGHT WHEEL)
DODGE(Cont.)									
D300, D350, PD300, PD350, D400, D450, PD400 PD450 SERIES PICKUP-1 TON(Cont.)									
1988 Single Rear Wheels Except 4500 lb.	Fd	KH		7179 - D269	MD269	NR	R40H5516	NR	NR
Dual Rear Wheels 4,500 lb.	Fd	KH		7179 - D269	MD269	NR	R40H5516	NR	NR
1987	Ra	BX	12 " x 2-1/2 "	2146AT - 357	R46357	R40H547	R40H4087	R40H2598	R40H2599
	Ra	BX	12 " x 2-1/2 "	2146AT - 357	R46357	R40H547	R40H4087	R40H2598	R40H2599
	Ra	BX	12 " x 3 "	2140AT - 358	R46358	R40H547	R40H4087	R40H2598	R40H2599
	Ra	BX	12 " x 3 "	2140AT - 358	R46358	R40H547	R40H4087	R40H2598	R40H2599
	Ra	BX	12 " x 2-1/2 "	2146AT - 357	R46357	R40H547	R40H4087	R40H2598	R40H2599
Single Rear Wheels Except 4500 lb.	Fd	KH		7179 - D269	MD269	NR	R40H5516	NR	NR
	Fd	KH		7179 - D269	MD269	NR	R40H5516	NR	NR
Dual Rear Wheels 4,500 lb.	Fd	KH		7179 - D269	MD269	NR	R40H5516	NR	NR
	Fd	KH		7179 - D269	MD269	NR	R40H5516	NR	NR
1986	Ra	BX	12 " x 2-1/2 "	2146AT - 357	R46357	R40H547	R40H4087	R40H2598	R40H2599
	Ra	BX	12 " x 2-1/2 "	2146AT - 357	R46357	R40H547	R40H4087	R40H2598	R40H2599
	Ra	BX	12 " x 3 "	2140AT - 358	R46358	R40H547	R40H4087	R40H2598	R40H2599
	Ra	BX	12 " x 3 "	2140AT - 358	R46358	R40H547	R40H4087	R40H2598	R40H2599
	Ra	BX	12 " x 2-1/2 "	2146AT - 357	R46357	R40H547	R40H4087	R40H2598	R40H2599
Single Rear Wheels Except 4500 lb.	Fd	KH		7179 - D269	MD269	NR	R40H5516	NR	NR
	Fd	KH		7179 - D269	MD269	NR	R40H5516	NR	NR
Dual Rear Wheels 4,500 lb.	Fd	KH		7179 - D269	MD269	NR	R40H5516	NR	NR
	Fd	KH		7179 - D269	MD269	NR	R40H5516	NR	NR
1985	Ra	BX	12 " x 2-1/2 "	2146AT - 357	R46357	R40H547	R40H4087	R40H2598	R40H2599
	Ra	BX	12 " x 2-1/2 "	2146AT - 357	R46357	R40H547	R40H4087	R40H2598	R40H2599
	Ra	BX	12 " x 3 "	2140AT - 358	R46358	R40H547	R40H4087	R40H2598	R40H2599
	Ra	BX	12 " x 3 "	2140AT - 358	R46358	R40H547	R40H4087	R40H2598	R40H2599
Single Rear Wheels Except 4500 lb.	Fd	CH		7019 - D123	MD269	NR	R40H5516	NR	NR
	Fd	CH		7019 - D123	MD269	NR	R40H5516	NR	NR
Dual Rear Wheels 4,500 lb.	Fd	CH		7019 - D123	MD269	NR	R40H5516	NR	NR
	Fd	CH		7019 - D123	MD269	NR	R40H5516	NR	NR
1984	Ra	BX	12 " x 2-1/2 "	2146AT - 357	R46357	R40H547	R40H4087	R40H2598	R40H2599
	Ra	BX	12 " x 2-1/2 "	2146AT - 357	R46357	R40H547	R40H4087	R40H2598	R40H2599
	Ra	BX	12 " x 3 "	2140AT - 358	R46358	R40H547	R40H4087	R40H2598	R40H2599
	Ra	BX	12 " x 3 "	2140AT - 358	R46358	R40H547	R40H4087	R40H2598	R40H2599
Single Rear Wheels Except 4500 lb.	Fd	CH		7019 - D123	MD269	NR	R40H5516	NR	NR
	Fd	CH		7019 - D123	MD269	NR	R40H5516	NR	NR
Dual Rear Wheels 4,500 lb.	Fd	CH		7019 - D123	MD269	NR	R40H5516	NR	NR
	Fd	CH		7019 - D123	MD269	NR	R40H5516	NR	NR
1983	Ra	BX	12 " x 2-1/2 "	2146AT - 357	R46357	R40H547	R40H4087	R40H2598	R40H2599
	Ra	BX	12 " x 2-1/2 "	2146AT - 357	R46357	R40H547	R40H4087	R40H2598	R40H2599
	Ra	BX	12 " x 3 "	2140AT - 358	R46358	R40H547	R40H4087	R40H2598	R40H2599
	Ra	BX	12 " x 3 "	2140AT - 358	R46358	R40H547	R40H4087	R40H2598	R40H2599
Dual Rear Wheels	Fd	CH		7019 - D123	MD269	NR	R40H5516	NR	NR
Single Rear Wheels Except 4500 lb.	Fd	CH		7019 - D123	MD269	NR	R40H5516	NR	NR
1982	Ra	BX	12 " x 2-1/2 "	2146AT - 357	R46357	R40H547	R40H4087	R40H2598	R40H2599
	Ra	BX	12 " x 2-1/2 "	2146AT - 357	R46357	R40H547	R40H4087	R40H2598	R40H2599
	Ra	BX	12 " x 3 "	2140AT - 358	R46358	R40H547	R40H4087	R40H2598	R40H2599
	Ra	BX	12 " x 3 "	2140AT - 358	R46358	R40H547	R40H4087	R40H2598	R40H2599
Dual Rear Wheels	Fd	CH		7019 - D123	MD269	NR	R40H5516	NR	NR

45 - R44141382 is a hub & rotor, for rotor only use R44141193
 79 - Inboard Mounting
 127 - Anchor
 www.XpresswayPlus.com

52 - 18" Length
 84 - 9 1/4" Ring Gear, Heavy Duty Axle
 128 - Bracket

53 - Power Brakes
 118 - Gasoline Engine, Power Brakes, Plastic Reservoir
 333 - Except 9 1/4" Ring Gear

MERITOR DRUM OR ROTOR NO.	CALIPER OR CYLINDER BORE SIZE	MERITOR CALIPER OR WHEEL CYLINDER (LEFT)	MERITOR CALIPER OR WHEEL CYLINDER (RIGHT)	MERITOR CALIPER OR WHEEL CYLINDER REPAIR KIT	MERITOR CALIPER PISTON	MERITOR MASTER CYLINDER	MERITOR MASTER CYLINDER KIT	MERITOR BRAKE HOSE (LEFT)	MERITOR BRAKE HOSE (RIGHT)
DODGE(Cont.)									
D300, D350, PD300, PD350, D400, D450, PD400 PD450 SERIES PICKUP-1 TON(Cont.)									
R44141382 ⁴⁵	3-3/32 "	R42R55119	R42R55118	R4066587	R4090018P	R4111860 ¹¹⁸	R4122388	R4577169 ¹²⁷	R4577169
R44141663 ⁴⁰⁵	3-3/32 "	R42R55119	R42R55118	R4066587	R4090018P	R4111775 ⁵³	R4122596	R4577387 ¹²⁸	R4577388
R44140547 ⁸⁴	1 "	R4133005	R4133005	R4166822	NR	-	-	-	-
R44140547 ⁸⁴	1-1/8 "	R4133206	R4133207	R418187	NR	-	-	-	-
R44140264 ³³³	1-1/16 "	R4133792	R 418162	R4166821	NR	-	-	-	-
R44140264 ³³³	1-1/8 "	R4133206	R4133207	R418187	NR	-	-	-	-
R44140547 ⁸⁴	7/8 "	R4133627	R4133628	R4166820	NR	-	-	-	-
R44141382 ⁴⁵	3-3/32 "	R42R55119	R42R55118	R4066587	R4090018P	R4111860 ¹¹⁸	R4122388	R4577169 ¹²⁷	R4577169
R44141382 ⁴⁵	3-3/32 "	R42R55119	R42R55118	R4066587	R4090018P	N/A ⁵²	R4122388	N/A	N/A
R44141089 ⁴⁰⁵	3-3/32 "	R42R55119	R42R55118	R4066587	R4090018P	N/A ⁵²	R4122388	N/A	N/A
R44141089 ⁴⁰⁵	3-3/32 "	R42R55119	R42R55118	R4066587	R4090018P	R4111775 ⁵³	R4122596	R4577387 ¹²⁸	R4577388
R44140547 ⁸⁴	1-1/8 "	R4133206	R4133207	R418187	NR	-	-	-	-
R44140547 ⁸⁴	1 "	R4133005	R4133005	R4166822	NR	-	-	-	-
R44140264 ³³³	1-1/8 "	R4133206	R4133207	R418187	NR	-	-	-	-
R44140264 ³³³	1-1/16 "	R4133792	R 418162	R4166821	NR	-	-	-	-
R44140547 ⁸⁴	7/8 "	R4133627	R4133628	R4166820	NR	-	-	-	-
R44141382 ⁴⁵	3-3/32 "	R42R55119	R42R55118	R4066587	R4090018P	R4111860 ¹¹⁸	R4122388	R4577169 ¹²⁷	R4577169
R44141382 ⁴⁵	3-3/32 "	R42R55119	R42R55118	R4066587	R4090018P	N/A ⁵²	R4122388	N/A	N/A
R44141089 ⁴⁰⁵	3-3/32 "	R42R55119	R42R55118	R4066587	R4090018P	N/A ⁵²	R4122388	N/A	N/A
R44141089 ⁴⁰⁵	3-3/32 "	R42R55119	R42R55118	R4066587	R4090018P	R4111775 ⁵³	R4122596	R4577387 ¹²⁸	R4577388
R44140267 ⁷⁹	1 "	R4133005	R4133005	R4166822	NR	-	-	-	-
R44140267 ⁷⁹	7/8 "	R4133627	R4133628	R4166820	NR	-	-	-	-
R44140264 ³³³	1-1/8 "	R4133206	R4133207	R418187	NR	-	-	-	-
R44140264 ³³³	1-1/16 "	R4133792	R 418162	R4166821	NR	-	-	-	-
R44141382 ⁴⁵	3-3/32 "	R42R55119	R42R55118	R4066587	R4090018P	N/A ⁵²	R4122388	R4577169 ¹²⁷	R4577169
R44141382 ⁴⁵	3-3/32 "	R42R55119	R42R55118	R4066587	R4090018P	R4111860 ¹¹⁸	R4122388	R4577169 ¹²⁷	R4577169
R44141089 ⁴⁰⁵	3-3/32 "	R42R55119	R42R55118	R4066587	R4090018P	R4111775 ⁵³	R4122596	R4577169 ¹²⁷	R4577169
R44141089 ⁴⁰⁵	3-3/32 "	R42R55119	R42R55118	R4066587	R4090018P	N/A ⁵²	R4122388	R4577169 ¹²⁷	R4577169
R44140267 ⁷⁹	7/8 "	R4133627	R4133628	R4166820	NR	-	-	-	-
R44140267 ⁷⁹	1 "	R4133005	R4133005	R4166822	NR	-	-	-	-
R44140264 ³³³	1-1/16 "	R4133792	R 418162	R4166821	NR	-	-	-	-
R44140264 ³³³	1-1/8 "	R4133206	R4133207	R418187	NR	-	-	-	-
R44141382 ⁴⁵	3-3/32 "	R42R55119	R42R55118	R4066587	R4090018P	N/A ⁵²	R4122388	R4577169 ¹²⁷	R4577169
R44141382 ⁴⁵	3-3/32 "	R42R55119	R42R55118	R4066587	R4090018P	R4111860 ¹¹⁸	R4122388	R4577169 ¹²⁷	R4577169
R44141089 ⁴⁰⁵	3-3/32 "	R42R55119	R42R55118	R4066587	R4090018P	R4111775 ⁵³	R4122596	R4577169 ¹²⁷	R4577169
R44141089 ⁴⁰⁵	3-3/32 "	R42R55119	R42R55118	R4066587	R4090018P	N/A ⁵²	R4122388	R4577169 ¹²⁷	R4577169
R44140267 ⁷⁹	1 "	R4133005	R4133005	R4166822	NR	-	-	-	-
R44140267 ⁷⁹	7/8 "	R4133627	R4133628	R4166820	NR	-	-	-	-
R44140264 ³³³	1-1/16 "	R4133792	R 418162	R4166821	NR	-	-	-	-
R44140264 ³³³	1-1/8 "	R4133206	R4133207	R418187	NR	-	-	-	-
R44141089 ⁴⁰⁵	3-3/32 "	R42R55119	R42R55118	R4066587	R4090018P	R4111860 ¹¹⁸	R4122388	R4577169 ¹²⁷	R4577169
R44141382 ⁴⁵	3-3/32 "	R42R55119	R42R55118	R4066587	R4090018P	R4111860 ¹¹⁸	R4122388	R4577316 ¹²⁸	R4577317
R44140267 ⁷⁹	1 "	R4133005	R4133005	R4166822	NR	-	-	-	-
R44140267 ⁷⁹	7/8 "	R4133627	R4133628	R4166820	NR	-	-	-	-
R44140264 ³³³	1-1/8 "	R4133206	R4133207	R418187	NR	-	-	-	-
R44140264 ³³³	1-1/16 "	R4133792	R 418162	R4166821	NR	-	-	-	-
R44141089 ⁴⁰⁵	3-3/32 "	R42R55119	R42R55118	R4066587	R4090018P	R4111860 ¹¹⁸	R4122388	R4577169 ¹²⁷	R4577169

405 - Rotor Only

MAKE MODEL YEAR AXLE CODE AXLE WEIGHT	AXLE & BRK. TYPE	BRK. MFG.	BRAKE SIZE	FMSI	MERITOR DISC PAD OR BRAKE SHOE	MERITOR GUIDE PIN OR RETURN SPRING KIT	MERITOR CALIPER HWD. KIT OR RETURN SPRING KIT	MERITOR ADJUSTER KIT (LEFT WHEEL)	MERITOR ADJUSTER KIT (RIGHT WHEEL)
DODGE(Cont.)									
D300, D350, PD300, PD350, D400, D450, PD400 PD450 SERIES PICKUP-1 TON(Cont.)									
1982 Single Rear Wheels Except 4500 lb.	Fd	CH		7019 - D123	MD269	NR	R40H5516	NR	NR
1981	Ra Ra Ra Ra	BX BX BX BX	12 " x 2-1/2 " 12 " x 2-1/2 " 12 " x 3 " 12 " x 3 "	2146AT - 357 2146AT - 357 2140AT - 358 2140AT - 358	R46357 R46357 R46358 R46358	R40H547 R40H547 R40H547 R40H547	R40H4087 R40H4087 R40H4087 R40H4087	R40H2598 R40H2598 R40H2598 R40H2598	R40H2599 R40H2599 R40H2599 R40H2599
Dual Rear Wheels	Fd	CH		7019 - D123	MD269	NR	R40H5516	NR	NR
Single Rear Wheels Except 4500 lb.	Fd	CH		7019 - D123	MD269	NR	R40H5516	NR	NR
1980	Ra	BX	12 " x 3 "	2140AT - 358	R46358	R40H547	R40H4087	R40H2598	R40H2599
Single Rear Wheels	Fd Fd	CH CH		7019 - D123 7019 - D123	MD269 MD269	NR NR	R40H5516 R40H5516	NR NR	NR NR
1979	Ra	BX	12 " x 3 "	2140AT - 358	R46358	R40H547	R40H4087	R40H2598	R40H2599
Single Rear Wheels	Fd Fd	CH CH		7019 - D123 7019 - D123	MD269 MD269	NR NR	R40H5516 R40H5516	NR NR	NR NR
1978	Ra	BX	12 " x 3 "	2140AT - 358	R46358	R40H547	R40H4087	R40H2598	R40H2599
Single Rear Wheels	Fd Fd	CH CH		7019 - D123 7019 - D123	MD269 MD269	NR NR	R40H5516 R40H5516	NR NR	NR NR
1977	Ra	BX	12 " x 3 "	2140AT - 358	R46358	R40H547	R40H4087	R40H2598	R40H2599
Dual Rear Wheels	Fd Fd	CH CH		7019 - D123 7019 - D123	MD269 MD269	NR NR	R40H5516 R40H5516	NR NR	NR NR
1976	Ra	BX	12 " x 3 "	2140AT - 358	R46358	R40H547	R40H4087	R40H2598	R40H2599
Dual Rear Wheels	Fd Fd	CH CH		7019 - D123 7019 - D123	MD269 MD269	NR NR	R40H5516 R40H5516	NR NR	NR NR
1975	Ra	BX	12 " x 3 "	2140AT - 358	R46358	R40H547	R40H4087	R40H2598	R40H2599
Dual Rear Wheels	Fd Fd	CH CH		7019 - D123 7019 - D123	MD269 MD269	NR NR	R40H5516 R40H5516	NR NR	NR NR
1974	Ra	BX	12 " x 3 "	2140AT - 358	R46358	R40H546	R40H4087	R40H2598	R40H2599
Dual Rear Wheels	Fd Fd	CH CH		7019 - D123 7019 - D123	MD269 MD269	NR NR	R40H5516 R40H5516	NR NR	NR NR
1973	Ra	BX	12 " x 3 "	2140AT - 358	R46358	R40H547	R40H4087	R40H2598	R40H2599
Dual Rear Wheels	Fd Fd	CH CH		7019 - D123 7019 - D123	MD269 MD269	NR NR	R40H5516 R40H5516	NR NR	NR NR
1972	Fd Ra	KH BX	 12 " x 3 "	781 - D39 2140AT - 358	NLA R46358	NLA R40H547	R407991 R40H4087	NR R40H2598	NR R40H2599
P200 SERIES PARCEL DELIVERY-3/4 TON									
1974	Fa Ra Ra Ra	BX BX BX BX	12.125 x 2 " 12 " x 3 " 12 " x 2-1/2 " 12 " x 2-1/2 "	2075A - 33 2140AT - 358 2146AT - 357 2146AT - 357	N/A R46358 R46357 R46357	R40H130 R40H546 R40H547 R40H547	- R40H4087 R40H4087 R40H4087	NR R40H2598 R40H2598 R40H2598	NR R40H2599 R40H2599 R40H2599
1973	Fa Ra Ra Ra	BX BX BX BX	12.125 x 2 " 12 " x 3 " 12 " x 2-1/2 " 12 " x 2-1/2 "	2075A - 33 2140AT - 358 2146AT - 357 2146AT - 357	N/A R46358 R46357 R46357	R40H130 R40H547 R40H547 R40H547	- R40H4087 R40H4087 R40H4087	NR R40H2598 R40H2598 R40H2598	NR R40H2599 R40H2599 R40H2599
1972	Fa Ra Ra Ra	BX BX BX BX	12.125 x 2 " 12 " x 3 " 12 " x 2-1/2 " 12 " x 2-1/2 "	2075A - 33 2140AT - 358 2146AT - 357 2146AT - 357	N/A R46358 R46357 R46357	R40H130 R40H547 R40H547 R40H547	- R40H4087 R40H4087 R40H4087	NR R40H2598 R40H2598 R40H2598	NR R40H2599 R40H2599 R40H2599

45 - R44141382 is a hub & rotor, for rotor only use R44141193
 110 - Diesel Engine, Power Brakes
 128 - Bracket
 www.XpresswayPlus.com

79 - Inboard Mounting
 118 - Gasoline Engine, Power Brakes, Plastic Reservoir
 333 - Except 9 1/4" Ring Gear

89 - Rotor Only with 1/2" Studs
 127 - Anchor
 405 - Rotor Only

MAKE MODEL YEAR AXLE CODE AXLE WEIGHT	AXLE & BRK. TYPE	BRK. MFG.	BRAKE SIZE	FMSI	MERITOR DISC PAD OR BRAKE SHOE	MERITOR GUIDE PIN OR RETURN SPRING KIT	MERITOR CALIPER HWD. KIT OR RETURN SPRING KIT	MERITOR ADJUSTER KIT (LEFT WHEEL)	MERITOR ADJUSTER KIT (RIGHT WHEEL)
DODGE(Cont.)									
P300 SERIES PARCEL DELIVERY-1 TON									
1978	Fa	BX	12 " x 3 "	2140AT - 358	R46358	R40H547	R40H4087	R40H2598	R40H2599
	Ra	BX	12 " x 3 "	2140AT - 358	R46358	R40H547	R40H4087	R40H2598	R40H2599
1977	Fa	BX	12 " x 3 "	2140AT - 358	R46358	R40H547	R40H4087	R40H2598	R40H2599
	Ra	BX	12 " x 3 "	2140AT - 358	R46358	R40H547	R40H4087	R40H2598	R40H2599
1976	Fa	BX	12 " x 3 "	2140AT - 358	R46358	R40H547	R40H4087	R40H2598	R40H2599
	Ra	BX	12 " x 3 "	2140AT - 358	R46358	R40H547	R40H4087	R40H2598	R40H2599
1975	Fa	BX	12 " x 3 "	2140AT - 358	R46358	R40H547	R40H4087	R40H2598	R40H2599
	Ra	BX	12 " x 3 "	2140AT - 358	R46358	R40H547	R40H4087	R40H2598	R40H2599
1974	Fa	BX	12 " x 3 "	2140AT - 358	R46358	R40H546	R40H7181	R40H2598	R40H2599
	Ra	BX	12 " x 3 "	2140AT - 358	R46358	R40H546	R40H7181	R40H2598	R40H2599
1973	Fa	BX	12 " x 3 "	2140AT - 358	R46358	R40H547	R40H4087	R40H2598	R40H2599
	Ra	BX	12 " x 3 "	2140AT - 358	R46358	R40H547	R40H4087	R40H2598	R40H2599
1972	Fa	BX	12 " x 3 "	2140AT - 358	R46358	R40H547	R40H4087	R40H2598	R40H2599
	Ra	BX	12 " x 3 "	2140AT - 358	R46358	R40H547	R40H4087	R40H2598	R40H2599
R300, M300 MOTOR HOME									
1980	Fd				N/A	N/A	N/A	NR	NR
	Ra	BX	12 " x 3 "	2140AT - 358	R46358	R40H547	R40H4087	R40H2598	R40H2599
1977	Fa	BX	12 " x 3 "	2140AT - 358	R46358	R40H547	R40H4087	R40H2598	R40H2599
	Fd	CH		7019 - D123	MD269	NR	R40H5516	NR	NR
	Ra	BX	12 " x 3 "	2140AT - 358	R46358	R40H547	R40H4087	R40H2598	R40H2599
1976	Fa	BX	12 " x 3 "	2140AT - 358	R46358	R40H547	R40H4087	R40H2598	R40H2599
	Fd	CH		7019 - D123	MD269	NR	R40H5516	NR	NR
	Ra	BX	12 " x 3 "	2140AT - 358	R46358	R40H547	R40H4087	R40H2598	R40H2599
1975	Fa	BX	12 " x 3 "	2140AT - 358	R46358	R40H547	R40H4087	R40H2598	R40H2599
	Fd	CH		7019 - D123	MD269	NR	R40H5516	NR	NR
	Ra	BX	12 " x 3 "	2140AT - 358	R46358	R40H547	R40H4087	R40H2598	R40H2599
1974	Fa	BX	12 " x 3 "	2140AT - 358	R46358	R40H546	R40H7181	R40H2598	R40H2599
	Fd	CH		7019 - D123	MD269	NR	R40H5516	NR	NR
	Ra	BX	12 " x 3 "	2140AT - 358	R46358	R40H546	R40H7181	R40H2598	R40H2599
1973	Fd	CH		7019 - D123	MD269	NR	R40H5516	NR	NR
	Ra	BX	12 " x 3 "	2140AT - 358	R46358	R40H547	R40H4087	R40H2598	R40H2599
1972	Fd	CH		7019 - D123	MD269	NR	R40H5516	NR	NR
	Ra	BX	12 " x 3 "	2140AT - 358	R46358	R40H547	R40H4087	R40H2598	R40H2599
R400, M400 MOTOR HOME									
1980	Fd				N/A	N/A	N/A	NR	NR
1979	Fd				N/A	N/A	N/A	NR	NR
1978	Fd				N/A	N/A	N/A	NR	NR
1977	Fd				N/A	N/A	NLA	NR	NR
1976	Fd				N/A	N/A	NLA	NR	NR
1975	Fd				N/A	N/A	NLA	NR	NR
1974	Fd				N/A	N/A	NLA	NR	NR

MERITOR DRUM OR ROTOR NO.	CALIPER OR CYLINDER BORE SIZE	MERITOR CALIPER OR WHEEL CYLINDER (LEFT)	MERITOR CALIPER OR WHEEL CYLINDER (RIGHT)	MERITOR CALIPER OR WHEEL CYLINDER REPAIR KIT	MERITOR CALIPER PISTON	MERITOR MASTER CYLINDER	MERITOR MASTER CYLINDER KIT	MERITOR BRAKE HOSE (LEFT)	MERITOR BRAKE HOSE (RIGHT)
DODGE(Cont.)									
P300 SERIES PARCEL DELIVERY-1 TON									
N/A	1-1/8 "	R4133206	R4133207	R418187	NR	-	-	-	-
R44140264 ³³³	1-1/16 "	R4133791	R 418145	R4166821	NR	-	-	-	-
-	1-1/8 "	R4133206	R4133207	R418187	NR	-	-	-	-
R44140264 ³³³	1-1/16 "	R4133791	R 418145	R4166821	NR	-	-	-	-
-	1-1/8 "	R4133206	R4133207	R418187	NR	-	-	-	-
R44140264 ³³³	1-1/16 "	R4133791	R 418145	R4166821	NR	-	-	-	-
-	1-1/8 "	R4133206	R4133207	R418187	NR	-	-	-	-
R44140264 ³³³	1-1/16 "	R4133791	R 418145	R4166821	NR	-	-	-	-
R44140264 ³³³	1-1/8 "	R4133206	R4133207	R418187	NR	-	-	-	-
R44140264 ³³³	1-1/16 "	R4133791	R 418145	R4166821	NR	-	-	-	-
-	1-1/8 "	R4133206	R4133207	R418187	NR	-	-	-	-
R44140264 ³³³	1-1/16 "	R4133791	R 418145	R4166821	NR	-	-	-	-
-	1-1/8 "	R4133206	R4133207	R418187	NR	-	-	-	-
R44140264 ³³³	1-1/16 "	R4133791	R 418145	R4166821	NR	-	-	-	-
R300, M300 MOTOR HOME									
N/A		R42R55455	R42R55454	N/A	N/A ⁴⁰⁵	-	-	-	-
R44140264 ³³³	1 "	R4133005	R4133005	R4166822	NR	-	-	-	-
R44140264 ³³³	1-1/16 "	R4133791	R 418145	R4166821	NR	-	-	-	-
R44141089 ⁴⁰⁵	3-3/32 "	R42R55119	R42R55118	R4066587	R4090018P	-	-	-	-
R44140264 ³³³	1 "	R4133005	R4133004	R4166822	NR	-	-	-	-
R44140264 ³³³	1-1/16 "	R4133791	R 418145	R4166821	NR	-	-	-	-
R44141089 ⁴⁰⁵	3-3/32 "	R42R55119	R42R55118	R4066587	R4090018P	-	-	-	-
R44140264 ³³³	1 "	R4133005	R4133004	R4166822	NR	-	-	-	-
R44140264 ³³³	1-1/16 "	R4133791	R 418145	R4166821	NR	-	-	-	-
R44141089 ⁴⁰⁵	3-3/32 "	R42R55119	R42R55118	R4066587	R4090018P	-	-	-	-
R44140264 ³³³	1 "	R4133005	R4133004	R4166822	NR	-	-	-	-
R44140264 ³³³	1-1/16 "	R4133791	R 418145	R4166821	NR	-	-	-	-
R44141089 ⁴⁰⁵	3-3/32 "	R42R55119	R42R55118	R4066587	R4090018P	-	-	-	-
R44140264 ³³³	1 "	R4133005	R4133004	R4166822	NR	-	-	-	-
R44141089 ⁴⁰⁵	3-3/32 "	R42R55119	R42R55118	R4066587	R4090018P	-	-	-	-
R44140264 ³³³	1 "	R4133005	R4133004	R4166822	NR	-	-	-	-
R400, M400 MOTOR HOME									
N/A		R42R55455	R42R55454	N/A	N/A ⁴⁰⁵	R4111583 ¹¹⁹	R4122598	N/A	N/A
N/A		R42R55455	R42R55454	N/A	N/A ⁴⁰⁵	R4111583 ¹¹⁹	R4122598	-	-
N/A		R42R55455	R42R55454	N/A	N/A ⁴⁰⁵	R4111583 ¹¹⁹	R4122598	-	-
-		R42R55455	R42R55454	N/A	N/A ⁴⁰⁵	R4111583 ⁵³	R4122598	-	-
-		R42R55455	R42R55454	N/A	N/A ⁴⁰⁵	R4111583 ⁵³	R4122598	-	-
-		R42R55455	R42R55454	N/A	N/A ⁴⁰⁵	-	-	N/A	N/A
-		R42R55455	R42R55454	N/A	N/A ⁴⁰⁵	-	-	N/A	N/A

1 APPLICATION

MAKE MODEL YEAR AXLE CODE AXLE WEIGHT	AXLE & BRK. TYPE	BRK. MFG.	BRAKE SIZE	FMSI	MERITOR DISC PAD OR BRAKE SHOE	MERITOR GUIDE PIN OR RETURN SPRING KIT	MERITOR CALIPER HWD. KIT OR RETURN SPRING KIT	MERITOR ADJUSTER KIT (LEFT WHEEL)	MERITOR ADJUSTER KIT (RIGHT WHEEL)
DODGE(Cont.)									
R400, M400 MOTOR HOME(Cont.)									
1973	Fd				N/A	N/A	NLA	NR	NR
RAM 2500 3/4 TON PICKUP									
2005									
4x2	Fd	TRW		7864 - D965	MD965	R40H5735	R4011133	NR	NR
	Rd	TRW		7576 - D702	MVD702	-	-	NR	NR
4x4	Fd	TRW		7864 - D965	MD965	R40H5735	R4011133	NR	NR
	Rd	TRW		7576 - D702	MVD702	-	-	NR	NR
2004									
4x2	Fd	TRW		7864 - D965	MD965	R40H5735	R4011133	NR	NR
	Rd	TRW		7576 - D702	MVD702	-	-	NR	NR
4x4	Fd	TRW		7864 - D965	MD965	R40H5735	R4011133	NR	NR
	Rd	TRW		7576 - D702	MVD702	-	-	NR	NR
2003									
4x2	Rd	TRW		7576 - D702	MVD702	-	-	NR	NR
4x4	Fd	TRW		7864 - D965	MD965	R40H5735	R4011133	NR	NR
	Rd	TRW		7576 - D702	MVD702	-	-	NR	NR
2002									
4x2	Fd	TRW		7694 - D821	MD821	R40H5735	R40H5975	NR	NR
	Rd	TRW		7576 - D702	MVD702	R40H15068	R40H5974	NR	NR
4x4	Fd	TRW		7694 - D821	MD821	R40H5735	R40H5975	NR	NR
	Rd	TRW		7576 - D702	MVD702	R40H15068	R40H5974	NR	NR
2001									
4x2	Fd	TRW		7694 - D821	MD821	R40H5735	R40H5975	NR	NR
	Fd	TRW		7694 - D821	MD821	R40H5735	R40H5975	NR	NR
	Ra		12.125 x 3-1/2 "	2171T - 583	R468140	R40H7299	N/A	R40H2598	R40H2599
	Rd	TRW		7576 - D702	MVD702	R40H15068	R40H5974	NR	NR
4x4	Rd	TRW		7576 - D702	MVD702	R40H15068	R40H5974	NR	NR
	Fd	TRW		7694 - D821	MD821	R40H5735	R40H5975	NR	NR
	Fd	TRW		7694 - D821	MD821	R40H5735	R40H5975	NR	NR
	Ra		12.125 x 3-1/2 "	2171T - 583	R468140	R40H7299	N/A	R40H2598	R40H2599
2000	Rd	TRW		7576 - D702	MVD702	R40H15068	R40H5974	NR	NR
	Rd	TRW		7576 - D702	MVD702	R40H15068	R40H5974	NR	NR
	Fd	TRW		7694 - D821	MD821	R40H5735	R40H5975	NR	NR
	Fd	TRW		7694 - D821	MD821	R40H5735	R40H5975	NR	NR
4x2	Ra		12.125 x 3-1/2 "	2171T - 583	R468140	R40H7299	N/A	R40H2598	R40H2599
	Fd	TRW		7694 - D821	MD821	R40H5735	R40H5975	NR	NR
	Fd	TRW		7694 - D821	MD821	R40H5735	R40H5975	NR	NR
	Ra		12.125 x 3-1/2 "	2171T - 583	R468140	R40H7299	N/A	R40H2598	R40H2599
1999									
4x2	Fd	GM		7260 - D370	MD370	R40H5083	R40H5707	NR	NR
	Fd	GM		7260 - D370	MD370	R40H5083	R40H5707	NR	NR
	Ra	GM	13 " x 2-1/2 "	2042AT - 451	R46451	R40H378	R40H7055	R40H2588	R40H2589
4x4	Fd	GM		7260 - D370	MD370	R40H5083	R40H5707	NR	NR
	Fd	GM		7260 - D370	MD370	R40H5083	R40H5707	NR	NR
	Ra	GM	13 " x 2-1/2 "	2042AT - 451	R46451	R40H378	R40H7055	R40H2588	R40H2589
4x4	Ra	GM	13 " x 2-1/2 "	2042AT - 451	R46451	R40H378	R40H7055	R40H2588	R40H2589
	Fd	GM		7339 - D459	MD459	R40H5083	R40H5788	NR	NR
	Fd	GM		7339 - D459	MD459	R40H5083	R40H5788	NR	NR
1998									
4x2	Fd	GM		7260 - D370	MD370	R40H5083	R40H5707	NR	NR
	Fd	GM		7260 - D370	MD370	R40H5083	R40H5707	NR	NR
	Ra	GM	13 " x 2-1/2 "	2042AT - 451	R46451	R40H378	R40H7055	R40H2588	R40H2589
4x4	Ra	GM	13 " x 2-1/2 "	2042AT - 451	R46451	R40H378	R40H7055	R40H2588	R40H2589
4x4									
3,500 lb.	Fd	GM		7260 - D370	MD370	R40H5083	R40H5707	NR	NR

85 - 4 Wheel Antilock Brakes
 153 - 4x2, With 4 Wheel Antilock Brakes
 381 - Rotor and Hub One Piece Assembly W/O ABS Ring
 www.XpresswayPlus.com

97 - Rear Wheel Antilock Brakes
 154 - 4x2, With Rear Wheel Antilock Brakes
 405 - Rotor Only

145 - Rear Wheel Antilock Brakes, without Bracket on Threaded End
 363 - Piston includes Boots and Seals

MERITOR DRUM OR ROTOR NO.	CALIPER OR CYLINDER BORE SIZE	MERITOR CALIPER OR WHEEL CYLINDER (LEFT)	MERITOR CALIPER OR WHEEL CYLINDER (RIGHT)	MERITOR CALIPER OR WHEEL CYLINDER REPAIR KIT	MERITOR CALIPER PISTON	MERITOR MASTER CYLINDER	MERITOR MASTER CYLINDER KIT	MERITOR BRAKE HOSE (LEFT)	MERITOR BRAKE HOSE (RIGHT)
DODGE(Cont.)									
R400, M400 MOTOR HOME(Cont.)									
		R42R55455	R42R55454	N/A	N/A ⁴⁰⁵	-	-	-	-
RAM 2500 3/4 TON PICKUP									
R44145456	56mm	R421005093269 AA	R421005093266 AA	R4012094	R4012093 ³⁶³	N/A	-	N/A	N/A
R44145452	45mm	R4212491	R4212490	-	-	-	-	R4578934	R4578934
R44145456	56mm	R421005093269 AA	R421005093266 AA	R4012094	R4012093 ³⁶³	N/A	-	N/A	N/A
R44145452	45mm	R4212491	R4212490	-	-	-	-	R4578934	R4578934
R44145456	56mm	R421005093269 AA	R421005093266 AA	R4012094	R4012093 ³⁶³	N/A	-	N/A	N/A
R44145452	45mm	R4212491	R4212490	-	-	-	-	R4578934	R4578934
R44145456	56mm	R421005093269 AA	R421005093266 AA	R4012094	R4012093 ³⁶³	N/A	-	N/A	N/A
R44145452	45mm	R4212491	R4212490	-	-	-	-	R4578934	R4578934
R44145452	45mm	R4212491	R4212490	-	-	-	-	R4578934	R4578934
R44145456	56mm	R421005093269 AA	R421005093266 AA	R4012094	R4012093 ³⁶³	N/A	-	N/A	N/A
R44145452	45mm	R4212491	R4212490	-	-	-	-	R4578934	R4578934
R44145283	56mm	R4255890	R4255889	R4012094	R4012093 ³⁶³	-	N/A	R4578899 ¹⁵⁴	R4578898
R44145357	45mm	R4255967	R4255972	R4012238	R4012237 ³⁶³	-	-	R4578885	R4578885
R44145283	56mm	R4255890	R4255889	R4012094	R4012093 ³⁶³	-	N/A	R4512411 ¹⁵⁴	R4512412
R44145357	45mm	R4255967	R4255972	R4012238	R4012237 ³⁶³	-	-	R4578885	R4578885
R44145283	56mm	R4255890	R4255889	R4012094	R4012093 ³⁶³	R4113442	N/A	R4512407 ¹⁵³	R4512408
R44145283	56mm	R4255890	R4255889	R4012094	R4012093 ³⁶³	R4113442	N/A	R4578899 ¹⁵⁴	R4578898
R44140722	1 "	R4133004	R4133005	R4166822	NR	-	-	R4578885	R4578885
R44145357	51mm	R4255973	R4255972	R4012234	R4012233 ³⁶³	-	-	R4578885	R4578885
R44145357	45mm	R4255967	R4255972	R4012238	R4012237 ³⁶³	-	-	R4578885	R4578885
R44145283	56mm	R4255890	R4255889	R4012094	R4012093 ³⁶³	R4113442	N/A	R4512411 ¹⁵⁴	R4512412
R44145283	56mm	R4255890	R4255889	R4012094	R4012093 ³⁶³	R4113442	N/A	R4512409 ¹⁵³	R4512410
R44140722	1 "	R4133004	R4133005	R4166822	NR	-	-	R4578885	R4578885
R44145357	51mm	R4255973	R4255972	R4012234	R4012233 ³⁶³	-	-	R4578885	R4578885
R44145357	45mm	R4255967	R4255972	R4012238	R4012237 ³⁶³	-	-	R4578885	R4578885
R44145283	56mm	R4255890	R4255889	R4012094	R4012093 ³⁶³	R4113442	N/A	R4512407 ¹⁵³	R4512408
R44145283	56mm	R4255890	R4255889	R4012094	R4012093 ³⁶³	R4113442	N/A	R4578899 ¹⁵⁴	R4578898
R44140722	1 "	R4133004	R4133005	R4166822	NR	-	-	R4578885	R4578885
R44145283	56mm	R4255890	R4255889	R4012094	R4012093 ³⁶³	R4113442	N/A	R4512409 ¹⁵³	R4512410
R44145283	56mm	R4255890	R4255889	R4012094	R4012093 ³⁶³	R4113442	N/A	R4512411 ¹⁵⁴	R4512412
R44140722	1 "	R4133004	R4133005	R4166822	NR	-	-	R4578885	R4578885
R44141923 ³⁸¹	3-5/32 "	R42R55497	R42R55496	R4066330	R4090101S	R4113442	N/A	R4578145 ⁸⁵	R4578135
R44141923 ³⁸¹	3-5/32 "	R42R55497	R42R55496	R4066330	R4090101S	R4113442	N/A	R4577841 ¹⁴⁵	R4578129
R44140658	15/16	R4134102	R4134102	R4166852	NR	-	-	R4578085	R4578085
R44141477 ⁴⁰⁵	3-5/32 "	R42R55497	R42R55496	R4066330	R4090101S	R4113442	N/A	R4578145 ⁸⁵	R4578410
R44141477 ⁴⁰⁵	3-5/32 "	R42R55497	R42R55496	R4066330	R4090101S	R4113442	N/A	R4578386 ⁹⁷	R4578129
R44140658	1-1/16 "	R4133709	R4133709	R4166872	NR	-	-	R4578897	R4578897
R44140658	15/16	R4134102	R4134102	R4166852	NR	-	-	R4578085	R4578085
R44141770 ⁴⁰⁵	3-25/64 "	R42R55687	R42R55688	R4066211	R4090188S	R4113442	N/A	R4578145 ⁸⁵	R4578410
R44141770 ⁴⁰⁵	3-25/64 "	R42R55687	R42R55688	R4066211	R4090188S	R4113442	N/A	R4578386 ⁹⁷	R4578129
R44141923 ³⁸¹	3-5/32 "	R42R55497	R42R55496	R4066330	R4090101S	R4113056 ⁸⁵	N/A	R4577841 ¹⁴⁵	R4578129
R44141923 ³⁸¹	3-5/32 "	R42R55497	R42R55496	R4066330	R4090101S	R4113056 ⁸⁵	N/A	R4578145 ⁸⁵	R4578135
R44140658	15/16	R4134102	R4134102	R4166852	NR	-	-	R4577810 ¹⁴⁵	R4577810
R44140658	15/16	R4134102	R4134102	R4166852	NR	-	-	R4577810 ¹⁴⁵	R4577810
R44141477 ⁴⁰⁵	3-5/32 "	R42R55497	R42R55496	R4066330	R4090101S	R4113056 ⁸⁵	N/A	R4578410 ¹⁴⁵	R4578133

1 APPLICATION

MAKE MODEL YEAR AXLE CODE AXLE WEIGHT	AXLE & BRK. TYPE	BRK. MFG.	BRAKE SIZE	FMSI	MERITOR DISC PAD OR BRAKE SHOE	MERITOR GUIDE PIN OR RETURN SPRING KIT	MERITOR CALIPER HWD. KIT OR RETURN SPRING KIT	MERITOR ADJUSTER KIT (LEFT WHEEL)	MERITOR ADJUSTER KIT (RIGHT WHEEL)
DODGE(Cont.)									
RAM 2500 3/4 TON PICKUP(Cont.)									
1998 4x4 3,500 lb.	Fd	GM		7260 - D370	MD370	R40H5083	R40H5707	NR	NR
4x4 4,500 lb.	Fd Fd	GM GM		7339 - D459 7339 - D459	MD459 MD459	R40H5083 R40H5083	R40H5788 R40H5788	NR NR	NR NR
1997 4x2	Fd Fd Fd	GM GM GM		7260 - D370 7260 - D370 7260 - D370	MD370 MD370 MD370	R40H5083 R40H5083 R40H5083	R40H5707 R40H5707 R40H5707	NR NR NR	NR NR NR
4x4	Ra	GM	13 " x 2-1/2 "	2042AT - 451	R46451	R40H378	R40H7055	R40H2588	R40H2589
4x4 3,500 lb.	Fd Fd Fd	GM GM GM	13 " x 2-1/2 "	2042AT - 451	R46451	R40H378	R40H7055	R40H2588	R40H2589
4x4 4,500 lb.	Fd Fd Fd	GM GM GM		7260 - D370 7260 - D370 7260 - D370	MD370 MD370 MD370	R40H5083 R40H5083 R40H5083	R40H5707 R40H5707 R40H5707	NR NR NR	NR NR NR
4x4 4,500 lb.	Fd Fd Fd	GM GM GM		7339 - D459 7339 - D459 7339 - D459	MD459 MD459 MD459	R40H5083 R40H5083 R40H5083	R40H5788 R40H5788 R40H5788	NR NR NR	NR NR NR
1996 4x2	Fd Fd	GM GM		7260 - D370 7260 - D370	MD370 MD370	R40H5083 R40H5083	R40H5707 R40H5707	NR NR	NR NR
4x4	Ra	GM	13 " x 2-1/2 "	2042AT - 451	R46451	R40H378	R40H7055	R40H2588	R40H2589
4x4 3,500 lb.	Fd Fd	GM GM	13 " x 2-1/2 "	2042AT - 451	R46451	R40H378	R40H7055	R40H2588	R40H2589
4x4 4,500 lb.	Fd Fd	GM GM		7260 - D370 7260 - D370	MD370 MD370	R40H5083 R40H5083	R40H5707 R40H5707	NR NR	NR NR
4x4 4,500 lb.	Fd Fd	GM GM		7339 - D459 7339 - D459	MD459 MD459	R40H5083 R40H5083	R40H5788 R40H5788	NR NR	NR NR
1995 4x2	Fd Fd	GM GM		7260 - D370 7260 - D370	MD370 MD370	R40H5083 R40H5083	R40H5707 R40H5707	NR NR	NR NR
4x4	Ra	GM	13 " x 2-1/2 "	2042AT - 451	R46451	R40H378	R40H7055	R40H2588	R40H2589
4x4 3,500 lb.	Fd Fd	GM GM	13 " x 2-1/2 "	2042AT - 451	R46451	R40H378	R40H7055	R40H2588	R40H2589
4x4 4,500 lb.	Fd Fd	GM GM		7260 - D370 7260 - D370	MD370 MD370	R40H5083 R40H5083	R40H5707 R40H5707	NR NR	NR NR
4x4 4,500 lb.	Fd Fd	GM GM		7339 - D459 7339 - D459	MD459 MD459	R40H5083 R40H5083	R40H5788 R40H5788	NR NR	NR NR
1994 4x2	Fd Fd	GM GM		7260 - D370 7260 - D370	MD370 MD370	R40H5083 R40H5083	R40H5707 R40H5707	NR NR	NR NR
4x4	Ra	GM	13 " x 2-1/2 "	2042AT - 451	R46451	R40H378	R40H7055	R40H2588	R40H2589
4x4 3,500 lb.	Fd Fd	GM GM	13 " x 2-1/2 "	2042AT - 451	R46451	R40H378	R40H7055	R40H2588	R40H2589
4x4 4,500 lb.	Fd Fd	GM GM		7260 - D370 7260 - D370	MD370 MD370	R40H5083 R40H5083	R40H5707 R40H5707	NR NR	NR NR
4x4 4,500 lb.	Fd Fd	GM GM		7339 - D459 7339 - D459	MD459 MD459	R40H5083 R40H5083	R40H5788 R40H5788	NR NR	NR NR
RAM 3500 1 TON PICKUP									
2005 4x2	Fd Rd	TRW TRW		7864 - D965 7576 - D702	MD965 MVD702	R40H5735 -	R4011133 -	NR NR	NR NR
4x4	Fd Rd	TRW TRW		7864 - D965 7576 - D702	MD965 MVD702	R40H5735 -	R4011133 -	NR NR	NR NR
2004 4x2	Fd	TRW		7864 - D965	MD965	R40H5735	R4011133	NR	NR

53 - Power Brakes

85 - 4 Wheel Antilock Brakes

144 - Rear Wheel Antilock Brakes, Bracket on Threaded End

145 - Rear Wheel Antilock Brakes, without Bracket on Threaded End

309 - Power Brakes, Hydroboost

332 - Power Brakes, Hydraulic Booster

363 - Piston includes Boots and Seals

381 - Rotor and Hub One Piece Assembly W/O ABS Ring

405 - Rotor Only

www.XpresswayPlus.com

Contact our Customer Service Teams

MERITOR DRUM OR ROTOR NO.	CALIPER OR CYLINDER BORE SIZE	MERITOR CALIPER OR WHEEL CYLINDER (LEFT)	MERITOR CALIPER OR WHEEL CYLINDER (RIGHT)	MERITOR CALIPER OR WHEEL CYLINDER REPAIR KIT	MERITOR CALIPER PISTON	MERITOR MASTER CYLINDER	MERITOR MASTER CYLINDER KIT	MERITOR BRAKE HOSE (LEFT)	MERITOR BRAKE HOSE (RIGHT)
DODGE(Cont.)									
RAM 2500 3/4 TON PICKUP(Cont.)									
R44141477 ⁴⁰⁵	3-5/32 "	R42R55497	R42R55496	R4066330	R4090101S	R4113056 ⁸⁵	N/A	R4578144 ⁸⁵	R4578133
R44141770 ⁴⁰⁵ R44141770 ⁴⁰⁵	3-25/64 " 3-25/32 "	R42R55687 R42R55687	R42R55688 R42R55688	R4066211 R4066211	R4090188S R4090188S	R4113057 R4113057	N/A N/A	R4578144 ⁸⁵ R4578410 ¹⁴⁵	R4578133 R4578133
R44141923 ³⁸¹ R44141923 ³⁸¹ R44141923 ³⁸¹	3-5/32 " 3-5/32 " 3-5/32 "	R42R55497 R42R55497 R42R55497	R42R55496 R42R55496 R42R55496	R4066330 R4066330 R4066330	R4090101S R4090101S R4090101S	R4113056 ⁸⁵ R4113056 ⁸⁵ R4113056 ⁸⁵	N/A N/A N/A	R4577841 ¹⁴⁵ R4578387 ¹⁴⁴ R4578145 ⁸⁵	R4578129 R4578129 R4578135
R44140658 R44140658	15/16 15/16	R4134102 R4134102	R4134102 R4134102	R4166852 R4166852	NR NR	- -	- -	R4577810 ¹⁴⁵ R4577810 ¹⁴⁵	R4577810 R4577810
R44141477 ⁴⁰⁵ R44141477 ⁴⁰⁵ R44141477 ⁴⁰⁵	3-5/32 " 3-5/32 " 3-5/32 "	R42R55497 R42R55497 R42R55497	R42R55496 R42R55496 R42R55496	R4066330 R4066330 R4066330	R4090101S R4090101S R4090101S	R4113056 ⁸⁵ R4113056 ⁸⁵ R4113056 ⁸⁵	N/A N/A N/A	R4578410 ¹⁴⁵ R4578144 ⁸⁵ R4578132 ¹⁴⁴	R4578133 R4578133 R4578133
R44141770 ⁴⁰⁵ R44141770 ⁴⁰⁵ R44141770 ⁴⁰⁵	3-25/32 " 3-25/32 " 3-25/32 "	R42R55687 R42R55687 R42R55687	R42R55688 R42R55688 R42R55688	R4066211 R4066211 R4066211	R4090188S R4090188S R4090188S	R4113057 R4113057 R4113057	N/A N/A N/A	R4578410 ¹⁴⁵ R4578132 ¹⁴⁴ R4578144 ⁸⁵	R4578133 R4578133 R4578133
R44141923 ³⁸¹ R44141923 ³⁸¹	3-5/32 " 3-5/32 "	R42R55497 R42R55497	R42R55496 R42R55496	R4066330 R4066330	R4090101S R4090101S	R4113056 ³³² R4113056 ³³²	N/A N/A	R4577841 ¹⁴⁵ R4578145 ⁸⁵	R4578129 R4578135
R44140658 R44140658	15/16 15/16	R4134102 R4134102	R4134102 R4134102	R4166852 R4166852	NR NR	- -	- -	R4577810 ¹⁴⁵ R4577810 ¹⁴⁵	R4577810 R4577810
R44141477 ⁴⁰⁵ R44141477 ⁴⁰⁵	3-5/32 " 3-5/32 "	R42R55497 R42R55497	R42R55496 R42R55496	R4066330 R4066330	R4090101S R4090101S	R4113056 ³³² R4113056 ³³²	N/A N/A	R4578410 ¹⁴⁵ R4578144 ⁸⁵	R4578133 R4578133
R44141770 ⁴⁰⁵ R44141770 ⁴⁰⁵	3-25/32 " 3-25/32 "	R42R55687 R42R55687	R42R55688 R42R55688	R4066211 R4066211	R4090188S R4090188S	R4113057 ⁵³ R4113057 ⁵³	N/A N/A	R4578144 ⁸⁵ R4578410 ¹⁴⁵	R4578133 R4578133
R44141923 ³⁸¹ R44141923 ³⁸¹	3-5/32 " 3-5/32 "	R42R55497 R42R55497	R42R55496 R42R55496	R4066330 R4066330	R4090101S R4090101S	R4113056 ³³² R4113056 ³³²	N/A N/A	R4578387 ¹⁴⁴ R4577841 ¹⁴⁵	R4578129 R4578129
R44140658 R44140658	15/16 15/16	R4134102 R4134102	R4134102 R4134102	R4166852 R4166852	NR NR	- -	- -	R4577810 ¹⁴⁵ R4577810 ¹⁴⁵	R4577810 R4577810
R44141477 ⁴⁰⁵ R44141477 ⁴⁰⁵	3-5/32 " 3-5/32 "	R42R55497 R42R55497	R42R55496 R42R55496	R4066330 R4066330	R4090101S R4090101S	R4113056 ³³² R4113056 ³³²	N/A N/A	R4578410 ¹⁴⁵ R4578132 ¹⁴⁴	R4578133 R4578133
R44141770 ⁴⁰⁵ R44141770 ⁴⁰⁵	3-25/32 " 3-25/32 "	R42R55687 R42R55687	R42R55688 R42R55688	R4066211 R4066211	R4090188S R4090188S	R4113057 ⁵³ R4113057 ⁵³	N/A N/A	R4578132 ¹⁴⁴ R4578410 ¹⁴⁵	R4578133 R4578133
R44141923 ³⁸¹ R44141923 ³⁸¹	3-5/32 " 3-5/32 "	R42R55497 R42R55497	R42R55496 R42R55496	R4066330 R4066330	R4090101S R4090101S	R4112220 ³⁰⁹ R4112220 ³⁰⁹	R4122141 R4122141	R4578387 ¹⁴⁴ R4578130 ⁸⁵	R4578129 R4578135
R44140658 R44140658	15/16 15/16	R4134102 R4134102	R4134102 R4134102	R4166852 R4166852	NR NR	- -	- -	R4577810 ¹⁴⁵ R4577810 ¹⁴⁵	R4577810 R4577810
R44141477 ⁴⁰⁵ R44141477 ⁴⁰⁵	3-5/32 " 3-5/32 "	R42R55497 R42R55497	R42R55496 R42R55496	R4066330 R4066330	R4090101S R4090101S	R4112834 ⁵³ R4112834 ⁵³	N/A N/A	R4578134 ⁸⁵ R4578132 ¹⁴⁴	R4578133 R4578133
R44141770 ⁴⁰⁵ R44141770 ⁴⁰⁵	3-25/32 " 3-25/32 "	R42R55687 R42R55687	R42R55688 R42R55688	R4066211 R4066211	R4090188S R4090188S	R4112834 ⁵³ R4112834 ⁵³	N/A N/A	R4578132 ¹⁴⁴ R4578134 ⁸⁵	R4578133 R4578133
RAM 3500 1 TON PICKUP									
R44145456 R44145452	56mm 45mm	R421005093269 AA R4212491	R421005093266 AA R4212490	R4012094 -	R4012093 ³⁶³ -	N/A -	- -	N/A R4578934	N/A R4578934
R44145456 R44145452	56mm 45mm	R421005093269 AA R4212491	R421005093266 AA R4212490	R4012094 -	R4012093 ³⁶³ -	N/A -	- -	N/A R4578934	N/A R4578934
R44145456	56mm	R421005093269 AA	R421005093266 AA	R4012094	R4012093 ³⁶³	N/A	-	N/A	N/A

MAKE MODEL YEAR AXLE CODE AXLE WEIGHT	AXLE & BRK. TYPE	BRK. MFG.	BRAKE SIZE	FMSI	MERITOR DISC PAD OR BRAKE SHOE	MERITOR GUIDE PIN OR RETURN SPRING KIT	MERITOR CALIPER HWD. KIT OR RETURN SPRING KIT	MERITOR ADJUSTER KIT (LEFT WHEEL)	MERITOR ADJUSTER KIT (RIGHT WHEEL)
DODGE(Cont.)									
RAM 3500 1 TON PICKUP(Cont.)									
2004	Rd	TRW		7576 - D702	MVD702	-	-	NR	NR
4x4	Fd	TRW		7864 - D965	MD965	R40H5735	R4011133	NR	NR
	Rd	TRW		7576 - D702	MVD702	-	-	NR	NR
2003									
4x2	Rd	TRW		7576 - D702	MVD702	-	-	NR	NR
4x4	Fd	TRW		7864 - D965	MD965	R40H5735	R4011133	NR	NR
	Rd	TRW		7576 - D702	MVD702	-	-	NR	NR
2002									
4x2	Fd	TRW		7694 - D821	MD821	R40H5735	R40H5975	NR	NR
	Rd	TRW		7576 - D702	MVD702	R40H15068	R40H5974	NR	NR
4x4	Fd	TRW		7694 - D821	MD821	R40H5735	R40H5975	NR	NR
	Rd	TRW		7576 - D702	MVD702	R40H15068	R40H5974	NR	NR
2001									
4x2	Fd	TRW		7694 - D821	MD821	R40H5735	R40H5975	NR	NR
	Fd	TRW		7694 - D821	MD821	R40H5735	R40H5975	NR	NR
4x4	Ra		12.125 x 3-1/2 "	2171T - 583	R468140	R40H7299	N/A	R40H2598	R40H2599
	Fd	TRW		7694 - D821	MD821	R40H5735	R40H5975	NR	NR
4x4	Fd	TRW		7694 - D821	MD821	R40H5735	R40H5975	NR	NR
	Ra		12.125 x 3-1/2 "	2171T - 583	R468140	R40H7299	N/A	R40H2598	R40H2599
2000									
4x2	Fd	TRW		7694 - D821	MD821	R40H5735	R40H5975	NR	NR
	Fd	TRW		7694 - D821	MD821	R40H5735	R40H5975	NR	NR
4x4	Ra		12.125 x 3-1/2 "	2171T - 583	R468140	R40H7299	N/A	R40H2598	R40H2599
	Fd	TRW		7694 - D821	MD821	R40H5735	R40H5975	NR	NR
4x4	Fd	TRW		7694 - D821	MD821	R40H5735	R40H5975	NR	NR
	Ra		12.125 x 3-1/2 "	2171T - 583	R468140	R40H7299	N/A	R40H2598	R40H2599
1999									
4x2	Ra		13 " x 3-1/2 "	2157T - 452	R46452	R40H378	R40H7055	R40H2588	R40H2589
4x2 10,500 lb. GVW with 4 w ABS	Fd	GM		7339 - D459	MD459	R40H5083	R40H5788	NR	NR
4x2 10,500 lb. GVW with R w ABS	Fd	GM		7339 - D459	MD459	R40H5083	R40H5788	NR	NR
4x4	Fd	GM		7339 - D459	MD459	R40H5083	R40H5788	NR	NR
	Ra		13 " x 3-1/2 "	2157T - 452	R46452	R40H378	R40H7055	R40H2588	R40H2589
1998									
4x2	Ra	GM	13 " x 3-1/2 "	2157T - 452	R46452	R40H4074	R40H378	R40H2588	R40H2589
	Fd	GM		7339 - D459	MD459	R40H5083	R40H5788	NR	NR
4x2	Fd	GM		7339 - D459	MD459	R40H5083	R40H5788	NR	NR
	Fd	GM		7339 - D459	MD459	R40H5083	R40H5788	NR	NR
	Fd	GM		7339 - D459	MD459	R40H5083	R40H5788	NR	NR
	Fd	GM		7339 - D459	MD459	R40H5083	R40H5788	NR	NR
	Fd	GM		7339 - D459	MD459	R40H5083	R40H5788	NR	NR
	Fd	GM		7339 - D459	MD459	R40H5083	R40H5788	NR	NR
	Fd	GM		7339 - D459	MD459	R40H5083	R40H5788	NR	NR
	Fd	GM		7339 - D459	MD459	R40H5083	R40H5788	NR	NR
	Fd	GM		7339 - D459	MD459	R40H5083	R40H5788	NR	NR
	Fd	GM		7339 - D459	MD459	R40H5083	R40H5788	NR	NR
	Ra		13 " x 3-1/2 "	2157T - 452	R46452	R40H378	R40H7055	R40H2588	R40H2589
4x2 10,500 lb. GVW with 4 w ABS	Fd	GM		7339 - D459	MD459	R40H5083	R40H5788	NR	NR
4x2 10,500 lb. GVW with R w ABS	Fd	GM		7339 - D459	MD459	R40H5083	R40H5788	NR	NR
4x4	Fd	GM		7339 - D459	MD459	R40H5083	R40H5788	NR	NR
	Fd	GM		7339 - D459	MD459	R40H5083	R40H5788	NR	NR
4x4	Ra		13 " x 3-1/2 "	2157T - 452	R46452	R40H378	R40H7055	R40H2588	R40H2589
1997									
4x2	Ra	GM	13 " x 3-1/2 "	2157T - 452	R46452	R40H4074	R40H378	R40H2588	R40H2589
	Fd	GM		7339 - D459	MD459	R40H5083	R40H5788	NR	NR
4x2	Fd	GM		7339 - D459	MD459	R40H5083	R40H5788	NR	NR
	Fd	GM		7339 - D459	MD459	R40H5083	R40H5788	NR	NR
	Fd	GM		7339 - D459	MD459	R40H5083	R40H5788	NR	NR
	Fd	GM		7339 - D459	MD459	R40H5083	R40H5788	NR	NR
	Fd	GM		7339 - D459	MD459	R40H5083	R40H5788	NR	NR

48 - 4x2, Rear Wheel Antilock Brakes with 10,500 lb. GVW
 144 - Rear Wheel Antilock Brakes, Bracket on Threaded End
 158 - 4x4, With Antilock Brakes
 www.XpresswayPlus.com

53 - Power Brakes
 153 - 4x2, With 4 Wheel Antilock Brakes
 183 - With Rear Wheel Antilock Brakes

85 - 4 Wheel Antilock Brakes
 154 - 4x2, With Rear Wheel Antilock Brakes
 305 - 4x2, All Wheel Antilock Brakes with 10,500 lb. GVW

MERITOR DRUM OR ROTOR NO.	CALIPER OR CYLINDER BORE SIZE	MERITOR CALIPER OR WHEEL CYLINDER (LEFT)	MERITOR CALIPER OR WHEEL CYLINDER (RIGHT)	MERITOR CALIPER OR WHEEL CYLINDER REPAIR KIT	MERITOR CALIPER PISTON	MERITOR MASTER CYLINDER	MERITOR MASTER CYLINDER KIT	MERITOR BRAKE HOSE (LEFT)	MERITOR BRAKE HOSE (RIGHT)
DODGE(Cont.)									
RAM 3500 1 TON PICKUP(Cont.)									
R44145452	45mm	R4212491	R4212490	-	-	-	-	R4578934	R4578934
R44145456	56mm	R421005093269 AA	R421005093266 AA	R4012094	R4012093 ³⁶³	N/A	-	N/A	N/A
R44145452	45mm	R4212491	R4212490	-	-	-	-	R4578934	R4578934
R44145452	45mm	R4212491	R4212490	-	-	-	-	R4578934	R4578934
R44145456	56mm	R421005093269 AA	R421005093266 AA	R4012094	R4012093 ³⁶³	N/A	-	N/A	N/A
R44145452	45mm	R4212491	R4212490	-	-	-	-	R4578934	R4578934
R44145283	56mm	R4255890	R4255889	R4012094	R4012093 ³⁶³	N/A	N/A	R4512407 ¹⁵³	R4512408
R44145357	51mm	R4255973	R4255972	R4012234	R4012233 ³⁶³	-	-	R4578885	R4578885
R44145283	56mm	R4255890	R4255889	R4012094	R4012093 ³⁶³	N/A	N/A	R4512409 ¹⁵⁸	R4512410
R44145357	51mm	R4255973	R4255972	R4012234	R4012233 ³⁶³	-	-	R4578885	R4578885
R44145283	56mm	R4255890	R4255889	R4012094	R4012093 ³⁶³	R4113442	N/A	R4512407 ¹⁵³	R4512408
R44145283	56mm	R4255890	R4255889	R4012094	R4012093 ³⁶³	R4113442	N/A	R4578899 ¹⁵⁴	R4578898
R44140729	1 "	R4133004	R4133005	R4166822	NR	-	-	R4578885	R4578885
R44145283	56mm	R4255890	R4255889	R4012094	R4012093 ³⁶³	R4113442	N/A	R4512409 ¹⁵⁸	R4512410
R44145283	56mm	R4255890	R4255889	R4012094	R4012093 ³⁶³	R4113442	N/A	R4512411 ¹⁸³	R4512412
R44140729	1 "	R4133004	R4133005	R4166822	NR	-	-	R4578885	R4578885
R44145283	56mm	R4255890	R4255889	R4012094	R4012093 ³⁶³	R4113442	N/A	R4578899 ¹⁵⁴	R4578898
R44145283	56mm	R4255890	R4255889	R4012094	R4012093 ³⁶³	R4113442	N/A	R4512407 ¹⁵³	R4512408
R44140729	1 "	R4133004	R4133005	R4166822	NR	-	-	R4578885	R4578885
R44145283	56mm	R4255890	R4255889	R4012094	R4012093 ³⁶³	R4113442	N/A	R4512409 ¹⁵⁸	R4512410
R44145283	56mm	R4255890	R4255889	R4012094	R4012093 ³⁶³	R4113442	N/A	R4512411 ¹⁸³	R4512412
R44140729	1 "	R4133004	R4133005	R4166822	NR	-	-	R4578885	R4578885
R44140657	1-1/16 "	R4133709	R4133709	R4166872	NR	-	-	R4578085	R4578085
R44145108 ³⁸¹	3-25/32 "	R42R55687	R42R55688	R4066211	R4090188S	R4113057 ³⁶⁴	N/A	R4578145 ¹⁵³	R4578410
R449886 ³⁸¹	3-25/32 "	R42R55687	R42R55688	R4066211	R4090188S	R4113057 ³⁶⁴	N/A	R4578386 ¹⁵⁴	R4578129
R44141770 ⁴⁰⁵	3-25/32 "	R42R55687	R42R55688	R4066211	R4090188S	R4113057 ³⁶⁴	N/A	R4578410	R4578133
R44140657	1-1/16 "	R4133709	R4133709	R4166872	NR	-	-	R4578085	R4578085
R44140657	1-1/16 "	R4133709	R4133709	N/A	NR	-	-	R4577810	R4577810
R44141770 ³¹⁰	3-25/32 "	R42R55687	R42R55688	R4066211	R4090188S	R4112834 ⁵³	N/A	R4578132 ¹⁴⁴	R4578133
R44141770 ³¹⁰	3-25/32 "	R42R55687	R42R55688	R4066211	R4090188S	R4112834 ⁵³	N/A	R4578134 ⁸⁵	R4578133
R44141770 ³¹⁰	3-25/32 "	R42R55687	R42R55688	R4066211	R4090188S	R4112834 ⁵³	N/A	R4578387 ¹⁴⁴	R4578129
R44141927 ⁴⁸	3-25/32 "	R42R55687	R42R55688	R4066211	R4090188S	R4112834 ⁵³	N/A	R4578134 ⁸⁵	R4578133
R44141927 ⁴⁸	3-25/32 "	R42R55687	R42R55688	R4066211	R4090188S	R4112834 ⁵³	N/A	R4578387 ¹⁴⁴	R4578129
R44145108 ³⁰⁵	3-25/32 "	R42R55687	R42R55688	R4066211	R4090188S	R4112834 ⁵³	N/A	R4578134 ⁸⁵	R4578133
R44141927 ⁴⁸	3-25/32 "	R42R55687	R42R55688	R4066211	R4090188S	R4112834 ⁵³	N/A	R4578132 ¹⁴⁴	R4578133
R44145108 ³⁰⁵	3-25/32 "	R42R55687	R42R55688	R4066211	R4090188S	R4112834 ⁵³	N/A	R4578132 ¹⁴⁴	R4578133
R44145108 ³⁰⁵	3-25/32 "	R42R55687	R42R55688	R4066211	R4090188S	R4112834 ⁵³	N/A	R4578387 ¹⁴⁴	R4578129
R44140657	1-1/16 "	R4133709	R4133709	R4166872	NR	-	-	R4578085	R4578085
R44145108 ³⁸¹	3-25/32 "	R42R55687	R42R55688	R4066211	R4090188S	R4113057 ³⁶⁴	N/A	R4578145 ¹⁵³	R4578410
R449886 ³⁸¹	3-25/32 "	R42R55687	R42R55688	R4066211	R4090188S	R4113057 ³⁶⁴	N/A	R4578386 ¹⁵⁴	R4578129
R44141770 ⁴⁰⁵	3-25/32 "	R42R55687	R42R55688	R4066211	R4090188S	R4113057 ³⁶⁴	N/A	R4578410	R4578133
R44141770 ³¹⁰	3-25/32 "	R42R55687	R42R55688	R4066211	R4090188S	R4112834 ⁵³	N/A	R4578132 ¹⁴⁴	R4578133
R44140657	1-1/16 "	R4133709	R4133709	R4166872	NR	-	-	R4578085	R4578085
R44140657	1-1/16 "	R4133709	R4133709	N/A	NR	-	-	R4577810	R4577810
R44141770 ³¹⁰	3-25/32 "	R42R55687	R42R55688	R4066211	R4090188S	R4112834 ⁵³	N/A	R4578134 ⁸⁵	R4578133
R44141770 ³¹⁰	3-25/32 "	R42R55687	R42R55688	R4066211	R4090188S	R4112834 ⁵³	N/A	R4578387 ¹⁴⁴	R4578129
R44141770 ³¹⁰	3-25/32 "	R42R55687	R42R55688	R4066211	R4090188S	R4112834 ⁵³	N/A	R4578132 ¹⁴⁴	R4578133
R44141927 ⁴⁸	3-25/32 "	R42R55687	R42R55688	R4066211	R4090188S	R4112834 ⁵³	N/A	R4578134 ⁸⁵	R4578133
R44141927 ⁴⁸	3-25/32 "	R42R55687	R42R55688	R4066211	R4090188S	R4112834 ⁵³	N/A	R4578387 ¹⁴⁴	R4578129
R44141927 ⁴⁸	3-25/32 "	R42R55687	R42R55688	R4066211	R4090188S	R4112834 ⁵³	N/A	R4578132 ¹⁴⁴	R4578133

310 - Rotor Only, 4x2 and 4x4: All with 11,000 lb. GVW
381 - Rotor and Hub One Piece Assembly W/O ABS Ring

363 - Piston includes Boots and Seals
405 - Rotor Only

364 - Gas Engine Only

1 APPLICATION

MAKE MODEL YEAR AXLE CODE AXLE WEIGHT	AXLE & BRK. TYPE	BRK. MFG.	BRAKE SIZE	FMSI	MERITOR DISC PAD OR BRAKE SHOE	MERITOR GUIDE PIN OR RETURN SPRING KIT	MERITOR CALIPER HWD. KIT OR RETURN SPRING KIT	MERITOR ADJUSTER KIT (LEFT WHEEL)	MERITOR ADJUSTER KIT (RIGHT WHEEL)
DODGE(Cont.)									
RAM 3500 1 TON PICKUP(Cont.)									
1997									
	Fd	GM		7339 - D459	MD459	R40H5083	R40H5788	NR	NR
	Fd	GM		7339 - D459	MD459	R40H5083	R40H5788	NR	NR
	Fd	GM		7339 - D459	MD459	R40H5083	R40H5788	NR	NR
	Ra		13 " x 3-1/2 "	2157T - 452	R46452	R40H378	R40H7055	R40H2588	R40H2589
4x2 10,500 lb. GVW with 4 w ABS	Fd	GM		7339 - D459	MD459	R40H5083	R40H5788	NR	NR
4x2 10,500 lb. GVW with R w ABS	Fd	GM		7339 - D459	MD459	R40H5083	R40H5788	NR	NR
4x2 11,000 lb. GVW	Fd	GM		7339 - D459	MD459	R40H5083	R40H5788	NR	NR
4x4									
	Fd	GM		7339 - D459	MD459	R40H5083	R40H5788	NR	NR
	Fd	GM		7339 - D459	MD459	R40H5083	R40H5788	NR	NR
	Ra		13 " x 3-1/2 "	2157T - 452	R46452	R40H378	R40H7055	R40H2588	R40H2589
1996									
	Ra	GM	13 " x 3-1/2 "	2157T - 452	R46452	R40H4074	R40H378	R40H2588	R40H2589
4x2									
	Fd	GM		7339 - D459	MD459	R40H5083	R40H5788	NR	NR
	Fd	GM		7339 - D459	MD459	R40H5083	R40H5788	NR	NR
	Fd	GM		7339 - D459	MD459	R40H5083	R40H5788	NR	NR
	Fd	GM		7339 - D459	MD459	R40H5083	R40H5788	NR	NR
	Fd	GM		7339 - D459	MD459	R40H5083	R40H5788	NR	NR
	Fd	GM		7339 - D459	MD459	R40H5083	R40H5788	NR	NR
	Fd	GM		7339 - D459	MD459	R40H5083	R40H5788	NR	NR
	Fd	GM		7339 - D459	MD459	R40H5083	R40H5788	NR	NR
	Fd	GM		7339 - D459	MD459	R40H5083	R40H5788	NR	NR
4x4	Fd	GM		7339 - D459	MD459	R40H5083	R40H5788	NR	NR
1995									
	Ra	GM	13 " x 3-1/2 "	2157T - 452	R46452	R40H4074	R40H378	R40H2588	R40H2589
4x2									
	Fd	GM		7339 - D459	MD459	R40H5083	R40H5788	NR	NR
	Fd	GM		7339 - D459	MD459	R40H5083	R40H5788	NR	NR
	Fd	GM		7339 - D459	MD459	R40H5083	R40H5788	NR	NR
	Fd	GM		7339 - D459	MD459	R40H5083	R40H5788	NR	NR
	Fd	GM		7339 - D459	MD459	R40H5083	R40H5788	NR	NR
	Fd	GM		7339 - D459	MD459	R40H5083	R40H5788	NR	NR
	Fd	GM		7339 - D459	MD459	R40H5083	R40H5788	NR	NR
	Fd	GM		7339 - D459	MD459	R40H5083	R40H5788	NR	NR
	Fd	GM		7339 - D459	MD459	R40H5083	R40H5788	NR	NR
	Fd	GM		7339 - D459	MD459	R40H5083	R40H5788	NR	NR
4x4	Fd	GM		7339 - D459	MD459	R40H5083	R40H5788	NR	NR
1994									
	Ra	GM	13 " x 3-1/2 "	2157T - 452	R46452	R40H4074	R40H378	R40H2588	R40H2589
4x2									
	Fd	GM		7339 - D459	MD459	R40H5083	R40H5788	NR	NR
	Fd	GM		7339 - D459	MD459	R40H5083	R40H5788	NR	NR
	Fd	GM		7339 - D459	MD459	R40H5083	R40H5788	NR	NR
	Fd	GM		7339 - D459	MD459	R40H5083	R40H5788	NR	NR
	Fd	GM		7339 - D459	MD459	R40H5083	R40H5788	NR	NR
	Fd	GM		7339 - D459	MD459	R40H5083	R40H5788	NR	NR
	Fd	GM		7339 - D459	MD459	R40H5083	R40H5788	NR	NR
	Fd	GM		7339 - D459	MD459	R40H5083	R40H5788	NR	NR
	Fd	GM		7339 - D459	MD459	R40H5083	R40H5788	NR	NR
4x4	Fd	GM		7339 - D459	MD459	R40H5083	R40H5788	NR	NR
SPRINTER VAN 2500									
2005									
118 W. B.									
	Fd	ATE		7849 - D950	MD950	NR	NR	NR	NR
	Fd	Bosch		7848 - D949	MD949	NR	NR	NR	NR
	Fd	Bosch		7848 - D949	MD949	NR	NR	NR	NR
	Fd	Wabco		7848 - D949	MD949	-	-	NR	NR
	Fd	Wabco		7848 - D949	MD949	-	-	NR	NR
	Rd	Bosch		7829 - D928	MD928	NR	NR	NR	NR
	Rd	Bosch		7829 - D928	MD928	NR	NR	NR	NR
	Rd	Wabco		7848 - D949	MD949	-	-	NR	NR
	Rd	Wabco		7848 - D949	MD949	-	-	NR	NR
140 WB									
	Fd	ATE		7849 - D950	MD950	NR	NR	NR	NR
	Fd	Bosch		7848 - D949	MD949	NR	NR	NR	NR
	Fd	Bosch		7848 - D949	MD949	NR	NR	NR	NR
	Fd	Wabco		7848 - D949	MD949	-	-	NR	NR

48 - 4x2, Rear Wheel Antilock Brakes with 10,500 lb. GVW
 144 - Rear Wheel Antilock Brakes, Bracket on Threaded End
 305 - 4x2, All Wheel Antilock Brakes with 10,500 lb. GVW
 www.XpresswayPlus.com

53 - Power Brakes
 153 - 4x2, With 4 Wheel Antilock Brakes
 310 - Rotor Only, 4x2 and 4x4: All with 11,000 lb. GVW

85 - 4 Wheel Antilock Brakes
 154 - 4x2, With Rear Wheel Antilock Brakes
 364 - Gas Engine Only

MERITOR DRUM OR ROTOR NO.	CALIPER OR CYLINDER BORE SIZE	MERITOR CALIPER OR WHEEL CYLINDER (LEFT)	MERITOR CALIPER OR WHEEL CYLINDER (RIGHT)	MERITOR CALIPER OR WHEEL CYLINDER REPAIR KIT	MERITOR CALIPER PISTON	MERITOR MASTER CYLINDER	MERITOR MASTER CYLINDER KIT	MERITOR BRAKE HOSE (LEFT)	MERITOR BRAKE HOSE (RIGHT)
DODGE(Cont.)									
RAM 3500 1 TON PICKUP(Cont.)									
R44145108 ³⁰⁵	3-25/32 "	R42R55687	R42R55688	R4066211	R4090188S	R4112834 ⁵³	N/A	R4578387 ¹⁴⁴	R4578129
R44145108 ³⁰⁵	3-25/32 "	R42R55687	R42R55688	R4066211	R4090188S	R4112834 ⁵³	N/A	R4578134 ⁸⁵	R4578133
R44145108 ³⁰⁵	3-25/32 "	R42R55687	R42R55688	R4066211	R4090188S	R4112834 ⁵³	N/A	R4578132 ¹⁴⁴	R4578133
R44140657	1-1/16 "	R4133709	R4133709	R4166872	NR	-	-	R4578085	R4578085
R44145108 ³⁸¹	3-25/32 "	R42R55687	R42R55688	R4066211	R4090188S	R4113057 ³⁶⁴	N/A	R4578145 ¹⁵³	R4578410
R449886 ³⁸¹	3-25/32 "	R42R55687	R42R55688	R4066211	R4090188S	R4113057 ³⁶⁴	N/A	R4578386 ¹⁵⁴	R4578129
R44141770 ⁴⁰⁵	3-25/32 "	R42R55687	R42R55688	R4066211	R4090188S	R4113057 ³⁶⁴	N/A	N/A	N/A
R44141770 ⁴⁰⁵	3-25/32 "	R42R55687	R42R55688	R4066211	R4090188S	R4113057 ³⁶⁴	N/A	R4578410	R4578133
R44141770 ³¹⁰	3-25/32 "	R42R55687	R42R55688	R4066211	R4090188S	R4112834 ⁵³	N/A	R4578132 ¹⁴⁴	R4578133
R44140657	1-1/16 "	R4133709	R4133709	R4166872	NR	-	-	R4578085	R4578085
R44140657	1-1/16 "	R4133709	R4133709	N/A	NR	-	-	R4577810	R4577810
R44141770 ³¹⁰	3-25/32 "	R42R55687	R42R55688	R4066211	R4090188S	R4112834 ⁵³	N/A	R4578387 ¹⁴⁴	R4578129
R44141927 ⁴⁸	3-25/32 "	R42R55687	R42R55688	R4066211	R4090188S	R4112834 ⁵³	N/A	R4578132 ¹⁴⁴	R4578133
R44141927 ⁴⁸	3-25/32 "	R42R55687	R42R55688	R4066211	R4090188S	R4112834 ⁵³	N/A	R4578134 ⁸⁵	R4578133
R44141770 ³¹⁰	3-25/32 "	R42R55687	R42R55688	R4066211	R4090188S	R4112834 ⁵³	N/A	R4578132 ¹⁴⁴	R4578133
R44141927 ⁴⁸	3-25/32 "	R42R55687	R42R55688	R4066211	R4090188S	R4112834 ⁵³	N/A	R4578387 ¹⁴⁴	R4578129
R44141770 ³¹⁰	3-25/32 "	R42R55687	R42R55688	R4066211	R4090188S	R4112834 ⁵³	N/A	R4578134 ⁸⁵	R4578133
R44145108 ³⁰⁵	3-25/32 "	R42R55687	R42R55688	R4066211	R4090188S	R4112834 ⁵³	N/A	R4578387 ¹⁴⁴	R4578129
R44145108 ³⁰⁵	3-25/32 "	R42R55687	R42R55688	R4066211	R4090188S	R4112834 ⁵³	N/A	R4578134 ⁸⁵	R4578133
R44145108 ³⁰⁵	3-25/32 "	R42R55687	R42R55688	R4066211	R4090188S	R4112834 ⁵³	N/A	R4578134 ⁸⁵	R4578133
R44145108 ³⁰⁵	3-25/32 "	R42R55687	R42R55688	R4066211	R4090188S	R4112834 ⁵³	N/A	R4578132 ¹⁴⁴	R4578133
R44141770 ³¹⁰	3-25/32 "	R42R55687	R42R55688	R4066211	R4090188S	R4112834 ⁵³	N/A	R4578132 ¹⁴⁴	R4578133
R44140657	1-1/16 "	R4133709	R4133709	N/A	NR	-	-	R4577810	R4577810
R44141927 ⁴⁸	3-25/32 "	R42R55687	R42R55688	R4066211	R4090188S	R4112834 ⁵³	N/A	R4578132 ¹⁴⁴	R4578133
R44141927 ⁴⁸	3-25/32 "	R42R55687	R42R55688	R4066211	R4090188S	R4112834 ⁵³	N/A	R4578387 ¹⁴⁴	R4578129
R44145108 ³⁰⁵	3-25/32 "	R42R55687	R42R55688	R4066211	R4090188S	R4112834 ⁵³	N/A	R4578387 ¹⁴⁴	R4578129
R44145108 ³⁰⁵	3-25/32 "	R42R55687	R42R55688	R4066211	R4090188S	R4112834 ⁵³	N/A	R4578132 ¹⁴⁴	R4578133
R44141770 ³¹⁰	3-25/32 "	R42R55687	R42R55688	R4066211	R4090188S	R4112834 ⁵³	N/A	R4578132 ¹⁴⁴	R4578133
R44141770 ³¹⁰	3-25/32 "	R42R55687	R42R55688	R4066211	R4090188S	R4112834 ⁵³	N/A	R4578387 ¹⁴⁴	R4578129
R44145108 ³⁰⁵	3-25/32 "	R42R55687	R42R55688	R4066211	R4090188S	R4112834 ⁵³	N/A	R4578134 ⁸⁵	R4578133
R44141927 ⁴⁸	3-25/32 "	R42R55687	R42R55688	R4066211	R4090188S	R4112834 ⁵³	N/A	R4578134 ⁸⁵	R4578133
R44141770 ³¹⁰	3-25/32 "	R42R55687	R42R55688	R4066211	R4090188S	R4112834 ⁵³	N/A	R4578134 ⁸⁵	R4578133
R44141770 ³¹⁰	3-25/32 "	R42R55687	R42R55688	R4066211	R4090188S	R4112834 ⁵³	N/A	R4578132 ¹⁴⁴	R4578133
R44140657	1-1/16 "	R4133709	R4133709	N/A	NR	-	-	R4577810	R4577810
R44141770 ³¹⁰	3-25/32 "	R42R55687	R42R55688	R4066211	R4090188S	R4112834 ⁵³	N/A	R4578132 ¹⁴⁴	R4578133
R44145108 ³⁰⁵	3-25/32 "	R42R55687	R42R55688	R4066211	R4090188S	R4112834 ⁵³	N/A	R4578132 ¹⁴⁴	R4578133
R44141927 ⁴⁸	3-25/32 "	R42R55687	R42R55688	R4066211	R4090188S	R4112834 ⁵³	N/A	R4578134 ⁸⁵	R4578133
R44145108 ³⁰⁵	3-25/32 "	R42R55687	R42R55688	R4066211	R4090188S	R4112834 ⁵³	N/A	R4578134 ⁸⁵	R4578133
R44145108 ³⁰⁵	3-25/32 "	R42R55687	R42R55688	R4066211	R4090188S	R4112834 ⁵³	N/A	R4578387 ¹⁴⁴	R4578129
R44141927 ⁴⁸	3-25/32 "	R42R55687	R42R55688	R4066211	R4090188S	R4112834 ⁵³	N/A	R4578387 ¹⁴⁴	R4578129
R44141770 ³¹⁰	3-25/32 "	R42R55687	R42R55688	R4066211	R4090188S	R4112834 ⁵³	N/A	R4578387 ¹⁴⁴	R4578129
R44141927 ⁴⁸	3-25/32 "	R42R55687	R42R55688	R4066211	R4090188S	R4112834 ⁵³	N/A	R4578132 ¹⁴⁴	R4578133
R44141770 ³¹⁰	3-25/32 "	R42R55687	R42R55688	R4066211	R4090188S	R4112834 ⁵³	N/A	R4578134 ⁸⁵	R4578133
R44141770 ³¹⁰	3-25/32 "	R42R55687	R42R55688	R4066211	R4090188S	R4112834 ⁵³	N/A	R4578132 ¹⁴⁴	R4578133
SPRINTER VAN 2500									
-	60mm	-	-	-	-	-	-	R4512290	R4512291
R4421503R	45mm	-	-	-	-	-	-	R4512290	R4512291
R4421513R	45mm	-	-	-	-	-	-	R4512290	R4512291
R4421503R	44mm	R4256544	R4256545	N/A	N/A	-	-	R4512290	R4512291
R4421513R	44mm	R4256544	R4256545	N/A	N/A	-	-	R4512290	R4512291
R4412287	52mm	-	-	-	-	-	-	R4512292	R4512292
R4412289	52mm	-	-	-	-	-	-	R4512292	R4512292
R4412289	44mm	R4256544	R4256545	N/A	N/A	-	-	R4512292	R4512292
R4412287	44mm	R4256544	R4256545	N/A	N/A	-	-	R4512292	R4512292
-	60mm	-	-	-	-	-	-	R4512290	R4512291
R4421503R	45mm	-	-	-	-	-	-	R4512290	R4512291
R4421513R	45mm	-	-	-	-	-	-	R4512290	R4512291
R4421503R	44mm	R4256544	R4256545	N/A	N/A	-	-	R4512290	R4512291

381 - Rotor and Hub One Piece Assembly W/O ABS Ring

405 - Rotor Only

MAKE MODEL YEAR AXLE CODE AXLE WEIGHT	AXLE & BRK. TYPE	BRK. MFG.	BRAKE SIZE	FMSI	MERITOR DISC PAD OR BRAKE SHOE	MERITOR GUIDE PIN OR RETURN SPRING KIT	MERITOR CALIPER HWD. KIT OR RETURN SPRING KIT	MERITOR ADJUSTER KIT (LEFT WHEEL)	MERITOR ADJUSTER KIT (RIGHT WHEEL)
DODGE(Cont.)									
SPRINTER VAN 2500(Cont.)									
2005	Fd	Wabco		7848 - D949	MD949	-	-	NR	NR
	Rd	Bosch		7829 - D928	MD928	NR	NR	NR	NR
	Rd	Bosch		7829 - D928	MD928	NR	NR	NR	NR
	Rd	Wabco		7848 - D949	MD949	-	-	NR	NR
	Rd	Wabco		7848 - D949	MD949	-	-	NR	NR
2004 118 W. B.	Fd	ATE		7849 - D950	MD950	NR	NR	NR	NR
	Fd	Bosch		7848 - D949	MD949	NR	NR	NR	NR
	Fd	Bosch		7848 - D949	MD949	NR	NR	NR	NR
	Fd	Wabco		7848 - D949	MD949	-	-	NR	NR
	Fd	Wabco		7848 - D949	MD949	-	-	NR	NR
	Rd	Bosch		7829 - D928	MD928	NR	NR	NR	NR
	Rd	Bosch		7829 - D928	MD928	NR	NR	NR	NR
	Rd	Wabco		7848 - D949	MD949	-	-	NR	NR
	Rd	Wabco		7848 - D949	MD949	-	-	NR	NR
	140 WB	Fd	ATE		7849 - D950	MD950	NR	NR	NR
Fd	Bosch		7848 - D949	MD949	NR	NR	NR	NR	
Fd	Bosch		7848 - D949	MD949	NR	NR	NR	NR	
Fd	Wabco		7848 - D949	MD949	-	-	NR	NR	
Fd	Wabco		7848 - D949	MD949	-	-	NR	NR	
Rd	Bosch		7829 - D928	MD928	NR	NR	NR	NR	
Rd	Bosch		7829 - D928	MD928	NR	NR	NR	NR	
Rd	Wabco		7848 - D949	MD949	-	-	NR	NR	
Rd	Wabco		7848 - D949	MD949	-	-	NR	NR	
2003 118 W. B.	Fd	ATE		7849 - D950	MD950	NR	NR	NR	NR
	Fd	Bosch		7848 - D949	MD949	NR	NR	NR	NR
	Fd	Bosch		7848 - D949	MD949	NR	NR	NR	NR
	Fd	Wabco		7848 - D949	MD949	-	-	NR	NR
	Fd	Wabco		7848 - D949	MD949	-	-	NR	NR
	Rd	Bosch		7829 - D928	MD928	NR	NR	NR	NR
	Rd	Bosch		7829 - D928	MD928	NR	NR	NR	NR
	Rd	Wabco		7848 - D949	MD949	-	-	NR	NR
	Rd	Wabco		7848 - D949	MD949	-	-	NR	NR
	140 WB	Fd	ATE		7849 - D950	MD950	NR	NR	NR
Fd	Bosch		7848 - D949	MD949	NR	NR	NR	NR	
Fd	Bosch		7848 - D949	MD949	NR	NR	NR	NR	
Fd	Wabco		7848 - D949	MD949	-	-	NR	NR	
Fd	Wabco		7848 - D949	MD949	-	-	NR	NR	
Rd	Bosch		7829 - D928	MD928	NR	NR	NR	NR	
Rd	Bosch		7829 - D928	MD928	NR	NR	NR	NR	
Rd	Wabco		7848 - D949	MD949	-	-	NR	NR	
Rd	Wabco		7848 - D949	MD949	-	-	NR	NR	
SPRINTER VAN 3500									
2005	Fd	Wabco		7848 - D949	MD949	-	-	NR	NR
	Fd	Wabco		7848 - D949	MD949	-	-	NR	NR
	Rd	Wabco		7848 - D949	MD949	-	-	NR	NR
158 W.B	Fd	Wabco		7848 - D949	MD949	-	-	NR	NR
	Fd	Wabco		7848 - D949	MD949	-	-	NR	NR
	Rd	Wabco		7848 - D949	MD949	-	-	NR	NR
W200,W250, PW200, PW250 SERIES 4WD PICKUP-3/4 TON									
1993	Fd	BX		7081 - D149	MD149	R40H5010	R40H5529	NR	NR
	Ra	BX	11 " x 2-1/2 "	2025T - 446	R46446	R40H111	R407999	R40H2534	R40H2535
	Ra	BX	12 " x 3 "	2140AT - 358	R46358	R40H547	R40H4087	R40H2598	R40H2599
Except 4500 lb.	Fd	KH		7179 - D269	MD269	NR	R40H5516	NR	NR
4,500 lb.	Fd	BX		7081 - D149	MD149	R40H5010	R40H5529	NR	NR
	Fd	BX		7081 - D149	MD149	R40H5010	R40H5529	NR	NR
	Fd	BX		7081 - D149	MD149	R40H5010	R40H5529	NR	NR
	Fd	BX		7081 - D149	MD149	R40H5010	R40H5529	NR	NR
	Fd	BX		7081 - D149	MD149	R40H5010	R40H5529	NR	NR
	Fd	BX		7081 - D149	MD149	R40H5010	R40H5529	NR	NR

44 - R44141664 is rotor only, for hub only use E-8396

53 - Power Brakes

83 - 5" Bolt Circle

93 - Rotor Only with Hub Casting # 99756
333 - Except 9 1/4" Ring Gear

137 - Tee
346 - 4500 lb. Casting Number 2238451452, 10mm Inlet

138 - Tee Hose Not Available
351 - 1/2" Studs, 4500 lb. Axle, Rotor Casting Number 100353, Hub Casting Number 102764

MERITOR DRUM OR ROTOR NO.	CALIPER OR CYLINDER BORE SIZE	MERITOR CALIPER OR WHEEL CYLINDER (LEFT)	MERITOR CALIPER OR WHEEL CYLINDER (RIGHT)	MERITOR CALIPER OR WHEEL CYLINDER REPAIR KIT	MERITOR CALIPER PISTON	MERITOR MASTER CYLINDER	MERITOR MASTER CYLINDER KIT	MERITOR BRAKE HOSE (LEFT)	MERITOR BRAKE HOSE (RIGHT)
DODGE(Cont.)									
SPRINTER VAN 2500(Cont.)									
R4421513R	44mm	R4256544	R4256545	N/A	N/A	-	-	R4512290	R4512291
R4412289	52mm	-	-	-	-	-	-	R4512292	R4512292
R4412287	52mm	-	-	-	-	-	-	R4512292	R4512292
R4412289	44mm	R4256544	R4256545	N/A	N/A	-	-	R4512292	R4512292
R4412287	44mm	R4256544	R4256545	N/A	N/A	-	-	R4512292	R4512292
-	60mm	-	-	-	-	-	-	R4512290	R4512291
R4421513R	45mm	-	-	-	-	-	-	R4512290	R4512291
R4421503R	45mm	-	-	-	-	-	-	R4512290	R4512291
R4421503R	44mm	R4256544	R4256545	N/A	N/A	-	-	R4512290	R4512291
R4421513R	44mm	R4256544	R4256545	N/A	N/A	-	-	R4512290	R4512291
R4412289	52mm	-	-	-	-	-	-	R4512292	R4512292
R4412287	52mm	-	-	-	-	-	-	R4512292	R4512292
R4412289	44mm	R4256544	R4256545	N/A	N/A	-	-	R4512292	R4512292
R4412287	44mm	R4256544	R4256545	N/A	N/A	-	-	R4512292	R4512292
-	60mm	-	-	-	-	-	-	R4512290	R4512291
R4421503R	45mm	-	-	-	-	-	-	R4512290	R4512291
R4421513R	45mm	-	-	-	-	-	-	R4512290	R4512291
R4421503R	44mm	R4256544	R4256545	N/A	N/A	-	-	R4512290	R4512291
R4421513R	44mm	R4256544	R4256545	N/A	N/A	-	-	R4512290	R4512291
R4412289	52mm	-	-	-	-	-	-	R4512292	R4512292
R4412287	52mm	-	-	-	-	-	-	R4512292	R4512292
R4412287	44mm	R4256544	R4256545	N/A	N/A	-	-	R4512292	R4512292
R4412289	44mm	R4256544	R4256545	N/A	N/A	-	-	R4512292	R4512292
-	60mm	-	-	-	-	-	-	R4512290	R4512291
R4421503R	45mm	-	-	-	-	-	-	R4512290	R4512291
R4421513R	45mm	-	-	-	-	-	-	R4512290	R4512291
R4421503R	44mm	R4256544	R4256545	N/A	N/A	-	-	R4512290	R4512291
R4421513R	44mm	R4256544	R4256545	N/A	N/A	-	-	R4512290	R4512291
R4412289	52mm	-	-	-	-	-	-	R4512292	R4512292
R4412287	52mm	-	-	-	-	-	-	R4512292	R4512292
R4412289	44mm	R4256544	R4256545	N/A	N/A	-	-	R4512292	R4512292
R4412287	44mm	R4256544	R4256545	N/A	N/A	-	-	R4512292	R4512292
-	60mm	-	-	-	-	-	-	R4512290	R4512291
R4421503R	45mm	-	-	-	-	-	-	R4512290	R4512291
R4421513R	45mm	-	-	-	-	-	-	R4512290	R4512291
R4421503R	44mm	R4256544	R4256545	N/A	N/A	-	-	R4512290	R4512291
R4421513R	44mm	R4256544	R4256545	N/A	N/A	-	-	R4512290	R4512291
R4412287	52mm	-	-	-	-	-	-	R4512292	R4512292
R4412289	52mm	-	-	-	-	-	-	R4512292	R4512292
R4412289	44mm	R4256544	R4256545	N/A	N/A	-	-	R4512292	R4512292
R4412287	44mm	R4256544	R4256545	N/A	N/A	-	-	R4512292	R4512292
SPRINTER VAN 3500									
R4421513R	44mm	R4256544	R4256545	N/A	N/A	-	-	R4512290	R4512291
R4421503R	44mm	R4256544	R4256545	N/A	N/A	-	-	R4512290	R4512291
R4412288	44mm	R4256544	R4256545	N/A	N/A	-	-	R4512292	R4512292
R4421513R	44mm	R4256544	R4256545	N/A	N/A	-	-	R4512290	R4512291
R4421503R	44mm	R4256544	R4256545	N/A	N/A	-	-	R4512290	R4512291
R4412288	44mm	R4256544	R4256545	N/A	N/A	-	-	R4512292	R4512292
W200,W250, PW200, PW250 SERIES 4WD PICKUP-3/4 TON									
N/A	3-3/8 "	R42R55200	R42R55199 ³⁴⁶	R4066780	R4090021	R4111775 ⁵³	R4122596	R4577024 ¹³⁸	R4577024
R441404090 ⁸³	15/16 "	R4133597	R4133597	R4166852	NR	-	-	-	-
R44140264 ³³³	1-1/8 "	R4133206	R4133207	R418187	NR	-	-	-	-
R44141664 ⁴⁴	3-3/32 "	R42R55119	R42R55118	R4066587	R4090018P	-	-	-	-
R44141397 ⁹³	3-3/8 "	R42R55200	R42R55199 ³⁴⁶	R4066780	R4090021	-	-	-	-
R44141468 ³⁵²	3-3/8 "	R42R55200	R42R55199 ³⁴⁶	R4066780	R4090021	R4111775 ⁵³	R4122596	R4577921 ¹³⁷	N/A
R44141468 ³⁵²	3-3/8 "	R42R55200	R42R55199 ³⁴⁶	R4066780	R4090021	R4111775 ⁵³	R4122596	R4577171 ¹³⁷	N/A
R44141397 ⁹³	3-3/8 "	R42R55200	R42R55199 ³⁴⁶	R4066780	R4090021	R4111775 ⁵³	R4122596	R4577921 ¹³⁷	N/A
R44141397 ⁹³	3-3/8 "	R42R55200	R42R55199 ³⁴⁶	R4066780	R4090021	R4111775 ⁵³	R4122596	R4577024 ¹³⁸	R4577024
R44141469 ³⁵¹	3-3/8 "	R42R55200	R42R55199 ³⁴⁶	R4066780	R4090021	R4111775 ⁵³	R4122596	R4577024 ¹³⁸	R4577024

352 - 5/8" Studs, 4500 lb. Axle, Rotor Casting Number 100353, Hub Casting Number 102762

MAKE MODEL YEAR AXLE CODE AXLE WEIGHT	AXLE & BRK. TYPE	BRK. MFG.	BRAKE SIZE	FMSI	MERITOR DISC PAD OR BRAKE SHOE	MERITOR GUIDE PIN OR RETURN SPRING KIT	MERITOR CALIPER HWD. KIT OR RETURN SPRING KIT	MERITOR ADJUSTER KIT (LEFT WHEEL)	MERITOR ADJUSTER KIT (RIGHT WHEEL)
DODGE(Cont.)									
W200,W250, PW200, PW250 SERIES 4WD PICKUP-3/4 TON(Cont.)									
1993	Fd	BX		7081 - D149	MD149	R40H5010	R40H5529	NR	NR
	Fd	BX		7081 - D149	MD149	R40H5010	R40H5529	NR	NR
	Fd	BX		7081 - D149	MD149	R40H5010	R40H5529	NR	NR
	Fd	BX		7081 - D149	MD149	R40H5010	R40H5529	NR	NR
	Fd	BX		7081 - D149	MD149	R40H5010	R40H5529	NR	NR
	Fd	BX		7081 - D149	MD149	R40H5010	R40H5529	NR	NR
	Fd	BX		7081 - D149	MD149	R40H5010	R40H5529	NR	NR
	Fd	BX		7081 - D149	MD149	R40H5010	R40H5529	NR	NR
	Fd	BX		7081 - D149	MD149	R40H5010	R40H5529	NR	NR
	Fd	BX		7081 - D149	MD149	R40H5010	R40H5529	NR	NR
5,500, 5,800 lb.	Ra	BX	12 " x 2-1/2 "	2146AT - 357	R46357	R40H547	R40H4087	R40H2598	R40H2599
6200 lb.	Ra	BX	12 " x 2-1/2 "	2146AT - 357	R46357	R40H547	R40H4087	R40H2598	R40H2599
1992									
	Ra	BX	12 " x 2-1/2 "	2146AT - 357	R46357	R40H547	R40H4087	R40H2598	R40H2599
	Ra	BX	11 " x 2-1/2 "	2025T - 446	R46446	R40H111	R40H7199	R40H2534	R40H2535
	Ra	BX	11 " x 2-1/2 "	2025T - 446	R46446	R40H111	R40H7199	R40H2534	R40H2535
	Ra	BX	12 " x 3 "	2140AT - 358	R46358	R40H547	R40H4087	R40H2598	R40H2599
Except 4500 lb.	Fd	KH		7179 - D269	MD269	NR	R40H5516	NR	NR
4,500 lb.	Fd	BX		7081 - D149	MD149	R40H5010	R40H5529	NR	NR
5,600, 5,800 lb.	Ra	BX	12 " x 2-1/2 "	2146AT - 357	R46357	R40H547	R40H4087	R40H2598	R40H2599
6200 lb.	Ra	BX	12 " x 2-1/2 "	2146AT - 357	R46357	R40H547	R40H4087	R40H2598	R40H2599
1991									
	Ra	BX	12 " x 2-1/2 "	2146AT - 357	R46357	R40H547	R40H4087	R40H2598	R40H2599
	Ra	BX	11 " x 2-1/2 "	2025T - 446	R46446	R40H111	R40H7199	R40H2534	R40H2535
	Ra	BX	11 " x 2-1/2 "	2025T - 446	R46446	R40H111	R40H7199	R40H2534	R40H2535
	Ra	BX	12 " x 3 "	2140AT - 358	R46358	R40H547	R40H4087	R40H2598	R40H2599
Except 4500 lb.	Fd	KH		7179 - D269	MD269	NR	R40H5516	NR	NR
4,500 lb.	Fd	BX		7081 - D149	MD149	R40H5010	R40H5529	NR	NR
5,600, 5,800 lb.	Ra	BX	12 " x 2-1/2 "	2146AT - 357	R46357	R40H547	R40H4087	R40H2598	R40H2599
6200 lb.	Ra	BX	12 " x 2-1/2 "	2146AT - 357	R46357	R40H547	R40H4087	R40H2598	R40H2599
1988									
	Ra	BX	12 " x 3 "	2140AT - 358	R46358	R40H547	R40H4087	R40H2598	R40H2599
	Ra	BX	12 " x 2-1/2 "	2146AT - 357	R46357	R40H547	R40H4087	R40H2598	R40H2599
	Ra	BX	12 " x 2-1/2 "	2146AT - 357	R46357	R40H547	R40H4087	R40H2598	R40H2599
	Ra	BX	12 " x 2-1/2 "	2146AT - 357	R46357	R40H547	R40H4087	R40H2598	R40H2599
Except 4500 lb.	Fd	CH		7019 - D123	MD269	NR	R40H5516	NR	NR
	Fd	CH		7019 - D123	MD269	NR	R40H5516	NR	NR
	Fd	KH		7179 - D269	MD269	NR	R40H5516	NR	NR
	Fd	KH		7179 - D269	MD269	NR	R40H5516	NR	NR
4,500 lb.	Fd	BX		7081 - D149	MD149	R40H5010	R40H5529	NR	NR
1987									
	Ra	BX	12 " x 3 "	2140AT - 358	R46358	R40H547	R40H4087	R40H2598	R40H2599
	Ra	BX	12 " x 2-1/2 "	2146AT - 357	R46357	R40H547	R40H4087	R40H2598	R40H2599
	Ra	BX	12 " x 2-1/2 "	2146AT - 357	R46357	R40H547	R40H4087	R40H2598	R40H2599
	Ra	BX	12 " x 2-1/2 "	2146AT - 357	R46357	R40H547	R40H4087	R40H2598	R40H2599
Except 4500 lb.	Fd	CH		7019 - D123	MD269	NR	R40H5516	NR	NR
	Fd	CH		7019 - D123	MD269	NR	R40H5516	NR	NR
	Fd	KH		7179 - D269	MD269	NR	R40H5516	NR	NR
	Fd	KH		7179 - D269	MD269	NR	R40H5516	NR	NR
4,500 lb.	Fd	BX		7081 - D149	MD149	R40H5010	R40H5529	NR	NR
1986									
	Ra	BX	12 " x 3 "	2140AT - 358	R46358	R40H547	R40H4087	R40H2598	R40H2599
	Ra	BX	12 " x 2-1/2 "	2146AT - 357	R46357	R40H547	R40H4087	R40H2598	R40H2599
	Ra	BX	12 " x 2-1/2 "	2146AT - 357	R46357	R40H547	R40H4087	R40H2598	R40H2599
	Ra	BX	12 " x 2-1/2 "	2146AT - 357	R46357	R40H547	R40H4087	R40H2598	R40H2599
Except 4500 lb.	Fd	CH		7019 - D123	MD269	NR	R40H5516	NR	NR
	Fd	CH		7019 - D123	MD269	NR	R40H5516	NR	NR
	Fd	KH		7179 - D269	MD269	NR	R40H5516	NR	NR
	Fd	KH		7179 - D269	MD269	NR	R40H5516	NR	NR
4,500 lb.	Fd	BX		7081 - D149	MD149	R40H5010	R40H5529	NR	NR

44 - R44141664 is rotor only, for hub only use E-8396

53 - Power Brakes

79 - Inboard Mounting

83 - 5" Bolt Circle

84 - 9 1/4" Ring Gear, Heavy Duty Axle

93 - Rotor Only with Hub Casting # 99756

128 - Bracket

137 - Tee

138 - Tee Hose Not Available

www.XpresswayPlus.com

Contact our Customer Service Teams

MERITOR DRUM OR ROTOR NO.	CALIPER OR CYLINDER BORE SIZE	MERITOR CALIPER OR WHEEL CYLINDER (LEFT)	MERITOR CALIPER OR WHEEL CYLINDER (RIGHT)	MERITOR CALIPER OR WHEEL CYLINDER REPAIR KIT	MERITOR CALIPER PISTON	MERITOR MASTER CYLINDER	MERITOR MASTER CYLINDER KIT	MERITOR BRAKE HOSE (LEFT)	MERITOR BRAKE HOSE (RIGHT)
DODGE(Cont.)									
W200,W250, PW200, PW250 SERIES 4WD PICKUP-3/4 TON(Cont.)									
R44141469 ³⁵¹	3-3/8 "	R42R55200	R42R55199 ³⁴⁶	R4066780	R4090021	-	-	-	-
R44141397 ⁹³	3-3/8 "	R42R55200	R42R55199 ³⁴⁶	R4066780	R4090021	R4111775 ⁵³	R4122596	R4577171 ¹³⁷	N/A
R44141469 ³⁵¹	3-3/8 "	R42R55200	R42R55199 ³⁴⁶	R4066780	R4090021	R4111775 ⁵³	R4122596	R4577387 ¹²⁸	R4577388
R44141468 ³⁵²	3-3/8 "	R42R55200	R42R55199 ³⁴⁶	R4066780	R4090021	R4111775 ⁵³	R4122596	R4577024 ¹³⁸	R4577024
R44141469 ³⁵¹	3-3/8 "	R42R55200	R42R55199 ³⁴⁶	R4066780	R4090021	R4111775 ⁵³	R4122596	R4577171 ¹³⁷	N/A
R44141469 ³⁵¹	3-3/8 "	R42R55200	R42R55199 ³⁴⁶	R4066780	R4090021	R4111775 ⁵³	R4122596	R4577921 ¹³⁷	N/A
R44141414 ⁴⁰⁵	3-3/8 "	R42R55200	R42R55199 ³⁴⁶	R4066780	R4090021	R4111775 ⁵³	R4122596	R4577024 ¹³⁸	R4577024
R44141414 ⁴⁰⁵	3-3/8 "	R42R55200	R42R55199 ³⁴⁶	R4066780	R4090021	R4111775 ⁵³	R4122596	R4577171 ¹³⁷	N/A
R44141468 ³⁵²	3-3/8 "	R42R55200	R42R55199 ³⁴⁶	R4066780	R4090021	R4111775 ⁵³	R4122596	R4577387 ¹²⁸	R4577388
R44141414 ⁴⁰⁵	3-3/8 "	R42R55200	R42R55199 ³⁴⁶	R4066780	R4090021	R4111775 ⁵³	R4122596	R4577387 ¹²⁸	R4577388
R44141414 ⁴⁰⁵	3-3/8 "	R42R55200	R42R55199 ³⁴⁶	R4066780	R4090021	R4111775 ⁵³	R4122596	R4577921 ¹³⁷	N/A
R44141397 ⁹³	3-3/8 "	R42R55200	R42R55199 ³⁴⁶	R4066780	R4090021	R4111775 ⁵³	R4122596	R4577387 ¹²⁸	R4577388
R44140267 ⁷⁹	7/8 "	R4133627	R4133628	R4166820	NR	-	-	-	-
R44140264 ³³³	1 "	R4133005	R4133005	R4166822	NR	-	-	-	-
R44140547 ⁸⁴	1 "	R4133005	R4133005	R4166822	NR	-	-	-	-
R441404090 ⁸³	1 "	R4133005	R4133005	R4166822	NR	-	-	-	-
R441404090 ⁸³	15/16 "	R4133597	R4133597	R4166852	NR	-	-	-	-
R44140267 ⁷⁹	-	-	-	N/A	NR	-	-	-	-
R44141664 ⁴⁴	3-3/32 "	R42R55119	R42R55118	R4066587	R4090018P	-	-	-	-
R44141469 ³⁵¹	3-3/8 "	R42R55200	R42R55199 ³⁴⁶	R4066780	R4090021	-	-	-	-
R44140267 ⁷⁹	7/8 "	R4133627	R4133628	R4166820	NR	-	-	-	-
R44140264 ³³³	15/16 "	R4133597	R4133597	R4166852	NR	-	-	-	-
R44140547 ⁸⁴	1 "	R4133005	R4133005	R4166822	NR	-	-	-	-
R441404090 ⁸³	1 "	R4133005	R4133005	R4166822	NR	-	-	-	-
R441404090 ⁸³	15/16 "	R4133597	R4133597	R4166852	NR	-	-	-	-
R44140267 ⁷⁹	-	-	-	N/A	NR	-	-	-	-
R44141664 ⁴⁴	3-3/32 "	R42R55119	R42R55118	R4066587	R4090018P	-	-	-	-
R44141469 ³⁵¹	3-3/8 "	R42R55200	R42R55199 ³⁴⁶	R4066780	R4090021	-	-	-	-
R44140267 ⁷⁹	7/8 "	R4133627	R4133628	R4166820	NR	-	-	-	-
R44140264 ³³³	15/16 "	R4133597	R4133597	R4166852	NR	-	-	-	-
R44140264 ³³³	1-1/16 "	-	-	N/A	NR	-	-	-	-
R44140547 ⁸⁴	1 "	R4133005	R4133005	R4166822	NR	-	-	-	-
R44140547 ⁸⁴	7/8 "	R4133627	R4133628	R4166820	NR	-	-	-	-
R44140547 ⁸⁴	1-1/8 "	R4133206	R4133207	R418187	NR	-	-	-	-
N/A	3-3/32 "	R42R55119	R42R55118	R4066587	R4090018P	-	-	-	-
R44141664 ⁴⁴	3-3/32 "	R42R55119	R42R55118	R4066587	R4090018P	-	-	-	-
N/A	3-3/32 "	R42R55119	R42R55118	R4066587	R4090018P	-	-	-	-
R44141664 ⁴⁴	3-3/32 "	R42R55119	R42R55118	R4066587	R4090018P	-	-	-	-
R44141397 ⁹³	3-3/8 "	R42R55200	R42R55199 ³⁴⁶	R4066780	R4090021	-	-	-	-
R44140264 ³³³	1-1/16 "	-	-	N/A	NR	-	-	-	-
R44140547 ⁸⁴	1 "	R4133005	R4133005	R4166822	NR	-	-	-	-
R44140547 ⁸⁴	7/8 "	R4133627	R4133628	R4166820	NR	-	-	-	-
R44140547 ⁸⁴	1-1/8 "	R4133206	R4133207	R418187	NR	-	-	-	-
R44141664 ⁴⁴	3-3/32 "	R42R55119	R42R55118	R4066587	R4090018P	-	-	-	-
N/A	3-3/32 "	R42R55119	R42R55118	R4066587	R4090018P	-	-	-	-
N/A	3-3/32 "	R42R55119	R42R55118	R4066587	R4090018P	-	-	-	-
R44141664 ⁴⁴	3-3/32 "	R42R55119	R42R55118	R4066587	R4090018P	-	-	-	-
R44141397 ⁹³	3-3/8 "	R42R55200	R42R55199 ³⁴⁶	R4066780	R4090021	-	-	-	-
R44140264 ³³³	1-1/16 "	-	-	N/A	NR	-	-	-	-
R44140547 ⁸⁴	7/8 "	R4133627	R4133628	R4166820	NR	-	-	-	-
R44140547 ⁸⁴	1 "	R4133005	R4133005	R4166822	NR	-	-	-	-
R44140547 ⁸⁴	1-1/8 "	R4133206	R4133207	R418187	NR	-	-	-	-
R44141664 ⁴⁴	3-3/32 "	R42R55119	R42R55118	R4066587	R4090018P	-	-	-	-
N/A	3-3/32 "	R42R55119	R42R55118	R4066587	R4090018P	-	-	-	-
N/A	3-3/32 "	R42R55119	R42R55118	R4066587	R4090018P	-	-	-	-
R44141664 ⁴⁴	3-3/32 "	R42R55119	R42R55118	R4066587	R4090018P	-	-	-	-
R44141397 ⁹³	3-3/8 "	R42R55200	R42R55199 ³⁴⁶	R4066780	R4090021	-	-	-	-

333 - Except 9 1/4" Ring Gear

346 - 4500 lb. Casting Number 2238451452, 10mm Inlet

351 - 1/2" Studs, 4500 lb. Axle, Rotor Casting Number 100353, Hub Casting Number 102764

352 - 5/8" Studs, 4500 lb. Axle, Rotor Casting Number 100353, Hub Casting Number 102762

405 - Rotor Only

Contact our Customer Service Teams
1-888-725-9355

www.XpresswayPlus.com

1 APPLICATION

MAKE MODEL YEAR AXLE CODE AXLE WEIGHT	AXLE & BRK. TYPE	BRK. MFG.	BRAKE SIZE	FMSI	MERITOR DISC PAD OR BRAKE SHOE	MERITOR GUIDE PIN OR RETURN SPRING KIT	MERITOR CALIPER HWD. KIT OR RETURN SPRING KIT	MERITOR ADJUSTER KIT (LEFT WHEEL)	MERITOR ADJUSTER KIT (RIGHT WHEEL)
DODGE(Cont.)									
W200,W250, PW200, PW250 SERIES 4WD PICKUP-3/4 TON(Cont.)									
1985	Ra	BX	12" x 3"	2140AT - 358	R46358	R40H547	R40H4087	R40H2598	R40H2599
	Ra	BX	12" x 2-1/2"	2146AT - 357	R46357	R40H547	R40H4087	R40H2598	R40H2599
	Ra	BX	12" x 2-1/2"	2146AT - 357	R46357	R40H547	R40H4087	R40H2598	R40H2599
	Ra	BX	12" x 2-1/2"	2146AT - 357	R46357	R40H547	R40H4087	R40H2598	R40H2599
Except 4500 lb.	Fd	CH		7019 - D123	MD269	NR	R40H5516	NR	NR
	Fd	CH		7019 - D123	MD269	NR	R40H5516	NR	NR
	Fd	KH		7179 - D269	MD269	NR	R40H5516	NR	NR
	Fd	KH		7179 - D269	MD269	NR	R40H5516	NR	NR
4,500 lb.	Fd	BX		7081 - D149	MD149	R40H5010	R40H5529	NR	NR
1984	Ra	BX	12" x 3"	2140AT - 358	R46358	R40H547	R40H4087	R40H2598	R40H2599
	Ra	BX	12" x 2-1/2"	2146AT - 357	R46357	R40H547	R40H4087	R40H2598	R40H2599
	Ra	BX	12" x 2-1/2"	2146AT - 357	R46357	R40H547	R40H4087	R40H2598	R40H2599
	Ra	BX	12" x 2-1/2"	2146AT - 357	R46357	R40H547	R40H4087	R40H2598	R40H2599
Except 4500 lb.	Fd	CH		7019 - D123	MD269	NR	R40H5516	NR	NR
	Fd	CH		7019 - D123	MD269	NR	R40H5516	NR	NR
	Fd	KH		7179 - D269	MD269	NR	R40H5516	NR	NR
	Fd	KH		7179 - D269	MD269	NR	R40H5516	NR	NR
4,500 lb.	Fd	BX		7081 - D149	MD149	R40H5010	R40H5529	NR	NR
1983	Ra	BX	12" x 3"	2140AT - 358	R46358	R40H547	R40H4087	R40H2598	R40H2599
	Ra	BX	12" x 2-1/2"	2146AT - 357	R46357	R40H547	R40H4087	R40H2598	R40H2599
	Ra	BX	12" x 2-1/2"	2146AT - 357	R46357	R40H547	R40H4087	R40H2598	R40H2599
	Ra	BX	12" x 2-1/2"	2146AT - 357	R46357	R40H547	R40H4087	R40H2598	R40H2599
Except 4500 lb.	Fd	CH		7019 - D123	MD269	NR	R40H5516	NR	NR
	Fd	CH		7019 - D123	MD269	NR	R40H5516	NR	NR
	Fd	KH		7179 - D269	MD269	NR	R40H5516	NR	NR
	Fd	KH		7179 - D269	MD269	NR	R40H5516	NR	NR
4,500 lb.	Fd	BX		7081 - D149	MD149	R40H5010	R40H5529	NR	NR
1982	Ra	BX	12" x 3"	2140AT - 358	R46358	R40H547	R40H4087	R40H2598	R40H2599
	Ra	BX	12" x 2-1/2"	2146AT - 357	R46357	R40H547	R40H4087	R40H2598	R40H2599
	Ra	BX	12" x 2-1/2"	2146AT - 357	R46357	R40H547	R40H4087	R40H2598	R40H2599
	Ra	BX	12" x 2-1/2"	2146AT - 357	R46357	R40H547	R40H4087	R40H2598	R40H2599
Except 4500 lb.	Fd	CH		7019 - D123	MD269	NR	R40H5516	NR	NR
	Fd	CH		7019 - D123	MD269	NR	R40H5516	NR	NR
	Fd	KH		7179 - D269	MD269	NR	R40H5516	NR	NR
	Fd	KH		7179 - D269	MD269	NR	R40H5516	NR	NR
4,500 lb.	Fd	BX		7081 - D149	MD149	R40H5010	R40H5529	NR	NR
1981	Ra	BX	12" x 2-1/2"	2146AT - 357	R46357	R40H547	R40H4087	R40H2598	R40H2599
	Ra	BX	12" x 2-1/2"	2146AT - 357	R46357	R40H547	R40H4087	R40H2598	R40H2599
3,500 lb.	Fd	CH		7019 - D123	MD269	NR	R40H5516	NR	NR
	Fd	CH		7019 - D123	MD269	NR	R40H5516	NR	NR
4,500 lb.	Fd	BX		7081 - D149	MD149	R40H5010	R40H5529	NR	NR
1980	Ra	BX	12" x 2-1/2"	2146AT - 357	R46357	R40H547	R40H4087	R40H2598	R40H2599
	Ra	BX	12" x 2-1/2"	2146AT - 357	R46357	R40H547	R40H4087	R40H2598	R40H2599
3,500 lb.	Fd	CH		7019 - D123	MD269	NR	R40H5516	NR	NR
	Fd	CH		7019 - D123	MD269	NR	R40H5516	NR	NR
4,500 lb.	Fd	BX		7081 - D149	MD149	R40H5010	R40H5529	NR	NR
1979	Ra	BX	12" x 2-1/2"	2146AT - 357	R46357	R40H547	R40H4087	R40H2598	R40H2599
	Ra	BX	12" x 2-1/2"	2146AT - 357	R46357	R40H547	R40H4087	R40H2598	R40H2599
3,500 lb.	Fd	CH		7019 - D123	MD269	NR	R40H5516	NR	NR
	Fd	CH		7019 - D123	MD269	NR	R40H5516	NR	NR
4,500 lb.	Fd	BX		7081 - D149	MD149	R40H5010	R40H5529	NR	NR
1978	Ra	BX	12" x 2-1/2"	2146AT - 357	R46357	R40H547	R40H4087	R40H2598	R40H2599
	Ra	BX	12" x 2-1/2"	2146AT - 357	R46357	R40H547	R40H4087	R40H2598	R40H2599
3,500 lb.	Fd	CH		7019 - D123	MD269	NR	R40H5516	NR	NR
	Fd	CH		7019 - D123	MD269	NR	R40H5516	NR	NR
4,500 lb.	Fd	BX		7081 - D149	MD149	R40H5010	R40H5529	NR	NR
1977	Ra	BX	12" x 2-1/2"	2146AT - 357	R46357	R40H547	R40H4087	R40H2598	R40H2599

44 - R44141664 is rotor only, for hub only use E-8396
93 - Rotor Only with Hub Casting # 99756

79 - Inboard Mounting
333 - Except 9 1/4" Ring Gear

84 - 9 1/4" Ring Gear, Heavy Duty Axle
346 - 4500 lb. Casting Number 2238451452, 10mm Inlet

MERITOR DRUM OR ROTOR NO.	CALIPER OR CYLINDER BORE SIZE	MERITOR CALIPER OR WHEEL CYLINDER (LEFT)	MERITOR CALIPER OR WHEEL CYLINDER (RIGHT)	MERITOR CALIPER OR WHEEL CYLINDER REPAIR KIT	MERITOR CALIPER PISTON	MERITOR MASTER CYLINDER	MERITOR MASTER CYLINDER KIT	MERITOR BRAKE HOSE (LEFT)	MERITOR BRAKE HOSE (RIGHT)
DODGE(Cont.)									
W200,W250, PW200, PW250 SERIES 4WD PICKUP-3/4 TON(Cont.)									
R44140264 ³³³	1-1/16 "	-	-	N/A	NR	-	-	-	-
R44140547 ⁸⁴	1 "	R4133005	R4133005	R4166822	NR	-	-	-	-
R44140547 ⁸⁴	7/8 "	R4133627	R4133628	R4166820	NR	-	-	-	-
R44140547 ⁸⁴	1-1/8 "	R4133206	R4133207	R418187	NR	-	-	-	-
N/A	3-3/32 "	R42R55119	R42R55118	R4066587	R4090018P	-	-	-	-
R44141664 ⁴⁴	3-3/32 "	R42R55119	R42R55118	R4066587	R4090018P	-	-	-	-
R44141664 ⁴⁴	3-3/32 "	R42R55119	R42R55118	R4066587	R4090018P	-	-	-	-
N/A	3-3/32 "	R42R55119	R42R55118	R4066587	R4090018P	-	-	-	-
R44141397 ⁹³	3-3/8 "	R42R55200	R42R55199 ³⁴⁶	R4066780	R4090021	-	-	-	-
R44140264 ³³³	1-1/16 "	-	-	N/A	NR	-	-	-	-
R44140547 ⁸⁴	1 "	R4133005	R4133005	R4166822	NR	-	-	-	-
R44140547 ⁸⁴	7/8 "	R4133627	R4133628	R4166820	NR	-	-	-	-
R44140547 ⁸⁴	1-1/8 "	R4133206	R4133207	R418187	NR	-	-	-	-
N/A	3-3/32 "	R42R55119	R42R55118	R4066587	R4090018P	-	-	-	-
R44141664 ⁴⁴	3-3/32 "	R42R55119	R42R55118	R4066587	R4090018P	-	-	-	-
R44141664 ⁴⁴	3-3/32 "	R42R55119	R42R55118	R4066587	R4090018P	-	-	-	-
N/A	3-3/32 "	R42R55119	R42R55118	R4066587	R4090018P	-	-	-	-
R44141397 ⁹³	3-3/8 "	R42R55200	R42R55199 ³⁴⁶	R4066780	R4090021	-	-	-	-
R44140264 ³³³	1-1/16 "	-	-	N/A	NR	-	-	-	-
R44140547 ⁸⁴	1 "	R4133005	R4133005	R4166822	NR	-	-	-	-
R44140547 ⁸⁴	7/8 "	R4133627	R4133628	R4166820	NR	-	-	-	-
R44140547 ⁸⁴	1-1/8 "	R4133206	R4133207	R418187	NR	-	-	-	-
R44141664 ⁴⁴	3-3/32 "	R42R55119	R42R55118	R4066587	R4090018P	-	-	-	-
N/A	3-3/32 "	R42R55119	R42R55118	R4066587	R4090018P	-	-	-	-
N/A	3-3/32 "	R42R55119	R42R55118	R4066587	R4090018P	-	-	-	-
R44141664 ⁴⁴	3-3/32 "	R42R55119	R42R55118	R4066587	R4090018P	-	-	-	-
R44141397 ⁹³	3-3/8 "	R42R55200	R42R55199 ³⁴⁶	R4066780	R4090021	-	-	-	-
R44140264 ³³³	1-1/16 "	-	-	N/A	NR	-	-	-	-
R44140547 ⁸⁴	7/8 "	R4133627	R4133628	R4166820	NR	-	-	-	-
R44140547 ⁸⁴	1 "	R4133005	R4133005	R4166822	NR	-	-	-	-
R44140547 ⁸⁴	1-1/8 "	R4133206	R4133207	R418187	NR	-	-	-	-
N/A	3-3/32 "	R42R55119	R42R55118	R4066587	R4090018P	-	-	-	-
R44141664 ⁴⁴	3-3/32 "	R42R55119	R42R55118	R4066587	R4090018P	-	-	-	-
N/A	3-3/32 "	R42R55119	R42R55118	R4066587	R4090018P	-	-	-	-
R44141664 ⁴⁴	3-3/32 "	R42R55119	R42R55118	R4066587	R4090018P	-	-	-	-
R44141397 ⁹³	3-3/8 "	R42R55200	R42R55199 ³⁴⁶	R4066780	R4090021	-	-	-	-
R44140267 ⁷⁹	1 "	R4133005	R4133005	R4166822	NR	-	-	-	-
R44140267 ⁷⁹	7/8 "	R4133627	R4133628	R4166820	NR	-	-	-	-
N/A	3-3/32 "	R42R55119	R42R55118	R4066587	R4090018P	-	-	-	-
N/A	3-3/32 "	R42R55119	R42R55118	R4066587	R4090018P	-	-	-	-
N/A	3-3/8 "	R42R55200	R42R55199 ³⁴⁶	R4066780	R4090021	-	-	-	-
R44140267 ⁷⁹	7/8 "	R4133627	R4133628	R4166820	NR	-	-	-	-
R44140267 ⁷⁹	1 "	R4133005	R4133005	R4166822	NR	-	-	-	-
N/A	3-3/32 "	R42R55119	R42R55118	R4066587	R4090018P	-	-	-	-
N/A	3-3/32 "	R42R55119	R42R55118	R4066587	R4090018P	-	-	-	-
N/A	3-3/8 "	R42R55200	R42R55199 ³⁴⁶	R4066780	R4090021	-	-	-	-
R44140267 ⁷⁹	1 "	R4133005	R4133005	R4166822	NR	-	-	-	-
R44140267 ⁷⁹	7/8 "	R4133627	R4133628	R4166820	NR	-	-	-	-
N/A	3-3/32 "	R42R55119	R42R55118	R4066587	R4090018P	-	-	-	-
N/A	3-3/32 "	R42R55119	R42R55118	R4066587	R4090018P	-	-	-	-
N/A	3-3/8 "	R42R55200	R42R55199 ³⁴⁶	R4066780	R4090021	-	-	-	-
R44140267 ⁷⁹	1 "	R4133005	R4133005	R4166822	NR	-	-	-	-
R44140267 ⁷⁹	7/8 "	R4133627	R4133628	R4166820	NR	-	-	-	-
N/A	3-3/32 "	R42R55119	R42R55118	R4066587	R4090018P	-	-	-	-
N/A	3-3/32 "	R42R55119	R42R55118	R4066587	R4090018P	-	-	-	-
N/A	3-3/8 "	R42R55200	R42R55199 ³⁴⁶	R4066780	R4090021	-	-	-	-
R44140267 ⁷⁹	1 "	R4133005	R4133004	R4166822	NR	-	-	-	-

1 APPLICATION

MAKE MODEL YEAR AXLE CODE AXLE WEIGHT	AXLE & BRK. TYPE	BRK. MFG.	BRAKE SIZE	FMSI	MERITOR DISC PAD OR BRAKE SHOE	MERITOR GUIDE PIN OR RETURN SPRING KIT	MERITOR CALIPER HWD. KIT OR RETURN SPRING KIT	MERITOR ADJUSTER KIT (LEFT WHEEL)	MERITOR ADJUSTER KIT (RIGHT WHEEL)
DODGE(Cont.)									
W200,W250, PW200, PW250 SERIES 4WD PICKUP-3/4 TON(Cont.)									
1977									
3,500lb.	Ra	BX	12 " x 2-1/2 "	2146AT - 357	R46357	R40H547	R40H4087	R40H2598	R40H2599
	Fd	CH		7019 - D123	MD269	NR	R40H5516	NR	NR
	Fd	CH		7019 - D123	MD269	NR	R40H5516	NR	NR
4,500 lb.	Fd	BX		7081 - D149	MD149	R40H5010	R40H5529	NR	NR
1976									
	Ra	BX	12 " x 2-1/2 "	2146AT - 357	R46357	R40H547	R40H4087	R40H2598	R40H2599
	Ra	BX	12 " x 2-1/2 "	2146AT - 357	R46357	R40H547	R40H4087	R40H2598	R40H2599
3,500lb.	Fd	CH		7019 - D123	MD269	NR	R40H5516	NR	NR
	Fd	CH		7019 - D123	MD269	NR	R40H5516	NR	NR
4,500 lb.	Fd	BX		7081 - D149	MD149	R40H5010	R40H5529	NR	NR
1975									
	Ra	BX	12 " x 2-1/2 "	2146AT - 357	R46357	R40H547	R40H4087	R40H2598	R40H2599
	Ra	BX	12 " x 2-1/2 "	2146AT - 357	R46357	R40H547	R40H4087	R40H2598	R40H2599
3,500lb.	Fd	CH		7019 - D123	MD269	NR	R40H5516	NR	NR
	Fd	CH		7019 - D123	MD269	NR	R40H5516	NR	NR
4,500 lb.	Fd	BX		7081 - D149	MD149	R40H5010	R40H5529	NR	NR
1974									
	Fa	BX	12 " x 3 "	2140AT - 358	R46358	R40H546	R40H7181	R40H2598	R40H2599
	Fa	BX	12.125 x 2 "	2075A - 33	N/A	R40H130	-	NR	NR
	Ra	BX	12 " x 2-1/2 "	2146AT - 357	R46357	R40H547	R40H4087	R40H2598	R40H2599
1973									
	Fa	BX	12 " x 3 "	2140AT - 358	R46358	R40H547	R40H4087	R40H2598	R40H2599
	Fa	BX	12.125 x 2 "	2075A - 33	N/A	R40H130	-	NR	NR
	Ra	BX	12 " x 2-1/2 "	2146AT - 357	R46357	R40H547	R40H4087	R40H2598	R40H2599
1972									
	Fa	BX	12 " x 3 "	2140AT - 358	R46358	R40H547	R40H4087	R40H2598	R40H2599
	Fa	BX	12.125 x 2 "	2075A - 33	N/A	R40H130	-	NR	NR
	Ra	BX	12 " x 2-1/2 "	2146AT - 357	R46357	R40H547	R40H4087	R40H2598	R40H2599
W300, W350, PW300, PW350, W400, W450, PW400, PW450 SERIES 4WD PICKUP-1 TON									
1993									
	Fd	BX		7081 - D149	MD149	R40H5010	R40H5529	NR	NR
	Fd	BX		7081 - D149	MD149	R40H5010	R40H5529	NR	NR
	Fd	BX		7081 - D149	MD149	R40H5010	R40H5529	NR	NR
	Ra	BX	12 " x 3 "	2140AT - 358	R46358	R40H547	R40H4087	R40H2598	R40H2599
	Ra	BX	12 " x 3 "	2140AT - 358	R46358	R40H547	R40H4087	R40H2598	R40H2599
	Ra	BX	12 " x 3 "	2140AT - 358	R46358	R40H547	R40H4087	R40H2598	R40H2599
	Ra	BX	12 " x 2-1/2 "	2146AT - 357	R46357	R40H547	R40H4087	R40H2598	R40H2599
	Ra	BX	12 " x 2-1/2 "	2146AT - 357	R46357	R40H547	R40H4087	R40H2598	R40H2599
	Ra	BX	12 " x 2-1/2 "	2146AT - 357	R46357	R40H547	R40H4087	R40H2598	R40H2599
Dual Rear Wheels	Fd	BX		7081 - D149	MD149	R40H5010	R40H5529	NR	NR
Single Rear Wheels	Fd	BX		7081 - D149	MD149	R40H5010	R40H5529	NR	NR
	Fd	BX		7081 - D149	MD149	R40H5010	R40H5529	NR	NR
	Fd	BX		7081 - D149	MD149	R40H5010	R40H5529	NR	NR
1992									
	Ra	BX	12 " x 3 "	2140AT - 358	R46358	R40H547	R40H4087	R40H2598	R40H2599
	Ra	BX	12 " x 3 "	2140AT - 358	R46358	R40H547	R40H4087	R40H2598	R40H2599
	Ra	BX	12 " x 2-1/2 "	2146AT - 357	R46357	R40H547	R40H4087	R40H2598	R40H2599
	Ra	BX	12 " x 2-1/2 "	2146AT - 357	R46357	R40H547	R40H4087	R40H2598	R40H2599
	Ra	BX	12 " x 2-1/2 "	2146AT - 357	R46357	R40H547	R40H4087	R40H2598	R40H2599
Dual Rear Wheels	Fd	BX		7081 - D149	MD149	R40H5010	R40H5529	NR	NR
Single Rear Wheels	Fd	BX		7081 - D149	MD149	R40H5010	R40H5529	NR	NR
	Fd	BX		7081 - D149	MD149	R40H5010	R40H5529	NR	NR
	Fd	BX		7081 - D149	MD149	R40H5010	R40H5529	NR	NR
1991									
	Ra	BX	12 " x 3 "	2140AT - 358	R46358	R40H547	R40H4087	R40H2598	R40H2599
	Ra	BX	12 " x 3 "	2140AT - 358	R46358	R40H547	R40H4087	R40H2598	R40H2599
	Ra	BX	12 " x 2-1/2 "	2146AT - 357	R46357	R40H547	R40H4087	R40H2598	R40H2599
	Ra	BX	12 " x 2-1/2 "	2146AT - 357	R46357	R40H547	R40H4087	R40H2598	R40H2599
	Ra	BX	12 " x 2-1/2 "	2146AT - 357	R46357	R40H547	R40H4087	R40H2598	R40H2599
Dual Rear Wheels	Fd	BX		7081 - D149	MD149	R40H5010	R40H5529	NR	NR
Single Rear Wheels	Fd	BX		7081 - D149	MD149	R40H5010	R40H5529	NR	NR
	Fd	BX		7081 - D149	MD149	R40H5010	R40H5529	NR	NR
	Fd	BX		7081 - D149	MD149	R40H5010	R40H5529	NR	NR

53 - Power Brakes
 84 - 9 1/4" Ring Gear, Heavy Duty Axle
 137 - Tee
 www.XpresswayPlus.com

77 - Hub Casting # 102764
 93 - Rotor Only with Hub Casting # 99756
 333 - Except 9 1/4" Ring Gear

79 - Inboard Mounting
 128 - Bracket
 346 - 4500 lb. Casting Number 2238451452, 10mm Inlet

Contact our Customer Service Teams
 1-888-725-9355

MERITOR DRUM OR ROTOR NO.	CALIPER OR CYLINDER BORE SIZE	MERITOR CALIPER OR WHEEL CYLINDER (LEFT)	MERITOR CALIPER OR WHEEL CYLINDER (RIGHT)	MERITOR CALIPER OR WHEEL CYLINDER REPAIR KIT	MERITOR CALIPER PISTON	MERITOR MASTER CYLINDER	MERITOR MASTER CYLINDER KIT	MERITOR BRAKE HOSE (LEFT)	MERITOR BRAKE HOSE (RIGHT)
DODGE(Cont.)									
W200,W250, PW200, PW250 SERIES 4WD PICKUP-3/4 TON(Cont.)									
R44140267 ⁷⁹	7/8 "	R4133627	R4133628	R4166820	NR	-	-	-	-
-	3-3/32 "	R42R55119	R42R55118	R4066587	R4090018P	-	-	-	-
-	3-3/32 "	R42R55119	R42R55118	R4066587	R4090018P	-	-	-	-
-	3-3/8 "	R42R55098	R42R55099	R4066780	R4090021	-	-	-	-
R44140267 ⁷⁹	1 "	R4133005	R4133004	R4166822	NR	-	-	-	-
R44140267 ⁷⁹	7/8 "	R4133627	R4133628	R4166820	NR	-	-	-	-
-	3-3/32 "	R42R55119	R42R55118	R4066587	R4090018P	-	-	-	-
-	3-3/32 "	R42R55119	R42R55118	R4066587	R4090018P	-	-	-	-
-	3-3/8 "	R42R55098	R42R55099	R4066780	R4090021	-	-	-	-
R44140267 ⁷⁹	1 "	R4133005	R4133004	R4166822	NR	-	-	-	-
R44140267 ⁷⁹	7/8 "	R4133627	R4133628	R4166820	NR	-	-	-	-
-	3-3/32 "	R42R55119	R42R55118	R4066587	R4090018P	-	-	-	-
-	3-3/32 "	R42R55119	R42R55118	R4066587	R4090018P	-	-	-	-
-	3-3/8 "	R42R55098	R42R55099	R4066780	R4090021	-	-	-	-
R44140264 ³³³	1-1/8 "	R4133206	R4133207	R418187	NR	-	-	-	-
-	1-1/8 "	R4133206	R4133207	R418187	NR	-	-	-	-
R44140267 ⁷⁹	1 "	R4133004	R4133005	R4166822	NR	-	-	-	-
-	1-1/8 "	R4133206	R4133207	R418187	NR	-	-	-	-
-	1-1/8 "	R4133206	R4133207	R418187	NR	-	-	-	-
R44140267 ⁷⁹	1 "	R4133004	R4133005	R4166822	NR	-	-	-	-
-	1-1/8 "	R4133206	R4133207	R418187	NR	-	-	-	-
-	1-1/8 "	R4133206	R4133207	R418187	NR	-	-	-	-
R44140267 ⁷⁹	1 "	R4133004	R4133005	R4166822	NR	-	-	-	-
W300, W350, PW300, PW350, W400, W450, PW400, PW450 SERIES 4WD PICKUP-1 TON									
N/A	3-3/8 "	R42R55200	R42R55199 ³⁴⁶	R4066780	R4090021	R4111775 ⁵³	R4122596	R4577921 ¹³⁷	N/A
N/A	3-3/8 "	R42R55200	R42R55199 ³⁴⁶	R4066780	R4090021	R4111775 ⁵³	R4122596	R4577171 ¹³⁷	N/A
N/A	3-3/8 "	R42R55200	R42R55199 ³⁴⁶	R4066780	R4090021	R4111775 ⁵³	R4122596	R4577387 ¹²⁸	R4577388
R44140264 ³³³	7/8 "	R4133627	R4133628	R4166820	NR	-	-	-	-
R44140264 ³³³	1-1/8 "	R4133206	R4133207	R418187	NR	-	-	-	-
R44140264 ³³³	1 "	R4133005	R4133005	R4166822	NR	-	-	-	-
R44140547 ⁸⁴	1 "	R4133005	R4133005	R4166822	NR	-	-	-	-
R44140547 ⁸⁴	7/8 "	R4133627	R4133628	R4166820	NR	-	-	-	-
R44140547 ⁸⁴	1-1/8 "	R4133206	R4133207	R418187	NR	-	-	-	-
R44141397 ⁹³	3-3/8 "	R42R55200	R42R55199 ³⁴⁶	R4066780	R4090021	-	-	-	-
R44141468 ⁷⁷	3-3/8 "	R42R55200	R42R55199 ³⁴⁶	R4066780	R4090021	-	-	-	-
R44141397 ⁹³	3-3/8 "	R42R55200	R42R55199 ³⁴⁶	R4066780	R4090021	-	-	-	-
R44141397 ⁹³	3-3/8 "	R42R55200	R42R55199 ³⁴⁶	R4066780	R4090021	-	-	-	-
R44140264 ³³³	1 "	R4133005	R4133005	R4166822	NR	-	-	-	-
R44140264 ³³³	7/8 "	R4133627	R4133628	R4166820	NR	-	-	-	-
R44140547 ⁸⁴	7/8 "	R4133627	R4133628	R4166820	NR	-	-	-	-
R44140547 ⁸⁴	1-1/8 "	R4133206	R4133207	R418187	NR	-	-	-	-
R44140547 ⁸⁴	1 "	R4133005	R4133005	R4166822	NR	-	-	-	-
R44141397 ⁹³	3-3/8 "	R42R55200	R42R55199 ³⁴⁶	R4066780	R4090021	-	-	-	-
R44141397 ⁹³	3-3/8 "	R42R55200	R42R55199 ³⁴⁶	R4066780	R4090021	-	-	-	-
R44141468 ⁷⁷	3-3/8 "	R42R55200	R42R55199 ³⁴⁶	R4066780	R4090021	-	-	-	-
R44140264 ³³³	1 "	R4133005	R4133005	R4166822	NR	-	-	-	-
R44140264 ³³³	7/8 "	R4133627	R4133628	R4166820	NR	-	-	-	-
R44140547 ⁸⁴	7/8 "	R4133627	R4133628	R4166820	NR	-	-	-	-
R44140547 ⁸⁴	1 "	R4133005	R4133005	R4166822	NR	-	-	-	-
R44140547 ⁸⁴	1-1/8 "	R4133206	R4133207	R418187	NR	-	-	-	-
R44141397 ⁹³	3-3/8 "	R42R55200	R42R55199 ³⁴⁶	R4066780	R4090021	-	-	-	-
R44141397 ⁹³	3-3/8 "	R42R55200	R42R55199 ³⁴⁶	R4066780	R4090021	-	-	-	-
R44141468 ⁷⁷	3-3/8 "	R42R55200	R42R55199 ³⁴⁶	R4066780	R4090021	-	-	-	-
R44141397 ⁹³	3-3/8 "	R42R55200	R42R55199 ³⁴⁶	R4066780	R4090021	-	-	-	-

MAKE MODEL YEAR AXLE CODE AXLE WEIGHT	AXLE & BRK. TYPE	BRK. MFG.	BRAKE SIZE	FMSI	MERITOR DISC PAD OR BRAKE SHOE	MERITOR GUIDE PIN OR RETURN SPRING KIT	MERITOR CALIPER HWD. KIT OR RETURN SPRING KIT	MERITOR ADJUSTER KIT (LEFT WHEEL)	MERITOR ADJUSTER KIT (RIGHT WHEEL)
DODGE(Cont.)									
W300, W350, PW300, PW350, W400, W450, PW400, PW450 SERIES 4WD PICKUP-1 TON(Cont.)									
1990	Ra	BX	12" x 3"	2140AT - 358	R46358	R40H547	R40H4087	R40H2598	R40H2599
	Ra	BX	12" x 3"	2140AT - 358	R46358	R40H547	R40H4087	R40H2598	R40H2599
	Ra	BX	12" x 3"	2140AT - 358	R46358	R40H547	R40H4087	R40H2598	R40H2599
	Ra	BX	12" x 2-1/2"	2146AT - 357	R46357	R40H547	R40H4087	R40H2598	R40H2599
	Ra	BX	12" x 2-1/2"	2146AT - 357	R46357	R40H547	R40H4087	R40H2598	R40H2599
	Ra	BX	12" x 2-1/2"	2146AT - 357	R46357	R40H547	R40H4087	R40H2598	R40H2599
Dual Rear Wheels	Fd	BX		7081 - D149	MD149	R40H5010	R40H5529	NR	NR
	Fd	BX		7081 - D149	MD149	R40H5010	R40H5529	NR	NR
	Fd	BX		7081 - D149	MD149	R40H5010	R40H5529	NR	NR
Single Rear Wheels	Fd	BX		7081 - D149	MD149	R40H5010	R40H5529	NR	NR
	Fd	BX		7081 - D149	MD149	R40H5010	R40H5529	NR	NR
1989	Ra	BX	12" x 2-1/2"	2146AT - 357	R46357	R40H547	R40H4087	R40H2598	R40H2599
	Ra	BX	12" x 3"	2140AT - 358	R46358	R40H547	R40H4087	R40H2598	R40H2599
	Ra	BX	12" x 3"	2140AT - 358	R46358	R40H547	R40H4087	R40H2598	R40H2599
	Ra	BX	12" x 3"	2140AT - 358	R46358	R40H547	R40H4087	R40H2598	R40H2599
	Ra	BX	12" x 3"	2140AT - 358	R46358	R40H547	R40H4087	R40H2598	R40H2599
	Ra	BX	12" x 2-1/2"	2146AT - 357	R46357	R40H547	R40H4087	R40H2598	R40H2599
	Ra	BX	12" x 2-1/2"	2146AT - 357	R46357	R40H547	R40H4087	R40H2598	R40H2599
	Ra	BX	12" x 2-1/2"	2146AT - 357	R46357	R40H547	R40H4087	R40H2598	R40H2599
Except 4500 lb.	Fd	CH		7019 - D123	MD269	NR	R40H5516	NR	NR
	Fd	KH		7179 - D269	MD269	NR	R40H5516	NR	NR
4,500 lb.	Fd	BX		7081 - D149	MD149	R40H5010	R40H5529	NR	NR
1988	Ra	BX	12" x 2-1/2"	2146AT - 357	R46357	R40H547	R40H4087	R40H2598	R40H2599
	Ra	BX	12" x 3"	2140AT - 358	R46358	R40H547	R40H4087	R40H2598	R40H2599
	Ra	BX	12" x 3"	2140AT - 358	R46358	R40H547	R40H4087	R40H2598	R40H2599
	Ra	BX	12" x 3"	2140AT - 358	R46358	R40H547	R40H4087	R40H2598	R40H2599
	Ra	BX	12" x 3"	2140AT - 358	R46358	R40H547	R40H4087	R40H2598	R40H2599
	Ra	BX	12" x 2-1/2"	2146AT - 357	R46357	R40H547	R40H4087	R40H2598	R40H2599
	Ra	BX	12" x 2-1/2"	2146AT - 357	R46357	R40H547	R40H4087	R40H2598	R40H2599
	Ra	BX	12" x 2-1/2"	2146AT - 357	R46357	R40H547	R40H4087	R40H2598	R40H2599
Except 4500 lb.	Fd	CH		7019 - D123	MD269	NR	R40H5516	NR	NR
	Fd	KH		7179 - D269	MD269	NR	R40H5516	NR	NR
4,500 lb.	Fd	BX		7081 - D149	MD149	R40H5010	R40H5529	NR	NR
1987	Ra	BX	12" x 3"	2140AT - 358	R46358	R40H547	R40H4087	R40H2598	R40H2599
	Ra	BX	12" x 3"	2140AT - 358	R46358	R40H547	R40H4087	R40H2598	R40H2599
	Ra	BX	12" x 3"	2140AT - 358	R46358	R40H547	R40H4087	R40H2598	R40H2599
	Ra	BX	12" x 2-1/2"	2146AT - 357	R46357	R40H547	R40H4087	R40H2598	R40H2599
	Ra	BX	12" x 2-1/2"	2146AT - 357	R46357	R40H547	R40H4087	R40H2598	R40H2599
	Ra	BX	12" x 2-1/2"	2146AT - 357	R46357	R40H547	R40H4087	R40H2598	R40H2599
Optional	Ra	BX	12" x 2-1/2"	2146AT - 357	R46357	R40H547	R40H4087	R40H2598	R40H2599
	Ra	BX	12" x 3"	2140AT - 358	R46358	R40H547	R40H4087	R40H2598	R40H2599
Except 4500 lb.	Fd	CH		7019 - D123	MD269	NR	R40H5516	NR	NR
	Fd	KH		7179 - D269	MD269	NR	R40H5516	NR	NR
4,500 lb.	Fd	BX		7081 - D149	MD149	R40H5010	R40H5529	NR	NR
1986	Ra	BX	12" x 3"	2140AT - 358	R46358	R40H547	R40H4087	R40H2598	R40H2599
	Ra	BX	12" x 3"	2140AT - 358	R46358	R40H547	R40H4087	R40H2598	R40H2599
	Ra	BX	12" x 3"	2140AT - 358	R46358	R40H547	R40H4087	R40H2598	R40H2599
	Ra	BX	12" x 2-1/2"	2146AT - 357	R46357	R40H547	R40H4087	R40H2598	R40H2599
	Ra	BX	12" x 2-1/2"	2146AT - 357	R46357	R40H547	R40H4087	R40H2598	R40H2599
	Ra	BX	12" x 2-1/2"	2146AT - 357	R46357	R40H547	R40H4087	R40H2598	R40H2599
Optional	Ra	BX	12" x 2-1/2"	2146AT - 357	R46357	R40H547	R40H4087	R40H2598	R40H2599
	Ra	BX	12" x 3"	2140AT - 358	R46358	R40H547	R40H4087	R40H2598	R40H2599
Except 4500 lb.	Fd	CH		7019 - D123	MD269	NR	R40H5516	NR	NR
	Fd	KH		7179 - D269	MD269	NR	R40H5516	NR	NR
4,500 lb.	Fd	BX		7081 - D149	MD149	R40H5010	R40H5529	NR	NR
1985	Ra	BX	12" x 3"	2140AT - 358	R46358	R40H547	R40H4087	R40H2598	R40H2599
	Ra	BX	12" x 3"	2140AT - 358	R46358	R40H547	R40H4087	R40H2598	R40H2599
	Ra	BX	12" x 3"	2140AT - 358	R46358	R40H547	R40H4087	R40H2598	R40H2599
	Ra	BX	12" x 2-1/2"	2146AT - 357	R46357	R40H547	R40H4087	R40H2598	R40H2599

44 - R44141664 is rotor only, for hub only use E-8396

93 - Rotor Only with Hub Casting # 99756

405 - Rotor Only

www.XpresswayPlus.com

77 - Hub Casting # 102764

333 - Except 9 1/4" Ring Gear

84 - 9 1/4" Ring Gear, Heavy Duty Axle

346 - 4500 lb. Casting Number 2238451452, 10mm Inlet

MERITOR DRUM OR ROTOR NO.	CALIPER OR CYLINDER BORE SIZE	MERITOR CALIPER OR WHEEL CYLINDER (LEFT)	MERITOR CALIPER OR WHEEL CYLINDER (RIGHT)	MERITOR CALIPER OR WHEEL CYLINDER REPAIR KIT	MERITOR CALIPER PISTON	MERITOR MASTER CYLINDER	MERITOR MASTER CYLINDER KIT	MERITOR BRAKE HOSE (LEFT)	MERITOR BRAKE HOSE (RIGHT)
DODGE(Cont.)									
W300, W350, PW300, PW350, W400, W450, PW400, PW450 SERIES 4WD PICKUP-1 TON(Cont.)									
R44140264 ³³³	7/8 "	R4133627	R4133628	R4166820	NR				
R44140264 ³³³	1 "	R4133005	R4133005	R4166822	NR				
R44140264 ³³³	1-1/8 "	R4133206	R4133207	R418187	NR				
R44140547 ⁸⁴	1 "	R4133005	R4133005	R4166822	NR				
R44140547 ⁸⁴	7/8 "	R4133627	R4133628	R4166820	NR				
R44140547 ⁸⁴	1-1/8 "	R4133206	R4133207	R418187	NR				
R44141468 ⁷⁷	3-3/8 "	R42R55200	R42R55199 ³⁴⁶	R4066780	R4090021				
R44141397 ⁹³	3-3/8 "	R42R55200	R42R55199 ³⁴⁶	R4066780	R4090021				
R44141468 ⁷⁷	3-3/8 "	R42R55200	R42R55199 ³⁴⁶	R4066780	R4090021				
R44141397 ⁹³	3-3/8 "	R42R55200	R42R55199 ³⁴⁶	R4066780	R4090021				
R44141397 ⁹³	3-3/8 "	R42R55200	R42R55199 ³⁴⁶	R4066780	R4090021				
R44140547 ⁸⁴	1-1/16 "	R4133792	R 418162	R4166821	NR				
R44140264 ³³³	1-1/8 "	R4133206	R4133207	R418187	NR				
R44140264 ³³³	1 "	R4133005	R4133005	R4166822	NR				
R44140264 ³³³	1-1/16 "	R4133792	R 418162	R4166821	NR				
R44140264 ³³³	7/8 "	R4133627	R4133628	R4166820	NR				
R44140547 ⁸⁴	1 "	R4133005	R4133005	R4166822	NR				
R44140547 ⁸⁴	7/8 "	R4133627	R4133628	R4166820	NR				
R44140547 ⁸⁴	1-1/8 "	R4133206	R4133207	R418187	NR				
R44141664 ⁴⁴	3-3/32 "	R42R55119	R42R55118	R4066587	R4090018P				
R44141664 ⁴⁴	3-3/32 "	R42R55119	R42R55118	R4066587	R4090018P				
R44141414 ⁴⁰⁵	3-3/8 "	R42R55200	R42R55199 ³⁴⁶	R4066780	R4090021				
R44140547 ⁸⁴	1-1/16 "	R4133792	R 418162	R4166821	NR				
R44140264 ³³³	1-1/16 "	R4133792	R 418162	R4166821	NR				
R44140264 ³³³	7/8 "	R4133627	R4133628	R4166820	NR				
R44140264 ³³³	1 "	R4133005	R4133005	R4166822	NR				
R44140264 ³³³	1-1/8 "	R4133206	R4133207	R418187	NR				
R44140547 ⁸⁴	1 "	R4133005	R4133005	R4166822	NR				
R44140547 ⁸⁴	7/8 "	R4133627	R4133628	R4166820	NR				
R44140547 ⁸⁴	1-1/8 "	R4133206	R4133207	R418187	NR				
R44141664 ⁴⁴	3-3/32 "	R42R55119	R42R55118	R4066587	R4090018P				
R44141664 ⁴⁴	3-3/32 "	R42R55119	R42R55118	R4066587	R4090018P				
R44141414 ⁴⁰⁵	3-3/8 "	R42R55200	R42R55199 ³⁴⁶	R4066780	R4090021				
R44140264 ³³³	1 "	R4133005	R4133005	R4166822	NR				
R44140264 ³³³	1-1/8 "	R4133206	R4133207	R418187	NR				
R44140264 ³³³	7/8 "	R4133627	R4133628	R4166820	NR				
R44140547 ⁸⁴	1-1/8 "	R4133206	R4133207	R418187	NR				
R44140547 ⁸⁴	7/8 "	R4133627	R4133628	R4166820	NR				
R44140547 ⁸⁴	1 "	R4133005	R4133005	R4166822	NR				
R44140547 ⁸⁴	1-1/16 "	R4133792	R 418162	R4166821	NR				
R44140264 ³³³	1-1/16 "	R4133792	R 418162	R4166821	NR				
R44141664 ⁴⁴	3-3/32 "	R42R55119	R42R55118	R4066587	R4090018P				
R44141664 ⁴⁴	3-3/32 "	R42R55119	R42R55118	R4066587	R4090018P				
R44141414 ⁴⁰⁵	3-3/8 "	R42R55200	R42R55199 ³⁴⁶	R4066780	R4090021				
R44140264 ³³³	1 "	R4133005	R4133005	R4166822	NR				
R44140264 ³³³	1-1/8 "	R4133206	R4133207	R418187	NR				
R44140264 ³³³	7/8 "	R4133627	R4133628	R4166820	NR				
R44140547 ⁸⁴	1 "	R4133005	R4133005	R4166822	NR				
R44140547 ⁸⁴	7/8 "	R4133627	R4133628	R4166820	NR				
R44140547 ⁸⁴	1-1/8 "	R4133206	R4133207	R418187	NR				
R44140547 ⁸⁴	1-1/16 "	R4133792	R 418162	R4166821	NR				
R44140264 ³³³	1-1/16 "	R4133792	R 418162	R4166821	NR				
R44141664 ⁴⁴	3-3/32 "	R42R55119	R42R55118	R4066587	R4090018P				
R44141664 ⁴⁴	3-3/32 "	R42R55119	R42R55118	R4066587	R4090018P				
R44141414 ⁴⁰⁵	3-3/8 "	R42R55200	R42R55199 ³⁴⁶	R4066780	R4090021				
R44140264 ³³³	7/8 "	R4133627	R4133628	R4166820	NR				
R44140264 ³³³	1-1/8 "	R4133206	R4133207	R418187	NR				
R44140264 ³³³	1 "	R4133005	R4133005	R4166822	NR				
R44140547 ⁸⁴	1 "	R4133005	R4133005	R4166822	NR				

1 APPLICATION

MAKE MODEL YEAR AXLE CODE AXLE WEIGHT	AXLE & BRK. TYPE	BRK. MFG.	BRAKE SIZE	FMSI	MERITOR DISC PAD OR BRAKE SHOE	MERITOR GUIDE PIN OR RETURN SPRING KIT	MERITOR CALIPER HWD. KIT OR RETURN SPRING KIT	MERITOR ADJUSTER KIT (LEFT WHEEL)	MERITOR ADJUSTER KIT (RIGHT WHEEL)
DODGE(Cont.)									
W300, W350, PW300, PW350, W400, W450, PW400, PW450 SERIES 4WD PICKUP-1 TON(Cont.)									
1985	Ra Ra	BX BX	12" x 2-1/2" 12" x 2-1/2"	2146AT - 357 2146AT - 357	R46357 R46357	R40H547 R40H547	R40H4087 R40H4087	R40H2598 R40H2598	R40H2599 R40H2599
Optional	Ra Ra	BX BX	12" x 2-1/2" 12" x 3"	2146AT - 357 2140AT - 358	R46357 R46358	R40H547 R40H547	R40H4087 R40H4087	R40H2598 R40H2598	R40H2599 R40H2599
Except 4500 lb.	Fd Fd	CH KH		7019 - D123 7179 - D269	MD269 MD269	NR NR	R40H5516 R40H5516	NR NR	NR NR
4,500 lb.	Fd	BX		7081 - D149	MD149	R40H5010	R40H5529	NR	NR
1984	Ra Ra Ra Ra Ra Ra	BX BX BX BX BX BX	12" x 3" 12" x 3" 12" x 3" 12" x 2-1/2" 12" x 2-1/2" 12" x 2-1/2"	2140AT - 358 2140AT - 358 2140AT - 358 2146AT - 357 2146AT - 357 2146AT - 357	R46358 R46358 R46358 R46357 R46357 R46357	R40H547 R40H547 R40H547 R40H547 R40H547 R40H547	R40H4087 R40H4087 R40H4087 R40H4087 R40H4087 R40H4087	R40H2598 R40H2598 R40H2598 R40H2598 R40H2598 R40H2598	R40H2599 R40H2599 R40H2599 R40H2599 R40H2599 R40H2599
Optional	Ra Ra	BX BX	12" x 2-1/2" 12" x 3"	2146AT - 357 2140AT - 358	R46357 R46358	R40H547 R40H547	R40H4087 R40H4087	R40H2598 R40H2598	R40H2599 R40H2599
Except 4500 lb.	Fd Fd	CH KH		7019 - D123 7179 - D269	MD269 MD269	NR NR	R40H5516 R40H5516	NR NR	NR NR
4,500 lb.	Fd	BX		7081 - D149	MD149	R40H5010	R40H5529	NR	NR
1983	Ra Ra Ra Ra Ra Ra	BX BX BX BX BX BX	12" x 3" 12" x 3" 12" x 3" 12" x 2-1/2" 12" x 2-1/2" 12" x 2-1/2"	2140AT - 358 2140AT - 358 2140AT - 358 2146AT - 357 2146AT - 357 2146AT - 357	R46358 R46358 R46358 R46357 R46357 R46357	R40H547 R40H547 R40H547 R40H547 R40H547 R40H547	R40H4087 R40H4087 R40H4087 R40H4087 R40H4087 R40H4087	R40H2598 R40H2598 R40H2598 R40H2598 R40H2598 R40H2598	R40H2599 R40H2599 R40H2599 R40H2599 R40H2599 R40H2599
Optional	Ra Ra	BX BX	12" x 2-1/2" 12" x 3"	2146AT - 357 2140AT - 358	R46357 R46358	R40H547 R40H547	R40H4087 R40H4087	R40H2598 R40H2598	R40H2599 R40H2599
Except 4500 lb.	Fd Fd	CH KH		7019 - D123 7179 - D269	MD269 MD269	NR NR	R40H5516 R40H5516	NR NR	NR NR
4,500 lb.	Fd	BX		7081 - D149	MD149	R40H5010	R40H5529	NR	NR
1982	Ra Ra Ra Ra Ra Ra	BX BX BX BX BX BX	12" x 3" 12" x 3" 12" x 3" 12" x 2-1/2" 12" x 2-1/2" 12" x 2-1/2"	2140AT - 358 2140AT - 358 2140AT - 358 2146AT - 357 2146AT - 357 2146AT - 357	R46358 R46358 R46358 R46357 R46357 R46357	R40H547 R40H547 R40H547 R40H547 R40H547 R40H547	R40H4087 R40H4087 R40H4087 R40H4087 R40H4087 R40H4087	R40H2598 R40H2598 R40H2598 R40H2598 R40H2598 R40H2598	R40H2599 R40H2599 R40H2599 R40H2599 R40H2599 R40H2599
Optional	Ra Ra	BX BX	12" x 2-1/2" 12" x 3"	2146AT - 357 2140AT - 358	R46357 R46358	R40H547 R40H547	R40H4087 R40H4087	R40H2598 R40H2598	R40H2599 R40H2599
Except 4500 lb.	Fd Fd	CH KH		7019 - D123 7179 - D269	MD269 MD269	NR NR	R40H5516 R40H5516	NR NR	NR NR
4,500 lb.	Fd	BX		7081 - D149	MD149	R40H5010	R40H5529	NR	NR
1981	Ra Ra	BX BX	12" x 3" 12" x 3"	2140AT - 358 2140AT - 358	R46358 R46358	R40H547 R40H547	R40H4087 R40H4087	R40H2598 R40H2598	R40H2599 R40H2599
Dual Rear Wheels	Fd	BX		7081 - D149	MD149	R40H5010	R40H5529	NR	NR
Single Rear Wheels	Fd	BX		7081 - D149	MD149	R40H5010	R40H5529	NR	NR
1980	Ra Ra	BX BX	12" x 3" 12" x 3"	2140AT - 358 2140AT - 358	R46358 R46358	R40H547 R40H547	R40H4087 R40H4087	R40H2598 R40H2598	R40H2599 R40H2599
Dual Rear Wheels	Fd	BX		7081 - D149	MD149	R40H5010	R40H5529	NR	NR
Single Rear Wheels	Fd	BX		7081 - D149	MD149	R40H5010	R40H5529	NR	NR
1979	Ra Ra	BX BX	12" x 3" 12" x 3"	2140AT - 358 2140AT - 358	R46358 R46358	R40H547 R40H547	R40H4087 R40H4087	R40H2598 R40H2598	R40H2599 R40H2599
Dual Rear Wheels	Fd	BX		7081 - D149	MD149	R40H5010	R40H5529	NR	NR
Single Rear Wheels	Fd	BX		7081 - D149	MD149	R40H5010	R40H5529	NR	NR
1978	Ra Ra	BX BX	12" x 3" 12" x 3"	2140AT - 358 2140AT - 358	R46358 R46358	R40H547 R40H547	R40H4087 R40H4087	R40H2598 R40H2598	R40H2599 R40H2599
Dual Rear Wheels	Fd	BX		7081 - D149	MD149	R40H5010	R40H5529	NR	NR
Single Rear Wheels	Fd	BX		7081 - D149	MD149	R40H5010	R40H5529	NR	NR

44 - R44141664 is rotor only, for hub only use E-8396
333 - Except 9 1/4" Ring Gear

84 - 9 1/4" Ring Gear, Heavy Duty Axle
346 - 4500 lb. Casting Number 2238451452, 10mm Inlet

93 - Rotor Only with Hub Casting # 99756
405 - Rotor Only

MERITOR DRUM OR ROTOR NO.	CALIPER OR CYLINDER BORE SIZE	MERITOR CALIPER OR WHEEL CYLINDER (LEFT)	MERITOR CALIPER OR WHEEL CYLINDER (RIGHT)	MERITOR CALIPER OR WHEEL CYLINDER REPAIR KIT	MERITOR CALIPER PISTON	MERITOR MASTER CYLINDER	MERITOR MASTER CYLINDER KIT	MERITOR BRAKE HOSE (LEFT)	MERITOR BRAKE HOSE (RIGHT)
DODGE(Cont.)									
W300, W350, PW300, PW350, W400, W450, PW400, PW450 SERIES 4WD PICKUP-1 TON(Cont.)									
R44140547 ⁸⁴ R44140547 ⁸⁴	1-1/8 " 7/8 "	R4133206 R4133627	R4133207 R4133628	R418187 R4166820	NR NR	-	-	-	-
R44140547 ⁸⁴ R44140264 ³³³	1-1/16 " 1-1/16 "	R4133792 R4133792	R 418162 R 418162	R4166821 R4166821	NR NR	-	-	-	-
R44141664 ⁴⁴ R44141664 ⁴⁴	3-3/32 " 3-3/32 "	R42R55119 R42R55119	R42R55118 R42R55118	R4066587 R4066587	R4090018P R4090018P	-	-	-	-
R44141414 ⁴⁰⁵	3-3/8 "	R42R55200	R42R55199 ³⁴⁶	R4066780	R4090021	-	-	-	-
R44140264 ³³³ R44140264 ³³³ R44140264 ³³³ R44140547 ⁸⁴ R44140547 ⁸⁴ R44140547 ⁸⁴	1-1/8 " 7/8 " 1 " 1-1/8 " 1 " 7/8 "	R4133206 R4133627 R4133005 R4133206 R4133005 R4133627	R4133207 R4133628 R4133005 R4133207 R4133005 R4133628	R418187 R4166820 R4166822 R418187 R4166822 R4166820	NR NR NR NR NR NR	-	-	-	-
R44140547 ⁸⁴ R44140264 ³³³	1-1/16 " 1-1/16 "	R4133792 R4133792	R 418162 R 418162	R4166821 R4166821	NR NR	-	-	-	-
R44141664 ⁴⁴ R44141664 ⁴⁴	3-3/32 " 3-3/32 "	R42R55119 R42R55119	R42R55118 R42R55118	R4066587 R4066587	R4090018P R4090018P	-	-	-	-
R44141414 ⁴⁰⁵	3-3/8 "	R42R55200	R42R55199 ³⁴⁶	R4066780	R4090021	-	-	-	-
R44140264 ³³³ R44140264 ³³³ R44140264 ³³³ R44140547 ⁸⁴ R44140547 ⁸⁴ R44140547 ⁸⁴	1 " 7/8 " 1-1/8 " 1 " 7/8 " 1-1/8 "	R4133005 R4133627 R4133206 R4133005 R4133627 R4133206	R4133005 R4133628 R4133207 R4133005 R4133628 R4133207	R4166822 R4166820 R418187 R4166822 R4166820 R418187	NR NR NR NR NR NR	-	-	-	-
R44140547 ⁸⁴ R44140264 ³³³	1-1/16 " 1-1/16 "	R4133792 R4133792	R 418162 R 418162	R4166821 R4166821	NR NR	-	-	-	-
R44141664 ⁴⁴ R44141664 ⁴⁴	3-3/32 " 3-3/32 "	R42R55119 R42R55119	R42R55118 R42R55118	R4066587 R4066587	R4090018P R4090018P	-	-	-	-
R44141414 ⁴⁰⁵	3-3/8 "	R42R55200	R42R55199 ³⁴⁶	R4066780	R4090021	-	-	-	-
R44140264 ³³³ R44140264 ³³³ R44140264 ³³³ R44140547 ⁸⁴ R44140547 ⁸⁴ R44140547 ⁸⁴	1-1/8 " 1 " 7/8 " 1-1/8 " 1 " 7/8 "	R4133206 R4133005 R4133627 R4133206 R4133005 R4133627	R4133207 R4133005 R4133628 R4133207 R4133005 R4133628	R418187 R4166822 R4166820 R418187 R4166822 R4166820	NR NR NR NR NR NR	-	-	-	-
R44140547 ⁸⁴ R44140264 ³³³	1-1/16 " 1-1/16 "	R4133792 R4133792	R 418162 R 418162	R4166821 R4166821	NR NR	-	-	-	-
R44141664 ⁴⁴ R44141664 ⁴⁴	3-3/32 " 3-3/32 "	R42R55119 R42R55119	R42R55118 R42R55118	R4066587 R4066587	R4090018P R4090018P	-	-	-	-
R44141414 ⁴⁰⁵	3-3/8 "	R42R55200	R42R55199 ³⁴⁶	R4066780	R4090021	-	-	-	-
R44140264 ³³³ R44140264 ³³³ R44140264 ³³³ R44140547 ⁸⁴ R44140547 ⁸⁴ R44140547 ⁸⁴	1-1/8 " 1 " 7/8 " 1-1/8 " 1 " 7/8 "	R4133206 R4133005 R4133627 R4133206 R4133005 R4133627	R4133207 R4133005 R4133628 R4133207 R4133005 R4133628	R418187 R4166822 R4166820 R418187 R4166822 R4166820	NR NR NR NR NR NR	-	-	-	-
R44140547 ⁸⁴ R44140264 ³³³	1-1/16 " 1-1/16 "	R4133792 R4133792	R 418162 R 418162	R4166821 R4166821	NR NR	-	-	-	-
R44141664 ⁴⁴ R44141664 ⁴⁴	3-3/32 " 3-3/32 "	R42R55119 R42R55119	R42R55118 R42R55118	R4066587 R4066587	R4090018P R4090018P	-	-	-	-
R44141414 ⁴⁰⁵	3-3/8 "	R42R55200	R42R55199 ³⁴⁶	R4066780	R4090021	-	-	-	-
R44140264 ³³³ R44140264 ³³³ R44141414 ⁴⁰⁵	1-1/16 " 1 " 3-3/8 "	R4133791 R4133005 R42R55200	R 418145 R4133005 R42R55199 ³⁴⁶	R4166821 R4166822 R4066780	NR NR R4090021	-	-	-	-
R44141397 ⁹³	3-3/8 "	R42R55200	R42R55199 ³⁴⁶	R4066780	R4090021	-	-	-	-
R44140264 ³³³ R44140264 ³³³ R44141414 ⁴⁰⁵	1-1/16 " 1 " 3-3/8 "	R4133791 R4133005 R42R55200	R 418145 R4133005 R42R55199 ³⁴⁶	R4166821 R4166822 R4066780	NR NR R4090021	-	-	-	-
R44141397 ⁹³	3-3/8 "	R42R55200	R42R55199 ³⁴⁶	R4066780	R4090021	-	-	-	-
R44140264 ³³³ R44140264 ³³³ R44141414 ⁴⁰⁵	1-1/16 " 1 " 3-3/8 "	R4133791 R4133005 R42R55200	R 418145 R4133005 R42R55199 ³⁴⁶	R4166821 R4166822 R4066780	NR NR R4090021	-	-	-	-
R44141397 ⁹³	3-3/8 "	R42R55200	R42R55199 ³⁴⁶	R4066780	R4090021	-	-	-	-
R44140264 ³³³ R44140264 ³³³ R44141414 ⁴⁰⁵	1-1/16 " 1 " 3-3/8 "	R4133791 R4133005 R42R55200	R 418145 R4133005 R42R55199 ³⁴⁶	R4166821 R4166822 R4066780	NR NR R4090021	-	-	-	-
R44141397 ⁹³	3-3/8 "	R42R55200	R42R55199 ³⁴⁶	R4066780	R4090021	-	-	-	-

MAKE MODEL YEAR AXLE CODE AXLE WEIGHT	AXLE & BRK. TYPE	BRK. MFG.	BRAKE SIZE	FMSI	MERITOR DISC PAD OR BRAKE SHOE	MERITOR GUIDE PIN OR RETURN SPRING KIT	MERITOR CALIPER HWD. KIT OR RETURN SPRING KIT	MERITOR ADJUSTER KIT (LEFT WHEEL)	MERITOR ADJUSTER KIT (RIGHT WHEEL)
DODGE(Cont.)									
W300, W350, PW300, PW350, W400, W450, PW400, PW450 SERIES 4WD PICKUP-1 TON(Cont.)									
1977	Ra Ra	BX BX	12 " x 3 " 12 " x 3 "	2140AT - 358 2140AT - 358	R46358 R46358	R40H547 R40H547	R40H4087 R40H4087	R40H2598 R40H2598	R40H2599 R40H2599
Dual Rear Wheels	Fd	BX		7081 - D149	MD149	R40H5010	R40H5529	NR	NR
Single Rear Wheels	Fd	BX		7081 - D149	MD149	R40H5010	R40H5529	NR	NR
1976	Ra Ra	BX BX	12 " x 3 " 12 " x 3 "	2140AT - 358 2140AT - 358	R46358 R46358	R40H547 R40H547	R40H4087 R40H4087	R40H2598 R40H2598	R40H2599 R40H2599
Dual Rear Wheels	Fd	BX		7081 - D149	MD149	R40H5010	R40H5529	NR	NR
Single Rear Wheels	Fd	BX		7081 - D149	MD149	R40H5010	R40H5529	NR	NR
1975	Ra Ra	BX BX	12 " x 3 " 12 " x 3 "	2140AT - 358 2140AT - 358	R46358 R46358	R40H547 R40H547	R40H4087 R40H4087	R40H2598 R40H2598	R40H2599 R40H2599
Dual Rear Wheels	Fd	BX		7081 - D149	MD149	R40H5010	R40H5529	NR	NR
Single Rear Wheels	Fd	BX		7081 - D149	MD149	R40H5010	R40H5529	NR	NR
1974	Fa Ra Ra	BX BX BX	12 " x 3 " 12 " x 3 " 12 " x 3 "	2140AT - 358 2140AT - 358 2140AT - 358	R46358 R46358 R46358	R40H546 R40H546 R40H546	R40H7181 R40H7181 R40H7181	R40H2598 R40H2598 R40H2598	R40H2599 R40H2599 R40H2599
1973	Fa Ra Ra	BX BX BX	12 " x 3 " 12 " x 3 " 12 " x 3 "	2140AT - 358 2140AT - 358 2140AT - 358	R46358 R46358 R46358	R40H547 R40H547 R40H547	R40H4087 R40H4087 R40H4087	R40H2598 R40H2598 R40H2598	R40H2599 R40H2599 R40H2599
1972	Fa Ra Ra	BX BX BX	12 " x 3 " 12 " x 3 " 12 " x 3 "	2140AT - 358 2140AT - 358 2140AT - 358	R46358 R46358 R46358	R40H547 R40H547 R40H547	R40H4087 R40H4087 R40H4087	R40H2598 R40H2598 R40H2598	R40H2599 R40H2599 R40H2599
FORD									
B600 SERIES: SCHOOL BUS									
1995	Fd Fd Fd Fd	DN DN DN DN		7149 - D236 7149 - D236 7141 - D224 7149 - D236	MD236 ³⁴¹ MD236 ³⁴¹ MD224 ³⁴⁰ MD236 ³⁴¹	69310693 69310693 69310693 69310693	69310782 69310782 60050153 69310782	NR NR NR NR	NR NR NR NR
	Ra Ra Ra Ra Ra Ra	LG LG LG LG LG LG	15 " x 5 " 15 " x 5 " 15 " x 6 " 15 " x 6 " 15 " x 6 " 15 " x 6 "	4528A - 551 4528A - 542 4504A - 543 4504A - 543 4504A - 543 4504A - 543	R40H597 N/A N/A N/A N/A N/A	R40H618 R40H618 R40H618 R40H618 R40H618 R40H618	NR NR NR NR NR NR	NR SP7888S NR SP7888S SP7887S NR	NR SP7888S NR SP7888S SP7887S NR
1994	Fd Fd Fd Fd	DN DN DN DN		7141 - D224 7149 - D236 7149 - D236 7149 - D236	MD224 ³⁴⁰ MD236 ³⁴¹ MD236 ³⁴¹ MD236 ³⁴¹	69310693 69310693 69310693 69310693	60050153 69310782 69310782 69310782	NR NR NR NR	NR NR NR NR
	Ra Ra Ra Ra Ra Ra	LG LG LG LG LG LG	15 " x 5 " 15 " x 5 " 15 " x 6 " 15 " x 6 " 15 " x 6 " 15 " x 6 "	4528A - 550 4528A - 542 4504A - 543 4504A - 543 4504A - 543 4504A - 543	R40H140 N/A N/A N/A N/A N/A	R40H618 R40H618 R40H618 R40H618 R40H618 R40H618	NR NR NR NR NR NR	NR SP7888S NR SP7887S SP7888S NR	NR SP7888S NR SP7887S SP7888S NR
1993	Fd Fd Fd Fd	DN DN DN DN		7149 - D236 7141 - D224 7149 - D236 7149 - D236	MD236 ³⁴¹ MD224 ³⁴⁰ MD236 ³⁴¹ MD236 ³⁴¹	69310693 69310693 69310693 69310693	69310782 60050153 69310782 69310782	NR NR NR NR	NR NR NR NR
	Ra Ra Ra Ra Ra Ra	LG LG LG LG LG LG	15 " x 5 " 15 " x 5 " 15 " x 6 " 15 " x 6 " 15 " x 6 " 15 " x 6 "	4528A - 549 4528A - 542 4504A - 543 4504A - 543 4504A - 543 4504A - 543	R40H599 N/A N/A N/A N/A N/A	R40H618 R40H618 R40H618 R40H618 R40H618 R40H618	NR NR NR NR NR NR	NR SP7888S SP7888S NR NR SP7887S	NR SP7888S SP7888S NR NR SP7887S
1992	Fd	DN		7149 - D236	MD236 ³⁴¹	69310693	69310782	NR	NR

9 - 6 Stud, Dayton Rotor, Hat Style
 42 - 6 Stud, Dayton Rotor, "U" Style
 45 - R44141382 is a hub & rotor, for rotor only use R44141193
 www.XpresswayPlus.com

37 - Also available as a New unit
 43 - For Applications Taking A Longer Shim, Use R404151706
 46 - R417086 Has 15/16" Bore Size

41 - Aluminum piston
 44 - R44141664 is rotor only, for hub only use E-8396
 93 - Rotor Only with Hub Casting # 99756

MERITOR DRUM OR ROTOR NO.	CALIPER OR CYLINDER BORE SIZE	MERITOR CALIPER OR WHEEL CYLINDER (LEFT)	MERITOR CALIPER OR WHEEL CYLINDER (RIGHT)	MERITOR CALIPER OR WHEEL CYLINDER REPAIR KIT	MERITOR CALIPER PISTON	MERITOR MASTER CYLINDER	MERITOR MASTER CYLINDER KIT	MERITOR BRAKE HOSE (LEFT)	MERITOR BRAKE HOSE (RIGHT)
DODGE(Cont.)									
W300, W350, PW300, PW350, W400, W450, PW400, PW450 SERIES 4WD PICKUP-1 TON(Cont.)									
R44140264 ³³³ R44140264 ³³³	1-1/16 " 1 "	R4133791 R4133005	R 418145 R4133004	R4166821 R4166822	NR NR	- -	- -	- -	- -
R44141414 ⁴⁰⁵ R44141397 ⁹³	3-3/8 " 3-3/8 "	R42R55098 R42R55098	R42R55099 R42R55099	R4066780 R4066780	R4090021 R4090021	- -	- -	- -	- -
R44140264 ³³³ R44140264 ³³³	1-1/16 " 1 "	R4133791 R4133005	R 418145 R4133004	R4166821 R4166822	NR NR	- -	- -	- -	- -
R44141414 ⁴⁰⁵ R44141397 ⁹³	3-3/8 " 3-3/8 "	R42R55098 R42R55098	R42R55099 R42R55099	R4066780 R4066780	R4090021 R4090021	- -	- -	- -	- -
R44140264 ³³³ R44140264 ³³³	1-1/16 " 1 "	R4133791 R4133005	R 418145 R4133004	R4166821 R4166822	NR NR	- -	- -	- -	- -
R44141414 ⁴⁰⁵ R44141397 ⁹³	3-3/8 " 3-3/8 "	R42R55098 R42R55098	R42R55099 R42R55099	R4066780 R4066780	R4090021 R4090021	- -	- -	- -	- -
R44140264 ³³³ R44140264 ³³³	1-1/8 " 1-1/16 "	R4133206 R4133791	R4133207 R 418145	R418187 R4166821	NR NR	- -	- -	- -	- -
R44140264 ³³³ R44140264 ³³³	1-1/16 " 1 "	R4133791 R4133004	R 418145 R4133005	R4166821 R4166822	NR NR	- -	- -	- -	- -
-	1-1/8 "	R4133206	R4133207	R418187	NR	-	-	-	-
R44140264 ³³³ -	1-1/16 " 1 "	R4133791 R4133005	R 418145 R4133004	R4166821 R4166822	NR NR	- -	- -	- -	- -
-	1-1/8 "	R4133206	R4133207	R418187	NR	-	-	-	-
R44140264 ³³³ -	1 " 1-1/16 "	R4133005 R4133791	R4133004 R 418145	R4166822 R4166821	NR NR	- -	- -	- -	- -
FORD									
B600 SERIES: SCHOOL BUS									
23-122743-002 ¹⁸⁷ 23-122703-002 ¹⁸⁶ 23-122700-002 ⁹ 23-122691-002 ⁴²	2-7/8 " 2-7/8 " 2-1/2 " 2-7/8 "	60050145X 60050145X R424244X 60050145X	60050145X ⁴⁶ 60050145X ³⁷ R424244X ³⁷ 60050145X ³⁷	60050146 60050146 60050266 60050146	69270702 ⁴¹ 69270702 ⁴¹ 69270757 ⁴¹ 69270702 ⁴¹	- - - -	- - - -	R4577461 R4577461 R4577461 R4577461	R4577461 R4577461 R4577461 R4577461
N/A N/A N/A N/A N/A N/A	1-5/8 " 1-5/8 " 1-5/8 " 1-5/8 " 1-3/4 " 1-3/4 "	201181 201185 201181 201185 201183X 201179X	201182 201186 ³²⁹ 201182 201186 ³²⁹ 201184X ³²⁹ 201180X	SP7895S SP7895S SP7895S SP7895S SP7873S SP7873S	NR NR NR NR NR SP7880S ²⁰⁴	- - - - - -	- - - - - -	R4577870 R4577870 R4577870 R4577870 R4577870 R4577870	R4577870 R4577870 R4577870 R4577870 R4577870 R4577870
23-122700-002 ⁹ 23-122743-002 ¹⁸⁷ 23-122703-002 ¹⁸⁶ 23-122691-002 ⁴²	2-1/2 " 2-7/8 " 2-7/8 " 2-7/8 "	R424244X 60050145X 60050145X 60050145X	R424244X ³⁷ 60050145X ⁴⁵ 60050145X ³⁷ 60050145X ³⁷	60050266 60050146 60050146 60050146	69270757 ⁴¹ 69270702 ⁴¹ 69270702 ⁴¹ 69270702 ⁴¹	- - - -	- - - -	R4577461 R4577461 R4577461 R4577461	R4577461 R4577461 R4577461 R4577461
N/A N/A N/A N/A N/A N/A	1-5/8 " 1-5/8 " 1-5/8 " 1-3/4 " 1-5/8 " 1-3/4 "	201181 201185 201181 201183X 201185 201179X	201182 201186 ³²⁹ 201182 201184X ³²⁹ 201186 ³²⁹ 201180X	SP7895S SP7895S SP7895S SP7873S SP7895S SP7873S	NR NR NR NR NR SP7880S ²⁰⁴	- - - - - -	- - - - - -	R4577870 R4577870 R4577870 R4577870 R4577870 R4577870	R4577870 R4577870 R4577870 R4577870 R4577870 R4577870
23-122691-002 ⁴² 23-122700-002 ⁹ 23-122703-002 ¹⁸⁶ 23-122743-002 ¹⁸⁷	2-7/8 " 2-1/2 " 2-7/8 " 2-7/8 "	60050145X R424244X 60050145X 60050145X	60050145X ³⁷ R424244X ³⁷ 60050145X ³⁷ 60050145X ⁴⁴	60050146 60050266 60050146 60050146	69270702 ⁴¹ 69270757 ⁴¹ 69270702 ⁴¹ 69270702 ⁴¹	- - - -	- - - -	R4577461 R4577461 R4577461 R4577461	R4577461 R4577461 R4577461 R4577461
N/A N/A N/A N/A N/A N/A	1-5/8 " 1-5/8 " 1-5/8 " 1-3/4 " 1-5/8 " 1-3/4 "	201181 201185 201185 201179X 201181 201183X	201182 201186 ³²⁹ 201186 ³²⁹ 201180X 201182 201184X ³²⁹	SP7895S SP7895S SP7895S SP7873S SP7895S SP7873S	NR NR NR SP7880S ²⁰⁴ NR NR	- - - - - -	- - - - - -	R4577870 R4577870 R4577870 R4577870 R4577870 R4577870	R4577870 R4577870 R4577870 R4577870 R4577870 R4577870
23-122743-002 ¹⁸⁷	2-7/8 "	60050145X	60050145X ⁴³	60050146	69270702 ⁴¹	-	-	R4577461	R4577461

186 - 10 Stud
329 - Forward
341 - Use 69160445 for Disc Pad Retainer Clip
Contact our Customer Service Teams
1-888-725-9355

187 - 6 Stud, 6.443" Hub
333 - Except 9 1/4" Ring Gear
405 - Rotor Only

204 - Right Hand; use E-4057 for Left Hand Expander Kits
340 - Use 69160457 for Disc Pad Retainer Clip

MAKE MODEL YEAR AXLE CODE AXLE WEIGHT	AXLE & BRK. TYPE	BRK. MFG.	BRAKE SIZE	FMSI	MERITOR DISC PAD OR BRAKE SHOE	MERITOR GUIDE PIN OR RETURN SPRING KIT	MERITOR CALIPER HWD. KIT OR RETURN SPRING KIT	MERITOR ADJUSTER KIT (LEFT WHEEL)	MERITOR ADJUSTER KIT (RIGHT WHEEL)
FORD(Cont.)									
B600 SERIES: SCHOOL BUS(Cont.)									
1992	Fd	DN		7141 - D224	MD224 ³⁴⁰	69310693	60050153	NR	NR
	Fd	DN		7149 - D236	MD236 ³⁴¹	69310693	69310782	NR	NR
	Fd	DN		7149 - D236	MD236 ³⁴¹	69310693	69310782	NR	NR
	Ra	LG	15" x 5"	4528A - 542	N/A	R40H618	NR	SP7888S	SP7888S
	Ra	LG	15" x 5"	4528A - 548	R40H130	R40H618	NR	NR	NR
	Ra	LG	15" x 6"	4504A - 543	N/A	R40H618	NR	SP7887S	SP7887S
	Ra	LG	15" x 6"	4504A - 543	N/A	R40H618	NR	NR	NR
	Ra	LG	15" x 6"	4504A - 543	N/A	R40H618	NR	NR	NR
	Ra	LG	15" x 6"	4504A - 543	N/A	R40H618	NR	NR	NR
	Ra	LG	15" x 6"	4504A - 543	N/A	R40H618	NR	SP7888S	SP7888S
1991	Fd	DN		7149 - D236	MD236 ³⁴¹	69310693	69310782	NR	NR
	Fd	DN		7149 - D236	MD236 ³⁴¹	69310693	69310782	NR	NR
	Fd	DN		7149 - D236	MD236 ³⁴¹	69310693	69310782	NR	NR
	Fd	DN		7141 - D224	MD224 ³⁴⁰	69310693	60050153	NR	NR
	Ra	LG	15" x 5"	4528A - 542	N/A	R40H618	NR	SP7888S	SP7888S
	Ra	LG	15" x 5"	4528A - 547	R40H550	R40H618	NR	NR	NR
	Ra	LG	15" x 6"	4504A - 543	N/A	R40H618	NR	SP7887S	SP7887S
	Ra	LG	15" x 6"	4504A - 543	N/A	R40H618	NR	NR	NR
	Ra	LG	15" x 6"	4504A - 543	N/A	R40H618	NR	NR	NR
	Ra	LG	15" x 6"	4504A - 543	N/A	R40H618	NR	SP7888S	SP7888S
1990	Fd	DN		7149 - D236	MD236 ³⁴¹	69310693	69310782	NR	NR
	Fd	DN		7149 - D236	MD236 ³⁴¹	69310693	69310782	NR	NR
	Fd	DN		7149 - D236	MD236 ³⁴¹	69310693	69310782	NR	NR
	Fd	DN		7141 - D224	MD224 ³⁴⁰	69310693	60050153	NR	NR
	Ra	LG	15" x 5"	4528A - 546	R40H521	R40H618	NR	NR	NR
	Ra	LG	15" x 5"	4528A - 542	N/A	R40H618	NR	SP7888S	SP7888S
	Ra	LG	15" x 6"	4504A - 543	N/A	R40H618	NR	SP7888S	SP7888S
	Ra	LG	15" x 6"	4504A - 543	N/A	R40H618	NR	NR	NR
	Ra	LG	15" x 6"	4504A - 543	N/A	R40H618	NR	NR	NR
	Ra	LG	15" x 6"	4504A - 543	N/A	R40H618	NR	SP7887S	SP7887S
1989	Fd	DN		7149 - D236	MD236 ³⁴¹	69310693	69310782 ⁴³	NR	NR
	Fd	DN		7141 - D224	MD224 ³⁴⁰	69310693	60050153	NR	NR
	Fd	DN		7149 - D236	MD236 ³⁴¹	69310693	69310782	NR	NR
	Fd	DN		7149 - D236	MD236 ³⁴¹	69310693	69310782 ⁴³	NR	NR
	Ra	LG	15" x 5"	4528A - 545	R40H500	R40H618	NR	NR	NR
	Ra	LG	15" x 5"	4528A - 542	N/A	R40H618	NR	SP7888S	SP7888S
	Ra	LG	15" x 6"	4504A - 543	N/A	R40H618	NR	SP7888S	SP7888S
	Ra	LG	15" x 6"	4504A - 543	N/A	R40H618	NR	SP7887S	SP7887S
	Ra	LG	15" x 6"	4504A - 543	N/A	R40H618	NR	NR	NR
	Ra	LG	15" x 6"	4504A - 543	N/A	R40H618	NR	NR	NR
1988	Fd	DN		7149 - D236	MD236 ³⁴¹	69310693	69310782 ⁴³	NR	NR
	Fd	DN		7149 - D236	MD236 ³⁴¹	69310693	69310782 ⁴³	NR	NR
	Fd	DN		7149 - D236	MD236 ³⁴¹	69310693	69310782 ⁴³	NR	NR
	Fd	DN		7141 - D224	MD224 ³⁴⁰	69310693	60050153	NR	NR
	Ra	LG	15" x 5"	4528A - 544	N/A	R40H618	NR	NR	NR
	Ra	LG	15" x 5"	4528A - 542	N/A	R40H618	NR	SP7888S	SP7888S
	Ra	LG	15" x 6"	4504A - 543	N/A	R40H618	NR	SP7887S	SP7887S
	Ra	LG	15" x 6"	4504A - 543	N/A	R40H618	NR	SP7888S	SP7888S
	Ra	LG	15" x 6"	4504A - 543	N/A	R40H618	NR	NR	NR
	Ra	LG	15" x 6"	4504A - 543	N/A	R40H618	NR	NR	NR
1987	Fd	DN		7149 - D236	MD236 ³⁴¹	69310693	69310782 ⁴³	NR	NR
	Fd	DN		7149 - D236	MD236 ³⁴¹	69310693	69310782 ⁴³	NR	NR
	Fd	DN		7141 - D224	MD224 ³⁴⁰	69310693	60050153	NR	NR
	Fd	DN		7149 - D236	MD236 ³⁴¹	69310693	69310782 ⁴³	NR	NR
	Ra	LG	15" x 5"	4528A - 542	N/A	R40H618	NR	SP7888S	SP7888S
	Ra	LG	15" x 6"	4504A - 543	N/A	R40H618	NR	NR	NR
	Ra	LG	15" x 6"	4504A - 543	N/A	R40H618	NR	NR	NR
	Ra	LG	15" x 6"	4504A - 543	N/A	R40H618	NR	NR	NR
	Ra	LG	15" x 6"	4504A - 543	N/A	R40H618	NR	SP7888S	SP7888S
	Ra	LG	15" x 6"	4504A - 543	N/A	R40H618	NR	SP7887S	SP7887S

9 - 6 Stud, Dayton Rotor, Hat Style
 39 - First design, uses steel pistons.
 42 - 6 Stud, Dayton Rotor, "U" Style
 www.XpresswayPlus.com

37 - Also available as a New unit
 40 - For chrome plated steel version, use R4090070P
 43 - For Applications Taking A Longer Shim, Use R404151706

38 - First design, may have external joining tube and uses steel pistons
 41 - Aluminum piston
 186 - 10 Stud

MERITOR DRUM OR ROTOR NO.	CALIPER OR CYLINDER BORE SIZE	MERITOR CALIPER OR WHEEL CYLINDER (LEFT)	MERITOR CALIPER OR WHEEL CYLINDER (RIGHT)	MERITOR CALIPER OR WHEEL CYLINDER REPAIR KIT	MERITOR CALIPER PISTON	MERITOR MASTER CYLINDER	MERITOR MASTER CYLINDER KIT	MERITOR BRAKE HOSE (LEFT)	MERITOR BRAKE HOSE (RIGHT)
FORD(Cont.)									
B600 SERIES: SCHOOL BUS(Cont.)									
23-122700-002 ⁹	2-1/2 "	R424244X	R424244X ³⁷	60050266	69270757 ⁴¹	-	-	R4577461	R4577461
23-122691-002 ⁴²	2-7/8 "	60050145X	60050145X ³⁷	60050146	69270702 ⁴¹	-	-	R4577461	R4577461
23-122703-002 ¹⁸⁶	2-7/8 "	60050145X	60050145X ³⁷	60050146	69270702 ⁴¹	-	-	R4577461	R4577461
N/A	1-5/8 "	201185	201186 ³²⁹	SP7895S	NR	-	-	R4577870	R4577870
N/A	1-5/8 "	201181	201182	SP7895S	NR	-	-	R4577870	R4577870
N/A	1-3/4 "	201183X	201184X ³²⁹	SP7873S	NR	-	-	R4577870	R4577870
N/A	1-3/4 "	201179X	201180X	SP7873S	SP7880S ²⁰⁴	-	-	R4577870	R4577870
N/A	1-5/8 "	201181	201182	SP7895S	NR	-	-	R4577870	R4577870
N/A	1-5/8 "	201185	201186 ³²⁹	SP7895S	NR	-	-	R4577870	R4577870
23-122691-002 ⁴²	2-7/8 "	60050145X	60050145X ³⁷	60050146	69270702 ⁴¹	-	-	R4577461	R4577461
23-122743-002 ¹⁸⁷	2-7/8 "	60050145X	60050145X ⁴²	60050146	69270702 ⁴¹	-	-	R4577461	R4577461
23-122703-002 ¹⁸⁶	2-7/8 "	60050145X	60050145X ³⁷	60050146	69270702 ⁴¹	-	-	R4577461	R4577461
23-122700-002 ⁹	2-1/2 "	R424244X	R424244X ³⁷	60050266	69270757 ⁴¹	-	-	R4577461	R4577461
N/A	1-5/8 "	201185	201186 ³²⁹	SP7895S	NR	-	-	R4577870	R4577870
N/A	1-5/8 "	201181	201182	SP7895S	NR	-	-	R4577870	R4577870
N/A	1-3/4 "	201183X	201184X ³²⁹	SP7873S	NR	-	-	R4577870	R4577870
N/A	1-3/4 "	201179X	201180X	SP7873S	SP7880S ²⁰⁴	-	-	R4577870	R4577870
N/A	1-5/8 "	201181	201182	SP7895S	NR	-	-	R4577870	R4577870
N/A	1-5/8 "	201185	201186 ³²⁹	SP7895S	NR	-	-	R4577870	R4577870
23-122743-002 ¹⁸⁷	2-7/8 "	60050145X	60050145X ⁴¹	60050146	69270702 ⁴¹	-	-	R4577461	R4577461
23-122703-002 ¹⁸⁶	2-7/8 "	60050145X	60050145X ³⁷	60050146	69270702 ⁴¹	-	-	R4577461	R4577461
23-122691-002 ⁴²	2-7/8 "	60050145X	60050145X ³⁷	60050146	69270702 ⁴¹	-	-	R4577461	R4577461
23-122700-002 ⁹	2-1/2 "	R424244X	R424244X ³⁷	60050266	69270757 ⁴¹	-	-	R4577461	R4577461
N/A	1-5/8 "	201181	201182	SP7895S	NR	-	-	R4577870	R4577870
N/A	1-5/8 "	201185	201186 ³²⁹	SP7895S	NR	-	-	R4577870	R4577870
N/A	1-5/8 "	201185	201186 ³²⁹	SP7895S	NR	-	-	R4577870	R4577870
N/A	1-3/4 "	201179X	201180X	SP7873S	SP7880S ²⁰⁴	-	-	R4577870	R4577870
N/A	1-5/8 "	201181	201182	SP7895S	NR	-	-	R4577870	R4577870
N/A	1-3/4 "	201183X	201184X ³²⁹	SP7873S	NR	-	-	R4577870	R4577870
23-122691-002 ⁴²	2-7/8 "	60050145X	60050145X ³⁷	60050146	69270702 ⁴¹	-	-	R4577461	R4577461
23-122700-002 ⁹	2-1/2 "	R424244X	R424244X ³⁷	60050266	69270757 ⁴¹	-	-	R4577461	R4577461
23-122703-002 ¹⁸⁶	2-7/8 "	60050145X	60050145X ³⁷	60050146	69270702 ⁴¹	-	-	R4577461	R4577461
23-122743-002 ¹⁸⁷	2-7/8 "	60050145X	60050145X ⁴⁰	60050146	69270702 ⁴¹	-	-	R4577461	R4577461
N/A	1-5/8 "	201181	201182	SP7895S	NR	-	-	N/A	N/A
N/A	1-5/8 "	201185	201186 ³²⁹	SP7895S	NR	-	-	N/A	N/A
N/A	1-5/8 "	201185	201186 ³²⁹	SP7895S	NR	-	-	N/A	N/A
N/A	1-3/4 "	201183X	201184X ³²⁹	SP7873S	NR	-	-	N/A	N/A
N/A	1-3/4 "	201179X	201180X	SP7873S	SP7880S ²⁰⁴	-	-	N/A	N/A
N/A	1-5/8 "	201181	201182	SP7895S	NR	-	-	N/A	N/A
23-122691-002 ⁴²	2-7/8 "	60050145X	60050145X ³⁷	60050146	69270702 ⁴¹	-	-	R4577461	R4577461
23-122703-002 ¹⁸⁶	2-7/8 "	60050145X	60050145X ³⁷	60050146	69270702 ⁴¹	-	-	R4577461	R4577461
23-122743-002 ¹⁸⁷	2-7/8 "	60050145X	60050145X ³⁹	60050146	69270702 ⁴¹	-	-	R4577461	R4577461
23-122700-002 ⁹	2-1/2 "	R424244X	R424244X ³⁷	60050266	69270757 ⁴¹	-	-	R4577461	R4577461
N/A	1-5/8 "	201181	201182	SP7895S	NR	-	-	N/A	N/A
N/A	1-5/8 "	201185	201186 ³²⁹	SP7895S	NR	-	-	N/A	N/A
N/A	1-3/4 "	201183X	201184X ³²⁹	SP7873S	NR	-	-	N/A	N/A
N/A	1-5/8 "	201185	201186 ³²⁹	SP7895S	NR	-	-	N/A	N/A
N/A	1-5/8 "	201181	201182	SP7895S	NR	-	-	N/A	N/A
N/A	1-3/4 "	201179X	201180X	SP7873S	SP7880S ²⁰⁴	-	-	N/A	N/A
23-122743-002 ¹⁸⁷	2-7/8 "	60050145X	60050145X ³⁸	60050146	69270702 ⁴¹	-	-	R4577461	R4577461
23-122703-002 ¹⁸⁶	2-7/8 "	60050145X	60050145X ³⁷	60050146	69270702 ⁴¹	-	-	R4577461	R4577461
23-122700-002 ⁹	2-1/2 "	R424244X	R424244X ³⁷	60050266	69270757 ⁴¹	-	-	R4577461	R4577461
23-122691-002 ⁴²	2-7/8 "	60050145X	60050145X ³⁷	60050146	69270702 ⁴¹	-	-	R4577461	R4577461
N/A	1-5/8 "	201185	201186 ³²⁹	SP7895S	NR	-	-	N/A	N/A
N/A	1-5/8 "	201181	201182	SP7895S	NR	-	-	N/A	N/A
N/A	1-5/8 "	201181	201182	SP7895S	NR	-	-	N/A	N/A
N/A	1-5/8 "	201185	201186 ³²⁹	SP7895S	NR	-	-	N/A	N/A
N/A	1-3/4 "	201183X	201184X ³²⁹	SP7873S	NR	-	-	N/A	N/A
N/A	1-3/4 "	201179X	201180X	SP7873S	SP7880S ²⁰⁴	-	-	N/A	N/A

1 APPLICATION

187 - 6 Stud, 6.443" Hub
340 - Use 69160457 for Disc Pad Retainer Clip

204 - Right Hand; use E-4057 for Left Hand Expander Kits
341 - Use 69160445 for Disc Pad Retainer Clip

329 - Forward

MAKE MODEL YEAR AXLE CODE AXLE WEIGHT	AXLE & BRK. TYPE	BRK. MFG.	BRAKE SIZE	FMSI	MERITOR DISC PAD OR BRAKE SHOE	MERITOR GUIDE PIN OR RETURN SPRING KIT	MERITOR CALIPER HWD. KIT OR RETURN SPRING KIT	MERITOR ADJUSTER KIT (LEFT WHEEL)	MERITOR ADJUSTER KIT (RIGHT WHEEL)
FORD(Cont.)									
B600 SERIES: SCHOOL BUS(Cont.)									
1986	Fd	DN		7149 - D236	MD236 ³⁴¹	69310693	69310782	NR	NR
	Fd	DN		7149 - D236	MD236 ³⁴¹	69310693	69310782	NR	NR
	Fd	DN		7149 - D236	MD236 ³⁴¹	69310693	69310782	NR	NR
	Fd	DN		7141 - D224	MD224 ³⁴⁰	69310693	60050153	NR	NR
	Ra	LG	15" x 5"	4528A - 542	N/A	R40H618	NR	NR	NR
	Ra	LG	15" x 5"	4528A - 542	N/A	R40H618	NR	SP7888S	SP7888S
	Ra	LG	15" x 6"	4504A - 543	N/A	R40H618	NR	SP7888S	SP7888S
	Ra	LG	15" x 6"	4504A - 543	N/A	R40H618	NR	NR	NR
	Ra	LG	15" x 6"	4504A - 543	N/A	R40H618	NR	NR	NR
	Ra	LG	15" x 6"	4504A - 543	N/A	R40H618	NR	SP7887S	SP7887S
1985	Fd	DN		7141 - D224	MD224 ³⁴⁰	69310693	60050153	NR	NR
	Ra	LG	15" x 5"	4528A - 542	N/A	R40H618	NR	SP7888S	SP7888S
	Ra	LG	15" x 5"	4528A - 542	N/A	R40H618	NR	NR	NR
	Ra	LG	15" x 6"	4504A - 543	N/A	R40H618	NR	NR	NR
	Ra	LG	15" x 6"	4504A - 543	N/A	R40H618	NR	SP7887S	SP7887S
	Ra	LG	15" x 6"	4504A - 543	N/A	R40H618	NR	SP7888S	SP7888S
	Ra	LG	15" x 6"	4504A - 543	N/A	R40H618	NR	NR	NR
R130	Ra	KH	15" x 4"	4647 - 401	R700401	R40H595	R40H9220	R40H3538	R40H3539
1984	Fd	DN		7141 - D224	MD224 ³⁴⁰	69310693	60050153	NR	NR
	Ra	LG	15" x 5"	4528A - 542	N/A	R40H618	NR	SP7888S	SP7888S
	Ra	LG	15" x 5"	4528A - 542	N/A	R40H618	NR	NR	NR
	Ra	LG	15" x 6"	4504A - 543	N/A	R40H618	NR	SP7888S	SP7888S
	Ra	LG	15" x 6"	4504A - 543	N/A	R40H618	NR	SP7887S	SP7887S
	Ra	LG	15" x 6"	4504A - 543	N/A	R40H618	NR	NR	NR
	Ra	LG	15" x 6"	4504A - 543	N/A	R40H618	NR	NR	NR
R130	Ra	KH	15" x 4"	4647 - 401	R700401	R40H595	R40H9220	R40H3538	R40H3539
B700 SERIES: SCHOOL BUS									
1995	Fd	DN		7141 - D224	MD224 ³⁴⁰	69310693	60050153	NR	NR
	Fd	DN		7149 - D236	MD236 ³⁴¹	69310693	69310782	NR	NR
	Fd	DN		7149 - D236	MD236 ³⁴¹	69310693	69310782	NR	NR
	Fd	DN		7149 - D236	MD236 ³⁴¹	69310693	69310782	NR	NR
	Ra	LG	15" x 5"	4528A - 542	N/A	R40H618	NR	SP7888S	SP7888S
	Ra	LG	15" x 5"	4528A - 551	R40H597	R40H618	NR	NR	NR
	Ra	LG	15" x 6"	4504A - 543	N/A	R40H618	NR	NR	NR
	Ra	LG	15" x 6"	4504A - 543	N/A	R40H618	NR	SP7887S	SP7887S
	Ra	LG	15" x 6"	4504A - 543	N/A	R40H618	NR	SP7888S	SP7888S
	Ra	LG	15" x 6"	4504A - 543	N/A	R40H618	NR	NR	NR
1994	Fd	DN		7141 - D224	MD224 ³⁴⁰	69310693	60050153	NR	NR
	Fd	DN		7149 - D236	MD236 ³⁴¹	69310693	69310782	NR	NR
	Fd	DN		7149 - D236	MD236 ³⁴¹	69310693	69310782	NR	NR
	Fd	DN		7149 - D236	MD236 ³⁴¹	69310693	69310782	NR	NR
	Ra	LG	15" x 5"	4528A - 550	R40H140	R40H618	NR	NR	NR
	Ra	LG	15" x 5"	4528A - 542	N/A	R40H618	NR	SP7888S	SP7888S
	Ra	LG	15" x 6"	4504A - 543	N/A	R40H618	NR	NR	NR
	Ra	LG	15" x 6"	4504A - 543	N/A	R40H618	NR	SP7888S	SP7888S
	Ra	LG	15" x 6"	4504A - 543	N/A	R40H618	NR	SP7887S	SP7887S
	Ra	LG	15" x 6"	4504A - 543	N/A	R40H618	NR	NR	NR
1993	Fd	DN		7149 - D236	MD236 ³⁴¹	69310693	69310782	NR	NR
	Fd	DN		7149 - D236	MD236 ³⁴¹	69310693	69310782	NR	NR
	Fd	DN		7149 - D236	MD236 ³⁴¹	69310693	69310782	NR	NR
	Fd	DN		7141 - D224	MD224 ³⁴⁰	69310693	60050153	NR	NR
	Ra	LG	15" x 5"	4528A - 549	R40H599	R40H618	NR	NR	NR
	Ra	LG	15" x 5"	4528A - 542	N/A	R40H618	NR	SP7888S	SP7888S
	Ra	LG	15" x 6"	4504A - 543	N/A	R40H618	NR	NR	NR
	Ra	LG	15" x 6"	4504A - 543	N/A	R40H618	NR	SP7888S	SP7888S
	Ra	LG	15" x 6"	4504A - 543	N/A	R40H618	NR	NR	NR
	Ra	LG	15" x 6"	4504A - 543	N/A	R40H618	NR	SP7887S	SP7887S
1992	Fd	DN		7149 - D236	MD236 ³⁴¹	69310693	69310782	NR	NR

9 - 6 Stud, Dayton Rotor, Hat Style
 42 - 6 Stud, Dayton Rotor, "U" Style
 46 - R417086 Has 15/16" Bore Size
 www.XpresswayPlus.com

37 - Also available as a New unit
 44 - R44141664 is rotor only, for hub only use E-8396
 186 - 10 Stud

41 - Aluminum piston
 45 - R44141382 is a hub & rotor, for rotor only use R44141193
 187 - 6 Stud, 6.443" Hub

MERITOR DRUM OR ROTOR NO.	CALIPER OR CYLINDER BORE SIZE	MERITOR CALIPER OR WHEEL CYLINDER (LEFT)	MERITOR CALIPER OR WHEEL CYLINDER (RIGHT)	MERITOR CALIPER OR WHEEL CYLINDER REPAIR KIT	MERITOR CALIPER PISTON	MERITOR MASTER CYLINDER	MERITOR MASTER CYLINDER KIT	MERITOR BRAKE HOSE (LEFT)	MERITOR BRAKE HOSE (RIGHT)
FORD(Cont.)									
B600 SERIES: SCHOOL BUS(Cont.)									
23-122691-002 ⁴²	2-7/8 "	60050145X	60050145X ³⁷	60050146	69270702 ⁴¹	-	-	R4577461	R4577461
23-122703-002 ¹⁸⁶	2-7/8 "	60050145X	60050145X ³⁷	60050146	69270702 ⁴¹	-	-	R4577461	R4577461
23-122743-002 ¹⁸⁷	2-7/8 "	60050145X	60050145X ³⁷	60050146	69270702 ⁴¹	-	-	R4577461	R4577461
23-122700-002 ⁹	2-1/2 "	R424244X	R424244X ³⁷	60050266	69270757 ⁴¹	-	-	R4577461	R4577461
N/A	1-5/8 "	201181	201182	SP7895S	NR	-	-	N/A	N/A
N/A	1-5/8 "	201185	201186 ³²⁹	SP7895S	NR	-	-	N/A	N/A
N/A	1-5/8 "	201185	201186 ³²⁹	SP7895S	NR	-	-	N/A	N/A
N/A	1-3/4 "	201179X	201180X	SP7873S	SP7880S ²⁰⁴	-	-	N/A	N/A
N/A	1-5/8 "	201181	201182	SP7895S	NR	-	-	N/A	N/A
N/A	1-3/4 "	201183X	201184X ³²⁹	SP7873S	NR	-	-	N/A	N/A
23-122700-002 ⁹	2-1/2 "	R424244X	R424244X ³⁷	60050266	69270757 ⁴¹	-	-	R4577461	R4577461
N/A	1-5/8 "	201185	201186 ³²⁹	SP7895S	NR	-	-	N/A	N/A
N/A	1-5/8 "	201181	201182	SP7895S	NR	-	-	N/A	N/A
N/A	1-3/4 "	201179X	201180X	SP7873S	SP7880S ²⁰⁴	-	-	N/A	N/A
N/A	1-3/4 "	201183X	201184X ³²⁹	SP7873S	NR	-	-	N/A	N/A
N/A	1-5/8 "	201185	201186 ³²⁹	SP7895S	NR	-	-	N/A	N/A
N/A	1-5/8 "	201181	201182	SP7895S	NR	-	-	N/A	N/A
N/A	1-1/2 "	R4033607	R4033607	R4166818	NR	-	-	-	-
23-122700-002 ⁹	2-1/2 "	R424244X	R424244X ³⁷	60050266	69270757 ⁴¹	-	-	R4577461	R4577461
N/A	1-5/8 "	201185	201186 ³²⁹	SP7895S	NR	-	-	N/A	N/A
N/A	1-5/8 "	201181	201182	SP7895S	NR	-	-	N/A	N/A
N/A	1-5/8 "	201185	201186 ³²⁹	SP7895S	NR	-	-	N/A	N/A
N/A	1-3/4 "	201183X	201184X ³²⁹	SP7873S	NR	-	-	N/A	N/A
N/A	1-3/4 "	201179X	201180X	SP7873S	SP7880S ²⁰⁴	-	-	N/A	N/A
N/A	1-5/8 "	201181	201182	SP7895S	NR	-	-	N/A	N/A
N/A	1-1/2 "	R4033607	R4033607	R4166818	NR	-	-	-	-
B700 SERIES: SCHOOL BUS									
23-122700-002 ⁹	2-1/2 "	R424244X	R424244X ³⁷	60050266	69270757 ⁴¹	-	-	R4577461	R4577461
23-122703-002 ¹⁸⁶	2-7/8 "	60050145X	60050145X ³⁷	60050146	69270702 ⁴¹	-	-	R4577461	R4577461
23-122691-002 ⁴²	2-7/8 "	60050145X	60050145X ³⁷	60050146	69270702 ⁴¹	-	-	R4577461	R4577461
23-122743-002 ¹⁸⁷	2-7/8 "	60050145X	60050145X ⁴⁶	60050146	69270702 ⁴¹	-	-	R4577461	R4577461
N/A	1-5/8 "	201185	201186 ³²⁹	SP7895S	NR	-	-	R4577870	R4577870
N/A	1-5/8 "	201181	201182	SP7895S	NR	-	-	R4577870	R4577870
N/A	1-5/8 "	201181	201182	SP7895S	NR	-	-	R4577870	R4577870
N/A	1-3/4 "	201183X	201184X ³²⁹	SP7873S	NR	-	-	R4577870	R4577870
N/A	1-5/8 "	201185	201186 ³²⁹	SP7895S	NR	-	-	R4577870	R4577870
N/A	1-3/4 "	201179X	201180X	SP7873S	SP7880S ²⁰⁴	-	-	R4577870	R4577870
23-122700-002 ⁹	2-1/2 "	R424244X	R424244X ³⁷	60050266	69270757 ⁴¹	-	-	R4577461	R4577461
23-122743-002 ¹⁸⁷	2-7/8 "	60050145X	60050145X ⁴⁵	60050146	69270702 ⁴¹	-	-	R4577461	R4577461
23-122703-002 ¹⁸⁶	2-7/8 "	60050145X	60050145X ³⁷	60050146	69270702 ⁴¹	-	-	R4577461	R4577461
23-122691-002 ⁴²	2-7/8 "	60050145X	60050145X ³⁷	60050146	69270702 ⁴¹	-	-	R4577461	R4577461
N/A	1-5/8 "	201181	201182	SP7895S	NR	-	-	R4577870	R4577870
N/A	1-5/8 "	201185	201186 ³²⁹	SP7895S	NR	-	-	R4577870	R4577870
N/A	1-5/8 "	201181	201182	SP7895S	NR	-	-	R4577870	R4577870
N/A	1-5/8 "	201185	201186 ³²⁹	SP7895S	NR	-	-	R4577870	R4577870
N/A	1-3/4 "	201183X	201184X ³²⁹	SP7873S	NR	-	-	R4577870	R4577870
N/A	1-3/4 "	201179X	201180X	SP7873S	SP7880S ²⁰⁴	-	-	R4577870	R4577870
23-122743-002 ¹⁸⁷	2-7/8 "	60050145X	60050145X ⁴⁴	60050146	69270702 ⁴¹	-	-	R4577461	R4577461
23-122691-002 ⁴²	2-7/8 "	60050145X	60050145X ³⁷	60050146	69270702 ⁴¹	-	-	R4577461	R4577461
23-122703-002 ¹⁸⁶	2-7/8 "	60050145X	60050145X ³⁷	60050146	69270702 ⁴¹	-	-	R4577461	R4577461
23-122700-002 ⁹	2-1/2 "	R424244X	R424244X ³⁷	60050266	69270757 ⁴¹	-	-	R4577461	R4577461
N/A	1-5/8 "	201181	201182	SP7895S	NR	-	-	R4577870	R4577870
N/A	1-5/8 "	201185	201186 ³²⁹	SP7895S	NR	-	-	R4577870	R4577870
N/A	1-5/8 "	201181	201182	SP7895S	NR	-	-	R4577870	R4577870
N/A	1-5/8 "	201185	201186 ³²⁹	SP7895S	NR	-	-	R4577870	R4577870
N/A	1-3/4 "	201179X	201180X	SP7873S	SP7880S ²⁰⁴	-	-	R4577870	R4577870
N/A	1-3/4 "	201183X	201184X ³²⁹	SP7873S	NR	-	-	R4577870	R4577870
23-122691-002 ⁴²	2-7/8 "	60050145X	60050145X ³⁷	60050146	69270702 ⁴¹	-	-	R4577461	R4577461

204 - Right Hand: use E-4057 for Left Hand Expander Kits
 341 - Use 69160445 for Disc Pad Retainer Clip

329 - Forward

340 - Use 69160457 for Disc Pad Retainer Clip

MAKE MODEL YEAR AXLE CODE AXLE WEIGHT	AXLE & BRK. TYPE	BRK. MFG.	BRAKE SIZE	FMSI	MERITOR DISC PAD OR BRAKE SHOE	MERITOR GUIDE PIN OR RETURN SPRING KIT	MERITOR CALIPER HWD. KIT OR RETURN SPRING KIT	MERITOR ADJUSTER KIT (LEFT WHEEL)	MERITOR ADJUSTER KIT (RIGHT WHEEL)
FORD(Cont.)									
B700 SERIES: SCHOOL BUS(Cont.)									
1992	Fd	DN		7141 - D224	MD224 ³⁴⁰	69310693	60050153	NR	NR
	Fd	DN		7149 - D236	MD236 ³⁴¹	69310693	69310782	NR	NR
	Fd	DN		7149 - D236	MD236 ³⁴¹	69310693	69310782	NR	NR
	Ra	LG	15" x 5"	4528A - 542	N/A	R40H618	NR	SP7888S	SP7888S
	Ra	LG	15" x 5"	4528A - 548	R40H130	R40H618	NR	NR	NR
	Ra	LG	15" x 6"	4504A - 543	N/A	R40H618	NR	NR	NR
	Ra	LG	15" x 6"	4504A - 543	N/A	R40H618	NR	SP7888S	SP7888S
	Ra	LG	15" x 6"	4504A - 543	N/A	R40H618	NR	SP7887S	SP7887S
	Ra	LG	15" x 6"	4504A - 543	N/A	R40H618	NR	NR	NR
	Ra	LG	15" x 6"	4504A - 543	N/A	R40H618	NR	NR	NR
1991	Fd	DN		7149 - D236	MD236 ³⁴¹	69310693	69310782	NR	NR
	Fd	DN		7149 - D236	MD236 ³⁴¹	69310693	69310782	NR	NR
	Fd	DN		7149 - D236	MD236 ³⁴¹	69310693	69310782	NR	NR
	Fd	DN		7141 - D224	MD224 ³⁴⁰	69310693	60050153	NR	NR
	Ra	LG	15" x 5"	4528A - 547	R40H550	R40H618	NR	NR	NR
	Ra	LG	15" x 5"	4528A - 542	N/A	R40H618	NR	SP7888S	SP7888S
	Ra	LG	15" x 6"	4504A - 543	N/A	R40H618	NR	SP7887S	SP7887S
	Ra	LG	15" x 6"	4504A - 543	N/A	R40H618	NR	NR	NR
	Ra	LG	15" x 6"	4504A - 543	N/A	R40H618	NR	NR	NR
	Ra	LG	15" x 6"	4504A - 543	N/A	R40H618	NR	SP7888S	SP7888S
1990	Fd	DN		7149 - D236	MD236 ³⁴¹	69310693	69310782	NR	NR
	Fd	DN		7149 - D236	MD236 ³⁴¹	69310693	69310782	NR	NR
	Fd	DN		7149 - D236	MD236 ³⁴¹	69310693	69310782	NR	NR
	Fd	DN		7141 - D224	MD224 ³⁴⁰	69310693	60050153	NR	NR
	Ra	LG	15" x 5"	4528A - 546	R40H521	R40H618	NR	NR	NR
	Ra	LG	15" x 5"	4528A - 542	N/A	R40H618	NR	SP7888S	SP7888S
	Ra	LG	15" x 6"	4504A - 543	N/A	R40H618	NR	NR	NR
	Ra	LG	15" x 6"	4504A - 543	N/A	R40H618	NR	SP7888S	SP7888S
	Ra	LG	15" x 6"	4504A - 543	N/A	R40H618	NR	NR	NR
	Ra	LG	15" x 6"	4504A - 543	N/A	R40H618	NR	SP7887S	SP7887S
1989	Fd	DN		7149 - D236	MD236 ³⁴¹	69310693	69310782 ⁴³	NR	NR
	Fd	DN		7149 - D236	MD236 ³⁴¹	69310693	69310782 ⁴³	NR	NR
	Fd	DN		7149 - D236	MD236 ³⁴¹	69310693	69310782 ⁴³	NR	NR
	Fd	DN		7141 - D224	MD224 ³⁴⁰	69310693	60050153	NR	NR
	Ra	LG	15" x 5"	4528A - 545	R40H500	R40H618	NR	NR	NR
	Ra	LG	15" x 5"	4528A - 542	N/A	R40H618	NR	SP7888S	SP7888S
	Ra	LG	15" x 6"	4504A - 543	N/A	R40H618	NR	SP7888S	SP7888S
	Ra	LG	15" x 6"	4504A - 543	N/A	R40H618	NR	NR	NR
	Ra	LG	15" x 6"	4504A - 543	N/A	R40H618	NR	SP7887S	SP7887S
	Ra	LG	15" x 6"	4504A - 543	N/A	R40H618	NR	NR	NR
1988	Fd	DN		7141 - D224	MD224 ³⁴⁰	69310693	60050153	NR	NR
	Fd	DN		7149 - D236	MD236 ³⁴¹	69310693	69310782 ⁴³	NR	NR
	Fd	DN		7149 - D236	MD236 ³⁴¹	69310693	69310782 ⁴³	NR	NR
	Fd	DN		7149 - D236	MD236 ³⁴¹	69310693	69310782 ⁴³	NR	NR
	Ra	LG	15" x 5"	4528A - 542	N/A	R40H618	NR	SP7888S	SP7888S
	Ra	LG	15" x 5"	4528A - 544	N/A	R40H618	NR	NR	NR
	Ra	LG	15" x 6"	4504A - 543	N/A	R40H618	NR	NR	NR
	Ra	LG	15" x 6"	4504A - 543	N/A	R40H618	NR	SP7887S	SP7887S
	Ra	LG	15" x 6"	4504A - 543	N/A	R40H618	NR	NR	NR
	Ra	LG	15" x 6"	4504A - 543	N/A	R40H618	NR	SP7888S	SP7888S
1987	Fd	DN		7149 - D236	MD236 ³⁴¹	69310693	69310782 ⁴³	NR	NR
	Fd	DN		7141 - D224	MD224 ³⁴⁰	69310693	60050153	NR	NR
	Fd	DN		7149 - D236	MD236 ³⁴¹	69310693	69310782 ⁴³	NR	NR
	Fd	DN		7149 - D236	MD236 ³⁴¹	69310693	69310782 ⁴³	NR	NR
	Ra	LG	15" x 5"	4528A - 542	N/A	R40H618	NR	SP7888S	SP7888S
	Ra	LG	15" x 6"	4504A - 543	N/A	R40H618	NR	SP7888S	SP7888S
	Ra	LG	15" x 6"	4504A - 543	N/A	R40H618	NR	NR	NR
	Ra	LG	15" x 6"	4504A - 543	N/A	R40H618	NR	NR	NR
	Ra	LG	15" x 6"	4504A - 543	N/A	R40H618	NR	SP7887S	SP7887S
	Ra	LG	15" x 6"	4504A - 543	N/A	R40H618	NR	NR	NR

9 - 6 Stud, Dayton Rotor, Hat Style
 39 - First design, uses steel pistons.
 42 - 6 Stud, Dayton Rotor, "U" Style
 www.XpresswayPlus.com

37 - Also available as a New unit
 40 - For chrome plated steel version, use R4090070P
 43 - For Applications Taking A Longer Shim, Use R404151706

38 - First design, may have external joining tube and uses steel pistons
 41 - Aluminum piston
 186 - 10 Stud

MERITOR DRUM OR ROTOR NO.	CALIPER OR CYLINDER BORE SIZE	MERITOR CALIPER OR WHEEL CYLINDER (LEFT)	MERITOR CALIPER OR WHEEL CYLINDER (RIGHT)	MERITOR CALIPER OR WHEEL CYLINDER REPAIR KIT	MERITOR CALIPER PISTON	MERITOR MASTER CYLINDER	MERITOR MASTER CYLINDER KIT	MERITOR BRAKE HOSE (LEFT)	MERITOR BRAKE HOSE (RIGHT)
FORD(Cont.)									
B700 SERIES: SCHOOL BUS(Cont.)									
23-122700-002 ⁹	2-1/2 "	R424244X	R424244X ³⁷	60050266	69270757 ⁴¹	-	-	R4577461	R4577461
23-122743-002 ¹⁸⁷	2-7/8 "	60050145X	60050145X ⁴³	60050146	69270702 ⁴¹	-	-	R4577461	R4577461
23-122703-002 ¹⁸⁶	2-7/8 "	60050145X	60050145X ³⁷	60050146	69270702 ⁴¹	-	-	R4577461	R4577461
N/A	1-5/8 "	201185	201186 ³²⁹	SP7895S	NR	-	-	R4577870	R4577870
N/A	1-5/8 "	201181	201182	SP7895S	NR	-	-	R4577870	R4577870
N/A	1-3/4 "	201179X	201180X	SP7873S	SP7880S ²⁰⁴	-	-	R4577870	R4577870
N/A	1-5/8 "	201185	201186 ³²⁹	SP7895S	NR	-	-	R4577870	R4577870
N/A	1-3/4 "	201183X	201184X ³²⁹	SP7873S	NR	-	-	R4577870	R4577870
N/A	1-5/8 "	201181	201182	SP7895S	NR	-	-	R4577870	R4577870
23-122743-002 ¹⁸⁷	2-7/8 "	60050145X	60050145X ⁴²	60050146	69270702 ⁴¹	-	-	R4577461	R4577461
23-122703-002 ¹⁸⁶	2-7/8 "	60050145X	60050145X ³⁷	60050146	69270702 ⁴¹	-	-	R4577461	R4577461
23-122691-002 ⁴²	2-7/8 "	60050145X	60050145X ³⁷	60050146	69270702 ⁴¹	-	-	R4577461	R4577461
23-122700-002 ⁹	2-1/2 "	R424244X	R424244X ³⁷	60050266	69270757 ⁴¹	-	-	R4577461	R4577461
N/A	1-5/8 "	201181	201182	SP7895S	NR	-	-	R4577870	R4577870
N/A	1-5/8 "	201185	201186 ³²⁹	SP7895S	NR	-	-	R4577870	R4577870
N/A	1-3/4 "	201183X	201184X ³²⁹	SP7873S	NR	-	-	R4577870	R4577870
N/A	1-3/4 "	201179X	201180X	SP7873S	SP7880S ²⁰⁴	-	-	R4577870	R4577870
N/A	1-5/8 "	201181	201182	SP7895S	NR	-	-	R4577870	R4577870
N/A	1-5/8 "	201185	201186 ³²⁹	SP7895S	NR	-	-	R4577870	R4577870
23-122691-002 ⁴²	2-7/8 "	60050145X	60050145X ³⁷	60050146	69270702 ⁴¹	-	-	R4577461	R4577461
23-122743-002 ¹⁸⁷	2-7/8 "	60050145X	60050145X ⁴¹	60050146	69270702 ⁴¹	-	-	R4577461	R4577461
23-122703-002 ¹⁸⁶	2-7/8 "	60050145X	60050145X ³⁷	60050146	69270702 ⁴¹	-	-	R4577461	R4577461
23-122700-002 ⁹	2-1/2 "	R424244X	R424244X ³⁷	60050266	69270757 ⁴¹	-	-	R4577461	R4577461
N/A	1-5/8 "	201181	201182	SP7895S	NR	-	-	R4577870	R4577870
N/A	1-5/8 "	201185	201186 ³²⁹	SP7895S	NR	-	-	R4577870	R4577870
N/A	1-5/8 "	201181	201182	SP7895S	NR	-	-	R4577870	R4577870
N/A	1-5/8 "	201185	201186 ³²⁹	SP7895S	NR	-	-	R4577870	R4577870
N/A	1-3/4 "	201179X	201180X	SP7873S	SP7880S ²⁰⁴	-	-	R4577870	R4577870
N/A	1-3/4 "	201183X	201184X ³²⁹	SP7873S	NR	-	-	R4577870	R4577870
23-122743-002 ¹⁸⁷	2-7/8 "	60050145X	60050145X ⁴⁰	60050146	69270702 ⁴¹	-	-	R4577461	R4577461
23-122691-002 ⁴²	2-7/8 "	60050145X	60050145X ³⁷	60050146	69270702 ⁴¹	-	-	R4577461	R4577461
23-122703-002 ¹⁸⁶	2-7/8 "	60050145X	60050145X ³⁷	60050146	69270702 ⁴¹	-	-	R4577461	R4577461
23-122700-002 ⁹	2-1/2 "	R424244X	R424244X ³⁷	60050266	69270757 ⁴¹	-	-	R4577461	R4577461
N/A	1-5/8 "	201181	201182	SP7895S	NR	-	-	N/A	N/A
N/A	1-5/8 "	201185	201186 ³²⁹	SP7895S	NR	-	-	N/A	N/A
N/A	1-5/8 "	201185	201186 ³²⁹	SP7895S	NR	-	-	N/A	N/A
N/A	1-5/8 "	201181	201182	SP7895S	NR	-	-	N/A	N/A
N/A	1-3/4 "	201183X	201184X ³²⁹	SP7873S	NR	-	-	N/A	N/A
N/A	1-3/4 "	201179X	201180X	SP7873S	SP7880S ²⁰⁴	-	-	N/A	N/A
23-122700-002 ⁹	2-1/2 "	R424244X	R424244X ³⁷	60050266	69270757 ⁴¹	-	-	R4577461	R4577461
23-122691-002 ⁴²	2-7/8 "	60050145X	60050145X ³⁷	60050146	69270702 ⁴¹	-	-	R4577461	R4577461
23-122743-002 ¹⁸⁷	2-7/8 "	60050145X	60050145X ³⁹	60050146	69270702 ⁴¹	-	-	R4577461	R4577461
23-122703-002 ¹⁸⁶	2-7/8 "	60050145X	60050145X ³⁷	60050146	69270702 ⁴¹	-	-	R4577461	R4577461
N/A	1-5/8 "	201185	201186 ³²⁹	SP7895S	NR	-	-	N/A	N/A
N/A	1-5/8 "	201181	201182	SP7895S	NR	-	-	N/A	N/A
N/A	1-3/4 "	201179X	201180X	SP7873S	SP7880S ²⁰⁴	-	-	N/A	N/A
N/A	1-3/4 "	201183X	201184X ³²⁹	SP7873S	NR	-	-	N/A	N/A
N/A	1-5/8 "	201181	201182	SP7895S	NR	-	-	N/A	N/A
N/A	1-5/8 "	201185	201186 ³²⁹	SP7895S	NR	-	-	N/A	N/A
23-122703-002 ¹⁸⁶	2-7/8 "	60050145X	60050145X ³⁷	60050146	69270702 ⁴¹	-	-	R4577461	R4577461
23-122700-002 ⁹	2-1/2 "	R424244X	R424244X ³⁷	60050266	69270757 ⁴¹	-	-	R4577461	R4577461
23-122691-002 ⁴²	2-7/8 "	60050145X	60050145X ³⁷	60050146	69270702 ⁴¹	-	-	R4577461	R4577461
23-122743-002 ¹⁸⁷	2-7/8 "	60050145X	60050145X ³⁸	60050146	69270702 ⁴¹	-	-	R4577461	R4577461
N/A	1-5/8 "	201185	201186 ³²⁹	SP7895S	NR	-	-	N/A	N/A
N/A	1-5/8 "	201185	201186 ³²⁹	SP7895S	NR	-	-	N/A	N/A
N/A	1-5/8 "	201181	201182	SP7895S	NR	-	-	N/A	N/A
N/A	1-3/4 "	201179X	201180X	SP7873S	SP7880S ²⁰⁴	-	-	N/A	N/A
N/A	1-3/4 "	201183X	201184X ³²⁹	SP7873S	NR	-	-	N/A	N/A
N/A	1-5/8 "	201181	201182	SP7895S	NR	-	-	N/A	N/A

1 APPLICATION

187 - 6 Stud, 6.443" Hub
340 - Use 69160457 for Disc Pad Retainer Clip

204 - Right Hand; use E-4057 for Left Hand Expander Kits
341 - Use 69160445 for Disc Pad Retainer Clip

329 - Forward

MAKE MODEL YEAR AXLE CODE AXLE WEIGHT	AXLE & BRK. TYPE	BRK. MFG.	BRAKE SIZE	FMSI	MERITOR DISC PAD OR BRAKE SHOE	MERITOR GUIDE PIN OR RETURN SPRING KIT	MERITOR CALIPER HWD. KIT OR RETURN SPRING KIT	MERITOR ADJUSTER KIT (LEFT WHEEL)	MERITOR ADJUSTER KIT (RIGHT WHEEL)
FORD(Cont.)									
B700 SERIES: SCHOOL BUS(Cont.)									
1986	Fd	DN		7149 - D236	MD236 ³⁴¹	69310693	69310782	NR	NR
	Fd	DN		7141 - D224	MD224 ³⁴⁰	69310693	60050153	NR	NR
	Fd	DN		7149 - D236	MD236 ³⁴¹	69310693	69310782	NR	NR
	Fd	DN		7149 - D236	MD236 ³⁴¹	69310693	69310782	NR	NR
	Ra	LG	15" x 5"	4528A - 542	N/A	R40H618	NR	SP7888S	SP7888S
	Ra	LG	15" x 5"	4528A - 542	N/A	R40H618	NR	NR	NR
	Ra	LG	15" x 6"	4504A - 543	N/A	R40H618	NR	NR	NR
	Ra	LG	15" x 6"	4504A - 543	N/A	R40H618	NR	SP7887S	SP7887S
	Ra	LG	15" x 6"	4504A - 543	N/A	R40H618	NR	SP7888S	SP7888S
	Ra	LG	15" x 6"	4504A - 543	N/A	R40H618	NR	NR	NR
1985	Fd	DN		7141 - D224	MD224 ³⁴⁰	69310693	60050153	NR	NR
	Ra	LG	15" x 5"	4528A - 542	N/A	R40H618	NR	NR	NR
	Ra	LG	15" x 5"	4528A - 542	N/A	R40H618	NR	SP7888S	SP7888S
	Ra	LG	15" x 6"	4504A - 543	N/A	R40H618	NR	SP7887S	SP7887S
	Ra	LG	15" x 6"	4504A - 543	N/A	R40H618	NR	NR	NR
	Ra	LG	15" x 6"	4504A - 543	N/A	R40H618	NR	SP7888S	SP7888S
	Ra	LG	15" x 6"	4504A - 543	N/A	R40H618	NR	NR	NR
R130	Ra	KH	15" x 4"	4647 - 401	R700401	R40H595	R40H9220	R40H3538	R40H3539
1984	Fd	DN		7141 - D224	MD224 ³⁴⁰	69310693	60050153	NR	NR
	Ra	LG	15" x 5"	4528A - 542	N/A	R40H618	NR	NR	NR
	Ra	LG	15" x 5"	4528A - 542	N/A	R40H618	NR	SP7888S	SP7888S
	Ra	LG	15" x 6"	4504A - 543	N/A	R40H618	NR	SP7887S	SP7887S
	Ra	LG	15" x 6"	4504A - 543	N/A	R40H618	NR	SP7888S	SP7888S
	Ra	LG	15" x 6"	4504A - 543	N/A	R40H618	NR	NR	NR
	Ra	LG	15" x 6"	4504A - 543	N/A	R40H618	NR	NR	NR
R130	Ra	KH	15" x 4"	4647 - 401	R700401	R40H595	R40H9220	R40H3538	R40H3539
B800 SERIES: SCHOOL BUS									
1998	Fd	DN		7149 - D236	MD236 ³⁴¹	69310693	69310782	NR	NR
	Fd	DN		7149 - D236	MD236 ³⁴¹	69310693	69310782	NR	NR
	Fd	DN		7149 - D236	MD236 ³⁴¹	69310693	69310782	NR	NR
	Fd	DN		7141 - D224	MD224 ³⁴⁰	69310693	60050153	NR	NR
	Ra	LG	15" x 5"	4528A - 551	R40H597	R40H618	NR	NR	NR
	Ra	LG	15" x 5"	4528A - 542	N/A	R40H618	NR	SP7888S	SP7888S
	Ra	LG	15" x 6"	4504A - 543	N/A	R40H618	NR	SP7887S	SP7887S
	Ra	LG	15" x 6"	4504A - 543	N/A	R40H618	NR	SP7888S	SP7888S
	Ra	LG	15" x 6"	4504A - 543	N/A	R40H618	NR	NR	NR
	Ra	LG	15" x 6"	4504A - 543	N/A	R40H618	NR	NR	NR
1997	Fd	DN		7149 - D236	MD236 ³⁴¹	69310693	69310782	NR	NR
	Fd	DN		7141 - D224	MD224 ³⁴⁰	69310693	60050153	NR	NR
	Fd	DN		7149 - D236	MD236 ³⁴¹	69310693	69310782	NR	NR
	Fd	DN		7149 - D236	MD236 ³⁴¹	69310693	69310782	NR	NR
	Ra	LG	15" x 5"	4528A - 551	R40H597	R40H618	NR	NR	NR
	Ra	LG	15" x 5"	4528A - 542	N/A	R40H618	NR	SP7888S	SP7888S
	Ra	LG	15" x 6"	4504A - 543	N/A	R40H618	NR	SP7888S	SP7888S
	Ra	LG	15" x 6"	4504A - 543	N/A	R40H618	NR	NR	NR
	Ra	LG	15" x 6"	4504A - 543	N/A	R40H618	NR	SP7887S	SP7887S
	Ra	LG	15" x 6"	4504A - 543	N/A	R40H618	NR	NR	NR
1996	Fd	DN		7149 - D236	MD236 ³⁴¹	69310693	69310782	NR	NR
	Fd	DN		7141 - D224	MD224 ³⁴⁰	69310693	60050153	NR	NR
	Fd	DN		7149 - D236	MD236 ³⁴¹	69310693	69310782	NR	NR
	Fd	DN		7149 - D236	MD236 ³⁴¹	69310693	69310782	NR	NR
	Ra	LG	15" x 5"	4528A - 551	R40H597	R40H618	NR	NR	NR
	Ra	LG	15" x 5"	4528A - 542	N/A	R40H618	NR	SP7888S	SP7888S
	Ra	LG	15" x 6"	4504A - 543	N/A	R40H618	NR	SP7888S	SP7888S
	Ra	LG	15" x 6"	4504A - 543	N/A	R40H618	NR	NR	NR
1995	Fd	DN		7149 - D236	MD236 ³⁴¹	69310693	69310782	NR	NR

9 - 6 Stud, Dayton Rotor, Hat Style
 42 - 6 Stud, Dayton Rotor, "U" Style
 187 - 6 Stud, 6.443" Hub
 www.XpresswayPlus.com

37 - Also available as a New unit
 46 - R417086 Has 15/16" Bore Size
 204 - Right Hand: use E-4057 for Left Hand Expander Kits

41 - Aluminum piston
 186 - 10 Stud
 329 - Forward

MERITOR DRUM OR ROTOR NO.	CALIPER OR CYLINDER BORE SIZE	MERITOR CALIPER OR WHEEL CYLINDER (LEFT)	MERITOR CALIPER OR WHEEL CYLINDER (RIGHT)	MERITOR CALIPER OR WHEEL CYLINDER REPAIR KIT	MERITOR CALIPER PISTON	MERITOR MASTER CYLINDER	MERITOR MASTER CYLINDER KIT	MERITOR BRAKE HOSE (LEFT)	MERITOR BRAKE HOSE (RIGHT)
FORD(Cont.)									
B700 SERIES: SCHOOL BUS(Cont.)									
23-122703-002 ¹⁸⁶	2-7/8 "	60050145X	60050145X ³⁷	60050146	69270702 ⁴¹	-	-	R4577461	R4577461
23-122700-002 ⁹	2-1/2 "	R424244X	R424244X ³⁷	60050266	69270757 ⁴¹	-	-	R4577461	R4577461
23-122691-002 ⁴²	2-7/8 "	60050145X	60050145X ³⁷	60050146	69270702 ⁴¹	-	-	R4577461	R4577461
23-122743-002 ¹⁸⁷	2-7/8 "	60050145X	60050145X ³⁷	60050146	69270702 ⁴¹	-	-	R4577461	R4577461
N/A	1-5/8 "	201185	201186 ³²⁹	SP7895S	NR	-	-	N/A	N/A
N/A	1-5/8 "	201181	201182	SP7895S	NR	-	-	N/A	N/A
N/A	1-5/8 "	201181	201182	SP7895S	NR	-	-	N/A	N/A
N/A	1-3/4 "	201183X	201184X ³²⁹	SP7873S	NR	-	-	N/A	N/A
N/A	1-5/8 "	201185	201186 ³²⁹	SP7895S	NR	-	-	N/A	N/A
N/A	1-3/4 "	201179X	201180X	SP7873S	SP7880S ²⁰⁴	-	-	N/A	N/A
23-122700-002 ⁹	2-1/2 "	R424244X	R424244X ³⁷	60050266	69270757 ⁴¹	-	-	R4577461	R4577461
N/A	1-5/8 "	201181	201182	SP7895S	NR	-	-	N/A	N/A
N/A	1-5/8 "	201185	201186 ³²⁹	SP7895S	NR	-	-	N/A	N/A
N/A	1-3/4 "	201183X	201184X ³²⁹	SP7873S	NR	-	-	N/A	N/A
N/A	1-5/8 "	201181	201182	SP7895S	NR	-	-	N/A	N/A
N/A	1-5/8 "	201185	201186 ³²⁹	SP7895S	NR	-	-	N/A	N/A
N/A	1-3/4 "	201179X	201180X	SP7873S	SP7880S ²⁰⁴	-	-	N/A	N/A
N/A	1-1/2 "	R4033607	R4033607	R4166818	NR	-	-	-	-
23-122700-002 ⁹	2-1/2 "	R424244X	R424244X ³⁷	60050266	69270757 ⁴¹	-	-	R4577461	R4577461
N/A	1-5/8 "	201181	201182	SP7895S	NR	-	-	N/A	N/A
N/A	1-5/8 "	201185	201186 ³²⁹	SP7895S	NR	-	-	N/A	N/A
N/A	1-3/4 "	201183X	201184X ³²⁹	SP7873S	NR	-	-	N/A	N/A
N/A	1-5/8 "	201185	201186 ³²⁹	SP7895S	NR	-	-	N/A	N/A
N/A	1-5/8 "	201181	201182	SP7895S	NR	-	-	N/A	N/A
N/A	1-3/4 "	201179X	201180X	SP7873S	SP7880S ²⁰⁴	-	-	N/A	N/A
N/A	1-1/2 "	R4033607	R4033607	R4166818	NR	-	-	-	-
B800 SERIES: SCHOOL BUS									
23-122743-002 ¹⁸⁷	2-7/8 "	60050145X	60050145X ⁴⁶	60050146	69270702 ⁴¹	-	-	R4577461	R4577461
23-122703-002 ¹⁸⁶	2-7/8 "	60050145X	60050145X ³⁷	60050146	69270702 ⁴¹	-	-	R4577461	R4577461
23-122691-002 ⁴²	2-7/8 "	60050145X	60050145X ³⁷	60050146	69270702 ⁴¹	-	-	R4577461	R4577461
23-122700-002 ⁹	2-1/2 "	R424244X	R424244X ³⁷	60050266	69270757 ⁴¹	-	-	R4577461	R4577461
N/A	1-5/8 "	201181	201182	SP7895S	NR	-	-	R4577870	R4577870
N/A	1-5/8 "	201185	201186 ³²⁹	SP7895S	NR	-	-	R4577870	R4577870
N/A	1-3/4 "	201183X	201184X ³²⁹	SP7873S	NR	-	-	R4577870	R4577870
N/A	1-5/8 "	201185	201186 ³²⁹	SP7895S	NR	-	-	R4577870	R4577870
N/A	1-5/8 "	201181	201182	SP7895S	NR	-	-	R4577870	R4577870
N/A	1-3/4 "	201179X	201180X	SP7873S	SP7880S ²⁰⁴	-	-	R4577870	R4577870
23-122691-002 ⁴²	2-7/8 "	60050145X	60050145X ³⁷	60050146	69270702 ⁴¹	-	-	R4577461	R4577461
23-122700-002 ⁹	2-1/2 "	R424244X	R424244X ³⁷	60050266	69270757 ⁴¹	-	-	R4577461	R4577461
23-122703-002 ¹⁸⁶	2-7/8 "	60050145X	60050145X ³⁷	60050146	69270702 ⁴¹	-	-	R4577461	R4577461
23-122743-002 ¹⁸⁷	2-7/8 "	60050145X	60050145X ⁴⁶	60050146	69270702 ⁴¹	-	-	R4577461	R4577461
N/A	1-5/8 "	201181	201182	SP7895S	NR	-	-	R4577870	R4577870
N/A	1-5/8 "	201185	201186 ³²⁹	SP7895S	NR	-	-	R4577870	R4577870
N/A	1-5/8 "	201185	201186 ³²⁹	SP7895S	NR	-	-	R4577870	R4577870
N/A	1-3/4 "	201179X	201180X	SP7873S	SP7880S ²⁰⁴	-	-	R4577870	R4577870
N/A	1-3/4 "	201183X	201184X ³²⁹	SP7873S	NR	-	-	R4577870	R4577870
N/A	1-5/8 "	201181	201182	SP7895S	NR	-	-	R4577870	R4577870
23-122743-002 ¹⁸⁷	2-7/8 "	60050145X	60050145X ⁴⁶	60050146	69270702 ⁴¹	-	-	R4577461	R4577461
23-122700-002 ⁹	2-1/2 "	R424244X	R424244X ³⁷	60050266	69270757 ⁴¹	-	-	R4577461	R4577461
23-122691-002 ⁴²	2-7/8 "	60050145X	60050145X ³⁷	60050146	69270702 ⁴¹	-	-	R4577461	R4577461
23-122703-002 ¹⁸⁶	2-7/8 "	60050145X	60050145X ³⁷	60050146	69270702 ⁴¹	-	-	R4577461	R4577461
N/A	1-5/8 "	201181	201182	SP7895S	NR	-	-	R4577870	R4577870
N/A	1-5/8 "	201185	201186 ³²⁹	SP7895S	NR	-	-	R4577870	R4577870
N/A	1-5/8 "	201185	201186 ³²⁹	SP7895S	NR	-	-	R4577870	R4577870
N/A	1-5/8 "	201181	201182	SP7895S	NR	-	-	R4577870	R4577870
N/A	1-3/4 "	201179X	201180X	SP7873S	SP7880S ²⁰⁴	-	-	R4577870	R4577870
N/A	1-3/4 "	201183X	201184X ³²⁹	SP7873S	NR	-	-	R4577870	R4577870
23-122691-002 ⁴²	2-7/8 "	60050145X	60050145X ³⁷	60050146	69270702 ⁴¹	-	-	R4577461	R4577461

340 - Use 69160457 for Disc Pad Retainer Clip

341 - Use 69160445 for Disc Pad Retainer Clip

MAKE MODEL YEAR AXLE CODE AXLE WEIGHT	AXLE & BRK. TYPE	BRK. MFG.	BRAKE SIZE	FMSI	MERITOR DISC PAD OR BRAKE SHOE	MERITOR GUIDE PIN OR RETURN SPRING KIT	MERITOR CALIPER HWD. KIT OR RETURN SPRING KIT	MERITOR ADJUSTER KIT (LEFT WHEEL)	MERITOR ADJUSTER KIT (RIGHT WHEEL)
FORD(Cont.)									
B800 SERIES: SCHOOL BUS(Cont.)									
1995	Fd	DN		7149 - D236	MD236 ³⁴¹	69310693	69310782	NR	NR
	Fd	DN		7149 - D236	MD236 ³⁴¹	69310693	69310782	NR	NR
	Fd	DN		7141 - D224	MD224 ³⁴⁰	69310693	60050153	NR	NR
	Ra	LG	15" x 5"	4528A - 551	R40H597	R40H618	NR	NR	NR
	Ra	LG	15" x 5"	4528A - 542	N/A	R40H618	NR	SP7888S	SP7888S
	Ra	LG	15" x 6"	4504A - 543	N/A	R40H618	NR	NR	NR
	Ra	LG	15" x 6"	4504A - 543	N/A	R40H618	NR	SP7888S	SP7888S
	Ra	LG	15" x 6"	4504A - 543	N/A	R40H618	NR	NR	NR
	Ra	LG	15" x 6"	4504A - 543	N/A	R40H618	NR	SP7887S	SP7887S
	Ra	LG	15" x 6"	4504A - 543	N/A	R40H618	NR	SP7887S	SP7887S
1994	Fd	DN		7149 - D236	MD236 ³⁴¹	69310693	69310782	NR	NR
	Fd	DN		7141 - D224	MD224 ³⁴⁰	69310693	60050153	NR	NR
	Fd	DN		7149 - D236	MD236 ³⁴¹	69310693	69310782	NR	NR
	Fd	DN		7149 - D236	MD236 ³⁴¹	69310693	69310782	NR	NR
	Ra	LG	15" x 5"	4528A - 550	R40H140	R40H618	NR	NR	NR
	Ra	LG	15" x 5"	4528A - 542	N/A	R40H618	NR	SP7888S	SP7888S
	Ra	LG	15" x 6"	4504A - 543	N/A	R40H618	NR	SP7888S	SP7888S
	Ra	LG	15" x 6"	4504A - 543	N/A	R40H618	NR	NR	NR
	Ra	LG	15" x 6"	4504A - 543	N/A	R40H618	NR	SP7887S	SP7887S
	Ra	LG	15" x 6"	4504A - 543	N/A	R40H618	NR	NR	NR
1993	Fd	DN		7149 - D236	MD236 ³⁴¹	69310693	69310782	NR	NR
	Fd	DN		7141 - D224	MD224 ³⁴⁰	69310693	60050153	NR	NR
	Fd	DN		7149 - D236	MD236 ³⁴¹	69310693	69310782	NR	NR
	Fd	DN		7149 - D236	MD236 ³⁴¹	69310693	69310782	NR	NR
	Ra	LG	15" x 5"	4528A - 549	R40H599	R40H618	NR	NR	NR
	Ra	LG	15" x 5"	4528A - 542	N/A	R40H618	NR	SP7888S	SP7888S
	Ra	LG	15" x 6"	4504A - 543	N/A	R40H618	NR	NR	NR
	Ra	LG	15" x 6"	4504A - 543	N/A	R40H618	NR	SP7888S	SP7888S
	Ra	LG	15" x 6"	4504A - 543	N/A	R40H618	NR	NR	NR
	Ra	LG	15" x 6"	4504A - 543	N/A	R40H618	NR	SP7887S	SP7887S
1992	Fd	DN		7141 - D224	MD224 ³⁴⁰	69310693	60050153	NR	NR
	Fd	DN		7149 - D236	MD236 ³⁴¹	69310693	69310782	NR	NR
	Fd	DN		7149 - D236	MD236 ³⁴¹	69310693	69310782	NR	NR
	Fd	DN		7149 - D236	MD236 ³⁴¹	69310693	69310782	NR	NR
	Ra	LG	15" x 5"	4528A - 548	R40H130	R40H618	NR	NR	NR
	Ra	LG	15" x 5"	4528A - 542	N/A	R40H618	NR	SP7888S	SP7888S
	Ra	LG	15" x 6"	4504A - 543	N/A	R40H618	NR	NR	NR
	Ra	LG	15" x 6"	4504A - 543	N/A	R40H618	NR	SP7888S	SP7888S
	Ra	LG	15" x 6"	4504A - 543	N/A	R40H618	NR	NR	NR
	Ra	LG	15" x 6"	4504A - 543	N/A	R40H618	NR	SP7887S	SP7887S
1991	Fd	DN		7141 - D224	MD224 ³⁴⁰	69310693	60050153	NR	NR
	Fd	DN		7149 - D236	MD236 ³⁴¹	69310693	69310782	NR	NR
	Fd	DN		7149 - D236	MD236 ³⁴¹	69310693	69310782	NR	NR
	Fd	DN		7149 - D236	MD236 ³⁴¹	69310693	69310782	NR	NR
	Ra	LG	15" x 5"	4528A - 542	N/A	R40H618	NR	SP7888S	SP7888S
	Ra	LG	15" x 5"	4528A - 547	R40H550	R40H618	NR	NR	NR
	Ra	LG	15" x 6"	4504A - 543	N/A	R40H618	NR	NR	NR
	Ra	LG	15" x 6"	4504A - 543	N/A	R40H618	NR	NR	NR
	Ra	LG	15" x 6"	4504A - 543	N/A	R40H618	NR	SP7887S	SP7887S
	Ra	LG	15" x 6"	4504A - 543	N/A	R40H618	NR	SP7888S	SP7888S
1990	Fd	DN		7141 - D224	MD224 ³⁴⁰	69310693	60050153	NR	NR
	Fd	DN		7149 - D236	MD236 ³⁴¹	69310693	69310782	NR	NR
	Fd	DN		7149 - D236	MD236 ³⁴¹	69310693	69310782	NR	NR
	Fd	DN		7149 - D236	MD236 ³⁴¹	69310693	69310782	NR	NR
	Ra	LG	15" x 5"	4528A - 542	N/A	R40H618	NR	SP7888S	SP7888S
	Ra	LG	15" x 5"	4528A - 546	R40H521	R40H618	NR	NR	NR
	Ra	LG	15" x 6"	4504A - 543	N/A	R40H618	NR	NR	NR
	Ra	LG	15" x 6"	4504A - 543	N/A	R40H618	NR	SP7887S	SP7887S
	Ra	LG	15" x 6"	4504A - 543	N/A	R40H618	NR	SP7888S	SP7888S
	Ra	LG	15" x 6"	4504A - 543	N/A	R40H618	NR	NR	NR

9 - 6 Stud, Dayton Rotor, Hat Style
 42 - 6 Stud, Dayton Rotor, "U" Style
 45 - R44141382 is a hub & rotor, for rotor only use R44141193
 www.XpresswayPlus.com

37 - Also available as a New unit
 43 - For Applications Taking A Longer Shim, Use R404151706
 46 - R417086 Has 15/16" Bore Size

41 - Aluminum piston
 44 - R44141664 is rotor only, for hub only use E-8396
 186 - 10 Stud

MERITOR DRUM OR ROTOR NO.	CALIPER OR CYLINDER BORE SIZE	MERITOR CALIPER OR WHEEL CYLINDER (LEFT)	MERITOR CALIPER OR WHEEL CYLINDER (RIGHT)	MERITOR CALIPER OR WHEEL CYLINDER REPAIR KIT	MERITOR CALIPER PISTON	MERITOR MASTER CYLINDER	MERITOR MASTER CYLINDER KIT	MERITOR BRAKE HOSE (LEFT)	MERITOR BRAKE HOSE (RIGHT)
FORD(Cont.)									
B800 SERIES: SCHOOL BUS(Cont.)									
23-122703-002 ¹⁸⁶	2-7/8 "	60050145X	60050145X ³⁷	60050146	69270702 ⁴¹	-	-	R4577461	R4577461
23-122743-002 ¹⁸⁷	2-7/8 "	60050145X	60050145X ⁴⁶	60050146	69270702 ⁴¹	-	-	R4577461	R4577461
23-122700-002 ⁹	2-1/2 "	R424244X	R424244X ³⁷	60050266	69270757 ⁴¹	-	-	R4577461	R4577461
N/A	1-5/8 "	201181	201182	SP7895S	NR	-	-	R4577870	R4577870
N/A	1-5/8 "	201185	201186 ³²⁹	SP7895S	NR	-	-	R4577870	R4577870
N/A	1-3/4 "	201179X	201180X	SP7873S	SP7880S ²⁰⁴	-	-	R4577870	R4577870
N/A	1-5/8 "	201185	201186 ³²⁹	SP7895S	NR	-	-	R4577870	R4577870
N/A	1-5/8 "	201181	201182	SP7895S	NR	-	-	R4577870	R4577870
N/A	1-3/4 "	201183X	201184X ³²⁹	SP7873S	NR	-	-	R4577870	R4577870
23-122703-002 ¹⁸⁶	2-7/8 "	60050145X	60050145X ³⁷	60050146	69270702 ⁴¹	-	-	R4577461	R4577461
23-122700-002 ⁹	2-1/2 "	R424244X	R424244X ³⁷	60050266	69270757 ⁴¹	-	-	R4577461	R4577461
23-122691-002 ⁴²	2-7/8 "	60050145X	60050145X ³⁷	60050146	69270702 ⁴¹	-	-	R4577461	R4577461
23-122743-002 ¹⁸⁷	2-7/8 "	60050145X	60050145X ⁴⁵	60050146	69270702 ⁴¹	-	-	R4577461	R4577461
N/A	1-5/8 "	201181	201182	SP7895S	NR	-	-	R4577870	R4577870
N/A	1-5/8 "	201185	201186 ³²⁹	SP7895S	NR	-	-	R4577870	R4577870
N/A	1-5/8 "	201185	201186 ³²⁹	SP7895S	NR	-	-	R4577870	R4577870
N/A	1-3/4 "	201179X	201180X	SP7873S	SP7880S ²⁰⁴	-	-	R4577870	R4577870
N/A	1-3/4 "	201183X	201184X ³²⁹	SP7873S	NR	-	-	R4577870	R4577870
N/A	1-5/8 "	201181	201182	SP7895S	NR	-	-	R4577870	R4577870
23-122743-002 ¹⁸⁷	2-7/8 "	60050145X	60050145X ⁴⁴	60050146	69270702 ⁴¹	-	-	R4577461	R4577461
23-122700-002 ⁹	2-1/2 "	R424244X	R424244X ³⁷	60050266	69270757 ⁴¹	-	-	R4577461	R4577461
23-122703-002 ¹⁸⁶	2-7/8 "	60050145X	60050145X ³⁷	60050146	69270702 ⁴¹	-	-	R4577461	R4577461
23-122691-002 ⁴²	2-7/8 "	60050145X	60050145X ³⁷	60050146	69270702 ⁴¹	-	-	R4577461	R4577461
N/A	1-5/8 "	201181	201182	SP7895S	NR	-	-	R4577870	R4577870
N/A	1-5/8 "	201185	201186 ³²⁹	SP7895S	NR	-	-	R4577870	R4577870
N/A	1-5/8 "	201181	201182	SP7895S	NR	-	-	R4577870	R4577870
N/A	1-5/8 "	201185	201186 ³²⁹	SP7895S	NR	-	-	R4577870	R4577870
N/A	1-3/4 "	201179X	201180X	SP7873S	SP7880S ²⁰⁴	-	-	R4577870	R4577870
N/A	1-3/4 "	201183X	201184X ³²⁹	SP7873S	NR	-	-	R4577870	R4577870
23-122700-002 ⁹	2-1/2 "	R424244X	R424244X ³⁷	60050266	69270757 ⁴¹	-	-	R4577461	R4577461
23-122743-002 ¹⁸⁷	2-7/8 "	60050145X	60050145X ⁴³	60050146	69270702 ⁴¹	-	-	R4577461	R4577461
23-122691-002 ⁴²	2-7/8 "	60050145X	60050145X ³⁷	60050146	69270702 ⁴¹	-	-	R4577461	R4577461
23-122703-002 ¹⁸⁶	2-7/8 "	60050145X	60050145X ³⁷	60050146	69270702 ⁴¹	-	-	R4577461	R4577461
N/A	1-5/8 "	201181	201182	SP7895S	NR	-	-	R4577870	R4577870
N/A	1-5/8 "	201185	201186 ³²⁹	SP7895S	NR	-	-	R4577870	R4577870
N/A	1-3/4 "	201179X	201180X	SP7873S	SP7880S ²⁰⁴	-	-	R4577870	R4577870
N/A	1-5/8 "	201185	201186 ³²⁹	SP7895S	NR	-	-	R4577870	R4577870
N/A	1-5/8 "	201181	201182	SP7895S	NR	-	-	R4577870	R4577870
N/A	1-3/4 "	201183X	201184X ³²⁹	SP7873S	NR	-	-	R4577870	R4577870
N/A	1-5/8 "	201185	201186 ³²⁹	SP7895S	NR	-	-	R4577870	R4577870
23-122700-002 ⁹	2-1/2 "	R424244X	R424244X ³⁷	60050266	69270757 ⁴¹	-	-	R4577461	R4577461
23-122743-002 ¹⁸⁷	2-7/8 "	60050145X	60050145X ⁴¹	60050146	69270702 ⁴¹	-	-	R4577461	R4577461
23-122703-002 ¹⁸⁶	2-7/8 "	60050145X	60050145X ³⁷	60050146	69270702 ⁴¹	-	-	R4577461	R4577461
23-122691-002 ⁴²	2-7/8 "	60050145X	60050145X ³⁷	60050146	69270702 ⁴¹	-	-	R4577461	R4577461
N/A	1-5/8 "	201185	201186 ³²⁹	SP7895S	NR	-	-	R4577870	R4577870
N/A	1-5/8 "	201181	201182	SP7895S	NR	-	-	R4577870	R4577870
N/A	1-3/4 "	201179X	201180X	SP7873S	SP7880S ²⁰⁴	-	-	R4577870	R4577870
N/A	1-5/8 "	201181	201182	SP7895S	NR	-	-	R4577870	R4577870
N/A	1-3/4 "	201183X	201184X ³²⁹	SP7873S	NR	-	-	R4577870	R4577870
N/A	1-5/8 "	201185	201186 ³²⁹	SP7895S	NR	-	-	R4577870	R4577870
N/A	1-5/8 "	201181	201182	SP7895S	NR	-	-	R4577870	R4577870

1 APPLICATION

187 - 6 Stud, 6.443" Hub
340 - Use 69160457 for Disc Pad Retainer Clip

204 - Right Hand; use E-4057 for Left Hand Expander Kits
341 - Use 69160445 for Disc Pad Retainer Clip

329 - Forward

MAKE MODEL YEAR AXLE CODE AXLE WEIGHT	AXLE & BRK. TYPE	BRK. MFG.	BRAKE SIZE	FMSI	MERITOR DISC PAD OR BRAKE SHOE	MERITOR GUIDE PIN OR RETURN SPRING KIT	MERITOR CALIPER HWD. KIT OR RETURN SPRING KIT	MERITOR ADJUSTER KIT (LEFT WHEEL)	MERITOR ADJUSTER KIT (RIGHT WHEEL)
FORD(Cont.)									
B800 SERIES: SCHOOL BUS(Cont.)									
1989									
	Fd	DN		7149 - D236	MD236 ³⁴¹	69310693	69310782 ⁴³	NR	NR
	Fd	DN		7149 - D236	MD236 ³⁴¹	69310693	69310782 ⁴³	NR	NR
	Fd	DN		7149 - D236	MD236 ³⁴¹	69310693	69310782 ⁴³	NR	NR
	Fd	DN		7141 - D224	MD224 ³⁴⁰	69310693	60050153	NR	NR
	Ra	LG	15" x 5"	4528A - 542	N/A	R40H618	NR	SP7888S	SP7888S
	Ra	LG	15" x 5"	4528A - 545	R40H500	R40H618	NR	NR	NR
	Ra	LG	15" x 6"	4504A - 543	N/A	R40H618	NR	NR	NR
	Ra	LG	15" x 6"	4504A - 543	N/A	R40H618	NR	SP7887S	SP7887S
	Ra	LG	15" x 6"	4504A - 543	N/A	R40H618	NR	SP7888S	SP7888S
	Ra	LG	15" x 6"	4504A - 543	N/A	R40H618	NR	NR	NR
1988									
	Fd	DN		7149 - D236	MD236 ³⁴¹	69310693	69310782 ⁴³	NR	NR
	Fd	DN		7149 - D236	MD236 ³⁴¹	69310693	69310782 ⁴³	NR	NR
	Fd	DN		7141 - D224	MD224 ³⁴⁰	69310693	60050153	NR	NR
	Fd	DN		7149 - D236	MD236 ³⁴¹	69310693	69310782 ⁴³	NR	NR
	Ra	LG	15" x 5"	4528A - 544	N/A	R40H618	NR	NR	NR
	Ra	LG	15" x 5"	4528A - 542	N/A	R40H618	NR	SP7888S	SP7888S
	Ra	LG	15" x 6"	4504A - 543	N/A	R40H618	NR	SP7888S	SP7888S
	Ra	LG	15" x 6"	4504A - 543	N/A	R40H618	NR	NR	NR
	Ra	LG	15" x 6"	4504A - 543	N/A	R40H618	NR	NR	NR
	Ra	LG	15" x 6"	4504A - 543	N/A	R40H618	NR	SP7887S	SP7887S
1987									
	Fd	DN		7149 - D236	MD236 ³⁴¹	69310693	69310782 ⁴³	NR	NR
	Fd	DN		7149 - D236	MD236 ³⁴¹	69310693	69310782 ⁴³	NR	NR
	Fd	DN		7149 - D236	MD236 ³⁴¹	69310693	69310782 ⁴³	NR	NR
	Fd	DN		7141 - D224	MD224 ³⁴⁰	69310693	60050153	NR	NR
	Ra	LG	15" x 5"	4528A - 542	N/A	R40H618	NR	SP7888S	SP7888S
	Ra	LG	15" x 6"	4504A - 543	N/A	R40H618	NR	NR	NR
	Ra	LG	15" x 6"	4504A - 543	N/A	R40H618	NR	SP7888S	SP7888S
	Ra	LG	15" x 6"	4504A - 543	N/A	R40H618	NR	NR	NR
	Ra	LG	15" x 6"	4504A - 543	N/A	R40H618	NR	SP7887S	SP7887S
	Ra	LG	15" x 6"	4504A - 543	N/A	R40H618	NR	NR	NR
1986									
	Fd	DN		7141 - D224	MD224 ³⁴⁰	69310693	60050153	NR	NR
	Fd	DN		7149 - D236	MD236 ³⁴¹	69310693	69310782	NR	NR
	Fd	DN		7149 - D236	MD236 ³⁴¹	69310693	69310782	NR	NR
	Fd	DN		7149 - D236	MD236 ³⁴¹	69310693	69310782	NR	NR
	Ra	LG	15" x 5"	4528A - 542	N/A	R40H618	NR	SP7888S	SP7888S
	Ra	LG	15" x 5"	4528A - 542	N/A	R40H618	NR	NR	NR
	Ra	LG	15" x 6"	4504A - 543	N/A	R40H618	NR	SP7888S	SP7888S
	Ra	LG	15" x 6"	4504A - 543	N/A	R40H618	NR	NR	NR
	Ra	LG	15" x 6"	4504A - 543	N/A	R40H618	NR	SP7887S	SP7887S
	Ra	LG	15" x 6"	4504A - 543	N/A	R40H618	NR	NR	NR
1985									
	Fd	DN		7141 - D224	MD224 ³⁴⁰	69310693	60050153	NR	NR
	Ra	LG	15" x 5"	4528A - 542	N/A	R40H618	NR	SP7888S	SP7888S
	Ra	LG	15" x 5"	4528A - 542	N/A	R40H618	NR	NR	NR
	Ra	LG	15" x 6"	4504A - 543	N/A	R40H618	NR	SP7887S	SP7887S
	Ra	LG	15" x 6"	4504A - 543	N/A	R40H618	NR	NR	NR
	Ra	LG	15" x 6"	4504A - 543	N/A	R40H618	NR	NR	NR
	Ra	LG	15" x 6"	4504A - 543	N/A	R40H618	NR	SP7888S	SP7888S
R130	Ra	KH	15" x 4"	4647 - 401	R700401	R40H595	R40H9220	R40H3538	R40H3539
1984									
	Fd	DN		7141 - D224	MD224 ³⁴⁰	69310693	60050153	NR	NR
	Ra	LG	15" x 5"	4528A - 542	N/A	R40H618	NR	NR	NR
	Ra	LG	15" x 5"	4528A - 542	N/A	R40H618	NR	SP7888S	SP7888S
	Ra	LG	15" x 6"	4504A - 543	N/A	R40H618	NR	SP7887S	SP7887S
	Ra	LG	15" x 6"	4504A - 543	N/A	R40H618	NR	NR	NR
	Ra	LG	15" x 6"	4504A - 543	N/A	R40H618	NR	NR	NR
	Ra	LG	15" x 6"	4504A - 543	N/A	R40H618	NR	SP7888S	SP7888S
R130	Ra	KH	15" x 4"	4647 - 401	R700401	R40H595	R40H9220	R40H3538	R40H3539
C600 SERIES: TILT CAB									
1990									
	Ra	LG	15" x 5"	4528A - 542	N/A	R40H618	NR	NR	NR

9 - 6 Stud, Dayton Rotor, Hat Style
 39 - First design, uses steel pistons.
 42 - 6 Stud, Dayton Rotor, "U" Style
 www.XpresswayPlus.com

37 - Also available as a New unit
 40 - For chrome plated steel version, use R4090070P
 43 - For Applications Taking A Longer Shim, Use R404151706

38 - First design, may have external joining tube and uses steel pistons
 41 - Aluminum piston
 186 - 10 Stud

MERITOR DRUM OR ROTOR NO.	CALIPER OR CYLINDER BORE SIZE	MERITOR CALIPER OR WHEEL CYLINDER (LEFT)	MERITOR CALIPER OR WHEEL CYLINDER (RIGHT)	MERITOR CALIPER OR WHEEL CYLINDER REPAIR KIT	MERITOR CALIPER PISTON	MERITOR MASTER CYLINDER	MERITOR MASTER CYLINDER KIT	MERITOR BRAKE HOSE (LEFT)	MERITOR BRAKE HOSE (RIGHT)
FORD(Cont.)									
B800 SERIES: SCHOOL BUS(Cont.)									
23-122743-002 ¹⁸⁷	2-7/8 "	60050145X	60050145X ⁴⁰	60050146	69270702 ⁴¹	-	-	R4577461	R4577461
23-122703-002 ¹⁸⁶	2-7/8 "	60050145X	60050145X ³⁷	60050146	69270702 ⁴¹	-	-	R4577461	R4577461
23-122691-002 ⁴²	2-7/8 "	60050145X	60050145X ³⁷	60050146	69270702 ⁴¹	-	-	R4577461	R4577461
23-122700-002 ⁹	2-1/2 "	R424244X	R424244X ³⁷	60050266	69270757 ⁴¹	-	-	R4577461	R4577461
N/A	1-5/8 "	201185	201186 ³²⁹	SP7895S	NR	-	-	N/A	N/A
N/A	1-5/8 "	201181	201182	SP7895S	NR	-	-	N/A	N/A
N/A	1-3/4 "	201179X	201180X	SP7873S	SP7880S ²⁰⁴	-	-	N/A	N/A
N/A	1-3/4 "	201183X	201184X ³²⁹	SP7873S	NR	-	-	N/A	N/A
N/A	1-5/8 "	201185	201186 ³²⁹	SP7895S	NR	-	-	N/A	N/A
N/A	1-5/8 "	201181	201182	SP7895S	NR	-	-	N/A	N/A
23-122743-002 ¹⁸⁷	2-7/8 "	60050145X	60050145X ³⁹	60050146	69270702 ⁴¹	-	-	R4577461	R4577461
23-122703-002 ¹⁸⁶	2-7/8 "	60050145X	60050145X ³⁷	60050146	69270702 ⁴¹	-	-	R4577461	R4577461
23-122700-002 ⁹	2-1/2 "	R424244X	R424244X ³⁷	60050266	69270757 ⁴¹	-	-	R4577461	R4577461
23-122691-002 ⁴²	2-7/8 "	60050145X	60050145X ³⁷	60050146	69270702 ⁴¹	-	-	R4577461	R4577461
N/A	1-5/8 "	201181	201182	SP7895S	NR	-	-	N/A	N/A
N/A	1-5/8 "	201185	201186 ³²⁹	SP7895S	NR	-	-	N/A	N/A
N/A	1-5/8 "	201185	201186 ³²⁹	SP7895S	NR	-	-	N/A	N/A
N/A	1-3/4 "	201179X	201180X	SP7873S	SP7880S ²⁰⁴	-	-	N/A	N/A
N/A	1-5/8 "	201181	201182	SP7895S	NR	-	-	N/A	N/A
N/A	1-3/4 "	201183X	201184X ³²⁹	SP7873S	NR	-	-	N/A	N/A
23-122691-002 ⁴²	2-7/8 "	60050145X	60050145X ³⁷	60050146	69270702 ⁴¹	-	-	R4577461	R4577461
23-122743-002 ¹⁸⁷	2-7/8 "	60050145X	60050145X ³⁸	60050146	69270702 ⁴¹	-	-	R4577461	R4577461
23-122703-002 ¹⁸⁶	2-7/8 "	60050145X	60050145X ³⁷	60050146	69270702 ⁴¹	-	-	R4577461	R4577461
23-122700-002 ⁹	2-1/2 "	R424244X	R424244X ³⁷	60050266	69270757 ⁴¹	-	-	R4577461	R4577461
N/A	1-5/8 "	201185	201186 ³²⁹	SP7895S	NR	-	-	N/A	N/A
N/A	1-5/8 "	201181	201182	SP7895S	NR	-	-	N/A	N/A
N/A	1-5/8 "	201185	201186 ³²⁹	SP7895S	NR	-	-	N/A	N/A
N/A	1-5/8 "	201181	201182	SP7895S	NR	-	-	N/A	N/A
N/A	1-3/4 "	201183X	201184X ³²⁹	SP7873S	NR	-	-	N/A	N/A
N/A	1-3/4 "	201179X	201180X	SP7873S	SP7880S ²⁰⁴	-	-	N/A	N/A
23-122700-002 ⁹	2-1/2 "	R424244X	R424244X ³⁷	60050266	69270757 ⁴¹	-	-	R4577461	R4577461
23-122703-002 ¹⁸⁶	2-7/8 "	60050145X	60050145X ³⁷	60050146	69270702 ⁴¹	-	-	R4577461	R4577461
23-122743-002 ¹⁸⁷	2-7/8 "	60050145X	60050145X ³⁷	60050146	69270702 ⁴¹	-	-	R4577461	R4577461
23-122691-002 ⁴²	2-7/8 "	60050145X	60050145X ³⁷	60050146	69270702 ⁴¹	-	-	R4577461	R4577461
N/A	1-5/8 "	201185	201186 ³²⁹	SP7895S	NR	-	-	N/A	N/A
N/A	1-5/8 "	201181	201182	SP7895S	NR	-	-	N/A	N/A
N/A	1-5/8 "	201185	201186 ³²⁹	SP7895S	NR	-	-	N/A	N/A
N/A	1-5/8 "	201181	201182	SP7895S	NR	-	-	N/A	N/A
N/A	1-3/4 "	201183X	201184X ³²⁹	SP7873S	NR	-	-	N/A	N/A
N/A	1-3/4 "	201179X	201180X	SP7873S	SP7880S ²⁰⁴	-	-	N/A	N/A
23-122700-002 ⁹	2-1/2 "	R424244X	R424244X ³⁷	60050266	69270757 ⁴¹	-	-	R4577461	R4577461
N/A	1-5/8 "	201185	201186 ³²⁹	SP7895S	NR	-	-	N/A	N/A
N/A	1-5/8 "	201181	201182	SP7895S	NR	-	-	N/A	N/A
N/A	1-3/4 "	201183X	201184X ³²⁹	SP7873S	NR	-	-	N/A	N/A
N/A	1-5/8 "	201181	201182	SP7895S	NR	-	-	N/A	N/A
N/A	1-3/4 "	201179X	201180X	SP7873S	SP7880S ²⁰⁴	-	-	N/A	N/A
N/A	1-5/8 "	201185	201186 ³²⁹	SP7895S	NR	-	-	N/A	N/A
N/A	1-1/2 "	R4033607	R4033607	R4166818	NR	-	-	-	-
23-122700-002 ⁹	2-1/2 "	R424244X	R424244X ³⁷	60050266	69270757 ⁴¹	-	-	R4577461	R4577461
N/A	1-5/8 "	201181	201182	SP7895S	NR	-	-	N/A	N/A
N/A	1-5/8 "	201185	201186 ³²⁹	SP7895S	NR	-	-	N/A	N/A
N/A	1-3/4 "	201183X	201184X ³²⁹	SP7873S	NR	-	-	N/A	N/A
N/A	1-3/4 "	201179X	201180X	SP7873S	SP7880S ²⁰⁴	-	-	N/A	N/A
N/A	1-5/8 "	201181	201182	SP7895S	NR	-	-	N/A	N/A
N/A	1-5/8 "	201185	201186 ³²⁹	SP7895S	NR	-	-	N/A	N/A
N/A	1-1/2 "	R4033607	R4033607	R4166818	NR	-	-	-	-
C600 SERIES: TILT CAB									
N/A	1-5/8 "	201181	201182	SP7895S	NR	-	-	R4577870	R4577870

187 - 6 Stud, 6.443" Hub
340 - Use 69160457 for Disc Pad Retainer Clip

204 - Right Hand; use E-4057 for Left Hand Expander Kits
341 - Use 69160445 for Disc Pad Retainer Clip

329 - Forward

MAKE MODEL YEAR AXLE CODE AXLE WEIGHT	AXLE & BRK. TYPE	BRK. MFG.	BRAKE SIZE	FMSI	MERITOR DISC PAD OR BRAKE SHOE	MERITOR GUIDE PIN OR RETURN SPRING KIT	MERITOR CALIPER HWD. KIT OR RETURN SPRING KIT	MERITOR ADJUSTER KIT (LEFT WHEEL)	MERITOR ADJUSTER KIT (RIGHT WHEEL)
FORD(Cont.)									
C600 SERIES: TILT CAB(Cont.)									
1990	Ra	LG	15 " x 5 "	4528A - 542	N/A	R40H618	NR	SP7888S	SP7888S
	Ra	LG	15 " x 6 "	4504A - 543	N/A	R40H618	NR	SP7887S	SP7887S
	Ra	LG	15 " x 6 "	4504A - 543	N/A	R40H618	NR	NR	NR
F070	Fd	DN		7141 - D224	MD224 ³⁴⁰	69310693	60050153	NR	NR
8,000 and above	Fd	DN		7141 - D224	MD224 ³⁴⁰	69310693	60050153	NR	NR
1989	Ra	LG	15 " x 5 "	4528A - 542	N/A	R40H618	NR	SP7888S	SP7888S
	Ra	LG	15 " x 5 "	4528A - 542	N/A	R40H618	NR	NR	NR
	Ra	LG	15 " x 6 "	4504A - 543	N/A	R40H618	NR	SP7887S	SP7887S
	Ra	LG	15 " x 6 "	4504A - 543	N/A	R40H618	NR	NR	NR
F070	Fd	DN		7141 - D224	MD224 ³⁴⁰	69310693	60050153	NR	NR
8,000 and above	Fd	DN		7141 - D224	MD224 ³⁴⁰	69310693	60050153	NR	NR
1988	Fd	DN		7141 - D224	MD224 ³⁴⁰	69310693	60050153	NR	NR
	Ra	LG	15 " x 5 "	4528A - 542	N/A	R40H618	NR	NR	NR
	Ra	LG	15 " x 5 "	4528A - 542	N/A	R40H618	NR	SP7888S	SP7888S
	Ra	LG	15 " x 6 "	4504A - 543	N/A	R40H618	NR	SP7887S	SP7887S
	Ra	LG	15 " x 6 "	4504A - 543	N/A	R40H618	NR	NR	NR
F070	Fd	DN		7141 - D224	MD224 ³⁴⁰	69310693	60050153	NR	NR
1987	Fd	DN		7141 - D224	MD224 ³⁴⁰	69310693	60050153	NR	NR
	Ra	LG	15 " x 5 "	4528A - 542	N/A	R40H618	NR	SP7888S	SP7888S
	Ra	LG	15 " x 5 "	4528A - 542	N/A	R40H618	NR	NR	NR
	Ra	LG	15 " x 6 "	4504A - 543	N/A	R40H618	NR	SP7887S	SP7887S
	Ra	LG	15 " x 6 "	4504A - 543	N/A	R40H618	NR	NR	NR
1986	Fd	DN		7141 - D224	MD224 ³⁴⁰	69310693	60050153	NR	NR
	Ra	LG	15 " x 5 "	4528A - 542	N/A	R40H618	NR	SP7888S	SP7888S
	Ra	LG	15 " x 5 "	4528A - 542	N/A	R40H618	NR	NR	NR
	Ra	LG	15 " x 6 "	4504A - 543	N/A	R40H618	NR	NR	NR
	Ra	LG	15 " x 6 "	4504A - 543	N/A	R40H618	NR	SP7887S	SP7887S
1985	Ra	LG	15 " x 5 "	4528A - 542	N/A	R40H618	NR	NR	NR
	Ra	LG	15 " x 5 "	4528A - 542	N/A	R40H618	NR	SP7888S	SP7888S
	Ra	LG	15 " x 6 "	4504A - 543	N/A	R40H618	NR	NR	NR
	Ra	LG	15 " x 6 "	4504A - 543	N/A	R40H618	NR	SP7887S	SP7887S
F070	Fd	DN		7141 - D224	MD224 ³⁴⁰	69310693	60050153	NR	NR
8,000 and above	Fd	DN		7141 - D224	MD224 ³⁴⁰	69310693	60050153	NR	NR
1984	Ra	LG	15 " x 5 "	4528A - 542	N/A	R40H618	NR	SP7888S	SP7888S
	Ra	LG	15 " x 5 "	4528A - 542	N/A	R40H618	NR	NR	NR
	Ra	LG	15 " x 6 "	4504A - 543	N/A	R40H618	NR	SP7887S	SP7887S
	Ra	LG	15 " x 6 "	4504A - 543	N/A	R40H618	NR	NR	NR
F070	Fd	DN		7141 - D224	MD224 ³⁴⁰	69310693	60050153	NR	NR
8,000 and above	Fd	DN		7141 - D224	MD224 ³⁴⁰	69310693	60050153	NR	NR
C700 SERIES: TILT CAB									
1990	Fd	DN		7141 - D224	MD224 ³⁴⁰	69310693	60050153	NR	NR
	Fd	DN		7149 - D236	MD236 ³⁴¹	69310693	69310782	NR	NR
	Fd	DN		7149 - D236	MD236 ³⁴¹	69310693	69310782	NR	NR
	Fd	DN		7149 - D236	MD236 ³⁴¹	69310693	69310782	NR	NR
	Ra	LG	15 " x 5 "	4528A - 542	N/A	R40H618	NR	NR	NR
	Ra	LG	15 " x 5 "	4528A - 542	N/A	R40H618	NR	SP7888S	SP7888S
	Ra	LG	15 " x 6 "	4504A - 543	N/A	R40H618	NR	NR	NR
	Ra	LG	15 " x 6 "	4504A - 543	N/A	R40H618	NR	SP7887S	SP7887S
	Ra	LG	15 " x 7 "	4505A - 544	N/A	R40H618	NR	SP7887S	SP7887S
	Ra	LG	15 " x 7 "	4505A - 544	N/A	R40H618	NR	NR	NR
1989	Fd	DN		7149 - D236	MD236 ³⁴¹	69310693	69310782 ⁴³	NR	NR
	Fd	DN		7149 - D236	MD236 ³⁴¹	69310693	69310782 ⁴³	NR	NR
	Fd	DN		7149 - D236	MD236 ³⁴¹	69310693	69310782 ⁴³	NR	NR
	Fd	DN		7149 - D236	MD236 ³⁴¹	69310693	69310782 ⁴³	NR	NR
	Fd	DN		7149 - D236	MD236 ³⁴¹	69310693	69310782 ⁴³	NR	NR

9 - 6 Stud, Dayton Rotor, Hat Style
 42 - 6 Stud, Dayton Rotor, "U" Style
 186 - 10 Stud
 www.XpresswayPlus.com

37 - Also available as a New unit
 43 - For Applications Taking A Longer Shim, Use R404151706
 187 - 6 Stud, 6.443" Hub

41 - Aluminum piston
 53 - Power Brakes
 204 - Right Hand; use E-4057 for Left Hand Expander Kits
 Contact our Customer Service Teams
 1-888-725-9355

MERITOR DRUM OR ROTOR NO.	CALIPER OR CYLINDER BORE SIZE	MERITOR CALIPER OR WHEEL CYLINDER (LEFT)	MERITOR CALIPER OR WHEEL CYLINDER (RIGHT)	MERITOR CALIPER OR WHEEL CYLINDER REPAIR KIT	MERITOR CALIPER PISTON	MERITOR MASTER CYLINDER	MERITOR MASTER CYLINDER KIT	MERITOR BRAKE HOSE (LEFT)	MERITOR BRAKE HOSE (RIGHT)
FORD(Cont.)									
C600 SERIES: TILT CAB(Cont.)									
N/A	1-5/8 "	201185	201186 ³²⁹	SP7895S	NR	-	-	R4577870	R4577870
N/A	1-3/4 "	201183X	201184X ³²⁹	SP7873S	NR	-	-	R4577870	R4577870
N/A	1-3/4 "	201179X	201180X	SP7873S	SP7880S ²⁰⁴	-	-	R4577870	R4577870
23-122700-002 ⁹	2-1/2 "	R424244X	R424244X ³⁷	60050266	69270757 ⁴¹	R4111995 ⁵³	-	R4577461	R4577461
23-122700-002 ⁹	2-1/2 "	R424244X	R424244X ³⁷	60050266	69270757 ⁴¹	R4111999 ⁵³	R4122386	R4577461	R4577461
N/A	1-5/8 "	201185	201186 ³²⁹	SP7895S	NR	-	-	N/A	N/A
N/A	1-5/8 "	201181	201182	SP7895S	NR	-	-	N/A	N/A
N/A	1-3/4 "	201183X	201184X ³²⁹	SP7873S	NR	-	-	N/A	N/A
N/A	1-3/4 "	201179X	201180X	SP7873S	SP7880S ²⁰⁴	-	-	N/A	N/A
23-122700-002 ⁹	2-1/2 "	R424244X	R424244X ³⁷	60050266	69270757 ⁴¹	R4111995 ⁵³	-	R4577461	R4577461
23-122700-002 ⁹	2-1/2 "	R424244X	R424244X ³⁷	60050266	69270757 ⁴¹	R4111999 ⁵³	R4122386	R4577461	R4577461
23-122700-002 ⁹	2-1/2 "	R424244X	R424244X ³⁷	60050266	69270757 ⁴¹	-	-	R4577870	R4577870
N/A	1-5/8 "	201181	201182	SP7895S	NR	-	-	N/A	N/A
N/A	1-5/8 "	201185	201186 ³²⁹	SP7895S	NR	-	-	N/A	N/A
N/A	1-3/4 "	201183X	201184X ³²⁹	SP7873S	NR	-	-	N/A	N/A
N/A	1-3/4 "	201179X	201180X	SP7873S	SP7880S ²⁰⁴	-	-	N/A	N/A
23-122700-002 ⁹	2-1/2 "	R424244X	R424244X ³⁷	60050266	69270757 ⁴¹	R4111995 ⁵³	-	R4577461	R4577461
23-122700-002 ⁹	2-1/2 "	R424244X	R424244X ³⁷	60050266	69270757 ⁴¹	-	-	-	-
N/A	1-5/8 "	201185	201186 ³²⁹	SP7895S	NR	-	-	N/A	N/A
N/A	1-5/8 "	201181	201182	SP7895S	NR	-	-	N/A	N/A
N/A	1-3/4 "	201183X	201184X ³²⁹	SP7873S	NR	-	-	N/A	N/A
N/A	1-3/4 "	201179X	201180X	SP7873S	SP7880S ²⁰⁴	-	-	N/A	N/A
23-122700-002 ⁹	2-1/2 "	R424244X	R424244X ³⁷	60050266	69270757 ⁴¹	-	-	-	-
N/A	1-5/8 "	201181	201182	SP7895S	NR	-	-	N/A	N/A
N/A	1-5/8 "	201185	201186 ³²⁹	SP7895S	NR	-	-	N/A	N/A
N/A	1-3/4 "	201179X	201180X	SP7873S	SP7880S ²⁰⁴	-	-	N/A	N/A
N/A	1-3/4 "	201183X	201184X ³²⁹	SP7873S	NR	-	-	N/A	N/A
23-122700-002 ⁹	2-1/2 "	R424244X	R424244X ³⁷	60050266	69270757 ⁴¹	R4111995 ⁵³	-	R4577461	R4577461
23-122700-002 ⁹	2-1/2 "	R424244X	R424244X ³⁷	60050266	69270757 ⁴¹	R4111999 ⁵³	R4122386	R4577461	R4577461
N/A	1-5/8 "	201181	201182	SP7895S	NR	-	-	N/A	N/A
N/A	1-5/8 "	201185	201186 ³²⁹	SP7895S	NR	-	-	N/A	N/A
N/A	1-3/4 "	201179X	201180X	SP7873S	SP7880S ²⁰⁴	-	-	N/A	N/A
N/A	1-3/4 "	201183X	201184X ³²⁹	SP7873S	NR	-	-	N/A	N/A
23-122700-002 ⁹	2-1/2 "	R424244X	R424244X ³⁷	60050266	69270757 ⁴¹	R4111995 ⁵³	-	R4577461	R4577461
23-122700-002 ⁹	2-1/2 "	R424244X	R424244X ³⁷	60050266	69270757 ⁴¹	R4111999 ⁵³	R4122386	R4577461	R4577461
N/A	1-5/8 "	201181	201182	SP7895S	NR	-	-	N/A	N/A
N/A	1-5/8 "	201185	201186 ³²⁹	SP7895S	NR	-	-	N/A	N/A
N/A	1-3/4 "	201179X	201180X	SP7873S	SP7880S ²⁰⁴	-	-	N/A	N/A
N/A	1-3/4 "	201183X	201184X ³²⁹	SP7873S	NR	-	-	N/A	N/A
23-122700-002 ⁹	2-1/2 "	R424244X	R424244X ³⁷	60050266	69270757 ⁴¹	R4111995 ⁵³	-	R4577461	R4577461
23-122700-002 ⁹	2-1/2 "	R424244X	R424244X ³⁷	60050266	69270757 ⁴¹	R4111999 ⁵³	R4122386	R4577461	R4577461
C700 SERIES: TILT CAB									
23-122700-002 ⁹	2-1/2 "	R424244X	R424244X ³⁷	60050266	69270757 ⁴¹	-	-	R4577461	R4577461
23-122743-002 ¹⁸⁷	2-7/8 "	60050145X	60050145X ³⁷	60050146	69270702 ⁴¹	-	-	R4577461	R4577461
23-122691-002 ⁴²	2-7/8 "	60050145X	60050145X ³⁷	60050146	69270702 ⁴¹	-	-	R4577461	R4577461
23-122703-002 ¹⁸⁶	2-7/8 "	60050145X	60050145X ³⁷	60050146	69270702 ⁴¹	-	-	R4577461	R4577461
N/A	1-5/8 "	201181	201182	SP7895S	NR	-	-	R4577870	R4577870
N/A	1-5/8 "	201185	201186 ³²⁹	SP7895S	NR	-	-	R4577870	R4577870
N/A	1-3/4 "	201179X	201180X	SP7873S	SP7880S ²⁰⁴	-	-	R4577870	R4577870
N/A	1-3/4 "	201183X	201184X ³²⁹	SP7873S	NR	-	-	R4577870	R4577870
N/A	1-3/4 "	201183X	201184X ³²⁹	SP7873S	NR	-	-	R4577870	R4577870
N/A	1-3/4 "	201179X	201180X	SP7873S	SP7880S ²⁰⁴	-	-	R4577870	R4577870
23-122743-002 ¹⁸⁷	2-7/8 "	60050145X	60050145X ³⁷	60050146	69270702 ⁴¹	R4111995 ⁵³	-	R4577461	R4577461
23-122743-002 ¹⁸⁷	2-7/8 "	60050145X	60050145X ³⁷	60050146	69270702 ⁴¹	R4111999 ⁵³	R4122386	R4577461	R4577461
23-122703-002 ¹⁸⁶	2-7/8 "	60050145X	60050145X ³⁷	60050146	69270702 ⁴¹	R4111999 ⁵³	R4122386	R4577461	R4577461
23-122703-002 ¹⁸⁶	2-7/8 "	60050145X	60050145X ³⁷	60050146	69270702 ⁴¹	R4111995 ⁵³	-	R4577461	R4577461
23-122691-002 ⁴²	2-7/8 "	60050145X	60050145X ³⁷	60050146	69270702 ⁴¹	R4111999 ⁵³	R4122386	R4577461	R4577461

329 - Forward

340 - Use 69160457 for Disc Pad Retainer Clip

341 - Use 69160445 for Disc Pad Retainer Clip

MAKE MODEL YEAR AXLE CODE AXLE WEIGHT	AXLE & BRK. TYPE	BRK. MFG.	BRAKE SIZE	FMSI	MERITOR DISC PAD OR BRAKE SHOE	MERITOR GUIDE PIN OR RETURN SPRING KIT	MERITOR CALIPER HWD. KIT OR RETURN SPRING KIT	MERITOR ADJUSTER KIT (LEFT WHEEL)	MERITOR ADJUSTER KIT (RIGHT WHEEL)	
FORD(Cont.)										
C700 SERIES: TILT CAB(Cont.)										
1989	Fd	DN		7149 - D236	MD236 ³⁴¹	69310693	69310782 ⁴³	NR	NR	
	Fd	DN		7141 - D224	MD224 ³⁴⁰	69310693	60050153	NR	NR	
	Fd	DN		7141 - D224	MD224 ³⁴⁰	69310693	60050153	NR	NR	
	Ra	LG	15" x 5"	4528A - 542	N/A	R40H618	NR	NR	NR	
	Ra	LG	15" x 5"	4528A - 542	N/A	R40H618	NR	SP7888S	SP7888S	
	Ra	LG	15" x 6"	4504A - 543	N/A	R40H618	NR	SP7887S	SP7887S	
	Ra	LG	15" x 6"	4504A - 543	N/A	R40H618	NR	NR	NR	
	Ra	LG	15" x 7"	4505A - 544	N/A	R40H618	NR	SP7887S	SP7887S	
	Ra	LG	15" x 7"	4505A - 544	N/A	R40H618	NR	NR	NR	
	1988	Fd	DN		7141 - D224	MD224 ³⁴⁰	69310693	60050153	NR	NR
Fd		DN		7149 - D236	MD236 ³⁴¹	69310693	69310782 ⁴³	NR	NR	
Fd		DN		7149 - D236	MD236 ³⁴¹	69310693	69310782 ⁴³	NR	NR	
Fd		DN		7149 - D236	MD236 ³⁴¹	69310693	69310782 ⁴³	NR	NR	
Fd		DN		7149 - D236	MD236 ³⁴¹	69310693	69310782 ⁴³	NR	NR	
Fd		DN		7141 - D224	MD224 ³⁴⁰	69310693	60050153	NR	NR	
Fd		DN		7149 - D236	MD236 ³⁴¹	69310693	69310782 ⁴³	NR	NR	
Fd		DN		7149 - D236	MD236 ³⁴¹	69310693	69310782 ⁴³	NR	NR	
Ra		LG	15" x 5"	4528A - 542	N/A	R40H618	NR	NR	NR	
Ra		LG	15" x 5"	4528A - 542	N/A	R40H618	NR	SP7888S	SP7888S	
Ra		LG	15" x 6"	4504A - 543	N/A	R40H618	NR	NR	NR	
Ra		LG	15" x 6"	4504A - 543	N/A	R40H618	NR	SP7887S	SP7887S	
Ra		LG	15" x 7"	4505A - 544	N/A	R40H618	NR	SP7887S	SP7887S	
Ra		LG	15" x 7"	4505A - 544	N/A	R40H618	NR	NR	NR	
1987		Fd	DN		7149 - D236	MD236 ³⁴¹	69310693	69310782 ⁴³	NR	NR
		Fd	DN		7149 - D236	MD236 ³⁴¹	69310693	69310782 ⁴³	NR	NR
		Fd	DN		7141 - D224	MD224 ³⁴⁰	69310693	60050153	NR	NR
		Fd	DN		7141 - D224	MD224 ³⁴⁰	69310693	60050153	NR	NR
	Fd	DN		7149 - D236	MD236 ³⁴¹	69310693	69310782 ⁴³	NR	NR	
	Fd	DN		7149 - D236	MD236 ³⁴¹	69310693	69310782 ⁴³	NR	NR	
	Fd	DN		7149 - D236	MD236 ³⁴¹	69310693	69310782 ⁴³	NR	NR	
	Fd	DN		7149 - D236	MD236 ³⁴¹	69310693	69310782 ⁴³	NR	NR	
	Ra	LG	15" x 5"	4528A - 542	N/A	R40H618	NR	SP7888S	SP7888S	
	Ra	LG	15" x 5"	4528A - 542	N/A	R40H618	NR	NR	NR	
	Ra	LG	15" x 6"	4504A - 543	N/A	R40H618	NR	SP7887S	SP7887S	
	Ra	LG	15" x 6"	4504A - 543	N/A	R40H618	NR	NR	NR	
	Ra	LG	15" x 7"	4505A - 544	N/A	R40H618	NR	SP7887S	SP7887S	
	Ra	LG	15" x 7"	4505A - 544	N/A	R40H618	NR	NR	NR	
	1986	Fd	DN		7149 - D236	MD236 ³⁴¹	69310693	69310782	NR	NR
		Fd	DN		7149 - D236	MD236 ³⁴¹	69310693	69310782	NR	NR
		Fd	DN		7149 - D236	MD236 ³⁴¹	69310693	69310782	NR	NR
		Fd	DN		7141 - D224	MD224 ³⁴⁰	69310693	60050153	NR	NR
Fd		DN		7149 - D236	MD236 ³⁴¹	69310693	69310782	NR	NR	
Fd		DN		7149 - D236	MD236 ³⁴¹	69310693	69310782	NR	NR	
Fd		DN		7141 - D224	MD224 ³⁴⁰	69310693	60050153	NR	NR	
Fd		DN		7149 - D236	MD236 ³⁴¹	69310693	69310782	NR	NR	
Ra		LG	15" x 5"	4528A - 542	N/A	R40H618	NR	NR	NR	
Ra		LG	15" x 5"	4528A - 542	N/A	R40H618	NR	SP7888S	SP7888S	
Ra		LG	15" x 6"	4504A - 543	N/A	R40H618	NR	NR	NR	
Ra		LG	15" x 6"	4504A - 543	N/A	R40H618	NR	SP7887S	SP7887S	
Ra		LG	15" x 7"	4505A - 544	N/A	R40H618	NR	SP7887S	SP7887S	
Ra		LG	15" x 7"	4505A - 544	N/A	R40H618	NR	NR	NR	
1985		Fd	DN		7149 - D236	MD236 ³⁴¹	69310693	R40H5523	NR	NR
		Fd	DN		7149 - D236	MD236 ³⁴¹	69310693	R40H5523	NR	NR
		Fd	DN		7149 - D236	MD236 ³⁴¹	69310693	R40H5523	NR	NR
		Fd	DN		7149 - D236	MD236 ³⁴¹	69310693	R40H5523	NR	NR
	Fd	DN		7149 - D236	MD236 ³⁴¹	69310693	R40H5523	NR	NR	
	Fd	DN		7141 - D224	MD224 ³⁴⁰	69310693	60050153	NR	NR	
	Fd	DN		7141 - D224	MD224 ³⁴⁰	69310693	60050153	NR	NR	
	Fd	DN		7149 - D236	MD236 ³⁴¹	69310693	R40H5523	NR	NR	
	Ra	LG	15" x 5"	4528A - 542	N/A	R40H618	NR	SP7888S	SP7888S	

9 - 6 Stud, Dayton Rotor, Hat Style
 42 - 6 Stud, Dayton Rotor, "U" Style
 186 - 10 Stud
 www.XpresswayPlus.com

37 - Also available as a New unit
 43 - For Applications Taking A Longer Shim, Use R404151706
 187 - 6 Stud, 6.443" Hub

41 - Aluminum piston
 53 - Power Brakes
 204 - Right Hand; use E-4057 for Left Hand Expander Kits

MERITOR DRUM OR ROTOR NO.	CALIPER OR CYLINDER BORE SIZE	MERITOR CALIPER OR WHEEL CYLINDER (LEFT)	MERITOR CALIPER OR WHEEL CYLINDER (RIGHT)	MERITOR CALIPER OR WHEEL CYLINDER REPAIR KIT	MERITOR CALIPER PISTON	MERITOR MASTER CYLINDER	MERITOR MASTER CYLINDER KIT	MERITOR BRAKE HOSE (LEFT)	MERITOR BRAKE HOSE (RIGHT)
FORD(Cont.)									
C700 SERIES: TILT CAB(Cont.)									
23-122691-002 ⁴²	2-7/8 "	60050145X	60050145X ³⁷	60050146	69270702 ⁴¹	R4111995 ⁵³	-	R4577461	R4577461
23-122700-002 ⁹	2-1/2 "	R424244X	R424244X ³⁷	60050266	69270757 ⁴¹	R4111995 ⁵³	-	R4577461	R4577461
23-122700-002 ⁹	2-1/2 "	R424244X	R424244X ³⁷	60050266	69270757 ⁴¹	R4111999 ⁵³	R4122386	R4577461	R4577461
N/A	1-5/8 "	201181	201182	SP7895S	NR	-	-	N/A	N/A
N/A	1-5/8 "	201185	201186 ³²⁹	SP7895S	NR	-	-	N/A	N/A
N/A	1-3/4 "	201183X	201184X ³²⁹	SP7873S	NR	-	-	N/A	N/A
N/A	1-3/4 "	201179X	201180X	SP7873S	SP7880S ²⁰⁴	-	-	N/A	N/A
N/A	1-3/4 "	201183X	201184X ³²⁹	SP7873S	NR	-	-	N/A	N/A
N/A	1-3/4 "	201179X	201180X	SP7873S	SP7880S ²⁰⁴	-	-	N/A	N/A
23-122700-002 ⁹	2-1/2 "	R424244X	R424244X ³⁷	60050266	69270757 ⁴¹	R4111995 ⁵³	-	R4577461	R4577461
23-122691-002 ⁴²	2-7/8 "	60050145X	60050145X ³⁷	60050146	69270702 ⁴¹	R4111999 ⁵³	R4122386	R4577461	R4577461
23-122703-002 ¹⁸⁶	2-7/8 "	60050145X	60050145X ³⁷	60050146	69270702 ⁴¹	R4111999 ⁵³	R4122386	R4577461	R4577461
23-122743-002 ¹⁸⁷	2-7/8 "	60050145X	60050145X ³⁷	60050146	69270702 ⁴¹	R4111995 ⁵³	-	R4577461	R4577461
23-122743-002 ¹⁸⁷	2-7/8 "	60050145X	60050145X ³⁷	60050146	69270702 ⁴¹	R4111999 ⁵³	R4122386	R4577461	R4577461
23-122700-002 ⁹	2-1/2 "	R424244X	R424244X ³⁷	60050266	69270757 ⁴¹	R4111999 ⁵³	R4122386	R4577461	R4577461
23-122691-002 ⁴²	2-7/8 "	60050145X	60050145X ³⁷	60050146	69270702 ⁴¹	R4111995 ⁵³	-	R4577461	R4577461
23-122703-002 ¹⁸⁶	2-7/8 "	60050145X	60050145X ³⁷	60050146	69270702 ⁴¹	R4111995 ⁵³	-	R4577461	R4577461
N/A	1-5/8 "	201181	201182	SP7895S	NR	-	-	N/A	N/A
N/A	1-5/8 "	201185	201186 ³²⁹	SP7895S	NR	-	-	N/A	N/A
N/A	1-3/4 "	201179X	201180X	SP7873S	SP7880S ²⁰⁴	-	-	N/A	N/A
N/A	1-3/4 "	201183X	201184X ³²⁹	SP7873S	NR	-	-	N/A	N/A
N/A	1-3/4 "	201183X	201184X ³²⁹	SP7873S	NR	-	-	N/A	N/A
N/A	1-3/4 "	201179X	201180X	SP7873S	SP7880S ²⁰⁴	-	-	N/A	N/A
23-122703-002 ¹⁸⁶	2-7/8 "	60050145X	60050145X ³⁷	60050146	69270702 ⁴¹	R4111995 ⁵³	-	R4577461	R4577461
23-122743-002 ¹⁸⁷	2-7/8 "	60050145X	60050145X ³⁷	60050146	69270702 ⁴¹	R4111995 ⁵³	-	R4577461	R4577461
23-122700-002 ⁹	2-1/2 "	R424244X	R424244X ³⁷	60050266	69270757 ⁴¹	R4111999 ⁵³	R4122386	R4577461	R4577461
23-122691-002 ⁴²	2-7/8 "	60050145X	60050145X ³⁷	60050146	69270702 ⁴¹	R4111999 ⁵³	R4122386	R4577461	R4577461
23-122703-002 ¹⁸⁶	2-7/8 "	60050145X	60050145X ³⁷	60050146	69270702 ⁴¹	R4111995 ⁵³	-	R4577461	R4577461
23-122743-002 ¹⁸⁷	2-7/8 "	60050145X	60050145X ³⁷	60050146	69270702 ⁴¹	R4111999 ⁵³	R4122386	R4577461	R4577461
23-122691-002 ⁴²	2-7/8 "	60050145X	60050145X ³⁷	60050146	69270702 ⁴¹	R4111995 ⁵³	-	R4577461	R4577461
23-122700-002 ⁹	2-1/2 "	R424244X	R424244X ³⁷	60050266	69270757 ⁴¹	R4111999 ⁵³	R4122386	R4577461	R4577461
23-122703-002 ¹⁸⁶	2-7/8 "	60050145X	60050145X ³⁷	60050146	69270702 ⁴¹	R4111995 ⁵³	-	R4577461	R4577461
23-122743-002 ¹⁸⁷	2-7/8 "	60050145X	60050145X ³⁷	60050146	69270702 ⁴¹	R4111999 ⁵³	R4122386	R4577461	R4577461
23-122700-002 ⁹	2-1/2 "	R424244X	R424244X ³⁷	60050266	69270757 ⁴¹	R4111995 ⁵³	-	R4577461	R4577461
23-122691-002 ⁴²	2-7/8 "	60050145X	60050145X ³⁷	60050146	69270702 ⁴¹	R4111999 ⁵³	R4122386	R4577461	R4577461
N/A	1-5/8 "	201185	201186 ³²⁹	SP7895S	NR	-	-	N/A	N/A

1 APPLICATION

MAKE MODEL YEAR AXLE CODE AXLE WEIGHT	AXLE & BRK. TYPE	BRK. MFG.	BRAKE SIZE	FMSI	MERITOR DISC PAD OR BRAKE SHOE	MERITOR GUIDE PIN OR RETURN SPRING KIT	MERITOR CALIPER HWD. KIT OR RETURN SPRING KIT	MERITOR ADJUSTER KIT (LEFT WHEEL)	MERITOR ADJUSTER KIT (RIGHT WHEEL)
FORD(Cont.)									
C700 SERIES: TILT CAB(Cont.)									
1985	Ra	LG	15 " x 5 "	4528A - 542	N/A	R40H618	NR	NR	NR
	Ra	LG	15 " x 6 "	4504A - 543	N/A	R40H618	NR	NR	NR
	Ra	LG	15 " x 6 "	4504A - 543	N/A	R40H618	NR	SP7887S	SP7887S
	Ra	LG	15 " x 7 "	4505A - 544	N/A	R40H618	NR	NR	NR
	Ra	LG	15 " x 7 "	4505A - 544	N/A	R40H618	NR	SP7887S	SP7887S
1984	Fd	DN		7141 - D224	MD224 ³⁴⁰	69310693	60050153	NR	NR
	Fd	DN		7149 - D236	MD236 ³⁴¹	69310693	R40H5523	NR	NR
	Fd	DN		7149 - D236	MD236 ³⁴¹	69310693	R40H5523	NR	NR
	Fd	DN		7149 - D236	MD236 ³⁴¹	69310693	R40H5523	NR	NR
	Fd	DN		7149 - D236	MD236 ³⁴¹	69310693	R40H5523	NR	NR
	Fd	DN		7141 - D224	MD224 ³⁴⁰	69310693	60050153	NR	NR
	Fd	DN		7149 - D236	MD236 ³⁴¹	69310693	R40H5523	NR	NR
	Fd	DN		7149 - D236	MD236 ³⁴¹	69310693	R40H5523	NR	NR
	Ra	LG	15 " x 5 "	4528A - 542	N/A	R40H618	NR	NR	NR
	Ra	LG	15 " x 5 "	4528A - 542	N/A	R40H618	NR	SP7888S	SP7888S
	Ra	LG	15 " x 6 "	4504A - 543	N/A	R40H618	NR	SP7887S	SP7887S
	Ra	LG	15 " x 6 "	4504A - 543	N/A	R40H618	NR	NR	NR
	Ra	LG	15 " x 7 "	4505A - 544	N/A	R40H618	NR	SP7887S	SP7887S
	Ra	LG	15 " x 7 "	4505A - 544	N/A	R40H618	NR	NR	NR
C800 SERIES: TILT CAB									
1990	Fd	DN		7149 - D236	MD236 ³⁴¹	69310693	69310782	NR	NR
	Fd	DN		7149 - D236	MD236 ³⁴¹	69310693	69310782	NR	NR
	Fd	DN		7141 - D224	MD224 ³⁴⁰	69310693	60050153	NR	NR
	Fd	DN		7149 - D236	MD236 ³⁴¹	69310693	69310782	NR	NR
	Ra	LG	15 " x 5 "	4528A - 542	N/A	R40H618	NR	SP7888S	SP7888S
	Ra	LG	15 " x 5 "	4528A - 542	N/A	R40H618	NR	NR	NR
	Ra	LG	15 " x 6 "	4504A - 543	N/A	R40H618	NR	SP7887S	SP7887S
	Ra	LG	15 " x 6 "	4504A - 543	N/A	R40H618	NR	NR	NR
	Ra	LG	15 " x 7 "	4505A - 544	N/A	R40H618	NR	SP7887S	SP7887S
	Ra	LG	15 " x 7 "	4505A - 544	N/A	R40H618	NR	NR	NR
	1989	Fd	DN		7149 - D236	MD236 ³⁴¹	69310693	69310782 ⁴³	NR
Fd		DN		7149 - D236	MD236 ³⁴¹	69310693	69310782 ⁴³	NR	NR
Fd		DN		7149 - D236	MD236 ³⁴¹	69310693	69310782 ⁴³	NR	NR
Fd		DN		7149 - D236	MD236 ³⁴¹	69310693	69310782 ⁴³	NR	NR
Fd		DN		7141 - D224	MD224 ³⁴⁰	69310693	60050153	NR	NR
Fd		DN		7141 - D224	MD224 ³⁴⁰	69310693	60050153	NR	NR
Fd		DN		7149 - D236	MD236 ³⁴¹	69310693	69310782 ⁴³	NR	NR
Fd		DN		7149 - D236	MD236 ³⁴¹	69310693	69310782 ⁴³	NR	NR
Ra		LG	15 " x 5 "	4528A - 542	N/A	R40H618	NR	NR	NR
Ra		LG	15 " x 5 "	4528A - 542	N/A	R40H618	NR	SP7888S	SP7888S
Ra		LG	15 " x 6 "	4504A - 543	N/A	R40H618	NR	SP7887S	SP7887S
Ra		LG	15 " x 6 "	4504A - 543	N/A	R40H618	NR	NR	NR
Ra		LG	15 " x 7 "	4505A - 544	N/A	R40H618	NR	SP7887S	SP7887S
Ra		LG	15 " x 7 "	4505A - 544	N/A	R40H618	NR	NR	NR
1988	Fd	DN		7149 - D236	MD236 ³⁴¹	69310693	69310782 ⁴³	NR	NR
	Fd	DN		7149 - D236	MD236 ³⁴¹	69310693	69310782 ⁴³	NR	NR
	Fd	DN		7141 - D224	MD224 ³⁴⁰	69310693	60050153	NR	NR
	Fd	DN		7149 - D236	MD236 ³⁴¹	69310693	69310782 ⁴³	NR	NR
	Fd	DN		7149 - D236	MD236 ³⁴¹	69310693	69310782 ⁴³	NR	NR
	Fd	DN		7141 - D224	MD224 ³⁴⁰	69310693	60050153	NR	NR
	Fd	DN		7149 - D236	MD236 ³⁴¹	69310693	69310782 ⁴³	NR	NR
	Fd	DN		7149 - D236	MD236 ³⁴¹	69310693	69310782 ⁴³	NR	NR
	Ra	LG	15 " x 5 "	4528A - 542	N/A	R40H618	NR	SP7888S	SP7888S
	Ra	LG	15 " x 5 "	4528A - 542	N/A	R40H618	NR	NR	NR
	Ra	LG	15 " x 6 "	4504A - 543	N/A	R40H618	NR	SP7887S	SP7887S
	Ra	LG	15 " x 6 "	4504A - 543	N/A	R40H618	NR	NR	NR
	Ra	LG	15 " x 7 "	4505A - 544	N/A	R40H618	NR	SP7887S	SP7887S
	Ra	LG	15 " x 7 "	4505A - 544	N/A	R40H618	NR	NR	NR
1987	Fd	DN		7141 - D224	MD224 ³⁴⁰	69310693	60050153	NR	NR

9 - 6 Stud, Dayton Rotor, Hat Style
 42 - 6 Stud, Dayton Rotor, "U" Style
 186 - 10 Stud
 www.XpresswayPlus.com

37 - Also available as a New unit
 43 - For Applications Taking A Longer Shim, Use R404151706
 187 - 6 Stud, 6.443" Hub

41 - Aluminum piston
 53 - Power Brakes
 204 - Right Hand; use E-4057 for Left Hand Expander Kits
 Contact our Customer Service Teams
 1-888-725-9355

MERITOR DRUM OR ROTOR NO.	CALIPER OR CYLINDER BORE SIZE	MERITOR CALIPER OR WHEEL CYLINDER (LEFT)	MERITOR CALIPER OR WHEEL CYLINDER (RIGHT)	MERITOR CALIPER OR WHEEL CYLINDER REPAIR KIT	MERITOR CALIPER PISTON	MERITOR MASTER CYLINDER	MERITOR MASTER CYLINDER KIT	MERITOR BRAKE HOSE (LEFT)	MERITOR BRAKE HOSE (RIGHT)
FORD(Cont.)									
C700 SERIES: TILT CAB(Cont.)									
N/A	1-5/8 "	201181	201182	SP7895S	NR	-	-	N/A	N/A
N/A	1-3/4 "	201179X	201180X	SP7873S	SP7880S ²⁰⁴	-	-	N/A	N/A
N/A	1-3/4 "	201183X	201184X ³²⁹	SP7873S	NR	-	-	N/A	N/A
N/A	1-3/4 "	201179X	201180X	SP7873S	SP7880S ²⁰⁴	-	-	N/A	N/A
N/A	1-3/4 "	201183X	201184X ³²⁹	SP7873S	NR	-	-	N/A	N/A
23-122700-002 ⁹	2-1/2 "	R424244X	R424244X ³⁷	60050266	69270757 ⁴¹	R4111995 ⁵³	-	R4577461	R4577461
23-122703-002 ¹⁸⁶	2-7/8 "	60050145X	60050145X ³⁷	60050146	69270702 ⁴¹	R4111995 ⁵³	R4122386	R4577461	R4577461
23-122743-002 ¹⁸⁷	2-7/8 "	60050145X	60050145X ³⁷	60050146	69270702 ⁴¹	R4111995 ⁵³	-	R4577461	R4577461
23-122743-002 ¹⁸⁷	2-7/8 "	60050145X	60050145X ³⁷	60050146	69270702 ⁴¹	R4111995 ⁵³	R4122386	R4577461	R4577461
23-122691-002 ⁴²	2-7/8 "	60050145X	60050145X ³⁷	60050146	69270702 ⁴¹	R4111995 ⁵³	-	R4577461	R4577461
23-122700-002 ⁹	2-1/2 "	R424244X	R424244X ³⁷	60050266	69270757 ⁴¹	R4111995 ⁵³	R4122386	R4577461	R4577461
23-122691-002 ⁴²	2-7/8 "	60050145X	60050145X ³⁷	60050146	69270702 ⁴¹	R4111995 ⁵³	R4122386	R4577461	R4577461
23-122703-002 ¹⁸⁶	2-7/8 "	60050145X	60050145X ³⁷	60050146	69270702 ⁴¹	R4111995 ⁵³	-	R4577461	R4577461
N/A	1-5/8 "	201181	201182	SP7895S	NR	-	-	N/A	N/A
N/A	1-5/8 "	201185	201186 ³²⁹	SP7895S	NR	-	-	N/A	N/A
N/A	1-3/4 "	201183X	201184X ³²⁹	SP7873S	NR	-	-	N/A	N/A
N/A	1-3/4 "	201179X	201180X	SP7873S	SP7880S ²⁰⁴	-	-	N/A	N/A
N/A	1-3/4 "	201183X	201184X ³²⁹	SP7873S	NR	-	-	N/A	N/A
N/A	1-3/4 "	201179X	201180X	SP7873S	SP7880S ²⁰⁴	-	-	N/A	N/A
C800 SERIES: TILT CAB									
23-122691-002 ⁴²	2-7/8 "	60050145X	60050145X ³⁷	60050146	69270702 ⁴¹	-	-	R4577461	R4577461
23-122703-002 ¹⁸⁶	2-7/8 "	60050145X	60050145X ³⁷	60050146	69270702 ⁴¹	-	-	R4577461	R4577461
23-122700-002 ⁹	2-1/2 "	R424244X	R424244X ³⁷	60050266	69270757 ⁴¹	-	-	R4577461	R4577461
23-122743-002 ¹⁸⁷	2-7/8 "	60050145X	60050145X ³⁷	60050146	69270702 ⁴¹	-	-	R4577461	R4577461
N/A	1-5/8 "	201185	201186 ³²⁹	SP7895S	NR	-	-	R4577870	R4577870
N/A	1-5/8 "	201181	201182	SP7895S	NR	-	-	R4577870	R4577870
N/A	1-3/4 "	201183X	201184X ³²⁹	SP7873S	NR	-	-	R4577870	R4577870
N/A	1-3/4 "	201179X	201180X	SP7873S	SP7880S ²⁰⁴	-	-	R4577870	R4577870
N/A	1-3/4 "	201183X	201184X ³²⁹	SP7873S	NR	-	-	R4577870	R4577870
N/A	1-3/4 "	201179X	201180X	SP7873S	SP7880S ²⁰⁴	-	-	R4577870	R4577870
23-122743-002 ¹⁸⁷	2-7/8 "	60050145X	60050145X ³⁷	60050146	69270702 ⁴¹	R4111995 ⁵³	R4122386	R4577461	R4577461
23-122703-002 ¹⁸⁶	2-7/8 "	60050145X	60050145X ³⁷	60050146	69270702 ⁴¹	R4111995 ⁵³	-	R4577461	R4577461
23-122703-002 ¹⁸⁶	2-7/8 "	60050145X	60050145X ³⁷	60050146	69270702 ⁴¹	R4111995 ⁵³	R4122386	R4577461	R4577461
23-122743-002 ¹⁸⁷	2-7/8 "	60050145X	60050145X ³⁷	60050146	69270702 ⁴¹	R4111995 ⁵³	-	R4577461	R4577461
23-122700-002 ⁹	2-1/2 "	R424244X	R424244X ³⁷	60050266	69270757 ⁴¹	R4111995 ⁵³	R4122386	R4577461	R4577461
23-122700-002 ⁹	2-1/2 "	R424244X	R424244X ³⁷	60050266	69270757 ⁴¹	R4111995 ⁵³	-	R4577461	R4577461
23-122691-002 ⁴²	2-7/8 "	60050145X	60050145X ³⁷	60050146	69270702 ⁴¹	R4111995 ⁵³	R4122386	R4577461	R4577461
23-122691-002 ⁴²	2-7/8 "	60050145X	60050145X ³⁷	60050146	69270702 ⁴¹	R4111995 ⁵³	-	R4577461	R4577461
N/A	1-5/8 "	201181	201182	SP7895S	NR	-	-	N/A	N/A
N/A	1-5/8 "	201185	201186 ³²⁹	SP7895S	NR	-	-	N/A	N/A
N/A	1-3/4 "	201183X	201184X ³²⁹	SP7873S	NR	-	-	N/A	N/A
N/A	1-3/4 "	201179X	201180X	SP7873S	SP7880S ²⁰⁴	-	-	N/A	N/A
N/A	1-3/4 "	201183X	201184X ³²⁹	SP7873S	NR	-	-	N/A	N/A
N/A	1-3/4 "	201179X	201180X	SP7873S	SP7880S ²⁰⁴	-	-	N/A	N/A
23-122703-002 ¹⁸⁶	2-7/8 "	60050145X	60050145X ³⁷	60050146	69270702 ⁴¹	R4111995 ⁵³	-	R4577461	R4577461
23-122691-002 ⁴²	2-7/8 "	60050145X	60050145X ³⁷	60050146	69270702 ⁴¹	R4111995 ⁵³	-	R4577461	R4577461
23-122700-002 ⁹	2-1/2 "	R424244X	R424244X ³⁷	60050266	69270757 ⁴¹	R4111995 ⁵³	R4122386	R4577461	R4577461
23-122691-002 ⁴²	2-7/8 "	60050145X	60050145X ³⁷	60050146	69270702 ⁴¹	R4111995 ⁵³	R4122386	R4577461	R4577461
23-122743-002 ¹⁸⁷	2-7/8 "	60050145X	60050145X ³⁷	60050146	69270702 ⁴¹	R4111995 ⁵³	-	R4577461	R4577461
23-122700-002 ⁹	2-1/2 "	R424244X	R424244X ³⁷	60050266	69270757 ⁴¹	R4111995 ⁵³	-	R4577461	R4577461
23-122743-002 ¹⁸⁷	2-7/8 "	60050145X	60050145X ³⁷	60050146	69270702 ⁴¹	R4111995 ⁵³	R4122386	R4577461	R4577461
23-122743-002 ¹⁸⁷	2-7/8 "	60050145X	60050145X ³⁷	60050146	69270702 ⁴¹	R4111995 ⁵³	-	R4577461	R4577461
23-122703-002 ¹⁸⁶	2-7/8 "	60050145X	60050145X ³⁷	60050146	69270702 ⁴¹	R4111995 ⁵³	R4122386	R4577461	R4577461
N/A	1-5/8 "	201185	201186 ³²⁹	SP7895S	NR	-	-	N/A	N/A
N/A	1-5/8 "	201181	201182	SP7895S	NR	-	-	N/A	N/A
N/A	1-3/4 "	201183X	201184X ³²⁹	SP7873S	NR	-	-	N/A	N/A
N/A	1-3/4 "	201179X	201180X	SP7873S	SP7880S ²⁰⁴	-	-	N/A	N/A
N/A	1-3/4 "	201183X	201184X ³²⁹	SP7873S	NR	-	-	N/A	N/A
N/A	1-3/4 "	201179X	201180X	SP7873S	SP7880S ²⁰⁴	-	-	N/A	N/A
23-122700-002 ⁹	2-1/2 "	R424244X	R424244X ³⁷	60050266	69270757 ⁴¹	R4111995 ⁵³	R4122386	R4577461	R4577461

MAKE MODEL YEAR AXLE CODE AXLE WEIGHT	AXLE & BRK. TYPE	BRK. MFG.	BRAKE SIZE	FMSI	MERITOR DISC PAD OR BRAKE SHOE	MERITOR GUIDE PIN OR RETURN SPRING KIT	MERITOR CALIPER HWD. KIT OR RETURN SPRING KIT	MERITOR ADJUSTER KIT (LEFT WHEEL)	MERITOR ADJUSTER KIT (RIGHT WHEEL)
FORD(Cont.)									
C800 SERIES: TILT CAB(Cont.)									
1987									
	Fd	DN		7141 - D224	MD224 ³⁴⁰	69310693	60050153	NR	NR
	Fd	DN		7149 - D236	MD236 ³⁴¹	69310693	69310782 ⁴³	NR	NR
	Fd	DN		7149 - D236	MD236 ³⁴¹	69310693	69310782 ⁴³	NR	NR
	Fd	DN		7149 - D236	MD236 ³⁴¹	69310693	69310782 ⁴³	NR	NR
	Fd	DN		7149 - D236	MD236 ³⁴¹	69310693	69310782 ⁴³	NR	NR
	Fd	DN		7149 - D236	MD236 ³⁴¹	69310693	69310782 ⁴³	NR	NR
	Fd	DN		7149 - D236	MD236 ³⁴¹	69310693	69310782 ⁴³	NR	NR
	Ra	LG	15" x 5"	4528A - 542	N/A	R40H618	NR	NR	NR
	Ra	LG	15" x 5"	4528A - 542	N/A	R40H618	NR	SP7888S	SP7888S
	Ra	LG	15" x 6"	4504A - 543	N/A	R40H618	NR	NR	NR
	Ra	LG	15" x 6"	4504A - 543	N/A	R40H618	NR	SP7887S	SP7887S
	Ra	LG	15" x 7"	4505A - 544	N/A	R40H618	NR	SP7887S	SP7887S
	Ra	LG	15" x 7"	4505A - 544	N/A	R40H618	NR	NR	NR
1986									
	Fd	DN		7141 - D224	MD224 ³⁴⁰	69310693	60050153	NR	NR
	Fd	DN		7149 - D236	MD236 ³⁴¹	69310693	69310782	NR	NR
	Fd	DN		7149 - D236	MD236 ³⁴¹	69310693	69310782	NR	NR
	Fd	DN		7141 - D224	MD224 ³⁴⁰	69310693	60050153	NR	NR
	Fd	DN		7149 - D236	MD236 ³⁴¹	69310693	69310782	NR	NR
	Fd	DN		7149 - D236	MD236 ³⁴¹	69310693	69310782	NR	NR
	Fd	DN		7149 - D236	MD236 ³⁴¹	69310693	69310782	NR	NR
	Fd	DN		7149 - D236	MD236 ³⁴¹	69310693	69310782	NR	NR
	Ra	LG	15" x 5"	4528A - 542	N/A	R40H618	NR	SP7888S	SP7888S
	Ra	LG	15" x 5"	4528A - 542	N/A	R40H618	NR	NR	NR
	Ra	LG	15" x 6"	4504A - 543	N/A	R40H618	NR	SP7887S	SP7887S
	Ra	LG	15" x 6"	4504A - 543	N/A	R40H618	NR	NR	NR
	Ra	LG	15" x 7"	4505A - 544	N/A	R40H618	NR	NR	NR
	Ra	LG	15" x 7"	4505A - 544	N/A	R40H618	NR	SP7887S	SP7887S
1985									
	Fd	DN		7149 - D236	MD236 ³⁴¹	69310693	R40H5523	NR	NR
	Fd	DN		7149 - D236	MD236 ³⁴¹	69310693	R40H5523	NR	NR
	Fd	DN		7149 - D236	MD236 ³⁴¹	69310693	R40H5523	NR	NR
	Fd	DN		7149 - D236	MD236 ³⁴¹	69310693	R40H5523	NR	NR
	Fd	DN		7141 - D224	MD224 ³⁴⁰	69310693	60050153	NR	NR
	Fd	DN		7141 - D224	MD224 ³⁴⁰	69310693	60050153	NR	NR
	Fd	DN		7149 - D236	MD236 ³⁴¹	69310693	R40H5523	NR	NR
	Fd	DN		7149 - D236	MD236 ³⁴¹	69310693	R40H5523	NR	NR
	Ra	LG	15" x 5"	4528A - 542	N/A	R40H618	NR	NR	NR
	Ra	LG	15" x 5"	4528A - 542	N/A	R40H618	NR	SP7888S	SP7888S
	Ra	LG	15" x 6"	4504A - 543	N/A	R40H618	NR	NR	NR
	Ra	LG	15" x 6"	4504A - 543	N/A	R40H618	NR	SP7887S	SP7887S
	Ra	LG	15" x 7"	4505A - 544	N/A	R40H618	NR	SP7887S	SP7887S
	Ra	LG	15" x 7"	4505A - 544	N/A	R40H618	NR	NR	NR
1984									
	Fd	DN		7141 - D224	MD224 ³⁴⁰	69310693	60050153	NR	NR
	Fd	DN		7149 - D236	MD236 ³⁴¹	69310693	R40H5523	NR	NR
	Fd	DN		7149 - D236	MD236 ³⁴¹	69310693	R40H5523	NR	NR
	Fd	DN		7149 - D236	MD236 ³⁴¹	69310693	R40H5523	NR	NR
	Fd	DN		7149 - D236	MD236 ³⁴¹	69310693	R40H5523	NR	NR
	Fd	DN		7141 - D224	MD224 ³⁴⁰	69310693	60050153	NR	NR
	Fd	DN		7149 - D236	MD236 ³⁴¹	69310693	R40H5523	NR	NR
	Fd	DN		7149 - D236	MD236 ³⁴¹	69310693	R40H5523	NR	NR
	Ra	LG	15" x 5"	4528A - 542	N/A	R40H618	NR	NR	NR
	Ra	LG	15" x 5"	4528A - 542	N/A	R40H618	NR	SP7888S	SP7888S
	Ra	LG	15" x 6"	4504A - 543	N/A	R40H618	NR	NR	NR
	Ra	LG	15" x 6"	4504A - 543	N/A	R40H618	NR	SP7887S	SP7887S
	Ra	LG	15" x 7"	4505A - 544	N/A	R40H618	NR	SP7887S	SP7887S
	Ra	LG	15" x 7"	4505A - 544	N/A	R40H618	NR	NR	NR
CF600, 6000 SERIES: CARGO, CAB FORWARD DESIGN									
1991									
	Fd				MD379	R407182	R407181	NR	NR
	Ra	LG	15" x 7"	4505A - 544	N/A	R40H618	NR	SP7887S	SP7887S
	Ra	LG	15" x 7"	4505A - 544	N/A	R40H618	NR	NR	NR

9 - 6 Stud, Dayton Rotor, Hat Style
 42 - 6 Stud, Dayton Rotor, "U" Style
 161 - 8 Stud
 www.XpresswayPlus.com
 1-100

37 - Also available as a New unit
 43 - For Applications Taking A Longer Shim, Use R404151706
 186 - 10 Stud

41 - Aluminum piston
 53 - Power Brakes
 187 - 6 Stud, 6.443" Hub

MERITOR DRUM OR ROTOR NO.	CALIPER OR CYLINDER BORE SIZE	MERITOR CALIPER OR WHEEL CYLINDER (LEFT)	MERITOR CALIPER OR WHEEL CYLINDER (RIGHT)	MERITOR CALIPER OR WHEEL CYLINDER REPAIR KIT	MERITOR CALIPER PISTON	MERITOR MASTER CYLINDER	MERITOR MASTER CYLINDER KIT	MERITOR BRAKE HOSE (LEFT)	MERITOR BRAKE HOSE (RIGHT)
FORD(Cont.)									
C800 SERIES: TILT CAB(Cont.)									
23-122700-002 ⁹	2-1/2 "	R424244X	R424244X ³⁷	60050266	69270757 ⁴¹	R4111995 ⁵³	-	R4577461	R4577461
23-122743-002 ¹⁸⁷	2-7/8 "	60050145X	60050145X ³⁷	60050146	69270702 ⁴¹	R4111995 ⁵³	-	R4577461	R4577461
23-122743-002 ¹⁸⁷	2-7/8 "	60050145X	60050145X ³⁷	60050146	69270702 ⁴¹	R4111995 ⁵³	R4122386	R4577461	R4577461
23-122703-002 ¹⁸⁶	2-7/8 "	60050145X	60050145X ³⁷	60050146	69270702 ⁴¹	R4111995 ⁵³	R4122386	R4577461	R4577461
23-122691-002 ⁴²	2-7/8 "	60050145X	60050145X ³⁷	60050146	69270702 ⁴¹	R4111995 ⁵³	-	R4577461	R4577461
23-122703-002 ¹⁸⁶	2-7/8 "	60050145X	60050145X ³⁷	60050146	69270702 ⁴¹	R4111995 ⁵³	-	R4577461	R4577461
23-122691-002 ⁴²	2-7/8 "	60050145X	60050145X ³⁷	60050146	69270702 ⁴¹	R4111995 ⁵³	R4122386	R4577461	R4577461
N/A	1-5/8 "	201181	201182	SP7895S	NR	-	-	N/A	N/A
N/A	1-5/8 "	201185	201186 ³²⁹	SP7895S	NR	-	-	N/A	N/A
N/A	1-3/4 "	201179X	201180X	SP7873S	SP7880S ²⁰⁴	-	-	N/A	N/A
N/A	1-3/4 "	201183X	201184X ³²⁹	SP7873S	NR	-	-	N/A	N/A
N/A	1-3/4 "	201183X	201184X ³²⁹	SP7873S	NR	-	-	N/A	N/A
N/A	1-3/4 "	201179X	201180X	SP7873S	SP7880S ²⁰⁴	-	-	N/A	N/A
23-122700-002 ⁹	2-1/2 "	R424244X	R424244X ³⁷	60050266	69270757 ⁴¹	R4111995 ⁵³	-	R4577461	R4577461
23-122691-002 ⁴²	2-7/8 "	60050145X	60050145X ³⁷	60050146	69270702 ⁴¹	R4111995 ⁵³	-	R4577461	R4577461
23-122743-002 ¹⁸⁷	2-7/8 "	60050145X	60050145X ³⁷	60050146	69270702 ⁴¹	R4111995 ⁵³	R4122386	R4577461	R4577461
23-122700-002 ⁹	2-1/2 "	R424244X	R424244X ³⁷	60050266	69270757 ⁴¹	R4111995 ⁵³	R4122386	R4577461	R4577461
23-122691-002 ⁴²	2-7/8 "	60050145X	60050145X ³⁷	60050146	69270702 ⁴¹	R4111995 ⁵³	R4122386	R4577461	R4577461
23-122703-002 ¹⁸⁶	2-7/8 "	60050145X	60050145X ³⁷	60050146	69270702 ⁴¹	R4111995 ⁵³	R4122386	R4577461	R4577461
23-122743-002 ¹⁸⁷	2-7/8 "	60050145X	60050145X ³⁷	60050146	69270702 ⁴¹	R4111995 ⁵³	-	R4577461	R4577461
23-122703-002 ¹⁸⁶	2-7/8 "	60050145X	60050145X ³⁷	60050146	69270702 ⁴¹	R4111995 ⁵³	-	R4577461	R4577461
N/A	1-5/8 "	201185	201186 ³²⁹	SP7895S	NR	-	-	N/A	N/A
N/A	1-5/8 "	201181	201182	SP7895S	NR	-	-	N/A	N/A
N/A	1-3/4 "	201183X	201184X ³²⁹	SP7873S	NR	-	-	N/A	N/A
N/A	1-3/4 "	201179X	201180X	SP7873S	SP7880S ²⁰⁴	-	-	N/A	N/A
N/A	1-3/4 "	201179X	201180X	SP7873S	SP7880S ²⁰⁴	-	-	N/A	N/A
23-122743-002 ¹⁸⁷	2-7/8 "	60050145X	60050145X ³⁷	60050146	69270702 ⁴¹	R4111995 ⁵³	-	R4577461	R4577461
23-122743-002 ¹⁸⁷	2-7/8 "	60050145X	60050145X ³⁷	60050146	69270702 ⁴¹	R4111995 ⁵³	R4122386	R4577461	R4577461
23-122703-002 ¹⁸⁶	2-7/8 "	60050145X	60050145X ³⁷	60050146	69270702 ⁴¹	R4111995 ⁵³	-	R4577461	R4577461
23-122703-002 ¹⁸⁶	2-7/8 "	60050145X	60050145X ³⁷	60050146	69270702 ⁴¹	R4111995 ⁵³	R4122386	R4577461	R4577461
23-122700-002 ⁹	2-1/2 "	R424244X	R424244X ³⁷	60050266	69270757 ⁴¹	R4111995 ⁵³	-	R4577461	R4577461
23-122700-002 ⁹	2-1/2 "	R424244X	R424244X ³⁷	60050266	69270757 ⁴¹	R4111995 ⁵³	R4122386	R4577461	R4577461
23-122691-002 ⁴²	2-7/8 "	60050145X	60050145X ³⁷	60050146	69270702 ⁴¹	R4111995 ⁵³	R4122386	R4577461	R4577461
23-122691-002 ⁴²	2-7/8 "	60050145X	60050145X ³⁷	60050146	69270702 ⁴¹	R4111995 ⁵³	-	R4577461	R4577461
N/A	1-5/8 "	201181	201182	SP7895S	NR	-	-	N/A	N/A
N/A	1-5/8 "	201185	201186 ³²⁹	SP7895S	NR	-	-	N/A	N/A
N/A	1-3/4 "	201179X	201180X	SP7873S	SP7880S ²⁰⁴	-	-	N/A	N/A
N/A	1-3/4 "	201183X	201184X ³²⁹	SP7873S	NR	-	-	N/A	N/A
N/A	1-3/4 "	201183X	201184X ³²⁹	SP7873S	NR	-	-	N/A	N/A
N/A	1-3/4 "	201179X	201180X	SP7873S	SP7880S ²⁰⁴	-	-	N/A	N/A
23-122700-002 ⁹	2-1/2 "	R424244X	R424244X ³⁷	60050266	69270757 ⁴¹	R4111995 ⁵³	-	R4577461	R4577461
23-122691-002 ⁴²	2-7/8 "	60050145X	60050145X ³⁷	60050146	69270702 ⁴¹	R4111995 ⁵³	R4122386	R4577461	R4577461
23-122743-002 ¹⁸⁷	2-7/8 "	60050145X	60050145X ³⁷	60050146	69270702 ⁴¹	R4111995 ⁵³	-	R4577461	R4577461
23-122703-002 ¹⁸⁶	2-7/8 "	60050145X	60050145X ³⁷	60050146	69270702 ⁴¹	R4111995 ⁵³	R4122386	R4577461	R4577461
23-122743-002 ¹⁸⁷	2-7/8 "	60050145X	60050145X ³⁷	60050146	69270702 ⁴¹	R4111995 ⁵³	R4122386	R4577461	R4577461
23-122700-002 ⁹	2-1/2 "	R424244X	R424244X ³⁷	60050266	69270757 ⁴¹	R4111995 ⁵³	R4122386	R4577461	R4577461
23-122703-002 ¹⁸⁶	2-7/8 "	60050145X	60050145X ³⁷	60050146	69270702 ⁴¹	R4111995 ⁵³	-	R4577461	R4577461
23-122691-002 ⁴²	2-7/8 "	60050145X	60050145X ³⁷	60050146	69270702 ⁴¹	R4111995 ⁵³	-	R4577461	R4577461
N/A	1-5/8 "	201181	201182	SP7895S	NR	-	-	N/A	N/A
N/A	1-5/8 "	201185	201186 ³²⁹	SP7895S	NR	-	-	N/A	N/A
N/A	1-3/4 "	201179X	201180X	SP7873S	SP7880S ²⁰⁴	-	-	N/A	N/A
N/A	1-3/4 "	201183X	201184X ³²⁹	SP7873S	NR	-	-	N/A	N/A
N/A	1-3/4 "	201183X	201184X ³²⁹	SP7873S	NR	-	-	N/A	N/A
N/A	1-3/4 "	201179X	201180X	SP7873S	SP7880S ²⁰⁴	-	-	N/A	N/A
CF600, 6000 SERIES: CARGO, CAB FORWARD DESIGN									
Discontinued ¹⁶¹		R427178X	R427179X ³⁷	Discontinued	Discontinued	-	-	-	-
N/A	1-3/4 "	201183X	201184X ³²⁹	SP7873S	NR	-	-	R4577870	R4577870
N/A	1-3/4 "	201179X	201180X	SP7873S	SP7880S ²⁰⁴	-	-	R4577870	R4577870

204 - Right Hand: use E-4057 for Left Hand Expander Kits
 341 - Use 69160445 for Disc Pad Retainer Clip

329 - Forward

340 - Use 69160457 for Disc Pad Retainer Clip

MAKE MODEL YEAR AXLE CODE AXLE WEIGHT	AXLE & BRK. TYPE	BRK. MFG.	BRAKE SIZE	FMSI	MERITOR DISC PAD OR BRAKE SHOE	MERITOR GUIDE PIN OR RETURN SPRING KIT	MERITOR CALIPER HWD. KIT OR RETURN SPRING KIT	MERITOR ADJUSTER KIT (LEFT WHEEL)	MERITOR ADJUSTER KIT (RIGHT WHEEL)
FORD(Cont.)									
CF600, 6000 SERIES: CARGO, CAB FORWARD DESIGN(Cont.)									
1990	Fd				MD379	R407182	R407181	NR	NR
	Ra	LG	15 " x 7 "	4505A - 544	N/A	R40H618	NR	SP7887S	SP7887S
	Ra	LG	15 " x 7 "	4505A - 544	N/A	R40H618	NR	NR	NR
1989	Fd				MD379	R407182	R407181	NR	NR
	Fd				MD379	R407182	R40H5536 ¹⁴⁶	NR	NR
	Ra	LG	15 " x 7 "	4505A - 544	N/A	R40H618	NR	NR	NR
1988	Ra	LG	15 " x 7 "	4505A - 544	N/A	R40H618	NR	SP7887S	SP7887S
	Fd				MD379	R407182	R40H5536 ¹⁴⁶	NR	NR
	Fd				MD379	R407182	R407181	NR	NR
1987	Ra	LG	15 " x 7 "	4505A - 544	N/A	R40H618	NR	NR	NR
	Ra	LG	15 " x 7 "	4505A - 544	N/A	R40H618	NR	SP7887S	SP7887S
	Fd				MD379	R407182	R40H5536 ¹⁴⁶	NR	NR
1986	Fd				MD379	R407182	R407181	NR	NR
	Fd				MD379	R407182	R40H5536 ¹⁴⁶	NR	NR
	Ra	LG	15 " x 7 "	4505A - 544	N/A	R40H618	NR	SP7887S	SP7887S
1985	Ra	LG	15 " x 7 "	4505A - 544	N/A	R40H618	NR	NR	NR
	Fd				MD379	R407182	R407181	NR	NR
	Ra	LG	15 " x 7 "	4505A - 544	N/A	R40H618	NR	SP7887S	SP7887S
1985	Ra	LG	15 " x 7 "	4505A - 544	N/A	R40H618	NR	NR	NR
	Fd				MD379	R407182	R407181	NR	NR
	Ra	LG	15 " x 7 "	4505A - 544	N/A	R40H618	NR	SP7887S	SP7887S
CF700, 7000 SERIES: CARGO, CAB FORWARD DESIGN									
1991	Fd				MD379	R407182	R407181	NR	NR
1990	Fd				MD379	R407182	R407181	NR	NR
1989	Fd				MD379	R407182	R40H5536 ¹⁴⁶	NR	NR
	Fd				MD379	R407182	R407181	NR	NR
	Ra	LG	15 " x 7 "	4505A - 544	N/A	R40H618	NR	NR	NR
1988	Ra	LG	15 " x 7 "	4505A - 544	N/A	R40H618	NR	SP7887S	SP7887S
	Fd				MD379	R407182	R40H5536 ¹⁴⁶	NR	NR
	Fd				MD379	R407182	R407181	NR	NR
1987	Ra	LG	15 " x 7 "	4505A - 544	N/A	R40H618	NR	NR	NR
	Ra	LG	15 " x 7 "	4505A - 544	N/A	R40H618	NR	SP7887S	SP7887S
	Fd				MD379	R407182	R407181	NR	NR
1986	Fd				MD379	R407182	R40H5536 ¹⁴⁶	NR	NR
	Fd				MD379	R407182	R407181	NR	NR
	Ra	LG	15 " x 7 "	4505A - 544	N/A	R40H618	NR	NR	NR
1985	Ra	LG	15 " x 7 "	4505A - 544	N/A	R40H618	NR	SP7887S	SP7887S
	Fd				MD379	R407182	R407181	NR	NR
	Ra	LG	15 " x 7 "	4505A - 544	N/A	R40H618	NR	SP7887S	SP7887S
CF800, 8000 SERIES: CARGO, CAB FORWARD DESIGN									
1991	Fd				MD379	R407182	R40H5536 ¹⁴⁶	NR	NR
1990	Fd				MD379	R407182	R40H5536 ¹⁴⁶	NR	NR
1989	Fd				MD379	R407182	R40H5536 ¹⁴⁶	NR	NR
	Ra	LG	15 " x 7 "	4505A - 544	N/A	R40H618	NR	SP7887S	SP7887S
	Ra	LG	15 " x 7 "	4505A - 544	N/A	R40H618	NR	NR	NR

37 - Also available as a New unit
 161 - 8 Stud
 204 - Right Hand; use E-4057 for Left Hand Expander Kits
 www.XpresswayPlus.com

54 - Manual Brakes
 186 - 10 Stud
 329 - Forward

146 - Use E-7181 for Disc Pad Retainer
 201 - Steel Piston

MERITOR DRUM OR ROTOR NO.	CALIPER OR CYLINDER BORE SIZE	MERITOR CALIPER OR WHEEL CYLINDER (LEFT)	MERITOR CALIPER OR WHEEL CYLINDER (RIGHT)	MERITOR CALIPER OR WHEEL CYLINDER REPAIR KIT	MERITOR CALIPER PISTON	MERITOR MASTER CYLINDER	MERITOR MASTER CYLINDER KIT	MERITOR BRAKE HOSE (LEFT)	MERITOR BRAKE HOSE (RIGHT)
FORD(Cont.)									
CF600, 6000 SERIES: CARGO, CAB FORWARD DESIGN(Cont.)									
Discontinued ¹⁶¹ N/A N/A	1-3/4 " 1-3/4 "	R427178X 201183X 201179X	R427179X ³⁷ 201184X ³²⁹ 201180X	Discontinued SP7873S SP7873S	Discontinued NR SP7880S ²⁰⁴	- - -	- - -	R4577870 R4577870	R4577870 R4577870
Discontinued ¹⁶¹ Discontinued ¹⁶¹		R427178X R427178X	R427179X ³⁷ R427179X ³⁷	Discontinued Discontinued	Discontinued Discontinued ²⁰¹	R4112466 ⁵⁴	N/A	- -	- -
N/A N/A	1-3/4 " 1-3/4 "	201179X 201183X	201180X 201184X ³²⁹	SP7873S SP7873S	SP7880S ²⁰⁴ NR	- -	- -	N/A N/A	N/A N/A
Discontinued ¹⁶¹ Discontinued ¹⁶¹		R427178X R427178X	R427179X ³⁷ R427179X ³⁷	Discontinued Discontinued	Discontinued ²⁰¹ Discontinued	R4112466 ⁵⁴	N/A	- -	- -
N/A N/A	1-3/4 " 1-3/4 "	201179X 201183X	201180X 201184X ³²⁹	SP7873S SP7873S	SP7880S ²⁰⁴ NR	- -	- -	N/A N/A	N/A N/A
Discontinued ¹⁶¹ Discontinued ¹⁶¹		R427178X R427178X	R427179X ³⁷ R427179X ³⁷	Discontinued Discontinued	Discontinued ²⁰¹ Discontinued	R4112466 ⁵⁴	N/A	- -	- -
N/A N/A	1-3/4 " 1-3/4 "	201179X 201183X	201180X 201184X ³²⁹	SP7873S SP7873S	SP7880S ²⁰⁴ NR	- -	- -	N/A N/A	N/A N/A
Discontinued ¹⁶¹ Discontinued ¹⁶¹		R427178X R427178X	R427179X ³⁷ R427179X ³⁷	Discontinued Discontinued	Discontinued Discontinued ²⁰¹	R4112466 ⁵⁴	N/A	- -	- -
N/A N/A	1-3/4 " 1-3/4 "	201183X 201179X	201184X ³²⁹ 201180X	SP7873S SP7873S	NR SP7880S ²⁰⁴	- -	- -	N/A N/A	N/A N/A
Discontinued ¹⁶¹ N/A N/A	1-3/4 " 1-3/4 "	R427178X 201183X 201179X	R427179X ³⁷ 201184X ³²⁹ 201180X	Discontinued SP7873S SP7873S	Discontinued NR SP7880S ²⁰⁴	- - -	- - -	N/A N/A N/A	N/A N/A N/A
CF700, 7000 SERIES: CARGO, CAB FORWARD DESIGN									
Discontinued ¹⁸⁶		R427178X	R427179X ³⁷	Discontinued	Discontinued	-	-	-	-
Discontinued ¹⁸⁶		R427178X	R427179X ³⁷	Discontinued	Discontinued	-	-	-	-
Discontinued ¹⁸⁶ Discontinued ¹⁸⁶		R427178X R427178X	R427179X ³⁷ R427179X ³⁷	Discontinued Discontinued	Discontinued ²⁰¹ Discontinued	R4112466 ⁵⁴	N/A	- -	- -
N/A N/A	1-3/4 " 1-3/4 "	201179X 201183X	201180X 201184X ³²⁹	SP7873S SP7873S	SP7880S ²⁰⁴ NR	- -	- -	N/A N/A	N/A N/A
Discontinued ¹⁸⁶ Discontinued ¹⁸⁶		R427178X R427178X	R427179X ³⁷ R427179X ³⁷	Discontinued Discontinued	Discontinued ²⁰¹ Discontinued	R4112466 ⁵⁴	N/A	- -	- -
N/A N/A	1-3/4 " 1-3/4 "	201179X 201183X	201180X 201184X ³²⁹	SP7873S SP7873S	SP7880S ²⁰⁴ NR	- -	- -	N/A N/A	N/A N/A
Discontinued ¹⁸⁶ Discontinued ¹⁸⁶		R427178X R427178X	R427179X ³⁷ R427179X ³⁷	Discontinued Discontinued	Discontinued Discontinued ²⁰¹	R4112466 ⁵⁴	N/A	- -	- -
N/A N/A	1-3/4 " 1-3/4 "	201179X 201183X	201180X 201184X ³²⁹	SP7873S SP7873S	SP7880S ²⁰⁴ NR	- -	- -	N/A N/A	N/A N/A
Discontinued ¹⁸⁶ Discontinued ¹⁸⁶		R427178X R427178X	R427179X ³⁷ R427179X ³⁷	Discontinued Discontinued	Discontinued ²⁰¹ Discontinued	R4112466 ⁵⁴	N/A	- -	- -
N/A N/A	1-3/4 " 1-3/4 "	201179X 201183X	201180X 201184X ³²⁹	SP7873S SP7873S	SP7880S ²⁰⁴ NR	- -	- -	N/A N/A	N/A N/A
Discontinued ¹⁸⁶		R427178X	R427179X ³⁷	Discontinued	Discontinued	-	-	-	-
CF800, 8000 SERIES: CARGO, CAB FORWARD DESIGN									
Discontinued ¹⁸⁶		R427178X	R427179X ³⁷	Discontinued	Discontinued ²⁰¹	R4112466 ⁵⁴	N/A	-	-
Discontinued ¹⁸⁶		R427178X	R427179X ³⁷	Discontinued	Discontinued ²⁰¹	R4112466 ⁵⁴	N/A	-	-
Discontinued ¹⁸⁶		R427178X	R427179X ³⁷	Discontinued	Discontinued ²⁰¹	R4112466 ⁵⁴	N/A	-	-
N/A N/A	1-3/4 " 1-3/4 "	201183X 201179X	201184X ³²⁹ 201180X	SP7873S SP7873S	NR SP7880S ²⁰⁴	- -	- -	N/A N/A	N/A N/A

MAKE MODEL YEAR AXLE CODE AXLE WEIGHT	AXLE & BRK. TYPE	BRK. MFG.	BRAKE SIZE	FMSI	MERITOR DISC PAD OR BRAKE SHOE	MERITOR GUIDE PIN OR RETURN SPRING KIT	MERITOR CALIPER HWD. KIT OR RETURN SPRING KIT	MERITOR ADJUSTER KIT (LEFT WHEEL)	MERITOR ADJUSTER KIT (RIGHT WHEEL)
FORD(Cont.)									
CF800, 8000 SERIES: CARGO, CAB FORWARD DESIGN(Cont.)									
1988	Fd				MD379	R407182	R40H5536 ¹⁴⁶	NR	NR
	Ra Ra	LG LG	15 " x 7 " 15 " x 7 "	4505A - 544 4505A - 544	N/A N/A	R40H618 R40H618	NR NR	SP7887S NR	SP7887S NR
1987	Fd				MD379	R407182	R40H5536 ¹⁴⁶	NR	NR
	Ra Ra	LG LG	15 " x 7 " 15 " x 7 "	4505A - 544 4505A - 544	N/A N/A	R40H618 R40H618	NR NR	NR SP7887S	NR SP7887S
1986	Fd				MD379	R407182	R40H5536 ¹⁴⁶	NR	NR
	Ra Ra	LG LG	15 " x 7 " 15 " x 7 "	4505A - 544 4505A - 544	N/A N/A	R40H618 R40H618	NR NR	SP7887S NR	SP7887S NR
1985	Fd				MD379	R407182	R40H5536 ¹⁴⁶	NR	NR
E200, E250 SERIES VAN-3/4 TON									
1998	Fd			7535 - D655	MD655	R40H5735	R40H5864	NR	NR
	Fd			7535 - D655	MD655	R40H5735	R40H5864	NR	NR
	Fd			7535 - D655	MD655	R40H5735	R40H5864	NR	NR
	Fd			7535 - D655	MD655	R40H5735	R40H5864	NR	NR
	Ra		12 " x 3 "	2140T - 314	R46358	R40H608	R40H4087	R40H2598	R40H2599
	Ra		12 " x 3 "	2140T - 314	R46358	R40H608	R40H4087	R40H2598	R40H2599
	Ra	BX	12 " x 2-1/2 "	2146AT - 316	R46357	R40H546	R40H4087	R40H2598	R40H2599
	Ra	BX	12 " x 2-1/2 "	2146AT - 316	R46357	R40H546	R40H4087	R40H2598	R40H2599
	Ra	BX	12 " x 3 "	2140T - 314	R46358	R40H608	R40H4087	R40H2598	R40H2599
	Ra	BX	12 " x 3 "	2140T - 314	R46358	R40H608	R40H4087	R40H2598	R40H2599
1997	Fd			7535 - D655	MD655	R40H5735	R40H5864	NR	NR
	Fd			7535 - D655	MD655	R40H5735	R40H5864	NR	NR
	Fd			7535 - D655	MD655	R40H5735	R40H5864	NR	NR
	Fd			7535 - D655	MD655	R40H5735	R40H5864	NR	NR
	Ra		12 " x 3 "	2140T - 314	R46358	R40H608	R40H4087	R40H2598	R40H2599
	Ra		12 " x 3 "	2140T - 314	R46358	R40H608	R40H4087	R40H2598	R40H2599
	Ra	BX	12 " x 2-1/2 "	2146AT - 316	R46357	R40H546	R40H4087	R40H2598	R40H2599
	Ra	BX	12 " x 2-1/2 "	2146AT - 316	R46357	R40H546	R40H4087	R40H2598	R40H2599
	Ra	BX	12 " x 3 "	2140T - 314	R46358	R40H608	R40H4087	R40H2598	R40H2599
	Ra	BX	12 " x 3 "	2140T - 314	R46358	R40H608	R40H4087	R40H2598	R40H2599
1996	Fd			7535 - D655	MD655	R40H5735	R40H5864	NR	NR
	Fd			7535 - D655	MD655	R40H5735	R40H5864	NR	NR
	Fd			7535 - D655	MD655	R40H5735	R40H5864	NR	NR
	Fd			7535 - D655	MD655	R40H5735	R40H5864	NR	NR
	Ra		12 " x 3 "	2140T - 314	R46358	R40H608	R40H4087	R40H2598	R40H2599
	Ra	BX	12 " x 2-1/2 "	2146AT - 316	R46357	R40H546	R40H4087	R40H2598	R40H2599
	Ra	BX	12 " x 2-1/2 "	2146AT - 316	R46357	R40H546	R40H4087	R40H2598	R40H2599
	Ra	BX	12 " x 3 "	2140T - 314	R46358	R40H608	R40H4087	R40H2598	R40H2599
1995	Fd			7535 - D655	MD655	R40H5735	R40H5864	NR	NR
	Fd			7535 - D655	MD655	R40H5735	R40H5864	NR	NR
	Fd			7535 - D655	MD655	R40H5735	R40H5864	NR	NR
	Fd			7535 - D655	MD655	R40H5735	R40H5864	NR	NR
	Ra		12 " x 3 "	2140T - 314	R46358	R40H608	R40H4087	R40H2598	R40H2599
	Ra	BX	12 " x 2-1/2 "	2146AT - 316	R46357	R40H546	R40H4087	R40H2598	R40H2599
	Ra	BX	12 " x 2-1/2 "	2146AT - 316	R46357	R40H546	R40H4087	R40H2598	R40H2599
	Ra	BX	12 " x 3 "	2140T - 314	R46358	R40H608	R40H4087	R40H2598	R40H2599
1994	Fd			7436 - D557	MD557	R40H15039	R40H5815	NR	NR
	Fd			7436 - D557	MD557	R40H15039	R40H5815	NR	NR
	Fd			7436 - D557	MD557	R40H15039	R40H5815	NR	NR
	Fd			7436 - D557	MD557	R40H15039	R40H5815	NR	NR
	Ra		12 " x 3 "	2140T - 314	R46358	R40H608	R40H4087	R40H2598	R40H2599
	Ra Ra	 BX	12 " x 3 " 12 " x 2-1/2 "	2140T - 314 2146AT - 316	R46358 R46357	R40H608 R40H546	R40H4087 R40H4087	R40H2598 R40H2598	R40H2599 R40H2599
1993	Fd			7436 - D557	MD557	R40H15039	R40H5815	NR	NR

37 - Also available as a New unit
 97 - Rear Wheel Antilock Brakes
 186 - 10 Stud
 www.XpresswayPlus.com

54 - Manual Brakes
 146 - Use E-7181 for Disc Pad Retainer
 201 - Steel Piston

85 - 4 Wheel Antilock Brakes
 161 - 8 Stud
 204 - Right Hand; use E-4057 for Left Hand Expander Kits

Contact our Customer Service Teams
 1-888-725-9355

MERITOR DRUM OR ROTOR NO.	CALIPER OR CYLINDER BORE SIZE	MERITOR CALIPER OR WHEEL CYLINDER (LEFT)	MERITOR CALIPER OR WHEEL CYLINDER (RIGHT)	MERITOR CALIPER OR WHEEL CYLINDER REPAIR KIT	MERITOR CALIPER PISTON	MERITOR MASTER CYLINDER	MERITOR MASTER CYLINDER KIT	MERITOR BRAKE HOSE (LEFT)	MERITOR BRAKE HOSE (RIGHT)
FORD(Cont.)									
CF800, 8000 SERIES: CARGO, CAB FORWARD DESIGN(Cont.)									
Discontinued ¹⁸⁶		R427178X	R427179X ³⁷	Discontinued	Discontinued ²⁰¹	R4112466 ⁵⁴	N/A	-	-
N/A	1-3/4 "	201183X	201184X ³²⁹	SP7873S	NR	-	-	N/A	N/A
N/A	1-3/4 "	201179X	201180X	SP7873S	SP7880S ²⁰⁴	-	-	N/A	N/A
Discontinued ¹⁸⁶		R427178X	R427179X ³⁷	Discontinued	Discontinued ²⁰¹	R4112466 ⁵⁴	N/A	-	-
N/A	1-3/4 "	201179X	201180X	SP7873S	SP7880S ²⁰⁴	-	-	N/A	N/A
N/A	1-3/4 "	201183X	201184X ³²⁹	SP7873S	NR	-	-	N/A	N/A
Discontinued ¹⁸⁶		R427178X	R427179X ³⁷	Discontinued	Discontinued ²⁰¹	R4112466 ⁵⁴	N/A	-	-
N/A	1-3/4 "	201183X	201184X ³²⁹	SP7873S	NR	-	-	N/A	N/A
N/A	1-3/4 "	201179X	201180X	SP7873S	SP7880S ²⁰⁴	-	-	N/A	N/A
Discontinued ¹⁸⁶		R427178X	R427179X ³⁷	Discontinued	Discontinued ²⁰¹	R4112466 ⁵⁴	N/A	-	-
E200, E250 SERIES VAN-3/4 TON									
R44145049 ³⁸¹	2-11/32 "	R42R55749	R42R55748	R4011237	R44141808	R4113284 ³⁶²	N/A	R4578333 ⁹⁷	R4578332
R44145049 ³⁸¹	2-11/32 "	R42R55749	R42R55748	R4011237	R44141808	R4113282 ³⁶¹	N/A	R4578333 ⁹⁷	R4578332
R44145057 ⁸⁵	2-11/32 "	R42R55749	R42R55748	R4011237	R44141808	R4113282 ³⁶¹	N/A	R4578331 ⁸⁵	R4578332
R44145057 ⁸⁵	2-11/32 "	R42R55749	R42R55748	R4011237	R44141808	R4113284 ³⁶²	N/A	R4578331 ⁸⁵	R4578332
R44140675 ¹⁶¹	1-3/16 "	R4133945	R4133946	R418188	NR	-	-	-	-
R44140675 ¹⁶¹	1-3/16 "	R4133945	R4133946	R418188	NR	-	-	-	-
R44140675 ¹⁶¹	1 "	R4133004	R4133004	R4166822	NR	-	-	-	-
R44140675 ¹⁶¹	1 "	R4133004	R4133004	R4166822	NR	-	-	-	-
R44140675 ¹⁶¹	1-1/8 "	R4133614	R4133615	R4166935	NR	-	-	-	-
R44140675 ¹⁶¹	1-1/8 "	R4133614	R4133615	R4166935	NR	-	-	-	-
R44145049 ³⁸¹	2-11/32 "	R42R55749	R42R55748	R4011237	R44141808	R4113284 ³⁶²	N/A	R4578333 ⁹⁷	R4578332
R44145057 ⁸⁵	2-11/32 "	R42R55749	R42R55748	R4011237	R44141808	R4113284 ³⁶²	N/A	R4578331 ⁸⁵	R4578332
R44145057 ⁸⁵	2-11/32 "	R42R55749	R42R55748	R4011237	R44141808	R4113282 ³⁶¹	N/A	R4578331 ⁸⁵	R4578332
R44145049 ³⁸¹	2-11/32 "	R42R55749	R42R55748	R4011237	R44141808	R4113282 ³⁶¹	N/A	R4578333 ⁹⁷	R4578332
R44140675 ¹⁶¹	1-3/16 "	R4133945	R4133946	R418188	NR	-	-	-	-
R44140675 ¹⁶¹	1-3/16 "	R4133945	R4133946	R418188	NR	-	-	-	-
R44140675 ¹⁶¹	1 "	R4133004	R4133004	R4166822	NR	-	-	-	-
R44140675 ¹⁶¹	1 "	R4133004	R4133004	R4166822	NR	-	-	-	-
R44140675 ¹⁶¹	1-1/8 "	R4133614	R4133615	R4166935	NR	-	-	-	-
R44140675 ¹⁶¹	1-1/8 "	R4133614	R4133615	R4166935	NR	-	-	-	-
R44145049 ³⁸¹	2-11/32 "	R42R55749	R42R55748	R4011237	R44141808	R4112842 ²²⁹	N/A	R4578333 ⁹⁷	R4578332
R44145049 ³⁸¹	2-11/32 "	R42R55749	R42R55748	R4011237	R44141808	R4112842 ²²⁹	N/A	R4578333 ⁹⁷	R4578332
R44145057 ⁸⁵	2-11/32 "	R42R55749	R42R55748	R4011237	R44141808	R4112198 ²¹⁷	N/A	R4578331 ⁸⁵	R4578332
R44145057 ⁸⁵	2-11/32 "	R42R55749	R42R55748	R4011237	R44141808	R4112198 ²¹⁷	N/A	R4578331 ⁸⁵	R4578332
N/A	1-3/16 "	R4133945	R4133946	R418188	NR	-	-	R4578305	R4578305
N/A	1 "	R4133004	R4133004	R4166822	NR	-	-	R4578305	R4578305
N/A	1 "	R4133004	R4133004	R4166822	NR	-	-	R4578305	R4578305
R44140675 ¹⁶¹	1-1/8 "	R4133614	R4133615	R4166935	NR	-	-	R4578305	R4578305
R44145057 ⁸⁵	2-11/32 "	R42R55749	R42R55748	R4011237	R44141808	R4112198 ²¹⁷	N/A	R4578331 ⁸⁵	R4578332
R44145057 ⁸⁵	2-11/32 "	R42R55749	R42R55748	R4011237	R44141808	R4112198 ²¹⁷	N/A	R4578331 ⁸⁵	R4578332
R44145049 ³⁸¹	2-11/32 "	R42R55749	R42R55748	R4011237	R44141808	R4112842 ²²⁹	N/A	R4578333 ⁹⁷	R4578332
R44145049 ³⁸¹	2-11/32 "	R42R55749	R42R55748	R4011237	R44141808	R4112842 ²²⁹	N/A	R4578333 ⁹⁷	R4578332
N/A	1-3/16 "	R4133945	R4133946	R418188	NR	-	-	R4578305	R4578305
N/A	1 "	R4133004	R4133004	R4166822	NR	-	-	R4578305	R4578305
N/A	1 "	R4133004	R4133004	R4166822	NR	-	-	R4578305	R4578305
R44140675 ¹⁶¹	1-1/8 "	R4133614	R4133615	R4166935	NR	-	-	R4578305	R4578305
R44141934	2-13/64 "	R42R55637	R42R55636	R4066209	R4090192P	R4112842 ²²⁹	N/A	R4578208 ²⁵³	R4578209
R44141934	2-13/64 "	R42R55637	R42R55636	R4066209	R4090192P	R4112198 ²¹⁷	N/A	R4578208 ²⁵³	R4578209
R44141917	2-13/64 "	R42R55637	R42R55636	R4066209	R4090192P	R4112198 ²¹⁷	N/A	R4578208 ²⁵³	R4578209
R44141917	2-13/64 "	R42R55637	R42R55636	R4066209	R4090192P	R4112842 ²²⁹	N/A	R4578208 ²⁵³	R4578209
R44140493	1-1/16 "	R4133595	R4133596	R4166821	NR	-	-	R4578305	R4578305
R44140493	1-3/16 "	R4133945	R4133946	R418188	NR	-	-	R4578305	R4578305
R44140493	1 "	R4133004	R4133004	R4166822	NR	-	-	R4578305	R4578305
R44141934	2-13/64 "	R42R55637	R42R55636	R4066209	R4090192P	R4112198 ²¹⁷	N/A	R4578208 ²⁵³	R4578209

217 - Power Brakes Except Speed Control
 329 - Forward
 381 - Rotor and Hub One Piece Assembly W/O ABS Ring
 Contact our Customer Service Teams
 1-888-725-9355

229 - Speed Control
 361 - Van, Speed Control, Single Rear Wheels

253 - Single Rear Wheels, 4 Wheel Antilock Brakes
 362 - Van, Except Speed Control

MAKE MODEL YEAR AXLE CODE AXLE WEIGHT	AXLE & BRK. TYPE	BRK. MFG.	BRAKE SIZE	FMSI	MERITOR DISC PAD OR BRAKE SHOE	MERITOR GUIDE PIN OR RETURN SPRING KIT	MERITOR CALIPER HWD. KIT OR RETURN SPRING KIT	MERITOR ADJUSTER KIT (LEFT WHEEL)	MERITOR ADJUSTER KIT (RIGHT WHEEL)
FORD(Cont.)									
E200, E250 SERIES VAN-3/4 TON(Cont.)									
1993	Fd			7436 - D557	MD557	R40H15039	R40H5815	NR	NR
	Fd			7436 - D557	MD557	R40H15039	R40H5815	NR	NR
	Fd			7436 - D557	MD557	R40H15039	R40H5815	NR	NR
	Ra		12" x 3"	2140T - 314	R46358	R40H608	R40H4087	R40H2598	R40H2599
	Ra		12" x 3"	2140T - 314	R46358	R40H608	R40H4087	R40H2598	R40H2599
	Ra	BX	12" x 2-1/2"	2146AT - 316	R46357	R40H546	R40H4087	R40H2598	R40H2599
1992	Fd			7436 - D557	MD557	R40H15039	R40H5815	NR	NR
	Fd			7436 - D557	MD557	R40H15039	R40H5815	NR	NR
	Fd			7436 - D557	MD557	R40H15039	R40H5815	NR	NR
	Ra		12" x 3"	2140T - 314	R46358	R40H608	R40H4087	R40H2598	R40H2599
	Ra		12" x 3"	2140T - 314	R46358	R40H608	R40H4087	R40H2598	R40H2599
	Ra	BX	12" x 2-1/2"	2146AT - 316	R46357	R40H546	R40H4087	R40H2598	R40H2599
1991	Fd	DN		7330 - D450	MD450	R407130	60050135	NR	NR
	Fd	DN		7054 - D120	MD120	R407130	60050135	NR	NR
	Fd	DN		7054 - D120	MD120	R407130	60050135	NR	NR
	Fd	DN		7330 - D450	MD450	R407130	60050135	NR	NR
	Fd	DN		7330 - D450	MD450	R407130	60050135	NR	NR
	Fd	DN		7330 - D450	MD450	R407130	60050135	NR	NR
	Fd	DN		7054 - D120	MD120	R407130	60050135	NR	NR
	Fd	DN		7054 - D120	MD120	R407130	60050135	NR	NR
	Ra	BX	12" x 3"	2140AT - 358	R46358	R40H608	R40H7181	R40H2598	R40H2599
	Ra	BX	12" x 3"	2140AT - 358	R46358	R40H608	R40H7181	R40H2598	R40H2599
1990	Ra	BX	12" x 2-1/2"	2146AT - 357	R46357	R40H546	R40H7146	R40H2598	R40H2599
	Ra	BX	12" x 2-1/2"	2146AT - 357	R46357	R40H546	R40H7146	R40H2598	R40H2599
	Ra	BX	12" x 3"	2140AT - 358	R46358	R40H608	R40H7181	R40H2598	R40H2599
	Ra	BX	12.125 x 3-1/2"	2171T - 583	R468140	R40H608	R40H7299	R40H2598	R40H2599
	Ra	BX	12.125 x 3-1/2"	2171T - 583	R468140	R40H608	R40H7299	R40H2598	R40H2599
	Ra	BX	12.125 x 3-1/2"	2171T - 583	R468140	R40H608	R40H7299	R40H2598	R40H2599
Below 7,000 lb. GVW	Fd	DN		7330 - D450	MD450	R407130	60050135	NR	NR
Over 7,000 lb. GVW	Fd	DN		7330 - D450	MD450	R407130	60050135	NR	NR
1989	Fd	DN		7330 - D450	MD450	R407130	60050135	NR	NR
	Fd	DN		7330 - D450	MD450	R407130	60050135	NR	NR
	Ra	BX	12" x 2-1/2"	2146AT - 357	R46357	R40H546	R40H7146	R40H2598	R40H2599
1988	Ra	BX	12" x 2-1/2"	2146AT - 357	R46357	R40H546	R40H7146	R40H2598	R40H2599
	Ra	BX	12" x 3"	2140AT - 358	R46358	R40H608	R40H7181	R40H2598	R40H2599
	Fd	DN		7054 - D120	MD120	R407130	60050135	NR	NR
	Fd	DN		7054 - D120	MD120	R407130	60050135	NR	NR
	Fd	DN		7054 - D120	MD120	R407130	60050135	NR	NR
	Fd	DN		7054 - D120	MD120	R407130	60050135	NR	NR
1987	Ra	BX	12" x 3"	2140AT - 358	R46358	R40H608	R40H7181	R40H2598	R40H2599
	Ra	BX	12" x 3"	2140AT - 358	R46358	R40H608	R40H7181	R40H2598	R40H2599
	Ra	BX	12.125 x 3-1/2"	2171T - 583	R468140	R40H608	R40H7299	R40H2598	R40H2599
	Ra	BX	12.125 x 3-1/2"	2171T - 583	R468140	R40H608	R40H7299	R40H2598	R40H2599
	Ra	BX	12.125 x 3-1/2"	2171T - 583	R468140	R40H608	R40H7299	R40H2598	R40H2599
	Ra	BX	12.125 x 3-1/2"	2171T - 583	R468140	R40H608	R40H7299	R40H2598	R40H2599
	Ra	BX	12.125 x 3-1/2"	2171T - 583	R468140	R40H608	R40H7299	R40H2598	R40H2599
	Ra	BX	12.125 x 3-1/2"	2171T - 583	R468140	R40H608	R40H7299	R40H2598	R40H2599
	Fd	DN		7054 - D120	MD120	R407130	60050135	NR	NR
	Fd	DN		7054 - D120	MD120	R407130	60050135	NR	NR
1986	Fd	DN		7054 - D120	MD120	R407130	60050135	NR	NR
	Fd	DN		7054 - D120	MD120	R407130	60050135	NR	NR
	Fd	DN		7054 - D120	MD120	R407130	60050135	NR	NR
	Fd	DN		7054 - D120	MD120	R407130	60050135	NR	NR
	Ra	BX	12" x 3"	2140AT - 358	R46358	R40H608	R40H7181	R40H2598	R40H2599
	Ra	BX	12" x 3"	2140AT - 358	R46358	R40H608	R40H7181	R40H2598	R40H2599

41 - Aluminum piston
 181 - Rotor Only, Machine Rotor After Re-hub
 197 - 8.80", 10.25" Ring Gear
www.XpresswayPlus.com

54 - Manual Brakes
 189 - Single Rear Wheels, 10 1/4" Ring Gear
 211 - Manual Brakes, Stripped Chassis Except Speed Control

148 - With 10 1/2" Ring Gear
 195 - 7.50", 9.75" Ring Gear
 217 - Power Brakes Except Speed Control

MERITOR DRUM OR ROTOR NO.	CALIPER OR CYLINDER BORE SIZE	MERITOR CALIPER OR WHEEL CYLINDER (LEFT)	MERITOR CALIPER OR WHEEL CYLINDER (RIGHT)	MERITOR CALIPER OR WHEEL CYLINDER REPAIR KIT	MERITOR CALIPER PISTON	MERITOR MASTER CYLINDER	MERITOR MASTER CYLINDER KIT	MERITOR BRAKE HOSE (LEFT)	MERITOR BRAKE HOSE (RIGHT)
FORD(Cont.)									
E200, E250 SERIES VAN-3/4 TON(Cont.)									
R44141917	2-13/64 "	R42R55637	R42R55636	R4066209	R4090192P	R4112842 ²²⁹	N/A	R4578208 ²⁵³	R4578209
R44141934	2-13/64 "	R42R55637	R42R55636	R4066209	R4090192P	R4112842 ²²⁹	N/A	R4578208 ²⁵³	R4578209
R44141917	2-13/64 "	R42R55637	R42R55636	R4066209	R4090192P	R4112198 ²¹⁷	N/A	R4578208 ²⁵³	R4578209
R44140493	1-3/16 "	R4133945	R4133946	R418188	NR	-	-	R4578305	R4578305
R44140493	1-1/16 "	R4133595	R4133596	R4166821	NR	-	-	R4578305	R4578305
R44140493	1 "	R4133004	R4133004	R4166822	NR	-	-	R4578305	R4578305
R44141917	2-13/64 "	R42R55637	R42R55636	R4066209	R4090192P	R4112198 ²¹⁷	N/A	R4578208 ²⁵³	R4578209
R44141917	2-13/64 "	R42R55637	R42R55636	R4066209	R4090192P	R4112842 ²²⁹	N/A	R4578208 ²⁵³	R4578209
R44141934	2-13/64 "	R42R55637	R42R55636	R4066209	R4090192P	R4112198 ²¹⁷	N/A	R4578208 ²⁵³	R4578209
R44141934	2-13/64 "	R42R55637	R42R55636	R4066209	R4090192P	R4112842 ²²⁹	N/A	R4578208 ²⁵³	R4578209
R44140493	1-3/16 "	R4133945	R4133946	R418188	NR	-	-	R4578305	R4578305
R44140493	1-1/16 "	R4133595	R4133596	R4166821	NR	-	-	R4578305	R4578305
R44140493	1 "	R4133004	R4133004	R4166822	NR	-	-	R4578305	R4578305
R44141127 ¹⁸¹	2-3/16 "	R42R55461P	R42R55460P	R4166713	R4090180P ²⁹⁰	R4112197 ²²⁵	N/A	R4577312 ²⁵⁶	R4577309
R44141487 ³⁸¹	2-3/16 "	R42R55456	R42R55456	R4166713	R4090029 ⁴¹	R4112197 ²²⁵	N/A	R4577312 ²⁵⁶	R4577309
R44141487 ³⁸¹	2-3/16 "	R42R55456	R42R55456	R4166713	R4090029 ⁴¹	R4112200 ²¹¹	N/A	R4577312 ²⁵⁶	R4577309
R44141487 ³⁸¹	2-3/16 "	R42R55461P	R42R55460P	R4166713	R4090180P ²⁹⁰	R4112200 ²¹¹	N/A	R4577312 ²⁵⁶	R4577309
R44141127 ¹⁸¹	2-3/16 "	R42R55461P	R42R55460P	R4166713	R4090180P ²⁹⁰	R4112200 ²¹¹	N/A	R4577312 ²⁵⁶	R4577309
R44141487 ³⁸¹	2-3/16 "	R42R55461P	R42R55460P	R4166713	R4090180P ²⁹⁰	R4112197 ²²⁵	N/A	R4577312 ²⁵⁶	R4577309
R44141127 ¹⁸¹	2-3/16 "	R42R55456	R42R55456	R4166713	R4090029 ⁴¹	R4112200 ²¹¹	N/A	R4577312 ²⁵⁶	R4577309
R44141127 ¹⁸¹	2-3/16 "	R42R55456	R42R55456	R4166713	R4090029 ⁴¹	R4112197 ²²⁵	N/A	R4577312 ²⁵⁶	R4577309
R44140504 ¹⁸⁹	1-3/16 "	R4133945	R4133946	R418188	NR	-	-	R4578610 ²⁵⁶	R4578610
R44140504 ¹⁸⁹	1 "	R4133725	R4133726	R4166822	NR	-	-	R4578610 ²⁵⁶	R4578610
R44140545 ¹⁴⁸	1-1/8 "	R4133206	R4133206	R4166935	NR	-	-	R4578610 ²⁵⁶	R4578610
R44140545 ¹⁴⁸	1-1/8 "	R4133206	R4133206	R4166935	NR	-	-	R4578610 ²⁵⁶	R4578610
R44140545 ¹⁴⁸	1-1/16 "	R4133595	R4133596	R4166821	NR	-	-	R4578610 ²⁵⁶	R4578610
R44140545 ¹⁴⁸	1-1/16 "	R4133595	R4133596	R4166821	NR	-	-	R4578610 ²⁵⁶	R4578610
R44140397 ¹⁹⁵	1 "	R4133004	R4133004	R4166822	NR	-	-	R4578610 ²⁵⁶	R4578610
R44140520 ¹⁹⁷	1 "	R4133004	R4133004	R4166822	NR	-	-	R4578610 ²⁵⁶	R4578610
R44140504 ¹⁸⁹	1 "	R4133725	R4133726	R4166822	NR	-	-	R4578610 ²⁵⁶	R4578610
R44141487 ³⁸¹	2-3/16 "	R42R55461	R42R55460	R4166713	R4090029 ²⁹⁰	R4112198 ²¹⁷	N/A	R4577312 ²⁵⁶	R4577309
R44141487 ³⁸¹	2-3/16 "	R42R55461	R42R55460	R4166713	R4090029 ²⁹⁰	R148228 ⁵⁴	N/A	R4577312 ²⁵⁶	R4577309
R44141487 ³⁸¹	2-3/16 "	R42R55461	R42R55460	R4166713	R4090029 ²⁹⁰	R4112198 ²¹⁷	N/A	R4577312 ²⁵⁶	R4577309
R44141487 ³⁸¹	2-3/16 "	R42R55461	R42R55460	R4166713	R4090029 ²⁹⁰	R148228 ⁵⁴	N/A	R4577312 ²⁵⁶	R4577309
R44140397 ¹⁹⁵	1 "	R4133004	R4133004	R4166822	NR	-	-	R4578618	R4578618
R44140520 ¹⁹⁷	1 "	R4133004	R4133004	R4166822	NR	-	-	R4578618	R4578618
R44140504 ¹⁸⁹	1 "	R4133725	R4133726	R4166822	NR	-	-	R4578618	R4578618
R44141487 ³⁸¹	2-3/16 "	R42R55456	R42R55456	R4166713	R4090029 ⁴¹	R4112200 ²¹¹	N/A	R4577312	R4577309
R44141487 ³⁸¹	2-3/16 "	R42R55456	R42R55456	R4166713	R4090029 ⁴¹	R4112197 ²²⁵	N/A	R4577312	R4577309
R44141127 ¹⁸¹	2-3/16 "	R42R55456	R42R55456	R4166713	R4090029 ⁴¹	R4112200 ²¹¹	N/A	R4577312	R4577309
R44141127 ¹⁸¹	2-3/16 "	R42R55456	R42R55456	R4166713	R4090029 ⁴¹	R4112200 ²¹¹	N/A	R4577312	R4577309
R44141127 ¹⁸¹	2-3/16 "	R42R55456	R42R55456	R4166713	R4090029 ⁴¹	R4112197 ²²⁵	N/A	R4577312	R4577309
R44140504 ¹⁸⁹	1 "	R4133725	R4133726	R4166822	NR	-	-	R4578610	R4578610
R44140504 ¹⁸⁹	1-3/16 "	R4133945	R4133946	R418188	NR	-	-	R4578610	R4578610
R44140545 ¹⁴⁸	1-1/16 "	R4133595	R4133596	R4166821	NR	-	-	R4578610	R4578610
R44140545 ¹⁴⁸	1-1/16 "	R4133595	R4133596	R4166821	NR	-	-	R4578610	R4578610
R44140545 ¹⁴⁸	1-1/8 "	R4133206	R4133206	R4166935	NR	-	-	R4578610	R4578610
R44140545 ¹⁴⁸	1-1/8 "	R4133206	R4133206	R4166935	NR	-	-	R4578610	R4578610
R44141127 ¹⁸¹	2-3/16 "	R42R55456	R42R55456	R4166713	R4090029 ⁴¹	R4112197 ²²⁵	N/A	R4577312	R4577309
R44141127 ¹⁸¹	2-3/16 "	R42R55456	R42R55456	R4166713	R4090029 ⁴¹	R4112200 ²¹¹	N/A	R4577312	R4577309
R44141487 ³⁸¹	2-3/16 "	R42R55456	R42R55456	R4166713	R4090029 ⁴¹	R4112200 ²¹¹	N/A	R4577312	R4577309
R44141487 ³⁸¹	2-3/16 "	R42R55456	R42R55456	R4166713	R4090029 ⁴¹	R4112197 ²²⁵	N/A	R4577312	R4577309
R44140504 ¹⁸⁹	1-3/16 "	R4133945	R4133946	R418188	NR	-	-	R4578610	R4578610
R44140504 ¹⁸⁹	1 "	R4133725	R4133726	R4166822	NR	-	-	R4578610	R4578610
R44140545 ¹⁴⁸	1-1/16 "	R4133595	R4133596	R4166821	NR	-	-	R4578610	R4578610
R44140545 ¹⁴⁸	1-1/8 "	R4133206	R4133206	R4166935	NR	-	-	R4578610	R4578610
R44140545 ¹⁴⁸	1-1/16 "	R4133595	R4133596	R4166821	NR	-	-	R4578610	R4578610
R44140545 ¹⁴⁸	1-1/8 "	R4133206	R4133206	R4166935	NR	-	-	R4578610	R4578610
R44141487 ³⁸¹	2-3/16 "	R42R55456	R42R55456	R4166713	R4090029 ⁴¹	R4112197 ²²⁵	N/A	R4577312	R4577309

225 - Cutaway, Stripped Chassis Except Speed Control
256 - Dual Rear Wheels after 3/91

229 - Speed Control
290 - Use E-11222 for High Temperature Boots

253 - Single Rear Wheels, 4 Wheel Antilock Brakes
381 - Rotor and Hub One Piece Assembly W/O ABS Ring

Contact our Customer Service Teams
1-888-725-9355

www.XpresswayPlus.com

1 APPLICATION

MAKE MODEL YEAR AXLE CODE AXLE WEIGHT	AXLE & BRK. TYPE	BRK. MFG.	BRAKE SIZE	FMSI	MERITOR DISC PAD OR BRAKE SHOE	MERITOR GUIDE PIN OR RETURN SPRING KIT	MERITOR CALIPER HWD. KIT OR RETURN SPRING KIT	MERITOR ADJUSTER KIT (LEFT WHEEL)	MERITOR ADJUSTER KIT (RIGHT WHEEL)
FORD(Cont.)									
E200, E250 SERIES VAN-3/4 TON(Cont.)									
1986	Fd	DN		7054 - D120	MD120	R407130	60050135	NR	NR
	Fd	DN		7054 - D120	MD120	R407130	60050135	NR	NR
	Fd	DN		7054 - D120	MD120	R407130	60050135	NR	NR
	Ra	BX	12 " x 3 "	2140AT - 358	R46358	R40H608	R40H7181	R40H2598	R40H2599
	Ra	BX	12 " x 3 "	2140AT - 358	R46358	R40H608	R40H7181	R40H2598	R40H2599
	Ra	BX	12.125 x 3-1/2 "	2171T - 583	R468140	R40H608	R40H7299	R40H2598	R40H2599
	Ra	BX	12.125 x 3-1/2 "	2171T - 583	R468140	R40H608	R40H7299	R40H2598	R40H2599
	Ra	BX	12.125 x 3-1/2 "	2171T - 583	R468140	R40H608	R40H7299	R40H2598	R40H2599
1985	Fd	DN		7054 - D120	MD120	R40H05025	60050135	NR	NR
	Fd	DN		7054 - D120	MD120	R40H05025	60050135	NR	NR
	Ra	BX	12 " x 3 "	2140AT - 358	R46358	R40H608	R40H7181	R40H2598	R40H2599
	Ra	BX	12 " x 3 "	2140AT - 358	R46358	R40H608	R40H7181	R40H2598	R40H2599
	Ra	BX	12 " x 3 "	2140AT - 358	R46358	R40H608	R40H7181	R40H2598	R40H2599
	Ra	BX	12 " x 3 "	2140AT - 358	R46358	R40H608	R40H7181	R40H2598	R40H2599
	Ra	BX	12 " x 3 "	2140AT - 358	R46358	R40H608	R40H7181	R40H2598	R40H2599
	Ra	BX	12 " x 3 "	2140AT - 358	R46358	R40H608	R40H7181	R40H2598	R40H2599
1984	Fd	DN		7054 - D120	MD120	R40H05025	60050135	NR	NR
	Fd	DN		7054 - D120	MD120	R40H05025	60050135	NR	NR
	Ra	BX	12 " x 3 "	2140AT - 358	R46358	R40H608	R40H7181	R40H2598	R40H2599
	Ra	BX	12 " x 3 "	2140AT - 358	R46358	R40H608	R40H7181	R40H2598	R40H2599
1983	Fd	DN		7054 - D120	MD120	R40H05025	60050135	NR	NR
	Fd	DN		7054 - D120	MD120	R40H05025	60050135	NR	NR
	Ra	BX	12 " x 3 "	2140AT - 358	R46358	R40H608	R40H7181	R40H2598	R40H2599
	Ra	BX	12 " x 3 "	2140AT - 358	R46358	R40H608	R40H7181	R40H2598	R40H2599
1982	Fd	DN		7054 - D120	MD120	R40H05025	60050135	NR	NR
	Fd	DN		7054 - D120	MD120	R40H05025	60050135	NR	NR
	Fd	DN		7054 - D120	MD120	R40H05025	60050135	NR	NR
	Ra	BX	12 " x 3 "	2140AT - 358	R46358	R40H608	R40H7181	R40H2598	R40H2599
	Ra	BX	12 " x 3 "	2140AT - 358	R46358	R40H608	R40H7181	R40H2598	R40H2599
	Ra	BX	12 " x 3 "	2140AT - 358	R46358	R40H608	R40H7181	R40H2598	R40H2599
	Ra	BX	12 " x 3 "	2140AT - 358	R46358	R40H608	R40H7181	R40H2598	R40H2599
	Ra	BX	12 " x 3 "	2140AT - 358	R46358	R40H608	R40H7181	R40H2598	R40H2599
1981	Fd	DN		7054 - D120	MD120	R40H05025	60050135	NR	NR
	Fd	DN		7054 - D120	MD120	R40H05025	60050135	NR	NR
	Ra	BX	12 " x 3 "	2140AT - 358	R46358	R40H608	R40H7181	R40H2598	R40H2599
1980	Fd	DN		7054 - D120	MD120	R40H05025	60050135	NR	NR
	Ra	BX	12 " x 3 "	2140AT - 358	R46358	R40H608	R40H7181	R40H2598	R40H2599
1979	Fd	DN		7054 - D120	MD120	R40H05025	60050135	NR	NR
	Ra	BX	12 " x 3 "	2140AT - 358	R46358	R40H608	R40H7181	R40H2598	R40H2599
1978	Fd	DN		7054 - D120	MD120	R40H05025	60050135	NR	NR
	Ra	BX	12 " x 3 "	2140AT - 358	R46358	R40H608	R40H7181	R40H2598	R40H2599
1977	Fd	DN		7054 - D120	MD120	R40H05025	60050135	NR	NR
	Ra	BX	12 " x 3 "	2140AT - 358	R46358	R40H608	R40H7181	R40H2598	R40H2599
1976	Fd	DN		7054 - D120	MD120	R40H05025	60050135	NR	NR
	Ra	BX	12 " x 3 "	2140AT - 358	R46358	R40H546	R40H7146	R40H2598	R40H2599
1975	Fd	DN		7054 - D120	MD120	R40H05025	60050135	NR	NR
	Ra	BX	12 " x 3 "	2140AT - 358	R46358	R40H546	R40H7146	R40H2598	R40H2599
E250 SERIES VAN-3/4 TON									
2005	Fd	TRW		7535 - D655	MD655	NR	R4012262	NR	NR

41 - Aluminum piston
 148 - With 10 1/2" Ring Gear
 189 - Single Rear Wheels, 10 1/4" Ring Gear
 www.XpresswayPlus.com

54 - Manual Brakes
 167 - Except 10 1/4" Ring Gear
 211 - Manual Brakes, Stripped Chassis Except Speed Control

85 - 4 Wheel Antilock Brakes
 181 - Rotor Only, Machine Rotor After Re-hub
 225 - Cutaway, Stripped Chassis Except Speed Control

Contact our Customer Service Teams
 1-888-725-9355

MERITOR DRUM OR ROTOR NO.	CALIPER OR CYLINDER BORE SIZE	MERITOR CALIPER OR WHEEL CYLINDER (LEFT)	MERITOR CALIPER OR WHEEL CYLINDER (RIGHT)	MERITOR CALIPER OR WHEEL CYLINDER REPAIR KIT	MERITOR CALIPER PISTON	MERITOR MASTER CYLINDER	MERITOR MASTER CYLINDER KIT	MERITOR BRAKE HOSE (LEFT)	MERITOR BRAKE HOSE (RIGHT)
FORD(Cont.)									
E200, E250 SERIES VAN-3/4 TON(Cont.)									
R44141487 ³⁸¹	2-3/16 "	R42R55456	R42R55456	R4166713	R4090029 ⁴¹	R4112200 ²¹¹	N/A	R4577312	R4577309
R44141127 ¹⁸¹	2-3/16 "	R42R55456	R42R55456	R4166713	R4090029 ⁴¹	R4112197 ²²⁵	N/A	R4577312	R4577309
R44141127 ¹⁸¹	2-3/16 "	R42R55456	R42R55456	R4166713	R4090029 ⁴¹	R4112200 ²¹¹	N/A	R4577312	R4577309
R44140504 ¹⁸⁹	1-3/16 "	R4133945	R4133946	R418188	NR	-	-	R4578610	R4578610
R44140504 ¹⁸⁹	1 "	R4133725	R4133726	R4166822	NR	-	-	R4578610	R4578610
R44140545 ¹⁴⁸	1-1/16 "	R4133595	R4133596	R4166821	NR	-	-	R4578610	R4578610
R44140545 ¹⁴⁸	1-1/16 "	R4133595	R4133596	R4166821	NR	-	-	R4578610	R4578610
R44140545 ¹⁴⁸	1-1/8 "	R4133206	R4133206	R4166935	NR	-	-	R4578610	R4578610
R44140545 ¹⁴⁸	1-1/8 "	R4133206	R4133206	R4166935	NR	-	-	R4578610	R4578610
R44141127 ¹⁸¹	2-3/16 "	R42R55412	R42R55411	R4166713	R4090029 ⁴¹	R4112008 ⁵⁴	N/A	R4577312 ²⁵⁶	R4577309
R44141234 ³⁸¹	2-3/16 "	R42R55412	R42R55411	R4166713	R4090029 ⁴¹	R4112008 ⁵⁴	N/A	R4577312 ²⁵⁶	R4577309
R44140344 ¹⁶⁷	1 "	R4133725	R4133726	R4166822	NR	-	-	R4577189	R4577189
R44140504 ¹⁸⁹	1 "	R4133725	R4133726	R4166822	NR	-	-	R4577614	R4577614
R44140504 ¹⁸⁹	1 "	R4133725	R4133726	R4166822	NR	-	-	R4577189	R4577189
R44140344 ¹⁶⁷	1 "	R4133725	R4133726	R4166822	NR	-	-	R4577614	R4577614
R44140278 ³⁴⁵	1-1/8 "	R4133206	R4133207	R418187	NR	-	-	R4577614	R4577614
R44140278 ³⁴⁵	1-1/8 "	R4133206	R4133207	R418187	NR	-	-	R4577189	R4577189
R44141127 ¹⁸¹	2-3/16 "	R42R55412	R42R55411	R4166713	R4090029 ⁴¹	R4112008 ⁵⁴	N/A	R4577312 ²⁵⁶	R4577309
R44141234 ³⁸¹	2-3/16 "	R42R55412	R42R55411	R4166713	R4090029 ⁴¹	R4112008 ⁵⁴	N/A	R4577312 ²⁵⁶	R4577309
R44140278 ³⁴⁵	1-1/8 "	R4133206	R4133207	R418187	NR	-	-	R4577189	R4577189
R44140344 ¹⁶⁷	1 "	R4133725	R4133726	R4166822	NR	-	-	R4577189	R4577189
R44140504 ¹⁸⁹	1 "	R4133725	R4133726	R4166822	NR	-	-	R4577189	R4577189
R44141127 ¹⁸¹	2-3/16 "	R42R55412	R42R55411	R4166713	R4090029 ⁴¹	R4111682 ⁵⁴	N/A	R4577312 ²⁵⁶	R4577309
R44141234 ³⁸¹	2-3/16 "	R42R55412	R42R55411	R4166713	R4090029 ⁴¹	R4111682 ⁵⁴	N/A	R4577312 ²⁵⁶	R4577309
N/A	2-3/16 "	R42R55412	R42R55411	R4166713	R4090029 ⁴¹	R4111682 ⁵⁴	N/A	R4577312 ²⁵⁶	R4577309
R44140504 ¹⁸⁹	1 "	R4133725	R4133726	R4166822	NR	-	-	R4577189	R4577189
R44140344 ¹⁶⁷	1 "	R4133725	R4133726	R4166822	NR	-	-	R4577189	R4577189
R44140278 ³⁴⁵	1-1/8 "	R4133206	R4133207	R418187	NR	-	-	R4577189	R4577189
N/A	1-1/16 "	R4133791	R 418145	R4166821	NR	-	-	R4577189	R4577189
R44141127 ¹⁸¹	2-3/16 "	R42R55412	R42R55411	R4166713	R4090029 ⁴¹	R4111682 ⁵⁴	N/A	R4577312 ²⁵⁶	R4577309
R44141234 ³⁸¹	2-3/16 "	R42R55412	R42R55411	R4166713	R4090029 ⁴¹	R4111682 ⁵⁴	N/A	R4577312 ²⁵⁶	R4577309
N/A	2-3/16 "	R42R55412	R42R55411	R4166713	R4090029 ⁴¹	R4111682 ⁵⁴	N/A	R4577312 ²⁵⁶	R4577309
N/A	1-1/16 "	R4133791	R 418145	R4166821	NR	-	-	R4577189	R4577189
N/A	2-3/16 "	R42R55412	R42R55411	R4166713	R4090029 ⁴¹	R4111682 ⁵⁴	N/A	R4577312 ²⁵⁶	R4577309
N/A	1-1/16 "	R4133791	R 418145	R4166821	NR	-	-	R4577189	R4577189
N/A	2-3/16 "	R42R55413	R42R55413	R4166713	R4090029 ⁴¹	R4111682 ⁵⁴	N/A	R4577312 ²⁵⁶	R4577309
N/A	1-1/16 "	R4133791	R 418145	R4166821	NR	-	-	-	-
N/A	2-3/16 "	R42R55413	R42R55413	R4166713	R4090029 ⁴¹	R4111682 ⁵⁴	N/A	R4577312 ²⁵⁶	R4577309
N/A	1-1/16 "	R4133791	R 418145	R4166821	NR	-	-	-	-
-	2-3/16 "	R42R55413	R42R55413	R4166713	R4090029 ⁴¹	R4111682 ⁵⁴	N/A	-	-
-	1-1/16 "	R4133791	R 418145	R4166821	NR	-	-	-	-
-	2-3/16 "	R42R55413	R42R55413	R4166713	R4090029 ⁴¹	-	-	-	-
-	1-1/16 "	R4133791	R 418145	R4166821	NR	-	-	-	-
-	2-3/16 "	R42R55413	R42R55413	R4166713	R4090029 ⁴¹	-	-	-	-
-	1-1/16 "	R4133791	R 418145	R4166821	NR	-	-	-	-
-	2-3/16 "	R42R55456	R42R55456	R4166713	R4090029 ⁴¹	-	-	-	-
-	1-1/16 "	R4133791	R 418145	R4166821	NR	-	-	-	-
E250 SERIES VAN-3/4 TON									
R44145057 ⁸⁵	56mm	R4255749	R4255748	R4012261	R4012260 ³⁶³	R4113497 ²²⁸	N/A	R4578332 ⁸⁵	R4578331

228 - Except Speed Control
363 - Piston includes Boots and Seals

256 - Dual Rear Wheels after 3/91
381 - Rotor and Hub One Piece Assembly W/O ABS Ring

345 - Dual Rear Wheels, except 10.25" ring gear

MAKE MODEL YEAR AXLE CODE AXLE WEIGHT	AXLE & BRK. TYPE	BRK. MFG.	BRAKE SIZE	FMSI	MERITOR DISC PAD OR BRAKE SHOE	MERITOR GUIDE PIN OR RETURN SPRING KIT	MERITOR CALIPER HWD. KIT OR RETURN SPRING KIT	MERITOR ADJUSTER KIT (LEFT WHEEL)	MERITOR ADJUSTER KIT (RIGHT WHEEL)
FORD(Cont.)									
E250 SERIES VAN-3/4 TON(Cont.)									
2005									
	Fd	TRW		7535 - D655	MD655	NR	R4012262	NR	NR
	Fd	TRW		7535 - D655	MD655	NR	R4012262	NR	NR
	Fd	TRW		7535 - D655	MD655	NR	R4012262	NR	NR
	Ra	BX	12 " x 2-1/2 "	2146AT - 316	R46357	R40H546	R40H4087	R40H2598	R40H2599
	Rd	TRW		7673 - D802	MVD802	NR	R4012041	NR	NR
DRW	Ra		12 " x 3 "	2140T - 314	R46358	R40H608	R40H4087	R40H2598	R40H2599
SRW	Ra		12 " x 3 "	2140T - 314	R46358	R40H608	R40H4087	R40H2598	R40H2599
2004									
	Fd	TRW		7535 - D655	MD655	NR	R4012262	NR	NR
	Fd	TRW		7535 - D655	MD655	NR	R4012262	NR	NR
	Fd	TRW		7535 - D655	MD655	NR	R4012262	NR	NR
	Fd	TRW		7535 - D655	MD655	NR	R4012262	NR	NR
	Ra	BX	12 " x 2-1/2 "	2146AT - 316	R46357	R40H546	R40H4087	R40H2598	R40H2599
	Rd	TRW		7673 - D802	MVD802	NR	R4012041	NR	NR
DRW	Ra		12 " x 3 "	2140T - 314	R46358	R40H608	R40H4087	R40H2598	R40H2599
SRW	Ra		12 " x 3 "	2140T - 314	R46358	R40H608	R40H4087	R40H2598	R40H2599
2003									
	Fd	TRW		7535 - D655	MD655	NR	R4012262	NR	NR
	Fd	TRW		7535 - D655	MD655	NR	R4012262	NR	NR
	Fd	TRW		7535 - D655	MD655	NR	R4012262	NR	NR
	Fd	TRW		7535 - D655	MD655	NR	R4012262	NR	NR
	Ra	BX	12 " x 2-1/2 "	2146AT - 316	R46357	R40H546	R40H4087	R40H2598	R40H2599
	Rd	TRW		7673 - D802	MVD802	NR	R4012041	NR	NR
DRW	Ra		12 " x 3 "	2140T - 314	R46358	R40H608	R40H4087	R40H2598	R40H2599
SRW	Ra		12 " x 3 "	2140T - 314	R46358	R40H608	R40H4087	R40H2598	R40H2599
2002									
	Fd	TRW		7535 - D655	MD655	NR	R4012262	NR	NR
	Fd	TRW		7535 - D655	MD655	NR	R4012262	NR	NR
	Fd	TRW		7535 - D655	MD655	NR	R4012262	NR	NR
	Fd	TRW		7535 - D655	MD655	NR	R4012262	NR	NR
	Ra	BX	12 " x 2-1/2 "	2146AT - 316	R46357	R40H546	R40H4087	R40H2598	R40H2599
	Rd	TRW		7673 - D802	MVD802	NR	R4012041	NR	NR
DRW	Ra		12 " x 3 "	2140T - 314	R46358	R40H608	R40H4087	R40H2598	R40H2599
SRW	Ra		12 " x 3 "	2140T - 314	R46358	R40H608	R40H4087	R40H2598	R40H2599
2001									
	Fd	TRW		7535 - D655	MD655	NR	R4012262	NR	NR
	Fd	TRW		7535 - D655	MD655	NR	R4012262	NR	NR
	Fd	TRW		7535 - D655	MD655	NR	R4012262	NR	NR
	Fd	TRW		7535 - D655	MD655	NR	R4012262	NR	NR
	Ra	BX	12 " x 2-1/2 "	2146AT - 316	R46357	R40H546	R40H4087	R40H2598	R40H2599
	Rd	TRW		7673 - D802	MVD802	NR	R4012041	NR	NR
DRW	Ra		12 " x 3 "	2140T - 314	R46358	R40H608	R40H4087	R40H2598	R40H2599
SRW	Ra		12 " x 3 "	2140T - 314	R46358	R40H608	R40H4087	R40H2598	R40H2599
2000									
	Fd	TRW		7535 - D655	MD655	NR	R4012262	NR	NR
	Fd	TRW		7535 - D655	MD655	NR	R4012262	NR	NR
	Fd	TRW		7535 - D655	MD655	NR	R4012262	NR	NR
	Fd	TRW		7535 - D655	MD655	NR	R4012262	NR	NR
	Ra	BX	12 " x 2-1/2 "	2146AT - 316	R46357	R40H546	R40H4087	R40H2598	R40H2599
	Rd	TRW		7673 - D802	MVD802	NR	R4012041	NR	NR
DRW	Ra		12 " x 3 "	2140T - 314	R46358	R40H608	R40H4087	R40H2598	R40H2599
SRW	Ra		12 " x 3 "	2140T - 314	R46358	R40H608	R40H4087	R40H2598	R40H2599
1999									
	Fd	TRW		7535 - D655	MD655	NR	R4012262	NR	NR
	Fd	TRW		7535 - D655	MD655	NR	R4012262	NR	NR
	Fd	TRW		7535 - D655	MD655	NR	R4012262	NR	NR
	Fd	TRW		7535 - D655	MD655	NR	R4012262	NR	NR
	Ra	BX	12 " x 2-1/2 "	2146AT - 316	R46357	R40H546	R40H4087	R40H2598	R40H2599
	Rd	TRW		7673 - D802	MVD802	NR	R4012041	NR	NR
DRW	Ra		12 " x 3 "	2140T - 314	R46358	R40H608	R40H4087	R40H2598	R40H2599
SRW	Ra		12 " x 3 "	2140T - 314	R46358	R40H608	R40H4087	R40H2598	R40H2599

85 - 4 Wheel Antilock Brakes
 228 - Except Speed Control
 381 - Rotor and Hub One Piece Assembly W/O ABS Ring
 www.XpresswayPlus.com

97 - Rear Wheel Antilock Brakes
 229 - Speed Control
 405 - Rotor Only

161 - 8 Stud
 363 - Piston includes Boots and Seals

MERITOR DRUM OR ROTOR NO.	CALIPER OR CYLINDER BORE SIZE	MERITOR CALIPER OR WHEEL CYLINDER (LEFT)	MERITOR CALIPER OR WHEEL CYLINDER (RIGHT)	MERITOR CALIPER OR WHEEL CYLINDER REPAIR KIT	MERITOR CALIPER PISTON	MERITOR MASTER CYLINDER	MERITOR MASTER CYLINDER KIT	MERITOR BRAKE HOSE (LEFT)	MERITOR BRAKE HOSE (RIGHT)
FORD(Cont.)									
E250 SERIES VAN-3/4 TON(Cont.)									
R44145049 ³⁸¹	56mm	R4255749	R4255748	R4012261	R4012260 ³⁶³	R4113497 ²²⁸	N/A	R4578333 ⁹⁷	R4578331
R44145049 ³⁸¹	56mm	R4255749	R4255748	R4012261	R4012260 ³⁶³	R4113498 ²²⁹	N/A	R4578333 ⁹⁷	R4578331
R44145057 ⁸⁵	56mm	R4255749	R4255748	R4012261	R4012260 ³⁶³	R4113498 ²²⁹	N/A	R4578332 ⁸⁵	R4578331
R44140675 ¹⁶¹	1 "	R4133004	R4133004	R4166822	NR	-	-	R4578305	R4112468
R44145251 ⁴⁰⁵	45mm	R4255858	R4255857	R4012040	R4012039 ³⁶³	-	-	R4578305	R4112468
R44140675 ¹⁶¹	1-3/16 "	R4133945	R4133946	R418188	NR	-	-	R4578305	R4112468
R44140675 ¹⁶¹	1-1/8 "	R4134139	R4134139	R418188	NR	-	-	R4578305	R4112468
R44145057 ⁸⁵	56mm	R4255749	R4255748	R4012261	R4012260 ³⁶³	R4113498 ²²⁹	N/A	R4578332 ⁸⁵	R4578331
R44145049 ³⁸¹	56mm	R4255749	R4255748	R4012261	R4012260 ³⁶³	R4113498 ²²⁹	N/A	R4578333 ⁹⁷	R4578331
R44145057 ⁸⁵	56mm	R4255749	R4255748	R4012261	R4012260 ³⁶³	R4113497 ²²⁸	N/A	R4578332 ⁸⁵	R4578331
R44145049 ³⁸¹	56mm	R4255749	R4255748	R4012261	R4012260 ³⁶³	R4113497 ²²⁸	N/A	R4578333 ⁹⁷	R4578331
R44140675 ¹⁶¹	1 "	R4133004	R4133004	R4166822	NR	-	-	R4578305	R4112468
R44145251 ⁴⁰⁵	45mm	R4255858	R4255857	R4012040	R4012039 ³⁶³	-	-	R4578305	R4112468
R44140675 ¹⁶¹	1-3/16 "	R4133945	R4133946	R418188	NR	-	-	R4578305	R4112468
R44140675 ¹⁶¹	1-1/8 "	R4134139	R4134139	R418188	NR	-	-	R4578305	R4112468
R44145057 ⁸⁵	56mm	R4255749	R4255748	R4012261	R4012260 ³⁶³	R4113497 ²²⁸	N/A	R4578332 ⁸⁵	R4578331
R44145049 ³⁸¹	56mm	R4255749	R4255748	R4012261	R4012260 ³⁶³	R4113497 ²²⁸	N/A	R4578333 ⁹⁷	R4578331
R44145049 ³⁸¹	56mm	R4255749	R4255748	R4012261	R4012260 ³⁶³	R4113498 ²²⁹	N/A	R4578333 ⁹⁷	R4578331
R44145057 ⁸⁵	56mm	R4255749	R4255748	R4012261	R4012260 ³⁶³	R4113498 ²²⁹	N/A	R4578332 ⁸⁵	R4578331
R44140675 ¹⁶¹	1 "	R4133004	R4133004	R4166822	NR	-	-	R4578305	R4112468
R44145251 ⁴⁰⁵	45mm	R4255858	R4255857	R4012040	R4012039 ³⁶³	-	-	R4578305	R4112468
R44140675 ¹⁶¹	1-3/16 "	R4133945	R4133946	R418188	NR	-	-	R4578305	R4112468
R44140675 ¹⁶¹	1-1/8 "	R4134139	R4134139	R418188	NR	-	-	R4578305	R4112468
R44145057 ⁸⁵	56mm	R4255749	R4255748	R4012261	R4012260 ³⁶³	R4113497 ²²⁸	N/A	R4578332 ⁸⁵	R4578331
R44145049 ³⁸¹	56mm	R4255749	R4255748	R4012261	R4012260 ³⁶³	R4113498 ²²⁹	N/A	R4578333 ⁹⁷	R4578331
R44145049 ³⁸¹	56mm	R4255749	R4255748	R4012261	R4012260 ³⁶³	R4113498 ²²⁹	N/A	R4578333 ⁹⁷	R4578331
R44145057 ⁸⁵	56mm	R4255749	R4255748	R4012261	R4012260 ³⁶³	R4113497 ²²⁸	N/A	R4578332 ⁸⁵	R4578331
R44140675 ¹⁶¹	1 "	R4133004	R4133004	R4166822	NR	-	-	R4578305	R4112468
R44145251 ⁴⁰⁵	45mm	R4255858	R4255857	R4012040	R4012039 ³⁶³	-	-	R4578305	R4112468
R44140675 ¹⁶¹	1-3/16 "	R4133945	R4133946	R418188	NR	-	-	R4578305	R4112468
R44140675 ¹⁶¹	1-1/8 "	R4134139	R4134139	R418188	NR	-	-	R4578305	R4112468
R44145057 ⁸⁵	56mm	R4255749	R4255748	R4012261	R4012260 ³⁶³	R4113498 ²²⁹	N/A	R4578332 ⁸⁵	R4578331
R44145049 ³⁸¹	56mm	R4255749	R4255748	R4012261	R4012260 ³⁶³	R4113497 ²²⁸	N/A	R4578333 ⁹⁷	R4578331
R44145057 ⁸⁵	56mm	R4255749	R4255748	R4012261	R4012260 ³⁶³	R4113497 ²²⁸	N/A	R4578332 ⁸⁵	R4578331
R44145049 ³⁸¹	56mm	R4255749	R4255748	R4012261	R4012260 ³⁶³	R4113498 ²²⁹	N/A	R4578333 ⁹⁷	R4578331
R44140675 ¹⁶¹	1 "	R4133004	R4133004	R4166822	NR	-	-	R4578305	R4112468
R44145251 ⁴⁰⁵	45mm	R4255858	R4255857	R4012040	R4012039 ³⁶³	-	-	R4578305	R4112468
R44140675 ¹⁶¹	1-3/16 "	R4133945	R4133946	R418188	NR	-	-	R4578305	R4112468
R44140675 ¹⁶¹	1-1/8 "	R4134139	R4134139	R418188	NR	-	-	R4578305	R4112468
R44145057 ⁸⁵	56mm	R4255749	R4255748	R4012261	R4012260 ³⁶³	R4113498 ²²⁹	N/A	R4578332 ⁸⁵	R4578331
R44145049 ³⁸¹	56mm	R4255749	R4255748	R4012261	R4012260 ³⁶³	R4113497 ²²⁸	N/A	R4578333 ⁹⁷	R4578331
R44145057 ⁸⁵	56mm	R4255749	R4255748	R4012261	R4012260 ³⁶³	R4113497 ²²⁸	N/A	R4578332 ⁸⁵	R4578331
R44145049 ³⁸¹	56mm	R4255749	R4255748	R4012261	R4012260 ³⁶³	R4113498 ²²⁹	N/A	R4578333 ⁹⁷	R4578331
R44140675 ¹⁶¹	1 "	R4133004	R4133004	R4166822	NR	-	-	R4578305	R4112468
R44145251 ⁴⁰⁵	45mm	R4255858	R4255857	R4012040	R4012039 ³⁶³	-	-	R4578305	R4112468
R44140675 ¹⁶¹	1-3/16 "	R4133945	R4133946	R418188	NR	-	-	R4578305	R4112468
R44140675 ¹⁶¹	1-1/8 "	R4134139	R4134139	R418188	NR	-	-	R4578305	R4112468
R44145057 ⁸⁵	56mm	R4255749	R4255748	R4012261	R4012260 ³⁶³	R4113498 ²²⁹	N/A	R4578332 ⁸⁵	R4578331
R44145049 ³⁸¹	56mm	R4255749	R4255748	R4012261	R4012260 ³⁶³	R4113498 ²²⁹	N/A	R4578333 ⁹⁷	R4578331
R44145049 ³⁸¹	56mm	R4255749	R4255748	R4012261	R4012260 ³⁶³	R4113497 ²²⁸	N/A	R4578333 ⁹⁷	R4578331
R44145057 ⁸⁵	56mm	R4255749	R4255748	R4012261	R4012260 ³⁶³	R4113497 ²²⁸	N/A	R4578332 ⁸⁵	R4578331
R44140675 ¹⁶¹	1 "	R4133004	R4133004	R4166822	NR	-	-	R4578305	R4112468
R44145251 ⁴⁰⁵	45mm	R4255858	R4255857	R4012040	R4012039 ³⁶³	-	-	R4578305	R4112468
R44140675 ¹⁶¹	1-3/16 "	R4133945	R4133946	R418188	NR	-	-	R4578305	R4112468
R44140675 ¹⁶¹	1-1/8 "	R4134139	R4134139	R418188	NR	-	-	R4578305	R4112468

1 APPLICATION

MERITOR DRUM OR ROTOR NO.	CALIPER OR CYLINDER BORE SIZE	MERITOR CALIPER OR WHEEL CYLINDER (LEFT)	MERITOR CALIPER OR WHEEL CYLINDER (RIGHT)	MERITOR CALIPER OR WHEEL CYLINDER REPAIR KIT	MERITOR CALIPER PISTON	MERITOR MASTER CYLINDER	MERITOR MASTER CYLINDER KIT	MERITOR BRAKE HOSE (LEFT)	MERITOR BRAKE HOSE (RIGHT)
FORD(Cont.)									
E300, E350 SERIES VAN-1 TON									
R44145068 ¹⁶⁶	2-11/32 "	R42R55749	R42R55748	R4011237	R44141808	R4113284 ³⁶⁰	N/A	R4578333 ⁹⁷	R4578332
R44145057 ²⁵³	2-11/32 "	R42R55749	R42R55748	R4011237	R44141808	R4113282 ³⁵⁹	N/A	R4578331 ⁸⁵	R4578332
R44145057 ²⁵³	2-11/32 "	R42R55749	R42R55748	R4011237	R44141808	R4113282 ³⁶¹	N/A	R4578331 ⁸⁵	R4578332
R44145068 ¹⁶⁶	2-11/32 "	R42R55749	R42R55748	R4011237	R44141808	R4113282 ³⁵⁹	N/A	R4578333 ⁹⁷	R4578332
R44145049 ¹⁵⁶	2-11/32 "	R42R55749	R42R55748	R4011237	R44141808	R4113282 ³⁵⁹	N/A	R4578333 ⁹⁷	R4578332
R44145057 ²⁵³	2-11/32 "	R42R55749	R42R55748	R4011237	R44141808	R4113282 ³⁶¹	N/A	R4578331 ⁸⁵	R4578332
R44145049 ¹⁵⁶	2-11/32 "	R42R55749	R42R55748	R4011237	R44141808	R4113284 ³⁶²	N/A	R4578333 ⁹⁷	R4578332
R44145071 ¹⁶⁵	2-11/32 "	R42R55749	R42R55748	R4011237	R44141808	R4113284 ³⁶⁰	N/A	R4578331 ⁸⁵	R4578332
R44145071 ¹⁶⁵	2-11/32 "	R42R55749	R42R55748	R4011237	R44141808	R4113284 ³⁶⁰	N/A	R4578331 ⁸⁵	R4578332
R44145071 ¹⁶⁵	2-11/32 "	R42R55749	R42R55748	R4011237	R44141808	R4113282 ³⁵⁹	N/A	R4578331 ⁸⁵	R4578332
R44145057 ²⁵³	2-11/32 "	R42R55749	R42R55748	R4011237	R44141808	R4113284 ³⁶²	N/A	R4578331 ⁸⁵	R4578332
R44145068 ¹⁶⁶	2-11/32 "	R42R55749	R42R55748	R4011237	R44141808	R4113284 ³⁶²	N/A	R4578333 ⁹⁷	R4578332
R44145049 ¹⁵⁶	2-11/32 "	R42R55749	R42R55748	R4011237	R44141808	R4113284 ³⁶⁰	N/A	R4578333 ⁹⁷	R4578332
R44145049 ¹⁵⁶	2-11/32 "	R42R55749	R42R55748	R4011237	R44141808	R4113282 ³⁶¹	N/A	R4578333 ⁹⁷	R4578332
R44145068 ¹⁶⁶	2-11/32 "	R42R55749	R42R55748	R4011237	R44141808	R4113284 ³⁶⁰	N/A	R4578333 ⁹⁷	R4578332
R44145071 ¹⁶⁵	2-11/32 "	R42R55749	R42R55748	R4011237	R44141808	R4113284 ³⁶²	N/A	R4578331 ⁸⁵	R4578332
R44140675 ¹⁶¹	1-1/8 "	R4134139	R4134140 ³⁵⁵	N/A	NR	-	-	R4578305	R4578305
R44140620 ¹⁶²	1-3/16 "	R4133945	R4133946	R418188	NR	-	-	R4578305	R4578305
-	2-23/64 "	R42R55605	R42R55604	R4066204	R4090088S	-	-	R4578305 ⁸⁵	R4578305
N/A ⁴⁰⁵	2-23/64 "	R42R55605	R42R55604	R4066204	R4090088S	-	-	R4578305 ⁸⁵	R4578305
R44140545 ¹⁴⁸	1-3/16 "	R4133945	R4133946	R418188	NR	-	-	R4578305	R4578305
R44145057 ²⁵³	2-11/32 "	R42R55749	R42R55748	R4011237	R44141808	R4113284 ³⁶²	N/A	R4578331 ⁸⁵	R4578332
R44145057 ²⁵³	2-11/32 "	R42R55749	R42R55748	R4011237	R44141808	R4113282 ³⁵⁹	N/A	R4578331 ⁸⁵	R4578332
R44145071 ¹⁶⁵	2-11/32 "	R42R55749	R42R55748	R4011237	R44141808	R4113282 ³⁶¹	N/A	R4578331 ⁸⁵	R4578332
R44145057 ²⁵³	2-11/32 "	R42R55749	R42R55748	R4011237	R44141808	R4113284 ³⁶⁰	N/A	R4578331 ⁸⁵	R4578332
R44145071 ¹⁶⁵	2-11/32 "	R42R55749	R42R55748	R4011237	R44141808	R4113284 ³⁶²	N/A	R4578331 ⁸⁵	R4578332
R44145057 ²⁵³	2-11/32 "	R42R55749	R42R55748	R4011237	R44141808	R4113282 ³⁶¹	N/A	R4578331 ⁸⁵	R4578332
R44145049 ³⁸¹	2-11/32 "	R42R55749	R42R55748	R4011237	R44141808	R4113282 ³⁵⁹	N/A	R4578333 ⁹⁷	R4578332
R44145071 ¹⁶⁵	2-11/32 "	R42R55749	R42R55748	R4011237	R44141808	R4113282 ³⁵⁹	N/A	R4578331 ⁸⁵	R4578332
R44145049 ³⁸¹	2-11/32 "	R42R55749	R42R55748	R4011237	R44141808	R4113284 ³⁶²	N/A	R4578333 ⁹⁷	R4578332
R44145049 ³⁸¹	2-11/32 "	R42R55749	R42R55748	R4011237	R44141808	R4113284 ³⁶⁰	N/A	R4578333 ⁹⁷	R4578332
R44145068 ¹⁶⁶	2-11/32 "	R42R55749	R42R55748	R4011237	R44141808	R4113282 ³⁵⁹	N/A	R4578333 ⁹⁷	R4578332
R44145068 ¹⁶⁶	2-11/32 "	R42R55749	R42R55748	R4011237	R44141808	R4113282 ³⁶¹	N/A	R4578333 ⁹⁷	R4578332
R44145071 ¹⁶⁵	2-11/32 "	R42R55749	R42R55748	R4011237	R44141808	R4113284 ³⁶⁰	N/A	R4578331 ⁸⁵	R4578332
R44145049 ³⁸¹	2-11/32 "	R42R55749	R42R55748	R4011237	R44141808	R4113282 ³⁶¹	N/A	R4578333 ⁹⁷	R4578332
R44145068 ¹⁶⁶	2-11/32 "	R42R55749	R42R55748	R4011237	R44141808	R4113284 ³⁶⁰	N/A	R4578333 ⁹⁷	R4578332
R44145068 ¹⁶⁶	2-11/32 "	R42R55749	R42R55748	R4011237	R44141808	R4113284 ³⁶²	N/A	R4578333 ⁹⁷	R4578332
R44140675 ¹⁶¹	1-1/8 "	R4134139	R4134140 ³⁵⁵	N/A	NR	-	-	R4578305	R4578305
R44140620 ¹⁶²	1-3/16 "	R4133945	R4133946	R418188	NR	-	-	R4578305	R4578305
R44140545 ¹⁴⁸	1-3/16 "	R4133945	R4133946	R418188	NR	-	-	R4578305	R4578305
-	2-23/64 "	R42R55605	R42R55604	R4066204	R4090088S	-	-	R4578305	R4578305
N/A ⁴⁰⁵	2-23/64 "	R42R55605	R42R55604	R4066204	R4090088S	-	-	R4578305	R4578305
R44145057 ²⁵³	2-11/32 "	R42R55749	R42R55748	R4011237	R44141808	R4112842 ²²⁹	N/A	R4578331 ⁸⁵	R4578332
R44145049 ¹⁵⁶	2-11/32 "	R42R55749	R42R55748	R4011237	R44141808	R4112840 ²²⁶	N/A	R4578333 ⁹⁷	R4578332
R44145071 ¹⁶⁵	2-11/32 "	R42R55749	R42R55748	R4011237	R44141808	R4112197 ²²⁵	N/A	R4578331 ⁸⁵	R4578332
R44145068 ¹⁶⁶	2-11/32 "	R42R55749	R42R55748	R4011237	R44141808	R4112842 ²²⁹	N/A	R4578333 ⁹⁷	R4578332
R44145071 ¹⁶⁵	2-11/32 "	R42R55749	R42R55748	R4011237	R44141808	R4112840 ²²⁶	N/A	R4578331 ⁸⁵	R4578332
R44145068 ¹⁶⁶	2-11/32 "	R42R55749	R42R55748	R4011237	R44141808	R4112198 ²¹⁷	N/A	R4578333 ⁹⁷	R4578332
R44145049 ¹⁵⁶	2-11/32 "	R42R55749	R42R55748	R4011237	R44141808	R4112198 ²¹⁷	N/A	R4578333 ⁹⁷	R4578332
R44145049 ¹⁵⁶	2-11/32 "	R42R55749	R42R55748	R4011237	R44141808	R4112198 ²¹⁷	N/A	R4578333 ⁹⁷	R4578332
R44145049 ¹⁵⁶	2-11/32 "	R42R55749	R42R55748	R4011237	R44141808	R4112197 ²²⁵	N/A	R4578333 ⁹⁷	R4578332
R44145049 ¹⁵⁶	2-11/32 "	R42R55749	R42R55748	R4011237	R44141808	R4112842 ²²⁹	N/A	R4578333 ⁹⁷	R4578332
R44145057 ²⁵³	2-11/32 "	R42R55749	R42R55748	R4011237	R44141808	R4112198 ²¹⁷	N/A	R4578331 ⁸⁵	R4578332
R44145068 ¹⁶⁶	2-11/32 "	R42R55749	R42R55748	R4011237	R44141808	R4112840 ²²⁶	N/A	R4578333 ⁹⁷	R4578332
R44145057 ²⁵³	2-11/32 "	R42R55749	R42R55748	R4011237	R44141808	R4112197 ²²⁵	N/A	R4578331 ⁸⁵	R4578332
R44145071 ¹⁶⁵	2-11/32 "	R42R55749	R42R55748	R4011237	R44141808	R4112198 ²¹⁷	N/A	R4578331 ⁸⁵	R4578332
R44145068 ¹⁶⁶	2-11/32 "	R42R55749	R42R55748	R4011237	R44141808	R4112197 ²²⁵	N/A	R4578333 ⁹⁷	R4578332
R44145057 ²⁵³	2-11/32 "	R42R55749	R42R55748	R4011237	R44141808	R4112840 ²²⁶	N/A	R4578331 ⁸⁵	R4578332
R44145071 ¹⁶⁵	2-11/32 "	R42R55749	R42R55748	R4011237	R44141808	R4112842 ²²⁹	N/A	R4578331 ⁸⁵	R4578332
R44145071 ¹⁶⁵	2-23/64 "	R42R55605	R42R55604	R4066204	R4090088S ²⁰¹	R4112843 ²²⁷	N/A	R4578331 ⁸⁵	R4578332

361 - Van, Speed Control, Single Rear Wheels
 405 - Rotor Only
 355 - Single Rear Wheels with 12 x 3" Brakes

362 - Van, Except Speed Control
 229 - Speed Control
 359 - Cutaway, Stripped Chassis, Except Speed Control

381 - Rotor and Hub One Piece Assembly W/O ABS Ring
 253 - Single Rear Wheels, 4 Wheel Antilock Brakes
 360 - Cutaway, Stripped Chassis, Speed Control; Van, Speed Control and Dual Rear Wheels
www.XpresswayPlus.com

MAKE MODEL YEAR AXLE CODE AXLE WEIGHT	AXLE & BRK. TYPE	BRK. MFG.	BRAKE SIZE	FMSI	MERITOR DISC PAD OR BRAKE SHOE	MERITOR GUIDE PIN OR RETURN SPRING KIT	MERITOR CALIPER HWD. KIT OR RETURN SPRING KIT	MERITOR ADJUSTER KIT (LEFT WHEEL)	MERITOR ADJUSTER KIT (RIGHT WHEEL)
FORD(Cont.)									
E300, E350 SERIES VAN-1 TON(Cont.)									
1996	Fd	KH		7299 - D411	MD777	NR	R40H5735	NR	NR
	Ra		12 " x 3 "	2140T - 314	R46358	R40H608	R40H4087	R40H2598	R40H2599
	Ra	BX	12.125 x 3-1/2 "	2171T - 583	R468140	R40H608	R40H4087	R40H2598	R40H2599
Dana 70	Ra	BX	12.125 x 3-1/2 "	2171T - 583	R468140	R40H608	R40H4087	R40H2598	R40H2599
Super Duty	Rd	KH		7299 - D411	MD411	NR	R40H5735	NR	NR
Super Duty, Dana 60 Axle, Single Rear Wheel	Rd	KH		7299 - D411	MD411	NR	R40H5735	NR	NR
1995	Fd			7535 - D655	MD655	R40H5735	R40H5864	NR	NR
	Fd			7535 - D655	MD655	R40H5735	R40H5864	NR	NR
	Fd			7535 - D655	MD655	R40H5735	R40H5864	NR	NR
	Fd			7535 - D655	MD655	R40H5735	R40H5864	NR	NR
	Fd			7535 - D655	MD655	R40H5735	R40H5864	NR	NR
	Fd			7535 - D655	MD655	R40H5735	R40H5864	NR	NR
	Fd			7535 - D655	MD655	R40H5735	R40H5864	NR	NR
	Fd			7535 - D655	MD655	R40H5735	R40H5864	NR	NR
	Fd			7535 - D655	MD655	R40H5735	R40H5864	NR	NR
	Fd			7535 - D655	MD655	R40H5735	R40H5864	NR	NR
	Fd			7535 - D655	MD655	R40H5735	R40H5864	NR	NR
	Fd			7535 - D655	MD655	R40H5735	R40H5864	NR	NR
	Fd			7535 - D655	MD655	R40H5735	R40H5864	NR	NR
	Fd			7535 - D655	MD655	R40H5735	R40H5864	NR	NR
	Fd			7535 - D655	MD655	R40H5735	R40H5864	NR	NR
	Ra		12 " x 3 "	2140T - 314	R46358	R40H608	R40H4087	R40H2598	R40H2599
	Ra	BX	12.125 x 3-1/2 "	2171T - 583	R468140	R40H608	R40H4087	R40H2598	R40H2599
Dana 70	Ra	BX	12.125 x 3-1/2 "	2171T - 583	R468140	R40H608	R40H4087	R40H2598	R40H2599
1994	Fd	FD		7436 - D557	MD557	R40H15039	R40H5815	NR	NR
	Fd	FD		7436 - D557	MD557	R40H15039	R40H5815	NR	NR
	Fd	FD		7436 - D557	MD557	R40H15039	R40H5815	NR	NR
	Fd	FD		7436 - D557	MD557	R40H15039	R40H5815	NR	NR
	Fd	FD		7436 - D557	MD557	R40H15039	R40H5815	NR	NR
	Fd	FD		7436 - D557	MD557	R40H15039	R40H5815	NR	NR
	Fd	FD		7436 - D557	MD557	R40H15039	R40H5815	NR	NR
	Fd	FD		7436 - D557	MD557	R40H15039	R40H5815	NR	NR
	Fd	FD		7436 - D557	MD557	R40H15039	R40H5815	NR	NR
	Fd	FD		7436 - D557	MD557	R40H15039	R40H5815	NR	NR
	Fd	FD		7436 - D557	MD557	R40H15039	R40H5815	NR	NR
	Fd	FD		7436 - D557	MD557	R40H15039	R40H5815	NR	NR
	Fd	FD		7436 - D557	MD557	R40H15039	R40H5815	NR	NR
	Fd	FD		7436 - D557	MD557	R40H15039	R40H5815	NR	NR
	Fd	FD		7436 - D557	MD557	R40H15039	R40H5815	NR	NR
	Fd	FD		7436 - D557	MD557	R40H15039	R40H5815	NR	NR
	Fd	FD		7436 - D557	MD557	R40H15039	R40H5815	NR	NR
	Fd	FD		7436 - D557	MD557	R40H15039	R40H5815	NR	NR
	Fd	FD		7436 - D557	MD557	R40H15039	R40H5815	NR	NR
	Fd	FD		7436 - D557	MD557	R40H15039	R40H5815	NR	NR
Dana 60	Ra	BX	12 " x 3 "	2140AT - 358	R46358	R40H608	R40H7181	R40H2598	R40H2599
	Ra	BX	12.125 x 3-1/2 "	2171T - 583	R468140	R40H608	R40H7299	R40H2598	R40H2599
Dana 70	Ra	BX	12.125 x 3-1/2 "	2171T - 583	R468140	R40H608	R40H7299	R40H2598	R40H2599
	Ra	BX	12.125 x 3-1/2 "	2171T - 583	R468140	R40H608	R40H7299	R40H2598	R40H2599
1993	Fd	FD		7436 - D557	MD557	R40H15039	R40H5815	NR	NR
	Fd	FD		7436 - D557	MD557	R40H15039	R40H5815	NR	NR
	Fd	FD		7436 - D557	MD557	R40H15039	R40H5815	NR	NR
	Fd	FD		7436 - D557	MD557	R40H15039	R40H5815	NR	NR
Dana 60	Ra	BX	12 " x 3 "	2140AT - 358	R46358	R40H608	R40H7181	R40H2598	R40H2599
	Ra	BX	12.125 x 3-1/2 "	2171T - 583	R468140	R40H608	R40H7299	R40H2598	R40H2599
Dana 70	Ra	BX	12.125 x 3-1/2 "	2171T - 583	R468140	R40H608	R40H7299	R40H2598	R40H2599
	Ra	BX	12.125 x 3-1/2 "	2171T - 583	R468140	R40H608	R40H7299	R40H2598	R40H2599
1992	Fd	FD		7436 - D557	MD557	R40H15039	R40H5815	NR	NR
	Fd	FD		7436 - D557	MD557	R40H15039	R40H5815	NR	NR
	Ra	BX	12 " x 3 "	2140AT - 358	R46358	R40H608	R40H7181	R40H2598	R40H2599
	Ra	BX	12 " x 3 "	2140AT - 358	R46358	R40H608	R40H7181	R40H2598	R40H2599
	Ra	BX	12.125 x 3-1/2 "	2171T - 583	R468140	R40H608	R40H7299	R40H2598	R40H2599
	Ra	BX	12.125 x 3-1/2 "	2171T - 583	R468140	R40H608	R40H7299	R40H2598	R40H2599

MERITOR DRUM OR ROTOR NO.	CALIPER OR CYLINDER BORE SIZE	MERITOR CALIPER OR WHEEL CYLINDER (LEFT)	MERITOR CALIPER OR WHEEL CYLINDER (RIGHT)	MERITOR CALIPER OR WHEEL CYLINDER REPAIR KIT	MERITOR CALIPER PISTON	MERITOR MASTER CYLINDER	MERITOR MASTER CYLINDER KIT	MERITOR BRAKE HOSE (LEFT)	MERITOR BRAKE HOSE (RIGHT)
FORD(Cont.)									
E300, E350 SERIES VAN-1 TON(Cont.)									
R44145068 ¹⁶⁶	2-23/64 "	R42R55605	R42R55604	R4066204	R4090088S ²⁰¹	R4112843 ²²⁷	N/A	R4578333 ⁹⁷	R4578332
R44140675 ¹⁶¹	1-1/8 "	R4134139	R4134140 ³⁵⁵	N/A	NR	-	-	N/A	N/A
R44140620 ¹⁶²	1-3/16 "	R4133945	R4133946	R418188	NR	-	-	N/A	N/A
R44140545 ¹⁴⁸	1-3/16 "	R4133945	R4133946	R418188	NR	-	-	N/A	N/A
-	2-23/64 "	R42R55605	R42R55604	R4066204	R4090088S	-	-	R4578305	R4578305
N/A ⁴⁰⁵	2-23/64 "	R42R55605	R42R55604	R4066204	R4090088S	-	-	R4578305	R4578305
R44145071 ¹⁶⁵	2-11/32 "	R42R55749	R42R55748	R4011237	R44141808	R4112842 ²²⁹	N/A	R4578331 ⁸⁵	R4578332
R44145049 ¹⁵⁶	2-11/32 "	R42R55749	R42R55748	R4011237	R44141808	R4112198 ²¹⁷	N/A	R4578333 ⁹⁷	R4578332
R44145057 ²⁵³	2-11/32 "	R42R55749	R42R55748	R4011237	R44141808	R4112197 ²²⁵	N/A	R4578331 ⁸⁵	R4578332
R44145049 ¹⁵⁶	2-11/32 "	R42R55749	R42R55748	R4011237	R44141808	R4112842 ²²⁹	N/A	R4578333 ⁹⁷	R4578332
R44145057 ²⁵³	2-11/32 "	R42R55749	R42R55748	R4011237	R44141808	R4112840 ²²⁶	N/A	R4578331 ⁸⁵	R4578332
R44145068 ¹⁶⁶	2-11/32 "	R42R55749	R42R55748	R4011237	R44141808	R4112840 ²²⁶	N/A	R4578333 ⁹⁷	R4578332
R44145071 ¹⁶⁵	2-11/32 "	R42R55749	R42R55748	R4011237	R44141808	R4112198 ²¹⁷	N/A	R4578331 ⁸⁵	R4578332
R44145068 ¹⁶⁶	2-11/32 "	R42R55749	R42R55748	R4011237	R44141808	R4112842 ²²⁹	N/A	R4578333 ⁹⁷	R4578332
R44145068 ¹⁶⁶	2-11/32 "	R42R55749	R42R55748	R4011237	R44141808	R4112197 ²²⁵	N/A	R4578333 ⁹⁷	R4578332
R44145057 ²⁵³	2-11/32 "	R42R55749	R42R55748	R4011237	R44141808	R4112198 ²¹⁷	N/A	R4578331 ⁸⁵	R4578332
R44145049 ¹⁵⁶	2-11/32 "	R42R55749	R42R55748	R4011237	R44141808	R4112840 ²²⁶	N/A	R4578333 ⁹⁷	R4578332
R44145049 ¹⁵⁶	2-11/32 "	R42R55749	R42R55748	R4011237	R44141808	R4112197 ²²⁵	N/A	R4578333 ⁹⁷	R4578332
R44145057 ²⁵³	2-11/32 "	R42R55749	R42R55748	R4011237	R44141808	R4112842 ²²⁹	N/A	R4578331 ⁸⁵	R4578332
R44145071 ¹⁶⁵	2-11/32 "	R42R55749	R42R55748	R4011237	R44141808	R4112840 ²²⁶	N/A	R4578331 ⁸⁵	R4578332
R44145068 ¹⁶⁶	2-11/32 "	R42R55749	R42R55748	R4011237	R44141808	R4112198 ²¹⁷	N/A	R4578333 ⁹⁷	R4578332
R44145071 ¹⁶⁵	2-11/32 "	R42R55749	R42R55748	R4011237	R44141808	R4112197 ²²⁵	N/A	R4578331 ⁸⁵	R4578332
R44140675 ¹⁶¹	1-1/8 "	R4134139	R4134140 ³⁵⁵	N/A	NR	-	-	N/A	N/A
R44140620 ¹⁶²	1-3/16 "	R4133945	R4133946	R418188	NR	-	-	N/A	N/A
R44140545 ¹⁴⁸	1-3/16 "	R4133945	R4133946	R418188	NR	-	-	N/A	N/A
R44141934	2-13/64 "	R42R55637	R42R55636	R4066209	R4090192P	R4112840 ²²⁶	N/A	R4578210 ²⁵⁴	R4578209
R44141917	2-13/64 "	R42R55637	R42R55636	R4066209	R4090192P	R4112200 ²¹¹	N/A	R4578208 ²⁵³	R4578209
R44141917	2-13/64 "	R42R55637	R42R55636	R4066209	R4090192P	R4112200 ²¹¹	N/A	R4578208 ²⁵³	R4578209
R44141934	2-13/64 "	R42R55637	R42R55636	R4066209	R4090192P	R4112840 ²²⁶	N/A	R4578210 ²⁵⁴	R4578209
R44141127 ¹⁸¹	2-13/64 "	R42R55637	R42R55636	R4066209	R4090192P	R4112842 ²²⁹	N/A	R4578210 ²⁵⁴	R4578209
R44141127 ¹⁸¹	2-13/64 "	R42R55637	R42R55636	R4066209	R4090192P	R4112842 ²²⁹	N/A	R4578210 ²⁵⁴	R4578209
R44141934	2-13/64 "	R42R55637	R42R55636	R4066209	R4090192P	R4112840 ²²⁶	N/A	R4578210 ²⁵⁴	R4578209
R44141127 ¹⁸¹	2-13/64 "	R42R55637	R42R55636	R4066209	R4090192P	R4112842 ²²⁹	N/A	R4578210 ²⁵⁴	R4578209
R44141934	2-13/64 "	R42R55637	R42R55636	R4066209	R4090192P	R4112840 ²²⁶	N/A	R4578210 ²⁵⁴	R4578209
R44141934	2-13/64 "	R42R55637	R42R55636	R4066209	R4090192P	R4112198 ²¹⁷	N/A	R4578208 ²⁵³	R4578209
R44141917	2-13/64 "	R42R55637	R42R55636	R4066209	R4090192P	R4112200 ²¹¹	N/A	R4578208 ²⁵³	R4578209
R44141917	2-13/64 "	R42R55637	R42R55636	R4066209	R4090192P	R4112200 ²¹¹	N/A	R4578208 ²⁵³	R4578209
R44141127 ¹⁸¹	2-13/64 "	R42R55637	R42R55636	R4066209	R4090192P	R4112198 ²¹⁷	N/A	R4578208 ²⁵³	R4578209
R44141127 ¹⁸¹	2-13/64 "	R42R55637	R42R55636	R4066209	R4090192P	R4112198 ²¹⁷	N/A	R4578208 ²⁵³	R4578209
R44141127 ¹⁸¹	2-13/64 "	R42R55637	R42R55636	R4066209	R4090192P	R4112842 ²²⁹	N/A	R4578210 ²⁵⁴	R4578209
R44141127 ¹⁸¹	2-13/64 "	R42R55637	R42R55636	R4066209	R4090192P	R4112198 ²¹⁷	N/A	R4578208 ²⁵³	R4578209
R44140620 ¹⁶²	1-1/16 "	R4133595	R4133596	R4166821	NR	-	-	R4578305	R4578305
R44140620 ¹⁶²	1-1/16 "	R4133595	R4133596	R4166821	NR	-	-	R4578305	R4578305
R44140545 ¹⁴⁸	1-1/8 "	R4133206	R4133207	R418187	NR	-	-	R4578305	R4578305
R44140545 ¹⁴⁸	1-3/16 "	R4133945	R4133946	R418188	NR	-	-	R4578305	R4578305
R44141127 ¹⁸¹	2-13/64 "	R42R55637	R42R55636	R4066209	R4090192P	R4112197 ²²⁵	N/A	R4578188 ²⁵⁴	R4578187
R44141127 ¹⁸¹	2-13/64 "	R42R55637	R42R55636	R4066209	R4090192P	R4112197 ²²⁵	N/A	R4578188 ²⁵⁴	R4578187
R44141798	2-13/64 "	R42R55637	R42R55636	R4066209	R4090192P	R4112833 ²³⁵	N/A	R4578188 ²⁵⁴	R4578187
R44141798	2-13/64 "	R42R55637	R42R55636	R4066209	R4090192P	R4112833 ²³⁵	N/A	R4578188 ²⁵⁴	R4578187
R44140620 ¹⁶²	1-1/16 "	R4133595	R4133596	R4166821	NR	-	-	R4578305	R4578305
R44140620 ¹⁶²	1-1/16 "	R4133595	R4133596	R4166821	NR	-	-	R4578305	R4578305
R44140545 ¹⁴⁸	1-1/8 "	R4133206	R4133207	R418187	NR	-	-	R4578305	R4578305
R44140545 ¹⁴⁸	1-3/16 "	R4133945	R4133946	R418188	NR	-	-	R4578305	R4578305
R44141127 ¹⁸¹	2-13/64 "	R42R55637	R42R55636	R4066209	R4090192P	R4112641 ⁵⁴	N/A	R4578188	R4578187
R44141798	2-13/64 "	R42R55637	R42R55636	R4066209	R4090192P	R4112641 ⁵⁴	N/A	R4578188	R4578187
N/A	1-3/16 "	R4133945	R4133946	R418188	NR	-	-	R4578305	R4578305
R44140493	1 "	R4133725	R4133726	R4166822	NR	-	-	R4578305	R4578305
R44140545 ¹⁴⁸	1-1/8 "	R4133206	R4133207	R4166935	NR	-	-	R4578305	R4578305
R44140545 ¹⁴⁸	1-1/8 "	R4133206	R4133207	R4166935	NR	-	-	R4578305	R4578305

253 - Single Rear Wheels, 4 Wheel Antilock Brakes
 405 - Rotor Only
 227 - Cutaway, Stripped Chassis with Hydraulic Booster
 Contact our Customer Service Teams
 1-888-725-9355

254 - Single Rear Wheels, Rear Wheel Antilock Brakes
 225 - Cutaway, Stripped Chassis Except Speed Control
 229 - Speed Control

355 - Single Rear Wheels with 12 x 3" Brakes
 226 - Cutaway, Stripped Chassis With Speed Control
 235 - 4x4, Power Brakes
 www.XpresswayPlus.com

MAKE MODEL YEAR AXLE CODE AXLE WEIGHT	AXLE & BRK. TYPE	BRK. MFG.	BRAKE SIZE	FMSI	MERITOR DISC PAD OR BRAKE SHOE	MERITOR GUIDE PIN OR RETURN SPRING KIT	MERITOR CALIPER HWD. KIT OR RETURN SPRING KIT	MERITOR ADJUSTER KIT (LEFT WHEEL)	MERITOR ADJUSTER KIT (RIGHT WHEEL)
FORD(Cont.)									
E300, E350 SERIES VAN-1 TON(Cont.)									
1992	Ra Ra	BX BX	12.125 x 3-1/2 " 12.125 x 3-1/2 "	2171T - 583 2171T - 583	R468140 R468140	R40H608 R40H608	R40H7299 R40H7299	R40H2598 R40H2598	R40H2599 R40H2599
1991	Fd Fd Fd Fd Fd Fd Fd Fd	DN DN DN DN DN DN DN DN		7054 - D120 7054 - D120 7330 - D450 7330 - D450 7330 - D450 7330 - D450 7054 - D120 7054 - D120	MD120 MD120 MD450 MD450 MD450 MD450 MD120 MD120	R407130 R407130 R407130 R407130 R407130 R407130 R407130 R407130	60050135 60050135 60050135 60050135 60050135 60050135 60050135 60050135	NR NR NR NR NR NR NR NR	NR NR NR NR NR NR NR NR
	Ra Ra Ra Ra Ra Ra	BX BX BX BX BX BX	12" x 3 " 12" x 3 " 12.125 x 3-1/2 " 12.125 x 3-1/2 " 12.125 x 3-1/2 " 12.125 x 3-1/2 "	2140AT - 358 2140AT - 358 2171T - 583 2171T - 583 2171T - 583 2171T - 583	R46358 R46358 R468140 R468140 R468140 R468140	R40H608 R40H608 R40H608 R40H608 R40H608 R40H608	R40H7181 R40H7181 R40H7299 R40H7299 R40H7299 R40H7299	R40H2598 R40H2598 R40H2598 R40H2598 R40H2598 R40H2598	R40H2599 R40H2599 R40H2599 R40H2599 R40H2599 R40H2599
1990	Fd Fd Fd Fd	DN DN DN DN		7054 - D120 7054 - D120 7054 - D120 7054 - D120	MD120 MD120 MD120 MD120	R407130 R407130 R407130 R407130	60050135 60050135 60050135 60050135	NR NR NR NR	NR NR NR NR
	Ra Ra Ra Ra Ra Ra	BX BX BX BX BX BX	12" x 3 " 12" x 3 " 12.125 x 3-1/2 " 12.125 x 3-1/2 " 12.125 x 3-1/2 " 12.125 x 3-1/2 "	2140AT - 358 2140AT - 358 2171T - 583 2171T - 583 2171T - 583 2171T - 583	R46358 R46358 R468140 R468140 R468140 R468140	R40H608 R40H608 R40H608 R40H608 R40H608 R40H608	R40H7181 R40H7181 R40H7299 R40H7299 R40H7299 R40H7299	R40H2598 R40H2598 R40H2598 R40H2598 R40H2598 R40H2598	R40H2599 R40H2599 R40H2599 R40H2599 R40H2599 R40H2599
1989	Fd Fd Fd Fd	DN DN DN DN		7054 - D120 7054 - D120 7054 - D120 7054 - D120	MD120 MD120 MD120 MD120	R407130 R407130 R407130 R407130	60050135 60050135 60050135 60050135	NR NR NR NR	NR NR NR NR
	Ra Ra Ra Ra Ra Ra	BX BX BX BX BX BX	12" x 3 " 12" x 3 " 12.125 x 3-1/2 " 12.125 x 3-1/2 " 12.125 x 3-1/2 " 12.125 x 3-1/2 "	2140AT - 358 2140AT - 358 2171T - 583 2171T - 583 2171T - 583 2171T - 583	R46358 R46358 R468140 R468140 R468140 R468140	R40H608 R40H608 R40H608 R40H608 R40H608 R40H608	R40H7181 R40H7181 R40H7299 R40H7299 R40H7299 R40H7299	R40H2598 R40H2598 R40H2598 R40H2598 R40H2598 R40H2598	R40H2599 R40H2599 R40H2599 R40H2599 R40H2599 R40H2599
1988	Fd Fd Fd Fd	DN DN DN DN		7054 - D120 7054 - D120 7054 - D120 7054 - D120	MD120 MD120 MD120 MD120	R407130 R407130 R407130 R407130	60050135 60050135 60050135 60050135	NR NR NR NR	NR NR NR NR
	Ra Ra Ra Ra Ra Ra	BX BX BX BX BX BX	12" x 3 " 12" x 3 " 12.125 x 3-1/2 " 12.125 x 3-1/2 " 12.125 x 3-1/2 " 12.125 x 3-1/2 "	2140AT - 358 2140AT - 358 2171T - 583 2171T - 583 2171T - 583 2171T - 583	R46358 R46358 R468140 R468140 R468140 R468140	R40H608 R40H608 R40H608 R40H608 R40H608 R40H608	R40H7181 R40H7181 R40H7299 R40H7299 R40H7299 R40H7299	R40H2598 R40H2598 R40H2598 R40H2598 R40H2598 R40H2598	R40H2599 R40H2599 R40H2599 R40H2599 R40H2599 R40H2599
1987	Fd Fd Fd Fd	DN DN DN DN		7054 - D120 7054 - D120 7054 - D120 7054 - D120	MD120 MD120 MD120 MD120	R407130 R407130 R407130 R407130	60050135 60050135 60050135 60050135	NR NR NR NR	NR NR NR NR
	Ra Ra Ra Ra Ra Ra	BX BX BX BX BX BX	12" x 3 " 12" x 3 " 12.125 x 3-1/2 " 12.125 x 3-1/2 " 12.125 x 3-1/2 " 12.125 x 3-1/2 "	2140AT - 358 2140AT - 358 2171T - 583 2171T - 583 2171T - 583 2171T - 583	R46358 R46358 R468140 R468140 R468140 R468140	R40H608 R40H608 R40H608 R40H608 R40H608 R40H608	R40H7181 R40H7181 R40H7299 R40H7299 R40H7299 R40H7299	R40H2598 R40H2598 R40H2598 R40H2598 R40H2598 R40H2598	R40H2599 R40H2599 R40H2599 R40H2599 R40H2599 R40H2599
1986	Fd Fd	DN DN		7054 - D120 7054 - D120	MD120 MD120	R407130 R407130	60050135 60050135	NR NR	NR NR

41 - Aluminum piston
 189 - Single Rear Wheels, 10 1/4" Ring Gear
 256 - Dual Rear Wheels after 3/91
 www.XpresswayPlus.com

148 - With 10 1/2" Ring Gear
 211 - Manual Brakes, Stripped Chassis Except Speed Control
 290 - Use E-11222 for High Temperature Boots

181 - Rotor Only, Machine Rotor After Re-hub
 225 - Cutaway, Stripped Chassis Except Speed Control
 381 - Rotor and Hub One Piece Assembly W/O ABS Ring

MERITOR DRUM OR ROTOR NO.	CALIPER OR CYLINDER BORE SIZE	MERITOR CALIPER OR WHEEL CYLINDER (LEFT)	MERITOR CALIPER OR WHEEL CYLINDER (RIGHT)	MERITOR CALIPER OR WHEEL CYLINDER REPAIR KIT	MERITOR CALIPER PISTON	MERITOR MASTER CYLINDER	MERITOR MASTER CYLINDER KIT	MERITOR BRAKE HOSE (LEFT)	MERITOR BRAKE HOSE (RIGHT)
FORD(Cont.)									
E300, E350 SERIES VAN-1 TON(Cont.)									
R44140545 ¹⁴⁸ R44140545 ¹⁴⁸	1-1/16 " 1-1/16 "	R4133595 R4133595	R4133596 R4133596	R4166821 R4166821	NR NR	- -	- -	R4578305 R4578305	R4578305 R4578305
R44141487 ³⁸¹ R44141487 ³⁸¹ R4414127 ¹⁸¹ R44141487 ³⁸¹ R44141487 ³⁸¹ R4414127 ¹⁸¹ R4414127 ¹⁸¹	2-3/16 " 2-3/16 " 2-3/16 " 2-3/16 " 2-3/16 " 2-3/16 " 2-3/16 "	R42R55456 R42R55456 R42R55461P R42R55461P R42R55461P R42R55461P R42R55456 R42R55456	R42R55456 R42R55456 R42R55460P R42R55460P R42R55460P R42R55460P R42R55456 R42R55456	R4166713 R4166713 R4166713 R4166713 R4166713 R4166713 R4166713 R4166713	R4090029 ⁴¹ R4090029 ⁴¹ R4090180P ²⁹⁰ R4090180P ²⁹⁰ R4090180P ²⁹⁰ R4090180P ²⁹⁰ R4090029 ⁴¹ R4090029 ⁴¹	R4112197 ²²⁵ R4112200 ²¹¹ R4112200 ²¹¹ R4112200 ²¹¹ R4112197 ²²⁵ R4112197 ²²⁵ R4112197 ²²⁵ R4112200 ²¹¹	N/A N/A N/A N/A N/A N/A N/A N/A	R4577312 ²⁵⁶ R4577312 ²⁵⁶ R4577312 ²⁵⁶ R4577312 ²⁵⁶ R4577312 ²⁵⁶ R4577312 ²⁵⁶ R4577312 ²⁵⁶ R4577312 ²⁵⁶	R4577309 R4577309 R4577309 R4577309 R4577309 R4577309 R4577309 R4577309
R44140504 ¹⁸⁹ R44140504 ¹⁸⁹ R44140545 ¹⁴⁸ R44140545 ¹⁴⁸ R44140545 ¹⁴⁸ R44140545 ¹⁴⁸	1-3/16 " 1 " 1-1/8 " 1-1/16 " 1-1/16 " 1-1/8 "	R4133945 R4133725 R4133206 R4133595 R4133595 R4133206	R4133946 R4133726 R4133207 R4133596 R4133596 R4133207	R418188 R4166822 R4166935 R4166821 R4166821 R4166935	NR NR NR NR NR NR	- - - - - -	- - - - - -	R4578610 ²⁵⁶ R4578610 ²⁵⁶ R4578610 ²⁵⁶ R4578610 ²⁵⁶ R4578610 ²⁵⁶ R4578610 ²⁵⁶	R4578610 R4578610 R4578610 R4578610 R4578610 R4578610
R44141487 ³⁸¹ R4414127 ¹⁸¹ R44141487 ³⁸¹ R4414127 ¹⁸¹	2-3/16 " 2-3/16 " 2-3/16 " 2-3/16 "	R42R55456 R42R55456 R42R55456 R42R55456	R42R55456 R42R55456 R42R55456 R42R55456	R4166713 R4166713 R4166713 R4166713	R4090029 ⁴¹ R4090029 ⁴¹ R4090029 ⁴¹ R4090029 ⁴¹	R4112200 ²¹¹ R4112197 ²²⁵ R4112197 ²²⁵ R4112200 ²¹¹	N/A N/A N/A N/A	R4577312 R4577312 R4577312 R4577312	R4577309 R4577309 R4577309 R4577309
R44140504 ¹⁸⁹ R44140504 ¹⁸⁹ R44140545 ¹⁴⁸ R44140545 ¹⁴⁸ R44140545 ¹⁴⁸ R44140545 ¹⁴⁸	1-3/16 " 1 " 1-1/16 " 1-1/8 " 1-1/8 " 1-1/16 "	R4133945 R4133725 R4133595 R4133206 R4133206 R4133595	R4133946 R4133726 R4133596 R4133207 R4133207 R4133596	R418188 R4166822 R4166935 R4166935 R4166935 R4166821	NR NR NR NR NR NR	- - - - - -	- - - - - -	R4578610 R4578610 R4578610 R4578610 R4578610 R4578610	R4578610 R4578610 R4578610 R4578610 R4578610 R4578610
R4414127 ¹⁸¹ R44141487 ³⁸¹ R44141487 ³⁸¹ R4414127 ¹⁸¹	2-3/16 " 2-3/16 " 2-3/16 " 2-3/16 "	R42R55456 R42R55456 R42R55456 R42R55456	R42R55456 R42R55456 R42R55456 R42R55456	R4166713 R4166713 R4166713 R4166713	R4090029 ⁴¹ R4090029 ⁴¹ R4090029 ⁴¹ R4090029 ⁴¹	R4112200 ²¹¹ R4112200 ²¹¹ R4112197 ²²⁵ R4112197 ²²⁵	N/A N/A N/A N/A	R4577312 R4577312 R4577312 R4577312	R4577309 R4577309 R4577309 R4577309
R44140504 ¹⁸⁹ R44140504 ¹⁸⁹ R44140545 ¹⁴⁸ R44140545 ¹⁴⁸ R44140545 ¹⁴⁸ R44140545 ¹⁴⁸	1 " 1-3/16 " 1-1/8 " 1-1/16 " 1-1/8 " 1-1/16 "	R4133725 R4133945 R4133206 R4133595 R4133206 R4133595	R4133726 R4133946 R4133207 R4133596 R4133207 R4133596	R4166822 R418188 R4166935 R4166821 R4166935 R4166821	NR NR NR NR NR NR	- - - - - -	- - - - - -	R4578610 R4578610 R4578610 R4578610 R4578610 R4578610	R4578610 R4578610 R4578610 R4578610 R4578610 R4578610
R44141487 ³⁸¹ R4414127 ¹⁸¹ R44141487 ³⁸¹ R44141487 ³⁸¹	2-3/16 " 2-3/16 " 2-3/16 " 2-3/16 "	R42R55456 R42R55456 R42R55456 R42R55456	R42R55456 R42R55456 R42R55456 R42R55456	R4166713 R4166713 R4166713 R4166713	R4090029 ⁴¹ R4090029 ⁴¹ R4090029 ⁴¹ R4090029 ⁴¹	R4112197 ²²⁵ R4112197 ²²⁵ R4112200 ²¹¹ R4112200 ²¹¹	N/A N/A N/A N/A	R4577312 R4577312 R4577312 R4577312	R4577309 R4577309 R4577309 R4577309
R44140504 ¹⁸⁹ R44140504 ¹⁸⁹ R44140545 ¹⁴⁸ R44140545 ¹⁴⁸ R44140545 ¹⁴⁸ R44140545 ¹⁴⁸	1-3/16 " 1 " 1-1/16 " 1-1/8 " 1-1/8 " 1-1/16 "	R4133945 R4133725 R4133595 R4133206 R4133206 R4133595	R4133946 R4133726 R4133596 R4133207 R4133207 R4133596	R418188 R4166822 R4166935 R4166935 R4166935 R4166821	NR NR NR NR NR NR	- - - - - -	- - - - - -	R4578610 R4578610 R4578610 R4578610 R4578610 R4578610	R4578610 R4578610 R4578610 R4578610 R4578610 R4578610
R4414127 ¹⁸¹ R4414127 ¹⁸¹	2-3/16 " 2-3/16 "	R42R55456 R42R55456	R42R55456 R42R55456	R4166713 R4166713	R4090029 ⁴¹ R4090029 ⁴¹	R4112200 ²¹¹ R4112197 ²²⁵	N/A N/A	R4577312 R4577312	R4577309 R4577309

1 APPLICATION

MAKE MODEL YEAR AXLE CODE AXLE WEIGHT	AXLE & BRK. TYPE	BRK. MFG.	BRAKE SIZE	FMSI	MERITOR DISC PAD OR BRAKE SHOE	MERITOR GUIDE PIN OR RETURN SPRING KIT	MERITOR CALIPER HWD. KIT OR RETURN SPRING KIT	MERITOR ADJUSTER KIT (LEFT WHEEL)	MERITOR ADJUSTER KIT (RIGHT WHEEL)
FORD(Cont.)									
E300, E350 SERIES VAN-1 TON(Cont.)									
1986	Fd	DN		7054 - D120	MD120	R407130	60050135	NR	NR
	Fd	DN		7054 - D120	MD120	R407130	60050135	NR	NR
	Ra	BX	12 " x 3 "	2140AT - 358	R46358	R40H608	R40H7181	R40H2598	R40H2599
	Ra	BX	12 " x 3 "	2140AT - 358	R46358	R40H608	R40H7181	R40H2598	R40H2599
	Ra	BX	12.125 x 3-1/2 "	2171T - 583	R468140	R40H608	R40H7299	R40H2598	R40H2599
	Ra	BX	12.125 x 3-1/2 "	2171T - 583	R468140	R40H608	R40H7299	R40H2598	R40H2599
	Ra	BX	12.125 x 3-1/2 "	2171T - 583	R468140	R40H608	R40H7299	R40H2598	R40H2599
1985	Fd	DN		7054 - D120	MD120	R40H05025	60050135	NR	NR
	Fd	DN		7054 - D120	MD120	R40H05025	60050135	NR	NR
	Ra	BX	12 " x 3 "	2140AT - 358	R46358	R40H608	R40H7181	R40H2598	R40H2599
	Ra	BX	12 " x 3 "	2140AT - 358	R46358	R40H608	R40H7181	R40H2598	R40H2599
	Ra	BX	12 " x 3 "	2140AT - 358	R46358	R40H608	R40H7181	R40H2598	R40H2599
	Ra	BX	12 " x 3 "	2140AT - 358	R46358	R40H608	R40H7181	R40H2598	R40H2599
	Ra	BX	12 " x 3 "	2140AT - 358	R46358	R40H608	R40H7181	R40H2598	R40H2599
1984	Fd	DN		7054 - D120	MD120	R40H05025	60050135	NR	NR
	Fd	DN		7054 - D120	MD120	R40H05025	60050135	NR	NR
	Ra	BX	12 " x 3 "	2140AT - 358	R46358	R40H608	R40H7181	R40H2598	R40H2599
	Ra	BX	12 " x 3 "	2140AT - 358	R46358	R40H608	R40H7181	R40H2598	R40H2599
1983	Fd	DN		7054 - D120	MD120	R40H05025	60050135	NR	NR
	Fd	DN		7054 - D120	MD120	R40H05025	60050135	NR	NR
	Ra	BX	12 " x 3 "	2140AT - 358	R46358	R40H608	R40H7181	R40H2598	R40H2599
	Ra	BX	12 " x 3 "	2140AT - 358	R46358	R40H608	R40H7181	R40H2598	R40H2599
1982	Fd	DN		7054 - D120	MD120	R40H05025	60050135	NR	NR
	Fd	DN		7054 - D120	MD120	R40H05025	60050135	NR	NR
	Fd	DN		7054 - D120	MD120	R40H05025	60050135	NR	NR
	Ra	BX	12 " x 3 "	2140AT - 358	R46358	R40H608	R40H7181	R40H2598	R40H2599
	Ra	BX	12 " x 3 "	2140AT - 358	R46358	R40H608	R40H7181	R40H2598	R40H2599
	Ra	BX	12 " x 3 "	2140AT - 358	R46358	R40H608	R40H7181	R40H2598	R40H2599
	Ra	BX	12 " x 3 "	2140AT - 358	R46358	R40H608	R40H7181	R40H2598	R40H2599
1981	Fd	DN		7054 - D120	MD120	R40H05025	60050135	NR	NR
	Fd	DN		7054 - D120	MD120	R40H05025	60050135	NR	NR
	Ra	BX	12 " x 3 "	2140AT - 358	R46358	R40H608	R40H7181	R40H2598	R40H2599
1980	Fd	DN		7054 - D120	MD120	R40H05025	60050135	NR	NR
	Ra	BX	12 " x 3 "	2140AT - 358	R46358	R40H608	R40H7181	R40H2598	R40H2599
1979	Fd	DN		7054 - D120	MD120	R40H05025	60050135	NR	NR
	Ra	BX	12 " x 3 "	2140AT - 358	R46358	R40H608	R40H7181	R40H2598	R40H2599
1978	Fd	DN		7054 - D120	MD120	R40H05025	60050135	NR	NR
	Ra	BX	12 " x 3 "	2140AT - 358	R46358	R40H608	R40H7181	R40H2598	R40H2599
1977	Fd	DN		7054 - D120	MD120	R40H05025	60050135	NR	NR
	Ra	BX	12 " x 3 "	2140AT - 358	R46358	R40H608	R40H7181	R40H2598	R40H2599
1976	Fd	DN		7054 - D120	MD120	R40H05025	60050135	NR	NR
	Ra	BX	12 " x 3 "	2140AT - 358	R46358	R40H546	R40H7146	R40H2598	R40H2599
1975	Fd	DN		7054 - D120	MD120	R40H05025	60050135	NR	NR
	Ra	BX	12 " x 3 "	2140AT - 358	R46358	R40H546	R40H7146	R40H2598	R40H2599
E350 SERIES VAN-1 TON									
2005 DRW	Fd	TRW		7535 - D655	MD655	NR	R4012262	NR	NR
	Fd	TRW		7535 - D655	MD655	NR	R4012262	NR	NR

41 - Aluminum piston
 166 - Dual Rear Wheels, Rear Wheel Antilock Brakes
 189 - Single Rear Wheels, 10 1/4" Ring Gear
 www.XpresswayPlus.com

54 - Manual Brakes
 167 - Except 10 1/4" Ring Gear
 211 - Manual Brakes, Stripped Chassis Except Speed Control

148 - With 10 1/2" Ring Gear
 181 - Rotor Only, Machine Rotor After Re-hub
 225 - Cutaway, Stripped Chassis Except Speed Control

Contact our Customer Service Teams
 1-888-725-9355

MERITOR DRUM OR ROTOR NO.	CALIPER OR CYLINDER BORE SIZE	MERITOR CALIPER OR WHEEL CYLINDER (LEFT)	MERITOR CALIPER OR WHEEL CYLINDER (RIGHT)	MERITOR CALIPER OR WHEEL CYLINDER REPAIR KIT	MERITOR CALIPER PISTON	MERITOR MASTER CYLINDER	MERITOR MASTER CYLINDER KIT	MERITOR BRAKE HOSE (LEFT)	MERITOR BRAKE HOSE (RIGHT)
FORD(Cont.)									
E300, E350 SERIES VAN-1 TON(Cont.)									
R44141487 ³⁸¹ R44141487 ³⁸¹	2-3/16 " 2-3/16 "	R42R55456 R42R55456	R42R55456 R42R55456	R4166713 R4166713	R4090029 ⁴¹ R4090029 ⁴¹	R4112197 ²²⁵ R4112200 ²¹¹	N/A N/A	R4577312 R4577312	R4577309 R4577309
R44140504 ¹⁸⁹ R44140504 ¹⁸⁹ R44140545 ¹⁴⁸ R44140545 ¹⁴⁸ R44140545 ¹⁴⁸ R44140545 ¹⁴⁸	1 " 1-3/16 " 1-1/8 " 1-1/16 " 1-1/16 " 1-1/8 "	R4133725 R4133945 R4133206 R4133595 R4133595 R4133206	R4133726 R4133946 R4133207 R4133596 R4133596 R4133207	R4166822 R418188 R4166935 R4166821 R4166821 R4166935	NR NR NR NR NR NR	- - - - - -	- - - - - -	R4578610 R4578610 R4578610 R4578610 R4578610 R4578610	R4578610 R4578610 R4578610 R4578610 R4578610 R4578610
R44141234 ³⁸¹ R44141127 ¹⁸¹	2-3/16 " 2-3/16 "	R42R55412 R42R55412	R42R55411 R42R55411	R4166713 R4166713	R4090029 ⁴¹ R4090029 ⁴¹	R4112008 ⁵⁴ R4112008 ⁵⁴	N/A N/A	R4577312 ²⁵⁶ R4577312 ²⁵⁶	R4577309 R4577309
R44140278 ³⁴⁵ R44140504 ¹⁸⁹ R44140278 ³⁴⁵ R44140344 ¹⁶⁷ R44140504 ¹⁸⁹ R44140344 ¹⁶⁷	1-1/8 " 1 " 1-1/8 " 1 " 1 " 1 "	R4133206 R4133725 R4133206 R4133725 R4133725 R4133725	R4133207 R4133726 R4133207 R4133726 R4133726 R4133726	R418187 R4166822 R418187 R4166822 R4166822 R4166822	NR NR NR NR NR NR	- - - - - -	- - - - - -	R4577614 R4577189 R4577189 R4577189 R4577189 R4577614	R4577614 R4577189 R4577189 R4577189 R4577189 R4577614
R44141127 ¹⁸¹ R44141234 ³⁸¹	2-3/16 " 2-3/16 "	R42R55412 R42R55412	R42R55411 R42R55411	R4166713 R4166713	R4090029 ⁴¹ R4090029 ⁴¹	R4112008 ⁵⁴ R4112008 ⁵⁴	N/A N/A	R4577312 ²⁵⁶ R4577312 ²⁵⁶	R4577309 R4577309
R44140278 ³⁴⁵ R44140504 ¹⁸⁹ R44140344 ¹⁶⁷	1-1/8 " 1 " 1 "	R4133206 R4133725 R4133725	R4133207 R4133726 R4133726	R418187 R4166822 R4166822	NR NR NR	- - -	- - -	R4577189 R4577189 R4577189	R4577189 R4577189 R4577189
R44141234 ¹⁸⁹ R44141127 ¹⁸¹	2-3/16 " 2-3/16 "	R42R55412 R42R55412	R42R55411 R42R55411	R4166713 R4166713	R4090029 ⁴¹ R4090029 ⁴¹	R4111682 ⁵⁴ R4111682 ⁵⁴	N/A N/A	R4577312 ²⁵⁶ R4577312 ²⁵⁶	R4577309 R4577309
R44140278 ³⁴⁵ R44140504 ¹⁸⁹ R44140344 ¹⁶⁷	1-1/8 " 1 " 1 "	R4133206 R4133725 R4133725	R4133207 R4133726 R4133726	R418187 R4166822 R4166822	NR NR NR	- - -	- - -	R4577189 R4577189 R4577189	R4577189 R4577189 R4577189
R44141234 ¹⁸⁹ R44141127 ¹⁸¹ N/A	2-3/16 " 2-3/16 " 2-3/16 "	R42R55412 R42R55412 R42R55412	R42R55411 R42R55411 R42R55411	R4166713 R4166713 R4166713	R4090029 ⁴¹ R4090029 ⁴¹ R4090029 ⁴¹	R4111682 ⁵⁴ R4111682 ⁵⁴ R4111682 ⁵⁴	N/A N/A N/A	R4577312 ²⁵⁶ R4577312 ²⁵⁶ R4577312 ²⁵⁶	R4577309 R4577309 R4577309
R44140278 ³⁴⁵ R44140504 ¹⁸⁹ N/A ¹⁸⁹ R44140344 ¹⁶⁷	1-1/8 " 1 " 1-1/16 " 1 "	R4133206 R4133725 R4133791 R4133725	R4133207 R4133726 R 418145 R4133726	R418187 R4166822 R4166821 R4166822	NR NR NR NR	- - - -	- - - -	R4577189 R4577189 R4577189 R4577189	R4577189 R4577189 R4577189 R4577189
N/A N/A	2-3/16 " 2-3/16 "	R42R55412 R42R55412	R42R55411 R42R55411	R4166713 R4166713	R4090029 ⁴¹ R4090029 ⁴¹	R4111682 ⁵⁴ R4111682 ⁵⁴	N/A N/A	R4577312 ²⁵⁶ R4577312 ²⁵⁶	R4577309 R4577309
N/A	1-1/16 "	R4133791	R 418145	R4166821	NR	-	-	R4577189	R4577189
N/A N/A	2-3/16 " 1-1/16 "	R42R55412 R4133791	R42R55411 R 418145	R4166713 R4166821	R4090029 ⁴¹ NR	R4111682 ⁵⁴ -	N/A -	R4577312 ²⁵⁶ R4577189	R4577309 R4577189
N/A N/A	2-3/16 " 1-1/16 "	R42R55413 R4133791	R42R55413 R 418145	R4166713 R4166821	R4090029 ⁴¹ NR	R4111682 ⁵⁴ -	N/A -	R4577312 ²⁵⁶ -	R4577309 -
N/A N/A	2-3/16 " 1-1/16 "	R42R55413 R4133791	R42R55413 R 418145	R4166713 R4166821	R4090029 ⁴¹ NR	R4111682 ⁵⁴ -	N/A -	R4577312 ²⁵⁶ -	R4577309 -
- -	2-3/16 " 1-1/16 "	R42R55413 R4133791	R42R55413 R 418145	R4166713 R4166821	R4090029 ⁴¹ NR	R4111682 ⁵⁴ -	N/A -	- -	- -
- -	2-3/16 " 1-1/16 "	R42R55413 R4133791	R42R55413 R 418145	R4166713 R4166821	R4090029 ⁴¹ NR	- -	- -	- -	- -
- -	2-3/16 " 1-1/16 "	R42R55456 R4133791	R42R55456 R 418145	R4166713 R4166821	R4090029 ⁴¹ NR	- -	- -	- -	- -
E350 SERIES VAN-1 TON									
R4066530 ¹⁶⁶ R4066530 ¹⁶⁶	56mm 56mm	R4255749 R4255749	R4255748 R4255748	R4012261 R4012261	R4012260 ³⁶³ R4012260 ³⁶³	- R4113497 ²²⁸	N/A N/A	- -	- -

228 - Except Speed Control
 363 - Piston includes Boots and Seals
 Contact our Customer Service Teams
 1-888-725-9355

256 - Dual Rear Wheels after 3/91
 381 - Rotor and Hub One Piece Assembly W/O ABS Ring

345 - Dual Rear Wheels, except 10.25" ring gear

MAKE MODEL YEAR AXLE CODE AXLE WEIGHT	AXLE & BRK. TYPE	BRK. MFG.	BRAKE SIZE	FMSI	MERITOR DISC PAD OR BRAKE SHOE	MERITOR GUIDE PIN OR RETURN SPRING KIT	MERITOR CALIPER HWD. KIT OR RETURN SPRING KIT	MERITOR ADJUSTER KIT (LEFT WHEEL)	MERITOR ADJUSTER KIT (RIGHT WHEEL)
FORD(Cont.)									
E350 SERIES VAN-1 TON(Cont.)									
2005	Fd	TRW		7535 - D655	MD655	NR	R4012262	NR	NR
	Fd	TRW		7535 - D655	MD655	NR	R4012262	NR	NR
	Rd	TRW		7673 - D802	MVD802	NR	R4012041	NR	NR
SRW	Fd	TRW		7535 - D655	MD655	NR	R4012262	NR	NR
	Fd	TRW		7535 - D655	MD655	NR	R4012262	NR	NR
	Fd	TRW		7535 - D655	MD655	NR	R4012262	NR	NR
	Fd	TRW		7535 - D655	MD655	NR	R4012262	NR	NR
	Rd	TRW		7673 - D802	MVD802	NR	R4012041	NR	NR
2004 DRW	Fd	TRW		7535 - D655	MD655	NR	R4012262	NR	NR
	Fd	TRW		7535 - D655	MD655	NR	R4012262	NR	NR
	Fd	TRW		7535 - D655	MD655	NR	R4012262	NR	NR
	Fd	TRW		7535 - D655	MD655	NR	R4012262	NR	NR
	Rd	TRW		7673 - D802	MVD802	NR	R4012041	NR	NR
SRW	Fd	TRW		7535 - D655	MD655	NR	R4012262	NR	NR
	Fd	TRW		7535 - D655	MD655	NR	R4012262	NR	NR
	Fd	TRW		7535 - D655	MD655	NR	R4012262	NR	NR
	Fd	TRW		7535 - D655	MD655	NR	R4012262	NR	NR
	Ra		12 " x 3 "	2140T - 314	R46358	R40H608	R40H4087	R40H2598	R40H2599
	Rd	TRW		7673 - D802	MVD802	NR	R4012041	NR	NR
SRW or DRW 7,800 lb., 8,000 lb Rear Axle Capacity	Ra		12 " x 3 "	2140T - 314	R46358	R40H608	R40H4087	R40H2598	R40H2599
2003 DRW	Fd	TRW		7535 - D655	MD655	NR	R4012262	NR	NR
	Fd	TRW		7535 - D655	MD655	NR	R4012262	NR	NR
	Fd	TRW		7535 - D655	MD655	NR	R4012262	NR	NR
	Fd	TRW		7535 - D655	MD655	NR	R4012262	NR	NR
	Rd	TRW		7673 - D802	MVD802	NR	R4012041	NR	NR
SRW	Fd	TRW		7535 - D655	MD655	NR	R4012262	NR	NR
	Fd	TRW		7535 - D655	MD655	NR	R4012262	NR	NR
	Fd	TRW		7535 - D655	MD655	NR	R4012262	NR	NR
	Fd	TRW		7535 - D655	MD655	NR	R4012262	NR	NR
	Ra		12 " x 3 "	2140T - 314	R46358	R40H608	R40H4087	R40H2598	R40H2599
	Rd	TRW		7673 - D802	MVD802	NR	R4012041	NR	NR
SRW or DRW 7,800 lb., 8,000 lb Rear Axle Capacity	Ra		12 " x 3 "	2140T - 314	R46358	R40H608	R40H4087	R40H2598	R40H2599
2002 DRW	Fd	TRW		7535 - D655	MD655	NR	R4012262	NR	NR
	Fd	TRW		7535 - D655	MD655	NR	R4012262	NR	NR
	Fd	TRW		7535 - D655	MD655	NR	R4012262	NR	NR
	Fd	TRW		7535 - D655	MD655	NR	R4012262	NR	NR
	Ra		12 " x 3 "	2140T - 314	R46358	R40H608	R40H4087	R40H2598	R40H2599
	Rd	TRW		7673 - D802	MVD802	NR	R4012041	NR	NR
SRW	Fd	TRW		7535 - D655	MD655	NR	R4012262	NR	NR
	Fd	TRW		7535 - D655	MD655	NR	R4012262	NR	NR
	Fd	TRW		7535 - D655	MD655	NR	R4012262	NR	NR
	Fd	TRW		7535 - D655	MD655	NR	R4012262	NR	NR
	Ra		12 " x 3 "	2140T - 314	R46358	R40H608	R40H4087	R40H2598	R40H2599
	Rd	TRW		7673 - D802	MVD802	NR	R4012041	NR	NR
SRW or DRW 7,800 lb., 8,000 lb Rear Axle Capacity	Ra		12 " x 3 "	2140T - 314	R46358	R40H608	R40H4087	R40H2598	R40H2599
Super Duty w/ DRW	Fd	TRW		7535 - D655	MD655	NR	R4012262	NR	NR
	Fd	TRW		7535 - D655	MD655	NR	R4012262	NR	NR
Super Duty w/ SRW	Fd	TRW		7535 - D655	MD655	NR	R4012262	NR	NR
	Fd	TRW		7535 - D655	MD655	NR	R4012262	NR	NR
2001 DRW	Fd	TRW		7535 - D655	MD655	NR	R4012262	NR	NR
	Fd	TRW		7535 - D655	MD655	NR	R4012262	NR	NR
	Fd	TRW		7535 - D655	MD655	NR	R4012262	NR	NR
	Fd	TRW		7535 - D655	MD655	NR	R4012262	NR	NR

MERITOR DRUM OR ROTOR NO.	CALIPER OR CYLINDER BORE SIZE	MERITOR CALIPER OR WHEEL CYLINDER (LEFT)	MERITOR CALIPER OR WHEEL CYLINDER (RIGHT)	MERITOR CALIPER OR WHEEL CYLINDER REPAIR KIT	MERITOR CALIPER PISTON	MERITOR MASTER CYLINDER	MERITOR MASTER CYLINDER KIT	MERITOR BRAKE HOSE (LEFT)	MERITOR BRAKE HOSE (RIGHT)
FORD(Cont.)									
E350 SERIES VAN-1 TON(Cont.)									
R44145071 ¹⁶⁵ R44145071 ¹⁶⁵	56mm 56mm	R4255749 R4255749	R4255748 R4255748	R4012261 R4012261	R4012260 ³⁶³ R4012260 ³⁶³	- R4113497 ²²⁸	N/A N/A	- -	- -
R44145268 ⁴⁰⁵	45mm	R4255858	R4255857	R4012040	R4012039 ³⁶³	-	-	-	-
R44145049 ⁹⁷ R44145057 ²⁵³ R44145049 ⁹⁷ R44145057 ²⁵³	56mm 56mm 56mm 56mm	R4255749 R4255749 R4255749 R4255749	R4255748 R4255748 R4255748 R4255748	R4012261 R4012261 R4012261 R4012261	R4012260 ³⁶³ R4012260 ³⁶³ R4012260 ³⁶³ R4012260 ³⁶³	- - R4113497 ²²⁸ R4113497 ²²⁸	N/A N/A N/A N/A	- - - -	- - - -
R44145251 ⁴⁰⁵	45mm	R4255858	R4255857	R4012040	R4012039 ³⁶³	-	-	-	-
R44145071 ¹⁶⁵ R4066530 ¹⁶⁶ R4066530 ¹⁶⁶ R44145071 ¹⁶⁵	56mm 56mm 56mm 56mm	R4255749 R4255749 R4255749 R4255749	R4255748 R4255748 R4255748 R4255748	R4012261 R4012261 R4012261 R4012261	R4012260 ³⁶³ R4012260 ³⁶³ R4012260 ³⁶³ R4012260 ³⁶³	R4113497 ²²⁸ R4113497 ²²⁸ - -	N/A N/A N/A N/A	R4578332 ⁸⁵ R4578333 ⁹⁷ R4578333 ⁹⁷ R4578332 ⁸⁵	R4578331 R4578331 R4578331 R4578331
R44145268 ⁴⁰⁵	45mm	R4255858	R4255857	R4012040	R4012039 ³⁶³	-	-	-	R4112468
R44145057 ²⁵³ R44145049 ⁹⁷ R44145057 ²⁵³ R44145049 ⁹⁷	56mm 56mm 56mm 56mm	R4255749 R4255749 R4255749 R4255749	R4255748 R4255748 R4255748 R4255748	R4012261 R4012261 R4012261 R4012261	R4012260 ³⁶³ R4012260 ³⁶³ R4012260 ³⁶³ R4012260 ³⁶³	- - R4113497 ²²⁸ R4113497 ²²⁸	N/A N/A N/A N/A	R4578332 ⁸⁵ R4578333 ⁹⁷ R4578332 ⁸⁵ R4578333 ⁹⁷	R4578331 R4578331 R4578331 R4578331
R44140675 ¹⁶¹ R44145251 ⁴⁰⁵	1-3/16 " 45mm	R4133945 R4255858	R4133946 R4255857	R418188 R4012040	NR R4012039 ³⁶³	- -	- -	- -	R4112468 R4112468
R44140545 ¹⁴⁸	1-3/16 "	R4133945	R4133946	R418188	NR	-	-	-	R4112468
R44145071 ¹⁶⁵ R44145071 ¹⁶⁵ R4066530 ¹⁶⁶ R4066530 ¹⁶⁶	56mm 56mm 56mm 56mm	R4255749 R4255749 R4255749 R4255749	R4255748 R4255748 R4255748 R4255748	R4012261 R4012261 R4012261 R4012261	R4012260 ³⁶³ R4012260 ³⁶³ R4012260 ³⁶³ R4012260 ³⁶³	R4113497 ²²⁸ R4113498 ²²⁹ R4113498 ²²⁹ R4113497 ²²⁸	N/A N/A N/A N/A	R4578332 ⁸⁵ R4578332 ⁸⁵ R4578333 ⁹⁷ R4578333 ⁹⁷	R4578331 R4578331 R4578331 R4578331
R44145268 ⁴⁰⁵	45mm	R4255858	R4255857	R4012040	R4012039 ³⁶³	-	-	-	R4112468
R44145049 ⁹⁷ R44145057 ²⁵³ R44145049 ⁹⁷ R44145057 ²⁵³	56mm 56mm 56mm 56mm	R4255749 R4255749 R4255749 R4255749	R4255748 R4255748 R4255748 R4255748	R4012261 R4012261 R4012261 R4012261	R4012260 ³⁶³ R4012260 ³⁶³ R4012260 ³⁶³ R4012260 ³⁶³	R4113498 ²²⁹ R4113498 ²²⁹ R4113497 ²²⁸ R4113497 ²²⁸	N/A N/A N/A N/A	R4578333 ⁹⁷ R4578332 ⁸⁵ R4578333 ⁹⁷ R4578332 ⁸⁵	R4578331 R4578331 R4578331 R4578331
R44140675 ¹⁶¹ R44145251 ⁴⁰⁵	1-3/16 " 45mm	R4133945 R4255858	R4133946 R4255857	R418188 R4012040	NR R4012039 ³⁶³	- -	- -	- -	R4112468 R4112468
R44140545 ¹⁴⁸	1-3/16 "	R4133945	R4133946	R418188	NR	-	-	-	R4112468
R44145071 ¹⁶⁵ R4066530 ¹⁶⁶ R44145071 ¹⁶⁵ R4066530 ¹⁶⁶	56mm 56mm 56mm 56mm	R4255749 R4255749 R4255749 R4255749	R4255748 R4255748 R4255748 R4255748	R4012261 R4012261 R4012261 R4012261	R4012260 ³⁶³ R4012260 ³⁶³ R4012260 ³⁶³ R4012260 ³⁶³	R4113497 ²²⁸ R4113498 ²²⁹ R4113498 ²²⁹ R4113497 ²²⁸	N/A N/A N/A N/A	R4578332 ⁸⁵ R4578333 ⁹⁷ R4578332 ⁸⁵ R4578333 ⁹⁷	R4578331 R4578331 R4578331 R4578331
R44140620 ¹⁶² R44145268 ⁴⁰⁵	1-3/16 " 45mm	R4133945 R4255858	R4133946 R4255857	R418188 R4012040	NR R4012039 ³⁶³	- -	- -	- -	R4112468 R4112468
R44145057 ²⁵³ R44145049 ⁹⁷ R44145057 ²⁵³ R44145049 ⁹⁷	56mm 56mm 56mm 56mm	R4255749 R4255749 R4255749 R4255749	R4255748 R4255748 R4255748 R4255748	R4012261 R4012261 R4012261 R4012261	R4012260 ³⁶³ R4012260 ³⁶³ R4012260 ³⁶³ R4012260 ³⁶³	R4113497 ²²⁸ R4113497 ²²⁸ R4113498 ²²⁹ R4113498 ²²⁹	N/A N/A N/A N/A	R4578332 ⁸⁵ R4578333 ⁹⁷ R4578332 ⁸⁵ R4578333 ⁹⁷	R4578331 R4578331 R4578331 R4578331
R44140675 ¹⁶¹ R44145251 ⁴⁰⁵	1-3/16 " 45mm	R4133945 R4255858	R4133946 R4255857	R418188 R4012040	NR R4012039 ³⁶³	- -	- -	- -	R4112468 R4112468
R44140545 ¹⁴⁸	1-3/16 "	R4133945	R4133946	R418188	NR	-	-	-	R4112468
R4066530 ¹⁶⁶ R44145071 ¹⁶⁵ R44145057 ²⁵³ R44145049 ⁹⁷	56mm 56mm 56mm 56mm	R4255749 R4255749 R4255749 R4255749	R4255748 R4255748 R4255748 R4255748	R4012261 R4012261 R4012261 R4012261	R4012260 ³⁶³ R4012260 ³⁶³ R4012260 ³⁶³ R4012260 ³⁶³	R4112468 ²²⁹ R4112468 ²²⁹ R4112468 ²²⁹ R4112468 ²²⁹	N/A N/A N/A N/A	R4578333 ⁹⁷ R4578332 ⁸⁵ R4578332 ⁸⁵ R4578333 ⁹⁷	R4578331 R4578331 R4578331 R4578331
R44145071 ¹⁶⁵ R4066530 ¹⁶⁶ R44145071 ¹⁶⁵ R4066530 ¹⁶⁶	56mm 56mm 56mm 56mm	R4255749 R4255749 R4255749 R4255749	R4255748 R4255748 R4255748 R4255748	R4012261 R4012261 R4012261 R4012261	R4012260 ³⁶³ R4012260 ³⁶³ R4012260 ³⁶³ R4012260 ³⁶³	R4113497 ²²⁸ R4113497 ²²⁸ R4113498 ²²⁹ R4113498 ²²⁹	N/A N/A N/A N/A	R4578332 ⁸⁵ R4578333 ⁹⁷ R4578332 ⁸⁵ R4578333 ⁹⁷	R4578331 R4578331 R4578331 R4578331

MAKE MODEL YEAR AXLE CODE AXLE WEIGHT	AXLE & BRK. TYPE	BRK. MFG.	BRAKE SIZE	FMSI	MERITOR DISC PAD OR BRAKE SHOE	MERITOR GUIDE PIN OR RETURN SPRING KIT	MERITOR CALIPER HWD. KIT OR RETURN SPRING KIT	MERITOR ADJUSTER KIT (LEFT WHEEL)	MERITOR ADJUSTER KIT (RIGHT WHEEL)
FORD(Cont.)									
E350 SERIES VAN-1 TON(Cont.)									
2001 DRW	Ra		12 " x 3 "	2140T - 314	R46358	R40H608	R40H4087	R40H2598	R40H2599
	Rd	TRW		7673 - D802	MVD802	NR	R4012041	NR	NR
SRW	Fd	TRW		7535 - D655	MD655	NR	R4012262	NR	NR
	Fd	TRW		7535 - D655	MD655	NR	R4012262	NR	NR
	Fd	TRW		7535 - D655	MD655	NR	R4012262	NR	NR
	Fd	TRW		7535 - D655	MD655	NR	R4012262	NR	NR
	Rd	TRW		7673 - D802	MVD802	NR	R4012041	NR	NR
Super Duty w/ DRW	Fd	TRW		7535 - D655	MD655	NR	R4012262	NR	NR
	Fd	TRW		7535 - D655	MD655	NR	R4012262	NR	NR
Super Duty w/ SRW	Fd	TRW		7535 - D655	MD655	NR	R4012262	NR	NR
	Fd	TRW		7535 - D655	MD655	NR	R4012262	NR	NR
2000 DRW	Fd	TRW		7535 - D655	MD655	NR	R4012262	NR	NR
	Fd	TRW		7535 - D655	MD655	NR	R4012262	NR	NR
	Fd	TRW		7535 - D655	MD655	NR	R4012262	NR	NR
	Fd	TRW		7535 - D655	MD655	NR	R4012262	NR	NR
	Rd	TRW		7673 - D802	MVD802	NR	R4012041	NR	NR
	Rd	TRW		7673 - D802	MVD802	NR	R4012041	NR	NR
SRW	Fd	TRW		7535 - D655	MD655	NR	R4012262	NR	NR
	Fd	TRW		7535 - D655	MD655	NR	R4012262	NR	NR
	Fd	TRW		7535 - D655	MD655	NR	R4012262	NR	NR
	Fd	TRW		7535 - D655	MD655	NR	R4012262	NR	NR
	Ra		12 " x 3 "	2140T - 314	R46358	R40H608	R40H4087	R40H2598	R40H2599
	Ra		12 " x 3 "	2140T - 314	R46358	R40H608	R40H4087	R40H2598	R40H2599
Super Duty w/ DRW	Fd	TRW		7673 - D802	MVD802	NR	R4012041	NR	NR
	Fd	TRW		7535 - D655	MD655	NR	R4012262	NR	NR
Super Duty w/ SRW	Fd	TRW		7535 - D655	MD655	NR	R4012262	NR	NR
	Fd	TRW		7535 - D655	MD655	NR	R4012262	NR	NR
1999 DRW	Fd	TRW		7535 - D655	MD655	NR	R4012262	NR	NR
	Fd	TRW		7535 - D655	MD655	NR	R4012262	NR	NR
	Fd	TRW		7535 - D655	MD655	NR	R4012262	NR	NR
	Fd	TRW		7535 - D655	MD655	NR	R4012262	NR	NR
	Rd	TRW		7673 - D802	MVD802	NR	R4012041	NR	NR
	Rd	TRW		7673 - D802	MVD802	NR	R4012041	NR	NR
SRW	Fd	TRW		7535 - D655	MD655	NR	R4012262	NR	NR
	Fd	TRW		7535 - D655	MD655	NR	R4012262	NR	NR
	Fd	TRW		7535 - D655	MD655	NR	R4012262	NR	NR
	Fd	TRW		7535 - D655	MD655	NR	R4012262	NR	NR
	Ra		12 " x 3 "	2140T - 314	R46358	R40H608	R40H4087	R40H2598	R40H2599
	Ra		12 " x 3 "	2140T - 314	R46358	R40H608	R40H4087	R40H2598	R40H2599
Super Duty w/ DRW	Rd	TRW		7673 - D802	MVD802	NR	R4012041	NR	NR
	Fd	TRW		7535 - D655	MD655	NR	R4012262	NR	NR
Super Duty w/ SRW	Fd	TRW		7535 - D655	MD655	NR	R4012262	NR	NR
	Fd	TRW		7535 - D655	MD655	NR	R4012262	NR	NR
E450 SERIES VAN									
2006 DRW	Fd	TRW		7299 - D411	MD411	NR	R4012262	NR	NR
	Fd	TRW		7299 - D411	MD411	NR	R4012262	NR	NR
	Rd	TRW		7299 - D411	MD411	NR	R40H5735	NR	NR
SRW	Fd	TRW		7299 - D411	MD411	NR	R4012262	NR	NR
	Fd	TRW		7299 - D411	MD411	NR	R4012262	NR	NR
2005 DRW	Fd	TRW		7299 - D411	MD411	NR	R4012262	NR	NR
	Fd	TRW		7299 - D411	MD411	NR	R4012262	NR	NR
	Rd	TRW		7299 - D411	MD411	NR	R40H5735	NR	NR
SRW	Fd	TRW		7299 - D411	MD411	NR	R4012262	NR	NR
	Fd	TRW		7299 - D411	MD411	NR	R4012262	NR	NR
2004 DRW	Fd	TRW		7299 - D411	MD411	NR	R4012262	NR	NR
	Fd	TRW		7299 - D411	MD411	NR	R4012262	NR	NR
	Rd	TRW		7299 - D411	MD411	NR	R40H5735	NR	NR
SRW	Fd	TRW		7299 - D411	MD411	NR	R4012262	NR	NR

MERITOR DRUM OR ROTOR NO.	CALIPER OR CYLINDER BORE SIZE	MERITOR CALIPER OR WHEEL CYLINDER (LEFT)	MERITOR CALIPER OR WHEEL CYLINDER (RIGHT)	MERITOR CALIPER OR WHEEL CYLINDER REPAIR KIT	MERITOR CALIPER PISTON	MERITOR MASTER CYLINDER	MERITOR MASTER CYLINDER KIT	MERITOR BRAKE HOSE (LEFT)	MERITOR BRAKE HOSE (RIGHT)
FORD(Cont.)									
E350 SERIES VAN-1 TON(Cont.)									
R44140675 ¹⁶¹	1-3/16 "	R4133945	R4133946	R418188	NR	-	-	-	R4112468
R44145268 ⁴⁰⁵	45mm	R4255858	R4255857	R4012040	R4012039 ³⁶³	-	-	-	R4112468
R44145057 ²³⁵	56mm	R4255749	R4255748	R4012261	R4012260 ³⁶³	R4113497 ²²⁸	N/A	R4578332 ⁸⁵	R4578331
R44145049 ⁹⁷	56mm	R4255749	R4255748	R4012261	R4012260 ³⁶³	R4113497 ²²⁸	N/A	R4578333 ⁹⁷	R4578331
R44145049 ⁹⁷	56mm	R4255749	R4255748	R4012261	R4012260 ³⁶³	R4113498 ²²⁹	N/A	R4578333 ⁹⁷	R4578331
R44145057 ²⁵³	56mm	R4255749	R4255748	R4012261	R4012260 ³⁶³	R4113498 ²²⁹	N/A	R4578332 ⁸⁵	R4578331
R44145251 ⁴⁰⁵	45mm	R4255858	R4255857	R4012040	R4012039 ³⁶³	-	-	-	R4112468
R4066530 ¹⁶⁶	56mm	R4255749	R4255748	R4012261	R4012260 ³⁶³	R4112468 ²²⁹	N/A	R4578333 ⁹⁷	R4578331
R44145071 ¹⁶⁵	56mm	R4255749	R4255748	R4012261	R4012260 ³⁶³	R4112468 ²²⁹	N/A	R4578332 ⁸⁵	R4578331
R44145057 ²⁵³	56mm	R4255749	R4255748	R4012261	R4012260 ³⁶³	R4112468 ²²⁹	N/A	R4578332 ⁸⁵	R4578331
R44145049 ⁹⁷	56mm	R4255749	R4255748	R4012261	R4012260 ³⁶³	R4112468 ²²⁹	N/A	R4578332 ⁸⁵	R4578331
R44145049 ⁹⁷	56mm	R4255749	R4255748	R4012261	R4012260 ³⁶³	R4112468 ²²⁹	N/A	R4578333 ⁹⁷	R4578331
R44145071 ¹⁶⁵	56mm	R4255749	R4255748	R4012261	R4012260 ³⁶³	R4113498 ²²⁹	N/A	R4578332 ⁸⁵	R4578331
R4066530 ¹⁶⁶	56mm	R4255749	R4255748	R4012261	R4012260 ³⁶³	R4113498 ²²⁹	N/A	R4578333 ⁹⁷	R4578331
R44145071 ¹⁶⁵	56mm	R4255749	R4255748	R4012261	R4012260 ³⁶³	R4113497 ²²⁸	N/A	R4578333 ⁹⁷	R4578331
R44145071 ¹⁶⁵	56mm	R4255749	R4255748	R4012261	R4012260 ³⁶³	R4113497 ²²⁸	N/A	R4578332 ⁸⁵	R4578331
R44145268 ⁴⁰⁵	45mm	R4255858	R4255857	R4012040	R4012039 ³⁶³	-	-	R4578305	-
R44145057 ²⁵³	56mm	R4255749	R4255748	R4012261	R4012260 ³⁶³	R4113498 ²²⁹	N/A	R4578332 ⁸⁵	R4578331
R44145049 ⁹⁷	56mm	R4255749	R4255748	R4012261	R4012260 ³⁶³	R4113497 ²²⁸	N/A	R4578333 ⁹⁷	R4578331
R44145049 ⁹⁷	56mm	R4255749	R4255748	R4012261	R4012260 ³⁶³	R4113498 ²²⁹	N/A	R4578333 ⁹⁷	R4578331
R44145057 ²⁵³	56mm	R4255749	R4255748	R4012261	R4012260 ³⁶³	R4113497 ²²⁸	N/A	R4578332 ⁸⁵	R4578331
R44140620 ¹⁶²	1-1/8 "	R4134139	R4134139	R418188	NR	-	-	R4578305	R4112468
R44140675 ¹⁶¹	1-3/16 "	R4133945	R4133946	R418188	NR	-	-	R4578305	-
R44145251 ⁴⁰⁵	45mm	R4255858	R4255857	R4012040	R4012039 ³⁶³	-	-	R4578305	-
R44145071 ¹⁶⁵	56mm	R4255749	R4255748	R4012261	R4012260 ³⁶³	R4112468 ²²⁹	N/A	R4578332 ⁸⁵	R4578331
R4066530 ¹⁶⁶	56mm	R4255749	R4255748	R4012261	R4012260 ³⁶³	R4112468 ²²⁹	N/A	R4578333 ⁹⁷	R4578331
R44145049 ⁹⁷	56mm	R4255749	R4255748	R4012261	R4012260 ³⁶³	R4112468 ²²⁹	N/A	R4578333 ⁹⁷	R4578331
R44145057 ²⁵³	56mm	R4255749	R4255748	R4012261	R4012260 ³⁶³	R4112468 ²²⁹	N/A	R4578332 ⁸⁵	R4578331
R4066530 ¹⁶⁶	56mm	R4255749	R4255748	R4012261	R4012260 ³⁶³	R4113498 ²²⁹	N/A	R4578333 ⁹⁷	R4578331
R44145071 ¹⁶⁵	56mm	R4255749	R4255748	R4012261	R4012260 ³⁶³	R4113498 ²²⁹	N/A	R4578332 ⁸⁵	R4578331
R44145071 ¹⁶⁵	56mm	R4255749	R4255748	R4012261	R4012260 ³⁶³	R4113497 ²²⁸	N/A	R4578332 ⁸⁵	R4578331
R4066530 ¹⁶⁶	56mm	R4255749	R4255748	R4012261	R4012260 ³⁶³	R4113497 ²²⁸	N/A	R4578333 ⁹⁷	R4578331
R44145268 ⁴⁰⁵	45mm	R4255858	R4255857	R4012040	R4012039 ³⁶³	-	-	R4578305	-
R44145049 ⁹⁷	56mm	R4255749	R4255748	R4012261	R4012260 ³⁶³	R4113498 ²²⁹	N/A	R4578333 ⁹⁷	R4578331
R44145049 ⁹⁷	56mm	R4255749	R4255748	R4012261	R4012260 ³⁶³	R4113497 ²²⁸	N/A	R4578333 ⁹⁷	R4578331
R44145057 ⁸⁵	56mm	R4255749	R4255748	R4012261	R4012260 ³⁶³	R4113498 ²²⁹	N/A	R4578332 ⁸⁵	R4578331
R44145057 ²⁵³	56mm	R4255749	R4255748	R4012261	R4012260 ³⁶³	R4113497 ²²⁸	N/A	R4578332 ⁸⁵	R4578331
R44140620 ¹⁶²	1-1/8 "	R4134139	R4134139	R418188	NR	-	-	R4578305	R4112468
R44140675 ¹⁶¹	1-3/16 "	R4133945	R4133946	R418188	NR	-	-	R4578305	-
R44145251 ⁴⁰⁵	45mm	R4255858	R4255857	R4012040	R4012039 ³⁶³	-	-	R4578305	-
R44145071 ¹⁶⁵	56mm	R4255749	R4255748	R4012261	R4012260 ³⁶³	R4112468 ²²⁹	N/A	R4578332 ⁸⁵	R4578331
R4066530 ¹⁶⁶	56mm	R4255749	R4255748	R4012261	R4012260 ³⁶³	R4112468 ²²⁹	N/A	R4578333 ⁹⁷	R4578331
R44145049 ⁹⁷	56mm	R4255749	R4255748	R4012261	R4012260 ³⁶³	R4112468 ²²⁹	N/A	R4578333 ⁹⁷	R4578331
R44145057 ²⁵³	56mm	R4255749	R4255748	R4012261	R4012260 ³⁶³	R4112468 ²²⁹	N/A	R4578332 ⁸⁵	R4578331
E450 SERIES VAN									
R4066530 ¹⁶⁶	56mm	R4255749	R4255748	R4012261	R4012260 ³⁶³	R4113497 ²²⁸	N/A	R4578333 ⁹⁷	R4578331
R44145071 ¹⁶⁵	56mm	R4255749	R4255748	R4012261	R4012260 ³⁶³	R4113497 ²²⁸	N/A	R4578332 ⁸⁵	R4578331
R44145162 ⁴⁰⁵	2-11/32 "	R42R55605	R42R55604	R4066204	R4090088S	-	-	-	-
R44145057 ²⁵³	56mm	R4255749	R4255748	R4012261	R4012260 ³⁶³	R4113497 ²²⁸	N/A	R4578332 ⁸⁵	R4578331
R44145049 ⁹⁷	56mm	R4255749	R4255748	R4012261	R4012260 ³⁶³	R4113497 ²²⁸	N/A	R4578333 ⁹⁷	R4578331
R44145071 ¹⁶⁵	56mm	R4255749	R4255748	R4012261	R4012260 ³⁶³	R4113497 ²²⁸	N/A	R4578332 ⁸⁵	R4578331
R4066530 ¹⁶⁶	56mm	R4255749	R4255748	R4012261	R4012260 ³⁶³	R4113497 ²²⁸	N/A	R4578333 ⁹⁷	R4578331
R44145162 ⁴⁰⁵	2-11/32 "	R42R55605	R42R55604	R4066204	R4090088S	-	-	-	-
R44145049 ⁹⁷	56mm	R4255749	R4255748	R4012261	R4012260 ³⁶³	R4113497 ²²⁸	N/A	R4578333 ⁹⁷	R4578331
R44145057 ²⁵³	56mm	R4255749	R4255748	R4012261	R4012260 ³⁶³	R4113497 ²²⁸	N/A	R4578332 ⁸⁵	R4578331
R4066530 ¹⁶⁶	56mm	R4255749	R4255748	R4012261	R4012260 ³⁶³	R4113497 ²²⁸	N/A	R4578333 ⁹⁷	R4578331
R44145071 ¹⁶⁵	56mm	R4255749	R4255748	R4012261	R4012260 ³⁶³	R4113497 ²²⁸	N/A	R4578332 ⁸⁵	R4578331
R44145162 ⁴⁰⁵	2-11/32 "	R42R55605	R42R55604	R4066204	R4090088S	-	-	-	-
R44145057 ²⁵³	56mm	R4255749	R4255748	R4012261	R4012260 ³⁶³	R4113497 ²²⁸	N/A	R4578332 ⁸⁵	R4578331

253 - Single Rear Wheels, 4 Wheel Antilock Brakes

363 - Piston includes Boots and Seals

405 - Rotor Only

MAKE MODEL YEAR AXLE CODE AXLE WEIGHT	AXLE & BRK. TYPE	BRK. MFG.	BRAKE SIZE	FMSI	MERITOR DISC PAD OR BRAKE SHOE	MERITOR GUIDE PIN OR RETURN SPRING KIT	MERITOR CALIPER HWD. KIT OR RETURN SPRING KIT	MERITOR ADJUSTER KIT (LEFT WHEEL)	MERITOR ADJUSTER KIT (RIGHT WHEEL)
FORD(Cont.)									
E450 SERIES VAN(Cont.)									
2004	Fd	TRW		7299 - D411	MD411	NR	R4012262	NR	NR
SRW or DRW 9.75 Ring Gear 6,340 lb	Rd	TRW		7299 - D411	MD411	NR	R40H5735	NR	NR
SRW or DRW 10.5 Ring Gear 8,000 lb	Rd	TRW		7299 - D411	MD411	NR	R40H5735	NR	NR
2003	Fd	TRW		7299 - D411	MD411	NR	R4012262	NR	NR
DRW	Fd	TRW		7299 - D411	MD411	NR	R4012262	NR	NR
SRW	Fd	TRW		7299 - D411	MD411	NR	R4012262	NR	NR
	Fd	TRW		7299 - D411	MD411	NR	R4012262	NR	NR
SRW or DRW 9.75 Ring Gear 6,340 lb	Rd	TRW		7299 - D411	MD411	NR	R40H5735	NR	NR
SRW or DRW 10.5 Ring Gear 8,000 lb	Rd	TRW		7299 - D411	MD411	NR	R40H5735	NR	NR
2002	Fd	TRW		7299 - D411	MD411	NR	R4012262	NR	NR
DRW	Fd	TRW		7299 - D411	MD411	NR	R4012262	NR	NR
SRW	Fd	TRW		7299 - D411	MD411	NR	R4012262	NR	NR
	Fd	TRW		7299 - D411	MD411	NR	R4012262	NR	NR
SRW or DRW 9.75 Ring Gear 6,340 lb	Rd	TRW		7299 - D411	MD411	NR	R40H5735	NR	NR
SRW or DRW 10.5 Ring Gear 8,000 lb	Rd	TRW		7299 - D411	MD411	NR	R40H5735	NR	NR
F200, F250 SERIES PICKUP-3/4 TON									
1998	Rd			7584 - D711	MD711	R40H15068	R4011191	NR	NR
2 x 4 Except 7.3 Diesel Over 8500 lb. GVW	Fd	TRW		7535 - D655	MD655	NR	NR	NR	NR
2 x 4, SRW, 4 wheel ABS Under 8500 lb GVW with rear disc brakes	Fd	TRW		7752 - D702	MD702	NR	NR	NR	NR
2 x 4, SRW, Rear wheel ABS Under 8500 lb GVW	Fd	TRW		7752 - D702	MD702	NR	NR	NR	NR
4 x 4	Fd	TRW		7752 - D702	MD702	NR	NR	NR	NR
4 x 4 Over 8500 lb. GVW	Fd	TRW		7535 - D655	MD655	NR	NR	NR	NR
4 x 4 under 8500 lb. GVW	Fd	TRW		7752 - D702	MD702	NR	NR	NR	NR
DRW Over 8500 lb. GVW	Ra		12" x 3"	2140T - 314	R46358	R40H608	R40H4087	R40H2598	R40H2599
Over 8500 lb. GVW	Ra		12" x 3"	2140T - 314	R46358	R40H608	R40H4087	R40H2598	R40H2599
Rear Disc Brake under 8500 lb. GVW	Rd	TRW	12" x 2-1/2"	D711	MD711	-	-	-	-
4x4 Below 8,500 lb. GVW	Ra		12" x 2-1/2"	2146AT - 316	R46357	R40H546	R40H4087	R40H2598	R40H2599
4x4 Below 8,500 lb. GVW	Fd			7576 - D702	MD702	R4011234	N/A	NR	NR
1997	Ra		12" x 3"	2140T - 314	R46358	R40H608	R40H4087	R40H2598	R40H2599
	Ra		12" x 3"	2140T - 314	R46358	R40H608	R40H4087	R40H2598	R40H2599
	Ra	BX	12" x 2-1/2"	2146AT - 316	R46357	R40H546	R40H4087	R40H2598	R40H2599 ¹⁴⁷
	Rd			7584 - D711	MD711	R40H15068	R4011191	NR	NR
2 x 4 Except 7.3 Diesel Over 8500 lb. GVW	Fd	TRW		7535 - D655	MD655	NR	NR	NR	NR
2 x 4, SRW, 4 wheel ABS Under 8500 lb GVW with rear disc brakes	Fd	TRW		7752 - D702	MD702	NR	NR	NR	NR
2 x 4, SRW, Rear wheel ABS Under 8500 lb GVW	Fd	TRW		7752 - D702	MD702	NR	NR	NR	NR

85 - 4 Wheel Antilock Brakes
 165 - Dual Rear Wheels, Four Wheel Antilock Brakes
 213 - Manual Brakes, Speed Control
 www.XpresswayPlus.com

97 - Rear Wheel Antilock Brakes
 166 - Dual Rear Wheels, Rear Wheel Antilock Brakes
 228 - Except Speed Control

147 - Requires two per wheel
 189 - Single Rear Wheels, 10 1/4" Ring Gear
 229 - Speed Control

MERITOR DRUM OR ROTOR NO.	CALIPER OR CYLINDER BORE SIZE	MERITOR CALIPER OR WHEEL CYLINDER (LEFT)	MERITOR CALIPER OR WHEEL CYLINDER (RIGHT)	MERITOR CALIPER OR WHEEL CYLINDER REPAIR KIT	MERITOR CALIPER PISTON	MERITOR MASTER CYLINDER	MERITOR MASTER CYLINDER KIT	MERITOR BRAKE HOSE (LEFT)	MERITOR BRAKE HOSE (RIGHT)
FORD(Cont.)									
E450 SERIES VAN(Cont.)									
R44145049 ⁹⁷	56mm	R4255749	R4255748	R4012261	R4012260 ³⁶³	R4113497 ²²⁸	N/A	R4578333 ⁹⁷	R4578331
R44145251 ⁴⁰⁵	2-11/32 "	R42R55605	R42R55604	R4066204	R4090088S	-	-	-	-
R44145268 ⁴⁰⁵	2-11/32 "	R42R55605	R42R55604	R4066204	R4090088S	-	-	-	-
R44145071 ¹⁶⁵ R4066530 ¹⁶⁶	56mm 56mm	R4255749 R4255749	R4255748 R4255748	R4012261 R4012261	R4012260 ³⁶³ R4012260 ³⁶³	R4113497 ²²⁸ R4113497 ²²⁸	N/A N/A	R4578332 ⁸⁵ R4578333 ⁹⁷	R4578331 R4578331
R44145049 ⁹⁷ R44145057 ²⁵³	56mm 56mm	R4255749 R4255749	R4255748 R4255748	R4012261 R4012261	R4012260 ³⁶³ R4012260 ³⁶³	R4113497 ²²⁸ R4113497 ²²⁸	N/A N/A	R4578333 ⁹⁷ R4578332 ⁸⁵	R4578331 R4578331
R44145251 ⁴⁰⁵	2-11/32 "	R42R55605	R42R55604	R4066204	R4090088S	-	-	-	-
R44145268 ⁴⁰⁵	2-11/32 "	R42R55605	R42R55604	R4066204	R4090088S	-	-	-	-
R44145071 ¹⁶⁵ R4066530 ¹⁶⁶	56mm 56mm	R4255749 R4255749	R4255748 R4255748	R4012261 R4012261	R4012260 ³⁶³ R4012260 ³⁶³	R4113497 ²²⁸ R4113497 ²²⁸	N/A N/A	R4578332 ⁸⁵ R4578333 ⁹⁷	R4578331 R4578331
R44145057 ²⁵³ R44145049 ⁹⁷	56mm 56mm	R4255749 R4255749	R4255748 R4255748	R4012261 R4012261	R4012260 ³⁶³ R4012260 ³⁶³	R4113497 ²²⁸ R4113497 ²²⁸	N/A N/A	R4578332 ⁸⁵ R4578333 ⁹⁷	R4578331 R4578331
R44145251 ⁴⁰⁵	2-11/32 "	R42R55605	R42R55604	R4066204	R4090088S	-	-	-	-
R44145268 ⁴⁰⁵	2-11/32 "	R42R55605	R42R55604	R4066204	R4090088S	-	-	-	-
F200, F250 SERIES PICKUP-3/4 TON									
R44145139 ⁴⁰⁵	-	-	-	N/A	NR	-	-	-	-
R44145049 ³⁸¹	56mm	R4255749	R4255748	R4012261	R4012260 ³⁶³	R4113355 ²²⁸	-	R4578325	R4578324
R42145143	51mm	R4255795	R4255794	R4012266	R4012265 ³⁶³	R4113355 ²²⁸	-	R4578514	R4578513
R42145144	51mm	R4255795	R4255794	R4012266	R4012265 ³⁶³	R4113263 ²²⁹	-	R4578514	R4578513
R44145279	51mm	R4255795	R4255794	R4012266	R4012265 ³⁶³	R4110382 ²²⁸	-	R4578516	R4578515
R44145055 ⁴⁰⁵	56mm	R4255749	R4255748	R4012261	R4012260 ³⁶³	R4110382 ²²⁸	-	R4578327	R4578326
R44145055 ⁴⁰⁵	51mm	R4255795	R4255794	R4012266	R4012265 ³⁶³	R4110382 ²²⁸	-	R4578516	R4578515
R44140504 ¹⁸⁹	-	R4134139	R4134140	R418188	NR	-	-	R4578701 ³⁷⁸	R4512486
R44140504 ¹⁸⁹	1-3/16 "	R4133945	R4133946	R418188	NR	-	-	R4578700 ³⁷⁶	R4512486
R44145139 ⁴⁰⁵	-	-	-	-	-	-	-	-	-
R44140712 ³⁹³	1 "	R4133004	R4133004	R4166822	NR	-	-	R4578184	R4578183
R44145145 ⁴⁰⁵	-	N/A	N/A	R4011139	R4011145	R4110382 ²¹³	N/A	R4578514	R4578513
N/A N/A R44140712 ³⁹³	1-1/8 " 1-3/16 " 1 "	R4133614 R4133945 R4133004	R4133615 R4133946 R4133004	R4166935 R418188 R4166822	NR NR NR	- - -	- - -	- - -	- - -
R44145139 ⁴⁰⁵	-	-	-	R4011140	R4011147	-	-	-	-
R44145049 ³⁸¹	56mm	R4255749	R4255748	R4012261	R4012260 ³⁶³	R4113355 ²²⁸	-	R4578325	R4578324
R42145143	51mm	R4255795	R4255794	R4012266	R4012265 ³⁶³	R4113355 ²²⁸	-	R4578514	R4578513
R42145144	51mm	R4255795	R4255794	R4012266	R4012265 ³⁶³	R4113263 ²²⁹	-	R4578514	R4578513

253 - Single Rear Wheels, 4 Wheel Antilock Brakes
 378 - Four wheel drive, under 8500 lb. GVW / CENTER
 405 - Rotor Only
 Contact our Customer Service Teams
 1-888-725-9355

363 - Piston includes Boots and Seals
 381 - Rotor and Hub One Piece Assembly W/O ABS Ring

376 - Two wheel drive, under 8500 lb. GVW / CENTER
 393 - 7 Hole Mount

MAKE MODEL YEAR AXLE CODE AXLE WEIGHT	AXLE & BRK. TYPE	BRK. MFG.	BRAKE SIZE	FMSI	MERITOR DISC PAD OR BRAKE SHOE	MERITOR GUIDE PIN OR RETURN SPRING KIT	MERITOR CALIPER HWD. KIT OR RETURN SPRING KIT	MERITOR ADJUSTER KIT (LEFT WHEEL)	MERITOR ADJUSTER KIT (RIGHT WHEEL)
FORD(Cont.)									
F200, F250 SERIES PICKUP-3/4 TON(Cont.)									
1997 4 x 4	Fd	TRW		7752 - D702	MD702	NR	NR	NR	NR
4 x 4 Over 8500 lb. GVW	Fd	TRW		7535 - D655	MD655	NR	NR	NR	NR
4 x 4 under 8500 lb. GVW	Fd	TRW		7752 - D702	MD702	NR	NR	NR	NR
DRW Over 8500 lb. GVW	Ra		12 " x 3 "	2140T - 314	R46358	R40H608	R40H4087	R40H2598	R40H2599
Over 8500 lb. GVW	Ra		12 " x 3 "	2140T - 314	R46358	R40H608	R40H4087	R40H2598	R40H2599
Rear Disc Brake under 8500 lb. GVW	Rd	TRW		D711	MD711	-	-	-	-
4x4 Below 8,500 lb. GVW	Fd Fd			7576 - D702 7576 - D702	MD702 MD702	R4011234 R4011234	R4011133 R4011133	NR NR	NR NR
8,500 lb. GVW and Up	Fd Fd			7535 - D655 7535 - D655	MD655 MD655	R40H5735 R40H5735	R4011132 R4011132	NR NR	NR NR
1996	Fd Fd Fd Fd Fd Fd Fd Ra Ra Ra Ra Ra Ra			7535 - D655 7535 - D655 7535 - D655 7535 - D655 7535 - D655 7535 - D655 7535 - D655 2140T - 314 2140T - 314 2140T - 314 2146AT - 316 2146AT - 316 2146AT - 316	MD655 MD655 MD655 MD655 MD655 MD655 MD655 R46358 R46358 R46358 R46357 R46357 R46357	R40H5735 R40H5735 R40H5735 R40H5735 R40H5735 R40H5735 R40H5735 R40H608 R40H608 R40H608 R40H546 R40H546 R40H546	R4011132 R4011132 R4011132 R4011132 R4011132 R4011132 R4011132 R40H4087 R40H4087 R40H4087 R40H4087 R40H4087 R40H4087	NR NR NR NR NR NR NR R40H2598 R40H2598 R40H2598 R40H2598 R40H2598 R40H2598	NR NR NR NR NR NR NR R40H2599 R40H2599 R40H2599 R40H2599 R40H2599 R40H2599
1995	Fd Fd Fd Fd Fd Fd Fd Ra Ra Ra Ra Ra Ra			7535 - D655 7535 - D655 7535 - D655 7535 - D655 7535 - D655 7535 - D655 7535 - D655 2140T - 314 2140T - 314 2140T - 314 2146AT - 316 2146AT - 316 2146AT - 316	MD655 MD655 MD655 MD655 MD655 MD655 MD655 R46358 R46358 R46358 R46357 R46357 R46357	R40H5735 R40H5735 R40H5735 R40H5735 R40H5735 R40H5735 R40H5735 R40H608 R40H608 R40H608 R40H546 R40H546 R40H546	R4011132 R4011132 R4011132 R4011132 R4011132 R4011132 R4011132 R40H4087 R40H4087 R40H4087 R40H4087 R40H4087 R40H4087	NR NR NR NR NR NR NR R40H2598 R40H2598 R40H2598 R40H2598 R40H2598 R40H2598	NR NR NR NR NR NR NR R40H2599 R40H2599 R40H2599 R40H2599 R40H2599 R40H2599
1994	Fd Fd Fd Fd Fd Fd Fd Fd Ra Ra Ra	DN DN DN DN DN DN DN DN BX BX BX		7330 - D450 7330 - D450 7330 - D450 7330 - D450 7330 - D450 7330 - D450 7330 - D450 7330 - D450 2140T - 314 2146AT - 316 2146AT - 316	MD450 MD450 MD450 MD450 MD450 MD450 MD450 MD450 R46358 R46357 R46357	R407130 R407130 R407130 R407130 R407130 R407130 R407130 R407130 R40H546 R40H608 R40H608	60050135 60050135 60050135 60050135 60050135 60050135 60050135 60050135 R40H2598 R40H2598 R40H2598	NR NR NR NR NR NR NR NR R40H2599 R40H2599 R40H2599	
1993	Fd Fd Fd Fd Fd Fd	DN DN DN DN DN DN		7330 - D450 7330 - D450 7330 - D450 7330 - D450 7330 - D450 7330 - D450	MD450 MD450 MD450 MD450 MD450 MD450	R407130 R407130 R407130 R407130 R407130 R407130	60050135 60050135 60050135 60050135 60050135 60050135	NR NR NR NR NR NR	NR NR NR NR NR NR

156 - 4x2 With Single Rear Wheels
 197 - 8.80", 10.25" Ring Gear
 217 - Power Brakes Except Speed Control
 www.XpresswayPlus.com

175 - Rotor Only; 3.54, 4.09 Ratio
 211 - Manual Brakes, Stripped Chassis Except Speed Control
 226 - Cutaway, Stripped Chassis With Speed Control

189 - Single Rear Wheels, 10 1/4" Ring Gear
 213 - Manual Brakes, Speed Control
 228 - Except Speed Control

Contact our Customer Service Teams
 1-888-725-9355

MERITOR DRUM OR ROTOR NO.	CALIPER OR CYLINDER BORE SIZE	MERITOR CALIPER OR WHEEL CYLINDER (LEFT)	MERITOR CALIPER OR WHEEL CYLINDER (RIGHT)	MERITOR CALIPER OR WHEEL CYLINDER REPAIR KIT	MERITOR CALIPER PISTON	MERITOR MASTER CYLINDER	MERITOR MASTER CYLINDER KIT	MERITOR BRAKE HOSE (LEFT)	MERITOR BRAKE HOSE (RIGHT)
FORD(Cont.)									
F200, F250 SERIES PICKUP-3/4 TON(Cont.)									
R44145279	51mm	R4255795	R4255794	R4012266	R4012265 ³⁶³	R4110382 ²²⁸	-	R4578516	R4578515
R44145055 ⁴⁰⁵	56mm	R4255749	R4255748	R4012261	R4012260 ³⁶³	R4110382 ²²⁸	-	R4578327	R4578326
R44145055 ⁴⁰⁵	51mm	R4255795	R4255794	R4012266	R4012265 ³⁶³	R4110382 ²²⁸	-	R4578516	R4578515
R44140504 ¹⁸⁹		R4134139	R4134140	R418188	NR	-	-	R4578701 ³⁷⁸	R4512486
R44140504 ¹⁸⁹	1-3/16 "	R4133945	R4133946	R418188	NR	-	-	R4578700 ³⁷⁶	R4512486
R44145139 ⁴⁰⁵		-	-	-	-	-	-	-	-
R44140712 ³⁹³	1 "	R4133004	R4133004	R4166822	NR	-	-	R4578184	R4578183
R44145145 ⁴⁰⁵		N/A	N/A	R4011139	R4011145	R4113263 ²³⁹	N/A	R4578516	R4578515
N/A		N/A	N/A	R4011139	R4011145	R4110382 ²¹³	N/A	R4578514	R4578513
N/A	2-11/32 "	R42R55496	R42R55497	R4011237	R44141808	R4110384 ²³⁸	N/A	R4578327	R4578326
N/A	2-11/32 "	R42R55496	R42R55497	R4011237	R44141808	R4113355 ²³⁴	N/A	R4578325	R4578324
R44145055 ⁴⁰⁵	2-11/32 "	R42R55496	R42R55497	R4011237	R44141808	R4110384 ²³⁸	N/A	R4578327	R4578326
R44145055 ⁴⁰⁵	2-11/32 "	R42R55496	R42R55497	R4011237	R44141808	R4113263 ²³⁹	N/A	R4578327	R4578326
R44145049 ³⁸¹	2-11/32 "	R42R55496	R42R55497	R4011237	R44141808	R4113355 ²³⁴	N/A	R4578324	R4578325
R44145049 ³⁸¹	2-11/32 "	R42R55496	R42R55497	R4011237	R44141808	R4110382 ²¹³	N/A	R4578324	R4578325
R44145055 ⁴⁰⁵	2-11/32 "	R42R55496	R42R55497	R4011237	R44141808	R4110382 ²¹³	N/A	R4578327	R4578326
R44145055 ⁴⁰⁵	2-11/32 "	R42R55496	R42R55497	R4011237	R44141808	R4113355 ²³⁴	N/A	R4578327	R4578326
R44145049 ³⁸¹	2-11/32 "	R42R55496	R42R55497	R4011237	R44141808	R4113263 ²³⁹	N/A	R4578324	R4578325
R44145049 ³⁸¹	2-11/32 "	R42R55496	R42R55497	R4011237	R44141808	R4110384 ²³⁸	N/A	R4578324	R4578325
R44140504 ¹⁸⁹	1-1/8 "	R4134139	R4134140 ³⁵⁵	N/A	NR	-	-	R4578183	R4578183
R44140504 ¹⁸⁹	1-1/8 "	R4134139	R4134140 ³⁵⁵	N/A	NR	-	-	R4578183	R4578183
R44140504 ¹⁸⁹	1 "	R4133004	R4133004	R4166822	NR	-	-	R4578184	R4578184
R44140520 ¹⁹⁷	1 "	R4133004	R4133004	R4166822	NR	-	-	R4578184	R4578184
R44140520 ¹⁹⁷	1-3/16 "	R4133945	R4133946	R418188	NR	-	-	R4578183	R4578183
R44140520 ¹⁹⁷	1-3/16 "	R4133945	R4133946	R418188	NR	-	-	R4578183	R4578183
R44145055 ⁴⁰⁵	2-11/32 "	R42R55496	R42R55497	R4011237	R44141808	R4110384 ²³⁸	N/A	R4578327	R4578326
R44145055 ⁴⁰⁵	2-11/32 "	R42R55496	R42R55497	R4011237	R44141808	R4113263 ²³⁹	N/A	R4578327	R4578326
R44145055 ⁴⁰⁵	2-11/32 "	R42R55496	R42R55497	R4011237	R44141808	R4113355 ²³⁴	N/A	R4578327	R4578326
R44145049 ³⁸¹	2-11/32 "	R42R55496	R42R55497	R4011237	R44141808	R4110382 ²¹³	N/A	R4578324	R4578325
R44145049 ³⁸¹	2-11/32 "	R42R55496	R42R55497	R4011237	R44141808	R4113263 ²³⁹	N/A	R4578324	R4578325
R44145055 ⁴⁰⁵	2-11/32 "	R42R55496	R42R55497	R4011237	R44141808	R4110382 ²¹³	N/A	R4578327	R4578326
R44145049 ³⁸¹	2-11/32 "	R42R55496	R42R55497	R4011237	R44141808	R4110384 ²³⁸	N/A	R4578324	R4578325
R44145049 ³⁸¹	2-11/32 "	R42R55496	R42R55497	R4011237	R44141808	R4113355 ²³⁴	N/A	R4578324	R4578325
R44140504 ¹⁸⁹	1 "	R4133004	R4133004	R4166822	NR	-	-	R4578184	R4578184
R44140504 ¹⁸⁹	1-1/8 "	R4134139	R4134140 ³⁵⁵	N/A	NR	-	-	R4578183	R4578183
R44140504 ¹⁸⁹	1-1/8 "	R4134139	R4134140 ³⁵⁵	N/A	NR	-	-	R4578183	R4578183
R44140520 ¹⁹⁷	1-3/16 "	R4133945	R4133946	R418188	NR	-	-	R4578183	R4578183
R44140520 ¹⁹⁷	1-3/16 "	R4133945	R4133946	R418188	NR	-	-	R4578183	R4578183
R44140520 ¹⁹⁷	1 "	R4133004	R4133004	R4166822	NR	-	-	R4578184	R4578184
R44141487 ³⁸¹	2-3/16 "	R42R55461P	R42R55460P	R4166713	R4090180P ²⁹⁰	R4112840 ²²⁶	N/A	R4578169 ¹⁵⁶	R4577235
R44141237 ¹⁷⁵	2-3/16 "	R42R55461P	R42R55460P	R4166713	R4090180P ²⁹⁰	R4112198 ²¹⁷	N/A	R4578001 ²⁴⁷	R4577311
R44141487 ³⁸¹	2-3/16 "	R42R55461P	R42R55460P	R4166713	R4090180P ²⁹⁰	R4112842 ²²⁹	N/A	R4578169 ¹⁵⁶	R4577235
R44141487 ³⁸¹	2-3/16 "	R42R55461P	R42R55460P	R4166713	R4090180P ²⁹⁰	R4112200 ²¹¹	N/A	R4578169 ¹⁵⁶	R4577235
R44141487 ³⁸¹	2-3/16 "	R42R55461P	R42R55460P	R4166713	R4090180P ²⁹⁰	R4112198 ²¹⁷	N/A	R4578169 ¹⁵⁶	R4577235
R44141237 ¹⁷⁵	2-3/16 "	R42R55461P	R42R55460P	R4166713	R4090180P ²⁹⁰	R4112840 ²²⁶	N/A	R4578001 ²⁴⁷	R4577311
R44141237 ¹⁷⁵	2-3/16 "	R42R55461P	R42R55460P	R4166713	R4090180P ²⁹⁰	R4112842 ²²⁹	N/A	R4578001 ²⁴⁷	R4577311
R44141237 ¹⁷⁵	2-3/16 "	R42R55461P	R42R55460P	R4166713	R4090180P ²⁹⁰	R4112200 ²¹¹	N/A	R4578001 ²⁴⁷	R4577311
R44140520 ¹⁹⁷	1 "	R4133004	R4133004	R4166822	NR	-	-	R4578184	R4578184
R44140504 ¹⁸⁹	1-3/16 "	R4133945	R4133946	R418188	NR	-	-	R4578183	R4578183
R44140504 ¹⁸⁹	1-1/16 "	R4133595	R4133596	N/A	NR	-	-	R4578183	R4578183
R44141237 ¹⁷⁵	2-3/16 "	R42R55461P	R42R55460P	R4166713	R4090180P ²⁹⁰	R4112842 ²²⁹	N/A	R4578001 ²⁴⁷	R4577311
R44141237 ¹⁷⁵	2-3/16 "	R42R55461P	R42R55460P	R4166713	R4090180P ²⁹⁰	R4112200 ²¹¹	N/A	R4578001 ²⁴⁷	R4577311
R44141237 ¹⁷⁵	2-3/16 "	R42R55461P	R42R55460P	R4166713	R4090180P ²⁹⁰	R4112198 ²¹⁷	N/A	R4578001 ²⁴⁷	R4577311
R44141237 ¹⁷⁵	2-3/16 "	R42R55461P	R42R55460P	R4166713	R4090180P ²⁹⁰	R4112840 ²²⁶	N/A	R4578001 ²⁴⁷	R4577311
R44141487 ³⁸¹	2-3/16 "	R42R55461P	R42R55460P	R4166713	R4090180P ²⁹⁰	R4112842 ²²⁹	N/A	R4578169 ¹⁵⁶	R4577235
R44141487 ³⁸¹	2-3/16 "	R42R55461P	R42R55460P	R4166713	R4090180P ²⁹⁰	R4112198 ²¹⁷	N/A	R4578169 ¹⁵⁶	R4577235

378 - Four wheel drive, under 8500 lb. GVW / CENTER
 405 - Rotor Only
 355 - Single Rear Wheels with 12 x 3" Brakes
 Contact our Customer Service Teams
 1-888-725-9355

381 - Rotor and Hub One Piece Assembly W/O ABS Ring
 247 - 4x4, Dual Rear Wheels
 363 - Piston includes Boots and Seals

393 - 7 Hole Mount
 290 - Use E-11222 for High Temperature Boots
 376 - Two wheel drive, under 8500 lb. GVW / CENTER
 www.XpresswayPlus.com

MAKE MODEL YEAR AXLE CODE AXLE WEIGHT	AXLE & BRK. TYPE	BRK. MFG.	BRAKE SIZE	FMSI	MERITOR DISC PAD OR BRAKE SHOE	MERITOR GUIDE PIN OR RETURN SPRING KIT	MERITOR CALIPER HWD. KIT OR RETURN SPRING KIT	MERITOR ADJUSTER KIT (LEFT WHEEL)	MERITOR ADJUSTER KIT (RIGHT WHEEL)
FORD(Cont.)									
F200, F250 SERIES PICKUP-3/4 TON(Cont.)									
1993	Fd	DN		7330 - D450	MD450	R407130	60050135	NR	NR
	Fd	DN		7330 - D450	MD450	R407130	60050135	NR	NR
	Ra	BX	12 " x 3 "	2140T - 314	R46358	R40H546	R40H4087	R40H2598	R40H2599
	Ra	BX	12 " x 2-1/2 "	2146AT - 316	R46357	R40H608	R40H4087	R40H2598	R40H2599
	Ra	BX	12 " x 2-1/2 "	2146AT - 316	R46357	R40H608	R40H4087	R40H2598	R40H2599
1992	Fd	DN		7330 - D450	MD450	R407130	60050135	NR	NR
	Fd	DN		7330 - D450	MD450	R407130	60050135	NR	NR
	Fd	DN		7330 - D450	MD450	R407130	60050135	NR	NR
	Fd	DN		7330 - D450	MD450	R407130	60050135	NR	NR
	Fd	DN		7330 - D450	MD450	R407130	60050135	NR	NR
	Fd	DN		7330 - D450	MD450	R407130	60050135	NR	NR
	Fd	DN		7330 - D450	MD450	R407130	60050135	NR	NR
	Fd	DN		7330 - D450	MD450	R407130	60050135	NR	NR
	Ra	BX	12 " x 3 "	2140T - 314	R46358	R40H546	R40H4087	R40H2598	R40H2599
		Ra	BX	12 " x 2-1/2 "	2146AT - 316	R46357	R40H608	R40H4087	R40H2598
	Ra	BX	12 " x 2-1/2 "	2146AT - 316	R46357	R40H608	R40H4087	R40H2598	R40H2599
1991	Fd	DN		7330 - D450	MD450	R407130	60050135	NR	NR
	Fd	DN		7330 - D450	MD450	R407130	60050135	NR	NR
	Fd	DN		7330 - D450	MD450	R407130	60050135	NR	NR
	Fd	DN		7330 - D450	MD450	R407130	60050135	NR	NR
	Ra	BX	12 " x 2-1/2 "	2146AT - 357	R46357	R40H546	R40H7146	R40H2598	R40H2599
	Ra	BX	12 " x 2-1/2 "	2146AT - 357	R46357	R40H546	R40H7146	R40H2598	R40H2599
	Ra	BX	12 " x 2-1/2 "	2146AT - 357	R46357	R40H546	R40H7146	R40H2598	R40H2599
	Ra	BX	12 " x 2-1/2 "	2146AT - 357	R46357	R40H546	R40H7146	R40H2598	R40H2599
	Ra	BX	12 " x 3 "	2140AT - 358	R46358	R40H608	R40H7181	R40H2598	R40H2599
	Ra	BX	12 " x 3 "	2140AT - 358	R46358	R40H608	R40H7181	R40H2598	R40H2599
	Ra	BX	12 " x 3 "	2140AT - 358	R46358	R40H608	R40H7181	R40H2598	R40H2599
After 3/91	Fd	DN		7330 - D450	MD450	R407130	60050135	NR	NR
	Fd	DN		7330 - D450	MD450	R407130	60050135	NR	NR
	Fd	DN		7330 - D450	MD450	R407130	60050135	NR	NR
	Fd	DN		7330 - D450	MD450	R407130	60050135	NR	NR
	Fd	DN		7330 - D450	MD450	R407130	60050135	NR	NR
	Fd	DN		7330 - D450	MD450	R407130	60050135	NR	NR
	Fd	DN		7330 - D450	MD450	R407130	60050135	NR	NR
	Fd	DN		7330 - D450	MD450	R407130	60050135	NR	NR
	Ra	BX	12 " x 3 "	2140T - 314	R46358	R40H546	R40H4087	R40H2598	R40H2599
		Ra	BX	12 " x 2-1/2 "	2146AT - 316	R46357	R40H608	R40H4087	R40H2598
	Ra	BX	12 " x 2-1/2 "	2146AT - 316	R46357	R40H608	R40H4087	R40H2598	R40H2599
1990	Fd	DN		7330 - D450	MD450	R407130	60050135	NR	NR
	Fd	DN		7054 - D120	MD120	R407130	R407130	NR	NR
	Fd	DN		7054 - D120	MD120	R407130	R407130	NR	NR
	Fd	DN		7330 - D450	MD450	R407130	60050135	NR	NR
	Ra	BX	12 " x 2-1/2 "	2146AT - 357	R46357	R40H546	R40H7146	R40H2598	R40H2599
	Ra	BX	12 " x 2-1/2 "	2146AT - 357	R46357	R40H546	R40H7146	R40H2598	R40H2599
	Ra	BX	12 " x 2-1/2 "	2146AT - 357	R46357	R40H546	R40H7146	R40H2598	R40H2599
	Ra	BX	12 " x 2-1/2 "	2146AT - 357	R46357	R40H546	R40H7146	R40H2598	R40H2599
	Ra	BX	12 " x 3 "	2140AT - 358	R46358	R40H608	R40H7181	R40H2598	R40H2599
	Ra	BX	12 " x 3 "	2140AT - 358	R46358	R40H608	R40H7181	R40H2598	R40H2599
	Ra	BX	12 " x 3 "	2140AT - 358	R46358	R40H608	R40H7181	R40H2598	R40H2599
1989	Fd	DN		7330 - D450	MD450	R407130	60050135	NR	NR
	Fd	DN		7054 - D120	MD120	R407130	R407130	NR	NR
	Fd	DN		7330 - D450	MD450	R407130	60050135	NR	NR
	Fd	DN		7054 - D120	MD120	R407130	R407130	NR	NR
	Ra	BX	12 " x 2-1/2 "	2146AT - 357	R46357	R40H546	R40H7146	R40H2598	R40H2599
	Ra	BX	12 " x 2-1/2 "	2146AT - 357	R46357	R40H546	R40H7146	R40H2598	R40H2599
	Ra	BX	12 " x 2-1/2 "	2146AT - 357	R46357	R40H546	R40H7146	R40H2598	R40H2599
	Ra	BX	12 " x 2-1/2 "	2146AT - 357	R46357	R40H546	R40H7146	R40H2598	R40H2599
	Ra	BX	12 " x 3 "	2140AT - 358	R46358	R40H608	R40H7181	R40H2598	R40H2599
	Ra	BX	12 " x 3 "	2140AT - 358	R46358	R40H608	R40H7181	R40H2598	R40H2599

41 - Aluminum piston
 167 - Except 10 1/4" Ring Gear
 195 - 7.50", 9.75" Ring Gear
 www.XpresswayPlus.com

54 - Manual Brakes
 175 - Rotor Only; 3.54, 4.09 Ratio
 197 - 8.80", 10.25" Ring Gear

156 - 4x2 With Single Rear Wheels
 189 - Single Rear Wheels, 10 1/4" Ring Gear
 211 - Manual Brakes, Stripped Chassis Except Speed Control

Contact our Customer Service Teams
 1-888-725-9355

MERITOR DRUM OR ROTOR NO.	CALIPER OR CYLINDER BORE SIZE	MERITOR CALIPER OR WHEEL CYLINDER (LEFT)	MERITOR CALIPER OR WHEEL CYLINDER (RIGHT)	MERITOR CALIPER OR WHEEL CYLINDER REPAIR KIT	MERITOR CALIPER PISTON	MERITOR MASTER CYLINDER	MERITOR MASTER CYLINDER KIT	MERITOR BRAKE HOSE (LEFT)	MERITOR BRAKE HOSE (RIGHT)
FORD(Cont.)									
F200, F250 SERIES PICKUP-3/4 TON(Cont.)									
R44141487 ³⁸¹ R44141487 ³⁸¹	2-3/16 " 2-3/16 "	R42R55461P R42R55461P	R42R55460P R42R55460P	R4166713 R4166713	R4090180P ²⁹⁰ R4090180P ²⁹⁰	R4112200 ²¹¹ R4112840 ²²⁶	N/A N/A	R4578169 ¹⁵⁶ R4578169 ¹⁵⁶	R4577235 R4577235
R44140520 ¹⁹⁷ R44140504 ¹⁸⁹ R44140504 ¹⁸⁹	1 " 1-3/16 " 1-1/16 "	R4133004 R4133945 R4133595	R4133004 R4133946 R4133596	R4166822 R418188 N/A	NR NR NR	- - -	- - -	R4578184 R4578183 R4578183	R4578184 R4578183 R4578183
R44141487 ³⁸¹ R44141237 ¹⁷⁵ R44141237 ¹⁷⁵ R44141237 ¹⁷⁵ R44141237 ¹⁷⁵ R44141487 ³⁸¹ R44141487 ³⁸¹ R44141487 ³⁸¹	2-3/16 " 2-3/16 " 2-3/16 " 2-3/16 " 2-3/16 " 2-3/16 " 2-3/16 "	R42R55461P R42R55461P R42R55461P R42R55461P R42R55461P R42R55461P R42R55461P	R42R55460P R42R55460P R42R55460P R42R55460P R42R55460P R42R55460P R42R55460P	R4166713 R4166713 R4166713 R4166713 R4166713 R4166713 R4166713	R4090180P ²⁹⁰ R4090180P ²⁹⁰ R4090180P ²⁹⁰ R4090180P ²⁹⁰ R4090180P ²⁹⁰ R4090180P ²⁹⁰ R4090180P ²⁹⁰	R4112198 ²¹⁷ R4112842 ²²⁹ R4112198 ²¹⁷ R4112840 ²²⁶ R4112200 ²¹¹ R4112200 ²¹¹ R4112842 ²²⁹	N/A N/A N/A N/A N/A N/A N/A	R4578169 ¹⁵⁶ R4578001 ²⁴⁷ R4578001 ²⁴⁷ R4578001 ²⁴⁷ R4578001 ²⁴⁷ R4578169 ¹⁵⁶ R4578169 ¹⁵⁶	R4577235 R4577311 R4577311 R4577311 R4577311 R4577235 R4577235
R44140520 ¹⁹⁷ R44140504 ¹⁸⁹ R44140504 ¹⁸⁹	1 " 1-1/16 " 1-3/16 "	R4133004 R4133595 R4133945	R4133004 R4133596 R4133946	R4166822 N/A R418188	NR NR NR	- - -	- - -	R4578184 R4578183 R4578183	R4578184 R4578183 R4578183
R44141487 ³⁸¹ R44141237 ¹⁷⁵ R44141237 ¹⁷⁵ R44141487 ³⁸¹	2-3/16 " 2-3/16 " 2-3/16 " 2-3/16 "	R42R55461P R42R55461P R42R55461P R42R55461P	R42R55460P R42R55460P R42R55460P R42R55460P	R4166713 R4166713 R4166713 R4166713	R4090180P ²⁹⁰ R4090180P ²⁹⁰ R4090180P ²⁹⁰ R4090180P ²⁹⁰	- - - -	- - - -	- - - -	- - - -
R44140520 ¹⁹⁷ R44140397 ¹⁹⁵ R44140520 ¹⁹⁷ R44140397 ¹⁹⁵ R44140504 ¹⁸⁹ R44140344 ¹⁶⁷ R44140504 ¹⁸⁹ R44140344 ¹⁶⁷	1 " 1 " 1 " 1 " 1 " 1 " 1 " 1 "	R4133004 R4133004 R4133004 R4133004 R4133725 R4133725 R4133725 R4133725	R4133004 R4133004 R4133004 R4133004 R4133726 R4133726 R4133726 R4133726	R4166822 R4166822 R4166822 R4166822 R4166822 R4166822 R4166822 R4166822	NR NR NR NR NR NR NR NR	- - - - - - - -	- - - - - - - -	R4577245 R4578666 R4578666 R4577245 R4577245 R4578666 R4578666 R4577245	R4577245 R4578666 R4578666 R4577245 R4577245 R4578666 R4578666 R4577245
R44141487 ³⁸¹ R44141237 ¹⁷⁵ R44141487 ³⁸¹ R44141237 ¹⁷⁵ R44141237 ¹⁷⁵ R44141237 ¹⁷⁵ R44141237 ¹⁷⁵ R44141487 ³⁸¹	2-3/16 " 2-3/16 " 2-3/16 " 2-3/16 " 2-3/16 " 2-3/16 " 2-3/16 "	R42R55461P R42R55461P R42R55461P R42R55461P R42R55461P R42R55461P R42R55461P	R42R55460P R42R55460P R42R55460P R42R55460P R42R55460P R42R55460P R42R55460P	R4166713 R4166713 R4166713 R4166713 R4166713 R4166713 R4166713	R4090180P ²⁹⁰ R4090180P ²⁹⁰ R4090180P ²⁹⁰ R4090180P ²⁹⁰ R4090180P ²⁹⁰ R4090180P ²⁹⁰ R4090180P ²⁹⁰	R4112840 ²²⁶ R4112198 ²¹⁷ R4112842 ²²⁹ R4112200 ²¹¹ R4112840 ²²⁶ R4112200 ²¹¹ R4112842 ²²⁹	N/A N/A N/A N/A N/A N/A N/A	R4578169 ¹⁵⁶ R4578001 ²⁴⁷ R4578169 ¹⁵⁶ R4578169 ¹⁵⁶ R4578001 ²⁴⁷ R4578001 ²⁴⁷ R4578001 ²⁴⁷	R4577235 R4577311 R4577235 R4577235 R4577311 R4577311 R4577235
R44140520 ¹⁹⁷ R44140504 ¹⁸⁹ R44140504 ¹⁸⁹	1 " 1-1/16 " 1-3/16 "	R4133004 R4133595 R4133945	R4133004 R4133596 R4133946	R4166822 N/A R418188	NR NR NR	- - -	- - -	R4578666 ³³⁷ R4577245 R451537 ³³⁵	R4578666 R4577245 R451537
R44141487 ³⁸¹ R44141237 ¹⁷⁵ R44141237 ¹⁷⁵ R44141237 ¹⁷⁵	2-3/16 " 2-3/16 " 2-3/16 " 2-3/16 "	R42R55461P R42R55456P R42R55456P R42R55461P	R42R55460P R42R55456P R42R55456P R42R55460P	R4166713 R4166713 R4166713 R4166713	R4090029 ²⁹⁰ R4090029 ⁴¹ R4090029 ⁴¹ R4090029 ²⁹⁰	R148228 ⁵⁴ R4112198 ²¹⁷ R4112198 ²¹⁷ R148228 ⁵⁴	N/A N/A N/A N/A	R4577235 ²⁵⁹ R4577235 ²⁵⁹ R4577311 ²⁵⁹ R4577311 ²⁵⁹	R4577235 R4577235 R4577311 R4577311
R44140520 ¹⁹⁷ R44140520 ¹⁹⁷ R44140397 ¹⁹⁵ R44140397 ¹⁹⁵ R44140344 ¹⁶⁷ R44140344 ¹⁶⁷ R44140504 ¹⁸⁹ R44140504 ¹⁸⁹	1 " 1 " 1 " 1 " 1 " 1 " 1 " 1 "	R4133004 R4133004 R4133004 R4133004 R4133725 R4133725 R4133725 R4133725	R4133004 R4133004 R4133004 R4133004 R4133726 R4133726 R4133726 R4133726	R4166822 R4166822 R4166822 R4166822 R4166822 R4166822 R4166822 R4166822	NR NR NR NR NR NR NR NR	- - - - - - - -	- - - - - - - -	R4577245 R4577245 R4577245 R4577245 R451537 ³³⁵ R4577245 R4578666 ³³⁷ R4578666 ³³⁷	R4577245 R4577245 R4577245 R4577245 R451537 R4577245 R4578666 R4578666
R44141487 ³⁸¹ R44141237 ¹⁷⁵ R44141237 ¹⁷⁵ R44141237 ¹⁷⁵	2-3/16 " 2-3/16 " 2-3/16 " 2-3/16 "	R42R55461P R42R55456P R42R55461P R42R55456P	R42R55460P R42R55456P R42R55460P R42R55456P	R4166713 R4166713 R4166713 R4166713	R4090029 ²⁹⁰ R4090029 ⁴¹ R4090029 ²⁹⁰ R4090029 ⁴¹	R148228 ⁵⁴ R4112198 ²¹⁷ R148228 ⁵⁴ R4112198 ²¹⁷	N/A N/A N/A N/A	R4577235 ²⁵⁹ R4577311 ²⁵⁹ R4577311 ²⁵⁹ R4577311 ²⁵⁹	R4577235 R4577311 R4577311 R4577235
R44140520 ¹⁹⁷ R44140397 ¹⁹⁵ R44140397 ¹⁹⁵ R44140520 ¹⁹⁷ R44140504 ¹⁸⁹	1 " 1 " 1 " 1 " 1 "	R4133004 R4133004 R4133004 R4133004 R4133725	R4133004 R4133004 R4133004 R4133004 R4133726	R4166822 R4166822 R4166822 R4166822 R4166822	NR NR NR NR NR	- - - - -	- - - - -	R4578666 R4578666 R4577245 R4577245 R4578666	R4578666 R4578666 R4577245 R4577245 R4578666

217 - Power Brakes Except Speed Control
 247 - 4x4, Dual Rear Wheels
 335 - 4x4, from 4/89
 Contact our Customer Service Teams
 1-888-725-9355

226 - Cutaway, Stripped Chassis With Speed Control
 259 - 4x2, Except Monobeam Axle
 337 - 4x4, before 4/89

229 - Speed Control
 290 - Use E-11222 for High Temperature Boots
 381 - Rotor and Hub One Piece Assembly W/O ABS Ring
 www.XpresswayPlus.com

MAKE MODEL YEAR AXLE CODE AXLE WEIGHT	AXLE & BRK. TYPE	BRK. MFG.	BRAKE SIZE	FMSI	MERITOR DISC PAD OR BRAKE SHOE	MERITOR GUIDE PIN OR RETURN SPRING KIT	MERITOR CALIPER HWD. KIT OR RETURN SPRING KIT	MERITOR ADJUSTER KIT (LEFT WHEEL)	MERITOR ADJUSTER KIT (RIGHT WHEEL)
FORD(Cont.)									
F200, F250 SERIES PICKUP-3/4 TON(Cont.)									
1989	Ra	BX	12 " x 3 "	2140AT - 358	R46358	R40H608	R40H7181	R40H2598	R40H2599
	Ra	BX	12 " x 3 "	2140AT - 358	R46358	R40H608	R40H7181	R40H2598	R40H2599
	Ra	BX	12 " x 3 "	2140AT - 358	R46358	R40H608	R40H7181	R40H2598	R40H2599
1988	Fd	DN		7054 - D120	MD120	R407130	R407130	NR	NR
	Fd	DN		7054 - D120	MD120	R407130	R407130	NR	NR
	Fd	DN		7054 - D120	MD120	R407130	R407130	NR	NR
	Fd	DN		7054 - D120	MD120	R407130	R407130	NR	NR
	Fd	DN		7054 - D120	MD120	R407130	R407130	NR	NR
	Ra	BX	12 " x 2-1/2 "	2146AT - 357	R46357	R40H546	R40H7146	R40H2598	R40H2599
	Ra	BX	12 " x 2-1/2 "	2146AT - 357	R46357	R40H546	R40H7146	R40H2598	R40H2599
	Ra	BX	12 " x 2-1/2 "	2146AT - 357	R46357	R40H546	R40H7146	R40H2598	R40H2599
	Ra	BX	12 " x 2-1/2 "	2146AT - 357	R46357	R40H546	R40H7146	R40H2598	R40H2599
	Ra	BX	12 " x 2-1/2 "	2146AT - 357	R46357	R40H546	R40H7146	R40H2598	R40H2599
	Ra	BX	12 " x 2-1/2 "	2146AT - 357	R46357	R40H546	R40H7146	R40H2598	R40H2599
	Ra	BX	12 " x 3 "	2140AT - 358	R46358	R40H608	R40H7181	R40H2598	R40H2599
	Ra	BX	12 " x 3 "	2140AT - 358	R46358	R40H608	R40H7181	R40H2598	R40H2599
	Ra	BX	12 " x 3 "	2140AT - 358	R46358	R40H608	R40H7181	R40H2598	R40H2599
	Ra	BX	12 " x 3 "	2140AT - 358	R46358	R40H608	R40H7181	R40H2598	R40H2599
	Ra	BX	12 " x 3 "	2140AT - 358	R46358	R40H608	R40H7181	R40H2598	R40H2599
1987	Fd	DN		7054 - D120	MD120	R407130	R407130	NR	NR
	Fd	DN		7054 - D120	MD120	R407130	R407130	NR	NR
	Fd	DN		7054 - D120	MD120	R407130	R407130	NR	NR
	Fd	DN		7054 - D120	MD120	R407130	R407130	NR	NR
	Ra	BX	12 " x 2-1/2 "	2146AT - 357	R46357	R40H546	R40H7146	R40H2598	R40H2599
	Ra	BX	12 " x 2-1/2 "	2146AT - 357	R46357	R40H546	R40H7146	R40H2598	R40H2599
	Ra	BX	12 " x 2-1/2 "	2146AT - 357	R46357	R40H546	R40H7146	R40H2598	R40H2599
	Ra	BX	12 " x 2-1/2 "	2146AT - 357	R46357	R40H546	R40H7146	R40H2598	R40H2599
	Ra	BX	12 " x 3 "	2140AT - 358	R46358	R40H608	R40H7181	R40H2598	R40H2599
	Ra	BX	12 " x 3 "	2140AT - 358	R46358	R40H608	R40H7181	R40H2598	R40H2599
	Ra	BX	12 " x 3 "	2140AT - 358	R46358	R40H608	R40H7181	R40H2598	R40H2599
	Ra	BX	12 " x 3 "	2140AT - 358	R46358	R40H608	R40H7181	R40H2598	R40H2599
1986	Fd	DN		7054 - D120	MD120	R407130	R407130	NR	NR
	Fd	DN		7054 - D120	MD120	R407130	R407130	NR	NR
	Fd	DN		7054 - D120	MD120	R407130	R407130	NR	NR
	Fd	DN		7054 - D120	MD120	R407130	R407130	NR	NR
	Ra	BX	12 " x 2-1/2 "	2146AT - 357	R46357	R40H546	R40H7146	R40H2598	R40H2599
	Ra	BX	12 " x 2-1/2 "	2146AT - 357	R46357	R40H546	R40H7146	R40H2598	R40H2599
	Ra	BX	12 " x 2-1/2 "	2146AT - 357	R46357	R40H546	R40H7146	R40H2598	R40H2599
	Ra	BX	12 " x 2-1/2 "	2146AT - 357	R46357	R40H546	R40H7146	R40H2598	R40H2599
	Ra	BX	12 " x 3 "	2140AT - 358	R46358	R40H608	R40H7181	R40H2598	R40H2599
	Ra	BX	12 " x 3 "	2140AT - 358	R46358	R40H608	R40H7181	R40H2598	R40H2599
	Ra	BX	12 " x 3 "	2140AT - 358	R46358	R40H608	R40H7181	R40H2598	R40H2599
	Ra	BX	12 " x 3 "	2140AT - 358	R46358	R40H608	R40H7181	R40H2598	R40H2599
1985	Fd	BX		788 - D50	MD50	R40H05025	R40H5545	NR	NR
	Fd	BX		788 - D50	MD50	R40H05025	R40H5545	NR	NR
	Fd	DN		7054 - D120	MD120	R40H05025	60050135	NR	NR
	Fd	DN		7054 - D120	MD120	R40H05025	60050135	NR	NR
	Fd	DN		7054 - D120	MD120	R40H05025	60050135	NR	NR
	Ra	BX	12 " x 2-1/2 "	2146AT - 357	R46357	R40H546	R40H7146	R40H2598	R40H2599
	Ra	BX	12 " x 2-1/2 "	2146AT - 357	R46357	R40H546	R40H7146	R40H2598	R40H2599
	Ra	BX	12 " x 2-1/2 "	2146AT - 357	R46357	R40H546	R40H7146	R40H2598	R40H2599
	Ra	BX	12 " x 2-1/2 "	2146AT - 357	R46357	R40H546	R40H7146	R40H2598	R40H2599
	Ra	BX	12 " x 2-1/2 "	2146AT - 357	R46357	R40H546	R40H7146	R40H2598	R40H2599
	Ra	BX	12 " x 2-1/2 "	2146AT - 357	R46357	R40H546	R40H7146	R40H2598	R40H2599
	Ra	BX	12 " x 3 "	2140AT - 358	R46358	R40H608	R40H7181	R40H2598	R40H2599
	Ra	BX	12 " x 3 "	2140AT - 358	R46358	R40H608	R40H7181	R40H2598	R40H2599
	Ra	BX	12 " x 3 "	2140AT - 358	R46358	R40H608	R40H7181	R40H2598	R40H2599
	Ra	BX	12 " x 3 "	2140AT - 358	R46358	R40H608	R40H7181	R40H2598	R40H2599

41 - Aluminum piston
 175 - Rotor Only; 3.54, 4.09 Ratio
 197 - 8.80", 10.25" Ring Gear
 www.XpresswayPlus.com

54 - Manual Brakes
 189 - Single Rear Wheels, 10 1/4" Ring Gear
 199 - For Steel Version use R4090019S

167 - Except 10 1/4" Ring Gear
 195 - 7.50", 9.75" Ring Gear
 217 - Power Brakes Except Speed Control

MERITOR DRUM OR ROTOR NO.	CALIPER OR CYLINDER BORE SIZE	MERITOR CALIPER OR WHEEL CYLINDER (LEFT)	MERITOR CALIPER OR WHEEL CYLINDER (RIGHT)	MERITOR CALIPER OR WHEEL CYLINDER REPAIR KIT	MERITOR CALIPER PISTON	MERITOR MASTER CYLINDER	MERITOR MASTER CYLINDER KIT	MERITOR BRAKE HOSE (LEFT)	MERITOR BRAKE HOSE (RIGHT)
FORD(Cont.)									
F200, F250 SERIES PICKUP-3/4 TON(Cont.)									
R44140344 ¹⁶⁷ R44140504 ¹⁸⁹ R44140344 ¹⁶⁷	1 " 1 " 1 "	R4133725 R4133725 R4133725	R4133726 R4133726 R4133726	R4166822 R4166822 R4166822	NR NR NR	- - -	- - -	R4578666 R4577245 R4577245	R4578666 R4577245 R4577245
R44141237 ¹⁷⁵ R44141487 ³⁸¹ R44141487 ³⁸¹ R44141237 ¹⁷⁵ R44141237 ¹⁷⁵ R44141237 ¹⁷⁵	2-3/16 " 2-3/16 " 2-3/16 " 2-3/16 " 2-3/16 " 2-3/16 "	R42R55456 R42R55456 R42R55456 R42R55456 R42R55456 R42R55456	R42R55456 R42R55456 R42R55456 R42R55456 R42R55456 R42R55456	R4166713 R4166713 R4166713 R4166713 R4166713 R4166713	R4090029 ⁴¹ R4090029 ⁴¹ R4090029 ⁴¹ R4090029 ⁴¹ R4090029 ⁴¹ R4090029 ⁴¹	R148228 ⁵⁴ R148228 ⁵⁴ R4112198 ²¹⁷ R4112198 ²¹⁷ R148228 ⁵⁴ R4112198 ²¹⁷	N/A N/A N/A N/A N/A N/A	R4577311 ²⁵⁹ R4577235 ²⁵⁹ R4577235 ²⁵⁹ R4577311 ²⁵⁹ R4577311 ²⁵⁹ R4577311 ²⁵⁹	R4577311 R4577235 R4577235 R4577311 R4577311 R4577311
R44140397 ¹⁹⁵ R44140520 ¹⁹⁷ R44140520 ¹⁹⁷ R44140397 ¹⁹⁵ R44140397 ¹⁹⁵ R44140520 ¹⁹⁷ R44140344 ¹⁶⁷ R44140504 ¹⁸⁹ R44140344 ¹⁶⁷ R44140504 ¹⁸⁹ R44140504 ¹⁸⁹ R44140344 ¹⁶⁷	1 " 1 " 1 " 1 " 1 " 1 " 1 " 1 " 1 " 1 " 1 " 1 "	R4133004 R4133004 R4133004 R4133004 R4133004 R4133004 R4133725 R4133725 R4133725 R4133725 R4133725 R4133725	R4133004 R4133004 R4133004 R4133004 R4133004 R4133004 R4133726 R4133726 R4133726 R4133726 R4133726 R4133726	R4166822 R4166822 R4166822 R4166822 R4166822 R4166822 R4166822 R4166822 R4166822 R4166822 R4166822 R4166822	NR NR NR NR NR NR NR NR NR NR NR NR	- - - - - - - - - - - -	- - - - - - - - - - - -	R4577245 R4578666 R4577245 R4578666 R4577245 R4578666 R4577245 R4578666 R4577245 R4578666 R4577245 R4578666	R4577245 R4578666 R4577245 R4578666 R4577245 R4578666 R4577245 R4578666 R4577245 R4578666 R4577245 R4578666
R44141487 ³⁸¹ R44141237 ¹⁷⁵ R44141487 ³⁸¹ R44141237 ¹⁷⁵	2-3/16 " 2-3/16 " 2-3/16 " 2-3/16 "	R42R55456 R42R55456 R42R55456 R42R55456	R42R55456 R42R55456 R42R55456 R42R55456	R4166713 R4166713 R4166713 R4166713	R4090029 ⁴¹ R4090029 ⁴¹ R4090029 ⁴¹ R4090029 ⁴¹	R4112198 ²¹⁷ R148228 ⁵⁴ R148228 ⁵⁴ R4112198 ²¹⁷	N/A N/A N/A N/A	R4577235 ²⁵⁹ R4577311 ²⁵⁹ R4577235 ²⁵⁹ R4577311 ²⁵⁹	R4577235 R4577311 R4577235 R4577311
R44140520 ¹⁹⁷ R44140397 ¹⁹⁵ R44140397 ¹⁹⁵ R44140520 ¹⁹⁷ R44140344 ¹⁶⁷ R44140504 ¹⁸⁹ R44140344 ¹⁶⁷ R44140504 ¹⁸⁹ R44140344 ¹⁶⁷ R44140504 ¹⁸⁹	1 " 1 " 1 " 1 " 1 " 1 " 1 " 1 " 1 " 1 "	R4133004 R4133004 R4133004 R4133004 R4133725 R4133725 R4133725 R4133725 R4133725 R4133725	R4133004 R4133004 R4133004 R4133004 R4133726 R4133726 R4133726 R4133726 R4133726 R4133726	R4166822 R4166822 R4166822 R4166822 R4166822 R4166822 R4166822 R4166822 R4166822 R4166822	NR NR NR NR NR NR NR NR NR NR	- - - - - - - - - -	- - - - - - - - - -	R4577247 ²⁶¹ R4577245 ²⁶¹ R4577245 ²⁶¹ R4577245 ²⁶¹ R4577247 ²⁶¹ R4577245 ²⁶¹ R4577245 ²⁶¹ R4577245 ²⁶¹ R4577245 ²⁶¹ R4577247 ²⁶¹	R4577247 R4577245 R4577245 R4577245 R4577247 R4577245 R4577245 R4577245 R4577245 R4577247
R44141487 ³⁸¹ R44141237 ¹⁷⁵ R44141487 ³⁸¹ R44141237 ¹⁷⁵	2-3/16 " 2-3/16 " 2-3/16 " 2-3/16 "	R42R55456 R42R55456 R42R55456 R42R55456	R42R55456 R42R55456 R42R55456 R42R55456	R4166713 R4166713 R4166713 R4166713	R4090029 ⁴¹ R4090029 ⁴¹ R4090029 ⁴¹ R4090029 ⁴¹	R4112008 ⁵⁴ R4112007 ⁵⁴ R4112007 ⁵⁴ R4112008 ⁵⁴	N/A N/A N/A N/A	R4577235 ²⁵⁹ R4577311 ²⁵⁹ R4577235 ²⁵⁹ R4577311 ²⁵⁹	R4577235 R4577311 R4577235 R4577311
R44140397 ¹⁹⁵ R44140397 ¹⁹⁵ R44140520 ¹⁹⁷ R44140520 ¹⁹⁷ R44140504 ¹⁸⁹ R44140504 ¹⁸⁹ R44140344 ¹⁶⁷ R44140344 ¹⁶⁷	1 " 1 " 1 " 1 " 1 " 1 " 1 " 1 "	R4133004 R4133004 R4133004 R4133004 R4133725 R4133725 R4133725 R4133725	R4133004 R4133004 R4133004 R4133004 R4133726 R4133726 R4133726 R4133726	R4166822 R4166822 R4166822 R4166822 R4166822 R4166822 R4166822 R4166822	NR NR NR NR NR NR NR NR	- - - - - - - -	- - - - - - - -	R4577613 ²⁶³ R4577612 ²⁶² R4577613 ²⁶³ R4577612 ²⁶² R4577613 ²⁶³ R4577612 ²⁶² R4577613 ²⁶³ R4577612 ²⁶²	R4577613 R4577612 R4577613 R4577612 R4577613 R4577612 R4577613 R4577612
R44141197 R44141197 R44141237 ¹⁷⁵ R44141237 ¹⁷⁵ R44141235 ³⁸¹	2-7/8 " 2-7/8 " 2-3/16 " 2-3/16 " 2-3/16 "	R42R55244 R42R55244 R42R55412 R42R55412 R42R55412	R42R55243 R42R55243 R42R55411 R42R55411 R42R55411	R4066781 R4066781 R4166713 R4166713 R4166713	R4090019S ¹⁹⁹ R4090019S ¹⁹⁹ R4090029 ⁴¹ R4090029 ⁴¹ R4090029 ⁴¹	R4112008 ⁵⁴ R4112007 ⁵⁴ R4112008 ⁵⁴ R4112007 ⁵⁴ R4112007 ⁵⁴	N/A N/A N/A N/A N/A	R4577248 R4577248 R4577311 ²⁵⁹ R4577311 ²⁵⁹ R4577235 ²⁵⁹	R4577249 R4577249 R4577311 R4577311 R4577235
R44140397 ¹⁹⁵ R44140397 ¹⁹⁵ R44140397 ¹⁹⁵ R44140397 ¹⁹⁵ R44140397 ¹⁹⁵ R44140397 ¹⁹⁵ R44140504 ¹⁸⁹ R44140344 ¹⁶⁷ R44140344 ¹⁶⁷ R44140344 ¹⁶⁷	15/16 " 1 " 1 " 15/16 " 1 " 15/16 " 1 " 1 " 1 " 1 "	R4133230 R4133004 R4133004 R4133230 R4133004 R4133230 R4133725 R4133725 R4133725 R4133725	R4133231 R4133004 R4133004 R4133231 R4133004 R4133231 R4133726 R4133726 R4133726 R4133726	R4166852 R4166822 R4166822 R4166852 R4166822 R4166852 R4166822 R4166822 R4166822 R4166822	NR NR NR NR NR NR NR NR NR NR	- - - - - - - - - -	- - - - - - - - - -	R4577245 ²⁶¹ R4577245 ²⁶¹ R4577612 ²⁶² R4577612 ²⁶² R4577613 ²⁶³ R4577613 ²⁶³ R4577613 ²⁶³ R4577613 ²⁶³ R4577245 ²⁶¹ R4577613 ²⁶³	R4577245 R4577245 R4577612 R4577612 R4577613 R4577613 R4577613 R4577613 R4577245 R4577613

1 APPLICATION

259 - 4x2, Except Monobeam Axle
263 - 4x2 and 4x4 Monobeam Axle with 137" and 161" Wheel Base

261 - 4x4, Except Monobeam Axle
381 - Rotor and Hub One Piece Assembly W/O ABS Ring

262 - 4x2 and 4x4 Monobeam Axle and 133", 153", 168" Wheel Base

MAKE MODEL YEAR AXLE CODE AXLE WEIGHT	AXLE & BRK. TYPE	BRK. MFG.	BRAKE SIZE	FMSI	MERITOR DISC PAD OR BRAKE SHOE	MERITOR GUIDE PIN OR RETURN SPRING KIT	MERITOR CALIPER HWD. KIT OR RETURN SPRING KIT	MERITOR ADJUSTER KIT (LEFT WHEEL)	MERITOR ADJUSTER KIT (RIGHT WHEEL)
FORD(Cont.)									
F200, F250 SERIES PICKUP-3/4 TON(Cont.)									
1985	Ra Ra	BX BX	12" x 3" 12" x 3"	2140AT - 358 2140AT - 358	R46358 R46358	R40H608 R40H608	R40H7181 R40H7181	R40H2598 R40H2598	R40H2599 R40H2599
8,500 lb. GVW and Up	Fd	DN		7054 - D120	MD120	R40H05025	60050135	NR	NR
1984	Fd Fd Fd Fd Ra Ra Ra Ra Ra Ra Ra Ra Ra Ra Ra	BX BX DN DN BX BX BX BX BX BX BX BX BX BX BX		788 - D50 788 - D50 7054 - D120 7054 - D120 7054 - D120 2146AT - 357 2146AT - 357 2146AT - 357 2146AT - 357 2146AT - 357 2140AT - 358 2140AT - 358 2140AT - 358 2140AT - 358 2140AT - 358 2140AT - 358	MD50 MD50 MD120 MD120 MD120 R46357 R46357 R46357 R46357 R46357 R46358 R46358 R46358 R46358 R46358	R40H05025 R40H05025 R40H05025 R40H05025 R40H05025 R40H546 R40H546 R40H546 R40H546 R40H546 R40H608 R40H608 R40H608 R40H608 R40H608	R40H5545 R40H5545 60050135 60050135 60050135 R40H7146 R40H7146 R40H7146 R40H7146 R40H7146 R40H7181 R40H7181 R40H7181 R40H7181 R40H7181	NR NR NR NR NR R40H2598 R40H2598 R40H2598 R40H2598 R40H2598 R40H2598 R40H2598 R40H2598 R40H2598	NR NR NR NR NR R40H2599 R40H2599 R40H2599 R40H2599 R40H2599 R40H2599 R40H2599 R40H2599 R40H2599
8,500 lb. GVW and Up	Fd	DN		7054 - D120	MD120	R40H05025	60050135	NR	NR
1983	Fd Fd Fd Ra Ra Ra Ra	BX DN DN BX BX BX BX		788 - D50 7054 - D120 7054 - D120 2146AT - 357 2146AT - 357 2146AT - 357 2146AT - 357	MD50 MD120 MD120 R46357 R46357 R46357 R46357	R40H05025 R40H05025 R40H05025 R40H546 R40H546 R40H546 R40H546	R40H5545 60050135 60050135 R40H7146 R40H7146 R40H7146 R40H7146	NR NR NR R40H2598 R40H2598 R40H2598 R40H2598	NR NR NR R40H2599 R40H2599 R40H2599 R40H2599
1982	Fd Fd Fd Ra Ra Ra Ra	BX DN DN BX BX BX BX		788 - D50 7054 - D120 7054 - D120 2146AT - 357 2146AT - 357 2146AT - 357 2146AT - 357	MD50 MD120 MD120 R46357 R46357 R46357 R46357	R40H05025 R40H05025 R40H05025 R40H546 R40H546 R40H546 R40H546	R40H5545 60050135 60050135 R40H7146 R40H7146 R40H7146 R40H7146	NR NR NR R40H2598 R40H2598 R40H2598 R40H2598	NR NR NR R40H2599 R40H2599 R40H2599 R40H2599
1981	Fd Fd Fd Ra Ra Ra Ra	BX DN DN BX BX BX BX		788 - D50 7054 - D120 7054 - D120 2146AT - 357 2146AT - 357 2146AT - 357 2146AT - 357	MD50 MD120 MD120 R46357 R46357 R46357 R46357	R40H05025 R40H05025 R40H05025 R40H546 R40H546 R40H546 R40H546	R40H5545 60050135 60050135 R40H7146 R40H7146 R40H7146 R40H7146	NR NR NR R40H2598 R40H2598 R40H2598 R40H2598	NR NR NR R40H2599 R40H2599 R40H2599 R40H2599
1980	Fd Fd Fd Ra Ra Ra Ra	BX DN DN BX BX BX BX		788 - D50 7054 - D120 7054 - D120 2146AT - 357 2146AT - 357 2146AT - 357 2146AT - 357	MD50 MD120 MD120 R46357 R46357 R46357 R46357	R40H05025 R40H05025 R40H05025 R40H546 R40H546 R40H546 R40H546	R40H5545 60050135 60050135 R40H7146 R40H7146 R40H7146 R40H7146	NR NR NR R40H2598 R40H2598 R40H2598 R40H2598	NR NR NR R40H2599 R40H2599 R40H2599 R40H2599
1979	Fd Fd Ra Ra	BX DN BX BX		788 - D50 7054 - D120 2146AT - 357 2146AT - 357	MD50 MD120 R46357 R46357	R40H05025 R40H05025 R40H546 R40H546	R40H5545 60050135 R40H7146 R40H7146	NR NR R40H2598 R40H2598	NR NR R40H2599 R40H2599
1978	Fd Fd Ra Ra	BX DN BX BX		788 - D50 7054 - D120 2146AT - 357 2146AT - 357	MD50 MD120 R46357 R46357	R40H05025 R40H05025 R40H546 R40H546	R40H5545 60050135 R40H7146 R40H7146	NR NR R40H2598 R40H2598	NR NR R40H2599 R40H2599

41 - Aluminum piston
167 - Except 10 1/4" Ring Gear
195 - 7.50", 9.75" Ring Gear
www.XpresswayPlus.com

53 - Power Brakes
175 - Rotor Only; 3.54, 4.09 Ratio
199 - For Steel Version use R4090019S

54 - Manual Brakes
189 - Single Rear Wheels, 10 1/4" Ring Gear
259 - 4x2, Except Monobeam Axle

MERITOR DRUM OR ROTOR NO.	CALIPER OR CYLINDER BORE SIZE	MERITOR CALIPER OR WHEEL CYLINDER (LEFT)	MERITOR CALIPER OR WHEEL CYLINDER (RIGHT)	MERITOR CALIPER OR WHEEL CYLINDER REPAIR KIT	MERITOR CALIPER PISTON	MERITOR MASTER CYLINDER	MERITOR MASTER CYLINDER KIT	MERITOR BRAKE HOSE (LEFT)	MERITOR BRAKE HOSE (RIGHT)
FORD(Cont.)									
F200, F250 SERIES PICKUP-3/4 TON(Cont.)									
R44140504 ¹⁸⁹ R44140504 ¹⁸⁹	1 " 1 "	R4133725 R4133725	R4133726 R4133726	R4166822 R4166822	NR NR	- -	- -	R4577612 ²⁶² R4577245 ²⁶¹	R4577612 R4577245
R44141234 ³⁸¹	2-3/16 "	R42R55412	R42R55411	R4166713	R4090029 ⁴¹	R4112008 ⁵⁴	N/A	R4577235 ²⁵⁹	R4577235
R44141197 R44141197 R44141235 ³⁸¹ R44141237 ¹⁷⁵ R44141237 ¹⁷⁵	2-7/8 " 2-7/8 " 2-3/16 " 2-3/16 " 2-3/16 "	R42R55244 R42R55244 R42R55412 R42R55412 R42R55412	R42R55243 R42R55243 R42R55411 R42R55411 R42R55411	R4066781 R4066781 R4166713 R4166713 R4166713	R4090019S ¹⁹⁹ R4090019S ¹⁹⁹ R4090029 ⁴¹ R4090029 ⁴¹ R4090029 ⁴¹	R4112007 ⁵⁴ R4112008 ⁵⁴ R4112007 ⁵⁴ R4112008 ⁵⁴ R4112007 ⁵⁴	N/A N/A N/A N/A N/A	R4577248 R4577248 R4577235 ²⁵⁹ R4577311 ²⁵⁹ R4577311 ²⁵⁹	R4577249 R4577249 R4577235 R4577311 R4577311
R44140397 ¹⁹⁵ R44140397 ¹⁹⁵ R44140397 ¹⁹⁵ R44140397 ¹⁹⁵ R44140397 ¹⁹⁵ R44140397 ¹⁹⁵ R44140504 ¹⁸⁹ R44140344 ¹⁶⁷ R44140344 ¹⁶⁷ R44140504 ¹⁸⁹ R44140344 ¹⁶⁷ R44140504 ¹⁸⁹ R44140344 ¹⁶⁷ R44140504 ¹⁸⁹	1 " 15/16 " 15/16 " 1 " 15/16 " 1 " 1 " 1 " 1 " 1 " 1 " 1 " 1 " 1 " 1 "	R4133004 R4133230 R4133230 R4133004 R4133230 R4133004 R4133725 R4133725 R4133725 R4133004 R4133725 R4133725 R4133725 R4133725 R4133725	R4133004 R4133231 R4133231 R4133004 R4133231 R4133004 R4133726 R4133726 R4133726 R4133004 R4133726 R4133726 R4133726 R4133726 R4133726	R4166822 R4166852 R4166852 R4166822 R4166852 R4166822 R4166822 R4166822 R4166822 R4166822 R4166822 R4166822 R4166822 R4166822 R4166822	NR NR NR NR NR NR NR NR NR NR NR NR NR NR NR	- - - - - - - - - - - - - - -	- - - - - - - - - - - - - - - -	R4577245 R4577245 R4577245 R4577245 R4577245 R4577245 R4577245 R4577245 R4577245 R4577245 R4577245 R4577245 R4577245 R4577245 R4577245	R4577245 R4577245 R4577245 R4577245 R4577245 R4577245 R4577245 R4577245 R4577245 R4577245 R4577245 R4577245 R4577245 R4577245 R4577245
R44141234 ³⁸¹	2-3/16 "	R42R55412	R42R55411	R4166713	R4090029 ⁴¹	R4112008 ⁵⁴	N/A	R4577235 ²⁵⁹	R4577235
R44141197 R44141237 ¹⁷⁵ R44141235 ³⁸¹	2-7/8 " 2-3/16 " 2-3/16 "	R42R55244 R42R55412 R42R55412	R42R55243 R42R55411 R42R55411	R4066781 R4166713 R4166713	R4090019S ¹⁹⁹ R4090029 ⁴¹ R4090029 ⁴¹	R4111854 ⁵³ R4111856 ⁵⁴ R4111861 ⁵⁴	N/A N/A N/A	R4577248 R4577311 ²⁵⁹ R4577235 ²⁵⁹	R4577249 R4577311 R4577235
R44140397 ¹⁹⁵ R44140397 ¹⁹⁵ R44140397 ¹⁹⁵ R44140397 ¹⁹⁵	15/16 " 15/16 " 15/16 " 15/16 "	R4133230 R4133230 R4133230 R4133230	R4133231 R4133231 R4133231 R4133231	R4166852 R4166852 R4166852 R4166852	NR NR NR NR	- - - -	- - - -	R4577245 ²⁶¹ R4577247 ²⁶¹ R4577613 ²⁶³ R4577612 ²⁶²	R4577245 R4577247 R4577613 R4577612
R44141197 R44141237 ¹⁷⁵ R44141235 ³⁸¹	2-7/8 " 2-3/16 " 2-3/16 "	R42R55244 R42R55412 R42R55412	R42R55243 R42R55411 R42R55411	R4066781 R4166713 R4166713	R4090019S ¹⁹⁹ R4090029 ⁴¹ R4090029 ⁴¹	R4111854 ⁵³ R4111856 ⁵⁴ R4111861 ⁵⁴	N/A N/A N/A	R4577248 R4577311 ²⁵⁹ R4577235 ²⁵⁹	R4577249 R4577311 R4577235
R44140397 ¹⁹⁵ R44140397 ¹⁹⁵ R44140397 ¹⁹⁵ R44140397 ¹⁹⁵	15/16 " 15/16 " 15/16 " 15/16 "	R4133230 R4133230 R4133230 R4133230	R4133231 R4133231 R4133231 R4133231	R4166852 R4166852 R4166852 R4166852	NR NR NR NR	- - - -	- - - -	R4577245 R4577245 R4577245 R4577245	R4577245 R4577245 R4577245 R4577245
R44141197 R44141237 ¹⁷⁵ R44141235 ³⁸¹	2-7/8 " 2-3/16 " 2-3/16 "	R42R55244 R42R55412 R42R55412	R42R55243 R42R55411 R42R55411	R4066781 R4166713 R4166713	R4090019S ¹⁹⁹ R4090029 ⁴¹ R4090029 ⁴¹	R4111854 ⁵³ R4111856 ⁵⁴ R4111861 ⁵⁴	N/A N/A N/A	R4577248 R4577311 ²⁵⁹ R4577235 ²⁵⁹	R4577249 R4577311 R4577235
R44140397 ¹⁹⁵ R44140397 ¹⁹⁵ R44140397 ¹⁹⁵ R44140397 ¹⁹⁵	15/16 " 15/16 " 15/16 " 15/16 "	R4133230 R4133230 R4133230 R4133230	R4133231 R4133231 R4133231 R4133231	R4166852 R4166852 R4166852 R4166852	NR NR NR NR	- - - -	- - - -	R4577245 R4577245 R4577245 R4577245	R4577245 R4577245 R4577245 R4577245
R44141197 R44141237 ¹⁷⁵ R44141235 ³⁸¹	2-7/8 " 2-3/16 " 2-3/16 "	R42R55244 R42R55412 R42R55412	R42R55243 R42R55411 R42R55411	R4066781 R4166713 R4166713	R4090019S ¹⁹⁹ R4090029 ⁴¹ R4090029 ⁴¹	R4111854 ⁵³ R4111856 ⁵⁴ R4111861 ⁵⁴	N/A N/A N/A	R4577248 R4577311 ²⁵⁹ R4577235 ²⁵⁹	R4577249 R4577311 R4577235
R44140397 ¹⁹⁵ R44140397 ¹⁹⁵ R44140397 ¹⁹⁵ R44140397 ¹⁹⁵	15/16 " 15/16 " 15/16 " 15/16 "	R4133230 R4133230 R4133230 R4133230	R4133231 R4133231 R4133231 R4133231	R4166852 R4166852 R4166852 R4166852	NR NR NR NR	- - - -	- - - -	R4577245 R4577245 R4577245 R4577245	R4577245 R4577245 R4577245 R4577245
N/A N/A	2-7/8 " 2-3/16 "	R42R55095 R42R55413	R42R55094 R42R55413	R4066781 R4166713	R4090019S ¹⁹⁹ R4090029 ⁴¹	R4111854 ⁵³ -	N/A -	R4577248 -	R4577249 -
N/A N/A	15/16 " 1 "	- -	- -	N/A N/A	NR NR	- -	- -	- -	- -
N/A N/A	2-7/8 " 2-3/16 "	R42R55095 R42R55413	R42R55094 R42R55413	R4066781 R4166713	R4090019S ¹⁹⁹ R4090029 ⁴¹	R4111854 ⁵³ -	N/A -	R4577248 -	R4577249 -
N/A N/A	1 " 15/16 "	- -	- -	N/A N/A	NR NR	- -	- -	- -	- -

261 - 4x4, Except Monobeam Axle
 381 - Rotor and Hub One Piece Assembly W/O ABS Ring
 262 - 4x2 and 4x4 Monobeam Axle and 133", 153", 168" Wheel Base
 263 - 4x2 and 4x4 Monobeam Axle with 137" and 161" Wheel Base

MAKE MODEL YEAR AXLE CODE AXLE WEIGHT	AXLE & BRK. TYPE	BRK. MFG.	BRAKE SIZE	FMSI	MERITOR DISC PAD OR BRAKE SHOE	MERITOR GUIDE PIN OR RETURN SPRING KIT	MERITOR CALIPER HWD. KIT OR RETURN SPRING KIT	MERITOR ADJUSTER KIT (LEFT WHEEL)	MERITOR ADJUSTER KIT (RIGHT WHEEL)
FORD(Cont.)									
F200, F250 SERIES PICKUP-3/4 TON(Cont.)									
1977	Fd	BX		788 - D50	MD50	R40H05025	R40H5545	NR	NR
	Fd	DN		7054 - D120	MD120	R40H05025	60050135	NR	NR
	Ra	BX	12 " x 2-1/2 "	2146AT - 357	R46357	R40H546	R40H7146	R40H2598	R40H2599
	Ra	BX	12 " x 2-1/2 "	2146AT - 357	R46357	R40H546	R40H7146	R40H2598	R40H2599
1976	Fd	BX		788 - D50	MD50	R40H05025	R40H5545	NR	NR
	Fd	DN		7054 - D120	MD120	R40H05025	60050135	NR	NR
	Ra	BX	12 " x 2-1/2 "	2146AT - 357	R46357	R40H546	R40H7146	R40H2598	R40H2599
	Ra	BX	12.125 x 2 "	2075A - 33	N/A	R40H130	NR	NR	NR
1975	Fd	BX		788 - D50	MD50	R40H05025	R40H5545	NR	NR
	Fd	DN		771 - D20	-	NR	NR	NR	NR
	Ra	BX	12 " x 2-1/2 "	2146AT - 316	R46357	R40H546	R40H7146	R40H2598	R40H2599
	Ra	BX	12 " x 2-1/2 "	2146AT - 316	R46357	R40H546	R40H7146	R40H2598	R40H2599
	Ra	BX	12.125 x 2 "	2075A - 33	N/A	R40H130	NR	NR	NR
1974	Fd	BX		788 - D50	MD50	R40H05025	R40H5545	NR	NR
	Fd	DN		771 - D20	-	NR	NR	NR	NR
	Ra	BX	12 " x 2-1/2 "	2146AT - 316	R46357	R40H546	R40H7146	R40H2598	R40H2599
	Ra	BX	12 " x 2-1/2 "	2146AT - 316	R46357	R40H546	R40H7146	R40H2598	R40H2599
	Ra	BX	12.125 x 2 "	2075A - 33	N/A	R40H130	NR	NR	NR
1973	Fd	BX		788 - D50	MD50	R40H05025	R40H5545	NR	NR
	Fd	DN		771 - D20	-	NR	NR	NR	NR
	Ra	BX	12 " x 2-1/2 "	2146AT - 316	R46357	R40H546	R40H7146	R40H2598	R40H2599
	Ra	BX	12 " x 2-1/2 "	2146AT - 316	R46357	R40H546	R40H7146	R40H2598	R40H2599
	Ra	BX	12.125 x 2 "	2075A - 33	N/A	R40H130	NR	NR	NR
F250 SUPERDUTY SERIES PICKUP-3/4TON									
2008 2 x 4	Rd	TRW		7973 - D1068	MD1068	N/R	R4012247	N/R	N/R
	Rd	TRW		7973 - D1068	MD1068	N/R	R4012247	N/R	N/R
2X4 Diesel Engine	Fd	TRW		7974 - D1069	MD1069	N/R	R4012081	N/R	N/R
	Fd	TRW		7974 - D1069	MD1069	N/R	R4012081	N/R	N/R
2X4 Gas Engine	Fd	TRW		7974 - D1069	MD1069	N/R	R4012081	N/R	N/R
	Fd	TRW		7974 - D1069	MD1069	N/R	R4012081	N/R	N/R
4 X 4	Fd	TRW		7974 - D1069	MD1069	N/R	R4012081	N/R	N/R
	Fd	TRW		7974 - D1069	MD1069	N/R	R4012081	N/R	N/R
	Fd	TRW		7974 - D1069	MD1069	N/R	R4012081	N/R	N/R
	Fd	TRW		7974 - D1069	MD1069	N/R	R4012081	N/R	N/R
	Rd	TRW		7973 - D1068	MD1068	N/R	R4012247	N/R	N/R
	Rd	TRW		7973 - D1068	MD1068	N/R	R4012247	N/R	N/R
2007 2 x 4	Fd	TRW		7974 - D1069	MD1069	N/R	R4012081	N/R	N/R
	Fd	TRW		7974 - D1069	MD1069	N/R	R4012081	N/R	N/R
	Fd	TRW		7974 - D1069	MD1069	N/R	R4012081	N/R	N/R
	Fd	TRW		7974 - D1069	MD1069	N/R	R4012081	N/R	N/R
	Fd	TRW		7974 - D1069	MD1069	N/R	R4012081	N/R	N/R
	Fd	TRW		7974 - D1069	MD1069	N/R	R4012081	N/R	N/R
4 x 4	Rd	TRW		7973 - D1068	MD1068	N/R	R4012247	N/R	N/R
	Rd	TRW		7973 - D1068	MD1068	N/R	R4012247	N/R	N/R
4 X 4 Except Harley Davidson Package	Fd	TRW		7974 - D1069	MD1069	N/R	R4012081	N/R	N/R
	Fd	TRW		7974 - D1069	MD1069	N/R	R4012081	N/R	N/R
	Fd	TRW		7974 - D1069	MD1069	N/R	R4012081	N/R	N/R
	Fd	TRW		7974 - D1069	MD1069	N/R	R4012081	N/R	N/R
	Fd	TRW		7974 - D1069	MD1069	N/R	R4012081	N/R	N/R
	Fd	TRW		7974 - D1069	MD1069	N/R	R4012081	N/R	N/R
4 X 4 Harley Davidson Package	Fd	TRW		7974 - D1069	MD1069	N/R	R4012081	N/R	N/R
	Fd	TRW		7974 - D1069	MD1069	N/R	R4012081	N/R	N/R
	Fd	TRW		7974 - D1069	MD1069	N/R	R4012081	N/R	N/R

41 - Aluminum piston

54 - Manual Brakes

199 - For Steel Version use R4090019S

363 - Piston includes Boots and Seals

394 - 8 Stud Rotor and Hub one piece Assembly

401 - Gas Engine w/o Brake Control Valve

402 - Gas Engine With Integrated Brake Control Valve

403 - To 7/19/05 Diesel Engine w/o Speed Control

404 - To 7/19/05 Diesel Engine with Speed Control

www.XpresswayPlus.com

Contact our Customer Service Teams

MERITOR DRUM OR ROTOR NO.	CALIPER OR CYLINDER BORE SIZE	MERITOR CALIPER OR WHEEL CYLINDER (LEFT)	MERITOR CALIPER OR WHEEL CYLINDER (RIGHT)	MERITOR CALIPER OR WHEEL CYLINDER REPAIR KIT	MERITOR CALIPER PISTON	MERITOR MASTER CYLINDER	MERITOR MASTER CYLINDER KIT	MERITOR BRAKE HOSE (LEFT)	MERITOR BRAKE HOSE (RIGHT)
FORD(Cont.)									
F200, F250 SERIES PICKUP-3/4 TON(Cont.)									
-	2-7/8 " 2-3/16 "	R42R55095 R42R55413	R42R55094 R42R55413	R4066781 R4166713	R44140388 ¹⁹⁹ R4090029 ⁴¹	R4111854 ⁵⁴	N/A	-	-
-	1 " 15/16 "	-	-	-	NR NR	-	-	-	-
-	2-7/8 " 2-3/16 "	R42R55095 R42R55413	R42R55094 R42R55413	R4066781 R4166713	R44140388 ¹⁹⁹ R4090029 ⁴¹	-	-	-	-
-	-	-	-	-	NR NR	-	-	-	-
-	2-7/8 " 2-3/16 "	R42R55095 R42R55456	R42R55094 R42R55456	R4066781	R44140388 ¹⁹⁹ R4090029	-	-	-	-
-	-	-	-	-	NR NR NR	-	-	-	-
-	2-7/8 " 2-3/16 "	R42R55095 R42R55456	R42R55094 R42R55456	R4066781	R44140388 ¹⁹⁹ R4090029	-	-	-	-
-	-	-	-	-	NR NR NR	-	-	-	-
-	2-7/8 " 2-3/16 "	R42R55095 R42R55456	R42R55094 R42R55456	R4066781	R44140388 ¹⁹⁹ R4090029	-	-	-	-
-	-	-	-	-	NR NR NR	-	-	-	-
-	2-7/8 " 2-3/16 "	R42R55095 R42R55456	R42R55094 R42R55456	R4066781	R44140388 ¹⁹⁹ R4090029	-	-	-	-
-	-	-	-	-	NR NR NR	-	-	-	-
F250 SUPERDUTY SERIES PICKUP-3/4TON									
R44145258 ⁴⁰⁵ R44145258 ⁴⁰⁵	48mm 48mm	R4212244 R4212244	R4212243 R4212243	R4012246 R4012246	R4012245 ³⁶³ R4012245 ³⁶³	-	-	R457013827 R457013826	R457013836 -
R441713831 R441713831	60mm 60mm	R4212084 R4212084	R4212083 R4212083	R4012080 R4012080	-	R413013835 ⁴⁰⁸ R413013834 ⁴⁰⁷	-	R457013837 R457013837	R457013838 R457013838
R441713831 R441713831	60mm 60mm	R4212084 R4212084	R4212083 R4212083	R4012080 R4012080	-	R413013833 ⁴⁰² R413013832 ⁴⁰¹	-	R457013837 R457013837	R457013838 R457013838
R441713839 R441713839 R441713839 R441713839	60mm 60mm 60mm 60mm	R4212084 R4212084 R4212084 R4212084	R4212083 R4212083 R4212083 R4212083	R4012080 R4012080 R4012080 R4012080	-	R413013834 ⁴⁰⁷ R413013833 ⁴⁰² R413013832 ⁴⁰¹ R413013835 ⁴⁰⁸	-	R457013844 R457013844 R457013844 R457013844	R457013845 R457013845 R457013845 R457013845
R44145258 ⁴⁰⁵ R44145258 ⁴⁰⁵	48mm 48mm	- -	- -	- -	- -	- -	- -	R457013827 R457013842	R457013843 -
R44145255 ³⁹⁴ R44145255 ³⁹⁴ R44145255 ³⁹⁴ R44145255 ³⁹⁴ R44145255 ³⁹⁴ R44145255 ³⁹⁴	60mm 60mm 60mm 60mm 60mm	R4212084 R4212084 R4212084 R4212084 R4212084	R4212083 R4212083 R4212083 R4212083 R4212083	R4012080 R4012080 R4012080 R4012080 R4012080	- - - - -	R413013819 ⁴⁰⁵ R413013820 ⁴⁰⁶ R413013817 ⁴⁰¹ R413013818 ⁴⁰² R413013829 ⁴⁰³ R413013830 ⁴⁰⁴	- - - - -	R457013824 R457013824 R457013824 R457013824 R457013824 R457013824	R457013825 R457013825 R457013825 R457013825 R457013825 R457013825
R44145258 ⁴⁰⁵ R44145258 ⁴⁰⁵	48mm 48mm	R4212244 R4212244	R4212243 R4212243	R4012246 R4012246	R4012245 ³⁶³ R4012245 ³⁶³	- -	- -	R457013826 R457013827	- R457013828
R44145258 ⁴⁰⁵ R44145258 ⁴⁰⁵	48mm 48mm	R4212244 R4212244	R4212243 R4212243	R4012246 R4012246	R4012245 ³⁶³ R4012245 ³⁶³	- -	- -	R457013842 R457013827	- R457013828
R441713839 R441713839 R441713839 R441713839 R441713839 R441713839	60mm 60mm 60mm 60mm 60mm 60mm	R4212084 R4212084 R4212084 R4212084 R4212084 R4212084	R4212083 R4212083 R4212083 R4212083 R4212083 R4212083	R4012080 R4012080 R4012080 R4012080 R4012080 R4012080	- - - - - -	R413013819 ⁴⁰⁵ R413013820 ⁴⁰⁶ R413013818 ⁴⁰² R413013829 ⁴⁰³ R413013830 ⁴⁰⁴ R413013817 ⁴⁰¹	- - - - - -	R457013840 R457013840 R457013840 R457013840 R457013840 R457013840	R457013841 R457013841 R457013841 R457013841 R457013841 R457013841
R441713813 R441713813 R441713813	60mm 60mm 60mm	R4212084 R4212084 R4212084	R4212083 R4212083 R4212083	R4012080 R4012080 R4012080	- - -	R413013819 ⁴⁰⁵ R413013829 ⁴⁰³ R413013818 ⁴⁰²	- - -	R457013840 R457013840 R457013840	R457013841 R457013841 R457013841

405 - From 7/19/05 Diesel Engine w/o Brake Control Valve

405 - Rotor Only

406 - From 7/19/05 Diesel Engine with Integrated Brake Control Valve

407 - Diesel Engine w/o Brake Control Valve

408 - Diesel Engine with Integrated Brake Control Valve

MAKE MODEL YEAR AXLE CODE AXLE WEIGHT	AXLE & BRK. TYPE	BRK. MFG.	BRAKE SIZE	FMSI	MERITOR DISC PAD OR BRAKE SHOE	MERITOR GUIDE PIN OR RETURN SPRING KIT	MERITOR CALIPER HWD. KIT OR RETURN SPRING KIT	MERITOR ADJUSTER KIT (LEFT WHEEL)	MERITOR ADJUSTER KIT (RIGHT WHEEL)
FORD(Cont.)									
F250 SUPERDUTY SERIES PICKUP-3/4TON (Cont.)									
2007	Fd	TRW		7974 - D1069	MD1069	N/R	R4012081	N/R	N/R
	Fd	TRW		7974 - D1069	MD1069	N/R	R4012081	N/R	N/R
	Fd	TRW		7974 - D1069	MD1069	N/R	R4012081	N/R	N/R
2006 2 x 4	Fd	TRW		7974 - D1069	MD1069	N/R	R4012081	N/R	N/R
	Fd	TRW		7974 - D1069	MD1069	N/R	R4012081	N/R	N/R
	Fd	TRW		7974 - D1069	MD1069	N/R	R4012081	N/R	N/R
	Fd	TRW		7974 - D1069	MD1069	N/R	R4012081	N/R	N/R
	Fd	TRW		7974 - D1069	MD1069	N/R	R4012081	N/R	N/R
	Rd	TRW		7973 - D1068	MD1068	N/R	R4012247	N/R	N/R
	Rd	TRW		7973 - D1068	MD1068	N/R	R4012247	N/R	N/R
4 x 4	Rd	TRW		7973 - D1068	MD1068	N/R	R4012247	N/R	N/R
	Rd	TRW		7973 - D1068	MD1068	N/R	R4012247	N/R	N/R
4 X 4 Except Harley Davidson Package	Fd	TRW		7974 - D1069	MD1069	N/R	R4012081	N/R	N/R
	Fd	TRW		7974 - D1069	MD1069	N/R	R4012081	N/R	N/R
	Fd	TRW		7974 - D1069	MD1069	N/R	R4012081	N/R	N/R
	Fd	TRW		7974 - D1069	MD1069	N/R	R4012081	N/R	N/R
	Fd	TRW		7974 - D1069	MD1069	N/R	R4012081	N/R	N/R
	Fd	TRW		7974 - D1069	MD1069	N/R	R4012081	N/R	N/R
4 X 4 Harley Davidson Package	Fd	TRW		7974 - D1069	MD1069	N/R	R4012081	N/R	N/R
	Fd	TRW		7974 - D1069	MD1069	N/R	R4012081	N/R	N/R
	Fd	TRW		7974 - D1069	MD1069	N/R	R4012081	N/R	N/R
	Fd	TRW		7974 - D1069	MD1069	N/R	R4012081	N/R	N/R
	Fd	TRW		7974 - D1069	MD1069	N/R	R4012081	N/R	N/R
	Fd	TRW		7974 - D1069	MD1069	N/R	R4012081	N/R	N/R
2005 2 x 4	Fd	TRW		7974 - D1069	MD1069	N/R	R4012081	N/R	N/R
	Fd	TRW		7974 - D1069	MD1069	N/R	R4012081	N/R	N/R
	Fd	TRW		7974 - D1069	MD1069	N/R	R4012081	N/R	N/R
	Fd	TRW		7974 - D1069	MD1069	N/R	R4012081	N/R	N/R
	Fd	TRW		7974 - D1069	MD1069	N/R	R4012081	N/R	N/R
	Fd	TRW		7974 - D1069	MD1069	N/R	R4012081	N/R	N/R
	Rd	TRW		7973 - D1068	MD1068	N/R	R4012247	N/R	N/R
	Rd	TRW		7973 - D1068	MD1068	N/R	R4012247	N/R	N/R
4 x 4	Rd	TRW		7973 - D1068	MD1068	N/R	R4012247	N/R	N/R
	Rd	TRW		7973 - D1068	MD1068	N/R	R4012247	N/R	N/R
4 X 4 Except Harley Davidson Package	Fd	TRW		7974 - D1069	MD1069	N/R	R4012081	N/R	N/R
	Fd	TRW		7974 - D1069	MD1069	N/R	R4012081	N/R	N/R
	Fd	TRW		7974 - D1069	MD1069	N/R	R4012081	N/R	N/R
	Fd	TRW		7974 - D1069	MD1069	N/R	R4012081	N/R	N/R
	Fd	TRW		7974 - D1069	MD1069	N/R	R4012081	N/R	N/R
	Fd	TRW		7974 - D1069	MD1069	N/R	R4012081	N/R	N/R
4 X 4 Harley Davidson Package	Fd	TRW		7974 - D1069	MD1069	N/R	R4012081	N/R	N/R
	Fd	TRW		7974 - D1069	MD1069	N/R	R4012081	N/R	N/R
	Fd	TRW		7974 - D1069	MD1069	N/R	R4012081	N/R	N/R
	Fd	TRW		7974 - D1069	MD1069	N/R	R4012081	N/R	N/R
	Fd	TRW		7974 - D1069	MD1069	N/R	R4012081	N/R	N/R
	Fd	TRW		7974 - D1069	MD1069	N/R	R4012081	N/R	N/R
2004 2 x 4, 4 Wheel ABS, DRW Twin I-Beam	Fd	TRW		7625 - D824	MVD824	NR	NR	NR	NR
	Fd	TRW		7625 - D824	MVD824	NR	NR	NR	NR
2 x 4, 4 Wheel ABS, SRW	Fd	TRW		7625 - D824	MVD824	NR	NR	NR	NR
2 x 4, Rear Wheel ABS, SRW	Fd	TRW		7625 - D824	MVD824	NR	NR	NR	NR
	Fd	TRW		7625 - D824	MVD824	NR	NR	NR	NR
	Fd	TRW		7625 - D824	MVD824	NR	NR	NR	NR
4 x 4, From 3/22/99 Except Mono Beam Front Axle	Fd	TRW		7625 - D824	MVD824	NR	NR	NR	NR

217 - Power Brakes Except Speed Control

223 - Power Brakes, Speed Control

363 - Piston includes Boots and Seals

371 - With Manual Locking Hubs

394 - 8 Stud Rotor and Hub one piece Assembly

401 - Gas Engine w/o Brake Control Valve

402 - Gas Engine With Integrated Brake Control Valve

403 - To 7/19/05 Diesel Engine w/o Speed Control

404 - To 7/19/05 Diesel Engine with Speed Control

www.XpresswayPlus.com

Contact our Customer Service Teams

MERITOR DRUM OR ROTOR NO.	CALIPER OR CYLINDER BORE SIZE	MERITOR CALIPER OR WHEEL CYLINDER (LEFT)	MERITOR CALIPER OR WHEEL CYLINDER (RIGHT)	MERITOR CALIPER OR WHEEL CYLINDER REPAIR KIT	MERITOR CALIPER PISTON	MERITOR MASTER CYLINDER	MERITOR MASTER CYLINDER KIT	MERITOR BRAKE HOSE (LEFT)	MERITOR BRAKE HOSE (RIGHT)
FORD(Cont.)									
F250 SUPERDUTY SERIES PICKUP-3/4TON (Cont.)									
R441713813	60mm	R4212084	R4212083	R4012080	-	R413013830 ⁴⁰⁴	-	R457013840	R457013841
R441713813	60mm	R4212084	R4212083	R4012080	-	R413013820 ⁴⁰⁶	-	R457013840	R457013841
R441713813	60mm	R4212084	R4212083	R4012080	-	R413013817 ⁴⁰¹	-	R457013840	R457013841
R44145255 ³⁹⁴	60mm	R4212084	R4212083	R4012080	-	R413013817 ⁴⁰¹	-	R457013824	R457013825
R44145255 ³⁹⁴	60mm	R4212084	R4212083	R4012080	-	R413013820 ⁴⁰⁶	-	R457013824	R457013825
R44145255 ³⁹⁴	60mm	R4212084	R4212083	R4012080	-	R413013829 ⁴⁰³	-	R457013824	R457013825
R44145255 ³⁹⁴	60mm	R4212084	R4212083	R4012080	-	R413013818 ⁴⁰²	-	R457013824	R457013825
R44145255 ³⁹⁴	60mm	R4212084	R4212083	R4012080	-	R413013819 ⁴⁰⁵	-	R457013824	R457013825
R44145255 ³⁹⁴	60mm	R4212084	R4212083	R4012080	-	R413013830 ⁴⁰⁴	-	R457013824	R457013825
R44145258 ⁴⁰⁵	48mm	R4212244	R4212243	R4012246	R4012245 ³⁶³	-	-	R457013826	-
R44145258 ⁴⁰⁵	48mm	R4212244	R4212243	R4012246	R4012245 ³⁶³	-	-	R457013827	R457013828
R44145258 ⁴⁰⁵	48mm	R4212244	R4212243	R4012246	R4012245 ³⁶³	-	-	R457013842	-
R44145258 ⁴⁰⁵	48mm	R4212244	R4212243	R4012246	R4012245 ³⁶³	-	-	R457013827	R457013828
R441713839	60mm	R4212084	R4212083	R4012080	-	R413013818 ⁴⁰²	-	R457013840	R457013841
R441713839	60mm	R4212084	R4212083	R4012080	-	R413013829 ⁴⁰³	-	R457013840	R457013841
R441713839	60mm	R4212084	R4212083	R4012080	-	R413013817 ⁴⁰¹	-	R457013840	R457013841
R441713839	60mm	R4212084	R4212083	R4012080	-	R413013830 ⁴⁰⁴	-	R457013840	R457013841
R441713839	60mm	R4212084	R4212083	R4012080	-	R413013819 ⁴⁰⁵	-	R457013840	R457013841
R441713839	60mm	R4212084	R4212083	R4012080	-	R413013820 ⁴⁰⁶	-	R457013840	R457013841
R441713813	60mm	R4212084	R4212083	R4012080	-	R413013817 ⁴⁰¹	-	R457013840	R457013841
R441713813	60mm	R4212084	R4212083	R4012080	-	R413013818 ⁴⁰²	-	R457013840	R457013841
R441713813	60mm	R4212084	R4212083	R4012080	-	R413013830 ⁴⁰⁴	-	R457013840	R457013841
R441713813	60mm	R4212084	R4212083	R4012080	-	R413013820 ⁴⁰⁶	-	R457013840	R457013841
R441713813	60mm	R4212084	R4212083	R4012080	-	R413013819 ⁴⁰⁵	-	R457013840	R457013841
R441713813	60mm	R4212084	R4212083	R4012080	-	R413013829 ⁴⁰³	-	R457013840	R457013841
R44145255 ³⁹⁴	60mm	R4212084	R4212083	R4012080	-	R413013818 ⁴⁰²	-	R457013824	R457013825
R44145255 ³⁹⁴	60mm	R4212084	R4212083	R4012080	-	R413013830 ⁴⁰⁴	-	R457013824	R457013825
R44145255 ³⁹⁴	60mm	R4212084	R4212083	R4012080	-	R413013819 ⁴⁰⁵	-	R457013824	R457013825
R44145255 ³⁹⁴	60mm	R4212084	R4212083	R4012080	-	R413013829 ⁴⁰³	-	R457013824	R457013825
R44145255 ³⁹⁴	60mm	R4212084	R4212083	R4012080	-	R413013817 ⁴⁰¹	-	R457013824	R457013825
R44145255 ³⁹⁴	60mm	R4212084	R4212083	R4012080	-	R413013820 ⁴⁰⁶	-	R457013824	R457013825
R44145258 ⁴⁰⁵	48mm	R4212244	R4212243	R4012246	R4012245 ³⁶³	-	-	R457013826	-
R44145258 ⁴⁰⁵	48mm	R4212244	R4212243	R4012246	R4012245 ³⁶³	-	-	R457013827	R457013828
R44145258 ⁴⁰⁵	48mm	R4212244	R4212243	R4012246	R4012245 ³⁶³	-	-	R457013842	-
R44145258 ⁴⁰⁵	48mm	R4212244	R4212243	R4012246	R4012245 ³⁶³	-	-	R457013827	R457013828
R441713839	60mm	R4212084	R4212083	R4012080	-	R413013817 ⁴⁰¹	-	R457013840	R457013841
R441713839	60mm	R4212084	R4212083	R4012080	-	R413013818 ⁴⁰²	-	R457013840	R457013841
R441713839	60mm	R4212084	R4212083	R4012080	-	R413013820 ⁴⁰⁶	-	R457013840	R457013841
R441713839	60mm	R4212084	R4212083	R4012080	-	R413013819 ⁴⁰⁵	-	R457013840	R457013841
R441713839	60mm	R4212084	R4212083	R4012080	-	R413013830 ⁴⁰⁴	-	R457013840	R457013841
R441713839	60mm	R4212084	R4212083	R4012080	-	R413013829 ⁴⁰³	-	R457013840	R457013841
R441713813	60mm	R4212084	R4212083	R4012080	-	R413013830 ⁴⁰⁴	-	R457013840	R457013841
R441713813	60mm	R4212084	R4212083	R4012080	-	R413013819 ⁴⁰⁵	-	R457013840	R457013841
R441713813	60mm	R4212084	R4212083	R4012080	-	R413013820 ⁴⁰⁶	-	R457013840	R457013841
R441713813	60mm	R4212084	R4212083	R4012080	-	R413013817 ⁴⁰¹	-	R457013840	R457013841
R441713813	60mm	R4212084	R4212083	R4012080	-	R413013818 ⁴⁰²	-	R457013840	R457013841
R441713813	60mm	R4212084	R4212083	R4012080	-	R413013829 ⁴⁰³	-	R457013840	R457013841
R44145267 ³⁹⁴	56mm	R4255749	R4255748	R4012261	R4012260 ³⁶³	R4113648 ²¹⁷	-	R4578992	R4578991
R44145267 ³⁹⁴	56mm	R4255749	R4255748	R4012261	R4012260 ³⁶³	R4113649 ²²³	-	R4578992	R4578991
R44145255 ³⁹⁴	56mm	R4255749	R4255748	R4012261	R4012260 ³⁶³	R4113648 ²¹⁷	-	R4578992	R4578991
R44145255 ³⁹⁴	56mm	R4255749	R4255748	R4012261	R4012260 ³⁶³	R4113649 ²²³	-	R4578992	R4578991
R44145255 ³⁹⁴	56mm	R4255749	R4255748	R4012261	R4012260 ³⁶³	R4113648 ²¹⁷	-	R4578992	R4578991
R44145256 ³⁹⁴	56mm	R4255749	R4255748	R4012261	R4012260 ³⁶³	R4113649 ²²³	-	R4578992	R4578991
R44145256 ³⁹⁴	56mm	R4255749	R4255748	R4012261	R4012260 ³⁶³	R4113649 ²²³	-	R4578992	R4578991
R44145274 ⁴⁰⁵	56mm	R4255749	R4255748	R4012261	R4012260 ³⁶³	R4113649 ²²³	-	R4578994 ³⁷¹	R4578995

405 - From 7/19/05 Diesel Engine w/o Brake Control Valve

405 - Rotor Only

406 - From 7/19/05 Diesel Engine with Integrated Brake Control Valve

MAKE MODEL YEAR AXLE CODE AXLE WEIGHT	AXLE & BRK. TYPE	BRK. MFG.	BRAKE SIZE	FMSI	MERITOR DISC PAD OR BRAKE SHOE	MERITOR GUIDE PIN OR RETURN SPRING KIT	MERITOR CALIPER HWD. KIT OR RETURN SPRING KIT	MERITOR ADJUSTER KIT (LEFT WHEEL)	MERITOR ADJUSTER KIT (RIGHT WHEEL)
FORD(Cont.)									
F250 SUPERDUTY SERIES PICKUP-3/4TON (Cont.)									
2004									
	Fd	TRW		7625 - D824	MVD824	NR	NR	NR	NR
4 x 4, From 3/22/99 Mono Beam Front Axle	Fd Fd	TRW TRW		7625 - D824 7625 - D824	MVD824 MVD824	NR NR	NR NR	NR NR	NR NR
4 x 4, Up to 3/22/99 Except Mono Beam Front Axle	Fd Fd	TRW TRW		7625 - D824 7625 - D824	MVD824 MVD824	NR NR	NR NR	NR NR	NR NR
4 x 4, Up to 3/22/99 Mono Beam Front Axle	Fd Fd	TRW TRW		7625 - D824 7625 - D824	MVD824 MVD824	NR NR	NR NR	NR NR	NR NR
DRW	Rd	TRW		7626 - D757	MVD757	NR	NR	NR	NR
SRW	Rd	TRW		7626 - D757	MVD757	NR	NR	NR	NR
2003									
2 x 4, 4 Wheel ABS, DRW Twin I-Beam	Fd Fd	TRW TRW		7625 - D824 7625 - D824	MVD824 MVD824	NR NR	NR NR	NR NR	NR NR
2 x 4, 4 Wheel ABS, SRW	Fd	TRW		7625 - D824	MVD824	NR	NR	NR	NR
2 x 4, Rear Wheel ABS, SRW	Fd Fd Fd	TRW TRW TRW		7625 - D824 7625 - D824 7625 - D824	MVD824 MVD824 MVD824	NR NR NR	NR NR NR	NR NR NR	NR NR NR
4 x 4, From 3/22/99 Except Mono Beam Front Axle	Fd Fd	TRW TRW		7625 - D824 7625 - D824	MVD824 MVD824	NR NR	NR NR	NR NR	NR NR
4 x 4, From 3/22/99 Mono Beam Front Axle	Fd Fd	TRW TRW		7625 - D824 7625 - D824	MVD824 MVD824	NR NR	NR NR	NR NR	NR NR
4 x 4, Up to 3/22/99 Except Mono Beam Front Axle	Fd Fd	TRW TRW		7625 - D824 7625 - D824	MVD824 MVD824	NR NR	NR NR	NR NR	NR NR
4 x 4, Up to 3/22/99 Mono Beam Front Axle	Fd Fd	TRW TRW		7625 - D824 7625 - D824	MVD824 MVD824	NR NR	NR NR	NR NR	NR NR
DRW	Rd	TRW		7626 - D757	MVD757	NR	NR	NR	NR
SRW	Rd	TRW		7626 - D757	MVD757	NR	NR	NR	NR
2002									
2 x 4, 4 Wheel ABS, DRW Twin I-Beam	Fd Fd	TRW TRW		7625 - D824 7625 - D824	MVD824 MVD824	NR NR	NR NR	NR NR	NR NR
2 x 4, 4 Wheel ABS, SRW	Fd	TRW		7625 - D824	MVD824	NR	NR	NR	NR
2 x 4, Rear Wheel ABS, SRW	Fd Fd Fd	TRW TRW TRW		7625 - D824 7625 - D824 7625 - D824	MVD824 MVD824 MVD824	NR NR NR	NR NR NR	NR NR NR	NR NR NR
4 x 4, From 3/22/99 Except Mono Beam Front Axle	Fd Fd	TRW TRW		7625 - D824 7625 - D824	MVD824 MVD824	NR NR	NR NR	NR NR	NR NR
4 x 4, From 3/22/99 Mono Beam Front Axle	Fd Fd	TRW TRW		7625 - D824 7625 - D824	MVD824 MVD824	NR NR	NR NR	NR NR	NR NR
4 x 4, Up to 3/22/99 Except Mono Beam Front Axle	Fd Fd	TRW TRW		7625 - D824 7625 - D824	MVD824 MVD824	NR NR	NR NR	NR NR	NR NR
4 x 4, Up to 3/22/99 Mono Beam Front Axle	Fd Fd	TRW TRW		7625 - D824 7625 - D824	MVD824 MVD824	NR NR	NR NR	NR NR	NR NR
DRW	Rd	TRW		7626 - D757	MVD757	NR	NR	NR	NR
SRW	Rd	TRW		7626 - D757	MVD757	NR	NR	NR	NR

217 - Power Brakes Except Speed Control
 371 - With Manual Locking Hubs
 374 - 2 x 4 with Rear wheel ABS

223 - Power Brakes, Speed Control
 372 - With Auro Locking Hubs
 375 - Right and Left interchangeable depending on clock mounting of 394 - 8 Stud Rotor and Hub one piece Assembly unit

363 - Piston includes Boots and Seals
 373 - 2 x 4 with 4 wheel ABS

MERITOR DRUM OR ROTOR NO.	CALIPER OR CYLINDER BORE SIZE	MERITOR CALIPER OR WHEEL CYLINDER (LEFT)	MERITOR CALIPER OR WHEEL CYLINDER (RIGHT)	MERITOR CALIPER OR WHEEL CYLINDER REPAIR KIT	MERITOR CALIPER PISTON	MERITOR MASTER CYLINDER	MERITOR MASTER CYLINDER KIT	MERITOR BRAKE HOSE (LEFT)	MERITOR BRAKE HOSE (RIGHT)
FORD(Cont.)									
F250 SUPERDUTY SERIES PICKUP-3/4TON (Cont.)									
R44145274 ⁴⁰⁵	56mm	R4255749	R4255748	R4012261	R4012260 ³⁶³	R4113648 ²¹⁷	-	R4578997 ³⁷²	R4578996
R4466924 R4466924	56mm 56mm	R4255749 R4255749	R4255748 R4255748	R4012261 R4012261	R4012260 ³⁶³ R4012260 ³⁶³	R4113649 ²²³ R4113648 ²¹⁷	- -	R4578994 ³⁷¹ R4578997 ³⁷²	R4578995 R4578996
R44145245 ⁴⁰⁵ R44145245 ⁴⁰⁵	56mm 56mm	R4255749 R4255749	R4255748 R4255748	R4012261 R4012261	R4012260 ³⁶³ R4012260 ³⁶³	R4113648 ²¹⁷ R4113649 ²²³	- -	R4578994 ³⁷² R4578993 ³⁷¹	R4578996 R4578995
R44145257 ⁴⁰⁵ R44145257 ⁴⁰⁵	56mm 56mm	R4255749 R4255749	R4255748 R4255748	R4012261 R4012261	R4012260 ³⁶³ R4012260 ³⁶³	R4113648 ²¹⁷ R4113649 ²²³	- -	R4578802 ³⁷³ R4512481 ³⁷⁴	R4512482 R4512482
R44145280 ⁴⁰⁵ R44145258 ⁴⁰⁵	45mm 45mm	R4255858 R4255858	R4255857 ³⁷⁵ R4255857 ³⁷⁵	R4012040 R4012040	R4012039 ³⁶³ R4012039 ³⁶³	- -	- -	- -	- -
R44145267 ³⁹⁴ R44145267 ³⁹⁴ R44145255 ³⁹⁴	56mm 56mm 56mm	R4255749 R4255749 R4255749	R4255748 R4255748 R4255748	R4012261 R4012261 R4012261	R4012260 ³⁶³ R4012260 ³⁶³ R4012260 ³⁶³	R4113648 ²¹⁷ R4113649 ²²³ R4113648 ²¹⁷	- - -	R4578992 R4578992 R4578992	R4578991 R4578991 R4578991
R44145256 ³⁹⁴ R44145256 ³⁹⁴ R44145255 ³⁹⁴	56mm 56mm 56mm	R4255749 R4255749 R4255749	R4255748 R4255748 R4255748	R4012261 R4012261 R4012261	R4012260 ³⁶³ R4012260 ³⁶³ R4012260 ³⁶³	R4113649 ²²³ R4113648 ²¹⁷ R4113649 ²²³	- - -	R4578992 R4578992 R4578876	R4578991 R4578991 R4578991
R44145274 ⁴⁰⁵ R44145274 ⁴⁰⁵	56mm 56mm	R4255749 R4255749	R4255748 R4255748	R4012261 R4012261	R4012260 ³⁶³ R4012260 ³⁶³	R4113649 ²²³ R4113648 ²¹⁷	- -	R4578994 ³⁷¹ R4578997 ³⁷²	R4578995 R4578996
R4466924 R4466924	56mm 56mm	R4255749 R4255749	R4255748 R4255748	R4012261 R4012261	R4012260 ³⁶³ R4012260 ³⁶³	R4113649 ²²³ R4113648 ²¹⁷	- -	R4578994 ³⁷¹ R4578997 ³⁷²	R4578995 R4578996
R44145245 ⁴⁰⁵ R44145245 ⁴⁰⁵	56mm 56mm	R4255749 R4255749	R4255748 R4255748	R4012261 R4012261	R4012260 ³⁶³ R4012260 ³⁶³	R4113649 ²²³ R4113648 ²¹⁷	- -	R4578993 ³⁷¹ R4578994 ³⁷²	R4578995 R4578996
R44145257 ⁴⁰⁵ R44145257 ⁴⁰⁵	56mm 56mm	R4255749 R4255749	R4255748 R4255748	R4012261 R4012261	R4012260 ³⁶³ R4012260 ³⁶³	R4113649 ²²³ R4113648 ²¹⁷	- -	R4512481 ³⁷⁴ R4578802 ³⁷³	R4512482 R4512482
R44145280 ⁴⁰⁵ R44145258 ⁴⁰⁵	45mm 45mm	R4255858 R4255858	R4255857 ³⁷⁵ R4255857 ³⁷⁵	R4012040 R4012040	R4012039 ³⁶³ R4012039 ³⁶³	- -	- -	- -	- -
R44145267 ³⁹⁴ R44145267 ³⁹⁴ R44145255 ³⁹⁴	56mm 56mm 56mm	R4255749 R4255749 R4255749	R4255748 R4255748 R4255748	R4012261 R4012261 R4012261	R4012260 ³⁶³ R4012260 ³⁶³ R4012260 ³⁶³	R4113648 ²¹⁷ R4113649 ²²³ R4113648 ²¹⁷	- - -	R4578992 R4578992 R4578992	R4578991 R4578991 R4578991
R44145256 ³⁹⁴ R44145255 ³⁹⁴ R44145256 ³⁹⁴	56mm 56mm 56mm	R4255749 R4255749 R4255749	R4255748 R4255748 R4255748	R4012261 R4012261 R4012261	R4012260 ³⁶³ R4012260 ³⁶³ R4012260 ³⁶³	R4113649 ²²³ R4113649 ²²³ R4113648 ²¹⁷	- - -	R4578992 R4578876 R4578992	R4578991 R4578991 R4578991
R44145274 ⁴⁰⁵ R44145274 ⁴⁰⁵	56mm 56mm	R4255749 R4255749	R4255748 R4255748	R4012261 R4012261	R4012260 ³⁶³ R4012260 ³⁶³	R4113648 ²¹⁷ R4113649 ²²³	- -	R4578997 ³⁷² R4578994 ³⁷¹	R4578996 R4578995
R4466924 R4466924	56mm 56mm	R4255749 R4255749	R4255748 R4255748	R4012261 R4012261	R4012260 ³⁶³ R4012260 ³⁶³	R4113649 ²²³ R4113648 ²¹⁷	- -	R4578994 ³⁷¹ R4578997 ³⁷²	R4578995 R4578996
R44145245 ⁴⁰⁵ R44145245 ⁴⁰⁵	56mm 56mm	R4255749 R4255749	R4255748 R4255748	R4012261 R4012261	R4012260 ³⁶³ R4012260 ³⁶³	R4113649 ²²³ R4113648 ²¹⁷	- -	R4578993 ³⁷¹ R4578994 ³⁷²	R4578995 R4578996
R44145257 ⁴⁰⁵ R44145257 ⁴⁰⁵	56mm 56mm	R4255749 R4255749	R4255748 R4255748	R4012261 R4012261	R4012260 ³⁶³ R4012260 ³⁶³	R4113648 ²¹⁷ R4113649 ²²³	- -	R4578802 ³⁷³ R4512481 ³⁷⁴	R4512482 R4512482
R44145280 ⁴⁰⁵ R44145258 ⁴⁰⁵	45mm 45mm	R4255858 R4255858	R4255857 ³⁷⁵ R4255857 ³⁷⁵	R4012040 R4012040	R4012039 ³⁶³ R4012039 ³⁶³	- -	- -	- -	- -

405 - Rotor Only

1 APPLICATION

MAKE MODEL YEAR AXLE CODE AXLE WEIGHT	AXLE & BRK. TYPE	BRK. MFG.	BRAKE SIZE	FMSI	MERITOR DISC PAD OR BRAKE SHOE	MERITOR GUIDE PIN OR RETURN SPRING KIT	MERITOR CALIPER HWD. KIT OR RETURN SPRING KIT	MERITOR ADJUSTER KIT (LEFT WHEEL)	MERITOR ADJUSTER KIT (RIGHT WHEEL)
FORD(Cont.)									
F250 SUPERDUTY SERIES PICKUP-3/4TON (Cont.)									
2001									
2 x 4, 4 Wheel ABS, DRW Twin I-Beam	Fd	TRW		7625 - D824	MVD824	NR	NR	NR	NR
	Fd	TRW		7625 - D824	MVD824	NR	NR	NR	NR
2 x 4, 4 Wheel ABS, SRW 2 x 4, Rear Wheel ABS, SRW	Fd	TRW		7625 - D824	MVD824	NR	NR	NR	NR
	Fd	TRW		7625 - D824	MVD824	NR	NR	NR	NR
	Fd	TRW		7625 - D824	MVD824	NR	NR	NR	NR
4 x 4, From 3/22/99 Except Mono Beam Front Axle	Fd	TRW		7625 - D824	MVD824	NR	NR	NR	NR
	Fd	TRW		7625 - D824	MVD824	NR	NR	NR	NR
4 x 4, From 3/22/99 Mono Beam Front Axle	Fd	TRW		7625 - D824	MVD824	NR	NR	NR	NR
	Fd	TRW		7625 - D824	MVD824	NR	NR	NR	NR
4 x 4, Up to 3/22/99 Except Mono Beam Front Axle	Fd	TRW		7625 - D824	MVD824	NR	NR	NR	NR
	Fd	TRW		7625 - D824	MVD824	NR	NR	NR	NR
4 x 4, Up to 3/22/99 Mono Beam Front Axle	Fd	TRW		7625 - D824	MVD824	NR	NR	NR	NR
	Fd	TRW		7625 - D824	MVD824	NR	NR	NR	NR
DRW	Rd	TRW		7626 - D757	MVD757	NR	NR	NR	NR
SRW	Rd	TRW		7626 - D757	MVD757	NR	NR	NR	NR
2000									
2 x 4, 4 Wheel ABS, DRW Twin I-Beam	Fd	TRW		7625 - D824	MVD824	NR	NR	NR	NR
	Fd	TRW		7625 - D824	MVD824	NR	NR	NR	NR
2 x 4, 4 Wheel ABS, SRW 2 x 4, Rear Wheel ABS, SRW	Fd	TRW		7625 - D824	MVD824	NR	NR	NR	NR
	Fd	TRW		7625 - D824	MVD824	NR	NR	NR	NR
	Fd	TRW		7625 - D824	MVD824	NR	NR	NR	NR
4 x 4, From 3/22/99 Except Mono Beam Front Axle	Fd	TRW		7625 - D824	MVD824	NR	NR	NR	NR
	Fd	TRW		7625 - D824	MVD824	NR	NR	NR	NR
4 x 4, From 3/22/99 Mono Beam Front Axle	Fd	TRW		7625 - D824	MVD824	NR	NR	NR	NR
	Fd	TRW		7625 - D824	MVD824	NR	NR	NR	NR
4 x 4, Up to 3/22/99 Except Mono Beam Front Axle	Fd	TRW		7625 - D824	MVD824	NR	NR	NR	NR
	Fd	TRW		7625 - D824	MVD824	NR	NR	NR	NR
4 x 4, Up to 3/22/99 Mono Beam Front Axle	Fd	TRW		7625 - D824	MVD824	NR	NR	NR	NR
	Fd	TRW		7625 - D824	MVD824	NR	NR	NR	NR
DRW	Rd	TRW		7626 - D757	MVD757	NR	NR	NR	NR
SRW	Rd	TRW		7626 - D757	MVD757	NR	NR	NR	NR
1999									
2 x 4, 4 Wheel ABS, DRW Twin I-Beam	Fd	TRW		7625 - D824	MVD824	NR	NR	NR	NR
	Fd	TRW		7625 - D824	MVD824	NR	NR	NR	NR
2 x 4, 4 Wheel ABS, SRW 2 x 4, Rear Wheel ABS, SRW	Fd	TRW		7625 - D824	MVD824	NR	NR	NR	NR
	Fd	TRW		7625 - D824	MVD824	NR	NR	NR	NR
	Fd	TRW		7625 - D824	MVD824	NR	NR	NR	NR
4 x 4, From 3/22/99 Except Mono Beam Front Axle	Fd	TRW		7625 - D824	MVD824	NR	NR	NR	NR
	Fd	TRW		7625 - D824	MVD824	NR	NR	NR	NR
4 x 4, From 3/22/99 Mono Beam Front Axle	Fd	TRW		7625 - D824	MVD824	NR	NR	NR	NR

217 - Power Brakes Except Speed Control
371 - With Manual Locking Hubs
374 - 2 x 4 with Rear wheel ABS

223 - Power Brakes, Speed Control
372 - With Auro Locking Hubs
375 - Right and Left interchangeable depending on clock mounting of 394 - 8 Stud Rotor and Hub one piece Assembly unit

363 - Piston includes Boots and Seals
373 - 2 x 4 with 4 wheel ABS

MERITOR DRUM OR ROTOR NO.	CALIPER OR CYLINDER BORE SIZE	MERITOR CALIPER OR WHEEL CYLINDER (LEFT)	MERITOR CALIPER OR WHEEL CYLINDER (RIGHT)	MERITOR CALIPER OR WHEEL CYLINDER REPAIR KIT	MERITOR CALIPER PISTON	MERITOR MASTER CYLINDER	MERITOR MASTER CYLINDER KIT	MERITOR BRAKE HOSE (LEFT)	MERITOR BRAKE HOSE (RIGHT)
FORD(Cont.)									
F250 SUPERDUTY SERIES PICKUP-3/4TON (Cont.)									
R44145267 ³⁹⁴ R44145267 ³⁹⁴	56mm 56mm	R4255749 R4255749	R4255748 R4255748	R4012261 R4012261	R4012260 ³⁶³ R4012260 ³⁶³	R4113648 ²¹⁷ R4113649 ²²³	- -	R4578992 R4578992	R4578991 R4578991
R44145255 ³⁹⁴	56mm	R4255749	R4255748	R4012261	R4012260 ³⁶³	R4113648 ²¹⁷	-	R4578992	R4578991
R44145256 ³⁹⁴ R44145256 ³⁹⁴ R44145255 ³⁹⁴	56mm 56mm 56mm	R4255749 R4255749 R4255749	R4255748 R4255748 R4255748	R4012261 R4012261 R4012261	R4012260 ³⁶³ R4012260 ³⁶³ R4012260 ³⁶³	R4113649 ²²³ R4113648 ²¹⁷ R4113649 ²²³	- - -	R4578992 R4578992 R4578876	R4578991 R4578991 R4578991
R44145274 ⁴⁰⁵ R44145274 ⁴⁰⁵	56mm 56mm	R4255749 R4255749	R4255748 R4255748	R4012261 R4012261	R4012260 ³⁶³ R4012260 ³⁶³	R4113649 ²²³ R4113648 ²¹⁷	- -	R4578994 ³⁷¹ R4578997 ³⁷²	R4578995 R4578996
R4466924 R4466924	56mm 56mm	R4255749 R4255749	R4255748 R4255748	R4012261 R4012261	R4012260 ³⁶³ R4012260 ³⁶³	R4113648 ²¹⁷ R4113649 ²²³	- -	R4578997 ³⁷² R4578994 ³⁷¹	R4578996 R4578995
R44145245 ⁴⁰⁵ R44145245 ⁴⁰⁵	56mm 56mm	R4255749 R4255749	R4255748 R4255748	R4012261 R4012261	R4012260 ³⁶³ R4012260 ³⁶³	R4113648 ²¹⁷ R4113649 ²²³	- -	R4578994 ³⁷² R4578993 ³⁷¹	R4578996 R4578995
R44145257 ⁴⁰⁵ R44145257 ⁴⁰⁵	56mm 56mm	R4255749 R4255749	R4255748 R4255748	R4012261 R4012261	R4012260 ³⁶³ R4012260 ³⁶³	R4113648 ²¹⁷ R4113649 ²²³	- -	R4578802 ³⁷³ R4512481 ³⁷⁴	R4512482 R4512482
R44145280 ⁴⁰⁵ R44145258 ⁴⁰⁵	45mm 45mm	R4255858 R4255858	R4255857 ³⁷⁵ R4255857 ³⁷⁵	R4012040 R4012040	R4012039 ³⁶³ R4012039 ³⁶³	- -	- -	- -	- -
R44145267 ³⁹⁴ R44145267 ³⁹⁴ R44145255 ³⁹⁴	56mm 56mm 56mm	R4255749 R4255749 R4255749	R4255748 R4255748 R4255748	R4012261 R4012261 R4012261	R4012260 ³⁶³ R4012260 ³⁶³ R4012260 ³⁶³	R4113649 ²²³ R4113648 ²¹⁷ R4113648 ²¹⁷	- - -	R4578992 R4578992 R4578992	R4578991 R4578991 R4578991
R44145255 ³⁹⁴ R44145256 ³⁹⁴ R44145256 ³⁹⁴	56mm 56mm 56mm	R4255749 R4255749 R4255749	R4255748 R4255748 R4255748	R4012261 R4012261 R4012261	R4012260 ³⁶³ R4012260 ³⁶³ R4012260 ³⁶³	R4113649 ²²³ R4113649 ²²³ R4113648 ²¹⁷	- - -	R4578876 R4578992 R4578992	R4578991 R4578991 R4578991
R44145274 ⁴⁰⁵ R44145274 ⁴⁰⁵	56mm 56mm	R4255749 R4255749	R4255748 R4255748	R4012261 R4012261	R4012260 ³⁶³ R4012260 ³⁶³	R4113649 ²²³ R4113648 ²¹⁷	- -	R4578994 ³⁷¹ R4578997 ³⁷²	R4578995 R4578996
R4466924 R4466924	56mm 56mm	R4255749 R4255749	R4255748 R4255748	R4012261 R4012261	R4012260 ³⁶³ R4012260 ³⁶³	R4113649 ²²³ R4113648 ²¹⁷	- -	R4578994 ³⁷¹ R4578997 ³⁷²	R4578995 R4578996
R44145245 ⁴⁰⁵ R44145245 ⁴⁰⁵	56mm 56mm	R4255749 R4255749	R4255748 R4255748	R4012261 R4012261	R4012260 ³⁶³ R4012260 ³⁶³	R4113648 ²¹⁷ R4113649 ²²³	- -	R4578994 ³⁷² R4578993 ³⁷¹	R4578996 R4578995
R44145257 ⁴⁰⁵ R44145257 ⁴⁰⁵	56mm 56mm	R4255749 R4255749	R4255748 R4255748	R4012261 R4012261	R4012260 ³⁶³ R4012260 ³⁶³	R4113649 ²²³ R4113648 ²¹⁷	- -	R4512481 ³⁷⁴ R4578802 ³⁷³	R4512482 R4512482
R44145280 ⁴⁰⁵ R44145258 ⁴⁰⁵	45mm 45mm	R4255858 R4255858	R4255857 ³⁷⁵ R4255857 ³⁷⁵	R4012040 R4012040	R4012039 ³⁶³ R4012039 ³⁶³	- -	- -	- -	- -
R44145267 ³⁹⁴ R44145267 ³⁹⁴ R44145255 ³⁹⁴	56mm 56mm 56mm	R4255749 R4255749 R4255749	R4255748 R4255748 R4255748	R4012261 R4012261 R4012261	R4012260 ³⁶³ R4012260 ³⁶³ R4012260 ³⁶³	R4113649 ²²³ R4113648 ²¹⁷ R4113648 ²¹⁷	- - -	R4578992 R4578992 R4578992	R4578991 R4578991 R4578991
R44145256 ³⁹⁴ R44145256 ³⁹⁴ R44145255 ³⁹⁴	56mm 56mm 56mm	R4255749 R4255749 R4255749	R4255748 R4255748 R4255748	R4012261 R4012261 R4012261	R4012260 ³⁶³ R4012260 ³⁶³ R4012260 ³⁶³	R4113649 ²²³ R4113648 ²¹⁷ R4113649 ²²³	- - -	R4578992 R4578992 R4578876	R4578991 R4578991 R4578991
R44145274 ⁴⁰⁵ R44145274 ⁴⁰⁵	56mm 56mm	R4255749 R4255749	R4255748 R4255748	R4012261 R4012261	R4012260 ³⁶³ R4012260 ³⁶³	R4113649 ²²³ R4113648 ²¹⁷	- -	R4578994 ³⁷¹ R4578997 ³⁷²	R4578995 R4578996
R4466924	56mm	R4255749	R4255748	R4012261	R4012260 ³⁶³	R4113649 ²²³	-	R4578994 ³⁷¹	R4578995

405 - Rotor Only

1 APPLICATION

MAKE MODEL YEAR AXLE CODE AXLE WEIGHT	AXLE & BRK. TYPE	BRK. MFG.	BRAKE SIZE	FMSI	MERITOR DISC PAD OR BRAKE SHOE	MERITOR GUIDE PIN OR RETURN SPRING KIT	MERITOR CALIPER HWD. KIT OR RETURN SPRING KIT	MERITOR ADJUSTER KIT (LEFT WHEEL)	MERITOR ADJUSTER KIT (RIGHT WHEEL)
FORD(Cont.)									
F250 SUPERDUTY SERIES PICKUP-3/4TON									
1999									
4 x 4, From 3/22/99 Mono Beam Front Axle	Fd	TRW		7625 - D824	MVD824	NR	NR	NR	NR
4 x 4, Up to 3/22/99 Except Mono Beam Front Axle	Fd Fd	TRW TRW		7625 - D824 7625 - D824	MVD824 MVD824	NR NR	NR NR	NR NR	NR NR
4 x 4, Up to 3/22/99 Mono Beam Front Axle	Fd Fd	TRW TRW		7625 - D824 7625 - D824	MVD824 MVD824	NR NR	NR NR	NR NR	NR NR
DRW	Rd	TRW		7626 - D757	MVD757	NR	NR	NR	NR
SRW	Rd	TRW		7626 - D757	MVD757	NR	NR	NR	NR
F300, F350 SERIES PICKUP-1TON									
2001									
4x2 DRW	Fd Ra	TRW BX		7535 - D655 2140AT - 358	MD655 R46358	NR R40H608	R4012262 R40H4087	NR R40H2598	NR R40H2599
4x2 SRW	Fd Ra	TRW BX	12 " x 3 "	7535 - D655 2140AT - 358	MD655 R46358	NR R40H608	R4012262 R40H4087	NR R40H2598	NR R40H2599
4x4 DRW	Fd Ra	TRW BX	12 " x 3 "	7535 - D655 2140AT - 358	MD655 R46358	NR R40H608	R4012262 R40H4087	NR R40H2598	NR R40H2599
4x4 SRW	Fd Ra	TRW BX	12 " x 3 "	7535 - D655 2140AT - 358	MD655 R46358	NR R40H608	R4012262 R40H4087	NR R40H2598	NR R40H2599
2000									
4x2 DRW	Fd Ra	TRW BX	12 " x 3 "	7535 - D655 2140AT - 358	MD655 R46358	NR R40H608	R4012262 R40H4087	NR R40H2598	NR R40H2599
4x2 SRW	Fd Ra	TRW BX	12 " x 3 "	7535 - D655 2140AT - 358	MD655 R46358	NR R40H608	R4012262 R40H4087	NR R40H2598	NR R40H2599
4x4 DRW	Fd Ra	TRW BX	12 " x 3 "	7535 - D655 2140AT - 358	MD655 R46358	NR R40H608	R4012262 R40H4087	NR R40H2598	NR R40H2599
4x4 SRW	Fd Ra	TRW BX	12 " x 3 "	7535 - D655 2140AT - 358	MD655 R46358	NR R40H608	R4012262 R40H4087	NR R40H2598	NR R40H2599
1999									
4x2 DRW	Fd Ra	TRW BX	12 " x 3 "	7535 - D655 2140AT - 358	MD655 R46358	NR R40H608	R4012262 R40H4087	NR R40H2598	NR R40H2599
4x2 SRW	Fd Ra	TRW BX	12 " x 3 "	7535 - D655 2140AT - 358	MD655 R46358	NR R40H608	R4012262 R40H4087	NR R40H2598	NR R40H2599
4x4 DRW	Fd Ra	TRW BX	12 " x 3 "	7535 - D655 2140AT - 358	MD655 R46358	NR R40H608	R4012262 R40H4087	NR R40H2598	NR R40H2599
4x4 SRW	Fd Ra	TRW BX	12 " x 3 "	7535 - D655 2140AT - 358	MD655 R46358	NR R40H608	R4012262 R40H4087	NR R40H2598	NR R40H2599
Super Duty	Fd Rd			7625 - D756 7626 - D757	MD756 MD757	NR NR	NR NR	NR NR	NR NR
1998									
	Fd Rd			7625 - D756 7626 - D757	MD756 MD757	N/A N/A	N/A N/A	NR NR	NR NR
4x2 DRW	Fd Ra	TRW BX	12 " x 3 "	7535 - D655 2140AT - 358	MD655 R46358	NR R40H608	R4012262 R40H4087	NR R40H2598	NR R40H2599
4x2 SRW	Fd Ra	TRW BX	12 " x 3 "	7535 - D655 2140AT - 358	MD655 R46358	NR R40H608	R4012262 R40H4087	NR R40H2598	NR R40H2599
4x4 DRW	Fd Ra	TRW BX	12 " x 3 "	7535 - D655 2140AT - 358	MD655 R46358	NR R40H608	R4012262 R40H4087	NR R40H2598	NR R40H2599
4x4 SRW	Fd Ra	TRW BX	12 " x 3 "	7535 - D655 2140AT - 358	MD655 R46358	NR R40H608	R4012262 R40H4087	NR R40H2598	NR R40H2599
Super Duty	Fd Rd			7625 - D756 7626 - D757	MD756 MD757	NR NR	NR NR	NR NR	NR NR
1997									
	Fd Fd Fd Fd Fd Fd			7535 - D655 7535 - D655 7535 - D655 7535 - D655 7535 - D655 7535 - D655	MD655 MD655 MD655 MD655 MD655 MD655	R40H5735 R40H5735 R40H5735 R40H5735 R40H5735 R40H5735	R40H5864 R40H5864 R40H5864 R40H5864 R40H5864 R40H5864	NR NR NR NR NR NR	NR NR NR NR NR NR

155 - 4x2 With Dual Rear Wheels
217 - Power Brakes Except Speed Control

189 - Single Rear Wheels, 10 1/4" Ring Gear
223 - Power Brakes, Speed Control

213 - Manual Brakes, Speed Control
234 - 4x2, Manual Brakes, Except Speed Control

238 - Manual Brakes, 7.3 liter Diesel Engine Except Speed Control
www.XpresswayPlus.com

239 - Manual Brakes, 7.3 liter Diesel Engine with Speed Control

363 - Piston includes Boots and Seals

Contact our Customer Service Teams

MERITOR DRUM OR ROTOR NO.	CALIPER OR CYLINDER BORE SIZE	MERITOR CALIPER OR WHEEL CYLINDER (LEFT)	MERITOR CALIPER OR WHEEL CYLINDER (RIGHT)	MERITOR CALIPER OR WHEEL CYLINDER REPAIR KIT	MERITOR CALIPER PISTON	MERITOR MASTER CYLINDER	MERITOR MASTER CYLINDER KIT	MERITOR BRAKE HOSE (LEFT)	MERITOR BRAKE HOSE (RIGHT)
FORD(Cont.)									
F250 SUPERDUTY SERIES PICKUP-3/4TON									
R4466924	56mm	R4255749	R4255748	R4012261	R4012260 ³⁶³	R4113648 ²¹⁷	-	R4578997 ³⁷²	R4578996
R44145245 ⁴⁰⁵ R44145245 ⁴⁰⁵	56mm 56mm	R4255749 R4255749	R4255748 R4255748	R4012261 R4012261	R4012260 ³⁶³ R4012260 ³⁶³	R4113648 ²¹⁷ R4113649 ²²³	- -	R4578994 ³⁷² R4578993 ³⁷¹	R4578996 R4578995
R44145257 ⁴⁰⁵ R44145257 ⁴⁰⁵	56mm 56mm	R4255749 R4255749	R4255748 R4255748	R4012261 R4012261	R4012260 ³⁶³ R4012260 ³⁶³	R4113648 ²¹⁷ R4113649 ²²³	- -	R4578802 ³⁷³ R4512481 ³⁷⁴	R4512482 R4512482
R44145280 ⁴⁰⁵ R44145258 ⁴⁰⁵	45mm 45mm	R4255858 R4255858	R4255857 ³⁷⁵ R4255857 ³⁷⁵	R4012040 R4012040	R4012039 ³⁶³ R4012039 ³⁶³	- -	- -	- -	- -
F300, F350 SERIES PICKUP-1TON									
R44145054	56mm	R4255749	R4255748	R4012261	R4012260 ³⁶³	R4113355 ²³⁴	N/A	R4578325	R4578324
R44140504 ¹⁸⁹	1-1/8 "	R4133206	R4133207	R418187	NR	-	-	R4578184	-
R44145049 ³⁸¹	56mm	R4255749	R4255748	R4012261	R4012260 ³⁶³	R4113355 ²³⁴	N/A	R4578325	R4578324
R44140504 ¹⁸⁹	1-1/8 "	R4134139	R4134140	N/A	NR	-	-	R4578184	-
R44145279	56mm	R4255749	R4255748	R4012261	R4012260 ³⁶³	R4113355 ²³⁴	N/A	R4578325	R4578324
R44140504 ¹⁸⁹	1-1/8 "	R4133206	R4133207	R418187	NR	-	-	R4578184	-
R44145055 ⁴⁰⁵	56mm	R4255749	R4255748	R4012261	R4012260 ³⁶³	R4113355 ²³⁴	N/A	R4578325	R4578324
R44140504 ¹⁸⁹	1-1/8 "	R4134139	R4134140	N/A	NR	-	-	R4578184	-
R44145054	56mm	R4255749	R4255748	R4012261	R4012260 ³⁶³	R4113355 ²³⁴	N/A	R4578325	R4578324
R44140504 ¹⁸⁹	1-1/8 "	R4133206	R4133207	R418187	NR	-	-	R4578184	-
R44145049 ³⁸¹	56mm	R4255749	R4255748	R4012261	R4012260 ³⁶³	R4113355 ²³⁴	N/A	R4578325	R4578324
R44140504 ¹⁸⁹	1-1/8 "	R4134139	R4134140	N/A	NR	-	-	R4578184	-
R44145279	56mm	R4255749	R4255748	R4012261	R4012260 ³⁶³	R4113355 ²³⁴	N/A	R4578325	R4578324
R44140504 ¹⁸⁹	1-1/8 "	R4133206	R4133207	R418187	NR	-	-	R4578184	-
R44145055 ⁴⁰⁵	56mm	R4255749	R4255748	R4012261	R4012260 ³⁶³	R4113355 ²³⁴	N/A	R4578325	R4578324
R44140504 ¹⁸⁹	1-1/8 "	R4134139	R4134140	N/A	NR	-	-	R4578184	-
-	-	-	-	-	-	-	-	-	-
-	-	-	-	-	-	-	-	-	-
N/A	-	N/A	N/A	N/A	N/A	-	-	-	-
N/A	-	-	-	N/A	NR	-	-	-	-
R44145054	56mm	R4255749	R4255748	R4012261	R4012260 ³⁶³	R4113355 ²³⁴	N/A	R4578325	R4578324
R44140504 ¹⁸⁹	1-1/8 "	R4133206	R4133207	R418187	NR	-	-	R4578184	-
R44145049 ³⁸¹	56mm	R4255749	R4255748	R4012261	R4012260 ³⁶³	R4113355 ²³⁴	N/A	R4578325	R4578324
R44140504 ¹⁸⁹	1-1/8 "	R4134139	R4134140	N/A	NR	-	-	R4578184	-
R44145279	56mm	R4255749	R4255748	R4012261	R4012260 ³⁶³	R4113355 ²³⁴	N/A	R4578325	R4578324
R44140504 ¹⁸⁹	1-1/8 "	R4133206	R4133207	R418187	NR	-	-	R4578184	-
R44145055 ⁴⁰⁵	56mm	R4255749	R4255748	R4012261	R4012260 ³⁶³	R4113355 ²³⁴	N/A	R4578325	R4578324
R44140504 ¹⁸⁹	1-1/8 "	R4134139	R4134140	N/A	NR	-	-	R4578184	-
-	60mm	R42R55605	R42R55604	R4066204	R4090088S	-	-	-	-
-	60mm	R42R55605	R42R55604	R4066204	R4090088S	-	-	-	-
R44145049 ³⁸¹	2-11/32 "	R42R55749	R42R55748	R4011237	R44141808	R4110384 ²³⁸	N/A	R4578325	R4578324
R44145054 ¹⁵⁵	2-11/32 "	R42R55749	R42R55748	R4011237	R44141808	R4110384 ²³⁸	N/A	R4578325	R4578324
R44145054 ¹⁵⁵	2-11/32 "	R42R55749	R42R55748	R4011237	R44141808	R4110382 ²¹³	N/A	R4578325	R4578324
R44145054 ¹⁵⁵	2-11/32 "	R42R55749	R42R55748	R4011237	R44141808	R4113355 ²³⁴	N/A	R4578325	R4578324
R44145049 ³⁸¹	2-11/32 "	R42R55749	R42R55748	R4011237	R44141808	R4113355 ²³⁴	N/A	R4578325	R4578324
R44145049 ³⁸¹	2-11/32 "	R42R55749	R42R55748	R4011237	R44141808	R4110382 ²¹³	N/A	R4578325	R4578324
R44145054 ¹⁵⁵	2-11/32 "	R42R55749	R42R55748	R4011237	R44141808	R4113263 ²³⁹	N/A	R4578325	R4578324

371 - With Manual Locking Hubs
374 - 2 x 4 with Rear wheel ABS

372 - With Auro Locking Hubs
375 - Right and Left interchangeable depending on clock mounting of 381 - Rotor and Hub One Piece Assembly W/O ABS Ring unit

373 - 2 x 4 with 4 wheel ABS

405 - Rotor Only
Contact our Customer Service Teams
1-888-725-9355

www.XpresswayPlus.com

MAKE MODEL YEAR AXLE CODE AXLE WEIGHT	AXLE & BRK. TYPE	BRK. MFG.	BRAKE SIZE	FMSI	MERITOR DISC PAD OR BRAKE SHOE	MERITOR GUIDE PIN OR RETURN SPRING KIT	MERITOR CALIPER HWD. KIT OR RETURN SPRING KIT	MERITOR ADJUSTER KIT (LEFT WHEEL)	MERITOR ADJUSTER KIT (RIGHT WHEEL)
FORD(Cont.)									
F300, F350 SERIES PICKUP-1TON(Cont.)									
1997	Fd			7535 - D655	MD655	R40H5735	R40H5864	NR	NR
	Fd			7535 - D655	MD655	R40H5735	R40H5864	NR	NR
	Fd			7535 - D655	MD655	R40H5735	R40H5864	NR	NR
	Ra	BX	12" x 3"	2140AT - 358	R46358	R40H608	R40H4087	R40H2598	R40H2599
	Ra	BX	12" x 3"	2140AT - 358	R46358	R40H608	R40H4087	R40H2598	R40H2599
	Ra	BX	12.125 x 3-1/2"	2171T - 583	R468140	R40H608	R40H7299	R40H2598	R40H2599
	Ra	BX	12.125 x 3-1/2"	2171T - 583	R468140	R40H608	R40H7299	R40H2598	R40H2599
1996	Fd			7535 - D655	MD655	R40H5735	R40H5864	NR	NR
	Fd			7535 - D655	MD655	R40H5735	R40H5864	NR	NR
	Fd			7535 - D655	MD655	R40H5735	R40H5864	NR	NR
	Fd			7535 - D655	MD655	R40H5735	R40H5864	NR	NR
	Fd			7535 - D655	MD655	R40H5735	R40H5864	NR	NR
	Fd			7535 - D655	MD655	R40H5735	R40H5864	NR	NR
	Fd			7535 - D655	MD655	R40H5735	R40H5864	NR	NR
	Fd			7535 - D655	MD655	R40H5735	R40H5864	NR	NR
	Ra	BX	12" x 3"	2140AT - 358	R46358	R40H608	R40H4087	R40H2598	R40H2599
	Ra	BX	12" x 3"	2140AT - 358	R46358	R40H608	R40H4087	R40H2598	R40H2599
	Ra	BX	12.125 x 3-1/2"	2171T - 583	R468140	R40H608	R40H7299	R40H2598	R40H2599
	Ra	BX	12.125 x 3-1/2"	2171T - 583	R468140	R40H608	R40H7299	R40H2598	R40H2599
1995	Fd			7535 - D655	MD655	R40H5735	R40H5864	NR	NR
	Fd			7535 - D655	MD655	R40H5735	R40H5864	NR	NR
	Fd			7535 - D655	MD655	R40H5735	R40H5864	NR	NR
	Fd			7535 - D655	MD655	R40H5735	R40H5864	NR	NR
	Fd			7535 - D655	MD655	R40H5735	R40H5864	NR	NR
	Fd			7535 - D655	MD655	R40H5735	R40H5864	NR	NR
	Fd			7535 - D655	MD655	R40H5735	R40H5864	NR	NR
	Fd			7535 - D655	MD655	R40H5735	R40H5864	NR	NR
	Fd			7535 - D655	MD655	R40H5735	R40H5864	NR	NR
	Ra	BX	12" x 3"	2140AT - 358	R46358	R40H608	R40H4087	R40H2598	R40H2599
	Ra	BX	12" x 3"	2140AT - 358	R46358	R40H608	R40H4087	R40H2598	R40H2599
	Ra	BX	12.125 x 3-1/2"	2171T - 583	R468140	R40H608	R40H7299	R40H2598	R40H2599
	Ra	BX	12.125 x 3-1/2"	2171T - 583	R468140	R40H608	R40H7299	R40H2598	R40H2599
1994	Fd	DN		7330 - D450	MD450	R407130	60050135	NR	NR
	Fd	DN		7330 - D450	MD450	R407130	60050135	NR	NR
	Fd	DN		7330 - D450	MD450	R407130	60050135	NR	NR
	Fd	DN		7330 - D450	MD450	R407130	60050135	NR	NR
	Ra	BX	12" x 3"	2140AT - 358	R46358	R40H608	R40H4087	R40H2598	R40H2599
	Ra	BX	12.125 x 3-1/2"	2171T - 583	R468140	R40H608	R40H7299	R40H2598	R40H2599
1993	Fd	DN		7330 - D450	MD450	R407130	60050135	NR	NR
	Fd	DN		7330 - D450	MD450	R407130	60050135	NR	NR
	Fd	DN		7330 - D450	MD450	R407130	60050135	NR	NR
	Fd	DN		7330 - D450	MD450	R407130	60050135	NR	NR
	Ra	BX	12" x 3"	2140AT - 358	R46358	R40H608	R40H4087	R40H2598	R40H2599
	Ra	BX	12.125 x 3-1/2"	2171T - 583	R468140	R40H608	R40H7299	R40H2598	R40H2599
1992	Fd	DN		7330 - D450	MD450	R407130	60050135	NR	NR
	Fd	DN		7330 - D450	MD450	R407130	60050135	NR	NR
	Fd	DN		7330 - D450	MD450	R407130	60050135	NR	NR
	Fd	DN		7330 - D450	MD450	R407130	60050135	NR	NR
	Ra	BX	12" x 3"	2140AT - 358	R46358	R40H608	R40H4087	R40H2598	R40H2599
	Ra	BX	12" x 3"	2140AT - 358	R46358	R40H608	R40H4087	R40H2598	R40H2599
	Ra	BX	12.125 x 3-1/2"	2171T - 583	R468140	R40H608	R40H7299	R40H2598	R40H2599
	Ra	BX	12.125 x 3-1/2"	2171T - 583	R468140	R40H608	R40H7299	R40H2598	R40H2599
4x2	Fd			7330 - D450	MD450	R407130	60050135	NR	NR
	Fd			7330 - D450	MD450	R407130	60050135	NR	NR
4x4	Fd			7330 - D450	MD450	R407130	60050135	NR	NR
	Fd			7330 - D450	MD450	R407130	60050135	NR	NR
1991 After 3/91	Fd	DN		7330 - D450	MD450	R407130	60050135	NR	NR

MERITOR DRUM OR ROTOR NO.	CALIPER OR CYLINDER BORE SIZE	MERITOR CALIPER OR WHEEL CYLINDER (LEFT)	MERITOR CALIPER OR WHEEL CYLINDER (RIGHT)	MERITOR CALIPER OR WHEEL CYLINDER REPAIR KIT	MERITOR CALIPER PISTON	MERITOR MASTER CYLINDER	MERITOR MASTER CYLINDER KIT	MERITOR BRAKE HOSE (LEFT)	MERITOR BRAKE HOSE (RIGHT)
FORD(Cont.)									
F300, F350 SERIES PICKUP-1TON(Cont.)									
R44145049 ³⁸¹	2-11/32 "	R42R55749	R42R55748	R4011237	R44141808	R4113263 ²³⁹	N/A	R4578325	R4578324
R44145055 ⁴⁰⁵	2-11/32 "	R42R55749	R42R55748	R4011237	R44141808	R4110384 ²³⁸	N/A	R4578327	R4578326
R44145055 ⁴⁰⁵	2-11/32 "	R42R55749	R42R55748	R4011237	R44141808	R4113263 ²³⁹	N/A	R4578327	R4578326
R44140504 ¹⁸⁹	1-1/8 "	R4133206	R4133207	R418187	NR	-	-	R4578183	R4578183
R44140504 ¹⁸⁹	1-1/8 "	R4133206	R4133207	R418187	NR	-	-	R4578184	R4578184
R44140545 ¹⁴⁸	1-3/16 "	R4133945	R4133946	R418188	NR	-	-	R4578184	R4578184
R44140545 ¹⁴⁸	1-3/16 "	R4133945	R4133946	R418188	NR	-	-	R4578183	R4578183
R44145055 ⁴⁰⁵	2-11/32 "	R42R55749	R42R55748	R4011237	R44141808	R4113263 ²³⁹	N/A	R4578327	R4578326
R44145054 ¹⁵⁵	2-11/32 "	R42R55749	R42R55748	R4011237	R44141808	R4110382 ²¹³	N/A	R4578325	R4578324
R44145054 ¹⁵⁵	2-11/32 "	R42R55749	R42R55748	R4011237	R44141808	R4110384 ²³⁸	N/A	R4578325	R4578324
R44145054 ¹⁵⁵	2-11/32 "	R42R55749	R42R55748	R4011237	R44141808	R4113263 ²³⁹	N/A	R4578325	R4578324
R44145049 ³⁸¹	2-11/32 "	R42R55749	R42R55748	R4011237	R44141808	R4113355 ²³⁴	N/A	R4578325	R4578324
R44145055 ⁴⁰⁵	2-11/32 "	R42R55749	R42R55748	R4011237	R44141808	R4110384 ²³⁸	N/A	R4578327	R4578326
R44145049 ³⁸¹	2-11/32 "	R42R55749	R42R55748	R4011237	R44141808	R4110384 ²³⁸	N/A	R4578325	R4578324
R44145049 ³⁸¹	2-11/32 "	R42R55749	R42R55748	R4011237	R44141808	R4110382 ²¹³	N/A	R4578325	R4578324
R44145054 ¹⁵⁵	2-11/32 "	R42R55749	R42R55748	R4011237	R44141808	R4113355 ²³⁴	N/A	R4578325	R4578324
R44140504 ¹⁸⁹	1-1/8 "	R4133206	R4133207	R418187	NR	-	-	R4578184	R4578184
R44140504 ¹⁸⁹	1-1/8 "	R4133206	R4133207	R418187	NR	-	-	R4578183	R4578183
R44140545 ¹⁴⁸	1-3/16 "	R4133945	R4133946	R418188	NR	-	-	R4578183	R4578183
R44140545 ¹⁴⁸	1-3/16 "	R4133945	R4133946	R418188	NR	-	-	R4578184	R4578184
R44145054 ¹⁵⁵	2-11/32 "	R42R55749	R42R55748	R4011237	R44141808	R4110382 ²¹³	N/A	R4578325	R4578324
R44145054 ¹⁵⁵	2-11/32 "	R42R55749	R42R55748	R4011237	R44141808	R4110384 ²³⁸	N/A	R4578325	R4578324
R44145054 ¹⁵⁵	2-11/32 "	R42R55749	R42R55748	R4011237	R44141808	R4113355 ²³⁴	N/A	R4578325	R4578324
R44145055 ⁴⁰⁵	2-11/32 "	R42R55749	R42R55748	R4011237	R44141808	R4113263 ²³⁹	N/A	R4578327	R4578326
R44145055 ⁴⁰⁵	2-11/32 "	R42R55749	R42R55748	R4011237	R44141808	R4110384 ²³⁸	N/A	R4578327	R4578326
R44145049 ³⁸¹	2-11/32 "	R42R55749	R42R55748	R4011237	R44141808	R4110384 ²³⁸	N/A	R4578327	R4578326
R44145054 ¹⁵⁵	2-11/32 "	R42R55749	R42R55748	R4011237	R44141808	R4110384 ²³⁸	N/A	R4578325	R4578324
R44145049 ³⁸¹	2-11/32 "	R42R55749	R42R55748	R4011237	R44141808	R4113263 ²³⁹	N/A	R4578325	R4578324
R44145049 ³⁸¹	2-11/32 "	R42R55749	R42R55748	R4011237	R44141808	R4113355 ²³⁴	N/A	R4578325	R4578324
R44145049 ³⁸¹	2-11/32 "	R42R55749	R42R55748	R4011237	R44141808	R4110382 ²¹³	N/A	R4578325	R4578324
R44140504 ¹⁸⁹	1-1/8 "	R4133206	R4133207	R418187	NR	-	-	R4578184	R4578184
R44140504 ¹⁸⁹	1-1/8 "	R4133206	R4133207	R418187	NR	-	-	R4578183	R4578183
R44140545 ¹⁴⁸	1-3/16 "	R4133945	R4133946	R418188	NR	-	-	R4578184	R4578184
R44140545 ¹⁴⁸	1-3/16 "	R4133945	R4133946	R418188	NR	-	-	R4578183	R4578183
R44141127 ¹⁸¹	2-3/16 "	R42R55461P	R42R55460P	R4166713	R4090180P ²⁹⁰	R148228 ⁵⁴	N/A	R4578169 ¹⁵⁶	R4577235
R44141237 ¹⁷⁵	2-3/16 "	R42R55461P	R42R55460P	R4166713	R4090180P ²⁹⁰	R148228 ⁵⁴	N/A	R4578169 ¹⁵⁶	R4577235
R44141174 ⁴⁰⁵	2-3/16 "	R42R55461P	R42R55460P	R4166713	R4090180P ²⁹⁰	R148228 ⁵⁴	N/A	R4578001 ²⁴⁷	R4577311
R44141487 ³⁸¹	2-3/16 "	R42R55461P	R42R55460P	R4166713	R4090180P ²⁹⁰	R148228 ⁵⁴	N/A	R4578169 ¹⁵⁶	R4577235
R44140504 ¹⁸⁹	1 "	R4133725	R4133726	R4166822	NR	-	-	R4578183	R4578183
R44140545 ¹⁴⁸	1-3/16 "	R4133945	R4133946	R418188	NR	-	-	R4578184	R4578184
R44141237 ¹⁷⁵	2-3/16 "	R42R55461P	R42R55460P	R4166713	R4090180P ²⁹⁰	R148228 ⁵⁴	N/A	R4578169 ¹⁵⁶	R4577235
R44141174 ⁴⁰⁵	2-3/16 "	R42R55461P	R42R55460P	R4166713	R4090180P ²⁹⁰	R148228 ⁵⁴	N/A	R4578001 ²⁴⁷	R4577311
R44141487 ³⁸¹	2-3/16 "	R42R55461P	R42R55460P	R4166713	R4090180P ²⁹⁰	R148228 ⁵⁴	N/A	R4578169 ¹⁵⁶	R4577235
R44141127 ¹⁸¹	2-3/16 "	R42R55461P	R42R55460P	R4166713	R4090180P ²⁹⁰	R148228 ⁵⁴	N/A	R4578169 ¹⁵⁶	R4577235
R44140504 ¹⁸⁹	1 "	R4133725	R4133726	R4166822	NR	-	-	R4578183	R4578183
R44140504 ¹⁸⁹	1-1/8 "	R4133206	R4133207	R418187	NR	-	-	R4578184	R4578184
R44140545 ¹⁴⁸	1-3/16 "	R4133945	R4133946	R418188	NR	-	-	R4578184	R4578184
R44140545 ¹⁴⁸	1-3/16 "	R4133945	R4133946	R418188	NR	-	-	R4578183	R4578183
R44141127 ¹⁸¹	2-3/16 "	R42R55461P	R42R55460P	R4166713	R4090180P ²⁹⁰	R148228 ⁵⁴	N/A	R4578169 ¹⁵⁶	R4577235
R44141487 ³⁸¹	2-3/16 "	R42R55461P	R42R55460P	R4166713	R4090180P ²⁹⁰	R148228 ⁵⁴	N/A	R4578169 ¹⁵⁶	R4577235
R44141237 ¹⁷⁵	2-3/16 "	R42R55461P	R42R55460P	R4166713	R4090180P ²⁹⁰	R148228 ⁵⁴	N/A	R4578001 ²⁴⁷	R4577311
R44141808 ³⁵⁴	2-3/16 "	R42R55461P	R42R55460P	R4166713	R4090180P ²⁹⁰	R148228 ⁵⁴	N/A	R4578001 ²⁴⁷	R4577311
R44141174 ⁴⁰⁵	2-3/16 "	R42R55461P	R42R55460P	R4166713	R4090180P ²⁹⁰	R148228 ⁵⁴	N/A	R4578001 ²⁴⁷	R4577311

238 - Manual Brakes, 7.3 liter Diesel Engine Except Speed Control
 290 - Use E-11222 for High Temperature Boots
 405 - Rotor Only
 Contact our Customer Service Teams
 1-888-725-9355

239 - Manual Brakes, 7.3 liter Diesel Engine with Speed Control
 354 - Rotor Only, With Dual Rear Wheels

247 - 4x4, Dual Rear Wheels
 381 - Rotor and Hub One Piece Assembly W/O ABS Ring

MAKE MODEL YEAR AXLE CODE AXLE WEIGHT	AXLE & BRK. TYPE	BRK. MFG.	BRAKE SIZE	FMSI	MERITOR DISC PAD OR BRAKE SHOE	MERITOR GUIDE PIN OR RETURN SPRING KIT	MERITOR CALIPER HWD. KIT OR RETURN SPRING KIT	MERITOR ADJUSTER KIT (LEFT WHEEL)	MERITOR ADJUSTER KIT (RIGHT WHEEL)
FORD(Cont.)									
F300, F350 SERIES PICKUP-1TON(Cont.)									
1991									
	Fd	DN		7330 - D450	MD450	R407130	60050135	NR	NR
	Fd	DN		7330 - D450	MD450	R407130	60050135	NR	NR
	Fd	DN		7330 - D450	MD450	R407130	60050135	NR	NR
	Ra	BX	12 " x 3 "	2140AT - 358	R46358	R40H608	R40H4087	R40H2598	R40H2599
	Ra	BX	12.125 x 3-1/2 "	2171T - 583	R468140	R40H608	R40H7299	R40H2598	R40H2599
Before 3/91									
	Fd	DN		7330 - D450	MD450	R407130	60050135	NR	NR
	Fd	DN		7330 - D450	MD450	R407130	60050135	NR	NR
	Fd	DN		7330 - D450	MD450	R407130	60050135	NR	NR
	Fd	DN		7330 - D450	MD450	R407130	60050135	NR	NR
	Ra	BX	12 " x 3 "	2140AT - 358	R46358	R40H608	R40H4087	R40H2598	R40H2599
	Ra	BX	12 " x 3 "	2140AT - 358	R46358	R40H608	R40H4087	R40H2598	R40H2599
	Ra	BX	12 " x 3 "	2140AT - 358	R46358	R40H608	R40H4087	R40H2598	R40H2599
	Ra	BX	12.125 x 3-1/2 "	2171T - 583	R468140	R40H608	R40H7299	R40H2598	R40H2599
1990									
	Fd	DN		7330 - D450	MD450	R407130	60050135	NR	NR
	Fd	DN		7330 - D450	MD450	R407130	60050135	NR	NR
	Fd	DN		7330 - D450	MD450	R407130	60050135	NR	NR
	Fd	DN		7330 - D450	MD450	R407130	60050135	NR	NR
	Ra	BX	12 " x 3 "	2140AT - 358	R46358	R40H608	R40H4087	R40H2598	R40H2599
	Ra	BX	12 " x 3 "	2140AT - 358	R46358	R40H608	R40H4087	R40H2598	R40H2599
	Ra	BX	12 " x 3 "	2140AT - 358	R46358	R40H608	R40H4087	R40H2598	R40H2599
	Ra	BX	12.125 x 3-1/2 "	2171T - 583	R468140	R40H608	R40H7299	R40H2598	R40H2599
1989									
	Fd	DN		7330 - D450	MD450	R407130	60050135	NR	NR
	Fd	DN		7330 - D450	MD450	R407130	60050135	NR	NR
	Fd	DN		7330 - D450	MD450	R407130	60050135	NR	NR
	Fd	DN		7330 - D450	MD450	R407130	60050135	NR	NR
	Ra	BX	12 " x 3 "	2140AT - 358	R46358	R40H608	R40H4087	R40H2598	R40H2599
	Ra	BX	12 " x 3 "	2140AT - 358	R46358	R40H608	R40H4087	R40H2598	R40H2599
	Ra	BX	12 " x 3 "	2140AT - 358	R46358	R40H608	R40H4087	R40H2598	R40H2599
	Ra	BX	12.125 x 3-1/2 "	2171T - 583	R468140	R40H608	R40H7299	R40H2598	R40H2599
1988									
	Fd	DN		7330 - D450	MD450	R407130	60050135	NR	NR
	Fd	DN		7330 - D450	MD450	R407130	60050135	NR	NR
	Fd	DN		7330 - D450	MD450	R407130	60050135	NR	NR
	Fd	DN		7330 - D450	MD450	R407130	60050135	NR	NR
	Ra	BX	12 " x 3 "	2140AT - 358	R46358	R40H608	R40H4087	R40H2598	R40H2599
	Ra	BX	12 " x 3 "	2140AT - 358	R46358	R40H608	R40H4087	R40H2598	R40H2599
	Ra	BX	12 " x 3 "	2140AT - 358	R46358	R40H608	R40H4087	R40H2598	R40H2599
	Ra	BX	12.125 x 3-1/2 "	2171T - 583	R468140	R40H608	R40H7299	R40H2598	R40H2599
1987									
	Fd	DN		7330 - D450	MD450	R407130	60050135	NR	NR
	Fd	DN		7330 - D450	MD450	R407130	60050135	NR	NR
	Fd	DN		7330 - D450	MD450	R407130	60050135	NR	NR
	Fd	DN		7330 - D450	MD450	R407130	60050135	NR	NR
	Ra	BX	12 " x 3 "	2140AT - 358	R46358	R40H608	R40H4087	R40H2598	R40H2599
	Ra	BX	12 " x 3 "	2140AT - 358	R46358	R40H608	R40H4087	R40H2598	R40H2599
	Ra	BX	12 " x 3 "	2140AT - 358	R46358	R40H608	R40H4087	R40H2598	R40H2599
	Ra	BX	12.125 x 3-1/2 "	2171T - 583	R468140	R40H608	R40H7299	R40H2598	R40H2599
1986									
	Fd	DN		7054 - D120	MD120	R407130	R407130	NR	NR
	Fd	DN		7054 - D120	MD120	R407130	R407130	NR	NR
	Fd	DN		7054 - D120	MD120	R407130	R407130	NR	NR
	Fd	DN		7054 - D120	MD120	R407130	R407130	NR	NR
	Ra	BX	12 " x 3 "	2140AT - 358	R46358	R40H608	R40H4087	R40H2598	R40H2599
	Ra	BX	12 " x 3 "	2140AT - 358	R46358	R40H608	R40H4087	R40H2598	R40H2599
	Ra	BX	12 " x 3 "	2140AT - 358	R46358	R40H608	R40H4087	R40H2598	R40H2599
	Ra	BX	12 " x 3 "	2140AT - 358	R46358	R40H608	R40H4087	R40H2598	R40H2599
1985									
	Fd	DN		7054 - D120	MD120	R40H05025	60050135	NR	NR
	Fd	DN		7054 - D120	MD120	R40H05025	60050135	NR	NR
	Fd	DN		7054 - D120	MD120	R40H05025	60050135	NR	NR
	Ra	BX	12 " x 3 "	2140AT - 358	R46358	R40H608	R40H4087	R40H2598	R40H2599
	Ra	BX	12 " x 3 "	2140AT - 358	R46358	R40H608	R40H4087	R40H2598	R40H2599

41 - Aluminum piston
 156 - 4x2 With Single Rear Wheels
 181 - Rotor Only, Machine Rotor After Re-hub
 www.XpresswayPlus.com

54 - Manual Brakes
 167 - Except 10 1/4" Ring Gear
 189 - Single Rear Wheels, 10 1/4" Ring Gear

148 - With 10 1/2" Ring Gear
 175 - Rotor Only; 3.54, 4.09 Ratio
 247 - 4x4, Dual Rear Wheels

MERITOR DRUM OR ROTOR NO.	CALIPER OR CYLINDER BORE SIZE	MERITOR CALIPER OR WHEEL CYLINDER (LEFT)	MERITOR CALIPER OR WHEEL CYLINDER (RIGHT)	MERITOR CALIPER OR WHEEL CYLINDER REPAIR KIT	MERITOR CALIPER PISTON	MERITOR MASTER CYLINDER	MERITOR MASTER CYLINDER KIT	MERITOR BRAKE HOSE (LEFT)	MERITOR BRAKE HOSE (RIGHT)
FORD(Cont.)									
F300, F350 SERIES PICKUP-1TON(Cont.)									
R44141127 ¹⁸¹ R44141237 ¹⁷⁵ R44141487 ³⁸¹	2-3/16" 2-3/16" 2-3/16"	R42R55461P R42R55461P R42R55461P	R42R55460P R42R55460P R42R55460P	R4166713 R4166713 R4166713	R4090180P ²⁹⁰ R4090180P ²⁹⁰ R4090180P ²⁹⁰	R148228 ⁵⁴ R148228 ⁵⁴ R148228 ⁵⁴	N/A N/A N/A	R4578169 ¹⁵⁶ R4578169 ¹⁵⁶ R4578169 ¹⁵⁶	R4577235 R4577235 R4577235
R44140504 ¹⁸⁹ R44140545 ¹⁴⁸	1" 1-3/16"	R4133725 R4133945	R4133726 R4133946	R4166822 R418188	NR NR	- -	- -	R4577245 R4577245	R4577245 R4577245
R44141127 ¹⁸¹ R44141487 ³⁸¹ R44141174 ⁴⁰⁵ R44141237 ¹⁷⁵	2-3/16" 2-3/16" 2-3/16" 2-3/16"	R42R55461P R42R55461P R42R55461P R42R55461P	R42R55460P R42R55460P R42R55460P R42R55460P	R4166713 R4166713 R4166713 R4166713	R4090180P ²⁹⁰ R4090180P ²⁹⁰ R4090180P ²⁹⁰ R4090180P ²⁹⁰	R148228 ⁵⁴ R148228 ⁵⁴ R148228 ⁵⁴ R148228 ⁵⁴	N/A N/A N/A N/A	R4578169 ¹⁵⁶ R4578169 ¹⁵⁶ R4578001 ²⁴⁷ R4578001 ²⁴⁷	R4577235 R4577235 R4577311 R4577311
R44140278 ³⁴⁵ R44140344 ¹⁶⁷ R44140504 ¹⁸⁹ R44140545 ¹⁴⁸	1-3/16" 1" 1" 1-3/16"	R4133945 R4133725 R4133725 R4133945	R4133946 R4133726 R4133726 R4133946	R418188 R4166822 R4166822 R418188	NR NR NR NR	- - - -	- - - -	R4577245 R4578666 R4578666 R4578666	R4577245 R4578666 R4578666 R4578666
R44141487 ³⁸¹ R44141174 ⁴⁰⁵ R44141127 ¹⁸¹ R44141237 ¹⁷⁵	2-3/16" 2-3/16" 2-3/16" 2-3/16"	R42R55461P R42R55461P R42R55461P R42R55461P	R42R55460P R42R55460P R42R55460P R42R55460P	R4166713 R4166713 R4166713 R4166713	R4090180P ²⁹⁰ R4090180P ²⁹⁰ R4090180P ²⁹⁰ R4090180P ²⁹⁰	R148228 ⁵⁴ R148228 ⁵⁴ R148228 ⁵⁴ R148228 ⁵⁴	N/A N/A N/A N/A	R4578169 ¹⁵⁶ R4578001 ²⁴⁷ R4578169 ¹⁵⁶ R4578001 ²⁴⁷	R4577235 R4577311 R4577235 R4577311
R44140504 ¹⁸⁹ R44140278 ³⁴⁵ R44140344 ¹⁶⁷ R44140545 ¹⁴⁸	1" 1-3/16" 1" 1-3/16"	R4133725 R4133945 R4133725 R4133945	R4133726 R4133946 R4133726 R4133946	R4166822 R418188 R4166822 R418188	NR NR NR NR	- - - -	- - - -	R4577245 R4577245 R4578666 R4578666	R4577245 R4577245 R4578666 R4578666
R44141174 ⁴⁰⁵ R44141487 ³⁸¹ R44141127 ¹⁸¹ R44141237 ¹⁷⁵	2-3/16" 2-3/16" 2-3/16" 2-3/16"	R42R55461P R42R55461P R42R55461P R42R55461P	R42R55460P R42R55460P R42R55460P R42R55460P	R4166713 R4166713 R4166713 R4166713	R4090180P ²⁹⁰ R4090180P ²⁹⁰ R4090180P ²⁹⁰ R4090180P ²⁹⁰	R148228 ⁵⁴ R148228 ⁵⁴ R148228 ⁵⁴ R148228 ⁵⁴	N/A N/A N/A N/A	R4577311 ²⁵⁹ R4577235 ²⁵⁹ R4577235 ²⁵⁹ R4577311 ²⁵⁹	R4577311 R4577235 R4577235 R4577311
R44140278 ³⁴⁵ R44140344 ¹⁶⁷ R44140504 ¹⁸⁹ R44140545 ¹⁴⁸	1-3/16" 1" 1" 1-3/16"	R4133945 R4133725 R4133725 R4133945	R4133946 R4133726 R4133726 R4133946	R418188 R4166822 R4166822 R418188	NR NR NR NR	- - - -	- - - -	R4577245 R4578666 R4577245 R4578666	R4577245 R4578666 R4577245 R4578666
R44141237 ¹⁷⁵ R44141127 ¹⁸¹ R44141487 ³⁸¹ R44141174 ⁴⁰⁵	2-3/16" 2-3/16" 2-3/16" 2-3/16"	R42R55461P R42R55461P R42R55461P R42R55461P	R42R55460P R42R55460P R42R55460P R42R55460P	R4166713 R4166713 R4166713 R4166713	R4090180P ²⁹⁰ R4090180P ²⁹⁰ R4090180P ²⁹⁰ R4090180P ²⁹⁰	R148228 ⁵⁴ R148228 ⁵⁴ R148228 ⁵⁴ R148228 ⁵⁴	N/A N/A N/A N/A	R4577311 ²⁵⁹ R4577235 ²⁵⁹ R4577235 ²⁵⁹ R4577311 ²⁵⁹	R4577311 R4577235 R4577235 R4577311
R44140344 ¹⁶⁷ R44140504 ¹⁸⁹ R44140278 ³⁴⁵ R44140545 ¹⁴⁸	1" 1" 1-3/16" 1-3/16"	R4133725 R4133725 R4133945 R4133945	R4133726 R4133726 R4133946 R4133946	R4166822 R4166822 R418188 R418188	NR NR NR NR	- - - -	- - - -	R4578666 R4577245 R4577245 R4578666	R4578666 R4577245 R4577245 R4578666
R44141487 ³⁸¹ R44141237 ¹⁷⁵ R44141127 ¹⁸¹ R44141174 ⁴⁰⁵	2-3/16" 2-3/16" 2-3/16" 2-3/16"	R42R55461P R42R55461P R42R55461P R42R55461P	R42R55460P R42R55460P R42R55460P R42R55460P	R4166713 R4166713 R4166713 R4166713	R4090180P ²⁹⁰ R4090180P ²⁹⁰ R4090180P ²⁹⁰ R4090180P ²⁹⁰	R148228 ⁵⁴ R148228 ⁵⁴ R148228 ⁵⁴ R148228 ⁵⁴	N/A N/A N/A N/A	R4577235 ²⁵⁹ R4577311 ²⁵⁹ R4577235 ²⁵⁹ R4577311 ²⁵⁹	R4577235 R4577311 R4577235 R4577311
R44140278 ³⁴⁵ R44140504 ¹⁸⁹ R44140344 ¹⁶⁷ R44140545 ¹⁴⁸	1-3/16" 1" 1" 1-3/16"	R4133945 R4133725 R4133725 R4133945	R4133946 R4133726 R4133726 R4133946	R418188 R4166822 R4166822 R418188	NR NR NR NR	- - - -	- - - -	R4578666 R4578666 R4578666 R4578666	R4578666 R4578666 R4578666 R4578666
R44141487 ³⁸¹ R44141237 ¹⁷⁵ R44141174 ⁴⁰⁵ R44141127 ¹⁸¹	2-3/16" 2-3/16" 2-3/16" 2-3/16"	R42R55456 R42R55456 R42R55456 R42R55456	R42R55456 R42R55456 R42R55456 R42R55456	R4166713 R4166713 R4166713 R4166713	R4090029 ⁴¹ R4090029 ⁴¹ R4090029 ⁴¹ R4090029 ⁴¹	R4112008 ⁵⁴ R4112008 ⁵⁴ R4112008 ⁵⁴ R4112008 ⁵⁴	N/A N/A N/A N/A	R4577235 ²⁵⁹ R4577311 ²⁵⁹ R4577311 ²⁵⁹ R4577235 ²⁵⁹	R4577235 R4577311 R4577311 R4577235
R44140278 ³⁴⁵ R44140344 ¹⁶⁷ R44140468 R44140504 ¹⁸⁹	1-1/8" 1" 1-1/8" 1"	R4133206 R4133725 R4133206 R4133725	R4133207 R4133726 R4133207 R4133726	R418187 R4166822 R418187 R4166822	NR NR NR NR	- - - -	- - - -	R4577613 ²⁶³ R4577613 ²⁶³ R4577612 ²⁶² R4577612 ²⁶²	R4577613 R4577613 R4577612 R4577612
R44141237 ¹⁷⁵ R44141127 ¹⁸¹ R44141174 ⁴⁰⁵	2-3/16" 2-3/16" 2-3/16"	R42R55412 R42R55412 R42R55412	R42R55411 R42R55411 R42R55411	R4166713 R4166713 R4166713	R4090029 ⁴¹ R4090029 ⁴¹ R4090029 ⁴¹	R4112008 ⁵⁴ R4112008 ⁵⁴ R4112008 ⁵⁴	N/A N/A N/A	R4577311 ²⁵⁹ R4577235 ²⁵⁹ R4577311 ²⁵⁹	R4577311 R4577235 R4577311
R44140278 ³⁴⁵ R44140468	1-1/8" 1-1/8"	R4133206 R4133206	R4133207 R4133207	R418187 R418187	NR NR	- -	- -	R4577613 ²⁶³ R4577612 ²⁶²	R4577613 R4577612

259 - 4x2, Except Monobeam Axle
 290 - Use E-11222 for High Temperature Boots
 405 - Rotor Only
 Contact our Customer Service Teams
 1-888-725-9355

262 - 4x2 and 4x4 Monobeam Axle and 133", 153", 168" Wheel Base
 263 - 4x2 and 4x4 Monobeam Axle with 137" and 161" Wheel Base
 345 - Dual Rear Wheels, except 10.25" ring gear

MAKE MODEL YEAR AXLE CODE AXLE WEIGHT	AXLE & BRK. TYPE	BRK. MFG.	BRAKE SIZE	FMSI	MERITOR DISC PAD OR BRAKE SHOE	MERITOR GUIDE PIN OR RETURN SPRING KIT	MERITOR CALIPER HWD. KIT OR RETURN SPRING KIT	MERITOR ADJUSTER KIT (LEFT WHEEL)	MERITOR ADJUSTER KIT (RIGHT WHEEL)
FORD(Cont.)									
F300, F350 SERIES PICKUP-1TON(Cont.)									
1985	Ra Ra	BX BX	12" x 3" 12" x 3"	2140AT - 358 2140AT - 358	R46358 R46358	R40H608 R40H608	R40H4087 R40H4087	R40H2598 R40H2598	R40H2599 R40H2599
F046, F047	Fd	DN		7054 - D120	MD120	R40H05025	60050135	NR	NR
1984	Fd Fd Fd	DN DN DN		7054 - D120 7054 - D120 7054 - D120	MD120 MD120 MD120	R40H05025 R40H05025 R40H05025	60050135 60050135 60050135	NR NR NR	NR NR NR
	Ra Ra Ra Ra	BX BX BX BX	12" x 3" 12" x 3" 12" x 3" 12" x 3"	2140AT - 358 2140AT - 358 2140AT - 358 2140AT - 358	R46358 R46358 R46358 R46358	R40H608 R40H608 R40H608 R40H608	R40H4087 R40H4087 R40H4087 R40H4087	R40H2598 R40H2598 R40H2598 R40H2598	R40H2599 R40H2599 R40H2599 R40H2599
F046, F047	Fd	DN		7054 - D120	MD120	R40H05025	60050135	NR	NR
1983	Fd Fd Fd	DN DN DN		7054 - D120 7054 - D120 7054 - D120	MD120 MD120 MD120	R40H05025 R40H05025 R40H05025	60050135 60050135 60050135	NR NR NR	NR NR NR
	Ra Ra Ra Ra	BX BX BX BX	12" x 3" 12" x 3" 12" x 3" 12" x 3"	2140AT - 358 2140AT - 358 2140AT - 358 2140AT - 358	R46358 R46358 R46358 R46358	R40H608 R40H608 R40H608 R40H608	R40H4087 R40H4087 R40H4087 R40H4087	R40H2598 R40H2598 R40H2598 R40H2598	R40H2599 R40H2599 R40H2599 R40H2599
F046, F047	Fd	DN		7054 - D120	MD120	R40H05025	60050135	NR	NR
1982	Fd Fd Fd	DN DN DN		7054 - D120 7054 - D120 7054 - D120	MD120 MD120 MD120	R40H05025 R40H05025 R40H05025	60050135 60050135 60050135	NR NR NR	NR NR NR
	Ra Ra Ra Ra	BX BX BX BX	12" x 3" 12" x 3" 12" x 3" 12" x 3"	2140AT - 358 2140AT - 358 2140AT - 358 2140AT - 358	R46358 R46358 R46358 R46358	R40H608 R40H608 R40H608 R40H608	R40H4087 R40H4087 R40H4087 R40H4087	R40H2598 R40H2598 R40H2598 R40H2598	R40H2599 R40H2599 R40H2599 R40H2599
F046, F047	Fd	DN		7054 - D120	MD120	R40H05025	60050135	NR	NR
1981	Fd Fd	DN DN		7054 - D120 7054 - D120	MD120 MD120	R40H05025 R40H05025	60050135 60050135	NR NR	NR NR
	Ra Ra Ra Ra Ra Ra Ra Ra	BX BX BX BX BX BX BX BX	12" x 3" 12" x 3" 12" x 3" 12" x 3" 12" x 3" 12" x 3" 12" x 3" 12" x 3"	2140AT - 358 2140AT - 358 2140AT - 358 2140AT - 358 2140AT - 358 2140AT - 358 2140AT - 358 2140AT - 358	R46358 R46358 R46358 R46358 R46358 R46358 R46358 R46358	R40H608 R40H608 R40H608 R40H608 R40H608 R40H608 R40H608 R40H608	R40H4087 R40H4087 R40H4087 R40H4087 R40H4087 R40H4087 R40H4087 R40H4087	R40H2598 R40H2598 R40H2598 R40H2598 R40H2598 R40H2598 R40H2598 R40H2598	R40H2599 R40H2599 R40H2599 R40H2599 R40H2599 R40H2599 R40H2599 R40H2599
1980	Fd Fd	DN DN		7054 - D120 7054 - D120	MD120 MD120	R40H05025 R40H05025	60050135 60050135	NR NR	NR NR
	Ra Ra Ra Ra Ra Ra Ra Ra	BX BX BX BX BX BX BX BX	12" x 3" 12" x 3" 12" x 3" 12" x 3" 12" x 3" 12" x 3" 12" x 3" 12" x 3"	2140AT - 358 2140AT - 358 2140AT - 358 2140AT - 358 2140AT - 358 2140AT - 358 2140AT - 358 2140AT - 358	R46358 R46358 R46358 R46358 R46358 R46358 R46358 R46358	R40H608 R40H608 R40H608 R40H608 R40H608 R40H608 R40H608 R40H608	R40H4087 R40H4087 R40H4087 R40H4087 R40H4087 R40H4087 R40H4087 R40H4087	R40H2598 R40H2598 R40H2598 R40H2598 R40H2598 R40H2598 R40H2598 R40H2598	R40H2599 R40H2599 R40H2599 R40H2599 R40H2599 R40H2599 R40H2599 R40H2599
1979	Fd Fd	DN DN		7054 - D120 7054 - D120	MD120 MD120	R40H05025 R40H05025	60050135 60050135	NR NR	NR NR
	Ra Ra Ra Ra Ra Ra Ra Ra	BX BX BX BX BX BX BX BX	12" x 3" 12" x 3" 12" x 3" 12" x 3" 12" x 3" 12" x 3" 12" x 3" 12" x 3"	2140AT - 358 2140AT - 358 2140AT - 358 2140AT - 358 2140AT - 358 2140AT - 358 2140AT - 358 2140AT - 358	R46358 R46358 R46358 R46358 R46358 R46358 R46358 R46358	R40H608 R40H608 R40H608 R40H608 R40H608 R40H608 R40H608 R40H608	R40H4087 R40H4087 R40H4087 R40H4087 R40H4087 R40H4087 R40H4087 R40H4087	R40H2598 R40H2598 R40H2598 R40H2598 R40H2598 R40H2598 R40H2598 R40H2598	R40H2599 R40H2599 R40H2599 R40H2599 R40H2599 R40H2599 R40H2599 R40H2599
1978	Fd	DN		7054 - D120	MD120	R40H05025	60050135	NR	NR

41 - Aluminum piston
 175 - Rotor Only; 3.54, 4.09 Ratio
 259 - 4x2, Except Monobeam Axle
 www.XpresswayPlus.com

54 - Manual Brakes
 181 - Rotor Only, Machine Rotor After Re-hub
 261 - 4x4, Except Monobeam Axle

167 - Except 10 1/4" Ring Gear
 189 - Single Rear Wheels, 10 1/4" Ring Gear
 262 - 4x2 and 4x4 Monobeam Axle and 133", 153", 168" Wheel Base

Contact our Customer Service Teams

MERITOR DRUM OR ROTOR NO.	CALIPER OR CYLINDER BORE SIZE	MERITOR CALIPER OR WHEEL CYLINDER (LEFT)	MERITOR CALIPER OR WHEEL CYLINDER (RIGHT)	MERITOR CALIPER OR WHEEL CYLINDER REPAIR KIT	MERITOR CALIPER PISTON	MERITOR MASTER CYLINDER	MERITOR MASTER CYLINDER KIT	MERITOR BRAKE HOSE (LEFT)	MERITOR BRAKE HOSE (RIGHT)
FORD(Cont.)									
F300, F350 SERIES PICKUP-1TON(Cont.)									
R44140504 ¹⁸⁹ R44140344 ¹⁶⁷	1 " 1 "	R4133725 R4133725	R4133726 R4133726	R4166822 R4166822	NR NR	- -	- -	R4577613 ²⁶³ R4577612 ²⁶²	R4577613 R4577612
R44141234 ³⁸¹	2-3/16 "	R42R55412	R42R55411	R4166713	R4090029 ⁴¹	R4112008 ⁵⁴	N/A	R4577235 ²⁵⁹	R4577235
R44141237 ¹⁷⁵ R44141174 ⁴⁰⁵ R44141127 ¹⁸¹	2-3/16 " 2-3/16 " 2-3/16 "	R42R55412 R42R55412 R42R55412	R42R55411 R42R55411 R42R55411	R4166713 R4166713 R4166713	R4090029 ⁴¹ R4090029 ⁴¹ R4090029 ⁴¹	R4112008 ⁵⁴ R4112008 ⁵⁴ R4112008 ⁵⁴	N/A N/A N/A	R4577311 ²⁵⁹ R4577311 ²⁵⁹ R4577235 ²⁵⁹	R4577311 R4577311 R4577235
R44140278 ³⁴⁵ R44140468 R44140504 ¹⁸⁹ R44140344 ¹⁶⁷	1-1/8 " 1-1/8 " 1 " 1 "	R4133206 R4133206 R4133725 R4133725	R4133207 R4133207 R4133726 R4133726	R418187 R418187 R4166822 R4166822	NR NR NR NR	- - - -	- - - -	R4577245 R4577245 R4577245 R4577245	R4577245 R4577245 R4577245 R4577245
R44141234 ³⁸¹	2-3/16 "	R42R55412	R42R55411	R4166713	R4090029 ⁴¹	R4112008 ⁵⁴	N/A	R4577235 ²⁵⁹	R4577235
R44141174 ⁴⁰⁵ R44141127 ¹⁸¹ R44141237 ¹⁷⁵	2-3/16 " 2-3/16 " 2-3/16 "	R42R55412 R42R55412 R42R55412	R42R55411 R42R55411 R42R55411	R4166713 R4166713 R4166713	R4090029 ⁴¹ R4090029 ⁴¹ R4090029 ⁴¹	R4112008 ⁵⁴ R4112008 ⁵⁴ R4112008 ⁵⁴	N/A N/A N/A	R4577311 ²⁵⁹ R4577235 ²⁵⁹ R4577311 ²⁵⁹	R4577311 R4577235 R4577311
R44140278 ³⁴⁵ R44140344 ¹⁶⁷ R44140468 R44140504 ¹⁸⁹	1-1/8 " 1 " 1-1/8 " 1 "	R4133206 R4133725 R4133206 R4133725	R4133207 R4133726 R4133207 R4133726	R418187 R4166822 R418187 R4166822	NR NR NR NR	- - - -	- - - -	R4577245 R4577245 R4577245 R4577245	R4577245 R4577245 R4577245 R4577245
R44141234 ³⁸¹	2-3/16 "	R42R55412	R42R55411	R4166713	R4090029 ⁴¹	R4112008 ⁵⁴	N/A	R4577235 ²⁵⁹	R4577235
R44141237 ¹⁷⁵ R44141127 ¹⁸¹ R44141174 ⁴⁰⁵	2-3/16 " 2-3/16 " 2-3/16 "	R42R55412 R42R55412 R42R55412	R42R55411 R42R55411 R42R55411	R4166713 R4166713 R4166713	R4090029 ⁴¹ R4090029 ⁴¹ R4090029 ⁴¹	R4112008 ⁵⁴ R4112008 ⁵⁴ R4112008 ⁵⁴	N/A N/A N/A	R4577311 ²⁵⁹ R4577235 ²⁵⁹ R4577311 ²⁵⁹	R4577311 R4577235 R4577311
R44140468 R44140504 ¹⁸⁹ R44140278 ³⁴⁵ R44140344 ¹⁶⁷	1-1/8 " 1 " 1-1/8 " 1 "	R4133206 R4133725 R4133206 R4133725	R4133207 R4133726 R4133207 R4133726	R418187 R4166822 R418187 R4166822	NR NR NR NR	- - - -	- - - -	R4577245 R4577245 R4577245 R4577245	R4577245 R4577245 R4577245 R4577245
R44141234 ³⁸¹	2-3/16 "	R42R55412	R42R55411	R4166713	R4090029 ⁴¹	R4112008 ⁵⁴	N/A	R4577235 ²⁵⁹	R4577235
N/A N/A	2-3/16 " 2-3/16 "	R42R55412 R42R55412	R42R55411 R42R55411	R4166713 R4166713	R4090029 ⁴¹ R4090029 ⁴¹	R4111856 ⁵⁴ R4111856 ⁵⁴	N/A N/A	R4577235 ²⁵⁹ R4577311 ²⁵⁹	R4577235 R4577311
R44140278 ³⁴⁵ R44140278 ³⁴⁵ R44140344 ¹⁶⁷ R44140344 ¹⁶⁷ R44140344 ¹⁶⁷ R44140278 ³⁴⁵ R44140278 ³⁴⁵ R44140344 ¹⁶⁷ R44140278 ³⁴⁵ R44140344 ¹⁶⁷ R44140278 ³⁴⁵	1 " 1 " 1 " 1-1/8 " 1-1/8 " 1-1/8 " 1 " 1 " 1 " 1 " 1-1/8 "	R4133725 R4133725 R4133725 R4133206 R4133206 R4133206 R4133725 R4133725 R4133725 R4133725 R4133206	R4133726 R4133726 R4133726 R4133207 R4133207 R4133207 R4133726 R4133726 R4133726 R4133726 R4133207	R4166822 R4166822 R4166822 R418187 R418187 R418187 R4166822 R4166822 R4166822 R4166822 R418187	NR NR NR NR NR NR NR NR NR NR NR	- - - - - - - - - - -	- - - - - - - - - - -	R4577245 ²⁶¹ R4577247 ²⁶¹ R4577247 ²⁶¹ R4577245 ²⁶¹ R4577247 ²⁶¹ R4577245 ²⁶¹ R4577247 ²⁶¹ R4577245 ²⁶¹ R4577247 ²⁶¹ R4577245 ²⁶¹ R4577247 ²⁶¹	R4577245 R4577247 R4577247 R4577245 R4577247 R4577245 R4577247 R4577245 R4577247 R4577245 R4577247
N/A N/A	2-3/16 " 2-3/16 "	R42R55412 R42R55412	R42R55411 R42R55411	R4166713 R4166713	R4090029 ⁴¹ R4090029 ⁴¹	R4111856 ⁵⁴ R4111856 ⁵⁴	N/A N/A	R4577311 ²⁵⁹ R4577235 ²⁵⁹	R4577311 R4577235
R44140278 ³⁴⁵ R44140344 ¹⁶⁷ R44140278 ³⁴⁵ R44140278 ³⁴⁵ R44140344 ¹⁶⁷ R44140278 ³⁴⁵ R44140344 ¹⁶⁷ R44140278 ³⁴⁵ R44140344 ¹⁶⁷	1 " 1-1/8 " 1-1/8 " 1 " 1 " 1-1/16 " 1-1/16 " 1 " 1 "	R4133725 R4133206 R4133206 R4133725 R4133725 R4133791 R4133791 R4133725 R4133725	R4133726 R4133207 R4133207 R4133726 R4133726 R 418145 R 418145 R4133726 R4133726	R4166822 R418187 R418187 R4166822 R4166822 R4166821 R4166821 R4166822 R4166822	NR NR NR NR NR NR NR NR NR	- - - - - - - - -	- - - - - - - - -	R4577245 R4577245 R4577245 R4577245 R4577245 R4577245 R4577245 R4577245 R4577245	R4577245 R4577245 R4577245 R4577245 R4577245 R4577245 R4577245 R4577245 R4577245
N/A N/A	2-3/16 " 2-3/16 "	R42R55412 R42R55412	R42R55411 R42R55411	R4166713 R4166713	R4090029 ⁴¹ R4090029 ⁴¹	R4111856 ⁵⁴ R4111856 ⁵⁴	N/A N/A	R4577235 ²⁵⁹ R4577311 ²⁵⁹	R4577235 R4577311
R44140344 ¹⁶⁷ R44140344 ¹⁶⁷ R44140344 ¹⁶⁷ R44140278 ³⁴⁵ R44140278 ³⁴⁵ R44140344 ¹⁶⁷ R44140278 ³⁴⁵ R44140278 ³⁴⁵	1-1/16 " 1-1/8 " 1 " 1-1/16 " 1-1/8 " 1 " 1 " 1 "	R4133791 R4133206 R4133725 R4133791 R4133206 R4133725 R4133725 R4133725	R 418145 R4133207 R4133726 R 418145 R4133207 R4133726 R418187 R4133726	R4166821 R4166821 R4166822 R4166821 R418187 R4166822 R4166822 R4166822	NR NR NR NR NR NR NR NR	- - - - - - - -	- - - - - - - -	R4577247 ²⁶¹ - R4577245 ²⁶¹ R4577247 ²⁶¹ - - - -	R4577247 - R4577245 R4577247 - - - -
N/A	2-3/16 "	R42R55412	R42R55411	R4166713	R4090029 ⁴¹	R4111856 ⁵⁴	N/A	R4577235 ²⁵⁹	R4577235

263 - 4x2 and 4x4 Monobeam Axle with 137" and 161" Wheel Base
405 - Rotor Only

345 - Dual Rear Wheels, except 10.25" ring gear

381 - Rotor and Hub One Piece Assembly W/O ABS Ring

MAKE MODEL YEAR AXLE CODE AXLE WEIGHT	AXLE & BRK. TYPE	BRK. MFG.	BRAKE SIZE	FMSI	MERITOR DISC PAD OR BRAKE SHOE	MERITOR GUIDE PIN OR RETURN SPRING KIT	MERITOR CALIPER HWD. KIT OR RETURN SPRING KIT	MERITOR ADJUSTER KIT (LEFT WHEEL)	MERITOR ADJUSTER KIT (RIGHT WHEEL)
FORD(Cont.)									
F300, F350 SERIES PICKUP-1TON(Cont.)									
1978	Fd	DN		7054 - D120	MD120	R40H05025	60050135	NR	NR
	Ra	BX	12" x 3"	2140AT - 358	R46358	R40H608	R40H4087	R40H2598	R40H2599
	Ra	BX	12" x 3"	2140AT - 358	R46358	R40H608	R40H4087	R40H2598	R40H2599
	Ra	BX	12" x 3"	2140AT - 358	R46358	R40H608	R40H4087	R40H2598	R40H2599
	Ra	BX	12" x 3"	2140AT - 358	R46358	R40H608	R40H4087	R40H2598	R40H2599
	Ra	BX	12" x 3"	2140AT - 358	R46358	R40H608	R40H4087	R40H2598	R40H2599
	Ra	BX	12" x 3"	2140AT - 358	R46358	R40H608	R40H4087	R40H2598	R40H2599
	Ra	BX	12" x 3"	2140AT - 358	R46358	R40H608	R40H4087	R40H2598	R40H2599
1977	Fd	DN		7054 - D120	MD120	R40H05025	60050135	NR	NR
	Fd	DN		7054 - D120	MD120	R40H05025	60050135	NR	NR
	Ra	BX	12" x 3"	2140AT - 358	R46358	R40H608	R40H4087	R40H2598	R40H2599
	Ra	BX	12" x 3"	2140AT - 358	R46358	R40H608	R40H4087	R40H2598	R40H2599
	Ra	BX	12" x 3"	2140AT - 358	R46358	R40H608	R40H4087	R40H2598	R40H2599
	Ra	BX	12" x 3"	2140AT - 358	R46358	R40H608	R40H4087	R40H2598	R40H2599
	Ra	BX	12" x 3"	2140AT - 358	R46358	R40H608	R40H4087	R40H2598	R40H2599
	Ra	BX	12" x 3"	2140AT - 358	R46358	R40H608	R40H4087	R40H2598	R40H2599
1976	Fd	DN		7054 - D120	MD120	R40H05025	60050135	NR	NR
	Fd	DN		7054 - D120	MD120	R40H05025	60050135	NR	NR
	Ra	BX	12" x 3"	2140AT - 358	R46358	R40H608	R40H4087	R40H2598	R40H2599
	Ra	BX	12" x 3"	2140AT - 358	R46358	R40H608	R40H4087	R40H2598	R40H2599
	Ra	BX	12" x 3"	2140AT - 358	R46358	R40H608	R40H4087	R40H2598	R40H2599
	Ra	BX	12" x 3"	2140AT - 358	R46358	R40H608	R40H4087	R40H2598	R40H2599
	Ra	BX	12" x 3"	2140AT - 358	R46358	R40H608	R40H4087	R40H2598	R40H2599
	Ra	BX	12" x 3"	2140AT - 358	R46358	R40H608	R40H4087	R40H2598	R40H2599
1975	Ra	BX	12" x 3"	2140AT - 358	R46358	R40H608	R40H4087	R40H2598	R40H2599
	Ra	BX	12" x 3"	2140AT - 358	R46358	R40H608	R40H4087	R40H2598	R40H2599
	Ra	BX	12" x 3"	2140AT - 358	R46358	R40H608	R40H4087	R40H2598	R40H2599
	Ra	BX	12" x 3"	2140AT - 358	R46358	R40H608	R40H4087	R40H2598	R40H2599
1974	Ra	BX	12" x 3"	2140AT - 358	R46358	R40H608	R40H4087	R40H2598	R40H2599
	Ra	BX	12" x 3"	2140AT - 358	R46358	R40H608	R40H4087	R40H2598	R40H2599
	Ra	BX	12" x 3"	2140AT - 358	R46358	R40H608	R40H4087	R40H2598	R40H2599
	Ra	BX	12" x 3"	2140AT - 358	R46358	R40H608	R40H4087	R40H2598	R40H2599
1973	Ra	BX	12" x 3"	2140AT - 358	R46358	R40H608	R40H4087	R40H2598	R40H2599
	Ra	BX	12" x 3"	2140AT - 358	R46358	R40H608	R40H4087	R40H2598	R40H2599
	Ra	BX	12" x 3"	2140AT - 358	R46358	R40H608	R40H4087	R40H2598	R40H2599
	Ra	BX	12" x 3"	2140AT - 358	R46358	R40H608	R40H4087	R40H2598	R40H2599
1972	Fa	BX	12" x 3"	2140AT - 358	R46358	R40H547	R40H7146	R40H2598	R40H2599
	Ra	BX	12" x 3"	2140AT - 358	R46358	R40H608	R40H4087	R40H2598	R40H2599
	Ra	BX	12" x 3"	2140AT - 358	R46358	R40H608	R40H4087	R40H2598	R40H2599
	Ra	BX	12" x 3"	2140AT - 358	R46358	R40H608	R40H4087	R40H2598	R40H2599
	Ra	BX	12" x 3"	2140AT - 358	R46358	R40H608	R40H4087	R40H2598	R40H2599
F350 SUPERDUTY SERIES PICKUP-1TON									
2008 2 x 4, DRW	Fd	TRW		7974 - D1069	MD1069	N/R	R4012081	N/R	N/R
	Fd	TRW		7974 - D1069	MD1069	N/R	R4012081	N/R	N/R
	Fd	TRW		7974 - D1069	MD1069	N/R	R4012081	N/R	N/R
	Fd	TRW		7974 - D1069	MD1069	N/R	R4012081	N/R	N/R
	Rd	TRW		7973 - D1067	MD1067	N/R	R4012252	N/R	N/R
2 x 4, SRW	Rd	TRW		7973 - D1067	MD1067	N/R	R4012252	N/R	N/R
	Fd	TRW		7974 - D1069	MD1069	N/R	R4012081	N/R	N/R
	Fd	TRW		7974 - D1069	MD1069	N/R	R4012081	N/R	N/R
	Fd	TRW		7974 - D1069	MD1069	N/R	R4012081	N/R	N/R

41 - Aluminum piston
 259 - 4x2, Except Monobeam Axle
 363 - Piston includes Boots and Seals
 www.XpresswayPlus.com

54 - Manual Brakes
 261 - 4x4, Except Monobeam Axle
 401 - Gas Engine w/o Brake Control Valve

167 - Except 10 1/4" Ring Gear
 345 - Dual Rear Wheels, except 10.25" ring gear
 402 - Gas Engine With Integrated Brake Control Valve

MAKE MODEL YEAR AXLE CODE AXLE WEIGHT	AXLE & BRK. TYPE	BRK. MFG.	BRAKE SIZE	FMSI	MERITOR DISC PAD OR BRAKE SHOE	MERITOR GUIDE PIN OR RETURN SPRING KIT	MERITOR CALIPER HWD. KIT OR RETURN SPRING KIT	MERITOR ADJUSTER KIT (LEFT WHEEL)	MERITOR ADJUSTER KIT (RIGHT WHEEL)
FORD(Cont.)									
F350 SUPERDUTY SERIES PICKUP-1TON									
2008 2 x 4, SRW	Fd	TRW		7974 - D1069	MD1069	N/R	R4012081	N/R	N/R
	Rd	TRW		7973 - D1068	MD1068	N/R	R4012247	N/R	N/R
	Rd	TRW		7973 - D1068	MD1068	N/R	R4012247	N/R	N/R
2007 2 x 4, DRW	Fd	TRW		7974 - D1069	MD1069	N/R	R4012081	N/R	N/R
	Fd	TRW		7974 - D1069	MD1069	N/R	R4012081	N/R	N/R
	Fd	TRW		7974 - D1069	MD1069	N/R	R4012081	N/R	N/R
	Fd	TRW		7974 - D1069	MD1069	N/R	R4012081	N/R	N/R
	Rd	TRW		7973 - D1067	MD1067	N/R	R4012252	N/R	N/R
	Rd	TRW		7973 - D1067	MD1067	N/R	R4012252	N/R	N/R
2 x 4, SRW	Fd	TRW		7974 - D1069	MD1069	N/R	R4012081	N/R	N/R
	Fd	TRW		7974 - D1069	MD1069	N/R	R4012081	N/R	N/R
	Fd	TRW		7974 - D1069	MD1069	N/R	R4012081	N/R	N/R
	Fd	TRW		7974 - D1069	MD1069	N/R	R4012081	N/R	N/R
	Rd	TRW		7973 - D1068	MD1068	N/R	R4012247	N/R	N/R
Rd	TRW		7973 - D1068	MD1068	N/R	R4012247	N/R	N/R	
2006 2 x 4, DRW	Fd	TRW		7974 - D1069	MD1069	N/R	R4012081	N/R	N/R
	Fd	TRW		7974 - D1069	MD1069	N/R	R4012081	N/R	N/R
	Fd	TRW		7974 - D1069	MD1069	N/R	R4012081	N/R	N/R
	Fd	TRW		7974 - D1069	MD1069	N/R	R4012081	N/R	N/R
	Fd	TRW		7974 - D1069	MD1069	N/R	R4012081	N/R	N/R
	Fd	TRW		7974 - D1069	MD1069	N/R	R4012081	N/R	N/R
	Rd	TRW		7973 - D1067	MD1067	N/R	R4012252	N/R	N/R
	Rd	TRW		7973 - D1067	MD1067	N/R	R4012252	N/R	N/R
2 x 4, SRW	Fd	TRW		7974 - D1069	MD1069	N/R	R4012081	N/R	N/R
	Fd	TRW		7974 - D1069	MD1069	N/R	R4012081	N/R	N/R
	Fd	TRW		7974 - D1069	MD1069	N/R	R4012081	N/R	N/R
	Fd	TRW		7974 - D1069	MD1069	N/R	R4012081	N/R	N/R
	Fd	TRW		7974 - D1069	MD1069	N/R	R4012081	N/R	N/R
	Fd	TRW		7974 - D1069	MD1069	N/R	R4012081	N/R	N/R
	Rd	TRW		7973 - D1068	MD1068	N/R	R4012247	N/R	N/R
	Rd	TRW		7973 - D1068	MD1068	N/R	R4012247	N/R	N/R
4 X 4 DRW	Fd	TRW		7974 - D1069	MD1069	N/R	R4012081	N/R	N/R
	Fd	TRW		7974 - D1069	MD1069	N/R	R4012081	N/R	N/R
	Fd	TRW		7974 - D1069	MD1069	N/R	R4012081	N/R	N/R
	Fd	TRW		7974 - D1069	MD1069	N/R	R4012081	N/R	N/R
	Fd	TRW		7974 - D1069	MD1069	N/R	R4012081	N/R	N/R
	Fd	TRW		7974 - D1069	MD1069	N/R	R4012081	N/R	N/R
	Rd	TRW		7973 - D1067	MD1067	N/R	R4012252	N/R	N/R
Rd	TRW		7973 - D1067	MD1067	N/R	R4012252	N/R	N/R	
4 X 4 SRW	Rd	TRW		7973 - D1068	MD1068	N/R	R4012247	N/R	N/R
	Rd	TRW		7973 - D1068	MD1068	N/R	R4012247	N/R	N/R
4 X 4 SRW Except Harley Davidson Package	Fd	TRW		7974 - D1069	MD1069	N/R	R4012081	N/R	N/R
	Fd	TRW		7974 - D1069	MD1069	N/R	R4012081	N/R	N/R
	Fd	TRW		7974 - D1069	MD1069	N/R	R4012081	N/R	N/R
	Fd	TRW		7974 - D1069	MD1069	N/R	R4012081	N/R	N/R
	Fd	TRW		7974 - D1069	MD1069	N/R	R4012081	N/R	N/R
	Fd	TRW		7974 - D1069	MD1069	N/R	R4012081	N/R	N/R
4 X 4 SRW Harley Davidson Package	Fd	TRW		7974 - D1069	MD1069	N/R	R4012081	N/R	N/R
	Fd	TRW		7974 - D1069	MD1069	N/R	R4012081	N/R	N/R
	Fd	TRW		7974 - D1069	MD1069	N/R	R4012081	N/R	N/R
	Fd	TRW		7974 - D1069	MD1069	N/R	R4012081	N/R	N/R
	Fd	TRW		7974 - D1069	MD1069	N/R	R4012081	N/R	N/R
	Fd	TRW		7974 - D1069	MD1069	N/R	R4012081	N/R	N/R
2005 2 X 4, DRW	Fd	TRW		7974 - D1069	MD1069	N/R	R4012081	N/R	N/R
	Fd	TRW		7974 - D1069	MD1069	N/R	R4012081	N/R	N/R
	Fd	TRW		7974 - D1069	MD1069	N/R	R4012081	N/R	N/R
	Fd	TRW		7974 - D1069	MD1069	N/R	R4012081	N/R	N/R
	Fd	TRW		7974 - D1069	MD1069	N/R	R4012081	N/R	N/R
	Fd	TRW		7974 - D1069	MD1069	N/R	R4012081	N/R	N/R

363 - Piston includes Boots and Seals
 402 - Gas Engine With Integrated Brake Control Valve
 405 - From 7/19/05 Diesel Engine w/o Brake Control Valve
 www.XpresswayPlus.com

394 - 8 Stud Rotor and Hub one piece Assembly
 403 - To 7/19/05 Diesel Engine w/o Speed Control
 405 - Rotor Only

401 - Gas Engine w/o Brake Control Valve
 404 - To 7/19/05 Diesel Engine with Speed Control
 406 - From 7/19/05 Diesel Engine with Integrated Brake Control Valve
 Contact our Customer Service Teams
 1-888-725-9355

MERITOR DRUM OR ROTOR NO.	CALIPER OR CYLINDER BORE SIZE	MERITOR CALIPER OR WHEEL CYLINDER (LEFT)	MERITOR CALIPER OR WHEEL CYLINDER (RIGHT)	MERITOR CALIPER OR WHEEL CYLINDER REPAIR KIT	MERITOR CALIPER PISTON	MERITOR MASTER CYLINDER	MERITOR MASTER CYLINDER KIT	MERITOR BRAKE HOSE (LEFT)	MERITOR BRAKE HOSE (RIGHT)
FORD(Cont.)									
F350 SUPERDUTY SERIES PICKUP-1TON									
R441713831 ⁴⁰⁵	60mm	R4212084	R4212083	R4012080	-	R413013833 ⁴⁰²	-	R457013824	R457013825
R44145258 ⁴⁰⁵	48mm	-	-	-	-	-	-	R457013826	-
R44145258 ⁴⁰⁵	48mm	-	-	-	-	-	-	R457013827	R457013843
R441713846 ⁴⁰⁵	60mm	R4212078	R4212077	R4012080	-	R413013819 ⁴⁰⁵	-	R457013824	R457013825
R441713846 ⁴⁰⁵	60mm	R4212078	R4212077	R4012080	-	R413013818 ⁴⁰²	-	R457013824	R457013825
R441713846 ⁴⁰⁵	60mm	R4212078	R4212077	R4012080	-	R413013817 ⁴⁰¹	-	R457013824	R457013825
R441713846 ⁴⁰⁵	60mm	R4212078	R4212077	R4012080	-	R413013820 ⁴⁰⁶	-	R457013824	R457013825
R44145280 ⁴⁰⁵	54mm	R4212249	R4212248	-	R4012250 ³⁶³	-	-	R457013847	-
R44145280 ⁴⁰⁵	54mm	R4212249	R4212248	-	R4012250 ³⁶³	-	-	R457013827	R457013851
R44145255 ³⁹⁴	60mm	R4212084	R4212083	R4012080	-	R413013817 ⁴⁰¹	-	R457013824	R457013825
R44145255 ³⁹⁴	60mm	R4212084	R4212083	R4012080	-	R413013820 ⁴⁰⁶	-	R457013824	R457013825
R44145255 ³⁹⁴	60mm	R4212084	R4212083	R4012080	-	R413013818 ⁴⁰²	-	R457013824	R457013825
R44145255 ³⁹⁴	60mm	R4212084	R4212083	R4012080	-	R413013819 ⁴⁰⁵	-	R457013824	R457013825
R44145258 ⁴⁰⁵	48mm	R4212244	R4212243	R4012246	R4012245 ³⁶³	-	-	R457013827	R457013828
R44145258 ⁴⁰⁵	48mm	R4212244	R4212243	R4012246	R4012245 ³⁶³	-	-	R457013826	-
R441713846 ⁴⁰⁵	60mm	R4212078	R4212077	R4012080	-	R413013817 ⁴⁰¹	-	R457013824	R457013825
R441713846 ⁴⁰⁵	60mm	R4212078	R4212077	R4012080	-	R413013829 ⁴⁰³	-	R457013824	R457013825
R441713846 ⁴⁰⁵	60mm	R4212078	R4212077	R4012080	-	R413013818 ⁴⁰²	-	R457013824	R457013825
R441713846 ⁴⁰⁵	60mm	R4212078	R4212077	R4012080	-	R413013830 ⁴⁰⁴	-	R457013824	R457013825
R441713846 ⁴⁰⁵	60mm	R4212078	R4212077	R4012080	-	R413013819 ⁴⁰⁵	-	R457013824	R457013825
R441713846 ⁴⁰⁵	60mm	R4212078	R4212077	R4012080	-	R413013820 ⁴⁰⁶	-	R457013824	R457013825
R44145280 ⁴⁰⁵	54mm	R4212249	R4212248	-	R4012250 ³⁶³	-	-	R457013827	R457013851
R44145280 ⁴⁰⁵	54mm	R4212249	R4212248	-	R4012250 ³⁶³	-	-	R457013847	-
R44145255 ³⁹⁴	60mm	R4212084	R4212083	R4012080	-	R413013817 ⁴⁰¹	-	R457013824	R457013825
R44145255 ³⁹⁴	60mm	R4212084	R4212083	R4012080	-	R413013829 ⁴⁰³	-	R457013824	R457013825
R44145255 ³⁹⁴	60mm	R4212084	R4212083	R4012080	-	R413013830 ⁴⁰⁴	-	R457013824	R457013825
R44145255 ³⁹⁴	60mm	R4212084	R4212083	R4012080	-	R413013818 ⁴⁰²	-	R457013824	R457013825
R44145255 ³⁹⁴	60mm	R4212084	R4212083	R4012080	-	R413013820 ⁴⁰⁶	-	R457013824	R457013825
R44145255 ³⁹⁴	60mm	R4212084	R4212083	R4012080	-	R413013819 ⁴⁰⁵	-	R457013824	R457013825
R44145258 ⁴⁰⁵	48mm	R4212244	R4212243	R4012246	R4012245 ³⁶³	-	-	R457013826	-
R44145258 ⁴⁰⁵	48mm	R4212244	R4212243	R4012246	R4012245 ³⁶³	-	-	R457013827	R457013828
R441713815	60mm	R4212078	R4212077	R4012080	-	R413013818 ⁴⁰²	-	R457013840	R457013841
R441713815	60mm	R4212078	R4212077	R4012080	-	R413013830 ⁴⁰⁴	-	R457013840	R457013841
R441713815	60mm	R4212078	R4212077	R4012080	-	R413013829 ⁴⁰³	-	R457013840	R457013841
R441713815	60mm	R4212078	R4212077	R4012080	-	R413013817 ⁴⁰¹	-	R457013840	R457013841
R441713815	60mm	R4212078	R4212077	R4012080	-	R413013820 ⁴⁰⁶	-	R457013840	R457013841
R441713815	60mm	R4212078	R4212077	R4012080	-	R413013819 ⁴⁰⁵	-	R457013840	R457013841
R44145280 ⁴⁰⁵	54mm	R4212249	R4212248	-	R4012250 ³⁶³	-	-	R457013855	-
R44145280 ⁴⁰⁵	54mm	R4212249	R4212248	-	R4012250 ³⁶³	-	-	R457013827	R457013851
R44145258 ⁴⁰⁵	48mm	R4212244	R4212243	R4012246	R4012245 ³⁶³	-	-	R457013827	R457013828
R44145258 ⁴⁰⁵	48mm	R4212244	R4212243	R4012246	R4012245 ³⁶³	-	-	R457013842	-
R441713839	60mm	R4212084	R4212083	R4012080	-	R413013819 ⁴⁰⁵	-	R457013840	R457013841
R441713839	60mm	R4212084	R4212083	R4012080	-	R413013820 ⁴⁰⁶	-	R457013840	R457013841
R441713839	60mm	R4212084	R4212083	R4012080	-	R413013817 ⁴⁰¹	-	R457013840	R457013841
R441713839	60mm	R4212084	R4212083	R4012080	-	R413013830 ⁴⁰⁴	-	R457013840	R457013841
R441713839	60mm	R4212084	R4212083	R4012080	-	R413013818 ⁴⁰²	-	R457013840	R457013841
R441713839	60mm	R4212084	R4212083	R4012080	-	R413013829 ⁴⁰³	-	R457013840	R457013841
R441713813	60mm	R4212084	R4212083	R4012080	-	R413013829 ⁴⁰³	-	R457013840	R457013841
R441713813	60mm	R4212084	R4212083	R4012080	-	R413013818 ⁴⁰²	-	R457013840	R457013841
R441713813	60mm	R4212084	R4212083	R4012080	-	R413013819 ⁴⁰⁵	-	R457013840	R457013841
R441713813	60mm	R4212084	R4212083	R4012080	-	R413013830 ⁴⁰⁴	-	R457013840	R457013841
R441713813	60mm	R4212084	R4212083	R4012080	-	R413013817 ⁴⁰¹	-	R457013840	R457013841
R441713813	60mm	R4212084	R4212083	R4012080	-	R413013820 ⁴⁰⁶	-	R457013840	R457013841
R441713846 ⁴⁰⁵	60mm	R4212078	R4212077	R4012080	-	R413013820 ⁴⁰⁶	-	R457013824	R457013825
R441713846 ⁴⁰⁵	60mm	R4212078	R4212077	R4012080	-	R413013830 ⁴⁰⁴	-	R457013824	R457013825
R441713846 ⁴⁰⁵	60mm	R4212078	R4212077	R4012080	-	R413013819 ⁴⁰⁵	-	R457013824	R457013825
R441713846 ⁴⁰⁵	60mm	R4212078	R4212077	R4012080	-	R413013818 ⁴⁰²	-	R457013824	R457013825
R441713846 ⁴⁰⁵	60mm	R4212078	R4212077	R4012080	-	R413013817 ⁴⁰¹	-	R457013824	R457013825
R441713846 ⁴⁰⁵	60mm	R4212078	R4212077	R4012080	-	R413013829 ⁴⁰³	-	R457013824	R457013825

MAKE MODEL YEAR AXLE CODE AXLE WEIGHT	AXLE & BRK. TYPE	BRK. MFG.	BRAKE SIZE	FMSI	MERITOR DISC PAD OR BRAKE SHOE	MERITOR GUIDE PIN OR RETURN SPRING KIT	MERITOR CALIPER HWD. KIT OR RETURN SPRING KIT	MERITOR ADJUSTER KIT (LEFT WHEEL)	MERITOR ADJUSTER KIT (RIGHT WHEEL)
FORD(Cont.)									
F350 SUPERDUTY SERIES PICKUP-1TON (Cont.)									
2005	Rd Rd	TRW TRW		7973 - D1067 7973 - D1067	MD1067 MD1067	N/R N/R	R4012252 R4012252	N/R N/R	N/R N/R
2 X 4, SRW	Fd Fd Fd Fd Fd Fd	TRW TRW TRW TRW TRW TRW		7974 - D1069 7974 - D1069 7974 - D1069 7974 - D1069 7974 - D1069 7974 - D1069	MD1069 MD1069 MD1069 MD1069 MD1069 MD1069	N/R N/R N/R N/R N/R N/R	R4012081 R4012081 R4012081 R4012081 R4012081 R4012081	N/R N/R N/R N/R N/R N/R	N/R N/R N/R N/R N/R N/R
	Rd Rd	TRW TRW		7973 - D1068 7973 - D1068	MD1068 MD1068	N/R N/R	R4012247 R4012247	N/R N/R	N/R N/R
4 X 4 DRW	Fd Fd Fd Fd Fd	TRW TRW TRW TRW TRW		7974 - D1069 7974 - D1069 7974 - D1069 7974 - D1069 7974 - D1069	MD1069 MD1069 MD1069 MD1069 MD1069	N/R N/R N/R N/R N/R	R4012081 R4012081 R4012081 R4012081 R4012081	N/R N/R N/R N/R N/R	N/R N/R N/R N/R N/R
	Rd Rd	TRW TRW		7973 - D1067 7973 - D1067	MD1067 MD1067	N/R N/R	R4012252 R4012252	N/R N/R	N/R N/R
4 X 4 SRW	Rd Rd	TRW TRW		7973 - D1068 7973 - D1068	MD1068 MD1068	N/R N/R	R4012247 R4012247	N/R N/R	N/R N/R
4 X 4 SRW Except Harley Davidson Package	Fd Fd Fd Fd Fd	TRW TRW TRW TRW TRW		7974 - D1069 7974 - D1069 7974 - D1069 7974 - D1069 7974 - D1069	MD1069 MD1069 MD1069 MD1069 MD1069	N/R N/R N/R N/R N/R	R4012081 R4012081 R4012081 R4012081 R4012081	N/R N/R N/R N/R N/R	N/R N/R N/R N/R N/R
4 X 4 SRW Harley Davidson Package	Fd Fd Fd Fd Fd	TRW TRW TRW TRW TRW		7974 - D1069 7974 - D1069 7974 - D1069 7974 - D1069 7974 - D1069	MD1069 MD1069 MD1069 MD1069 MD1069	N/R N/R N/R N/R N/R	R4012081 R4012081 R4012081 R4012081 R4012081	N/R N/R N/R N/R N/R	N/R N/R N/R N/R N/R
2004									
2 x 4, 4 Wheel ABS, DRW Twin I-Beam	Fd Fd	TRW TRW		7625 - D824 7625 - D824	MVD824 MVD824	NR NR	NR NR	NR NR	NR NR
2 x 4, 4 Wheel ABS, SRW	Fd	TRW		7625 - D824	MVD824	NR	NR	NR	NR
2 x 4, Rear Wheel ABS, SRW	Fd Fd Fd	TRW TRW TRW		7625 - D824 7625 - D824 7625 - D824	MVD824 MVD824 MVD824	NR NR NR	NR NR NR	NR NR NR	NR NR NR
4 x 4, From 3/22/99 Except Mono Beam Front Axle	Fd Fd	TRW TRW		7625 - D824 7625 - D824	MVD824 MVD824	NR NR	NR NR	NR NR	NR NR
4 x 4, From 3/22/99 Mono Beam Front Axle	Fd Fd	TRW TRW		7625 - D824 7625 - D824	MVD824 MVD824	NR NR	NR NR	NR NR	NR NR
4 x 4, Up to 3/22/99 Except Mono Beam Front Axle	Fd Fd	TRW TRW		7625 - D824 7625 - D824	MVD824 MVD824	NR NR	NR NR	NR NR	NR NR
4 x 4, Up to 3/22/99 Mono Beam Front Axle	Fd Fd	TRW TRW		7625 - D824 7625 - D824	MVD824 MVD824	NR NR	NR NR	NR NR	NR NR
DRW	Rd	TRW		7626 - D757	MVD757	NR	NR	NR	NR
SRW	Rd	TRW		7626 - D757	MVD757	NR	NR	NR	NR
2003									
2 x 4, 4 Wheel ABS, DRW Twin I-Beam	Fd Fd	TRW TRW		7625 - D824 7625 - D824	MVD824 MVD824	NR NR	NR NR	NR NR	NR NR
2 x 4, 4 Wheel ABS, SRW	Fd	TRW		7625 - D824	MVD824	NR	NR	NR	NR

217 - Power Brakes Except Speed Control
 371 - With Manual Locking Hubs
 374 - 2 x 4 with Rear wheel ABS

223 - Power Brakes, Speed Control
 372 - With Auro Locking Hubs
 375 - Right and Left interchangeable depending on clock mounting of 394 - 8 Stud Rotor and Hub one piece Assembly unit

363 - Piston includes Boots and Seals
 373 - 2 x 4 with 4 wheel ABS

MERITOR DRUM OR ROTOR NO.	CALIPER OR CYLINDER BORE SIZE	MERITOR CALIPER OR WHEEL CYLINDER (LEFT)	MERITOR CALIPER OR WHEEL CYLINDER (RIGHT)	MERITOR CALIPER OR WHEEL CYLINDER REPAIR KIT	MERITOR CALIPER PISTON	MERITOR MASTER CYLINDER	MERITOR MASTER CYLINDER KIT	MERITOR BRAKE HOSE (LEFT)	MERITOR BRAKE HOSE (RIGHT)
FORD(Cont.)									
F350 SUPERDUTY SERIES PICKUP-1TON (Cont.)									
R44145280 ⁴⁰⁵ R44145280 ⁴⁰⁵	54mm 54mm	R4212249 R4212249	R4212248 R4212248	- -	R4012250 ³⁶³ R4012250 ³⁶³	- -	- -	R457013847 R457013827	- R457013851
R44145255 ³⁹⁴ R44145255 ³⁹⁴ R44145255 ³⁹⁴ R44145255 ³⁹⁴ R44145255 ³⁹⁴ R44145255 ³⁹⁴	60mm 60mm 60mm 60mm 60mm 60mm	R4212084 R4212084 R4212084 R4212084 R4212084 R4212084	R4212083 R4212083 R4212083 R4212083 R4212083 R4212083	R4012080 R4012080 R4012080 R4012080 R4012080 R4012080	- - - - - -	R413013818 ⁴⁰² R413013817 ⁴⁰¹ R413013829 ⁴⁰³ R413013830 ⁴⁰⁴ R413013819 ⁴⁰⁵ R413013820 ⁴⁰⁶	- - - - - -	R457013824 R457013824 R457013824 R457013824 R457013824 R457013824	R457013825 R457013825 R457013825 R457013825 R457013825 R457013825
R44145258 ⁴⁰⁵ R44145258 ⁴⁰⁵	48mm 48mm	R4212244 R4212244	R4212243 R4212243	R4012246 R4012246	R4012245 ³⁶³ R4012245 ³⁶³	- -	- -	R457013826 R457013827	- R457013828
R441713815 R441713815 R441713815 R441713815 R441713815 R441713815	60mm 60mm 60mm 60mm 60mm 60mm	R4212078 R4212078 R4212078 R4212078 R4212078 R4212078	R4212077 R4212077 R4212077 R4212077 R4212077 R4212077	R4012080 R4012080 R4012080 R4012080 R4012080 R4012080	- - - - - -	R413013819 ⁴⁰⁵ R413013817 ⁴⁰¹ R413013820 ⁴⁰⁶ R413013829 ⁴⁰³ R413013818 ⁴⁰² R413013830 ⁴⁰⁴	- - - - - -	R457013840 R457013840 R457013840 R457013840 R457013840 R457013840	R457013841 R457013841 R457013841 R457013841 R457013841 R457013841
R44145280 ⁴⁰⁵ R44145280 ⁴⁰⁵	54mm 54mm	R4212249 R4212249	R4212248 R4212248	- -	R4012250 ³⁶³ R4012250 ³⁶³	- -	- -	R457013855 R457013827	- R457013851
R44145258 ⁴⁰⁵ R44145258 ⁴⁰⁵	48mm 48mm	R4212244 R4212244	R4212243 R4212243	R4012246 R4012246	R4012245 ³⁶³ R4012245 ³⁶³	- -	- -	R457013827 R457013842	R457013828 -
R441713839 R441713839 R441713839 R441713839 R441713839	60mm 60mm 60mm 60mm 60mm	R4212084 R4212084 R4212084 R4212084 R4212084	R4212083 R4212083 R4212083 R4212083 R4212083	R4012080 R4012080 R4012080 R4012080 R4012080	- - - - -	R413013820 ⁴⁰⁶ R413013819 ⁴⁰⁵ R413013830 ⁴⁰⁴ R413013817 ⁴⁰¹ R413013818 ⁴⁰² R413013829 ⁴⁰³	- - - - - -	R457013840 R457013840 R457013840 R457013840 R457013840 R457013840	R457013841 R457013841 R457013841 R457013841 R457013841 R457013841
R441713813 R441713813 R441713813 R441713813 R441713813	60mm 60mm 60mm 60mm 60mm	R4212084 R4212084 R4212084 R4212084 R4212084	R4212083 R4212083 R4212083 R4212083 R4212083	R4012080 R4012080 R4012080 R4012080 R4012080	- - - - -	R413013829 ⁴⁰³ R413013817 ⁴⁰¹ R413013830 ⁴⁰⁴ R413013818 ⁴⁰² R413013819 ⁴⁰⁵ R413013820 ⁴⁰⁶	- - - - - -	R457013840 R457013840 R457013840 R457013840 R457013840 R457013840	R457013841 R457013841 R457013841 R457013841 R457013841 R457013841
R44145267 ³⁹⁴ R44145267 ³⁹⁴	56mm 56mm	R4255749 R4255749	R4255748 R4255748	R4012261 R4012261	R4012260 ³⁶³ R4012260 ³⁶³	R4113649 ²²³ R4113648 ²¹⁷	- -	R4578992 R4578992	R4578991 R4578991
R44145255 ³⁹⁴	56mm	R4255749	R4255748	R4012261	R4012260 ³⁶³	R4113648 ²¹⁷	-	R4578992	R4578991
R44145255 ³⁹⁴ R44145256 ³⁹⁴ R44145256 ³⁹⁴	56mm 56mm 56mm	R4255749 R4255749 R4255749	R4255748 R4255748 R4255748	R4012261 R4012261 R4012261	R4012260 ³⁶³ R4012260 ³⁶³ R4012260 ³⁶³	R4113649 ²²³ R4113648 ²¹⁷ R4113649 ²²³	- - -	R4578876 R4578992 R4578992	R4578991 R4578991 R4578991
R44145274 ⁴⁰⁵ R44145274 ⁴⁰⁵	56mm 56mm	R4255749 R4255749	R4255748 R4255748	R4012261 R4012261	R4012260 ³⁶³ R4012260 ³⁶³	R4113648 ²¹⁷ R4113649 ²²³	- -	R4578997 ³⁷² R4578994 ³⁷¹	R4578996 R4578995
R4466924 R4466924	56mm 56mm	R4255749 R4255749	R4255748 R4255748	R4012261 R4012261	R4012260 ³⁶³ R4012260 ³⁶³	R4113648 ²¹⁷ R4113649 ²²³	- -	R4578997 ³⁷² R4578994 ³⁷¹	R4578996 R4578995
R44145245 ⁴⁰⁵ R44145245 ⁴⁰⁵	56mm 56mm	R4255749 R4255749	R4255748 R4255748	R4012261 R4012261	R4012260 ³⁶³ R4012260 ³⁶³	R4113649 ²²³ R4113648 ²¹⁷	- -	R4578993 ³⁷¹ R4578994 ³⁷²	R4578995 R4578996
R44145257 ⁴⁰⁵ R44145257 ⁴⁰⁵	56mm 56mm	R4255749 R4255749	R4255748 R4255748	R4012261 R4012261	R4012260 ³⁶³ R4012260 ³⁶³	R4113648 ²¹⁷ R4113649 ²²³	- -	R4578802 ³⁷³ R4512481 ³⁷⁴	R4512482 R4512482
R44145280 ⁴⁰⁵ R44145258 ⁴⁰⁵	45mm 45mm	R4255858 R4255858	R4255857 ³⁷⁵ R4255857 ³⁷⁵	R4012040 R4012040	R4012039 ³⁶³ R4012039 ³⁶³	- -	- -	- -	- -
R44145267 ³⁹⁴ R44145267 ³⁹⁴ R44145255 ³⁹⁴	56mm 56mm 56mm	R4255749 R4255749 R4255749	R4255748 R4255748 R4255748	R4012261 R4012261 R4012261	R4012260 ³⁶³ R4012260 ³⁶³ R4012260 ³⁶³	R4113649 ²²³ R4113648 ²¹⁷ R4113648 ²¹⁷	- - -	R4578992 R4578992 R4578992	R4578991 R4578991 R4578991

401 - Gas Engine w/o Brake Control Valve

404 - To 7/19/05 Diesel Engine with Speed Control

406 - From 7/19/05 Diesel Engine with Integrated Brake Control Valve

402 - Gas Engine With Integrated Brake Control Valve

405 - From 7/19/05 Diesel Engine w/o Brake Control Valve

403 - To 7/19/05 Diesel Engine w/o Speed Control

405 - Rotor Only

MAKE MODEL YEAR AXLE CODE AXLE WEIGHT	AXLE & BRK. TYPE	BRK. MFG.	BRAKE SIZE	FMSI	MERITOR DISC PAD OR BRAKE SHOE	MERITOR GUIDE PIN OR RETURN SPRING KIT	MERITOR CALIPER HWD. KIT OR RETURN SPRING KIT	MERITOR ADJUSTER KIT (LEFT WHEEL)	MERITOR ADJUSTER KIT (RIGHT WHEEL)
FORD(Cont.)									
F350 SUPERDUTY SERIES PICKUP-1TON (Cont.)									
2003									
2 x 4, Rear Wheel ABS, SRW	Fd	TRW		7625 - D824	MVD824	NR	NR	NR	NR
	Fd	TRW		7625 - D824	MVD824	NR	NR	NR	NR
	Fd	TRW		7625 - D824	MVD824	NR	NR	NR	NR
4 x 4, From 3/22/99 Except Mono Beam Front Axle	Fd	TRW		7625 - D824	MVD824	NR	NR	NR	NR
	Fd	TRW		7625 - D824	MVD824	NR	NR	NR	NR
4 x 4, From 3/22/99 Mono Beam Front Axle	Fd	TRW		7625 - D824	MVD824	NR	NR	NR	NR
	Fd	TRW		7625 - D824	MVD824	NR	NR	NR	NR
4 x 4, Up to 3/22/99 Except Mono Beam Front Axle	Fd	TRW		7625 - D824	MVD824	NR	NR	NR	NR
	Fd	TRW		7625 - D824	MVD824	NR	NR	NR	NR
4 x 4, Up to 3/22/99 Mono Beam Front Axle	Fd	TRW		7625 - D824	MVD824	NR	NR	NR	NR
	Fd	TRW		7625 - D824	MVD824	NR	NR	NR	NR
DRW	Rd	TRW		7626 - D757	MVD757	NR	NR	NR	NR
SRW	Rd	TRW		7626 - D757	MVD757	NR	NR	NR	NR
2002									
2 x 4, 4 Wheel ABS, DRW Twin I-Beam	Fd	TRW		7625 - D824	MVD824	NR	NR	NR	NR
	Fd	TRW		7625 - D824	MVD824	NR	NR	NR	NR
2 x 4, 4 Wheel ABS, SRW	Fd	TRW		7625 - D824	MVD824	NR	NR	NR	NR
2 x 4, Rear Wheel ABS, SRW	Fd	TRW		7625 - D824	MVD824	NR	NR	NR	NR
	Fd	TRW		7625 - D824	MVD824	NR	NR	NR	NR
	Fd	TRW		7625 - D824	MVD824	NR	NR	NR	NR
4 x 4, From 3/22/99 Except Mono Beam Front Axle	Fd	TRW		7625 - D824	MVD824	NR	NR	NR	NR
	Fd	TRW		7625 - D824	MVD824	NR	NR	NR	NR
4 x 4, From 3/22/99 Mono Beam Front Axle	Fd	TRW		7625 - D824	MVD824	NR	NR	NR	NR
	Fd	TRW		7625 - D824	MVD824	NR	NR	NR	NR
4 x 4, Up to 3/22/99 Except Mono Beam Front Axle	Fd	TRW		7625 - D824	MVD824	NR	NR	NR	NR
	Fd	TRW		7625 - D824	MVD824	NR	NR	NR	NR
4 x 4, Up to 3/22/99 Mono Beam Front Axle	Fd	TRW		7625 - D824	MVD824	NR	NR	NR	NR
	Fd	TRW		7625 - D824	MVD824	NR	NR	NR	NR
DRW	Rd	TRW		7626 - D757	MVD757	NR	NR	NR	NR
SRW	Rd	TRW		7626 - D757	MVD757	NR	NR	NR	NR
2001									
2 x 4, 4 Wheel ABS, DRW Twin I-Beam	Fd	TRW		7625 - D824	MVD824	NR	NR	NR	NR
	Fd	TRW		7625 - D824	MVD824	NR	NR	NR	NR
2 x 4, 4 Wheel ABS, SRW	Fd	TRW		7625 - D824	MVD824	NR	NR	NR	NR
2 x 4, Rear Wheel ABS, SRW	Fd	TRW		7625 - D824	MVD824	NR	NR	NR	NR
	Fd	TRW		7625 - D824	MVD824	NR	NR	NR	NR
	Fd	TRW		7625 - D824	MVD824	NR	NR	NR	NR
4 x 4, From 3/22/99 Except Mono Beam Front Axle	Fd	TRW		7625 - D824	MVD824	NR	NR	NR	NR
	Fd	TRW		7625 - D824	MVD824	NR	NR	NR	NR
4 x 4, From 3/22/99 Mono Beam Front Axle	Fd	TRW		7625 - D824	MVD824	NR	NR	NR	NR
	Fd	TRW		7625 - D824	MVD824	NR	NR	NR	NR
4 x 4, Up to 3/22/99 Except Mono Beam Front Axle	Fd	TRW		7625 - D824	MVD824	NR	NR	NR	NR

217 - Power Brakes Except Speed Control
 371 - With Manual Locking Hubs
 374 - 2 x 4 with Rear wheel ABS

223 - Power Brakes, Speed Control
 372 - With Auro Locking Hubs
 375 - Right and Left interchangeable depending on clock mounting of 394 - 8 Stud Rotor and Hub one piece Assembly unit

363 - Piston includes Boots and Seals
 373 - 2 x 4 with 4 wheel ABS

MERITOR DRUM OR ROTOR NO.	CALIPER OR CYLINDER BORE SIZE	MERITOR CALIPER OR WHEEL CYLINDER (LEFT)	MERITOR CALIPER OR WHEEL CYLINDER (RIGHT)	MERITOR CALIPER OR WHEEL CYLINDER REPAIR KIT	MERITOR CALIPER PISTON	MERITOR MASTER CYLINDER	MERITOR MASTER CYLINDER KIT	MERITOR BRAKE HOSE (LEFT)	MERITOR BRAKE HOSE (RIGHT)
FORD(Cont.)									
F350 SUPERDUTY SERIES PICKUP-1TON (Cont.)									
R44145255 ³⁹⁴ R44145256 ³⁹⁴ R44145256 ³⁹⁴	56mm 56mm 56mm	R4255749 R4255749 R4255749	R4255748 R4255748 R4255748	R4012261 R4012261 R4012261	R4012260 ³⁶³ R4012260 ³⁶³ R4012260 ³⁶³	R4113649 ²²³ R4113648 ²¹⁷ R4113649 ²²³	- - -	R4578876 R4578992 R4578992	R4578991 R4578991 R4578991
R44145274 ⁴⁰⁵ R44145274 ⁴⁰⁵	56mm 56mm	R4255749 R4255749	R4255748 R4255748	R4012261 R4012261	R4012260 ³⁶³ R4012260 ³⁶³	R4113649 ²²³ R4113648 ²¹⁷	- -	R4578994 ³⁷¹ R4578997 ³⁷²	R4578995 R4578996
R4466924 R4466924	56mm 56mm	R4255749 R4255749	R4255748 R4255748	R4012261 R4012261	R4012260 ³⁶³ R4012260 ³⁶³	R4113648 ²¹⁷ R4113649 ²²³	- -	R4578997 ³⁷² R4578994 ³⁷¹	R4578996 R4578995
R44145245 ⁴⁰⁵ R44145245 ⁴⁰⁵	56mm 56mm	R4255749 R4255749	R4255748 R4255748	R4012261 R4012261	R4012260 ³⁶³ R4012260 ³⁶³	R4113649 ²²³ R4113648 ²¹⁷	- -	R4578993 ³⁷¹ R4578994 ³⁷²	R4578995 R4578996
R44145257 ⁴⁰⁵ R44145257 ⁴⁰⁵	56mm 56mm	R4255749 R4255749	R4255748 R4255748	R4012261 R4012261	R4012260 ³⁶³ R4012260 ³⁶³	R4113648 ²¹⁷ R4113649 ²²³	- -	R4578802 ³⁷³ R4512481 ³⁷⁴	R4512482 R4512482
R44145280 ⁴⁰⁵ R44145258 ⁴⁰⁵	45mm 45mm	R4255858 R4255858	R4255857 ³⁷⁵ R4255857 ³⁷⁵	R4012040 R4012040	R4012039 ³⁶³ R4012039 ³⁶³	- -	- -	- -	- -
R44145267 ³⁹⁴ R44145267 ³⁹⁴ R44145255 ³⁹⁴	56mm 56mm 56mm	R4255749 R4255749 R4255749	R4255748 R4255748 R4255748	R4012261 R4012261 R4012261	R4012260 ³⁶³ R4012260 ³⁶³ R4012260 ³⁶³	R4113648 ²¹⁷ R4113649 ²²³ R4113648 ²¹⁷	- - -	R4578992 R4578992 R4578992	R4578991 R4578991 R4578991
R44145255 ³⁹⁴ R44145256 ³⁹⁴ R44145256 ³⁹⁴	56mm 56mm 56mm	R4255749 R4255749 R4255749	R4255748 R4255748 R4255748	R4012261 R4012261 R4012261	R4012260 ³⁶³ R4012260 ³⁶³ R4012260 ³⁶³	R4113649 ²²³ R4113649 ²²³ R4113648 ²¹⁷	- - -	R4578876 R4578992 R4578992	R4578991 R4578991 R4578991
R44145274 ⁴⁰⁵ R44145274 ⁴⁰⁵	56mm 56mm	R4255749 R4255749	R4255748 R4255748	R4012261 R4012261	R4012260 ³⁶³ R4012260 ³⁶³	R4113649 ²²³ R4113648 ²¹⁷	- -	R4578994 ³⁷¹ R4578997 ³⁷²	R4578995 R4578996
R4466924 R4466924	56mm 56mm	R4255749 R4255749	R4255748 R4255748	R4012261 R4012261	R4012260 ³⁶³ R4012260 ³⁶³	R4113649 ²²³ R4113648 ²¹⁷	- -	R4578994 ³⁷¹ R4578997 ³⁷²	R4578995 R4578996
R44145245 ⁴⁰⁵ R44145245 ⁴⁰⁵	56mm 56mm	R4255749 R4255749	R4255748 R4255748	R4012261 R4012261	R4012260 ³⁶³ R4012260 ³⁶³	R4113649 ²²³ R4113648 ²¹⁷	- -	R4578993 ³⁷¹ R4578994 ³⁷²	R4578995 R4578996
R44145257 ⁴⁰⁵ R44145257 ⁴⁰⁵	56mm 56mm	R4255749 R4255749	R4255748 R4255748	R4012261 R4012261	R4012260 ³⁶³ R4012260 ³⁶³	R4113649 ²²³ R4113648 ²¹⁷	- -	R4512481 ³⁷⁴ R4578802 ³⁷³	R4512482 R4512482
R44145280 ⁴⁰⁵ R44145258 ⁴⁰⁵	45mm 45mm	R4255858 R4255858	R4255857 ³⁷⁵ R4255857 ³⁷⁵	R4012040 R4012040	R4012039 ³⁶³ R4012039 ³⁶³	- -	- -	- -	- -
R44145267 ³⁹⁴ R44145267 ³⁹⁴ R44145255 ³⁹⁴	56mm 56mm 56mm	R4255749 R4255749 R4255749	R4255748 R4255748 R4255748	R4012261 R4012261 R4012261	R4012260 ³⁶³ R4012260 ³⁶³ R4012260 ³⁶³	R4113648 ²¹⁷ R4113649 ²²³ R4113648 ²¹⁷	- - -	R4578992 R4578992 R4578992	R4578991 R4578991 R4578991
R44145255 ³⁹⁴ R44145256 ³⁹⁴ R44145256 ³⁹⁴	56mm 56mm 56mm	R4255749 R4255749 R4255749	R4255748 R4255748 R4255748	R4012261 R4012261 R4012261	R4012260 ³⁶³ R4012260 ³⁶³ R4012260 ³⁶³	R4113649 ²²³ R4113649 ²²³ R4113648 ²¹⁷	- - -	R4578876 R4578992 R4578992	R4578991 R4578991 R4578991
R44145274 ⁴⁰⁵ R44145274 ⁴⁰⁵	56mm 56mm	R4255749 R4255749	R4255748 R4255748	R4012261 R4012261	R4012260 ³⁶³ R4012260 ³⁶³	R4113648 ²¹⁷ R4113649 ²²³	- -	R4578997 ³⁷² R4578994 ³⁷¹	R4578996 R4578995
R4466924 R4466924	56mm 56mm	R4255749 R4255749	R4255748 R4255748	R4012261 R4012261	R4012260 ³⁶³ R4012260 ³⁶³	R4113649 ²²³ R4113648 ²¹⁷	- -	R4578994 ³⁷¹ R4578997 ³⁷²	R4578995 R4578996
R44145245 ⁴⁰⁵	56mm	R4255749	R4255748	R4012261	R4012260 ³⁶³	R4113648 ²¹⁷	-	R4578994 ³⁷²	R4578996

405 - Rotor Only

1 APPLICATION

MAKE MODEL YEAR AXLE CODE AXLE WEIGHT	AXLE & BRK. TYPE	BRK. MFG.	BRAKE SIZE	FMSI	MERITOR DISC PAD OR BRAKE SHOE	MERITOR GUIDE PIN OR RETURN SPRING KIT	MERITOR CALIPER HWD. KIT OR RETURN SPRING KIT	MERITOR ADJUSTER KIT (LEFT WHEEL)	MERITOR ADJUSTER KIT (RIGHT WHEEL)
FORD(Cont.)									
F350 SUPERDUTY SERIES PICKUP-1TON (Cont.)									
2001									
	Fd	TRW		7625 - D824	MVD824	NR	NR	NR	NR
4 x 4, Up to 3/22/99 Mono Beam Front Axle	Fd	TRW		7625 - D824	MVD824	NR	NR	NR	NR
	Fd	TRW		7625 - D824	MVD824	NR	NR	NR	NR
DRW	Rd	TRW		7626 - D757	MVD757	NR	NR	NR	NR
SRW	Rd	TRW		7626 - D757	MVD757	NR	NR	NR	NR
2000									
2 x 4, 4 Wheel ABS, DRW Twin I-Beam	Fd	TRW		7625 - D824	MVD824	NR	NR	NR	NR
	Fd	TRW		7625 - D824	MVD824	NR	NR	NR	NR
2 x 4, 4 Wheel ABS, SRW	Fd	TRW		7625 - D824	MVD824	NR	NR	NR	NR
2 x 4, Rear Wheel ABS, SRW	Fd	TRW		7625 - D824	MVD824	NR	NR	NR	NR
	Fd	TRW		7625 - D824	MVD824	NR	NR	NR	NR
	Fd	TRW		7625 - D824	MVD824	NR	NR	NR	NR
4 x 4, From 3/22/99 Except Mono Beam Front Axle	Fd	TRW		7625 - D824	MVD824	NR	NR	NR	NR
	Fd	TRW		7625 - D824	MVD824	NR	NR	NR	NR
4 x 4, From 3/22/99 Mono Beam Front Axle	Fd	TRW		7625 - D824	MVD824	NR	NR	NR	NR
	Fd	TRW		7625 - D824	MVD824	NR	NR	NR	NR
4 x 4, Up to 3/22/99 Except Mono Beam Front Axle	Fd	TRW		7625 - D824	MVD824	NR	NR	NR	NR
	Fd	TRW		7625 - D824	MVD824	NR	NR	NR	NR
4 x 4, Up to 3/22/99 Mono Beam Front Axle	Fd	TRW		7625 - D824	MVD824	NR	NR	NR	NR
	Fd	TRW		7625 - D824	MVD824	NR	NR	NR	NR
DRW	Rd	TRW		7626 - D757	MVD757	NR	NR	NR	NR
SRW	Rd	TRW		7626 - D757	MVD757	NR	NR	NR	NR
1999									
2 x 4, 4 Wheel ABS, DRW Twin I-Beam	Fd	TRW		7625 - D824	MVD824	NR	NR	NR	NR
	Fd	TRW		7625 - D824	MVD824	NR	NR	NR	NR
2 x 4, 4 Wheel ABS, SRW	Fd	TRW		7625 - D824	MVD824	NR	NR	NR	NR
2 x 4, Rear Wheel ABS, SRW	Fd	TRW		7625 - D824	MVD824	NR	NR	NR	NR
	Fd	TRW		7625 - D824	MVD824	NR	NR	NR	NR
	Fd	TRW		7625 - D824	MVD824	NR	NR	NR	NR
4 x 4, From 3/22/99 Except Mono Beam Front Axle	Fd	TRW		7625 - D824	MVD824	NR	NR	NR	NR
	Fd	TRW		7625 - D824	MVD824	NR	NR	NR	NR
4 x 4, From 3/22/99 Mono Beam Front Axle	Fd	TRW		7625 - D824	MVD824	NR	NR	NR	NR
	Fd	TRW		7625 - D824	MVD824	NR	NR	NR	NR
4 x 4, Up to 3/22/99 Except Mono Beam Front Axle	Fd	TRW		7625 - D824	MVD824	NR	NR	NR	NR
	Fd	TRW		7625 - D824	MVD824	NR	NR	NR	NR
4 x 4, Up to 3/22/99 Mono Beam Front Axle	Fd	TRW		7625 - D824	MVD824	NR	NR	NR	NR
	Fd	TRW		7625 - D824	MVD824	NR	NR	NR	NR
DRW	Rd	TRW		7626 - D757	MVD757	NR	NR	NR	NR
SRW	Rd	TRW		7626 - D757	MVD757	NR	NR	NR	NR
F350 SUPERDUTY SERIES STRIPPED CHASSIS-1TON									
2008									
2 x 4, DRW 5.4L & 6.8L Gas Engine and 6.0L Diesel Engine	Rd	TRW		7974 - D1069	MD1069	N/R	R4012081	N/R	N/R
	Rd	TRW		7974 - D1069	MD1069	N/R	R4012081	N/R	N/R
2 x 4, SRW	Rd	TRW		7973 - D1068	MD1068	N/R	R4012247	N/R	N/R

217 - Power Brakes Except Speed Control
 371 - With Manual Locking Hubs
 374 - 2 x 4 with Rear wheel ABS

223 - Power Brakes, Speed Control
 372 - With Auro Locking Hubs
 375 - Right and Left interchangeable depending on clock mounting of 394 - 8 Stud Rotor and Hub one piece Assembly unit

363 - Piston includes Boots and Seals
 373 - 2 x 4 with 4 wheel ABS

MERITOR DRUM OR ROTOR NO.	CALIPER OR CYLINDER BORE SIZE	MERITOR CALIPER OR WHEEL CYLINDER (LEFT)	MERITOR CALIPER OR WHEEL CYLINDER (RIGHT)	MERITOR CALIPER OR WHEEL CYLINDER REPAIR KIT	MERITOR CALIPER PISTON	MERITOR MASTER CYLINDER	MERITOR MASTER CYLINDER KIT	MERITOR BRAKE HOSE (LEFT)	MERITOR BRAKE HOSE (RIGHT)
FORD(Cont.)									
F350 SUPERDUTY SERIES PICKUP-1TON (Cont.)									
R44145245 ⁴⁰⁵	56mm	R4255749	R4255748	R4012261	R4012260 ³⁶³	R4113649 ²²³	-	R4578993 ³⁷¹	R4578995
R44145257 ⁴⁰⁵	56mm	R4255749	R4255748	R4012261	R4012260 ³⁶³	R4113648 ²¹⁷	-	R4578802 ³⁷³	R4512482
R44145257 ⁴⁰⁵	56mm	R4255749	R4255748	R4012261	R4012260 ³⁶³	R4113649 ²²³	-	R4512481 ³⁷⁴	R4512482
R44145280 ⁴⁰⁵	45mm	R4255858	R4255857 ³⁷⁵	R4012040	R4012039 ³⁶³	-	-	-	-
R44145258 ⁴⁰⁵	45mm	R4255858	R4255857 ³⁷⁵	R4012040	R4012039 ³⁶³	-	-	-	-
R44145267 ³⁹⁴	56mm	R4255749	R4255748	R4012261	R4012260 ³⁶³	R4113649 ²²³	-	R4578992	R4578991
R44145267 ³⁹⁴	56mm	R4255749	R4255748	R4012261	R4012260 ³⁶³	R4113648 ²¹⁷	-	R4578992	R4578991
R44145255 ³⁹⁴	56mm	R4255749	R4255748	R4012261	R4012260 ³⁶³	R4113648 ²¹⁷	-	R4578992	R4578991
R44145255 ³⁹⁴	56mm	R4255749	R4255748	R4012261	R4012260 ³⁶³	R4113649 ²²³	-	R4578876	R4578991
R44145256 ³⁹⁴	56mm	R4255749	R4255748	R4012261	R4012260 ³⁶³	R4113649 ²²³	-	R4578992	R4578991
R44145256 ³⁹⁴	56mm	R4255749	R4255748	R4012261	R4012260 ³⁶³	R4113648 ²¹⁷	-	R4578992	R4578991
R44145274 ⁴⁰⁵	56mm	R4255749	R4255748	R4012261	R4012260 ³⁶³	R4113648 ²¹⁷	-	R4578997 ³⁷²	R4578996
R44145274 ⁴⁰⁵	56mm	R4255749	R4255748	R4012261	R4012260 ³⁶³	R4113649 ²²³	-	R4578994 ³⁷¹	R4578995
R4466924	56mm	R4255749	R4255748	R4012261	R4012260 ³⁶³	R4113648 ²¹⁷	-	R4578997 ³⁷²	R4578996
R4466924	56mm	R4255749	R4255748	R4012261	R4012260 ³⁶³	R4113649 ²²³	-	R4578994 ³⁷¹	R4578995
R44145245 ⁴⁰⁵	56mm	R4255749	R4255748	R4012261	R4012260 ³⁶³	R4113649 ²²³	-	R4578993 ³⁷¹	R4578995
R44145245 ⁴⁰⁵	56mm	R4255749	R4255748	R4012261	R4012260 ³⁶³	R4113648 ²¹⁷	-	R4578994 ³⁷²	R4578996
R44145257 ⁴⁰⁵	56mm	R4255749	R4255748	R4012261	R4012260 ³⁶³	R4113649 ²²³	-	R4512481 ³⁷⁴	R4512482
R44145257 ⁴⁰⁵	56mm	R4255749	R4255748	R4012261	R4012260 ³⁶³	R4113648 ²¹⁷	-	R4578802 ³⁷³	R4512482
R44145280 ⁴⁰⁵	45mm	R4255858	R4255857 ³⁷⁵	R4012040	R4012039 ³⁶³	-	-	-	-
R44145258 ⁴⁰⁵	45mm	R4255858	R4255857 ³⁷⁵	R4012040	R4012039 ³⁶³	-	-	-	-
R44145267 ³⁹⁴	56mm	R4255749	R4255748	R4012261	R4012260 ³⁶³	R4113648 ²¹⁷	-	R4578992	R4578991
R44145267 ³⁹⁴	56mm	R4255749	R4255748	R4012261	R4012260 ³⁶³	R4113649 ²²³	-	R4578992	R4578991
R44145255 ³⁹⁴	56mm	R4255749	R4255748	R4012261	R4012260 ³⁶³	R4113648 ²¹⁷	-	R4578992	R4578991
R44145255 ³⁹⁴	56mm	R4255749	R4255748	R4012261	R4012260 ³⁶³	R4113649 ²²³	-	R4578876	R4578991
R44145256 ³⁹⁴	56mm	R4255749	R4255748	R4012261	R4012260 ³⁶³	R4113648 ²¹⁷	-	R4578992	R4578991
R44145256 ³⁹⁴	56mm	R4255749	R4255748	R4012261	R4012260 ³⁶³	R4113649 ²²³	-	R4578992	R4578991
R44145274 ⁴⁰⁵	56mm	R4255749	R4255748	R4012261	R4012260 ³⁶³	R4113648 ²¹⁷	-	R4578997 ³⁷²	R4578996
R44145274 ⁴⁰⁵	56mm	R4255749	R4255748	R4012261	R4012260 ³⁶³	R4113649 ²²³	-	R4578994 ³⁷¹	R4578995
R4466924	56mm	R4255749	R4255748	R4012261	R4012260 ³⁶³	R4113648 ²¹⁷	-	R4578997 ³⁷²	R4578996
R4466924	56mm	R4255749	R4255748	R4012261	R4012260 ³⁶³	R4113649 ²²³	-	R4578994 ³⁷¹	R4578995
R44145245 ⁴⁰⁵	56mm	R4255749	R4255748	R4012261	R4012260 ³⁶³	R4113648 ²¹⁷	-	R4578994 ³⁷²	R4578996
R44145245 ⁴⁰⁵	56mm	R4255749	R4255748	R4012261	R4012260 ³⁶³	R4113649 ²²³	-	R4578993 ³⁷¹	R4578995
R44145257 ⁴⁰⁵	56mm	R4255749	R4255748	R4012261	R4012260 ³⁶³	R4113649 ²²³	-	R4512481 ³⁷⁴	R4512482
R44145257 ⁴⁰⁵	56mm	R4255749	R4255748	R4012261	R4012260 ³⁶³	R4113648 ²¹⁷	-	R4578802 ³⁷³	R4512482
R44145280 ⁴⁰⁵	45mm	R4255858	R4255857 ³⁷⁵	R4012040	R4012039 ³⁶³	-	-	-	-
R44145258 ⁴⁰⁵	45mm	R4255858	R4255857 ³⁷⁵	R4012040	R4012039 ³⁶³	-	-	-	-
F350 SUPERDUTY SERIES STRIPPED CHASSIS-1TON									
R44145280 ⁴⁰⁵	54mm	R4212249	R4212248	-	R4012250	-	-	R457013854	-
R44145280 ⁴⁰⁵	54mm	R4212249	R4212248	-	R4012250	-	-	R457013848	R457013843
R44145258 ⁴⁰⁵	48mm	-	-	-	-	-	-	R457013826	-

405 - Rotor Only

MAKE MODEL YEAR AXLE CODE AXLE WEIGHT	AXLE & BRK. TYPE	BRK. MFG.	BRAKE SIZE	FMSI	MERITOR DISC PAD OR BRAKE SHOE	MERITOR GUIDE PIN OR RETURN SPRING KIT	MERITOR CALIPER HWD. KIT OR RETURN SPRING KIT	MERITOR ADJUSTER KIT (LEFT WHEEL)	MERITOR ADJUSTER KIT (RIGHT WHEEL)
FORD(Cont.)									
F350 SUPERDUTY SERIES STRIPPED CHASSIS-1TON (Cont.)									
2008	Rd	TRW		7973 - D1068	MD1068	N/R	R4012247	N/R	N/R
2007 2 x 4, DRW 5.4L Gas Engine	Rd Rd	TRW TRW		7973 - D1067 7973 - D1067	MD1067 MD1067	N/R N/R	R4012252 R4012252	N/R N/R	N/R N/R
2 x 4, DRW 6.0L Diesel Engine and 6.8L Gas Engine	Rd Rd	TRW TRW		7973 - D1067 7973 - D1067	MD1067 MD1067	N/R N/R	R4012252 R4012252	N/R N/R	N/R N/R
2006 2 x 4, DRW 5.4L Gas Engine	Rd Rd	TRW TRW		7973 - D1067 7973 - D1067	MD1067 MD1067	N/R N/R	R4012252 R4012252	N/R N/R	N/R N/R
2 x 4, DRW 6.0L Diesel Engine and 6.8L Gas Engine	Rd Rd	TRW TRW		7973 - D1067 7973 - D1067	MD1067 MD1067	N/R N/R	R4012252 R4012252	N/R N/R	N/R N/R
4 X 4, DRW 5.4L Gas Engine	Rd Rd	TRW TRW		7973 - D1067 7973 - D1067	MD1067 MD1067	N/R N/R	R4012252 R4012252	N/R N/R	N/R N/R
4 X 4, DRW 6.0L Diesel Engine and 6.8L Gas Engine	Rd Rd	TRW TRW		7973 - D1067 7973 - D1067	MD1067 MD1067	N/R N/R	R4012252 R4012252	N/R N/R	N/R N/R
2005 2 X 4, DRW 5.4L Gas Engine	Rd Rd	TRW TRW		7973 - D1067 7973 - D1067	MD1067 MD1067	N/R N/R	R4012252 R4012252	N/R N/R	N/R N/R
2 X 4, DRW 6.0L Diesel Engine and 6.8L Gas Engine	Rd Rd	TRW TRW		7973 - D1067 7973 - D1067	MD1067 MD1067	N/R N/R	R4012252 R4012252	N/R N/R	N/R N/R
4 X 4, DRW 5.4L Gas Engine	Rd Rd	TRW TRW		7973 - D1067 7973 - D1067	MD1067 MD1067	N/R N/R	R4012252 R4012252	N/R N/R	N/R N/R
4 X 4, DRW 6.0L Diesel Engine and 6.8L Gas Engine	Rd Rd	TRW TRW		7973 - D1067 7973 - D1067	MD1067 MD1067	N/R N/R	R4012252 R4012252	N/R N/R	N/R N/R
F450									
2005 4x2 Super duty	Fd Fd Rd	TRW TRW TRW		7972 - D1066 7644 - D777 7644 - D777	MD1066 MD777 MD777	- R40H15088 R40H15088	- R4012268 R4012268	NR NR NR	NR NR NR
4x4 Super duty	Fd Rd Rd	TRW TRW TRW		7644 - D777 7644 - D777 7972 - D1066	MD777 MD777 MD1066	R40H15088 R40H15088 -	R4012268 R4012268 -	NR NR NR	NR NR NR
2004 4x2 Super duty	Fd Rd	TRW TRW		7644 - D777 7644 - D777	MD777 MD777	R40H15088 R40H15088	R4012268 R4012268	NR NR	NR NR
4x4 Super duty	Fd Rd	TRW TRW		7644 - D777 7644 - D777	MD777 MD777	R40H15088 R40H15088	R4012268 R4012268	NR NR	NR NR
2003 4x2 Super duty	Fd Fd	TRW TRW		7644 - D777 7644 - D777	MD777 MD777	R40H15088 R40H15088	R4012268 R4012268	NR NR	NR NR
4x4 Super duty 3.73, 4.10, 4.30 Gear Ratio	Fd Fd	TRW TRW		7644 - D777 7644 - D777	MD777 MD777	R40H15088 R40H15088	R4012268 R4012268	NR NR	NR NR
4x4 Super duty 4.88, 5.38 Gear Ratio	Fd Fd	TRW TRW		7644 - D777 7644 - D777	MD777 MD777	R40H15088 R40H15088	R4012268 R4012268	NR NR	NR NR

217 - Power Brakes Except Speed Control
405 - Rotor Only

223 - Power Brakes, Speed Control

363 - Piston includes Boots and Seals

MERITOR DRUM OR ROTOR NO.	CALIPER OR CYLINDER BORE SIZE	MERITOR CALIPER OR WHEEL CYLINDER (LEFT)	MERITOR CALIPER OR WHEEL CYLINDER (RIGHT)	MERITOR CALIPER OR WHEEL CYLINDER REPAIR KIT	MERITOR CALIPER PISTON	MERITOR MASTER CYLINDER	MERITOR MASTER CYLINDER KIT	MERITOR BRAKE HOSE (LEFT)	MERITOR BRAKE HOSE (RIGHT)
FORD(Cont.)									
F350 SUPERDUTY SERIES STRIPPED CHASSIS-1TON (Cont.)									
R44145258 ⁴⁰⁵	48mm	-	-	-	-	-	-	R457013827	R457013852
R44145280 ⁴⁰⁵ R44145280 ⁴⁰⁵	54mm 54mm	R4212249 R4212249	R4212248 R4212248	- -	R4012250 ³⁶³ R4012250 ³⁶³	- -	- -	R457013847 R457013848	- R457013849
R44145280 ⁴⁰⁵ R44145280 ⁴⁰⁵	54mm 54mm	R4212249 R4212249	R4212248 R4212248	- -	R4012250 ³⁶³ R4012250 ³⁶³	- -	- -	R457013847 R457013827	- R457013850
R44145280 ⁴⁰⁵ R44145280 ⁴⁰⁵	54mm 54mm	R4212249 R4212249	R4212248 R4212248	- -	R4012250 ³⁶³ R4012250 ³⁶³	- -	- -	R457013848 R457013847	R457013849 -
R44145280 ⁴⁰⁵ R44145280 ⁴⁰⁵	54mm 54mm	R4212249 R4212249	R4212248 R4212248	- -	R4012250 ³⁶³ R4012250 ³⁶³	- -	- -	R457013847 R457013827	- R457013850
R44145280 ⁴⁰⁵ R44145280 ⁴⁰⁵	54mm 54mm	R4212249 R4212249	R4212248 R4212248	- -	R4012250 ³⁶³ R4012250 ³⁶³	- -	- -	R457013848 R457013855	R457013849 -
R44145280 ⁴⁰⁵ R44145280 ⁴⁰⁵	54mm 54mm	R4212249 R4212249	R4212248 R4212248	- -	R4012250 ³⁶³ R4012250 ³⁶³	- -	- -	R457013855 R457013827	- R457013850
R44145280 ⁴⁰⁵ R44145280 ⁴⁰⁵	54mm 54mm	R4212249 R4212249	R4212248 R4212248	- -	R4012250 ³⁶³ R4012250 ³⁶³	- -	- -	R457013848 R457013847	R457013849 -
R44145280 ⁴⁰⁵ R44145280 ⁴⁰⁵	54mm 54mm	R4212249 R4212249	R4212248 R4212248	- -	R4012250 ³⁶³ R4012250 ³⁶³	- -	- -	R457013847 R457013827	- R457013850
R44145280 ⁴⁰⁵ R44145280 ⁴⁰⁵	54mm 54mm	R4212249 R4212249	R4212248 R4212248	- -	R4012250 ³⁶³ R4012250 ³⁶³	- -	- -	R457013848 R457013855	R457013849 -
R44145280 ⁴⁰⁵ R44145280 ⁴⁰⁵	54mm 54mm	R4212249 R4212249	R4212248 R4212248	- -	R4012250 ³⁶³ R4012250 ³⁶³	- -	- -	R457013855 R457013827	- R457013850
F450									
R4466924 R4466924	60mm 60mm	R4212254 R4255862	R4212253 R4255861	- -	- -	- -	- -	- -	- -
R44145325 ⁴⁰⁵	60mm	R4255862	R4255861	-	-	-	-	-	-
R4466924	60mm	R4255862	R4255861	-	-	-	-	-	-
R44145325 ⁴⁰⁵ R4466924	60mm 60mm	R4255862 R4212254	R4255861 R4212253	- -	- -	- -	- -	- -	- -
R4466924	60mm	R4255862	R4255861	-	-	-	-	-	-
R44145325 ⁴⁰⁵	60mm	R4255862	R4255861	-	-	-	-	-	-
R4466924	60mm	R4255862	R4255861	-	-	-	-	-	-
R44145325 ⁴⁰⁵	60mm	R4255862	R4255861	-	-	-	-	-	-
R4466924 R4466924	60mm 60mm	R4255862 R4255862	R4255861 R4255861	- -	- -	R4113649 ²²³ R4113648 ²¹⁷	N/A N/A	R44145028 R44145028	R4512419 R4512419
R44145274 ⁴⁰⁵ R44145274 ⁴⁰⁵	60mm 60mm	R4255862 R4255862	R4255861 R4255861	- -	- -	R4113649 ²²³ R4113648 ²¹⁷	N/A N/A	R44145028 R44145028	R4512419 R4512419
R4466924 R4466924	60mm 60mm	R4255862 R4255862	R4255861 R4255861	- -	- -	R4113649 ²²³ R4113648 ²¹⁷	N/A N/A	R44145028 R44145028	R4512419 R4512419

MAKE MODEL YEAR AXLE CODE AXLE WEIGHT	AXLE & BRK. TYPE	BRK. MFG.	BRAKE SIZE	FMSI	MERITOR DISC PAD OR BRAKE SHOE	MERITOR GUIDE PIN OR RETURN SPRING KIT	MERITOR CALIPER HWD. KIT OR RETURN SPRING KIT	MERITOR ADJUSTER KIT (LEFT WHEEL)	MERITOR ADJUSTER KIT (RIGHT WHEEL)
FORD(Cont.)									
F450(Cont.)									
2003									
4x2 Super duty 15,000 - 18,000 lb GVWR	Rd	TRW		7644 - D777	MD777	R40H15088	R4012268	NR	NR
4x4 Super duty 15,000 - 18,000 lb GVWR	Rd	TRW		7644 - D777	MD777	R40H15088	R4012268	NR	NR
4x2 Super duty 20,500 lb GVWR	Rd	TRW		7644 - D777	MD777	R40H15088	R4012268	NR	NR
4x4 Super duty 20,500 lb GVWR	Rd	TRW		7644 - D777	MD777	R40H15088	R4012268	NR	NR
2002									
4x2 Super duty	Fd Fd	TRW TRW		7644 - D777 7644 - D777	MD777 MD777	R40H15088 R40H15088	R4012268 R4012268	NR NR	NR NR
4x4 Super duty 3.73, 4.10, 4.30 Gear Ratio	Fd Fd	TRW TRW		7644 - D777 7644 - D777	MD777 MD777	R40H15088 R40H15088	R4012268 R4012268	NR NR	NR NR
4x4 Super duty 4.88, 5.38 Gear Ratio	Fd Fd	TRW TRW		7644 - D777 7644 - D777	MD777 MD777	R40H15088 R40H15088	R4012268 R4012268	NR NR	NR NR
4x2 Super duty 15,000 - 18,000 lb GVWR	Rd	TRW		7644 - D777	MD777	R40H15088	R4012268	NR	NR
4x4 Super duty 15,000 - 18,000 lb GVWR	Rd	TRW		7644 - D777	MD777	R40H15088	R4012268	NR	NR
4x2 Super duty 20,500 lb GVWR	Rd	TRW		7644 - D777	MD777	R40H15088	R4012268	NR	NR
4x4 Super duty 20,500 lb GVWR	Rd	TRW		7644 - D777	MD777	R40H15088	R4012268	NR	NR
2001									
4x2 Super duty	Fd Fd	TRW TRW		7644 - D777 7644 - D777	MD777 MD777	R40H15088 R40H15088	R4012268 R4012268	NR NR	NR NR
4x4 Super duty 3.73, 4.10, 4.30 Gear Ratio	Fd Fd	TRW TRW		7644 - D777 7644 - D777	MD777 MD777	R40H15088 R40H15088	R4012268 R4012268	NR NR	NR NR
4x4 Super duty 4.88, 5.38 Gear Ratio	Fd Fd	TRW TRW		7644 - D777 7644 - D777	MD777 MD777	R40H15088 R40H15088	R4012268 R4012268	NR NR	NR NR
4x2 Super duty 15,000 - 18,000 lb GVWR	Rd	TRW		7644 - D777	MD777	R40H15088	R4012268	NR	NR
4x4 Super duty 15,000 - 18,000 lb GVWR	Rd	TRW		7644 - D777	MD777	R40H15088	R4012268	NR	NR
4x2 Super duty 20,500 lb GVWR	Rd	TRW		7644 - D777	MD777	R40H15088	R4012268	NR	NR
4x4 Super duty 20,500 lb GVWR	Rd	TRW		7644 - D777	MD777	R40H15088	R4012268	NR	NR
2000									
4x2 Super duty	Fd Fd	TRW TRW		7644 - D777 7644 - D777	MD777 MD777	R40H15088 R40H15088	R4012268 R4012268	NR NR	NR NR
4x4 Super duty 3.73, 4.10, 4.30 Gear Ratio	Fd Fd	TRW TRW		7644 - D777 7644 - D777	MD777 MD777	R40H15088 R40H15088	R4012268 R4012268	NR NR	NR NR
4x4 Super duty 4.88, 5.38 Gear Ratio	Fd Fd	TRW TRW		7644 - D777 7644 - D777	MD777 MD777	R40H15088 R40H15088	R4012268 R4012268	NR NR	NR NR
4x2 Super duty 15,000 - 18,000 lb GVWR	Rd	TRW		7644 - D777	MD777	R40H15088	R4012268	NR	NR
4x4 Super duty 15,000 - 18,000 lb GVWR	Rd	TRW		7644 - D777	MD777	R40H15088	R4012268	NR	NR
4x2 Super duty 20,500 lb GVWR	Rd	TRW		7644 - D777	MD777	R40H15088	R4012268	NR	NR
4x4 Super duty 20,500 lb GVWR	Rd	TRW		7644 - D777	MD777	R40H15088	R4012268	NR	NR
1999									
4x2 Super duty DRW from 3/22/99	Fd Fd	TRW TRW		7644 - D777 7644 - D777	MD777 MD777	R40H15088 R40H15088	R4012268 R4012268	NR NR	NR NR

MERITOR DRUM OR ROTOR NO.	CALIPER OR CYLINDER BORE SIZE	MERITOR CALIPER OR WHEEL CYLINDER (LEFT)	MERITOR CALIPER OR WHEEL CYLINDER (RIGHT)	MERITOR CALIPER OR WHEEL CYLINDER REPAIR KIT	MERITOR CALIPER PISTON	MERITOR MASTER CYLINDER	MERITOR MASTER CYLINDER KIT	MERITOR BRAKE HOSE (LEFT)	MERITOR BRAKE HOSE (RIGHT)
FORD(Cont.)									
F450(Cont.)									
R44145325 ⁴⁰⁵	60mm	R4255862	R4255861	-	-	-	-	R4512420	-
R44145325 ⁴⁰⁵	60mm	R4255862	R4255861	-	-	-	-	R4512420	-
R44145325 ⁴⁰⁵	60mm	R4255862	R4255861	-	-	-	-	R4512421	-
R44145325 ⁴⁰⁵	60mm	R4255862	R4255861	-	-	-	-	R4512421	-
R4466924	60mm	R4255862	R4255861	-	-	R4113648 ²¹⁷	N/A	R44145028	R4512419
R4466924	60mm	R4255862	R4255861	-	-	R4113649 ²²³	N/A	R44145028	R4512419
R44145274 ⁴⁰⁵	60mm	R4255862	R4255861	-	-	R4113648 ²¹⁷	N/A	R44145028	R4512419
R44145274 ⁴⁰⁵	60mm	R4255862	R4255861	-	-	R4113649 ²²³	N/A	R44145028	R4512419
R4466924	60mm	R4255862	R4255861	-	-	R4113649 ²²³	N/A	R44145028	R4512419
R4466924	60mm	R4255862	R4255861	-	-	R4113648 ²¹⁷	N/A	R44145028	R4512419
R44145325 ⁴⁰⁵	60mm	R4255862	R4255861	-	-	-	-	R4512420	-
R44145325 ⁴⁰⁵	60mm	R4255862	R4255861	-	-	-	-	R4512420	-
R44145325 ⁴⁰⁵	60mm	R4255862	R4255861	-	-	-	-	R4512421	-
R44145325 ⁴⁰⁵	60mm	R4255862	R4255861	-	-	-	-	R4512421	-
R4466924	60mm	R4255862	R4255861	-	-	R4113649 ²²³	N/A	R44145028	R4512419
R4466924	60mm	R4255862	R4255861	-	-	R4113648 ²¹⁷	N/A	R44145028	R4512419
R44145274 ⁴⁰⁵	60mm	R4255862	R4255861	-	-	R4113649 ²²³	N/A	R44145028	R4512419
R44145274 ⁴⁰⁵	60mm	R4255862	R4255861	-	-	R4113648 ²¹⁷	N/A	R44145028	R4512419
R4466924	60mm	R4255862	R4255861	-	-	R4113648 ²¹⁷	N/A	R44145028	R4512419
R4466924	60mm	R4255862	R4255861	-	-	R4113649 ²²³	N/A	R44145028	R4512419
R44145325 ⁴⁰⁵	60mm	R4255862	R4255861	-	-	-	-	R4512420	-
R44145325 ⁴⁰⁵	60mm	R4255862	R4255861	-	-	-	-	R4512420	-
R44145325 ⁴⁰⁵	60mm	R4255862	R4255861	-	-	-	-	R4512421	-
R44145325 ⁴⁰⁵	60mm	R4255862	R4255861	-	-	-	-	R4512421	-
R4466924	60mm	R4255862	R4255861	-	-	R4113649 ²²³	N/A	R44145028	R4512419
R4466924	60mm	R4255862	R4255861	-	-	R4113648 ²¹⁷	N/A	R44145028	R4512419
R44145274 ⁴⁰⁵	60mm	R4255862	R4255861	-	-	R4113648 ²¹⁷	N/A	R44145028	R4512419
R44145274 ⁴⁰⁵	60mm	R4255862	R4255861	-	-	R4113649 ²²³	N/A	R44145028	R4512419
R4466924	60mm	R4255862	R4255861	-	-	R4113649 ²²³	N/A	R44145028	R4512419
R4466924	60mm	R4255862	R4255861	-	-	R4113648 ²¹⁷	N/A	R44145028	R4512419
R44145325 ⁴⁰⁵	60mm	R4255862	R4255861	-	-	-	-	R4512420	-
R44145325 ⁴⁰⁵	60mm	R4255862	R4255861	-	-	-	-	R4512420	-
R44145325 ⁴⁰⁵	60mm	R4255862	R4255861	-	-	-	-	R4512421	-
R44145325 ⁴⁰⁵	60mm	R4255862	R4255861	-	-	-	-	R4512421	-
R4466924	60mm	R4255862	R4255861	-	-	R4113648 ²¹⁷	N/A	R44145028	R4512419
R4466924	60mm	R4255862	R4255861	-	-	R4113649 ²²³	N/A	R44145028	R4512419

1 APPLICATION

MAKE MODEL YEAR AXLE CODE AXLE WEIGHT	AXLE & BRK. TYPE	BRK. MFG.	BRAKE SIZE	FMSI	MERITOR DISC PAD OR BRAKE SHOE	MERITOR GUIDE PIN OR RETURN SPRING KIT	MERITOR CALIPER HWD. KIT OR RETURN SPRING KIT	MERITOR ADJUSTER KIT (LEFT WHEEL)	MERITOR ADJUSTER KIT (RIGHT WHEEL)
FORD(Cont.)									
F450(Cont.)									
1999									
4x2 Super duty DRW w/ ABS to 3/22/99	Fd Fd	TRW TRW		7644 - D777 7644 - D777	MD777 MD777	R40H15088 R40H15088	R4012268 R4012268	NR NR	NR NR
4x2 Super duty exc. 7388, 5.38 ratio to 3/22/99	Fd Fd	TRW TRW		7644 - D777 7644 - D777	MD777 MD777	R40H15088 R40H15088	R4012268 R4012268	NR NR	NR NR
4x2 Super duty SRW from 3/22/99	Fd Fd	TRW TRW		7644 - D777 7644 - D777	MD777 MD777	R40H15088 R40H15088	R4012268 R4012268	NR NR	NR NR
4x4 Super duty DRW from 3/22/99	Fd Fd	TRW TRW		7644 - D777 7644 - D777	MD777 MD777	R40H15088 R40H15088	R4012268 R4012268	NR NR	NR NR
4x4 Super duty DRW w/ ABS to 3/22/99	Fd Fd	TRW TRW		7644 - D777 7644 - D777	MD777 MD777	R40H15088 R40H15088	R4012268 R4012268	NR NR	NR NR
4x4 Super duty SRW from 3/22/99	Fd Fd	TRW TRW		7644 - D777 7644 - D777	MD777 MD777	R40H15088 R40H15088	R4012268 R4012268	NR NR	NR NR
4x2 Super duty 15,000 - 18,000 lb GVWR	Rd	TRW		7644 - D777	MD777	R40H15088	R4012268	NR	NR
4x4 Super duty 15,000 - 18,000 lb GVWR	Rd	TRW		7644 - D777	MD777	R40H15088	R4012268	NR	NR
4x2 Super duty 20,500 lb GVWR	Rd	TRW		7644 - D777	MD777	R40H15088	R4012268	NR	NR
4x4 Super duty 20,500 lb GVWR	Rd	TRW		7644 - D777	MD777	R40H15088	R4012268	NR	NR
F450, 500 CONVENTIONAL; F53, 66 STRIPPED CHASSIS: SUPER DUTY SERIES									
2000									
Super Duty, 4x2, Mono Beam Front Axle, Dual Rear Wheels	Fd	KH		7644 - D777	MD777	NR	NR	NR	NR
Super Duty, 4x4, 3.73, 4.10, 4.30 Gear Ratio, Mono Beam Front Axle, Dual Rear Wheels, 4 Wheel ABS	Fd	KH		7644 - D777	MD777	NR	NR	NR	NR
Super Duty, 4x4, 3.73, 4.10, 4.30 Gear Ratio, Mono Beam Front Axle, Single Rear Wheels, 4 Wheel ABS	Fd	KH		7644 - D777	MD777	NR	NR	NR	NR
Super Duty, 4x4, 3.73, 4.10, 4.30 Gear Ratio, Mono Beam Front Axle, Single Rear Wheels, Rear Wheel ABS	Fd	KH		7644 - D777	MD777	NR	NR	NR	NR
Super Duty, 4x4, 4.88, 5.38 Gear Ratio, Mono Beam Front Axle, Dual Rear Wheels	Fd	KH		7644 - D777	MD777	NR	NR	NR	NR
Super Duty, Dual Rear Wheels	Fd	KH		7644 - D777	MD777	NR	NR	NR	NR
Super Duty 15,500lb, 18,000lb. GVWR	Rd	KH		7644 - D777	MD777	NR	NR	NR	NR
Super Duty 20,500lb. GVWR	Rd	KH		7644 - D777	MD777	NR	NR	NR	NR
1999									
Super Duty, 4x2, Mono Beam Front Axle, Dual Rear Wheels	Fd	KH		7644 - D777	MD777	NR	NR	NR	NR
Super Duty, 4x4, 3.73, 4.10, 4.30 Gear Ratio, Mono Beam Front Axle, Dual Rear Wheels, 4 Wheel ABS	Fd	KH		7644 - D777	MD777	NR	NR	NR	NR

MERITOR DRUM OR ROTOR NO.	CALIPER OR CYLINDER BORE SIZE	MERITOR CALIPER OR WHEEL CYLINDER (LEFT)	MERITOR CALIPER OR WHEEL CYLINDER (RIGHT)	MERITOR CALIPER OR WHEEL CYLINDER REPAIR KIT	MERITOR CALIPER PISTON	MERITOR MASTER CYLINDER	MERITOR MASTER CYLINDER KIT	MERITOR BRAKE HOSE (LEFT)	MERITOR BRAKE HOSE (RIGHT)
FORD(Cont.)									
F450(Cont.)									
R44145257 ⁴⁰⁵ R44145257 ⁴⁰⁵	60mm 60mm	R4255862 R4255862	R4255861 R4255861	- -	- -	R4113648 ²¹⁷ R4113649 ²²³	N/A N/A	R44145028 R44145028	R4512419 R4512419
R44145245 ⁴⁰⁵ R44145245 ⁴⁰⁵	60mm 60mm	R4255862 R4255862	R4255861 R4255861	- -	- -	R4113648 ²¹⁷ R4113649 ²²³	N/A N/A	R44145028 R44145028	R4512419 R4512419
R44145274 ⁴⁰⁵ R44145274 ⁴⁰⁵	60mm 60mm	R4255862 R4255862	R4255861 R4255861	- -	- -	R4113649 ²²³ R4113648 ²¹⁷	N/A N/A	R44145028 R44145028	R4512419 R4512419
R4466924 R4466924	60mm 60mm	R4255862 R4255862	R4255861 R4255861	- -	- -	R4113649 ²²³ R4113648 ²¹⁷	N/A N/A	R44145028 R44145028	R4512419 R4512419
R44145257 ⁴⁰⁵ R44145257 ⁴⁰⁵	60mm 60mm	R4255862 R4255862	R4255861 R4255861	- -	- -	R4113649 ²²³ R4113648 ²¹⁷	N/A N/A	R44145028 R44145028	R4512419 R4512419
R44145274 ⁴⁰⁵ R44145274 ⁴⁰⁵	60mm 60mm	R4255862 R4255862	R4255861 R4255861	- -	- -	R4113648 ²¹⁷ R4113649 ²²³	N/A N/A	R44145028 R44145028	R4512419 R4512419
R44145325 ⁴⁰⁵	60mm	R4255862	R4255861	-	-	-	-	R4512420	-
R44145325 ⁴⁰⁵	60mm	R4255862	R4255861	-	-	-	-	R4512420	-
R44145325 ⁴⁰⁵	60mm	R4255862	R4255861	-	-	-	-	R4512421	-
R44145325 ⁴⁰⁵	60mm	R4255862	R4255861	-	-	-	-	R4512421	-
F450, 500 CONVENTIONAL; F53, 66 STRIPPED CHASSIS: SUPER DUTY SERIES									
-		R4211474X	R4211474X	-	-	-	-	N/A	N/A
-		R4211474X	R4211474X	-	-	-	-	N/A	N/A
-		R4211474X	R4211474X	-	-	-	-	N/A	N/A
-		R4211474X	R4211474X	-	-	-	-	N/A	N/A
-		R4211474X	R4211474X	-	-	-	-	N/A	N/A
-		R4211474X	R4211474X	-	-	-	-	N/A	N/A
-		R4211474X	R4211474X	-	-	-	-	N/A	N/A
-		R4211474X	R4211474X	-	-	-	-	N/A	N/A
-		R4211474X	R4211474X	-	-	-	-	N/A	N/A
-		R4211474X	R4211474X	-	-	-	-	N/A	N/A

MAKE MODEL YEAR AXLE CODE AXLE WEIGHT	AXLE & BRK. TYPE	BRK. MFG.	BRAKE SIZE	FMSI	MERITOR DISC PAD OR BRAKE SHOE	MERITOR GUIDE PIN OR RETURN SPRING KIT	MERITOR CALIPER HWD. KIT OR RETURN SPRING KIT	MERITOR ADJUSTER KIT (LEFT WHEEL)	MERITOR ADJUSTER KIT (RIGHT WHEEL)
FORD(Cont.)									
F450, 500 CONVENTIONAL; F53, 66 STRIPPED CHASSIS: SUPER DUTY SERIES(Cont.)									
1999 Super Duty, 4x4, 3.73, 4.10, 4.30 Gear Ratio, Mono Beam Front Axle, Single Rear Wheels, 4 Wheel ABS	Fd	KH		7644 - D777	MD777	NR	NR	NR	NR
Super Duty, 4x4, 3.73, 4.10, 4.30 Gear Ratio, Mono Beam Front Axle, Single Rear Wheels, Rear Wheel ABS	Fd	KH		7644 - D777	MD777	NR	NR	NR	NR
Super Duty, 4x4, 4.88, 5.38 Gear Ratio, Mono Beam Front Axle, Dual Rear Wheels	Fd	KH		7644 - D777	MD777	NR	NR	NR	NR
Super Duty, Dual Rear Wheels	Fd	KH		7644 - D777	MD777	NR	NR	NR	NR
Super Duty 15,500lb, 18,000lb. GVWR	Rd	KH		7644 - D777	MD777	NR	NR	NR	NR
Super Duty 20,500lb. GVWR	Rd	KH		7644 - D777	MD777	NR	NR	NR	NR
1998 Super Duty	Fd Fd Rd Rd	KH KH KH KH		7299 - D411 7299 - D411 7299 - D411 7299 - D411	MD411 MD411 MD411 MD411	NR NR NR NR	R40H5735 R40H5735 R40H5735 R40H5735	NR NR NR NR	NR NR NR NR
1997	Fd Fd Rd Rd	KH KH KH KH		7299 - D411 7299 - D411 7299 - D411 7299 - D411	MD411 MD411 MD411 MD411	NR NR NR NR	R40H5735 R40H5735 R40H5735 R40H5735	NR NR NR NR	NR NR NR NR
1996	Fd Fd Rd Rd	KH KH KH KH		7299 - D411 7299 - D411 7299 - D411 7299 - D411	MD411 MD411 MD411 MD411	NR NR NR NR	R40H5735 R40H5735 R40H5735 R40H5735	NR NR NR NR	NR NR NR NR
1995	Fd Fd Rd Rd	KH KH KH KH		7299 - D411 7299 - D411 7299 - D411 7299 - D411	MD411 MD411 MD411 MD411	NR NR NR NR	R40H5735 R40H5735 R40H5735 R40H5735	NR NR NR NR	NR NR NR NR
1994	Fd Fd Fd Fd Rd Rd	KH KH KH KH KH KH		7299 - D411 7299 - D411 7299 - D411 7299 - D411 7299 - D411 7299 - D411	MD411 MD411 MD411 MD411 MD777 MD777	NR NR NR NR NR NR	R40H5735 R40H5735 R40H5735 R40H5735 R40H5735 R40H5735	NR NR NR NR NR NR	NR NR NR NR NR NR
1993	Fd Fd Fd Rd Rd	KH KH KH KH KH		7299 - D411 7299 - D411 7299 - D411 7299 - D411 7299 - D411	MD411 MD411 MD411 MD777 MD777	NR NR NR NR NR	R40H5735 R40H5735 R40H5735 R40H5735 R40H5735	NR NR NR NR NR	NR NR NR NR NR
1992	Fd Fd Fd Rd Rd	KH KH KH KH KH		7299 - D411 7299 - D411 7299 - D411 7299 - D411 7299 - D411	MD411 MD411 MD411 MD777 MD777	NR NR NR NR NR	R40H5735 R40H5735 R40H5735 R40H5735 R40H5735	NR NR NR NR NR	NR NR NR NR NR
1991	Fd Fd Fd Rd	KH KH KH KH		7299 - D411 7299 - D411 7299 - D411 7299 - D411	MD411 MD411 MD411 MD777	NR NR NR NR	R40H5735 R40H5735 R40H5735 R40H5735	NR NR NR NR	NR NR NR NR

53 - Power Brakes
56 - Stripped Chassis, Front Disc Brakes
228 - Except Speed Control
www.XpresswayPlus.com

54 - Manual Brakes
201 - Steel Piston
229 - Speed Control

55 - W4, Stripped Chassis, Except 14250 GVWR
218 - Power Brakes, Extended Length
309 - Power Brakes, Hydroboost

MERITOR DRUM OR ROTOR NO.	CALIPER OR CYLINDER BORE SIZE	MERITOR CALIPER OR WHEEL CYLINDER (LEFT)	MERITOR CALIPER OR WHEEL CYLINDER (RIGHT)	MERITOR CALIPER OR WHEEL CYLINDER REPAIR KIT	MERITOR CALIPER PISTON	MERITOR MASTER CYLINDER	MERITOR MASTER CYLINDER KIT	MERITOR BRAKE HOSE (LEFT)	MERITOR BRAKE HOSE (RIGHT)
FORD(Cont.)									
F450, 500 CONVENTIONAL; F53, 66 STRIPPED CHASSIS: SUPER DUTY SERIES(Cont.)									
-		R4211474X	R4211474X	-	-	-	-	N/A	N/A
-		R4211474X	R4211474X	-	-	-	-	N/A	N/A
-		R4211474X	R4211474X	-	-	-	-	N/A	N/A
-		R4211474X	R4211474X	-	-	-	-	N/A	N/A
-		R4211474X	R4211474X	-	-	-	-	N/A	N/A
-		R4211474X	R4211474X	-	-	-	-	N/A	N/A
R44141455 ⁴⁰⁵ R44141455 ⁴⁰⁵	2-23/64 " 2-23/64 "	R42R55605 R42R55605	R42R55604 R42R55604	R4066204 R4066204	R4090088S ²⁰¹ R4090088S ²⁰¹	R4112843 ²²⁹ R4112357 ²²⁸	R4110410 R4110410	R4578303 R4578303	R451554 R451554
-	2-23/64 " 2-23/64 "	R42R55605 R42R55605	R42R55604 R42R55604	R4066204 R4066204	R4090088S ²⁰¹ R4090088S ²⁰¹	- -	- -	N/A N/A	N/A -
R44141455 ⁴⁰⁵ R44141455 ⁴⁰⁵	2-23/64 " 2-23/64 "	R42R55605 R42R55605	R42R55604 R42R55604	R4066204 R4066204	R4090088S ²⁰¹ R4090088S ²⁰¹	R4112843 ²²⁹ R4112357 ²²⁸	R4110410 R4110410	R4578303 R4578303	R451554 R451554
-	2-23/64 " 2-23/64 "	R42R55605 R42R55605	R42R55604 R42R55604	R4066204 R4066204	R4090088S ²⁰¹ R4090088S ²⁰¹	- -	- -	N/A N/A	N/A -
R44141455 ⁴⁰⁵ R44141455 ⁴⁰⁵	2-23/64 " 2-23/64 "	R42R55605 R42R55605	R42R55604 R42R55604	R4066204 R4066204	R4090088S ²⁰¹ R4090088S ²⁰¹	R4112357 ²²⁸ R4112843 ²²⁹	R4110410 R4110410	R4578303 R4578303	R451554 R451554
-	2-23/64 " 2-23/64 "	R42R55605 R42R55605	R42R55604 R42R55604	R4066204 R4066204	R4090088S ²⁰¹ R4090088S ²⁰¹	- -	- -	N/A R4578182	N/A -
R44141455 ⁴⁰⁵ R44141455 ⁴⁰⁵	2-23/64 " 2-23/64 "	R42R55605 R42R55605	R42R55604 R42R55604	R4066204 R4066204	R4090088S ²⁰¹ R4090088S ²⁰¹	R4112357 ²²⁸ R4112843 ²²⁹	R4110410 R4110410	R4578303 R4578303	R451554 R451554
-	2-23/64 " 2-23/64 "	R42R55605 R42R55605	R42R55604 R42R55604	R4066204 R4066204	R4090088S ²⁰¹ R4090088S ²⁰¹	- -	- -	N/A R4578182	N/A -
R44141455 ⁴⁰⁵ R44141455 ⁴⁰⁵ R44141455 ⁴⁰⁵ R44141455 ⁴⁰⁵	2-23/64 " 2-23/64 " 2-23/64 " 2-23/64 "	R42R55605 R42R55605 R42R55605 R42R55605	R42R55604 R42R55604 R42R55604 R42R55604	R4066204 R4066204 R4066204 R4066204	R4090088S ²⁰¹ R4090088S ²⁰¹ R4090088S ²⁰¹ R4090088S ²⁰¹	N/A ⁵⁶ R4113041 ³⁰⁹ R4112357 ⁵⁵ N/A ⁵⁴	R4122935 R4122934 R4110410 R4110410	R451554 R451554 R4578303 R4578303	R4578159 R4578159 R451554 R451554
R44141455 ⁴⁰⁵ R44141455 ⁴⁰⁵	2-23/64 " 2-23/64 "	R42R55605 R42R55605	R42R55604 R42R55604	R4066204 R4066204	R4090088S ²⁰¹ R4090088S ²⁰¹	- -	- -	R4578182 R4578166	R4578182 R4578166
R44141455 ⁴⁰⁵ R44141455 ⁴⁰⁵ R44141455 ⁴⁰⁵	2-23/64 " 2-23/64 " 2-23/64 "	R42R55605 R42R55605 R42R55605	R42R55604 R42R55604 R42R55604	R4066204 R4066204 R4066204	R4090088S ²⁰¹ R4090088S ²⁰¹ R4090088S ²⁰¹	N/A ⁵⁵ R4113041 ³⁰⁹ R4112492 ⁵⁶	R4122937 R4122934 R4122935	R451554 R4578303 R451554	R4578159 R451554 R4578159
R44141455 ⁴⁰⁵ R44141455 ⁴⁰⁵	2-23/64 " 2-23/64 "	R42R55605 R42R55605	R42R55604 R42R55604	R4066204 R4066204	R4090088S ²⁰¹ R4090088S ²⁰¹	- -	- -	R4578166 R4578182	R4578166 R4578182
R44141455 ⁴⁰⁵ R44141455 ⁴⁰⁵ R44141455 ⁴⁰⁵	2-23/64 " 2-23/64 " 2-23/64 "	R42R55605 R42R55605 R42R55605	R42R55604 R42R55604 R42R55604	R4066204 R4066204 R4066204	R4090088S ²⁰¹ R4090088S ²⁰¹ R4090088S ²⁰¹	R4112492 ⁵⁶ R4112575 ⁵⁵ N/A ⁵⁴	R4122935 R4122937 R4110412	R4578303 R451554 R451554	R451554 R4578159 R4578159
R44141455 ⁴⁰⁵ R44141455 ⁴⁰⁵	2-23/64 " 2-23/64 "	R42R55605 R42R55605	R42R55604 R42R55604	R4066204 R4066204	R4090088S ²⁰¹ R4090088S ²⁰¹	- -	- -	R4578182 R4578166	R4578182 R4578166
R44141455 ⁴⁰⁵ R44141455 ⁴⁰⁵ R44141455 ⁴⁰⁵	2-23/64 " 2-23/64 " 2-23/64 "	R42R55605 R42R55605 R42R55605	R42R55604 R42R55604 R42R55604	R4066204 R4066204 R4066204	R4090088S ²⁰¹ R4090088S ²⁰¹ R4090088S ²⁰¹	R4112575 ⁵⁵ R4112313 ²¹⁸ N/A ⁵³	R4122937 R4110412 R4110411	R4578303 R451554 R451554	R451554 R4578159 R4578159
R44141455 ⁴⁰⁵	2-23/64 "	R42R55605	R42R55604	R4066204	R4090088S ²⁰¹	-	-	R4578166	R4578166

405 - Rotor Only

MAKE MODEL YEAR AXLE CODE AXLE WEIGHT	AXLE & BRK. TYPE	BRK. MFG.	BRAKE SIZE	FMSI	MERITOR DISC PAD OR BRAKE SHOE	MERITOR GUIDE PIN OR RETURN SPRING KIT	MERITOR CALIPER HWD. KIT OR RETURN SPRING KIT	MERITOR ADJUSTER KIT (LEFT WHEEL)	MERITOR ADJUSTER KIT (RIGHT WHEEL)
FORD(Cont.)									
F450, 500 CONVENTIONAL; F53, 66 STRIPPED CHASSIS: SUPER DUTY SERIES(Cont.)									
1991	Rd	KH		7299 - D411	MD777	NR	R40H5735	NR	NR
1990	Fd	KH		7299 - D411	MD411	NR	R40H5735	NR	NR
	Fd	KH		7299 - D411	MD411	NR	R40H5735	NR	NR
	Fd	KH		7299 - D411	MD411	NR	R40H5735	NR	NR
	Rd	KH		7299 - D411	MD777	NR	R40H5735	NR	NR
1989	Fd	KH		7299 - D411	MD411	NR	R40H5735	NR	NR
	Fd	KH		7299 - D411	MD411	NR	R40H5735	NR	NR
	Rd	KH		7299 - D411	MD777	NR	R40H5735	NR	NR
1988	Fd	KH		7299 - D411	MD411	NR	R40H5735	NR	NR
	Rd	KH		7299 - D411	MD777	NR	R40H5735	NR	NR
1977	Fa	WG	15 " x 3 "	1245C - 321	R700321	R40H521	R40H9237	R40H3502	R40H3503
Super Duty F046, F047	Fm	BX	13 " x 2-1/4 "	2043 - 36	Discontinued	R40H130	R404208	R40H3514	R40H3514
Super Duty F050, F055, F060	Fa	KH	14 " x 2-1/2 "	2060 - 361	Discontinued	R40H596	R40H9219	R40H3536	R40H3537
Super Duty R130	Ra	KH	15 " x 4 "	4647 - 401	R700401	R40H595	R40H9220	R40H3538	R40H3539
	Rm	BX	14.125 x 3-1/2 "	2041 - 22	N/A	R40H500	R40H9224	R404177	R404176
	Rm	BX	14.125 x 3-1/2 "	2041 - 22	N/A	R40H500	R40H9224	R404177	R404176
Super Duty R150	Ra	KH	15 " x 5 "	4646 - 400	R700400	R40H595	R40H9220	R40H3538	R40H3539
	Ra	WG	15 " x 5 "	1252 - 346	R700346	R40H597	R40H9200	R40H3540	R40H3541
1976	Fa	WG	15 " x 3 "	1245C - 321	R700321	R40H521	R40H9237	R40H3502	R40H3503
Super Duty F046, F047	Fm	BX	13 " x 2-1/4 "	2043 - 36	Discontinued	R40H130	R404208	R40H3514	R40H3514
Super Duty F050, F055, F060	Fa	KH	14 " x 2-1/2 "	2060 - 361	Discontinued	R40H596	R40H9219	R40H3536	R40H3537
Super Duty R130	Ra	KH	15 " x 4 "	4647 - 401	R700401	R40H595	R40H9220	R40H3538	R40H3539
	Rm	BX	14.125 x 3-1/2 "	2041 - 22	N/A	R40H500	R40H9224	R404177	R404176
	Rm	BX	14.125 x 3-1/2 "	2041 - 22	N/A	R40H500	R40H9224	R404177	R404176
Super Duty R150	Ra	KH	15 " x 5 "	4646 - 400	R700400	R40H595	R40H9220	R40H3538	R40H3539
	Ra	WG	15 " x 5 "	1252 - 346	R700346	R40H597	R40H9200	R40H3540	R40H3541
1975	Fa	WG	15 " x 3 "	1245C - 321	R700321	R40H521	R40H9237	R40H3502	R40H3503
Super Duty F046, F047	Fm	BX	13 " x 2-1/4 "	2043 - 36	Discontinued	R40H130	R404208	R40H3514	R40H3514
Super Duty F050, F055, F060	Fa	KH	14 " x 2-1/2 "	2060 - 361	Discontinued	R40H596	R40H9219	R40H3536	R40H3537
Super Duty R130	Ra	KH	15 " x 4 "	4647 - 401	R700401	R40H595	R40H9220	R40H3538	R40H3539
	Rm	BX	14.125 x 3-1/2 "	2041 - 22	N/A	R40H500	R40H9224	R404177	R404176
	Rm	BX	14.125 x 3-1/2 "	2041 - 22	N/A	R40H500	R40H9224	R404177	R404176
Super Duty R150	Ra	KH	15 " x 5 "	4646 - 400	R700400	R40H595	R40H9220	R40H3538	R40H3539
	Ra	WG	15 " x 5 "	1252 - 346	R700346	R40H597	R40H9200	R40H3540	R40H3541
1974	Fa	WG	15 " x 3 "	1245C - 321	R700321	R40H521	R40H9237	R40H3502	R40H3503
Super Duty F046, F047	Fm	BX	13 " x 2-1/4 "	2043 - 36	Discontinued	R40H130	R404208	R40H3514	R40H3514
Super Duty F050, F055, F060	Fa	KH	14 " x 2-1/2 "	2060 - 361	Discontinued	R40H596	R40H9219	R40H3536	R40H3537
Super Duty R130	Ra	KH	15 " x 4 "	4647 - 401	R700401	R40H595	R40H9220	R40H3538	R40H3539
	Rm	BX	14.125 x 3-1/2 "	2041 - 22	N/A	R40H500	R40H9224	R404177	R404176
	Rm	BX	14.125 x 3-1/2 "	2041 - 22	N/A	R40H500	R40H9224	R404177	R404176
Super Duty R150	Ra	KH	15 " x 5 "	4646 - 400	R700400	R40H595	R40H9220	R40H3538	R40H3539

54 - Manual Brakes
218 - Power Brakes, Extended Length

55 - W4, Stripped Chassis, Except 14250 GVWR
224 - Power Brakes, Standard Length

201 - Steel Piston
405 - Rotor Only

MERITOR DRUM OR ROTOR NO.	CALIPER OR CYLINDER BORE SIZE	MERITOR CALIPER OR WHEEL CYLINDER (LEFT)	MERITOR CALIPER OR WHEEL CYLINDER (RIGHT)	MERITOR CALIPER OR WHEEL CYLINDER REPAIR KIT	MERITOR CALIPER PISTON	MERITOR MASTER CYLINDER	MERITOR MASTER CYLINDER KIT	MERITOR BRAKE HOSE (LEFT)	MERITOR BRAKE HOSE (RIGHT)
FORD(Cont.)									
F450, 500 CONVENTIONAL; F53, 66 STRIPPED CHASSIS: SUPER DUTY SERIES(Cont.)									
R44141455 ⁴⁰⁵	2-23/64 "	R42R55605	R42R55604	R4066204	R4090088S ²⁰¹	-	-	R4578166	R4578166
R44141455 ⁴⁰⁵	2-23/64 "	R42R55605	R42R55604	R4066204	R4090088S ²⁰¹	N/A ⁵⁴	R4110410	R451554	R4578159
R44141455 ⁴⁰⁵	2-23/64 "	R42R55605	R42R55604	R4066204	R4090088S ²⁰¹	R4112313 ²¹⁸	R4110412	R4578166	R4578166
R44141455 ⁴⁰⁵	2-23/64 "	R42R55605	R42R55604	R4066204	R4090088S ²⁰¹	R4112313 ²²⁴	R4110411	R451554	R4578159
R44141455 ⁴⁰⁵	2-23/64 "	R42R55605	R42R55604	R4066204	R4090088S ²⁰¹	-	-	R4577245	R4577245
R44141455 ⁴⁰⁵	2-23/64 "	R42R55605	R42R55604	R4066204	R4090088S ²⁰¹	R4112313 ²²⁴	R4110411	R451554	R4578159
R44141455 ⁴⁰⁵	2-23/64 "	R42R55605	R42R55604	R4066204	R4090088S ²⁰¹	R4112357 ⁵⁵	R4110410	R4577245	R4578159
R44141455 ⁴⁰⁵	2-23/64 "	R42R55605	R42R55604	R4066204	R4090088S ²⁰¹	-	-	R4577245	R4577245
R44141455 ⁴⁰⁵	2-23/64 "	R42R55605	R42R55604	R4066204	R4090088S ²⁰¹	R4112357 ⁵⁵	R4110410	R451554	R4578159
R44141455 ⁴⁰⁵	2-23/64 "	R42R55605	R42R55604	R4066204	R4090088S ²⁰¹	-	-	R4577245	R4577245
-	1-1/8 "	R4133714	R4133715	R4166926	NR	-	-	-	-
-	15/16 "	R4133366	R4133367	R4166852	NR	-	-	-	-
-	1.09375	R4133484	R4133485	R4166819	NR	-	-	-	-
-	1-1/2 "	R4033607	R4033607	R4166818	NR	-	-	-	-
-	1-1/2 "	R4133257	R4133257	R415181	NR	-	-	-	-
-	1-1/2 "	R4133256	R4133256	R415181	NR	-	-	-	-
-	1-1/2 "	R4033607	R4033607	R4166818	NR	-	-	-	-
-	1-5/8 "	R4133338	R4133338	R4166689	NR	-	-	-	-
-	1-1/8 "	R4133714	R4133715	R4166926	NR	-	-	-	-
-	15/16 "	R4133366	R4133367	R4166852	NR	-	-	-	-
-	1.09375	R4133484	R4133485	R4166819	NR	-	-	-	-
-	1-1/2 "	R4033607	R4033607	R4166818	NR	-	-	-	-
-	1-1/2 "	R4133256	R4133256	R415181	NR	-	-	-	-
-	1-1/2 "	R4133257	R4133257	R415181	NR	-	-	-	-
-	1-1/2 "	R4033607	R4033607	R4166818	NR	-	-	-	-
-	1-5/8 "	R4133338	R4133338	R4166689	NR	-	-	-	-
-	1-1/8 "	R4133714	R4133715	R4166926	NR	-	-	-	-
-	15/16 "	R4133366	R4133367	R4166852	NR	-	-	-	-
-	1.09375	R4133484	R4133485	R4166819	NR	-	-	-	-
-	1-1/2 "	R4033607	R4033607	R4166818	NR	-	-	-	-
-	1-1/2 "	R4133257	R4133257	R415181	NR	-	-	-	-
-	1-1/2 "	R4133256	R4133256	R415181	NR	-	-	-	-
-	1-1/2 "	R4033607	R4033607	R4166818	NR	-	-	-	-
-	1-5/8 "	R4133338	R4133338	R4166689	NR	-	-	-	-
-	1-1/8 "	R4133714	R4133715	R4166926	NR	-	-	-	-
-	15/16 "	R4133366	R4133367	R4166852	NR	-	-	-	-
-	1.09375	R4133484	R4133485	R4166819	NR	-	-	-	-
-	1-1/2 "	R4033607	R4033607	R4166818	NR	-	-	-	-
-	1-1/2 "	R4133257	R4133257	R415181	NR	-	-	-	-
-	1-1/2 "	R4133256	R4133256	R415181	NR	-	-	-	-
-	1-1/2 "	R4033607	R4033607	R4166818	NR	-	-	-	-
-	1-5/8 "	R4133338	R4133338	R4166689	NR	-	-	-	-
-	1-1/8 "	R4133714	R4133715	R4166926	NR	-	-	-	-
-	15/16 "	R4133366	R4133367	R4166852	NR	-	-	-	-
-	1.09375	R4133484	R4133485	R4166819	NR	-	-	-	-
-	1-1/2 "	R4033607	R4033607	R4166818	NR	-	-	-	-
-	1-1/2 "	R4133257	R4133257	R415181	NR	-	-	-	-
-	1-1/2 "	R4133256	R4133256	R415181	NR	-	-	-	-
-	1-1/2 "	R4033607	R4033607	R4166818	NR	-	-	-	-

1 APPLICATION

MAKE MODEL YEAR AXLE CODE AXLE WEIGHT	AXLE & BRK. TYPE	BRK. MFG.	BRAKE SIZE	FMSI	MERITOR DISC PAD OR BRAKE SHOE	MERITOR GUIDE PIN OR RETURN SPRING KIT	MERITOR CALIPER HWD. KIT OR RETURN SPRING KIT	MERITOR ADJUSTER KIT (LEFT WHEEL)	MERITOR ADJUSTER KIT (RIGHT WHEEL)
FORD(Cont.)									
F450, 500 CONVENTIONAL; F53, 66 STRIPPED CHASSIS: SUPER DUTY SERIES(Cont.)									
1974	Ra	WG	15 " x 5 "	1252 - 346	R700346	R40H597	R40H9200	R40H3540	R40H3541
1973 Super Duty	Fa	WG	15 " x 3 "	1245C - 321	R700321	R40H521	R40H9237	R40H3502	R40H3503
Super Duty F046, F047	Fm	BX	13 " x 2-1/4 "	2043 - 36	Discontinued	R40H130	R404208	R40H3514	R40H3514
Super Duty F050, F055, F060	Fa	KH	14 " x 2-1/2 "	2060 - 361	Discontinued	R40H596	R40H9219	R40H3536	R40H3537
Super Duty R130	Ra	KH	15 " x 4 "	4647 - 401	R700401	R40H595	R40H9220	R40H3538	R40H3539
	Rm	BX	14.125 x 3-1/2 "	2041 - 22	N/A	R40H500	R40H9224	R404177	R404176
	Rm	BX	14.125 x 3-1/2 "	2041 - 22	N/A	R40H500	R40H9224	R404177	R404176
Super Duty R150	Ra	KH	15 " x 5 "	4646 - 400	R700400	R40H595	R40H9220	R40H3538	R40H3539
	Ra	WG	15 " x 5 "	1252 - 346	R700346	R40H597	R40H9200	R40H3540	R40H3541
1972 Super Duty	Fa	WG	15 " x 3 "	1245C - 321	R700321	R40H521	R40H9237	R40H3502	R40H3503
Super Duty F046, F047	Fm	BX	13 " x 2-1/4 "	2043 - 36	Discontinued	R40H130	R404208	R40H3514	R40H3514
Super Duty F050, F055, F060	Fa	KH	14 " x 2-1/2 "	2060 - 361	Discontinued	R40H596	R40H9219	R40H3536	R40H3537
Super Duty R130	Ra	KH	15 " x 4 "	4647 - 401	R700401	R40H595	R40H9220	R40H3538	R40H3539
	Rm	BX	14.125 x 3-1/2 "	2041 - 22	N/A	R40H500	R40H9224	R404177	R404176
	Rm	BX	14.125 x 3-1/2 "	2041 - 22	N/A	R40H500	R40H9224	R404177	R404176
Super Duty R150	Ra	KH	15 " x 5 "	4646 - 400	R700400	R40H595	R40H9220	R40H3538	R40H3539
	Ra	WG	15 " x 5 "	1252 - 346	R700346	R40H597	R40H9200	R40H3540	R40H3541
1971 Super Duty	Fa	WG	15 " x 3 "	1245C - 321	R700321	R40H521	R40H9237	R40H3502	R40H3503
Super Duty F046, F047	Fm	BX	13 " x 2-1/4 "	2043 - 36	Discontinued	R40H130	R404208	R40H3514	R40H3514
Super Duty F050, F055, F060	Fa	KH	14 " x 2-1/2 "	2060 - 361	Discontinued	R40H596	R40H9219	R40H3536	R40H3537
Super Duty R130	Ra	KH	15 " x 4 "	4647 - 401	R700401	R40H595	R40H9220	R40H3538	R40H3539
	Rm	BX	14.125 x 3-1/2 "	2041 - 22	N/A	R40H500	R40H9224	R404177	R404176
	Rm	BX	14.125 x 3-1/2 "	2041 - 22	N/A	R40H500	R40H9224	R404177	R404176
Super Duty R150	Ra	KH	15 " x 5 "	4646 - 400	R700400	R40H595	R40H9220	R40H3538	R40H3539
	Ra	WG	15 " x 5 "	1252 - 346	R700346	R40H597	R40H9200	R40H3540	R40H3541
1970 Super Duty	Fa	WG	15 " x 3 "	1245C - 321	R700321	R40H521	R40H9237	R40H3502	R40H3503
Super Duty F046, F047	Fm	BX	13 " x 2-1/4 "	2043 - 36	Discontinued	R40H130	R404208	R40H3514	R40H3514
Super Duty F050, F055, F060	Fa	KH	14 " x 2-1/2 "	2060 - 361	Discontinued	R40H596	R40H9219	R40H3536	R40H3537
Super Duty R130	Ra	KH	15 " x 4 "	4647 - 401	R700401	R40H595	R40H9220	R40H3538	R40H3539
	Rm	BX	14.125 x 3-1/2 "	2041 - 22	N/A	R40H500	R40H9224	R404177	R404176
	Rm	BX	14.125 x 3-1/2 "	2041 - 22	N/A	R40H500	R40H9224	R404177	R404176
Super Duty R150	Ra	KH	15 " x 5 "	4646 - 400	R700400	R40H595	R40H9220	R40H3538	R40H3539
	Ra	WG	15 " x 5 "	1252 - 346	R700346	R40H597	R40H9200	R40H3540	R40H3541
1969 Super Duty	Fa	WG	15 " x 3 "	1245C - 321	R700321	R40H521	R40H9237	R40H3502	R40H3503
Super Duty F046, F047	Fm	BX	13 " x 2-1/4 "	2043 - 36	Discontinued	R40H130	R404208	R40H3514	R40H3514
Super Duty F050, F055, F060	Fa	KH	14 " x 2-1/2 "	2060 - 361	Discontinued	R40H596	R40H9219	R40H3536	R40H3537
Super Duty R130	Ra	KH	15 " x 4 "	4647 - 401	R700401	R40H595	R40H9220	R40H3538	R40H3539
	Rm	BX	14.125 x 3-1/2 "	2041 - 22	N/A	R40H500	R40H9224	R404177	R404176
	Rm	BX	14.125 x 3-1/2 "	2041 - 22	N/A	R40H500	R40H9224	R404177	R404176

MERITOR DRUM OR ROTOR NO.	CALIPER OR CYLINDER BORE SIZE	MERITOR CALIPER OR WHEEL CYLINDER (LEFT)	MERITOR CALIPER OR WHEEL CYLINDER (RIGHT)	MERITOR CALIPER OR WHEEL CYLINDER REPAIR KIT	MERITOR CALIPER PISTON	MERITOR MASTER CYLINDER	MERITOR MASTER CYLINDER KIT	MERITOR BRAKE HOSE (LEFT)	MERITOR BRAKE HOSE (RIGHT)
FORD(Cont.)									
F450, 500 CONVENTIONAL; F53, 66 STRIPPED CHASSIS: SUPER DUTY SERIES(Cont.)									
-	1-5/8 "	R4133338	R4133338	R4166689	NR	-	-	-	-
-	1-1/8 "	R4133714	R4133715	R4166926	NR	-	-	-	-
-	15/16 "	R4133366	R4133367	R4166852	NR	-	-	-	-
-	1.09375	R4133484	R4133485	R4166819	NR	-	-	-	-
-	1-1/2 "	R4033607	R4033607	R4166818	NR	-	-	-	-
-	1-1/2 "	R4133257	R4133257	R415181	NR	-	-	-	-
-	1-1/2 "	R4133256	R4133256	R415181	NR	-	-	-	-
-	1-1/2 "	R4033607	R4033607	R4166818	NR	-	-	-	-
-	1-5/8 "	R4133338	R4133338	R4166689	NR	-	-	-	-
-	1-1/8 "	R4133714	R4133715	R4166926	NR	-	-	-	-
-	15/16 "	R4133366	R4133367	R4166852	NR	-	-	-	-
-	1.09375	R4133484	R4133485	R4166819	NR	-	-	-	-
-	1-1/2 "	R4033607	R4033607	R4166818	NR	-	-	-	-
-	1-1/2 "	R4133257	R4133257	R415181	NR	-	-	-	-
-	1-1/2 "	R4133256	R4133256	R415181	NR	-	-	-	-
-	1-1/2 "	R4033607	R4033607	R4166818	NR	-	-	-	-
-	1-5/8 "	R4133338	R4133338	R4166689	NR	-	-	-	-
-	1-1/8 "	R4133714	R4133715	R4166926	NR	-	-	-	-
-	15/16 "	R4133366	R4133367	R4166852	NR	-	-	-	-
-	1.09375	R4133484	R4133485	R4166819	NR	-	-	-	-
-	1-1/2 "	R4033607	R4033607	R4166818	NR	-	-	-	-
-	1-1/2 "	R4133256	R4133256	R415181	NR	-	-	-	-
-	1-1/2 "	R4133257	R4133257	R415181	NR	-	-	-	-
-	1-1/2 "	R4033607	R4033607	R4166818	NR	-	-	-	-
-	1-5/8 "	R4133338	R4133338	R4166689	NR	-	-	-	-
-	1-1/8 "	R4133714	R4133715	R4166926	NR	-	-	-	-
-	15/16 "	R4133366	R4133367	R4166852	NR	-	-	-	-
-	1.09375	R4133484	R4133485	R4166819	NR	-	-	-	-
-	1-1/2 "	R4033607	R4033607	R4166818	NR	-	-	-	-
-	1-1/2 "	R4133257	R4133257	R415181	NR	-	-	-	-
-	1-1/2 "	R4133256	R4133256	R415181	NR	-	-	-	-
-	1-1/2 "	R4033607	R4033607	R4166818	NR	-	-	-	-
-	1-5/8 "	R4133338	R4133338	R4166689	NR	-	-	-	-
-	1-1/8 "	R4133714	R4133715	R4166926	NR	-	-	-	-
-	15/16 "	R4133366	R4133367	R4166852	NR	-	-	-	-
-	1.09375	R4133484	R4133485	R4166819	NR	-	-	-	-
-	1-1/2 "	R4033607	R4033607	R4166818	NR	-	-	-	-
-	1-1/2 "	R4133257	R4133257	R415181	NR	-	-	-	-
-	1-1/2 "	R4133256	R4133256	R415181	NR	-	-	-	-
-	1-1/2 "	R4033607	R4033607	R4166818	NR	-	-	-	-
-	1-5/8 "	R4133338	R4133338	R4166689	NR	-	-	-	-
-	1-1/8 "	R4133714	R4133715	R4166926	NR	-	-	-	-
-	15/16 "	R4133366	R4133367	R4166852	NR	-	-	-	-
-	1.09375	R4133484	R4133485	R4166819	NR	-	-	-	-
-	1-1/2 "	R4033607	R4033607	R4166818	NR	-	-	-	-
-	1-1/2 "	R4133256	R4133256	R415181	NR	-	-	-	-
-	1-1/2 "	R4133257	R4133257	R415181	NR	-	-	-	-

1 APPLICATION

MAKE MODEL YEAR AXLE CODE AXLE WEIGHT	AXLE & BRK. TYPE	BRK. MFG.	BRAKE SIZE	FMSI	MERITOR DISC PAD OR BRAKE SHOE	MERITOR GUIDE PIN OR RETURN SPRING KIT	MERITOR CALIPER HWD. KIT OR RETURN SPRING KIT	MERITOR ADJUSTER KIT (LEFT WHEEL)	MERITOR ADJUSTER KIT (RIGHT WHEEL)
FORD(Cont.)									
F450, 500 CONVENTIONAL; F53, 66 STRIPPED CHASSIS: SUPER DUTY SERIES(Cont.)									
1969									
Super Duty R150	Ra	KH	15 " x 5 "	4646 - 400	R700400	R40H595	R40H9220	R40H3538	R40H3539
	Ra	WG	15 " x 5 "	1252 - 346	R700346	R40H597	R40H9200	R40H3540	R40H3541
1968									
Super Duty F046, F047	Fm	BX	13 " x 2-1/4 "	2043 - 36	Discontinued	R40H130	R404208	R40H3514	R40H3514
Super Duty F050, F055, F060	Fa	KH	14 " x 2-1/2 "	2060 - 361	Discontinued	R40H596	R40H9219	R40H3536	R40H3537
Super Duty R130	Ra	KH	15 " x 4 "	4647 - 401	R700401	R40H595	R40H9220	R40H3538	R40H3539
	Rm Rm	BX BX	14.125 x 3-1/2 " 14.125 x 3-1/2 "	2041 - 22 2041 - 22	N/A N/A	R40H500 R40H500	R40H9224 R40H9224	R404177 R404177	R404176 R404176
Super Duty R150	Ra Ra	KH WG	15 " x 5 " 15 " x 5 "	4646 - 400 1252 - 346	R700400 R700346	R40H595 R40H597	R40H9220 R40H9200	R40H3538 R40H3540	R40H3539 R40H3541
F53 / F59 STRIPPED CHASSIS									
2003									
15,000 - 18,000 lb GVWR	Fd	TRW		7644 - D777	MD777	R40H15088	R4012268	NR	NR
	Rd	TRW		7644 - D777	MD777	R40H15088	R4012268	NR	NR
20,500 lb GVW	Fd	TRW		7644 - D777	MD777	R40H15088	R4012268	NR	NR
	Rd	TRW		7644 - D777	MD777	R40H15088	R4012268	NR	NR
2002									
15,000 - 18,000 lb GVWR	Fd	TRW		7644 - D777	MD777	R40H15088	R4012268	NR	NR
	Rd	TRW		7644 - D777	MD777	R40H15088	R4012268	NR	NR
20,500 lb GVW	Fd	TRW		7644 - D777	MD777	R40H15088	R4012268	NR	NR
	Rd	TRW		7644 - D777	MD777	R40H15088	R4012268	NR	NR
2001									
15,000 - 18,000 lb GVWR	Fd	TRW		7644 - D777	MD777	R40H15088	R4012268	NR	NR
	Rd	TRW		7644 - D777	MD777	R40H15088	R4012268	NR	NR
20,500 lb GVW	Fd	TRW		7644 - D777	MD777	R40H15088	R4012268	NR	NR
	Rd	TRW		7644 - D777	MD777	R40H15088	R4012268	NR	NR
2000									
15,000 - 18,000 lb GVWR	Fd	TRW		7644 - D777	MD777	R40H15088	R4012268	NR	NR
	Rd	TRW		7644 - D777	MD777	R40H15088	R4012268	NR	NR
20,500 lb GVW	Fd	TRW		7644 - D777	MD777	R40H15088	R4012268	NR	NR
	Rd	TRW		7644 - D777	MD777	R40H15088	R4012268	NR	NR
1999									
15,000 - 18,000 lb GVWR	Fd	TRW		7644 - D777	MD777	R40H15088	R4012268	NR	NR
	Rd	TRW		7644 - D777	MD777	R40H15088	R4012268	NR	NR
20,500 lb GVW	Fd	TRW		7644 - D777	MD777	R40H15088	R4012268	NR	NR
	Rd	TRW		7644 - D777	MD777	R40H15088	R4012268	NR	NR
1998									
15,000 - 18,000 lb GVWR	Fd	TRW		7644 - D777	MD777	R40H15088	R4012268	NR	NR
	Rd	TRW		7644 - D777	MD777	R40H15088	R4012268	NR	NR
20,500 lb GVW	Fd	TRW		7644 - D777	MD777	R40H15088	R4012268	NR	NR
	Rd	TRW		7644 - D777	MD777	R40H15088	R4012268	NR	NR
F550									
2007									
4x2 Super duty	Fd	TRW		7972 - D1066	MD1066	-	-	NR	NR
	Fd	TRW		7972 - D1066	MD1066	-	-	NR	NR
	Rd	TRW		7972 - D1066	MD1066	-	-	NR	NR
4x4 Super duty	Fd	TRW		7972 - D1066	MD1066	-	-	NR	NR
	Fd	TRW		7972 - D1066	MD1066	-	-	NR	NR
	Rd	TRW		7972 - D1066	MD1066	-	-	NR	NR
2006									
4x2 Super duty	Fd	TRW		7972 - D1066	MD1066	-	-	NR	NR

217 - Power Brakes Except Speed Control
399 - 7/19/05 - 2006 w/o Brake Control Valve

223 - Power Brakes, Speed Control
400 - 7/19/05 - 2006 with Brake Control Valve

387 - 10 Hole Rotor
405 - Rotor Only

MAKE MODEL YEAR AXLE CODE AXLE WEIGHT	AXLE & BRK. TYPE	BRK. MFG.	BRAKE SIZE	FMSI	MERITOR DISC PAD OR BRAKE SHOE	MERITOR GUIDE PIN OR RETURN SPRING KIT	MERITOR CALIPER HWD. KIT OR RETURN SPRING KIT	MERITOR ADJUSTER KIT (LEFT WHEEL)	MERITOR ADJUSTER KIT (RIGHT WHEEL)
FORD(Cont.)									
F550(Cont.)									
2006	Fd	TRW		7972 - D1066	MD1066	-	-	NR	NR
	Rd	TRW		7972 - D1066	MD1066	-	-	NR	NR
4x4 Super duty	Fd	TRW		7972 - D1066	MD1066	-	-	NR	NR
	Fd	TRW		7972 - D1066	MD1066	-	-	NR	NR
	Rd	TRW		7972 - D1066	MD1066	-	-	NR	NR
2005									
4x2 Super duty	Rd	TRW		7972 - D1066	MD1066	-	-	NR	NR
4x2 Super duty / Diesel Engine	Fd	TRW		7972 - D1066	MD1066	-	-	NR	NR
	Fd	TRW		7972 - D1066	MD1066	-	-	NR	NR
4x2 Super duty / Gas Engine	Fd	TRW		7972 - D1066	MD1066	-	-	NR	NR
	Fd	TRW		7972 - D1066	MD1066	-	-	NR	NR
4x4 Super duty	Rd	TRW		7972 - D1066	MD1066	-	-	NR	NR
4x4 Super duty / Diesel Engine	Fd	TRW		7972 - D1066	MD1066	-	-	NR	NR
	Fd	TRW		7972 - D1066	MD1066	-	-	NR	NR
4x4 Super duty / Gas Engine	Fd	TRW		7972 - D1066	MD1066	-	-	NR	NR
	Fd	TRW		7972 - D1066	MD1066	-	-	NR	NR
2004									
4x2 Super duty	Fd	TRW		7644 - D777	MD777	R40H15088	R4012268	NR	NR
	Rd	TRW		7644 - D777	MD777	R40H15088	R4012268	NR	NR
4x4 Super duty	Fd	TRW		7644 - D777	MD777	R40H15088	R4012268	NR	NR
	Rd	TRW		7644 - D777	MD777	R40H15088	R4012268	NR	NR
2003									
4x2 Super duty	Fd	TRW		7644 - D777	MD777	R40H15088	R4012268	NR	NR
	Fd	TRW		7644 - D777	MD777	R40H15088	R4012268	NR	NR
4x4 Super duty	Fd	TRW		7644 - D777	MD777	R40H15088	R4012268	NR	NR
	Fd	TRW		7644 - D777	MD777	R40H15088	R4012268	NR	NR
4x2 Super duty 15,000 - 18,000 lb GVWR	Rd	TRW		7644 - D777	MD777	R40H15088	R4012268	NR	NR
4x4 Super duty 15,000 - 18,000 lb GVWR	Rd	TRW		7644 - D777	MD777	R40H15088	R4012268	NR	NR
4x2 Super duty 20,500 lb GVWR	Rd	TRW		7644 - D777	MD777	R40H15088	R4012268	NR	NR
4x4 Super duty 20,500 lb GVWR	Rd	TRW		7644 - D777	MD777	R40H15088	R4012268	NR	NR
2002									
4x2 Super duty	Fd	TRW		7644 - D777	MD777	R40H15088	R4012268	NR	NR
	Fd	TRW		7644 - D777	MD777	R40H15088	R4012268	NR	NR
4x4 Super duty	Fd	TRW		7644 - D777	MD777	R40H15088	R4012268	NR	NR
	Fd	TRW		7644 - D777	MD777	R40H15088	R4012268	NR	NR
4x2 Super duty 15,000 - 18,000 lb GVWR	Rd	TRW		7644 - D777	MD777	R40H15088	R4012268	NR	NR
4x4 Super duty 15,000 - 18,000 lb GVWR	Rd	TRW		7644 - D777	MD777	R40H15088	R4012268	NR	NR
4x2 Super duty 20,500 lb GVWR	Rd	TRW		7644 - D777	MD777	R40H15088	R4012268	NR	NR
4x4 Super duty 20,500 lb GVWR	Rd	TRW		7644 - D777	MD777	R40H15088	R4012268	NR	NR
2001									
4x2 Super duty	Fd	TRW		7644 - D777	MD777	R40H15088	R4012268	NR	NR
	Fd	TRW		7644 - D777	MD777	R40H15088	R4012268	NR	NR
4x4 Super duty	Fd	TRW		7644 - D777	MD777	R40H15088	R4012268	NR	NR
	Fd	TRW		7644 - D777	MD777	R40H15088	R4012268	NR	NR
4x2 Super duty 15,000 - 18,000 lb GVWR	Rd	TRW		7644 - D777	MD777	R40H15088	R4012268	NR	NR
4x4 Super duty 15,000 - 18,000 lb GVWR	Rd	TRW		7644 - D777	MD777	R40H15088	R4012268	NR	NR
4x2 Super duty 20,500 lb GVWR	Rd	TRW		7644 - D777	MD777	R40H15088	R4012268	NR	NR
4x4 Super duty 20,500 lb GVWR	Rd	TRW		7644 - D777	MD777	R40H15088	R4012268	NR	NR

217 - Power Brakes Except Speed Control
 395 - 2005 - 7/19/05 Gas Engine w/o Brake Control Valve
 398 - Diesel Engine with Speed Control
 www.XpresswayPlus.com

223 - Power Brakes, Speed Control
 396 - 2005 - 7/19/05 Gas Engine with Brake Control Valve
 399 - 7/19/05 - 2006 w/o Brake Control Valve

387 - 10 Hole Rotor
 397 - Diesel Engine w/o Speed Control
 400 - 7/19/05 - 2006 with Brake Control Valve

MERITOR DRUM OR ROTOR NO.	CALIPER OR CYLINDER BORE SIZE	MERITOR CALIPER OR WHEEL CYLINDER (LEFT)	MERITOR CALIPER OR WHEEL CYLINDER (RIGHT)	MERITOR CALIPER OR WHEEL CYLINDER REPAIR KIT	MERITOR CALIPER PISTON	MERITOR MASTER CYLINDER	MERITOR MASTER CYLINDER KIT	MERITOR BRAKE HOSE (LEFT)	MERITOR BRAKE HOSE (RIGHT)
FORD(Cont.)									
F550(Cont.)									
R441713813 ³⁸⁷	60mm	R4212254	R4212253	-	-	R413013819 ³⁹⁹	-	R457013821	R457013822
R441713816 ³⁸⁷	60mm	R4212254	R4212253	-	-	-	-	-	-
R441713815 ³⁸⁷	60mm	R4212254	R4212253	-	-	R413013819 ³⁹⁹	-	R457013821	R457013822
R441713815 ³⁸⁷	60mm	R4212254	R4212253	-	-	R413013820 ⁴⁰⁰	-	R457013821	R457013822
R441713816 ³⁸⁷	60mm	R4212254	R4212253	-	-	-	-	-	-
R441713816 ³⁸⁷	60mm	R4212254	R4212253	-	-	-	-	-	-
R441713813 ³⁸⁷	60mm	R4212254	R4212253	-	-	R4113649 ³⁹⁸	-	R457013821	R457013822
R441713813 ³⁸⁷	60mm	R4212254	R4212253	-	-	R4113648 ³⁹⁷	-	R457013821	R457013822
R441713813 ³⁸⁷	60mm	R4212254	R4212253	-	-	R413013817 ³⁹⁵	-	R457013821	R457013822
R441713813 ³⁸⁷	60mm	R4212254	R4212253	-	-	R413013818 ³⁹⁶	-	R457013821	R457013822
R441713816 ³⁸⁷	60mm	R4212254	R4212253	-	-	-	-	-	-
R441713815 ³⁸⁷	60mm	R4212254	R4212253	-	-	R4113649 ³⁹⁸	-	R457013821	R457013822
R441713815 ³⁸⁷	60mm	R4212254	R4212253	-	-	R4113648 ³⁹⁷	-	R457013821	R457013822
R441713815 ³⁸⁷	60mm	R4212254	R4212253	-	-	R413013817 ³⁹⁵	-	R457013821	R457013822
R441713815 ³⁸⁷	60mm	R4212254	R4212253	-	-	R413013818 ³⁹⁶	-	R457013821	R457013822
R4466924	60mm	R4255862	R4255861	-	-	R4113648 ²¹⁷	N/A	R44145028	R4512419
R44145325 ⁴⁰⁵	60mm	R4255862	R4255861	-	-	R4113649 ²²³	N/A	R44145028	R4512419
R4466924	60mm	R4255862	R4255861	-	-	-	-	-	-
R44145325 ⁴⁰⁵	60mm	R4255862	R4255861	-	-	-	-	-	-
R4466924	60mm	R4255862	R4255861	-	-	R4113648 ²¹⁷	N/A	R44145028	R4512419
R4466924	60mm	R4255862	R4255861	-	-	R4113649 ²²³	N/A	R44145028	R4512419
R4466924	60mm	R4255862	R4255861	-	-	R4113649 ²²³	N/A	R44145028	R4512419
R4466924	60mm	R4255862	R4255861	-	-	R4113648 ²¹⁷	N/A	R44145028	R4512419
R44145325 ⁴⁰⁵	60mm	R4255862	R4255861	-	-	-	-	R4512420	-
R44145325 ⁴⁰⁵	60mm	R4255862	R4255861	-	-	-	-	R4512420	-
R44145325 ⁴⁰⁵	60mm	R4255862	R4255861	-	-	-	-	R4512421	-
R44145325 ⁴⁰⁵	60mm	R4255862	R4255861	-	-	-	-	R4512421	-
R4466924	60mm	R4255862	R4255861	-	-	R4113648 ²¹⁷	N/A	R44145028	R4512419
R4466924	60mm	R4255862	R4255861	-	-	R4113649 ²²³	N/A	R44145028	R4512419
R4466924	60mm	R4255862	R4255861	-	-	R4113649 ²²³	N/A	R44145028	R4512419
R4466924	60mm	R4255862	R4255861	-	-	R4113648 ²¹⁷	N/A	R44145028	R4512419
R44145325 ⁴⁰⁵	60mm	R4255862	R4255861	-	-	-	-	R4512420	-
R44145325 ⁴⁰⁵	60mm	R4255862	R4255861	-	-	-	-	R4512420	-
R44145325 ⁴⁰⁵	60mm	R4255862	R4255861	-	-	-	-	R4512421	-
R44145325 ⁴⁰⁵	60mm	R4255862	R4255861	-	-	-	-	R4512421	-
R4466924	60mm	R4255862	R4255861	-	-	R4113648 ²¹⁷	N/A	R44145028	R4512419
R4466924	60mm	R4255862	R4255861	-	-	R4113649 ²²³	N/A	R44145028	R4512419
R4466924	60mm	R4255862	R4255861	-	-	R4113649 ²²³	N/A	R44145028	R4512419
R4466924	60mm	R4255862	R4255861	-	-	R4113648 ²¹⁷	N/A	R44145028	R4512419
R44145325 ⁴⁰⁵	60mm	R4255862	R4255861	-	-	-	-	R4512420	-
R44145325 ⁴⁰⁵	60mm	R4255862	R4255861	-	-	-	-	R4512420	-
R44145325 ⁴⁰⁵	60mm	R4255862	R4255861	-	-	-	-	R4512421	-
R44145325 ⁴⁰⁵	60mm	R4255862	R4255861	-	-	-	-	R4512421	-

405 - Rotor Only

MAKE MODEL YEAR AXLE CODE AXLE WEIGHT	AXLE & BRK. TYPE	BRK. MFG.	BRAKE SIZE	FMSI	MERITOR DISC PAD OR BRAKE SHOE	MERITOR GUIDE PIN OR RETURN SPRING KIT	MERITOR CALIPER HWD. KIT OR RETURN SPRING KIT	MERITOR ADJUSTER KIT (LEFT WHEEL)	MERITOR ADJUSTER KIT (RIGHT WHEEL)
FORD(Cont.)									
F550(Cont.)									
2000									
4x2 Super duty	Fd	TRW		7644 - D777	MD777	R40H15088	R4012268	NR	NR
	Fd	TRW		7644 - D777	MD777	R40H15088	R4012268	NR	NR
4x4 Super duty	Fd	TRW		7644 - D777	MD777	R40H15088	R4012268	NR	NR
	Fd	TRW		7644 - D777	MD777	R40H15088	R4012268	NR	NR
4x2 Super duty 15,000 - 18,000 lb GVWR	Rd	TRW		7644 - D777	MD777	R40H15088	R4012268	NR	NR
4x4 Super duty 15,000 - 18,000 lb GVWR	Rd	TRW		7644 - D777	MD777	R40H15088	R4012268	NR	NR
4x2 Super duty 20,500 lb GVWR	Rd	TRW		7644 - D777	MD777	R40H15088	R4012268	NR	NR
4x4 Super duty 20,500 lb GVWR	Rd	TRW		7644 - D777	MD777	R40H15088	R4012268	NR	NR
1999									
4x2 Super duty	Fd	TRW		7644 - D777	MD777	R40H15088	R4012268	NR	NR
	Fd	TRW		7644 - D777	MD777	R40H15088	R4012268	NR	NR
4x4 Super duty 4.88, 5.38 Gear Ratio From 3/22/99	Fd	TRW		7644 - D777	MD777	R40H15088	R4012268	NR	NR
	Fd	TRW		7644 - D777	MD777	R40H15088	R4012268	NR	NR
4x4 Super duty 4.88, 5.38 Gear Ratio Mono Beam up to 3/22/99	Fd	TRW		7644 - D777	MD777	R40H15088	R4012268	NR	NR
	Fd	TRW		7644 - D777	MD777	R40H15088	R4012268	NR	NR
4x2 Super duty 15,000 - 18,000 lb GVWR	Rd	TRW		7644 - D777	MD777	R40H15088	R4012268	NR	NR
4x4 Super duty 15,000 - 18,000 lb GVWR	Rd	TRW		7644 - D777	MD777	R40H15088	R4012268	NR	NR
4x2 Super duty 20,500 lb GVWR	Rd	TRW		7644 - D777	MD777	R40H15088	R4012268	NR	NR
4x4 Super duty 20,500 lb GVWR	Rd	TRW		7644 - D777	MD777	R40H15088	R4012268	NR	NR
F600 SERIES: CONVENTIONAL									
1995									
	Fd	DN		7141 - D224	MD224 ³⁴⁰	69310693	60050153	NR	NR
	Fd	DN		7149 - D236	MD236 ³⁴¹	69310693	69310782	NR	NR
	Fd	DN		7149 - D236	MD236 ³⁴¹	69310693	69310782	NR	NR
	Fd	DN		7149 - D236	MD236 ³⁴¹	69310693	69310782	NR	NR
	Ra	LG	15" x 5"	4528A - 542	N/A	R40H618	NR	SP7888S	SP7888S
	Ra	LG	15" x 5"	4528A - 542	N/A	R40H618	NR	NR	NR
	Ra	LG	15" x 6"	4504A - 543	N/A	R40H618	NR	SP7887S	SP7887S
	Ra	LG	15" x 6"	4504A - 543	N/A	R40H618	NR	NR	NR
	Ra	LG	15" x 7"	4505A - 544	N/A	R40H618	NR	NR	NR
	Ra	LG	15" x 7"	4505A - 544	N/A	R40H618	NR	SP7887S	SP7887S
	Ra	LG	15" x 7"	4505A - 544	N/A	R40H618	NR	NR	NR
	Ra	LG	15" x 7"	4505A - 544	N/A	R40H618	NR	SP7887S	SP7887S
	Ra	LG	15" x 7"	4505A - 544	N/A	R40H618	NR	NR	NR
	Ra	LG	15" x 7"	4505A - 544	N/A	R40H618	NR	SP7887S	SP7887S
	Ra	LG	15" x 7"	4505A - 544	N/A	R40H618	NR	NR	NR
	Ra	LG	15" x 7"	4505A - 544	N/A	R40H618	NR	SP7887S	SP7887S
1994									
	Fd	DN		7141 - D224	MD224 ³⁴⁰	69310693	60050153	NR	NR
	Fd	DN		7149 - D236	MD236 ³⁴¹	69310693	69310782	NR	NR
	Fd	DN		7149 - D236	MD236 ³⁴¹	69310693	69310782	NR	NR
	Fd	DN		7149 - D236	MD236 ³⁴¹	69310693	69310782	NR	NR
	Ra	LG	15" x 5"	4528A - 542	N/A	R40H618	NR	SP7888S	SP7888S
	Ra	LG	15" x 5"	4528A - 542	N/A	R40H618	NR	NR	NR
	Ra	LG	15" x 6"	4504A - 543	N/A	R40H618	NR	NR	NR
	Ra	LG	15" x 6"	4504A - 543	N/A	R40H618	NR	SP7887S	SP7887S
	Ra	LG	15" x 6"	4504A - 543	N/A	R40H618	NR	NR	NR
	Ra	LG	15" x 7"	4505A - 544	N/A	R40H618	NR	SP7887S	SP7887S
	Ra	LG	15" x 7"	4505A - 544	N/A	R40H618	NR	NR	NR
	Ra	LG	15" x 7"	4505A - 544	N/A	R40H618	NR	SP7887S	SP7887S
	Ra	LG	15" x 7"	4505A - 544	N/A	R40H618	NR	NR	NR
	Ra	LG	15" x 7"	4505A - 544	N/A	R40H618	NR	SP7887S	SP7887S
	Ra	LG	15" x 7"	4505A - 544	N/A	R40H618	NR	NR	NR
	Ra	LG	15" x 7"	4505A - 544	N/A	R40H618	NR	SP7887S	SP7887S
1993									
	Fd	DN		7149 - D236	MD236 ³⁴¹	69310693	69310782	NR	NR
	Fd	DN		7141 - D224	MD224 ³⁴⁰	69310693	60050153	NR	NR
	Fd	DN		7149 - D236	MD236 ³⁴¹	69310693	69310782	NR	NR
	Fd	DN		7149 - D236	MD236 ³⁴¹	69310693	69310782	NR	NR
	Ra	LG	15" x 5"	4528A - 542	N/A	R40H618	NR	SP7888S	SP7888S
	Ra	LG	15" x 5"	4528A - 542	N/A	R40H618	NR	NR	NR
	Ra	LG	15" x 6"	4504A - 543	N/A	R40H618	NR	NR	NR
	Ra	LG	15" x 6"	4504A - 543	N/A	R40H618	NR	SP7887S	SP7887S

9 - 6 Stud, Dayton Rotor, Hat Style
 186 - 10 Stud
 204 - Right Hand; use E-4057 for Left Hand Expander Kits
 www.XpresswayPlus.com

37 - Also available as a New unit
 187 - 6 Stud, 6.443" Hub
 217 - Power Brakes Except Speed Control

41 - Aluminum piston
 188 - 6 Stud, 9.251" Hub
 223 - Power Brakes, Speed Control

MERITOR DRUM OR ROTOR NO.	CALIPER OR CYLINDER BORE SIZE	MERITOR CALIPER OR WHEEL CYLINDER (LEFT)	MERITOR CALIPER OR WHEEL CYLINDER (RIGHT)	MERITOR CALIPER OR WHEEL CYLINDER REPAIR KIT	MERITOR CALIPER PISTON	MERITOR MASTER CYLINDER	MERITOR MASTER CYLINDER KIT	MERITOR BRAKE HOSE (LEFT)	MERITOR BRAKE HOSE (RIGHT)
FORD(Cont.)									
F550(Cont.)									
R4466924	60mm	R4255862	R4255861	-	-	R4113648 ²¹⁷	N/A	R44145028	R4512419
R4466924	60mm	R4255862	R4255861	-	-	R4113649 ²²³	N/A	R44145028	R4512419
R4466924	60mm	R4255862	R4255861	-	-	R4113649 ²²³	N/A	R44145028	R4512419
R4466924	60mm	R4255862	R4255861	-	-	R4113648 ²¹⁷	N/A	R44145028	R4512419
R44145325 ⁴⁰⁵	60mm	R4255862	R4255861	-	-	-	-	R4512420	-
R44145325 ⁴⁰⁵	60mm	R4255862	R4255861	-	-	-	-	R4512420	-
R44145325 ⁴⁰⁵	60mm	R4255862	R4255861	-	-	-	-	R4512421	-
R44145325 ⁴⁰⁵	60mm	R4255862	R4255861	-	-	-	-	R4512421	-
R4466924	60mm	R4255862	R4255861	-	-	R4113648 ²¹⁷	N/A	R44145028	R4512419
R4466924	60mm	R4255862	R4255861	-	-	R4113649 ²²³	N/A	R44145028	R4512419
R4466924	60mm	R4255862	R4255861	-	-	R4113649 ²²³	N/A	R44145028	R4512419
R4466924	60mm	R4255862	R4255861	-	-	R4113648 ²¹⁷	N/A	R44145028	R4512419
R44145257 ⁴⁰⁵	60mm	R4255862	R4255861	-	-	R4113648 ²¹⁷	N/A	R44145028	R4512419
R44145257 ⁴⁰⁵	60mm	R4255862	R4255861	-	-	R4113649 ²²³	N/A	R44145028	R4512419
R44145325 ⁴⁰⁵	60mm	R4255862	R4255861	-	-	-	-	R4512420	-
R44145325 ⁴⁰⁵	60mm	R4255862	R4255861	-	-	-	-	R4512420	-
R44145325 ⁴⁰⁵	60mm	R4255862	R4255861	-	-	-	-	R4512421	-
R44145325 ⁴⁰⁵	60mm	R4255862	R4255861	-	-	-	-	R4512421	-
F600 SERIES: CONVENTIONAL									
23-122700-002 ⁹	2-1/2 "	R424244X	R424244X ³⁷	60050266	69270757 ⁴¹	-	-	R4577461	R4577461
23-122691-002 ¹⁸⁸	2-7/8 "	60050145X	60050145X ³⁷	60050146	69270702 ⁴¹	-	-	R4577461	R4577461
23-122703-002 ¹⁸⁶	2-7/8 "	60050145X	60050145X ³⁷	60050146	69270702 ⁴¹	-	-	R4577461	R4577461
23-122743-002 ¹⁸⁷	2-7/8 "	60050145X	60050145X ³⁷	60050146	69270702 ⁴¹	-	-	R4577461	R4577461
N/A	1-5/8 "	201185	201186 ³²⁹	SP7895S	NR	-	-	R4577870	R4577870
N/A	1-5/8 "	201181	201182	SP7895S	NR	-	-	R4577870	R4577870
N/A	1-3/4 "	201183X	201184X ³²⁹	SP7873S	NR	-	-	R4577870	R4577870
N/A	1-3/4 "	201179X	201180X	SP7873S	SP7880S ²⁰⁴	-	-	R4577870	R4577870
N/A	1-3/4 "	201179X	201180X	SP7873S	SP7880S ²⁰⁴	-	-	R4577870	R4577870
N/A	1-3/4 "	201183X	201184X ³²⁹	SP7873S	NR	-	-	R4577870	R4577870
23-122700-002 ⁹	2-1/2 "	R424244X	R424244X ³⁷	60050266	69270757 ⁴¹	-	-	R4577461	R4577461
23-122743-002 ¹⁸⁷	2-7/8 "	60050145X	60050145X ³⁷	60050146	69270702 ⁴¹	-	-	R4577461	R4577461
23-122691-002 ¹⁸⁸	2-7/8 "	60050145X	60050145X ³⁷	60050146	69270702 ⁴¹	-	-	R4577461	R4577461
23-122703-002 ¹⁸⁶	2-7/8 "	60050145X	60050145X ³⁷	60050146	69270702 ⁴¹	-	-	R4577461	R4577461
N/A	1-5/8 "	201185	201186 ³²⁹	SP7895S	NR	-	-	R4577870	R4577870
N/A	1-5/8 "	201181	201182	SP7895S	NR	-	-	R4577870	R4577870
N/A	1-3/4 "	201179X	201180X	SP7873S	SP7880S ²⁰⁴	-	-	R4577870	R4577870
N/A	1-3/4 "	201183X	201184X ³²⁹	SP7873S	NR	-	-	R4577870	R4577870
N/A	1-3/4 "	201183X	201184X ³²⁹	SP7873S	NR	-	-	R4577870	R4577870
N/A	1-3/4 "	201179X	201180X	SP7873S	SP7880S ²⁰⁴	-	-	R4577870	R4577870
23-122691-002 ¹⁸⁸	2-7/8 "	60050145X	60050145X ³⁷	60050146	69270702 ⁴¹	-	-	R4577461	R4577461
23-122700-002 ⁹	2-1/2 "	R424244X	R424244X ³⁷	60050266	69270757 ⁴¹	-	-	R4577461	R4577461
23-122703-002 ¹⁸⁶	2-7/8 "	60050145X	60050145X ³⁷	60050146	69270702 ⁴¹	-	-	R4577461	R4577461
23-122743-002 ¹⁸⁷	2-7/8 "	60050145X	60050145X ³⁷	60050146	69270702 ⁴¹	-	-	R4577461	R4577461
N/A	1-5/8 "	201185	201186 ³²⁹	SP7895S	NR	-	-	R4577870	R4577870
N/A	1-5/8 "	201181	201182	SP7895S	NR	-	-	R4577870	R4577870
N/A	1-3/4 "	201179X	201180X	SP7873S	SP7880S ²⁰⁴	-	-	R4577870	R4577870
N/A	1-3/4 "	201183X	201184X ³²⁹	SP7873S	NR	-	-	R4577870	R4577870

329 - Forward
405 - Rotor Only

340 - Use 69160457 for Disc Pad Retainer Clip

341 - Use 69160445 for Disc Pad Retainer Clip

Contact our Customer Service Teams
1-888-725-9355

www.XpresswayPlus.com

1 APPLICATION

MAKE MODEL YEAR AXLE CODE AXLE WEIGHT	AXLE & BRK. TYPE	BRK. MFG.	BRAKE SIZE	FMSI	MERITOR DISC PAD OR BRAKE SHOE	MERITOR GUIDE PIN OR RETURN SPRING KIT	MERITOR CALIPER HWD. KIT OR RETURN SPRING KIT	MERITOR ADJUSTER KIT (LEFT WHEEL)	MERITOR ADJUSTER KIT (RIGHT WHEEL)
FORD(Cont.)									
F600 SERIES: CONVENTIONAL(Cont.)									
1993	Ra	LG	15 " x 7 "	4505A - 544	N/A	R40H618	NR	NR	NR
	Ra	LG	15 " x 7 "	4505A - 544	N/A	R40H618	NR	SP7887S	SP7887S
1992	Fd	DN		7149 - D236	MD236 ³⁴¹	69310693	69310782	NR	NR
	Fd	DN		7141 - D224	MD224 ³⁴⁰	69310693	60050153	NR	NR
	Fd	DN		7149 - D236	MD236 ³⁴¹	69310693	69310782	NR	NR
	Fd	DN		7149 - D236	MD236 ³⁴¹	69310693	69310782	NR	NR
	Ra	LG	15 " x 5 "	4528A - 542	N/A	R40H618	NR	SP7888S	SP7888S
	Ra	LG	15 " x 5 "	4528A - 542	N/A	R40H618	NR	NR	NR
	Ra	LG	15 " x 6 "	4504A - 543	N/A	R40H618	NR	SP7887S	SP7887S
	Ra	LG	15 " x 6 "	4504A - 543	N/A	R40H618	NR	NR	NR
	Ra	LG	15 " x 7 "	4505A - 544	N/A	R40H618	NR	NR	NR
	Ra	LG	15 " x 7 "	4505A - 544	N/A	R40H618	NR	SP7887S	SP7887S
1991	Fd	DN		7141 - D224	MD224 ³⁴⁰	69310693	60050153	NR	NR
	Fd	DN		7149 - D236	MD236 ³⁴¹	69310693	69310782	NR	NR
	Fd	DN		7149 - D236	MD236 ³⁴¹	69310693	69310782	NR	NR
	Fd	DN		7149 - D236	MD236 ³⁴¹	69310693	69310782	NR	NR
	Ra	LG	15 " x 5 "	4528A - 542	N/A	R40H618	NR	SP7888S	SP7888S
	Ra	LG	15 " x 5 "	4528A - 542	N/A	R40H618	NR	NR	NR
	Ra	LG	15 " x 6 "	4504A - 543	N/A	R40H618	NR	SP7887S	SP7887S
	Ra	LG	15 " x 6 "	4504A - 543	N/A	R40H618	NR	NR	NR
	Ra	LG	15 " x 7 "	4505A - 544	N/A	R40H618	NR	SP7887S	SP7887S
	Ra	LG	15 " x 7 "	4505A - 544	N/A	R40H618	NR	NR	NR
1990	Fd	DN		7141 - D224	MD224 ³⁴⁰	69310693	60050153	NR	NR
	Fd	DN		7149 - D236	MD236 ³⁴¹	69310693	69310782	NR	NR
	Fd	DN		7149 - D236	MD236 ³⁴¹	69310693	69310782	NR	NR
	Fd	DN		7149 - D236	MD236 ³⁴¹	69310693	69310782	NR	NR
	Ra	LG	15 " x 5 "	4528A - 542	N/A	R40H618	NR	SP7888S	SP7888S
	Ra	LG	15 " x 5 "	4528A - 542	N/A	R40H618	NR	NR	NR
	Ra	LG	15 " x 6 "	4504A - 543	N/A	R40H618	NR	NR	NR
	Ra	LG	15 " x 6 "	4504A - 543	N/A	R40H618	NR	SP7887S	SP7887S
	Ra	LG	15 " x 7 "	4505A - 544	N/A	R40H618	NR	SP7887S	SP7887S
	Ra	LG	15 " x 7 "	4505A - 544	N/A	R40H618	NR	NR	NR
1989	Fd	DN		7149 - D236	MD236 ³⁴¹	69310693	69310782 ⁴³	NR	NR
	Fd	DN		7141 - D224	MD224 ³⁴⁰	69310693	60050153	NR	NR
	Fd	DN		7149 - D236	MD236 ³⁴¹	69310693	69310782 ⁴³	NR	NR
	Fd	DN		7149 - D236	MD236 ³⁴¹	69310693	69310782 ⁴³	NR	NR
	Ra	LG	15 " x 5 "	4528A - 542	N/A	R40H618	NR	SP7888S	SP7888S
	Ra	LG	15 " x 5 "	4528A - 542	N/A	R40H618	NR	NR	NR
	Ra	LG	15 " x 6 "	4504A - 543	N/A	R40H618	NR	SP7887S	SP7887S
	Ra	LG	15 " x 6 "	4504A - 543	N/A	R40H618	NR	NR	NR
	Ra	LG	15 " x 7 "	4505A - 544	N/A	R40H618	NR	NR	NR
	Ra	LG	15 " x 7 "	4505A - 544	N/A	R40H618	NR	SP7887S	SP7887S
1988	Fd	DN		7141 - D224	MD224 ³⁴⁰	69310693	60050153	NR	NR
	Fd	DN		7149 - D236	MD236 ³⁴¹	69310693	69310782 ⁴³	NR	NR
	Fd	DN		7149 - D236	MD236 ³⁴¹	69310693	69310782 ⁴³	NR	NR
	Fd	DN		7149 - D236	MD236 ³⁴¹	69310693	69310782 ⁴³	NR	NR
	Ra	LG	15 " x 5 "	4528A - 542	N/A	R40H618	NR	SP7888S	SP7888S
	Ra	LG	15 " x 5 "	4528A - 542	N/A	R40H618	NR	NR	NR
	Ra	LG	15 " x 6 "	4504A - 543	N/A	R40H618	NR	NR	NR
	Ra	LG	15 " x 6 "	4504A - 543	N/A	R40H618	NR	SP7887S	SP7887S
	Ra	LG	15 " x 7 "	4505A - 544	N/A	R40H618	NR	SP7887S	SP7887S
	Ra	LG	15 " x 7 "	4505A - 544	N/A	R40H618	NR	NR	NR
1987	Fd	DN		7149 - D236	MD236 ³⁴¹	69310693	69310782 ⁴³	NR	NR
	Fd	DN		7149 - D236	MD236 ³⁴¹	69310693	69310782 ⁴³	NR	NR
	Fd	DN		7141 - D224	MD224 ³⁴⁰	69310693	60050153	NR	NR
	Fd	DN		7149 - D236	MD236 ³⁴¹	69310693	69310782 ⁴³	NR	NR
	Ra	LG	15 " x 5 "	4528A - 542	N/A	R40H618	NR	NR	NR
	Ra	LG	15 " x 5 "	4528A - 542	N/A	R40H618	NR	SP7888S	SP7888S

9 - 6 Stud, Dayton Rotor, Hat Style
 43 - For Applications Taking A Longer Shim, Use R404151706
 187 - 6 Stud, 6.443" Hub
 www.XpresswayPlus.com

37 - Also available as a New unit
 53 - Power Brakes
 188 - 6 Stud, 9.251" Hub

41 - Aluminum piston
 186 - 10 Stud
 204 - Right Hand; use E-4057 for Left Hand Expander Kits
 Contact our Customer Service Teams
 1-888-725-9355

MERITOR DRUM OR ROTOR NO.	CALIPER OR CYLINDER BORE SIZE	MERITOR CALIPER OR WHEEL CYLINDER (LEFT)	MERITOR CALIPER OR WHEEL CYLINDER (RIGHT)	MERITOR CALIPER OR WHEEL CYLINDER REPAIR KIT	MERITOR CALIPER PISTON	MERITOR MASTER CYLINDER	MERITOR MASTER CYLINDER KIT	MERITOR BRAKE HOSE (LEFT)	MERITOR BRAKE HOSE (RIGHT)
FORD(Cont.)									
F600 SERIES: CONVENTIONAL(Cont.)									
N/A	1-3/4 "	201179X	201180X	SP7873S	SP7880S ²⁰⁴	-	-	R4577870	R4577870
N/A	1-3/4 "	201183X	201184X ³²⁹	SP7873S	NR	-	-	R4577870	R4577870
23-122691-002 ¹⁸⁸	2-7/8 "	60050145X	60050145X ³⁷	60050146	69270702 ⁴¹	-	-	R4577461	R4577461
23-122700-002 ⁹	2-1/2 "	R424244X	R424244X ³⁷	60050266	69270757 ⁴¹	-	-	R4577461	R4577461
23-122743-002 ¹⁸⁷	2-7/8 "	60050145X	60050145X ³⁷	60050146	69270702 ⁴¹	-	-	R4577461	R4577461
23-122703-002 ¹⁸⁶	2-7/8 "	60050145X	60050145X ³⁷	60050146	69270702 ⁴¹	-	-	R4577461	R4577461
N/A	1-5/8 "	201185	201186 ³²⁹	SP7895S	NR	-	-	R4577870	R4577870
N/A	1-5/8 "	201181	201182	SP7895S	NR	-	-	R4577870	R4577870
N/A	1-3/4 "	201183X	201184X ³²⁹	SP7873S	NR	-	-	R4577870	R4577870
N/A	1-3/4 "	201179X	201180X	SP7873S	SP7880S ²⁰⁴	-	-	R4577870	R4577870
N/A	1-3/4 "	201179X	201180X	SP7873S	SP7880S ²⁰⁴	-	-	R4577870	R4577870
N/A	1-3/4 "	201183X	201184X ³²⁹	SP7873S	NR	-	-	R4577870	R4577870
23-122700-002 ⁹	2-1/2 "	R424244X	R424244X ³⁷	60050266	69270757 ⁴¹	-	-	R4577461	R4577461
23-122691-002 ¹⁸⁸	2-7/8 "	60050145X	60050145X ³⁷	60050146	69270702 ⁴¹	-	-	R4577461	R4577461
23-122743-002 ¹⁸⁷	2-7/8 "	60050145X	60050145X ³⁷	60050146	69270702 ⁴¹	-	-	R4577461	R4577461
23-122703-002 ¹⁸⁶	2-7/8 "	60050145X	60050145X ³⁷	60050146	69270702 ⁴¹	-	-	R4577461	R4577461
N/A	1-5/8 "	201185	201186 ³²⁹	SP7895S	NR	-	-	R4577870	R4577870
N/A	1-5/8 "	201181	201182	SP7895S	NR	-	-	R4577870	R4577870
N/A	1-3/4 "	201183X	201184X ³²⁹	SP7873S	NR	-	-	R4577870	R4577870
N/A	1-3/4 "	201179X	201180X	SP7873S	SP7880S ²⁰⁴	-	-	R4577870	R4577870
N/A	1-3/4 "	201183X	201184X ³²⁹	SP7873S	NR	-	-	R4577870	R4577870
N/A	1-3/4 "	201179X	201180X	SP7873S	SP7880S ²⁰⁴	-	-	R4577870	R4577870
23-122700-002 ⁹	2-1/2 "	R424244X	R424244X ³⁷	60050266	69270757 ⁴¹	R4111999 ⁵³	R4122386	R4577461	R4577461
23-122703-002 ¹⁸⁶	2-7/8 "	60050145X	60050145X ³⁷	60050146	69270702 ⁴¹	R4111999 ⁵³	R4122386	R4577461	R4577461
23-122691-002 ¹⁸⁸	2-7/8 "	60050145X	60050145X ³⁷	60050146	69270702 ⁴¹	R4111999 ⁵³	R4122386	R4577461	R4577461
23-122743-002 ¹⁸⁷	2-7/8 "	60050145X	60050145X ³⁷	60050146	69270702 ⁴¹	R4111999 ⁵³	R4122386	R4577461	R4577461
N/A	1-5/8 "	201185	201186 ³²⁹	SP7895S	NR	-	-	R4577870	R4577870
N/A	1-5/8 "	201181	201182	SP7895S	NR	-	-	R4577870	R4577870
N/A	1-3/4 "	201179X	201180X	SP7873S	SP7880S ²⁰⁴	-	-	R4577870	R4577870
N/A	1-3/4 "	201183X	201184X ³²⁹	SP7873S	NR	-	-	R4577870	R4577870
N/A	1-3/4 "	201183X	201184X ³²⁹	SP7873S	NR	-	-	R4577870	R4577870
N/A	1-3/4 "	201179X	201180X	SP7873S	SP7880S ²⁰⁴	-	-	R4577870	R4577870
23-122691-002 ¹⁸⁸	2-7/8 "	60050145X	60050145X ³⁷	60050146	69270702 ⁴¹	R4111999 ⁵³	R4122386	R4577461	R4577461
23-122700-002 ⁹	2-1/2 "	R424244X	R424244X ³⁷	60050266	69270757 ⁴¹	R4111999 ⁵³	R4122386	R4577461	R4577461
23-122743-002 ¹⁸⁷	2-7/8 "	60050145X	60050145X ³⁷	60050146	69270702 ⁴¹	R4111999 ⁵³	R4122386	R4577461	R4577461
23-122703-002 ¹⁸⁶	2-7/8 "	60050145X	60050145X ³⁷	60050146	69270702 ⁴¹	R4111999 ⁵³	R4122386	R4577461	R4577461
N/A	1-5/8 "	201185	201186 ³²⁹	SP7895S	NR	-	-	N/A	N/A
N/A	1-5/8 "	201181	201182	SP7895S	NR	-	-	N/A	N/A
N/A	1-3/4 "	201179X	201180X	SP7873S	SP7880S ²⁰⁴	-	-	N/A	N/A
N/A	1-3/4 "	201183X	201184X ³²⁹	SP7873S	NR	-	-	N/A	N/A
N/A	1-3/4 "	201183X	201184X ³²⁹	SP7873S	NR	-	-	N/A	N/A
N/A	1-3/4 "	201179X	201180X	SP7873S	SP7880S ²⁰⁴	-	-	N/A	N/A
23-122700-002 ⁹	2-1/2 "	R424244X	R424244X ³⁷	60050266	69270757 ⁴¹	R4111999 ⁵³	R4122386	R4577461	R4577461
23-122743-002 ¹⁸⁷	2-7/8 "	60050145X	60050145X ³⁷	60050146	69270702 ⁴¹	R4111999 ⁵³	R4122386	R4577461	R4577461
23-122703-002 ¹⁸⁶	2-7/8 "	60050145X	60050145X ³⁷	60050146	69270702 ⁴¹	R4111999 ⁵³	R4122386	R4577461	R4577461
23-122691-002 ¹⁸⁸	2-7/8 "	60050145X	60050145X ³⁷	60050146	69270702 ⁴¹	R4111999 ⁵³	R4122386	R4577461	R4577461
N/A	1-5/8 "	201185	201186 ³²⁹	SP7895S	NR	-	-	N/A	N/A
N/A	1-5/8 "	201181	201182	SP7895S	NR	-	-	N/A	N/A
23-122691-002 ¹⁸⁸	2-7/8 "	60050145X	60050145X ³⁷	60050146	69270702 ⁴¹	R4111999 ⁵³	R4122386	R4577461	R4577461
23-122703-002 ¹⁸⁶	2-7/8 "	60050145X	60050145X ³⁷	60050146	69270702 ⁴¹	R4111999 ⁵³	R4122386	R4577461	R4577461
23-122700-002 ⁹	2-1/2 "	R424244X	R424244X ³⁷	60050266	69270757 ⁴¹	R4111999 ⁵³	R4122386	R4577461	R4577461
23-122743-002 ¹⁸⁷	2-7/8 "	60050145X	60050145X ³⁷	60050146	69270702 ⁴¹	R4111999 ⁵³	R4122386	R4577461	R4577461
N/A	1-5/8 "	201181	201182	SP7895S	NR	-	-	N/A	N/A
N/A	1-5/8 "	201185	201186 ³²⁹	SP7895S	NR	-	-	N/A	N/A

MAKE MODEL YEAR AXLE CODE AXLE WEIGHT	AXLE & BRK. TYPE	BRK. MFG.	BRAKE SIZE	FMSI	MERITOR DISC PAD OR BRAKE SHOE	MERITOR GUIDE PIN OR RETURN SPRING KIT	MERITOR CALIPER HWD. KIT OR RETURN SPRING KIT	MERITOR ADJUSTER KIT (LEFT WHEEL)	MERITOR ADJUSTER KIT (RIGHT WHEEL)
FORD(Cont.)									
F600 SERIES: CONVENTIONAL(Cont.)									
1987	Ra	LG	15" x 6"	4504A - 543	N/A	R40H618	NR	SP7887S	SP7887S
	Ra	LG	15" x 6"	4504A - 543	N/A	R40H618	NR	NR	NR
	Ra	LG	15" x 7"	4505A - 544	N/A	R40H618	NR	SP7887S	SP7887S
	Ra	LG	15" x 7"	4505A - 544	N/A	R40H618	NR	NR	NR
1986	Fd	DN		7141 - D224	MD224 ³⁴⁰	69310693	60050153	NR	NR
	Fd	DN		7149 - D236	MD236 ³⁴¹	69310693	69310782	NR	NR
	Fd	DN		7149 - D236	MD236 ³⁴¹	69310693	69310782	NR	NR
	Fd	DN		7149 - D236	MD236 ³⁴¹	69310693	69310782	NR	NR
	Ra	LG	15" x 5"	4528A - 542	N/A	R40H618	NR	SP7888S	SP7888S
	Ra	LG	15" x 5"	4528A - 542	N/A	R40H618	NR	NR	NR
	Ra	LG	15" x 6"	4504A - 543	N/A	R40H618	NR	SP7887S	SP7887S
	Ra	LG	15" x 6"	4504A - 543	N/A	R40H618	NR	NR	NR
	Ra	LG	15" x 6"	4504A - 543	N/A	R40H618	NR	NR	NR
	Ra	LG	15" x 6"	4504A - 543	N/A	R40H618	NR	SP7887S	SP7887S
	Ra	LG	15" x 7"	4505A - 544	N/A	R40H618	NR	NR	NR
	Ra	LG	15" x 7"	4505A - 544	N/A	R40H618	NR	SP7887S	SP7887S
	Ra	LG	15" x 7"	4505A - 544	N/A	R40H618	NR	SP7887S	SP7887S
	Ra	LG	15" x 7"	4505A - 544	N/A	R40H618	NR	NR	NR
F050, F055, F060	Fa	KH	14" x 2-1/2"	2060 - 361	Discontinued	R40H596	R40H9219	R40H3536	R40H3537
F070	Fa	WG	15" x 3"	1245C - 321	R700321	R40H521	R40H9237	R40H3502	R40H3503
	Fa	WG	15" x 3"	1245C - 321	R700321	R40H521	R40H9237	R40H3502	R40H3503
	Fd	DN		7141 - D224	MD224 ³⁴⁰	69310693	60050153	NR	NR
F080, F090	Fd	DN		7149 - D236	MD236 ³⁴¹	69310693	69310782	NR	NR
	Fd	DN		7149 - D236	MD236 ³⁴¹	69310693	69310782	NR	NR
F090, F120	Fa	WG	15" x 3"	1245C - 321	R700321	R40H521	R40H9237	R40H3502	R40H3503
	Fa	WG	15" x 3"	1245C - 321	R700321	R40H521	R40H9237	R40H3502	R40H3503
R170, R175	Ra	KH	15" x 5"	4646 - 400	R700400	R40H595	R40H9220	R40H3538	R40H3539
	Ra	WG	15" x 5"	1252 - 346	R700346	R40H597	R40H9200	R40H3540	R40H3541
R185	Ra	WG	15" x 6"	4596 - 381	R700381	R40H597	R40H9200	R40H3540	R40H3541
	Ra	WG	15" x 7"	4597 - 383	R700383	R40H597	R40H9200	R40H3540	R40H3541
1985	Fd	DN		7141 - D224	MD224 ³⁴⁰	69310693	60050153	NR	NR
	Fd	DN		7149 - D236	MD236 ³⁴¹	69310693	R40H5523	NR	NR
	Fd	DN		7149 - D236	MD236 ³⁴¹	69310693	R40H5523	NR	NR
	Fd	DN		7149 - D236	MD236 ³⁴¹	69310693	R40H5523	NR	NR
	Ra	LG	15" x 5"	4528A - 542	N/A	R40H618	NR	NR	NR
	Ra	LG	15" x 5"	4528A - 542	N/A	R40H618	NR	SP7888S	SP7888S
	Ra	LG	15" x 6"	4504A - 543	N/A	R40H618	NR	SP7887S	SP7887S
	Ra	LG	15" x 6"	4504A - 543	N/A	R40H618	NR	SP7888S	SP7888S
	Ra	LG	15" x 6"	4504A - 543	N/A	R40H618	NR	NR	NR
	Ra	LG	15" x 6"	4504A - 543	N/A	R40H618	NR	NR	NR
	Ra	LG	15" x 7"	4505A - 544	N/A	R40H618	NR	SP7887S	SP7887S
	Ra	LG	15" x 7"	4505A - 544	N/A	R40H618	NR	NR	NR
	Ra	LG	15" x 7"	4505A - 544	N/A	R40H618	NR	SP7888S	SP7888S
	Ra	LG	15" x 7"	4505A - 544	N/A	R40H618	NR	NR	NR
F050, F055, F060	Fa	KH	14" x 2-1/2"	2060 - 361	Discontinued	R40H596	R40H9219	R40H3536	R40H3537
F070	Fa	WG	15" x 3"	1245C - 321	R700321	R40H521	R40H9237	R40H3502	R40H3503
	Fa	WG	15" x 3"	1245C - 321	R700321	R40H521	R40H9237	R40H3502	R40H3503
	Fd	DN		7141 - D224	MD224 ³⁴⁰	69310693	60050153	NR	NR
F080, F090	Fd	DN		7149 - D236	MD236 ³⁴¹	69310693	R40H5523	NR	NR
	Fd	DN		7149 - D236	MD236 ³⁴¹	69310693	R40H5523	NR	NR
F090, F120	Fa	WG	15" x 3"	1245C - 321	R700321	R40H521	R40H9237	R40H3502	R40H3503
	Fa	WG	15" x 3"	1245C - 321	R700321	R40H521	R40H9237	R40H3502	R40H3503
R170, R175	Ra	KH	15" x 5"	4646 - 400	R700400	R40H595	R40H9220	R40H3538	R40H3539
	Ra	WG	15" x 5"	1252 - 346	R700346	R40H597	R40H9200	R40H3540	R40H3541
R185	Ra	WG	15" x 6"	4596 - 381	R700381	R40H597	R40H9200	R40H3540	R40H3541
	Ra	WG	15" x 7"	4597 - 383	R700383	R40H597	R40H9200	R40H3540	R40H3541
1984	Fd	DN		7149 - D236	MD236 ³⁴¹	69310693	R40H5523	NR	NR
	Fd	DN		7141 - D224	MD224 ³⁴⁰	69310693	60050153	NR	NR
	Fd	DN		7149 - D236	MD236 ³⁴¹	69310693	R40H5523	NR	NR
	Fd	DN		7149 - D236	MD236 ³⁴¹	69310693	R40H5523	NR	NR
	Ra	LG	15" x 5"	4528A - 542	N/A	R40H618	NR	SP7888S	SP7888S

9 - 6 Stud, Dayton Rotor, Hat Style
 53 - Power Brakes
 188 - 6 Stud, 9.251" Hub
 www.XpresswayPlus.com

37 - Also available as a New unit
 186 - 10 Stud
 204 - Right Hand; use E-4057 for Left Hand Expander Kits

41 - Aluminum piston
 187 - 6 Stud, 6.443" Hub
 214 - Power Brakes, Split System

MERITOR DRUM OR ROTOR NO.	CALIPER OR CYLINDER BORE SIZE	MERITOR CALIPER OR WHEEL CYLINDER (LEFT)	MERITOR CALIPER OR WHEEL CYLINDER (RIGHT)	MERITOR CALIPER OR WHEEL CYLINDER REPAIR KIT	MERITOR CALIPER PISTON	MERITOR MASTER CYLINDER	MERITOR MASTER CYLINDER KIT	MERITOR BRAKE HOSE (LEFT)	MERITOR BRAKE HOSE (RIGHT)
FORD(Cont.)									
F600 SERIES: CONVENTIONAL(Cont.)									
N/A	1-3/4 "	201183X	201184X ³²⁹	SP7873S	NR	-	-	N/A	N/A
N/A	1-3/4 "	201179X	201180X	SP7873S	SP7880S ²⁰⁴	-	-	N/A	N/A
N/A	1-3/4 "	201183X	201184X ³²⁹	SP7873S	NR	-	-	N/A	N/A
N/A	1-3/4 "	201179X	201180X	SP7873S	SP7880S ²⁰⁴	-	-	N/A	N/A
23-122700-002 ⁹	2-1/2 "	R424244X	R424244X ³⁷	60050266	6927075 ⁴¹	R4111999 ⁵³	R4122386	R4577461	R4577461
23-122743-002 ¹⁸⁷	2-7/8 "	60050145X	60050145X ³⁷	60050146	69270702 ⁴¹	R4111999 ⁵³	R4122386	R4577461	R4577461
23-122703-002 ¹⁸⁶	2-7/8 "	60050145X	60050145X ³⁷	60050146	69270702 ⁴¹	R4111999 ⁵³	R4122386	R4577461	R4577461
23-122691-002 ¹⁸⁸	2-7/8 "	60050145X	60050145X ³⁷	60050146	69270702 ⁴¹	R4111999 ⁵³	R4122386	R4577461	R4577461
N/A	1-5/8 "	201185	201186 ³²⁹	SP7895S	NR	-	-	N/A	N/A
N/A	1-5/8 "	201181	201182	SP7895S	NR	-	-	N/A	N/A
N/A	1-3/4 "	201183X	201184X ³²⁹	SP7873S	NR	-	-	N/A	N/A
N/A	1-3/4 "	201179X	201180X	SP7873S	SP7880S ²⁰⁴	-	-	N/A	N/A
N/A	1-3/4 "	201179X	201180X	SP7873S	SP7880S ²⁰⁴	-	-	N/A	N/A
N/A	1-3/4 "	201183X	201184X ³²⁹	SP7873S	NR	-	-	N/A	N/A
N/A	1-3/4 "	201183X	201184X ³²⁹	SP7873S	NR	-	-	N/A	N/A
N/A	1-3/4 "	201179X	201180X	SP7873S	SP7880S ²⁰⁴	-	-	N/A	N/A
N/A	1.09375	R4133484	R4133485	R4166819	NR	-	-	-	-
N/A	1-1/8 "	R4133714	R4133715	R4166926	NR	-	-	-	-
N/A	1-1/8 "	R4133719	R4133718	R4166926	NR	-	-	-	-
23-122700-002 ⁹	2-1/2 "	R424244X	R424244X ³⁷	60050266	6927075 ⁴¹	R4111999 ⁵³	R4122386	R4577461	R4577461
23-122691-002 ¹⁸⁸	2-7/8 "	60050145X	60050145X ³⁷	60050146	69270702 ⁴¹	R4111999 ⁵³	R4122386	R4577461	R4577461
23-122703-002 ¹⁸⁶	2-7/8 "	60050145X	60050145X ³⁷	60050146	69270702 ⁴¹	R4111999 ⁵³	R4122386	R4577461	R4577461
N/A	1-1/4 "	R4133581	R4133581	R4166923	NR	R4111999 ²¹⁴	R4122386	-	-
N/A	1-1/4 "	R4133720	R4133721	R4166923	NR	R4111999 ²¹⁴	R4122386	-	-
N/A	1-1/2 "	R4033607	R4033607	R4166818	NR	-	-	-	-
N/A	1-5/8 "	R4133338	R4133338	R4166689	NR	-	-	-	-
N/A	1-5/8 "	R4133338	R4133338	R4166689	NR	-	-	-	-
N/A	1-3/4 "	R4133400	R4133400	R4166917	NR	-	-	-	-
23-122700-002 ⁹	2-1/2 "	R424244X	R424244X ³⁷	60050266	6927075 ⁴¹	R4111999 ⁵³	R4122386	R4577461	R4577461
23-122703-002 ¹⁸⁶	2-7/8 "	60050145X	60050145X ³⁷	60050146	69270702 ⁴¹	R4111999 ⁵³	R4122386	R4577461	R4577461
23-122743-002 ¹⁸⁷	2-7/8 "	60050145X	60050145X ³⁷	60050146	69270702 ⁴¹	R4111999 ⁵³	R4122386	R4577461	R4577461
23-122691-002 ¹⁸⁸	2-7/8 "	60050145X	60050145X ³⁷	60050146	69270702 ⁴¹	R4111999 ⁵³	R4122386	R4577461	R4577461
N/A	1-5/8 "	201181	201182	SP7895S	NR	-	-	N/A	N/A
N/A	1-5/8 "	201185	201186 ³²⁹	SP7895S	NR	-	-	N/A	N/A
N/A	1-3/4 "	201183X	201184X ³²⁹	SP7873S	NR	-	-	N/A	N/A
N/A	1-5/8 "	201185	201186 ³²⁹	SP7895S	NR	-	-	N/A	N/A
N/A	1-5/8 "	201181	201182	SP7895S	NR	-	-	N/A	N/A
N/A	1-3/4 "	201179X	201180X	SP7873S	SP7880S ²⁰⁴	-	-	N/A	N/A
N/A	1-3/4 "	201183X	201184X ³²⁹	SP7873S	NR	-	-	N/A	N/A
N/A	1-5/8 "	201181	201182	SP7895S	NR	-	-	N/A	N/A
N/A	1-5/8 "	201185	201186 ³²⁹	SP7895S	NR	-	-	N/A	N/A
N/A	1-3/4 "	201179X	201180X	SP7873S	SP7880S ²⁰⁴	-	-	N/A	N/A
N/A	1.09375	R4133484	R4133485	R4166819	NR	-	-	-	-
N/A	1-1/8 "	R4133719	R4133718	R4166926	NR	-	-	-	-
N/A	1-1/8 "	R4133714	R4133715	R4166926	NR	-	-	-	-
23-122700-002 ⁹	2-1/2 "	R424244X	R424244X ³⁷	60050266	6927075 ⁴¹	R4111999 ⁵³	R4122386	R4577461	R4577461
23-122703-002 ¹⁸⁶	2-7/8 "	60050145X	60050145X ³⁷	60050146	69270702 ⁴¹	R4111999 ⁵³	R4122386	R4577461	R4577461
23-122691-002 ¹⁸⁸	2-7/8 "	60050145X	60050145X ³⁷	60050146	69270702 ⁴¹	R4111999 ⁵³	R4122386	R4577461	R4577461
N/A	1-1/4 "	R4133581	R4133581	R4166923	NR	R4111999 ²¹⁴	R4122386	-	-
N/A	1-1/4 "	R4133720	R4133721	R4166923	NR	R4111999 ²¹⁴	R4122386	-	-
N/A	1-1/2 "	R4033607	R4033607	R4166818	NR	-	-	-	-
N/A	1-5/8 "	R4133338	R4133338	R4166689	NR	-	-	-	-
N/A	1-5/8 "	R4133338	R4133338	R4166689	NR	-	-	-	-
N/A	1-3/4 "	R4133400	R4133400	R4166917	NR	-	-	-	-
23-122691-002 ¹⁸⁸	2-7/8 "	60050145X	60050145X ³⁷	60050146	69270702 ⁴¹	R4111999 ⁵³	R4122386	R4577461	R4577461
23-122700-002 ⁹	2-1/2 "	R424244X	R424244X ³⁷	60050266	6927075 ⁴¹	R4111999 ⁵³	R4122386	R4577461	R4577461
23-122743-002 ¹⁸⁷	2-7/8 "	60050145X	60050145X ³⁷	60050146	69270702 ⁴¹	R4111999 ⁵³	R4122386	R4577461	R4577461
23-122703-002 ¹⁸⁶	2-7/8 "	60050145X	60050145X ³⁷	60050146	69270702 ⁴¹	R4111999 ⁵³	R4122386	R4577461	R4577461
N/A	1-5/8 "	201185	201186 ³²⁹	SP7895S	NR	-	-	N/A	N/A

1 APPLICATION

MAKE MODEL YEAR AXLE CODE AXLE WEIGHT	AXLE & BRK. TYPE	BRK. MFG.	BRAKE SIZE	FMSI	MERITOR DISC PAD OR BRAKE SHOE	MERITOR GUIDE PIN OR RETURN SPRING KIT	MERITOR CALIPER HWD. KIT OR RETURN SPRING KIT	MERITOR ADJUSTER KIT (LEFT WHEEL)	MERITOR ADJUSTER KIT (RIGHT WHEEL)
FORD(Cont.)									
F600 SERIES: CONVENTIONAL(Cont.)									
1984									
	Ra	LG	15 " x 5 "	4528A - 542	N/A	R40H618	NR	NR	NR
	Ra	LG	15 " x 6 "	4504A - 543	N/A	R40H618	NR	NR	NR
	Ra	LG	15 " x 6 "	4504A - 543	N/A	R40H618	NR	SP7887S	SP7887S
	Ra	LG	15 " x 6 "	4504A - 543	N/A	R40H618	NR	SP7888S	SP7888S
	Ra	LG	15 " x 6 "	4504A - 543	N/A	R40H618	NR	NR	NR
	Ra	LG	15 " x 7 "	4505A - 544	N/A	R40H618	NR	SP7887S	SP7887S
	Ra	LG	15 " x 7 "	4505A - 544	N/A	R40H618	NR	SP7888S	SP7888S
	Ra	LG	15 " x 7 "	4505A - 544	N/A	R40H618	NR	NR	NR
	Ra	LG	15 " x 7 "	4505A - 544	N/A	R40H618	NR	NR	NR
F050, F055, F060	Fa	KH	14 " x 2-1/2 "	2060 - 361	Discontinued	R40H596	R40H9219	R40H3536	R40H3537
F070	Fa	WG	15 " x 3 "	1245C - 321	R700321	R40H521	R40H9237	R40H3502	R40H3503
	Fa	WG	15 " x 3 "	1245C - 321	R700321	R40H521	R40H9237	R40H3502	R40H3503
F080, F090	Fd	DN		7141 - D224	MD224 ³⁴⁰	69310693	60050153	NR	NR
	Fd	DN		7149 - D236	MD236 ³⁴¹	69310693	R40H5523	NR	NR
F090, F120	Fa	WG	15 " x 3 "	1245C - 321	R700321	R40H521	R40H9237	R40H3502	R40H3503
	Fa	WG	15 " x 3 "	1245C - 321	R700321	R40H521	R40H9237	R40H3502	R40H3503
R170, R175	Ra	KH	15 " x 5 "	4646 - 400	R700400	R40H595	R40H9220	R40H3538	R40H3539
	Ra	WG	15 " x 5 "	1252 - 346	R700346	R40H597	R40H9200	R40H3540	R40H3541
R185	Ra	WG	15 " x 6 "	4596 - 381	R700381	R40H597	R40H9200	R40H3540	R40H3541
	Ra	WG	15 " x 7 "	4597 - 383	R700383	R40H597	R40H9200	R40H3540	R40H3541
1983									
	Ra	LG	15 " x 6 "	4504A - 543	N/A	R40H618	NR	NR	NR
	Ra	LG	15 " x 6 "	4504A - 543	N/A	R40H618	NR	SP7888S	SP7888S
	Ra	LG	15 " x 7 "	4505A - 544	N/A	R40H618	NR	SP7888S	SP7888S
	Ra	LG	15 " x 7 "	4505A - 544	N/A	R40H618	NR	NR	NR
F050, F055, F060	Fa	KH	14 " x 2-1/2 "	2060 - 361	Discontinued	R40H596	R40H9219	R40H3536	R40H3537
F070	Fa	WG	15 " x 3 "	1245C - 321	R700321	R40H521	R40H9237	R40H3502	R40H3503
	Fa	WG	15 " x 3 "	1245C - 321	R700321	R40H521	R40H9237	R40H3502	R40H3503
F070, F090, F120	Fd	DN		7141 - D224	MD224 ³⁴⁰	69310693	60050153	NR	NR
	Fa	WG	15 " x 3 "	1245C - 321	R700321	R40H521	R40H9237	R40H3502	R40H3503
F080, F090	Fd	DN		7149 - D236	MD236 ³⁴¹	69310693	R40H5523	NR	NR
	Fd	DN		7149 - D236	MD236 ³⁴¹	69310693	R40H5523	NR	NR
F090, F120	Fa	WG	15 " x 3 "	1245C - 321	R700321	R40H521	R40H9237	R40H3502	R40H3503
	Fa	WG	15 " x 3 "	1245C - 321	R700321	R40H521	R40H9237	R40H3502	R40H3503
R170, R175	Ra	KH	15 " x 5 "	4646 - 400	R700400	R40H595	R40H9220	R40H3538	R40H3539
	Ra	WG	15 " x 5 "	1252 - 346	R700346	R40H597	R40H9200	R40H3540	R40H3541
R185	Ra	WG	15 " x 6 "	4596 - 381	R700381	R40H597	R40H9200	R40H3540	R40H3541
	Ra	WG	15 " x 7 "	4597 - 383	R700383	R40H597	R40H9200	R40H3540	R40H3541
1982									
	Ra	LG	15 " x 6 "	4504A - 543	N/A	R40H618	NR	NR	NR
	Ra	LG	15 " x 6 "	4504A - 543	N/A	R40H618	NR	SP7888S	SP7888S
	Ra	LG	15 " x 7 "	4505A - 544	N/A	R40H618	NR	SP7888S	SP7888S
	Ra	LG	15 " x 7 "	4505A - 544	N/A	R40H618	NR	NR	NR
F050, F055, F060	Fa	KH	14 " x 2-1/2 "	2060 - 361	Discontinued	R40H596	R40H9219	R40H3536	R40H3537
F070	Fa	WG	15 " x 3 "	1245C - 321	R700321	R40H521	R40H9237	R40H3502	R40H3503
	Fa	WG	15 " x 3 "	1245C - 321	R700321	R40H521	R40H9237	R40H3502	R40H3503
F070, F090, F120	Fd	DN		7141 - D224	MD224 ³⁴⁰	69310693	60050153	NR	NR
	Fa	WG	15 " x 3 "	1245C - 321	R700321	R40H521	R40H9237	R40H3502	R40H3503
F080, F090	Fd	DN		7149 - D236	MD236 ³⁴¹	69310693	R40H5523	NR	NR
	Fd	DN		7149 - D236	MD236 ³⁴¹	69310693	R40H5523	NR	NR
F090, F120	Fa	WG	15 " x 3 "	1245C - 321	R700321	R40H521	R40H9237	R40H3502	R40H3503
	Fa	WG	15 " x 3 "	1245C - 321	R700321	R40H521	R40H9237	R40H3502	R40H3503
R170, R175	Ra	KH	15 " x 5 "	4646 - 400	R700400	R40H595	R40H9220	R40H3538	R40H3539
	Ra	WG	15 " x 5 "	1252 - 346	R700346	R40H597	R40H9200	R40H3540	R40H3541
R185	Ra	WG	15 " x 6 "	4596 - 381	R700381	R40H597	R40H9200	R40H3540	R40H3541
	Ra	WG	15 " x 7 "	4597 - 383	R700383	R40H597	R40H9200	R40H3540	R40H3541
1981									
	Ra	LG	15 " x 6 "	4504A - 543	N/A	R40H618	NR	NR	NR
	Ra	LG	15 " x 6 "	4504A - 543	N/A	R40H618	NR	SP7888S	SP7888S
	Ra	LG	15 " x 7 "	4505A - 544	N/A	R40H618	NR	SP7888S	SP7888S

9 - 6 Stud, Dayton Rotor, Hat Style
 53 - Power Brakes
 204 - Right Hand; use E-4057 for Left Hand Expander Kits
 www.XpresswayPlus.com

37 - Also available as a New unit
 186 - 10 Stud
 214 - Power Brakes, Split System

41 - Aluminum piston
 188 - 6 Stud, 9.251" Hub
 219 - Power Brakes, Gasoline Engine with Vacuum Booster

MERITOR DRUM OR ROTOR NO.	CALIPER OR CYLINDER BORE SIZE	MERITOR CALIPER OR WHEEL CYLINDER (LEFT)	MERITOR CALIPER OR WHEEL CYLINDER (RIGHT)	MERITOR CALIPER OR WHEEL CYLINDER REPAIR KIT	MERITOR CALIPER PISTON	MERITOR MASTER CYLINDER	MERITOR MASTER CYLINDER KIT	MERITOR BRAKE HOSE (LEFT)	MERITOR BRAKE HOSE (RIGHT)
FORD(Cont.)									
F600 SERIES: CONVENTIONAL(Cont.)									
N/A	1-5/8 "	201181	201182	SP7895S	NR	-	-	N/A	N/A
N/A	1-3/4 "	201179X	201180X	SP7873S	SP7880S ²⁰⁴	-	-	N/A	N/A
N/A	1-3/4 "	201183X	201184X ³²⁹	SP7873S	NR	-	-	N/A	N/A
N/A	1-5/8 "	201185	201186 ³²⁹	SP7895S	NR	-	-	N/A	N/A
N/A	1-5/8 "	201181	201182	SP7895S	NR	-	-	N/A	N/A
N/A	1-3/4 "	201183X	201184X ³²⁹	SP7873S	NR	-	-	N/A	N/A
N/A	1-5/8 "	201185	201186 ³²⁹	SP7895S	NR	-	-	N/A	N/A
N/A	1-5/8 "	201181	201182	SP7895S	NR	-	-	N/A	N/A
N/A	1-3/4 "	201179X	201180X	SP7873S	SP7880S ²⁰⁴	-	-	N/A	N/A
N/A	1.09375	R4133484	R4133485	R4166819	NR	-	-	-	-
N/A	1-1/8 "	R4133714	R4133715	R4166926	NR	-	-	-	-
N/A	1-1/8 "	R4133719	R4133718	R4166926	NR	-	-	-	-
23-122700-002 ⁹	2-1/2 "	R424244X	R424244X ³⁷	60050266	69270757 ⁴¹	R4111999 ⁵³	R4122386	R4577461	R4577461
23-122691-002 ¹⁸⁸	2-7/8 "	60050145X	60050145X ³⁷	60050146	69270702 ⁴¹	R4111999 ⁵³	R4122386	R4577461	R4577461
23-122703-002 ¹⁸⁶	2-7/8 "	60050145X	60050145X ³⁷	60050146	69270702 ⁴¹	R4111999 ⁵³	R4122386	R4577461	R4577461
N/A	1-1/4 "	R4133720	R4133721	R4166923	NR	R4111999 ²¹⁴	R4122386	-	-
N/A	1-1/4 "	R4133581	R4133581	R4166923	NR	R4111999 ²¹⁴	R4122386	-	-
N/A	1-1/2 "	R4033607	R4033607	R4166818	NR	-	-	-	-
N/A	1-5/8 "	R4133338	R4133338	R4166689	NR	-	-	-	-
N/A	1-5/8 "	R4133338	R4133338	R4166689	NR	-	-	-	-
N/A	1-3/4 "	R4133400	R4133400	R4166917	NR	-	-	-	-
N/A	1-5/8 "	201181	201182	SP7895S	NR	-	-	R4577147	R4577147
N/A	1-5/8 "	201185	201186 ³²⁹	SP7895S	NR	-	-	R4577147	R4577147
N/A	1-5/8 "	201185	201186 ³²⁹	SP7895S	NR	-	-	R4577147	R4577147
N/A	1-5/8 "	201181	201182	SP7895S	NR	-	-	R4577147	R4577147
N/A	1.09375	R4133484	R4133485	R4166819	NR	R4111629 ⁵³	R4122484	R4577460	R4577460
N/A	1-1/8 "	R4133719	R4133718	R4166926	NR	R4111992 ²¹⁴	R4122386	R4577452	R4577453
N/A	1-1/8 "	R4133714	R4133715	R4166926	NR	R4111992 ²¹⁴	R4122386	R4577452	R4577453
23-122700-002 ⁹	2-1/2 "	R424244X	R424244X ³⁷	60050266	69270757 ⁴¹	R4111992 ²¹⁴	R4122386	R4577452	R4577453
N/A	1-1/8 "	R4133714	R4133715	R4166926	NR	R4111911 ²¹⁹	R4122387	R4577454	R4577455
N/A	1-1/8 "	R4133716	R4133717	R4166926	NR	R4111911 ²¹⁹	R4122387	R4577454	R4577455
23-122703-002 ¹⁸⁶	2-7/8 "	60050145X	60050145X ³⁷	60050146	69270702 ⁴¹	R4111992 ²¹⁴	R4122386	R4577452	R4577453
23-122691-002 ¹⁸⁸	2-7/8 "	60050145X	60050145X ³⁷	60050146	69270702 ⁴¹	R4111992 ²¹⁴	R4122386	R4577452	R4577453
N/A	1-1/4 "	R4133720	R4133721	R4166923	NR	R4111992 ²¹⁴	R4122386	R4577452	R4577453
N/A	1-1/4 "	R4133581	R4133581	R4166923	NR	R4111992 ²¹⁴	R4122386	R4577452	R4577453
N/A	1-1/2 "	R4033607	R4033607	R4166818	NR	-	-	R4577147	R4577147
N/A	1-5/8 "	R4133338	R4133338	R4166689	NR	-	-	R4577147	R4577147
N/A	1-5/8 "	R4133338	R4133338	R4166689	NR	-	-	R4577147	R4577147
N/A	1-3/4 "	R4133400	R4133400	R4166917	NR	-	-	R4577147	R4577147
N/A	1-5/8 "	201181	201182	SP7895S	NR	-	-	R4577147	R4577147
N/A	1-5/8 "	201185	201186 ³²⁹	SP7895S	NR	-	-	R4577147	R4577147
N/A	1-5/8 "	201185	201186 ³²⁹	SP7895S	NR	-	-	R4577147	R4577147
N/A	1-5/8 "	201181	201182	SP7895S	NR	-	-	R4577147	R4577147
N/A	1.09375	R4133484	R4133485	R4166819	NR	R4111629 ⁵³	R4122484	R4577460	R4577460
N/A	1-1/8 "	R4133714	R4133715	R4166926	NR	R4111992 ²¹⁴	R4122386	R4577452	R4577453
N/A	1-1/8 "	R4133719	R4133718	R4166926	NR	R4111992 ²¹⁴	R4122386	R4577452	R4577453
23-122700-002 ⁹	2-1/2 "	R424244X	R424244X ³⁷	60050266	69270757 ⁴¹	R4111992 ²¹⁴	R4122386	R4577452	R4577453
N/A	1-1/8 "	R4133716	R4133717	R4166926	NR	R4111911 ²¹⁹	R4122387	R4577454	R4577455
N/A	1-1/8 "	R4133714	R4133715	R4166926	NR	R4111911 ²¹⁹	R4122387	R4577454	R4577455
23-122691-002 ¹⁸⁸	2-7/8 "	60050145X	60050145X ³⁷	60050146	69270702 ⁴¹	R4111992 ²¹⁴	R4122386	R4577452	R4577453
23-122703-002 ¹⁸⁶	2-7/8 "	60050145X	60050145X ³⁷	60050146	69270702 ⁴¹	R4111992 ²¹⁴	R4122386	R4577452	R4577453
N/A	1-1/4 "	R4133581	R4133581	R4166923	NR	R4111999 ²¹⁴	R4122386	R4577452	R4577453
N/A	1-1/4 "	R4133720	R4133721	R4166923	NR	R4111999 ²¹⁴	R4122386	R4577452	R4577453
N/A	1-1/2 "	R4033607	R4033607	R4166818	NR	-	-	R4577147	R4577147
N/A	1-5/8 "	R4133338	R4133338	R4166689	NR	-	-	R4577147	R4577147
N/A	1-5/8 "	R4133338	R4133338	R4166689	NR	-	-	R4577147	R4577147
N/A	1-3/4 "	R4133400	R4133400	R4166917	NR	-	-	R4577147	R4577147
N/A	1-5/8 "	201181	201182	SP7895S	NR	-	-	R4577147	R4577147
N/A	1-5/8 "	201185	201186 ³²⁹	SP7895S	NR	-	-	R4577147	R4577147
N/A	1-5/8 "	201185	201186 ³²⁹	SP7895S	NR	-	-	R4577147	R4577147

MAKE MODEL YEAR AXLE CODE AXLE WEIGHT	AXLE & BRK. TYPE	BRK. MFG.	BRAKE SIZE	FMSI	MERITOR DISC PAD OR BRAKE SHOE	MERITOR GUIDE PIN OR RETURN SPRING KIT	MERITOR CALIPER HWD. KIT OR RETURN SPRING KIT	MERITOR ADJUSTER KIT (LEFT WHEEL)	MERITOR ADJUSTER KIT (RIGHT WHEEL)
FORD(Cont.)									
F600 SERIES: CONVENTIONAL(Cont.)									
1981									
	Ra	LG	15 " x 7 "	4505A - 544	N/A	R40H618	NR	NR	NR
F050, F055, F060	Fa	KH	14 " x 2-1/2 "	2060 - 361	Discontinued	R40H596	R40H9219	R40H3536	R40H3537
F070	Fa	WG	15 " x 3 "	1245C - 321	R700321	R40H521	R40H9237	R40H3502	R40H3503
	Fa	WG	15 " x 3 "	1245C - 321	R700321	R40H521	R40H9237	R40H3502	R40H3503
	Fd	DN		7141 - D224	MD224 ³⁴⁰	69310693	60050153	NR	NR
F070, F090, F120	Fa	WG	15 " x 3 "	1245C - 321	R700321	R40H521	R40H9237	R40H3502	R40H3503
	Fa	WG	15 " x 3 "	1245C - 321	R700321	R40H521	R40H9237	R40H3502	R40H3503
F080, F090	Fd	DN		7149 - D236	MD236 ³⁴¹	69310693	R40H5523	NR	NR
	Fd	DN		7149 - D236	MD236 ³⁴¹	69310693	R40H5523	NR	NR
F090, F120	Fa	WG	15 " x 3 "	1245C - 321	R700321	R40H521	R40H9237	R40H3502	R40H3503
	Fa	WG	15 " x 3 "	1245C - 321	R700321	R40H521	R40H9237	R40H3502	R40H3503
R170, R175	Ra	KH	15 " x 5 "	4646 - 400	R700400	R40H595	R40H9220	R40H3538	R40H3539
	Ra	WG	15 " x 5 "	1252 - 346	R700346	R40H597	R40H9200	R40H3540	R40H3541
R185	Ra	WG	15 " x 6 "	4596 - 381	R700381	R40H597	R40H9200	R40H3540	R40H3541
	Ra	WG	15 " x 7 "	4597 - 383	R700383	R40H597	R40H9200	R40H3540	R40H3541
1980									
	Ra	LG	15 " x 6 "	4504A - 543	N/A	R40H618	NR	NR	NR
	Ra	LG	15 " x 6 "	4504A - 543	N/A	R40H618	NR	SP7888S	SP7888S
	Ra	LG	15 " x 7 "	4505A - 544	N/A	R40H618	NR	SP7888S	SP7888S
	Ra	LG	15 " x 7 "	4505A - 544	N/A	R40H618	NR	NR	NR
F050, F055, F060	Fa	KH	14 " x 2-1/2 "	2060 - 361	Discontinued	R40H596	R40H9219	R40H3536	R40H3537
F070	Fa	WG	15 " x 3 "	1245C - 321	R700321	R40H521	R40H9237	R40H3502	R40H3503
	Fa	WG	15 " x 3 "	1245C - 321	R700321	R40H521	R40H9237	R40H3502	R40H3503
	Fd	DN		7141 - D224	MD224 ³⁴⁰	69310693	60050153	NR	NR
F070, F090, F120	Fa	WG	15 " x 3 "	1245C - 321	R700321	R40H521	R40H9237	R40H3502	R40H3503
	Fa	WG	15 " x 3 "	1245C - 321	R700321	R40H521	R40H9237	R40H3502	R40H3503
F080, F090	Fd	DN		7149 - D236	MD236 ³⁴¹	69310693	R40H5523	NR	NR
	Fd	DN		7149 - D236	MD236 ³⁴¹	69310693	R40H5523	NR	NR
F090, F120	Fa	WG	15 " x 3 "	1245C - 321	R700321	R40H521	R40H9237	R40H3502	R40H3503
	Fa	WG	15 " x 3 "	1245C - 321	R700321	R40H521	R40H9237	R40H3502	R40H3503
R170, R175	Ra	KH	15 " x 5 "	4646 - 400	R700400	R40H595	R40H9220	R40H3538	R40H3539
	Ra	WG	15 " x 5 "	1252 - 346	R700346	R40H597	R40H9200	R40H3540	R40H3541
R185	Ra	WG	15 " x 6 "	4596 - 381	R700381	R40H597	R40H9200	R40H3540	R40H3541
	Ra	WG	15 " x 7 "	4597 - 383	R700383	R40H597	R40H9200	R40H3540	R40H3541
1979									
	Fa				R700321	R40H521	R40H9237	R40H3502	R40H3503
	Fa				R700321	R40H521	R40H9237	R40H3502	R40H3503
	Fa				R700321	R40H521	R40H9237	R40H3502	R40H3503
	Fa				R700321	R40H521	R40H9237	R40H3502	R40H3503
F050, F055, F060	Fa	KH	14 " x 2-1/2 "	2060 - 361	Discontinued	R40H596	R40H9219	R40H3536	R40H3537
F070	Fa	WG	15 " x 3 "	1245C - 321	R700321	R40H521	R40H9237	R40H3502	R40H3503
	Fa	WG	15 " x 3 "	1245C - 321	R700321	R40H521	R40H9237	R40H3502	R40H3503
	Fd	DN		7141 - D224	MD224 ³⁴⁰	69310693	60050153	NR	NR
F080, F090	Fd	DN		7149 - D236	MD236 ³⁴¹	69310693	R40H5523	NR	NR
	Fd	DN		7149 - D236	MD236 ³⁴¹	69310693	R40H5523	NR	NR
R170, R175	Ra	KH	15 " x 5 "	4646 - 400	R700400	R40H595	R40H9220	R40H3538	R40H3539
	Ra	WG	15 " x 5 "	1252 - 346	R700346	R40H597	R40H9200	R40H3540	R40H3541
R185	Ra	WG	15 " x 6 "	4596 - 381	R700381	R40H597	R40H9200	R40H3540	R40H3541
	Ra	WG	15 " x 7 "	4597 - 383	R700383	R40H597	R40H9200	R40H3540	R40H3541
1978									
	Fa				R700321	R40H521	R40H9237	R40H3502	R40H3503
	Fa				R700321	R40H521	R40H9237	R40H3502	R40H3503
	Fa				R700321	R40H521	R40H9237	R40H3502	R40H3503
	Fa				R700321	R40H521	R40H9237	R40H3502	R40H3503
F050, F055, F060	Fa	KH	14 " x 2-1/2 "	2060 - 361	Discontinued	R40H596	R40H9219	R40H3536	R40H3537
F070	Fa	WG	15 " x 3 "	1245C - 321	R700321	R40H521	R40H9237	R40H3502	R40H3503
	Fa	WG	15 " x 3 "	1245C - 321	R700321	R40H521	R40H9237	R40H3502	R40H3503
	Fd	DN		7141 - D224	MD224 ³⁴⁰	69310693	60050153	NR	NR
F080, F090	Fd	DN		7149 - D236	MD236 ³⁴¹	69310693	R40H5523	NR	NR
	Fd	DN		7149 - D236	MD236 ³⁴¹	69310693	R40H5523	NR	NR
R170, R175	Ra	KH	15 " x 5 "	4646 - 400	R700400	R40H595	R40H9220	R40H3538	R40H3539
	Ra	WG	15 " x 5 "	1252 - 346	R700346	R40H597	R40H9200	R40H3540	R40H3541
R185	Ra	WG	15 " x 6 "	4596 - 381	R700381	R40H597	R40H9200	R40H3540	R40H3541

9 - 6 Stud, Dayton Rotor, Hat Style

37 - Also available as a New unit

41 - Aluminum piston

53 - Power Brakes
214 - Power Brakes, Split System
www.XpresswayPlus.com

186 - 10 Stud
219 - Power Brakes, Gasoline Engine with Vacuum Booster

188 - 6 Stud, 9.251" Hub
329 - Forward

Contact our Customer Service Teams
1-888-725-9355

MERITOR DRUM OR ROTOR NO.	CALIPER OR CYLINDER BORE SIZE	MERITOR CALIPER OR WHEEL CYLINDER (LEFT)	MERITOR CALIPER OR WHEEL CYLINDER (RIGHT)	MERITOR CALIPER OR WHEEL CYLINDER REPAIR KIT	MERITOR CALIPER PISTON	MERITOR MASTER CYLINDER	MERITOR MASTER CYLINDER KIT	MERITOR BRAKE HOSE (LEFT)	MERITOR BRAKE HOSE (RIGHT)
FORD(Cont.)									
F600 SERIES: CONVENTIONAL(Cont.)									
N/A	1-5/8 "	201181	201182	SP7895S	NR	-	-	R4577147	R4577147
N/A	1.09375	R4133484	R4133485	R4166819	NR	R4111629 ⁵³	R4122484	R4577460	R4577460
N/A	1-1/8 "	R4133714	R4133715	R4166926	NR	R4111992 ²¹⁴	R4122386	R4577452	R4577453
N/A	1-1/8 "	R4133719	R4133718	R4166926	NR	R4111992 ²¹⁴	R4122386	R4577452	R4577453
23-122700-002 ⁹	2-1/2 "	R424244X	R424244X ³⁷	60050266	6927075 ⁴¹	R4111992 ²¹⁴	R4122386	R4577452	R4577453
N/A	1-1/8 "	R4133714	R4133715	R4166926	NR	R4111911 ²¹⁹	R4122387	R4577454	R4577455
N/A	1-1/8 "	R4133716	R4133717	R4166926	NR	R4111911 ²¹⁹	R4122387	R4577454	R4577455
23-122691-002 ¹⁸⁸	2-7/8 "	60050145X	60050145X ³⁷	60050146	69270702 ⁴¹	R4111992 ²¹⁴	R4122386	R4577452	R4577453
23-122703-002 ¹⁸⁶	2-7/8 "	60050145X	60050145X ³⁷	60050146	69270702 ⁴¹	R4111992 ²¹⁴	R4122386	R4577452	R4577453
N/A	1-1/4 "	R4133581	R4133581	R4166923	NR	R4111999 ²¹⁴	R4122386	R4577452	R4577453
N/A	1-1/4 "	R4133720	R4133721	R4166923	NR	R4111999 ²¹⁴	R4122386	R4577452	R4577453
N/A	1-1/2 "	R4033607	R4033607	R4166818	NR	-	-	R4577147	R4577147
N/A	1-5/8 "	R4133338	R4133338	R4166689	NR	-	-	R4577147	R4577147
N/A	1-5/8 "	R4133338	R4133338	R4166689	NR	-	-	R4577147	R4577147
N/A	1-3/4 "	R4133400	R4133400	R4166917	NR	-	-	R4577147	R4577147
N/A	1-5/8 "	201181	201182	SP7895S	NR	-	-	R4577147	R4577147
N/A	1-5/8 "	201185	201186 ³²⁹	SP7895S	NR	-	-	R4577147	R4577147
N/A	1-5/8 "	201185	201186 ³²⁹	SP7895S	NR	-	-	R4577147	R4577147
N/A	1-5/8 "	201181	201182	SP7895S	NR	-	-	R4577147	R4577147
N/A	1.09375	R4133484	R4133485	R4166819	NR	R4111629 ⁵³	R4122484	R4577460	R4577460
N/A	1-1/8 "	R4133714	R4133715	R4166926	NR	R4111992 ²¹⁴	R4122386	R4577452	R4577453
N/A	1-1/8 "	R4133719	R4133718	R4166926	NR	R4111992 ²¹⁴	R4122386	R4577452	R4577453
23-122700-002 ⁹	2-1/2 "	R424244X	R424244X ³⁷	60050266	6927075 ⁴¹	R4111992 ²¹⁴	R4122386	R4577452	R4577453
N/A	1-1/8 "	R4133714	R4133715	R4166926	NR	R4111911 ²¹⁹	R4122387	R4577454	R4577455
N/A	1-1/8 "	R4133716	R4133717	R4166926	NR	R4111911 ²¹⁹	R4122387	R4577454	R4577455
23-122691-002 ¹⁸⁸	2-7/8 "	60050145X	60050145X ³⁷	60050146	69270702 ⁴¹	R4111992 ²¹⁴	R4122386	R4577452	R4577453
23-122703-002 ¹⁸⁶	2-7/8 "	60050145X	60050145X ³⁷	60050146	69270702 ⁴¹	R4111992 ²¹⁴	R4122386	R4577452	R4577453
N/A	1-1/4 "	R4133720	R4133721	R4166923	NR	R4111999 ²¹⁴	R4122386	R4577452	R4577453
N/A	1-1/4 "	R4133581	R4133581	R4166923	NR	R4111999 ²¹⁴	R4122386	R4577452	R4577453
N/A	1-1/2 "	R4033607	R4033607	R4166818	NR	-	-	R4577147	R4577147
N/A	1-5/8 "	R4133338	R4133338	R4166689	NR	-	-	R4577147	R4577147
N/A	1-5/8 "	R4133338	R4133338	R4166689	NR	-	-	R4577147	R4577147
N/A	1-3/4 "	R4133400	R4133400	R4166917	NR	-	-	R4577147	R4577147
N/A		R4133720	R4133721	R4166923	NR	N/A ³⁵⁸	R4122688	-	-
N/A		R4133714	R4133715	R4166926	NR	N/A ³⁵⁸	R4122688	-	-
N/A		R4133719	R4133718	R4166926	NR	N/A ³⁵⁸	R4122688	-	-
N/A		R4133581	R4133581	R4166923	NR	N/A ³⁵⁸	R4122688	-	-
N/A	1.09375	R4133484	R4133485	R4166819	NR	R4110435 ³⁵⁸	N/A	-	-
N/A	1-1/8 "	R4133714	R4133715	R4166926	NR	R4111632 ³⁵⁷	R4122343	-	-
N/A	1-1/8 "	R4133716	R4133717	R4166926	NR	R4111632 ³⁵⁷	R4122343	-	-
23-122700-002 ⁹	2-1/2 "	R424244X	R424244X ³⁷	60050266	6927075 ⁴¹	-	-	-	-
23-122691-002 ¹⁸⁸	2-7/8 "	60050145X	60050145X ³⁷	60050146	69270702 ⁴¹	-	-	-	-
23-122703-002 ¹⁸⁶	2-7/8 "	60050145X	60050145X ³⁷	60050146	69270702 ⁴¹	-	-	-	-
N/A	1-1/2 "	R4033607	R4033607	R4166818	NR	-	-	-	-
N/A	1-5/8 "	R4133338	R4133338	R4166689	NR	-	-	-	-
N/A	1-5/8 "	R4133338	R4133338	R4166689	NR	-	-	-	-
N/A	1-3/4 "	R4133400	R4133400	R4166917	NR	-	-	-	-
N/A		R4133714	R4133715	R4166926	NR	N/A ³⁵⁸	R4122688	-	-
N/A		R4133719	R4133718	R4166926	NR	N/A ³⁵⁸	R4122688	-	-
N/A		R4133581	R4133581	R4166923	NR	N/A ³⁵⁸	R4122688	-	-
N/A		R4133720	R4133721	R4166923	NR	N/A ³⁵⁸	R4122688	-	-
N/A	1.09375	R4133484	R4133485	R4166819	NR	R4110435 ³⁵⁸	N/A	-	-
N/A	1-1/8 "	R4133716	R4133717	R4166926	NR	R4111632 ³⁵⁷	R4122343	-	-
N/A	1-1/8 "	R4133714	R4133715	R4166926	NR	R4111632 ³⁵⁷	R4122343	-	-
23-122700-002 ⁹	2-1/2 "	R424244X	R424244X ³⁷	60050266	6927075 ⁴¹	-	-	-	-
23-122691-002 ¹⁸⁸	2-7/8 "	60050145X	60050145X ³⁷	60050146	69270702 ⁴¹	-	-	-	-
23-122703-002 ¹⁸⁶	2-7/8 "	60050145X	60050145X ³⁷	60050146	69270702 ⁴¹	-	-	-	-
N/A	1-1/2 "	R4033607	R4033607	R4166818	NR	-	-	-	-
N/A	1-5/8 "	R4133338	R4133338	R4166689	NR	-	-	-	-
N/A	1-5/8 "	R4133338	R4133338	R4166689	NR	-	-	-	-
N/A	1-5/8 "	R4133338	R4133338	R4166689	NR	-	-	-	-

340 - Use 69160457 for Disc Pad Retainer Clip

341 - Use 69160445 for Disc Pad Retainer Clip

357 - Single Hydraulic System, Bosch Cylinder, after Serial No. Q20001, 18,500lb. Rear Axle

358 - Split System

MAKE MODEL YEAR AXLE CODE AXLE WEIGHT	AXLE & BRK. TYPE	BRK. MFG.	BRAKE SIZE	FMSI	MERITOR DISC PAD OR BRAKE SHOE	MERITOR GUIDE PIN OR RETURN SPRING KIT	MERITOR CALIPER HWD. KIT OR RETURN SPRING KIT	MERITOR ADJUSTER KIT (LEFT WHEEL)	MERITOR ADJUSTER KIT (RIGHT WHEEL)
FORD(Cont.)									
F600 SERIES: CONVENTIONAL(Cont.)									
1978	Ra	WG	15 " x 7 "	4597 - 383	R700383	R40H597	R40H9200	R40H3540	R40H3541
1977 F050, F055, F060	Fa Fa	KH KH	14 " x 2-1/2 " 14 " x 2-1/2 "	2060 - 361 2060 - 361	Discontinued Discontinued	R40H596 R40H596	R40H9219 R40H9219	R40H3536 R40H3536	R40H3537 R40H3537
F070	Fa Fa	WG WG	15 " x 3 " 15 " x 3 "	1245C - 321 1245C - 321	R700321 R700321	R40H521 R40H521	R40H9237 R40H9237	R40H3502 R40H3502	R40H3503 R40H3503
F080, F090	Fd Fd	DN DN		7141 - D224 7149 - D236	MD224 ³⁴⁰ MD236 ³⁴¹	69310693 69310693	60050153 R40H5523	NR NR	NR NR
F090, F120	Fa Fa	WG WG	15 " x 3 " 15 " x 3 "	1245C - 321 1245C - 321	R700321 R700321	R40H521 R40H521	R40H9237 R40H9237	R40H3502 R40H3502	R40H3503 R40H3503
R170, R175	Ra Ra Ra Ra Ra	KH KH KH WG WG	15 " x 5 " 15 " x 5 " 15 " x 5 " 15 " x 5 " 15 " x 5 "	4646 - 400 4646 - 400 4646 - 400 1252 - 346 1252 - 346	R700400 R700400 R700400 R700346 R700346	R40H595 R40H595 R40H595 R40H597 R40H597	R40H9220 R40H9220 R40H9220 R40H9200 R40H9200	R40H3538 R40H3538 R40H3538 R40H3540 R40H3540	R40H3539 R40H3539 R40H3539 R40H3541 R40H3541
R185	Ra Ra Ra Ra	WG WG WG WG	15 " x 6 " 15 " x 6 " 15 " x 7 " 15 " x 7 "	4596 - 381 4596 - 381 4597 - 383 4597 - 383	R700381 R700381 R700383 R700383	R40H597 R40H597 R40H597 R40H597	R40H9200 R40H9200 R40H9200 R40H9200	R40H3540 R40H3540 R40H3540 R40H3540	R40H3541 R40H3541 R40H3541 R40H3541
1976 F050, F055, F060	Fa Fa	KH KH	14 " x 2-1/2 " 14 " x 2-1/2 "	2060 - 361 2060 - 361	Discontinued Discontinued	R40H596 R40H596	R40H9219 R40H9219	R40H3536 R40H3536	R40H3537 R40H3537
F070	Fa Fa Fa Fa Fa Fa	WG WG WG WG WG WG	15 " x 3 " 15 " x 3 " 15 " x 3 " 15 " x 3 " 15 " x 3 " 15 " x 3 "	1245C - 321 1245C - 321 1245C - 321 1245C - 321 1245C - 321 1245C - 321	R700321 R700321 R700321 R700321 R700321 R700321	R40H521 R40H521 R40H521 R40H521 R40H521 R40H521	R40H9237 R40H9237 R40H9237 R40H9237 R40H9237 R40H9237	R40H3502 R40H3502 R40H3502 R40H3502 R40H3502 R40H3502	R40H3503 R40H3503 R40H3503 R40H3503 R40H3503 R40H3503
F080, F090	Fd Fd	DN DN		7141 - D224 7149 - D236	MD224 ³⁴⁰ MD236 ³⁴¹	69310693 69310693	60050153 R40H5523	NR NR	NR NR
F090, F120	Fa Fa	WG WG	15 " x 3 " 15 " x 3 "	1245C - 321 1245C - 321	R700321 R700321	R40H521 R40H521	R40H9237 R40H9237	R40H3502 R40H3502	R40H3503 R40H3503
R170, R175	Ra Ra Ra Ra Ra	KH KH KH WG WG	15 " x 5 " 15 " x 5 " 15 " x 5 " 15 " x 5 " 15 " x 5 "	4646 - 400 4646 - 400 4646 - 400 1252 - 346 1252 - 346	R700400 R700400 R700400 R700346 R700346	R40H595 R40H595 R40H595 R40H597 R40H597	R40H9220 R40H9220 R40H9220 R40H9200 R40H9200	R40H3538 R40H3538 R40H3538 R40H3540 R40H3540	R40H3539 R40H3539 R40H3539 R40H3541 R40H3541
R185	Ra Ra Ra Ra	WG WG WG WG	15 " x 6 " 15 " x 6 " 15 " x 7 " 15 " x 7 "	4596 - 381 4596 - 381 4597 - 383 4597 - 383	R700381 R700381 R700383 R700383	R40H597 R40H597 R40H597 R40H597	R40H9200 R40H9200 R40H9200 R40H9200	R40H3540 R40H3540 R40H3540 R40H3540	R40H3541 R40H3541 R40H3541 R40H3541
1975 F050, F055, F060	Fa Fa	KH KH	14 " x 2-1/2 " 14 " x 2-1/2 "	2060 - 361 2060 - 361	Discontinued Discontinued	R40H596 R40H596	R40H9219 R40H9219	R40H3536 R40H3536	R40H3537 R40H3537
F070	Fa Fa Fa Fa Fa Fa	WG WG WG WG WG WG	15 " x 3 " 15 " x 3 " 15 " x 3 " 15 " x 3 " 15 " x 3 " 15 " x 3 "	1245C - 321 1245C - 321 1245C - 321 1245C - 321 1245C - 321 1245C - 321	R700321 R700321 R700321 R700321 R700321 R700321	R40H521 R40H521 R40H521 R40H521 R40H521 R40H521	R40H9237 R40H9237 R40H9237 R40H9237 R40H9237 R40H9237	R40H3502 R40H3502 R40H3502 R40H3502 R40H3502 R40H3502	R40H3503 R40H3503 R40H3503 R40H3503 R40H3503 R40H3503
F080, F090	Fd Fd	DN DN		7141 - D224 7149 - D236	MD224 ³⁴⁰ MD236 ³⁴¹	69310693 69310693	60050153 R40H5523	NR NR	NR NR
F090, F120	Fa Fa	WG WG	15 " x 3 " 15 " x 3 "	1245C - 321 1245C - 321	R700321 R700321	R40H521 R40H521	R40H9237 R40H9237	R40H3502 R40H3502	R40H3503 R40H3503
R170, R175	Ra Ra Ra Ra Ra	KH KH KH WG WG	15 " x 5 " 15 " x 5 " 15 " x 5 " 15 " x 5 " 15 " x 5 "	4646 - 400 4646 - 400 4646 - 400 1252 - 346 1252 - 346	R700400 R700400 R700400 R700346 R700346	R40H595 R40H595 R40H595 R40H597 R40H597	R40H9220 R40H9220 R40H9220 R40H9200 R40H9200	R40H3538 R40H3538 R40H3538 R40H3540 R40H3540	R40H3539 R40H3539 R40H3539 R40H3541 R40H3541
R185	Ra	WG	15 " x 6 "	4596 - 381	R700381	R40H597	R40H9200	R40H3540	R40H3541

9 - 6 Stud, Dayton Rotor, Hat Style
 42 - 6 Stud, Dayton Rotor, "U" Style
 341 - Use 69160445 for Disc Pad Retainer Clip

37 - Also available as a New unit
 186 - 10 Stud
 356 - Single Hydraulic System, Bosch Cylinder, after Serial No. Q20000, 18,500lb. Rear Axle

41 - Aluminum piston
 340 - Use 69160457 for Disc Pad Retainer Clip
 357 - Single Hydraulic System, Bosch Cylinder, after Serial No. Q20001, 18,500lb. Rear Axle

MAKE MODEL YEAR AXLE CODE AXLE WEIGHT	AXLE & BRK. TYPE	BRK. MFG.	BRAKE SIZE	FMSI	MERITOR DISC PAD OR BRAKE SHOE	MERITOR GUIDE PIN OR RETURN SPRING KIT	MERITOR CALIPER HWD. KIT OR RETURN SPRING KIT	MERITOR ADJUSTER KIT (LEFT WHEEL)	MERITOR ADJUSTER KIT (RIGHT WHEEL)
FORD(Cont.)									
F600 SERIES: CONVENTIONAL(Cont.)									
1975	Ra Ra Ra	WG WG WG	15 " x 6 " 15 " x 7 " 15 " x 7 "	4596 - 381 4597 - 383 4597 - 383	R700381 R700383 R700383	R40H597 R40H597 R40H597	R40H9200 R40H9200 R40H9200	R40H3540 R40H3540 R40H3540	R40H3541 R40H3541 R40H3541
1974 F050, F055, F060	Fa Fa	KH KH	14 " x 2-1/2 " 14 " x 2-1/2 "	2060 - 361 2060 - 361	Discontinued Discontinued	R40H596 R40H596	R40H9219 R40H9219	R40H3536 R40H3536	R40H3537 R40H3537
F070	Fa Fa Fa Fa Fa Fa	WG WG WG WG WG WG	15 " x 3 " 15 " x 3 " 15 " x 3 " 15 " x 3 " 15 " x 3 " 15 " x 3 "	1245C - 321 1245C - 321 1245C - 321 1245C - 321 1245C - 321 1245C - 321	R700321 R700321 R700321 R700321 R700321 R700321	R40H521 R40H521 R40H521 R40H521 R40H521 R40H521	R40H9237 R40H9237 R40H9237 R40H9237 R40H9237 R40H9237	R40H3502 R40H3502 R40H3502 R40H3502 R40H3502 R40H3502	R40H3503 R40H3503 R40H3503 R40H3503 R40H3503 R40H3503
F080, F090	Fd Fd	DN DN		7141 - D224 7149 - D236 7149 - D236	MD224 ³⁴⁰ MD236 ³⁴¹ MD236 ³⁴¹	69310693 69310693 69310693	60050153 R40H5523 R40H5523	NR NR NR	NR NR NR
F090, F120	Fa Fa	WG WG	15 " x 3 " 15 " x 3 "	1245C - 321 1245C - 321	R700321 R700321	R40H521 R40H521	R40H9237 R40H9237	R40H3502 R40H3502	R40H3503 R40H3503
R170, R175	Ra Ra Ra Ra Ra	KH KH KH WG WG	15 " x 5 " 15 " x 5 " 15 " x 5 " 15 " x 5 " 15 " x 5 "	4646 - 400 4646 - 400 4646 - 400 1252 - 346 1252 - 346	R700400 R700400 R700400 R700346 R700346	R40H595 R40H595 R40H595 R40H597 R40H597	R40H9220 R40H9220 R40H9220 R40H9200 R40H9200	R40H3538 R40H3538 R40H3538 R40H3540 R40H3540	R40H3539 R40H3539 R40H3539 R40H3541 R40H3541
R185	Ra Ra Ra Ra	WG WG WG WG	15 " x 6 " 15 " x 6 " 15 " x 7 " 15 " x 7 "	4596 - 381 4596 - 381 4597 - 383 4597 - 383	R700381 R700381 R700383 R700383	R40H597 R40H597 R40H597 R40H597	R40H9200 R40H9200 R40H9200 R40H9200	R40H3540 R40H3540 R40H3540 R40H3540	R40H3541 R40H3541 R40H3541 R40H3541
1973 F050, F055, F060	Fa Fa Fa Fa	KH KH KH KH	14 " x 2-1/2 " 14 " x 2-1/2 " 14 " x 2-1/2 " 14 " x 2-1/2 "	2060T - 361 2060T - 361 2060 - 361 2060 - 361	N/A N/A Discontinued Discontinued	R40H596 R40H596 R40H596 R40H596	R40H9219 R40H9219 R40H9219 R40H9219	R40H3536 R40H3536 R40H3536 R40H3536	R40H3537 R40H3537 R40H3537 R40H3537
F070	Fa Fa Fa Fa Fa Fa Fa	WG WG WG WG WG WG WG	15 " x 3 " 15 " x 3 " 15 " x 3 " 15 " x 3 " 15 " x 3 " 15 " x 3 " 15 " x 3 "	1245C - 321 1245C - 321 1245C - 321 1245C - 321 1245C - 321 1245C - 321 1245C - 321	R700321 R700321 R700321 R700321 R700321 R700321 R700321	R40H521 R40H521 R40H521 R40H521 R40H521 R40H521 R40H521	R40H9237 R40H9237 R40H9237 R40H9237 R40H9237 R40H9237 R40H9237	R40H3502 R40H3502 R40H3502 R40H3502 R40H3502 R40H3502 R40H3502	R40H3503 R40H3503 R40H3503 R40H3503 R40H3503 R40H3503 R40H3503
F080, F090	Fd Fd	DN DN		7141 - D224 7149 - D236 7149 - D236	MD224 ³⁴⁰ MD236 ³⁴¹ MD236 ³⁴¹	69310693 69310693 69310693	60050153 R40H5523 R40H5523	NR NR NR	NR NR NR
F090, F120	Fa Fa	WG WG	15 " x 3 " 15 " x 3 "	1245C - 321 1245C - 321	R700321 R700321	R40H521 R40H521	R40H9237 R40H9237	R40H3502 R40H3502	R40H3503 R40H3503
R170, R175	Ra Ra Ra Ra Ra	KH KH KH WG WG	15 " x 5 " 15 " x 5 " 15 " x 5 " 15 " x 5 " 15 " x 5 "	4646 - 400 4646 - 400 4646 - 400 1252 - 346 1252 - 346	R700400 R700400 R700400 R700346 R700346	R40H595 R40H595 R40H595 R40H597 R40H597	R40H9220 R40H9220 R40H9220 R40H9200 R40H9200	R40H3538 R40H3538 R40H3538 R40H3540 R40H3540	R40H3539 R40H3539 R40H3539 R40H3541 R40H3541
R185	Ra Ra Ra Ra	WG WG WG WG	15 " x 6 " 15 " x 6 " 15 " x 7 " 15 " x 7 "	4596 - 381 4596 - 381 4597 - 383 4597 - 383	R700381 R700381 R700383 R700383	R40H597 R40H597 R40H597 R40H597	R40H9200 R40H9200 R40H9200 R40H9200	R40H3540 R40H3540 R40H3540 R40H3540	R40H3541 R40H3541 R40H3541 R40H3541
1972 F050, F055, F060	Fa Fa	KH KH	14 " x 2-1/2 " 14 " x 2-1/2 "	2060 - 361 2060 - 361	Discontinued Discontinued	R40H596 R40H596	R40H9219 R40H9219	R40H3536 R40H3536	R40H3537 R40H3537
F070	Fa Fa Fa Fa Fa Fa Fa Fa	WG WG WG WG WG WG WG WG	15 " x 3 " 15 " x 3 " 15 " x 3 " 15 " x 3 " 15 " x 3 " 15 " x 3 " 15 " x 3 " 15 " x 3 "	1245C - 321 1245C - 321 1245C - 321 1245C - 321 1245C - 321 1245C - 321 1245C - 321 1245C - 321	R700321 R700321 R700321 R700321 R700321 R700321 R700321 R700321	R40H521 R40H521 R40H521 R40H521 R40H521 R40H521 R40H521 R40H521	R40H9237 R40H9237 R40H9237 R40H9237 R40H9237 R40H9237 R40H9237 R40H9237	R40H3502 R40H3502 R40H3502 R40H3502 R40H3502 R40H3502 R40H3502 R40H3502	R40H3503 R40H3503 R40H3503 R40H3503 R40H3503 R40H3503 R40H3503 R40H3503
F080, F090	Fd Fd	DN DN		7141 - D224 7149 - D236 7149 - D236	MD224 ³⁴⁰ MD236 ³⁴¹ MD236 ³⁴¹	69310693 69310693 69310693	60050153 R40H5523 R40H5523	NR NR NR	NR NR NR

9 - 6 Stud, Dayton Rotor, Hat Style
42 - 6 Stud, Dayton Rotor, "U" Style
341 - Use 69160445 for Disc Pad Retainer Clip

37 - Also available as a New unit
186 - 10 Stud
356 - Single Hydraulic System, Bosch Cylinder, after Serial No. Q20000, 18,500lb. Rear Axle

41 - Aluminum piston
340 - Use 69160457 for Disc Pad Retainer Clip
357 - Single Hydraulic System, Bosch Cylinder, after Serial No. Q20001, 18,500lb. Rear Axle

MERITOR DRUM OR ROTOR NO.	CALIPER OR CYLINDER BORE SIZE	MERITOR CALIPER OR WHEEL CYLINDER (LEFT)	MERITOR CALIPER OR WHEEL CYLINDER (RIGHT)	MERITOR CALIPER OR WHEEL CYLINDER REPAIR KIT	MERITOR CALIPER PISTON	MERITOR MASTER CYLINDER	MERITOR MASTER CYLINDER KIT	MERITOR BRAKE HOSE (LEFT)	MERITOR BRAKE HOSE (RIGHT)
FORD(Cont.)									
F600 SERIES: CONVENTIONAL(Cont.)									
-	1-5/8 "	R4133338	R4133338	R4166689	NR	-	-	-	-
-	1-3/4 "	R4133400	R4133400	R4166917	NR	-	-	-	-
-	1-3/4 "	R4133400	R4133400	R4166917	NR	-	-	-	-
-	1.09375	R4133484	R4133485	R4166819	NR	R4110435 ³⁵⁸	N/A	-	-
-	1.09375	R4133484	R4133485	R4166819	NR	R4110435 ³⁵⁸	N/A	-	-
-	1-1/8 "	R4133716	R4133717	R4166926	NR	R4111632 ³⁵⁷	R4122343	-	-
-	1-1/8 "	R4133719	R4133718	R4166926	NR	N/A ³⁵⁸	R4122688	-	-
-	1-1/8 "	R4133714	R4133715	R4166926	NR	R4111632 ³⁵⁷	R4122343	-	-
-	1-1/8 "	R4133714	R4133715	R4166926	NR	R4111622 ³⁵⁶	N/A	-	-
-	1-1/8 "	R4133716	R4133717	R4166926	NR	R4111622 ³⁵⁶	N/A	-	-
-	1-1/8 "	R4133714	R4133715	R4166926	NR	N/A ³⁵⁸	R4122688	-	-
23-122700-002 ⁹	2-1/2 "	R424244X	R424244X ³⁷	60050266	6927075 ⁴¹	-	-	-	-
23-122691-002 ⁴²	2-7/8 "	60050145X	60050145X ³⁷	60050146	69270702 ⁴¹	-	-	-	-
23-122703-002 ¹⁸⁶	2-7/8 "	60050145X	60050145X ³⁷	60050146	69270702 ⁴¹	-	-	-	-
-	1-1/4 "	R4133720	R4133721	R4166923	NR	N/A ³⁵⁸	R4122688	-	-
-	1-1/4 "	R4133581	R4133581	R4166923	NR	N/A ³⁵⁸	R4122688	-	-
-	1-1/2 "	R4033607	R4033607	R4166818	NR	-	-	-	-
-	1-1/2 "	R4033607	R4033607	R4166818	NR	-	-	-	-
-	1-5/8 "	R4133606	R4133606	R415193	NR	-	-	-	-
-	1-5/8 "	R4133338	R4133338	R4166689	NR	-	-	-	-
-	1-5/8 "	R4133338	R4133338	R4166689	NR	-	-	-	-
-	1-5/8 "	R4133338	R4133338	R4166689	NR	-	-	-	-
-	1-5/8 "	R4133338	R4133338	R4166689	NR	-	-	-	-
-	1-3/4 "	R4133400	R4133400	R4166917	NR	-	-	-	-
-	1-3/4 "	R4133400	R4133400	R4166917	NR	-	-	-	-
-	1.09375	R4133484	R4133485	R4166819	NR	R4110435 ³⁵⁸	N/A	-	-
-	1-1/8 "	R4133484	R4133485	R4166819	NR	R4110435 ³⁵⁸	N/A	-	-
-	1.09375	R4133484	R4133485	R4166819	NR	-	-	-	-
-	1.09375	R4133484	R4133485	R4166819	NR	-	-	-	-
-	1-1/8 "	R4133716	R4133717	R4166926	NR	R4111622 ³⁵⁶	N/A	-	-
-	1-1/8 "	R4133714	R4133715	R4166926	NR	N/A ³⁵⁸	R4122688	-	-
-	1-1/8 "	R4133719	R4133718	R4166926	NR	N/A ³⁵⁸	R4122688	-	-
-	1-1/8 "	R4133714	R4133715	R4166926	NR	R4111632 ³⁵⁷	R4122343	-	-
-	1-1/8 "	R4133716	R4133717	R4166926	NR	R4111632 ³⁵⁷	R4122343	-	-
-	1-1/8 "	R4133714	R4133715	R4166926	NR	R4111622 ³⁵⁶	N/A	-	-
23-122700-002 ⁹	2-1/2 "	R424244X	R424244X ³⁷	60050266	6927075 ⁴¹	-	-	-	-
23-122691-002 ⁴²	2-7/8 "	60050145X	60050145X ³⁷	60050146	69270702 ⁴¹	-	-	-	-
23-122703-002 ¹⁸⁶	2-7/8 "	60050145X	60050145X ³⁷	60050146	69270702 ⁴¹	-	-	-	-
-	1-1/4 "	R4133581	R4133581	R4166923	NR	N/A ³⁵⁸	R4122688	-	-
-	1-1/4 "	R4133720	R4133721	R4166923	NR	N/A ³⁵⁸	R4122688	-	-
-	1-1/2 "	R4033607	R4033607	R4166818	NR	-	-	-	-
-	1-5/8 "	R4133606	R4133606	R415193	NR	-	-	-	-
-	1-1/2 "	R4033607	R4033607	R4166818	NR	-	-	-	-
-	1-5/8 "	R4133338	R4133338	R4166689	NR	-	-	-	-
-	1-5/8 "	R4133338	R4133338	R4166689	NR	-	-	-	-
-	1-5/8 "	R4133338	R4133338	R4166689	NR	-	-	-	-
-	1-5/8 "	R4133338	R4133338	R4166689	NR	-	-	-	-
-	1-3/4 "	R4133400	R4133400	R4166917	NR	-	-	-	-
-	1-3/4 "	R4133400	R4133400	R4166917	NR	-	-	-	-
-	1.09375	R4133484	R4133485	R4166819	NR	-	-	-	-
-	1.09375	R4133484	R4133485	R4166819	NR	-	-	-	-
-	1-1/8 "	R4133716	R4133717	R4166926	NR	-	-	-	-
-	1-1/8 "	R4133714	R4133715	R4166926	NR	-	-	-	-
-	1-1/8 "	R4133714	R4133715	R4166926	NR	-	-	-	-
-	1-1/8 "	R4133714	R4133715	R4166926	NR	-	-	-	-
-	1-1/8 "	R4133719	R4133718	R4166926	NR	-	-	-	-
-	1-1/8 "	R4133714	R4133715	R4166926	NR	-	-	-	-
-	1-1/8 "	R4133716	R4133717	R4166926	NR	-	-	-	-
-	1-1/8 "	R4133719	R4133718	R4166926	NR	-	-	-	-
23-122700-002 ⁹	2-1/2 "	R424244X	R424244X ³⁷	60050266	6927075 ⁴¹	-	-	-	-

1 APPLICATION

358 - Split System

MAKE MODEL YEAR AXLE CODE AXLE WEIGHT	AXLE & BRK. TYPE	BRK. MFG.	BRAKE SIZE	FMSI	MERITOR DISC PAD OR BRAKE SHOE	MERITOR GUIDE PIN OR RETURN SPRING KIT	MERITOR CALIPER HWD. KIT OR RETURN SPRING KIT	MERITOR ADJUSTER KIT (LEFT WHEEL)	MERITOR ADJUSTER KIT (RIGHT WHEEL)
FORD(Cont.)									
F600 SERIES: CONVENTIONAL(Cont.)									
1972 F080, F090	Fd Fd	DN DN		7149 - D236 7149 - D236	MD236 ³⁴¹ MD236 ³⁴¹	69310693 69310693	R40H5523 R40H5523	NR NR	NR NR
F090, F120	Fa Fa Fa Fa	WG WG WG WG	15" x 3" 15" x 3" 15" x 3" 15" x 3"	1245C - 321 1245C - 321 1245C - 321 1245C - 321	R700321 R700321 R700321 R700321	R40H521 R40H521 R40H521 R40H521	R40H9237 R40H9237 R40H9237 R40H9237	R40H3502 R40H3502 R40H3502 R40H3502	R40H3503 R40H3503 R40H3503 R40H3503
R170, R175	Ra Ra Ra Ra Ra	KH KH KH WG WG	15" x 5" 15" x 5" 15" x 5" 15" x 5" 15" x 5"	4646 - 400 4646 - 400 4646 - 400 1252 - 346 1252 - 346	R700400 R700400 R700400 R700346 R700346	R40H595 R40H595 R40H595 R40H597 R40H597	R40H9220 R40H9220 R40H9220 R40H9200 R40H9200	R40H3538 R40H3538 R40H3538 R40H3540 R40H3540	R40H3539 R40H3539 R40H3539 R40H3541 R40H3541
R185	Ra Ra Ra Ra	WG WG WG WG	15" x 6" 15" x 6" 15" x 7" 15" x 7"	4596 - 381 4596 - 381 4597 - 383 4597 - 383	R700381 R700381 R700383 R700383	R40H597 R40H597 R40H597 R40H597	R40H9200 R40H9200 R40H9200 R40H9200	R40H3540 R40H3540 R40H3540 R40H3540	R40H3541 R40H3541 R40H3541 R40H3541
1971 F050, F055, F060	Fa Fa	KH KH	14" x 2-1/2" 14" x 2-1/2"	2060 - 361 2060 - 361	Discontinued Discontinued	R40H596 R40H596	R40H9219 R40H9219	R40H3536 R40H3536	R40H3537 R40H3537
F070	Fa Fa Fa Fa Fa Fa Fa Fa Fa	WG WG WG WG WG WG WG WG WG	15" x 3" 15" x 3" 15" x 3" 15" x 3" 15" x 3" 15" x 3" 15" x 3" 15" x 3" 15" x 3"	1245C - 321 1245C - 321 1245C - 321 1245C - 321 1245C - 321 1245C - 321 1245C - 321 1245C - 321 1245C - 321	R700321 R700321 R700321 R700321 R700321 R700321 R700321 R700321 R700321	R40H521 R40H521 R40H521 R40H521 R40H521 R40H521 R40H521 R40H521 R40H521	R40H9237 R40H9237 R40H9237 R40H9237 R40H9237 R40H9237 R40H9237 R40H9237 R40H9237	R40H3502 R40H3502 R40H3502 R40H3502 R40H3502 R40H3502 R40H3502 R40H3502 R40H3502	R40H3503 R40H3503 R40H3503 R40H3503 R40H3503 R40H3503 R40H3503 R40H3503 R40H3503
F080, F090	Fd Fd	DN DN		7141 - D224 7149 - D236	MD224 ³⁴⁰ MD236 ³⁴¹	69310693 69310693	60050153 R40H5523	NR NR	NR NR
F090, F120	Fa Fa Fa Fa	WG WG WG WG	15" x 3" 15" x 3" 15" x 3" 15" x 3"	1245C - 321 1245C - 321 1245C - 321 1245C - 321	R700321 R700321 R700321 R700321	R40H521 R40H521 R40H521 R40H521	R40H9237 R40H9237 R40H9237 R40H9237	R40H3502 R40H3502 R40H3502 R40H3502	R40H3503 R40H3503 R40H3503 R40H3503
R170, R175	Ra Ra Ra Ra Ra	KH KH KH WG WG	15" x 5" 15" x 5" 15" x 5" 15" x 5" 15" x 5"	4646 - 400 4646 - 400 4646 - 400 1252 - 346 1252 - 346	R700400 R700400 R700400 R700346 R700346	R40H595 R40H595 R40H595 R40H597 R40H597	R40H9220 R40H9220 R40H9220 R40H9200 R40H9200	R40H3538 R40H3538 R40H3538 R40H3540 R40H3540	R40H3539 R40H3539 R40H3539 R40H3541 R40H3541
R185	Ra Ra Ra Ra	WG WG WG WG	15" x 6" 15" x 6" 15" x 7" 15" x 7"	4596 - 381 4596 - 381 4597 - 383 4597 - 383	R700381 R700381 R700383 R700383	R40H597 R40H597 R40H597 R40H597	R40H9200 R40H9200 R40H9200 R40H9200	R40H3540 R40H3540 R40H3540 R40H3540	R40H3541 R40H3541 R40H3541 R40H3541
1970 F050, F055, F060	Fa Fa	KH KH	14" x 2-1/2" 14" x 2-1/2"	2060 - 361 2060 - 361	Discontinued Discontinued	R40H596 R40H596	R40H9219 R40H9219	R40H3536 R40H3536	R40H3537 R40H3537
F070	Fa Fa Fa Fa Fa Fa Fa Fa Fa	WG WG WG WG WG WG WG WG WG	15" x 3" 15" x 3" 15" x 3" 15" x 3" 15" x 3" 15" x 3" 15" x 3" 15" x 3" 15" x 3"	1245C - 321 1245C - 321 1245C - 321 1245C - 321 1245C - 321 1245C - 321 1245C - 321 1245C - 321 1245C - 321	R700321 R700321 R700321 R700321 R700321 R700321 R700321 R700321 R700321	R40H521 R40H521 R40H521 R40H521 R40H521 R40H521 R40H521 R40H521 R40H521	R40H9237 R40H9237 R40H9237 R40H9237 R40H9237 R40H9237 R40H9237 R40H9237 R40H9237	R40H3502 R40H3502 R40H3502 R40H3502 R40H3502 R40H3502 R40H3502 R40H3502 R40H3502	R40H3503 R40H3503 R40H3503 R40H3503 R40H3503 R40H3503 R40H3503 R40H3503 R40H3503
F080, F090	Fd Fd	DN DN		7141 - D224 7149 - D236	MD224 ³⁴⁰ MD236 ³⁴¹	69310693 69310693	60050153 R40H5523	NR NR	NR NR
F090, F120	Fa Fa Fa Fa	WG WG WG WG	15" x 3" 15" x 3" 15" x 3" 15" x 3"	1245C - 321 1245C - 321 1245C - 321 1245C - 321	R700321 R700321 R700321 R700321	R40H521 R40H521 R40H521 R40H521	R40H9237 R40H9237 R40H9237 R40H9237	R40H3502 R40H3502 R40H3502 R40H3502	R40H3503 R40H3503 R40H3503 R40H3503
R170, R175	Ra Ra Ra Ra	KH KH KH WG	15" x 5" 15" x 5" 15" x 5" 15" x 5"	4646 - 400 4646 - 400 4646 - 400 1252 - 346	R700400 R700400 R700400 R700346	R40H595 R40H595 R40H595 R40H597	R40H9220 R40H9220 R40H9220 R40H9200	R40H3538 R40H3538 R40H3538 R40H3540	R40H3539 R40H3539 R40H3539 R40H3541

9 - 6 Stud, Dayton Rotor, Hat Style
 42 - 6 Stud, Dayton Rotor, "U" Style
 341 - Use 69160445 for Disc Pad Retainer Clip
 www.XpresswayPlus.com

37 - Also available as a New unit
 186 - 10 Stud
 358 - Split System

41 - Aluminum piston
 340 - Use 69160457 for Disc Pad Retainer Clip

MERITOR DRUM OR ROTOR NO.	CALIPER OR CYLINDER BORE SIZE	MERITOR CALIPER OR WHEEL CYLINDER (LEFT)	MERITOR CALIPER OR WHEEL CYLINDER (RIGHT)	MERITOR CALIPER OR WHEEL CYLINDER REPAIR KIT	MERITOR CALIPER PISTON	MERITOR MASTER CYLINDER	MERITOR MASTER CYLINDER KIT	MERITOR BRAKE HOSE (LEFT)	MERITOR BRAKE HOSE (RIGHT)
FORD(Cont.)									
F600 SERIES: CONVENTIONAL(Cont.)									
23-122691-002 ⁴² 23-122703-002 ¹⁸⁶	2-7/8 " 2-7/8 "	60050145X 60050145X	60050145X ³⁷ 60050145X ³⁷	60050146 60050146	69270702 ⁴¹ 69270702 ⁴¹	- -	- -	- -	- -
-	1-1/4 " 1-1/4 " 1-1/4 " 1-1/4 "	R4133720 R4133581 R4133581 R4133720	R4133721 R4133582 R4133581 R4133721	R4166923 R4166923 R4166923 R4166923	NR NR NR NR	N/A ³⁵⁸ N/A ³⁵⁸ N/A ³⁵⁸ N/A ³⁵⁸	R4122688 R4122688 R4122688 R4122688	- - - -	- - - -
-	1-5/8 " 1-1/2 " 1-1/2 " 1-5/8 " 1-5/8 "	R4133606 R4033607 R4033607 R4133338 R4133338	R4133606 R4033607 R4033607 R4133338 R4133338	R415193 R4166818 R4166818 R4166689 R4166689	NR NR NR NR NR	- - - - -	- - - - -	- - - - -	- - - - -
-	1-5/8 " 1-5/8 " 1-3/4 " 1-3/4 "	R4133338 R4133338 R4133400 R4133400	R4133338 R4133338 R4133400 R4133400	R4166689 R4166689 R4166917 R4166917	NR NR NR NR	- - - -	- - - -	- - - -	- - - -
-	1.09375 1.09375	R4133484 R4133484	R4133485 R4133485	R4166819 R4166819	NR NR	- -	- -	- -	- -
-	1-1/8 " 1-1/8 " 1-1/8 " 1-1/8 " 1-1/8 " 1-1/8 " 1-1/8 " 1-1/8 "	R4133714 R4133719 R4133714 R4133719 R4133716 R4133716 R4133714 R4133714	R4133715 R4133718 R4133715 R4133718 R4133717 R4133717 R4133715 R4133715	R4166926 R4166926 R4166926 R4166926 R4166926 R4166926 R4166926 R4166926	NR NR NR NR NR NR NR NR	- - - - - - - -	- - - - - - - -	- - - - - - - -	- - - - - - - -
23-122700-002 ⁹	2-1/2 "	R424244X	R424244X ³⁷	60050266	69270757 ⁴¹	-	-	-	-
23-122691-002 ⁴² 23-122703-002 ¹⁸⁶	2-7/8 " 2-7/8 "	60050145X 60050145X	60050145X ³⁷ 60050145X ³⁷	60050146 60050146	69270702 ⁴¹ 69270702 ⁴¹	- -	- -	- -	- -
-	1-1/4 " 1-1/4 " 1-1/4 " 1-1/4 "	R4133581 R4133581 R4133720 R4133720	R4133581 R4133582 R4133721 R4133721	R4166923 R4166923 R4166923 R4166923	NR NR NR NR	N/A ³⁵⁸ N/A ³⁵⁸ N/A ³⁵⁸ N/A ³⁵⁸	R4122688 R4122688 R4122688 R4122688	- - - -	- - - -
-	1-1/2 " 1-5/8 " 1-1/2 " 1-5/8 " 1-5/8 "	R4033607 R4133606 R4033607 R4133338 R4133338	R4033607 R4133606 R4033607 R4133338 R4133338	R4166818 R415193 R4166818 R4166689 R4166689	NR NR NR NR NR	- - - - -	- - - - -	- - - - -	- - - - -
-	1-5/8 " 1-5/8 " 1-3/4 " 1-3/4 "	R4133338 R4133338 R4133400 R4133400	R4133338 R4133338 R4133400 R4133400	R4166689 R4166689 R4166917 R4166917	NR NR NR NR	- - - -	- - - -	- - - -	- - - -
-	1.09375 1.09375	R4133484 R4133484	R4133485 R4133485	R4166819 R4166819	NR NR	- -	- -	- -	- -
-	1-1/8 " 1-1/8 " 1-1/8 " 1-1/8 " 1-1/8 " 1-1/8 " 1-1/8 " 1-1/8 "	R4133719 R4133716 R4133714 R4133716 R4133714 R4133714 R4133719 R4133714	R4133718 R4133717 R4133715 R4133717 R4133715 R4133715 R4133718 R4133715	R4166926 R4166926 R4166926 R4166926 R4166926 R4166926 R4166926 R4166926	NR NR NR NR NR NR NR NR	- - - - - - - -	- - - - - - - -	- - - - - - - -	- - - - - - - -
23-122700-002 ⁹	2-1/2 "	R424244X	R424244X ³⁷	60050266	69270757 ⁴¹	-	-	-	-
23-122703-002 ¹⁸⁶ 23-122691-002 ⁴²	2-7/8 " 2-7/8 "	60050145X 60050145X	60050145X ³⁷ 60050145X ³⁷	60050146 60050146	69270702 ⁴¹ 69270702 ⁴¹	- -	- -	- -	- -
-	1-1/4 " 1-1/4 " 1-1/4 " 1-1/4 "	R4133720 R4133581 R4133720 R4133581	R4133721 R4133581 R4133721 R4133582	R4166923 R4166923 R4166923 R4166923	NR NR NR NR	N/A ³⁵⁸ N/A ³⁵⁸ N/A ³⁵⁸ N/A ³⁵⁸	R4122688 R4122688 R4122688 R4122688	- - - -	- - - -
-	1-1/2 " 1-5/8 " 1-1/2 " 1-5/8 "	R4033607 R4133606 R4033607 R4133338	R4033607 R4133606 R4033607 R4133338	R4166818 R415193 R4166818 R4166689	NR NR NR NR	- - - -	- - - -	- - - -	- - - -

1 APPLICATION

MAKE MODEL YEAR AXLE CODE AXLE WEIGHT	AXLE & BRK. TYPE	BRK. MFG.	BRAKE SIZE	FMSI	MERITOR DISC PAD OR BRAKE SHOE	MERITOR GUIDE PIN OR RETURN SPRING KIT	MERITOR CALIPER HWD. KIT OR RETURN SPRING KIT	MERITOR ADJUSTER KIT (LEFT WHEEL)	MERITOR ADJUSTER KIT (RIGHT WHEEL)
FORD(Cont.)									
F600 SERIES: CONVENTIONAL(Cont.)									
1970									
R170, R175	Ra	WG	15" x 5"	1252 - 346	R700346	R40H597	R40H9200	R40H3540	R40H3541
R185	Ra	WG	15" x 6"	4596 - 381	R700381	R40H597	R40H9200	R40H3540	R40H3541
	Ra	WG	15" x 6"	4596 - 381	R700381	R40H597	R40H9200	R40H3540	R40H3541
	Ra	WG	15" x 7"	4597 - 383	R700383	R40H597	R40H9200	R40H3540	R40H3541
	Ra	WG	15" x 7"	4597 - 383	R700383	R40H597	R40H9200	R40H3540	R40H3541
1969									
F050, F055, F060	Fa	KH	14" x 2-1/2"	2060 - 361	Discontinued	R40H596	R40H9219	R40H3536	R40H3537
	Fa	KH	14" x 2-1/2"	2060 - 361	Discontinued	R40H596	R40H9219	R40H3536	R40H3537
F070	Fa	WG	15" x 3"	1245C - 321	R700321	R40H521	R40H9237	R40H3502	R40H3503
	Fa	WG	15" x 3"	1245C - 321	R700321	R40H521	R40H9237	R40H3502	R40H3503
	Fa	WG	15" x 3"	1245C - 321	R700321	R40H521	R40H9237	R40H3502	R40H3503
	Fa	WG	15" x 3"	1245C - 321	R700321	R40H521	R40H9237	R40H3502	R40H3503
	Fa	WG	15" x 3"	1245C - 321	R700321	R40H521	R40H9237	R40H3502	R40H3503
	Fa	WG	15" x 3"	1245C - 321	R700321	R40H521	R40H9237	R40H3502	R40H3503
	Fa	WG	15" x 3"	1245C - 321	R700321	R40H521	R40H9237	R40H3502	R40H3503
	Fa	WG	15" x 3"	1245C - 321	R700321	R40H521	R40H9237	R40H3502	R40H3503
	Fa	WG	15" x 3"	1245C - 321	R700321	R40H521	R40H9237	R40H3502	R40H3503
	Fa	WG	15" x 3"	1245C - 321	R700321	R40H521	R40H9237	R40H3502	R40H3503
F080, F090	Fd	DN		7141 - D224	MD224 ³⁴⁰	69310693	60050153	NR	NR
	Fd	DN		7149 - D236	MD236 ³⁴¹	69310693	R40H5523	NR	NR
F090, F120	Fd	DN		7149 - D236	MD236 ³⁴¹	69310693	R40H5523	NR	NR
	Fd	DN		7149 - D236	MD236 ³⁴¹	69310693	R40H5523	NR	NR
F090, F120	Fa	WG	15" x 3"	1245C - 321	R700321	R40H521	R40H9237	R40H3502	R40H3503
	Fa	WG	15" x 3"	1245C - 321	R700321	R40H521	R40H9237	R40H3502	R40H3503
	Fa	WG	15" x 3"	1245C - 321	R700321	R40H521	R40H9237	R40H3502	R40H3503
	Fa	WG	15" x 3"	1245C - 321	R700321	R40H521	R40H9237	R40H3502	R40H3503
R170, R175	Ra	KH	15" x 5"	4646 - 400	R700400	R40H595	R40H9220	R40H3538	R40H3539
	Ra	KH	15" x 5"	4646 - 400	R700400	R40H595	R40H9220	R40H3538	R40H3539
	Ra	KH	15" x 5"	4646 - 400	R700400	R40H595	R40H9220	R40H3538	R40H3539
	Ra	WG	15" x 5"	1252 - 346	R700346	R40H597	R40H9200	R40H3540	R40H3541
	Ra	WG	15" x 5"	1252 - 346	R700346	R40H597	R40H9200	R40H3540	R40H3541
	Ra	WG	15" x 5"	1252 - 346	R700346	R40H597	R40H9200	R40H3540	R40H3541
R185	Ra	WG	15" x 6"	4596 - 381	R700381	R40H597	R40H9200	R40H3540	R40H3541
	Ra	WG	15" x 6"	4596 - 381	R700381	R40H597	R40H9200	R40H3540	R40H3541
	Ra	WG	15" x 7"	4597 - 383	R700383	R40H597	R40H9200	R40H3540	R40H3541
	Ra	WG	15" x 7"	4597 - 383	R700383	R40H597	R40H9200	R40H3540	R40H3541
1968									
F050, F055, F060	Fa	KH	14" x 2-1/2"	2060 - 361	Discontinued	R40H596	R40H9219	R40H3536	R40H3537
	Fa	KH	14" x 2-1/2"	2060 - 361	Discontinued	R40H596	R40H9219	R40H3536	R40H3537
F070	Fa	WG	15" x 3"	1245C - 321	R700321	R40H521	R40H9237	R40H3502	R40H3503
	Fa	WG	15" x 3"	1245C - 321	R700321	R40H521	R40H9237	R40H3502	R40H3503
	Fa	WG	15" x 3"	1245C - 321	R700321	R40H521	R40H9237	R40H3502	R40H3503
	Fa	WG	15" x 3"	1245C - 321	R700321	R40H521	R40H9237	R40H3502	R40H3503
	Fa	WG	15" x 3"	1245C - 321	R700321	R40H521	R40H9237	R40H3502	R40H3503
	Fa	WG	15" x 3"	1245C - 321	R700321	R40H521	R40H9237	R40H3502	R40H3503
	Fa	WG	15" x 3"	1245C - 321	R700321	R40H521	R40H9237	R40H3502	R40H3503
	Fa	WG	15" x 3"	1245C - 321	R700321	R40H521	R40H9237	R40H3502	R40H3503
	Fa	WG	15" x 3"	1245C - 321	R700321	R40H521	R40H9237	R40H3502	R40H3503
	Fa	WG	15" x 3"	1245C - 321	R700321	R40H521	R40H9237	R40H3502	R40H3503
F080, F090	Fd	DN		7141 - D224	MD224 ³⁴⁰	69310693	60050153	NR	NR
	Fd	DN		7149 - D236	MD236 ³⁴¹	69310693	R40H5523	NR	NR
F090, F120	Fd	DN		7149 - D236	MD236 ³⁴¹	69310693	R40H5523	NR	NR
	Fd	DN		7149 - D236	MD236 ³⁴¹	69310693	R40H5523	NR	NR
F090, F120	Fa	WG	15" x 3"	1245C - 321	R700321	R40H521	R40H9237	R40H3502	R40H3503
	Fa	WG	15" x 3"	1245C - 321	R700321	R40H521	R40H9237	R40H3502	R40H3503
	Fa	WG	15" x 3"	1245C - 321	R700321	R40H521	R40H9237	R40H3502	R40H3503
	Fa	WG	15" x 3"	1245C - 321	R700321	R40H521	R40H9237	R40H3502	R40H3503
R170, R175	Ra	KH	15" x 5"	4646 - 400	R700400	R40H595	R40H9220	R40H3538	R40H3539
	Ra	KH	15" x 5"	4646 - 400	R700400	R40H595	R40H9220	R40H3538	R40H3539
	Ra	KH	15" x 5"	4646 - 400	R700400	R40H595	R40H9220	R40H3538	R40H3539
	Ra	WG	15" x 5"	1252 - 346	R700346	R40H597	R40H9200	R40H3540	R40H3541
	Ra	WG	15" x 5"	1252 - 346	R700346	R40H597	R40H9200	R40H3540	R40H3541
	Ra	WG	15" x 5"	1252 - 346	R700346	R40H597	R40H9200	R40H3540	R40H3541
R185	Ra	WG	15" x 6"	4596 - 381	R700381	R40H597	R40H9200	R40H3540	R40H3541
	Ra	WG	15" x 6"	4596 - 381	R700381	R40H597	R40H9200	R40H3540	R40H3541
	Ra	WG	15" x 7"	4597 - 383	R700383	R40H597	R40H9200	R40H3540	R40H3541
	Ra	WG	15" x 7"	4597 - 383	R700383	R40H597	R40H9200	R40H3540	R40H3541
F650 SERIES: CONVENTIONAL									
2007									
	Fd	Bosch		7655 - D786	MD786	N/R	R4011754	N/R	N/R
	Fd	Bosch		7654 - D786	MD786A	N/R	R4011754	N/R	N/R

9 - 6 Stud, Dayton Rotor, Hat Style
 42 - 6 Stud, Dayton Rotor, "U" Style
 341 - Use 69160445 for Disc Pad Retainer Clip
 www.XpresswayPlus.com

37 - Also available as a New unit
 186 - 10 Stud
 358 - Split System

41 - Aluminum piston
 340 - Use 69160457 for Disc Pad Retainer Clip
 387 - 10 Hole Rotor

MERITOR DRUM OR ROTOR NO.	CALIPER OR CYLINDER BORE SIZE	MERITOR CALIPER OR WHEEL CYLINDER (LEFT)	MERITOR CALIPER OR WHEEL CYLINDER (RIGHT)	MERITOR CALIPER OR WHEEL CYLINDER REPAIR KIT	MERITOR CALIPER PISTON	MERITOR MASTER CYLINDER	MERITOR MASTER CYLINDER KIT	MERITOR BRAKE HOSE (LEFT)	MERITOR BRAKE HOSE (RIGHT)
FORD(Cont.)									
F600 SERIES: CONVENTIONAL(Cont.)									
-	1-5/8 "	R4133338	R4133338	R4166689	NR	-	-	-	-
-	1-5/8 "	R4133338	R4133338	R4166689	NR	-	-	-	-
-	1-5/8 "	R4133338	R4133338	R4166689	NR	-	-	-	-
-	1-3/4 "	R4133400	R4133400	R4166917	NR	-	-	-	-
-	1-3/4 "	R4133400	R4133400	R4166917	NR	-	-	-	-
-	1.09375	R4133484	R4133485	R4166819	NR	-	-	-	-
-	1.09375	R4133484	R4133485	R4166819	NR	-	-	-	-
-	1-1/8 "	R4133714	R4133715	R4166926	NR	-	-	-	-
-	1-1/8 "	R4133716	R4133717	R4166926	NR	-	-	-	-
-	1-1/8 "	R4133714	R4133715	R4166926	NR	-	-	-	-
-	1-1/8 "	R4133716	R4133717	R4166926	NR	-	-	-	-
-	1-1/8 "	R4133719	R4133718	R4166926	NR	-	-	-	-
-	1-1/8 "	R4133719	R4133718	R4166926	NR	-	-	-	-
-	1-1/8 "	R4133714	R4133715	R4166926	NR	-	-	-	-
-	1-1/8 "	R4133714	R4133715	R4166926	NR	-	-	-	-
23-122700-002 ⁹	2-1/2 "	R424244X	R424244X ³⁷	60050266	6927075 ⁴¹	-	-	-	-
23-122691-002 ⁴²	2-7/8 "	60050145X	60050145X ³⁷	60050146	69270702 ⁴¹	-	-	-	-
23-122703-002 ¹⁸⁶	2-7/8 "	60050145X	60050145X ³⁷	60050146	69270702 ⁴¹	-	-	-	-
-	1-1/4 "	R4133581	R4133581	R4166923	NR	N/A ³⁵⁸	R4122688	-	-
-	1-1/4 "	R4133720	R4133721	R4166923	NR	N/A ³⁵⁸	R4122688	-	-
-	1-1/4 "	R4133720	R4133721	R4166923	NR	N/A ³⁵⁸	R4122688	-	-
-	1-1/4 "	R4133581	R4133582	R4166923	NR	N/A ³⁵⁸	R4122688	-	-
-	1-1/2 "	R4033607	R4033607	R4166818	NR	-	-	-	-
-	1-1/2 "	R4033607	R4033607	R4166818	NR	-	-	-	-
-	1-5/8 "	R4133606	R4133606	R415193	NR	-	-	-	-
-	1-5/8 "	R4133338	R4133338	R4166689	NR	-	-	-	-
-	1-5/8 "	R4133338	R4133338	R4166689	NR	-	-	-	-
-	1-5/8 "	R4133338	R4133338	R4166689	NR	-	-	-	-
-	1-5/8 "	R4133338	R4133338	R4166689	NR	-	-	-	-
-	1-5/8 "	R4133338	R4133338	R4166689	NR	-	-	-	-
-	1-3/4 "	R4133400	R4133400	R4166917	NR	-	-	-	-
-	1-3/4 "	R4133400	R4133400	R4166917	NR	-	-	-	-
-	1.09375	R4133484	R4133485	R4166819	NR	-	-	-	-
-	1.09375	R4133484	R4133485	R4166819	NR	-	-	-	-
-	1-1/8 "	R4133719	R4133718	R4166926	NR	-	-	-	-
-	1-1/8 "	R4133716	R4133717	R4166926	NR	-	-	-	-
-	1-1/8 "	R4133714	R4133715	R4166926	NR	-	-	-	-
-	1-1/8 "	R4133714	R4133715	R4166926	NR	-	-	-	-
-	1-1/8 "	R4133714	R4133715	R4166926	NR	-	-	-	-
-	1-1/8 "	R4133719	R4133718	R4166926	NR	-	-	-	-
-	1-1/8 "	R4133716	R4133717	R4166926	NR	-	-	-	-
-	1-1/8 "	R4133714	R4133715	R4166926	NR	-	-	-	-
23-122700-002 ⁹	2-1/2 "	R424244X	R424244X ³⁷	60050266	6927075 ⁴¹	-	-	-	-
23-122691-002 ⁴²	2-7/8 "	60050145X	60050145X ³⁷	60050146	69270702 ⁴¹	-	-	-	-
23-122703-002 ¹⁸⁶	2-7/8 "	60050145X	60050145X ³⁷	60050146	69270702 ⁴¹	-	-	-	-
-	1-1/4 "	R4133581	R4133582	R4166923	NR	N/A ³⁵⁸	R4122688	-	-
-	1-1/4 "	R4133581	R4133581	R4166923	NR	N/A ³⁵⁸	R4122688	-	-
-	1-1/4 "	R4133720	R4133721	R4166923	NR	N/A ³⁵⁸	R4122688	-	-
-	1-1/4 "	R4133720	R4133721	R4166923	NR	N/A ³⁵⁸	R4122688	-	-
-	1-5/8 "	R4133606	R4133606	R415193	NR	-	-	-	-
-	1-1/2 "	R4033607	R4033607	R4166818	NR	-	-	-	-
-	1-1/2 "	R4033607	R4033607	R4166818	NR	-	-	-	-
-	1-5/8 "	R4133338	R4133338	R4166689	NR	-	-	-	-
-	1-5/8 "	R4133338	R4133338	R4166689	NR	-	-	-	-
-	1-5/8 "	R4133338	R4133338	R4166689	NR	-	-	-	-
-	1-5/8 "	R4133338	R4133338	R4166689	NR	-	-	-	-
-	1-5/8 "	R4133338	R4133338	R4166689	NR	-	-	-	-
-	1-3/4 "	R4133400	R4133400	R4166917	NR	-	-	-	-
-	1-3/4 "	R4133400	R4133400	R4166917	NR	-	-	-	-
F650 SERIES: CONVENTIONAL									
23-123552-004 ³⁸⁷	73mm	R4255850	R4255850	R4011758	R4011757	-	-	-	-
23-123550-004 ³⁸⁷	66mm	R4255849	R4255849	R4011752	R4011751	-	-	-	-

MAKE MODEL YEAR AXLE CODE AXLE WEIGHT	AXLE & BRK. TYPE	BRK. MFG.	BRAKE SIZE	FMSI	MERITOR DISC PAD OR BRAKE SHOE	MERITOR GUIDE PIN OR RETURN SPRING KIT	MERITOR CALIPER HWD. KIT OR RETURN SPRING KIT	MERITOR ADJUSTER KIT (LEFT WHEEL)	MERITOR ADJUSTER KIT (RIGHT WHEEL)
FORD(Cont.)									
F650 SERIES: CONVENTIONAL(Cont.)									
2007									
	Fd	Bosch		7654 - D786	MD786A	N/R	R4011754	N/R	N/R
	Fd	Bosch		7655 - D786	MD786	N/R	R4011754	N/R	N/R
	Fd	Bosch		7655 - D786	MD786	N/R	R4011754	N/R	N/R
	Fd	Bosch		7654 - D786	MD786A	N/R	R4011754	N/R	N/R
	Rd	Bosch		7655 - D786	MD786	N/R	R4011754	N/R	N/R
	Rd	Bosch		7655 - D786	MD786	N/R	R4011754	N/R	N/R
	Rd	Bosch		7655 - D786	MD786	N/R	R4011754	N/R	N/R
	Rd	Bosch		7654 - D786	MD786A	N/R	R4011754	N/R	N/R
	Rd	Bosch		7654 - D786	MD786A	N/R	R4011754	N/R	N/R
	Rd	Bosch		7654 - D786	MD786A	N/R	R4011754	N/R	N/R
2006									
	Fd	Bosch		7655 - D786	MD786	N/R	R4011754	N/R	N/R
	Fd	Bosch		7655 - D786	MD786	N/R	R4011754	N/R	N/R
	Fd	Bosch		7654 - D786	MD786A	N/R	R4011754	N/R	N/R
	Fd	Bosch		7654 - D786	MD786A	N/R	R4011754	N/R	N/R
	Fd	Bosch		7655 - D786	MD786	N/R	R4011754	N/R	N/R
	Fd	Bosch		7654 - D786	MD786A	N/R	R4011754	N/R	N/R
	Rd	Bosch		7654 - D786	MD786A	N/R	R4011754	N/R	N/R
	Rd	Bosch		7654 - D786	MD786A	N/R	R4011754	N/R	N/R
	Rd	Bosch		7654 - D786	MD786A	N/R	R4011754	N/R	N/R
	Rd	Bosch		7655 - D786	MD786	N/R	R4011754	N/R	N/R
	Rd	Bosch		7655 - D786	MD786	N/R	R4011754	N/R	N/R
	Rd	Bosch		7655 - D786	MD786	N/R	R4011754	N/R	N/R
2005									
	Fd	Bosch		7654 - D786	MD786A	N/R	R4011754	N/R	N/R
	Fd	Bosch		7654 - D786	MD786A	N/R	R4011754	N/R	N/R
	Fd	Bosch		7654 - D786	MD786A	N/R	R4011754	N/R	N/R
	Fd	Bosch		7655 - D786	MD786	N/R	R4011754	N/R	N/R
	Fd	Bosch		7655 - D786	MD786	N/R	R4011754	N/R	N/R
	Fd	Bosch		7655 - D786	MD786	N/R	R4011754	N/R	N/R
	Rd	Bosch		7655 - D786	MD786	N/R	R4011754	N/R	N/R
	Rd	Bosch		7654 - D786	MD786A	N/R	R4011754	N/R	N/R
	Rd	Bosch		7655 - D786	MD786	N/R	R4011754	N/R	N/R
	Rd	Bosch		7655 - D786	MD786	N/R	R4011754	N/R	N/R
	Rd	Bosch		7654 - D786	MD786A	N/R	R4011754	N/R	N/R
	Rd	Bosch		7654 - D786	MD786A	N/R	R4011754	N/R	N/R
	Rd	Bosch		7655 - D786	MD786	N/R	R4011754	N/R	N/R
2004									
	Fd	Bosch		7654 - D786	MD786A	N/R	R4011754	N/R	N/R
	Fd	Bosch		7655 - D786	MD786	N/R	R4011754	N/R	N/R
	Fd	Bosch		7655 - D786	MD786	N/R	R4011754	N/R	N/R
	Fd	Bosch		7655 - D786	MD786	N/R	R4011754	N/R	N/R
	Fd	Bosch		7654 - D786	MD786A	N/R	R4011754	N/R	N/R
	Fd	Bosch		7654 - D786	MD786A	N/R	R4011754	N/R	N/R
	Rd	Bosch		7654 - D786	MD786A	N/R	R4011754	N/R	N/R
	Rd	Bosch		7655 - D786	MD786	N/R	R4011754	N/R	N/R
	Rd	Bosch		7654 - D786	MD786A	N/R	R4011754	N/R	N/R
	Rd	Bosch		7655 - D786	MD786	N/R	R4011754	N/R	N/R
	Rd	Bosch		7655 - D786	MD786	N/R	R4011754	N/R	N/R
2003									
	Fd	Meritor		7636 - D769	MD769	N/R	R4011729	N/R	N/R
	Rd	Meritor		7141 - D224	MD224	60050153	69160457	N/R	N/R
21,000, 23,000 lb Axle	Rd	Meritor		7636 - D769	MD769	N/R	R4011729	N/R	N/R
17,500, 19,000 lb Axle	Rd	Meritor		7636 - D769	MD769	N/R	R4011729	N/R	N/R
2002									
	Fd	Meritor		7636 - D769	MD769	N/R	R4011729	N/R	N/R
	Rd	Meritor		7141 - D224	MD224	60050153	69160457	N/R	N/R
21,000, 23,000 lb Axle	Rd	Meritor		7636 - D769	MD769	N/R	R4011729	N/R	N/R
17,500, 19,000 lb Axle	Rd	Meritor		7636 - D769	MD769	N/R	R4011729	N/R	N/R
2001									
	Fd	Meritor		7636 - D769	MD769	N/R	R4011729	N/R	N/R
	Rd	Meritor		7141 - D224	MD224	60050153	69160457	N/R	N/R
21,000, 23,000 lb Axle	Rd	Meritor		7636 - D769	MD769	N/R	R4011729	N/R	N/R
17,500, 19,000 lb Axle	Rd	Meritor		7636 - D769	MD769	N/R	R4011729	N/R	N/R

MERITOR DRUM OR ROTOR NO.	CALIPER OR CYLINDER BORE SIZE	MERITOR CALIPER OR WHEEL CYLINDER (LEFT)	MERITOR CALIPER OR WHEEL CYLINDER (RIGHT)	MERITOR CALIPER OR WHEEL CYLINDER REPAIR KIT	MERITOR CALIPER PISTON	MERITOR MASTER CYLINDER	MERITOR MASTER CYLINDER KIT	MERITOR BRAKE HOSE (LEFT)	MERITOR BRAKE HOSE (RIGHT)
FORD(Cont.)									
F650 SERIES: CONVENTIONAL(Cont.)									
23-123552-004 ³⁸⁷	66mm	R4255849	R4255849	R4011752	R4011751	-	-	-	-
R44141476 ³⁸⁸	73mm	R4255850	R4255850	R4011758	R4011757	-	-	-	-
23-123550-004 ³⁸⁷	73mm	R4255850	R4255850	R4011758	R4011757	-	-	-	-
R44141476 ³⁸⁸	66mm	R4255849	R4255849	R4011752	R4011751	-	-	-	-
R44141476 ³⁸⁸	73mm	R4255850	R4255850	R4011758	R4011757	-	-	-	-
23-123552-004 ³⁸⁷	73mm	R4255850	R4255850	R4011758	R4011757	-	-	-	-
23-123550-004 ³⁸⁷	73mm	R4255850	R4255850	R4011758	R4011757	-	-	-	-
R44141476 ³⁸⁸	66mm	R4255849	R4255849	R4011752	R4011751	-	-	-	-
23-123550-004 ³⁸⁷	66mm	R4255849	R4255849	R4011752	R4011751	-	-	-	-
23-123552-004 ³⁸⁷	66mm	R4255849	R4255849	R4011752	R4011751	-	-	-	-
23-123552-004 ³⁸⁷	73mm	R4255850	R4255850	R4011758	R4011757	-	-	-	-
23-123550-004 ³⁸⁷	73mm	R4255850	R4255850	R4011758	R4011757	-	-	-	-
R44141476 ³⁸⁸	66mm	R4255849	R4255849	R4011752	R4011751	-	-	-	-
23-123552-004 ³⁸⁷	66mm	R4255849	R4255849	R4011752	R4011751	-	-	-	-
R44141476 ³⁸⁸	66mm	R4255849	R4255849	R4011752	R4011751	-	-	-	-
23-123552-004 ³⁸⁷	73mm	R4255850	R4255850	R4011758	R4011757	-	-	-	-
23-123550-004 ³⁸⁷	73mm	R4255850	R4255850	R4011758	R4011757	-	-	-	-
R44141476 ³⁸⁸	66mm	R4255849	R4255849	R4011752	R4011751	-	-	-	-
23-123552-004 ³⁸⁷	66mm	R4255849	R4255849	R4011752	R4011751	-	-	-	-
R44141476 ³⁸⁸	73mm	R4255850	R4255850	R4011758	R4011757	-	-	-	-
23-123552-004 ³⁸⁷	73mm	R4255850	R4255850	R4011758	R4011757	-	-	-	-
R44141476 ³⁸⁸	66mm	R4255849	R4255849	R4011752	R4011751	-	-	-	-
23-123552-004 ³⁸⁷	66mm	R4255849	R4255849	R4011752	R4011751	-	-	-	-
R44141476 ³⁸⁸	73mm	R4255850	R4255850	R4011758	R4011757	-	-	-	-
23-123550-004 ³⁸⁷	73mm	R4255850	R4255850	R4011758	R4011757	-	-	-	-
23-123552-004 ³⁸⁷	73mm	R4255850	R4255850	R4011758	R4011757	-	-	-	-
R44141476 ³⁸⁸	66mm	R4255849	R4255849	R4011752	R4011751	-	-	-	-
23-123552-004 ³⁸⁷	66mm	R4255849	R4255849	R4011752	R4011751	-	-	-	-
R44141476 ³⁸⁸	73mm	R4255850	R4255850	R4011758	R4011757	-	-	-	-
23-123550-004 ³⁸⁷	73mm	R4255850	R4255850	R4011758	R4011757	-	-	-	-
23-123552-004 ³⁸⁷	73mm	R4255850	R4255850	R4011758	R4011757	-	-	-	-
R44141476 ³⁸⁸	66mm	R4255849	R4255849	R4011752	R4011751	R413013761	-	-	-
23-123552-004 ³⁸⁷	73mm	R4255850	R4255850	R4011758	R4011757	R413013761	-	-	-
23-123550-004 ³⁸⁷	73mm	R4255850	R4255850	R4011758	R4011757	R413013761	-	-	-
23-123552-004 ³⁸⁷	73mm	R4255850	R4255850	R4011758	R4011757	R413013761	-	-	-
R44141476 ³⁸⁸	66mm	R4255849	R4255849	R4011752	R4011751	R413013761	-	-	-
23-123550-004 ³⁸⁷	66mm	R4255849	R4255849	R4011752	R4011751	R413013761	-	-	-
23-123552-004 ³⁸⁷	66mm	R4255849	R4255849	R4011752	R4011751	R413013761	-	-	-
R44141476 ³⁸⁸	73mm	R4255850	R4255850	R4011758	R4011757	R413013761	-	-	-
23-123550-004 ³⁸⁷	73mm	R4255850	R4255850	R4011758	R4011757	R413013761	-	-	-
23-123552-004 ³⁸⁷	73mm	R4255850	R4255850	R4011758	R4011757	R413013761	-	-	-
R44141476 ³⁸⁸	66mm	R4255849	R4255849	R4011752	R4011751	R413013761	-	-	-
23-123552-004 ³⁸⁷	66mm	R4255849	R4255849	R4011752	R4011751	R413013761	-	-	-
R44141476 ³⁸⁸	73mm	R4255850	R4255850	R4011758	R4011757	R413013761	-	-	-
23-123550-004 ³⁸⁷	73mm	R4255850	R4255850	R4011758	R4011757	R413013761	-	-	-
23-123498-002 ²⁶⁶	70mm	60450469002	60450468002 ³⁶⁵	R4011730	60050334	R413013761	-	-	-
23-123528-002	2.50"	60050150	60050150	60050266	69270757	R413013761	-	-	-
23-123461-002	70mm	60450469002	60450468002 ³⁶⁵	R4011730	60050334	R413013761	-	-	-
23-123489-002 ³⁸⁷	64mm	60450474001	60450473001 ³⁶⁵	R4011731	R4011511	R413013761	-	-	-
23-123498-002 ²⁶⁶	70mm	60450469002	60450468002 ³⁶⁵	R4011730	60050334	R413013761	-	-	-
23-123528-002	2.50"	60050150	60050150	60050266	69270757	R413013761	-	-	-
23-123461-002	70mm	60450469002	60450468002 ³⁶⁵	R4011730	60050334	R413013761	-	-	-
23-123489-002 ³⁸⁷	64mm	60450474001	60450473001 ³⁶⁵	R4011731	R4011511	R413013761	-	-	-
23-123498-002 ²⁶⁶	70mm	60450469002	60450468002 ³⁶⁵	R4011730	60050334	R413013761	-	-	-
23-123528-002	2.50"	60050150	60050150	60050266	69270757	R413013761	-	-	-
23-123461-002	70mm	60450469002	60450468002 ³⁶⁵	R4011730	60050334	R413013761	-	-	-
23-123489-002 ³⁸⁷	64mm	60450474001	60450473001 ³⁶⁵	R4011731	R4011511	R413013761	-	-	-

1 APPLICATION

MAKE MODEL YEAR AXLE CODE AXLE WEIGHT	AXLE & BRK. TYPE	BRK. MFG.	BRAKE SIZE	FMSI	MERITOR DISC PAD OR BRAKE SHOE	MERITOR GUIDE PIN OR RETURN SPRING KIT	MERITOR CALIPER HWD. KIT OR RETURN SPRING KIT	MERITOR ADJUSTER KIT (LEFT WHEEL)	MERITOR ADJUSTER KIT (RIGHT WHEEL)
FORD(Cont.)									
F650 SERIES: CONVENTIONAL(Cont.)									
2000	Fd	Meritor		7636 - D769	MD769	N/R	R4011729	N/R	N/R
	Rd	Meritor		7141 - D224	MD224	60050153	69160457	N/R	N/R
21,000, 23,000 lb Axle	Rd	Meritor		7636 - D769	MD769	N/R	R4011729	N/R	N/R
17,5000, 19,000 lb Axle	Rd	Meritor		7636 - D769	MD769	N/R	R4011729	N/R	N/R
F700 SERIES: CONVENTIONAL									
1995	Fd	DN		7149 - D236	MD236 ³⁴¹	69310693	69310782	NR	NR
	Fd	DN		7149 - D236	MD236 ³⁴¹	69310693	69310782	NR	NR
	Fd	DN		7141 - D224	MD224 ³⁴⁰	69310693	60050153	NR	NR
	Fd	DN		7149 - D236	MD236 ³⁴¹	69310693	69310782	NR	NR
	Ra	LG	15" x 5"	4528A - 542	N/A	R40H618	NR	SP7888S	SP7888S
	Ra	LG	15" x 5"	4528A - 542	N/A	R40H618	NR	NR	NR
	Ra	LG	15" x 6"	4504A - 543	N/A	R40H618	NR	SP7887S	SP7887S
	Ra	LG	15" x 6"	4504A - 543	N/A	R40H618	NR	NR	NR
	Ra	LG	15" x 7"	4505A - 544	N/A	R40H618	NR	NR	NR
	Ra	LG	15" x 7"	4505A - 544	N/A	R40H618	NR	SP7887S	SP7887S
1994	Fd	DN		7149 - D236	MD236 ³⁴¹	69310693	69310782	NR	NR
	Fd	DN		7149 - D236	MD236 ³⁴¹	69310693	69310782	NR	NR
	Fd	DN		7141 - D224	MD224 ³⁴⁰	69310693	60050153	NR	NR
	Fd	DN		7149 - D236	MD236 ³⁴¹	69310693	69310782	NR	NR
	Ra	LG	15" x 5"	4528A - 542	N/A	R40H618	NR	SP7888S	SP7888S
	Ra	LG	15" x 5"	4528A - 542	N/A	R40H618	NR	NR	NR
	Ra	LG	15" x 6"	4504A - 543	N/A	R40H618	NR	SP7887S	SP7887S
	Ra	LG	15" x 6"	4504A - 543	N/A	R40H618	NR	NR	NR
	Ra	LG	15" x 7"	4505A - 544	N/A	R40H618	NR	SP7887S	SP7887S
	Ra	LG	15" x 7"	4505A - 544	N/A	R40H618	NR	NR	NR
1993	Fd	DN		7141 - D224	MD224 ³⁴⁰	69310693	60050153	NR	NR
	Fd	DN		7149 - D236	MD236 ³⁴¹	69310693	69310782	NR	NR
	Fd	DN		7149 - D236	MD236 ³⁴¹	69310693	69310782	NR	NR
	Fd	DN		7149 - D236	MD236 ³⁴¹	69310693	69310782	NR	NR
	Ra	LG	15" x 5"	4528A - 542	N/A	R40H618	NR	SP7888S	SP7888S
	Ra	LG	15" x 5"	4528A - 542	N/A	R40H618	NR	NR	NR
	Ra	LG	15" x 6"	4504A - 543	N/A	R40H618	NR	SP7887S	SP7887S
	Ra	LG	15" x 6"	4504A - 543	N/A	R40H618	NR	NR	NR
	Ra	LG	15" x 7"	4505A - 544	N/A	R40H618	NR	NR	NR
	Ra	LG	15" x 7"	4505A - 544	N/A	R40H618	NR	SP7887S	SP7887S
1992	Fd	DN		7149 - D236	MD236 ³⁴¹	69310693	69310782	NR	NR
	Fd	DN		7149 - D236	MD236 ³⁴¹	69310693	69310782	NR	NR
	Fd	DN		7149 - D236	MD236 ³⁴¹	69310693	69310782	NR	NR
	Fd	DN		7141 - D224	MD224 ³⁴⁰	69310693	60050153	NR	NR
	Ra	LG	15" x 5"	4528A - 542	N/A	R40H618	NR	SP7888S	SP7888S
	Ra	LG	15" x 5"	4528A - 542	N/A	R40H618	NR	NR	NR
	Ra	LG	15" x 6"	4504A - 543	N/A	R40H618	NR	SP7887S	SP7887S
	Ra	LG	15" x 6"	4504A - 543	N/A	R40H618	NR	NR	NR
	Ra	LG	15" x 7"	4505A - 544	N/A	R40H618	NR	NR	NR
	Ra	LG	15" x 7"	4505A - 544	N/A	R40H618	NR	SP7887S	SP7887S
1991	Fd	DN		7149 - D236	MD236 ³⁴¹	69310693	69310782	NR	NR
	Fd	DN		7149 - D236	MD236 ³⁴¹	69310693	69310782	NR	NR
	Fd	DN		7141 - D224	MD224 ³⁴⁰	69310693	60050153	NR	NR
	Fd	DN		7149 - D236	MD236 ³⁴¹	69310693	69310782	NR	NR
	Ra	LG	15" x 5"	4528A - 542	N/A	R40H618	NR	SP7888S	SP7888S
	Ra	LG	15" x 5"	4528A - 542	N/A	R40H618	NR	NR	NR
	Ra	LG	15" x 6"	4504A - 543	N/A	R40H618	NR	SP7887S	SP7887S
	Ra	LG	15" x 6"	4504A - 543	N/A	R40H618	NR	NR	NR
	Ra	LG	15" x 7"	4505A - 544	N/A	R40H618	NR	NR	NR
	Ra	LG	15" x 7"	4505A - 544	N/A	R40H618	NR	SP7887S	SP7887S
1990	Fd	DN		7141 - D224	MD224 ³⁴⁰	69310693	60050153	NR	NR
	Fd	DN		7149 - D236	MD236 ³⁴¹	69310693	69310782	NR	NR

9 - 6 Stud, Dayton Rotor, Hat Style
 53 - Power Brakes
 188 - 6 Stud, 9.251" Hub
 www.XpresswayPlus.com

37 - Also available as a New unit
 186 - 10 Stud
 204 - Right Hand; use E-4057 for Left Hand Expander Kits

41 - Aluminum piston
 187 - 6 Stud, 6.443" Hub
 266 - 10 Stud, Hat Shaped

MERITOR DRUM OR ROTOR NO.	CALIPER OR CYLINDER BORE SIZE	MERITOR CALIPER OR WHEEL CYLINDER (LEFT)	MERITOR CALIPER OR WHEEL CYLINDER (RIGHT)	MERITOR CALIPER OR WHEEL CYLINDER REPAIR KIT	MERITOR CALIPER PISTON	MERITOR MASTER CYLINDER	MERITOR MASTER CYLINDER KIT	MERITOR BRAKE HOSE (LEFT)	MERITOR BRAKE HOSE (RIGHT)
FORD(Cont.)									
F650 SERIES: CONVENTIONAL(Cont.)									
23-123498-002 ²⁶⁶	70mm	60450469002	60450468002 ³⁶⁵	R4011730	60050334	R413013761	-	-	-
23-123528-002	2.50"	60050150	60050150	60050266	69270757	R413013761	-	-	-
23-123461-002	70mm	60450469002	60450468002 ³⁶⁵	R4011730	60050334	R413013761	-	-	-
23-123489-002 ³⁸⁷	64mm	60450474001	60450473001 ³⁶⁵	R4011731	R4011511	R413013761	-	-	-
F700 SERIES: CONVENTIONAL									
23-122743-002 ¹⁸⁷	2-7/8 "	60050145X	60050145X ³⁷	60050146	69270702 ⁴¹	-	-	R4577461	R4577461
23-122703-002 ¹⁸⁶	2-7/8 "	60050145X	60050145X ³⁷	60050146	69270702 ⁴¹	-	-	R4577461	R4577461
23-122700-002 ⁹	2-1/2 "	R424244X	R424244X ³⁷	60050266	69270757 ⁴¹	-	-	R4577461	R4577461
23-122691-002 ¹⁸⁸	2-7/8 "	60050145X	60050145X ³⁷	60050146	69270702 ⁴¹	-	-	R4577461	R4577461
N/A	1-5/8 "	201185	201186 ³²⁹	SP7895S	NR	-	-	R4577870	R4577870
N/A	1-5/8 "	201181	201182	SP7895S	NR	-	-	R4577870	R4577870
N/A	1-3/4 "	201183X	201184X ³²⁹	SP7873S	NR	-	-	R4577870	R4577870
N/A	1-3/4 "	201179X	201180X	SP7873S	SP7880S ²⁰⁴	-	-	R4577870	R4577870
N/A	1-3/4 "	201179X	201180X	SP7873S	SP7880S ²⁰⁴	-	-	R4577870	R4577870
N/A	1-3/4 "	201183X	201184X ³²⁹	SP7873S	NR	-	-	R4577870	R4577870
23-122703-002 ¹⁸⁶	2-7/8 "	60050145X	60050145X ³⁷	60050146	69270702 ⁴¹	-	-	R4577461	R4577461
23-122691-002 ¹⁸⁸	2-7/8 "	60050145X	60050145X ³⁷	60050146	69270702 ⁴¹	-	-	R4577461	R4577461
23-122700-002 ⁹	2-1/2 "	R424244X	R424244X ³⁷	60050266	69270757 ⁴¹	-	-	R4577461	R4577461
23-122743-002 ¹⁸⁷	2-7/8 "	60050145X	60050145X ³⁷	60050146	69270702 ⁴¹	-	-	R4577461	R4577461
23-122703-002 ¹⁸⁶	2-7/8 "	60050145X	60050145X ³⁷	60050146	69270702 ⁴¹	-	-	R4577461	R4577461
23-122691-002 ¹⁸⁸	2-7/8 "	60050145X	60050145X ³⁷	60050146	69270702 ⁴¹	-	-	R4577461	R4577461
N/A	1-5/8 "	201185	201186 ³²⁹	SP7895S	NR	-	-	R4577870	R4577870
N/A	1-5/8 "	201181	201182	SP7895S	NR	-	-	R4577870	R4577870
N/A	1-3/4 "	201183X	201184X ³²⁹	SP7873S	NR	-	-	R4577870	R4577870
N/A	1-3/4 "	201179X	201180X	SP7873S	SP7880S ²⁰⁴	-	-	R4577870	R4577870
N/A	1-3/4 "	201179X	201180X	SP7873S	SP7880S ²⁰⁴	-	-	R4577870	R4577870
N/A	1-3/4 "	201183X	201184X ³²⁹	SP7873S	NR	-	-	R4577870	R4577870
23-122703-002 ¹⁸⁶	2-7/8 "	60050145X	60050145X ³⁷	60050146	69270702 ⁴¹	-	-	R4577461	R4577461
23-122743-002 ¹⁸⁷	2-7/8 "	60050145X	60050145X ³⁷	60050146	69270702 ⁴¹	-	-	R4577461	R4577461
23-122691-002 ¹⁸⁸	2-7/8 "	60050145X	60050145X ³⁷	60050146	69270702 ⁴¹	-	-	R4577461	R4577461
23-122700-002 ⁹	2-1/2 "	R424244X	R424244X ³⁷	60050266	69270757 ⁴¹	-	-	R4577461	R4577461
N/A	1-5/8 "	201185	201186 ³²⁹	SP7895S	NR	-	-	R4577870	R4577870
N/A	1-5/8 "	201181	201182	SP7895S	NR	-	-	R4577870	R4577870
N/A	1-3/4 "	201183X	201184X ³²⁹	SP7873S	NR	-	-	R4577870	R4577870
N/A	1-3/4 "	201179X	201180X	SP7873S	SP7880S ²⁰⁴	-	-	R4577870	R4577870
N/A	1-3/4 "	201179X	201180X	SP7873S	SP7880S ²⁰⁴	-	-	R4577870	R4577870
N/A	1-3/4 "	201183X	201184X ³²⁹	SP7873S	NR	-	-	R4577870	R4577870
23-122691-002 ¹⁸⁸	2-7/8 "	60050145X	60050145X ³⁷	60050146	69270702 ⁴¹	-	-	R4577461	R4577461
23-122743-002 ¹⁸⁷	2-7/8 "	60050145X	60050145X ³⁷	60050146	69270702 ⁴¹	-	-	R4577461	R4577461
23-122700-002 ⁹	2-1/2 "	R424244X	R424244X ³⁷	60050266	69270757 ⁴¹	-	-	R4577461	R4577461
23-122703-002 ¹⁸⁶	2-7/8 "	60050145X	60050145X ³⁷	60050146	69270702 ⁴¹	-	-	R4577461	R4577461
N/A	1-5/8 "	201185	201186 ³²⁹	SP7895S	NR	-	-	R4577870	R4577870
N/A	1-5/8 "	201181	201182	SP7895S	NR	-	-	R4577870	R4577870
N/A	1-3/4 "	201183X	201184X ³²⁹	SP7873S	NR	-	-	R4577870	R4577870
N/A	1-3/4 "	201179X	201180X	SP7873S	SP7880S ²⁰⁴	-	-	R4577870	R4577870
N/A	1-3/4 "	201179X	201180X	SP7873S	SP7880S ²⁰⁴	-	-	R4577870	R4577870
N/A	1-3/4 "	201183X	201184X ³²⁹	SP7873S	NR	-	-	R4577870	R4577870
23-122700-002 ⁹	2-1/2 "	R424244X	R424244X ³⁷	60050266	69270757 ⁴¹	R4111999 ⁵³	R4122386	R4577461	R4577461
23-122743-002 ¹⁸⁷	2-7/8 "	60050145X	60050145X ³⁷	60050146	69270702 ⁴¹	R4111999 ⁵³	R4122386	R4577461	R4577461

329 - Forward

365 - Caliper Loaded with Hardware and Disc Pads

340 - Use 69160457 for Disc Pad Retainer Clip

387 - 10 Hole Rotor

341 - Use 69160445 for Disc Pad Retainer Clip

Contact our Customer Service Teams
1-888-725-9355

www.XpresswayPlus.com

1 APPLICATION

MAKE MODEL YEAR AXLE CODE AXLE WEIGHT	AXLE & BRK. TYPE	BRK. MFG.	BRAKE SIZE	FMSI	MERITOR DISC PAD OR BRAKE SHOE	MERITOR GUIDE PIN OR RETURN SPRING KIT	MERITOR CALIPER HWD. KIT OR RETURN SPRING KIT	MERITOR ADJUSTER KIT (LEFT WHEEL)	MERITOR ADJUSTER KIT (RIGHT WHEEL)
FORD(Cont.)									
F700 SERIES: CONVENTIONAL(Cont.)									
1990	Fd	DN		7149 - D236	MD236 ³⁴¹	69310693	69310782	NR	NR
	Fd	DN		7149 - D236	MD236 ³⁴¹	69310693	69310782	NR	NR
	Ra	LG	15" x 5"	4528A - 542	N/A	R40H618	NR	SP7888S	SP7888S
	Ra	LG	15" x 5"	4528A - 542	N/A	R40H618	NR	NR	NR
	Ra	LG	15" x 6"	4504A - 543	N/A	R40H618	NR	NR	NR
	Ra	LG	15" x 6"	4504A - 543	N/A	R40H618	NR	SP7887S	SP7887S
	Ra	LG	15" x 7"	4505A - 544	N/A	R40H618	NR	SP7887S	SP7887S
1989	Fd	DN		7149 - D236	MD236 ³⁴¹	69310693	69310782 ⁴³	NR	NR
	Fd	DN		7149 - D236	MD236 ³⁴¹	69310693	69310782 ⁴³	NR	NR
	Fd	DN		7149 - D236	MD236 ³⁴¹	69310693	69310782 ⁴³	NR	NR
	Fd	DN		7141 - D224	MD224 ³⁴⁰	69310693	60050153	NR	NR
	Ra	LG	15" x 5"	4528A - 542	N/A	R40H618	NR	NR	NR
	Ra	LG	15" x 5"	4528A - 542	N/A	R40H618	NR	SP7888S	SP7888S
	Ra	LG	15" x 6"	4504A - 543	N/A	R40H618	NR	SP7887S	SP7887S
1988	Fd	DN		7149 - D236	MD236 ³⁴¹	69310693	69310782 ⁴³	NR	NR
	Fd	DN		7149 - D236	MD236 ³⁴¹	69310693	69310782 ⁴³	NR	NR
	Fd	DN		7141 - D224	MD224 ³⁴⁰	69310693	60050153	NR	NR
	Fd	DN		7149 - D236	MD236 ³⁴¹	69310693	69310782 ⁴³	NR	NR
	Ra	LG	15" x 5"	4528A - 542	N/A	R40H618	NR	SP7888S	SP7888S
	Ra	LG	15" x 5"	4528A - 542	N/A	R40H618	NR	NR	NR
	Ra	LG	15" x 6"	4504A - 543	N/A	R40H618	NR	SP7887S	SP7887S
1987	Fd	DN		7141 - D224	MD224 ³⁴⁰	69310693	60050153	NR	NR
	Fd	DN		7149 - D236	MD236 ³⁴¹	69310693	69310782 ⁴³	NR	NR
	Fd	DN		7149 - D236	MD236 ³⁴¹	69310693	69310782 ⁴³	NR	NR
	Fd	DN		7149 - D236	MD236 ³⁴¹	69310693	69310782 ⁴³	NR	NR
	Ra	LG	15" x 5"	4528A - 542	N/A	R40H618	NR	SP7888S	SP7888S
	Ra	LG	15" x 5"	4528A - 542	N/A	R40H618	NR	NR	NR
	Ra	LG	15" x 6"	4504A - 543	N/A	R40H618	NR	SP7887S	SP7887S
1986	Fd	DN		7141 - D224	MD224 ³⁴⁰	69310693	60050153	NR	NR
	Fd	DN		7149 - D236	MD236 ³⁴¹	69310693	69310782	NR	NR
	Fd	DN		7149 - D236	MD236 ³⁴¹	69310693	69310782	NR	NR
	Fd	DN		7149 - D236	MD236 ³⁴¹	69310693	69310782	NR	NR
	Ra	LG	15" x 5"	4528A - 542	N/A	R40H618	NR	NR	NR
	Ra	LG	15" x 5"	4528A - 542	N/A	R40H618	NR	SP7888S	SP7888S
	Ra	LG	15" x 6"	4504A - 543	N/A	R40H618	NR	NR	NR
F050, F055, F060	Fa	KH	14" x 2-1/2"	2060 - 361	Discontinued	R40H596	R40H9219	R40H3536	R40H3537
F070	Fa	WG	15" x 3"	1245C - 321	R700321	R40H521	R40H9237	R40H3502	R40H3503
	Fa	WG	15" x 3"	1245C - 321	R700321	R40H521	R40H9237	R40H3502	R40H3503
	Fd	DN		7141 - D224	MD224 ³⁴⁰	69310693	60050153	NR	NR
F080, F090	Fd	DN		7149 - D236	MD236 ³⁴¹	69310693	69310782	NR	NR
	Fd	DN		7149 - D236	MD236 ³⁴¹	69310693	69310782	NR	NR
R170, R175	Ra	KH	15" x 5"	4646 - 400	R700400	R40H595	R40H9220	R40H3538	R40H3539
	Ra	WG	15" x 5"	1252 - 346	R700346	R40H597	R40H9200	R40H3540	R40H3541

9 - 6 Stud, Dayton Rotor, Hat Style
 43 - For Applications Taking A Longer Shim, Use R404151706
 187 - 6 Stud, 6.443" Hub
 www.XpresswayPlus.com

37 - Also available as a New unit
 53 - Power Brakes
 188 - 6 Stud, 9.251" Hub

41 - Aluminum piston
 186 - 10 Stud
 204 - Right Hand; use E-4057 for Left Hand Expander Kits
 Contact our Customer Service Teams
 1-888-725-9355

MERITOR DRUM OR ROTOR NO.	CALIPER OR CYLINDER BORE SIZE	MERITOR CALIPER OR WHEEL CYLINDER (LEFT)	MERITOR CALIPER OR WHEEL CYLINDER (RIGHT)	MERITOR CALIPER OR WHEEL CYLINDER REPAIR KIT	MERITOR CALIPER PISTON	MERITOR MASTER CYLINDER	MERITOR MASTER CYLINDER KIT	MERITOR BRAKE HOSE (LEFT)	MERITOR BRAKE HOSE (RIGHT)
FORD(Cont.)									
F700 SERIES: CONVENTIONAL(Cont.)									
23-122703-002 ¹⁸⁶ 23-122691-002 ¹⁸⁸	2-7/8 " 2-7/8 "	60050145X 60050145X	60050145X ³⁷ 60050145X ³⁷	60050146 60050146	69270702 ⁴¹ 69270702 ⁴¹	R4111999 ⁵³ R4111999 ⁵³	R4122386 R4122386	R4577461 R4577461	R4577461 R4577461
N/A N/A N/A N/A N/A N/A	1-5/8 " 1-5/8 " 1-3/4 " 1-3/4 " 1-3/4 " 1-3/4 "	201185 201181 201179X 201183X 201183X 201179X	201186 ³²⁹ 201182 201180X 201184X ³²⁹ 201184X ³²⁹ 201180X	SP7895S SP7895S SP7873S SP7873S SP7873S SP7873S	NR NR SP7880S ²⁰⁴ NR NR SP7880S ²⁰⁴	- - - - - -	- - - - - -	R4577870 R4577870 R4577870 R4577870 R4577870 R4577870	R4577870 R4577870 R4577870 R4577870 R4577870 R4577870
23-122743-002 ¹⁸⁷ 23-122703-002 ¹⁸⁶ 23-122691-002 ¹⁸⁸ 23-122700-002 ⁹	2-7/8 " 2-7/8 " 2-7/8 " 2-1/2 "	60050145X 60050145X 60050145X R424244X	60050145X ³⁷ 60050145X ³⁷ 60050145X ³⁷ R424244X ³⁷	60050146 60050146 60050146 60050266	69270702 ⁴¹ 69270702 ⁴¹ 69270702 ⁴¹ 69270757 ⁴¹	R4111999 ⁵³ R4111999 ⁵³ R4111999 ⁵³ R4111999 ⁵³	R4122386 R4122386 R4122386 R4122386	R4577461 R4577461 R4577461 R4577461	R4577461 R4577461 R4577461 R4577461
N/A N/A N/A N/A N/A N/A N/A	1-5/8 " 1-5/8 " 1-3/4 " 1-3/4 " 1-3/4 " 1-3/4 " 1-3/4 "	201181 201185 201183X 201179X 201179X 201183X 201183X	201182 201186 ³²⁹ 201184X ³²⁹ 201180X 201180X 201184X ³²⁹ 201180X	SP7895S SP7895S SP7873S SP7873S SP7873S SP7873S SP7873S	NR NR NR SP7880S ²⁰⁴ SP7880S ²⁰⁴ NR SP7880S ²⁰⁴	- - - - - - -	- - - - - - -	N/A N/A N/A N/A N/A N/A N/A	N/A N/A N/A N/A N/A N/A N/A
23-122743-002 ¹⁸⁷ 23-122703-002 ¹⁸⁶ 23-122700-002 ⁹ 23-122691-002 ¹⁸⁸	2-7/8 " 2-7/8 " 2-1/2 " 2-7/8 "	60050145X 60050145X R424244X 60050145X	60050145X ³⁷ 60050145X ³⁷ R424244X ³⁷ 60050145X ³⁷	60050146 60050146 60050266 60050146	69270702 ⁴¹ 69270702 ⁴¹ 69270757 ⁴¹ 69270702 ⁴¹	R4111999 ⁵³ R4111999 ⁵³ R4111999 ⁵³ R4111999 ⁵³	R4122386 R4122386 R4122386 R4122386	R4577461 R4577461 R4577461 R4577461	R4577461 R4577461 R4577461 R4577461
N/A N/A N/A N/A N/A N/A N/A	1-5/8 " 1-5/8 " 1-3/4 " 1-3/4 " 1-3/4 " 1-3/4 " 1-3/4 "	201185 201181 201183X 201179X 201183X 201183X 201179X	201186 ³²⁹ 201182 201184X ³²⁹ 201180X 201180X 201184X ³²⁹ 201180X	SP7895S SP7895S SP7873S SP7873S SP7873S SP7873S SP7873S	NR NR NR SP7880S ²⁰⁴ NR NR SP7880S ²⁰⁴	- - - - - - -	- - - - - - -	N/A N/A N/A N/A N/A N/A N/A	N/A N/A N/A N/A N/A N/A N/A
23-122700-002 ⁹ 23-122743-002 ¹⁸⁷ 23-122703-002 ¹⁸⁶ 23-122691-002 ¹⁸⁸	2-1/2 " 2-7/8 " 2-7/8 " 2-7/8 "	R424244X 60050145X 60050145X 60050145X	R424244X ³⁷ 60050145X ³⁷ 60050145X ³⁷ 60050145X ³⁷	60050266 60050146 60050146 60050146	69270757 ⁴¹ 69270702 ⁴¹ 69270702 ⁴¹ 69270702 ⁴¹	R4111999 ⁵³ R4111999 ⁵³ R4111999 ⁵³ R4111999 ⁵³	R4122386 R4122386 R4122386 R4122386	R4577461 R4577461 R4577461 R4577461	R4577461 R4577461 R4577461 R4577461
N/A N/A N/A N/A N/A N/A N/A N/A N/A N/A N/A	1-5/8 " 1-5/8 " 1-3/4 " 1-3/4 " 1-3/4 " 1-3/4 " 1-3/4 " 1-3/4 " 1-3/4 " 1-3/4 " 1-3/4 "	201181 201185 201179X 201183X 201179X 201183X 201183X 201183X 201183X 201179X 201179X	201182 201186 ³²⁹ 201180X 201184X ³²⁹ 201180X 201184X ³²⁹ 201184X ³²⁹ 201184X ³²⁹ 201180X 201180X 201180X	SP7895S SP7895S SP7873S SP7873S SP7873S SP7873S SP7873S SP7873S SP7873S SP7873S SP7873S	NR NR SP7880S ²⁰⁴ NR NR NR NR NR SP7880S ²⁰⁴ SP7880S ²⁰⁴ SP7880S ²⁰⁴	- - - - - - - - - - -	- - - - - - - - - - -	N/A N/A N/A N/A N/A N/A N/A N/A N/A N/A N/A	N/A N/A N/A N/A N/A N/A N/A N/A N/A N/A N/A
N/A N/A N/A	1.09375 1-1/8 " 1-1/8 "	R4133484 R4133716 R4133714	R4133485 R4133717 R4133715	R4166819 R4166926 R4166926	NR NR NR	- - -	- - -	- - -	- - -
23-122700-002 ⁹ 23-122703-002 ¹⁸⁶ 23-122691-002 ¹⁸⁸	2-1/2 " 2-7/8 " 2-7/8 "	R424244X 60050145X 60050145X	R424244X ³⁷ 60050145X ³⁷ 60050145X ³⁷	60050266 60050146 60050146	69270757 ⁴¹ 69270702 ⁴¹ 69270702 ⁴¹	R4111999 ⁵³ R4111999 ⁵³ R4111999 ⁵³	R4122386 R4122386 R4122386	R4577461 R4577461 R4577461	R4577461 R4577461 R4577461
N/A N/A	1-1/2 " 1-5/8 "	R4033607 R4133338	R4033607 R4133338	R4166818 R4166689	NR NR	- -	- -	- -	- -

1 APPLICATION

MAKE MODEL YEAR AXLE CODE AXLE WEIGHT	AXLE & BRK. TYPE	BRK. MFG.	BRAKE SIZE	FMSI	MERITOR DISC PAD OR BRAKE SHOE	MERITOR GUIDE PIN OR RETURN SPRING KIT	MERITOR CALIPER HWD. KIT OR RETURN SPRING KIT	MERITOR ADJUSTER KIT (LEFT WHEEL)	MERITOR ADJUSTER KIT (RIGHT WHEEL)
FORD(Cont.)									
F700 SERIES: CONVENTIONAL(Cont.)									
1986 R185	Ra Ra	WG WG	15" x 6" 15" x 7"	4596 - 381 4597 - 383	R700381 R700383	R40H597 R40H597	R40H9200 R40H9200	R40H3540 R40H3540	R40H3541 R40H3541
Split System F070	Fa Fa	WG WG	15" x 3" 15" x 3"	1245C - 321 1245C - 321	R700321 R700321	R40H521 R40H521	R40H9237 R40H9237	R40H3502 R40H3502	R40H3503 R40H3503
Split System F090, F120	Fa Fa	WG WG	15" x 3" 15" x 3"	1245C - 321 1245C - 321	R700321 R700321	R40H521 R40H521	R40H9237 R40H9237	R40H3502 R40H3502	R40H3503 R40H3503
1985	Fd Fd Fd Fd	DN DN DN DN		7149 - D236 7149 - D236 7149 - D236 7141 - D224	MD236 ³⁴¹ MD236 ³⁴¹ MD236 ³⁴¹ MD224 ³⁴⁰	69310693 69310693 69310693 69310693	R40H5523 R40H5523 R40H5523 60050153	NR NR NR NR	NR NR NR NR
	Ra Ra Ra Ra Ra Ra Ra Ra Ra Ra Ra	LG LG LG LG LG LG LG LG LG LG LG	15" x 5" 15" x 5" 15" x 6" 15" x 6" 15" x 6" 15" x 6" 15" x 7" 15" x 7" 15" x 7" 15" x 7" 15" x 7"	4528A - 542 4528A - 542 4504A - 543 4504A - 543 4504A - 543 4504A - 543 4505A - 544 4505A - 544 4505A - 544 4505A - 544 4505A - 544	N/A N/A N/A N/A N/A N/A N/A N/A N/A N/A N/A	R40H618 R40H618 R40H618 R40H618 R40H618 R40H618 R40H618 R40H618 R40H618 R40H618 R40H618	NR NR NR NR NR NR NR NR NR NR NR	NR SP7888S NR SP7887S NR SP7888S NR SP7888S NR SP7888S NR	NR SP7888S NR SP7887S NR SP7888S NR SP7888S NR SP7888S NR
F050, F055, F060	Fa	KH	14" x 2-1/2"	2060 - 361	Discontinued	R40H596	R40H9219	R40H3536	R40H3537
F070	Fa Fa Fd	WG WG DN	15" x 3" 15" x 3" 15" x 3"	1245C - 321 1245C - 321 7141 - D224	R700321 R700321 MD224 ³⁴⁰	R40H521 R40H521 69310693	R40H9237 R40H9237 60050153	R40H3502 R40H3502 NR	R40H3503 R40H3503 NR
F080, F090	Fd Fd	DN DN		7149 - D236 7149 - D236	MD236 ³⁴¹ MD236 ³⁴¹	69310693 69310693	R40H5523 R40H5523	NR NR	NR NR
R170, R175	Ra Ra	KH WG	15" x 5" 15" x 5"	4646 - 400 1252 - 346	R700400 R700346	R40H595 R40H597	R40H9220 R40H9200	R40H3538 R40H3540	R40H3539 R40H3541
R185	Ra Ra	WG WG	15" x 6" 15" x 7"	4596 - 381 4597 - 383	R700381 R700383	R40H597 R40H597	R40H9200 R40H9200	R40H3540 R40H3540	R40H3541 R40H3541
Split System F070	Fa Fa	WG WG	15" x 3" 15" x 3"	1245C - 321 1245C - 321	R700321 R700321	R40H521 R40H521	R40H9237 R40H9237	R40H3502 R40H3502	R40H3503 R40H3503
Split System F090, F120	Fa Fa	WG WG	15" x 3" 15" x 3"	1245C - 321 1245C - 321	R700321 R700321	R40H521 R40H521	R40H9237 R40H9237	R40H3502 R40H3502	R40H3503 R40H3503
1984	Fd Fd Fd Fd	DN DN DN DN		7141 - D224 7149 - D236 7149 - D236 7149 - D236	MD224 ³⁴⁰ MD236 ³⁴¹ MD236 ³⁴¹ MD236 ³⁴¹	69310693 69310693 69310693 69310693	60050153 R40H5523 R40H5523 R40H5523	NR NR NR NR	NR NR NR NR
	Ra Ra Ra Ra Ra Ra Ra Ra Ra Ra Ra	LG LG LG LG LG LG LG LG LG LG LG	15" x 5" 15" x 5" 15" x 6" 15" x 6" 15" x 6" 15" x 6" 15" x 7" 15" x 7" 15" x 7" 15" x 7" 15" x 7"	4528A - 542 4528A - 542 4504A - 543 4504A - 543 4504A - 543 4504A - 543 4505A - 544 4505A - 544 4505A - 544 4505A - 544 4505A - 544	N/A N/A N/A N/A N/A N/A N/A N/A N/A N/A N/A	R40H618 R40H618 R40H618 R40H618 R40H618 R40H618 R40H618 R40H618 R40H618 R40H618 R40H618	NR NR NR NR NR NR NR NR NR NR NR	NR SP7888S SP7887S SP7888S NR NR SP7887S NR SP7887S NR SP7888S NR	NR SP7888S SP7887S SP7888S NR NR SP7887S NR SP7887S NR SP7888S NR
F050, F055, F060	Fa	KH	14" x 2-1/2"	2060 - 361	Discontinued	R40H596	R40H9219	R40H3536	R40H3537
F070	Fa Fa Fd	WG WG DN	15" x 3" 15" x 3" 15" x 3"	1245C - 321 1245C - 321 7141 - D224	R700321 R700321 MD224 ³⁴⁰	R40H521 R40H521 69310693	R40H9237 R40H9237 60050153	R40H3502 R40H3502 NR	R40H3503 R40H3503 NR
F080, F090	Fd Fd	DN DN		7149 - D236 7149 - D236	MD236 ³⁴¹ MD236 ³⁴¹	69310693 69310693	R40H5523 R40H5523	NR NR	NR NR
R170, R175	Ra Ra	KH WG	15" x 5" 15" x 5"	4646 - 400 1252 - 346	R700400 R700346	R40H595 R40H597	R40H9220 R40H9200	R40H3538 R40H3540	R40H3539 R40H3541
R185	Ra	WG	15" x 6"	4596 - 381	R700381	R40H597	R40H9200	R40H3540	R40H3541

9 - 6 Stud, Dayton Rotor, Hat Style
 53 - Power Brakes
 188 - 6 Stud, 9.251" Hub
 www.XpresswayPlus.com
 1-200

37 - Also available as a New unit
 186 - 10 Stud
 204 - Right Hand; use E-4057 for Left Hand Expander Kits

41 - Aluminum piston
 187 - 6 Stud, 6.443" Hub
 329 - Forward

MERITOR DRUM OR ROTOR NO.	CALIPER OR CYLINDER BORE SIZE	MERITOR CALIPER OR WHEEL CYLINDER (LEFT)	MERITOR CALIPER OR WHEEL CYLINDER (RIGHT)	MERITOR CALIPER OR WHEEL CYLINDER REPAIR KIT	MERITOR CALIPER PISTON	MERITOR MASTER CYLINDER	MERITOR MASTER CYLINDER KIT	MERITOR BRAKE HOSE (LEFT)	MERITOR BRAKE HOSE (RIGHT)
FORD(Cont.)									
F700 SERIES: CONVENTIONAL(Cont.)									
N/A	1-5/8 "	R4133338	R4133338	R4166689	NR	-	-	-	-
N/A	1-3/4 "	R4133400	R4133400	R4166917	NR	-	-	-	-
N/A	1-1/8 "	R4133714	R4133715	R4166926	NR	-	-	-	-
N/A	1-1/8 "	R4133719	R4133718	R4166926	NR	-	-	-	-
N/A	1-1/4 "	R4133720	R4133721	R4166923	NR	-	-	-	-
N/A	1-1/4 "	R4133581	R4133581	R4166923	NR	-	-	-	-
23-122691-002 ¹⁸⁸	2-7/8 "	60050145X	60050145X ³⁷	60050146	69270702 ⁴¹	R4111999 ⁵³	R4122386	R4577461	R4577461
23-122703-002 ¹⁸⁶	2-7/8 "	60050145X	60050145X ³⁷	60050146	69270702 ⁴¹	R4111999 ⁵³	R4122386	R4577461	R4577461
23-122743-002 ¹⁸⁷	2-7/8 "	60050145X	60050145X ³⁷	60050146	69270702 ⁴¹	R4111999 ⁵³	R4122386	R4577461	R4577461
23-122700-002 ⁹	2-1/2 "	R424244X	R424244X ³⁷	60050266	69270757 ⁴¹	R4111999 ⁵³	R4122386	R4577461	R4577461
N/A	1-5/8 "	201181	201182	SP7895S	NR	-	-	N/A	N/A
N/A	1-5/8 "	201185	201186 ³²⁹	SP7895S	NR	-	-	N/A	N/A
N/A	1-5/8 "	201181	201182	SP7895S	NR	-	-	N/A	N/A
N/A	1-3/4 "	201183X	201184X ³²⁹	SP7873S	NR	-	-	N/A	N/A
N/A	1-3/4 "	201179X	201180X	SP7873S	SP7880S ²⁰⁴	-	-	N/A	N/A
N/A	1-5/8 "	201185	201186 ³²⁹	SP7895S	NR	-	-	N/A	N/A
N/A	1-5/8 "	201181	201182	SP7895S	NR	-	-	N/A	N/A
N/A	1-5/8 "	201185	201186 ³²⁹	SP7895S	NR	-	-	N/A	N/A
N/A	1-3/4 "	201179X	201180X	SP7873S	SP7880S ²⁰⁴	-	-	N/A	N/A
N/A	1-3/4 "	201183X	201184X ³²⁹	SP7873S	NR	-	-	N/A	N/A
N/A	1.09375	R4133484	R4133485	R4166819	NR	-	-	-	-
N/A	1-1/8 "	R4133716	R4133717	R4166926	NR	-	-	-	-
N/A	1-1/8 "	R4133714	R4133715	R4166926	NR	-	-	-	-
23-122700-002 ⁹	2-1/2 "	R424244X	R424244X ³⁷	60050266	69270757 ⁴¹	R4111999 ⁵³	R4122386	R4577461	R4577461
23-122703-002 ¹⁸⁶	2-7/8 "	60050145X	60050145X ³⁷	60050146	69270702 ⁴¹	R4111999 ⁵³	R4122386	R4577461	R4577461
23-122691-002 ¹⁸⁸	2-7/8 "	60050145X	60050145X ³⁷	60050146	69270702 ⁴¹	R4111999 ⁵³	R4122386	R4577461	R4577461
N/A	1-1/2 "	R4033607	R4033607	R4166818	NR	-	-	-	-
N/A	1-5/8 "	R4133338	R4133338	R4166689	NR	-	-	-	-
N/A	1-5/8 "	R4133338	R4133338	R4166689	NR	-	-	-	-
N/A	1-3/4 "	R4133400	R4133400	R4166917	NR	-	-	-	-
N/A	1-1/8 "	R4133719	R4133718	R4166926	NR	-	-	-	-
N/A	1-1/8 "	R4133714	R4133715	R4166926	NR	-	-	-	-
N/A	1-1/4 "	R4133720	R4133721	R4166923	NR	-	-	-	-
N/A	1-1/4 "	R4133581	R4133581	R4166923	NR	-	-	-	-
23-122700-002 ⁹	2-1/2 "	R424244X	R424244X ³⁷	60050266	69270757 ⁴¹	R4111999 ⁵³	R4122386	R4577461	R4577461
23-122743-002 ¹⁸⁷	2-7/8 "	60050145X	60050145X ³⁷	60050146	69270702 ⁴¹	R4111999 ⁵³	R4122386	R4577461	R4577461
23-122691-002 ¹⁸⁸	2-7/8 "	60050145X	60050145X ³⁷	60050146	69270702 ⁴¹	R4111999 ⁵³	R4122386	R4577461	R4577461
23-122703-002 ¹⁸⁶	2-7/8 "	60050145X	60050145X ³⁷	60050146	69270702 ⁴¹	R4111999 ⁵³	R4122386	R4577461	R4577461
N/A	1-5/8 "	201181	201182	SP7895S	NR	-	-	N/A	N/A
N/A	1-5/8 "	201185	201186 ³²⁹	SP7895S	NR	-	-	N/A	N/A
N/A	1-3/4 "	201183X	201184X ³²⁹	SP7873S	NR	-	-	N/A	N/A
N/A	1-5/8 "	201185	201186 ³²⁹	SP7895S	NR	-	-	N/A	N/A
N/A	1-5/8 "	201181	201182	SP7895S	NR	-	-	N/A	N/A
N/A	1-3/4 "	201179X	201180X	SP7873S	SP7880S ²⁰⁴	-	-	N/A	N/A
N/A	1-3/4 "	201183X	201184X ³²⁹	SP7873S	NR	-	-	N/A	N/A
N/A	1-5/8 "	201181	201182	SP7895S	NR	-	-	N/A	N/A
N/A	1-5/8 "	201185	201186 ³²⁹	SP7895S	NR	-	-	N/A	N/A
N/A	1-3/4 "	201179X	201180X	SP7873S	SP7880S ²⁰⁴	-	-	N/A	N/A
N/A	1.09375	R4133484	R4133485	R4166819	NR	-	-	-	-
N/A	1-1/8 "	R4133714	R4133715	R4166926	NR	-	-	-	-
N/A	1-1/8 "	R4133716	R4133717	R4166926	NR	-	-	-	-
23-122700-002 ⁹	2-1/2 "	R424244X	R424244X ³⁷	60050266	69270757 ⁴¹	R4111999 ⁵³	R4122386	R4577461	R4577461
23-122691-002 ¹⁸⁸	2-7/8 "	60050145X	60050145X ³⁷	60050146	69270702 ⁴¹	R4111999 ⁵³	R4122386	R4577461	R4577461
23-122703-002 ¹⁸⁶	2-7/8 "	60050145X	60050145X ³⁷	60050146	69270702 ⁴¹	R4111999 ⁵³	R4122386	R4577461	R4577461
N/A	1-1/2 "	R4033607	R4033607	R4166818	NR	-	-	-	-
N/A	1-5/8 "	R4133338	R4133338	R4166689	NR	-	-	-	-
N/A	1-5/8 "	R4133338	R4133338	R4166689	NR	-	-	-	-

340 - Use 69160457 for Disc Pad Retainer Clip

341 - Use 69160445 for Disc Pad Retainer Clip

MAKE MODEL YEAR AXLE CODE AXLE WEIGHT	AXLE & BRK. TYPE	BRK. MFG.	BRAKE SIZE	FMSI	MERITOR DISC PAD OR BRAKE SHOE	MERITOR GUIDE PIN OR RETURN SPRING KIT	MERITOR CALIPER HWD. KIT OR RETURN SPRING KIT	MERITOR ADJUSTER KIT (LEFT WHEEL)	MERITOR ADJUSTER KIT (RIGHT WHEEL)
FORD(Cont.)									
F700 SERIES: CONVENTIONAL(Cont.)									
1984 R185	Ra	WG	15 " x 7 "	4597 - 383	R700383	R40H597	R40H9200	R40H3540	R40H3541
Split System F070	Fa	WG	15 " x 3 "	1245C - 321	R700321	R40H521	R40H9237	R40H3502	R40H3503
	Fa	WG	15 " x 3 "	1245C - 321	R700321	R40H521	R40H9237	R40H3502	R40H3503
Split System F090, F120	Fa	WG	15 " x 3 "	1245C - 321	R700321	R40H521	R40H9237	R40H3502	R40H3503
	Fa	WG	15 " x 3 "	1245C - 321	R700321	R40H521	R40H9237	R40H3502	R40H3503
1983	Ra	LG	15 " x 6 "	4504A - 543	N/A	R40H618	NR	NR	NR
	Ra	LG	15 " x 6 "	4504A - 543	N/A	R40H618	NR	SP7888S	SP7888S
	Ra	LG	15 " x 7 "	4505A - 544	N/A	R40H618	NR	NR	NR
	Ra	LG	15 " x 7 "	4505A - 544	N/A	R40H618	NR	SP7888S	SP7888S
F050, F055, F060	Fa	KH	14 " x 2-1/2 "	2060 - 361	Discontinued	R40H596	R40H9219	R40H3536	R40H3537
F070	Fa	WG	15 " x 3 "	1245C - 321	R700321	R40H521	R40H9237	R40H3502	R40H3503
	Fa	WG	15 " x 3 "	1245C - 321	R700321	R40H521	R40H9237	R40H3502	R40H3503
	Fd	DN		7141 - D224	MD224 ³⁴⁰	69310693	60050153	NR	NR
F080, F090	Fd	DN		7149 - D236	MD236 ³⁴¹	69310693	R40H5523	NR	NR
	Fd	DN		7149 - D236	MD236 ³⁴¹	69310693	R40H5523	NR	NR
F090, F120	Fa	WG	15 " x 3 "	1245C - 321	R700321	R40H521	R40H9237	R40H3502	R40H3503
	Fa	WG	15 " x 3 "	1245C - 321	R700321	R40H521	R40H9237	R40H3502	R40H3503
R170, R175	Ra	KH	15 " x 5 "	4646 - 400	R700400	R40H595	R40H9220	R40H3538	R40H3539
	Ra	WG	15 " x 5 "	1252 - 346	R700346	R40H597	R40H9200	R40H3540	R40H3541
R185	Ra	WG	15 " x 6 "	4596 - 381	R700381	R40H597	R40H9200	R40H3540	R40H3541
	Ra	WG	15 " x 7 "	4597 - 383	R700383	R40H597	R40H9200	R40H3540	R40H3541
Split System F070	Fa	WG	15 " x 3 "	1245C - 321	R700321	R40H521	R40H9237	R40H3502	R40H3503
	Fa	WG	15 " x 3 "	1245C - 321	R700321	R40H521	R40H9237	R40H3502	R40H3503
1982	Ra	LG	15 " x 6 "	4504A - 543	N/A	R40H618	NR	NR	NR
	Ra	LG	15 " x 6 "	4504A - 543	N/A	R40H618	NR	SP7888S	SP7888S
	Ra	LG	15 " x 7 "	4505A - 544	N/A	R40H618	NR	SP7888S	SP7888S
	Ra	LG	15 " x 7 "	4505A - 544	N/A	R40H618	NR	NR	NR
F050, F055, F060	Fa	KH	14 " x 2-1/2 "	2060 - 361	Discontinued	R40H596	R40H9219	R40H3536	R40H3537
F070	Fa	WG	15 " x 3 "	1245C - 321	R700321	R40H521	R40H9237	R40H3502	R40H3503
	Fa	WG	15 " x 3 "	1245C - 321	R700321	R40H521	R40H9237	R40H3502	R40H3503
	Fa	WG	15 " x 3 "	1245C - 321	R700321	R40H521	R40H9237	R40H3502	R40H3503
	Fa	WG	15 " x 3 "	1245C - 321	R700321	R40H521	R40H9237	R40H3502	R40H3503
	Fd	DN		7141 - D224	MD224 ³⁴⁰	69310693	60050153	NR	NR
F080, F090	Fd	DN		7149 - D236	MD236 ³⁴¹	69310693	R40H5523	NR	NR
	Fd	DN		7149 - D236	MD236 ³⁴¹	69310693	R40H5523	NR	NR
F090, F120	Fa	WG	15 " x 3 "	1245C - 321	R700321	R40H521	R40H9237	R40H3502	R40H3503
	Fa	WG	15 " x 3 "	1245C - 321	R700321	R40H521	R40H9237	R40H3502	R40H3503
R170, R175	Ra	KH	15 " x 5 "	4646 - 400	R700400	R40H595	R40H9220	R40H3538	R40H3539
	Ra	WG	15 " x 5 "	1252 - 346	R700346	R40H597	R40H9200	R40H3540	R40H3541
R185	Ra	WG	15 " x 6 "	4596 - 381	R700381	R40H597	R40H9200	R40H3540	R40H3541
	Ra	WG	15 " x 7 "	4597 - 383	R700383	R40H597	R40H9200	R40H3540	R40H3541
1981	Ra	LG	15 " x 6 "	4504A - 543	N/A	R40H618	NR	SP7888S	SP7888S
	Ra	LG	15 " x 6 "	4504A - 543	N/A	R40H618	NR	NR	NR
	Ra	LG	15 " x 7 "	4505A - 544	N/A	R40H618	NR	SP7888S	SP7888S
	Ra	LG	15 " x 7 "	4505A - 544	N/A	R40H618	NR	NR	NR
F050, F055, F060	Fa	KH	14 " x 2-1/2 "	2060 - 361	Discontinued	R40H596	R40H9219	R40H3536	R40H3537
F070	Fa	WG	15 " x 3 "	1245C - 321	R700321	R40H521	R40H9237	R40H3502	R40H3503
	Fa	WG	15 " x 3 "	1245C - 321	R700321	R40H521	R40H9237	R40H3502	R40H3503
	Fa	WG	15 " x 3 "	1245C - 321	R700321	R40H521	R40H9237	R40H3502	R40H3503
	Fa	WG	15 " x 3 "	1245C - 321	R700321	R40H521	R40H9237	R40H3502	R40H3503
	Fd	DN		7141 - D224	MD224 ³⁴⁰	69310693	60050153	NR	NR
F080, F090	Fd	DN		7149 - D236	MD236 ³⁴¹	69310693	R40H5523	NR	NR
	Fd	DN		7149 - D236	MD236 ³⁴¹	69310693	R40H5523	NR	NR
F090, F120	Fa	WG	15 " x 3 "	1245C - 321	R700321	R40H521	R40H9237	R40H3502	R40H3503
	Fa	WG	15 " x 3 "	1245C - 321	R700321	R40H521	R40H9237	R40H3502	R40H3503
R170, R175	Ra	KH	15 " x 5 "	4646 - 400	R700400	R40H595	R40H9220	R40H3538	R40H3539
	Ra	WG	15 " x 5 "	1252 - 346	R700346	R40H597	R40H9200	R40H3540	R40H3541

9 - 6 Stud, Dayton Rotor, Hat Style
 53 - Power Brakes
 214 - Power Brakes, Split System
 www.XpresswayPlus.com

37 - Also available as a New unit
 186 - 10 Stud
 219 - Power Brakes, Gasoline Engine with Vacuum Booster

41 - Aluminum piston
 188 - 6 Stud, 9.251" Hub
 329 - Forward

MERITOR DRUM OR ROTOR NO.	CALIPER OR CYLINDER BORE SIZE	MERITOR CALIPER OR WHEEL CYLINDER (LEFT)	MERITOR CALIPER OR WHEEL CYLINDER (RIGHT)	MERITOR CALIPER OR WHEEL CYLINDER REPAIR KIT	MERITOR CALIPER PISTON	MERITOR MASTER CYLINDER	MERITOR MASTER CYLINDER KIT	MERITOR BRAKE HOSE (LEFT)	MERITOR BRAKE HOSE (RIGHT)
FORD(Cont.)									
F700 SERIES: CONVENTIONAL(Cont.)									
N/A	1-3/4 "	R4133400	R4133400	R4166917	NR	-	-	-	-
N/A	1-1/8 "	R4133719	R4133718	R4166926	NR	-	-	-	-
N/A	1-1/8 "	R4133714	R4133715	R4166926	NR	-	-	-	-
N/A	1-1/4 "	R4133720	R4133721	R4166923	NR	-	-	-	-
N/A	1-1/4 "	R4133581	R4133581	R4166923	NR	-	-	-	-
N/A	1-5/8 "	201181	201182	SP7895S	NR	-	-	R4577147	R4577147
N/A	1-5/8 "	201185	201186 ³²⁹	SP7895S	NR	-	-	R4577147	R4577147
N/A	1-5/8 "	201181	201182	SP7895S	NR	-	-	R4577147	R4577147
N/A	1-5/8 "	201185	201186 ³²⁹	SP7895S	NR	-	-	R4577147	R4577147
N/A	1.09375	R4133484	R4133485	R4166819	NR	R4111629 ⁵³	R4122484	R4577460	R4577460
N/A	1-1/8 "	R4133714	R4133715	R4166926	NR	R4111911 ²¹⁹	R4122387	R4577454	R4577455
N/A	1-1/8 "	R4133716	R4133717	R4166926	NR	R4111911 ²¹⁹	R4122387	R4577454	R4577455
23-122700-002 ⁹	2-1/2 "	R424244X	R424244X ³⁷	60050266	6927075 ⁴¹	R4111992 ²¹⁴	R4122386	R4577452	R4577453
23-122703-002 ¹⁸⁶	2-7/8 "	60050145X	60050145X ³⁷	60050146	69270702 ⁴¹	R4111992 ²¹⁴	R4122386	R4577452	R4577453
23-122691-002 ¹⁸⁸	2-7/8 "	60050145X	60050145X ³⁷	60050146	69270702 ⁴¹	R4111992 ²¹⁴	R4122386	R4577452	R4577453
N/A	1-1/4 "	R4133720	R4133721	R4166923	NR	R4111992 ²¹⁴	R4122386	R4577452	R4577453
N/A	1-1/4 "	R4133581	R4133581	R4166923	NR	R4111992 ²¹⁴	R4122386	R4577452	R4577453
N/A	1-1/2 "	R4033607	R4033607	R4166818	NR	-	-	R4577147	R4577147
N/A	1-5/8 "	R4133338	R4133338	R4166689	NR	-	-	R4577147	R4577147
N/A	1-5/8 "	R4133338	R4133338	R4166689	NR	-	-	R4577147	R4577147
N/A	1-3/4 "	R4133400	R4133400	R4166917	NR	-	-	R4577147	R4577147
N/A	1-1/8 "	R4133719	R4133718	R4166926	NR	R4111992 ²¹⁴	R4122386	R4577452	R4577453
N/A	1-1/8 "	R4133714	R4133715	R4166926	NR	R4111992 ²¹⁴	R4122386	R4577452	R4577453
N/A	1-5/8 "	201181	201182	SP7895S	NR	-	-	R4577147	R4577147
N/A	1-5/8 "	201185	201186 ³²⁹	SP7895S	NR	-	-	R4577147	R4577147
N/A	1-5/8 "	201185	201186 ³²⁹	SP7895S	NR	-	-	R4577147	R4577147
N/A	1-5/8 "	201181	201182	SP7895S	NR	-	-	R4577147	R4577147
N/A	1.09375	R4133484	R4133485	R4166819	NR	R4111629 ⁵³	R4122484	R4577460	R4577460
N/A	1-1/8 "	R4133714	R4133715	R4166926	NR	R4111911 ²¹⁹	R4122387	R4577454	R4577455
N/A	1-1/8 "	R4133716	R4133717	R4166926	NR	R4111911 ²¹⁹	R4122387	R4577454	R4577455
N/A	1-1/8 "	R4133714	R4133715	R4166926	NR	R4111992 ²¹⁴	R4122386	R4577452	R4577453
N/A	1-1/8 "	R4133719	R4133718	R4166926	NR	R4111992 ²¹⁴	R4122386	R4577452	R4577453
23-122700-002 ⁹	2-1/2 "	R424244X	R424244X ³⁷	60050266	6927075 ⁴¹	R4111992 ²¹⁴	R4122386	R4577452	R4577453
23-122691-002 ¹⁸⁸	2-7/8 "	60050145X	60050145X ³⁷	60050146	69270702 ⁴¹	R4111992 ²¹⁴	R4122386	R4577452	R4577453
23-122703-002 ¹⁸⁶	2-7/8 "	60050145X	60050145X ³⁷	60050146	69270702 ⁴¹	R4111992 ²¹⁴	R4122386	R4577452	R4577453
N/A	1-1/4 "	R4133720	R4133721	R4166923	NR	R4111992 ²¹⁴	R4122386	R4577452	R4577453
N/A	1-1/4 "	R4133581	R4133581	R4166923	NR	R4111992 ²¹⁴	R4122386	R4577452	R4577453
N/A	1-1/2 "	R4033607	R4033607	R4166818	NR	-	-	R4577147	R4577147
N/A	1-5/8 "	R4133338	R4133338	R4166689	NR	-	-	R4577147	R4577147
N/A	1-5/8 "	R4133338	R4133338	R4166689	NR	-	-	R4577147	R4577147
N/A	1-3/4 "	R4133400	R4133400	R4166917	NR	-	-	R4577147	R4577147
N/A	1-5/8 "	201185	201186 ³²⁹	SP7895S	NR	-	-	R4577147	R4577147
N/A	1-5/8 "	201181	201182	SP7895S	NR	-	-	R4577147	R4577147
N/A	1-5/8 "	201185	201186 ³²⁹	SP7895S	NR	-	-	R4577147	R4577147
N/A	1-5/8 "	201181	201182	SP7895S	NR	-	-	R4577147	R4577147
N/A	1.09375	R4133484	R4133485	R4166819	NR	R4111629 ⁵³	R4122484	R4577460	R4577460
N/A	1-1/8 "	R4133714	R4133715	R4166926	NR	R4111992 ²¹⁴	R4122386	R4577452	R4577453
N/A	1-1/8 "	R4133719	R4133718	R4166926	NR	R4111992 ²¹⁴	R4122386	R4577452	R4577453
N/A	1-1/8 "	R4133716	R4133717	R4166926	NR	R4111911 ²¹⁹	R4122387	R4577454	R4577455
N/A	1-1/8 "	R4133714	R4133715	R4166926	NR	R4111911 ²¹⁹	R4122387	R4577454	R4577455
23-122700-002 ⁹	2-1/2 "	R424244X	R424244X ³⁷	60050266	6927075 ⁴¹	R4111992 ²¹⁴	R4122386	R4577452	R4577453
23-122703-002 ¹⁸⁶	2-7/8 "	60050145X	60050145X ³⁷	60050146	69270702 ⁴¹	R4111992 ²¹⁴	R4122386	R4577452	R4577453
23-122691-002 ¹⁸⁸	2-7/8 "	60050145X	60050145X ³⁷	60050146	69270702 ⁴¹	R4111992 ²¹⁴	R4122386	R4577452	R4577453
N/A	1-1/4 "	R4133581	R4133581	R4166923	NR	R4111992 ²¹⁴	R4122386	R4577452	R4577453
N/A	1-1/4 "	R4133720	R4133721	R4166923	NR	R4111992 ²¹⁴	R4122386	R4577452	R4577453
N/A	1-1/2 "	R4033607	R4033607	R4166818	NR	-	-	R4577147	R4577147
N/A	1-5/8 "	R4133338	R4133338	R4166689	NR	-	-	R4577147	R4577147

340 - Use 69160457 for Disc Pad Retainer Clip

341 - Use 69160445 for Disc Pad Retainer Clip

MAKE MODEL YEAR AXLE CODE AXLE WEIGHT	AXLE & BRK. TYPE	BRK. MFG.	BRAKE SIZE	FMSI	MERITOR DISC PAD OR BRAKE SHOE	MERITOR GUIDE PIN OR RETURN SPRING KIT	MERITOR CALIPER HWD. KIT OR RETURN SPRING KIT	MERITOR ADJUSTER KIT (LEFT WHEEL)	MERITOR ADJUSTER KIT (RIGHT WHEEL)
FORD(Cont.)									
F700 SERIES: CONVENTIONAL(Cont.)									
1981 R185	Ra Ra	WG WG	15 " x 6 " 15 " x 7 "	4596 - 381 4597 - 383	R700381 R700383	R40H597 R40H597	R40H9200 R40H9200	R40H3540 R40H3540	R40H3541 R40H3541
1980	Ra Ra Ra Ra	LG LG LG LG	15 " x 6 " 15 " x 6 " 15 " x 7 " 15 " x 7 "	4504A - 543 4504A - 543 4505A - 544 4505A - 544	N/A N/A N/A N/A	R40H618 R40H618 R40H618 R40H618	NR NR NR NR	SP7888S NR NR SP7888S	SP7888S NR NR SP7888S
F050, F055, F060	Fa	KH	14 " x 2-1/2 "	2060 - 361	Discontinued	R40H596	R40H9219	R40H3536	R40H3537
F070	Fa Fa Fa Fa Fa Fa	WG WG WG WG WG WG	15 " x 3 " 15 " x 3 " 15 " x 3 " 15 " x 3 " 15 " x 3 " 15 " x 3 "	1245C - 321 1245C - 321 1245C - 321 1245C - 321 1245C - 321 1245C - 321	R700321 R700321 R700321 R700321 R700321 R700321	R40H521 R40H521 R40H521 R40H521 R40H521 R40H521	R40H9237 R40H9237 R40H9237 R40H9237 R40H9237 R40H9237	R40H3502 R40H3502 R40H3502 R40H3502 R40H3502 R40H3502	R40H3503 R40H3503 R40H3503 R40H3503 R40H3503 R40H3503
	Fd	DN		7141 - D224	MD224 ³⁴⁰	69310693	60050153	NR	NR
F080, F090	Fd Fd	DN DN		7149 - D236 7149 - D236	MD236 ³⁴¹ MD236 ³⁴¹	69310693 69310693	R40H5523 R40H5523	NR NR	NR NR
F090, F120	Fa Fa	WG WG	15 " x 3 " 15 " x 3 "	1245C - 321 1245C - 321	R700321 R700321	R40H521 R40H521	R40H9237 R40H9237	R40H3502 R40H3502	R40H3503 R40H3503
R170, R175	Ra Ra	KH WG	15 " x 5 " 15 " x 5 "	4646 - 400 1252 - 346	R700400 R700346	R40H595 R40H597	R40H9220 R40H9200	R40H3538 R40H3540	R40H3539 R40H3541
R185	Ra Ra	WG WG	15 " x 6 " 15 " x 7 "	4596 - 381 4597 - 383	R700381 R700383	R40H597 R40H597	R40H9200 R40H9200	R40H3540 R40H3540	R40H3541 R40H3541
1979 F050, F055, F060	Fa	KH	14 " x 2-1/2 "	2060 - 361	Discontinued	R40H596	R40H9219	R40H3536	R40H3537
F070	Fa Fa Fa Fa	WG WG WG WG	15 " x 3 " 15 " x 3 " 15 " x 3 " 15 " x 3 "	1245C - 321 1245C - 321 1245C - 321 1245C - 321	R700321 R700321 R700321 R700321	R40H521 R40H521 R40H521 R40H521	R40H9237 R40H9237 R40H9237 R40H9237	R40H3502 R40H3502 R40H3502 R40H3502	R40H3503 R40H3503 R40H3503 R40H3503
	Fd	DN		7141 - D224	MD224 ³⁴⁰	69310693	60050153	NR	NR
F080, F090	Fd Fd	DN DN		7149 - D236 7149 - D236	MD236 ³⁴¹ MD236 ³⁴¹	69310693 69310693	R40H5523 R40H5523	NR NR	NR NR
R170, R175	Ra Ra	KH WG	15 " x 5 " 15 " x 5 "	4646 - 400 1252 - 346	R700400 R700346	R40H595 R40H597	R40H9220 R40H9200	R40H3538 R40H3540	R40H3539 R40H3541
R185	Ra Ra	WG WG	15 " x 6 " 15 " x 7 "	4596 - 381 4597 - 383	R700381 R700383	R40H597 R40H597	R40H9200 R40H9200	R40H3540 R40H3540	R40H3541 R40H3541
Split System F070	Fa Fa	WG WG	15 " x 3 " 15 " x 3 "	1245C - 321 1245C - 321	R700321 R700321	R40H521 R40H521	R40H9237 R40H9237	R40H3502 R40H3502	R40H3503 R40H3503
Split System F090, F120	Fa Fa	WG WG	15 " x 3 " 15 " x 3 "	1245C - 321 1245C - 321	R700321 R700321	R40H521 R40H521	R40H9237 R40H9237	R40H3502 R40H3502	R40H3503 R40H3503
1978 F050, F055, F060	Fa	KH	14 " x 2-1/2 "	2060 - 361	Discontinued	R40H596	R40H9219	R40H3536	R40H3537
F070	Fa Fa Fa Fa	WG WG WG WG	15 " x 3 " 15 " x 3 " 15 " x 3 " 15 " x 3 "	1245C - 321 1245C - 321 1245C - 321 1245C - 321	R700321 R700321 R700321 R700321	R40H521 R40H521 R40H521 R40H521	R40H9237 R40H9237 R40H9237 R40H9237	R40H3502 R40H3502 R40H3502 R40H3502	R40H3503 R40H3503 R40H3503 R40H3503
	Fd	DN		7141 - D224	MD224 ³⁴⁰	69310693	60050153	NR	NR
F080, F090	Fd Fd	DN DN		7149 - D236 7149 - D236	MD236 ³⁴¹ MD236 ³⁴¹	69310693 69310693	R40H5523 R40H5523	NR NR	NR NR
R170, R175	Ra Ra	KH WG	15 " x 5 " 15 " x 5 "	4646 - 400 1252 - 346	R700400 R700346	R40H595 R40H597	R40H9220 R40H9200	R40H3538 R40H3540	R40H3539 R40H3541
R185	Ra Ra	WG WG	15 " x 6 " 15 " x 7 "	4596 - 381 4597 - 383	R700381 R700383	R40H597 R40H597	R40H9200 R40H9200	R40H3540 R40H3540	R40H3541 R40H3541
Split System F070	Fa Fa	WG WG	15 " x 3 " 15 " x 3 "	1245C - 321 1245C - 321	R700321 R700321	R40H521 R40H521	R40H9237 R40H9237	R40H3502 R40H3502	R40H3503 R40H3503
Split System F090, F120	Fa Fa	WG WG	15 " x 3 " 15 " x 3 "	1245C - 321 1245C - 321	R700321 R700321	R40H521 R40H521	R40H9237 R40H9237	R40H3502 R40H3502	R40H3503 R40H3503
1977 F050, F055, F060	Fa	KH	14 " x 2-1/2 "	2060 - 361	Discontinued	R40H596	R40H9219	R40H3536	R40H3537

9 - 6 Stud, Dayton Rotor, Hat Style

37 - Also available as a New unit

41 - Aluminum piston

53 - Power Brakes

186 - 10 Stud

188 - 6 Stud, 9.251" Hub

214 - Power Brakes, Split System
www.XpresswayPlus.com

219 - Power Brakes, Gasoline Engine with Vacuum Booster

329 - Forward

MERITOR DRUM OR ROTOR NO.	CALIPER OR CYLINDER BORE SIZE	MERITOR CALIPER OR WHEEL CYLINDER (LEFT)	MERITOR CALIPER OR WHEEL CYLINDER (RIGHT)	MERITOR CALIPER OR WHEEL CYLINDER REPAIR KIT	MERITOR CALIPER PISTON	MERITOR MASTER CYLINDER	MERITOR MASTER CYLINDER KIT	MERITOR BRAKE HOSE (LEFT)	MERITOR BRAKE HOSE (RIGHT)
FORD(Cont.)									
F700 SERIES: CONVENTIONAL(Cont.)									
N/A	1-5/8 "	R4133338	R4133338	R4166689	NR	-	-	R4577147	R4577147
N/A	1-3/4 "	R4133400	R4133400	R4166917	NR	-	-	R4577147	R4577147
N/A	1-5/8 "	201185	201186 ³²⁹	SP7895S	NR	-	-	R4577147	R4577147
N/A	1-5/8 "	201181	201182	SP7895S	NR	-	-	R4577147	R4577147
N/A	1-5/8 "	201181	201182	SP7895S	NR	-	-	R4577147	R4577147
N/A	1-5/8 "	201185	201186 ³²⁹	SP7895S	NR	-	-	R4577147	R4577147
N/A	1.09375	R4133484	R4133485	R4166819	NR	R4111629 ⁵³	R4122484	R4577460	R4577460
N/A	1-1/8 "	R4133716	R4133717	R4166926	NR	R4111911 ²¹⁹	R4122387	R4577454	R4577455
N/A	1-1/8 "	R4133716	R4133717	R4166926	NR	R4111911 ²¹⁹	R4122387	R4577454	R4577455
N/A	1-1/8 "	R4133714	R4133715	R4166926	NR	R4111911 ²¹⁹	R4122387	R4577454	R4577455
N/A	1-1/8 "	R4133714	R4133715	R4166926	NR	R4111911 ²¹⁹	R4122387	R4577454	R4577455
N/A	1-1/8 "	R4133714	R4133715	R4166926	NR	R4111992 ²¹⁴	R4122386	R4577452	R4577453
N/A	1-1/8 "	R4133719	R4133718	R4166926	NR	R4111992 ²¹⁴	R4122386	R4577452	R4577453
23-122700-002 ⁹	2-1/2 "	R424244X	R424244X ³⁷	60050266	6927075 ⁴¹	R4111992 ²¹⁴	R4122386	R4577452	R4577453
23-122691-002 ¹⁸⁸	2-7/8 "	60050145X	60050145X ³⁷	60050146	6927070 ²¹	R4111992 ²¹⁴	R4122386	R4577452	R4577453
23-122703-002 ¹⁸⁶	2-7/8 "	60050145X	60050145X ³⁷	60050146	6927070 ²¹	R4111992 ²¹⁴	R4122386	R4577452	R4577453
N/A	1-1/4 "	R4133581	R4133581	R4166923	NR	R4111992 ²¹⁴	R4122386	R4577452	R4577453
N/A	1-1/4 "	R4133720	R4133721	R4166923	NR	R4111992 ²¹⁴	R4122386	R4577452	R4577453
N/A	1-1/2 "	R4033607	R4033607	R4166818	NR	-	-	R4577147	R4577147
N/A	1-5/8 "	R4133338	R4133338	R4166689	NR	-	-	R4577147	R4577147
N/A	1-5/8 "	R4133338	R4133338	R4166689	NR	-	-	R4577147	R4577147
N/A	1-3/4 "	R4133400	R4133400	R4166917	NR	-	-	R4577147	R4577147
N/A	1.09375	R4133484	R4133485	R4166819	NR	-	-	-	-
N/A	1-1/8 "	R4133714	R4133715	R4166926	NR	R4111622 ³⁵⁶	N/A	-	-
N/A	1-1/8 "	R4133714	R4133715	R4166926	NR	R4111632 ³⁵⁷	R4122343	-	-
N/A	1-1/8 "	R4133716	R4133717	R4166926	NR	R4111622 ³⁵⁶	N/A	-	-
N/A	1-1/8 "	R4133716	R4133717	R4166926	NR	R4111632 ³⁵⁷	R4122343	-	-
23-122700-002 ⁹	2-1/2 "	R424244X	R424244X ³⁷	60050266	6927075 ⁴¹	-	-	-	-
23-122703-002 ¹⁸⁶	2-7/8 "	60050145X	60050145X ³⁷	60050146	6927070 ²¹	-	-	-	-
23-122691-002 ¹⁸⁸	2-7/8 "	60050145X	60050145X ³⁷	60050146	6927070 ²¹	-	-	-	-
N/A	1-1/2 "	R4033607	R4033607	R4166818	NR	-	-	-	-
N/A	1-5/8 "	R4133338	R4133338	R4166689	NR	-	-	-	-
N/A	1-5/8 "	R4133338	R4133338	R4166689	NR	-	-	-	-
N/A	1-3/4 "	R4133400	R4133400	R4166917	NR	-	-	-	-
N/A	1-1/8 "	R4133719	R4133718	R4166926	NR	-	-	-	-
N/A	1-1/8 "	R4133714	R4133715	R4166926	NR	-	-	-	-
N/A	1-1/4 "	R4133581	R4133581	R4166923	NR	-	-	-	-
N/A	1-1/4 "	R4133720	R4133721	R4166923	NR	-	-	-	-
N/A	1.09375	R4133484	R4133485	R4166819	NR	-	-	-	-
N/A	1-1/8 "	R4133716	R4133717	R4166926	NR	R4111632 ³⁵⁷	R4122343	-	-
N/A	1-1/8 "	R4133714	R4133715	R4166926	NR	R4111632 ³⁵⁷	R4122343	-	-
N/A	1-1/8 "	R4133716	R4133717	R4166926	NR	R4111622 ³⁵⁶	N/A	-	-
N/A	1-1/8 "	R4133714	R4133715	R4166926	NR	R4111622 ³⁵⁶	N/A	-	-
23-122700-002 ⁹	2-1/2 "	R424244X	R424244X ³⁷	60050266	6927075 ⁴¹	-	-	-	-
23-122703-002 ¹⁸⁶	2-7/8 "	60050145X	60050145X ³⁷	60050146	6927070 ²¹	-	-	-	-
23-122691-002 ¹⁸⁸	2-7/8 "	60050145X	60050145X ³⁷	60050146	6927070 ²¹	-	-	-	-
N/A	1-1/2 "	R4033607	R4033607	R4166818	NR	-	-	-	-
N/A	1-5/8 "	R4133338	R4133338	R4166689	NR	-	-	-	-
N/A	1-5/8 "	R4133338	R4133338	R4166689	NR	-	-	-	-
N/A	1-3/4 "	R4133400	R4133400	R4166917	NR	-	-	-	-
N/A	1-1/8 "	R4133719	R4133718	R4166926	NR	-	-	-	-
N/A	1-1/8 "	R4133714	R4133715	R4166926	NR	-	-	-	-
N/A	1-1/4 "	R4133720	R4133721	R4166923	NR	-	-	-	-
N/A	1-1/4 "	R4133581	R4133581	R4166923	NR	-	-	-	-
-	1.09375	R4133484	R4133485	R4166819	NR	-	-	-	-

340 - Use 69160457 for Disc Pad Retainer Clip

341 - Use 69160445 for Disc Pad Retainer Clip

356 - Single Hydraulic System, Bosch Cylinder, after Serial No. Q20000, 18,500lb. Rear Axle

357 - Single Hydraulic System, Bosch Cylinder, after Serial No. Q20001, 18,500lb. Rear Axle

MAKE MODEL YEAR AXLE CODE AXLE WEIGHT	AXLE & BRK. TYPE	BRK. MFG.	BRAKE SIZE	FMSI	MERITOR DISC PAD OR BRAKE SHOE	MERITOR GUIDE PIN OR RETURN SPRING KIT	MERITOR CALIPER HWD. KIT OR RETURN SPRING KIT	MERITOR ADJUSTER KIT (LEFT WHEEL)	MERITOR ADJUSTER KIT (RIGHT WHEEL)
FORD(Cont.)									
F700 SERIES: CONVENTIONAL(Cont.)									
1977	Fa	KH	14 " x 2-1/2 "	2060 - 361	Discontinued	R40H596	R40H9219	R40H3536	R40H3537
F070	Fa	WG	15 " x 3 "	1245C - 321	R700321	R40H521	R40H9237	R40H3502	R40H3503
	Fa	WG	15 " x 3 "	1245C - 321	R700321	R40H521	R40H9237	R40H3502	R40H3503
	Fa	WG	15 " x 3 "	1245C - 321	R700321	R40H521	R40H9237	R40H3502	R40H3503
	Fa	WG	15 " x 3 "	1245C - 321	R700321	R40H521	R40H9237	R40H3502	R40H3503
	Fa	WG	15 " x 3 "	1245C - 321	R700321	R40H521	R40H9237	R40H3502	R40H3503
	Fa	WG	15 " x 3 "	1245C - 321	R700321	R40H521	R40H9237	R40H3502	R40H3503
	Fa	WG	15 " x 3 "	1245C - 321	R700321	R40H521	R40H9237	R40H3502	R40H3503
	Fd	DN		7141 - D224	MD224 ³⁴⁰	69310693	60050153	NR	NR
F080, F090	Fd	DN		7149 - D236	MD236 ³⁴¹	69310693	R40H5523	NR	NR
	Fd	DN		7149 - D236	MD236 ³⁴¹	69310693	R40H5523	NR	NR
F090, F120	Fa	WG	15 " x 3 "	1245C - 321	R700321	R40H521	R40H9237	R40H3502	R40H3503
	Fa	WG	15 " x 3 "	1245C - 321	R700321	R40H521	R40H9237	R40H3502	R40H3503
	Fa	WG	15 " x 3 "	1245C - 321	R700321	R40H521	R40H9237	R40H3502	R40H3503
	Fa	WG	15 " x 3 "	1245C - 321	R700321	R40H521	R40H9237	R40H3502	R40H3503
R170, R175	Ra	KH	15 " x 5 "	4646 - 400	R700400	R40H595	R40H9220	R40H3538	R40H3539
	Ra	KH	15 " x 5 "	4646 - 400	R700400	R40H595	R40H9220	R40H3538	R40H3539
	Ra	KH	15 " x 5 "	4646 - 400	R700400	R40H595	R40H9220	R40H3538	R40H3539
	Ra	WG	15 " x 5 "	1252 - 346	R700346	R40H597	R40H9200	R40H3540	R40H3541
	Ra	WG	15 " x 5 "	1252 - 346	R700346	R40H597	R40H9200	R40H3540	R40H3541
R185	Ra	WG	15 " x 6 "	4596 - 381	R700381	R40H597	R40H9200	R40H3540	R40H3541
	Ra	WG	15 " x 6 "	4596 - 381	R700381	R40H597	R40H9200	R40H3540	R40H3541
	Ra	WG	15 " x 7 "	4597 - 383	R700383	R40H597	R40H9200	R40H3540	R40H3541
	Ra	WG	15 " x 7 "	4597 - 383	R700383	R40H597	R40H9200	R40H3540	R40H3541
1976									
F050, F055, F060	Fa	KH	14 " x 2-1/2 "	2060 - 361	Discontinued	R40H596	R40H9219	R40H3536	R40H3537
	Fa	KH	14 " x 2-1/2 "	2060 - 361	Discontinued	R40H596	R40H9219	R40H3536	R40H3537
F070	Fa	WG	15 " x 3 "	1245C - 321	R700321	R40H521	R40H9237	R40H3502	R40H3503
	Fa	WG	15 " x 3 "	1245C - 321	R700321	R40H521	R40H9237	R40H3502	R40H3503
	Fa	WG	15 " x 3 "	1245C - 321	R700321	R40H521	R40H9237	R40H3502	R40H3503
	Fa	WG	15 " x 3 "	1245C - 321	R700321	R40H521	R40H9237	R40H3502	R40H3503
	Fd	DN		7141 - D224	MD224 ³⁴⁰	69310693	60050153	NR	NR
F080, F090	Fd	DN		7149 - D236	MD236 ³⁴¹	69310693	R40H5523	NR	NR
	Fd	DN		7149 - D236	MD236 ³⁴¹	69310693	R40H5523	NR	NR
R170, R175	Ra	KH	15 " x 5 "	4646 - 400	R700400	R40H595	R40H9220	R40H3538	R40H3539
	Ra	KH	15 " x 5 "	4646 - 400	R700400	R40H595	R40H9220	R40H3538	R40H3539
	Ra	KH	15 " x 5 "	4646 - 400	R700400	R40H595	R40H9220	R40H3538	R40H3539
	Ra	WG	15 " x 5 "	1252 - 346	R700346	R40H597	R40H9200	R40H3540	R40H3541
	Ra	WG	15 " x 5 "	1252 - 346	R700346	R40H597	R40H9200	R40H3540	R40H3541
R185	Ra	WG	15 " x 6 "	4596 - 381	R700381	R40H597	R40H9200	R40H3540	R40H3541
	Ra	WG	15 " x 6 "	4596 - 381	R700381	R40H597	R40H9200	R40H3540	R40H3541
	Ra	WG	15 " x 7 "	4597 - 383	R700383	R40H597	R40H9200	R40H3540	R40H3541
	Ra	WG	15 " x 7 "	4597 - 383	R700383	R40H597	R40H9200	R40H3540	R40H3541
Split System									
F070	Fa	WG	15 " x 3 "	1245C - 321	R700321	R40H521	R40H9237	R40H3502	R40H3503
	Fa	WG	15 " x 3 "	1245C - 321	R700321	R40H521	R40H9237	R40H3502	R40H3503
	Fa	WG	15 " x 3 "	1245C - 321	R700321	R40H521	R40H9237	R40H3502	R40H3503
	Fa	WG	15 " x 3 "	1245C - 321	R700321	R40H521	R40H9237	R40H3502	R40H3503
Split System									
F090, F120	Fa	WG	15 " x 3 "	1245C - 321	R700321	R40H521	R40H9237	R40H3502	R40H3503
	Fa	WG	15 " x 3 "	1245C - 321	R700321	R40H521	R40H9237	R40H3502	R40H3503
	Fa	WG	15 " x 3 "	1245C - 321	R700321	R40H521	R40H9237	R40H3502	R40H3503
	Fa	WG	15 " x 3 "	1245C - 321	R700321	R40H521	R40H9237	R40H3502	R40H3503
1975									
F050, F055, F060	Fa	KH	14 " x 2-1/2 "	2060 - 361	Discontinued	R40H596	R40H9219	R40H3536	R40H3537
	Fa	KH	14 " x 2-1/2 "	2060 - 361	Discontinued	R40H596	R40H9219	R40H3536	R40H3537
F070	Fa	WG	15 " x 3 "	1245C - 321	R700321	R40H521	R40H9237	R40H3502	R40H3503
	Fa	WG	15 " x 3 "	1245C - 321	R700321	R40H521	R40H9237	R40H3502	R40H3503
	Fa	WG	15 " x 3 "	1245C - 321	R700321	R40H521	R40H9237	R40H3502	R40H3503
	Fa	WG	15 " x 3 "	1245C - 321	R700321	R40H521	R40H9237	R40H3502	R40H3503
	Fd	DN		7141 - D224	MD224 ³⁴⁰	69310693	60050153	NR	NR
F080, F090	Fd	DN		7149 - D236	MD236 ³⁴¹	69310693	R40H5523	NR	NR

9 - 6 Stud, Dayton Rotor, Hat Style
 42 - 6 Stud, Dayton Rotor, "U" Style
 341 - Use 69160445 for Disc Pad Retainer Clip

37 - Also available as a New unit
 186 - 10 Stud
 356 - Single Hydraulic System, Bosch Cylinder, after Serial No. Q20000, 18,500lb. Rear Axle

41 - Aluminum piston
 340 - Use 69160457 for Disc Pad Retainer Clip
 357 - Single Hydraulic System, Bosch Cylinder, after Serial No. Q20001, 18,500lb. Rear Axle

MERITOR DRUM OR ROTOR NO.	CALIPER OR CYLINDER BORE SIZE	MERITOR CALIPER OR WHEEL CYLINDER (LEFT)	MERITOR CALIPER OR WHEEL CYLINDER (RIGHT)	MERITOR CALIPER OR WHEEL CYLINDER REPAIR KIT	MERITOR CALIPER PISTON	MERITOR MASTER CYLINDER	MERITOR MASTER CYLINDER KIT	MERITOR BRAKE HOSE (LEFT)	MERITOR BRAKE HOSE (RIGHT)
FORD(Cont.)									
F700 SERIES: CONVENTIONAL(Cont.)									
-	1.09375	R4133484	R4133485	R4166819	NR	-	-	-	-
-	1-1/8 "	R4133719	R4133718	R4166926	NR	N/A ³⁵⁸	R4122688	-	-
-	1-1/8 "	R4133714	R4133715	R4166926	NR	N/A ³⁵⁸	R4122688	-	-
-	1-1/8 "	R4133716	R4133717	R4166926	NR	R4111632 ³⁵⁷	R4122343	-	-
-	1-1/8 "	R4133714	R4133715	R4166926	NR	R4111632 ³⁵⁷	R4122343	-	-
-	1-1/8 "	R4133714	R4133715	R4166926	NR	R4111622 ³⁵⁶	N/A	-	-
-	1-1/8 "	R4133716	R4133717	R4166926	NR	R4111622 ³⁵⁶	N/A	-	-
-	1-1/8 "	R4133714	R4133715	R4166926	NR	N/A ³⁵⁸	R4122688	-	-
-	1-1/8 "	R4133719	R4133718	R4166926	NR	N/A ³⁵⁸	R4122688	-	-
23-122700-002 ⁹	2-1/2 "	R424244X	R424244X ³⁷	60050266	6927075 ⁴¹	-	-	-	-
23-122703-002 ¹⁸⁶	2-7/8 "	60050145X	60050145X ³⁷	60050146	69270702 ⁴¹	-	-	-	-
23-122691-002 ⁴²	2-7/8 "	60050145X	60050145X ³⁷	60050146	69270702 ⁴¹	-	-	-	-
-	1-1/4 "	R4133720	R4133721	R4166923	NR	-	-	-	-
-	1-1/4 "	R4133581	R4133581	R4166923	NR	-	-	-	-
-	1-1/4 "	R4133720	R4133721	R4166923	NR	-	-	-	-
-	1-1/4 "	R4133581	R4133582	R4166923	NR	-	-	-	-
-	1-1/2 "	R4033607	R4033607	R4166818	NR	-	-	-	-
-	1-5/8 "	R4133606	R4133606	R415193	NR	-	-	-	-
-	1-1/2 "	R4033607	R4033607	R4166818	NR	-	-	-	-
-	1-5/8 "	R4133338	R4133338	R4166689	NR	-	-	-	-
-	1-5/8 "	R4133338	R4133338	R4166689	NR	-	-	-	-
-	1-5/8 "	R4133338	R4133338	R4166689	NR	-	-	-	-
-	1-5/8 "	R4133338	R4133338	R4166689	NR	-	-	-	-
-	1-5/8 "	R4133338	R4133338	R4166689	NR	-	-	-	-
-	1-3/4 "	R4133400	R4133400	R4166917	NR	-	-	-	-
-	1-3/4 "	R4133400	R4133400	R4166917	NR	-	-	-	-
-	1.09375	R4133484	R4133485	R4166819	NR	-	-	-	-
-	1.09375	R4133484	R4133485	R4166819	NR	-	-	-	-
-	1-1/8 "	R4133714	R4133715	R4166926	NR	R4111632 ³⁵⁷	R4122343	-	-
-	1-1/8 "	R4133716	R4133717	R4166926	NR	R4111622 ³⁵⁶	N/A	-	-
-	1-1/8 "	R4133714	R4133715	R4166926	NR	R4111622 ³⁵⁶	N/A	-	-
-	1-1/8 "	R4133716	R4133717	R4166926	NR	R4111632 ³⁵⁷	R4122343	-	-
23-122700-002 ⁹	2-1/2 "	R424244X	R424244X ³⁷	60050266	6927075 ⁴¹	-	-	-	-
23-122691-002 ⁴²	2-7/8 "	60050145X	60050145X ³⁷	60050146	69270702 ⁴¹	-	-	-	-
23-122703-002 ¹⁸⁶	2-7/8 "	60050145X	60050145X ³⁷	60050146	69270702 ⁴¹	-	-	-	-
-	1-1/2 "	R4033607	R4033607	R4166818	NR	-	-	-	-
-	1-5/8 "	R4133606	R4133606	R415193	NR	-	-	-	-
-	1-1/2 "	R4033607	R4033607	R4166818	NR	-	-	-	-
-	1-5/8 "	R4133338	R4133338	R4166689	NR	-	-	-	-
-	1-5/8 "	R4133338	R4133338	R4166689	NR	-	-	-	-
-	1-5/8 "	R4133338	R4133338	R4166689	NR	-	-	-	-
-	1-3/4 "	R4133400	R4133400	R4166917	NR	-	-	-	-
-	1-3/4 "	R4133400	R4133400	R4166917	NR	-	-	-	-
-	1-1/8 "	R4133714	R4133715	R4166926	NR	N/A ³⁵⁸	R4122688	-	-
-	1-1/8 "	R4133719	R4133718	R4166926	NR	N/A ³⁵⁸	R4122688	-	-
-	1-1/8 "	R4133714	R4133715	R4166926	NR	N/A ³⁵⁸	R4122688	-	-
-	1-1/8 "	R4133719	R4133718	R4166926	NR	N/A ³⁵⁸	R4122688	-	-
-	1-1/4 "	R4133581	R4133581	R4166923	NR	-	-	-	-
-	1-1/4 "	R4133720	R4133721	R4166923	NR	-	-	-	-
-	1-1/4 "	R4133581	R4133582	R4166923	NR	-	-	-	-
-	1-1/4 "	R4133720	R4133721	R4166923	NR	-	-	-	-
-	1.09375	R4133484	R4133485	R4166819	NR	-	-	-	-
-	1.09375	R4133484	R4133485	R4166819	NR	-	-	-	-
-	1-1/8 "	R4133716	R4133717	R4166926	NR	R4111622 ³⁵⁶	N/A	-	-
-	1-1/8 "	R4133716	R4133717	R4166926	NR	R4111632 ³⁵⁷	R4122343	-	-
-	1-1/8 "	R4133714	R4133715	R4166926	NR	R4111632 ³⁵⁷	R4122343	-	-
-	1-1/8 "	R4133714	R4133715	R4166926	NR	R4111622 ³⁵⁶	N/A	-	-
23-122700-002 ⁹	2-1/2 "	R424244X	R424244X ³⁷	60050266	6927075 ⁴¹	-	-	-	-
23-122691-002 ⁴²	2-7/8 "	60050145X	60050145X ³⁷	60050146	69270702 ⁴¹	-	-	-	-

1 APPLICATION

358 - Split System

MAKE MODEL YEAR AXLE CODE AXLE WEIGHT	AXLE & BRK. TYPE	BRK. MFG.	BRAKE SIZE	FMSI	MERITOR DISC PAD OR BRAKE SHOE	MERITOR GUIDE PIN OR RETURN SPRING KIT	MERITOR CALIPER HWD. KIT OR RETURN SPRING KIT	MERITOR ADJUSTER KIT (LEFT WHEEL)	MERITOR ADJUSTER KIT (RIGHT WHEEL)
FORD(Cont.)									
F700 SERIES: CONVENTIONAL(Cont.)									
1975	Fd	DN		7149 - D236	MD236 ³⁴¹	69310693	R40H5523	NR	NR
R170, R175	Ra	KH	15" x 5"	4646 - 400	R700400	R40H595	R40H9220	R40H3538	R40H3539
	Ra	KH	15" x 5"	4646 - 400	R700400	R40H595	R40H9220	R40H3538	R40H3539
	Ra	KH	15" x 5"	4646 - 400	R700400	R40H595	R40H9220	R40H3538	R40H3539
	Ra	WG	15" x 5"	1252 - 346	R700346	R40H597	R40H9200	R40H3540	R40H3541
R185	Ra	WG	15" x 6"	4596 - 381	R700381	R40H597	R40H9200	R40H3540	R40H3541
	Ra	WG	15" x 6"	4596 - 381	R700381	R40H597	R40H9200	R40H3540	R40H3541
	Ra	WG	15" x 7"	4597 - 383	R700383	R40H597	R40H9200	R40H3540	R40H3541
	Ra	WG	15" x 7"	4597 - 383	R700383	R40H597	R40H9200	R40H3540	R40H3541
Split System F070	Fa	WG	15" x 3"	1245C - 321	R700321	R40H521	R40H9237	R40H3502	R40H3503
	Fa	WG	15" x 3"	1245C - 321	R700321	R40H521	R40H9237	R40H3502	R40H3503
	Fa	WG	15" x 3"	1245C - 321	R700321	R40H521	R40H9237	R40H3502	R40H3503
	Fa	WG	15" x 3"	1245C - 321	R700321	R40H521	R40H9237	R40H3502	R40H3503
Split System F090, F120	Fa	WG	15" x 3"	1245C - 321	R700321	R40H521	R40H9237	R40H3502	R40H3503
	Fa	WG	15" x 3"	1245C - 321	R700321	R40H521	R40H9237	R40H3502	R40H3503
	Fa	WG	15" x 3"	1245C - 321	R700321	R40H521	R40H9237	R40H3502	R40H3503
	Fa	WG	15" x 3"	1245C - 321	R700321	R40H521	R40H9237	R40H3502	R40H3503
1974 F050, F055, F060	Fa	KH	14" x 2-1/2"	2060 - 361	Discontinued	R40H596	R40H9219	R40H3536	R40H3537
	Fa	KH	14" x 2-1/2"	2060 - 361	Discontinued	R40H596	R40H9219	R40H3536	R40H3537
F070	Fa	WG	15" x 3"	1245C - 321	R700321	R40H521	R40H9237	R40H3502	R40H3503
	Fa	WG	15" x 3"	1245C - 321	R700321	R40H521	R40H9237	R40H3502	R40H3503
	Fa	WG	15" x 3"	1245C - 321	R700321	R40H521	R40H9237	R40H3502	R40H3503
	Fa	WG	15" x 3"	1245C - 321	R700321	R40H521	R40H9237	R40H3502	R40H3503
F080, F090	Fd	DN		7141 - D224	MD224 ³⁴⁰	69310693	60050153	NR	NR
	Fd	DN		7149 - D236	MD236 ³⁴¹	69310693	R40H5523	NR	NR
R170, R175	Fd	DN		7149 - D236	MD236 ³⁴¹	69310693	R40H5523	NR	NR
	Fd	DN		7149 - D236	MD236 ³⁴¹	69310693	R40H5523	NR	NR
R170, R175	Ra	KH	15" x 5"	4646 - 400	R700400	R40H595	R40H9220	R40H3538	R40H3539
	Ra	KH	15" x 5"	4646 - 400	R700400	R40H595	R40H9220	R40H3538	R40H3539
	Ra	KH	15" x 5"	4646 - 400	R700400	R40H595	R40H9220	R40H3538	R40H3539
	Ra	WG	15" x 5"	1252 - 346	R700346	R40H597	R40H9200	R40H3540	R40H3541
R185	Ra	WG	15" x 6"	4596 - 381	R700381	R40H597	R40H9200	R40H3540	R40H3541
	Ra	WG	15" x 6"	4596 - 381	R700381	R40H597	R40H9200	R40H3540	R40H3541
	Ra	WG	15" x 7"	4597 - 383	R700383	R40H597	R40H9200	R40H3540	R40H3541
	Ra	WG	15" x 7"	4597 - 383	R700383	R40H597	R40H9200	R40H3540	R40H3541
Split System F070	Fa	WG	15" x 3"	1245C - 321	R700321	R40H521	R40H9237	R40H3502	R40H3503
	Fa	WG	15" x 3"	1245C - 321	R700321	R40H521	R40H9237	R40H3502	R40H3503
	Fa	WG	15" x 3"	1245C - 321	R700321	R40H521	R40H9237	R40H3502	R40H3503
	Fa	WG	15" x 3"	1245C - 321	R700321	R40H521	R40H9237	R40H3502	R40H3503
Split System F090, F120	Fa	WG	15" x 3"	1245C - 321	R700321	R40H521	R40H9237	R40H3502	R40H3503
	Fa	WG	15" x 3"	1245C - 321	R700321	R40H521	R40H9237	R40H3502	R40H3503
	Fa	WG	15" x 3"	1245C - 321	R700321	R40H521	R40H9237	R40H3502	R40H3503
	Fa	WG	15" x 3"	1245C - 321	R700321	R40H521	R40H9237	R40H3502	R40H3503
1973 F050, F055, F060	Fa	KH	14" x 2-1/2"	2060 - 361	Discontinued	R40H596	R40H9219	R40H3536	R40H3537
	Fa	KH	14" x 2-1/2"	2060 - 361	Discontinued	R40H596	R40H9219	R40H3536	R40H3537
F070	Fa	WG	15" x 3"	1245C - 321	R700321	R40H521	R40H9237	R40H3502	R40H3503
	Fa	WG	15" x 3"	1245C - 321	R700321	R40H521	R40H9237	R40H3502	R40H3503
	Fa	WG	15" x 3"	1245C - 321	R700321	R40H521	R40H9237	R40H3502	R40H3503
	Fa	WG	15" x 3"	1245C - 321	R700321	R40H521	R40H9237	R40H3502	R40H3503
F080, F090	Fd	DN		7141 - D224	MD224 ³⁴⁰	69310693	60050153	NR	NR
	Fd	DN		7149 - D236	MD236 ³⁴¹	69310693	R40H5523	NR	NR
R170, R175	Fd	DN		7149 - D236	MD236 ³⁴¹	69310693	R40H5523	NR	NR
	Fd	DN		7149 - D236	MD236 ³⁴¹	69310693	R40H5523	NR	NR
R170, R175	Ra	KH	15" x 5"	4646 - 400	R700400	R40H595	R40H9220	R40H3538	R40H3539
	Ra	KH	15" x 5"	4646 - 400	R700400	R40H595	R40H9220	R40H3538	R40H3539
	Ra	KH	15" x 5"	4646 - 400	R700400	R40H595	R40H9220	R40H3538	R40H3539
	Ra	WG	15" x 5"	1252 - 346	R700346	R40H597	R40H9200	R40H3540	R40H3541

9 - 6 Stud, Dayton Rotor, Hat Style
 42 - 6 Stud, Dayton Rotor, "U" Style
 341 - Use 69160445 for Disc Pad Retainer Clip

37 - Also available as a New unit
 186 - 10 Stud
 356 - Single Hydraulic System, Bosch Cylinder, after Serial No. Q20000, 18,500lb. Rear Axle

41 - Aluminum piston
 340 - Use 69160457 for Disc Pad Retainer Clip
 357 - Single Hydraulic System, Bosch Cylinder, after Serial No. Q20001, 18,500lb. Rear Axle

MERITOR DRUM OR ROTOR NO.	CALIPER OR CYLINDER BORE SIZE	MERITOR CALIPER OR WHEEL CYLINDER (LEFT)	MERITOR CALIPER OR WHEEL CYLINDER (RIGHT)	MERITOR CALIPER OR WHEEL CYLINDER REPAIR KIT	MERITOR CALIPER PISTON	MERITOR MASTER CYLINDER	MERITOR MASTER CYLINDER KIT	MERITOR BRAKE HOSE (LEFT)	MERITOR BRAKE HOSE (RIGHT)
FORD(Cont.)									
F700 SERIES: CONVENTIONAL(Cont.)									
23-122703-002 ¹⁸⁶	2-7/8 "	60050145X	60050145X ³⁷	60050146	69270702 ⁴¹	-	-	-	-
-	1-1/2 "	R4033607	R4033607	R4166818	NR	-	-	-	-
-	1-1/2 "	R4033607	R4033607	R4166818	NR	-	-	-	-
-	1-5/8 "	R4133606	R4133606	R415193	NR	-	-	-	-
-	1-5/8 "	R4133338	R4133338	R4166689	NR	-	-	-	-
-	1-5/8 "	R4133338	R4133338	R4166689	NR	-	-	-	-
-	1-5/8 "	R4133338	R4133338	R4166689	NR	-	-	-	-
-	1-3/4 "	R4133400	R4133400	R4166917	NR	-	-	-	-
-	1-3/4 "	R4133400	R4133400	R4166917	NR	-	-	-	-
-	1-1/8 "	R4133714	R4133715	R4166926	NR	N/A ³⁵⁸	R4122688	-	-
-	1-1/8 "	R4133719	R4133718	R4166926	NR	N/A ³⁵⁸	R4122688	-	-
-	1-1/8 "	R4133714	R4133715	R4166926	NR	N/A ³⁵⁸	R4122688	-	-
-	1-1/8 "	R4133719	R4133718	R4166926	NR	N/A ³⁵⁸	R4122688	-	-
-	1-1/4 "	R4133581	R4133582	R4166923	NR	-	-	-	-
-	1-1/4 "	R4133720	R4133721	R4166923	NR	-	-	-	-
-	1-1/4 "	R4133581	R4133581	R4166923	NR	-	-	-	-
-	1-1/4 "	R4133720	R4133721	R4166923	NR	-	-	-	-
-	1.09375	R4133484	R4133485	R4166819	NR	-	-	-	-
-	1.09375	R4133484	R4133485	R4166819	NR	-	-	-	-
-	1-1/8 "	R4133714	R4133715	R4166926	NR	R4111632 ³⁵⁷	R4122343	-	-
-	1-1/8 "	R4133716	R4133717	R4166926	NR	R4111622 ³⁵⁶	N/A	-	-
-	1-1/8 "	R4133716	R4133717	R4166926	NR	R4111632 ³⁵⁷	R4122343	-	-
-	1-1/8 "	R4133714	R4133715	R4166926	NR	R4111622 ³⁵⁶	N/A	-	-
23-122700-002 ⁹	2-1/2 "	R424244X	R424244X ³⁷	60050266	69270757 ⁴¹	-	-	-	-
23-122691-002 ⁴²	2-7/8 "	60050145X	60050145X ³⁷	60050146	69270702 ⁴¹	-	-	-	-
23-122703-002 ¹⁸⁶	2-7/8 "	60050145X	60050145X ³⁷	60050146	69270702 ⁴¹	-	-	-	-
-	1-1/2 "	R4033607	R4033607	R4166818	NR	-	-	-	-
-	1-5/8 "	R4133606	R4133606	R415193	NR	-	-	-	-
-	1-1/2 "	R4033607	R4033607	R4166818	NR	-	-	-	-
-	1-5/8 "	R4133338	R4133338	R4166689	NR	-	-	-	-
-	1-5/8 "	R4133338	R4133338	R4166689	NR	-	-	-	-
-	1-5/8 "	R4133338	R4133338	R4166689	NR	-	-	-	-
-	1-5/8 "	R4133338	R4133338	R4166689	NR	-	-	-	-
-	1-3/4 "	R4133400	R4133400	R4166917	NR	-	-	-	-
-	1-3/4 "	R4133400	R4133400	R4166917	NR	-	-	-	-
-	1-1/8 "	R4133714	R4133715	R4166926	NR	N/A ³⁵⁸	R4122688	-	-
-	1-1/8 "	R4133719	R4133718	R4166926	NR	N/A ³⁵⁸	R4122688	-	-
-	1-1/8 "	R4133719	R4133718	R4166926	NR	N/A ³⁵⁸	R4122688	-	-
-	1-1/8 "	R4133714	R4133715	R4166926	NR	N/A ³⁵⁸	R4122688	-	-
-	1-1/4 "	R4133581	R4133582	R4166923	NR	-	-	-	-
-	1-1/4 "	R4133720	R4133721	R4166923	NR	-	-	-	-
-	1-1/4 "	R4133581	R4133581	R4166923	NR	-	-	-	-
-	1-1/4 "	R4133720	R4133721	R4166923	NR	-	-	-	-
-	1.09375	R4133484	R4133485	R4166819	NR	-	-	-	-
-	1.09375	R4133484	R4133485	R4166819	NR	-	-	-	-
-	1-1/8 "	R4133714	R4133715	R4166926	NR	R4111632 ³⁵⁷	R4122343	-	-
-	1-1/8 "	R4133716	R4133717	R4166926	NR	R4111632 ³⁵⁷	R4122343	-	-
-	1-1/8 "	R4133714	R4133715	R4166926	NR	R4111622 ³⁵⁶	N/A	-	-
-	1-1/8 "	R4133716	R4133717	R4166926	NR	R4111622 ³⁵⁶	N/A	-	-
23-122700-002 ⁹	2-1/2 "	R424244X	R424244X ³⁷	60050266	69270757 ⁴¹	-	-	-	-
23-122703-002 ¹⁸⁶	2-7/8 "	60050145X	60050145X ³⁷	60050146	69270702 ⁴¹	-	-	-	-
23-122691-002 ⁴²	2-7/8 "	60050145X	60050145X ³⁷	60050146	69270702 ⁴¹	-	-	-	-
-	1-5/8 "	R4133606	R4133606	R415193	NR	-	-	-	-
-	1-1/2 "	R4033607	R4033607	R4166818	NR	-	-	-	-
-	1-1/2 "	R4033607	R4033607	R4166818	NR	-	-	-	-
-	1-5/8 "	R4133338	R4133338	R4166689	NR	-	-	-	-

1 APPLICATION

358 - Split System

MAKE MODEL YEAR AXLE CODE AXLE WEIGHT	AXLE & BRK. TYPE	BRK. MFG.	BRAKE SIZE	FMSI	MERITOR DISC PAD OR BRAKE SHOE	MERITOR GUIDE PIN OR RETURN SPRING KIT	MERITOR CALIPER HWD. KIT OR RETURN SPRING KIT	MERITOR ADJUSTER KIT (LEFT WHEEL)	MERITOR ADJUSTER KIT (RIGHT WHEEL)
FORD(Cont.)									
F700 SERIES: CONVENTIONAL(Cont.)									
1973	Ra	WG	15 " x 5 "	1252 - 346	R700346	R40H597	R40H9200	R40H3540	R40H3541
R185	Ra	WG	15 " x 6 "	4596 - 381	R700381	R40H597	R40H9200	R40H3540	R40H3541
	Ra	WG	15 " x 6 "	4596 - 381	R700381	R40H597	R40H9200	R40H3540	R40H3541
	Ra	WG	15 " x 7 "	4597 - 383	R700383	R40H597	R40H9200	R40H3540	R40H3541
	Ra	WG	15 " x 7 "	4597 - 383	R700383	R40H597	R40H9200	R40H3540	R40H3541
Split System F070	Fa	WG	15 " x 3 "	1245C - 321	R700321	R40H521	R40H9237	R40H3502	R40H3503
	Fa	WG	15 " x 3 "	1245C - 321	R700321	R40H521	R40H9237	R40H3502	R40H3503
	Fa	WG	15 " x 3 "	1245C - 321	R700321	R40H521	R40H9237	R40H3502	R40H3503
	Fa	WG	15 " x 3 "	1245C - 321	R700321	R40H521	R40H9237	R40H3502	R40H3503
Split System F090, F120	Fa	WG	15 " x 3 "	1245C - 321	R700321	R40H521	R40H9237	R40H3502	R40H3503
	Fa	WG	15 " x 3 "	1245C - 321	R700321	R40H521	R40H9237	R40H3502	R40H3503
	Fa	WG	15 " x 3 "	1245C - 321	R700321	R40H521	R40H9237	R40H3502	R40H3503
	Fa	WG	15 " x 3 "	1245C - 321	R700321	R40H521	R40H9237	R40H3502	R40H3503
1972 F050, F055, F060	Fa	KH	14 " x 2-1/2 "	2060 - 361	Discontinued	R40H596	R40H9219	R40H3536	R40H3537
	Fa	KH	14 " x 2-1/2 "	2060 - 361	Discontinued	R40H596	R40H9219	R40H3536	R40H3537
F070	Fd	DN		7141 - D224	MD224 ³⁴⁰	69310693	60050153	NR	NR
F080, F090	Fd	DN		7149 - D236	MD236 ³⁴¹	69310693	R40H5523	NR	NR
	Fd	DN		7149 - D236	MD236 ³⁴¹	69310693	R40H5523	NR	NR
R170, R175	Ra	KH	15 " x 5 "	4646 - 400	R700400	R40H595	R40H9220	R40H3538	R40H3539
	Ra	KH	15 " x 5 "	4646 - 400	R700400	R40H595	R40H9220	R40H3538	R40H3539
	Ra	KH	15 " x 5 "	4646 - 400	R700400	R40H595	R40H9220	R40H3538	R40H3539
	Ra	WG	15 " x 5 "	1252 - 346	R700346	R40H597	R40H9200	R40H3540	R40H3541
	Ra	WG	15 " x 5 "	1252 - 346	R700346	R40H597	R40H9200	R40H3540	R40H3541
R185	Ra	WG	15 " x 6 "	4596 - 381	R700381	R40H597	R40H9200	R40H3540	R40H3541
	Ra	WG	15 " x 6 "	4596 - 381	R700381	R40H597	R40H9200	R40H3540	R40H3541
	Ra	WG	15 " x 7 "	4597 - 383	R700383	R40H597	R40H9200	R40H3540	R40H3541
	Ra	WG	15 " x 7 "	4597 - 383	R700383	R40H597	R40H9200	R40H3540	R40H3541
Single System F070	Fa	WG	15 " x 3 "	1245C - 321	R700321	R40H521	R40H9237	R40H3502	R40H3503
	Fa	WG	15 " x 3 "	1245C - 321	R700321	R40H521	R40H9237	R40H3502	R40H3503
	Fa	WG	15 " x 3 "	1245C - 321	R700321	R40H521	R40H9237	R40H3502	R40H3503
	Fa	WG	15 " x 3 "	1245C - 321	R700321	R40H521	R40H9237	R40H3502	R40H3503
Split System F070	Fa	WG	15 " x 3 "	1245C - 321	R700321	R40H521	R40H9237	R40H3502	R40H3503
	Fa	WG	15 " x 3 "	1245C - 321	R700321	R40H521	R40H9237	R40H3502	R40H3503
	Fa	WG	15 " x 3 "	1245C - 321	R700321	R40H521	R40H9237	R40H3502	R40H3503
	Fa	WG	15 " x 3 "	1245C - 321	R700321	R40H521	R40H9237	R40H3502	R40H3503
Split System F090, F120	Fa	WG	15 " x 3 "	1245C - 321	R700321	R40H521	R40H9237	R40H3502	R40H3503
	Fa	WG	15 " x 3 "	1245C - 321	R700321	R40H521	R40H9237	R40H3502	R40H3503
	Fa	WG	15 " x 3 "	1245C - 321	R700321	R40H521	R40H9237	R40H3502	R40H3503
	Fa	WG	15 " x 3 "	1245C - 321	R700321	R40H521	R40H9237	R40H3502	R40H3503
1971 F050, F055, F060	Fa	KH	14 " x 2-1/2 "	2060 - 361	Discontinued	R40H596	R40H9219	R40H3536	R40H3537
	Fa	KH	14 " x 2-1/2 "	2060 - 361	Discontinued	R40H596	R40H9219	R40H3536	R40H3537
F070	Fd	DN		7141 - D224	MD224 ³⁴⁰	69310693	60050153	NR	NR
F080, F090	Fd	DN		7149 - D236	MD236 ³⁴¹	69310693	R40H5523	NR	NR
	Fd	DN		7149 - D236	MD236 ³⁴¹	69310693	R40H5523	NR	NR
R170, R175	Ra	KH	15 " x 5 "	4646 - 400	R700400	R40H595	R40H9220	R40H3538	R40H3539
	Ra	KH	15 " x 5 "	4646 - 400	R700400	R40H595	R40H9220	R40H3538	R40H3539
	Ra	KH	15 " x 5 "	4646 - 400	R700400	R40H595	R40H9220	R40H3538	R40H3539
	Ra	WG	15 " x 5 "	1252 - 346	R700346	R40H597	R40H9200	R40H3540	R40H3541
	Ra	WG	15 " x 5 "	1252 - 346	R700346	R40H597	R40H9200	R40H3540	R40H3541
R185	Ra	WG	15 " x 6 "	4596 - 381	R700381	R40H597	R40H9200	R40H3540	R40H3541
	Ra	WG	15 " x 6 "	4596 - 381	R700381	R40H597	R40H9200	R40H3540	R40H3541
	Ra	WG	15 " x 7 "	4597 - 383	R700383	R40H597	R40H9200	R40H3540	R40H3541
	Ra	WG	15 " x 7 "	4597 - 383	R700383	R40H597	R40H9200	R40H3540	R40H3541
Single System F070	Fa	WG	15 " x 3 "	1245C - 321	R700321	R40H521	R40H9237	R40H3502	R40H3503
	Fa	WG	15 " x 3 "	1245C - 321	R700321	R40H521	R40H9237	R40H3502	R40H3503

9 - 6 Stud, Dayton Rotor, Hat Style
 42 - 6 Stud, Dayton Rotor, "U" Style
 341 - Use 69160445 for Disc Pad Retainer Clip
 www.XpresswayPlus.com

37 - Also available as a New unit
 186 - 10 Stud
 358 - Split System

41 - Aluminum piston
 340 - Use 69160457 for Disc Pad Retainer Clip

MERITOR DRUM OR ROTOR NO.	CALIPER OR CYLINDER BORE SIZE	MERITOR CALIPER OR WHEEL CYLINDER (LEFT)	MERITOR CALIPER OR WHEEL CYLINDER (RIGHT)	MERITOR CALIPER OR WHEEL CYLINDER REPAIR KIT	MERITOR CALIPER PISTON	MERITOR MASTER CYLINDER	MERITOR MASTER CYLINDER KIT	MERITOR BRAKE HOSE (LEFT)	MERITOR BRAKE HOSE (RIGHT)
FORD(Cont.)									
F700 SERIES: CONVENTIONAL(Cont.)									
-	1-5/8 "	R4133338	R4133338	R4166689	NR	-	-	-	-
-	1-5/8 "	R4133338	R4133338	R4166689	NR	-	-	-	-
-	1-5/8 "	R4133338	R4133338	R4166689	NR	-	-	-	-
-	1-3/4 "	R4133400	R4133400	R4166917	NR	-	-	-	-
-	1-3/4 "	R4133400	R4133400	R4166917	NR	-	-	-	-
-	1-1/8 "	R4133714	R4133715	R4166926	NR	N/A ³⁵⁸	R4122688	-	-
-	1-1/8 "	R4133719	R4133718	R4166926	NR	N/A ³⁵⁸	R4122688	-	-
-	1-1/8 "	R4133714	R4133715	R4166926	NR	N/A ³⁵⁸	R4122688	-	-
-	1-1/8 "	R4133719	R4133718	R4166926	NR	N/A ³⁵⁸	R4122688	-	-
-	1-1/4 "	R4133581	R4133582	R4166923	NR	-	-	-	-
-	1-1/4 "	R4133720	R4133721	R4166923	NR	-	-	-	-
-	1-1/4 "	R4133581	R4133581	R4166923	NR	-	-	-	-
-	1-1/4 "	R4133720	R4133721	R4166923	NR	-	-	-	-
-	1.09375	R4133484	R4133485	R4166819	NR	-	-	-	-
-	1.09375	R4133484	R4133485	R4166819	NR	-	-	-	-
23-122700-002 ⁹	2-1/2 "	R424244X	R424244X ³⁷	60050266	69270757 ⁴¹	-	-	-	-
23-122691-002 ⁴²	2-7/8 "	60050145X	60050145X ³⁷	60050146	69270702 ⁴¹	-	-	-	-
23-122703-002 ¹⁸⁶	2-7/8 "	60050145X	60050145X ³⁷	60050146	69270702 ⁴¹	-	-	-	-
-	1-5/8 "	R4133606	R4133606	R415193	NR	-	-	-	-
-	1-1/2 "	R4033607	R4033607	R4166818	NR	-	-	-	-
-	1-1/2 "	R4033607	R4033607	R4166818	NR	-	-	-	-
-	1-5/8 "	R4133338	R4133338	R4166689	NR	-	-	-	-
-	1-5/8 "	R4133338	R4133338	R4166689	NR	-	-	-	-
-	1-5/8 "	R4133338	R4133338	R4166689	NR	-	-	-	-
-	1-5/8 "	R4133338	R4133338	R4166689	NR	-	-	-	-
-	1-5/8 "	R4133338	R4133338	R4166689	NR	-	-	-	-
-	1-5/8 "	R4133338	R4133338	R4166689	NR	-	-	-	-
-	1-3/4 "	R4133400	R4133400	R4166917	NR	-	-	-	-
-	1-3/4 "	R4133400	R4133400	R4166917	NR	-	-	-	-
-	1-1/8 "	R4133714	R4133715	R4166926	NR	-	-	-	-
-	1-1/8 "	R4133716	R4133717	R4166926	NR	-	-	-	-
-	1-1/8 "	R4133714	R4133715	R4166926	NR	-	-	-	-
-	1-1/8 "	R4133716	R4133717	R4166926	NR	-	-	-	-
-	1-1/8 "	R4133714	R4133715	R4166926	NR	N/A ³⁵⁸	R4122688	-	-
-	1-1/8 "	R4133719	R4133718	R4166926	NR	N/A ³⁵⁸	R4122688	-	-
-	1-1/8 "	R4133719	R4133718	R4166926	NR	N/A ³⁵⁸	R4122688	-	-
-	1-1/8 "	R4133714	R4133715	R4166926	NR	N/A ³⁵⁸	R4122688	-	-
-	1-1/4 "	R4133720	R4133721	R4166923	NR	-	-	-	-
-	1-1/4 "	R4133581	R4133582	R4166923	NR	-	-	-	-
-	1-1/4 "	R4133720	R4133721	R4166923	NR	-	-	-	-
-	1-1/4 "	R4133581	R4133581	R4166923	NR	-	-	-	-
-	1.09375	R4133484	R4133485	R4166819	NR	-	-	-	-
-	1.09375	R4133484	R4133485	R4166819	NR	-	-	-	-
23-122700-002 ⁹	2-1/2 "	R424244X	R424244X ³⁷	60050266	69270757 ⁴¹	-	-	-	-
23-122691-002 ⁴²	2-7/8 "	60050145X	60050145X ³⁷	60050146	69270702 ⁴¹	-	-	-	-
23-122703-002 ¹⁸⁶	2-7/8 "	60050145X	60050145X ³⁷	60050146	69270702 ⁴¹	-	-	-	-
-	1-1/2 "	R4033607	R4033607	R4166818	NR	-	-	-	-
-	1-5/8 "	R4133606	R4133606	R415193	NR	-	-	-	-
-	1-1/2 "	R4033607	R4033607	R4166818	NR	-	-	-	-
-	1-5/8 "	R4133338	R4133338	R4166689	NR	-	-	-	-
-	1-5/8 "	R4133338	R4133338	R4166689	NR	-	-	-	-
-	1-5/8 "	R4133338	R4133338	R4166689	NR	-	-	-	-
-	1-5/8 "	R4133338	R4133338	R4166689	NR	-	-	-	-
-	1-3/4 "	R4133400	R4133400	R4166917	NR	-	-	-	-
-	1-3/4 "	R4133400	R4133400	R4166917	NR	-	-	-	-
-	1-1/8 "	R4133714	R4133715	R4166926	NR	-	-	-	-
-	1-1/8 "	R4133716	R4133717	R4166926	NR	-	-	-	-

1 APPLICATION

MAKE MODEL YEAR AXLE CODE AXLE WEIGHT	AXLE & BRK. TYPE	BRK. MFG.	BRAKE SIZE	FMSI	MERITOR DISC PAD OR BRAKE SHOE	MERITOR GUIDE PIN OR RETURN SPRING KIT	MERITOR CALIPER HWD. KIT OR RETURN SPRING KIT	MERITOR ADJUSTER KIT (LEFT WHEEL)	MERITOR ADJUSTER KIT (RIGHT WHEEL)
FORD(Cont.)									
F700 SERIES: CONVENTIONAL(Cont.)									
1971 Single System F070	Fa Fa	WG WG	15 " x 3 " 15 " x 3 "	1245C - 321 1245C - 321	R700321 R700321	R40H521 R40H521	R40H9237 R40H9237	R40H3502 R40H3502	R40H3503 R40H3503
Split System F070	Fa Fa Fa Fa	WG WG WG WG	15 " x 3 " 15 " x 3 " 15 " x 3 " 15 " x 3 "	1245C - 321 1245C - 321 1245C - 321 1245C - 321	R700321 R700321 R700321 R700321	R40H521 R40H521 R40H521 R40H521	R40H9237 R40H9237 R40H9237 R40H9237	R40H3502 R40H3502 R40H3502 R40H3502	R40H3503 R40H3503 R40H3503 R40H3503
Split System F090, F120	Fa Fa Fa Fa	WG WG WG WG	15 " x 3 " 15 " x 3 " 15 " x 3 " 15 " x 3 "	1245C - 321 1245C - 321 1245C - 321 1245C - 321	R700321 R700321 R700321 R700321	R40H521 R40H521 R40H521 R40H521	R40H9237 R40H9237 R40H9237 R40H9237	R40H3502 R40H3502 R40H3502 R40H3502	R40H3503 R40H3503 R40H3503 R40H3503
1970 F050, F055, F060	Fa Fa	KH KH	14 " x 2-1/2 " 14 " x 2-1/2 "	2060 - 361 2060 - 361	Discontinued Discontinued	R40H596 R40H596	R40H9219 R40H9219	R40H3536 R40H3536	R40H3537 R40H3537
F070	Fd	DN		7141 - D224	MD224 ³⁴⁰	69310693	60050153	NR	NR
F080, F090	Fd Fd	DN DN		7149 - D236 7149 - D236	MD236 ³⁴¹ MD236 ³⁴¹	69310693 69310693	R40H5523 R40H5523	NR NR	NR NR
R170, R175	Ra Ra Ra Ra Ra	KH KH KH WG WG	15 " x 5 " 15 " x 5 " 15 " x 5 " 15 " x 5 " 15 " x 5 "	4646 - 400 4646 - 400 4646 - 400 1252 - 346 1252 - 346	R700400 R700400 R700400 R700346 R700346	R40H595 R40H595 R40H595 R40H597 R40H597	R40H9220 R40H9220 R40H9220 R40H9200 R40H9200	R40H3538 R40H3538 R40H3538 R40H3540 R40H3540	R40H3539 R40H3539 R40H3539 R40H3541 R40H3541
R185	Ra Ra Ra Ra	WG WG WG WG	15 " x 6 " 15 " x 6 " 15 " x 7 " 15 " x 7 "	4596 - 381 4596 - 381 4597 - 383 4597 - 383	R700381 R700381 R700383 R700383	R40H597 R40H597 R40H597 R40H597	R40H9200 R40H9200 R40H9200 R40H9200	R40H3540 R40H3540 R40H3540 R40H3540	R40H3541 R40H3541 R40H3541 R40H3541
Single System F070	Fa Fa Fa Fa	WG WG WG WG	15 " x 3 " 15 " x 3 " 15 " x 3 " 15 " x 3 "	1245C - 321 1245C - 321 1245C - 321 1245C - 321	R700321 R700321 R700321 R700321	R40H521 R40H521 R40H521 R40H521	R40H9237 R40H9237 R40H9237 R40H9237	R40H3502 R40H3502 R40H3502 R40H3502	R40H3503 R40H3503 R40H3503 R40H3503
Split System F070	Fa Fa Fa Fa	WG WG WG WG	15 " x 3 " 15 " x 3 " 15 " x 3 " 15 " x 3 "	1245C - 321 1245C - 321 1245C - 321 1245C - 321	R700321 R700321 R700321 R700321	R40H521 R40H521 R40H521 R40H521	R40H9237 R40H9237 R40H9237 R40H9237	R40H3502 R40H3502 R40H3502 R40H3502	R40H3503 R40H3503 R40H3503 R40H3503
Split System F090, F120	Fa Fa Fa Fa	WG WG WG WG	15 " x 3 " 15 " x 3 " 15 " x 3 " 15 " x 3 "	1245C - 321 1245C - 321 1245C - 321 1245C - 321	R700321 R700321 R700321 R700321	R40H521 R40H521 R40H521 R40H521	R40H9237 R40H9237 R40H9237 R40H9237	R40H3502 R40H3502 R40H3502 R40H3502	R40H3503 R40H3503 R40H3503 R40H3503
1969 F050, F055, F060	Fa Fa	KH KH	14 " x 2-1/2 " 14 " x 2-1/2 "	2060 - 361 2060 - 361	Discontinued Discontinued	R40H596 R40H596	R40H9219 R40H9219	R40H3536 R40H3536	R40H3537 R40H3537
F070	Fd	DN		7141 - D224	MD224 ³⁴⁰	69310693	60050153	NR	NR
F080, F090	Fd Fd	DN DN		7149 - D236 7149 - D236	MD236 ³⁴¹ MD236 ³⁴¹	69310693 69310693	R40H5523 R40H5523	NR NR	NR NR
R170, R175	Ra Ra Ra Ra Ra	KH KH KH WG WG	15 " x 5 " 15 " x 5 " 15 " x 5 " 15 " x 5 " 15 " x 5 "	4646 - 400 4646 - 400 4646 - 400 1252 - 346 1252 - 346	R700400 R700400 R700400 R700346 R700346	R40H595 R40H595 R40H595 R40H597 R40H597	R40H9220 R40H9220 R40H9220 R40H9200 R40H9200	R40H3538 R40H3538 R40H3538 R40H3540 R40H3540	R40H3539 R40H3539 R40H3539 R40H3541 R40H3541
R185	Ra Ra Ra Ra	WG WG WG WG	15 " x 6 " 15 " x 6 " 15 " x 7 " 15 " x 7 "	4596 - 381 4596 - 381 4597 - 383 4597 - 383	R700381 R700381 R700383 R700383	R40H597 R40H597 R40H597 R40H597	R40H9200 R40H9200 R40H9200 R40H9200	R40H3540 R40H3540 R40H3540 R40H3540	R40H3541 R40H3541 R40H3541 R40H3541
Single System F070	Fa Fa Fa Fa	WG WG WG WG	15 " x 3 " 15 " x 3 " 15 " x 3 " 15 " x 3 "	1245C - 321 1245C - 321 1245C - 321 1245C - 321	R700321 R700321 R700321 R700321	R40H521 R40H521 R40H521 R40H521	R40H9237 R40H9237 R40H9237 R40H9237	R40H3502 R40H3502 R40H3502 R40H3502	R40H3503 R40H3503 R40H3503 R40H3503
Split System F070	Fa	WG	15 " x 3 "	1245C - 321	R700321	R40H521	R40H9237	R40H3502	R40H3503

9 - 6 Stud, Dayton Rotor, Hat Style
 42 - 6 Stud, Dayton Rotor, "U" Style
 341 - Use E-8921 for Disc Pad Retainer Clip
 www.XpresswayPlus.com

37 - Also available as a New unit
 186 - 10 Stud
 358 - Split System

41 - Aluminum piston
 340 - Use 69160457 for Disc Pad Retainer Clip

MERITOR DRUM OR ROTOR NO.	CALIPER OR CYLINDER BORE SIZE	MERITOR CALIPER OR WHEEL CYLINDER (LEFT)	MERITOR CALIPER OR WHEEL CYLINDER (RIGHT)	MERITOR CALIPER OR WHEEL CYLINDER REPAIR KIT	MERITOR CALIPER PISTON	MERITOR MASTER CYLINDER	MERITOR MASTER CYLINDER KIT	MERITOR BRAKE HOSE (LEFT)	MERITOR BRAKE HOSE (RIGHT)
FORD(Cont.)									
F700 SERIES: CONVENTIONAL(Cont.)									
-	1-1/8 "	R4133714	R4133715	R4166926	NR	-	-	-	-
-	1-1/8 "	R4133716	R4133717	R4166926	NR	-	-	-	-
-	1-1/8 "	R4133714	R4133715	R4166926	NR	N/A ³⁵⁸	R4122688	-	-
-	1-1/8 "	R4133719	R4133718	R4166926	NR	N/A ³⁵⁸	R4122688	-	-
-	1-1/8 "	R4133714	R4133715	R4166926	NR	N/A ³⁵⁸	R4122688	-	-
-	1-1/8 "	R4133719	R4133718	R4166926	NR	N/A ³⁵⁸	R4122688	-	-
-	1-1/4 "	R4133720	R4133721	R4166923	NR	-	-	-	-
-	1-1/4 "	R4133581	R4133582	R4166923	NR	-	-	-	-
-	1-1/4 "	R4133720	R4133721	R4166923	NR	-	-	-	-
-	1-1/4 "	R4133581	R4133581	R4166923	NR	-	-	-	-
-	1.09375	R4133484	R4133485	R4166819	NR	-	-	-	-
-	1.09375	R4133484	R4133485	R4166819	NR	-	-	-	-
23-122700-002 ⁹	2-1/2 "	R424244X	R424244X ³⁷	60050266	6927075 ⁴¹	-	-	-	-
23-122691-002 ⁴²	2-7/8 "	60050145X	60050145X ³⁷	60050146	69270702 ⁴¹	-	-	-	-
23-122703-002 ¹⁸⁶	2-7/8 "	60050145X	60050145X ³⁷	60050146	69270702 ⁴¹	-	-	-	-
-	1-1/2 "	R4033607	R4033607	R4166818	NR	-	-	-	-
-	1-1/2 "	R4033607	R4033607	R4166818	NR	-	-	-	-
-	1-5/8 "	R4133606	R4133606	R415193	NR	-	-	-	-
-	1-5/8 "	R4133338	R4133338	R4166689	NR	-	-	-	-
-	1-5/8 "	R4133338	R4133338	R4166689	NR	-	-	-	-
-	1-5/8 "	R4133338	R4133338	R4166689	NR	-	-	-	-
-	1-5/8 "	R4133338	R4133338	R4166689	NR	-	-	-	-
-	1-3/4 "	R4133400	R4133400	R4166917	NR	-	-	-	-
-	1-3/4 "	R4133400	R4133400	R4166917	NR	-	-	-	-
-	1-1/8 "	R4133714	R4133715	R4166926	NR	-	-	-	-
-	1-1/8 "	R4133716	R4133717	R4166926	NR	-	-	-	-
-	1-1/8 "	R4133716	R4133717	R4166926	NR	-	-	-	-
-	1-1/8 "	R4133714	R4133715	R4166926	NR	-	-	-	-
-	1-1/8 "	R4133714	R4133715	R4166926	NR	N/A ³⁵⁸	R4122688	-	-
-	1-1/8 "	R4133719	R4133718	R4166926	NR	N/A ³⁵⁸	R4122688	-	-
-	1-1/8 "	R4133714	R4133715	R4166926	NR	N/A ³⁵⁸	R4122688	-	-
-	1-1/8 "	R4133719	R4133718	R4166926	NR	N/A ³⁵⁸	R4122688	-	-
-	1-1/4 "	R4133581	R4133582	R4166923	NR	-	-	-	-
-	1-1/4 "	R4133720	R4133721	R4166923	NR	-	-	-	-
-	1-1/4 "	R4133581	R4133581	R4166923	NR	-	-	-	-
-	1-1/4 "	R4133720	R4133721	R4166923	NR	-	-	-	-
-	1.09375	R4133484	R4133485	R4166819	NR	-	-	-	-
-	1.09375	R4133484	R4133485	R4166819	NR	-	-	-	-
23-122700-002 ⁹	2-1/2 "	R424244X	R424244X ³⁷	60050266	6927075 ⁴¹	-	-	-	-
23-122691-002 ⁴²	2-7/8 "	60050145X	60050145X ³⁷	60050146	69270702 ⁴¹	-	-	-	-
23-122703-002 ¹⁸⁶	2-7/8 "	60050145X	60050145X ³⁷	60050146	69270702 ⁴¹	-	-	-	-
-	1-1/2 "	R4033607	R4033607	R4166818	NR	-	-	-	-
-	1-5/8 "	R4133606	R4133606	R415193	NR	-	-	-	-
-	1-1/2 "	R4033607	R4033607	R4166818	NR	-	-	-	-
-	1-5/8 "	R4133338	R4133338	R4166689	NR	-	-	-	-
-	1-5/8 "	R4133338	R4133338	R4166689	NR	-	-	-	-
-	1-5/8 "	R4133338	R4133338	R4166689	NR	-	-	-	-
-	1-5/8 "	R4133338	R4133338	R4166689	NR	-	-	-	-
-	1-3/4 "	R4133400	R4133400	R4166917	NR	-	-	-	-
-	1-3/4 "	R4133400	R4133400	R4166917	NR	-	-	-	-
-	1-1/8 "	R4133714	R4133715	R4166926	NR	-	-	-	-
-	1-1/8 "	R4133716	R4133717	R4166926	NR	-	-	-	-
-	1-1/8 "	R4133714	R4133715	R4166926	NR	-	-	-	-
-	1-1/8 "	R4133716	R4133717	R4166926	NR	-	-	-	-
-	1-1/8 "	R4133714	R4133715	R4166926	NR	N/A ³⁵⁸	R4122688	-	-

1-APPLICATION

MAKE MODEL YEAR AXLE CODE AXLE WEIGHT	AXLE & BRK. TYPE	BRK. MFG.	BRAKE SIZE	FMSI	MERITOR DISC PAD OR BRAKE SHOE	MERITOR GUIDE PIN OR RETURN SPRING KIT	MERITOR CALIPER HWD. KIT OR RETURN SPRING KIT	MERITOR ADJUSTER KIT (LEFT WHEEL)	MERITOR ADJUSTER KIT (RIGHT WHEEL)
FORD(Cont.)									
F700 SERIES: CONVENTIONAL(Cont.)									
1969									
	Fa	WG	15 " x 3 "	1245C - 321	R700321	R40H521	R40H9237	R40H3502	R40H3503
	Fa	WG	15 " x 3 "	1245C - 321	R700321	R40H521	R40H9237	R40H3502	R40H3503
	Fa	WG	15 " x 3 "	1245C - 321	R700321	R40H521	R40H9237	R40H3502	R40H3503
Split System F090, F120	Fa	WG	15 " x 3 "	1245C - 321	R700321	R40H521	R40H9237	R40H3502	R40H3503
	Fa	WG	15 " x 3 "	1245C - 321	R700321	R40H521	R40H9237	R40H3502	R40H3503
	Fa	WG	15 " x 3 "	1245C - 321	R700321	R40H521	R40H9237	R40H3502	R40H3503
	Fa	WG	15 " x 3 "	1245C - 321	R700321	R40H521	R40H9237	R40H3502	R40H3503
1968									
F050, F055, F060	Fa	KH	14 " x 2-1/2 "	2060 - 361	Discontinued	R40H596	R40H9219	R40H3536	R40H3537
	Fa	KH	14 " x 2-1/2 "	2060 - 361	Discontinued	R40H596	R40H9219	R40H3536	R40H3537
F070	Fd	DN		7141 - D224	MD224 ³⁴⁰	69310693	60050153	NR	NR
F080, F090	Fd	DN		7149 - D236	MD236 ³⁴¹	69310693	R40H5523	NR	NR
	Fd	DN		7149 - D236	MD236 ³⁴¹	69310693	R40H5523	NR	NR
R170, R175	Ra	KH	15 " x 5 "	4646 - 400	R700400	R40H595	R40H9220	R40H3538	R40H3539
	Ra	KH	15 " x 5 "	4646 - 400	R700400	R40H595	R40H9220	R40H3538	R40H3539
	Ra	KH	15 " x 5 "	4646 - 400	R700400	R40H595	R40H9220	R40H3538	R40H3539
	Ra	WG	15 " x 5 "	1252 - 346	R700346	R40H597	R40H9200	R40H3540	R40H3541
	Ra	WG	15 " x 5 "	1252 - 346	R700346	R40H597	R40H9200	R40H3540	R40H3541
R185	Ra	WG	15 " x 6 "	4596 - 381	R700381	R40H597	R40H9200	R40H3540	R40H3541
	Ra	WG	15 " x 6 "	4596 - 381	R700381	R40H597	R40H9200	R40H3540	R40H3541
	Ra	WG	15 " x 7 "	4597 - 383	R700383	R40H597	R40H9200	R40H3540	R40H3541
	Ra	WG	15 " x 7 "	4597 - 383	R700383	R40H597	R40H9200	R40H3540	R40H3541
Single System F070	Fa	WG	15 " x 3 "	1245C - 321	R700321	R40H521	R40H9237	R40H3502	R40H3503
	Fa	WG	15 " x 3 "	1245C - 321	R700321	R40H521	R40H9237	R40H3502	R40H3503
	Fa	WG	15 " x 3 "	1245C - 321	R700321	R40H521	R40H9237	R40H3502	R40H3503
	Fa	WG	15 " x 3 "	1245C - 321	R700321	R40H521	R40H9237	R40H3502	R40H3503
Split System F070	Fa	WG	15 " x 3 "	1245C - 321	R700321	R40H521	R40H9237	R40H3502	R40H3503
	Fa	WG	15 " x 3 "	1245C - 321	R700321	R40H521	R40H9237	R40H3502	R40H3503
	Fa	WG	15 " x 3 "	1245C - 321	R700321	R40H521	R40H9237	R40H3502	R40H3503
	Fa	WG	15 " x 3 "	1245C - 321	R700321	R40H521	R40H9237	R40H3502	R40H3503
Split System F090, F120	Fa	WG	15 " x 3 "	1245C - 321	R700321	R40H521	R40H9237	R40H3502	R40H3503
	Fa	WG	15 " x 3 "	1245C - 321	R700321	R40H521	R40H9237	R40H3502	R40H3503
	Fa	WG	15 " x 3 "	1245C - 321	R700321	R40H521	R40H9237	R40H3502	R40H3503
	Fa	WG	15 " x 3 "	1245C - 321	R700321	R40H521	R40H9237	R40H3502	R40H3503
F750 SERIES: CONVENTIONAL									
2007									
	Fd	Bosch		7655 - D786	MD786	N/R	R4011754	N/R	N/R
	Fd	Bosch		7655 - D786	MD786	N/R	R4011754	N/R	N/R
	Fd	Bosch		7654 - D786	MD786A	N/R	R4011754	N/R	N/R
	Fd	Bosch		7654 - D786	MD786A	N/R	R4011754	N/R	N/R
	Rd	Bosch		7654 - D786	MD786A	N/R	R4011754	N/R	N/R
	Rd	Bosch		7655 - D786	MD786	N/R	R4011754	N/R	N/R
	Rd	Bosch		7655 - D786	MD786	N/R	R4011754	N/R	N/R
	Rd	Bosch		7654 - D786	MD786A	N/R	R4011754	N/R	N/R
2006									
	Fd	Bosch		7654 - D786	MD786A	N/R	R4011754	N/R	N/R
	Fd	Bosch		7655 - D786	MD786	N/R	R4011754	N/R	N/R
	Fd	Bosch		7654 - D786	MD786A	N/R	R4011754	N/R	N/R
	Fd	Bosch		7655 - D786	MD786	N/R	R4011754	N/R	N/R
	Rd	Bosch		7655 - D786	MD786	N/R	R4011754	N/R	N/R
	Rd	Bosch		7654 - D786	MD786A	N/R	R4011754	N/R	N/R
	Rd	Bosch		7655 - D786	MD786	N/R	R4011754	N/R	N/R
	Rd	Bosch		7654 - D786	MD786A	N/R	R4011754	N/R	N/R
2005									
	Fd	Bosch		7654 - D786	MD786A	N/R	R4011754	N/R	N/R
	Fd	Bosch		7655 - D786	MD786	N/R	R4011754	N/R	N/R
	Fd	Bosch		7655 - D786	MD786	N/R	R4011754	N/R	N/R
	Fd	Bosch		7654 - D786	MD786A	N/R	R4011754	N/R	N/R
	Rd	Bosch		7655 - D786	MD786	N/R	R4011754	N/R	N/R

9 - 6 Stud, Dayton Rotor, Hat Style
 42 - 6 Stud, Dayton Rotor, "U" Style
 341 - Use E-8921 for Disc Pad Retainer Clip
www.XpresswayPlus.com

37 - Also available as a New unit
 186 - 10 Stud
 358 - Split System

41 - Aluminum piston
 340 - Use 69160457 for Disc Pad Retainer Clip
 387 - 10 Hole Rotor

MERITOR DRUM OR ROTOR NO.	CALIPER OR CYLINDER BORE SIZE	MERITOR CALIPER OR WHEEL CYLINDER (LEFT)	MERITOR CALIPER OR WHEEL CYLINDER (RIGHT)	MERITOR CALIPER OR WHEEL CYLINDER REPAIR KIT	MERITOR CALIPER PISTON	MERITOR MASTER CYLINDER	MERITOR MASTER CYLINDER KIT	MERITOR BRAKE HOSE (LEFT)	MERITOR BRAKE HOSE (RIGHT)
FORD(Cont.)									
F700 SERIES: CONVENTIONAL(Cont.)									
-	1-1/8 "	R4133719	R4133718	R4166926	NR	N/A ³⁵⁸	R4122688	-	-
-	1-1/8 "	R4133719	R4133718	R4166926	NR	N/A ³⁵⁸	R4122688	-	-
-	1-1/8 "	R4133714	R4133715	R4166926	NR	N/A ³⁵⁸	R4122688	-	-
-	1-1/4 "	R4133581	R4133582	R4166923	NR	-	-	-	-
-	1-1/4 "	R4133720	R4133721	R4166923	NR	-	-	-	-
-	1-1/4 "	R4133581	R4133581	R4166923	NR	-	-	-	-
-	1-1/4 "	R4133720	R4133721	R4166923	NR	-	-	-	-
-	1.09375	R4133484	R4133485	R4166819	NR	-	-	-	-
-	1.09375	R4133484	R4133485	R4166819	NR	-	-	-	-
23-122700-002 ⁹	2-1/2 "	R424244X	R424244X ³⁷	60050266	69270757 ⁴¹	-	-	-	-
23-122703-002 ¹⁸⁶	2-7/8 "	60050145X	60050145X ³⁷	60050146	69270702 ⁴¹	-	-	-	-
23-122691-002 ⁴²	2-7/8 "	60050145X	60050145X ³⁷	60050146	69270702 ⁴¹	-	-	-	-
-	1-1/2 "	R4033607	R4033607	R4166818	NR	-	-	-	-
-	1-5/8 "	R4133606	R4133606	R415193	NR	-	-	-	-
-	1-1/2 "	R4033607	R4033607	R4166818	NR	-	-	-	-
-	1-5/8 "	R4133338	R4133338	R4166689	NR	-	-	-	-
-	1-5/8 "	R4133338	R4133338	R4166689	NR	-	-	-	-
-	1-5/8 "	R4133338	R4133338	R4166689	NR	-	-	-	-
-	1-3/4 "	R4133400	R4133400	R4166917	NR	-	-	-	-
-	1-3/4 "	R4133400	R4133400	R4166917	NR	-	-	-	-
-	1-1/8 "	R4133716	R4133717	R4166926	NR	-	-	-	-
-	1-1/8 "	R4133714	R4133715	R4166926	NR	-	-	-	-
-	1-1/8 "	R4133716	R4133717	R4166926	NR	-	-	-	-
-	1-1/8 "	R4133714	R4133715	R4166926	NR	-	-	-	-
-	1-1/8 "	R4133714	R4133715	R4166926	NR	N/A ³⁵⁸	R4122688	-	-
-	1-1/8 "	R4133719	R4133718	R4166926	NR	N/A ³⁵⁸	R4122688	-	-
-	1-1/8 "	R4133714	R4133715	R4166926	NR	N/A ³⁵⁸	R4122688	-	-
-	1-1/8 "	R4133719	R4133718	R4166926	NR	N/A ³⁵⁸	R4122688	-	-
-	1-1/4 "	R4133581	R4133581	R4166923	NR	-	-	-	-
-	1-1/4 "	R4133581	R4133582	R4166923	NR	-	-	-	-
-	1-1/4 "	R4133720	R4133721	R4166923	NR	-	-	-	-
-	1-1/4 "	R4133720	R4133721	R4166923	NR	-	-	-	-
F750 SERIES: CONVENTIONAL									
R44141476 ³⁸⁸	73mm	R4255850	R4255850	R4011758	R4011757	-	-	-	-
23-123552-004 ³⁸⁷	73mm	R4255850	R4255850	R4011758	R4011757	-	-	-	-
23-123552-004 ³⁸⁷	66mm	R4255849	R4255849	R4011752	R4011751	-	-	-	-
R44141476 ³⁸⁸	66mm	R4255849	R4255849	R4011752	R4011751	-	-	-	-
23-123552-004 ³⁸⁷	66mm	R4255849	R4255849	R4011752	R4011751	-	-	-	-
23-123550-004 ³⁸⁷	73mm	R4255850	R4255850	R4011758	R4011757	-	-	-	-
23-123552-004 ³⁸⁷	73mm	R4255850	R4255850	R4011758	R4011757	-	-	-	-
23-123550-004 ³⁸⁷	66mm	R4255849	R4255849	R4011752	R4011751	-	-	-	-
R44141476 ³⁸⁸	66mm	R4255849	R4255849	R4011752	R4011751	-	-	-	-
R44141476 ³⁸⁸	73mm	R4255850	R4255850	R4011758	R4011757	-	-	-	-
23-123552-004 ³⁸⁷	66mm	R4255849	R4255849	R4011752	R4011751	-	-	-	-
23-123552-004 ³⁸⁷	73mm	R4255850	R4255850	R4011758	R4011757	-	-	-	-
23-123552-004 ³⁸⁷	66mm	R4255849	R4255849	R4011752	R4011751	-	-	-	-
23-123550-004 ³⁸⁷	73mm	R4255850	R4255850	R4011758	R4011757	-	-	-	-
23-123550-004 ³⁸⁷	66mm	R4255849	R4255849	R4011752	R4011751	-	-	-	-
23-123552-004 ³⁸⁷	66mm	R4255849	R4255849	R4011752	R4011751	-	-	-	-
R44141476 ³⁸⁸	73mm	R4255850	R4255850	R4011758	R4011757	-	-	-	-
23-123552-004 ³⁸⁷	73mm	R4255850	R4255850	R4011758	R4011757	-	-	-	-
R44141476 ³⁸⁸	66mm	R4255849	R4255849	R4011752	R4011751	-	-	-	-
23-123552-004 ³⁸⁷	73mm	R4255850	R4255850	R4011758	R4011757	-	-	-	-

1 APPLICATION

388 - 5 Hole Rotor

MAKE MODEL YEAR AXLE CODE AXLE WEIGHT	AXLE & BRK. TYPE	BRK. MFG.	BRAKE SIZE	FMSI	MERITOR DISC PAD OR BRAKE SHOE	MERITOR GUIDE PIN OR RETURN SPRING KIT	MERITOR CALIPER HWD. KIT OR RETURN SPRING KIT	MERITOR ADJUSTER KIT (LEFT WHEEL)	MERITOR ADJUSTER KIT (RIGHT WHEEL)
FORD(Cont.)									
F750 SERIES: CONVENTIONAL(Cont.)									
2005	Rd Rd Rd	Bosch Bosch Bosch		7654 - D786 7655 - D786 7654 - D786	MD786A MD786 MD786A	N/R N/R N/R	R4011754 R4011754 R4011754	N/R N/R N/R	N/R N/R N/R
2004	Fd Fd Fd Fd Rd Rd Rd Rd	Bosch Bosch Bosch Bosch Bosch Bosch Bosch Bosch		7655 - D786 7655 - D786 7654 - D786 7654 - D786 7654 - D786 7655 - D786 7655 - D786 7655 - D786	MD786 MD786 MD786A MD786A MD786A MD786 MD786 MD786	N/R N/R N/R N/R N/R N/R N/R N/R	R4011754 R4011754 R4011754 R4011754 R4011754 R4011754 R4011754 R4011754	N/R N/R N/R N/R N/R N/R N/R N/R	N/R N/R N/R N/R N/R N/R N/R N/R
2003	Fd Rd	Meritor Meritor		7636 - D769 7141 - D224	MD769 MD224	N/R 60050153	R4011729 69160457	N/R N/R	N/R N/R
21,000, 23,000 lb Axle	Rd	Meritor		7636 - D769	MD769	N/R	R4011729	N/R	N/R
17,500, 19,000 lb Axle	Rd	Meritor		7636 - D769	MD769	N/R	R4011729	N/R	N/R
2002	Fd Rd	Meritor Meritor		7636 - D769 7141 - D224	MD769 MD224	N/R 60050153	R4011729 69160457	N/R N/R	N/R N/R
21,000, 23,000 lb Axle	Rd	Meritor		7636 - D769	MD769	N/R	R4011729	N/R	N/R
17,500, 19,000 lb Axle	Rd	Meritor		7636 - D769	MD769	N/R	R4011729	N/R	N/R
2001	Fd Rd	Meritor Meritor		7636 - D769 7141 - D224	MD769 MD224	N/R 60050153	R4011729 69160457	N/R N/R	N/R N/R
21,000, 23,000 lb Axle	Rd	Meritor		7636 - D769	MD769	N/R	R4011729	N/R	N/R
17,500, 19,000 lb Axle	Rd	Meritor		7636 - D769	MD769	N/R	R4011729	N/R	N/R
2000	Fd Rd	Meritor Meritor		7636 - D769 7141 - D224	MD769 MD224	N/R 60050153	R4011729 69160457	N/R N/R	N/R N/R
21,000, 23,000 lb Axle	Rd	Meritor		7636 - D769	MD769	N/R	R4011729	N/R	N/R
17,500, 19,000 lb Axle	Rd	Meritor		7636 - D769	MD769	N/R	R4011729	N/R	N/R
F800 SERIES: CONVENTIONAL									
1995	Fd Fd Fd Fd Ra Ra Ra Ra Ra Ra	DN DN DN DN LG LG LG LG LG LG		7149 - D236 7149 - D236 7141 - D224 7149 - D236 4528A - 542 4528A - 542 4504A - 543 4504A - 543 4505A - 544 4505A - 544	MD236 ³⁴¹ MD236 ³⁴¹ MD224 ³⁴⁰ MD236 ³⁴¹ N/A N/A N/A N/A N/A N/A	69310693 69310693 69310693 69310693 R40H618 R40H618 R40H618 R40H618 R40H618 R40H618	69310782 69310782 60050153 69310782 NR NR NR NR NR NR	NR NR NR NR SP7888S NR SP7887S NR SP7887S NR	NR NR NR NR SP7888S NR SP7887S NR SP7887S NR
1994	Fd Fd Fd Fd Ra Ra Ra Ra Ra Ra	DN DN DN DN LG LG LG LG LG LG		7141 - D224 7149 - D236 7149 - D236 7149 - D236 4528A - 542 4528A - 542 4504A - 543 4504A - 543 4505A - 544 4505A - 544	MD224 ³⁴⁰ MD236 ³⁴¹ MD236 ³⁴¹ MD236 ³⁴¹ N/A N/A N/A N/A N/A N/A	69310693 69310693 69310693 69310693 R40H618 R40H618 R40H618 R40H618 R40H618 R40H618	60050153 69310782 69310782 69310782 NR NR NR NR NR NR	NR NR NR NR SP7888S NR NR SP7887S SP7887S NR	NR NR NR NR SP7888S NR NR SP7887S SP7887S NR
1993	Fd Fd Fd Fd Ra Ra Ra	DN DN DN DN LG LG LG		7149 - D236 7149 - D236 7141 - D224 7149 - D236 4528A - 542 4528A - 542 4504A - 543	MD236 ³⁴¹ MD236 ³⁴¹ MD224 ³⁴⁰ MD236 ³⁴¹ N/A N/A N/A	69310693 69310693 69310693 69310693 R40H618 R40H618 R40H618	69310782 69310782 60050153 69310782 NR NR NR	NR NR NR NR SP7888S NR NR	NR NR NR NR SP7888S NR NR

9 - 6 Stud, Dayton Rotor, Hat Style
 186 - 10 Stud
 204 - Right Hand; use E-4057 for Left Hand Expander Kits
 www.XpresswayPlus.com

37 - Also available as a New unit
 187 - 6 Stud, 6.443" Hub
 266 - 10 Stud, Hat Shaped

41 - Aluminum piston
 188 - 6 Stud, 9.251" Hub
 329 - Forward

MERITOR DRUM OR ROTOR NO.	CALIPER OR CYLINDER BORE SIZE	MERITOR CALIPER OR WHEEL CYLINDER (LEFT)	MERITOR CALIPER OR WHEEL CYLINDER (RIGHT)	MERITOR CALIPER OR WHEEL CYLINDER REPAIR KIT	MERITOR CALIPER PISTON	MERITOR MASTER CYLINDER	MERITOR MASTER CYLINDER KIT	MERITOR BRAKE HOSE (LEFT)	MERITOR BRAKE HOSE (RIGHT)
FORD(Cont.)									
F750 SERIES: CONVENTIONAL(Cont.)									
23-123550-004 ³⁸⁷	66mm	R4255849	R4255849	R4011752	R4011751	-	-	-	-
23-123550-004 ³⁸⁷	73mm	R4255850	R4255850	R4011758	R4011757	-	-	-	-
23-123552-004 ³⁸⁷	66mm	R4255849	R4255849	R4011752	R4011751	-	-	-	-
R44141476 ³⁸⁸	73mm	R4255850	R4255850	R4011758	R4011757	R413013761	-	-	-
23-123552-004 ³⁸⁷	73mm	R4255850	R4255850	R4011758	R4011757	R413013761	-	-	-
R44141476 ³⁸⁸	66mm	R4255849	R4255849	R4011752	R4011751	R413013761	-	-	-
23-123552-004 ³⁸⁷	66mm	R4255849	R4255849	R4011752	R4011751	R413013761	-	-	-
23-123550-004 ³⁸⁷	66mm	R4255849	R4255849	R4011752	R4011751	R413013761	-	-	-
23-123552-004 ³⁸⁷	66mm	R4255849	R4255849	R4011752	R4011751	R413013761	-	-	-
23-123550-004 ³⁸⁷	73mm	R4255850	R4255850	R4011758	R4011757	R413013761	-	-	-
23-123552-004 ³⁸⁷	73mm	R4255850	R4255850	R4011758	R4011757	R413013761	-	-	-
23-123498-002 ²⁶⁶	70mm	60450469002	60450468002 ³⁶⁵	R4011730	60050334	R413013761	-	-	-
23-123528-002	2.50"	60050150	60050150	60050266	69270757	R413013761	-	-	-
23-123461-002	70mm	60450469002	60450468002 ³⁶⁵	R4011730	60050334	R413013761	-	-	-
23-123489-002 ³⁸⁷	64mm	60450474001	60450473001 ³⁶⁵	R4011731	R4011511	R413013761	-	-	-
23-123498-002 ²⁶⁶	70mm	60450469002	60450468002 ³⁶⁵	R4011730	60050334	R413013761	-	-	-
23-123528-002	2.50"	60050150	60050150	60050266	69270757	R413013761	-	-	-
23-123461-002	70mm	60450469002	60450468002 ³⁶⁵	R4011730	60050334	R413013761	-	-	-
23-123489-002 ³⁸⁷	64mm	60450474001	60450473001 ³⁶⁵	R4011731	R4011511	R413013761	-	-	-
23-123498-002 ²⁶⁶	70mm	60450469002	60450468002 ³⁶⁵	R4011730	60050334	R413013761	-	-	-
23-123528-002	2.50"	60050150	60050150	60050266	69270757	R413013761	-	-	-
23-123461-002	70mm	60450469002	60450468002 ³⁶⁵	R4011730	60050334	R413013761	-	-	-
23-123489-002 ³⁸⁷	64mm	60450474001	60450473001 ³⁶⁵	R4011731	R4011511	R413013761	-	-	-
23-123498-002 ²⁶⁶	70mm	60450469002	60450468002 ³⁶⁵	R4011730	60050334	R413013761	-	-	-
23-123528-002	2.50"	60050150	60050150	60050266	69270757	R413013761	-	-	-
23-123461-002	70mm	60450469002	60450468002 ³⁶⁵	R4011730	60050334	R413013761	-	-	-
23-123489-002 ³⁸⁷	64mm	60450474001	60450473001 ³⁶⁵	R4011731	R4011511	R413013761	-	-	-
23-123498-002 ²⁶⁶	70mm	60450469002	60450468002 ³⁶⁵	R4011730	60050334	R413013761	-	-	-
23-123528-002	2.50"	60050150	60050150	60050266	69270757	R413013761	-	-	-
23-123461-002	70mm	60450469002	60450468002 ³⁶⁵	R4011730	60050334	R413013761	-	-	-
23-123489-002 ³⁸⁷	64mm	60450474001	60450473001 ³⁶⁵	R4011731	R4011511	R413013761	-	-	-
F800 SERIES: CONVENTIONAL									
23-122703-002 ¹⁸⁶	2-7/8 "	60050145X	60050145X ³⁷	60050146	69270702 ⁴¹	-	-	R4577461	R4577461
23-122691-002 ¹⁸⁸	2-7/8 "	60050145X	60050145X ³⁷	60050146	69270702 ⁴¹	-	-	R4577461	R4577461
23-122700-002 ⁹	2-1/2 "	R424244X	R424244X ³⁷	60050266	69270757 ⁴¹	-	-	R4577461	R4577461
23-122743-002 ¹⁸⁷	2-7/8 "	60050145X	60050145X ³⁷	60050146	69270702 ⁴¹	-	-	R4577461	R4577461
N/A	1-5/8 "	201185	201186 ³²⁹	SP7895S	NR	-	-	R4577870	R4577870
N/A	1-5/8 "	201181	201182	SP7895S	NR	-	-	R4577870	R4577870
N/A	1-3/4 "	201183X	201184X ³²⁹	SP7873S	NR	-	-	R4577870	R4577870
N/A	1-3/4 "	201179X	201180X	SP7873S	SP7880S ²⁰⁴	-	-	R4577870	R4577870
N/A	1-3/4 "	201183X	201184X ³²⁹	SP7873S	NR	-	-	R4577870	R4577870
N/A	1-3/4 "	201179X	201180X	SP7873S	SP7880S ²⁰⁴	-	-	R4577870	R4577870
23-122700-002 ⁹	2-1/2 "	R424244X	R424244X ³⁷	60050266	69270757 ⁴¹	-	-	R4577461	R4577461
23-122743-002 ¹⁸⁷	2-7/8 "	60050145X	60050145X ³⁷	60050146	69270702 ⁴¹	-	-	R4577461	R4577461
23-122691-002 ¹⁸⁸	2-7/8 "	60050145X	60050145X ³⁷	60050146	69270702 ⁴¹	-	-	R4577461	R4577461
23-122703-002 ¹⁸⁶	2-7/8 "	60050145X	60050145X ³⁷	60050146	69270702 ⁴¹	-	-	R4577461	R4577461
N/A	1-5/8 "	201185	201186 ³²⁹	SP7895S	NR	-	-	R4577870	R4577870
N/A	1-5/8 "	201181	201182	SP7895S	NR	-	-	R4577870	R4577870
N/A	1-3/4 "	201179X	201180X	SP7873S	SP7880S ²⁰⁴	-	-	R4577870	R4577870
N/A	1-3/4 "	201183X	201184X ³²⁹	SP7873S	NR	-	-	R4577870	R4577870
N/A	1-3/4 "	201183X	201184X ³²⁹	SP7873S	NR	-	-	R4577870	R4577870
N/A	1-3/4 "	201179X	201180X	SP7873S	SP7880S ²⁰⁴	-	-	R4577870	R4577870
23-122703-002 ¹⁸⁶	2-7/8 "	60050145X	60050145X ³⁷	60050146	69270702 ⁴¹	-	-	R4577461	R4577461
23-122743-002 ¹⁸⁷	2-7/8 "	60050145X	60050145X ³⁷	60050146	69270702 ⁴¹	-	-	R4577461	R4577461
23-122700-002 ⁹	2-1/2 "	R424244X	R424244X ³⁷	60050266	69270757 ⁴¹	-	-	R4577461	R4577461
23-122691-002 ¹⁸⁸	2-7/8 "	60050145X	60050145X ³⁷	60050146	69270702 ⁴¹	-	-	R4577461	R4577461
N/A	1-5/8 "	201185	201186 ³²⁹	SP7895S	NR	-	-	R4577870	R4577870
N/A	1-5/8 "	201181	201182	SP7895S	NR	-	-	R4577870	R4577870
N/A	1-3/4 "	201183X	201184X ³²⁹	SP7873S	NR	-	-	R4577870	R4577870

340 - Use 69160457 for Disc Pad Retainer Clip
387 - 10 Hole Rotor

341 - Use E-8921 for Disc Pad Retainer Clip
388 - 5 Hole Rotor

365 - Caliper Loaded with Hardware and Disc Pads

MAKE MODEL YEAR AXLE CODE AXLE WEIGHT	AXLE & BRK. TYPE	BRK. MFG.	BRAKE SIZE	FMSI	MERITOR DISC PAD OR BRAKE SHOE	MERITOR GUIDE PIN OR RETURN SPRING KIT	MERITOR CALIPER HWD. KIT OR RETURN SPRING KIT	MERITOR ADJUSTER KIT (LEFT WHEEL)	MERITOR ADJUSTER KIT (RIGHT WHEEL)
FORD(Cont.)									
F800 SERIES: CONVENTIONAL(Cont.)									
1993	Ra	LG	15 " x 6 "	4504A - 543	N/A	R40H618	NR	NR	NR
	Ra	LG	15 " x 7 "	4505A - 544	N/A	R40H618	NR	SP7887S	SP7887S
	Ra	LG	15 " x 7 "	4505A - 544	N/A	R40H618	NR	NR	NR
1992	Fd	DN		7149 - D236	MD236 ³⁴¹	69310693	69310782	NR	NR
	Fd	DN		7149 - D236	MD236 ³⁴¹	69310693	69310782	NR	NR
	Fd	DN		7149 - D236	MD236 ³⁴¹	69310693	69310782	NR	NR
	Fd	DN		7141 - D224	MD224 ³⁴⁰	69310693	60050153	NR	NR
	Ra	LG	15 " x 5 "	4528A - 542	N/A	R40H618	NR	NR	NR
	Ra	LG	15 " x 5 "	4528A - 542	N/A	R40H618	NR	SP7888S	SP7888S
	Ra	LG	15 " x 6 "	4504A - 543	N/A	R40H618	NR	SP7887S	SP7887S
	Ra	LG	15 " x 6 "	4504A - 543	N/A	R40H618	NR	NR	NR
	Ra	LG	15 " x 7 "	4505A - 544	N/A	R40H618	NR	NR	NR
	Ra	LG	15 " x 7 "	4505A - 544	N/A	R40H618	NR	SP7887S	SP7887S
1991	Fd	DN		7141 - D224	MD224 ³⁴⁰	69310693	60050153	NR	NR
	Fd	DN		7149 - D236	MD236 ³⁴¹	69310693	69310782	NR	NR
	Fd	DN		7149 - D236	MD236 ³⁴¹	69310693	69310782	NR	NR
	Fd	DN		7149 - D236	MD236 ³⁴¹	69310693	69310782	NR	NR
	Ra	LG	15 " x 5 "	4528A - 542	N/A	R40H618	NR	SP7888S	SP7888S
	Ra	LG	15 " x 5 "	4528A - 542	N/A	R40H618	NR	NR	NR
	Ra	LG	15 " x 6 "	4504A - 543	N/A	R40H618	NR	NR	NR
	Ra	LG	15 " x 6 "	4504A - 543	N/A	R40H618	NR	SP7887S	SP7887S
	Ra	LG	15 " x 7 "	4505A - 544	N/A	R40H618	NR	SP7887S	SP7887S
	Ra	LG	15 " x 7 "	4505A - 544	N/A	R40H618	NR	NR	NR
1990	Fd	DN		7149 - D236	MD236 ³⁴¹	69310693	69310782	NR	NR
	Fd	DN		7141 - D224	MD224 ³⁴⁰	69310693	60050153	NR	NR
	Fd	DN		7149 - D236	MD236 ³⁴¹	69310693	69310782	NR	NR
	Fd	DN		7149 - D236	MD236 ³⁴¹	69310693	69310782	NR	NR
	Ra	LG	15 " x 5 "	4528A - 542	N/A	R40H618	NR	NR	NR
	Ra	LG	15 " x 5 "	4528A - 542	N/A	R40H618	NR	SP7888S	SP7888S
	Ra	LG	15 " x 6 "	4504A - 543	N/A	R40H618	NR	NR	NR
	Ra	LG	15 " x 6 "	4504A - 543	N/A	R40H618	NR	SP7887S	SP7887S
	Ra	LG	15 " x 7 "	4505A - 544	N/A	R40H618	NR	NR	NR
	Ra	LG	15 " x 7 "	4505A - 544	N/A	R40H618	NR	SP7887S	SP7887S
1989	Fd	DN		7149 - D236	MD236 ³⁴¹	69310693	69310782 ⁴³	NR	NR
	Fd	DN		7149 - D236	MD236 ³⁴¹	69310693	69310782 ⁴³	NR	NR
	Fd	DN		7141 - D224	MD224 ³⁴⁰	69310693	60050153	NR	NR
	Fd	DN		7149 - D236	MD236 ³⁴¹	69310693	69310782 ⁴³	NR	NR
	Ra	LG	15 " x 5 "	4528A - 542	N/A	R40H618	NR	SP7888S	SP7888S
	Ra	LG	15 " x 5 "	4528A - 542	N/A	R40H618	NR	NR	NR
	Ra	LG	15 " x 6 "	4504A - 543	N/A	R40H618	NR	SP7887S	SP7887S
	Ra	LG	15 " x 6 "	4504A - 543	N/A	R40H618	NR	NR	NR
	Ra	LG	15 " x 7 "	4505A - 544	N/A	R40H618	NR	NR	NR
	Ra	LG	15 " x 7 "	4505A - 544	N/A	R40H618	NR	SP7887S	SP7887S
1988	Fd	DN		7141 - D224	MD224 ³⁴⁰	69310693	60050153	NR	NR
	Fd	DN		7149 - D236	MD236 ³⁴¹	69310693	69310782 ⁴³	NR	NR
	Fd	DN		7149 - D236	MD236 ³⁴¹	69310693	69310782 ⁴³	NR	NR
	Fd	DN		7149 - D236	MD236 ³⁴¹	69310693	69310782 ⁴³	NR	NR
	Ra	LG	15 " x 5 "	4528A - 542	N/A	R40H618	NR	SP7888S	SP7888S
	Ra	LG	15 " x 5 "	4528A - 542	N/A	R40H618	NR	NR	NR
	Ra	LG	15 " x 6 "	4504A - 543	N/A	R40H618	NR	NR	NR
	Ra	LG	15 " x 6 "	4504A - 543	N/A	R40H618	NR	SP7887S	SP7887S
	Ra	LG	15 " x 7 "	4505A - 544	N/A	R40H618	NR	NR	NR
	Ra	LG	15 " x 7 "	4505A - 544	N/A	R40H618	NR	SP7887S	SP7887S
1987	Fd	DN		7149 - D236	MD236 ³⁴¹	69310693	69310782 ⁴³	NR	NR
	Fd	DN		7141 - D224	MD224 ³⁴⁰	69310693	60050153	NR	NR
	Fd	DN		7149 - D236	MD236 ³⁴¹	69310693	69310782 ⁴³	NR	NR
	Fd	DN		7149 - D236	MD236 ³⁴¹	69310693	69310782 ⁴³	NR	NR
	Ra	LG	15 " x 5 "	4528A - 542	N/A	R40H618	NR	SP7888S	SP7888S

9 - 6 Stud, Dayton Rotor, Hat Style
 43 - For Applications Taking A Longer Shim, Use E-9870
 187 - 6 Stud, 6.443" Hub
 www.XpresswayPlus.com

37 - Also available as a New unit
 53 - Power Brakes
 188 - 6 Stud, 9.251" Hub

41 - Aluminum piston
 186 - 10 Stud
 204 - Right Hand; use E-4057 for Left Hand Expander Kits

MERITOR DRUM OR ROTOR NO.	CALIPER OR CYLINDER BORE SIZE	MERITOR CALIPER OR WHEEL CYLINDER (LEFT)	MERITOR CALIPER OR WHEEL CYLINDER (RIGHT)	MERITOR CALIPER OR WHEEL CYLINDER REPAIR KIT	MERITOR CALIPER PISTON	MERITOR MASTER CYLINDER	MERITOR MASTER CYLINDER KIT	MERITOR BRAKE HOSE (LEFT)	MERITOR BRAKE HOSE (RIGHT)
FORD(Cont.)									
F800 SERIES: CONVENTIONAL(Cont.)									
N/A	1-3/4 "	201179X	201180X	SP7873S	SP7880S ²⁰⁴	-	-	R4577870	R4577870
N/A	1-3/4 "	201183X	201184X ³²⁹	SP7873S	NR	-	-	R4577870	R4577870
N/A	1-3/4 "	201179X	201180X	SP7873S	SP7880S ²⁰⁴	-	-	R4577870	R4577870
23-122691-002 ¹⁸⁸	2-7/8 "	60050145X	60050145X ³⁷	60050146	69270702 ⁴¹	-	-	R4577461	R4577461
23-122703-002 ¹⁸⁶	2-7/8 "	60050145X	60050145X ³⁷	60050146	69270702 ⁴¹	-	-	R4577461	R4577461
23-122743-002 ¹⁸⁷	2-7/8 "	60050145X	60050145X ³⁷	60050146	69270702 ⁴¹	-	-	R4577461	R4577461
23-122700-002 ⁹	2-1/2 "	R424244X	R424244X ³⁷	60050266	69270757 ⁴¹	-	-	R4577461	R4577461
N/A	1-5/8 "	201181	201182	SP7895S	NR	-	-	R4577870	R4577870
N/A	1-5/8 "	201185	201186 ³²⁹	SP7895S	NR	-	-	R4577870	R4577870
N/A	1-3/4 "	201183X	201184X ³²⁹	SP7873S	NR	-	-	R4577870	R4577870
N/A	1-3/4 "	201179X	201180X	SP7873S	SP7880S ²⁰⁴	-	-	R4577870	R4577870
N/A	1-3/4 "	201179X	201180X	SP7873S	SP7880S ²⁰⁴	-	-	R4577870	R4577870
N/A	1-3/4 "	201183X	201184X ³²⁹	SP7873S	NR	-	-	R4577870	R4577870
23-122700-002 ⁹	2-1/2 "	R424244X	R424244X ³⁷	60050266	69270757 ⁴¹	-	-	R4577461	R4577461
23-122691-002 ¹⁸⁸	2-7/8 "	60050145X	60050145X ³⁷	60050146	69270702 ⁴¹	-	-	R4577461	R4577461
23-122743-002 ¹⁸⁷	2-7/8 "	60050145X	60050145X ³⁷	60050146	69270702 ⁴¹	-	-	R4577461	R4577461
23-122703-002 ¹⁸⁶	2-7/8 "	60050145X	60050145X ³⁷	60050146	69270702 ⁴¹	-	-	R4577461	R4577461
N/A	1-5/8 "	201185	201186 ³²⁹	SP7895S	NR	-	-	R4577870	R4577870
N/A	1-5/8 "	201181	201182	SP7895S	NR	-	-	R4577870	R4577870
N/A	1-3/4 "	201179X	201180X	SP7873S	SP7880S ²⁰⁴	-	-	R4577870	R4577870
N/A	1-3/4 "	201183X	201184X ³²⁹	SP7873S	NR	-	-	R4577870	R4577870
N/A	1-3/4 "	201183X	201184X ³²⁹	SP7873S	NR	-	-	R4577870	R4577870
N/A	1-3/4 "	201179X	201180X	SP7873S	SP7880S ²⁰⁴	-	-	R4577870	R4577870
23-122691-002 ¹⁸⁸	2-7/8 "	60050145X	60050145X ³⁷	60050146	69270702 ⁴¹	R4111999 ⁵³	R4122386	R4577461	R4577461
23-122700-002 ⁹	2-1/2 "	R424244X	R424244X ³⁷	60050266	69270757 ⁴¹	R4111999 ⁵³	R4122386	R4577461	R4577461
23-122703-002 ¹⁸⁶	2-7/8 "	60050145X	60050145X ³⁷	60050146	69270702 ⁴¹	R4111999 ⁵³	R4122386	R4577461	R4577461
23-122743-002 ¹⁸⁷	2-7/8 "	60050145X	60050145X ³⁷	60050146	69270702 ⁴¹	R4111999 ⁵³	R4122386	R4577461	R4577461
N/A	1-5/8 "	201181	201182	SP7895S	NR	-	-	R4577870	R4577870
N/A	1-5/8 "	201185	201186 ³²⁹	SP7895S	NR	-	-	R4577870	R4577870
N/A	1-3/4 "	201179X	201180X	SP7873S	SP7880S ²⁰⁴	-	-	R4577870	R4577870
N/A	1-3/4 "	201183X	201184X ³²⁹	SP7873S	NR	-	-	R4577870	R4577870
N/A	1-3/4 "	201179X	201180X	SP7873S	SP7880S ²⁰⁴	-	-	R4577870	R4577870
N/A	1-3/4 "	201183X	201184X ³²⁹	SP7873S	NR	-	-	R4577870	R4577870
23-122743-002 ¹⁸⁷	2-7/8 "	60050145X	60050145X ³⁷	60050146	69270702 ⁴¹	R4111999 ⁵³	R4122386	R4577461	R4577461
23-122703-002 ¹⁸⁶	2-7/8 "	60050145X	60050145X ³⁷	60050146	69270702 ⁴¹	R4111999 ⁵³	R4122386	R4577461	R4577461
23-122700-002 ⁹	2-1/2 "	R424244X	R424244X ³⁷	60050266	69270757 ⁴¹	R4111999 ⁵³	R4122386	R4577461	R4577461
23-122691-002 ¹⁸⁸	2-7/8 "	60050145X	60050145X ³⁷	60050146	69270702 ⁴¹	R4111999 ⁵³	R4122386	R4577461	R4577461
N/A	1-5/8 "	201185	201186 ³²⁹	SP7895S	NR	-	-	N/A	N/A
N/A	1-5/8 "	201181	201182	SP7895S	NR	-	-	N/A	N/A
N/A	1-3/4 "	201183X	201184X ³²⁹	SP7873S	NR	-	-	N/A	N/A
N/A	1-3/4 "	201179X	201180X	SP7873S	SP7880S ²⁰⁴	-	-	N/A	N/A
N/A	1-3/4 "	201179X	201180X	SP7873S	SP7880S ²⁰⁴	-	-	N/A	N/A
N/A	1-3/4 "	201183X	201184X ³²⁹	SP7873S	NR	-	-	N/A	N/A
23-122700-002 ⁹	2-1/2 "	R424244X	R424244X ³⁷	60050266	69270757 ⁴¹	R4111999 ⁵³	R4122386	R4577461	R4577461
23-122743-002 ¹⁸⁷	2-7/8 "	60050145X	60050145X ³⁷	60050146	69270702 ⁴¹	R4111999 ⁵³	R4122386	R4577461	R4577461
23-122691-002 ¹⁸⁸	2-7/8 "	60050145X	60050145X ³⁷	60050146	69270702 ⁴¹	R4111999 ⁵³	R4122386	R4577461	R4577461
23-122703-002 ¹⁸⁶	2-7/8 "	60050145X	60050145X ³⁷	60050146	69270702 ⁴¹	R4111999 ⁵³	R4122386	R4577461	R4577461
N/A	1-5/8 "	201185	201186 ³²⁹	SP7895S	NR	-	-	N/A	N/A
N/A	1-5/8 "	201181	201182	SP7895S	NR	-	-	N/A	N/A
N/A	1-3/4 "	201179X	201180X	SP7873S	SP7880S ²⁰⁴	-	-	N/A	N/A
N/A	1-3/4 "	201183X	201184X ³²⁹	SP7873S	NR	-	-	N/A	N/A
N/A	1-3/4 "	201179X	201180X	SP7873S	SP7880S ²⁰⁴	-	-	N/A	N/A
N/A	1-3/4 "	201183X	201184X ³²⁹	SP7873S	NR	-	-	N/A	N/A
23-122691-002 ¹⁸⁸	2-7/8 "	60050145X	60050145X ³⁷	60050146	69270702 ⁴¹	R4111999 ⁵³	R4122386	R4577461	R4577461
23-122700-002 ⁹	2-1/2 "	R424244X	R424244X ³⁷	60050266	69270757 ⁴¹	R4111999 ⁵³	R4122386	R4577461	R4577461
23-122743-002 ¹⁸⁷	2-7/8 "	60050145X	60050145X ³⁷	60050146	69270702 ⁴¹	R4111999 ⁵³	R4122386	R4577461	R4577461
23-122703-002 ¹⁸⁶	2-7/8 "	60050145X	60050145X ³⁷	60050146	69270702 ⁴¹	R4111999 ⁵³	R4122386	R4577461	R4577461
N/A	1-5/8 "	201185	201186 ³²⁹	SP7895S	NR	-	-	N/A	N/A

MAKE MODEL YEAR AXLE CODE AXLE WEIGHT	AXLE & BRK. TYPE	BRK. MFG.	BRAKE SIZE	FMSI	MERITOR DISC PAD OR BRAKE SHOE	MERITOR GUIDE PIN OR RETURN SPRING KIT	MERITOR CALIPER HWD. KIT OR RETURN SPRING KIT	MERITOR ADJUSTER KIT (LEFT WHEEL)	MERITOR ADJUSTER KIT (RIGHT WHEEL)
FORD(Cont.)									
F800 SERIES: CONVENTIONAL(Cont.)									
1987	Ra	LG	15 " x 5 "	4528A - 542	N/A	R40H618	NR	NR	NR
	Ra	LG	15 " x 6 "	4504A - 543	N/A	R40H618	NR	NR	NR
	Ra	LG	15 " x 6 "	4504A - 543	N/A	R40H618	NR	SP7887S	SP7887S
	Ra	LG	15 " x 7 "	4505A - 544	N/A	R40H618	NR	NR	NR
	Ra	LG	15 " x 7 "	4505A - 544	N/A	R40H618	NR	SP7887S	SP7887S
1986	Fd	DN		7149 - D236	MD236 ³⁴¹	69310693	69310782	NR	NR
	Fd	DN		7149 - D236	MD236 ³⁴¹	69310693	69310782	NR	NR
	Fd	DN		7149 - D236	MD236 ³⁴¹	69310693	69310782	NR	NR
	Fd	DN		7141 - D224	MD224 ³⁴⁰	69310693	60050153	NR	NR
	Ra	LG	15 " x 5 "	4528A - 542	N/A	R40H618	NR	NR	NR
	Ra	LG	15 " x 5 "	4528A - 542	N/A	R40H618	NR	SP7888S	SP7888S
	Ra	LG	15 " x 6 "	4504A - 543	N/A	R40H618	NR	SP7887S	SP7887S
	Ra	LG	15 " x 6 "	4504A - 543	N/A	R40H618	NR	NR	NR
	Ra	LG	15 " x 6 "	4504A - 543	N/A	R40H618	NR	NR	NR
	Ra	LG	15 " x 6 "	4504A - 543	N/A	R40H618	NR	SP7887S	SP7887S
	Ra	LG	15 " x 7 "	4505A - 544	N/A	R40H618	NR	SP7887S	SP7887S
	Ra	LG	15 " x 7 "	4505A - 544	N/A	R40H618	NR	NR	NR
	Ra	LG	15 " x 7 "	4505A - 544	N/A	R40H618	NR	NR	NR
	Ra	LG	15 " x 7 "	4505A - 544	N/A	R40H618	NR	SP7887S	SP7887S
F050, F055, F060	Fa	KH	14 " x 2-1/2 "	2060 - 361	Discontinued	R40H596	R40H9219	R40H3536	R40H3537
F070	Fa	WG	15 " x 3 "	1245C - 321	R700321	R40H521	R40H9237	R40H3502	R40H3503
	Fa	WG	15 " x 3 "	1245C - 321	R700321	R40H521	R40H9237	R40H3502	R40H3503
	Fd	DN		7141 - D224	MD224 ³⁴⁰	69310693	60050153	NR	NR
F080, F090	Fd	DN		7149 - D236	MD236 ³⁴¹	69310693	69310782	NR	NR
	Fd	DN		7149 - D236	MD236 ³⁴¹	69310693	69310782	NR	NR
R170, R175	Ra	KH	15 " x 5 "	4646 - 400	R700400	R40H595	R40H9220	R40H3538	R40H3539
	Ra	WG	15 " x 5 "	1252 - 346	R700346	R40H597	R40H9200	R40H3540	R40H3541
R185	Ra	WG	15 " x 6 "	4596 - 381	R700381	R40H597	R40H9200	R40H3540	R40H3541
	Ra	WG	15 " x 7 "	4597 - 383	R700383	R40H597	R40H9200	R40H3540	R40H3541
Split System					R700321 R700321	R40H521 R40H521	R40H9237 R40H9237	R40H3502 R40H3502	R40H3503 R40H3503
Split System F090, F120	Fa	WG	15 " x 3 "	1245C - 321	R700321	R40H521	R40H9237	R40H3502	R40H3503
	Fa	WG	15 " x 3 "	1245C - 321	R700321	R40H521	R40H9237	R40H3502	R40H3503
1985	Fd	DN		7149 - D236	MD236 ³⁴¹	69310693	R40H5523	NR	NR
	Fd	DN		7149 - D236	MD236 ³⁴¹	69310693	R40H5523	NR	NR
	Fd	DN		7149 - D236	MD236 ³⁴¹	69310693	R40H5523	NR	NR
	Fd	DN		7141 - D224	MD224 ³⁴⁰	69310693	60050153	NR	NR
	Ra	LG	15 " x 5 "	4528A - 542	N/A	R40H618	NR	SP7888S	SP7888S
	Ra	LG	15 " x 5 "	4528A - 542	N/A	R40H618	NR	NR	NR
	Ra	LG	15 " x 6 "	4504A - 543	N/A	R40H618	NR	SP7888S	SP7888S
	Ra	LG	15 " x 6 "	4504A - 543	N/A	R40H618	NR	NR	NR
	Ra	LG	15 " x 6 "	4504A - 543	N/A	R40H618	NR	NR	NR
	Ra	LG	15 " x 6 "	4504A - 543	N/A	R40H618	NR	SP7887S	SP7887S
	Ra	LG	15 " x 7 "	4505A - 544	N/A	R40H618	NR	SP7888S	SP7888S
	Ra	LG	15 " x 7 "	4505A - 544	N/A	R40H618	NR	NR	NR
	Ra	LG	15 " x 7 "	4505A - 544	N/A	R40H618	NR	SP7887S	SP7887S
	Ra	LG	15 " x 7 "	4505A - 544	N/A	R40H618	NR	NR	NR
F050, F055, F060	Fa	KH	14 " x 2-1/2 "	2060 - 361	Discontinued	R40H596	R40H9219	R40H3536	R40H3537
F070	Fa	WG	15 " x 3 "	1245C - 321	R700321	R40H521	R40H9237	R40H3502	R40H3503
	Fa	WG	15 " x 3 "	1245C - 321	R700321	R40H521	R40H9237	R40H3502	R40H3503
	Fd	DN		7141 - D224	MD224 ³⁴⁰	69310693	60050153	NR	NR
F080, F090	Fd	DN		7149 - D236	MD236 ³⁴¹	69310693	R40H5523	NR	NR
	Fd	DN		7149 - D236	MD236 ³⁴¹	69310693	R40H5523	NR	NR
R170, R175	Ra	KH	15 " x 5 "	4646 - 400	R700400	R40H595	R40H9220	R40H3538	R40H3539
	Ra	WG	15 " x 5 "	1252 - 346	R700346	R40H597	R40H9200	R40H3540	R40H3541
R185	Ra	WG	15 " x 6 "	4596 - 381	R700381	R40H597	R40H9200	R40H3540	R40H3541
	Ra	WG	15 " x 7 "	4597 - 383	R700383	R40H597	R40H9200	R40H3540	R40H3541
Split System					R700321 R700321	R40H521 R40H521	R40H9237 R40H9237	R40H3502 R40H3502	R40H3503 R40H3503
Split System F090, F120	Fa	WG	15 " x 3 "	1245C - 321	R700321	R40H521	R40H9237	R40H3502	R40H3503

9 - 6 Stud, Dayton Rotor, Hat Style
 53 - Power Brakes
 188 - 6 Stud, 9.251" Hub
 www.XpresswayPlus.com

37 - Also available as a New unit
 186 - 10 Stud
 204 - Right Hand; use E-4057 for Left Hand Expander Kits

41 - Aluminum piston
 187 - 6 Stud, 6.443" Hub
 329 - Forward

MERITOR DRUM OR ROTOR NO.	CALIPER OR CYLINDER BORE SIZE	MERITOR CALIPER OR WHEEL CYLINDER (LEFT)	MERITOR CALIPER OR WHEEL CYLINDER (RIGHT)	MERITOR CALIPER OR WHEEL CYLINDER REPAIR KIT	MERITOR CALIPER PISTON	MERITOR MASTER CYLINDER	MERITOR MASTER CYLINDER KIT	MERITOR BRAKE HOSE (LEFT)	MERITOR BRAKE HOSE (RIGHT)
FORD(Cont.)									
F800 SERIES: CONVENTIONAL(Cont.)									
N/A	1-5/8 "	201181	201182	SP7895S	NR	-	-	N/A	N/A
N/A	1-3/4 "	201179X	201180X	SP7873S	SP7880S ²⁰⁴	-	-	N/A	N/A
N/A	1-3/4 "	201183X	201184X ³²⁹	SP7873S	NR	-	-	N/A	N/A
N/A	1-3/4 "	201179X	201180X	SP7873S	SP7880S ²⁰⁴	-	-	N/A	N/A
N/A	1-3/4 "	201183X	201184X ³²⁹	SP7873S	NR	-	-	N/A	N/A
23-122703-002 ¹⁸⁶	2-7/8 "	60050145X	60050145X ³⁷	60050146	69270702 ⁴¹	R4111999 ⁵³	R4122386	R4577461	R4577461
23-122691-002 ¹⁸⁸	2-7/8 "	60050145X	60050145X ³⁷	60050146	69270702 ⁴¹	R4111999 ⁵³	R4122386	R4577461	R4577461
23-122743-002 ¹⁸⁷	2-7/8 "	60050145X	60050145X ³⁷	60050146	69270702 ⁴¹	R4111999 ⁵³	R4122386	R4577461	R4577461
23-122700-002 ⁹	2-1/2 "	R424244X	R424244X ³⁷	60050266	69270757 ⁴¹	R4111999 ⁵³	R4122386	R4577461	R4577461
N/A	1-5/8 "	201181	201182	SP7895S	NR	-	-	N/A	N/A
N/A	1-5/8 "	201185	201186 ³²⁹	SP7895S	NR	-	-	N/A	N/A
N/A	1-3/4 "	201183X	201184X ³²⁹	SP7873S	NR	-	-	N/A	N/A
N/A	1-3/4 "	201179X	201180X	SP7873S	SP7880S ²⁰⁴	-	-	N/A	N/A
N/A	1-3/4 "	201179X	201180X	SP7873S	SP7880S ²⁰⁴	-	-	N/A	N/A
N/A	1-3/4 "	201183X	201184X ³²⁹	SP7873S	NR	-	-	N/A	N/A
N/A	1-3/4 "	201183X	201184X ³²⁹	SP7873S	NR	-	-	N/A	N/A
N/A	1-3/4 "	201179X	201180X	SP7873S	SP7880S ²⁰⁴	-	-	N/A	N/A
N/A	1-3/4 "	201179X	201180X	SP7873S	SP7880S ²⁰⁴	-	-	N/A	N/A
N/A	1-3/4 "	201183X	201184X ³²⁹	SP7873S	NR	-	-	N/A	N/A
N/A	1.09375	R4133484	R4133485	R4166819	NR	-	-	-	-
N/A	1-1/8 "	R4133714	R4133715	R4166926	NR	-	-	-	-
N/A	1-1/8 "	R4133716	R4133717	R4166926	NR	-	-	-	-
23-122700-002 ⁹	2-1/2 "	R424244X	R424244X ³⁷	60050266	69270757 ⁴¹	R4111999 ⁵³	R4122386	R4577461	R4577461
23-122691-002 ¹⁸⁸	2-7/8 "	60050145X	60050145X ³⁷	60050146	69270702 ⁴¹	R4111999 ⁵³	R4122386	R4577461	R4577461
23-122703-002 ¹⁸⁶	2-7/8 "	60050145X	60050145X ³⁷	60050146	69270702 ⁴¹	R4111999 ⁵³	R4122386	R4577461	R4577461
N/A	1-1/2 "	R4033607	R4033607	R4166818	NR	-	-	-	-
N/A	1-5/8 "	R4133338	R4133338	R4166689	NR	-	-	-	-
N/A	1-5/8 "	R4133338	R4133338	R4166689	NR	-	-	-	-
N/A	1-3/4 "	R4133400	R4133400	R4166917	NR	-	-	-	-
N/A		R4133714	R4133715	R4166926	NR	N/A ³⁵⁸	R4122688	-	-
N/A		R4133719	R4133718	R4166926	NR	N/A ³⁵⁸	R4122688	-	-
N/A	1-1/4 "	R4133720	R4133721	R4166923	NR	-	-	-	-
N/A	1-1/4 "	R4133581	R4133581	R4166923	NR	-	-	-	-
23-122691-002 ¹⁸⁸	2-7/8 "	60050145X	60050145X ³⁷	60050146	69270702 ⁴¹	R4111999 ⁵³	R4122386	R4577461	R4577461
23-122703-002 ¹⁸⁶	2-7/8 "	60050145X	60050145X ³⁷	60050146	69270702 ⁴¹	R4111999 ⁵³	R4122386	R4577461	R4577461
23-122743-002 ¹⁸⁷	2-7/8 "	60050145X	60050145X ³⁷	60050146	69270702 ⁴¹	R4111999 ⁵³	R4122386	R4577461	R4577461
23-122700-002 ⁹	2-1/2 "	R424244X	R424244X ³⁷	60050266	69270757 ⁴¹	R4111999 ⁵³	R4122386	R4577461	R4577461
N/A	1-5/8 "	201185	201186 ³²⁹	SP7895S	NR	-	-	N/A	N/A
N/A	1-5/8 "	201181	201182	SP7895S	NR	-	-	N/A	N/A
N/A	1-5/8 "	201185	201186 ³²⁹	SP7895S	NR	-	-	N/A	N/A
N/A	1-5/8 "	201181	201182	SP7895S	NR	-	-	N/A	N/A
N/A	1-3/4 "	201179X	201180X	SP7873S	SP7880S ²⁰⁴	-	-	N/A	N/A
N/A	1-3/4 "	201183X	201184X ³²⁹	SP7873S	NR	-	-	N/A	N/A
N/A	1-5/8 "	201185	201186 ³²⁹	SP7895S	NR	-	-	N/A	N/A
N/A	1-5/8 "	201181	201182	SP7895S	NR	-	-	N/A	N/A
N/A	1-3/4 "	201183X	201184X ³²⁹	SP7873S	NR	-	-	N/A	N/A
N/A	1-3/4 "	201179X	201180X	SP7873S	SP7880S ²⁰⁴	-	-	N/A	N/A
N/A	1.09375	R4133484	R4133485	R4166819	NR	-	-	-	-
N/A	1-1/8 "	R4133716	R4133717	R4166926	NR	-	-	-	-
N/A	1-1/8 "	R4133714	R4133715	R4166926	NR	-	-	-	-
23-122700-002 ⁹	2-1/2 "	R424244X	R424244X ³⁷	60050266	69270757 ⁴¹	R4111999 ⁵³	R4122386	R4577461	R4577461
23-122691-002 ¹⁸⁸	2-7/8 "	60050145X	60050145X ³⁷	60050146	69270702 ⁴¹	R4111999 ⁵³	R4122386	R4577461	R4577461
23-122703-002 ¹⁸⁶	2-7/8 "	60050145X	60050145X ³⁷	60050146	69270702 ⁴¹	R4111999 ⁵³	R4122386	R4577461	R4577461
N/A	1-1/2 "	R4033607	R4033607	R4166818	NR	-	-	-	-
N/A	1-5/8 "	R4133338	R4133338	R4166689	NR	-	-	-	-
N/A	1-5/8 "	R4133338	R4133338	R4166689	NR	-	-	-	-
N/A	1-3/4 "	R4133400	R4133400	R4166917	NR	-	-	-	-
N/A		R4133714	R4133715	R4166926	NR	N/A ³⁵⁸	R4122688	-	-
N/A		R4133719	R4133718	R4166926	NR	N/A ³⁵⁸	R4122688	-	-
N/A	1-1/4 "	R4133581	R4133581	R4166923	NR	-	-	-	-

340 - Use 69160457 for Disc Pad Retainer Clip

341 - Use E-8921 for Disc Pad Retainer Clip

358 - Split System

1 APPLICATION

MAKE MODEL YEAR AXLE CODE AXLE WEIGHT	AXLE & BRK. TYPE	BRK. MFG.	BRAKE SIZE	FMSI	MERITOR DISC PAD OR BRAKE SHOE	MERITOR GUIDE PIN OR RETURN SPRING KIT	MERITOR CALIPER HWD. KIT OR RETURN SPRING KIT	MERITOR ADJUSTER KIT (LEFT WHEEL)	MERITOR ADJUSTER KIT (RIGHT WHEEL)
FORD(Cont.)									
F800 SERIES: CONVENTIONAL(Cont.)									
1985 Split System F090, F120	Fa	WG	15 " x 3 "	1245C - 321	R700321	R40H521	R40H9237	R40H3502	R40H3503
1984	Fd	DN		7149 - D236	MD236 ³⁴¹	69310693	R40H5523	NR	NR
	Fd	DN		7141 - D224	MD224 ³⁴⁰	69310693	60050153	NR	NR
	Fd	DN		7149 - D236	MD236 ³⁴¹	69310693	R40H5523	NR	NR
	Fd	DN		7149 - D236	MD236 ³⁴¹	69310693	R40H5523	NR	NR
	Ra	LG	15 " x 5 "	4528A - 542	N/A	R40H618	NR	NR	NR
	Ra	LG	15 " x 5 "	4528A - 542	N/A	R40H618	NR	SP7888S	SP7888S
	Ra	LG	15 " x 6 "	4504A - 543	N/A	R40H618	NR	NR	NR
	Ra	LG	15 " x 6 "	4504A - 543	N/A	R40H618	NR	SP7887S	SP7887S
	Ra	LG	15 " x 6 "	4504A - 543	N/A	R40H618	NR	NR	NR
	Ra	LG	15 " x 6 "	4504A - 543	N/A	R40H618	NR	SP7888S	SP7888S
	Ra	LG	15 " x 7 "	4505A - 544	N/A	R40H618	NR	SP7888S	SP7888S
	Ra	LG	15 " x 7 "	4505A - 544	N/A	R40H618	NR	NR	NR
	Ra	LG	15 " x 7 "	4505A - 544	N/A	R40H618	NR	NR	NR
	Ra	LG	15 " x 7 "	4505A - 544	N/A	R40H618	NR	SP7887S	SP7887S
F050, F055, F060	Fa	KH	14 " x 2-1/2 "	2060 - 361	Discontinued	R40H596	R40H9219	R40H3536	R40H3537
F070	Fa	WG	15 " x 3 "	1245C - 321	R700321	R40H521	R40H9237	R40H3502	R40H3503
	Fa	WG	15 " x 3 "	1245C - 321	R700321	R40H521	R40H9237	R40H3502	R40H3503
	Fd	DN		7141 - D224	MD224 ³⁴⁰	69310693	60050153	NR	NR
F080, F090	Fd	DN		7149 - D236	MD236 ³⁴¹	69310693	R40H5523	NR	NR
	Fd	DN		7149 - D236	MD236 ³⁴¹	69310693	R40H5523	NR	NR
R170, R175	Ra	KH	15 " x 5 "	4646 - 400	R700400	R40H595	R40H9220	R40H3538	R40H3539
	Ra	WG	15 " x 5 "	1252 - 346	R700346	R40H597	R40H9200	R40H3540	R40H3541
R185	Ra	WG	15 " x 6 "	4596 - 381	R700381	R40H597	R40H9200	R40H3540	R40H3541
	Ra	WG	15 " x 7 "	4597 - 383	R700383	R40H597	R40H9200	R40H3540	R40H3541
Split System					R700321 R700321	R40H521 R40H521	R40H9237 R40H9237	R40H3502 R40H3502	R40H3503 R40H3503
Split System F090, F120	Fa	WG	15 " x 3 "	1245C - 321	R700321	R40H521	R40H9237	R40H3502	R40H3503
	Fa	WG	15 " x 3 "	1245C - 321	R700321	R40H521	R40H9237	R40H3502	R40H3503
1983	Ra	LG	15 " x 6 "	4504A - 543	N/A	R40H618	NR	SP7888S	SP7888S
	Ra	LG	15 " x 6 "	4504A - 543	N/A	R40H618	NR	NR	NR
	Ra	LG	15 " x 7 "	4505A - 544	N/A	R40H618	NR	SP7888S	SP7888S
	Ra	LG	15 " x 7 "	4505A - 544	N/A	R40H618	NR	NR	NR
F050, F055, F060	Fa	KH	14 " x 2-1/2 "	2060 - 361	Discontinued	R40H596	R40H9219	R40H3536	R40H3537
F070	Fa	WG	15 " x 3 "	1245C - 321	R700321	R40H521	R40H9237	R40H3502	R40H3503
	Fa	WG	15 " x 3 "	1245C - 321	R700321	R40H521	R40H9237	R40H3502	R40H3503
	Fa	WG	15 " x 3 "	1245C - 321	R700321	R40H521	R40H9237	R40H3502	R40H3503
	Fa	WG	15 " x 3 "	1245C - 321	R700321	R40H521	R40H9237	R40H3502	R40H3503
	Fd	DN		7141 - D224	MD224 ³⁴⁰	69310693	60050153	NR	NR
F080, F090	Fd	DN		7149 - D236	MD236 ³⁴¹	69310693	R40H5523	NR	NR
	Fd	DN		7149 - D236	MD236 ³⁴¹	69310693	R40H5523	NR	NR
F090, F120	Fa	WG	15 " x 3 "	1245C - 321	R700321	R40H521	R40H9237	R40H3502	R40H3503
	Fa	WG	15 " x 3 "	1245C - 321	R700321	R40H521	R40H9237	R40H3502	R40H3503
R170, R175	Ra	KH	15 " x 5 "	4646 - 400	R700400	R40H595	R40H9220	R40H3538	R40H3539
	Ra	WG	15 " x 5 "	1252 - 346	R700346	R40H597	R40H9200	R40H3540	R40H3541
R185	Ra	WG	15 " x 6 "	4596 - 381	R700381	R40H597	R40H9200	R40H3540	R40H3541
	Ra	WG	15 " x 7 "	4597 - 383	R700383	R40H597	R40H9200	R40H3540	R40H3541
1982	Ra	LG	15 " x 6 "	4504A - 543	N/A	R40H618	NR	SP7888S	SP7888S
	Ra	LG	15 " x 6 "	4504A - 543	N/A	R40H618	NR	NR	NR
	Ra	LG	15 " x 7 "	4505A - 544	N/A	R40H618	NR	NR	NR
	Ra	LG	15 " x 7 "	4505A - 544	N/A	R40H618	NR	SP7888S	SP7888S
F050, F055, F060	Fa	KH	14 " x 2-1/2 "	2060 - 361	Discontinued	R40H596	R40H9219	R40H3536	R40H3537
F070	Fa	WG	15 " x 3 "	1245C - 321	R700321	R40H521	R40H9237	R40H3502	R40H3503
	Fa	WG	15 " x 3 "	1245C - 321	R700321	R40H521	R40H9237	R40H3502	R40H3503
	Fa	WG	15 " x 3 "	1245C - 321	R700321	R40H521	R40H9237	R40H3502	R40H3503
	Fa	WG	15 " x 3 "	1245C - 321	R700321	R40H521	R40H9237	R40H3502	R40H3503
	Fd	DN		7141 - D224	MD224 ³⁴⁰	69310693	60050153	NR	NR
F080, F090	Fd	DN		7149 - D236	MD236 ³⁴¹	69310693	R40H5523	NR	NR

9 - 6 Stud, Dayton Rotor, Hat Style
 53 - Power Brakes
 188 - 6 Stud, 9.251" Hub
 www.XpresswayPlus.com
 1-222

37 - Also available as a New unit
 186 - 10 Stud
 204 - Right Hand; use E-4057 for Left Hand Expander Kits

41 - Aluminum piston
 187 - 6 Stud, 6.443" Hub
 214 - Power Brakes, Split System

MERITOR DRUM OR ROTOR NO.	CALIPER OR CYLINDER BORE SIZE	MERITOR CALIPER OR WHEEL CYLINDER (LEFT)	MERITOR CALIPER OR WHEEL CYLINDER (RIGHT)	MERITOR CALIPER OR WHEEL CYLINDER REPAIR KIT	MERITOR CALIPER PISTON	MERITOR MASTER CYLINDER	MERITOR MASTER CYLINDER KIT	MERITOR BRAKE HOSE (LEFT)	MERITOR BRAKE HOSE (RIGHT)
FORD(Cont.)									
F800 SERIES: CONVENTIONAL(Cont.)									
N/A	1-1/4 "	R4133720	R4133721	R4166923	NR	-	-	-	-
23-122703-002 ¹⁸⁶	2-7/8 "	60050145X	60050145X ³⁷	60050146	69270702 ⁴¹	R4111999 ⁵³	R4122386	R4577461	R4577461
23-122700-002 ⁹	2-1/2 "	R424244X	R424244X ³⁷	60050266	69270757 ⁴¹	R4111999 ⁵³	R4122386	R4577461	R4577461
23-122691-002 ¹⁸⁸	2-7/8 "	60050145X	60050145X ³⁷	60050146	69270702 ⁴¹	R4111999 ⁵³	R4122386	R4577461	R4577461
23-122743-002 ¹⁸⁷	2-7/8 "	60050145X	60050145X ³⁷	60050146	69270702 ⁴¹	R4111999 ⁵³	R4122386	R4577461	R4577461
N/A	1-5/8 "	201181	201182	SP7895S	NR	-	-	N/A	N/A
N/A	1-5/8 "	201185	201186 ³²⁹	SP7895S	NR	-	-	N/A	N/A
N/A	1-5/8 "	201181	201182	SP7895S	NR	-	-	N/A	N/A
N/A	1-3/4 "	201183X	201184X ³²⁹	SP7873S	NR	-	-	N/A	N/A
N/A	1-3/4 "	201179X	201180X	SP7873S	SP7880S ²⁰⁴	-	-	N/A	N/A
N/A	1-5/8 "	201185	201186 ³²⁹	SP7895S	NR	-	-	N/A	N/A
N/A	1-5/8 "	201185	201186 ³²⁹	SP7895S	NR	-	-	N/A	N/A
N/A	1-5/8 "	201181	201182	SP7895S	NR	-	-	N/A	N/A
N/A	1-3/4 "	201179X	201180X	SP7873S	SP7880S ²⁰⁴	-	-	N/A	N/A
N/A	1-3/4 "	201183X	201184X ³²⁹	SP7873S	NR	-	-	N/A	N/A
N/A	1.09375	R4133484	R4133485	R4166819	NR	-	-	-	-
N/A	1-1/8 "	R4133716	R4133717	R4166926	NR	-	-	-	-
N/A	1-1/8 "	R4133714	R4133715	R4166926	NR	-	-	-	-
23-122700-002 ⁹	2-1/2 "	R424244X	R424244X ³⁷	60050266	69270757 ⁴¹	R4111999 ⁵³	R4122386	R4577461	R4577461
23-122691-002 ¹⁸⁸	2-7/8 "	60050145X	60050145X ³⁷	60050146	69270702 ⁴¹	R4111999 ⁵³	R4122386	R4577461	R4577461
23-122703-002 ¹⁸⁶	2-7/8 "	60050145X	60050145X ³⁷	60050146	69270702 ⁴¹	R4111999 ⁵³	R4122386	R4577461	R4577461
N/A	1-1/2 "	R4033607	R4033607	R4166818	NR	-	-	-	-
N/A	1-5/8 "	R4133338	R4133338	R4166689	NR	-	-	-	-
N/A	1-5/8 "	R4133338	R4133338	R4166689	NR	-	-	-	-
N/A	1-3/4 "	R4133400	R4133400	R4166917	NR	-	-	-	-
N/A		R4133714	R4133715	R4166926	NR	N/A ³⁵⁸	R4122688	-	-
N/A		R4133719	R4133718	R4166926	NR	N/A ³⁵⁸	R4122688	-	-
N/A	1-1/4 "	R4133581	R4133581	R4166923	NR	-	-	-	-
N/A	1-1/4 "	R4133720	R4133721	R4166923	NR	-	-	-	-
N/A	1-5/8 "	201185	201186 ³²⁹	SP7895S	NR	-	-	R4577147	R4577147
N/A	1-5/8 "	201181	201182	SP7895S	NR	-	-	R4577147	R4577147
N/A	1-5/8 "	201185	201186 ³²⁹	SP7895S	NR	-	-	R4577147	R4577147
N/A	1-5/8 "	201181	201182	SP7895S	NR	-	-	R4577147	R4577147
N/A	1.09375	R4133484	R4133485	R4166819	NR	R4111629 ⁵³	R4122484	R4577460	R4577460
N/A	1-1/8 "	R4133714	R4133715	R4166926	NR	R4111911 ²¹⁹	R4122387	R4577454	R4577455
N/A	1-1/8 "	R4133716	R4133717	R4166926	NR	R4111911 ²¹⁹	R4122387	R4577454	R4577455
N/A	1-1/8 "	R4133714	R4133715	R4166926	NR	R4111992 ²¹⁴	R4122386	R4577452	R4577453
N/A	1-1/8 "	R4133719	R4133718	R4166926	NR	R4111992 ²¹⁴	R4122386	R4577452	R4577453
23-122700-002 ⁹	2-1/2 "	R424244X	R424244X ³⁷	60050266	69270757 ⁴¹	R4111992 ²¹⁴	R4122386	R4577452	R4577453
23-122703-002 ¹⁸⁶	2-7/8 "	60050145X	60050145X ³⁷	60050146	69270702 ⁴¹	R4111992 ²¹⁴	R4122386	R4577452	R4577453
23-122691-002 ¹⁸⁸	2-7/8 "	60050145X	60050145X ³⁷	60050146	69270702 ⁴¹	R4111992 ²¹⁴	R4122386	R4577452	R4577453
N/A	1-1/4 "	R4133720	R4133721	R4166923	NR	R4111992 ²¹⁴	R4122386	R4577452	R4577453
N/A	1-1/4 "	R4133581	R4133581	R4166923	NR	R4111992 ²¹⁴	R4122386	R4577452	R4577453
N/A	1-1/2 "	R4033607	R4033607	R4166818	NR	-	-	R4577147	R4577147
N/A	1-5/8 "	R4133338	R4133338	R4166689	NR	-	-	R4577147	R4577147
N/A	1-5/8 "	R4133338	R4133338	R4166689	NR	-	-	R4577147	R4577147
N/A	1-3/4 "	R4133400	R4133400	R4166917	NR	-	-	R4577147	R4577147
N/A	1-5/8 "	201185	201186 ³²⁹	SP7895S	NR	-	-	R4577147	R4577147
N/A	1-5/8 "	201181	201182	SP7895S	NR	-	-	R4577147	R4577147
N/A	1-5/8 "	201181	201182	SP7895S	NR	-	-	R4577147	R4577147
N/A	1-5/8 "	201185	201186 ³²⁹	SP7895S	NR	-	-	R4577147	R4577147
N/A	1.09375	R4133484	R4133485	R4166819	NR	R4111629 ⁵³	R4122484	R4577460	R4577460
N/A	1-1/8 "	R4133714	R4133715	R4166926	NR	R4111911 ²¹⁹	R4122387	R4577454	R4577455
N/A	1-1/8 "	R4133716	R4133717	R4166926	NR	R4111911 ²¹⁹	R4122387	R4577454	R4577455
N/A	1-1/8 "	R4133714	R4133715	R4166926	NR	R4111992 ²¹⁴	R4122386	R4577452	R4577453
N/A	1-1/8 "	R4133719	R4133718	R4166926	NR	R4111992 ²¹⁴	R4122386	R4577452	R4577453
23-122700-002 ⁹	2-1/2 "	R424244X	R424244X ³⁷	60050266	69270757 ⁴¹	R4111992 ²¹⁴	R4122386	R4577452	R4577453
23-122691-002 ¹⁸⁸	2-7/8 "	60050145X	60050145X ³⁷	60050146	69270702 ⁴¹	R4111992 ²¹⁴	R4122386	R4577452	R4577453

1 APPLICATION

219 - Power Brakes, Gasoline Engine with Vacuum Booster
341 - Use 69160445 for Disc Pad Retainer Clip

329 - Forward
358 - Split System

340 - Use 69160457 for Disc Pad Retainer Clip

MAKE MODEL YEAR AXLE CODE AXLE WEIGHT	AXLE & BRK. TYPE	BRK. MFG.	BRAKE SIZE	FMSI	MERITOR DISC PAD OR BRAKE SHOE	MERITOR GUIDE PIN OR RETURN SPRING KIT	MERITOR CALIPER HWD. KIT OR RETURN SPRING KIT	MERITOR ADJUSTER KIT (LEFT WHEEL)	MERITOR ADJUSTER KIT (RIGHT WHEEL)
FORD(Cont.)									
F800 SERIES: CONVENTIONAL(Cont.)									
1982									
	Fd	DN		7149 - D236	MD236 ³⁴¹	69310693	R40H5523	NR	NR
F090, F120	Fa Fa	WG WG	15 " x 3 " 15 " x 3 "	1245C - 321 1245C - 321	R700321 R700321	R40H521 R40H521	R40H9237 R40H9237	R40H3502 R40H3502	R40H3503 R40H3503
R170, R175	Ra Ra	KH WG	15 " x 5 " 15 " x 5 "	4646 - 400 1252 - 346	R700400 R700346	R40H595 R40H597	R40H9220 R40H9200	R40H3538 R40H3540	R40H3539 R40H3541
R185	Ra Ra	WG WG	15 " x 6 " 15 " x 7 "	4596 - 381 4597 - 383	R700381 R700383	R40H597 R40H597	R40H9200 R40H9200	R40H3540 R40H3540	R40H3541 R40H3541
1981									
	Ra Ra Ra Ra	LG LG LG LG	15 " x 6 " 15 " x 6 " 15 " x 7 " 15 " x 7 "	4504A - 543 4504A - 543 4505A - 544 4505A - 544	N/A N/A N/A N/A	R40H618 R40H618 R40H618 R40H618	NR NR NR NR	NR SP7888S SP7888S NR	NR SP7888S SP7888S NR
F050, F055, F060	Fa	KH	14 " x 2-1/2 "	2060 - 361	Discontinued	R40H596	R40H9219	R40H3536	R40H3537
F070	Fa Fa Fa Fa Fd	WG WG WG WG DN	15 " x 3 " 15 " x 3 " 15 " x 3 " 15 " x 3 " 15 " x 3 "	1245C - 321 1245C - 321 1245C - 321 1245C - 321 7141 - D224	R700321 R700321 R700321 R700321 MD224 ³⁴⁰	R40H521 R40H521 R40H521 R40H521 69310693	R40H9237 R40H9237 R40H9237 R40H9237 60050153	R40H3502 R40H3502 R40H3502 R40H3502 NR	R40H3503 R40H3503 R40H3503 R40H3503 NR
F080, F090	Fd Fd	DN DN		7149 - D236 7149 - D236	MD236 ³⁴¹ MD236 ³⁴¹	69310693 69310693	R40H5523 R40H5523	NR NR	NR NR
F090, F120	Fa Fa	WG WG	15 " x 3 " 15 " x 3 "	1245C - 321 1245C - 321	R700321 R700321	R40H521 R40H521	R40H9237 R40H9237	R40H3502 R40H3502	R40H3503 R40H3503
R170, R175	Ra Ra	KH WG	15 " x 5 " 15 " x 5 "	4646 - 400 1252 - 346	R700400 R700346	R40H595 R40H597	R40H9220 R40H9200	R40H3538 R40H3540	R40H3539 R40H3541
R185	Ra Ra	WG WG	15 " x 6 " 15 " x 7 "	4596 - 381 4597 - 383	R700381 R700383	R40H597 R40H597	R40H9200 R40H9200	R40H3540 R40H3540	R40H3541 R40H3541
1980									
	Ra Ra Ra Ra	LG LG LG LG	15 " x 6 " 15 " x 6 " 15 " x 7 " 15 " x 7 "	4504A - 543 4504A - 543 4505A - 544 4505A - 544	N/A N/A N/A N/A	R40H618 R40H618 R40H618 R40H618	NR NR NR NR	NR SP7888S NR SP7888S	NR SP7888S NR SP7888S
F050, F055, F060	Fa	KH	14 " x 2-1/2 "	2060 - 361	Discontinued	R40H596	R40H9219	R40H3536	R40H3537
F070	Fa Fa Fa Fa Fd	WG WG WG WG DN	15 " x 3 " 15 " x 3 " 15 " x 3 " 15 " x 3 " 15 " x 3 "	1245C - 321 1245C - 321 1245C - 321 1245C - 321 7141 - D224	R700321 R700321 R700321 R700321 MD224 ³⁴⁰	R40H521 R40H521 R40H521 R40H521 69310693	R40H9237 R40H9237 R40H9237 R40H9237 60050153	R40H3502 R40H3502 R40H3502 R40H3502 NR	R40H3503 R40H3503 R40H3503 R40H3503 NR
F080, F090	Fd Fd	DN DN		7149 - D236 7149 - D236	MD236 ³⁴¹ MD236 ³⁴¹	69310693 69310693	R40H5523 R40H5523	NR NR	NR NR
F090, F120	Fa Fa	WG WG	15 " x 3 " 15 " x 3 "	1245C - 321 1245C - 321	R700321 R700321	R40H521 R40H521	R40H9237 R40H9237	R40H3502 R40H3502	R40H3503 R40H3503
R170, R175	Ra Ra	KH WG	15 " x 5 " 15 " x 5 "	4646 - 400 1252 - 346	R700400 R700346	R40H595 R40H597	R40H9220 R40H9200	R40H3538 R40H3540	R40H3539 R40H3541
R185	Ra Ra	WG WG	15 " x 6 " 15 " x 7 "	4596 - 381 4597 - 383	R700381 R700383	R40H597 R40H597	R40H9200 R40H9200	R40H3540 R40H3540	R40H3541 R40H3541
1979									
F050, F055, F060	Fa	KH	14 " x 2-1/2 "	2060 - 361	Discontinued	R40H596	R40H9219	R40H3536	R40H3537
F070	Fa Fa Fd	WG WG DN	15 " x 3 " 15 " x 3 " 15 " x 3 "	1245C - 321 1245C - 321 7141 - D224	R700321 R700321 MD224 ³⁴⁰	R40H521 R40H521 69310693	R40H9237 R40H9237 60050153	R40H3502 R40H3502 NR	R40H3503 R40H3503 NR
F080, F090	Fd Fd	DN DN		7149 - D236 7149 - D236	MD236 ³⁴¹ MD236 ³⁴¹	69310693 69310693	R40H5523 R40H5523	NR NR	NR NR
R170, R175	Ra Ra	KH WG	15 " x 5 " 15 " x 5 "	4646 - 400 1252 - 346	R700400 R700346	R40H595 R40H597	R40H9220 R40H9200	R40H3538 R40H3540	R40H3539 R40H3541
R185	Ra Ra	WG WG	15 " x 6 " 15 " x 7 "	4596 - 381 4597 - 383	R700381 R700383	R40H597 R40H597	R40H9200 R40H9200	R40H3540 R40H3540	R40H3541 R40H3541
Split System					R700321 R700321	R40H521 R40H521	R40H9237 R40H9237	R40H3502 R40H3502	R40H3503 R40H3503
Split System F090, F120	Fa Fa	WG WG	15 " x 3 " 15 " x 3 "	1245C - 321 1245C - 321	R700321 R700321	R40H521 R40H521	R40H9237 R40H9237	R40H3502 R40H3502	R40H3503 R40H3503
1978									
F050, F055, F060	Fa	KH	14 " x 2-1/2 "	2060 - 361	Discontinued	R40H596	R40H9219	R40H3536	R40H3537

9 - 6 Stud, Dayton Rotor, Hat Style
53 - Power Brakes
214 - Power Brakes, Split System
www.XpresswayPlus.com

37 - Also available as a New unit
186 - 10 Stud
219 - Power Brakes, Gasoline Engine with Vacuum Booster

41 - Aluminum piston
188 - 6 Stud, 9.251" Hub
329 - Forward

MERITOR DRUM OR ROTOR NO.	CALIPER OR CYLINDER BORE SIZE	MERITOR CALIPER OR WHEEL CYLINDER (LEFT)	MERITOR CALIPER OR WHEEL CYLINDER (RIGHT)	MERITOR CALIPER OR WHEEL CYLINDER REPAIR KIT	MERITOR CALIPER PISTON	MERITOR MASTER CYLINDER	MERITOR MASTER CYLINDER KIT	MERITOR BRAKE HOSE (LEFT)	MERITOR BRAKE HOSE (RIGHT)
FORD(Cont.)									
F800 SERIES: CONVENTIONAL(Cont.)									
23-122703-002 ¹⁸⁶	2-7/8 "	60050145X	60050145X ³⁷	60050146	69270702 ⁴¹	R4111992 ²¹⁴	R4122386	R4577452	R4577453
N/A	1-1/4 "	R4133720	R4133721	R4166923	NR	R4111992 ²¹⁴	R4122386	R4577452	R4577453
N/A	1-1/4 "	R4133581	R4133581	R4166923	NR	R4111992 ²¹⁴	R4122386	R4577452	R4577453
N/A	1-1/2 "	R4033607	R4033607	R4166818	NR	-	-	R4577147	R4577147
N/A	1-5/8 "	R4133338	R4133338	R4166689	NR	-	-	R4577147	R4577147
N/A	1-5/8 "	R4133338	R4133338	R4166689	NR	-	-	R4577147	R4577147
N/A	1-3/4 "	R4133400	R4133400	R4166917	NR	-	-	R4577147	R4577147
N/A	1-5/8 "	201181	201182	SP7895S	NR	-	-	R4577147	R4577147
N/A	1-5/8 "	201185	201186 ³²⁹	SP7895S	NR	-	-	R4577147	R4577147
N/A	1-5/8 "	201185	201186 ³²⁹	SP7895S	NR	-	-	R4577147	R4577147
N/A	1-5/8 "	201181	201182	SP7895S	NR	-	-	R4577147	R4577147
N/A	1.09375	R4133484	R4133485	R4166819	NR	R4111629 ⁵³	R4122484	R4577460	R4577460
N/A	1-1/8 "	R4133714	R4133715	R4166926	NR	R4111911 ²¹⁹	R4122387	R4577454	R4577455
N/A	1-1/8 "	R4133716	R4133717	R4166926	NR	R4111911 ²¹⁹	R4122387	R4577454	R4577455
N/A	1-1/8 "	R4133719	R4133718	R4166926	NR	R4111992 ²¹⁴	R4122386	R4577452	R4577453
N/A	1-1/8 "	R4133714	R4133715	R4166926	NR	R4111992 ²¹⁴	R4122386	R4577452	R4577453
23-122700-002 ⁹	2-1/2 "	R424244X	R424244X ³⁷	60050266	69270757 ⁴¹	R4111992 ²¹⁴	R4122386	R4577452	R4577453
23-122703-002 ¹⁸⁶	2-7/8 "	60050145X	60050145X ³⁷	60050146	69270702 ⁴¹	R4111992 ²¹⁴	R4122386	R4577452	R4577453
23-122691-002 ¹⁸⁸	2-7/8 "	60050145X	60050145X ³⁷	60050146	69270702 ⁴¹	R4111992 ²¹⁴	R4122386	R4577452	R4577453
N/A	1-1/4 "	R4133581	R4133581	R4166923	NR	R4111992 ²¹⁴	R4122386	R4577452	R4577453
N/A	1-1/4 "	R4133720	R4133721	R4166923	NR	R4111992 ²¹⁴	R4122386	R4577452	R4577453
N/A	1-1/2 "	R4033607	R4033607	R4166818	NR	-	-	R4577147	R4577147
N/A	1-5/8 "	R4133338	R4133338	R4166689	NR	-	-	R4577147	R4577147
N/A	1-5/8 "	R4133338	R4133338	R4166689	NR	-	-	R4577147	R4577147
N/A	1-3/4 "	R4133400	R4133400	R4166917	NR	-	-	R4577147	R4577147
N/A	1-5/8 "	201181	201182	SP7895S	NR	-	-	R4577147	R4577147
N/A	1-5/8 "	201185	201186 ³²⁹	SP7895S	NR	-	-	R4577147	R4577147
N/A	1-5/8 "	201181	201182	SP7895S	NR	-	-	R4577147	R4577147
N/A	1-5/8 "	201185	201186 ³²⁹	SP7895S	NR	-	-	R4577147	R4577147
N/A	1.09375	R4133484	R4133485	R4166819	NR	R4111629 ⁵³	R4122484	R4577460	R4577460
N/A	1-1/8 "	R4133714	R4133715	R4166926	NR	R4111911 ²¹⁹	R4122387	R4577454	R4577455
N/A	1-1/8 "	R4133716	R4133717	R4166926	NR	R4111911 ²¹⁹	R4122387	R4577454	R4577455
N/A	1-1/8 "	R4133719	R4133718	R4166926	NR	R4111992 ²¹⁴	R4122386	R4577452	R4577453
N/A	1-1/8 "	R4133714	R4133715	R4166926	NR	R4111992 ²¹⁴	R4122386	R4577452	R4577453
23-122700-002 ⁹	2-1/2 "	R424244X	R424244X ³⁷	60050266	69270757 ⁴¹	R4111992 ²¹⁴	R4122386	R4577452	R4577453
23-122691-002 ¹⁸⁸	2-7/8 "	60050145X	60050145X ³⁷	60050146	69270702 ⁴¹	R4111992 ²¹⁴	R4122386	R4577452	R4577453
23-122703-002 ¹⁸⁶	2-7/8 "	60050145X	60050145X ³⁷	60050146	69270702 ⁴¹	R4111992 ²¹⁴	R4122386	R4577452	R4577453
N/A	1-1/4 "	R4133720	R4133721	R4166923	NR	R4111992 ²¹⁴	R4122386	R4577452	R4577453
N/A	1-1/4 "	R4133581	R4133581	R4166923	NR	R4111992 ²¹⁴	R4122386	R4577452	R4577453
N/A	1-1/2 "	R4033607	R4033607	R4166818	NR	-	-	R4577147	R4577147
N/A	1-5/8 "	R4133338	R4133338	R4166689	NR	-	-	R4577147	R4577147
N/A	1-5/8 "	R4133338	R4133338	R4166689	NR	-	-	R4577147	R4577147
N/A	1-3/4 "	R4133400	R4133400	R4166917	NR	-	-	R4577147	R4577147
N/A	1.09375	R4133484	R4133485	R4166819	NR	-	-	-	-
N/A	1-1/8 "	R4133716	R4133717	R4166926	NR	-	-	-	-
N/A	1-1/8 "	R4133714	R4133715	R4166926	NR	-	-	-	-
23-122700-002 ⁹	2-1/2 "	R424244X	R424244X ³⁷	60050266	69270757 ⁴¹	-	-	-	-
23-122691-002 ¹⁸⁸	2-7/8 "	60050145X	60050145X ³⁷	60050146	69270702 ⁴¹	-	-	-	-
23-122703-002 ¹⁸⁶	2-7/8 "	60050145X	60050145X ³⁷	60050146	69270702 ⁴¹	-	-	-	-
N/A	1-1/2 "	R4033607	R4033607	R4166818	NR	-	-	-	-
N/A	1-5/8 "	R4133338	R4133338	R4166689	NR	-	-	-	-
N/A	1-5/8 "	R4133338	R4133338	R4166689	NR	-	-	-	-
N/A	1-3/4 "	R4133400	R4133400	R4166917	NR	-	-	-	-
N/A		R4133714	R4133715	R4166926	NR	N/A ³⁵⁸	R4122688	-	-
N/A		R4133719	R4133718	R4166926	NR	N/A ³⁵⁸	R4122688	-	-
N/A	1-1/4 "	R4133720	R4133721	R4166923	NR	-	-	-	-
N/A	1-1/4 "	R4133581	R4133581	R4166923	NR	-	-	-	-
N/A	1.09375	R4133484	R4133485	R4166819	NR	-	-	-	-

MAKE MODEL YEAR AXLE CODE AXLE WEIGHT	AXLE & BRK. TYPE	BRK. MFG.	BRAKE SIZE	FMSI	MERITOR DISC PAD OR BRAKE SHOE	MERITOR GUIDE PIN OR RETURN SPRING KIT	MERITOR CALIPER HWD. KIT OR RETURN SPRING KIT	MERITOR ADJUSTER KIT (LEFT WHEEL)	MERITOR ADJUSTER KIT (RIGHT WHEEL)
FORD(Cont.)									
F800 SERIES: CONVENTIONAL(Cont.)									
1978 F070	Fa Fa Fd	WG WG DN	15" x 3" 15" x 3"	1245C - 321 1245C - 321 7141 - D224	R700321 R700321 MD224 ³⁴⁰	R40H521 R40H521 69310693	R40H9237 R40H9237 60050153	R40H3502 R40H3502 NR	R40H3503 R40H3503 NR
F080, F090	Fd Fd	DN DN		7149 - D236 7149 - D236	MD236 ³⁴¹ MD236 ³⁴¹	69310693 69310693	R40H5523 R40H5523	NR NR	NR NR
R170, R175	Ra Ra	KH WG	15" x 5" 15" x 5"	4646 - 400 1252 - 346	R700400 R700346	R40H595 R40H597	R40H9220 R40H9200	R40H3538 R40H3540	R40H3539 R40H3541
R185	Ra Ra	WG WG	15" x 6" 15" x 7"	4596 - 381 4597 - 383	R700381 R700383	R40H597 R40H597	R40H9200 R40H9200	R40H3540 R40H3540	R40H3541 R40H3541
Split System					R700321 R700321	R40H521 R40H521	R40H9237 R40H9237	R40H3502 R40H3502	R40H3503 R40H3503
Split System F090, F120	Fa Fa	WG WG	15" x 3" 15" x 3"	1245C - 321 1245C - 321	R700321 R700321	R40H521 R40H521	R40H9237 R40H9237	R40H3502 R40H3502	R40H3503 R40H3503
1977 F050, F055, F060	Fa Fa	KH KH	14" x 2-1/2" 14" x 2-1/2"	2060 - 361 2060 - 361	Discontinued Discontinued	R40H596 R40H596	R40H9219 R40H9219	R40H3536 R40H3536	R40H3537 R40H3537
F070	Fa Fa Fa Fa Fa Fa Fa Fa Fd	WG WG WG WG WG WG WG WG DN	15" x 3" 15" x 3" 15" x 3" 15" x 3" 15" x 3" 15" x 3" 15" x 3" 15" x 3" 7141 - D224	1245C - 321 1245C - 321 1245C - 321 1245C - 321 1245C - 321 1245C - 321 1245C - 321 1245C - 321 7141 - D224	R700321 R700321 R700321 R700321 R700321 R700321 R700321 R700321 MD224 ³⁴⁰	R40H521 R40H521 R40H521 R40H521 R40H521 R40H521 R40H521 R40H521 69310693	R40H9237 R40H9237 R40H9237 R40H9237 R40H9237 R40H9237 R40H9237 R40H9237 60050153	R40H3502 R40H3502 R40H3502 R40H3502 R40H3502 R40H3502 R40H3502 R40H3502 NR	
F080, F090	Fd Fd	DN DN		7149 - D236 7149 - D236	MD236 ³⁴¹ MD236 ³⁴¹	69310693 69310693	R40H5523 R40H5523	NR NR	NR NR
F090, F120	Fa Fa Fa Fa	WG WG WG WG	15" x 3" 15" x 3" 15" x 3" 15" x 3"	1245C - 321 1245C - 321 1245C - 321 1245C - 321	R700321 R700321 R700321 R700321	R40H521 R40H521 R40H521 R40H521	R40H9237 R40H9237 R40H9237 R40H9237	R40H3502 R40H3502 R40H3502 R40H3502	R40H3503 R40H3503 R40H3503 R40H3503
R170, R175	Ra Ra Ra Ra Ra Ra	KH KH KH WG WG	15" x 5" 15" x 5" 15" x 5" 15" x 5" 15" x 5" 15" x 5"	4646 - 400 4646 - 400 4646 - 400 1252 - 346 1252 - 346	R700400 R700400 R700400 R700346 R700346	R40H595 R40H595 R40H595 R40H597 R40H597	R40H9220 R40H9220 R40H9220 R40H9200 R40H9200	R40H3538 R40H3538 R40H3538 R40H3540 R40H3540	R40H3539 R40H3539 R40H3539 R40H3541 R40H3541
R185	Ra Ra Ra Ra	WG WG WG WG	15" x 6" 15" x 6" 15" x 7" 15" x 7"	4596 - 381 4596 - 381 4597 - 383 4597 - 383	R700381 R700381 R700383 R700383	R40H597 R40H597 R40H597 R40H597	R40H9200 R40H9200 R40H9200 R40H9200	R40H3540 R40H3540 R40H3540 R40H3540	R40H3541 R40H3541 R40H3541 R40H3541
1976 F050, F055, F060	Fa Fa	KH KH	14" x 2-1/2" 14" x 2-1/2"	2060 - 361 2060 - 361	Discontinued Discontinued	R40H596 R40H596	R40H9219 R40H9219	R40H3536 R40H3536	R40H3537 R40H3537
F070	Fd	DN		7141 - D224	MD224 ³⁴⁰	69310693	60050153	NR	NR
F080, F090	Fd Fd	DN DN		7149 - D236 7149 - D236	MD236 ³⁴¹ MD236 ³⁴¹	69310693 69310693	R40H5523 R40H5523	NR NR	NR NR
R170, R175	Ra Ra Ra Ra Ra	KH KH KH WG WG	15" x 5" 15" x 5" 15" x 5" 15" x 5" 15" x 5"	4646 - 400 4646 - 400 4646 - 400 1252 - 346 1252 - 346	R700400 R700400 R700400 R700346 R700346	R40H595 R40H595 R40H595 R40H597 R40H597	R40H9220 R40H9220 R40H9220 R40H9200 R40H9200	R40H3538 R40H3538 R40H3538 R40H3540 R40H3540	R40H3539 R40H3539 R40H3539 R40H3541 R40H3541
R185	Ra Ra Ra Ra	WG WG WG WG	15" x 6" 15" x 6" 15" x 7" 15" x 7"	4596 - 381 4596 - 381 4597 - 383 4597 - 383	R700381 R700381 R700383 R700383	R40H597 R40H597 R40H597 R40H597	R40H9200 R40H9200 R40H9200 R40H9200	R40H3540 R40H3540 R40H3540 R40H3540	R40H3541 R40H3541 R40H3541 R40H3541
Single System F070	Fa Fa Fa Fa	WG WG WG WG	15" x 3" 15" x 3" 15" x 3" 15" x 3"	1245C - 321 1245C - 321 1245C - 321 1245C - 321	R700321 R700321 R700321 R700321	R40H521 R40H521 R40H521 R40H521	R40H9237 R40H9237 R40H9237 R40H9237	R40H3502 R40H3502 R40H3502 R40H3502	R40H3503 R40H3503 R40H3503 R40H3503
Split System F070	Fa	WG	15" x 3"	1245C - 321	R700321	R40H521	R40H9237	R40H3502	R40H3503

9 - 6 Stud, Dayton Rotor, Hat Style
 42 - 6 Stud, Dayton Rotor, "U" Style
 340 - Use 69160457 for Disc Pad Retainer Clip
 www.XpresswayPlus.com

37 - Also available as a New unit
 186 - 10 Stud
 341 - Use 69160445 for Disc Pad Retainer Clip

41 - Aluminum piston
 188 - 6 Stud, 9.251" Hub
 358 - Split System

MERITOR DRUM OR ROTOR NO.	CALIPER OR CYLINDER BORE SIZE	MERITOR CALIPER OR WHEEL CYLINDER (LEFT)	MERITOR CALIPER OR WHEEL CYLINDER (RIGHT)	MERITOR CALIPER OR WHEEL CYLINDER REPAIR KIT	MERITOR CALIPER PISTON	MERITOR MASTER CYLINDER	MERITOR MASTER CYLINDER KIT	MERITOR BRAKE HOSE (LEFT)	MERITOR BRAKE HOSE (RIGHT)
FORD(Cont.)									
F800 SERIES: CONVENTIONAL(Cont.)									
N/A	1-1/8 "	R4133714	R4133715	R4166926	NR	-	-	-	-
N/A	1-1/8 "	R4133716	R4133717	R4166926	NR	-	-	-	-
23-122700-002 ⁹	2-1/2 "	R424244X	R424244X ³⁷	60050266	69270757 ⁴¹	-	-	-	-
23-122703-002 ¹⁸⁶	2-7/8 "	60050145X	60050145X ³⁷	60050146	69270702 ⁴¹	-	-	-	-
23-122691-002 ¹⁸⁸	2-7/8 "	60050145X	60050145X ³⁷	60050146	69270702 ⁴¹	-	-	-	-
N/A	1-1/2 "	R4033607	R4033607	R4166818	NR	-	-	-	-
N/A	1-5/8 "	R4133338	R4133338	R4166689	NR	-	-	-	-
N/A	1-5/8 "	R4133338	R4133338	R4166689	NR	-	-	-	-
N/A	1-3/4 "	R4133400	R4133400	R4166917	NR	-	-	-	-
N/A		R4133719	R4133718	R4166926	NR	N/A ³⁵⁸	R4122688	-	-
N/A		R4133714	R4133715	R4166926	NR	N/A ³⁵⁸	R4122688	-	-
N/A	1-1/4 "	R4133581	R4133581	R4166923	NR	-	-	-	-
N/A	1-1/4 "	R4133720	R4133721	R4166923	NR	-	-	-	-
-	1.09375	R4133484	R4133485	R4166819	NR	-	-	-	-
-	1.09375	R4133484	R4133485	R4166819	NR	-	-	-	-
-	1-1/8 "	R4133719	R4133718	R4166926	NR	N/A ³⁵⁸	R4122688	-	-
-	1-1/8 "	R4133714	R4133715	R4166926	NR	N/A ³⁵⁸	R4122688	-	-
-	1-1/8 "	R4133716	R4133717	R4166926	NR	-	-	-	-
-	1-1/8 "	R4133714	R4133715	R4166926	NR	-	-	-	-
-	1-1/8 "	R4133714	R4133715	R4166926	NR	-	-	-	-
-	1-1/8 "	R4133716	R4133717	R4166926	NR	-	-	-	-
-	1-1/8 "	R4133719	R4133718	R4166926	NR	N/A ³⁵⁸	R4122688	-	-
-	1-1/8 "	R4133714	R4133715	R4166926	NR	N/A ³⁵⁸	R4122688	-	-
23-122700-002 ⁹	2-1/2 "	R424244X	R424244X ³⁷	60050266	69270757 ⁴¹	-	-	-	-
23-122691-002 ¹⁸⁸	2-7/8 "	60050145X	60050145X ³⁷	60050146	69270702 ⁴¹	-	-	-	-
23-122703-002 ¹⁸⁶	2-7/8 "	60050145X	60050145X ³⁷	60050146	69270702 ⁴¹	-	-	-	-
-	1-1/4 "	R4133581	R4133581	R4166923	NR	-	-	-	-
-	1-1/4 "	R4133720	R4133721	R4166923	NR	-	-	-	-
-	1-1/4 "	R4133720	R4133721	R4166923	NR	-	-	-	-
-	1-1/4 "	R4133581	R4133582	R4166923	NR	-	-	-	-
-	1-1/2 "	R4033607	R4033607	R4166818	NR	-	-	-	-
-	1-1/2 "	R4033607	R4033607	R4166818	NR	-	-	-	-
-	1-5/8 "	R4133606	R4133606	R415193	NR	-	-	-	-
-	1-5/8 "	R4133338	R4133338	R4166689	NR	-	-	-	-
-	1-5/8 "	R4133338	R4133338	R4166689	NR	-	-	-	-
-	1-5/8 "	R4133338	R4133338	R4166689	NR	-	-	-	-
-	1-5/8 "	R4133338	R4133338	R4166689	NR	-	-	-	-
-	1-3/4 "	R4133400	R4133400	R4166917	NR	-	-	-	-
-	1-3/4 "	R4133400	R4133400	R4166917	NR	-	-	-	-
-	1.09375	R4133484	R4133485	R4166819	NR	-	-	-	-
-	1.09375	R4133484	R4133485	R4166819	NR	-	-	-	-
23-122700-002 ⁹	2-1/2 "	R424244X	R424244X ³⁷	60050266	69270757 ⁴¹	-	-	-	-
23-122691-002 ⁴²	2-7/8 "	60050145X	60050145X ³⁷	60050146	69270702 ⁴¹	-	-	-	-
23-122703-002 ¹⁸⁶	2-7/8 "	60050145X	60050145X ³⁷	60050146	69270702 ⁴¹	-	-	-	-
-	1-1/2 "	R4033607	R4033607	R4166818	NR	-	-	-	-
-	1-1/2 "	R4033607	R4033607	R4166818	NR	-	-	-	-
-	1-5/8 "	R4133606	R4133606	R415193	NR	-	-	-	-
-	1-5/8 "	R4133338	R4133338	R4166689	NR	-	-	-	-
-	1-5/8 "	R4133338	R4133338	R4166689	NR	-	-	-	-
-	1-5/8 "	R4133338	R4133338	R4166689	NR	-	-	-	-
-	1-5/8 "	R4133338	R4133338	R4166689	NR	-	-	-	-
-	1-3/4 "	R4133400	R4133400	R4166917	NR	-	-	-	-
-	1-3/4 "	R4133400	R4133400	R4166917	NR	-	-	-	-
-	1-1/8 "	R4133714	R4133715	R4166926	NR	-	-	-	-
-	1-1/8 "	R4133714	R4133715	R4166926	NR	-	-	-	-
-	1-1/8 "	R4133716	R4133717	R4166926	NR	-	-	-	-
-	1-1/8 "	R4133716	R4133717	R4166926	NR	-	-	-	-
-	1-1/8 "	R4133719	R4133718	R4166926	NR	N/A ³⁵⁸	R4122688	-	-

1 APPLICATION

MAKE MODEL YEAR AXLE CODE AXLE WEIGHT	AXLE & BRK. TYPE	BRK. MFG.	BRAKE SIZE	FMSI	MERITOR DISC PAD OR BRAKE SHOE	MERITOR GUIDE PIN OR RETURN SPRING KIT	MERITOR CALIPER HWD. KIT OR RETURN SPRING KIT	MERITOR ADJUSTER KIT (LEFT WHEEL)	MERITOR ADJUSTER KIT (RIGHT WHEEL)
FORD(Cont.)									
F800 SERIES: CONVENTIONAL(Cont.)									
1976	Fa Fa Fa	WG WG WG	15 " x 3 " 15 " x 3 " 15 " x 3 "	1245C - 321 1245C - 321 1245C - 321	R700321 R700321 R700321	R40H521 R40H521 R40H521	R40H9237 R40H9237 R40H9237	R40H3502 R40H3502 R40H3502	R40H3503 R40H3503 R40H3503
Split System F090, F120	Fa Fa Fa Fa	WG WG WG WG	15 " x 3 " 15 " x 3 " 15 " x 3 " 15 " x 3 "	1245C - 321 1245C - 321 1245C - 321 1245C - 321	R700321 R700321 R700321 R700321	R40H521 R40H521 R40H521 R40H521	R40H9237 R40H9237 R40H9237 R40H9237	R40H3502 R40H3502 R40H3502 R40H3502	R40H3503 R40H3503 R40H3503 R40H3503
1975 F050, F055, F060	Fa Fa	KH KH	14 " x 2-1/2 " 14 " x 2-1/2 "	2060 - 361 2060 - 361	Discontinued Discontinued	R40H596 R40H596	R40H9219 R40H9219	R40H3536 R40H3536	R40H3537 R40H3537
F070	Fd	DN		7141 - D224	MD224 ³⁴⁰	69310693	60050153	NR	NR
F080, F090	Fd Fd	DN DN		7149 - D236 7149 - D236	MD236 ³⁴¹ MD236 ³⁴¹	69310693 69310693	R40H5523 R40H5523	NR NR	NR NR
R170, R175	Ra Ra Ra Ra Ra	KH KH KH WG WG	15 " x 5 " 15 " x 5 " 15 " x 5 " 15 " x 5 " 15 " x 5 "	4646 - 400 4646 - 400 4646 - 400 1252 - 346 1252 - 346	R700400 R700400 R700400 R700346 R700346	R40H595 R40H595 R40H595 R40H597 R40H597	R40H9220 R40H9220 R40H9220 R40H9200 R40H9200	R40H3538 R40H3538 R40H3538 R40H3540 R40H3540	R40H3539 R40H3539 R40H3539 R40H3541 R40H3541
R185	Ra Ra Ra Ra	WG WG WG WG	15 " x 6 " 15 " x 6 " 15 " x 7 " 15 " x 7 "	4596 - 381 4596 - 381 4597 - 383 4597 - 383	R700381 R700381 R700383 R700383	R40H597 R40H597 R40H597 R40H597	R40H9200 R40H9200 R40H9200 R40H9200	R40H3540 R40H3540 R40H3540 R40H3540	R40H3541 R40H3541 R40H3541 R40H3541
Single System F070	Fa Fa Fa Fa	WG WG WG WG	15 " x 3 " 15 " x 3 " 15 " x 3 " 15 " x 3 "	1245C - 321 1245C - 321 1245C - 321 1245C - 321	R700321 R700321 R700321 R700321	R40H521 R40H521 R40H521 R40H521	R40H9237 R40H9237 R40H9237 R40H9237	R40H3502 R40H3502 R40H3502 R40H3502	R40H3503 R40H3503 R40H3503 R40H3503
Split System F070	Fa Fa Fa Fa	WG WG WG WG	15 " x 3 " 15 " x 3 " 15 " x 3 " 15 " x 3 "	1245C - 321 1245C - 321 1245C - 321 1245C - 321	R700321 R700321 R700321 R700321	R40H521 R40H521 R40H521 R40H521	R40H9237 R40H9237 R40H9237 R40H9237	R40H3502 R40H3502 R40H3502 R40H3502	R40H3503 R40H3503 R40H3503 R40H3503
Split System F090, F120	Fa Fa Fa Fa	WG WG WG WG	15 " x 3 " 15 " x 3 " 15 " x 3 " 15 " x 3 "	1245C - 321 1245C - 321 1245C - 321 1245C - 321	R700321 R700321 R700321 R700321	R40H521 R40H521 R40H521 R40H521	R40H9237 R40H9237 R40H9237 R40H9237	R40H3502 R40H3502 R40H3502 R40H3502	R40H3503 R40H3503 R40H3503 R40H3503
1974 F050, F055, F060	Fa Fa	KH KH	14 " x 2-1/2 " 14 " x 2-1/2 "	2060 - 361 2060 - 361	Discontinued Discontinued	R40H596 R40H596	R40H9219 R40H9219	R40H3536 R40H3536	R40H3537 R40H3537
F070	Fd	DN		7141 - D224	MD224 ³⁴⁰	69310693	60050153	NR	NR
F080, F090	Fd Fd	DN DN		7149 - D236 7149 - D236	MD236 ³⁴¹ MD236 ³⁴¹	69310693 69310693	R40H5523 R40H5523	NR NR	NR NR
R170, R175	Ra Ra Ra Ra Ra	KH KH KH WG WG	15 " x 5 " 15 " x 5 " 15 " x 5 " 15 " x 5 " 15 " x 5 "	4646 - 400 4646 - 400 4646 - 400 1252 - 346 1252 - 346	R700400 R700400 R700400 R700346 R700346	R40H595 R40H595 R40H595 R40H597 R40H597	R40H9220 R40H9220 R40H9220 R40H9200 R40H9200	R40H3538 R40H3538 R40H3538 R40H3540 R40H3540	R40H3539 R40H3539 R40H3539 R40H3541 R40H3541
R185	Ra Ra Ra Ra	WG WG WG WG	15 " x 6 " 15 " x 6 " 15 " x 7 " 15 " x 7 "	4596 - 381 4596 - 381 4597 - 383 4597 - 383	R700381 R700381 R700383 R700383	R40H597 R40H597 R40H597 R40H597	R40H9200 R40H9200 R40H9200 R40H9200	R40H3540 R40H3540 R40H3540 R40H3540	R40H3541 R40H3541 R40H3541 R40H3541
Single System F070	Fa Fa Fa Fa	WG WG WG WG	15 " x 3 " 15 " x 3 " 15 " x 3 " 15 " x 3 "	1245C - 321 1245C - 321 1245C - 321 1245C - 321	R700321 R700321 R700321 R700321	R40H521 R40H521 R40H521 R40H521	R40H9237 R40H9237 R40H9237 R40H9237	R40H3502 R40H3502 R40H3502 R40H3502	R40H3503 R40H3503 R40H3503 R40H3503
Split System F070	Fa Fa Fa Fa	WG WG WG WG	15 " x 3 " 15 " x 3 " 15 " x 3 " 15 " x 3 "	1245C - 321 1245C - 321 1245C - 321 1245C - 321	R700321 R700321 R700321 R700321	R40H521 R40H521 R40H521 R40H521	R40H9237 R40H9237 R40H9237 R40H9237	R40H3502 R40H3502 R40H3502 R40H3502	R40H3503 R40H3503 R40H3503 R40H3503
Split System F090, F120	Fa	WG	15 " x 3 "	1245C - 321	R700321	R40H521	R40H9237	R40H3502	R40H3503

9 - 6 Stud, Dayton Rotor, Hat Style
 42 - 6 Stud, Dayton Rotor, "U" Style
 341 - Use 69160445 for Disc Pad Retainer Clip
 www.XpresswayPlus.com

37 - Also available as a New unit
 186 - 10 Stud
 358 - Split System

41 - Aluminum piston
 340 - Use 69160457 for Disc Pad Retainer Clip

MERITOR DRUM OR ROTOR NO.	CALIPER OR CYLINDER BORE SIZE	MERITOR CALIPER OR WHEEL CYLINDER (LEFT)	MERITOR CALIPER OR WHEEL CYLINDER (RIGHT)	MERITOR CALIPER OR WHEEL CYLINDER REPAIR KIT	MERITOR CALIPER PISTON	MERITOR MASTER CYLINDER	MERITOR MASTER CYLINDER KIT	MERITOR BRAKE HOSE (LEFT)	MERITOR BRAKE HOSE (RIGHT)
FORD(Cont.)									
F800 SERIES: CONVENTIONAL(Cont.)									
-	1-1/8 "	R4133714	R4133715	R4166926	NR	N/A ³⁵⁸	R4122688	-	-
-	1-1/8 "	R4133719	R4133718	R4166926	NR	N/A ³⁵⁸	R4122688	-	-
-	1-1/8 "	R4133714	R4133715	R4166926	NR	N/A ³⁵⁸	R4122688	-	-
-	1-1/4 "	R4133581	R4133581	R4166923	NR	-	-	-	-
-	1-1/4 "	R4133720	R4133721	R4166923	NR	-	-	-	-
-	1-1/4 "	R4133720	R4133721	R4166923	NR	-	-	-	-
-	1-1/4 "	R4133581	R4133582	R4166923	NR	-	-	-	-
-	1.09375	R4133484	R4133485	R4166819	NR	-	-	-	-
-	1.09375	R4133484	R4133485	R4166819	NR	-	-	-	-
23-122700-002 ⁹	2-1/2 "	R424244X	R424244X ³⁷	60050266	69270757 ⁴¹	-	-	-	-
23-122691-002 ⁴²	2-7/8 "	60050145X	60050145X ³⁷	60050146	69270702 ⁴¹	-	-	-	-
23-122703-002 ¹⁸⁶	2-7/8 "	60050145X	60050145X ³⁷	60050146	69270702 ⁴¹	-	-	-	-
-	1-5/8 "	R4133606	R4133606	R415193	NR	-	-	-	-
-	1-1/2 "	R4033607	R4033607	R4166818	NR	-	-	-	-
-	1-1/2 "	R4033607	R4033607	R4166818	NR	-	-	-	-
-	1-5/8 "	R4133338	R4133338	R4166689	NR	-	-	-	-
-	1-5/8 "	R4133338	R4133338	R4166689	NR	-	-	-	-
-	1-5/8 "	R4133338	R4133338	R4166689	NR	-	-	-	-
-	1-3/4 "	R4133400	R4133400	R4166917	NR	-	-	-	-
-	1-3/4 "	R4133400	R4133400	R4166917	NR	-	-	-	-
-	1-1/8 "	R4133716	R4133717	R4166926	NR	-	-	-	-
-	1-1/8 "	R4133714	R4133715	R4166926	NR	-	-	-	-
-	1-1/8 "	R4133714	R4133715	R4166926	NR	-	-	-	-
-	1-1/8 "	R4133716	R4133717	R4166926	NR	-	-	-	-
-	1-1/8 "	R4133714	R4133715	R4166926	NR	N/A ³⁵⁸	R4122688	-	-
-	1-1/8 "	R4133719	R4133718	R4166926	NR	N/A ³⁵⁸	R4122688	-	-
-	1-1/8 "	R4133719	R4133718	R4166926	NR	N/A ³⁵⁸	R4122688	-	-
-	1-1/8 "	R4133714	R4133715	R4166926	NR	N/A ³⁵⁸	R4122688	-	-
-	1-1/4 "	R4133581	R4133582	R4166923	NR	-	-	-	-
-	1-1/4 "	R4133720	R4133721	R4166923	NR	-	-	-	-
-	1-1/4 "	R4133720	R4133721	R4166923	NR	-	-	-	-
-	1-1/4 "	R4133581	R4133581	R4166923	NR	-	-	-	-
-	1.09375	R4133484	R4133485	R4166819	NR	-	-	-	-
-	1.09375	R4133484	R4133485	R4166819	NR	-	-	-	-
23-122700-002 ⁹	2-1/2 "	R424244X	R424244X ³⁷	60050266	69270757 ⁴¹	-	-	-	-
23-122691-002 ⁴²	2-7/8 "	60050145X	60050145X ³⁷	60050146	69270702 ⁴¹	-	-	-	-
23-122703-002 ¹⁸⁶	2-7/8 "	60050145X	60050145X ³⁷	60050146	69270702 ⁴¹	-	-	-	-
-	1-1/2 "	R4033607	R4033607	R4166818	NR	-	-	-	-
-	1-1/2 "	R4033607	R4033607	R4166818	NR	-	-	-	-
-	1-5/8 "	R4133606	R4133606	R415193	NR	-	-	-	-
-	1-5/8 "	R4133338	R4133338	R4166689	NR	-	-	-	-
-	1-5/8 "	R4133338	R4133338	R4166689	NR	-	-	-	-
-	1-5/8 "	R4133338	R4133338	R4166689	NR	-	-	-	-
-	1-3/4 "	R4133400	R4133400	R4166917	NR	-	-	-	-
-	1-3/4 "	R4133400	R4133400	R4166917	NR	-	-	-	-
-	1-1/8 "	R4133716	R4133717	R4166926	NR	-	-	-	-
-	1-1/8 "	R4133714	R4133715	R4166926	NR	-	-	-	-
-	1-1/8 "	R4133714	R4133715	R4166926	NR	-	-	-	-
-	1-1/8 "	R4133716	R4133717	R4166926	NR	-	-	-	-
-	1-1/8 "	R4133719	R4133718	R4166926	NR	N/A ³⁵⁸	R4122688	-	-
-	1-1/8 "	R4133714	R4133715	R4166926	NR	N/A ³⁵⁸	R4122688	-	-
-	1-1/8 "	R4133714	R4133715	R4166926	NR	N/A ³⁵⁸	R4122688	-	-
-	1-1/8 "	R4133719	R4133718	R4166926	NR	N/A ³⁵⁸	R4122688	-	-
-	1-1/4 "	R4133720	R4133721	R4166923	NR	-	-	-	-

1 APPLICATION

MAKE MODEL YEAR AXLE CODE AXLE WEIGHT	AXLE & BRK. TYPE	BRK. MFG.	BRAKE SIZE	FMSI	MERITOR DISC PAD OR BRAKE SHOE	MERITOR GUIDE PIN OR RETURN SPRING KIT	MERITOR CALIPER HWD. KIT OR RETURN SPRING KIT	MERITOR ADJUSTER KIT (LEFT WHEEL)	MERITOR ADJUSTER KIT (RIGHT WHEEL)
FORD(Cont.)									
F800 SERIES: CONVENTIONAL(Cont.)									
1974	Fa Fa Fa	WG WG WG	15 " x 3 " 15 " x 3 " 15 " x 3 "	1245C - 321 1245C - 321 1245C - 321	R700321 R700321 R700321	R40H521 R40H521 R40H521	R40H9237 R40H9237 R40H9237	R40H3502 R40H3502 R40H3502	R40H3503 R40H3503 R40H3503
1973 F050, F055, F060	Fa Fa	KH KH	14 " x 2-1/2 " 14 " x 2-1/2 "	2060 - 361 2060 - 361	Discontinued Discontinued	R40H596 R40H596	R40H9219 R40H9219	R40H3536 R40H3536	R40H3537 R40H3537
F070	Fd	DN		7141 - D224	MD224 ³⁴⁰	69310693	60050153	NR	NR
F080, F090	Fd Fd	DN DN		7149 - D236 7149 - D236	MD236 ³⁴¹ MD236 ³⁴¹	69310693 69310693	R40H5523 R40H5523	NR NR	NR NR
R170, R175	Ra Ra Ra Ra Ra	KH KH KH WG WG	15 " x 5 " 15 " x 5 " 15 " x 5 " 15 " x 5 " 15 " x 5 "	4646 - 400 4646 - 400 4646 - 400 1252 - 346 1252 - 346	R700400 R700400 R700400 R700346 R700346	R40H595 R40H595 R40H595 R40H597 R40H597	R40H9220 R40H9220 R40H9220 R40H9200 R40H9200	R40H3538 R40H3538 R40H3538 R40H3540 R40H3540	R40H3539 R40H3539 R40H3539 R40H3541 R40H3541
R185	Ra Ra Ra Ra	WG WG WG WG	15 " x 6 " 15 " x 6 " 15 " x 7 " 15 " x 7 "	4596 - 381 4596 - 381 4597 - 383 4597 - 383	R700381 R700381 R700383 R700383	R40H597 R40H597 R40H597 R40H597	R40H9200 R40H9200 R40H9200 R40H9200	R40H3540 R40H3540 R40H3540 R40H3540	R40H3541 R40H3541 R40H3541 R40H3541
Single System F070	Fa Fa Fa Fa	WG WG WG WG	15 " x 3 " 15 " x 3 " 15 " x 3 " 15 " x 3 "	1245C - 321 1245C - 321 1245C - 321 1245C - 321	R700321 R700321 R700321 R700321	R40H521 R40H521 R40H521 R40H521	R40H9237 R40H9237 R40H9237 R40H9237	R40H3502 R40H3502 R40H3502 R40H3502	R40H3503 R40H3503 R40H3503 R40H3503
Split System F070	Fa Fa Fa Fa	WG WG WG WG	15 " x 3 " 15 " x 3 " 15 " x 3 " 15 " x 3 "	1245C - 321 1245C - 321 1245C - 321 1245C - 321	R700321 R700321 R700321 R700321	R40H521 R40H521 R40H521 R40H521	R40H9237 R40H9237 R40H9237 R40H9237	R40H3502 R40H3502 R40H3502 R40H3502	R40H3503 R40H3503 R40H3503 R40H3503
Split System F090, F120	Fa Fa Fa Fa	WG WG WG WG	15 " x 3 " 15 " x 3 " 15 " x 3 " 15 " x 3 "	1245C - 321 1245C - 321 1245C - 321 1245C - 321	R700321 R700321 R700321 R700321	R40H521 R40H521 R40H521 R40H521	R40H9237 R40H9237 R40H9237 R40H9237	R40H3502 R40H3502 R40H3502 R40H3502	R40H3503 R40H3503 R40H3503 R40H3503
1972 F050, F055, F060	Fa Fa	KH KH	14 " x 2-1/2 " 14 " x 2-1/2 "	2060 - 361 2060 - 361	Discontinued Discontinued	R40H596 R40H596	R40H9219 R40H9219	R40H3536 R40H3536	R40H3537 R40H3537
F070	Fd	DN		7141 - D224	MD224 ³⁴⁰	69310693	60050153	NR	NR
F080, F090	Fd Fd	DN DN		7149 - D236 7149 - D236	MD236 ³⁴¹ MD236 ³⁴¹	69310693 69310693	R40H5523 R40H5523	NR NR	NR NR
R170, R175	Ra Ra Ra Ra Ra	KH KH KH WG WG	15 " x 5 " 15 " x 5 " 15 " x 5 " 15 " x 5 " 15 " x 5 "	4646 - 400 4646 - 400 4646 - 400 1252 - 346 1252 - 346	R700400 R700400 R700400 R700346 R700346	R40H595 R40H595 R40H595 R40H597 R40H597	R40H9220 R40H9220 R40H9220 R40H9200 R40H9200	R40H3538 R40H3538 R40H3538 R40H3540 R40H3540	R40H3539 R40H3539 R40H3539 R40H3541 R40H3541
R185	Ra Ra Ra Ra	WG WG WG WG	15 " x 6 " 15 " x 6 " 15 " x 7 " 15 " x 7 "	4596 - 381 4596 - 381 4597 - 383 4597 - 383	R700381 R700381 R700383 R700383	R40H597 R40H597 R40H597 R40H597	R40H9200 R40H9200 R40H9200 R40H9200	R40H3540 R40H3540 R40H3540 R40H3540	R40H3541 R40H3541 R40H3541 R40H3541
Single System F070	Fa Fa Fa Fa	WG WG WG WG	15 " x 3 " 15 " x 3 " 15 " x 3 " 15 " x 3 "	1245C - 321 1245C - 321 1245C - 321 1245C - 321	R700321 R700321 R700321 R700321	R40H521 R40H521 R40H521 R40H521	R40H9237 R40H9237 R40H9237 R40H9237	R40H3502 R40H3502 R40H3502 R40H3502	R40H3503 R40H3503 R40H3503 R40H3503
Split System F070	Fa Fa Fa Fa	WG WG WG WG	15 " x 3 " 15 " x 3 " 15 " x 3 " 15 " x 3 "	1245C - 321 1245C - 321 1245C - 321 1245C - 321	R700321 R700321 R700321 R700321	R40H521 R40H521 R40H521 R40H521	R40H9237 R40H9237 R40H9237 R40H9237	R40H3502 R40H3502 R40H3502 R40H3502	R40H3503 R40H3503 R40H3503 R40H3503
Split System F090, F120	Fa Fa Fa Fa	WG WG WG WG	15 " x 3 " 15 " x 3 " 15 " x 3 " 15 " x 3 "	1245C - 321 1245C - 321 1245C - 321 1245C - 321	R700321 R700321 R700321 R700321	R40H521 R40H521 R40H521 R40H521	R40H9237 R40H9237 R40H9237 R40H9237	R40H3502 R40H3502 R40H3502 R40H3502	R40H3503 R40H3503 R40H3503 R40H3503
1971 F050, F055, F060	Fa	KH	14 " x 2-1/2 "	2060 - 361	Discontinued	R40H596	R40H9219	R40H3536	R40H3537

9 - 6 Stud, Dayton Rotor, Hat Style
 42 - 6 Stud, Dayton Rotor, "U" Style
 341 - Use 69160445 for Disc Pad Retainer Clip
 www.XpresswayPlus.com

37 - Also available as a New unit
 186 - 10 Stud
 358 - Split System

41 - Aluminum piston
 340 - Use 69160457 for Disc Pad Retainer Clip

MERITOR DRUM OR ROTOR NO.	CALIPER OR CYLINDER BORE SIZE	MERITOR CALIPER OR WHEEL CYLINDER (LEFT)	MERITOR CALIPER OR WHEEL CYLINDER (RIGHT)	MERITOR CALIPER OR WHEEL CYLINDER REPAIR KIT	MERITOR CALIPER PISTON	MERITOR MASTER CYLINDER	MERITOR MASTER CYLINDER KIT	MERITOR BRAKE HOSE (LEFT)	MERITOR BRAKE HOSE (RIGHT)
FORD(Cont.)									
F800 SERIES: CONVENTIONAL(Cont.)									
-	1-1/4 "	R4133720	R4133721	R4166923	NR	-	-	-	-
-	1-1/4 "	R4133581	R4133582	R4166923	NR	-	-	-	-
-	1-1/4 "	R4133581	R4133581	R4166923	NR	-	-	-	-
-	1.09375	R4133484	R4133485	R4166819	NR	-	-	-	-
-	1.09375	R4133484	R4133485	R4166819	NR	-	-	-	-
23-122700-002 ⁹	2-1/2 "	R424244X	R424244X ³⁷	60050266	69270757 ⁴¹	-	-	-	-
23-122703-002 ¹⁸⁶	2-7/8 "	60050145X	60050145X ³⁷	60050146	69270702 ⁴¹	-	-	-	-
23-122691-002 ⁴²	2-7/8 "	60050145X	60050145X ³⁷	60050146	69270702 ⁴¹	-	-	-	-
-	1-5/8 "	R4133606	R4133606	R415193	NR	-	-	-	-
-	1-1/2 "	R4033607	R4033607	R4166818	NR	-	-	-	-
-	1-1/2 "	R4033607	R4033607	R4166818	NR	-	-	-	-
-	1-5/8 "	R4133338	R4133338	R4166689	NR	-	-	-	-
-	1-5/8 "	R4133338	R4133338	R4166689	NR	-	-	-	-
-	1-5/8 "	R4133338	R4133338	R4166689	NR	-	-	-	-
-	1-5/8 "	R4133338	R4133338	R4166689	NR	-	-	-	-
-	1-3/4 "	R4133400	R4133400	R4166917	NR	-	-	-	-
-	1-3/4 "	R4133400	R4133400	R4166917	NR	-	-	-	-
-	1-1/8 "	R4133716	R4133717	R4166926	NR	-	-	-	-
-	1-1/8 "	R4133714	R4133715	R4166926	NR	-	-	-	-
-	1-1/8 "	R4133716	R4133717	R4166926	NR	-	-	-	-
-	1-1/8 "	R4133714	R4133715	R4166926	NR	-	-	-	-
-	1-1/8 "	R4133719	R4133718	R4166926	NR	N/A ³⁵⁸	R4122688	-	-
-	1-1/8 "	R4133714	R4133715	R4166926	NR	N/A ³⁵⁸	R4122688	-	-
-	1-1/8 "	R4133719	R4133718	R4166926	NR	N/A ³⁵⁸	R4122688	-	-
-	1-1/8 "	R4133714	R4133715	R4166926	NR	N/A ³⁵⁸	R4122688	-	-
-	1-1/4 "	R4133581	R4133581	R4166923	NR	-	-	-	-
-	1-1/4 "	R4133720	R4133721	R4166923	NR	-	-	-	-
-	1-1/4 "	R4133581	R4133582	R4166923	NR	-	-	-	-
-	1-1/4 "	R4133720	R4133721	R4166923	NR	-	-	-	-
-	1.09375	R4133484	R4133485	R4166819	NR	-	-	-	-
-	1.09375	R4133484	R4133485	R4166819	NR	-	-	-	-
23-122700-002 ⁹	2-1/2 "	R424244X	R424244X ³⁷	60050266	69270757 ⁴¹	-	-	-	-
23-122703-002 ¹⁸⁶	2-7/8 "	60050145X	60050145X ³⁷	60050146	69270702 ⁴¹	-	-	-	-
23-122691-002 ⁴²	2-7/8 "	60050145X	60050145X ³⁷	60050146	69270702 ⁴¹	-	-	-	-
-	1-5/8 "	R4133606	R4133606	R415193	NR	-	-	-	-
-	1-1/2 "	R4033607	R4033607	R4166818	NR	-	-	-	-
-	1-1/2 "	R4033607	R4033607	R4166818	NR	-	-	-	-
-	1-5/8 "	R4133338	R4133338	R4166689	NR	-	-	-	-
-	1-5/8 "	R4133338	R4133338	R4166689	NR	-	-	-	-
-	1-5/8 "	R4133338	R4133338	R4166689	NR	-	-	-	-
-	1-5/8 "	R4133338	R4133338	R4166689	NR	-	-	-	-
-	1-3/4 "	R4133400	R4133400	R4166917	NR	-	-	-	-
-	1-3/4 "	R4133400	R4133400	R4166917	NR	-	-	-	-
-	1-1/8 "	R4133714	R4133715	R4166926	NR	-	-	-	-
-	1-1/8 "	R4133716	R4133717	R4166926	NR	-	-	-	-
-	1-1/8 "	R4133714	R4133715	R4166926	NR	-	-	-	-
-	1-1/8 "	R4133716	R4133717	R4166926	NR	-	-	-	-
-	1-1/8 "	R4133719	R4133718	R4166926	NR	N/A ³⁵⁸	R4122688	-	-
-	1-1/8 "	R4133719	R4133718	R4166926	NR	N/A ³⁵⁸	R4122688	-	-
-	1-1/8 "	R4133714	R4133715	R4166926	NR	N/A ³⁵⁸	R4122688	-	-
-	1-1/8 "	R4133714	R4133715	R4166926	NR	N/A ³⁵⁸	R4122688	-	-
-	1-1/4 "	R4133720	R4133721	R4166923	NR	-	-	-	-
-	1-1/4 "	R4133581	R4133582	R4166923	NR	-	-	-	-
-	1-1/4 "	R4133720	R4133721	R4166923	NR	-	-	-	-
-	1-1/4 "	R4133581	R4133581	R4166923	NR	-	-	-	-
-	1.09375	R4133484	R4133485	R4166819	NR	-	-	-	-

1 APPLICATION

MAKE MODEL YEAR AXLE CODE AXLE WEIGHT	AXLE & BRK. TYPE	BRK. MFG.	BRAKE SIZE	FMSI	MERITOR DISC PAD OR BRAKE SHOE	MERITOR GUIDE PIN OR RETURN SPRING KIT	MERITOR CALIPER HWD. KIT OR RETURN SPRING KIT	MERITOR ADJUSTER KIT (LEFT WHEEL)	MERITOR ADJUSTER KIT (RIGHT WHEEL)
FORD(Cont.)									
F800 SERIES: CONVENTIONAL(Cont.)									
1971 F050, F055, F060	Fa	KH	14 " x 2-1/2 "	2060 - 361	Discontinued	R40H596	R40H9219	R40H3536	R40H3537
F070	Fd	DN		7141 - D224	MD224 ³⁴⁰	69310693	60050153	NR	NR
F080, F090	Fd	DN		7149 - D236	MD236 ³⁴¹	69310693	R40H5523	NR	NR
	Fd	DN		7149 - D236	MD236 ³⁴¹	69310693	R40H5523	NR	NR
R170, R175	Ra	KH	15 " x 5 "	4646 - 400	R700400	R40H595	R40H9220	R40H3538	R40H3539
	Ra	KH	15 " x 5 "	4646 - 400	R700400	R40H595	R40H9220	R40H3538	R40H3539
	Ra	KH	15 " x 5 "	4646 - 400	R700400	R40H595	R40H9220	R40H3538	R40H3539
	Ra	WG	15 " x 5 "	1252 - 346	R700346	R40H597	R40H9200	R40H3540	R40H3541
	Ra	WG	15 " x 5 "	1252 - 346	R700346	R40H597	R40H9200	R40H3540	R40H3541
R185	Ra	WG	15 " x 6 "	4596 - 381	R700381	R40H597	R40H9200	R40H3540	R40H3541
	Ra	WG	15 " x 6 "	4596 - 381	R700381	R40H597	R40H9200	R40H3540	R40H3541
	Ra	WG	15 " x 7 "	4597 - 383	R700383	R40H597	R40H9200	R40H3540	R40H3541
	Ra	WG	15 " x 7 "	4597 - 383	R700383	R40H597	R40H9200	R40H3540	R40H3541
Single System F070	Fa	WG	15 " x 3 "	1245C - 321	R700321	R40H521	R40H9237	R40H3502	R40H3503
	Fa	WG	15 " x 3 "	1245C - 321	R700321	R40H521	R40H9237	R40H3502	R40H3503
	Fa	WG	15 " x 3 "	1245C - 321	R700321	R40H521	R40H9237	R40H3502	R40H3503
	Fa	WG	15 " x 3 "	1245C - 321	R700321	R40H521	R40H9237	R40H3502	R40H3503
Split System F070	Fa	WG	15 " x 3 "	1245C - 321	R700321	R40H521	R40H9237	R40H3502	R40H3503
	Fa	WG	15 " x 3 "	1245C - 321	R700321	R40H521	R40H9237	R40H3502	R40H3503
	Fa	WG	15 " x 3 "	1245C - 321	R700321	R40H521	R40H9237	R40H3502	R40H3503
	Fa	WG	15 " x 3 "	1245C - 321	R700321	R40H521	R40H9237	R40H3502	R40H3503
Split System F090, F120	Fa	WG	15 " x 3 "	1245C - 321	R700321	R40H521	R40H9237	R40H3502	R40H3503
	Fa	WG	15 " x 3 "	1245C - 321	R700321	R40H521	R40H9237	R40H3502	R40H3503
	Fa	WG	15 " x 3 "	1245C - 321	R700321	R40H521	R40H9237	R40H3502	R40H3503
	Fa	WG	15 " x 3 "	1245C - 321	R700321	R40H521	R40H9237	R40H3502	R40H3503
1970 F050, F055, F060	Fa	KH	14 " x 2-1/2 "	2060 - 361	Discontinued	R40H596	R40H9219	R40H3536	R40H3537
	Fa	KH	14 " x 2-1/2 "	2060 - 361	Discontinued	R40H596	R40H9219	R40H3536	R40H3537
F070	Fd	DN		7141 - D224	MD224 ³⁴⁰	69310693	60050153	NR	NR
F080, F090	Fd	DN		7149 - D236	MD236 ³⁴¹	69310693	R40H5523	NR	NR
	Fd	DN		7149 - D236	MD236 ³⁴¹	69310693	R40H5523	NR	NR
R170, R175	Ra	KH	15 " x 5 "	4646 - 400	R700400	R40H595	R40H9220	R40H3538	R40H3539
	Ra	KH	15 " x 5 "	4646 - 400	R700400	R40H595	R40H9220	R40H3538	R40H3539
	Ra	KH	15 " x 5 "	4646 - 400	R700400	R40H595	R40H9220	R40H3538	R40H3539
	Ra	WG	15 " x 5 "	1252 - 346	R700346	R40H597	R40H9200	R40H3540	R40H3541
	Ra	WG	15 " x 5 "	1252 - 346	R700346	R40H597	R40H9200	R40H3540	R40H3541
R185	Ra	WG	15 " x 6 "	4596 - 381	R700381	R40H597	R40H9200	R40H3540	R40H3541
	Ra	WG	15 " x 6 "	4596 - 381	R700381	R40H597	R40H9200	R40H3540	R40H3541
	Ra	WG	15 " x 7 "	4597 - 383	R700383	R40H597	R40H9200	R40H3540	R40H3541
	Ra	WG	15 " x 7 "	4597 - 383	R700383	R40H597	R40H9200	R40H3540	R40H3541
Single System F070	Fa	WG	15 " x 3 "	1245C - 321	R700321	R40H521	R40H9237	R40H3502	R40H3503
	Fa	WG	15 " x 3 "	1245C - 321	R700321	R40H521	R40H9237	R40H3502	R40H3503
	Fa	WG	15 " x 3 "	1245C - 321	R700321	R40H521	R40H9237	R40H3502	R40H3503
	Fa	WG	15 " x 3 "	1245C - 321	R700321	R40H521	R40H9237	R40H3502	R40H3503
Split System F070	Fa	WG	15 " x 3 "	1245C - 321	R700321	R40H521	R40H9237	R40H3502	R40H3503
	Fa	WG	15 " x 3 "	1245C - 321	R700321	R40H521	R40H9237	R40H3502	R40H3503
	Fa	WG	15 " x 3 "	1245C - 321	R700321	R40H521	R40H9237	R40H3502	R40H3503
	Fa	WG	15 " x 3 "	1245C - 321	R700321	R40H521	R40H9237	R40H3502	R40H3503
Split System F090, F120	Fa	WG	15 " x 3 "	1245C - 321	R700321	R40H521	R40H9237	R40H3502	R40H3503
	Fa	WG	15 " x 3 "	1245C - 321	R700321	R40H521	R40H9237	R40H3502	R40H3503
	Fa	WG	15 " x 3 "	1245C - 321	R700321	R40H521	R40H9237	R40H3502	R40H3503
	Fa	WG	15 " x 3 "	1245C - 321	R700321	R40H521	R40H9237	R40H3502	R40H3503
1969 F050, F055, F060	Fa	KH	14 " x 2-1/2 "	2060 - 361	Discontinued	R40H596	R40H9219	R40H3536	R40H3537
	Fa	KH	14 " x 2-1/2 "	2060 - 361	Discontinued	R40H596	R40H9219	R40H3536	R40H3537
F070	Fd	DN		7141 - D224	MD224 ³⁴⁰	69310693	60050153	NR	NR
F080, F090	Fd	DN		7149 - D236	MD236 ³⁴¹	69310693	R40H5523	NR	NR
	Fd	DN		7149 - D236	MD236 ³⁴¹	69310693	R40H5523	NR	NR

9 - 6 Stud, Dayton Rotor, Hat Style
 42 - 6 Stud, Dayton Rotor, "U" Style
 341 - Use 69160445 for Disc Pad Retainer Clip
 www.XpresswayPlus.com

37 - Also available as a New unit
 186 - 10 Stud
 358 - Split System

41 - Aluminum piston
 340 - Use 69160457 for Disc Pad Retainer Clip

MERITOR DRUM OR ROTOR NO.	CALIPER OR CYLINDER BORE SIZE	MERITOR CALIPER OR WHEEL CYLINDER (LEFT)	MERITOR CALIPER OR WHEEL CYLINDER (RIGHT)	MERITOR CALIPER OR WHEEL CYLINDER REPAIR KIT	MERITOR CALIPER PISTON	MERITOR MASTER CYLINDER	MERITOR MASTER CYLINDER KIT	MERITOR BRAKE HOSE (LEFT)	MERITOR BRAKE HOSE (RIGHT)
FORD(Cont.)									
F800 SERIES: CONVENTIONAL(Cont.)									
-	1.09375	R4133484	R4133485	R4166819	NR	-	-	-	-
23-122700-002 ⁹	2-1/2 "	R424244X	R424244X ³⁷	60050266	69270757 ⁴¹	-	-	-	-
23-122691-002 ⁴²	2-7/8 "	60050145X	60050145X ³⁷	60050146	69270702 ⁴¹	-	-	-	-
23-122703-002 ¹⁸⁶	2-7/8 "	60050145X	60050145X ³⁷	60050146	69270702 ⁴¹	-	-	-	-
-	1-1/2 "	R4033607	R4033607	R4166818	NR	-	-	-	-
-	1-5/8 "	R4133606	R4133606	R415193	NR	-	-	-	-
-	1-1/2 "	R4033607	R4033607	R4166818	NR	-	-	-	-
-	1-5/8 "	R4133338	R4133338	R4166689	NR	-	-	-	-
-	1-5/8 "	R4133338	R4133338	R4166689	NR	-	-	-	-
-	1-5/8 "	R4133338	R4133338	R4166689	NR	-	-	-	-
-	1-3/4 "	R4133400	R4133400	R4166917	NR	-	-	-	-
-	1-3/4 "	R4133400	R4133400	R4166917	NR	-	-	-	-
-	1-1/8 "	R4133716	R4133717	R4166926	NR	-	-	-	-
-	1-1/8 "	R4133714	R4133715	R4166926	NR	-	-	-	-
-	1-1/8 "	R4133714	R4133715	R4166926	NR	-	-	-	-
-	1-1/8 "	R4133716	R4133717	R4166926	NR	-	-	-	-
-	1-1/8 "	R4133719	R4133718	R4166926	NR	N/A ³⁵⁸	R4122688	-	-
-	1-1/8 "	R4133714	R4133715	R4166926	NR	N/A ³⁵⁸	R4122688	-	-
-	1-1/8 "	R4133719	R4133718	R4166926	NR	N/A ³⁵⁸	R4122688	-	-
-	1-1/8 "	R4133714	R4133715	R4166926	NR	N/A ³⁵⁸	R4122688	-	-
-	1-1/4 "	R4133581	R4133581	R4166923	NR	-	-	-	-
-	1-1/4 "	R4133720	R4133721	R4166923	NR	-	-	-	-
-	1-1/4 "	R4133720	R4133721	R4166923	NR	-	-	-	-
-	1-1/4 "	R4133581	R4133582	R4166923	NR	-	-	-	-
-	1.09375	R4133484	R4133485	R4166819	NR	-	-	-	-
-	1.09375	R4133484	R4133485	R4166819	NR	-	-	-	-
23-122700-002 ⁹	2-1/2 "	R424244X	R424244X ³⁷	60050266	69270757 ⁴¹	-	-	-	-
23-122691-002 ⁴²	2-7/8 "	60050145X	60050145X ³⁷	60050146	69270702 ⁴¹	-	-	-	-
23-122703-002 ¹⁸⁶	2-7/8 "	60050145X	60050145X ³⁷	60050146	69270702 ⁴¹	-	-	-	-
-	1-1/2 "	R4033607	R4033607	R4166818	NR	-	-	-	-
-	1-5/8 "	R4133606	R4133606	R415193	NR	-	-	-	-
-	1-1/2 "	R4033607	R4033607	R4166818	NR	-	-	-	-
-	1-5/8 "	R4133338	R4133338	R4166689	NR	-	-	-	-
-	1-5/8 "	R4133338	R4133338	R4166689	NR	-	-	-	-
-	1-5/8 "	R4133338	R4133338	R4166689	NR	-	-	-	-
-	1-3/4 "	R4133400	R4133400	R4166917	NR	-	-	-	-
-	1-3/4 "	R4133400	R4133400	R4166917	NR	-	-	-	-
-	1-1/8 "	R4133716	R4133717	R4166926	NR	-	-	-	-
-	1-1/8 "	R4133714	R4133715	R4166926	NR	-	-	-	-
-	1-1/8 "	R4133714	R4133715	R4166926	NR	-	-	-	-
-	1-1/8 "	R4133716	R4133717	R4166926	NR	-	-	-	-
-	1-1/8 "	R4133714	R4133715	R4166926	NR	N/A ³⁵⁸	R4122688	-	-
-	1-1/8 "	R4133719	R4133718	R4166926	NR	N/A ³⁵⁸	R4122688	-	-
-	1-1/8 "	R4133714	R4133715	R4166926	NR	N/A ³⁵⁸	R4122688	-	-
-	1-1/8 "	R4133719	R4133718	R4166926	NR	N/A ³⁵⁸	R4122688	-	-
-	1-1/4 "	R4133720	R4133721	R4166923	NR	-	-	-	-
-	1-1/4 "	R4133581	R4133581	R4166923	NR	-	-	-	-
-	1-1/4 "	R4133720	R4133721	R4166923	NR	-	-	-	-
-	1-1/4 "	R4133581	R4133582	R4166923	NR	-	-	-	-
-	1.09375	R4133484	R4133485	R4166819	NR	-	-	-	-
-	1.09375	R4133484	R4133485	R4166819	NR	-	-	-	-
23-122700-002 ⁹	2-1/2 "	R424244X	R424244X ³⁷	60050266	69270757 ⁴¹	-	-	-	-
23-122691-002 ⁴²	2-7/8 "	60050145X	60050145X ³⁷	60050146	69270702 ⁴¹	-	-	-	-
23-122703-002 ¹⁸⁶	2-7/8 "	60050145X	60050145X ³⁷	60050146	69270702 ⁴¹	-	-	-	-

1 APPLICATION

MAKE MODEL YEAR AXLE CODE AXLE WEIGHT	AXLE & BRK. TYPE	BRK. MFG.	BRAKE SIZE	FMSI	MERITOR DISC PAD OR BRAKE SHOE	MERITOR GUIDE PIN OR RETURN SPRING KIT	MERITOR CALIPER HWD. KIT OR RETURN SPRING KIT	MERITOR ADJUSTER KIT (LEFT WHEEL)	MERITOR ADJUSTER KIT (RIGHT WHEEL)
FORD(Cont.)									
F800 SERIES: CONVENTIONAL(Cont.)									
1969 R170, R175	Ra Ra Ra Ra Ra	KH KH KH WG WG	15" x 5" 15" x 5" 15" x 5" 15" x 5" 15" x 5"	4646 - 400 4646 - 400 4646 - 400 1252 - 346 1252 - 346	R700400 R700400 R700400 R700346 R700346	R40H595 R40H595 R40H595 R40H597 R40H597	R40H9220 R40H9220 R40H9220 R40H9200 R40H9200	R40H3538 R40H3538 R40H3538 R40H3540 R40H3540	R40H3539 R40H3539 R40H3539 R40H3541 R40H3541
R185	Ra Ra Ra Ra	WG WG WG WG	15" x 6" 15" x 6" 15" x 7" 15" x 7"	4596 - 381 4596 - 381 4597 - 383 4597 - 383	R700381 R700381 R700383 R700383	R40H597 R40H597 R40H597 R40H597	R40H9200 R40H9200 R40H9200 R40H9200	R40H3540 R40H3540 R40H3540 R40H3540	R40H3541 R40H3541 R40H3541 R40H3541
Single System F070	Fa Fa Fa Fa	WG WG WG WG	15" x 3" 15" x 3" 15" x 3" 15" x 3"	1245C - 321 1245C - 321 1245C - 321 1245C - 321	R700321 R700321 R700321 R700321	R40H521 R40H521 R40H521 R40H521	R40H9237 R40H9237 R40H9237 R40H9237	R40H3502 R40H3502 R40H3502 R40H3502	R40H3503 R40H3503 R40H3503 R40H3503
Split System F070	Fa Fa Fa Fa	WG WG WG WG	15" x 3" 15" x 3" 15" x 3" 15" x 3"	1245C - 321 1245C - 321 1245C - 321 1245C - 321	R700321 R700321 R700321 R700321	R40H521 R40H521 R40H521 R40H521	R40H9237 R40H9237 R40H9237 R40H9237	R40H3502 R40H3502 R40H3502 R40H3502	R40H3503 R40H3503 R40H3503 R40H3503
Split System F090, F120	Fa Fa Fa Fa	WG WG WG WG	15" x 3" 15" x 3" 15" x 3" 15" x 3"	1245C - 321 1245C - 321 1245C - 321 1245C - 321	R700321 R700321 R700321 R700321	R40H521 R40H521 R40H521 R40H521	R40H9237 R40H9237 R40H9237 R40H9237	R40H3502 R40H3502 R40H3502 R40H3502	R40H3503 R40H3503 R40H3503 R40H3503
1968 F050, F055, F060	Fa Fa	KH KH	14" x 2-1/2" 14" x 2-1/2"	2060 - 361 2060 - 361	Discontinued Discontinued	R40H596 R40H596	R40H9219 R40H9219	R40H3536 R40H3536	R40H3537 R40H3537
F070	Fd	DN		7141 - D224	MD224 ³⁴⁰	69310693	60050153	NR	NR
F080, F090	Fd Fd	DN DN		7149 - D236 7149 - D236	MD236 ³⁴¹ MD236 ³⁴¹	69310693 69310693	R40H5523 R40H5523	NR NR	NR NR
R170, R175	Ra Ra Ra Ra Ra	KH KH KH WG WG	15" x 5" 15" x 5" 15" x 5" 15" x 5" 15" x 5"	4646 - 400 4646 - 400 4646 - 400 1252 - 346 1252 - 346	R700400 R700400 R700400 R700346 R700346	R40H595 R40H595 R40H595 R40H597 R40H597	R40H9220 R40H9220 R40H9220 R40H9200 R40H9200	R40H3538 R40H3538 R40H3538 R40H3540 R40H3540	R40H3539 R40H3539 R40H3539 R40H3541 R40H3541
R185	Ra Ra Ra Ra	WG WG WG WG	15" x 6" 15" x 6" 15" x 7" 15" x 7"	4596 - 381 4596 - 381 4597 - 383 4597 - 383	R700381 R700381 R700383 R700383	R40H597 R40H597 R40H597 R40H597	R40H9200 R40H9200 R40H9200 R40H9200	R40H3540 R40H3540 R40H3540 R40H3540	R40H3541 R40H3541 R40H3541 R40H3541
Single System F070	Fa Fa Fa Fa	WG WG WG WG	15" x 3" 15" x 3" 15" x 3" 15" x 3"	1245C - 321 1245C - 321 1245C - 321 1245C - 321	R700321 R700321 R700321 R700321	R40H521 R40H521 R40H521 R40H521	R40H9237 R40H9237 R40H9237 R40H9237	R40H3502 R40H3502 R40H3502 R40H3502	R40H3503 R40H3503 R40H3503 R40H3503
Split System F070	Fa Fa Fa Fa	WG WG WG WG	15" x 3" 15" x 3" 15" x 3" 15" x 3"	1245C - 321 1245C - 321 1245C - 321 1245C - 321	R700321 R700321 R700321 R700321	R40H521 R40H521 R40H521 R40H521	R40H9237 R40H9237 R40H9237 R40H9237	R40H3502 R40H3502 R40H3502 R40H3502	R40H3503 R40H3503 R40H3503 R40H3503
Split System F090, F120	Fa Fa Fa Fa	WG WG WG WG	15" x 3" 15" x 3" 15" x 3" 15" x 3"	1245C - 321 1245C - 321 1245C - 321 1245C - 321	R700321 R700321 R700321 R700321	R40H521 R40H521 R40H521 R40H521	R40H9237 R40H9237 R40H9237 R40H9237	R40H3502 R40H3502 R40H3502 R40H3502	R40H3503 R40H3503 R40H3503 R40H3503
L800 SERIES: LOUISVILLE CONVENTIONAL 106.4 BBC TILT HOOD CHASSIS CAB TRUCK									
1992	Fd Fd Fd Fd Ra Ra	DN DN DN DN LG LG		7149 - D236 7149 - D236 7149 - D236 7141 - D224 4505A - 544 4505A - 544	MD236 ³⁴¹ MD236 ³⁴¹ MD236 ³⁴¹ MD224 ³⁴⁰ N/A N/A	69310693 69310693 69310693 69310693 R40H618 R40H618	69310782 69310782 69310782 60050153 NR NR	NR NR NR NR SP7887S SP7887S	NR NR NR NR NR SP7887S
1991	Fd	DN		7141 - D224	MD224 ³⁴⁰	69310693	60050153	NR	NR

9 - 6 Stud, Dayton Rotor, Hat Style
42 - 6 Stud, Dayton Rotor, "U" Style
187 - 6 Stud, 6.443" Hub
www.XpresswayPlus.com

37 - Also available as a New unit
53 - Power Brakes
188 - 6 Stud, 9.251" Hub

41 - Aluminum piston
186 - 10 Stud
204 - Right Hand; use E-4057 for Left Hand Expander Kits

MERITOR DRUM OR ROTOR NO.	CALIPER OR CYLINDER BORE SIZE	MERITOR CALIPER OR WHEEL CYLINDER (LEFT)	MERITOR CALIPER OR WHEEL CYLINDER (RIGHT)	MERITOR CALIPER OR WHEEL CYLINDER REPAIR KIT	MERITOR CALIPER PISTON	MERITOR MASTER CYLINDER	MERITOR MASTER CYLINDER KIT	MERITOR BRAKE HOSE (LEFT)	MERITOR BRAKE HOSE (RIGHT)
FORD(Cont.)									
F800 SERIES: CONVENTIONAL(Cont.)									
-	1-1/2 "	R4033607	R4033607	R4166818	NR	-	-	-	-
-	1-5/8 "	R4133606	R4133606	R415193	NR	-	-	-	-
-	1-1/2 "	R4033607	R4033607	R4166818	NR	-	-	-	-
-	1-5/8 "	R4133338	R4133338	R4166689	NR	-	-	-	-
-	1-5/8 "	R4133338	R4133338	R4166689	NR	-	-	-	-
-	1-5/8 "	R4133338	R4133338	R4166689	NR	-	-	-	-
-	1-5/8 "	R4133338	R4133338	R4166689	NR	-	-	-	-
-	1-3/4 "	R4133400	R4133400	R4166917	NR	-	-	-	-
-	1-3/4 "	R4133400	R4133400	R4166917	NR	-	-	-	-
-	1-1/8 "	R4133716	R4133717	R4166926	NR	-	-	-	-
-	1-1/8 "	R4133714	R4133715	R4166926	NR	-	-	-	-
-	1-1/8 "	R4133716	R4133717	R4166926	NR	-	-	-	-
-	1-1/8 "	R4133714	R4133715	R4166926	NR	-	-	-	-
-	1-1/8 "	R4133714	R4133715	R4166926	NR	N/A ³⁵⁸	R4122688	-	-
-	1-1/8 "	R4133719	R4133718	R4166926	NR	N/A ³⁵⁸	R4122688	-	-
-	1-1/8 "	R4133714	R4133715	R4166926	NR	N/A ³⁵⁸	R4122688	-	-
-	1-1/8 "	R4133719	R4133718	R4166926	NR	N/A ³⁵⁸	R4122688	-	-
-	1-1/4 "	R4133720	R4133721	R4166923	NR	-	-	-	-
-	1-1/4 "	R4133581	R4133581	R4166923	NR	-	-	-	-
-	1-1/4 "	R4133720	R4133721	R4166923	NR	-	-	-	-
-	1-1/4 "	R4133581	R4133582	R4166923	NR	-	-	-	-
-	1.09375	R4133484	R4133485	R4166819	NR	-	-	-	-
-	1.09375	R4133484	R4133485	R4166819	NR	-	-	-	-
23-122700-002 ⁹	2-1/2 "	R424244X	R424244X ³⁷	60050266	6927075 ⁴¹	-	-	-	-
23-122691-002 ⁴²	2-7/8 "	60050145X	60050145X ³⁷	60050146	69270702 ⁴¹	-	-	-	-
23-122703-002 ¹⁸⁶	2-7/8 "	60050145X	60050145X ³⁷	60050146	69270702 ⁴¹	-	-	-	-
-	1-1/2 "	R4033607	R4033607	R4166818	NR	-	-	-	-
-	1-1/2 "	R4033607	R4033607	R4166818	NR	-	-	-	-
-	1-5/8 "	R4133606	R4133606	R415193	NR	-	-	-	-
-	1-5/8 "	R4133338	R4133338	R4166689	NR	-	-	-	-
-	1-5/8 "	R4133338	R4133338	R4166689	NR	-	-	-	-
-	1-5/8 "	R4133338	R4133338	R4166689	NR	-	-	-	-
-	1-5/8 "	R4133338	R4133338	R4166689	NR	-	-	-	-
-	1-5/8 "	R4133338	R4133338	R4166689	NR	-	-	-	-
-	1-3/4 "	R4133400	R4133400	R4166917	NR	-	-	-	-
-	1-3/4 "	R4133400	R4133400	R4166917	NR	-	-	-	-
-	1-1/8 "	R4133714	R4133715	R4166926	NR	-	-	-	-
-	1-1/8 "	R4133716	R4133717	R4166926	NR	-	-	-	-
-	1-1/8 "	R4133714	R4133715	R4166926	NR	-	-	-	-
-	1-1/8 "	R4133716	R4133717	R4166926	NR	-	-	-	-
-	1-1/8 "	R4133719	R4133718	R4166926	NR	N/A ³⁵⁸	R4122688	-	-
-	1-1/8 "	R4133714	R4133715	R4166926	NR	N/A ³⁵⁸	R4122688	-	-
-	1-1/8 "	R4133714	R4133715	R4166926	NR	N/A ³⁵⁸	R4122688	-	-
-	1-1/8 "	R4133719	R4133718	R4166926	NR	N/A ³⁵⁸	R4122688	-	-
-	1-1/4 "	R4133581	R4133582	R4166923	NR	-	-	-	-
-	1-1/4 "	R4133720	R4133721	R4166923	NR	-	-	-	-
-	1-1/4 "	R4133581	R4133581	R4166923	NR	-	-	-	-
-	1-1/4 "	R4133720	R4133721	R4166923	NR	-	-	-	-
L800 SERIES: LOUISVILLE CONVENTIONAL 106.4 BBC TILT HOOD CHASSIS CAB TRUCK									
23-122703-002 ¹⁸⁶	2-7/8 "	60050145X	60050145X ³⁷	60050146	69270702 ⁴¹	R4111995 ⁵³	-	R4577461	R4577461
23-122743-002 ¹⁸⁷	2-7/8 "	60050145X	60050145X ³⁷	60050146	69270702 ⁴¹	R4111995 ⁵³	-	R4577461	R4577461
23-122691-002 ¹⁸⁸	2-7/8 "	60050145X	60050145X ³⁷	60050146	69270702 ⁴¹	R4111995 ⁵³	-	R4577461	R4577461
23-122700-002 ⁹	2-1/2 "	R424244X	R424244X ³⁷	60050266	6927075 ⁴¹	R4111995 ⁵³	-	R4577461	R4577461
N/A	1-3/4 "	201179X	201180X	SP7873S	SP7880S ²⁰⁴	-	-	R4577870	R4577870
N/A	1-3/4 "	201183X	201184X ³²⁹	SP7873S	NR	-	-	R4577870	R4577870
23-122700-002 ⁹	2-1/2 "	R424244X	R424244X ³⁷	60050266	6927075 ⁴¹	R4111995 ⁵³	-	R4577461	R4577461

329 - Forward
358 - Split System

340 - Use 69160457 for Disc Pad Retainer Clip

341 - Use 69160445 for Disc Pad Retainer Clip

MAKE MODEL YEAR AXLE CODE AXLE WEIGHT	AXLE & BRK. TYPE	BRK. MFG.	BRAKE SIZE	FMSI	MERITOR DISC PAD OR BRAKE SHOE	MERITOR GUIDE PIN OR RETURN SPRING KIT	MERITOR CALIPER HWD. KIT OR RETURN SPRING KIT	MERITOR ADJUSTER KIT (LEFT WHEEL)	MERITOR ADJUSTER KIT (RIGHT WHEEL)
FORD(Cont.)									
L800 SERIES: LOUISVILLE CONVENTIONAL 106.4 BBC TILT HOOD CHASSIS CAB TRUCK(Cont.)									
1991	Fd	DN		7149 - D236	MD236 ³⁴¹	69310693	69310782	NR	NR
	Fd	DN		7149 - D236	MD236 ³⁴¹	69310693	69310782	NR	NR
	Fd	DN		7149 - D236	MD236 ³⁴¹	69310693	69310782	NR	NR
	Ra	LG	15 " x 7 "	4505A - 544	N/A	R40H618	NR	SP7887S	SP7887S
	Ra	LG	15 " x 7 "	4505A - 544	N/A	R40H618	NR	NR	NR
1990	Fd	DN		7141 - D224	MD224 ³⁴⁰	69310693	60050153	NR	NR
	Fd	DN		7149 - D236	MD236 ³⁴¹	69310693	69310782	NR	NR
	Fd	DN		7149 - D236	MD236 ³⁴¹	69310693	69310782	NR	NR
	Fd	DN		7149 - D236	MD236 ³⁴¹	69310693	69310782	NR	NR
	Ra	LG	15 " x 7 "	4505A - 544	N/A	R40H618	NR	SP7887S	SP7887S
	Ra	LG	15 " x 7 "	4505A - 544	N/A	R40H618	NR	NR	NR
1989	Fd	DN		7149 - D236	MD236 ³⁴¹	69310693	69310782 ⁴³	NR	NR
	Fd	DN		7149 - D236	MD236 ³⁴¹	69310693	69310782 ⁴³	NR	NR
	Fd	DN		7141 - D224	MD224 ³⁴⁰	69310693	60050153	NR	NR
	Fd	DN		7149 - D236	MD236 ³⁴¹	69310693	69310782 ⁴³	NR	NR
	Ra	LG	15 " x 7 "	4505A - 544	N/A	R40H618	NR	NR	NR
	Ra	LG	15 " x 7 "	4505A - 544	N/A	R40H618	NR	SP7887S	SP7887S
1988	Fd	DN		7141 - D224	MD224 ³⁴⁰	69310693	60050153	NR	NR
	Fd	DN		7149 - D236	MD236 ³⁴¹	69310693	69310782 ⁴³	NR	NR
	Fd	DN		7149 - D236	MD236 ³⁴¹	69310693	69310782 ⁴³	NR	NR
	Fd	DN		7149 - D236	MD236 ³⁴¹	69310693	69310782 ⁴³	NR	NR
	Ra	LG	15 " x 7 "	4505A - 544	N/A	R40H618	NR	SP7887S	SP7887S
	Ra	LG	15 " x 7 "	4505A - 544	N/A	R40H618	NR	NR	NR
1987	Fd	DN		7149 - D236	MD236 ³⁴¹	69310693	69310782 ⁴³	NR	NR
	Fd	DN		7149 - D236	MD236 ³⁴¹	69310693	69310782 ⁴³	NR	NR
	Fd	DN		7141 - D224	MD224 ³⁴⁰	69310693	60050153	NR	NR
	Fd	DN		7149 - D236	MD236 ³⁴¹	69310693	69310782 ⁴³	NR	NR
	Ra	LG	15 " x 7 "	4505A - 544	N/A	R40H618	NR	SP7887S	SP7887S
	Ra	LG	15 " x 7 "	4505A - 544	N/A	R40H618	NR	NR	NR
1986	Fd	DN		7141 - D224	MD224 ³⁴⁰	69310693	60050153	NR	NR
	Fd	DN		7149 - D236	MD236 ³⁴¹	69310693	69310782	NR	NR
	Fd	DN		7149 - D236	MD236 ³⁴¹	69310693	69310782	NR	NR
	Fd	DN		7149 - D236	MD236 ³⁴¹	69310693	69310782	NR	NR
	Ra	LG	15 " x 7 "	4505A - 544	N/A	R40H618	NR	SP7887S	SP7887S
	Ra	LG	15 " x 7 "	4505A - 544	N/A	R40H618	NR	NR	NR
1985	Fd	DN		7141 - D224	MD224 ³⁴⁰	69310693	60050153	NR	NR
	Fd	DN		7149 - D236	MD236 ³⁴¹	69310693	R40H5523	NR	NR
	Fd	DN		7149 - D236	MD236 ³⁴¹	69310693	R40H5523	NR	NR
	Fd	DN		7149 - D236	MD236 ³⁴¹	69310693	R40H5523	NR	NR
	Ra	LG	15 " x 7 "	4505A - 544	N/A	R40H618	NR	NR	NR
	Ra	LG	15 " x 7 "	4505A - 544	N/A	R40H618	NR	SP7887S	SP7887S
1984	Fd	DN		7141 - D224	MD224 ³⁴⁰	69310693	60050153	NR	NR
	Fd	DN		7149 - D236	MD236 ³⁴¹	69310693	R40H5523	NR	NR
	Fd	DN		7149 - D236	MD236 ³⁴¹	69310693	R40H5523	NR	NR
	Fd	DN		7149 - D236	MD236 ³⁴¹	69310693	R40H5523	NR	NR
	Ra	LG	15 " x 7 "	4505A - 544	N/A	R40H618	NR	SP7887S	SP7887S
	Ra	LG	15 " x 7 "	4505A - 544	N/A	R40H618	NR	NR	NR
1983	Ra	LG	15 " x 6 "	4504A - 543	N/A	R40H618	NR	SP7888S	SP7888S
	Ra	LG	15 " x 6 "	4504A - 543	N/A	R40H618	NR	NR	NR
	Ra	LG	15 " x 7 "	4505A - 544	N/A	R40H618	NR	SP7888S	SP7888S
	Ra	LG	15 " x 7 "	4505A - 544	N/A	R40H618	NR	NR	NR
F050, F055, F060	Fa	KH	14 " x 2-1/2 "	2060 - 361	Discontinued	R40H596	R40H9219	R40H3536	R40H3537
F070	Fa	WG	15 " x 3 "	1245C - 321	R700321	R40H521	R40H9237	R40H3502	R40H3503
	Fa	WG	15 " x 3 "	1245C - 321	R700321	R40H521	R40H9237	R40H3502	R40H3503
	Fa	WG	15 " x 3 "	1245C - 321	R700321	R40H521	R40H9237	R40H3502	R40H3503
	Fa	WG	15 " x 3 "	1245C - 321	R700321	R40H521	R40H9237	R40H3502	R40H3503

9 - 6 Stud, Dayton Rotor, Hat Style
 43 - For Applications Taking A Longer Shim, Use R404151706
 187 - 6 Stud, 6.443" Hub
 www.XpresswayPlus.com

37 - Also available as a New unit
 53 - Power Brakes
 188 - 6 Stud, 9.251" Hub

41 - Aluminum piston
 186 - 10 Stud
 204 - Right Hand; use E-4057 for Left Hand Expander Kits
 Contact our Customer Service Teams
 1-888-725-9355

MERITOR DRUM OR ROTOR NO.	CALIPER OR CYLINDER BORE SIZE	MERITOR CALIPER OR WHEEL CYLINDER (LEFT)	MERITOR CALIPER OR WHEEL CYLINDER (RIGHT)	MERITOR CALIPER OR WHEEL CYLINDER REPAIR KIT	MERITOR CALIPER PISTON	MERITOR MASTER CYLINDER	MERITOR MASTER CYLINDER KIT	MERITOR BRAKE HOSE (LEFT)	MERITOR BRAKE HOSE (RIGHT)
FORD(Cont.)									
L800 SERIES: LOUISVILLE CONVENTIONAL 106.4 BBC TILT HOOD CHASSIS CAB TRUCK(Cont.)									
23-122743-002 ¹⁸⁷	2-7/8 "	60050145X	60050145X ³⁷	60050146	69270702 ⁴¹	R4111995 ⁵³	-	R4577461	R4577461
23-122691-002 ¹⁸⁸	2-7/8 "	60050145X	60050145X ³⁷	60050146	69270702 ⁴¹	R4111995 ⁵³	-	R4577461	R4577461
23-122703-002 ¹⁸⁶	2-7/8 "	60050145X	60050145X ³⁷	60050146	69270702 ⁴¹	R4111995 ⁵³	-	R4577461	R4577461
N/A	1-3/4 "	201183X	201184X ³²⁹	SP7873S	NR	-	-	R4577870	R4577870
N/A	1-3/4 "	201179X	201180X	SP7873S	SP7880S ²⁰⁴	-	-	R4577870	R4577870
23-122700-002 ⁹	2-1/2 "	R424244X	R424244X ³⁷	60050266	69270757 ⁴¹	R4111995 ⁵³	-	R4577454	R4577455
23-122691-002 ¹⁸⁸	2-7/8 "	60050145X	60050145X ³⁷	60050146	69270702 ⁴¹	R4111995 ⁵³	-	R4577454	R4577455
23-122743-002 ¹⁸⁷	2-7/8 "	60050145X	60050145X ³⁷	60050146	69270702 ⁴¹	R4111995 ⁵³	-	R4577454	R4577455
23-122703-002 ¹⁸⁶	2-7/8 "	60050145X	60050145X ³⁷	60050146	69270702 ⁴¹	R4111995 ⁵³	-	R4577454	R4577455
N/A	1-3/4 "	201183X	201184X ³²⁹	SP7873S	NR	-	-	R4577870	R4577870
N/A	1-3/4 "	201179X	201180X	SP7873S	SP7880S ²⁰⁴	-	-	R4577870	R4577870
23-122703-002 ¹⁸⁶	2-7/8 "	60050145X	60050145X ³⁷	60050146	69270702 ⁴¹	R4111995 ⁵³	-	R4577454	R4577455
23-122691-002 ¹⁸⁸	2-7/8 "	60050145X	60050145X ³⁷	60050146	69270702 ⁴¹	R4111995 ⁵³	-	R4577454	R4577455
23-122700-002 ⁹	2-1/2 "	R424244X	R424244X ³⁷	60050266	69270757 ⁴¹	R4111995 ⁵³	-	R4577454	R4577455
23-122743-002 ¹⁸⁷	2-7/8 "	60050145X	60050145X ³⁷	60050146	69270702 ⁴¹	R4111995 ⁵³	-	R4577454	R4577455
N/A	1-3/4 "	201179X	201180X	SP7873S	SP7880S ²⁰⁴	-	-	N/A	N/A
N/A	1-3/4 "	201183X	201184X ³²⁹	SP7873S	NR	-	-	N/A	N/A
23-122700-002 ⁹	2-1/2 "	R424244X	R424244X ³⁷	60050266	69270757 ⁴¹	R4111995 ⁵³	-	R4577454	R4577455
23-122691-002 ¹⁸⁸	2-7/8 "	60050145X	60050145X ³⁷	60050146	69270702 ⁴¹	R4111995 ⁵³	-	R4577454	R4577455
23-122703-002 ¹⁸⁶	2-7/8 "	60050145X	60050145X ³⁷	60050146	69270702 ⁴¹	R4111995 ⁵³	-	R4577454	R4577455
23-122743-002 ¹⁸⁷	2-7/8 "	60050145X	60050145X ³⁷	60050146	69270702 ⁴¹	R4111995 ⁵³	-	R4577454	R4577455
N/A	1-3/4 "	201183X	201184X ³²⁹	SP7873S	NR	-	-	N/A	N/A
N/A	1-3/4 "	201179X	201180X	SP7873S	SP7880S ²⁰⁴	-	-	N/A	N/A
23-122700-002 ⁹	2-1/2 "	R424244X	R424244X ³⁷	60050266	69270757 ⁴¹	R4111995 ⁵³	-	R4577454	R4577455
23-122691-002 ¹⁸⁸	2-7/8 "	60050145X	60050145X ³⁷	60050146	69270702 ⁴¹	R4111995 ⁵³	-	R4577454	R4577455
23-122703-002 ¹⁸⁶	2-7/8 "	60050145X	60050145X ³⁷	60050146	69270702 ⁴¹	R4111995 ⁵³	-	R4577454	R4577455
23-122743-002 ¹⁸⁷	2-7/8 "	60050145X	60050145X ³⁷	60050146	69270702 ⁴¹	R4111995 ⁵³	-	R4577454	R4577455
N/A	1-3/4 "	201183X	201184X ³²⁹	SP7873S	NR	-	-	N/A	N/A
N/A	1-3/4 "	201179X	201180X	SP7873S	SP7880S ²⁰⁴	-	-	N/A	N/A
23-122700-002 ⁹	2-1/2 "	R424244X	R424244X ³⁷	60050266	69270757 ⁴¹	R4111995 ⁵³	-	R4577454	R4577455
23-122743-002 ¹⁸⁷	2-7/8 "	60050145X	60050145X ³⁷	60050146	69270702 ⁴¹	R4111995 ⁵³	-	R4577454	R4577455
23-122703-002 ¹⁸⁶	2-7/8 "	60050145X	60050145X ³⁷	60050146	69270702 ⁴¹	R4111995 ⁵³	-	R4577454	R4577455
23-122691-002 ¹⁸⁸	2-7/8 "	60050145X	60050145X ³⁷	60050146	69270702 ⁴¹	R4111995 ⁵³	-	R4577454	R4577455
N/A	1-3/4 "	201183X	201184X ³²⁹	SP7873S	NR	-	-	N/A	N/A
N/A	1-3/4 "	201179X	201180X	SP7873S	SP7880S ²⁰⁴	-	-	N/A	N/A
23-122700-002 ⁹	2-1/2 "	R424244X	R424244X ³⁷	60050266	69270757 ⁴¹	R4111995 ⁵³	-	R4577454	R4577455
23-122691-002 ¹⁸⁸	2-7/8 "	60050145X	60050145X ³⁷	60050146	69270702 ⁴¹	R4111995 ⁵³	-	R4577454	R4577455
23-122703-002 ¹⁸⁶	2-7/8 "	60050145X	60050145X ³⁷	60050146	69270702 ⁴¹	R4111995 ⁵³	-	R4577454	R4577455
23-122743-002 ¹⁸⁷	2-7/8 "	60050145X	60050145X ³⁷	60050146	69270702 ⁴¹	R4111995 ⁵³	-	R4577454	R4577455
N/A	1-3/4 "	201183X	201184X ³²⁹	SP7873S	NR	-	-	N/A	N/A
N/A	1-3/4 "	201179X	201180X	SP7873S	SP7880S ²⁰⁴	-	-	N/A	N/A
23-122700-002 ⁹	2-1/2 "	R424244X	R424244X ³⁷	60050266	69270757 ⁴¹	R4111995 ⁵³	-	R4577454	R4577455
23-122691-002 ¹⁸⁸	2-7/8 "	60050145X	60050145X ³⁷	60050146	69270702 ⁴¹	R4111995 ⁵³	-	R4577454	R4577455
23-122703-002 ¹⁸⁶	2-7/8 "	60050145X	60050145X ³⁷	60050146	69270702 ⁴¹	R4111995 ⁵³	-	R4577454	R4577455
23-122743-002 ¹⁸⁷	2-7/8 "	60050145X	60050145X ³⁷	60050146	69270702 ⁴¹	R4111995 ⁵³	-	R4577454	R4577455
N/A	1-3/4 "	201183X	201184X ³²⁹	SP7873S	NR	-	-	N/A	N/A
N/A	1-3/4 "	201179X	201180X	SP7873S	SP7880S ²⁰⁴	-	-	N/A	N/A
N/A	1-5/8 "	201185	201186 ³²⁹	SP7895S	NR	-	-	R4577147	R4577147
N/A	1-5/8 "	201181	201182	SP7895S	NR	-	-	R4577147	R4577147
N/A	1-5/8 "	201185	201186 ³²⁹	SP7895S	NR	-	-	R4577147	R4577147
N/A	1-5/8 "	201181	201182	SP7895S	NR	-	-	R4577147	R4577147
N/A	1.09375	R4133484	R4133485	R4166819	NR	R4111629 ⁵³	R4122484	R4577460	R4577460
N/A	1-1/8 "	R4133716	R4133717	R4166926	NR	R4111772 ⁵³	R4122488	R4577454	R4577455
N/A	1-1/8 "	R4133714	R4133715	R4166926	NR	R4111995 ⁵³	-	R4577454	R4577455
N/A	1-1/8 "	R4133719	R4133718	R4166926	NR	R4111634 ⁵³	N/A	R4577452	R4577453
N/A	1-1/8 "	R4133714	R4133715	R4166926	NR	R4111631 ²²¹	R4122486	R4577452	R4577453

221 - Power Brakes, 17,500 or 18,500 lb. Rear Axle
341 - Use 69160445 for Disc Pad Retainer Clip

329 - Forward

340 - Use 69160457 for Disc Pad Retainer Clip

MAKE MODEL YEAR AXLE CODE AXLE WEIGHT	AXLE & BRK. TYPE	BRK. MFG.	BRAKE SIZE	FMSI	MERITOR DISC PAD OR BRAKE SHOE	MERITOR GUIDE PIN OR RETURN SPRING KIT	MERITOR CALIPER HWD. KIT OR RETURN SPRING KIT	MERITOR ADJUSTER KIT (LEFT WHEEL)	MERITOR ADJUSTER KIT (RIGHT WHEEL)
FORD(Cont.)									
L800 SERIES: LOUISVILLE CONVENTIONAL 106.4 BBC TILT HOOD CHASSIS CAB TRUCK(Cont.)									
1983									
F080, F090	Fd	DN		7141 - D224	MD224 ³⁴⁰	69310693	60050153	NR	NR
	Fd	DN		7149 - D236	MD236 ³⁴¹	69310693	R40H5523	NR	NR
F090, F120	Fa	WG	15" x 3"	1245C - 321	R700321	R40H521	R40H9237	R40H3502	R40H3503
	Fa	WG	15" x 3"	1245C - 321	R700321	R40H521	R40H9237	R40H3502	R40H3503
R170, R175	Ra	KH	15" x 5"	4646 - 400	R700400	R40H595	R40H9220	R40H3538	R40H3539
	Ra	WG	15" x 5"	1252 - 346	R700346	R40H597	R40H9200	R40H3540	R40H3541
R185	Ra	WG	15" x 6"	4596 - 381	R700381	R40H597	R40H9200	R40H3540	R40H3541
	Ra	WG	15" x 7"	4597 - 383	R700383	R40H597	R40H9200	R40H3540	R40H3541
1982									
	Ra	LG	15" x 6"	4504A - 543	N/A	R40H618	NR	SP7888S	SP7888S
	Ra	LG	15" x 6"	4504A - 543	N/A	R40H618	NR	NR	NR
	Ra	LG	15" x 7"	4505A - 544	N/A	R40H618	NR	SP7888S	SP7888S
	Ra	LG	15" x 7"	4505A - 544	N/A	R40H618	NR	NR	NR
F050, F055, F060	Fa	KH	14" x 2-1/2"	2060 - 361	Discontinued	R40H596	R40H9219	R40H3536	R40H3537
F070	Fa	WG	15" x 3"	1245C - 321	R700321	R40H521	R40H9237	R40H3502	R40H3503
	Fa	WG	15" x 3"	1245C - 321	R700321	R40H521	R40H9237	R40H3502	R40H3503
	Fa	WG	15" x 3"	1245C - 321	R700321	R40H521	R40H9237	R40H3502	R40H3503
	Fa	WG	15" x 3"	1245C - 321	R700321	R40H521	R40H9237	R40H3502	R40H3503
	Fd	DN		7141 - D224	MD224 ³⁴⁰	69310693	60050153	NR	NR
F080, F090	Fd	DN		7149 - D236	MD236 ³⁴¹	69310693	R40H5523	NR	NR
	Fd	DN		7149 - D236	MD236 ³⁴¹	69310693	R40H5523	NR	NR
F090, F120	Fa	WG	15" x 3"	1245C - 321	R700321	R40H521	R40H9237	R40H3502	R40H3503
	Fa	WG	15" x 3"	1245C - 321	R700321	R40H521	R40H9237	R40H3502	R40H3503
R170, R175	Ra	KH	15" x 5"	4646 - 400	R700400	R40H595	R40H9220	R40H3538	R40H3539
	Ra	WG	15" x 5"	1252 - 346	R700346	R40H597	R40H9200	R40H3540	R40H3541
R185	Ra	WG	15" x 6"	4596 - 381	R700381	R40H597	R40H9200	R40H3540	R40H3541
	Ra	WG	15" x 7"	4597 - 383	R700383	R40H597	R40H9200	R40H3540	R40H3541
1981									
	Ra	LG	15" x 6"	4504A - 543	N/A	R40H618	NR	NR	NR
	Ra	LG	15" x 6"	4504A - 543	N/A	R40H618	NR	SP7888S	SP7888S
	Ra	LG	15" x 7"	4505A - 544	N/A	R40H618	NR	NR	NR
	Ra	LG	15" x 7"	4505A - 544	N/A	R40H618	NR	SP7888S	SP7888S
F050, F055, F060	Fa	KH	14" x 2-1/2"	2060 - 361	Discontinued	R40H596	R40H9219	R40H3536	R40H3537
F070	Fa	WG	15" x 3"	1245C - 321	R700321	R40H521	R40H9237	R40H3502	R40H3503
	Fa	WG	15" x 3"	1245C - 321	R700321	R40H521	R40H9237	R40H3502	R40H3503
	Fa	WG	15" x 3"	1245C - 321	R700321	R40H521	R40H9237	R40H3502	R40H3503
	Fa	WG	15" x 3"	1245C - 321	R700321	R40H521	R40H9237	R40H3502	R40H3503
	Fd	DN		7141 - D224	MD224 ³⁴⁰	69310693	60050153	NR	NR
F080, F090	Fd	DN		7149 - D236	MD236 ³⁴¹	69310693	R40H5523	NR	NR
	Fd	DN		7149 - D236	MD236 ³⁴¹	69310693	R40H5523	NR	NR
F090, F120	Fa	WG	15" x 3"	1245C - 321	R700321	R40H521	R40H9237	R40H3502	R40H3503
	Fa	WG	15" x 3"	1245C - 321	R700321	R40H521	R40H9237	R40H3502	R40H3503
R170, R175	Ra	KH	15" x 5"	4646 - 400	R700400	R40H595	R40H9220	R40H3538	R40H3539
	Ra	WG	15" x 5"	1252 - 346	R700346	R40H597	R40H9200	R40H3540	R40H3541
R185	Ra	WG	15" x 6"	4596 - 381	R700381	R40H597	R40H9200	R40H3540	R40H3541
	Ra	WG	15" x 7"	4597 - 383	R700383	R40H597	R40H9200	R40H3540	R40H3541
1980									
	Ra	LG	15" x 6"	4504A - 543	N/A	R40H618	NR	NR	NR
	Ra	LG	15" x 6"	4504A - 543	N/A	R40H618	NR	SP7888S	SP7888S
	Ra	LG	15" x 7"	4505A - 544	N/A	R40H618	NR	SP7888S	SP7888S
	Ra	LG	15" x 7"	4505A - 544	N/A	R40H618	NR	NR	NR
F050, F055, F060	Fa	KH	14" x 2-1/2"	2060 - 361	Discontinued	R40H596	R40H9219	R40H3536	R40H3537
F070	Fa	WG	15" x 3"	1245C - 321	R700321	R40H521	R40H9237	R40H3502	R40H3503
	Fa	WG	15" x 3"	1245C - 321	R700321	R40H521	R40H9237	R40H3502	R40H3503
	Fa	WG	15" x 3"	1245C - 321	R700321	R40H521	R40H9237	R40H3502	R40H3503
	Fa	WG	15" x 3"	1245C - 321	R700321	R40H521	R40H9237	R40H3502	R40H3503
	Fd	DN		7141 - D224	MD224 ³⁴⁰	69310693	60050153	NR	NR
F080, F090	Fd	DN		7149 - D236	MD236 ³⁴¹	69310693	R40H5523	NR	NR
	Fd	DN		7149 - D236	MD236 ³⁴¹	69310693	R40H5523	NR	NR
F090, F120	Fa	WG	15" x 3"	1245C - 321	R700321	R40H521	R40H9237	R40H3502	R40H3503
	Fa	WG	15" x 3"	1245C - 321	R700321	R40H521	R40H9237	R40H3502	R40H3503
R170, R175	Ra	KH	15" x 5"	4646 - 400	R700400	R40H595	R40H9220	R40H3538	R40H3539

9 - 6 Stud, Dayton Rotor, Hat Style
 53 - Power Brakes
 214 - Power Brakes, Split System
 www.XpresswayPlus.com

37 - Also available as a New unit
 186 - 10 Stud
 221 - Power Brakes, 17,500 or 18,500 lb. Rear Axle

41 - Aluminum piston
 188 - 6 Stud, 9.251" Hub
 222 - Power Brakes, 18,500 or 22,000 lb. Rear Axle

MERITOR DRUM OR ROTOR NO.	CALIPER OR CYLINDER BORE SIZE	MERITOR CALIPER OR WHEEL CYLINDER (LEFT)	MERITOR CALIPER OR WHEEL CYLINDER (RIGHT)	MERITOR CALIPER OR WHEEL CYLINDER REPAIR KIT	MERITOR CALIPER PISTON	MERITOR MASTER CYLINDER	MERITOR MASTER CYLINDER KIT	MERITOR BRAKE HOSE (LEFT)	MERITOR BRAKE HOSE (RIGHT)
FORD(Cont.)									
L800 SERIES: LOUISVILLE CONVENTIONAL 106.4 BBC TILT HOOD CHASSIS CAB TRUCK(Cont.)									
23-122700-002 ⁹	2-1/2 "	R424244X	R424244X ³⁷	60050266	69270757 ⁴¹	R4111992 ²¹⁴	R4122386	R4577452	R4577453
23-122691-002 ¹⁸⁸	2-7/8 "	60050145X	60050145X ³⁷	60050146	69270702 ⁴¹	R4111992 ²¹⁴	R4122386	R4577452	R4577453
23-122703-002 ¹⁸⁶	2-7/8 "	60050145X	60050145X ³⁷	60050146	69270702 ⁴¹	R4111992 ²¹⁴	R4122386	R4577452	R4577453
N/A	1-1/4 "	R4133720	R4133721	R4166923	NR	R4111630 ²²²	N/A	R4577452	R4577453
N/A	1-1/4 "	R4133581	R4133581	R4166923	NR	R4111992 ²¹⁴	R4122386	R4577452	R4577453
N/A	1-1/2 "	R4033607	R4033607	R4166818	NR	-	-	R4577147	R4577147
N/A	1-5/8 "	R4133338	R4133338	R4166689	NR	-	-	R4577147	R4577147
N/A	1-5/8 "	R4133338	R4133338	R4166689	NR	-	-	R4577147	R4577147
N/A	1-3/4 "	R4133400	R4133400	R4166917	NR	-	-	R4577147	R4577147
N/A	1-5/8 "	201185	201186 ³²⁹	SP7895S	NR	-	-	R4577147	R4577147
N/A	1-5/8 "	201181	201182	SP7895S	NR	-	-	R4577147	R4577147
N/A	1-5/8 "	201185	201186 ³²⁹	SP7895S	NR	-	-	R4577147	R4577147
N/A	1-5/8 "	201181	201182	SP7895S	NR	-	-	R4577147	R4577147
N/A	1.09375	R4133484	R4133485	R4166819	NR	R4111629 ⁵³	R4122484	R4577460	R4577460
N/A	1-1/8 "	R4133719	R4133718	R4166926	NR	R4111634 ⁵³	N/A	R4577452	R4577453
N/A	1-1/8 "	R4133714	R4133715	R4166926	NR	R4111631 ²²¹	R4122486	R4577452	R4577453
N/A	1-1/8 "	R4133714	R4133715	R4166926	NR	R4111995 ⁵³	-	R4577454	R4577455
N/A	1-1/8 "	R4133716	R4133717	R4166926	NR	R4111772 ⁵³	R4122488	R4577454	R4577455
23-122700-002 ⁹	2-1/2 "	R424244X	R424244X ³⁷	60050266	69270757 ⁴¹	R4111992 ²¹⁴	R4122386	R4577452	R4577453
23-122691-002 ¹⁸⁸	2-7/8 "	60050145X	60050145X ³⁷	60050146	69270702 ⁴¹	R4111992 ²¹⁴	R4122386	R4577452	R4577453
23-122703-002 ¹⁸⁶	2-7/8 "	60050145X	60050145X ³⁷	60050146	69270702 ⁴¹	R4111992 ²¹⁴	R4122386	R4577452	R4577453
N/A	1-1/4 "	R4133720	R4133721	R4166923	NR	R4111630 ²²²	N/A	R4577452	R4577453
N/A	1-1/4 "	R4133581	R4133581	R4166923	NR	R4111992 ²¹⁴	R4122386	R4577452	R4577453
N/A	1-1/2 "	R4033607	R4033607	R4166818	NR	-	-	R4577147	R4577147
N/A	1-5/8 "	R4133338	R4133338	R4166689	NR	-	-	R4577147	R4577147
N/A	1-5/8 "	R4133338	R4133338	R4166689	NR	-	-	R4577147	R4577147
N/A	1-3/4 "	R4133400	R4133400	R4166917	NR	-	-	R4577147	R4577147
N/A	1-5/8 "	201181	201182	SP7895S	NR	-	-	R4577147	R4577147
N/A	1-5/8 "	201185	201186 ³²⁹	SP7895S	NR	-	-	R4577147	R4577147
N/A	1-5/8 "	201181	201182	SP7895S	NR	-	-	R4577147	R4577147
N/A	1-5/8 "	201185	201186 ³²⁹	SP7895S	NR	-	-	R4577147	R4577147
N/A	1.09375	R4133484	R4133485	R4166819	NR	R4111629 ⁵³	R4122484	R4577460	R4577460
N/A	1-1/8 "	R4133714	R4133715	R4166926	NR	R4111631 ²²¹	R4122486	R4577452	R4577453
N/A	1-1/8 "	R4133714	R4133715	R4166926	NR	R4111995 ⁵³	-	R4577454	R4577455
N/A	1-1/8 "	R4133719	R4133718	R4166926	NR	R4111634 ⁵³	N/A	R4577452	R4577453
N/A	1-1/8 "	R4133716	R4133717	R4166926	NR	R4111772 ⁵³	R4122488	R4577454	R4577455
23-122700-002 ⁹	2-1/2 "	R424244X	R424244X ³⁷	60050266	69270757 ⁴¹	R4111992 ²¹⁴	R4122386	R4577452	R4577453
23-122703-002 ¹⁸⁶	2-7/8 "	60050145X	60050145X ³⁷	60050146	69270702 ⁴¹	R4111992 ²¹⁴	R4122386	R4577452	R4577453
23-122691-002 ¹⁸⁸	2-7/8 "	60050145X	60050145X ³⁷	60050146	69270702 ⁴¹	R4111992 ²¹⁴	R4122386	R4577452	R4577453
N/A	1-1/4 "	R4133720	R4133721	R4166923	NR	R4111630 ²²²	N/A	R4577452	R4577453
N/A	1-1/4 "	R4133581	R4133581	R4166923	NR	R4111992 ²¹⁴	R4122386	R4577452	R4577453
N/A	1-1/2 "	R4033607	R4033607	R4166818	NR	-	-	R4577147	R4577147
N/A	1-5/8 "	R4133338	R4133338	R4166689	NR	-	-	R4577147	R4577147
N/A	1-5/8 "	R4133338	R4133338	R4166689	NR	-	-	R4577147	R4577147
N/A	1-3/4 "	R4133400	R4133400	R4166917	NR	-	-	R4577147	R4577147
N/A	1-5/8 "	201181	201182	SP7895S	NR	-	-	R4577147	R4577147
N/A	1-5/8 "	201185	201186 ³²⁹	SP7895S	NR	-	-	R4577147	R4577147
N/A	1-5/8 "	201185	201186 ³²⁹	SP7895S	NR	-	-	R4577147	R4577147
N/A	1-5/8 "	201181	201182	SP7895S	NR	-	-	R4577147	R4577147
N/A	1.09375	R4133484	R4133485	R4166819	NR	R4111629 ⁵³	R4122484	R4577460	R4577460
N/A	1-1/8 "	R4133714	R4133715	R4166926	NR	R4111995 ⁵³	-	R4577454	R4577455
N/A	1-1/8 "	R4133716	R4133717	R4166926	NR	R4111772 ⁵³	R4122488	R4577454	R4577455
N/A	1-1/8 "	R4133714	R4133715	R4166926	NR	R4111631 ²²¹	R4122486	R4577452	R4577453
N/A	1-1/8 "	R4133719	R4133718	R4166926	NR	R4111634 ⁵³	N/A	R4577452	R4577453
23-122700-002 ⁹	2-1/2 "	R424244X	R424244X ³⁷	60050266	69270757 ⁴¹	R4111992 ²¹⁴	R4122386	R4577452	R4577453
23-122703-002 ¹⁸⁶	2-7/8 "	60050145X	60050145X ³⁷	60050146	69270702 ⁴¹	R4111992 ²¹⁴	R4122386	R4577452	R4577453
23-122691-002 ¹⁸⁸	2-7/8 "	60050145X	60050145X ³⁷	60050146	69270702 ⁴¹	R4111992 ²¹⁴	R4122386	R4577452	R4577453
N/A	1-1/4 "	R4133581	R4133581	R4166923	NR	R4111992 ²¹⁴	R4122386	R4577452	R4577453
N/A	1-1/4 "	R4133720	R4133721	R4166923	NR	R4111630 ²²²	N/A	R4577452	R4577453
N/A	1-1/2 "	R4033607	R4033607	R4166818	NR	-	-	R4577147	R4577147

MAKE MODEL YEAR AXLE CODE AXLE WEIGHT	AXLE & BRK. TYPE	BRK. MFG.	BRAKE SIZE	FMSI	MERITOR DISC PAD OR BRAKE SHOE	MERITOR GUIDE PIN OR RETURN SPRING KIT	MERITOR CALIPER HWD. KIT OR RETURN SPRING KIT	MERITOR ADJUSTER KIT (LEFT WHEEL)	MERITOR ADJUSTER KIT (RIGHT WHEEL)
FORD(Cont.)									
L800 SERIES: LOUISVILLE CONVENTIONAL 106.4 BBC TILT HOOD CHASSIS CAB TRUCK(Cont.)									
1980	Ra	WG	15 " x 5 "	1252 - 346	R700346	R40H597	R40H9200	R40H3540	R40H3541
R185	Ra	WG	15 " x 6 "	4596 - 381	R700381	R40H597	R40H9200	R40H3540	R40H3541
	Ra	WG	15 " x 7 "	4597 - 383	R700383	R40H597	R40H9200	R40H3540	R40H3541
1979	Ra	LG	15 " x 6 "	4504A - 543	N/A	R40H618	NR	SP7888S	SP7888S
	Ra	LG	15 " x 6 "	4504A - 543	N/A	R40H618	NR	NR	NR
	Ra	LG	15 " x 7 "	4505A - 544	N/A	R40H618	NR	NR	NR
	Ra	LG	15 " x 7 "	4505A - 544	N/A	R40H618	NR	SP7888S	SP7888S
F050, F055, F060	Fa	KH	14 " x 2-1/2 "	2060 - 361	Discontinued	R40H596	R40H9219	R40H3536	R40H3537
F070	Fa	WG	15 " x 3 "	1245C - 321	R700321	R40H521	R40H9237	R40H3502	R40H3503
	Fa	WG	15 " x 3 "	1245C - 321	R700321	R40H521	R40H9237	R40H3502	R40H3503
	Fa	WG	15 " x 3 "	1245C - 321	R700321	R40H521	R40H9237	R40H3502	R40H3503
	Fa	WG	15 " x 3 "	1245C - 321	R700321	R40H521	R40H9237	R40H3502	R40H3503
F080, F090	Fd	DN		7141 - D224	MD224 ³⁴⁰	69310693	60050153	NR	NR
	Fd	DN		7149 - D236	MD236 ³⁴¹	69310693	60050153	NR	NR
F090, F120	Fa	WG	15 " x 3 "	1245C - 321	R700321	R40H521	R40H9237	R40H3502	R40H3503
	Fa	WG	15 " x 3 "	1245C - 321	R700321	R40H521	R40H9237	R40H3502	R40H3503
R170, R175	Ra	KH	15 " x 5 "	4646 - 400	R700400	R40H595	R40H9220	R40H3538	R40H3539
	Ra	WG	15 " x 5 "	1252 - 346	R700346	R40H597	R40H9200	R40H3540	R40H3541
R185	Ra	WG	15 " x 6 "	4596 - 381	R700381	R40H597	R40H9200	R40H3540	R40H3541
	Ra	WG	15 " x 7 "	4597 - 383	R700383	R40H597	R40H9200	R40H3540	R40H3541
1978	Ra	LG	15 " x 6 "	4504A - 543	N/A	R40H618	NR	NR	NR
	Ra	LG	15 " x 6 "	4504A - 543	N/A	R40H618	NR	SP7888S	SP7888S
	Ra	LG	15 " x 7 "	4505A - 544	N/A	R40H618	NR	SP7888S	SP7888S
	Ra	LG	15 " x 7 "	4505A - 544	N/A	R40H618	NR	NR	NR
F050, F055, F060	Fa	KH	14 " x 2-1/2 "	2060 - 361	Discontinued	R40H596	R40H9219	R40H3536	R40H3537
F070	Fa	WG	15 " x 3 "	1245C - 321	R700321	R40H521	R40H9237	R40H3502	R40H3503
	Fa	WG	15 " x 3 "	1245C - 321	R700321	R40H521	R40H9237	R40H3502	R40H3503
	Fa	WG	15 " x 3 "	1245C - 321	R700321	R40H521	R40H9237	R40H3502	R40H3503
	Fa	WG	15 " x 3 "	1245C - 321	R700321	R40H521	R40H9237	R40H3502	R40H3503
F080, F090	Fd	DN		7141 - D224	MD224 ³⁴⁰	69310693	60050153	NR	NR
	Fd	DN		7149 - D236	MD236 ³⁴¹	69310693	60050153	NR	NR
F090, F120	Fa	WG	15 " x 3 "	1245C - 321	R700321	R40H521	R40H9237	R40H3502	R40H3503
	Fa	WG	15 " x 3 "	1245C - 321	R700321	R40H521	R40H9237	R40H3502	R40H3503
R170, R175	Ra	KH	15 " x 5 "	4646 - 400	R700400	R40H595	R40H9220	R40H3538	R40H3539
	Ra	WG	15 " x 5 "	1252 - 346	R700346	R40H597	R40H9200	R40H3540	R40H3541
R185	Ra	WG	15 " x 6 "	4596 - 381	R700381	R40H597	R40H9200	R40H3540	R40H3541
	Ra	WG	15 " x 7 "	4597 - 383	R700383	R40H597	R40H9200	R40H3540	R40H3541
1977	Ra	LG	15 " x 6 "	4504A - 543	N/A	R40H618	NR	SP7888S	SP7888S
	Ra	LG	15 " x 6 "	4504A - 543	N/A	R40H618	NR	NR	NR
	Ra	LG	15 " x 7 "	4505A - 544	N/A	R40H618	NR	SP7888S	SP7888S
	Ra	LG	15 " x 7 "	4505A - 544	N/A	R40H618	NR	NR	NR
F050, F055, F060	Fa	KH	14 " x 2-1/2 "	2060 - 361	Discontinued	R40H596	R40H9219	R40H3536	R40H3537
F070	Fa	WG	15 " x 3 "	1245C - 321	R700321	R40H521	R40H9237	R40H3502	R40H3503
	Fa	WG	15 " x 3 "	1245C - 321	R700321	R40H521	R40H9237	R40H3502	R40H3503
	Fa	WG	15 " x 3 "	1245C - 321	R700321	R40H521	R40H9237	R40H3502	R40H3503
	Fa	WG	15 " x 3 "	1245C - 321	R700321	R40H521	R40H9237	R40H3502	R40H3503
F080, F090	Fd	DN		7141 - D224	MD224 ³⁴⁰	69310693	60050153	NR	NR
	Fd	DN		7149 - D236	MD236 ³⁴¹	69310693	60050153	NR	NR
F090, F120	Fa	WG	15 " x 3 "	1245C - 321	R700321	R40H521	R40H9237	R40H3502	R40H3503
	Fa	WG	15 " x 3 "	1245C - 321	R700321	R40H521	R40H9237	R40H3502	R40H3503
R170, R175	Ra	KH	15 " x 5 "	4646 - 400	R700400	R40H595	R40H9220	R40H3538	R40H3539
	Ra	WG	15 " x 5 "	1252 - 346	R700346	R40H597	R40H9200	R40H3540	R40H3541
R185	Ra	WG	15 " x 6 "	4596 - 381	R700381	R40H597	R40H9200	R40H3540	R40H3541
	Ra	WG	15 " x 7 "	4597 - 383	R700383	R40H597	R40H9200	R40H3540	R40H3541
1976	Ra	LG	15 " x 6 "	4504A - 543	N/A	R40H618	NR	NR	NR
	Ra	LG	15 " x 6 "	4504A - 543	N/A	R40H618	NR	SP7888S	SP7888S

9 - 6 Stud, Dayton Rotor, Hat Style
 53 - Power Brakes
 214 - Power Brakes, Split System
 www.XpresswayPlus.com

37 - Also available as a New unit
 186 - 10 Stud
 221 - Power Brakes, 17,500 or 18,500 lb. Rear Axle

41 - Aluminum piston
 188 - 6 Stud, 9.251" Hub
 222 - Power Brakes, 18,500 or 22,000 lb. Rear Axle

MERITOR DRUM OR ROTOR NO.	CALIPER OR CYLINDER BORE SIZE	MERITOR CALIPER OR WHEEL CYLINDER (LEFT)	MERITOR CALIPER OR WHEEL CYLINDER (RIGHT)	MERITOR CALIPER OR WHEEL CYLINDER REPAIR KIT	MERITOR CALIPER PISTON	MERITOR MASTER CYLINDER	MERITOR MASTER CYLINDER KIT	MERITOR BRAKE HOSE (LEFT)	MERITOR BRAKE HOSE (RIGHT)
FORD(Cont.)									
L800 SERIES: LOUISVILLE CONVENTIONAL 106.4 BBC TILT HOOD CHASSIS CAB TRUCK(Cont.)									
N/A	1-5/8 "	R4133338	R4133338	R4166689	NR	-	-	R4577147	R4577147
N/A	1-5/8 "	R4133338	R4133338	R4166689	NR	-	-	R4577147	R4577147
N/A	1-3/4 "	R4133400	R4133400	R4166917	NR	-	-	R4577147	R4577147
N/A	1-5/8 "	201185	201186 ³²⁹	SP7895S	NR	-	-	R4577147	R4577147
N/A	1-5/8 "	201181	201182	SP7895S	NR	-	-	R4577147	R4577147
N/A	1-5/8 "	201181	201182	SP7895S	NR	-	-	R4577147	R4577147
N/A	1-5/8 "	201185	201186 ³²⁹	SP7895S	NR	-	-	R4577147	R4577147
N/A	1.09375	R4133484	R4133485	R4166819	NR	R4111629 ⁵³	R4122484	R4577460	R4577460
N/A	1-1/8 "	R4133716	R4133717	R4166926	NR	R4111772 ⁵³	R4122488	R4577454	R4577455
N/A	1-1/8 "	R4133714	R4133715	R4166926	NR	R4111995 ⁵³	-	R4577454	R4577455
N/A	1-1/8 "	R4133714	R4133715	R4166926	NR	R4111631 ²²¹	R4122486	R4577452	R4577453
N/A	1-1/8 "	R4133719	R4133718	R4166926	NR	R4111634 ⁵³	N/A	R4577452	R4577453
23-122700-002 ⁹	2-1/2 "	R424244X	R424244X ³⁷	60050266	6927075 ⁴¹	R4111992 ²¹⁴	R4122386	R4577452	R4577453
23-122703-002 ¹⁸⁶	2-7/8 "	60050145X	60050145X ³⁷	60050146	69270702 ⁴¹	R4111992 ²¹⁴	R4122386	R4577452	R4577453
23-122691-002 ¹⁸⁸	2-7/8 "	60050145X	60050145X ³⁷	60050146	69270702 ⁴¹	R4111992 ²¹⁴	R4122386	R4577452	R4577453
N/A	1-1/4 "	R4133581	R4133581	R4166923	NR	R4111992 ²¹⁴	R4122386	R4577452	R4577453
N/A	1-1/4 "	R4133720	R4133721	R4166923	NR	R4111630 ²²²	N/A	R4577452	R4577453
N/A	1-1/2 "	R4033607	R4033607	R4166818	NR	-	-	R4577147	R4577147
N/A	1-5/8 "	R4133338	R4133338	R4166689	NR	-	-	R4577147	R4577147
N/A	1-5/8 "	R4133338	R4133338	R4166689	NR	-	-	R4577147	R4577147
N/A	1-3/4 "	R4133400	R4133400	R4166917	NR	-	-	R4577147	R4577147
N/A	1-5/8 "	201181	201182	SP7895S	NR	-	-	R4577147	R4577147
N/A	1-5/8 "	201185	201186 ³²⁹	SP7895S	NR	-	-	R4577147	R4577147
N/A	1-5/8 "	201185	201186 ³²⁹	SP7895S	NR	-	-	R4577147	R4577147
N/A	1-5/8 "	201181	201182	SP7895S	NR	-	-	R4577147	R4577147
N/A	1.09375	R4133484	R4133485	R4166819	NR	R4111629 ⁵³	R4122484	R4577460	R4577460
N/A	1-1/8 "	R4133716	R4133717	R4166926	NR	R4111772 ⁵³	R4122488	R4577454	R4577455
N/A	1-1/8 "	R4133714	R4133715	R4166926	NR	R4111995 ⁵³	-	R4577454	R4577455
N/A	1-1/8 "	R4133719	R4133718	R4166926	NR	R4111634 ⁵³	N/A	R4577452	R4577453
N/A	1-1/8 "	R4133714	R4133715	R4166926	NR	R4111631 ²²¹	R4122486	R4577452	R4577453
23-122700-002 ⁹	2-1/2 "	R424244X	R424244X ³⁷	60050266	6927075 ⁴¹	R4111992 ²¹⁴	R4122386	R4577452	R4577453
23-122703-002 ¹⁸⁶	2-7/8 "	60050145X	60050145X ³⁷	60050146	69270702 ⁴¹	R4111992 ²¹⁴	R4122386	R4577452	R4577453
23-122691-002 ¹⁸⁸	2-7/8 "	60050145X	60050145X ³⁷	60050146	69270702 ⁴¹	R4111992 ²¹⁴	R4122386	R4577452	R4577453
N/A	1-1/4 "	R4133581	R4133581	R4166923	NR	R4111992 ²¹⁴	R4122386	R4577452	R4577453
N/A	1-1/4 "	R4133720	R4133721	R4166923	NR	R4111630 ²²²	N/A	R4577452	R4577453
N/A	1-1/2 "	R4033607	R4033607	R4166818	NR	-	-	R4577147	R4577147
N/A	1-5/8 "	R4133338	R4133338	R4166689	NR	-	-	R4577147	R4577147
N/A	1-5/8 "	R4133338	R4133338	R4166689	NR	-	-	R4577147	R4577147
N/A	1-3/4 "	R4133400	R4133400	R4166917	NR	-	-	R4577147	R4577147
N/A	1-5/8 "	201185	201186 ³²⁹	SP7895S	NR	-	-	R4577147	R4577147
N/A	1-5/8 "	201181	201182	SP7895S	NR	-	-	R4577147	R4577147
N/A	1-5/8 "	201185	201186 ³²⁹	SP7895S	NR	-	-	R4577147	R4577147
N/A	1-5/8 "	201181	201182	SP7895S	NR	-	-	R4577147	R4577147
N/A	1.09375	R4133484	R4133485	R4166819	NR	R4111629 ⁵³	R4122484	R4577460	R4577460
N/A	1-1/8 "	R4133716	R4133717	R4166926	NR	R4111772 ⁵³	R4122488	R4577454	R4577455
N/A	1-1/8 "	R4133714	R4133715	R4166926	NR	R4111995 ⁵³	-	R4577454	R4577455
N/A	1-1/8 "	R4133719	R4133718	R4166926	NR	R4111634 ⁵³	N/A	R4577452	R4577453
N/A	1-1/8 "	R4133714	R4133715	R4166926	NR	R4111631 ²²¹	R4122486	R4577452	R4577453
23-122700-002 ⁹	2-1/2 "	R424244X	R424244X ³⁷	60050266	6927075 ⁴¹	R4111992 ²¹⁴	R4122386	R4577452	R4577453
23-122703-002 ¹⁸⁶	2-7/8 "	60050145X	60050145X ³⁷	60050146	69270702 ⁴¹	R4111992 ²¹⁴	R4122386	R4577452	R4577453
23-122691-002 ¹⁸⁸	2-7/8 "	60050145X	60050145X ³⁷	60050146	69270702 ⁴¹	R4111992 ²¹⁴	R4122386	R4577452	R4577453
N/A	1-1/4 "	R4133720	R4133721	R4166923	NR	R4111630 ²²²	N/A	R4577452	R4577453
N/A	1-1/4 "	R4133581	R4133581	R4166923	NR	R4111992 ²¹⁴	R4122386	R4577452	R4577453
N/A	1-1/2 "	R4033607	R4033607	R4166818	NR	-	-	R4577147	R4577147
N/A	1-5/8 "	R4133338	R4133338	R4166689	NR	-	-	R4577147	R4577147
N/A	1-5/8 "	R4133338	R4133338	R4166689	NR	-	-	R4577147	R4577147
N/A	1-3/4 "	R4133400	R4133400	R4166917	NR	-	-	R4577147	R4577147
N/A	1-5/8 "	201181	201182	SP7895S	NR	-	-	R4577147	R4577147
N/A	1-5/8 "	201185	201186 ³²⁹	SP7895S	NR	-	-	R4577147	R4577147

MAKE MODEL YEAR AXLE CODE AXLE WEIGHT	AXLE & BRK. TYPE	BRK. MFG.	BRAKE SIZE	FMSI	MERITOR DISC PAD OR BRAKE SHOE	MERITOR GUIDE PIN OR RETURN SPRING KIT	MERITOR CALIPER HWD. KIT OR RETURN SPRING KIT	MERITOR ADJUSTER KIT (LEFT WHEEL)	MERITOR ADJUSTER KIT (RIGHT WHEEL)
FORD(Cont.)									
L800 SERIES: LOUISVILLE CONVENTIONAL 106.4 BBC TILT HOOD CHASSIS CAB TRUCK(Cont.)									
1976	Ra Ra	LG LG	15 " x 7 " 15 " x 7 "	4505A - 544 4505A - 544	N/A N/A	R40H618 R40H618	NR NR	NR SP7888S	NR SP7888S
F050, F055, F060	Fa	KH	14 " x 2-1/2 "	2060 - 361	Discontinued	R40H596	R40H9219	R40H3536	R40H3537
F070	Fa Fa Fa Fa	WG WG WG WG	15 " x 3 " 15 " x 3 " 15 " x 3 " 15 " x 3 "	1245C - 321 1245C - 321 1245C - 321 1245C - 321	R700321 R700321 R700321 R700321	R40H521 R40H521 R40H521 R40H521	R40H9237 R40H9237 R40H9237 R40H9237	R40H3502 R40H3502 R40H3502 R40H3502	R40H3503 R40H3503 R40H3503 R40H3503
	Fd	DN		7141 - D224	MD224 ³⁴⁰	69310693	60050153	NR	NR
F080, F090	Fd Fd	DN DN		7149 - D236 7149 - D236	MD236 ³⁴¹ MD236 ³⁴¹	69310693 69310693	R40H5523 R40H5523	NR NR	NR NR
F090, F120	Fa Fa	WG WG	15 " x 3 " 15 " x 3 "	1245C - 321 1245C - 321	R700321 R700321	R40H521 R40H521	R40H9237 R40H9237	R40H3502 R40H3502	R40H3503 R40H3503
R170, R175	Ra Ra	KH WG	15 " x 5 " 15 " x 5 "	4646 - 400 1252 - 346	R700400 R700346	R40H595 R40H597	R40H9220 R40H9200	R40H3538 R40H3540	R40H3539 R40H3541
R185	Ra Ra	WG WG	15 " x 6 " 15 " x 7 "	4596 - 381 4597 - 383	R700381 R700383	R40H597 R40H597	R40H9200 R40H9200	R40H3540 R40H3540	R40H3541 R40H3541
1975	Ra Ra Ra Ra	LG LG LG LG	15 " x 6 " 15 " x 6 " 15 " x 7 " 15 " x 7 "	4504A - 543 4504A - 543 4505A - 544 4505A - 544	N/A N/A N/A N/A	R40H618 R40H618 R40H618 R40H618	NR NR NR NR	SP7888S NR SP7888S NR	SP7888S NR SP7888S NR
F050, F055, F060	Fa	KH	14 " x 2-1/2 "	2060 - 361	Discontinued	R40H596	R40H9219	R40H3536	R40H3537
F070	Fa Fa Fa Fa	WG WG WG WG	15 " x 3 " 15 " x 3 " 15 " x 3 " 15 " x 3 "	1245C - 321 1245C - 321 1245C - 321 1245C - 321	R700321 R700321 R700321 R700321	R40H521 R40H521 R40H521 R40H521	R40H9237 R40H9237 R40H9237 R40H9237	R40H3502 R40H3502 R40H3502 R40H3502	R40H3503 R40H3503 R40H3503 R40H3503
	Fd	DN		7141 - D224	MD224 ³⁴⁰	69310693	60050153	NR	NR
F080, F090	Fd Fd	DN DN		7149 - D236 7149 - D236	MD236 ³⁴¹ MD236 ³⁴¹	69310693 69310693	R40H5523 R40H5523	NR NR	NR NR
F090, F120	Fa Fa	WG WG	15 " x 3 " 15 " x 3 "	1245C - 321 1245C - 321	R700321 R700321	R40H521 R40H521	R40H9237 R40H9237	R40H3502 R40H3502	R40H3503 R40H3503
R170, R175	Ra Ra	KH WG	15 " x 5 " 15 " x 5 "	4646 - 400 1252 - 346	R700400 R700346	R40H595 R40H597	R40H9220 R40H9200	R40H3538 R40H3540	R40H3539 R40H3541
R185	Ra Ra	WG WG	15 " x 6 " 15 " x 7 "	4596 - 381 4597 - 383	R700381 R700383	R40H597 R40H597	R40H9200 R40H9200	R40H3540 R40H3540	R40H3541 R40H3541
1974	Ra Ra Ra Ra	LG LG LG LG	15 " x 6 " 15 " x 6 " 15 " x 7 " 15 " x 7 "	4504A - 543 4504A - 543 4505A - 544 4505A - 544	N/A N/A N/A N/A	R40H618 R40H618 R40H618 R40H618	NR NR NR NR	NR SP7888S SP7888S NR	NR SP7888S SP7888S NR
F050, F055, F060	Fa	KH	14 " x 2-1/2 "	2060 - 361	Discontinued	R40H596	R40H9219	R40H3536	R40H3537
F070	Fa Fa Fa Fa	WG WG WG WG	15 " x 3 " 15 " x 3 " 15 " x 3 " 15 " x 3 "	1245C - 321 1245C - 321 1245C - 321 1245C - 321	R700321 R700321 R700321 R700321	R40H521 R40H521 R40H521 R40H521	R40H9237 R40H9237 R40H9237 R40H9237	R40H3502 R40H3502 R40H3502 R40H3502	R40H3503 R40H3503 R40H3503 R40H3503
	Fd	DN		7141 - D224	MD224 ³⁴⁰	69310693	60050153	NR	NR
F080, F090	Fd Fd	DN DN		7149 - D236 7149 - D236	MD236 ³⁴¹ MD236 ³⁴¹	69310693 69310693	R40H5523 R40H5523	NR NR	NR NR
F090, F120	Fa Fa	WG WG	15 " x 3 " 15 " x 3 "	1245C - 321 1245C - 321	R700321 R700321	R40H521 R40H521	R40H9237 R40H9237	R40H3502 R40H3502	R40H3503 R40H3503
R170, R175	Ra Ra	KH WG	15 " x 5 " 15 " x 5 "	4646 - 400 1252 - 346	R700400 R700346	R40H595 R40H597	R40H9220 R40H9200	R40H3538 R40H3540	R40H3539 R40H3541
R185	Ra Ra	WG WG	15 " x 6 " 15 " x 7 "	4596 - 381 4597 - 383	R700381 R700383	R40H597 R40H597	R40H9200 R40H9200	R40H3540 R40H3540	R40H3541 R40H3541
1973	Ra Ra Ra Ra	LG LG LG LG	15 " x 6 " 15 " x 6 " 15 " x 7 " 15 " x 7 "	4504A - 543 4504A - 543 4505A - 544 4505A - 544	N/A N/A N/A N/A	R40H618 R40H618 R40H618 R40H618	NR NR NR NR	SP7888S NR SP7888S NR	SP7888S NR SP7888S NR
F050, F055, F060	Fa	KH	14 " x 2-1/2 "	2060 - 361	Discontinued	R40H596	R40H9219	R40H3536	R40H3537
F070	Fa Fa Fa	WG WG WG	15 " x 3 " 15 " x 3 " 15 " x 3 "	1245C - 321 1245C - 321 1245C - 321	R700321 R700321 R700321	R40H521 R40H521 R40H521	R40H9237 R40H9237 R40H9237	R40H3502 R40H3502 R40H3502	R40H3503 R40H3503 R40H3503

9 - 6 Stud, Dayton Rotor, Hat Style
53 - Power Brakes
214 - Power Brakes, Split System
www.XpresswayPlus.com

37 - Also available as a New unit
186 - 10 Stud
221 - Power Brakes, 17,500 or 18,500 lb. Rear Axle

41 - Aluminum piston
188 - 6 Stud, 9.251" Hub
222 - Power Brakes, 18,500 or 22,000 lb. Rear Axle

Contact our Customer Service Teams
1-888-725-9355

MERITOR DRUM OR ROTOR NO.	CALIPER OR CYLINDER BORE SIZE	MERITOR CALIPER OR WHEEL CYLINDER (LEFT)	MERITOR CALIPER OR WHEEL CYLINDER (RIGHT)	MERITOR CALIPER OR WHEEL CYLINDER REPAIR KIT	MERITOR CALIPER PISTON	MERITOR MASTER CYLINDER	MERITOR MASTER CYLINDER KIT	MERITOR BRAKE HOSE (LEFT)	MERITOR BRAKE HOSE (RIGHT)
FORD(Cont.)									
L800 SERIES: LOUISVILLE CONVENTIONAL 106.4 BBC TILT HOOD CHASSIS CAB TRUCK(Cont.)									
N/A	1-5/8 "	201181	201182	SP7895S	NR	-	-	R4577147	R4577147
N/A	1-5/8 "	201185	201186 ³²⁹	SP7895S	NR	-	-	R4577147	R4577147
N/A	1.09375	R4133484	R4133485	R4166819	NR	R4111629 ⁵³	R4122484	R4577460	R4577460
N/A	1-1/8 "	R4133714	R4133715	R4166926	NR	R4111631 ²²¹	R4122486	R4577452	R4577453
N/A	1-1/8 "	R4133714	R4133715	R4166926	NR	R4111995 ⁵³	-	R4577454	R4577455
N/A	1-1/8 "	R4133719	R4133718	R4166926	NR	R4111634 ⁵³	N/A	R4577452	R4577453
N/A	1-1/8 "	R4133716	R4133717	R4166926	NR	R4111772 ⁵³	R4122488	R4577454	R4577455
23-122700-002 ⁹	2-1/2 "	R424244X	R424244X ³⁷	60050266	69270757 ⁴¹	R4111992 ²¹⁴	R4122386	R4577452	R4577453
23-122691-002 ¹⁸⁸	2-7/8 "	60050145X	60050145X ³⁷	60050146	69270702 ⁴¹	R4111992 ²¹⁴	R4122386	R4577452	R4577453
23-122703-002 ¹⁸⁶	2-7/8 "	60050145X	60050145X ³⁷	60050146	69270702 ⁴¹	R4111992 ²¹⁴	R4122386	R4577452	R4577453
N/A	1-1/4 "	R4133720	R4133721	R4166923	NR	R4111630 ²²²	N/A	R4577452	R4577453
N/A	1-1/4 "	R4133581	R4133581	R4166923	NR	R4111992 ²¹⁴	R4122386	R4577452	R4577453
N/A	1-1/2 "	R4033607	R4033607	R4166818	NR	-	-	R4577147	R4577147
N/A	1-5/8 "	R4133338	R4133338	R4166689	NR	-	-	R4577147	R4577147
N/A	1-5/8 "	R4133338	R4133338	R4166689	NR	-	-	R4577147	R4577147
N/A	1-3/4 "	R4133400	R4133400	R4166917	NR	-	-	R4577147	R4577147
N/A	1-5/8 "	201185	201186 ³²⁹	SP7895S	NR	-	-	R4577147	R4577147
N/A	1-5/8 "	201181	201182	SP7895S	NR	-	-	R4577147	R4577147
N/A	1-5/8 "	201185	201186 ³²⁹	SP7895S	NR	-	-	R4577147	R4577147
N/A	1-5/8 "	201181	201182	SP7895S	NR	-	-	R4577147	R4577147
N/A	1.09375	R4133484	R4133485	R4166819	NR	R4111629 ⁵³	R4122484	R4577460	R4577460
N/A	1-1/8 "	R4133719	R4133718	R4166926	NR	R4111634 ⁵³	N/A	R4577452	R4577453
N/A	1-1/8 "	R4133714	R4133715	R4166926	NR	R4111995 ⁵³	-	R4577454	R4577455
N/A	1-1/8 "	R4133716	R4133717	R4166926	NR	R4111772 ⁵³	R4122488	R4577454	R4577455
N/A	1-1/8 "	R4133714	R4133715	R4166926	NR	R4111631 ²²¹	R4122486	R4577452	R4577453
23-122700-002 ⁹	2-1/2 "	R424244X	R424244X ³⁷	60050266	69270757 ⁴¹	R4111992 ²¹⁴	R4122386	R4577452	R4577453
23-122703-002 ¹⁸⁶	2-7/8 "	60050145X	60050145X ³⁷	60050146	69270702 ⁴¹	R4111992 ²¹⁴	R4122386	R4577452	R4577453
23-122691-002 ¹⁸⁸	2-7/8 "	60050145X	60050145X ³⁷	60050146	69270702 ⁴¹	R4111992 ²¹⁴	R4122386	R4577452	R4577453
N/A	1-1/4 "	R4133720	R4133721	R4166923	NR	R4111630 ²²²	N/A	R4577452	R4577453
N/A	1-1/4 "	R4133581	R4133581	R4166923	NR	R4111992 ²¹⁴	R4122386	R4577452	R4577453
N/A	1-1/2 "	R4033607	R4033607	R4166818	NR	-	-	R4577147	R4577147
N/A	1-5/8 "	R4133338	R4133338	R4166689	NR	-	-	R4577147	R4577147
N/A	1-5/8 "	R4133338	R4133338	R4166689	NR	-	-	R4577147	R4577147
N/A	1-3/4 "	R4133400	R4133400	R4166917	NR	-	-	R4577147	R4577147
N/A	1-5/8 "	201181	201182	SP7895S	NR	-	-	R4577147	R4577147
N/A	1-5/8 "	201185	201186 ³²⁹	SP7895S	NR	-	-	R4577147	R4577147
N/A	1-5/8 "	201185	201186 ³²⁹	SP7895S	NR	-	-	R4577147	R4577147
N/A	1-5/8 "	201181	201182	SP7895S	NR	-	-	R4577147	R4577147
N/A	1.09375	R4133484	R4133485	R4166819	NR	R4111629 ⁵³	R4122484	R4577460	R4577460
N/A	1-1/8 "	R4133714	R4133715	R4166926	NR	R4111995 ⁵³	-	R4577454	R4577455
N/A	1-1/8 "	R4133714	R4133715	R4166926	NR	R4111631 ²²¹	R4122486	R4577452	R4577453
N/A	1-1/8 "	R4133719	R4133718	R4166926	NR	R4111634 ⁵³	N/A	R4577452	R4577453
N/A	1-1/8 "	R4133716	R4133717	R4166926	NR	R4111772 ⁵³	R4122488	R4577454	R4577455
23-122700-002 ⁹	2-1/2 "	R424244X	R424244X ³⁷	60050266	69270757 ⁴¹	R4111992 ²¹⁴	R4122386	R4577452	R4577453
23-122691-002 ¹⁸⁸	2-7/8 "	60050145X	60050145X ³⁷	60050146	69270702 ⁴¹	R4111992 ²¹⁴	R4122386	R4577452	R4577453
23-122703-002 ¹⁸⁶	2-7/8 "	60050145X	60050145X ³⁷	60050146	69270702 ⁴¹	R4111992 ²¹⁴	R4122386	R4577452	R4577453
N/A	1-1/4 "	R4133581	R4133581	R4166923	NR	R4111992 ²¹⁴	R4122386	R4577452	R4577453
N/A	1-1/4 "	R4133720	R4133721	R4166923	NR	R4111630 ²²²	N/A	R4577452	R4577453
N/A	1-1/2 "	R4033607	R4033607	R4166818	NR	-	-	R4577147	R4577147
N/A	1-5/8 "	R4133338	R4133338	R4166689	NR	-	-	R4577147	R4577147
N/A	1-5/8 "	R4133338	R4133338	R4166689	NR	-	-	R4577147	R4577147
N/A	1-3/4 "	R4133400	R4133400	R4166917	NR	-	-	R4577147	R4577147
N/A	1-5/8 "	201185	201186 ³²⁹	SP7895S	NR	-	-	R4577147	R4577147
N/A	1-5/8 "	201181	201182	SP7895S	NR	-	-	R4577147	R4577147
N/A	1-5/8 "	201185	201186 ³²⁹	SP7895S	NR	-	-	R4577147	R4577147
N/A	1-5/8 "	201181	201182	SP7895S	NR	-	-	R4577147	R4577147
N/A	1.09375	R4133484	R4133485	R4166819	NR	R4111629 ⁵³	R4122484	R4577460	R4577460
N/A	1-1/8 "	R4133714	R4133715	R4166926	NR	R4111995 ⁵³	-	R4577454	R4577455
N/A	1-1/8 "	R4133716	R4133717	R4166926	NR	R4111772 ⁵³	R4122488	R4577454	R4577455
N/A	1-1/8 "	R4133719	R4133718	R4166926	NR	R4111634 ⁵³	N/A	R4577452	R4577453

MAKE MODEL YEAR AXLE CODE AXLE WEIGHT	AXLE & BRK. TYPE	BRK. MFG.	BRAKE SIZE	FMSI	MERITOR DISC PAD OR BRAKE SHOE	MERITOR GUIDE PIN OR RETURN SPRING KIT	MERITOR CALIPER HWD. KIT OR RETURN SPRING KIT	MERITOR ADJUSTER KIT (LEFT WHEEL)	MERITOR ADJUSTER KIT (RIGHT WHEEL)
FORD(Cont.)									
L800 SERIES: LOUISVILLE CONVENTIONAL 106.4 BBC TILT HOOD CHASSIS CAB TRUCK(Cont.)									
1973	Fa	WG	15 " x 3 "	1245C - 321	R700321	R40H521	R40H9237	R40H3502	R40H3503
	Fd	DN		7141 - D224	MD224 ³⁴⁰	69310693	60050153	NR	NR
F080, F090	Fd	DN		7149 - D236	MD236 ³⁴¹	69310693	R40H5523	NR	NR
	Fd	DN		7149 - D236	MD236 ³⁴¹	69310693	R40H5523	NR	NR
F090, F120	Fa	WG	15 " x 3 "	1245C - 321	R700321	R40H521	R40H9237	R40H3502	R40H3503
	Fa	WG	15 " x 3 "	1245C - 321	R700321	R40H521	R40H9237	R40H3502	R40H3503
R170, R175	Ra	KH	15 " x 5 "	4646 - 400	R700400	R40H595	R40H9220	R40H3538	R40H3539
	Ra	WG	15 " x 5 "	1252 - 346	R700346	R40H597	R40H9200	R40H3540	R40H3541
R185	Ra	WG	15 " x 6 "	4596 - 381	R700381	R40H597	R40H9200	R40H3540	R40H3541
	Ra	WG	15 " x 7 "	4597 - 383	R700383	R40H597	R40H9200	R40H3540	R40H3541
LN600 SERIES: LOUISVILLE 94.4 BBC SHORT CONVENTIONAL CHASSIS CAB									
1995	Fd	DN		7149 - D236	MD236 ³⁴¹	69310693	69310782	NR	NR
	Fd	DN		7141 - D224	MD224 ³⁴⁰	69310693	60050153	NR	NR
	Fd	DN		7149 - D236	MD236 ³⁴¹	69310693	69310782	NR	NR
	Fd	DN		7149 - D236	MD236 ³⁴¹	69310693	69310782	NR	NR
	Ra	LG	15 " x 5 "	4528A - 542	N/A	R40H618	NR	NR	NR
	Ra	LG	15 " x 5 "	4528A - 542	N/A	R40H618	NR	SP7888S	SP7888S
	Ra	LG	15 " x 6 "	4504A - 543	N/A	R40H618	NR	SP7887S	SP7887S
	Ra	LG	15 " x 6 "	4504A - 543	N/A	R40H618	NR	NR	NR
	Ra	LG	15 " x 7 "	4505A - 544	N/A	R40H618	NR	NR	NR
	Ra	LG	15 " x 7 "	4505A - 544	N/A	R40H618	NR	SP7887S	SP7887S
1994	Fd	DN		7149 - D236	MD236 ³⁴¹	69310693	69310782	NR	NR
	Fd	DN		7149 - D236	MD236 ³⁴¹	69310693	69310782	NR	NR
	Fd	DN		7141 - D224	MD224 ³⁴⁰	69310693	60050153	NR	NR
	Fd	DN		7149 - D236	MD236 ³⁴¹	69310693	69310782	NR	NR
	Ra	LG	15 " x 5 "	4528A - 542	N/A	R40H618	NR	SP7888S	SP7888S
	Ra	LG	15 " x 5 "	4528A - 542	N/A	R40H618	NR	NR	NR
	Ra	LG	15 " x 6 "	4504A - 543	N/A	R40H618	NR	SP7887S	SP7887S
	Ra	LG	15 " x 6 "	4504A - 543	N/A	R40H618	NR	NR	NR
	Ra	LG	15 " x 7 "	4505A - 544	N/A	R40H618	NR	NR	NR
	Ra	LG	15 " x 7 "	4505A - 544	N/A	R40H618	NR	SP7887S	SP7887S
1993	Fd	DN		7141 - D224	MD224 ³⁴⁰	69310693	60050153	NR	NR
	Fd	DN		7149 - D236	MD236 ³⁴¹	69310693	69310782	NR	NR
	Fd	DN		7149 - D236	MD236 ³⁴¹	69310693	69310782	NR	NR
	Fd	DN		7149 - D236	MD236 ³⁴¹	69310693	69310782	NR	NR
	Ra	LG	15 " x 5 "	4528A - 542	N/A	R40H618	NR	SP7888S	SP7888S
	Ra	LG	15 " x 5 "	4528A - 542	N/A	R40H618	NR	NR	NR
	Ra	LG	15 " x 6 "	4504A - 543	N/A	R40H618	NR	NR	NR
	Ra	LG	15 " x 6 "	4504A - 543	N/A	R40H618	NR	SP7887S	SP7887S
	Ra	LG	15 " x 7 "	4505A - 544	N/A	R40H618	NR	SP7887S	SP7887S
	Ra	LG	15 " x 7 "	4505A - 544	N/A	R40H618	NR	NR	NR
1992	Fd	DN		7141 - D224	MD224 ³⁴⁰	69310693	60050153	NR	NR
	Fd	DN		7149 - D236	MD236 ³⁴¹	69310693	69310782	NR	NR
	Fd	DN		7149 - D236	MD236 ³⁴¹	69310693	69310782	NR	NR
	Fd	DN		7149 - D236	MD236 ³⁴¹	69310693	69310782	NR	NR
	Ra	LG	15 " x 5 "	4528A - 542	N/A	R40H618	NR	SP7888S	SP7888S
	Ra	LG	15 " x 5 "	4528A - 542	N/A	R40H618	NR	NR	NR
	Ra	LG	15 " x 6 "	4504A - 543	N/A	R40H618	NR	NR	NR
	Ra	LG	15 " x 6 "	4504A - 543	N/A	R40H618	NR	SP7887S	SP7887S
	Ra	LG	15 " x 7 "	4505A - 544	N/A	R40H618	NR	NR	NR
	Ra	LG	15 " x 7 "	4505A - 544	N/A	R40H618	NR	SP7887S	SP7887S
1991	Fd	DN		7149 - D236	MD236 ³⁴¹	69310693	69310782	NR	NR
	Fd	DN		7149 - D236	MD236 ³⁴¹	69310693	69310782	NR	NR
	Fd	DN		7149 - D236	MD236 ³⁴¹	69310693	69310782	NR	NR
	Fd	DN		7141 - D224	MD224 ³⁴⁰	69310693	60050153	NR	NR
	Ra	LG	15 " x 5 "	4528A - 542	N/A	R40H618	NR	SP7888S	SP7888S
	Ra	LG	15 " x 6 "	4504A - 543	N/A	R40H618	NR	NR	NR

9 - 6 Stud, Dayton Rotor, Hat Style
 186 - 10 Stud
 204 - Right Hand; use E-4057 for Left Hand Expander Kits
 www.XpresswayPlus.com

37 - Also available as a New unit
 187 - 6 Stud, 6.443" Hub
 214 - Power Brakes, Split System

41 - Aluminum piston
 188 - 6 Stud, 9.251" Hub
 221 - Power Brakes, 17,500 or 18,500 lb. Rear Axle

MERITOR DRUM OR ROTOR NO.	CALIPER OR CYLINDER BORE SIZE	MERITOR CALIPER OR WHEEL CYLINDER (LEFT)	MERITOR CALIPER OR WHEEL CYLINDER (RIGHT)	MERITOR CALIPER OR WHEEL CYLINDER REPAIR KIT	MERITOR CALIPER PISTON	MERITOR MASTER CYLINDER	MERITOR MASTER CYLINDER KIT	MERITOR BRAKE HOSE (LEFT)	MERITOR BRAKE HOSE (RIGHT)
FORD(Cont.)									
L800 SERIES: LOUISVILLE CONVENTIONAL 106.4 BBC TILT HOOD CHASSIS CAB TRUCK(Cont.)									
N/A	1-1/8 "	R4133714	R4133715	R4166926	NR	R4111631 ²²¹	R4122486	R4577452	R4577453
23-122700-002 ⁹	2-1/2 "	R424244X	R424244X ³⁷	60050266	69270757 ⁴¹	R4111992 ²¹⁴	R4122386	R4577452	R4577453
23-122691-002 ¹⁸⁸	2-7/8 "	60050145X	60050145X ³⁷	60050146	69270702 ⁴¹	R4111992 ²¹⁴	R4122386	R4577452	R4577453
23-122703-002 ¹⁸⁶	2-7/8 "	60050145X	60050145X ³⁷	60050146	69270702 ⁴¹	R4111992 ²¹⁴	R4122386	R4577452	R4577453
N/A	1-1/4 "	R4133720	R4133721	R4166923	NR	R4111630 ²²²	N/A	R4577452	R4577453
N/A	1-1/4 "	R4133581	R4133581	R4166923	NR	R4111992 ²¹⁴	R4122386	R4577452	R4577453
N/A	1-1/2 "	R4033607	R4033607	R4166818	NR	-	-	R4577147	R4577147
N/A	1-5/8 "	R4133338	R4133338	R4166689	NR	-	-	R4577147	R4577147
N/A	1-5/8 "	R4133338	R4133338	R4166689	NR	-	-	R4577147	R4577147
N/A	1-3/4 "	R4133400	R4133400	R4166917	NR	-	-	R4577147	R4577147
LN600 SERIES: LOUISVILLE 94.4 BBC SHORT CONVENTIONAL CHASSIS CAB									
23-122691-002 ¹⁸⁸	2-7/8 "	60050145X	60050145X ³⁷	60050146	69270702 ⁴¹	-	-	R4577461	R4577461
23-122700-002 ⁹	2-1/2 "	R424244X	R424244X ³⁷	60050266	69270757 ⁴¹	-	-	R4577461	R4577461
23-122703-002 ¹⁸⁶	2-7/8 "	60050145X	60050145X ³⁷	60050146	69270702 ⁴¹	-	-	R4577461	R4577461
23-122743-002 ¹⁸⁷	2-7/8 "	60050145X	60050145X ³⁷	60050146	69270702 ⁴¹	-	-	R4577461	R4577461
N/A	1-5/8 "	201181	201182	SP7895S	NR	-	-	R4577870	R4577870
N/A	1-5/8 "	201185	201186 ³²⁹	SP7895S	NR	-	-	R4577870	R4577870
N/A	1-3/4 "	201183X	201184X ³²⁹	SP7873S	NR	-	-	R4577870	R4577870
N/A	1-3/4 "	201179X	201180X	SP7873S	SP7880S ²⁰⁴	-	-	R4577870	R4577870
N/A	1-3/4 "	201179X	201180X	SP7873S	SP7880S ²⁰⁴	-	-	R4577870	R4577870
N/A	1-3/4 "	201183X	201184X ³²⁹	SP7873S	NR	-	-	R4577870	R4577870
23-122743-002 ¹⁸⁷	2-7/8 "	60050145X	60050145X ³⁷	60050146	69270702 ⁴¹	-	-	R4577461	R4577461
23-122703-002 ¹⁸⁶	2-7/8 "	60050145X	60050145X ³⁷	60050146	69270702 ⁴¹	-	-	R4577461	R4577461
23-122700-002 ⁹	2-1/2 "	R424244X	R424244X ³⁷	60050266	69270757 ⁴¹	-	-	R4577461	R4577461
23-122691-002 ¹⁸⁸	2-7/8 "	60050145X	60050145X ³⁷	60050146	69270702 ⁴¹	-	-	R4577461	R4577461
23-122743-002 ¹⁸⁷	2-7/8 "	60050145X	60050145X ³⁷	60050146	69270702 ⁴¹	-	-	R4577461	R4577461
N/A	1-5/8 "	201185	201186 ³²⁹	SP7895S	NR	-	-	R4577870	R4577870
N/A	1-5/8 "	201181	201182	SP7895S	NR	-	-	R4577870	R4577870
N/A	1-3/4 "	201179X	201180X	SP7873S	SP7880S ²⁰⁴	-	-	R4577870	R4577870
N/A	1-3/4 "	201183X	201184X ³²⁹	SP7873S	NR	-	-	R4577870	R4577870
N/A	1-3/4 "	201179X	201180X	SP7873S	SP7880S ²⁰⁴	-	-	R4577870	R4577870
N/A	1-3/4 "	201183X	201184X ³²⁹	SP7873S	NR	-	-	R4577870	R4577870
23-122700-002 ⁹	2-1/2 "	R424244X	R424244X ³⁷	60050266	69270757 ⁴¹	-	-	R4577461	R4577461
23-122691-002 ¹⁸⁸	2-7/8 "	60050145X	60050145X ³⁷	60050146	69270702 ⁴¹	-	-	R4577461	R4577461
23-122703-002 ¹⁸⁶	2-7/8 "	60050145X	60050145X ³⁷	60050146	69270702 ⁴¹	-	-	R4577461	R4577461
23-122743-002 ¹⁸⁷	2-7/8 "	60050145X	60050145X ³⁷	60050146	69270702 ⁴¹	-	-	R4577461	R4577461
N/A	1-5/8 "	201185	201186 ³²⁹	SP7895S	NR	-	-	R4577870	R4577870
N/A	1-5/8 "	201181	201182	SP7895S	NR	-	-	R4577870	R4577870
N/A	1-3/4 "	201179X	201180X	SP7873S	SP7880S ²⁰⁴	-	-	R4577870	R4577870
N/A	1-3/4 "	201183X	201184X ³²⁹	SP7873S	NR	-	-	R4577870	R4577870
N/A	1-3/4 "	201179X	201180X	SP7873S	SP7880S ²⁰⁴	-	-	R4577870	R4577870
N/A	1-3/4 "	201183X	201184X ³²⁹	SP7873S	NR	-	-	R4577870	R4577870
23-122691-002 ¹⁸⁸	2-7/8 "	60050145X	60050145X ³⁷	60050146	69270702 ⁴¹	-	-	R4577461	R4577461
23-122743-002 ¹⁸⁷	2-7/8 "	60050145X	60050145X ³⁷	60050146	69270702 ⁴¹	-	-	R4577461	R4577461
23-122703-002 ¹⁸⁶	2-7/8 "	60050145X	60050145X ³⁷	60050146	69270702 ⁴¹	-	-	R4577461	R4577461
23-122700-002 ⁹	2-1/2 "	R424244X	R424244X ³⁷	60050266	69270757 ⁴¹	-	-	R4577461	R4577461
N/A	1-5/8 "	201185	201186 ³²⁹	SP7895S	NR	-	-	R4577870	R4577870
N/A	1-5/8 "	201181	201182	SP7895S	NR	-	-	R4577870	R4577870
N/A	1-3/4 "	201179X	201180X	SP7873S	SP7880S ²⁰⁴	-	-	R4577870	R4577870
N/A	1-3/4 "	201183X	201184X ³²⁹	SP7873S	NR	-	-	R4577870	R4577870
N/A	1-3/4 "	201179X	201180X	SP7873S	SP7880S ²⁰⁴	-	-	R4577870	R4577870
N/A	1-3/4 "	201183X	201184X ³²⁹	SP7873S	NR	-	-	R4577870	R4577870

222 - Power Brakes, 18,500 or 22,000 lb. Rear Axle
 341 - Use 69160445 for Disc Pad Retainer Clip

329 - Forward

340 - Use 69160457 for Disc Pad Retainer Clip

MAKE MODEL YEAR AXLE CODE AXLE WEIGHT	AXLE & BRK. TYPE	BRK. MFG.	BRAKE SIZE	FMSI	MERITOR DISC PAD OR BRAKE SHOE	MERITOR GUIDE PIN OR RETURN SPRING KIT	MERITOR CALIPER HWD. KIT OR RETURN SPRING KIT	MERITOR ADJUSTER KIT (LEFT WHEEL)	MERITOR ADJUSTER KIT (RIGHT WHEEL)
FORD(Cont.)									
LN600 SERIES: LOUISVILLE 94.4 BBC SHORT CONVENTIONAL CHASSIS CAB(Cont.)									
1991	Ra	LG	15 " x 6 "	4504A - 543	N/A	R40H618	NR	SP7887S	SP7887S
	Ra	LG	15 " x 7 "	4505A - 544	N/A	R40H618	NR	SP7887S	SP7887S
	Ra	LG	15 " x 7 "	4505A - 544	N/A	R40H618	NR	NR	NR
1990	Fd	DN		7149 - D236	MD236 ³⁴¹	69310693	69310782	NR	NR
	Fd	DN		7141 - D224	MD224 ³⁴⁰	69310693	60050153	NR	NR
	Fd	DN		7149 - D236	MD236 ³⁴¹	69310693	69310782	NR	NR
	Fd	DN		7149 - D236	MD236 ³⁴¹	69310693	69310782	NR	NR
	Ra	LG	15 " x 5 "	4528A - 542	N/A	R40H618	NR	NR	NR
	Ra	LG	15 " x 5 "	4528A - 542	N/A	R40H618	NR	SP7888S	SP7888S
	Ra	LG	15 " x 6 "	4504A - 543	N/A	R40H618	NR	SP7887S	SP7887S
	Ra	LG	15 " x 6 "	4504A - 543	N/A	R40H618	NR	NR	NR
	Ra	LG	15 " x 7 "	4505A - 544	N/A	R40H618	NR	SP7887S	SP7887S
	Ra	LG	15 " x 7 "	4505A - 544	N/A	R40H618	NR	NR	NR
1989	Fd	DN		7141 - D224	MD224 ³⁴⁰	69310693	60050153	NR	NR
	Fd	DN		7149 - D236	MD236 ³⁴¹	69310693	69310782 ⁴³	NR	NR
	Fd	DN		7149 - D236	MD236 ³⁴¹	69310693	69310782 ⁴³	NR	NR
	Fd	DN		7149 - D236	MD236 ³⁴¹	69310693	69310782 ⁴³	NR	NR
	Ra	LG	15 " x 5 "	4528A - 542	N/A	R40H618	NR	SP7888S	SP7888S
	Ra	LG	15 " x 5 "	4528A - 542	N/A	R40H618	NR	NR	NR
	Ra	LG	15 " x 6 "	4504A - 543	N/A	R40H618	NR	SP7887S	SP7887S
	Ra	LG	15 " x 6 "	4504A - 543	N/A	R40H618	NR	NR	NR
	Ra	LG	15 " x 7 "	4505A - 544	N/A	R40H618	NR	NR	NR
	Ra	LG	15 " x 7 "	4505A - 544	N/A	R40H618	NR	SP7887S	SP7887S
1988	Fd	DN		7149 - D236	MD236 ³⁴¹	69310693	69310782 ⁴³	NR	NR
	Fd	DN		7149 - D236	MD236 ³⁴¹	69310693	69310782 ⁴³	NR	NR
	Fd	DN		7141 - D224	MD224 ³⁴⁰	69310693	60050153	NR	NR
	Fd	DN		7149 - D236	MD236 ³⁴¹	69310693	69310782 ⁴³	NR	NR
	Ra	LG	15 " x 5 "	4528A - 542	N/A	R40H618	NR	SP7888S	SP7888S
	Ra	LG	15 " x 5 "	4528A - 542	N/A	R40H618	NR	NR	NR
	Ra	LG	15 " x 6 "	4504A - 543	N/A	R40H618	NR	NR	NR
	Ra	LG	15 " x 6 "	4504A - 543	N/A	R40H618	NR	SP7887S	SP7887S
	Ra	LG	15 " x 7 "	4505A - 544	N/A	R40H618	NR	NR	NR
	Ra	LG	15 " x 7 "	4505A - 544	N/A	R40H618	NR	SP7887S	SP7887S
1987	Fd	DN		7141 - D224	MD224 ³⁴⁰	69310693	60050153	NR	NR
	Fd	DN		7149 - D236	MD236 ³⁴¹	69310693	69310782 ⁴³	NR	NR
	Fd	DN		7149 - D236	MD236 ³⁴¹	69310693	69310782 ⁴³	NR	NR
	Fd	DN		7149 - D236	MD236 ³⁴¹	69310693	69310782 ⁴³	NR	NR
	Ra	LG	15 " x 5 "	4528A - 542	N/A	R40H618	NR	SP7888S	SP7888S
	Ra	LG	15 " x 5 "	4528A - 542	N/A	R40H618	NR	NR	NR
	Ra	LG	15 " x 6 "	4504A - 543	N/A	R40H618	NR	SP7887S	SP7887S
	Ra	LG	15 " x 6 "	4504A - 543	N/A	R40H618	NR	NR	NR
	Ra	LG	15 " x 7 "	4505A - 544	N/A	R40H618	NR	SP7887S	SP7887S
	Ra	LG	15 " x 7 "	4505A - 544	N/A	R40H618	NR	NR	NR
1986	Fd	DN		7149 - D236	MD236 ³⁴¹	69310693	69310782	NR	NR
	Fd	DN		7149 - D236	MD236 ³⁴¹	69310693	69310782	NR	NR
	Fd	DN		7149 - D236	MD236 ³⁴¹	69310693	69310782	NR	NR
	Fd	DN		7141 - D224	MD224 ³⁴⁰	69310693	60050153	NR	NR
	Ra	LG	15 " x 5 "	4528A - 542	N/A	R40H618	NR	NR	NR
	Ra	LG	15 " x 5 "	4528A - 542	N/A	R40H618	NR	SP7888S	SP7888S
	Ra	LG	15 " x 6 "	4504A - 543	N/A	R40H618	NR	SP7887S	SP7887S
	Ra	LG	15 " x 6 "	4504A - 543	N/A	R40H618	NR	NR	NR
	Ra	LG	15 " x 6 "	4504A - 543	N/A	R40H618	NR	SP7887S	SP7887S
	Ra	LG	15 " x 7 "	4505A - 544	N/A	R40H618	NR	SP7887S	SP7887S
F050, F055, F060	Fa	KH	14 " x 2-1/2 "	2060 - 361	Discontinued	R40H596	R40H9219	R40H3536	R40H3537
F070	Fa	WG	15 " x 3 "	1245C - 321	R700321	R40H521	R40H9237	R40H3502	R40H3503

9 - 6 Stud, Dayton Rotor, Hat Style
 43 - For Applications Taking A Longer Shim, Use R404151706
 187 - 6 Stud, 6.443" Hub
 www.XpresswayPlus.com

37 - Also available as a New unit
 53 - Power Brakes
 188 - 6 Stud, 9.251" Hub

41 - Aluminum piston
 186 - 10 Stud
 204 - Right Hand; use E-4057 for Left Hand Expander Kits
 Contact our Customer Service Teams
 1-888-725-9355

MERITOR DRUM OR ROTOR NO.	CALIPER OR CYLINDER BORE SIZE	MERITOR CALIPER OR WHEEL CYLINDER (LEFT)	MERITOR CALIPER OR WHEEL CYLINDER (RIGHT)	MERITOR CALIPER OR WHEEL CYLINDER REPAIR KIT	MERITOR CALIPER PISTON	MERITOR MASTER CYLINDER	MERITOR MASTER CYLINDER KIT	MERITOR BRAKE HOSE (LEFT)	MERITOR BRAKE HOSE (RIGHT)
FORD(Cont.)									
LN600 SERIES: LOUISVILLE 94.4 BBC SHORT CONVENTIONAL CHASSIS CAB(Cont.)									
N/A	1-3/4 "	201183X	201184X ³²⁹	SP7873S	NR	-	-	R4577870	R4577870
N/A	1-3/4 "	201183X	201184X ³²⁹	SP7873S	NR	-	-	R4577870	R4577870
N/A	1-3/4 "	201179X	201180X	SP7873S	SP7880S ²⁰⁴	-	-	R4577870	R4577870
23-122691-002 ¹⁸⁸	2-7/8 "	60050145X	60050145X ³⁷	60050146	69270702 ⁴¹	R4111999 ⁵³	R4122386	R4577461	R4577461
23-122700-002 ⁹	2-1/2 "	R424244X	R424244X ³⁷	60050266	69270757 ⁴¹	R4111999 ⁵³	R4122386	R4577461	R4577461
23-122743-002 ¹⁸⁷	2-7/8 "	60050145X	60050145X ³⁷	60050146	69270702 ⁴¹	R4111999 ⁵³	R4122386	R4577461	R4577461
23-122703-002 ¹⁸⁶	2-7/8 "	60050145X	60050145X ³⁷	60050146	69270702 ⁴¹	R4111999 ⁵³	R4122386	R4577461	R4577461
N/A	1-5/8 "	201181	201182	SP7895S	NR	-	-	R4577870	R4577870
N/A	1-5/8 "	201185	201186 ³²⁹	SP7895S	NR	-	-	R4577870	R4577870
N/A	1-3/4 "	201183X	201184X ³²⁹	SP7873S	NR	-	-	R4577870	R4577870
N/A	1-3/4 "	201179X	201180X	SP7873S	SP7880S ²⁰⁴	-	-	R4577870	R4577870
N/A	1-3/4 "	201183X	201184X ³²⁹	SP7873S	NR	-	-	R4577870	R4577870
N/A	1-3/4 "	201179X	201180X	SP7873S	SP7880S ²⁰⁴	-	-	R4577870	R4577870
23-122700-002 ⁹	2-1/2 "	R424244X	R424244X ³⁷	60050266	69270757 ⁴¹	R4111999 ⁵³	R4122386	R4577461	R4577461
23-122691-002 ¹⁸⁸	2-7/8 "	60050145X	60050145X ³⁷	60050146	69270702 ⁴¹	R4111999 ⁵³	R4122386	R4577461	R4577461
23-122703-002 ¹⁸⁶	2-7/8 "	60050145X	60050145X ³⁷	60050146	69270702 ⁴¹	R4111999 ⁵³	R4122386	R4577461	R4577461
23-122743-002 ¹⁸⁷	2-7/8 "	60050145X	60050145X ³⁷	60050146	69270702 ⁴¹	R4111999 ⁵³	R4122386	R4577461	R4577461
N/A	1-5/8 "	201185	201186 ³²⁹	SP7895S	NR	-	-	N/A	N/A
N/A	1-5/8 "	201181	201182	SP7895S	NR	-	-	N/A	N/A
N/A	1-3/4 "	201183X	201184X ³²⁹	SP7873S	NR	-	-	N/A	N/A
N/A	1-3/4 "	201179X	201180X	SP7873S	SP7880S ²⁰⁴	-	-	N/A	N/A
N/A	1-3/4 "	201179X	201180X	SP7873S	SP7880S ²⁰⁴	-	-	N/A	N/A
N/A	1-3/4 "	201183X	201184X ³²⁹	SP7873S	NR	-	-	N/A	N/A
23-122703-002 ¹⁸⁶	2-7/8 "	60050145X	60050145X ³⁷	60050146	69270702 ⁴¹	R4111999 ⁵³	R4122386	R4577461	R4577461
23-122743-002 ¹⁸⁷	2-7/8 "	60050145X	60050145X ³⁷	60050146	69270702 ⁴¹	R4111999 ⁵³	R4122386	R4577461	R4577461
23-122700-002 ⁹	2-1/2 "	R424244X	R424244X ³⁷	60050266	69270757 ⁴¹	R4111999 ⁵³	R4122386	R4577461	R4577461
23-122691-002 ¹⁸⁸	2-7/8 "	60050145X	60050145X ³⁷	60050146	69270702 ⁴¹	R4111999 ⁵³	R4122386	R4577461	R4577461
N/A	1-5/8 "	201185	201186 ³²⁹	SP7895S	NR	-	-	N/A	N/A
N/A	1-5/8 "	201181	201182	SP7895S	NR	-	-	N/A	N/A
N/A	1-3/4 "	201179X	201180X	SP7873S	SP7880S ²⁰⁴	-	-	N/A	N/A
N/A	1-3/4 "	201183X	201184X ³²⁹	SP7873S	NR	-	-	N/A	N/A
N/A	1-3/4 "	201179X	201180X	SP7873S	SP7880S ²⁰⁴	-	-	N/A	N/A
N/A	1-3/4 "	201183X	201184X ³²⁹	SP7873S	NR	-	-	N/A	N/A
23-122700-002 ⁹	2-1/2 "	R424244X	R424244X ³⁷	60050266	69270757 ⁴¹	R4111999 ⁵³	R4122386	R4577461	R4577461
23-122691-002 ¹⁸⁸	2-7/8 "	60050145X	60050145X ³⁷	60050146	69270702 ⁴¹	R4111999 ⁵³	R4122386	R4577461	R4577461
23-122743-002 ¹⁸⁷	2-7/8 "	60050145X	60050145X ³⁷	60050146	69270702 ⁴¹	R4111999 ⁵³	R4122386	R4577461	R4577461
23-122703-002 ¹⁸⁶	2-7/8 "	60050145X	60050145X ³⁷	60050146	69270702 ⁴¹	R4111999 ⁵³	R4122386	R4577461	R4577461
N/A	1-5/8 "	201185	201186 ³²⁹	SP7895S	NR	-	-	N/A	N/A
N/A	1-5/8 "	201181	201182	SP7895S	NR	-	-	N/A	N/A
N/A	1-3/4 "	201183X	201184X ³²⁹	SP7873S	NR	-	-	N/A	N/A
N/A	1-3/4 "	201179X	201180X	SP7873S	SP7880S ²⁰⁴	-	-	N/A	N/A
N/A	1-3/4 "	201183X	201184X ³²⁹	SP7873S	NR	-	-	N/A	N/A
N/A	1-3/4 "	201179X	201180X	SP7873S	SP7880S ²⁰⁴	-	-	N/A	N/A
N/A	1-3/4 "	201183X	201184X ³²⁹	SP7873S	NR	-	-	N/A	N/A
23-122703-002 ¹⁸⁶	2-7/8 "	60050145X	60050145X ³⁷	60050146	69270702 ⁴¹	R4111999 ⁵³	R4122386	R4577461	R4577461
23-122743-002 ¹⁸⁷	2-7/8 "	60050145X	60050145X ³⁷	60050146	69270702 ⁴¹	R4111999 ⁵³	R4122386	R4577461	R4577461
23-122691-002 ¹⁸⁸	2-7/8 "	60050145X	60050145X ³⁷	60050146	69270702 ⁴¹	R4111999 ⁵³	R4122386	R4577461	R4577461
23-122700-002 ⁹	2-1/2 "	R424244X	R424244X ³⁷	60050266	69270757 ⁴¹	R4111999 ⁵³	R4122386	R4577461	R4577461
N/A	1-5/8 "	201181	201182	SP7895S	NR	-	-	N/A	N/A
N/A	1-5/8 "	201185	201186 ³²⁹	SP7895S	NR	-	-	N/A	N/A
N/A	1-3/4 "	201183X	201184X ³²⁹	SP7873S	NR	-	-	N/A	N/A
N/A	1-3/4 "	201179X	201180X	SP7873S	SP7880S ²⁰⁴	-	-	N/A	N/A
N/A	1-3/4 "	201179X	201180X	SP7873S	SP7880S ²⁰⁴	-	-	N/A	N/A
N/A	1-3/4 "	201183X	201184X ³²⁹	SP7873S	NR	-	-	N/A	N/A
N/A	1-3/4 "	201183X	201184X ³²⁹	SP7873S	NR	-	-	N/A	N/A
N/A	1-3/4 "	201179X	201180X	SP7873S	SP7880S ²⁰⁴	-	-	N/A	N/A
N/A	1-3/4 "	201183X	201184X ³²⁹	SP7873S	NR	-	-	N/A	N/A
N/A	1-3/4 "	201179X	201180X	SP7873S	SP7880S ²⁰⁴	-	-	N/A	N/A
N/A	1.09375	R4133484	R4133485	R4166819	NR	-	-	-	-
N/A	1-1/8 "	R4133716	R4133717	R4166926	NR	-	-	-	-

MAKE MODEL YEAR AXLE CODE AXLE WEIGHT	AXLE & BRK. TYPE	BRK. MFG.	BRAKE SIZE	FMSI	MERITOR DISC PAD OR BRAKE SHOE	MERITOR GUIDE PIN OR RETURN SPRING KIT	MERITOR CALIPER HWD. KIT OR RETURN SPRING KIT	MERITOR ADJUSTER KIT (LEFT WHEEL)	MERITOR ADJUSTER KIT (RIGHT WHEEL)	
FORD(Cont.)										
LN600 SERIES: LOUISVILLE 94.4 BBC SHORT CONVENTIONAL CHASSIS CAB(Cont.)										
1986	Fa	WG	15 " x 3 "	1245C - 321	R700321	R40H521	R40H9237	R40H3502	R40H3503	
	Fd	DN		7141 - D224	MD224 ³⁴⁰	69310693	60050153	NR	NR	
F080, F090	Fd	DN		7149 - D236	MD236 ³⁴¹	69310693	69310782	NR	NR	
	Fd	DN		7149 - D236	MD236 ³⁴¹	69310693	69310782	NR	NR	
R170, R175	Ra	KH	15 " x 5 "	4646 - 400	R700400	R40H595	R40H9220	R40H3538	R40H3539	
	Ra	WG	15 " x 5 "	1252 - 346	R700346	R40H597	R40H9200	R40H3540	R40H3541	
R185	Ra	WG	15 " x 6 "	4596 - 381	R700381	R40H597	R40H9200	R40H3540	R40H3541	
	Ra	WG	15 " x 7 "	4597 - 383	R700383	R40H597	R40H9200	R40H3540	R40H3541	
Split System					R700321	R40H521	R40H9237	R40H3502	R40H3503	
					R700321	R40H521	R40H9237	R40H3502	R40H3503	
Split System F090, F120	Fa	WG	15 " x 3 "	1245C - 321	R700321	R40H521	R40H9237	R40H3502	R40H3503	
	Fa	WG	15 " x 3 "	1245C - 321	R700321	R40H521	R40H9237	R40H3502	R40H3503	
1985	Fd	DN		7149 - D236	MD236 ³⁴¹	69310693	R40H5523	NR	NR	
	Fd	DN		7149 - D236	MD236 ³⁴¹	69310693	R40H5523	NR	NR	
	Fd	DN		7149 - D236	MD236 ³⁴¹	69310693	R40H5523	NR	NR	
	Fd	DN		7141 - D224	MD224 ³⁴⁰	69310693	60050153	NR	NR	
	Ra	LG	15 " x 5 "	4528A - 542	N/A	R40H618	NR	NR	NR	
	Ra	LG	15 " x 5 "	4528A - 542	N/A	R40H618	NR	SP7888S	SP7888S	
	Ra	LG	15 " x 6 "	4504A - 543	N/A	R40H618	NR	NR	NR	
	Ra	LG	15 " x 6 "	4504A - 543	N/A	R40H618	NR	SP7888S	SP7888S	
	Ra	LG	15 " x 6 "	4504A - 543	N/A	R40H618	NR	SP7887S	SP7887S	
	Ra	LG	15 " x 6 "	4504A - 543	N/A	R40H618	NR	NR	NR	
	Ra	LG	15 " x 7 "	4505A - 544	N/A	R40H618	NR	NR	NR	
	Ra	LG	15 " x 7 "	4505A - 544	N/A	R40H618	NR	SP7887S	SP7887S	
	Ra	LG	15 " x 7 "	4505A - 544	N/A	R40H618	NR	NR	NR	
	Ra	LG	15 " x 7 "	4505A - 544	N/A	R40H618	NR	SP7888S	SP7888S	
	F050, F055, F060	Fa	KH	14 " x 2-1/2 "	2060 - 361	Discontinued	R40H596	R40H9219	R40H3536	R40H3537
	F070	Fa	WG	15 " x 3 "	1245C - 321	R700321	R40H521	R40H9237	R40H3502	R40H3503
Fa		WG	15 " x 3 "	1245C - 321	R700321	R40H521	R40H9237	R40H3502	R40H3503	
Fd		DN		7141 - D224	MD224 ³⁴⁰	69310693	60050153	NR	NR	
F080, F090	Fd	DN		7149 - D236	MD236 ³⁴¹	69310693	R40H5523	NR	NR	
	Fd	DN		7149 - D236	MD236 ³⁴¹	69310693	R40H5523	NR	NR	
R170, R175	Ra	KH	15 " x 5 "	4646 - 400	R700400	R40H595	R40H9220	R40H3538	R40H3539	
	Ra	WG	15 " x 5 "	1252 - 346	R700346	R40H597	R40H9200	R40H3540	R40H3541	
R185	Ra	WG	15 " x 6 "	4596 - 381	R700381	R40H597	R40H9200	R40H3540	R40H3541	
	Ra	WG	15 " x 7 "	4597 - 383	R700383	R40H597	R40H9200	R40H3540	R40H3541	
Split System					R700321	R40H521	R40H9237	R40H3502	R40H3503	
					R700321	R40H521	R40H9237	R40H3502	R40H3503	
Split System F090, F120	Fa	WG	15 " x 3 "	1245C - 321	R700321	R40H521	R40H9237	R40H3502	R40H3503	
	Fa	WG	15 " x 3 "	1245C - 321	R700321	R40H521	R40H9237	R40H3502	R40H3503	
1984	Fd	DN		7149 - D236	MD236 ³⁴¹	69310693	R40H5523	NR	NR	
	Fd	DN		7141 - D224	MD224 ³⁴⁰	69310693	60050153	NR	NR	
	Fd	DN		7149 - D236	MD236 ³⁴¹	69310693	R40H5523	NR	NR	
	Fd	DN		7149 - D236	MD236 ³⁴¹	69310693	R40H5523	NR	NR	
	Ra	LG	15 " x 5 "	4528A - 542	N/A	R40H618	NR	SP7888S	SP7888S	
	Ra	LG	15 " x 5 "	4528A - 542	N/A	R40H618	NR	NR	NR	
	Ra	LG	15 " x 6 "	4504A - 543	N/A	R40H618	NR	SP7887S	SP7887S	
	Ra	LG	15 " x 6 "	4504A - 543	N/A	R40H618	NR	NR	NR	
	Ra	LG	15 " x 6 "	4504A - 543	N/A	R40H618	NR	NR	NR	
	Ra	LG	15 " x 6 "	4504A - 543	N/A	R40H618	NR	SP7888S	SP7888S	
	Ra	LG	15 " x 6 "	4504A - 543	N/A	R40H618	NR	SP7887S	SP7887S	
	Ra	LG	15 " x 7 "	4505A - 544	N/A	R40H618	NR	NR	NR	
	Ra	LG	15 " x 7 "	4505A - 544	N/A	R40H618	NR	SP7888S	SP7888S	
	Ra	LG	15 " x 7 "	4505A - 544	N/A	R40H618	NR	NR	NR	
	F050, F055, F060	Fa	KH	14 " x 2-1/2 "	2060 - 361	Discontinued	R40H596	R40H9219	R40H3536	R40H3537
	F070	Fa	WG	15 " x 3 "	1245C - 321	R700321	R40H521	R40H9237	R40H3502	R40H3503
Fa		WG	15 " x 3 "	1245C - 321	R700321	R40H521	R40H9237	R40H3502	R40H3503	
Fd		DN		7141 - D224	MD224 ³⁴⁰	69310693	60050153	NR	NR	
F080, F090	Fd	DN		7149 - D236	MD236 ³⁴¹	69310693	R40H5523	NR	NR	

9 - 6 Stud, Dayton Rotor, Hat Style
 53 - Power Brakes
 188 - 6 Stud, 9.251" Hub
 www.XpresswayPlus.com

37 - Also available as a New unit
 186 - 10 Stud
 204 - Right Hand; use E-4057 for Left Hand Expander Kits

41 - Aluminum piston
 187 - 6 Stud, 6.443" Hub
 329 - Forward

MERITOR DRUM OR ROTOR NO.	CALIPER OR CYLINDER BORE SIZE	MERITOR CALIPER OR WHEEL CYLINDER (LEFT)	MERITOR CALIPER OR WHEEL CYLINDER (RIGHT)	MERITOR CALIPER OR WHEEL CYLINDER REPAIR KIT	MERITOR CALIPER PISTON	MERITOR MASTER CYLINDER	MERITOR MASTER CYLINDER KIT	MERITOR BRAKE HOSE (LEFT)	MERITOR BRAKE HOSE (RIGHT)
FORD(Cont.)									
LN600 SERIES: LOUISVILLE 94.4 BBC SHORT CONVENTIONAL CHASSIS CAB(Cont.)									
N/A	1-1/8 "	R4133714	R4133715	R4166926	NR	-	-	-	-
23-122700-002 ⁹	2-1/2 "	R424244X	R424244X ³⁷	60050266	69270757 ⁴¹	R4111999 ⁵³	R4122386	R4577461	R4577461
23-122691-002 ¹⁸⁸	2-7/8 "	60050145X	60050145X ³⁷	60050146	69270702 ⁴¹	R4111999 ⁵³	R4122386	R4577461	R4577461
23-122703-002 ¹⁸⁶	2-7/8 "	60050145X	60050145X ³⁷	60050146	69270702 ⁴¹	R4111999 ⁵³	R4122386	R4577461	R4577461
N/A	1-1/2 "	R4033607	R4033607	R4166818	NR	-	-	-	-
N/A	1-5/8 "	R4133338	R4133338	R4166689	NR	-	-	-	-
N/A	1-5/8 "	R4133338	R4133338	R4166689	NR	-	-	-	-
N/A	1-3/4 "	R4133400	R4133400	R4166917	NR	-	-	-	-
N/A		R4133719	R4133718	R4166926	NR	N/A ³⁵⁸	R4122688	-	-
N/A		R4133714	R4133715	R4166926	NR	N/A ³⁵⁸	R4122688	-	-
N/A	1-1/4 "	R4133720	R4133721	R4166923	NR	-	-	-	-
N/A	1-1/4 "	R4133581	R4133581	R4166923	NR	-	-	-	-
23-122691-002 ¹⁸⁸	2-7/8 "	60050145X	60050145X ³⁷	60050146	69270702 ⁴¹	R4111999 ⁵³	R4122386	R4577461	R4577461
23-122703-002 ¹⁸⁶	2-7/8 "	60050145X	60050145X ³⁷	60050146	69270702 ⁴¹	R4111999 ⁵³	R4122386	R4577461	R4577461
23-122743-002 ¹⁸⁷	2-7/8 "	60050145X	60050145X ³⁷	60050146	69270702 ⁴¹	R4111999 ⁵³	R4122386	R4577461	R4577461
23-122700-002 ⁹	2-1/2 "	R424244X	R424244X ³⁷	60050266	69270757 ⁴¹	R4111999 ⁵³	R4122386	R4577461	R4577461
N/A	1-5/8 "	201181	201182	SP7895S	NR	-	-	N/A	N/A
N/A	1-5/8 "	201185	201186 ³²⁹	SP7895S	NR	-	-	N/A	N/A
N/A	1-5/8 "	201181	201182	SP7895S	NR	-	-	N/A	N/A
N/A	1-5/8 "	201185	201186 ³²⁹	SP7895S	NR	-	-	N/A	N/A
N/A	1-3/4 "	201183X	201184X ³²⁹	SP7873S	NR	-	-	N/A	N/A
N/A	1-3/4 "	201179X	201180X	SP7873S	SP7880S ²⁰⁴	-	-	N/A	N/A
N/A	1-5/8 "	201181	201182	SP7895S	NR	-	-	N/A	N/A
N/A	1-3/4 "	201183X	201184X ³²⁹	SP7873S	NR	-	-	N/A	N/A
N/A	1-3/4 "	201179X	201180X	SP7873S	SP7880S ²⁰⁴	-	-	N/A	N/A
N/A	1-5/8 "	201185	201186 ³²⁹	SP7895S	NR	-	-	N/A	N/A
N/A	1.09375	R4133484	R4133485	R4166819	NR	-	-	-	-
N/A	1-1/8 "	R4133716	R4133717	R4166926	NR	-	-	-	-
N/A	1-1/8 "	R4133714	R4133715	R4166926	NR	-	-	-	-
23-122700-002 ⁹	2-1/2 "	R424244X	R424244X ³⁷	60050266	69270757 ⁴¹	R4111999 ⁵³	R4122386	R4577461	R4577461
23-122691-002 ¹⁸⁸	2-7/8 "	60050145X	60050145X ³⁷	60050146	69270702 ⁴¹	R4111999 ⁵³	R4122386	R4577461	R4577461
23-122703-002 ¹⁸⁶	2-7/8 "	60050145X	60050145X ³⁷	60050146	69270702 ⁴¹	R4111999 ⁵³	R4122386	R4577461	R4577461
N/A	1-1/2 "	R4033607	R4033607	R4166818	NR	-	-	-	-
N/A	1-5/8 "	R4133338	R4133338	R4166689	NR	-	-	-	-
N/A	1-5/8 "	R4133338	R4133338	R4166689	NR	-	-	-	-
N/A	1-3/4 "	R4133400	R4133400	R4166917	NR	-	-	-	-
N/A		R4133719	R4133718	R4166926	NR	N/A ³⁵⁸	R4122688	-	-
N/A		R4133714	R4133715	R4166926	NR	N/A ³⁵⁸	R4122688	-	-
N/A	1-1/4 "	R4133720	R4133721	R4166923	NR	-	-	-	-
N/A	1-1/4 "	R4133581	R4133581	R4166923	NR	-	-	-	-
23-122691-002 ¹⁸⁸	2-7/8 "	60050145X	60050145X ³⁷	60050146	69270702 ⁴¹	R4111999 ⁵³	R4122386	R4577461	R4577461
23-122700-002 ⁹	2-1/2 "	R424244X	R424244X ³⁷	60050266	69270757 ⁴¹	R4111999 ⁵³	R4122386	R4577461	R4577461
23-122703-002 ¹⁸⁶	2-7/8 "	60050145X	60050145X ³⁷	60050146	69270702 ⁴¹	R4111999 ⁵³	R4122386	R4577461	R4577461
23-122743-002 ¹⁸⁷	2-7/8 "	60050145X	60050145X ³⁷	60050146	69270702 ⁴¹	R4111999 ⁵³	R4122386	R4577461	R4577461
N/A	1-5/8 "	201185	201186 ³²⁹	SP7895S	NR	-	-	N/A	N/A
N/A	1-5/8 "	201181	201182	SP7895S	NR	-	-	N/A	N/A
N/A	1-3/4 "	201183X	201184X ³²⁹	SP7873S	NR	-	-	N/A	N/A
N/A	1-3/4 "	201179X	201180X	SP7873S	SP7880S ²⁰⁴	-	-	N/A	N/A
N/A	1-5/8 "	201181	201182	SP7895S	NR	-	-	N/A	N/A
N/A	1-5/8 "	201185	201186 ³²⁹	SP7895S	NR	-	-	N/A	N/A
N/A	1-3/4 "	201183X	201184X ³²⁹	SP7873S	NR	-	-	N/A	N/A
N/A	1-3/4 "	201179X	201180X	SP7873S	SP7880S ²⁰⁴	-	-	N/A	N/A
N/A	1-5/8 "	201185	201186 ³²⁹	SP7895S	NR	-	-	N/A	N/A
N/A	1-5/8 "	201181	201182	SP7895S	NR	-	-	N/A	N/A
N/A	1.09375	R4133484	R4133485	R4166819	NR	-	-	-	-
N/A	1-1/8 "	R4133714	R4133715	R4166926	NR	-	-	-	-
N/A	1-1/8 "	R4133716	R4133717	R4166926	NR	-	-	-	-
23-122700-002 ⁹	2-1/2 "	R424244X	R424244X ³⁷	60050266	69270757 ⁴¹	R4111999 ⁵³	R4122386	R4577461	R4577461
23-122691-002 ¹⁸⁸	2-7/8 "	60050145X	60050145X ³⁷	60050146	69270702 ⁴¹	R4111999 ⁵³	R4122386	R4577461	R4577461

1 APPLICATION

MAKE MODEL YEAR AXLE CODE AXLE WEIGHT	AXLE & BRK. TYPE	BRK. MFG.	BRAKE SIZE	FMSI	MERITOR DISC PAD OR BRAKE SHOE	MERITOR GUIDE PIN OR RETURN SPRING KIT	MERITOR CALIPER HWD. KIT OR RETURN SPRING KIT	MERITOR ADJUSTER KIT (LEFT WHEEL)	MERITOR ADJUSTER KIT (RIGHT WHEEL)
FORD(Cont.)									
LN600 SERIES: LOUISVILLE 94.4 BBC SHORT CONVENTIONAL CHASSIS CAB(Cont.)									
1984	Fd	DN		7149 - D236	MD236 ³⁴¹	69310693	R40H5523	NR	NR
R170, R175	Ra	KH	15 " x 5 "	4646 - 400	R700400	R40H595	R40H9220	R40H3538	R40H3539
	Ra	WG	15 " x 5 "	1252 - 346	R700346	R40H597	R40H9200	R40H3540	R40H3541
R185	Ra	WG	15 " x 6 "	4596 - 381	R700381	R40H597	R40H9200	R40H3540	R40H3541
	Ra	WG	15 " x 7 "	4597 - 383	R700383	R40H597	R40H9200	R40H3540	R40H3541
Split System					R700321	R40H521	R40H9237	R40H3502	R40H3503
					R700321	R40H521	R40H9237	R40H3502	R40H3503
Split System F090, F120	Fa	WG	15 " x 3 "	1245C - 321	R700321	R40H521	R40H9237	R40H3502	R40H3503
	Fa	WG	15 " x 3 "	1245C - 321	R700321	R40H521	R40H9237	R40H3502	R40H3503
1983									
	Ra	LG	15 " x 6 "	4504A - 543	N/A	R40H618	NR	SP7888S	SP7888S
	Ra	LG	15 " x 6 "	4504A - 543	N/A	R40H618	NR	NR	NR
	Ra	LG	15 " x 7 "	4505A - 544	N/A	R40H618	NR	SP7888S	SP7888S
	Ra	LG	15 " x 7 "	4505A - 544	N/A	R40H618	NR	NR	NR
F050, F055, F060	Fa	KH	14 " x 2-1/2 "	2060 - 361	Discontinued	R40H596	R40H9219	R40H3536	R40H3537
F070	Fa	WG	15 " x 3 "	1245C - 321	R700321	R40H521	R40H9237	R40H3502	R40H3503
	Fa	WG	15 " x 3 "	1245C - 321	R700321	R40H521	R40H9237	R40H3502	R40H3503
	Fa	WG	15 " x 3 "	1245C - 321	R700321	R40H521	R40H9237	R40H3502	R40H3503
	Fa	WG	15 " x 3 "	1245C - 321	R700321	R40H521	R40H9237	R40H3502	R40H3503
	Fd	DN		7141 - D224	MD224 ³⁴⁰	69310693	60050153	NR	NR
F080, F090	Fd	DN		7149 - D236	MD236 ³⁴¹	69310693	R40H5523	NR	NR
	Fd	DN		7149 - D236	MD236 ³⁴¹	69310693	R40H5523	NR	NR
F090, F120	Fa	WG	15 " x 3 "	1245C - 321	R700321	R40H521	R40H9237	R40H3502	R40H3503
	Fa	WG	15 " x 3 "	1245C - 321	R700321	R40H521	R40H9237	R40H3502	R40H3503
R170, R175	Ra	KH	15 " x 5 "	4646 - 400	R700400	R40H595	R40H9220	R40H3538	R40H3539
	Ra	WG	15 " x 5 "	1252 - 346	R700346	R40H597	R40H9200	R40H3540	R40H3541
R185	Ra	WG	15 " x 6 "	4596 - 381	R700381	R40H597	R40H9200	R40H3540	R40H3541
	Ra	WG	15 " x 7 "	4597 - 383	R700383	R40H597	R40H9200	R40H3540	R40H3541
1982									
	Ra	LG	15 " x 6 "	4504A - 543	N/A	R40H618	NR	NR	NR
	Ra	LG	15 " x 6 "	4504A - 543	N/A	R40H618	NR	SP7888S	SP7888S
	Ra	LG	15 " x 7 "	4505A - 544	N/A	R40H618	NR	SP7888S	SP7888S
	Ra	LG	15 " x 7 "	4505A - 544	N/A	R40H618	NR	NR	NR
F050, F055, F060	Fa	KH	14 " x 2-1/2 "	2060 - 361	Discontinued	R40H596	R40H9219	R40H3536	R40H3537
F070	Fa	WG	15 " x 3 "	1245C - 321	R700321	R40H521	R40H9237	R40H3502	R40H3503
	Fa	WG	15 " x 3 "	1245C - 321	R700321	R40H521	R40H9237	R40H3502	R40H3503
	Fa	WG	15 " x 3 "	1245C - 321	R700321	R40H521	R40H9237	R40H3502	R40H3503
	Fa	WG	15 " x 3 "	1245C - 321	R700321	R40H521	R40H9237	R40H3502	R40H3503
	Fd	DN		7141 - D224	MD224 ³⁴⁰	69310693	60050153	NR	NR
F080, F090	Fd	DN		7149 - D236	MD236 ³⁴¹	69310693	R40H5523	NR	NR
	Fd	DN		7149 - D236	MD236 ³⁴¹	69310693	R40H5523	NR	NR
F090, F120	Fa	WG	15 " x 3 "	1245C - 321	R700321	R40H521	R40H9237	R40H3502	R40H3503
	Fa	WG	15 " x 3 "	1245C - 321	R700321	R40H521	R40H9237	R40H3502	R40H3503
R170, R175	Ra	KH	15 " x 5 "	4646 - 400	R700400	R40H595	R40H9220	R40H3538	R40H3539
	Ra	WG	15 " x 5 "	1252 - 346	R700346	R40H597	R40H9200	R40H3540	R40H3541
R185	Ra	WG	15 " x 6 "	4596 - 381	R700381	R40H597	R40H9200	R40H3540	R40H3541
	Ra	WG	15 " x 7 "	4597 - 383	R700383	R40H597	R40H9200	R40H3540	R40H3541
1981									
	Ra	LG	15 " x 6 "	4504A - 543	N/A	R40H618	NR	SP7888S	SP7888S
	Ra	LG	15 " x 6 "	4504A - 543	N/A	R40H618	NR	NR	NR
	Ra	LG	15 " x 7 "	4505A - 544	N/A	R40H618	NR	SP7888S	SP7888S
	Ra	LG	15 " x 7 "	4505A - 544	N/A	R40H618	NR	NR	NR
F050, F055, F060	Fa	KH	14 " x 2-1/2 "	2060 - 361	Discontinued	R40H596	R40H9219	R40H3536	R40H3537
F070	Fa	WG	15 " x 3 "	1245C - 321	R700321	R40H521	R40H9237	R40H3502	R40H3503
	Fa	WG	15 " x 3 "	1245C - 321	R700321	R40H521	R40H9237	R40H3502	R40H3503
	Fa	WG	15 " x 3 "	1245C - 321	R700321	R40H521	R40H9237	R40H3502	R40H3503
	Fa	WG	15 " x 3 "	1245C - 321	R700321	R40H521	R40H9237	R40H3502	R40H3503
	Fd	DN		7141 - D224	MD224 ³⁴⁰	69310693	60050153	NR	NR
F080, F090	Fd	DN		7149 - D236	MD236 ³⁴¹	69310693	R40H5523	NR	NR
	Fd	DN		7149 - D236	MD236 ³⁴¹	69310693	R40H5523	NR	NR
F090, F120	Fa	WG	15 " x 3 "	1245C - 321	R700321	R40H521	R40H9237	R40H3502	R40H3503
	Fa	WG	15 " x 3 "	1245C - 321	R700321	R40H521	R40H9237	R40H3502	R40H3503

9 - 6 Stud, Dayton Rotor, Hat Style
 53 - Power Brakes
 214 - Power Brakes, Split System
 www.XpresswayPlus.com

37 - Also available as a New unit
 186 - 10 Stud
 219 - Power Brakes, Gasoline Engine with Vacuum Booster

41 - Aluminum piston
 188 - 6 Stud, 9.251" Hub
 329 - Forward

MERITOR DRUM OR ROTOR NO.	CALIPER OR CYLINDER BORE SIZE	MERITOR CALIPER OR WHEEL CYLINDER (LEFT)	MERITOR CALIPER OR WHEEL CYLINDER (RIGHT)	MERITOR CALIPER OR WHEEL CYLINDER REPAIR KIT	MERITOR CALIPER PISTON	MERITOR MASTER CYLINDER	MERITOR MASTER CYLINDER KIT	MERITOR BRAKE HOSE (LEFT)	MERITOR BRAKE HOSE (RIGHT)
FORD(Cont.)									
LN600 SERIES: LOUISVILLE 94.4 BBC SHORT CONVENTIONAL CHASSIS CAB(Cont.)									
23-122703-002 ¹⁸⁶	2-7/8 "	60050145X	60050145X ³⁷	60050146	69270702 ⁴¹	R4111999 ⁵³	R4122386	R4577461	R4577461
N/A	1-1/2 "	R4033607	R4033607	R4166818	NR	-	-	-	-
N/A	1-5/8 "	R4133338	R4133338	R4166689	NR	-	-	-	-
N/A	1-5/8 "	R4133338	R4133338	R4166689	NR	-	-	-	-
N/A	1-3/4 "	R4133400	R4133400	R4166917	NR	-	-	-	-
N/A		R4133719	R4133718	R4166926	NR	N/A ³⁵⁸	R4122688	-	-
N/A		R4133714	R4133715	R4166926	NR	N/A ³⁵⁸	R4122688	-	-
N/A	1-1/4 "	R4133581	R4133581	R4166923	NR	-	-	-	-
N/A	1-1/4 "	R4133720	R4133721	R4166923	NR	-	-	-	-
N/A	1-5/8 "	201185	201186 ³²⁹	SP7895S	NR	-	-	R4577147	R4577147
N/A	1-5/8 "	201181	201182	SP7895S	NR	-	-	R4577147	R4577147
N/A	1-5/8 "	201185	201186 ³²⁹	SP7895S	NR	-	-	R4577147	R4577147
N/A	1-5/8 "	201181	201182	SP7895S	NR	-	-	R4577147	R4577147
N/A	1.09375	R4133484	R4133485	R4166819	NR	R4111629 ⁵³	R4122484	R4577460	R4577460
N/A	1-1/8 "	R4133714	R4133715	R4166926	NR	R4111911 ²¹⁹	R4122387	R4577454	R4577455
N/A	1-1/8 "	R4133714	R4133715	R4166926	NR	R4111992 ²¹⁴	R4122386	R4577452	R4577453
N/A	1-1/8 "	R4133719	R4133718	R4166926	NR	R4111992 ²¹⁴	R4122386	R4577452	R4577453
N/A	1-1/8 "	R4133716	R4133717	R4166926	NR	R4111911 ²¹⁹	R4122387	R4577454	R4577455
23-122700-002 ⁹	2-1/2 "	R424244X	R424244X ³⁷	60050266	69270757 ⁴¹	R4111992 ²¹⁴	R4122386	R4577452	R4577453
23-122691-002 ¹⁸⁸	2-7/8 "	60050145X	60050145X ³⁷	60050146	69270702 ⁴¹	R4111992 ²¹⁴	R4122386	R4577452	R4577453
23-122703-002 ¹⁸⁶	2-7/8 "	60050145X	60050145X ³⁷	60050146	69270702 ⁴¹	R4111992 ²¹⁴	R4122386	R4577452	R4577453
N/A	1-1/4 "	R4133720	R4133721	R4166923	NR	R4111992 ²¹⁴	R4122386	R4577452	R4577453
N/A	1-1/4 "	R4133581	R4133581	R4166923	NR	R4111992 ²¹⁴	R4122386	R4577452	R4577453
N/A	1-1/2 "	R4033607	R4033607	R4166818	NR	-	-	R4577147	R4577147
N/A	1-5/8 "	R4133338	R4133338	R4166689	NR	-	-	R4577147	R4577147
N/A	1-5/8 "	R4133338	R4133338	R4166689	NR	-	-	R4577147	R4577147
N/A	1-3/4 "	R4133400	R4133400	R4166917	NR	-	-	R4577147	R4577147
N/A	1-5/8 "	201181	201182	SP7895S	NR	-	-	R4577147	R4577147
N/A	1-5/8 "	201185	201186 ³²⁹	SP7895S	NR	-	-	R4577147	R4577147
N/A	1-5/8 "	201185	201186 ³²⁹	SP7895S	NR	-	-	R4577147	R4577147
N/A	1-5/8 "	201181	201182	SP7895S	NR	-	-	R4577147	R4577147
N/A	1.09375	R4133484	R4133485	R4166819	NR	R4111629 ⁵³	R4122484	R4577460	R4577460
N/A	1-1/8 "	R4133719	R4133718	R4166926	NR	R4111992 ²¹⁴	R4122386	R4577452	R4577453
N/A	1-1/8 "	R4133714	R4133715	R4166926	NR	R4111992 ²¹⁴	R4122386	R4577452	R4577453
N/A	1-1/8 "	R4133716	R4133717	R4166926	NR	R4111911 ²¹⁹	R4122387	R4577454	R4577455
N/A	1-1/8 "	R4133714	R4133715	R4166926	NR	R4111911 ²¹⁹	R4122387	R4577454	R4577455
23-122700-002 ⁹	2-1/2 "	R424244X	R424244X ³⁷	60050266	69270757 ⁴¹	R4111992 ²¹⁴	R4122386	R4577452	R4577453
23-122703-002 ¹⁸⁶	2-7/8 "	60050145X	60050145X ³⁷	60050146	69270702 ⁴¹	R4111992 ²¹⁴	R4122386	R4577452	R4577453
23-122691-002 ¹⁸⁸	2-7/8 "	60050145X	60050145X ³⁷	60050146	69270702 ⁴¹	R4111992 ²¹⁴	R4122386	R4577452	R4577453
N/A	1-1/4 "	R4133720	R4133721	R4166923	NR	R4111992 ²¹⁴	R4122386	R4577452	R4577453
N/A	1-1/4 "	R4133581	R4133581	R4166923	NR	R4111992 ²¹⁴	R4122386	R4577452	R4577453
N/A	1-1/2 "	R4033607	R4033607	R4166818	NR	-	-	R4577147	R4577147
N/A	1-5/8 "	R4133338	R4133338	R4166689	NR	-	-	R4577147	R4577147
N/A	1-5/8 "	R4133338	R4133338	R4166689	NR	-	-	R4577147	R4577147
N/A	1-3/4 "	R4133400	R4133400	R4166917	NR	-	-	R4577147	R4577147
N/A	1-5/8 "	201185	201186 ³²⁹	SP7895S	NR	-	-	R4577147	R4577147
N/A	1-5/8 "	201181	201182	SP7895S	NR	-	-	R4577147	R4577147
N/A	1-5/8 "	201185	201186 ³²⁹	SP7895S	NR	-	-	R4577147	R4577147
N/A	1-5/8 "	201181	201182	SP7895S	NR	-	-	R4577147	R4577147
N/A	1.09375	R4133484	R4133485	R4166819	NR	R4111629 ⁵³	R4122484	R4577460	R4577460
N/A	1-1/8 "	R4133714	R4133715	R4166926	NR	R4111992 ²¹⁴	R4122386	R4577452	R4577453
N/A	1-1/8 "	R4133719	R4133718	R4166926	NR	R4111992 ²¹⁴	R4122386	R4577452	R4577453
N/A	1-1/8 "	R4133716	R4133717	R4166926	NR	R4111911 ²¹⁹	R4122387	R4577454	R4577455
N/A	1-1/8 "	R4133714	R4133715	R4166926	NR	R4111911 ²¹⁹	R4122387	R4577454	R4577455
23-122700-002 ⁹	2-1/2 "	R424244X	R424244X ³⁷	60050266	69270757 ⁴¹	R4111992 ²¹⁴	R4122386	R4577452	R4577453
23-122703-002 ¹⁸⁶	2-7/8 "	60050145X	60050145X ³⁷	60050146	69270702 ⁴¹	R4111992 ²¹⁴	R4122386	R4577452	R4577453
23-122691-002 ¹⁸⁸	2-7/8 "	60050145X	60050145X ³⁷	60050146	69270702 ⁴¹	R4111992 ²¹⁴	R4122386	R4577452	R4577453
N/A	1-1/4 "	R4133720	R4133721	R4166923	NR	R4111992 ²¹⁴	R4122386	R4577452	R4577453
N/A	1-1/4 "	R4133581	R4133581	R4166923	NR	R4111992 ²¹⁴	R4122386	R4577452	R4577453

340 - Use 69160457 for Disc Pad Retainer Clip

341 - Use 69160445 for Disc Pad Retainer Clip

358 - Split System

MAKE MODEL YEAR AXLE CODE AXLE WEIGHT	AXLE & BRK. TYPE	BRK. MFG.	BRAKE SIZE	FMSI	MERITOR DISC PAD OR BRAKE SHOE	MERITOR GUIDE PIN OR RETURN SPRING KIT	MERITOR CALIPER HWD. KIT OR RETURN SPRING KIT	MERITOR ADJUSTER KIT (LEFT WHEEL)	MERITOR ADJUSTER KIT (RIGHT WHEEL)
FORD(Cont.)									
LN600 SERIES: LOUISVILLE 94.4 BBC SHORT CONVENTIONAL CHASSIS CAB(Cont.)									
1981 R170, R175	Ra Ra	KH WG	15" x 5" 15" x 5"	4646 - 400 1252 - 346	R700400 R700346	R40H595 R40H597	R40H9220 R40H9200	R40H3538 R40H3540	R40H3539 R40H3541
R185	Ra Ra	WG WG	15" x 6" 15" x 7"	4596 - 381 4597 - 383	R700381 R700383	R40H597 R40H597	R40H9200 R40H9200	R40H3540 R40H3540	R40H3541 R40H3541
1980	Ra Ra Ra Ra	LG LG LG LG	15" x 6" 15" x 6" 15" x 7" 15" x 7"	4504A - 543 4504A - 543 4505A - 544 4505A - 544	N/A N/A N/A N/A	R40H618 R40H618 R40H618 R40H618	NR NR NR NR	NR SP7888S NR SP7888S	NR SP7888S NR SP7888S
F050, F055, F060	Fa	KH	14" x 2-1/2"	2060 - 361	Discontinued	R40H596	R40H9219	R40H3536	R40H3537
F070	Fa Fa Fa Fa	WG WG WG WG	15" x 3" 15" x 3" 15" x 3" 15" x 3"	1245C - 321 1245C - 321 1245C - 321 1245C - 321	R700321 R700321 R700321 R700321	R40H521 R40H521 R40H521 R40H521	R40H9237 R40H9237 R40H9237 R40H9237	R40H3502 R40H3502 R40H3502 R40H3502	R40H3503 R40H3503 R40H3503 R40H3503
	Fd	DN		7141 - D224	MD224 ³⁴⁰	69310693	60050153	NR	NR
F080, F090	Fd Fd	DN DN		7149 - D236 7149 - D236	MD236 ³⁴¹ MD236 ³⁴¹	69310693 69310693	R40H5523 R40H5523	NR NR	NR NR
F090, F120	Fa Fa	WG WG	15" x 3" 15" x 3"	1245C - 321 1245C - 321	R700321 R700321	R40H521 R40H521	R40H9237 R40H9237	R40H3502 R40H3502	R40H3503 R40H3503
R170, R175	Ra Ra	KH WG	15" x 5" 15" x 5"	4646 - 400 1252 - 346	R700400 R700346	R40H595 R40H597	R40H9220 R40H9200	R40H3538 R40H3540	R40H3539 R40H3541
R185	Ra Ra	WG WG	15" x 6" 15" x 7"	4596 - 381 4597 - 383	R700381 R700383	R40H597 R40H597	R40H9200 R40H9200	R40H3540 R40H3540	R40H3541 R40H3541
1979 F050, F055, F060	Fa	KH	14" x 2-1/2"	2060 - 361	Discontinued	R40H596	R40H9219	R40H3536	R40H3537
F070	Fa Fa Fd	WG WG DN	15" x 3" 15" x 3" 15" x 3"	1245C - 321 1245C - 321 7141 - D224	R700321 R700321 MD224 ³⁴⁰	R40H521 R40H521 69310693	R40H9237 R40H9237 60050153	R40H3502 R40H3502 NR	R40H3503 R40H3503 NR
F080, F090	Fd Fd	DN DN		7149 - D236 7149 - D236	MD236 ³⁴¹ MD236 ³⁴¹	69310693 69310693	R40H5523 R40H5523	NR NR	NR NR
R170, R175	Ra Ra	KH WG	15" x 5" 15" x 5"	4646 - 400 1252 - 346	R700400 R700346	R40H595 R40H597	R40H9220 R40H9200	R40H3538 R40H3540	R40H3539 R40H3541
R185	Ra Ra	WG WG	15" x 6" 15" x 7"	4596 - 381 4597 - 383	R700381 R700383	R40H597 R40H597	R40H9200 R40H9200	R40H3540 R40H3540	R40H3541 R40H3541
Split System					R700321 R700321	R40H521 R40H521	R40H9237 R40H9237	R40H3502 R40H3502	R40H3503 R40H3503
Split System F090, F120	Fa Fa	WG WG	15" x 3" 15" x 3"	1245C - 321 1245C - 321	R700321 R700321	R40H521 R40H521	R40H9237 R40H9237	R40H3502 R40H3502	R40H3503 R40H3503
1978 F050, F055, F060	Fa	KH	14" x 2-1/2"	2060 - 361	Discontinued	R40H596	R40H9219	R40H3536	R40H3537
F070	Fa Fa Fd	WG WG DN	15" x 3" 15" x 3" 15" x 3"	1245C - 321 1245C - 321 7141 - D224	R700321 R700321 MD224 ³⁴⁰	R40H521 R40H521 69310693	R40H9237 R40H9237 60050153	R40H3502 R40H3502 NR	R40H3503 R40H3503 NR
F080, F090	Fd Fd	DN DN		7149 - D236 7149 - D236	MD236 ³⁴¹ MD236 ³⁴¹	69310693 69310693	R40H5523 R40H5523	NR NR	NR NR
R170, R175	Ra Ra	KH WG	15" x 5" 15" x 5"	4646 - 400 1252 - 346	R700400 R700346	R40H595 R40H597	R40H9220 R40H9200	R40H3538 R40H3540	R40H3539 R40H3541
R185	Ra Ra	WG WG	15" x 6" 15" x 7"	4596 - 381 4597 - 383	R700381 R700383	R40H597 R40H597	R40H9200 R40H9200	R40H3540 R40H3540	R40H3541 R40H3541
Split System					R700321 R700321	R40H521 R40H521	R40H9237 R40H9237	R40H3502 R40H3502	R40H3503 R40H3503
Split System F090, F120	Fa Fa	WG WG	15" x 3" 15" x 3"	1245C - 321 1245C - 321	R700321 R700321	R40H521 R40H521	R40H9237 R40H9237	R40H3502 R40H3502	R40H3503 R40H3503
1977 F050, F055, F060	Fa Fa	KH KH	14" x 2-1/2" 14" x 2-1/2"	2060 - 361 2060 - 361	Discontinued Discontinued	R40H596 R40H596	R40H9219 R40H9219	R40H3536 R40H3536	R40H3537 R40H3537
F070	Fa Fa Fa Fa Fa	WG WG WG WG WG	15" x 3" 15" x 3" 15" x 3" 15" x 3" 15" x 3"	1245C - 321 1245C - 321 1245C - 321 1245C - 321 1245C - 321	R700321 R700321 R700321 R700321 R700321	R40H521 R40H521 R40H521 R40H521 R40H521	R40H9237 R40H9237 R40H9237 R40H9237 R40H9237	R40H3502 R40H3502 R40H3502 R40H3502 R40H3502	R40H3503 R40H3503 R40H3503 R40H3503 R40H3503

9 - 6 Stud, Dayton Rotor, Hat Style
53 - Power Brakes
214 - Power Brakes, Split System
www.XpresswayPlus.com

37 - Also available as a New unit
186 - 10 Stud
219 - Power Brakes, Gasoline Engine with Vacuum Booster

41 - Aluminum piston
188 - 6 Stud, 9.251" Hub
329 - Forward

MERITOR DRUM OR ROTOR NO.	CALIPER OR CYLINDER BORE SIZE	MERITOR CALIPER OR WHEEL CYLINDER (LEFT)	MERITOR CALIPER OR WHEEL CYLINDER (RIGHT)	MERITOR CALIPER OR WHEEL CYLINDER REPAIR KIT	MERITOR CALIPER PISTON	MERITOR MASTER CYLINDER	MERITOR MASTER CYLINDER KIT	MERITOR BRAKE HOSE (LEFT)	MERITOR BRAKE HOSE (RIGHT)
FORD(Cont.)									
LN600 SERIES: LOUISVILLE 94.4 BBC SHORT CONVENTIONAL CHASSIS CAB(Cont.)									
N/A	1-1/2 "	R4033607	R4033607	R4166818	NR	-	-	R4577147	R4577147
N/A	1-5/8 "	R4133338	R4133338	R4166689	NR	-	-	R4577147	R4577147
N/A	1-5/8 "	R4133338	R4133338	R4166689	NR	-	-	R4577147	R4577147
N/A	1-3/4 "	R4133400	R4133400	R4166917	NR	-	-	R4577147	R4577147
N/A	1-5/8 "	201181	201182	SP7895S	NR	-	-	R4577147	R4577147
N/A	1-5/8 "	201185	201186 ³²⁹	SP7895S	NR	-	-	R4577147	R4577147
N/A	1-5/8 "	201181	201182	SP7895S	NR	-	-	R4577147	R4577147
N/A	1-5/8 "	201185	201186 ³²⁹	SP7895S	NR	-	-	R4577147	R4577147
N/A	1.09375	R4133484	R4133485	R4166819	NR	R4111629 ⁵³	R4122484	R4577460	R4577460
N/A	1-1/8 "	R4133714	R4133715	R4166926	NR	R4111911 ²¹⁹	R4122387	R4577454	R4577455
N/A	1-1/8 "	R4133716	R4133717	R4166926	NR	R4111911 ²¹⁹	R4122387	R4577454	R4577455
N/A	1-1/8 "	R4133719	R4133718	R4166926	NR	R4111992 ²¹⁴	R4122386	R4577452	R4577453
N/A	1-1/8 "	R4133714	R4133715	R4166926	NR	R4111992 ²¹⁴	R4122386	R4577452	R4577453
23-122700-002 ⁹	2-1/2 "	R424244X	R424244X ³⁷	60050266	6927075 ⁴¹	R4111992 ²¹⁴	R4122386	R4577452	R4577453
23-122703-002 ¹⁸⁶	2-7/8 "	60050145X	60050145X ³⁷	60050146	69270702 ⁴¹	R4111992 ²¹⁴	R4122386	R4577452	R4577453
23-122691-002 ¹⁸⁸	2-7/8 "	60050145X	60050145X ³⁷	60050146	69270702 ⁴¹	R4111992 ²¹⁴	R4122386	R4577452	R4577453
N/A	1-1/4 "	R4133720	R4133721	R4166923	NR	R4111992 ²¹⁴	R4122386	R4577452	R4577453
N/A	1-1/4 "	R4133581	R4133581	R4166923	NR	R4111992 ²¹⁴	R4122386	R4577452	R4577453
N/A	1-1/2 "	R4033607	R4033607	R4166818	NR	-	-	R4577147	R4577147
N/A	1-5/8 "	R4133338	R4133338	R4166689	NR	-	-	R4577147	R4577147
N/A	1-5/8 "	R4133338	R4133338	R4166689	NR	-	-	R4577147	R4577147
N/A	1-3/4 "	R4133400	R4133400	R4166917	NR	-	-	R4577147	R4577147
N/A	1.09375	R4133484	R4133485	R4166819	NR	-	-	-	-
N/A	1-1/8 "	R4133716	R4133717	R4166926	NR	-	-	-	-
N/A	1-1/8 "	R4133714	R4133715	R4166926	NR	-	-	-	-
23-122700-002 ⁹	2-1/2 "	R424244X	R424244X ³⁷	60050266	6927075 ⁴¹	-	-	-	-
23-122703-002 ¹⁸⁶	2-7/8 "	60050145X	60050145X ³⁷	60050146	69270702 ⁴¹	-	-	-	-
23-122691-002 ¹⁸⁸	2-7/8 "	60050145X	60050145X ³⁷	60050146	69270702 ⁴¹	-	-	-	-
N/A	1-1/2 "	R4033607	R4033607	R4166818	NR	-	-	-	-
N/A	1-5/8 "	R4133338	R4133338	R4166689	NR	-	-	-	-
N/A	1-5/8 "	R4133338	R4133338	R4166689	NR	-	-	-	-
N/A	1-3/4 "	R4133400	R4133400	R4166917	NR	-	-	-	-
N/A		R4133719	R4133718	R4166926	NR	N/A ³⁵⁸	R4122688	-	-
N/A		R4133714	R4133715	R4166926	NR	N/A ³⁵⁸	R4122688	-	-
N/A	1-1/4 "	R4133720	R4133721	R4166923	NR	-	-	-	-
N/A	1-1/4 "	R4133581	R4133581	R4166923	NR	-	-	-	-
N/A	1.09375	R4133484	R4133485	R4166819	NR	-	-	-	-
N/A	1-1/8 "	R4133716	R4133717	R4166926	NR	-	-	-	-
N/A	1-1/8 "	R4133714	R4133715	R4166926	NR	-	-	-	-
23-122700-002 ⁹	2-1/2 "	R424244X	R424244X ³⁷	60050266	6927075 ⁴¹	-	-	-	-
23-122691-002 ¹⁸⁸	2-7/8 "	60050145X	60050145X ³⁷	60050146	69270702 ⁴¹	-	-	-	-
23-122703-002 ¹⁸⁶	2-7/8 "	60050145X	60050145X ³⁷	60050146	69270702 ⁴¹	-	-	-	-
N/A	1-1/2 "	R4033607	R4033607	R4166818	NR	-	-	-	-
N/A	1-5/8 "	R4133338	R4133338	R4166689	NR	-	-	-	-
N/A	1-5/8 "	R4133338	R4133338	R4166689	NR	-	-	-	-
N/A	1-3/4 "	R4133400	R4133400	R4166917	NR	-	-	-	-
N/A		R4133719	R4133718	R4166926	NR	N/A ³⁵⁸	R4122688	-	-
N/A		R4133714	R4133715	R4166926	NR	N/A ³⁵⁸	R4122688	-	-
N/A	1-1/4 "	R4133720	R4133721	R4166923	NR	-	-	-	-
N/A	1-1/4 "	R4133581	R4133581	R4166923	NR	-	-	-	-
-	1.09375	R4133484	R4133485	R4166819	NR	-	-	-	-
-	1.09375	R4133484	R4133485	R4166819	NR	-	-	-	-
-	1-1/8 "	R4133714	R4133715	R4166926	NR	-	-	-	-
-	1-1/8 "	R4133719	R4133718	R4166926	NR	N/A ³⁵⁸	R4122688	-	-
-	1-1/8 "	R4133714	R4133715	R4166926	NR	N/A ³⁵⁸	R4122688	-	-
-	1-1/8 "	R4133716	R4133717	R4166926	NR	-	-	-	-
-	1-1/8 "	R4133714	R4133715	R4166926	NR	N/A ³⁵⁸	R4122688	-	-

1 APPLICATION

340 - Use 69160457 for Disc Pad Retainer Clip

341 - Use 69160445 for Disc Pad Retainer Clip

358 - Split System

MAKE MODEL YEAR AXLE CODE AXLE WEIGHT	AXLE & BRK. TYPE	BRK. MFG.	BRAKE SIZE	FMSI	MERITOR DISC PAD OR BRAKE SHOE	MERITOR GUIDE PIN OR RETURN SPRING KIT	MERITOR CALIPER HWD. KIT OR RETURN SPRING KIT	MERITOR ADJUSTER KIT (LEFT WHEEL)	MERITOR ADJUSTER KIT (RIGHT WHEEL)
FORD(Cont.)									
LN600 SERIES: LOUISVILLE 94.4 BBC SHORT CONVENTIONAL CHASSIS CAB(Cont.)									
1977	Fa	WG	15" x 3"	1245C - 321	R700321	R40H521	R40H9237	R40H3502	R40H3503
	Fa	WG	15" x 3"	1245C - 321	R700321	R40H521	R40H9237	R40H3502	R40H3503
	Fa	WG	15" x 3"	1245C - 321	R700321	R40H521	R40H9237	R40H3502	R40H3503
	Fd	DN		7141 - D224	MD224 ³⁴⁰	69310693	60050153	NR	NR
F080, F090	Fd	DN		7149 - D236	MD236 ³⁴¹	69310693	R40H5523	NR	NR
	Fd	DN		7149 - D236	MD236 ³⁴¹	69310693	R40H5523	NR	NR
F090, F120	Fa	WG	15" x 3"	1245C - 321	R700321	R40H521	R40H9237	R40H3502	R40H3503
	Fa	WG	15" x 3"	1245C - 321	R700321	R40H521	R40H9237	R40H3502	R40H3503
	Fa	WG	15" x 3"	1245C - 321	R700321	R40H521	R40H9237	R40H3502	R40H3503
	Fa	WG	15" x 3"	1245C - 321	R700321	R40H521	R40H9237	R40H3502	R40H3503
R170, R175	Ra	KH	15" x 5"	4646 - 400	R700400	R40H595	R40H9220	R40H3538	R40H3539
	Ra	KH	15" x 5"	4646 - 400	R700400	R40H595	R40H9220	R40H3538	R40H3539
	Ra	KH	15" x 5"	4646 - 400	R700400	R40H595	R40H9220	R40H3538	R40H3539
	Ra	WG	15" x 5"	1252 - 346	R700346	R40H597	R40H9200	R40H3540	R40H3541
	Ra	WG	15" x 5"	1252 - 346	R700346	R40H597	R40H9200	R40H3540	R40H3541
R185	Ra	WG	15" x 6"	4596 - 381	R700381	R40H597	R40H9200	R40H3540	R40H3541
	Ra	WG	15" x 6"	4596 - 381	R700381	R40H597	R40H9200	R40H3540	R40H3541
	Ra	WG	15" x 7"	4597 - 383	R700383	R40H597	R40H9200	R40H3540	R40H3541
	Ra	WG	15" x 7"	4597 - 383	R700383	R40H597	R40H9200	R40H3540	R40H3541
1976									
F050, F055, F060	Fa	KH	14" x 2-1/2"	2060 - 361	Discontinued	R40H596	R40H9219	R40H3536	R40H3537
	Fa	KH	14" x 2-1/2"	2060 - 361	Discontinued	R40H596	R40H9219	R40H3536	R40H3537
F070	Fd	DN		7141 - D224	MD224 ³⁴⁰	69310693	60050153	NR	NR
F080, F090	Fd	DN		7149 - D236	MD236 ³⁴¹	69310693	R40H5523	NR	NR
	Fd	DN		7149 - D236	MD236 ³⁴¹	69310693	R40H5523	NR	NR
R170, R175	Ra	KH	15" x 5"	4646 - 400	R700400	R40H595	R40H9220	R40H3538	R40H3539
	Ra	KH	15" x 5"	4646 - 400	R700400	R40H595	R40H9220	R40H3538	R40H3539
	Ra	KH	15" x 5"	4646 - 400	R700400	R40H595	R40H9220	R40H3538	R40H3539
	Ra	WG	15" x 5"	1252 - 346	R700346	R40H597	R40H9200	R40H3540	R40H3541
	Ra	WG	15" x 5"	1252 - 346	R700346	R40H597	R40H9200	R40H3540	R40H3541
R185	Ra	WG	15" x 6"	4596 - 381	R700381	R40H597	R40H9200	R40H3540	R40H3541
	Ra	WG	15" x 6"	4596 - 381	R700381	R40H597	R40H9200	R40H3540	R40H3541
	Ra	WG	15" x 7"	4597 - 383	R700383	R40H597	R40H9200	R40H3540	R40H3541
	Ra	WG	15" x 7"	4597 - 383	R700383	R40H597	R40H9200	R40H3540	R40H3541
Single System F070	Fa	WG	15" x 3"	1245C - 321	R700321	R40H521	R40H9237	R40H3502	R40H3503
	Fa	WG	15" x 3"	1245C - 321	R700321	R40H521	R40H9237	R40H3502	R40H3503
	Fa	WG	15" x 3"	1245C - 321	R700321	R40H521	R40H9237	R40H3502	R40H3503
	Fa	WG	15" x 3"	1245C - 321	R700321	R40H521	R40H9237	R40H3502	R40H3503
Split System F070	Fa	WG	15" x 3"	1245C - 321	R700321	R40H521	R40H9237	R40H3502	R40H3503
	Fa	WG	15" x 3"	1245C - 321	R700321	R40H521	R40H9237	R40H3502	R40H3503
	Fa	WG	15" x 3"	1245C - 321	R700321	R40H521	R40H9237	R40H3502	R40H3503
	Fa	WG	15" x 3"	1245C - 321	R700321	R40H521	R40H9237	R40H3502	R40H3503
Split System F090, F120	Fa	WG	15" x 3"	1245C - 321	R700321	R40H521	R40H9237	R40H3502	R40H3503
	Fa	WG	15" x 3"	1245C - 321	R700321	R40H521	R40H9237	R40H3502	R40H3503
	Fa	WG	15" x 3"	1245C - 321	R700321	R40H521	R40H9237	R40H3502	R40H3503
	Fa	WG	15" x 3"	1245C - 321	R700321	R40H521	R40H9237	R40H3502	R40H3503
1975									
F050, F055, F060	Fa	KH	14" x 2-1/2"	2060 - 361	Discontinued	R40H596	R40H9219	R40H3536	R40H3537
	Fa	KH	14" x 2-1/2"	2060 - 361	Discontinued	R40H596	R40H9219	R40H3536	R40H3537
F070	Fd	DN		7141 - D224	MD224 ³⁴⁰	69310693	60050153	NR	NR
F080, F090	Fd	DN		7149 - D236	MD236 ³⁴¹	69310693	R40H5523	NR	NR
	Fd	DN		7149 - D236	MD236 ³⁴¹	69310693	R40H5523	NR	NR
R170, R175	Ra	KH	15" x 5"	4646 - 400	R700400	R40H595	R40H9220	R40H3538	R40H3539
	Ra	KH	15" x 5"	4646 - 400	R700400	R40H595	R40H9220	R40H3538	R40H3539
	Ra	KH	15" x 5"	4646 - 400	R700400	R40H595	R40H9220	R40H3538	R40H3539
	Ra	WG	15" x 5"	1252 - 346	R700346	R40H597	R40H9200	R40H3540	R40H3541
	Ra	WG	15" x 5"	1252 - 346	R700346	R40H597	R40H9200	R40H3540	R40H3541
R185	Ra	WG	15" x 6"	4596 - 381	R700381	R40H597	R40H9200	R40H3540	R40H3541
	Ra	WG	15" x 6"	4596 - 381	R700381	R40H597	R40H9200	R40H3540	R40H3541
	Ra	WG	15" x 7"	4597 - 383	R700383	R40H597	R40H9200	R40H3540	R40H3541
	Ra	WG	15" x 7"	4597 - 383	R700383	R40H597	R40H9200	R40H3540	R40H3541

9 - 6 Stud, Dayton Rotor, Hat Style
 42 - 6 Stud, Dayton Rotor, "U" Style
 341 - Use 69160445 for Disc Pad Retainer Clip
 www.XpresswayPlus.com

37 - Also available as a New unit
 186 - 10 Stud
 358 - Split System

41 - Aluminum piston
 340 - Use 69160457 for Disc Pad Retainer Clip

MERITOR DRUM OR ROTOR NO.	CALIPER OR CYLINDER BORE SIZE	MERITOR CALIPER OR WHEEL CYLINDER (LEFT)	MERITOR CALIPER OR WHEEL CYLINDER (RIGHT)	MERITOR CALIPER OR WHEEL CYLINDER REPAIR KIT	MERITOR CALIPER PISTON	MERITOR MASTER CYLINDER	MERITOR MASTER CYLINDER KIT	MERITOR BRAKE HOSE (LEFT)	MERITOR BRAKE HOSE (RIGHT)
FORD(Cont.)									
LN600 SERIES: LOUISVILLE 94.4 BBC SHORT CONVENTIONAL CHASSIS CAB(Cont.)									
-	1-1/8 "	R4133719	R4133718	R4166926	NR	N/A ³⁵⁸	R4122688	-	-
-	1-1/8 "	R4133716	R4133717	R4166926	NR	-	-	-	-
-	1-1/8 "	R4133714	R4133715	R4166926	NR	-	-	-	-
23-122700-002 ⁹	2-1/2 "	R424244X	R424244X ³⁷	60050266	69270757 ⁴¹	-	-	-	-
23-122691-002 ⁴²	2-7/8 "	60050145X	60050145X ³⁷	60050146	69270702 ⁴¹	-	-	-	-
23-122703-002 ¹⁸⁶	2-7/8 "	60050145X	60050145X ³⁷	60050146	69270702 ⁴¹	-	-	-	-
-	1-1/4 "	R4133581	R4133581	R4166923	NR	-	-	-	-
-	1-1/4 "	R4133581	R4133582	R4166923	NR	-	-	-	-
-	1-1/4 "	R4133720	R4133721	R4166923	NR	-	-	-	-
-	1-1/4 "	R4133720	R4133721	R4166923	NR	-	-	-	-
-	1-1/2 "	R4033607	R4033607	R4166818	NR	-	-	-	-
-	1-5/8 "	R4133606	R4133606	R415193	NR	-	-	-	-
-	1-1/2 "	R4033607	R4033607	R4166818	NR	-	-	-	-
-	1-5/8 "	R4133338	R4133338	R4166689	NR	-	-	-	-
-	1-5/8 "	R4133338	R4133338	R4166689	NR	-	-	-	-
-	1-5/8 "	R4133338	R4133338	R4166689	NR	-	-	-	-
-	1-5/8 "	R4133338	R4133338	R4166689	NR	-	-	-	-
-	1-3/4 "	R4133400	R4133400	R4166917	NR	-	-	-	-
-	1-3/4 "	R4133400	R4133400	R4166917	NR	-	-	-	-
-	1.09375	R4133484	R4133485	R4166819	NR	-	-	-	-
-	1.09375	R4133484	R4133485	R4166819	NR	-	-	-	-
23-122700-002 ⁹	2-1/2 "	R424244X	R424244X ³⁷	60050266	69270757 ⁴¹	-	-	-	-
23-122691-002 ⁴²	2-7/8 "	60050145X	60050145X ³⁷	60050146	69270702 ⁴¹	-	-	-	-
23-122703-002 ¹⁸⁶	2-7/8 "	60050145X	60050145X ³⁷	60050146	69270702 ⁴¹	-	-	-	-
-	1-1/2 "	R4033607	R4033607	R4166818	NR	-	-	-	-
-	1-5/8 "	R4133606	R4133606	R415193	NR	-	-	-	-
-	1-1/2 "	R4033607	R4033607	R4166818	NR	-	-	-	-
-	1-5/8 "	R4133338	R4133338	R4166689	NR	-	-	-	-
-	1-5/8 "	R4133338	R4133338	R4166689	NR	-	-	-	-
-	1-5/8 "	R4133338	R4133338	R4166689	NR	-	-	-	-
-	1-5/8 "	R4133338	R4133338	R4166689	NR	-	-	-	-
-	1-3/4 "	R4133400	R4133400	R4166917	NR	-	-	-	-
-	1-3/4 "	R4133400	R4133400	R4166917	NR	-	-	-	-
-	1-1/8 "	R4133714	R4133715	R4166926	NR	-	-	-	-
-	1-1/8 "	R4133716	R4133717	R4166926	NR	-	-	-	-
-	1-1/8 "	R4133714	R4133715	R4166926	NR	-	-	-	-
-	1-1/8 "	R4133716	R4133717	R4166926	NR	-	-	-	-
-	1-1/8 "	R4133714	R4133715	R4166926	NR	N/A ³⁵⁸	R4122688	-	-
-	1-1/8 "	R4133719	R4133718	R4166926	NR	N/A ³⁵⁸	R4122688	-	-
-	1-1/8 "	R4133714	R4133715	R4166926	NR	N/A ³⁵⁸	R4122688	-	-
-	1-1/8 "	R4133719	R4133718	R4166926	NR	N/A ³⁵⁸	R4122688	-	-
-	1-1/4 "	R4133720	R4133721	R4166923	NR	-	-	-	-
-	1-1/4 "	R4133581	R4133581	R4166923	NR	-	-	-	-
-	1-1/4 "	R4133581	R4133582	R4166923	NR	-	-	-	-
-	1-1/4 "	R4133720	R4133721	R4166923	NR	-	-	-	-
-	1.09375	R4133484	R4133485	R4166819	NR	-	-	-	-
-	1.09375	R4133484	R4133485	R4166819	NR	-	-	-	-
23-122700-002 ⁹	2-1/2 "	R424244X	R424244X ³⁷	60050266	69270757 ⁴¹	-	-	-	-
23-122691-002 ⁴²	2-7/8 "	60050145X	60050145X ³⁷	60050146	69270702 ⁴¹	-	-	-	-
23-122703-002 ¹⁸⁶	2-7/8 "	60050145X	60050145X ³⁷	60050146	69270702 ⁴¹	-	-	-	-
-	1-5/8 "	R4133606	R4133606	R415193	NR	-	-	-	-
-	1-1/2 "	R4033607	R4033607	R4166818	NR	-	-	-	-
-	1-1/2 "	R4033607	R4033607	R4166818	NR	-	-	-	-
-	1-5/8 "	R4133338	R4133338	R4166689	NR	-	-	-	-
-	1-5/8 "	R4133338	R4133338	R4166689	NR	-	-	-	-
-	1-5/8 "	R4133338	R4133338	R4166689	NR	-	-	-	-
-	1-5/8 "	R4133338	R4133338	R4166689	NR	-	-	-	-
-	1-3/4 "	R4133400	R4133400	R4166917	NR	-	-	-	-
-	1-3/4 "	R4133400	R4133400	R4166917	NR	-	-	-	-

1 APPLICATION

MAKE MODEL YEAR AXLE CODE AXLE WEIGHT	AXLE & BRK. TYPE	BRK. MFG.	BRAKE SIZE	FMSI	MERITOR DISC PAD OR BRAKE SHOE	MERITOR GUIDE PIN OR RETURN SPRING KIT	MERITOR CALIPER HWD. KIT OR RETURN SPRING KIT	MERITOR ADJUSTER KIT (LEFT WHEEL)	MERITOR ADJUSTER KIT (RIGHT WHEEL)
FORD(Cont.)									
LN600 SERIES: LOUISVILLE 94.4 BBC SHORT CONVENTIONAL CHASSIS CAB(Cont.)									
1975 Single System F070	Fa	WG	15 " x 3 "	1245C - 321	R700321	R40H521	R40H9237	R40H3502	R40H3503
	Fa	WG	15 " x 3 "	1245C - 321	R700321	R40H521	R40H9237	R40H3502	R40H3503
	Fa	WG	15 " x 3 "	1245C - 321	R700321	R40H521	R40H9237	R40H3502	R40H3503
	Fa	WG	15 " x 3 "	1245C - 321	R700321	R40H521	R40H9237	R40H3502	R40H3503
Split System F070	Fa	WG	15 " x 3 "	1245C - 321	R700321	R40H521	R40H9237	R40H3502	R40H3503
	Fa	WG	15 " x 3 "	1245C - 321	R700321	R40H521	R40H9237	R40H3502	R40H3503
	Fa	WG	15 " x 3 "	1245C - 321	R700321	R40H521	R40H9237	R40H3502	R40H3503
	Fa	WG	15 " x 3 "	1245C - 321	R700321	R40H521	R40H9237	R40H3502	R40H3503
Split System F090, F120	Fa	WG	15 " x 3 "	1245C - 321	R700321	R40H521	R40H9237	R40H3502	R40H3503
	Fa	WG	15 " x 3 "	1245C - 321	R700321	R40H521	R40H9237	R40H3502	R40H3503
	Fa	WG	15 " x 3 "	1245C - 321	R700321	R40H521	R40H9237	R40H3502	R40H3503
	Fa	WG	15 " x 3 "	1245C - 321	R700321	R40H521	R40H9237	R40H3502	R40H3503
1974 F050, F055, F060	Fa	KH	14 " x 2-1/2 "	2060 - 361	Discontinued	R40H596	R40H9219	R40H3536	R40H3537
	Fa	KH	14 " x 2-1/2 "	2060 - 361	Discontinued	R40H596	R40H9219	R40H3536	R40H3537
F070	Fd	DN		7141 - D224	MD224 ³⁴⁰	69310693	60050153	NR	NR
F080, F090	Fd	DN		7149 - D236	MD236 ³⁴¹	69310693	R40H5523	NR	NR
	Fd	DN		7149 - D236	MD236 ³⁴¹	69310693	R40H5523	NR	NR
R170, R175	Ra	KH	15 " x 5 "	4646 - 400	R700400	R40H595	R40H9220	R40H3538	R40H3539
	Ra	KH	15 " x 5 "	4646 - 400	R700400	R40H595	R40H9220	R40H3538	R40H3539
	Ra	KH	15 " x 5 "	4646 - 400	R700400	R40H595	R40H9220	R40H3538	R40H3539
	Ra	WG	15 " x 5 "	1252 - 346	R700346	R40H597	R40H9200	R40H3540	R40H3541
	Ra	WG	15 " x 5 "	1252 - 346	R700346	R40H597	R40H9200	R40H3540	R40H3541
R185	Ra	WG	15 " x 6 "	4596 - 381	R700381	R40H597	R40H9200	R40H3540	R40H3541
	Ra	WG	15 " x 6 "	4596 - 381	R700381	R40H597	R40H9200	R40H3540	R40H3541
	Ra	WG	15 " x 7 "	4597 - 383	R700383	R40H597	R40H9200	R40H3540	R40H3541
	Ra	WG	15 " x 7 "	4597 - 383	R700383	R40H597	R40H9200	R40H3540	R40H3541
Single System F070	Fa	WG	15 " x 3 "	1245C - 321	R700321	R40H521	R40H9237	R40H3502	R40H3503
	Fa	WG	15 " x 3 "	1245C - 321	R700321	R40H521	R40H9237	R40H3502	R40H3503
	Fa	WG	15 " x 3 "	1245C - 321	R700321	R40H521	R40H9237	R40H3502	R40H3503
	Fa	WG	15 " x 3 "	1245C - 321	R700321	R40H521	R40H9237	R40H3502	R40H3503
Split System F070	Fa	WG	15 " x 3 "	1245C - 321	R700321	R40H521	R40H9237	R40H3502	R40H3503
	Fa	WG	15 " x 3 "	1245C - 321	R700321	R40H521	R40H9237	R40H3502	R40H3503
	Fa	WG	15 " x 3 "	1245C - 321	R700321	R40H521	R40H9237	R40H3502	R40H3503
	Fa	WG	15 " x 3 "	1245C - 321	R700321	R40H521	R40H9237	R40H3502	R40H3503
Split System F090, F120	Fa	WG	15 " x 3 "	1245C - 321	R700321	R40H521	R40H9237	R40H3502	R40H3503
	Fa	WG	15 " x 3 "	1245C - 321	R700321	R40H521	R40H9237	R40H3502	R40H3503
	Fa	WG	15 " x 3 "	1245C - 321	R700321	R40H521	R40H9237	R40H3502	R40H3503
	Fa	WG	15 " x 3 "	1245C - 321	R700321	R40H521	R40H9237	R40H3502	R40H3503
1973 F050, F055, F060	Fa	KH	14 " x 2-1/2 "	2060 - 361	Discontinued	R40H596	R40H9219	R40H3536	R40H3537
	Fa	KH	14 " x 2-1/2 "	2060 - 361	Discontinued	R40H596	R40H9219	R40H3536	R40H3537
F070	Fd	DN		7141 - D224	MD224 ³⁴⁰	69310693	60050153	NR	NR
F080, F090	Fd	DN		7149 - D236	MD236 ³⁴¹	69310693	R40H5523	NR	NR
	Fd	DN		7149 - D236	MD236 ³⁴¹	69310693	R40H5523	NR	NR
R170, R175	Ra	KH	15 " x 5 "	4646 - 400	R700400	R40H595	R40H9220	R40H3538	R40H3539
	Ra	KH	15 " x 5 "	4646 - 400	R700400	R40H595	R40H9220	R40H3538	R40H3539
	Ra	KH	15 " x 5 "	4646 - 400	R700400	R40H595	R40H9220	R40H3538	R40H3539
	Ra	WG	15 " x 5 "	1252 - 346	R700346	R40H597	R40H9200	R40H3540	R40H3541
	Ra	WG	15 " x 5 "	1252 - 346	R700346	R40H597	R40H9200	R40H3540	R40H3541
R185	Ra	WG	15 " x 6 "	4596 - 381	R700381	R40H597	R40H9200	R40H3540	R40H3541
	Ra	WG	15 " x 6 "	4596 - 381	R700381	R40H597	R40H9200	R40H3540	R40H3541
	Ra	WG	15 " x 7 "	4597 - 383	R700383	R40H597	R40H9200	R40H3540	R40H3541
	Ra	WG	15 " x 7 "	4597 - 383	R700383	R40H597	R40H9200	R40H3540	R40H3541
Single System F070	Fa	WG	15 " x 3 "	1245C - 321	R700321	R40H521	R40H9237	R40H3502	R40H3503
	Fa	WG	15 " x 3 "	1245C - 321	R700321	R40H521	R40H9237	R40H3502	R40H3503
	Fa	WG	15 " x 3 "	1245C - 321	R700321	R40H521	R40H9237	R40H3502	R40H3503

9 - 6 Stud, Dayton Rotor, Hat Style
 42 - 6 Stud, Dayton Rotor, "U" Style
 341 - Use 69160445 for Disc Pad Retainer Clip
 www.XpresswayPlus.com

37 - Also available as a New unit
 186 - 10 Stud
 358 - Split System

41 - Aluminum piston
 340 - Use 69160457 for Disc Pad Retainer Clip

MERITOR DRUM OR ROTOR NO.	CALIPER OR CYLINDER BORE SIZE	MERITOR CALIPER OR WHEEL CYLINDER (LEFT)	MERITOR CALIPER OR WHEEL CYLINDER (RIGHT)	MERITOR CALIPER OR WHEEL CYLINDER REPAIR KIT	MERITOR CALIPER PISTON	MERITOR MASTER CYLINDER	MERITOR MASTER CYLINDER KIT	MERITOR BRAKE HOSE (LEFT)	MERITOR BRAKE HOSE (RIGHT)
FORD(Cont.)									
LN600 SERIES: LOUISVILLE 94.4 BBC SHORT CONVENTIONAL CHASSIS CAB(Cont.)									
-	1-1/8 "	R4133716	R4133717	R4166926	NR	-	-	-	-
-	1-1/8 "	R4133714	R4133715	R4166926	NR	-	-	-	-
-	1-1/8 "	R4133714	R4133715	R4166926	NR	-	-	-	-
-	1-1/8 "	R4133716	R4133717	R4166926	NR	-	-	-	-
-	1-1/8 "	R4133719	R4133718	R4166926	NR	N/A ³⁵⁸	R4122688	-	-
-	1-1/8 "	R4133714	R4133715	R4166926	NR	N/A ³⁵⁸	R4122688	-	-
-	1-1/8 "	R4133714	R4133715	R4166926	NR	N/A ³⁵⁸	R4122688	-	-
-	1-1/8 "	R4133719	R4133718	R4166926	NR	N/A ³⁵⁸	R4122688	-	-
-	1-1/4 "	R4133720	R4133721	R4166923	NR	-	-	-	-
-	1-1/4 "	R4133581	R4133582	R4166923	NR	-	-	-	-
-	1-1/4 "	R4133720	R4133721	R4166923	NR	-	-	-	-
-	1-1/4 "	R4133581	R4133581	R4166923	NR	-	-	-	-
-	1.09375	R4133484	R4133485	R4166819	NR	-	-	-	-
-	1.09375	R4133484	R4133485	R4166819	NR	-	-	-	-
23-122700-002 ⁹	2-1/2 "	R424244X	R424244X ³⁷	60050266	69270757 ⁴¹	-	-	-	-
23-122691-002 ⁴²	2-7/8 "	60050145X	60050145X ³⁷	60050146	69270702 ⁴¹	-	-	-	-
23-122703-002 ¹⁸⁶	2-7/8 "	60050145X	60050145X ³⁷	60050146	69270702 ⁴¹	-	-	-	-
-	1-5/8 "	R4133606	R4133606	R415193	NR	-	-	-	-
-	1-1/2 "	R4033607	R4033607	R4166818	NR	-	-	-	-
-	1-1/2 "	R4033607	R4033607	R4166818	NR	-	-	-	-
-	1-5/8 "	R4133338	R4133338	R4166689	NR	-	-	-	-
-	1-5/8 "	R4133338	R4133338	R4166689	NR	-	-	-	-
-	1-5/8 "	R4133338	R4133338	R4166689	NR	-	-	-	-
-	1-5/8 "	R4133338	R4133338	R4166689	NR	-	-	-	-
-	1-3/4 "	R4133400	R4133400	R4166917	NR	-	-	-	-
-	1-3/4 "	R4133400	R4133400	R4166917	NR	-	-	-	-
-	1-1/8 "	R4133714	R4133715	R4166926	NR	-	-	-	-
-	1-1/8 "	R4133716	R4133717	R4166926	NR	-	-	-	-
-	1-1/8 "	R4133714	R4133715	R4166926	NR	-	-	-	-
-	1-1/8 "	R4133716	R4133717	R4166926	NR	-	-	-	-
-	1-1/8 "	R4133714	R4133715	R4166926	NR	N/A ³⁵⁸	R4122688	-	-
-	1-1/8 "	R4133719	R4133718	R4166926	NR	N/A ³⁵⁸	R4122688	-	-
-	1-1/8 "	R4133714	R4133715	R4166926	NR	N/A ³⁵⁸	R4122688	-	-
-	1-1/8 "	R4133719	R4133718	R4166926	NR	N/A ³⁵⁸	R4122688	-	-
-	1-1/4 "	R4133720	R4133721	R4166923	NR	-	-	-	-
-	1-1/4 "	R4133581	R4133581	R4166923	NR	-	-	-	-
-	1-1/4 "	R4133581	R4133582	R4166923	NR	-	-	-	-
-	1-1/4 "	R4133720	R4133721	R4166923	NR	-	-	-	-
-	1.09375	R4133484	R4133485	R4166819	NR	-	-	-	-
-	1.09375	R4133484	R4133485	R4166819	NR	-	-	-	-
23-122700-002 ⁹	2-1/2 "	R424244X	R424244X ³⁷	60050266	69270757 ⁴¹	-	-	-	-
23-122691-002 ⁴²	2-7/8 "	60050145X	60050145X ³⁷	60050146	69270702 ⁴¹	-	-	-	-
23-122703-002 ¹⁸⁶	2-7/8 "	60050145X	60050145X ³⁷	60050146	69270702 ⁴¹	-	-	-	-
-	1-5/8 "	R4133606	R4133606	R415193	NR	-	-	-	-
-	1-1/2 "	R4033607	R4033607	R4166818	NR	-	-	-	-
-	1-1/2 "	R4033607	R4033607	R4166818	NR	-	-	-	-
-	1-5/8 "	R4133338	R4133338	R4166689	NR	-	-	-	-
-	1-5/8 "	R4133338	R4133338	R4166689	NR	-	-	-	-
-	1-5/8 "	R4133338	R4133338	R4166689	NR	-	-	-	-
-	1-5/8 "	R4133338	R4133338	R4166689	NR	-	-	-	-
-	1-3/4 "	R4133400	R4133400	R4166917	NR	-	-	-	-
-	1-3/4 "	R4133400	R4133400	R4166917	NR	-	-	-	-
-	1-1/8 "	R4133716	R4133717	R4166926	NR	-	-	-	-
-	1-1/8 "	R4133714	R4133715	R4166926	NR	-	-	-	-
-	1-1/8 "	R4133716	R4133717	R4166926	NR	-	-	-	-

MAKE MODEL YEAR AXLE CODE AXLE WEIGHT	AXLE & BRK. TYPE	BRK. MFG.	BRAKE SIZE	FMSI	MERITOR DISC PAD OR BRAKE SHOE	MERITOR GUIDE PIN OR RETURN SPRING KIT	MERITOR CALIPER HWD. KIT OR RETURN SPRING KIT	MERITOR ADJUSTER KIT (LEFT WHEEL)	MERITOR ADJUSTER KIT (RIGHT WHEEL)
FORD(Cont.)									
LN600 SERIES: LOUISVILLE 94.4 BBC SHORT CONVENTIONAL CHASSIS CAB(Cont.)									
1973	Fa	WG	15 " x 3 "	1245C - 321	R700321	R40H521	R40H9237	R40H3502	R40H3503
Split System F070	Fa	WG	15 " x 3 "	1245C - 321	R700321	R40H521	R40H9237	R40H3502	R40H3503
	Fa	WG	15 " x 3 "	1245C - 321	R700321	R40H521	R40H9237	R40H3502	R40H3503
	Fa	WG	15 " x 3 "	1245C - 321	R700321	R40H521	R40H9237	R40H3502	R40H3503
	Fa	WG	15 " x 3 "	1245C - 321	R700321	R40H521	R40H9237	R40H3502	R40H3503
Split System F090, F120	Fa	WG	15 " x 3 "	1245C - 321	R700321	R40H521	R40H9237	R40H3502	R40H3503
	Fa	WG	15 " x 3 "	1245C - 321	R700321	R40H521	R40H9237	R40H3502	R40H3503
	Fa	WG	15 " x 3 "	1245C - 321	R700321	R40H521	R40H9237	R40H3502	R40H3503
	Fa	WG	15 " x 3 "	1245C - 321	R700321	R40H521	R40H9237	R40H3502	R40H3503
1972									
F050, F055, F060	Fa	KH	14 " x 2-1/2 "	2060 - 361	Discontinued	R40H596	R40H9219	R40H3536	R40H3537
	Fa	KH	14 " x 2-1/2 "	2060 - 361	Discontinued	R40H596	R40H9219	R40H3536	R40H3537
F070	Fd	DN		7141 - D224	MD224 ³⁴⁰	69310693	60050153	NR	NR
F080, F090	Fd	DN		7149 - D236	MD236 ³⁴¹	69310693	R40H5523	NR	NR
	Fd	DN		7149 - D236	MD236 ³⁴¹	69310693	R40H5523	NR	NR
R170, R175	Ra	KH	15 " x 5 "	4646 - 400	R700400	R40H595	R40H9220	R40H3538	R40H3539
	Ra	KH	15 " x 5 "	4646 - 400	R700400	R40H595	R40H9220	R40H3538	R40H3539
	Ra	KH	15 " x 5 "	4646 - 400	R700400	R40H595	R40H9220	R40H3538	R40H3539
	Ra	WG	15 " x 5 "	1252 - 346	R700346	R40H597	R40H9200	R40H3540	R40H3541
R185	Ra	WG	15 " x 5 "	1252 - 346	R700346	R40H597	R40H9200	R40H3540	R40H3541
	Ra	WG	15 " x 6 "	4596 - 381	R700381	R40H597	R40H9200	R40H3540	R40H3541
	Ra	WG	15 " x 6 "	4596 - 381	R700381	R40H597	R40H9200	R40H3540	R40H3541
	Ra	WG	15 " x 7 "	4597 - 383	R700383	R40H597	R40H9200	R40H3540	R40H3541
Single System F070	Ra	WG	15 " x 7 "	4597 - 383	R700383	R40H597	R40H9200	R40H3540	R40H3541
	Fa	WG	15 " x 3 "	1245C - 321	R700321	R40H521	R40H9237	R40H3502	R40H3503
	Fa	WG	15 " x 3 "	1245C - 321	R700321	R40H521	R40H9237	R40H3502	R40H3503
	Fa	WG	15 " x 3 "	1245C - 321	R700321	R40H521	R40H9237	R40H3502	R40H3503
Split System F070	Fa	WG	15 " x 3 "	1245C - 321	R700321	R40H521	R40H9237	R40H3502	R40H3503
	Fa	WG	15 " x 3 "	1245C - 321	R700321	R40H521	R40H9237	R40H3502	R40H3503
	Fa	WG	15 " x 3 "	1245C - 321	R700321	R40H521	R40H9237	R40H3502	R40H3503
	Fa	WG	15 " x 3 "	1245C - 321	R700321	R40H521	R40H9237	R40H3502	R40H3503
Split System F090, F120	Fa	WG	15 " x 3 "	1245C - 321	R700321	R40H521	R40H9237	R40H3502	R40H3503
	Fa	WG	15 " x 3 "	1245C - 321	R700321	R40H521	R40H9237	R40H3502	R40H3503
	Fa	WG	15 " x 3 "	1245C - 321	R700321	R40H521	R40H9237	R40H3502	R40H3503
	Fa	WG	15 " x 3 "	1245C - 321	R700321	R40H521	R40H9237	R40H3502	R40H3503
1971									
F050, F055, F060	Fa	KH	14 " x 2-1/2 "	2060 - 361	Discontinued	R40H596	R40H9219	R40H3536	R40H3537
	Fa	KH	14 " x 2-1/2 "	2060 - 361	Discontinued	R40H596	R40H9219	R40H3536	R40H3537
F070	Fd	DN		7141 - D224	MD224 ³⁴⁰	69310693	60050153	NR	NR
F080, F090	Fd	DN		7149 - D236	MD236 ³⁴¹	69310693	R40H5523	NR	NR
	Fd	DN		7149 - D236	MD236 ³⁴¹	69310693	R40H5523	NR	NR
R170, R175	Ra	KH	15 " x 5 "	4646 - 400	R700400	R40H595	R40H9220	R40H3538	R40H3539
	Ra	KH	15 " x 5 "	4646 - 400	R700400	R40H595	R40H9220	R40H3538	R40H3539
	Ra	KH	15 " x 5 "	4646 - 400	R700400	R40H595	R40H9220	R40H3538	R40H3539
	Ra	WG	15 " x 5 "	1252 - 346	R700346	R40H597	R40H9200	R40H3540	R40H3541
R185	Ra	WG	15 " x 5 "	1252 - 346	R700346	R40H597	R40H9200	R40H3540	R40H3541
	Ra	WG	15 " x 6 "	4596 - 381	R700381	R40H597	R40H9200	R40H3540	R40H3541
	Ra	WG	15 " x 6 "	4596 - 381	R700381	R40H597	R40H9200	R40H3540	R40H3541
	Ra	WG	15 " x 7 "	4597 - 383	R700383	R40H597	R40H9200	R40H3540	R40H3541
Single System F070	Ra	WG	15 " x 7 "	4597 - 383	R700383	R40H597	R40H9200	R40H3540	R40H3541
	Fa	WG	15 " x 3 "	1245C - 321	R700321	R40H521	R40H9237	R40H3502	R40H3503
	Fa	WG	15 " x 3 "	1245C - 321	R700321	R40H521	R40H9237	R40H3502	R40H3503
	Fa	WG	15 " x 3 "	1245C - 321	R700321	R40H521	R40H9237	R40H3502	R40H3503
Split System F070	Fa	WG	15 " x 3 "	1245C - 321	R700321	R40H521	R40H9237	R40H3502	R40H3503
	Fa	WG	15 " x 3 "	1245C - 321	R700321	R40H521	R40H9237	R40H3502	R40H3503

9 - 6 Stud, Dayton Rotor, Hat Style
 42 - 6 Stud, Dayton Rotor, "U" Style
 341 - Use 69160445 for Disc Pad Retainer Clip
 www.XpresswayPlus.com

37 - Also available as a New unit
 186 - 10 Stud
 358 - Split System

41 - Aluminum piston
 340 - Use 69160457 for Disc Pad Retainer Clip

MERITOR DRUM OR ROTOR NO.	CALIPER OR CYLINDER BORE SIZE	MERITOR CALIPER OR WHEEL CYLINDER (LEFT)	MERITOR CALIPER OR WHEEL CYLINDER (RIGHT)	MERITOR CALIPER OR WHEEL CYLINDER REPAIR KIT	MERITOR CALIPER PISTON	MERITOR MASTER CYLINDER	MERITOR MASTER CYLINDER KIT	MERITOR BRAKE HOSE (LEFT)	MERITOR BRAKE HOSE (RIGHT)
FORD(Cont.)									
LN600 SERIES: LOUISVILLE 94.4 BBC SHORT CONVENTIONAL CHASSIS CAB(Cont.)									
-	1-1/8 "	R4133714	R4133715	R4166926	NR	-	-	-	-
-	1-1/8 "	R4133714	R4133715	R4166926	NR	N/A ³⁵⁸	R4122688	-	-
-	1-1/8 "	R4133719	R4133718	R4166926	NR	N/A ³⁵⁸	R4122688	-	-
-	1-1/8 "	R4133714	R4133715	R4166926	NR	N/A ³⁵⁸	R4122688	-	-
-	1-1/8 "	R4133719	R4133718	R4166926	NR	N/A ³⁵⁸	R4122688	-	-
-	1-1/4 "	R4133720	R4133721	R4166923	NR	-	-	-	-
-	1-1/4 "	R4133581	R4133581	R4166923	NR	-	-	-	-
-	1-1/4 "	R4133720	R4133721	R4166923	NR	-	-	-	-
-	1-1/4 "	R4133581	R4133582	R4166923	NR	-	-	-	-
-	1.09375	R4133484	R4133485	R4166819	NR	-	-	-	-
-	1.09375	R4133484	R4133485	R4166819	NR	-	-	-	-
23-122700-002 ⁹	2-1/2 "	R424244X	R424244X ³⁷	60050266	6927075 ⁴¹	-	-	-	-
23-122691-002 ⁴²	2-7/8 "	60050145X	60050145X ³⁷	60050146	69270702 ⁴¹	-	-	-	-
23-122703-002 ¹⁸⁶	2-7/8 "	60050145X	60050145X ³⁷	60050146	69270702 ⁴¹	-	-	-	-
-	1-1/2 "	R4033607	R4033607	R4166818	NR	-	-	-	-
-	1-5/8 "	R4133606	R4133606	R415193	NR	-	-	-	-
-	1-1/2 "	R4033607	R4033607	R4166818	NR	-	-	-	-
-	1-5/8 "	R4133338	R4133338	R4166689	NR	-	-	-	-
-	1-5/8 "	R4133338	R4133338	R4166689	NR	-	-	-	-
-	1-5/8 "	R4133338	R4133338	R4166689	NR	-	-	-	-
-	1-5/8 "	R4133338	R4133338	R4166689	NR	-	-	-	-
-	1-3/4 "	R4133400	R4133400	R4166917	NR	-	-	-	-
-	1-3/4 "	R4133400	R4133400	R4166917	NR	-	-	-	-
-	1-1/8 "	R4133716	R4133717	R4166926	NR	-	-	-	-
-	1-1/8 "	R4133714	R4133715	R4166926	NR	-	-	-	-
-	1-1/8 "	R4133714	R4133715	R4166926	NR	-	-	-	-
-	1-1/8 "	R4133716	R4133717	R4166926	NR	-	-	-	-
-	1-1/8 "	R4133714	R4133715	R4166926	NR	N/A ³⁵⁸	R4122688	-	-
-	1-1/8 "	R4133719	R4133718	R4166926	NR	N/A ³⁵⁸	R4122688	-	-
-	1-1/8 "	R4133714	R4133715	R4166926	NR	N/A ³⁵⁸	R4122688	-	-
-	1-1/8 "	R4133719	R4133718	R4166926	NR	N/A ³⁵⁸	R4122688	-	-
-	1-1/4 "	R4133720	R4133721	R4166923	NR	-	-	-	-
-	1-1/4 "	R4133581	R4133582	R4166923	NR	-	-	-	-
-	1-1/4 "	R4133581	R4133581	R4166923	NR	-	-	-	-
-	1-1/4 "	R4133720	R4133721	R4166923	NR	-	-	-	-
-	1.09375	R4133484	R4133485	R4166819	NR	-	-	-	-
-	1.09375	R4133484	R4133485	R4166819	NR	-	-	-	-
23-122700-002 ⁹	2-1/2 "	R424244X	R424244X ³⁷	60050266	6927075 ⁴¹	-	-	-	-
23-122691-002 ⁴²	2-7/8 "	60050145X	60050145X ³⁷	60050146	69270702 ⁴¹	-	-	-	-
23-122703-002 ¹⁸⁶	2-7/8 "	60050145X	60050145X ³⁷	60050146	69270702 ⁴¹	-	-	-	-
-	1-1/2 "	R4033607	R4033607	R4166818	NR	-	-	-	-
-	1-5/8 "	R4133606	R4133606	R415193	NR	-	-	-	-
-	1-1/2 "	R4033607	R4033607	R4166818	NR	-	-	-	-
-	1-5/8 "	R4133338	R4133338	R4166689	NR	-	-	-	-
-	1-5/8 "	R4133338	R4133338	R4166689	NR	-	-	-	-
-	1-5/8 "	R4133338	R4133338	R4166689	NR	-	-	-	-
-	1-5/8 "	R4133338	R4133338	R4166689	NR	-	-	-	-
-	1-3/4 "	R4133400	R4133400	R4166917	NR	-	-	-	-
-	1-3/4 "	R4133400	R4133400	R4166917	NR	-	-	-	-
-	1-1/8 "	R4133716	R4133717	R4166926	NR	-	-	-	-
-	1-1/8 "	R4133714	R4133715	R4166926	NR	-	-	-	-
-	1-1/8 "	R4133716	R4133717	R4166926	NR	-	-	-	-
-	1-1/8 "	R4133714	R4133715	R4166926	NR	-	-	-	-
-	1-1/8 "	R4133719	R4133718	R4166926	NR	N/A ³⁵⁸	R4122688	-	-
-	1-1/8 "	R4133714	R4133715	R4166926	NR	N/A ³⁵⁸	R4122688	-	-

1 APPLICATION

MAKE MODEL YEAR AXLE CODE AXLE WEIGHT	AXLE & BRK. TYPE	BRK. MFG.	BRAKE SIZE	FMSI	MERITOR DISC PAD OR BRAKE SHOE	MERITOR GUIDE PIN OR RETURN SPRING KIT	MERITOR CALIPER HWD. KIT OR RETURN SPRING KIT	MERITOR ADJUSTER KIT (LEFT WHEEL)	MERITOR ADJUSTER KIT (RIGHT WHEEL)
FORD(Cont.)									
LN600 SERIES: LOUISVILLE 94.4 BBC SHORT CONVENTIONAL CHASSIS CAB(Cont.)									
1971	Fa Fa	WG WG	15 " x 3 " 15 " x 3 "	1245C - 321 1245C - 321	R700321 R700321	R40H521 R40H521	R40H9237 R40H9237	R40H3502 R40H3502	R40H3503 R40H3503
Split System F090, F120	Fa Fa Fa Fa	WG WG WG WG	15 " x 3 " 15 " x 3 " 15 " x 3 " 15 " x 3 "	1245C - 321 1245C - 321 1245C - 321 1245C - 321	R700321 R700321 R700321 R700321	R40H521 R40H521 R40H521 R40H521	R40H9237 R40H9237 R40H9237 R40H9237	R40H3502 R40H3502 R40H3502 R40H3502	R40H3503 R40H3503 R40H3503 R40H3503
1970 F050, F055, F060	Fa Fa	KH KH	14 " x 2-1/2 " 14 " x 2-1/2 "	2060 - 361 2060 - 361	Discontinued Discontinued	R40H596 R40H596	R40H9219 R40H9219	R40H3536 R40H3536	R40H3537 R40H3537
F070	Fd	DN		7141 - D224	MD224 ³⁴⁰	69310693	60050153	NR	NR
F080, F090	Fd Fd	DN DN		7149 - D236 7149 - D236	MD236 ³⁴¹ MD236 ³⁴¹	69310693 69310693	R40H5523 R40H5523	NR NR	NR NR
R170, R175	Ra Ra Ra Ra Ra	KH KH KH WG WG	15 " x 5 " 15 " x 5 " 15 " x 5 " 15 " x 5 " 15 " x 5 "	4646 - 400 4646 - 400 4646 - 400 1252 - 346 1252 - 346	R700400 R700400 R700400 R700346 R700346	R40H595 R40H595 R40H595 R40H597 R40H597	R40H9220 R40H9220 R40H9220 R40H9200 R40H9200	R40H3538 R40H3538 R40H3538 R40H3540 R40H3540	R40H3539 R40H3539 R40H3539 R40H3541 R40H3541
R185	Ra Ra Ra Ra	WG WG WG WG	15 " x 6 " 15 " x 6 " 15 " x 7 " 15 " x 7 "	4596 - 381 4596 - 381 4597 - 383 4597 - 383	R700381 R700381 R700383 R700383	R40H597 R40H597 R40H597 R40H597	R40H9200 R40H9200 R40H9200 R40H9200	R40H3540 R40H3540 R40H3540 R40H3540	R40H3541 R40H3541 R40H3541 R40H3541
Single System F070	Fa Fa Fa Fa	WG WG WG WG	15 " x 3 " 15 " x 3 " 15 " x 3 " 15 " x 3 "	1245C - 321 1245C - 321 1245C - 321 1245C - 321	R700321 R700321 R700321 R700321	R40H521 R40H521 R40H521 R40H521	R40H9237 R40H9237 R40H9237 R40H9237	R40H3502 R40H3502 R40H3502 R40H3502	R40H3503 R40H3503 R40H3503 R40H3503
Split System F070	Fa Fa Fa Fa	WG WG WG WG	15 " x 3 " 15 " x 3 " 15 " x 3 " 15 " x 3 "	1245C - 321 1245C - 321 1245C - 321 1245C - 321	R700321 R700321 R700321 R700321	R40H521 R40H521 R40H521 R40H521	R40H9237 R40H9237 R40H9237 R40H9237	R40H3502 R40H3502 R40H3502 R40H3502	R40H3503 R40H3503 R40H3503 R40H3503
Split System F090, F120	Fa Fa Fa Fa	WG WG WG WG	15 " x 3 " 15 " x 3 " 15 " x 3 " 15 " x 3 "	1245C - 321 1245C - 321 1245C - 321 1245C - 321	R700321 R700321 R700321 R700321	R40H521 R40H521 R40H521 R40H521	R40H9237 R40H9237 R40H9237 R40H9237	R40H3502 R40H3502 R40H3502 R40H3502	R40H3503 R40H3503 R40H3503 R40H3503
1969 F050, F055, F060	Fa Fa	KH KH	14 " x 2-1/2 " 14 " x 2-1/2 "	2060 - 361 2060 - 361	Discontinued Discontinued	R40H596 R40H596	R40H9219 R40H9219	R40H3536 R40H3536	R40H3537 R40H3537
F070	Fd	DN		7141 - D224	MD224 ³⁴⁰	69310693	60050153	NR	NR
F080, F090	Fd Fd	DN DN		7149 - D236 7149 - D236	MD236 ³⁴¹ MD236 ³⁴¹	69310693 69310693	R40H5523 R40H5523	NR NR	NR NR
R170, R175	Ra Ra Ra Ra Ra	KH KH KH WG WG	15 " x 5 " 15 " x 5 " 15 " x 5 " 15 " x 5 " 15 " x 5 "	4646 - 400 4646 - 400 4646 - 400 1252 - 346 1252 - 346	R700400 R700400 R700400 R700346 R700346	R40H595 R40H595 R40H595 R40H597 R40H597	R40H9220 R40H9220 R40H9220 R40H9200 R40H9200	R40H3538 R40H3538 R40H3538 R40H3540 R40H3540	R40H3539 R40H3539 R40H3539 R40H3541 R40H3541
R185	Ra Ra Ra Ra	WG WG WG WG	15 " x 6 " 15 " x 6 " 15 " x 7 " 15 " x 7 "	4596 - 381 4596 - 381 4597 - 383 4597 - 383	R700381 R700381 R700383 R700383	R40H597 R40H597 R40H597 R40H597	R40H9200 R40H9200 R40H9200 R40H9200	R40H3540 R40H3540 R40H3540 R40H3540	R40H3541 R40H3541 R40H3541 R40H3541
Single System F070	Fa Fa Fa Fa	WG WG WG WG	15 " x 3 " 15 " x 3 " 15 " x 3 " 15 " x 3 "	1245C - 321 1245C - 321 1245C - 321 1245C - 321	R700321 R700321 R700321 R700321	R40H521 R40H521 R40H521 R40H521	R40H9237 R40H9237 R40H9237 R40H9237	R40H3502 R40H3502 R40H3502 R40H3502	R40H3503 R40H3503 R40H3503 R40H3503
Split System F070	Fa Fa Fa Fa	WG WG WG WG	15 " x 3 " 15 " x 3 " 15 " x 3 " 15 " x 3 "	1245C - 321 1245C - 321 1245C - 321 1245C - 321	R700321 R700321 R700321 R700321	R40H521 R40H521 R40H521 R40H521	R40H9237 R40H9237 R40H9237 R40H9237	R40H3502 R40H3502 R40H3502 R40H3502	R40H3503 R40H3503 R40H3503 R40H3503
Split System F090, F120	Fa	WG	15 " x 3 "	1245C - 321	R700321	R40H521	R40H9237	R40H3502	R40H3503

9 - 6 Stud, Dayton Rotor, Hat Style
 42 - 6 Stud, Dayton Rotor, "U" Style
 341 - Use 69160445 for Disc Pad Retainer Clip
 www.XpresswayPlus.com

37 - Also available as a New unit
 186 - 10 Stud
 358 - Split System

41 - Aluminum piston
 340 - Use 69160457 for Disc Pad Retainer Clip

MERITOR DRUM OR ROTOR NO.	CALIPER OR CYLINDER BORE SIZE	MERITOR CALIPER OR WHEEL CYLINDER (LEFT)	MERITOR CALIPER OR WHEEL CYLINDER (RIGHT)	MERITOR CALIPER OR WHEEL CYLINDER REPAIR KIT	MERITOR CALIPER PISTON	MERITOR MASTER CYLINDER	MERITOR MASTER CYLINDER KIT	MERITOR BRAKE HOSE (LEFT)	MERITOR BRAKE HOSE (RIGHT)
FORD(Cont.)									
LN600 SERIES: LOUISVILLE 94.4 BBC SHORT CONVENTIONAL CHASSIS CAB(Cont.)									
-	1-1/8 "	R4133714	R4133715	R4166926	NR	N/A ³⁵⁸	R4122688	-	-
-	1-1/8 "	R4133719	R4133718	R4166926	NR	N/A ³⁵⁸	R4122688	-	-
-	1-1/4 "	R4133720	R4133721	R4166923	NR	-	-	-	-
-	1-1/4 "	R4133581	R4133582	R4166923	NR	-	-	-	-
-	1-1/4 "	R4133720	R4133721	R4166923	NR	-	-	-	-
-	1-1/4 "	R4133581	R4133581	R4166923	NR	-	-	-	-
-	1.09375	R4133484	R4133485	R4166819	NR	-	-	-	-
-	1.09375	R4133484	R4133485	R4166819	NR	-	-	-	-
23-122700-002 ⁹	2-1/2 "	R424244X	R424244X ³⁷	60050266	6927075 ⁴¹	-	-	-	-
23-122691-002 ⁴²	2-7/8 "	60050145X	60050145X ³⁷	60050146	69270702 ⁴¹	-	-	-	-
23-122703-002 ¹⁸⁶	2-7/8 "	60050145X	60050145X ³⁷	60050146	69270702 ⁴¹	-	-	-	-
-	1-1/2 "	R4033607	R4033607	R4166818	NR	-	-	-	-
-	1-5/8 "	R4133606	R4133606	R415193	NR	-	-	-	-
-	1-1/2 "	R4033607	R4033607	R4166818	NR	-	-	-	-
-	1-5/8 "	R4133338	R4133338	R4166689	NR	-	-	-	-
-	1-5/8 "	R4133338	R4133338	R4166689	NR	-	-	-	-
-	1-5/8 "	R4133338	R4133338	R4166689	NR	-	-	-	-
-	1-3/4 "	R4133400	R4133400	R4166917	NR	-	-	-	-
-	1-3/4 "	R4133400	R4133400	R4166917	NR	-	-	-	-
-	1-1/8 "	R4133716	R4133717	R4166926	NR	-	-	-	-
-	1-1/8 "	R4133716	R4133717	R4166926	NR	-	-	-	-
-	1-1/8 "	R4133714	R4133715	R4166926	NR	-	-	-	-
-	1-1/8 "	R4133714	R4133715	R4166926	NR	-	-	-	-
-	1-1/8 "	R4133714	R4133715	R4166926	NR	N/A ³⁵⁸	R4122688	-	-
-	1-1/8 "	R4133719	R4133718	R4166926	NR	N/A ³⁵⁸	R4122688	-	-
-	1-1/8 "	R4133719	R4133718	R4166926	NR	N/A ³⁵⁸	R4122688	-	-
-	1-1/8 "	R4133714	R4133715	R4166926	NR	N/A ³⁵⁸	R4122688	-	-
-	1-1/4 "	R4133720	R4133721	R4166923	NR	-	-	-	-
-	1-1/4 "	R4133581	R4133581	R4166923	NR	-	-	-	-
-	1-1/4 "	R4133720	R4133721	R4166923	NR	-	-	-	-
-	1-1/4 "	R4133581	R4133582	R4166923	NR	-	-	-	-
-	1.09375	R4133484	R4133485	R4166819	NR	-	-	-	-
-	1.09375	R4133484	R4133485	R4166819	NR	-	-	-	-
23-122700-002 ⁹	2-1/2 "	R424244X	R424244X ³⁷	60050266	6927075 ⁴¹	-	-	-	-
23-122703-002 ¹⁸⁶	2-7/8 "	60050145X	60050145X ³⁷	60050146	69270702 ⁴¹	-	-	-	-
23-122691-002 ⁴²	2-7/8 "	60050145X	60050145X ³⁷	60050146	69270702 ⁴¹	-	-	-	-
-	1-5/8 "	R4133606	R4133606	R415193	NR	-	-	-	-
-	1-1/2 "	R4033607	R4033607	R4166818	NR	-	-	-	-
-	1-1/2 "	R4033607	R4033607	R4166818	NR	-	-	-	-
-	1-5/8 "	R4133338	R4133338	R4166689	NR	-	-	-	-
-	1-5/8 "	R4133338	R4133338	R4166689	NR	-	-	-	-
-	1-5/8 "	R4133338	R4133338	R4166689	NR	-	-	-	-
-	1-3/4 "	R4133400	R4133400	R4166917	NR	-	-	-	-
-	1-3/4 "	R4133400	R4133400	R4166917	NR	-	-	-	-
-	1-1/8 "	R4133716	R4133717	R4166926	NR	-	-	-	-
-	1-1/8 "	R4133714	R4133715	R4166926	NR	-	-	-	-
-	1-1/8 "	R4133716	R4133717	R4166926	NR	-	-	-	-
-	1-1/8 "	R4133714	R4133715	R4166926	NR	-	-	-	-
-	1-1/8 "	R4133719	R4133718	R4166926	NR	N/A ³⁵⁸	R4122688	-	-
-	1-1/8 "	R4133714	R4133715	R4166926	NR	N/A ³⁵⁸	R4122688	-	-
-	1-1/8 "	R4133719	R4133718	R4166926	NR	N/A ³⁵⁸	R4122688	-	-
-	1-1/8 "	R4133714	R4133715	R4166926	NR	N/A ³⁵⁸	R4122688	-	-
-	1-1/4 "	R4133581	R4133581	R4166923	NR	-	-	-	-

1 APPLICATION

MAKE MODEL YEAR AXLE CODE AXLE WEIGHT	AXLE & BRK. TYPE	BRK. MFG.	BRAKE SIZE	FMSI	MERITOR DISC PAD OR BRAKE SHOE	MERITOR GUIDE PIN OR RETURN SPRING KIT	MERITOR CALIPER HWD. KIT OR RETURN SPRING KIT	MERITOR ADJUSTER KIT (LEFT WHEEL)	MERITOR ADJUSTER KIT (RIGHT WHEEL)
FORD(Cont.)									
LN600 SERIES: LOUISVILLE 94.4 BBC SHORT CONVENTIONAL CHASSIS CAB(Cont.)									
1969 Split System F090, F120	Fa	WG	15 " x 3 "	1245C - 321	R700321	R40H521	R40H9237	R40H3502	R40H3503
	Fa	WG	15 " x 3 "	1245C - 321	R700321	R40H521	R40H9237	R40H3502	R40H3503
	Fa	WG	15 " x 3 "	1245C - 321	R700321	R40H521	R40H9237	R40H3502	R40H3503
1968 F050, F055, F060	Fa	KH	14 " x 2-1/2 "	2060 - 361	Discontinued	R40H596	R40H9219	R40H3536	R40H3537
	Fa	KH	14 " x 2-1/2 "	2060 - 361	Discontinued	R40H596	R40H9219	R40H3536	R40H3537
F070	Fd	DN		7141 - D224	MD224 ³⁴⁰	69310693	60050153	NR	NR
F080, F090	Fd	DN		7149 - D236	MD236 ³⁴¹	69310693	R40H5523	NR	NR
	Fd	DN		7149 - D236	MD236 ³⁴¹	69310693	R40H5523	NR	NR
R170, R175	Ra	KH	15 " x 5 "	4646 - 400	R700400	R40H595	R40H9220	R40H3538	R40H3539
	Ra	KH	15 " x 5 "	4646 - 400	R700400	R40H595	R40H9220	R40H3538	R40H3539
	Ra	KH	15 " x 5 "	4646 - 400	R700400	R40H595	R40H9220	R40H3538	R40H3539
	Ra	WG	15 " x 5 "	1252 - 346	R700346	R40H597	R40H9200	R40H3540	R40H3541
	Ra	WG	15 " x 5 "	1252 - 346	R700346	R40H597	R40H9200	R40H3540	R40H3541
R185	Ra	WG	15 " x 6 "	4596 - 381	R700381	R40H597	R40H9200	R40H3540	R40H3541
	Ra	WG	15 " x 6 "	4596 - 381	R700381	R40H597	R40H9200	R40H3540	R40H3541
	Ra	WG	15 " x 7 "	4597 - 383	R700383	R40H597	R40H9200	R40H3540	R40H3541
	Ra	WG	15 " x 7 "	4597 - 383	R700383	R40H597	R40H9200	R40H3540	R40H3541
Single System F070	Fa	WG	15 " x 3 "	1245C - 321	R700321	R40H521	R40H9237	R40H3502	R40H3503
	Fa	WG	15 " x 3 "	1245C - 321	R700321	R40H521	R40H9237	R40H3502	R40H3503
	Fa	WG	15 " x 3 "	1245C - 321	R700321	R40H521	R40H9237	R40H3502	R40H3503
	Fa	WG	15 " x 3 "	1245C - 321	R700321	R40H521	R40H9237	R40H3502	R40H3503
Split System F070	Fa	WG	15 " x 3 "	1245C - 321	R700321	R40H521	R40H9237	R40H3502	R40H3503
	Fa	WG	15 " x 3 "	1245C - 321	R700321	R40H521	R40H9237	R40H3502	R40H3503
	Fa	WG	15 " x 3 "	1245C - 321	R700321	R40H521	R40H9237	R40H3502	R40H3503
	Fa	WG	15 " x 3 "	1245C - 321	R700321	R40H521	R40H9237	R40H3502	R40H3503
Split System F090, F120	Fa	WG	15 " x 3 "	1245C - 321	R700321	R40H521	R40H9237	R40H3502	R40H3503
	Fa	WG	15 " x 3 "	1245C - 321	R700321	R40H521	R40H9237	R40H3502	R40H3503
	Fa	WG	15 " x 3 "	1245C - 321	R700321	R40H521	R40H9237	R40H3502	R40H3503
	Fa	WG	15 " x 3 "	1245C - 321	R700321	R40H521	R40H9237	R40H3502	R40H3503
LN700 SERIES: LOUISVILLE 94.4 BBC SHORT CONVENTIONAL CHASSIS CAB									
1995	Fd	DN		7149 - D236	MD236 ³⁴¹	69310693	69310782	NR	NR
	Fd	DN		7149 - D236	MD236 ³⁴¹	69310693	69310782	NR	NR
	Fd	DN		7149 - D236	MD236 ³⁴¹	69310693	69310782	NR	NR
	Fd	DN		7141 - D224	MD224 ³⁴⁰	69310693	60050153	NR	NR
	Ra	LG	15 " x 5 "	4528A - 542	N/A	R40H618	NR	SP7888S	SP7888S
	Ra	LG	15 " x 5 "	4528A - 542	N/A	R40H618	NR	NR	NR
	Ra	LG	15 " x 6 "	4504A - 543	N/A	R40H618	NR	SP7887S	SP7887S
	Ra	LG	15 " x 6 "	4504A - 543	N/A	R40H618	NR	NR	NR
	Ra	LG	15 " x 7 "	4505A - 544	N/A	R40H618	NR	SP7887S	SP7887S
	Ra	LG	15 " x 7 "	4505A - 544	N/A	R40H618	NR	NR	NR
1994	Fd	DN		7149 - D236	MD236 ³⁴¹	69310693	69310782	NR	NR
	Fd	DN		7149 - D236	MD236 ³⁴¹	69310693	69310782	NR	NR
	Fd	DN		7149 - D236	MD236 ³⁴¹	69310693	69310782	NR	NR
	Fd	DN		7141 - D224	MD224 ³⁴⁰	69310693	60050153	NR	NR
	Ra	LG	15 " x 5 "	4528A - 542	N/A	R40H618	NR	SP7888S	SP7888S
	Ra	LG	15 " x 5 "	4528A - 542	N/A	R40H618	NR	NR	NR
	Ra	LG	15 " x 6 "	4504A - 543	N/A	R40H618	NR	SP7887S	SP7887S
	Ra	LG	15 " x 6 "	4504A - 543	N/A	R40H618	NR	NR	NR
	Ra	LG	15 " x 7 "	4505A - 544	N/A	R40H618	NR	SP7887S	SP7887S
	Ra	LG	15 " x 7 "	4505A - 544	N/A	R40H618	NR	NR	NR
1993	Fd	DN		7149 - D236	MD236 ³⁴¹	69310693	69310782	NR	NR
	Fd	DN		7149 - D236	MD236 ³⁴¹	69310693	69310782	NR	NR
	Fd	DN		7149 - D236	MD236 ³⁴¹	69310693	69310782	NR	NR
	Fd	DN		7141 - D224	MD224 ³⁴⁰	69310693	60050153	NR	NR
	Ra	LG	15 " x 5 "	4528A - 542	N/A	R40H618	NR	SP7888S	SP7888S

9 - 6 Stud, Dayton Rotor, Hat Style
 42 - 6 Stud, Dayton Rotor, "U" Style
 188 - 6 Stud, 9.251" Hub
 www.XpresswayPlus.com

37 - Also available as a New unit
 186 - 10 Stud
 204 - Right Hand; use E-4057 for Left Hand Expander Kits

41 - Aluminum piston
 187 - 6 Stud, 6.443" Hub
 329 - Forward

MERITOR DRUM OR ROTOR NO.	CALIPER OR CYLINDER BORE SIZE	MERITOR CALIPER OR WHEEL CYLINDER (LEFT)	MERITOR CALIPER OR WHEEL CYLINDER (RIGHT)	MERITOR CALIPER OR WHEEL CYLINDER REPAIR KIT	MERITOR CALIPER PISTON	MERITOR MASTER CYLINDER	MERITOR MASTER CYLINDER KIT	MERITOR BRAKE HOSE (LEFT)	MERITOR BRAKE HOSE (RIGHT)
FORD(Cont.)									
LN600 SERIES: LOUISVILLE 94.4 BBC SHORT CONVENTIONAL CHASSIS CAB(Cont.)									
-	1-1/4 "	R4133720	R4133721	R4166923	NR	-	-	-	-
-	1-1/4 "	R4133720	R4133721	R4166923	NR	-	-	-	-
-	1-1/4 "	R4133581	R4133582	R4166923	NR	-	-	-	-
-	1.09375	R4133484	R4133485	R4166819	NR	-	-	-	-
-	1.09375	R4133484	R4133485	R4166819	NR	-	-	-	-
23-122700-002 ⁹	2-1/2 "	R424244X	R424244X ³⁷	60050266	69270757 ⁴¹	-	-	-	-
23-122691-002 ⁴²	2-7/8 "	60050145X	60050145X ³⁷	60050146	69270702 ⁴¹	-	-	-	-
23-122703-002 ¹⁸⁶	2-7/8 "	60050145X	60050145X ³⁷	60050146	69270702 ⁴¹	-	-	-	-
-	1-1/2 "	R4033607	R4033607	R4166818	NR	-	-	-	-
-	1-1/2 "	R4033607	R4033607	R4166818	NR	-	-	-	-
-	1-5/8 "	R4133606	R4133606	R415193	NR	-	-	-	-
-	1-5/8 "	R4133338	R4133338	R4166689	NR	-	-	-	-
-	1-5/8 "	R4133338	R4133338	R4166689	NR	-	-	-	-
-	1-5/8 "	R4133338	R4133338	R4166689	NR	-	-	-	-
-	1-5/8 "	R4133338	R4133338	R4166689	NR	-	-	-	-
-	1-3/4 "	R4133400	R4133400	R4166917	NR	-	-	-	-
-	1-3/4 "	R4133400	R4133400	R4166917	NR	-	-	-	-
-	1-1/8 "	R4133714	R4133715	R4166926	NR	-	-	-	-
-	1-1/8 "	R4133716	R4133717	R4166926	NR	-	-	-	-
-	1-1/8 "	R4133716	R4133717	R4166926	NR	-	-	-	-
-	1-1/8 "	R4133714	R4133715	R4166926	NR	-	-	-	-
-	1-1/8 "	R4133719	R4133718	R4166926	NR	N/A ³⁵⁸	R4122688	-	-
-	1-1/8 "	R4133719	R4133718	R4166926	NR	N/A ³⁵⁸	R4122688	-	-
-	1-1/8 "	R4133714	R4133715	R4166926	NR	N/A ³⁵⁸	R4122688	-	-
-	1-1/8 "	R4133714	R4133715	R4166926	NR	N/A ³⁵⁸	R4122688	-	-
-	1-1/4 "	R4133720	R4133721	R4166923	NR	-	-	-	-
-	1-1/4 "	R4133581	R4133582	R4166923	NR	-	-	-	-
-	1-1/4 "	R4133581	R4133581	R4166923	NR	-	-	-	-
-	1-1/4 "	R4133720	R4133721	R4166923	NR	-	-	-	-
LN700 SERIES: LOUISVILLE 94.4 BBC SHORT CONVENTIONAL CHASSIS CAB									
23-122703-002 ¹⁸⁶	2-7/8 "	60050145X	60050145X ³⁷	60050146	69270702 ⁴¹	-	-	R4577461	R4577461
23-122743-002 ¹⁸⁷	2-7/8 "	60050145X	60050145X ³⁷	60050146	69270702 ⁴¹	-	-	R4577461	R4577461
23-122691-002 ¹⁸⁸	2-7/8 "	60050145X	60050145X ³⁷	60050146	69270702 ⁴¹	-	-	R4577461	R4577461
23-122700-002 ⁹	2-1/2 "	R424244X	R424244X ³⁷	60050266	69270757 ⁴¹	-	-	R4577461	R4577461
N/A	1-5/8 "	201185	201186 ³²⁹	SP7895S	NR	-	-	R4577870	R4577870
N/A	1-5/8 "	201181	201182	SP7895S	NR	-	-	R4577870	R4577870
N/A	1-3/4 "	201183X	201184X ³²⁹	SP7873S	NR	-	-	R4577870	R4577870
N/A	1-3/4 "	201179X	201180X	SP7873S	SP7880S ²⁰⁴	-	-	R4577870	R4577870
N/A	1-3/4 "	201183X	201184X ³²⁹	SP7873S	NR	-	-	R4577870	R4577870
N/A	1-3/4 "	201179X	201180X	SP7873S	SP7880S ²⁰⁴	-	-	R4577870	R4577870
23-122703-002 ¹⁸⁶	2-7/8 "	60050145X	60050145X ³⁷	60050146	69270702 ⁴¹	-	-	R4577461	R4577461
23-122743-002 ¹⁸⁷	2-7/8 "	60050145X	60050145X ³⁷	60050146	69270702 ⁴¹	-	-	R4577461	R4577461
23-122691-002 ¹⁸⁸	2-7/8 "	60050145X	60050145X ³⁷	60050146	69270702 ⁴¹	-	-	R4577461	R4577461
23-122700-002 ⁹	2-1/2 "	R424244X	R424244X ³⁷	60050266	69270757 ⁴¹	-	-	R4577461	R4577461
N/A	1-5/8 "	201185	201186 ³²⁹	SP7895S	NR	-	-	R4577870	R4577870
N/A	1-5/8 "	201181	201182	SP7895S	NR	-	-	R4577870	R4577870
N/A	1-3/4 "	201183X	201184X ³²⁹	SP7873S	NR	-	-	R4577870	R4577870
N/A	1-3/4 "	201179X	201180X	SP7873S	SP7880S ²⁰⁴	-	-	R4577870	R4577870
N/A	1-3/4 "	201183X	201184X ³²⁹	SP7873S	NR	-	-	R4577870	R4577870
N/A	1-3/4 "	201179X	201180X	SP7873S	SP7880S ²⁰⁴	-	-	R4577870	R4577870
23-122703-002 ¹⁸⁶	2-7/8 "	60050145X	60050145X ³⁷	60050146	69270702 ⁴¹	-	-	R4577461	R4577461
23-122691-002 ¹⁸⁸	2-7/8 "	60050145X	60050145X ³⁷	60050146	69270702 ⁴¹	-	-	R4577461	R4577461
23-122743-002 ¹⁸⁷	2-7/8 "	60050145X	60050145X ³⁷	60050146	69270702 ⁴¹	-	-	R4577461	R4577461
23-122700-002 ⁹	2-1/2 "	R424244X	R424244X ³⁷	60050266	69270757 ⁴¹	-	-	R4577461	R4577461
N/A	1-5/8 "	201185	201186 ³²⁹	SP7895S	NR	-	-	R4577870	R4577870

340 - Use 69160457 for Disc Pad Retainer Clip

341 - Use 69160445 for Disc Pad Retainer Clip

358 - Split System

MAKE MODEL YEAR AXLE CODE AXLE WEIGHT	AXLE & BRK. TYPE	BRK. MFG.	BRAKE SIZE	FMSI	MERITOR DISC PAD OR BRAKE SHOE	MERITOR GUIDE PIN OR RETURN SPRING KIT	MERITOR CALIPER HWD. KIT OR RETURN SPRING KIT	MERITOR ADJUSTER KIT (LEFT WHEEL)	MERITOR ADJUSTER KIT (RIGHT WHEEL)
FORD(Cont.)									
LN700 SERIES: LOUISVILLE 94.4 BBC SHORT CONVENTIONAL CHASSIS CAB(Cont.)									
1993	Ra	LG	15" x 5"	4528A - 542	N/A	R40H618	NR	NR	NR
	Ra	LG	15" x 6"	4504A - 543	N/A	R40H618	NR	NR	NR
	Ra	LG	15" x 6"	4504A - 543	N/A	R40H618	NR	SP7887S	SP7887S
	Ra	LG	15" x 7"	4505A - 544	N/A	R40H618	NR	SP7887S	SP7887S
	Ra	LG	15" x 7"	4505A - 544	N/A	R40H618	NR	NR	NR
1992	Fd	DN		7141 - D224	MD224 ³⁴⁰	69310693	60050153	NR	NR
	Fd	DN		7149 - D236	MD236 ³⁴¹	69310693	69310782	NR	NR
	Fd	DN		7149 - D236	MD236 ³⁴¹	69310693	69310782	NR	NR
	Fd	DN		7149 - D236	MD236 ³⁴¹	69310693	69310782	NR	NR
	Ra	LG	15" x 5"	4528A - 542	N/A	R40H618	NR	NR	NR
	Ra	LG	15" x 5"	4528A - 542	N/A	R40H618	NR	SP7888S	SP7888S
	Ra	LG	15" x 6"	4504A - 543	N/A	R40H618	NR	SP7887S	SP7887S
	Ra	LG	15" x 6"	4504A - 543	N/A	R40H618	NR	NR	NR
	Ra	LG	15" x 7"	4505A - 544	N/A	R40H618	NR	NR	NR
	Ra	LG	15" x 7"	4505A - 544	N/A	R40H618	NR	SP7887S	SP7887S
1991	Fd	DN		7149 - D236	MD236 ³⁴¹	69310693	69310782	NR	NR
	Fd	DN		7149 - D236	MD236 ³⁴¹	69310693	69310782	NR	NR
	Fd	DN		7141 - D224	MD224 ³⁴⁰	69310693	60050153	NR	NR
	Fd	DN		7149 - D236	MD236 ³⁴¹	69310693	69310782	NR	NR
	Ra	LG	15" x 5"	4528A - 542	N/A	R40H618	NR	SP7888S	SP7888S
	Ra	LG	15" x 5"	4528A - 542	N/A	R40H618	NR	NR	NR
	Ra	LG	15" x 6"	4504A - 543	N/A	R40H618	NR	SP7887S	SP7887S
	Ra	LG	15" x 6"	4504A - 543	N/A	R40H618	NR	NR	NR
	Ra	LG	15" x 7"	4505A - 544	N/A	R40H618	NR	SP7887S	SP7887S
	Ra	LG	15" x 7"	4505A - 544	N/A	R40H618	NR	NR	NR
1990	Fd	DN		7149 - D236	MD236 ³⁴¹	69310693	69310782	NR	NR
	Fd	DN		7141 - D224	MD224 ³⁴⁰	69310693	60050153	NR	NR
	Fd	DN		7149 - D236	MD236 ³⁴¹	69310693	69310782	NR	NR
	Fd	DN		7149 - D236	MD236 ³⁴¹	69310693	69310782	NR	NR
	Ra	LG	15" x 5"	4528A - 542	N/A	R40H618	NR	SP7888S	SP7888S
	Ra	LG	15" x 5"	4528A - 542	N/A	R40H618	NR	NR	NR
	Ra	LG	15" x 6"	4504A - 543	N/A	R40H618	NR	SP7887S	SP7887S
	Ra	LG	15" x 6"	4504A - 543	N/A	R40H618	NR	NR	NR
	Ra	LG	15" x 7"	4505A - 544	N/A	R40H618	NR	SP7887S	SP7887S
	Ra	LG	15" x 7"	4505A - 544	N/A	R40H618	NR	NR	NR
1989	Fd	DN		7141 - D224	MD224 ³⁴⁰	69310693	60050153	NR	NR
	Fd	DN		7149 - D236	MD236 ³⁴¹	69310693	69310782 ⁴³	NR	NR
	Fd	DN		7149 - D236	MD236 ³⁴¹	69310693	69310782 ⁴³	NR	NR
	Fd	DN		7149 - D236	MD236 ³⁴¹	69310693	69310782 ⁴³	NR	NR
	Ra	LG	15" x 5"	4528A - 542	N/A	R40H618	NR	SP7888S	SP7888S
	Ra	LG	15" x 5"	4528A - 542	N/A	R40H618	NR	NR	NR
	Ra	LG	15" x 6"	4504A - 543	N/A	R40H618	NR	SP7887S	SP7887S
	Ra	LG	15" x 6"	4504A - 543	N/A	R40H618	NR	NR	NR
	Ra	LG	15" x 7"	4505A - 544	N/A	R40H618	NR	NR	NR
	Ra	LG	15" x 7"	4505A - 544	N/A	R40H618	NR	SP7887S	SP7887S
1988	Fd	DN		7149 - D236	MD236 ³⁴¹	69310693	69310782 ⁴³	NR	NR
	Fd	DN		7149 - D236	MD236 ³⁴¹	69310693	69310782 ⁴³	NR	NR
	Fd	DN		7141 - D224	MD224 ³⁴⁰	69310693	60050153	NR	NR
	Fd	DN		7149 - D236	MD236 ³⁴¹	69310693	69310782 ⁴³	NR	NR
	Ra	LG	15" x 5"	4528A - 542	N/A	R40H618	NR	NR	NR
	Ra	LG	15" x 5"	4528A - 542	N/A	R40H618	NR	SP7888S	SP7888S
	Ra	LG	15" x 6"	4504A - 543	N/A	R40H618	NR	NR	NR
	Ra	LG	15" x 6"	4504A - 543	N/A	R40H618	NR	SP7887S	SP7887S
	Ra	LG	15" x 7"	4505A - 544	N/A	R40H618	NR	NR	NR
	Ra	LG	15" x 7"	4505A - 544	N/A	R40H618	NR	SP7887S	SP7887S
1987	Fd	DN		7141 - D224	MD224 ³⁴⁰	69310693	60050153	NR	NR
	Fd	DN		7149 - D236	MD236 ³⁴¹	69310693	69310782 ⁴³	NR	NR
	Fd	DN		7149 - D236	MD236 ³⁴¹	69310693	69310782 ⁴³	NR	NR

9 - 6 Stud, Dayton Rotor, Hat Style
 43 - For Applications Taking A Longer Shim, Use R404151706
 187 - 6 Stud, 6.443" Hub
 www.XpresswayPlus.com

37 - Also available as a New unit
 53 - Power Brakes
 188 - 6 Stud, 9.251" Hub

41 - Aluminum piston
 186 - 10 Stud
 204 - Right Hand; use E-4057 for Left Hand Expander Kits
 Contact our Customer Service Teams
 1-888-725-9355

MERITOR DRUM OR ROTOR NO.	CALIPER OR CYLINDER BORE SIZE	MERITOR CALIPER OR WHEEL CYLINDER (LEFT)	MERITOR CALIPER OR WHEEL CYLINDER (RIGHT)	MERITOR CALIPER OR WHEEL CYLINDER REPAIR KIT	MERITOR CALIPER PISTON	MERITOR MASTER CYLINDER	MERITOR MASTER CYLINDER KIT	MERITOR BRAKE HOSE (LEFT)	MERITOR BRAKE HOSE (RIGHT)
FORD(Cont.)									
LN700 SERIES: LOUISVILLE 94.4 BBC SHORT CONVENTIONAL CHASSIS CAB(Cont.)									
N/A	1-5/8 "	201181	201182	SP7895S	NR	-	-	R4577870	R4577870
N/A	1-3/4 "	201179X	201180X	SP7873S	SP7880S ²⁰⁴	-	-	R4577870	R4577870
N/A	1-3/4 "	201183X	201184X ³²⁹	SP7873S	NR	-	-	R4577870	R4577870
N/A	1-3/4 "	201183X	201184X ³²⁹	SP7873S	NR	-	-	R4577870	R4577870
N/A	1-3/4 "	201179X	201180X	SP7873S	SP7880S ²⁰⁴	-	-	R4577870	R4577870
23-122700-002 ⁹	2-1/2 "	R424244X	R424244X ³⁷	60050266	69270757 ⁴¹	-	-	R4577461	R4577461
23-122691-002 ¹⁸⁸	2-7/8 "	60050145X	60050145X ³⁷	60050146	69270702 ⁴¹	-	-	R4577461	R4577461
23-122703-002 ¹⁸⁶	2-7/8 "	60050145X	60050145X ³⁷	60050146	69270702 ⁴¹	-	-	R4577461	R4577461
23-122743-002 ¹⁸⁷	2-7/8 "	60050145X	60050145X ³⁷	60050146	69270702 ⁴¹	-	-	R4577461	R4577461
N/A	1-5/8 "	201181	201182	SP7895S	NR	-	-	R4577870	R4577870
N/A	1-5/8 "	201185	201186 ³²⁹	SP7895S	NR	-	-	R4577870	R4577870
N/A	1-3/4 "	201183X	201184X ³²⁹	SP7873S	NR	-	-	R4577870	R4577870
N/A	1-3/4 "	201179X	201180X	SP7873S	SP7880S ²⁰⁴	-	-	R4577870	R4577870
N/A	1-3/4 "	201179X	201180X	SP7873S	SP7880S ²⁰⁴	-	-	R4577870	R4577870
N/A	1-3/4 "	201183X	201184X ³²⁹	SP7873S	NR	-	-	R4577870	R4577870
23-122703-002 ¹⁸⁶	2-7/8 "	60050145X	60050145X ³⁷	60050146	69270702 ⁴¹	-	-	R4577461	R4577461
23-122743-002 ¹⁸⁷	2-7/8 "	60050145X	60050145X ³⁷	60050146	69270702 ⁴¹	-	-	R4577461	R4577461
23-122691-002 ¹⁸⁸	2-7/8 "	R424244X	R424244X ³⁷	60050266	69270757 ⁴¹	-	-	R4577461	R4577461
23-122691-002 ¹⁸⁸	2-7/8 "	60050145X	60050145X ³⁷	60050146	69270702 ⁴¹	-	-	R4577461	R4577461
N/A	1-5/8 "	201185	201186 ³²⁹	SP7895S	NR	-	-	R4577870	R4577870
N/A	1-5/8 "	201181	201182	SP7895S	NR	-	-	R4577870	R4577870
N/A	1-3/4 "	201183X	201184X ³²⁹	SP7873S	NR	-	-	R4577870	R4577870
N/A	1-3/4 "	201179X	201180X	SP7873S	SP7880S ²⁰⁴	-	-	R4577870	R4577870
N/A	1-3/4 "	201183X	201184X ³²⁹	SP7873S	NR	-	-	R4577870	R4577870
N/A	1-3/4 "	201179X	201180X	SP7873S	SP7880S ²⁰⁴	-	-	R4577870	R4577870
23-122703-002 ¹⁸⁶	2-7/8 "	60050145X	60050145X ³⁷	60050146	69270702 ⁴¹	R4111999 ⁵³	R4122386	R4577461	R4577461
23-122700-002 ⁹	2-1/2 "	R424244X	R424244X ³⁷	60050266	69270757 ⁴¹	R4111999 ⁵³	R4122386	R4577461	R4577461
23-122691-002 ¹⁸⁸	2-7/8 "	60050145X	60050145X ³⁷	60050146	69270702 ⁴¹	R4111999 ⁵³	R4122386	R4577461	R4577461
23-122743-002 ¹⁸⁷	2-7/8 "	60050145X	60050145X ³⁷	60050146	69270702 ⁴¹	R4111999 ⁵³	R4122386	R4577461	R4577461
N/A	1-5/8 "	201185	201186 ³²⁹	SP7895S	NR	-	-	R4577870	R4577870
N/A	1-5/8 "	201181	201182	SP7895S	NR	-	-	R4577870	R4577870
N/A	1-3/4 "	201183X	201184X ³²⁹	SP7873S	NR	-	-	R4577870	R4577870
N/A	1-3/4 "	201179X	201180X	SP7873S	SP7880S ²⁰⁴	-	-	R4577870	R4577870
N/A	1-3/4 "	201183X	201184X ³²⁹	SP7873S	NR	-	-	R4577870	R4577870
N/A	1-3/4 "	201179X	201180X	SP7873S	SP7880S ²⁰⁴	-	-	R4577870	R4577870
23-122700-002 ⁹	2-1/2 "	R424244X	R424244X ³⁷	60050266	69270757 ⁴¹	R4111999 ⁵³	R4122386	R4577461	R4577461
23-122691-002 ¹⁸⁸	2-7/8 "	60050145X	60050145X ³⁷	60050146	69270702 ⁴¹	R4111999 ⁵³	R4122386	R4577461	R4577461
23-122703-002 ¹⁸⁶	2-7/8 "	60050145X	60050145X ³⁷	60050146	69270702 ⁴¹	R4111999 ⁵³	R4122386	R4577461	R4577461
23-122743-002 ¹⁸⁷	2-7/8 "	60050145X	60050145X ³⁷	60050146	69270702 ⁴¹	R4111999 ⁵³	R4122386	R4577461	R4577461
N/A	1-5/8 "	201185	201186 ³²⁹	SP7895S	NR	-	-	N/A	N/A
N/A	1-5/8 "	201181	201182	SP7895S	NR	-	-	N/A	N/A
N/A	1-3/4 "	201183X	201184X ³²⁹	SP7873S	NR	-	-	N/A	N/A
N/A	1-3/4 "	201179X	201180X	SP7873S	SP7880S ²⁰⁴	-	-	N/A	N/A
N/A	1-3/4 "	201179X	201180X	SP7873S	SP7880S ²⁰⁴	-	-	N/A	N/A
N/A	1-3/4 "	201183X	201184X ³²⁹	SP7873S	NR	-	-	N/A	N/A
23-122743-002 ¹⁸⁷	2-7/8 "	60050145X	60050145X ³⁷	60050146	69270702 ⁴¹	R4111999 ⁵³	R4122386	R4577461	R4577461
23-122703-002 ¹⁸⁶	2-7/8 "	60050145X	60050145X ³⁷	60050146	69270702 ⁴¹	R4111999 ⁵³	R4122386	R4577461	R4577461
23-122700-002 ⁹	2-1/2 "	R424244X	R424244X ³⁷	60050266	69270757 ⁴¹	R4111999 ⁵³	R4122386	R4577461	R4577461
23-122691-002 ¹⁸⁸	2-7/8 "	60050145X	60050145X ³⁷	60050146	69270702 ⁴¹	R4111999 ⁵³	R4122386	R4577461	R4577461
N/A	1-5/8 "	201181	201182	SP7895S	NR	-	-	N/A	N/A
N/A	1-5/8 "	201185	201186 ³²⁹	SP7895S	NR	-	-	N/A	N/A
N/A	1-3/4 "	201179X	201180X	SP7873S	SP7880S ²⁰⁴	-	-	N/A	N/A
N/A	1-3/4 "	201183X	201184X ³²⁹	SP7873S	NR	-	-	N/A	N/A
N/A	1-3/4 "	201183X	201184X ³²⁹	SP7873S	NR	-	-	N/A	N/A
N/A	1-3/4 "	201179X	201180X	SP7873S	SP7880S ²⁰⁴	-	-	N/A	N/A
23-122700-002 ⁹	2-1/2 "	R424244X	R424244X ³⁷	60050266	69270757 ⁴¹	R4111999 ⁵³	R4122386	R4577461	R4577461
23-122691-002 ¹⁸⁸	2-7/8 "	60050145X	60050145X ³⁷	60050146	69270702 ⁴¹	R4111999 ⁵³	R4122386	R4577461	R4577461
23-122703-002 ¹⁸⁶	2-7/8 "	60050145X	60050145X ³⁷	60050146	69270702 ⁴¹	R4111999 ⁵³	R4122386	R4577461	R4577461

1 APPLICATION

MAKE MODEL YEAR AXLE CODE AXLE WEIGHT	AXLE & BRK. TYPE	BRK. MFG.	BRAKE SIZE	FMSI	MERITOR DISC PAD OR BRAKE SHOE	MERITOR GUIDE PIN OR RETURN SPRING KIT	MERITOR CALIPER HWD. KIT OR RETURN SPRING KIT	MERITOR ADJUSTER KIT (LEFT WHEEL)	MERITOR ADJUSTER KIT (RIGHT WHEEL)
FORD(Cont.)									
LN700 SERIES: LOUISVILLE 94.4 BBC SHORT CONVENTIONAL CHASSIS CAB(Cont.)									
1987	Fd	DN		7149 - D236	MD236 ³⁴¹	69310693	69310782 ⁴³	NR	NR
	Ra	LG	15" x 5"	4528A - 542	N/A	R40H618	NR	SP7888S	SP7888S
	Ra	LG	15" x 5"	4528A - 542	N/A	R40H618	NR	NR	NR
	Ra	LG	15" x 6"	4504A - 543	N/A	R40H618	NR	SP7887S	SP7887S
	Ra	LG	15" x 6"	4504A - 543	N/A	R40H618	NR	NR	NR
	Ra	LG	15" x 7"	4505A - 544	N/A	R40H618	NR	NR	NR
1986	Fd	DN		7149 - D236	MD236 ³⁴¹	69310693	69310782	NR	NR
	Fd	DN		7149 - D236	MD236 ³⁴¹	69310693	69310782	NR	NR
	Fd	DN		7149 - D236	MD236 ³⁴¹	69310693	69310782	NR	NR
	Fd	DN		7141 - D224	MD224 ³⁴⁰	69310693	60050153	NR	NR
	Ra	LG	15" x 5"	4528A - 542	N/A	R40H618	NR	NR	NR
	Ra	LG	15" x 5"	4528A - 542	N/A	R40H618	NR	SP7888S	SP7888S
	Ra	LG	15" x 6"	4504A - 543	N/A	R40H618	NR	NR	NR
	Ra	LG	15" x 6"	4504A - 543	N/A	R40H618	NR	SP7887S	SP7887S
	Ra	LG	15" x 6"	4504A - 543	N/A	R40H618	NR	SP7887S	SP7887S
	Ra	LG	15" x 6"	4504A - 543	N/A	R40H618	NR	NR	NR
	Ra	LG	15" x 7"	4505A - 544	N/A	R40H618	NR	SP7887S	SP7887S
	Ra	LG	15" x 7"	4505A - 544	N/A	R40H618	NR	NR	NR
	Ra	LG	15" x 7"	4505A - 544	N/A	R40H618	NR	NR	NR
	Ra	LG	15" x 7"	4505A - 544	N/A	R40H618	NR	SP7887S	SP7887S
F050, F055, F060	Fa	KH	14" x 2-1/2"	2060 - 361	Discontinued	R40H596	R40H9219	R40H3536	R40H3537
F070	Fa	WG	15" x 3"	1245C - 321	R700321	R40H521	R40H9237	R40H3502	R40H3503
	Fa	WG	15" x 3"	1245C - 321	R700321	R40H521	R40H9237	R40H3502	R40H3503
	Fd	DN		7141 - D224	MD224 ³⁴⁰	69310693	60050153	NR	NR
F080, F090	Fd	DN		7149 - D236	MD236 ³⁴¹	69310693	69310782	NR	NR
	Fd	DN		7149 - D236	MD236 ³⁴¹	69310693	69310782	NR	NR
R170, R175	Ra	KH	15" x 5"	4646 - 400	R700400	R40H595	R40H9220	R40H3538	R40H3539
	Ra	WG	15" x 5"	1252 - 346	R700346	R40H597	R40H9200	R40H3540	R40H3541
R185	Ra	WG	15" x 6"	4596 - 381	R700381	R40H597	R40H9200	R40H3540	R40H3541
	Ra	WG	15" x 7"	4597 - 383	R700383	R40H597	R40H9200	R40H3540	R40H3541
Split System					R700321	R40H521	R40H9237	R40H3502	R40H3503
					R700321	R40H521	R40H9237	R40H3502	R40H3503
Split System F090, F120	Fa	WG	15" x 3"	1245C - 321	R700321	R40H521	R40H9237	R40H3502	R40H3503
	Fa	WG	15" x 3"	1245C - 321	R700321	R40H521	R40H9237	R40H3502	R40H3503
1985	Fd	DN		7149 - D236	MD236 ³⁴¹	69310693	R40H5523	NR	NR
	Fd	DN		7149 - D236	MD236 ³⁴¹	69310693	R40H5523	NR	NR
	Fd	DN		7149 - D236	MD236 ³⁴¹	69310693	R40H5523	NR	NR
	Fd	DN		7141 - D224	MD224 ³⁴⁰	69310693	60050153	NR	NR
	Ra	LG	15" x 5"	4528A - 542	N/A	R40H618	NR	NR	NR
	Ra	LG	15" x 5"	4528A - 542	N/A	R40H618	NR	SP7888S	SP7888S
	Ra	LG	15" x 6"	4504A - 543	N/A	R40H618	NR	NR	NR
	Ra	LG	15" x 6"	4504A - 543	N/A	R40H618	NR	SP7887S	SP7887S
	Ra	LG	15" x 6"	4504A - 543	N/A	R40H618	NR	NR	NR
	Ra	LG	15" x 6"	4504A - 543	N/A	R40H618	NR	SP7888S	SP7888S
	Ra	LG	15" x 7"	4505A - 544	N/A	R40H618	NR	NR	NR
	Ra	LG	15" x 7"	4505A - 544	N/A	R40H618	NR	SP7887S	SP7887S
	Ra	LG	15" x 7"	4505A - 544	N/A	R40H618	NR	NR	NR
	Ra	LG	15" x 7"	4505A - 544	N/A	R40H618	NR	SP7888S	SP7888S
F050, F055, F060	Fa	KH	14" x 2-1/2"	2060 - 361	Discontinued	R40H596	R40H9219	R40H3536	R40H3537
F070	Fa	WG	15" x 3"	1245C - 321	R700321	R40H521	R40H9237	R40H3502	R40H3503
	Fa	WG	15" x 3"	1245C - 321	R700321	R40H521	R40H9237	R40H3502	R40H3503
	Fd	DN		7141 - D224	MD224 ³⁴⁰	69310693	60050153	NR	NR
F080, F090	Fd	DN		7149 - D236	MD236 ³⁴¹	69310693	R40H5523	NR	NR
	Fd	DN		7149 - D236	MD236 ³⁴¹	69310693	R40H5523	NR	NR
R170, R175	Ra	KH	15" x 5"	4646 - 400	R700400	R40H595	R40H9220	R40H3538	R40H3539
	Ra	WG	15" x 5"	1252 - 346	R700346	R40H597	R40H9200	R40H3540	R40H3541
R185	Ra	WG	15" x 6"	4596 - 381	R700381	R40H597	R40H9200	R40H3540	R40H3541
	Ra	WG	15" x 7"	4597 - 383	R700383	R40H597	R40H9200	R40H3540	R40H3541
Split System					R700321	R40H521	R40H9237	R40H3502	R40H3503

9 - 6 Stud, Dayton Rotor, Hat Style
 43 - For Applications Taking A Longer Shim, Use E-9870
 187 - 6 Stud, 6.443" Hub
 www.XpresswayPlus.com

37 - Also available as a New unit
 53 - Power Brakes
 188 - 6 Stud, 9.251" Hub

41 - Aluminum piston
 186 - 10 Stud
 204 - Right Hand; use E-4057 for Left Hand Expander Kits
 Contact our Customer Service Teams
 1-888-725-9355

MERITOR DRUM OR ROTOR NO.	CALIPER OR CYLINDER BORE SIZE	MERITOR CALIPER OR WHEEL CYLINDER (LEFT)	MERITOR CALIPER OR WHEEL CYLINDER (RIGHT)	MERITOR CALIPER OR WHEEL CYLINDER REPAIR KIT	MERITOR CALIPER PISTON	MERITOR MASTER CYLINDER	MERITOR MASTER CYLINDER KIT	MERITOR BRAKE HOSE (LEFT)	MERITOR BRAKE HOSE (RIGHT)
FORD(Cont.)									
LN700 SERIES: LOUISVILLE 94.4 BBC SHORT CONVENTIONAL CHASSIS CAB(Cont.)									
23-122743-002 ¹⁸⁷	2-7/8 "	60050145X	60050145X ³⁷	60050146	69270702 ⁴¹	R4111999 ⁵³	R4122386	R4577461	R4577461
N/A	1-5/8 "	201185	201186 ³²⁹	SP7895S	NR	-	-	N/A	N/A
N/A	1-5/8 "	201181	201182	SP7895S	NR	-	-	N/A	N/A
N/A	1-3/4 "	201183X	201184X ³²⁹	SP7873S	NR	-	-	N/A	N/A
N/A	1-3/4 "	201179X	201180X	SP7873S	SP7880S ²⁰⁴	-	-	N/A	N/A
N/A	1-3/4 "	201179X	201180X	SP7873S	SP7880S ²⁰⁴	-	-	N/A	N/A
N/A	1-3/4 "	201183X	201184X ³²⁹	SP7873S	NR	-	-	N/A	N/A
23-122691-002 ¹⁸⁸	2-7/8 "	60050145X	60050145X ³⁷	60050146	69270702 ⁴¹	R4111999 ⁵³	R4122386	R4577461	R4577461
23-122743-002 ¹⁸⁷	2-7/8 "	60050145X	60050145X ³⁷	60050146	69270702 ⁴¹	R4111999 ⁵³	R4122386	R4577461	R4577461
23-122703-002 ¹⁸⁶	2-7/8 "	60050145X	60050145X ³⁷	60050146	69270702 ⁴¹	R4111999 ⁵³	R4122386	R4577461	R4577461
23-122700-002 ⁹	2-1/2 "	R424244X	R424244X ³⁷	60050266	69270757 ⁴¹	R4111999 ⁵³	R4122386	R4577461	R4577461
N/A	1-5/8 "	201181	201182	SP7895S	NR	-	-	N/A	N/A
N/A	1-5/8 "	201185	201186 ³²⁹	SP7895S	NR	-	-	N/A	N/A
N/A	1-3/4 "	201179X	201180X	SP7873S	SP7880S ²⁰⁴	-	-	N/A	N/A
N/A	1-3/4 "	201183X	201184X ³²⁹	SP7873S	NR	-	-	N/A	N/A
N/A	1-3/4 "	201183X	201184X ³²⁹	SP7873S	NR	-	-	N/A	N/A
N/A	1-3/4 "	201179X	201180X	SP7873S	SP7880S ²⁰⁴	-	-	N/A	N/A
N/A	1-3/4 "	201183X	201184X ³²⁹	SP7873S	NR	-	-	N/A	N/A
N/A	1-3/4 "	201179X	201180X	SP7873S	SP7880S ²⁰⁴	-	-	N/A	N/A
N/A	1-3/4 "	201179X	201180X	SP7873S	SP7880S ²⁰⁴	-	-	N/A	N/A
N/A	1-3/4 "	201183X	201184X ³²⁹	SP7873S	NR	-	-	N/A	N/A
N/A	1.09375	R4133484	R4133485	R4166819	NR	-	-	-	-
N/A	1-1/8 "	R4133714	R4133715	R4166926	NR	-	-	-	-
N/A	1-1/8 "	R4133716	R4133717	R4166926	NR	-	-	-	-
23-122700-002 ⁹	2-1/2 "	R424244X	R424244X ³⁷	60050266	69270757 ⁴¹	R4111999 ⁵³	R4122386	R4577461	R4577461
23-122703-002 ¹⁸⁶	2-7/8 "	60050145X	60050145X ³⁷	60050146	69270702 ⁴¹	R4111999 ⁵³	R4122386	R4577461	R4577461
23-122691-002 ¹⁸⁸	2-7/8 "	60050145X	60050145X ³⁷	60050146	69270702 ⁴¹	R4111999 ⁵³	R4122386	R4577461	R4577461
N/A	1-1/2 "	R4033607	R4033607	R4166818	NR	-	-	-	-
N/A	1-5/8 "	R4133338	R4133338	R4166689	NR	-	-	-	-
N/A	1-5/8 "	R4133338	R4133338	R4166689	NR	-	-	-	-
N/A	1-3/4 "	R4133400	R4133400	R4166917	NR	-	-	-	-
N/A		R4133714	R4133715	R4166926	NR	N/A ³⁵⁸	R4122688	-	-
N/A		R4133719	R4133718	R4166926	NR	N/A ³⁵⁸	R4122688	-	-
N/A	1-1/4 "	R4133581	R4133581	R4166923	NR	-	-	-	-
N/A	1-1/4 "	R4133720	R4133721	R4166923	NR	-	-	-	-
23-122691-002 ¹⁸⁸	2-7/8 "	60050145X	60050145X ³⁷	60050146	69270702 ⁴¹	R4111999 ⁵³	R4122386	R4577461	R4577461
23-122703-002 ¹⁸⁶	2-7/8 "	60050145X	60050145X ³⁷	60050146	69270702 ⁴¹	R4111999 ⁵³	R4122386	R4577461	R4577461
23-122743-002 ¹⁸⁷	2-7/8 "	60050145X	60050145X ³⁷	60050146	69270702 ⁴¹	R4111999 ⁵³	R4122386	R4577461	R4577461
23-122700-002 ⁹	2-1/2 "	R424244X	R424244X ³⁷	60050266	69270757 ⁴¹	R4111999 ⁵³	R4122386	R4577461	R4577461
N/A	1-5/8 "	201181	201182	SP7895S	NR	-	-	N/A	N/A
N/A	1-5/8 "	201185	201186 ³²⁹	SP7895S	NR	-	-	N/A	N/A
N/A	1-5/8 "	201181	201182	SP7895S	NR	-	-	N/A	N/A
N/A	1-3/4 "	201183X	201184X ³²⁹	SP7873S	NR	-	-	N/A	N/A
N/A	1-3/4 "	201179X	201180X	SP7873S	SP7880S ²⁰⁴	-	-	N/A	N/A
N/A	1-5/8 "	201185	201186 ³²⁹	SP7895S	NR	-	-	N/A	N/A
N/A	1-5/8 "	201181	201182	SP7895S	NR	-	-	N/A	N/A
N/A	1-3/4 "	201183X	201184X ³²⁹	SP7873S	NR	-	-	N/A	N/A
N/A	1-3/4 "	201179X	201180X	SP7873S	SP7880S ²⁰⁴	-	-	N/A	N/A
N/A	1-5/8 "	201185	201186 ³²⁹	SP7895S	NR	-	-	N/A	N/A
N/A	1.09375	R4133484	R4133485	R4166819	NR	-	-	-	-
N/A	1-1/8 "	R4133716	R4133717	R4166926	NR	-	-	-	-
N/A	1-1/8 "	R4133714	R4133715	R4166926	NR	-	-	-	-
23-122700-002 ⁹	2-1/2 "	R424244X	R424244X ³⁷	60050266	69270757 ⁴¹	R4111999 ⁵³	R4122386	R4577461	R4577461
23-122691-002 ¹⁸⁸	2-7/8 "	60050145X	60050145X ³⁷	60050146	69270702 ⁴¹	R4111999 ⁵³	R4122386	R4577461	R4577461
23-122703-002 ¹⁸⁶	2-7/8 "	60050145X	60050145X ³⁷	60050146	69270702 ⁴¹	R4111999 ⁵³	R4122386	R4577461	R4577461
N/A	1-1/2 "	R4033607	R4033607	R4166818	NR	-	-	-	-
N/A	1-5/8 "	R4133338	R4133338	R4166689	NR	-	-	-	-
N/A	1-5/8 "	R4133338	R4133338	R4166689	NR	-	-	-	-
N/A	1-3/4 "	R4133400	R4133400	R4166917	NR	-	-	-	-
N/A		R4133719	R4133718	R4166926	NR	N/A ³⁵⁸	R4122688	-	-

1 APPLICATION

329 - Forward
358 - Split System

340 - Use 69160457 for Disc Pad Retainer Clip

341 - Use 69160445 for Disc Pad Retainer Clip

MAKE MODEL YEAR AXLE CODE AXLE WEIGHT	AXLE & BRK. TYPE	BRK. MFG.	BRAKE SIZE	FMSI	MERITOR DISC PAD OR BRAKE SHOE	MERITOR GUIDE PIN OR RETURN SPRING KIT	MERITOR CALIPER HWD. KIT OR RETURN SPRING KIT	MERITOR ADJUSTER KIT (LEFT WHEEL)	MERITOR ADJUSTER KIT (RIGHT WHEEL)
FORD(Cont.)									
LN700 SERIES: LOUISVILLE 94.4 BBC SHORT CONVENTIONAL CHASSIS CAB(Cont.)									
1985					R700321	R40H521	R40H9237	R40H3502	R40H3503
Split System F090, F120	Fa	WG	15" x 3"	1245C - 321	R700321	R40H521	R40H9237	R40H3502	R40H3503
	Fa	WG	15" x 3"	1245C - 321	R700321	R40H521	R40H9237	R40H3502	R40H3503
1984	Fd	DN		7141 - D224	MD224 ³⁴⁰	69310693	60050153	NR	NR
	Fd	DN		7149 - D236	MD236 ³⁴¹	69310693	R40H5523	NR	NR
	Fd	DN		7149 - D236	MD236 ³⁴¹	69310693	R40H5523	NR	NR
	Fd	DN		7149 - D236	MD236 ³⁴¹	69310693	R40H5523	NR	NR
	Ra	LG	15" x 5"	4528A - 542	N/A	R40H618	NR	NR	NR
	Ra	LG	15" x 5"	4528A - 542	N/A	R40H618	NR	SP7888S	SP7888S
	Ra	LG	15" x 6"	4504A - 543	N/A	R40H618	NR	SP7887S	SP7887S
	Ra	LG	15" x 6"	4504A - 543	N/A	R40H618	NR	NR	NR
	Ra	LG	15" x 6"	4504A - 543	N/A	R40H618	NR	NR	NR
	Ra	LG	15" x 6"	4504A - 543	N/A	R40H618	NR	SP7888S	SP7888S
	Ra	LG	15" x 7"	4505A - 544	N/A	R40H618	NR	NR	NR
	Ra	LG	15" x 7"	4505A - 544	N/A	R40H618	NR	SP7888S	SP7888S
	Ra	LG	15" x 7"	4505A - 544	N/A	R40H618	NR	NR	NR
	Ra	LG	15" x 7"	4505A - 544	N/A	R40H618	NR	SP7887S	SP7887S
F050, F055, F060	Fa	KH	14" x 2-1/2"	2060 - 361	Discontinued	R40H596	R40H9219	R40H3536	R40H3537
F070	Fa	WG	15" x 3"	1245C - 321	R700321	R40H521	R40H9237	R40H3502	R40H3503
	Fa	WG	15" x 3"	1245C - 321	R700321	R40H521	R40H9237	R40H3502	R40H3503
	Fd	DN		7141 - D224	MD224 ³⁴⁰	69310693	60050153	NR	NR
F080, F090	Fd	DN		7149 - D236	MD236 ³⁴¹	69310693	R40H5523	NR	NR
	Fd	DN		7149 - D236	MD236 ³⁴¹	69310693	R40H5523	NR	NR
R170, R175	Ra	KH	15" x 5"	4646 - 400	R700400	R40H595	R40H9220	R40H3538	R40H3539
	Ra	WG	15" x 5"	1252 - 346	R700346	R40H597	R40H9200	R40H3540	R40H3541
R185	Ra	WG	15" x 6"	4596 - 381	R700381	R40H597	R40H9200	R40H3540	R40H3541
	Ra	WG	15" x 7"	4597 - 383	R700383	R40H597	R40H9200	R40H3540	R40H3541
Split System					R700321 R700321	R40H521 R40H521	R40H9237 R40H9237	R40H3502 R40H3502	R40H3503 R40H3503
Split System F090, F120	Fa	WG	15" x 3"	1245C - 321	R700321	R40H521	R40H9237	R40H3502	R40H3503
	Fa	WG	15" x 3"	1245C - 321	R700321	R40H521	R40H9237	R40H3502	R40H3503
1983	Ra	LG	15" x 6"	4504A - 543	N/A	R40H618	NR	SP7888S	SP7888S
	Ra	LG	15" x 6"	4504A - 543	N/A	R40H618	NR	NR	NR
	Ra	LG	15" x 7"	4505A - 544	N/A	R40H618	NR	SP7888S	SP7888S
	Ra	LG	15" x 7"	4505A - 544	N/A	R40H618	NR	NR	NR
F050, F055, F060	Fa	KH	14" x 2-1/2"	2060 - 361	Discontinued	R40H596	R40H9219	R40H3536	R40H3537
F070	Fa	WG	15" x 3"	1245C - 321	R700321	R40H521	R40H9237	R40H3502	R40H3503
	Fa	WG	15" x 3"	1245C - 321	R700321	R40H521	R40H9237	R40H3502	R40H3503
	Fa	WG	15" x 3"	1245C - 321	R700321	R40H521	R40H9237	R40H3502	R40H3503
	Fa	WG	15" x 3"	1245C - 321	R700321	R40H521	R40H9237	R40H3502	R40H3503
	Fd	DN		7141 - D224	MD224 ³⁴⁰	69310693	60050153	NR	NR
F080, F090	Fd	DN		7149 - D236	MD236 ³⁴¹	69310693	R40H5523	NR	NR
	Fd	DN		7149 - D236	MD236 ³⁴¹	69310693	R40H5523	NR	NR
F090, F120	Fa	WG	15" x 3"	1245C - 321	R700321	R40H521	R40H9237	R40H3502	R40H3503
	Fa	WG	15" x 3"	1245C - 321	R700321	R40H521	R40H9237	R40H3502	R40H3503
R170, R175	Ra	KH	15" x 5"	4646 - 400	R700400	R40H595	R40H9220	R40H3538	R40H3539
	Ra	WG	15" x 5"	1252 - 346	R700346	R40H597	R40H9200	R40H3540	R40H3541
R185	Ra	WG	15" x 6"	4596 - 381	R700381	R40H597	R40H9200	R40H3540	R40H3541
	Ra	WG	15" x 7"	4597 - 383	R700383	R40H597	R40H9200	R40H3540	R40H3541
1982	Ra	LG	15" x 6"	4504A - 543	N/A	R40H618	NR	SP7888S	SP7888S
	Ra	LG	15" x 6"	4504A - 543	N/A	R40H618	NR	NR	NR
	Ra	LG	15" x 7"	4505A - 544	N/A	R40H618	NR	SP7888S	SP7888S
	Ra	LG	15" x 7"	4505A - 544	N/A	R40H618	NR	NR	NR
F050, F055, F060	Fa	KH	14" x 2-1/2"	2060 - 361	Discontinued	R40H596	R40H9219	R40H3536	R40H3537
F070	Fa	WG	15" x 3"	1245C - 321	R700321	R40H521	R40H9237	R40H3502	R40H3503
	Fa	WG	15" x 3"	1245C - 321	R700321	R40H521	R40H9237	R40H3502	R40H3503
	Fa	WG	15" x 3"	1245C - 321	R700321	R40H521	R40H9237	R40H3502	R40H3503
	Fa	WG	15" x 3"	1245C - 321	R700321	R40H521	R40H9237	R40H3502	R40H3503

9 - 6 Stud, Dayton Rotor, Hat Style
 53 - Power Brakes
 188 - 6 Stud, 9.251" Hub
 www.XpresswayPlus.com
 1-268

37 - Also available as a New unit
 186 - 10 Stud
 204 - Right Hand; use E-4057 for Left Hand Expander Kits

41 - Aluminum piston
 187 - 6 Stud, 6.443" Hub
 214 - Power Brakes, Split System

MERITOR DRUM OR ROTOR NO.	CALIPER OR CYLINDER BORE SIZE	MERITOR CALIPER OR WHEEL CYLINDER (LEFT)	MERITOR CALIPER OR WHEEL CYLINDER (RIGHT)	MERITOR CALIPER OR WHEEL CYLINDER REPAIR KIT	MERITOR CALIPER PISTON	MERITOR MASTER CYLINDER	MERITOR MASTER CYLINDER KIT	MERITOR BRAKE HOSE (LEFT)	MERITOR BRAKE HOSE (RIGHT)
FORD(Cont.)									
LN700 SERIES: LOUISVILLE 94.4 BBC SHORT CONVENTIONAL CHASSIS CAB(Cont.)									
N/A		R4133714	R4133715	R4166926	NR	N/A ³⁵⁸	R4122688	-	-
N/A	1-1/4 "	R4133581	R4133581	R4166923	NR	-	-	-	-
N/A	1-1/4 "	R4133720	R4133721	R4166923	NR	-	-	-	-
23-122700-002 ⁹	2-1/2 "	R424244X	R424244X ³⁷	60050266	69270757 ⁴¹	R4111999 ⁵³	R4122386	R4577461	R4577461
23-122691-002 ¹⁸⁸	2-7/8 "	60050145X	60050145X ³⁷	60050146	69270702 ⁴¹	R4111999 ⁵³	R4122386	R4577461	R4577461
23-122703-002 ¹⁸⁶	2-7/8 "	60050145X	60050145X ³⁷	60050146	69270702 ⁴¹	R4111999 ⁵³	R4122386	R4577461	R4577461
23-122743-002 ¹⁸⁷	2-7/8 "	60050145X	60050145X ³⁷	60050146	69270702 ⁴¹	R4111999 ⁵³	R4122386	R4577461	R4577461
N/A	1-5/8 "	201181	201182	SP7895S	NR	-	-	N/A	N/A
N/A	1-5/8 "	201185	201186 ³²⁹	SP7895S	NR	-	-	N/A	N/A
N/A	1-3/4 "	201183X	201184X ³²⁹	SP7873S	NR	-	-	N/A	N/A
N/A	1-3/4 "	201179X	201180X	SP7873S	SP7880S ²⁰⁴	-	-	N/A	N/A
N/A	1-5/8 "	201181	201182	SP7895S	NR	-	-	N/A	N/A
N/A	1-5/8 "	201185	201186 ³²⁹	SP7895S	NR	-	-	N/A	N/A
N/A	1-5/8 "	201181	201182	SP7895S	NR	-	-	N/A	N/A
N/A	1-5/8 "	201185	201186 ³²⁹	SP7895S	NR	-	-	N/A	N/A
N/A	1-3/4 "	201179X	201180X	SP7873S	SP7880S ²⁰⁴	-	-	N/A	N/A
N/A	1-3/4 "	201183X	201184X ³²⁹	SP7873S	NR	-	-	N/A	N/A
N/A	1.09375	R4133484	R4133485	R4166819	NR	-	-	-	-
N/A	1-1/8 "	R4133714	R4133715	R4166926	NR	-	-	-	-
N/A	1-1/8 "	R4133716	R4133717	R4166926	NR	-	-	-	-
23-122700-002 ⁹	2-1/2 "	R424244X	R424244X ³⁷	60050266	69270757 ⁴¹	R4111999 ⁵³	R4122386	R4577461	R4577461
23-122703-002 ¹⁸⁶	2-7/8 "	60050145X	60050145X ³⁷	60050146	69270702 ⁴¹	R4111999 ⁵³	R4122386	R4577461	R4577461
23-122691-002 ¹⁸⁸	2-7/8 "	60050145X	60050145X ³⁷	60050146	69270702 ⁴¹	R4111999 ⁵³	R4122386	R4577461	R4577461
N/A	1-1/2 "	R4033607	R4033607	R4166818	NR	-	-	-	-
N/A	1-5/8 "	R4133338	R4133338	R4166689	NR	-	-	-	-
N/A	1-5/8 "	R4133338	R4133338	R4166689	NR	-	-	-	-
N/A	1-3/4 "	R4133400	R4133400	R4166917	NR	-	-	-	-
N/A		R4133719	R4133718	R4166926	NR	N/A ³⁵⁸	R4122688	-	-
N/A		R4133714	R4133715	R4166926	NR	N/A ³⁵⁸	R4122688	-	-
N/A	1-1/4 "	R4133720	R4133721	R4166923	NR	-	-	-	-
N/A	1-1/4 "	R4133581	R4133581	R4166923	NR	-	-	-	-
N/A	1-5/8 "	201185	201186 ³²⁹	SP7895S	NR	-	-	R4577147	R4577147
N/A	1-5/8 "	201181	201182	SP7895S	NR	-	-	R4577147	R4577147
N/A	1-5/8 "	201185	201186 ³²⁹	SP7895S	NR	-	-	R4577147	R4577147
N/A	1-5/8 "	201181	201182	SP7895S	NR	-	-	R4577147	R4577147
N/A	1.09375	R4133484	R4133485	R4166819	NR	R4111629 ⁵³	R4122484	R4577460	R4577460
N/A	1-1/8 "	R4133714	R4133715	R4166926	NR	R4111911 ²¹⁹	R4122387	R4577454	R4577455
N/A	1-1/8 "	R4133714	R4133715	R4166926	NR	R4111992 ²¹⁴	R4122386	R4577452	R4577453
N/A	1-1/8 "	R4133719	R4133718	R4166926	NR	R4111992 ²¹⁴	R4122386	R4577452	R4577453
N/A	1-1/8 "	R4133716	R4133717	R4166926	NR	R4111911 ²¹⁹	R4122387	R4577454	R4577455
23-122700-002 ⁹	2-1/2 "	R424244X	R424244X ³⁷	60050266	69270757 ⁴¹	R4111992 ²¹⁴	R4122386	R4577452	R4577453
23-122691-002 ¹⁸⁸	2-7/8 "	60050145X	60050145X ³⁷	60050146	69270702 ⁴¹	R4111992 ²¹⁴	R4122386	R4577452	R4577453
23-122703-002 ¹⁸⁶	2-7/8 "	60050145X	60050145X ³⁷	60050146	69270702 ⁴¹	R4111992 ²¹⁴	R4122386	R4577452	R4577453
N/A	1-1/4 "	R4133581	R4133581	R4166923	NR	R4111992 ²¹⁴	R4122386	R4577452	R4577453
N/A	1-1/4 "	R4133720	R4133721	R4166923	NR	R4111992 ²¹⁴	R4122386	R4577452	R4577453
N/A	1-1/2 "	R4033607	R4033607	R4166818	NR	-	-	R4577147	R4577147
N/A	1-5/8 "	R4133338	R4133338	R4166689	NR	-	-	R4577147	R4577147
N/A	1-5/8 "	R4133338	R4133338	R4166689	NR	-	-	R4577147	R4577147
N/A	1-3/4 "	R4133400	R4133400	R4166917	NR	-	-	R4577147	R4577147
N/A	1-5/8 "	201185	201186 ³²⁹	SP7895S	NR	-	-	R4577147	R4577147
N/A	1-5/8 "	201181	201182	SP7895S	NR	-	-	R4577147	R4577147
N/A	1-5/8 "	201185	201186 ³²⁹	SP7895S	NR	-	-	R4577147	R4577147
N/A	1-5/8 "	201181	201182	SP7895S	NR	-	-	R4577147	R4577147
N/A	1.09375	R4133484	R4133485	R4166819	NR	R4111629 ⁵³	R4122484	R4577460	R4577460
N/A	1-1/8 "	R4133719	R4133718	R4166926	NR	R4111992 ²¹⁴	R4122386	R4577452	R4577453
N/A	1-1/8 "	R4133714	R4133715	R4166926	NR	R4111992 ²¹⁴	R4122386	R4577452	R4577453
N/A	1-1/8 "	R4133716	R4133717	R4166926	NR	R4111911 ²¹⁹	R4122387	R4577454	R4577455
N/A	1-1/8 "	R4133714	R4133715	R4166926	NR	R4111911 ²¹⁹	R4122387	R4577454	R4577455

219 - Power Brakes, Gasoline Engine with Vacuum Booster
341 - Use 69160445 for Disc Pad Retainer Clip

329 - Forward
358 - Split System

340 - Use 69160457 for Disc Pad Retainer Clip

MAKE MODEL YEAR AXLE CODE AXLE WEIGHT	AXLE & BRK. TYPE	BRK. MFG.	BRAKE SIZE	FMSI	MERITOR DISC PAD OR BRAKE SHOE	MERITOR GUIDE PIN OR RETURN SPRING KIT	MERITOR CALIPER HWD. KIT OR RETURN SPRING KIT	MERITOR ADJUSTER KIT (LEFT WHEEL)	MERITOR ADJUSTER KIT (RIGHT WHEEL)
FORD(Cont.)									
LN700 SERIES: LOUISVILLE 94.4 BBC SHORT CONVENTIONAL CHASSIS CAB(Cont.)									
1982									
F080, F090	Fd DN	DN		7141 - D224	MD224 ³⁴⁰	69310693	60050153	NR	NR
	Fd DN	DN		7149 - D236	MD236 ³⁴¹	69310693	R40H5523	NR	NR
	Fd DN	DN		7149 - D236	MD236 ³⁴¹	69310693	R40H5523	NR	NR
F090, F120	Fa WG	WG	15" x 3"	1245C - 321	R700321	R40H521	R40H9237	R40H3502	R40H3503
	Fa WG	WG	15" x 3"	1245C - 321	R700321	R40H521	R40H9237	R40H3502	R40H3503
R170, R175	Ra WG	KH	15" x 5"	4646 - 400	R700400	R40H595	R40H9220	R40H3538	R40H3539
	Ra WG	WG	15" x 5"	1252 - 346	R700346	R40H597	R40H9200	R40H3540	R40H3541
R185	Ra WG	WG	15" x 6"	4596 - 381	R700381	R40H597	R40H9200	R40H3540	R40H3541
	Ra WG	WG	15" x 7"	4597 - 383	R700383	R40H597	R40H9200	R40H3540	R40H3541
1981									
	Ra LG	LG	15" x 6"	4504A - 543	N/A	R40H618	NR	SP7888S	SP7888S
	Ra LG	LG	15" x 6"	4504A - 543	N/A	R40H618	NR	NR	NR
	Ra LG	LG	15" x 7"	4505A - 544	N/A	R40H618	NR	NR	NR
	Ra LG	LG	15" x 7"	4505A - 544	N/A	R40H618	NR	SP7888S	SP7888S
F050, F055, F060	Fa KH	KH	14" x 2-1/2"	2060 - 361	Discontinued	R40H596	R40H9219	R40H3536	R40H3537
F070	Fa WG	WG	15" x 3"	1245C - 321	R700321	R40H521	R40H9237	R40H3502	R40H3503
	Fa WG	WG	15" x 3"	1245C - 321	R700321	R40H521	R40H9237	R40H3502	R40H3503
	Fa WG	WG	15" x 3"	1245C - 321	R700321	R40H521	R40H9237	R40H3502	R40H3503
	Fa WG	WG	15" x 3"	1245C - 321	R700321	R40H521	R40H9237	R40H3502	R40H3503
	Fd DN	DN		7141 - D224	MD224 ³⁴⁰	69310693	60050153	NR	NR
F080, F090	Fd DN	DN		7149 - D236	MD236 ³⁴¹	69310693	R40H5523	NR	NR
	Fd DN	DN		7149 - D236	MD236 ³⁴¹	69310693	R40H5523	NR	NR
F090, F120	Fa WG	WG	15" x 3"	1245C - 321	R700321	R40H521	R40H9237	R40H3502	R40H3503
	Fa WG	WG	15" x 3"	1245C - 321	R700321	R40H521	R40H9237	R40H3502	R40H3503
R170, R175	Ra WG	KH	15" x 5"	4646 - 400	R700400	R40H595	R40H9220	R40H3538	R40H3539
	Ra WG	WG	15" x 5"	1252 - 346	R700346	R40H597	R40H9200	R40H3540	R40H3541
R185	Ra WG	WG	15" x 6"	4596 - 381	R700381	R40H597	R40H9200	R40H3540	R40H3541
	Ra WG	WG	15" x 7"	4597 - 383	R700383	R40H597	R40H9200	R40H3540	R40H3541
1980									
	Ra LG	LG	15" x 6"	4504A - 543	N/A	R40H618	NR	NR	NR
	Ra LG	LG	15" x 6"	4504A - 543	N/A	R40H618	NR	SP7888S	SP7888S
	Ra LG	LG	15" x 7"	4505A - 544	N/A	R40H618	NR	SP7888S	SP7888S
	Ra LG	LG	15" x 7"	4505A - 544	N/A	R40H618	NR	NR	NR
F050, F055, F060	Fa KH	KH	14" x 2-1/2"	2060 - 361	Discontinued	R40H596	R40H9219	R40H3536	R40H3537
F070	Fa WG	WG	15" x 3"	1245C - 321	R700321	R40H521	R40H9237	R40H3502	R40H3503
	Fa WG	WG	15" x 3"	1245C - 321	R700321	R40H521	R40H9237	R40H3502	R40H3503
	Fa WG	WG	15" x 3"	1245C - 321	R700321	R40H521	R40H9237	R40H3502	R40H3503
	Fa WG	WG	15" x 3"	1245C - 321	R700321	R40H521	R40H9237	R40H3502	R40H3503
	Fd DN	DN		7141 - D224	MD224 ³⁴⁰	69310693	60050153	NR	NR
F080, F090	Fd DN	DN		7149 - D236	MD236 ³⁴¹	69310693	R40H5523	NR	NR
	Fd DN	DN		7149 - D236	MD236 ³⁴¹	69310693	R40H5523	NR	NR
F090, F120	Fa WG	WG	15" x 3"	1245C - 321	R700321	R40H521	R40H9237	R40H3502	R40H3503
	Fa WG	WG	15" x 3"	1245C - 321	R700321	R40H521	R40H9237	R40H3502	R40H3503
R170, R175	Ra WG	KH	15" x 5"	4646 - 400	R700400	R40H595	R40H9220	R40H3538	R40H3539
	Ra WG	WG	15" x 5"	1252 - 346	R700346	R40H597	R40H9200	R40H3540	R40H3541
R185	Ra WG	WG	15" x 6"	4596 - 381	R700381	R40H597	R40H9200	R40H3540	R40H3541
	Ra WG	WG	15" x 7"	4597 - 383	R700383	R40H597	R40H9200	R40H3540	R40H3541
1979									
F050, F055, F060	Fa KH	KH	14" x 2-1/2"	2060 - 361	Discontinued	R40H596	R40H9219	R40H3536	R40H3537
F070	Fa WG	WG	15" x 3"	1245C - 321	R700321	R40H521	R40H9237	R40H3502	R40H3503
	Fa WG	WG	15" x 3"	1245C - 321	R700321	R40H521	R40H9237	R40H3502	R40H3503
	Fd DN	DN		7141 - D224	MD224 ³⁴⁰	69310693	60050153	NR	NR
F080, F090	Fd DN	DN		7149 - D236	MD236 ³⁴¹	69310693	R40H5523	NR	NR
	Fd DN	DN		7149 - D236	MD236 ³⁴¹	69310693	R40H5523	NR	NR
R170, R175	Ra WG	KH	15" x 5"	4646 - 400	R700400	R40H595	R40H9220	R40H3538	R40H3539
	Ra WG	WG	15" x 5"	1252 - 346	R700346	R40H597	R40H9200	R40H3540	R40H3541
R185	Ra WG	WG	15" x 6"	4596 - 381	R700381	R40H597	R40H9200	R40H3540	R40H3541
	Ra WG	WG	15" x 7"	4597 - 383	R700383	R40H597	R40H9200	R40H3540	R40H3541
Split System					R700321 R700321	R40H521 R40H521	R40H9237 R40H9237	R40H3502 R40H3502	R40H3503 R40H3503
Split System F090, F120	Fa WG	WG	15" x 3"	1245C - 321	R700321	R40H521	R40H9237	R40H3502	R40H3503
	Fa WG	WG	15" x 3"	1245C - 321	R700321	R40H521	R40H9237	R40H3502	R40H3503

9 - 6 Stud, Dayton Rotor, Hat Style
 53 - Power Brakes
 214 - Power Brakes, Split System
 www.XpresswayPlus.com

37 - Also available as a New unit
 186 - 10 Stud
 219 - Power Brakes, Gasoline Engine with Vacuum Booster

41 - Aluminum piston
 188 - 6 Stud, 9.251" Hub
 329 - Forward

MERITOR DRUM OR ROTOR NO.	CALIPER OR CYLINDER BORE SIZE	MERITOR CALIPER OR WHEEL CYLINDER (LEFT)	MERITOR CALIPER OR WHEEL CYLINDER (RIGHT)	MERITOR CALIPER OR WHEEL CYLINDER REPAIR KIT	MERITOR CALIPER PISTON	MERITOR MASTER CYLINDER	MERITOR MASTER CYLINDER KIT	MERITOR BRAKE HOSE (LEFT)	MERITOR BRAKE HOSE (RIGHT)
FORD(Cont.)									
LN700 SERIES: LOUISVILLE 94.4 BBC SHORT CONVENTIONAL CHASSIS CAB(Cont.)									
23-122700-002 ⁹	2-1/2 "	R424244X	R424244X ³⁷	60050266	69270757 ⁴¹	R4111992 ²¹⁴	R4122386	R4577452	R4577453
23-122703-002 ¹⁸⁶	2-7/8 "	60050145X	60050145X ³⁷	60050146	69270702 ⁴¹	R4111992 ²¹⁴	R4122386	R4577452	R4577453
23-122691-002 ¹⁸⁸	2-7/8 "	60050145X	60050145X ³⁷	60050146	69270702 ⁴¹	R4111992 ²¹⁴	R4122386	R4577452	R4577453
N/A	1-1/4 "	R4133581	R4133581	R4166923	NR	R4111992 ²¹⁴	R4122386	R4577452	R4577453
N/A	1-1/4 "	R4133720	R4133721	R4166923	NR	R4111992 ²¹⁴	R4122386	R4577452	R4577453
N/A	1-1/2 "	R4033607	R4033607	R4166818	NR	-	-	R4577147	R4577147
N/A	1-5/8 "	R4133338	R4133338	R4166689	NR	-	-	R4577147	R4577147
N/A	1-5/8 "	R4133338	R4133338	R4166689	NR	-	-	R4577147	R4577147
N/A	1-3/4 "	R4133400	R4133400	R4166917	NR	-	-	R4577147	R4577147
N/A	1-5/8 "	201185	201186 ³²⁹	SP7895S	NR	-	-	R4577147	R4577147
N/A	1-5/8 "	201181	201182	SP7895S	NR	-	-	R4577147	R4577147
N/A	1-5/8 "	201181	201182	SP7895S	NR	-	-	R4577147	R4577147
N/A	1-5/8 "	201185	201186 ³²⁹	SP7895S	NR	-	-	R4577147	R4577147
N/A	1.09375	R4133484	R4133485	R4166819	NR	R4111629 ⁵³	R4122484	R4577460	R4577460
N/A	1-1/8 "	R4133714	R4133715	R4166926	NR	R4111992 ²¹⁴	R4122386	R4577452	R4577453
N/A	1-1/8 "	R4133719	R4133718	R4166926	NR	R4111992 ²¹⁴	R4122386	R4577452	R4577453
N/A	1-1/8 "	R4133716	R4133717	R4166926	NR	R4111911 ²¹⁹	R4122387	R4577454	R4577455
N/A	1-1/8 "	R4133714	R4133715	R4166926	NR	R4111911 ²¹⁹	R4122387	R4577454	R4577455
23-122700-002 ⁹	2-1/2 "	R424244X	R424244X ³⁷	60050266	69270757 ⁴¹	R4111992 ²¹⁴	R4122386	R4577452	R4577453
23-122691-002 ¹⁸⁸	2-7/8 "	60050145X	60050145X ³⁷	60050146	69270702 ⁴¹	R4111992 ²¹⁴	R4122386	R4577452	R4577453
23-122703-002 ¹⁸⁶	2-7/8 "	60050145X	60050145X ³⁷	60050146	69270702 ⁴¹	R4111992 ²¹⁴	R4122386	R4577452	R4577453
N/A	1-1/4 "	R4133720	R4133721	R4166923	NR	R4111992 ²¹⁴	R4122386	R4577452	R4577453
N/A	1-1/4 "	R4133581	R4133581	R4166923	NR	R4111992 ²¹⁴	R4122386	R4577452	R4577453
N/A	1-1/2 "	R4033607	R4033607	R4166818	NR	-	-	R4577147	R4577147
N/A	1-5/8 "	R4133338	R4133338	R4166689	NR	-	-	R4577147	R4577147
N/A	1-5/8 "	R4133338	R4133338	R4166689	NR	-	-	R4577147	R4577147
N/A	1-3/4 "	R4133400	R4133400	R4166917	NR	-	-	R4577147	R4577147
N/A	1-5/8 "	201181	201182	SP7895S	NR	-	-	R4577147	R4577147
N/A	1-5/8 "	201185	201186 ³²⁹	SP7895S	NR	-	-	R4577147	R4577147
N/A	1-5/8 "	201185	201186 ³²⁹	SP7895S	NR	-	-	R4577147	R4577147
N/A	1-5/8 "	201181	201182	SP7895S	NR	-	-	R4577147	R4577147
N/A	1.09375	R4133484	R4133485	R4166819	NR	R4111629 ⁵³	R4122484	R4577460	R4577460
N/A	1-1/8 "	R4133716	R4133717	R4166926	NR	R4111911 ²¹⁹	R4122387	R4577454	R4577455
N/A	1-1/8 "	R4133714	R4133715	R4166926	NR	R4111911 ²¹⁹	R4122387	R4577454	R4577455
N/A	1-1/8 "	R4133714	R4133715	R4166926	NR	R4111992 ²¹⁴	R4122386	R4577452	R4577453
N/A	1-1/8 "	R4133719	R4133718	R4166926	NR	R4111992 ²¹⁴	R4122386	R4577452	R4577453
23-122700-002 ⁹	2-1/2 "	R424244X	R424244X ³⁷	60050266	69270757 ⁴¹	R4111992 ²¹⁴	R4122386	R4577452	R4577453
23-122691-002 ¹⁸⁸	2-7/8 "	60050145X	60050145X ³⁷	60050146	69270702 ⁴¹	R4111992 ²¹⁴	R4122386	R4577452	R4577453
23-122703-002 ¹⁸⁶	2-7/8 "	60050145X	60050145X ³⁷	60050146	69270702 ⁴¹	R4111992 ²¹⁴	R4122386	R4577452	R4577453
N/A	1-1/4 "	R4133720	R4133721	R4166923	NR	R4111992 ²¹⁴	R4122386	R4577452	R4577453
N/A	1-1/4 "	R4133581	R4133581	R4166923	NR	R4111992 ²¹⁴	R4122386	R4577452	R4577453
N/A	1-1/2 "	R4033607	R4033607	R4166818	NR	-	-	R4577147	R4577147
N/A	1-5/8 "	R4133338	R4133338	R4166689	NR	-	-	R4577147	R4577147
N/A	1-5/8 "	R4133338	R4133338	R4166689	NR	-	-	R4577147	R4577147
N/A	1-3/4 "	R4133400	R4133400	R4166917	NR	-	-	R4577147	R4577147
N/A	1.09375	R4133484	R4133485	R4166819	NR	-	-	-	-
N/A	1-1/8 "	R4133716	R4133717	R4166926	NR	-	-	-	-
N/A	1-1/8 "	R4133714	R4133715	R4166926	NR	-	-	-	-
23-122700-002 ⁹	2-1/2 "	R424244X	R424244X ³⁷	60050266	69270757 ⁴¹	-	-	-	-
23-122703-002 ¹⁸⁶	2-7/8 "	60050145X	60050145X ³⁷	60050146	69270702 ⁴¹	-	-	-	-
23-122691-002 ¹⁸⁸	2-7/8 "	60050145X	60050145X ³⁷	60050146	69270702 ⁴¹	-	-	-	-
N/A	1-1/2 "	R4033607	R4033607	R4166818	NR	-	-	-	-
N/A	1-5/8 "	R4133338	R4133338	R4166689	NR	-	-	-	-
N/A	1-5/8 "	R4133338	R4133338	R4166689	NR	-	-	-	-
N/A	1-3/4 "	R4133400	R4133400	R4166917	NR	-	-	-	-
N/A		R4133719	R4133718	R4166926	NR	N/A ³⁵⁸	R4122688	-	-
N/A		R4133714	R4133715	R4166926	NR	N/A ³⁵⁸	R4122688	-	-
N/A	1-1/4 "	R4133581	R4133581	R4166923	NR	-	-	-	-
N/A	1-1/4 "	R4133720	R4133721	R4166923	NR	-	-	-	-

340 - Use 69160457 for Disc Pad Retainer Clip

341 - Use 69160445 for Disc Pad Retainer Clip

358 - Split System

MAKE MODEL YEAR AXLE CODE AXLE WEIGHT	AXLE & BRK. TYPE	BRK. MFG.	BRAKE SIZE	FMSI	MERITOR DISC PAD OR BRAKE SHOE	MERITOR GUIDE PIN OR RETURN SPRING KIT	MERITOR CALIPER HWD. KIT OR RETURN SPRING KIT	MERITOR ADJUSTER KIT (LEFT WHEEL)	MERITOR ADJUSTER KIT (RIGHT WHEEL)
FORD(Cont.)									
LN700 SERIES: LOUISVILLE 94.4 BBC SHORT CONVENTIONAL CHASSIS CAB(Cont.)									
1978 F050, F055, F060	Fa	KH	14 " x 2-1/2 "	2060 - 361	Discontinued	R40H596	R40H9219	R40H3536	R40H3537
F070	Fa	WG	15 " x 3 "	1245C - 321	R700321	R40H521	R40H9237	R40H3502	R40H3503
	Fa	WG	15 " x 3 "	1245C - 321	R700321	R40H521	R40H9237	R40H3502	R40H3503
	Fd	DN		7141 - D224	MD224 ³⁴⁰	69310693	60050153	NR	NR
F080, F090	Fd	DN		7149 - D236	MD236 ³⁴¹	69310693	R40H5523	NR	NR
	Fd	DN		7149 - D236	MD236 ³⁴¹	69310693	R40H5523	NR	NR
R170, R175	Ra	KH	15 " x 5 "	4646 - 400	R700400	R40H595	R40H9220	R40H3538	R40H3539
	Ra	WG	15 " x 5 "	1252 - 346	R700346	R40H597	R40H9200	R40H3540	R40H3541
R185	Ra	WG	15 " x 6 "	4596 - 381	R700381	R40H597	R40H9200	R40H3540	R40H3541
	Ra	WG	15 " x 7 "	4597 - 383	R700383	R40H597	R40H9200	R40H3540	R40H3541
Split System					R700321	R40H521	R40H9237	R40H3502	R40H3503
Split System F090, F120	Fa	WG	15 " x 3 "	1245C - 321	R700321	R40H521	R40H9237	R40H3502	R40H3503
	Fa	WG	15 " x 3 "	1245C - 321	R700321	R40H521	R40H9237	R40H3502	R40H3503
1977 F050, F055, F060	Fa	KH	14 " x 2-1/2 "	2060 - 361	Discontinued	R40H596	R40H9219	R40H3536	R40H3537
F070	Fa	KH	14 " x 2-1/2 "	2060 - 361	Discontinued	R40H596	R40H9219	R40H3536	R40H3537
	Fa	WG	15 " x 3 "	1245C - 321	R700321	R40H521	R40H9237	R40H3502	R40H3503
	Fa	WG	15 " x 3 "	1245C - 321	R700321	R40H521	R40H9237	R40H3502	R40H3503
	Fa	WG	15 " x 3 "	1245C - 321	R700321	R40H521	R40H9237	R40H3502	R40H3503
	Fa	WG	15 " x 3 "	1245C - 321	R700321	R40H521	R40H9237	R40H3502	R40H3503
	Fa	WG	15 " x 3 "	1245C - 321	R700321	R40H521	R40H9237	R40H3502	R40H3503
	Fa	WG	15 " x 3 "	1245C - 321	R700321	R40H521	R40H9237	R40H3502	R40H3503
	Fa	WG	15 " x 3 "	1245C - 321	R700321	R40H521	R40H9237	R40H3502	R40H3503
	Fa	WG	15 " x 3 "	1245C - 321	R700321	R40H521	R40H9237	R40H3502	R40H3503
	Fd	DN		7141 - D224	MD224 ³⁴⁰	69310693	60050153	NR	NR
F080, F090	Fd	DN		7149 - D236	MD236 ³⁴¹	69310693	R40H5523	NR	NR
	Fd	DN		7149 - D236	MD236 ³⁴¹	69310693	R40H5523	NR	NR
F090, F120	Fa	WG	15 " x 3 "	1245C - 321	R700321	R40H521	R40H9237	R40H3502	R40H3503
	Fa	WG	15 " x 3 "	1245C - 321	R700321	R40H521	R40H9237	R40H3502	R40H3503
	Fa	WG	15 " x 3 "	1245C - 321	R700321	R40H521	R40H9237	R40H3502	R40H3503
	Fa	WG	15 " x 3 "	1245C - 321	R700321	R40H521	R40H9237	R40H3502	R40H3503
R170, R175	Ra	KH	15 " x 5 "	4646 - 400	R700400	R40H595	R40H9220	R40H3538	R40H3539
	Ra	KH	15 " x 5 "	4646 - 400	R700400	R40H595	R40H9220	R40H3538	R40H3539
	Ra	KH	15 " x 5 "	4646 - 400	R700400	R40H595	R40H9220	R40H3538	R40H3539
	Ra	WG	15 " x 5 "	1252 - 346	R700346	R40H597	R40H9200	R40H3540	R40H3541
	Ra	WG	15 " x 5 "	1252 - 346	R700346	R40H597	R40H9200	R40H3540	R40H3541
R185	Ra	WG	15 " x 6 "	4596 - 381	R700381	R40H597	R40H9200	R40H3540	R40H3541
	Ra	WG	15 " x 6 "	4596 - 381	R700381	R40H597	R40H9200	R40H3540	R40H3541
	Ra	WG	15 " x 7 "	4597 - 383	R700383	R40H597	R40H9200	R40H3540	R40H3541
	Ra	WG	15 " x 7 "	4597 - 383	R700383	R40H597	R40H9200	R40H3540	R40H3541
1976 F050, F055, F060	Fa	KH	14 " x 2-1/2 "	2060 - 361	Discontinued	R40H596	R40H9219	R40H3536	R40H3537
F070	Fa	KH	14 " x 2-1/2 "	2060 - 361	Discontinued	R40H596	R40H9219	R40H3536	R40H3537
	Fd	DN		7141 - D224	MD224 ³⁴⁰	69310693	60050153	NR	NR
F080, F090	Fd	DN		7149 - D236	MD236 ³⁴¹	69310693	R40H5523	NR	NR
	Fd	DN		7149 - D236	MD236 ³⁴¹	69310693	R40H5523	NR	NR
R170, R175	Ra	KH	15 " x 5 "	4646 - 400	R700400	R40H595	R40H9220	R40H3538	R40H3539
	Ra	KH	15 " x 5 "	4646 - 400	R700400	R40H595	R40H9220	R40H3538	R40H3539
	Ra	KH	15 " x 5 "	4646 - 400	R700400	R40H595	R40H9220	R40H3538	R40H3539
	Ra	WG	15 " x 5 "	1252 - 346	R700346	R40H597	R40H9200	R40H3540	R40H3541
	Ra	WG	15 " x 5 "	1252 - 346	R700346	R40H597	R40H9200	R40H3540	R40H3541
R185	Ra	WG	15 " x 6 "	4596 - 381	R700381	R40H597	R40H9200	R40H3540	R40H3541
	Ra	WG	15 " x 6 "	4596 - 381	R700381	R40H597	R40H9200	R40H3540	R40H3541
	Ra	WG	15 " x 7 "	4597 - 383	R700383	R40H597	R40H9200	R40H3540	R40H3541
	Ra	WG	15 " x 7 "	4597 - 383	R700383	R40H597	R40H9200	R40H3540	R40H3541
Single System F070	Fa	WG	15 " x 3 "	1245C - 321	R700321	R40H521	R40H9237	R40H3502	R40H3503
Split System F070	Fa	WG	15 " x 3 "	1245C - 321	R700321	R40H521	R40H9237	R40H3502	R40H3503
	Fa	WG	15 " x 3 "	1245C - 321	R700321	R40H521	R40H9237	R40H3502	R40H3503
	Fa	WG	15 " x 3 "	1245C - 321	R700321	R40H521	R40H9237	R40H3502	R40H3503
	Fa	WG	15 " x 3 "	1245C - 321	R700321	R40H521	R40H9237	R40H3502	R40H3503

9 - 6 Stud, Dayton Rotor, Hat Style
 42 - 6 Stud, Dayton Rotor, "U" Style
 340 - Use 69160457 for Disc Pad Retainer Clip
 www.XpresswayPlus.com

37 - Also available as a New unit
 186 - 10 Stud
 341 - Use 69160445 for Disc Pad Retainer Clip

41 - Aluminum piston
 188 - 6 Stud, 9.251" Hub
 358 - Split System

MERITOR DRUM OR ROTOR NO.	CALIPER OR CYLINDER BORE SIZE	MERITOR CALIPER OR WHEEL CYLINDER (LEFT)	MERITOR CALIPER OR WHEEL CYLINDER (RIGHT)	MERITOR CALIPER OR WHEEL CYLINDER REPAIR KIT	MERITOR CALIPER PISTON	MERITOR MASTER CYLINDER	MERITOR MASTER CYLINDER KIT	MERITOR BRAKE HOSE (LEFT)	MERITOR BRAKE HOSE (RIGHT)
FORD(Cont.)									
LN700 SERIES: LOUISVILLE 94.4 BBC SHORT CONVENTIONAL CHASSIS CAB(Cont.)									
N/A	1.09375	R4133484	R4133485	R4166819	NR	-	-	-	-
N/A	1-1/8 "	R4133716	R4133717	R4166926	NR	-	-	-	-
N/A	1-1/8 "	R4133714	R4133715	R4166926	NR	-	-	-	-
23-122700-002 ⁹	2-1/2 "	R424244X	R424244X ³⁷	60050266	69270757 ⁴¹	-	-	-	-
23-122691-002 ¹⁸⁸	2-7/8 "	60050145X	60050145X ³⁷	60050146	69270702 ⁴¹	-	-	-	-
23-122703-002 ¹⁸⁶	2-7/8 "	60050145X	60050145X ³⁷	60050146	69270702 ⁴¹	-	-	-	-
N/A	1-1/2 "	R4033607	R4033607	R4166818	NR	-	-	-	-
N/A	1-5/8 "	R4133338	R4133338	R4166689	NR	-	-	-	-
N/A	1-5/8 "	R4133338	R4133338	R4166689	NR	-	-	-	-
N/A	1-3/4 "	R4133400	R4133400	R4166917	NR	-	-	-	-
N/A		R4133719	R4133718	R4166926	NR	N/A ³⁵⁸	R4122688	-	-
N/A		R4133714	R4133715	R4166926	NR	N/A ³⁵⁸	R4122688	-	-
N/A	1-1/4 "	R4133720	R4133721	R4166923	NR	-	-	-	-
N/A	1-1/4 "	R4133581	R4133581	R4166923	NR	-	-	-	-
-	1.09375	R4133484	R4133485	R4166819	NR	-	-	-	-
-	1.09375	R4133484	R4133485	R4166819	NR	-	-	-	-
-	1-1/8 "	R4133714	R4133715	R4166926	NR	N/A ³⁵⁸	R4122688	-	-
-	1-1/8 "	R4133719	R4133718	R4166926	NR	N/A ³⁵⁸	R4122688	-	-
-	1-1/8 "	R4133714	R4133715	R4166926	NR	N/A ³⁵⁸	R4122688	-	-
-	1-1/8 "	R4133719	R4133718	R4166926	NR	N/A ³⁵⁸	R4122688	-	-
-	1-1/8 "	R4133716	R4133717	R4166926	NR	-	-	-	-
-	1-1/8 "	R4133714	R4133715	R4166926	NR	-	-	-	-
23-122700-002 ⁹	2-1/2 "	R424244X	R424244X ³⁷	60050266	69270757 ⁴¹	-	-	-	-
23-122703-002 ¹⁸⁶	2-7/8 "	60050145X	60050145X ³⁷	60050146	69270702 ⁴¹	-	-	-	-
23-122691-002 ⁴²	2-7/8 "	60050145X	60050145X ³⁷	60050146	69270702 ⁴¹	-	-	-	-
-	1-1/4 "	R4133720	R4133721	R4166923	NR	-	-	-	-
-	1-1/4 "	R4133581	R4133581	R4166923	NR	-	-	-	-
-	1-1/4 "	R4133720	R4133721	R4166923	NR	-	-	-	-
-	1-1/4 "	R4133581	R4133582	R4166923	NR	-	-	-	-
-	1-1/2 "	R4033607	R4033607	R4166818	NR	-	-	-	-
-	1-5/8 "	R4133606	R4133606	R415193	NR	-	-	-	-
-	1-1/2 "	R4033607	R4033607	R4166818	NR	-	-	-	-
-	1-5/8 "	R4133338	R4133338	R4166689	NR	-	-	-	-
-	1-5/8 "	R4133338	R4133338	R4166689	NR	-	-	-	-
-	1-5/8 "	R4133338	R4133338	R4166689	NR	-	-	-	-
-	1-5/8 "	R4133338	R4133338	R4166689	NR	-	-	-	-
-	1-3/4 "	R4133400	R4133400	R4166917	NR	-	-	-	-
-	1-3/4 "	R4133400	R4133400	R4166917	NR	-	-	-	-
-	1.09375	R4133484	R4133485	R4166819	NR	-	-	-	-
-	1.09375	R4133484	R4133485	R4166819	NR	-	-	-	-
23-122700-002 ⁹	2-1/2 "	R424244X	R424244X ³⁷	60050266	69270757 ⁴¹	-	-	-	-
23-122691-002 ⁴²	2-7/8 "	60050145X	60050145X ³⁷	60050146	69270702 ⁴¹	-	-	-	-
23-122703-002 ¹⁸⁶	2-7/8 "	60050145X	60050145X ³⁷	60050146	69270702 ⁴¹	-	-	-	-
-	1-1/2 "	R4033607	R4033607	R4166818	NR	-	-	-	-
-	1-1/2 "	R4033607	R4033607	R4166818	NR	-	-	-	-
-	1-5/8 "	R4133606	R4133606	R415193	NR	-	-	-	-
-	1-5/8 "	R4133338	R4133338	R4166689	NR	-	-	-	-
-	1-5/8 "	R4133338	R4133338	R4166689	NR	-	-	-	-
-	1-5/8 "	R4133338	R4133338	R4166689	NR	-	-	-	-
-	1-5/8 "	R4133338	R4133338	R4166689	NR	-	-	-	-
-	1-5/8 "	R4133338	R4133338	R4166689	NR	-	-	-	-
-	1-3/4 "	R4133400	R4133400	R4166917	NR	-	-	-	-
-	1-3/4 "	R4133400	R4133400	R4166917	NR	-	-	-	-
-	1-1/8 "	R4133714	R4133715	R4166926	NR	-	-	-	-
-	1-1/8 "	R4133716	R4133717	R4166926	NR	-	-	-	-
-	1-1/8 "	R4133716	R4133717	R4166926	NR	-	-	-	-
-	1-1/8 "	R4133714	R4133715	R4166926	NR	-	-	-	-
-	1-1/8 "	R4133719	R4133718	R4166926	NR	N/A ³⁵⁸	R4122688	-	-

1 APPLICATION

MAKE MODEL YEAR AXLE CODE AXLE WEIGHT	AXLE & BRK. TYPE	BRK. MFG.	BRAKE SIZE	FMSI	MERITOR DISC PAD OR BRAKE SHOE	MERITOR GUIDE PIN OR RETURN SPRING KIT	MERITOR CALIPER HWD. KIT OR RETURN SPRING KIT	MERITOR ADJUSTER KIT (LEFT WHEEL)	MERITOR ADJUSTER KIT (RIGHT WHEEL)
FORD(Cont.)									
LN700 SERIES: LOUISVILLE 94.4 BBC SHORT CONVENTIONAL CHASSIS CAB(Cont.)									
1976	Fa Fa Fa	WG WG WG	15 " x 3 " 15 " x 3 " 15 " x 3 "	1245C - 321 1245C - 321 1245C - 321	R700321 R700321 R700321	R40H521 R40H521 R40H521	R40H9237 R40H9237 R40H9237	R40H3502 R40H3502 R40H3502	R40H3503 R40H3503 R40H3503
Split System F090, F120	Fa Fa Fa Fa	WG WG WG WG	15 " x 3 " 15 " x 3 " 15 " x 3 " 15 " x 3 "	1245C - 321 1245C - 321 1245C - 321 1245C - 321	R700321 R700321 R700321 R700321	R40H521 R40H521 R40H521 R40H521	R40H9237 R40H9237 R40H9237 R40H9237	R40H3502 R40H3502 R40H3502 R40H3502	R40H3503 R40H3503 R40H3503 R40H3503
1975 F050, F055, F060	Fa Fa	KH KH	14 " x 2-1/2 " 14 " x 2-1/2 "	2060 - 361 2060 - 361	Discontinued Discontinued	R40H596 R40H596	R40H9219 R40H9219	R40H3536 R40H3536	R40H3537 R40H3537
F070	Fd	DN		7141 - D224	MD224 ³⁴⁰	69310693	60050153	NR	NR
F080, F090	Fd Fd	DN DN		7149 - D236 7149 - D236	MD236 ³⁴¹ MD236 ³⁴¹	69310693 69310693	R40H5523 R40H5523	NR NR	NR NR
R170, R175	Ra Ra Ra Ra Ra	KH KH KH WG WG	15 " x 5 " 15 " x 5 " 15 " x 5 " 15 " x 5 " 15 " x 5 "	4646 - 400 4646 - 400 4646 - 400 1252 - 346 1252 - 346	R700400 R700400 R700400 R700346 R700346	R40H595 R40H595 R40H595 R40H597 R40H597	R40H9220 R40H9220 R40H9220 R40H9200 R40H9200	R40H3538 R40H3538 R40H3538 R40H3540 R40H3540	R40H3539 R40H3539 R40H3539 R40H3541 R40H3541
R185	Ra Ra Ra Ra	WG WG WG WG	15 " x 6 " 15 " x 6 " 15 " x 7 " 15 " x 7 "	4596 - 381 4596 - 381 4597 - 383 4597 - 383	R700381 R700381 R700383 R700383	R40H597 R40H597 R40H597 R40H597	R40H9200 R40H9200 R40H9200 R40H9200	R40H3540 R40H3540 R40H3540 R40H3540	R40H3541 R40H3541 R40H3541 R40H3541
Single System F070	Fa Fa Fa Fa	WG WG WG WG	15 " x 3 " 15 " x 3 " 15 " x 3 " 15 " x 3 "	1245C - 321 1245C - 321 1245C - 321 1245C - 321	R700321 R700321 R700321 R700321	R40H521 R40H521 R40H521 R40H521	R40H9237 R40H9237 R40H9237 R40H9237	R40H3502 R40H3502 R40H3502 R40H3502	R40H3503 R40H3503 R40H3503 R40H3503
Split System F070	Fa Fa Fa Fa	WG WG WG WG	15 " x 3 " 15 " x 3 " 15 " x 3 " 15 " x 3 "	1245C - 321 1245C - 321 1245C - 321 1245C - 321	R700321 R700321 R700321 R700321	R40H521 R40H521 R40H521 R40H521	R40H9237 R40H9237 R40H9237 R40H9237	R40H3502 R40H3502 R40H3502 R40H3502	R40H3503 R40H3503 R40H3503 R40H3503
Split System F090, F120	Fa Fa Fa Fa	WG WG WG WG	15 " x 3 " 15 " x 3 " 15 " x 3 " 15 " x 3 "	1245C - 321 1245C - 321 1245C - 321 1245C - 321	R700321 R700321 R700321 R700321	R40H521 R40H521 R40H521 R40H521	R40H9237 R40H9237 R40H9237 R40H9237	R40H3502 R40H3502 R40H3502 R40H3502	R40H3503 R40H3503 R40H3503 R40H3503
1974 F050, F055, F060	Fa Fa	KH KH	14 " x 2-1/2 " 14 " x 2-1/2 "	2060 - 361 2060 - 361	Discontinued Discontinued	R40H596 R40H596	R40H9219 R40H9219	R40H3536 R40H3536	R40H3537 R40H3537
F070	Fd	DN		7141 - D224	MD224 ³⁴⁰	69310693	60050153	NR	NR
F080, F090	Fd Fd	DN DN		7149 - D236 7149 - D236	MD236 ³⁴¹ MD236 ³⁴¹	69310693 69310693	R40H5523 R40H5523	NR NR	NR NR
R170, R175	Ra Ra Ra Ra Ra	KH KH KH WG WG	15 " x 5 " 15 " x 5 " 15 " x 5 " 15 " x 5 " 15 " x 5 "	4646 - 400 4646 - 400 4646 - 400 1252 - 346 1252 - 346	R700400 R700400 R700400 R700346 R700346	R40H595 R40H595 R40H595 R40H597 R40H597	R40H9220 R40H9220 R40H9220 R40H9200 R40H9200	R40H3538 R40H3538 R40H3538 R40H3540 R40H3540	R40H3539 R40H3539 R40H3539 R40H3541 R40H3541
R185	Ra Ra Ra Ra	WG WG WG WG	15 " x 6 " 15 " x 6 " 15 " x 7 " 15 " x 7 "	4596 - 381 4596 - 381 4597 - 383 4597 - 383	R700381 R700381 R700383 R700383	R40H597 R40H597 R40H597 R40H597	R40H9200 R40H9200 R40H9200 R40H9200	R40H3540 R40H3540 R40H3540 R40H3540	R40H3541 R40H3541 R40H3541 R40H3541
Single System F070	Fa Fa Fa Fa	WG WG WG WG	15 " x 3 " 15 " x 3 " 15 " x 3 " 15 " x 3 "	1245C - 321 1245C - 321 1245C - 321 1245C - 321	R700321 R700321 R700321 R700321	R40H521 R40H521 R40H521 R40H521	R40H9237 R40H9237 R40H9237 R40H9237	R40H3502 R40H3502 R40H3502 R40H3502	R40H3503 R40H3503 R40H3503 R40H3503
Split System F070	Fa Fa Fa Fa	WG WG WG WG	15 " x 3 " 15 " x 3 " 15 " x 3 " 15 " x 3 "	1245C - 321 1245C - 321 1245C - 321 1245C - 321	R700321 R700321 R700321 R700321	R40H521 R40H521 R40H521 R40H521	R40H9237 R40H9237 R40H9237 R40H9237	R40H3502 R40H3502 R40H3502 R40H3502	R40H3503 R40H3503 R40H3503 R40H3503
Split System F090, F120	Fa	WG	15 " x 3 "	1245C - 321	R700321	R40H521	R40H9237	R40H3502	R40H3503

9 - 6 Stud, Dayton Rotor, Hat Style
 42 - 6 Stud, Dayton Rotor, "U" Style
 341 - Use 69160445 for Disc Pad Retainer Clip
 www.XpresswayPlus.com

37 - Also available as a New unit
 186 - 10 Stud
 358 - Split System

41 - Aluminum piston
 340 - Use 69160457 for Disc Pad Retainer Clip

MERITOR DRUM OR ROTOR NO.	CALIPER OR CYLINDER BORE SIZE	MERITOR CALIPER OR WHEEL CYLINDER (LEFT)	MERITOR CALIPER OR WHEEL CYLINDER (RIGHT)	MERITOR CALIPER OR WHEEL CYLINDER REPAIR KIT	MERITOR CALIPER PISTON	MERITOR MASTER CYLINDER	MERITOR MASTER CYLINDER KIT	MERITOR BRAKE HOSE (LEFT)	MERITOR BRAKE HOSE (RIGHT)
FORD(Cont.)									
LN700 SERIES: LOUISVILLE 94.4 BBC SHORT CONVENTIONAL CHASSIS CAB(Cont.)									
-	1-1/8 "	R4133714	R4133715	R4166926	NR	N/A ³⁵⁸	R4122688	-	-
-	1-1/8 "	R4133714	R4133715	R4166926	NR	N/A ³⁵⁸	R4122688	-	-
-	1-1/8 "	R4133719	R4133718	R4166926	NR	N/A ³⁵⁸	R4122688	-	-
-	1-1/4 "	R4133581	R4133581	R4166923	NR	-	-	-	-
-	1-1/4 "	R4133720	R4133721	R4166923	NR	-	-	-	-
-	1-1/4 "	R4133581	R4133582	R4166923	NR	-	-	-	-
-	1-1/4 "	R4133720	R4133721	R4166923	NR	-	-	-	-
-	1.09375	R4133484	R4133485	R4166819	NR	-	-	-	-
-	1.09375	R4133484	R4133485	R4166819	NR	-	-	-	-
23-122700-002 ⁹	2-1/2 "	R424244X	R424244X ³⁷	60050266	69270757 ⁴¹	-	-	-	-
23-122703-002 ¹⁸⁶	2-7/8 "	60050145X	60050145X ³⁷	60050146	69270702 ⁴¹	-	-	-	-
23-122691-002 ⁴²	2-7/8 "	60050145X	60050145X ³⁷	60050146	69270702 ⁴¹	-	-	-	-
-	1-1/2 "	R4033607	R4033607	R4166818	NR	-	-	-	-
-	1-5/8 "	R4133606	R4133606	R415193	NR	-	-	-	-
-	1-1/2 "	R4033607	R4033607	R4166818	NR	-	-	-	-
-	1-5/8 "	R4133338	R4133338	R4166689	NR	-	-	-	-
-	1-5/8 "	R4133338	R4133338	R4166689	NR	-	-	-	-
-	1-5/8 "	R4133338	R4133338	R4166689	NR	-	-	-	-
-	1-3/4 "	R4133400	R4133400	R4166917	NR	-	-	-	-
-	1-3/4 "	R4133400	R4133400	R4166917	NR	-	-	-	-
-	1-1/8 "	R4133716	R4133717	R4166926	NR	-	-	-	-
-	1-1/8 "	R4133716	R4133717	R4166926	NR	-	-	-	-
-	1-1/8 "	R4133714	R4133715	R4166926	NR	-	-	-	-
-	1-1/8 "	R4133714	R4133715	R4166926	NR	-	-	-	-
-	1-1/8 "	R4133719	R4133718	R4166926	NR	N/A ³⁵⁸	R4122688	-	-
-	1-1/8 "	R4133714	R4133715	R4166926	NR	N/A ³⁵⁸	R4122688	-	-
-	1-1/8 "	R4133714	R4133715	R4166926	NR	N/A ³⁵⁸	R4122688	-	-
-	1-1/8 "	R4133719	R4133718	R4166926	NR	N/A ³⁵⁸	R4122688	-	-
-	1-1/4 "	R4133581	R4133581	R4166923	NR	-	-	-	-
-	1-1/4 "	R4133581	R4133582	R4166923	NR	-	-	-	-
-	1-1/4 "	R4133720	R4133721	R4166923	NR	-	-	-	-
-	1-1/4 "	R4133720	R4133721	R4166923	NR	-	-	-	-
-	1.09375	R4133484	R4133485	R4166819	NR	-	-	-	-
-	1.09375	R4133484	R4133485	R4166819	NR	-	-	-	-
23-122700-002 ⁹	2-1/2 "	R424244X	R424244X ³⁷	60050266	69270757 ⁴¹	-	-	-	-
23-122691-002 ⁴²	2-7/8 "	60050145X	60050145X ³⁷	60050146	69270702 ⁴¹	-	-	-	-
23-122703-002 ¹⁸⁶	2-7/8 "	60050145X	60050145X ³⁷	60050146	69270702 ⁴¹	-	-	-	-
-	1-5/8 "	R4133606	R4133606	R415193	NR	-	-	-	-
-	1-1/2 "	R4033607	R4033607	R4166818	NR	-	-	-	-
-	1-1/2 "	R4033607	R4033607	R4166818	NR	-	-	-	-
-	1-5/8 "	R4133338	R4133338	R4166689	NR	-	-	-	-
-	1-5/8 "	R4133338	R4133338	R4166689	NR	-	-	-	-
-	1-5/8 "	R4133338	R4133338	R4166689	NR	-	-	-	-
-	1-3/4 "	R4133400	R4133400	R4166917	NR	-	-	-	-
-	1-3/4 "	R4133400	R4133400	R4166917	NR	-	-	-	-
-	1-1/8 "	R4133714	R4133715	R4166926	NR	-	-	-	-
-	1-1/8 "	R4133716	R4133717	R4166926	NR	-	-	-	-
-	1-1/8 "	R4133714	R4133715	R4166926	NR	-	-	-	-
-	1-1/8 "	R4133716	R4133717	R4166926	NR	-	-	-	-
-	1-1/8 "	R4133719	R4133718	R4166926	NR	N/A ³⁵⁸	R4122688	-	-
-	1-1/8 "	R4133714	R4133715	R4166926	NR	N/A ³⁵⁸	R4122688	-	-
-	1-1/8 "	R4133714	R4133715	R4166926	NR	N/A ³⁵⁸	R4122688	-	-
-	1-1/8 "	R4133719	R4133718	R4166926	NR	N/A ³⁵⁸	R4122688	-	-
-	1-1/4 "	R4133720	R4133721	R4166923	NR	-	-	-	-

1 APPLICATION

MAKE MODEL YEAR AXLE CODE AXLE WEIGHT	AXLE & BRK. TYPE	BRK. MFG.	BRAKE SIZE	FMSI	MERITOR DISC PAD OR BRAKE SHOE	MERITOR GUIDE PIN OR RETURN SPRING KIT	MERITOR CALIPER HWD. KIT OR RETURN SPRING KIT	MERITOR ADJUSTER KIT (LEFT WHEEL)	MERITOR ADJUSTER KIT (RIGHT WHEEL)
FORD(Cont.)									
LN700 SERIES: LOUISVILLE 94.4 BBC SHORT CONVENTIONAL CHASSIS CAB(Cont.)									
1974	Fa Fa Fa	WG WG WG	15 " x 3 " 15 " x 3 " 15 " x 3 "	1245C - 321 1245C - 321 1245C - 321	R700321 R700321 R700321	R40H521 R40H521 R40H521	R40H9237 R40H9237 R40H9237	R40H3502 R40H3502 R40H3502	R40H3503 R40H3503 R40H3503
1973 F050, F055, F060	Fa Fa	KH KH	14 " x 2-1/2 " 14 " x 2-1/2 "	2060 - 361 2060 - 361	Discontinued Discontinued	R40H596 R40H596	R40H9219 R40H9219	R40H3536 R40H3536	R40H3537 R40H3537
F070	Fd	DN		7141 - D224	MD224 ³⁴⁰	69310693	60050153	NR	NR
F080, F090	Fd Fd	DN DN		7149 - D236 7149 - D236	MD236 ³⁴¹ MD236 ³⁴¹	69310693 69310693	R40H5523 R40H5523	NR NR	NR NR
R170, R175	Ra Ra Ra Ra Ra	KH KH KH WG WG	15 " x 5 " 15 " x 5 " 15 " x 5 " 15 " x 5 " 15 " x 5 "	4646 - 400 4646 - 400 4646 - 400 1252 - 346 1252 - 346	R700400 R700400 R700400 R700346 R700346	R40H595 R40H595 R40H595 R40H597 R40H597	R40H9220 R40H9220 R40H9220 R40H9200 R40H9200	R40H3538 R40H3538 R40H3538 R40H3540 R40H3540	R40H3539 R40H3539 R40H3539 R40H3541 R40H3541
R185	Ra Ra Ra Ra	WG WG WG WG	15 " x 6 " 15 " x 6 " 15 " x 7 " 15 " x 7 "	4596 - 381 4596 - 381 4597 - 383 4597 - 383	R700381 R700381 R700383 R700383	R40H597 R40H597 R40H597 R40H597	R40H9200 R40H9200 R40H9200 R40H9200	R40H3540 R40H3540 R40H3540 R40H3540	R40H3541 R40H3541 R40H3541 R40H3541
Single System F070	Fa Fa Fa Fa	WG WG WG WG	15 " x 3 " 15 " x 3 " 15 " x 3 " 15 " x 3 "	1245C - 321 1245C - 321 1245C - 321 1245C - 321	R700321 R700321 R700321 R700321	R40H521 R40H521 R40H521 R40H521	R40H9237 R40H9237 R40H9237 R40H9237	R40H3502 R40H3502 R40H3502 R40H3502	R40H3503 R40H3503 R40H3503 R40H3503
Split System F070	Fa Fa Fa Fa	WG WG WG WG	15 " x 3 " 15 " x 3 " 15 " x 3 " 15 " x 3 "	1245C - 321 1245C - 321 1245C - 321 1245C - 321	R700321 R700321 R700321 R700321	R40H521 R40H521 R40H521 R40H521	R40H9237 R40H9237 R40H9237 R40H9237	R40H3502 R40H3502 R40H3502 R40H3502	R40H3503 R40H3503 R40H3503 R40H3503
Split System F090, F120	Fa Fa Fa Fa	WG WG WG WG	15 " x 3 " 15 " x 3 " 15 " x 3 " 15 " x 3 "	1245C - 321 1245C - 321 1245C - 321 1245C - 321	R700321 R700321 R700321 R700321	R40H521 R40H521 R40H521 R40H521	R40H9237 R40H9237 R40H9237 R40H9237	R40H3502 R40H3502 R40H3502 R40H3502	R40H3503 R40H3503 R40H3503 R40H3503
1972 F050, F055, F060	Fa Fa	KH KH	14 " x 2-1/2 " 14 " x 2-1/2 "	2060 - 361 2060 - 361	Discontinued Discontinued	R40H596 R40H596	R40H9219 R40H9219	R40H3536 R40H3536	R40H3537 R40H3537
F070	Fd	DN		7141 - D224	MD224 ³⁴⁰	69310693	60050153	NR	NR
F080, F090	Fd Fd	DN DN		7149 - D236 7149 - D236	MD236 ³⁴¹ MD236 ³⁴¹	69310693 69310693	R40H5523 R40H5523	NR NR	NR NR
R170, R175	Ra Ra Ra Ra Ra	KH KH KH WG WG	15 " x 5 " 15 " x 5 " 15 " x 5 " 15 " x 5 " 15 " x 5 "	4646 - 400 4646 - 400 4646 - 400 1252 - 346 1252 - 346	R700400 R700400 R700400 R700346 R700346	R40H595 R40H595 R40H595 R40H597 R40H597	R40H9220 R40H9220 R40H9220 R40H9200 R40H9200	R40H3538 R40H3538 R40H3538 R40H3540 R40H3540	R40H3539 R40H3539 R40H3539 R40H3541 R40H3541
R185	Ra Ra Ra Ra	WG WG WG WG	15 " x 6 " 15 " x 6 " 15 " x 7 " 15 " x 7 "	4596 - 381 4596 - 381 4597 - 383 4597 - 383	R700381 R700381 R700383 R700383	R40H597 R40H597 R40H597 R40H597	R40H9200 R40H9200 R40H9200 R40H9200	R40H3540 R40H3540 R40H3540 R40H3540	R40H3541 R40H3541 R40H3541 R40H3541
Single System F070	Fa Fa Fa Fa	WG WG WG WG	15 " x 3 " 15 " x 3 " 15 " x 3 " 15 " x 3 "	1245C - 321 1245C - 321 1245C - 321 1245C - 321	R700321 R700321 R700321 R700321	R40H521 R40H521 R40H521 R40H521	R40H9237 R40H9237 R40H9237 R40H9237	R40H3502 R40H3502 R40H3502 R40H3502	R40H3503 R40H3503 R40H3503 R40H3503
Split System F070	Fa Fa Fa Fa	WG WG WG WG	15 " x 3 " 15 " x 3 " 15 " x 3 " 15 " x 3 "	1245C - 321 1245C - 321 1245C - 321 1245C - 321	R700321 R700321 R700321 R700321	R40H521 R40H521 R40H521 R40H521	R40H9237 R40H9237 R40H9237 R40H9237	R40H3502 R40H3502 R40H3502 R40H3502	R40H3503 R40H3503 R40H3503 R40H3503
Split System F090, F120	Fa Fa Fa Fa	WG WG WG WG	15 " x 3 " 15 " x 3 " 15 " x 3 " 15 " x 3 "	1245C - 321 1245C - 321 1245C - 321 1245C - 321	R700321 R700321 R700321 R700321	R40H521 R40H521 R40H521 R40H521	R40H9237 R40H9237 R40H9237 R40H9237	R40H3502 R40H3502 R40H3502 R40H3502	R40H3503 R40H3503 R40H3503 R40H3503
1971 F050, F055, F060	Fa	KH	14 " x 2-1/2 "	2060 - 361	Discontinued	R40H596	R40H9219	R40H3536	R40H3537

9 - 6 Stud, Dayton Rotor, Hat Style
 42 - 6 Stud, Dayton Rotor, "U" Style
 341 - Use 69160445 for Disc Pad Retainer Clip
 www.XpresswayPlus.com

37 - Also available as a New unit
 186 - 10 Stud
 358 - Split System

41 - Aluminum piston
 340 - Use 69160457 for Disc Pad Retainer Clip

MERITOR DRUM OR ROTOR NO.	CALIPER OR CYLINDER BORE SIZE	MERITOR CALIPER OR WHEEL CYLINDER (LEFT)	MERITOR CALIPER OR WHEEL CYLINDER (RIGHT)	MERITOR CALIPER OR WHEEL CYLINDER REPAIR KIT	MERITOR CALIPER PISTON	MERITOR MASTER CYLINDER	MERITOR MASTER CYLINDER KIT	MERITOR BRAKE HOSE (LEFT)	MERITOR BRAKE HOSE (RIGHT)
FORD(Cont.)									
LN700 SERIES: LOUISVILLE 94.4 BBC SHORT CONVENTIONAL CHASSIS CAB(Cont.)									
-	1-1/4 "	R4133581	R4133582	R4166923	NR	-	-	-	-
-	1-1/4 "	R4133581	R4133581	R4166923	NR	-	-	-	-
-	1-1/4 "	R4133720	R4133721	R4166923	NR	-	-	-	-
-	1.09375	R4133484	R4133485	R4166819	NR	-	-	-	-
-	1.09375	R4133484	R4133485	R4166819	NR	-	-	-	-
23-122700-002 ⁹	2-1/2 "	R424244X	R424244X ³⁷	60050266	69270757 ⁴¹	-	-	-	-
23-122691-002 ⁴²	2-7/8 "	60050145X	60050145X ³⁷	60050146	69270702 ⁴¹	-	-	-	-
23-122703-002 ¹⁸⁶	2-7/8 "	60050145X	60050145X ³⁷	60050146	69270702 ⁴¹	-	-	-	-
-	1-1/2 "	R4033607	R4033607	R4166818	NR	-	-	-	-
-	1-1/2 "	R4033607	R4033607	R4166818	NR	-	-	-	-
-	1-5/8 "	R4133606	R4133606	R415193	NR	-	-	-	-
-	1-5/8 "	R4133338	R4133338	R4166689	NR	-	-	-	-
-	1-5/8 "	R4133338	R4133338	R4166689	NR	-	-	-	-
-	1-5/8 "	R4133338	R4133338	R4166689	NR	-	-	-	-
-	1-5/8 "	R4133338	R4133338	R4166689	NR	-	-	-	-
-	1-3/4 "	R4133400	R4133400	R4166917	NR	-	-	-	-
-	1-3/4 "	R4133400	R4133400	R4166917	NR	-	-	-	-
-	1-1/8 "	R4133716	R4133717	R4166926	NR	-	-	-	-
-	1-1/8 "	R4133714	R4133715	R4166926	NR	-	-	-	-
-	1-1/8 "	R4133714	R4133715	R4166926	NR	-	-	-	-
-	1-1/8 "	R4133716	R4133717	R4166926	NR	-	-	-	-
-	1-1/8 "	R4133719	R4133718	R4166926	NR	N/A ³⁵⁸	R4122688	-	-
-	1-1/8 "	R4133714	R4133715	R4166926	NR	N/A ³⁵⁸	R4122688	-	-
-	1-1/8 "	R4133714	R4133715	R4166926	NR	N/A ³⁵⁸	R4122688	-	-
-	1-1/8 "	R4133719	R4133718	R4166926	NR	N/A ³⁵⁸	R4122688	-	-
-	1-1/4 "	R4133720	R4133721	R4166923	NR	-	-	-	-
-	1-1/4 "	R4133581	R4133581	R4166923	NR	-	-	-	-
-	1-1/4 "	R4133581	R4133582	R4166923	NR	-	-	-	-
-	1-1/4 "	R4133720	R4133721	R4166923	NR	-	-	-	-
-	1.09375	R4133484	R4133485	R4166819	NR	-	-	-	-
-	1.09375	R4133484	R4133485	R4166819	NR	-	-	-	-
23-122700-002 ⁹	2-1/2 "	R424244X	R424244X ³⁷	60050266	69270757 ⁴¹	-	-	-	-
23-122691-002 ⁴²	2-7/8 "	60050145X	60050145X ³⁷	60050146	69270702 ⁴¹	-	-	-	-
23-122703-002 ¹⁸⁶	2-7/8 "	60050145X	60050145X ³⁷	60050146	69270702 ⁴¹	-	-	-	-
-	1-1/2 "	R4033607	R4033607	R4166818	NR	-	-	-	-
-	1-5/8 "	R4133606	R4133606	R415193	NR	-	-	-	-
-	1-1/2 "	R4033607	R4033607	R4166818	NR	-	-	-	-
-	1-5/8 "	R4133338	R4133338	R4166689	NR	-	-	-	-
-	1-5/8 "	R4133338	R4133338	R4166689	NR	-	-	-	-
-	1-5/8 "	R4133338	R4133338	R4166689	NR	-	-	-	-
-	1-5/8 "	R4133338	R4133338	R4166689	NR	-	-	-	-
-	1-3/4 "	R4133400	R4133400	R4166917	NR	-	-	-	-
-	1-3/4 "	R4133400	R4133400	R4166917	NR	-	-	-	-
-	1-1/8 "	R4133714	R4133715	R4166926	NR	-	-	-	-
-	1-1/8 "	R4133716	R4133717	R4166926	NR	-	-	-	-
-	1-1/8 "	R4133714	R4133715	R4166926	NR	-	-	-	-
-	1-1/8 "	R4133716	R4133717	R4166926	NR	-	-	-	-
-	1-1/8 "	R4133719	R4133718	R4166926	NR	N/A ³⁵⁸	R4122688	-	-
-	1-1/8 "	R4133714	R4133715	R4166926	NR	N/A ³⁵⁸	R4122688	-	-
-	1-1/8 "	R4133719	R4133718	R4166926	NR	N/A ³⁵⁸	R4122688	-	-
-	1-1/8 "	R4133714	R4133715	R4166926	NR	N/A ³⁵⁸	R4122688	-	-
-	1-1/4 "	R4133720	R4133721	R4166923	NR	-	-	-	-
-	1-1/4 "	R4133581	R4133582	R4166923	NR	-	-	-	-
-	1-1/4 "	R4133581	R4133581	R4166923	NR	-	-	-	-
-	1-1/4 "	R4133720	R4133721	R4166923	NR	-	-	-	-
-	1.09375	R4133484	R4133485	R4166819	NR	-	-	-	-

1 APPLICATION

MAKE MODEL YEAR AXLE CODE AXLE WEIGHT	AXLE & BRK. TYPE	BRK. MFG.	BRAKE SIZE	FMSI	MERITOR DISC PAD OR BRAKE SHOE	MERITOR GUIDE PIN OR RETURN SPRING KIT	MERITOR CALIPER HWD. KIT OR RETURN SPRING KIT	MERITOR ADJUSTER KIT (LEFT WHEEL)	MERITOR ADJUSTER KIT (RIGHT WHEEL)
FORD(Cont.)									
LN700 SERIES: LOUISVILLE 94.4 BBC SHORT CONVENTIONAL CHASSIS CAB(Cont.)									
1971	Fa	KH	14 " x 2-1/2 "	2060 - 361	Discontinued	R40H596	R40H9219	R40H3536	R40H3537
F070	Fd	DN		7141 - D224	MD224 ³⁴⁰	69310693	60050153	NR	NR
F080, F090	Fd	DN		7149 - D236	MD236 ³⁴¹	69310693	R40H5523	NR	NR
	Fd	DN		7149 - D236	MD236 ³⁴¹	69310693	R40H5523	NR	NR
R170, R175	Ra	KH	15 " x 5 "	4646 - 400	R700400	R40H595	R40H9220	R40H3538	R40H3539
	Ra	KH	15 " x 5 "	4646 - 400	R700400	R40H595	R40H9220	R40H3538	R40H3539
	Ra	KH	15 " x 5 "	4646 - 400	R700400	R40H595	R40H9220	R40H3538	R40H3539
	Ra	WG	15 " x 5 "	1252 - 346	R700346	R40H597	R40H9200	R40H3540	R40H3541
	Ra	WG	15 " x 5 "	1252 - 346	R700346	R40H597	R40H9200	R40H3540	R40H3541
R185	Ra	WG	15 " x 6 "	4596 - 381	R700381	R40H597	R40H9200	R40H3540	R40H3541
	Ra	WG	15 " x 6 "	4596 - 381	R700381	R40H597	R40H9200	R40H3540	R40H3541
	Ra	WG	15 " x 7 "	4597 - 383	R700383	R40H597	R40H9200	R40H3540	R40H3541
	Ra	WG	15 " x 7 "	4597 - 383	R700383	R40H597	R40H9200	R40H3540	R40H3541
Single System F070	Fa	WG	15 " x 3 "	1245C - 321	R700321	R40H521	R40H9237	R40H3502	R40H3503
	Fa	WG	15 " x 3 "	1245C - 321	R700321	R40H521	R40H9237	R40H3502	R40H3503
	Fa	WG	15 " x 3 "	1245C - 321	R700321	R40H521	R40H9237	R40H3502	R40H3503
	Fa	WG	15 " x 3 "	1245C - 321	R700321	R40H521	R40H9237	R40H3502	R40H3503
Split System F070	Fa	WG	15 " x 3 "	1245C - 321	R700321	R40H521	R40H9237	R40H3502	R40H3503
	Fa	WG	15 " x 3 "	1245C - 321	R700321	R40H521	R40H9237	R40H3502	R40H3503
	Fa	WG	15 " x 3 "	1245C - 321	R700321	R40H521	R40H9237	R40H3502	R40H3503
	Fa	WG	15 " x 3 "	1245C - 321	R700321	R40H521	R40H9237	R40H3502	R40H3503
Split System F090, F120	Fa	WG	15 " x 3 "	1245C - 321	R700321	R40H521	R40H9237	R40H3502	R40H3503
	Fa	WG	15 " x 3 "	1245C - 321	R700321	R40H521	R40H9237	R40H3502	R40H3503
	Fa	WG	15 " x 3 "	1245C - 321	R700321	R40H521	R40H9237	R40H3502	R40H3503
	Fa	WG	15 " x 3 "	1245C - 321	R700321	R40H521	R40H9237	R40H3502	R40H3503
1970 F050, F055, F060	Fa	KH	14 " x 2-1/2 "	2060 - 361	Discontinued	R40H596	R40H9219	R40H3536	R40H3537
	Fa	KH	14 " x 2-1/2 "	2060 - 361	Discontinued	R40H596	R40H9219	R40H3536	R40H3537
F070	Fd	DN		7141 - D224	MD224 ³⁴⁰	69310693	60050153	NR	NR
F080, F090	Fd	DN		7149 - D236	MD236 ³⁴¹	69310693	R40H5523	NR	NR
	Fd	DN		7149 - D236	MD236 ³⁴¹	69310693	R40H5523	NR	NR
R170, R175	Ra	KH	15 " x 5 "	4646 - 400	R700400	R40H595	R40H9220	R40H3538	R40H3539
	Ra	KH	15 " x 5 "	4646 - 400	R700400	R40H595	R40H9220	R40H3538	R40H3539
	Ra	KH	15 " x 5 "	4646 - 400	R700400	R40H595	R40H9220	R40H3538	R40H3539
	Ra	WG	15 " x 5 "	1252 - 346	R700346	R40H597	R40H9200	R40H3540	R40H3541
	Ra	WG	15 " x 5 "	1252 - 346	R700346	R40H597	R40H9200	R40H3540	R40H3541
R185	Ra	WG	15 " x 6 "	4596 - 381	R700381	R40H597	R40H9200	R40H3540	R40H3541
	Ra	WG	15 " x 6 "	4596 - 381	R700381	R40H597	R40H9200	R40H3540	R40H3541
	Ra	WG	15 " x 7 "	4597 - 383	R700383	R40H597	R40H9200	R40H3540	R40H3541
	Ra	WG	15 " x 7 "	4597 - 383	R700383	R40H597	R40H9200	R40H3540	R40H3541
Single System F070	Fa	WG	15 " x 3 "	1245C - 321	R700321	R40H521	R40H9237	R40H3502	R40H3503
	Fa	WG	15 " x 3 "	1245C - 321	R700321	R40H521	R40H9237	R40H3502	R40H3503
	Fa	WG	15 " x 3 "	1245C - 321	R700321	R40H521	R40H9237	R40H3502	R40H3503
	Fa	WG	15 " x 3 "	1245C - 321	R700321	R40H521	R40H9237	R40H3502	R40H3503
Split System F070	Fa	WG	15 " x 3 "	1245C - 321	R700321	R40H521	R40H9237	R40H3502	R40H3503
	Fa	WG	15 " x 3 "	1245C - 321	R700321	R40H521	R40H9237	R40H3502	R40H3503
	Fa	WG	15 " x 3 "	1245C - 321	R700321	R40H521	R40H9237	R40H3502	R40H3503
	Fa	WG	15 " x 3 "	1245C - 321	R700321	R40H521	R40H9237	R40H3502	R40H3503
Split System F090, F120	Fa	WG	15 " x 3 "	1245C - 321	R700321	R40H521	R40H9237	R40H3502	R40H3503
	Fa	WG	15 " x 3 "	1245C - 321	R700321	R40H521	R40H9237	R40H3502	R40H3503
	Fa	WG	15 " x 3 "	1245C - 321	R700321	R40H521	R40H9237	R40H3502	R40H3503
	Fa	WG	15 " x 3 "	1245C - 321	R700321	R40H521	R40H9237	R40H3502	R40H3503
1969 F050, F055, F060	Fa	KH	14 " x 2-1/2 "	2060 - 361	Discontinued	R40H596	R40H9219	R40H3536	R40H3537
	Fa	KH	14 " x 2-1/2 "	2060 - 361	Discontinued	R40H596	R40H9219	R40H3536	R40H3537
F070	Fd	DN		7141 - D224	MD224 ³⁴⁰	69310693	60050153	NR	NR
F080, F090	Fd	DN		7149 - D236	MD236 ³⁴¹	69310693	R40H5523	NR	NR
	Fd	DN		7149 - D236	MD236 ³⁴¹	69310693	R40H5523	NR	NR

9 - 6 Stud, Dayton Rotor, Hat Style
 42 - 6 Stud, Dayton Rotor, "U" Style
 341 - Use 69160445 for Disc Pad Retainer Clip
 www.XpresswayPlus.com

37 - Also available as a New unit
 186 - 10 Stud
 358 - Split System

41 - Aluminum piston
 340 - Use 69160457 for Disc Pad Retainer Clip

MERITOR DRUM OR ROTOR NO.	CALIPER OR CYLINDER BORE SIZE	MERITOR CALIPER OR WHEEL CYLINDER (LEFT)	MERITOR CALIPER OR WHEEL CYLINDER (RIGHT)	MERITOR CALIPER OR WHEEL CYLINDER REPAIR KIT	MERITOR CALIPER PISTON	MERITOR MASTER CYLINDER	MERITOR MASTER CYLINDER KIT	MERITOR BRAKE HOSE (LEFT)	MERITOR BRAKE HOSE (RIGHT)
FORD(Cont.)									
LN700 SERIES: LOUISVILLE 94.4 BBC SHORT CONVENTIONAL CHASSIS CAB(Cont.)									
-	1.09375	R4133484	R4133485	R4166819	NR	-	-	-	-
23-122700-002 ⁹	2-1/2 "	R424244X	R424244X ³⁷	60050266	69270757 ⁴¹	-	-	-	-
23-122703-002 ¹⁸⁶	2-7/8 "	60050145X	60050145X ³⁷	60050146	69270702 ⁴¹	-	-	-	-
23-122691-002 ⁴²	2-7/8 "	60050145X	60050145X ³⁷	60050146	69270702 ⁴¹	-	-	-	-
-	1-5/8 "	R4133606	R4133606	R415193	NR	-	-	-	-
-	1-1/2 "	R4033607	R4033607	R4166818	NR	-	-	-	-
-	1-1/2 "	R4033607	R4033607	R4166818	NR	-	-	-	-
-	1-5/8 "	R4133338	R4133338	R4166689	NR	-	-	-	-
-	1-5/8 "	R4133338	R4133338	R4166689	NR	-	-	-	-
-	1-5/8 "	R4133338	R4133338	R4166689	NR	-	-	-	-
-	1-5/8 "	R4133338	R4133338	R4166689	NR	-	-	-	-
-	1-3/4 "	R4133400	R4133400	R4166917	NR	-	-	-	-
-	1-3/4 "	R4133400	R4133400	R4166917	NR	-	-	-	-
-	1-1/8 "	R4133714	R4133715	R4166926	NR	-	-	-	-
-	1-1/8 "	R4133716	R4133717	R4166926	NR	-	-	-	-
-	1-1/8 "	R4133714	R4133715	R4166926	NR	-	-	-	-
-	1-1/8 "	R4133716	R4133717	R4166926	NR	-	-	-	-
-	1-1/8 "	R4133719	R4133718	R4166926	NR	N/A ³⁵⁸	R4122688	-	-
-	1-1/8 "	R4133714	R4133715	R4166926	NR	N/A ³⁵⁸	R4122688	-	-
-	1-1/8 "	R4133714	R4133715	R4166926	NR	N/A ³⁵⁸	R4122688	-	-
-	1-1/8 "	R4133719	R4133718	R4166926	NR	N/A ³⁵⁸	R4122688	-	-
-	1-1/4 "	R4133720	R4133721	R4166923	NR	-	-	-	-
-	1-1/4 "	R4133581	R4133581	R4166923	NR	-	-	-	-
-	1-1/4 "	R4133581	R4133582	R4166923	NR	-	-	-	-
-	1-1/4 "	R4133720	R4133721	R4166923	NR	-	-	-	-
-	1.09375	R4133484	R4133485	R4166819	NR	-	-	-	-
-	1.09375	R4133484	R4133485	R4166819	NR	-	-	-	-
23-122700-002 ⁹	2-1/2 "	R424244X	R424244X ³⁷	60050266	69270757 ⁴¹	-	-	-	-
23-122703-002 ¹⁸⁶	2-7/8 "	60050145X	60050145X ³⁷	60050146	69270702 ⁴¹	-	-	-	-
23-122691-002 ⁴²	2-7/8 "	60050145X	60050145X ³⁷	60050146	69270702 ⁴¹	-	-	-	-
-	1-1/2 "	R4033607	R4033607	R4166818	NR	-	-	-	-
-	1-5/8 "	R4133606	R4133606	R415193	NR	-	-	-	-
-	1-1/2 "	R4033607	R4033607	R4166818	NR	-	-	-	-
-	1-5/8 "	R4133338	R4133338	R4166689	NR	-	-	-	-
-	1-5/8 "	R4133338	R4133338	R4166689	NR	-	-	-	-
-	1-5/8 "	R4133338	R4133338	R4166689	NR	-	-	-	-
-	1-5/8 "	R4133338	R4133338	R4166689	NR	-	-	-	-
-	1-3/4 "	R4133400	R4133400	R4166917	NR	-	-	-	-
-	1-3/4 "	R4133400	R4133400	R4166917	NR	-	-	-	-
-	1-1/8 "	R4133716	R4133717	R4166926	NR	-	-	-	-
-	1-1/8 "	R4133714	R4133715	R4166926	NR	-	-	-	-
-	1-1/8 "	R4133716	R4133717	R4166926	NR	-	-	-	-
-	1-1/8 "	R4133714	R4133715	R4166926	NR	-	-	-	-
-	1-1/8 "	R4133714	R4133715	R4166926	NR	N/A ³⁵⁸	R4122688	-	-
-	1-1/8 "	R4133719	R4133718	R4166926	NR	N/A ³⁵⁸	R4122688	-	-
-	1-1/8 "	R4133719	R4133718	R4166926	NR	N/A ³⁵⁸	R4122688	-	-
-	1-1/8 "	R4133714	R4133715	R4166926	NR	N/A ³⁵⁸	R4122688	-	-
-	1-1/4 "	R4133581	R4133582	R4166923	NR	-	-	-	-
-	1-1/4 "	R4133581	R4133581	R4166923	NR	-	-	-	-
-	1-1/4 "	R4133720	R4133721	R4166923	NR	-	-	-	-
-	1-1/4 "	R4133720	R4133721	R4166923	NR	-	-	-	-
-	1.09375	R4133484	R4133485	R4166819	NR	-	-	-	-
-	1.09375	R4133484	R4133485	R4166819	NR	-	-	-	-
23-122700-002 ⁹	2-1/2 "	R424244X	R424244X ³⁷	60050266	69270757 ⁴¹	-	-	-	-
23-122703-002 ¹⁸⁶	2-7/8 "	60050145X	60050145X ³⁷	60050146	69270702 ⁴¹	-	-	-	-
23-122691-002 ⁴²	2-7/8 "	60050145X	60050145X ³⁷	60050146	69270702 ⁴¹	-	-	-	-

1 APPLICATION

MAKE MODEL YEAR AXLE CODE AXLE WEIGHT	AXLE & BRK. TYPE	BRK. MFG.	BRAKE SIZE	FMSI	MERITOR DISC PAD OR BRAKE SHOE	MERITOR GUIDE PIN OR RETURN SPRING KIT	MERITOR CALIPER HWD. KIT OR RETURN SPRING KIT	MERITOR ADJUSTER KIT (LEFT WHEEL)	MERITOR ADJUSTER KIT (RIGHT WHEEL)
FORD(Cont.)									
LN700 SERIES: LOUISVILLE 94.4 BBC SHORT CONVENTIONAL CHASSIS CAB(Cont.)									
1969 R170, R175	Ra Ra Ra Ra Ra	KH KH KH WG WG	15" x 5" 15" x 5" 15" x 5" 15" x 5" 15" x 5"	4646 - 400 4646 - 400 4646 - 400 1252 - 346 1252 - 346	R700400 R700400 R700400 R700346 R700346	R40H595 R40H595 R40H595 R40H597 R40H597	R40H9220 R40H9220 R40H9220 R40H9200 R40H9200	R40H3538 R40H3538 R40H3538 R40H3540 R40H3540	R40H3539 R40H3539 R40H3539 R40H3541 R40H3541
R185	Ra Ra Ra Ra	WG WG WG WG	15" x 6" 15" x 6" 15" x 7" 15" x 7"	4596 - 381 4596 - 381 4597 - 383 4597 - 383	R700381 R700381 R700383 R700383	R40H597 R40H597 R40H597 R40H597	R40H9200 R40H9200 R40H9200 R40H9200	R40H3540 R40H3540 R40H3540 R40H3540	R40H3541 R40H3541 R40H3541 R40H3541
Single System F070	Fa Fa Fa Fa	WG WG WG WG	15" x 3" 15" x 3" 15" x 3" 15" x 3"	1245C - 321 1245C - 321 1245C - 321 1245C - 321	R700321 R700321 R700321 R700321	R40H521 R40H521 R40H521 R40H521	R40H9237 R40H9237 R40H9237 R40H9237	R40H3502 R40H3502 R40H3502 R40H3502	R40H3503 R40H3503 R40H3503 R40H3503
Split System F070	Fa Fa Fa Fa	WG WG WG WG	15" x 3" 15" x 3" 15" x 3" 15" x 3"	1245C - 321 1245C - 321 1245C - 321 1245C - 321	R700321 R700321 R700321 R700321	R40H521 R40H521 R40H521 R40H521	R40H9237 R40H9237 R40H9237 R40H9237	R40H3502 R40H3502 R40H3502 R40H3502	R40H3503 R40H3503 R40H3503 R40H3503
Split System F090, F120	Fa Fa Fa Fa	WG WG WG WG	15" x 3" 15" x 3" 15" x 3" 15" x 3"	1245C - 321 1245C - 321 1245C - 321 1245C - 321	R700321 R700321 R700321 R700321	R40H521 R40H521 R40H521 R40H521	R40H9237 R40H9237 R40H9237 R40H9237	R40H3502 R40H3502 R40H3502 R40H3502	R40H3503 R40H3503 R40H3503 R40H3503
1968 F050, F055, F060	Fa Fa	KH KH	14" x 2-1/2" 14" x 2-1/2"	2060 - 361 2060 - 361	Discontinued Discontinued	R40H596 R40H596	R40H9219 R40H9219	R40H3536 R40H3536	R40H3537 R40H3537
F070	Fd	DN		7141 - D224	MD224 ³⁴⁰	69310693	60050153	NR	NR
F080, F090	Fd Fd	DN DN		7149 - D236 7149 - D236	MD236 ³⁴¹ MD236 ³⁴¹	69310693 69310693	R40H5523 R40H5523	NR NR	NR NR
R170, R175	Ra Ra Ra Ra Ra	KH KH KH WG WG	15" x 5" 15" x 5" 15" x 5" 15" x 5" 15" x 5"	4646 - 400 4646 - 400 4646 - 400 1252 - 346 1252 - 346	R700400 R700400 R700400 R700346 R700346	R40H595 R40H595 R40H595 R40H597 R40H597	R40H9220 R40H9220 R40H9220 R40H9200 R40H9200	R40H3538 R40H3538 R40H3538 R40H3540 R40H3540	R40H3539 R40H3539 R40H3539 R40H3541 R40H3541
R185	Ra Ra Ra Ra	WG WG WG WG	15" x 6" 15" x 6" 15" x 7" 15" x 7"	4596 - 381 4596 - 381 4597 - 383 4597 - 383	R700381 R700381 R700383 R700383	R40H597 R40H597 R40H597 R40H597	R40H9200 R40H9200 R40H9200 R40H9200	R40H3540 R40H3540 R40H3540 R40H3540	R40H3541 R40H3541 R40H3541 R40H3541
Single System F070	Fa Fa Fa Fa	WG WG WG WG	15" x 3" 15" x 3" 15" x 3" 15" x 3"	1245C - 321 1245C - 321 1245C - 321 1245C - 321	R700321 R700321 R700321 R700321	R40H521 R40H521 R40H521 R40H521	R40H9237 R40H9237 R40H9237 R40H9237	R40H3502 R40H3502 R40H3502 R40H3502	R40H3503 R40H3503 R40H3503 R40H3503
Split System F070	Fa Fa Fa Fa	WG WG WG WG	15" x 3" 15" x 3" 15" x 3" 15" x 3"	1245C - 321 1245C - 321 1245C - 321 1245C - 321	R700321 R700321 R700321 R700321	R40H521 R40H521 R40H521 R40H521	R40H9237 R40H9237 R40H9237 R40H9237	R40H3502 R40H3502 R40H3502 R40H3502	R40H3503 R40H3503 R40H3503 R40H3503
Split System F090, F120	Fa Fa Fa Fa	WG WG WG WG	15" x 3" 15" x 3" 15" x 3" 15" x 3"	1245C - 321 1245C - 321 1245C - 321 1245C - 321	R700321 R700321 R700321 R700321	R40H521 R40H521 R40H521 R40H521	R40H9237 R40H9237 R40H9237 R40H9237	R40H3502 R40H3502 R40H3502 R40H3502	R40H3503 R40H3503 R40H3503 R40H3503
LN800 SERIES: LOUISVILLE 94.4 BBC SHORT CONVENTIONAL CHASSIS CAB									
1992	Fd Fd Fd Fd	DN DN DN DN		7149 - D236 7141 - D224 7149 - D236 7149 - D236	MD236 ³⁴¹ MD224 ³⁴⁰ MD236 ³⁴¹ MD236 ³⁴¹	69310693 69310693 69310693 69310693	69310782 60050153 69310782 69310782	NR NR NR NR	NR NR NR NR
	Ra Ra	LG LG	15" x 7" 15" x 7"	4505A - 544 4505A - 544	N/A N/A	R40H618 R40H618	NR NR	NR SP7887S	NR SP7887S
1991	Fd	DN		7149 - D236	MD236 ³⁴¹	69310693	69310782	NR	NR

9 - 6 Stud, Dayton Rotor, Hat Style
 42 - 6 Stud, Dayton Rotor, "U" Style
 187 - 6 Stud, 6.443" Hub
 www.XpresswayPlus.com

37 - Also available as a New unit
 53 - Power Brakes
 188 - 6 Stud, 9.251" Hub

41 - Aluminum piston
 186 - 10 Stud
 204 - Right Hand; use E-4057 for Left Hand Expander Kits

Contact our Customer Service Teams
 1-888-725-9355

MERITOR DRUM OR ROTOR NO.	CALIPER OR CYLINDER BORE SIZE	MERITOR CALIPER OR WHEEL CYLINDER (LEFT)	MERITOR CALIPER OR WHEEL CYLINDER (RIGHT)	MERITOR CALIPER OR WHEEL CYLINDER REPAIR KIT	MERITOR CALIPER PISTON	MERITOR MASTER CYLINDER	MERITOR MASTER CYLINDER KIT	MERITOR BRAKE HOSE (LEFT)	MERITOR BRAKE HOSE (RIGHT)
FORD(Cont.)									
LN700 SERIES: LOUISVILLE 94.4 BBC SHORT CONVENTIONAL CHASSIS CAB(Cont.)									
-	1-5/8 "	R4133606	R4133606	R415193	NR	-	-	-	-
-	1-1/2 "	R4033607	R4033607	R4166818	NR	-	-	-	-
-	1-1/2 "	R4033607	R4033607	R4166818	NR	-	-	-	-
-	1-5/8 "	R4133338	R4133338	R4166689	NR	-	-	-	-
-	1-5/8 "	R4133338	R4133338	R4166689	NR	-	-	-	-
-	1-5/8 "	R4133338	R4133338	R4166689	NR	-	-	-	-
-	1-5/8 "	R4133338	R4133338	R4166689	NR	-	-	-	-
-	1-5/8 "	R4133338	R4133338	R4166689	NR	-	-	-	-
-	1-3/4 "	R4133400	R4133400	R4166917	NR	-	-	-	-
-	1-3/4 "	R4133400	R4133400	R4166917	NR	-	-	-	-
-	1-1/8 "	R4133716	R4133717	R4166926	NR	-	-	-	-
-	1-1/8 "	R4133714	R4133715	R4166926	NR	-	-	-	-
-	1-1/8 "	R4133716	R4133717	R4166926	NR	-	-	-	-
-	1-1/8 "	R4133714	R4133715	R4166926	NR	-	-	-	-
-	1-1/8 "	R4133719	R4133718	R4166926	NR	N/A ³⁵⁸	R4122688	-	-
-	1-1/8 "	R4133714	R4133715	R4166926	NR	N/A ³⁵⁸	R4122688	-	-
-	1-1/8 "	R4133719	R4133718	R4166926	NR	N/A ³⁵⁸	R4122688	-	-
-	1-1/8 "	R4133714	R4133715	R4166926	NR	N/A ³⁵⁸	R4122688	-	-
-	1-1/4 "	R4133720	R4133721	R4166923	NR	-	-	-	-
-	1-1/4 "	R4133581	R4133582	R4166923	NR	-	-	-	-
-	1-1/4 "	R4133720	R4133721	R4166923	NR	-	-	-	-
-	1-1/4 "	R4133581	R4133581	R4166923	NR	-	-	-	-
-	1.09375	R4133484	R4133485	R4166819	NR	-	-	-	-
-	1.09375	R4133484	R4133485	R4166819	NR	-	-	-	-
23-122700-002 ⁹	2-1/2 "	R424244X	R424244X ³⁷	60050266	6927075 ⁴¹	-	-	-	-
23-122691-002 ⁴²	2-7/8 "	60050145X	60050145X ³⁷	60050146	69270702 ⁴¹	-	-	-	-
23-122703-002 ¹⁸⁶	2-7/8 "	60050145X	60050145X ³⁷	60050146	69270702 ⁴¹	-	-	-	-
-	1-1/2 "	R4033607	R4033607	R4166818	NR	-	-	-	-
-	1-1/2 "	R4033607	R4033607	R4166818	NR	-	-	-	-
-	1-5/8 "	R4133606	R4133606	R415193	NR	-	-	-	-
-	1-5/8 "	R4133338	R4133338	R4166689	NR	-	-	-	-
-	1-5/8 "	R4133338	R4133338	R4166689	NR	-	-	-	-
-	1-5/8 "	R4133338	R4133338	R4166689	NR	-	-	-	-
-	1-5/8 "	R4133338	R4133338	R4166689	NR	-	-	-	-
-	1-5/8 "	R4133338	R4133338	R4166689	NR	-	-	-	-
-	1-3/4 "	R4133400	R4133400	R4166917	NR	-	-	-	-
-	1-3/4 "	R4133400	R4133400	R4166917	NR	-	-	-	-
-	1-1/8 "	R4133714	R4133715	R4166926	NR	-	-	-	-
-	1-1/8 "	R4133716	R4133717	R4166926	NR	-	-	-	-
-	1-1/8 "	R4133716	R4133717	R4166926	NR	-	-	-	-
-	1-1/8 "	R4133714	R4133715	R4166926	NR	-	-	-	-
-	1-1/8 "	R4133714	R4133715	R4166926	NR	N/A ³⁵⁸	R4122688	-	-
-	1-1/8 "	R4133719	R4133718	R4166926	NR	N/A ³⁵⁸	R4122688	-	-
-	1-1/8 "	R4133719	R4133718	R4166926	NR	N/A ³⁵⁸	R4122688	-	-
-	1-1/8 "	R4133714	R4133715	R4166926	NR	N/A ³⁵⁸	R4122688	-	-
-	1-1/4 "	R4133581	R4133581	R4166923	NR	-	-	-	-
-	1-1/4 "	R4133720	R4133721	R4166923	NR	-	-	-	-
-	1-1/4 "	R4133581	R4133582	R4166923	NR	-	-	-	-
-	1-1/4 "	R4133720	R4133721	R4166923	NR	-	-	-	-
LN800 SERIES: LOUISVILLE 94.4 BBC SHORT CONVENTIONAL CHASSIS CAB									
23-122691-002 ¹⁸⁸	2-7/8 "	60050145X	60050145X ³⁷	60050146	69270702 ⁴¹	R4111995 ⁵³	-	R4577454	R4577455
23-122700-002 ⁹	2-1/2 "	R424244X	R424244X ³⁷	60050266	6927075 ⁴¹	R4111995 ⁵³	-	R4577454	R4577455
23-122703-002 ¹⁸⁶	2-7/8 "	60050145X	60050145X ³⁷	60050146	69270702 ⁴¹	R4111995 ⁵³	-	R4577454	R4577455
23-122743-002 ¹⁸⁷	2-7/8 "	60050145X	60050145X ³⁷	60050146	69270702 ⁴¹	R4111995 ⁵³	-	R4577454	R4577455
N/A	1-3/4 "	201179X	201180X	SP7873S	SP7880S ²⁰⁴	-	-	R4577870	R4577870
N/A	1-3/4 "	201183X	201184X ³²⁹	SP7873S	NR	-	-	R4577870	R4577870
23-122743-002 ¹⁸⁷	2-7/8 "	60050145X	60050145X ³⁷	60050146	69270702 ⁴¹	R4111995 ⁵³	-	R4577454	R4577455

329 - Forward
358 - Split System

340 - Use 69160457 for Disc Pad Retainer Clip

341 - Use 69160445 for Disc Pad Retainer Clip

MAKE MODEL YEAR AXLE CODE AXLE WEIGHT	AXLE & BRK. TYPE	BRK. MFG.	BRAKE SIZE	FMSI	MERITOR DISC PAD OR BRAKE SHOE	MERITOR GUIDE PIN OR RETURN SPRING KIT	MERITOR CALIPER HWD. KIT OR RETURN SPRING KIT	MERITOR ADJUSTER KIT (LEFT WHEEL)	MERITOR ADJUSTER KIT (RIGHT WHEEL)
FORD(Cont.)									
LN800 SERIES: LOUISVILLE 94.4 BBC SHORT CONVENTIONAL CHASSIS CAB(Cont.)									
1991	Fd	DN		7141 - D224	MD224 ³⁴⁰	69310693	60050153	NR	NR
	Fd	DN		7149 - D236	MD236 ³⁴¹	69310693	69310782	NR	NR
	Fd	DN		7149 - D236	MD236 ³⁴¹	69310693	69310782	NR	NR
	Ra	LG	15 " x 7 "	4505A - 544	N/A	R40H618	NR	SP7887S	SP7887S
	Ra	LG	15 " x 7 "	4505A - 544	N/A	R40H618	NR	NR	NR
	1990	Fd	DN		7141 - D224	MD224 ³⁴⁰	69310693	60050153	NR
Fd		DN		7149 - D236	MD236 ³⁴¹	69310693	69310782	NR	NR
Fd		DN		7149 - D236	MD236 ³⁴¹	69310693	69310782	NR	NR
Fd		DN		7149 - D236	MD236 ³⁴¹	69310693	69310782	NR	NR
Ra		LG	15 " x 7 "	4505A - 544	N/A	R40H618	NR	SP7887S	SP7887S
	Ra	LG	15 " x 7 "	4505A - 544	N/A	R40H618	NR	NR	NR
	1989	Fd	DN		7149 - D236	MD236 ³⁴¹	69310693	69310782 ⁴³	NR
Fd		DN		7149 - D236	MD236 ³⁴¹	69310693	69310782 ⁴³	NR	NR
Fd		DN		7141 - D224	MD224 ³⁴⁰	69310693	60050153	NR	NR
Fd		DN		7149 - D236	MD236 ³⁴¹	69310693	69310782 ⁴³	NR	NR
Ra		LG	15 " x 7 "	4505A - 544	N/A	R40H618	NR	NR	NR
	Ra	LG	15 " x 7 "	4505A - 544	N/A	R40H618	NR	SP7887S	SP7887S
	1988	Fd	DN		7149 - D236	MD236 ³⁴¹	69310693	69310782 ⁴³	NR
Fd		DN		7141 - D224	MD224 ³⁴⁰	69310693	60050153	NR	NR
Fd		DN		7149 - D236	MD236 ³⁴¹	69310693	69310782 ⁴³	NR	NR
Fd		DN		7149 - D236	MD236 ³⁴¹	69310693	69310782 ⁴³	NR	NR
Ra		LG	15 " x 7 "	4505A - 544	N/A	R40H618	NR	SP7887S	SP7887S
	Ra	LG	15 " x 7 "	4505A - 544	N/A	R40H618	NR	NR	NR
	1987	Fd	DN		7149 - D236	MD236 ³⁴¹	69310693	69310782 ⁴³	NR
Fd		DN		7141 - D224	MD224 ³⁴⁰	69310693	60050153	NR	NR
Fd		DN		7149 - D236	MD236 ³⁴¹	69310693	69310782 ⁴³	NR	NR
Fd		DN		7149 - D236	MD236 ³⁴¹	69310693	69310782 ⁴³	NR	NR
Ra		LG	15 " x 7 "	4505A - 544	N/A	R40H618	NR	NR	NR
	Ra	LG	15 " x 7 "	4505A - 544	N/A	R40H618	NR	SP7887S	SP7887S
	1986	Fd	DN		7149 - D236	MD236 ³⁴¹	69310693	69310782	NR
Fd		DN		7149 - D236	MD236 ³⁴¹	69310693	69310782	NR	NR
Fd		DN		7141 - D224	MD224 ³⁴⁰	69310693	60050153	NR	NR
Fd		DN		7149 - D236	MD236 ³⁴¹	69310693	69310782	NR	NR
Ra		LG	15 " x 7 "	4505A - 544	N/A	R40H618	NR	SP7887S	SP7887S
	Ra	LG	15 " x 7 "	4505A - 544	N/A	R40H618	NR	NR	NR
	1985	Fd	DN		7141 - D224	MD224 ³⁴⁰	69310693	60050153	NR
Fd		DN		7149 - D236	MD236 ³⁴¹	69310693	R40H5523	NR	NR
Fd		DN		7149 - D236	MD236 ³⁴¹	69310693	R40H5523	NR	NR
Fd		DN		7149 - D236	MD236 ³⁴¹	69310693	R40H5523	NR	NR
Ra		LG	15 " x 7 "	4505A - 544	N/A	R40H618	NR	SP7887S	SP7887S
	Ra	LG	15 " x 7 "	4505A - 544	N/A	R40H618	NR	NR	NR
	1984	Fd	DN		7149 - D236	MD236 ³⁴¹	69310693	R40H5523	NR
Fd		DN		7141 - D224	MD224 ³⁴⁰	69310693	60050153	NR	NR
Fd		DN		7149 - D236	MD236 ³⁴¹	69310693	R40H5523	NR	NR
Fd		DN		7149 - D236	MD236 ³⁴¹	69310693	R40H5523	NR	NR
Ra		LG	15 " x 7 "	4505A - 544	N/A	R40H618	NR	SP7887S	SP7887S
	Ra	LG	15 " x 7 "	4505A - 544	N/A	R40H618	NR	NR	NR
	1983	Ra	LG	15 " x 6 "	4504A - 543	N/A	R40H618	NR	SP7888S
Ra		LG	15 " x 6 "	4504A - 543	N/A	R40H618	NR	NR	NR
Ra		LG	15 " x 7 "	4505A - 544	N/A	R40H618	NR	SP7888S	SP7888S
Ra		LG	15 " x 7 "	4505A - 544	N/A	R40H618	NR	NR	NR
F050, F055, F060	Fa	KH	14 " x 2-1/2 "	2060 - 361	Discontinued	R40H596	R40H9219	R40H3536	R40H3537
F070	Fa	WG	15 " x 3 "	1245C - 321	R700321	R40H521	R40H9237	R40H3502	R40H3503
	Fa	WG	15 " x 3 "	1245C - 321	R700321	R40H521	R40H9237	R40H3502	R40H3503
	Fa	WG	15 " x 3 "	1245C - 321	R700321	R40H521	R40H9237	R40H3502	R40H3503
	Fa	WG	15 " x 3 "	1245C - 321	R700321	R40H521	R40H9237	R40H3502	R40H3503

9 - 6 Stud, Dayton Rotor, Hat Style
 43 - For Applications Taking A Longer Shim, Use R404151706
 187 - 6 Stud, 6.443" Hub
 www.XpresswayPlus.com

37 - Also available as a New unit
 53 - Power Brakes
 188 - 6 Stud, 9.251" Hub

41 - Aluminum piston
 186 - 10 Stud
 204 - Right Hand; use E-4057 for Left Hand Expander Kits
 Contact our Customer Service Teams
 1-888-725-9355

MERITOR DRUM OR ROTOR NO.	CALIPER OR CYLINDER BORE SIZE	MERITOR CALIPER OR WHEEL CYLINDER (LEFT)	MERITOR CALIPER OR WHEEL CYLINDER (RIGHT)	MERITOR CALIPER OR WHEEL CYLINDER REPAIR KIT	MERITOR CALIPER PISTON	MERITOR MASTER CYLINDER	MERITOR MASTER CYLINDER KIT	MERITOR BRAKE HOSE (LEFT)	MERITOR BRAKE HOSE (RIGHT)
FORD(Cont.)									
LN800 SERIES: LOUISVILLE 94.4 BBC SHORT CONVENTIONAL CHASSIS CAB(Cont.)									
23-122700-002 ⁹	2-1/2 "	R424244X	R424244X ³⁷	60050266	69270757 ⁴¹	R4111995 ⁵³	-	R4577454	R4577455
23-122703-002 ¹⁸⁶	2-7/8 "	60050145X	60050145X ³⁷	60050146	69270702 ⁴¹	R4111995 ⁵³	-	R4577454	R4577455
23-122691-002 ¹⁸⁸	2-7/8 "	60050145X	60050145X ³⁷	60050146	69270702 ⁴¹	R4111995 ⁵³	-	R4577454	R4577455
N/A	1-3/4 "	201183X	201184X ³²⁹	SP7873S	NR	-	-	R4577870	R4577870
N/A	1-3/4 "	201179X	201180X	SP7873S	SP7880S ²⁰⁴	-	-	R4577870	R4577870
23-122700-002 ⁹	2-1/2 "	R424244X	R424244X ³⁷	60050266	69270757 ⁴¹	R4111995 ⁵³	-	R4577454	R4577455
23-122691-002 ¹⁸⁸	2-7/8 "	60050145X	60050145X ³⁷	60050146	69270702 ⁴¹	R4111995 ⁵³	-	R4577454	R4577455
23-122703-002 ¹⁸⁶	2-7/8 "	60050145X	60050145X ³⁷	60050146	69270702 ⁴¹	R4111995 ⁵³	-	R4577454	R4577455
23-122743-002 ¹⁸⁷	2-7/8 "	60050145X	60050145X ³⁷	60050146	69270702 ⁴¹	R4111995 ⁵³	-	R4577454	R4577455
N/A	1-3/4 "	201183X	201184X ³²⁹	SP7873S	NR	-	-	R4577870	R4577870
N/A	1-3/4 "	201179X	201180X	SP7873S	SP7880S ²⁰⁴	-	-	R4577870	R4577870
23-122691-002 ¹⁸⁸	2-7/8 "	60050145X	60050145X ³⁷	60050146	69270702 ⁴¹	R4111995 ⁵³	-	R4577454	R4577455
23-122703-002 ¹⁸⁶	2-7/8 "	60050145X	60050145X ³⁷	60050146	69270702 ⁴¹	R4111995 ⁵³	-	R4577454	R4577455
23-122700-002 ⁹	2-1/2 "	R424244X	R424244X ³⁷	60050266	69270757 ⁴¹	R4111995 ⁵³	-	R4577454	R4577455
23-122743-002 ¹⁸⁷	2-7/8 "	60050145X	60050145X ³⁷	60050146	69270702 ⁴¹	R4111995 ⁵³	-	R4577454	R4577455
N/A	1-3/4 "	201179X	201180X	SP7873S	SP7880S ²⁰⁴	-	-	N/A	N/A
N/A	1-3/4 "	201183X	201184X ³²⁹	SP7873S	NR	-	-	N/A	N/A
23-122703-002 ¹⁸⁶	2-7/8 "	60050145X	60050145X ³⁷	60050146	69270702 ⁴¹	R4111995 ⁵³	-	R4577454	R4577455
23-122700-002 ⁹	2-1/2 "	R424244X	R424244X ³⁷	60050266	69270757 ⁴¹	R4111995 ⁵³	-	R4577454	R4577455
23-122691-002 ¹⁸⁸	2-7/8 "	60050145X	60050145X ³⁷	60050146	69270702 ⁴¹	R4111995 ⁵³	-	R4577454	R4577455
23-122743-002 ¹⁸⁷	2-7/8 "	60050145X	60050145X ³⁷	60050146	69270702 ⁴¹	R4111995 ⁵³	-	R4577454	R4577455
N/A	1-3/4 "	201183X	201184X ³²⁹	SP7873S	NR	-	-	N/A	N/A
N/A	1-3/4 "	201179X	201180X	SP7873S	SP7880S ²⁰⁴	-	-	N/A	N/A
23-122691-002 ¹⁸⁸	2-7/8 "	60050145X	60050145X ³⁷	60050146	69270702 ⁴¹	R4111995 ⁵³	-	R4577454	R4577455
23-122700-002 ⁹	2-1/2 "	R424244X	R424244X ³⁷	60050266	69270757 ⁴¹	R4111995 ⁵³	-	R4577454	R4577455
23-122743-002 ¹⁸⁷	2-7/8 "	60050145X	60050145X ³⁷	60050146	69270702 ⁴¹	R4111995 ⁵³	-	R4577454	R4577455
23-122703-002 ¹⁸⁶	2-7/8 "	60050145X	60050145X ³⁷	60050146	69270702 ⁴¹	R4111995 ⁵³	-	R4577454	R4577455
N/A	1-3/4 "	201179X	201180X	SP7873S	SP7880S ²⁰⁴	-	-	N/A	N/A
N/A	1-3/4 "	201183X	201184X ³²⁹	SP7873S	NR	-	-	N/A	N/A
23-122743-002 ¹⁸⁷	2-7/8 "	60050145X	60050145X ³⁷	60050146	69270702 ⁴¹	R4111995 ⁵³	-	R4577454	R4577455
23-122703-002 ¹⁸⁶	2-7/8 "	60050145X	60050145X ³⁷	60050146	69270702 ⁴¹	R4111995 ⁵³	-	R4577454	R4577455
23-122700-002 ⁹	2-1/2 "	R424244X	R424244X ³⁷	60050266	69270757 ⁴¹	R4111995 ⁵³	-	R4577454	R4577455
23-122691-002 ¹⁸⁸	2-7/8 "	60050145X	60050145X ³⁷	60050146	69270702 ⁴¹	R4111995 ⁵³	-	R4577454	R4577455
23-122743-002 ¹⁸⁷	2-7/8 "	60050145X	60050145X ³⁷	60050146	69270702 ⁴¹	R4111995 ⁵³	-	R4577454	R4577455
N/A	1-3/4 "	201183X	201184X ³²⁹	SP7873S	NR	-	-	N/A	N/A
N/A	1-3/4 "	201179X	201180X	SP7873S	SP7880S ²⁰⁴	-	-	N/A	N/A
23-122700-002 ⁹	2-1/2 "	R424244X	R424244X ³⁷	60050266	69270757 ⁴¹	R4111995 ⁵³	-	R4577454	R4577455
23-122703-002 ¹⁸⁶	2-7/8 "	60050145X	60050145X ³⁷	60050146	69270702 ⁴¹	R4111995 ⁵³	-	R4577454	R4577455
23-122691-002 ¹⁸⁸	2-7/8 "	60050145X	60050145X ³⁷	60050146	69270702 ⁴¹	R4111995 ⁵³	-	R4577454	R4577455
23-122743-002 ¹⁸⁷	2-7/8 "	60050145X	60050145X ³⁷	60050146	69270702 ⁴¹	R4111995 ⁵³	-	R4577454	R4577455
N/A	1-3/4 "	201183X	201184X ³²⁹	SP7873S	NR	-	-	N/A	N/A
N/A	1-3/4 "	201179X	201180X	SP7873S	SP7880S ²⁰⁴	-	-	N/A	N/A
23-122703-002 ¹⁸⁶	2-7/8 "	60050145X	60050145X ³⁷	60050146	69270702 ⁴¹	R4111995 ⁵³	-	R4577454	R4577455
23-122700-002 ⁹	2-1/2 "	R424244X	R424244X ³⁷	60050266	69270757 ⁴¹	R4111995 ⁵³	-	R4577454	R4577455
23-122691-002 ¹⁸⁸	2-7/8 "	60050145X	60050145X ³⁷	60050146	69270702 ⁴¹	R4111995 ⁵³	-	R4577454	R4577455
23-122743-002 ¹⁸⁷	2-7/8 "	60050145X	60050145X ³⁷	60050146	69270702 ⁴¹	R4111995 ⁵³	-	R4577454	R4577455
N/A	1-3/4 "	201183X	201184X ³²⁹	SP7873S	NR	-	-	N/A	N/A
N/A	1-3/4 "	201179X	201180X	SP7873S	SP7880S ²⁰⁴	-	-	N/A	N/A
N/A	1-5/8 "	201185	201186 ³²⁹	SP7895S	NR	-	-	R4577147	R4577147
N/A	1-5/8 "	201181	201182	SP7895S	NR	-	-	R4577147	R4577147
N/A	1-5/8 "	201185	201186 ³²⁹	SP7895S	NR	-	-	R4577147	R4577147
N/A	1-5/8 "	201181	201182	SP7895S	NR	-	-	R4577147	R4577147
N/A	1.09375	R4133484	R4133485	R4166819	NR	R4111629 ⁵³	R4122484	R4577460	R4577460
N/A	1-1/8 "	R4133714	R4133715	R4166926	NR	R4111631 ²²¹	R4122486	R4577452	R4577453
N/A	1-1/8 "	R4133719	R4133718	R4166926	NR	R4111634 ⁵³	N/A	R4577452	R4577453
N/A	1-1/8 "	R4133714	R4133715	R4166926	NR	R4111995 ⁵³	-	R4577454	R4577455
N/A	1-1/8 "	R4133716	R4133717	R4166926	NR	R4111772 ⁵³	R4122488	R4577454	R4577455

221 - Power Brakes, 17,500 or 18,500 lb. Rear Axle
341 - Use 69160445 for Disc Pad Retainer Clip

329 - Forward

340 - Use 69160457 for Disc Pad Retainer Clip

MAKE MODEL YEAR AXLE CODE AXLE WEIGHT	AXLE & BRK. TYPE	BRK. MFG.	BRAKE SIZE	FMSI	MERITOR DISC PAD OR BRAKE SHOE	MERITOR GUIDE PIN OR RETURN SPRING KIT	MERITOR CALIPER HWD. KIT OR RETURN SPRING KIT	MERITOR ADJUSTER KIT (LEFT WHEEL)	MERITOR ADJUSTER KIT (RIGHT WHEEL)
FORD(Cont.)									
LN800 SERIES: LOUISVILLE 94.4 BBC SHORT CONVENTIONAL CHASSIS CAB(Cont.)									
1983									
F080, F090	Fd	DN		7141 - D224	MD224 ³⁴⁰	69310693	60050153	NR	NR
	Fd	DN		7149 - D236	MD236 ³⁴¹	69310693	R40H5523	NR	NR
F090, F120	Fa	WG	15" x 3"	1245C - 321	R700321	R40H521	R40H9237	R40H3502	R40H3503
	Fa	WG	15" x 3"	1245C - 321	R700321	R40H521	R40H9237	R40H3502	R40H3503
R170, R175	Ra	KH	15" x 5"	4646 - 400	R700400	R40H595	R40H9220	R40H3538	R40H3539
	Ra	WG	15" x 5"	1252 - 346	R700346	R40H597	R40H9200	R40H3540	R40H3541
R185	Ra	WG	15" x 6"	4596 - 381	R700381	R40H597	R40H9200	R40H3540	R40H3541
	Ra	WG	15" x 7"	4597 - 383	R700383	R40H597	R40H9200	R40H3540	R40H3541
1982									
	Ra	LG	15" x 6"	4504A - 543	N/A	R40H618	NR	NR	NR
	Ra	LG	15" x 6"	4504A - 543	N/A	R40H618	NR	SP7888S	SP7888S
	Ra	LG	15" x 7"	4505A - 544	N/A	R40H618	NR	NR	NR
	Ra	LG	15" x 7"	4505A - 544	N/A	R40H618	NR	SP7888S	SP7888S
F050, F055, F060	Fa	KH	14" x 2-1/2"	2060 - 361	Discontinued	R40H596	R40H9219	R40H3536	R40H3537
F070	Fa	WG	15" x 3"	1245C - 321	R700321	R40H521	R40H9237	R40H3502	R40H3503
	Fa	WG	15" x 3"	1245C - 321	R700321	R40H521	R40H9237	R40H3502	R40H3503
	Fa	WG	15" x 3"	1245C - 321	R700321	R40H521	R40H9237	R40H3502	R40H3503
	Fa	WG	15" x 3"	1245C - 321	R700321	R40H521	R40H9237	R40H3502	R40H3503
	Fd	DN		7141 - D224	MD224 ³⁴⁰	69310693	60050153	NR	NR
F080, F090	Fd	DN		7149 - D236	MD236 ³⁴¹	69310693	R40H5523	NR	NR
	Fd	DN		7149 - D236	MD236 ³⁴¹	69310693	R40H5523	NR	NR
F090, F120	Fa	WG	15" x 3"	1245C - 321	R700321	R40H521	R40H9237	R40H3502	R40H3503
	Fa	WG	15" x 3"	1245C - 321	R700321	R40H521	R40H9237	R40H3502	R40H3503
R170, R175	Ra	KH	15" x 5"	4646 - 400	R700400	R40H595	R40H9220	R40H3538	R40H3539
	Ra	WG	15" x 5"	1252 - 346	R700346	R40H597	R40H9200	R40H3540	R40H3541
R185	Ra	WG	15" x 6"	4596 - 381	R700381	R40H597	R40H9200	R40H3540	R40H3541
	Ra	WG	15" x 7"	4597 - 383	R700383	R40H597	R40H9200	R40H3540	R40H3541
1981									
	Ra	LG	15" x 6"	4504A - 543	N/A	R40H618	NR	SP7888S	SP7888S
	Ra	LG	15" x 6"	4504A - 543	N/A	R40H618	NR	NR	NR
	Ra	LG	15" x 7"	4505A - 544	N/A	R40H618	NR	NR	NR
	Ra	LG	15" x 7"	4505A - 544	N/A	R40H618	NR	SP7888S	SP7888S
F050, F055, F060	Fa	KH	14" x 2-1/2"	2060 - 361	Discontinued	R40H596	R40H9219	R40H3536	R40H3537
F070	Fa	WG	15" x 3"	1245C - 321	R700321	R40H521	R40H9237	R40H3502	R40H3503
	Fa	WG	15" x 3"	1245C - 321	R700321	R40H521	R40H9237	R40H3502	R40H3503
	Fa	WG	15" x 3"	1245C - 321	R700321	R40H521	R40H9237	R40H3502	R40H3503
	Fa	WG	15" x 3"	1245C - 321	R700321	R40H521	R40H9237	R40H3502	R40H3503
	Fd	DN		7141 - D224	MD224 ³⁴⁰	69310693	60050153	NR	NR
F080, F090	Fd	DN		7149 - D236	MD236 ³⁴¹	69310693	R40H5523	NR	NR
	Fd	DN		7149 - D236	MD236 ³⁴¹	69310693	R40H5523	NR	NR
F090, F120	Fa	WG	15" x 3"	1245C - 321	R700321	R40H521	R40H9237	R40H3502	R40H3503
	Fa	WG	15" x 3"	1245C - 321	R700321	R40H521	R40H9237	R40H3502	R40H3503
R170, R175	Ra	KH	15" x 5"	4646 - 400	R700400	R40H595	R40H9220	R40H3538	R40H3539
	Ra	WG	15" x 5"	1252 - 346	R700346	R40H597	R40H9200	R40H3540	R40H3541
R185	Ra	WG	15" x 6"	4596 - 381	R700381	R40H597	R40H9200	R40H3540	R40H3541
	Ra	WG	15" x 7"	4597 - 383	R700383	R40H597	R40H9200	R40H3540	R40H3541
1980									
	Ra	LG	15" x 6"	4504A - 543	N/A	R40H618	NR	SP7888S	SP7888S
	Ra	LG	15" x 6"	4504A - 543	N/A	R40H618	NR	NR	NR
	Ra	LG	15" x 7"	4505A - 544	N/A	R40H618	NR	SP7888S	SP7888S
	Ra	LG	15" x 7"	4505A - 544	N/A	R40H618	NR	NR	NR
F050, F055, F060	Fa	KH	14" x 2-1/2"	2060 - 361	Discontinued	R40H596	R40H9219	R40H3536	R40H3537
F070	Fa	WG	15" x 3"	1245C - 321	R700321	R40H521	R40H9237	R40H3502	R40H3503
	Fa	WG	15" x 3"	1245C - 321	R700321	R40H521	R40H9237	R40H3502	R40H3503
	Fa	WG	15" x 3"	1245C - 321	R700321	R40H521	R40H9237	R40H3502	R40H3503
	Fa	WG	15" x 3"	1245C - 321	R700321	R40H521	R40H9237	R40H3502	R40H3503
	Fd	DN		7141 - D224	MD224 ³⁴⁰	69310693	60050153	NR	NR
F080, F090	Fd	DN		7149 - D236	MD236 ³⁴¹	69310693	R40H5523	NR	NR
	Fd	DN		7149 - D236	MD236 ³⁴¹	69310693	R40H5523	NR	NR
F090, F120	Fa	WG	15" x 3"	1245C - 321	R700321	R40H521	R40H9237	R40H3502	R40H3503
	Fa	WG	15" x 3"	1245C - 321	R700321	R40H521	R40H9237	R40H3502	R40H3503
R170, R175	Ra	KH	15" x 5"	4646 - 400	R700400	R40H595	R40H9220	R40H3538	R40H3539

9 - 6 Stud, Dayton Rotor, Hat Style
 53 - Power Brakes
 214 - Power Brakes, Split System
 www.XpresswayPlus.com

37 - Also available as a New unit
 186 - 10 Stud
 221 - Power Brakes, 17,500 or 18,500 lb. Rear Axle

41 - Aluminum piston
 188 - 6 Stud, 9.251" Hub
 222 - Power Brakes, 18,500 or 22,000 lb. Rear Axle

MERITOR DRUM OR ROTOR NO.	CALIPER OR CYLINDER BORE SIZE	MERITOR CALIPER OR WHEEL CYLINDER (LEFT)	MERITOR CALIPER OR WHEEL CYLINDER (RIGHT)	MERITOR CALIPER OR WHEEL CYLINDER REPAIR KIT	MERITOR CALIPER PISTON	MERITOR MASTER CYLINDER	MERITOR MASTER CYLINDER KIT	MERITOR BRAKE HOSE (LEFT)	MERITOR BRAKE HOSE (RIGHT)
FORD(Cont.)									
LN800 SERIES: LOUISVILLE 94.4 BBC SHORT CONVENTIONAL CHASSIS CAB(Cont.)									
23-122700-002 ⁹	2-1/2 "	R424244X	R424244X ³⁷	60050266	69270757 ⁴¹	R4111992 ²¹⁴	R4122386	R4577452	R4577453
23-122691-002 ¹⁸⁸	2-7/8 "	60050145X	60050145X ³⁷	60050146	69270702 ⁴¹	R4111992 ²¹⁴	R4122386	R4577452	R4577453
23-122703-002 ¹⁸⁶	2-7/8 "	60050145X	60050145X ³⁷	60050146	69270702 ⁴¹	R4111992 ²¹⁴	R4122386	R4577452	R4577453
N/A	1-1/4 "	R4133581	R4133581	R4166923	NR	R4111992 ²¹⁴	R4122386	R4577452	R4577453
N/A	1-1/4 "	R4133720	R4133721	R4166923	NR	R4111630 ²²²	N/A	R4577452	R4577453
N/A	1-1/2 "	R4033607	R4033607	R4166818	NR	-	-	R4577147	R4577147
N/A	1-5/8 "	R4133338	R4133338	R4166689	NR	-	-	R4577147	R4577147
N/A	1-5/8 "	R4133338	R4133338	R4166689	NR	-	-	R4577147	R4577147
N/A	1-3/4 "	R4133400	R4133400	R4166917	NR	-	-	R4577147	R4577147
N/A	1-5/8 "	201181	201182	SP7895S	NR	-	-	R4577147	R4577147
N/A	1-5/8 "	201185	201186 ³²⁹	SP7895S	NR	-	-	R4577147	R4577147
N/A	1-5/8 "	201181	201182	SP7895S	NR	-	-	R4577147	R4577147
N/A	1-5/8 "	201185	201186 ³²⁹	SP7895S	NR	-	-	R4577147	R4577147
N/A	1.09375	R4133484	R4133485	R4166819	NR	R4111629 ⁵³	R4122484	R4577460	R4577460
N/A	1-1/8 "	R4133716	R4133717	R4166926	NR	R4111772 ⁵³	R4122488	R4577454	R4577455
N/A	1-1/8 "	R4133719	R4133718	R4166926	NR	R4111634 ⁵³	N/A	R4577452	R4577453
N/A	1-1/8 "	R4133714	R4133715	R4166926	NR	R4111995 ⁵³	-	R4577454	R4577455
N/A	1-1/8 "	R4133714	R4133715	R4166926	NR	R4111631 ²²¹	R4122486	R4577452	R4577453
23-122700-002 ⁹	2-1/2 "	R424244X	R424244X ³⁷	60050266	69270757 ⁴¹	R4111992 ²¹⁴	R4122386	R4577452	R4577453
23-122691-002 ¹⁸⁸	2-7/8 "	60050145X	60050145X ³⁷	60050146	69270702 ⁴¹	R4111992 ²¹⁴	R4122386	R4577452	R4577453
23-122703-002 ¹⁸⁶	2-7/8 "	60050145X	60050145X ³⁷	60050146	69270702 ⁴¹	R4111992 ²¹⁴	R4122386	R4577452	R4577453
N/A	1-1/4 "	R4133720	R4133721	R4166923	NR	R4111630 ²²²	N/A	R4577452	R4577453
N/A	1-1/4 "	R4133581	R4133581	R4166923	NR	R4111992 ²¹⁴	R4122386	R4577452	R4577453
N/A	1-1/2 "	R4033607	R4033607	R4166818	NR	-	-	R4577147	R4577147
N/A	1-5/8 "	R4133338	R4133338	R4166689	NR	-	-	R4577147	R4577147
N/A	1-5/8 "	R4133338	R4133338	R4166689	NR	-	-	R4577147	R4577147
N/A	1-3/4 "	R4133400	R4133400	R4166917	NR	-	-	R4577147	R4577147
N/A	1-5/8 "	201185	201186 ³²⁹	SP7895S	NR	-	-	R4577147	R4577147
N/A	1-5/8 "	201181	201182	SP7895S	NR	-	-	R4577147	R4577147
N/A	1-5/8 "	201181	201182	SP7895S	NR	-	-	R4577147	R4577147
N/A	1-5/8 "	201185	201186 ³²⁹	SP7895S	NR	-	-	R4577147	R4577147
N/A	1.09375	R4133484	R4133485	R4166819	NR	R4111629 ⁵³	R4122484	R4577460	R4577460
N/A	1-1/8 "	R4133714	R4133715	R4166926	NR	R4111995 ⁵³	-	R4577454	R4577455
N/A	1-1/8 "	R4133716	R4133717	R4166926	NR	R4111772 ⁵³	R4122488	R4577454	R4577455
N/A	1-1/8 "	R4133719	R4133718	R4166926	NR	R4111634 ⁵³	N/A	R4577452	R4577453
N/A	1-1/8 "	R4133714	R4133715	R4166926	NR	R4111631 ²²¹	R4122486	R4577452	R4577453
23-122700-002 ⁹	2-1/2 "	R424244X	R424244X ³⁷	60050266	69270757 ⁴¹	R4111992 ²¹⁴	R4122386	R4577452	R4577453
23-122703-002 ¹⁸⁶	2-7/8 "	60050145X	60050145X ³⁷	60050146	69270702 ⁴¹	R4111992 ²¹⁴	R4122386	R4577452	R4577453
23-122691-002 ¹⁸⁸	2-7/8 "	60050145X	60050145X ³⁷	60050146	69270702 ⁴¹	R4111992 ²¹⁴	R4122386	R4577452	R4577453
N/A	1-1/4 "	R4133581	R4133581	R4166923	NR	R4111992 ²¹⁴	R4122386	R4577452	R4577453
N/A	1-1/4 "	R4133720	R4133721	R4166923	NR	R4111630 ²²²	N/A	R4577452	R4577453
N/A	1-1/2 "	R4033607	R4033607	R4166818	NR	-	-	R4577147	R4577147
N/A	1-5/8 "	R4133338	R4133338	R4166689	NR	-	-	R4577147	R4577147
N/A	1-5/8 "	R4133338	R4133338	R4166689	NR	-	-	R4577147	R4577147
N/A	1-3/4 "	R4133400	R4133400	R4166917	NR	-	-	R4577147	R4577147
N/A	1-5/8 "	201185	201186 ³²⁹	SP7895S	NR	-	-	R4577147	R4577147
N/A	1-5/8 "	201181	201182	SP7895S	NR	-	-	R4577147	R4577147
N/A	1-5/8 "	201185	201186 ³²⁹	SP7895S	NR	-	-	R4577147	R4577147
N/A	1-5/8 "	201181	201182	SP7895S	NR	-	-	R4577147	R4577147
N/A	1.09375	R4133484	R4133485	R4166819	NR	R4111629 ⁵³	R4122484	R4577460	R4577460
N/A	1-1/8 "	R4133714	R4133715	R4166926	NR	R4111631 ²²¹	R4122486	R4577452	R4577453
N/A	1-1/8 "	R4133714	R4133715	R4166926	NR	R4111995 ⁵³	-	R4577454	R4577455
N/A	1-1/8 "	R4133716	R4133717	R4166926	NR	R4111772 ⁵³	R4122488	R4577454	R4577455
N/A	1-1/8 "	R4133719	R4133718	R4166926	NR	R4111634 ⁵³	N/A	R4577452	R4577453
23-122700-002 ⁹	2-1/2 "	R424244X	R424244X ³⁷	60050266	69270757 ⁴¹	R4111992 ²¹⁴	R4122386	R4577452	R4577453
23-122691-002 ¹⁸⁸	2-7/8 "	60050145X	60050145X ³⁷	60050146	69270702 ⁴¹	R4111992 ²¹⁴	R4122386	R4577452	R4577453
23-122703-002 ¹⁸⁶	2-7/8 "	60050145X	60050145X ³⁷	60050146	69270702 ⁴¹	R4111992 ²¹⁴	R4122386	R4577452	R4577453
N/A	1-1/4 "	R4133720	R4133721	R4166923	NR	R4111630 ²²²	N/A	R4577452	R4577453
N/A	1-1/4 "	R4133581	R4133581	R4166923	NR	R4111992 ²¹⁴	R4122386	R4577452	R4577453
N/A	1-1/2 "	R4033607	R4033607	R4166818	NR	-	-	R4577147	R4577147

MAKE MODEL YEAR AXLE CODE AXLE WEIGHT	AXLE & BRK. TYPE	BRK. MFG.	BRAKE SIZE	FMSI	MERITOR DISC PAD OR BRAKE SHOE	MERITOR GUIDE PIN OR RETURN SPRING KIT	MERITOR CALIPER HWD. KIT OR RETURN SPRING KIT	MERITOR ADJUSTER KIT (LEFT WHEEL)	MERITOR ADJUSTER KIT (RIGHT WHEEL)
FORD(Cont.)									
LN800 SERIES: LOUISVILLE 94.4 BBC SHORT CONVENTIONAL CHASSIS CAB(Cont.)									
1980	Ra	WG	15 " x 5 "	1252 - 346	R700346	R40H597	R40H9200	R40H3540	R40H3541
R185	Ra	WG	15 " x 6 "	4596 - 381	R700381	R40H597	R40H9200	R40H3540	R40H3541
	Ra	WG	15 " x 7 "	4597 - 383	R700383	R40H597	R40H9200	R40H3540	R40H3541
1979	Ra	LG	15 " x 6 "	4504A - 543	N/A	R40H618	NR	NR	NR
	Ra	LG	15 " x 6 "	4504A - 543	N/A	R40H618	NR	SP7888S	SP7888S
	Ra	LG	15 " x 7 "	4505A - 544	N/A	R40H618	NR	SP7888S	SP7888S
	Ra	LG	15 " x 7 "	4505A - 544	N/A	R40H618	NR	NR	NR
F050, F055, F060	Fa	KH	14 " x 2-1/2 "	2060 - 361	Discontinued	R40H596	R40H9219	R40H3536	R40H3537
F070	Fa	WG	15 " x 3 "	1245C - 321	R700321	R40H521	R40H9237	R40H3502	R40H3503
	Fa	WG	15 " x 3 "	1245C - 321	R700321	R40H521	R40H9237	R40H3502	R40H3503
	Fa	WG	15 " x 3 "	1245C - 321	R700321	R40H521	R40H9237	R40H3502	R40H3503
	Fa	WG	15 " x 3 "	1245C - 321	R700321	R40H521	R40H9237	R40H3502	R40H3503
F080, F090	Fd	DN		7141 - D224	MD224 ³⁴⁰	69310693	60050153	NR	NR
	Fd	DN		7149 - D236	MD236 ³⁴¹	69310693	60050153	NR	NR
F090, F120	Fa	WG	15 " x 3 "	1245C - 321	R700321	R40H521	R40H9237	R40H3502	R40H3503
	Fa	WG	15 " x 3 "	1245C - 321	R700321	R40H521	R40H9237	R40H3502	R40H3503
R170, R175	Ra	KH	15 " x 5 "	4646 - 400	R700400	R40H595	R40H9220	R40H3538	R40H3539
	Ra	WG	15 " x 5 "	1252 - 346	R700346	R40H597	R40H9200	R40H3540	R40H3541
R185	Ra	WG	15 " x 6 "	4596 - 381	R700381	R40H597	R40H9200	R40H3540	R40H3541
	Ra	WG	15 " x 7 "	4597 - 383	R700383	R40H597	R40H9200	R40H3540	R40H3541
1978	Ra	LG	15 " x 6 "	4504A - 543	N/A	R40H618	NR	SP7888S	SP7888S
	Ra	LG	15 " x 6 "	4504A - 543	N/A	R40H618	NR	NR	NR
	Ra	LG	15 " x 7 "	4505A - 544	N/A	R40H618	NR	SP7888S	SP7888S
	Ra	LG	15 " x 7 "	4505A - 544	N/A	R40H618	NR	NR	NR
F050, F055, F060	Fa	KH	14 " x 2-1/2 "	2060 - 361	Discontinued	R40H596	R40H9219	R40H3536	R40H3537
F070	Fa	WG	15 " x 3 "	1245C - 321	R700321	R40H521	R40H9237	R40H3502	R40H3503
	Fa	WG	15 " x 3 "	1245C - 321	R700321	R40H521	R40H9237	R40H3502	R40H3503
	Fa	WG	15 " x 3 "	1245C - 321	R700321	R40H521	R40H9237	R40H3502	R40H3503
	Fa	WG	15 " x 3 "	1245C - 321	R700321	R40H521	R40H9237	R40H3502	R40H3503
F080, F090	Fd	DN		7141 - D224	MD224 ³⁴⁰	69310693	60050153	NR	NR
	Fd	DN		7149 - D236	MD236 ³⁴¹	69310693	60050153	NR	NR
F090, F120	Fa	WG	15 " x 3 "	1245C - 321	R700321	R40H521	R40H9237	R40H3502	R40H3503
	Fa	WG	15 " x 3 "	1245C - 321	R700321	R40H521	R40H9237	R40H3502	R40H3503
R170, R175	Ra	KH	15 " x 5 "	4646 - 400	R700400	R40H595	R40H9220	R40H3538	R40H3539
	Ra	WG	15 " x 5 "	1252 - 346	R700346	R40H597	R40H9200	R40H3540	R40H3541
R185	Ra	WG	15 " x 6 "	4596 - 381	R700381	R40H597	R40H9200	R40H3540	R40H3541
	Ra	WG	15 " x 7 "	4597 - 383	R700383	R40H597	R40H9200	R40H3540	R40H3541
1977	Ra	LG	15 " x 6 "	4504A - 543	N/A	R40H618	NR	SP7888S	SP7888S
	Ra	LG	15 " x 6 "	4504A - 543	N/A	R40H618	NR	NR	NR
	Ra	LG	15 " x 7 "	4505A - 544	N/A	R40H618	NR	NR	NR
	Ra	LG	15 " x 7 "	4505A - 544	N/A	R40H618	NR	SP7888S	SP7888S
F050, F055, F060	Fa	KH	14 " x 2-1/2 "	2060 - 361	Discontinued	R40H596	R40H9219	R40H3536	R40H3537
F070	Fa	WG	15 " x 3 "	1245C - 321	R700321	R40H521	R40H9237	R40H3502	R40H3503
	Fa	WG	15 " x 3 "	1245C - 321	R700321	R40H521	R40H9237	R40H3502	R40H3503
	Fa	WG	15 " x 3 "	1245C - 321	R700321	R40H521	R40H9237	R40H3502	R40H3503
	Fa	WG	15 " x 3 "	1245C - 321	R700321	R40H521	R40H9237	R40H3502	R40H3503
F080, F090	Fd	DN		7141 - D224	MD224 ³⁴⁰	69310693	60050153	NR	NR
	Fd	DN		7149 - D236	MD236 ³⁴¹	69310693	60050153	NR	NR
F090, F120	Fa	WG	15 " x 3 "	1245C - 321	R700321	R40H521	R40H9237	R40H3502	R40H3503
	Fa	WG	15 " x 3 "	1245C - 321	R700321	R40H521	R40H9237	R40H3502	R40H3503
R170, R175	Ra	KH	15 " x 5 "	4646 - 400	R700400	R40H595	R40H9220	R40H3538	R40H3539
	Ra	WG	15 " x 5 "	1252 - 346	R700346	R40H597	R40H9200	R40H3540	R40H3541
R185	Ra	WG	15 " x 6 "	4596 - 381	R700381	R40H597	R40H9200	R40H3540	R40H3541
	Ra	WG	15 " x 7 "	4597 - 383	R700383	R40H597	R40H9200	R40H3540	R40H3541
1976	Ra	LG	15 " x 6 "	4504A - 543	N/A	R40H618	NR	SP7888S	SP7888S
	Ra	LG	15 " x 6 "	4504A - 543	N/A	R40H618	NR	NR	NR

9 - 6 Stud, Dayton Rotor, Hat Style
 53 - Power Brakes
 214 - Power Brakes, Split System
 www.XpresswayPlus.com

37 - Also available as a New unit
 186 - 10 Stud
 221 - Power Brakes, 17,500 or 18,500 lb. Rear Axle

41 - Aluminum piston
 188 - 6 Stud, 9.251" Hub
 222 - Power Brakes, 18,500 or 22,000 lb. Rear Axle

MERITOR DRUM OR ROTOR NO.	CALIPER OR CYLINDER BORE SIZE	MERITOR CALIPER OR WHEEL CYLINDER (LEFT)	MERITOR CALIPER OR WHEEL CYLINDER (RIGHT)	MERITOR CALIPER OR WHEEL CYLINDER REPAIR KIT	MERITOR CALIPER PISTON	MERITOR MASTER CYLINDER	MERITOR MASTER CYLINDER KIT	MERITOR BRAKE HOSE (LEFT)	MERITOR BRAKE HOSE (RIGHT)
FORD(Cont.)									
LN800 SERIES: LOUISVILLE 94.4 BBC SHORT CONVENTIONAL CHASSIS CAB(Cont.)									
N/A	1-5/8 "	R4133338	R4133338	R4166689	NR	-	-	R4577147	R4577147
N/A	1-5/8 "	R4133338	R4133338	R4166689	NR	-	-	R4577147	R4577147
N/A	1-3/4 "	R4133400	R4133400	R4166917	NR	-	-	R4577147	R4577147
N/A	1-5/8 "	201181	201182	SP7895S	NR	-	-	R4577147	R4577147
N/A	1-5/8 "	201185	201186 ³²⁹	SP7895S	NR	-	-	R4577147	R4577147
N/A	1-5/8 "	201185	201186 ³²⁹	SP7895S	NR	-	-	R4577147	R4577147
N/A	1-5/8 "	201181	201182	SP7895S	NR	-	-	R4577147	R4577147
N/A	1.09375	R4133484	R4133485	R4166819	NR	R4111629 ⁵³	R4122484	R4577460	R4577460
N/A	1-1/8 "	R4133716	R4133717	R4166926	NR	R4111772 ⁵³	R4122488	R4577454	R4577455
N/A	1-1/8 "	R4133714	R4133715	R4166926	NR	R4111631 ²²¹	R4122486	R4577452	R4577453
N/A	1-1/8 "	R4133714	R4133715	R4166926	NR	R4111995 ⁵³	-	R4577454	R4577455
N/A	1-1/8 "	R4133719	R4133718	R4166926	NR	R4111634 ⁵³	N/A	R4577452	R4577453
23-122700-002 ⁹	2-1/2 "	R424244X	R424244X ³⁷	60050266	6927075 ⁴¹	R4111992 ²¹⁴	R4122386	R4577452	R4577453
23-122691-002 ¹⁸⁸	2-7/8 "	60050145X	60050145X ³⁷	60050146	69270702 ⁴¹	R4111992 ²¹⁴	R4122386	R4577452	R4577453
23-122703-002 ¹⁸⁶	2-7/8 "	60050145X	60050145X ³⁷	60050146	69270702 ⁴¹	R4111992 ²¹⁴	R4122386	R4577452	R4577453
N/A	1-1/4 "	R4133581	R4133581	R4166923	NR	R4111992 ²¹⁴	R4122386	R4577452	R4577453
N/A	1-1/4 "	R4133720	R4133721	R4166923	NR	R4111630 ²²²	N/A	R4577452	R4577453
N/A	1-1/2 "	R4033607	R4033607	R4166818	NR	-	-	R4577147	R4577147
N/A	1-5/8 "	R4133338	R4133338	R4166689	NR	-	-	R4577147	R4577147
N/A	1-5/8 "	R4133338	R4133338	R4166689	NR	-	-	R4577147	R4577147
N/A	1-3/4 "	R4133400	R4133400	R4166917	NR	-	-	R4577147	R4577147
N/A	1-5/8 "	201185	201186 ³²⁹	SP7895S	NR	-	-	R4577147	R4577147
N/A	1-5/8 "	201181	201182	SP7895S	NR	-	-	R4577147	R4577147
N/A	1-5/8 "	201185	201186 ³²⁹	SP7895S	NR	-	-	R4577147	R4577147
N/A	1-5/8 "	201181	201182	SP7895S	NR	-	-	R4577147	R4577147
N/A	1.09375	R4133484	R4133485	R4166819	NR	R4111629 ⁵³	R4122484	R4577460	R4577460
N/A	1-1/8 "	R4133716	R4133717	R4166926	NR	R4111772 ⁵³	R4122488	R4577454	R4577455
N/A	1-1/8 "	R4133714	R4133715	R4166926	NR	R4111995 ⁵³	-	R4577454	R4577455
N/A	1-1/8 "	R4133719	R4133718	R4166926	NR	R4111634 ⁵³	N/A	R4577452	R4577453
N/A	1-1/8 "	R4133714	R4133715	R4166926	NR	R4111631 ²²¹	R4122486	R4577452	R4577453
23-122700-002 ⁹	2-1/2 "	R424244X	R424244X ³⁷	60050266	6927075 ⁴¹	R4111992 ²¹⁴	R4122386	R4577452	R4577453
23-122703-002 ¹⁸⁶	2-7/8 "	60050145X	60050145X ³⁷	60050146	69270702 ⁴¹	R4111992 ²¹⁴	R4122386	R4577452	R4577453
23-122691-002 ¹⁸⁸	2-7/8 "	60050145X	60050145X ³⁷	60050146	69270702 ⁴¹	R4111992 ²¹⁴	R4122386	R4577452	R4577453
N/A	1-1/4 "	R4133720	R4133721	R4166923	NR	R4111630 ²²²	N/A	R4577452	R4577453
N/A	1-1/4 "	R4133581	R4133581	R4166923	NR	R4111992 ²¹⁴	R4122386	R4577452	R4577453
N/A	1-1/2 "	R4033607	R4033607	R4166818	NR	-	-	R4577147	R4577147
N/A	1-5/8 "	R4133338	R4133338	R4166689	NR	-	-	R4577147	R4577147
N/A	1-5/8 "	R4133338	R4133338	R4166689	NR	-	-	R4577147	R4577147
N/A	1-3/4 "	R4133400	R4133400	R4166917	NR	-	-	R4577147	R4577147
N/A	1-5/8 "	201185	201186 ³²⁹	SP7895S	NR	-	-	R4577147	R4577147
N/A	1-5/8 "	201181	201182	SP7895S	NR	-	-	R4577147	R4577147
N/A	1-5/8 "	201181	201182	SP7895S	NR	-	-	R4577147	R4577147
N/A	1-5/8 "	201185	201186 ³²⁹	SP7895S	NR	-	-	R4577147	R4577147
N/A	1.09375	R4133484	R4133485	R4166819	NR	R4111629 ⁵³	R4122484	R4577460	R4577460
N/A	1-1/8 "	R4133716	R4133717	R4166926	NR	R4111772 ⁵³	R4122488	R4577454	R4577455
N/A	1-1/8 "	R4133714	R4133715	R4166926	NR	R4111995 ⁵³	-	R4577454	R4577455
N/A	1-1/8 "	R4133719	R4133718	R4166926	NR	R4111634 ⁵³	N/A	R4577452	R4577453
N/A	1-1/8 "	R4133714	R4133715	R4166926	NR	R4111631 ²²¹	R4122486	R4577452	R4577453
23-122700-002 ⁹	2-1/2 "	R424244X	R424244X ³⁷	60050266	6927075 ⁴¹	R4111992 ²¹⁴	R4122386	R4577452	R4577453
23-122691-002 ¹⁸⁸	2-7/8 "	60050145X	60050145X ³⁷	60050146	69270702 ⁴¹	R4111992 ²¹⁴	R4122386	R4577452	R4577453
23-122703-002 ¹⁸⁶	2-7/8 "	60050145X	60050145X ³⁷	60050146	69270702 ⁴¹	R4111992 ²¹⁴	R4122386	R4577452	R4577453
N/A	1-1/4 "	R4133720	R4133721	R4166923	NR	R4111630 ²²²	N/A	R4577452	R4577453
N/A	1-1/4 "	R4133581	R4133581	R4166923	NR	R4111992 ²¹⁴	R4122386	R4577452	R4577453
N/A	1-1/2 "	R4033607	R4033607	R4166818	NR	-	-	R4577147	R4577147
N/A	1-5/8 "	R4133338	R4133338	R4166689	NR	-	-	R4577147	R4577147
N/A	1-5/8 "	R4133338	R4133338	R4166689	NR	-	-	R4577147	R4577147
N/A	1-3/4 "	R4133400	R4133400	R4166917	NR	-	-	R4577147	R4577147
N/A	1-5/8 "	201185	201186 ³²⁹	SP7895S	NR	-	-	R4577147	R4577147
N/A	1-5/8 "	201181	201182	SP7895S	NR	-	-	R4577147	R4577147

MAKE MODEL YEAR AXLE CODE AXLE WEIGHT	AXLE & BRK. TYPE	BRK. MFG.	BRAKE SIZE	FMSI	MERITOR DISC PAD OR BRAKE SHOE	MERITOR GUIDE PIN OR RETURN SPRING KIT	MERITOR CALIPER HWD. KIT OR RETURN SPRING KIT	MERITOR ADJUSTER KIT (LEFT WHEEL)	MERITOR ADJUSTER KIT (RIGHT WHEEL)
FORD(Cont.)									
LN800 SERIES: LOUISVILLE 94.4 BBC SHORT CONVENTIONAL CHASSIS CAB(Cont.)									
1976	Ra Ra	LG LG	15 " x 7 " 15 " x 7 "	4505A - 544 4505A - 544	N/A N/A	R40H618 R40H618	NR NR	SP7888S NR	SP7888S NR
F050, F055, F060	Fa	KH	14 " x 2-1/2 "	2060 - 361	Discontinued	R40H596	R40H9219	R40H3536	R40H3537
F070	Fa Fa Fa Fa	WG WG WG WG	15 " x 3 " 15 " x 3 " 15 " x 3 " 15 " x 3 "	1245C - 321 1245C - 321 1245C - 321 1245C - 321	R700321 R700321 R700321 R700321	R40H521 R40H521 R40H521 R40H521	R40H9237 R40H9237 R40H9237 R40H9237	R40H3502 R40H3502 R40H3502 R40H3502	R40H3503 R40H3503 R40H3503 R40H3503
	Fd	DN		7141 - D224	MD224 ³⁴⁰	69310693	60050153	NR	NR
F080, F090	Fd Fd	DN DN		7149 - D236 7149 - D236	MD236 ³⁴¹ MD236 ³⁴¹	69310693 69310693	R40H5523 R40H5523	NR NR	NR NR
F090, F120	Fa Fa	WG WG	15 " x 3 " 15 " x 3 "	1245C - 321 1245C - 321	R700321 R700321	R40H521 R40H521	R40H9237 R40H9237	R40H3502 R40H3502	R40H3503 R40H3503
R170, R175	Ra Ra	KH WG	15 " x 5 " 15 " x 5 "	4646 - 400 1252 - 346	R700400 R700346	R40H595 R40H597	R40H9220 R40H9200	R40H3538 R40H3540	R40H3539 R40H3541
R185	Ra Ra	WG WG	15 " x 6 " 15 " x 7 "	4596 - 381 4597 - 383	R700381 R700383	R40H597 R40H597	R40H9200 R40H9200	R40H3540 R40H3540	R40H3541 R40H3541
1975	Ra Ra Ra Ra	LG LG LG LG	15 " x 6 " 15 " x 6 " 15 " x 7 " 15 " x 7 "	4504A - 543 4504A - 543 4505A - 544 4505A - 544	N/A N/A N/A N/A	R40H618 R40H618 R40H618 R40H618	NR NR NR NR	NR SP7888S SP7888S NR	NR SP7888S SP7888S NR
F050, F055, F060	Fa	KH	14 " x 2-1/2 "	2060 - 361	Discontinued	R40H596	R40H9219	R40H3536	R40H3537
F070	Fa Fa Fa Fa	WG WG WG WG	15 " x 3 " 15 " x 3 " 15 " x 3 " 15 " x 3 "	1245C - 321 1245C - 321 1245C - 321 1245C - 321	R700321 R700321 R700321 R700321	R40H521 R40H521 R40H521 R40H521	R40H9237 R40H9237 R40H9237 R40H9237	R40H3502 R40H3502 R40H3502 R40H3502	R40H3503 R40H3503 R40H3503 R40H3503
	Fd	DN		7141 - D224	MD224 ³⁴⁰	69310693	60050153	NR	NR
F080, F090	Fd Fd	DN DN		7149 - D236 7149 - D236	MD236 ³⁴¹ MD236 ³⁴¹	69310693 69310693	R40H5523 R40H5523	NR NR	NR NR
F090, F120	Fa Fa	WG WG	15 " x 3 " 15 " x 3 "	1245C - 321 1245C - 321	R700321 R700321	R40H521 R40H521	R40H9237 R40H9237	R40H3502 R40H3502	R40H3503 R40H3503
R170, R175	Ra Ra	KH WG	15 " x 5 " 15 " x 5 "	4646 - 400 1252 - 346	R700400 R700346	R40H595 R40H597	R40H9220 R40H9200	R40H3538 R40H3540	R40H3539 R40H3541
R185	Ra Ra	WG WG	15 " x 6 " 15 " x 7 "	4596 - 381 4597 - 383	R700381 R700383	R40H597 R40H597	R40H9200 R40H9200	R40H3540 R40H3540	R40H3541 R40H3541
1974	Ra Ra Ra Ra	LG LG LG LG	15 " x 6 " 15 " x 6 " 15 " x 7 " 15 " x 7 "	4504A - 543 4504A - 543 4505A - 544 4505A - 544	N/A N/A N/A N/A	R40H618 R40H618 R40H618 R40H618	NR NR NR NR	NR SP7888S SP7888S NR	NR SP7888S SP7888S NR
F050, F055, F060	Fa	KH	14 " x 2-1/2 "	2060 - 361	Discontinued	R40H596	R40H9219	R40H3536	R40H3537
F070	Fa Fa Fa Fa	WG WG WG WG	15 " x 3 " 15 " x 3 " 15 " x 3 " 15 " x 3 "	1245C - 321 1245C - 321 1245C - 321 1245C - 321	R700321 R700321 R700321 R700321	R40H521 R40H521 R40H521 R40H521	R40H9237 R40H9237 R40H9237 R40H9237	R40H3502 R40H3502 R40H3502 R40H3502	R40H3503 R40H3503 R40H3503 R40H3503
	Fd	DN		7141 - D224	MD224 ³⁴⁰	69310693	60050153	NR	NR
F080, F090	Fd Fd	DN DN		7149 - D236 7149 - D236	MD236 ³⁴¹ MD236 ³⁴¹	69310693 69310693	R40H5523 R40H5523	NR NR	NR NR
F090, F120	Fa Fa	WG WG	15 " x 3 " 15 " x 3 "	1245C - 321 1245C - 321	R700321 R700321	R40H521 R40H521	R40H9237 R40H9237	R40H3502 R40H3502	R40H3503 R40H3503
R170, R175	Ra Ra	KH WG	15 " x 5 " 15 " x 5 "	4646 - 400 1252 - 346	R700400 R700346	R40H595 R40H597	R40H9220 R40H9200	R40H3538 R40H3540	R40H3539 R40H3541
R185	Ra Ra	WG WG	15 " x 6 " 15 " x 7 "	4596 - 381 4597 - 383	R700381 R700383	R40H597 R40H597	R40H9200 R40H9200	R40H3540 R40H3540	R40H3541 R40H3541
1973	Ra Ra Ra Ra	LG LG LG LG	15 " x 6 " 15 " x 6 " 15 " x 7 " 15 " x 7 "	4504A - 543 4504A - 543 4505A - 544 4505A - 544	N/A N/A N/A N/A	R40H618 R40H618 R40H618 R40H618	NR NR NR NR	SP7888S NR NR SP7888S	SP7888S NR NR SP7888S
F050, F055, F060	Fa	KH	14 " x 2-1/2 "	2060 - 361	Discontinued	R40H596	R40H9219	R40H3536	R40H3537
F070	Fa Fa Fa	WG WG WG	15 " x 3 " 15 " x 3 " 15 " x 3 "	1245C - 321 1245C - 321 1245C - 321	R700321 R700321 R700321	R40H521 R40H521 R40H521	R40H9237 R40H9237 R40H9237	R40H3502 R40H3502 R40H3502	R40H3503 R40H3503 R40H3503

9 - 6 Stud, Dayton Rotor, Hat Style
53 - Power Brakes
214 - Power Brakes, Split System
www.XpresswayPlus.com

37 - Also available as a New unit
186 - 10 Stud
221 - Power Brakes, 17,500 or 18,500 lb. Rear Axle

41 - Aluminum piston
188 - 6 Stud, 9.251" Hub
222 - Power Brakes, 18,500 or 22,000 lb. Rear Axle

Contact our Customer Service Teams
1-888-725-9355

MERITOR DRUM OR ROTOR NO.	CALIPER OR CYLINDER BORE SIZE	MERITOR CALIPER OR WHEEL CYLINDER (LEFT)	MERITOR CALIPER OR WHEEL CYLINDER (RIGHT)	MERITOR CALIPER OR WHEEL CYLINDER REPAIR KIT	MERITOR CALIPER PISTON	MERITOR MASTER CYLINDER	MERITOR MASTER CYLINDER KIT	MERITOR BRAKE HOSE (LEFT)	MERITOR BRAKE HOSE (RIGHT)
FORD(Cont.)									
LN800 SERIES: LOUISVILLE 94.4 BBC SHORT CONVENTIONAL CHASSIS CAB(Cont.)									
N/A	1-5/8 "	201185	201186 ³²⁹	SP7895S	NR	-	-	R4577147	R4577147
N/A	1-5/8 "	201181	201182	SP7895S	NR	-	-	R4577147	R4577147
N/A	1.09375	R4133484	R4133485	R4166819	NR	R4111629 ⁵³	R4122484	R4577460	R4577460
N/A	1-1/8 "	R4133714	R4133715	R4166926	NR	R4111995 ⁵³	-	R4577454	R4577455
N/A	1-1/8 "	R4133716	R4133717	R4166926	NR	R4111772 ⁵³	R4122488	R4577454	R4577455
N/A	1-1/8 "	R4133719	R4133718	R4166926	NR	R4111634 ⁵³	N/A	R4577452	R4577453
N/A	1-1/8 "	R4133714	R4133715	R4166926	NR	R4111631 ²²¹	R4122486	R4577452	R4577453
23-122700-002 ⁹	2-1/2 "	R424244X	R424244X ³⁷	60050266	6927075 ⁴¹	R4111992 ²¹⁴	R4122386	R4577452	R4577453
23-122691-002 ¹⁸⁸	2-7/8 "	60050145X	60050145X ³⁷	60050146	69270702 ⁴¹	R4111992 ²¹⁴	R4122386	R4577452	R4577453
23-122703-002 ¹⁸⁶	2-7/8 "	60050145X	60050145X ³⁷	60050146	69270702 ⁴¹	R4111992 ²¹⁴	R4122386	R4577452	R4577453
N/A	1-1/4 "	R4133581	R4133581	R4166923	NR	R4111992 ²¹⁴	R4122386	R4577452	R4577453
N/A	1-1/4 "	R4133720	R4133721	R4166923	NR	R4111630 ²²²	N/A	R4577452	R4577453
N/A	1-1/2 "	R4033607	R4033607	R4166818	NR	-	-	R4577147	R4577147
N/A	1-5/8 "	R4133338	R4133338	R4166689	NR	-	-	R4577147	R4577147
N/A	1-5/8 "	R4133338	R4133338	R4166689	NR	-	-	R4577147	R4577147
N/A	1-3/4 "	R4133400	R4133400	R4166917	NR	-	-	R4577147	R4577147
N/A	1-5/8 "	201181	201182	SP7895S	NR	-	-	R4577147	R4577147
N/A	1-5/8 "	201185	201186 ³²⁹	SP7895S	NR	-	-	R4577147	R4577147
N/A	1-5/8 "	201185	201186 ³²⁹	SP7895S	NR	-	-	R4577147	R4577147
N/A	1-5/8 "	201181	201182	SP7895S	NR	-	-	R4577147	R4577147
N/A	1.09375	R4133484	R4133485	R4166819	NR	R4111629 ⁵³	R4122484	R4577460	R4577460
N/A	1-1/8 "	R4133714	R4133715	R4166926	NR	R4111631 ²²¹	R4122486	R4577452	R4577453
N/A	1-1/8 "	R4133719	R4133718	R4166926	NR	R4111634 ⁵³	N/A	R4577452	R4577453
N/A	1-1/8 "	R4133714	R4133715	R4166926	NR	R4111995 ⁵³	-	R4577454	R4577455
N/A	1-1/8 "	R4133716	R4133717	R4166926	NR	R4111772 ⁵³	R4122488	R4577454	R4577455
N/A	1-1/8 "	R4133719	R4133718	R4166926	NR	R4111634 ⁵³	N/A	R4577452	R4577453
23-122700-002 ⁹	2-1/2 "	R424244X	R424244X ³⁷	60050266	6927075 ⁴¹	R4111992 ²¹⁴	R4122386	R4577452	R4577453
23-122691-002 ¹⁸⁸	2-7/8 "	60050145X	60050145X ³⁷	60050146	69270702 ⁴¹	R4111992 ²¹⁴	R4122386	R4577452	R4577453
23-122703-002 ¹⁸⁶	2-7/8 "	60050145X	60050145X ³⁷	60050146	69270702 ⁴¹	R4111992 ²¹⁴	R4122386	R4577452	R4577453
N/A	1-1/4 "	R4133720	R4133721	R4166923	NR	R4111630 ²²²	N/A	R4577452	R4577453
N/A	1-1/4 "	R4133581	R4133581	R4166923	NR	R4111992 ²¹⁴	R4122386	R4577452	R4577453
N/A	1-1/2 "	R4033607	R4033607	R4166818	NR	-	-	R4577147	R4577147
N/A	1-5/8 "	R4133338	R4133338	R4166689	NR	-	-	R4577147	R4577147
N/A	1-5/8 "	R4133338	R4133338	R4166689	NR	-	-	R4577147	R4577147
N/A	1-3/4 "	R4133400	R4133400	R4166917	NR	-	-	R4577147	R4577147
N/A	1-5/8 "	201181	201182	SP7895S	NR	-	-	R4577147	R4577147
N/A	1-5/8 "	201185	201186 ³²⁹	SP7895S	NR	-	-	R4577147	R4577147
N/A	1-5/8 "	201185	201186 ³²⁹	SP7895S	NR	-	-	R4577147	R4577147
N/A	1-5/8 "	201181	201182	SP7895S	NR	-	-	R4577147	R4577147
N/A	1.09375	R4133484	R4133485	R4166819	NR	R4111629 ⁵³	R4122484	R4577460	R4577460
N/A	1-1/8 "	R4133714	R4133715	R4166926	NR	R4111631 ²²¹	R4122486	R4577452	R4577453
N/A	1-1/8 "	R4133714	R4133715	R4166926	NR	R4111995 ⁵³	-	R4577454	R4577455
N/A	1-1/8 "	R4133716	R4133717	R4166926	NR	R4111772 ⁵³	R4122488	R4577454	R4577455
N/A	1-1/8 "	R4133719	R4133718	R4166926	NR	R4111634 ⁵³	N/A	R4577452	R4577453
23-122700-002 ⁹	2-1/2 "	R424244X	R424244X ³⁷	60050266	6927075 ⁴¹	R4111992 ²¹⁴	R4122386	R4577452	R4577453
23-122691-002 ¹⁸⁸	2-7/8 "	60050145X	60050145X ³⁷	60050146	69270702 ⁴¹	R4111992 ²¹⁴	R4122386	R4577452	R4577453
23-122703-002 ¹⁸⁶	2-7/8 "	60050145X	60050145X ³⁷	60050146	69270702 ⁴¹	R4111992 ²¹⁴	R4122386	R4577452	R4577453
N/A	1-1/4 "	R4133581	R4133581	R4166923	NR	R4111992 ²¹⁴	R4122386	R4577452	R4577453
N/A	1-1/4 "	R4133720	R4133721	R4166923	NR	R4111630 ²²²	N/A	R4577452	R4577453
N/A	1-1/2 "	R4033607	R4033607	R4166818	NR	-	-	R4577147	R4577147
N/A	1-5/8 "	R4133338	R4133338	R4166689	NR	-	-	R4577147	R4577147
N/A	1-5/8 "	R4133338	R4133338	R4166689	NR	-	-	R4577147	R4577147
N/A	1-3/4 "	R4133400	R4133400	R4166917	NR	-	-	R4577147	R4577147
N/A	1-5/8 "	201185	201186 ³²⁹	SP7895S	NR	-	-	R4577147	R4577147
N/A	1-5/8 "	201181	201182	SP7895S	NR	-	-	R4577147	R4577147
N/A	1-5/8 "	201181	201182	SP7895S	NR	-	-	R4577147	R4577147
N/A	1-5/8 "	201185	201186 ³²⁹	SP7895S	NR	-	-	R4577147	R4577147
N/A	1.09375	R4133484	R4133485	R4166819	NR	R4111629 ⁵³	R4122484	R4577460	R4577460
N/A	1-1/8 "	R4133714	R4133715	R4166926	NR	R4111631 ²²¹	R4122486	R4577452	R4577453
N/A	1-1/8 "	R4133714	R4133715	R4166926	NR	R4111995 ⁵³	-	R4577454	R4577455
N/A	1-1/8 "	R4133719	R4133718	R4166926	NR	R4111634 ⁵³	N/A	R4577452	R4577453

MAKE MODEL YEAR AXLE CODE AXLE WEIGHT	AXLE & BRK. TYPE	BRK. MFG.	BRAKE SIZE	FMSI	MERITOR DISC PAD OR BRAKE SHOE	MERITOR GUIDE PIN OR RETURN SPRING KIT	MERITOR CALIPER HWD. KIT OR RETURN SPRING KIT	MERITOR ADJUSTER KIT (LEFT WHEEL)	MERITOR ADJUSTER KIT (RIGHT WHEEL)
FORD(Cont.)									
LN800 SERIES: LOUISVILLE 94.4 BBC SHORT CONVENTIONAL CHASSIS CAB(Cont.)									
1973	Fa	WG	15 " x 3 "	1245C - 321	R700321	R40H521	R40H9237	R40H3502	R40H3503
	Fd	DN		7141 - D224	MD224 ³⁴⁰	69310693	60050153	NR	NR
F080, F090	Fd	DN		7149 - D236	MD236 ³⁴¹	69310693	R40H5523	NR	NR
	Fd	DN		7149 - D236	MD236 ³⁴¹	69310693	R40H5523	NR	NR
F090, F120	Fa	WG	15 " x 3 "	1245C - 321	R700321	R40H521	R40H9237	R40H3502	R40H3503
	Fa	WG	15 " x 3 "	1245C - 321	R700321	R40H521	R40H9237	R40H3502	R40H3503
R170, R175	Ra	KH	15 " x 5 "	4646 - 400	R700400	R40H595	R40H9220	R40H3538	R40H3539
	Ra	WG	15 " x 5 "	1252 - 346	R700346	R40H597	R40H9200	R40H3540	R40H3541
R185	Ra	WG	15 " x 6 "	4596 - 381	R700381	R40H597	R40H9200	R40H3540	R40H3541
	Ra	WG	15 " x 7 "	4597 - 383	R700383	R40H597	R40H9200	R40H3540	R40H3541
LNT700 SERIES: LOUISVILLE 94.4 BBC SHORT CONVENTIONAL CHASSIS CAB, TANDEM AXLE									
1995	Fd	DN		7149 - D236	MD236 ³⁴¹	69310693	69310782	NR	NR
	Fd	DN		7141 - D224	MD224 ³⁴⁰	69310693	60050153	NR	NR
	Fd	DN		7149 - D236	MD236 ³⁴¹	69310693	69310782	NR	NR
	Fd	DN		7149 - D236	MD236 ³⁴¹	69310693	69310782	NR	NR
	Ra	LG	15 " x 5 "	4528A - 542	N/A	R40H618	NR	SP7888S	SP7888S
	Ra	LG	15 " x 5 "	4528A - 542	N/A	R40H618	NR	NR	NR
	Ra	LG	15 " x 6 "	4504A - 543	N/A	R40H618	NR	SP7887S	SP7887S
	Ra	LG	15 " x 6 "	4504A - 543	N/A	R40H618	NR	NR	NR
	Ra	LG	15 " x 7 "	4505A - 544	N/A	R40H618	NR	SP7887S	SP7887S
	Ra	LG	15 " x 7 "	4505A - 544	N/A	R40H618	NR	NR	NR
1994	Fd	DN		7149 - D236	MD236 ³⁴¹	69310693	69310782	NR	NR
	Fd	DN		7149 - D236	MD236 ³⁴¹	69310693	69310782	NR	NR
	Fd	DN		7149 - D236	MD236 ³⁴¹	69310693	69310782	NR	NR
	Fd	DN		7141 - D224	MD224 ³⁴⁰	69310693	60050153	NR	NR
	Ra	LG	15 " x 5 "	4528A - 542	N/A	R40H618	NR	SP7888S	SP7888S
	Ra	LG	15 " x 5 "	4528A - 542	N/A	R40H618	NR	NR	NR
	Ra	LG	15 " x 6 "	4504A - 543	N/A	R40H618	NR	NR	NR
	Ra	LG	15 " x 6 "	4504A - 543	N/A	R40H618	NR	SP7887S	SP7887S
	Ra	LG	15 " x 7 "	4505A - 544	N/A	R40H618	NR	NR	NR
	Ra	LG	15 " x 7 "	4505A - 544	N/A	R40H618	NR	SP7887S	SP7887S
1993	Fd	DN		7149 - D236	MD236 ³⁴¹	69310693	69310782	NR	NR
	Fd	DN		7149 - D236	MD236 ³⁴¹	69310693	69310782	NR	NR
	Fd	DN		7149 - D236	MD236 ³⁴¹	69310693	69310782	NR	NR
	Fd	DN		7141 - D224	MD224 ³⁴⁰	69310693	60050153	NR	NR
	Ra	LG	15 " x 5 "	4528A - 542	N/A	R40H618	NR	SP7888S	SP7888S
	Ra	LG	15 " x 5 "	4528A - 542	N/A	R40H618	NR	NR	NR
	Ra	LG	15 " x 6 "	4504A - 543	N/A	R40H618	NR	SP7887S	SP7887S
	Ra	LG	15 " x 6 "	4504A - 543	N/A	R40H618	NR	NR	NR
	Ra	LG	15 " x 7 "	4505A - 544	N/A	R40H618	NR	NR	NR
	Ra	LG	15 " x 7 "	4505A - 544	N/A	R40H618	NR	SP7887S	SP7887S
1992	Fd	DN		7149 - D236	MD236 ³⁴¹	69310693	69310782	NR	NR
	Fd	DN		7141 - D224	MD224 ³⁴⁰	69310693	60050153	NR	NR
	Fd	DN		7149 - D236	MD236 ³⁴¹	69310693	69310782	NR	NR
	Fd	DN		7149 - D236	MD236 ³⁴¹	69310693	69310782	NR	NR
	Ra	LG	15 " x 5 "	4528A - 542	N/A	R40H618	NR	SP7888S	SP7888S
	Ra	LG	15 " x 5 "	4528A - 542	N/A	R40H618	NR	NR	NR
	Ra	LG	15 " x 6 "	4504A - 543	N/A	R40H618	NR	SP7887S	SP7887S
	Ra	LG	15 " x 6 "	4504A - 543	N/A	R40H618	NR	NR	NR
	Ra	LG	15 " x 7 "	4505A - 544	N/A	R40H618	NR	NR	NR
	Ra	LG	15 " x 7 "	4505A - 544	N/A	R40H618	NR	SP7887S	SP7887S
1991	Fd	DN		7149 - D236	MD236 ³⁴¹	69310693	69310782	NR	NR
	Fd	DN		7141 - D224	MD224 ³⁴⁰	69310693	60050153	NR	NR
	Fd	DN		7149 - D236	MD236 ³⁴¹	69310693	69310782	NR	NR
	Fd	DN		7149 - D236	MD236 ³⁴¹	69310693	69310782	NR	NR
	Ra	LG	15 " x 5 "	4528A - 542	N/A	R40H618	NR	NR	NR
	Ra	LG	15 " x 5 "	4528A - 542	N/A	R40H618	NR	SP7888S	SP7888S
	Ra	LG	15 " x 6 "	4504A - 543	N/A	R40H618	NR	SP7887S	SP7887S

9 - 6 Stud, Dayton Rotor, Hat Style
 53 - Power Brakes
 188 - 6 Stud, 9.251" Hub
 www.XpresswayPlus.com

37 - Also available as a New unit
 186 - 10 Stud
 204 - Right Hand; use E-4057 for Left Hand Expander Kits

41 - Aluminum piston
 187 - 6 Stud, 6.443" Hub
 214 - Power Brakes, Split System

MERITOR DRUM OR ROTOR NO.	CALIPER OR CYLINDER BORE SIZE	MERITOR CALIPER OR WHEEL CYLINDER (LEFT)	MERITOR CALIPER OR WHEEL CYLINDER (RIGHT)	MERITOR CALIPER OR WHEEL CYLINDER REPAIR KIT	MERITOR CALIPER PISTON	MERITOR MASTER CYLINDER	MERITOR MASTER CYLINDER KIT	MERITOR BRAKE HOSE (LEFT)	MERITOR BRAKE HOSE (RIGHT)
FORD(Cont.)									
LN800 SERIES: LOUISVILLE 94.4 BBC SHORT CONVENTIONAL CHASSIS CAB(Cont.)									
N/A	1-1/8 "	R4133716	R4133717	R4166926	NR	R4111772 ⁵³	R4122488	R4577454	R4577455
23-122700-002 ⁹	2-1/2 "	R424244X	R424244X ³⁷	60050266	69270757 ⁴¹	R4111992 ²¹⁴	R4122386	R4577452	R4577453
23-122691-002 ¹⁸⁸	2-7/8 "	60050145X	60050145X ³⁷	60050146	69270702 ⁴¹	R4111992 ²¹⁴	R4122386	R4577452	R4577453
23-122703-002 ¹⁸⁶	2-7/8 "	60050145X	60050145X ³⁷	60050146	69270702 ⁴¹	R4111992 ²¹⁴	R4122386	R4577452	R4577453
N/A	1-1/4 "	R4133720	R4133721	R4166923	NR	R4111630 ²²²	N/A	R4577452	R4577453
N/A	1-1/4 "	R4133581	R4133581	R4166923	NR	R4111992 ²¹⁴	R4122386	R4577452	R4577453
N/A	1-1/2 "	R4033607	R4033607	R4166818	NR	-	-	R4577147	R4577147
N/A	1-5/8 "	R4133338	R4133338	R4166689	NR	-	-	R4577147	R4577147
N/A	1-5/8 "	R4133338	R4133338	R4166689	NR	-	-	R4577147	R4577147
N/A	1-3/4 "	R4133400	R4133400	R4166917	NR	-	-	R4577147	R4577147
LNT700 SERIES: LOUISVILLE 94.4 BBC SHORT CONVENTIONAL CHASSIS CAB, TANDEM AXLE									
23-122743-002 ¹⁸⁷	2-7/8 "	60050145X	60050145X ³⁷	60050146	69270702 ⁴¹	-	-	R4577461	R4577461
23-122700-002 ⁹	2-1/2 "	R424244X	R424244X ³⁷	60050266	69270757 ⁴¹	-	-	R4577461	R4577461
23-122703-002 ¹⁸⁶	2-7/8 "	60050145X	60050145X ³⁷	60050146	69270702 ⁴¹	-	-	R4577461	R4577461
23-122691-002 ¹⁸⁸	2-7/8 "	60050145X	60050145X ³⁷	60050146	69270702 ⁴¹	-	-	R4577461	R4577461
N/A	1-5/8 "	201185	201186 ³²⁹	SP7895S	NR	-	-	R4577870	R4577870
N/A	1-5/8 "	201181	201182	SP7895S	NR	-	-	R4577870	R4577870
N/A	1-3/4 "	201183X	201184X ³²⁹	SP7873S	NR	-	-	R4577870	R4577870
N/A	1-3/4 "	201179X	201180X	SP7873S	SP7880S ²⁰⁴	-	-	R4577870	R4577870
N/A	1-3/4 "	201183X	201184X ³²⁹	SP7873S	NR	-	-	R4577870	R4577870
N/A	1-3/4 "	201179X	201180X	SP7873S	SP7880S ²⁰⁴	-	-	R4577870	R4577870
23-122691-002 ¹⁸⁸	2-7/8 "	60050145X	60050145X ³⁷	60050146	69270702 ⁴¹	-	-	R4577461	R4577461
23-122703-002 ¹⁸⁶	2-7/8 "	60050145X	60050145X ³⁷	60050146	69270702 ⁴¹	-	-	R4577461	R4577461
23-122743-002 ¹⁸⁷	2-7/8 "	60050145X	60050145X ³⁷	60050146	69270702 ⁴¹	-	-	R4577461	R4577461
23-122700-002 ⁹	2-1/2 "	R424244X	R424244X ³⁷	60050266	69270757 ⁴¹	-	-	R4577461	R4577461
N/A	1-5/8 "	201185	201186 ³²⁹	SP7895S	NR	-	-	R4577870	R4577870
N/A	1-5/8 "	201181	201182	SP7895S	NR	-	-	R4577870	R4577870
N/A	1-3/4 "	201183X	201184X ³²⁹	SP7873S	NR	-	-	R4577870	R4577870
N/A	1-3/4 "	201179X	201180X	SP7873S	SP7880S ²⁰⁴	-	-	R4577870	R4577870
N/A	1-3/4 "	201183X	201184X ³²⁹	SP7873S	NR	-	-	R4577870	R4577870
23-122703-002 ¹⁸⁶	2-7/8 "	60050145X	60050145X ³⁷	60050146	69270702 ⁴¹	-	-	R4577461	R4577461
23-122743-002 ¹⁸⁷	2-7/8 "	60050145X	60050145X ³⁷	60050146	69270702 ⁴¹	-	-	R4577461	R4577461
23-122691-002 ¹⁸⁸	2-7/8 "	60050145X	60050145X ³⁷	60050146	69270702 ⁴¹	-	-	R4577461	R4577461
23-122700-002 ⁹	2-1/2 "	R424244X	R424244X ³⁷	60050266	69270757 ⁴¹	-	-	R4577461	R4577461
N/A	1-5/8 "	201185	201186 ³²⁹	SP7895S	NR	-	-	R4577870	R4577870
N/A	1-5/8 "	201181	201182	SP7895S	NR	-	-	R4577870	R4577870
N/A	1-3/4 "	201183X	201184X ³²⁹	SP7873S	NR	-	-	R4577870	R4577870
N/A	1-3/4 "	201179X	201180X	SP7873S	SP7880S ²⁰⁴	-	-	R4577870	R4577870
N/A	1-3/4 "	201179X	201180X	SP7873S	SP7880S ²⁰⁴	-	-	R4577870	R4577870
N/A	1-3/4 "	201183X	201184X ³²⁹	SP7873S	NR	-	-	R4577870	R4577870
23-122743-002 ¹⁸⁷	2-7/8 "	60050145X	60050145X ³⁷	60050146	69270702 ⁴¹	-	-	R4577461	R4577461
23-122700-002 ⁹	2-1/2 "	R424244X	R424244X ³⁷	60050266	69270757 ⁴¹	-	-	R4577461	R4577461
23-122691-002 ¹⁸⁸	2-7/8 "	60050145X	60050145X ³⁷	60050146	69270702 ⁴¹	-	-	R4577461	R4577461
23-122703-002 ¹⁸⁶	2-7/8 "	60050145X	60050145X ³⁷	60050146	69270702 ⁴¹	-	-	R4577461	R4577461
N/A	1-5/8 "	201185	201182	SP7895S	NR	-	-	R4577870	R4577870
N/A	1-5/8 "	201185	201186 ³²⁹	SP7895S	NR	-	-	R4577870	R4577870
N/A	1-3/4 "	201183X	201184X ³²⁹	SP7873S	NR	-	-	R4577870	R4577870

222 - Power Brakes, 18,500 or 22,000 lb. Rear Axle
341 - Use 69160445 for Disc Pad Retainer Clip

329 - Forward

340 - Use 69160457 for Disc Pad Retainer Clip

MAKE MODEL YEAR AXLE CODE AXLE WEIGHT	AXLE & BRK. TYPE	BRK. MFG.	BRAKE SIZE	FMSI	MERITOR DISC PAD OR BRAKE SHOE	MERITOR GUIDE PIN OR RETURN SPRING KIT	MERITOR CALIPER HWD. KIT OR RETURN SPRING KIT	MERITOR ADJUSTER KIT (LEFT WHEEL)	MERITOR ADJUSTER KIT (RIGHT WHEEL)
FORD(Cont.)									
LNT700 SERIES: LOUISVILLE 94.4 BBC SHORT CONVENTIONAL CHASSIS CAB, TANDEM AXLE(Cont.)									
1991	Ra	LG	15 " x 6 "	4504A - 543	N/A	R40H618	NR	NR	NR
	Ra	LG	15 " x 7 "	4505A - 544	N/A	R40H618	NR	SP7887S	SP7887S
	Ra	LG	15 " x 7 "	4505A - 544	N/A	R40H618	NR	NR	NR
1990	Fd	DN		7149 - D236	MD236 ³⁴¹	69310693	69310782	NR	NR
	Fd	DN		7149 - D236	MD236 ³⁴¹	69310693	69310782	NR	NR
	Fd	DN		7149 - D236	MD236 ³⁴¹	69310693	69310782	NR	NR
	Fd	DN		7141 - D224	MD224 ³⁴⁰	69310693	60050153	NR	NR
	Ra	LG	15 " x 5 "	4528A - 542	N/A	R40H618	NR	NR	NR
	Ra	LG	15 " x 5 "	4528A - 542	N/A	R40H618	NR	SP7888S	SP7888S
	Ra	LG	15 " x 6 "	4504A - 543	N/A	R40H618	NR	SP7887S	SP7887S
	Ra	LG	15 " x 6 "	4504A - 543	N/A	R40H618	NR	NR	NR
	Ra	LG	15 " x 7 "	4505A - 544	N/A	R40H618	NR	NR	NR
	Ra	LG	15 " x 7 "	4505A - 544	N/A	R40H618	NR	SP7887S	SP7887S
1989	Fd	DN		7149 - D236	MD236 ³⁴¹	69310693	69310782 ⁴³	NR	NR
	Fd	DN		7141 - D224	MD224 ³⁴⁰	69310693	60050153	NR	NR
	Fd	DN		7149 - D236	MD236 ³⁴¹	69310693	69310782 ⁴³	NR	NR
	Fd	DN		7149 - D236	MD236 ³⁴¹	69310693	69310782 ⁴³	NR	NR
	Ra	LG	15 " x 5 "	4528A - 542	N/A	R40H618	NR	SP7888S	SP7888S
	Ra	LG	15 " x 5 "	4528A - 542	N/A	R40H618	NR	NR	NR
	Ra	LG	15 " x 6 "	4504A - 543	N/A	R40H618	NR	NR	NR
	Ra	LG	15 " x 6 "	4504A - 543	N/A	R40H618	NR	SP7887S	SP7887S
	Ra	LG	15 " x 7 "	4505A - 544	N/A	R40H618	NR	SP7887S	SP7887S
	Ra	LG	15 " x 7 "	4505A - 544	N/A	R40H618	NR	NR	NR
1988	Fd	DN		7141 - D224	MD224 ³⁴⁰	69310693	60050153	NR	NR
	Fd	DN		7149 - D236	MD236 ³⁴¹	69310693	69310782 ⁴³	NR	NR
	Fd	DN		7149 - D236	MD236 ³⁴¹	69310693	69310782 ⁴³	NR	NR
	Fd	DN		7149 - D236	MD236 ³⁴¹	69310693	69310782 ⁴³	NR	NR
	Ra	LG	15 " x 5 "	4528A - 542	N/A	R40H618	NR	SP7888S	SP7888S
	Ra	LG	15 " x 5 "	4528A - 542	N/A	R40H618	NR	NR	NR
	Ra	LG	15 " x 6 "	4504A - 543	N/A	R40H618	NR	NR	NR
	Ra	LG	15 " x 6 "	4504A - 543	N/A	R40H618	NR	SP7887S	SP7887S
	Ra	LG	15 " x 7 "	4505A - 544	N/A	R40H618	NR	SP7887S	SP7887S
	Ra	LG	15 " x 7 "	4505A - 544	N/A	R40H618	NR	NR	NR
1987	Fd	DN		7141 - D224	MD224 ³⁴⁰	69310693	60050153	NR	NR
	Fd	DN		7149 - D236	MD236 ³⁴¹	69310693	69310782 ⁴³	NR	NR
	Fd	DN		7149 - D236	MD236 ³⁴¹	69310693	69310782 ⁴³	NR	NR
	Fd	DN		7149 - D236	MD236 ³⁴¹	69310693	69310782 ⁴³	NR	NR
	Ra	LG	15 " x 5 "	4528A - 542	N/A	R40H618	NR	NR	NR
	Ra	LG	15 " x 5 "	4528A - 542	N/A	R40H618	NR	SP7888S	SP7888S
	Ra	LG	15 " x 6 "	4504A - 543	N/A	R40H618	NR	NR	NR
	Ra	LG	15 " x 6 "	4504A - 543	N/A	R40H618	NR	SP7887S	SP7887S
	Ra	LG	15 " x 7 "	4505A - 544	N/A	R40H618	NR	SP7887S	SP7887S
	Ra	LG	15 " x 7 "	4505A - 544	N/A	R40H618	NR	NR	NR
1986	Fd	DN		7149 - D236	MD236 ³⁴¹	69310693	69310782	NR	NR
	Fd	DN		7149 - D236	MD236 ³⁴¹	69310693	69310782	NR	NR
	Fd	DN		7149 - D236	MD236 ³⁴¹	69310693	69310782	NR	NR
	Fd	DN		7141 - D224	MD224 ³⁴⁰	69310693	60050153	NR	NR
	Ra	LG	15 " x 5 "	4528A - 542	N/A	R40H618	NR	SP7888S	SP7888S
	Ra	LG	15 " x 5 "	4528A - 542	N/A	R40H618	NR	NR	NR
	Ra	LG	15 " x 6 "	4504A - 543	N/A	R40H618	NR	SP7887S	SP7887S
	Ra	LG	15 " x 6 "	4504A - 543	N/A	R40H618	NR	NR	NR
	Ra	LG	15 " x 6 "	4504A - 543	N/A	R40H618	NR	SP7887S	SP7887S
	Ra	LG	15 " x 7 "	4505A - 544	N/A	R40H618	NR	NR	NR
F050, F055, F060 F070	Fa	KH	14 " x 2-1/2 "	2060 - 361	Discontinued	R40H596	R40H9219	R40H3536	R40H3537
	Fa	WG	15 " x 3 "	1245C - 321	R700321	R40H521	R40H9237	R40H3502	R40H3503

9 - 6 Stud, Dayton Rotor, Hat Style
 43 - For Applications Taking A Longer Shim, Use R404151706
 187 - 6 Stud, 6.443" Hub
 www.XpresswayPlus.com

37 - Also available as a New unit
 53 - Power Brakes
 188 - 6 Stud, 9.251" Hub

41 - Aluminum piston
 186 - 10 Stud
 204 - Right Hand; use E-4057 for Left Hand Expander Kits
 Contact our Customer Service Teams
 1-888-725-9355

MERITOR DRUM OR ROTOR NO.	CALIPER OR CYLINDER BORE SIZE	MERITOR CALIPER OR WHEEL CYLINDER (LEFT)	MERITOR CALIPER OR WHEEL CYLINDER (RIGHT)	MERITOR CALIPER OR WHEEL CYLINDER REPAIR KIT	MERITOR CALIPER PISTON	MERITOR MASTER CYLINDER	MERITOR MASTER CYLINDER KIT	MERITOR BRAKE HOSE (LEFT)	MERITOR BRAKE HOSE (RIGHT)
FORD(Cont.)									
LNT700 SERIES: LOUISVILLE 94.4 BBC SHORT CONVENTIONAL CHASSIS CAB, TANDEM AXLE(Cont.)									
N/A	1-3/4 "	201179X	201180X	SP7873S	SP7880S ²⁰⁴	-	-	R4577870	R4577870
N/A	1-3/4 "	201183X	201184X ³²⁹	SP7873S	NR	-	-	R4577870	R4577870
N/A	1-3/4 "	201179X	201180X	SP7873S	SP7880S ²⁰⁴	-	-	R4577870	R4577870
23-122743-002 ¹⁸⁷	2-7/8 "	60050145X	60050145X ³⁷	60050146	69270702 ⁴¹	R4111999 ⁵³	R4122386	R4577461	R4577461
23-122691-002 ¹⁸⁸	2-7/8 "	60050145X	60050145X ³⁷	60050146	69270702 ⁴¹	R4111999 ⁵³	R4122386	R4577461	R4577461
23-122703-002 ¹⁸⁶	2-7/8 "	60050145X	60050145X ³⁷	60050146	69270702 ⁴¹	R4111999 ⁵³	R4122386	R4577461	R4577461
23-122700-002 ⁹	2-1/2 "	R424244X	R424244X ³⁷	60050266	69270757 ⁴¹	R4111999 ⁵³	R4122386	R4577461	R4577461
N/A	1-5/8 "	201181	201182	SP7895S	NR	-	-	R4577870	R4577870
N/A	1-5/8 "	201185	201186 ³²⁹	SP7895S	NR	-	-	R4577870	R4577870
N/A	1-3/4 "	201183X	201184X ³²⁹	SP7873S	NR	-	-	R4577870	R4577870
N/A	1-3/4 "	201179X	201180X	SP7873S	SP7880S ²⁰⁴	-	-	R4577870	R4577870
N/A	1-3/4 "	201179X	201180X	SP7873S	SP7880S ²⁰⁴	-	-	R4577870	R4577870
N/A	1-3/4 "	201183X	201184X ³²⁹	SP7873S	NR	-	-	R4577870	R4577870
23-122691-002 ¹⁸⁸	2-7/8 "	60050145X	60050145X ³⁷	60050146	69270702 ⁴¹	R4111999 ⁵³	R4122386	R4577461	R4577461
23-122700-002 ⁹	2-1/2 "	R424244X	R424244X ³⁷	60050266	69270757 ⁴¹	R4111999 ⁵³	R4122386	R4577461	R4577461
23-122743-002 ¹⁸⁷	2-7/8 "	60050145X	60050145X ³⁷	60050146	69270702 ⁴¹	R4111999 ⁵³	R4122386	R4577461	R4577461
23-122703-002 ¹⁸⁶	2-7/8 "	60050145X	60050145X ³⁷	60050146	69270702 ⁴¹	R4111999 ⁵³	R4122386	R4577461	R4577461
N/A	1-5/8 "	201185	201186 ³²⁹	SP7895S	NR	-	-	N/A	N/A
N/A	1-5/8 "	201181	201182	SP7895S	NR	-	-	N/A	N/A
N/A	1-3/4 "	201179X	201180X	SP7873S	SP7880S ²⁰⁴	-	-	N/A	N/A
N/A	1-3/4 "	201183X	201184X ³²⁹	SP7873S	NR	-	-	N/A	N/A
N/A	1-3/4 "	201183X	201184X ³²⁹	SP7873S	NR	-	-	N/A	N/A
N/A	1-3/4 "	201179X	201180X	SP7873S	SP7880S ²⁰⁴	-	-	N/A	N/A
23-122700-002 ⁹	2-1/2 "	R424244X	R424244X ³⁷	60050266	69270757 ⁴¹	R4111999 ⁵³	R4122386	R4577461	R4577461
23-122743-002 ¹⁸⁷	2-7/8 "	60050145X	60050145X ³⁷	60050146	69270702 ⁴¹	R4111999 ⁵³	R4122386	R4577461	R4577461
23-122703-002 ¹⁸⁶	2-7/8 "	60050145X	60050145X ³⁷	60050146	69270702 ⁴¹	R4111999 ⁵³	R4122386	R4577461	R4577461
23-122691-002 ¹⁸⁸	2-7/8 "	60050145X	60050145X ³⁷	60050146	69270702 ⁴¹	R4111999 ⁵³	R4122386	R4577461	R4577461
N/A	1-5/8 "	201185	201186 ³²⁹	SP7895S	NR	-	-	N/A	N/A
N/A	1-5/8 "	201181	201182	SP7895S	NR	-	-	N/A	N/A
N/A	1-3/4 "	201179X	201180X	SP7873S	SP7880S ²⁰⁴	-	-	N/A	N/A
N/A	1-3/4 "	201183X	201184X ³²⁹	SP7873S	NR	-	-	N/A	N/A
N/A	1-3/4 "	201183X	201184X ³²⁹	SP7873S	NR	-	-	N/A	N/A
N/A	1-3/4 "	201179X	201180X	SP7873S	SP7880S ²⁰⁴	-	-	N/A	N/A
23-122700-002 ⁹	2-1/2 "	R424244X	R424244X ³⁷	60050266	69270757 ⁴¹	R4111999 ⁵³	R4122386	R4577461	R4577461
23-122691-002 ¹⁸⁸	2-7/8 "	60050145X	60050145X ³⁷	60050146	69270702 ⁴¹	R4111999 ⁵³	R4122386	R4577461	R4577461
23-122743-002 ¹⁸⁷	2-7/8 "	60050145X	60050145X ³⁷	60050146	69270702 ⁴¹	R4111999 ⁵³	R4122386	R4577461	R4577461
23-122703-002 ¹⁸⁶	2-7/8 "	60050145X	60050145X ³⁷	60050146	69270702 ⁴¹	R4111999 ⁵³	R4122386	R4577461	R4577461
N/A	1-5/8 "	201181	201182	SP7895S	NR	-	-	N/A	N/A
N/A	1-5/8 "	201185	201186 ³²⁹	SP7895S	NR	-	-	N/A	N/A
N/A	1-3/4 "	201179X	201180X	SP7873S	SP7880S ²⁰⁴	-	-	N/A	N/A
N/A	1-3/4 "	201183X	201184X ³²⁹	SP7873S	NR	-	-	N/A	N/A
N/A	1-3/4 "	201183X	201184X ³²⁹	SP7873S	NR	-	-	N/A	N/A
N/A	1-3/4 "	201179X	201180X	SP7873S	SP7880S ²⁰⁴	-	-	N/A	N/A
23-122703-002 ¹⁸⁶	2-7/8 "	60050145X	60050145X ³⁷	60050146	69270702 ⁴¹	R4111999 ⁵³	R4122386	R4577461	R4577461
23-122743-002 ¹⁸⁷	2-7/8 "	60050145X	60050145X ³⁷	60050146	69270702 ⁴¹	R4111999 ⁵³	R4122386	R4577461	R4577461
23-122691-002 ¹⁸⁸	2-7/8 "	60050145X	60050145X ³⁷	60050146	69270702 ⁴¹	R4111999 ⁵³	R4122386	R4577461	R4577461
23-122700-002 ⁹	2-1/2 "	R424244X	R424244X ³⁷	60050266	69270757 ⁴¹	R4111999 ⁵³	R4122386	R4577461	R4577461
N/A	1-5/8 "	201185	201186 ³²⁹	SP7895S	NR	-	-	N/A	N/A
N/A	1-5/8 "	201181	201182	SP7895S	NR	-	-	N/A	N/A
N/A	1-3/4 "	201183X	201184X ³²⁹	SP7873S	NR	-	-	N/A	N/A
N/A	1-3/4 "	201179X	201180X	SP7873S	SP7880S ²⁰⁴	-	-	N/A	N/A
N/A	1-3/4 "	201179X	201180X	SP7873S	SP7880S ²⁰⁴	-	-	N/A	N/A
N/A	1-3/4 "	201183X	201184X ³²⁹	SP7873S	NR	-	-	N/A	N/A
N/A	1-3/4 "	201183X	201184X ³²⁹	SP7873S	NR	-	-	N/A	N/A
N/A	1-3/4 "	201179X	201180X	SP7873S	SP7880S ²⁰⁴	-	-	N/A	N/A
N/A	1-3/4 "	201183X	201184X ³²⁹	SP7873S	NR	-	-	N/A	N/A
N/A	1-3/4 "	201183X	201184X ³²⁹	SP7873S	NR	-	-	N/A	N/A
N/A	1.09375	R4133484	R4133485	R4166819	NR	-	-	-	-
N/A	1-1/8 "	R4133716	R4133717	R4166926	NR	-	-	-	-

1 APPLICATION

MAKE MODEL YEAR AXLE CODE AXLE WEIGHT	AXLE & BRK. TYPE	BRK. MFG.	BRAKE SIZE	FMSI	MERITOR DISC PAD OR BRAKE SHOE	MERITOR GUIDE PIN OR RETURN SPRING KIT	MERITOR CALIPER HWD. KIT OR RETURN SPRING KIT	MERITOR ADJUSTER KIT (LEFT WHEEL)	MERITOR ADJUSTER KIT (RIGHT WHEEL)
FORD(Cont.)									
LNT700 SERIES: LOUISVILLE 94.4 BBC SHORT CONVENTIONAL CHASSIS CAB, TANDEM AXLE(Cont.)									
1986	Fa	WG	15 " x 3 "	1245C - 321	R700321	R40H521	R40H9237	R40H3502	R40H3503
	Fd	DN		7141 - D224	MD224 ³⁴⁰	69310693	60050153	NR	NR
F080, F090	Fd	DN		7149 - D236	MD236 ³⁴¹	69310693	69310782	NR	NR
	Fd	DN		7149 - D236	MD236 ³⁴¹	69310693	69310782	NR	NR
R170, R175	Ra	KH	15 " x 5 "	4646 - 400	R700400	R40H595	R40H9220	R40H3538	R40H3539
	Ra	WG	15 " x 5 "	1252 - 346	R700346	R40H597	R40H9200	R40H3540	R40H3541
R185	Ra	WG	15 " x 6 "	4596 - 381	R700381	R40H597	R40H9200	R40H3540	R40H3541
	Ra	WG	15 " x 7 "	4597 - 383	R700383	R40H597	R40H9200	R40H3540	R40H3541
Split System					R700321 R700321	R40H521 R40H521	R40H9237 R40H9237	R40H3502 R40H3502	R40H3503 R40H3503
Split System F090, F120	Fa	WG	15 " x 3 "	1245C - 321	R700321	R40H521	R40H9237	R40H3502	R40H3503
	Fa	WG	15 " x 3 "	1245C - 321	R700321	R40H521	R40H9237	R40H3502	R40H3503
1985	Fd	DN		7149 - D236	MD236 ³⁴¹	69310693	R40H5523	NR	NR
	Fd	DN		7141 - D224	MD224 ³⁴⁰	69310693	60050153	NR	NR
	Fd	DN		7149 - D236	MD236 ³⁴¹	69310693	R40H5523	NR	NR
	Fd	DN		7149 - D236	MD236 ³⁴¹	69310693	R40H5523	NR	NR
	Ra	LG	15 " x 5 "	4528A - 542	N/A	R40H618	NR	NR	NR
	Ra	LG	15 " x 5 "	4528A - 542	N/A	R40H618	NR	SP7888S	SP7888S
	Ra	LG	15 " x 6 "	4504A - 543	N/A	R40H618	NR	NR	NR
	Ra	LG	15 " x 6 "	4504A - 543	N/A	R40H618	NR	SP7887S	SP7887S
	Ra	LG	15 " x 6 "	4504A - 543	N/A	R40H618	NR	NR	NR
	Ra	LG	15 " x 6 "	4504A - 543	N/A	R40H618	NR	SP7888S	SP7888S
	Ra	LG	15 " x 7 "	4505A - 544	N/A	R40H618	NR	NR	NR
	Ra	LG	15 " x 7 "	4505A - 544	N/A	R40H618	NR	SP7887S	SP7887S
	Ra	LG	15 " x 7 "	4505A - 544	N/A	R40H618	NR	SP7888S	SP7888S
	Ra	LG	15 " x 7 "	4505A - 544	N/A	R40H618	NR	NR	NR
F050, F055, F060	Fa	KH	14 " x 2-1/2 "	2060 - 361	Discontinued	R40H596	R40H9219	R40H3536	R40H3537
F070	Fa	WG	15 " x 3 "	1245C - 321	R700321	R40H521	R40H9237	R40H3502	R40H3503
	Fa	WG	15 " x 3 "	1245C - 321	R700321	R40H521	R40H9237	R40H3502	R40H3503
	Fd	DN		7141 - D224	MD224 ³⁴⁰	69310693	60050153	NR	NR
F080, F090	Fd	DN		7149 - D236	MD236 ³⁴¹	69310693	R40H5523	NR	NR
	Fd	DN		7149 - D236	MD236 ³⁴¹	69310693	R40H5523	NR	NR
R170, R175	Ra	KH	15 " x 5 "	4646 - 400	R700400	R40H595	R40H9220	R40H3538	R40H3539
	Ra	WG	15 " x 5 "	1252 - 346	R700346	R40H597	R40H9200	R40H3540	R40H3541
R185	Ra	WG	15 " x 6 "	4596 - 381	R700381	R40H597	R40H9200	R40H3540	R40H3541
	Ra	WG	15 " x 7 "	4597 - 383	R700383	R40H597	R40H9200	R40H3540	R40H3541
Split System					R700321 R700321	R40H521 R40H521	R40H9237 R40H9237	R40H3502 R40H3502	R40H3503 R40H3503
Split System F090, F120	Fa	WG	15 " x 3 "	1245C - 321	R700321	R40H521	R40H9237	R40H3502	R40H3503
	Fa	WG	15 " x 3 "	1245C - 321	R700321	R40H521	R40H9237	R40H3502	R40H3503
1984	Fd	DN		7149 - D236	MD236 ³⁴¹	69310693	R40H5523	NR	NR
	Fd	DN		7149 - D236	MD236 ³⁴¹	69310693	R40H5523	NR	NR
	Fd	DN		7149 - D236	MD236 ³⁴¹	69310693	R40H5523	NR	NR
	Fd	DN		7141 - D224	MD224 ³⁴⁰	69310693	60050153	NR	NR
	Ra	LG	15 " x 5 "	4528A - 542	N/A	R40H618	NR	NR	NR
	Ra	LG	15 " x 5 "	4528A - 542	N/A	R40H618	NR	SP7888S	SP7888S
	Ra	LG	15 " x 6 "	4504A - 543	N/A	R40H618	NR	SP7887S	SP7887S
	Ra	LG	15 " x 6 "	4504A - 543	N/A	R40H618	NR	NR	NR
	Ra	LG	15 " x 6 "	4504A - 543	N/A	R40H618	NR	SP7888S	SP7888S
	Ra	LG	15 " x 6 "	4504A - 543	N/A	R40H618	NR	NR	NR
	Ra	LG	15 " x 7 "	4505A - 544	N/A	R40H618	NR	SP7887S	SP7887S
	Ra	LG	15 " x 7 "	4505A - 544	N/A	R40H618	NR	NR	NR
	Ra	LG	15 " x 7 "	4505A - 544	N/A	R40H618	NR	SP7888S	SP7888S
	Ra	LG	15 " x 7 "	4505A - 544	N/A	R40H618	NR	NR	NR
F050, F055, F060	Fa	KH	14 " x 2-1/2 "	2060 - 361	Discontinued	R40H596	R40H9219	R40H3536	R40H3537
F070	Fa	WG	15 " x 3 "	1245C - 321	R700321	R40H521	R40H9237	R40H3502	R40H3503
	Fa	WG	15 " x 3 "	1245C - 321	R700321	R40H521	R40H9237	R40H3502	R40H3503
	Fd	DN		7141 - D224	MD224 ³⁴⁰	69310693	60050153	NR	NR
F080, F090	Fd	DN		7149 - D236	MD236 ³⁴¹	69310693	R40H5523	NR	NR

9 - 6 Stud, Dayton Rotor, Hat Style
 53 - Power Brakes
 188 - 6 Stud, 9.251" Hub
 www.XpresswayPlus.com

37 - Also available as a New unit
 186 - 10 Stud
 204 - Right Hand; use E-4057 for Left Hand Expander Kits

41 - Aluminum piston
 187 - 6 Stud, 6.443" Hub
 329 - Forward

MERITOR DRUM OR ROTOR NO.	CALIPER OR CYLINDER BORE SIZE	MERITOR CALIPER OR WHEEL CYLINDER (LEFT)	MERITOR CALIPER OR WHEEL CYLINDER (RIGHT)	MERITOR CALIPER OR WHEEL CYLINDER REPAIR KIT	MERITOR CALIPER PISTON	MERITOR MASTER CYLINDER	MERITOR MASTER CYLINDER KIT	MERITOR BRAKE HOSE (LEFT)	MERITOR BRAKE HOSE (RIGHT)
FORD(Cont.)									
LNT700 SERIES: LOUISVILLE 94.4 BBC SHORT CONVENTIONAL CHASSIS CAB, TANDEM AXLE(Cont.)									
N/A	1-1/8 "	R4133714	R4133715	R4166926	NR	-	-	-	-
23-122700-002 ⁹	2-1/2 "	R424244X	R424244X ³⁷	60050266	69270757 ⁴¹	R4111999 ⁵³	R4122386	R4577461	R4577461
23-122691-002 ¹⁸⁸	2-7/8 "	60050145X	60050145X ³⁷	60050146	69270702 ⁴¹	R4111999 ⁵³	R4122386	R4577461	R4577461
23-122703-002 ¹⁸⁶	2-7/8 "	60050145X	60050145X ³⁷	60050146	69270702 ⁴¹	R4111999 ⁵³	R4122386	R4577461	R4577461
N/A	1-1/2 "	R4033607	R4033607	R4166818	NR	-	-	-	-
N/A	1-5/8 "	R4133338	R4133338	R4166689	NR	-	-	-	-
N/A	1-5/8 "	R4133338	R4133338	R4166689	NR	-	-	-	-
N/A	1-3/4 "	R4133400	R4133400	R4166917	NR	-	-	-	-
N/A		R4133714	R4133715	R4166926	NR	N/A ³⁵⁸	R4122688	-	-
N/A		R4133719	R4133718	R4166926	NR	N/A ³⁵⁸	R4122688	-	-
N/A	1-1/4 "	R4133581	R4133581	R4166923	NR	-	-	-	-
N/A	1-1/4 "	R4133720	R4133721	R4166923	NR	-	-	-	-
23-122691-002 ¹⁸⁸	2-7/8 "	60050145X	60050145X ³⁷	60050146	69270702 ⁴¹	R4111999 ⁵³	R4122386	R4577461	R4577461
23-122700-002 ⁹	2-1/2 "	R424244X	R424244X ³⁷	60050266	69270757 ⁴¹	R4111999 ⁵³	R4122386	R4577461	R4577461
23-122703-002 ¹⁸⁶	2-7/8 "	60050145X	60050145X ³⁷	60050146	69270702 ⁴¹	R4111999 ⁵³	R4122386	R4577461	R4577461
23-122743-002 ¹⁸⁷	2-7/8 "	60050145X	60050145X ³⁷	60050146	69270702 ⁴¹	R4111999 ⁵³	R4122386	R4577461	R4577461
N/A	1-5/8 "	201181	201182	SP7895S	NR	-	-	N/A	N/A
N/A	1-5/8 "	201185	201186 ³²⁹	SP7895S	NR	-	-	N/A	N/A
N/A	1-5/8 "	201181	201182	SP7895S	NR	-	-	N/A	N/A
N/A	1-3/4 "	201183X	201184X ³²⁹	SP7873S	NR	-	-	N/A	N/A
N/A	1-3/4 "	201179X	201180X	SP7873S	SP7880S ²⁰⁴	-	-	N/A	N/A
N/A	1-5/8 "	201185	201186 ³²⁹	SP7895S	NR	-	-	N/A	N/A
N/A	1-3/4 "	201179X	201180X	SP7873S	SP7880S ²⁰⁴	-	-	N/A	N/A
N/A	1-3/4 "	201183X	201184X ³²⁹	SP7873S	NR	-	-	N/A	N/A
N/A	1-5/8 "	201185	201186 ³²⁹	SP7895S	NR	-	-	N/A	N/A
N/A	1-5/8 "	201181	201182	SP7895S	NR	-	-	N/A	N/A
N/A	1.09375	R4133484	R4133485	R4166819	NR	-	-	-	-
N/A	1-1/8 "	R4133714	R4133715	R4166926	NR	-	-	-	-
N/A	1-1/8 "	R4133716	R4133717	R4166926	NR	-	-	-	-
23-122700-002 ⁹	2-1/2 "	R424244X	R424244X ³⁷	60050266	69270757 ⁴¹	R4111999 ⁵³	R4122386	R4577461	R4577461
23-122691-002 ¹⁸⁸	2-7/8 "	60050145X	60050145X ³⁷	60050146	69270702 ⁴¹	R4111999 ⁵³	R4122386	R4577461	R4577461
23-122703-002 ¹⁸⁶	2-7/8 "	60050145X	60050145X ³⁷	60050146	69270702 ⁴¹	R4111999 ⁵³	R4122386	R4577461	R4577461
N/A	1-1/2 "	R4033607	R4033607	R4166818	NR	-	-	-	-
N/A	1-5/8 "	R4133338	R4133338	R4166689	NR	-	-	-	-
N/A	1-5/8 "	R4133338	R4133338	R4166689	NR	-	-	-	-
N/A	1-3/4 "	R4133400	R4133400	R4166917	NR	-	-	-	-
N/A		R4133714	R4133715	R4166926	NR	N/A ³⁵⁸	R4122688	-	-
N/A		R4133719	R4133718	R4166926	NR	N/A ³⁵⁸	R4122688	-	-
N/A	1-1/4 "	R4133581	R4133581	R4166923	NR	-	-	-	-
N/A	1-1/4 "	R4133720	R4133721	R4166923	NR	-	-	-	-
23-122703-002 ¹⁸⁶	2-7/8 "	60050145X	60050145X ³⁷	60050146	69270702 ⁴¹	R4111999 ⁵³	R4122386	R4577461	R4577461
23-122691-002 ¹⁸⁸	2-7/8 "	60050145X	60050145X ³⁷	60050146	69270702 ⁴¹	R4111999 ⁵³	R4122386	R4577461	R4577461
23-122743-002 ¹⁸⁷	2-7/8 "	60050145X	60050145X ³⁷	60050146	69270702 ⁴¹	R4111999 ⁵³	R4122386	R4577461	R4577461
23-122700-002 ⁹	2-1/2 "	R424244X	R424244X ³⁷	60050266	69270757 ⁴¹	R4111999 ⁵³	R4122386	R4577461	R4577461
N/A	1-5/8 "	201181	201182	SP7895S	NR	-	-	N/A	N/A
N/A	1-5/8 "	201185	201186 ³²⁹	SP7895S	NR	-	-	N/A	N/A
N/A	1-3/4 "	201183X	201184X ³²⁹	SP7873S	NR	-	-	N/A	N/A
N/A	1-3/4 "	201179X	201180X	SP7873S	SP7880S ²⁰⁴	-	-	N/A	N/A
N/A	1-5/8 "	201185	201186 ³²⁹	SP7895S	NR	-	-	N/A	N/A
N/A	1-5/8 "	201181	201182	SP7895S	NR	-	-	N/A	N/A
N/A	1-3/4 "	201183X	201184X ³²⁹	SP7873S	NR	-	-	N/A	N/A
N/A	1-3/4 "	201179X	201180X	SP7873S	SP7880S ²⁰⁴	-	-	N/A	N/A
N/A	1-5/8 "	201185	201186 ³²⁹	SP7895S	NR	-	-	N/A	N/A
N/A	1-5/8 "	201181	201182	SP7895S	NR	-	-	N/A	N/A
N/A	1.09375	R4133484	R4133485	R4166819	NR	-	-	-	-
N/A	1-1/8 "	R4133714	R4133715	R4166926	NR	-	-	-	-
N/A	1-1/8 "	R4133716	R4133717	R4166926	NR	-	-	-	-
23-122700-002 ⁹	2-1/2 "	R424244X	R424244X ³⁷	60050266	69270757 ⁴¹	R4111999 ⁵³	R4122386	R4577461	R4577461
23-122703-002 ¹⁸⁶	2-7/8 "	60050145X	60050145X ³⁷	60050146	69270702 ⁴¹	R4111999 ⁵³	R4122386	R4577461	R4577461

MAKE MODEL YEAR AXLE CODE AXLE WEIGHT	AXLE & BRK. TYPE	BRK. MFG.	BRAKE SIZE	FMSI	MERITOR DISC PAD OR BRAKE SHOE	MERITOR GUIDE PIN OR RETURN SPRING KIT	MERITOR CALIPER HWD. KIT OR RETURN SPRING KIT	MERITOR ADJUSTER KIT (LEFT WHEEL)	MERITOR ADJUSTER KIT (RIGHT WHEEL)
FORD(Cont.)									
LNT700 SERIES: LOUISVILLE 94.4 BBC SHORT CONVENTIONAL CHASSIS CAB, TANDEM AXLE(Cont.)									
1984									
R170, R175	Fd	DN		7149 - D236	MD236 ³⁴¹	69310693	R40H5523	NR	NR
	Ra	KH	15 " x 5 "	4646 - 400	R700400	R40H595	R40H9220	R40H3538	R40H3539
R185	Ra	WG	15 " x 5 "	1252 - 346	R700346	R40H597	R40H9200	R40H3540	R40H3541
	Ra	WG	15 " x 6 "	4596 - 381	R700381	R40H597	R40H9200	R40H3540	R40H3541
Split System	Ra	WG	15 " x 7 "	4597 - 383	R700383	R40H597	R40H9200	R40H3540	R40H3541
					R700321	R40H521	R40H9237	R40H3502	R40H3503
Split System F090, F120					R700321	R40H521	R40H9237	R40H3502	R40H3503
	Fa	WG	15 " x 3 "	1245C - 321	R700321	R40H521	R40H9237	R40H3502	R40H3503
1983	Fa	WG	15 " x 3 "	1245C - 321	R700321	R40H521	R40H9237	R40H3502	R40H3503
	Ra	LG	15 " x 6 "	4504A - 543	N/A	R40H618	NR	SP7888S	SP7888S
	Ra	LG	15 " x 6 "	4504A - 543	N/A	R40H618	NR	NR	NR
	Ra	LG	15 " x 7 "	4505A - 544	N/A	R40H618	NR	NR	NR
F050, F055, F060	Ra	LG	15 " x 7 "	4505A - 544	N/A	R40H618	NR	SP7888S	SP7888S
	Fa	KH	14 " x 2-1/2 "	2060 - 361	Discontinued	R40H596	R40H9219	R40H3536	R40H3537
F070	Fa	WG	15 " x 3 "	1245C - 321	R700321	R40H521	R40H9237	R40H3502	R40H3503
	Fa	WG	15 " x 3 "	1245C - 321	R700321	R40H521	R40H9237	R40H3502	R40H3503
	Fa	WG	15 " x 3 "	1245C - 321	R700321	R40H521	R40H9237	R40H3502	R40H3503
	Fa	WG	15 " x 3 "	1245C - 321	R700321	R40H521	R40H9237	R40H3502	R40H3503
	Fd	DN		7141 - D224	MD224 ³⁴⁰	69310693	60050153	NR	NR
F080, F090	Fd	DN		7149 - D236	MD236 ³⁴¹	69310693	R40H5523	NR	NR
	Fd	DN		7149 - D236	MD236 ³⁴¹	69310693	R40H5523	NR	NR
F090, F120	Fa	WG	15 " x 3 "	1245C - 321	R700321	R40H521	R40H9237	R40H3502	R40H3503
	Fa	WG	15 " x 3 "	1245C - 321	R700321	R40H521	R40H9237	R40H3502	R40H3503
R170, R175	Ra	KH	15 " x 5 "	4646 - 400	R700400	R40H595	R40H9220	R40H3538	R40H3539
	Ra	WG	15 " x 5 "	1252 - 346	R700346	R40H597	R40H9200	R40H3540	R40H3541
R185	Ra	WG	15 " x 6 "	4596 - 381	R700381	R40H597	R40H9200	R40H3540	R40H3541
	Ra	WG	15 " x 7 "	4597 - 383	R700383	R40H597	R40H9200	R40H3540	R40H3541
1982	Ra	LG	15 " x 6 "	4504A - 543	N/A	R40H618	NR	SP7888S	SP7888S
	Ra	LG	15 " x 6 "	4504A - 543	N/A	R40H618	NR	NR	NR
	Ra	LG	15 " x 7 "	4505A - 544	N/A	R40H618	NR	NR	NR
	Ra	LG	15 " x 7 "	4505A - 544	N/A	R40H618	NR	SP7888S	SP7888S
F050, F055, F060	Fa	KH	14 " x 2-1/2 "	2060 - 361	Discontinued	R40H596	R40H9219	R40H3536	R40H3537
	Fa	WG	15 " x 3 "	1245C - 321	R700321	R40H521	R40H9237	R40H3502	R40H3503
F070	Fa	WG	15 " x 3 "	1245C - 321	R700321	R40H521	R40H9237	R40H3502	R40H3503
	Fa	WG	15 " x 3 "	1245C - 321	R700321	R40H521	R40H9237	R40H3502	R40H3503
	Fa	WG	15 " x 3 "	1245C - 321	R700321	R40H521	R40H9237	R40H3502	R40H3503
	Fa	WG	15 " x 3 "	1245C - 321	R700321	R40H521	R40H9237	R40H3502	R40H3503
	Fd	DN		7141 - D224	MD224 ³⁴⁰	69310693	60050153	NR	NR
F080, F090	Fd	DN		7149 - D236	MD236 ³⁴¹	69310693	R40H5523	NR	NR
	Fd	DN		7149 - D236	MD236 ³⁴¹	69310693	R40H5523	NR	NR
F090, F120	Fa	WG	15 " x 3 "	1245C - 321	R700321	R40H521	R40H9237	R40H3502	R40H3503
	Fa	WG	15 " x 3 "	1245C - 321	R700321	R40H521	R40H9237	R40H3502	R40H3503
R170, R175	Ra	KH	15 " x 5 "	4646 - 400	R700400	R40H595	R40H9220	R40H3538	R40H3539
	Ra	WG	15 " x 5 "	1252 - 346	R700346	R40H597	R40H9200	R40H3540	R40H3541
R185	Ra	WG	15 " x 6 "	4596 - 381	R700381	R40H597	R40H9200	R40H3540	R40H3541
	Ra	WG	15 " x 7 "	4597 - 383	R700383	R40H597	R40H9200	R40H3540	R40H3541
1981	Ra	LG	15 " x 6 "	4504A - 543	N/A	R40H618	NR	NR	NR
	Ra	LG	15 " x 6 "	4504A - 543	N/A	R40H618	NR	SP7888S	SP7888S
	Ra	LG	15 " x 7 "	4505A - 544	N/A	R40H618	NR	SP7888S	SP7888S
	Ra	LG	15 " x 7 "	4505A - 544	N/A	R40H618	NR	NR	NR
F050, F055, F060	Fa	KH	14 " x 2-1/2 "	2060 - 361	Discontinued	R40H596	R40H9219	R40H3536	R40H3537
	Fa	WG	15 " x 3 "	1245C - 321	R700321	R40H521	R40H9237	R40H3502	R40H3503
F070	Fa	WG	15 " x 3 "	1245C - 321	R700321	R40H521	R40H9237	R40H3502	R40H3503
	Fa	WG	15 " x 3 "	1245C - 321	R700321	R40H521	R40H9237	R40H3502	R40H3503
	Fa	WG	15 " x 3 "	1245C - 321	R700321	R40H521	R40H9237	R40H3502	R40H3503
	Fa	WG	15 " x 3 "	1245C - 321	R700321	R40H521	R40H9237	R40H3502	R40H3503
	Fd	DN		7141 - D224	MD224 ³⁴⁰	69310693	60050153	NR	NR
F080, F090	Fd	DN		7149 - D236	MD236 ³⁴¹	69310693	R40H5523	NR	NR
	Fd	DN		7149 - D236	MD236 ³⁴¹	69310693	R40H5523	NR	NR
F090, F120	Fa	WG	15 " x 3 "	1245C - 321	R700321	R40H521	R40H9237	R40H3502	R40H3503
	Fa	WG	15 " x 3 "	1245C - 321	R700321	R40H521	R40H9237	R40H3502	R40H3503

9 - 6 Stud, Dayton Rotor, Hat Style
 53 - Power Brakes
 214 - Power Brakes, Split System
 www.XpresswayPlus.com

37 - Also available as a New unit
 186 - 10 Stud
 219 - Power Brakes, Gasoline Engine with Vacuum Booster

41 - Aluminum piston
 188 - 6 Stud, 9.251" Hub
 329 - Forward

MERITOR DRUM OR ROTOR NO.	CALIPER OR CYLINDER BORE SIZE	MERITOR CALIPER OR WHEEL CYLINDER (LEFT)	MERITOR CALIPER OR WHEEL CYLINDER (RIGHT)	MERITOR CALIPER OR WHEEL CYLINDER REPAIR KIT	MERITOR CALIPER PISTON	MERITOR MASTER CYLINDER	MERITOR MASTER CYLINDER KIT	MERITOR BRAKE HOSE (LEFT)	MERITOR BRAKE HOSE (RIGHT)
FORD(Cont.)									
LNT700 SERIES: LOUISVILLE 94.4 BBC SHORT CONVENTIONAL CHASSIS CAB, TANDEM AXLE(Cont.)									
23-122691-002 ¹⁸⁸	2-7/8 "	60050145X	60050145X ³⁷	60050146	69270702 ⁴¹	R4111999 ⁵³	R4122386	R4577461	R4577461
N/A	1-1/2 "	R4033607	R4033607	R4166818	NR	-	-	-	-
N/A	1-5/8 "	R4133338	R4133338	R4166689	NR	-	-	-	-
N/A	1-5/8 "	R4133338	R4133338	R4166689	NR	-	-	-	-
N/A	1-3/4 "	R4133400	R4133400	R4166917	NR	-	-	-	-
N/A		R4133719	R4133718	R4166926	NR	N/A ³⁵⁸	R4122688	-	-
N/A		R4133714	R4133715	R4166926	NR	N/A ³⁵⁸	R4122688	-	-
N/A	1-1/4 "	R4133581	R4133581	R4166923	NR	-	-	-	-
N/A	1-1/4 "	R4133720	R4133721	R4166923	NR	-	-	-	-
N/A	1-5/8 "	201185	201186 ³²⁹	SP7895S	NR	-	-	R4577147	R4577147
N/A	1-5/8 "	201181	201182	SP7895S	NR	-	-	R4577147	R4577147
N/A	1-5/8 "	201181	201182	SP7895S	NR	-	-	R4577147	R4577147
N/A	1-5/8 "	201185	201186 ³²⁹	SP7895S	NR	-	-	R4577147	R4577147
N/A	1.09375	R4133484	R4133485	R4166819	NR	R4111629 ⁵³	R4122484	R4577460	R4577460
N/A	1-1/8 "	R4133719	R4133718	R4166926	NR	R4111992 ²¹⁴	R4122386	R4577452	R4577453
N/A	1-1/8 "	R4133714	R4133715	R4166926	NR	R4111911 ²¹⁹	R4122387	R4577454	R4577455
N/A	1-1/8 "	R4133716	R4133717	R4166926	NR	R4111911 ²¹⁹	R4122387	R4577454	R4577455
N/A	1-1/8 "	R4133714	R4133715	R4166926	NR	R4111992 ²¹⁴	R4122386	R4577452	R4577453
23-122700-002 ⁹	2-1/2 "	R424244X	R424244X ³⁷	60050266	69270757 ⁴¹	R4111992 ²¹⁴	R4122386	R4577452	R4577453
23-122691-002 ¹⁸⁸	2-7/8 "	60050145X	60050145X ³⁷	60050146	69270702 ⁴¹	R4111992 ²¹⁴	R4122386	R4577452	R4577453
23-122703-002 ¹⁸⁶	2-7/8 "	60050145X	60050145X ³⁷	60050146	69270702 ⁴¹	R4111992 ²¹⁴	R4122386	R4577452	R4577453
N/A	1-1/4 "	R4133581	R4133581	R4166923	NR	R4111992 ²¹⁴	R4122386	R4577452	R4577453
N/A	1-1/4 "	R4133720	R4133721	R4166923	NR	R4111992 ²¹⁴	R4122386	R4577452	R4577453
N/A	1-1/2 "	R4033607	R4033607	R4166818	NR	-	-	R4577147	R4577147
N/A	1-5/8 "	R4133338	R4133338	R4166689	NR	-	-	R4577147	R4577147
N/A	1-5/8 "	R4133338	R4133338	R4166689	NR	-	-	R4577147	R4577147
N/A	1-3/4 "	R4133400	R4133400	R4166917	NR	-	-	R4577147	R4577147
N/A	1-5/8 "	201185	201186 ³²⁹	SP7895S	NR	-	-	R4577147	R4577147
N/A	1-5/8 "	201181	201182	SP7895S	NR	-	-	R4577147	R4577147
N/A	1-5/8 "	201181	201182	SP7895S	NR	-	-	R4577147	R4577147
N/A	1-5/8 "	201185	201186 ³²⁹	SP7895S	NR	-	-	R4577147	R4577147
N/A	1.09375	R4133484	R4133485	R4166819	NR	R4111629 ⁵³	R4122484	R4577460	R4577460
N/A	1-1/8 "	R4133714	R4133715	R4166926	NR	R4111911 ²¹⁹	R4122387	R4577454	R4577455
N/A	1-1/8 "	R4133719	R4133718	R4166926	NR	R4111992 ²¹⁴	R4122386	R4577452	R4577453
N/A	1-1/8 "	R4133714	R4133715	R4166926	NR	R4111992 ²¹⁴	R4122386	R4577452	R4577453
N/A	1-1/8 "	R4133716	R4133717	R4166926	NR	R4111911 ²¹⁹	R4122387	R4577454	R4577455
23-122700-002 ⁹	2-1/2 "	R424244X	R424244X ³⁷	60050266	69270757 ⁴¹	R4111992 ²¹⁴	R4122386	R4577452	R4577453
23-122691-002 ¹⁸⁸	2-7/8 "	60050145X	60050145X ³⁷	60050146	69270702 ⁴¹	R4111992 ²¹⁴	R4122386	R4577452	R4577453
23-122703-002 ¹⁸⁶	2-7/8 "	60050145X	60050145X ³⁷	60050146	69270702 ⁴¹	R4111992 ²¹⁴	R4122386	R4577452	R4577453
N/A	1-1/4 "	R4133720	R4133721	R4166923	NR	R4111992 ²¹⁴	R4122386	R4577452	R4577453
N/A	1-1/4 "	R4133581	R4133581	R4166923	NR	R4111992 ²¹⁴	R4122386	R4577452	R4577453
N/A	1-1/2 "	R4033607	R4033607	R4166818	NR	-	-	R4577147	R4577147
N/A	1-5/8 "	R4133338	R4133338	R4166689	NR	-	-	R4577147	R4577147
N/A	1-5/8 "	R4133338	R4133338	R4166689	NR	-	-	R4577147	R4577147
N/A	1-3/4 "	R4133400	R4133400	R4166917	NR	-	-	R4577147	R4577147
N/A	1-5/8 "	201181	201182	SP7895S	NR	-	-	R4577147	R4577147
N/A	1-5/8 "	201185	201186 ³²⁹	SP7895S	NR	-	-	R4577147	R4577147
N/A	1-5/8 "	201185	201186 ³²⁹	SP7895S	NR	-	-	R4577147	R4577147
N/A	1-5/8 "	201181	201182	SP7895S	NR	-	-	R4577147	R4577147
N/A	1.09375	R4133484	R4133485	R4166819	NR	R4111629 ⁵³	R4122484	R4577460	R4577460
N/A	1-1/8 "	R4133719	R4133718	R4166926	NR	R4111992 ²¹⁴	R4122386	R4577452	R4577453
N/A	1-1/8 "	R4133714	R4133715	R4166926	NR	R4111992 ²¹⁴	R4122386	R4577452	R4577453
N/A	1-1/8 "	R4133716	R4133717	R4166926	NR	R4111911 ²¹⁹	R4122387	R4577454	R4577455
N/A	1-1/8 "	R4133714	R4133715	R4166926	NR	R4111911 ²¹⁹	R4122387	R4577454	R4577455
23-122700-002 ⁹	2-1/2 "	R424244X	R424244X ³⁷	60050266	69270757 ⁴¹	R4111992 ²¹⁴	R4122386	R4577452	R4577453
23-122691-002 ¹⁸⁸	2-7/8 "	60050145X	60050145X ³⁷	60050146	69270702 ⁴¹	R4111992 ²¹⁴	R4122386	R4577452	R4577453
23-122703-002 ¹⁸⁶	2-7/8 "	60050145X	60050145X ³⁷	60050146	69270702 ⁴¹	R4111992 ²¹⁴	R4122386	R4577452	R4577453
N/A	1-1/4 "	R4133720	R4133721	R4166923	NR	R4111992 ²¹⁴	R4122386	R4577452	R4577453
N/A	1-1/4 "	R4133581	R4133581	R4166923	NR	R4111992 ²¹⁴	R4122386	R4577452	R4577453

340 - Use 69160457 for Disc Pad Retainer Clip

341 - Use 69160445 for Disc Pad Retainer Clip

358 - Split System

MAKE MODEL YEAR AXLE CODE AXLE WEIGHT	AXLE & BRK. TYPE	BRK. MFG.	BRAKE SIZE	FMSI	MERITOR DISC PAD OR BRAKE SHOE	MERITOR GUIDE PIN OR RETURN SPRING KIT	MERITOR CALIPER HWD. KIT OR RETURN SPRING KIT	MERITOR ADJUSTER KIT (LEFT WHEEL)	MERITOR ADJUSTER KIT (RIGHT WHEEL)
FORD(Cont.)									
LNT700 SERIES: LOUISVILLE 94.4 BBC SHORT CONVENTIONAL CHASSIS CAB, TANDEM AXLE(Cont.)									
1981 R170, R175	Ra Ra	KH WG	15" x 5" 15" x 5"	4646 - 400 1252 - 346	R700400 R700346	R40H595 R40H597	R40H9220 R40H9200	R40H3538 R40H3540	R40H3539 R40H3541
R185	Ra Ra	WG WG	15" x 6" 15" x 7"	4596 - 381 4597 - 383	R700381 R700383	R40H597 R40H597	R40H9200 R40H9200	R40H3540 R40H3540	R40H3541 R40H3541
1980	Ra Ra Ra Ra	LG LG LG LG	15" x 6" 15" x 6" 15" x 7" 15" x 7"	4504A - 543 4504A - 543 4505A - 544 4505A - 544	N/A N/A N/A N/A	R40H618 R40H618 R40H618 R40H618	NR NR NR NR	NR SP7888S SP7888S NR	NR SP7888S SP7888S NR
F050, F055, F060	Fa	KH	14" x 2-1/2"	2060 - 361	Discontinued	R40H596	R40H9219	R40H3536	R40H3537
F070	Fa Fa Fa Fa	WG WG WG WG	15" x 3" 15" x 3" 15" x 3" 15" x 3"	1245C - 321 1245C - 321 1245C - 321 1245C - 321	R700321 R700321 R700321 R700321	R40H521 R40H521 R40H521 R40H521	R40H9237 R40H9237 R40H9237 R40H9237	R40H3502 R40H3502 R40H3502 R40H3502	R40H3503 R40H3503 R40H3503 R40H3503
	Fd	DN		7141 - D224	MD224 ³⁴⁰	69310693	60050153	NR	NR
F080, F090	Fd Fd	DN DN		7149 - D236 7149 - D236	MD236 ³⁴¹ MD236 ³⁴¹	69310693 69310693	R40H5523 R40H5523	NR NR	NR NR
F090, F120	Fa Fa	WG WG	15" x 3" 15" x 3"	1245C - 321 1245C - 321	R700321 R700321	R40H521 R40H521	R40H9237 R40H9237	R40H3502 R40H3502	R40H3503 R40H3503
R170, R175	Ra Ra	KH WG	15" x 5" 15" x 5"	4646 - 400 1252 - 346	R700400 R700346	R40H595 R40H597	R40H9220 R40H9200	R40H3538 R40H3540	R40H3539 R40H3541
R185	Ra Ra	WG WG	15" x 6" 15" x 7"	4596 - 381 4597 - 383	R700381 R700383	R40H597 R40H597	R40H9200 R40H9200	R40H3540 R40H3540	R40H3541 R40H3541
1979 F050, F055, F060	Fa	KH	14" x 2-1/2"	2060 - 361	Discontinued	R40H596	R40H9219	R40H3536	R40H3537
F070	Fa Fa Fd	WG WG DN	15" x 3" 15" x 3" 15" x 3"	1245C - 321 1245C - 321 7141 - D224	R700321 R700321 MD224 ³⁴⁰	R40H521 R40H521 69310693	R40H9237 R40H9237 60050153	R40H3502 R40H3502 NR	R40H3503 R40H3503 NR
F080, F090	Fd Fd	DN DN		7149 - D236 7149 - D236	MD236 ³⁴¹ MD236 ³⁴¹	69310693 69310693	R40H5523 R40H5523	NR NR	NR NR
R170, R175	Ra Ra	KH WG	15" x 5" 15" x 5"	4646 - 400 1252 - 346	R700400 R700346	R40H595 R40H597	R40H9220 R40H9200	R40H3538 R40H3540	R40H3539 R40H3541
R185	Ra Ra	WG WG	15" x 6" 15" x 7"	4596 - 381 4597 - 383	R700381 R700383	R40H597 R40H597	R40H9200 R40H9200	R40H3540 R40H3540	R40H3541 R40H3541
Split System					R700321 R700321	R40H521 R40H521	R40H9237 R40H9237	R40H3502 R40H3502	R40H3503 R40H3503
Split System F090, F120	Fa Fa	WG WG	15" x 3" 15" x 3"	1245C - 321 1245C - 321	R700321 R700321	R40H521 R40H521	R40H9237 R40H9237	R40H3502 R40H3502	R40H3503 R40H3503
1978 F050, F055, F060	Fa	KH	14" x 2-1/2"	2060 - 361	Discontinued	R40H596	R40H9219	R40H3536	R40H3537
F070	Fa Fa Fd	WG WG DN	15" x 3" 15" x 3" 15" x 3"	1245C - 321 1245C - 321 7141 - D224	R700321 R700321 MD224 ³⁴⁰	R40H521 R40H521 69310693	R40H9237 R40H9237 60050153	R40H3502 R40H3502 NR	R40H3503 R40H3503 NR
F080, F090	Fd Fd	DN DN		7149 - D236 7149 - D236	MD236 ³⁴¹ MD236 ³⁴¹	69310693 69310693	R40H5523 R40H5523	NR NR	NR NR
R170, R175	Ra Ra	KH WG	15" x 5" 15" x 5"	4646 - 400 1252 - 346	R700400 R700346	R40H595 R40H597	R40H9220 R40H9200	R40H3538 R40H3540	R40H3539 R40H3541
R185	Ra Ra	WG WG	15" x 6" 15" x 7"	4596 - 381 4597 - 383	R700381 R700383	R40H597 R40H597	R40H9200 R40H9200	R40H3540 R40H3540	R40H3541 R40H3541
Split System					R700321 R700321	R40H521 R40H521	R40H9237 R40H9237	R40H3502 R40H3502	R40H3503 R40H3503
Split System F090, F120	Fa Fa	WG WG	15" x 3" 15" x 3"	1245C - 321 1245C - 321	R700321 R700321	R40H521 R40H521	R40H9237 R40H9237	R40H3502 R40H3502	R40H3503 R40H3503
1977 F050, F055, F060	Fa Fa	KH KH	14" x 2-1/2" 14" x 2-1/2"	2060 - 361 2060 - 361	Discontinued Discontinued	R40H596 R40H596	R40H9219 R40H9219	R40H3536 R40H3536	R40H3537 R40H3537
F070	Fa Fa Fa Fa Fa	WG WG WG WG WG	15" x 3" 15" x 3" 15" x 3" 15" x 3" 15" x 3"	1245C - 321 1245C - 321 1245C - 321 1245C - 321 1245C - 321	R700321 R700321 R700321 R700321 R700321	R40H521 R40H521 R40H521 R40H521 R40H521	R40H9237 R40H9237 R40H9237 R40H9237 R40H9237	R40H3502 R40H3502 R40H3502 R40H3502 R40H3502	R40H3503 R40H3503 R40H3503 R40H3503 R40H3503

9 - 6 Stud, Dayton Rotor, Hat Style
53 - Power Brakes
214 - Power Brakes, Split System
www.XpresswayPlus.com

37 - Also available as a New unit
186 - 10 Stud
219 - Power Brakes, Gasoline Engine with Vacuum Booster

41 - Aluminum piston
188 - 6 Stud, 9.251" Hub
329 - Forward

MERITOR DRUM OR ROTOR NO.	CALIPER OR CYLINDER BORE SIZE	MERITOR CALIPER OR WHEEL CYLINDER (LEFT)	MERITOR CALIPER OR WHEEL CYLINDER (RIGHT)	MERITOR CALIPER OR WHEEL CYLINDER REPAIR KIT	MERITOR CALIPER PISTON	MERITOR MASTER CYLINDER	MERITOR MASTER CYLINDER KIT	MERITOR BRAKE HOSE (LEFT)	MERITOR BRAKE HOSE (RIGHT)
FORD(Cont.)									
LNT700 SERIES: LOUISVILLE 94.4 BBC SHORT CONVENTIONAL CHASSIS CAB, TANDEM AXLE(Cont.)									
N/A	1-1/2 "	R4033607	R4033607	R4166818	NR	-	-	R4577147	R4577147
N/A	1-5/8 "	R4133338	R4133338	R4166689	NR	-	-	R4577147	R4577147
N/A	1-5/8 "	R4133338	R4133338	R4166689	NR	-	-	R4577147	R4577147
N/A	1-3/4 "	R4133400	R4133400	R4166917	NR	-	-	R4577147	R4577147
N/A	1-5/8 "	201181	201182	SP7895S	NR	-	-	R4577147	R4577147
N/A	1-5/8 "	201185	201186 ³²⁹	SP7895S	NR	-	-	R4577147	R4577147
N/A	1-5/8 "	201185	201186 ³²⁹	SP7895S	NR	-	-	R4577147	R4577147
N/A	1-5/8 "	201181	201182	SP7895S	NR	-	-	R4577147	R4577147
N/A	1.09375	R4133484	R4133485	R4166819	NR	R4111629 ⁵³	R4122484	R4577460	R4577460
N/A	1-1/8 "	R4133719	R4133718	R4166926	NR	R4111992 ²¹⁴	R4122386	R4577452	R4577453
N/A	1-1/8 "	R4133714	R4133715	R4166926	NR	R4111911 ²¹⁹	R4122387	R4577454	R4577455
N/A	1-1/8 "	R4133716	R4133717	R4166926	NR	R4111911 ²¹⁹	R4122387	R4577454	R4577455
N/A	1-1/8 "	R4133714	R4133715	R4166926	NR	R4111992 ²¹⁴	R4122386	R4577452	R4577453
23-122700-002 ⁹	2-1/2 "	R424244X	R424244X ³⁷	60050266	6927075 ⁴¹	R4111992 ²¹⁴	R4122386	R4577452	R4577453
23-122703-002 ¹⁸⁶	2-7/8 "	60050145X	60050145X ³⁷	60050146	69270702 ⁴¹	R4111992 ²¹⁴	R4122386	R4577452	R4577453
23-122691-002 ¹⁸⁸	2-7/8 "	60050145X	60050145X ³⁷	60050146	69270702 ⁴¹	R4111992 ²¹⁴	R4122386	R4577452	R4577453
N/A	1-1/4 "	R4133720	R4133721	R4166923	NR	R4111992 ²¹⁴	R4122386	R4577452	R4577453
N/A	1-1/4 "	R4133581	R4133581	R4166923	NR	R4111992 ²¹⁴	R4122386	R4577452	R4577453
N/A	1-1/2 "	R4033607	R4033607	R4166818	NR	-	-	R4577147	R4577147
N/A	1-5/8 "	R4133338	R4133338	R4166689	NR	-	-	R4577147	R4577147
N/A	1-5/8 "	R4133338	R4133338	R4166689	NR	-	-	R4577147	R4577147
N/A	1-3/4 "	R4133400	R4133400	R4166917	NR	-	-	R4577147	R4577147
N/A	1.09375	R4133484	R4133485	R4166819	NR	-	-	-	-
N/A	1-1/8 "	R4133716	R4133717	R4166926	NR	-	-	-	-
N/A	1-1/8 "	R4133714	R4133715	R4166926	NR	-	-	-	-
23-122700-002 ⁹	2-1/2 "	R424244X	R424244X ³⁷	60050266	6927075 ⁴¹	-	-	-	-
23-122703-002 ¹⁸⁶	2-7/8 "	60050145X	60050145X ³⁷	60050146	69270702 ⁴¹	-	-	-	-
23-122691-002 ¹⁸⁸	2-7/8 "	60050145X	60050145X ³⁷	60050146	69270702 ⁴¹	-	-	-	-
N/A	1-1/2 "	R4033607	R4033607	R4166818	NR	-	-	-	-
N/A	1-5/8 "	R4133338	R4133338	R4166689	NR	-	-	-	-
N/A	1-5/8 "	R4133338	R4133338	R4166689	NR	-	-	-	-
N/A	1-3/4 "	R4133400	R4133400	R4166917	NR	-	-	-	-
N/A		R4133719	R4133718	R4166926	NR	N/A ³⁵⁸	R4122688	-	-
N/A		R4133714	R4133715	R4166926	NR	N/A ³⁵⁸	R4122688	-	-
N/A	1-1/4 "	R4133720	R4133721	R4166923	NR	-	-	-	-
N/A	1-1/4 "	R4133581	R4133581	R4166923	NR	-	-	-	-
N/A	1.09375	R4133484	R4133485	R4166819	NR	-	-	-	-
N/A	1-1/8 "	R4133716	R4133717	R4166926	NR	-	-	-	-
N/A	1-1/8 "	R4133714	R4133715	R4166926	NR	-	-	-	-
23-122700-002 ⁹	2-1/2 "	R424244X	R424244X ³⁷	60050266	6927075 ⁴¹	-	-	-	-
23-122691-002 ¹⁸⁸	2-7/8 "	60050145X	60050145X ³⁷	60050146	69270702 ⁴¹	-	-	-	-
23-122703-002 ¹⁸⁶	2-7/8 "	60050145X	60050145X ³⁷	60050146	69270702 ⁴¹	-	-	-	-
N/A	1-1/2 "	R4033607	R4033607	R4166818	NR	-	-	-	-
N/A	1-5/8 "	R4133338	R4133338	R4166689	NR	-	-	-	-
N/A	1-5/8 "	R4133338	R4133338	R4166689	NR	-	-	-	-
N/A	1-3/4 "	R4133400	R4133400	R4166917	NR	-	-	-	-
N/A		R4133714	R4133715	R4166926	NR	N/A ³⁵⁸	R4122688	-	-
N/A		R4133719	R4133718	R4166926	NR	N/A ³⁵⁸	R4122688	-	-
N/A	1-1/4 "	R4133720	R4133721	R4166923	NR	-	-	-	-
N/A	1-1/4 "	R4133581	R4133581	R4166923	NR	-	-	-	-
-	1.09375	R4133484	R4133485	R4166819	NR	-	-	-	-
-	1.09375	R4133484	R4133485	R4166819	NR	-	-	-	-
-	1-1/8 "	R4133714	R4133715	R4166926	NR	N/A ³⁵⁸	R4122688	-	-
-	1-1/8 "	R4133714	R4133715	R4166926	NR	-	-	-	-
-	1-1/8 "	R4133716	R4133717	R4166926	NR	-	-	-	-
-	1-1/8 "	R4133714	R4133715	R4166926	NR	N/A ³⁵⁸	R4122688	-	-
-	1-1/8 "	R4133719	R4133718	R4166926	NR	N/A ³⁵⁸	R4122688	-	-

340 - Use 69160457 for Disc Pad Retainer Clip

341 - Use 69160445 for Disc Pad Retainer Clip

358 - Split System

MAKE MODEL YEAR AXLE CODE AXLE WEIGHT	AXLE & BRK. TYPE	BRK. MFG.	BRAKE SIZE	FMSI	MERITOR DISC PAD OR BRAKE SHOE	MERITOR GUIDE PIN OR RETURN SPRING KIT	MERITOR CALIPER HWD. KIT OR RETURN SPRING KIT	MERITOR ADJUSTER KIT (LEFT WHEEL)	MERITOR ADJUSTER KIT (RIGHT WHEEL)
FORD(Cont.)									
LNT700 SERIES: LOUISVILLE 94.4 BBC SHORT CONVENTIONAL CHASSIS CAB, TANDEM AXLE(Cont.)									
1977	Fa	WG	15" x 3"	1245C - 321	R700321	R40H521	R40H9237	R40H3502	R40H3503
	Fa	WG	15" x 3"	1245C - 321	R700321	R40H521	R40H9237	R40H3502	R40H3503
	Fa	WG	15" x 3"	1245C - 321	R700321	R40H521	R40H9237	R40H3502	R40H3503
	Fd	DN		7141 - D224	MD224 ³⁴⁰	69310693	60050153	NR	NR
F080, F090	Fd	DN		7149 - D236	MD236 ³⁴¹	69310693	R40H5523	NR	NR
	Fd	DN		7149 - D236	MD236 ³⁴¹	69310693	R40H5523	NR	NR
F090, F120	Fa	WG	15" x 3"	1245C - 321	R700321	R40H521	R40H9237	R40H3502	R40H3503
	Fa	WG	15" x 3"	1245C - 321	R700321	R40H521	R40H9237	R40H3502	R40H3503
	Fa	WG	15" x 3"	1245C - 321	R700321	R40H521	R40H9237	R40H3502	R40H3503
	Fa	WG	15" x 3"	1245C - 321	R700321	R40H521	R40H9237	R40H3502	R40H3503
R170, R175	Ra	KH	15" x 5"	4646 - 400	R700400	R40H595	R40H9220	R40H3538	R40H3539
	Ra	KH	15" x 5"	4646 - 400	R700400	R40H595	R40H9220	R40H3538	R40H3539
	Ra	KH	15" x 5"	4646 - 400	R700400	R40H595	R40H9220	R40H3538	R40H3539
	Ra	WG	15" x 5"	1252 - 346	R700346	R40H597	R40H9200	R40H3540	R40H3541
	Ra	WG	15" x 5"	1252 - 346	R700346	R40H597	R40H9200	R40H3540	R40H3541
R185	Ra	WG	15" x 6"	4596 - 381	R700381	R40H597	R40H9200	R40H3540	R40H3541
	Ra	WG	15" x 6"	4596 - 381	R700381	R40H597	R40H9200	R40H3540	R40H3541
	Ra	WG	15" x 7"	4597 - 383	R700383	R40H597	R40H9200	R40H3540	R40H3541
	Ra	WG	15" x 7"	4597 - 383	R700383	R40H597	R40H9200	R40H3540	R40H3541
1976 F050, F055, F060	Fa	KH	14" x 2-1/2"	2060 - 361	Discontinued	R40H596	R40H9219	R40H3536	R40H3537
	Fa	KH	14" x 2-1/2"	2060 - 361	Discontinued	R40H596	R40H9219	R40H3536	R40H3537
F070	Fd	DN		7141 - D224	MD224 ³⁴⁰	69310693	60050153	NR	NR
F080, F090	Fd	DN		7149 - D236	MD236 ³⁴¹	69310693	R40H5523	NR	NR
	Fd	DN		7149 - D236	MD236 ³⁴¹	69310693	R40H5523	NR	NR
R170, R175	Ra	KH	15" x 5"	4646 - 400	R700400	R40H595	R40H9220	R40H3538	R40H3539
	Ra	KH	15" x 5"	4646 - 400	R700400	R40H595	R40H9220	R40H3538	R40H3539
	Ra	KH	15" x 5"	4646 - 400	R700400	R40H595	R40H9220	R40H3538	R40H3539
	Ra	WG	15" x 5"	1252 - 346	R700346	R40H597	R40H9200	R40H3540	R40H3541
	Ra	WG	15" x 5"	1252 - 346	R700346	R40H597	R40H9200	R40H3540	R40H3541
R185	Ra	WG	15" x 6"	4596 - 381	R700381	R40H597	R40H9200	R40H3540	R40H3541
	Ra	WG	15" x 6"	4596 - 381	R700381	R40H597	R40H9200	R40H3540	R40H3541
	Ra	WG	15" x 7"	4597 - 383	R700383	R40H597	R40H9200	R40H3540	R40H3541
	Ra	WG	15" x 7"	4597 - 383	R700383	R40H597	R40H9200	R40H3540	R40H3541
Single System F070	Fa	WG	15" x 3"	1245C - 321	R700321	R40H521	R40H9237	R40H3502	R40H3503
	Fa	WG	15" x 3"	1245C - 321	R700321	R40H521	R40H9237	R40H3502	R40H3503
	Fa	WG	15" x 3"	1245C - 321	R700321	R40H521	R40H9237	R40H3502	R40H3503
	Fa	WG	15" x 3"	1245C - 321	R700321	R40H521	R40H9237	R40H3502	R40H3503
Split System F070	Fa	WG	15" x 3"	1245C - 321	R700321	R40H521	R40H9237	R40H3502	R40H3503
	Fa	WG	15" x 3"	1245C - 321	R700321	R40H521	R40H9237	R40H3502	R40H3503
	Fa	WG	15" x 3"	1245C - 321	R700321	R40H521	R40H9237	R40H3502	R40H3503
	Fa	WG	15" x 3"	1245C - 321	R700321	R40H521	R40H9237	R40H3502	R40H3503
Split System F090, F120	Fa	WG	15" x 3"	1245C - 321	R700321	R40H521	R40H9237	R40H3502	R40H3503
	Fa	WG	15" x 3"	1245C - 321	R700321	R40H521	R40H9237	R40H3502	R40H3503
	Fa	WG	15" x 3"	1245C - 321	R700321	R40H521	R40H9237	R40H3502	R40H3503
	Fa	WG	15" x 3"	1245C - 321	R700321	R40H521	R40H9237	R40H3502	R40H3503
1975 F050, F055, F060	Fa	KH	14" x 2-1/2"	2060 - 361	Discontinued	R40H596	R40H9219	R40H3536	R40H3537
	Fa	KH	14" x 2-1/2"	2060 - 361	Discontinued	R40H596	R40H9219	R40H3536	R40H3537
F070	Fd	DN		7141 - D224	MD224 ³⁴⁰	69310693	60050153	NR	NR
F080, F090	Fd	DN		7149 - D236	MD236 ³⁴¹	69310693	R40H5523	NR	NR
	Fd	DN		7149 - D236	MD236 ³⁴¹	69310693	R40H5523	NR	NR
R170, R175	Ra	KH	15" x 5"	4646 - 400	R700400	R40H595	R40H9220	R40H3538	R40H3539
	Ra	KH	15" x 5"	4646 - 400	R700400	R40H595	R40H9220	R40H3538	R40H3539
	Ra	KH	15" x 5"	4646 - 400	R700400	R40H595	R40H9220	R40H3538	R40H3539
	Ra	WG	15" x 5"	1252 - 346	R700346	R40H597	R40H9200	R40H3540	R40H3541
	Ra	WG	15" x 5"	1252 - 346	R700346	R40H597	R40H9200	R40H3540	R40H3541
R185	Ra	WG	15" x 6"	4596 - 381	R700381	R40H597	R40H9200	R40H3540	R40H3541
	Ra	WG	15" x 6"	4596 - 381	R700381	R40H597	R40H9200	R40H3540	R40H3541
	Ra	WG	15" x 7"	4597 - 383	R700383	R40H597	R40H9200	R40H3540	R40H3541
	Ra	WG	15" x 7"	4597 - 383	R700383	R40H597	R40H9200	R40H3540	R40H3541

9 - 6 Stud, Dayton Rotor, Hat Style
 42 - 6 Stud, Dayton Rotor, "U" Style
 341 - Use 69160445 for Disc Pad Retainer Clip
 www.XpresswayPlus.com

37 - Also available as a New unit
 186 - 10 Stud
 358 - Split System

41 - Aluminum piston
 340 - Use 69160457 for Disc Pad Retainer Clip

MERITOR DRUM OR ROTOR NO.	CALIPER OR CYLINDER BORE SIZE	MERITOR CALIPER OR WHEEL CYLINDER (LEFT)	MERITOR CALIPER OR WHEEL CYLINDER (RIGHT)	MERITOR CALIPER OR WHEEL CYLINDER REPAIR KIT	MERITOR CALIPER PISTON	MERITOR MASTER CYLINDER	MERITOR MASTER CYLINDER KIT	MERITOR BRAKE HOSE (LEFT)	MERITOR BRAKE HOSE (RIGHT)
FORD(Cont.)									
LNT700 SERIES: LOUISVILLE 94.4 BBC SHORT CONVENTIONAL CHASSIS CAB, TANDEM AXLE(Cont.)									
-	1-1/8 "	R4133716	R4133717	R4166926	NR	-	-	-	-
-	1-1/8 "	R4133714	R4133715	R4166926	NR	-	-	-	-
-	1-1/8 "	R4133719	R4133718	R4166926	NR	N/A ³⁵⁸	R4122688	-	-
23-122700-002 ⁹	2-1/2 "	R424244X	R424244X ³⁷	60050266	69270757 ⁴¹	-	-	-	-
23-122703-002 ¹⁸⁶	2-7/8 "	60050145X	60050145X ³⁷	60050146	69270702 ⁴¹	-	-	-	-
23-122691-002 ⁴²	2-7/8 "	60050145X	60050145X ³⁷	60050146	69270702 ⁴¹	-	-	-	-
-	1-1/4 "	R4133581	R4133582	R4166923	NR	-	-	-	-
-	1-1/4 "	R4133720	R4133721	R4166923	NR	-	-	-	-
-	1-1/4 "	R4133720	R4133721	R4166923	NR	-	-	-	-
-	1-1/4 "	R4133581	R4133581	R4166923	NR	-	-	-	-
-	1-1/2 "	R4033607	R4033607	R4166818	NR	-	-	-	-
-	1-1/2 "	R4033607	R4033607	R4166818	NR	-	-	-	-
-	1-5/8 "	R4133606	R4133606	R415193	NR	-	-	-	-
-	1-5/8 "	R4133338	R4133338	R4166689	NR	-	-	-	-
-	1-5/8 "	R4133338	R4133338	R4166689	NR	-	-	-	-
-	1-5/8 "	R4133338	R4133338	R4166689	NR	-	-	-	-
-	1-5/8 "	R4133338	R4133338	R4166689	NR	-	-	-	-
-	1-3/4 "	R4133400	R4133400	R4166917	NR	-	-	-	-
-	1-3/4 "	R4133400	R4133400	R4166917	NR	-	-	-	-
-	1.09375	R4133484	R4133485	R4166819	NR	-	-	-	-
-	1.09375	R4133484	R4133485	R4166819	NR	-	-	-	-
23-122700-002 ⁹	2-1/2 "	R424244X	R424244X ³⁷	60050266	69270757 ⁴¹	-	-	-	-
23-122691-002 ⁴²	2-7/8 "	60050145X	60050145X ³⁷	60050146	69270702 ⁴¹	-	-	-	-
23-122703-002 ¹⁸⁶	2-7/8 "	60050145X	60050145X ³⁷	60050146	69270702 ⁴¹	-	-	-	-
-	1-1/2 "	R4033607	R4033607	R4166818	NR	-	-	-	-
-	1-5/8 "	R4133606	R4133606	R415193	NR	-	-	-	-
-	1-1/2 "	R4033607	R4033607	R4166818	NR	-	-	-	-
-	1-5/8 "	R4133338	R4133338	R4166689	NR	-	-	-	-
-	1-5/8 "	R4133338	R4133338	R4166689	NR	-	-	-	-
-	1-5/8 "	R4133338	R4133338	R4166689	NR	-	-	-	-
-	1-5/8 "	R4133338	R4133338	R4166689	NR	-	-	-	-
-	1-3/4 "	R4133400	R4133400	R4166917	NR	-	-	-	-
-	1-3/4 "	R4133400	R4133400	R4166917	NR	-	-	-	-
-	1-1/8 "	R4133714	R4133715	R4166926	NR	-	-	-	-
-	1-1/8 "	R4133714	R4133715	R4166926	NR	-	-	-	-
-	1-1/8 "	R4133716	R4133717	R4166926	NR	-	-	-	-
-	1-1/8 "	R4133716	R4133717	R4166926	NR	-	-	-	-
-	1-1/8 "	R4133719	R4133718	R4166926	NR	N/A ³⁵⁸	R4122688	-	-
-	1-1/8 "	R4133714	R4133715	R4166926	NR	N/A ³⁵⁸	R4122688	-	-
-	1-1/8 "	R4133719	R4133718	R4166926	NR	N/A ³⁵⁸	R4122688	-	-
-	1-1/8 "	R4133714	R4133715	R4166926	NR	N/A ³⁵⁸	R4122688	-	-
-	1-1/4 "	R4133581	R4133581	R4166923	NR	-	-	-	-
-	1-1/4 "	R4133720	R4133721	R4166923	NR	-	-	-	-
-	1-1/4 "	R4133581	R4133582	R4166923	NR	-	-	-	-
-	1-1/4 "	R4133720	R4133721	R4166923	NR	-	-	-	-
-	1.09375	R4133484	R4133485	R4166819	NR	-	-	-	-
-	1.09375	R4133484	R4133485	R4166819	NR	-	-	-	-
23-122700-002 ⁹	2-1/2 "	R424244X	R424244X ³⁷	60050266	69270757 ⁴¹	-	-	-	-
23-122703-002 ¹⁸⁶	2-7/8 "	60050145X	60050145X ³⁷	60050146	69270702 ⁴¹	-	-	-	-
23-122691-002 ⁴²	2-7/8 "	60050145X	60050145X ³⁷	60050146	69270702 ⁴¹	-	-	-	-
-	1-1/2 "	R4033607	R4033607	R4166818	NR	-	-	-	-
-	1-1/2 "	R4033607	R4033607	R4166818	NR	-	-	-	-
-	1-5/8 "	R4133606	R4133606	R415193	NR	-	-	-	-
-	1-5/8 "	R4133338	R4133338	R4166689	NR	-	-	-	-
-	1-5/8 "	R4133338	R4133338	R4166689	NR	-	-	-	-
-	1-5/8 "	R4133338	R4133338	R4166689	NR	-	-	-	-
-	1-5/8 "	R4133338	R4133338	R4166689	NR	-	-	-	-
-	1-3/4 "	R4133400	R4133400	R4166917	NR	-	-	-	-
-	1-3/4 "	R4133400	R4133400	R4166917	NR	-	-	-	-

1 APPLICATION

MAKE MODEL YEAR AXLE CODE AXLE WEIGHT	AXLE & BRK. TYPE	BRK. MFG.	BRAKE SIZE	FMSI	MERITOR DISC PAD OR BRAKE SHOE	MERITOR GUIDE PIN OR RETURN SPRING KIT	MERITOR CALIPER HWD. KIT OR RETURN SPRING KIT	MERITOR ADJUSTER KIT (LEFT WHEEL)	MERITOR ADJUSTER KIT (RIGHT WHEEL)
FORD(Cont.)									
LNT700 SERIES: LOUISVILLE 94.4 BBC SHORT CONVENTIONAL CHASSIS CAB, TANDEM AXLE(Cont.)									
1975 Single System F070	Fa	WG	15 " x 3 "	1245C - 321	R700321	R40H521	R40H9237	R40H3502	R40H3503
	Fa	WG	15 " x 3 "	1245C - 321	R700321	R40H521	R40H9237	R40H3502	R40H3503
	Fa	WG	15 " x 3 "	1245C - 321	R700321	R40H521	R40H9237	R40H3502	R40H3503
	Fa	WG	15 " x 3 "	1245C - 321	R700321	R40H521	R40H9237	R40H3502	R40H3503
Split System F070	Fa	WG	15 " x 3 "	1245C - 321	R700321	R40H521	R40H9237	R40H3502	R40H3503
	Fa	WG	15 " x 3 "	1245C - 321	R700321	R40H521	R40H9237	R40H3502	R40H3503
	Fa	WG	15 " x 3 "	1245C - 321	R700321	R40H521	R40H9237	R40H3502	R40H3503
	Fa	WG	15 " x 3 "	1245C - 321	R700321	R40H521	R40H9237	R40H3502	R40H3503
Split System F090, F120	Fa	WG	15 " x 3 "	1245C - 321	R700321	R40H521	R40H9237	R40H3502	R40H3503
	Fa	WG	15 " x 3 "	1245C - 321	R700321	R40H521	R40H9237	R40H3502	R40H3503
	Fa	WG	15 " x 3 "	1245C - 321	R700321	R40H521	R40H9237	R40H3502	R40H3503
	Fa	WG	15 " x 3 "	1245C - 321	R700321	R40H521	R40H9237	R40H3502	R40H3503
1974 F050, F055, F060	Fa	KH	14 " x 2-1/2 "	2060 - 361	Discontinued	R40H596	R40H9219	R40H3536	R40H3537
	Fa	KH	14 " x 2-1/2 "	2060 - 361	Discontinued	R40H596	R40H9219	R40H3536	R40H3537
F070	Fd	DN		7141 - D224	MD224 ³⁴⁰	69310693	60050153	NR	NR
F080, F090	Fd	DN		7149 - D236	MD236 ³⁴¹	69310693	R40H5523	NR	NR
	Fd	DN		7149 - D236	MD236 ³⁴¹	69310693	R40H5523	NR	NR
R170, R175	Ra	KH	15 " x 5 "	4646 - 400	R700400	R40H595	R40H9220	R40H3538	R40H3539
	Ra	KH	15 " x 5 "	4646 - 400	R700400	R40H595	R40H9220	R40H3538	R40H3539
	Ra	KH	15 " x 5 "	4646 - 400	R700400	R40H595	R40H9220	R40H3538	R40H3539
	Ra	WG	15 " x 5 "	1252 - 346	R700346	R40H597	R40H9200	R40H3540	R40H3541
	Ra	WG	15 " x 5 "	1252 - 346	R700346	R40H597	R40H9200	R40H3540	R40H3541
R185	Ra	WG	15 " x 6 "	4596 - 381	R700381	R40H597	R40H9200	R40H3540	R40H3541
	Ra	WG	15 " x 6 "	4596 - 381	R700381	R40H597	R40H9200	R40H3540	R40H3541
	Ra	WG	15 " x 7 "	4597 - 383	R700383	R40H597	R40H9200	R40H3540	R40H3541
	Ra	WG	15 " x 7 "	4597 - 383	R700383	R40H597	R40H9200	R40H3540	R40H3541
Single System F070	Fa	WG	15 " x 3 "	1245C - 321	R700321	R40H521	R40H9237	R40H3502	R40H3503
	Fa	WG	15 " x 3 "	1245C - 321	R700321	R40H521	R40H9237	R40H3502	R40H3503
	Fa	WG	15 " x 3 "	1245C - 321	R700321	R40H521	R40H9237	R40H3502	R40H3503
	Fa	WG	15 " x 3 "	1245C - 321	R700321	R40H521	R40H9237	R40H3502	R40H3503
Split System F070	Fa	WG	15 " x 3 "	1245C - 321	R700321	R40H521	R40H9237	R40H3502	R40H3503
	Fa	WG	15 " x 3 "	1245C - 321	R700321	R40H521	R40H9237	R40H3502	R40H3503
	Fa	WG	15 " x 3 "	1245C - 321	R700321	R40H521	R40H9237	R40H3502	R40H3503
	Fa	WG	15 " x 3 "	1245C - 321	R700321	R40H521	R40H9237	R40H3502	R40H3503
Split System F090, F120	Fa	WG	15 " x 3 "	1245C - 321	R700321	R40H521	R40H9237	R40H3502	R40H3503
	Fa	WG	15 " x 3 "	1245C - 321	R700321	R40H521	R40H9237	R40H3502	R40H3503
	Fa	WG	15 " x 3 "	1245C - 321	R700321	R40H521	R40H9237	R40H3502	R40H3503
	Fa	WG	15 " x 3 "	1245C - 321	R700321	R40H521	R40H9237	R40H3502	R40H3503
1973 F050, F055, F060	Fa	KH	14 " x 2-1/2 "	2060 - 361	Discontinued	R40H596	R40H9219	R40H3536	R40H3537
	Fa	KH	14 " x 2-1/2 "	2060 - 361	Discontinued	R40H596	R40H9219	R40H3536	R40H3537
F070	Fd	DN		7141 - D224	MD224 ³⁴⁰	69310693	60050153	NR	NR
F080, F090	Fd	DN		7149 - D236	MD236 ³⁴¹	69310693	R40H5523	NR	NR
	Fd	DN		7149 - D236	MD236 ³⁴¹	69310693	R40H5523	NR	NR
R170, R175	Ra	KH	15 " x 5 "	4646 - 400	R700400	R40H595	R40H9220	R40H3538	R40H3539
	Ra	KH	15 " x 5 "	4646 - 400	R700400	R40H595	R40H9220	R40H3538	R40H3539
	Ra	KH	15 " x 5 "	4646 - 400	R700400	R40H595	R40H9220	R40H3538	R40H3539
	Ra	WG	15 " x 5 "	1252 - 346	R700346	R40H597	R40H9200	R40H3540	R40H3541
	Ra	WG	15 " x 5 "	1252 - 346	R700346	R40H597	R40H9200	R40H3540	R40H3541
R185	Ra	WG	15 " x 6 "	4596 - 381	R700381	R40H597	R40H9200	R40H3540	R40H3541
	Ra	WG	15 " x 6 "	4596 - 381	R700381	R40H597	R40H9200	R40H3540	R40H3541
	Ra	WG	15 " x 7 "	4597 - 383	R700383	R40H597	R40H9200	R40H3540	R40H3541
	Ra	WG	15 " x 7 "	4597 - 383	R700383	R40H597	R40H9200	R40H3540	R40H3541
Single System F070	Fa	WG	15 " x 3 "	1245C - 321	R700321	R40H521	R40H9237	R40H3502	R40H3503
	Fa	WG	15 " x 3 "	1245C - 321	R700321	R40H521	R40H9237	R40H3502	R40H3503
	Fa	WG	15 " x 3 "	1245C - 321	R700321	R40H521	R40H9237	R40H3502	R40H3503

9 - 6 Stud, Dayton Rotor, Hat Style
 42 - 6 Stud, Dayton Rotor, "U" Style
 341 - Use 69160445 for Disc Pad Retainer Clip
 www.XpresswayPlus.com

37 - Also available as a New unit
 186 - 10 Stud
 358 - Split System

41 - Aluminum piston
 340 - Use 69160457 for Disc Pad Retainer Clip

MERITOR DRUM OR ROTOR NO.	CALIPER OR CYLINDER BORE SIZE	MERITOR CALIPER OR WHEEL CYLINDER (LEFT)	MERITOR CALIPER OR WHEEL CYLINDER (RIGHT)	MERITOR CALIPER OR WHEEL CYLINDER REPAIR KIT	MERITOR CALIPER PISTON	MERITOR MASTER CYLINDER	MERITOR MASTER CYLINDER KIT	MERITOR BRAKE HOSE (LEFT)	MERITOR BRAKE HOSE (RIGHT)
FORD(Cont.)									
LNT700 SERIES: LOUISVILLE 94.4 BBC SHORT CONVENTIONAL CHASSIS CAB, TANDEM AXLE(Cont.)									
-	1-1/8 "	R4133714	R4133715	R4166926	NR	-	-	-	-
-	1-1/8 "	R4133714	R4133715	R4166926	NR	-	-	-	-
-	1-1/8 "	R4133716	R4133717	R4166926	NR	-	-	-	-
-	1-1/8 "	R4133716	R4133717	R4166926	NR	-	-	-	-
-	1-1/8 "	R4133714	R4133715	R4166926	NR	N/A ³⁵⁸	R4122688	-	-
-	1-1/8 "	R4133719	R4133718	R4166926	NR	N/A ³⁵⁸	R4122688	-	-
-	1-1/8 "	R4133719	R4133718	R4166926	NR	N/A ³⁵⁸	R4122688	-	-
-	1-1/8 "	R4133714	R4133715	R4166926	NR	N/A ³⁵⁸	R4122688	-	-
-	1-1/4 "	R4133581	R4133582	R4166923	NR	-	-	-	-
-	1-1/4 "	R4133720	R4133721	R4166923	NR	-	-	-	-
-	1-1/4 "	R4133581	R4133581	R4166923	NR	-	-	-	-
-	1-1/4 "	R4133720	R4133721	R4166923	NR	-	-	-	-
-	1.09375	R4133484	R4133485	R4166819	NR	-	-	-	-
-	1.09375	R4133484	R4133485	R4166819	NR	-	-	-	-
23-122700-002 ⁹	2-1/2 "	R424244X	R424244X ³⁷	60050266	69270757 ⁴¹	-	-	-	-
23-122703-002 ¹⁸⁶	2-7/8 "	60050145X	60050145X ³⁷	60050146	69270702 ⁴¹	-	-	-	-
23-122691-002 ⁴²	2-7/8 "	60050145X	60050145X ³⁷	60050146	69270702 ⁴¹	-	-	-	-
-	1-1/2 "	R4033607	R4033607	R4166818	NR	-	-	-	-
-	1-1/2 "	R4033607	R4033607	R4166818	NR	-	-	-	-
-	1-5/8 "	R4133606	R4133606	R415193	NR	-	-	-	-
-	1-5/8 "	R4133338	R4133338	R4166689	NR	-	-	-	-
-	1-5/8 "	R4133338	R4133338	R4166689	NR	-	-	-	-
-	1-5/8 "	R4133338	R4133338	R4166689	NR	-	-	-	-
-	1-5/8 "	R4133338	R4133338	R4166689	NR	-	-	-	-
-	1-3/4 "	R4133400	R4133400	R4166917	NR	-	-	-	-
-	1-3/4 "	R4133400	R4133400	R4166917	NR	-	-	-	-
-	1-1/8 "	R4133714	R4133715	R4166926	NR	-	-	-	-
-	1-1/8 "	R4133714	R4133715	R4166926	NR	-	-	-	-
-	1-1/8 "	R4133716	R4133717	R4166926	NR	-	-	-	-
-	1-1/8 "	R4133716	R4133717	R4166926	NR	-	-	-	-
-	1-1/8 "	R4133714	R4133715	R4166926	NR	N/A ³⁵⁸	R4122688	-	-
-	1-1/8 "	R4133719	R4133718	R4166926	NR	N/A ³⁵⁸	R4122688	-	-
-	1-1/8 "	R4133714	R4133715	R4166926	NR	N/A ³⁵⁸	R4122688	-	-
-	1-1/8 "	R4133719	R4133718	R4166926	NR	N/A ³⁵⁸	R4122688	-	-
-	1-1/4 "	R4133720	R4133721	R4166923	NR	-	-	-	-
-	1-1/4 "	R4133581	R4133581	R4166923	NR	-	-	-	-
-	1-1/4 "	R4133720	R4133721	R4166923	NR	-	-	-	-
-	1-1/4 "	R4133581	R4133582	R4166923	NR	-	-	-	-
-	1.09375	R4133484	R4133485	R4166819	NR	-	-	-	-
-	1.09375	R4133484	R4133485	R4166819	NR	-	-	-	-
23-122700-002 ⁹	2-1/2 "	R424244X	R424244X ³⁷	60050266	69270757 ⁴¹	-	-	-	-
23-122691-002 ⁴²	2-7/8 "	60050145X	60050145X ³⁷	60050146	69270702 ⁴¹	-	-	-	-
23-122703-002 ¹⁸⁶	2-7/8 "	60050145X	60050145X ³⁷	60050146	69270702 ⁴¹	-	-	-	-
-	1-1/2 "	R4033607	R4033607	R4166818	NR	-	-	-	-
-	1-5/8 "	R4133606	R4133606	R415193	NR	-	-	-	-
-	1-1/2 "	R4033607	R4033607	R4166818	NR	-	-	-	-
-	1-5/8 "	R4133338	R4133338	R4166689	NR	-	-	-	-
-	1-5/8 "	R4133338	R4133338	R4166689	NR	-	-	-	-
-	1-5/8 "	R4133338	R4133338	R4166689	NR	-	-	-	-
-	1-5/8 "	R4133338	R4133338	R4166689	NR	-	-	-	-
-	1-3/4 "	R4133400	R4133400	R4166917	NR	-	-	-	-
-	1-3/4 "	R4133400	R4133400	R4166917	NR	-	-	-	-
-	1-1/8 "	R4133714	R4133715	R4166926	NR	-	-	-	-
-	1-1/8 "	R4133716	R4133717	R4166926	NR	-	-	-	-
-	1-1/8 "	R4133714	R4133715	R4166926	NR	-	-	-	-

1 APPLICATION

MAKE MODEL YEAR AXLE CODE AXLE WEIGHT	AXLE & BRK. TYPE	BRK. MFG.	BRAKE SIZE	FMSI	MERITOR DISC PAD OR BRAKE SHOE	MERITOR GUIDE PIN OR RETURN SPRING KIT	MERITOR CALIPER HWD. KIT OR RETURN SPRING KIT	MERITOR ADJUSTER KIT (LEFT WHEEL)	MERITOR ADJUSTER KIT (RIGHT WHEEL)
FORD(Cont.)									
LNT700 SERIES: LOUISVILLE 94.4 BBC SHORT CONVENTIONAL CHASSIS CAB, TANDEM AXLE(Cont.)									
1973	Fa	WG	15 " x 3 "	1245C - 321	R700321	R40H521	R40H9237	R40H3502	R40H3503
Split System F070	Fa	WG	15 " x 3 "	1245C - 321	R700321	R40H521	R40H9237	R40H3502	R40H3503
	Fa	WG	15 " x 3 "	1245C - 321	R700321	R40H521	R40H9237	R40H3502	R40H3503
	Fa	WG	15 " x 3 "	1245C - 321	R700321	R40H521	R40H9237	R40H3502	R40H3503
	Fa	WG	15 " x 3 "	1245C - 321	R700321	R40H521	R40H9237	R40H3502	R40H3503
Split System F090, F120	Fa	WG	15 " x 3 "	1245C - 321	R700321	R40H521	R40H9237	R40H3502	R40H3503
	Fa	WG	15 " x 3 "	1245C - 321	R700321	R40H521	R40H9237	R40H3502	R40H3503
	Fa	WG	15 " x 3 "	1245C - 321	R700321	R40H521	R40H9237	R40H3502	R40H3503
	Fa	WG	15 " x 3 "	1245C - 321	R700321	R40H521	R40H9237	R40H3502	R40H3503
1972									
F050, F055, F060	Fa	KH	14 " x 2-1/2 "	2060 - 361	Discontinued	R40H596	R40H9219	R40H3536	R40H3537
	Fa	KH	14 " x 2-1/2 "	2060 - 361	Discontinued	R40H596	R40H9219	R40H3536	R40H3537
F070	Fd	DN		7141 - D224	MD224 ³⁴⁰	69310693	60050153	NR	NR
F080, F090	Fd	DN		7149 - D236	MD236 ³⁴¹	69310693	R40H5523	NR	NR
	Fd	DN		7149 - D236	MD236 ³⁴¹	69310693	R40H5523	NR	NR
R170, R175	Ra	KH	15 " x 5 "	4646 - 400	R700400	R40H595	R40H9220	R40H3538	R40H3539
	Ra	KH	15 " x 5 "	4646 - 400	R700400	R40H595	R40H9220	R40H3538	R40H3539
	Ra	KH	15 " x 5 "	4646 - 400	R700400	R40H595	R40H9220	R40H3538	R40H3539
	Ra	WG	15 " x 5 "	1252 - 346	R700346	R40H597	R40H9200	R40H3540	R40H3541
R185	Ra	WG	15 " x 5 "	1252 - 346	R700346	R40H597	R40H9200	R40H3540	R40H3541
	Ra	WG	15 " x 6 "	4596 - 381	R700381	R40H597	R40H9200	R40H3540	R40H3541
	Ra	WG	15 " x 6 "	4596 - 381	R700381	R40H597	R40H9200	R40H3540	R40H3541
	Ra	WG	15 " x 7 "	4597 - 383	R700383	R40H597	R40H9200	R40H3540	R40H3541
Single System F070	Ra	WG	15 " x 7 "	4597 - 383	R700383	R40H597	R40H9200	R40H3540	R40H3541
	Fa	WG	15 " x 3 "	1245C - 321	R700321	R40H521	R40H9237	R40H3502	R40H3503
	Fa	WG	15 " x 3 "	1245C - 321	R700321	R40H521	R40H9237	R40H3502	R40H3503
	Fa	WG	15 " x 3 "	1245C - 321	R700321	R40H521	R40H9237	R40H3502	R40H3503
Split System F070	Fa	WG	15 " x 3 "	1245C - 321	R700321	R40H521	R40H9237	R40H3502	R40H3503
	Fa	WG	15 " x 3 "	1245C - 321	R700321	R40H521	R40H9237	R40H3502	R40H3503
	Fa	WG	15 " x 3 "	1245C - 321	R700321	R40H521	R40H9237	R40H3502	R40H3503
	Fa	WG	15 " x 3 "	1245C - 321	R700321	R40H521	R40H9237	R40H3502	R40H3503
Split System F090, F120	Fa	WG	15 " x 3 "	1245C - 321	R700321	R40H521	R40H9237	R40H3502	R40H3503
	Fa	WG	15 " x 3 "	1245C - 321	R700321	R40H521	R40H9237	R40H3502	R40H3503
	Fa	WG	15 " x 3 "	1245C - 321	R700321	R40H521	R40H9237	R40H3502	R40H3503
	Fa	WG	15 " x 3 "	1245C - 321	R700321	R40H521	R40H9237	R40H3502	R40H3503
1971									
F050, F055, F060	Fa	KH	14 " x 2-1/2 "	2060 - 361	Discontinued	R40H596	R40H9219	R40H3536	R40H3537
	Fa	KH	14 " x 2-1/2 "	2060 - 361	Discontinued	R40H596	R40H9219	R40H3536	R40H3537
F070	Fd	DN		7141 - D224	MD224 ³⁴⁰	69310693	60050153	NR	NR
F080, F090	Fd	DN		7149 - D236	MD236 ³⁴¹	69310693	R40H5523	NR	NR
	Fd	DN		7149 - D236	MD236 ³⁴¹	69310693	R40H5523	NR	NR
R170, R175	Ra	KH	15 " x 5 "	4646 - 400	R700400	R40H595	R40H9220	R40H3538	R40H3539
	Ra	KH	15 " x 5 "	4646 - 400	R700400	R40H595	R40H9220	R40H3538	R40H3539
	Ra	KH	15 " x 5 "	4646 - 400	R700400	R40H595	R40H9220	R40H3538	R40H3539
	Ra	WG	15 " x 5 "	1252 - 346	R700346	R40H597	R40H9200	R40H3540	R40H3541
R185	Ra	WG	15 " x 5 "	1252 - 346	R700346	R40H597	R40H9200	R40H3540	R40H3541
	Ra	WG	15 " x 6 "	4596 - 381	R700381	R40H597	R40H9200	R40H3540	R40H3541
	Ra	WG	15 " x 6 "	4596 - 381	R700381	R40H597	R40H9200	R40H3540	R40H3541
	Ra	WG	15 " x 7 "	4597 - 383	R700383	R40H597	R40H9200	R40H3540	R40H3541
Single System F070	Ra	WG	15 " x 7 "	4597 - 383	R700383	R40H597	R40H9200	R40H3540	R40H3541
	Fa	WG	15 " x 3 "	1245C - 321	R700321	R40H521	R40H9237	R40H3502	R40H3503
	Fa	WG	15 " x 3 "	1245C - 321	R700321	R40H521	R40H9237	R40H3502	R40H3503
	Fa	WG	15 " x 3 "	1245C - 321	R700321	R40H521	R40H9237	R40H3502	R40H3503
Split System F070	Fa	WG	15 " x 3 "	1245C - 321	R700321	R40H521	R40H9237	R40H3502	R40H3503
	Fa	WG	15 " x 3 "	1245C - 321	R700321	R40H521	R40H9237	R40H3502	R40H3503

9 - 6 Stud, Dayton Rotor, Hat Style
 42 - 6 Stud, Dayton Rotor, "U" Style
 341 - Use 69160445 for Disc Pad Retainer Clip
 www.XpresswayPlus.com

37 - Also available as a New unit
 186 - 10 Stud
 358 - Split System

41 - Aluminum piston
 340 - Use 69160457 for Disc Pad Retainer Clip

MERITOR DRUM OR ROTOR NO.	CALIPER OR CYLINDER BORE SIZE	MERITOR CALIPER OR WHEEL CYLINDER (LEFT)	MERITOR CALIPER OR WHEEL CYLINDER (RIGHT)	MERITOR CALIPER OR WHEEL CYLINDER REPAIR KIT	MERITOR CALIPER PISTON	MERITOR MASTER CYLINDER	MERITOR MASTER CYLINDER KIT	MERITOR BRAKE HOSE (LEFT)	MERITOR BRAKE HOSE (RIGHT)
FORD(Cont.)									
LNT700 SERIES: LOUISVILLE 94.4 BBC SHORT CONVENTIONAL CHASSIS CAB, TANDEM AXLE(Cont.)									
-	1-1/8 "	R4133716	R4133717	R4166926	NR	-	-	-	-
-	1-1/8 "	R4133714	R4133715	R4166926	NR	N/A ³⁵⁸	R4122688	-	-
-	1-1/8 "	R4133719	R4133718	R4166926	NR	N/A ³⁵⁸	R4122688	-	-
-	1-1/8 "	R4133719	R4133718	R4166926	NR	N/A ³⁵⁸	R4122688	-	-
-	1-1/8 "	R4133714	R4133715	R4166926	NR	N/A ³⁵⁸	R4122688	-	-
-	1-1/4 "	R4133581	R4133581	R4166923	NR	-	-	-	-
-	1-1/4 "	R4133720	R4133721	R4166923	NR	-	-	-	-
-	1-1/4 "	R4133720	R4133721	R4166923	NR	-	-	-	-
-	1-1/4 "	R4133581	R4133582	R4166923	NR	-	-	-	-
-	1.09375	R4133484	R4133485	R4166819	NR	-	-	-	-
-	1.09375	R4133484	R4133485	R4166819	NR	-	-	-	-
23-122700-002 ⁹	2-1/2 "	R424244X	R424244X ³⁷	60050266	6927075 ⁴¹	-	-	-	-
23-122691-002 ¹²	2-7/8 "	60050145X	60050145X ³⁷	60050146	69270702 ⁴¹	-	-	-	-
23-122703-002 ¹⁸⁶	2-7/8 "	60050145X	60050145X ³⁷	60050146	69270702 ⁴¹	-	-	-	-
-	1-5/8 "	R4133606	R4133606	R415193	NR	-	-	-	-
-	1-1/2 "	R4033607	R4033607	R4166818	NR	-	-	-	-
-	1-1/2 "	R4033607	R4033607	R4166818	NR	-	-	-	-
-	1-5/8 "	R4133338	R4133338	R4166689	NR	-	-	-	-
-	1-5/8 "	R4133338	R4133338	R4166689	NR	-	-	-	-
-	1-5/8 "	R4133338	R4133338	R4166689	NR	-	-	-	-
-	1-5/8 "	R4133338	R4133338	R4166689	NR	-	-	-	-
-	1-3/4 "	R4133400	R4133400	R4166917	NR	-	-	-	-
-	1-3/4 "	R4133400	R4133400	R4166917	NR	-	-	-	-
-	1-1/8 "	R4133716	R4133717	R4166926	NR	-	-	-	-
-	1-1/8 "	R4133716	R4133717	R4166926	NR	-	-	-	-
-	1-1/8 "	R4133714	R4133715	R4166926	NR	-	-	-	-
-	1-1/8 "	R4133714	R4133715	R4166926	NR	-	-	-	-
-	1-1/8 "	R4133719	R4133718	R4166926	NR	N/A ³⁵⁸	R4122688	-	-
-	1-1/8 "	R4133719	R4133718	R4166926	NR	N/A ³⁵⁸	R4122688	-	-
-	1-1/8 "	R4133714	R4133715	R4166926	NR	N/A ³⁵⁸	R4122688	-	-
-	1-1/8 "	R4133714	R4133715	R4166926	NR	N/A ³⁵⁸	R4122688	-	-
-	1-1/4 "	R4133720	R4133721	R4166923	NR	-	-	-	-
-	1-1/4 "	R4133581	R4133582	R4166923	NR	-	-	-	-
-	1-1/4 "	R4133581	R4133581	R4166923	NR	-	-	-	-
-	1-1/4 "	R4133720	R4133721	R4166923	NR	-	-	-	-
-	1.09375	R4133484	R4133485	R4166819	NR	-	-	-	-
-	1.09375	R4133484	R4133485	R4166819	NR	-	-	-	-
23-122700-002 ⁹	2-1/2 "	R424244X	R424244X ³⁷	60050266	6927075 ⁴¹	-	-	-	-
23-122703-002 ¹⁸⁶	2-7/8 "	60050145X	60050145X ³⁷	60050146	69270702 ⁴¹	-	-	-	-
23-122691-002 ¹²	2-7/8 "	60050145X	60050145X ³⁷	60050146	69270702 ⁴¹	-	-	-	-
-	1-1/2 "	R4033607	R4033607	R4166818	NR	-	-	-	-
-	1-1/2 "	R4033607	R4033607	R4166818	NR	-	-	-	-
-	1-5/8 "	R4133606	R4133606	R415193	NR	-	-	-	-
-	1-5/8 "	R4133338	R4133338	R4166689	NR	-	-	-	-
-	1-5/8 "	R4133338	R4133338	R4166689	NR	-	-	-	-
-	1-5/8 "	R4133338	R4133338	R4166689	NR	-	-	-	-
-	1-5/8 "	R4133338	R4133338	R4166689	NR	-	-	-	-
-	1-3/4 "	R4133400	R4133400	R4166917	NR	-	-	-	-
-	1-3/4 "	R4133400	R4133400	R4166917	NR	-	-	-	-
-	1-1/8 "	R4133714	R4133715	R4166926	NR	-	-	-	-
-	1-1/8 "	R4133716	R4133717	R4166926	NR	-	-	-	-
-	1-1/8 "	R4133714	R4133715	R4166926	NR	-	-	-	-
-	1-1/8 "	R4133716	R4133717	R4166926	NR	-	-	-	-
-	1-1/8 "	R4133719	R4133718	R4166926	NR	N/A ³⁵⁸	R4122688	-	-
-	1-1/8 "	R4133714	R4133715	R4166926	NR	N/A ³⁵⁸	R4122688	-	-

1 APPLICATION

MAKE MODEL YEAR AXLE CODE AXLE WEIGHT	AXLE & BRK. TYPE	BRK. MFG.	BRAKE SIZE	FMSI	MERITOR DISC PAD OR BRAKE SHOE	MERITOR GUIDE PIN OR RETURN SPRING KIT	MERITOR CALIPER HWD. KIT OR RETURN SPRING KIT	MERITOR ADJUSTER KIT (LEFT WHEEL)	MERITOR ADJUSTER KIT (RIGHT WHEEL)
FORD(Cont.)									
LNT700 SERIES: LOUISVILLE 94.4 BBC SHORT CONVENTIONAL CHASSIS CAB, TANDEM AXLE(Cont.)									
1971	Fa Fa	WG WG	15 " x 3 " 15 " x 3 "	1245C - 321 1245C - 321	R700321 R700321	R40H521 R40H521	R40H9237 R40H9237	R40H3502 R40H3502	R40H3503 R40H3503
Split System F090, F120	Fa Fa Fa Fa	WG WG WG WG	15 " x 3 " 15 " x 3 " 15 " x 3 " 15 " x 3 "	1245C - 321 1245C - 321 1245C - 321 1245C - 321	R700321 R700321 R700321 R700321	R40H521 R40H521 R40H521 R40H521	R40H9237 R40H9237 R40H9237 R40H9237	R40H3502 R40H3502 R40H3502 R40H3502	R40H3503 R40H3503 R40H3503 R40H3503
1970 F050, F055, F060	Fa Fa	KH KH	14 " x 2-1/2 " 14 " x 2-1/2 "	2060 - 361 2060 - 361	Discontinued Discontinued	R40H596 R40H596	R40H9219 R40H9219	R40H3536 R40H3536	R40H3537 R40H3537
F070	Fd	DN		7141 - D224	MD224 ³⁴⁰	69310693	60050153	NR	NR
F080, F090	Fd Fd	DN DN		7149 - D236 7149 - D236	MD236 ³⁴¹ MD236 ³⁴¹	69310693 69310693	R40H5523 R40H5523	NR NR	NR NR
R170, R175	Ra Ra Ra Ra Ra	KH KH KH WG WG	15 " x 5 " 15 " x 5 " 15 " x 5 " 15 " x 5 " 15 " x 5 "	4646 - 400 4646 - 400 4646 - 400 1252 - 346 1252 - 346	R700400 R700400 R700400 R700346 R700346	R40H595 R40H595 R40H595 R40H597 R40H597	R40H9220 R40H9220 R40H9220 R40H9200 R40H9200	R40H3538 R40H3538 R40H3538 R40H3540 R40H3540	R40H3539 R40H3539 R40H3539 R40H3541 R40H3541
R185	Ra Ra Ra Ra	WG WG WG WG	15 " x 6 " 15 " x 6 " 15 " x 7 " 15 " x 7 "	4596 - 381 4596 - 381 4597 - 383 4597 - 383	R700381 R700381 R700383 R700383	R40H597 R40H597 R40H597 R40H597	R40H9200 R40H9200 R40H9200 R40H9200	R40H3540 R40H3540 R40H3540 R40H3540	R40H3541 R40H3541 R40H3541 R40H3541
Single System F070	Fa Fa Fa Fa	WG WG WG WG	15 " x 3 " 15 " x 3 " 15 " x 3 " 15 " x 3 "	1245C - 321 1245C - 321 1245C - 321 1245C - 321	R700321 R700321 R700321 R700321	R40H521 R40H521 R40H521 R40H521	R40H9237 R40H9237 R40H9237 R40H9237	R40H3502 R40H3502 R40H3502 R40H3502	R40H3503 R40H3503 R40H3503 R40H3503
Split System F070	Fa Fa Fa Fa	WG WG WG WG	15 " x 3 " 15 " x 3 " 15 " x 3 " 15 " x 3 "	1245C - 321 1245C - 321 1245C - 321 1245C - 321	R700321 R700321 R700321 R700321	R40H521 R40H521 R40H521 R40H521	R40H9237 R40H9237 R40H9237 R40H9237	R40H3502 R40H3502 R40H3502 R40H3502	R40H3503 R40H3503 R40H3503 R40H3503
Split System F090, F120	Fa Fa Fa Fa	WG WG WG WG	15 " x 3 " 15 " x 3 " 15 " x 3 " 15 " x 3 "	1245C - 321 1245C - 321 1245C - 321 1245C - 321	R700321 R700321 R700321 R700321	R40H521 R40H521 R40H521 R40H521	R40H9237 R40H9237 R40H9237 R40H9237	R40H3502 R40H3502 R40H3502 R40H3502	R40H3503 R40H3503 R40H3503 R40H3503
1969 F050, F055, F060	Fa Fa	KH KH	14 " x 2-1/2 " 14 " x 2-1/2 "	2060 - 361 2060 - 361	Discontinued Discontinued	R40H596 R40H596	R40H9219 R40H9219	R40H3536 R40H3536	R40H3537 R40H3537
F070	Fd	DN		7141 - D224	MD224 ³⁴⁰	69310693	60050153	NR	NR
F080, F090	Fd Fd	DN DN		7149 - D236 7149 - D236	MD236 ³⁴¹ MD236 ³⁴¹	69310693 69310693	R40H5523 R40H5523	NR NR	NR NR
R170, R175	Ra Ra Ra Ra Ra	KH KH KH WG WG	15 " x 5 " 15 " x 5 " 15 " x 5 " 15 " x 5 " 15 " x 5 "	4646 - 400 4646 - 400 4646 - 400 1252 - 346 1252 - 346	R700400 R700400 R700400 R700346 R700346	R40H595 R40H595 R40H595 R40H597 R40H597	R40H9220 R40H9220 R40H9220 R40H9200 R40H9200	R40H3538 R40H3538 R40H3538 R40H3540 R40H3540	R40H3539 R40H3539 R40H3539 R40H3541 R40H3541
R185	Ra Ra Ra Ra	WG WG WG WG	15 " x 6 " 15 " x 6 " 15 " x 7 " 15 " x 7 "	4596 - 381 4596 - 381 4597 - 383 4597 - 383	R700381 R700381 R700383 R700383	R40H597 R40H597 R40H597 R40H597	R40H9200 R40H9200 R40H9200 R40H9200	R40H3540 R40H3540 R40H3540 R40H3540	R40H3541 R40H3541 R40H3541 R40H3541
Single System F070	Fa Fa Fa Fa	WG WG WG WG	15 " x 3 " 15 " x 3 " 15 " x 3 " 15 " x 3 "	1245C - 321 1245C - 321 1245C - 321 1245C - 321	R700321 R700321 R700321 R700321	R40H521 R40H521 R40H521 R40H521	R40H9237 R40H9237 R40H9237 R40H9237	R40H3502 R40H3502 R40H3502 R40H3502	R40H3503 R40H3503 R40H3503 R40H3503
Split System F070	Fa Fa Fa Fa	WG WG WG WG	15 " x 3 " 15 " x 3 " 15 " x 3 " 15 " x 3 "	1245C - 321 1245C - 321 1245C - 321 1245C - 321	R700321 R700321 R700321 R700321	R40H521 R40H521 R40H521 R40H521	R40H9237 R40H9237 R40H9237 R40H9237	R40H3502 R40H3502 R40H3502 R40H3502	R40H3503 R40H3503 R40H3503 R40H3503
Split System F090, F120	Fa	WG	15 " x 3 "	1245C - 321	R700321	R40H521	R40H9237	R40H3502	R40H3503

9 - 6 Stud, Dayton Rotor, Hat Style
 42 - 6 Stud, Dayton Rotor, "U" Style
 341 - Use 69160445 for Disc Pad Retainer Clip
 www.XpresswayPlus.com

37 - Also available as a New unit
 186 - 10 Stud
 358 - Split System

41 - Aluminum piston
 340 - Use 69160457 for Disc Pad Retainer Clip

MERITOR DRUM OR ROTOR NO.	CALIPER OR CYLINDER BORE SIZE	MERITOR CALIPER OR WHEEL CYLINDER (LEFT)	MERITOR CALIPER OR WHEEL CYLINDER (RIGHT)	MERITOR CALIPER OR WHEEL CYLINDER REPAIR KIT	MERITOR CALIPER PISTON	MERITOR MASTER CYLINDER	MERITOR MASTER CYLINDER KIT	MERITOR BRAKE HOSE (LEFT)	MERITOR BRAKE HOSE (RIGHT)
FORD(Cont.)									
LNT700 SERIES: LOUISVILLE 94.4 BBC SHORT CONVENTIONAL CHASSIS CAB, TANDEM AXLE(Cont.)									
-	1-1/8 "	R4133719	R4133718	R4166926	NR	N/A ³⁵⁸	R4122688	-	-
-	1-1/8 "	R4133714	R4133715	R4166926	NR	N/A ³⁵⁸	R4122688	-	-
-	1-1/4 "	R4133720	R4133721	R4166923	NR	-	-	-	-
-	1-1/4 "	R4133581	R4133582	R4166923	NR	-	-	-	-
-	1-1/4 "	R4133720	R4133721	R4166923	NR	-	-	-	-
-	1-1/4 "	R4133581	R4133581	R4166923	NR	-	-	-	-
-	1.09375	R4133484	R4133485	R4166819	NR	-	-	-	-
-	1.09375	R4133484	R4133485	R4166819	NR	-	-	-	-
23-122700-002 ⁹	2-1/2 "	R424244X	R424244X ³⁷	60050266	6927075 ⁴¹	-	-	-	-
23-122691-002 ⁴²	2-7/8 "	60050145X	60050145X ³⁷	60050146	69270702 ⁴¹	-	-	-	-
23-122703-002 ¹⁸⁶	2-7/8 "	60050145X	60050145X ³⁷	60050146	69270702 ⁴¹	-	-	-	-
-	1-1/2 "	R4033607	R4033607	R4166818	NR	-	-	-	-
-	1-5/8 "	R4133606	R4133606	R415193	NR	-	-	-	-
-	1-1/2 "	R4033607	R4033607	R4166818	NR	-	-	-	-
-	1-5/8 "	R4133338	R4133338	R4166689	NR	-	-	-	-
-	1-5/8 "	R4133338	R4133338	R4166689	NR	-	-	-	-
-	1-5/8 "	R4133338	R4133338	R4166689	NR	-	-	-	-
-	1-3/4 "	R4133400	R4133400	R4166917	NR	-	-	-	-
-	1-3/4 "	R4133400	R4133400	R4166917	NR	-	-	-	-
-	1-1/8 "	R4133714	R4133715	R4166926	NR	-	-	-	-
-	1-1/8 "	R4133716	R4133717	R4166926	NR	-	-	-	-
-	1-1/8 "	R4133714	R4133715	R4166926	NR	-	-	-	-
-	1-1/8 "	R4133716	R4133717	R4166926	NR	-	-	-	-
-	1-1/8 "	R4133719	R4133718	R4166926	NR	N/A ³⁵⁸	R4122688	-	-
-	1-1/8 "	R4133714	R4133715	R4166926	NR	N/A ³⁵⁸	R4122688	-	-
-	1-1/8 "	R4133719	R4133718	R4166926	NR	N/A ³⁵⁸	R4122688	-	-
-	1-1/8 "	R4133714	R4133715	R4166926	NR	N/A ³⁵⁸	R4122688	-	-
-	1-1/4 "	R4133720	R4133721	R4166923	NR	-	-	-	-
-	1-1/4 "	R4133581	R4133581	R4166923	NR	-	-	-	-
-	1-1/4 "	R4133720	R4133721	R4166923	NR	-	-	-	-
-	1-1/4 "	R4133581	R4133582	R4166923	NR	-	-	-	-
-	1.09375	R4133484	R4133485	R4166819	NR	-	-	-	-
-	1.09375	R4133484	R4133485	R4166819	NR	-	-	-	-
23-122700-002 ⁹	2-1/2 "	R424244X	R424244X ³⁷	60050266	6927075 ⁴¹	-	-	-	-
23-122691-002 ⁴²	2-7/8 "	60050145X	60050145X ³⁷	60050146	69270702 ⁴¹	-	-	-	-
23-122703-002 ¹⁸⁶	2-7/8 "	60050145X	60050145X ³⁷	60050146	69270702 ⁴¹	-	-	-	-
-	1-1/2 "	R4033607	R4033607	R4166818	NR	-	-	-	-
-	1-5/8 "	R4133606	R4133606	R415193	NR	-	-	-	-
-	1-1/2 "	R4033607	R4033607	R4166818	NR	-	-	-	-
-	1-5/8 "	R4133338	R4133338	R4166689	NR	-	-	-	-
-	1-5/8 "	R4133338	R4133338	R4166689	NR	-	-	-	-
-	1-5/8 "	R4133338	R4133338	R4166689	NR	-	-	-	-
-	1-3/4 "	R4133400	R4133400	R4166917	NR	-	-	-	-
-	1-3/4 "	R4133400	R4133400	R4166917	NR	-	-	-	-
-	1-1/8 "	R4133716	R4133717	R4166926	NR	-	-	-	-
-	1-1/8 "	R4133714	R4133715	R4166926	NR	-	-	-	-
-	1-1/8 "	R4133716	R4133717	R4166926	NR	-	-	-	-
-	1-1/8 "	R4133714	R4133715	R4166926	NR	-	-	-	-
-	1-1/8 "	R4133714	R4133715	R4166926	NR	N/A ³⁵⁸	R4122688	-	-
-	1-1/8 "	R4133719	R4133718	R4166926	NR	N/A ³⁵⁸	R4122688	-	-
-	1-1/8 "	R4133719	R4133718	R4166926	NR	N/A ³⁵⁸	R4122688	-	-
-	1-1/8 "	R4133714	R4133715	R4166926	NR	N/A ³⁵⁸	R4122688	-	-
-	1-1/4 "	R4133720	R4133721	R4166923	NR	-	-	-	-

1 APPLICATION

MAKE MODEL YEAR AXLE CODE AXLE WEIGHT	AXLE & BRK. TYPE	BRK. MFG.	BRAKE SIZE	FMSI	MERITOR DISC PAD OR BRAKE SHOE	MERITOR GUIDE PIN OR RETURN SPRING KIT	MERITOR CALIPER HWD. KIT OR RETURN SPRING KIT	MERITOR ADJUSTER KIT (LEFT WHEEL)	MERITOR ADJUSTER KIT (RIGHT WHEEL)
FORD(Cont.)									
LNT700 SERIES: LOUISVILLE 94.4 BBC SHORT CONVENTIONAL CHASSIS CAB, TANDEM AXLE(Cont.)									
1969	Fa Fa Fa	WG WG WG	15" x 3" 15" x 3" 15" x 3"	1245C - 321 1245C - 321 1245C - 321	R700321 R700321 R700321	R40H521 R40H521 R40H521	R40H9237 R40H9237 R40H9237	R40H3502 R40H3502 R40H3502	R40H3503 R40H3503 R40H3503
1968 F050, F055, F060	Fa Fa	KH KH	14" x 2-1/2" 14" x 2-1/2"	2060 - 361 2060 - 361	Discontinued Discontinued	R40H596 R40H596	R40H9219 R40H9219	R40H3536 R40H3536	R40H3537 R40H3537
F070	Fd	DN		7141 - D224	MD224 ³⁴⁰	69310693	60050153	NR	NR
F080, F090	Fd Fd	DN DN		7149 - D236 7149 - D236	MD236 ³⁴¹ MD236 ³⁴¹	69310693 69310693	R40H5523 R40H5523	NR NR	NR NR
R170, R175	Ra Ra Ra Ra Ra	KH KH KH WG WG	15" x 5" 15" x 5" 15" x 5" 15" x 5" 15" x 5"	4646 - 400 4646 - 400 4646 - 400 1252 - 346 1252 - 346	R700400 R700400 R700400 R700346 R700346	R40H595 R40H595 R40H595 R40H597 R40H597	R40H9220 R40H9220 R40H9220 R40H9200 R40H9200	R40H3538 R40H3538 R40H3538 R40H3540 R40H3540	R40H3539 R40H3539 R40H3539 R40H3541 R40H3541
R185	Ra Ra Ra Ra	WG WG WG WG	15" x 6" 15" x 6" 15" x 7" 15" x 7"	4596 - 381 4596 - 381 4597 - 383 4597 - 383	R700381 R700381 R700383 R700383	R40H597 R40H597 R40H597 R40H597	R40H9200 R40H9200 R40H9200 R40H9200	R40H3540 R40H3540 R40H3540 R40H3540	R40H3541 R40H3541 R40H3541 R40H3541
Single System F070	Fa Fa Fa Fa	WG WG WG WG	15" x 3" 15" x 3" 15" x 3" 15" x 3"	1245C - 321 1245C - 321 1245C - 321 1245C - 321	R700321 R700321 R700321 R700321	R40H521 R40H521 R40H521 R40H521	R40H9237 R40H9237 R40H9237 R40H9237	R40H3502 R40H3502 R40H3502 R40H3502	R40H3503 R40H3503 R40H3503 R40H3503
Split System F070	Fa Fa Fa Fa	WG WG WG WG	15" x 3" 15" x 3" 15" x 3" 15" x 3"	1245C - 321 1245C - 321 1245C - 321 1245C - 321	R700321 R700321 R700321 R700321	R40H521 R40H521 R40H521 R40H521	R40H9237 R40H9237 R40H9237 R40H9237	R40H3502 R40H3502 R40H3502 R40H3502	R40H3503 R40H3503 R40H3503 R40H3503
Split System F090, F120	Fa Fa Fa Fa	WG WG WG WG	15" x 3" 15" x 3" 15" x 3" 15" x 3"	1245C - 321 1245C - 321 1245C - 321 1245C - 321	R700321 R700321 R700321 R700321	R40H521 R40H521 R40H521 R40H521	R40H9237 R40H9237 R40H9237 R40H9237	R40H3502 R40H3502 R40H3502 R40H3502	R40H3503 R40H3503 R40H3503 R40H3503
LNT800 SERIES: LOUISVILLE 94.4 BBC SHORT CONVENTIONAL CHASSIS CAB, TANDEM AXLE									
1992	Fd Fd Fd Fd	DN DN DN DN		7141 - D224 7149 - D236 7149 - D236 7149 - D236	MD224 ³⁴⁰ MD236 ³⁴¹ MD236 ³⁴¹ MD236 ³⁴¹	69310693 69310693 69310693 69310693	60050153 69310782 69310782 69310782	NR NR NR NR	NR NR NR NR
	Ra Ra	LG LG	15" x 7" 15" x 7"	4505A - 544 4505A - 544	N/A N/A	R40H618 R40H618	NR NR	SP7887S NR	SP7887S NR
1991	Fd Fd Fd Fd	DN DN DN DN		7141 - D224 7149 - D236 7149 - D236 7149 - D236	MD224 ³⁴⁰ MD236 ³⁴¹ MD236 ³⁴¹ MD236 ³⁴¹	69310693 69310693 69310693 69310693	60050153 69310782 69310782 69310782	NR NR NR NR	NR NR NR NR
	Ra Ra	LG LG	15" x 7" 15" x 7"	4505A - 544 4505A - 544	N/A N/A	R40H618 R40H618	NR NR	NR SP7887S	NR SP7887S
1990	Fd Fd Fd Fd	DN DN DN DN		7149 - D236 7149 - D236 7149 - D236 7141 - D224	MD236 ³⁴¹ MD236 ³⁴¹ MD236 ³⁴¹ MD224 ³⁴⁰	69310693 69310693 69310693 69310693	69310782 69310782 69310782 60050153	NR NR NR NR	NR NR NR NR
	Ra Ra	LG LG	15" x 7" 15" x 7"	4505A - 544 4505A - 544	N/A N/A	R40H618 R40H618	NR NR	NR SP7887S	NR SP7887S
1989	Fd Fd Fd Fd	DN DN DN DN		7141 - D224 7149 - D236 7149 - D236 7149 - D236	MD224 ³⁴⁰ MD236 ³⁴¹ MD236 ³⁴¹ MD236 ³⁴¹	69310693 69310693 69310693 69310693	60050153 69310782 ⁴³ 69310782 ⁴³ 69310782 ⁴³	NR NR NR NR	NR NR NR NR
	Ra Ra	LG LG	15" x 7" 15" x 7"	4505A - 544 4505A - 544	N/A N/A	R40H618 R40H618	NR NR	SP7887S NR	SP7887S NR
1988	Fd	DN		7149 - D236	MD236 ³⁴¹	69310693	69310782 ⁴³	NR	NR

9 - 6 Stud, Dayton Rotor, Hat Style
 42 - 6 Stud, Dayton Rotor, "U" Style
 186 - 10 Stud
 www.XpresswayPlus.com

37 - Also available as a New unit
 43 - For Applications Taking A Longer Shim, Use R404151706
 187 - 6 Stud, 6.443" Hub

41 - Aluminum piston
 53 - Power Brakes
 188 - 6 Stud, 9.251" Hub

MERITOR DRUM OR ROTOR NO.	CALIPER OR CYLINDER BORE SIZE	MERITOR CALIPER OR WHEEL CYLINDER (LEFT)	MERITOR CALIPER OR WHEEL CYLINDER (RIGHT)	MERITOR CALIPER OR WHEEL CYLINDER REPAIR KIT	MERITOR CALIPER PISTON	MERITOR MASTER CYLINDER	MERITOR MASTER CYLINDER KIT	MERITOR BRAKE HOSE (LEFT)	MERITOR BRAKE HOSE (RIGHT)
FORD(Cont.)									
LNT700 SERIES: LOUISVILLE 94.4 BBC SHORT CONVENTIONAL CHASSIS CAB, TANDEM AXLE(Cont.)									
-	1-1/4 "	R4133581	R4133581	R4166923	NR	-	-	-	-
-	1-1/4 "	R4133720	R4133721	R4166923	NR	-	-	-	-
-	1-1/4 "	R4133581	R4133582	R4166923	NR	-	-	-	-
-	1.09375	R4133484	R4133485	R4166819	NR	-	-	-	-
-	1.09375	R4133484	R4133485	R4166819	NR	-	-	-	-
23-122700-002 ⁹	2-1/2 "	R424244X	R424244X ³⁷	60050266	69270757 ⁴¹	-	-	-	-
23-122703-002 ¹⁸⁶	2-7/8 "	60050145X	60050145X ³⁷	60050146	69270702 ⁴¹	-	-	-	-
23-122691-002 ⁴²	2-7/8 "	60050145X	60050145X ³⁷	60050146	69270702 ⁴¹	-	-	-	-
-	1-1/2 "	R4033607	R4033607	R4166818	NR	-	-	-	-
-	1-5/8 "	R4133606	R4133606	R415193	NR	-	-	-	-
-	1-1/2 "	R4033607	R4033607	R4166818	NR	-	-	-	-
-	1-5/8 "	R4133338	R4133338	R4166689	NR	-	-	-	-
-	1-5/8 "	R4133338	R4133338	R4166689	NR	-	-	-	-
-	1-5/8 "	R4133338	R4133338	R4166689	NR	-	-	-	-
-	1-5/8 "	R4133338	R4133338	R4166689	NR	-	-	-	-
-	1-3/4 "	R4133400	R4133400	R4166917	NR	-	-	-	-
-	1-3/4 "	R4133400	R4133400	R4166917	NR	-	-	-	-
-	1-1/8 "	R4133716	R4133717	R4166926	NR	-	-	-	-
-	1-1/8 "	R4133714	R4133715	R4166926	NR	-	-	-	-
-	1-1/8 "	R4133716	R4133717	R4166926	NR	-	-	-	-
-	1-1/8 "	R4133714	R4133715	R4166926	NR	-	-	-	-
-	1-1/8 "	R4133714	R4133715	R4166926	NR	N/A ³⁵⁸	R4122688	-	-
-	1-1/8 "	R4133719	R4133718	R4166926	NR	N/A ³⁵⁸	R4122688	-	-
-	1-1/8 "	R4133719	R4133718	R4166926	NR	N/A ³⁵⁸	R4122688	-	-
-	1-1/8 "	R4133714	R4133715	R4166926	NR	N/A ³⁵⁸	R4122688	-	-
-	1-1/4 "	R4133720	R4133721	R4166923	NR	-	-	-	-
-	1-1/4 "	R4133581	R4133581	R4166923	NR	-	-	-	-
-	1-1/4 "	R4133581	R4133582	R4166923	NR	-	-	-	-
-	1-1/4 "	R4133720	R4133721	R4166923	NR	-	-	-	-
LNT800 SERIES: LOUISVILLE 94.4 BBC SHORT CONVENTIONAL CHASSIS CAB, TANDEM AXLE									
23-122700-002 ⁹	2-1/2 "	R424244X	R424244X ³⁷	60050266	69270757 ⁴¹	R4111995 ⁵³	-	R4577454	R4577455
23-122703-002 ¹⁸⁶	2-7/8 "	60050145X	60050145X ³⁷	60050146	69270702 ⁴¹	R4111995 ⁵³	-	R4577454	R4577455
23-122743-002 ¹⁸⁷	2-7/8 "	60050145X	60050145X ³⁷	60050146	69270702 ⁴¹	R4111995 ⁵³	-	R4577454	R4577455
23-122691-002 ¹⁸⁸	2-7/8 "	60050145X	60050145X ³⁷	60050146	69270702 ⁴¹	R4111995 ⁵³	-	R4577454	R4577455
N/A	1-3/4 "	201183X	201184X ³²⁹	SP7873S	NR	-	-	R4577870	R4577870
N/A	1-3/4 "	201179X	201180X	SP7873S	SP7880S ²⁰⁴	-	-	R4577870	R4577870
23-122700-002 ⁹	2-1/2 "	R424244X	R424244X ³⁷	60050266	69270757 ⁴¹	R4111995 ⁵³	-	R4577454	R4577455
23-122703-002 ¹⁸⁶	2-7/8 "	60050145X	60050145X ³⁷	60050146	69270702 ⁴¹	R4111995 ⁵³	-	R4577454	R4577455
23-122691-002 ¹⁸⁸	2-7/8 "	60050145X	60050145X ³⁷	60050146	69270702 ⁴¹	R4111995 ⁵³	-	R4577454	R4577455
23-122743-002 ¹⁸⁷	2-7/8 "	60050145X	60050145X ³⁷	60050146	69270702 ⁴¹	R4111995 ⁵³	-	R4577454	R4577455
N/A	1-3/4 "	201179X	201180X	SP7873S	SP7880S ²⁰⁴	-	-	R4577870	R4577870
N/A	1-3/4 "	201183X	201184X ³²⁹	SP7873S	NR	-	-	R4577870	R4577870
23-122703-002 ¹⁸⁶	2-7/8 "	60050145X	60050145X ³⁷	60050146	69270702 ⁴¹	R4111995 ⁵³	-	R4577454	R4577455
23-122743-002 ¹⁸⁷	2-7/8 "	60050145X	60050145X ³⁷	60050146	69270702 ⁴¹	R4111995 ⁵³	-	R4577454	R4577455
23-122691-002 ¹⁸⁸	2-7/8 "	60050145X	60050145X ³⁷	60050146	69270702 ⁴¹	R4111995 ⁵³	-	R4577454	R4577455
23-122700-002 ⁹	2-1/2 "	R424244X	R424244X ³⁷	60050266	69270757 ⁴¹	R4111995 ⁵³	-	R4577454	R4577455
N/A	1-3/4 "	201179X	201180X	SP7873S	SP7880S ²⁰⁴	-	-	R4577870	R4577870
N/A	1-3/4 "	201183X	201184X ³²⁹	SP7873S	NR	-	-	R4577870	R4577870
23-122700-002 ⁹	2-1/2 "	R424244X	R424244X ³⁷	60050266	69270757 ⁴¹	R4111995 ⁵³	-	R4577454	R4577455
23-122691-002 ¹⁸⁸	2-7/8 "	60050145X	60050145X ³⁷	60050146	69270702 ⁴¹	R4111995 ⁵³	-	R4577454	R4577455
23-122743-002 ¹⁸⁷	2-7/8 "	60050145X	60050145X ³⁷	60050146	69270702 ⁴¹	R4111995 ⁵³	-	R4577454	R4577455
23-122703-002 ¹⁸⁶	2-7/8 "	60050145X	60050145X ³⁷	60050146	69270702 ⁴¹	R4111995 ⁵³	-	R4577454	R4577455
N/A	1-3/4 "	201183X	201184X ³²⁹	SP7873S	NR	-	-	N/A	N/A
N/A	1-3/4 "	201179X	201180X	SP7873S	SP7880S ²⁰⁴	-	-	N/A	N/A
23-122691-002 ¹⁸⁸	2-7/8 "	60050145X	60050145X ³⁷	60050146	69270702 ⁴¹	R4111995 ⁵³	-	R4577454	R4577455

204 - Right Hand: use E-4057 for Left Hand Expander Kits
 341 - Use 69160445 for Disc Pad Retainer Clip

329 - Forward
 358 - Split System

340 - Use 69160457 for Disc Pad Retainer Clip

MAKE MODEL YEAR AXLE CODE AXLE WEIGHT	AXLE & BRK. TYPE	BRK. MFG.	BRAKE SIZE	FMSI	MERITOR DISC PAD OR BRAKE SHOE	MERITOR GUIDE PIN OR RETURN SPRING KIT	MERITOR CALIPER HWD. KIT OR RETURN SPRING KIT	MERITOR ADJUSTER KIT (LEFT WHEEL)	MERITOR ADJUSTER KIT (RIGHT WHEEL)
FORD(Cont.)									
LNT800 SERIES: LOUISVILLE 94.4 BBC SHORT CONVENTIONAL CHASSIS CAB, TANDEM AXLE(Cont.)									
1988	Fd	DN		7141 - D224	MD224 ³⁴⁰	69310693	60050153	NR	NR
	Fd	DN		7149 - D236	MD236 ³⁴¹	69310693	69310782 ⁴³	NR	NR
	Fd	DN		7149 - D236	MD236 ³⁴¹	69310693	69310782 ⁴³	NR	NR
	Ra	LG	15 " x 7 "	4505A - 544	N/A	R40H618	NR	NR	NR
	Ra	LG	15 " x 7 "	4505A - 544	N/A	R40H618	NR	SP7887S	SP7887S
	Fd	DN		7141 - D224	MD224 ³⁴⁰	69310693	60050153	NR	NR
	Fd	DN		7149 - D236	MD236 ³⁴¹	69310693	69310782 ⁴³	NR	NR
	Fd	DN		7149 - D236	MD236 ³⁴¹	69310693	69310782 ⁴³	NR	NR
	Fd	DN		7149 - D236	MD236 ³⁴¹	69310693	69310782 ⁴³	NR	NR
	Ra	LG	15 " x 7 "	4505A - 544	N/A	R40H618	NR	SP7887S	SP7887S
	Ra	LG	15 " x 7 "	4505A - 544	N/A	R40H618	NR	NR	NR
	Fd	DN		7149 - D236	MD236 ³⁴¹	69310693	69310782	NR	NR
	Fd	DN		7141 - D224	MD224 ³⁴⁰	69310693	60050153	NR	NR
	Fd	DN		7149 - D236	MD236 ³⁴¹	69310693	69310782	NR	NR
	Fd	DN		7149 - D236	MD236 ³⁴¹	69310693	69310782	NR	NR
	Fd	DN		7149 - D236	MD236 ³⁴¹	69310693	69310782	NR	NR
	Ra	LG	15 " x 7 "	4505A - 544	N/A	R40H618	NR	SP7887S	SP7887S
	Ra	LG	15 " x 7 "	4505A - 544	N/A	R40H618	NR	NR	NR
1985	Fd	DN		7141 - D224	MD224 ³⁴⁰	69310693	60050153	NR	NR
	Fd	DN		7149 - D236	MD236 ³⁴¹	69310693	R40H5523	NR	NR
	Fd	DN		7149 - D236	MD236 ³⁴¹	69310693	R40H5523	NR	NR
	Fd	DN		7149 - D236	MD236 ³⁴¹	69310693	R40H5523	NR	NR
	Ra	LG	15 " x 7 "	4505A - 544	N/A	R40H618	NR	NR	NR
	Ra	LG	15 " x 7 "	4505A - 544	N/A	R40H618	NR	SP7887S	SP7887S
1984	Fd	DN		7141 - D224	MD224 ³⁴⁰	69310693	60050153	NR	NR
	Fd	DN		7149 - D236	MD236 ³⁴¹	69310693	R40H5523	NR	NR
	Fd	DN		7149 - D236	MD236 ³⁴¹	69310693	R40H5523	NR	NR
	Fd	DN		7149 - D236	MD236 ³⁴¹	69310693	R40H5523	NR	NR
	Ra	LG	15 " x 7 "	4505A - 544	N/A	R40H618	NR	NR	NR
	Ra	LG	15 " x 7 "	4505A - 544	N/A	R40H618	NR	SP7887S	SP7887S
1983	Ra	LG	15 " x 6 "	4504A - 543	N/A	R40H618	NR	SP7888S	SP7888S
	Ra	LG	15 " x 6 "	4504A - 543	N/A	R40H618	NR	NR	NR
	Ra	LG	15 " x 7 "	4505A - 544	N/A	R40H618	NR	NR	NR
	Ra	LG	15 " x 7 "	4505A - 544	N/A	R40H618	NR	SP7888S	SP7888S
F050, F055, F060	Fa	KH	14 " x 2-1/2 "	2060 - 361	Discontinued	R40H596	R40H9219	R40H3536	R40H3537
F070	Fa	WG	15 " x 3 "	1245C - 321	R700321	R40H521	R40H9237	R40H3502	R40H3503
	Fa	WG	15 " x 3 "	1245C - 321	R700321	R40H521	R40H9237	R40H3502	R40H3503
	Fa	WG	15 " x 3 "	1245C - 321	R700321	R40H521	R40H9237	R40H3502	R40H3503
	Fa	WG	15 " x 3 "	1245C - 321	R700321	R40H521	R40H9237	R40H3502	R40H3503
F080, F090	Fd	DN		7141 - D224	MD224 ³⁴⁰	69310693	60050153	NR	NR
	Fd	DN		7149 - D236	MD236 ³⁴¹	69310693	R40H5523	NR	NR
	Fd	DN		7149 - D236	MD236 ³⁴¹	69310693	R40H5523	NR	NR
	Fa	WG	15 " x 3 "	1245C - 321	R700321	R40H521	R40H9237	R40H3502	R40H3503
	Fa	WG	15 " x 3 "	1245C - 321	R700321	R40H521	R40H9237	R40H3502	R40H3503
	Ra	KH	15 " x 5 "	4646 - 400	R700400	R40H595	R40H9220	R40H3538	R40H3539
	Ra	WG	15 " x 5 "	1252 - 346	R700346	R40H597	R40H9200	R40H3540	R40H3541
	Ra	WG	15 " x 6 "	4596 - 381	R700381	R40H597	R40H9200	R40H3540	R40H3541
	Ra	WG	15 " x 7 "	4597 - 383	R700383	R40H597	R40H9200	R40H3540	R40H3541
	Ra	LG	15 " x 6 "	4504A - 543	N/A	R40H618	NR	NR	NR
	Ra	LG	15 " x 6 "	4504A - 543	N/A	R40H618	NR	SP7888S	SP7888S
	Ra	LG	15 " x 7 "	4505A - 544	N/A	R40H618	NR	SP7888S	SP7888S
	Ra	LG	15 " x 7 "	4505A - 544	N/A	R40H618	NR	NR	NR
	Fa	KH	14 " x 2-1/2 "	2060 - 361	Discontinued	R40H596	R40H9219	R40H3536	R40H3537
F070	Fa	WG	15 " x 3 "	1245C - 321	R700321	R40H521	R40H9237	R40H3502	R40H3503
	Fa	WG	15 " x 3 "	1245C - 321	R700321	R40H521	R40H9237	R40H3502	R40H3503
	Fa	WG	15 " x 3 "	1245C - 321	R700321	R40H521	R40H9237	R40H3502	R40H3503
	Fa	WG	15 " x 3 "	1245C - 321	R700321	R40H521	R40H9237	R40H3502	R40H3503
	Fd	DN		7141 - D224	MD224 ³⁴⁰	69310693	60050153	NR	NR

9 - 6 Stud, Dayton Rotor, Hat Style
 43 - For Applications Taking A Longer Shim, Use R404151706
 187 - 6 Stud, 6.443" Hub
 www.XpresswayPlus.com

37 - Also available as a New unit
 53 - Power Brakes
 188 - 6 Stud, 9.251" Hub

41 - Aluminum piston
 186 - 10 Stud
 204 - Right Hand; use E-4057 for Left Hand Expander Kits
 Contact our Customer Service Teams
 1-888-725-9355

MERITOR DRUM OR ROTOR NO.	CALIPER OR CYLINDER BORE SIZE	MERITOR CALIPER OR WHEEL CYLINDER (LEFT)	MERITOR CALIPER OR WHEEL CYLINDER (RIGHT)	MERITOR CALIPER OR WHEEL CYLINDER REPAIR KIT	MERITOR CALIPER PISTON	MERITOR MASTER CYLINDER	MERITOR MASTER CYLINDER KIT	MERITOR BRAKE HOSE (LEFT)	MERITOR BRAKE HOSE (RIGHT)
FORD(Cont.)									
LNT800 SERIES: LOUISVILLE 94.4 BBC SHORT CONVENTIONAL CHASSIS CAB, TANDEM AXLE(Cont.)									
23-122700-002 ⁹	2-1/2 "	R424244X	R424244X ³⁷	60050266	69270757 ⁴¹	R4111995 ⁵³	-	R4577454	R4577455
23-122703-002 ¹⁸⁶	2-7/8 "	60050145X	60050145X ³⁷	60050146	69270702 ⁴¹	R4111995 ⁵³	-	R4577454	R4577455
23-122743-002 ¹⁸⁷	2-7/8 "	60050145X	60050145X ³⁷	60050146	69270702 ⁴¹	R4111995 ⁵³	-	R4577454	R4577455
N/A	1-3/4 "	201179X	201180X	SP7873S	SP7880S ²⁰⁴	-	-	N/A	N/A
N/A	1-3/4 "	201183X	201184X ³²⁹	SP7873S	NR	-	-	N/A	N/A
23-122700-002 ⁹	2-1/2 "	R424244X	R424244X ³⁷	60050266	69270757 ⁴¹	R4111995 ⁵³	-	R4577454	R4577455
23-122691-002 ¹⁸⁸	2-7/8 "	60050145X	60050145X ³⁷	60050146	69270702 ⁴¹	R4111995 ⁵³	-	R4577454	R4577455
23-122703-002 ¹⁸⁶	2-7/8 "	60050145X	60050145X ³⁷	60050146	69270702 ⁴¹	R4111995 ⁵³	-	R4577454	R4577455
23-122743-002 ¹⁸⁷	2-7/8 "	60050145X	60050145X ³⁷	60050146	69270702 ⁴¹	R4111995 ⁵³	-	R4577454	R4577455
N/A	1-3/4 "	201183X	201184X ³²⁹	SP7873S	NR	-	-	N/A	N/A
N/A	1-3/4 "	201179X	201180X	SP7873S	SP7880S ²⁰⁴	-	-	N/A	N/A
23-122703-002 ¹⁸⁶	2-7/8 "	60050145X	60050145X ³⁷	60050146	69270702 ⁴¹	R4111995 ⁵³	-	R4577454	R4577455
23-122700-002 ⁹	2-1/2 "	R424244X	R424244X ³⁷	60050266	69270757 ⁴¹	R4111995 ⁵³	-	R4577454	R4577455
23-122691-002 ¹⁸⁸	2-7/8 "	60050145X	60050145X ³⁷	60050146	69270702 ⁴¹	R4111995 ⁵³	-	R4577454	R4577455
23-122743-002 ¹⁸⁷	2-7/8 "	60050145X	60050145X ³⁷	60050146	69270702 ⁴¹	R4111995 ⁵³	-	R4577454	R4577455
N/A	1-3/4 "	201183X	201184X ³²⁹	SP7873S	NR	-	-	N/A	N/A
N/A	1-3/4 "	201179X	201180X	SP7873S	SP7880S ²⁰⁴	-	-	N/A	N/A
23-122700-002 ⁹	2-1/2 "	R424244X	R424244X ³⁷	60050266	69270757 ⁴¹	R4111995 ⁵³	-	R4577454	R4577455
23-122703-002 ¹⁸⁶	2-7/8 "	60050145X	60050145X ³⁷	60050146	69270702 ⁴¹	R4111995 ⁵³	-	R4577454	R4577455
23-122691-002 ¹⁸⁸	2-7/8 "	60050145X	60050145X ³⁷	60050146	69270702 ⁴¹	R4111995 ⁵³	-	R4577454	R4577455
23-122743-002 ¹⁸⁷	2-7/8 "	60050145X	60050145X ³⁷	60050146	69270702 ⁴¹	R4111995 ⁵³	-	R4577454	R4577455
N/A	1-3/4 "	201179X	201180X	SP7873S	SP7880S ²⁰⁴	-	-	N/A	N/A
N/A	1-3/4 "	201183X	201184X ³²⁹	SP7873S	NR	-	-	N/A	N/A
23-122700-002 ⁹	2-1/2 "	R424244X	R424244X ³⁷	60050266	69270757 ⁴¹	R4111995 ⁵³	-	R4577454	R4577455
23-122691-002 ¹⁸⁸	2-7/8 "	60050145X	60050145X ³⁷	60050146	69270702 ⁴¹	R4111995 ⁵³	-	R4577454	R4577455
23-122743-002 ¹⁸⁷	2-7/8 "	60050145X	60050145X ³⁷	60050146	69270702 ⁴¹	R4111995 ⁵³	-	R4577454	R4577455
23-122703-002 ¹⁸⁶	2-7/8 "	60050145X	60050145X ³⁷	60050146	69270702 ⁴¹	R4111995 ⁵³	-	R4577454	R4577455
N/A	1-3/4 "	201179X	201180X	SP7873S	SP7880S ²⁰⁴	-	-	N/A	N/A
N/A	1-3/4 "	201183X	201184X ³²⁹	SP7873S	NR	-	-	N/A	N/A
N/A	1-5/8 "	201185	201186 ³²⁹	SP7895S	NR	-	-	R4577147	R4577147
N/A	1-5/8 "	201181	201182	SP7895S	NR	-	-	R4577147	R4577147
N/A	1-5/8 "	201181	201182	SP7895S	NR	-	-	R4577147	R4577147
N/A	1-5/8 "	201185	201186 ³²⁹	SP7895S	NR	-	-	R4577147	R4577147
N/A	1.09375	R4133484	R4133485	R4166819	NR	R4111629 ⁵³	R4122484	R4577460	R4577460
N/A	1-1/8 "	R4133714	R4133715	R4166926	NR	R4111631 ²²¹	R4122486	R4577452	R4577453
N/A	1-1/8 "	R4133719	R4133718	R4166926	NR	R4111634 ⁵³	N/A	R4577452	R4577453
N/A	1-1/8 "	R4133714	R4133715	R4166926	NR	R4111995 ⁵³	-	R4577454	R4577455
N/A	1-1/8 "	R4133716	R4133717	R4166926	NR	R4111772 ⁵³	R4122488	R4577454	R4577455
23-122700-002 ⁹	2-1/2 "	R424244X	R424244X ³⁷	60050266	69270757 ⁴¹	R4111992 ²¹⁴	R4122386	R4577452	R4577453
23-122691-002 ¹⁸⁸	2-7/8 "	60050145X	60050145X ³⁷	60050146	69270702 ⁴¹	R4111992 ²¹⁴	R4122386	R4577452	R4577453
23-122703-002 ¹⁸⁶	2-7/8 "	60050145X	60050145X ³⁷	60050146	69270702 ⁴¹	R4111992 ²¹⁴	R4122386	R4577452	R4577453
N/A	1-1/4 "	R4133581	R4133581	R4166923	NR	R4111992 ²¹⁴	R4122386	R4577452	R4577453
N/A	1-1/4 "	R4133720	R4133721	R4166923	NR	R4111630 ²²²	N/A	R4577452	R4577453
N/A	1-1/2 "	R4033607	R4033607	R4166818	NR	-	-	R4577147	R4577147
N/A	1-5/8 "	R4133338	R4133338	R4166689	NR	-	-	R4577147	R4577147
N/A	1-5/8 "	R4133338	R4133338	R4166689	NR	-	-	R4577147	R4577147
N/A	1-3/4 "	R4133400	R4133400	R4166917	NR	-	-	R4577147	R4577147
N/A	1-5/8 "	201181	201182	SP7895S	NR	-	-	R4577147	R4577147
N/A	1-5/8 "	201185	201186 ³²⁹	SP7895S	NR	-	-	R4577147	R4577147
N/A	1-5/8 "	201185	201186 ³²⁹	SP7895S	NR	-	-	R4577147	R4577147
N/A	1-5/8 "	201181	201182	SP7895S	NR	-	-	R4577147	R4577147
N/A	1.09375	R4133484	R4133485	R4166819	NR	R4111629 ⁵³	R4122484	R4577460	R4577460
N/A	1-1/8 "	R4133719	R4133718	R4166926	NR	R4111634 ⁵³	N/A	R4577452	R4577453
N/A	1-1/8 "	R4133714	R4133715	R4166926	NR	R4111995 ⁵³	-	R4577454	R4577455
N/A	1-1/8 "	R4133714	R4133715	R4166926	NR	R4111631 ²²¹	R4122486	R4577452	R4577453
N/A	1-1/8 "	R4133716	R4133717	R4166926	NR	R4111772 ⁵³	R4122488	R4577454	R4577455
23-122700-002 ⁹	2-1/2 "	R424244X	R424244X ³⁷	60050266	69270757 ⁴¹	R4111992 ²¹⁴	R4122386	R4577452	R4577453

214 - Power Brakes, Split System
329 - Forward

221 - Power Brakes, 17,500 or 18,500 lb. Rear Axle
340 - Use 69160457 for Disc Pad Retainer Clip

222 - Power Brakes, 18,500 or 22,000 lb. Rear Axle
341 - Use 69160445 for Disc Pad Retainer Clip

MAKE MODEL YEAR AXLE CODE AXLE WEIGHT	AXLE & BRK. TYPE	BRK. MFG.	BRAKE SIZE	FMSI	MERITOR DISC PAD OR BRAKE SHOE	MERITOR GUIDE PIN OR RETURN SPRING KIT	MERITOR CALIPER HWD. KIT OR RETURN SPRING KIT	MERITOR ADJUSTER KIT (LEFT WHEEL)	MERITOR ADJUSTER KIT (RIGHT WHEEL)
FORD(Cont.)									
LNT800 SERIES: LOUISVILLE 94.4 BBC SHORT CONVENTIONAL CHASSIS CAB, TANDEM AXLE(Cont.)									
1982 F080, F090	Fd Fd	DN DN		7149 - D236 7149 - D236	MD236 ³⁴¹ MD236 ³⁴¹	69310693 69310693	R40H5523 R40H5523	NR NR	NR NR
F090, F120	Fa Fa	WG WG	15" x 3" 15" x 3"	1245C - 321 1245C - 321	R700321 R700321	R40H521 R40H521	R40H9237 R40H9237	R40H3502 R40H3502	R40H3503 R40H3503
R170, R175	Ra Ra	KH WG	15" x 5" 15" x 5"	4646 - 400 1252 - 346	R700400 R700346	R40H595 R40H597	R40H9220 R40H9200	R40H3538 R40H3540	R40H3539 R40H3541
R185	Ra Ra	WG WG	15" x 6" 15" x 7"	4596 - 381 4597 - 383	R700381 R700383	R40H597 R40H597	R40H9200 R40H9200	R40H3540 R40H3540	R40H3541 R40H3541
1981	Ra Ra Ra Ra	LG LG LG LG	15" x 6" 15" x 6" 15" x 7" 15" x 7"	4504A - 543 4504A - 543 4505A - 544 4505A - 544	N/A N/A N/A N/A	R40H618 R40H618 R40H618 R40H618	NR NR NR NR	NR SP7888S NR SP7888S	NR SP7888S NR SP7888S
F050, F055, F060	Fa	KH	14" x 2-1/2"	2060 - 361	Discontinued	R40H596	R40H9219	R40H3536	R40H3537
F070	Fa Fa Fa Fa Fd	WG WG WG WG DN	15" x 3" 15" x 3" 15" x 3" 15" x 3" 15" x 3"	1245C - 321 1245C - 321 1245C - 321 1245C - 321 7141 - D224	R700321 R700321 R700321 R700321 MD224 ³⁴⁰	R40H521 R40H521 R40H521 R40H521 69310693	R40H9237 R40H9237 R40H9237 R40H9237 60050153	R40H3502 R40H3502 R40H3502 R40H3502 NR	R40H3503 R40H3503 R40H3503 R40H3503 NR
F080, F090	Fd Fd	DN DN		7149 - D236 7149 - D236	MD236 ³⁴¹ MD236 ³⁴¹	69310693 69310693	R40H5523 R40H5523	NR NR	NR NR
F090, F120	Fa Fa	WG WG	15" x 3" 15" x 3"	1245C - 321 1245C - 321	R700321 R700321	R40H521 R40H521	R40H9237 R40H9237	R40H3502 R40H3502	R40H3503 R40H3503
R170, R175	Ra Ra	KH WG	15" x 5" 15" x 5"	4646 - 400 1252 - 346	R700400 R700346	R40H595 R40H597	R40H9220 R40H9200	R40H3538 R40H3540	R40H3539 R40H3541
R185	Ra Ra	WG WG	15" x 6" 15" x 7"	4596 - 381 4597 - 383	R700381 R700383	R40H597 R40H597	R40H9200 R40H9200	R40H3540 R40H3540	R40H3541 R40H3541
1980	Ra Ra Ra Ra	LG LG LG LG	15" x 6" 15" x 6" 15" x 7" 15" x 7"	4504A - 543 4504A - 543 4505A - 544 4505A - 544	N/A N/A N/A N/A	R40H618 R40H618 R40H618 R40H618	NR NR NR NR	SP7888S NR SP7888S NR	SP7888S NR SP7888S NR
F050, F055, F060	Fa	KH	14" x 2-1/2"	2060 - 361	Discontinued	R40H596	R40H9219	R40H3536	R40H3537
F070	Fa Fa Fa Fa Fd	WG WG WG WG DN	15" x 3" 15" x 3" 15" x 3" 15" x 3" 15" x 3"	1245C - 321 1245C - 321 1245C - 321 1245C - 321 7141 - D224	R700321 R700321 R700321 R700321 MD224 ³⁴⁰	R40H521 R40H521 R40H521 R40H521 69310693	R40H9237 R40H9237 R40H9237 R40H9237 60050153	R40H3502 R40H3502 R40H3502 R40H3502 NR	R40H3503 R40H3503 R40H3503 R40H3503 NR
F080, F090	Fd Fd	DN DN		7149 - D236 7149 - D236	MD236 ³⁴¹ MD236 ³⁴¹	69310693 69310693	R40H5523 R40H5523	NR NR	NR NR
F090, F120	Fa Fa	WG WG	15" x 3" 15" x 3"	1245C - 321 1245C - 321	R700321 R700321	R40H521 R40H521	R40H9237 R40H9237	R40H3502 R40H3502	R40H3503 R40H3503
R170, R175	Ra Ra	KH WG	15" x 5" 15" x 5"	4646 - 400 1252 - 346	R700400 R700346	R40H595 R40H597	R40H9220 R40H9200	R40H3538 R40H3540	R40H3539 R40H3541
R185	Ra Ra	WG WG	15" x 6" 15" x 7"	4596 - 381 4597 - 383	R700381 R700383	R40H597 R40H597	R40H9200 R40H9200	R40H3540 R40H3540	R40H3541 R40H3541
1979	Ra Ra Ra Ra	LG LG LG LG	15" x 6" 15" x 6" 15" x 7" 15" x 7"	4504A - 543 4504A - 543 4505A - 544 4505A - 544	N/A N/A N/A N/A	R40H618 R40H618 R40H618 R40H618	NR NR NR NR	SP7888S NR NR SP7888S	SP7888S NR NR SP7888S
F050, F055, F060	Fa	KH	14" x 2-1/2"	2060 - 361	Discontinued	R40H596	R40H9219	R40H3536	R40H3537
F070	Fa Fa Fa Fa Fd	WG WG WG WG DN	15" x 3" 15" x 3" 15" x 3" 15" x 3" 15" x 3"	1245C - 321 1245C - 321 1245C - 321 1245C - 321 7141 - D224	R700321 R700321 R700321 R700321 MD224 ³⁴⁰	R40H521 R40H521 R40H521 R40H521 69310693	R40H9237 R40H9237 R40H9237 R40H9237 60050153	R40H3502 R40H3502 R40H3502 R40H3502 NR	R40H3503 R40H3503 R40H3503 R40H3503 NR
F080, F090	Fd Fd	DN DN		7149 - D236 7149 - D236	MD236 ³⁴¹ MD236 ³⁴¹	69310693 69310693	R40H5523 R40H5523	NR NR	NR NR
F090, F120	Fa Fa	WG WG	15" x 3" 15" x 3"	1245C - 321 1245C - 321	R700321 R700321	R40H521 R40H521	R40H9237 R40H9237	R40H3502 R40H3502	R40H3503 R40H3503
R170, R175	Ra Ra	KH WG	15" x 5" 15" x 5"	4646 - 400 1252 - 346	R700400 R700346	R40H595 R40H597	R40H9220 R40H9200	R40H3538 R40H3540	R40H3539 R40H3541

9 - 6 Stud, Dayton Rotor, Hat Style
53 - Power Brakes
214 - Power Brakes, Split System
www.XpresswayPlus.com

37 - Also available as a New unit
186 - 10 Stud
221 - Power Brakes, 17,500 or 18,500 lb. Rear Axle

41 - Aluminum piston
188 - 6 Stud, 9.251" Hub
222 - Power Brakes, 18,500 or 22,000 lb. Rear Axle

MERITOR DRUM OR ROTOR NO.	CALIPER OR CYLINDER BORE SIZE	MERITOR CALIPER OR WHEEL CYLINDER (LEFT)	MERITOR CALIPER OR WHEEL CYLINDER (RIGHT)	MERITOR CALIPER OR WHEEL CYLINDER REPAIR KIT	MERITOR CALIPER PISTON	MERITOR MASTER CYLINDER	MERITOR MASTER CYLINDER KIT	MERITOR BRAKE HOSE (LEFT)	MERITOR BRAKE HOSE (RIGHT)
FORD(Cont.)									
LNT800 SERIES: LOUISVILLE 94.4 BBC SHORT CONVENTIONAL CHASSIS CAB, TANDEM AXLE(Cont.)									
23-122703-002 ¹⁸⁶	2-7/8 "	60050145X	60050145X ³⁷	60050146	69270702 ⁴¹	R4111992 ²¹⁴	R4122386	R4577452	R4577453
23-122691-002 ¹⁸⁸	2-7/8 "	60050145X	60050145X ³⁷	60050146	69270702 ⁴¹	R4111992 ²¹⁴	R4122386	R4577452	R4577453
N/A	1-1/4 "	R4133581	R4133581	R4166923	NR	R4111992 ²¹⁴	R4122386	R4577452	R4577453
N/A	1-1/4 "	R4133720	R4133721	R4166923	NR	R4111630 ²²²	N/A	R4577452	R4577453
N/A	1-1/2 "	R4033607	R4033607	R4166818	NR	-	-	R4577147	R4577147
N/A	1-5/8 "	R4133338	R4133338	R4166689	NR	-	-	R4577147	R4577147
N/A	1-5/8 "	R4133338	R4133338	R4166689	NR	-	-	R4577147	R4577147
N/A	1-3/4 "	R4133400	R4133400	R4166917	NR	-	-	R4577147	R4577147
N/A	1-5/8 "	201181	201182	SP7895S	NR	-	-	R4577147	R4577147
N/A	1-5/8 "	201185	201186 ³²⁹	SP7895S	NR	-	-	R4577147	R4577147
N/A	1-5/8 "	201181	201182	SP7895S	NR	-	-	R4577147	R4577147
N/A	1-5/8 "	201185	201186 ³²⁹	SP7895S	NR	-	-	R4577147	R4577147
N/A	1.09375	R4133484	R4133485	R4166819	NR	R4111629 ⁵³	R4122484	R4577460	R4577460
N/A	1-1/8 "	R4133716	R4133717	R4166926	NR	R4111772 ⁵³	R4122488	R4577454	R4577455
N/A	1-1/8 "	R4133714	R4133715	R4166926	NR	R4111995 ⁵³	-	R4577454	R4577455
N/A	1-1/8 "	R4133719	R4133718	R4166926	NR	R4111634 ⁵³	N/A	R4577452	R4577453
N/A	1-1/8 "	R4133714	R4133715	R4166926	NR	R4111631 ²²¹	R4122486	R4577452	R4577453
23-122700-002 ⁹	2-1/2 "	R424244X	R424244X ³⁷	60050266	69270757 ⁴¹	R4111992 ²¹⁴	R4122386	R4577452	R4577453
23-122691-002 ¹⁸⁸	2-7/8 "	60050145X	60050145X ³⁷	60050146	69270702 ⁴¹	R4111992 ²¹⁴	R4122386	R4577452	R4577453
23-122703-002 ¹⁸⁶	2-7/8 "	60050145X	60050145X ³⁷	60050146	69270702 ⁴¹	R4111992 ²¹⁴	R4122386	R4577452	R4577453
N/A	1-1/4 "	R4133720	R4133721	R4166923	NR	R4111630 ²²²	N/A	R4577452	R4577453
N/A	1-1/4 "	R4133581	R4133581	R4166923	NR	R4111992 ²¹⁴	R4122386	R4577452	R4577453
N/A	1-1/2 "	R4033607	R4033607	R4166818	NR	-	-	R4577147	R4577147
N/A	1-5/8 "	R4133338	R4133338	R4166689	NR	-	-	R4577147	R4577147
N/A	1-5/8 "	R4133338	R4133338	R4166689	NR	-	-	R4577147	R4577147
N/A	1-3/4 "	R4133400	R4133400	R4166917	NR	-	-	R4577147	R4577147
N/A	1-5/8 "	201185	201186 ³²⁹	SP7895S	NR	-	-	R4577147	R4577147
N/A	1-5/8 "	201181	201182	SP7895S	NR	-	-	R4577147	R4577147
N/A	1-5/8 "	201185	201186 ³²⁹	SP7895S	NR	-	-	R4577147	R4577147
N/A	1-5/8 "	201181	201182	SP7895S	NR	-	-	R4577147	R4577147
N/A	1.09375	R4133484	R4133485	R4166819	NR	R4111629 ⁵³	R4122484	R4577460	R4577460
N/A	1-1/8 "	R4133714	R4133715	R4166926	NR	R4111995 ⁵³	-	R4577454	R4577455
N/A	1-1/8 "	R4133719	R4133718	R4166926	NR	R4111634 ⁵³	N/A	R4577452	R4577453
N/A	1-1/8 "	R4133714	R4133715	R4166926	NR	R4111631 ²²¹	R4122486	R4577452	R4577453
N/A	1-1/8 "	R4133716	R4133717	R4166926	NR	R4111772 ⁵³	R4122488	R4577454	R4577455
23-122700-002 ⁹	2-1/2 "	R424244X	R424244X ³⁷	60050266	69270757 ⁴¹	R4111992 ²¹⁴	R4122386	R4577452	R4577453
23-122703-002 ¹⁸⁶	2-7/8 "	60050145X	60050145X ³⁷	60050146	69270702 ⁴¹	R4111992 ²¹⁴	R4122386	R4577452	R4577453
23-122691-002 ¹⁸⁸	2-7/8 "	60050145X	60050145X ³⁷	60050146	69270702 ⁴¹	R4111992 ²¹⁴	R4122386	R4577452	R4577453
N/A	1-1/4 "	R4133720	R4133721	R4166923	NR	R4111630 ²²²	N/A	R4577452	R4577453
N/A	1-1/4 "	R4133581	R4133581	R4166923	NR	R4111992 ²¹⁴	R4122386	R4577452	R4577453
N/A	1-1/2 "	R4033607	R4033607	R4166818	NR	-	-	R4577147	R4577147
N/A	1-5/8 "	R4133338	R4133338	R4166689	NR	-	-	R4577147	R4577147
N/A	1-5/8 "	R4133338	R4133338	R4166689	NR	-	-	R4577147	R4577147
N/A	1-3/4 "	R4133400	R4133400	R4166917	NR	-	-	R4577147	R4577147
N/A	1-5/8 "	201185	201186 ³²⁹	SP7895S	NR	-	-	R4577147	R4577147
N/A	1-5/8 "	201181	201182	SP7895S	NR	-	-	R4577147	R4577147
N/A	1-5/8 "	201181	201182	SP7895S	NR	-	-	R4577147	R4577147
N/A	1-5/8 "	201185	201186 ³²⁹	SP7895S	NR	-	-	R4577147	R4577147
N/A	1.09375	R4133484	R4133485	R4166819	NR	R4111629 ⁵³	R4122484	R4577460	R4577460
N/A	1-1/8 "	R4133714	R4133715	R4166926	NR	R4111631 ²²¹	R4122486	R4577452	R4577453
N/A	1-1/8 "	R4133719	R4133718	R4166926	NR	R4111634 ⁵³	N/A	R4577452	R4577453
N/A	1-1/8 "	R4133714	R4133715	R4166926	NR	R4111995 ⁵³	-	R4577454	R4577455
N/A	1-1/8 "	R4133716	R4133717	R4166926	NR	R4111772 ⁵³	R4122488	R4577454	R4577455
23-122700-002 ⁹	2-1/2 "	R424244X	R424244X ³⁷	60050266	69270757 ⁴¹	R4111992 ²¹⁴	R4122386	R4577452	R4577453
23-122703-002 ¹⁸⁶	2-7/8 "	60050145X	60050145X ³⁷	60050146	69270702 ⁴¹	R4111992 ²¹⁴	R4122386	R4577452	R4577453
23-122691-002 ¹⁸⁸	2-7/8 "	60050145X	60050145X ³⁷	60050146	69270702 ⁴¹	R4111992 ²¹⁴	R4122386	R4577452	R4577453
N/A	1-1/4 "	R4133720	R4133721	R4166923	NR	R4111630 ²²²	N/A	R4577452	R4577453
N/A	1-1/4 "	R4133581	R4133581	R4166923	NR	R4111992 ²¹⁴	R4122386	R4577452	R4577453
N/A	1-1/2 "	R4033607	R4033607	R4166818	NR	-	-	R4577147	R4577147
N/A	1-5/8 "	R4133338	R4133338	R4166689	NR	-	-	R4577147	R4577147

MAKE MODEL YEAR AXLE CODE AXLE WEIGHT	AXLE & BRK. TYPE	BRK. MFG.	BRAKE SIZE	FMSI	MERITOR DISC PAD OR BRAKE SHOE	MERITOR GUIDE PIN OR RETURN SPRING KIT	MERITOR CALIPER HWD. KIT OR RETURN SPRING KIT	MERITOR ADJUSTER KIT (LEFT WHEEL)	MERITOR ADJUSTER KIT (RIGHT WHEEL)
FORD(Cont.)									
LNT800 SERIES: LOUISVILLE 94.4 BBC SHORT CONVENTIONAL CHASSIS CAB, TANDEM AXLE(Cont.)									
1979 R185	Ra Ra	WG WG	15 " x 6 " 15 " x 7 "	4596 - 381 4597 - 383	R700381 R700383	R40H597 R40H597	R40H9200 R40H9200	R40H3540 R40H3540	R40H3541 R40H3541
1978	Ra Ra Ra Ra	LG LG LG LG	15 " x 6 " 15 " x 6 " 15 " x 7 " 15 " x 7 "	4504A - 543 4504A - 543 4505A - 544 4505A - 544	N/A N/A N/A N/A	R40H618 R40H618 R40H618 R40H618	NR NR NR NR	SP7888S NR SP7888S NR	SP7888S NR SP7888S NR
F050, F055, F060	Fa	KH	14 " x 2-1/2 "	2060 - 361	Discontinued	R40H596	R40H9219	R40H3536	R40H3537
F070	Fa Fa Fa Fa	WG WG WG WG	15 " x 3 " 15 " x 3 " 15 " x 3 " 15 " x 3 "	1245C - 321 1245C - 321 1245C - 321 1245C - 321	R700321 R700321 R700321 R700321	R40H521 R40H521 R40H521 R40H521	R40H9237 R40H9237 R40H9237 R40H9237	R40H3502 R40H3502 R40H3502 R40H3502	R40H3503 R40H3503 R40H3503 R40H3503
	Fd	DN		7141 - D224	MD224 ³⁴⁰	69310693	60050153	NR	NR
F080, F090	Fd Fd	DN DN		7149 - D236 7149 - D236	MD236 ³⁴¹ MD236 ³⁴¹	69310693 69310693	R40H5523 R40H5523	NR NR	NR NR
F090, F120	Fa Fa	WG WG	15 " x 3 " 15 " x 3 "	1245C - 321 1245C - 321	R700321 R700321	R40H521 R40H521	R40H9237 R40H9237	R40H3502 R40H3502	R40H3503 R40H3503
R170, R175	Ra Ra	KH WG	15 " x 5 " 15 " x 5 "	4646 - 400 1252 - 346	R700400 R700346	R40H595 R40H597	R40H9220 R40H9200	R40H3538 R40H3540	R40H3539 R40H3541
R185	Ra Ra	WG WG	15 " x 6 " 15 " x 7 "	4596 - 381 4597 - 383	R700381 R700383	R40H597 R40H597	R40H9200 R40H9200	R40H3540 R40H3540	R40H3541 R40H3541
1977	Ra Ra Ra Ra	LG LG LG LG	15 " x 6 " 15 " x 6 " 15 " x 7 " 15 " x 7 "	4504A - 543 4504A - 543 4505A - 544 4505A - 544	N/A N/A N/A N/A	R40H618 R40H618 R40H618 R40H618	NR NR NR NR	NR SP7888S NR SP7888S	NR SP7888S NR SP7888S
F050, F055, F060	Fa	KH	14 " x 2-1/2 "	2060 - 361	Discontinued	R40H596	R40H9219	R40H3536	R40H3537
F070	Fa Fa Fa Fa	WG WG WG WG	15 " x 3 " 15 " x 3 " 15 " x 3 " 15 " x 3 "	1245C - 321 1245C - 321 1245C - 321 1245C - 321	R700321 R700321 R700321 R700321	R40H521 R40H521 R40H521 R40H521	R40H9237 R40H9237 R40H9237 R40H9237	R40H3502 R40H3502 R40H3502 R40H3502	R40H3503 R40H3503 R40H3503 R40H3503
	Fd	DN		7141 - D224	MD224 ³⁴⁰	69310693	60050153	NR	NR
F080, F090	Fd Fd	DN DN		7149 - D236 7149 - D236	MD236 ³⁴¹ MD236 ³⁴¹	69310693 69310693	R40H5523 R40H5523	NR NR	NR NR
F090, F120	Fa Fa	WG WG	15 " x 3 " 15 " x 3 "	1245C - 321 1245C - 321	R700321 R700321	R40H521 R40H521	R40H9237 R40H9237	R40H3502 R40H3502	R40H3503 R40H3503
R170, R175	Ra Ra	KH WG	15 " x 5 " 15 " x 5 "	4646 - 400 1252 - 346	R700400 R700346	R40H595 R40H597	R40H9220 R40H9200	R40H3538 R40H3540	R40H3539 R40H3541
R185	Ra Ra	WG WG	15 " x 6 " 15 " x 7 "	4596 - 381 4597 - 383	R700381 R700383	R40H597 R40H597	R40H9200 R40H9200	R40H3540 R40H3540	R40H3541 R40H3541
1976	Ra Ra Ra Ra	LG LG LG LG	15 " x 6 " 15 " x 6 " 15 " x 7 " 15 " x 7 "	4504A - 543 4504A - 543 4505A - 544 4505A - 544	N/A N/A N/A N/A	R40H618 R40H618 R40H618 R40H618	NR NR NR NR	SP7888S NR SP7888S NR	SP7888S NR SP7888S NR
F050, F055, F060	Fa	KH	14 " x 2-1/2 "	2060 - 361	Discontinued	R40H596	R40H9219	R40H3536	R40H3537
F070	Fa Fa Fa Fa	WG WG WG WG	15 " x 3 " 15 " x 3 " 15 " x 3 " 15 " x 3 "	1245C - 321 1245C - 321 1245C - 321 1245C - 321	R700321 R700321 R700321 R700321	R40H521 R40H521 R40H521 R40H521	R40H9237 R40H9237 R40H9237 R40H9237	R40H3502 R40H3502 R40H3502 R40H3502	R40H3503 R40H3503 R40H3503 R40H3503
	Fd	DN		7141 - D224	MD224 ³⁴⁰	69310693	60050153	NR	NR
F080, F090	Fd Fd	DN DN		7149 - D236 7149 - D236	MD236 ³⁴¹ MD236 ³⁴¹	69310693 69310693	R40H5523 R40H5523	NR NR	NR NR
F090, F120	Fa Fa	WG WG	15 " x 3 " 15 " x 3 "	1245C - 321 1245C - 321	R700321 R700321	R40H521 R40H521	R40H9237 R40H9237	R40H3502 R40H3502	R40H3503 R40H3503
R170, R175	Ra Ra	KH WG	15 " x 5 " 15 " x 5 "	4646 - 400 1252 - 346	R700400 R700346	R40H595 R40H597	R40H9220 R40H9200	R40H3538 R40H3540	R40H3539 R40H3541
R185	Ra Ra	WG WG	15 " x 6 " 15 " x 7 "	4596 - 381 4597 - 383	R700381 R700383	R40H597 R40H597	R40H9200 R40H9200	R40H3540 R40H3540	R40H3541 R40H3541
1975	Ra Ra Ra	LG LG LG	15 " x 6 " 15 " x 6 " 15 " x 7 "	4504A - 543 4504A - 543 4505A - 544	N/A N/A N/A	R40H618 R40H618 R40H618	NR NR NR	SP7888S NR SP7888S	SP7888S NR SP7888S

9 - 6 Stud, Dayton Rotor, Hat Style
53 - Power Brakes
214 - Power Brakes, Split System
www.XpresswayPlus.com

37 - Also available as a New unit
186 - 10 Stud
221 - Power Brakes, 17,500 or 18,500 lb. Rear Axle

41 - Aluminum piston
188 - 6 Stud, 9.251" Hub
222 - Power Brakes, 18,500 or 22,000 lb. Rear Axle

Contact our Customer Service Teams
1-888-725-9355

MERITOR DRUM OR ROTOR NO.	CALIPER OR CYLINDER BORE SIZE	MERITOR CALIPER OR WHEEL CYLINDER (LEFT)	MERITOR CALIPER OR WHEEL CYLINDER (RIGHT)	MERITOR CALIPER OR WHEEL CYLINDER REPAIR KIT	MERITOR CALIPER PISTON	MERITOR MASTER CYLINDER	MERITOR MASTER CYLINDER KIT	MERITOR BRAKE HOSE (LEFT)	MERITOR BRAKE HOSE (RIGHT)
FORD(Cont.)									
LNT800 SERIES: LOUISVILLE 94.4 BBC SHORT CONVENTIONAL CHASSIS CAB, TANDEM AXLE(Cont.)									
N/A	1-5/8 "	R4133338	R4133338	R4166689	NR	-	-	R4577147	R4577147
N/A	1-3/4 "	R4133400	R4133400	R4166917	NR	-	-	R4577147	R4577147
N/A	1-5/8 "	201185	201186 ³²⁹	SP7895S	NR	-	-	R4577147	R4577147
N/A	1-5/8 "	201181	201182	SP7895S	NR	-	-	R4577147	R4577147
N/A	1-5/8 "	201185	201186 ³²⁹	SP7895S	NR	-	-	R4577147	R4577147
N/A	1-5/8 "	201181	201182	SP7895S	NR	-	-	R4577147	R4577147
N/A	1.09375	R4133484	R4133485	R4166819	NR	R4111629 ⁵³	R4122484	R4577460	R4577460
N/A	1-1/8 "	R4133714	R4133715	R4166926	NR	R4111631 ²²¹	R4122486	R4577452	R4577453
N/A	1-1/8 "	R4133716	R4133717	R4166926	NR	R4111772 ⁵³	R4122488	R4577454	R4577455
N/A	1-1/8 "	R4133719	R4133718	R4166926	NR	R4111634 ⁵³	N/A	R4577452	R4577453
N/A	1-1/8 "	R4133714	R4133715	R4166926	NR	R4111995 ⁵³	-	R4577454	R4577455
23-122700-002 ⁹	2-1/2 "	R424244X	R424244X ³⁷	60050266	6927075 ⁴¹	R4111992 ²¹⁴	R4122386	R4577452	R4577453
23-122703-002 ¹⁸⁶	2-7/8 "	60050145X	60050145X ³⁷	60050146	6927070 ⁴¹	R4111992 ²¹⁴	R4122386	R4577452	R4577453
23-122691-002 ¹⁸⁸	2-7/8 "	60050145X	60050145X ³⁷	60050146	6927070 ⁴¹	R4111992 ²¹⁴	R4122386	R4577452	R4577453
N/A	1-1/4 "	R4133581	R4133581	R4166923	NR	R4111992 ²¹⁴	R4122386	R4577452	R4577453
N/A	1-1/4 "	R4133720	R4133721	R4166923	NR	R4111630 ²²²	N/A	R4577452	R4577453
N/A	1-1/2 "	R4033607	R4033607	R4166818	NR	-	-	R4577147	R4577147
N/A	1-5/8 "	R4133338	R4133338	R4166689	NR	-	-	R4577147	R4577147
N/A	1-5/8 "	R4133338	R4133338	R4166689	NR	-	-	R4577147	R4577147
N/A	1-3/4 "	R4133400	R4133400	R4166917	NR	-	-	R4577147	R4577147
N/A	1-5/8 "	201181	201182	SP7895S	NR	-	-	R4577147	R4577147
N/A	1-5/8 "	201185	201186 ³²⁹	SP7895S	NR	-	-	R4577147	R4577147
N/A	1-5/8 "	201181	201182	SP7895S	NR	-	-	R4577147	R4577147
N/A	1-5/8 "	201185	201186 ³²⁹	SP7895S	NR	-	-	R4577147	R4577147
N/A	1.09375	R4133484	R4133485	R4166819	NR	R4111629 ⁵³	R4122484	R4577460	R4577460
N/A	1-1/8 "	R4133716	R4133717	R4166926	NR	R4111772 ⁵³	R4122488	R4577454	R4577455
N/A	1-1/8 "	R4133714	R4133715	R4166926	NR	R4111995 ⁵³	-	R4577454	R4577455
N/A	1-1/8 "	R4133714	R4133715	R4166926	NR	R4111631 ²²¹	R4122486	R4577452	R4577453
N/A	1-1/8 "	R4133719	R4133718	R4166926	NR	R4111634 ⁵³	N/A	R4577452	R4577453
23-122700-002 ⁹	2-1/2 "	R424244X	R424244X ³⁷	60050266	6927075 ⁴¹	R4111992 ²¹⁴	R4122386	R4577452	R4577453
23-122691-002 ¹⁸⁸	2-7/8 "	60050145X	60050145X ³⁷	60050146	6927070 ⁴¹	R4111992 ²¹⁴	R4122386	R4577452	R4577453
23-122703-002 ¹⁸⁶	2-7/8 "	60050145X	60050145X ³⁷	60050146	6927070 ⁴¹	R4111992 ²¹⁴	R4122386	R4577452	R4577453
N/A	1-1/4 "	R4133720	R4133721	R4166923	NR	R4111630 ²²²	N/A	R4577452	R4577453
N/A	1-1/4 "	R4133581	R4133581	R4166923	NR	R4111992 ²¹⁴	R4122386	R4577452	R4577453
N/A	1-1/2 "	R4033607	R4033607	R4166818	NR	-	-	R4577147	R4577147
N/A	1-5/8 "	R4133338	R4133338	R4166689	NR	-	-	R4577147	R4577147
N/A	1-5/8 "	R4133338	R4133338	R4166689	NR	-	-	R4577147	R4577147
N/A	1-3/4 "	R4133400	R4133400	R4166917	NR	-	-	R4577147	R4577147
N/A	1-5/8 "	201185	201186 ³²⁹	SP7895S	NR	-	-	R4577147	R4577147
N/A	1-5/8 "	201181	201182	SP7895S	NR	-	-	R4577147	R4577147
N/A	1-5/8 "	201185	201186 ³²⁹	SP7895S	NR	-	-	R4577147	R4577147
N/A	1-5/8 "	201181	201182	SP7895S	NR	-	-	R4577147	R4577147
N/A	1.09375	R4133484	R4133485	R4166819	NR	R4111629 ⁵³	R4122484	R4577460	R4577460
N/A	1-1/8 "	R4133714	R4133715	R4166926	NR	R4111995 ⁵³	-	R4577454	R4577455
N/A	1-1/8 "	R4133716	R4133717	R4166926	NR	R4111772 ⁵³	R4122488	R4577454	R4577455
N/A	1-1/8 "	R4133719	R4133718	R4166926	NR	R4111634 ⁵³	N/A	R4577452	R4577453
N/A	1-1/8 "	R4133714	R4133715	R4166926	NR	R4111631 ²²¹	R4122486	R4577452	R4577453
23-122700-002 ⁹	2-1/2 "	R424244X	R424244X ³⁷	60050266	6927075 ⁴¹	R4111992 ²¹⁴	R4122386	R4577452	R4577453
23-122703-002 ¹⁸⁶	2-7/8 "	60050145X	60050145X ³⁷	60050146	6927070 ⁴¹	R4111992 ²¹⁴	R4122386	R4577452	R4577453
23-122691-002 ¹⁸⁸	2-7/8 "	60050145X	60050145X ³⁷	60050146	6927070 ⁴¹	R4111992 ²¹⁴	R4122386	R4577452	R4577453
N/A	1-1/4 "	R4133581	R4133581	R4166923	NR	R4111992 ²¹⁴	R4122386	R4577452	R4577453
N/A	1-1/4 "	R4133720	R4133721	R4166923	NR	R4111630 ²²²	N/A	R4577452	R4577453
N/A	1-1/2 "	R4033607	R4033607	R4166818	NR	-	-	R4577147	R4577147
N/A	1-5/8 "	R4133338	R4133338	R4166689	NR	-	-	R4577147	R4577147
N/A	1-5/8 "	R4133338	R4133338	R4166689	NR	-	-	R4577147	R4577147
N/A	1-3/4 "	R4133400	R4133400	R4166917	NR	-	-	R4577147	R4577147
N/A	1-5/8 "	201185	201186 ³²⁹	SP7895S	NR	-	-	R4577147	R4577147
N/A	1-5/8 "	201181	201182	SP7895S	NR	-	-	R4577147	R4577147
N/A	1-5/8 "	201185	201186 ³²⁹	SP7895S	NR	-	-	R4577147	R4577147

MAKE MODEL YEAR AXLE CODE AXLE WEIGHT	AXLE & BRK. TYPE	BRK. MFG.	BRAKE SIZE	FMSI	MERITOR DISC PAD OR BRAKE SHOE	MERITOR GUIDE PIN OR RETURN SPRING KIT	MERITOR CALIPER HWD. KIT OR RETURN SPRING KIT	MERITOR ADJUSTER KIT (LEFT WHEEL)	MERITOR ADJUSTER KIT (RIGHT WHEEL)
FORD(Cont.)									
LNT800 SERIES: LOUISVILLE 94.4 BBC SHORT CONVENTIONAL CHASSIS CAB, TANDEM AXLE(Cont.)									
1975									
F050, F055, F060	Ra	LG	15 " x 7 "	4505A - 544	N/A	R40H618	NR	NR	NR
F070	Fa	KH	14 " x 2-1/2 "	2060 - 361	Discontinued	R40H596	R40H9219	R40H3536	R40H3537
	Fa	WG	15 " x 3 "	1245C - 321	R700321	R40H521	R40H9237	R40H3502	R40H3503
	Fa	WG	15 " x 3 "	1245C - 321	R700321	R40H521	R40H9237	R40H3502	R40H3503
	Fa	WG	15 " x 3 "	1245C - 321	R700321	R40H521	R40H9237	R40H3502	R40H3503
	Fa	WG	15 " x 3 "	1245C - 321	R700321	R40H521	R40H9237	R40H3502	R40H3503
	Fd	DN		7141 - D224	MD224 ³⁴⁰	69310693	60050153	NR	NR
F080, F090	Fd	DN		7149 - D236	MD236 ³⁴¹	69310693	R40H5523	NR	NR
	Fd	DN		7149 - D236	MD236 ³⁴¹	69310693	R40H5523	NR	NR
F090, F120	Fa	WG	15 " x 3 "	1245C - 321	R700321	R40H521	R40H9237	R40H3502	R40H3503
	Fa	WG	15 " x 3 "	1245C - 321	R700321	R40H521	R40H9237	R40H3502	R40H3503
R170, R175	Ra	KH	15 " x 5 "	4646 - 400	R700400	R40H595	R40H9220	R40H3538	R40H3539
	Ra	WG	15 " x 5 "	1252 - 346	R700346	R40H597	R40H9200	R40H3540	R40H3541
R185	Ra	WG	15 " x 6 "	4596 - 381	R700381	R40H597	R40H9200	R40H3540	R40H3541
	Ra	WG	15 " x 7 "	4597 - 383	R700383	R40H597	R40H9200	R40H3540	R40H3541
1974									
	Ra	LG	15 " x 6 "	4504A - 543	N/A	R40H618	NR	NR	NR
	Ra	LG	15 " x 6 "	4504A - 543	N/A	R40H618	NR	SP7888S	SP7888S
	Ra	LG	15 " x 7 "	4505A - 544	N/A	R40H618	NR	NR	NR
	Ra	LG	15 " x 7 "	4505A - 544	N/A	R40H618	NR	SP7888S	SP7888S
F050, F055, F060	Fa	KH	14 " x 2-1/2 "	2060 - 361	Discontinued	R40H596	R40H9219	R40H3536	R40H3537
F070	Fa	WG	15 " x 3 "	1245C - 321	R700321	R40H521	R40H9237	R40H3502	R40H3503
	Fa	WG	15 " x 3 "	1245C - 321	R700321	R40H521	R40H9237	R40H3502	R40H3503
	Fa	WG	15 " x 3 "	1245C - 321	R700321	R40H521	R40H9237	R40H3502	R40H3503
	Fa	WG	15 " x 3 "	1245C - 321	R700321	R40H521	R40H9237	R40H3502	R40H3503
	Fd	DN		7141 - D224	MD224 ³⁴⁰	69310693	60050153	NR	NR
F080, F090	Fd	DN		7149 - D236	MD236 ³⁴¹	69310693	R40H5523	NR	NR
	Fd	DN		7149 - D236	MD236 ³⁴¹	69310693	R40H5523	NR	NR
F090, F120	Fa	WG	15 " x 3 "	1245C - 321	R700321	R40H521	R40H9237	R40H3502	R40H3503
	Fa	WG	15 " x 3 "	1245C - 321	R700321	R40H521	R40H9237	R40H3502	R40H3503
R170, R175	Ra	KH	15 " x 5 "	4646 - 400	R700400	R40H595	R40H9220	R40H3538	R40H3539
	Ra	WG	15 " x 5 "	1252 - 346	R700346	R40H597	R40H9200	R40H3540	R40H3541
R185	Ra	WG	15 " x 6 "	4596 - 381	R700381	R40H597	R40H9200	R40H3540	R40H3541
	Ra	WG	15 " x 7 "	4597 - 383	R700383	R40H597	R40H9200	R40H3540	R40H3541
1973									
	Ra	LG	15 " x 6 "	4504A - 543	N/A	R40H618	NR	SP7888S	SP7888S
	Ra	LG	15 " x 6 "	4504A - 543	N/A	R40H618	NR	NR	NR
	Ra	LG	15 " x 7 "	4505A - 544	N/A	R40H618	NR	SP7888S	SP7888S
	Ra	LG	15 " x 7 "	4505A - 544	N/A	R40H618	NR	NR	NR
F050, F055, F060	Fa	KH	14 " x 2-1/2 "	2060 - 361	Discontinued	R40H596	R40H9219	R40H3536	R40H3537
F070	Fa	WG	15 " x 3 "	1245C - 321	R700321	R40H521	R40H9237	R40H3502	R40H3503
	Fa	WG	15 " x 3 "	1245C - 321	R700321	R40H521	R40H9237	R40H3502	R40H3503
	Fa	WG	15 " x 3 "	1245C - 321	R700321	R40H521	R40H9237	R40H3502	R40H3503
	Fa	WG	15 " x 3 "	1245C - 321	R700321	R40H521	R40H9237	R40H3502	R40H3503
	Fd	DN		7141 - D224	MD224 ³⁴⁰	69310693	60050153	NR	NR
F080, F090	Fd	DN		7149 - D236	MD236 ³⁴¹	69310693	R40H5523	NR	NR
	Fd	DN		7149 - D236	MD236 ³⁴¹	69310693	R40H5523	NR	NR
F090, F120	Fa	WG	15 " x 3 "	1245C - 321	R700321	R40H521	R40H9237	R40H3502	R40H3503
	Fa	WG	15 " x 3 "	1245C - 321	R700321	R40H521	R40H9237	R40H3502	R40H3503
R170, R175	Ra	KH	15 " x 5 "	4646 - 400	R700400	R40H595	R40H9220	R40H3538	R40H3539
	Ra	WG	15 " x 5 "	1252 - 346	R700346	R40H597	R40H9200	R40H3540	R40H3541
R185	Ra	WG	15 " x 6 "	4596 - 381	R700381	R40H597	R40H9200	R40H3540	R40H3541
	Ra	WG	15 " x 7 "	4597 - 383	R700383	R40H597	R40H9200	R40H3540	R40H3541
LT800 SERIES: LOUISVILLE CONVENTIONAL 106.4 BBC TANDEM CHASSIS CAB TRUCK									
1992									
	Fd	DN		7149 - D236	MD236 ³⁴¹	69310693	69310782	NR	NR
	Fd	DN		7149 - D236	MD236 ³⁴¹	69310693	69310782	NR	NR
	Fd	DN		7149 - D236	MD236 ³⁴¹	69310693	69310782	NR	NR
	Fd	DN		7141 - D224	MD224 ³⁴⁰	69310693	60050153	NR	NR
	Ra	LG	15 " x 7 "	4505A - 544	N/A	R40H618	NR	NR	NR
	Ra	LG	15 " x 7 "	4505A - 544	N/A	R40H618	NR	SP7887S	SP7887S
1991									
	Fd	DN		7149 - D236	MD236 ³⁴¹	69310693	69310782	NR	NR

9 - 6 Stud, Dayton Rotor, Hat Style
 53 - Power Brakes
 188 - 6 Stud, 9.251" Hub
 www.XpresswayPlus.com
 1-316

37 - Also available as a New unit
 186 - 10 Stud
 204 - Right Hand; use E-4057 for Left Hand Expander Kits

41 - Aluminum piston
 187 - 6 Stud, 6.443" Hub
 214 - Power Brakes, Split System

Contact our Customer Service Teams
 1-888-725-9355

MERITOR DRUM OR ROTOR NO.	CALIPER OR CYLINDER BORE SIZE	MERITOR CALIPER OR WHEEL CYLINDER (LEFT)	MERITOR CALIPER OR WHEEL CYLINDER (RIGHT)	MERITOR CALIPER OR WHEEL CYLINDER REPAIR KIT	MERITOR CALIPER PISTON	MERITOR MASTER CYLINDER	MERITOR MASTER CYLINDER KIT	MERITOR BRAKE HOSE (LEFT)	MERITOR BRAKE HOSE (RIGHT)
FORD(Cont.)									
LNT800 SERIES: LOUISVILLE 94.4 BBC SHORT CONVENTIONAL CHASSIS CAB, TANDEM AXLE(Cont.)									
N/A	1-5/8 "	201181	201182	SP7895S	NR	-	-	R4577147	R4577147
N/A	1.09375	R4133484	R4133485	R4166819	NR	R4111629 ⁵³	R4122484	R4577460	R4577460
N/A	1-1/8 "	R4133716	R4133717	R4166926	NR	R4111772 ⁵³	R4122488	R4577454	R4577455
N/A	1-1/8 "	R4133714	R4133715	R4166926	NR	R4111995 ⁵³	-	R4577454	R4577455
N/A	1-1/8 "	R4133719	R4133718	R4166926	NR	R4111634 ⁵³	N/A	R4577452	R4577453
N/A	1-1/8 "	R4133714	R4133715	R4166926	NR	R4111631 ²²¹	R4122486	R4577452	R4577453
23-122700-002 ⁹	2-1/2 "	R424244X	R424244X ³⁷	60050266	6927075 ⁴¹	R4111992 ²¹⁴	R4122386	R4577452	R4577453
23-122703-002 ¹⁸⁶	2-7/8 "	60050145X	60050145X ³⁷	60050146	6927070 ⁴¹	R4111992 ²¹⁴	R4122386	R4577452	R4577453
23-122691-002 ¹⁸⁸	2-7/8 "	60050145X	60050145X ³⁷	60050146	6927070 ⁴¹	R4111992 ²¹⁴	R4122386	R4577452	R4577453
N/A	1-1/4 "	R4133581	R4133581	R4166923	NR	R4111992 ²¹⁴	R4122386	R4577452	R4577453
N/A	1-1/4 "	R4133720	R4133721	R4166923	NR	R4111630 ²²²	N/A	R4577452	R4577453
N/A	1-1/2 "	R4033607	R4033607	R4166818	NR	-	-	R4577147	R4577147
N/A	1-5/8 "	R4133338	R4133338	R4166689	NR	-	-	R4577147	R4577147
N/A	1-5/8 "	R4133338	R4133338	R4166689	NR	-	-	R4577147	R4577147
N/A	1-3/4 "	R4133400	R4133400	R4166917	NR	-	-	R4577147	R4577147
N/A	1-5/8 "	201181	201182	SP7895S	NR	-	-	R4577147	R4577147
N/A	1-5/8 "	201185	201186 ³²⁹	SP7895S	NR	-	-	R4577147	R4577147
N/A	1-5/8 "	201181	201182	SP7895S	NR	-	-	R4577147	R4577147
N/A	1-5/8 "	201185	201186 ³²⁹	SP7895S	NR	-	-	R4577147	R4577147
N/A	1.09375	R4133484	R4133485	R4166819	NR	R4111629 ⁵³	R4122484	R4577460	R4577460
N/A	1-1/8 "	R4133714	R4133715	R4166926	NR	R4111995 ⁵³	-	R4577454	R4577455
N/A	1-1/8 "	R4133716	R4133717	R4166926	NR	R4111772 ⁵³	R4122488	R4577454	R4577455
N/A	1-1/8 "	R4133719	R4133718	R4166926	NR	R4111634 ⁵³	N/A	R4577452	R4577453
N/A	1-1/8 "	R4133714	R4133715	R4166926	NR	R4111631 ²²¹	R4122486	R4577452	R4577453
23-122700-002 ⁹	2-1/2 "	R424244X	R424244X ³⁷	60050266	6927075 ⁴¹	R4111992 ²¹⁴	R4122386	R4577452	R4577453
23-122691-002 ¹⁸⁸	2-7/8 "	60050145X	60050145X ³⁷	60050146	6927070 ⁴¹	R4111992 ²¹⁴	R4122386	R4577452	R4577453
23-122703-002 ¹⁸⁶	2-7/8 "	60050145X	60050145X ³⁷	60050146	6927070 ⁴¹	R4111992 ²¹⁴	R4122386	R4577452	R4577453
N/A	1-1/4 "	R4133581	R4133581	R4166923	NR	R4111992 ²¹⁴	R4122386	R4577452	R4577453
N/A	1-1/4 "	R4133720	R4133721	R4166923	NR	R4111630 ²²²	N/A	R4577452	R4577453
N/A	1-1/2 "	R4033607	R4033607	R4166818	NR	-	-	R4577147	R4577147
N/A	1-5/8 "	R4133338	R4133338	R4166689	NR	-	-	R4577147	R4577147
N/A	1-5/8 "	R4133338	R4133338	R4166689	NR	-	-	R4577147	R4577147
N/A	1-3/4 "	R4133400	R4133400	R4166917	NR	-	-	R4577147	R4577147
N/A	1-5/8 "	201185	201186 ³²⁹	SP7895S	NR	-	-	R4577147	R4577147
N/A	1-5/8 "	201181	201182	SP7895S	NR	-	-	R4577147	R4577147
N/A	1-5/8 "	201185	201186 ³²⁹	SP7895S	NR	-	-	R4577147	R4577147
N/A	1-5/8 "	201181	201182	SP7895S	NR	-	-	R4577147	R4577147
N/A	1.09375	R4133484	R4133485	R4166819	NR	R4111629 ⁵³	R4122484	R4577460	R4577460
N/A	1-1/8 "	R4133714	R4133715	R4166926	NR	R4111631 ²²¹	R4122486	R4577452	R4577453
N/A	1-1/8 "	R4133714	R4133715	R4166926	NR	R4111995 ⁵³	-	R4577454	R4577455
N/A	1-1/8 "	R4133716	R4133717	R4166926	NR	R4111772 ⁵³	R4122488	R4577454	R4577455
N/A	1-1/8 "	R4133719	R4133718	R4166926	NR	R4111634 ⁵³	N/A	R4577452	R4577453
23-122700-002 ⁹	2-1/2 "	R424244X	R424244X ³⁷	60050266	6927075 ⁴¹	R4111992 ²¹⁴	R4122386	R4577452	R4577453
23-122691-002 ¹⁸⁸	2-7/8 "	60050145X	60050145X ³⁷	60050146	6927070 ⁴¹	R4111992 ²¹⁴	R4122386	R4577452	R4577453
23-122703-002 ¹⁸⁶	2-7/8 "	60050145X	60050145X ³⁷	60050146	6927070 ⁴¹	R4111992 ²¹⁴	R4122386	R4577452	R4577453
N/A	1-1/4 "	R4133581	R4133581	R4166923	NR	R4111992 ²¹⁴	R4122386	R4577452	R4577453
N/A	1-1/4 "	R4133720	R4133721	R4166923	NR	R4111630 ²²²	N/A	R4577452	R4577453
N/A	1-1/2 "	R4033607	R4033607	R4166818	NR	-	-	R4577147	R4577147
N/A	1-5/8 "	R4133338	R4133338	R4166689	NR	-	-	R4577147	R4577147
N/A	1-5/8 "	R4133338	R4133338	R4166689	NR	-	-	R4577147	R4577147
N/A	1-3/4 "	R4133400	R4133400	R4166917	NR	-	-	R4577147	R4577147
LT800 SERIES: LOUISVILLE CONVENTIONAL 106.4 BBC TANDEM CHASSIS CAB TRUCK									
23-122691-002 ¹⁸⁸	2-7/8 "	60050145X	60050145X ³⁷	60050146	6927070 ⁴¹	R4111995 ⁵³	-	R4577454	R4577455
23-122703-002 ¹⁸⁶	2-7/8 "	60050145X	60050145X ³⁷	60050146	6927070 ⁴¹	R4111995 ⁵³	-	R4577454	R4577455
23-122743-002 ¹⁸⁷	2-7/8 "	60050145X	60050145X ³⁷	60050146	6927070 ⁴¹	R4111995 ⁵³	-	R4577454	R4577455
23-122700-002 ⁹	2-1/2 "	R424244X	R424244X ³⁷	60050266	6927075 ⁴¹	R4111995 ⁵³	-	R4577454	R4577455
N/A	1-3/4 "	201179X	201180X	SP7873S	SP7880S ²⁰⁴	-	-	R4577870	R4577870
N/A	1-3/4 "	201183X	201184X ³²⁹	SP7873S	NR	-	-	R4577870	R4577870
23-122743-002 ¹⁸⁷	2-7/8 "	60050145X	60050145X ³⁷	60050146	6927070 ⁴¹	R4111995 ⁵³	-	R4577454	R4577455

221 - Power Brakes, 17,500 or 18,500 lb. Rear Axle
340 - Use 69160457 for Disc Pad Retainer Clip

222 - Power Brakes, 18,500 or 22,000 lb. Rear Axle
341 - Use 69160445 for Disc Pad Retainer Clip

329 - Forward

MAKE MODEL YEAR AXLE CODE AXLE WEIGHT	AXLE & BRK. TYPE	BRK. MFG.	BRAKE SIZE	FMSI	MERITOR DISC PAD OR BRAKE SHOE	MERITOR GUIDE PIN OR RETURN SPRING KIT	MERITOR CALIPER HWD. KIT OR RETURN SPRING KIT	MERITOR ADJUSTER KIT (LEFT WHEEL)	MERITOR ADJUSTER KIT (RIGHT WHEEL)
FORD(Cont.)									
LT800 SERIES: LOUISVILLE CONVENTIONAL 106.4 BBC TANDEM CHASSIS CAB TRUCK(Cont.)									
1991	Fd	DN		7141 - D224	MD224 ³⁴⁰	69310693	60050153	NR	NR
	Fd	DN		7149 - D236	MD236 ³⁴¹	69310693	69310782	NR	NR
	Fd	DN		7149 - D236	MD236 ³⁴¹	69310693	69310782	NR	NR
	Ra	LG	15 " x 7 "	4505A - 544	N/A	R40H618	NR	SP7887S	SP7887S
	Ra	LG	15 " x 7 "	4505A - 544	N/A	R40H618	NR	NR	NR
	1990	Fd	DN		7141 - D224	MD224 ³⁴⁰	69310693	60050153	NR
Fd		DN		7149 - D236	MD236 ³⁴¹	69310693	69310782	NR	NR
Fd		DN		7149 - D236	MD236 ³⁴¹	69310693	69310782	NR	NR
Fd		DN		7149 - D236	MD236 ³⁴¹	69310693	69310782	NR	NR
Ra		LG	15 " x 7 "	4505A - 544	N/A	R40H618	NR	SP7887S	SP7887S
	Ra	LG	15 " x 7 "	4505A - 544	N/A	R40H618	NR	NR	NR
	1989	Fd	DN		7141 - D224	MD224 ³⁴⁰	69310693	60050153	NR
Fd		DN		7149 - D236	MD236 ³⁴¹	69310693	69310782 ⁴³	NR	NR
Fd		DN		7149 - D236	MD236 ³⁴¹	69310693	69310782 ⁴³	NR	NR
Fd		DN		7149 - D236	MD236 ³⁴¹	69310693	69310782 ⁴³	NR	NR
Ra		LG	15 " x 7 "	4505A - 544	N/A	R40H618	NR	SP7887S	SP7887S
	Ra	LG	15 " x 7 "	4505A - 544	N/A	R40H618	NR	NR	NR
	1988	Fd	DN		7149 - D236	MD236 ³⁴¹	69310693	69310782 ⁴³	NR
Fd		DN		7141 - D224	MD224 ³⁴⁰	69310693	60050153	NR	NR
Fd		DN		7149 - D236	MD236 ³⁴¹	69310693	69310782 ⁴³	NR	NR
Fd		DN		7149 - D236	MD236 ³⁴¹	69310693	69310782 ⁴³	NR	NR
Ra		LG	15 " x 7 "	4505A - 544	N/A	R40H618	NR	NR	NR
	Ra	LG	15 " x 7 "	4505A - 544	N/A	R40H618	NR	SP7887S	SP7887S
	1987	Fd	DN		7149 - D236	MD236 ³⁴¹	69310693	69310782 ⁴³	NR
Fd		DN		7149 - D236	MD236 ³⁴¹	69310693	69310782 ⁴³	NR	NR
Fd		DN		7149 - D236	MD236 ³⁴¹	69310693	69310782 ⁴³	NR	NR
Fd		DN		7141 - D224	MD224 ³⁴⁰	69310693	60050153	NR	NR
Ra		LG	15 " x 7 "	4505A - 544	N/A	R40H618	NR	NR	NR
	Ra	LG	15 " x 7 "	4505A - 544	N/A	R40H618	NR	SP7887S	SP7887S
	1986	Fd	DN		7149 - D236	MD236 ³⁴¹	69310693	69310782	NR
Fd		DN		7149 - D236	MD236 ³⁴¹	69310693	69310782	NR	NR
Fd		DN		7149 - D236	MD236 ³⁴¹	69310693	69310782	NR	NR
Fd		DN		7141 - D224	MD224 ³⁴⁰	69310693	60050153	NR	NR
Ra		LG	15 " x 7 "	4505A - 544	N/A	R40H618	NR	SP7887S	SP7887S
	Ra	LG	15 " x 7 "	4505A - 544	N/A	R40H618	NR	NR	NR
	1985	Fd	DN		7149 - D236	MD236 ³⁴¹	69310693	R40H5523	NR
Fd		DN		7149 - D236	MD236 ³⁴¹	69310693	R40H5523	NR	NR
Fd		DN		7141 - D224	MD224 ³⁴⁰	69310693	60050153	NR	NR
Fd		DN		7149 - D236	MD236 ³⁴¹	69310693	R40H5523	NR	NR
Ra		LG	15 " x 7 "	4505A - 544	N/A	R40H618	NR	SP7887S	SP7887S
	Ra	LG	15 " x 7 "	4505A - 544	N/A	R40H618	NR	NR	NR
	1984	Fd	DN		7141 - D224	MD224 ³⁴⁰	69310693	60050153	NR
Fd		DN		7149 - D236	MD236 ³⁴¹	69310693	R40H5523	NR	NR
Fd		DN		7149 - D236	MD236 ³⁴¹	69310693	R40H5523	NR	NR
Fd		DN		7149 - D236	MD236 ³⁴¹	69310693	R40H5523	NR	NR
Ra		LG	15 " x 7 "	4505A - 544	N/A	R40H618	NR	NR	NR
	Ra	LG	15 " x 7 "	4505A - 544	N/A	R40H618	NR	SP7887S	SP7887S
	1983	Ra	LG	15 " x 6 "	4504A - 543	N/A	R40H618	NR	NR
Ra		LG	15 " x 6 "	4504A - 543	N/A	R40H618	NR	SP7888S	SP7888S
Ra		LG	15 " x 7 "	4505A - 544	N/A	R40H618	NR	SP7888S	SP7888S
Ra		LG	15 " x 7 "	4505A - 544	N/A	R40H618	NR	NR	NR
F050, F055, F060	Fa	KH	14 " x 2-1/2 "	2060 - 361	Discontinued	R40H596	R40H9219	R40H3536	R40H3537
F070	Fa	WG	15 " x 3 "	1245C - 321	R700321	R40H521	R40H9237	R40H3502	R40H3503
	Fa	WG	15 " x 3 "	1245C - 321	R700321	R40H521	R40H9237	R40H3502	R40H3503
	Fa	WG	15 " x 3 "	1245C - 321	R700321	R40H521	R40H9237	R40H3502	R40H3503
	Fa	WG	15 " x 3 "	1245C - 321	R700321	R40H521	R40H9237	R40H3502	R40H3503

9 - 6 Stud, Dayton Rotor, Hat Style
 43 - For Applications Taking A Longer Shim, Use R404151706
 187 - 6 Stud, 6.443" Hub
 www.XpresswayPlus.com

37 - Also available as a New unit
 53 - Power Brakes
 188 - 6 Stud, 9.251" Hub

41 - Aluminum piston
 186 - 10 Stud
 204 - Right Hand; use E-4057 for Left Hand Expander Kits
 Contact our Customer Service Teams
 1-888-725-9355

MERITOR DRUM OR ROTOR NO.	CALIPER OR CYLINDER BORE SIZE	MERITOR CALIPER OR WHEEL CYLINDER (LEFT)	MERITOR CALIPER OR WHEEL CYLINDER (RIGHT)	MERITOR CALIPER OR WHEEL CYLINDER REPAIR KIT	MERITOR CALIPER PISTON	MERITOR MASTER CYLINDER	MERITOR MASTER CYLINDER KIT	MERITOR BRAKE HOSE (LEFT)	MERITOR BRAKE HOSE (RIGHT)
FORD(Cont.)									
LT800 SERIES: LOUISVILLE CONVENTIONAL 106.4 BBC TANDEM CHASSIS CAB TRUCK(Cont.)									
23-122700-002 ⁹	2-1/2 "	R424244X	R424244X ³⁷	60050266	69270757 ⁴¹	R4111995 ⁵³	-	R4577454	R4577455
23-122691-002 ¹⁸⁸	2-7/8 "	60050145X	60050145X ³⁷	60050146	69270702 ⁴¹	R4111995 ⁵³	-	R4577454	R4577455
23-122703-002 ¹⁸⁶	2-7/8 "	60050145X	60050145X ³⁷	60050146	69270702 ⁴¹	R4111995 ⁵³	-	R4577454	R4577455
N/A	1-3/4 "	201183X	201184X ³²⁹	SP7873S	NR	-	-	R4577870	R4577870
N/A	1-3/4 "	201179X	201180X	SP7873S	SP7880S ²⁰⁴	-	-	R4577870	R4577870
23-122700-002 ⁹	2-1/2 "	R424244X	R424244X ³⁷	60050266	69270757 ⁴¹	R4111995 ⁵³	-	R4577454	R4577455
23-122743-002 ¹⁸⁷	2-7/8 "	60050145X	60050145X ³⁷	60050146	69270702 ⁴¹	R4111995 ⁵³	-	R4577454	R4577455
23-122691-002 ¹⁸⁸	2-7/8 "	60050145X	60050145X ³⁷	60050146	69270702 ⁴¹	R4111995 ⁵³	-	R4577454	R4577455
23-122703-002 ¹⁸⁶	2-7/8 "	60050145X	60050145X ³⁷	60050146	69270702 ⁴¹	R4111995 ⁵³	-	R4577454	R4577455
N/A	1-3/4 "	201183X	201184X ³²⁹	SP7873S	NR	-	-	R4577870	R4577870
N/A	1-3/4 "	201179X	201180X	SP7873S	SP7880S ²⁰⁴	-	-	R4577870	R4577870
23-122700-002 ⁹	2-1/2 "	R424244X	R424244X ³⁷	60050266	69270757 ⁴¹	R4111995 ⁵³	-	R4577454	R4577455
23-122743-002 ¹⁸⁷	2-7/8 "	60050145X	60050145X ³⁷	60050146	69270702 ⁴¹	R4111995 ⁵³	-	R4577454	R4577455
23-122703-002 ¹⁸⁶	2-7/8 "	60050145X	60050145X ³⁷	60050146	69270702 ⁴¹	R4111995 ⁵³	-	R4577454	R4577455
23-122691-002 ¹⁸⁸	2-7/8 "	60050145X	60050145X ³⁷	60050146	69270702 ⁴¹	R4111995 ⁵³	-	R4577454	R4577455
N/A	1-3/4 "	201183X	201184X ³²⁹	SP7873S	NR	-	-	N/A	N/A
N/A	1-3/4 "	201179X	201180X	SP7873S	SP7880S ²⁰⁴	-	-	N/A	N/A
23-122703-002 ¹⁸⁶	2-7/8 "	60050145X	60050145X ³⁷	60050146	69270702 ⁴¹	R4111995 ⁵³	-	R4577454	R4577455
23-122700-002 ⁹	2-1/2 "	R424244X	R424244X ³⁷	60050266	69270757 ⁴¹	R4111995 ⁵³	-	R4577454	R4577455
23-122743-002 ¹⁸⁷	2-7/8 "	60050145X	60050145X ³⁷	60050146	69270702 ⁴¹	R4111995 ⁵³	-	R4577454	R4577455
23-122691-002 ¹⁸⁸	2-7/8 "	60050145X	60050145X ³⁷	60050146	69270702 ⁴¹	R4111995 ⁵³	-	R4577454	R4577455
N/A	1-3/4 "	201179X	201180X	SP7873S	SP7880S ²⁰⁴	-	-	N/A	N/A
N/A	1-3/4 "	201183X	201184X ³²⁹	SP7873S	NR	-	-	N/A	N/A
23-122743-002 ¹⁸⁷	2-7/8 "	60050145X	60050145X ³⁷	60050146	69270702 ⁴¹	R4111995 ⁵³	-	R4577454	R4577455
23-122703-002 ¹⁸⁶	2-7/8 "	60050145X	60050145X ³⁷	60050146	69270702 ⁴¹	R4111995 ⁵³	-	R4577454	R4577455
23-122691-002 ¹⁸⁸	2-7/8 "	60050145X	60050145X ³⁷	60050146	69270702 ⁴¹	R4111995 ⁵³	-	R4577454	R4577455
23-122700-002 ⁹	2-1/2 "	R424244X	R424244X ³⁷	60050266	69270757 ⁴¹	R4111995 ⁵³	-	R4577454	R4577455
N/A	1-3/4 "	201179X	201180X	SP7873S	SP7880S ²⁰⁴	-	-	N/A	N/A
N/A	1-3/4 "	201183X	201184X ³²⁹	SP7873S	NR	-	-	N/A	N/A
23-122743-002 ¹⁸⁷	2-7/8 "	60050145X	60050145X ³⁷	60050146	69270702 ⁴¹	R4111995 ⁵³	-	R4577454	R4577455
23-122703-002 ¹⁸⁶	2-7/8 "	60050145X	60050145X ³⁷	60050146	69270702 ⁴¹	R4111995 ⁵³	-	R4577454	R4577455
23-122691-002 ¹⁸⁸	2-7/8 "	60050145X	60050145X ³⁷	60050146	69270702 ⁴¹	R4111995 ⁵³	-	R4577454	R4577455
23-122700-002 ⁹	2-1/2 "	R424244X	R424244X ³⁷	60050266	69270757 ⁴¹	R4111995 ⁵³	-	R4577454	R4577455
23-122743-002 ¹⁸⁷	2-7/8 "	60050145X	60050145X ³⁷	60050146	69270702 ⁴¹	R4111995 ⁵³	-	R4577454	R4577455
N/A	1-3/4 "	201183X	201184X ³²⁹	SP7873S	NR	-	-	N/A	N/A
N/A	1-3/4 "	201179X	201180X	SP7873S	SP7880S ²⁰⁴	-	-	N/A	N/A
23-122743-002 ¹⁸⁷	2-7/8 "	60050145X	60050145X ³⁷	60050146	69270702 ⁴¹	R4111995 ⁵³	-	R4577454	R4577455
23-122703-002 ¹⁸⁶	2-7/8 "	60050145X	60050145X ³⁷	60050146	69270702 ⁴¹	R4111995 ⁵³	-	R4577454	R4577455
23-122691-002 ¹⁸⁸	2-7/8 "	60050145X	60050145X ³⁷	60050146	69270702 ⁴¹	R4111995 ⁵³	-	R4577454	R4577455
23-122700-002 ⁹	2-1/2 "	R424244X	R424244X ³⁷	60050266	69270757 ⁴¹	R4111995 ⁵³	-	R4577454	R4577455
23-122743-002 ¹⁸⁷	2-7/8 "	60050145X	60050145X ³⁷	60050146	69270702 ⁴¹	R4111995 ⁵³	-	R4577454	R4577455
N/A	1-3/4 "	201183X	201184X ³²⁹	SP7873S	NR	-	-	N/A	N/A
N/A	1-3/4 "	201179X	201180X	SP7873S	SP7880S ²⁰⁴	-	-	N/A	N/A
23-122700-002 ⁹	2-1/2 "	R424244X	R424244X ³⁷	60050266	69270757 ⁴¹	R4111995 ⁵³	-	R4577454	R4577455
23-122691-002 ¹⁸⁸	2-7/8 "	60050145X	60050145X ³⁷	60050146	69270702 ⁴¹	R4111995 ⁵³	-	R4577454	R4577455
23-122743-002 ¹⁸⁷	2-7/8 "	60050145X	60050145X ³⁷	60050146	69270702 ⁴¹	R4111995 ⁵³	-	R4577454	R4577455
23-122703-002 ¹⁸⁶	2-7/8 "	60050145X	60050145X ³⁷	60050146	69270702 ⁴¹	R4111995 ⁵³	-	R4577454	R4577455
N/A	1-3/4 "	201179X	201180X	SP7873S	SP7880S ²⁰⁴	-	-	N/A	N/A
N/A	1-3/4 "	201183X	201184X ³²⁹	SP7873S	NR	-	-	N/A	N/A
N/A	1-5/8 "	201181	201182	SP7895S	NR	-	-	R4577147	R4577147
N/A	1-5/8 "	201185	201186 ³²⁹	SP7895S	NR	-	-	R4577147	R4577147
N/A	1-5/8 "	201185	201186 ³²⁹	SP7895S	NR	-	-	R4577147	R4577147
N/A	1-5/8 "	201181	201182	SP7895S	NR	-	-	R4577147	R4577147
N/A	1.09375	R4133484	R4133485	R4166819	NR	R4111629 ⁵³	R4122484	R4577460	R4577460
N/A	1-1/8 "	R4133716	R4133717	R4166926	NR	R4111772 ⁵³	R4122488	R4577454	R4577455
N/A	1-1/8 "	R4133714	R4133715	R4166926	NR	R4111995 ⁵³	-	R4577454	R4577455
N/A	1-1/8 "	R4133719	R4133718	R4166926	NR	R4111634 ⁵³	N/A	R4577452	R4577453
N/A	1-1/8 "	R4133714	R4133715	R4166926	NR	R4111631 ²²¹	R4122486	R4577452	R4577453

221 - Power Brakes, 17,500 or 18,500 lb. Rear Axle
341 - Use 69160445 for Disc Pad Retainer Clip

329 - Forward

340 - Use 69160457 for Disc Pad Retainer Clip

MAKE MODEL YEAR AXLE CODE AXLE WEIGHT	AXLE & BRK. TYPE	BRK. MFG.	BRAKE SIZE	FMSI	MERITOR DISC PAD OR BRAKE SHOE	MERITOR GUIDE PIN OR RETURN SPRING KIT	MERITOR CALIPER HWD. KIT OR RETURN SPRING KIT	MERITOR ADJUSTER KIT (LEFT WHEEL)	MERITOR ADJUSTER KIT (RIGHT WHEEL)
FORD(Cont.)									
LT800 SERIES: LOUISVILLE CONVENTIONAL 106.4 BBC TANDEM CHASSIS CAB TRUCK(Cont.)									
1983									
F080, F090	Fd	DN		7141 - D224	MD224 ³⁴⁰	69310693	60050153	NR	NR
	Fd	DN		7149 - D236 7149 - D236	MD236 ³⁴¹ MD236 ³⁴¹	69310693 69310693	R40H5523 R40H5523	NR NR	NR NR
F090, F120	Fa	WG	15" x 3"	1245C - 321	R700321	R40H521	R40H9237	R40H3502	R40H3503
	Fa	WG	15" x 3"	1245C - 321	R700321	R40H521	R40H9237	R40H3502	R40H3503
R170, R175	Ra	KH	15" x 5"	4646 - 400	R700400	R40H595	R40H9220	R40H3538	R40H3539
	Ra	WG	15" x 5"	1252 - 346	R700346	R40H597	R40H9200	R40H3540	R40H3541
R185	Ra	WG	15" x 6"	4596 - 381	R700381	R40H597	R40H9200	R40H3540	R40H3541
	Ra	WG	15" x 7"	4597 - 383	R700383	R40H597	R40H9200	R40H3540	R40H3541
1982									
	Ra	LG	15" x 6"	4504A - 543	N/A	R40H618	NR	NR	NR
	Ra	LG	15" x 6"	4504A - 543	N/A	R40H618	NR	SP7888S	SP7888S
	Ra	LG	15" x 7"	4505A - 544	N/A	R40H618	NR	SP7888S	SP7888S
	Ra	LG	15" x 7"	4505A - 544	N/A	R40H618	NR	NR	NR
F050, F055, F060	Fa	KH	14" x 2-1/2"	2060 - 361	Discontinued	R40H596	R40H9219	R40H3536	R40H3537
F070	Fa	WG	15" x 3"	1245C - 321	R700321	R40H521	R40H9237	R40H3502	R40H3503
	Fa	WG	15" x 3"	1245C - 321	R700321	R40H521	R40H9237	R40H3502	R40H3503
	Fa	WG	15" x 3"	1245C - 321	R700321	R40H521	R40H9237	R40H3502	R40H3503
	Fa	WG	15" x 3"	1245C - 321	R700321	R40H521	R40H9237	R40H3502	R40H3503
	Fd	DN		7141 - D224	MD224 ³⁴⁰	69310693	60050153	NR	NR
F080, F090	Fd	DN		7149 - D236	MD236 ³⁴¹	69310693	R40H5523	NR	NR
	Fd	DN		7149 - D236	MD236 ³⁴¹	69310693	R40H5523	NR	NR
F090, F120	Fa	WG	15" x 3"	1245C - 321	R700321	R40H521	R40H9237	R40H3502	R40H3503
	Fa	WG	15" x 3"	1245C - 321	R700321	R40H521	R40H9237	R40H3502	R40H3503
R170, R175	Ra	KH	15" x 5"	4646 - 400	R700400	R40H595	R40H9220	R40H3538	R40H3539
	Ra	WG	15" x 5"	1252 - 346	R700346	R40H597	R40H9200	R40H3540	R40H3541
R185	Ra	WG	15" x 6"	4596 - 381	R700381	R40H597	R40H9200	R40H3540	R40H3541
	Ra	WG	15" x 7"	4597 - 383	R700383	R40H597	R40H9200	R40H3540	R40H3541
1981									
	Ra	LG	15" x 6"	4504A - 543	N/A	R40H618	NR	SP7888S	SP7888S
	Ra	LG	15" x 6"	4504A - 543	N/A	R40H618	NR	NR	NR
	Ra	LG	15" x 7"	4505A - 544	N/A	R40H618	NR	SP7888S	SP7888S
	Ra	LG	15" x 7"	4505A - 544	N/A	R40H618	NR	NR	NR
F050, F055, F060	Fa	KH	14" x 2-1/2"	2060 - 361	Discontinued	R40H596	R40H9219	R40H3536	R40H3537
F070	Fa	WG	15" x 3"	1245C - 321	R700321	R40H521	R40H9237	R40H3502	R40H3503
	Fa	WG	15" x 3"	1245C - 321	R700321	R40H521	R40H9237	R40H3502	R40H3503
	Fa	WG	15" x 3"	1245C - 321	R700321	R40H521	R40H9237	R40H3502	R40H3503
	Fa	WG	15" x 3"	1245C - 321	R700321	R40H521	R40H9237	R40H3502	R40H3503
	Fd	DN		7141 - D224	MD224 ³⁴⁰	69310693	60050153	NR	NR
F080, F090	Fd	DN		7149 - D236	MD236 ³⁴¹	69310693	R40H5523	NR	NR
	Fd	DN		7149 - D236	MD236 ³⁴¹	69310693	R40H5523	NR	NR
F090, F120	Fa	WG	15" x 3"	1245C - 321	R700321	R40H521	R40H9237	R40H3502	R40H3503
	Fa	WG	15" x 3"	1245C - 321	R700321	R40H521	R40H9237	R40H3502	R40H3503
R170, R175	Ra	KH	15" x 5"	4646 - 400	R700400	R40H595	R40H9220	R40H3538	R40H3539
	Ra	WG	15" x 5"	1252 - 346	R700346	R40H597	R40H9200	R40H3540	R40H3541
R185	Ra	WG	15" x 6"	4596 - 381	R700381	R40H597	R40H9200	R40H3540	R40H3541
	Ra	WG	15" x 7"	4597 - 383	R700383	R40H597	R40H9200	R40H3540	R40H3541
1980									
	Ra	LG	15" x 6"	4504A - 543	N/A	R40H618	NR	SP7888S	SP7888S
	Ra	LG	15" x 6"	4504A - 543	N/A	R40H618	NR	NR	NR
	Ra	LG	15" x 7"	4505A - 544	N/A	R40H618	NR	SP7888S	SP7888S
	Ra	LG	15" x 7"	4505A - 544	N/A	R40H618	NR	NR	NR
F050, F055, F060	Fa	KH	14" x 2-1/2"	2060 - 361	Discontinued	R40H596	R40H9219	R40H3536	R40H3537
F070	Fa	WG	15" x 3"	1245C - 321	R700321	R40H521	R40H9237	R40H3502	R40H3503
	Fa	WG	15" x 3"	1245C - 321	R700321	R40H521	R40H9237	R40H3502	R40H3503
	Fa	WG	15" x 3"	1245C - 321	R700321	R40H521	R40H9237	R40H3502	R40H3503
	Fa	WG	15" x 3"	1245C - 321	R700321	R40H521	R40H9237	R40H3502	R40H3503
	Fd	DN		7141 - D224	MD224 ³⁴⁰	69310693	60050153	NR	NR
F080, F090	Fd	DN		7149 - D236	MD236 ³⁴¹	69310693	R40H5523	NR	NR
	Fd	DN		7149 - D236	MD236 ³⁴¹	69310693	R40H5523	NR	NR
F090, F120	Fa	WG	15" x 3"	1245C - 321	R700321	R40H521	R40H9237	R40H3502	R40H3503
	Fa	WG	15" x 3"	1245C - 321	R700321	R40H521	R40H9237	R40H3502	R40H3503
R170, R175	Ra	KH	15" x 5"	4646 - 400	R700400	R40H595	R40H9220	R40H3538	R40H3539

9 - 6 Stud, Dayton Rotor, Hat Style
 53 - Power Brakes
 214 - Power Brakes, Split System
 www.XpresswayPlus.com

37 - Also available as a New unit
 186 - 10 Stud
 221 - Power Brakes, 17,500 or 18,500 lb. Rear Axle

41 - Aluminum piston
 188 - 6 Stud, 9.251" Hub
 222 - Power Brakes, 18,500 or 22,000 lb. Rear Axle

MERITOR DRUM OR ROTOR NO.	CALIPER OR CYLINDER BORE SIZE	MERITOR CALIPER OR WHEEL CYLINDER (LEFT)	MERITOR CALIPER OR WHEEL CYLINDER (RIGHT)	MERITOR CALIPER OR WHEEL CYLINDER REPAIR KIT	MERITOR CALIPER PISTON	MERITOR MASTER CYLINDER	MERITOR MASTER CYLINDER KIT	MERITOR BRAKE HOSE (LEFT)	MERITOR BRAKE HOSE (RIGHT)
FORD(Cont.)									
LT800 SERIES: LOUISVILLE CONVENTIONAL 106.4 BBC TANDEM CHASSIS CAB TRUCK(Cont.)									
23-122700-002 ⁹	2-1/2 "	R424244X	R424244X ³⁷	60050266	69270757 ⁴¹	R4111992 ²¹⁴	R4122386	R4577452	R4577453
23-122703-002 ¹⁸⁶	2-7/8 "	60050145X	60050145X ³⁷	60050146	69270702 ⁴¹	R4111992 ²¹⁴	R4122386	R4577452	R4577453
23-122691-002 ¹⁸⁸	2-7/8 "	60050145X	60050145X ³⁷	60050146	69270702 ⁴¹	R4111992 ²¹⁴	R4122386	R4577452	R4577453
N/A	1-1/4 "	R4133720	R4133721	R4166923	NR	R4111630 ²²²	N/A	R4577452	R4577453
N/A	1-1/4 "	R4133581	R4133581	R4166923	NR	R4111992 ²¹⁴	R4122386	R4577452	R4577453
N/A	1-1/2 "	R4033607	R4033607	R4166818	NR	-	-	R4577147	R4577147
N/A	1-5/8 "	R4133338	R4133338	R4166689	NR	-	-	R4577147	R4577147
N/A	1-5/8 "	R4133338	R4133338	R4166689	NR	-	-	R4577147	R4577147
N/A	1-3/4 "	R4133400	R4133400	R4166917	NR	-	-	R4577147	R4577147
N/A	1-5/8 "	201181	201182	SP7895S	NR	-	-	R4577147	R4577147
N/A	1-5/8 "	201185	201186 ³²⁹	SP7895S	NR	-	-	R4577147	R4577147
N/A	1-5/8 "	201185	201186 ³²⁹	SP7895S	NR	-	-	R4577147	R4577147
N/A	1-5/8 "	201181	201182	SP7895S	NR	-	-	R4577147	R4577147
N/A	1.09375	R4133484	R4133485	R4166819	NR	R4111629 ⁵³	R4122484	R4577460	R4577460
N/A	1-1/8 "	R4133716	R4133717	R4166926	NR	R4111772 ⁵³	R4122488	R4577454	R4577455
N/A	1-1/8 "	R4133719	R4133718	R4166926	NR	R4111634 ⁵³	N/A	R4577452	R4577453
N/A	1-1/8 "	R4133714	R4133715	R4166926	NR	R4111995 ⁵³	-	R4577454	R4577455
N/A	1-1/8 "	R4133714	R4133715	R4166926	NR	R4111631 ²²¹	R4122486	R4577452	R4577453
23-122700-002 ⁹	2-1/2 "	R424244X	R424244X ³⁷	60050266	69270757 ⁴¹	R4111992 ²¹⁴	R4122386	R4577452	R4577453
23-122691-002 ¹⁸⁸	2-7/8 "	60050145X	60050145X ³⁷	60050146	69270702 ⁴¹	R4111992 ²¹⁴	R4122386	R4577452	R4577453
23-122703-002 ¹⁸⁶	2-7/8 "	60050145X	60050145X ³⁷	60050146	69270702 ⁴¹	R4111992 ²¹⁴	R4122386	R4577452	R4577453
N/A	1-1/4 "	R4133720	R4133721	R4166923	NR	R4111630 ²²²	N/A	R4577452	R4577453
N/A	1-1/4 "	R4133581	R4133581	R4166923	NR	R4111992 ²¹⁴	R4122386	R4577452	R4577453
N/A	1-1/2 "	R4033607	R4033607	R4166818	NR	-	-	R4577147	R4577147
N/A	1-5/8 "	R4133338	R4133338	R4166689	NR	-	-	R4577147	R4577147
N/A	1-5/8 "	R4133338	R4133338	R4166689	NR	-	-	R4577147	R4577147
N/A	1-3/4 "	R4133400	R4133400	R4166917	NR	-	-	R4577147	R4577147
N/A	1-5/8 "	201185	201186 ³²⁹	SP7895S	NR	-	-	R4577147	R4577147
N/A	1-5/8 "	201181	201182	SP7895S	NR	-	-	R4577147	R4577147
N/A	1-5/8 "	201185	201186 ³²⁹	SP7895S	NR	-	-	R4577147	R4577147
N/A	1-5/8 "	201181	201182	SP7895S	NR	-	-	R4577147	R4577147
N/A	1.09375	R4133484	R4133485	R4166819	NR	R4111629 ⁵³	R4122484	R4577460	R4577460
N/A	1-1/8 "	R4133719	R4133718	R4166926	NR	R4111634 ⁵³	N/A	R4577452	R4577453
N/A	1-1/8 "	R4133714	R4133715	R4166926	NR	R4111631 ²²¹	R4122486	R4577452	R4577453
N/A	1-1/8 "	R4133714	R4133715	R4166926	NR	R4111995 ⁵³	-	R4577454	R4577455
N/A	1-1/8 "	R4133716	R4133717	R4166926	NR	R4111772 ⁵³	R4122488	R4577454	R4577455
23-122700-002 ⁹	2-1/2 "	R424244X	R424244X ³⁷	60050266	69270757 ⁴¹	R4111992 ²¹⁴	R4122386	R4577452	R4577453
23-122703-002 ¹⁸⁶	2-7/8 "	60050145X	60050145X ³⁷	60050146	69270702 ⁴¹	R4111992 ²¹⁴	R4122386	R4577452	R4577453
23-122691-002 ¹⁸⁸	2-7/8 "	60050145X	60050145X ³⁷	60050146	69270702 ⁴¹	R4111992 ²¹⁴	R4122386	R4577452	R4577453
N/A	1-1/4 "	R4133581	R4133581	R4166923	NR	R4111992 ²¹⁴	R4122386	R4577452	R4577453
N/A	1-1/4 "	R4133720	R4133721	R4166923	NR	R4111630 ²²²	N/A	R4577452	R4577453
N/A	1-1/2 "	R4033607	R4033607	R4166818	NR	-	-	R4577147	R4577147
N/A	1-5/8 "	R4133338	R4133338	R4166689	NR	-	-	R4577147	R4577147
N/A	1-5/8 "	R4133338	R4133338	R4166689	NR	-	-	R4577147	R4577147
N/A	1-3/4 "	R4133400	R4133400	R4166917	NR	-	-	R4577147	R4577147
N/A	1-5/8 "	201185	201186 ³²⁹	SP7895S	NR	-	-	R4577147	R4577147
N/A	1-5/8 "	201181	201182	SP7895S	NR	-	-	R4577147	R4577147
N/A	1-5/8 "	201185	201186 ³²⁹	SP7895S	NR	-	-	R4577147	R4577147
N/A	1-5/8 "	201181	201182	SP7895S	NR	-	-	R4577147	R4577147
N/A	1.09375	R4133484	R4133485	R4166819	NR	R4111629 ⁵³	R4122484	R4577460	R4577460
N/A	1-1/8 "	R4133714	R4133715	R4166926	NR	R4111631 ²²¹	R4122486	R4577452	R4577453
N/A	1-1/8 "	R4133716	R4133717	R4166926	NR	R4111772 ⁵³	R4122488	R4577454	R4577455
N/A	1-1/8 "	R4133719	R4133718	R4166926	NR	R4111634 ⁵³	N/A	R4577452	R4577453
N/A	1-1/8 "	R4133714	R4133715	R4166926	NR	R4111995 ⁵³	-	R4577454	R4577455
23-122700-002 ⁹	2-1/2 "	R424244X	R424244X ³⁷	60050266	69270757 ⁴¹	R4111992 ²¹⁴	R4122386	R4577452	R4577453
23-122691-002 ¹⁸⁸	2-7/8 "	60050145X	60050145X ³⁷	60050146	69270702 ⁴¹	R4111992 ²¹⁴	R4122386	R4577452	R4577453
23-122703-002 ¹⁸⁶	2-7/8 "	60050145X	60050145X ³⁷	60050146	69270702 ⁴¹	R4111992 ²¹⁴	R4122386	R4577452	R4577453
N/A	1-1/4 "	R4133720	R4133721	R4166923	NR	R4111630 ²²²	N/A	R4577452	R4577453
N/A	1-1/4 "	R4133581	R4133581	R4166923	NR	R4111992 ²¹⁴	R4122386	R4577452	R4577453
N/A	1-1/2 "	R4033607	R4033607	R4166818	NR	-	-	R4577147	R4577147

MAKE MODEL YEAR AXLE CODE AXLE WEIGHT	AXLE & BRK. TYPE	BRK. MFG.	BRAKE SIZE	FMSI	MERITOR DISC PAD OR BRAKE SHOE	MERITOR GUIDE PIN OR RETURN SPRING KIT	MERITOR CALIPER HWD. KIT OR RETURN SPRING KIT	MERITOR ADJUSTER KIT (LEFT WHEEL)	MERITOR ADJUSTER KIT (RIGHT WHEEL)
FORD(Cont.)									
LT800 SERIES: LOUISVILLE CONVENTIONAL 106.4 BBC TANDEM CHASSIS CAB TRUCK(Cont.)									
1980									
R170, R175	Ra	WG	15 " x 5 "	1252 - 346	R700346	R40H597	R40H9200	R40H3540	R40H3541
R185	Ra	WG	15 " x 6 "	4596 - 381	R700381	R40H597	R40H9200	R40H3540	R40H3541
	Ra	WG	15 " x 7 "	4597 - 383	R700383	R40H597	R40H9200	R40H3540	R40H3541
1979									
	Ra	LG	15 " x 6 "	4504A - 543	N/A	R40H618	NR	SP7888S	SP7888S
	Ra	LG	15 " x 6 "	4504A - 543	N/A	R40H618	NR	NR	NR
	Ra	LG	15 " x 7 "	4505A - 544	N/A	R40H618	NR	NR	NR
	Ra	LG	15 " x 7 "	4505A - 544	N/A	R40H618	NR	SP7888S	SP7888S
F050, F055, F060	Fa	KH	14 " x 2-1/2 "	2060 - 361	Discontinued	R40H596	R40H9219	R40H3536	R40H3537
F070	Fa	WG	15 " x 3 "	1245C - 321	R700321	R40H521	R40H9237	R40H3502	R40H3503
	Fa	WG	15 " x 3 "	1245C - 321	R700321	R40H521	R40H9237	R40H3502	R40H3503
	Fa	WG	15 " x 3 "	1245C - 321	R700321	R40H521	R40H9237	R40H3502	R40H3503
	Fa	WG	15 " x 3 "	1245C - 321	R700321	R40H521	R40H9237	R40H3502	R40H3503
	Fd	DN		7141 - D224	MD224 ³⁴⁰	69310693	60050153	NR	NR
F080, F090	Fd	DN		7149 - D236	MD236 ³⁴¹	69310693	R40H5523	NR	NR
	Fd	DN		7149 - D236	MD236 ³⁴¹	69310693	R40H5523	NR	NR
F090, F120	Fa	WG	15 " x 3 "	1245C - 321	R700321	R40H521	R40H9237	R40H3502	R40H3503
	Fa	WG	15 " x 3 "	1245C - 321	R700321	R40H521	R40H9237	R40H3502	R40H3503
R170, R175	Ra	KH	15 " x 5 "	4646 - 400	R700400	R40H595	R40H9220	R40H3538	R40H3539
	Ra	WG	15 " x 5 "	1252 - 346	R700346	R40H597	R40H9200	R40H3540	R40H3541
R185	Ra	WG	15 " x 6 "	4596 - 381	R700381	R40H597	R40H9200	R40H3540	R40H3541
	Ra	WG	15 " x 7 "	4597 - 383	R700383	R40H597	R40H9200	R40H3540	R40H3541
1978									
	Ra	LG	15 " x 6 "	4504A - 543	N/A	R40H618	NR	SP7888S	SP7888S
	Ra	LG	15 " x 6 "	4504A - 543	N/A	R40H618	NR	NR	NR
	Ra	LG	15 " x 7 "	4505A - 544	N/A	R40H618	NR	SP7888S	SP7888S
	Ra	LG	15 " x 7 "	4505A - 544	N/A	R40H618	NR	NR	NR
F050, F055, F060	Fa	KH	14 " x 2-1/2 "	2060 - 361	Discontinued	R40H596	R40H9219	R40H3536	R40H3537
F070	Fa	WG	15 " x 3 "	1245C - 321	R700321	R40H521	R40H9237	R40H3502	R40H3503
	Fa	WG	15 " x 3 "	1245C - 321	R700321	R40H521	R40H9237	R40H3502	R40H3503
	Fa	WG	15 " x 3 "	1245C - 321	R700321	R40H521	R40H9237	R40H3502	R40H3503
	Fa	WG	15 " x 3 "	1245C - 321	R700321	R40H521	R40H9237	R40H3502	R40H3503
	Fd	DN		7141 - D224	MD224 ³⁴⁰	69310693	60050153	NR	NR
F080, F090	Fd	DN		7149 - D236	MD236 ³⁴¹	69310693	R40H5523	NR	NR
	Fd	DN		7149 - D236	MD236 ³⁴¹	69310693	R40H5523	NR	NR
F090, F120	Fa	WG	15 " x 3 "	1245C - 321	R700321	R40H521	R40H9237	R40H3502	R40H3503
	Fa	WG	15 " x 3 "	1245C - 321	R700321	R40H521	R40H9237	R40H3502	R40H3503
R170, R175	Ra	KH	15 " x 5 "	4646 - 400	R700400	R40H595	R40H9220	R40H3538	R40H3539
	Ra	WG	15 " x 5 "	1252 - 346	R700346	R40H597	R40H9200	R40H3540	R40H3541
R185	Ra	WG	15 " x 6 "	4596 - 381	R700381	R40H597	R40H9200	R40H3540	R40H3541
	Ra	WG	15 " x 7 "	4597 - 383	R700383	R40H597	R40H9200	R40H3540	R40H3541
1977									
	Ra	LG	15 " x 6 "	4504A - 543	N/A	R40H618	NR	NR	NR
	Ra	LG	15 " x 6 "	4504A - 543	N/A	R40H618	NR	SP7888S	SP7888S
	Ra	LG	15 " x 7 "	4505A - 544	N/A	R40H618	NR	SP7888S	SP7888S
	Ra	LG	15 " x 7 "	4505A - 544	N/A	R40H618	NR	NR	NR
F050, F055, F060	Fa	KH	14 " x 2-1/2 "	2060 - 361	Discontinued	R40H596	R40H9219	R40H3536	R40H3537
F070	Fa	WG	15 " x 3 "	1245C - 321	R700321	R40H521	R40H9237	R40H3502	R40H3503
	Fa	WG	15 " x 3 "	1245C - 321	R700321	R40H521	R40H9237	R40H3502	R40H3503
	Fa	WG	15 " x 3 "	1245C - 321	R700321	R40H521	R40H9237	R40H3502	R40H3503
	Fa	WG	15 " x 3 "	1245C - 321	R700321	R40H521	R40H9237	R40H3502	R40H3503
	Fd	DN		7141 - D224	MD224 ³⁴⁰	69310693	60050153	NR	NR
F080, F090	Fd	DN		7149 - D236	MD236 ³⁴¹	69310693	R40H5523	NR	NR
	Fd	DN		7149 - D236	MD236 ³⁴¹	69310693	R40H5523	NR	NR
F090, F120	Fa	WG	15 " x 3 "	1245C - 321	R700321	R40H521	R40H9237	R40H3502	R40H3503
	Fa	WG	15 " x 3 "	1245C - 321	R700321	R40H521	R40H9237	R40H3502	R40H3503
R170, R175	Ra	KH	15 " x 5 "	4646 - 400	R700400	R40H595	R40H9220	R40H3538	R40H3539
	Ra	WG	15 " x 5 "	1252 - 346	R700346	R40H597	R40H9200	R40H3540	R40H3541
R185	Ra	WG	15 " x 6 "	4596 - 381	R700381	R40H597	R40H9200	R40H3540	R40H3541
	Ra	WG	15 " x 7 "	4597 - 383	R700383	R40H597	R40H9200	R40H3540	R40H3541
1976									
	Ra	LG	15 " x 6 "	4504A - 543	N/A	R40H618	NR	NR	NR
	Ra	LG	15 " x 6 "	4504A - 543	N/A	R40H618	NR	SP7888S	SP7888S

9 - 6 Stud, Dayton Rotor, Hat Style
 53 - Power Brakes
 214 - Power Brakes, Split System
 www.XpresswayPlus.com

37 - Also available as a New unit
 186 - 10 Stud
 221 - Power Brakes, 17,500 or 18,500 lb. Rear Axle

41 - Aluminum piston
 188 - 6 Stud, 9.251" Hub
 222 - Power Brakes, 18,500 or 22,000 lb. Rear Axle

MERITOR DRUM OR ROTOR NO.	CALIPER OR CYLINDER BORE SIZE	MERITOR CALIPER OR WHEEL CYLINDER (LEFT)	MERITOR CALIPER OR WHEEL CYLINDER (RIGHT)	MERITOR CALIPER OR WHEEL CYLINDER REPAIR KIT	MERITOR CALIPER PISTON	MERITOR MASTER CYLINDER	MERITOR MASTER CYLINDER KIT	MERITOR BRAKE HOSE (LEFT)	MERITOR BRAKE HOSE (RIGHT)
FORD(Cont.)									
LT800 SERIES: LOUISVILLE CONVENTIONAL 106.4 BBC TANDEM CHASSIS CAB TRUCK(Cont.)									
N/A	1-5/8 "	R4133338	R4133338	R4166689	NR	-	-	R4577147	R4577147
N/A	1-5/8 "	R4133338	R4133338	R4166689	NR	-	-	R4577147	R4577147
N/A	1-3/4 "	R4133400	R4133400	R4166917	NR	-	-	R4577147	R4577147
N/A	1-5/8 "	201185	201186 ³²⁹	SP7895S	NR	-	-	R4577147	R4577147
N/A	1-5/8 "	201181	201182	SP7895S	NR	-	-	R4577147	R4577147
N/A	1-5/8 "	201181	201182	SP7895S	NR	-	-	R4577147	R4577147
N/A	1-5/8 "	201185	201186 ³²⁹	SP7895S	NR	-	-	R4577147	R4577147
N/A	1.09375	R4133484	R4133485	R4166819	NR	R4111629 ⁵³	R4122484	R4577460	R4577460
N/A	1-1/8 "	R4133714	R4133715	R4166926	NR	R4111995 ⁵³	-	R4577454	R4577455
N/A	1-1/8 "	R4133716	R4133717	R4166926	NR	R4111772 ⁵³	R4122488	R4577454	R4577455
N/A	1-1/8 "	R4133714	R4133715	R4166926	NR	R4111631 ²²¹	R4122486	R4577452	R4577453
N/A	1-1/8 "	R4133719	R4133718	R4166926	NR	R4111634 ⁵³	N/A	R4577452	R4577453
23-122700-002 ⁹	2-1/2 "	R424244X	R424244X ³⁷	60050266	6927075 ⁴¹	R4111992 ²¹⁴	R4122386	R4577452	R4577453
23-122703-002 ¹⁸⁶	2-7/8 "	60050145X	60050145X ³⁷	60050146	69270702 ⁴¹	R4111992 ²¹⁴	R4122386	R4577452	R4577453
23-122691-002 ¹⁸⁸	2-7/8 "	60050145X	60050145X ³⁷	60050146	69270702 ⁴¹	R4111992 ²¹⁴	R4122386	R4577452	R4577453
N/A	1-1/4 "	R4133720	R4133721	R4166923	NR	R4111630 ²²²	N/A	R4577452	R4577453
N/A	1-1/4 "	R4133581	R4133581	R4166923	NR	R4111992 ²¹⁴	R4122386	R4577452	R4577453
N/A	1-1/2 "	R4033607	R4033607	R4166818	NR	-	-	R4577147	R4577147
N/A	1-5/8 "	R4133338	R4133338	R4166689	NR	-	-	R4577147	R4577147
N/A	1-5/8 "	R4133338	R4133338	R4166689	NR	-	-	R4577147	R4577147
N/A	1-3/4 "	R4133400	R4133400	R4166917	NR	-	-	R4577147	R4577147
N/A	1-5/8 "	201185	201186 ³²⁹	SP7895S	NR	-	-	R4577147	R4577147
N/A	1-5/8 "	201181	201182	SP7895S	NR	-	-	R4577147	R4577147
N/A	1-5/8 "	201185	201186 ³²⁹	SP7895S	NR	-	-	R4577147	R4577147
N/A	1-5/8 "	201181	201182	SP7895S	NR	-	-	R4577147	R4577147
N/A	1.09375	R4133484	R4133485	R4166819	NR	R4111629 ⁵³	R4122484	R4577460	R4577460
N/A	1-1/8 "	R4133716	R4133717	R4166926	NR	R4111772 ⁵³	R4122488	R4577454	R4577455
N/A	1-1/8 "	R4133714	R4133715	R4166926	NR	R4111995 ⁵³	-	R4577454	R4577455
N/A	1-1/8 "	R4133719	R4133718	R4166926	NR	R4111634 ⁵³	N/A	R4577452	R4577453
N/A	1-1/8 "	R4133714	R4133715	R4166926	NR	R4111631 ²²¹	R4122486	R4577452	R4577453
23-122700-002 ⁹	2-1/2 "	R424244X	R424244X ³⁷	60050266	6927075 ⁴¹	R4111992 ²¹⁴	R4122386	R4577452	R4577453
23-122703-002 ¹⁸⁶	2-7/8 "	60050145X	60050145X ³⁷	60050146	69270702 ⁴¹	R4111992 ²¹⁴	R4122386	R4577452	R4577453
23-122691-002 ¹⁸⁸	2-7/8 "	60050145X	60050145X ³⁷	60050146	69270702 ⁴¹	R4111992 ²¹⁴	R4122386	R4577452	R4577453
N/A	1-1/4 "	R4133720	R4133721	R4166923	NR	R4111630 ²²²	N/A	R4577452	R4577453
N/A	1-1/4 "	R4133581	R4133581	R4166923	NR	R4111992 ²¹⁴	R4122386	R4577452	R4577453
N/A	1-1/2 "	R4033607	R4033607	R4166818	NR	-	-	R4577147	R4577147
N/A	1-5/8 "	R4133338	R4133338	R4166689	NR	-	-	R4577147	R4577147
N/A	1-5/8 "	R4133338	R4133338	R4166689	NR	-	-	R4577147	R4577147
N/A	1-3/4 "	R4133400	R4133400	R4166917	NR	-	-	R4577147	R4577147
N/A	1-5/8 "	201181	201182	SP7895S	NR	-	-	R4577147	R4577147
N/A	1-5/8 "	201185	201186 ³²⁹	SP7895S	NR	-	-	R4577147	R4577147
N/A	1-5/8 "	201185	201186 ³²⁹	SP7895S	NR	-	-	R4577147	R4577147
N/A	1-5/8 "	201181	201182	SP7895S	NR	-	-	R4577147	R4577147
N/A	1.09375	R4133484	R4133485	R4166819	NR	R4111629 ⁵³	R4122484	R4577460	R4577460
N/A	1-1/8 "	R4133716	R4133717	R4166926	NR	R4111772 ⁵³	R4122488	R4577454	R4577455
N/A	1-1/8 "	R4133714	R4133715	R4166926	NR	R4111995 ⁵³	-	R4577454	R4577455
N/A	1-1/8 "	R4133719	R4133718	R4166926	NR	R4111634 ⁵³	N/A	R4577452	R4577453
N/A	1-1/8 "	R4133714	R4133715	R4166926	NR	R4111631 ²²¹	R4122486	R4577452	R4577453
23-122700-002 ⁹	2-1/2 "	R424244X	R424244X ³⁷	60050266	6927075 ⁴¹	R4111992 ²¹⁴	R4122386	R4577452	R4577453
23-122691-002 ¹⁸⁸	2-7/8 "	60050145X	60050145X ³⁷	60050146	69270702 ⁴¹	R4111992 ²¹⁴	R4122386	R4577452	R4577453
23-122703-002 ¹⁸⁶	2-7/8 "	60050145X	60050145X ³⁷	60050146	69270702 ⁴¹	R4111992 ²¹⁴	R4122386	R4577452	R4577453
N/A	1-1/4 "	R4133720	R4133721	R4166923	NR	R4111630 ²²²	N/A	R4577452	R4577453
N/A	1-1/4 "	R4133581	R4133581	R4166923	NR	R4111992 ²¹⁴	R4122386	R4577452	R4577453
N/A	1-1/2 "	R4033607	R4033607	R4166818	NR	-	-	R4577147	R4577147
N/A	1-5/8 "	R4133338	R4133338	R4166689	NR	-	-	R4577147	R4577147
N/A	1-5/8 "	R4133338	R4133338	R4166689	NR	-	-	R4577147	R4577147
N/A	1-3/4 "	R4133400	R4133400	R4166917	NR	-	-	R4577147	R4577147
N/A	1-5/8 "	201181	201182	SP7895S	NR	-	-	R4577147	R4577147
N/A	1-5/8 "	201185	201186 ³²⁹	SP7895S	NR	-	-	R4577147	R4577147

MAKE MODEL YEAR AXLE CODE AXLE WEIGHT	AXLE & BRK. TYPE	BRK. MFG.	BRAKE SIZE	FMSI	MERITOR DISC PAD OR BRAKE SHOE	MERITOR GUIDE PIN OR RETURN SPRING KIT	MERITOR CALIPER HWD. KIT OR RETURN SPRING KIT	MERITOR ADJUSTER KIT (LEFT WHEEL)	MERITOR ADJUSTER KIT (RIGHT WHEEL)
FORD(Cont.)									
LT800 SERIES: LOUISVILLE CONVENTIONAL 106.4 BBC TANDEM CHASSIS CAB TRUCK(Cont.)									
1976	Ra Ra	LG LG	15 " x 7 " 15 " x 7 "	4505A - 544 4505A - 544	N/A N/A	R40H618 R40H618	NR NR	SP7888S NR	SP7888S NR
F050, F055, F060	Fa	KH	14 " x 2-1/2 "	2060 - 361	Discontinued	R40H596	R40H9219	R40H3536	R40H3537
F070	Fa Fa Fa Fa	WG WG WG WG	15 " x 3 " 15 " x 3 " 15 " x 3 " 15 " x 3 "	1245C - 321 1245C - 321 1245C - 321 1245C - 321	R700321 R700321 R700321 R700321	R40H521 R40H521 R40H521 R40H521	R40H9237 R40H9237 R40H9237 R40H9237	R40H3502 R40H3502 R40H3502 R40H3502	R40H3503 R40H3503 R40H3503 R40H3503
	Fd	DN		7141 - D224	MD224 ³⁴⁰	69310693	60050153	NR	NR
F080, F090	Fd Fd	DN DN		7149 - D236 7149 - D236	MD236 ³⁴¹ MD236 ³⁴¹	69310693 69310693	R40H5523 R40H5523	NR NR	NR NR
F090, F120	Fa Fa	WG WG	15 " x 3 " 15 " x 3 "	1245C - 321 1245C - 321	R700321 R700321	R40H521 R40H521	R40H9237 R40H9237	R40H3502 R40H3502	R40H3503 R40H3503
R170, R175	Ra Ra	KH WG	15 " x 5 " 15 " x 5 "	4646 - 400 1252 - 346	R700400 R700346	R40H595 R40H597	R40H9220 R40H9200	R40H3538 R40H3540	R40H3539 R40H3541
R185	Ra Ra	WG WG	15 " x 6 " 15 " x 7 "	4596 - 381 4597 - 383	R700381 R700383	R40H597 R40H597	R40H9200 R40H9200	R40H3540 R40H3540	R40H3541 R40H3541
1975	Ra Ra Ra Ra	LG LG LG LG	15 " x 6 " 15 " x 6 " 15 " x 7 " 15 " x 7 "	4504A - 543 4504A - 543 4505A - 544 4505A - 544	N/A N/A N/A N/A	R40H618 R40H618 R40H618 R40H618	NR NR NR NR	NR SP7888S NR SP7888S	NR SP7888S NR SP7888S
F050, F055, F060	Fa	KH	14 " x 2-1/2 "	2060 - 361	Discontinued	R40H596	R40H9219	R40H3536	R40H3537
F070	Fa Fa Fa Fa	WG WG WG WG	15 " x 3 " 15 " x 3 " 15 " x 3 " 15 " x 3 "	1245C - 321 1245C - 321 1245C - 321 1245C - 321	R700321 R700321 R700321 R700321	R40H521 R40H521 R40H521 R40H521	R40H9237 R40H9237 R40H9237 R40H9237	R40H3502 R40H3502 R40H3502 R40H3502	R40H3503 R40H3503 R40H3503 R40H3503
	Fd	DN		7141 - D224	MD224 ³⁴⁰	69310693	60050153	NR	NR
F080, F090	Fd Fd	DN DN		7149 - D236 7149 - D236	MD236 ³⁴¹ MD236 ³⁴¹	69310693 69310693	R40H5523 R40H5523	NR NR	NR NR
F090, F120	Fa Fa	WG WG	15 " x 3 " 15 " x 3 "	1245C - 321 1245C - 321	R700321 R700321	R40H521 R40H521	R40H9237 R40H9237	R40H3502 R40H3502	R40H3503 R40H3503
R170, R175	Ra Ra	KH WG	15 " x 5 " 15 " x 5 "	4646 - 400 1252 - 346	R700400 R700346	R40H595 R40H597	R40H9220 R40H9200	R40H3538 R40H3540	R40H3539 R40H3541
R185	Ra Ra	WG WG	15 " x 6 " 15 " x 7 "	4596 - 381 4597 - 383	R700381 R700383	R40H597 R40H597	R40H9200 R40H9200	R40H3540 R40H3540	R40H3541 R40H3541
1974	Ra Ra Ra Ra	LG LG LG LG	15 " x 6 " 15 " x 6 " 15 " x 7 " 15 " x 7 "	4504A - 543 4504A - 543 4505A - 544 4505A - 544	N/A N/A N/A N/A	R40H618 R40H618 R40H618 R40H618	NR NR NR NR	NR SP7888S SP7888S NR	NR SP7888S SP7888S NR
F050, F055, F060	Fa	KH	14 " x 2-1/2 "	2060 - 361	Discontinued	R40H596	R40H9219	R40H3536	R40H3537
F070	Fa Fa Fa Fa	WG WG WG WG	15 " x 3 " 15 " x 3 " 15 " x 3 " 15 " x 3 "	1245C - 321 1245C - 321 1245C - 321 1245C - 321	R700321 R700321 R700321 R700321	R40H521 R40H521 R40H521 R40H521	R40H9237 R40H9237 R40H9237 R40H9237	R40H3502 R40H3502 R40H3502 R40H3502	R40H3503 R40H3503 R40H3503 R40H3503
	Fd	DN		7141 - D224	MD224 ³⁴⁰	69310693	60050153	NR	NR
F080, F090	Fd Fd	DN DN		7149 - D236 7149 - D236	MD236 ³⁴¹ MD236 ³⁴¹	69310693 69310693	R40H5523 R40H5523	NR NR	NR NR
F090, F120	Fa Fa	WG WG	15 " x 3 " 15 " x 3 "	1245C - 321 1245C - 321	R700321 R700321	R40H521 R40H521	R40H9237 R40H9237	R40H3502 R40H3502	R40H3503 R40H3503
R170, R175	Ra Ra	KH WG	15 " x 5 " 15 " x 5 "	4646 - 400 1252 - 346	R700400 R700346	R40H595 R40H597	R40H9220 R40H9200	R40H3538 R40H3540	R40H3539 R40H3541
R185	Ra Ra	WG WG	15 " x 6 " 15 " x 7 "	4596 - 381 4597 - 383	R700381 R700383	R40H597 R40H597	R40H9200 R40H9200	R40H3540 R40H3540	R40H3541 R40H3541
1973	Ra Ra Ra Ra	LG LG LG LG	15 " x 6 " 15 " x 6 " 15 " x 7 " 15 " x 7 "	4504A - 543 4504A - 543 4505A - 544 4505A - 544	N/A N/A N/A N/A	R40H618 R40H618 R40H618 R40H618	NR NR NR NR	NR SP7888S NR SP7888S	NR SP7888S NR SP7888S
F050, F055, F060	Fa	KH	14 " x 2-1/2 "	2060 - 361	Discontinued	R40H596	R40H9219	R40H3536	R40H3537
F070	Fa Fa Fa	WG WG WG	15 " x 3 " 15 " x 3 " 15 " x 3 "	1245C - 321 1245C - 321 1245C - 321	R700321 R700321 R700321	R40H521 R40H521 R40H521	R40H9237 R40H9237 R40H9237	R40H3502 R40H3502 R40H3502	R40H3503 R40H3503 R40H3503

9 - 6 Stud, Dayton Rotor, Hat Style
53 - Power Brakes
214 - Power Brakes, Split System
www.XpresswayPlus.com

37 - Also available as a New unit
186 - 10 Stud
221 - Power Brakes, 17,500 or 18,500 lb. Rear Axle

41 - Aluminum piston
188 - 6 Stud, 9.251" Hub
222 - Power Brakes, 18,500 or 22,000 lb. Rear Axle

Contact our Customer Service Teams
1-888-725-9355

MERITOR DRUM OR ROTOR NO.	CALIPER OR CYLINDER BORE SIZE	MERITOR CALIPER OR WHEEL CYLINDER (LEFT)	MERITOR CALIPER OR WHEEL CYLINDER (RIGHT)	MERITOR CALIPER OR WHEEL CYLINDER REPAIR KIT	MERITOR CALIPER PISTON	MERITOR MASTER CYLINDER	MERITOR MASTER CYLINDER KIT	MERITOR BRAKE HOSE (LEFT)	MERITOR BRAKE HOSE (RIGHT)
FORD(Cont.)									
LT800 SERIES: LOUISVILLE CONVENTIONAL 106.4 BBC TANDEM CHASSIS CAB TRUCK(Cont.)									
N/A	1-5/8 "	201185	201186 ³²⁹	SP7895S	NR	-	-	R4577147	R4577147
N/A	1-5/8 "	201181	201182	SP7895S	NR	-	-	R4577147	R4577147
N/A	1.09375	R4133484	R4133485	R4166819	NR	R4111629 ⁵³	R4122484	R4577460	R4577460
N/A	1-1/8 "	R4133716	R4133717	R4166926	NR	R4111772 ⁵³	R4122488	R4577454	R4577455
N/A	1-1/8 "	R4133714	R4133715	R4166926	NR	R4111995 ⁵³	-	R4577454	R4577455
N/A	1-1/8 "	R4133719	R4133718	R4166926	NR	R4111634 ⁵³	N/A	R4577452	R4577453
N/A	1-1/8 "	R4133714	R4133715	R4166926	NR	R4111631 ²²¹	R4122486	R4577452	R4577453
23-122700-002 ⁹	2-1/2 "	R424244X	R424244X ³⁷	60050266	6927075 ⁴¹	R4111992 ²¹⁴	R4122386	R4577452	R4577453
23-122703-002 ¹⁸⁶	2-7/8 "	60050145X	60050145X ³⁷	60050146	69270702 ⁴¹	R4111992 ²¹⁴	R4122386	R4577452	R4577453
23-122691-002 ¹⁸⁸	2-7/8 "	60050145X	60050145X ³⁷	60050146	69270702 ⁴¹	R4111992 ²¹⁴	R4122386	R4577452	R4577453
N/A	1-1/4 "	R4133720	R4133721	R4166923	NR	R4111630 ²²²	N/A	R4577452	R4577453
N/A	1-1/4 "	R4133581	R4133581	R4166923	NR	R4111992 ²¹⁴	R4122386	R4577452	R4577453
N/A	1-1/2 "	R4033607	R4033607	R4166818	NR	-	-	R4577147	R4577147
N/A	1-5/8 "	R4133338	R4133338	R4166689	NR	-	-	R4577147	R4577147
N/A	1-5/8 "	R4133338	R4133338	R4166689	NR	-	-	R4577147	R4577147
N/A	1-3/4 "	R4133400	R4133400	R4166917	NR	-	-	R4577147	R4577147
N/A	1-5/8 "	201181	201182	SP7895S	NR	-	-	R4577147	R4577147
N/A	1-5/8 "	201185	201186 ³²⁹	SP7895S	NR	-	-	R4577147	R4577147
N/A	1-5/8 "	201181	201182	SP7895S	NR	-	-	R4577147	R4577147
N/A	1-5/8 "	201185	201186 ³²⁹	SP7895S	NR	-	-	R4577147	R4577147
N/A	1.09375	R4133484	R4133485	R4166819	NR	R4111629 ⁵³	R4122484	R4577460	R4577460
N/A	1-1/8 "	R4133714	R4133715	R4166926	NR	R4111995 ⁵³	-	R4577454	R4577455
N/A	1-1/8 "	R4133714	R4133715	R4166926	NR	R4111631 ²²¹	R4122486	R4577452	R4577453
N/A	1-1/8 "	R4133719	R4133718	R4166926	NR	R4111634 ⁵³	N/A	R4577452	R4577453
N/A	1-1/8 "	R4133716	R4133717	R4166926	NR	R4111772 ⁵³	R4122488	R4577454	R4577455
23-122700-002 ⁹	2-1/2 "	R424244X	R424244X ³⁷	60050266	6927075 ⁴¹	R4111992 ²¹⁴	R4122386	R4577452	R4577453
23-122691-002 ¹⁸⁸	2-7/8 "	60050145X	60050145X ³⁷	60050146	69270702 ⁴¹	R4111992 ²¹⁴	R4122386	R4577452	R4577453
23-122703-002 ¹⁸⁶	2-7/8 "	60050145X	60050145X ³⁷	60050146	69270702 ⁴¹	R4111992 ²¹⁴	R4122386	R4577452	R4577453
N/A	1-1/4 "	R4133720	R4133721	R4166923	NR	R4111630 ²²²	N/A	R4577452	R4577453
N/A	1-1/4 "	R4133581	R4133581	R4166923	NR	R4111992 ²¹⁴	R4122386	R4577452	R4577453
N/A	1-1/2 "	R4033607	R4033607	R4166818	NR	-	-	R4577147	R4577147
N/A	1-5/8 "	R4133338	R4133338	R4166689	NR	-	-	R4577147	R4577147
N/A	1-5/8 "	R4133338	R4133338	R4166689	NR	-	-	R4577147	R4577147
N/A	1-3/4 "	R4133400	R4133400	R4166917	NR	-	-	R4577147	R4577147
N/A	1-5/8 "	201181	201182	SP7895S	NR	-	-	R4577147	R4577147
N/A	1-5/8 "	201185	201186 ³²⁹	SP7895S	NR	-	-	R4577147	R4577147
N/A	1-5/8 "	201185	201186 ³²⁹	SP7895S	NR	-	-	R4577147	R4577147
N/A	1-5/8 "	201181	201182	SP7895S	NR	-	-	R4577147	R4577147
N/A	1.09375	R4133484	R4133485	R4166819	NR	R4111629 ⁵³	R4122484	R4577460	R4577460
N/A	1-1/8 "	R4133714	R4133715	R4166926	NR	R4111995 ⁵³	-	R4577454	R4577455
N/A	1-1/8 "	R4133716	R4133717	R4166926	NR	R4111772 ⁵³	R4122488	R4577454	R4577455
N/A	1-1/8 "	R4133714	R4133715	R4166926	NR	R4111631 ²²¹	R4122486	R4577452	R4577453
N/A	1-1/8 "	R4133719	R4133718	R4166926	NR	R4111634 ⁵³	N/A	R4577452	R4577453
23-122700-002 ⁹	2-1/2 "	R424244X	R424244X ³⁷	60050266	6927075 ⁴¹	R4111992 ²¹⁴	R4122386	R4577452	R4577453
23-122703-002 ¹⁸⁶	2-7/8 "	60050145X	60050145X ³⁷	60050146	69270702 ⁴¹	R4111992 ²¹⁴	R4122386	R4577452	R4577453
23-122691-002 ¹⁸⁸	2-7/8 "	60050145X	60050145X ³⁷	60050146	69270702 ⁴¹	R4111992 ²¹⁴	R4122386	R4577452	R4577453
N/A	1-1/4 "	R4133581	R4133581	R4166923	NR	R4111992 ²¹⁴	R4122386	R4577452	R4577453
N/A	1-1/4 "	R4133720	R4133721	R4166923	NR	R4111630 ²²²	N/A	R4577452	R4577453
N/A	1-1/2 "	R4033607	R4033607	R4166818	NR	-	-	R4577147	R4577147
N/A	1-5/8 "	R4133338	R4133338	R4166689	NR	-	-	R4577147	R4577147
N/A	1-5/8 "	R4133338	R4133338	R4166689	NR	-	-	R4577147	R4577147
N/A	1-3/4 "	R4133400	R4133400	R4166917	NR	-	-	R4577147	R4577147
N/A	1-5/8 "	201181	201182	SP7895S	NR	-	-	R4577147	R4577147
N/A	1-5/8 "	201185	201186 ³²⁹	SP7895S	NR	-	-	R4577147	R4577147
N/A	1-5/8 "	201181	201182	SP7895S	NR	-	-	R4577147	R4577147
N/A	1-5/8 "	201185	201186 ³²⁹	SP7895S	NR	-	-	R4577147	R4577147
N/A	1.09375	R4133484	R4133485	R4166819	NR	R4111629 ⁵³	R4122484	R4577460	R4577460
N/A	1-1/8 "	R4133714	R4133715	R4166926	NR	R4111995 ⁵³	-	R4577454	R4577455
N/A	1-1/8 "	R4133714	R4133715	R4166926	NR	R4111631 ²²¹	R4122486	R4577452	R4577453
N/A	1-1/8 "	R4133719	R4133718	R4166926	NR	R4111634 ⁵³	N/A	R4577452	R4577453

MAKE MODEL YEAR AXLE CODE AXLE WEIGHT	AXLE & BRK. TYPE	BRK. MFG.	BRAKE SIZE	FMSI	MERITOR DISC PAD OR BRAKE SHOE	MERITOR GUIDE PIN OR RETURN SPRING KIT	MERITOR CALIPER HWD. KIT OR RETURN SPRING KIT	MERITOR ADJUSTER KIT (LEFT WHEEL)	MERITOR ADJUSTER KIT (RIGHT WHEEL)
FORD(Cont.)									
LT800 SERIES: LOUISVILLE CONVENTIONAL 106.4 BBC TANDEM CHASSIS CAB TRUCK(Cont.)									
1973	Fa	WG	15 " x 3 "	1245C - 321	R700321	R40H521	R40H9237	R40H3502	R40H3503
	Fd	DN		7141 - D224	MD224 ³⁴⁰	69310693	60050153	NR	NR
F080, F090	Fd	DN		7149 - D236	MD236 ³⁴¹	69310693	R40H5523	NR	NR
	Fd	DN		7149 - D236	MD236 ³⁴¹	69310693	R40H5523	NR	NR
F090, F120	Fa	WG	15 " x 3 "	1245C - 321	R700321	R40H521	R40H9237	R40H3502	R40H3503
	Fa	WG	15 " x 3 "	1245C - 321	R700321	R40H521	R40H9237	R40H3502	R40H3503
R170, R175	Ra	KH	15 " x 5 "	4646 - 400	R700400	R40H595	R40H9220	R40H3538	R40H3539
	Ra	WG	15 " x 5 "	1252 - 346	R700346	R40H597	R40H9200	R40H3540	R40H3541
R185	Ra	WG	15 " x 6 "	4596 - 381	R700381	R40H597	R40H9200	R40H3540	R40H3541
	Ra	WG	15 " x 7 "	4597 - 383	R700383	R40H597	R40H9200	R40H3540	R40H3541
LTS800 SERIES: LOUISVILLE 106.3 BBC TANDEM CHASSIS CAB, SET BACK FRONT AXLE TRUCK									
1992	Fd	DN		7149 - D236	MD236 ³⁴¹	69310693	69310782	NR	NR
	Fd	DN		7149 - D236	MD236 ³⁴¹	69310693	69310782	NR	NR
	Fd	DN		7149 - D236	MD236 ³⁴¹	69310693	69310782	NR	NR
	Fd	DN		7141 - D224	MD224 ³⁴⁰	69310693	60050153	NR	NR
	Ra	LG	15 " x 7 "	4505A - 544	N/A	R40H618	NR	NR	NR
1991	Ra	LG	15 " x 7 "	4505A - 544	N/A	R40H618	NR	SP7887S	SP7887S
	Fd	DN		7141 - D224	MD224 ³⁴⁰	69310693	60050153	NR	NR
	Fd	DN		7149 - D236	MD236 ³⁴¹	69310693	69310782	NR	NR
	Fd	DN		7149 - D236	MD236 ³⁴¹	69310693	69310782	NR	NR
	Fd	DN		7149 - D236	MD236 ³⁴¹	69310693	69310782	NR	NR
1990	Ra	LG	15 " x 7 "	4505A - 544	N/A	R40H618	NR	SP7887S	SP7887S
	Ra	LG	15 " x 7 "	4505A - 544	N/A	R40H618	NR	NR	NR
	Fd	DN		7149 - D236	MD236 ³⁴¹	69310693	69310782	NR	NR
	Fd	DN		7149 - D236	MD236 ³⁴¹	69310693	69310782	NR	NR
	Fd	DN		7141 - D224	MD224 ³⁴⁰	69310693	60050153	NR	NR
1989	Fd	DN		7149 - D236	MD236 ³⁴¹	69310693	69310782	NR	NR
	Fd	DN		7149 - D236	MD236 ³⁴¹	69310693	69310782 ⁴³	NR	NR
	Fd	DN		7149 - D236	MD236 ³⁴¹	69310693	69310782 ⁴³	NR	NR
	Fd	DN		7149 - D236	MD236 ³⁴¹	69310693	69310782 ⁴³	NR	NR
	Ra	LG	15 " x 7 "	4505A - 544	N/A	R40H618	NR	SP7887S	SP7887S
1988	Ra	LG	15 " x 7 "	4505A - 544	N/A	R40H618	NR	NR	NR
	Fd	DN		7149 - D236	MD236 ³⁴¹	69310693	69310782 ⁴³	NR	NR
	Fd	DN		7141 - D224	MD224 ³⁴⁰	69310693	60050153	NR	NR
	Fd	DN		7149 - D236	MD236 ³⁴¹	69310693	69310782 ⁴³	NR	NR
	Fd	DN		7149 - D236	MD236 ³⁴¹	69310693	69310782 ⁴³	NR	NR
1987	Ra	LG	15 " x 7 "	4505A - 544	N/A	R40H618	NR	SP7887S	SP7887S
	Ra	LG	15 " x 7 "	4505A - 544	N/A	R40H618	NR	NR	NR
	Fd	DN		7141 - D224	MD224 ³⁴⁰	69310693	60050153	NR	NR
	Fd	DN		7149 - D236	MD236 ³⁴¹	69310693	69310782 ⁴³	NR	NR
	Fd	DN		7149 - D236	MD236 ³⁴¹	69310693	69310782 ⁴³	NR	NR
1986	Fd	DN		7149 - D236	MD236 ³⁴¹	69310693	69310782	NR	NR
	Fd	DN		7141 - D224	MD224 ³⁴⁰	69310693	60050153	NR	NR
	Fd	DN		7149 - D236	MD236 ³⁴¹	69310693	69310782	NR	NR
	Fd	DN		7149 - D236	MD236 ³⁴¹	69310693	69310782	NR	NR
	Ra	LG	15 " x 7 "	4505A - 544	N/A	R40H618	NR	NR	NR
1985	Ra	LG	15 " x 7 "	4505A - 544	N/A	R40H618	NR	SP7887S	SP7887S
	Fd	DN		7149 - D236	MD236 ³⁴¹	69310693	R40H5523	NR	NR
	Fd	DN		7149 - D236	MD236 ³⁴¹	69310693	R40H5523	NR	NR

9 - 6 Stud, Dayton Rotor, Hat Style
 43 - For Applications Taking A Longer Shim, Use R404151706
 187 - 6 Stud, 6.443" Hub
 www.XpresswayPlus.com

37 - Also available as a New unit
 53 - Power Brakes
 188 - 6 Stud, 9.251" Hub

41 - Aluminum piston
 186 - 10 Stud
 204 - Right Hand; use E-4057 for Left Hand Expander Kits
 Contact our Customer Service Teams
 1-888-725-9355

MERITOR DRUM OR ROTOR NO.	CALIPER OR CYLINDER BORE SIZE	MERITOR CALIPER OR WHEEL CYLINDER (LEFT)	MERITOR CALIPER OR WHEEL CYLINDER (RIGHT)	MERITOR CALIPER OR WHEEL CYLINDER REPAIR KIT	MERITOR CALIPER PISTON	MERITOR MASTER CYLINDER	MERITOR MASTER CYLINDER KIT	MERITOR BRAKE HOSE (LEFT)	MERITOR BRAKE HOSE (RIGHT)
FORD(Cont.)									
LT800 SERIES: LOUISVILLE CONVENTIONAL 106.4 BBC TANDEM CHASSIS CAB TRUCK(Cont.)									
N/A	1-1/8 "	R4133716	R4133717	R4166926	NR	R4111772 ⁵³	R4122488	R4577454	R4577455
23-122700-002 ⁹	2-1/2 "	R424244X	R424244X ³⁷	60050266	69270757 ⁴¹	R4111992 ²¹⁴	R4122386	R4577452	R4577453
23-122691-002 ¹⁸⁸	2-7/8 "	60050145X	60050145X ³⁷	60050146	69270702 ⁴¹	R4111992 ²¹⁴	R4122386	R4577452	R4577453
23-122703-002 ¹⁸⁶	2-7/8 "	60050145X	60050145X ³⁷	60050146	69270702 ⁴¹	R4111992 ²¹⁴	R4122386	R4577452	R4577453
N/A	1-1/4 "	R4133581	R4133581	R4166923	NR	R4111992 ²¹⁴	R4122386	R4577452	R4577453
N/A	1-1/4 "	R4133720	R4133721	R4166923	NR	R4111630 ²²²	N/A	R4577452	R4577453
N/A	1-1/2 "	R4033607	R4033607	R4166818	NR	-	-	R4577147	R4577147
N/A	1-5/8 "	R4133338	R4133338	R4166689	NR	-	-	R4577147	R4577147
N/A	1-5/8 "	R4133338	R4133338	R4166689	NR	-	-	R4577147	R4577147
N/A	1-3/4 "	R4133400	R4133400	R4166917	NR	-	-	R4577147	R4577147
LTS800 SERIES: LOUISVILLE 106.3 BBC TANDEM CHASSIS CAB, SET BACK FRONT AXLE TRUCK									
23-122691-002 ¹⁸⁸	2-7/8 "	60050145X	60050145X ³⁷	60050146	69270702 ⁴¹	R4111995 ⁵³	-	R4577454	R4577455
23-122703-002 ¹⁸⁶	2-7/8 "	60050145X	60050145X ³⁷	60050146	69270702 ⁴¹	R4111995 ⁵³	-	R4577454	R4577455
23-122743-002 ¹⁸⁷	2-7/8 "	60050145X	60050145X ³⁷	60050146	69270702 ⁴¹	R4111995 ⁵³	-	R4577454	R4577455
23-122700-002 ⁹	2-1/2 "	R424244X	R424244X ³⁷	60050266	69270757 ⁴¹	R4111995 ⁵³	-	R4577454	R4577455
N/A	1-3/4 "	201179X	201180X	SP7873S	SP7880S ²⁰⁴	-	-	R4577870	R4577870
N/A	1-3/4 "	201183X	201184X ³²⁹	SP7873S	NR	-	-	R4577870	R4577870
23-122700-002 ⁹	2-1/2 "	R424244X	R424244X ³⁷	60050266	69270757 ⁴¹	R4111995 ⁵³	-	R4577454	R4577455
23-122691-002 ¹⁸⁸	2-7/8 "	60050145X	60050145X ³⁷	60050146	69270702 ⁴¹	R4111995 ⁵³	-	R4577454	R4577455
23-122703-002 ¹⁸⁶	2-7/8 "	60050145X	60050145X ³⁷	60050146	69270702 ⁴¹	R4111995 ⁵³	-	R4577454	R4577455
23-122743-002 ¹⁸⁷	2-7/8 "	60050145X	60050145X ³⁷	60050146	69270702 ⁴¹	R4111995 ⁵³	-	R4577454	R4577455
N/A	1-3/4 "	201183X	201184X ³²⁹	SP7873S	NR	-	-	R4577870	R4577870
N/A	1-3/4 "	201179X	201180X	SP7873S	SP7880S ²⁰⁴	-	-	R4577870	R4577870
23-122743-002 ¹⁸⁷	2-7/8 "	60050145X	60050145X ³⁷	60050146	69270702 ⁴¹	R4111995 ⁵³	-	R4577454	R4577455
23-122691-002 ¹⁸⁸	2-7/8 "	60050145X	60050145X ³⁷	60050146	69270702 ⁴¹	R4111995 ⁵³	-	R4577454	R4577455
23-122700-002 ⁹	2-1/2 "	R424244X	R424244X ³⁷	60050266	69270757 ⁴¹	R4111995 ⁵³	-	R4577454	R4577455
23-122703-002 ¹⁸⁶	2-7/8 "	60050145X	60050145X ³⁷	60050146	69270702 ⁴¹	R4111995 ⁵³	-	R4577454	R4577455
23-122743-002 ¹⁸⁷	2-7/8 "	60050145X	60050145X ³⁷	60050146	69270702 ⁴¹	R4111995 ⁵³	-	R4577454	R4577455
N/A	1-3/4 "	201183X	201184X ³²⁹	SP7873S	NR	-	-	R4577870	R4577870
N/A	1-3/4 "	201179X	201180X	SP7873S	SP7880S ²⁰⁴	-	-	R4577870	R4577870
23-122743-002 ¹⁸⁷	2-7/8 "	60050145X	60050145X ³⁷	60050146	69270702 ⁴¹	R4111995 ⁵³	-	R4577454	R4577455
23-122691-002 ¹⁸⁸	2-7/8 "	60050145X	60050145X ³⁷	60050146	69270702 ⁴¹	R4111995 ⁵³	-	R4577454	R4577455
23-122703-002 ¹⁸⁶	2-7/8 "	60050145X	60050145X ³⁷	60050146	69270702 ⁴¹	R4111995 ⁵³	-	R4577454	R4577455
23-122743-002 ¹⁸⁷	2-7/8 "	60050145X	60050145X ³⁷	60050146	69270702 ⁴¹	R4111995 ⁵³	-	R4577454	R4577455
N/A	1-3/4 "	201183X	201184X ³²⁹	SP7873S	NR	-	-	N/A	N/A
N/A	1-3/4 "	201179X	201180X	SP7873S	SP7880S ²⁰⁴	-	-	N/A	N/A
23-122700-002 ⁹	2-1/2 "	R424244X	R424244X ³⁷	60050266	69270757 ⁴¹	R4111995 ⁵³	-	R4577454	R4577455
23-122743-002 ¹⁸⁷	2-7/8 "	60050145X	60050145X ³⁷	60050146	69270702 ⁴¹	R4111995 ⁵³	-	R4577454	R4577455
23-122703-002 ¹⁸⁶	2-7/8 "	60050145X	60050145X ³⁷	60050146	69270702 ⁴¹	R4111995 ⁵³	-	R4577454	R4577455
23-122691-002 ¹⁸⁸	2-7/8 "	60050145X	60050145X ³⁷	60050146	69270702 ⁴¹	R4111995 ⁵³	-	R4577454	R4577455
N/A	1-3/4 "	201183X	201184X ³²⁹	SP7873S	NR	-	-	N/A	N/A
N/A	1-3/4 "	201179X	201180X	SP7873S	SP7880S ²⁰⁴	-	-	N/A	N/A
23-122691-002 ¹⁸⁸	2-7/8 "	60050145X	60050145X ³⁷	60050146	69270702 ⁴¹	R4111995 ⁵³	-	R4577454	R4577455
23-122700-002 ⁹	2-1/2 "	R424244X	R424244X ³⁷	60050266	69270757 ⁴¹	R4111995 ⁵³	-	R4577454	R4577455
23-122743-002 ¹⁸⁷	2-7/8 "	60050145X	60050145X ³⁷	60050146	69270702 ⁴¹	R4111995 ⁵³	-	R4577454	R4577455
23-122703-002 ¹⁸⁶	2-7/8 "	60050145X	60050145X ³⁷	60050146	69270702 ⁴¹	R4111995 ⁵³	-	R4577454	R4577455
N/A	1-3/4 "	201179X	201180X	SP7873S	SP7880S ²⁰⁴	-	-	N/A	N/A
N/A	1-3/4 "	201183X	201184X ³²⁹	SP7873S	NR	-	-	N/A	N/A
23-122703-002 ¹⁸⁶	2-7/8 "	60050145X	60050145X ³⁷	60050146	69270702 ⁴¹	R4111995 ⁵³	-	R4577454	R4577455
23-122743-002 ¹⁸⁷	2-7/8 "	60050145X	60050145X ³⁷	60050146	69270702 ⁴¹	R4111995 ⁵³	-	R4577454	R4577455

214 - Power Brakes, Split System
340 - Use 69160457 for Disc Pad Retainer Clip

222 - Power Brakes, 18,500 or 22,000 lb. Rear Axle
341 - Use 69160445 for Disc Pad Retainer Clip

329 - Forward

MAKE MODEL YEAR AXLE CODE AXLE WEIGHT	AXLE & BRK. TYPE	BRK. MFG.	BRAKE SIZE	FMSI	MERITOR DISC PAD OR BRAKE SHOE	MERITOR GUIDE PIN OR RETURN SPRING KIT	MERITOR CALIPER HWD. KIT OR RETURN SPRING KIT	MERITOR ADJUSTER KIT (LEFT WHEEL)	MERITOR ADJUSTER KIT (RIGHT WHEEL)
FORD(Cont.)									
LTS800 SERIES: LOUISVILLE 106.3 BBC TANDEM CHASSIS CAB, SET BACK FRONT AXLE TRUCK(Cont.)									
1985	Fd	DN		7149 - D236	MD236 ³⁴¹	69310693	R40H5523	NR	NR
	Fd	DN		7141 - D224	MD224 ³⁴⁰	69310693	60050153	NR	NR
	Ra	LG	15 " x 7 "	4505A - 544	N/A	R40H618	NR	NR	NR
	Ra	LG	15 " x 7 "	4505A - 544	N/A	R40H618	NR	SP7887S	SP7887S
1984	Fd	DN		7141 - D224	MD224 ³⁴⁰	69310693	60050153	NR	NR
	Fd	DN		7149 - D236	MD236 ³⁴¹	69310693	R40H5523	NR	NR
	Fd	DN		7149 - D236	MD236 ³⁴¹	69310693	R40H5523	NR	NR
	Fd	DN		7149 - D236	MD236 ³⁴¹	69310693	R40H5523	NR	NR
	Ra	LG	15 " x 7 "	4505A - 544	N/A	R40H618	NR	SP7887S	SP7887S
	Ra	LG	15 " x 7 "	4505A - 544	N/A	R40H618	NR	NR	NR
1983	Ra	LG	15 " x 6 "	4504A - 543	N/A	R40H618	NR	NR	NR
	Ra	LG	15 " x 6 "	4504A - 543	N/A	R40H618	NR	SP7888S	SP7888S
	Ra	LG	15 " x 7 "	4505A - 544	N/A	R40H618	NR	NR	NR
	Ra	LG	15 " x 7 "	4505A - 544	N/A	R40H618	NR	SP7888S	SP7888S
F050, F055, F060	Fa	KH	14 " x 2-1/2 "	2060 - 361	Discontinued	R40H596	R40H9219	R40H3536	R40H3537
F070	Fa	WG	15 " x 3 "	1245C - 321	R700321	R40H521	R40H9237	R40H3502	R40H3503
	Fa	WG	15 " x 3 "	1245C - 321	R700321	R40H521	R40H9237	R40H3502	R40H3503
	Fa	WG	15 " x 3 "	1245C - 321	R700321	R40H521	R40H9237	R40H3502	R40H3503
	Fa	WG	15 " x 3 "	1245C - 321	R700321	R40H521	R40H9237	R40H3502	R40H3503
	Fd	DN		7141 - D224	MD224 ³⁴⁰	69310693	60050153	NR	NR
F080, F090	Fd	DN		7149 - D236	MD236 ³⁴¹	69310693	R40H5523	NR	NR
	Fd	DN		7149 - D236	MD236 ³⁴¹	69310693	R40H5523	NR	NR
F090, F120	Fa	WG	15 " x 3 "	1245C - 321	R700321	R40H521	R40H9237	R40H3502	R40H3503
	Fa	WG	15 " x 3 "	1245C - 321	R700321	R40H521	R40H9237	R40H3502	R40H3503
R170, R175	Ra	KH	15 " x 5 "	4646 - 400	R700400	R40H595	R40H9220	R40H3538	R40H3539
	Ra	WG	15 " x 5 "	1252 - 346	R700346	R40H597	R40H9200	R40H3540	R40H3541
R185	Ra	WG	15 " x 6 "	4596 - 381	R700381	R40H597	R40H9200	R40H3540	R40H3541
	Ra	WG	15 " x 7 "	4597 - 383	R700383	R40H597	R40H9200	R40H3540	R40H3541
1982	Ra	LG	15 " x 6 "	4504A - 543	N/A	R40H618	NR	NR	NR
	Ra	LG	15 " x 6 "	4504A - 543	N/A	R40H618	NR	SP7888S	SP7888S
	Ra	LG	15 " x 7 "	4505A - 544	N/A	R40H618	NR	SP7888S	SP7888S
	Ra	LG	15 " x 7 "	4505A - 544	N/A	R40H618	NR	NR	NR
F050, F055, F060	Fa	KH	14 " x 2-1/2 "	2060 - 361	Discontinued	R40H596	R40H9219	R40H3536	R40H3537
F070	Fa	WG	15 " x 3 "	1245C - 321	R700321	R40H521	R40H9237	R40H3502	R40H3503
	Fa	WG	15 " x 3 "	1245C - 321	R700321	R40H521	R40H9237	R40H3502	R40H3503
	Fa	WG	15 " x 3 "	1245C - 321	R700321	R40H521	R40H9237	R40H3502	R40H3503
	Fa	WG	15 " x 3 "	1245C - 321	R700321	R40H521	R40H9237	R40H3502	R40H3503
	Fd	DN		7141 - D224	MD224 ³⁴⁰	69310693	60050153	NR	NR
F080, F090	Fd	DN		7149 - D236	MD236 ³⁴¹	69310693	R40H5523	NR	NR
	Fd	DN		7149 - D236	MD236 ³⁴¹	69310693	R40H5523	NR	NR
F090, F120	Fa	WG	15 " x 3 "	1245C - 321	R700321	R40H521	R40H9237	R40H3502	R40H3503
	Fa	WG	15 " x 3 "	1245C - 321	R700321	R40H521	R40H9237	R40H3502	R40H3503
R170, R175	Ra	KH	15 " x 5 "	4646 - 400	R700400	R40H595	R40H9220	R40H3538	R40H3539
	Ra	WG	15 " x 5 "	1252 - 346	R700346	R40H597	R40H9200	R40H3540	R40H3541
R185	Ra	WG	15 " x 6 "	4596 - 381	R700381	R40H597	R40H9200	R40H3540	R40H3541
	Ra	WG	15 " x 7 "	4597 - 383	R700383	R40H597	R40H9200	R40H3540	R40H3541
1981	Ra	LG	15 " x 6 "	4504A - 543	N/A	R40H618	NR	NR	NR
	Ra	LG	15 " x 6 "	4504A - 543	N/A	R40H618	NR	SP7888S	SP7888S
	Ra	LG	15 " x 7 "	4505A - 544	N/A	R40H618	NR	SP7888S	SP7888S
	Ra	LG	15 " x 7 "	4505A - 544	N/A	R40H618	NR	NR	NR
F050, F055, F060	Fa	KH	14 " x 2-1/2 "	2060 - 361	Discontinued	R40H596	R40H9219	R40H3536	R40H3537
F070	Fa	WG	15 " x 3 "	1245C - 321	R700321	R40H521	R40H9237	R40H3502	R40H3503
	Fa	WG	15 " x 3 "	1245C - 321	R700321	R40H521	R40H9237	R40H3502	R40H3503
	Fa	WG	15 " x 3 "	1245C - 321	R700321	R40H521	R40H9237	R40H3502	R40H3503
	Fa	WG	15 " x 3 "	1245C - 321	R700321	R40H521	R40H9237	R40H3502	R40H3503
	Fd	DN		7141 - D224	MD224 ³⁴⁰	69310693	60050153	NR	NR
F080, F090	Fd	DN		7149 - D236	MD236 ³⁴¹	69310693	R40H5523	NR	NR
	Fd	DN		7149 - D236	MD236 ³⁴¹	69310693	R40H5523	NR	NR

9 - 6 Stud, Dayton Rotor, Hat Style
 53 - Power Brakes
 188 - 6 Stud, 9.251" Hub
 www.XpresswayPlus.com

37 - Also available as a New unit
 186 - 10 Stud
 204 - Right Hand; use E-4057 for Left Hand Expander Kits

41 - Aluminum piston
 187 - 6 Stud, 6.443" Hub
 214 - Power Brakes, Split System

MERITOR DRUM OR ROTOR NO.	CALIPER OR CYLINDER BORE SIZE	MERITOR CALIPER OR WHEEL CYLINDER (LEFT)	MERITOR CALIPER OR WHEEL CYLINDER (RIGHT)	MERITOR CALIPER OR WHEEL CYLINDER REPAIR KIT	MERITOR CALIPER PISTON	MERITOR MASTER CYLINDER	MERITOR MASTER CYLINDER KIT	MERITOR BRAKE HOSE (LEFT)	MERITOR BRAKE HOSE (RIGHT)
FORD(Cont.)									
LTS800 SERIES: LOUISVILLE 106.3 BBC TANDEM CHASSIS CAB, SET BACK FRONT AXLE TRUCK(Cont.)									
23-122691-002 ¹⁸⁸	2-7/8 "	60050145X	60050145X ³⁷	60050146	69270702 ⁴¹	R4111995 ⁵³	-	R4577454	R4577455
23-122700-002 ⁹	2-1/2 "	R424244X	R424244X ³⁷	60050266	69270757 ⁴¹	R4111995 ⁵³	-	R4577454	R4577455
N/A	1-3/4 "	201179X	201180X	SP7873S	SP7880S ²⁰⁴	-	-	N/A	N/A
N/A	1-3/4 "	201183X	201184X ³²⁹	SP7873S	NR	-	-	N/A	N/A
23-122700-002 ⁹	2-1/2 "	R424244X	R424244X ³⁷	60050266	69270757 ⁴¹	R4111995 ⁵³	-	R4577454	R4577455
23-122691-002 ¹⁸⁸	2-7/8 "	60050145X	60050145X ³⁷	60050146	69270702 ⁴¹	R4111995 ⁵³	-	R4577454	R4577455
23-122743-002 ¹⁸⁷	2-7/8 "	60050145X	60050145X ³⁷	60050146	69270702 ⁴¹	R4111995 ⁵³	-	R4577454	R4577455
23-122703-002 ¹⁸⁶	2-7/8 "	60050145X	60050145X ³⁷	60050146	69270702 ⁴¹	R4111995 ⁵³	-	R4577454	R4577455
N/A	1-3/4 "	201183X	201184X ³²⁹	SP7873S	NR	-	-	N/A	N/A
N/A	1-3/4 "	201179X	201180X	SP7873S	SP7880S ²⁰⁴	-	-	N/A	N/A
N/A	1-5/8 "	201181	201182	SP7895S	NR	-	-	R4577147	R4577147
N/A	1-5/8 "	201185	201186 ³²⁹	SP7895S	NR	-	-	R4577147	R4577147
N/A	1-5/8 "	201181	201182	SP7895S	NR	-	-	R4577147	R4577147
N/A	1-5/8 "	201185	201186 ³²⁹	SP7895S	NR	-	-	R4577147	R4577147
N/A	1.09375	R4133484	R4133485	R4166819	NR	R4111629 ⁵³	R4122484	R4577460	R4577460
N/A	1-1/8 "	R4133714	R4133715	R4166926	NR	R4111995 ⁵³	-	R4577454	R4577455
N/A	1-1/8 "	R4133719	R4133718	R4166926	NR	R4111634 ⁵³	N/A	R4577452	R4577453
N/A	1-1/8 "	R4133716	R4133717	R4166926	NR	R4111772 ⁵³	R4122488	R4577454	R4577455
N/A	1-1/8 "	R4133714	R4133715	R4166926	NR	R4111631 ²²¹	R4122486	R4577452	R4577453
23-122700-002 ⁹	2-1/2 "	R424244X	R424244X ³⁷	60050266	69270757 ⁴¹	R4111992 ²¹⁴	R4122386	R4577452	R4577453
23-122691-002 ¹⁸⁸	2-7/8 "	60050145X	60050145X ³⁷	60050146	69270702 ⁴¹	R4111992 ²¹⁴	R4122386	R4577452	R4577453
23-122703-002 ¹⁸⁶	2-7/8 "	60050145X	60050145X ³⁷	60050146	69270702 ⁴¹	R4111992 ²¹⁴	R4122386	R4577452	R4577453
N/A	1-1/4 "	R4133581	R4133581	R4166923	NR	R4111992 ²¹⁴	R4122386	R4577452	R4577453
N/A	1-1/4 "	R4133720	R4133721	R4166923	NR	R4111630 ²²²	N/A	R4577452	R4577453
N/A	1-1/2 "	R4033607	R4033607	R4166818	NR	-	-	R4577147	R4577147
N/A	1-5/8 "	R4133338	R4133338	R4166689	NR	-	-	R4577147	R4577147
N/A	1-5/8 "	R4133338	R4133338	R4166689	NR	-	-	R4577147	R4577147
N/A	1-3/4 "	R4133400	R4133400	R4166917	NR	-	-	R4577147	R4577147
N/A	1-5/8 "	201181	201182	SP7895S	NR	-	-	R4577147	R4577147
N/A	1-5/8 "	201185	201186 ³²⁹	SP7895S	NR	-	-	R4577147	R4577147
N/A	1-5/8 "	201185	201186 ³²⁹	SP7895S	NR	-	-	R4577147	R4577147
N/A	1-5/8 "	201181	201182	SP7895S	NR	-	-	R4577147	R4577147
N/A	1.09375	R4133484	R4133485	R4166819	NR	R4111629 ⁵³	R4122484	R4577460	R4577460
N/A	1-1/8 "	R4133714	R4133715	R4166926	NR	R4111995 ⁵³	-	R4577454	R4577455
N/A	1-1/8 "	R4133716	R4133717	R4166926	NR	R4111772 ⁵³	R4122488	R4577454	R4577455
N/A	1-1/8 "	R4133714	R4133715	R4166926	NR	R4111631 ²²¹	R4122486	R4577452	R4577453
N/A	1-1/8 "	R4133719	R4133718	R4166926	NR	R4111634 ⁵³	N/A	R4577452	R4577453
23-122700-002 ⁹	2-1/2 "	R424244X	R424244X ³⁷	60050266	69270757 ⁴¹	R4111992 ²¹⁴	R4122386	R4577452	R4577453
23-122703-002 ¹⁸⁶	2-7/8 "	60050145X	60050145X ³⁷	60050146	69270702 ⁴¹	R4111992 ²¹⁴	R4122386	R4577452	R4577453
23-122691-002 ¹⁸⁸	2-7/8 "	60050145X	60050145X ³⁷	60050146	69270702 ⁴¹	R4111992 ²¹⁴	R4122386	R4577452	R4577453
N/A	1-1/4 "	R4133581	R4133581	R4166923	NR	R4111992 ²¹⁴	R4122386	R4577452	R4577453
N/A	1-1/4 "	R4133720	R4133721	R4166923	NR	R4111630 ²²²	N/A	R4577452	R4577453
N/A	1-1/2 "	R4033607	R4033607	R4166818	NR	-	-	R4577147	R4577147
N/A	1-5/8 "	R4133338	R4133338	R4166689	NR	-	-	R4577147	R4577147
N/A	1-5/8 "	R4133338	R4133338	R4166689	NR	-	-	R4577147	R4577147
N/A	1-3/4 "	R4133400	R4133400	R4166917	NR	-	-	R4577147	R4577147
N/A	1-5/8 "	201181	201182	SP7895S	NR	-	-	R4577147	R4577147
N/A	1-5/8 "	201185	201186 ³²⁹	SP7895S	NR	-	-	R4577147	R4577147
N/A	1-5/8 "	201185	201186 ³²⁹	SP7895S	NR	-	-	R4577147	R4577147
N/A	1-5/8 "	201181	201182	SP7895S	NR	-	-	R4577147	R4577147
N/A	1.09375	R4133484	R4133485	R4166819	NR	R4111629 ⁵³	R4122484	R4577460	R4577460
N/A	1-1/8 "	R4133714	R4133715	R4166926	NR	R4111995 ⁵³	-	R4577454	R4577455
N/A	1-1/8 "	R4133714	R4133715	R4166926	NR	R4111631 ²²¹	R4122486	R4577452	R4577453
N/A	1-1/8 "	R4133719	R4133718	R4166926	NR	R4111634 ⁵³	N/A	R4577452	R4577453
N/A	1-1/8 "	R4133716	R4133717	R4166926	NR	R4111772 ⁵³	R4122488	R4577454	R4577455
23-122700-002 ⁹	2-1/2 "	R424244X	R424244X ³⁷	60050266	69270757 ⁴¹	R4111992 ²¹⁴	R4122386	R4577452	R4577453
23-122703-002 ¹⁸⁶	2-7/8 "	60050145X	60050145X ³⁷	60050146	69270702 ⁴¹	R4111992 ²¹⁴	R4122386	R4577452	R4577453
23-122691-002 ¹⁸⁸	2-7/8 "	60050145X	60050145X ³⁷	60050146	69270702 ⁴¹	R4111992 ²¹⁴	R4122386	R4577452	R4577453

221 - Power Brakes, 17,500 or 18,500 lb. Rear Axle
 340 - Use 69160457 for Disc Pad Retainer Clip

222 - Power Brakes, 18,500 or 22,000 lb. Rear Axle
 341 - Use 69160445 for Disc Pad Retainer Clip

329 - Forward

MAKE MODEL YEAR AXLE CODE AXLE WEIGHT	AXLE & BRK. TYPE	BRK. MFG.	BRAKE SIZE	FMSI	MERITOR DISC PAD OR BRAKE SHOE	MERITOR GUIDE PIN OR RETURN SPRING KIT	MERITOR CALIPER HWD. KIT OR RETURN SPRING KIT	MERITOR ADJUSTER KIT (LEFT WHEEL)	MERITOR ADJUSTER KIT (RIGHT WHEEL)
FORD(Cont.)									
LTS800 SERIES: LOUISVILLE 106.3 BBC TANDEM CHASSIS CAB, SET BACK FRONT AXLE TRUCK(Cont.)									
1981									
F090, F120	Fa Fa	WG WG	15" x 3" 15" x 3"	1245C - 321 1245C - 321	R700321 R700321	R40H521 R40H521	R40H9237 R40H9237	R40H3502 R40H3502	R40H3503 R40H3503
R170, R175	Ra Ra	KH WG	15" x 5" 15" x 5"	4646 - 400 1252 - 346	R700400 R700346	R40H595 R40H597	R40H9220 R40H9200	R40H3538 R40H3540	R40H3539 R40H3541
R185	Ra Ra	WG WG	15" x 6" 15" x 7"	4596 - 381 4597 - 383	R700381 R700383	R40H597 R40H597	R40H9200 R40H9200	R40H3540 R40H3540	R40H3541 R40H3541
1980									
	Ra Ra Ra Ra	LG LG LG LG	15" x 6" 15" x 6" 15" x 7" 15" x 7"	4504A - 543 4504A - 543 4505A - 544 4505A - 544	N/A N/A N/A N/A	R40H618 R40H618 R40H618 R40H618	NR NR NR NR	SP7888S NR SP7888S NR	SP7888S NR SP7888S NR
F050, F055, F060	Fa	KH	14" x 2-1/2"	2060 - 361	Discontinued	R40H596	R40H9219	R40H3536	R40H3537
F070	Fa Fa Fa Fa Fd	WG WG WG WG DN	15" x 3" 15" x 3" 15" x 3" 15" x 3" 15" x 3"	1245C - 321 1245C - 321 1245C - 321 1245C - 321 7141 - D224	R700321 R700321 R700321 R700321 MD224 ³⁴⁰	R40H521 R40H521 R40H521 R40H521 69310693	R40H9237 R40H9237 R40H9237 R40H9237 60050153	R40H3502 R40H3502 R40H3502 R40H3502 NR	R40H3503 R40H3503 R40H3503 R40H3503 NR
F080, F090	Fd Fd	DN DN		7149 - D236 7149 - D236	MD236 ³⁴¹ MD236 ³⁴¹	69310693 69310693	R40H5523 R40H5523	NR NR	NR NR
F090, F120	Fa Fa	WG WG	15" x 3" 15" x 3"	1245C - 321 1245C - 321	R700321 R700321	R40H521 R40H521	R40H9237 R40H9237	R40H3502 R40H3502	R40H3503 R40H3503
R170, R175	Ra Ra	KH WG	15" x 5" 15" x 5"	4646 - 400 1252 - 346	R700400 R700346	R40H595 R40H597	R40H9220 R40H9200	R40H3538 R40H3540	R40H3539 R40H3541
R185	Ra Ra	WG WG	15" x 6" 15" x 7"	4596 - 381 4597 - 383	R700381 R700383	R40H597 R40H597	R40H9200 R40H9200	R40H3540 R40H3540	R40H3541 R40H3541
1979									
	Ra Ra Ra Ra	LG LG LG LG	15" x 6" 15" x 6" 15" x 7" 15" x 7"	4504A - 543 4504A - 543 4505A - 544 4505A - 544	N/A N/A N/A N/A	R40H618 R40H618 R40H618 R40H618	NR NR NR NR	NR SP7888S SP7888S NR	NR SP7888S SP7888S NR
F050, F055, F060	Fa	KH	14" x 2-1/2"	2060 - 361	Discontinued	R40H596	R40H9219	R40H3536	R40H3537
F070	Fa Fa Fa Fa Fd	WG WG WG WG DN	15" x 3" 15" x 3" 15" x 3" 15" x 3" 15" x 3"	1245C - 321 1245C - 321 1245C - 321 1245C - 321 7141 - D224	R700321 R700321 R700321 R700321 MD224 ³⁴⁰	R40H521 R40H521 R40H521 R40H521 69310693	R40H9237 R40H9237 R40H9237 R40H9237 60050153	R40H3502 R40H3502 R40H3502 R40H3502 NR	R40H3503 R40H3503 R40H3503 R40H3503 NR
F080, F090	Fd Fd	DN DN		7149 - D236 7149 - D236	MD236 ³⁴¹ MD236 ³⁴¹	69310693 69310693	R40H5523 R40H5523	NR NR	NR NR
F090, F120	Fa Fa	WG WG	15" x 3" 15" x 3"	1245C - 321 1245C - 321	R700321 R700321	R40H521 R40H521	R40H9237 R40H9237	R40H3502 R40H3502	R40H3503 R40H3503
R170, R175	Ra Ra	KH WG	15" x 5" 15" x 5"	4646 - 400 1252 - 346	R700400 R700346	R40H595 R40H597	R40H9220 R40H9200	R40H3538 R40H3540	R40H3539 R40H3541
R185	Ra Ra	WG WG	15" x 6" 15" x 7"	4596 - 381 4597 - 383	R700381 R700383	R40H597 R40H597	R40H9200 R40H9200	R40H3540 R40H3540	R40H3541 R40H3541
1978									
	Ra Ra Ra Ra	LG LG LG LG	15" x 6" 15" x 6" 15" x 7" 15" x 7"	4504A - 543 4504A - 543 4505A - 544 4505A - 544	N/A N/A N/A N/A	R40H618 R40H618 R40H618 R40H618	NR NR NR NR	SP7888S NR NR SP7888S	SP7888S NR NR SP7888S
F050, F055, F060	Fa	KH	14" x 2-1/2"	2060 - 361	Discontinued	R40H596	R40H9219	R40H3536	R40H3537
F070	Fa Fa Fa Fa Fd	WG WG WG WG DN	15" x 3" 15" x 3" 15" x 3" 15" x 3" 15" x 3"	1245C - 321 1245C - 321 1245C - 321 1245C - 321 7141 - D224	R700321 R700321 R700321 R700321 MD224 ³⁴⁰	R40H521 R40H521 R40H521 R40H521 69310693	R40H9237 R40H9237 R40H9237 R40H9237 60050153	R40H3502 R40H3502 R40H3502 R40H3502 NR	R40H3503 R40H3503 R40H3503 R40H3503 NR
F080, F090	Fd Fd	DN DN		7149 - D236 7149 - D236	MD236 ³⁴¹ MD236 ³⁴¹	69310693 69310693	R40H5523 R40H5523	NR NR	NR NR
F090, F120	Fa Fa	WG WG	15" x 3" 15" x 3"	1245C - 321 1245C - 321	R700321 R700321	R40H521 R40H521	R40H9237 R40H9237	R40H3502 R40H3502	R40H3503 R40H3503
R170, R175	Ra Ra	KH WG	15" x 5" 15" x 5"	4646 - 400 1252 - 346	R700400 R700346	R40H595 R40H597	R40H9220 R40H9200	R40H3538 R40H3540	R40H3539 R40H3541
R185	Ra Ra	WG WG	15" x 6" 15" x 7"	4596 - 381 4597 - 383	R700381 R700383	R40H597 R40H597	R40H9200 R40H9200	R40H3540 R40H3540	R40H3541 R40H3541

9 - 6 Stud, Dayton Rotor, Hat Style
53 - Power Brakes
214 - Power Brakes, Split System
www.XpresswayPlus.com

37 - Also available as a New unit
186 - 10 Stud
221 - Power Brakes, 17,500 or 18,500 lb. Rear Axle

41 - Aluminum piston
188 - 6 Stud, 9.251" Hub
222 - Power Brakes, 18,500 or 22,000 lb. Rear Axle

MERITOR DRUM OR ROTOR NO.	CALIPER OR CYLINDER BORE SIZE	MERITOR CALIPER OR WHEEL CYLINDER (LEFT)	MERITOR CALIPER OR WHEEL CYLINDER (RIGHT)	MERITOR CALIPER OR WHEEL CYLINDER REPAIR KIT	MERITOR CALIPER PISTON	MERITOR MASTER CYLINDER	MERITOR MASTER CYLINDER KIT	MERITOR BRAKE HOSE (LEFT)	MERITOR BRAKE HOSE (RIGHT)
FORD(Cont.)									
LTS800 SERIES: LOUISVILLE 106.3 BBC TANDEM CHASSIS CAB, SET BACK FRONT AXLE TRUCK(Cont.)									
N/A	1-1/4 "	R4133720	R4133721	R4166923	NR	R4111630 ²²²	N/A	R4577452	R4577453
N/A	1-1/4 "	R4133581	R4133581	R4166923	NR	R4111992 ²¹⁴	R4122386	R4577452	R4577453
N/A	1-1/2 "	R4033607	R4033607	R4166818	NR	-	-	R4577147	R4577147
N/A	1-5/8 "	R4133338	R4133338	R4166689	NR	-	-	R4577147	R4577147
N/A	1-5/8 "	R4133338	R4133338	R4166689	NR	-	-	R4577147	R4577147
N/A	1-3/4 "	R4133400	R4133400	R4166917	NR	-	-	R4577147	R4577147
N/A	1-5/8 "	201185	201186 ³²⁹	SP7895S	NR	-	-	R4577147	R4577147
N/A	1-5/8 "	201181	201182	SP7895S	NR	-	-	R4577147	R4577147
N/A	1-5/8 "	201185	201186 ³²⁹	SP7895S	NR	-	-	R4577147	R4577147
N/A	1-5/8 "	201181	201182	SP7895S	NR	-	-	R4577147	R4577147
N/A	1.09375	R4133484	R4133485	R4166819	NR	R4111629 ⁵³	R4122484	R4577460	R4577460
N/A	1-1/8 "	R4133716	R4133717	R4166926	NR	R4111772 ⁵³	R4122488	R4577454	R4577455
N/A	1-1/8 "	R4133714	R4133715	R4166926	NR	R4111995 ⁵³	-	R4577454	R4577455
N/A	1-1/8 "	R4133714	R4133715	R4166926	NR	R4111631 ²²¹	R4122486	R4577452	R4577453
N/A	1-1/8 "	R4133719	R4133718	R4166926	NR	R4111634 ⁵³	N/A	R4577452	R4577453
23-122700-002 ⁹	2-1/2 "	R424244X	R424244X ³⁷	60050266	69270757 ⁴¹	R4111992 ²¹⁴	R4122386	R4577452	R4577453
23-122703-002 ¹⁸⁶	2-7/8 "	60050145X	60050145X ³⁷	60050146	69270702 ⁴¹	R4111992 ²¹⁴	R4122386	R4577452	R4577453
23-122691-002 ¹⁸⁸	2-7/8 "	60050145X	60050145X ³⁷	60050146	69270702 ⁴¹	R4111992 ²¹⁴	R4122386	R4577452	R4577453
N/A	1-1/4 "	R4133720	R4133721	R4166923	NR	R4111630 ²²²	N/A	R4577452	R4577453
N/A	1-1/4 "	R4133581	R4133581	R4166923	NR	R4111992 ²¹⁴	R4122386	R4577452	R4577453
N/A	1-1/2 "	R4033607	R4033607	R4166818	NR	-	-	R4577147	R4577147
N/A	1-5/8 "	R4133338	R4133338	R4166689	NR	-	-	R4577147	R4577147
N/A	1-5/8 "	R4133338	R4133338	R4166689	NR	-	-	R4577147	R4577147
N/A	1-3/4 "	R4133400	R4133400	R4166917	NR	-	-	R4577147	R4577147
N/A	1-5/8 "	201181	201182	SP7895S	NR	-	-	R4577147	R4577147
N/A	1-5/8 "	201185	201186 ³²⁹	SP7895S	NR	-	-	R4577147	R4577147
N/A	1-5/8 "	201185	201186 ³²⁹	SP7895S	NR	-	-	R4577147	R4577147
N/A	1-5/8 "	201181	201182	SP7895S	NR	-	-	R4577147	R4577147
N/A	1.09375	R4133484	R4133485	R4166819	NR	R4111629 ⁵³	R4122484	R4577460	R4577460
N/A	1-1/8 "	R4133714	R4133715	R4166926	NR	R4111995 ⁵³	-	R4577454	R4577455
N/A	1-1/8 "	R4133716	R4133717	R4166926	NR	R4111772 ⁵³	R4122488	R4577454	R4577455
N/A	1-1/8 "	R4133719	R4133718	R4166926	NR	R4111634 ⁵³	N/A	R4577452	R4577453
N/A	1-1/8 "	R4133714	R4133715	R4166926	NR	R4111631 ²²¹	R4122486	R4577452	R4577453
23-122700-002 ⁹	2-1/2 "	R424244X	R424244X ³⁷	60050266	69270757 ⁴¹	R4111992 ²¹⁴	R4122386	R4577452	R4577453
23-122703-002 ¹⁸⁶	2-7/8 "	60050145X	60050145X ³⁷	60050146	69270702 ⁴¹	R4111992 ²¹⁴	R4122386	R4577452	R4577453
23-122691-002 ¹⁸⁸	2-7/8 "	60050145X	60050145X ³⁷	60050146	69270702 ⁴¹	R4111992 ²¹⁴	R4122386	R4577452	R4577453
N/A	1-1/4 "	R4133720	R4133721	R4166923	NR	R4111630 ²²²	N/A	R4577452	R4577453
N/A	1-1/4 "	R4133581	R4133581	R4166923	NR	R4111992 ²¹⁴	R4122386	R4577452	R4577453
N/A	1-1/2 "	R4033607	R4033607	R4166818	NR	-	-	R4577147	R4577147
N/A	1-5/8 "	R4133338	R4133338	R4166689	NR	-	-	R4577147	R4577147
N/A	1-5/8 "	R4133338	R4133338	R4166689	NR	-	-	R4577147	R4577147
N/A	1-3/4 "	R4133400	R4133400	R4166917	NR	-	-	R4577147	R4577147
N/A	1-5/8 "	201185	201186 ³²⁹	SP7895S	NR	-	-	R4577147	R4577147
N/A	1-5/8 "	201181	201182	SP7895S	NR	-	-	R4577147	R4577147
N/A	1-5/8 "	201181	201182	SP7895S	NR	-	-	R4577147	R4577147
N/A	1-5/8 "	201185	201186 ³²⁹	SP7895S	NR	-	-	R4577147	R4577147
N/A	1.09375	R4133484	R4133485	R4166819	NR	R4111629 ⁵³	R4122484	R4577460	R4577460
N/A	1-1/8 "	R4133714	R4133715	R4166926	NR	R4111631 ²²¹	R4122486	R4577452	R4577453
N/A	1-1/8 "	R4133719	R4133718	R4166926	NR	R4111634 ⁵³	N/A	R4577452	R4577453
N/A	1-1/8 "	R4133714	R4133715	R4166926	NR	R4111995 ⁵³	-	R4577454	R4577455
N/A	1-1/8 "	R4133716	R4133717	R4166926	NR	R4111772 ⁵³	R4122488	R4577454	R4577455
23-122700-002 ⁹	2-1/2 "	R424244X	R424244X ³⁷	60050266	69270757 ⁴¹	R4111992 ²¹⁴	R4122386	R4577452	R4577453
23-122691-002 ¹⁸⁸	2-7/8 "	60050145X	60050145X ³⁷	60050146	69270702 ⁴¹	R4111992 ²¹⁴	R4122386	R4577452	R4577453
23-122703-002 ¹⁸⁶	2-7/8 "	60050145X	60050145X ³⁷	60050146	69270702 ⁴¹	R4111992 ²¹⁴	R4122386	R4577452	R4577453
N/A	1-1/4 "	R4133720	R4133721	R4166923	NR	R4111630 ²²²	N/A	R4577452	R4577453
N/A	1-1/4 "	R4133581	R4133581	R4166923	NR	R4111992 ²¹⁴	R4122386	R4577452	R4577453
N/A	1-1/2 "	R4033607	R4033607	R4166818	NR	-	-	R4577147	R4577147
N/A	1-5/8 "	R4133338	R4133338	R4166689	NR	-	-	R4577147	R4577147
N/A	1-5/8 "	R4133338	R4133338	R4166689	NR	-	-	R4577147	R4577147

MAKE MODEL YEAR AXLE CODE AXLE WEIGHT	AXLE & BRK. TYPE	BRK. MFG.	BRAKE SIZE	FMSI	MERITOR DISC PAD OR BRAKE SHOE	MERITOR GUIDE PIN OR RETURN SPRING KIT	MERITOR CALIPER HWD. KIT OR RETURN SPRING KIT	MERITOR ADJUSTER KIT (LEFT WHEEL)	MERITOR ADJUSTER KIT (RIGHT WHEEL)
FORD(Cont.)									
LTS800 SERIES: LOUISVILLE 106.3 BBC TANDEM CHASSIS CAB, SET BACK FRONT AXLE TRUCK(Cont.)									
1978 R185	Ra	WG	15 " x 7 "	4597 - 383	R700383	R40H597	R40H9200	R40H3540	R40H3541
1977	Ra	LG	15 " x 6 "	4504A - 543	N/A	R40H618	NR	NR	NR
	Ra	LG	15 " x 6 "	4504A - 543	N/A	R40H618	NR	SP7888S	SP7888S
	Ra	LG	15 " x 7 "	4505A - 544	N/A	R40H618	NR	SP7888S	SP7888S
	Ra	LG	15 " x 7 "	4505A - 544	N/A	R40H618	NR	NR	NR
F050, F055, F060	Fa	KH	14 " x 2-1/2 "	2060 - 361	Discontinued	R40H596	R40H9219	R40H3536	R40H3537
F070	Fa	WG	15 " x 3 "	1245C - 321	R700321	R40H521	R40H9237	R40H3502	R40H3503
	Fa	WG	15 " x 3 "	1245C - 321	R700321	R40H521	R40H9237	R40H3502	R40H3503
	Fa	WG	15 " x 3 "	1245C - 321	R700321	R40H521	R40H9237	R40H3502	R40H3503
	Fa	WG	15 " x 3 "	1245C - 321	R700321	R40H521	R40H9237	R40H3502	R40H3503
	Fd	DN		7141 - D224	MD224 ³⁴⁰	69310693	60050153	NR	NR
F080, F090	Fd	DN		7149 - D236	MD236 ³⁴¹	69310693	R40H5523	NR	NR
	Fd	DN		7149 - D236	MD236 ³⁴¹	69310693	R40H5523	NR	NR
F090, F120	Fa	WG	15 " x 3 "	1245C - 321	R700321	R40H521	R40H9237	R40H3502	R40H3503
	Fa	WG	15 " x 3 "	1245C - 321	R700321	R40H521	R40H9237	R40H3502	R40H3503
R170, R175	Ra	KH	15 " x 5 "	4646 - 400	R700400	R40H595	R40H9220	R40H3538	R40H3539
	Ra	WG	15 " x 5 "	1252 - 346	R700346	R40H597	R40H9200	R40H3540	R40H3541
R185	Ra	WG	15 " x 6 "	4596 - 381	R700381	R40H597	R40H9200	R40H3540	R40H3541
	Ra	WG	15 " x 7 "	4597 - 383	R700383	R40H597	R40H9200	R40H3540	R40H3541
1976	Ra	LG	15 " x 6 "	4504A - 543	N/A	R40H618	NR	NR	NR
	Ra	LG	15 " x 6 "	4504A - 543	N/A	R40H618	NR	SP7888S	SP7888S
	Ra	LG	15 " x 7 "	4505A - 544	N/A	R40H618	NR	SP7888S	SP7888S
	Ra	LG	15 " x 7 "	4505A - 544	N/A	R40H618	NR	NR	NR
F050, F055, F060	Fa	KH	14 " x 2-1/2 "	2060 - 361	Discontinued	R40H596	R40H9219	R40H3536	R40H3537
F070	Fa	WG	15 " x 3 "	1245C - 321	R700321	R40H521	R40H9237	R40H3502	R40H3503
	Fa	WG	15 " x 3 "	1245C - 321	R700321	R40H521	R40H9237	R40H3502	R40H3503
	Fa	WG	15 " x 3 "	1245C - 321	R700321	R40H521	R40H9237	R40H3502	R40H3503
	Fa	WG	15 " x 3 "	1245C - 321	R700321	R40H521	R40H9237	R40H3502	R40H3503
	Fd	DN		7141 - D224	MD224 ³⁴⁰	69310693	60050153	NR	NR
F080, F090	Fd	DN		7149 - D236	MD236 ³⁴¹	69310693	R40H5523	NR	NR
	Fd	DN		7149 - D236	MD236 ³⁴¹	69310693	R40H5523	NR	NR
F090, F120	Fa	WG	15 " x 3 "	1245C - 321	R700321	R40H521	R40H9237	R40H3502	R40H3503
	Fa	WG	15 " x 3 "	1245C - 321	R700321	R40H521	R40H9237	R40H3502	R40H3503
R170, R175	Ra	KH	15 " x 5 "	4646 - 400	R700400	R40H595	R40H9220	R40H3538	R40H3539
	Ra	WG	15 " x 5 "	1252 - 346	R700346	R40H597	R40H9200	R40H3540	R40H3541
R185	Ra	WG	15 " x 6 "	4596 - 381	R700381	R40H597	R40H9200	R40H3540	R40H3541
	Ra	WG	15 " x 7 "	4597 - 383	R700383	R40H597	R40H9200	R40H3540	R40H3541
1975	Ra	LG	15 " x 6 "	4504A - 543	N/A	R40H618	NR	NR	NR
	Ra	LG	15 " x 6 "	4504A - 543	N/A	R40H618	NR	SP7888S	SP7888S
	Ra	LG	15 " x 7 "	4505A - 544	N/A	R40H618	NR	SP7888S	SP7888S
	Ra	LG	15 " x 7 "	4505A - 544	N/A	R40H618	NR	NR	NR
F050, F055, F060	Fa	KH	14 " x 2-1/2 "	2060 - 361	Discontinued	R40H596	R40H9219	R40H3536	R40H3537
F070	Fa	WG	15 " x 3 "	1245C - 321	R700321	R40H521	R40H9237	R40H3502	R40H3503
	Fa	WG	15 " x 3 "	1245C - 321	R700321	R40H521	R40H9237	R40H3502	R40H3503
	Fa	WG	15 " x 3 "	1245C - 321	R700321	R40H521	R40H9237	R40H3502	R40H3503
	Fa	WG	15 " x 3 "	1245C - 321	R700321	R40H521	R40H9237	R40H3502	R40H3503
	Fd	DN		7141 - D224	MD224 ³⁴⁰	69310693	60050153	NR	NR
F080, F090	Fd	DN		7149 - D236	MD236 ³⁴¹	69310693	R40H5523	NR	NR
	Fd	DN		7149 - D236	MD236 ³⁴¹	69310693	R40H5523	NR	NR
F090, F120	Fa	WG	15 " x 3 "	1245C - 321	R700321	R40H521	R40H9237	R40H3502	R40H3503
	Fa	WG	15 " x 3 "	1245C - 321	R700321	R40H521	R40H9237	R40H3502	R40H3503
R170, R175	Ra	KH	15 " x 5 "	4646 - 400	R700400	R40H595	R40H9220	R40H3538	R40H3539
	Ra	WG	15 " x 5 "	1252 - 346	R700346	R40H597	R40H9200	R40H3540	R40H3541
R185	Ra	WG	15 " x 6 "	4596 - 381	R700381	R40H597	R40H9200	R40H3540	R40H3541
	Ra	WG	15 " x 7 "	4597 - 383	R700383	R40H597	R40H9200	R40H3540	R40H3541
1974	Ra	LG	15 " x 6 "	4504A - 543	N/A	R40H618	NR	SP7888S	SP7888S
	Ra	LG	15 " x 6 "	4504A - 543	N/A	R40H618	NR	NR	NR
	Ra	LG	15 " x 7 "	4505A - 544	N/A	R40H618	NR	NR	NR

9 - 6 Stud, Dayton Rotor, Hat Style
 53 - Power Brakes
 214 - Power Brakes, Split System
 www.XpresswayPlus.com

37 - Also available as a New unit
 186 - 10 Stud
 221 - Power Brakes, 17,500 or 18,500 lb. Rear Axle

41 - Aluminum piston
 188 - 6 Stud, 9.251" Hub
 222 - Power Brakes, 18,500 or 22,000 lb. Rear Axle

Contact our Customer Service Teams
 1-888-725-9355

MERITOR DRUM OR ROTOR NO.	CALIPER OR CYLINDER BORE SIZE	MERITOR CALIPER OR WHEEL CYLINDER (LEFT)	MERITOR CALIPER OR WHEEL CYLINDER (RIGHT)	MERITOR CALIPER OR WHEEL CYLINDER REPAIR KIT	MERITOR CALIPER PISTON	MERITOR MASTER CYLINDER	MERITOR MASTER CYLINDER KIT	MERITOR BRAKE HOSE (LEFT)	MERITOR BRAKE HOSE (RIGHT)
FORD(Cont.)									
LTS800 SERIES: LOUISVILLE 106.3 BBC TANDEM CHASSIS CAB, SET BACK FRONT AXLE TRUCK(Cont.)									
N/A	1-3/4 "	R4133400	R4133400	R4166917	NR	-	-	R4577147	R4577147
N/A	1-5/8 "	201181	201182	SP7895S	NR	-	-	R4577147	R4577147
N/A	1-5/8 "	201185	201186 ³²⁹	SP7895S	NR	-	-	R4577147	R4577147
N/A	1-5/8 "	201185	201186 ³²⁹	SP7895S	NR	-	-	R4577147	R4577147
N/A	1-5/8 "	201181	201182	SP7895S	NR	-	-	R4577147	R4577147
N/A	1.09375	R4133484	R4133485	R4166819	NR	R4111629 ⁵³	R4122484	R4577460	R4577460
N/A	1-1/8 "	R4133719	R4133718	R4166926	NR	R4111634 ⁵³	N/A	R4577452	R4577453
N/A	1-1/8 "	R4133714	R4133715	R4166926	NR	R4111995 ⁵³	-	R4577454	R4577455
N/A	1-1/8 "	R4133716	R4133717	R4166926	NR	R4111772 ⁵³	R4122488	R4577454	R4577455
N/A	1-1/8 "	R4133714	R4133715	R4166926	NR	R4111631 ²²¹	R4122486	R4577452	R4577453
23-122700-002 ⁹	2-1/2 "	R424244X	R424244X ³⁷	60050266	6927075 ⁴¹	R4111992 ²¹⁴	R4122386	R4577452	R4577453
23-122703-002 ¹⁸⁶	2-7/8 "	60050145X	60050145X ³⁷	60050146	6927070 ⁴¹	R4111992 ²¹⁴	R4122386	R4577452	R4577453
23-122691-002 ¹⁸⁸	2-7/8 "	60050145X	60050145X ³⁷	60050146	6927070 ⁴¹	R4111992 ²¹⁴	R4122386	R4577452	R4577453
N/A	1-1/4 "	R4133581	R4133581	R4166923	NR	R4111992 ²¹⁴	R4122386	R4577452	R4577453
N/A	1-1/4 "	R4133720	R4133721	R4166923	NR	R4111630 ²²²	N/A	R4577452	R4577453
N/A	1-1/2 "	R4033607	R4033607	R4166818	NR	-	-	R4577147	R4577147
N/A	1-5/8 "	R4133338	R4133338	R4166689	NR	-	-	R4577147	R4577147
N/A	1-5/8 "	R4133338	R4133338	R4166689	NR	-	-	R4577147	R4577147
N/A	1-3/4 "	R4133400	R4133400	R4166917	NR	-	-	R4577147	R4577147
N/A	1-5/8 "	201181	201182	SP7895S	NR	-	-	R4577147	R4577147
N/A	1-5/8 "	201185	201186 ³²⁹	SP7895S	NR	-	-	R4577147	R4577147
N/A	1-5/8 "	201185	201186 ³²⁹	SP7895S	NR	-	-	R4577147	R4577147
N/A	1-5/8 "	201181	201182	SP7895S	NR	-	-	R4577147	R4577147
N/A	1.09375	R4133484	R4133485	R4166819	NR	R4111629 ⁵³	R4122484	R4577460	R4577460
N/A	1-1/8 "	R4133716	R4133717	R4166926	NR	R4111772 ⁵³	R4122488	R4577454	R4577455
N/A	1-1/8 "	R4133714	R4133715	R4166926	NR	R4111631 ²²¹	R4122486	R4577452	R4577453
N/A	1-1/8 "	R4133714	R4133715	R4166926	NR	R4111995 ⁵³	-	R4577454	R4577455
N/A	1-1/8 "	R4133719	R4133718	R4166926	NR	R4111634 ⁵³	N/A	R4577452	R4577453
23-122700-002 ⁹	2-1/2 "	R424244X	R424244X ³⁷	60050266	6927075 ⁴¹	R4111992 ²¹⁴	R4122386	R4577452	R4577453
23-122691-002 ¹⁸⁸	2-7/8 "	60050145X	60050145X ³⁷	60050146	6927070 ⁴¹	R4111992 ²¹⁴	R4122386	R4577452	R4577453
23-122703-002 ¹⁸⁶	2-7/8 "	60050145X	60050145X ³⁷	60050146	6927070 ⁴¹	R4111992 ²¹⁴	R4122386	R4577452	R4577453
N/A	1-1/4 "	R4133581	R4133581	R4166923	NR	R4111992 ²¹⁴	R4122386	R4577452	R4577453
N/A	1-1/4 "	R4133720	R4133721	R4166923	NR	R4111630 ²²²	N/A	R4577452	R4577453
N/A	1-1/2 "	R4033607	R4033607	R4166818	NR	-	-	R4577147	R4577147
N/A	1-5/8 "	R4133338	R4133338	R4166689	NR	-	-	R4577147	R4577147
N/A	1-5/8 "	R4133338	R4133338	R4166689	NR	-	-	R4577147	R4577147
N/A	1-3/4 "	R4133400	R4133400	R4166917	NR	-	-	R4577147	R4577147
N/A	1-5/8 "	201181	201182	SP7895S	NR	-	-	R4577147	R4577147
N/A	1-5/8 "	201185	201186 ³²⁹	SP7895S	NR	-	-	R4577147	R4577147
N/A	1-5/8 "	201185	201186 ³²⁹	SP7895S	NR	-	-	R4577147	R4577147
N/A	1-5/8 "	201181	201182	SP7895S	NR	-	-	R4577147	R4577147
N/A	1.09375	R4133484	R4133485	R4166819	NR	R4111629 ⁵³	R4122484	R4577460	R4577460
N/A	1-1/8 "	R4133714	R4133715	R4166926	NR	R4111631 ²²¹	R4122486	R4577452	R4577453
N/A	1-1/8 "	R4133719	R4133718	R4166926	NR	R4111634 ⁵³	N/A	R4577452	R4577453
N/A	1-1/8 "	R4133716	R4133717	R4166926	NR	R4111772 ⁵³	R4122488	R4577454	R4577455
N/A	1-1/8 "	R4133714	R4133715	R4166926	NR	R4111995 ⁵³	-	R4577454	R4577455
23-122700-002 ⁹	2-1/2 "	R424244X	R424244X ³⁷	60050266	6927075 ⁴¹	R4111992 ²¹⁴	R4122386	R4577452	R4577453
23-122691-002 ¹⁸⁸	2-7/8 "	60050145X	60050145X ³⁷	60050146	6927070 ⁴¹	R4111992 ²¹⁴	R4122386	R4577452	R4577453
23-122703-002 ¹⁸⁶	2-7/8 "	60050145X	60050145X ³⁷	60050146	6927070 ⁴¹	R4111992 ²¹⁴	R4122386	R4577452	R4577453
N/A	1-1/4 "	R4133581	R4133581	R4166923	NR	R4111992 ²¹⁴	R4122386	R4577452	R4577453
N/A	1-1/4 "	R4133720	R4133721	R4166923	NR	R4111630 ²²²	N/A	R4577452	R4577453
N/A	1-1/2 "	R4033607	R4033607	R4166818	NR	-	-	R4577147	R4577147
N/A	1-5/8 "	R4133338	R4133338	R4166689	NR	-	-	R4577147	R4577147
N/A	1-5/8 "	R4133338	R4133338	R4166689	NR	-	-	R4577147	R4577147
N/A	1-3/4 "	R4133400	R4133400	R4166917	NR	-	-	R4577147	R4577147
N/A	1-5/8 "	201185	201186 ³²⁹	SP7895S	NR	-	-	R4577147	R4577147
N/A	1-5/8 "	201181	201182	SP7895S	NR	-	-	R4577147	R4577147
N/A	1-5/8 "	201181	201182	SP7895S	NR	-	-	R4577147	R4577147

1 APPLICATION

MAKE MODEL YEAR AXLE CODE AXLE WEIGHT	AXLE & BRK. TYPE	BRK. MFG.	BRAKE SIZE	FMSI	MERITOR DISC PAD OR BRAKE SHOE	MERITOR GUIDE PIN OR RETURN SPRING KIT	MERITOR CALIPER HWD. KIT OR RETURN SPRING KIT	MERITOR ADJUSTER KIT (LEFT WHEEL)	MERITOR ADJUSTER KIT (RIGHT WHEEL)
---	------------------------	--------------	---------------	------	---	--	---	---	--

FORD(Cont.)

LTS800 SERIES: LOUISVILLE 106.3 BBC TANDEM CHASSIS CAB, SET BACK FRONT AXLE TRUCK(Cont.)

1974	Ra	LG	15 " x 7 "	4505A - 544	N/A	R40H618	NR	SP7888S	SP7888S
F050, F055, F060	Fa	KH	14 " x 2-1/2 "	2060 - 361	Discontinued	R40H596	R40H9219	R40H3536	R40H3537
F070	Fa	WG	15 " x 3 "	1245C - 321	R700321	R40H521	R40H9237	R40H3502	R40H3503
	Fa	WG	15 " x 3 "	1245C - 321	R700321	R40H521	R40H9237	R40H3502	R40H3503
	Fa	WG	15 " x 3 "	1245C - 321	R700321	R40H521	R40H9237	R40H3502	R40H3503
	Fa	WG	15 " x 3 "	1245C - 321	R700321	R40H521	R40H9237	R40H3502	R40H3503
	Fd	DN		7141 - D224	MD224 ³⁴⁰	69310693	60050153	NR	NR
F080, F090	Fd	DN		7149 - D236	MD236 ³⁴¹	69310693	R40H5523	NR	NR
	Fd	DN		7149 - D236	MD236 ³⁴¹	69310693	R40H5523	NR	NR
F090, F120	Fa	WG	15 " x 3 "	1245C - 321	R700321	R40H521	R40H9237	R40H3502	R40H3503
	Fa	WG	15 " x 3 "	1245C - 321	R700321	R40H521	R40H9237	R40H3502	R40H3503
R170, R175	Ra	KH	15 " x 5 "	4646 - 400	R700400	R40H595	R40H9220	R40H3538	R40H3539
	Ra	WG	15 " x 5 "	1252 - 346	R700346	R40H597	R40H9200	R40H3540	R40H3541
R185	Ra	WG	15 " x 6 "	4596 - 381	R700381	R40H597	R40H9200	R40H3540	R40H3541
	Ra	WG	15 " x 7 "	4597 - 383	R700383	R40H597	R40H9200	R40H3540	R40H3541
1973	Ra	LG	15 " x 6 "	4504A - 543	N/A	R40H618	NR	NR	NR
	Ra	LG	15 " x 6 "	4504A - 543	N/A	R40H618	NR	SP7888S	SP7888S
	Ra	LG	15 " x 7 "	4505A - 544	N/A	R40H618	NR	NR	NR
	Ra	LG	15 " x 7 "	4505A - 544	N/A	R40H618	NR	SP7888S	SP7888S
	F050, F055, F060	Fa	KH	14 " x 2-1/2 "	2060 - 361	Discontinued	R40H596	R40H9219	R40H3536
F070	Fa	WG	15 " x 3 "	1245C - 321	R700321	R40H521	R40H9237	R40H3502	R40H3503
	Fa	WG	15 " x 3 "	1245C - 321	R700321	R40H521	R40H9237	R40H3502	R40H3503
	Fa	WG	15 " x 3 "	1245C - 321	R700321	R40H521	R40H9237	R40H3502	R40H3503
	Fa	WG	15 " x 3 "	1245C - 321	R700321	R40H521	R40H9237	R40H3502	R40H3503
	Fd	DN		7141 - D224	MD224 ³⁴⁰	69310693	60050153	NR	NR
F080, F090	Fd	DN		7149 - D236	MD236 ³⁴¹	69310693	R40H5523	NR	NR
	Fd	DN		7149 - D236	MD236 ³⁴¹	69310693	R40H5523	NR	NR
F090, F120	Fa	WG	15 " x 3 "	1245C - 321	R700321	R40H521	R40H9237	R40H3502	R40H3503
	Fa	WG	15 " x 3 "	1245C - 321	R700321	R40H521	R40H9237	R40H3502	R40H3503
R170, R175	Ra	KH	15 " x 5 "	4646 - 400	R700400	R40H595	R40H9220	R40H3538	R40H3539
	Ra	WG	15 " x 5 "	1252 - 346	R700346	R40H597	R40H9200	R40H3540	R40H3541
R185	Ra	WG	15 " x 6 "	4596 - 381	R700381	R40H597	R40H9200	R40H3540	R40H3541
	Ra	WG	15 " x 7 "	4597 - 383	R700383	R40H597	R40H9200	R40H3540	R40H3541

FREIGHTLINER

FL50

2004	Fd	Bosch		7654 - D786	MD786A	R4011754	NR	NR	NR
	Fd	Bosch		7655 - D786	MD786	R4011754	NR	NR	NR
	Rd	Bosch		7655 - D786	MD786	R4011754	NR	NR	NR
	Rd	Bosch		7654 - D786	MD786A	R4011754	NR	NR	NR
2003	Fd	Bosch		7655 - D786	MD786	R4011754	NR	NR	NR
	Fd	Bosch		7654 - D786	MD786A	R4011754	NR	NR	NR
	Rd	Bosch		7655 - D786	MD786	R4011754	NR	NR	NR
	Rd	Bosch		7654 - D786	MD786A	R4011754	NR	NR	NR
2002	Fd	Bosch		7655 - D786	MD786	R4011754	NR	NR	NR
	Fd	Bosch		7654 - D786	MD786A	R4011754	NR	NR	NR
	Rd	Bosch		7654 - D786	MD786A	R4011754	NR	NR	NR
	Rd	Bosch		7655 - D786	MD786	R4011754	NR	NR	NR
2001	Fd	Bosch		7655 - D786	MD786	R4011754	NR	NR	NR
	Fd	Bosch		7654 - D786	MD786A	R4011754	NR	NR	NR
	Rd	Bosch		7655 - D786	MD786	R4011754	NR	NR	NR
	Rd	Bosch		7654 - D786	MD786A	R4011754	NR	NR	NR
2000	Fd	Bosch		7655 - D786	MD786	R4011754	NR	NR	NR
	Fd	Bosch		7654 - D786	MD786A	R4011754	NR	NR	NR
	Fd	BX		7142 - D225	MD225	R40H5010	R40H5522	NR	NR

9 - 6 Stud, Dayton Rotor, Hat Style
53 - Power Brakes

37 - Also available as a New unit
72 - Phenolic/Steel Face

41 - Aluminum piston
186 - 10 Stud

188 - 6 Stud, 9.251" Hub
www.XpresswayPlus.com

214 - Power Brakes, Split System

221 - Power Brakes, 17,500 or 18,500 lb. Rear Axle

MERITOR DRUM OR ROTOR NO.	CALIPER OR CYLINDER BORE SIZE	MERITOR CALIPER OR WHEEL CYLINDER (LEFT)	MERITOR CALIPER OR WHEEL CYLINDER (RIGHT)	MERITOR CALIPER OR WHEEL CYLINDER REPAIR KIT	MERITOR CALIPER PISTON	MERITOR MASTER CYLINDER	MERITOR MASTER CYLINDER KIT	MERITOR BRAKE HOSE (LEFT)	MERITOR BRAKE HOSE (RIGHT)
FORD(Cont.)									
LTS800 SERIES: LOUISVILLE 106.3 BBC TANDEM CHASSIS CAB, SET BACK FRONT AXLE TRUCK(Cont.)									
N/A	1-5/8 "	201185	201186 ³²⁹	SP7895S	NR	-	-	R4577147	R4577147
N/A	1.09375	R4133484	R4133485	R4166819	NR	R4111629 ⁵³	R4122484	R4577460	R4577460
N/A	1-1/8 "	R4133714	R4133715	R4166926	NR	R4111995 ⁵³	-	R4577454	R4577455
N/A	1-1/8 "	R4133716	R4133717	R4166926	NR	R4111772 ⁵³	R4122488	R4577454	R4577455
N/A	1-1/8 "	R4133719	R4133718	R4166926	NR	R4111634 ⁵³	N/A	R4577452	R4577453
N/A	1-1/8 "	R4133714	R4133715	R4166926	NR	R4111631 ²²¹	R4122486	R4577452	R4577453
23-122700-002 ⁹	2-1/2 "	R424244X	R424244X ³⁷	60050266	6927075 ⁴¹	R4111992 ²¹⁴	R4122386	R4577452	R4577453
23-122703-002 ¹⁸⁶	2-7/8 "	60050145X	60050145X ³⁷	60050146	69270702 ⁴¹	R4111992 ²¹⁴	R4122386	R4577452	R4577453
23-122691-002 ¹⁸⁸	2-7/8 "	60050145X	60050145X ³⁷	60050146	69270702 ⁴¹	R4111992 ²¹⁴	R4122386	R4577452	R4577453
N/A	1-1/4 "	R4133581	R4133581	R4166923	NR	R4111992 ²¹⁴	R4122386	R4577452	R4577453
N/A	1-1/4 "	R4133720	R4133721	R4166923	NR	R4111630 ²²²	N/A	R4577452	R4577453
N/A	1-1/2 "	R4033607	R4033607	R4166818	NR	-	-	R4577147	R4577147
N/A	1-5/8 "	R4133338	R4133338	R4166689	NR	-	-	R4577147	R4577147
N/A	1-5/8 "	R4133338	R4133338	R4166689	NR	-	-	R4577147	R4577147
N/A	1-3/4 "	R4133400	R4133400	R4166917	NR	-	-	R4577147	R4577147
N/A	1-5/8 "	201181	201182	SP7895S	NR	-	-	R4577147	R4577147
N/A	1-5/8 "	201185	201186 ³²⁹	SP7895S	NR	-	-	R4577147	R4577147
N/A	1-5/8 "	201181	201182	SP7895S	NR	-	-	R4577147	R4577147
N/A	1-5/8 "	201185	201186 ³²⁹	SP7895S	NR	-	-	R4577147	R4577147
N/A	1.09375	R4133484	R4133485	R4166819	NR	R4111629 ⁵³	R4122484	R4577460	R4577460
N/A	1-1/8 "	R4133719	R4133718	R4166926	NR	R4111634 ⁵³	N/A	R4577452	R4577453
N/A	1-1/8 "	R4133714	R4133715	R4166926	NR	R4111631 ²²¹	R4122486	R4577452	R4577453
N/A	1-1/8 "	R4133716	R4133717	R4166926	NR	R4111772 ⁵³	R4122488	R4577454	R4577455
N/A	1-1/8 "	R4133714	R4133715	R4166926	NR	R4111995 ⁵³	-	R4577454	R4577455
23-122700-002 ⁹	2-1/2 "	R424244X	R424244X ³⁷	60050266	6927075 ⁴¹	R4111992 ²¹⁴	R4122386	R4577452	R4577453
23-122691-002 ¹⁸⁸	2-7/8 "	60050145X	60050145X ³⁷	60050146	69270702 ⁴¹	R4111992 ²¹⁴	R4122386	R4577452	R4577453
23-122703-002 ¹⁸⁶	2-7/8 "	60050145X	60050145X ³⁷	60050146	69270702 ⁴¹	R4111992 ²¹⁴	R4122386	R4577452	R4577453
N/A	1-1/4 "	R4133720	R4133721	R4166923	NR	R4111630 ²²²	N/A	R4577452	R4577453
N/A	1-1/4 "	R4133581	R4133581	R4166923	NR	R4111992 ²¹⁴	R4122386	R4577452	R4577453
N/A	1-1/2 "	R4033607	R4033607	R4166818	NR	-	-	R4577147	R4577147
N/A	1-5/8 "	R4133338	R4133338	R4166689	NR	-	-	R4577147	R4577147
N/A	1-5/8 "	R4133338	R4133338	R4166689	NR	-	-	R4577147	R4577147
N/A	1-3/4 "	R4133400	R4133400	R4166917	NR	-	-	R4577147	R4577147
FREIGHTLINER									
FL50									
-	66mm	R424153263	R424153263 ³⁵⁶	R4011752	R4011751	-	-	-	-
-	73mm	R424153216	R424153216 ³⁶⁵	R4011758	R4011757	-	-	-	-
-	73mm	R424153216	R424153216 ³⁶⁵	R4011758	R4011757	-	-	-	-
-	66mm	R424153263	R424153263 ³⁵⁶	R4011752	R4011751	-	-	-	-
-	73mm	R424153216	R424153216 ³⁶⁵	R4011758	R4011757	-	-	-	-
-	66mm	R424153263	R424153263 ³⁵⁶	R4011752	R4011751	-	-	-	-
-	73mm	R424153216	R424153216 ³⁶⁵	R4011758	R4011757	-	-	-	-
-	66mm	R424153263	R424153263 ³⁵⁶	R4011752	R4011751	-	-	-	-
-	66mm	R424153263	R424153263 ³⁵⁶	R4011752	R4011751	-	-	-	-
-	73mm	R424153216	R424153216 ³⁶⁵	R4011758	R4011757 ⁷²	-	-	-	-
-	66mm	R424153263	R424153263 ³⁵⁶	R4011752	R4011751 ⁷²	-	-	-	-
-	73mm	R424153216	R424153216 ³⁶⁵	R4011758	R4011757 ⁷²	-	-	-	-
-	66mm	R424153263	R424153263 ³⁵⁶	R4011752	R4011751 ⁷²	-	-	-	-
-	73mm	R424153216	R424153216 ³⁶⁵	R4011758	R4011757 ⁷²	-	-	-	-
-	66mm	R424153263	R424153263 ³⁵⁶	R4011752	R4011751 ⁷²	-	-	-	-
-	2-7/8 "	R4255656	R4255656	R4066365	R4090096 ⁷²	-	-	-	-

222 - Power Brakes, 18,500 or 22,000 lb. Rear Axle
 341 - Use 69160445 for Disc Pad Retainer Clip

329 - Forward
 356 - Single Hydraulic System, Bosch Cylinder, after Serial No. Q20000, 18,500lb. Rear Axle

340 - Use 69160457 for Disc Pad Retainer Clip
 365 - Caliper Loaded with Hardware and Disc Pads

MAKE MODEL YEAR AXLE CODE AXLE WEIGHT	AXLE & BRK. TYPE	BRK. MFG.	BRAKE SIZE	FMSI	MERITOR DISC PAD OR BRAKE SHOE	MERITOR GUIDE PIN OR RETURN SPRING KIT	MERITOR CALIPER HWD. KIT OR RETURN SPRING KIT	MERITOR ADJUSTER KIT (LEFT WHEEL)	MERITOR ADJUSTER KIT (RIGHT WHEEL)
FREIGHTLINER(Cont.)									
FL50(Cont.)									
2000	Fd	BX		7815 - D380	MD184	R40H5010	R40H5519	NR	NR
	Rd	Bosch		7655 - D786	MD786	R4011754	NR	NR	NR
	Rd	Bosch		7654 - D786	MD786A	R4011754	NR	NR	NR
	Rd	BX		7142 - D225	MD225	R40H5010	R40H5522	NR	NR
1999	Rd	BX		7815 - D380	MD184	R40H5010	R40H5519	NR	NR
	Fd	BX		7815 - D380	MD184	R40H5010	R40H5519	NR	NR
	Fd	BX		7142 - D225	MD225	R40H5010	R40H5522	NR	NR
	Rd	BX		7142 - D225	MD225	R40H5010	R40H5522	NR	NR
1998	Rd	BX		7815 - D380	MD184	R40H5010	R40H5519	NR	NR
	Fd	BX		7142 - D225	MD225	R40H5010	R40H5522	NR	NR
	Fd	BX		7142 - D225	MD225	R40H5010	R40H5522	NR	NR
	Rd	BX		7815 - D380	MD184	R40H5010	R40H5519	NR	NR
1997	Rd	BX		7142 - D225	MD225	R40H5010	R40H5522	NR	NR
	Fd	BX		7142 - D225	MD225	R40H5010	R40H5522	NR	NR
	Fd	BX		7815 - D380	MD184	R40H5010	R40H5519	NR	NR
	Rd	BX		7815 - D380	MD184	R40H5010	R40H5519	NR	NR
1996	Fd	BX		7108 - D184	MD184	R40H5010	R40H5519	NR	NR
	Fd	BX		7142 - D225	MD225	R40H5010	R40H5522	NR	NR
	Fd	BX		7108 - D184	MD184	R40H5010	R40H5519	NR	NR
	Fd	BX		7108 - D184	MD184	R40H5010	R40H5519	NR	NR
	Fd	BX		7142 - D225	MD225	R40H5010	R40H5522	NR	NR
	Fd	BX		7142 - D225	MD225	R40H5010	R40H5522	NR	NR
	Fd	BX		7142 - D225	MD225	R40H5010	R40H5522	NR	NR
	Rd	BX		7142 - D225	MD225	R40H5010	R40H5522	NR	NR
	Rd	BX		7142 - D225	MD225	R40H5010	R40H5522	NR	NR
	Rd	BX		7142 - D225	MD225	R40H5010	R40H5522	NR	NR
	Rd	BX		7108 - D184	MD184	R40H5010	R40H5519	NR	NR
	Rd	BX		7142 - D225	MD225	R40H5010	R40H5522	NR	NR
	Rd	BX		7108 - D184	MD184	R40H5010	R40H5519	NR	NR
	Rd	BX		7108 - D184	MD184	R40H5010	R40H5519	NR	NR
1992	Fd	BX		7108 - D184	MD184	R40H5010	R40H5519	NR	NR
	Fd	BX		7142 - D225	MD225	R40H5010	R40H5522	NR	NR
	Rd	BX		7142 - D225	MD225	R40H5010	R40H5522	NR	NR
	Rd	BX		7108 - D184	MD184	R40H5010	R40H5519	NR	NR
FL60									
2004	Fd	Bosch		7655 - D786	MD786	R4011754	NR	NR	NR
	Fd	Bosch		7654 - D786	MD786A	R4011754	NR	NR	NR
	Rd	Bosch		7654 - D786	MD786A	R4011754	NR	NR	NR
	Rd	Bosch		7655 - D786	MD786	R4011754	NR	NR	NR
2003	Fd	Bosch		7655 - D786	MD786	R4011754	NR	NR	NR
	Fd	Bosch		7654 - D786	MD786A	R4011754	NR	NR	NR
	Rd	Bosch		7654 - D786	MD786A	R4011754	NR	NR	NR
	Rd	Bosch		7655 - D786	MD786	R4011754	NR	NR	NR
2002	Fd	Bosch		7655 - D786	MD786	R4011754	NR	NR	NR
	Fd	Bosch		7654 - D786	MD786A	R4011754	NR	NR	NR
	Rd	Bosch		7655 - D786	MD786	R4011754	NR	NR	NR
	Rd	Bosch		7654 - D786	MD786A	R4011754	NR	NR	NR
2001	Fd	Bosch		7655 - D786	MD786	R4011754	NR	NR	NR
	Fd	Bosch		7654 - D786	MD786A	R4011754	NR	NR	NR
	Rd	Bosch		7654 - D786	MD786A	R4011754	NR	NR	NR
	Rd	Bosch		7655 - D786	MD786	R4011754	NR	NR	NR
2000	Fd	Bosch		7655 - D786	MD786	R4011754	NR	NR	NR

72 - Phenolic/Steel Face

356 - Single Hydraulic System, Bosch Cylinder, after Serial No. Q20000, 18,500lb. Rear Axle

365 - Caliper Loaded with Hardware and Disc Pads

MERITOR DRUM OR ROTOR NO.	CALIPER OR CYLINDER BORE SIZE	MERITOR CALIPER OR WHEEL CYLINDER (LEFT)	MERITOR CALIPER OR WHEEL CYLINDER (RIGHT)	MERITOR CALIPER OR WHEEL CYLINDER REPAIR KIT	MERITOR CALIPER PISTON	MERITOR MASTER CYLINDER	MERITOR MASTER CYLINDER KIT	MERITOR BRAKE HOSE (LEFT)	MERITOR BRAKE HOSE (RIGHT)
FREIGHTLINER(Cont.)									
FL50(Cont.)									
-	2-19/32 "	R4255313	R4255313	R40107771	R4090100P ⁷²	-	-	-	-
-	73mm	R424153216	R424153216 ³⁶⁵	R4011758	R4011757 ⁷²	-	-	-	-
-	66mm	R424153263	R424153263 ³⁵⁶	R4011752	R4011751 ⁷²	-	-	-	-
-	2-7/8 "	R4255656	R4255656	R4066365	R4090096 ⁷²	-	-	-	-
-	2-19/32 "	R4255313	R4255313	R40107771	R4090100P ⁷²	-	-	-	-
-	2-19/32 "	R4255313	R4255313	R40107771	R4090100P ⁷²	-	-	-	-
-	2-7/8 "	R4255656	R4255656	R4066365	R4090096 ⁷²	-	-	-	-
-	2-19/32 "	R4255313	R4255313	R40107771	R4090100P ⁷²	-	-	-	-
-	2-7/8 "	R4255656	R4255656	R4066365	R4090096 ⁷²	-	-	-	-
-	2-19/32 "	R4255313	R4255313	R40107771	R4090100P ⁷²	-	-	-	-
-	2-7/8 "	R4255656	R4255656	R4066365	R4090096 ⁷²	-	-	-	-
-	2-19/32 "	R4255313	R4255313	R40107771	R4090100P ⁷²	-	-	-	-
-	2-7/8 "	R4255656	R4255656	R4066365	R4090096 ⁷²	-	-	-	-
-	2-19/32 "	R4255313	R4255313	R40107771	R4090100P ⁷²	-	-	-	-
N/A	2-19/32 "	R42R55314	R42R55314	R40107771	R4090100P ⁷²	-	-	-	-
N/A	2-7/8 "	R4255656	R4255656	R4066365	R4090096 ⁷²	-	-	-	-
N/A	2-19/32 "	R42R55314	R42R55314	R40107771	R4090100P ⁷²	-	-	-	-
N/A	2-19/32 "	R42R55314	R42R55314	R40107771	R4090100P ⁷²	-	-	-	-
N/A	2-7/8 "	R4255656	R4255656	R4066365	R4090096 ⁷²	-	-	-	-
N/A	2-7/8 "	R4255656	R4255656	R4066365	R4090096 ⁷²	-	-	-	-
N/A	2-7/8 "	R4255656	R4255656	R4066365	R4090096 ⁷²	-	-	-	-
N/A	2-7/8 "	R4255656	R4255656	R4066365	R4090096 ⁷²	-	-	-	-
N/A	2-7/8 "	R4255656	R4255656	R4066365	R4090096 ⁷²	-	-	-	-
N/A	2-7/8 "	R4255656	R4255656	R4066365	R4090096 ⁷²	-	-	-	-
N/A	2-7/8 "	R4255656	R4255656	R4066365	R4090096 ⁷²	-	-	-	-
N/A	2-19/32 "	R42R55314	R42R55314	R40107771	R4090100P ⁷²	-	-	-	-
N/A	2-7/8 "	R4255656	R4255656	R4066365	R4090096 ⁷²	-	-	-	-
N/A	2-19/32 "	R42R55314	R42R55314	R40107771	R4090100P ⁷²	-	-	-	-
N/A	2-19/32 "	R42R55314	R42R55314	R40107771	R4090100P ⁷²	-	-	-	-
N/A	2-19/32 "	R42R55314	R42R55314	R40107771	R4090100P ⁷²	-	-	-	-
N/A	2-7/8 "	R4255656	R4255656	R4066365	R4090096 ⁷²	-	-	-	-
N/A	2-19/32 "	R42R55314	R42R55314	R40107771	R4090100P ⁷²	-	-	-	-
FL60									
-	73mm	R424153216	R424153216 ³⁶⁵	R4011758	R4011757	-	-	-	-
-	66mm	R424153263	R424153263 ³⁵⁶	R4011752	R4011751	-	-	-	-
-	66mm	R424153263	R424153263 ³⁵⁶	R4011752	R4011751	-	-	-	-
-	73mm	R424153216	R424153216 ³⁶⁵	R4011758	R4011757	-	-	-	-
-	73mm	R424153216	R424153216 ³⁶⁵	R4011758	R4011757	-	-	-	-
-	66mm	R424153263	R424153263 ³⁵⁶	R4011752	R4011751	-	-	-	-
-	66mm	R424153263	R424153263 ³⁵⁶	R4011752	R4011751	-	-	-	-
-	73mm	R424153216	R424153216 ³⁶⁵	R4011758	R4011757	-	-	-	-
-	66mm	R424153263	R424153263 ³⁵⁶	R4011752	R4011751	-	-	-	-
-	73mm	R424153216	R424153216 ³⁶⁵	R4011758	R4011757	-	-	-	-
-	66mm	R424153263	R424153263 ³⁵⁶	R4011752	R4011751	-	-	-	-
-	73mm	R424153216	R424153216 ³⁶⁵	R4011758	R4011757	-	-	-	-
-	66mm	R424153263	R424153263 ³⁵⁶	R4011752	R4011751	-	-	-	-
-	73mm	R424153216	R424153216 ³⁶⁵	R4011758	R4011757	-	-	-	-
-	73mm	R424153216	R424153216 ³⁶⁵	R4011758	R4011757 ⁷²	-	-	-	-

1 APPLICATION

MAKE MODEL YEAR AXLE CODE AXLE WEIGHT	AXLE & BRK. TYPE	BRK. MFG.	BRAKE SIZE	FMSI	MERITOR DISC PAD OR BRAKE SHOE	MERITOR GUIDE PIN OR RETURN SPRING KIT	MERITOR CALIPER HWD. KIT OR RETURN SPRING KIT	MERITOR ADJUSTER KIT (LEFT WHEEL)	MERITOR ADJUSTER KIT (RIGHT WHEEL)
FREIGHTLINER(Cont.)									
FL60(Cont.)									
2000	Fd	Bosch		7654 - D786	MD786A	R4011754	NR	NR	NR
	Fd	BX		7142 - D225	MD225	R40H5010	R40H5522	NR	NR
	Fd	BX		7815 - D380	MD184	R40H5010	R40H5519	NR	NR
	Rd	Bosch		7654 - D786	MD786A	R4011754	NR	NR	NR
	Rd	Bosch		7655 - D786	MD786	R4011754	NR	NR	NR
	Rd	BX		7815 - D380	MD184	R40H5010	R40H5519	NR	NR
	Rd	BX		7142 - D225	MD225	R40H5010	R40H5522	NR	NR
1999	Fd	BX		7142 - D225	MD225	R40H5010	R40H5522	NR	NR
	Fd	BX		7815 - D380	MD184	R40H5010	R40H5519	NR	NR
	Rd	BX		7142 - D225	MD225	R40H5010	R40H5522	NR	NR
	Rd	BX		7815 - D380	MD184	R40H5010	R40H5519	NR	NR
1998	Fd	BX		7142 - D225	MD225	R40H5010	R40H5522	NR	NR
	Fd	BX		7815 - D380	MD184	R40H5010	R40H5519	NR	NR
	Rd	BX		7142 - D225	MD225	R40H5010	R40H5522	NR	NR
	Rd	BX		7815 - D380	MD184	R40H5010	R40H5519	NR	NR
1997	Fd	BX		7815 - D380	MD184	R40H5010	R40H5519	NR	NR
	Fd	BX		7142 - D225	MD225	R40H5010	R40H5522	NR	NR
	Rd	BX		7815 - D380	MD184	R40H5010	R40H5519	NR	NR
	Rd	BX		7142 - D225	MD225	R40H5010	R40H5522	NR	NR
1996	Fd	BX		7142 - D225	MD225	R40H5010	R40H5522	NR	NR
	Fd	BX		7108 - D184	MD184	R40H5010	R40H5519	NR	NR
	Fd	BX		7108 - D184	MD184	R40H5010	R40H5519	NR	NR
	Fd	BX		7142 - D225	MD225	R40H5010	R40H5522	NR	NR
	Fd	BX		7142 - D225	MD225	R40H5010	R40H5522	NR	NR
	Fd	BX		7108 - D184	MD184	R40H5010	R40H5519	NR	NR
	Fd	BX		7108 - D184	MD184	R40H5010	R40H5519	NR	NR
	Fd	BX		7142 - D225	MD225	R40H5010	R40H5522	NR	NR
	Fd	BX		7142 - D225	MD225	R40H5010	R40H5522	NR	NR
	Rd	BX		7108 - D184	MD184	R40H5010	R40H5519	NR	NR
	Rd	BX		7142 - D225	MD225	R40H5010	R40H5522	NR	NR
	Rd	BX		7108 - D184	MD184	R40H5010	R40H5519	NR	NR
	Rd	BX		7142 - D225	MD225	R40H5010	R40H5522	NR	NR
	Rd	BX		7142 - D225	MD225	R40H5010	R40H5522	NR	NR
1992	Fd	BX		7142 - D225	MD225	R40H5010	R40H5522	NR	NR
	Fd	BX		7108 - D184	MD184	R40H5010	R40H5519	NR	NR
	Rd	BX		7108 - D184	MD184	R40H5010	R40H5519	NR	NR
	Rd	BX		7142 - D225	MD225	R40H5010	R40H5522	NR	NR
FL70									
2004	Fd	Bosch		7654 - D786	MD786A	R4011754	NR	NR	NR
	Fd	Bosch		7655 - D786	MD786	R4011754	NR	NR	NR
	Rd	Bosch		7655 - D786	MD786	R4011754	NR	NR	NR
	Rd	Bosch		7654 - D786	MD786A	R4011754	NR	NR	NR
2003	Fd	Bosch		7655 - D786	MD786	R4011754	NR	NR	NR
	Fd	Bosch		7654 - D786	MD786A	R4011754	NR	NR	NR
	Rd	Bosch		7655 - D786	MD786	R4011754	NR	NR	NR
	Rd	Bosch		7654 - D786	MD786A	R4011754	NR	NR	NR
2002	Fd	Bosch		7654 - D786	MD786A	R4011754	NR	NR	NR
	Fd	Bosch		7655 - D786	MD786	R4011754	NR	NR	NR
	Rd	Bosch		7654 - D786	MD786A	R4011754	NR	NR	NR
	Rd	Bosch		7655 - D786	MD786	R4011754	NR	NR	NR
2001	Fd	Bosch		7654 - D786	MD786A	R4011754	NR	NR	NR
	Fd	Bosch		7655 - D786	MD786	R4011754	NR	NR	NR
	Rd	Bosch		7654 - D786	MD786A	R4011754	NR	NR	NR
	Rd	Bosch		7655 - D786	MD786	R4011754	NR	NR	NR

72 - Phenolic/Steel Face

356 - Single Hydraulic System, Bosch Cylinder, after Serial No. Q20000, 18,500lb. Rear Axle

365 - Caliper Loaded with Hardware and Disc Pads

MERITOR DRUM OR ROTOR NO.	CALIPER OR CYLINDER BORE SIZE	MERITOR CALIPER OR WHEEL CYLINDER (LEFT)	MERITOR CALIPER OR WHEEL CYLINDER (RIGHT)	MERITOR CALIPER OR WHEEL CYLINDER REPAIR KIT	MERITOR CALIPER PISTON	MERITOR MASTER CYLINDER	MERITOR MASTER CYLINDER KIT	MERITOR BRAKE HOSE (LEFT)	MERITOR BRAKE HOSE (RIGHT)
FREIGHTLINER(Cont.)									
FL60(Cont.)									
-	66mm 2-7/8 " 2-19/32 "	R424153263 R4255656 R4255313	R424153263 ³⁵⁶ R4255656 R4255313	R4011752 R4066365 R40107771	R4011751 ⁷² R4090096 ⁷² R4090100P ⁷²	-	-	-	-
-	66mm 73mm 2-19/32 " 2-7/8 "	R424153263 R424153216 R4255313 R4255656	R424153263 ³⁵⁶ R424153216 ³⁶⁵ R4255313 R4255656	R4011752 R4011758 R40107771 R4066365	R4011751 ⁷² R4011757 ⁷² R4090100P ⁷² R4090096 ⁷²	-	-	-	-
-	2-7/8 " 2-19/32 "	R4255656 R4255313	R4255656 R4255313	R4066365 R40107771	R4090096 ⁷² R4090100P ⁷²	-	-	-	-
-	2-7/8 " 2-19/32 "	R4255656 R4255313	R4255656 R4255313	R4066365 R40107771	R4090096 ⁷² R4090100P ⁷²	-	-	-	-
-	2-7/8 " 2-19/32 "	R4255656 R4255313	R4255656 R4255313	R4066365 R40107771	R4090096 ⁷² R4090100P ⁷²	-	-	-	-
-	2-19/32 " 2-7/8 "	R4255313 R4255656	R4255313 R4255656	R40107771 R4066365	R4090100P ⁷² R4090096 ⁷²	-	-	-	-
-	2-19/32 " 2-7/8 "	R4255313 R4255656	R4255313 R4255656	R40107771 R4066365	R4090100P ⁷² R4090096 ⁷²	-	-	-	-
N/A	2-7/8 " 2-19/32 "	R4255656 R42R55314	R4255656 R42R55314	R4066365 R40107771	R4090096 ⁷² R4090100P ⁷²	-	-	-	-
N/A	2-19/32 "	R42R55314	R42R55314	R40107771	R4090100P ⁷²	-	-	-	-
N/A	2-7/8 "	R4255656	R4255656	R4066365	R4090096 ⁷²	-	-	-	-
N/A	2-7/8 "	R4255656	R4255656	R4066365	R4090096 ⁷²	-	-	-	-
N/A	2-19/32 "	R42R55314	R42R55314	R40107771	R4090100P ⁷²	-	-	-	-
N/A	2-7/8 "	R4255656	R4255656	R4066365	R4090096 ⁷²	-	-	-	-
N/A	2-19/32 "	R42R55314	R42R55314	R40107771	R4090100P ⁷²	-	-	-	-
N/A	2-7/8 "	R4255656	R4255656	R4066365	R4090096 ⁷²	-	-	-	-
N/A	2-7/8 "	R4255656	R4255656	R4066365	R4090096 ⁷²	-	-	-	-
N/A	2-7/8 "	R4255656	R4255656	R4066365	R4090096 ⁷²	-	-	-	-
N/A	2-7/8 " 2-19/32 "	R4255656 R42R55314	R4255656 R42R55314	R4066365 R40107771	R4090096 ⁷² R4090100P ⁷²	-	-	-	-
N/A	2-19/32 "	R42R55314	R42R55314	R40107771	R4090100P ⁷²	-	-	-	-
N/A	2-7/8 "	R4255656	R4255656	R4066365	R4090096 ⁷²	-	-	-	-
FL70									
-	66mm 73mm	R424153263 R424153216	R424153263 ³⁵⁶ R424153216 ³⁶⁵	R4011752 R4011758	R4011751 R4011757	-	-	-	-
-	73mm 66mm	R424153216 R424153263	R424153216 ³⁶⁵ R424153263 ³⁵⁶	R4011758 R4011752	R4011757 R4011751	-	-	-	-
-	73mm 66mm	R424153216 R424153263	R424153216 ³⁶⁵ R424153263 ³⁵⁶	R4011758 R4011752	R4011757 R4011751	-	-	-	-
-	73mm 66mm	R424153216 R424153263	R424153216 ³⁶⁵ R424153263 ³⁵⁶	R4011758 R4011752	R4011757 R4011751	-	-	-	-
-	66mm 73mm	R424153263 R424153216	R424153263 ³⁵⁶ R424153216 ³⁶⁵	R4011752 R4011758	R4011751 R4011757	-	-	-	-
-	66mm 73mm	R424153263 R424153216	R424153263 ³⁵⁶ R424153216 ³⁶⁵	R4011752 R4011758	R4011751 R4011757	-	-	-	-
-	66mm 73mm	R424153263 R424153216	R424153263 ³⁵⁶ R424153216 ³⁶⁵	R4011752 R4011758	R4011751 ⁷² R4011757 ⁷²	-	-	-	-
-	66mm 73mm	R424153263 R424153216	R424153263 ³⁵⁶ R424153216 ³⁶⁵	R4011752 R4011758	R4011751 ⁷² R4011757 ⁷²	-	-	-	-

1 APPLICATION

MAKE MODEL YEAR AXLE CODE AXLE WEIGHT	AXLE & BRK. TYPE	BRK. MFG.	BRAKE SIZE	FMSI	MERITOR DISC PAD OR BRAKE SHOE	MERITOR GUIDE PIN OR RETURN SPRING KIT	MERITOR CALIPER HWD. KIT OR RETURN SPRING KIT	MERITOR ADJUSTER KIT (LEFT WHEEL)	MERITOR ADJUSTER KIT (RIGHT WHEEL)	
FREIGHTLINER(Cont.)										
FL70(Cont.)										
2000	Fd	Bosch		7655 - D786	MD786	R4011754	NR	NR	NR	
	Fd	Bosch		7654 - D786	MD786A	R4011754	NR	NR	NR	
	Fd	BX		7815 - D380	MD184	R40H5010	R40H5519	NR	NR	
	Fd	BX		7142 - D225	MD225	R40H5010	R40H5522	NR	NR	
	Rd	Bosch		7654 - D786	MD786A	R4011754	NR	NR	NR	
	Rd	Bosch		7655 - D786	MD786	R4011754	NR	NR	NR	
	Rd	BX		7142 - D225	MD225	R40H5010	R40H5522	NR	NR	
	Rd	BX		7815 - D380	MD184	R40H5010	R40H5519	NR	NR	
1999	Fd	BX		7815 - D380	MD184	R40H5010	R40H5519	NR	NR	
	Fd	BX		7142 - D225	MD225	R40H5010	R40H5522	NR	NR	
	Rd	BX		7815 - D380	MD184	R40H5010	R40H5519	NR	NR	
	Rd	BX		7142 - D225	MD225	R40H5010	R40H5522	NR	NR	
1998	Fd	BX		7142 - D225	MD225	R40H5010	R40H5522	NR	NR	
	Fd	BX		7815 - D380	MD184	R40H5010	R40H5519	NR	NR	
	Rd	BX		7815 - D380	MD184	R40H5010	R40H5519	NR	NR	
	Rd	BX		7142 - D225	MD225	R40H5010	R40H5522	NR	NR	
1997	Fd	BX		7815 - D380	MD184	R40H5010	R40H5519	NR	NR	
	Fd	BX		7142 - D225	MD225	R40H5010	R40H5522	NR	NR	
	Rd	BX		7815 - D380	MD184	R40H5010	R40H5519	NR	NR	
	Rd	BX		7142 - D225	MD225	R40H5010	R40H5522	NR	NR	
1996	Fd	BX		7108 - D184	MD184	R40H5010	R40H5519	NR	NR	
	Fd	BX		7142 - D225	MD225	R40H5010	R40H5522	NR	NR	
	Fd	BX		7142 - D225	MD225	R40H5010	R40H5522	NR	NR	
	Fd	BX		7108 - D184	MD184	R40H5010	R40H5519	NR	NR	
	Fd	BX		7108 - D184	MD184	R40H5010	R40H5519	NR	NR	
	Fd	BX		7142 - D225	MD225	R40H5010	R40H5522	NR	NR	
	Fd	BX		7142 - D225	MD225	R40H5010	R40H5522	NR	NR	
	Rd	BX		7142 - D225	MD225	R40H5010	R40H5522	NR	NR	
	Rd	BX		7142 - D225	MD225	R40H5010	R40H5522	NR	NR	
	Rd	BX		7108 - D184	MD184	R40H5010	R40H5519	NR	NR	
	Rd	BX		7108 - D184	MD184	R40H5010	R40H5519	NR	NR	
	Rd	BX		7108 - D184	MD184	R40H5010	R40H5519	NR	NR	
	Rd	BX		7142 - D225	MD225	R40H5010	R40H5522	NR	NR	
	Rd	BX		7142 - D225	MD225	R40H5010	R40H5522	NR	NR	
1992	Fd	BX		7108 - D184	MD184	R40H5010	R40H5519	NR	NR	
	Fd	BX		7142 - D225	MD225	R40H5010	R40H5522	NR	NR	
	Rd	BX		7108 - D184	MD184	R40H5010	R40H5519	NR	NR	
	Rd	BX		7142 - D225	MD225	R40H5010	R40H5522	NR	NR	
FW700										
2006	Fd	Bosch		7654 - D786	MD786A	R4011754	NR	NR	NR	
	Fd	Bosch		7655 - D786	MD786	R4011754	NR	NR	NR	
	Fd	Bosch		7655 - D786	MD786	R4011754	NR	NR	NR	
	Fd	Bosch		7654 - D786	MD786A	R4011754	NR	NR	NR	
	Fd	Bosch		7654 - D786	MD786A	R4011754	NR	NR	NR	
	Fd	Bosch		7655 - D786	MD786	R4011754	NR	NR	NR	
	Fd	Bosch		7654 - D786	MD786A	R4011754	NR	NR	NR	
	Fd	Bosch		7655 - D786	MD786	R4011754	NR	NR	NR	
	Rd	Bosch		7654 - D786	MD786A	R4011754	NR	NR	NR	
	Rd	Bosch		7655 - D786	MD786	R4011754	NR	NR	NR	
	Rd	Bosch		7654 - D786	MD786A	R4011754	NR	NR	NR	
	Rd	Bosch		7654 - D786	MD786A	R4011754	NR	NR	NR	
	Rd	Bosch		7655 - D786	MD786	R4011754	NR	NR	NR	
	Rd	Bosch		7655 - D786	MD786	R4011754	NR	NR	NR	
	Rd	Bosch		7654 - D786	MD786A	R4011754	NR	NR	NR	
	Rd	Bosch		7655 - D786	MD786	R4011754	NR	NR	NR	
	2005	Fd	Bosch		7655 - D786	MD786	R4011754	NR	NR	NR

72 - Phenolic/Steel Face

387 - 10 Hole Rotor

356 - Single Hydraulic System, Bosch Cylinder, after Serial No. Q20000, 18,500lb. Rear Axle
388 - 5 Hole Rotor

365 - Caliper Loaded with Hardware and Disc Pads

391 - 6 Hole Rotor

MERITOR DRUM OR ROTOR NO.	CALIPER OR CYLINDER BORE SIZE	MERITOR CALIPER OR WHEEL CYLINDER (LEFT)	MERITOR CALIPER OR WHEEL CYLINDER (RIGHT)	MERITOR CALIPER OR WHEEL CYLINDER REPAIR KIT	MERITOR CALIPER PISTON	MERITOR MASTER CYLINDER	MERITOR MASTER CYLINDER KIT	MERITOR BRAKE HOSE (LEFT)	MERITOR BRAKE HOSE (RIGHT)
FREIGHTLINER(Cont.)									
FL70(Cont.)									
-	73mm	R424153216	R424153216 ³⁵⁶	R4011758	R4011757 ⁷²	-	-	-	-
-	66mm	R424153263	R424153263 ³⁵⁶	R4011752	R4011751 ⁷²	-	-	-	-
-	2-19/32 "	R4255313	R4255313	R40107771	R4090100P ⁷²	-	-	-	-
-	2-7/8 "	R4255656	R4255656	R4066365	R4090096 ⁷²	-	-	-	-
-	66mm	R424153263	R424153263 ³⁵⁶	R4011752	R4011751 ⁷²	-	-	-	-
-	73mm	R424153216	R424153216 ³⁵⁶	R4011758	R4011757 ⁷²	-	-	-	-
-	2-7/8 "	R4255656	R4255656	R4066365	R4090096 ⁷²	-	-	-	-
-	2-19/32 "	R4255313	R4255313	R40107771	R4090100P ⁷²	-	-	-	-
-	2-19/32 "	R4255313	R4255313	R40107771	R4090100P ⁷²	-	-	-	-
-	2-7/8 "	R4255656	R4255656	R4066365	R4090096 ⁷²	-	-	-	-
-	2-7/8 "	R4255656	R4255656	R4066365	R4090096 ⁷²	-	-	-	-
-	2-19/32 "	R4255313	R4255313	R40107771	R4090100P ⁷²	-	-	-	-
-	2-19/32 "	R4255313	R4255313	R40107771	R4090100P ⁷²	-	-	-	-
-	2-7/8 "	R4255656	R4255656	R4066365	R4090096 ⁷²	-	-	-	-
-	2-19/32 "	R4255313	R4255313	R40107771	R4090100P ⁷²	-	-	-	-
-	2-7/8 "	R4255656	R4255656	R4066365	R4090096 ⁷²	-	-	-	-
N/A	2-19/32 "	R42R55314	R42R55314	R40107771	R4090100P ⁷²	-	-	-	-
N/A	2-7/8 "	R4255656	R4255656	R4066365	R4090096 ⁷²	-	-	-	-
N/A	2-7/8 "	R4255656	R4255656	R4066365	R4090096 ⁷²	-	-	-	-
N/A	2-19/32 "	R42R55314	R42R55314	R40107771	R4090100P ⁷²	-	-	-	-
N/A	2-19/32 "	R42R55314	R42R55314	R40107771	R4090100P ⁷²	-	-	-	-
N/A	2-7/8 "	R4255656	R4255656	R4066365	R4090096 ⁷²	-	-	-	-
N/A	2-7/8 "	R4255656	R4255656	R4066365	R4090096 ⁷²	-	-	-	-
N/A	2-7/8 "	R4255656	R4255656	R4066365	R4090096 ⁷²	-	-	-	-
N/A	2-7/8 "	R4255656	R4255656	R4066365	R4090096 ⁷²	-	-	-	-
N/A	2-19/32 "	R42R55314	R42R55314	R40107771	R4090100P ⁷²	-	-	-	-
N/A	2-19/32 "	R42R55314	R42R55314	R40107771	R4090100P ⁷²	-	-	-	-
N/A	2-19/32 "	R42R55314	R42R55314	R40107771	R4090100P ⁷²	-	-	-	-
N/A	2-7/8 "	R4255656	R4255656	R4066365	R4090096 ⁷²	-	-	-	-
N/A	2-7/8 "	R4255656	R4255656	R4066365	R4090096 ⁷²	-	-	-	-
N/A	2-19/32 "	R42R55314	R42R55314	R40107771	R4090100P ⁷²	-	-	-	-
N/A	2-7/8 "	R4255656	R4255656	R4066365	R4090096 ⁷²	-	-	-	-
N/A	2-19/32 "	R42R55314	R42R55314	R40107771	R4090100P ⁷²	-	-	-	-
N/A	2-7/8 "	R4255656	R4255656	R4066365	R4090096 ⁷²	-	-	-	-
FW700									
23-123550-004 ³⁸⁷	66mm	R424153263	R424153263 ³⁵⁶	R4011752	R4011751 ⁷²	-	-	-	-
23-123552-004 ³⁸⁷	73mm	R424153216	R424153216 ³⁵⁶	R4011758	R4011757 ⁷²	-	-	-	-
23-123572-004 ³⁹¹	73mm	R424153216	R424153216 ³⁵⁶	R4011758	R4011757 ⁷²	-	-	-	-
R44141476 ³⁸⁸	66mm	R424153263	R424153263 ³⁵⁶	R4011752	R4011751 ⁷²	-	-	-	-
23-123552-004 ³⁸⁷	66mm	R424153263	R424153263 ³⁵⁶	R4011752	R4011751 ⁷²	-	-	-	-
R44141476 ³⁸⁸	73mm	R424153216	R424153216 ³⁵⁶	R4011758	R4011757 ⁷²	-	-	-	-
23-123572-004 ³⁹¹	66mm	R424153263	R424153263 ³⁵⁶	R4011752	R4011751 ⁷²	-	-	-	-
23-123550-004 ³⁸⁷	73mm	R424153216	R424153216 ³⁵⁶	R4011758	R4011757 ⁷²	-	-	-	-
23-123550-004 ³⁸⁷	66mm	R424153263	R424153263 ³⁵⁶	R4011752	R4011751 ⁷²	-	-	-	-
R44141476 ³⁸⁸	73mm	R424153216	R424153216 ³⁵⁶	R4011758	R4011757 ⁷²	-	-	-	-
23-123552-004 ³⁸⁷	66mm	R424153263	R424153263 ³⁵⁶	R4011752	R4011751 ⁷²	-	-	-	-
R44141476 ³⁸⁸	66mm	R424153263	R424153263 ³⁵⁶	R4011752	R4011751 ⁷²	-	-	-	-
23-123572-004 ³⁹¹	73mm	R424153216	R424153216 ³⁵⁶	R4011758	R4011757 ⁷²	-	-	-	-
23-123552-004 ³⁸⁷	73mm	R424153216	R424153216 ³⁵⁶	R4011758	R4011757 ⁷²	-	-	-	-
23-123572-004 ³⁹¹	66mm	R424153263	R424153263 ³⁵⁶	R4011752	R4011751 ⁷²	-	-	-	-
23-123550-004 ³⁸⁷	73mm	R424153216	R424153216 ³⁵⁶	R4011758	R4011757 ⁷²	-	-	-	-
R44141476 ³⁸⁸	73mm	R424153216	R424153216 ³⁵⁶	R4011758	R4011757 ⁷²	-	-	-	-

1 APPLICATION

MAKE MODEL YEAR AXLE CODE AXLE WEIGHT	AXLE & BRK. TYPE	BRK. MFG.	BRAKE SIZE	FMSI	MERITOR DISC PAD OR BRAKE SHOE	MERITOR GUIDE PIN OR RETURN SPRING KIT	MERITOR CALIPER HWD. KIT OR RETURN SPRING KIT	MERITOR ADJUSTER KIT (LEFT WHEEL)	MERITOR ADJUSTER KIT (RIGHT WHEEL)
FREIGHTLINER(Cont.)									
FW700(Cont.)									
2005									
	Fd	Bosch		7655 - D786	MD786	R4011754	NR	NR	NR
	Fd	Bosch		7655 - D786	MD786	R4011754	NR	NR	NR
	Fd	Bosch		7655 - D786	MD786	R4011754	NR	NR	NR
	Fd	Bosch		7654 - D786	MD786A	R4011754	NR	NR	NR
	Fd	Bosch		7654 - D786	MD786A	R4011754	NR	NR	NR
	Fd	Bosch		7654 - D786	MD786A	R4011754	NR	NR	NR
	Fd	Bosch		7654 - D786	MD786A	R4011754	NR	NR	NR
	Rd	Bosch		7655 - D786	MD786	R4011754	NR	NR	NR
	Rd	Bosch		7654 - D786	MD786A	R4011754	NR	NR	NR
	Rd	Bosch		7655 - D786	MD786	R4011754	NR	NR	NR
	Rd	Bosch		7655 - D786	MD786	R4011754	NR	NR	NR
	Rd	Bosch		7655 - D786	MD786	R4011754	NR	NR	NR
	Rd	Bosch		7654 - D786	MD786A	R4011754	NR	NR	NR
	Rd	Bosch		7654 - D786	MD786A	R4011754	NR	NR	NR
	Rd	Bosch		7654 - D786	MD786A	R4011754	NR	NR	NR
2004									
	Fd	Bosch		7654 - D786	MD786A	R4011754	NR	NR	NR
	Fd	Bosch		7655 - D786	MD786	R4011754	NR	NR	NR
	Fd	Bosch		7655 - D786	MD786	R4011754	NR	NR	NR
	Fd	Bosch		7654 - D786	MD786A	R4011754	NR	NR	NR
	Fd	Bosch		7655 - D786	MD786	R4011754	NR	NR	NR
	Fd	Bosch		7654 - D786	MD786A	R4011754	NR	NR	NR
	Fd	Bosch		7654 - D786	MD786A	R4011754	NR	NR	NR
	Fd	Bosch		7655 - D786	MD786	R4011754	NR	NR	NR
	Rd	Bosch		7655 - D786	MD786	R4011754	NR	NR	NR
	Rd	Bosch		7655 - D786	MD786	R4011754	NR	NR	NR
	Rd	Bosch		7655 - D786	MD786	R4011754	NR	NR	NR
	Rd	Bosch		7655 - D786	MD786	R4011754	NR	NR	NR
	Rd	Bosch		7654 - D786	MD786A	R4011754	NR	NR	NR
	Rd	Bosch		7654 - D786	MD786A	R4011754	NR	NR	NR
	Rd	Bosch		7654 - D786	MD786A	R4011754	NR	NR	NR
M2									
2006									
4x2 106 BBC									
	Fd	Bosch		7655 - D786	MD786	R4011754	NR	NR	NR
	Fd	Bosch		7655 - D786	MD786	R4011754	NR	NR	NR
	Fd	Bosch		7655 - D786	MD786	R4011754	NR	NR	NR
	Fd	Bosch		7655 - D786	MD786	R4011754	NR	NR	NR
	Fd	Bosch		7654 - D786	MD786A	R4011754	NR	NR	NR
	Fd	Bosch		7654 - D786	MD786A	R4011754	NR	NR	NR
	Fd	Bosch		7654 - D786	MD786A	R4011754	NR	NR	NR
	Fd	Bosch		7654 - D786	MD786A	R4011754	NR	NR	NR
	Rd	Bosch		7655 - D786	MD786	R4011754	NR	NR	NR
	Rd	Bosch		7655 - D786	MD786	R4011754	NR	NR	NR
	Rd	Bosch		7655 - D786	MD786	R4011754	NR	NR	NR
	Rd	Bosch		7655 - D786	MD786	R4011754	NR	NR	NR
	Rd	Bosch		7654 - D786	MD786A	R4011754	NR	NR	NR
	Rd	Bosch		7654 - D786	MD786A	R4011754	NR	NR	NR
	Rd	Bosch		7654 - D786	MD786A	R4011754	NR	NR	NR
2005									
	Fd	Bosch		7655 - D786	MD786	R4011754	NR	NR	NR
	Fd	Bosch		7655 - D786	MD786	R4011754	NR	NR	NR
	Fd	Bosch		7654 - D786	MD786A	R4011754	NR	NR	NR
	Fd	Bosch		7655 - D786	MD786	R4011754	NR	NR	NR
	Fd	Bosch		7655 - D786	MD786	R4011754	NR	NR	NR
	Fd	Bosch		7654 - D786	MD786A	R4011754	NR	NR	NR
	Fd	Bosch		7654 - D786	MD786A	R4011754	NR	NR	NR
	Fd	Bosch		7654 - D786	MD786A	R4011754	NR	NR	NR
	Rd	Bosch		7655 - D786	MD786	R4011754	NR	NR	NR
	Rd	Bosch		7655 - D786	MD786	R4011754	NR	NR	NR
	Rd	Bosch		7655 - D786	MD786	R4011754	NR	NR	NR
	Rd	Bosch		7655 - D786	MD786	R4011754	NR	NR	NR
	Rd	Bosch		7654 - D786	MD786A	R4011754	NR	NR	NR

72 - Phenolic/Steel Face

387 - 10 Hole Rotor

356 - Single Hydraulic System, Bosch Cylinder, after Serial No. Q20000, 18,500lb. Rear Axle
388 - 5 Hole Rotor

365 - Caliper Loaded with Hardware and Disc Pads

391 - 6 Hole Rotor

MERITOR DRUM OR ROTOR NO.	CALIPER OR CYLINDER BORE SIZE	MERITOR CALIPER OR WHEEL CYLINDER (LEFT)	MERITOR CALIPER OR WHEEL CYLINDER (RIGHT)	MERITOR CALIPER OR WHEEL CYLINDER REPAIR KIT	MERITOR CALIPER PISTON	MERITOR MASTER CYLINDER	MERITOR MASTER CYLINDER KIT	MERITOR BRAKE HOSE (LEFT)	MERITOR BRAKE HOSE (RIGHT)
FREIGHTLINER(Cont.)									
FW700(Cont.)									
23-123572-004 ³⁹¹	73mm	R424153216	R424153216 ³⁶⁵	R4011758	R4011757 ⁷²	-	-	-	-
23-123552-004 ³⁸⁷	73mm	R424153216	R424153216 ³⁶⁵	R4011758	R4011757 ⁷²	-	-	-	-
23-123550-004 ³⁸⁷	73mm	R424153216	R424153216 ³⁶⁵	R4011758	R4011757 ⁷²	-	-	-	-
23-123552-004 ³⁸⁷	66mm	R424153263	R424153263 ³⁵⁶	R4011752	R4011751 ⁷²	-	-	-	-
23-123550-004 ³⁸⁷	66mm	R424153263	R424153263 ³⁵⁶	R4011752	R4011751 ⁷²	-	-	-	-
R44141476 ³⁸⁸	66mm	R424153263	R424153263 ³⁵⁶	R4011752	R4011751 ⁷²	-	-	-	-
23-123572-004 ³⁹¹	66mm	R424153263	R424153263 ³⁵⁶	R4011752	R4011751 ⁷²	-	-	-	-
23-123572-004 ³⁹¹	73mm	R424153216	R424153216 ³⁶⁵	R4011758	R4011757 ⁷²	-	-	-	-
23-123552-004 ³⁸⁷	66mm	R424153263	R424153263 ³⁵⁶	R4011752	R4011751 ⁷²	-	-	-	-
R44141476 ³⁸⁸	73mm	R424153216	R424153216 ³⁶⁵	R4011758	R4011757 ⁷²	-	-	-	-
23-123550-004 ³⁸⁷	73mm	R424153216	R424153216 ³⁶⁵	R4011758	R4011757 ⁷²	-	-	-	-
23-123552-004 ³⁸⁷	73mm	R424153216	R424153216 ³⁶⁵	R4011758	R4011757 ⁷²	-	-	-	-
R44141476 ³⁸⁸	66mm	R424153263	R424153263 ³⁵⁶	R4011752	R4011751 ⁷²	-	-	-	-
23-123572-004 ³⁹¹	66mm	R424153263	R424153263 ³⁵⁶	R4011752	R4011751 ⁷²	-	-	-	-
23-123550-004 ³⁸⁷	66mm	R424153263	R424153263 ³⁵⁶	R4011752	R4011751 ⁷²	-	-	-	-
23-123552-004 ³⁸⁷	66mm	R424153263	R424153263 ³⁵⁶	R4011752	R4011751 ⁷²	-	-	-	-
23-123572-004 ³⁹¹	73mm	R424153216	R424153216 ³⁶⁵	R4011758	R4011757 ⁷²	-	-	-	-
R44141476 ³⁸⁸	73mm	R424153216	R424153216 ³⁶⁵	R4011758	R4011757 ⁷²	-	-	-	-
23-123550-004 ³⁸⁷	66mm	R424153263	R424153263 ³⁵⁶	R4011752	R4011751 ⁷²	-	-	-	-
23-123552-004 ³⁸⁷	73mm	R424153216	R424153216 ³⁶⁵	R4011758	R4011757 ⁷²	-	-	-	-
23-123550-004 ³⁸⁷	66mm	R424153263	R424153263 ³⁵⁶	R4011752	R4011751 ⁷²	-	-	-	-
23-123572-004 ³⁹¹	66mm	R424153263	R424153263 ³⁵⁶	R4011752	R4011751 ⁷²	-	-	-	-
23-123552-004 ³⁸⁷	66mm	R424153263	R424153263 ³⁵⁶	R4011752	R4011751 ⁷²	-	-	-	-
23-123572-004 ³⁹¹	73mm	R424153216	R424153216 ³⁶⁵	R4011758	R4011757 ⁷²	-	-	-	-
23-123572-004 ³⁹¹	73mm	R424153216	R424153216 ³⁶⁵	R4011758	R4011757 ⁷²	-	-	-	-
23-123550-004 ³⁸⁷	73mm	R424153216	R424153216 ³⁶⁵	R4011758	R4011757 ⁷²	-	-	-	-
R44141476 ³⁸⁸	73mm	R424153216	R424153216 ³⁶⁵	R4011758	R4011757 ⁷²	-	-	-	-
R44141476 ³⁸⁸	66mm	R424153263	R424153263 ³⁵⁶	R4011752	R4011751 ⁷²	-	-	-	-
23-123550-004 ³⁸⁷	66mm	R424153263	R424153263 ³⁵⁶	R4011752	R4011751 ⁷²	-	-	-	-
23-123572-004 ³⁹¹	66mm	R424153263	R424153263 ³⁵⁶	R4011752	R4011751 ⁷²	-	-	-	-
23-123552-004 ³⁸⁷	66mm	R424153263	R424153263 ³⁵⁶	R4011752	R4011751 ⁷²	-	-	-	-
23-123572-004 ³⁹¹	73mm	R424153216	R424153216 ³⁶⁵	R4011758	R4011757 ⁷²	-	-	-	-
23-123572-004 ³⁹¹	73mm	R424153216	R424153216 ³⁶⁵	R4011758	R4011757 ⁷²	-	-	-	-
23-123550-004 ³⁸⁷	73mm	R424153216	R424153216 ³⁶⁵	R4011758	R4011757 ⁷²	-	-	-	-
R44141476 ³⁸⁸	73mm	R424153216	R424153216 ³⁶⁵	R4011758	R4011757 ⁷²	-	-	-	-
R44141476 ³⁸⁸	66mm	R424153263	R424153263 ³⁵⁶	R4011752	R4011751 ⁷²	-	-	-	-
23-123550-004 ³⁸⁷	66mm	R424153263	R424153263 ³⁵⁶	R4011752	R4011751 ⁷²	-	-	-	-
23-123572-004 ³⁹¹	66mm	R424153263	R424153263 ³⁵⁶	R4011752	R4011751 ⁷²	-	-	-	-
23-123552-004 ³⁸⁷	73mm	R424153216	R424153216 ³⁶⁵	R4011758	R4011757 ⁷²	-	-	-	-
23-123572-004 ³⁹¹	73mm	R424153216	R424153216 ³⁶⁵	R4011758	R4011757 ⁷²	-	-	-	-
23-123550-004 ³⁸⁷	73mm	R424153216	R424153216 ³⁶⁵	R4011758	R4011757 ⁷²	-	-	-	-
R44141476 ³⁸⁸	73mm	R424153216	R424153216 ³⁶⁵	R4011758	R4011757 ⁷²	-	-	-	-
R44141476 ³⁸⁸	66mm	R424153263	R424153263 ³⁵⁶	R4011752	R4011751 ⁷²	-	-	-	-

M2

1 APPLICATION

MAKE MODEL YEAR AXLE CODE AXLE WEIGHT	AXLE & BRK. TYPE	BRK. MFG.	BRAKE SIZE	FMSI	MERITOR DISC PAD OR BRAKE SHOE	MERITOR GUIDE PIN OR RETURN SPRING KIT	MERITOR CALIPER HWD. KIT OR RETURN SPRING KIT	MERITOR ADJUSTER KIT (LEFT WHEEL)	MERITOR ADJUSTER KIT (RIGHT WHEEL)	
FREIGHTLINER(Cont.)										
M2(Cont.)										
2005	Rd	Bosch		7654 - D786	MD786A	R4011754	NR	NR	NR	
	Rd	Bosch		7654 - D786	MD786A	R4011754	NR	NR	NR	
	Rd	Bosch		7654 - D786	MD786A	R4011754	NR	NR	NR	
2004	Fd	Bosch		7654 - D786	MD786A	R4011754	NR	NR	NR	
	Fd	Bosch		7655 - D786	MD786	R4011754	NR	NR	NR	
	Fd	Bosch		7655 - D786	MD786	R4011754	NR	NR	NR	
	Fd	Bosch		7654 - D786	MD786A	R4011754	NR	NR	NR	
	Fd	Bosch		7654 - D786	MD786A	R4011754	NR	NR	NR	
	Fd	Bosch		7655 - D786	MD786	R4011754	NR	NR	NR	
	Fd	Bosch		7655 - D786	MD786	R4011754	NR	NR	NR	
	Fd	Bosch		7654 - D786	MD786A	R4011754	NR	NR	NR	
	Rd	Bosch		7655 - D786	MD786	R4011754	NR	NR	NR	
	Rd	Bosch		7655 - D786	MD786	R4011754	NR	NR	NR	
	Rd	Bosch		7655 - D786	MD786	R4011754	NR	NR	NR	
	Rd	Bosch		7654 - D786	MD786A	R4011754	NR	NR	NR	
	Rd	Bosch		7654 - D786	MD786A	R4011754	NR	NR	NR	
	Rd	Bosch		7655 - D786	MD786	R4011754	NR	NR	NR	
	Rd	Bosch		7654 - D786	MD786A	R4011754	NR	NR	NR	
	Rd	Bosch		7654 - D786	MD786A	R4011754	NR	NR	NR	
	MB50									
	1996	Fd	BX		7142 - D225	MD225	R40H5010	R40H5522	NR	NR
Fd		BX		7108 - D184	MD184	R40H5010	R40H5519	NR	NR	
Fd		BX		7108 - D184	MD184	R40H5010	R40H5519	NR	NR	
Fd		BX		7142 - D225	MD225	R40H5010	R40H5522	NR	NR	
Fd		BX		7142 - D225	MD225	R40H5010	R40H5522	NR	NR	
Fd		BX		7108 - D184	MD184	R40H5010	R40H5519	NR	NR	
Fd		BX		7142 - D225	MD225	R40H5010	R40H5522	NR	NR	
Rd		BX		7142 - D225	MD225	R40H5010	R40H5522	NR	NR	
Rd		BX		7108 - D184	MD184	R40H5010	R40H5519	NR	NR	
Rd		BX		7108 - D184	MD184	R40H5010	R40H5519	NR	NR	
Rd		BX		7142 - D225	MD225	R40H5010	R40H5522	NR	NR	
Rd		BX		7142 - D225	MD225	R40H5010	R40H5522	NR	NR	
Rd		BX		7108 - D184	MD184	R40H5010	R40H5519	NR	NR	
Rd		BX		7108 - D184	MD184	R40H5010	R40H5519	NR	NR	
Rd		BX		7142 - D225	MD225	R40H5010	R40H5522	NR	NR	
1992		Fd	BX		7108 - D184	MD184	R40H5010	R40H5519	NR	NR
		Fd	BX		7142 - D225	MD225	R40H5010	R40H5522	NR	NR
		Rd	BX		7142 - D225	MD225	R40H5010	R40H5522	NR	NR
Rd	BX		7108 - D184	MD184	R40H5010	R40H5519	NR	NR		
MB60										
1996	Fd	BX		7142 - D225	MD225	R40H5010	R40H5522	NR	NR	
	Fd	BX		7142 - D225	MD225	R40H5010	R40H5522	NR	NR	
	Fd	BX		7142 - D225	MD225	R40H5010	R40H5522	NR	NR	
	Fd	BX		7108 - D184	MD184	R40H5010	R40H5519	NR	NR	
	Fd	BX		7108 - D184	MD184	R40H5010	R40H5519	NR	NR	
	Fd	BX		7108 - D184	MD184	R40H5010	R40H5519	NR	NR	
	Fd	BX		7142 - D225	MD225	R40H5010	R40H5522	NR	NR	
	Rd	BX		7108 - D184	MD184	R40H5010	R40H5519	NR	NR	
	Rd	BX		7142 - D225	MD225	R40H5010	R40H5522	NR	NR	
	Rd	BX		7142 - D225	MD225	R40H5010	R40H5522	NR	NR	
	Rd	BX		7108 - D184	MD184	R40H5010	R40H5519	NR	NR	
	Rd	BX		7142 - D225	MD225	R40H5010	R40H5522	NR	NR	
	Rd	BX		7142 - D225	MD225	R40H5010	R40H5522	NR	NR	
	Rd	BX		7108 - D184	MD184	R40H5010	R40H5519	NR	NR	
	Rd	BX		7108 - D184	MD184	R40H5010	R40H5519	NR	NR	
	Rd	BX		7142 - D225	MD225	R40H5010	R40H5522	NR	NR	
	1992	Fd	BX		7108 - D184	MD184	R40H5010	R40H5519	NR	NR
		Fd	BX		7142 - D225	MD225	R40H5010	R40H5522	NR	NR
Rd		BX		7108 - D184	MD184	R40H5010	R40H5519	NR	NR	
Rd	BX		7142 - D225	MD225	R40H5010	R40H5522	NR	NR		

72 - Phenolic/Steel Face

356 - Single Hydraulic System, Bosch Cylinder, after Serial No. Q20000, 18,500lb. Rear Axle
388 - 5 Hole Rotor

365 - Caliper Loaded with Hardware and Disc Pads

387 - 10 Hole Rotor

391 - 6 Hole Rotor

MERITOR DRUM OR ROTOR NO.	CALIPER OR CYLINDER BORE SIZE	MERITOR CALIPER OR WHEEL CYLINDER (LEFT)	MERITOR CALIPER OR WHEEL CYLINDER (RIGHT)	MERITOR CALIPER OR WHEEL CYLINDER REPAIR KIT	MERITOR CALIPER PISTON	MERITOR MASTER CYLINDER	MERITOR MASTER CYLINDER KIT	MERITOR BRAKE HOSE (LEFT)	MERITOR BRAKE HOSE (RIGHT)
FREIGHTLINER(Cont.)									
M2(Cont.)									
23-123550-004 ³⁸⁷	66mm	R424153263	R424153263 ³⁵⁶	R4011752	R4011751 ⁷²	-	-	-	-
23-123552-004 ³⁸⁷	66mm	R424153263	R424153263 ³⁵⁶	R4011752	R4011751 ⁷²	-	-	-	-
23-123572-004 ³⁹¹	66mm	R424153263	R424153263 ³⁵⁶	R4011752	R4011751 ⁷²	-	-	-	-
R44141476 ³⁸⁸	66mm	R424153263	R424153263 ³⁵⁶	R4011752	R4011751 ⁷²	-	-	-	-
R44141476 ³⁸⁸	73mm	R424153216	R424153216 ³⁶⁵	R4011758	R4011757 ⁷²	-	-	-	-
23-123552-004 ³⁸⁷	73mm	R424153216	R424153216 ³⁶⁵	R4011758	R4011757 ⁷²	-	-	-	-
23-123552-004 ³⁸⁷	66mm	R424153263	R424153263 ³⁵⁶	R4011752	R4011751 ⁷²	-	-	-	-
23-123550-004 ³⁸⁷	66mm	R424153263	R424153263 ³⁵⁶	R4011752	R4011751 ⁷²	-	-	-	-
23-123572-004 ³⁹¹	73mm	R424153216	R424153216 ³⁶⁵	R4011758	R4011757 ⁷²	-	-	-	-
23-123550-004 ³⁸⁷	73mm	R424153216	R424153216 ³⁶⁵	R4011758	R4011757 ⁷²	-	-	-	-
23-123572-004 ³⁹¹	66mm	R424153263	R424153263 ³⁵⁶	R4011752	R4011751 ⁷²	-	-	-	-
23-123572-004 ³⁹¹	73mm	R424153216	R424153216 ³⁶⁵	R4011758	R4011757 ⁷²	-	-	-	-
R44141476 ³⁸⁸	73mm	R424153216	R424153216 ³⁶⁵	R4011758	R4011757 ⁷²	-	-	-	-
23-123552-004 ³⁸⁷	73mm	R424153216	R424153216 ³⁶⁵	R4011758	R4011757 ⁷²	-	-	-	-
23-123572-004 ³⁹¹	66mm	R424153263	R424153263 ³⁵⁶	R4011752	R4011751 ⁷²	-	-	-	-
R44141476 ³⁸⁸	66mm	R424153263	R424153263 ³⁵⁶	R4011752	R4011751 ⁷²	-	-	-	-
23-123550-004 ³⁸⁷	73mm	R424153216	R424153216 ³⁶⁵	R4011758	R4011757 ⁷²	-	-	-	-
23-123552-004 ³⁸⁷	66mm	R424153263	R424153263 ³⁵⁶	R4011752	R4011751 ⁷²	-	-	-	-
23-123550-004 ³⁸⁷	66mm	R424153263	R424153263 ³⁵⁶	R4011752	R4011751 ⁷²	-	-	-	-
MB50									
N/A	2-7/8 "	R4255656	R4255656	R4066365	R4090096 ⁷²	-	-	-	-
N/A	2-19/32 "	R42R55314	R42R55314	R40107771	R4090100P ⁷²	-	-	-	-
N/A	2-19/32 "	R42R55314	R42R55314	R40107771	R4090100P ⁷²	-	-	-	-
N/A	2-7/8 "	R4255656	R4255656	R4066365	R4090096 ⁷²	-	-	-	-
N/A	2-7/8 "	R4255656	R4255656	R4066365	R4090096 ⁷²	-	-	-	-
N/A	2-19/32 "	R42R55314	R42R55314	R40107771	R4090100P ⁷²	-	-	-	-
N/A	2-7/8 "	R4255656	R4255656	R4066365	R4090096 ⁷²	-	-	-	-
N/A	2-7/8 "	R4255656	R4255656	R4066365	R4090096 ⁷²	-	-	-	-
N/A	2-19/32 "	R42R55314	R42R55314	R40107771	R4090100P ⁷²	-	-	-	-
N/A	2-7/8 "	R4255656	R4255656	R4066365	R4090096 ⁷²	-	-	-	-
N/A	2-19/32 "	R42R55314	R42R55314	R40107771	R4090100P ⁷²	-	-	-	-
N/A	2-7/8 "	R4255656	R4255656	R4066365	R4090096 ⁷²	-	-	-	-
N/A	2-7/8 "	R4255656	R4255656	R4066365	R4090096 ⁷²	-	-	-	-
N/A	2-19/32 "	R42R55314	R42R55314	R40107771	R4090100P ⁷²	-	-	-	-
N/A	2-7/8 "	R4255656	R4255656	R4066365	R4090096 ⁷²	-	-	-	-
N/A	2-7/8 "	R4255656	R4255656	R4066365	R4090096 ⁷²	-	-	-	-
N/A	2-19/32 "	R42R55314	R42R55314	R40107771	R4090100P ⁷²	-	-	-	-
N/A	2-7/8 "	R4255656	R4255656	R4066365	R4090096 ⁷²	-	-	-	-
N/A	2-7/8 "	R4255656	R4255656	R4066365	R4090096 ⁷²	-	-	-	-
N/A	2-19/32 "	R42R55314	R42R55314	R40107771	R4090100P ⁷²	-	-	-	-
N/A	2-7/8 "	R4255656	R4255656	R4066365	R4090096 ⁷²	-	-	-	-
N/A	2-7/8 "	R4255656	R4255656	R4066365	R4090096 ⁷²	-	-	-	-
N/A	2-19/32 "	R42R55314	R42R55314	R40107771	R4090100P ⁷²	-	-	-	-
N/A	2-7/8 "	R4255656	R4255656	R4066365	R4090096 ⁷²	-	-	-	-
N/A	2-7/8 "	R4255656	R4255656	R4066365	R4090096 ⁷²	-	-	-	-
N/A	2-19/32 "	R42R55314	R42R55314	R40107771	R4090100P ⁷²	-	-	-	-
N/A	2-7/8 "	R4255656	R4255656	R4066365	R4090096 ⁷²	-	-	-	-
N/A	2-7/8 "	R4255656	R4255656	R4066365	R4090096 ⁷²	-	-	-	-
N/A	2-19/32 "	R42R55314	R42R55314	R40107771	R4090100P ⁷²	-	-	-	-
N/A	2-7/8 "	R4255656	R4255656	R4066365	R4090096 ⁷²	-	-	-	-
N/A	2-7/8 "	R4255656	R4255656	R4066365	R4090096 ⁷²	-	-	-	-
N/A	2-19/32 "	R42R55314	R42R55314	R40107771	R4090100P ⁷²	-	-	-	-
N/A	2-7/8 "	R4255656	R4255656	R4066365	R4090096 ⁷²	-	-	-	-
MB60									
N/A	2-7/8 "	R4255656	R4255656	R4066365	R4090096 ⁷²	-	-	-	-
N/A	2-7/8 "	R4255656	R4255656	R4066365	R4090096 ⁷²	-	-	-	-
N/A	2-7/8 "	R4255656	R4255656	R4066365	R4090096 ⁷²	-	-	-	-
N/A	2-19/32 "	R42R55314	R42R55314	R40107771	R4090100P ⁷²	-	-	-	-
N/A	2-19/32 "	R42R55314	R42R55314	R40107771	R4090100P ⁷²	-	-	-	-
N/A	2-19/32 "	R42R55314	R42R55314	R40107771	R4090100P ⁷²	-	-	-	-
N/A	2-7/8 "	R4255656	R4255656	R4066365	R4090096 ⁷²	-	-	-	-
N/A	2-19/32 "	R42R55314	R42R55314	R40107771	R4090100P ⁷²	-	-	-	-
N/A	2-7/8 "	R4255656	R4255656	R4066365	R4090096 ⁷²	-	-	-	-
N/A	2-7/8 "	R4255656	R4255656	R4066365	R4090096 ⁷²	-	-	-	-
N/A	2-19/32 "	R42R55314	R42R55314	R40107771	R4090100P ⁷²	-	-	-	-
N/A	2-7/8 "	R4255656	R4255656	R4066365	R4090096 ⁷²	-	-	-	-
N/A	2-7/8 "	R4255656	R4255656	R4066365	R4090096 ⁷²	-	-	-	-
N/A	2-19/32 "	R42R55314	R42R55314	R40107771	R4090100P ⁷²	-	-	-	-
N/A	2-7/8 "	R4255656	R4255656	R4066365	R4090096 ⁷²	-	-	-	-
N/A	2-7/8 "	R4255656	R4255656	R4066365	R4090096 ⁷²	-	-	-	-
N/A	2-19/32 "	R42R55314	R42R55314	R40107771	R4090100P ⁷²	-	-	-	-
N/A	2-7/8 "	R4255656	R4255656	R4066365	R4090096 ⁷²	-	-	-	-

1 APPLICATION

MAKE MODEL YEAR AXLE CODE AXLE WEIGHT	AXLE & BRK. TYPE	BRK. MFG.	BRAKE SIZE	FMSI	MERITOR DISC PAD OR BRAKE SHOE	MERITOR GUIDE PIN OR RETURN SPRING KIT	MERITOR CALIPER HWD. KIT OR RETURN SPRING KIT	MERITOR ADJUSTER KIT (LEFT WHEEL)	MERITOR ADJUSTER KIT (RIGHT WHEEL)
FREIGHTLINER(Cont.)									
MB70									
1996									
	Fd	BX		7108 - D184	MD184	R40H5010	R40H5519	NR	NR
	Fd	BX		7108 - D184	MD184	R40H5010	R40H5519	NR	NR
	Fd	BX		7142 - D225	MD225	R40H5010	R40H5522	NR	NR
	Fd	BX		7142 - D225	MD225	R40H5010	R40H5522	NR	NR
	Fd	BX		7142 - D225	MD225	R40H5010	R40H5522	NR	NR
	Fd	BX		7108 - D184	MD184	R40H5010	R40H5519	NR	NR
	Rd	BX		7108 - D184	MD184	R40H5010	R40H5519	NR	NR
	Rd	BX		7142 - D225	MD225	R40H5010	R40H5522	NR	NR
	Rd	BX		7142 - D225	MD225	R40H5010	R40H5522	NR	NR
	Rd	BX		7108 - D184	MD184	R40H5010	R40H5519	NR	NR
	Rd	BX		7108 - D184	MD184	R40H5010	R40H5519	NR	NR
	Rd	BX		7142 - D225	MD225	R40H5010	R40H5522	NR	NR
	Rd	BX		7142 - D225	MD225	R40H5010	R40H5522	NR	NR
1992									
	Fd	BX		7142 - D225	MD225	R40H5010	R40H5522	NR	NR
	Fd	BX		7108 - D184	MD184	R40H5010	R40H5519	NR	NR
	Rd	BX		7108 - D184	MD184	R40H5010	R40H5519	NR	NR
	Rd	BX		7142 - D225	MD225	R40H5010	R40H5522	NR	NR
MT45									
2006									
	Fd	Bosch		7655 - D786	MD786	R4011754	NR	NR	NR
	Fd	Bosch		7655 - D786	MD786	R4011754	NR	NR	NR
	Fd	Bosch		7654 - D786	MD786A	R4011754	NR	NR	NR
	Fd	Bosch		7654 - D786	MD786A	R4011754	NR	NR	NR
	Fd	Bosch		7655 - D786	MD786	R4011754	NR	NR	NR
	Fd	Bosch		7654 - D786	MD786A	R4011754	NR	NR	NR
	Fd	Bosch		7654 - D786	MD786A	R4011754	NR	NR	NR
	Fd	Bosch		7655 - D786	MD786	R4011754	NR	NR	NR
	Rd	Bosch		7654 - D786	MD786A	R4011754	NR	NR	NR
	Rd	Bosch		7655 - D786	MD786	R4011754	NR	NR	NR
	Rd	Bosch		7655 - D786	MD786	R4011754	NR	NR	NR
	Rd	Bosch		7654 - D786	MD786A	R4011754	NR	NR	NR
	Rd	Bosch		7654 - D786	MD786A	R4011754	NR	NR	NR
	Rd	Bosch		7655 - D786	MD786	R4011754	NR	NR	NR
	Rd	Bosch		7654 - D786	MD786A	R4011754	NR	NR	NR
	Rd	Bosch		7654 - D786	MD786A	R4011754	NR	NR	NR
	Rd	Bosch		7655 - D786	MD786	R4011754	NR	NR	NR
2005									
	Fd	Bosch		7655 - D786	MD786	R4011754	NR	NR	NR
	Fd	Bosch		7655 - D786	MD786	R4011754	NR	NR	NR
	Fd	Bosch		7655 - D786	MD786	R4011754	NR	NR	NR
	Fd	Bosch		7655 - D786	MD786	R4011754	NR	NR	NR
	Fd	Bosch		7654 - D786	MD786A	R4011754	NR	NR	NR
	Fd	Bosch		7654 - D786	MD786A	R4011754	NR	NR	NR
	Fd	Bosch		7654 - D786	MD786A	R4011754	NR	NR	NR
	Fd	Bosch		7654 - D786	MD786A	R4011754	NR	NR	NR
	Rd	Bosch		7655 - D786	MD786	R4011754	NR	NR	NR
	Rd	Bosch		7654 - D786	MD786A	R4011754	NR	NR	NR
	Rd	Bosch		7655 - D786	MD786	R4011754	NR	NR	NR
	Rd	Bosch		7655 - D786	MD786	R4011754	NR	NR	NR
	Rd	Bosch		7655 - D786	MD786	R4011754	NR	NR	NR
	Rd	Bosch		7655 - D786	MD786	R4011754	NR	NR	NR
	Rd	Bosch		7654 - D786	MD786A	R4011754	NR	NR	NR
	Rd	Bosch		7654 - D786	MD786A	R4011754	NR	NR	NR
	Rd	Bosch		7654 - D786	MD786A	R4011754	NR	NR	NR
2004									
	Fd	Bosch		7655 - D786	MD786	R4011754	NR	NR	NR
	Fd	Bosch		7655 - D786	MD786	R4011754	NR	NR	NR
	Fd	Bosch		7655 - D786	MD786	R4011754	NR	NR	NR
	Fd	Bosch		7655 - D786	MD786	R4011754	NR	NR	NR
	Fd	Bosch		7654 - D786	MD786A	R4011754	NR	NR	NR
	Fd	Bosch		7654 - D786	MD786A	R4011754	NR	NR	NR
	Fd	Bosch		7654 - D786	MD786A	R4011754	NR	NR	NR
	Fd	Bosch		7654 - D786	MD786A	R4011754	NR	NR	NR

72 - Phenolic/Steel Face

356 - Single Hydraulic System, Bosch Cylinder, after Serial No. Q20000, 18,500lb. Rear Axle
388 - 5 Hole Rotor

365 - Caliper Loaded with Hardware and Disc Pads

387 - 10 Hole Rotor

391 - 6 Hole Rotor

MERITOR DRUM OR ROTOR NO.	CALIPER OR CYLINDER BORE SIZE	MERITOR CALIPER OR WHEEL CYLINDER (LEFT)	MERITOR CALIPER OR WHEEL CYLINDER (RIGHT)	MERITOR CALIPER OR WHEEL CYLINDER REPAIR KIT	MERITOR CALIPER PISTON	MERITOR MASTER CYLINDER	MERITOR MASTER CYLINDER KIT	MERITOR BRAKE HOSE (LEFT)	MERITOR BRAKE HOSE (RIGHT)
FREIGHTLINER(Cont.)									
MB70									
N/A	2-19/32 "	R42R55314	R42R55314	R40107771	R4090100P ⁷²	-	-	-	-
N/A	2-19/32 "	R42R55314	R42R55314	R40107771	R4090100P ⁷²	-	-	-	-
N/A	2-7/8 "	R4255656	R4255656	R4066365	R4090096 ⁷²	-	-	-	-
N/A	2-7/8 "	R4255656	R4255656	R4066365	R4090096 ⁷²	-	-	-	-
N/A	2-7/8 "	R4255656	R4255656	R4066365	R4090096 ⁷²	-	-	-	-
N/A	2-7/8 "	R4255656	R4255656	R4066365	R4090096 ⁷²	-	-	-	-
N/A	2-19/32 "	R42R55314	R42R55314	R40107771	R4090100P ⁷²	-	-	-	-
N/A	2-19/32 "	R42R55314	R42R55314	R40107771	R4090100P ⁷²	-	-	-	-
N/A	2-7/8 "	R4255656	R4255656	R4066365	R4090096 ⁷²	-	-	-	-
N/A	2-7/8 "	R4255656	R4255656	R4066365	R4090096 ⁷²	-	-	-	-
N/A	2-7/8 "	R4255656	R4255656	R4066365	R4090096 ⁷²	-	-	-	-
N/A	2-19/32 "	R42R55314	R42R55314	R40107771	R4090100P ⁷²	-	-	-	-
N/A	2-19/32 "	R42R55314	R42R55314	R40107771	R4090100P ⁷²	-	-	-	-
N/A	2-7/8 "	R4255656	R4255656	R4066365	R4090096 ⁷²	-	-	-	-
N/A	2-7/8 "	R4255656	R4255656	R4066365	R4090096 ⁷²	-	-	-	-
N/A	2-7/8 "	R4255656	R4255656	R4066365	R4090096 ⁷²	-	-	-	-
N/A	2-19/32 "	R42R55314	R42R55314	R40107771	R4090100P ⁷²	-	-	-	-
N/A	2-7/8 "	R4255656	R4255656	R4066365	R4090096 ⁷²	-	-	-	-
MT45									
23-123572-004 ³⁹¹	73mm	R424153216	R424153216 ³⁶⁵	R4011758	R4011757 ⁷²	-	-	-	-
R44141476 ³⁸⁸	73mm	R424153216	R424153216 ³⁶⁵	R4011758	R4011757 ⁷²	-	-	-	-
23-123572-004 ³⁹¹	66mm	R424153263	R424153263 ³⁵⁶	R4011752	R4011751 ⁷²	-	-	-	-
23-123550-004 ³⁸⁷	66mm	R424153263	R424153263 ³⁵⁶	R4011752	R4011751 ⁷²	-	-	-	-
23-123552-004 ³⁸⁷	73mm	R424153216	R424153216 ³⁶⁵	R4011758	R4011757 ⁷²	-	-	-	-
23-123552-004 ³⁸⁷	66mm	R424153263	R424153263 ³⁵⁶	R4011752	R4011751 ⁷²	-	-	-	-
R44141476 ³⁸⁸	66mm	R424153263	R424153263 ³⁵⁶	R4011752	R4011751 ⁷²	-	-	-	-
23-123550-004 ³⁸⁷	73mm	R424153216	R424153216 ³⁶⁵	R4011758	R4011757 ⁷²	-	-	-	-
23-123572-004 ³⁹¹	66mm	R424153263	R424153263 ³⁵⁶	R4011752	R4011751 ⁷²	-	-	-	-
R44141476 ³⁸⁸	73mm	R424153216	R424153216 ³⁶⁵	R4011758	R4011757 ⁷²	-	-	-	-
23-123572-004 ³⁹¹	73mm	R424153216	R424153216 ³⁶⁵	R4011758	R4011757 ⁷²	-	-	-	-
R44141476 ³⁸⁸	66mm	R424153263	R424153263 ³⁵⁶	R4011752	R4011751 ⁷²	-	-	-	-
23-123550-004 ³⁸⁷	73mm	R424153216	R424153216 ³⁶⁵	R4011758	R4011757 ⁷²	-	-	-	-
23-123552-004 ³⁸⁷	66mm	R424153263	R424153263 ³⁵⁶	R4011752	R4011751 ⁷²	-	-	-	-
23-123550-004 ³⁸⁷	66mm	R424153263	R424153263 ³⁵⁶	R4011752	R4011751 ⁷²	-	-	-	-
23-123552-004 ³⁸⁷	73mm	R424153216	R424153216 ³⁶⁵	R4011758	R4011757 ⁷²	-	-	-	-
23-123572-004 ³⁹¹	66mm	R424153263	R424153263 ³⁵⁶	R4011752	R4011751 ⁷²	-	-	-	-
23-123572-004 ³⁹¹	73mm	R424153216	R424153216 ³⁶⁵	R4011758	R4011757 ⁷²	-	-	-	-
R44141476 ³⁸⁸	73mm	R424153216	R424153216 ³⁶⁵	R4011758	R4011757 ⁷²	-	-	-	-
23-123550-004 ³⁸⁷	73mm	R424153216	R424153216 ³⁶⁵	R4011758	R4011757 ⁷²	-	-	-	-
23-123552-004 ³⁸⁷	66mm	R424153263	R424153263 ³⁵⁶	R4011752	R4011751 ⁷²	-	-	-	-
23-123550-004 ³⁸⁷	66mm	R424153263	R424153263 ³⁵⁶	R4011752	R4011751 ⁷²	-	-	-	-
23-123552-004 ³⁸⁷	73mm	R424153216	R424153216 ³⁶⁵	R4011758	R4011757 ⁷²	-	-	-	-
23-123552-004 ³⁸⁷	66mm	R424153263	R424153263 ³⁵⁶	R4011752	R4011751 ⁷²	-	-	-	-
23-123550-004 ³⁸⁷	66mm	R424153263	R424153263 ³⁵⁶	R4011752	R4011751 ⁷²	-	-	-	-
23-123552-004 ³⁸⁷	66mm	R424153263	R424153263 ³⁵⁶	R4011752	R4011751 ⁷²	-	-	-	-
23-123572-004 ³⁹¹	73mm	R424153216	R424153216 ³⁶⁵	R4011758	R4011757 ⁷²	-	-	-	-
23-123550-004 ³⁸⁷	73mm	R424153216	R424153216 ³⁶⁵	R4011758	R4011757 ⁷²	-	-	-	-
R44141476 ³⁸⁸	73mm	R424153216	R424153216 ³⁶⁵	R4011758	R4011757 ⁷²	-	-	-	-
23-123552-004 ³⁸⁷	73mm	R424153216	R424153216 ³⁶⁵	R4011758	R4011757 ⁷²	-	-	-	-
23-123552-004 ³⁸⁷	66mm	R424153263	R424153263 ³⁵⁶	R4011752	R4011751 ⁷²	-	-	-	-
23-123572-004 ³⁹¹	66mm	R424153263	R424153263 ³⁵⁶	R4011752	R4011751 ⁷²	-	-	-	-
23-123550-004 ³⁸⁷	66mm	R424153263	R424153263 ³⁵⁶	R4011752	R4011751 ⁷²	-	-	-	-
R44141476 ³⁸⁸	66mm	R424153263	R424153263 ³⁵⁶	R4011752	R4011751 ⁷²	-	-	-	-

MAKE MODEL YEAR AXLE CODE AXLE WEIGHT	AXLE & BRK. TYPE	BRK. MFG.	BRAKE SIZE	FMSI	MERITOR DISC PAD OR BRAKE SHOE	MERITOR GUIDE PIN OR RETURN SPRING KIT	MERITOR CALIPER HWD. KIT OR RETURN SPRING KIT	MERITOR ADJUSTER KIT (LEFT WHEEL)	MERITOR ADJUSTER KIT (RIGHT WHEEL)
---	------------------------	--------------	---------------	------	---	--	---	---	--

FREIGHTLINER(Cont.)

MT45(Cont.)

2004	Rd	Bosch		7654 - D786	MD786A	R4011754	NR	NR	NR
	Rd	Bosch		7654 - D786	MD786A	R4011754	NR	NR	NR
	Rd	Bosch		7655 - D786	MD786	R4011754	NR	NR	NR
	Rd	Bosch		7655 - D786	MD786	R4011754	NR	NR	NR
	Rd	Bosch		7655 - D786	MD786	R4011754	NR	NR	NR
	Rd	Bosch		7655 - D786	MD786	R4011754	NR	NR	NR
	Rd	Bosch		7654 - D786	MD786A	R4011754	NR	NR	NR
	Rd	Bosch		7654 - D786	MD786A	R4011754	NR	NR	NR

GMC

C-2500 SERIES- 3/4 TON - CONVENTIONAL CAB, PICKUP AND SUBURBAN

1999									
4x2	Ra	GM	11.1563 x 2-3/4 "	2073TT - 473	R46473	R40H369	R40H4072DP ²⁷⁸	R40H2586	R40H2587
	Ra	GM	13 " x 2-1/2 "	2042AT - 451	R46451	R40H378	R40H7055	R40H2588	R40H2589
	Ra	GM	13 " x 2-1/2 "	2042AT - 451	R46451	R40H378	R40H7055	R40H2588	R40H2589
	Ra	GM	13 " x 2-1/2 "	2042AT - 451	R46451	R40H378	R40H7055	R40H2588	R40H2589
4x2	Fd	GM		7259 - D369	MD369	R40H5083	R40H5707	NR	NR
7,200 lb. GVW	Fd	GM		7259 - D369	MD369	R40H5083	R40H5707	NR	NR
4x2	Fd	GM		7260 - D370	MD370	R40H5083	R40H5707	NR	NR
8,600 lb. GVW	Fd	GM		7260 - D370	MD370	R40H5083	R40H5707	NR	NR
1998									
	Ra	GM	11.1563 x 2-3/4 "	2073TT - 473	R46473	R40H369	R40H4072DP ²⁷⁸	R40H2586	R40H2587
	Ra	GM	13 " x 2-1/2 "	2042AT - 451	R46451	R40H378	R40H7055	R40H2588	R40H2589
	Ra	GM	13 " x 2-1/2 "	2042AT - 451	R46451	R40H378	R40H7055	R40H2588	R40H2589
	Ra	GM	13 " x 2-1/2 "	2042AT - 451	R46451	R40H378	R40H7055	R40H2588	R40H2589
7,200 lb. GVW	Fd	GM		7259 - D369	MD369	R40H5083	R40H5707	NR	NR
	Fd	GM		7259 - D369	MD369	R40H5083	R40H5707	NR	NR
8,600 lb. GVW	Fd	GM		7260 - D370	MD370	R40H5083	R40H5707	NR	NR
	Fd	GM		7260 - D370	MD370	R40H5083	R40H5707	NR	NR
1997									
	Ra	GM	11.1563 x 2-3/4 "	2073TT - 473	R46473	R40H369	R40H4072DP ²⁷⁸	R40H2586	R40H2587
	Ra	GM	13 " x 2-1/2 "	2042AT - 451	R46451	R40H378	R40H7055	R40H2588	R40H2589
	Ra	GM	13 " x 2-1/2 "	2042AT - 451	R46451	R40H378	R40H7055	R40H2588	R40H2589
	Ra	GM	13 " x 2-1/2 "	2042AT - 451	R46451	R40H378	R40H7055	R40H2588	R40H2589
7,200 lb. GVW	Fd	GM		7259 - D369	MD369	R40H5083	R40H5707	NR	NR
	Fd	GM		7259 - D369	MD369	R40H5083	R40H5707	NR	NR
8,600 lb. GVW	Fd	GM		7260 - D370	MD370	R40H5083	R40H5707	NR	NR
	Fd	GM		7260 - D370	MD370	R40H5083	R40H5707	NR	NR
1996									
	Ra	GM	11.1563 x 2-3/4 "	2073TT - 473	R46473	R40H369	R40H4072DP ²⁷⁸	R40H2586	R40H2587
	Ra	GM	13 " x 2-1/2 "	2042AT - 451	R46451	R40H378	R40H7055	R40H2588	R40H2589
	Ra	GM	13 " x 2-1/2 "	2042AT - 451	R46451	R40H378	R40H7055	R40H2588	R40H2589
	Ra	GM	13 " x 2-1/2 "	2042AT - 451	R46451	R40H378	R40H7055	R40H2588	R40H2589
7,200 lb. GVW	Fd	GM		7259 - D369	MD369	R40H5083	R40H5707	NR	NR
	Fd	GM		7259 - D369	MD369	R40H5083	R40H5707	NR	NR
8,600 lb. GVW	Fd	GM		7260 - D370	MD370	R40H5083	R40H5707	NR	NR
	Fd	GM		7260 - D370	MD370	R40H5083	R40H5707	NR	NR
1995									
	Ra	GM	11.1563 x 2-3/4 "	2073TT - 473	R46473	R40H369	R40H4072DP ²⁷⁸	R40H2586	R40H2587
	Ra	GM	13 " x 2-1/2 "	2042AT - 451	R46451	R40H378	R40H7055	R40H2588	R40H2589
	Ra	GM	13 " x 2-1/2 "	2042AT - 451	R46451	R40H378	R40H7055	R40H2588	R40H2589
7,200 lb. GVW	Fd	GM		7259 - D369	MD369	R40H5083	R40H5707	NR	NR
	Fd	GM		7259 - D369	MD369	R40H5083	R40H5707	NR	NR
8,600 lb. GVW	Fd	GM		7260 - D370	MD370	R40H5083	R40H5707	NR	NR
	Fd	GM		7260 - D370	MD370	R40H5083	R40H5707	NR	NR
1994									
	Ra	GM	11.1563 x 2-3/4 "	2073TT - 473	R46473	R40H369	R40H4072DP ²⁷⁸	R40H2586	R40H2587
	Ra	GM	13 " x 2-1/2 "	2042AT - 451	R46451	R40H378	R40H7055	R40H2588	R40H2589
	Ra	GM	13 " x 2-1/2 "	2042AT - 451	R46451	R40H378	R40H7055	R40H2588	R40H2589
	Ra	GM	13 " x 2-1/2 "	2042AT - 451	R46451	R40H378	R40H7055	R40H2588	R40H2589
7,200 lb. GVW	Fd	GM		7259 - D369	MD369	R40H5083	R40H5707	NR	NR

72 - Phenolic/Steel Face

278 - For Heavy Duty version use E-11287

282 - 10 1/2" Ring Gear, First Design; Use 3 3/8" Outside Diameter Axle Tubes

291 - Except 9 1/2" Ring Gear

293 - With 9 1/2" Ring Gear and 6 3/8" Drum Width

332 - Power Brakes, Hydraulic Booster

334 - Power Brakes, Vacuum Booster

356 - Single Hydraulic System, Bosch Cylinder, after Serial No. Q20000, 18,500lb. Rear Axle

365 - Caliper Loaded with Hardware and Disc Pads

MERITOR DRUM OR ROTOR NO.	CALIPER OR CYLINDER BORE SIZE	MERITOR CALIPER OR WHEEL CYLINDER (LEFT)	MERITOR CALIPER OR WHEEL CYLINDER (RIGHT)	MERITOR CALIPER OR WHEEL CYLINDER REPAIR KIT	MERITOR CALIPER PISTON	MERITOR MASTER CYLINDER	MERITOR MASTER CYLINDER KIT	MERITOR BRAKE HOSE (LEFT)	MERITOR BRAKE HOSE (RIGHT)
FREIGHTLINER(Cont.)									
MT45(Cont.)									
23-123572-004 ³⁹¹	66mm	R424153263	R424153263 ³⁵⁶	R4011752	R4011751 ⁷²	-	-	-	-
23-123552-004 ³⁸⁷	66mm	R424153263	R424153263 ³⁵⁶	R4011752	R4011751 ⁷²	-	-	-	-
23-123572-004 ³⁹¹	73mm	R424153216	R424153216 ³⁶⁵	R4011758	R4011757 ⁷²	-	-	-	-
23-123550-004 ³⁸⁷	73mm	R424153216	R424153216 ³⁶⁵	R4011758	R4011757 ⁷²	-	-	-	-
R44141476 ³⁸⁸	73mm	R424153216	R424153216 ³⁶⁵	R4011758	R4011757 ⁷²	-	-	-	-
23-123552-004 ³⁸⁷	73mm	R424153216	R424153216 ³⁶⁵	R4011758	R4011757 ⁷²	-	-	-	-
23-123550-004 ³⁸⁷	66mm	R424153263	R424153263 ³⁵⁶	R4011752	R4011751 ⁷²	-	-	-	-
R44141476 ³⁸⁸	66mm	R424153263	R424153263 ³⁵⁶	R4011752	R4011751 ⁷²	-	-	-	-
GMC									
C-2500 SERIES- 3/4 TON - CONVENTIONAL CAB, PICKUP AND SUBURBAN									
R44140543 ²⁹¹	1 "	R4134037	R4134037	R4166620	NR	-	-	-	-
R44140449 ²⁹³	1-1/16 "	R4133709	R4133709	N/A	NR	-	-	-	-
R44140682	1-1/16 "	R4133709	R4133709	N/A	NR	-	-	-	-
R44140363 ²⁸²	1-1/16 "	R4133709	R4133709	N/A	NR	-	-	-	-
R44145107	2-15/16 "	R42R55501	R42R55500	R4066306	R4090087S	R4110372 ³³⁴	R4122202	-	-
R44145107	2-15/16 "	R42R55501	R42R55500	R4066306	R4090087S	R4113056 ³³²	N/A	-	-
R44141818 ³⁹⁰	3-5/32 "	R42R55497	R42R55496	R4066330	R4090101S	R4113056 ³³²	N/A	-	-
R44141818 ³⁹⁰	3-5/32 "	R42R55497	R42R55496	R4066330	R4090101S	R4110372 ³³⁴	R4122202	-	-
R44140543 ²⁹¹	1 "	R4134037	R4134037	R4166620	NR	-	-	-	-
R44140449 ²⁹³	1-1/16 "	R4133709	R4133709	N/A	NR	-	-	-	-
R44140682	1-1/16 "	R4133709	R4133709	N/A	NR	-	-	-	-
R44140363 ²⁸²	1-1/16 "	R4133709	R4133709	N/A	NR	-	-	-	-
R44145107	2-15/16 "	R42R55501	R42R55500	R4066306	R4090087S	R4113056 ³³²	N/A	-	-
R44145107	2-15/16 "	R42R55501	R42R55500	R4066306	R4090087S	R4110372 ³³⁴	R4122202	-	-
R44141818 ³⁹⁰	3-5/32 "	R42R55497	R42R55496	R4066330	R4090101S	R4113056 ³³²	N/A	-	-
R44141818 ³⁹⁰	3-5/32 "	R42R55497	R42R55496	R4066330	R4090101S	R4110372 ³³⁴	R4122202	-	-
R44140543 ²⁹¹	1 "	R4134037	R4134037	R4166620	NR	-	-	-	-
R44140449 ²⁹³	1-1/16 "	R4133709	R4133709	N/A	NR	-	-	-	-
R44140682	1-1/16 "	R4133709	R4133709	N/A	NR	-	-	-	-
R44140363 ²⁸²	1-1/16 "	R4133709	R4133709	N/A	NR	-	-	-	-
R44145107	2-15/16 "	R42R55501	R42R55500	R4066306	R4090087S	R4110372 ³³⁴	R4122202	-	-
R44145107	2-15/16 "	R42R55501	R42R55500	R4066306	R4090087S	R4113056 ³³²	N/A	-	-
R44141818 ³⁹⁰	3-5/32 "	R42R55497	R42R55496	R4066330	R4090101S	R4110372 ³³⁴	R4122202	-	-
R44141818 ³⁹⁰	3-5/32 "	R42R55497	R42R55496	R4066330	R4090101S	R4113056 ³³²	N/A	-	-
R44140543 ²⁹¹	1 "	R4134037	R4134037	R4166620	NR	-	-	-	-
R44140363 ²⁸²	1-1/16 "	R4133709	R4133709	N/A	NR	-	-	-	-
R44140682	1-1/16 "	R4133709	R4133709	N/A	NR	-	-	-	-
R44140449 ²⁹³	1-1/16 "	R4133709	R4133709	N/A	NR	-	-	-	-
R44145107	2-15/16 "	R42R55501	R42R55500	R4066306	R4090087S	R4113056 ³³²	N/A	-	-
R44145107	2-15/16 "	R42R55501	R42R55500	R4066306	R4090087S	R4110372 ³³⁴	R4122202	-	-
R44141818 ³⁹⁰	3-5/32 "	R42R55497	R42R55496	R4066330	R4090101S	R4113056 ³³²	N/A	-	-
R44141818 ³⁹⁰	3-5/32 "	R42R55497	R42R55496	R4066330	R4090101S	R4110372 ³³⁴	R4122202	-	-
R44140543 ²⁹¹	1 "	R4134037	R4134037	R4166620	NR	-	-	-	-
R44140363 ²⁸²	1-1/16 "	R4133709	R4133709	N/A	NR	-	-	-	-
R44140449 ²⁹³	1-1/16 "	R4133709	R4133709	N/A	NR	-	-	-	-
R44145107	2-15/16 "	R42R55501	R42R55500	R4066306	R4090087S	R4110372 ³³⁴	R4122202	-	-
R44145107	2-15/16 "	R42R55501	R42R55500	R4066306	R4090087S	R4113056 ³³²	N/A	-	-
R44141818 ³⁹⁰	3-5/32 "	R42R55497	R42R55496	R4066330	R4090101S	R4113056 ³³²	N/A	-	-
R44141818 ³⁹⁰	3-5/32 "	R42R55497	R42R55496	R4066330	R4090101S	R4110372 ³³⁴	R4122202	-	-
R44140543 ²⁹¹	1 "	R4134037	R4134037	R4166620	NR	-	-	-	-
R44140449 ²⁹³	1-1/16 "	R4133709	R4133709	N/A	NR	-	-	-	-
R44140682	1-1/16 "	R4133709	R4133709	N/A	NR	-	-	-	-
R44140363 ²⁸²	1-1/16 "	R4133709	R4133709	N/A	NR	-	-	-	-
R44145107	2-15/16 "	R42R55501	R42R55500	R4066306	R4090087S	R4110372 ³³⁴	R4122202	-	-

387 - 10 Hole Rotor

388 - 5 Hole Rotor

390 - Rotor and Hub One Piece Assembly With ABS Ring

391 - 6 Hole Rotor

MAKE MODEL YEAR AXLE CODE AXLE WEIGHT	AXLE & BRK. TYPE	BRK. MFG.	BRAKE SIZE	FMSI	MERITOR DISC PAD OR BRAKE SHOE	MERITOR GUIDE PIN OR RETURN SPRING KIT	MERITOR CALIPER HWD. KIT OR RETURN SPRING KIT	MERITOR ADJUSTER KIT (LEFT WHEEL)	MERITOR ADJUSTER KIT (RIGHT WHEEL)
GMC(Cont.)									
C-2500 SERIES- 3/4 TON - CONVENTIONAL CAB, PICKUP AND SUBURBAN(Cont.)									
1994		GM		7259 - D369	MD369	R40H5083	R40H5707	NR	NR
8,600 lb. GVW	Fd	GM		7260 - D370	MD370	R40H5083	R40H5707	NR	NR
	Fd	GM		7260 - D370	MD370	R40H5083	R40H5707	NR	NR
1993		GM	11.1563 x 2-3/4 "	2073TT - 473	R46473	R40H369	R40H4072DP ²⁷⁸	R40H2586	R40H2587
7,200 lb. GVW	Ra	GM	13 " x 2-1/2 "	2042AT - 451	R46451	R40H378	R40H7055	R40H2588	R40H2589
	Ra	GM	13 " x 2-1/2 "	2042AT - 451	R46451	R40H378	R40H7055	R40H2588	R40H2589
	Ra	GM	13 " x 2-1/2 "	2042AT - 451	R46451	R40H378	R40H7055	R40H2588	R40H2589
8,600 lb. GVW	Fd	GM		7259 - D369	MD369	R40H5083	R40H5707	NR	NR
	Fd	GM		7259 - D369	MD369	R40H5083	R40H5707	NR	NR
8,600 lb. GVW	Fd	GM		7260 - D370	MD370	R40H5083	R40H5707	NR	NR
	Fd	GM		7260 - D370	MD370	R40H5083	R40H5707	NR	NR
1992		GM	11.1563 x 2-3/4 "	2073TT - 473	R46473	R40H369	R40H4072DP ²⁷⁸	R40H2586	R40H2587
7,200 lb. GVW	Ra	GM	13 " x 2-1/2 "	2042AT - 451	R46451	R40H378	R40H7055	R40H2588	R40H2589
	Ra	GM	13 " x 2-1/2 "	2042AT - 451	R46451	R40H378	R40H7055	R40H2588	R40H2589
	Ra	GM	13 " x 2-1/2 "	2042AT - 451	R46451	R40H378	R40H7055	R40H2588	R40H2589
8,600 lb. GVW	Fd	GM		7259 - D369	MD369	R40H5083	R40H5707	NR	NR
	Fd	GM		7259 - D369	MD369	R40H5083	R40H5707	NR	NR
8,600 lb. GVW	Fd	GM		7260 - D370	MD370	R40H5083	R40H5707	NR	NR
	Fd	GM		7260 - D370	MD370	R40H5083	R40H5707	NR	NR
1991		GM	11.1563 x 2-3/4 "	2073TT - 473	R46473	R40H369	R40H4072DP ²⁷⁸	R40H2586	R40H2587
7,200 lb. GVW	Ra	GM	13 " x 2-1/2 "	2042AT - 451	R46451	R40H378	R40H7055	R40H2588	R40H2589
	Ra	GM	13 " x 2-1/2 "	2042AT - 451	R46451	R40H378	R40H7055	R40H2588	R40H2589
	Ra	GM	13 " x 2-1/2 "	2042AT - 451	R46451	R40H378	R40H7055	R40H2588	R40H2589
8,600 lb. GVW	Fd	GM		7259 - D369	MD369	R40H5083	R40H5707	NR	NR
	Fd	GM		7259 - D369	MD369	R40H5083	R40H5707	NR	NR
8,600 lb. GVW	Fd	GM		7260 - D370	MD370	R40H5083	R40H5707	NR	NR
	Fd	GM		7260 - D370	MD370	R40H5083	R40H5707	NR	NR
1990		GM	11.1563 x 2-3/4 "	2073TT - 473	R46473	R40H369	R40H4072DP ²⁷⁸	R40H2586	R40H2587
7,200 lb. GVW	Ra	GM	13 " x 2-1/2 "	2042AT - 451	R46451	R40H378	R40H7055	R40H2588	R40H2589
	Ra	GM	13 " x 2-1/2 "	2042AT - 451	R46451	R40H378	R40H7055	R40H2588	R40H2589
	Ra	GM	13 " x 2-1/2 "	2042AT - 451	R46451	R40H378	R40H7055	R40H2588	R40H2589
8,600 lb. GVW	Fd	GM		7259 - D369	MD369	R40H5083	R40H5707	NR	NR
	Fd	GM		7259 - D369	MD369	R40H5083	R40H5707	NR	NR
8,600 lb. GVW	Fd	GM		7260 - D370	MD370	R40H5083	R40H5707	NR	NR
	Fd	GM		7260 - D370	MD370	R40H5083	R40H5707	NR	NR
1989		GM	11.1563 x 2-3/4 "	2073TT - 473	R46473	R40H369	R40H4072DP ²⁷⁸	R40H2586	R40H2587
7,200 lb. GVW	Ra	GM	13 " x 2-1/2 "	2042AT - 451	R46451	R40H378	R40H7055	R40H2588	R40H2589
	Ra	GM	13 " x 2-1/2 "	2042AT - 451	R46451	R40H378	R40H7055	R40H2588	R40H2589
	Ra	GM	13 " x 2-1/2 "	2042AT - 451	R46451	R40H378	R40H7055	R40H2588	R40H2589
8,600 lb. GVW	Fd	GM		7259 - D369	MD369	R40H5083	R40H5707	NR	NR
	Fd	GM		7259 - D369	MD369	R40H5083	R40H5707	NR	NR
8,600 lb. GVW	Fd	GM		7260 - D370	MD370	R40H5083	R40H5707	NR	NR
	Fd	GM		7260 - D370	MD370	R40H5083	R40H5707	NR	NR
1988		GM	11.1563 x 2-3/4 "	2073TT - 473	R46473	R40H369	R40H4072DP ²⁷⁸	R40H2586	R40H2587
7,200 lb. GVW	Ra	GM	13 " x 2-1/2 "	2042AT - 451	R46451	R40H378	R40H7055	R40H2588	R40H2589
	Ra	GM	13 " x 2-1/2 "	2042AT - 451	R46451	R40H378	R40H7055	R40H2588	R40H2589
	Ra	GM	13 " x 2-1/2 "	2042AT - 451	R46451	R40H378	R40H7055	R40H2588	R40H2589
8,600 lb. GVW	Fd	GM		7259 - D369	MD369	R40H5083	R40H5707	NR	NR
	Fd	GM		7259 - D369	MD369	R40H5083	R40H5707	NR	NR
8,600 lb. GVW	Fd	GM		7260 - D370	MD370	R40H5083	R40H5707	NR	NR
	Fd	GM		7260 - D370	MD370	R40H5083	R40H5707	NR	NR
1986		GM		728A - D52	MD52	R40H5004DP	R40H5500	NR	NR
7,200 lb. GVW	Fd	GM		728A - D52	MD52	R40H5004DP	R40H5500	NR	NR
	Fd	GM		728A - D52	MD52	R40H5004DP	R40H5500	NR	NR
	Fd	GM		7084A - D153	MD392	R40H5004DP	R40H5500	NR	NR
	Fd	GM		728A - D52	MD52	R40H5004DP	R40H5500	NR	NR
	Fd	GM		7084A - D153	MD392	R40H5004DP	R40H5500	NR	NR
	Ra	GM	11.1563 x 2-3/4 "	2073TT - 473	R46473	R40H369	R40H4072DP ²⁷⁸	R40H2586	R40H2587
	Ra	GM	11.1563 x 2-3/4 "	2073TT - 473	R46473	R40H369	R40H4072DP ²⁷⁸	R40H2586	R40H2587
8,600 lb. GVW	Ra	GM	13 " x 2-1/2 "	2042AT - 451	R46451	R40H378	R40H7055	R40H2588	R40H2589
	Ra	GM	13 " x 2-1/2 "	2042AT - 451	R46451	R40H378	R40H7055	R40H2588	R40H2589
	Ra	GM	13 " x 2-1/2 "	2042AT - 451	R46451	R40H378	R40H7055	R40H2588	R40H2589

53 - Power Brakes

278 - For Heavy Duty version use E-11287

282 - 10 1/2" Ring Gear, First Design; Use 3 3/8" Outside Diameter Axle Tubes

291 - Except 9 1/2" Ring Gear
309 - Power Brakes, Hydroboost
www.XpresswayPlus.com

293 - With 9 1/2" Ring Gear and 6 3/8" Drum Width
332 - Power Brakes, Hydraulic Booster

303 - Power Brakes, Except Export
334 - Power Brakes, Vacuum Booster

MERITOR DRUM OR ROTOR NO.	CALIPER OR CYLINDER BORE SIZE	MERITOR CALIPER OR WHEEL CYLINDER (LEFT)	MERITOR CALIPER OR WHEEL CYLINDER (RIGHT)	MERITOR CALIPER OR WHEEL CYLINDER REPAIR KIT	MERITOR CALIPER PISTON	MERITOR MASTER CYLINDER	MERITOR MASTER CYLINDER KIT	MERITOR BRAKE HOSE (LEFT)	MERITOR BRAKE HOSE (RIGHT)
GMC(Cont.)									
C-2500 SERIES- 3/4 TON - CONVENTIONAL CAB, PICKUP AND SUBURBAN(Cont.)									
R44145107	2-15/16 "	R42R55501	R42R55500	R4066306	R4090087S	R4113056 ³³²	N/A	-	-
R44141818 ³⁹⁰	3-5/32 "	R42R55497	R42R55496	R4066330	R4090101S	R4110372 ³³⁴	R4122202	-	-
R44141818 ³⁹⁰	3-5/32 "	R42R55497	R42R55496	R4066330	R4090101S	R4113056 ³³²	N/A	-	-
R44140543 ²⁹¹	1 "	R4134037	R4134037	R4166620	NR	-	-	-	-
R44140449 ²⁹³	1-1/16 "	R4133709	R4133709	N/A	NR	-	-	-	-
R44140363 ²⁸²	1-1/16 "	R4133709	R4133709	N/A	NR	-	-	-	-
R44145107	2-15/16 "	R42R55501	R42R55500	R4066306	R4090087S	R4113056 ³³²	N/A	-	-
R44145107	2-15/16 "	R42R55501	R42R55500	R4066306	R4090087S	R4110372 ³³⁴	R4122202	-	-
R44141818 ³⁹⁰	3-5/32 "	R42R55497	R42R55496	R4066330	R4090101S	R4113056 ³³²	N/A	-	-
R44141818 ³⁹⁰	3-5/32 "	R42R55497	R42R55496	R4066330	R4090101S	R4110372 ³³⁴	R4122202	-	-
R44140543 ²⁹¹	1 "	R4134037	R4134037	R4166620	NR	-	-	-	-
R44140363 ²⁸²	1-1/16 "	R4133709	R4133709	N/A	NR	-	-	-	-
R44140449 ²⁹³	1-1/16 "	R4133709	R4133709	N/A	NR	-	-	-	-
R44145107	2-15/16 "	R42R55501	R42R55500	R4066306	R4090087S	R4113056 ³³²	N/A	-	-
R44145107	2-15/16 "	R42R55501	R42R55500	R4066306	R4090087S	R4110372 ³³⁴	R4122202	-	-
R44141818 ³⁹⁰	3-5/32 "	R42R55497	R42R55496	R4066330	R4090101S	R4110372 ³³⁴	R4122202	-	-
R44141818 ³⁹⁰	3-5/32 "	R42R55497	R42R55496	R4066330	R4090101S	R4113056 ³³²	N/A	-	-
R44140543 ²⁹¹	1 "	R4134037	R4134037	R4166620	NR	-	-	-	-
R44140449 ²⁹³	1-1/16 "	R4133709	R4133709	N/A	NR	-	-	-	-
R44140363 ²⁸²	1-1/16 "	R4133709	R4133709	N/A	NR	-	-	-	-
R44145107	2-15/16 "	R42R55501	R42R55500	R4066306	R4090087S	R4112219 ³³⁴	N/A	-	-
R44145107	2-15/16 "	R42R55501	R42R55500	R4066306	R4090087S	R4112219 ³³⁴	N/A	-	-
R44141818 ³⁹⁰	3-5/32 "	R42R55497	R42R55496	R4066330	R4090101S	R4112220 ³⁰⁹	R4122141	-	-
R44141818 ³⁹⁰	3-5/32 "	R42R55497	R42R55496	R4066330	R4090101S	R4112220 ³⁰⁹	R4122141	-	-
R44140543 ²⁹¹	1 "	R4134037	R4134037	R4166620	NR	-	-	-	-
R44140449 ²⁹³	1-1/16 "	R4133709	R4133709	N/A	NR	-	-	-	-
R44140363 ²⁸²	1-1/16 "	R4133709	R4133709	N/A	NR	-	-	-	-
R44145107	2-15/16 "	R42R55501	R42R55500	R4066306	R4090087S	R4112219 ³³⁴	N/A	-	-
R44145107	2-15/16 "	R42R55501	R42R55500	R4066306	R4090087S	R4112219 ³³⁴	N/A	-	-
R44141818 ³⁹⁰	3-5/32 "	R42R55497	R42R55496	R4066330	R4090101S	R4112220 ³⁰⁹	R4122141	-	-
R44141818 ³⁹⁰	3-5/32 "	R42R55497	R42R55496	R4066330	R4090101S	R4112220 ³⁰⁹	R4122141	-	-
R44140543 ²⁹¹	1 "	R4134037	R4134037	R4166620	NR	-	-	-	-
R44140449 ²⁹³	1-1/16 "	R4133709	R4133709	N/A	NR	-	-	-	-
R44140363 ²⁸²	1-1/16 "	R4133709	R4133709	N/A	NR	-	-	-	-
R44145107	2-15/16 "	R42R55501	R42R55500	R4066306	R4090087S	R4112219 ³³⁴	N/A	-	-
R44145107	2-15/16 "	R42R55501	R42R55500	R4066306	R4090087S	R4112219 ³³⁴	N/A	-	-
R44141818 ³⁹⁰	3-5/32 "	R42R55497	R42R55496	R4066330	R4090101S	R4112220 ³⁰⁹	R4122141	-	-
R44141818 ³⁹⁰	3-5/32 "	R42R55497	R42R55496	R4066330	R4090101S	R4112220 ³⁰⁹	R4122141	-	-
R44140543 ²⁹¹	1 "	R4134037	R4134037	R4166620	NR	-	-	-	-
R44140449 ²⁹³	1-1/16 "	R4133709	R4133709	N/A	NR	-	-	-	-
R44140363 ²⁸²	1-1/16 "	R4133709	R4133709	N/A	NR	-	-	-	-
R44145107	2-15/16 "	R42R55501	R42R55500	R4066306	R4090087S	R4112219 ³³⁴	N/A	-	-
R44145107	2-15/16 "	R42R55501	R42R55500	R4066306	R4090087S	R4112219 ³³⁴	N/A	-	-
R44141818 ³⁹⁰	3-5/32 "	R42R55497	R42R55496	R4066330	R4090101S	R4112220 ³⁰⁹	R4122141	-	-
R44141818 ³⁹⁰	3-5/32 "	R42R55497	R42R55496	R4066330	R4090101S	R4112220 ³⁰⁹	R4122141	-	-
R44141818 ³⁸¹	2-15/16 "	R42R55208	R42R55207	R4066848	R4090013S	R4112058 ³⁰³	N/A	-	-
R44141818 ³⁸¹	2-15/16 "	R42R55208	R42R55207	R4066848	R4090013S	R4111863 ³⁰³	N/A	R4577417	R4577418
R44141818 ³⁸¹	2-15/16 "	R42R55061	R42R55060	R4066848	R4090013S	R4111863 ³⁰³	N/A	R4577417	R4577418
R44141818 ³⁸¹	3-5/32 "	R42R55382	R42R55381	R4066557	R4090068S	R4111989 ⁵³	N/A	-	-
R44141818 ³⁸¹	2-15/16 "	R42R55061	R42R55060	R4066848	R4090013S	R4112058 ³⁰³	N/A	-	-
R44141818 ³⁸¹	3-5/32 "	R42R55382	R42R55381	R4066557	R4090068S	R4111989 ⁵³	N/A	-	-
R44140450	1 "	R4133608	R4133608	R4166620	NR	-	-	-	-
R44140450	1 "	R4133608	R4133608	R4166620	NR	-	-	-	-
R44140449 ²⁹³	1-1/16 "	R4133709	R4133709	N/A	NR	-	-	-	-
R44140363 ²⁸²	1-1/16 "	R4133709	R4133709	N/A	NR	-	-	-	-
R44140449 ²⁹³	1-1/16 "	R4133709	R4133709	N/A	NR	-	-	-	-

381 - Rotor and Hub One Piece Assembly W/O ABS Ring

390 - Rotor and Hub One Piece Assembly With ABS Ring

MAKE MODEL YEAR AXLE CODE AXLE WEIGHT	AXLE & BRK. TYPE	BRK. MFG.	BRAKE SIZE	FMSI	MERITOR DISC PAD OR BRAKE SHOE	MERITOR GUIDE PIN OR RETURN SPRING KIT	MERITOR CALIPER HWD. KIT OR RETURN SPRING KIT	MERITOR ADJUSTER KIT (LEFT WHEEL)	MERITOR ADJUSTER KIT (RIGHT WHEEL)
GMC(Cont.)									
C-2500 SERIES- 3/4 TON - CONVENTIONAL CAB, PICKUP AND SUBURBAN(Cont.)									
1986	Ra	GM	13 " x 2-1/2 "	2042AT - 451	R46451	R40H378	R40H7055	R40H2588	R40H2589
1985	Ra	GM	11.1563 x 2-3/4 "	2073TT - 473	R46473	R40H369	R40H4072DP ²⁷⁸	R40H2586	R40H2587
	Ra	GM	11.1563 x 2-3/4 "	2073TT - 473	R46473	R40H369	R40H4072DP ²⁷⁸	R40H2586	R40H2587
	Ra	GM	13 " x 2-1/2 "	2042AT - 451	R46451	R40H378	R40H7055	R40H2588	R40H2589
	Ra	GM	13 " x 2-1/2 "	2042AT - 451	R46451	R40H378	R40H7055	R40H2588	R40H2589
	Ra	GM	13 " x 2-1/2 "	2042AT - 451	R46451	R40H378	R40H7055	R40H2588	R40H2589
	Ra	GM	13 " x 2-1/2 "	2042AT - 451	R46451	R40H378	R40H7055	R40H2588	R40H2589
	Ra	GM	13 " x 2-1/2 "	2042AT - 451	R46451	R40H378	R40H7055	R40H2588	R40H2589
7,200 lb. GVW	Fd	GM		728A - D52	MD52	R40H5004DP	R40H5500	NR	NR
Suburban									
7,200 lb. GVW	Fd	GM		728A - D52	MD52	R40H5004DP	R40H5500	NR	NR
8,400 lb. GVW	Fd	GM		7084A - D153	MD392	R40H5004DP	R40H5500	NR	NR
	Fd	GM		7084A - D153	MD392	R40H5004DP	R40H5500	NR	NR
1984	Ra	GM	11.1563 x 2-3/4 "	2073TT - 473	R46473	R40H369	R40H4072DP ²⁷⁸	R40H2586	R40H2587
	Ra	GM	11.1563 x 2-3/4 "	2073TT - 473	R46473	R40H369	R40H4072DP ²⁷⁸	R40H2586	R40H2587
	Ra	GM	13 " x 2-1/2 "	2042AT - 451	R46451	R40H378	R40H7055	R40H2588	R40H2589
	Ra	GM	13 " x 2-1/2 "	2042AT - 451	R46451	R40H378	R40H7055	R40H2588	R40H2589
	Ra	GM	13 " x 2-1/2 "	2042AT - 451	R46451	R40H378	R40H7055	R40H2588	R40H2589
	Ra	GM	13 " x 2-1/2 "	2042AT - 451	R46451	R40H378	R40H7055	R40H2588	R40H2589
	Ra	GM	13 " x 2-1/2 "	2042AT - 451	R46451	R40H378	R40H7055	R40H2588	R40H2589
6,400 lb. GVW	Fd	GM		728A - D52	MD52	R40H5004DP	R40H5500	NR	NR
Suburban									
6,400, 7,200lb. GVW	Fd	GM		728A - D52	MD52	R40H5004DP	R40H5500	NR	NR
8,400 lb. GVW	Fd	GM		7084A - D153	MD392	R40H5004DP	R40H5500	NR	NR
	Fd	GM		7084A - D153	MD392	R40H5004DP	R40H5500	NR	NR
1983	Ra	GM	11.1563 x 2-3/4 "	2073TT - 473	R46473	R40H369	R40H4072DP ²⁷⁸	R40H2586	R40H2587
	Ra	GM	11.1563 x 2-3/4 "	2073TT - 473	R46473	R40H369	R40H4072DP ²⁷⁸	R40H2586	R40H2587
	Ra	GM	11.1563 x 2-3/4 "	2073TT - 473	R46473	R40H369	R40H4072DP ²⁷⁸	R40H2586	R40H2587
	Ra	GM	13 " x 2-1/2 "	2042AT - 451	R46451	R40H378	R40H7055	R40H2588	R40H2589
	Ra	GM	13 " x 2-1/2 "	2042AT - 451	R46451	R40H378	R40H7055	R40H2588	R40H2589
	Ra	GM	13 " x 2-1/2 "	2042AT - 451	R46451	R40H378	R40H7055	R40H2588	R40H2589
	Ra	GM	13 " x 2-1/2 "	2042AT - 451	R46451	R40H378	R40H7055	R40H2588	R40H2589
	Ra	GM	13 " x 2-1/2 "	2042AT - 451	R46451	R40H378	R40H7055	R40H2588	R40H2589
	Ra	GM	13 " x 2-1/2 "	2042AT - 451	R46451	R40H378	R40H7055	R40H2588	R40H2589
	Ra	GM	13 " x 2-1/2 "	2042AT - 451	R46451	R40H378	R40H7055	R40H2588	R40H2589
	Ra	GM	13 " x 2-1/2 "	2042AT - 451	R46451	R40H378	R40H7055	R40H2588	R40H2589
6,400 lb. GVW	Fd	GM		728A - D52	MD52	R40H5004DP	R40H5500	NR	NR
Suburban									
6,400, 7,200lb. GVW	Fd	GM		728A - D52	MD52	R40H5004DP	R40H5500	NR	NR
8,200, 8,600lb. GVW	Fd	GM		7084A - D153	MD392	R40H5004DP	R40H5500	NR	NR
	Fd	GM		7084A - D153	MD392	R40H5004DP	R40H5500	NR	NR
1982	Ra	GM	13 " x 2-1/2 "	2042AT - 451	R46451	R40H378	R40H7055	R40H2588	R40H2589
	Ra	GM	13 " x 2-1/2 "	2042AT - 451	R46451	R40H378	R40H7055	R40H2588	R40H2589
	Ra	GM	13 " x 2-1/2 "	2042AT - 451	R46451	R40H378	R40H7055	R40H2588	R40H2589
	Ra	GM	13 " x 2-1/2 "	2042AT - 451	R46451	R40H378	R40H7055	R40H2588	R40H2589
	Ra	GM	11.1563 x 2-3/4 "	2073TT - 473	R46473	R40H369	R40H4072DP ²⁷⁸	R40H2586	R40H2587
	Ra	GM	11.1563 x 2-3/4 "	2073TT - 473	R46473	R40H369	R40H4072DP ²⁷⁸	R40H2586	R40H2587
Pickup	Ra	GM	11.1563 x 2-3/4 "	2073TT - 473	R46473	R40H369	R40H4072DP ²⁷⁸	R40H2586	R40H2587
6,400 lb. GVW	Fd	GM		728A - D52	MD52	R40H5004DP	R40H5500	NR	NR
6,400, 7,200lb. GVW	Fd	GM		728A - D52	MD52	R40H5004DP	R40H5500	NR	NR
Heavy Duty Option 8,600 lb. GVW	Fd	GM		7084A - D153	MD392	R40H5004DP	R40H5500	NR	NR
	Fd	GM		7084A - D153	MD392	R40H5004DP	R40H5500	NR	NR
1981	Ra	GM	11.1563 x 2-3/4 "	2073TT - 473	R46473	R40H369	R40H4072DP ²⁷⁸	R40H2586	R40H2587
	Ra	GM	13 " x 2-1/2 "	2042AT - 451	R46451	R40H378	R40H7055	R40H2588	R40H2589
Pickup	Ra	GM	11.1563 x 2-3/4 "	2073TT - 473	R46473	R40H369	R40H4072DP ²⁷⁸	R40H2586	R40H2587
	Ra	GM	13 " x 2-1/2 "	2042AT - 451	R46451	R40H378	R40H7055	R40H2588	R40H2589
6,400 lb. GVW	Fd	GM		728A - D52	MD52	R40H5004DP	R40H5500	NR	NR
Suburban									
6,400, 7,100lb. GVW	Fd	GM		728A - D52	MD52	R40H5004DP	R40H5500	NR	NR
7,500, 8,200lb. GVW	Fd	GM		7084A - D153	MD392	R40H5004DP	R40H5500	NR	NR
	Fd	GM		7084A - D153	MD392	R40H5004DP	R40H5500	NR	NR

278 - For Heavy Duty version use E-11287

282 - 10 1/2" Ring Gear, First Design; Use 3 3/8" Outside Diameter Axle Tubes

293 - With 9 1/2" Ring Gear and 6 3/8" Drum Width

294 - With 9 1/2" Ring Gear and 4 5/8" Drum Width

283 - 4 5/8" Drum Width
381 - Rotor and Hub One Piece Assembly W/O ABS Ring

MERITOR DRUM OR ROTOR NO.	CALIPER OR CYLINDER BORE SIZE	MERITOR CALIPER OR WHEEL CYLINDER (LEFT)	MERITOR CALIPER OR WHEEL CYLINDER (RIGHT)	MERITOR CALIPER OR WHEEL CYLINDER REPAIR KIT	MERITOR CALIPER PISTON	MERITOR MASTER CYLINDER	MERITOR MASTER CYLINDER KIT	MERITOR BRAKE HOSE (LEFT)	MERITOR BRAKE HOSE (RIGHT)
GMC(Cont.)									
C-2500 SERIES- 3/4 TON - CONVENTIONAL CAB, PICKUP AND SUBURBAN(Cont.)									
R44140363 ²⁸²	1-1/16 "	R4133709	R4133709	N/A	NR	-	-	-	-
R44140450	1 "	R4133608	R4133608	R4166620	NR	-	-	-	-
R44140450	1 "	R4133608	R4133608	R4166620	NR	-	-	-	-
R44140449 ²⁹³	1-1/16 "	R4133709	R4133709	N/A	NR	-	-	-	-
R44140449 ²⁹³	1-1/16 "	R4133709	R4133709	N/A	NR	-	-	-	-
R44140363 ²⁸²	1-1/16 "	R4133709	R4133709	N/A	NR	-	-	-	-
R44140363 ²⁸²	1-1/16 "	R4133709	R4133709	N/A	NR	-	-	-	-
R44141186 ³⁸¹	2-15/16 "	R42R55208	R42R55207	R4066848	R4090013S	-	-	-	-
R44141186 ³⁸¹	2-15/16 "	R42R55208	R42R55207	R4066848	R4090013S	-	-	-	-
R44141186 ³⁸¹	3-5/32 "	R42R55382	R42R55381	R4066557	R4090068S	-	-	-	-
R44141186 ³⁸¹	3-5/32 "	R42R55382	R42R55381	R4066557	R4090068S	-	-	-	-
R44140450	1 "	R4133608	R4133608	R4166620	NR	-	-	-	-
R44140450	1 "	R4133608	R4133608	R4166620	NR	-	-	-	-
R44140449 ²⁹³	1-1/16 "	R4133709	R4133709	N/A	NR	-	-	-	-
R44140363 ²⁸²	1-1/16 "	R4133709	R4133709	N/A	NR	-	-	-	-
R44140449 ²⁹³	1-1/16 "	R4133709	R4133709	N/A	NR	-	-	-	-
R44140363 ²⁸²	1-1/16 "	R4133709	R4133709	N/A	NR	-	-	-	-
R44141186 ³⁸¹	2-15/16 "	R42R55208	R42R55207	R4066848	R4090013S	-	-	-	-
R44141186 ³⁸¹	2-15/16 "	R42R55208	R42R55207	R4066848	R4090013S	-	-	-	-
R44141186 ³⁸¹	3-5/32 "	R42R55382	R42R55381	R4066557	R4090068S	-	-	-	-
R44141186 ³⁸¹	3-5/32 "	R42R55382	R42R55381	R4066557	R4090068S	-	-	-	-
R44140408 ²⁸³	1 "	R4133608	R4133608	R4166620	NR	-	-	-	-
R44140408 ²⁸³	1 "	R4133608	R4133608	R4166620	NR	-	-	-	-
R44140450	1 "	R4133608	R4133608	R4166620	NR	-	-	-	-
R44140363 ²⁸²	1-1/16 "	R4133709	R4133709	N/A	NR	-	-	-	-
R44140363 ²⁸²	1-1/16 "	R4133709	R4133709	N/A	NR	-	-	-	-
R44140409 ²⁹⁴	1-1/16 "	R4133709	R4133709	N/A	NR	-	-	-	-
R44140449 ²⁹³	1-1/16 "	R4133709	R4133709	N/A	NR	-	-	-	-
R44140409 ²⁹⁴	1-1/16 "	R4133709	R4133709	N/A	NR	-	-	-	-
R44140449 ²⁹³	1-1/16 "	R4133709	R4133709	N/A	NR	-	-	-	-
R44140409 ²⁹⁴	1-1/16 "	R4133709	R4133709	N/A	NR	-	-	-	-
R44141186 ³⁸¹	2-15/16 "	R42R55208	R42R55207	R4066848	R4090013S	-	-	-	-
R44141186 ³⁸¹	2-15/16 "	R42R55208	R42R55207	R4066848	R4090013S	-	-	-	-
R44141186 ³⁸¹	3-5/32 "	R42R55382	R42R55381	R4066557	R4090068S	-	-	-	-
R44141186 ³⁸¹	3-5/32 "	R42R55382	R42R55381	R4066557	R4090068S	-	-	-	-
R44140363 ²⁸²	1-1/16 "	R4133709	R4133709	N/A	NR	-	-	-	-
R44140409 ²⁹⁴	1-1/16 "	R4133709	R4133709	N/A	NR	-	-	-	-
R44140363 ²⁸²	1-1/16 "	R4133709	R4133709	N/A	NR	-	-	-	-
R44140409 ²⁹⁴	1-1/16 "	R4133709	R4133709	N/A	NR	-	-	-	-
R44140408 ²⁸³	1 "	R4133608	R4133608	R4166620	NR	-	-	-	-
R44141186 ³⁸¹	2-15/16 "	R42R55208	R42R55207	R4066848	R4090013S	-	-	-	-
R44141186 ³⁸¹	2-15/16 "	R42R55208	R42R55207	R4066848	R4090013S	-	-	-	-
R44141186 ³⁸¹	3-5/32 "	R42R55382	R42R55381	R4066557	R4090068S	-	-	-	-
R44141186 ³⁸¹	3-5/32 "	R42R55382	R42R55381	R4066557	R4090068S	-	-	-	-
R44140408 ²⁸³	1 "	R4133608	R4133608	R4166620	NR	-	-	-	-
R44140409 ²⁹⁴	1-1/16 "	R4133709	R4133709	N/A	NR	-	-	-	-
R44140408 ²⁸³	1 "	R4133608	R4133608	R4166620	NR	-	-	-	-
R44140409 ²⁹⁴	1-1/16 "	R4133709	R4133709	N/A	NR	-	-	-	-
R44141186 ³⁸¹	2-15/16 "	R42R55208	R42R55207	R4066848	R4090013S	-	-	-	-
R44141186 ³⁸¹	2-15/16 "	R42R55208	R42R55207	R4066848	R4090013S	-	-	-	-
R44141186 ³⁸¹	3-5/32 "	R42R55382	R42R55381	R4066557	R4090068S	-	-	-	-
R44141186 ³⁸¹	3-5/32 "	R42R55382	R42R55381	R4066557	R4090068S	-	-	-	-

1 APPLICATION

MAKE MODEL YEAR AXLE CODE AXLE WEIGHT	AXLE & BRK. TYPE	BRK. MFG.	BRAKE SIZE	FMSI	MERITOR DISC PAD OR BRAKE SHOE	MERITOR GUIDE PIN OR RETURN SPRING KIT	MERITOR CALIPER HWD. KIT OR RETURN SPRING KIT	MERITOR ADJUSTER KIT (LEFT WHEEL)	MERITOR ADJUSTER KIT (RIGHT WHEEL)
GMC(Cont.)									
C-2500 SERIES- 3/4 TON - CONVENTIONAL CAB, PICKUP AND SUBURBAN(Cont.)									
1978	Fd	GM		728A - D52	MD52	R40H5004DP	R40H5500	NR	NR
	Fd	GM		728A - D52	MD52	R40H5004DP	R40H5500	NR	NR
	Ra	GM	11.1563 x 2-3/4 "	2073TT - 473	R46473	R40H369	R40H4072DP ²⁷⁸	R40H2586	R40H2587
	Ra	GM	11.1563 x 2-3/4 "	2073TT - 473	R46473	R40H369	R40H4072DP ²⁷⁸	R40H2586	R40H2587
	Ra	GM	13 " x 2-1/2 "	2042AT - 451	R46451	R40H378	R40H7055	R40H2588	R40H2589
1977	Fd	GM		728A - D52	MD52	R40H5004DP	R40H5500	NR	NR
	Fd	GM		728A - D52	MD52	R40H5004DP	R40H5500	NR	NR
	Ra	GM	11.1563 x 2-3/4 "	2073TT - 473	R46473	R40H369	R40H4072DP ²⁷⁸	R40H2586	R40H2587
	Ra	GM	11.1563 x 2-3/4 "	2073TT - 473	R46473	R40H369	R40H4072DP ²⁷⁸	R40H2586	R40H2587
	Ra	GM	13 " x 2-1/2 "	2042AT - 451	R46451	R40H378	R40H7055	R40H2588	R40H2589
1976	Fd	GM		728A - D52	MD52	R40H5004DP	R40H5500	NR	NR
	Fd	GM		728A - D52	MD52	R40H5004DP	R40H5500	NR	NR
	Ra	GM	11.1563 x 2-3/4 "	2073TT - 473	R46473	R40H369	R40H4072DP ²⁷⁸	R40H2586	R40H2587
	Ra	GM	11.1563 x 2-3/4 "	2073TT - 473	R46473	R40H369	R40H4072DP ²⁷⁸	R40H2586	R40H2587
	Ra	GM	13 " x 2-1/2 "	2042AT - 451	R46451	R40H378	R40H7055	R40H2588	R40H2589
GMC / CHEV									
2500 SIERRA , SILVERADO									
2007 4x2	Rd	GM		7653 - D785	MVD785	NR	R40H5930	NR	NR
	Rd	GM		7653 - D785	MVD785	NR	R40H5930	NR	NR
4x2 EXC. w/ 8600 GVWR Crew Cab	Fd	GM		7652 - D784	MVD784	NR	R40H5931	NR	NR
4x2 w/ 8600 GVWR Crew Cab	Fd	GM		7652 - D784	MVD784	NR	R40H5931	NR	NR
4x4	Rd	GM		7653 - D785	MVD785	NR	R40H5930	NR	NR
	Rd	GM		7653 - D785	MVD785	NR	R40H5930	NR	NR
4x4 EXC. w/ 8600 GVWR Crew Cab	Fd	GM		7652 - D784	MVD784	NR	R40H5931	NR	NR
4x4 w/ 8600 GVWR Crew Cab	Fd	GM		7652 - D784	MVD784	NR	R40H5931	NR	NR
2006 4x2	Rd	GM		7653 - D785	MVD785	NR	R40H5930	NR	NR
	Rd	GM		7653 - D785	MVD785	NR	R40H5930	NR	NR
4x2 EXC. w/ 8600 GVWR Crew Cab	Fd	GM		7652 - D784	MVD784	NR	R40H5931	NR	NR
4x2 w/ 8600 GVWR Crew Cab	Fd	GM		7652 - D784	MVD784	NR	R40H5931	NR	NR
4x4	Rd	GM		7653 - D785	MVD785	NR	R40H5930	NR	NR
	Rd	GM		7653 - D785	MVD785	NR	R40H5930	NR	NR
4x4 EXC. w/ 8600 GVWR Crew Cab	Fd	GM		7652 - D784	MVD784	NR	R40H5931	NR	NR
4x4 w/ 8600 GVWR Crew Cab	Fd	GM		7652 - D784	MVD784	NR	R40H5931	NR	NR
2005 4x2	Rd	GM		7653 - D785	MVD785	NR	R40H5930	NR	NR
	Rd	GM		7653 - D785	MVD785	NR	R40H5930	NR	NR
4x2 EXC. w/ 8600 GVWR Crew Cab	Fd	GM		7652 - D784	MVD784	NR	R40H5931	NR	NR
4x2 w/ 8600 GVWR Crew Cab	Fd	GM		7652 - D784	MVD784	NR	R40H5931	NR	NR
4x4	Rd	GM		7653 - D785	MVD785	NR	R40H5930	NR	NR
	Rd	GM		7653 - D785	MVD785	NR	R40H5930	NR	NR
4x4 EXC. w/ 8600 GVWR Crew Cab	Fd	GM		7652 - D784	MVD784	NR	R40H5931	NR	NR
4x4 w/ 8600 GVWR Crew Cab	Fd	GM		7652 - D784	MVD784	NR	R40H5931	NR	NR
2004 4x2	Rd	GM		7653 - D785	MVD785	NR	R40H5930	NR	NR
	Rd	GM		7653 - D785	MVD785	NR	R40H5930	NR	NR

278 - For Heavy Duty version use E-11287

282 - 10 1/2" Ring Gear, First Design; Use 3 3/8" Outside Diameter Axle Tubes

367 - 13" Dia Rotor - 8 Stud w/ 4.873" Dia CTR Pilot Hole

283 - 4 5/8" Drum Width
381 - Rotor and Hub One Piece Assembly W/O ABS Ring

366 - 13" Dia Rotor - 8 Stud w/ 4.630" Dia CTR Pilot Hole

405 - Rotor Only

www.XpresswayPlus.com

Contact our Customer Service Teams

MAKE MODEL YEAR AXLE CODE AXLE WEIGHT	AXLE & BRK. TYPE	BRK. MFG.	BRAKE SIZE	FMSI	MERITOR DISC PAD OR BRAKE SHOE	MERITOR GUIDE PIN OR RETURN SPRING KIT	MERITOR CALIPER HWD. KIT OR RETURN SPRING KIT	MERITOR ADJUSTER KIT (LEFT WHEEL)	MERITOR ADJUSTER KIT (RIGHT WHEEL)
GMC / CHEV(Cont.)									
2500 SIERRA , SILVERADO(Cont.)									
2004									
	Rd	GM		7653 - D785	MVD785	NR	R40H5930	NR	NR
4x2 EXC. w/ 8600 GVWR Crew Cab	Fd	GM		7652 - D784	MVD784	NR	R40H5931	NR	NR
4x2 w/ 8600 GVWR Crew Cab	Fd	GM		7652 - D784	MVD784	NR	R40H5931	NR	NR
4x4	Rd	GM		7653 - D785	MVD785	NR	R40H5930	NR	NR
	Rd	GM		7653 - D785	MVD785	NR	R40H5930	NR	NR
4x4 EXC. w/ 8600 GVWR Crew Cab	Fd	GM		7652 - D784	MVD784	NR	R40H5931	NR	NR
4x4 w/ 8600 GVWR Crew Cab	Fd	GM		7652 - D784	MVD784	NR	R40H5931	NR	NR
2003									
4x2	Rd	GM		7653 - D785	MVD785	NR	R40H5930	NR	NR
	Rd	GM		7653 - D785	MVD785	NR	R40H5930	NR	NR
4x2 EXC. w/ 8600 GVWR Crew Cab	Fd	GM		7652 - D784	MVD784	NR	R40H5931	NR	NR
4x2 w/ 8600 GVWR Crew Cab	Fd	GM		7652 - D784	MVD784	NR	R40H5931	NR	NR
4x4	Rd	GM		7653 - D785	MVD785	NR	R40H5930	NR	NR
	Rd	GM		7653 - D785	MVD785	NR	R40H5930	NR	NR
4x4 EXC. w/ 8600 GVWR Crew Cab	Fd	GM		7652 - D784	MVD784	NR	R40H5931	NR	NR
4x4 w/ 8600 GVWR Crew Cab	Fd	GM		7652 - D784	MVD784	NR	R40H5931	NR	NR
2002									
4x2	Fd	GM		7652 - D784	MVD784	NR	R40H5931	NR	NR
	Rd	GM		7653 - D785	MVD785	NR	R40H5930	NR	NR
	Rd	GM		7653 - D785	MVD785	NR	R40H5930	NR	NR
4x4	Fd	GM		7652 - D784	MVD784	NR	R40H5931	NR	NR
	Rd	GM		7653 - D785	MVD785	NR	R40H5930	NR	NR
	Rd	GM		7653 - D785	MVD785	NR	R40H5930	NR	NR
2001									
4x2	Fd	GM		7652 - D784	MVD784	NR	R40H5931	NR	NR
	Rd	GM		7653 - D785	MVD785	NR	R40H5930	NR	NR
	Rd	GM		7653 - D785	MVD785	NR	R40H5930	NR	NR
4x4	Fd	GM		7652 - D784	MVD784	NR	R40H5931	NR	NR
	Rd	GM		7653 - D785	MVD785	NR	R40H5930	NR	NR
	Rd	GM		7653 - D785	MVD785	NR	R40H5930	NR	NR
2000									
4x2	Fd	GM		7652 - D784	MVD784	NR	R40H5931	NR	NR
	Rd	GM		7653 - D785	MVD785	NR	R40H5930	NR	NR
	Rd	GM		7653 - D785	MVD785	NR	R40H5930	NR	NR
4x4	Fd	GM		7652 - D784	MVD784	NR	R40H5931	NR	NR
	Rd	GM		7653 - D785	MVD785	NR	R40H5930	NR	NR
	Rd	GM		7653 - D785	MVD785	NR	R40H5930	NR	NR
1999									
4x2	Fd	GM		7652 - D784	MVD784	NR	R40H5931	NR	NR
	Rd	GM		7653 - D785	MVD785	NR	R40H5930	NR	NR
	Rd	GM		7653 - D785	MVD785	NR	R40H5930	NR	NR
4x4	Fd	GM		7652 - D784	MVD784	NR	R40H5931	NR	NR
	Rd	GM		7653 - D785	MVD785	NR	R40H5930	NR	NR
	Rd	GM		7653 - D785	MVD785	NR	R40H5930	NR	NR
3500 SIERRA , SILVERADO									
2005									
4x2	Rd	GM		7653 - D785	MVD785	NR	R40H5930	NR	NR
	Rd	GM		7653 - D785	MVD785	NR	R40H5930	NR	NR
4x2 EXC. w/ 8600 GVWR Crew Cab	Fd	GM		7652 - D784	MVD784	NR	R40H5931	NR	NR
4x2 w/ 8600 GVWR Crew Cab	Fd	GM		7652 - D784	MVD784	NR	R40H5931	NR	NR
4x4	Rd	GM		7653 - D785	MVD785	NR	R40H5930	NR	NR
	Rd	GM		7653 - D785	MVD785	NR	R40H5930	NR	NR

MERITOR DRUM OR ROTOR NO.	CALIPER OR CYLINDER BORE SIZE	MERITOR CALIPER OR WHEEL CYLINDER (LEFT)	MERITOR CALIPER OR WHEEL CYLINDER (RIGHT)	MERITOR CALIPER OR WHEEL CYLINDER REPAIR KIT	MERITOR CALIPER PISTON	MERITOR MASTER CYLINDER	MERITOR MASTER CYLINDER KIT	MERITOR BRAKE HOSE (LEFT)	MERITOR BRAKE HOSE (RIGHT)
GMC / CHEV(Cont.)									
2500 SIERRA , SILVERADO(Cont.)									
R44145262 ³⁶⁶		R42R55854	R42R55853	-	-	-	-	-	-
R44145316	2-1/4 "	R42R55856	R42R55855	-	-	-	-	-	-
R44145261 ⁴⁰⁵	2-1/4 "	R42R55856	R42R55855	-	-	-	-	-	-
R44145262 ³⁶⁶		R42R55854	R42R55853	-	-	-	-	-	-
R44145260 ³⁶⁷		R42R55854	R42R55853	-	-	-	-	-	-
R44145316	2-1/4 "	R42R55856	R42R55855	-	-	-	-	-	-
R44145261 ⁴⁰⁵	2-1/4 "	R42R55856	R42R55855	-	-	-	-	-	-
R44145262 ³⁶⁶		R42R55854	R42R55853	-	-	-	-	-	-
R44145260 ³⁶⁷		R42R55854	R42R55853	-	-	-	-	-	-
R44145316	2-1/4 "	R42R55856	R42R55855	-	-	-	-	-	-
R44145261 ⁴⁰⁵	2-1/4 "	R42R55856	R42R55855	-	-	-	-	-	-
R44145262 ³⁶⁶		R42R55854	R42R55853	-	-	-	-	-	-
R44145260 ³⁶⁷		R42R55854	R42R55853	-	-	-	-	-	-
R44145316	2-1/4 "	R42R55856	R42R55855	-	-	-	-	-	-
R44145261 ⁴⁰⁵	2-1/4 "	R42R55856	R42R55855	-	-	-	-	-	-
R44145261 ⁴⁰⁵	2-1/4 "	R42R55856	R42R55855	-	-	R4113607	-	-	-
R44145260 ³⁶⁷		R42R55854	R42R55853	-	-	-	-	-	-
R44145262 ³⁶⁶		R42R55854	R42R55853	-	-	-	-	-	-
R44145261 ⁴⁰⁵	2-1/4 "	R42R55856	R42R55855	-	-	R4113607	-	-	-
R44145260 ³⁶⁷		R42R55854	R42R55853	-	-	-	-	-	-
R44145262 ³⁶⁶		R42R55854	R42R55853	-	-	-	-	-	-
R44145261 ⁴⁰⁵	2-1/4 "	R42R55856	R42R55855	-	-	R4113607	-	-	-
R44145260 ³⁶⁷		R42R55854	R42R55853	-	-	-	-	-	-
R44145262 ³⁶⁶		R42R55854	R42R55853	-	-	-	-	-	-
R44145261 ⁴⁰⁵	2-1/4 "	R42R55856	R42R55855	-	-	R4113607	-	R4578880	-
R44145260 ³⁶⁷		R42R55854	R42R55853	-	-	-	-	R4578912	-
R44145262 ³⁶⁶		R42R55854	R42R55853	-	-	-	-	R4578843	R4578843
R44145261 ⁴⁰⁵	2-1/4 "	R42R55856	R42R55855	-	-	R4113607	-	R4578880	-
R44145260 ³⁶⁷		R42R55854	R42R55853	-	-	-	-	R4578912	-
R44145262 ³⁶⁶		R42R55854	R42R55853	-	-	-	-	R4578843	R4578843
R44145261 ⁴⁰⁵	2-1/4 "	R42R55856	R42R55855	-	-	R4113607	-	R4578880	-
R44145260 ³⁶⁷		R42R55854	R42R55853	-	-	-	-	R4578843	R4578843
R44145262 ³⁶⁶		R42R55854	R42R55853	-	-	-	-	R4578912	-
R44145261 ⁴⁰⁵	2-1/4 "	R42R55856	R42R55855	-	-	R4113607	-	R4578880	-
R44145260 ³⁶⁷		R42R55854	R42R55853	-	-	-	-	R4578912	-
R44145262 ³⁶⁶		R42R55854	R42R55853	-	-	-	-	R4578843	R4578843
3500 SIERRA , SILVERADO									
R44145262 ³⁶⁶		R42R55854	R42R55853	-	-	-	-	-	-
R44145260 ³⁶⁷		R42R55854	R42R55853	-	-	-	-	-	-
R44145316	2-1/4 "	R42R55856	R42R55855	-	-	-	-	-	-
R44145261 ⁴⁰⁵	2-1/4 "	R42R55856	R42R55855	-	-	-	-	-	-
R44145262 ³⁶⁶		R42R55854	R42R55853	-	-	-	-	-	-
R44145260 ³⁶⁷		R42R55854	R42R55853	-	-	-	-	-	-

1 APPLICATION

MAKE MODEL YEAR AXLE CODE AXLE WEIGHT	AXLE & BRK. TYPE	BRK. MFG.	BRAKE SIZE	FMSI	MERITOR DISC PAD OR BRAKE SHOE	MERITOR GUIDE PIN OR RETURN SPRING KIT	MERITOR CALIPER HWD. KIT OR RETURN SPRING KIT	MERITOR ADJUSTER KIT (LEFT WHEEL)	MERITOR ADJUSTER KIT (RIGHT WHEEL)
GMC / CHEV(Cont.)									
3500 SIERRA , SILVERADO(Cont.)									
2005									
4x4 EXC. w/ 8600 GVWR Crew Cab	Fd	GM		7652 - D784	MVD784	NR	R40H5931	NR	NR
4x4 w/ 8600 GVWR Crew Cab	Fd	GM		7652 - D784	MVD784	NR	R40H5931	NR	NR
2004									
4x2	Rd Rd	GM GM		7653 - D785 7653 - D785	MVD785 MVD785	NR NR	R40H5930 R40H5930	NR NR	NR NR
4x2 EXC. w/ 8600 GVWR Crew Cab	Fd	GM		7652 - D784	MVD784	NR	R40H5931	NR	NR
4x2 w/ 8600 GVWR Crew Cab	Fd	GM		7652 - D784	MVD784	NR	R40H5931	NR	NR
4x4	Rd Rd	GM GM		7653 - D785 7653 - D785	MVD785 MVD785	NR NR	R40H5930 R40H5930	NR NR	NR NR
4x4 EXC. w/ 8600 GVWR Crew Cab	Fd	GM		7652 - D784	MVD784	NR	R40H5931	NR	NR
4x4 w/ 8600 GVWR Crew Cab	Fd	GM		7652 - D784	MVD784	NR	R40H5931	NR	NR
2003									
4x2	Rd Rd	GM GM		7653 - D785 7653 - D785	MVD785 MVD785	NR NR	R40H5930 R40H5930	NR NR	NR NR
4x2 EXC. w/ 8600 GVWR Crew Cab	Fd	GM		7652 - D784	MVD784	NR	R40H5931	NR	NR
4x2 w/ 8600 GVWR Crew Cab	Fd	GM		7652 - D784	MVD784	NR	R40H5931	NR	NR
4x4	Rd Rd	GM GM		7653 - D785 7653 - D785	MVD785 MVD785	NR NR	R40H5930 R40H5930	NR NR	NR NR
4x4 EXC. w/ 8600 GVWR Crew Cab	Fd	GM		7652 - D784	MVD784	NR	R40H5931	NR	NR
4x4 w/ 8600 GVWR Crew Cab	Fd	GM		7652 - D784	MVD784	NR	R40H5931	NR	NR
2002									
4x2	Fd Rd Rd	GM GM GM		7652 - D784 7653 - D785 7653 - D785	MVD784 MVD785 MVD785	NR NR NR	R40H5931 R40H5930 R40H5930	NR NR NR	NR NR NR
4x4	Fd Rd Rd	GM GM GM		7652 - D784 7653 - D785 7653 - D785	MVD784 MVD785 MVD785	NR NR NR	R40H5931 R40H5930 R40H5930	NR NR NR	NR NR NR
2001									
4x2	Fd Rd Rd	GM GM GM		7652 - D784 7653 - D785 7653 - D785	MVD784 MVD785 MVD785	NR NR NR	R40H5931 R40H5930 R40H5930	NR NR NR	NR NR NR
4x4	Fd Rd Rd	GM GM GM		7652 - D784 7653 - D785 7653 - D785	MVD784 MVD785 MVD785	NR NR NR	R40H5931 R40H5930 R40H5930	NR NR NR	NR NR NR
2000									
4x2	Fd Rd Rd	GM GM GM		7652 - D784 7653 - D785 7653 - D785	MVD784 MVD785 MVD785	NR NR NR	R40H5931 R40H5930 R40H5930	NR NR NR	NR NR NR
4x4	Fd Rd Rd	GM GM GM		7652 - D784 7653 - D785 7653 - D785	MVD784 MVD785 MVD785	NR NR NR	R40H5931 R40H5930 R40H5930	NR NR NR	NR NR NR
1999									
4x2	Fd Rd Rd	GM GM GM		7652 - D784 7653 - D785 7653 - D785	MVD784 MVD785 MVD785	NR NR NR	R40H5931 R40H5930 R40H5930	NR NR NR	NR NR NR
4x4	Fd Rd Rd	GM GM GM		7652 - D784 7653 - D785 7653 - D785	MVD784 MVD785 MVD785	NR NR NR	R40H5931 R40H5930 R40H5930	NR NR NR	NR NR NR
40, 4000 SERIES-20,000 lb. GVW									
1997									
W4S042	Fd Fd			7425 - D675 7425 - D546	MD675 MD675	N/A N/A	N/A N/A	NR NR	NR NR

311 - Power Brakes, Stripped Chassis, Front Disc Brakes
405 - Rotor Only

366 - 13" Dia Rotor - 8 Stud w/ 4.630" Dia CTR Pilot Hole

367 - 13" Dia Rotor - 8 Stud w/ 4.873" Dia CTR Pilot Hole

MERITOR DRUM OR ROTOR NO.	CALIPER OR CYLINDER BORE SIZE	MERITOR CALIPER OR WHEEL CYLINDER (LEFT)	MERITOR CALIPER OR WHEEL CYLINDER (RIGHT)	MERITOR CALIPER OR WHEEL CYLINDER REPAIR KIT	MERITOR CALIPER PISTON	MERITOR MASTER CYLINDER	MERITOR MASTER CYLINDER KIT	MERITOR BRAKE HOSE (LEFT)	MERITOR BRAKE HOSE (RIGHT)
GMC / CHEV(Cont.)									
3500 SIERRA , SILVERADO(Cont.)									
R44145316	2-1/4 "	R42R55856	R42R55855	-	-	-	-	-	-
R44145261 ⁴⁰⁵	2-1/4 "	R42R55856	R42R55855	-	-	-	-	-	-
R44145262 ³⁶⁶ R44145260 ³⁶⁷		R42R55854 R42R55854	R42R55853 R42R55853	-	-	-	-	-	-
R44145316	2-1/4 "	R42R55856	R42R55855	-	-	-	-	-	-
R44145261 ⁴⁰⁵	2-1/4 "	R42R55856	R42R55855	-	-	-	-	-	-
R44145260 ³⁶⁷ R44145262 ³⁶⁶		R42R55854 R42R55854	R42R55853 R42R55853	-	-	-	-	-	-
R44145316	2-1/4 "	R42R55856	R42R55855	-	-	-	-	-	-
R44145261 ⁴⁰⁵	2-1/4 "	R42R55856	R42R55855	-	-	-	-	-	-
R44145262 ³⁶⁶ R44145260 ³⁶⁷		R42R55854 R42R55854	R42R55853 R42R55853	-	-	-	-	-	-
R44145316	2-1/4 "	R42R55856	R42R55855	-	-	-	-	-	-
R44145261 ⁴⁰⁵	2-1/4 "	R42R55856	R42R55855	-	-	-	-	-	-
R44145262 ³⁶⁶ R44145260 ³⁶⁷		R42R55854 R42R55854	R42R55853 R42R55853	-	-	-	-	-	-
R44145316	2-1/4 "	R42R55856	R42R55855	-	-	-	-	-	-
R44145261 ⁴⁰⁵	2-1/4 "	R42R55856	R42R55855	-	-	-	-	-	-
R44145262 ³⁶⁶ R44145260 ³⁶⁷		R42R55854 R42R55854	R42R55853 R42R55853	-	-	-	-	-	-
R44145316	2-1/4 "	R42R55856	R42R55855	-	-	-	-	-	-
R44145261 ⁴⁰⁵	2-1/4 "	R42R55856	R42R55855	-	-	-	-	-	-
R44145262 ³⁶⁶ R44145260 ³⁶⁷		R42R55854 R42R55854	R42R55853 R42R55853	-	-	R4113607	-	-	-
R44145262 ³⁶⁶ R44145260 ³⁶⁷		R42R55854 R42R55854	R42R55853 R42R55853	-	-	-	-	-	-
R44145261 ⁴⁰⁵	2-1/4 "	R42R55856	R42R55855	-	-	R4113607	-	-	-
R44145262 ³⁶⁶ R44145260 ³⁶⁷		R42R55854 R42R55854	R42R55853 R42R55853	-	-	-	-	-	-
R44145261 ⁴⁰⁵	2-1/4 "	R42R55856	R42R55855	-	-	R4113607	-	-	-
R44145262 ³⁶⁶ R44145260 ³⁶⁷		R42R55854 R42R55854	R42R55853 R42R55853	-	-	-	-	-	-
R44145261 ⁴⁰⁵	2-1/4 "	R42R55856	R42R55855	-	-	R4113607	-	-	-
R44145262 ³⁶⁶ R44145260 ³⁶⁷		R42R55854 R42R55854	R42R55853 R42R55853	-	-	-	-	-	-
R44145261 ⁴⁰⁵	2-1/4 "	R42R55856	R42R55855	-	-	R4113607	-	-	-
R44145262 ³⁶⁶ R44145260 ³⁶⁷		R42R55854 R42R55854	R42R55853 R42R55853	-	-	-	-	-	-
R44145261 ⁴⁰⁵	2-1/4 "	R42R55856	R42R55855	-	-	R4113607	-	R4578880	-
R44145262 ³⁶⁶ R44145260 ³⁶⁷		R42R55854 R42R55854	R42R55853 R42R55853	-	-	-	-	R4578843 R4578912	R4578843
R44145261 ⁴⁰⁵	2-1/4 "	R42R55856	R42R55855	-	-	R4113607	-	R4578880	-
R44145262 ³⁶⁶ R44145260 ³⁶⁷		R42R55854 R42R55854	R42R55853 R42R55853	-	-	-	-	R4578843 R4578912	R4578843
R44145261 ⁴⁰⁵	2-1/4 "	R42R55856	R42R55855	-	-	R4113607	-	R4578880	-
R44145262 ³⁶⁶ R44145260 ³⁶⁷		R42R55854 R42R55854	R42R55853 R42R55853	-	-	-	-	R4578843 R4578912	R4578843
R44145261 ⁴⁰⁵	2-1/4 "	R42R55856	R42R55855	-	-	R4113607	-	R4578880	-
R44145262 ³⁶⁶ R44145260 ³⁶⁷		R42R55854 R42R55854	R42R55853 R42R55853	-	-	-	-	R4578843 R4578912	R4578843
R44145261 ⁴⁰⁵	2-1/4 "	R42R55856	R42R55855	-	-	R4113607	-	R4578880	-
R44145262 ³⁶⁶ R44145260 ³⁶⁷		R42R55854 R42R55854	R42R55853 R42R55853	-	-	-	-	R4578843 R4578912	R4578843
40, 4000 SERIES-20,000 lb. GVW									
N/A R44141730 ⁴⁰⁵		-	-	R4066306 R4066306	R4090126S R4090126S	-	R4113182 ³¹¹ R4110409	R4578267	R4578267

MAKE MODEL YEAR AXLE CODE AXLE WEIGHT	AXLE & BRK. TYPE	BRK. MFG.	BRAKE SIZE	FMSI	MERITOR DISC PAD OR BRAKE SHOE	MERITOR GUIDE PIN OR RETURN SPRING KIT	MERITOR CALIPER HWD. KIT OR RETURN SPRING KIT	MERITOR ADJUSTER KIT (LEFT WHEEL)	MERITOR ADJUSTER KIT (RIGHT WHEEL)
GMC / CHEV(Cont.)									
40, 4000 SERIES-20,000 lb. GVW(Cont.)									
1997	Fd			7425 - D546	MD675	N/A	N/A	NR	NR
	Fd			7425 - D546	MD675	N/A	N/A	NR	NR
	Fd			7425 - D546	MD675	N/A	N/A	NR	NR
1996	Fd			7425 - D546	MD675	N/A	N/A	NR	NR
	Fd			7425 - D675	MD675	N/A	N/A	NR	NR
	Fd			7425 - D546	MD675	N/A	N/A	NR	NR
	Fd			7425 - D546	MD675	N/A	N/A	NR	NR
	Fd			7425 - D546	MD675	N/A	N/A	NR	NR
1995					R46735721 ³⁴²	R41207361	R40H9238	NR	NR
					R46735721 ³⁴²	R41207361	R40H9238	NR	NR
					R46735721 ³⁴²	R41207361	R40H9238	NR	NR
					R46735721 ³⁴²	R41207361	R40H9238	NR	NR
					R46735721 ³⁴²	R41207361	R40H9238	NR	NR
					R46735721 ³⁴²	R41207361	R40H9238	NR	NR
					R46735721 ³⁴²	R41207361	R40H9238	NR	NR
					R46735721 ³⁴²	R41207361	R40H9238	NR	NR
					R46735721 ³⁴²	R41207361	R40H9238	NR	NR
					R46735721 ³⁴²	R41207361	R40H9238	NR	NR
					R46735721 ³⁴²	R41207361	R40H9238	NR	NR
	Fd			7425 - D546	MD675	N/A	N/A	NR	NR
	Fd			7425 - D546	MD675	N/A	N/A	NR	NR
	Fd			7425 - D546	MD675	N/A	N/A	NR	NR
	Fd			7425 - D546	MD675	N/A	N/A	NR	NR
	Fm		320mm x 75mm	1417 - S726	R46735721 ³⁴²	R41207361	R40H9238	NR	NR
	Fm		320mm x 75mm	1417 - S726	R46735721 ³⁴²	R41207361	R40H9238	NR	NR
	Fm		320mm x 75mm	1417 - S726	R46735721 ³⁴²	R41207361	R40H9238	NR	NR
	Fm		320mm x 75mm	1417 - S726	R46735721 ³⁴²	R41207361	R40H9238	NR	NR
	Fm		320mm x 75mm	1417 - S726	R46735721 ³⁴²	R41207361	R40H9238	NR	NR
Fm		320mm x 75mm	1417 - S726	R46735721 ³⁴²	R41207361	R40H9238	NR	NR	
Fm		320mm x 75mm	1417 - S726	R46735721 ³⁴²	R41207361	R40H9238	NR	NR	
Fm		320mm x 75mm	1417 - S726	R46735721 ³⁴²	R41207361	R40H9238	NR	NR	
Ra		11-13/16"x2-61/64"	1454 - S668	N/A	N/A	N/A	N/A	N/A	
Rm		320mm x 100mm	1482 - S699	R46699	N/A	N/A	N/A	N/A	
Rm		320mm x 100mm	1482 - S699	R46699	N/A	N/A	N/A	N/A	
Rm		320mm x 75mm	1417 - S726	R46735721 ³⁴²	R41207361	R40H9238	NR	NR	
Rm		320mm x 75mm	1417 - S726	R46735721 ³⁴²	R41207361	R40H9238	NR	NR	
Rm		320mm x 75mm	1417 - S726	R46735721 ³⁴²	R41207361	R40H9238	NR	NR	
Rm		320mm x 75mm	1417 - S726	R46735721 ³⁴²	R41207361	R40H9238	NR	NR	
1994					R46735721 ³⁴²	R41207361	R40H9238	NR	NR
					R46735721 ³⁴²	R41207361	R40H9238	NR	NR
					R46735721 ³⁴²	R41207361	R40H9238	NR	NR
					R46735721 ³⁴²	R41207361	R40H9238	NR	NR
					R46735721 ³⁴²	R41207361	R40H9238	NR	NR
					R46735721 ³⁴²	R41207361	R40H9238	NR	NR
					R46735721 ³⁴²	R41207361	R40H9238	NR	NR
					R46735721 ³⁴²	R41207361	R40H9238	NR	NR
					R46735721 ³⁴²	R41207361	R40H9238	NR	NR
					R46735721 ³⁴²	R41207361	R40H9238	NR	NR
	Fd			7425 - D546	MD675	N/A	N/A	NR	NR
	Fd			7425 - D546	MD675	N/A	N/A	NR	NR
	Fd			7425 - D546	MD675	N/A	N/A	NR	NR
Fd			7425 - D546	MD675	N/A	N/A	NR	NR	
Fm		320mm x 75mm	1417 - S726	R46735721 ³⁴²	R41207361	R40H9238	NR	NR	
Fm		320mm x 75mm	1417 - S726	R46735721 ³⁴²	R41207361	R40H9238	NR	NR	
Fm		320mm x 75mm	1417 - S726	R46735721 ³⁴²	R41207361	R40H9238	NR	NR	
Fm		320mm x 75mm	1417 - S726	R46735721 ³⁴²	R41207361	R40H9238	NR	NR	
Fm		320mm x 75mm	1417 - S726	R46735721 ³⁴²	R41207361	R40H9238	NR	NR	
Fm		320mm x 75mm	1417 - S726	R46735721 ³⁴²	R41207361	R40H9238	NR	NR	
Fm		320mm x 75mm	1417 - S726	R46735721 ³⁴²	R41207361	R40H9238	NR	NR	
Fm		320mm x 75mm	1417 - S726	R46735721 ³⁴²	R41207361	R40H9238	NR	NR	
Ra		11-13/16"x2-61/64"	1454 - S668	N/A	N/A	N/A	N/A	N/A	
Rm		320mm x 100mm	1482 - S699	R46699	N/A	N/A	N/A	N/A	
Rm		320mm x 100mm	1482 - S699	R46699	N/A	N/A	N/A	N/A	
Rm		320mm x 75mm	1417 - S726	R46735721 ³⁴²	R41207361	R40H9238	NR	NR	

MERITOR DRUM OR ROTOR NO.	CALIPER OR CYLINDER BORE SIZE	MERITOR CALIPER OR WHEEL CYLINDER (LEFT)	MERITOR CALIPER OR WHEEL CYLINDER (RIGHT)	MERITOR CALIPER OR WHEEL CYLINDER REPAIR KIT	MERITOR CALIPER PISTON	MERITOR MASTER CYLINDER	MERITOR MASTER CYLINDER KIT	MERITOR BRAKE HOSE (LEFT)	MERITOR BRAKE HOSE (RIGHT)
GMC / CHEV(Cont.)									
40, 4000 SERIES-20,000 lb. GVW(Cont.)									
R44141730 ⁴⁰⁵ R44141730 ⁴⁰⁵ R44141730 ⁴⁰⁵	-	-	-	R4066306 R4066306 R4066306	R4090126S R4090126S R4090126S	N/A ³³⁶ N/A ⁵⁴ R4113123 ⁵³	N/A N/A R4110409	R4578267 R4578267 R4578267	R4578267 R4578267 R4578267
R44141730 ⁴⁰⁵ N/A R44141730 ⁴⁰⁵ R44141730 ⁴⁰⁵ R44141730 ⁴⁰⁵	-	-	-	R4066306 R4066306 R4066306 R4066306	R4090126S R4090126S R4090126S R4090126S	R4113182 ³¹¹ - R4113123 ⁵³ N/A ³³⁶ N/A ⁵⁴	R4110409 - R4110409 N/A N/A	R4578267 - R4578267 R4578267 R4578267	R4578267 - R4578267 R4578267 R4578267
N/A N/A N/A N/A N/A N/A N/A	-	R417363 R41207364 R417379 R417379 R417379 R41207364 R417379 R417363	R417365 ³²⁹ R41207366 ³³⁰ R41207375 R41207381 R41207375 R41207366 ³³⁰ R41207381 R417365 ³²⁹	R417382 R417382 R417382 R417382 R417382 R417382 R417382 R417382	NR NR NR NR NR NR NR NR	N/A ⁵⁴ N/A ⁵⁴ N/A ³³⁶ N/A ³³⁶ N/A ⁵⁴ N/A ³³⁶ N/A ⁵⁴ N/A ³³⁶	N/A N/A N/A N/A N/A N/A N/A N/A	R4578267 R4578267 R4578267 R4578267 R4578267 R4578267 R4578267 R4578267	R4578267 R4578267 R4578267 R4578267 R4578267 R4578267 R4578267 R4578267
R44141730 ⁴⁰⁵ R44141730 ⁴⁰⁵ R44141730 ⁴⁰⁵ R44141730 ⁴⁰⁵	-	-	-	R4066306 R4066306 R4066306 R4066306	R4090126S R4090126S R4090126S R4090126S	N/A ³³⁶ N/A ⁵⁴ R4113123 ⁵³ R4113182 ³¹¹	N/A N/A R4110409 R4110409	R4578267 R4578267 R4578267 R4578267	R4578267 R4578267 R4578267 R4578267
N/A N/A N/A N/A N/A N/A N/A N/A	1-1/16 " 1-1/16 " 1-1/16 " 1-1/16 " 1-1/16 " 1-1/16 " 1-1/16 " 1-1/16 "	R417379 R41207364 R417363 R417379 R41207364 R417379 R417379 R417363	R41207381 R41207366 ³³⁰ R417365 ³²⁹ R41207381 R41207366 ³³⁰ R41207375 R41207375 R417365 ³²⁹	R417382 R417382 R417382 R417382 R417382 R417382 R417382 R417382	NR NR NR NR NR NR NR NR	R4113182 ³¹¹ R4113182 ³¹¹ R4113182 ³¹¹ R4113123 ⁵³ R4113123 ⁵³ R4113123 ⁵³ R4113182 ³¹¹ R4113123 ⁵³	R4110409 R4110409 R4110409 R4110409 R4110409 R4110409 R4110409 R4110409	R4578267 R4578267 R4578267 R4578267 R4578267 R4578267 R4578267 R4578267	R4578267 R4578267 R4578267 R4578267 R4578267 R4578267 R4578267 R4578267
N/A N/A N/A N/A N/A N/A	- 1 " 1 " 1-1/16 " 1-1/16 " 1-1/16 " 1-1/16 "	- - - R417379 R417379 R417372 R417372	- - - R41207375 R41207381 R41207375 ³²⁹ R41207374 ³³⁰	N/A N/A R417382 R417382 R417382 R417382	NR NR NR NR NR NR	- - - - - -	- - - - - -	N/A N/A N/A N/A N/A N/A	N/A N/A N/A N/A N/A N/A
N/A N/A N/A N/A N/A N/A N/A	-	R41207364 R417363 R417379 R417379 R417363 R417379 R41207364 R417379	R41207366 ³³⁰ R417365 ³²⁹ R41207381 R41207375 R417365 ³²⁹ R41207375 R41207366 ³³⁰ R41207381	R417382 R417382 R417382 R417382 R417382 R417382 R417382 R417382	NR NR NR NR NR NR NR NR	N/A ³³⁶ N/A ⁵⁴ N/A ³³⁶ N/A ⁵⁴ N/A ³³⁶ N/A ³³⁶ N/A ⁵⁴ N/A ⁵⁴	N/A N/A N/A N/A N/A N/A N/A N/A	R4578267 R4578267 R4578267 R4578267 R4578267 R4578267 R4578267 R4578267	R4578267 R4578267 R4578267 R4578267 R4578267 R4578267 R4578267 R4578267
R44141730 ⁴⁰⁵ R44141730 ⁴⁰⁵ R44141730 ⁴⁰⁵ R44141730 ⁴⁰⁵	-	-	-	R4066306 R4066306 R4066306	R4090126S R4090126S R4090126S	N/A ³³⁶ R4113182 ³¹¹ N/A ⁵⁴ R4113123 ⁵³	N/A R4110409 - R4110409	R4578267 R4578267 R4578267 R4578267	R4578267 R4578267 R4578267 R4578267
N/A N/A N/A N/A N/A N/A N/A N/A	1-1/16 " 1-1/16 " 1-1/16 " 1-1/16 " 1-1/16 " 1-1/16 " 1-1/16 " 1-1/16 "	R417379 R417363 R417379 R417379 R417379 R41207364 R41207364 R417363	R41207375 R417365 ³²⁹ R41207381 R41207375 R41207381 R41207366 ³³⁰ R41207366 ³³⁰ R417365 ³²⁹	R417382 R417382 R417382 R417382 R417382 R417382 R417382 R417382	NR NR NR NR NR NR NR NR	R4113182 ³¹¹ R4113182 ³¹¹ R4113182 ³¹¹ R4113123 ⁵³ R4113123 ⁵³ R4113123 ⁵³ R4113182 ³¹¹ R4113123 ⁵³	R4110409 R4110409 R4110409 R4110409 R4110409 R4110409 R4110409 R4110409	R4578267 R4578267 R4578267 R4578267 R4578267 R4578267 R4578267 R4578267	R4578267 R4578267 R4578267 R4578267 R4578267 R4578267 R4578267 R4578267
N/A N/A N/A	- 1 " 1 " 1-1/16 "	- - - R417379	- - - R41207381	N/A N/A R417382	NR NR NR	- - -	- - -	N/A N/A N/A	N/A N/A N/A

MAKE MODEL YEAR AXLE CODE AXLE WEIGHT	AXLE & BRK. TYPE	BRK. MFG.	BRAKE SIZE	FMSI	MERITOR DISC PAD OR BRAKE SHOE	MERITOR GUIDE PIN OR RETURN SPRING KIT	MERITOR CALIPER HWD. KIT OR RETURN SPRING KIT	MERITOR ADJUSTER KIT (LEFT WHEEL)	MERITOR ADJUSTER KIT (RIGHT WHEEL)
GMC / CHEV(Cont.)									
40, 4000 SERIES-20,000 lb. GVW(Cont.)									
1994 W4S042	Rm Rm Rm		320mm x 75mm 320mm x 75mm 320mm x 75mm	1417 - S726 1417 - S726 1417 - S726	R46735721 ³⁴² R46735721 ³⁴² R46735721 ³⁴²	R41207361 R41207361 R41207361	R40H9238 R40H9238 R40H9238	NR NR NR	NR NR NR
1993					R46735721 ³⁴² R46735721 ³⁴² R46735721 ³⁴² R46735721 ³⁴² R46735721 ³⁴² R46735721 ³⁴² R46735721 ³⁴²	R41207361 R41207361 R41207361 R41207361 R41207361 R41207361 R41207361	R40H9238 R40H9238 R40H9238 R40H9238 R40H9238 R40H9238 R40H9238	NR NR NR NR NR NR NR	NR NR NR NR NR NR NR
	Fd Fd Fd Fd			7425 - D546 7425 - D546 7425 - D546 7425 - D546	MD675 MD675 MD675 MD675	N/A N/A N/A N/A	N/A N/A N/A N/A	NR NR NR NR	NR NR NR NR
	Fm Fm Fm Fm Fm Fm Fm Fm		320mm x 75mm 320mm x 75mm 320mm x 75mm 320mm x 75mm 320mm x 75mm 320mm x 75mm 320mm x 75mm 320mm x 75mm	1417 - S726 1417 - S726 1417 - S726 1417 - S726 1417 - S726 1417 - S726 1417 - S726 1417 - S726	R46735721 ³⁴² R46735721 ³⁴² R46735721 ³⁴² R46735721 ³⁴² R46735721 ³⁴² R46735721 ³⁴² R46735721 ³⁴² R46735721 ³⁴²	R41207361 R41207361 R41207361 R41207361 R41207361 R41207361 R41207361 R41207361	R40H9238 R40H9238 R40H9238 R40H9238 R40H9238 R40H9238 R40H9238 R40H9238	NR NR NR NR NR NR NR NR	NR NR NR NR NR NR NR NR
	Ra		11-13/16"x2-61/64"	1454 - S668	N/A	N/A	N/A	N/A	N/A
	Rm Rm Rm Rm Rm Rm		320mm x 100mm 320mm x 100mm 320mm x 75mm 320mm x 75mm 320mm x 75mm 320mm x 75mm	1482 - S699 1482 - S699 1417 - S726 1417 - S726 1417 - S726 1417 - S726	R46699 R46699 R46735721 ³⁴² R46735721 ³⁴² R46735721 ³⁴² R46735721 ³⁴²	N/A N/A R41207361 R41207361 R41207361 R41207361	N/A N/A R40H9238 R40H9238 R40H9238 R40H9238	N/A N/A NR NR NR NR	N/A N/A NR NR NR NR
1992					R46735721 ³⁴² R46735721 ³⁴² R46735721 ³⁴² R46735721 ³⁴² R46735721 ³⁴² R46735721 ³⁴² R46735721 ³⁴²	R41207361 R41207361 R41207361 R41207361 R41207361 R41207361 R41207361	R40H9238 R40H9238 R40H9238 R40H9238 R40H9238 R40H9238 R40H9238	NR NR NR NR NR NR NR	NR NR NR NR NR NR NR
	Fd Fd Fd Fd			7425 - D546 7425 - D546 7425 - D546 7425 - D546	MD675 MD675 MD675 MD675	N/A N/A N/A N/A	N/A N/A N/A N/A	NR NR NR NR	NR NR NR NR
	Fm Fm Fm Fm Fm Fm Fm Fm		320mm x 75mm 320mm x 75mm 320mm x 75mm 320mm x 75mm 320mm x 75mm 320mm x 75mm 320mm x 75mm 320mm x 75mm	1417 - S726 1417 - S726 1417 - S726 1417 - S726 1417 - S726 1417 - S726 1417 - S726 1417 - S726	R46735721 ³⁴² R46735721 ³⁴² R46735721 ³⁴² R46735721 ³⁴² R46735721 ³⁴² R46735721 ³⁴² R46735721 ³⁴² R46735721 ³⁴²	R41207361 R41207361 R41207361 R41207361 R41207361 R41207361 R41207361 R41207361	R40H9238 R40H9238 R40H9238 R40H9238 R40H9238 R40H9238 R40H9238 R40H9238	NR NR NR NR NR NR NR NR	NR NR NR NR NR NR NR NR
	Ra		11-13/16"x2-61/64"	1454 - S668	N/A	N/A	N/A	N/A	N/A
	Rm Rm Rm Rm Rm Rm		320mm x 100mm 320mm x 100mm 320mm x 75mm 320mm x 75mm 320mm x 75mm 320mm x 75mm	1482 - S699 1482 - S699 1417 - S726 1417 - S726 1417 - S726 1417 - S726	R46699 R46699 R46735721 ³⁴² R46735721 ³⁴² R46735721 ³⁴² R46735721 ³⁴²	N/A N/A R41207361 R41207361 R41207361 R41207361	N/A N/A R40H9238 R40H9238 R40H9238 R40H9238	N/A N/A NR NR NR NR	N/A N/A NR NR NR NR
1991					R46735721 ³⁴² R46735721 ³⁴²	R41207361 R41207361	R40H9238 R40H9238	NR NR	NR NR

53 - Power Brakes
329 - Forward
342 - Use E-7358 for Lining and Rivet Set
www.XpresswayPlus.com

54 - Manual Brakes
330 - Rearward
405 - Rotor Only

311 - Power Brakes, Stripped Chassis, Front Disc Brakes
336 - Manual Brakes, Stripped Chassis, Front Disc Brakes

MERITOR DRUM OR ROTOR NO.	CALIPER OR CYLINDER BORE SIZE	MERITOR CALIPER OR WHEEL CYLINDER (LEFT)	MERITOR CALIPER OR WHEEL CYLINDER (RIGHT)	MERITOR CALIPER OR WHEEL CYLINDER REPAIR KIT	MERITOR CALIPER PISTON	MERITOR MASTER CYLINDER	MERITOR MASTER CYLINDER KIT	MERITOR BRAKE HOSE (LEFT)	MERITOR BRAKE HOSE (RIGHT)
GMC / CHEV(Cont.)									
40, 4000 SERIES-20,000 lb. GVW(Cont.)									
N/A	1-1/16 "	R417379	R41207375	R417382	NR	-	-	-	-
N/A	1-1/16 "	R417372	R41207375 ³²⁹	R417382	NR	-	-	N/A	N/A
N/A	1-1/16 "	R417372	R41207374 ³³⁰	R417382	NR	-	-	N/A	N/A
N/A		R417363	R417365 ³²⁹	R417382	NR	N/A ³³⁶	N/A	R4578267	R4578267
N/A		R417379	R41207381	R417382	NR	N/A ³³⁶	N/A	R4578267	R4578267
N/A		R417379	R41207381	R417382	NR	N/A ⁵⁴	N/A	R4578267	R4578267
N/A		R417363	R417365 ³²⁹	R417382	NR	N/A ⁵⁴	N/A	R4578267	R4578267
N/A		R41207364	R41207366 ³³⁰	R417382	NR	N/A ³³⁶	N/A	R4578267	R4578267
N/A		R417379	R41207375	R417382	NR	N/A ³³⁶	N/A	R4578267	R4578267
N/A		R417379	R41207375	R417382	NR	N/A ⁵⁴	N/A	R4578267	R4578267
N/A		R41207364	R41207366 ³³⁰	R417382	NR	N/A ⁵⁴	N/A	R4578267	R4578267
R44141730 ⁴⁰⁵		-	-	R4066306	R4090126S	N/A ³³⁶	N/A	R4578267	R4578267
R44141730 ⁴⁰⁵		-	-	R4066306	R4090126S	R4113182 ³¹¹	R4110409	R4578267	R4578267
R44141730 ⁴⁰⁵		-	-	R4066306	R4090126S	N/A ⁵⁴	N/A	R4578267	R4578267
R44141730 ⁴⁰⁵		-	-	R4066306	R4090126S	R4113123 ⁵³	R4110409	R4578267	R4578267
N/A	1-1/16 "	R417379	R41207381	R417382	NR	R4113182 ³¹¹	R4110409	R4578267	R4578267
N/A	1-1/16 "	R41207364	R41207366 ³³⁰	R417382	NR	R4113182 ³¹¹	R4110409	R4578267	R4578267
N/A	1-1/16 "	R417363	R417365 ³²⁹	R417382	NR	R4113182 ³¹¹	R4110409	R4578267	R4578267
N/A	1-1/16 "	R417379	R41207381	R417382	NR	R4113123 ⁵³	R4110409	R4578267	R4578267
N/A	1-1/16 "	R417363	R417365 ³²⁹	R417382	NR	R4113123 ⁵³	R4110409	R4578267	R4578267
N/A	1-1/16 "	R41207364	R41207366 ³³⁰	R417382	NR	R4113123 ⁵³	R4110409	R4578267	R4578267
N/A	1-1/16 "	R417379	R41207375	R417382	NR	R4113123 ⁵³	R4110409	R4578267	R4578267
N/A	1-1/16 "	R417379	R41207375	R417382	NR	R4113182 ³¹¹	R4110409	R4578267	R4578267
N/A		-	-	N/A	NR	-	-	N/A	N/A
N/A	1 "	-	-	N/A	NR	-	-	N/A	N/A
N/A	1 "	-	-	N/A	NR	-	-	N/A	N/A
N/A	1-1/16 "	R417372	R41207375 ³²⁹	R417382	NR	-	-	N/A	N/A
N/A	1-1/16 "	R417379	R41207375	R417382	NR	-	-	N/A	N/A
N/A	1-1/16 "	R417379	R41207381	R417382	NR	-	-	N/A	N/A
N/A	1-1/16 "	R417372	R41207374 ³³⁰	R417382	NR	-	-	N/A	N/A
N/A		R41207364	R41207366 ³³⁰	R417382	NR	N/A ³³⁶	N/A	R4578267	R4578267
N/A		R417363	R417365 ³²⁹	R417382	NR	N/A ⁵⁴	N/A	R4578267	R4578267
N/A		R417379	R41207375	R417382	NR	N/A ³³⁶	N/A	R4578267	R4578267
N/A		R41207364	R41207366 ³³⁰	R417382	NR	N/A ⁵⁴	N/A	R4578267	R4578267
N/A		R417379	R41207375	R417382	NR	N/A ⁵⁴	N/A	R4578267	R4578267
N/A		R417379	R41207381	R417382	NR	N/A ⁵⁴	N/A	R4578267	R4578267
N/A		R417379	R41207381	R417382	NR	N/A ³³⁶	N/A	R4578267	R4578267
N/A		R417363	R417365 ³²⁹	R417382	NR	N/A ³³⁶	N/A	R4578267	R4578267
R44141730 ⁴⁰⁵		-	-	R4066306	R4090126S	N/A ³³⁶	N/A	R4578267	R4578267
R44141730 ⁴⁰⁵		-	-	R4066306	R4090126S	R4113182 ³¹¹	R4110409	R4578267	R4578267
R44141730 ⁴⁰⁵		-	-	R4066306	R4090126S	R4113123 ⁵³	R4110409	R4578267	R4578267
R44141730 ⁴⁰⁵		-	-	R4066306	R4090126S	N/A ⁵⁴	N/A	R4578267	R4578267
N/A	1-1/16 "	R41207364	R41207366 ³³⁰	R417382	NR	R4113123 ⁵³	R4110409	R4578267	R4578267
N/A	1-1/16 "	R417363	R417365 ³²⁹	R417382	NR	R4113182 ³¹¹	R4110409	R4578267	R4578267
N/A	1-1/16 "	R417379	R41207375	R417382	NR	R4113123 ⁵³	R4110409	R4578267	R4578267
N/A	1-1/16 "	R417379	R41207381	R417382	NR	R4113182 ³¹¹	R4110409	R4578267	R4578267
N/A	1-1/16 "	R417379	R41207375	R417382	NR	R4113182 ³¹¹	R4110409	R4578267	R4578267
N/A	1-1/16 "	R417379	R41207381	R417382	NR	R4113123 ⁵³	R4110409	R4578267	R4578267
N/A	1-1/16 "	R417363	R417365 ³²⁹	R417382	NR	R4113123 ⁵³	R4110409	R4578267	R4578267
N/A	1-1/16 "	R41207364	R41207366 ³³⁰	R417382	NR	R4113182 ³¹¹	R4110409	R4578267	R4578267
N/A		-	-	N/A	NR	-	-	N/A	N/A
N/A	1 "	-	-	N/A	NR	-	-	N/A	N/A
N/A	1 "	-	-	N/A	NR	-	-	N/A	N/A
N/A	1-1/16 "	R417379	R41207375	R417382	NR	-	-	N/A	N/A
N/A	1-1/16 "	R417372	R41207374 ³³⁰	R417382	NR	-	-	N/A	N/A
N/A	1-1/16 "	R417379	R41207381	R417382	NR	-	-	N/A	N/A
N/A	1-1/16 "	R417372	R41207375 ³²⁹	R417382	NR	-	-	N/A	N/A
N/A		R417363	R417365 ³²⁹	R417382	NR	N/A ³³⁶	N/A	R4578267	R4578267
N/A		R41207364	R41207366 ³³⁰	R417382	NR	N/A ³³⁶	N/A	R4578267	R4578267

1 APPLICATION

MAKE MODEL YEAR AXLE CODE AXLE WEIGHT	AXLE & BRK. TYPE	BRK. MFG.	BRAKE SIZE	FMSI	MERITOR DISC PAD OR BRAKE SHOE	MERITOR GUIDE PIN OR RETURN SPRING KIT	MERITOR CALIPER HWD. KIT OR RETURN SPRING KIT	MERITOR ADJUSTER KIT (LEFT WHEEL)	MERITOR ADJUSTER KIT (RIGHT WHEEL)	
GMC / CHEV(Cont.)										
40, 4000 SERIES-20,000 lb. GVW(Cont.)										
1991					R46735721 ³⁴² R46735721 ³⁴² R46735721 ³⁴² R46735721 ³⁴² R46735721 ³⁴²	R41207361 R41207361 R41207361 R41207361 R41207361	R40H9238 R40H9238 R40H9238 R40H9238 R40H9238	NR NR NR NR NR	NR NR NR NR NR	
	Fd			7425 - D546	MD675	N/A	N/A	NR	NR	
	Fd			7425 - D546	MD675	N/A	N/A	NR	NR	
	Fd			7425 - D546	MD675	N/A	N/A	NR	NR	
	Fd			7425 - D546	MD675	N/A	N/A	NR	NR	
	Fm		320mm x 75mm	1417 - S726	R46735721 ³⁴²	R41207361	R40H9238	NR	NR	
	Fm		320mm x 75mm	1417 - S726	R46735721 ³⁴²	R41207361	R40H9238	NR	NR	
	Fm		320mm x 75mm	1417 - S726	R46735721 ³⁴²	R41207361	R40H9238	NR	NR	
	Fm		320mm x 75mm	1417 - S726	R46735721 ³⁴²	R41207361	R40H9238	NR	NR	
	Fm		320mm x 75mm	1417 - S726	R46735721 ³⁴²	R41207361	R40H9238	NR	NR	
	Fm		320mm x 75mm	1417 - S726	R46735721 ³⁴²	R41207361	R40H9238	NR	NR	
	Fm		320mm x 75mm	1417 - S726	R46735721 ³⁴²	R41207361	R40H9238	NR	NR	
	Fm		320mm x 75mm	1417 - S726	R46735721 ³⁴²	R41207361	R40H9238	NR	NR	
	Ra		11-13/16"x2-61/64"	1454 - S668	N/A	N/A	N/A	N/A	N/A	
	Rm		320mm x 100mm	1482 - S699	R46699	N/A	N/A	N/A	N/A	
	Rm		320mm x 100mm	1482 - S699	R46699	N/A	N/A	N/A	N/A	
	Rm		320mm x 75mm	1417 - S726	R46735721 ³⁴²	R41207361	R40H9238	NR	NR	
	Rm		320mm x 75mm	1417 - S726	R46735721 ³⁴²	R41207361	R40H9238	NR	NR	
	Rm		320mm x 75mm	1417 - S726	R46735721 ³⁴²	R41207361	R40H9238	NR	NR	
	Rm		320mm x 75mm	1417 - S726	R46735721 ³⁴²	R41207361	R40H9238	NR	NR	
	1990					R46735721 ³⁴² R46735721 ³⁴² R46735721 ³⁴² R46735721 ³⁴² R46735721 ³⁴² R46735721 ³⁴² R46735721 ³⁴²	R41207361 R41207361 R41207361 R41207361 R41207361 R41207361 R41207361	R40H9238 R40H9238 R40H9238 R40H9238 R40H9238 R40H9238 R40H9238	NR NR NR NR NR NR NR	NR NR NR NR NR NR NR
		Fd			7425 - D546	MD675	N/A	N/A	NR	NR
		Fd			7425 - D546	MD675	N/A	N/A	NR	NR
		Fd			7425 - D546	MD675	N/A	N/A	NR	NR
Fd				7425 - D546	MD675	N/A	N/A	NR	NR	
Fm			320mm x 75mm	1417 - S726	R46735721 ³⁴²	R41207361	R40H9238	NR	NR	
Fm			320mm x 75mm	1417 - S726	R46735721 ³⁴²	R41207361	R40H9238	NR	NR	
Fm			320mm x 75mm	1417 - S726	R46735721 ³⁴²	R41207361	R40H9238	NR	NR	
Fm			320mm x 75mm	1417 - S726	R46735721 ³⁴²	R41207361	R40H9238	NR	NR	
Fm			320mm x 75mm	1417 - S726	R46735721 ³⁴²	R41207361	R40H9238	NR	NR	
Fm			320mm x 75mm	1417 - S726	R46735721 ³⁴²	R41207361	R40H9238	NR	NR	
Fm			320mm x 75mm	1417 - S726	R46735721 ³⁴²	R41207361	R40H9238	NR	NR	
Fm			320mm x 75mm	1417 - S726	R46735721 ³⁴²	R41207361	R40H9238	NR	NR	
Fm			320mm x 75mm	1417 - S726	R46735721 ³⁴²	R41207361	R40H9238	NR	NR	
Ra			11-13/16"x2-61/64"	1454 - S668	N/A	N/A	N/A	N/A	N/A	
Rm			320mm x 100mm	1482 - S699	R46699	N/A	N/A	N/A	N/A	
Rm			320mm x 100mm	1482 - S699	R46699	N/A	N/A	N/A	N/A	
Rm			320mm x 75mm	1417 - S726	R46735721 ³⁴²	R41207361	R40H9238	NR	NR	
Rm			320mm x 75mm	1417 - S726	R46735721 ³⁴²	R41207361	R40H9238	NR	NR	
Rm			320mm x 75mm	1417 - S726	R46735721 ³⁴²	R41207361	R40H9238	NR	NR	
Rm			320mm x 75mm	1417 - S726	R46735721 ³⁴²	R41207361	R40H9238	NR	NR	
1989						R46735721 ³⁴² R46735721 ³⁴² R46735721 ³⁴² R46735721 ³⁴² R46735721 ³⁴² R46735721 ³⁴² R46735721 ³⁴²	R41207361 R41207361 R41207361 R41207361 R41207361 R41207361 R41207361	R40H9238 R40H9238 R40H9238 R40H9238 R40H9238 R40H9238 R40H9238	NR NR NR NR NR NR NR	NR NR NR NR NR NR NR

53 - Power Brakes
 329 - Forward
 342 - Use E-7358 for Lining and Rivet Set
 www.XpresswayPlus.com
 1-364

54 - Manual Brakes
 330 - Rearward
 405 - Rotor Only

311 - Power Brakes, Stripped Chassis, Front Disc Brakes
 336 - Manual Brakes, Stripped Chassis, Front Disc Brakes

Contact our Customer Service Teams
 1-888-725-9355

MERITOR DRUM OR ROTOR NO.	CALIPER OR CYLINDER BORE SIZE	MERITOR CALIPER OR WHEEL CYLINDER (LEFT)	MERITOR CALIPER OR WHEEL CYLINDER (RIGHT)	MERITOR CALIPER OR WHEEL CYLINDER REPAIR KIT	MERITOR CALIPER PISTON	MERITOR MASTER CYLINDER	MERITOR MASTER CYLINDER KIT	MERITOR BRAKE HOSE (LEFT)	MERITOR BRAKE HOSE (RIGHT)
GMC / CHEV(Cont.)									
40, 4000 SERIES-20,000 lb. GVW(Cont.)									
N/A		R417379	R41207381	R417382	NR	N/A ³³⁶	N/A	R4578267	R4578267
N/A		R417379	R41207381	R417382	NR	N/A ⁵⁴	N/A	R4578267	R4578267
N/A		R41207364	R41207366 ³³⁰	R417382	NR	N/A ⁵⁴	N/A	R4578267	R4578267
N/A		R417379	R41207375	R417382	NR	N/A ³³⁶	N/A	R4578267	R4578267
N/A		R417363	R417365 ³²⁹	R417382	NR	N/A ⁵⁴	N/A	R4578267	R4578267
N/A		R417379	R41207375	R417382	NR	N/A ⁵⁴	N/A	R4578267	R4578267
R44141730 ⁴⁰⁵		-	-	R4066306	R4090126S	N/A ³³⁶	N/A	R4578267	R4578267
R44141730 ⁴⁰⁵		-	-	R4066306	R4090126S	R4113123 ⁵³	R4110409	R4578267	R4578267
R44141730 ⁴⁰⁵		-	-	R4066306	R4090126S	R4113182 ³¹¹	R4110409	R4578267	R4578267
R44141730 ⁴⁰⁵		-	-	R4066306	R4090126S	N/A ⁵⁴	N/A	R4578267	R4578267
N/A	1-1/16 "	R417379	R41207375	R417382	NR	R4113182 ³¹¹	R4110409	R4578267	R4578267
N/A	1-1/16 "	R41207364	R41207366 ³³⁰	R417382	NR	R4113123 ⁵³	R4110409	R4578267	R4578267
N/A	1-1/16 "	R417363	R417365 ³²⁹	R417382	NR	R4113123 ⁵³	R4110409	R4578267	R4578267
N/A	1-1/16 "	R417379	R41207375	R417382	NR	R4113123 ⁵³	R4110409	R4578267	R4578267
N/A	1-1/16 "	R417379	R41207381	R417382	NR	R4113182 ³¹¹	R4110409	R4578267	R4578267
N/A	1-1/16 "	R417363	R417365 ³²⁹	R417382	NR	R4113182 ³¹¹	R4110409	R4578267	R4578267
N/A	1-1/16 "	R41207364	R41207366 ³³⁰	R417382	NR	R4113182 ³¹¹	R4110409	R4578267	R4578267
N/A	1-1/16 "	R417379	R41207381	R417382	NR	R4113123 ⁵³	R4110409	R4578267	R4578267
N/A		-	-	N/A	NR	-	-	N/A	N/A
N/A	1 "	-	-	N/A	NR	-	-	N/A	N/A
N/A	1 "	-	-	N/A	NR	-	-	N/A	N/A
N/A	1-1/16 "	R417379	R41207381	R417382	NR	-	-	N/A	N/A
N/A	1-1/16 "	R417379	R41207375	R417382	NR	-	-	N/A	N/A
N/A	1-1/16 "	R417372	R41207375 ³²⁹	R417382	NR	-	-	N/A	N/A
N/A	1-1/16 "	R417372	R41207374 ³³⁰	R417382	NR	-	-	N/A	N/A
N/A		R417363	R417365 ³²⁹	R417382	NR	N/A ⁵⁴	N/A	R4578267	R4578267
N/A		R417379	R41207381	R417382	NR	N/A ⁵⁴	N/A	R4578267	R4578267
N/A		R417379	R41207375	R417382	NR	N/A ³³⁶	N/A	R4578267	R4578267
N/A		R41207364	R41207366 ³³⁰	R417382	NR	N/A ⁵⁴	N/A	R4578267	R4578267
N/A		R417363	R417365 ³²⁹	R417382	NR	N/A ³³⁶	N/A	R4578267	R4578267
N/A		R417379	R41207375	R417382	NR	N/A ⁵⁴	N/A	R4578267	R4578267
N/A		R417379	R41207381	R417382	NR	N/A ³³⁶	N/A	R4578267	R4578267
N/A		R417379	R41207375	R417382	NR	N/A ³³⁶	N/A	R4578267	R4578267
R44141730 ⁴⁰⁵		-	-	R4066306	R4090126S	R4113182 ³¹¹	R4110409	R4578267	R4578267
R44141730 ⁴⁰⁵		-	-	R4066306	R4090126S	N/A ⁵⁴	N/A	R4578267	R4578267
R44141730 ⁴⁰⁵		-	-	R4066306	R4090126S	R4113123 ⁵³	R4110409	R4578267	R4578267
R44141730 ⁴⁰⁵		-	-	R4066306	R4090126S	N/A ³³⁶	N/A	R4578267	R4578267
N/A	1-1/16 "	R417379	R41207381	R417382	NR	R4113182 ³¹¹	R4110409	R4578267	R4578267
N/A	1-1/16 "	R417363	R417365 ³²⁹	R417382	NR	R4113182 ³¹¹	R4110409	R4578267	R4578267
N/A	1-1/16 "	R41207364	R41207366 ³³⁰	R417382	NR	R4113182 ³¹¹	R4110409	R4578267	R4578267
N/A	1-1/16 "	R417379	R41207381	R417382	NR	R4113123 ⁵³	R4110409	R4578267	R4578267
N/A	1-1/16 "	R417379	R41207375	R417382	NR	R4113123 ⁵³	R4110409	R4578267	R4578267
N/A	1-1/16 "	R41207364	R41207366 ³³⁰	R417382	NR	R4113123 ⁵³	R4110409	R4578267	R4578267
N/A	1-1/16 "	R417379	R41207375	R417382	NR	R4113182 ³¹¹	R4110409	R4578267	R4578267
N/A	1-1/16 "	R417363	R417365 ³²⁹	R417382	NR	R4113123 ⁵³	R4110409	R4578267	R4578267
N/A		-	-	N/A	NR	-	-	N/A	N/A
N/A	1 "	-	-	N/A	NR	-	-	N/A	N/A
N/A	1 "	-	-	N/A	NR	-	-	N/A	N/A
N/A	1-1/16 "	R417379	R41207375	R417382	NR	-	-	N/A	N/A
N/A	1-1/16 "	R417379	R41207381	R417382	NR	-	-	N/A	N/A
N/A	1-1/16 "	R417372	R41207375 ³²⁹	R417382	NR	-	-	N/A	N/A
N/A	1-1/16 "	R417372	R41207374 ³³⁰	R417382	NR	-	-	N/A	N/A
N/A		R417363	R417365 ³²⁹	R417382	NR	N/A ³³⁶	N/A	R4578267	R4578267
N/A		R41207364	R41207366 ³³⁰	R417382	NR	N/A ³³⁶	N/A	R4578267	R4578267
N/A		R417379	R41207381	R417382	NR	N/A ⁵⁴	N/A	R4578267	R4578267
N/A		R417363	R417365 ³²⁹	R417382	NR	N/A ⁵⁴	N/A	R4578267	R4578267
N/A		R417379	R41207375	R417382	NR	N/A ⁵⁴	N/A	R4578267	R4578267
N/A		R417379	R41207381	R417382	NR	N/A ³³⁶	N/A	R4578267	R4578267
N/A		R41207364	R41207366 ³³⁰	R417382	NR	N/A ⁵⁴	N/A	R4578267	R4578267
N/A		R417379	R41207375	R417382	NR	N/A ³³⁶	N/A	R4578267	R4578267

MAKE MODEL YEAR AXLE CODE AXLE WEIGHT	AXLE & BRK. TYPE	BRK. MFG.	BRAKE SIZE	FMSI	MERITOR DISC PAD OR BRAKE SHOE	MERITOR GUIDE PIN OR RETURN SPRING KIT	MERITOR CALIPER HWD. KIT OR RETURN SPRING KIT	MERITOR ADJUSTER KIT (LEFT WHEEL)	MERITOR ADJUSTER KIT (RIGHT WHEEL)
GMC / CHEV(Cont.)									
40, 4000 SERIES-20,000 lb. GVW(Cont.)									
1989	Fd			7425 - D546	MD675	N/A	N/A	NR	NR
	Fd			7425 - D546	MD675	N/A	N/A	NR	NR
	Fd			7425 - D546	MD675	N/A	N/A	NR	NR
	Fd			7425 - D546	MD675	N/A	N/A	NR	NR
	Fm		320mm x 75mm	1417 - S726	R46735721 ³⁴²	R41207361	R40H9238	NR	NR
	Fm		320mm x 75mm	1417 - S726	R46735721 ³⁴²	R41207361	R40H9238	NR	NR
	Fm		320mm x 75mm	1417 - S726	R46735721 ³⁴²	R41207361	R40H9238	NR	NR
	Fm		320mm x 75mm	1417 - S726	R46735721 ³⁴²	R41207361	R40H9238	NR	NR
	Fm		320mm x 75mm	1417 - S726	R46735721 ³⁴²	R41207361	R40H9238	NR	NR
	Fm		320mm x 75mm	1417 - S726	R46735721 ³⁴²	R41207361	R40H9238	NR	NR
	Fm		320mm x 75mm	1417 - S726	R46735721 ³⁴²	R41207361	R40H9238	NR	NR
	Ra		11-13/16"x2-61/64"	1454 - S668	N/A	N/A	N/A	N/A	N/A
	Rm		320mm x 100mm	1482 - S699	R46699	N/A	N/A	N/A	N/A
	Rm		320mm x 100mm	1482 - S699	R46699	N/A	N/A	N/A	N/A
	Rm		320mm x 75mm	1417 - S726	R46735721 ³⁴²	R41207361	R40H9238	NR	NR
	Rm		320mm x 75mm	1417 - S726	R46735721 ³⁴²	R41207361	R40H9238	NR	NR
	Rm		320mm x 75mm	1417 - S726	R46735721 ³⁴²	R41207361	R40H9238	NR	NR
	1988					R46735721 ³⁴²	R41207361	R40H9238	NR
					R46735721 ³⁴²	R41207361	R40H9238	NR	NR
					R46735721 ³⁴²	R41207361	R40H9238	NR	NR
					R46735721 ³⁴²	R41207361	R40H9238	NR	NR
					R46735721 ³⁴²	R41207361	R40H9238	NR	NR
					R46735721 ³⁴²	R41207361	R40H9238	NR	NR
					R46735721 ³⁴²	R41207361	R40H9238	NR	NR
					R46735721 ³⁴²	R41207361	R40H9238	NR	NR
					R46735721 ³⁴²	R41207361	R40H9238	NR	NR
					R46735721 ³⁴²	R41207361	R40H9238	NR	NR
Fd				7425 - D546	MD675	N/A	N/A	NR	NR
Fd				7425 - D546	MD675	N/A	N/A	NR	NR
Fd				7425 - D546	MD675	N/A	N/A	NR	NR
Fd				7425 - D546	MD675	N/A	N/A	NR	NR
Fm			320mm x 75mm	1417 - S726	R46735721 ³⁴²	R41207361	R40H9238	NR	NR
Fm			320mm x 75mm	1417 - S726	R46735721 ³⁴²	R41207361	R40H9238	NR	NR
Fm			320mm x 75mm	1417 - S726	R46735721 ³⁴²	R41207361	R40H9238	NR	NR
Fm			320mm x 75mm	1417 - S726	R46735721 ³⁴²	R41207361	R40H9238	NR	NR
Fm		320mm x 75mm	1417 - S726	R46735721 ³⁴²	R41207361	R40H9238	NR	NR	
Fm		320mm x 75mm	1417 - S726	R46735721 ³⁴²	R41207361	R40H9238	NR	NR	
Fm		320mm x 75mm	1417 - S726	R46735721 ³⁴²	R41207361	R40H9238	NR	NR	
Ra		11-13/16"x2-61/64"	1454 - S668	N/A	N/A	N/A	N/A	N/A	
Rm		320mm x 100mm	1482 - S699	R46699	N/A	N/A	N/A	N/A	
Rm		320mm x 100mm	1482 - S699	R46699	N/A	N/A	N/A	N/A	
Rm		320mm x 75mm	1417 - S726	R46735721 ³⁴²	R41207361	R40H9238	NR	NR	
Rm		320mm x 75mm	1417 - S726	R46735721 ³⁴²	R41207361	R40H9238	NR	NR	
Rm		320mm x 75mm	1417 - S726	R46735721 ³⁴²	R41207361	R40H9238	NR	NR	
Rm		320mm x 75mm	1417 - S726	R46735721 ³⁴²	R41207361	R40H9238	NR	NR	
1987					R46735721 ³⁴²	R41207361	R40H9238	NR	NR
					R46735721 ³⁴²	R41207361	R40H9238	NR	NR
					R46735721 ³⁴²	R41207361	R40H9238	NR	NR
					R46735721 ³⁴²	R41207361	R40H9238	NR	NR
					R46735721 ³⁴²	R41207361	R40H9238	NR	NR
					R46735721 ³⁴²	R41207361	R40H9238	NR	NR
					R46735721 ³⁴²	R41207361	R40H9238	NR	NR
					R46735721 ³⁴²	R41207361	R40H9238	NR	NR
					R46735721 ³⁴²	R41207361	R40H9238	NR	NR
					R46735721 ³⁴²	R41207361	R40H9238	NR	NR
Fd			7425 - D546	MD675	N/A	N/A	NR	NR	
Fd			7425 - D546	MD675	N/A	N/A	NR	NR	
Fd			7425 - D546	MD675	N/A	N/A	NR	NR	
Fd			7425 - D546	MD675	N/A	N/A	NR	NR	
Fm		320mm x 75mm	1417 - S726	R46735721 ³⁴²	R41207361	R40H9238	NR	NR	
Fm		320mm x 75mm	1417 - S726	R46735721 ³⁴²	R41207361	R40H9238	NR	NR	

53 - Power Brakes
 329 - Forward
 342 - Use E-7358 for Lining and Rivet Set
 www.XpresswayPlus.com

54 - Manual Brakes
 330 - Rearward
 405 - Rotor Only

311 - Power Brakes, Stripped Chassis, Front Disc Brakes
 336 - Manual Brakes, Stripped Chassis, Front Disc Brakes

MERITOR DRUM OR ROTOR NO.	CALIPER OR CYLINDER BORE SIZE	MERITOR CALIPER OR WHEEL CYLINDER (LEFT)	MERITOR CALIPER OR WHEEL CYLINDER (RIGHT)	MERITOR CALIPER OR WHEEL CYLINDER REPAIR KIT	MERITOR CALIPER PISTON	MERITOR MASTER CYLINDER	MERITOR MASTER CYLINDER KIT	MERITOR BRAKE HOSE (LEFT)	MERITOR BRAKE HOSE (RIGHT)
GMC / CHEV(Cont.)									
40, 4000 SERIES-20,000 lb. GVW(Cont.)									
R44141730 ⁴⁰⁵		-	-	R4066306	R4090126S	R4113123 ⁵³	R4110409	R4578267	R4578267
R44141730 ⁴⁰⁵		-	-	R4066306	R4090126S	N/A ³³⁶	N/A	R4578267	R4578267
R44141730 ⁴⁰⁵		-	-	R4066306	R4090126S	R4113182 ³¹¹	R4110409	R4578267	R4578267
R44141730 ⁴⁰⁵		-	-	R4066306	R4090126S	N/A ⁵⁴	N/A	R4578267	R4578267
N/A	1-1/16 "	R417363	R417365 ³²⁹	R417382	NR	R4113123 ⁵³	R4110409	R4578267	R4578267
N/A	1-1/16 "	R41207364	R41207366 ³³⁰	R417382	NR	R4113123 ⁵³	R4110409	R4578267	R4578267
N/A	1-1/16 "	R417379	R41207375	R417382	NR	R4113123 ⁵³	R4110409	R4578267	R4578267
N/A	1-1/16 "	R417379	R41207381	R417382	NR	R4113182 ³¹¹	R4110409	R4578267	R4578267
N/A	1-1/16 "	R417379	R41207375	R417382	NR	R4113182 ³¹¹	R4110409	R4578267	R4578267
N/A	1-1/16 "	R417363	R417365 ³²⁹	R417382	NR	R4113182 ³¹¹	R4110409	R4578267	R4578267
N/A	1-1/16 "	R417379	R41207381	R417382	NR	R4113123 ⁵³	R4110409	R4578267	R4578267
N/A	1-1/16 "	R41207364	R41207366 ³³⁰	R417382	NR	R4113182 ³¹¹	R4110409	R4578267	R4578267
N/A		-	-	N/A	NR	-	-	N/A	N/A
N/A	1 "	-	-	N/A	NR	-	-	N/A	N/A
N/A	1 "	-	-	N/A	NR	-	-	N/A	N/A
N/A	1-1/16 "	R417379	R41207375	R417382	NR	-	-	N/A	N/A
N/A	1-1/16 "	R417379	R41207381	R417382	NR	-	-	N/A	N/A
N/A	1-1/16 "	R417372	R41207375 ³²⁹	R417382	NR	-	-	N/A	N/A
N/A	1-1/16 "	R417372	R41207374 ³³⁰	R417382	NR	-	-	N/A	N/A
N/A		R41207364	R41207366 ³³⁰	R417382	NR	N/A ⁵⁴	N/A	R4578267	R4578267
N/A		R41207364	R41207366 ³³⁰	R417382	NR	N/A ³³⁶	N/A	R4578267	R4578267
N/A		R417363	R417365 ³²⁹	R417382	NR	N/A ⁵⁴	N/A	R4578267	R4578267
N/A		R417379	R41207381	R417382	NR	N/A ³³⁶	N/A	R4578267	R4578267
N/A		R417363	R417365 ³²⁹	R417382	NR	N/A ³³⁶	N/A	R4578267	R4578267
N/A		R417379	R41207375	R417382	NR	N/A ³³⁶	N/A	R4578267	R4578267
N/A		R417379	R41207375	R417382	NR	N/A ⁵⁴	N/A	R4578267	R4578267
N/A		R417379	R41207381	R417382	NR	N/A ⁵⁴	N/A	R4578267	R4578267
R44141730 ⁴⁰⁵		-	-	R4066306	R4090126S	R4113182 ³¹¹	R4110409	R4578267	R4578267
R44141730 ⁴⁰⁵		-	-	R4066306	R4090126S	R4113123 ⁵³	R4110409	R4578267	R4578267
R44141730 ⁴⁰⁵		-	-	R4066306	R4090126S	N/A ⁵⁴	N/A	R4578267	R4578267
R44141730 ⁴⁰⁵		-	-	R4066306	R4090126S	N/A ³³⁶	N/A	R4578267	R4578267
N/A	1-1/16 "	R417379	R41207375	R417382	NR	R4113182 ³¹¹	R4110409	R4578267	R4578267
N/A	1-1/16 "	R417363	R417365 ³²⁹	R417382	NR	R4113182 ³¹¹	R4110409	R4578267	R4578267
N/A	1-1/16 "	R417379	R41207381	R417382	NR	R4113123 ⁵³	R4110409	R4578267	R4578267
N/A	1-1/16 "	R417379	R41207375	R417382	NR	R4113182 ³¹¹	R4110409	R4578267	R4578267
N/A	1-1/16 "	R417379	R41207381	R417382	NR	R4113182 ³¹¹	R4110409	R4578267	R4578267
N/A	1-1/16 "	R41207364	R41207366 ³³⁰	R417382	NR	R4113182 ³¹¹	R4110409	R4578267	R4578267
N/A	1-1/16 "	R41207364	R41207366 ³³⁰	R417382	NR	R4113123 ⁵³	R4110409	R4578267	R4578267
N/A	1-1/16 "	R417363	R417365 ³²⁹	R417382	NR	R4113123 ⁵³	R4110409	R4578267	R4578267
N/A		-	-	N/A	NR	-	-	N/A	N/A
N/A	1 "	-	-	N/A	NR	-	-	N/A	N/A
N/A	1 "	-	-	N/A	NR	-	-	N/A	N/A
N/A	1-1/16 "	R417379	R41207375	R417382	NR	-	-	N/A	N/A
N/A	1-1/16 "	R417372	R41207374 ³³⁰	R417382	NR	-	-	N/A	N/A
N/A	1-1/16 "	R417379	R41207381	R417382	NR	-	-	N/A	N/A
N/A	1-1/16 "	R417372	R41207375 ³²⁹	R417382	NR	-	-	N/A	N/A
N/A		R417363	R417365 ³²⁹	R417382	NR	N/A ³³⁶	N/A	R4578267	R4578267
N/A		R41207364	R41207366 ³³⁰	R417382	NR	N/A ³³⁶	N/A	R4578267	R4578267
N/A		R41207364	R41207366 ³³⁰	R417382	NR	N/A ⁵⁴	N/A	R4578267	R4578267
N/A		R417363	R417365 ³²⁹	R417382	NR	N/A ⁵⁴	N/A	R4578267	R4578267
N/A		R417379	R41207375	R417382	NR	N/A ³³⁶	N/A	R4578267	R4578267
N/A		R417379	R41207381	R417382	NR	N/A ⁵⁴	N/A	R4578267	R4578267
N/A		R417379	R41207375	R417382	NR	N/A ⁵⁴	N/A	R4578267	R4578267
N/A		R417379	R41207381	R417382	NR	N/A ³³⁶	N/A	R4578267	R4578267
R44141730 ⁴⁰⁵		-	-	R4066306	R4090126S	N/A ³³⁶	N/A	R4578267	R4578267
R44141730 ⁴⁰⁵		-	-	R4066306	R4090126S	R4113123 ⁵³	R4110409	R4578267	R4578267
R44141730 ⁴⁰⁵		-	-	R4066306	R4090126S	N/A ⁵⁴	N/A	R4578267	R4578267
R44141730 ⁴⁰⁵		-	-	R4066306	R4090126S	R4113182 ³¹¹	R4110409	R4578267	R4578267
N/A	1-1/16 "	R417363	R417365 ³²⁹	R417382	NR	R4113182 ³¹¹	R4110409	R4578267	R4578267
N/A	1-1/16 "	R417379	R41207375	R417382	NR	R4113182 ³¹¹	R4110409	R4578267	R4578267

1 APPLICATION

MAKE MODEL YEAR AXLE CODE AXLE WEIGHT	AXLE & BRK. TYPE	BRK. MFG.	BRAKE SIZE	FMSI	MERITOR DISC PAD OR BRAKE SHOE	MERITOR GUIDE PIN OR RETURN SPRING KIT	MERITOR CALIPER HWD. KIT OR RETURN SPRING KIT	MERITOR ADJUSTER KIT (LEFT WHEEL)	MERITOR ADJUSTER KIT (RIGHT WHEEL)
GMC / CHEV(Cont.)									
40, 4000 SERIES-20,000 lb. GVW(Cont.)									
1987	Fm		320mm x 75mm	1417 - S726	R46735721 ³⁴²	R41207361	R40H9238	NR	NR
	Fm		320mm x 75mm	1417 - S726	R46735721 ³⁴²	R41207361	R40H9238	NR	NR
	Fm		320mm x 75mm	1417 - S726	R46735721 ³⁴²	R41207361	R40H9238	NR	NR
	Fm		320mm x 75mm	1417 - S726	R46735721 ³⁴²	R41207361	R40H9238	NR	NR
	Fm		320mm x 75mm	1417 - S726	R46735721 ³⁴²	R41207361	R40H9238	NR	NR
	Fm		320mm x 75mm	1417 - S726	R46735721 ³⁴²	R41207361	R40H9238	NR	NR
	Ra		11-13/16"x2-61/64"	1454 - S668	N/A	N/A	N/A	N/A	N/A
	Rm		320mm x 100mm	1482 - S699	R46699	N/A	N/A	N/A	N/A
	Rm		320mm x 100mm	1482 - S699	R46699	N/A	N/A	N/A	N/A
	Rm		320mm x 75mm	1417 - S726	R46735721 ³⁴²	R41207361	R40H9238	NR	NR
	Rm		320mm x 75mm	1417 - S726	R46735721 ³⁴²	R41207361	R40H9238	NR	NR
	Rm		320mm x 75mm	1417 - S726	R46735721 ³⁴²	R41207361	R40H9238	NR	NR
1986	Fm		320mm x 75mm	1417 - S726	R46735721 ³⁴²	R41207361	R40H9238	NR	NR
	Fm		320mm x 75mm	1417 - S726	R46735721 ³⁴²	R41207361	R40H9238	NR	NR
	Rm		320mm x 75mm	1417 - S726	R46735721 ³⁴²	R41207361	R40H9238	NR	NR
1985	Fm		320mm x 75mm	1417 - S726	R46735721 ³⁴²	R41207361	R40H9238	NR	NR
	Fm		320mm x 75mm	1417 - S726	R46735721 ³⁴²	R41207361	R40H9238	NR	NR
	Rm		320mm x 75mm	1417 - S726	R46735721 ³⁴²	R41207361	R40H9238	NR	NR
1984 P4T042	Fa	GM	14 " x 2-1/2 "	2039 - 299	N/A	R40H599	R40H9206	R40H3500	R40H3501
	Ra	GM	15 " x 4 "	4640 - 427	R700427	R40H550	R404121	R40H3510	R40H3511
	Ra	GM	15 " x 4 "	4640 - 427	R700427	R40H550	R404121	R40H3510	R40H3511
	Ra	GM	15 " x 5 "	4639 - 442	R700442	R40H550	R404121	R40H3510	R40H3511
	Ra	GM	15 " x 5 "	4639 - 442	R700442	R40H550	R404121	R40H3510	R40H3511
	Ra	WG	15 " x 6 "	4596 - 381	R700381	R40H597	R40H9200	R40H3540	R40H3541
	Ra	WG	15 " x 6 "	4596 - 381	R700381	R40H597	R40H9200	R40H3540	R40H3541
W4S042	Fm		320mm x 75mm	1417 - S726	R46735721 ³⁴²	R41207361	R40H9238	NR	NR
	Fm		320mm x 75mm	1417 - S726	R46735721 ³⁴²	R41207361	R40H9238	NR	NR
	Rm		320mm x 75mm	1417 - S726	R46735721 ³⁴²	R41207361	R40H9238	NR	NR
1983 P4T042	Fa	GM	14 " x 2-1/2 "	2039 - 299	N/A	R40H599	R40H9206	R40H3500	R40H3501
	Ra	GM	15 " x 4 "	4640 - 427	R700427	R40H550	R404121	R40H3510	R40H3511
	Ra	GM	15 " x 4 "	4640 - 427	R700427	R40H550	R404121	R40H3510	R40H3511
	Ra	GM	15 " x 5 "	4639 - 442	R700442	R40H550	R404121	R40H3510	R40H3511
	Ra	GM	15 " x 5 "	4639 - 442	R700442	R40H550	R404121	R40H3510	R40H3511
	Ra	WG	15 " x 6 "	4596 - 381	R700381	R40H597	R40H9200	R40H3540	R40H3541
	Ra	WG	15 " x 6 "	4596 - 381	R700381	R40H597	R40H9200	R40H3540	R40H3541
1982	Fa	GM	14 " x 2-1/2 "	2039 - 299	N/A	R40H599	R40H9206	R40H3500	R40H3501
	Ra	GM	15 " x 4 "	4640 - 427	R700427	R40H550	R404121	R40H3510	R40H3511
	Ra	GM	15 " x 4 "	4640 - 427	R700427	R40H550	R404121	R40H3510	R40H3511
	Ra	GM	15 " x 5 "	4639 - 442	R700442	R40H550	R404121	R40H3510	R40H3511
	Ra	GM	15 " x 5 "	4639 - 442	R700442	R40H550	R404121	R40H3510	R40H3511
	Ra	WG	15 " x 6 "	4596 - 381	R700381	R40H597	R40H9200	R40H3540	R40H3541
	Ra	WG	15 " x 6 "	4596 - 381	R700381	R40H597	R40H9200	R40H3540	R40H3541
1981	Fa	GM	14 " x 2-1/2 "	2039 - 299	N/A	R40H599	R40H9206	R40H3500	R40H3501
	Ra	GM	15 " x 4 "	4640 - 427	R700427	R40H550	R404121	R40H3510	R40H3511
	Ra	GM	15 " x 4 "	4640 - 427	R700427	R40H550	R404121	R40H3510	R40H3511
	Ra	GM	15 " x 5 "	4639 - 442	R700442	R40H550	R404121	R40H3510	R40H3511
	Ra	GM	15 " x 5 "	4639 - 442	R700442	R40H550	R404121	R40H3510	R40H3511
	Ra	WG	15 " x 6 "	4596 - 381	R700381	R40H597	R40H9200	R40H3540	R40H3541
	Ra	WG	15 " x 6 "	4596 - 381	R700381	R40H597	R40H9200	R40H3540	R40H3541
1980	Fa	GM	14 " x 2-1/2 "	2039 - 299	N/A	R40H599	R40H9206	R40H3500	R40H3501
	Ra	GM	15 " x 4 "	4640 - 427	R700427	R40H550	R404121	R40H3510	R40H3511
	Ra	GM	15 " x 4 "	4640 - 427	R700427	R40H550	R404121	R40H3510	R40H3511

53 - Power Brakes
329 - Forward

284 - 5 Hole Drum
330 - Rearward

311 - Power Brakes, Stripped Chassis, Front Disc Brakes
342 - Use E-7358 for Lining and Rivet Set

MERITOR DRUM OR ROTOR NO.	CALIPER OR CYLINDER BORE SIZE	MERITOR CALIPER OR WHEEL CYLINDER (LEFT)	MERITOR CALIPER OR WHEEL CYLINDER (RIGHT)	MERITOR CALIPER OR WHEEL CYLINDER REPAIR KIT	MERITOR CALIPER PISTON	MERITOR MASTER CYLINDER	MERITOR MASTER CYLINDER KIT	MERITOR BRAKE HOSE (LEFT)	MERITOR BRAKE HOSE (RIGHT)
GMC / CHEV(Cont.)									
40, 4000 SERIES-20,000 lb. GVW(Cont.)									
N/A	1-1/16 "	R417379	R41207381	R417382	NR	R4113123 ⁵³	R4110409	R4578267	R4578267
N/A	1-1/16 "	R41207364	R41207366 ³³⁰	R417382	NR	R4113123 ⁵³	R4110409	R4578267	R4578267
N/A	1-1/16 "	R417379	R41207381	R417382	NR	R4113182 ³¹¹	R4110409	R4578267	R4578267
N/A	1-1/16 "	R417379	R41207375	R417382	NR	R4113123 ⁵³	R4110409	R4578267	R4578267
N/A	1-1/16 "	R417363	R417365 ³²⁹	R417382	NR	R4113123 ⁵³	R4110409	R4578267	R4578267
N/A	1-1/16 "	R41207364	R41207366 ³³⁰	R417382	NR	R4113182 ³¹¹	R4110409	R4578267	R4578267
N/A		-	-	N/A	NR	-	-	N/A	N/A
N/A	1 "	-	-	N/A	NR	-	-	N/A	N/A
N/A	1 "	-	-	N/A	NR	-	-	N/A	N/A
N/A	1-1/16 "	R417379	R41207381	R417382	NR	-	-	N/A	N/A
N/A	1-1/16 "	R417372	R41207374 ³³⁰	R417382	NR	-	-	N/A	N/A
N/A	1-1/16 "	R417372	R41207375 ³²⁹	R417382	NR	-	-	N/A	N/A
N/A	1-1/16 "	R417379	R41207375	R417382	NR	-	-	N/A	N/A
N/A ²⁸⁴	1-3/16 "	R417367	R417369	R417383	NR	-	-	-	-
N/A ²⁸⁴	1-3/16 "	R417368	R417370	R417383	NR	-	-	-	-
N/A ²⁸⁴	1-3/16 "	R417376	R417377 ³²⁹	R417383	NR	-	-	-	-
N/A ²⁸⁴	1-3/16 "	R417376	R417377 ³³⁰	R417383	NR	-	-	-	-
N/A ²⁸⁴	1-3/16 "	R417368	R417370	R417383	NR	-	-	-	-
N/A ²⁸⁴	1-3/16 "	R417367	R417369	R417383	NR	-	-	-	-
N/A ²⁸⁴	1-3/16 "	R417376	R417377 ³³⁰	R417383	NR	-	-	-	-
N/A ²⁸⁴	1-3/16 "	R417376	R417377 ³²⁹	R417383	NR	-	-	-	-
N/A	7/8 "	R4133406	R4133407	R4166820	NR	-	-	-	-
N/A	1-1/2 "	R4133655	R4133656	R415194	NR	-	-	-	-
N/A	1-1/2 "	R4133655	R4133656	R415194	NR	-	-	-	-
N/A	1-1/2 "	R4133655	R4133656	R415194	NR	-	-	-	-
N/A	1-1/2 "	R4133655	R4133656	R415194	NR	-	-	-	-
N/A	1-5/8 "	R4133338	R4133338	R4166689	NR	-	-	-	-
N/A	1-5/8 "	R4133338	R4133338	R4166689	NR	-	-	-	-
N/A ²⁸⁴	1-3/16 "	R417368	R417370	R417383	NR	-	-	-	-
N/A ²⁸⁴	1-3/16 "	R417367	R417369	R417383	NR	-	-	-	-
N/A ²⁸⁴	1-3/16 "	R417376	R417377 ³³⁰	R417383	NR	-	-	-	-
N/A ²⁸⁴	1-3/16 "	R417376	R417377 ³²⁹	R417383	NR	-	-	-	-
N/A	7/8 "	R4133406	R4133407	R4166820	NR	-	-	-	-
N/A	1-1/2 "	R4133655	R4133656	R415194	NR	-	-	-	-
N/A	1-1/2 "	R4133655	R4133656	R415194	NR	-	-	-	-
N/A	1-1/2 "	R4133655	R4133656	R415194	NR	-	-	-	-
N/A	1-1/2 "	R4133655	R4133656	R415194	NR	-	-	-	-
N/A	1-5/8 "	R4133338	R4133338	R4166689	NR	-	-	-	-
N/A	1-5/8 "	R4133338	R4133338	R4166689	NR	-	-	-	-
N/A	7/8 "	R4133406	R4133407	R4166820	NR	-	-	-	-
N/A	1-1/2 "	R4133655	R4133656	R415194	NR	-	-	-	-
N/A	1-1/2 "	R4133655	R4133656	R415194	NR	-	-	-	-
N/A	1-1/2 "	R4133655	R4133656	R415194	NR	-	-	-	-
N/A	1-1/2 "	R4133655	R4133656	R415194	NR	-	-	-	-
N/A	1-5/8 "	R4133338	R4133338	R4166689	NR	-	-	-	-
N/A	1-5/8 "	R4133338	R4133338	R4166689	NR	-	-	-	-
N/A	7/8 "	R4133406	R4133407	R4166820	NR	-	-	-	-
N/A	1-1/2 "	R4133655	R4133656	R415194	NR	-	-	-	-
N/A	1-1/2 "	R4133655	R4133656	R415194	NR	-	-	-	-

1 APPLICATION

MAKE MODEL YEAR AXLE CODE AXLE WEIGHT	AXLE & BRK. TYPE	BRK. MFG.	BRAKE SIZE	FMSI	MERITOR DISC PAD OR BRAKE SHOE	MERITOR GUIDE PIN OR RETURN SPRING KIT	MERITOR CALIPER HWD. KIT OR RETURN SPRING KIT	MERITOR ADJUSTER KIT (LEFT WHEEL)	MERITOR ADJUSTER KIT (RIGHT WHEEL)
GMC / CHEV(Cont.)									
40, 4000 SERIES-20,000 lb. GVW(Cont.)									
1980	Ra	GM	15 " x 5 "	4639 - 442	R700442	R40H550	R404121	R40H3510	R40H3511
	Ra	GM	15 " x 5 "	4639 - 442	R700442	R40H550	R404121	R40H3510	R40H3511
	Ra	WG	15 " x 6 "	4596 - 381	R700381	R40H597	R40H9200	R40H3540	R40H3541
	Ra	WG	15 " x 6 "	4596 - 381	R700381	R40H597	R40H9200	R40H3540	R40H3541
1979	Fa	GM	14 " x 2-1/2 "	2039 - 299	N/A	R40H599	R40H9206	R40H3500	R40H3501
	Fa	GM	14 " x 2-1/2 "	2039 - 299	N/A	R40H599	R40H9206	R40H3500	R40H3501
	Fa	GM	14 " x 2-1/2 "	2039 - 299	N/A	R40H599	R40H9206	R40H3500	R40H3501
	Ra	GM	15 " x 4 "	4640 - 427	R700427	R40H550	R404121	R40H3510	R40H3511
	Ra	GM	15 " x 4 "	4640 - 427	R700427	R40H550	R404121	R40H3510	R40H3511
	Ra	GM	15 " x 5 "	4639 - 442	R700442	R40H550	R404121	R40H3510	R40H3511
	Ra	GM	15 " x 5 "	4639 - 442	R700442	R40H550	R404121	R40H3510	R40H3511
	Ra	WG	15 " x 6 "	4596 - 381	R700381	R40H597	R40H9200	R40H3540	R40H3541
	Ra	WG	15 " x 6 "	4596 - 381	R700381	R40H597	R40H9200	R40H3540	R40H3541
1972	Ra	GM	15 " x 4 "	4640 - 427	R700427	R40H550	R404121	R40H3510	R40H3511
P4T042 F050	Fa	GM	14 " x 2-1/2 "	2039 - 299	N/A	R40H599	R40H9206	R40H3500	R40H3501
P4T042 F070	Fa	GM	14 " x 2-1/2 "	2039 - 299	N/A	R40H599	R40H9206	R40H3500	R40H3501
P4T042 H110, H135	Ra	GM	15 " x 4 "	4640 - 427	R700427	R40H550	R404121	R40H3510	R40H3511
P4T042 H135, H150	Ra	GM	15 " x 5 "	4639 - 442	R700442	R40H550	R404121	R40H3510	R40H3511
1971	Ra	GM	15 " x 4 "	4640 - 427	R700427	R40H550	R404121	R40H3510	R40H3511
P4T042 F050	Fa	GM	14 " x 2-1/2 "	2039 - 299	N/A	R40H599	R40H9206	R40H3500	R40H3501
P4T042 F070	Fa	GM	14 " x 2-1/2 "	2039 - 299	N/A	R40H599	R40H9206	R40H3500	R40H3501
P4T042 H110, H135	Ra	GM	15 " x 4 "	4640 - 427	R700427	R40H550	R404121	R40H3510	R40H3511
P4T042 H135, H150	Ra	GM	15 " x 5 "	4639 - 442	R700442	R40H550	R404121	R40H3510	R40H3511
1970	Ra	GM	15 " x 4 "	4640 - 427	R700427	R40H550	R404121	R40H3510	R40H3511
P4T042 F050	Fa	GM	14 " x 2-1/2 "	2039 - 299	N/A	R40H599	R40H9206	R40H3500	R40H3501
P4T042 F070	Fa	GM	14 " x 2-1/2 "	2039 - 299	N/A	R40H599	R40H9206	R40H3500	R40H3501
P4T042 H110, H135	Ra	GM	15 " x 4 "	4640 - 427	R700427	R40H550	R404121	R40H3510	R40H3511
P4T042 H135, H150	Ra	GM	15 " x 5 "	4639 - 442	R700442	R40H550	R404121	R40H3510	R40H3511
1969	Ra	GM	15 " x 4 "	4640 - 427	R700427	R40H550	R404121	R40H3510	R40H3511
P4T042 F050	Fa	GM	14 " x 2-1/2 "	2039 - 299	N/A	R40H599	R40H9206	R40H3500	R40H3501
P4T042 F070	Fa	GM	14 " x 2-1/2 "	2039 - 299	N/A	R40H599	R40H9206	R40H3500	R40H3501
P4T042 H110, H135	Ra	GM	15 " x 4 "	4640 - 427	R700427	R40H550	R404121	R40H3510	R40H3511
P4T042 H135, H150	Ra	GM	15 " x 5 "	4639 - 442	R700442	R40H550	R404121	R40H3510	R40H3511
1968	Ra	GM	15 " x 4 "	4640 - 427	R700427	R40H550	R404121	R40H3510	R40H3511
P4T042 F050	Fa	GM	14 " x 2-1/2 "	2039 - 299	N/A	R40H599	R40H9206	R40H3500	R40H3501
P4T042 F070	Fa	GM	14 " x 2-1/2 "	2039 - 299	N/A	R40H599	R40H9206	R40H3500	R40H3501
P4T042 H110, H135	Ra	GM	15 " x 4 "	4640 - 427	R700427	R40H550	R404121	R40H3510	R40H3511
P4T042 H135, H150	Ra	GM	15 " x 5 "	4639 - 442	R700442	R40H550	R404121	R40H3510	R40H3511

MERITOR DRUM OR ROTOR NO.	CALIPER OR CYLINDER BORE SIZE	MERITOR CALIPER OR WHEEL CYLINDER (LEFT)	MERITOR CALIPER OR WHEEL CYLINDER (RIGHT)	MERITOR CALIPER OR WHEEL CYLINDER REPAIR KIT	MERITOR CALIPER PISTON	MERITOR MASTER CYLINDER	MERITOR MASTER CYLINDER KIT	MERITOR BRAKE HOSE (LEFT)	MERITOR BRAKE HOSE (RIGHT)
GMC / CHEV(Cont.)									
40, 4000 SERIES-20,000 lb. GVW(Cont.)									
N/A	1-1/2 "	R4133655	R4133656	R415194	NR	-	-	-	-
N/A	1-1/2 "	R4133655	R4133656	R415194	NR	-	-	-	-
N/A	1-5/8 "	R4133338	R4133338	R4166689	NR	-	-	-	-
N/A	1-5/8 "	R4133338	R4133338	R4166689	NR	-	-	-	-
N/A	7/8 "	R4133406	R4133407	R4166820	NR	-	-	-	-
N/A	7/8 "	R4133406	R4133407	R4166820	NR	-	-	-	-
N/A	7/8 "	R4133406	R4133407	R4166820	NR	-	-	-	-
N/A	1-1/2 "	R4133655	R4133656	R415194	NR	-	-	-	-
N/A	1-1/2 "	R4133655	R4133656	R415194	NR	-	-	-	-
N/A	1-1/2 "	R4133655	R4133656	R415194	NR	-	-	-	-
N/A	1-1/2 "	R4133655	R4133656	R415194	NR	-	-	-	-
N/A	1-5/8 "	R4133338	R4133338	R4166689	NR	-	-	-	-
N/A	1-5/8 "	R4133338	R4133338	R4166689	NR	-	-	-	-
-	1-1/2 "	R4133655	R4133656	R415194	NR	-	-	-	-
-	7/8 "	R4133406	R4133407	R4166820	NR	-	-	-	-
-	7/8 "	R4133406	R4133407	R4166820	NR	-	-	R451125	R451125
-	1-1/2 "	R4133655	R4133656	R415194	NR	-	-	-	-
-	1-1/2 "	R4133655	R4133656	R415194	NR	-	-	-	-
-	1-1/2 "	R4133655	R4133656	R415194	NR	-	-	-	-
-	7/8 "	R4133406	R4133407	R4166820	NR	-	-	-	-
-	7/8 "	R4133406	R4133407	R4166820	NR	-	-	R451125	R451125
-	1-1/2 "	R4133655	R4133656	R415194	NR	-	-	-	-
-	1-1/2 "	R4133655	R4133656	R415194	NR	-	-	-	-
-	1-1/2 "	R4133655	R4133656	R415194	NR	-	-	-	-
-	7/8 "	R4133406	R4133407	R4166820	NR	-	-	-	-
-	7/8 "	R4133406	R4133407	R4166820	NR	-	-	R451125	R451125
-	1-1/2 "	R4133655	R4133656	R415194	NR	-	-	-	-
-	1-1/2 "	R4133655	R4133656	R415194	NR	-	-	-	-
-	1-1/2 "	R4133655	R4133656	R415194	NR	-	-	-	-
-	7/8 "	R4133406	R4133407	R4166820	NR	-	-	-	-
-	7/8 "	R4133406	R4133407	R4166820	NR	-	-	R451125	R451125
-	1-1/2 "	R4133655	R4133656	R415194	NR	-	-	-	-
-	1-1/2 "	R4133655	R4133656	R415194	NR	-	-	-	-
-	1-1/2 "	R4133655	R4133656	R415194	NR	-	-	-	-
-	7/8 "	R4133406	R4133407	R4166820	NR	-	-	-	-
-	7/8 "	R4133406	R4133407	R4166820	NR	-	-	R451125	R451125
-	1-1/2 "	R4133655	R4133656	R415194	NR	-	-	-	-
-	1-1/2 "	R4133655	R4133656	R415194	NR	-	-	-	-

1 APPLICATION

MAKE MODEL YEAR AXLE CODE AXLE WEIGHT	AXLE & BRK. TYPE	BRK. MFG.	BRAKE SIZE	FMSI	MERITOR DISC PAD OR BRAKE SHOE	MERITOR GUIDE PIN OR RETURN SPRING KIT	MERITOR CALIPER HWD. KIT OR RETURN SPRING KIT	MERITOR ADJUSTER KIT (LEFT WHEEL)	MERITOR ADJUSTER KIT (RIGHT WHEEL)
GMC / CHEV(Cont.)									
40, 4000 SERIES-20,000 lb. GVW(Cont.)									
1967 P4T042	Ra	GM	15 " x 4 "	4640 - 427	R700427	R40H550	R404121	R40H3510	R40H3511
P4T042 F050	Fa	GM	14 " x 2-1/2 "	2039 - 299	N/A	R40H599	R40H9206	R40H3500	R40H3501
P4T042 F070	Fa	GM	14 " x 2-1/2 "	2039 - 299	N/A	R40H599	R40H9206	R40H3500	R40H3501
P4T042 H110, H135	Ra	GM	15 " x 4 "	4640 - 427	R700427	R40H550	R404121	R40H3510	R40H3511
P4T042 H135, H150	Ra	GM	15 " x 5 "	4639 - 442	R700442	R40H550	R404121	R40H3510	R40H3511
50, 500, 5000 SERIES									
2002 C5H042, C5H064 Topkick, Kodiak	Fd Fd Rd Rd	BX BX DN DN		7815 - D380 7815 - D380 7141 - D224 7141 - D224	MD184 MD184 MD224 ³³⁹ MD224 ³³⁹	R40H5010 R40H5010 69310693 69310693	R40H5519 R40H5519 60050153 ²⁷⁷ 60050153 ²⁷⁷	NR NR NR NR	NR NR NR NR
2001	Fd Fd Rd Rd	BX BX DN DN		7815 - D380 7815 - D380 7141 - D224 7141 - D224	MD184 MD184 MD224 ³³⁹ MD224 ³³⁹	R40H5010 R40H5010 69310693 69310693	R40H5519 R40H5519 60050153 ²⁷⁷ 60050153 ²⁷⁷	NR NR NR NR	NR NR NR NR
2000	Fd Fd Rd Rd	BX BX DN DN		7815 - D380 7815 - D380 7141 - D224 7141 - D224	MD184 MD184 MD224 ³³⁹ MD224 ³³⁹	R40H5010 R40H5010 69310693 69310693	R40H5519 R40H5519 60050153 ²⁷⁷ 60050153 ²⁷⁷	NR NR NR NR	NR NR NR NR
1999	Fd Fd Rd Rd	BX BX DN DN		7815 - D380 7815 - D380 7141 - D224 7141 - D224	MD184 MD184 MD224 ³³⁹ MD224 ³³⁹	R40H5010 R40H5010 69310693 69310693	R40H5519 R40H5519 60050153 ²⁷⁷ 60050153 ²⁷⁷	NR NR NR NR	NR NR NR NR
1998	Fd Fd Rd Rd	BX BX DN DN		7815 - D380 7815 - D380 7141 - D224 7141 - D224	MD184 MD184 MD224 ³³⁹ MD224 ³³⁹	R40H5010 R40H5010 69310693 69310693	R40H5519 R40H5519 60050153 ²⁷⁷ 60050153 ²⁷⁷	NR NR NR NR	NR NR NR NR
1997	Fd Fd Rd Rd	BX BX DN DN		7815 - D380 7815 - D380 7141 - D224 7141 - D224	MD184 MD184 MD224 ³³⁹ MD224 ³³⁹	R40H5010 R40H5010 69310693 69310693	R40H5519 R40H5519 60050153 ²⁷⁷ 60050153 ²⁷⁷	NR NR NR NR	NR NR NR NR
1996	Fd Fd Rd Rd	BX BX DN DN		7815 - D380 7815 - D380 7141 - D224 7141 - D224	MD184 MD184 MD224 ³³⁹ MD224 ³³⁹	R40H5010 R40H5010 69310693 69310693	R40H5519 R40H5519 60050153 ²⁷⁷ 60050153 ²⁷⁷	NR NR NR NR	NR NR NR NR
1995	Fd Fd Rd Rd	BX BX DN DN		7815 - D380 7815 - D380 7141 - D224 7141 - D224	MD184 MD184 MD224 ³³⁹ MD224 ³³⁹	R40H5010 R40H5010 69310693 69310693	R40H5519 R40H5519 60050153 ²⁷⁷ 60050153 ²⁷⁷	NR NR NR NR	NR NR NR NR
W5S042	Fa Ra Ra		12-19/32" x 4-5/16" 12-19/32"x4-23/32" 12-19/32"x4-23/32"	1458 - S672 1455 - S669 1455 - S669	R46672 R469826 R469826	R4011281 N/A N/A	R4011262 N/A N/A	N/A N/A N/A	N/A N/A N/A
1994 C5H042, C5H064 Topkick, Kodiak	Fd Fd Rd Rd	BX BX DN DN		7815 - D380 7815 - D380 7141 - D224 7141 - D224	MD184 MD184 MD224 ³³⁹ MD224 ³³⁹	R40H5010 R40H5010 69310693 69310693	R40H5519 R40H5519 60050153 ²⁷⁷ 60050153 ²⁷⁷	NR NR NR NR	NR NR NR NR

37 - Also available as a New unit
268 - 5 Stud, Hat Shape
323 - 17.50" Length
www.XpresswayPlus.com
1-372

41 - Aluminum piston
277 - For Pad Retainer, Use 69160441
339 - Use 69160441 for Disc Pad Retainer Clip

72 - Phenolic/Steel Face
307 - Power Brakes, Single System Hydrovac

MERITOR DRUM OR ROTOR NO.	CALIPER OR CYLINDER BORE SIZE	MERITOR CALIPER OR WHEEL CYLINDER (LEFT)	MERITOR CALIPER OR WHEEL CYLINDER (RIGHT)	MERITOR CALIPER OR WHEEL CYLINDER REPAIR KIT	MERITOR CALIPER PISTON	MERITOR MASTER CYLINDER	MERITOR MASTER CYLINDER KIT	MERITOR BRAKE HOSE (LEFT)	MERITOR BRAKE HOSE (RIGHT)
GMC / CHEV(Cont.)									
40, 4000 SERIES-20,000 lb. GVW(Cont.)									
-	1-1/2 "	R4133655	R4133656	R415194	NR	-	-	-	-
-	7/8 "	R4133406	R4133407	R4166820	NR	-	-	-	-
-	7/8 "	R4133406	R4133407	R4166820	NR	-	-	R451125	R451125
-	1-1/2 "	R4133655	R4133656	R415194	NR	-	-	-	-
-	1-1/2 "	R4133655	R4133656	R415194	NR	-	-	-	-
50, 500, 5000 SERIES									
23-123046-002	2-19/32 "	R42R55314	R42R55314 ³⁷	R40107771	R4090100P ⁷²	R4111264	N/A	R4577857	R4577857
23-123041-002	2-19/32 "	R42R55314	R42R55314 ³⁷	R40107771	R4090100P ⁷²	R4111264	N/A	R4577868	R4577868
23-123486-002 ²⁶⁸	2-1/2 "	R424244X	R424244X ³⁷	60050266	69270757 ⁴¹	-	-	R451124 ³²³	R451124
23-123486-002 ²⁶⁸	2-1/2 "	R424244X	R424244X ³⁷	60050266	69270757 ⁴¹	-	-	R451124 ³²³	R451124
23-123041-002	2-19/32 "	R42R55314	R42R55314 ³⁷	R40107771	R4090100P ⁷²	R4111264	N/A	R4577868	R4577868
23-123046-002	2-19/32 "	R42R55314	R42R55314 ³⁷	R40107771	R4090100P ⁷²	R4111264	N/A	R4577857	R4577857
23-123486-002 ²⁶⁸	2-1/2 "	R424244X	R424244X ³⁷	60050266	69270757 ⁴¹	-	-	R451124 ³²³	R451124
23-123486-002 ²⁶⁸	2-1/2 "	R424244X	R424244X ³⁷	60050266	69270757 ⁴¹	-	-	R451124 ³²³	R451124
23-123041-002	2-19/32 "	R42R55314	R42R55314 ³⁷	R40107771	R4090100P ⁷²	R4111264	N/A	R4577868	R4577868
23-123046-002	2-19/32 "	R42R55314	R42R55314 ³⁷	R40107771	R4090100P ⁷²	R4111264	N/A	R4577857	R4577857
23-123486-002 ²⁶⁸	2-1/2 "	R424244X	R424244X ³⁷	60050266	69270757 ⁴¹	-	-	R451124 ³²³	R451124
23-123486-002 ²⁶⁸	2-1/2 "	R424244X	R424244X ³⁷	60050266	69270757 ⁴¹	-	-	R451124 ³²³	R451124
23-123046-002	2-19/32 "	R42R55314	R42R55314 ³⁷	R40107771	R4090100P ⁷²	R4111264	N/A	R4577857	R4577857
23-123041-002	2-19/32 "	R42R55314	R42R55314 ³⁷	R40107771	R4090100P ⁷²	R4111264	N/A	R4577868	R4577868
23-123486-002 ²⁶⁸	2-1/2 "	R424244X	R424244X ³⁷	60050266	69270757 ⁴¹	-	-	R451124 ³²³	R451124
23-123486-002 ²⁶⁸	2-1/2 "	R424244X	R424244X ³⁷	60050266	69270757 ⁴¹	-	-	R451124 ³²³	R451124
23-123046-002	2-19/32 "	R42R55314	R42R55314 ³⁷	R40107771	R4090100P ⁷²	R4111264	N/A	R4577857	R4577857
23-123041-002	2-19/32 "	R42R55314	R42R55314 ³⁷	R40107771	R4090100P ⁷²	R4111264	N/A	R4577868	R4577868
23-123486-002 ²⁶⁸	2-1/2 "	R424244X	R424244X ³⁷	60050266	69270757 ⁴¹	-	-	R451124 ³²³	R451124
23-123486-002 ²⁶⁸	2-1/2 "	R424244X	R424244X ³⁷	60050266	69270757 ⁴¹	-	-	R451124 ³²³	R451124
23-123041-002	2-19/32 "	R42R55314	R42R55314 ³⁷	R40107771	R4090100P ⁷²	R4111264	N/A	R4577868	R4577868
23-123046-002	2-19/32 "	R42R55314	R42R55314 ³⁷	R40107771	R4090100P ⁷²	R4111264	N/A	R4577857	R4577857
23-123486-002 ²⁶⁸	2-1/2 "	R424244X	R424244X ³⁷	60050266	69270757 ⁴¹	-	-	R451124 ³²³	R451124
23-123486-002 ²⁶⁸	2-1/2 "	R424244X	R424244X ³⁷	60050266	69270757 ⁴¹	-	-	R451124 ³²³	R451124
N/A	1.4375	N/A	R4111282	R4111292	NR	R4110348 ³⁰⁷	R4110406	R4511249	R4511249
N/A	1-1/2 "	R 4111284	R 4111283	R4111291	NR	-	-	-	-
N/A	1-1/2 "	R 4111286	R 4111285	R4111291	NR	-	-	-	-
23-123041-002	2-19/32 "	R42R55314	R42R55314 ³⁷	R40107771	R4090100P ⁷²	R4111264	N/A	R4577868	R4577868
23-123046-002	2-19/32 "	R42R55314	R42R55314 ³⁷	R40107771	R4090100P ⁷²	R4111264	N/A	R4577857	R4577857
23-123486-002 ²⁶⁸	2-1/2 "	R424244X	R424244X ³⁷	60050266	69270757 ⁴¹	-	-	R451124 ³²³	R451124
23-123486-002 ²⁶⁸	2-1/2 "	R424244X	R424244X ³⁷	60050266	69270757 ⁴¹	-	-	R451124 ³²³	R451124

MAKE MODEL YEAR AXLE CODE AXLE WEIGHT	AXLE & BRK. TYPE	BRK. MFG.	BRAKE SIZE	FMSI	MERITOR DISC PAD OR BRAKE SHOE	MERITOR GUIDE PIN OR RETURN SPRING KIT	MERITOR CALIPER HWD. KIT OR RETURN SPRING KIT	MERITOR ADJUSTER KIT (LEFT WHEEL)	MERITOR ADJUSTER KIT (RIGHT WHEEL)
GMC / CHEV(Cont.)									
50, 500, 5000 SERIES(Cont.)									
1994 W5S042	Fa		320mm x 110mm	1458 - S672	R46672	R4011281	R4011262	N/A	N/A
	Ra		12-19/32"x4-23/32"	1455 - S669	R469826	N/A	N/A	N/A	N/A
	Ra		12-19/32"x4-23/32"	1455 - S669	R469826	N/A	N/A	N/A	N/A
1993 C5H042, C5H064 Topkick, Kodiak	Fd	BX		7815 - D380	MD184	R40H5010	R40H5519	NR	NR
	Fd	BX		7815 - D380	MD184	R40H5010	R40H5519	NR	NR
	Rd	DN		7141 - D224	MD224 ³³⁹	69310693	60050153 ²⁷⁷	NR	NR
	Rd	DN		7141 - D224	MD224 ³³⁹	69310693	60050153 ²⁷⁷	NR	NR
W5S042	Fa		12-19/32" x 4-5/16"	1458 - S672	R46672	R4011281	R4011262	N/A	N/A
	Ra		12-19/32"x4-23/32"	1455 - S669	R469826	N/A	N/A	N/A	N/A
	Ra		12-19/32"x4-23/32"	1455 - S669	R469826	N/A	N/A	N/A	N/A
1992 C5H042, C5H064 Topkick, Kodiak	Fd	BX		7815 - D380	MD184	R40H5010	R40H5519	NR	NR
	Fd	BX		7815 - D380	MD184	R40H5010	R40H5519	NR	NR
	Rd	DN		7141 - D224	MD224 ³³⁹	69310693	60050153 ²⁷⁷	NR	NR
	Rd	DN		7141 - D224	MD224 ³³⁹	69310693	60050153 ²⁷⁷	NR	NR
W5S042	Fa		12-19/32" x 4-5/16"	1458 - S672	R46672	R4011281	R4011262	N/A	N/A
	Ra		12-19/32"x4-23/32"	1455 - S669	R469826	N/A	N/A	N/A	N/A
	Ra		12-19/32"x4-23/32"	1455 - S669	R469826	N/A	N/A	N/A	N/A
1991 C5H042, C5H064 Topkick, Kodiak	Fd	BX		7815 - D380	MD184	R40H5010	R40H5519	NR	NR
	Fd	BX		7815 - D380	MD184	R40H5010	R40H5519	NR	NR
	Rd	DN		7141 - D224	MD224 ³³⁹	69310693	60050153 ²⁷⁷	NR	NR
	Rd	DN		7141 - D224	MD224 ³³⁹	69310693	60050153 ²⁷⁷	NR	NR
W5S042	Fa		12-19/32" x 4-5/16"	1458 - S672	R46672	R4011281	R4011262	N/A	N/A
	Ra		12-19/32"x4-23/32"	1455 - S669	R469826	N/A	N/A	N/A	N/A
	Ra		12-19/32"x4-23/32"	1455 - S669	R469826	N/A	N/A	N/A	N/A
1990 C5D042, C5D064 Conventional	Rd	DN		7141 - D224	MD224 ³³⁹	69310693	60050153 ²⁷⁷	NR	NR
	Rd	DN		7141 - D224	MD224 ³³⁹	69310693	60050153 ²⁷⁷	NR	NR
	Rd	DN		7141 - D224	MD224 ³³⁹	69310693	60050153 ²⁷⁷	NR	NR
	Rd	DN		7141 - D224	MD224 ³³⁹	69310693	60050153 ²⁷⁷	NR	NR
	Rd	DN		7141 - D224	MD224 ³³⁹	69310693	60050153 ²⁷⁷	NR	NR
	Rd	DN		7141 - D224	MD224 ³³⁹	69310693	60050153 ²⁷⁷	NR	NR
C5H042, C5H064 Topkick, Kodiak	Fd	BX		7815 - D380	MD184	R40H5010	R40H5519	NR	NR
	Fd	BX		7815 - D380	MD184	R40H5010	R40H5519	NR	NR
	Rd	DN		7141 - D224	MD224 ³³⁹	69310693	60050153 ²⁷⁷	NR	NR
	Rd	DN		7141 - D224	MD224 ³³⁹	69310693	60050153 ²⁷⁷	NR	NR
W5S042	Fa		12-19/32" x 4-5/16"	1458 - S672	R46672	R4011281	R4011262	N/A	N/A
	Ra		12-19/32"x4-23/32"	1455 - S669	R469826	N/A	N/A	N/A	N/A
	Ra		12-19/32"x4-23/32"	1455 - S669	R469826	N/A	N/A	N/A	N/A
1989 C5D042, C5D064 Conventional	Fd	BX		7815 - D380	MD184	R40H5010	R40H5519	NR	NR

37 - Also available as a New unit
 72 - Phenolic/Steel Face
 307 - Power Brakes, Single System Hydrovac
 www.XpresswayPlus.com

41 - Aluminum piston
 268 - 5 Stud, Hat Shape
 323 - 17.50" Length

54 - Manual Brakes
 277 - For Pad Retainer, Use 69160441
 339 - Use 69160441 for Disc Pad Retainer Clip

MERITOR DRUM OR ROTOR NO.	CALIPER OR CYLINDER BORE SIZE	MERITOR CALIPER OR WHEEL CYLINDER (LEFT)	MERITOR CALIPER OR WHEEL CYLINDER (RIGHT)	MERITOR CALIPER OR WHEEL CYLINDER REPAIR KIT	MERITOR CALIPER PISTON	MERITOR MASTER CYLINDER	MERITOR MASTER CYLINDER KIT	MERITOR BRAKE HOSE (LEFT)	MERITOR BRAKE HOSE (RIGHT)
GMC / CHEV(Cont.)									
50, 500, 5000 SERIES(Cont.)									
N/A	1.4375	N/A	R4111282	R4111292	NR	R4110348 ³⁰⁷	R4110406	R4511249	R4511249
N/A	1-1/2 "	R 4111284	R 4111283	R4111291	NR	-	-	-	-
N/A	1-1/2 "	R 4111286	R 4111285	R4111291	NR	-	-	-	-
23-123041-002	2-19/32 "	R42R55314	R42R55314 ³⁷	R40107771	R4090100P ⁷²	R4111264	N/A	R4577868	R4577868
23-123046-002	2-19/32 "	R42R55314	R42R55314 ³⁷	R40107771	R4090100P ⁷²	R4111264	N/A	R4577857	R4577857
23-123486-002 ²⁶⁸	2-1/2 "	R424244X	R424244X ³⁷	60050266	69270757 ⁴¹	-	-	R451124 ³²³	R451124
23-123486-002 ²⁶⁸	2-1/2 "	R424244X	R424244X ³⁷	60050266	69270757 ⁴¹	-	-	R451124 ³²³	R451124
N/A	1.4375	N/A	R4111282	R4111292	NR	R4110348 ³⁰⁷	R4110406	R4511249	R4511249
N/A	1-1/2 "	R 4111284	R 4111283	R4111291	NR	-	-	-	-
N/A	1-1/2 "	R 4111286	R 4111285	R4111291	NR	-	-	-	-
23-123046-002	2-19/32 "	R42R55314	R42R55314 ³⁷	R40107771	R4090100P ⁷²	R4111264	N/A	R4577857	R4577857
23-123041-002	2-19/32 "	R42R55314	R42R55314 ³⁷	R40107771	R4090100P ⁷²	R4111264	N/A	R4577868	R4577868
23-123486-002 ²⁶⁸	2-1/2 "	R424244X	R424244X ³⁷	60050266	69270757 ⁴¹	-	-	R451124 ³²³	R451124
23-123486-002 ²⁶⁸	2-1/2 "	R424244X	R424244X ³⁷	60050266	69270757 ⁴¹	-	-	R451124 ³²³	R451124
N/A	1.4375	N/A	R4111282	R4111292	NR	R4110348 ³⁰⁷	R4110406	R4511249	R4511249
N/A	1-1/2 "	R 4111284	R 4111283	R4111291	NR	-	-	-	-
N/A	1-1/2 "	R 4111286	R 4111285	R4111291	NR	-	-	-	-
23-123046-002	2-19/32 "	R42R55314	R42R55314 ³⁷	R40107771	R4090100P ⁷²	R4111264	N/A	R4577857	R4577857
23-123041-002	2-19/32 "	R42R55314	R42R55314 ³⁷	R40107771	R4090100P ⁷²	R4111264	N/A	R4577868	R4577868
23-123486-002 ²⁶⁸	2-1/2 "	R424244X	R424244X ³⁷	60050266	69270757 ⁴¹	-	-	R451124 ³²³	R451124
23-123486-002 ²⁶⁸	2-1/2 "	R424244X	R424244X ³⁷	60050266	69270757 ⁴¹	-	-	R451124 ³²³	R451124
N/A		N/A	R4111282	R4111292	NR	N/A ⁵⁴	N/A	R4511249	R4511249
N/A	1.4375	N/A	R4111282	R4111292	NR	R4110348 ³⁰⁷	R4110406	R4511249	R4511249
N/A	1-1/2 "	R 4111286	R 4111285	R4111291	NR	-	-	-	-
N/A	1-1/2 "	R 4111284	R 4111283	R4111291	NR	-	-	-	-
23-123486-002 ²⁶⁸	2-1/2 "	R424244X	R424244X ³⁷	60050266	69270757 ⁴¹	-	-	R4510645	Discontinued
23-123486-002 ²⁶⁸	2-1/2 "	R424244X	R424244X ³⁷	60050266	69270757 ⁴¹	-	-	R451124 ³²³	R451124
23-123486-002 ²⁶⁸	2-1/2 "	R424244X	R424244X ³⁷	60050266	69270757 ⁴¹	-	-	R451124 ³²³	R451124
23-123486-002 ²⁶⁸	2-1/2 "	R424244X	R424244X ³⁷	60050266	69270757 ⁴¹	-	-	R4510645	Discontinued
23-123486-002 ²⁶⁸	2-1/2 "	R424244X	R424244X ³⁷	60050266	69270757 ⁴¹	-	-	R451124 ³²³	R451124
23-123486-002 ²⁶⁸	2-1/2 "	R424244X	R424244X ³⁷	60050266	69270757 ⁴¹	-	-	R451124 ³²³	R451124
23-123046-002	2-19/32 "	R42R55314	R42R55314 ³⁷	R40107771	R4090100P ⁷²	R4111264	N/A	R4577857	R4577857
23-123041-002	2-19/32 "	R42R55314	R42R55314 ³⁷	R40107771	R4090100P ⁷²	R4111264	N/A	R4577868	R4577868
23-123486-002 ²⁶⁸	2-1/2 "	R424244X	R424244X ³⁷	60050266	69270757 ⁴¹	-	-	R451124 ³²³	R451124
23-123486-002 ²⁶⁸	2-1/2 "	R424244X	R424244X ³⁷	60050266	69270757 ⁴¹	-	-	R451124 ³²³	R451124
N/A		N/A	R4111282	R4111292	NR	N/A ⁵⁴	N/A	R4511249	R4511249
N/A	1.4375	N/A	R4111282	R4111292	NR	R4110348 ³⁰⁷	R4110406	R4511249	R4511249
N/A	1-1/2 "	R 4111284	R 4111283	R4111291	NR	-	-	-	-
N/A	1-1/2 "	R 4111286	R 4111285	R4111291	NR	-	-	-	-
23-123041-002	2-19/32 "	R42R55314	R42R55314 ³⁷	R40107771	R4090100P ⁷²	R4111264	N/A	R4577857	R4577857

MAKE MODEL YEAR AXLE CODE AXLE WEIGHT	AXLE & BRK. TYPE	BRK. MFG.	BRAKE SIZE	FMSI	MERITOR DISC PAD OR BRAKE SHOE	MERITOR GUIDE PIN OR RETURN SPRING KIT	MERITOR CALIPER HWD. KIT OR RETURN SPRING KIT	MERITOR ADJUSTER KIT (LEFT WHEEL)	MERITOR ADJUSTER KIT (RIGHT WHEEL)
GMC / CHEV(Cont.)									
50, 500, 5000 SERIES(Cont.)									
1989	Fd	BX		7815 - D380	MD184	R40H5010	R40H5519	NR	NR
	Rd	DN		7141 - D224	MD224 ³³⁹	69310693	60050153 ²⁷⁷	NR	NR
	Rd	DN		7141 - D224	MD224 ³³⁹	69310693	60050153 ²⁷⁷	NR	NR
	Rd	DN		7141 - D224	MD224 ³³⁹	69310693	60050153 ²⁷⁷	NR	NR
C5H042, C5H064 Topkick, Kodiak	Rd	DN		7141 - D224	MD224 ³³⁹	69310693	60050153 ²⁷⁷	NR	NR
	Rd	DN		7141 - D224	MD224 ³³⁹	69310693	60050153 ²⁷⁷	NR	NR
W5S042					R46672	R4011281	R4011262	N/A	N/A
	Fa		12-19/32" x 4-5/16"	1458 - S672	R46672	R4011281	R4011262	N/A	N/A
	Ra		12-19/32"x4-23/32"	1455 - S669	R469826	N/A	N/A	N/A	N/A
	Ra		12-19/32"x4-23/32"	1455 - S669	R469826	N/A	N/A	N/A	N/A
1988 C5D042, C5D064 Conventional	Fd	BX		7815 - D380	MD184	R40H5010	R40H5519	NR	NR
	Fd	BX		7815 - D380	MD184	R40H5010	R40H5519	NR	NR
	Rd	DN		7141 - D224	MD224 ³³⁹	69310693	60050153 ²⁷⁷	NR	NR
	Rd	DN		7141 - D224	MD224 ³³⁹	69310693	60050153 ²⁷⁷	NR	NR
	Rd	DN		7141 - D224	MD224 ³³⁹	69310693	60050153 ²⁷⁷	NR	NR
	Rd	DN		7141 - D224	MD224 ³³⁹	69310693	60050153 ²⁷⁷	NR	NR
C5H042, C5H064 Topkick, Kodiak	Rd	DN		7141 - D224	MD224 ³³⁹	69310693	60050153 ²⁷⁷	NR	NR
	Rd	DN		7141 - D224	MD224 ³³⁹	69310693	60050153 ²⁷⁷	NR	NR
W5S042					R46672	R4011281	R4011262	N/A	N/A
	Fa		12-19/32" x 4-5/16"	1458 - S672	R46672	R4011281	R4011262	N/A	N/A
	Ra		12-19/32"x4-23/32"	1455 - S669	R469826	N/A	N/A	N/A	N/A
	Ra		12-19/32"x4-23/32"	1455 - S669	R469826	N/A	N/A	N/A	N/A
1987 C5D042, C5D064 Conventional	Fa		14 " x 2-1/2 "	2039 - S634	N/A	N/A	N/A	N/A	N/A
	Fa	GM	14 " x 2-1/2 "	2039 - 299	N/A	R40H599	R40H9206	R40H3500	R40H3501
	Ra	GM	15 " x 4 "	4640 - 427	R700427	R40H550	R404121	R40H3510	R40H3511
1986	Fa		14 " x 2-1/2 "	2039 - S634	N/A	N/A	N/A	N/A	N/A
	Fa	GM	14 " x 2-1/2 "	2039 - 299	N/A	R40H599	R40H9206	R40H3500	R40H3501
	Ra	GM	15 " x 4 "	4640 - 427	R700427	R40H550	R404121	R40H3510	R40H3511
1985	Fa		14 " x 2-1/2 "	2039 - 109	N/A	N/A	N/A	N/A	N/A
	Fa		14 " x 2-1/2 "	2039 - S634	N/A	N/A	N/A	N/A	N/A
	Fa		14 " x 2-1/2 "	2039 - S634	N/A	N/A	N/A	N/A	N/A
	Fa		14 " x 2-1/2 "	2039 - 109	N/A	N/A	N/A	N/A	N/A
	Ra	GM	15 " x 4 "	4640 - 427	R700427	R40H550	R404121	R40H3510	R40H3511
	Ra	GM	15 " x 4 "	4640 - 427	R700427	R40H550	R404121	R40H3510	R40H3511
1984	Fa		14 " x 2-1/2 "	2039 - 109	N/A	N/A	N/A	N/A	N/A
	Fa		14 " x 2-1/2 "	2039 - 109	N/A	N/A	N/A	N/A	N/A
	Fa		14 " x 2-1/2 "	2039 - S634	N/A	N/A	N/A	N/A	N/A
	Fa		14 " x 2-1/2 "	2039 - S634	N/A	N/A	N/A	N/A	N/A
	Ra	GM	15 " x 4 "	4640 - 427	R700427	R40H550	R404121	R40H3510	R40H3511
	Ra	GM	15 " x 4 "	4640 - 427	R700427	R40H550	R404121	R40H3510	R40H3511
1983	Fa		14 " x 2-1/2 "	2039 - S634	N/A	N/A	N/A	N/A	N/A
	Fa		14 " x 2-1/2 "	2039 - S634	N/A	N/A	N/A	N/A	N/A
	Fa		14 " x 2-1/2 "	2039 - 109	N/A	N/A	N/A	N/A	N/A
	Fa		14 " x 2-1/2 "	2039 - 109	N/A	N/A	N/A	N/A	N/A
	Ra	GM	15 " x 4 "	4640 - 427	R700427	R40H550	R404121	R40H3510	R40H3511
	Ra	GM	15 " x 4 "	4640 - 427	R700427	R40H550	R404121	R40H3510	R40H3511
1982	Fa		14 " x 2-1/2 "	2039 - S634	N/A	N/A	N/A	N/A	N/A

37 - Also available as a New unit
 54 - Manual Brakes
 268 - 5 Stud, Hat Shape
 www.XpresswayPlus.com

39 - First design, uses steel pistons.
 72 - Phenolic/Steel Face
 277 - For Pad Retainer, Use 69160441

41 - Aluminum piston
 201 - Steel Piston
 302 - Power Brakes, Dual System

MAKE MODEL YEAR AXLE CODE AXLE WEIGHT	AXLE & BRK. TYPE	BRK. MFG.	BRAKE SIZE	FMSI	MERITOR DISC PAD OR BRAKE SHOE	MERITOR GUIDE PIN OR RETURN SPRING KIT	MERITOR CALIPER HWD. KIT OR RETURN SPRING KIT	MERITOR ADJUSTER KIT (LEFT WHEEL)	MERITOR ADJUSTER KIT (RIGHT WHEEL)
GMC / CHEV(Cont.)									
50, 500, 5000 SERIES(Cont.)									
1982	Fa	GM	14 " x 2-1/2 "	2039 - 299	N/A	R40H599	R40H9206	R40H3500	R40H3501
C5D042, C5D064 Conventional H110	Ra	GM	15 " x 4 "	4640 - 427	R700427	R40H550	R404121	R40H3510	R40H3511
C5D042, C5D064 Conventional H135	Ra	GM	15 " x 4 "	4640 - 427	R700427	R40H550	R404121	R40H3510	R40H3511
1981	Fa	GM	14 " x 2-1/2 "	2039 - S634	N/A	N/A	N/A	N/A	N/A
C5D042, C5D064 Conventional	Fa	GM	14 " x 2-1/2 "	2039 - 299	N/A	R40H599	R40H9206	R40H3500	R40H3501
C5D042, C5D064 Conventional H110	Ra	GM	15 " x 4 "	4640 - 427	R700427	R40H550	R404121	R40H3510	R40H3511
C5D042, C5D064 Conventional H135	Ra	GM	15 " x 4 "	4640 - 427	R700427	R40H550	R404121	R40H3510	R40H3511
1980	Fa	GM	14 " x 2-1/2 "	2039 - S634	N/A	N/A	N/A	N/A	N/A
C5D042, C5D064 Conventional	Fa	GM	14 " x 2-1/2 "	2039 - 299	N/A	R40H599	R40H9206	R40H3500	R40H3501
C5D042, C5D064 Conventional H110	Ra	GM	15 " x 4 "	4640 - 427	R700427	R40H550	R404121	R40H3510	R40H3511
C5D042, C5D064 Conventional H135	Ra	GM	15 " x 4 "	4640 - 427	R700427	R40H550	R404121	R40H3510	R40H3511
1979	Fa	GM	14 " x 2-1/2 "	2039 - S634	N/A	N/A	N/A	N/A	N/A
C5D042, C5D064 Conventional	Fa	GM	14 " x 2-1/2 "	2039 - 299	N/A	R40H599	R40H9206	R40H3500	R40H3501
C5D042, C5D064 Conventional H110	Ra	GM	15 " x 4 "	4640 - 427	R700427	R40H550	R404121	R40H3510	R40H3511
C5D042, C5D064 Conventional H135	Ra	GM	15 " x 4 "	4640 - 427	R700427	R40H550	R404121	R40H3510	R40H3511
1978	Fa	GM	14 " x 2-1/2 "	2039 - S634	N/A	N/A	N/A	N/A	N/A
C5D042, C5D064 Conventional	Fa	GM	14 " x 2-1/2 "	2039 - S634	N/A	N/A	N/A	N/A	N/A
1977	Fa	GM	14 " x 2-1/2 "	2039 - S634	N/A	N/A	N/A	N/A	N/A
1973	Fa	GM	14 " x 2-1/2 "	2039 - 299	N/A	R40H599	R40H9206	R40H3500	R40H3501
C5D042, C5D064 Conventional F050	Fa	GM	14 " x 2-1/2 "	2039 - 299	N/A	R40H599	R40H9206	R40H3500	R40H3501
C5D042, C5D064 Conventional H110, H135	Ra	GM	15 " x 4 "	4640 - 427	R700427	R40H550	R404121	R40H3510	R40H3511
1972	Rm	WG	15 " x 7 "	4597 - 382	R700383	R40H597	R40H9200	R40H3518	R404148
C500 17121, 17221	Rm	WG	15 " x 7 "	4597 - 382	R700383	R40H597	R40H9200	R40H3518	R404148
C500 H150, T150	Ra	GM	15 " x 4 "	4640 - 427	R700427	R40H550	R404121	R40H3510	R40H3511
C500 H170, T170	Ra	GM	15 " x 5 "	4639 - 442	R700442	R40H550	R404121	R40H3510	R40H3511
C500 F050	Ra	WG	15 " x 6 "	4596 - 381	R700381	R40H597	R40H9200	R40H3540	R40H3541
5,000 lb.	Fa	GM	14 " x 2-1/2 "	2039 - 299	N/A	R40H599	R40H9206	R40H3500	R40H3501

307 - Power Brakes, Single System Hydrovac
325 - 23.15" Length

323 - 17.50" Length
327 - Second Design

324 - 19.91" Length

MERITOR DRUM OR ROTOR NO.	CALIPER OR CYLINDER BORE SIZE	MERITOR CALIPER OR WHEEL CYLINDER (LEFT)	MERITOR CALIPER OR WHEEL CYLINDER (RIGHT)	MERITOR CALIPER OR WHEEL CYLINDER REPAIR KIT	MERITOR CALIPER PISTON	MERITOR MASTER CYLINDER	MERITOR MASTER CYLINDER KIT	MERITOR BRAKE HOSE (LEFT)	MERITOR BRAKE HOSE (RIGHT)
GMC / CHEV(Cont.)									
50, 500, 5000 SERIES(Cont.)									
N/A	7/8 "	R4133406	R4133407	R4166820	NR	N/A	-	-	-
N/A	1-1/2 "	R4133655	R4133656	Discontinued	NR	-	-	R4577482 ³²³	R4577482
N/A	1-1/2 "	R4133655	R4133656	Discontinued	NR	-	-	R451124 ³²³	R451124
N/A	7/8 "	R4133406	R4133407	R4166820	NR	R4110348 ³⁰⁷	R4110406	R4511244 ³²⁴	R4511244
N/A	7/8 "	R4133406	R4133407	R4166820	NR	N/A	-	-	-
N/A	1-1/2 "	R4133655	R4133656	Discontinued	NR	-	-	R451124 ³²³	R451124
N/A	1-1/2 "	R4133655	R4133656	Discontinued	NR	-	-	R4577482 ³²³	R4577482
N/A	7/8 "	R4133406	R4133407	R4166820	NR	R4110348 ³⁰⁷	R4110406	R4511244 ³²⁴	R4511244
N/A	7/8 "	R4133406	R4133407	R4166820	NR	N/A	-	-	-
N/A	1-1/2 "	R4133655	R4133656	Discontinued	NR	-	-	R4577482	R4577482
N/A	1-1/2 "	R4133655	R4133656	Discontinued	NR	-	-	R4577482	R4577482
N/A	7/8 "	R4133406	R4133407	R4166820	NR	R4111773	R4122809	R4511244 ³²⁴	R4511244
N/A	7/8 "	R4133406	R4133407	R4166820	NR	-	-	R4577479 ³²⁵	R4577479
N/A	1-1/2 "	R4133655	R4133656	Discontinued	NR	-	-	R4577482	R4577482
N/A	1-1/2 "	R4133655	R4133656	Discontinued	NR	-	-	R4577482	R4577482
N/A	7/8 "	R4133406	R4133407	R4166820	NR	-	-	R4577479 ³²⁵	R4577479
N/A	7/8 "	R4133406	R4133407	R4166820	NR	-	-	R4577481 ³²⁵	R4577481
-	7/8 "	R4133406	R4133407	R4166820	NR	-	-	R4588564 ³²⁷	R4588564
-	7/8 "	R4133406	R4133407	R4166820	NR	-	-	-	-
-	7/8 "	R4133406	R4133407	R4166820	NR	-	-	R4577482	R4577482
-	1-1/2 "	R4133655	R4133656	R415194	NR	-	-	-	-
-	1-1/2 "	R4133655	R4133656	R415194	NR	-	-	-	-
-	1-3/4 "	R4133400	R4133400	R4166917	NR	-	-	-	-
-	1-1/2 "	R4133655	R4133656	R415194	NR	-	-	-	-
-	1-1/2 "	R4133655	R4133656	R415194	NR	-	-	-	-
-	1-5/8 "	R4133338	R4133338	R4166689	NR	-	-	-	-
-	7/8 "	R4133406	R4133407	R4166820	NR	-	-	-	-

1-APPLICATION

MAKE MODEL YEAR AXLE CODE AXLE WEIGHT	AXLE & BRK. TYPE	BRK. MFG.	BRAKE SIZE	FMSI	MERITOR DISC PAD OR BRAKE SHOE	MERITOR GUIDE PIN OR RETURN SPRING KIT	MERITOR CALIPER HWD. KIT OR RETURN SPRING KIT	MERITOR ADJUSTER KIT (LEFT WHEEL)	MERITOR ADJUSTER KIT (RIGHT WHEEL)
GMC / CHEV(Cont.)									
50, 500, 5000 SERIES(Cont.)									
1972									
	Fa	WG	15 " x 3 "	1245C - 321	R700321	R40H521	R40H9237	R40H3502	R40H3503
	Fm	WG	15 " x 3 "	1245A - 235	R700235	R40H521	R40H9201	R404132	R404132 ²⁷⁹
C500 F090 9,000 lb.	Fa	WG	15 " x 3-1/2 "	1280B - 322	R464004	R40H521	R40H9237	R40H3502	R40H3503
	Fm	WG	15 " x 3-1/2 "	1280 - 463	R700463	R40H521	R40H9201	R404132	R404132 ²⁷⁹
C500 15,000 lb. GVW	Ra	GM	15 " x 5 "	4639 - 442	R700442	R40H550	R404121	R40H3510	R40H3511
C500 H170,T170 17,000 lb. GVW	Rm	WG	15 " x 6 "	4596 - 380	R700381	R40H597	R40H9200	R40H3518	R404148
1971									
C500 17121, 17221	Rm	WG	15 " x 7 "	4597 - 382	R700383	R40H597	R40H9200	R40H3518	R404148
C500 H150,T150	Ra	GM	15 " x 4 "	4640 - 427	R700427	R40H550	R404121	R40H3510	R40H3511
	Ra	GM	15 " x 5 "	4639 - 442	R700442	R40H550	R404121	R40H3510	R40H3511
C500 H170,T170	Ra	WG	15 " x 6 "	4596 - 381	R700381	R40H597	R40H9200	R40H3540	R40H3541
C500 F050 5,000 lb.	Fa	GM	14 " x 2-1/2 "	2039 - 299	N/A	R40H599	R40H9206	R40H3500	R40H3501
C500 F070 7,000 lb.	Fa	WG	15 " x 3 "	1245C - 321	R700321	R40H521	R40H9237	R40H3502	R40H3503
	Fm	WG	15 " x 3 "	1245A - 235	R700235	R40H521	R40H9201	R404132	R404132 ²⁷⁹
C500 F090 9,000 lb.	Fa	WG	15 " x 3-1/2 "	1280B - 322	R464004	R40H521	R40H9237	R40H3502	R40H3503
	Fm	WG	15 " x 3 "	1245A - 235	R700235	R40H521	R40H9201	R404132	R404132 ²⁷⁹
C500 15,000 lb. GVW	Ra	GM	15 " x 5 "	4639 - 442	R700442	R40H550	R404121	R40H3510	R40H3511
C500 H170,T170 17,000 lb. GVW	Rm	WG	15 " x 6 "	4596 - 380	R700381	R40H597	R40H9200	R40H3518	R404148
1970									
C500 17121, 17221	Rm	WG	15 " x 7 "	4597 - 382	R700383	R40H597	R40H9200	R40H3518	R404148
C500 H150,T150	Ra	GM	15 " x 4 "	4640 - 427	R700427	R40H550	R404121	R40H3510	R40H3511
	Ra	GM	15 " x 5 "	4639 - 442	R700442	R40H550	R404121	R40H3510	R40H3511
C500 H170,T170	Ra	WG	15 " x 6 "	4596 - 381	R700381	R40H597	R40H9200	R40H3540	R40H3541
C500 F050 5,000 lb.	Fa	GM	14 " x 2-1/2 "	2039 - 299	N/A	R40H599	R40H9206	R40H3500	R40H3501
C500 F070 7,000 lb.	Fa	WG	15 " x 3 "	1245C - 321	R700321	R40H521	R40H9237	R40H3502	R40H3503
	Fm	WG	15 " x 3 "	1245A - 235	R700235	R40H521	R40H9201	R404132	R404132 ²⁷⁹
C500 F090 9,000 lb.	Fa	WG	15 " x 3-1/2 "	1280B - 322	R464004	R40H521	R40H9237	R40H3502	R40H3503
	Fm	WG	15 " x 3-1/2 "	1280 - 463	R700463	R40H521	R40H9201	R404132	R404132 ²⁷⁹
C500 15,000 lb. GVW	Ra	GM	15 " x 5 "	4639 - 442	R700442	R40H550	R404121	R40H3510	R40H3511
C500 H170,T170 17,000 lb. GVW	Rm	WG	15 " x 6 "	4596 - 380	R700381	R40H597	R40H9200	R40H3518	R404148
1969									
C500 17121, 17221	Rm	WG	15 " x 7 "	4597 - 382	R700383	R40H597	R40H9200	R40H3518	R404148
C500 H150,T150	Ra	GM	15 " x 4 "	4640 - 427	R700427	R40H550	R404121	R40H3510	R40H3511

279 - Has 2.29" Adjuster Studs, For 2.60" Studs Use E-4133

MERITOR DRUM OR ROTOR NO.	CALIPER OR CYLINDER BORE SIZE	MERITOR CALIPER OR WHEEL CYLINDER (LEFT)	MERITOR CALIPER OR WHEEL CYLINDER (RIGHT)	MERITOR CALIPER OR WHEEL CYLINDER REPAIR KIT	MERITOR CALIPER PISTON	MERITOR MASTER CYLINDER	MERITOR MASTER CYLINDER KIT	MERITOR BRAKE HOSE (LEFT)	MERITOR BRAKE HOSE (RIGHT)
GMC / CHEV(Cont.)									
50, 500, 5000 SERIES(Cont.)									
-	1-1/8 "	R4133320	R4133321	R4166926	NR	-	-	R451125	R451125
-	1-1/8 "	R4133320	R4133321	R4166926	NR	-	-	R451125	R451125
-	1-1/4 "	R4133376	R4133377	R4166923	NR	-	-	-	-
-	1-1/4 "	R4133376	R4133377	R4166923	NR	-	-	-	-
-	1-1/2 "	R4133655	R4133656	R415194	NR	-	-	-	-
-	1-5/8 "	R4133338	R4133338	R4166689	NR	-	-	-	-
-	1-3/4 "	R4133400	R4133400	R4166917	NR	-	-	-	-
-	1-1/2 "	R4133655	R4133656	R415194	NR	-	-	-	-
-	1-1/2 "	R4133655	R4133656	R415194	NR	-	-	-	-
-	1-5/8 "	R4133338	R4133338	R4166689	NR	-	-	-	-
-	7/8 "	R4133406	R4133407	R4166820	NR	-	-	-	-
-	1-1/8 "	R4133320	R4133321	R4166926	NR	-	-	R451125	R451125
-	1-1/8 "	R4133320	R4133321	R4166926	NR	-	-	R451125	R451125
-	1-1/4 "	R4133376	R4133377	R4166923	NR	-	-	-	-
-	1-1/8 "	R4133320	R4133321	R4166926	NR	-	-	-	-
-	1-1/2 "	R4133655	R4133656	R415194	NR	-	-	-	-
-	1-5/8 "	R4133338	R4133338	R4166689	NR	-	-	-	-
-	1-3/4 "	R4133400	R4133400	R4166917	NR	-	-	-	-
-	1-1/2 "	R4133655	R4133656	R415194	NR	-	-	-	-
-	1-1/2 "	R4133655	R4133656	R415194	NR	-	-	-	-
-	1-5/8 "	R4133338	R4133338	R4166689	NR	-	-	-	-
-	7/8 "	R4133406	R4133407	R4166820	NR	-	-	-	-
-	1-1/8 "	R4133320	R4133321	R4166926	NR	-	-	R451125	R451125
-	1-1/8 "	R4133320	R4133321	R4166926	NR	-	-	R451125	R451125
-	1-1/4 "	R4133376	R4133377	R4166923	NR	-	-	-	-
-	1-1/4 "	R4133376	R4133377	R4166923	NR	-	-	-	-
-	1-1/2 "	R4133655	R4133656	R415194	NR	-	-	-	-
-	1-5/8 "	R4133338	R4133338	R4166689	NR	-	-	-	-
-	1-3/4 "	R4133400	R4133400	R4166917	NR	-	-	-	-
-	1-1/2 "	R4133655	R4133656	R415194	NR	-	-	-	-

1 APPLICATION

MAKE MODEL YEAR AXLE CODE AXLE WEIGHT	AXLE & BRK. TYPE	BRK. MFG.	BRAKE SIZE	FMSI	MERITOR DISC PAD OR BRAKE SHOE	MERITOR GUIDE PIN OR RETURN SPRING KIT	MERITOR CALIPER HWD. KIT OR RETURN SPRING KIT	MERITOR ADJUSTER KIT (LEFT WHEEL)	MERITOR ADJUSTER KIT (RIGHT WHEEL)
GMC / CHEV(Cont.)									
50, 500, 5000 SERIES(Cont.)									
1969 C500 H150,T150	Ra	GM	15 " x 5 "	4639 - 442	R700442	R40H550	R404121	R40H3510	R40H3511
C500 H170,T170	Ra	WG	15 " x 6 "	4596 - 381	R700381	R40H597	R40H9200	R40H3540	R40H3541
C500 F050 5,000 lb.	Fa	GM	14 " x 2-1/2 "	2039 - 299	N/A	R40H599	R40H9206	R40H3500	R40H3501
C500 F070 7,000 lb.	Fa	WG	15 " x 3 "	1245C - 321	R700321	R40H521	R40H9237	R40H3502	R40H3503
	Fm	WG	15 " x 3 "	1245A - 235	R700235	R40H521	R40H9201	R404132	R404132 ²⁷⁹
C500 F090 9,000 lb.	Fa	WG	15 " x 3-1/2 "	1280B - 322	R464004	R40H521	R40H9237	R40H3502	R40H3503
	Fm	WG	15 " x 3-1/2 "	1280 - 463	R700463	R40H521	R40H9201	R404132	R404132 ²⁷⁹
C500 15,000 lb. GVW	Ra	GM	15 " x 5 "	4639 - 442	R700442	R40H550	R404121	R40H3510	R40H3511
C500 H170,T170 17,000 lb. GVW	Rm	WG	15 " x 6 "	4596 - 380	R700381	R40H597	R40H9200	R40H3518	R404148
1968 C500 17121, 17221	Rm	WG	15 " x 7 "	4597 - 382	R700383	R40H597	R40H9200	R40H3518	R404148
C500 H150,T150	Ra Ra	GM GM	15 " x 4 " 15 " x 5 "	4640 - 427 4639 - 442	R700427 R700442	R40H550 R40H550	R404121 R404121	R40H3510 R40H3510	R40H3511 R40H3511
C500 H170,T170	Ra	WG	15 " x 6 "	4596 - 381	R700381	R40H597	R40H9200	R40H3540	R40H3541
C500 F050 5,000 lb.	Fa	GM	14 " x 2-1/2 "	2039 - 299	N/A	R40H599	R40H9206	R40H3500	R40H3501
C500 F070 7,000 lb.	Fa	WG	15 " x 3 "	1245C - 321	R700321	R40H521	R40H9237	R40H3502	R40H3503
	Fm	WG	15 " x 3 "	1245A - 235	R700235	R40H521	R40H9201	R404132	R404132 ²⁷⁹
C500 F090 9,000 lb.	Fa	WG	15 " x 3-1/2 "	1280B - 322	R464004	R40H521	R40H9237	R40H3502	R40H3503
	Fm	WG	15 " x 3 "	1245A - 235	R700235	R40H521	R40H9201	R404132	R404132 ²⁷⁹
C500 15,000 lb. GVW	Ra	GM	15 " x 5 "	4639 - 442	R700442	R40H550	R404121	R40H3510	R40H3511
C500 H170,T170 17,000 lb. GVW	Rm	WG	15 " x 6 "	4596 - 380	R700381	R40H597	R40H9200	R40H3518	R404148
1967 C500 17121, 17221	Ra Ra Rm	WG WG WG	15 " x 7 " 15 " x 7 " 15 " x 7 "	4597 - 383 4597 - 383 4597 - 382	R700383 R700383 R700383	R40H597 R40H597 R40H597	R40H9200 R40H9200 R40H9200	R40H3540 R40H3540 R40H3518	R40H3541 R40H3541 R404148
C500 G161, 361	Ra Ra	WG WG	15 " x 5 " 15 " x 5 "	1252 - 346 1252 - 346	R700346 R700346	R40H597 R40H597	R40H9200 R40H9200	R40H3540 R40H3540	R40H3541 R40H3541
C500 H150,T150	Ra Ra	GM GM	15 " x 4 " 15 " x 5 "	4640 - 427 4639 - 442	R700427 R700442	R40H550 R40H550	R404121 R404121	R40H3510 R40H3510	R40H3511 R40H3511
C500 H170,T170	Ra Ra	WG WG	15 " x 6 " 15 " x 6 "	4596 - 381 4596 - 381	R700381 R700381	R40H597 R40H597	R40H9200 R40H9200	R40H3540 R40H3540	R40H3541 R40H3541
C500 F050 5,000 lb.	Fa Fa	GM GM	14 " x 2-1/2 " 14 " x 2-1/2 "	2039 - 299 2039 - 299	N/A N/A	R40H599 R40H599	R40H9206 R40H9206	R40H3500 R40H3500	R40H3501 R40H3501
C500 F070 7,000 lb.	Fa	WG	15 " x 3 "	1245C - 321	R700321	R40H521	R40H9237	R40H3502	R40H3503

279 - Has 2.29" Adjuster Studs, For 2.60" Studs Use E-4133

MERITOR DRUM OR ROTOR NO.	CALIPER OR CYLINDER BORE SIZE	MERITOR CALIPER OR WHEEL CYLINDER (LEFT)	MERITOR CALIPER OR WHEEL CYLINDER (RIGHT)	MERITOR CALIPER OR WHEEL CYLINDER REPAIR KIT	MERITOR CALIPER PISTON	MERITOR MASTER CYLINDER	MERITOR MASTER CYLINDER KIT	MERITOR BRAKE HOSE (LEFT)	MERITOR BRAKE HOSE (RIGHT)
GMC / CHEV(Cont.)									
50, 500, 5000 SERIES(Cont.)									
-	1-1/2 "	R4133655	R4133656	R415194	NR	-	-	-	-
-	1-5/8 "	R4133338	R4133338	R4166689	NR	-	-	-	-
-	7/8 "	R4133406	R4133407	R4166820	NR	-	-	-	-
-	1-1/8 "	R4133320	R4133321	R4166926	NR	-	-	R451125	R451125
-	1-1/8 "	R4133320	R4133321	R4166926	NR	-	-	R451125	R451125
-	1-1/4 "	R4133376	R4133377	R4166923	NR	-	-	-	-
-	1-1/4 "	R4133376	R4133377	R4166923	NR	-	-	-	-
-	1-1/2 "	R4133655	R4133656	R415194	NR	-	-	-	-
-	1-5/8 "	R4133338	R4133338	R4166689	NR	-	-	-	-
-	1-3/4 "	R4133400	R4133400	R4166917	NR	-	-	-	-
-	1-1/2 "	R4133655	R4133656	R415194	NR	-	-	-	-
-	1-1/2 "	R4133655	R4133656	R415194	NR	-	-	-	-
-	1-5/8 "	R4133338	R4133338	R4166689	NR	-	-	-	-
-	7/8 "	R4133406	R4133407	R4166820	NR	-	-	-	-
-	1-1/8 "	R4133320	R4133321	R4166926	NR	-	-	R451125	R451125
-	1-1/8 "	R4133320	R4133321	R4166926	NR	-	-	R451125	R451125
-	1-1/4 "	R4133376	R4133377	R4166923	NR	-	-	-	-
-	1-1/8 "	R4133320	R4133321	R4166926	NR	-	-	-	-
-	1-1/2 "	R4133655	R4133656	R415194	NR	-	-	-	-
-	1-5/8 "	R4133338	R4133338	R4166689	NR	-	-	-	-
-	1-3/4 "	R4133400	R4133400	R4166917	NR	-	-	-	-
-	1-3/4 "	R4133400	R4133400	R4166917	NR	-	-	-	-
-	1-3/4 "	R4133400	R4133400	R4166917	NR	-	-	-	-
-	1-1/2 "	R4133336	R4133336	Discontinued	NR	-	-	-	-
-	1-1/2 "	R4133336	R4133336	Discontinued	NR	-	-	-	-
-	1-1/2 "	R4133655	R4133656	R415194	NR	-	-	-	-
-	1-1/2 "	R4133655	R4133656	R415194	NR	-	-	-	-
-	1-5/8 "	R4133338	R4133338	R4166689	NR	-	-	-	-
-	1-5/8 "	R4133338	R4133338	R4166689	NR	-	-	-	-
-	7/8 "	R4133406	R4133407	R4166820	NR	-	-	-	-
-	7/8 "	R4133406	R4133407	R4166820	NR	-	-	-	-
-	1-1/8 "	R4133320	R4133321	R4166926	NR	-	-	R451125	R451125

1-APPLICATION

MAKE MODEL YEAR AXLE CODE AXLE WEIGHT	AXLE & BRK. TYPE	BRK. MFG.	BRAKE SIZE	FMSI	MERITOR DISC PAD OR BRAKE SHOE	MERITOR GUIDE PIN OR RETURN SPRING KIT	MERITOR CALIPER HWD. KIT OR RETURN SPRING KIT	MERITOR ADJUSTER KIT (LEFT WHEEL)	MERITOR ADJUSTER KIT (RIGHT WHEEL)
GMC / CHEV(Cont.)									
50, 500, 5000 SERIES(Cont.)									
1967	Fa	WG	15 " x 3 "	1245C - 321	R700321	R40H521	R40H9237	R40H3502	R40H3503
M500 F070 7,000 lb.	Fm Fm	WG WG	15 " x 3 " 15 " x 3 "	1245A - 235 1245A - 235	R700235 R700235	R40H521 R40H521	R40H9201 R40H9201	R404132 R404132	R404132 ²⁷⁹ R404132 ²⁷⁹
C500 F090 9,000 lb.	Fa Fm	WG WG	15 " x 3-1/2 " 15 " x 3-1/2 "	1280B - 322 1280 - 463	R464004 R700463	R40H521 R40H521	R40H9237 R40H9201	R40H3502 R404132	R40H3503 R404132 ²⁷⁹
15,000 lb. GVW	Ra	GM	15 " x 5 "	4639 - 442	R700442	R40H550	R404121	R40H3510	R40H3511
C500 15,000 lb. GVW	Ra Ra Ra	GM GM GM	15 " x 4 " 15 " x 4 " 15 " x 5 "	4640 - 427 4640 - 427 4639 - 442	R700427 R700427 R700442	R40H550 R40H550 R40H550	R404121 R404121 R404121	R40H3510 R40H3510 R40H3510	R40H3511 R40H3511 R40H3511
C500 17,000 lb. GVW	Ra Ra	WG WG	15 " x 6 " 15 " x 6 "	4596 - 381 4596 - 381	R700381 R700381	R40H597 R40H597	R40H9200 R40H9200	R40H3540 R40H3540	R40H3541 R40H3541
C500 H170,T170 17,000 lb. GVW	Rm	WG	15 " x 6 "	4596 - 380	R700381	R40H597	R40H9200	R40H3518	R404148
60, 6000 SERIES-20,000-27,500 lb. GVW									
2002 C6H042, C6H064 Topkick,Kodiak 8,000 lb.	Fd Fd	DN DN		7141 - D224 7141 - D224	MD224 ³³⁹ MD224 ³³⁹	69310693 69310693	60050153 ²⁷⁷ 60050153 ²⁷⁷	NR NR	NR NR
C6H042, C6H064 Topkick,Kodiak 8,000, 11,000lb. GVW	Fd Fd Fd	BX BX Meritor		7142 - D225 7142 - D225 7636 - D769	MD225 MD225 MD769	R40H5010 R40H5010 NR	R40H5522 R40H5522 R4011121	NR NR NR	NR NR NR
C6H042, C6H064 Topkick,Kodiak 15,000, 19,000lb. GVW	Rd Rd	DN DN		7141 - D224 7141 - D224	MD224 ³³⁹ MD224 ³³⁹	69310693 69310693	60050153 ²⁷⁷ 60050153 ²⁷⁷	NR NR	NR NR
C6H042, C6H064 Topkick,Kodiak 19,000 lb. GVW	Fd Rd Rd	Meritor BX BX		7636 - D769 7142 - D225 7142 - D225	MD769 MD225 MD225	NR R40H5010 R40H5010	R4011121 R40H5522 R40H5522	NR NR NR	NR NR NR
2001 C6H042, C6H064 Topkick,Kodiak 8,000 lb.	Fd Fd	DN DN		7141 - D224 7141 - D224	MD224 ³³⁹ MD224 ³³⁹	69310693 69310693	60050153 ²⁷⁷ 60050153 ²⁷⁷	NR NR	NR NR
C6H042, C6H064 Topkick,Kodiak 8,000, 11,000lb. GVW	Fd Fd Fd	BX BX Meritor		7142 - D225 7142 - D225 7636 - D769	MD225 MD225 MD769	R40H5010 R40H5010 NR	R40H5522 R40H5522 R4011121	NR NR NR	NR NR NR
C6H042, C6H064 Topkick,Kodiak 15,000, 19,000lb. GVW	Rd Rd	DN DN		7141 - D224 7141 - D224	MD224 ³³⁹ MD224 ³³⁹	69310693 69310693	60050153 ²⁷⁷ 60050153 ²⁷⁷	NR NR	NR NR
C6H042, C6H064 Topkick,Kodiak 19,000 lb. GVW	Fd Rd Rd	Meritor BX BX		7636 - D769 7142 - D225 7142 - D225	MD769 MD225 MD225	NR R40H5010 R40H5010	R4011121 R40H5522 R40H5522	NR NR NR	NR NR NR
2000 C6H042, C6H064 Topkick,Kodiak 8,000 lb.	Fd	DN		7141 - D224	MD224 ³³⁹	69310693	60050153 ²⁷⁷	NR	NR

37 - Also available as a New unit
 71 - Vacuum Power Brakes
 277 - For Pad Retainer, Use 69160441
 www.XpresswayPlus.com

39 - First design, uses steel pistons.
 72 - Phenolic/Steel Face
 279 - Has 2.29" Adjuster Studs, For 2.60" Studs Use E-4133

41 - Aluminum piston
 268 - 5 Stud, Hat Shape
 321 - Air Over Hydraulics

MERITOR DRUM OR ROTOR NO.	CALIPER OR CYLINDER BORE SIZE	MERITOR CALIPER OR WHEEL CYLINDER (LEFT)	MERITOR CALIPER OR WHEEL CYLINDER (RIGHT)	MERITOR CALIPER OR WHEEL CYLINDER REPAIR KIT	MERITOR CALIPER PISTON	MERITOR MASTER CYLINDER	MERITOR MASTER CYLINDER KIT	MERITOR BRAKE HOSE (LEFT)	MERITOR BRAKE HOSE (RIGHT)
GMC / CHEV(Cont.)									
50, 500, 5000 SERIES(Cont.)									
-	1-1/8 "	R4133320	R4133321	R4166926	NR	-	-	R451125	R451125
-	1-1/8 "	R4133320	R4133321	R4166926	NR	R4111456 ³²¹	N/A	R451125	R451125
-	1-1/8 "	R4133320	R4133321	R4166926	NR	R4111451 ⁷¹	R4122682	R451125	R451125
-	1-1/4 "	R4133376	R4133377	R4166923	NR	-	-	-	-
-	1-1/4 "	R4133376	R4133377	R4166923	NR	-	-	-	-
-	1-1/2 "	R4133655	R4133656	R415194	NR	-	-	-	-
-	1-1/2 "	R4133655	R4133656	R415194	NR	-	-	-	-
-	1-1/2 "	R4133655	R4133656	R415194	NR	-	-	-	-
-	1-5/8 "	R4133338	R4133338	R4166689	NR	-	-	-	-
-	1-5/8 "	R4133338	R4133338	R4166689	NR	-	-	-	-
-	1-5/8 "	R4133338	R4133338	R4166689	NR	-	-	-	-
60, 6000 SERIES-20,000-27,500 lb. GVW									
23-123486-002 ²⁶⁸	2-1/2 "	R424244X	R424244X ³⁷	60050266	69270757 ⁴¹	-	-	R4577868	R4577868
23-123486-002 ²⁶⁸	2-1/2 "	R424244X	R424244X ³⁷	60050266	69270757 ⁴¹	-	-	R4577868	R4577868
N/A	2-7/8 "	R42R55250	R42R55250 ³⁷	R4066365	R4090096 ⁷²	-	-	R4577868	R4577868
N/A	2-7/8 "	R42R55250	R42R55250 ³⁷	R4066365	R4090096 ⁷²	-	-	R4577868	R4577868
23-123485-002 ³⁹²	70mm	60050321 / 60450455	60050320 / 60450454 ³⁹	-	-	-	-	R4577868	R4577868
23-123486-002 ²⁶⁸	2-1/2 "	R424244X	R424244X ³⁷	60050266	69270757 ⁴¹	-	-	R4510644	R4577864
23-123486-002 ²⁶⁸	2-1/2 "	R424244X	R424244X ³⁷	60050266	69270757 ⁴¹	-	-	R4510644	R4577864
23-123485-002 ³⁹²	70mm	60050321 / 60450455	60050320 / 60450454 ³⁹	-	-	-	-	R4577868	R4577868
23-123495-002	2-7/8 "	R42R55250	R42R55250 ³⁷	R4066365	R4090096 ⁷²	-	-	R4510644	R4577864
23-123495-002	2-7/8 "	R42R55250	R42R55250 ³⁷	R4066365	R4090096 ⁷²	-	-	R4510644	R4577864
23-123486-002 ²⁶⁸	2-1/2 "	R424244X	R424244X ³⁷	60050266	69270757 ⁴¹	-	-	R4577868	R4577868
23-123486-002 ²⁶⁸	2-1/2 "	R424244X	R424244X ³⁷	60050266	69270757 ⁴¹	-	-	R4577868	R4577868
N/A	2-7/8 "	R42R55250	R42R55250 ³⁷	R4066365	R4090096 ⁷²	-	-	R4577868	R4577868
N/A	2-7/8 "	R42R55250	R42R55250 ³⁷	R4066365	R4090096 ⁷²	-	-	R4577868	R4577868
23-123485-002 ³⁹²	70mm	60050321 / 60450455	60050320 / 60450454 ³⁹	-	-	-	-	R4577868	R4577868
23-123486-002 ²⁶⁸	2-1/2 "	R424244X	R424244X ³⁷	60050266	69270757 ⁴¹	-	-	R4510644	R4577864
23-123486-002 ²⁶⁸	2-1/2 "	R424244X	R424244X ³⁷	60050266	69270757 ⁴¹	-	-	R4510644	R4577864
23-123485-002 ³⁹²	70mm	60050321 / 60450455	60050320 / 60450454 ³⁹	-	-	-	-	R4577868	R4577868
23-123495-002	2-7/8 "	R42R55250	R42R55250 ³⁷	R4066365	R4090096 ⁷²	-	-	R4510644	R4577864
23-123495-002	2-7/8 "	R42R55250	R42R55250 ³⁷	R4066365	R4090096 ⁷²	-	-	R4510644	R4577864
23-123486-002 ²⁶⁸	2-1/2 "	R424244X	R424244X ³⁷	60050266	69270757 ⁴¹	-	-	R4577868	R4577868

339 - Use 69160441 for Disc Pad Retainer Clip

392 - 5 Tapped Holes For ABS Mounting Ring

MAKE MODEL YEAR AXLE CODE AXLE WEIGHT	AXLE & BRK. TYPE	BRK. MFG.	BRAKE SIZE	FMSI	MERITOR DISC PAD OR BRAKE SHOE	MERITOR GUIDE PIN OR RETURN SPRING KIT	MERITOR CALIPER HWD. KIT OR RETURN SPRING KIT	MERITOR ADJUSTER KIT (LEFT WHEEL)	MERITOR ADJUSTER KIT (RIGHT WHEEL)
GMC / CHEV(Cont.)									
60, 6000 SERIES-20,000-27,500 lb. GVW (Cont.)									
2000	Fd	DN		7141 - D224	MD224 ³³⁹	69310693	60050153 ²⁷⁷	NR	NR
C6H042, C6H064 Topkick,Kodiak 8,000, 11,000lb. GVW	Fd Fd Fd	BX BX Meritor		7142 - D225 7142 - D225 7636 - D769	MD225 MD225 MD769	R40H5010 R40H5010 NR	R40H5522 R40H5522 R4011121	NR NR NR	NR NR NR
C6H042, C6H064 Topkick,Kodiak 15,000, 19,000lb. GVW	Rd Rd	DN DN		7141 - D224 7141 - D224	MD224 ³³⁹ MD224 ³³⁹	69310693 69310693	60050153 ²⁷⁷ 60050153 ²⁷⁷	NR NR	NR NR
C6H042, C6H064 Topkick,Kodiak 19,000 lb. GVW	Fd Rd Rd	Meritor BX BX		7636 - D769 7142 - D225 7142 - D225	MD769 MD225 MD225	NR R40H5010 R40H5010	R4011121 R40H5522 R40H5522	NR NR NR	NR NR NR
1999 C6H042, C6H064 Topkick,Kodiak 8,000, 11,000lb. GVW	Fd Fd	DN DN		N/A - N/A N/A - N/A	MD769 MD769	NR NR	R4011121 R4011121	NR NR	NR NR
C6H042, C6H064 Topkick,Kodiak 15,000, 19,000lb. GVW	Rd Rd	DN DN		7141 - D224 7141 - D224	MD224 ³³⁹ MD224 ³³⁹	69310693 69310693	60050153 ²⁷⁷ 60050153 ²⁷⁷	NR NR	NR NR
1998 C6H042, C6H064 Topkick,Kodiak 8,000, 11,000lb. GVW	Fd Fd	DN DN		N/A - N/A N/A - N/A	MD769 MD769	NR NR	R4011121 R4011121	NR NR	NR NR
C6H042, C6H064 Topkick,Kodiak 15,000, 19,000lb. GVW	Rd Rd	DN DN		7141 - D224 7141 - D224	MD224 ³³⁹ MD224 ³³⁹	69310693 69310693	60050153 ²⁷⁷ 60050153 ²⁷⁷	NR NR	NR NR
1997 C6H042, C6H064 Topkick,Kodiak	Fd Fd Fd	DN DN DN		7141 - D224 7141 - D224 7142 - D225	MD224 ³³⁹ MD224 ³³⁹ MD225	69310693 69310693 R40H5010	60050153 ²⁷⁷ 60050153 ²⁷⁷ R40H5522	NR NR NR	NR NR NR
C6H042, C6H064 Topkick,Kodiak 8,000, 11,000lb.	Fd Fd	DN DN		7141 - D224 7141 - D224	MD224 ³³⁹ MD224 ³³⁹	69310693 69310693	60050153 ²⁷⁷ 60050153 ²⁷⁷	NR NR	NR NR
C6H042, C6H064 Topkick,Kodiak 12,000lb.	Fd	DN		7141 - D224	MD224 ³³⁹	69310693	60050153 ²⁷⁷	NR	NR
C6H042, C6H064 Topkick,Kodiak 15,000, 19,000lb.	Rd Rd	DN DN		7141 - D224 7141 - D224	MD224 ³³⁹ MD224 ³³⁹	69310693 69310693	60050153 ²⁷⁷ 60050153 ²⁷⁷	NR NR	NR NR
C6H042, C6H064 Topkick,Kodiak 15,000lb.	Rd	DN		N/A - N/A	MD769	NR	R4011121	NR	NR
C6H042, C6H064 Topkick,Kodiak 19,000lb.	Rd	DN		N/A - N/A	MD769	NR	R4011121	NR	NR
C6H042, C6H064 Topkick,Kodiak 21,000, 23,000lb.	Rd	DN		7142 - D225	MD225	R40H5010	R40H5522	NR	NR
1996 P6S042	Fd Rd	DN BX		7141 - D224 7142 - D225	MD224 ³³⁹ MD225	69310693 R40H5010	60050153 ²⁷⁷ R40H5522	NR NR	NR NR
C6H042, C6H064 Topkick,Kodiak 8,000 lb.	Fd	DN		7141 - D224	MD224 ³³⁹	69310693	60050153 ²⁷⁷	NR	NR

37 - Also available as a New unit
72 - Phenolic/Steel Face
322 - With Aluminum Wheels
www.XpresswayPlus.com

39 - First design, uses steel pistons.
268 - 5 Stud, Hat Shape
339 - Use 69160441 for Disc Pad Retainer Clip

41 - Aluminum piston
277 - For Pad Retainer, Use 69160441
392 - 5 Tapped Holes For ABS Mounting Ring

MERITOR DRUM OR ROTOR NO.	CALIPER OR CYLINDER BORE SIZE	MERITOR CALIPER OR WHEEL CYLINDER (LEFT)	MERITOR CALIPER OR WHEEL CYLINDER (RIGHT)	MERITOR CALIPER OR WHEEL CYLINDER REPAIR KIT	MERITOR CALIPER PISTON	MERITOR MASTER CYLINDER	MERITOR MASTER CYLINDER KIT	MERITOR BRAKE HOSE (LEFT)	MERITOR BRAKE HOSE (RIGHT)
GMC / CHEV(Cont.)									
60, 6000 SERIES-20,000-27,500 lb. GVW (Cont.)									
23-123486-002 ²⁶⁸	2-1/2 "	R424244X	R424244X ³⁷	60050266	69270757 ⁴¹	-	-	R4577868	R4577868
N/A N/A	2-7/8 " 2-7/8 "	R42R55250 R42R55250 60050321 / 60450455	R42R55250 ³⁷ R42R55250 ³⁷ 60050320 / 60450454 ³⁹	R4066365 R4066365	R4090096 ⁷² R4090096 ⁷²	-	-	R4577868 R4577868	R4577868 R4577868
23-123485-002 ³⁹²	70mm			-	-	-	-	R4577868	R4577868
23-123486-002 ²⁶⁸ 23-123486-002 ²⁶⁸	2-1/2 " 2-1/2 "	R424244X R424244X	R424244X ³⁷ R424244X ³⁷	60050266 60050266	69270757 ⁴¹ 69270757 ⁴¹	-	-	R4510644 R4510644	R4577864 R4577864
23-123485-002 ³⁹²	70mm	60050321 / 60450455	60050320 / 60450454 ³⁹	-	-	-	-	R4577868	R4577868
23-123495-002 23-123495-002	2-7/8 " 2-7/8 "	R42R55250 R42R55250	R42R55250 ³⁷ R42R55250 ³⁷	R4066365 R4066365	R4090096 ⁷² R4090096 ⁷²	-	-	R4510644 R4510644	R4577864 R4577864
23-123485-002 ³⁹² 23-123485-002 ³⁹²	70mm 70mm	60050313 60050313	60050312 60050312	-	-	-	-	-	-
23-123486-002 ²⁶⁸ 23-123486-002 ²⁶⁸	2-1/2 " 2-1/2 "	R424244X R424244X	R424244X ³⁷ R424244X ³⁷	60050266 60050266	69270757 ⁴¹ 69270757 ⁴¹	-	-	-	-
23-123485-002 ³⁹² 23-123485-002 ³⁹²	70mm 70mm	60050313 60050313	60050312 60050312	-	-	-	-	-	-
23-123486-002 ²⁶⁸ 23-123486-002 ²⁶⁸	2-1/2 " 2-1/2 "	R424244X R424244X	R424244X ³⁷ R424244X ³⁷	60050266 60050266	69270757 ⁴¹ 69270757 ⁴¹	-	-	-	-
23-123485-002 ³⁹² 23-123485-002 ³⁹²	70mm 70mm	60050313 60050313	60050312 60050312	-	-	-	-	-	-
23-123486-002 ²⁶⁸ 23-123486-002 ²⁶⁸	2-1/2 " 2-1/2 "	R424244X R424244X	R424244X ³⁷ R424244X ³⁷	60050266 60050266	69270757 ⁴¹ 69270757 ⁴¹	-	-	-	-
23-123495-002 23-123489-002 ³²² 23-123489-002 ³²²	2-1/2 " 2-1/2 " 2-7/8 "	R424244X R424244X R4255250	R424244X ³⁷ R424244X ³⁷ R4255250	60050266 60050266 R4066365	69270757 ⁴¹ 69270757 ⁴¹ R4090096	-	-	-	-
23-123486-002 ²⁶⁸ 23-123486-002 ²⁶⁸	2-1/2 " 2-1/2 "	R424244X R424244X	R424244X ³⁷ R424244X ³⁷	60050266 60050266	69270757 ⁴¹ 69270757 ⁴¹	-	-	-	-
23-123485-002 ³⁹²	2-1/2 "	R424244X	R424244X ³⁷	60050266	69270757 ⁴¹	-	-	-	-
23-123486-002 ²⁶⁸ 23-123486-002 ²⁶⁸	2-1/2 " 2-1/2 "	R424244X R424244X	R424244X ³⁷ R424244X ³⁷	60050266 60050266	69270757 ⁴¹ 69270757 ⁴¹	-	-	-	-
23-123485-002 ³⁹²	70mm	60050313	60050312	-	-	-	-	-	-
23-123485-002 ³⁹²	70mm	60050313	60050312	-	-	-	-	-	-
23-123433-002	2-7/8 "	R4255250	R4255250	R4066365	R4090096	-	-	-	-
23-123486-002 ²⁶⁸ 23-123486-002 ²⁶⁸	2-1/2 " 2-7/8 "	R424244X R42R55250	R424244X ³⁷ R42R55250 ³⁷	60050266 R4066365	69270757 ⁴¹ R4090096 ⁷²	-	-	-	-
23-123486-002 ²⁶⁸	2-1/2 "	R424244X	R424244X ³⁷	60050266	69270757 ⁴¹	-	-	R4577868	R4577868

MAKE MODEL YEAR AXLE CODE AXLE WEIGHT	AXLE & BRK. TYPE	BRK. MFG.	BRAKE SIZE	FMSI	MERITOR DISC PAD OR BRAKE SHOE	MERITOR GUIDE PIN OR RETURN SPRING KIT	MERITOR CALIPER HWD. KIT OR RETURN SPRING KIT	MERITOR ADJUSTER KIT (LEFT WHEEL)	MERITOR ADJUSTER KIT (RIGHT WHEEL)
GMC / CHEV(Cont.)									
60, 6000 SERIES-20,000-27,500 lb. GVW (Cont.)									
1996	Fd Fd Fd	DN DN DN		7141 - D224 7141 - D224 7141 - D224	MD224 ³³⁹ MD224 ³³⁹ MD224 ³³⁹	69310693 69310693 69310693	60050153 ²⁷⁷ 60050153 ²⁷⁷ 60050153 ²⁷⁷	NR NR NR	NR NR NR
C6H042, C6H064 Topkick,Kodiak 8,000, 11,000lb. GVW	Fd Fd Fd Fd	BX BX BX BX		7142 - D225 7142 - D225 7142 - D225 7142 - D225	MD225 MD225 MD225 MD225	R40H5010 R40H5010 R40H5010 R40H5010	R40H5522 R40H5522 R40H5522 R40H5522	NR NR NR NR	NR NR NR NR
C6H042, C6H064 Topkick,Kodiak 15,000, 19,000lb. GVW	Rd Rd Rd Rd	DN DN DN DN		7141 - D224 7141 - D224 7141 - D224 7141 - D224	MD224 ³³⁹ MD224 ³³⁹ MD224 ³³⁹ MD224 ³³⁹	69310693 69310693 69310693 69310693	60050153 ²⁷⁷ 60050153 ²⁷⁷ 60050153 ²⁷⁷ 60050153 ²⁷⁷	NR NR NR NR	NR NR NR NR
C6H042, C6H064 Topkick,Kodiak 19,000 lb. GVW	Rd Rd Rd Rd	BX BX BX BX		7142 - D225 7142 - D225 7142 - D225 7142 - D225	MD225 MD225 MD225 MD225	R40H5010 R40H5010 R40H5010 R40H5010	R40H5522 R40H5522 R40H5522 R40H5522	NR NR NR NR	NR NR NR NR
1995 P6S042	Fd Rd	DN BX		7141 - D224 7142 - D225	MD224 ³³⁹ MD225	69310693 R40H5010	60050153 ²⁷⁷ R40H5522	NR NR	NR NR
W6R042	Fm Rm Rm		400mm x 115mm 410mm x 115mm 410mm x 115mm	1421 - S616 1420 - S615 1420 - S615	R467412-21 ³⁴³ R46741821 ³⁴⁴ R46741821 ³⁴⁴	R407413 R407417 R407417	R407414 N/A N/A	N/A N/A N/A	N/A N/A N/A
C6H042, C6H064 Topkick,Kodiak 8,000 lb.	Fd Fd Fd Fd	DN DN DN DN		7141 - D224 7141 - D224 7141 - D224 7141 - D224	MD224 ³³⁹ MD224 ³³⁹ MD224 ³³⁹ MD224 ³³⁹	69310693 69310693 69310693 69310693	60050153 ²⁷⁷ 60050153 ²⁷⁷ 60050153 ²⁷⁷ 60050153 ²⁷⁷	NR NR NR NR	NR NR NR NR
C6H042, C6H064 Topkick,Kodiak 8,000, 11,000lb. GVW	Fd Fd Fd Fd	BX BX BX BX		7142 - D225 7142 - D225 7142 - D225 7142 - D225	MD225 MD225 MD225 MD225	R40H5010 R40H5010 R40H5010 R40H5010	R40H5522 R40H5522 R40H5522 R40H5522	NR NR NR NR	NR NR NR NR
C6H042, C6H064 Topkick,Kodiak 15,000, 19,000lb. GVW	Rd Rd Rd Rd	DN DN DN DN		7141 - D224 7141 - D224 7141 - D224 7141 - D224	MD224 ³³⁹ MD224 ³³⁹ MD224 ³³⁹ MD224 ³³⁹	69310693 69310693 69310693 69310693	60050153 ²⁷⁷ 60050153 ²⁷⁷ 60050153 ²⁷⁷ 60050153 ²⁷⁷	NR NR NR NR	NR NR NR NR
C6H042, C6H064 Topkick,Kodiak 19,000 lb. GVW	Rd Rd Rd Rd	BX BX BX BX		7142 - D225 7142 - D225 7142 - D225 7142 - D225	MD225 MD225 MD225 MD225	R40H5010 R40H5010 R40H5010 R40H5010	R40H5522 R40H5522 R40H5522 R40H5522	NR NR NR NR	NR NR NR NR
1994 P6S042	Fd Rd	DN BX		7141 - D224 7142 - D225	MD224 ³³⁹ MD225	69310693 R40H5010	60050153 ²⁷⁷ R40H5522	NR NR	NR NR
W6R042	Fm Rm Rm		400mm x 115mm 410mm x 115mm 410mm x 115mm	1421 - S616 1420 - S615 1420 - S615	R467412-21 ³⁴³ R46741821 ³⁴⁴ R46741821 ³⁴⁴	R407413 R407417 R407417	R407414 N/A N/A	N/A N/A N/A	N/A N/A N/A
C6H042, C6H064 Topkick,Kodiak 8,000 lb.	Fd Fd	DN DN		7141 - D224 7141 - D224	MD224 ³³⁹ MD224 ³³⁹	69310693 69310693	60050153 ²⁷⁷ 60050153 ²⁷⁷	NR NR	NR NR
C6H042, C6H064 Topkick,Kodiak 8,000, 11,000lb. GVW	Fd	BX		7142 - D225	MD225	R40H5010	R40H5522	NR	NR

37 - Also available as a New unit
268 - 5 Stud, Hat Shape
329 - Forward
www.XpresswayPlus.com
1-388

41 - Aluminum piston
277 - For Pad Retainer, Use 69160441
330 - Rearward

72 - Phenolic/Steel Face
307 - Power Brakes, Single System Hydrovac
339 - Use 69160441 for Disc Pad Retainer Clip

MERITOR DRUM OR ROTOR NO.	CALIPER OR CYLINDER BORE SIZE	MERITOR CALIPER OR WHEEL CYLINDER (LEFT)	MERITOR CALIPER OR WHEEL CYLINDER (RIGHT)	MERITOR CALIPER OR WHEEL CYLINDER REPAIR KIT	MERITOR CALIPER PISTON	MERITOR MASTER CYLINDER	MERITOR MASTER CYLINDER KIT	MERITOR BRAKE HOSE (LEFT)	MERITOR BRAKE HOSE (RIGHT)
GMC / CHEV(Cont.)									
60, 6000 SERIES-20,000-27,500 lb. GVW (Cont.)									
23-123486-002 ²⁶⁸ 23-123486-002 ²⁶⁸ 23-123486-002 ²⁶⁸	2-1/2 " 2-1/2 " 2-1/2 "	R424244X R424244X R424244X	R424244X ³⁷ R424244X ³⁷ R424244X ³⁷	60050266 60050266 60050266	69270757 ⁴¹ 69270757 ⁴¹ 69270757 ⁴¹	- - -	- - -	R4577868 - -	R4577868 - -
N/A N/A N/A N/A	2-7/8 " 2-7/8 " 2-7/8 " 2-7/8 "	R42R55250 R42R55250 R42R55250 R42R55250	R42R55250 ³⁷ R42R55250 ³⁷ R42R55250 ³⁷ R42R55250 ³⁷	R4066365 R4066365 R4066365 R4066365	R4090096 ⁷² R4090096 ⁷² R4090096 ⁷² R4090096 ⁷²	- - - -	- - - -	R4577868 R4577868 - -	R4577868 R4577868 - -
23-123486-002 ²⁶⁸ 23-123486-002 ²⁶⁸ 23-123486-002 ²⁶⁸ 23-123486-002 ²⁶⁸	2-1/2 " 2-1/2 " 2-1/2 " 2-1/2 "	R424244X R424244X R424244X R424244X	R424244X ³⁷ R424244X ³⁷ R424244X ³⁷ R424244X ³⁷	60050266 60050266 60050266 60050266	69270757 ⁴¹ 69270757 ⁴¹ 69270757 ⁴¹ 69270757 ⁴¹	- - - -	- - - -	R4510644 - R4510644 -	R4577864 - R4577864 -
23-123495-002 23-123495-002 23-123495-002 23-123495-002	2-7/8 " 2-7/8 " 2-7/8 " 2-7/8 "	R42R55250 R42R55250 R42R55250 R42R55250	R42R55250 ³⁷ R42R55250 ³⁷ R42R55250 ³⁷ R42R55250 ³⁷	R4066365 R4066365 R4066365 R4066365	R4090096 ⁷² R4090096 ⁷² R4090096 ⁷² R4090096 ⁷²	- - - -	- - - -	- - R4510644 R4510644	- - R4577864 R4577864
23-123486-002 ²⁶⁸ 23-123486-002 ²⁶⁸	2-1/2 " 2-7/8 "	R424244X R42R55250	R424244X ³⁷ R42R55250 ³⁷	60050266 R4066365	69270757 ⁴¹ R4090096 ⁷²	- -	- -	- -	- -
N/A	1-3/8 "	R417415	R417416	R417417	NR	R4110348 ³⁰⁷	R4110406	-	-
N/A N/A	1-47/64 " 1-47/64 "	R417420 R417421	R417422 ³²⁹ R417423 ³³⁰	R417424 R417424	NR NR	- -	- -	- -	- -
23-123486-002 ²⁶⁸ 23-123486-002 ²⁶⁸ 23-123486-002 ²⁶⁸ 23-123486-002 ²⁶⁸	2-1/2 " 2-1/2 " 2-1/2 " 2-1/2 "	R424244X R424244X R424244X R424244X	R424244X ³⁷ R424244X ³⁷ R424244X ³⁷ R424244X ³⁷	60050266 60050266 60050266 60050266	69270757 ⁴¹ 69270757 ⁴¹ 69270757 ⁴¹ 69270757 ⁴¹	- - - -	- - - -	R4577868 - R4577868 -	R4577868 - R4577868 -
N/A N/A N/A N/A	2-7/8 " 2-7/8 " 2-7/8 " 2-7/8 "	R42R55250 R42R55250 R42R55250 R42R55250	R42R55250 ³⁷ R42R55250 ³⁷ R42R55250 ³⁷ R42R55250 ³⁷	R4066365 R4066365 R4066365 R4066365	R4090096 ⁷² R4090096 ⁷² R4090096 ⁷² R4090096 ⁷²	- - - -	- - - -	R4577868 - R4577868 -	R4577868 - R4577868 -
23-123486-002 ²⁶⁸ 23-123486-002 ²⁶⁸ 23-123486-002 ²⁶⁸ 23-123486-002 ²⁶⁸	2-1/2 " 2-1/2 " 2-1/2 " 2-1/2 "	R424244X R424244X R424244X R424244X	R424244X ³⁷ R424244X ³⁷ R424244X ³⁷ R424244X ³⁷	60050266 60050266 60050266 60050266	69270757 ⁴¹ 69270757 ⁴¹ 69270757 ⁴¹ 69270757 ⁴¹	- - - -	- - - -	R4510644 - R4510644 -	R4577864 - R4577864 -
23-123495-002 23-123495-002 23-123495-002 23-123495-002	2-7/8 " 2-7/8 " 2-7/8 " 2-7/8 "	R42R55250 R42R55250 R42R55250 R42R55250	R42R55250 ³⁷ R42R55250 ³⁷ R42R55250 ³⁷ R42R55250 ³⁷	R4066365 R4066365 R4066365 R4066365	R4090096 ⁷² R4090096 ⁷² R4090096 ⁷² R4090096 ⁷²	- - - -	- - - -	R4510644 - R4510644 -	R4577864 - R4577864 -
23-123486-002 ²⁶⁸ 23-123486-002 ²⁶⁸	2-1/2 " 2-7/8 "	R424244X R42R55250	R424244X ³⁷ R42R55250 ³⁷	60050266 R4066365	69270757 ⁴¹ R4090096 ⁷²	- -	- -	- -	- -
N/A	1-3/8 "	R417415	R417416	R417417	NR	R4110348 ³⁰⁷	R4110406	-	-
N/A N/A	1-47/64 " 1-47/64 "	R417420 R417421	R417422 ³²⁹ R417423 ³³⁰	R417424 R417424	NR NR	- -	- -	- -	- -
23-123486-002 ²⁶⁸ 23-123486-002 ²⁶⁸	2-1/2 " 2-1/2 "	R424244X R424244X	R424244X ³⁷ R424244X ³⁷	60050266 60050266	69270757 ⁴¹ 69270757 ⁴¹	- -	- -	R4577868 R4577868	R4577868 R4577868
N/A	2-7/8 "	R42R55250	R42R55250 ³⁷	R4066365	R4090096 ⁷²	-	-	R4577868	R4577868

343 - Use E-7409 for Lining and Rivet Set

344 - Use E-7411 for Lining and Rivet Set

MAKE MODEL YEAR AXLE CODE AXLE WEIGHT	AXLE & BRK. TYPE	BRK. MFG.	BRAKE SIZE	FMSI	MERITOR DISC PAD OR BRAKE SHOE	MERITOR GUIDE PIN OR RETURN SPRING KIT	MERITOR CALIPER HWD. KIT OR RETURN SPRING KIT	MERITOR ADJUSTER KIT (LEFT WHEEL)	MERITOR ADJUSTER KIT (RIGHT WHEEL)
GMC / CHEV(Cont.)									
60, 6000 SERIES-20,000-27,500 lb. GVW (Cont.)									
1994	Fd	BX		7142 - D225	MD225	R40H5010	R40H5522	NR	NR
C6H042, C6H064 Topkick,Kodiak 15,000, 19,000lb. GVW	Rd Rd	DN DN		7141 - D224 7141 - D224	MD224 ³³⁹ MD224 ³³⁹	69310693 69310693	60050153 ²⁷⁷ 60050153 ²⁷⁷	NR NR	NR NR
C6H042, C6H064 Topkick,Kodiak 19,000 lb. GVW	Rd Rd	BX BX		7142 - D225 7142 - D225	MD225 MD225	R40H5010 R40H5010	R40H5522 R40H5522	NR NR	NR NR
1993 P6S042	Fd Rd	DN BX		7141 - D224 7142 - D225	MD224 ³³⁹ MD225	69310693 R40H5010	60050153 ²⁷⁷ R40H5522	NR NR	NR NR
W6R042	Fm Rm Rm		400mm x 115mm 410mm x 115mm 410mm x 115mm	1421 - S616 1420 - S615 1420 - S615	R467412-21 ³⁴³ R46741821 ³⁴⁴ R46741821 ³⁴⁴	R407413 R407417 R407417	R407414 N/A N/A	N/A N/A N/A	N/A N/A N/A
C6H042, C6H064 Topkick,Kodiak 8,000 lb.	Fd Fd	DN DN		7141 - D224 7141 - D224	MD224 ³³⁹ MD224 ³³⁹	69310693 69310693	60050153 ²⁷⁷ 60050153 ²⁷⁷	NR NR	NR NR
C6H042, C6H064 Topkick,Kodiak 8,000, 11,000lb. GVW	Fd Fd	BX BX		7142 - D225 7142 - D225	MD225 MD225	R40H5010 R40H5010	R40H5522 R40H5522	NR NR	NR NR
C6H042, C6H064 Topkick,Kodiak 15,000, 19,000lb. GVW	Rd Rd	DN DN		7141 - D224 7141 - D224	MD224 ³³⁹ MD224 ³³⁹	69310693 69310693	60050153 ²⁷⁷ 60050153 ²⁷⁷	NR NR	NR NR
C6H042, C6H064 Topkick,Kodiak 19,000 lb. GVW	Rd Rd	BX BX		7142 - D225 7142 - D225	MD225 MD225	R40H5010 R40H5010	R40H5522 R40H5522	NR NR	NR NR
1992 W6R042	Fm Rm Rm		400mm x 115mm 410mm x 115mm 410mm x 115mm	1421 - S616 1420 - S615 1420 - S615	R467412-21 ³⁴³ R46741821 ³⁴⁴ R46741821 ³⁴⁴	R407413 R407417 R407417	R407414 N/A N/A	N/A N/A N/A	N/A N/A N/A
C6H042, C6H064 Topkick,Kodiak 5,000 lb.	Fa Fa	GM GM	14 " x 2-1/2 " 14 " x 2-1/2 "	2039 - 299 2039 - 299	N/A N/A	R40H599 R40H599	R40H9206 R40H9206	R40H3500 R40H3500	R40H3501 R40H3501
B6P042 School Bus 7,000 lb.	Fd Fd Fd	DN DN DN		7141 - D224 7141 - D224 7141 - D224	MD224 ³³⁹ MD224 ³³⁹ MD224 ³³⁹	69310693 69310693 69310693	60050153 ²⁷⁷ 60050153 ²⁷⁷ 60050153 ²⁷⁷	NR NR NR	NR NR NR
C6H042, C6H064 Topkick,Kodiak 8,000 lb.	Fd Fd	DN DN		7141 - D224 7141 - D224	MD224 ³³⁹ MD224 ³³⁹	69310693 69310693	60050153 ²⁷⁷ 60050153 ²⁷⁷	NR NR	NR NR
C6H042, C6H064 Topkick,Kodiak 8,000, 11,000lb. GVW	Fd Fd	BX BX		7142 - D225 7142 - D225	MD225 MD225	R40H5010 R40H5010	R40H5522 R40H5522	NR NR	NR NR
B6P042 School Bus 9,000 lb.	Fd	BX		7142 - D225	MD225	R40H5010	R40H5522	NR	NR
C6H042, C6H064 Topkick,Kodiak 9,000 lb.	Fd	BX		7142 - D225	MD225	R40H5010	R40H5522	NR	NR
B6P042 School Bus 15,000 lb. GVW	Rd Rd	DN DN		7141 - D224 7141 - D224	MD224 ³³⁹ MD224 ³³⁹	69310693 69310693	60050153 ²⁷⁷ 60050153 ²⁷⁷	NR NR	NR NR
C6H042, C6H064 Topkick,Kodiak 15,000, 19,000lb. GVW	Rd Rd	DN DN		7141 - D224 7141 - D224	MD224 ³³⁹ MD224 ³³⁹	69310693 69310693	60050153 ²⁷⁷ 60050153 ²⁷⁷	NR NR	NR NR

37 - Also available as a New unit
266 - 10 Stud, Hat Shaped
287 - Budd rotor with 6 studs
www.XpresswayPlus.com

41 - Aluminum piston
268 - 5 Stud, Hat Shape
288 - Dayton Rotor with 6 Studs

72 - Phenolic/Steel Face
277 - For Pad Retainer, Use 69160441
307 - Power Brakes, Single System Hydrovac

MERITOR DRUM OR ROTOR NO.	CALIPER OR CYLINDER BORE SIZE	MERITOR CALIPER OR WHEEL CYLINDER (LEFT)	MERITOR CALIPER OR WHEEL CYLINDER (RIGHT)	MERITOR CALIPER OR WHEEL CYLINDER REPAIR KIT	MERITOR CALIPER PISTON	MERITOR MASTER CYLINDER	MERITOR MASTER CYLINDER KIT	MERITOR BRAKE HOSE (LEFT)	MERITOR BRAKE HOSE (RIGHT)
GMC / CHEV(Cont.)									
60, 6000 SERIES-20,000-27,500 lb. GVW (Cont.)									
N/A	2-7/8 "	R42R55250	R42R55250 ³⁷	R4066365	R4090096 ⁷²	-	-	R4577868	R4577868
23-123486-002 ²⁶⁸ 23-123486-002 ²⁶⁸	2-1/2 " 2-1/2 "	R424244X R424244X	R424244X ³⁷ R424244X ³⁷	60050266 60050266	69270757 ⁴¹ 69270757 ⁴¹	-	-	R4510644 R4510644	R4577864 R4577864
23-123495-002 23-123495-002	2-7/8 " 2-7/8 "	R42R55250 R42R55250	R42R55250 ³⁷ R42R55250 ³⁷	R4066365 R4066365	R4090096 ⁷² R4090096 ⁷²	-	-	R4510644 R4510644	R4577864 R4577864
23-123486-002 ²⁶⁸ 23-123486-002 ²⁶⁸	2-1/2 " 2-7/8 "	R424244X R42R55250	R424244X ³⁷ R42R55250 ³⁷	60050266 R4066365	69270757 ⁴¹ R4090096 ⁷²	-	-	-	-
N/A	1-3/8 "	R417415	R417416	R417417	NR	R4110348 ³⁰⁷	R4110406	-	-
N/A N/A	1-47/64 " 1-47/64 "	R417420 R417421	R417422 ³²⁹ R417423 ³³⁰	R417424 R417424	NR NR	-	-	-	-
23-123486-002 ²⁶⁸ 23-123486-002 ²⁶⁸	2-1/2 " 2-1/2 "	R424244X R424244X	R424244X ³⁷ R424244X ³⁷	60050266 60050266	69270757 ⁴¹ 69270757 ⁴¹	-	-	-	-
N/A N/A	2-7/8 " 2-7/8 "	R42R55250 R42R55250	R42R55250 ³⁷ R42R55250 ³⁷	R4066365 R4066365	R4090096 ⁷² R4090096 ⁷²	-	-	-	-
23-123486-002 ²⁶⁸ 23-123486-002 ²⁶⁸	2-1/2 " 2-1/2 "	R424244X R424244X	R424244X ³⁷ R424244X ³⁷	60050266 60050266	69270757 ⁴¹ 69270757 ⁴¹	-	-	-	-
23-123495-002 23-123495-002	2-7/8 " 2-7/8 "	R42R55250 R42R55250	R42R55250 ³⁷ R42R55250 ³⁷	R4066365 R4066365	R4090096 ⁷² R4090096 ⁷²	-	-	-	-
N/A	1-3/8 "	R417415	R417416	R417417	NR	R4110348 ³⁰⁷	R4110406	-	-
N/A N/A	1-47/64 " 1-47/64 "	R417420 R417421	R417422 ³²⁹ R417423 ³³⁰	R417424 R417424	NR NR	-	-	-	-
N/A N/A	1-1/4 " 1-1/8 "	R4133320 R4133320	R4133321 R4133321	R415194 R415194	NR NR	-	-	-	-
R44141583 ²⁸⁷ 23-123486-002 ²⁶⁸ 23-123468-002 ²⁸⁸	2-1/2 " 2-1/2 " 2-1/2 "	R424244X R424244X R424244X	R424244X ³⁷ R424244X ³⁷ R424244X ³⁷	60050266 60050266 60050266	69270757 ⁴¹ 69270757 ⁴¹ 69270757 ⁴¹	-	-	-	-
23-123486-002 ²⁶⁸ 23-123486-002 ²⁶⁸	2-1/2 " 2-1/2 "	R424244X R424244X	R424244X ³⁷ R424244X ³⁷	60050266 60050266	69270757 ⁴¹ 69270757 ⁴¹	-	-	-	-
N/A N/A	2-7/8 " 2-7/8 "	R42R55250 R42R55250	R42R55250 ³⁷ R42R55250 ³⁷	R4066365 R4066365	R4090096 ⁷² R4090096 ⁷²	-	-	-	-
23-122729-002 ²⁶⁶	2-7/8 "	R42R55250	R42R55250 ³⁷	R4066365	R4090096 ⁷²	-	-	-	-
23-122729-002 ²⁶⁶	2-7/8 "	R42R55250	R42R55250 ³⁷	R4066365	R4090096 ⁷²	-	-	-	-
23-123468-002 ²⁸⁸ 23-123486-002 ²⁶⁸	2-1/2 " 2-1/2 "	R424244X R424244X	R424244X ³⁷ R424244X ³⁷	60050266 60050266	69270757 ⁴¹ 69270757 ⁴¹	-	-	-	-
23-123486-002 ²⁶⁸ 23-123486-002 ²⁶⁸	2-1/2 " 2-1/2 "	R424244X R424244X	R424244X ³⁷ R424244X ³⁷	60050266 60050266	69270757 ⁴¹ 69270757 ⁴¹	-	-	-	-

329 - Forward
343 - Use E-7409 for Lining and Rivet Set

330 - Rearward
344 - Use E-7411 for Lining and Rivet Set

339 - Use 69160441 for Disc Pad Retainer Clip

MAKE MODEL YEAR AXLE CODE AXLE WEIGHT	AXLE & BRK. TYPE	BRK. MFG.	BRAKE SIZE	FMSI	MERITOR DISC PAD OR BRAKE SHOE	MERITOR GUIDE PIN OR RETURN SPRING KIT	MERITOR CALIPER HWD. KIT OR RETURN SPRING KIT	MERITOR ADJUSTER KIT (LEFT WHEEL)	MERITOR ADJUSTER KIT (RIGHT WHEEL)
GMC / CHEV(Cont.)									
60, 6000 SERIES-20,000-27,500 lb. GVW									
1992									
B6P042 School Bus 16,000, 17,000, 19,000lb. GVW	Rd	BX		7142 - D225	MD225	R40H5010	R40H5522	NR	NR
C6H042, C6H064 Topkick,Kodiak 19,000 lb. GVW	Rd Rd	BX BX		7142 - D225 7142 - D225	MD225 MD225	R40H5010 R40H5010	R40H5522 R40H5522	NR NR	NR NR
1991									
W6R042	Fm		400mm x 115mm	1421 - S616	R467412-21 ³⁴³	R407413	R407414	N/A	N/A
	Rm		410mm x 115mm	1420 - S615	R46741821 ³⁴⁴	R407417	N/A	N/A	N/A
	Rm		410mm x 115mm	1420 - S615	R46741821 ³⁴⁴	R407417	N/A	N/A	N/A
5,000 lb.	Fa	GM	14 " x 2-1/2 "	2039 - 299	N/A	R40H599	R40H9206	R40H3500	R40H3501
	Fa	GM	14 " x 2-1/2 "	2039 - 299	N/A	R40H599	R40H9206	R40H3500	R40H3501
B6P042 School Bus 7,000 lb.	Fd	DN		7141 - D224	MD224 ³³⁹	69310693	60050153 ²⁷⁷	NR	NR
	Fd	DN		7141 - D224	MD224 ³³⁹	69310693	60050153 ²⁷⁷	NR	NR
	Fd	DN		7141 - D224	MD224 ³³⁹	69310693	60050153 ²⁷⁷	NR	NR
C6H042, C6H064 Topkick,Kodiak 8,000 lb.	Fd	DN		7141 - D224	MD224 ³³⁹	69310693	60050153 ²⁷⁷	NR	NR
	Fd	DN		7141 - D224	MD224 ³³⁹	69310693	60050153 ²⁷⁷	NR	NR
C6H042, C6H064 Topkick,Kodiak 8,000, 11,000lb. GVW	Fd	BX		7142 - D225	MD225	R40H5010	R40H5522	NR	NR
	Fd	BX		7142 - D225	MD225	R40H5010	R40H5522	NR	NR
B6P042 School Bus 9,000 lb.	Fd	BX		7142 - D225	MD225	R40H5010	R40H5522	NR	NR
B6P042 School Bus 15,000 lb. GVW	Rd	DN		7141 - D224	MD224 ³³⁹	69310693	60050153 ²⁷⁷	NR	NR
	Rd	DN		7141 - D224	MD224 ³³⁹	69310693	60050153 ²⁷⁷	NR	NR
C6H042, C6H064 Topkick,Kodiak 15,000, 19,000lb. GVW	Rd	DN		7141 - D224	MD224 ³³⁹	69310693	60050153 ²⁷⁷	NR	NR
	Rd	DN		7141 - D224	MD224 ³³⁹	69310693	60050153 ²⁷⁷	NR	NR
B6P042 School Bus 16,000, 17,000, 19,000lb. GVW	Rd	BX		7142 - D225	MD225	R40H5010	R40H5522	NR	NR
C6H042, C6H064 Topkick,Kodiak 19,000 lb. GVW	Rd	BX		7142 - D225	MD225	R40H5010	R40H5522	NR	NR
	Rd	BX		7142 - D225	MD225	R40H5010	R40H5522	NR	NR
1990									
P6T042	Fd	DN		7141 - D224	MD224 ³³⁹	69310693	60050153 ²⁷⁷	NR	NR
W6R042	Fm		400mm x 115mm	1421 - S616	R467412-21 ³⁴³	R407413	R407414	N/A	N/A
	Rm		410mm x 115mm	1420 - S615	R46741821 ³⁴⁴	R407417	N/A	N/A	N/A
	Rm		410mm x 115mm	1420 - S615	R46741821 ³⁴⁴	R407417	N/A	N/A	N/A
5,000 lb.	Fa	GM	14 " x 2-1/2 "	2039 - 299	N/A	R40H599	R40H9206	R40H3500	R40H3501
	Fa	GM	14 " x 2-1/2 "	2039 - 299	N/A	R40H599	R40H9206	R40H3500	R40H3501
C6D042, C6D064 Conventional 5,000, 7,000lb. GVW	Fd	DN		7141 - D224	MD224 ³³⁹	69310693	60050153 ²⁷⁷	NR	NR
	Fd	DN		7141 - D224	MD224 ³³⁹	69310693	60050153 ²⁷⁷	NR	NR
P6T042 5,000, 7,000lb. GVW	Fd	BX		7815 - D380	MD184	R40H5010	R40H5519	NR	NR
B6P042 School Bus 7,000 lb.	Fd	DN		7141 - D224	MD224 ³³⁹	69310693	60050153 ²⁷⁷	NR	NR
	Fd	DN		7141 - D224	MD224 ³³⁹	69310693	60050153 ²⁷⁷	NR	NR
	Fd	DN		7141 - D224	MD224 ³³⁹	69310693	60050153 ²⁷⁷	NR	NR
B6P042 School Bus 9,000 lb.	Fd	BX		7142 - D225	MD225	R40H5010	R40H5522	NR	NR
C6D042, C6D064 Conventional 9,000, 12,000lb. GVW	Fd	BX		7142 - D225	MD225	R40H5010	R40H5522	NR	NR

37 - Also available as a New unit
266 - 10 Stud, Hat Shaped
286 - Budd Rotor with 10 Studs
www.XpresswayPlus.com

41 - Aluminum piston
268 - 5 Stud, Hat Shape
287 - Budd rotor with 6 studs

72 - Phenolic/Steel Face
277 - For Pad Retainer, Use 69160441
288 - Dayton Rotor with 6 Studs

MERITOR DRUM OR ROTOR NO.	CALIPER OR CYLINDER BORE SIZE	MERITOR CALIPER OR WHEEL CYLINDER (LEFT)	MERITOR CALIPER OR WHEEL CYLINDER (RIGHT)	MERITOR CALIPER OR WHEEL CYLINDER REPAIR KIT	MERITOR CALIPER PISTON	MERITOR MASTER CYLINDER	MERITOR MASTER CYLINDER KIT	MERITOR BRAKE HOSE (LEFT)	MERITOR BRAKE HOSE (RIGHT)
GMC / CHEV(Cont.)									
60, 6000 SERIES-20,000-27,500 lb. GVW									
23-122729-002 ²⁶⁶	2-7/8 "	R42R55250	R42R55250 ³⁷	R4066365	R4090096 ⁷²	-	-	-	-
23-123495-002 23-123495-002	2-7/8 " 2-7/8 "	R42R55250 R42R55250	R42R55250 ³⁷ R42R55250 ³⁷	R4066365 R4066365	R4090096 ⁷² R4090096 ⁷²	-	-	-	-
N/A	1-3/8 "	R417415	R417416	R417417	NR	R4110348 ³⁰⁷	R4110406	-	-
N/A	1-47/64 "	R417421	R417423 ³³⁰	R417424	NR	-	-	-	-
N/A	1-47/64 "	R417420	R417422 ³²⁹	R417424	NR	-	-	-	-
N/A	1-1/8 "	R4133320	R4133321	R415194	NR	-	-	-	-
N/A	1-1/4 "	R4133320	R4133321	R415194	NR	-	-	-	-
R44141583 ²⁸⁷ 23-123486-002 ²⁶⁸ 23-123468-002 ²⁸⁸	2-1/2 " 2-1/2 " 2-1/2 "	R424244X R424244X R424244X	R424244X ³⁷ R424244X ³⁷ R424244X ³⁷	60050266 60050266 60050266	69270757 ⁴¹ 69270757 ⁴¹ 69270757 ⁴¹	-	-	-	-
23-123486-002 ²⁶⁸ 23-123486-002 ²⁶⁸	2-1/2 " 2-1/2 "	R424244X R424244X	R424244X ³⁷ R424244X ³⁷	60050266 60050266	69270757 ⁴¹ 69270757 ⁴¹	-	-	-	-
N/A N/A	2-7/8 " 2-7/8 "	R42R55250 R42R55250	R42R55250 ³⁷ R42R55250 ³⁷	R4066365 R4066365	R4090096 ⁷² R4090096 ⁷²	-	-	-	-
23-122729-002 ²⁶⁶	2-7/8 "	R42R55250	R42R55250 ³⁷	R4066365	R4090096 ⁷²	-	-	-	-
23-123468-002 ²⁸⁸ 23-123486-002 ²⁶⁸	2-1/2 " 2-1/2 "	R424244X R424244X	R424244X ³⁷ R424244X ³⁷	60050266 60050266	69270757 ⁴¹ 69270757 ⁴¹	-	-	-	-
23-123486-002 ²⁶⁸ 23-123486-002 ²⁶⁸	2-1/2 " 2-1/2 "	R424244X R424244X	R424244X ³⁷ R424244X ³⁷	60050266 60050266	69270757 ⁴¹ 69270757 ⁴¹	-	-	-	-
23-122729-002 ²⁶⁶	2-7/8 "	R42R55250	R42R55250 ³⁷	R4066365	R4090096 ⁷²	-	-	-	-
23-123495-002 23-123495-002	2-7/8 " 2-7/8 "	R42R55250 R42R55250	R42R55250 ³⁷ R42R55250 ³⁷	R4066365 R4066365	R4090096 ⁷² R4090096 ⁷²	-	-	-	-
N/A ²⁸⁶	2-1/2 "	R424244X	R424244X ³⁷	60050266	69270757 ⁴¹	-	-	-	-
N/A	1-3/8 "	R417415	R417416	R417417	NR	R4110348 ³⁰⁷	R4110406	-	-
N/A	1-47/64 "	R417421	R417423 ³³⁰	R417424	NR	-	-	-	-
N/A	1-47/64 "	R417420	R417422 ³²⁹	R417424	NR	-	-	-	-
N/A	1-1/4 "	R4133320	R4133321	R415194	NR	-	-	-	-
N/A	1-1/8 "	R4133320	R4133321	R415194	NR	-	-	-	-
23-123486-002 ²⁶⁸ R44141583 ²⁸⁷	2-1/2 " 2-1/2 "	R424244X R424244X	R424244X ³⁷ R424244X ³⁷	60050266 60050266	69270757 ⁴¹ 69270757 ⁴¹	-	-	-	-
N/A	2-19/32 "	R42R55314	R42R55314 ³⁷	R40107771	R4090100P ⁷²	-	-	-	-
23-123486-002 ²⁶⁸ 23-123468-002 ²⁸⁸ R44141583 ²⁸⁷	2-1/2 " 2-1/2 " 2-1/2 "	R424244X R424244X R424244X	R424244X ³⁷ R424244X ³⁷ R424244X ³⁷	60050266 60050266 60050266	69270757 ⁴¹ 69270757 ⁴¹ 69270757 ⁴¹	-	-	-	-
23-122729-002 ²⁶⁶	2-7/8 "	R42R55250	R42R55250 ³⁷	R4066365	R4090096 ⁷²	-	-	-	-
23-122729-002 ²⁶⁶	2-7/8 "	R42R55250	R42R55250 ³⁷	R4066365	R4090096 ⁷²	-	-	-	-

307 - Power Brakes, Single System Hydrovac
339 - Use 69160441 for Disc Pad Retainer Clip

329 - Forward
343 - Use E-7409 for Lining and Rivet Set

330 - Rearward
344 - Use E-7411 for Lining and Rivet Set

MAKE MODEL YEAR AXLE CODE AXLE WEIGHT	AXLE & BRK. TYPE	BRK. MFG.	BRAKE SIZE	FMSI	MERITOR DISC PAD OR BRAKE SHOE	MERITOR GUIDE PIN OR RETURN SPRING KIT	MERITOR CALIPER HWD. KIT OR RETURN SPRING KIT	MERITOR ADJUSTER KIT (LEFT WHEEL)	MERITOR ADJUSTER KIT (RIGHT WHEEL)
GMC / CHEV(Cont.)									
60, 6000 SERIES-20,000-27,500 lb. GVW (Cont.)									
1990 B6P042 School Bus 15,000 lb. GVW	Rd Rd	DN DN		7141 - D224 7141 - D224	MD224 ³³⁹ MD224 ³³⁹	69310693 69310693	60050153 ²⁷⁷ 60050153 ²⁷⁷	NR NR	NR NR
C6D042, C6D064 Conventional 15,000 lb. GVW	Rd Rd	BX DN		7142 - D225 7141 - D224	MD225 MD224 ³³⁹	R40H5010 69310693	R40H5522 60050153 ²⁷⁷	NR NR	NR NR
P6T042 15,000 lb. GVW	Rd	DN		7141 - D224	MD224 ³³⁹	69310693	60050153 ²⁷⁷	NR	NR
B6P042 School Bus 16,000, 17,000, 19,000lb. GVW	Rd	BX		7142 - D225	MD225	R40H5010	R40H5522	NR	NR
C6D042, C6D064 Conventional 17,000, 19,000lb. GVW	Rd	BX		7142 - D225	MD225	R40H5010	R40H5522	NR	NR
1989 C6D042, C6D064 Conventional	Rd Rd Rd	BX BX DN		7108 - D184 7142 - D225 7141 - D224	MD184 MD225 MD224 ³³⁹	R40H5010 R40H5010 69310693	R40H5519 R40H5522 60050153 ²⁷⁷	NR NR NR	NR NR NR
W6R042	Fm		400mm x 115mm	1421 - S616	R467412-21 ³⁴³	R407413	R407414	N/A	N/A
	Rm		410mm x 115mm	1420 - S615	R46741821 ³⁴⁴	R407417	N/A	N/A	N/A
	Rm		410mm x 115mm	1420 - S615	R46741821 ³⁴⁴	R407417	N/A	N/A	N/A
5,000 lb.	Fa Fa	GM GM	14 " x 2-1/2 " 14 " x 2-1/2 "	2039 - 299 2039 - 299	N/A N/A	R40H599 R40H599	R40H9206 R40H9206	R40H3500 R40H3500	R40H3501 R40H3501
C6D042, C6D064 Conventional 5,000 lb.	Fd Fd Fd	BX BX DN		7108 - D184 7142 - D225 7141 - D224	MD184 MD225 MD224 ³³⁹	R40H5010 R40H5010 69310693	R40H5519 R40H5522 60050153 ²⁷⁷	NR NR NR	NR NR NR
C6D042, C6D064 Conventional 5,000, 7,000lb. GVW	Fd Fd Fd Fd Fd Fd Fd Fd Fd Fd Fd Fd Fd Fd	BX BX BX BX BX BX BX BX BX DN DN DN DN DN		7142 - D225 7108 - D184 7108 - D184 7142 - D225 7108 - D184 7108 - D184 7108 - D184 7142 - D225 7142 - D225 7142 - D225 7141 - D224 7141 - D224 7141 - D224 7141 - D224	MD225 MD184 MD184 MD225 MD184 MD184 MD184 MD225 MD225 MD225 MD224 ³³⁹ MD224 ³³⁹ MD224 ³³⁹ MD224 ³³⁹	R40H5010 R40H5010 R40H5010 R40H5010 R40H5010 R40H5010 R40H5010 R40H5010 R40H5010 R40H5010 69310693 69310693 69310693 69310693	R40H5522 R40H5519 R40H5519 R40H5522 R40H5519 R40H5519 R40H5519 R40H5522 R40H5522 R40H5522 60050153 ²⁷⁷ 60050153 ²⁷⁷ 60050153 ²⁷⁷ 60050153 ²⁷⁷	NR NR NR NR NR NR NR NR NR NR NR NR NR NR	NR NR NR NR NR NR NR NR NR NR NR NR NR NR
P6T042 5,000, 7,000lb. GVW	Fd Fd	BX DN		7815 - D380 7141 - D224	MD184 MD224 ³³⁹	R40H5010 69310693	R40H5519 60050153 ²⁷⁷	NR NR	NR NR
B6P042 School Bus 7,000 lb.	Fd Fd Fd	DN DN DN		7141 - D224 7141 - D224 7141 - D224	MD224 ³³⁹ MD224 ³³⁹ MD224 ³³⁹	69310693 69310693 69310693	60050153 ²⁷⁷ 60050153 ²⁷⁷ 60050153 ²⁷⁷	NR NR NR	NR NR NR
B6P042 School Bus 9,000 lb.	Fd	BX		7142 - D225	MD225	R40H5010	R40H5522	NR	NR
B6P042 School Bus 15,000 lb. GVW	Rd Rd	DN DN		7141 - D224 7141 - D224	MD224 ³³⁹ MD224 ³³⁹	69310693 69310693	60050153 ²⁷⁷ 60050153 ²⁷⁷	NR NR	NR NR
C6D042, C6D064 Conventional 15,000 lb. GVW	Rd Rd Rd	BX BX DN		7142 - D225 7108 - D184 7141 - D224	MD225 MD184 MD224 ³³⁹	R40H5010 R40H5010 69310693	R40H5522 R40H5519 60050153 ²⁷⁷	NR NR NR	NR NR NR
P6T042 15,000 lb. GVW	Rd	DN		7141 - D224	MD224 ³³⁹	69310693	60050153 ²⁷⁷	NR	NR

32 - For rotor only use R44141480
 72 - Phenolic/Steel Face
 277 - For Pad Retainer, Use 69160441
 www.XpresswayPlus.com

37 - Also available as a New unit
 266 - 10 Stud, Hat Shaped
 286 - Budd Rotor with 10 Studs

41 - Aluminum piston
 268 - 5 Stud, Hat Shape
 287 - Budd rotor with 6 studs

MERITOR DRUM OR ROTOR NO.	CALIPER OR CYLINDER BORE SIZE	MERITOR CALIPER OR WHEEL CYLINDER (LEFT)	MERITOR CALIPER OR WHEEL CYLINDER (RIGHT)	MERITOR CALIPER OR WHEEL CYLINDER REPAIR KIT	MERITOR CALIPER PISTON	MERITOR MASTER CYLINDER	MERITOR MASTER CYLINDER KIT	MERITOR BRAKE HOSE (LEFT)	MERITOR BRAKE HOSE (RIGHT)
GMC / CHEV(Cont.)									
60, 6000 SERIES-20,000-27,500 lb. GVW (Cont.)									
23-123468-002 ²⁸⁸ 23-123486-002 ²⁶⁸	2-1/2 " 2-1/2 "	R424244X R424244X	R424244X ³⁷ R424244X ³⁷	60050266 60050266	69270757 ⁴¹ 69270757 ⁴¹	- -	- -	- -	- -
23-123486-002 ²⁶⁸ 23-123468-002 ²⁸⁸	2-7/8 " 2-1/2 "	R42R55250 R424244X	R42R55250 ³⁷ R424244X ³⁷	R4066365 60050266	R4090096 ⁷² 69270757 ⁴¹	- -	- -	- -	- -
23-123486-002 ²⁶⁸	2-1/2 "	R424244X	R424244X ³⁷	60050266	69270757 ⁴¹	-	-	-	-
23-122729-002 ²⁶⁶	2-7/8 "	R42R55250	R42R55250 ³⁷	R4066365	R4090096 ⁷²	-	-	-	-
23-122729-002 ²⁶⁶	2-7/8 "	R42R55250	R42R55250 ³⁷	R4066365	R4090096 ⁷²	-	-	-	-
23-123468-002 ²⁸⁸ 23-123468-002 ²⁸⁸ 23-123468-002 ²⁸⁸	2-19/32 " 2-7/8 " 2-1/2 "	R42R55314 R42R55250 R424244X	R42R55314 ³⁷ R42R55250 ³⁷ R424244X ³⁷	R40107771 R4066365 60050266	R4090100P ⁷² R4090096 ⁷² 69270757 ⁴¹	- - -	- - -	- - -	- - -
N/A	1-3/8 "	R417415	R417416	R417417	NR	R4110348 ³⁰⁷	R4110406	-	-
N/A	1-47/64 "	R417420	R417422 ³²⁹	R417424	NR	-	-	-	-
N/A	1-47/64 "	R417421	R417423 ³³⁰	R417424	NR	-	-	-	-
N/A	1-1/8 "	R4133320	R4133321	R415194	NR	-	-	-	-
N/A	1-1/4 "	R4133320	R4133321	R415194	NR	-	-	-	-
23-123046-002 23-123046-002 23-123046-002	2-19/32 " 2-7/8 " 2-1/2 "	R42R55314 R42R55250 R424244X	R42R55314 ³⁷ R42R55250 ³⁷ R424244X ³⁷	R40107771 R4066365 60050266	R4090100P ⁷² R4090096 ⁷² 69270757 ⁴¹	- - -	- - -	- - -	- - -
R44141480 ³² N/A ²⁸⁶ R44141583 ²⁸⁷ 23-123468-002 ²⁸⁸ R44141480 ³² 23-123041-002 23-123468-002 ²⁸⁸ R44141583 ²⁸⁷ N/A ²⁸⁶ 23-123041-002 23-123468-002 ²⁸⁸ N/A ²⁸⁶ R44141480 ³² R44141583 ²⁸⁷	2-7/8 " 2-19/32 " 2-19/32 " 2-7/8 " 3-3/8 " 2-19/32 " 2-19/32 " 2-7/8 " 2-7/8 " 2-7/8 " 2-7/8 " 2-1/2 " 2-1/2 " 2-1/2 " 2-1/2 "	R42R55250 R42R55314 R42R55314 R42R55250 R42R55314 R42R55314 R42R55314 R42R55250 R42R55250 R42R55250 R42R55250 R424244X R424244X R424244X R424244X	R42R55250 ³⁷ R42R55314 ³⁷ R42R55314 ³⁷ R42R55250 ³⁷ R42R55314 ³⁷ R42R55314 ³⁷ R42R55314 ³⁷ R42R55250 ³⁷ R42R55250 ³⁷ R42R55250 ³⁷ R42R55250 ³⁷ R424244X ³⁷ R424244X ³⁷ R424244X ³⁷ R424244X ³⁷	R4066365 R40107771 R40107771 R4066365 R40107771 R40107771 R40107771 R4066365 R4066365 R4066365 60050266 60050266 60050266 60050266	R4090096 ⁷² R4090100P ⁷² R4090100P ⁷² R4090096 ⁷² R4090100P ⁷² R4090100P ⁷² R4090100P ⁷² R4090096 ⁷² R4090096 ⁷² R4090096 ⁷² 69270757 ⁴¹ 69270757 ⁴¹ 69270757 ⁴¹ 69270757 ⁴¹	- - - - - - - - - - - - - -	- - - - - - - - - - - - - - -	- - - - - - - - - - - - - - -	- - - - - - - - - - - - - -
N/A N/A	2-19/32 " 2-1/2 "	R42R55314 R424244X	R42R55314 ³⁷ R424244X ³⁷	R40107771 60050266	R4090100P ⁷² 69270757 ⁴¹	- -	- -	- -	- -
R44141583 ²⁸⁷ 23-123486-002 ²⁶⁸ 23-123468-002 ²⁸⁸	2-1/2 " 2-1/2 " 2-1/2 "	R424244X R424244X R424244X	R424244X ³⁷ R424244X ³⁷ R424244X ³⁷	60050266 60050266 60050266	69270757 ⁴¹ 69270757 ⁴¹ 69270757 ⁴¹	- - -	- - -	- - -	- - -
23-122729-002 ²⁶⁶	2-7/8 "	R42R55250	R42R55250 ³⁷	R4066365	R4090096 ⁷²	-	-	-	-
23-123486-002 ²⁶⁸ 23-123468-002 ²⁸⁸	2-1/2 " 2-1/2 "	R424244X R424244X	R424244X ³⁷ R424244X ³⁷	60050266 60050266	69270757 ⁴¹ 69270757 ⁴¹	- -	- -	- -	- -
23-123486-002 ²⁶⁸ 23-123486-002 ²⁶⁸ 23-123486-002 ²⁶⁸	2-7/8 " 2-19/32 " 2-1/2 "	R42R55250 R42R55314 R424244X	R42R55250 ³⁷ R42R55314 ³⁷ R424244X ³⁷	R4066365 R40107771 60050266	R4090096 ⁷² R4090100P ⁷² 69270757 ⁴¹	- - -	- - -	- - -	- - -
23-123486-002 ²⁶⁸	2-1/2 "	R424244X	R424244X ³⁷	60050266	69270757 ⁴¹	-	-	-	-

288 - Dayton Rotor with 6 Studs
 330 - Rearward
 344 - Use E-7411 for Lining and Rivet Set
 Contact our Customer Service Teams
 1-888-725-9355

307 - Power Brakes, Single System Hydrovac
 339 - Use 69160441 for Disc Pad Retainer Clip

329 - Forward
 343 - Use E-7409 for Lining and Rivet Set

MAKE MODEL YEAR AXLE CODE AXLE WEIGHT	AXLE & BRK. TYPE	BRK. MFG.	BRAKE SIZE	FMSI	MERITOR DISC PAD OR BRAKE SHOE	MERITOR GUIDE PIN OR RETURN SPRING KIT	MERITOR CALIPER HWD. KIT OR RETURN SPRING KIT	MERITOR ADJUSTER KIT (LEFT WHEEL)	MERITOR ADJUSTER KIT (RIGHT WHEEL)
GMC / CHEV(Cont.)									
60, 6000 SERIES-20,000-27,500 lb. GVW (Cont.)									
1989									
B6P042 School Bus 16,000, 17,000, 19,000lb. GVW	Rd	BX		7142 - D225	MD225	R40H5010	R40H5522	NR	NR
C6D042, C6D064 Conventional 17,500 lb. GVW	Rd Rd Rd	BX BX DN		7108 - D184 7142 - D225 7141 - D224	MD184 MD225 MD224 ³³⁹	R40H5010 R40H5010 69310693	R40H5519 R40H5522 60050153 ²⁷⁷	NR NR NR	NR NR NR
C6D042, C6D064 Conventional 19,000 lb. GVW	Rd Rd Rd	BX BX DN		7108 - D184 7142 - D225 7141 - D224	MD184 MD225 MD224 ³³⁹	R40H5010 R40H5010 69310693	R40H5519 R40H5522 60050153 ²⁷⁷	NR NR NR	NR NR NR
C6D042, C6D064 Conventional 21,000, 23,000lb. GVW	Rd Rd Rd	BX BX DN		7142 - D225 7108 - D184 7141 - D224	MD225 MD184 MD224 ³³⁹	R40H5010 R40H5010 69310693	R40H5522 R40H5519 60050153 ²⁷⁷	NR NR NR	NR NR NR
1988									
C6D042, C6D064 Conventional	Rd Rd Rd	BX BX DN		7142 - D225 7108 - D184 7141 - D224	MD225 MD184 MD224 ³³⁹	R40H5010 R40H5010 69310693	R40H5522 R40H5519 60050153 ²⁷⁷	NR NR NR	NR NR NR
W6R042	Fm Rm Rm		400mm x 115mm 410mm x 115mm 410mm x 115mm	1421 - S616 1420 - S615 1420 - S615	R467412-21 ³⁴³ R46741821 ³⁴⁴ R46741821 ³⁴⁴	R407413 R407417 R407417	R407414 N/A N/A	N/A N/A N/A	N/A N/A N/A
5,000 lb.	Fa Fa	GM GM	14 " x 2-1/2 " 14 " x 2-1/2 "	2039 - 299 2039 - 299	N/A N/A	R40H599 R40H599	R40H9206 R40H9206	R40H3500 R40H3500	R40H3501 R40H3501
C6D042, C6D064 Conventional 5,000 lb.	Fd Fd Fd	BX BX DN		7142 - D225 7108 - D184 7141 - D224	MD225 MD184 MD224 ³³⁹	R40H5010 R40H5010 69310693	R40H5522 R40H5519 60050153 ²⁷⁷	NR NR NR	NR NR NR
C6D042, C6D064 Conventional 5,000, 7,000lb. GVW	Fd Fd Fd Fd Fd Fd Fd Fd Fd Fd Fd Fd Fd Fd Fd	BX BX BX BX BX BX BX BX BX DN DN DN DN DN DN		7108 - D184 7142 - D225 7108 - D184 7142 - D225 7108 - D184 7108 - D184 7142 - D225 7142 - D225 7142 - D225 7108 - D184 7142 - D225 7142 - D225 7108 - D184 7141 - D224 7141 - D224 7141 - D224 7141 - D224	MD184 MD225 MD184 MD225 MD184 MD184 MD225 MD225 MD225 MD184 MD224 ³³⁹ MD224 ³³⁹ MD224 ³³⁹ MD224 ³³⁹ MD224 ³³⁹	R40H5010 R40H5010 R40H5010 R40H5010 R40H5010 R40H5010 R40H5010 R40H5010 R40H5010 R40H5010 69310693 69310693 69310693 69310693 69310693	R40H5519 R40H5522 R40H5519 R40H5522 R40H5519 R40H5519 R40H5522 R40H5522 R40H5522 R40H5519 60050153 ²⁷⁷ 60050153 ²⁷⁷ 60050153 ²⁷⁷ 60050153 ²⁷⁷	NR NR NR NR NR NR NR NR NR NR NR NR NR NR NR	NR NR NR NR NR NR NR NR NR NR NR NR NR NR NR
P6T042 5,000, 7,000lb. GVW	Fd Fd	BX DN		7815 - D380 7141 - D224	MD184 MD224 ³³⁹	R40H5010 69310693	R40H5519 60050153 ²⁷⁷	NR NR	NR NR
B6P042 School Bus 7,000 lb.	Fd Fd Fd	DN DN DN		7141 - D224 7141 - D224 7141 - D224	MD224 ³³⁹ MD224 ³³⁹ MD224 ³³⁹	69310693 69310693 69310693	60050153 ²⁷⁷ 60050153 ²⁷⁷ 60050153 ²⁷⁷	NR NR NR	NR NR NR
B6P042 School Bus 9,000 lb.	Fd	BX		7142 - D225	MD225	R40H5010	R40H5522	NR	NR
B6P042 School Bus 15,000 lb. GVW	Rd Rd	DN DN		7141 - D224 7141 - D224	MD224 ³³⁹ MD224 ³³⁹	69310693 69310693	60050153 ²⁷⁷ 60050153 ²⁷⁷	NR NR	NR NR
C6D042, C6D064 Conventional 15,000 lb. GVW	Rd	BX		7108 - D184	MD184	R40H5010	R40H5519	NR	NR

32 - For rotor only use R44141480
 40 - For chrome plated steel version, use R4090070P
 201 - Steel Piston
 www.XpresswayPlus.com

37 - Also available as a New unit
 41 - Aluminum piston
 266 - 10 Stud, Hat Shaped

39 - First design, uses steel pistons.
 72 - Phenolic/Steel Face
 268 - 5 Stud, Hat Shape

MERITOR DRUM OR ROTOR NO.	CALIPER OR CYLINDER BORE SIZE	MERITOR CALIPER OR WHEEL CYLINDER (LEFT)	MERITOR CALIPER OR WHEEL CYLINDER (RIGHT)	MERITOR CALIPER OR WHEEL CYLINDER REPAIR KIT	MERITOR CALIPER PISTON	MERITOR MASTER CYLINDER	MERITOR MASTER CYLINDER KIT	MERITOR BRAKE HOSE (LEFT)	MERITOR BRAKE HOSE (RIGHT)
GMC / CHEV(Cont.)									
60, 6000 SERIES-20,000-27,500 lb. GVW (Cont.)									
23-122729-002 ²⁶⁶	2-7/8 "	R42R55250	R42R55250 ³⁷	R4066365	R4090096 ⁷²	-	-	-	-
23-122729-002 ²⁶⁶ 23-122729-002 ²⁶⁶ 23-122729-002 ²⁶⁶	2-19/32 " 2-7/8 " 2-1/2 "	R42R55314 R42R55250 R424244X	R42R55314 ³⁷ R42R55250 ³⁷ R424244X ³⁷	R40107771 R4066365 60050266	R4090100P ⁷² R4090096 ⁷² 69270757 ⁴¹	-	-	-	-
N/A N/A N/A	2-19/32 " 2-7/8 " 2-1/2 "	R42R55314 R42R55250 R424244X	R42R55314 ³⁷ R42R55250 ³⁷ R424244X ³⁷	R40107771 R4066365 60050266	R4090100P ⁷² R4090096 ⁷² 69270757 ⁴¹	-	-	-	-
23-122693-002 23-122693-002 23-122693-002	2-7/8 " 2-19/32 " 2-1/2 "	R42R55250 R42R55314 R424244X	R42R55250 ³⁷ R42R55314 ³⁷ R424244X ³⁷	R4066365 R40107771 60050266	R4090096 ⁷² R4090100P ⁷² 69270757 ⁴¹	-	-	-	-
23-123468-002 ²⁸⁸ 23-123468-002 ²⁸⁸ 23-123468-002 ²⁸⁸	2-7/8 " 2-19/32 " 2-1/2 "	R429218X R42R55245 R424244X	R429218X ³⁹ R42R55245 ³⁹ R424244X ³⁷	R406532 R402235118 60050266	R4090070 ⁴⁰ R402238231 ²⁰¹ 69270757 ⁴¹	-	-	-	-
N/A	1-3/8 "	R417415	R417416	R417417	NR	R4110348 ³⁰⁷	R4110406	-	-
N/A N/A	1-47/64 " 1-47/64 "	R417421 R417420	R417423 ³³⁰ R417422 ³²⁹	R417424 R417424	NR NR	-	-	-	-
N/A N/A	1-1/4 " 1-1/8 "	R4133320 R4133320	R4133321 R4133321	R415194 R415194	NR NR	-	-	-	-
23-123046-002 23-123046-002 23-123046-002	2-7/8 " 2-19/32 " 2-1/2 "	R429218X R42R55245 R424244X	R429218X ³⁹ R42R55245 ³⁹ R424244X ³⁷	R406532 R402235118 60050266	R4090070 ⁴⁰ R402238231 ²⁰¹ 69270757 ⁴¹	-	-	-	-
R44141480 ³² 23-123468-002 ²⁸⁸ R44141583 ²⁸⁷ R44141480 ³² 23-123041-002 23-123468-002 ²⁸⁸ 23-123041-002 N/A ²⁸⁶ R44141583 ²⁸⁷ N/A ²⁸⁶ N/A ²⁸⁶ R44141583 ²⁸⁷ 23-123468-002 ²⁸⁸ R44141480 ³²	2-19/32 " 2-7/8 " 2-19/32 " 2-7/8 " 2-19/32 " 2-19/32 " 2-7/8 " 2-7/8 " 2-7/8 " 2-19/32 " 2-1/2 " 2-1/2 " 2-1/2 " 2-1/2 " 2-1/2 "	R42R55245 R429218X R42R55245 R429218X R42R55245 R42R55245 R429218X R429218X R429218X R42R55245 R424244X R424244X R424244X R424244X	R42R55245 ³⁹ R429218X ³⁹ R42R55245 ³⁹ R429218X ³⁹ R42R55245 ³⁹ R42R55245 ³⁹ R429218X ³⁹ R429218X ³⁹ R429218X ³⁹ R42R55245 ³⁹ R424244X ³⁷ R424244X ³⁷ R424244X ³⁷ R424244X ³⁷	R402235118 R406532 R402235118 R406532 R402235118 R402235118 R406532 R406532 R406532 R402235118 60050266 60050266 60050266 60050266	R402238231 ²⁰¹ R4090070 ⁴⁰ R402238231 ²⁰¹ R4090070 ⁴⁰ R402238231 ²⁰¹ R402238231 ²⁰¹ R4090070 ⁴⁰ R4090070 ⁴⁰ R4090070 ⁴⁰ R402238231 ²⁰¹ 69270757 ⁴¹ 69270757 ⁴¹ 69270757 ⁴¹ 69270757 ⁴¹	-	-	-	-
N/A ²⁸⁶ N/A ²⁸⁶	2-19/32 " 2-1/2 "	R42R55245 R424244X	R42R55245 ³⁹ R424244X ³⁷	R402235118 60050266	R402238231 ²⁰¹ 69270757 ⁴¹	-	-	-	-
23-123486-002 ²⁶⁸ R44141583 ²⁸⁷ 23-123468-002 ²⁸⁸	2-1/2 " 2-1/2 " 2-1/2 "	R424244X R424244X R424244X	R424244X ³⁷ R424244X ³⁷ R424244X ³⁷	60050266 60050266 60050266	69270757 ⁴¹ 69270757 ⁴¹ 69270757 ⁴¹	-	-	-	-
23-122729-002 ²⁶⁶	2-7/8 "	R429218X	R429218X ³⁹	R406532	R4090070 ⁴⁰	-	-	-	-
23-123468-002 ²⁸⁸ 23-123486-002 ²⁶⁸	2-1/2 " 2-1/2 "	R424244X R424244X	R424244X ³⁷ R424244X ³⁷	60050266 60050266	69270757 ⁴¹ 69270757 ⁴¹	-	-	-	-
23-123486-002 ²⁶⁸	2-19/32 "	R42R55245	R42R55245 ³⁹	R402235118	R402238231 ²⁰¹	-	-	-	-

1 APPLICATION

344 - Use E-7411 for Lining and Rivet Set
288 - Dayton Rotor with 6 Studs
330 - Rearward
Contact our Customer Service Teams
1-888-725-9355

286 - Budd Rotor with 10 Studs
307 - Power Brakes, Single System Hydrovac
339 - Use 69160441 for Disc Pad Retainer Clip

287 - Budd rotor with 6 studs
329 - Forward
343 - Use E-7409 for Lining and Rivet Set
www.XpresswayPlus.com

MAKE MODEL YEAR AXLE CODE AXLE WEIGHT	AXLE & BRK. TYPE	BRK. MFG.	BRAKE SIZE	FMSI	MERITOR DISC PAD OR BRAKE SHOE	MERITOR GUIDE PIN OR RETURN SPRING KIT	MERITOR CALIPER HWD. KIT OR RETURN SPRING KIT	MERITOR ADJUSTER KIT (LEFT WHEEL)	MERITOR ADJUSTER KIT (RIGHT WHEEL)
GMC / CHEV(Cont.)									
60, 6000 SERIES-20,000-27,500 lb. GVW (Cont.)									
1988	Rd Rd	BX DN		7142 - D225 7141 - D224	MD225 MD224 ³³⁹	R40H5010 69310693	R40H5522 60050153 ²⁷⁷	NR NR	NR NR
P6T042 15,000 lb. GVW	Rd	DN		7141 - D224	MD224 ³³⁹	69310693	60050153 ²⁷⁷	NR	NR
B6P042 School Bus 16,000, 17,000, 19,000lb. GVW	Rd	BX		7142 - D225	MD225	R40H5010	R40H5522	NR	NR
C6D042, C6D064 Conventional 17,500 lb. GVW	Rd Rd Rd	BX BX DN		7142 - D225 7108 - D184 7141 - D224	MD225 MD184 MD224 ³³⁹	R40H5010 R40H5010 69310693	R40H5522 R40H5519 60050153 ²⁷⁷	NR NR NR	NR NR NR
C6D042, C6D064 Conventional 19,000 lb. GVW	Rd Rd Rd	BX BX DN		7108 - D184 7142 - D225 7141 - D224	MD184 MD225 MD224 ³³⁹	R40H5010 R40H5010 69310693	R40H5519 R40H5522 60050153 ²⁷⁷	NR NR NR	NR NR NR
C6D042, C6D064 Conventional 21,000, 23,000lb. GVW	Rd Rd Rd	BX BX DN		7108 - D184 7142 - D225 7141 - D224	MD184 MD225 MD224 ³³⁹	R40H5010 R40H5010 69310693	R40H5519 R40H5522 60050153 ²⁷⁷	NR NR NR	NR NR NR
1987 C6D042, C6D064 Steel Conventional F050, F055	Fa Fa Fa	GM GM GM	14 " x 2-1/2 " 14 " x 2-1/2 " 14 " x 2-1/2 "	2039 - 299 2039 - 299 2039 - 299	N/A N/A N/A	R40H599 R40H599 R40H599	R40H9206 R40H9206 R40H9206	R40H3500 R40H3500 R40H3500	R40H3501 R40H3501 R40H3501
P6T042	Fa Fa	GM	14 " x 2-1/2 " 14 " x 2-1/2 "	2039 - S634 2039 - 299	N/A N/A	N/A R40H599	N/A R40H9206	N/A R40H3500	N/A R40H3501
W6R042	Fm		400mm x 115mm	1421 - S616	R467412-21 ³⁴³	R407413	R407414	N/A	N/A
	Rm		410mm x 115mm	1420 - S615	R46741821 ³⁴⁴	R407417	N/A	N/A	N/A
	Rm		410mm x 115mm	1420 - S615	R46741821 ³⁴⁴	R407417	N/A	N/A	N/A
B6P042 School Bus 5,000 lb.	Fa Fa	GM GM	14 " x 2-1/2 " 14 " x 2-1/2 "	2039 - 299 2039 - 299	N/A N/A	R40H599 R40H599	R40H9206 R40H9206	R40H3500 R40H3500	R40H3501 R40H3501
C6D042, C6D064 Steel Conventional 6,000, 7,000lb. GVW	Fa	WG	15 " x 3 "	1245C - 321	R700321	R40H521	R40H9237	R40H3502	R40H3503
B6P042 School Bus 7,000 lb.	Fd Fd Fd	DN DN DN		7141 - D224 7141 - D224 7141 - D224	MD224 ³³⁹ MD224 ³³⁹ MD224 ³³⁹	69310693 69310693 69310693	60050153 ²⁷⁷ 60050153 ²⁷⁷ 60050153 ²⁷⁷	NR NR NR	NR NR NR
C6D042, C6D064 Conventional 7,000 lb.	Fd Fd	DN DN		7141 - D224 7141 - D224	MD224 ³³⁹ MD224 ³³⁹	69310693 69310693	60050153 ²⁷⁷ 60050153 ²⁷⁷	NR NR	NR NR
	Ra Ra	GM GM	15 " x 5 " 15 " x 5 "	4639 - 442 4639 - 442	R700442 R700442	R40H550 R40H550	R404121 R404121	R40H3510 R40H3510	R40H3511 R40H3511
	Rd Rd	BX BX		7142 - D225 7142 - D225	MD225 MD225	R40H5010 R40H5010	R40H5522 R40H5522	NR NR	NR NR
P6T042 7,000 lb.	Fd Ra Ra	DN GM GM		7141 - D224 4640 - 427 4639 - 442	MD224 ³³⁹ R700427 R700442	69310693 R40H550 R40H550	60050153 ²⁷⁷ R404121 R404121	NR R40H3510 R40H3510	NR R40H3511 R40H3511
	Fd	BX		7142 - D225	MD225	R40H5010	R40H5522	NR	NR
B6P042 School Bus 15,000 lb. GVW	Ra Rd Rd	GM DN DN	15 " x 5 "	4639 - 442 7141 - D224 7141 - D224	R700442 MD224 ³³⁹ MD224 ³³⁹	R40H550 69310693 69310693	R404121 60050153 ²⁷⁷ 60050153 ²⁷⁷	R40H3510 NR NR	R40H3511 NR NR
B6P042 School Bus 16,000, 17,000, 19,000lb. GVW	Rd	BX		7142 - D225	MD225	R40H5010	R40H5522	NR	NR

37 - Also available as a New unit
41 - Aluminum piston
268 - 5 Stud, Hat Shape
www.XpresswayPlus.com

39 - First design, uses steel pistons.
201 - Steel Piston
277 - For Pad Retainer, Use 69160441

40 - For chrome plated steel version, use R4090070P
266 - 10 Stud, Hat Shaped
287 - Budd rotor with 6 studs

MERITOR DRUM OR ROTOR NO.	CALIPER OR CYLINDER BORE SIZE	MERITOR CALIPER OR WHEEL CYLINDER (LEFT)	MERITOR CALIPER OR WHEEL CYLINDER (RIGHT)	MERITOR CALIPER OR WHEEL CYLINDER REPAIR KIT	MERITOR CALIPER PISTON	MERITOR MASTER CYLINDER	MERITOR MASTER CYLINDER KIT	MERITOR BRAKE HOSE (LEFT)	MERITOR BRAKE HOSE (RIGHT)
GMC / CHEV(Cont.)									
60, 6000 SERIES-20,000-27,500 lb. GVW (Cont.)									
23-123486-002 ²⁶⁸ 23-123486-002 ²⁶⁸	2-7/8 " 2-1/2 "	R429218X R424244X	R429218X ³⁹ R424244X ³⁷	R406532 60050266	R4090070 ⁴⁰ 69270757 ⁴¹	- -	- -	- -	- -
23-123486-002 ²⁶⁸	2-1/2 "	R424244X	R424244X ³⁷	60050266	69270757 ⁴¹	-	-	-	-
23-122729-002 ²⁶⁶	2-7/8 "	R429218X	R429218X ³⁹	R406532	R4090070 ⁴⁰	-	-	-	-
23-122729-002 ²⁶⁶ 23-122729-002 ²⁶⁶ 23-122729-002 ²⁶⁶	2-7/8 " 2-19/32 " 2-1/2 "	R429218X R42R55245 R424244X	R429218X ³⁹ R42R55245 ³⁹ R424244X ³⁷	R406532 R402235118 60050266	R4090070 ⁴⁰ R402238231 ²⁰¹ 69270757 ⁴¹	- - -	- - -	- - -	- - -
N/A N/A N/A	2-19/32 " 2-7/8 " 2-1/2 "	R42R55245 R429218X R424244X	R42R55245 ³⁹ R429218X ³⁹ R424244X ³⁷	R402235118 R406532 60050266	R402238231 ²⁰¹ R4090070 ⁴⁰ 69270757 ⁴¹	- - -	- - -	- - -	- - -
23-122693-002 23-122693-002 23-122693-002	2-19/32 " 2-7/8 " 2-1/2 "	R42R55245 R429218X R424244X	R42R55245 ³⁹ R429218X ³⁹ R424244X ³⁷	R402235118 R406532 60050266	R402238231 ²⁰¹ R4090070 ⁴⁰ 69270757 ⁴¹	- - -	- - -	- - -	- - -
N/A N/A N/A	1-1/8 " 7/8 " 1-1/4 "	R4133320 R4133406 R4133320	R4133321 R4133407 R4133321	R415194 R4166820 R415194	NR NR NR	R4111993 ³⁰² - R4111993 ³⁰²	R4122386 - R4122386	R4577495 - R4577495	R4577495 - R4577495
N/A N/A	7/8 " 7/8 "	R4133406 R4133406	R4133407 R4133407	R4166820 R4166820	NR NR	R4111993 ³⁰² R4111993 ³⁰²	R4122386 R4122386	R4577484 R4577484	R4577484 R4577484
N/A	1-3/8 "	R417415	R417416	R417417	NR	R4110348 ³⁰⁷	R4110406	-	-
N/A N/A	1-47/64 " 1-47/64 "	R417420 R417421	R417422 ³²⁹ R417423 ³³⁰	R417424 R417424	NR NR	- -	- -	- -	- -
N/A N/A	1-1/4 " 1-1/8 "	R4133320 R4133320	R4133321 R4133321	R415194 R415194	NR NR	R4111993 ³⁰⁶ R4111993 ³⁰⁶	R4122386 R4122386	- -	- -
N/A	1-1/8 "	R4133320	R4133321	R4166926	NR	R4111993 ³⁰⁶	R4122386	-	-
R44141583 ²⁸⁷ 23-123468-002 ²⁸⁸ 23-123486-002 ²⁶⁸	2-1/2 " 2-1/2 " 2-1/2 "	R424244X R424244X R424244X	R424244X ³⁷ R424244X ³⁷ R424244X ³⁷	60050266 60050266 60050266	69270757 ⁴¹ 69270757 ⁴¹ 69270757 ⁴¹	R4111993 ³⁰² R4111993 ³⁰² R4111993 ³⁰²	R4122386 R4122386 R4122386	R4577495 R4577495 R4577495	R4577495 R4577495 R4577495
23-123486-002 ²⁶⁸ 23-123486-002 ²⁶⁸	2-1/2 " 2-1/2 "	R424244X R424244X	R424244X ³⁷ R424244X ³⁷	60050266 60050266	69270757 ⁴¹ 69270757 ⁴¹	R4111993 ³⁰² R4111993 ³⁰²	R4122386 R4122386	R4577495 R4577495	R4577495 R4577495
N/A N/A	1-1/2 " 1-1/2 "	R4133655 R4133655	R4133656 R4133656	R415194 R415194	NR NR	- -	- -	R4577482 ³²³ R4577482 ³²³	R4577482 R4577482
23-122729-002 ²⁶⁶ 23-122729-002 ²⁶⁶	2-7/8 " 2-7/8 "	R429218X R429218X	R429218X ³⁹ R429218X ³⁹	R406532 R406532	R4090070 ⁴⁰ R4090070 ⁴⁰	- -	- -	R4577482 ³²³ R4577482 ³²³	R4577482 R4577482
23-123486-002 ²⁶⁸	2-1/2 "	R424244X	R424244X ³⁷	60050266	69270757 ⁴¹	R4111993 ³⁰²	R4122386	R4577484	R4577484
N/A N/A	1-1/2 " 1-1/2 "	R4133655 R4133655	R4133656 R4133656	R415194 R415194	NR NR	- -	- -	R4577482 ³²³ R4577482 ³²³	R4577482 R4577482
23-122729-002 ²⁶⁶	2-7/8 "	R429218X	R429218X ³⁹	R406532	R4090070 ⁴⁰	R4111993 ³⁰²	R4122386	R4577495	R4577495
N/A 23-123468-002 ²⁸⁸ 23-123486-002 ²⁶⁸	1-1/2 " 2-1/2 " 2-1/2 "	R4133655 R424244X R424244X	R4133656 R424244X ³⁷ R424244X ³⁷	R415194 60050266 60050266	NR 69270757 ⁴¹ 69270757 ⁴¹	- - -	- - -	R4577482 ³²³ R4577482 ³²³ R4577482 ³²³	R4577482 R4577482 R4577482
23-122729-002 ²⁶⁶	2-7/8 "	R429218X	R429218X ³⁹	R406532	R4090070 ⁴⁰	-	-	R4577482 ³²³	R4577482

344 - Use E-7411 for Lining and Rivet Set
 307 - Power Brakes, Single System Hydrovac
 330 - Rearward
 Contact our Customer Service Teams
 1-888-725-9355

302 - Power Brakes, Dual System
 323 - 17.50" Length
 339 - Use 69160441 for Disc Pad Retainer Clip

306 - Power Brakes, Single System
 329 - Forward
 343 - Use E-7409 for Lining and Rivet Set
 www.XpresswayPlus.com

MAKE MODEL YEAR AXLE CODE AXLE WEIGHT	AXLE & BRK. TYPE	BRK. MFG.	BRAKE SIZE	FMSI	MERITOR DISC PAD OR BRAKE SHOE	MERITOR GUIDE PIN OR RETURN SPRING KIT	MERITOR CALIPER HWD. KIT OR RETURN SPRING KIT	MERITOR ADJUSTER KIT (LEFT WHEEL)	MERITOR ADJUSTER KIT (RIGHT WHEEL)
GMC / CHEV(Cont.)									
60, 6000 SERIES-20,000-27,500 lb. GVW (Cont.)									
1986									
C6D042, C6D064 Steel Conventional F050, F055	Fa	GM	14 " x 2-1/2 "	2039 - 299	N/A	R40H599	R40H9206	R40H3500	R40H3501
B6P042 School Bus 5,000 lb.	Fa Fa	GM GM	14 " x 2-1/2 " 14 " x 2-1/2 "	2039 - 299 2039 - 299	N/A N/A	R40H599 R40H599	R40H9206 R40H9206	R40H3500 R40H3500	R40H3501 R40H3501
C6D042, C6D064 Steel Conventional 6,000, 7,000lb. GVW	Fa	WG	15 " x 3 "	1245C - 321	R700321	R40H521	R40H9237	R40H3502	R40H3503
B6P042 School Bus 7,000 lb.	Fd Fd Fd	DN DN DN		7141 - D224 7141 - D224 7141 - D224	MD224 ³³⁹ MD224 ³³⁹ MD224 ³³⁹	69310693 69310693 69310693	60050153 ²⁷⁷ 60050153 ²⁷⁷ 60050153 ²⁷⁷	NR NR NR	NR NR NR
C6D042, C6D064 Conventional 7,000 lb.	Fd Fd	DN DN		7141 - D224 7141 - D224	MD224 ³³⁹ MD224 ³³⁹	69310693 69310693	60050153 ²⁷⁷ 60050153 ²⁷⁷	NR NR	NR NR
	Ra Ra	GM GM	15 " x 5 " 15 " x 5 "	4639 - 442 4639 - 442	R700442 R700442	R40H550 R40H550	R404121 R404121	R40H3510 R40H3510	R40H3511 R40H3511
	Rd Rd	BX BX		7142 - D225 7142 - D225	MD225 MD225	R40H5010 R40H5010	R40H5522 R40H5522	NR NR	NR NR
P6T042 7,000 lb.	Fd Fd	DN DN		7141 - D224 7141 - D224	MD224 ³³⁹ MD224 ³³⁹	69310693 69310693	60050153 ²⁷⁷ 60050153 ²⁷⁷	NR NR	NR NR
	Ra Ra	GM GM	15 " x 5 " 15 " x 5 "	4639 - 442 4639 - 442	R700442 R700442	R40H550 R40H550	R404121 R404121	R40H3510 R40H3510	R40H3511 R40H3511
	Rd Rd	BX BX		7142 - D225 7142 - D225	MD225 MD225	R40H5010 R40H5010	R40H5522 R40H5522	NR NR	NR NR
B6P042 School Bus 9,000 lb.	Fd	BX		7142 - D225	MD225	R40H5010	R40H5522	NR	NR
B6P042 School Bus 15,000 lb. GVW	Ra Rd	GM DN	15 " x 5 "	4639 - 442 7141 - D224	R700442 MD224 ³³⁹	R40H550 69310693	R404121 60050153 ²⁷⁷	R40H3510 NR	R40H3511 NR
	Rd	DN		7141 - D224	MD224 ³³⁹	69310693	60050153 ²⁷⁷	NR	NR
B6P042 School Bus 16,000, 17,000, 19,000lb. GVW	Rd	BX		7142 - D225	MD225	R40H5010	R40H5522	NR	NR
1985									
C6D042, C6D064 Steel Conventional F050, F055	Fa	GM	14 " x 2-1/2 "	2039 - 299	N/A	R40H599	R40H9206	R40H3500	R40H3501
B6P042 School Bus 5,000 lb.	Fa Fa	GM GM	14 " x 2-1/2 " 14 " x 2-1/2 "	2039 - 299 2039 - 299	N/A N/A	R40H599 R40H599	R40H9206 R40H9206	R40H3500 R40H3500	R40H3501 R40H3501
C6D042, C6D064 Steel Conventional 6,000, 7,000lb. GVW	Fa	WG	15 " x 3 "	1245C - 321	R700321	R40H521	R40H9237	R40H3502	R40H3503
B6P042 School Bus 7,000 lb.	Fd Fd Fd	DN DN DN		7141 - D224 7141 - D224 7141 - D224	MD224 ³³⁹ MD224 ³³⁹ MD224 ³³⁹	69310693 69310693 69310693	60050153 ²⁷⁷ 60050153 ²⁷⁷ 60050153 ²⁷⁷	NR NR NR	NR NR NR
C6D042, C6D064 Conventional 7,000 lb.	Fd Fd	DN DN		7141 - D224 7141 - D224	MD224 ³³⁹ MD224 ³³⁹	69310693 69310693	60050153 ²⁷⁷ 60050153 ²⁷⁷	NR NR	NR NR
	Ra Ra	GM GM	15 " x 5 " 15 " x 5 "	4639 - 442 4639 - 442	R700442 R700442	R40H550 R40H550	R404121 R404121	R40H3510 R40H3510	R40H3511 R40H3511
	Rd Rd	BX BX		7142 - D225 7142 - D225	MD225 MD225	R40H5010 R40H5010	R40H5522 R40H5522	NR NR	NR NR
P6T042 7,000 lb.	Fd Fd	DN DN		7141 - D224 7141 - D224	MD224 ³³⁹ MD224 ³³⁹	69310693 69310693	60050153 ²⁷⁷ 60050153 ²⁷⁷	NR NR	NR NR
	Ra	GM	15 " x 5 "	4639 - 442	R700442	R40H550	R404121	R40H3510	R40H3511

37 - Also available as a New unit
 41 - Aluminum piston
 277 - For Pad Retainer, Use 69160441
 www.XpresswayPlus.com

39 - First design, uses steel pistons.
 266 - 10 Stud, Hat Shaped
 287 - Budd rotor with 6 studs

40 - For chrome plated steel version, use R4090070P
 268 - 5 Stud, Hat Shape
 288 - Dayton Rotor with 6 Studs

MERITOR DRUM OR ROTOR NO.	CALIPER OR CYLINDER BORE SIZE	MERITOR CALIPER OR WHEEL CYLINDER (LEFT)	MERITOR CALIPER OR WHEEL CYLINDER (RIGHT)	MERITOR CALIPER OR WHEEL CYLINDER REPAIR KIT	MERITOR CALIPER PISTON	MERITOR MASTER CYLINDER	MERITOR MASTER CYLINDER KIT	MERITOR BRAKE HOSE (LEFT)	MERITOR BRAKE HOSE (RIGHT)
GMC / CHEV(Cont.)									
60, 6000 SERIES-20,000-27,500 lb. GVW (Cont.)									
N/A	7/8 "	R4133406	R4133407	R4166820	NR	-	-	-	-
N/A	1-1/4 "	R4133320	R4133321	R415194	NR	R4111993 ³⁰⁶	R4122386	-	-
N/A	1-1/8 "	R4133320	R4133321	R415194	NR	R4111993 ³⁰⁶	R4122386	-	-
N/A	1-1/8 "	R4133320	R4133321	R4166926	NR	R4111993 ³⁰⁶	R4122386	-	-
23-123468-002 ²⁸⁸ R44141583 ²⁸⁷ 23-123486-002 ²⁶⁸	2-1/2 " 2-1/2 " 2-1/2 "	R424244X R424244X R424244X	R424244X ³⁷ R424244X ³⁷ R424244X ³⁷	60050266 60050266 60050266	69270757 ⁴¹ 69270757 ⁴¹ 69270757 ⁴¹	R4111993 ³⁰² R4111993 ³⁰² R4111993 ³⁰²	R4122386 R4122386 R4122386	R4577495 R4577495 R4577495	R4577495 R4577495 R4577495
23-123486-002 ²⁶⁸ 23-123486-002 ²⁶⁸	2-1/2 " 2-1/2 "	R424244X R424244X	R424244X ³⁷ R424244X ³⁷	60050266 60050266	69270757 ⁴¹ 69270757 ⁴¹	- -	- -	- -	- -
N/A	1-1/2 "	R4133655	R4133656	R415194	NR	-	-	R4577482 ³²³	R4577482
N/A	1-1/2 "	R4133655	R4133656	R415194	NR	-	-	R4577482 ³²³	R4577482
23-122729-002 ²⁶⁶ 23-122729-002 ²⁶⁶	2-7/8 " 2-7/8 "	R429218X R429218X	R429218X ³⁹ R429218X ³⁹	R406532 R406532	R4090070 ⁴⁰ R4090070 ⁴⁰	- -	- -	- -	- -
23-123486-002 ²⁶⁸ 23-123486-002 ²⁶⁸	2-1/2 " 2-1/2 "	R424244X R424244X	R424244X ³⁷ R424244X ³⁷	60050266 60050266	69270757 ⁴¹ 69270757 ⁴¹	R4111993 ³⁰² R4111993 ³⁰²	R4122386 R4122386	R4577495 R4577495	R4577495 R4577495
N/A	1-1/2 "	R4133655	R4133656	R415194	NR	-	-	R4577482 ³²³	R4577482
N/A	1-1/2 "	R4133655	R4133656	R415194	NR	-	-	R4577482 ³²³	R4577482
23-122729-002 ²⁶⁶ 23-122729-002 ²⁶⁶	2-7/8 " 2-7/8 "	R429218X R429218X	R429218X ³⁹ R429218X ³⁹	R406532 R406532	R4090070 ⁴⁰ R4090070 ⁴⁰	- -	- -	R4577482 ³²³ R4577482 ³²³	R4577482 R4577482
23-122729-002 ²⁶⁶	2-7/8 "	R429218X	R429218X ³⁹	R406532	R4090070 ⁴⁰	R4111993 ³⁰²	R4122386	R4577495	R4577495
N/A	1-1/2 "	R4133655	R4133656	R415194	NR	-	-	R4577482 ³²³	R4577482
23-123468-002 ²⁸⁸ 23-123486-002 ²⁶⁸	2-1/2 " 2-1/2 "	R424244X R424244X	R424244X ³⁷ R424244X ³⁷	60050266 60050266	69270757 ⁴¹ 69270757 ⁴¹	- -	- -	R4577482 ³²³ R4577482 ³²³	R4577482 R4577482
23-122729-002 ²⁶⁶	2-7/8 "	R429218X	R429218X ³⁹	R406532	R4090070 ⁴⁰	-	-	R4577482 ³²³	R4577482
N/A	7/8 "	R4133406	R4133407	R4166820	NR	-	-	-	-
N/A	1-1/8 "	R4133320	R4133321	R415194	NR	R4111993 ³⁰⁶	R4122386	-	-
N/A	1-1/4 "	R4133320	R4133321	R415194	NR	R4111993 ³⁰⁶	R4122386	-	-
N/A	1-1/8 "	R4133320	R4133321	R4166926	NR	R4111993 ³⁰⁶	R4122386	-	-
23-123468-002 ²⁸⁸ 23-123486-002 ²⁶⁸ R44141583 ²⁸⁷	2-1/2 " 2-1/2 " 2-1/2 "	R424244X R424244X R424244X	R424244X ³⁷ R424244X ³⁷ R424244X ³⁷	60050266 60050266 60050266	69270757 ⁴¹ 69270757 ⁴¹ 69270757 ⁴¹	R4111993 ³⁰² R4111993 ³⁰² R4111993 ³⁰²	R4122386 R4122386 R4122386	R4577495 R4577495 R4577495	R4577495 R4577495 R4577495
23-123486-002 ²⁶⁸ 23-123486-002 ²⁶⁸	2-1/2 " 2-1/2 "	R424244X R424244X	R424244X ³⁷ R424244X ³⁷	60050266 60050266	69270757 ⁴¹ 69270757 ⁴¹	- -	- -	- -	- -
N/A	1-1/2 "	R4133655	R4133656	R415194	NR	-	-	R4577482 ³²³	R4577482
N/A	1-1/2 "	R4133655	R4133656	R415194	NR	-	-	R4577482 ³²³	R4577482
23-122729-002 ²⁶⁶ 23-122729-002 ²⁶⁶	2-7/8 " 2-7/8 "	R429218X R429218X	R429218X ³⁹ R429218X ³⁹	R406532 R406532	R4090070 ⁴⁰ R4090070 ⁴⁰	- -	- -	- -	- -
23-123486-002 ²⁶⁸ 23-123486-002 ²⁶⁸	2-1/2 " 2-1/2 "	R424244X R424244X	R424244X ³⁷ R424244X ³⁷	60050266 60050266	69270757 ⁴¹ 69270757 ⁴¹	R4111993 ³⁰² R4111993 ³⁰²	R4122386 R4122386	R4577495 R4577495	R4577495 R4577495
N/A	1-1/2 "	R4133655	R4133656	R415194	NR	-	-	R4577482 ³²³	R4577482

1 APPLICATION

302 - Power Brakes, Dual System
339 - Use 69160441 for Disc Pad Retainer Clip

306 - Power Brakes, Single System

323 - 17.50" Length

MAKE MODEL YEAR AXLE CODE AXLE WEIGHT	AXLE & BRK. TYPE	BRK. MFG.	BRAKE SIZE	FMSI	MERITOR DISC PAD OR BRAKE SHOE	MERITOR GUIDE PIN OR RETURN SPRING KIT	MERITOR CALIPER HWD. KIT OR RETURN SPRING KIT	MERITOR ADJUSTER KIT (LEFT WHEEL)	MERITOR ADJUSTER KIT (RIGHT WHEEL)
GMC / CHEV(Cont.)									
60, 6000 SERIES-20,000-27,500 lb. GVW									
1985 P6T042 7,000 lb.	Ra	GM	15 " x 5 "	4639 - 442	R700442	R40H550	R404121	R40H3510	R40H3511
	Rd	BX		7142 - D225	MD225	R40H5010	R40H5522	NR	NR
	Rd	BX		7142 - D225	MD225	R40H5010	R40H5522	NR	NR
B6P042 School Bus 9,000 lb.	Fd	BX		7142 - D225	MD225	R40H5010	R40H5522	NR	NR
B6P042 School Bus 15,000 lb. GVW	Ra	GM	15 " x 5 "	4639 - 442	R700442	R40H550	R404121	R40H3510	R40H3511
	Rd	DN		7141 - D224	MD224 ³³⁹	69310693	60050153 ²⁷⁷	NR	NR
	Rd	DN		7141 - D224	MD224 ³³⁹	69310693	60050153 ²⁷⁷	NR	NR
B6P042 School Bus 16,000, 17,000, 19,000lb. GVW	Rd	BX		7142 - D225	MD225	R40H5010	R40H5522	NR	NR
1984 C6D042, C6D064 Steel Conventional F050, F055	Fa	GM	14 " x 2-1/2 "	2039 - 299	N/A	R40H599	R40H9206	R40H3500	R40H3501
B6P042 School Bus 5,000 lb.	Fa	GM	14 " x 2-1/2 "	2039 - 299	N/A	R40H599	R40H9206	R40H3500	R40H3501
	Fa	GM	14 " x 2-1/2 "	2039 - 299	N/A	R40H599	R40H9206	R40H3500	R40H3501
C6D042, C6D064 Steel Conventional 6,000, 7,000lb. GVW	Fa	WG	15 " x 3 "	1245C - 321	R700321	R40H521	R40H9237	R40H3502	R40H3503
B6P042 School Bus 7,000 lb.	Fd	DN		7141 - D224	MD224 ³³⁹	69310693	60050153 ²⁷⁷	NR	NR
	Fd	DN		7141 - D224	MD224 ³³⁹	69310693	60050153 ²⁷⁷	NR	NR
	Fd	DN		7141 - D224	MD224 ³³⁹	69310693	60050153 ²⁷⁷	NR	NR
C6D042, C6D064 Conventional 7,000 lb.	Fd	DN		7141 - D224	MD224 ³³⁹	69310693	60050153 ²⁷⁷	NR	NR
	Fd	DN		7141 - D224	MD224 ³³⁹	69310693	60050153 ²⁷⁷	NR	NR
	Ra	GM	15 " x 5 "	4639 - 442	R700442	R40H550	R404121	R40H3510	R40H3511
	Ra	GM	15 " x 5 "	4639 - 442	R700442	R40H550	R404121	R40H3510	R40H3511
	Rd	BX		7142 - D225	MD225	R40H5010	R40H5522	NR	NR
	Rd	BX		7142 - D225	MD225	R40H5010	R40H5522	NR	NR
P6T042 7,000 lb.	Fd	DN		7141 - D224	MD224 ³³⁹	69310693	60050153 ²⁷⁷	NR	NR
	Fd	DN		7141 - D224	MD224 ³³⁹	69310693	60050153 ²⁷⁷	NR	NR
	Ra	GM	15 " x 5 "	4639 - 442	R700442	R40H550	R404121	R40H3510	R40H3511
	Ra	GM	15 " x 5 "	4639 - 442	R700442	R40H550	R404121	R40H3510	R40H3511
	Rd	BX		7142 - D225	MD225	R40H5010	R40H5522	NR	NR
	Rd	BX		7142 - D225	MD225	R40H5010	R40H5522	NR	NR
B6P042 School Bus 9,000 lb.	Fd	BX		7142 - D225	MD225	R40H5010	R40H5522	NR	NR
B6P042 School Bus 15,000 lb. GVW	Ra	GM	15 " x 5 "	4639 - 442	R700442	R40H550	R404121	R40H3510	R40H3511
	Rd	DN		7141 - D224	MD224 ³³⁹	69310693	60050153 ²⁷⁷	NR	NR
	Rd	DN		7141 - D224	MD224 ³³⁹	69310693	60050153 ²⁷⁷	NR	NR
B6P042 School Bus 16,000, 17,000, 19,000lb. GVW	Rd	BX		7142 - D225	MD225	R40H5010	R40H5522	NR	NR
1983 F090	Fm	WG	15 " x 3-1/2 "	1280 - 463	R700463	R40H521	R40H9201	R404132	R404132 ²⁷⁹
18121, 18221	Rm	WG	16 " x 6 "	1255 - 386	N/A	R40H597	R40H9200	R404149	R404150
22121, 22221	Ra	WG	16 " x 6 "	1255 - 386	N/A	R40H597	R40H9200	-	-
B6P042 School Bus 18121, 18221	Rm	WG	16 " x 6 "	1255 - 386	N/A	R40H597	R40H9200	R404149	R404150
B6P042 School Bus 18121, 18221,	Rm	WG	16 " x 6 "	1255 - 386	N/A	R40H597	R40H9200	R404149	R404150
B6P042 School Bus 22121, 22221	Ra	WG	16 " x 6 "	1255 - 386	N/A	R40H597	R40H9200	-	-
	Ra	WG	16 " x 6 "	1255 - 386	N/A	R40H597	R40H9200	-	-

37 - Also available as a New unit
 41 - Aluminum piston
 277 - For Pad Retainer, Use 69160441
 www.XpresswayPlus.com

39 - First design, uses steel pistons.
 266 - 10 Stud, Hat Shaped
 279 - Has 2.29" Adjuster Studs, For 2.60" Studs Use E-4133

40 - For chrome plated steel version, use R4090070P
 268 - 5 Stud, Hat Shape
 287 - Budd rotor with 6 studs

MERITOR DRUM OR ROTOR NO.	CALIPER OR CYLINDER BORE SIZE	MERITOR CALIPER OR WHEEL CYLINDER (LEFT)	MERITOR CALIPER OR WHEEL CYLINDER (RIGHT)	MERITOR CALIPER OR WHEEL CYLINDER REPAIR KIT	MERITOR CALIPER PISTON	MERITOR MASTER CYLINDER	MERITOR MASTER CYLINDER KIT	MERITOR BRAKE HOSE (LEFT)	MERITOR BRAKE HOSE (RIGHT)
GMC / CHEV(Cont.)									
60, 6000 SERIES-20,000-27,500 lb. GVW									
N/A	1-1/2 "	R4133655	R4133656	R415194	NR	-	-	R4577482 ³²³	R4577482
23-122729-002 ²⁶⁶	2-7/8 "	R429218X	R429218X ³⁹	R406532	R4090070 ⁴⁰	-	-	R4577482 ³²³	R4577482
23-122729-002 ²⁶⁶	2-7/8 "	R429218X	R429218X ³⁹	R406532	R4090070 ⁴⁰	-	-	R4577482 ³²³	R4577482
23-122729-002 ²⁶⁶	2-7/8 "	R429218X	R429218X ³⁹	R406532	R4090070 ⁴⁰	R4111993 ³⁰²	R4122386	R4577495	R4577495
N/A	1-1/2 "	R4133655	R4133656	R415194	NR	-	-	R4577482 ³²³	R4577482
23-123486-002 ²⁶⁸	2-1/2 "	R424244X	R424244X ³⁷	60050266	69270757 ⁴¹	-	-	R4577482 ³²³	R4577482
23-123468-002 ²⁸⁸	2-1/2 "	R424244X	R424244X ³⁷	60050266	69270757 ⁴¹	-	-	R4577482 ³²³	R4577482
23-122729-002 ²⁶⁶	2-7/8 "	R429218X	R429218X ³⁹	R406532	R4090070 ⁴⁰	-	-	R4577482 ³²³	R4577482
N/A	7/8 "	R4133406	R4133407	R4166820	NR	-	-	-	-
N/A	1-1/8 "	R4133320	R4133321	R415194	NR	R4111993 ³⁰⁶	R4122386	-	-
N/A	1-1/4 "	R4133320	R4133321	R415194	NR	R4111993 ³⁰⁶	R4122386	-	-
N/A	1-1/8 "	R4133320	R4133321	R4166926	NR	R4111993 ³⁰⁶	R4122386	-	-
R44141583 ²⁸⁷	2-1/2 "	R424244X	R424244X ³⁷	60050266	69270757 ⁴¹	R4111993 ³⁰²	R4122386	R4577495	R4577495
23-123468-002 ²⁸⁸	2-1/2 "	R424244X	R424244X ³⁷	60050266	69270757 ⁴¹	R4111993 ³⁰²	R4122386	R4577495	R4577495
23-123486-002 ²⁶⁸	2-1/2 "	R424244X	R424244X ³⁷	60050266	69270757 ⁴¹	R4111993 ³⁰²	R4122386	R4577495	R4577495
23-123486-002 ²⁶⁸	2-1/2 "	R424244X	R424244X ³⁷	60050266	69270757 ⁴¹	-	-	-	-
23-123486-002 ²⁶⁸	2-1/2 "	R424244X	R424244X ³⁷	60050266	69270757 ⁴¹	-	-	-	-
N/A	1-1/2 "	R4133655	R4133656	R415194	NR	-	-	R4577482 ³²³	R4577482
N/A	1-1/2 "	R4133655	R4133656	R415194	NR	-	-	R4577482 ³²³	R4577482
23-122729-002 ²⁶⁶	2-7/8 "	R429218X	R429218X ³⁹	R406532	R4090070 ⁴⁰	-	-	-	-
23-122729-002 ²⁶⁶	2-7/8 "	R429218X	R429218X ³⁹	R406532	R4090070 ⁴⁰	-	-	-	-
23-123486-002 ²⁶⁸	2-1/2 "	R424244X	R424244X ³⁷	60050266	69270757 ⁴¹	R4111993 ³⁰²	R4122386	R4577495	R4577495
23-123486-002 ²⁶⁸	2-1/2 "	R424244X	R424244X ³⁷	60050266	69270757 ⁴¹	R4111993 ³⁰²	R4122386	R4577484	R4577484
N/A	1-1/2 "	R4133655	R4133656	R415194	NR	-	-	R4577482 ³²³	R4577482
N/A	1-1/2 "	R4133655	R4133656	R415194	NR	-	-	R4577482 ³²³	R4577482
23-122729-002 ²⁶⁶	2-7/8 "	R429218X	R429218X ³⁹	R406532	R4090070 ⁴⁰	-	-	R4577482 ³²³	R4577482
23-122729-002 ²⁶⁶	2-7/8 "	R429218X	R429218X ³⁹	R406532	R4090070 ⁴⁰	-	-	R4577482 ³²³	R4577482
23-122729-002 ²⁶⁶	2-7/8 "	R429218X	R429218X ³⁹	R406532	R4090070 ⁴⁰	R4111993 ³⁰²	R4122386	R4577495	R4577495
N/A	1-1/2 "	R4133655	R4133656	R415194	NR	-	-	R4577482 ³²³	R4577482
23-123468-002 ²⁸⁸	2-1/2 "	R424244X	R424244X ³⁷	60050266	69270757 ⁴¹	-	-	R4577482 ³²³	R4577482
23-123486-002 ²⁶⁸	2-1/2 "	R424244X	R424244X ³⁷	60050266	69270757 ⁴¹	-	-	R4577482 ³²³	R4577482
23-122729-002 ²⁶⁶	2-7/8 "	R429218X	R429218X ³⁹	R406532	R4090070 ⁴⁰	-	-	R4577482 ³²³	R4577482
N/A	1-1/4 "	R4133376	R4133377	R4166923	NR	-	-	-	-
N/A	1-7/8 "	R4133420	R4133420	R4166897	NR	-	-	-	-
N/A	1-7/8 "	R4133420	R4133420	R4166897	NR	-	-	R4577482 ³²³	R4577482
N/A	1-7/8 "	R4133420	R4133420	R4166897	NR	-	-	R4577482 ³²³	R4577482
N/A	1-7/8 "	R4133420	R4133420	R4166897	NR	-	-	-	-
N/A	1-7/8 "	R4133420	R4133420	R4166897	NR	-	-	R4577482 ³²³	R4577482
N/A	1-7/8 "	R4133420	R4133420	R4166897	NR	-	-	R4577482 ³²³	R4577482

288 - Dayton Rotor with 6 Studs
323 - 17.50" Length

302 - Power Brakes, Dual System
339 - Use 69160441 for Disc Pad Retainer Clip

306 - Power Brakes, Single System

MAKE MODEL YEAR AXLE CODE AXLE WEIGHT	AXLE & BRK. TYPE	BRK. MFG.	BRAKE SIZE	FMSI	MERITOR DISC PAD OR BRAKE SHOE	MERITOR GUIDE PIN OR RETURN SPRING KIT	MERITOR CALIPER HWD. KIT OR RETURN SPRING KIT	MERITOR ADJUSTER KIT (LEFT WHEEL)	MERITOR ADJUSTER KIT (RIGHT WHEEL)
GMC / CHEV(Cont.)									
60, 6000 SERIES-20,000-27,500 lb. GVW (Cont.)									
1983 B6P042 School Bus 34DS, 34DT	TRm	WG	15 " x 6 "	4596 - 381	R700381	R40H597	R40H9200	R40H3518	R404148
	TRm	WG	15 " x 6 "	4596 - 381	R700381	R40H597	R40H9200	R40H3518	R404148
	TRm	WG	15 " x 6 "	4596 - 381	R700381	R40H597	R40H9200	R40H3518	R404148
	TRm	WG	15 " x 6 "	4596 - 381	R700381	R40H597	R40H9200	R40H3518	R404148
	TRm	WG	15 " x 6 "	4596 - 381	R700381	R40H597	R40H9200	R40H3518	R404148
	TRm	WG	15 " x 6 "	4596 - 381	R700381	R40H597	R40H9200	R40H3518	R404148
	TRm	WG	15 " x 6 "	4596 - 381	R700381	R40H597	R40H9200	R40H3518	R404148
	TRm	WG	15 " x 6 "	4596 - 381	R700381	R40H597	R40H9200	R40H3518	R404148
	TRm	WG	15 " x 6 "	4596 - 381	R700381	R40H597	R40H9200	R40H3518	R404148
	TRm	WG	15 " x 6 "	4596 - 381	R700381	R40H597	R40H9200	R40H3518	R404148
	TRm	WG	15 " x 6 "	4596 - 381	R700381	R40H597	R40H9200	R40H3518	R404148
	TRm	WG	15 " x 6 "	4596 - 381	R700381	R40H597	R40H9200	R40H3518	R404148
	TRm	WG	15 " x 6 "	4596 - 381	R700381	R40H597	R40H9200	R40H3518	R404148
	TRm	WG	15 " x 6 "	4596 - 381	R700381	R40H597	R40H9200	R40H3518	R404148
B6P042 School Bus F050, F055	Fa	GM	14 " x 2-1/2 "	2039 - 299	N/A	R40H599	R40H9206	R40H3500	R40H3501
	Fa	GM	14 " x 2-1/2 "	2039 - 299	N/A	R40H599	R40H9206	R40H3500	R40H3501
	Fa	GM	14 " x 2-1/2 "	2039 - 299	N/A	R40H599	R40H9206	R40H3500	R40H3501
	Fa	GM	14 " x 2-1/2 "	2039 - 299	N/A	R40H599	R40H9206	R40H3500	R40H3501
B6P042 School Bus F070	Fa	WG	15 " x 3 "	1245C - 321	R700321	R40H521	R40H9237	R40H3502	R40H3503
	Fa	WG	15 " x 3 "	1245C - 321	R700321	R40H521	R40H9237	R40H3502	R40H3503
	Fd	DN		7141 - D224	MD224 ³³⁹	69310693	60050153 ²⁷⁷	NR	NR
	Fd	DN		7141 - D224	MD224 ³³⁹	69310693	60050153 ²⁷⁷	NR	NR
	Fd	DN		7141 - D224	MD224 ³³⁹	69310693	60050153 ²⁷⁷	NR	NR
	Fm	WG	15 " x 3 "	1245A - 235	R700235	R40H521	R40H9201	R404132	R404132 ²⁷⁹
	Fm	WG	15 " x 3 "	1245A - 235	R700235	R40H521	R40H9201	R404132	R404132 ²⁷⁹
B6P042 School Bus F090	Fa	WG	15 " x 3-1/2 "	1280B - 322	R464004	R40H521	R40H9237	R40H3502	R40H3503
	Fa	WG	15 " x 3-1/2 "	1280B - 322	R464004	R40H521	R40H9237	R40H3502	R40H3503
	Fd	BX		7142 - D225	MD225	R40H5010	R40H5522	NR	NR
	Fm	WG	15 " x 3-1/2 "	1280 - 463	R700463	R40H521	R40H9201	R404132	R404132 ²⁷⁹
	Fm	WG	15 " x 3-1/2 "	1280 - 463	R700463	R40H521	R40H9201	R404132	R404132 ²⁷⁹
B6P042 School Bus H110, 135, 150	Ra	GM	15 " x 4 "	4640 - 427	R700427	R40H550	R404121	R40H3510	R40H3511
	Ra	GM	15 " x 4 "	4640 - 427	R700427	R40H550	R404121	R40H3510	R40H3511
B6P042 School Bus H150, T150, F106	Ra	GM	15 " x 5 "	4639 - 442	R700442	R40H550	R404121	R40H3510	R40H3511
	Ra	GM	15 " x 5 "	4639 - 442	R700442	R40H550	R404121	R40H3510	R40H3511
B6P042 School Bus H170, 175, T150, 175	Ra	WG	15 " x 6 "	4596 - 380	R700381	R40H597	R40H9200	R40H3540	R40H3541
	Ra	WG	15 " x 6 "	4596 - 380	R700381	R40H597	R40H9200	R40H3540	R40H3541
	Rm	WG	15 " x 6 "	4596 - 381	R700381	R40H597	R40H9200	R40H3518	R404148
	Rm	WG	15 " x 6 "	4596 - 381	R700381	R40H597	R40H9200	R40H3518	R404148
B6P042 School Bus H172, 16244	Ra	WG	15 " x 6 "	4596 - 381	R700381	R40H597	R40H9200	R40H3540	R40H3541
	Ra	WG	15 " x 6 "	4596 - 381	R700381	R40H597	R40H9200	R40H3540	R40H3541
B6P042 School Bus T170, 185, 17100, 17200, 17121, 17221	Ra	WG	15 " x 7 "	4597 - 383	R700383	R40H597	R40H9200	R40H3540	R40H3541
	Ra	WG	15 " x 7 "	4597 - 383	R700383	R40H597	R40H9200	R40H3540	R40H3541
	Rm	WG	15 " x 7 "	4597 - 382	R700383	R40H597	R40H9200	R40H3518	R404148
	Rm	WG	15 " x 7 "	4597 - 382	R700383	R40H597	R40H9200	R40H3518	R404148
C6D042, C6D064 Conventional 18121, 18221, 22121, 22221	Ra	WG	16 " x 6 "	1255 - 386	N/A	R40H597	R40H9200	-	-
	Rm	WG	16 " x 6 "	1255 - 386	N/A	R40H597	R40H9200	R404149	R404150
C6D042, C6D064 Conventional 34DS, 34DT	TRm	WG	15 " x 6 "	4596 - 381	R700381	R40H597	R40H9200	R40H3518	R404148
C6D042, C6D064 Conventional F090	Fm	WG	15 " x 3-1/2 "	1280 - 463	R700463	R40H521	R40H9201	R404132	R404132 ²⁷⁹

37 - Also available as a New unit
 41 - Aluminum piston
 277 - For Pad Retainer, Use 69160441
 www.XpresswayPlus.com

39 - First design, uses steel pistons.
 266 - 10 Stud, Hat Shaped
 279 - Has 2.29" Adjuster Studs, For 2.60" Studs Use E-4133

40 - For chrome plated steel version, use R4090070P
 268 - 5 Stud, Hat Shape
 287 - Budd rotor with 6 studs

MERITOR DRUM OR ROTOR NO.	CALIPER OR CYLINDER BORE SIZE	MERITOR CALIPER OR WHEEL CYLINDER (LEFT)	MERITOR CALIPER OR WHEEL CYLINDER (RIGHT)	MERITOR CALIPER OR WHEEL CYLINDER REPAIR KIT	MERITOR CALIPER PISTON	MERITOR MASTER CYLINDER	MERITOR MASTER CYLINDER KIT	MERITOR BRAKE HOSE (LEFT)	MERITOR BRAKE HOSE (RIGHT)
GMC / CHEV(Cont.)									
60, 6000 SERIES-20,000-27,500 lb. GVW (Cont.)									
N/A	1-5/8 "	R4133338	R4133338	R4166689	NR	-	-	-	-
N/A	1-5/8 "	R4133338	R4133338	R4166689	NR	-	-	-	-
N/A	1-5/8 "	R4133338	R4133338	R4166689	NR	-	-	-	-
N/A	1-5/8 "	R4133338	R4133338	R4166689	NR	-	-	-	-
N/A	1-5/8 "	R4133338	R4133338	R4166689	NR	-	-	-	-
N/A	1-5/8 "	R4133338	R4133338	R4166689	NR	-	-	-	-
N/A	1-5/8 "	R4133338	R4133338	R4166689	NR	-	-	-	-
N/A	1-5/8 "	R4133338	R4133338	R4166689	NR	-	-	R4577482 ³²³	R4577482
N/A	1-5/8 "	R4133338	R4133338	R4166689	NR	-	-	-	-
N/A	1-5/8 "	R4133338	R4133338	R4166689	NR	-	-	-	-
N/A	1-5/8 "	R4133338	R4133338	R4166689	NR	-	-	-	-
N/A	1-5/8 "	R4133338	R4133338	R4166689	NR	-	-	-	-
N/A	1-5/8 "	R4133338	R4133338	R4166689	NR	-	-	-	-
N/A	7/8 "	R4133406	R4133407	R4166820	NR	R4111993 ³⁰²	R4122386	R4577495	R4577495
N/A	7/8 "	R4133406	R4133407	R4166820	NR	R4111993 ³⁰²	R4122386	-	-
N/A	1-1/8 "	R4133320	R4133321	R415194	NR	R4111993 ³⁰²	R4122386	R4577495	R4577495
N/A	1-1/8 "	R4133320	R4133321	R415194	NR	R4111993 ³⁰²	R4122386	R4577495	R4577495
N/A	1-1/8 "	R4133320	R4133321	R4166926	NR	R4111993 ³⁰²	R4122386	-	-
N/A	1-1/8 "	R4133320	R4133321	R4166926	NR	R4111993 ³⁰²	R4122386	R4577495	R4577495
23-123468-002 ²⁸⁸	2-1/2 "	R424244X	R424244X ³⁷	60050266	6927075 ⁴¹	R4111993 ³⁰²	R4122386	R4577495	R4577495
23-123486-002 ²⁶⁸	2-1/2 "	R424244X	R424244X ³⁷	60050266	6927075 ⁴¹	R4111993 ³⁰²	R4122386	R4577495	R4577495
R44141583 ²⁸⁷	2-1/2 "	R424244X	R424244X ³⁷	60050266	6927075 ⁴¹	R4111993 ³⁰²	R4122386	R4577495	R4577495
N/A	1-1/8 "	R4133320	R4133321	R4166926	NR	R4111993 ³⁰²	R4122386	-	-
N/A	1-1/8 "	R4133320	R4133321	R4166926	NR	R4111993 ³⁰²	R4122386	R4577495	R4577495
N/A	1-1/4 "	R4133376	R4133377	R4166923	NR	R4111993 ³⁰²	R4122386	-	-
N/A	1-1/4 "	R4133376	R4133377	R4166923	NR	R4111993 ³⁰²	R4122386	R4577495	R4577495
23-122729-002 ²⁶⁶	2-7/8 "	R429218X	R429218X ³⁹	R406532	R4090070 ⁴⁰	R4111993 ³⁰²	R4122386	R4577495	R4577495
N/A	1-1/4 "	R4133376	R4133377	R4166923	NR	R4111993 ³⁰²	R4122386	-	-
N/A	1-1/4 "	R4133376	R4133377	R4166923	NR	R4111993 ³⁰²	R4122386	R4577495	R4577495
N/A	1-1/2 "	R4133655	R4133656	R415194	NR	-	-	-	-
N/A	1-1/2 "	R4133655	R4133656	R415194	NR	-	-	R4577482 ³²³	R4577482
N/A	1-1/2 "	R4133655	R4133656	R415194	NR	-	-	R4577482 ³²³	R4577482
N/A	1-1/2 "	R4133655	R4133656	R415194	NR	-	-	-	-
N/A	1-5/8 "	R4133338	R4133338	R4166689	NR	-	-	-	-
N/A	1-5/8 "	R4133338	R4133338	R4166689	NR	-	-	R4577482 ³²³	R4577482
N/A	1-5/8 "	R4133338	R4133338	R4166689	NR	-	-	-	-
N/A	1-5/8 "	R4133338	R4133338	R4166689	NR	-	-	R4577482 ³²³	R4577482
N/A	1-5/8 "	R4133338	R4133338	R4166689	NR	-	-	-	-
N/A	1-5/8 "	R4133338	R4133338	R4166689	NR	-	-	R4577482 ³²³	R4577482
N/A	1-5/8 "	R4133338	R4133338	R4166689	NR	-	-	-	-
N/A	1-3/4 "	R4133400	R4133400	R4166917	NR	-	-	R4577482 ³²³	R4577482
N/A	1-3/4 "	R4133400	R4133400	R4166917	NR	-	-	-	-
N/A	1-3/4 "	R4133400	R4133400	R4166917	NR	-	-	-	-
N/A	1-3/4 "	R4133400	R4133400	R4166917	NR	-	-	R4577482 ³²³	R4577482
N/A	1-7/8 "	R4133420	R4133420	R4166897	NR	-	-	-	-
N/A	1-7/8 "	R4133420	R4133420	R4166897	NR	-	-	-	-
N/A	1-5/8 "	R4133338	R4133338	R4166689	NR	-	-	-	-
N/A	1-1/4 "	R4133376	R4133377	R4166923	NR	-	-	-	-

288 - Dayton Rotor with 6 Studs
339 - Use 69160441 for Disc Pad Retainer Clip

302 - Power Brakes, Dual System

323 - 17.50" Length

MAKE MODEL YEAR AXLE CODE AXLE WEIGHT	AXLE & BRK. TYPE	BRK. MFG.	BRAKE SIZE	FMSI	MERITOR DISC PAD OR BRAKE SHOE	MERITOR GUIDE PIN OR RETURN SPRING KIT	MERITOR CALIPER HWD. KIT OR RETURN SPRING KIT	MERITOR ADJUSTER KIT (LEFT WHEEL)	MERITOR ADJUSTER KIT (RIGHT WHEEL)
GMC / CHEV(Cont.)									
60, 6000 SERIES-20,000-27,500 lb. GVW (Cont.)									
1983									
C6D042, C6D064 Conventional H110, 135, 150	Ra	GM	15 " x 4 "	4640 - 427	R700427	R40H550	R404121	R40H3510	R40H3511
C6D042, C6D064 Conventional H150, T150, F106	Ra	GM	15 " x 5 "	4639 - 442	R700442	R40H550	R404121	R40H3510	R40H3511
C6D042, C6D064 Conventional H170, 175,	Ra	WG	15 " x 6 "	4596 - 381	R700381	R40H597	R40H9200	R40H3540	R40H3541
C6D042, C6D064 Conventional H172, 16244	Ra	WG	15 " x 6 "	4596 - 381	R700381	R40H597	R40H9200	R40H3540	R40H3541
C6D042, C6D064 Conventional T150, 175	Rm	WG	15 " x 6 "	4596 - 380	R700381	R40H597	R40H9200	R40H3518	R404148
C6D042, C6D064 Conventional T170, 185, 17100, 17200, 17121, 17221	Ra	WG	15 " x 7 "	4597 - 383	R700383	R40H597	R40H9200	R40H3540	R40H3541
	Rm	WG	15 " x 7 "	4597 - 382	R700383	R40H597	R40H9200	R40H3518	R404148
C6D042, C6D064 Steel Conventional F050, F055	Fa	GM	14 " x 2-1/2 "	2039 - 299	N/A	R40H599	R40H9206	R40H3500	R40H3501
C6D042, C6D064 Steel Conventional F090	Fa	WG	15 " x 3-1/2 "	1280B - 322	R464004	R40H521	R40H9237	R40H3502	R40H3503
F050, F055	Fa	GM	14 " x 2-1/2 "	2039 - 299	N/A	R40H599	R40H9206	R40H3500	R40H3501
F070	Fa	WG	15 " x 3 "	1245C - 321	R700321	R40H521	R40H9237	R40H3502	R40H3503
	Fm	WG	15 " x 3 "	1245A - 235	R700235	R40H521	R40H9201	R404132	R404132 ²⁷⁹
F090	Fa	WG	15 " x 3-1/2 "	1280B - 322	R464004	R40H521	R40H9237	R40H3502	R40H3503
H110, 135, 150	Ra	GM	15 " x 4 "	4640 - 427	R700427	R40H550	R404121	R40H3510	R40H3511
H150, T150, F106	Ra	GM	15 " x 5 "	4639 - 442	R700442	R40H550	R404121	R40H3510	R40H3511
H170, 175, T150, 175	Ra	WG	15 " x 6 "	4596 - 380	R700381	R40H597	R40H9200	R40H3540	R40H3541
	Rm	WG	15 " x 6 "	4596 - 381	R700381	R40H597	R40H9200	R40H3518	R404148
H172, 16244	Ra	WG	15 " x 6 "	4596 - 381	R700381	R40H597	R40H9200	R40H3540	R40H3541
P6T042 18121, 18221, 22121, 22221	Ra	WG	16 " x 6 "	1255 - 386	N/A	R40H597	R40H9200	-	-
	Rm	WG	16 " x 6 "	1255 - 386	N/A	R40H597	R40H9200	R404149	R404150
P6T042 34DS, 34DT	TRm	WG	15 " x 6 "	4596 - 381	R700381	R40H597	R40H9200	R40H3518	R404148
P6T042 F050, F055	Fa	GM	14 " x 2-1/2 "	2039 - 299	N/A	R40H599	R40H9206	R40H3500	R40H3501
	Fa	GM	14 " x 2-1/2 "	2039 - 299	N/A	R40H599	R40H9206	R40H3500	R40H3501
P6T042 F090	Fa	WG	15 " x 3-1/2 "	1280B - 322	R464004	R40H521	R40H9237	R40H3502	R40H3503
	Fa	WG	15 " x 3-1/2 "	1280B - 322	R464004	R40H521	R40H9237	R40H3502	R40H3503
	Fm	WG	15 " x 3-1/2 "	1280 - 463	R700463	R40H521	R40H9201	R404132	R404132 ²⁷⁹
	Fm	WG	15 " x 3-1/2 "	1280 - 463	R700463	R40H521	R40H9201	R404132	R404132 ²⁷⁹
P6T042 H110, 135, 150	Ra	GM	15 " x 4 "	4640 - 427	R700427	R40H550	R404121	R40H3510	R40H3511
P6T042 H170, 175,	Ra	WG	15 " x 6 "	4596 - 381	R700381	R40H597	R40H9200	R40H3540	R40H3541
P6T042 T150, 175	Rm	WG	15 " x 6 "	4596 - 380	R700381	R40H597	R40H9200	R40H3518	R404148
P6T042 T170, 185, 17100, 17200, 17121, 17221	Ra	WG	15 " x 7 "	4597 - 383	R700383	R40H597	R40H9200	R40H3540	R40H3541
	Rm	WG	15 " x 7 "	4597 - 382	R700383	R40H597	R40H9200	R40H3518	R404148
T170, 185, 17100, 17200, 17121, 17221	Rm	WG	15 " x 7 "	4597 - 382	R700383	R40H597	R40H9200	R40H3518	R404148
T185, 17100, 17200	Ra	WG	15 " x 7 "	4597 - 383	R700383	R40H597	R40H9200	R40H3540	R40H3541
5,000 lb.	Fa	GM	14 " x 2-1/2 "	2039 - 299	N/A	R40H599	R40H9206	R40H3500	R40H3501

279 - Has 2.29" Adjuster Studs, For 2.60" Studs Use E-4133

302 - Power Brakes, Dual System

323 - 17.50" Length

MERITOR DRUM OR ROTOR NO.	CALIPER OR CYLINDER BORE SIZE	MERITOR CALIPER OR WHEEL CYLINDER (LEFT)	MERITOR CALIPER OR WHEEL CYLINDER (RIGHT)	MERITOR CALIPER OR WHEEL CYLINDER REPAIR KIT	MERITOR CALIPER PISTON	MERITOR MASTER CYLINDER	MERITOR MASTER CYLINDER KIT	MERITOR BRAKE HOSE (LEFT)	MERITOR BRAKE HOSE (RIGHT)
GMC / CHEV(Cont.)									
60, 6000 SERIES-20,000-27,500 lb. GVW (Cont.)									
N/A	1-1/2 "	R4133655	R4133656	R415194	NR	-	-	-	-
N/A	1-1/2 "	R4133655	R4133656	R415194	NR	-	-	-	-
N/A	1-5/8 "	R4133338	R4133338	R4166689	NR	-	-	-	-
N/A	1-5/8 "	R4133338	R4133338	R4166689	NR	-	-	-	-
N/A	1-5/8 "	R4133338	R4133338	R4166689	NR	-	-	-	-
N/A	1-3/4 "	R4133400	R4133400	R4166917	NR	-	-	-	-
N/A	1-3/4 "	R4133400	R4133400	R4166917	NR	-	-	-	-
N/A	7/8 "	R4133406	R4133407	R4166820	NR	-	-	-	-
N/A	1-1/4 "	R4133376	R4133377	R4166923	NR	-	-	-	-
N/A	7/8 "	R4133406	R4133407	R4166820	NR	-	-	-	-
N/A	1-1/8 "	R4133320	R4133321	R4166926	NR	-	-	-	-
N/A	1-1/8 "	R4133320	R4133321	R4166926	NR	-	-	-	-
N/A	1-1/4 "	R4133376	R4133377	R4166923	NR	-	-	-	-
N/A	1-1/2 "	R4133655	R4133656	R415194	NR	-	-	R4577482 ³²³	R4577482
N/A	1-1/2 "	R4133655	R4133656	R415194	NR	-	-	R4577482 ³²³	R4577482
N/A	1-5/8 "	R4133338	R4133338	R4166689	NR	-	-	R4577482 ³²³	R4577482
N/A	1-5/8 "	R4133338	R4133338	R4166689	NR	-	-	R4577482 ³²³	R4577482
N/A	1-5/8 "	R4133338	R4133338	R4166689	NR	-	-	R4577482 ³²³	R4577482
N/A	1-7/8 "	R4133420	R4133420	R4166897	NR	-	-	-	-
N/A	1-7/8 "	R4133420	R4133420	R4166897	NR	-	-	-	-
N/A	1-5/8 "	R4133338	R4133338	R4166689	NR	-	-	-	-
N/A	7/8 "	R4133406	R4133407	R4166820	NR	R4111993 ³⁰²	R4122386	-	-
N/A	7/8 "	R4133406	R4133407	R4166820	NR	R4111993 ³⁰²	R4122386	-	-
N/A	1-1/4 "	R4133376	R4133377	R4166923	NR	R4111993 ³⁰²	R4122386	-	-
N/A	1-1/4 "	R4133376	R4133377	R4166923	NR	R4111993 ³⁰²	R4122386	-	-
N/A	1-1/4 "	R4133376	R4133377	R4166923	NR	R4111993 ³⁰²	R4122386	-	-
N/A	1-1/4 "	R4133376	R4133377	R4166923	NR	R4111993 ³⁰²	R4122386	-	-
N/A	1-1/2 "	R4133655	R4133656	R415194	NR	-	-	-	-
N/A	1-5/8 "	R4133338	R4133338	R4166689	NR	-	-	-	-
N/A	1-5/8 "	R4133338	R4133338	R4166689	NR	-	-	-	-
N/A	1-3/4 "	R4133400	R4133400	R4166917	NR	-	-	-	-
N/A	1-3/4 "	R4133400	R4133400	R4166917	NR	-	-	-	-
N/A	1-3/4 "	R4133400	R4133400	R4166917	NR	-	-	-	-
N/A	1-3/4 "	R4133400	R4133400	R4166917	NR	-	-	R4577482 ³²³	R4577482
N/A	1-1/8 "	R4133320	R4133321	R415194	NR	-	-	-	-

1 APPLICATION

MAKE MODEL YEAR AXLE CODE AXLE WEIGHT	AXLE & BRK. TYPE	BRK. MFG.	BRAKE SIZE	FMSI	MERITOR DISC PAD OR BRAKE SHOE	MERITOR GUIDE PIN OR RETURN SPRING KIT	MERITOR CALIPER HWD. KIT OR RETURN SPRING KIT	MERITOR ADJUSTER KIT (LEFT WHEEL)	MERITOR ADJUSTER KIT (RIGHT WHEEL)
GMC / CHEV(Cont.)									
60, 6000 SERIES-20,000-27,500 lb. GVW (Cont.)									
1983	Fa	GM	14 " x 2-1/2 "	2039 - 299	N/A	R40H599	R40H9206	R40H3500	R40H3501
C6D042, C6D064 Conventional 6,000, 7,000lb. GVW	Fm	WG	15 " x 3 "	1245A - 235	R700235	R40H521	R40H9201	R404132	R404132 ²⁷⁹
C6D042, C6D064 Steel Conventional 6,000, 7,000lb. GVW	Fa	WG	15 " x 3 "	1245C - 321	R700321	R40H521	R40H9237	R40H3502	R40H3503
P6T042 6,000, 7,000lb. GVW	Fa	WG	15 " x 3 "	1245C - 321	R700321	R40H521	R40H9237	R40H3502	R40H3503
	Fa	WG	15 " x 3 "	1245C - 321	R700321	R40H521	R40H9237	R40H3502	R40H3503
	Fm	WG	15 " x 3 "	1245A - 235	R700235	R40H521	R40H9201	R404132	R404132 ²⁷⁹
	Fm	WG	15 " x 3 "	1245A - 235	R700235	R40H521	R40H9201	R404132	R404132 ²⁷⁹
C6D042, C6D064 Conventional 7,000 lb.	Fd	DN		7141 - D224	MD224 ³³⁹	69310693	60050153 ²⁷⁷	NR	NR
	Fd	DN		7141 - D224	MD224 ³³⁹	69310693	60050153 ²⁷⁷	NR	NR
	Ra	GM	15 " x 5 "	4639 - 442	R700442	R40H550	R404121	R40H3510	R40H3511
	Ra	GM	15 " x 5 "	4639 - 442	R700442	R40H550	R404121	R40H3510	R40H3511
	Rd	BX		7142 - D225	MD225	R40H5010	R40H5522	NR	NR
	Rd	BX		7142 - D225	MD225	R40H5010	R40H5522	NR	NR
P6T042 7,000 lb.	Fd	DN		7141 - D224	MD224 ³³⁹	69310693	60050153 ²⁷⁷	NR	NR
	Fd	DN		7141 - D224	MD224 ³³⁹	69310693	60050153 ²⁷⁷	NR	NR
	Ra	GM	15 " x 5 "	4639 - 442	R700442	R40H550	R404121	R40H3510	R40H3511
	Rd	BX		7142 - D225	MD225	R40H5010	R40H5522	NR	NR
B6P042 School Bus 15,000 lb. GVW	Ra	GM	15 " x 5 "	4639 - 442	R700442	R40H550	R404121	R40H3510	R40H3511
	Ra	GM	15 " x 5 "	4639 - 442	R700442	R40H550	R404121	R40H3510	R40H3511
	Rd	DN		7141 - D224	MD224 ³³⁹	69310693	60050153 ²⁷⁷	NR	NR
	Rd	DN		7141 - D224	MD224 ³³⁹	69310693	60050153 ²⁷⁷	NR	NR
B6P042 School Bus 16,000, 17,000, 19,000lb. GVW	Rd	BX		7142 - D225	MD225	R40H5010	R40H5522	NR	NR
1982									
F090	Fm	WG	15 " x 3-1/2 "	1280 - 463	R700463	R40H521	R40H9201	R404132	R404132 ²⁷⁹
18121, 18221	Rm	WG	16 " x 6 "	1255 - 386	N/A	R40H597	R40H9200	R404149	R404150
22121, 22221	Ra	WG	16 " x 6 "	1255 - 386	N/A	R40H597	R40H9200	-	-
B6P042 School Bus 18121, 18221	Rm	WG	16 " x 6 "	1255 - 386	N/A	R40H597	R40H9200	R404149	R404150
B6P042 School Bus 22121, 22221	Ra	WG	16 " x 6 "	1255 - 386	N/A	R40H597	R40H9200	-	-
	Ra	WG	16 " x 6 "	1255 - 386	N/A	R40H597	R40H9200	-	-
B6P042 School Bus 34DS, 34DT	TRm	WG	15 " x 6 "	4596 - 381	R700381	R40H597	R40H9200	R40H3518	R404148
B6P042 School Bus F050, F055	Fa	GM	14 " x 2-1/2 "	2039 - 299	N/A	R40H599	R40H9206	R40H3500	R40H3501
B6P042 School Bus F070	Fa	WG	15 " x 3 "	1245C - 321	R700321	R40H521	R40H9237	R40H3502	R40H3503
	Fa	WG	15 " x 3 "	1245C - 321	R700321	R40H521	R40H9237	R40H3502	R40H3503
	Fm	WG	15 " x 3 "	1245A - 235	R700235	R40H521	R40H9201	R404132	R404132 ²⁷⁹
	Fm	WG	15 " x 3 "	1245A - 235	R700235	R40H521	R40H9201	R404132	R404132 ²⁷⁹
B6P042 School Bus F090	Fa	WG	15 " x 3-1/2 "	1280B - 322	R464004	R40H521	R40H9237	R40H3502	R40H3503
	Fm	WG	15 " x 3-1/2 "	1280 - 463	R700463	R40H521	R40H9201	R404132	R404132 ²⁷⁹
B6P042 School Bus H110, 135, 150	Ra	GM	15 " x 4 "	4640 - 427	R700427	R40H550	R404121	R40H3510	R40H3511
B6P042 School Bus H150, T150, F106	Ra	GM	15 " x 5 "	4639 - 442	R700442	R40H550	R404121	R40H3510	R40H3511
B6P042 School Bus H170, 175, T150, 175	Ra	WG	15 " x 6 "	4596 - 380	R700381	R40H597	R40H9200	R40H3540	R40H3541
	Rm	WG	15 " x 6 "	4596 - 381	R700381	R40H597	R40H9200	R40H3518	R404148
B6P042 School Bus H172, 16244	Ra	WG	15 " x 6 "	4596 - 381	R700381	R40H597	R40H9200	R40H3540	R40H3541

37 - Also available as a New unit
 41 - Aluminum piston
 277 - For Pad Retainer, Use 69160441
 www.XpresswayPlus.com

39 - First design, uses steel pistons.
 266 - 10 Stud, Hat Shaped
 279 - Has 2.29" Adjuster Studs, For 2.60" Studs Use E-4133

40 - For chrome plated steel version, use R4090070P
 268 - 5 Stud, Hat Shape
 288 - Dayton Rotor with 6 Studs

MERITOR DRUM OR ROTOR NO.	CALIPER OR CYLINDER BORE SIZE	MERITOR CALIPER OR WHEEL CYLINDER (LEFT)	MERITOR CALIPER OR WHEEL CYLINDER (RIGHT)	MERITOR CALIPER OR WHEEL CYLINDER REPAIR KIT	MERITOR CALIPER PISTON	MERITOR MASTER CYLINDER	MERITOR MASTER CYLINDER KIT	MERITOR BRAKE HOSE (LEFT)	MERITOR BRAKE HOSE (RIGHT)
GMC / CHEV(Cont.)									
60, 6000 SERIES-20,000-27,500 lb. GVW (Cont.)									
N/A	1-1/4 "	R4133320	R4133321	R415194	NR	-	-	-	-
N/A	1-1/8 "	R4133320	R4133321	R4166926	NR	-	-	-	-
N/A	1-1/8 "	R4133320	R4133321	R4166926	NR	R4111993 ³⁰⁶	R4122386	-	-
N/A	1-1/8 "	R4133320	R4133321	R4166926	NR	R4111993 ³⁰²	R4122386	-	-
N/A	1-1/8 "	R4133320	R4133321	R4166926	NR	R4111993 ³⁰²	R4122386	-	-
N/A	1-1/8 "	R4133320	R4133321	R4166926	NR	R4111993 ³⁰²	R4122386	-	-
23-123486-002 ²⁶⁸	2-1/2 "	R424244X	R424244X ³⁷	60050266	6927075 ⁴¹	-	-	-	-
23-123486-002 ²⁶⁸	2-1/2 "	R424244X	R424244X ³⁷	60050266	6927075 ⁴¹	-	-	-	-
N/A	1-1/2 "	R4133655	R4133656	R415194	NR	-	-	R4577482 ³²³	R4577482
N/A	1-1/2 "	R4133655	R4133656	R415194	NR	-	-	R4577482 ³²³	R4577482
23-122729-002 ²⁶⁶	2-7/8 "	R429218X	R429218X ³⁹	R406532	R4090070 ⁴⁰	-	-	-	-
23-122729-002 ²⁶⁶	2-7/8 "	R429218X	R429218X ³⁹	R406532	R4090070 ⁴⁰	-	-	-	-
23-123486-002 ²⁶⁸	2-1/2 "	R424244X	R424244X ³⁷	60050266	6927075 ⁴¹	R4111993 ³⁰²	R4122386	R4577495	R4577495
23-123486-002 ²⁶⁸	2-1/2 "	R424244X	R424244X ³⁷	60050266	6927075 ⁴¹	R4111993 ³⁰²	R4122386	R4577484	R4577484
N/A	1-1/2 "	R4133655	R4133656	R415194	NR	-	-	R4577482 ³²³	R4577482
23-122729-002 ²⁶⁶	2-7/8 "	R429218X	R429218X ³⁹	R406532	R4090070 ⁴⁰	-	-	R4577482 ³²³	R4577482
N/A	1-1/2 "	R4133655	R4133656	R415194	NR	-	-	R4577482 ³²³	R4577482
N/A	1-1/2 "	R4133655	R4133656	R415194	NR	-	-	R4577482 ³²³	R4577482
23-123486-002 ²⁶⁸	2-1/2 "	R424244X	R424244X ³⁷	60050266	6927075 ⁴¹	-	-	R4577482 ³²³	R4577482
23-123468-002 ²⁸⁸	2-1/2 "	R424244X	R424244X ³⁷	60050266	6927075 ⁴¹	-	-	R4577482 ³²³	R4577482
23-122729-002 ²⁶⁶	2-7/8 "	R429218X	R429218X ³⁹	R406532	R4090070 ⁴⁰	-	-	R4577482 ³²³	R4577482
N/A	1-1/4 "	R4133376	R4133377	R4166923	NR	-	-	-	-
N/A	1-7/8 "	R4133420	R4133420	R4166897	NR	-	-	-	-
N/A	1-7/8 "	R4133420	R4133420	R4166897	NR	-	-	-	-
N/A	1-7/8 "	R4133420	R4133420	R4166897	NR	-	-	-	-
N/A	1-7/8 "	R4133420	R4133420	R4166897	NR	-	-	-	-
N/A	1-7/8 "	R4133420	R4133420	R4166897	NR	-	-	-	-
N/A	1-5/8 "	R4133338	R4133338	R4166689	NR	-	-	-	-
N/A	7/8 "	R4133406	R4133407	R4166820	NR	-	-	-	-
N/A	1-1/4 "	R4133315	R4133316	R4166923	NR	-	-	-	-
N/A	1-1/8 "	R4133320	R4133321	R4166926	NR	-	-	-	-
N/A	1-1/4 "	R4133315	R4133316	R4166923	NR	-	-	-	-
N/A	1-1/8 "	R4133320	R4133321	R4166926	NR	-	-	-	-
N/A	1-1/4 "	R4133376	R4133377	R4166923	NR	-	-	-	-
N/A	1-1/4 "	R4133376	R4133377	R4166923	NR	-	-	-	-
N/A	1-1/2 "	R4133655	R4133656	R415194	NR	-	-	-	-
N/A	1-1/2 "	R4133655	R4133656	R415194	NR	-	-	-	-
N/A	1-5/8 "	R4133338	R4133338	R4166689	NR	-	-	-	-
N/A	1-5/8 "	R4133338	R4133338	R4166689	NR	-	-	-	-
N/A	1-5/8 "	R4133338	R4133338	R4166689	NR	-	-	-	-

302 - Power Brakes, Dual System
339 - Use 69160441 for Disc Pad Retainer Clip

306 - Power Brakes, Single System

323 - 17.50" Length

MAKE MODEL YEAR AXLE CODE AXLE WEIGHT	AXLE & BRK. TYPE	BRK. MFG.	BRAKE SIZE	FMSI	MERITOR DISC PAD OR BRAKE SHOE	MERITOR GUIDE PIN OR RETURN SPRING KIT	MERITOR CALIPER HWD. KIT OR RETURN SPRING KIT	MERITOR ADJUSTER KIT (LEFT WHEEL)	MERITOR ADJUSTER KIT (RIGHT WHEEL)
GMC / CHEV(Cont.)									
60, 6000 SERIES-20,000-27,500 lb. GVW (Cont.)									
1982									
B6P042 School Bus T170, 185, 17100, 17200, 17121, 17221	Ra	WG	15 " x 7 "	4597 - 383	R700383	R40H597	R40H9200	R40H3540	R40H3541
	Rm	WG	15 " x 7 "	4597 - 382	R700383	R40H597	R40H9200	R40H3518	R404148
F050, F055	Fa	GM	14 " x 2-1/2 "	2039 - 299	N/A	R40H599	R40H9206	R40H3500	R40H3501
F070	Fa	WG	15 " x 3 "	1245C - 321	R700321	R40H521	R40H9237	R40H3502	R40H3503
	Fm	WG	15 " x 3 "	1245A - 235	R700235	R40H521	R40H9201	R404132	R404132 ²⁷⁹
F090	Fa	WG	15 " x 3-1/2 "	1280B - 322	R464004	R40H521	R40H9237	R40H3502	R40H3503
H110, 135, 150	Ra	GM	15 " x 4 "	4640 - 427	R700427	R40H550	R404121	R40H3510	R40H3511
H150, T150, F106	Ra	GM	15 " x 5 "	4639 - 442	R700442	R40H550	R404121	R40H3510	R40H3511
H170, 175, T150, 175	Ra	WG	15 " x 6 "	4596 - 380	R700381	R40H597	R40H9200	R40H3540	R40H3541
	Rm	WG	15 " x 6 "	4596 - 381	R700381	R40H597	R40H9200	R40H3518	R404148
H172, 16244	Ra	WG	15 " x 6 "	4596 - 381	R700381	R40H597	R40H9200	R40H3540	R40H3541
T170, 185, 17100, 17200, 17121, 17221	Rm	WG	15 " x 7 "	4597 - 382	R700383	R40H597	R40H9200	R40H3518	R404148
	Ra	WG	15 " x 7 "	4597 - 383	R700383	R40H597	R40H9200	R40H3540	R40H3541
1981									
F090	Fm	WG	15 " x 3-1/2 "	1280 - 463	R700463	R40H521	R40H9201	R404132	R404132 ²⁷⁹
18121, 18221	Rm	WG	16 " x 6 "	1255 - 386	N/A	R40H597	R40H9200	R404149	R404150
22121, 22221	Ra	WG	16 " x 6 "	1255 - 386	N/A	R40H597	R40H9200	-	-
B6P042 School Bus 18121, 18221	Rm	WG	16 " x 6 "	1255 - 386	N/A	R40H597	R40H9200	R404149	R404150
B6P042 School Bus 22121, 22221	Ra	WG	16 " x 6 "	1255 - 386	N/A	R40H597	R40H9200	-	-
	Ra	WG	16 " x 6 "	1255 - 386	N/A	R40H597	R40H9200	-	-
B6P042 School Bus 34DS, 34DT	TRm	WG	15 " x 6 "	4596 - 381	R700381	R40H597	R40H9200	R40H3518	R404148
B6P042 School Bus F050, F055	Fa	GM	14 " x 2-1/2 "	2039 - 299	N/A	R40H599	R40H9206	R40H3500	R40H3501
	Fa	GM	14 " x 2-1/2 "	2039 - 299	N/A	R40H599	R40H9206	R40H3500	R40H3501
B6P042 School Bus F070	Fa	WG	15 " x 3 "	1245C - 321	R700321	R40H521	R40H9237	R40H3502	R40H3503
	Fa	WG	15 " x 3 "	1245C - 321	R700321	R40H521	R40H9237	R40H3502	R40H3503
	Fa	WG	15 " x 3 "	1245C - 321	R700321	R40H521	R40H9237	R40H3502	R40H3503
	Fm	WG	15 " x 3 "	1245A - 235	R700235	R40H521	R40H9201	R404132	R404132 ²⁷⁹
	Fm	WG	15 " x 3 "	1245A - 235	R700235	R40H521	R40H9201	R404132	R404132 ²⁷⁹
	Fm	WG	15 " x 3 "	1245A - 235	R700235	R40H521	R40H9201	R404132	R404132 ²⁷⁹
B6P042 School Bus F090	Fa	WG	15 " x 3-1/2 "	1280B - 322	R464004	R40H521	R40H9237	R40H3502	R40H3503
	Fa	WG	15 " x 3-1/2 "	1280B - 322	R464004	R40H521	R40H9237	R40H3502	R40H3503
	Fm	WG	15 " x 3-1/2 "	1280 - 463	R700463	R40H521	R40H9201	R404132	R404132 ²⁷⁹
B6P042 School Bus H110, 135, 150	Ra	GM	15 " x 4 "	4640 - 427	R700427	R40H550	R404121	R40H3510	R40H3511
B6P042 School Bus H150, T150, F106	Ra	GM	15 " x 5 "	4639 - 442	R700442	R40H550	R404121	R40H3510	R40H3511
B6P042 School Bus H170, 175, T150, 175	Ra	WG	15 " x 6 "	4596 - 380	R700381	R40H597	R40H9200	R40H3540	R40H3541
	Rm	WG	15 " x 6 "	4596 - 381	R700381	R40H597	R40H9200	R40H3518	R404148
B6P042 School Bus H172, 16244	Ra	WG	15 " x 6 "	4596 - 381	R700381	R40H597	R40H9200	R40H3540	R40H3541
B6P042 School Bus T170, 185, 17100, 17200, 17121, 17221	Ra	WG	15 " x 7 "	4597 - 383	R700383	R40H597	R40H9200	R40H3540	R40H3541
	Rm	WG	15 " x 7 "	4597 - 382	R700383	R40H597	R40H9200	R40H3518	R404148
F070	Fm	WG	15 " x 3 "	1245A - 235	R700235	R40H521	R40H9201	R404132	R404132 ²⁷⁹
H110, 135, 150	Ra	GM	15 " x 4 "	4640 - 427	R700427	R40H550	R404121	R40H3510	R40H3511
H150, T150, F106	Ra	GM	15 " x 5 "	4639 - 442	R700442	R40H550	R404121	R40H3510	R40H3511
H170, 175, T150, 175	Ra	WG	15 " x 6 "	4596 - 380	R700381	R40H597	R40H9200	R40H3540	R40H3541
	Rm	WG	15 " x 6 "	4596 - 381	R700381	R40H597	R40H9200	R40H3518	R404148
H172, 16244	Ra	WG	15 " x 6 "	4596 - 381	R700381	R40H597	R40H9200	R40H3540	R40H3541
T170, 185, 17100, 17200, 17121, 17221	Rm	WG	15 " x 7 "	4597 - 382	R700383	R40H597	R40H9200	R40H3518	R404148
	Ra	WG	15 " x 7 "	4597 - 383	R700383	R40H597	R40H9200	R40H3540	R40H3541
T185, 17100, 17200	Ra	WG	15 " x 7 "	4597 - 383	R700383	R40H597	R40H9200	R40H3540	R40H3541

279 - Has 2.29" Adjuster Studs, For 2.60" Studs Use E-4133

MERITOR DRUM OR ROTOR NO.	CALIPER OR CYLINDER BORE SIZE	MERITOR CALIPER OR WHEEL CYLINDER (LEFT)	MERITOR CALIPER OR WHEEL CYLINDER (RIGHT)	MERITOR CALIPER OR WHEEL CYLINDER REPAIR KIT	MERITOR CALIPER PISTON	MERITOR MASTER CYLINDER	MERITOR MASTER CYLINDER KIT	MERITOR BRAKE HOSE (LEFT)	MERITOR BRAKE HOSE (RIGHT)
GMC / CHEV(Cont.)									
60, 6000 SERIES-20,000-27,500 lb. GVW (Cont.)									
N/A	1-3/4 "	R4133400	R4133400	R4166917	NR	-	-	-	-
N/A	1-3/4 "	R4133400	R4133400	R4166917	NR	-	-	-	-
N/A	7/8 "	R4133406	R4133407	R4166820	NR	-	-	-	-
N/A	1-1/8 "	R4133320	R4133321	R4166926	NR	-	-	-	-
N/A	1-1/8 "	R4133320	R4133321	R4166926	NR	-	-	-	-
N/A	1-1/4 "	R4133376	R4133377	R4166923	NR	-	-	-	-
N/A	1-1/2 "	R4133655	R4133656	R415194	NR	-	-	-	-
N/A	1-1/2 "	R4133655	R4133656	R415194	NR	-	-	-	-
N/A	1-5/8 "	R4133338	R4133338	R4166689	NR	-	-	-	-
N/A	1-5/8 "	R4133338	R4133338	R4166689	NR	-	-	-	-
N/A	1-5/8 "	R4133338	R4133338	R4166689	NR	-	-	-	-
N/A	1-3/4 "	R4133400	R4133400	R4166917	NR	-	-	-	-
N/A	1-3/4 "	R4133400	R4133400	R4166917	NR	-	-	-	-
N/A	1-1/4 "	R4133376	R4133377	R4166923	NR	-	-	-	-
N/A	1-7/8 "	R4133420	R4133420	R4166897	NR	-	-	-	-
N/A	1-7/8 "	R4133420	R4133420	R4166897	NR	-	-	-	-
N/A	1-7/8 "	R4133420	R4133420	R4166897	NR	-	-	-	-
N/A	1-7/8 "	R4133420	R4133420	R4166897	NR	-	-	-	-
N/A	1-7/8 "	R4133420	R4133420	R4166897	NR	-	-	-	-
N/A	1-7/8 "	R4133420	R4133420	R4166897	NR	-	-	-	-
N/A	1-5/8 "	R4133338	R4133338	R4166689	NR	-	-	-	-
N/A	7/8 "	R4133406	R4133407	R4166820	NR	-	-	-	-
N/A	7/8 "	R4133406	R4133407	R4166820	NR	-	-	-	-
N/A	1-1/8 "	R4133320	R4133321	R4166926	NR	-	-	-	-
N/A	1-1/4 "	R4133315	R4133316	R4166923	NR	-	-	-	-
N/A	1-1/8 "	R4133320	R4133321	R4166926	NR	-	-	-	-
N/A	1-1/8 "	R4133320	R4133321	R4166926	NR	-	-	-	-
N/A	1-1/4 "	R4133315	R4133316	R4166923	NR	-	-	-	-
N/A	1-1/4 "	R4133376	R4133377	R4166923	NR	-	-	-	-
N/A	1-1/4 "	R4133376	R4133377	R4166923	NR	-	-	-	-
N/A	1-1/4 "	R4133376	R4133377	R4166923	NR	-	-	-	-
N/A	1-1/2 "	R4133655	R4133656	R415194	NR	-	-	-	-
N/A	1-1/2 "	R4133655	R4133656	R415194	NR	-	-	-	-
N/A	1-5/8 "	R4133338	R4133338	R4166689	NR	-	-	-	-
N/A	1-5/8 "	R4133338	R4133338	R4166689	NR	-	-	-	-
N/A	1-5/8 "	R4133338	R4133338	R4166689	NR	-	-	-	-
N/A	1-3/4 "	R4133400	R4133400	R4166917	NR	-	-	-	-
N/A	1-3/4 "	R4133400	R4133400	R4166917	NR	-	-	-	-
N/A	1-1/8 "	R4133320	R4133321	R4166926	NR	-	-	-	-
N/A	1-1/2 "	R4133655	R4133656	R415194	NR	-	-	-	-
N/A	1-1/2 "	R4133655	R4133656	R415194	NR	-	-	-	-
N/A	1-5/8 "	R4133338	R4133338	R4166689	NR	-	-	-	-
N/A	1-5/8 "	R4133338	R4133338	R4166689	NR	-	-	-	-
N/A	1-5/8 "	R4133338	R4133338	R4166689	NR	-	-	-	-
N/A	1-3/4 "	R4133400	R4133400	R4166917	NR	-	-	-	-
N/A	1-3/4 "	R4133400	R4133400	R4166917	NR	-	-	-	-

1 APPLICATION

MAKE MODEL YEAR AXLE CODE AXLE WEIGHT	AXLE & BRK. TYPE	BRK. MFG.	BRAKE SIZE	FMSI	MERITOR DISC PAD OR BRAKE SHOE	MERITOR GUIDE PIN OR RETURN SPRING KIT	MERITOR CALIPER HWD. KIT OR RETURN SPRING KIT	MERITOR ADJUSTER KIT (LEFT WHEEL)	MERITOR ADJUSTER KIT (RIGHT WHEEL)
GMC / CHEV(Cont.)									
60, 6000 SERIES-20,000-27,500 lb. GVW									
1980									
F090	Fm	WG	15 " x 3-1/2 "	1280 - 463	R700463	R40H521	R40H9201	R404132	R404132 ²⁷⁹
18121, 18221	Rm	WG	16 " x 6 "	1255 - 386	N/A	R40H597	R40H9200	R404149	R404150
22121, 22221	Ra	WG	16 " x 6 "	1255 - 386	N/A	R40H597	R40H9200	-	-
B6P042 School Bus 18121, 18221	Rm	WG	16 " x 6 "	1255 - 386	N/A	R40H597	R40H9200	R404149	R404150
B6P042 School Bus 22121, 22221	Ra Ra	WG WG	16 " x 6 " 16 " x 6 "	1255 - 386 1255 - 386	N/A N/A	R40H597 R40H597	R40H9200 R40H9200	- -	- -
B6P042 School Bus 34DS, 34DT	TRm	WG	15 " x 6 "	4596 - 381	R700381	R40H597	R40H9200	R40H3518	R404148
B6P042 School Bus F050, F055	Fa	GM	14 " x 2-1/2 "	2039 - 299	N/A	R40H599	R40H9206	R40H3500	R40H3501
B6P042 School Bus F070	Fa Fa Fm Fm	WG WG WG WG	15 " x 3 " 15 " x 3 " 15 " x 3 " 15 " x 3 "	1245C - 321 1245C - 321 1245A - 235 1245A - 235	R700321 R700321 R700235 R700235	R40H521 R40H521 R40H521 R40H521	R40H9237 R40H9237 R40H9201 R40H9201	R40H3502 R40H3502 R404132 R404132	R40H3503 R40H3503 R404132 ²⁷⁹ R404132 ²⁷⁹
B6P042 School Bus F090	Fa Fm	WG WG	15 " x 3-1/2 " 15 " x 3-1/2 "	1280B - 322 1280 - 463	R464004 R700463	R40H521 R40H521	R40H9237 R40H9201	R40H3502 R404132	R40H3503 R404132 ²⁷⁹
B6P042 School Bus H110, 135, 150	Ra	GM	15 " x 4 "	4640 - 427	R700427	R40H550	R404121	R40H3510	R40H3511
B6P042 School Bus H150, T150, F106	Ra	GM	15 " x 5 "	4639 - 442	R700442	R40H550	R404121	R40H3510	R40H3511
B6P042 School Bus H170, 175, T150, 175	Ra Rm	WG WG	15 " x 6 " 15 " x 6 "	4596 - 380 4596 - 381	R700381 R700381	R40H597 R40H597	R40H9200 R40H9200	R40H3540 R40H3518	R40H3541 R404148
B6P042 School Bus H172, 16244	Ra	WG	15 " x 6 "	4596 - 381	R700381	R40H597	R40H9200	R40H3540	R40H3541
B6P042 School Bus T170, 185, 17100, 17200, 17121, 17221	Ra Rm	WG WG	15 " x 7 " 15 " x 7 "	4597 - 383 4597 - 382	R700383 R700383	R40H597 R40H597	R40H9200 R40H9200	R40H3540 R40H3518	R40H3541 R404148
C6D042, C6D064 Steel Conventional F050, F055	Fa	GM	14 " x 2-1/2 "	2039 - 299	N/A	R40H599	R40H9206	R40H3500	R40H3501
C6D042, C6D064 Steel Conventional F070	Fa	WG	15 " x 3 "	1245C - 321	R700321	R40H521	R40H9237	R40H3502	R40H3503
C6D042, C6D064 Steel Conventional F090	Fa	WG	15 " x 3-1/2 "	1280B - 322	R464004	R40H521	R40H9237	R40H3502	R40H3503
F070	Fm	WG	15 " x 3 "	1245A - 235	R700235	R40H521	R40H9201	R404132	R404132 ²⁷⁹
H110, 135, 150	Ra	GM	15 " x 4 "	4640 - 427	R700427	R40H550	R404121	R40H3510	R40H3511
H150, T150, F106	Ra	GM	15 " x 5 "	4639 - 442	R700442	R40H550	R404121	R40H3510	R40H3511
H170, 175, T150, 175	Ra Rm	WG WG	15 " x 6 " 15 " x 6 "	4596 - 380 4596 - 381	R700381 R700381	R40H597 R40H597	R40H9200 R40H9200	R40H3540 R40H3518	R40H3541 R404148
H172, 16244	Ra	WG	15 " x 6 "	4596 - 381	R700381	R40H597	R40H9200	R40H3540	R40H3541
T170, 185, 17100, 17200, 17121, 17221	Rm	WG	15 " x 7 "	4597 - 382	R700383	R40H597	R40H9200	R40H3518	R404148
T185, 17100, 17200	Ra	WG	15 " x 7 "	4597 - 383	R700383	R40H597	R40H9200	R40H3540	R40H3541
1979									
F090	Fm	WG	15 " x 3-1/2 "	1280 - 463	R700463	R40H521	R40H9201	R404132	R404132 ²⁷⁹
18121, 18221	Rm	WG	16 " x 6 "	1255 - 386	N/A	R40H597	R40H9200	R404149	R404150
22121, 22221	Ra	WG	16 " x 6 "	1255 - 386	N/A	R40H597	R40H9200	-	-
B6P042 School Bus 18121, 18221	Rm	WG	16 " x 6 "	1255 - 386	N/A	R40H597	R40H9200	R404149	R404150
B6P042 School Bus 22121, 22221	Ra Ra	WG WG	16 " x 6 " 16 " x 6 "	1255 - 386 1255 - 386	N/A N/A	R40H597 R40H597	R40H9200 R40H9200	- -	- -
B6P042 School Bus 34DS, 34DT	TRm	WG	15 " x 6 "	4596 - 381	R700381	R40H597	R40H9200	R40H3518	R404148

279 - Has 2.29" Adjuster Studs, For 2.60" Studs Use E-4133

306 - Power Brakes, Single System

MERITOR DRUM OR ROTOR NO.	CALIPER OR CYLINDER BORE SIZE	MERITOR CALIPER OR WHEEL CYLINDER (LEFT)	MERITOR CALIPER OR WHEEL CYLINDER (RIGHT)	MERITOR CALIPER OR WHEEL CYLINDER REPAIR KIT	MERITOR CALIPER PISTON	MERITOR MASTER CYLINDER	MERITOR MASTER CYLINDER KIT	MERITOR BRAKE HOSE (LEFT)	MERITOR BRAKE HOSE (RIGHT)
GMC / CHEV(Cont.)									
60, 6000 SERIES-20,000-27,500 lb. GVW									
N/A	1-1/4 "	R4133376	R4133377	R4166923	NR	R4112066 ³⁰⁶	R4110406	N/A	N/A
N/A	1-7/8 "	R4133420	R4133420	R4166897	NR	-	-	R4577252	R4577252
N/A	1-7/8 "	R4133420	R4133420	R4166897	NR	-	-	R4577252	R4577252
N/A	1-7/8 "	R4133420	R4133420	R4166897	NR	-	-	R4577252	R4577252
N/A	1-7/8 "	R4133420	R4133420	R4166897	NR	-	-	R4577252	R4577252
N/A	1-7/8 "	R4133420	R4133420	R4166897	NR	-	-	R4577252	R4577252
N/A	1-5/8 "	R4133338	R4133338	R4166689	NR	-	-	R4577252	R4577252
N/A	7/8 "	R4133406	R4133407	R4166820	NR	-	-	N/A	N/A
N/A	1-1/8 "	R4133320	R4133321	R4166926	NR	-	-	N/A	N/A
N/A	1-1/4 "	R4133315	R4133316	R4166923	NR	-	-	N/A	N/A
N/A	1-1/4 "	R4133315	R4133316	R4166923	NR	R4111993 ³⁰⁶	R4122386	N/A	N/A
N/A	1-1/8 "	R4133320	R4133321	R4166926	NR	R4111993 ³⁰⁶	R4122386	N/A	N/A
N/A	1-1/4 "	R4133376	R4133377	R4166923	NR	-	-	N/A	N/A
N/A	1-1/4 "	R4133376	R4133377	R4166923	NR	R4111993 ³⁰⁶	R4122386	N/A	N/A
N/A	1-1/2 "	R4133655	R4133656	R415194	NR	-	-	R4577252	R4577252
N/A	1-1/2 "	R4133655	R4133656	R415194	NR	-	-	R4577252	R4577252
N/A	1-5/8 "	R4133338	R4133338	R4166689	NR	-	-	R4577252	R4577252
N/A	1-5/8 "	R4133338	R4133338	R4166689	NR	-	-	R4577252	R4577252
N/A	1-5/8 "	R4133338	R4133338	R4166689	NR	-	-	R4577252	R4577252
N/A	1-3/4 "	R4133400	R4133400	R4166917	NR	-	-	R4577252	R4577252
N/A	1-3/4 "	R4133400	R4133400	R4166917	NR	-	-	R4577252	R4577252
N/A	7/8 "	R4133406	R4133407	R4166820	NR	R4112066 ³⁰⁶	R4110406	N/A	N/A
N/A	1-1/8 "	R4133320	R4133321	R4166926	NR	R4112066 ³⁰⁶	R4110406	N/A	N/A
N/A	1-1/4 "	R4133376	R4133377	R4166923	NR	R4112066 ³⁰⁶	R4110406	N/A	N/A
N/A	1-1/8 "	R4133320	R4133321	R4166926	NR	R4112066 ³⁰⁶	R4110406	N/A	N/A
N/A	1-1/2 "	R4133655	R4133656	R415194	NR	-	-	R4577252	R4577252
N/A	1-1/2 "	R4133655	R4133656	R415194	NR	-	-	R4577252	R4577252
N/A	1-5/8 "	R4133338	R4133338	R4166689	NR	-	-	R4577252	R4577252
N/A	1-5/8 "	R4133338	R4133338	R4166689	NR	-	-	R4577252	R4577252
N/A	1-5/8 "	R4133338	R4133338	R4166689	NR	-	-	R4577252	R4577252
N/A	1-3/4 "	R4133400	R4133400	R4166917	NR	-	-	R4577252	R4577252
N/A	1-3/4 "	R4133400	R4133400	R4166917	NR	-	-	R4577252	R4577252
N/A	1-1/4 "	R4133376	R4133377	R4166923	NR	-	-	-	-
N/A	1-7/8 "	R4133420	R4133420	R4166897	NR	-	-	-	-
N/A	1-7/8 "	R4133420	R4133420	R4166897	NR	-	-	-	-
N/A	1-7/8 "	R4133420	R4133420	R4166897	NR	-	-	-	-
N/A	1-7/8 "	R4133420	R4133420	R4166897	NR	-	-	-	-
N/A	1-7/8 "	R4133420	R4133420	R4166897	NR	-	-	-	-
N/A	1-5/8 "	R4133338	R4133338	R4166689	NR	-	-	-	-

1 APPLICATION

MAKE MODEL YEAR AXLE CODE AXLE WEIGHT	AXLE & BRK. TYPE	BRK. MFG.	BRAKE SIZE	FMSI	MERITOR DISC PAD OR BRAKE SHOE	MERITOR GUIDE PIN OR RETURN SPRING KIT	MERITOR CALIPER HWD. KIT OR RETURN SPRING KIT	MERITOR ADJUSTER KIT (LEFT WHEEL)	MERITOR ADJUSTER KIT (RIGHT WHEEL)
GMC / CHEV(Cont.)									
60, 6000 SERIES-20,000-27,500 lb. GVW (Cont.)									
1979									
B6P042 School Bus F050, F055	Fa	GM	14 " x 2-1/2 "	2039 - 299	N/A	R40H599	R40H9206	R40H3500	R40H3501
B6P042 School Bus F070	Fa	WG	15 " x 3 "	1245C - 321	R700321	R40H521	R40H9237	R40H3502	R40H3503
	Fa	WG	15 " x 3 "	1245C - 321	R700321	R40H521	R40H9237	R40H3502	R40H3503
	Fm	WG	15 " x 3 "	1245A - 235	R700235	R40H521	R40H9201	R404132	R404132 ²⁷⁹
B6P042 School Bus F090	Fm	WG	15 " x 3 "	1245A - 235	R700235	R40H521	R40H9201	R404132	R404132 ²⁷⁹
	Fa	WG	15 " x 3-1/2 "	1280B - 322	R464004	R40H521	R40H9237	R40H3502	R40H3503
B6P042 School Bus H110, 135, 150	Fm	WG	15 " x 3-1/2 "	1280 - 463	R700463	R40H521	R40H9201	R404132	R404132 ²⁷⁹
B6P042 School Bus H110, 135, 150	Ra	GM	15 " x 4 "	4640 - 427	R700427	R40H550	R404121	R40H3510	R40H3511
B6P042 School Bus H150, T150, F106	Ra	GM	15 " x 5 "	4639 - 442	R700442	R40H550	R404121	R40H3510	R40H3511
B6P042 School Bus H170, 175, T150, 175	Ra	WG	15 " x 6 "	4596 - 380	R700381	R40H597	R40H9200	R40H3540	R40H3541
	Rm	WG	15 " x 6 "	4596 - 381	R700381	R40H597	R40H9200	R40H3518	R404148
B6P042 School Bus H172, 16244	Ra	WG	15 " x 6 "	4596 - 381	R700381	R40H597	R40H9200	R40H3540	R40H3541
B6P042 School Bus T170, 185, 17100, 17200, 17121, 17221	Ra	WG	15 " x 7 "	4597 - 383	R700383	R40H597	R40H9200	R40H3540	R40H3541
	Rm	WG	15 " x 7 "	4597 - 382	R700383	R40H597	R40H9200	R40H3518	R404148
F050, F055	Fa	GM	14 " x 2-1/2 "	2039 - 299	N/A	R40H599	R40H9206	R40H3500	R40H3501
F070	Fa	WG	15 " x 3 "	1245C - 321	R700321	R40H521	R40H9237	R40H3502	R40H3503
	Fm	WG	15 " x 3 "	1245A - 235	R700235	R40H521	R40H9201	R404132	R404132 ²⁷⁹
F090	Fa	WG	15 " x 3-1/2 "	1280B - 322	R464004	R40H521	R40H9237	R40H3502	R40H3503
H110, 135, 150	Ra	GM	15 " x 4 "	4640 - 427	R700427	R40H550	R404121	R40H3510	R40H3511
H150, T150, F106	Ra	GM	15 " x 5 "	4639 - 442	R700442	R40H550	R404121	R40H3510	R40H3511
H170, 175, T150, 175	Ra	WG	15 " x 6 "	4596 - 380	R700381	R40H597	R40H9200	R40H3540	R40H3541
	Rm	WG	15 " x 6 "	4596 - 381	R700381	R40H597	R40H9200	R40H3518	R404148
H172, 16244	Ra	WG	15 " x 6 "	4596 - 381	R700381	R40H597	R40H9200	R40H3540	R40H3541
T170, 185, 17100, 17200, 17121, 17221	Rm	WG	15 " x 7 "	4597 - 382	R700383	R40H597	R40H9200	R40H3518	R404148
	Ra	WG	15 " x 7 "	4597 - 383	R700383	R40H597	R40H9200	R40H3540	R40H3541
T185, 17100, 17200	Ra	WG	15 " x 7 "	4597 - 383	R700383	R40H597	R40H9200	R40H3540	R40H3541
1978									
F090	Fm	WG	15 " x 3-1/2 "	1280 - 463	R700463	R40H521	R40H9201	R404132	R404132 ²⁷⁹
17121, 17221	Ra	WG	15 " x 7 "	4597 - 383	R700383	R40H597	R40H9200	R40H3540	R40H3541
	Ra	WG	15 " x 7 "	4597 - 383	R700383	R40H597	R40H9200	R40H3540	R40H3541
	Ra	WG	16 " x 6 "	1255 - 386	N/A	R40H597	R40H9200	-	-
	Rm	WG	15 " x 7 "	4597 - 382	R700383	R40H597	R40H9200	R40H3518	R404148
	Rm	WG	15 " x 7 "	4597 - 382	R700383	R40H597	R40H9200	R40H3518	R404148
	Rm	WG	16 " x 6 "	1255 - 386	N/A	R40H597	R40H9200	R404149	R404150
17121, 17221, 18221	Ra	WG	16 " x 6 "	1255 - 386	N/A	R40H597	R40H9200	-	-
	Rm	WG	16 " x 6 "	1255 - 386	N/A	R40H597	R40H9200	R404149	R404150
18121, 18221	Rm	WG	16 " x 6 "	1255 - 386	N/A	R40H597	R40H9200	R404149	R404150
22121, 22221	Ra	WG	16 " x 6 "	1255 - 386	N/A	R40H597	R40H9200	-	-
B6P042 School Bus 18121, 18221	Rm	WG	16 " x 6 "	1255 - 386	N/A	R40H597	R40H9200	R404149	R404150
B6P042 School Bus 22121, 22221	Ra	WG	16 " x 6 "	1255 - 386	N/A	R40H597	R40H9200	-	-
	Ra	WG	16 " x 6 "	1255 - 386	N/A	R40H597	R40H9200	-	-
B6P042 School Bus 34DS, 34DT	TRm	WG	15 " x 6 "	4596 - 381	R700381	R40H597	R40H9200	R40H3518	R404148
B6P042 School Bus F050, F055	Fa	GM	14 " x 2-1/2 "	2039 - 299	N/A	R40H599	R40H9206	R40H3500	R40H3501
B6P042 School Bus F070	Fa	WG	15 " x 3 "	1245C - 321	R700321	R40H521	R40H9237	R40H3502	R40H3503
	Fm	WG	15 " x 3 "	1245A - 235	R700235	R40H521	R40H9201	R404132	R404132 ²⁷⁹
B6P042 School Bus F090	Fa	WG	15 " x 3-1/2 "	1280B - 322	R464004	R40H521	R40H9237	R40H3502	R40H3503
	Fm	WG	15 " x 3-1/2 "	1280 - 463	R700463	R40H521	R40H9201	R404132	R404132 ²⁷⁹

279 - Has 2.29" Adjuster Studs, For 2.60" Studs Use E-4133

MAKE MODEL YEAR AXLE CODE AXLE WEIGHT	AXLE & BRK. TYPE	BRK. MFG.	BRAKE SIZE	FMSI	MERITOR DISC PAD OR BRAKE SHOE	MERITOR GUIDE PIN OR RETURN SPRING KIT	MERITOR CALIPER HWD. KIT OR RETURN SPRING KIT	MERITOR ADJUSTER KIT (LEFT WHEEL)	MERITOR ADJUSTER KIT (RIGHT WHEEL)
GMC / CHEV(Cont.)									
60, 6000 SERIES-20,000-27,500 lb. GVW (Cont.)									
1978									
B6P042 School Bus H110, 135, 150	Ra	GM	15 " x 4 "	4640 - 427	R700427	R40H550	R404121	R40H3510	R40H3511
B6P042 School Bus H150, T150, F106	Ra	GM	15 " x 5 "	4639 - 442	R700442	R40H550	R404121	R40H3510	R40H3511
B6P042 School Bus H170, 175, T150, 175	Ra	WG	15 " x 6 "	4596 - 380	R700381	R40H597	R40H9200	R40H3540	R40H3541
	Rm	WG	15 " x 6 "	4596 - 381	R700381	R40H597	R40H9200	R40H3518	R404148
B6P042 School Bus H172, 16244	Ra	WG	15 " x 6 "	4596 - 381	R700381	R40H597	R40H9200	R40H3540	R40H3541
B6P042 School Bus T170, 185, 17100, 17200, 17121, 17221	Ra	WG	15 " x 7 "	4597 - 383	R700383	R40H597	R40H9200	R40H3540	R40H3541
	Rm	WG	15 " x 7 "	4597 - 382	R700383	R40H597	R40H9200	R40H3518	R404148
F050, F055	Fa	GM	14 " x 2-1/2 "	2039 - 299	N/A	R40H599	R40H9206	R40H3500	R40H3501
F070	Fa	WG	15 " x 3 "	1245C - 321	R700321	R40H521	R40H9237	R40H3502	R40H3503
	Fa	WG	15 " x 3 "	1245C - 321	R700321	R40H521	R40H9237	R40H3502	R40H3503
	Fa	WG	15 " x 3 "	1245C - 321	R700321	R40H521	R40H9237	R40H3502	R40H3503
	Fm	WG	15 " x 3 "	1245A - 235	R700235	R40H521	R40H9201	R404132	R404132 ²⁷⁹
	Fm	WG	15 " x 3 "	1245A - 235	R700235	R40H521	R40H9201	R404132	R404132 ²⁷⁹
F090	Fa	WG	15 " x 3-1/2 "	1280B - 322	R464004	R40H521	R40H9237	R40H3502	R40H3503
	Fa	WG	15 " x 3-1/2 "	1280B - 322	R464004	R40H521	R40H9237	R40H3502	R40H3503
F090, F120	Fa	WG	15 " x 3-1/2 "	1280B - 322	R464004	R40H521	R40H9237	R40H3502	R40H3503
	Fm	WG	15 " x 3-1/2 "	1280 - 463	R700463	R40H521	R40H9201	R404132	R404132 ²⁷⁹
F120	Fm	WG	15 " x 3-1/2 "	1280 - 463	R700463	R40H521	R40H9201	R404132	R404132 ²⁷⁹
H110, 135, 150	Ra	GM	15 " x 4 "	4640 - 427	R700427	R40H550	R404121	R40H3510	R40H3511
H150, T150, F106	Ra	GM	15 " x 5 "	4639 - 442	R700442	R40H550	R404121	R40H3510	R40H3511
H170, 175, T150, 175	Ra	WG	15 " x 6 "	4596 - 380	R700381	R40H597	R40H9200	R40H3540	R40H3541
	Rm	WG	15 " x 6 "	4596 - 381	R700381	R40H597	R40H9200	R40H3518	R404148
H170, T170	Ra	WG	15 " x 6 "	4596 - 381	R700381	R40H597	R40H9200	R40H3540	R40H3541
	Ra	WG	15 " x 6 "	4596 - 381	R700381	R40H597	R40H9200	R40H3540	R40H3541
	Rm	WG	15 " x 6 "	4596 - 380	R700381	R40H597	R40H9200	R40H3518	R404148
H172, 16244	Rm	WG	15 " x 6 "	4596 - 380	R700381	R40H597	R40H9200	R40H3518	R404148
	Ra	WG	15 " x 6 "	4596 - 381	R700381	R40H597	R40H9200	R40H3540	R40H3541
T170, 185, 17100, 17200, 17121, 17221	Rm	WG	15 " x 7 "	4597 - 382	R700383	R40H597	R40H9200	R40H3518	R404148
	Ra	WG	15 " x 7 "	4597 - 383	R700383	R40H597	R40H9200	R40H3540	R40H3541
1977									
F090	Fm	WG	15 " x 3-1/2 "	1280 - 463	R700463	R40H521	R40H9201	R404132	R404132 ²⁷⁹
18121, 18221	Rm	WG	16 " x 6 "	1255 - 386	N/A	R40H597	R40H9200	R404149	R404150
22121, 22221	Ra	WG	16 " x 6 "	1255 - 386	N/A	R40H597	R40H9200	-	-
B6P042 School Bus 18121, 18221	Rm	WG	16 " x 6 "	1255 - 386	N/A	R40H597	R40H9200	R404149	R404150
B6P042 School Bus 22121, 22221	Ra	WG	16 " x 6 "	1255 - 386	N/A	R40H597	R40H9200	-	-
	Ra	WG	16 " x 6 "	1255 - 386	N/A	R40H597	R40H9200	-	-
B6P042 School Bus 34DS, 34DT	TRm	WG	15 " x 6 "	4596 - 381	R700381	R40H597	R40H9200	R40H3518	R404148
B6P042 School Bus F050, F055	Fa	GM	14 " x 2-1/2 "	2039 - 299	N/A	R40H599	R40H9206	R40H3500	R40H3501
B6P042 School Bus F070	Fa	WG	15 " x 3 "	1245C - 321	R700321	R40H521	R40H9237	R40H3502	R40H3503
	Fm	WG	15 " x 3 "	1245A - 235	R700235	R40H521	R40H9201	R404132	R404132 ²⁷⁹
B6P042 School Bus F090	Fa	WG	15 " x 3-1/2 "	1280B - 322	R464004	R40H521	R40H9237	R40H3502	R40H3503
	Fm	WG	15 " x 3-1/2 "	1280 - 463	R700463	R40H521	R40H9201	R404132	R404132 ²⁷⁹
B6P042 School Bus H110, 135, 150	Ra	GM	15 " x 4 "	4640 - 427	R700427	R40H550	R404121	R40H3510	R40H3511
B6P042 School Bus H150, T150, F106	Ra	GM	15 " x 5 "	4639 - 442	R700442	R40H550	R404121	R40H3510	R40H3511
B6P042 School Bus H170, 175, T150, 175	Ra	WG	15 " x 6 "	4596 - 380	R700381	R40H597	R40H9200	R40H3540	R40H3541

279 - Has 2.29" Adjuster Studs, For 2.60" Studs Use E-4133

MERITOR DRUM OR ROTOR NO.	CALIPER OR CYLINDER BORE SIZE	MERITOR CALIPER OR WHEEL CYLINDER (LEFT)	MERITOR CALIPER OR WHEEL CYLINDER (RIGHT)	MERITOR CALIPER OR WHEEL CYLINDER REPAIR KIT	MERITOR CALIPER PISTON	MERITOR MASTER CYLINDER	MERITOR MASTER CYLINDER KIT	MERITOR BRAKE HOSE (LEFT)	MERITOR BRAKE HOSE (RIGHT)
GMC / CHEV(Cont.)									
60, 6000 SERIES-20,000-27,500 lb. GVW (Cont.)									
N/A	1-1/2 "	R4133655	R4133656	R415194	NR	-	-	-	-
N/A	1-1/2 "	R4133655	R4133656	R415194	NR	-	-	-	-
N/A	1-5/8 "	R4133338	R4133338	R4166689	NR	-	-	-	-
N/A	1-5/8 "	R4133338	R4133338	R4166689	NR	-	-	-	-
N/A	1-5/8 "	R4133338	R4133338	R4166689	NR	-	-	-	-
N/A	1-3/4 "	R4133400	R4133400	R4166917	NR	-	-	-	-
N/A	1-3/4 "	R4133400	R4133400	R4166917	NR	-	-	-	-
N/A	7/8 "	R4133406	R4133407	R4166820	NR	-	-	-	-
N/A	1-1/8 "	R4133320	R4133321	R4166926	NR	-	-	-	-
N/A	1-1/8 "	R4133320	R4133321	R4166926	NR	-	-	-	-
N/A	1-1/8 "	R4133320	R4133321	R4166926	NR	-	-	-	-
N/A	1-1/8 "	R4133320	R4133321	R4166926	NR	-	-	-	-
N/A	1-1/8 "	R4133320	R4133321	R4166926	NR	-	-	-	-
N/A	1-1/8 "	R4133320	R4133321	R4166926	NR	-	-	-	-
N/A	1-1/4 "	R4133376	R4133377	R4166923	NR	-	-	-	-
N/A	1-1/4 "	R4133376	R4133377	R4166923	NR	-	-	-	-
N/A	1-1/4 "	R4133376	R4133377	R4166923	NR	-	-	-	-
N/A	1-1/4 "	R4133376	R4133377	R4166923	NR	-	-	-	-
N/A	1-1/4 "	R4133376	R4133377	R4166923	NR	-	-	-	-
N/A	1-1/2 "	R4133655	R4133656	R415194	NR	-	-	-	-
N/A	1-1/2 "	R4133655	R4133656	R415194	NR	-	-	-	-
N/A	1-5/8 "	R4133338	R4133338	R4166689	NR	-	-	-	-
N/A	1-5/8 "	R4133338	R4133338	R4166689	NR	-	-	-	-
N/A	1-5/8 "	R4133338	R4133338	R4166689	NR	-	-	-	-
N/A	1-5/8 "	R4133338	R4133338	R4166689	NR	-	-	-	-
N/A	1-5/8 "	R4133338	R4133338	R4166689	NR	-	-	-	-
N/A	1-5/8 "	R4133338	R4133338	R4166689	NR	-	-	-	-
N/A	1-5/8 "	R4133338	R4133338	R4166689	NR	-	-	-	-
N/A	1-3/4 "	R4133400	R4133400	R4166917	NR	-	-	-	-
N/A	1-3/4 "	R4133400	R4133400	R4166917	NR	-	-	-	-
N/A	1-1/4 "	R4133376	R4133377	R4166923	NR	-	-	-	-
N/A	1-7/8 "	R4133420	R4133420	R4166897	NR	-	-	-	-
N/A	1-7/8 "	R4133420	R4133420	R4166897	NR	-	-	-	-
N/A	1-7/8 "	R4133420	R4133420	R4166897	NR	-	-	-	-
N/A	1-7/8 "	R4133420	R4133420	R4166897	NR	-	-	-	-
N/A	1-7/8 "	R4133420	R4133420	R4166897	NR	-	-	-	-
N/A	1-7/8 "	R4133420	R4133420	R4166897	NR	-	-	-	-
N/A	1-5/8 "	R4133338	R4133338	R4166689	NR	-	-	-	-
N/A	7/8 "	R4133406	R4133407	R4166820	NR	-	-	-	-
N/A	1-1/8 "	R4133320	R4133321	R4166926	NR	-	-	-	-
N/A	1-1/8 "	R4133320	R4133321	R4166926	NR	-	-	-	-
N/A	1-1/4 "	R4133376	R4133377	R4166923	NR	-	-	-	-
N/A	1-1/4 "	R4133376	R4133377	R4166923	NR	-	-	-	-
N/A	1-1/2 "	R4133655	R4133656	R415194	NR	-	-	-	-
N/A	1-1/2 "	R4133655	R4133656	R415194	NR	-	-	-	-
N/A	1-5/8 "	R4133338	R4133338	R4166689	NR	-	-	-	-

1 APPLICATION

MAKE MODEL YEAR AXLE CODE AXLE WEIGHT	AXLE & BRK. TYPE	BRK. MFG.	BRAKE SIZE	FMSI	MERITOR DISC PAD OR BRAKE SHOE	MERITOR GUIDE PIN OR RETURN SPRING KIT	MERITOR CALIPER HWD. KIT OR RETURN SPRING KIT	MERITOR ADJUSTER KIT (LEFT WHEEL)	MERITOR ADJUSTER KIT (RIGHT WHEEL)
GMC / CHEV(Cont.)									
60, 6000 SERIES-20,000-27,500 lb. GVW (Cont.)									
1977	Rm	WG	15 " x 6 "	4596 - 381	R700381	R40H597	R40H9200	R40H3518	R404148
B6P042 School Bus H172, 16244	Ra	WG	15 " x 6 "	4596 - 381	R700381	R40H597	R40H9200	R40H3540	R40H3541
B6P042 School Bus T170, 185, 17100, 17200, 17121, 17221	Ra	WG	15 " x 7 "	4597 - 383	R700383	R40H597	R40H9200	R40H3540	R40H3541
	Rm	WG	15 " x 7 "	4597 - 382	R700383	R40H597	R40H9200	R40H3518	R404148
F050, F055	Fa	GM	14 " x 2-1/2 "	2039 - 299	N/A	R40H599	R40H9206	R40H3500	R40H3501
F070	Fa	WG	15 " x 3 "	1245C - 321	R700321	R40H521	R40H9237	R40H3502	R40H3503
	Fm	WG	15 " x 3 "	1245A - 235	R700235	R40H521	R40H9201	R404132	R404132 ²⁷⁹
F090	Fa	WG	15 " x 3-1/2 "	1280B - 322	R464004	R40H521	R40H9237	R40H3502	R40H3503
H110, 135, 150	Ra	GM	15 " x 4 "	4640 - 427	R700427	R40H550	R404121	R40H3510	R40H3511
H150, T150, F106	Ra	GM	15 " x 5 "	4639 - 442	R700442	R40H550	R404121	R40H3510	R40H3511
H170, 175, T150, 175	Ra	WG	15 " x 6 "	4596 - 380	R700381	R40H597	R40H9200	R40H3540	R40H3541
	Rm	WG	15 " x 6 "	4596 - 381	R700381	R40H597	R40H9200	R40H3518	R404148
H172, 16244	Ra	WG	15 " x 6 "	4596 - 381	R700381	R40H597	R40H9200	R40H3540	R40H3541
T170, 185, 17100, 17200, 17121, 17221	Rm	WG	15 " x 7 "	4597 - 382	R700383	R40H597	R40H9200	R40H3518	R404148
T185, 17100, 17200	Ra	WG	15 " x 7 "	4597 - 383	R700383	R40H597	R40H9200	R40H3540	R40H3541
1976									
F090	Fm	WG	15 " x 3-1/2 "	1280 - 463	R700463	R40H521	R40H9201	R404132	R404132 ²⁷⁹
18121, 18221	Rm	WG	16 " x 6 "	1255 - 386	N/A	R40H597	R40H9200	R404149	R404150
22121, 22221	Ra	WG	16 " x 6 "	1255 - 386	N/A	R40H597	R40H9200	-	-
B6P042 School Bus 18121, 18221	Rm	WG	16 " x 6 "	1255 - 386	N/A	R40H597	R40H9200	R404149	R404150
B6P042 School Bus 22121, 22221	Ra	WG	16 " x 6 "	1255 - 386	N/A	R40H597	R40H9200	-	-
	Ra	WG	16 " x 6 "	1255 - 386	N/A	R40H597	R40H9200	-	-
B6P042 School Bus 34DS, 34DT	TRm	WG	15 " x 6 "	4596 - 381	R700381	R40H597	R40H9200	R40H3518	R404148
B6P042 School Bus F050, F055	Fa	GM	14 " x 2-1/2 "	2039 - 299	N/A	R40H599	R40H9206	R40H3500	R40H3501
B6P042 School Bus F070	Fa	WG	15 " x 3 "	1245C - 321	R700321	R40H521	R40H9237	R40H3502	R40H3503
	Fm	WG	15 " x 3 "	1245A - 235	R700235	R40H521	R40H9201	R404132	R404132 ²⁷⁹
B6P042 School Bus F090	Fa	WG	15 " x 3-1/2 "	1280B - 322	R464004	R40H521	R40H9237	R40H3502	R40H3503
	Fm	WG	15 " x 3-1/2 "	1280 - 463	R700463	R40H521	R40H9201	R404132	R404132 ²⁷⁹
B6P042 School Bus H110, 135, 150	Ra	GM	15 " x 4 "	4640 - 427	R700427	R40H550	R404121	R40H3510	R40H3511
B6P042 School Bus H150, T150, F106	Ra	GM	15 " x 5 "	4639 - 442	R700442	R40H550	R404121	R40H3510	R40H3511
B6P042 School Bus H170, 175, T150, 175	Ra	WG	15 " x 6 "	4596 - 380	R700381	R40H597	R40H9200	R40H3540	R40H3541
	Rm	WG	15 " x 6 "	4596 - 381	R700381	R40H597	R40H9200	R40H3518	R404148
B6P042 School Bus H172, 16244	Ra	WG	15 " x 6 "	4596 - 381	R700381	R40H597	R40H9200	R40H3540	R40H3541
B6P042 School Bus T170, 185, 17100, 17200, 17121, 17221	Ra	WG	15 " x 7 "	4597 - 383	R700383	R40H597	R40H9200	R40H3540	R40H3541
	Rm	WG	15 " x 7 "	4597 - 382	R700383	R40H597	R40H9200	R40H3518	R404148
F050, F055	Fa	GM	14 " x 2-1/2 "	2039 - 299	N/A	R40H599	R40H9206	R40H3500	R40H3501
F070	Fa	WG	15 " x 3 "	1245C - 321	R700321	R40H521	R40H9237	R40H3502	R40H3503
	Fm	WG	15 " x 3 "	1245A - 235	R700235	R40H521	R40H9201	R404132	R404132 ²⁷⁹
F090	Fa	WG	15 " x 3-1/2 "	1280B - 322	R464004	R40H521	R40H9237	R40H3502	R40H3503
H110, 135, 150	Ra	GM	15 " x 4 "	4640 - 427	R700427	R40H550	R404121	R40H3510	R40H3511
H150, T150, F106	Ra	GM	15 " x 5 "	4639 - 442	R700442	R40H550	R404121	R40H3510	R40H3511
H170, 175, T150, 175	Ra	WG	15 " x 6 "	4596 - 380	R700381	R40H597	R40H9200	R40H3540	R40H3541
	Rm	WG	15 " x 6 "	4596 - 381	R700381	R40H597	R40H9200	R40H3518	R404148
H172, 16244	Ra	WG	15 " x 6 "	4596 - 381	R700381	R40H597	R40H9200	R40H3540	R40H3541
T170, 185, 17100, 17200, 17121, 17221	Rm	WG	15 " x 7 "	4597 - 382	R700383	R40H597	R40H9200	R40H3518	R404148

279 - Has 2.29" Adjuster Studs, For 2.60" Studs Use E-4133

MERITOR DRUM OR ROTOR NO.	CALIPER OR CYLINDER BORE SIZE	MERITOR CALIPER OR WHEEL CYLINDER (LEFT)	MERITOR CALIPER OR WHEEL CYLINDER (RIGHT)	MERITOR CALIPER OR WHEEL CYLINDER REPAIR KIT	MERITOR CALIPER PISTON	MERITOR MASTER CYLINDER	MERITOR MASTER CYLINDER KIT	MERITOR BRAKE HOSE (LEFT)	MERITOR BRAKE HOSE (RIGHT)
GMC / CHEV(Cont.)									
60, 6000 SERIES-20,000-27,500 lb. GVW (Cont.)									
N/A	1-5/8 "	R4133338	R4133338	R4166689	NR	-	-	-	-
N/A	1-5/8 "	R4133338	R4133338	R4166689	NR	-	-	-	-
N/A	1-3/4 "	R4133400	R4133400	R4166917	NR	-	-	-	-
N/A	1-3/4 "	R4133400	R4133400	R4166917	NR	-	-	-	-
N/A	7/8 "	R4133406	R4133407	R4166820	NR	-	-	-	-
N/A	1-1/8 "	R4133320	R4133321	R4166926	NR	-	-	-	-
N/A	1-1/8 "	R4133320	R4133321	R4166926	NR	-	-	-	-
N/A	1-1/4 "	R4133376	R4133377	R4166923	NR	-	-	-	-
N/A	1-1/2 "	R4133655	R4133656	R415194	NR	-	-	-	-
N/A	1-1/2 "	R4133655	R4133656	R415194	NR	-	-	-	-
N/A	1-5/8 "	R4133338	R4133338	R4166689	NR	-	-	-	-
N/A	1-5/8 "	R4133338	R4133338	R4166689	NR	-	-	-	-
N/A	1-5/8 "	R4133338	R4133338	R4166689	NR	-	-	-	-
N/A	1-3/4 "	R4133400	R4133400	R4166917	NR	-	-	-	-
N/A	1-3/4 "	R4133400	R4133400	R4166917	NR	-	-	-	-
N/A	1-1/4 "	R4133376	R4133377	R4166923	NR	-	-	-	-
N/A	1-7/8 "	R4133420	R4133420	R4166897	NR	-	-	-	-
N/A	1-7/8 "	R4133420	R4133420	R4166897	NR	-	-	-	-
N/A	1-7/8 "	R4133420	R4133420	R4166897	NR	-	-	-	-
N/A	1-7/8 "	R4133420	R4133420	R4166897	NR	-	-	-	-
N/A	1-7/8 "	R4133420	R4133420	R4166897	NR	-	-	-	-
N/A	1-5/8 "	R4133338	R4133338	R4166689	NR	-	-	-	-
N/A	7/8 "	R4133406	R4133407	R4166820	NR	-	-	-	-
N/A	1-1/8 "	R4133320	R4133321	R4166926	NR	-	-	-	-
N/A	1-1/8 "	R4133320	R4133321	R4166926	NR	-	-	-	-
N/A	1-1/4 "	R4133376	R4133377	R4166923	NR	-	-	-	-
N/A	1-1/4 "	R4133376	R4133377	R4166923	NR	-	-	-	-
N/A	1-1/2 "	R4133655	R4133656	R415194	NR	-	-	-	-
N/A	1-1/2 "	R4133655	R4133656	R415194	NR	-	-	-	-
N/A	1-5/8 "	R4133338	R4133338	R4166689	NR	-	-	-	-
N/A	1-5/8 "	R4133338	R4133338	R4166689	NR	-	-	-	-
N/A	1-5/8 "	R4133338	R4133338	R4166689	NR	-	-	-	-
N/A	1-3/4 "	R4133400	R4133400	R4166917	NR	-	-	-	-
N/A	1-3/4 "	R4133400	R4133400	R4166917	NR	-	-	-	-
N/A	7/8 "	R4133406	R4133407	R4166820	NR	-	-	-	-
N/A	1-1/8 "	R4133320	R4133321	R4166926	NR	-	-	-	-
N/A	1-1/8 "	R4133320	R4133321	R4166926	NR	-	-	-	-
N/A	1-1/4 "	R4133376	R4133377	R4166923	NR	-	-	-	-
N/A	1-1/4 "	R4133376	R4133377	R4166923	NR	-	-	-	-
N/A	1-1/2 "	R4133655	R4133656	R415194	NR	-	-	-	-
N/A	1-1/2 "	R4133655	R4133656	R415194	NR	-	-	-	-
N/A	1-5/8 "	R4133338	R4133338	R4166689	NR	-	-	-	-
N/A	1-5/8 "	R4133338	R4133338	R4166689	NR	-	-	-	-
N/A	1-5/8 "	R4133338	R4133338	R4166689	NR	-	-	-	-
N/A	1-5/8 "	R4133338	R4133338	R4166689	NR	-	-	-	-
N/A	1-5/8 "	R4133338	R4133338	R4166689	NR	-	-	-	-
N/A	1-3/4 "	R4133400	R4133400	R4166917	NR	-	-	-	-

MAKE MODEL YEAR AXLE CODE AXLE WEIGHT	AXLE & BRK. TYPE	BRK. MFG.	BRAKE SIZE	FMSI	MERITOR DISC PAD OR BRAKE SHOE	MERITOR GUIDE PIN OR RETURN SPRING KIT	MERITOR CALIPER HWD. KIT OR RETURN SPRING KIT	MERITOR ADJUSTER KIT (LEFT WHEEL)	MERITOR ADJUSTER KIT (RIGHT WHEEL)
GMC / CHEV(Cont.)									
60, 6000 SERIES-20,000-27,500 lb. GVW (Cont.)									
1976 T185, 17100, 17200	Ra	WG	15 " x 7 "	4597 - 383	R700383	R40H597	R40H9200	R40H3540	R40H3541
1975 F090 18121, 18221	Fm Rm	WG WG	15 " x 3-1/2 " 16 " x 6 "	1280 - 463 1255 - 386	R700463 N/A	R40H521 R40H597	R40H9201 R40H9200	R404132 R404149	R404132 ²⁷⁹ R404150
22121, 22221 B6P042 School Bus 18121, 18221	Ra Rm	WG WG	16 " x 6 " 16 " x 6 "	1255 - 386 1255 - 386	N/A N/A	R40H597 R40H597	R40H9200 R40H9200	- R404149	- R404150
B6P042 School Bus 22121, 22221	Ra Ra	WG WG	16 " x 6 " 16 " x 6 "	1255 - 386 1255 - 386	N/A N/A	R40H597 R40H597	R40H9200 R40H9200	- -	- -
B6P042 School Bus 34DS, 34DT	TRm	WG	15 " x 6 "	4596 - 381	R700381	R40H597	R40H9200	R40H3518	R404148
B6P042 School Bus F050, F055	Fa	GM	14 " x 2-1/2 "	2039 - 299	N/A	R40H599	R40H9206	R40H3500	R40H3501
B6P042 School Bus F070	Fa Fm	WG WG	15 " x 3 " 15 " x 3 "	1245C - 321 1245A - 235	R700321 R700235	R40H521 R40H521	R40H9237 R40H9201	R40H3502 R404132	R40H3503 R404132 ²⁷⁹
B6P042 School Bus F090	Fa Fm	WG WG	15 " x 3-1/2 " 15 " x 3-1/2 "	1280B - 322 1280 - 463	R464004 R700463	R40H521 R40H521	R40H9237 R40H9201	R40H3502 R404132	R40H3503 R404132 ²⁷⁹
B6P042 School Bus H110, 135, 150	Ra	GM	15 " x 4 "	4640 - 427	R700427	R40H550	R404121	R40H3510	R40H3511
B6P042 School Bus H150, T150, F106	Ra	GM	15 " x 5 "	4639 - 442	R700442	R40H550	R404121	R40H3510	R40H3511
B6P042 School Bus H170, 175, T150, 175	Ra Rm	WG WG	15 " x 6 " 15 " x 6 "	4596 - 380 4596 - 381	R700381 R700381	R40H597 R40H597	R40H9200 R40H9200	R40H3540 R40H3518	R40H3541 R404148
B6P042 School Bus H172, 16244	Ra	WG	15 " x 6 "	4596 - 381	R700381	R40H597	R40H9200	R40H3540	R40H3541
B6P042 School Bus T170, 185, 17100, 17200, 17121, 17221	Ra Rm	WG WG	15 " x 7 " 15 " x 7 "	4597 - 383 4597 - 382	R700383 R700383	R40H597 R40H597	R40H9200 R40H9200	R40H3540 R40H3518	R40H3541 R404148
F050, F055	Fa	GM	14 " x 2-1/2 "	2039 - 299	N/A	R40H599	R40H9206	R40H3500	R40H3501
F070	Fa Fm	WG WG	15 " x 3 " 15 " x 3 "	1245C - 321 1245A - 235	R700321 R700235	R40H521 R40H521	R40H9237 R40H9201	R40H3502 R404132	R40H3503 R404132 ²⁷⁹
F090	Fa	WG	15 " x 3-1/2 "	1280B - 322	R464004	R40H521	R40H9237	R40H3502	R40H3503
H110, 135, 150	Ra	GM	15 " x 4 "	4640 - 427	R700427	R40H550	R404121	R40H3510	R40H3511
H150, T150, F106	Ra	GM	15 " x 5 "	4639 - 442	R700442	R40H550	R404121	R40H3510	R40H3511
H170, 175, T150, 175	Ra Rm	WG WG	15 " x 6 " 15 " x 6 "	4596 - 380 4596 - 381	R700381 R700381	R40H597 R40H597	R40H9200 R40H9200	R40H3540 R40H3518	R40H3541 R404148
H172, 16244	Ra	WG	15 " x 6 "	4596 - 381	R700381	R40H597	R40H9200	R40H3540	R40H3541
T170, 185, 17100, 17200, 17121, 17221	Rm	WG	15 " x 7 "	4597 - 382	R700383	R40H597	R40H9200	R40H3518	R404148
T185, 17100, 17200	Ra	WG	15 " x 7 "	4597 - 383	R700383	R40H597	R40H9200	R40H3540	R40H3541
1974 F090 18121, 18221	Fm Rm	WG WG	15 " x 3-1/2 " 16 " x 6 "	1280 - 463 1255 - 386	R700463 N/A	R40H521 R40H597	R40H9201 R40H9200	R404132 R404149	R404132 ²⁷⁹ R404150
22121, 22221 B6P042 School Bus 18121, 18221	Ra Rm	WG WG	16 " x 6 " 16 " x 6 "	1255 - 386 1255 - 386	N/A N/A	R40H597 R40H597	R40H9200 R40H9200	- R404149	- R404150
B6P042 School Bus 22121, 22221	Ra Ra	WG WG	16 " x 6 " 16 " x 6 "	1255 - 386 1255 - 386	N/A N/A	R40H597 R40H597	R40H9200 R40H9200	- -	- -
B6P042 School Bus 34DS, 34DT	TRm	WG	15 " x 6 "	4596 - 381	R700381	R40H597	R40H9200	R40H3518	R404148
B6P042 School Bus F050, F055	Fa	GM	14 " x 2-1/2 "	2039 - 299	N/A	R40H599	R40H9206	R40H3500	R40H3501
B6P042 School Bus F070	Fa Fm	WG WG	15 " x 3 " 15 " x 3 "	1245C - 321 1245A - 235	R700321 R700235	R40H521 R40H521	R40H9237 R40H9201	R40H3502 R404132	R40H3503 R404132 ²⁷⁹

279 - Has 2.29" Adjuster Studs, For 2.60" Studs Use E-4133

MERITOR DRUM OR ROTOR NO.	CALIPER OR CYLINDER BORE SIZE	MERITOR CALIPER OR WHEEL CYLINDER (LEFT)	MERITOR CALIPER OR WHEEL CYLINDER (RIGHT)	MERITOR CALIPER OR WHEEL CYLINDER REPAIR KIT	MERITOR CALIPER PISTON	MERITOR MASTER CYLINDER	MERITOR MASTER CYLINDER KIT	MERITOR BRAKE HOSE (LEFT)	MERITOR BRAKE HOSE (RIGHT)
GMC / CHEV(Cont.)									
60, 6000 SERIES-20,000-27,500 lb. GVW (Cont.)									
N/A	1-3/4 "	R4133400	R4133400	R4166917	NR	-	-	-	-
N/A	1-1/4 "	R4133376	R4133377	R4166923	NR	-	-	-	-
N/A	1-7/8 "	R4133420	R4133420	R4166897	NR	-	-	-	-
N/A	1-7/8 "	R4133420	R4133420	R4166897	NR	-	-	-	-
N/A	1-7/8 "	R4133420	R4133420	R4166897	NR	-	-	-	-
N/A	1-7/8 "	R4133420	R4133420	R4166897	NR	-	-	-	-
N/A	1-7/8 "	R4133420	R4133420	R4166897	NR	-	-	-	-
N/A	1-7/8 "	R4133420	R4133420	R4166897	NR	-	-	-	-
N/A	1-5/8 "	R4133338	R4133338	R4166689	NR	-	-	-	-
N/A	7/8 "	R4133406	R4133407	R4166820	NR	-	-	-	-
N/A	1-1/8 "	R4133320	R4133321	R4166926	NR	-	-	-	-
N/A	1-1/8 "	R4133320	R4133321	R4166926	NR	-	-	-	-
N/A	1-1/4 "	R4133376	R4133377	R4166923	NR	-	-	-	-
N/A	1-1/4 "	R4133376	R4133377	R4166923	NR	-	-	-	-
N/A	1-1/2 "	R4133655	R4133656	R415194	NR	-	-	-	-
N/A	1-1/2 "	R4133655	R4133656	R415194	NR	-	-	-	-
N/A	1-5/8 "	R4133338	R4133338	R4166689	NR	-	-	-	-
N/A	1-5/8 "	R4133338	R4133338	R4166689	NR	-	-	-	-
N/A	1-5/8 "	R4133338	R4133338	R4166689	NR	-	-	-	-
N/A	1-3/4 "	R4133400	R4133400	R4166917	NR	-	-	-	-
N/A	1-3/4 "	R4133400	R4133400	R4166917	NR	-	-	-	-
N/A	1-3/4 "	R4133400	R4133400	R4166917	NR	-	-	-	-
N/A	1-3/4 "	R4133400	R4133400	R4166917	NR	-	-	-	-
N/A	1-1/4 "	R4133376	R4133377	R4166923	NR	-	-	-	-
N/A	1-7/8 "	R4133420	R4133420	R4166897	NR	-	-	-	-
N/A	1-7/8 "	R4133420	R4133420	R4166897	NR	-	-	-	-
N/A	1-7/8 "	R4133420	R4133420	R4166897	NR	-	-	-	-
N/A	1-7/8 "	R4133420	R4133420	R4166897	NR	-	-	-	-
N/A	1-7/8 "	R4133420	R4133420	R4166897	NR	-	-	-	-
N/A	1-7/8 "	R4133420	R4133420	R4166897	NR	-	-	-	-
N/A	1-5/8 "	R4133338	R4133338	R4166689	NR	-	-	-	-
N/A	7/8 "	R4133406	R4133407	R4166820	NR	-	-	-	-
N/A	1-1/8 "	R4133320	R4133321	R4166926	NR	-	-	-	-
N/A	1-1/8 "	R4133320	R4133321	R4166926	NR	-	-	-	-

1 APPLICATION

MAKE MODEL YEAR AXLE CODE AXLE WEIGHT	AXLE & BRK. TYPE	BRK. MFG.	BRAKE SIZE	FMSI	MERITOR DISC PAD OR BRAKE SHOE	MERITOR GUIDE PIN OR RETURN SPRING KIT	MERITOR CALIPER HWD. KIT OR RETURN SPRING KIT	MERITOR ADJUSTER KIT (LEFT WHEEL)	MERITOR ADJUSTER KIT (RIGHT WHEEL)
GMC / CHEV(Cont.)									
60, 6000 SERIES-20,000-27,500 lb. GVW									
1974									
B6P042 School Bus F090	Fa	WG	15 " x 3-1/2 "	1280B - 322	R464004	R40H521	R40H9237	R40H3502	R40H3503
	Fm	WG	15 " x 3-1/2 "	1280 - 463	R700463	R40H521	R40H9201	R404132	R404132 ²⁷⁹
B6P042 School Bus H110, 135, 150	Ra	GM	15 " x 4 "	4640 - 427	R700427	R40H550	R404121	R40H3510	R40H3511
B6P042 School Bus H150, T150, F106	Ra	GM	15 " x 5 "	4639 - 442	R700442	R40H550	R404121	R40H3510	R40H3511
B6P042 School Bus H170, 175, T150, 175	Ra	WG	15 " x 6 "	4596 - 380	R700381	R40H597	R40H9200	R40H3540	R40H3541
	Rm	WG	15 " x 6 "	4596 - 381	R700381	R40H597	R40H9200	R40H3518	R404148
B6P042 School Bus H172, 16244	Ra	WG	15 " x 6 "	4596 - 381	R700381	R40H597	R40H9200	R40H3540	R40H3541
B6P042 School Bus T170, 185, 17100, 17200, 17121, 17221	Ra	WG	15 " x 7 "	4597 - 383	R700383	R40H597	R40H9200	R40H3540	R40H3541
	Rm	WG	15 " x 7 "	4597 - 382	R700383	R40H597	R40H9200	R40H3518	R404148
F050, F055	Fa	GM	14 " x 2-1/2 "	2039 - 299	N/A	R40H599	R40H9206	R40H3500	R40H3501
F070	Fa	WG	15 " x 3 "	1245C - 321	R700321	R40H521	R40H9237	R40H3502	R40H3503
	Fm	WG	15 " x 3 "	1245A - 235	R700235	R40H521	R40H9201	R404132	R404132 ²⁷⁹
F090	Fa	WG	15 " x 3-1/2 "	1280B - 322	R464004	R40H521	R40H9237	R40H3502	R40H3503
H110, 135, 150	Ra	GM	15 " x 4 "	4640 - 427	R700427	R40H550	R404121	R40H3510	R40H3511
H150, T150, F106	Ra	GM	15 " x 5 "	4639 - 442	R700442	R40H550	R404121	R40H3510	R40H3511
H170, 175, T150, 175	Ra	WG	15 " x 6 "	4596 - 380	R700381	R40H597	R40H9200	R40H3540	R40H3541
	Rm	WG	15 " x 6 "	4596 - 381	R700381	R40H597	R40H9200	R40H3518	R404148
H172, 16244	Ra	WG	15 " x 6 "	4596 - 381	R700381	R40H597	R40H9200	R40H3540	R40H3541
T170, 185, 17100, 17200, 17121, 17221	Rm	WG	15 " x 7 "	4597 - 382	R700383	R40H597	R40H9200	R40H3518	R404148
T185, 17100, 17200	Ra	WG	15 " x 7 "	4597 - 383	R700383	R40H597	R40H9200	R40H3540	R40H3541
1973									
F090	Fm	WG	15 " x 3-1/2 "	1280 - 463	R700463	R40H521	R40H9201	R404132	R404132 ²⁷⁹
18121, 18221	Rm	WG	16 " x 6 "	1255 - 386	N/A	R40H597	R40H9200	R404149	R404150
22121, 22221	Ra	WG	16 " x 6 "	1255 - 386	N/A	R40H597	R40H9200	-	-
B6P042 School Bus 18121, 18221	Rm	WG	16 " x 6 "	1255 - 386	N/A	R40H597	R40H9200	R404149	R404150
B6P042 School Bus 22121, 22221	Ra	WG	16 " x 6 "	1255 - 386	N/A	R40H597	R40H9200	-	-
B6P042 School Bus 34DS, 34DT	TRm	WG	15 " x 6 "	4596 - 381	R700381	R40H597	R40H9200	R40H3518	R404148
B6P042 School Bus F050, F055	Fa	GM	14 " x 2-1/2 "	2039 - 299	N/A	R40H599	R40H9206	R40H3500	R40H3501
B6P042 School Bus F070	Fa	WG	15 " x 3 "	1245C - 321	R700321	R40H521	R40H9237	R40H3502	R40H3503
	Fm	WG	15 " x 3 "	1245A - 235	R700235	R40H521	R40H9201	R404132	R404132 ²⁷⁹
B6P042 School Bus F090	Fa	WG	15 " x 3-1/2 "	1280B - 322	R464004	R40H521	R40H9237	R40H3502	R40H3503
	Fm	WG	15 " x 3-1/2 "	1280 - 463	R700463	R40H521	R40H9201	R404132	R404132 ²⁷⁹
B6P042 School Bus H110, 135, 150	Ra	GM	15 " x 4 "	4640 - 427	R700427	R40H550	R404121	R40H3510	R40H3511
B6P042 School Bus H150, T150, F106	Ra	GM	15 " x 5 "	4639 - 442	R700442	R40H550	R404121	R40H3510	R40H3511
B6P042 School Bus H170, 175, T150, 175	Ra	WG	15 " x 6 "	4596 - 380	R700381	R40H597	R40H9200	R40H3540	R40H3541
	Rm	WG	15 " x 6 "	4596 - 381	R700381	R40H597	R40H9200	R40H3518	R404148
B6P042 School Bus H172, 16244	Ra	WG	15 " x 6 "	4596 - 381	R700381	R40H597	R40H9200	R40H3540	R40H3541
B6P042 School Bus T170, 185, 17100, 17200, 17121, 17221	Ra	WG	15 " x 7 "	4597 - 383	R700383	R40H597	R40H9200	R40H3540	R40H3541
	Rm	WG	15 " x 7 "	4597 - 382	R700383	R40H597	R40H9200	R40H3518	R404148
F050, F055	Fa	GM	14 " x 2-1/2 "	2039 - 299	N/A	R40H599	R40H9206	R40H3500	R40H3501

279 - Has 2.29" Adjuster Studs, For 2.60" Studs Use E-4133

MERITOR DRUM OR ROTOR NO.	CALIPER OR CYLINDER BORE SIZE	MERITOR CALIPER OR WHEEL CYLINDER (LEFT)	MERITOR CALIPER OR WHEEL CYLINDER (RIGHT)	MERITOR CALIPER OR WHEEL CYLINDER REPAIR KIT	MERITOR CALIPER PISTON	MERITOR MASTER CYLINDER	MERITOR MASTER CYLINDER KIT	MERITOR BRAKE HOSE (LEFT)	MERITOR BRAKE HOSE (RIGHT)
GMC / CHEV(Cont.)									
60, 6000 SERIES-20,000-27,500 lb. GVW									
N/A	1-1/4 "	R4133376	R4133377	R4166923	NR	-	-	-	-
N/A	1-1/4 "	R4133376	R4133377	R4166923	NR	-	-	-	-
N/A	1-1/2 "	R4133655	R4133656	R415194	NR	-	-	-	-
N/A	1-1/2 "	R4133655	R4133656	R415194	NR	-	-	-	-
N/A	1-5/8 "	R4133338	R4133338	R4166689	NR	-	-	-	-
N/A	1-5/8 "	R4133338	R4133338	R4166689	NR	-	-	-	-
N/A	1-5/8 "	R4133338	R4133338	R4166689	NR	-	-	-	-
N/A	1-3/4 "	R4133400	R4133400	R4166917	NR	-	-	-	-
N/A	1-3/4 "	R4133400	R4133400	R4166917	NR	-	-	-	-
N/A	7/8 "	R4133406	R4133407	R4166820	NR	-	-	-	-
N/A	1-1/8 "	R4133320	R4133321	R4166926	NR	-	-	-	-
N/A	1-1/8 "	R4133320	R4133321	R4166926	NR	-	-	-	-
N/A	1-1/4 "	R4133376	R4133377	R4166923	NR	-	-	-	-
N/A	1-1/2 "	R4133655	R4133656	R415194	NR	-	-	-	-
N/A	1-1/2 "	R4133655	R4133656	R415194	NR	-	-	-	-
N/A	1-5/8 "	R4133338	R4133338	R4166689	NR	-	-	-	-
N/A	1-5/8 "	R4133338	R4133338	R4166689	NR	-	-	-	-
N/A	1-5/8 "	R4133338	R4133338	R4166689	NR	-	-	-	-
N/A	1-3/4 "	R4133400	R4133400	R4166917	NR	-	-	-	-
N/A	1-3/4 "	R4133400	R4133400	R4166917	NR	-	-	-	-
N/A	1-1/4 "	R4133376	R4133377	R4166923	NR	-	-	-	-
N/A	1-7/8 "	R4133420	R4133420	R4166897	NR	-	-	-	-
N/A	1-7/8 "	R4133420	R4133420	R4166897	NR	-	-	-	-
N/A	1-7/8 "	R4133420	R4133420	R4166897	NR	-	-	-	-
N/A	1-7/8 "	R4133420	R4133420	R4166897	NR	-	-	-	-
N/A	1-7/8 "	R4133420	R4133420	R4166897	NR	-	-	-	-
N/A	1-5/8 "	R4133338	R4133338	R4166689	NR	-	-	-	-
N/A	7/8 "	R4133406	R4133407	R4166820	NR	-	-	-	-
N/A	1-1/8 "	R4133320	R4133321	R4166926	NR	-	-	-	-
N/A	1-1/8 "	R4133320	R4133321	R4166926	NR	-	-	-	-
N/A	1-1/4 "	R4133376	R4133377	R4166923	NR	-	-	-	-
N/A	1-1/4 "	R4133376	R4133377	R4166923	NR	-	-	-	-
N/A	1-1/2 "	R4133655	R4133656	R415194	NR	-	-	-	-
N/A	1-1/2 "	R4133655	R4133656	R415194	NR	-	-	-	-
N/A	1-5/8 "	R4133338	R4133338	R4166689	NR	-	-	-	-
N/A	1-5/8 "	R4133338	R4133338	R4166689	NR	-	-	-	-
N/A	1-5/8 "	R4133338	R4133338	R4166689	NR	-	-	-	-
N/A	1-3/4 "	R4133400	R4133400	R4166917	NR	-	-	-	-
N/A	1-3/4 "	R4133400	R4133400	R4166917	NR	-	-	-	-
N/A	7/8 "	R4133406	R4133407	R4166820	NR	-	-	-	-

1 APPLICATION

MAKE MODEL YEAR AXLE CODE AXLE WEIGHT	AXLE & BRK. TYPE	BRK. MFG.	BRAKE SIZE	FMSI	MERITOR DISC PAD OR BRAKE SHOE	MERITOR GUIDE PIN OR RETURN SPRING KIT	MERITOR CALIPER HWD. KIT OR RETURN SPRING KIT	MERITOR ADJUSTER KIT (LEFT WHEEL)	MERITOR ADJUSTER KIT (RIGHT WHEEL)
GMC / CHEV(Cont.)									
60, 6000 SERIES-20,000-27,500 lb. GVW (Cont.)									
1973 F070	Fa	WG	15" x 3"	1245C - 321	R700321	R40H521	R40H9237	R40H3502	R40H3503
	Fm	WG	15" x 3"	1245A - 235	R700235	R40H521	R40H9201	R404132	R404132 ²⁷⁹
F090	Fa	WG	15" x 3-1/2"	1280B - 322	R464004	R40H521	R40H9237	R40H3502	R40H3503
H110, 135, 150	Ra	GM	15" x 4"	4640 - 427	R700427	R40H550	R404121	R40H3510	R40H3511
H150, T150, F106	Ra	GM	15" x 5"	4639 - 442	R700442	R40H550	R404121	R40H3510	R40H3511
H170, 175, T150, 175	Ra	WG	15" x 6"	4596 - 380	R700381	R40H597	R40H9200	R40H3540	R40H3541
	Rm	WG	15" x 6"	4596 - 381	R700381	R40H597	R40H9200	R40H3518	R404148
H172, 16244	Ra	WG	15" x 6"	4596 - 381	R700381	R40H597	R40H9200	R40H3540	R40H3541
T170, 185, 17100, 17200, 17121, 17221	Rm	WG	15" x 7"	4597 - 382	R700383	R40H597	R40H9200	R40H3518	R404148
T185, 17100, 17200	Ra	WG	15" x 7"	4597 - 383	R700383	R40H597	R40H9200	R40H3540	R40H3541
1972 7,000lb. GVW	Fa	WG	15" x 3"	1245C - 321	R700321	R40H521	R40H9237	R40H3502	R40H3503
	Fa	WG	15" x 3"	1245C - 321	R700321	R40H521	R40H9237	R40H3502	R40H3503
	Fm	WG	15" x 3"	1245A - 235	R700235	R40H521	R40H9201	R404132	R404132 ²⁷⁹
	Fm	WG	15" x 3"	1245A - 235	R700235	R40H521	R40H9201	R404132	R404132 ²⁷⁹
9,000, 11,000lb. GVW	Fa	WG	15" x 3-1/2"	1280B - 322	R464004	R40H521	R40H9237	R40H3502	R40H3503
	Fa	WG	15" x 3-1/2"	1280B - 322	R464004	R40H521	R40H9237	R40H3502	R40H3503
	Fm	WG	15" x 3-1/2"	1280 - 463	R700463	R40H521	R40H9201	R404132	R404132 ²⁷⁹
	Fm	WG	15" x 3-1/2"	1280 - 463	R700463	R40H521	R40H9201	R404132	R404132 ²⁷⁹
17,000 lb. GVW	Ra	WG	15" x 6"	4596 - 381	R700381	R40H597	R40H9200	R40H3540	R40H3541
	Ra	WG	15" x 6"	4596 - 381	R700381	R40H597	R40H9200	R40H3540	R40H3541
	Rm	WG	15" x 6"	4596 - 380	R700381	R40H597	R40H9200	R40H3518	R404148
	Rm	WG	15" x 6"	4596 - 380	R700381	R40H597	R40H9200	R40H3518	R404148
18,500 lb. GVW	Rm	WG	15" x 7"	4597 - 382	R700383	R40H597	R40H9200	R40H3518	R404148
	Rm	WG	15" x 7"	4597 - 382	R700383	R40H597	R40H9200	R40H3518	R404148
70, 7000 SERIES									
2001 C7H042, C7H064 Topkick, Kodiak	Fd	BX		7142 - D225	MD225	R40H5010	R40H5522	NR	NR
	Fd	BX		7142 - D225	MD225	R40H5010	R40H5522	NR	NR
	Fd	DN		7141 - D224	MD224 ³³⁹	69310693	60050153 ²⁷⁷	NR	NR
	Fd	DN		7141 - D224	MD224 ³³⁹	69310693	60050153 ²⁷⁷	NR	NR
	Fd	Meritor		7636 - D769	MD769	NR	R4011121	NR	NR
	Fd	Meritor		7636 - D769	MD769	NR	R4011121	NR	NR
	Rd	BX		7142 - D225	MD225	R40H5010	R40H5522	NR	NR
	Rd	BX		7142 - D225	MD225	R40H5010	R40H5522	NR	NR
	Rd	DN		7141 - D224	MD224 ³³⁹	69310693	60050153 ²⁷⁷	NR	NR
	Rd	DN		7141 - D224	MD224 ³³⁹	69310693	60050153 ²⁷⁷	NR	NR
2000	Fd	BX		7142 - D225	MD225	R40H5010	R40H5522	NR	NR
	Fd	BX		7142 - D225	MD225	R40H5010	R40H5522	NR	NR
	Fd	DN		7141 - D224	MD224 ³³⁹	69310693	60050153 ²⁷⁷	NR	NR
	Fd	DN		7141 - D224	MD224 ³³⁹	69310693	60050153 ²⁷⁷	NR	NR
	Fd	Meritor		7636 - D769	MD769	NR	R4011121	NR	NR
	Fd	Meritor		7636 - D769	MD769	NR	R4011121	NR	NR
	Rd	BX		7142 - D225	MD225	R40H5010	R40H5522	NR	NR
	Rd	BX		7142 - D225	MD225	R40H5010	R40H5522	NR	NR
	Rd	DN		7141 - D224	MD224 ³³⁹	69310693	60050153 ²⁷⁷	NR	NR
	Rd	DN		7141 - D224	MD224 ³³⁹	69310693	60050153 ²⁷⁷	NR	NR
1999	Fd	DN		N/A - N/A	MD769	NR	R4011121	NR	NR
	Fd	DN		N/A - N/A	MD769	NR	R4011121	NR	NR
	Fd	DN		N/A - N/A	MD769	NR	R4011121	NR	NR
	Fd	DN		N/A - N/A	MD769	NR	R4011121	NR	NR
	Rd	DN		7141 - D224	MD224 ³³⁹	69310693	60050153 ²⁷⁷	NR	NR
	Rd	DN		7141 - D224	MD224 ³³⁹	69310693	60050153 ²⁷⁷	NR	NR
1998	Fd	DN		N/A - N/A	MD769	NR	R4011121	NR	NR

37 - Also available as a New unit
 72 - Phenolic/Steel Face
 279 - Has 2.29" Adjuster Studs, For 2.60" Studs Use E-4133
 www.XpresswayPlus.com

39 - First design, uses steel pistons.
 268 - 5 Stud, Hat Shape
 339 - Use 69160441 for Disc Pad Retainer Clip

41 - Aluminum piston
 277 - For Pad Retainer, Use 69160441
 392 - 5 Tapped Holes For ABS Mounting Ring

MERITOR DRUM OR ROTOR NO.	CALIPER OR CYLINDER BORE SIZE	MERITOR CALIPER OR WHEEL CYLINDER (LEFT)	MERITOR CALIPER OR WHEEL CYLINDER (RIGHT)	MERITOR CALIPER OR WHEEL CYLINDER REPAIR KIT	MERITOR CALIPER PISTON	MERITOR MASTER CYLINDER	MERITOR MASTER CYLINDER KIT	MERITOR BRAKE HOSE (LEFT)	MERITOR BRAKE HOSE (RIGHT)
GMC / CHEV(Cont.)									
60, 6000 SERIES-20,000-27,500 lb. GVW (Cont.)									
N/A	1-1/8 "	R4133320	R4133321	R4166926	NR	-	-	-	-
N/A	1-1/8 "	R4133320	R4133321	R4166926	NR	-	-	-	-
N/A	1-1/4 "	R4133376	R4133377	R4166923	NR	-	-	-	-
N/A	1-1/2 "	R4133655	R4133656	R415194	NR	-	-	-	-
N/A	1-1/2 "	R4133655	R4133656	R415194	NR	-	-	-	-
N/A	1-5/8 "	R4133338	R4133338	R4166689	NR	-	-	-	-
N/A	1-5/8 "	R4133338	R4133338	R4166689	NR	-	-	-	-
N/A	1-5/8 "	R4133338	R4133338	R4166689	NR	-	-	-	-
N/A	1-3/4 "	R4133400	R4133400	R4166917	NR	-	-	-	-
N/A	1-3/4 "	R4133400	R4133400	R4166917	NR	-	-	-	-
-	1-1/8 "	R4133320	R4133321	R4166926	NR	-	-	-	-
-	1-1/8 "	R4133320	R4133321	R4166926	NR	-	-	-	-
-	1-1/8 "	R4133320	R4133321	R4166926	NR	-	-	-	-
-	1-1/8 "	R4133320	R4133321	R4166926	NR	-	-	-	-
-	1-1/4 "	R4133376	R4133377	R4166923	NR	-	-	-	-
-	1-1/4 "	R4133376	R4133377	R4166923	NR	-	-	-	-
-	1-1/4 "	R4133376	R4133377	R4166923	NR	-	-	-	-
-	1-1/4 "	R4133376	R4133377	R4166923	NR	-	-	-	-
-	1-5/8 "	R4133338	R4133338	R4166689	NR	-	-	-	-
-	1-5/8 "	R4133338	R4133338	R4166689	NR	-	-	-	-
-	1-5/8 "	R4133338	R4133338	R4166689	NR	-	-	-	-
-	1-5/8 "	R4133338	R4133338	R4166689	NR	-	-	-	-
-	1-3/4 "	R4133400	R4133400	R4166917	NR	-	-	-	-
-	1-3/4 "	R4133400	R4133400	R4166917	NR	-	-	-	-
70, 7000 SERIES									
N/A	2-7/8 "	R42R55250	R42R55250 ³⁷	R4066365	R4090096 ⁷²	-	-	R4577868	R4577868
N/A	2-7/8 "	R42R55250	R42R55250 ³⁷	R4066365	R4090096 ⁷²	-	-	R4577868	R4577868
23-123486-002 ²⁶⁸	2-1/2 "	R424244X	R424244X ³⁷	60050266	69270757 ⁴¹	-	-	R4577868	R4577868
23-123486-002 ²⁶⁸	2-1/2 "	R424244X	R424244X ³⁷	60050266	69270757 ⁴¹	-	-	R4577868	R4577868
23-123485-002 ³⁹²	70mm	60050321 / 60450455	60050320 / 60450454 ³⁹	-	-	-	-	R4577868	R4577868
23-123485-002 ³⁹²	70mm	60050321 / 60450455	60050320 / 60450454 ³⁹	-	-	-	-	R4577868	R4577868
23-123495-002	2-7/8 "	R42R55250	R42R55250 ³⁷	R4066365	R4090096 ⁷²	-	-	R4510644	R4577864
23-123495-002	2-7/8 "	R42R55250	R42R55250 ³⁷	R4066365	R4090096 ⁷²	-	-	R4510644	R4577864
23-123486-002 ²⁶⁸	2-1/2 "	R424244X	R424244X ³⁷	60050266	69270757 ⁴¹	-	-	R4510644	R4577864
23-123486-002 ²⁶⁸	2-1/2 "	R424244X	R424244X ³⁷	60050266	69270757 ⁴¹	-	-	R4510644	R4577864
N/A	2-7/8 "	R42R55250	R42R55250 ³⁷	R4066365	R4090096 ⁷²	-	-	R4577868	R4577868
N/A	2-7/8 "	R42R55250	R42R55250 ³⁷	R4066365	R4090096 ⁷²	-	-	R4577868	R4577868
23-123486-002 ²⁶⁸	2-1/2 "	R424244X	R424244X ³⁷	60050266	69270757 ⁴¹	-	-	R4577868	R4577868
23-123486-002 ²⁶⁸	2-1/2 "	R424244X	R424244X ³⁷	60050266	69270757 ⁴¹	-	-	R4577868	R4577868
23-123485-002 ³⁹²	70mm	60050321 / 60450455	60050320 / 60450454 ³⁹	-	-	-	-	R4577868	R4577868
23-123485-002 ³⁹²	70mm	60050321 / 60450455	60050320 / 60450454 ³⁹	-	-	-	-	R4577868	R4577868
23-123495-002	2-7/8 "	R42R55250	R42R55250 ³⁷	R4066365	R4090096 ⁷²	-	-	R4510644	R4577864
23-123495-002	2-7/8 "	R42R55250	R42R55250 ³⁷	R4066365	R4090096 ⁷²	-	-	R4510644	R4577864
23-123486-002 ²⁶⁸	2-1/2 "	R424244X	R424244X ³⁷	60050266	69270757 ⁴¹	-	-	R4510644	R4577864
23-123486-002 ²⁶⁸	2-1/2 "	R424244X	R424244X ³⁷	60050266	69270757 ⁴¹	-	-	R4510644	R4577864
23-123485-002 ³⁹²	70mm	60050313	60050312	-	-	-	-	-	-
23-123485-002 ³⁹²	70mm	60050313	60050312	-	-	-	-	-	-
23-123485-002 ³⁹²	70mm	60050313	60050312	-	-	-	-	-	-
23-123485-002 ³⁹²	70mm	60050313	60050312	-	-	-	-	-	-
23-123486-002 ²⁶⁸	2-1/2 "	R424244X	R424244X ³⁷	60050266	69270757 ⁴¹	-	-	-	-
23-123486-002 ²⁶⁸	2-1/2 "	R424244X	R424244X ³⁷	60050266	69270757 ⁴¹	-	-	-	-
23-123485-002 ³⁹²	70mm	60050313	60050312	-	-	-	-	-	-

MAKE MODEL YEAR AXLE CODE AXLE WEIGHT	AXLE & BRK. TYPE	BRK. MFG.	BRAKE SIZE	FMSI	MERITOR DISC PAD OR BRAKE SHOE	MERITOR GUIDE PIN OR RETURN SPRING KIT	MERITOR CALIPER HWD. KIT OR RETURN SPRING KIT	MERITOR ADJUSTER KIT (LEFT WHEEL)	MERITOR ADJUSTER KIT (RIGHT WHEEL)
GMC / CHEV(Cont.)									
70, 7000 SERIES(Cont.)									
1998	Fd	DN		N/A - N/A	MD769	NR	R4011121	NR	NR
1997	Fd Fd	DN DN		N/A - N/A N/A - N/A	MD769 MD769	NR NR	R4011121 R4011121	NR NR	NR NR
1995 B7T042 School Bus Chassis	Fd Fd	BX DN		7142 - D225 7141 - D224	MD225 MD224 ³³⁹	R40H5010 69310693	R40H5522 60050153 ²⁷⁷	NR NR	NR NR
	Rd Rd	BX DN		7142 - D225 7141 - D224	MD225 MD224 ³³⁹	R40H5010 69310693	R40H5522 60050153 ²⁷⁷	NR NR	NR NR
C7H042, C7H064 Topkick, Kodiak	Fd Fd	BX DN		7142 - D225 7141 - D224	MD225 MD224 ³³⁹	R40H5010 69310693	R40H5522 60050153 ²⁷⁷	NR NR	NR NR
	Rd Rd Rd	BX DN DN		7142 - D225 7141 - D224 7141 - D224	MD225 MD224 ³³⁹ MD224 ³³⁹	R40H5010 69310693 69310693	R40H5522 60050153 ²⁷⁷ 60050153 ²⁷⁷	NR NR NR	NR NR NR
1994 B7T042 School Bus Chassis	Fd Fd	BX DN		7142 - D225 7141 - D224	MD225 MD224 ³³⁹	R40H5010 69310693	R40H5522 60050153 ²⁷⁷	NR NR	NR NR
	Rd Rd	BX DN		7142 - D225 7141 - D224	MD225 MD224 ³³⁹	R40H5010 69310693	R40H5522 60050153 ²⁷⁷	NR NR	NR NR
C7H042, C7H064 Topkick, Kodiak	Fd Fd	BX DN		7142 - D225 7141 - D224	MD225 MD224 ³³⁹	R40H5010 69310693	R40H5522 60050153 ²⁷⁷	NR NR	NR NR
	Rd Rd Rd	BX DN DN		7142 - D225 7141 - D224 7141 - D224	MD225 MD224 ³³⁹ MD224 ³³⁹	R40H5010 69310693 69310693	R40H5522 60050153 ²⁷⁷ 60050153 ²⁷⁷	NR NR NR	NR NR NR
P7S042, Forward Control Chassis	Fd Fd	BX DN		7142 - D225 7141 - D224	MD225 MD224 ³³⁹	R40H5010 69310693	R40H5522 60050153 ²⁷⁷	NR NR	NR NR
	Rd Rd	BX DN		7142 - D225 7141 - D224	MD225 MD224 ³³⁹	R40H5010 69310693	R40H5522 60050153 ²⁷⁷	NR NR	NR NR
1993 B7T042 School Bus Chassis	Fd Fd	BX DN		7142 - D225 7141 - D224	MD225 MD224 ³³⁹	R40H5010 69310693	R40H5522 60050153 ²⁷⁷	NR NR	NR NR
	Rd Rd	BX DN		7142 - D225 7141 - D224	MD225 MD224 ³³⁹	R40H5010 69310693	R40H5522 60050153 ²⁷⁷	NR NR	NR NR
C7H042, C7H064 Topkick, Kodiak	Fd Fd	BX DN		7142 - D225 7141 - D224	MD225 MD224 ³³⁹	R40H5010 69310693	R40H5522 60050153 ²⁷⁷	NR NR	NR NR
	Rd Rd	BX DN		7142 - D225 7141 - D224	MD225 MD224 ³³⁹	R40H5010 69310693	R40H5522 60050153 ²⁷⁷	NR NR	NR NR
1992	Fd Fd Fd Fd	BX BX DN DN		7142 - D225 7142 - D225 7141 - D224 7141 - D224	MD225 MD225 MD224 ³³⁹ MD224 ³³⁹	R40H5010 R40H5010 69310693 69310693	R40H5522 R40H5522 60050153 ²⁷⁷ 60050153 ²⁷⁷	NR NR NR NR	NR NR NR NR
	Rd Rd	BX DN		7142 - D225 7141 - D224	MD225 MD224 ³³⁹	R40H5010 69310693	R40H5522 60050153 ²⁷⁷	NR NR	NR NR
1991	Fd Fd Fd Fd	BX BX DN DN		7142 - D225 7142 - D225 7141 - D224 7141 - D224	MD225 MD225 MD224 ³³⁹ MD224 ³³⁹	R40H5010 R40H5010 69310693 69310693	R40H5522 R40H5522 60050153 ²⁷⁷ 60050153 ²⁷⁷	NR NR NR NR	NR NR NR NR
	Rd Rd	BX DN		7142 - D225 7141 - D224	MD225 MD224 ³³⁹	R40H5010 69310693	R40H5522 60050153 ²⁷⁷	NR NR	NR NR
1990 C7D042, C7D064 Conventional	Fd Fd Fd Fd	BX BX DN DN		7142 - D225 7108 - D184 7141 - D224 7141 - D224	MD225 MD184 MD224 ³³⁹ MD224 ³³⁹	R40H5010 R40H5010 69310693 69310693	R40H5522 R40H5519 60050153 ²⁷⁷ 60050153 ²⁷⁷	NR NR NR NR	NR NR NR NR
	Rd Rd	BX DN		7142 - D225 7141 - D224	MD225 MD224 ³³⁹	R40H5010 69310693	R40H5522 60050153 ²⁷⁷	NR NR	NR NR

37 - Also available as a New unit
 266 - 10 Stud, Hat Shaped
 339 - Use 69160441 for Disc Pad Retainer Clip
 www.XpresswayPlus.com

41 - Aluminum piston
 268 - 5 Stud, Hat Shape
 392 - 5 Tapped Holes For ABS Mounting Ring

72 - Phenolic/Steel Face
 277 - For Pad Retainer, Use 69160441

MERITOR DRUM OR ROTOR NO.	CALIPER OR CYLINDER BORE SIZE	MERITOR CALIPER OR WHEEL CYLINDER (LEFT)	MERITOR CALIPER OR WHEEL CYLINDER (RIGHT)	MERITOR CALIPER OR WHEEL CYLINDER REPAIR KIT	MERITOR CALIPER PISTON	MERITOR MASTER CYLINDER	MERITOR MASTER CYLINDER KIT	MERITOR BRAKE HOSE (LEFT)	MERITOR BRAKE HOSE (RIGHT)
GMC / CHEV(Cont.)									
70, 7000 SERIES(Cont.)									
23-123485-002 ³⁹²	70mm	60050313	60050312	-	-	-	-	-	-
23-123485-002 ³⁹²	70mm	60050313	60050312	-	-	-	-	-	-
23-123485-002 ³⁹²	70mm	60050313	60050312	-	-	-	-	-	-
N/A	2-7/8 "	R42R55250	R42R55250 ³⁷	R4066365	R4090096 ⁷²	-	-	-	-
23-123486-002 ²⁶⁸	2-1/2 "	R424244X	R424244X ³⁷	60050266	69270757 ⁴¹	-	-	-	-
N/A	2-7/8 "	R42R55250	R42R55250 ³⁷	R4066365	R4090096 ⁷²	-	-	-	-
23-123486-002 ²⁶⁸	2-1/2 "	R424244X	R424244X ³⁷	60050266	69270757 ⁴¹	-	-	-	-
N/A	2-7/8 "	R42R55250	R42R55250 ³⁷	R4066365	R4090096 ⁷²	-	-	-	-
23-123486-002 ²⁶⁸	2-1/2 "	R424244X	R424244X ³⁷	60050266	69270757 ⁴¹	-	-	-	-
23-123495-002	2-7/8 "	R42R55250	R42R55250 ³⁷	R4066365	R4090096 ⁷²	-	-	-	-
23-123486-002 ²⁶⁸	2-1/2 "	R424244X	R424244X ³⁷	60050266	69270757 ⁴¹	-	-	-	-
23-123495-002	2-1/2 "	R424244X	R424244X ³⁷	60050266	69270757 ⁴¹	-	-	-	-
N/A	2-7/8 "	R42R55250	R42R55250 ³⁷	R4066365	R4090096 ⁷²	-	-	-	-
23-123486-002 ²⁶⁸	2-1/2 "	R424244X	R424244X ³⁷	60050266	69270757 ⁴¹	-	-	-	-
N/A	2-7/8 "	R42R55250	R42R55250 ³⁷	R4066365	R4090096 ⁷²	-	-	-	-
23-123486-002 ²⁶⁸	2-1/2 "	R424244X	R424244X ³⁷	60050266	69270757 ⁴¹	-	-	-	-
N/A	2-7/8 "	R42R55250	R42R55250 ³⁷	R4066365	R4090096 ⁷²	-	-	-	-
23-123486-002 ²⁶⁸	2-1/2 "	R424244X	R424244X ³⁷	60050266	69270757 ⁴¹	-	-	-	-
N/A	2-7/8 "	R42R55250	R42R55250 ³⁷	R4066365	R4090096 ⁷²	-	-	-	-
23-123495-002	2-7/8 "	R42R55250	R42R55250 ³⁷	R4066365	R4090096 ⁷²	-	-	-	-
23-123486-002 ²⁶⁸	2-1/2 "	R424244X	R424244X ³⁷	60050266	69270757 ⁴¹	-	-	-	-
N/A	2-7/8 "	R42R55250	R42R55250 ³⁷	R4066365	R4090096 ⁷²	-	-	-	-
23-123486-002 ²⁶⁸	2-1/2 "	R424244X	R424244X ³⁷	60050266	69270757 ⁴¹	-	-	-	-
N/A	2-7/8 "	R42R55250	R42R55250 ³⁷	R4066365	R4090096 ⁷²	-	-	-	-
23-123495-002	2-7/8 "	R42R55250	R42R55250 ³⁷	R4066365	R4090096 ⁷²	-	-	-	-
23-123486-002 ²⁶⁸	2-1/2 "	R424244X	R424244X ³⁷	60050266	69270757 ⁴¹	-	-	-	-
23-122729-002 ²⁶⁶	2-7/8 "	R42R55250	R42R55250 ³⁷	R4066365	R4090096 ⁷²	-	-	-	-
23-123486-002 ²⁶⁸	2-7/8 "	R42R55250	R42R55250 ³⁷	R4066365	R4090096 ⁷²	-	-	-	-
23-123486-002 ²⁶⁸	2-1/2 "	R424244X	R424244X ³⁷	60050266	69270757 ⁴¹	-	-	-	-
23-122729-002 ²⁶⁶	2-1/2 "	R424244X	R424244X ³⁷	60050266	69270757 ⁴¹	-	-	-	-
23-122729-002 ²⁶⁶	2-7/8 "	R42R55250	R42R55250 ³⁷	R4066365	R4090096 ⁷²	-	-	-	-
23-122729-002 ²⁶⁶	2-1/2 "	R424244X	R424244X ³⁷	60050266	69270757 ⁴¹	-	-	-	-
23-123486-002 ²⁶⁸	2-7/8 "	R42R55250	R42R55250 ³⁷	R4066365	R4090096 ⁷²	-	-	-	-
23-122729-002 ²⁶⁶	2-7/8 "	R42R55250	R42R55250 ³⁷	R4066365	R4090096 ⁷²	-	-	-	-
23-122729-002 ²⁶⁶	2-1/2 "	R424244X	R424244X ³⁷	60050266	69270757 ⁴¹	-	-	-	-
23-123486-002 ²⁶⁸	2-1/2 "	R424244X	R424244X ³⁷	60050266	69270757 ⁴¹	-	-	-	-
23-122729-002 ²⁶⁶	2-7/8 "	R42R55250	R42R55250 ³⁷	R4066365	R4090096 ⁷²	-	-	-	-
23-122729-002 ²⁶⁶	2-1/2 "	R424244X	R424244X ³⁷	60050266	69270757 ⁴¹	-	-	-	-
23-122729-002 ²⁶⁶	2-7/8 "	R42R55250	R42R55250 ³⁷	R4066365	R4090096 ⁷²	-	-	-	-
N/A	3-3/8 "	R42R55099	R42R55098 ³⁷	R4066780	R4090021	-	-	-	-
N/A	2-1/2 "	R424244X	R424244X ³⁷	60050266	69270757 ⁴¹	-	-	-	-
23-123486-002 ²⁶⁸	2-1/2 "	R424244X	R424244X ³⁷	60050266	69270757 ⁴¹	-	-	-	-
23-122729-002 ²⁶⁶	2-7/8 "	R42R55250	R42R55250 ³⁷	R4066365	R4090096 ⁷²	-	-	R4577482	R4577482
23-122729-002 ²⁶⁶	2-1/2 "	R424244X	R424244X ³⁷	60050266	69270757 ⁴¹	-	-	R4577482	R4577482

MAKE MODEL YEAR AXLE CODE AXLE WEIGHT	AXLE & BRK. TYPE	BRK. MFG.	BRAKE SIZE	FMSI	MERITOR DISC PAD OR BRAKE SHOE	MERITOR GUIDE PIN OR RETURN SPRING KIT	MERITOR CALIPER HWD. KIT OR RETURN SPRING KIT	MERITOR ADJUSTER KIT (LEFT WHEEL)	MERITOR ADJUSTER KIT (RIGHT WHEEL)
GMC / CHEV(Cont.)									
70, 7000 SERIES(Cont.)									
1990	Rd	DN		7141 - D224	MD224 ³³⁹	69310693	60050153 ²⁷⁷	NR	NR
S7T042 P-Chassis	Fd	BX		7142 - D225	MD225	R40H5010	R40H5522	NR	NR
	Fd	BX		7142 - D225	MD225	R40H5010	R40H5522	NR	NR
	Rd	BX		7142 - D225	MD225	R40H5010	R40H5522	NR	NR
	Rd	BX		7142 - D225	MD225	R40H5010	R40H5522	NR	NR
	Rd	BX		7142 - D225	MD225	R40H5010	R40H5522	NR	NR
C7D042, C7D064 Conventional 19,000, 21,000, 23,000lb. GVW	Rd	DN		7141 - D224	MD224 ³³⁹	69310693	60050153 ²⁷⁷	NR	NR
1989 C7D042, C7D064 Conventional	Fd	BX		7108 - D184	MD184	R40H5010	R40H5519	NR	NR
	Fd	BX		7142 - D225	MD225	R40H5010	R40H5522	NR	NR
	Fd	DN		7141 - D224	MD224 ³³⁹	69310693	60050153 ²⁷⁷	NR	NR
	Fd	DN		7141 - D224	MD224 ³³⁹	69310693	60050153 ²⁷⁷	NR	NR
	Rd	BX		7142 - D225	MD225	R40H5010	R40H5522	NR	NR
	Rd	DN		7141 - D224	MD224 ³³⁹	69310693	60050153 ²⁷⁷	NR	NR
	Rd	DN		7141 - D224	MD224 ³³⁹	69310693	60050153 ²⁷⁷	NR	NR
S7T042 P-Chassis	Fd	BX		7142 - D225	MD225	R40H5010	R40H5522	NR	NR
	Fd	BX		7142 - D225	MD225	R40H5010	R40H5522	NR	NR
	Rd	BX		7142 - D225	MD225	R40H5010	R40H5522	NR	NR
	Rd	BX		7142 - D225	MD225	R40H5010	R40H5522	NR	NR
	Rd	BX		7142 - D225	MD225	R40H5010	R40H5522	NR	NR
C7D042, C7D064 Conventional 19,000, 21,000, 23,000lb. GVW	Rd	DN		7141 - D224	MD224 ³³⁹	69310693	60050153 ²⁷⁷	NR	NR
1988 C7D042, C7D064 Conventional	Fd	BX		7142 - D225	MD225	R40H5010	R40H5522	NR	NR
	Fd	BX		7108 - D184	MD184	R40H5010	R40H5519	NR	NR
	Fd	DN		7141 - D224	MD224 ³³⁹	69310693	60050153 ²⁷⁷	NR	NR
	Fd	DN		7141 - D224	MD224 ³³⁹	69310693	60050153 ²⁷⁷	NR	NR
	Rd	BX		7142 - D225	MD225	R40H5010	R40H5522	NR	NR
	Rd	DN		7141 - D224	MD224 ³³⁹	69310693	60050153 ²⁷⁷	NR	NR
S7T042 P-Chassis	Fd	BX		7142 - D225	MD225	R40H5010	R40H5522	NR	NR
	Fd	BX		7142 - D225	MD225	R40H5010	R40H5522	NR	NR
	Rd	BX		7142 - D225	MD225	R40H5010	R40H5522	NR	NR
S7T042 P-Chassis 7,000 lb.	Fd	BX		7142 - D225	MD225	R40H5010	R40H5522	NR	NR
	Fd	BX		7142 - D225	MD225	R40H5010	R40H5522	NR	NR
S7T042 P-Chassis 9,500 lb.	Fd	BX		7142 - D225	MD225	R40H5010	R40H5522	NR	NR
	Fd	BX		7142 - D225	MD225	R40H5010	R40H5522	NR	NR
C7D042, C7D064 Conventional 19,000, 21,000, 23,000lb. GVW	Rd	DN		7141 - D224	MD224 ³³⁹	69310693	60050153 ²⁷⁷	NR	NR
1987	Rd	BX		7142 - D225	MD225	R40H5010	R40H5522	NR	NR
C7D042, C7D064 Conventional	Fd	BX		7142 - D225	MD225	R40H5010	R40H5522	NR	NR
	Fd	BX		7108 - D184	MD184	R40H5010	R40H5519	NR	NR
	Fd	BX		7142 - D225	MD225	R40H5010	R40H5522	NR	NR
	Fd	BX		7108 - D184	MD184	R40H5010	R40H5519	NR	NR
	Fd	DN		7141 - D224	MD224 ³³⁹	69310693	60050153 ²⁷⁷	NR	NR
	Fd	DN		7141 - D224	MD224 ³³⁹	69310693	60050153 ²⁷⁷	NR	NR
	Fd	DN		7141 - D224	MD224 ³³⁹	69310693	60050153 ²⁷⁷	NR	NR
	Fd	DN		7141 - D224	MD224 ³³⁹	69310693	60050153 ²⁷⁷	NR	NR
	Rd	DN		7141 - D224	MD224 ³³⁹	69310693	60050153 ²⁷⁷	NR	NR
	Rd	DN		7141 - D224	MD224 ³³⁹	69310693	60050153 ²⁷⁷	NR	NR

37 - Also available as a New unit
 41 - Aluminum piston
 268 - 5 Stud, Hat Shape
 www.XpresswayPlus.com

39 - First design, uses steel pistons.
 72 - Phenolic/Steel Face
 277 - For Pad Retainer, Use 69160441

40 - For chrome plated steel version, use R4090070P
 266 - 10 Stud, Hat Shaped
 286 - Budd Rotor with 10 Studs

MERITOR DRUM OR ROTOR NO.	CALIPER OR CYLINDER BORE SIZE	MERITOR CALIPER OR WHEEL CYLINDER (LEFT)	MERITOR CALIPER OR WHEEL CYLINDER (RIGHT)	MERITOR CALIPER OR WHEEL CYLINDER REPAIR KIT	MERITOR CALIPER PISTON	MERITOR MASTER CYLINDER	MERITOR MASTER CYLINDER KIT	MERITOR BRAKE HOSE (LEFT)	MERITOR BRAKE HOSE (RIGHT)
GMC / CHEV(Cont.)									
70, 7000 SERIES(Cont.)									
23-123486-002 ²⁶⁸	2-1/2 "	R424244X	R424244X ³⁷	60050266	69270757 ⁴¹	-	-	R4577482	R4577482
23-122729-002 ²⁶⁶	2-7/8 "	R42R55250	R42R55250 ³⁷	R4066365	R4090096 ⁷²	-	-	-	-
23-122729-002 ²⁶⁶	2-7/8 "	R42R55250	R42R55250 ³⁷	R4066365	R4090096 ⁷²	-	-	-	-
23-122729-002 ²⁶⁶	2-7/8 "	R42R55250	R42R55250 ³⁷	R4066365	R4090096 ⁷²	-	-	-	-
23-122729-002 ²⁶⁶	2-7/8 "	R42R55250	R42R55250 ³⁷	R4066365	R4090096 ⁷²	-	-	-	-
23-122729-002 ²⁶⁶	2-7/8 "	R42R55250	R42R55250 ³⁷	R4066365	R4090096 ⁷²	-	-	-	-
23-122693-002	2-1/2 "	R424244X	R424244X ³⁷	60050266	69270757 ⁴¹	-	-	R4577482	R4577482
23-122729-002 ²⁶⁶	3-3/8 "	R42R55099	R42R55098 ³⁷	R4066780	R4090021	-	-	-	-
23-122729-002 ²⁶⁶	2-7/8 "	R42R55250	R42R55250 ³⁷	R4066365	R4090096 ⁷²	-	-	-	-
23-122729-002 ²⁶⁶	2-1/2 "	R424244X	R424244X ³⁷	60050266	69270757 ⁴¹	-	-	-	-
23-123486-002 ²⁶⁸	2-1/2 "	R424244X	R424244X ³⁷	60050266	69270757 ⁴¹	-	-	-	-
23-122729-002 ²⁶⁶	2-7/8 "	R42R55250	R42R55250 ³⁷	R4066365	R4090096 ⁷²	-	-	-	-
23-122729-002 ²⁶⁶	2-1/2 "	R424244X	R424244X ³⁷	60050266	69270757 ⁴¹	-	-	-	-
23-123486-002 ²⁶⁸	2-1/2 "	R424244X	R424244X ³⁷	60050266	69270757 ⁴¹	-	-	-	-
23-122729-002 ²⁶⁶	2-7/8 "	R42R55250	R42R55250 ³⁷	R4066365	R4090096 ⁷²	-	-	-	-
23-122729-002 ²⁶⁶	2-7/8 "	R42R55250	R42R55250 ³⁷	R4066365	R4090096 ⁷²	-	-	-	-
23-122729-002 ²⁶⁶	2-7/8 "	R42R55250	R42R55250 ³⁷	R4066365	R4090096 ⁷²	-	-	-	-
23-122729-002 ²⁶⁶	2-7/8 "	R42R55250	R42R55250 ³⁷	R4066365	R4090096 ⁷²	-	-	-	-
23-122729-002 ²⁶⁶	2-7/8 "	R42R55250	R42R55250 ³⁷	R4066365	R4090096 ⁷²	-	-	-	-
23-122693-002	2-1/2 "	R424244X	R424244X ³⁷	60050266	69270757 ⁴¹	-	-	-	-
23-122729-002 ²⁶⁶	2-7/8 "	R429218X	R429218X ³⁹	R406532	R4090070 ⁴⁰	-	-	-	-
23-122729-002 ²⁶⁶	3-3/8 "	R42R55099	R42R55098 ³⁷	R4066780	R4090021	-	-	-	-
23-122729-002 ²⁶⁶	2-1/2 "	R424244X	R424244X ³⁷	60050266	69270757 ⁴¹	-	-	-	-
23-123486-002 ²⁶⁸	2-1/2 "	R424244X	R424244X ³⁷	60050266	69270757 ⁴¹	-	-	-	-
23-122729-002 ²⁶⁶	2-7/8 "	R429218X	R429218X ³⁹	R406532	R4090070 ⁴⁰	-	-	-	-
23-123486-002 ²⁶⁸	2-1/2 "	R424244X	R424244X ³⁷	60050266	69270757 ⁴¹	-	-	-	-
R44141583 ²⁸⁷	2-7/8 "	R429218X	R429218X ³⁹	R406532	R4090070 ⁴⁰	-	-	-	-
23-123468-002 ²⁸⁸	2-7/8 "	R429218X	R429218X ³⁹	R406532	R4090070 ⁴⁰	-	-	-	-
23-122729-002 ²⁶⁶	2-7/8 "	R429218X	R429218X ³⁹	R406532	R4090070 ⁴⁰	-	-	-	-
23-122729-002 ²⁶⁶	2-7/8 "	R429218X	R429218X ³⁹	R406532	R4090070 ⁴⁰	-	-	-	-
23-123486-002 ²⁶⁸	2-7/8 "	R429218X	R429218X ³⁹	R406532	R4090070 ⁴⁰	-	-	-	-
N/A ²⁸⁶	2-7/8 "	R429218X	R429218X ³⁹	R406532	R4090070 ⁴⁰	-	-	-	-
-	2-7/8 "	R429218X	R429218X ³⁹	R406532	R4090070 ⁴⁰	-	-	-	-
23-122729-002 ²⁶⁶	2-7/8 "	R429218X	R429218X ³⁹	R406532	R4090070 ⁴⁰	-	-	-	-
23-122693-002	2-1/2 "	R424244X	R424244X ³⁷	60050266	69270757 ⁴¹	-	-	-	-
23-122729-002 ²⁶⁶	2-7/8 "	R429218X	R429218X ³⁹	R406532	R4090070 ⁴⁰	-	-	R4577482	R4577482
23-122729-002 ²⁶⁶	2-7/8 "	R42R55250	R42R55250 ³⁷	R4066365	R4090096 ⁷²	R4111993 ³⁰²	R4122386	-	-
23-122729-002 ²⁶⁶	3-3/8 "	R42R55099	R42R55098 ³⁷	R4066780	R4090021	R4111993 ³⁰²	R4122386	-	-
23-122729-002 ²⁶⁶	2-7/8 "	R42R55250	R42R55250 ³⁷	R4066365	R4090096 ⁷²	R4111993 ³⁰²	R4122386	-	-
23-122729-002 ²⁶⁶	3-3/8 "	R42R55099	R42R55098 ³⁷	R4066780	R4090021	R4111993 ³⁰²	R4122386	-	-
23-122729-002 ²⁶⁶	2-1/2 "	R424244X	R424244X ³⁷	60050266	69270757 ⁴¹	R4111993 ³⁰²	R4122386	-	-
23-122729-002 ²⁶⁶	2-1/2 "	R424244X	R424244X ³⁷	60050266	69270757 ⁴¹	R4111993 ³⁰²	R4122386	-	-
23-123486-002 ²⁶⁸	2-1/2 "	R424244X	R424244X ³⁷	60050266	69270757 ⁴¹	R4111993 ³⁰²	R4122386	-	-
23-123486-002 ²⁶⁸	2-1/2 "	R424244X	R424244X ³⁷	60050266	69270757 ⁴¹	R4111993 ³⁰²	R4122386	-	-
23-123486-002 ²⁶⁸	2-1/2 "	R424244X	R424244X ³⁷	60050266	69270757 ⁴¹	-	-	R4577482	R4577482

287 - Budd rotor with 6 studs
339 - Use 69160441 for Disc Pad Retainer Clip

288 - Dayton Rotor with 6 Studs

302 - Power Brakes, Dual System

MAKE MODEL YEAR AXLE CODE AXLE WEIGHT	AXLE & BRK. TYPE	BRK. MFG.	BRAKE SIZE	FMSI	MERITOR DISC PAD OR BRAKE SHOE	MERITOR GUIDE PIN OR RETURN SPRING KIT	MERITOR CALIPER HWD. KIT OR RETURN SPRING KIT	MERITOR ADJUSTER KIT (LEFT WHEEL)	MERITOR ADJUSTER KIT (RIGHT WHEEL)
GMC / CHEV(Cont.)									
70, 7000 SERIES(Cont.)									
1987	Rd	DN		7141 - D224	MD224 ³³⁹	69310693	60050153 ²⁷⁷	NR	NR
	Rd	DN		7141 - D224	MD224 ³³⁹	69310693	60050153 ²⁷⁷	NR	NR
	Rd	DN		7141 - D224	MD224 ³³⁹	69310693	60050153 ²⁷⁷	NR	NR
S7T042 P-Chassis	Fd	BX		7142 - D225	MD225	R40H5010	R40H5522	NR	NR
	Fd	BX		7142 - D225	MD225	R40H5010	R40H5522	NR	NR
	Rd	BX		7142 - D225	MD225	R40H5010	R40H5522	NR	NR
	Rd	BX		7142 - D225	MD225	R40H5010	R40H5522	NR	NR
S7T042 P-Chassis 7,000 lb.	Fd	BX		7142 - D225	MD225	R40H5010	R40H5522	NR	NR
	Fd	BX		7142 - D225	MD225	R40H5010	R40H5522	NR	NR
S7T042 P-Chassis 9,000, 12,000lb. GVW	Fd	BX		7142 - D225	MD225	R40H5010	R40H5522	NR	NR
	Fd	BX		7142 - D225	MD225	R40H5010	R40H5522	NR	NR
C7D042, C7D064 Conventional 19,000, 21,000, 23,000lb. GVW	Rd	DN		7141 - D224	MD224 ³³⁹	69310693	60050153 ²⁷⁷	NR	NR
	Rd	DN		7141 - D224	MD224 ³³⁹	69310693	60050153 ²⁷⁷	NR	NR
1986	Rd	BX		7142 - D225	MD225	R40H5010	R40H5522	NR	NR
C7D042, C7D064 Conventional	Fd	BX		7142 - D225	MD225	R40H5010	R40H5522	NR	NR
	Fd	BX		7108 - D184	MD184	R40H5010	R40H5519	NR	NR
	Fd	BX		7108 - D184	MD184	R40H5010	R40H5519	NR	NR
	Fd	BX		7142 - D225	MD225	R40H5010	R40H5522	NR	NR
	Fd	DN		7141 - D224	MD224 ³³⁹	69310693	60050153 ²⁷⁷	NR	NR
	Fd	DN		7141 - D224	MD224 ³³⁹	69310693	60050153 ²⁷⁷	NR	NR
	Rd	BX		7142 - D225	MD225	R40H5010	R40H5522	NR	NR
	Rd	BX		7142 - D225	MD225	R40H5010	R40H5522	NR	NR
	Rd	DN		7141 - D224	MD224 ³³⁹	69310693	60050153 ²⁷⁷	NR	NR
	Rd	DN		7141 - D224	MD224 ³³⁹	69310693	60050153 ²⁷⁷	NR	NR
	Rd	DN		7141 - D224	MD224 ³³⁹	69310693	60050153 ²⁷⁷	NR	NR
S7T042 P-Chassis	Fd	BX		7142 - D225	MD225	R40H5010	R40H5522	NR	NR
	Fd	BX		7142 - D225	MD225	R40H5010	R40H5522	NR	NR
	Rd	BX		7142 - D225	MD225	R40H5010	R40H5522	NR	NR
	Rd	BX		7142 - D225	MD225	R40H5010	R40H5522	NR	NR
S7T042 P-Chassis 7,000 lb.	Fd	BX		7142 - D225	MD225	R40H5010	R40H5522	NR	NR
	Fd	BX		7142 - D225	MD225	R40H5010	R40H5522	NR	NR
S7T042 P-Chassis 9,000, 12,000lb. GVW	Fd	BX		7142 - D225	MD225	R40H5010	R40H5522	NR	NR
	Fd	BX		7142 - D225	MD225	R40H5010	R40H5522	NR	NR
C7D042, C7D064 Conventional 19,000, 21,000, 23,000lb. GVW	Rd	DN		7141 - D224	MD224 ³³⁹	69310693	60050153 ²⁷⁷	NR	NR
1985	Rd	BX		7142 - D225	MD225	R40H5010	R40H5522	NR	NR
C7D042, C7D064 Conventional	Fd	DN		7141 - D224	MD224 ³³⁹	69310693	60050153 ²⁷⁷	NR	NR
	Fd	DN		7141 - D224	MD224 ³³⁹	69310693	60050153 ²⁷⁷	NR	NR
	Rd	BX		7142 - D225	MD225	R40H5010	R40H5522	NR	NR
	Rd	BX		7142 - D225	MD225	R40H5010	R40H5522	NR	NR
S7T042 P-Chassis	Fd	BX		7142 - D225	MD225	R40H5010	R40H5522	NR	NR
	Fd	BX		7142 - D225	MD225	R40H5010	R40H5522	NR	NR
	Rd	BX		7142 - D225	MD225	R40H5010	R40H5522	NR	NR
	Rd	BX		7142 - D225	MD225	R40H5010	R40H5522	NR	NR
S7T042 P-Chassis 7,000 lb.	Fd	BX		7142 - D225	MD225	R40H5010	R40H5522	NR	NR
	Fd	BX		7142 - D225	MD225	R40H5010	R40H5522	NR	NR
S7T042 P-Chassis 9,000, 12,000lb. GVW	Fd	BX		7142 - D225	MD225	R40H5010	R40H5522	NR	NR
	Fd	BX		7142 - D225	MD225	R40H5010	R40H5522	NR	NR

37 - Also available as a New unit
41 - Aluminum piston
268 - 5 Stud, Hat Shape
www.XpresswayPlus.com

39 - First design, uses steel pistons.
72 - Phenolic/Steel Face
277 - For Pad Retainer, Use 69160441

40 - For chrome plated steel version, use R4090070P
266 - 10 Stud, Hat Shaped
286 - Budd Rotor with 10 Studs

MERITOR DRUM OR ROTOR NO.	CALIPER OR CYLINDER BORE SIZE	MERITOR CALIPER OR WHEEL CYLINDER (LEFT)	MERITOR CALIPER OR WHEEL CYLINDER (RIGHT)	MERITOR CALIPER OR WHEEL CYLINDER REPAIR KIT	MERITOR CALIPER PISTON	MERITOR MASTER CYLINDER	MERITOR MASTER CYLINDER KIT	MERITOR BRAKE HOSE (LEFT)	MERITOR BRAKE HOSE (RIGHT)
GMC / CHEV(Cont.)									
70, 7000 SERIES(Cont.)									
23-123486-002 ²⁶⁸	2-1/2 "	R424244X	R424244X ³⁷	60050266	69270757 ⁴¹	-	-	R4577482	R4577482
23-122729-002 ²⁶⁶	2-1/2 "	R424244X	R424244X ³⁷	60050266	69270757 ⁴¹	-	-	R4577482	R4577482
23-122729-002 ²⁶⁶	2-1/2 "	R424244X	R424244X ³⁷	60050266	69270757 ⁴¹	-	-	R4577482	R4577482
23-123468-002 ²⁸⁸	2-7/8 "	R429218X	R429218X ³⁹	R406532	R4090070 ⁴⁰	-	-	-	-
R44141583 ²⁸⁷	2-7/8 "	R429218X	R429218X ³⁹	R406532	R4090070 ⁴⁰	-	-	-	-
23-122729-002 ²⁶⁶	2-7/8 "	R429218X	R429218X ³⁹	R406532	R4090070 ⁴⁰	-	-	R4577482	R4577482
23-122729-002 ²⁶⁶	2-7/8 "	R429218X	R429218X ³⁹	R406532	R4090070 ⁴⁰	-	-	R4577482	R4577482
23-123486-002 ²⁶⁸	2-7/8 "	R429218X	R429218X ³⁹	R406532	R4090070 ⁴⁰	-	-	-	-
N/A ²⁸⁶	2-7/8 "	R429218X	R429218X ³⁹	R406532	R4090070 ⁴⁰	-	-	-	-
-	2-7/8 "	R429218X	R429218X ³⁹	R406532	R4090070 ⁴⁰	-	-	-	-
23-122729-002 ²⁶⁶	2-7/8 "	R429218X	R429218X ³⁹	R406532	R4090070 ⁴⁰	-	-	-	-
23-122693-002	2-1/2 "	R424244X	R424244X ³⁷	60050266	69270757 ⁴¹	-	-	R4577482	R4577482
23-122693-002	2-1/2 "	R424244X	R424244X ³⁷	60050266	69270757 ⁴¹	-	-	R4577482	R4577482
23-122729-002 ²⁶⁶	2-7/8 "	R429218X	R429218X ³⁹	R406532	R4090070 ⁴⁰	-	-	R4577482	R4577482
23-122729-002 ²⁶⁶	2-7/8 "	R42R55250	R42R55250 ³⁷	R4066365	R4090096 ⁷²	R4111993 ³⁰²	R4122386	-	-
N/A	3-3/8 "	R42R55099	R42R55098 ³⁷	R4066780	R4090021	R4111993 ³⁰²	R4122386	-	-
N/A	3-3/8 "	R42R55099	R42R55098 ³⁷	R4066780	R4090021	R4111993 ³⁰²	R4122386	-	-
23-122729-002 ²⁶⁶	2-7/8 "	R42R55250	R42R55250 ³⁷	R4066365	R4090096 ⁷²	R4111993 ³⁰²	R4122386	-	-
23-123486-002 ²⁶⁸	2-1/2 "	R424244X	R424244X ³⁷	60050266	69270757 ⁴¹	R4111993 ³⁰²	R4122386	-	-
23-122729-002 ²⁶⁶	2-1/2 "	R424244X	R424244X ³⁷	60050266	69270757 ⁴¹	R4111993 ³⁰²	R4122386	-	-
23-122729-002 ²⁶⁶	2-7/8 "	R429218X	R429218X ³⁹	R406532	R4090070 ⁴⁰	-	-	R4577482	R4577482
23-122729-002 ²⁶⁶	2-7/8 "	R429218X	R429218X ³⁹	R406532	R4090070 ⁴⁰	-	-	R4577482	R4577482
23-123486-002 ²⁶⁸	2-1/2 "	R424244X	R424244X ³⁷	60050266	69270757 ⁴¹	-	-	R4577482	R4577482
23-122729-002 ²⁶⁶	2-1/2 "	R424244X	R424244X ³⁷	60050266	69270757 ⁴¹	-	-	R4577482	R4577482
23-123468-002 ²⁸⁸	2-7/8 "	R429218X	R429218X ³⁹	R406532	R4090070 ⁴⁰	-	-	-	-
R44141583 ²⁸⁷	2-7/8 "	R429218X	R429218X ³⁹	R406532	R4090070 ⁴⁰	-	-	-	-
23-122729-002 ²⁶⁶	2-7/8 "	R429218X	R429218X ³⁹	R406532	R4090070 ⁴⁰	-	-	R4577482	R4577482
23-122729-002 ²⁶⁶	2-7/8 "	R429218X	R429218X ³⁹	R406532	R4090070 ⁴⁰	-	-	R4577482	R4577482
23-123486-002 ²⁶⁸	2-7/8 "	R429218X	R429218X ³⁹	R406532	R4090070 ⁴⁰	-	-	-	-
N/A ²⁸⁶	2-7/8 "	R429218X	R429218X ³⁹	R406532	R4090070 ⁴⁰	-	-	-	-
23-122729-002 ²⁶⁶	2-7/8 "	R429218X	R429218X ³⁹	R406532	R4090070 ⁴⁰	-	-	-	-
-	2-7/8 "	R429218X	R429218X ³⁹	R406532	R4090070 ⁴⁰	-	-	-	-
23-122693-002	2-1/2 "	R424244X	R424244X ³⁷	60050266	69270757 ⁴¹	-	-	R4577482	R4577482
23-122729-002 ²⁶⁶	2-7/8 "	R429218X	R429218X ³⁹	R406532	R4090070 ⁴⁰	-	-	R4577482	R4577482
23-123486-002 ²⁶⁸	2-1/2 "	R424244X	R424244X ³⁷	60050266	69270757 ⁴¹	R4111993 ³⁰²	R4122386	-	-
23-123486-002 ²⁶⁸	2-1/2 "	R424244X	R424244X ³⁷	60050266	69270757 ⁴¹	R4112066 ³⁰⁶	R4110406	N/A	N/A
23-122729-002 ²⁶⁶	2-7/8 "	R429218X	R429218X ³⁹	R406532	R4090070 ⁴⁰	-	-	R4577482	R4577482
23-122729-002 ²⁶⁶	2-7/8 "	R429218X	R429218X ³⁹	R406532	R4090070 ⁴⁰	-	-	R4577482	R4577482
R44141583 ²⁸⁷	2-7/8 "	R429218X	R429218X ³⁹	R406532	R4090070 ⁴⁰	-	-	-	-
23-123468-002 ²⁸⁸	2-7/8 "	R429218X	R429218X ³⁹	R406532	R4090070 ⁴⁰	-	-	-	-
23-122729-002 ²⁶⁶	2-7/8 "	R429218X	R429218X ³⁹	R406532	R4090070 ⁴⁰	-	-	R4577482	R4577482
23-122729-002 ²⁶⁶	2-7/8 "	R429218X	R429218X ³⁹	R406532	R4090070 ⁴⁰	-	-	R4577482	R4577482
23-123486-002 ²⁶⁸	2-7/8 "	R429218X	R429218X ³⁹	R406532	R4090070 ⁴⁰	-	-	-	-
N/A ²⁸⁶	2-7/8 "	R429218X	R429218X ³⁹	R406532	R4090070 ⁴⁰	-	-	-	-
23-122729-002 ²⁶⁶	2-7/8 "	R429218X	R429218X ³⁹	R406532	R4090070 ⁴⁰	-	-	-	-
-	2-7/8 "	R429218X	R429218X ³⁹	R406532	R4090070 ⁴⁰	-	-	-	-

287 - Budd rotor with 6 studs
306 - Power Brakes, Single System

288 - Dayton Rotor with 6 Studs
339 - Use 69160441 for Disc Pad Retainer Clip

302 - Power Brakes, Dual System

MAKE MODEL YEAR AXLE CODE AXLE WEIGHT	AXLE & BRK. TYPE	BRK. MFG.	BRAKE SIZE	FMSI	MERITOR DISC PAD OR BRAKE SHOE	MERITOR GUIDE PIN OR RETURN SPRING KIT	MERITOR CALIPER HWD. KIT OR RETURN SPRING KIT	MERITOR ADJUSTER KIT (LEFT WHEEL)	MERITOR ADJUSTER KIT (RIGHT WHEEL)
GMC / CHEV(Cont.)									
70, 7000 SERIES(Cont.)									
1984	Rd	BX		7142 - D225	MD225	R40H5010	R40H5522	NR	NR
C7D042, C7D064 Conventional	Fd	DN		7141 - D224	MD224 ³³⁹	69310693	60050153 ²⁷⁷	NR	NR
	Fd	DN		7141 - D224	MD224 ³³⁹	69310693	60050153 ²⁷⁷	NR	NR
	Rd	BX		7142 - D225	MD225	R40H5010	R40H5522	NR	NR
	Rd	BX		7142 - D225	MD225	R40H5010	R40H5522	NR	NR
S7T042 P-Chassis	Fd	BX		7142 - D225	MD225	R40H5010	R40H5522	NR	NR
	Fd	BX		7142 - D225	MD225	R40H5010	R40H5522	NR	NR
	Rd	BX		7142 - D225	MD225	R40H5010	R40H5522	NR	NR
S7T042 P-Chassis 7,000 lb.	Fd	BX		7142 - D225	MD225	R40H5010	R40H5522	NR	NR
	Fd	BX		7142 - D225	MD225	R40H5010	R40H5522	NR	NR
S7T042 P-Chassis 9,000, 12,000lb. GVW	Fd	BX		7142 - D225	MD225	R40H5010	R40H5522	NR	NR
	Fd	BX		7142 - D225	MD225	R40H5010	R40H5522	NR	NR
1983	Fd	DN		7141 - D224	MD224 ³³⁹	69310693	60050153 ²⁷⁷	NR	NR
	Rd	BX		7142 - D225	MD225	R40H5010	R40H5522	NR	NR
C7D042, C7D064 Conventional	Fd	DN		7141 - D224	MD224 ³³⁹	69310693	60050153 ²⁷⁷	NR	NR
	Fd	DN		7141 - D224	MD224 ³³⁹	69310693	60050153 ²⁷⁷	NR	NR
	Rd	BX		7142 - D225	MD225	R40H5010	R40H5522	NR	NR
	Rd	BX		7142 - D225	MD225	R40H5010	R40H5522	NR	NR
S7T042 P-Chassis	Fd	BX		7142 - D225	MD225	R40H5010	R40H5522	NR	NR
	Fd	BX		7142 - D225	MD225	R40H5010	R40H5522	NR	NR
	Rd	BX		7142 - D225	MD225	R40H5010	R40H5522	NR	NR
S7T042 P-Chassis 7,000 lb.	Fd	BX		7142 - D225	MD225	R40H5010	R40H5522	NR	NR
	Fd	BX		7142 - D225	MD225	R40H5010	R40H5522	NR	NR
S7T042 P-Chassis 9,000, 12,000lb. GVW	Fd	BX		7142 - D225	MD225	R40H5010	R40H5522	NR	NR
	Fd	BX		7142 - D225	MD225	R40H5010	R40H5522	NR	NR
1982 18121, 18221, 22121, 22221	Rm	WG	16 " x 6 "	1255 - 386	N/A	R40H597	R40H9200	R404149	R404150
	Ra	WG	16 " x 6 "	1255 - 386	N/A	R40H597	R40H9200	-	-
34DS, 34DT	TRm	WG	15 " x 6 "	4596 - 381	R700381	R40H597	R40H9200	R40H3518	R404148
C7D042, C7D064 Conventional 18121, 18221, 22121, 22221	Ra	WG	16 " x 6 "	1255 - 386	N/A	R40H597	R40H9200	-	-
	Ra	WG	16 " x 6 "	1255 - 386	N/A	R40H597	R40H9200	-	-
	Rm	WG	16 " x 6 "	1255 - 386	N/A	R40H597	R40H9200	R404149	R404150
	Rm	WG	16 " x 6 "	1255 - 386	N/A	R40H597	R40H9200	R404149	R404150
C7D042, C7D064 Conventional 34DS, 34DT	TRm	WG	15 " x 6 "	4596 - 381	R700381	R40H597	R40H9200	R40H3518	R404148
	TRm	WG	15 " x 6 "	4596 - 381	R700381	R40H597	R40H9200	R40H3518	R404148
C7D042, C7D064 Conventional F070	Fa	WG	15 " x 3 "	1245C - 321	R700321	R40H521	R40H9237	R40H3502	R40H3503
	Fm	WG	15 " x 3 "	1245A - 235	R700235	R40H521	R40H9201	R404132	R404132 ²⁷⁹
C7D042, C7D064 Conventional F090, F120	Fa	WG	15 " x 3-1/2 "	1280B - 322	R464004	R40H521	R40H9237	R40H3502	R40H3503
	Fm	WG	15 " x 3-1/2 "	1280 - 463	R700463	R40H521	R40H9201	R404132	R404132 ²⁷⁹
C7D042, C7D064 Conventional H170, 175, T170, 175	Ra	WG	15 " x 6 "	4596 - 381	R700381	R40H597	R40H9200	R40H3540	R40H3541
	Ra	WG	15 " x 6 "	4596 - 381	R700381	R40H597	R40H9200	R40H3540	R40H3541

37 - Also available as a New unit
 41 - Aluminum piston
 277 - For Pad Retainer, Use 69160441
 www.XpresswayPlus.com

39 - First design, uses steel pistons.
 266 - 10 Stud, Hat Shaped
 279 - Has 2.29" Adjuster Studs, For 2.60" Studs Use E-4133

40 - For chrome plated steel version, use R4090070P
 268 - 5 Stud, Hat Shape
 286 - Budd Rotor with 10 Studs

MERITOR DRUM OR ROTOR NO.	CALIPER OR CYLINDER BORE SIZE	MERITOR CALIPER OR WHEEL CYLINDER (LEFT)	MERITOR CALIPER OR WHEEL CYLINDER (RIGHT)	MERITOR CALIPER OR WHEEL CYLINDER REPAIR KIT	MERITOR CALIPER PISTON	MERITOR MASTER CYLINDER	MERITOR MASTER CYLINDER KIT	MERITOR BRAKE HOSE (LEFT)	MERITOR BRAKE HOSE (RIGHT)
GMC / CHEV(Cont.)									
70, 7000 SERIES(Cont.)									
23-122729-002 ²⁶⁶	2-7/8 "	R429218X	R429218X ³⁹	R406532	R4090070 ⁴⁰	-	-	R4577482	R4577482
23-123486-002 ²⁶⁸	2-1/2 "	R424244X	R424244X ³⁷	60050266	69270757 ⁴¹	R4111993 ³⁰²	R4122386	-	-
23-123486-002 ²⁶⁸	2-1/2 "	R424244X	R424244X ³⁷	60050266	69270757 ⁴¹	R4112066 ³⁰⁶	R4110406	N/A	N/A
23-122729-002 ²⁶⁶	2-7/8 "	R429218X	R429218X ³⁹	R406532	R4090070 ⁴⁰	-	-	R4577482	R4577482
23-122729-002 ²⁶⁶	2-7/8 "	R429218X	R429218X ³⁹	R406532	R4090070 ⁴⁰	-	-	R4577482	R4577482
23-123468-002 ²⁸⁸	2-7/8 "	R429218X	R429218X ³⁹	R406532	R4090070 ⁴⁰	-	-	-	-
R44141583 ²⁸⁷	2-7/8 "	R429218X	R429218X ³⁹	R406532	R4090070 ⁴⁰	-	-	-	-
23-122729-002 ²⁶⁶	2-7/8 "	R429218X	R429218X ³⁹	R406532	R4090070 ⁴⁰	-	-	R4577482	R4577482
23-122729-002 ²⁶⁶	2-7/8 "	R429218X	R429218X ³⁹	R406532	R4090070 ⁴⁰	-	-	R4577482	R4577482
23-123486-002 ²⁶⁸	2-7/8 "	R429218X	R429218X ³⁹	R406532	R4090070 ⁴⁰	-	-	-	-
N/A ²⁸⁶	2-7/8 "	R429218X	R429218X ³⁹	R406532	R4090070 ⁴⁰	-	-	-	-
-	2-7/8 "	R429218X	R429218X ³⁹	R406532	R4090070 ⁴⁰	-	-	-	-
23-122729-002 ²⁶⁶	2-7/8 "	R429218X	R429218X ³⁹	R406532	R4090070 ⁴⁰	-	-	-	-
23-123486-002 ²⁶⁸	2-1/2 "	R424244X	R424244X ³⁷	60050266	69270757 ⁴¹	-	-	-	-
23-122729-002 ²⁶⁶	2-7/8 "	R429218X	R429218X ³⁹	R406532	R4090070 ⁴⁰	-	-	R4577482	R4577482
23-123486-002 ²⁶⁸	2-1/2 "	R424244X	R424244X ³⁷	60050266	69270757 ⁴¹	R4112066 ³⁰⁶	R4110406	N/A	N/A
23-123486-002 ²⁶⁸	2-1/2 "	R424244X	R424244X ³⁷	60050266	69270757 ⁴¹	R4112066 ³⁰⁶	R4110406	N/A	N/A
23-122729-002 ²⁶⁶	2-7/8 "	R429218X	R429218X ³⁹	R406532	R4090070 ⁴⁰	-	-	R4577482	R4577482
23-122729-002 ²⁶⁶	2-7/8 "	R429218X	R429218X ³⁹	R406532	R4090070 ⁴⁰	-	-	R4577482	R4577482
23-123468-002 ²⁸⁸	2-7/8 "	R429218X	R429218X ³⁹	R406532	R4090070 ⁴⁰	-	-	-	-
R44141583 ²⁸⁷	2-7/8 "	R429218X	R429218X ³⁹	R406532	R4090070 ⁴⁰	-	-	-	-
23-122729-002 ²⁶⁶	2-7/8 "	R429218X	R429218X ³⁹	R406532	R4090070 ⁴⁰	-	-	R4577482	R4577482
23-122729-002 ²⁶⁶	2-7/8 "	R429218X	R429218X ³⁹	R406532	R4090070 ⁴⁰	-	-	R4577482	R4577482
N/A ²⁸⁶	2-7/8 "	R429218X	R429218X ³⁹	R406532	R4090070 ⁴⁰	-	-	-	-
23-123486-002 ²⁶⁸	2-7/8 "	R429218X	R429218X ³⁹	R406532	R4090070 ⁴⁰	-	-	-	-
23-122729-002 ²⁶⁶	2-7/8 "	R429218X	R429218X ³⁹	R406532	R4090070 ⁴⁰	-	-	-	-
-	2-7/8 "	R429218X	R429218X ³⁹	R406532	R4090070 ⁴⁰	-	-	-	-
N/A	1-7/8 "	R4133420	R4133420	R4166897	NR	-	-	R4577482	R4577482
N/A	1-7/8 "	R4133420	R4133420	R4166897	NR	-	-	R4577482	R4577482
N/A	1-5/8 "	R4133338	R4133338	R4166689	NR	-	-	R4577482	R4577482
N/A	1-7/8 "	R4133420	R4133420	R4166897	NR	-	-	R4577482	R4577482
N/A	1-7/8 "	R4133420	R4133420	R4166897	NR	-	-	R4577482	R4577482
N/A	1-7/8 "	R4133420	R4133420	R4166897	NR	-	-	R4577482	R4577482
N/A	1-7/8 "	R4133420	R4133420	R4166897	NR	-	-	R4577482	R4577482
N/A	1-5/8 "	R4133338	R4133338	R4166689	NR	-	-	R4577482	R4577482
N/A	1-5/8 "	R4133338	R4133338	R4166689	NR	-	-	R4577482	R4577482
N/A	1-1/8 "	R4133320	R4133321	R4166926	NR	R4112066 ³⁰⁶	R4110406	N/A	N/A
N/A	1-1/8 "	R4133320	R4133321	R4166926	NR	R4112066 ³⁰⁶	R4110406	N/A	N/A
N/A	1-1/4 "	R4133376	R4133377	R4166923	NR	R4112066 ³⁰⁶	R4110406	N/A	N/A
N/A	1-1/4 "	R4133376	R4133377	R4166923	NR	R4112066 ³⁰⁶	R4110406	N/A	N/A
N/A	1-5/8 "	R4133338	R4133338	R4166689	NR	-	-	R4577482	R4577482
N/A	1-5/8 "	R4133338	R4133338	R4166689	NR	-	-	R4577482	R4577482

287 - Budd rotor with 6 studs
306 - Power Brakes, Single System

288 - Dayton Rotor with 6 Studs
339 - Use 69160441 for Disc Pad Retainer Clip

302 - Power Brakes, Dual System

MAKE MODEL YEAR AXLE CODE AXLE WEIGHT	AXLE & BRK. TYPE	BRK. MFG.	BRAKE SIZE	FMSI	MERITOR DISC PAD OR BRAKE SHOE	MERITOR GUIDE PIN OR RETURN SPRING KIT	MERITOR CALIPER HWD. KIT OR RETURN SPRING KIT	MERITOR ADJUSTER KIT (LEFT WHEEL)	MERITOR ADJUSTER KIT (RIGHT WHEEL)
GMC / CHEV(Cont.)									
70, 7000 SERIES(Cont.)									
1982	Rm Rm	WG WG	15" x 6" 15" x 6"	4596 - 380 4596 - 380	R700381 R700381	R40H597 R40H597	R40H9200 R40H9200	R40H3518 R40H3518	R404148 R404148
C7D042, C7D064 Conventional T170, 185, 17100, 17200	Ra Ra Rm Rm Rm	WG WG WG WG WG	15" x 7" 15" x 7" 15" x 7" 15" x 7" 15" x 7"	4597 - 383 4597 - 383 4597 - 382 4597 - 382 4597 - 382	R700383 R700383 R700383 R700383 R700383	R40H597 R40H597 R40H597 R40H597 R40H597	R40H9200 R40H9200 R40H9200 R40H9200 R40H9200	R40H3540 R40H3540 R40H3518 R40H3518 R40H3518	R40H3541 R40H3541 R404148 R404148 R404148
F070	Fa Fm	WG WG	15" x 3" 15" x 3"	1245C - 321 1245A - 235	R700321 R700235	R40H521 R40H521	R40H9237 R40H9201	R40H3502 R404132	R40H3503 R404132 ²⁷⁹
F090, F120	Fa Fm	WG WG	15" x 3-1/2" 15" x 3-1/2"	1280B - 322 1280 - 463	R464004 R700463	R40H521 R40H521	R40H9237 R40H9201	R40H3502 R404132	R40H3503 R404132 ²⁷⁹
H170, 172, 175, T170, 16244	Ra	WG	15" x 6"	4596 - 381	R700381	R40H597	R40H9200	R40H3540	R40H3541
H170, 175, T170, 175	Rm	WG	15" x 6"	4596 - 380	R700381	R40H597	R40H9200	R40H3518	R404148
T170, 185, 17100, 17202	Ra	WG	15" x 7"	4597 - 383	R700383	R40H597	R40H9200	R40H3540	R40H3541
1981 C7D042, C7D064 Conventional 18121, 18221, 22121, 22221	Ra Ra Rm Rm	WG WG WG WG	16" x 6" 16" x 6" 16" x 6" 16" x 6"	1255 - 386 1255 - 386 1255 - 386 1255 - 386	N/A N/A N/A N/A	R40H597 R40H597 R40H597 R40H597	R40H9200 R40H9200 R40H9200 R40H9200	- - R404149 R404149	- - R404150 R404150
C7D042, C7D064 Conventional 34DS, 34DT	TRm TRm	WG WG	15" x 6" 15" x 6"	4596 - 381 4596 - 381	R700381 R700381	R40H597 R40H597	R40H9200 R40H9200	R40H3518 R40H3518	R404148 R404148
C7D042, C7D064 Conventional F070	Fa Fm	WG WG	15" x 3" 15" x 3"	1245C - 321 1245A - 235	R700321 R700235	R40H521 R40H521	R40H9237 R40H9201	R40H3502 R404132	R40H3503 R404132 ²⁷⁹
C7D042, C7D064 Conventional F090, F120	Fa Fm	WG WG	15" x 3-1/2" 15" x 3-1/2"	1280B - 322 1280 - 463	R464004 R700463	R40H521 R40H521	R40H9237 R40H9201	R40H3502 R404132	R40H3503 R404132 ²⁷⁹
C7D042, C7D064 Conventional H170, 175, T170, 175	Ra Ra Rm Rm	WG WG WG WG	15" x 6" 15" x 6" 15" x 6" 15" x 6"	4596 - 381 4596 - 381 4596 - 380 4596 - 380	R700381 R700381 R700381 R700381	R40H597 R40H597 R40H597 R40H597	R40H9200 R40H9200 R40H9200 R40H9200	R40H3540 R40H3540 R40H3518 R40H3518	R40H3541 R40H3541 R404148 R404148
C7D042, C7D064 Conventional T170, 185, 17100, 17200	Ra Ra Rm Rm	WG WG WG WG	15" x 7" 15" x 7" 15" x 7" 15" x 7"	4597 - 383 4597 - 383 4597 - 382 4597 - 382	R700383 R700383 R700383 R700383	R40H597 R40H597 R40H597 R40H597	R40H9200 R40H9200 R40H9200 R40H9200	R40H3540 R40H3540 R40H3518 R40H3518	R40H3541 R40H3541 R404148 R404148
1980 C7D042, C7D064 Conventional 18121, 18221, 22121, 22221	Ra Ra Rm Rm	WG WG WG WG	16" x 6" 16" x 6" 16" x 6" 16" x 6"	1255 - 386 1255 - 386 1255 - 386 1255 - 386	N/A N/A N/A N/A	R40H597 R40H597 R40H597 R40H597	R40H9200 R40H9200 R40H9200 R40H9200	- - R404149 R404149	- - R404150 R404150
C7D042, C7D064 Conventional 34DS, 34DT	TRm TRm	WG WG	15" x 6" 15" x 6"	4596 - 381 4596 - 381	R700381 R700381	R40H597 R40H597	R40H9200 R40H9200	R40H3518 R40H3518	R404148 R404148
C7D042, C7D064 Conventional F070	Fa	WG	15" x 3"	1245C - 321	R700321	R40H521	R40H9237	R40H3502	R40H3503

279 - Has 2.29" Adjuster Studs, For 2.60" Studs Use E-4133

306 - Power Brakes, Single System

MERITOR DRUM OR ROTOR NO.	CALIPER OR CYLINDER BORE SIZE	MERITOR CALIPER OR WHEEL CYLINDER (LEFT)	MERITOR CALIPER OR WHEEL CYLINDER (RIGHT)	MERITOR CALIPER OR WHEEL CYLINDER REPAIR KIT	MERITOR CALIPER PISTON	MERITOR MASTER CYLINDER	MERITOR MASTER CYLINDER KIT	MERITOR BRAKE HOSE (LEFT)	MERITOR BRAKE HOSE (RIGHT)
GMC / CHEV(Cont.)									
70, 7000 SERIES(Cont.)									
N/A	1-5/8 "	R4133338	R4133338	R4166689	NR	-	-	R4577482	R4577482
N/A	1-5/8 "	R4133338	R4133338	R4166689	NR	-	-	R4577482	R4577482
N/A	1-3/4 "	R4133400	R4133400	R4166917	NR	-	-	R4577482	R4577482
N/A	1-3/4 "	R4133400	R4133400	R4166917	NR	-	-	R4577482	R4577482
N/A	1-3/4 "	R4133400	R4133400	R4166917	NR	-	-	R4577482	R4577482
N/A	1-3/4 "	R4133400	R4133400	R4166917	NR	-	-	R4577482	R4577482
N/A	1-1/8 "	R4133320	R4133321	R4166926	NR	-	-	-	-
N/A	1-1/8 "	R4133320	R4133321	R4166926	NR	-	-	-	-
N/A	1-1/4 "	R4133376	R4133377	R4166923	NR	-	-	-	-
N/A	1-1/4 "	R4133376	R4133377	R4166923	NR	-	-	-	-
N/A	1-5/8 "	R4133338	R4133338	R4166689	NR	-	-	R4577482	R4577482
N/A	1-5/8 "	R4133338	R4133338	R4166689	NR	-	-	R4577482	R4577482
N/A	1-3/4 "	R4133400	R4133400	R4166917	NR	-	-	R4577482	R4577482
N/A	1-7/8 "	R4133420	R4133420	R4166897	NR	-	-	R4577482	R4577482
N/A	1-7/8 "	R4133420	R4133420	R4166897	NR	-	-	R4577482	R4577482
N/A	1-7/8 "	R4133420	R4133420	R4166897	NR	-	-	R4577482	R4577482
N/A	1-7/8 "	R4133420	R4133420	R4166897	NR	-	-	R4577482	R4577482
N/A	1-5/8 "	R4133338	R4133338	R4166689	NR	-	-	R4577482	R4577482
N/A	1-5/8 "	R4133338	R4133338	R4166689	NR	-	-	R4577482	R4577482
N/A	1-1/8 "	R4133320	R4133321	R4166926	NR	R4112066 ³⁰⁶	R4110406	N/A	N/A
N/A	1-1/8 "	R4133320	R4133321	R4166926	NR	R4112066 ³⁰⁶	R4110406	N/A	N/A
N/A	1-1/4 "	R4133376	R4133377	R4166923	NR	R4112066 ³⁰⁶	R4110406	N/A	N/A
N/A	1-1/4 "	R4133376	R4133377	R4166923	NR	R4112066 ³⁰⁶	R4110406	N/A	N/A
N/A	1-5/8 "	R4133338	R4133338	R4166689	NR	-	-	R4577482	R4577482
N/A	1-5/8 "	R4133338	R4133338	R4166689	NR	-	-	R4577482	R4577482
N/A	1-5/8 "	R4133338	R4133338	R4166689	NR	-	-	R4577482	R4577482
N/A	1-5/8 "	R4133338	R4133338	R4166689	NR	-	-	R4577482	R4577482
N/A	1-3/4 "	R4133400	R4133400	R4166917	NR	-	-	R4577482	R4577482
N/A	1-3/4 "	R4133400	R4133400	R4166917	NR	-	-	R4577482	R4577482
N/A	1-3/4 "	R4133400	R4133400	R4166917	NR	-	-	R4577482	R4577482
N/A	1-3/4 "	R4133400	R4133400	R4166917	NR	-	-	R4577482	R4577482
N/A	1-7/8 "	R4133420	R4133420	R4166897	NR	-	-	R4577482	R4577482
N/A	1-7/8 "	R4133420	R4133420	R4166897	NR	-	-	R4577482	R4577482
N/A	1-7/8 "	R4133420	R4133420	R4166897	NR	-	-	R4577482	R4577482
N/A	1-7/8 "	R4133420	R4133420	R4166897	NR	-	-	R4577482	R4577482
N/A	1-5/8 "	R4133338	R4133338	R4166689	NR	-	-	R4577482	R4577482
N/A	1-5/8 "	R4133338	R4133338	R4166689	NR	-	-	R4577482	R4577482
N/A	1-1/8 "	R4133320	R4133321	R4166926	NR	R4112066 ³⁰⁶	R4110406	N/A	N/A

MAKE MODEL YEAR AXLE CODE AXLE WEIGHT	AXLE & BRK. TYPE	BRK. MFG.	BRAKE SIZE	FMSI	MERITOR DISC PAD OR BRAKE SHOE	MERITOR GUIDE PIN OR RETURN SPRING KIT	MERITOR CALIPER HWD. KIT OR RETURN SPRING KIT	MERITOR ADJUSTER KIT (LEFT WHEEL)	MERITOR ADJUSTER KIT (RIGHT WHEEL)
GMC / CHEV(Cont.)									
70, 7000 SERIES(Cont.)									
1980	Fm	WG	15 " x 3 "	1245A - 235	R700235	R40H521	R40H9201	R404132	R404132 ²⁷⁹
C7D042, C7D064 Conventional F090, F120	Fa	WG	15 " x 3-1/2 "	1280B - 322	R464004	R40H521	R40H9237	R40H3502	R40H3503
	Fm	WG	15 " x 3-1/2 "	1280 - 463	R700463	R40H521	R40H9201	R404132	R404132 ²⁷⁹
C7D042, C7D064 Conventional H170, 175, T170, 175	Ra	WG	15 " x 6 "	4596 - 381	R700381	R40H597	R40H9200	R40H3540	R40H3541
	Ra	WG	15 " x 6 "	4596 - 381	R700381	R40H597	R40H9200	R40H3540	R40H3541
	Rm	WG	15 " x 6 "	4596 - 380	R700381	R40H597	R40H9200	R40H3518	R404148
C7D042, C7D064 Conventional T170, 185, 17100, 17200	Ra	WG	15 " x 7 "	4597 - 383	R700383	R40H597	R40H9200	R40H3540	R40H3541
	Ra	WG	15 " x 7 "	4597 - 383	R700383	R40H597	R40H9200	R40H3540	R40H3541
C7D042, C7D064 Conventional T170, 185, 17100, 17200	Rm	WG	15 " x 7 "	4597 - 382	R700383	R40H597	R40H9200	R40H3518	R404148
	Rm	WG	15 " x 7 "	4597 - 382	R700383	R40H597	R40H9200	R40H3518	R404148
1979 C7D042, C7D064 Conventional 18121, 18221, 22121, 22221	Ra	WG	16 " x 6 "	1255 - 386	N/A	R40H597	R40H9200	-	-
	Ra	WG	16 " x 6 "	1255 - 386	N/A	R40H597	R40H9200	-	-
	Rm	WG	16 " x 6 "	1255 - 386	N/A	R40H597	R40H9200	R404149	R404150
C7D042, C7D064 Conventional 34DS, 34DT	TRm	WG	15 " x 6 "	4596 - 381	R700381	R40H597	R40H9200	R40H3518	R404148
	TRm	WG	15 " x 6 "	4596 - 381	R700381	R40H597	R40H9200	R40H3518	R404148
C7D042, C7D064 Conventional F070	Fa	WG	15 " x 3 "	1245C - 321	R700321	R40H521	R40H9237	R40H3502	R40H3503
	Fm	WG	15 " x 3 "	1245A - 235	R700235	R40H521	R40H9201	R404132	R404132 ²⁷⁹
C7D042, C7D064 Conventional F090, F120	Fa	WG	15 " x 3-1/2 "	1280B - 322	R464004	R40H521	R40H9237	R40H3502	R40H3503
	Fm	WG	15 " x 3-1/2 "	1280 - 463	R700463	R40H521	R40H9201	R404132	R404132 ²⁷⁹
C7D042, C7D064 Conventional H170, 175, T170, 175	Ra	WG	15 " x 6 "	4596 - 381	R700381	R40H597	R40H9200	R40H3540	R40H3541
	Ra	WG	15 " x 6 "	4596 - 381	R700381	R40H597	R40H9200	R40H3540	R40H3541
	Rm	WG	15 " x 6 "	4596 - 380	R700381	R40H597	R40H9200	R40H3518	R404148
C7D042, C7D064 Conventional H170, 175, T170, 175	Rm	WG	15 " x 6 "	4596 - 380	R700381	R40H597	R40H9200	R40H3518	R404148
	Rm	WG	15 " x 6 "	4596 - 380	R700381	R40H597	R40H9200	R40H3518	R404148
C7D042, C7D064 Conventional T170, 185, 17100, 17200	Ra	WG	15 " x 7 "	4597 - 383	R700383	R40H597	R40H9200	R40H3540	R40H3541
	Ra	WG	15 " x 7 "	4597 - 383	R700383	R40H597	R40H9200	R40H3540	R40H3541
	Rm	WG	15 " x 7 "	4597 - 382	R700383	R40H597	R40H9200	R40H3518	R404148
C7D042, C7D064 Conventional T170, 185, 17100, 17200	Rm	WG	15 " x 7 "	4597 - 382	R700383	R40H597	R40H9200	R40H3518	R404148
	Rm	WG	15 " x 7 "	4597 - 382	R700383	R40H597	R40H9200	R40H3518	R404148
C-3500 SERIES- 1 TON - CONVENTIONAL CAB, PICKUP AND SUBURBAN									
1999 4x2	Ra	GM	11.1563 x 2-3/4 "	2073TT - 473	R46473	R40H369	R40H4072DP ²⁷⁸	R40H2586	R40H2587
	Ra	GM	13 " x 2-1/2 "	2042AT - 451	R46451	R40H378	R40H7055	R40H2588	R40H2589
	Ra	GM	13 " x 2-1/2 "	2042AT - 451	R46451	R40H378	R40H7055	R40H2588	R40H2589
	Ra	GM	13 " x 2-1/2 "	2042AT - 451	R46451	R40H378	R40H7055	R40H2588	R40H2589
4x2 7,200 lb. GVW	Fd	GM		7259 - D369	MD369	R40H5083	R40H5707	NR	NR
	Fd	GM		7259 - D369	MD369	R40H5083	R40H5707	NR	NR
4x2 8,600 lb. GVW	Fd	GM		7260 - D370	MD370	R40H5083	R40H5707	NR	NR
	Fd	GM		7260 - D370	MD370	R40H5083	R40H5707	NR	NR
1995 Heavy Duty 15,000 lb. GVW	Fd	GM		7081 - D149	MD149	R40H5010	R40H5529	NR	NR

278 - For Heavy Duty version use E-11287

279 - Has 2.29" Adjuster Studs, For 2.60" Studs Use E-4133

282 - 10 1/2" Ring Gear, First Design; Use 3 3/8" Outside Diameter Axle Tubes

291 - Except 9 1/2" Ring Gear

293 - With 9 1/2" Ring Gear and 6 3/8" Drum Width

306 - Power Brakes, Single System

332 - Power Brakes, Hydraulic Booster

334 - Power Brakes, Vacuum Booster

390 - Rotor and Hub One Piece Assembly With ABS Ring

www.XpresswayPlus.com

Contact our Customer Service Teams

MERITOR DRUM OR ROTOR NO.	CALIPER OR CYLINDER BORE SIZE	MERITOR CALIPER OR WHEEL CYLINDER (LEFT)	MERITOR CALIPER OR WHEEL CYLINDER (RIGHT)	MERITOR CALIPER OR WHEEL CYLINDER REPAIR KIT	MERITOR CALIPER PISTON	MERITOR MASTER CYLINDER	MERITOR MASTER CYLINDER KIT	MERITOR BRAKE HOSE (LEFT)	MERITOR BRAKE HOSE (RIGHT)
GMC / CHEV(Cont.)									
70, 7000 SERIES(Cont.)									
N/A	1-1/8 "	R4133320	R4133321	R4166926	NR	R4112066 ³⁰⁶	R4110406	N/A	N/A
N/A	1-1/4 "	R4133376	R4133377	R4166923	NR	R4112066 ³⁰⁶	R4110406	N/A	N/A
N/A	1-1/4 "	R4133376	R4133377	R4166923	NR	R4112066 ³⁰⁶	R4110406	N/A	N/A
N/A	1-5/8 "	R4133338	R4133338	R4166689	NR	-	-	R4577482	R4577482
N/A	1-5/8 "	R4133338	R4133338	R4166689	NR	-	-	R4577482	R4577482
N/A	1-5/8 "	R4133338	R4133338	R4166689	NR	-	-	R4577482	R4577482
N/A	1-5/8 "	R4133338	R4133338	R4166689	NR	-	-	R4577482	R4577482
N/A	1-3/4 "	R4133400	R4133400	R4166917	NR	-	-	R4577482	R4577482
N/A	1-3/4 "	R4133400	R4133400	R4166917	NR	-	-	R4577482	R4577482
N/A	1-3/4 "	R4133400	R4133400	R4166917	NR	-	-	R4577482	R4577482
N/A	1-3/4 "	R4133400	R4133400	R4166917	NR	-	-	R4577482	R4577482
N/A	1-7/8 "	R4133420	R4133420	R4166897	NR	-	-	R4577482	R4577482
N/A	1-7/8 "	R4133420	R4133420	R4166897	NR	-	-	R4577482	R4577482
N/A	1-7/8 "	R4133420	R4133420	R4166897	NR	-	-	R4577482	R4577482
N/A	1-7/8 "	R4133420	R4133420	R4166897	NR	-	-	R4577482	R4577482
N/A	1-5/8 "	R4133338	R4133338	R4166689	NR	-	-	R4577482	R4577482
N/A	1-5/8 "	R4133338	R4133338	R4166689	NR	-	-	R4577482	R4577482
N/A	1-1/8 "	R4133320	R4133321	R4166926	NR	R4112066 ³⁰⁶	R4110406	N/A	N/A
N/A	1-1/8 "	R4133320	R4133321	R4166926	NR	R4112066 ³⁰⁶	R4110406	N/A	N/A
N/A	1-1/4 "	R4133376	R4133377	R4166923	NR	R4112066 ³⁰⁶	R4110406	N/A	N/A
N/A	1-1/4 "	R4133376	R4133377	R4166923	NR	R4112066 ³⁰⁶	R4110406	N/A	N/A
N/A	1-5/8 "	R4133338	R4133338	R4166689	NR	-	-	R4577482	R4577482
N/A	1-5/8 "	R4133338	R4133338	R4166689	NR	-	-	R4577482	R4577482
N/A	1-5/8 "	R4133338	R4133338	R4166689	NR	-	-	R4577482	R4577482
N/A	1-5/8 "	R4133338	R4133338	R4166689	NR	-	-	R4577482	R4577482
N/A	1-3/4 "	R4133400	R4133400	R4166917	NR	-	-	R4577482	R4577482
N/A	1-3/4 "	R4133400	R4133400	R4166917	NR	-	-	R4577482	R4577482
N/A	1-3/4 "	R4133400	R4133400	R4166917	NR	-	-	R4577482	R4577482
N/A	1-3/4 "	R4133400	R4133400	R4166917	NR	-	-	R4577482	R4577482
C-3500 SERIES- 1 TON - CONVENTIONAL CAB, PICKUP AND SUBURBAN									
R44140543 ²⁹¹	1 "	R4134037	R4134037	R4166620	NR	-	-	-	-
R44140449 ²⁹³	1-1/16 "	R4133709	R4133709	N/A	NR	-	-	-	-
R44140363 ²⁸²	1-1/16 "	R4133709	R4133709	N/A	NR	-	-	-	-
R44140682	1-1/16 "	R4133709	R4133709	N/A	NR	-	-	-	-
R44145107	2-15/16 "	R42R55501	R42R55500	R4066306	R4090087S	R4110372 ³³⁴	R4122202	-	-
R44145107	2-15/16 "	R42R55501	R42R55500	R4066306	R4090087S	R4113056 ³³²	N/A	-	-
R44141818 ³⁹⁰	3-5/32 "	R42R55497	R42R55496	R4066330	R4090101S	R4110372 ³³⁴	R4122202	-	-
R44141818 ³⁹⁰	3-5/32 "	R42R55497	R42R55496	R4066330	R4090101S	R4113056 ³³²	N/A	-	-
R4411316 ⁴⁰⁵	3-3/8 "	R42R55199	R42R55200	R4066780	R4090021	R4110376	N/A	-	-

405 - Rotor Only

MAKE MODEL YEAR AXLE CODE AXLE WEIGHT	AXLE & BRK. TYPE	BRK. MFG.	BRAKE SIZE	FMSI	MERITOR DISC PAD OR BRAKE SHOE	MERITOR GUIDE PIN OR RETURN SPRING KIT	MERITOR CALIPER HWD. KIT OR RETURN SPRING KIT	MERITOR ADJUSTER KIT (LEFT WHEEL)	MERITOR ADJUSTER KIT (RIGHT WHEEL)
GMC / CHEV(Cont.)									
C-3500 SERIES- 1 TON - CONVENTIONAL CAB, PICKUP AND SUBURBAN(Cont.)									
1995	Rd	GM		7081 - D149	MD149	R40H5010	R40H5529	NR	NR
1994	Ra	GM	13 " x 3-1/2 "	2157T - S656	R46452	R40H378	R40H7055	R40H2588	R40H2589
Dual Rear Wheels	Rd Rd	BX BX		7081 - D149 7081 - D149	MD149 MD149	R40H5010 R40H5010	R40H5529 R40H5529	NR NR	NR NR
Single Rear Wheels	Ra Ra Ra	GM GM GM	13 " x 2-1/2 " 13 " x 2-1/2 " 13 " x 3-1/2 "	2042T - S655 2042T - S655 2157T - S656	R46451 R46451 R46452	R40H378 R40H378 R40H378	R40H7055 R40H7055 R40H7055	R40H2588 R40H2588 R40H2588	R40H2589 R40H2589 R40H2589
Single Rear Wheels 9,000, 9,200 lb. GVW	Fd Fd	GM GM		7260 - D370 7260 - D370	MD370 MD370	R40H5083 R40H5083	R40H5707 R40H5707	NR NR	NR NR
Dual Rear Wheels 10,000, 11,000, 12,000lb. GVW	Ra Ra	GM GM	13 " x 3-1/2 " 13 " x 3-1/2 "	2157T - S656 2157T - S656	R46452 R46452	R40H378 R40H378	R40H7055 R40H7055	R40H2588 R40H2588	R40H2589 R40H2589
Dual Rear Wheels 10,000, 11,000lb. GVW	Fd Fd	GM GM		7339 - D459 7339 - D459	MD459 MD459	R40H5083 R40H5083	R40H5788 R40H5788	NR NR	NR NR
Dual Rear Wheels 15,000 lb. GVW	Fd Fd	BX BX		7081 - D149 7081 - D149	MD149 MD149	R40H5010 R40H5010	R40H5529 R40H5529	NR NR	NR NR
Rear Disc Brakes, Heavy Duty 15,000 lb. GVW	Fd			7108 - D184	MD184	R40H5010	R40H5519	NR	NR
Wrecker with Rear Disc Brakes, Heavy Duty 15,000 lb. GVW	Rd			7108 - D184	MD184	R40H5010	R40H5519	NR	NR
1993	Ra	GM	13 " x 3-1/2 "	2157T - S656	R46452	R40H378	R40H7055	R40H2588	R40H2589
Dual Rear Wheels	Rd Rd	BX BX		7081 - D149 7081 - D149	MD149 MD149	R40H5010 R40H5010	R40H5529 R40H5529	NR NR	NR NR
Single Rear Wheels	Ra Ra Ra	GM GM GM	13 " x 2-1/2 " 13 " x 2-1/2 " 13 " x 3-1/2 "	2042T - S655 2042T - S655 2157T - S656	R46451 R46451 R46452	R40H378 R40H378 R40H378	R40H7055 R40H7055 R40H7055	R40H2588 R40H2588 R40H2588	R40H2589 R40H2589 R40H2589
Single Rear Wheels 9,000, 9,200 lb. GVW	Fd Fd	GM GM		7260 - D370 7260 - D370	MD370 MD370	R40H5083 R40H5083	R40H5707 R40H5707	NR NR	NR NR
Dual Rear Wheels 10,000, 11,000, 12,000lb. GVW	Ra Ra	GM GM	13 " x 3-1/2 " 13 " x 3-1/2 "	2157T - S656 2157T - S656	R46452 R46452	R40H378 R40H378	R40H7055 R40H7055	R40H2588 R40H2588	R40H2589 R40H2589
Dual Rear Wheels 10,000, 11,000lb. GVW	Fd Fd	GM GM		7339 - D459 7339 - D459	MD459 MD459	R40H5083 R40H5083	R40H5788 R40H5788	NR NR	NR NR
Dual Rear Wheels 15,000 lb. GVW	Fd Fd	BX BX		7081 - D149 7081 - D149	MD149 MD149	R40H5010 R40H5010	R40H5529 R40H5529	NR NR	NR NR
1992	Ra	GM	13 " x 3-1/2 "	2157T - S656	R46452	R40H378	R40H7055	R40H2588	R40H2589
Dual Rear Wheels Except Heavy Duty	Fd Ra	GM GM	13 " x 3-1/2 "	7339 - D459 2157T - S656	MD459 R46452	R40H5083 R40H378	R40H5788 R40H7055	NR R40H2588	NR R40H2589
Dual Rear Wheels with Heavy Duty	Fd Fd Rd	BX BX BX		7081 - D149 7081 - D149 7081 - D149	MD149 MD149 MD149	R40H5010 R40H5010 R40H5010	R40H5529 R40H5529 R40H5529	NR NR NR	NR NR NR
Pickup	Fd Fd	GM GM		7260 - D370 7260 - D370	MD370 MD370	R40H5083 R40H5083	R40H5707 R40H5707	NR NR	NR NR
Pickup with Dual Rear Wheels Except Heavy Duty	Fd Ra	GM GM	13 " x 3-1/2 "	7339 - D459 2157T - S656	MD459 R46452	R40H5083 R40H378	R40H5788 R40H7055	NR R40H2588	NR R40H2589
Pickup with Dual Wheels and H.D. Chassis	Rd	BX		7081 - D149	MD149	R40H5010	R40H5529	NR	NR

32 - For rotor only use R44141480

282 - 10 1/2" Ring Gear, First Design; Use 3 3/8" Outside Diameter Axle Tubes

390 - Rotor and Hub One Piece Assembly With ABS Ring

www.XpresswayPlus.com

67 - 183.5" Wheel Base

346 - 4500 lb. Casting Number 2238451452, 10mm Inlet

405 - Rotor Only

280 - 10 1/2" Ring Gear

381 - Rotor and Hub One Piece Assembly W/O ABS Ring

Contact our Customer Service Teams

1-888-725-9355

MERITOR DRUM OR ROTOR NO.	CALIPER OR CYLINDER BORE SIZE	MERITOR CALIPER OR WHEEL CYLINDER (LEFT)	MERITOR CALIPER OR WHEEL CYLINDER (RIGHT)	MERITOR CALIPER OR WHEEL CYLINDER REPAIR KIT	MERITOR CALIPER PISTON	MERITOR MASTER CYLINDER	MERITOR MASTER CYLINDER KIT	MERITOR BRAKE HOSE (LEFT)	MERITOR BRAKE HOSE (RIGHT)
GMC / CHEV(Cont.)									
C-3500 SERIES- 1 TON - CONVENTIONAL CAB, PICKUP AND SUBURBAN(Cont.)									
R44145028 ⁴⁰⁵	3-3/8 "	R42R55199	R42R55200	R4066780	R4090021	-	-	-	-
R44140619	1-1/16 "	R4133709	R4133709	N/A	NR	-	-	-	-
R44141483 ⁴⁰⁵	3-3/8 "	R42R55200	R42R55199	R4066780	R4090021	-	-	-	-
R44141483 ⁴⁰⁵	3-3/8 "	R42R55200	R42R55199	R4066780	R4090021	-	-	-	-
R44140363 ²⁸²	1-1/16 "	R4133709	R4133709	N/A	NR	-	-	-	-
R44140363 ²⁸²	1-1/16 "	R4133709	R4133709	N/A	NR	-	-	-	-
R44140619	1-1/16 "	R4133709	R4133709	N/A	NR	-	-	-	-
R44141540 ³⁸¹	3-5/32 "	R42R55497	R42R55496	R4066330	R4090101S	-	-	-	-
R44141540 ³⁸¹	3-5/32 "	R42R55497	R42R55496	R4066330	R4090101S	-	-	-	-
R44140388 ²⁸⁰	1-3/16 "	R4133708	R4133708	R4166872	NR	-	-	-	-
R44140388 ²⁸⁰	1-3/16 "	R4133708	R4133708	R4166872	NR	-	-	-	-
R44141866 ³⁸¹	3-25/32 "	R42R55687	R42R55688	R4066211	R4090188S	-	-	-	-
R44141866 ³⁸¹	3-25/32 "	R42R55687	R42R55688	R4066211	R4090188S	-	-	-	-
R44141866 ³⁸¹	3-3/8 "	R42R55200	R42R55199 ³⁴⁶	R4066780	R4090021	-	-	-	-
R44141866 ³⁸¹	3-3/8 "	R42R55200	R42R55199 ³⁴⁶	R4066780	R4090021	-	-	-	-
R4411316 ⁶⁷	-	-	-	-	-	-	-	-	-
R44145028 ⁴⁰⁵	-	-	-	-	-	-	-	-	-
R44140619	1-1/16 "	R4133709	R4133709	N/A	NR	-	-	-	-
R44141483 ⁴⁰⁵	3-3/8 "	R42R55200	R42R55199	R4066780	R4090021	-	-	-	-
R44141483 ⁴⁰⁵	3-3/8 "	R42R55200	R42R55199	R4066780	R4090021	-	-	-	-
R44140363 ²⁸²	1-1/16 "	R4133709	R4133709	N/A	NR	-	-	-	-
R44140363 ²⁸²	1-1/16 "	R4133709	R4133709	N/A	NR	-	-	-	-
R44140619	1-1/16 "	R4133709	R4133709	N/A	NR	-	-	-	-
R44141818 ³⁹⁰	3-5/32 "	R42R55497	R42R55496	R4066330	R4090101S	-	-	-	-
R44141818 ³⁹⁰	3-5/32 "	R42R55497	R42R55496	R4066330	R4090101S	-	-	-	-
R44140388 ²⁸⁰	1-3/16 "	R4133708	R4133708	R4166872	NR	-	-	-	-
R44140388 ²⁸⁰	1-3/16 "	R4133708	R4133708	R4166872	NR	-	-	-	-
R44141866 ³⁸¹	3-25/32 "	R42R55687	R42R55688	R4066211	R4090188S	-	-	-	-
R44141866 ³⁸¹	3-25/32 "	R42R55687	R42R55688	R4066211	R4090188S	-	-	-	-
R44141480 ³²	3-3/8 "	R42R55200	R42R55199 ³⁴⁶	R4066780	R4090021	-	-	-	-
R44141480 ³²	3-3/8 "	R42R55200	R42R55199 ³⁴⁶	R4066780	R4090021	-	-	-	-
R44140619	1-1/16 "	R4133709	R4133709	N/A	NR	-	-	-	-
R44141866 ⁴⁰⁵	3-25/32 "	R42R55687	R42R55688	R4066211	R4090188S	-	-	-	-
N/A	1-3/16 "	R4133708	R4133708	R4166872	NR	-	-	-	-
R44141480 ⁴⁰⁵	3-3/8 "	R42R55200	R42R55199 ³⁴⁶	R4066780	R4090021	-	-	-	-
R44141480 ⁴⁰⁵	3-3/8 "	R42R55200	R42R55199 ³⁴⁶	R4066780	R4090021	-	-	-	-
R44141483 ⁴⁰⁵	3-3/8 "	R42R55200	R42R55199	R4066780	R4090021	-	-	-	-
R44141540 ³⁸¹	3-5/32 "	R42R55497	R42R55496	R4066330	R4090101S	-	-	-	-
R44141540 ³⁸¹	3-5/32 "	R42R55497	R42R55496	R4066330	R4090101S	-	-	-	-
R44141866 ⁴⁰⁵	3-25/32 "	R42R55687	R42R55688	R4066211	R4090188S	-	-	-	-
N/A	1-3/16 "	R4133708	R4133708	R4166872	NR	-	-	-	-
R44141483 ⁴⁰⁵	3-3/8 "	R42R55200	R42R55199	R4066780	R4090021	-	-	-	-

1 APPLICATION

MAKE MODEL YEAR AXLE CODE AXLE WEIGHT	AXLE & BRK. TYPE	BRK. MFG.	BRAKE SIZE	FMSI	MERITOR DISC PAD OR BRAKE SHOE	MERITOR GUIDE PIN OR RETURN SPRING KIT	MERITOR CALIPER HWD. KIT OR RETURN SPRING KIT	MERITOR ADJUSTER KIT (LEFT WHEEL)	MERITOR ADJUSTER KIT (RIGHT WHEEL)
GMC / CHEV(Cont.)									
C-3500 SERIES- 1 TON - CONVENTIONAL CAB, PICKUP AND SUBURBAN(Cont.)									
1992									
Pickup with Single Rear Wheels	Ra	GM	13 " x 2-1/2 "	2042T - S655	R46451	R40H378	R40H7055	R40H2588	R40H2589
	Ra	GM	13 " x 3-1/2 "	2157T - S656	R46452	R40H378	R40H7055	R40H2588	R40H2589
Single Rear Wheels	Ra	GM	13 " x 2-1/2 "	2042T - S655	R46451	R40H378	R40H7055	R40H2588	R40H2589
1991									
Dual Rear Wheels	Fd	GM		7339 - D459	MD459	R40H5083	R40H5788	NR	NR
	Ra	GM	13 " x 3-1/2 "	2157T - 452	R46452	R40H378	R40H7055	R40H2588	R40H2589
Pickup	Fd	GM		7260 - D370	MD370	R40H5083	R40H5707	NR	NR
	Fd	GM		7260 - D370	MD370	R40H5083	R40H5707	NR	NR
Pickup with Dual Rear Wheels	Fd	GM		7339 - D459	MD459	R40H5083	R40H5788	NR	NR
	Ra	GM	13 " x 3-1/2 "	2157T - 452	R46452	R40H378	R40H7055	R40H2588	R40H2589
Pickup with Single Rear Wheels	Ra	GM	13 " x 2-1/2 "	2042AT - 451	R46451	R40H378	R40H7055	R40H2588	R40H2589
Single Rear Wheels	Ra	GM	13 " x 2-1/2 "	2042AT - 451	R46451	R40H378	R40H7055	R40H2588	R40H2589
12,500, 15,000lb. GVW	Rd	BX		7081 - D149	MD149	R40H5010	R40H5529	NR	NR
Dual Rear Wheels with Heavy Duty 12,500, 15,000lb. GVW	Fd	BX		7081 - D149	MD149	R40H5010	R40H5529	NR	NR
	Fd	BX		7081 - D149	MD149	R40H5010	R40H5529	NR	NR
Pickup 12,500, 15,000lb. GVW	Rd	BX		7081 - D149	MD149	R40H5010	R40H5529	NR	NR
1990									
	Ra	GM	13 " x 2-1/2 "	2042AT - 451	R46451	R40H378	R40H7055	R40H2588	R40H2589
	Ra	GM	13 " x 2-1/2 "	2042AT - 451	R46451	R40H378	R40H7055	R40H2588	R40H2589
	Ra	GM	13 " x 3-1/2 "	2157T - 452	R46452	R40H378	R40H7055	R40H2588	R40H2589
Dual Rear Wheels	Fd	GM		7339 - D459	MD459	R40H5083	R40H5788	NR	NR
Pickup	Fd	GM		7260 - D370	MD370	R40H5083	R40H5707	NR	NR
	Fd	GM		7260 - D370	MD370	R40H5083	R40H5707	NR	NR
	Ra	GM	13 " x 2-1/2 "	2042AT - 451	R46451	R40H378	R40H7055	R40H2588	R40H2589
Ra	GM	13 " x 2-1/2 "	2042AT - 451	R46451	R40H378	R40H7055	R40H2588	R40H2589	
Pickup with Dual Rear Wheels	Fd	GM		7339 - D459	MD459	R40H5083	R40H5788	NR	NR
1989									
	Ra	GM	13 " x 2-1/2 "	2042AT - 451	R46451	R40H378	R40H7055	R40H2588	R40H2589
	Ra	GM	13 " x 2-1/2 "	2042AT - 451	R46451	R40H378	R40H7055	R40H2588	R40H2589
	Ra	GM	13 " x 3-1/2 "	2157T - 452	R46452	R40H378	R40H7055	R40H2588	R40H2589
Dual Rear Wheels	Fd	GM		7260 - D370	MD370	R40H5083	R40H5707	NR	NR
Pickup	Fd	GM		7260 - D370	MD370	R40H5083	R40H5707	NR	NR
	Fd	GM		7260 - D370	MD370	R40H5083	R40H5707	NR	NR
	Ra	GM	13 " x 2-1/2 "	2042AT - 451	R46451	R40H378	R40H7055	R40H2588	R40H2589
	Ra	GM	13 " x 2-1/2 "	2042AT - 451	R46451	R40H378	R40H7055	R40H2588	R40H2589
Ra	GM	13 " x 3-1/2 "	2157T - 452	R46452	R40H378	R40H7055	R40H2588	R40H2589	
Pickup with Dual Rear Wheels	Fd	GM		7260 - D370	MD370	R40H5083	R40H5707	NR	NR
1988									
	Ra	GM	13 " x 2-1/2 "	2042AT - 451	R46451	R40H378	R40H7055	R40H2588	R40H2589
	Ra	GM	13 " x 2-1/2 "	2042AT - 451	R46451	R40H378	R40H7055	R40H2588	R40H2589
	Ra	GM	13 " x 3-1/2 "	2157T - 452	R46452	R40H378	R40H7055	R40H2588	R40H2589
Dual Rear Wheels	Fd	GM		7260 - D370	MD370	R40H5083	R40H5707	NR	NR
Pickup	Fd	GM		7260 - D370	MD370	R40H5083	R40H5707	NR	NR
	Fd	GM		7260 - D370	MD370	R40H5083	R40H5707	NR	NR
	Ra	GM	13 " x 2-1/2 "	2042AT - 451	R46451	R40H378	R40H7055	R40H2588	R40H2589
	Ra	GM	13 " x 2-1/2 "	2042AT - 451	R46451	R40H378	R40H7055	R40H2588	R40H2589
Ra	GM	13 " x 3-1/2 "	2157T - 452	R46452	R40H378	R40H7055	R40H2588	R40H2589	
Pickup with Dual Rear Wheels	Fd	GM		7260 - D370	MD370	R40H5083	R40H5707	NR	NR
1986									
Dual Rear Wheels	Fd	BX		7081 - D149	MD149	R40H5010	R40H5529	NR	NR
	Ra	GM	13 " x 2-1/2 "	2042AT - 451	R46451	R40H378	R40H7055	R40H2588	R40H2589
	Ra	GM	13 " x 2-1/2 "	2042AT - 451	R46451	R40H378	R40H7055	R40H2588	R40H2589
	Ra	GM	13 " x 3-1/2 "	2157T - 452	R46452	R40H378	R40H7055	R40H2588	R40H2589
Ra	GM	13 " x 3-1/2 "	2157T - 452	R46452	R40H378	R40H7055	R40H2588	R40H2589	

32 - For rotor only use R44141480

280 - 10 1/2" Ring Gear

282 - 10 1/2" Ring Gear, First Design; Use 3 3/8" Outside Diameter Axle Tubes

293 - With 9 1/2" Ring Gear and 6 3/8" Drum Width

346 - 4500 lb. Casting Number 2238451452, 10mm Inlet

381 - Rotor and Hub One Piece Assembly W/O ABS Ring

405 - Rotor Only

www.XpresswayPlus.com

Contact our Customer Service Teams

MERITOR DRUM OR ROTOR NO.	CALIPER OR CYLINDER BORE SIZE	MERITOR CALIPER OR WHEEL CYLINDER (LEFT)	MERITOR CALIPER OR WHEEL CYLINDER (RIGHT)	MERITOR CALIPER OR WHEEL CYLINDER REPAIR KIT	MERITOR CALIPER PISTON	MERITOR MASTER CYLINDER	MERITOR MASTER CYLINDER KIT	MERITOR BRAKE HOSE (LEFT)	MERITOR BRAKE HOSE (RIGHT)
GMC / CHEV(Cont.)									
C-3500 SERIES- 1 TON - CONVENTIONAL CAB, PICKUP AND SUBURBAN(Cont.)									
R44140363 ²⁸²	1-1/16 "	R4133709	R4133709	N/A	NR	-	-	-	-
R44140619	1-1/16 "	R4133709	R4133709	N/A	NR	-	-	-	-
R44140363 ²⁸²	1-1/16 "	R4133709	R4133709	N/A	NR	-	-	-	-
R44141866 ⁴⁰⁵	3-25/32 "	R42R55687	R42R55688	R4066211	R4090188S	-	-	-	-
R44140388 ²⁸⁰	1-3/16 "	R4133708	R4133708	R4166872	NR	-	-	-	-
R44141540 ³⁸¹	3-5/32 "	R42R55497	R42R55496	R4066330	R4090101S	-	-	-	-
R44141540 ³⁸¹	3-5/32 "	R42R55497	R42R55496	R4066330	R4090101S	-	-	-	-
R44141866 ⁴⁰⁵	3-25/32 "	R42R55687	R42R55688	R4066211	R4090188S	-	-	-	-
R44140388 ²⁸⁰	1-3/16 "	R4133708	R4133708	R4166872	NR	-	-	-	-
R44140363 ²⁸²	1-1/16 "	R4133709	R4133709	N/A	NR	-	-	-	-
R44140363 ²⁸²	1-1/16 "	R4133709	R4133709	N/A	NR	-	-	-	-
R44141483 ⁴⁰⁵	3-3/8 "	R42R55200	R42R55199	R4066780	R4090021	-	-	-	-
R44141480 ⁴⁰⁵	3-3/8 "	R42R55200	R42R55199 ³⁴⁶	R4066780	R4090021	-	-	-	-
R44141480 ⁴⁰⁵	3-3/8 "	R42R55200	R42R55199 ³⁴⁶	R4066780	R4090021	-	-	-	-
R44141483 ⁴⁰⁵	3-3/8 "	R42R55200	R42R55199	R4066780	R4090021	-	-	-	-
R44140449 ²⁹³	1-1/16 "	R4133709	R4133709	N/A	NR	-	-	-	-
R44140536 ²⁸⁰	1-1/16 "	R4133709	R4133709	N/A	NR	-	-	-	-
R44140388 ²⁸⁰	1-3/16 "	R4133708	R4133708	R4166872	NR	-	-	-	-
R44141866 ⁴⁰⁵	3-25/32 "	R42R55687	R42R55688	R4066211	R4090188S	-	-	-	-
R44141540 ³⁸¹	3-5/32 "	R42R55497	R42R55496	R4066330	R4090101S	-	-	-	-
R44141540 ³⁸¹	3-5/32 "	R42R55497	R42R55496	R4066330	R4090101S	-	-	-	-
R44140536 ²⁸⁰	1-1/16 "	R4133709	R4133709	N/A	NR	-	-	-	-
R44140449 ²⁹³	1-1/16 "	R4133709	R4133709	N/A	NR	-	-	-	-
R44141866 ⁴⁰⁵	3-25/32 "	R42R55687	R42R55688	R4066211	R4090188S	-	-	-	-
R44140536 ²⁸⁰	1-1/16 "	R4133709	R4133709	N/A	NR	-	-	-	-
R44140449 ²⁹³	1-1/16 "	R4133709	R4133709	N/A	NR	-	-	-	-
R44140388 ²⁸⁰	1-3/16 "	R4133708	R4133708	R4166872	NR	-	-	-	-
R44141630	3-5/32 "	R42R55497	R42R55496	R4066330	R4090101S	-	-	-	-
R44140536 ²⁸⁰	1-1/16 "	R4133709	R4133709	N/A	NR	-	-	-	-
R44140449 ²⁹³	1-1/16 "	R4133709	R4133709	N/A	NR	-	-	-	-
R44140388 ²⁸⁰	1-3/16 "	R4133708	R4133708	R4166872	NR	-	-	-	-
R44141630	3-5/32 "	R42R55497	R42R55496	R4066330	R4090101S	-	-	-	-
R44140536 ²⁸⁰	1-1/16 "	R4133709	R4133709	N/A	NR	-	-	-	-
R44140449 ²⁹³	1-1/16 "	R4133709	R4133709	N/A	NR	-	-	-	-
R44140388 ²⁸⁰	1-3/16 "	R4133708	R4133708	R4166872	NR	-	-	-	-
R44141630	3-5/32 "	R42R55497	R42R55496	R4066330	R4090101S	-	-	-	-
R44141130 ³²	3-3/8 "	R42R55200	R42R55199 ³⁴⁶	R4066780	R4090021	-	-	R451451	R4577241
R44140363 ²⁸²	1-3/16 "	R4133708	R4133708	R4166872	NR	-	-	-	-
R44140363 ²⁸²	1-3/16 "	R4133708	R4133708	R4166872	NR	-	-	-	-
R44140388 ²⁸⁰	1-3/16 "	R4133708	R4133708	R4166872	NR	-	-	-	-
R44140388 ²⁸⁰	1-3/16 "	R4133708	R4133708	R4166872	NR	-	-	-	-

MAKE MODEL YEAR AXLE CODE AXLE WEIGHT	AXLE & BRK. TYPE	BRK. MFG.	BRAKE SIZE	FMSI	MERITOR DISC PAD OR BRAKE SHOE	MERITOR GUIDE PIN OR RETURN SPRING KIT	MERITOR CALIPER HWD. KIT OR RETURN SPRING KIT	MERITOR ADJUSTER KIT (LEFT WHEEL)	MERITOR ADJUSTER KIT (RIGHT WHEEL)
GMC / CHEV(Cont.)									
C-3500 SERIES- 1 TON - CONVENTIONAL CAB, PICKUP AND SUBURBAN(Cont.)									
1986									
Pickup with Dual Rear Wheels	Fd	BX		7081 - D149	MD149	R40H5010	R40H5529	NR	NR
Single Rear Wheels	Fd	BX		7081 - D149	MD149	R40H5010	R40H5529	NR	NR
	Fd	BX		7081 - D149	MD149	R40H5010	R40H5529	NR	NR
	Ra	GM	13 " x 2-1/2 "	2042AT - 451	R46451	R40H378	R40H7055	R40H2588	R40H2589
	Ra	GM	13 " x 2-1/2 "	2042AT - 451	R46451	R40H378	R40H7055	R40H2588	R40H2589
	Ra	GM	13 " x 3-1/2 "	2157T - 452	R46452	R40H378	R40H7055	R40H2588	R40H2589
Ra	GM	13 " x 3-1/2 "	2157T - 452	R46452	R40H378	R40H7055	R40H2588	R40H2589	
1985									
Dual Rear Wheels	Fd	BX		7081 - D149	MD149	R40H5010	R40H5529	NR	NR
	Ra	GM	13 " x 2-1/2 "	2042AT - 451	R46451	R40H378	R40H7055	R40H2588	R40H2589
	Ra	GM	13 " x 2-1/2 "	2042AT - 451	R46451	R40H378	R40H7055	R40H2588	R40H2589
	Ra	GM	13 " x 3-1/2 "	2157T - 452	R46452	R40H378	R40H7055	R40H2588	R40H2589
	Ra	GM	13 " x 3-1/2 "	2157T - 452	R46452	R40H378	R40H7055	R40H2588	R40H2589
Pickup with Dual Rear Wheels	Fd	BX		7081 - D149	MD149	R40H5010	R40H5529	NR	NR
Single Rear Wheels	Fd	BX		7081 - D149	MD149	R40H5010	R40H5529	NR	NR
	Fd	BX		7081 - D149	MD149	R40H5010	R40H5529	NR	NR
	Ra	GM	13 " x 2-1/2 "	2042AT - 451	R46451	R40H378	R40H7055	R40H2588	R40H2589
	Ra	GM	13 " x 2-1/2 "	2042AT - 451	R46451	R40H378	R40H7055	R40H2588	R40H2589
	Ra	GM	13 " x 3-1/2 "	2157T - 452	R46452	R40H378	R40H7055	R40H2588	R40H2589
Ra	GM	13 " x 3-1/2 "	2157T - 452	R46452	R40H378	R40H7055	R40H2588	R40H2589	
1984									
Dual Rear Wheels	Fd	BX		7081 - D149	MD149	R40H5010	R40H5529	NR	NR
	Ra	GM	13 " x 2-1/2 "	2042AT - 451	R46451	R40H378	R40H7055	R40H2588	R40H2589
	Ra	GM	13 " x 2-1/2 "	2042AT - 451	R46451	R40H378	R40H7055	R40H2588	R40H2589
	Ra	GM	13 " x 3-1/2 "	2157T - 452	R46452	R40H378	R40H7055	R40H2588	R40H2589
	Ra	GM	13 " x 3-1/2 "	2157T - 452	R46452	R40H378	R40H7055	R40H2588	R40H2589
Pickup with Dual Rear Wheels	Fd	BX		7081 - D149	MD149	R40H5010	R40H5529	NR	NR
Single Rear Wheels	Fd	BX		7081 - D149	MD149	R40H5010	R40H5529	NR	NR
	Fd	BX		7081 - D149	MD149	R40H5010	R40H5529	NR	NR
	Ra	GM	13 " x 2-1/2 "	2042AT - 451	R46451	R40H378	R40H7055	R40H2588	R40H2589
	Ra	GM	13 " x 2-1/2 "	2042AT - 451	R46451	R40H378	R40H7055	R40H2588	R40H2589
	Ra	GM	13 " x 3-1/2 "	2157T - 452	R46452	R40H378	R40H7055	R40H2588	R40H2589
Ra	GM	13 " x 3-1/2 "	2157T - 452	R46452	R40H378	R40H7055	R40H2588	R40H2589	
1983									
Dual Rear Wheels	Fd	BX		7081 - D149	MD149	R40H5010	R40H5529	NR	NR
	Fd	BX		7081 - D149	MD149	R40H5010	R40H5529	NR	NR
	Ra	GM	13 " x 3-1/2 "	2157T - 452	R46452	R40H378	R40H7055	R40H2588	R40H2589
Ra	GM	13 " x 3-1/2 "	2157T - 452	R46452	R40H378	R40H7055	R40H2588	R40H2589	
Pickup with Single Rear Wheels	Fd	BX		7081 - D149	MD149	R40H5010	R40H5529	NR	NR
Single Rear Wheels	Fd	BX		7081 - D149	MD149	R40H5010	R40H5529	NR	NR
	Ra	GM	13 " x 3-1/2 "	2157T - 452	R46452	R40H378	R40H7055	R40H2588	R40H2589
	Ra	GM	13 " x 3-1/2 "	2157T - 452	R46452	R40H378	R40H7055	R40H2588	R40H2589
1982									
Dual Rear Wheels	Fd	BX		7081 - D149	MD149	R40H5010	R40H5529	NR	NR
	Fd	BX		7081 - D149	MD149	R40H5010	R40H5529	NR	NR
	Ra	GM	13 " x 3-1/2 "	2157T - 452	R46452	R40H378	R40H7055	R40H2588	R40H2589
Ra	GM	13 " x 3-1/2 "	2157T - 452	R46452	R40H378	R40H7055	R40H2588	R40H2589	
Pickup with Single Rear Wheels	Fd	BX		7081 - D149	MD149	R40H5010	R40H5529	NR	NR
Single Rear Wheels	Fd	BX		7081 - D149	MD149	R40H5010	R40H5529	NR	NR
	Ra	GM	13 " x 3-1/2 "	2157T - 452	R46452	R40H378	R40H7055	R40H2588	R40H2589
	Ra	GM	13 " x 3-1/2 "	2157T - 452	R46452	R40H378	R40H7055	R40H2588	R40H2589
1981									
Dual Rear Wheels	Fd	BX		7081 - D149	MD149	R40H5010	R40H5529	NR	NR
	Fd	BX		7081 - D149	MD149	R40H5010	R40H5529	NR	NR
	Ra	GM	13 " x 3-1/2 "	2157T - 452	R46452	R40H378	R40H7055	R40H2588	R40H2589
Ra	GM	13 " x 3-1/2 "	2157T - 452	R46452	R40H378	R40H7055	R40H2588	R40H2589	
Dual Rear Wheels	Fd	BX		7081 - D149	MD149	R40H5010	R40H5529	NR	NR
	Fd	BX		7081 - D149	MD149	R40H5010	R40H5529	NR	NR

32 - For rotor only use R44141480

280 - 10 1/2" Ring Gear

282 - 10 1/2" Ring Gear, First Design; Use 3 3/8" Outside Diameter Axle Tubes

346 - 4500 lb. Casting Number 2238451452, 10mm Inlet

353 - With 13 x 3.5" Rear Brakes

381 - Rotor and Hub One Piece Assembly W/O ABS Ring

MERITOR DRUM OR ROTOR NO.	CALIPER OR CYLINDER BORE SIZE	MERITOR CALIPER OR WHEEL CYLINDER (LEFT)	MERITOR CALIPER OR WHEEL CYLINDER (RIGHT)	MERITOR CALIPER OR WHEEL CYLINDER REPAIR KIT	MERITOR CALIPER PISTON	MERITOR MASTER CYLINDER	MERITOR MASTER CYLINDER KIT	MERITOR BRAKE HOSE (LEFT)	MERITOR BRAKE HOSE (RIGHT)
GMC / CHEV(Cont.)									
C-3500 SERIES- 1 TON - CONVENTIONAL CAB, PICKUP AND SUBURBAN(Cont.)									
R44141130 ³²	3-3/8 "	R42R55200	R42R55199 ³⁴⁶	R4066780	R4090021	-	-	R451451	R4577241
R44141152 ³⁸¹	3-3/8 "	R42R55200	R42R55199 ³⁴⁶	R4066780	R4090021	-	-	R451451	R4577241
R44141152 ³⁸¹	3-3/8 "	R42R55200	R42R55199 ³⁴⁶	R4066780	R4090021	-	-	R451451	R4577241
R44140363 ²⁸²	1-1/16 "	R4133709	R4133709	N/A	NR	-	-	-	-
R44140363 ²⁸²	1-1/16 "	R4133709	R4133709	N/A	NR	-	-	-	-
R44140387	1-1/16 "	R4133709	R4133709	N/A	NR	-	-	-	-
R44140387	1-1/16 "	R4133709	R4133709	N/A	NR	-	-	-	-
R44141130 ³²	3-3/8 "	R42R55200	R42R55199 ³⁴⁶	R4066780	R4090021	-	-	R451451	R4577241
R44140363 ²⁸²	1-3/16 "	R4133708	R4133708	R4166872	NR	-	-	-	-
R44140363 ²⁸²	1-3/16 "	R4133708	R4133708	R4166872	NR	-	-	-	-
R44140388 ²⁸⁰	1-3/16 "	R4133708	R4133708	R4166872	NR	-	-	-	-
R44140388 ²⁸⁰	1-3/16 "	R4133708	R4133708	R4166872	NR	-	-	-	-
R44141130 ³²	3-3/8 "	R42R55200	R42R55199 ³⁴⁶	R4066780	R4090021	-	-	R451451	R4577241
R44141152 ³⁸¹	3-3/8 "	R42R55200	R42R55199 ³⁴⁶	R4066780	R4090021	-	-	R451451	R4577241
R44141152 ³⁸¹	3-3/8 "	R42R55200	R42R55199 ³⁴⁶	R4066780	R4090021	-	-	R451451	R4577241
R44140363 ²⁸²	1-1/16 "	R4133709	R4133709	N/A	NR	-	-	-	-
R44140363 ²⁸²	1-1/16 "	R4133709	R4133709	N/A	NR	-	-	-	-
R44140387	1-1/16 "	R4133709	R4133709	N/A	NR	-	-	-	-
R44140387	1-1/16 "	R4133709	R4133709	N/A	NR	-	-	-	-
R44141130 ³²	3-3/8 "	R42R55200	R42R55199 ³⁴⁶	R4066780	R4090021	-	-	R451451 ³⁵³	R4577241
R44140363 ²⁸²	1-3/16 "	R4133708	R4133708	R4166872	NR	-	-	-	-
R44140363 ²⁸²	1-3/16 "	R4133708	R4133708	R4166872	NR	-	-	-	-
R44140388 ²⁸⁰	1-3/16 "	R4133708	R4133708	R4166872	NR	-	-	-	-
R44140388 ²⁸⁰	1-3/16 "	R4133708	R4133708	R4166872	NR	-	-	-	-
R44141130 ³²	3-3/8 "	R42R55200	R42R55199 ³⁴⁶	R4066780	R4090021	-	-	R451451 ³⁵³	R4577241
R44141152 ³⁸¹	3-3/8 "	R42R55200	R42R55199 ³⁴⁶	R4066780	R4090021	-	-	R451451 ³⁵³	R4577241
R44141152 ³⁸¹	3-3/8 "	R42R55200	R42R55199 ³⁴⁶	R4066780	R4090021	-	-	R451451 ³⁵³	R4577241
R44140363 ²⁸²	1-1/16 "	R4133709	R4133709	N/A	NR	-	-	-	-
R44140363 ²⁸²	1-1/16 "	R4133709	R4133709	N/A	NR	-	-	-	-
R44140387	1-1/16 "	R4133709	R4133709	N/A	NR	-	-	-	-
R44140387	1-1/16 "	R4133709	R4133709	N/A	NR	-	-	-	-
R44141130 ³²	3-3/8 "	R42R55200	R42R55199 ³⁴⁶	R4066780	R4090021	-	-	R451451 ³⁵³	R4577241
R44141130 ³²	3-3/8 "	R42R55200	R42R55199 ³⁴⁶	R4066780	R4090021	-	-	R451451 ³⁵³	R4577241
R44140388 ²⁸⁰	1-3/16 "	R4133708	R4133708	R4166872	NR	-	-	-	-
R44140388 ²⁸⁰	1-3/16 "	R4133708	R4133708	R4166872	NR	-	-	-	-
R44141152 ³⁸¹	3-3/8 "	R42R55200	R42R55199 ³⁴⁶	R4066780	R4090021	-	-	R451451 ³⁵³	R4577241
R44141152 ³⁸¹	3-3/8 "	R42R55200	R42R55199 ³⁴⁶	R4066780	R4090021	-	-	R451451 ³⁵³	R4577241
R44140387	1-3/16 "	R4133708	R4133708	R4166872	NR	-	-	-	-
R44140387	1-3/16 "	R4133708	R4133708	R4166872	NR	-	-	-	-
R44141130 ³²	3-3/8 "	R42R55200	R42R55199 ³⁴⁶	R4066780	R4090021	-	-	R451451 ³⁵³	R4577241
R44141130 ³²	3-3/8 "	R42R55200	R42R55199 ³⁴⁶	R4066780	R4090021	-	-	R451451 ³⁵³	R4577241
R44140388 ²⁸⁰	1-3/16 "	R4133708	R4133708	R4166872	NR	-	-	-	-
R44140388 ²⁸⁰	1-3/16 "	R4133708	R4133708	R4166872	NR	-	-	-	-
R44141152 ³⁸¹	3-3/8 "	R42R55200	R42R55199 ³⁴⁶	R4066780	R4090021	-	-	R451451 ³⁵³	R4577241
R44141152 ³⁸¹	3-3/8 "	R42R55200	R42R55199 ³⁴⁶	R4066780	R4090021	-	-	R451451 ³⁵³	R4577241
R44140387	1-3/16 "	R4133708	R4133708	R4166872	NR	-	-	-	-
R44140387	1-3/16 "	R4133708	R4133708	R4166872	NR	-	-	-	-
R44141152 ³⁸¹	3-3/8 "	R42R55200	R42R55199 ³⁴⁶	R4066780	R4090021	-	-	R451451 ³⁵³	R4577241
R44141152 ³⁸¹	3-3/8 "	R42R55200	R42R55199 ³⁴⁶	R4066780	R4090021	-	-	R451451 ³⁵³	R4577241
R44140388 ²⁸⁰	1-3/16 "	R4133708	R4133708	R4166872	NR	-	-	-	-
R44140388 ²⁸⁰	1-3/16 "	R4133708	R4133708	R4166872	NR	-	-	-	-
R44141130 ³²	3-3/8 "	R42R55200	R42R55199 ³⁴⁶	R4066780	R4090021	-	-	R451451 ³⁵³	R4577241
R44141130 ³²	3-3/8 "	R42R55200	R42R55199 ³⁴⁶	R4066780	R4090021	-	-	R451451 ³⁵³	R4577241

MAKE MODEL YEAR AXLE CODE AXLE WEIGHT	AXLE & BRK. TYPE	BRK. MFG.	BRAKE SIZE	FMSI	MERITOR DISC PAD OR BRAKE SHOE	MERITOR GUIDE PIN OR RETURN SPRING KIT	MERITOR CALIPER HWD. KIT OR RETURN SPRING KIT	MERITOR ADJUSTER KIT (LEFT WHEEL)	MERITOR ADJUSTER KIT (RIGHT WHEEL)
GMC / CHEV(Cont.)									
C-3500 SERIES- 1 TON - CONVENTIONAL CAB, PICKUP AND SUBURBAN(Cont.)									
1981	Ra Ra	GM GM	13 " x 3-1/2 " 13 " x 3-1/2 "	2157T - 452 2157T - 452	R46452 R46452	R40H378 R40H378	R40H7055 R40H7055	R40H2588 R40H2588	R40H2589 R40H2589
Pickup with Single Rear Wheels	Fd	BX		7081 - D149	MD149	R40H5010	R40H5529	NR	NR
Single Rear Wheels	Fd	BX		7081 - D149	MD149	R40H5010	R40H5529	NR	NR
	Ra Ra	GM GM	13 " x 3-1/2 " 13 " x 3-1/2 "	2157T - 452 2157T - 452	R46452 R46452	R40H378 R40H378	R40H7055 R40H7055	R40H2588 R40H2588	R40H2589 R40H2589
1980	Fd Fd	BX BX		7081 - D149 7081 - D149	MD149 MD149	R40H5010 R40H5010	R40H5529 R40H5529	NR NR	NR NR
	Ra Ra	GM GM	13 " x 3-1/2 " 13 " x 3-1/2 "	2157T - 452 2157T - 452	R46452 R46452	R40H378 R40H378	R40H7055 R40H7055	R40H2588 R40H2588	R40H2589 R40H2589
1979	Fd Fd	BX BX		7081 - D149 7081 - D149	MD149 MD149	R40H5010 R40H5010	R40H5529 R40H5529	NR NR	NR NR
	Ra Ra	GM GM	13 " x 3-1/2 " 13 " x 3-1/2 "	2157T - 452 2157T - 452	R46452 R46452	R40H378 R40H378	R40H7055 R40H7055	R40H2588 R40H2588	R40H2589 R40H2589
1978	Fd Fd	BX BX		7081 - D149 7081 - D149	MD149 MD149	R40H5010 R40H5010	R40H5529 R40H5529	NR NR	NR NR
	Ra Ra	GM GM	13 " x 3-1/2 " 13 " x 3-1/2 "	2157T - 452 2157T - 452	R46452 R46452	R40H378 R40H378	R40H7055 R40H7055	R40H2588 R40H2588	R40H2589 R40H2589
1977	Fd Fd	BX BX		7081 - D149 7081 - D149	MD149 MD149	R40H5010 R40H5010	R40H5529 R40H5529	NR NR	NR NR
	Ra Ra	GM GM	13 " x 3-1/2 " 13 " x 3-1/2 "	2157T - 452 2157T - 452	R46452 R46452	R40H378 R40H378	R40H7055 R40H7055	R40H2588 R40H2588	R40H2589 R40H2589
1976	Fd Fd	BX BX		7081 - D149 7081 - D149	MD149 MD149	R40H5010 R40H5010	R40H5529 R40H5529	NR NR	NR NR
	Ra Ra	GM GM	13 " x 3-1/2 " 13 " x 3-1/2 "	2157T - 452 2157T - 452	R46452 R46452	R40H378 R40H378	R40H7055 R40H7055	R40H2588 R40H2588	R40H2589 R40H2589
C4500 TOPKICK, KODIAK - 16,000 lb. GVW									
2007 Up to 7,000 lb. GVW	Fd Fd Fd	TRW TRW TRW		7914 - D1010 7914 - D1010 7914 - D1010	MD1010 MD1010 MD1010	NR NR NR	R4012072 R4012072 R4012072	NR NR NR	NR NR NR
	Rd Rd	TRW TRW		7969 - D1064 7914 - D1010	MD1064 MD1010	NR NR	- R4012072	NR NR	NR NR
7,001 lb. GVW and up	Fd Fd Fd Fd Fd Fd	Meritor Meritor Meritor Meritor Meritor Meritor		7636 - D1032 7636 - D1032 7636 - D1032 7636 - D1032 7636 - D1032 7636 - D1032	MD769 MD769 MD769 MD769 MD769 MD769	NR NR NR NR NR NR	R4011729 R4011729 R4011729 R4011729 R4011729 R4011729	NR NR NR NR NR NR	NR NR NR NR NR NR
	Rd	Meritor		7636 - D1032	MD769	NR	R4011729	NR	NR
2006 Up to 7,000 lb. GVW	Fd Fd Fd	TRW TRW TRW		7914 - D1010 7914 - D1010 7914 - D1010	MD1010 MD1010 MD1010	NR NR NR	R4012072 R4012072 R4012072	NR NR NR	NR NR NR
	Rd Rd	TRW TRW		7914 - D1010 7969 - D1064	MD1010 MD1064	NR NR	R4012072 -	NR NR	NR NR
7,001 lb. GVW and up	Fd Fd Fd Fd Fd Fd	Meritor Meritor Meritor Meritor Meritor Meritor		7636 - D1032 7636 - D1032 7636 - D1032 7636 - D1032 7636 - D1032 7636 - D1032	MD769 MD769 MD769 MD769 MD769 MD769	NR NR NR NR NR NR	R4011729 R4011729 R4011729 R4011729 R4011729 R4011729	NR NR NR NR NR NR	NR NR NR NR NR NR
	Rd	Meritor		7636 - D1032	MD769	NR	R4011729	NR	NR
2005 Up to 7,000 lb. GVW	Fd Fd Fd	TRW TRW TRW		7914 - D1010 7914 - D1010 7914 - D1010	MD1010 MD1010 MD1010	NR NR NR	R4012072 R4012072 R4012072	NR NR NR	NR NR NR

MERITOR DRUM OR ROTOR NO.	CALIPER OR CYLINDER BORE SIZE	MERITOR CALIPER OR WHEEL CYLINDER (LEFT)	MERITOR CALIPER OR WHEEL CYLINDER (RIGHT)	MERITOR CALIPER OR WHEEL CYLINDER REPAIR KIT	MERITOR CALIPER PISTON	MERITOR MASTER CYLINDER	MERITOR MASTER CYLINDER KIT	MERITOR BRAKE HOSE (LEFT)	MERITOR BRAKE HOSE (RIGHT)
GMC / CHEV(Cont.)									
C-3500 SERIES- 1 TON - CONVENTIONAL CAB, PICKUP AND SUBURBAN(Cont.)									
R44140388 ²⁸⁰ R44140388 ²⁸⁰	1-3/16 " 1-3/16 "	R4133708 R4133708	R4133708 R4133708	R4166872 R4166872	NR NR	- -	- -	- -	- -
R44141152 ³⁸¹ R44141152 ³⁸¹	3-3/8 " 3-3/8 "	R42R55200 R42R55200	R42R55199 ³⁴⁶ R42R55199 ³⁴⁶	R4066780 R4066780	R4090021 R4090021	- -	- -	R451451 ³⁵³ R451451 ³⁵³	R4577241 R4577241
R44140387 R44140387	1-3/16 " 1-3/16 "	R4133708 R4133708	R4133708 R4133708	R4166872 R4166872	NR NR	- -	- -	- -	- -
R44141152 ³⁸¹ R44141152 ³⁸¹	3-3/8 " 3-3/8 "	R42R55200 R42R55200	R42R55199 ³⁴⁶ R42R55199 ³⁴⁶	R4066780 R4066780	R4090021 R4090021	- -	- -	R451451 ³⁵³ R451451 ³⁵³	R4577241 R4577241
R44140388 ²⁸⁰ R44140388 ²⁸⁰	1-3/16 " 1-3/16 "	R4133708 R4133708	R4133708 R4133708	R4166872 R4166872	NR NR	- -	- -	- -	- -
R44141152 ³⁸¹ R44141152 ³⁸¹	3-3/8 " 3-3/8 "	R42R55200 R42R55200	R42R55199 ³⁴⁶ R42R55199 ³⁴⁶	R4066780 R4066780	R4090021 R4090021	- -	- -	R451451 ³⁵³ R451451 ³⁵³	R4577241 R4577241
R44140388 ²⁸⁰ R44140388 ²⁸⁰	1-3/16 " 1-3/16 "	R4133708 R4133708	R4133708 R4133708	R4166872 R4166872	NR NR	- -	- -	- -	- -
R44141152 ³⁸¹ R44141152 ³⁸¹	3-3/8 " 3-3/8 "	R42R55200 R42R55200	R42R55199 ³⁴⁶ R42R55199 ³⁴⁶	R4066780 R4066780	R4090021 R4090021	- -	- -	- -	- -
R44140388 ²⁸⁰ R44140388 ²⁸⁰	1-3/16 " 1-3/16 "	R4133708 R4133708	R4133708 R4133708	R4166872 R4166872	NR NR	- -	- -	- -	- -
R44141152 ³⁸¹ R44141152 ³⁸¹	3-3/8 " 3-3/8 "	R42R55200 R42R55200	R42R55199 ³⁴⁶ R42R55199 ³⁴⁶	R4066780 R4066780	R4090021 R4090021	- -	- -	- -	- -
R44140388 ²⁸⁰ R44140388 ²⁸⁰	1-3/16 " 1-3/16 "	R4133708 R4133708	R4133708 R4133708	R4166872 R4166872	NR NR	- -	- -	- -	- -
R44141152 ³⁸¹ R44141152 ³⁸¹	3-3/8 " 3-3/8 "	R42R55200 R42R55200	R42R55199 ³⁴⁶ R42R55199 ³⁴⁶	R4066780 R4066780	R4090021 R4090021	- -	- -	- -	- -
R44140388 ²⁸⁰ R44140388 ²⁸⁰	1-3/16 " 1-3/16 "	R4133708 R4133708	R4133708 R4133708	R4166872 R4166872	NR NR	- -	- -	- -	- -
R44141152 ³⁸¹ R44141152 ³⁸¹	3-3/8 " 3-3/8 "	R42R55200 R42R55200	R42R55199 ³⁴⁶ R42R55199 ³⁴⁶	R4066780 R4066780	R4090021 R4090021	- -	- -	- -	- -
R44140388 ²⁸⁰ R44140388 ²⁸⁰	1-3/16 " 1-3/16 "	R4133708 R4133708	R4133708 R4133708	R4166872 R4166872	NR NR	- -	- -	- -	- -
R44141152 ³⁸¹ R44141152 ³⁸¹	3-3/8 " 3-3/8 "	R42R55200 R42R55200	R42R55199 ³⁴⁶ R42R55199 ³⁴⁶	R4066780 R4066780	R4090021 R4090021	- -	- -	- -	- -
R44140388 ²⁸⁰ R44140388 ²⁸⁰	1-3/16 " 1-3/16 "	R4133708 R4133708	R4133708 R4133708	R4166872 R4166872	NR NR	- -	- -	- -	- -
C4500 TOPKICK, KODIAK - 16,000 lb. GVW									
R441713810 ³⁸⁹ R441712599 ³⁸⁸ 23-123489-002 ³⁸⁷	66mm 66mm 66mm	R4212067 R4212067 R4212067	R4212067 R4212067 R4212067	R4012071 R4012071 R4012071	R4012070 ³⁶³ R4012070 ³⁶³ R4012070 ³⁶³	R413013812 R413013812 R413013812	- - -	- - -	- - -
R441713714 ³⁸⁶ R441712599 ³⁸⁸	66mm 66mm	R4212069 R4212067	R4212069 R4212067	- R4012071	- R4012070 ³⁶³	R413013812 R413013812	- -	- -	- -
23-123489-002 ³⁸⁷ R441713810 ³⁸⁹ R441712599 ³⁸⁸	70mm 70mm 70mm	60450468002 60450468002 60450468002	60450469002 ³⁶⁵ 60450469002 ³⁶⁵ 60450469002 ³⁶⁵	R4011730 R4011730 R4011730	60050334 60050334 60050334	R413013812 R413013812 R413013812	- - -	- - -	- - -
R441713810 ³⁸⁹ 23-123489-002 ³⁸⁷ R441712599 ³⁸⁸	64mm 64mm 64mm	60450473001 60450473001 60450473001	60450474001 ³⁶⁵ 60450474001 ³⁶⁵ 60450474001 ³⁶⁵	R4011731 R4011731 R4011731	R4011511 R4011511 R4011511	R413013812 R413013812 R413013812	- - -	- - -	- - -
R441712599 ³⁸⁸ R441713714 ³⁸⁶	64mm 66mm	60450474001 R4212069	60450473001 ³⁶⁵ R4212069	R4011731 -	R4011511 -	R413013812 R413013812	- -	- -	- -
R441713810 ³⁸⁹ R441712599 ³⁸⁸ 23-123489-002 ³⁸⁷	66mm 66mm 66mm	R4212067 R4212067 R4212067	R4212067 R4212067 R4212067	R4012071 R4012071 R4012071	R4012070 ³⁶³ R4012070 ³⁶³ R4012070 ³⁶³	R413013812 R413013812 R413013812	- - -	- - -	- - -
R441712599 ³⁸⁸ R441713714 ³⁸⁶	66mm 66mm	R4212067 R4212069	R4212067 R4212069	R4012071 -	R4012070 ³⁶³ -	R413013812 R413013812	- -	- -	- -
23-123489-002 ³⁸⁷ R441713810 ³⁸⁹ R441712599 ³⁸⁸	70mm 70mm 70mm	60450468002 60450468002 60450468002	60450469002 ³⁶⁵ 60450469002 ³⁶⁵ 60450469002 ³⁶⁵	R4011730 R4011730 R4011730	60050334 60050334 60050334	R413013812 R413013812 R413013812	- - -	- - -	- - -
R441712599 ³⁸⁸ R441713810 ³⁸⁹ 23-123489-002 ³⁸⁷ R441712599 ³⁸⁸	64mm 64mm 64mm 64mm	60450473001 60450473001 60450473001 60450473001	60450474001 ³⁶⁵ 60450474001 ³⁶⁵ 60450474001 ³⁶⁵ 60450474001 ³⁶⁵	R4011731 R4011731 R4011731 R4011731	R4011511 R4011511 R4011511 R4011511	R413013812 R413013812 R413013812 R413013812	- - - -	- - - -	- - - -
R441712599 ³⁸⁸ 23-123489-002 ³⁸⁷ R441713810 ³⁸⁹	66mm 66mm 66mm	R4212067 R4212067 R4212067	R4212067 R4212067 R4212067	R4012071 R4012071 R4012071	R4012070 ³⁶³ R4012070 ³⁶³ R4012070 ³⁶³	R413013812 R413013812 R413013812	- - -	- - -	- - -

389 - 8 Hole Rotor

MAKE MODEL YEAR AXLE CODE AXLE WEIGHT	AXLE & BRK. TYPE	BRK. MFG.	BRAKE SIZE	FMSI	MERITOR DISC PAD OR BRAKE SHOE	MERITOR GUIDE PIN OR RETURN SPRING KIT	MERITOR CALIPER HWD. KIT OR RETURN SPRING KIT	MERITOR ADJUSTER KIT (LEFT WHEEL)	MERITOR ADJUSTER KIT (RIGHT WHEEL)
GMC / CHEV(Cont.)									
C4500 TOPKICK, KODIAK - 16,000 lb. GVW(Cont.)									
2005	Rd Rd	TRW TRW		7914 - D1010 7969 - D1064	MD1010 MD1064	NR NR	R4012072 -	NR NR	NR NR
7,001 lb. GVW and up	Fd Fd Fd Fd Fd Rd	Meritor Meritor Meritor Meritor Meritor Meritor		7636 - D1032 7636 - D1032 7636 - D1032 7636 - D1032 7636 - D1032 7636 - D1032	MD769 MD769 MD769 MD769 MD769 MD769	NR NR NR NR NR NR	R4011729 R4011729 R4011729 R4011729 R4011729 R4011729	NR NR NR NR NR NR	NR NR NR NR NR NR
2004									
Up to 7,000 lb. GVW	Fd Fd Fd Rd Rd	TRW TRW TRW TRW TRW		7914 - D1010 7914 - D1010 7914 - D1010 7914 - D1010 7969 - D1064	MD1010 MD1010 MD1010 MD1010 MD1064	NR NR NR NR NR	R4012072 R4012072 R4012072 R4012072 -	NR NR NR NR NR	NR NR NR NR NR
7,001 lb. GVW and up	Fd Fd Fd Fd Fd Rd	Meritor Meritor Meritor Meritor Meritor Meritor		7636 - D1032 7636 - D1032 7636 - D1032 7636 - D1032 7636 - D1032 7636 - D1032	MD769 MD769 MD769 MD769 MD769 MD769	NR NR NR NR NR NR	R4011729 R4011729 R4011729 R4011729 R4011729 R4011729	NR NR NR NR NR NR	NR NR NR NR NR NR
2003									
Up to 7,000 lb. GVW	Fd Fd Fd Fd Fd Fd	TRW TRW TRW TRW TRW TRW		7914 - D1010 7914 - D1010 7914 - D1010 7914 - D1010 7914 - D1010 7914 - D1010	MD1010 MD1010 MD1010 MD1010 MD1010 MD1010	NR NR NR NR NR NR	R4012072 R4012072 R4012072 R4012072 R4012072 R4012072	NR NR NR NR NR NR	NR NR NR NR NR NR
7,001 lb. GVW and up	Fd Fd Fd	Meritor Meritor Meritor		7636 - D1032 7636 - D1032 7636 - D1032	MD769 MD769 MD769	NR NR NR	R4011729 R4011729 R4011729	NR NR NR	NR NR NR
C5500 TOPKICK, KODIAK - 18,000 - 19,500 lb. GVW									
2007									
6000, 7000 lb Axle	Fd	TRW		7914 - D1010	MD1010	NR	R4012072	NR	NR
7000 lb Axle	Fd	Meritor		7636 - D1032	MD769	NR	R4011729	NR	NR
8000 lb Axle	Fd Fd	Meritor Meritor		7636 - D1032 7636 - D1032	MD769 MD769	NR NR	R4011729 R4011729	NR NR	NR NR
11,000, 13,500 lb Axle	Rd	TRW		7914 - D1010	MD1010	NR	R4012072	NR	NR
13,500 lb Axle	Rd	TRW		7914 - D1064	MD1064	NR	-	NR	NR
15,000, 17,900, 19,000 lb Axle	Rd	Meritor		7636 - D1032	MD769	NR	R4011729	NR	NR
2006									
6000, 7000 lb Axle	Fd	TRW		7914 - D1010	MD1010	NR	R4012072	NR	NR
7000 lb Axle	Fd	Meritor		7636 - D1032	MD769	NR	R4011729	NR	NR
8000 lb Axle	Fd Fd	Meritor Meritor		7636 - D1032 7636 - D1032	MD769 MD769	NR NR	R4011729 R4011729	NR NR	NR NR
11,000, 13,500 lb Axle	Rd	TRW		7914 - D1010	MD1010	NR	R4012072	NR	NR
13,500 lb Axle	Rd	TRW		7914 - D1064	MD1064	NR	-	NR	NR
15,000, 17,900, 19,000 lb Axle	Rd	Meritor		7636 - D1032	MD769	NR	R4011729	NR	NR
2005									
6000, 7000 lb Axle	Fd	TRW		7914 - D1010	MD1010	NR	R4012072	NR	NR
7000 lb Axle	Fd	Meritor		7636 - D1032	MD769	NR	R4011729	NR	NR
8000 lb Axle	Fd Fd	Meritor Meritor		7636 - D1032 7636 - D1032	MD769 MD769	NR NR	R4011729 R4011729	NR NR	NR NR
11,000, 13,500 lb Axle	Rd	TRW		7914 - D1010	MD1010	NR	R4012072	NR	NR
13,500 lb Axle	Rd	TRW		7914 - D1064	MD1064	NR	-	NR	NR
15,000, 17,900, 19,000 lb Axle	Rd	Meritor		7636 - D1032	MD769	NR	R4011729	NR	NR
2004									
6000, 7000 lb Axle	Fd	TRW		7914 - D1010	MD1010	NR	R4012072	NR	NR

363 - Piston includes Boots and Seals
387 - 10 Hole Rotor

365 - Caliper Loaded with Hardware and Disc Pads
388 - 5 Hole Rotor

386 - 10 Hole Rear Rotor With Drum In Hat
389 - 8 Hole Rotor

MERITOR DRUM OR ROTOR NO.	CALIPER OR CYLINDER BORE SIZE	MERITOR CALIPER OR WHEEL CYLINDER (LEFT)	MERITOR CALIPER OR WHEEL CYLINDER (RIGHT)	MERITOR CALIPER OR WHEEL CYLINDER REPAIR KIT	MERITOR CALIPER PISTON	MERITOR MASTER CYLINDER	MERITOR MASTER CYLINDER KIT	MERITOR BRAKE HOSE (LEFT)	MERITOR BRAKE HOSE (RIGHT)
GMC / CHEV(Cont.)									
C4500 TOPKICK, KODIAK - 16,000 lb. GVW(Cont.)									
R441712599 ³⁸⁸ R441713714 ³⁸⁶	66mm 66mm	R4212067 R4212069	R4212067 R4212069	R4012071 -	R4012070 ³⁶³ -	R413013812 R413013812	- -	- -	- -
23-123489-002 ³⁸⁷ R441713810 ³⁸⁹ 23-123489-002 ³⁸⁷ R441712599 ³⁸⁸ R441713810 ³⁸⁹ R441712599 ³⁸⁸	70mm 70mm 64mm 64mm 64mm 70mm	60450468002 60450468002 60450473001 60450473001 60450473001 60450468002	60450469002 ³⁶⁵ 60450469002 ³⁶⁵ 60450474001 ³⁶⁵ 60450474001 ³⁶⁵ 60450474001 ³⁶⁵ 60450469002 ³⁶⁵	R4011730 R4011730 R4011731 R4011731 R4011731 R4011730	60050334 60050334 R4011511 R4011511 R4011511 60050334	R413013812 R413013812 R413013812 R413013812 R413013812 R413013812	- - - - - -	- - - - - -	- - - - - -
R441712599 ³⁸⁸	64mm	60450474001	60450473001 ³⁶⁵	R4011731	R4011511	R413013812	-	-	-
R441713810 ³⁸⁹ R441712599 ³⁸⁸ 23-123489-002 ³⁸⁷	66mm 66mm 66mm	R4212067 R4212067 R4212067	R4212067 R4212067 R4212067	R4012071 R4012071 R4012071	R4012070 ³⁶³ R4012070 ³⁶³ R4012070 ³⁶³	R413013812 R413013812 R413013812	- - -	- - -	- - -
R441712599 ³⁸⁸ R441713714 ³⁸⁶	66mm 66mm	R4212067 R4212069	R4212067 R4212069	R4012071 -	R4012070 ³⁶³ -	R413013812 R413013812	- -	- -	- -
23-123489-002 ³⁸⁷ R441712599 ³⁸⁶ 23-123489-002 ³⁸⁷ R441713810 ³⁸⁹ R441712599 ³⁸⁸ R441713810 ³⁸⁹ R441712599 ³⁸⁸	70mm 64mm 64mm 64mm 70mm 70mm	60450468002 60450473001 60450473001 60450473001 60450468002 60450468002	60450469002 ³⁶⁵ 60450474001 ³⁶⁵ 60450474001 ³⁶⁵ 60450474001 ³⁶⁵ 60450469002 ³⁶⁵ 60450469002 ³⁶⁵	R4011730 R4011731 R4011731 R4011731 R4011730 R4011730	60050334 R4011511 R4011511 R4011511 60050334 60050334	R413013812 R413013812 R413013812 R413013812 R413013812 R413013812	- - - - - -	- - - - - -	- - - - - -
R441712599 ³⁸⁸	64mm	60450474001	60450473001 ³⁶⁵	R4011731	R4011511	R413013812	-	-	-
R441712599 ³⁸⁸ R441712599 ³⁸⁸ 23-123489-002 ³⁸⁷ R441713810 ³⁸⁹ R441712599 ³⁸⁸ 23-123489-002 ³⁸⁷ R441713810 ³⁸⁹	60mm 60mm 66mm 66mm 60mm 66mm	R4212068 R4212068 R4212067 R4212068 R4212067 R4212068 R4212067	R4212068 R4212068 R4212067 R4212068 R4212067 R4212068 R4212067	R4012074 R4012074 R4012071 R4012074 R4012071 R4012074 R4012071	R4012073 ³⁶³ R4012073 ³⁶³ R4012070 ³⁶³ R4012073 ³⁶³ R4012070 ³⁶³ R4012073 ³⁶³ R4012070 ³⁶³	R413013812 R413013812 R413013812 R413013812 R413013812 R413013812 R413013812	- - - - - - -	- - - - - - -	- - - - - - -
23-123489-002 ³⁸⁷ R441713810 ³⁸⁹ R441712599 ³⁸⁸	70mm 70mm 70mm	60450468002 60450468002 60450468002	60450469002 ³⁶⁵ 60450469002 ³⁶⁵ 60450469002 ³⁶⁵	R4011730 R4011730 R4011730	60050334 60050334 60050334	R413013812 R413013812 R413013812	- - -	- - -	- - -
C5500 TOPKICK, KODIAK - 18,000 - 19,500 lb. GVW									
R441712599 ³⁸⁸	66mm	R4212067	R4212067	R4012071	R4012070 ³⁶³	R413013812	-	-	-
R441712599 ³⁸⁸	64mm	60450473001	60450474001 ³⁶⁵	R4011731	R4011511	R413013812	-	-	-
R441713810 ³⁸⁹ 23-123489-002 ³⁸⁷	64mm 64mm	60450473001 60450473001	60450474001 ³⁶⁵ 60450474001 ³⁶⁵	R4011731 R4011731	R4011511 R4011511	R413013812 R413013812	- -	- -	- -
R441712599 ³⁸⁸ R441713714 ³⁸⁶	66mm 66mm	R4212067 R4212069	R4212067 R4212069	R4012071 -	R4012070 ³⁶³ -	R413013812 R413013812	- -	- -	- -
23-123489-002 ³⁸⁷	64mm	60450474001	60450473001 ³⁶⁵	R4011731	R4011511	R413013812	-	-	-
R441712599 ³⁸⁸ R441712599 ³⁸⁸	66mm 64mm	R4212067 60450473001	R4212067 60450474001 ³⁶⁵	R4012071 R4011731	R4012070 ³⁶³ R4011511	R413013812 R413013812	- -	- -	- -
23-123489-002 ³⁸⁷ R441713810 ³⁸⁹ R441712599 ³⁸⁸ R441713714 ³⁸⁶	64mm 64mm 66mm 66mm	60450473001 60450473001 R4212067 R4212069	60450474001 ³⁶⁵ 60450474001 ³⁶⁵ R4212067 R4212069	R4011731 R4011731 R4012071 -	R4011511 R4011511 R4012070 ³⁶³ -	R413013812 R413013812 R413013812 R413013812	- - - -	- - - -	- - - -
23-123489-002 ³⁸⁷	64mm	60450474001	60450473001 ³⁶⁵	R4011731	R4011511	R413013812	-	-	-
R441712599 ³⁸⁸ R441712599 ³⁸⁸ 23-123489-002 ³⁸⁷ R441713810 ³⁸⁹ 23-123489-002 ³⁸⁷ R441712599 ³⁸⁸ R441713714 ³⁸⁶	66mm 64mm 64mm 64mm 66mm 66mm	R4212067 60450473001 60450473001 60450473001 R4212067 R4212069	R4212067 60450474001 ³⁶⁵ 60450474001 ³⁶⁵ 60450474001 ³⁶⁵ R4212067 R4212069	R4012071 R4011731 R4011731 R4011731 R4012071 -	R4012070 ³⁶³ R4011511 R4011511 R4011511 R4012070 ³⁶³ -	R413013812 R413013812 R413013812 R413013812 R413013812 R413013812	- - - - - -	- - - - - -	- - - - - -
23-123489-002 ³⁸⁷	64mm	60450474001	60450473001 ³⁶⁵	R4011731	R4011511	R413013812	-	-	-
R441712599 ³⁸⁸ R441712599 ³⁸⁸ 23-123489-002 ³⁸⁷ R441713810 ³⁸⁹ 23-123489-002 ³⁸⁷ R441712599 ³⁸⁸ R441713714 ³⁸⁶	66mm 64mm 64mm 64mm 66mm 66mm	R4212067 60450473001 60450473001 60450473001 R4212067 R4212069	R4212067 60450474001 ³⁶⁵ 60450474001 ³⁶⁵ 60450474001 ³⁶⁵ R4212067 R4212069	R4012071 R4011731 R4011731 R4011731 R4012071 -	R4012070 ³⁶³ R4011511 R4011511 R4011511 R4012070 ³⁶³ -	R413013812 R413013812 R413013812 R413013812 R413013812 R413013812	- - - - - -	- - - - - -	- - - - - -
23-123489-002 ³⁸⁷	64mm	60450474001	60450473001 ³⁶⁵	R4011731	R4011511	R413013812	-	-	-
R441712599 ³⁸⁸	66mm	R4212067	R4212067	R4012071	R4012070 ³⁶³	R413013812	-	-	-

1 APPLICATION

MAKE MODEL YEAR AXLE CODE AXLE WEIGHT	AXLE & BRK. TYPE	BRK. MFG.	BRAKE SIZE	FMSI	MERITOR DISC PAD OR BRAKE SHOE	MERITOR GUIDE PIN OR RETURN SPRING KIT	MERITOR CALIPER HWD. KIT OR RETURN SPRING KIT	MERITOR ADJUSTER KIT (LEFT WHEEL)	MERITOR ADJUSTER KIT (RIGHT WHEEL)
GMC / CHEV(Cont.)									
C5500 TOPKICK, KODIAK - 18,000 - 19,500 lb. GVW(Cont.)									
2004									
7000 lb Axle	Fd	Meritor		7636 - D1032	MD769	NR	R4011729	NR	NR
8000 lb Axle	Fd	Meritor		7636 - D1032	MD769	NR	R4011729	NR	NR
	Fd	Meritor		7636 - D1032	MD769	NR	R4011729	NR	NR
11,000, 13,500 lb Axle	Rd	TRW		7914 - D1010	MD1010	NR	R4012072	NR	NR
13,500 lb Axle	Rd	TRW		7914 - D1064	MD1064	NR	-	NR	NR
15,000, 17,900, 19,000 lb Axle	Rd	Meritor		7636 - D1032	MD769	NR	R4011729	NR	NR
2003									
6000, 7000 lb Axle	Fd	TRW		7914 - D1010	MD1010	NR	R4012072	NR	NR
	Fd	TRW		7914 - D1010	MD1010	NR	R4012072	NR	NR
7,000 lb Axle	Fd	Meritor		7636 - D1032	MD769	NR	R4011729	NR	NR
8,000 lb Axle	Fd	Meritor		7636 - D1032	MD769	NR	R4011729	NR	NR
	Fd	Meritor		7636 - D1032	MD769	NR	R4011729	NR	NR
11,000, 13,500 lb Axle	Rd	TRW		7914 - D1010	MD1010	NR	R4012072	NR	NR
15,000, 17,900, 19,000 lb Axle	Rd	TRW		7914 - D1010	MD1010	NR	R4012072	NR	NR
C6500 TOPKICK, KODIAK - 22,000 lb. GVW									
2007									
8000 lb Axle	Fd	Meritor		7636 - D1032	MD769	NR	R4011729	NR	NR
10,000, 12,000 lb Axle	Fd	Meritor		7636 - D1032	MD769	NR	R4011729	NR	NR
15,000 lb Axle	Rd	Meritor		7636 - D1032	MD769	NR	R4011729	NR	NR
19,000 lb Axle	Rd	Meritor		7636 - D1032	MD769	NR	R4011729	NR	NR
21,000 lb Axle	Rd	Meritor		7636 - D1032	MD769	NR	R4011729	NR	NR
2006									
8000 lb Axle	Fd	Meritor		7636 - D1032	MD769	NR	R4011729	NR	NR
10,000, 12,000 lb Axle	Fd	Meritor		7636 - D1032	MD769	NR	R4011729	NR	NR
15,000 lb Axle	Rd	Meritor		7636 - D1032	MD769	NR	R4011729	NR	NR
19,000 lb Axle	Rd	Meritor		7636 - D1032	MD769	NR	R4011729	NR	NR
21,000 lb Axle	Rd	Meritor		7636 - D1032	MD769	NR	R4011729	NR	NR
2005									
8000 lb Axle	Fd	Meritor		7636 - D1032	MD769	NR	R4011729	NR	NR
10,000, 12,000 lb Axle	Fd	Meritor		7636 - D1032	MD769	NR	R4011729	NR	NR
15,000 lb Axle	Rd	Meritor		7636 - D1032	MD769	NR	R4011729	NR	NR
19,000 lb Axle	Rd	Meritor		7636 - D1032	MD769	NR	R4011729	NR	NR
21,000 lb Axle	Rd	Meritor		7636 - D1032	MD769	NR	R4011729	NR	NR
2004									
8000 lb Axle	Fd	Meritor		7636 - D1032	MD769	NR	R4011729	NR	NR
10,000, 12,000 lb Axle	Fd	Meritor		7636 - D1032	MD769	NR	R4011729	NR	NR
15,000 lb Axle	Rd	Meritor		7636 - D1032	MD769	NR	R4011729	NR	NR
19,000 lb Axle	Rd	Meritor		7636 - D1032	MD769	NR	R4011729	NR	NR
21,000 lb Axle	Rd	Meritor		7636 - D1032	MD769	NR	R4011729	NR	NR
2003									
8000 lb Axle	Fd	Meritor		7636 - D1032	MD769	NR	R4011729	NR	NR
10,000, 12,000 lb Axle	Fd	Meritor		7636 - D1032	MD769	NR	R4011729	NR	NR
15,000 lb Axle	Rd	Meritor		7636 - D1032	MD769	NR	R4011729	NR	NR
19,000 lb Axle	Rd	Meritor		7636 - D1032	MD769	NR	R4011729	NR	NR
21,000 lb Axle	Rd	Meritor		7636 - D1032	MD769	NR	R4011729	NR	NR
C7500 TOPKICK, KODIAK - 29,000 - 33,900 lb. GVW									
2005									
6,000 lb	Fd	TRW		7914 - D1010	MD1010	NR	R4012072	NR	NR
10,000 - 12,000 lb	Fd	Meritor		7636 - D1032	MD769	NR	R4011729	NR	NR
19,000 lb	Rd	TRW		7914 - D1010	MD1010	NR	R4012072	NR	NR
	Rd	TRW		7914 - D1010	MD1010	NR	R4012072	NR	NR
21,000 - 23,000 lb	Rd	Meritor		7636 - D1032	MD769	NR	R4011729	NR	NR
2004									
6,000 lb	Fd	TRW		7914 - D1010	MD1010	NR	R4012072	NR	NR
10,000 - 12,000 lb	Fd	Meritor		7636 - D1032	MD769	NR	R4011729	NR	NR
19,000 lb	Rd	TRW		7914 - D1010	MD1010	NR	R4012072	NR	NR
	Rd	TRW		7914 - D1010	MD1010	NR	R4012072	NR	NR
21,000 - 23,000 lb	Rd	Meritor		7636 - D1032	MD769	NR	R4011729	NR	NR

322 - With Aluminum Wheels
 386 - 10 Hole Rear Rotor With Drum In Hat
 389 - 8 Hole Rotor
 www.XpresswayPlus.com

363 - Piston includes Boots and Seals
 387 - 10 Hole Rotor
 392 - 5 Tapped Holes For ABS Mounting Ring

365 - Caliper Loaded with Hardware and Disc Pads
 388 - 5 Hole Rotor

MERITOR DRUM OR ROTOR NO.	CALIPER OR CYLINDER BORE SIZE	MERITOR CALIPER OR WHEEL CYLINDER (LEFT)	MERITOR CALIPER OR WHEEL CYLINDER (RIGHT)	MERITOR CALIPER OR WHEEL CYLINDER REPAIR KIT	MERITOR CALIPER PISTON	MERITOR MASTER CYLINDER	MERITOR MASTER CYLINDER KIT	MERITOR BRAKE HOSE (LEFT)	MERITOR BRAKE HOSE (RIGHT)
GMC / CHEV(Cont.)									
C5500 TOPKICK, KODIAK - 18,000 - 19,500 lb. GVW(Cont.)									
R441712599 ³⁸⁸	64mm	60450473001	60450474001 ³⁶⁵	R4011731	R4011511	R413013812	-	-	-
R441713810 ³⁸⁹	64mm	60450473001	60450474001 ³⁶⁵	R4011731	R4011511	R413013812	-	-	-
23-123489-002 ³⁸⁷	64mm	60450473001	60450474001 ³⁶⁵	R4011731	R4011511	R413013812	-	-	-
R441712599 ³⁸⁸	66mm	R4212067	R4212067	R4012071	R4012070 ³⁶³	R413013812	-	-	-
R441713714 ³⁸⁶	66mm	R4212069	R4212069	-	-	R413013812	-	-	-
23-123489-002 ³⁸⁷	64mm	60450474001	60450473001 ³⁶⁵	R4011731	R4011511	R413013812	-	-	-
R441712599 ³⁸⁸	66mm	R4212067	R4212067	R4012071	R4012070 ³⁶³	R413013812	-	-	-
R441712599 ³⁸⁸	60mm	R4212068	R4212068	R4012074	R4012073 ³⁶³	R413013812	-	-	-
R441712599 ³⁸⁸	70mm	60450469002	60450468002 ³⁶⁵	R4011730	60050334	R413013812	-	-	-
R441712599 ³⁸⁸	64mm	60450473001	60450474001 ³⁶⁵	R4011731	R4011511	R413013812	-	-	-
R441712599 ³⁸⁸	64mm	60450473001	60450474001 ³⁶⁵	R4011731	R4011511	R413013812	-	-	-
R441712599 ³⁸⁸	70mm	60450469002	60450468002 ³⁶⁵	R4011730	60050334	R413013812	-	-	-
R441712599 ³⁸⁸	70mm	60450469002	60450468002 ³⁶⁵	R4011730	60050334	R413013812	-	-	-
R441712599 ³⁸⁸	60mm	R4212068	R4212068	R4012074	R4012073 ³⁶³	R413013812	-	-	-
23-123489-002 ³⁸⁷	64mm	60450474001	60450473001 ³⁶⁵	R4011731	R4011511	R413013812	-	-	-
C6500 TOPKICK, KODIAK - 22,000 lb. GVW									
23-123489-002 ³²²	64mm	60450474001	60450473001 ³⁶⁵	R4011731	R4011511	R413013812	-	-	-
23-123489-002 ³²²	70mm	60450469002	60450468002 ³⁶⁵	R4011731	R4011511	R413013812	-	-	-
23-123489-002 ³²²	64mm	60450474001	60450473001 ³⁶⁵	R4011731	R4011511	R413013812	-	-	-
23-123489-002 ³²²	70mm	60450469002	60450468002 ³⁶⁵	R4011731	R4011511	R413013812	-	-	-
23-123574-004	70mm	60450469002	60450468002 ³⁶⁵	R4011731	R4011511	R413013812	-	-	-
23-123489-002 ³²²	64mm	60450474001	60450473001 ³⁶⁵	R4011731	R4011511	R413013812	-	-	-
23-123489-002 ³²²	70mm	60450469002	60450468002 ³⁶⁵	R4011731	R4011511	R413013812	-	-	-
23-123489-002 ³²²	64mm	60450474001	60450473001 ³⁶⁵	R4011731	R4011511	R413013812	-	-	-
23-123489-002 ³²²	64mm	60450474001	60450473001 ³⁶⁵	R4011731	R4011511	R413013812	-	-	-
23-123489-002 ³²²	70mm	60450469002	60450468002 ³⁶⁵	R4011731	R4011511	R413013812	-	-	-
23-123489-002 ³²²	70mm	60450469002	60450468002 ³⁶⁵	R4011731	R4011511	R413013812	-	-	-
23-123574-004	70mm	60450469002	60450468002 ³⁶⁵	R4011731	R4011511	R413013812	-	-	-
23-123489-002 ³²²	64mm	60450474001	60450473001 ³⁶⁵	R4011731	R4011511	R413013812	-	-	-
23-123489-002 ³²²	70mm	60450469002	60450468002 ³⁶⁵	R4011731	R4011511	R413013812	-	-	-
23-123489-002 ³²²	64mm	60450474001	60450473001 ³⁶⁵	R4011731	R4011511	R413013812	-	-	-
23-123489-002 ³²²	70mm	60450469002	60450468002 ³⁶⁵	R4011731	R4011511	R413013812	-	-	-
23-123574-004	70mm	60450469002	60450468002 ³⁶⁵	R4011731	R4011511	R413013812	-	-	-
23-123489-002 ³²²	64mm	60450474001	60450473001 ³⁶⁵	R4011731	R4011511	R413013812	-	-	-
23-123489-002 ³²²	70mm	60450469002	60450468002 ³⁶⁵	R4011731	R4011511	R413013812	-	-	-
23-123489-002 ³²²	64mm	60450474001	60450473001 ³⁶⁵	R4011731	R4011511	R413013812	-	-	-
23-123489-002 ³²²	70mm	60450469002	60450468002 ³⁶⁵	R4011731	R4011511	R413013812	-	-	-
23-123574-004	70mm	60450469002	60450468002 ³⁶⁵	R4011731	R4011511	R413013812	-	-	-
23-123489-002 ³²²	64mm	60450474001	60450473001 ³⁶⁵	R4011731	R4011511	R413013812	-	-	-
23-123489-002 ³²²	70mm	60450469002	60450468002 ³⁶⁵	R4011731	R4011511	R413013812	-	-	-
23-123489-002 ³²²	64mm	60450474001	60450473001 ³⁶⁵	R4011731	R4011511	R413013812	-	-	-
23-123489-002 ³²²	70mm	60450469002	60450468002 ³⁶⁵	R4011731	R4011511	R413013812	-	-	-
23-123574-004	70mm	60450469002	60450468002 ³⁶⁵	R4011731	R4011511	R413013812	-	-	-
C7500 TOPKICK, KODIAK - 29,000 - 33,900 lb. GVW									
23-123485-002 ³⁹²	66mm	R4212067	R4212067	R4012071	R4012070 ³⁶³	-	-	-	-
23-123485-002 ³⁹²	64mm	60450473001	60450474001 ³⁶⁵	R4011731	R4011511	-	-	-	-
23-123485-002 ³⁹²	60mm	R4212068	R4212068	R4012074	R4012073 ³⁶³	-	-	-	-
23-123485-002 ³⁹²	66mm	R4212069	R4212069	-	-	-	-	-	-
23-123485-002 ³⁹²	64mm	60450474001	60450473001 ³⁶⁵	R4011731	R4011511	-	-	-	-
23-123485-002 ³⁹²	66mm	R4212067	R4212067	R4012071	R4012070 ³⁶³	-	-	-	-
23-123485-002 ³⁹²	64mm	60450473001	60450474001 ³⁶⁵	R4011731	R4011511	-	-	-	-
23-123485-002 ³⁹²	60mm	R4212068	R4212068	R4012074	R4012073 ³⁶³	-	-	-	-
23-123485-002 ³⁹²	66mm	R4212069	R4212069	-	-	-	-	-	-
23-123485-002 ³⁹²	64mm	60450474001	60450473001 ³⁶⁵	R4011731	R4011511	-	-	-	-

MAKE MODEL YEAR AXLE CODE AXLE WEIGHT	AXLE & BRK. TYPE	BRK. MFG.	BRAKE SIZE	FMSI	MERITOR DISC PAD OR BRAKE SHOE	MERITOR GUIDE PIN OR RETURN SPRING KIT	MERITOR CALIPER HWD. KIT OR RETURN SPRING KIT	MERITOR ADJUSTER KIT (LEFT WHEEL)	MERITOR ADJUSTER KIT (RIGHT WHEEL)
GMC / CHEV(Cont.)									
C7500 TOPKICK, KODIAK - 29,000 - 33,900 lb. GVW(Cont.)									
2003									
6,000 lb	Fd	TRW		7914 - D1010	MD1010	NR	R4012072	NR	NR
10,000 - 12,000 lb	Fd	Meritor		7636 - D1032	MD769	NR	R4011729	NR	NR
19,000 lb	Rd	TRW		7914 - D1010	MD1010	NR	R4012072	NR	NR
	Rd	TRW		7914 - D1010	MD1010	NR	R4012072	NR	NR
21,000 - 23,000 lb	Rd	Meritor		7636 - D1032	MD769	NR	R4011729	NR	NR
2002									
6,000 lb	Fd	TRW		7914 - D1010	MD1010	NR	R4012072	NR	NR
	Fd	TRW		7914 - D1010	MD1010	NR	R4012072	NR	NR
10,000 - 12,000 lb	Fd	Meritor		7636 - D1032	MD769	NR	R4011729	NR	NR
19,000 lb	Rd	TRW		7914 - D1010	MD1010	NR	R4012072	NR	NR
	Rd	TRW		7914 - D1010	MD1010	NR	R4012072	NR	NR
21,000 - 23,000 lb	Rd	Meritor		7636 - D1032	MD769	NR	R4011729	NR	NR
G-2500 SERIES-3/4 TON VAN									
2005									
Express, Savana	Rd	GM		7881 - D974	MVD974	NR	R4112464	NR	NR
Express, Savana 7,300 lb GVW	Fd	GM		7653 - D785	MVD785	NR	R40H5929	NR	NR
Express, Savana 8,600 lb GVW	Fd	GM		7652 - D784	MVD784	NR	R40H5931	NR	NR
2004									
Express, Savana	Rd	GM		7881 - D974	MVD974	NR	R4112464	NR	NR
Express, Savana 7,300 lb GVW	Fd	GM		7653 - D785	MVD785	NR	R40H5929	NR	NR
Express, Savana 8,600 lb GVW	Fd	GM		7652 - D784	MVD784	NR	R40H5931	NR	NR
2003									
Express, Savana	Rd	GM		7881 - D974	MVD974	NR	R4112464	NR	NR
Express, Savana 7,300 lb GVW	Fd	GM		7653 - D785	MVD785	NR	R40H5929	NR	NR
Express, Savana 8,600 lb GVW	Fd	GM		7652 - D784	MVD784	NR	R40H5931	NR	NR
2002									
Express, Savana	Ra Ra	GM	13" x 2-1/2" 13" x 2-1/2"	2042AT - 451 2042AT - 451	R46451 R46451	R40H378 R40H378	R40H7055 R40H7055	R40H2588 R40H2588	R40H2589 R40H2589
Express, Savana w/ 7,700 lb. & 8,600 lb. GVW	Fd	GM		7339 - D459	MD459	R40H5083	R40H5707	NR	NR
	Fd	GM		7339 - D459	MD459	R40H5083	R40H5707	NR	NR
2001									
Express, Savana w/ 7,300 lb GVW	Fd	GM		7259 - D369	MD369	NR	R40H5594	NR	NR
	Ra	GM	11.171875 x 2-3/4"	2073T - 473	R46473	R40H369	R40H4072DP ²⁷⁸	R40H2586	R40H2587
Express, Savana w/ 7,700 lb. & 8,600 lb. GVW	Fd	GM		7260 - D370	MD370	R40H5083	R40H5707	NR	NR
	Ra	GM	13" x 2-1/2"	2042AT - 451	R46451	R40H378	R40H7055	R40H2588	R40H2589
	Ra	GM	13" x 3-1/2"	2157T - 452	R46452	R40H378	R40H7055	R40H2588	R40H2589
Express, Savana 8,600 lb. GVW, 6.5 liter	Ra	GM	13" x 3-1/2"	2157T - 452	R46452	R40H378	R40H7055	R40H2588	R40H2589
2000									
Express, Savana w/ 7,300 lb GVW	Fd	GM		7259 - D369	MD369	NR	R40H5594	NR	NR
	Ra	GM	11.171875 x 2-3/4"	2073T - 473	R46473	R40H369	R40H4072DP ²⁷⁸	R40H2586	R40H2587
Express, Savana w/ 7,700 lb. & 8,600 lb. GVW	Fd	GM		7260 - D370	MD370	R40H5083	R40H5707	NR	NR
	Ra	GM	13" x 2-1/2"	2042AT - 451	R46451	R40H378	R40H7055	R40H2588	R40H2589
	Ra	GM	13" x 3-1/2"	2157T - 452	R46452	R40H378	R40H7055	R40H2588	R40H2589
Express, Savana 8,600 lb. GVW, 6.5 liter	Ra	GM	13" x 3-1/2"	2157T - 452	R46452	R40H378	R40H7055	R40H2588	R40H2589
1999									
Express, Savana w/ 7,300 lb GVW	Fd	GM		7259 - D369	MD369	NR	R40H5594	NR	NR

278 - For Heavy Duty version use E-11287

332 - Power Brakes, Hydraulic Booster

365 - Caliper Loaded with Hardware and Disc Pads

www.XpresswayPlus.com

291 - Except 9 1/2" Ring Gear

334 - Power Brakes, Vacuum Booster

366 - 13" Dia Rotor - 8 Stud w/ 4.630" Dia CTR Pilot Hole

293 - With 9 1/2" Ring Gear and 6 3/8" Drum Width

363 - Piston includes Boots and Seals

390 - Rotor and Hub One Piece Assembly With ABS Ring

MERITOR DRUM OR ROTOR NO.	CALIPER OR CYLINDER BORE SIZE	MERITOR CALIPER OR WHEEL CYLINDER (LEFT)	MERITOR CALIPER OR WHEEL CYLINDER (RIGHT)	MERITOR CALIPER OR WHEEL CYLINDER REPAIR KIT	MERITOR CALIPER PISTON	MERITOR MASTER CYLINDER	MERITOR MASTER CYLINDER KIT	MERITOR BRAKE HOSE (LEFT)	MERITOR BRAKE HOSE (RIGHT)
GMC / CHEV(Cont.)									
C7500 TOPKICK, KODIAK - 29,000 - 33,900 lb. GVW(Cont.)									
23-123485-002 ³⁹²	66mm	R4212067	R4212067	R4012071	R4012070 ³⁶³	-	-	-	-
23-123485-002 ³⁹²	64mm	60450473001	60450474001 ³⁶⁵	R4011731	R4011511	-	-	-	-
23-123485-002 ³⁹²	66mm	R4212067	R4212067	R4012071	R4012070 ³⁶³	-	-	-	-
23-123485-002 ³⁹²	60mm	R4212068	R4212068	R4012074	R4012073 ³⁶³	-	-	-	-
23-123485-002 ³⁹²	64mm	60450474001	60450473001 ³⁶⁵	R4011731	R4011511	-	-	-	-
23-123485-002 ³⁹²	66mm	R4212067	R4212067	R4012071	R4012070 ³⁶³	-	-	-	-
23-123485-002 ³⁹²	60mm	R4212068	R4212068	R4012074	R4012073 ³⁶³	-	-	-	-
23-123485-002 ³⁹²	64mm	60450473001	60450474001 ³⁶⁵	R4011731	R4011511	-	-	-	-
23-123485-002 ³⁹²	60mm	R4212068	R4212068	R4012074	R4012073 ³⁶³	-	-	-	-
23-123485-002 ³⁹²	66mm	R4212067	R4212067	R4012071	R4012070 ³⁶³	-	-	-	-
23-123485-002 ³⁹²	64mm	60450474001	60450473001 ³⁶⁵	R4011731	R4011511	-	-	-	-
G-2500 SERIES-3/4 TON VAN									
R44145262 ³⁶⁶		-	-	-	-	-	-	-	-
R44145259 ⁴⁰⁵		R42R55854	R42R55853	-	-	-	-	-	-
R44145261 ⁴⁰⁵	2-1/4 "	R42R55856	R42R55855	-	-	-	-	-	-
R44145262 ³⁶⁶		-	-	-	-	-	-	-	-
R44145259 ⁴⁰⁵		R42R55854	R42R55853	-	-	-	-	-	-
R44145261 ⁴⁰⁵	2-1/4 "	R42R55856	R42R55855	-	-	-	-	-	-
R44145262 ³⁶⁶		-	-	-	-	-	-	-	-
R44145259 ⁴⁰⁵		R42R55854	R42R55853	-	-	-	-	-	-
R44145261 ⁴⁰⁵	2-1/4 "	R42R55856	R42R55855	-	-	-	-	-	-
R44140449 ²⁹³	1-1/16 "	R4133709	R4133709	N/A	N/A	-	-	R4577765	R4577765
R44140449 ²⁹³	1-1/16 "	R4133709	R4133709	N/A	N/A	-	-	R4577765	R4577765
R44141818 ³⁹⁰	3-5/32 "	R42R55497	R42R55496	R4066330	R4090101S	-	-	R4578774	-
R44141818 ³⁹⁰	3-5/32 "	R42R55497	R42R55496	R4066330	R4090101S	-	-	R4578774	-
R44145107	2-15/16 "	R42R55501	R42R55500	R4066306	R4090087S	R4111266 ³³⁴	N/A	R4578774	R4578772
R44140543 ²⁹¹	15/16	R4134102	R4134102	N/A	NR	-	-	R4577765	R4577765
R44141818 ³⁹⁰	3-5/32 "	R42R55497	R42R55496	R4066330	R4090101S	R4113543 ³³²	N/A	R4578438	R4578480
R44140449 ²⁹³	1-1/16 "	R4133709	R4133709	N/A	NR	-	-	R4577765	R4577765
R44140619	1-1/16 "	R4133709	R4133709	N/A	NR	-	-	R4577765	R4577765
R44140619	1-1/16 "	R4134037	R4134037	N/A	NR	-	-	R4577765	R4577765
R44145107	2-15/16 "	R42R55501	R42R55500	R4066306	R4090087S	R4111266 ³³⁴	N/A	R4578774	R4578772
R44140543 ²⁹¹	15/16	R4134102	R4134102	N/A	NR	-	-	R4577765	R4577765
R44141818 ³⁹⁰	3-5/32 "	R42R55497	R42R55496	R4066330	R4090101S	R4113543 ³³²	N/A	R4578438	R4578480
R44140449 ²⁹³	1-1/16 "	R4133709	R4133709	N/A	NR	-	-	R4577765	R4577765
R44140619	1-1/16 "	R4133709	R4133709	N/A	NR	-	-	R4577765	R4577765
R44140619	1-1/16 "	R4134037	R4134037	N/A	NR	-	-	R4577765	R4577765
R44145107	2-15/16 "	R42R55501	R42R55500	R4066306	R4090087S	R4111266 ³³⁴	N/A	R4578774	R4578772

392 - 5 Tapped Holes For ABS Mounting Ring

405 - Rotor Only

MAKE MODEL YEAR AXLE CODE AXLE WEIGHT	AXLE & BRK. TYPE	BRK. MFG.	BRAKE SIZE	FMSI	MERITOR DISC PAD OR BRAKE SHOE	MERITOR GUIDE PIN OR RETURN SPRING KIT	MERITOR CALIPER HWD. KIT OR RETURN SPRING KIT	MERITOR ADJUSTER KIT (LEFT WHEEL)	MERITOR ADJUSTER KIT (RIGHT WHEEL)
GMC / CHEV(Cont.)									
G-2500 SERIES-3/4 TON VAN(Cont.)									
1999									
Express, Savana w/ 7,300 lb GVW	Ra	GM	11-5/32" x 2-3/4 "	2073T - 473	R46473	R40H369	R40H4072DP ²⁷⁸	R40H2586	R40H2587
Express, Savana w/ 7,700 lb. & 8,600 lb. GVW	Fd	GM		7260 - D370	MD370	R40H5083	R40H5707	NR	NR
	Ra	GM	13" x 2-1/2 "	2042AT - 451	R46451	R40H378	R40H7055	R40H2588	R40H2589
	Ra	GM	13" x 3-1/2 "	2157T - 452	R46452	R40H378	R40H7055	R40H2588	R40H2589
Express, Savana 8,600 lb. GVW, 6.5 liter	Ra	GM	13" x 3-1/2 "	2157T - 452	R46452	R40H378	R40H7055	R40H2588	R40H2589
G-2500,2600 SERIES-3/4 TON VAN									
1998									
Express, Savana	Fd	GM		7259 - D369	MD369	R40H5083	R40H5707	NR	NR
	Ra	GM	11-5/32" x 2-3/4 "	2073AT - S653	R46473	R40H369	R40H4072DP ²⁷⁸	R40H2586	R40H2587
1997									
	Fd	GM		7259 - D369	MD369	R40H5083	R40H5707	NR	NR
	Ra	GM	11-5/32" x 2-3/4 "	2073AT - S653	R46473	R40H369	R40H4072DP ²⁷⁸	R40H2586	R40H2587
1996									
	Fd	GM		7259 - D369	MD369	R40H5083	R40H5707	NR	NR
	Ra	GM	11-5/32" x 2-3/4 "	2073AT - S653	R46473	R40H369	R40H4072DP ²⁷⁸	R40H2586	R40H2587
1995									
	Ra	GM	11-5/32" x 2-3/4 "	2073TT - 473	R46473	R40H369	R40H4072DP ²⁷⁸	R40H2586	R40H2587
Diesel Engine	Fd	GM		728A - D52	MD52	R40H5004DP	R40H5500	NR	NR
Gasoline Engine	Fd	GM		728A - D52	MD52	R40H5004DP	R40H5500	NR	NR
1994									
	Ra	GM	11-5/32" x 2-3/4 "	2073TT - 473	R46473	R40H369	R40H4072DP ²⁷⁸	R40H2586	R40H2587
Diesel Engine	Fd	GM		728A - D52	MD52	R40H5004DP	R40H5500	NR	NR
Gasoline Engine	Fd	GM		728A - D52	MD52	R40H5004DP	R40H5500	NR	NR
1993									
	Ra	GM	11-5/32" x 2-3/4 "	2073TT - 473	R46473	R40H369	R40H4072DP ²⁷⁸	R40H2586	R40H2587
Diesel Engine	Fd	GM		728A - D52	MD52	R40H5004DP	R40H5500	NR	NR
Gasoline Engine	Fd	GM		728A - D52	MD52	R40H5004DP	R40H5500	NR	NR
1992									
	Ra	GM	11-5/32" x 2-3/4 "	2073TT - 473	R46473	R40H369	R40H4072DP ²⁷⁸	R40H2586	R40H2587
Diesel Engine	Fd	GM		728A - D52	MD52	R40H5004DP	R40H5500	NR	NR
Gasoline Engine	Fd	GM		728A - D52	MD52	R40H5004DP	R40H5500	NR	NR
1991									
	Ra	GM	11-5/32" x 2-3/4 "	2073TT - 473	R46473	R40H369	R40H4072DP ²⁷⁸	R40H2586	R40H2587
Diesel Engine	Fd	GM		728A - D52	MD52	R40H5004DP	R40H5500	NR	NR
Gasoline Engine	Fd	GM		728A - D52	MD52	R40H5004DP	R40H5500	NR	NR
1990									
	Ra	GM	11-5/32" x 2-3/4 "	2073TT - 473	R46473	R40H369	R40H4072DP ²⁷⁸	R40H2586	R40H2587
Diesel Engine	Fd	GM		728A - D52	MD52	R40H5004DP	R40H5500	NR	NR
Gasoline Engine	Fd	GM		728A - D52	MD52	R40H5004DP	R40H5500	NR	NR
1989									
	Ra	GM	11-5/32" x 2-3/4 "	2073TT - 473	R46473	R40H369	R40H4072DP ²⁷⁸	R40H2586	R40H2587
Diesel Engine	Fd	GM		728A - D52	MD52	R40H5004DP	R40H5500	NR	NR
Gasoline Engine	Fd	GM		728A - D52	MD52	R40H5004DP	R40H5500	NR	NR
1988									
	Ra	GM	11-5/32" x 2-3/4 "	2073TT - 473	R46473	R40H369	R40H4072DP ²⁷⁸	R40H2586	R40H2587
	Ra	GM	11-5/32" x 2-3/4 "	2073TT - 473	R46473	R40H369	R40H4072DP ²⁷⁸	R40H2586	R40H2587
Diesel Engine	Fd	GM		728A - D52	MD52	R40H5004DP	R40H5500	NR	NR
Gasoline Engine	Fd	GM		728A - D52	MD52	R40H5004DP	R40H5500	NR	NR
1987									
	Ra	GM	11-5/32" x 2-3/4 "	2073TT - 473	R46473	R40H369	R40H4072DP ²⁷⁸	R40H2586	R40H2587
	Ra	GM	11-5/32" x 2-3/4 "	2073TT - 473	R46473	R40H369	R40H4072DP ²⁷⁸	R40H2586	R40H2587
Diesel Engine	Fd	GM		728A - D52	MD52	R40H5004DP	R40H5500	NR	NR
Gasoline Engine	Fd	GM		728A - D52	MD52	R40H5004DP	R40H5500	NR	NR
1986									
	Ra	GM	11-5/32" x 2-3/4 "	2073TT - 473	R46473	R40H369	R40H4072DP ²⁷⁸	R40H2586	R40H2587

53 - Power Brakes
 293 - With 9 1/2" Ring Gear and 6 3/8" Drum Width
 334 - Power Brakes, Vacuum Booster
 www.XpresswayPlus.com

278 - For Heavy Duty version use E-11287
 303 - Power Brakes, Except Export
 381 - Rotor and Hub One Piece Assembly W/O ABS Ring

291 - Except 9 1/2" Ring Gear
 332 - Power Brakes, Hydraulic Booster
 390 - Rotor and Hub One Piece Assembly With ABS Ring

Contact our Customer Service Teams
 1-888-725-9355

MERITOR DRUM OR ROTOR NO.	CALIPER OR CYLINDER BORE SIZE	MERITOR CALIPER OR WHEEL CYLINDER (LEFT)	MERITOR CALIPER OR WHEEL CYLINDER (RIGHT)	MERITOR CALIPER OR WHEEL CYLINDER REPAIR KIT	MERITOR CALIPER PISTON	MERITOR MASTER CYLINDER	MERITOR MASTER CYLINDER KIT	MERITOR BRAKE HOSE (LEFT)	MERITOR BRAKE HOSE (RIGHT)
GMC / CHEV(Cont.)									
G-2500 SERIES-3/4 TON VAN(Cont.)									
R44140543 ²⁹¹	15/16	R4134102	R4134102	N/A	NR	-	-	R4577765	R4577765
R44141818 ³⁹⁰	3-5/32 "	R42R55497	R42R55496	R4066330	R4090101S	R4113543 ³³²	N/A	R4578438	R4578480
R44140449 ²⁹³	1-1/16 "	R4133709	R4133709	N/A	NR	-	-	R4577765	R4577765
R44140619	1-1/16 "	R4133709	R4133709	N/A	NR	-	-	R4577765	R4577765
R44140619	1-1/16 "	R4134037	R4134037	N/A	NR	-	-	R4577765	R4577765
G-2500,2600 SERIES-3/4 TON VAN									
R44141829 ³⁹⁰	2-15/16 "	R42R55501	R42R55500	R4066306	R4090087S	R4111266 ³³⁴	N/A	R4578438	R451667
R44140622	15/16	R4134102	R4134102	N/A	NR	-	-	R4577765	R4577765
R44141829 ³⁹⁰	2-15/16 "	R42R55501	R42R55500	R4066306	R4090087S	R4111266	N/A	R4578438	R451667
R44140622	15/16	R4134102	R4134102	N/A	NR	-	-	R4577765	R4577765
R44141829 ³⁹⁰	2-15/16 "	R42R55501	R42R55500	R4066306	R4090087S	R4111266	N/A	R4578438	R451667
R44140622	15/16	R4134102	R4134102	N/A	NR	-	-	R4577765	R4577765
R44140604	15/16 "	R4133469	R4133469	R4166852	NR	-	-	R4577010	R4577010
R44141391 ³⁸¹	2-15/16 "	R42R55208	R42R55207	R4066848	R4090013S	R4112058 ⁵³	R4122202	R4577417	R4577418
R44141043 ³⁸¹	2-15/16 "	R42R55208	R42R55207	R4066848	R4090013S	R4111863 ³⁰³	N/A	R4577417	R4577418
R44140604	15/16 "	R4133469	R4133469	R4166852	NR	-	-	R4577010	R4577010
R44141391 ³⁸¹	2-15/16 "	R42R55208	R42R55207	R4066848	R4090013S	R4112058 ⁵³	R4122202	R4577417	R4577418
R44141043 ³⁸¹	2-15/16 "	R42R55208	R42R55207	R4066848	R4090013S	R4111863 ³⁰³	N/A	R4577417	R4577418
R44140604	15/16 "	R4133469	R4133469	R4166852	NR	-	-	R4577010	R4577010
R44141391 ³⁸¹	2-15/16 "	R42R55208	R42R55207	R4066848	R4090013S	R4112058 ⁵³	R4122202	R4577417	R4577418
R44141043 ³⁸¹	2-15/16 "	R42R55208	R42R55207	R4066848	R4090013S	R4111863 ³⁰³	N/A	R4577417	R4577418
R44140604	15/16 "	R4133469	R4133469	R4166852	NR	-	-	R4577010	R4577010
R44141391 ³⁸¹	2-15/16 "	R42R55208	R42R55207	R4066848	R4090013S	R4112058 ⁵³	R4122202	R4577417	R4577418
R44141043 ³⁸¹	2-15/16 "	R42R55208	R42R55207	R4066848	R4090013S	R4111863 ³⁰³	N/A	R4577417	R4577418
R44140604	15/16 "	R4133469	R4133469	R4166852	NR	-	-	R4577010	R4577010
R44141391 ³⁸¹	2-15/16 "	R42R55208	R42R55207	R4066848	R4090013S	R4112058 ⁵³	R4122202	R4577417	R4577418
R44141043 ³⁸¹	2-15/16 "	R42R55208	R42R55207	R4066848	R4090013S	R4111863 ³⁰³	N/A	R4577417	R4577418
R44140604	15/16 "	R4133469	R4133469	R4166852	NR	-	-	R4577010	R4577010
R44141391 ³⁸¹	2-15/16 "	R42R55208	R42R55207	R4066848	R4090013S	R4112058 ⁵³	R4122202	R4577417	R4577418
R44141043 ³⁸¹	2-15/16 "	R42R55208	R42R55207	R4066848	R4090013S	R4111863 ³⁰³	N/A	R4577417	R4577418
R44140316	15/16 "	R4133469	R4133469	R4166852	NR	-	-	R4577010	R4577010
R44140604	15/16 "	R4133469	R4133469	R4166852	NR	-	-	R4577010	R4577010
R44141391 ³⁸¹	2-15/16 "	R42R55208	R42R55207	R4066848	R4090013S	R4112058 ⁵³	R4122202	R4577417	R4577418
R44141043 ³⁸¹	2-15/16 "	R42R55208	R42R55207	R4066848	R4090013S	R4111863 ³⁰³	N/A	R4577417	R4577418
R44140316	15/16 "	R4133469	R4133469	R4166852	NR	-	-	R4577010	R4577010
R44140316	15/16 "	R4133469	R4133469	R4166852	NR	-	-	R4577010	R4577010
R44141391 ³⁸¹	2-15/16 "	R42R55208	R42R55207	R4066848	R4090013S	R4112058 ⁵³	R4122202	R4577417	R4577418
R44141043 ³⁸¹	2-15/16 "	R42R55208	R42R55207	R4066848	R4090013S	R4111863 ³⁰³	N/A	R4577417	R4577418
R44140316	15/16 "	R4133469	R4133469	R4166852	NR	-	-	R4577010	R4577010
R44140316	15/16 "	R4133469	R4133469	R4166852	NR	-	-	R4577010	R4577010
R44141391 ³⁸¹	2-15/16 "	R42R55208	R42R55207	R4066848	R4090013S	R4112058 ⁵³	R4122202	R4577417	R4577418
R44141043 ³⁸¹	2-15/16 "	R42R55208	R42R55207	R4066848	R4090013S	R4111863 ³⁰³	N/A	R4577417	R4577418
R44140316	15/16 "	R4133469	R4133469	R4166852	NR	-	-	R4577010	R4577010

MAKE MODEL YEAR AXLE CODE AXLE WEIGHT	AXLE & BRK. TYPE	BRK. MFG.	BRAKE SIZE	FMSI	MERITOR DISC PAD OR BRAKE SHOE	MERITOR GUIDE PIN OR RETURN SPRING KIT	MERITOR CALIPER HWD. KIT OR RETURN SPRING KIT	MERITOR ADJUSTER KIT (LEFT WHEEL)	MERITOR ADJUSTER KIT (RIGHT WHEEL)
GMC / CHEV(Cont.)									
G-2500,2600 SERIES-3/4 TON VAN(Cont.)									
1986									
Diesel Engine	Fd	GM		728A - D52	MD52	R40H5004DP	R40H5500	NR	NR
Gasoline Engine	Fd	GM		728A - D52	MD52	R40H5004DP	R40H5500	NR	NR
1985									
	Ra	GM	11-5/32" x 2-3/4 "	2073TT - 473	R46473	R40H369	R40H4072DP ²⁷⁸	R40H2586	R40H2587
Diesel Engine	Fd	GM		728A - D52	MD52	R40H5004DP	R40H5500	NR	NR
Gasoline Engine	Fd	GM		728A - D52	MD52	R40H5004DP	R40H5500	NR	NR
1984									
	Ra	GM	11-5/32" x 2-3/4 "	2073TT - 473	R46473	R40H369	R40H4072DP ²⁷⁸	R40H2586	R40H2587
Diesel Engine	Fd	GM		728A - D52	MD52	R40H5004DP	R40H5500	NR	NR
Gasoline Engine	Fd	GM		728A - D52	MD52	R40H5004DP	R40H5500	NR	NR
	Fd	GM		728A - D52	MD52	R40H5004DP	R40H5500	NR	NR
1983									
	Ra	GM	11-5/32" x 2-3/4 "	2073TT - 473	R46473	R40H369	R40H4072DP ²⁷⁸	R40H2586	R40H2587
Diesel Engine	Fd	GM		728A - D52	MD52	R40H5004DP	R40H5500	NR	NR
Gasoline Engine	Fd	GM		728A - D52	MD52	R40H5004DP	R40H5500	NR	NR
	Fd	GM		728A - D52	MD52	R40H5004DP	R40H5500	NR	NR
1982									
	Fd	GM		728A - D52	MD52	R40H5004DP	R40H5500	NR	NR
	Fd	GM		728A - D52	MD52	R40H5004DP	R40H5500	NR	NR
	Ra	GM	11-5/32" x 2-3/4 "	2073TT - 473	R46473	R40H369	R40H4072DP ²⁷⁸	R40H2586	R40H2587
1981									
	Fd	GM		728A - D52	MD52	R40H5004DP	R40H5500	NR	NR
	Fd	GM		728A - D52	MD52	R40H5004DP	R40H5500	NR	NR
	Ra	GM	11-5/32" x 2-3/4 "	2073TT - 473	R46473	R40H369	R40H4072DP ²⁷⁸	R40H2586	R40H2587
1980									
	Fd	GM		728A - D52	MD52	R40H5004DP	R40H5500	NR	NR
	Fd	GM		728A - D52	MD52	R40H5004DP	R40H5500	NR	NR
	Ra	GM	11-5/32" x 2-3/4 "	2073TT - 473	R46473	R40H369	R40H4072DP ²⁷⁸	R40H2586	R40H2587
1979									
	Fd	GM		728A - D52	MD52	R40H5004DP	R40H5500	NR	NR
	Fd	GM		728A - D52	MD52	R40H5004DP	R40H5500	NR	NR
	Ra	GM	11-5/32" x 2-3/4 "	2073TT - 473	R46473	R40H369	R40H4072DP ²⁷⁸	R40H2586	R40H2587
1978									
	Fd	GM		728A - D52	MD52	R40H5004DP	R40H5500	NR	NR
	Fd	GM		728A - D52	MD52	R40H5004DP	R40H5500	NR	NR
	Ra	GM	11-5/32" x 2-3/4 "	2073TT - 473	R46473	R40H369	R40H4072DP ²⁷⁸	R40H2586	R40H2587
1977									
	Fd	GM		728A - D52	MD52	R40H5004DP	R40H5500	NR	NR
	Fd	GM		728A - D52	MD52	R40H5004DP	R40H5500	NR	NR
	Ra	GM	11-5/32" x 2-3/4 "	2073TT - 473	R46473	R40H369	R40H4072DP ²⁷⁸	R40H2586	R40H2587
1976									
	Fd	GM		728A - D52	MD52	R40H5004DP	R40H5500	NR	NR
	Fd	GM		728A - D52	MD52	R40H5004DP	R40H5500	NR	NR
	Ra	GM	11-5/32" x 2-3/4 "	2073TT - 473	R46473	R40H369	R40H4072DP ²⁷⁸	R40H2586	R40H2587
1975									
	Fd	GM		728A - D52	MD52	R40H5004DP	R40H5500	NR	NR
	Fd	GM		728A - D52	MD52	R40H5004DP	R40H5500	NR	NR
	Ra	GM	11-5/32" x 2-3/4 "	2073TT - 473	R46473	R40H369	R40H4072DP ²⁷⁸	R40H2586	R40H2587
1974									
	Fd	GM		728A - D52	MD52	R40H5004DP	R40H5500	NR	NR
	Fd	GM		728A - D52	MD52	R40H5004DP	R40H5500	NR	NR
	Ra	GM	11-5/32" x 2-3/4 "	2073TT - 473	R46473	R40H369	R40H4072DP ²⁷⁸	R40H2586	R40H2587
G-3500, SERIES-1 TON VAN									
2005									
Express, Savana Dual Rear Wheels	Rd	GM		7891 - D989	MD989	R40H15087	NR	NR	NR
Express, Savana Dual Rear Wheels or Over 9,600 lb GVW	Fd	GM		7652 - D784	MD784	R40H15086	R40H5931	NR	NR
Express, Savana 8,600 lb. & 9,600 lb GVW	Fd	GM		7652 - D784	MD784	R40H15086	R40H5931	NR	NR
Express, Savana 8,600 lb., 9,600 lb. or over 9,600 lb GVW w/ SWR	Rd	GM		7881 - D974	MD974	R40H15087	NR	NR	NR

53 - Power Brakes
367 - 13" Dia Rotor - 8 Stud w/ 4.873" Dia CTR Pilot Hole

278 - For Heavy Duty version use E-11287
381 - Rotor and Hub One Piece Assembly W/O ABS Ring

303 - Power Brakes, Except Export
405 - Rotor Only

MERITOR DRUM OR ROTOR NO.	CALIPER OR CYLINDER BORE SIZE	MERITOR CALIPER OR WHEEL CYLINDER (LEFT)	MERITOR CALIPER OR WHEEL CYLINDER (RIGHT)	MERITOR CALIPER OR WHEEL CYLINDER REPAIR KIT	MERITOR CALIPER PISTON	MERITOR MASTER CYLINDER	MERITOR MASTER CYLINDER KIT	MERITOR BRAKE HOSE (LEFT)	MERITOR BRAKE HOSE (RIGHT)
GMC / CHEV(Cont.)									
G-2500,2600 SERIES-3/4 TON VAN(Cont.)									
R44141391 ³⁸¹	2-15/16 "	R42R55208	R42R55207	R4066848	R4090013S	R4112058 ⁵³	R4122202	R4577417	R4577418
R44141043 ³⁸¹	2-15/16 "	R42R55208	R42R55207	R4066848	R4090013S	R4111863 ³⁰³	N/A	R4577417	R4577418
R44140316	15/16 "	R4133469	R4133469	R4166852	NR	-	-	R4577010	R4577010
R44141391 ³⁸¹	2-15/16 "	R42R55208	R42R55207	R4066848	R4090013S	R4112058 ⁵³	R4122202	R4577417	R4577418
R44141043 ³⁸¹	2-15/16 "	R42R55208	R42R55207	R4066848	R4090013S	R4111863 ³⁰³	N/A	R4577417	R4577418
R44140316	15/16 "	R4133469	R4133469	R4166852	NR	-	-	R4577010	R4577010
R44141391 ³⁸¹	2-15/16 "	R42R55208	R42R55207	R4066848	R4090013S	R4111863 ³⁰³	N/A	R4577417	R4577418
R44141043 ³⁸¹	2-15/16 "	R42R55208	R42R55207	R4066848	R4090013S	R4111865 ⁵³	R4122381	R4577417	R4577418
R44141043 ³⁸¹	2-15/16 "	R42R55208	R42R55207	R4066848	R4090013S	N/A ⁵³	N/A	R4577417	R4577418
R44140316	15/16 "	R4133469	R4133469	R4166852	NR	-	-	R4577010	R4577010
R44141391 ³⁸¹	2-15/16 "	R42R55208	R42R55207	R4066848	R4090013S	R4111863 ³⁰³	N/A	R4577417	R4577418
R44141043 ³⁸¹	2-15/16 "	R42R55208	R42R55207	R4066848	R4090013S	R4111865 ⁵³	R4122381	R4577417	R4577418
R44141043 ³⁸¹	2-15/16 "	R42R55208	R42R55207	R4066848	R4090013S	N/A ⁵³	N/A	R4577417	R4577418
R44140316	15/16 "	R4133469	R4133469	R4166852	NR	-	-	R4577010	R4577010
R44141043 ³⁸¹	2-15/16 "	R42R55208	R42R55207	R4066848	R4090013S	R4111865 ⁵³	R4122381	R4577321	R4577187
R44141043 ³⁸¹	2-15/16 "	R42R55208	R42R55207	R4066848	R4090013S	R4111865 ⁵³	R4122381	R4577320	R4577421
R44140316	15/16 "	R4133469	R4133469	R4166852	NR	-	-	R4577010	R4577010
R44141043 ³⁸¹	2-15/16 "	R42R55208	R42R55207	R4066848	R4090013S	R4111865 ⁵³	R4122381	R4577321	R4577187
R44141043 ³⁸¹	2-15/16 "	R42R55208	R42R55207	R4066848	R4090013S	R4111865 ⁵³	R4122381	R4577320	R4577421
R44140316	15/16 "	R4133469	R4133469	R4166852	NR	-	-	R4577010	R4577010
R44141043 ³⁸¹	2-15/16 "	R42R55208	R42R55207	R4066848	R4090013S	R4112121 ⁵³	R4122643	R4577320	R4577421
R44141043 ³⁸¹	2-15/16 "	R42R55208	R42R55207	R4066848	R4090013S	R4112121 ⁵³	R4122643	R4577321	R4577187
R44140316	15/16 "	R4133469	R4133469	R4166852	NR	-	-	R4577010	R4577010
R44141043 ³⁸¹	2-15/16 "	R42R55208	R42R55207	R4066848	R4090013S	R4112121 ⁵³	R4122643	R4577321	R4577187
R44141043 ³⁸¹	2-15/16 "	R42R55208	R42R55207	R4066848	R4090013S	R4112121 ⁵³	R4122643	R4577320	R4577421
R44140316	15/16 "	R4133469	R4133469	R4166852	NR	-	-	R4577010	R4577010
R44141043 ³⁸¹	2-15/16 "	R42R55208	R42R55207	R4066848	R4090013S	R4112121 ⁵³	R4122643	R4577321	R4577187
R44141043 ³⁸¹	2-15/16 "	R42R55208	R42R55207	R4066848	R4090013S	R4112121 ⁵³	R4122643	R4577320	R4577421
R44140316	15/16 "	R4133469	R4133469	R4166852	NR	-	-	R4577010	R4577010
R44141043 ³⁸¹	2-15/16 "	R42R55208	R42R55207	R4066848	R4090013S	R4112121 ⁵³	R4122643	R4577321	R4577187
R44141043 ³⁸¹	2-15/16 "	R42R55208	R42R55207	R4066848	R4090013S	R4112121 ⁵³	R4122643	R4577320	R4577421
R44140316	15/16 "	R4133469	R4133469	R4166852	NR	-	-	R4577010	R4577010
R44141043 ³⁸¹	2-15/16 "	R42R55208	R42R55207	R4066848	R4090013S	R4112121 ⁵³	R4122643	R4577321	R4577187
R44141043 ³⁸¹	2-15/16 "	R42R55208	R42R55207	R4066848	R4090013S	R4112121 ⁵³	R4122643	R4577320	R4577421
R44140316	15/16 "	R4133469	R4133469	R4166852	NR	-	-	R4577010	R4577010
G-3500, SERIES-1 TON VAN									
R44145339 ⁴⁰⁵		R42R55995	R42R55994	-	-	-	-	-	-
R44145317 ⁴⁰⁵		R42R55944	R42R55943	-	-	-	-	-	-
R44145316		R42R55856	R42R55855	-	-	-	-	-	-
R44145260 ³⁶⁷		R42R55995	R42R55994	-	-	-	-	-	-

1 APPLICATION

MAKE MODEL YEAR AXLE CODE AXLE WEIGHT	AXLE & BRK. TYPE	BRK. MFG.	BRAKE SIZE	FMSI	MERITOR DISC PAD OR BRAKE SHOE	MERITOR GUIDE PIN OR RETURN SPRING KIT	MERITOR CALIPER HWD. KIT OR RETURN SPRING KIT	MERITOR ADJUSTER KIT (LEFT WHEEL)	MERITOR ADJUSTER KIT (RIGHT WHEEL)
GMC / CHEV(Cont.)									
G-3500, SERIES-1 TON VAN(Cont.)									
2004									
Express, Savana Dual Rear Wheels	Rd	GM		7891 - D989	MD989	R40H15087	NR	NR	NR
Express, Savana Dual Rear Wheels or Over 9,600 lb GVW	Fd	GM		7652 - D784	MD784	R40H15086	R40H5931	NR	NR
Express, Savana 8,600 lb. & 9,600 lb GVW	Fd	GM		7652 - D784	MD784	R40H15086	R40H5931	NR	NR
Express, Savana 8,600 lb., 9,600 lb. or over 9,600 lb GVW w/ SWR	Rd	GM		7881 - D974	MD974	R40H15087	NR	NR	NR
2003									
Express, Savana Dual Rear Wheels	Rd	GM		7891 - D989	MD989	R40H15087	NR	NR	NR
Express, Savana Dual Rear Wheels or Over 9,600 lb GVW	Fd	GM		7652 - D784	MD784	R40H15086	R40H5931	NR	NR
Express, Savana 8,600 lb. & 9,600 lb GVW	Fd	GM		7652 - D784	MD784	R40H15086	R40H5931	NR	NR
Express, Savana 8,600 lb., 9,600 lb. or over 9,600 lb GVW w/ SWR	Rd	GM		7881 - D974	MD974	R40H15087	NR	NR	NR
2002									
Express, Savana DRW	Fd	GM		7339 - D459	MD459	R40H5083	R40H5788	NR	NR
	Ra	GM	13 " x 3-1/2 "	2157T - 452	R46452	R40H378	R40H7055	R40H2588	R40H2589
Express, Savana SRW	Ra	GM	13 " x 3-1/2 "	2157T - 452	R46452	R40H378	R40H7055	R40H2588	R40H2589
Express, Savana w/ 32.77mm thick rotor SRW	Fd	GM		7339 - D459	MD459	R40H5083	R40H5788	NR	NR
Express, Savana w/ 39.1mm thick rotor SRW	Fd	GM		7339 - D459	MD459	R40H5083	R40H5788	NR	NR
2001									
Express, Savana DRW	Fd	GM		7339 - D459	MD459	R40H5083	R40H5788	NR	NR
	Ra	GM	13 " x 3-1/2 "	2157T - 452	R46452	R40H378	R40H7055	R40H2588	R40H2589
Express, Savana SRW	Ra	GM	13 " x 3-1/2 "	2157T - 452	R46452	R40H378	R40H7055	R40H2588	R40H2589
Express, Savana w/ 32.77mm thick rotor SRW	Fd	GM		7339 - D459	MD459	R40H5083	R40H5788	NR	NR
Express, Savana w/ 39.1mm thick rotor SRW	Fd	GM		7339 - D459	MD459	R40H5083	R40H5788	NR	NR
2000									
Express, Savana DRW	Fd	GM		7339 - D459	MD459	R40H5083	R40H5788	NR	NR
	Ra	GM	13 " x 3-1/2 "	2157T - 452	R46452	R40H378	R40H7055	R40H2588	R40H2589
Express, Savana SRW	Ra	GM	13 " x 3-1/2 "	2157T - 452	R46452	R40H378	R40H7055	R40H2588	R40H2589
Express, Savana w/ 32.77mm thick rotor SRW	Fd	GM		7339 - D459	MD459	R40H5083	R40H5788	NR	NR
Express, Savana w/ 39.1mm thick rotor SRW	Fd	GM		7339 - D459	MD459	R40H5083	R40H5788	NR	NR
1999									
Express, Savana DRW	Fd	GM		7339 - D459	MD459	R40H5083	R40H5788	NR	NR
	Ra	GM	13 " x 3-1/2 "	2157T - 452	R46452	R40H378	R40H7055	R40H2588	R40H2589
Express, Savana SRW	Ra	GM	13 " x 3-1/2 "	2157T - 452	R46452	R40H378	R40H7055	R40H2588	R40H2589

280 - 10 1/2" Ring Gear
390 - Rotor and Hub One Piece Assembly With ABS Ring

332 - Power Brakes, Hydraulic Booster
394 - 8 Stud Rotor and Hub one piece Assembly

367 - 13" Dia Rotor - 8 Stud w/ 4.873" Dia CTR Pilot Hole
405 - Rotor Only

MERITOR DRUM OR ROTOR NO.	CALIPER OR CYLINDER BORE SIZE	MERITOR CALIPER OR WHEEL CYLINDER (LEFT)	MERITOR CALIPER OR WHEEL CYLINDER (RIGHT)	MERITOR CALIPER OR WHEEL CYLINDER REPAIR KIT	MERITOR CALIPER PISTON	MERITOR MASTER CYLINDER	MERITOR MASTER CYLINDER KIT	MERITOR BRAKE HOSE (LEFT)	MERITOR BRAKE HOSE (RIGHT)
GMC / CHEV(Cont.)									
G-3500, SERIES-1 TON VAN(Cont.)									
R44145339 ⁴⁰⁵		R42R55995	R42R55994	-	-	-	-	-	-
R44145317 ⁴⁰⁵		R42R55944	R42R55943	-	-	-	-	-	-
R44145316		R42R55856	R42R55855	-	-	-	-	-	-
R44145260 ³⁶⁷		R42R55995	R42R55994	-	-	-	-	-	-
R44145339 ⁴⁰⁵		R42R55995	R42R55994	-	-	-	-	-	-
R44145317 ⁴⁰⁵		R42R55944	R42R55943	-	-	-	-	-	-
R44145316		R42R55856	R42R55855	-	-	-	-	-	-
R44145260 ³⁶⁷		R42R55995	R42R55994	-	-	-	-	-	-
R44145134 ³⁹⁴		R42R55688	R42R55687	-	-	R4113543 ³³²	-	-	-
R44140388 ²⁸⁰	1-3/16 "	R4133708	R4133708	R4166872	NR	-	-	-	-
R44140619	1 "	R4134037	R4134037	R4133891	NR	-	-	R4577765	R4577765
R44141818 ³⁹⁰		R42R55688	R42R55687	-	-	R4113543 ³³²	N/A	R4578774	R4578772
R44145360		R42R55688	R42R55687	-	-	R4113543 ³³²	N/A	R4578774	R4578772
R44145134 ³⁹⁴		R42R55688	R42R55687	-	-	R4113543 ³³²	-	-	-
R44140388 ²⁸⁰	1-3/16 "	R4133708	R4133708	R4166872	NR	-	-	-	-
R44140619	1 "	R4134037	R4134037	R4133891	NR	-	-	R4577765	R4577765
R44141818 ³⁹⁰		R42R55688	R42R55687	-	-	R4113543 ³³²	N/A	R4578774	R4578772
R44145360		R42R55688	R42R55687	-	-	R4113543 ³³²	N/A	R4578774	R4578772
R44145134 ³⁹⁴		R42R55688	R42R55687	-	-	R4113543 ³³²	-	-	-
R44140388 ²⁸⁰	1-3/16 "	R4133708	R4133708	R4166872	NR	-	-	-	-
R44140619	1 "	R4134037	R4134037	R4133891	NR	-	-	R4577765	R4577765
R44141818 ³⁹⁰		R42R55688	R42R55687	-	-	R4113543 ³³²	N/A	R4578774	R4578772
R44145360		R42R55688	R42R55687	-	-	R4113543 ³³²	N/A	R4578774	R4578772
R44145134 ³⁹⁴		R42R55688	R42R55687	-	-	R4113543 ³³²	-	-	-
R44140388 ²⁸⁰	1-3/16 "	R4133708	R4133708	R4166872	NR	-	-	-	-
R44140619	1 "	R4134037	R4134037	R4133891	NR	-	-	R4577765	R4577765

1-APPLICATION

MAKE MODEL YEAR AXLE CODE AXLE WEIGHT	AXLE & BRK. TYPE	BRK. MFG.	BRAKE SIZE	FMSI	MERITOR DISC PAD OR BRAKE SHOE	MERITOR GUIDE PIN OR RETURN SPRING KIT	MERITOR CALIPER HWD. KIT OR RETURN SPRING KIT	MERITOR ADJUSTER KIT (LEFT WHEEL)	MERITOR ADJUSTER KIT (RIGHT WHEEL)
GMC / CHEV(Cont.)									
G-3500, SERIES-1 TON VAN(Cont.)									
1999									
Express, Savana w/ 32.77mm thick rotor SRW	Fd	GM		7339 - D459	MD459	R40H5083	R40H5788	NR	NR
Express, Savana w/ 39.1mm thick rotor SRW	Fd	GM		7339 - D459	MD459	R40H5083	R40H5788	NR	NR
G-3500,3600 SERIES-1 TON VAN									
1998									
Express, Savana	Fd	GM		7259 - D369	MD369	R40H5083	R40H5707	NR	NR
	Fd	GM		7260 - D370	MD370	R40H5083	R40H5707	NR	NR
	Ra	GM	11-5/32" x 2-3/4"	2073AT - S653	R46473	R40H369	R40H4072DP ²⁷⁸	R40H2586	R40H2587
	Ra	GM	13" x 2-1/2"	2042T - S655	R46451	R40H378	R40H7055	R40H2588	R40H2589
Ra	GM	13" x 3-1/2"	2157T - S656	R46452	R46452	R40H378	R40H7055	R40H2588	R40H2589
1997									
	Fd	GM		7259 - D369	MD369	R40H5083	R40H5707	NR	NR
	Fd	GM		7260 - D370	MD370	R40H5083	R40H5707	NR	NR
	Ra	GM	11-5/32" x 2-3/4"	2073AT - S653	R46473	R40H369	R40H4072DP ²⁷⁸	R40H2586	R40H2587
	Ra	GM	13" x 2-1/2"	2042T - S655	R46451	R40H378	R40H7055	R40H2588	R40H2589
Ra	GM	13" x 3-1/2"	2157T - S656	R46452	R46452	R40H378	R40H7055	R40H2588	R40H2589
1996									
	Fd	GM		7259 - D369	MD369	R40H5083	R40H5707	NR	NR
	Fd	GM		7260 - D370	MD370	R40H5083	R40H5707	NR	NR
	Ra	GM	11-5/32" x 2-3/4"	2073AT - S653	R46473	R40H369	R40H4072DP ²⁷⁸	R40H2586	R40H2587
	Ra	GM	13" x 2-1/2"	2042T - S655	R46451	R40H378	R40H7055	R40H2588	R40H2589
Ra	GM	13" x 3-1/2"	2157T - S656	R46452	R46452	R40H378	R40H7055	R40H2588	R40H2589
8,900lb., 10,200lb. GVW, Except Express	Fd	BX		7081 - D149	MD149	R40H5010	R40H5529	NR	NR
9,200lb., 10,500lb. GVW, Except Express	Fd	GM		7084 - D153	MD392	R40H5004DP	R40H5500	NR	NR
1995									
8,600 lb. GVW	Ra	GM	13" x 2-1/2"	2042T - S655	R46451	R40H378	R40H7055	R40H2588	R40H2589
	Ra	GM	13" x 2-1/2"	2042T - S655	R46451	R40H378	R40H7055	R40H2588	R40H2589
	Ra	GM	13" x 2-1/2"	2042T - S655	R46451	R40H378	R40H7055	R40H2588	R40H2589
	Ra	GM	13" x 2-1/2"	2042T - S655	R46451	R40H378	R40H7055	R40H2588	R40H2589
8,600, 9,200lb. GVW	Fd	GM		7084 - D153	MD392	R40H5004DP	R40H5500	NR	NR
	Fd	GM		7084 - D153	MD392	R40H5004DP	R40H5500	NR	NR
8,900lb., 10,200lb. GVW, Except Express	Fd	BX		7081 - D149	MD149	R40H5010	R40H5529	NR	NR
9,200 lb. GVW	Ra	GM	13" x 3-1/2"	2157T - S656	R46452	R40H378	R40H7055	R40H2588	R40H2589
Ra	GM	13" x 3-1/2"	2157T - S656	R46452	R46452	R40H378	R40H7055	R40H2588	R40H2589
9,200lb., 10,500lb. GVW, Except Express	Fd	GM		7084 - D153	MD392	R40H5004DP	R40H5500	NR	NR
1994									
	Ra	GM	13" x 2-1/2"	2042T - S655	R46451	R40H378	R40H7055	R40H2588	R40H2589
	Ra	GM	13" x 2-1/2"	2042T - S655	R46451	R40H378	R40H7055	R40H2588	R40H2589
8,600 lb. GVW	Ra	GM	13" x 2-1/2"	2042T - S655	R46451	R40H378	R40H7055	R40H2588	R40H2589
	Ra	GM	13" x 2-1/2"	2042T - S655	R46451	R40H378	R40H7055	R40H2588	R40H2589
8,600, 9,200lb. GVW	Fd	GM		7084 - D153	MD392	R40H5004DP	R40H5500	NR	NR
	Fd	GM		7084 - D153	MD392	R40H5004DP	R40H5500	NR	NR
8,900lb., 10,200lb. GVW, Except Express	Fd	BX		7081 - D149	MD149	R40H5010	R40H5529	NR	NR
9,200 lb. GVW	Ra	GM	13" x 3-1/2"	2157T - S656	R46452	R40H378	R40H7055	R40H2588	R40H2589
	Ra	GM	13" x 3-1/2"	2157T - S656	R46452	R40H378	R40H7055	R40H2588	R40H2589
9,200lb., 10,500lb. GVW, Except Express	Fd	GM		7084 - D153	MD392	R40H5004DP	R40H5500	NR	NR
1993									
	Ra	GM	13" x 2-1/2"	2042T - S655	R46451	R40H378	R40H7055	R40H2588	R40H2589
	Ra	GM	13" x 2-1/2"	2042T - S655	R46451	R40H378	R40H7055	R40H2588	R40H2589
Except 9,200lb., 10,500lb. GVW, Except Express	Fd	GM		7084 - D153	MD392	R40H5004DP	R40H5500	NR	NR

53 - Power Brakes

278 - For Heavy Duty version use E-11287

282 - 10 1/2" Ring Gear, First Design; Use 3 3/8" Outside Diameter Axle Tubes

293 - With 9 1/2" Ring Gear and 6 3/8" Drum Width
381 - Rotor and Hub One Piece Assembly W/O ABS Ring
www.XpresswayPlus.com

332 - Power Brakes, Hydraulic Booster
390 - Rotor and Hub One Piece Assembly With ABS Ring

346 - 4500 lb. Casting Number 2238451452, 10mm Inlet

MERITOR DRUM OR ROTOR NO.	CALIPER OR CYLINDER BORE SIZE	MERITOR CALIPER OR WHEEL CYLINDER (LEFT)	MERITOR CALIPER OR WHEEL CYLINDER (RIGHT)	MERITOR CALIPER OR WHEEL CYLINDER REPAIR KIT	MERITOR CALIPER PISTON	MERITOR MASTER CYLINDER	MERITOR MASTER CYLINDER KIT	MERITOR BRAKE HOSE (LEFT)	MERITOR BRAKE HOSE (RIGHT)
GMC / CHEV(Cont.)									
G-3500, SERIES-1 TON VAN(Cont.)									
R44141818 ³⁹⁰		R42R55688	R42R55687	-	-	R4113543 ³³²	N/A	R4578774	R4578772
R44145360		R42R55688	R42R55687	-	-	R4113543 ³³²	N/A	R4578774	R4578772
G-3500,3600 SERIES-1 TON VAN									
R44145107	2-15/16 "	R42R55501	R42R55500	R4066306	R4090087S	R4111266	N/A	R4578438	R451667
R44141829 ³⁹⁰	3-5/32 "	R42R55497	R42R55496	R4066330	R4090101S	R4111266	N/A	R4578438	R451667
R44140622	15/16	R4134102	R4134102	N/A	NR	-	-	R4577765	R4577765
R44140622	1-3/16 "	R4133708	R4133708	R4166872	NR	-	-	R4577765	R4577765
R44140622	1-3/16 "	R4133708	R4133708	R4166872	NR	-	-	R4577765	R4577765
R44145107	2-15/16 "	R42R55501	R42R55500	R4066306	R4090087S	R4111266	N/A	R4578438	R451667
R44141829 ³⁹⁰	3-5/32 "	R42R55497	R42R55496	R4066330	R4090101S	R4111266	N/A	R4578438	R451667
R44140622	15/16	R4134102	R4134102	N/A	NR	-	-	R4577765	R4577765
R44140622	1-1/16 "	R4133709	R4133709	N/A	NR	-	-	R4577765	R4577765
R44140622	1-3/16 "	R4133708	R4133708	R4166872	NR	-	-	R4577765	R4577765
R44145107	2-15/16 "	R42R55501	R42R55500	R4066306	R4090087S	R4111266	N/A	R4578438	R451667
R44141829 ³⁹⁰	3-5/32 "	R42R55497	R42R55496	R4066330	R4090101S	R4111266	N/A	R4578438	R451667
R44140622	15/16	R4134102	R4134102	N/A	NR	-	-	R4577765	R4577765
R44140622	1-1/16 "	R4133709	R4133709	N/A	NR	-	-	R4577765	R4577765
R44140622	1-3/16 "	R4133708	R4133708	R4166872	NR	-	-	R4577765	R4577765
R44141862	3-3/8 "	R42R55200	R42R55199 ³⁴⁶	R4066780	R4090021	R4111641 ⁵³	N/A	R4577429	R4577430
R44141859	3-5/32 "	R42R55382	R42R55381	R4066557	R4090068S	R4112029 ⁵³	R4122187	R4577427	R4577428
R44140449 ²⁹³	1-1/16 "	R4133709	R4133709	N/A	NR	-	-	R4577010	R4577010
R44140363 ²⁸²	1-1/16 "	R4133709	R4133709	N/A	NR	-	-	R4577010	R4577010
R44140449 ²⁹³	1-1/16 "	R4133709	R4133709	N/A	NR	-	-	R4577010	R4577010
R44140363 ²⁸²	1-1/16 "	R4133709	R4133709	N/A	NR	-	-	R4577010	R4577010
R44141861 ³⁸¹	3-5/32 "	R42R55382	R42R55381	R4066557	R4090068S	R4111641 ⁵³	N/A	R4577429	R4577430
R44141861 ³⁸¹	3-5/32 "	R42R55382	R42R55381	R4066557	R4090068S	R4112029 ⁵³	R4122187	R4577427	R4577428
R44141862	3-3/8 "	R42R55200	R42R55199 ³⁴⁶	R4066780	R4090021	R4111641 ⁵³	N/A	R4577429	R4577430
R44140387	1-1/16 "	R4133709	R4133709	N/A	NR	-	-	R4577010	R4577010
R44140387	1-1/16 "	R4133709	R4133709	N/A	NR	-	-	R4577010	R4577010
R44141859	3-5/32 "	R42R55382	R42R55381	R4066557	R4090068S	R4112029 ⁵³	R4122187	R4577427	R4577428
R44140363 ²⁸²	1-1/16 "	R4133709	R4133709	N/A	NR	-	-	R4577010	R4577010
R44140363 ²⁸²	1-1/16 "	R4133709	R4133709	N/A	NR	-	-	R4577010	R4577010
R44140449 ²⁹³	1-1/16 "	R4133709	R4133709	N/A	NR	-	-	R4577010	R4577010
R44140449 ²⁹³	1-1/16 "	R4133709	R4133709	N/A	NR	-	-	R4577010	R4577010
R44141861 ³⁸¹	3-5/32 "	R42R55382	R42R55381	R4066557	R4090068S	R4111641 ⁵³	N/A	R4577429	R4577430
R44141861 ³⁸¹	3-5/32 "	R42R55382	R42R55381	R4066557	R4090068S	R4112029 ⁵³	R4122187	R4577427	R4577428
R44141862	3-3/8 "	R42R55200	R42R55199 ³⁴⁶	R4066780	R4090021	R4111641 ⁵³	N/A	R4577429	R4577430
R44140387	1-1/16 "	R4133709	R4133709	N/A	NR	-	-	R4577010	R4577010
R44140387	1-1/16 "	R4133709	R4133709	N/A	NR	-	-	R4577010	R4577010
R44141859	3-5/32 "	R42R55382	R42R55381	R4066557	R4090068S	R4112029 ⁵³	R4122187	R4577427	R4577428
R44140363 ²⁸²	1-1/16 "	R4133709	R4133709	N/A	NR	-	-	-	-
R44140363 ²⁸²	1-1/16 "	R4133709	R4133709	N/A	NR	-	-	-	-
R44141861 ³⁸¹	3-5/32 "	R42R55382	R42R55381	R4066557	R4090068S	R4111641 ⁵³	N/A	R4577427	R4577428

MAKE MODEL YEAR AXLE CODE AXLE WEIGHT	AXLE & BRK. TYPE	BRK. MFG.	BRAKE SIZE	FMSI	MERITOR DISC PAD OR BRAKE SHOE	MERITOR GUIDE PIN OR RETURN SPRING KIT	MERITOR CALIPER HWD. KIT OR RETURN SPRING KIT	MERITOR ADJUSTER KIT (LEFT WHEEL)	MERITOR ADJUSTER KIT (RIGHT WHEEL)
GMC / CHEV(Cont.)									
G-3500,3600 SERIES-1 TON VAN(Cont.)									
1993									
8,600 lb. GVW	Fd	GM		7084 - D153	MD392	R40H5004DP	R40H5500	NR	NR
8,900lb., 10,200lb. GVW, Except Express	Ra	GM	13" x 2-1/2"	2042T - S655	R46451	R40H378	R40H7055	R40H2588	R40H2589
9,200 lb. GVW	Fd	BX		7081 - D149	MD149	R40H5010	R40H5529	NR	NR
9,200lb., 10,500lb. GVW, Except Express	Ra	GM	13" x 3-1/2"	2157T - S656	R46452	R40H378	R40H7055	R40H2588	R40H2589
10,000 lb. GVW	Fd	GM		7084 - D153	MD392	R40H5004DP	R40H5500	NR	NR
10,000 lb. GVW	Ra	GM	13" x 3-1/2"	2157T - S656	R46452	R40H378	R40H7055	R40H2588	R40H2589
1992									
8,600 lb. GVW	Ra	GM	13" x 2-1/2"	2042T - S655	R46451	R40H378	R40H7055	R40H2588	R40H2589
8,600, 9,200lb. GVW	Fd	GM		7084 - D153	MD392	R40H5004DP	R40H5500	NR	NR
	Fd	GM		7084 - D153	MD392	R40H5004DP	R40H5500	NR	NR
9,200 lb. GVW	Ra	GM	13" x 3-1/2"	2157T - S656	R46452	R40H378	R40H7055	R40H2588	R40H2589
10,000 lb. GVW	Fd	BX		7081 - D149	MD149	R40H5010	R40H5529	NR	NR
	Fd	BX		7081 - D149	MD149	R40H5010	R40H5529	NR	NR
	Ra	GM	13" x 3-1/2"	2157T - S656	R46452	R40H378	R40H7055	R40H2588	R40H2589
1991									
8,600 lb. GVW	Ra	GM	13" x 2-1/2"	2042T - S655	R46451	R40H378	R40H7055	R40H2588	R40H2589
8,600, 9,200lb. GVW	Fd	GM		7084 - D153	MD392	R40H5004DP	R40H5500	NR	NR
	Fd	GM		7084 - D153	MD392	R40H5004DP	R40H5500	NR	NR
9,200 lb. GVW	Ra	GM	13" x 3-1/2"	2157T - S656	R46452	R40H378	R40H7055	R40H2588	R40H2589
10,000 lb. GVW	Fd	BX		7081 - D149	MD149	R40H5010	R40H5529	NR	NR
	Fd	BX		7081 - D149	MD149	R40H5010	R40H5529	NR	NR
	Ra	GM	13" x 3-1/2"	2157T - S656	R46452	R40H378	R40H7055	R40H2588	R40H2589
1990									
8,600 lb. GVW	Ra	GM	13" x 2-1/2"	2042T - S655	R46451	R40H378	R40H7055	R40H2588	R40H2589
8,600, 9,200lb. GVW	Fd	GM		7084 - D153	MD392	R40H5004DP	R40H5500	NR	NR
	Fd	GM		7084 - D153	MD392	R40H5004DP	R40H5500	NR	NR
9,200 lb. GVW	Ra	GM	13" x 3-1/2"	2157T - S656	R46452	R40H378	R40H7055	R40H2588	R40H2589
10,000 lb. GVW	Fd	BX		7081 - D149	MD149	R40H5010	R40H5529	NR	NR
	Fd	BX		7081 - D149	MD149	R40H5010	R40H5529	NR	NR
	Ra	GM	13" x 3-1/2"	2157T - S656	R46452	R40H378	R40H7055	R40H2588	R40H2589
1989									
8,600 lb. GVW	Ra	GM	13" x 2-1/2"	2042T - S655	R46451	R40H378	R40H7055	R40H2588	R40H2589
8,600, 9,200lb. GVW	Fd	GM		7084 - D153	MD392	R40H5004DP	R40H5500	NR	NR
	Fd	GM		7084 - D153	MD392	R40H5004DP	R40H5500	NR	NR
9,200 lb. GVW	Ra	GM	13" x 3-1/2"	2157T - S656	R46452	R40H378	R40H7055	R40H2588	R40H2589
10,000 lb. GVW	Fd	BX		7081 - D149	MD149	R40H5010	R40H5529	NR	NR
	Fd	BX		7081 - D149	MD149	R40H5010	R40H5529	NR	NR
	Ra	GM	13" x 3-1/2"	2157T - S656	R46452	R40H378	R40H7055	R40H2588	R40H2589
1988									
8,600 lb. GVW	Ra	GM	13" x 2-1/2"	2042T - S655	R46451	R40H378	R40H7055	R40H2588	R40H2589
8,600, 9,200lb. GVW	Fd	GM		7084 - D153	MD392	R40H5004DP	R40H5500	NR	NR
	Fd	GM		7084 - D153	MD392	R40H5004DP	R40H5500	NR	NR
9,200 lb. GVW	Ra	GM	13" x 3-1/2"	2157T - S656	R46452	R40H378	R40H7055	R40H2588	R40H2589
10,000 lb. GVW	Fd	BX		7081 - D149	MD149	R40H5010	R40H5529	NR	NR
	Fd	BX		7081 - D149	MD149	R40H5010	R40H5529	NR	NR
	Ra	GM	13" x 3-1/2"	2157T - S656	R46452	R40H378	R40H7055	R40H2588	R40H2589
1987									
8,600 lb. GVW	Ra	GM	13" x 2-1/2"	2042T - S655	R46451	R40H378	R40H7055	R40H2588	R40H2589
8,600, 9,200lb. GVW	Fd	GM		7084 - D153	MD392	R40H5004DP	R40H5500	NR	NR
	Fd	GM		7084 - D153	MD392	R40H5004DP	R40H5500	NR	NR
9,200 lb. GVW	Ra	GM	13" x 3-1/2"	2157T - S656	R46452	R40H378	R40H7055	R40H2588	R40H2589
10,000 lb. GVW	Fd	BX		7081 - D149	MD149	R40H5010	R40H5529	NR	NR
	Fd	BX		7081 - D149	MD149	R40H5010	R40H5529	NR	NR
	Ra	GM	13" x 3-1/2"	2157T - S656	R46452	R40H378	R40H7055	R40H2588	R40H2589
1986									
8,400 lb. GVW	Fd	GM		7084A - D153	MD392	R40H5004DP	R40H5500	NR	NR
	Fd	GM		7084A - D153	MD392	R40H5004DP	R40H5500	NR	NR
	Ra	GM	13" x 2-1/2"	2042AT - 451	R46451	R40H378	R40H7055	R40H2588	R40H2589
10,000 lb. GVW	Fd	BX		7081 - D149	MD149	R40H5010	R40H5529	NR	NR
	Fd	BX		7081 - D149	MD149	R40H5010	R40H5529	NR	NR

32 - For rotor only use R44141480
293 - With 9 1/2" Ring Gear and 6 3/8" Drum Width

53 - Power Brakes
346 - 4500 lb. Casting Number 2238451452, 10mm Inlet

280 - 10 1/2" Ring Gear
381 - Rotor and Hub One Piece Assembly W/O ABS Ring

MERITOR DRUM OR ROTOR NO.	CALIPER OR CYLINDER BORE SIZE	MERITOR CALIPER OR WHEEL CYLINDER (LEFT)	MERITOR CALIPER OR WHEEL CYLINDER (RIGHT)	MERITOR CALIPER OR WHEEL CYLINDER REPAIR KIT	MERITOR CALIPER PISTON	MERITOR MASTER CYLINDER	MERITOR MASTER CYLINDER KIT	MERITOR BRAKE HOSE (LEFT)	MERITOR BRAKE HOSE (RIGHT)
GMC / CHEV(Cont.)									
G-3500,3600 SERIES-1 TON VAN(Cont.)									
R44141861 ³⁸¹	3-5/32 "	R42R55382	R42R55381	R4066557	R4090068S	R4112029 ⁵³	R4122187	R4577427	R4577428
R44140449 ²⁹³	1-1/16 "	R4133709	R4133709	N/A	NR	-	-	R4577010	R4577010
R44141862	3-3/8 "	R42R55200	R42R55199 ³⁴⁶	R4066780	R4090021	R4111641 ⁵³	N/A	R4577429	R4577430
R44140387	1-1/16 "	R4133709	R4133709	N/A	NR	-	-	R4577010	R4577010
R44141859	3-5/32 "	R42R55382	R42R55381	R4066557	R4090068S	R4112029 ⁵³	R4122187	R4577427	R4577428
R44140388 ²⁸⁰	1-3/16 "	R4133708	R4133708	R4166872	NR	-	-	R4577010	R4577010
R44140449 ²⁹³	1-1/16 "	R4133709	R4133709	N/A	NR	-	-	R4577010	R4577010
R44141861 ³⁸¹	3-5/32 "	R42R55382	R42R55381	R4066557	R4090068S	R4111641 ⁵³	N/A	R4577427	R4577428
R44141861 ³⁸¹	3-5/32 "	R42R55382	R42R55381	R4066557	R4090068S	R4112029 ⁵³	R4122187	R4577427	R4577428
R44140387	1-1/16 "	R4133709	R4133709	N/A	NR	-	-	R4577010	R4577010
N/A	3-3/8 "	R42R55200	R42R55199 ³⁴⁶	R4066780	R4090021	R4112029 ⁵³	R4122187	R4577429	R4577430
N/A	3-3/8 "	R42R55200	R42R55199 ³⁴⁶	R4066780	R4090021	R4111641 ⁵³	N/A	R4577429	R4577430
R44140388 ²⁸⁰	1-3/16 "	R4133708	R4133708	R4166872	NR	-	-	R4577010	R4577010
R44140449 ²⁹³	1-1/16 "	R4133709	R4133709	N/A	NR	-	-	R4577010	R4577010
R44141861 ³⁸¹	3-5/32 "	R42R55382	R42R55381	R4066557	R4090068S	R4112029 ⁵³	R4122187	R4577427	R4577428
R44141861 ³⁸¹	3-5/32 "	R42R55382	R42R55381	R4066557	R4090068S	R4111641 ⁵³	N/A	R4577427	R4577428
R44140387	1-1/16 "	R4133709	R4133709	N/A	NR	-	-	R4577010	R4577010
N/A	3-3/8 "	R42R55200	R42R55199 ³⁴⁶	R4066780	R4090021	R4111641 ⁵³	N/A	R4577429	R4577430
N/A	3-3/8 "	R42R55200	R42R55199 ³⁴⁶	R4066780	R4090021	R4112029 ⁵³	R4122187	R4577429	R4577430
R44140388 ²⁸⁰	1-3/16 "	R4133708	R4133708	R4166872	NR	-	-	R4577010	R4577010
R44140449 ²⁹³	1-1/16 "	R4133709	R4133709	N/A	NR	-	-	R4577010	R4577010
R44141861 ³⁸¹	3-5/32 "	R42R55382	R42R55381	R4066557	R4090068S	R4112029 ⁵³	R4122187	R4577427	R4577428
R44141861 ³⁸¹	3-5/32 "	R42R55382	R42R55381	R4066557	R4090068S	R4111641 ⁵³	N/A	R4577427	R4577428
R44140387	1-1/16 "	R4133709	R4133709	N/A	NR	-	-	R4577010	R4577010
N/A	3-3/8 "	R42R55200	R42R55199 ³⁴⁶	R4066780	R4090021	R4112029 ⁵³	R4122187	R4577429	R4577430
N/A	3-3/8 "	R42R55200	R42R55199 ³⁴⁶	R4066780	R4090021	R4111641 ⁵³	N/A	R4577429	R4577430
R44140388 ²⁸⁰	1-3/16 "	R4133708	R4133708	R4166872	NR	-	-	R4577010	R4577010
R44140449 ²⁹³	1-1/16 "	R4133709	R4133709	N/A	NR	-	-	R4577010	R4577010
R44141861 ³⁸¹	3-5/32 "	R42R55382	R42R55381	R4066557	R4090068S	R4111641 ⁵³	N/A	R4577427	R4577428
R44141861 ³⁸¹	3-5/32 "	R42R55382	R42R55381	R4066557	R4090068S	R4112029 ⁵³	R4122187	R4577427	R4577428
R44140387	1-1/16 "	R4133709	R4133709	N/A	NR	-	-	R4577010	R4577010
N/A	3-3/8 "	R42R55200	R42R55199 ³⁴⁶	R4066780	R4090021	R4112029 ⁵³	R4122187	R4577429	R4577430
N/A	3-3/8 "	R42R55200	R42R55199 ³⁴⁶	R4066780	R4090021	R4111641 ⁵³	N/A	R4577429	R4577430
R44140388 ²⁸⁰	1-3/16 "	R4133708	R4133708	R4166872	NR	-	-	R4577010	R4577010
R44140449 ²⁹³	1-1/16 "	R4133709	R4133709	N/A	NR	-	-	R4577010	R4577010
R44141861 ³⁸¹	3-5/32 "	R42R55382	R42R55381	R4066557	R4090068S	R4111641 ⁵³	N/A	R4577427	R4577428
R44141861 ³⁸¹	3-5/32 "	R42R55382	R42R55381	R4066557	R4090068S	R4112029 ⁵³	R4122187	R4577427	R4577428
R44140387	1-1/16 "	R4133709	R4133709	N/A	NR	-	-	R4577010	R4577010
N/A	3-3/8 "	R42R55200	R42R55199 ³⁴⁶	R4066780	R4090021	R4112029 ⁵³	R4122187	R4577429	R4577430
N/A	3-3/8 "	R42R55200	R42R55199 ³⁴⁶	R4066780	R4090021	R4111641 ⁵³	N/A	R4577429	R4577430
R44140388 ²⁸⁰	1-3/16 "	R4133708	R4133708	R4166872	NR	-	-	R4577010	R4577010
R44141186 ³⁸¹	3-5/32 "	R42R55382	R42R55381	R4066557	R4090068S	R4112029 ⁵³	R4122187	R4577427	R4577428
R44141186 ³⁸¹	3-5/32 "	R42R55382	R42R55381	R4066557	R4090068S	R4111641 ⁵³	N/A	R4577427	R4577428
R44140449 ²⁹³	1-1/16 "	R4133709	R4133709	N/A	NR	-	-	R4577010	R4577010
R44141130 ³²	3-3/8 "	R42R55200	R42R55199 ³⁴⁶	R4066780	R4090021	R4112029 ⁵³	R4122187	R4577429	R4577430
R44141130 ³²	3-3/8 "	R42R55200	R42R55199 ³⁴⁶	R4066780	R4090021	R4111641 ⁵³	N/A	R4577429	R4577430

MAKE MODEL YEAR AXLE CODE AXLE WEIGHT	AXLE & BRK. TYPE	BRK. MFG.	BRAKE SIZE	FMSI	MERITOR DISC PAD OR BRAKE SHOE	MERITOR GUIDE PIN OR RETURN SPRING KIT	MERITOR CALIPER HWD. KIT OR RETURN SPRING KIT	MERITOR ADJUSTER KIT (LEFT WHEEL)	MERITOR ADJUSTER KIT (RIGHT WHEEL)
GMC / CHEV(Cont.)									
G-3500,3600 SERIES-1 TON VAN(Cont.)									
1986									
Dual Rear Wheels 10,000 lb. GVW	Ra	GM	13 " x 3-1/2 "	2157T - 452	R46452	R40H378	R40H7055	R40H2588	R40H2589
Single Rear Wheels 10,000 lb. GVW	Ra	GM	13 " x 3-1/2 "	2157T - 452	R46452	R40H378	R40H7055	R40H2588	R40H2589
1985									
8,400 lb. GVW	Fd	GM		7084A - D153	MD392	R40H5004DP	R40H5500	NR	NR
	Fd	GM		7084A - D153	MD392	R40H5004DP	R40H5500	NR	NR
10,000 lb. GVW	Ra	GM	13 " x 2-1/2 "	2042AT - 451	R46451	R40H378	R40H7055	R40H2588	R40H2589
	Fd	BX		7081 - D149	MD149	R40H5010	R40H5529	NR	NR
	Fd	BX		7081 - D149	MD149	R40H5010	R40H5529	NR	NR
Dual Rear Wheels 10,000 lb. GVW	Ra	GM	13 " x 3-1/2 "	2157T - 452	R46452	R40H378	R40H7055	R40H2588	R40H2589
Single Rear Wheels 10,000 lb. GVW	Ra	GM	13 " x 3-1/2 "	2157T - 452	R46452	R40H378	R40H7055	R40H2588	R40H2589
1984									
7,100, 8,600lb. GVW	Fd	GM		7084A - D153	MD392	R40H5004DP	R40H5500	NR	NR
8,400 lb. GVW	Fd	GM		7084A - D153	MD392	R40H5004DP	R40H5500	NR	NR
	Fd	GM		7084A - D153	MD392	R40H5004DP	R40H5500	NR	NR
10,000 lb. GVW	Ra	GM	13 " x 2-1/2 "	2042AT - 451	R46451	R40H378	R40H7055	R40H2588	R40H2589
	Fd	BX		7081 - D149	MD149	R40H5010	R40H5529	NR	NR
	Fd	BX		7081 - D149	MD149	R40H5010	R40H5529	NR	NR
Dual Rear Wheels 10,000 lb. GVW	Ra	GM	13 " x 3-1/2 "	2157T - 452	R46452	R40H378	R40H7055	R40H2588	R40H2589
Single Rear Wheels 10,000 lb. GVW	Ra	GM	13 " x 3-1/2 "	2157T - 452	R46452	R40H378	R40H7055	R40H2588	R40H2589
1983									
7,100, 8,600lb. GVW	Fd	GM		7084A - D153	MD392	R40H5004DP	R40H5500	NR	NR
8,400 lb. GVW	Fd	GM		7084A - D153	MD392	R40H5004DP	R40H5500	NR	NR
	Fd	GM		7084A - D153	MD392	R40H5004DP	R40H5500	NR	NR
10,000 lb. GVW	Ra	GM	13 " x 2-1/2 "	2042AT - 451	R46451	R40H378	R40H7055	R40H2588	R40H2589
	Fd	BX		7081 - D149	MD149	R40H5010	R40H5529	NR	NR
	Fd	BX		7081 - D149	MD149	R40H5010	R40H5529	NR	NR
Dual Rear Wheels 10,000 lb. GVW	Ra	GM	13 " x 3-1/2 "	2157T - 452	R46452	R40H378	R40H7055	R40H2588	R40H2589
Single Rear Wheels 10,000 lb. GVW	Ra	GM	13 " x 3-1/2 "	2157T - 452	R46452	R40H378	R40H7055	R40H2588	R40H2589
1982									
7,100, 8,600lb. GVW	Fd	GM		7084A - D153	MD392	R40H5004DP	R40H5500	NR	NR
	Fd	GM		7084A - D153	MD392	R40H5004DP	R40H5500	NR	NR
	Fd	GM		7084A - D153	MD392	R40H5004DP	R40H5500	NR	NR
	Fd	GM		7084A - D153	MD392	R40H5004DP	R40H5500	NR	NR
8,900, 10,500lb. GVW	Ra	GM	13 " x 2-1/2 "	2042AT - 451	R46451	R40H378	R40H7055	R40H2588	R40H2589
	Fd	BX		7081 - D149	MD149	R40H5010	R40H5529	NR	NR
	Fd	BX		7081 - D149	MD149	R40H5010	R40H5529	NR	NR
	Ra	GM	13 " x 3-1/2 "	2157T - 452	R46452	R40H378	R40H7055	R40H2588	R40H2589
1981									
7,100, 8,600lb. GVW	Fd	GM		7084A - D153	MD392	R40H5004DP	R40H5500	NR	NR
	Fd	GM		7084A - D153	MD392	R40H5004DP	R40H5500	NR	NR
	Fd	GM		7084A - D153	MD392	R40H5004DP	R40H5500	NR	NR
	Fd	GM		7084A - D153	MD392	R40H5004DP	R40H5500	NR	NR
8,900, 10,500lb. GVW	Ra	GM	13 " x 2-1/2 "	2042AT - 451	R46451	R40H378	R40H7055	R40H2588	R40H2589
	Fd	BX		7081 - D149	MD149	R40H5010	R40H5529	NR	NR
	Fd	BX		7081 - D149	MD149	R40H5010	R40H5529	NR	NR
	Fd	BX		7081 - D149	MD149	R40H5010	R40H5529	NR	NR
	Ra	GM	13 " x 3-1/2 "	2157T - 452	R46452	R40H378	R40H7055	R40H2588	R40H2589
1980									
7,100, 8,600lb. GVW	Fd	GM		7084A - D153	MD392	R40H5004DP	R40H5500	NR	NR
	Fd	GM		7084A - D153	MD392	R40H5004DP	R40H5500	NR	NR
	Fd	GM		7084A - D153	MD392	R40H5004DP	R40H5500	NR	NR
	Fd	GM		7084A - D153	MD392	R40H5004DP	R40H5500	NR	NR
8,900, 10,500lb. GVW	Ra	GM	13 " x 2-1/2 "	2042AT - 451	R46451	R40H378	R40H7055	R40H2588	R40H2589
	Fd	BX		7081 - D149	MD149	R40H5010	R40H5529	NR	NR
	Fd	BX		7081 - D149	MD149	R40H5010	R40H5529	NR	NR
	Fd	BX		7081 - D149	MD149	R40H5010	R40H5529	NR	NR

32 - For rotor only use R44141480

53 - Power Brakes

280 - 10 1/2" Ring Gear

282 - 10 1/2" Ring Gear, First Design; Use 3 3/8" Outside Diameter Axle Tubes

293 - With 9 1/2" Ring Gear and 6 3/8" Drum Width

312 - Power Brakes, Except Hydroboost

346 - 4500 lb. Casting Number 2238451452, 10mm Inlet

381 - Rotor and Hub One Piece Assembly W/O ABS Ring

www.XpresswayPlus.com

Contact our Customer Service Teams

MERITOR DRUM OR ROTOR NO.	CALIPER OR CYLINDER BORE SIZE	MERITOR CALIPER OR WHEEL CYLINDER (LEFT)	MERITOR CALIPER OR WHEEL CYLINDER (RIGHT)	MERITOR CALIPER OR WHEEL CYLINDER REPAIR KIT	MERITOR CALIPER PISTON	MERITOR MASTER CYLINDER	MERITOR MASTER CYLINDER KIT	MERITOR BRAKE HOSE (LEFT)	MERITOR BRAKE HOSE (RIGHT)
GMC / CHEV(Cont.)									
G-3500,3600 SERIES-1 TON VAN(Cont.)									
R44140388 ²⁸⁰	1-3/16 "	R4133708	R4133708	R4166872	NR	-	-	R4577010	R4577010
R44140387	1-3/16 "	R4133708	R4133708	R4166872	NR	-	-	R4577010	R4577010
R44141186 ³⁸¹	3-5/32 "	R42R55382	R42R55381	R4066557	R4090068S	R4111641 ⁵³	N/A	R4577427	R4577428
R44141186 ³⁸¹	3-5/32 "	R42R55382	R42R55381	R4066557	R4090068S	R4112029 ⁵³	R4122187	R4577427	R4577428
R44140449 ²⁹³	1-1/16 "	R4133709	R4133709	N/A	NR	-	-	R4577010	R4577010
R44141130 ³²	3-3/8 "	R42R55200	R42R55199 ³⁴⁶	R4066780	R4090021	R4111641 ⁵³	N/A	R4577429	R4577430
R44141130 ³²	3-3/8 "	R42R55200	R42R55199 ³⁴⁶	R4066780	R4090021	R4112029 ⁵³	R4122187	R4577429	R4577430
R44140388 ²⁸⁰	1-3/16 "	R4133708	R4133708	R4166872	NR	-	-	R4577010	R4577010
R44140387	1-3/16 "	R4133708	R4133708	R4166872	NR	-	-	R4577010	R4577010
R44141186 ³⁸¹	3-5/32 "	R42R55382	R42R55381	R4066557	R4090068S	-	-	-	-
R44141186 ³⁸¹	3-5/32 "	R42R55382	R42R55381	R4066557	R4090068S	R4112029 ⁵³	R4122187	R4577427	R4577428
R44141186 ³⁸¹	3-5/32 "	R42R55382	R42R55381	R4066557	R4090068S	R4111641 ⁵³	N/A	R4577427	R4577428
R44140449 ²⁹³	1-1/16 "	R4133709	R4133709	N/A	NR	-	-	R4577010	R4577010
R44141130 ³²	3-3/8 "	R42R55200	R42R55199 ³⁴⁶	R4066780	R4090021	R4111641 ⁵³	N/A	R4577429	R4577430
R44141130 ³²	3-3/8 "	R42R55200	R42R55199 ³⁴⁶	R4066780	R4090021	R4112029 ⁵³	R4122187	R4577429	R4577430
R44140388 ²⁸⁰	1-3/16 "	R4133708	R4133708	R4166872	NR	-	-	R4577010	R4577010
R44140387	1-3/16 "	R4133708	R4133708	R4166872	NR	-	-	R4577010	R4577010
R44141186 ³⁸¹	3-5/32 "	R42R55382	R42R55381	R4066557	R4090068S	-	-	-	-
R44141186 ³⁸¹	3-5/32 "	R42R55382	R42R55381	R4066557	R4090068S	R4112029 ⁵³	R4122187	R4577427	R4577428
R44141186 ³⁸¹	3-5/32 "	R42R55382	R42R55381	R4066557	R4090068S	R4111641 ⁵³	N/A	R4577427	R4577428
R44140449 ²⁹³	1-1/16 "	R4133709	R4133709	N/A	NR	-	-	R4577010	R4577010
R44141130 ³²	3-3/8 "	R42R55200	R42R55199 ³⁴⁶	R4066780	R4090021	R4112029 ⁵³	R4122187	R4577429	R4577430
R44141130 ³²	3-3/8 "	R42R55200	R42R55199 ³⁴⁶	R4066780	R4090021	R4111641 ⁵³	N/A	R4577429	R4577430
R44140388 ²⁸⁰	1-3/16 "	R4133708	R4133708	R4166872	NR	-	-	R4577010	R4577010
R44140387	1-3/16 "	R4133708	R4133708	R4166872	NR	-	-	R4577010	R4577010
R44141186 ³⁸¹	3-5/32 "	R42R55382	R42R55381	R4066557	R4090068S	R4111641 ⁵³	N/A	R451451	R4577421
R44141186 ³⁸¹	3-5/32 "	R42R55382	R42R55381	R4066557	R4090068S	R4111641 ⁵³	N/A	R4577320	R4577421
R44141186 ³⁸¹	3-5/32 "	R42R55382	R42R55381	R4066557	R4090068S	R4111641 ⁵³	N/A	R4577320	R4577421
R44141186 ³⁸¹	3-5/32 "	R42R55382	R42R55381	R4066557	R4090068S	R4111641 ⁵³	N/A	R451451	R4577421
R44140363 ²⁸²	1-1/16 "	R4133709	R4133709	N/A	NR	-	-	R4577010	R4577010
R44141130 ³²	3-3/8 "	R42R55200	R42R55199 ³⁴⁶	R4066780	R4090021	R4111641 ⁵³	N/A	R451451	R4577421
R44141130 ³²	3-3/8 "	R42R55200	R42R55199 ³⁴⁶	R4066780	R4090021	R4111641 ⁵³	N/A	R451451	R4577421
R44141130 ³²	3-3/8 "	R42R55200	R42R55199 ³⁴⁶	R4066780	R4090021	R4111641 ⁵³	N/A	R4577320	R4577421
R44140388 ²⁸⁰	1-3/16 "	R4133708	R4133708	R4166872	NR	-	-	R4577010	R4577010
R44141186 ³⁸¹	3-5/32 "	R42R55382	R42R55381	R4066557	R4090068S	R4111641 ⁵³	N/A	R451451	R4577421
R44141186 ³⁸¹	3-5/32 "	R42R55382	R42R55381	R4066557	R4090068S	R4111641 ⁵³	N/A	R451451	R4577421
R44141186 ³⁸¹	3-5/32 "	R42R55382	R42R55381	R4066557	R4090068S	R4111641 ⁵³	N/A	R4577320	R4577421
R44141186 ³⁸¹	3-5/32 "	R42R55382	R42R55381	R4066557	R4090068S	R4111641 ⁵³	N/A	R451451	R4577421
R44140363 ²⁸²	1-1/16 "	R4133709	R4133709	N/A	NR	-	-	R4577010	R4577010
R44141130 ³²	3-3/8 "	R42R55200	R42R55199 ³⁴⁶	R4066780	R4090021	R4111641 ⁵³	N/A	R451451	R4577421
R44141130 ³²	3-3/8 "	R42R55200	R42R55199 ³⁴⁶	R4066780	R4090021	R4111641 ⁵³	N/A	R451451	R4577421
R44141130 ³²	3-3/8 "	R42R55200	R42R55199 ³⁴⁶	R4066780	R4090021	R4111641 ⁵³	N/A	R4577320	R4577421
R44140388 ²⁸⁰	1-3/16 "	R4133708	R4133708	R4166872	NR	-	-	R4577010	R4577010
R44141186 ³⁸¹	3-5/32 "	R42R55382	R42R55381	R4066557	R4090068S	R4111730 ³¹²	R4122203	R4577320	R4577421
R44141186 ³⁸¹	3-5/32 "	R42R55382	R42R55381	R4066557	R4090068S	R4111641 ⁵³	N/A	R4577320	R4577421
R44141186 ³⁸¹	3-5/32 "	R42R55382	R42R55381	R4066557	R4090068S	R4111641 ⁵³	N/A	R451451	R4577421
R44141186 ³⁸¹	3-5/32 "	R42R55382	R42R55381	R4066557	R4090068S	R4111641 ⁵³	N/A	R451451	R4577421
R44140363 ²⁸²	1-1/16 "	R4133709	R4133709	N/A	NR	-	-	R4577010	R4577010
R44141130 ³²	3-3/8 "	R42R55200	R42R55199 ³⁴⁶	R4066780	R4090021	R4111641 ⁵³	N/A	R451451	R4577421
R44141130 ³²	3-3/8 "	R42R55200	R42R55199 ³⁴⁶	R4066780	R4090021	R4111641 ⁵³	N/A	R451451	R4577421
R44141130 ³²	3-3/8 "	R42R55200	R42R55199 ³⁴⁶	R4066780	R4090021	R4111641 ⁵³	N/A	R4577320	R4577421

MAKE MODEL YEAR AXLE CODE AXLE WEIGHT	AXLE & BRK. TYPE	BRK. MFG.	BRAKE SIZE	FMSI	MERITOR DISC PAD OR BRAKE SHOE	MERITOR GUIDE PIN OR RETURN SPRING KIT	MERITOR CALIPER HWD. KIT OR RETURN SPRING KIT	MERITOR ADJUSTER KIT (LEFT WHEEL)	MERITOR ADJUSTER KIT (RIGHT WHEEL)
GMC / CHEV(Cont.)									
G-3500,3600 SERIES-1 TON VAN(Cont.)									
1980	Fd	BX		7081 - D149	MD149	R40H5010	R40H5529	NR	NR
	Ra	GM	13 " x 3-1/2 "	2157T - 452	R46452	R40H378	R40H7055	R40H2588	R40H2589
1979 7,100, 8,600lb. GVW	Fd	GM		7084A - D153	MD392	R40H5004DP	R40H5500	NR	NR
	Fd	GM		7084A - D153	MD392	R40H5004DP	R40H5500	NR	NR
8,900, 10,500lb. GVW	Ra	GM	13 " x 2-1/2 "	2042AT - 451	R46451	R40H378	R40H7055	R40H2588	R40H2589
	Fd	BX		7081 - D149	MD149	R40H5010	R40H5529	NR	NR
1978	Fd	BX		7081 - D149	MD149	R40H5010	R40H5529	NR	NR
	Ra	GM	13 " x 3-1/2 "	2157T - 452	R46452	R40H378	R40H7055	R40H2588	R40H2589
10,000 lb. GVW	Fd	GM		728A - D52	MD52	R40H5004DP	R40H5500	NR	NR
	Ra	GM	11-5/32" x 2-3/4 "	2073TT - 473	R46473	R40H369	R40H4072DP ²⁷⁸	R40H2586	R40H2587
	Ra	GM	13 " x 2-1/2 "	2042AT - 451	R46451	R40H378	R40H7055	R40H2588	R40H2589
	Ra	GM	13 " x 3-1/2 "	2157T - 452	R46452	R40H378	R40H7055	R40H2588	R40H2589
1977	Fd	BX		7081 - D149	MD149	R40H5010	R40H5529	NR	NR
	Fd	GM		728A - D52	MD52	R40H5004DP	R40H5500	NR	NR
10,000 lb. GVW	Fd	GM		728A - D52	MD52	R40H5004DP	R40H5500	NR	NR
	Fd	BX		7081 - D149	MD149	R40H5010	R40H5529	NR	NR
1976	Fd	BX		7081 - D149	MD149	R40H5010	R40H5529	NR	NR
	Fd	GM		728A - D52	MD52	R40H5004DP	R40H5500	NR	NR
10,000 lb. GVW	Fd	BX		7081 - D149	MD149	R40H5010	R40H5529	NR	NR
K-2500 SERIES-3/4 TON PICKUP AND SUBURBAN 4WD									
1998 7,200 lb. GVW	Fd	GM		7259 - D369	MD369	R40H5083	R40H5707	NR	NR
	Ra	GM	11-5/32" x 2-3/4 "	2073TT - 473	R46473	R40H369	R40H4072DP ²⁷⁸	R40H2586	R40H2587
8,600 lb. GVW	Fd	GM		7260 - D370	MD370	R40H5083	R40H5707	NR	NR
	Ra	GM	13 " x 2-1/2 "	2042T - S655	R46451	R40H378	R40H7055	R40H2588	R40H2589
1997 7,200 lb. GVW	Ra	GM	13 " x 2-1/2 "	2042T - S655	R46451	R40H378	R40H7055	R40H2588	R40H2589
	Fd	GM		7259 - D369	MD369	R40H5083	R40H5707	NR	NR
8,600 lb. GVW	Ra	GM	11-5/32" x 2-3/4 "	2073TT - 473	R46473	R40H369	R40H4072DP ²⁷⁸	R40H2586	R40H2587
	Fd	GM		7260 - D370	MD370	R40H5083	R40H5707	NR	NR
1996 7,200 lb. GVW	Ra	GM	13 " x 2-1/2 "	2042T - S655	R46451	R40H378	R40H7055	R40H2588	R40H2589
	Ra	GM	13 " x 2-1/2 "	2042T - S655	R46451	R40H378	R40H7055	R40H2588	R40H2589
8,600 lb. GVW	Fd	GM		7259 - D369	MD369	R40H5083	R40H5707	NR	NR
	Ra	GM	11-5/32" x 2-3/4 "	2073TT - 473	R46473	R40H369	R40H4072DP ²⁷⁸	R40H2586	R40H2587
1995 7,200 lb. GVW	Fd	GM		7260 - D370	MD370	R40H5083	R40H5707	NR	NR
	Ra	GM	13 " x 2-1/2 "	2042T - S655	R46451	R40H378	R40H7055	R40H2588	R40H2589
8,600 lb. GVW	Ra	GM	13 " x 2-1/2 "	2042T - S655	R46451	R40H378	R40H7055	R40H2588	R40H2589
	Fd	GM		7259 - D369	MD369	R40H5083	R40H5707	NR	NR
1994 7,200 lb. GVW	Ra	GM	11-5/32" x 2-3/4 "	2073TT - 473	R46473	R40H369	R40H4072DP ²⁷⁸	R40H2586	R40H2587
	Fd	GM		7260 - D370	MD370	R40H5083	R40H5707	NR	NR
8,600 lb. GVW	Ra	GM	13 " x 2-1/2 "	2042T - S655	R46451	R40H378	R40H7055	R40H2588	R40H2589
	Ra	GM	13 " x 2-1/2 "	2042T - S655	R46451	R40H378	R40H7055	R40H2588	R40H2589
1993 7,200 lb. GVW	Fd	GM		7259 - D369	MD369	R40H5083	R40H5707	NR	NR
	Fd	GM		7259 - D369	MD369	R40H5083	R40H5707	NR	NR
8,600 lb. GVW	Ra	GM	11-5/32" x 2-3/4 "	2073TT - 473	R46473	R40H369	R40H4072DP ²⁷⁸	R40H2586	R40H2587
	Fd	GM		7260 - D370	MD370	R40H5083	R40H5707	NR	NR
1993	Fd	GM		7260 - D370	MD370	R40H5083	R40H5707	NR	NR
	Ra	GM	13 " x 2-1/2 "	2042T - S655	R46451	R40H378	R40H7055	R40H2588	R40H2589
8,600 lb. GVW	Ra	GM	13 " x 2-1/2 "	2042T - S655	R46451	R40H378	R40H7055	R40H2588	R40H2589

32 - For rotor only use R44141480

280 - 10 1/2" Ring Gear

293 - With 9 1/2" Ring Gear and 6 3/8" Drum Width

www.XpresswayPlus.com

53 - Power Brakes

282 - 10 1/2" Ring Gear, First Design; Use 3 3/8" Outside Diameter

Axle Tubes

309 - Power Brakes, Hydroboost

278 - For Heavy Duty version use E-11287

291 - Except 9 1/2" Ring Gear

312 - Power Brakes, Except Hydroboost

MERITOR DRUM OR ROTOR NO.	CALIPER OR CYLINDER BORE SIZE	MERITOR CALIPER OR WHEEL CYLINDER (LEFT)	MERITOR CALIPER OR WHEEL CYLINDER (RIGHT)	MERITOR CALIPER OR WHEEL CYLINDER REPAIR KIT	MERITOR CALIPER PISTON	MERITOR MASTER CYLINDER	MERITOR MASTER CYLINDER KIT	MERITOR BRAKE HOSE (LEFT)	MERITOR BRAKE HOSE (RIGHT)
GMC / CHEV(Cont.)									
G-3500,3600 SERIES-1 TON VAN(Cont.)									
R44141130 ³²	3-3/8 "	R42R55200	R42R55199 ³⁴⁶	R4066780	R4090021	R4111730 ³¹²	R4122203	R4577320	R4577421
R44140388 ²⁸⁰	1-3/16 "	R4133708	R4133708	R4166872	NR	-	-	R4577010	R4577010
R44141186 ³⁸¹	3-5/32 "	R42R55382	R42R55381	R4066557	R4090068S	R4111730 ³¹²	R4122203	R4577320	R4577421
R44141186 ³⁸¹	3-5/32 "	R42R55382	R42R55381	R4066557	R4090068S	R4111730 ³¹²	R4122203	R451451	R4577421
R44140363 ²⁸²	1-1/16 "	R4133709	R4133709	N/A	NR	-	-	R4577010	R4577010
R44141130 ³²	3-3/8 "	R42R55200	R42R55199 ³⁴⁶	R4066780	R4090021	R4111730 ³¹²	R4122203	R4577320	R4577421
R44141130 ³²	3-3/8 "	R42R55200	R42R55199 ³⁴⁶	R4066780	R4090021	R4111730 ³¹²	R4122203	R451451	R4577421
R44140388 ²⁸⁰	1-3/16 "	R4133708	R4133708	R4166872	NR	-	-	R4577010	R4577010
R44141186 ³⁸¹	2-15/16 "	R42R55061	R42R55060	R4066848	R4090013S	R4111641 ⁵³	N/A	-	-
N/A	-	-	-	N/A	NR	-	-	-	-
R44140363 ²⁸²	-	-	-	N/A	NR	-	-	-	-
R44140388 ²⁸⁰	-	-	-	N/A	NR	-	-	-	-
R44141130 ³²	3-3/8 "	R42R55200	R42R55199 ³⁴⁶	R4066780	R4090021	R4111641 ⁵³	N/A	-	-
R44141186 ³⁸¹	2-15/16 "	R42R55061	R42R55060	R4066848	R4090013S	R4111641 ⁵³	N/A	-	-
R44141186 ³⁸¹	2-15/16 "	R42R55061	R42R55060	R4066848	R4090013S	-	-	-	-
R44141130 ³²	3-3/8 "	R42R55200	R42R55199 ³⁴⁶	R4066780	R4090021	R4111641 ⁵³	N/A	-	-
R44141130 ³²	3-3/8 "	R42R55200	R42R55199 ³⁴⁶	R4066780	R4090021	-	-	-	-
R44141186 ³⁸¹	2-15/16 "	R42R55061	R42R55060	R4066848	R4090013S	R4111641 ⁵³	N/A	-	-
R44141130 ³²	3-3/8 "	R42R55200	R42R55199 ³⁴⁶	R4066780	R4090021	R4111641 ⁵³	N/A	-	-
K-2500 SERIES-3/4 TON PICKUP AND SUBURBAN 4WD									
R44141453 ⁴⁰⁵	2-15/16 "	R42R55501	R42R55500	R4066306	R4090087S	R4112220 ³⁰⁹	R4122141	R4577768	R4577769
R44140543 ²⁹¹	1 "	R4134037	R4134037	R4166620	NR	-	-	R4577765	R4577765
R44141477 ⁴⁰⁵	3-5/32 "	R42R55497	R42R55496	R4066330	R4090101S	R4112220 ³⁰⁹	R4122141	R4578224	R4578787
R44140363 ²⁸²	1-1/16 "	R4133709	R4133709	N/A	NR	-	-	R4577765	R4577765
R44140449 ²⁹³	1-1/16 "	R4133709	R4133709	N/A	NR	-	-	R4577765	R4577765
R44141453 ⁴⁰⁵	2-15/16 "	R42R55501	R42R55500	R4066306	R4090087S	R4112220 ³⁰⁹	R4122141	R4577768	R4577769
R44140543 ²⁹¹	1 "	R4134037	R4134037	R4166620	NR	-	-	R4577765	R4577765
R44141477 ⁴⁰⁵	3-5/32 "	R42R55497	R42R55496	R4066330	R4090101S	R4112220 ³⁰⁹	R4122141	R4578224	R4578787
R44140449 ²⁹³	1-1/16 "	R4133709	R4133709	N/A	NR	-	-	R4577765	R4577765
R44140363 ²⁸²	1-1/16 "	R4133709	R4133709	N/A	NR	-	-	R4577765	R4577765
R44141453 ⁴⁰⁵	2-15/16 "	R42R55501	R42R55500	R4066306	R4090087S	R4112220 ³⁰⁹	R4122141	R4577768	R4577769
R44140543 ²⁹¹	1 "	R4134037	R4134037	R4166620	NR	-	-	R4577765	R4577765
R44141477 ⁴⁰⁵	3-5/32 "	R42R55497	R42R55496	R4066330	R4090101S	R4112220 ³⁰⁹	R4122141	R4578224	R4578787
R44140449 ²⁹³	1-1/16 "	R4133709	R4133709	N/A	NR	-	-	R4577765	R4577765
R44140363 ²⁸²	1-1/16 "	R4133709	R4133709	N/A	NR	-	-	R4577765	R4577765
R44141453 ⁴⁰⁵	2-15/16 "	R42R55501	R42R55500	R4066306	R4090087S	R4112220 ³⁰⁹	R4122141	R4577768	R4577769
R44140543 ²⁹¹	1 "	R4134037	R4134037	R4166620	NR	-	-	R4577765	R4577765
R44141477 ⁴⁰⁵	3-5/32 "	R42R55497	R42R55496	R4066330	R4090101S	R4112220 ³⁰⁹	R4122141	R4578224	R4578787
R44140449 ²⁹³	1-1/16 "	R4133709	R4133709	N/A	NR	-	-	R4577765	R4577765
R44140363 ²⁸²	1-1/16 "	R4133709	R4133709	N/A	NR	-	-	R4577765	R4577765
R44141453 ⁴⁰⁵	2-15/16 "	R42R55501	R42R55500	R4066306	R4090087S	R4112219 ³³⁴	N/A	R4577768	R4577769
R44141453 ⁴⁰⁵	2-15/16 "	R42R55501	R42R55500	R4066306	R4090087S	R4112220 ³⁰⁹	R4122141	R4577768	R4577769
R44140543 ²⁹¹	1 "	R4134037	R4134037	R4166620	NR	-	-	R4577765	R4577765
R44141477 ⁴⁰⁵	3-5/32 "	R42R55497	R42R55496	R4066330	R4090101S	R4112219 ³³⁴	N/A	R4578224	R4578787
R44141477 ⁴⁰⁵	3-5/32 "	R42R55497	R42R55496	R4066330	R4090101S	R4112220 ³⁰⁹	R4122141	R4578224	R4578787
R44140449 ²⁹³	1-1/16 "	R4133709	R4133709	N/A	NR	-	-	R4577765	R4577765
R44140363 ²⁸²	1-1/16 "	R4133709	R4133709	N/A	NR	-	-	R4577765	R4577765

334 - Power Brakes, Vacuum Booster
405 - Rotor Only

346 - 4500 lb. Casting Number 2238451452, 10mm Inlet

381 - Rotor and Hub One Piece Assembly W/O ABS Ring

MAKE MODEL YEAR AXLE CODE AXLE WEIGHT	AXLE & BRK. TYPE	BRK. MFG.	BRAKE SIZE	FMSI	MERITOR DISC PAD OR BRAKE SHOE	MERITOR GUIDE PIN OR RETURN SPRING KIT	MERITOR CALIPER HWD. KIT OR RETURN SPRING KIT	MERITOR ADJUSTER KIT (LEFT WHEEL)	MERITOR ADJUSTER KIT (RIGHT WHEEL)
GMC / CHEV(Cont.)									
K-2500 SERIES-3/4 TON PICKUP AND SUBURBAN 4WD(Cont.)									
1992	Ra Ra	GM GM	13 " x 2-1/2 " 13 " x 2-1/2 "	2042AT - 451 2042AT - 451	R46451 R46451	R40H378 R40H378	R40H7055 R40H7055	R40H2588 R40H2588	R40H2589 R40H2589
7,200 lb. GVW	Fd Fd Ra	GM GM GM		7259 - D369 7259 - D369 2073TT - 473	MD369 MD369 R46473	R40H5083 R40H5083 R40H369	R40H5707 R40H5707 R40H4072DP ²⁷⁸	NR NR R40H2586	NR NR R40H2587
8,600 lb. GVW	Fd Fd	GM GM		7260 - D370 7260 - D370	MD370 MD370	R40H5083 R40H5083	R40H5707 R40H5707	NR NR	NR NR
1991	Ra Ra Ra Ra Ra Ra	GM GM GM GM GM GM	11-5/32" x 2-3/4 " 11-5/32" x 2-3/4 " 13 " x 2-1/2 " 13 " x 2-1/2 " 13 " x 2-1/2 " 13 " x 2-1/2 "	2073TT - 473 2073TT - 473 2042AT - 451 2042AT - 451 2042AT - 451 2042AT - 451	R46473 R46473 R46451 R46451 R46451 R46451	R40H369 R40H369 R40H378 R40H378 R40H378 R40H378	R40H4072DP ²⁷⁸ R40H4072DP ²⁷⁸ R40H7055 R40H7055 R40H7055 R40H7055	R40H2586 R40H2586 R40H2588 R40H2588 R40H2588 R40H2588	R40H2587 R40H2587 R40H2589 R40H2589 R40H2589 R40H2589
7,200 lb. GVW	Fd Fd	GM GM		7259 - D369 7259 - D369	MD369 MD369	R40H5083 R40H5083	R40H5707 R40H5707	NR NR	NR NR
8,600 lb. GVW	Fd Fd	GM GM		7260 - D370 7260 - D370	MD370 MD370	R40H5083 R40H5083	R40H5707 R40H5707	NR NR	NR NR
1990	Ra Ra Ra Ra Ra Ra	GM GM GM GM GM GM	11-5/32" x 2-3/4 " 11-5/32" x 2-3/4 " 13 " x 2-1/2 " 13 " x 2-1/2 " 13 " x 2-1/2 " 13 " x 2-1/2 "	2073TT - 473 2073TT - 473 2042AT - 451 2042AT - 451 2042AT - 451 2042AT - 451	R46473 R46473 R46451 R46451 R46451 R46451	R40H369 R40H369 R40H378 R40H378 R40H378 R40H378	R40H4072DP ²⁷⁸ R40H4072DP ²⁷⁸ R40H7055 R40H7055 R40H7055 R40H7055	R40H2586 R40H2586 R40H2588 R40H2588 R40H2588 R40H2588	R40H2587 R40H2587 R40H2589 R40H2589 R40H2589 R40H2589
7,200 lb. GVW	Fd Fd	GM GM		7259 - D369 7259 - D369	MD369 MD369	R40H5083 R40H5083	R40H5707 R40H5707	NR NR	NR NR
8,600 lb. GVW	Fd Fd	GM GM		7260 - D370 7260 - D370	MD370 MD370	R40H5083 R40H5083	R40H5707 R40H5707	NR NR	NR NR
1989	Ra Ra Ra Ra Ra Ra	GM GM GM GM GM GM	11-5/32" x 2-3/4 " 11-5/32" x 2-3/4 " 13 " x 2-1/2 " 13 " x 2-1/2 " 13 " x 2-1/2 " 13 " x 2-1/2 "	2073TT - 473 2073TT - 473 2042AT - 451 2042AT - 451 2042AT - 451 2042AT - 451	R46473 R46473 R46451 R46451 R46451 R46451	R40H369 R40H369 R40H378 R40H378 R40H378 R40H378	R40H4072DP ²⁷⁸ R40H4072DP ²⁷⁸ R40H7055 R40H7055 R40H7055 R40H7055	R40H2586 R40H2586 R40H2588 R40H2588 R40H2588 R40H2588	R40H2587 R40H2587 R40H2589 R40H2589 R40H2589 R40H2589
7,200 lb. GVW	Fd Fd	GM GM		7259 - D369 7259 - D369	MD369 MD369	R40H5083 R40H5083	R40H5707 R40H5707	NR NR	NR NR
8,600 lb. GVW	Fd Fd	GM GM		7260 - D370 7260 - D370	MD370 MD370	R40H5083 R40H5083	R40H5707 R40H5707	NR NR	NR NR
1988	Ra Ra Ra Ra Ra Ra	GM GM GM GM GM GM	11-5/32" x 2-3/4 " 11-5/32" x 2-3/4 " 13 " x 2-1/2 " 13 " x 2-1/2 " 13 " x 2-1/2 " 13 " x 2-1/2 "	2073TT - 473 2073TT - 473 2042AT - 451 2042AT - 451 2042AT - 451 2042AT - 451	R46473 R46473 R46451 R46451 R46451 R46451	R40H369 R40H369 R40H378 R40H378 R40H378 R40H378	R40H4072DP ²⁷⁸ R40H4072DP ²⁷⁸ R40H7055 R40H7055 R40H7055 R40H7055	R40H2586 R40H2586 R40H2588 R40H2588 R40H2588 R40H2588	R40H2587 R40H2587 R40H2589 R40H2589 R40H2589 R40H2589
7,200 lb. GVW	Fd Fd	GM GM		7259 - D369 7259 - D369	MD369 MD369	R40H5083 R40H5083	R40H5707 R40H5707	NR NR	NR NR
8,600 lb. GVW	Fd Fd	GM GM		7260 - D370 7260 - D370	MD370 MD370	R40H5083 R40H5083	R40H5707 R40H5707	NR NR	NR NR
1986	Ra Ra Ra Ra	GM GM GM GM	11-5/32" x 2-3/4 " 11-5/32" x 2-3/4 " 13 " x 2-1/2 " 13 " x 2-1/2 "	2073TT - 473 2073TT - 473 2042AT - 451 2042AT - 451	R46473 R46473 R46451 R46451	R40H369 R40H369 R40H378 R40H378	R40H4072DP ²⁷⁸ R40H4072DP ²⁷⁸ R40H7055 R40H7055	R40H2586 R40H2586 R40H2588 R40H2588	R40H2587 R40H2587 R40H2589 R40H2589
6,600lb. GVW	Fd Fd	GM GM		728A - D52 728A - D52	MD52 MD52	R40H5004DP R40H5004DP	R40H5500 R40H5500	NR NR	NR NR
8,600 lb. GVW	Fd Fd	GM GM		7084A - D153 7084A - D153	MD392 MD392	R40H5004DP R40H5004DP	R40H5500 R40H5500	NR NR	NR NR
1985	Ra Ra	GM GM	11-5/32" x 2-3/4 " 11-5/32" x 2-3/4 "	2073TT - 473 2073TT - 473	R46473 R46473	R40H369 R40H369	R40H4072DP ²⁷⁸ R40H4072DP ²⁷⁸	R40H2586 R40H2586	R40H2587 R40H2587

35 - R44141049 is rotor only, for hub only use E-8394

278 - For Heavy Duty version use E-11287

282 - 10 1/2" Ring Gear, First Design; Use 3 3/8" Outside Diameter Axle Tubes

291 - Except 9 1/2" Ring Gear
334 - Power Brakes, Vacuum Booster
www.XpresswayPlus.com

293 - With 9 1/2" Ring Gear and 6 3/8" Drum Width
405 - Rotor Only

309 - Power Brakes, Hydroboost

MERITOR DRUM OR ROTOR NO.	CALIPER OR CYLINDER BORE SIZE	MERITOR CALIPER OR WHEEL CYLINDER (LEFT)	MERITOR CALIPER OR WHEEL CYLINDER (RIGHT)	MERITOR CALIPER OR WHEEL CYLINDER REPAIR KIT	MERITOR CALIPER PISTON	MERITOR MASTER CYLINDER	MERITOR MASTER CYLINDER KIT	MERITOR BRAKE HOSE (LEFT)	MERITOR BRAKE HOSE (RIGHT)
GMC / CHEV(Cont.)									
K-2500 SERIES-3/4 TON PICKUP AND SUBURBAN 4WD(Cont.)									
R44140363 ²⁸² R44140449 ²⁹³	1-1/16 " 1-1/16 "	R4133709 R4133709	R4133709 R4133709	N/A N/A	NR NR	- -	- -	R4577765 R4577765	R4577765 R4577765
R44141453 ⁴⁰⁵ R44141453 ⁴⁰⁵	2-15/16 " 2-15/16 "	R42R55501 R42R55501	R42R55500 R42R55500	R4066306 R4066306	R4090087S R4090087S	R4112220 ³⁰⁹ R4112219 ³³⁴	R4122141 N/A	R4577768 R4577768	R4577769 R4577769
R44140543 ²⁹¹	1 "	R4134037	R4134037	R4166620	NR	-	-	R4577765	R4577765
R44141477 ⁴⁰⁵ R44141477 ⁴⁰⁵	3-5/32 " 3-5/32 "	R42R55497 R42R55497	R42R55496 R42R55496	R4066330 R4066330	R4090101S R4090101S	R4112220 ³⁰⁹ R4112219 ³³⁴	R4122141 N/A	R4578224 R4578224	R4578787 R4578787
N/A N/A R44140449 ²⁹³ R44140449 ²⁹³ R44140363 ²⁸² R44140363 ²⁸²	1 " 1 " 1-1/16 " 1-1/16 " 1-1/16 " 1-1/16 "	R4134037 R4134037 R4133709 R4133709 R4133709 R4133709	R4134037 R4134037 R4133709 R4133709 R4133709 R4133709	R4166620 R4166620 N/A N/A N/A N/A	NR NR NR NR NR NR	- - - - - -	- - - - - -	- - - - - -	- - - - - -
R44141453 ⁴⁰⁵ R44141453 ⁴⁰⁵	2-15/16 " 2-15/16 "	R42R55501 R42R55501	R42R55500 R42R55500	R4066306 R4066306	R4090087S R4090087S	- -	- -	- -	- -
R44141477 ⁴⁰⁵ R44141477 ⁴⁰⁵	3-5/32 " 3-5/32 "	R42R55497 R42R55497	R42R55496 R42R55496	R4066330 R4066330	R4090101S R4090101S	- -	- -	- -	- -
N/A N/A R44140363 ²⁸² R44140449 ²⁹³ R44140449 ²⁹³ R44140363 ²⁸² R44140363 ²⁸²	1 " 1 " 1-1/16 " 1-1/16 " 1-1/16 " 1-1/16 "	R4134037 R4134037 R4133709 R4133709 R4133709 R4133709	R4134037 R4134037 R4133709 R4133709 R4133709 R4133709	R4166620 R4166620 N/A N/A N/A N/A	NR NR NR NR NR NR	- - - - - -	- - - - - -	- - - - - -	- - - - - -
R44141453 ⁴⁰⁵ R44141453 ⁴⁰⁵	2-15/16 " 2-15/16 "	R42R55501 R42R55501	R42R55500 R42R55500	R4066306 R4066306	R4090087S R4090087S	- -	- -	- -	- -
R44141477 ⁴⁰⁵ R44141477 ⁴⁰⁵	3-5/32 " 3-5/32 "	R42R55497 R42R55497	R42R55496 R42R55496	R4066330 R4066330	R4090101S R4090101S	- -	- -	- -	- -
N/A N/A R44140449 ²⁹³ R44140449 ²⁹³ R44140363 ²⁸² R44140363 ²⁸²	1 " 1 " 1-1/16 " 1-1/16 " 1-1/16 " 1-1/16 "	R4134037 R4134037 R4133709 R4133709 R4133709 R4133709	R4134037 R4134037 R4133709 R4133709 R4133709 R4133709	R4166620 R4166620 N/A N/A N/A N/A	NR NR NR NR NR NR	- - - - - -	- - - - - -	- - - - - -	- - - - - -
R44141453 ⁴⁰⁵ R44141453 ⁴⁰⁵	2-15/16 " 2-15/16 "	R42R55501 R42R55501	R42R55500 R42R55500	R4066306 R4066306	R4090087S R4090087S	- -	- -	- -	- -
R44141477 ⁴⁰⁵ R44141477 ⁴⁰⁵	3-5/32 " 3-5/32 "	R42R55497 R42R55497	R42R55496 R42R55496	R4066330 R4066330	R4090101S R4090101S	- -	- -	- -	- -
N/A N/A R44140449 ²⁹³ R44140449 ²⁹³ R44140363 ²⁸² R44140363 ²⁸²	1 " 1 " 1-1/16 " 1-1/16 " 1-1/16 " 1-1/16 "	R4134037 R4134037 R4133709 R4133709 R4133709 R4133709	R4134037 R4134037 R4133709 R4133709 R4133709 R4133709	R4166620 R4166620 N/A N/A N/A N/A	NR NR NR NR NR NR	- - - - - -	- - - - - -	- - - - - -	- - - - - -
R44141453 ⁴⁰⁵ R44141453 ⁴⁰⁵	2-15/16 " 2-15/16 "	R42R55501 R42R55501	R42R55500 R42R55500	R4066306 R4066306	R4090087S R4090087S	- -	- -	- -	- -
R44141477 ⁴⁰⁵ R44141477 ⁴⁰⁵	3-5/32 " 3-5/32 "	R42R55497 R42R55497	R42R55496 R42R55496	R4066330 R4066330	R4090101S R4090101S	- -	- -	- -	- -
R44140450 R44140450 R44140449 ²⁹³ R44140449 ²⁹³	1 " 1 " 1-1/16 " 1-1/16 "	R4133608 R4133608 R4133709 R4133709	R4133608 R4133608 R4133709 R4133709	R4166620 R4166620 N/A N/A	NR NR NR NR	- - - -	- - - -	- - - -	- - - -
R44141049 ³⁵ R44141049 ³⁵	2-15/16 " 2-15/16 "	R42R55206 R42R55206	R42R55205 R42R55205	R4066848 R4066848	R4090013S R4090013S	- -	- -	- -	- -
R44141049 ³⁵ R44141049 ³⁵	3-5/32 " 3-5/32 "	R42R55382 R42R55382	R42R55381 R42R55381	R4066557 R4066557	R4090068S R4090068S	- -	- -	- -	- -
R44140450 R44140450	1 " 1 "	R4133608 R4133608	R4133608 R4133608	R4166620 R4166620	NR NR	- -	- -	- -	- -

1 APPLICATION

MAKE MODEL YEAR AXLE CODE AXLE WEIGHT	AXLE & BRK. TYPE	BRK. MFG.	BRAKE SIZE	FMSI	MERITOR DISC PAD OR BRAKE SHOE	MERITOR GUIDE PIN OR RETURN SPRING KIT	MERITOR CALIPER HWD. KIT OR RETURN SPRING KIT	MERITOR ADJUSTER KIT (LEFT WHEEL)	MERITOR ADJUSTER KIT (RIGHT WHEEL)
GMC / CHEV(Cont.)									
K-2500 SERIES-3/4 TON PICKUP AND SUBURBAN 4WD(Cont.)									
1985	Ra	GM	13 " x 2-1/2 "	2042AT - 451	R46451	R40H378	R40H7055	R40H2588	R40H2589
	Ra	GM	13 " x 2-1/2 "	2042AT - 451	R46451	R40H378	R40H7055	R40H2588	R40H2589
6,600lb. GVW	Fd	GM		728A - D52	MD52	R40H5004DP	R40H5500	NR	NR
	Fd	GM		728A - D52	MD52	R40H5004DP	R40H5500	NR	NR
8,600 lb. GVW	Fd	GM		7084A - D153	MD392	R40H5004DP	R40H5500	NR	NR
	Fd	GM		7084A - D153	MD392	R40H5004DP	R40H5500	NR	NR
1984	Ra	GM	11-5/32" x 2-3/4 "	2073TT - 473	R46473	R40H369	R40H4072DP ²⁷⁸	R40H2586	R40H2587
	Ra	GM	11-5/32" x 2-3/4 "	2073TT - 473	R46473	R40H369	R40H4072DP ²⁷⁸	R40H2586	R40H2587
	Ra	GM	13 " x 2-1/2 "	2042AT - 451	R46451	R40H378	R40H7055	R40H2588	R40H2589
	Ra	GM	13 " x 2-1/2 "	2042AT - 451	R46451	R40H378	R40H7055	R40H2588	R40H2589
6,600lb. GVW	Fd	GM		728A - D52	MD52	R40H5004DP	R40H5500	NR	NR
	Fd	GM		728A - D52	MD52	R40H5004DP	R40H5500	NR	NR
8,600 lb. GVW	Fd	GM		7084A - D153	MD392	R40H5004DP	R40H5500	NR	NR
	Fd	GM		7084A - D153	MD392	R40H5004DP	R40H5500	NR	NR
1983	Ra	GM	11-5/32" x 2-3/4 "	2073TT - 473	R46473	R40H369	R40H4072DP ²⁷⁸	R40H2586	R40H2587
	Ra	GM	11-5/32" x 2-3/4 "	2073TT - 473	R46473	R40H369	R40H4072DP ²⁷⁸	R40H2586	R40H2587
	Ra	GM	11-5/32" x 2-3/4 "	2073TT - 473	R46473	R40H369	R40H4072DP ²⁷⁸	R40H2586	R40H2587
	Ra	GM	11-5/32" x 2-3/4 "	2073TT - 473	R46473	R40H369	R40H4072DP ²⁷⁸	R40H2586	R40H2587
	Ra	GM	13 " x 2-1/2 "	2042AT - 451	R46451	R40H378	R40H7055	R40H2588	R40H2589
	Ra	GM	13 " x 2-1/2 "	2042AT - 451	R46451	R40H378	R40H7055	R40H2588	R40H2589
	Ra	GM	13 " x 2-1/2 "	2042AT - 451	R46451	R40H378	R40H7055	R40H2588	R40H2589
	Ra	GM	13 " x 2-1/2 "	2042AT - 451	R46451	R40H378	R40H7055	R40H2588	R40H2589
6,600lb. GVW	Fd	GM		728A - D52	MD52	R40H5004DP	R40H5500	NR	NR
	Fd	GM		728A - D52	MD52	R40H5004DP	R40H5500	NR	NR
8,600 lb. GVW	Fd	GM		7084A - D153	MD392	R40H5004DP	R40H5500	NR	NR
	Fd	GM		7084A - D153	MD392	R40H5004DP	R40H5500	NR	NR
1982	Ra	GM	11-5/32" x 2-3/4 "	2073TT - 473	R46473	R40H369	R40H4072DP ²⁷⁸	R40H2586	R40H2587
	Ra	GM	11-5/32" x 2-3/4 "	2073TT - 473	R46473	R40H369	R40H4072DP ²⁷⁸	R40H2586	R40H2587
	Ra	GM	13 " x 2-1/2 "	2042AT - 451	R46451	R40H378	R40H7055	R40H2588	R40H2589
	Ra	GM	13 " x 2-1/2 "	2042AT - 451	R46451	R40H378	R40H7055	R40H2588	R40H2589
6,600lb. GVW	Fd	GM		728A - D52	MD52	R40H5004DP	R40H5500	NR	NR
	Fd	GM		728A - D52	MD52	R40H5004DP	R40H5500	NR	NR
8,600 lb. GVW	Fd	GM		7084A - D153	MD392	R40H5004DP	R40H5500	NR	NR
	Fd	GM		7084A - D153	MD392	R40H5004DP	R40H5500	NR	NR
1981	Ra	GM	11-5/32" x 2-3/4 "	2073TT - 473	R46473	R40H369	R40H4072DP ²⁷⁸	R40H2586	R40H2587
	Ra	GM	11-5/32" x 2-3/4 "	2073TT - 473	R46473	R40H369	R40H4072DP ²⁷⁸	R40H2586	R40H2587
	Ra	GM	13 " x 2-1/2 "	2042AT - 451	R46451	R40H378	R40H7055	R40H2588	R40H2589
	Ra	GM	13 " x 2-1/2 "	2042AT - 451	R46451	R40H378	R40H7055	R40H2588	R40H2589
6,600lb. GVW	Fd	GM		728A - D52	MD52	R40H5004DP	R40H5500	NR	NR
	Fd	GM		728A - D52	MD52	R40H5004DP	R40H5500	NR	NR
8,600 lb. GVW	Fd	GM		7084A - D153	MD392	R40H5004DP	R40H5500	NR	NR
	Fd	GM		7084A - D153	MD392	R40H5004DP	R40H5500	NR	NR
1980	Fd	GM		728A - D52	MD52	R40H5004DP	R40H5500	NR	NR
	Fd	GM		728A - D52	MD52	R40H5004DP	R40H5500	NR	NR
	Ra	GM	11-5/32" x 2-3/4 "	2073TT - 473	R46473	R40H369	R40H4072DP ²⁷⁸	R40H2586	R40H2587
	Ra	GM	11-5/32" x 2-3/4 "	2073TT - 473	R46473	R40H369	R40H4072DP ²⁷⁸	R40H2586	R40H2587
	Ra	GM	13 " x 2-1/2 "	2042AT - 451	R46451	R40H378	R40H7055	R40H2588	R40H2589
Optional	Fd	GM		7084A - D153	MD392	R40H5004DP	R40H5500	NR	NR
	Fd	GM		7084A - D153	MD392	R40H5004DP	R40H5500	NR	NR
1979	Fd	GM		728A - D52	MD52	R40H5004DP	R40H5500	NR	NR
	Fd	GM		728A - D52	MD52	R40H5004DP	R40H5500	NR	NR
	Ra	GM	11-5/32" x 2-3/4 "	2073TT - 473	R46473	R40H369	R40H4072DP ²⁷⁸	R40H2586	R40H2587
	Ra	GM	11-5/32" x 2-3/4 "	2073TT - 473	R46473	R40H369	R40H4072DP ²⁷⁸	R40H2586	R40H2587
	Ra	GM	13 " x 2-1/2 "	2042AT - 451	R46451	R40H378	R40H7055	R40H2588	R40H2589
Optional	Fd	GM		7084A - D153	MD392	R40H5004DP	R40H5500	NR	NR
	Fd	GM		7084A - D153	MD392	R40H5004DP	R40H5500	NR	NR

35 - R44141049 is rotor only, for hub only use E-8394

278 - For Heavy Duty version use E-11287

282 - 10 1/2" Ring Gear, First Design; Use 3 3/8" Outside Diameter Axle Tubes

283 - 4 5/8" Drum Width

293 - With 9 1/2" Ring Gear and 6 3/8" Drum Width

294 - With 9 1/2" Ring Gear and 4 5/8" Drum Width

MERITOR DRUM OR ROTOR NO.	CALIPER OR CYLINDER BORE SIZE	MERITOR CALIPER OR WHEEL CYLINDER (LEFT)	MERITOR CALIPER OR WHEEL CYLINDER (RIGHT)	MERITOR CALIPER OR WHEEL CYLINDER REPAIR KIT	MERITOR CALIPER PISTON	MERITOR MASTER CYLINDER	MERITOR MASTER CYLINDER KIT	MERITOR BRAKE HOSE (LEFT)	MERITOR BRAKE HOSE (RIGHT)
GMC / CHEV(Cont.)									
K-2500 SERIES-3/4 TON PICKUP AND SUBURBAN 4WD(Cont.)									
R44140449 ²⁹³ R44140449 ²⁹³	1-1/16 " 1-1/16 "	R4133709 R4133709	R4133709 R4133709	N/A N/A	NR NR	-	-	-	-
R44141049 ³⁵ R44141049 ³⁵	2-15/16 " 2-15/16 "	R42R55206 R42R55206	R42R55205 R42R55205	R4066848 R4066848	R4090013S R4090013S	-	-	-	-
R44141049 ³⁵ R44141049 ³⁵	3-5/32 " 3-5/32 "	R42R55382 R42R55382	R42R55381 R42R55381	R4066557 R4066557	R4090068S R4090068S	-	-	-	-
R44140450 R44140450 R44140449 ²⁹³ R44140449 ²⁹³	1 " 1 " 1-1/16 " 1-1/16 "	R4133608 R4133608 R4133709 R4133709	R4133608 R4133608 R4133709 R4133709	R4166620 R4166620 N/A N/A	NR NR NR NR	-	-	-	-
R44141049 ³⁵ R44141049 ³⁵	2-15/16 " 2-15/16 "	R42R55206 R42R55206	R42R55205 R42R55205	R4066848 R4066848	R4090013S R4090013S	-	-	-	-
R44141049 ³⁵ R44141049 ³⁵	3-5/32 " 3-5/32 "	R42R55382 R42R55382	R42R55381 R42R55381	R4066557 R4066557	R4090068S R4090068S	-	-	-	-
R44140450 R44140408 ²⁸³ R44140450 R44140408 ²⁸³ R44140449 ²⁹³ R44140409 ²⁹⁴ R44140449 ²⁹³ R44140409 ²⁹⁴	1 " 1 " 1 " 1 " 1-1/16 " 1-1/16 " 1-1/16 " 1-1/16 "	R4133608 R4133608 R4133608 R4133608 R4133709 R4133709 R4133709 R4133709	R4133608 R4133608 R4133608 R4133608 R4133709 R4133709 R4133709 R4133709	R4166620 R4166620 R4166620 R4166620 N/A N/A N/A N/A	NR NR NR NR NR NR NR NR	-	-	-	-
R44141049 ³⁵ R44141049 ³⁵	2-15/16 " 2-15/16 "	R42R55208 R42R55206	R42R55207 R42R55205	R4066848 R4066848	R4090013S R4090013S	-	-	-	-
R44141049 ³⁵ R44141049 ³⁵	3-5/32 " 3-5/32 "	R42R55382 R42R55382	R42R55381 R42R55381	R4066557 R4066557	R4090068S R4090068S	-	-	-	-
R44140408 ²⁸³ R44140408 ²⁸³ R44140409 ²⁹⁴ R44140409 ²⁹⁴	1 " 1 " 1-1/16 " 1-1/16 "	R4133608 R4133608 R4133709 R4133709	R4133608 R4133608 R4133709 R4133709	R4166620 R4166620 N/A N/A	NR NR NR NR	-	-	-	-
R44141049 ³⁵ R44141049 ³⁵	2-15/16 " 2-15/16 "	R42R55206 R42R55208	R42R55205 R42R55207	R4066848 R4066848	R4090013S R4090013S	-	-	-	-
R44141049 ³⁵ R44141049 ³⁵	3-5/32 " 3-5/32 "	R42R55382 R42R55382	R42R55381 R42R55381	R4066557 R4066557	R4090068S R4090068S	-	-	-	-
R44140408 ²⁸³ R44140408 ²⁸³ R44140409 ²⁹⁴ R44140409 ²⁹⁴	1 " 1 " 1-1/16 " 1-1/16 "	R4133608 R4133608 R4133709 R4133709	R4133608 R4133608 R4133709 R4133709	R4166620 R4166620 N/A N/A	NR NR NR NR	-	-	-	-
R44141049 ³⁵ R44141049 ³⁵	2-15/16 " 2-15/16 "	R42R55208 R42R55206	R42R55207 R42R55205	R4066848 R4066848	R4090013S R4090013S	-	-	-	-
R44141049 ³⁵ R44141049 ³⁵	3-5/32 " 3-5/32 "	R42R55382 R42R55382	R42R55381 R42R55381	R4066557 R4066557	R4090068S R4090068S	-	-	-	-
R44141049 ³⁵ R44141049 ³⁵	2-15/16 " 2-15/16 "	R42R55061 R42R55208	R42R55060 R42R55207	R4066848 R4066848	R4090013S R4090013S	-	-	-	-
N/A N/A N/A R44140363 ²⁸²	- - - -	- - - -	- - - -	N/A N/A N/A N/A	NR NR NR NR	-	-	-	-
N/A N/A	3-5/32 " 3-5/32 "	R42R55382 R42R55382	R42R55381 R42R55381	R4066557 R4066557	R4090068S R4090068S	-	-	-	-
R44141049 ³⁵ R44141049 ³⁵	2-15/16 " 2-15/16 "	R42R55208 R42R55061	R42R55207 R42R55060	R4066848 R4066848	R4090013S R4090013S	-	-	-	-
N/A N/A N/A R44140363 ²⁸²	- - - -	- - - -	- - - -	N/A N/A N/A N/A	NR NR NR NR	-	-	-	-
N/A	3-5/32 "	R42R55382	R42R55381	R4066557	R4090068S	-	-	-	-

1 APPLICATION

MAKE MODEL YEAR AXLE CODE AXLE WEIGHT	AXLE & BRK. TYPE	BRK. MFG.	BRAKE SIZE	FMSI	MERITOR DISC PAD OR BRAKE SHOE	MERITOR GUIDE PIN OR RETURN SPRING KIT	MERITOR CALIPER HWD. KIT OR RETURN SPRING KIT	MERITOR ADJUSTER KIT (LEFT WHEEL)	MERITOR ADJUSTER KIT (RIGHT WHEEL)
GMC / CHEV(Cont.)									
K-2500 SERIES-3/4 TON PICKUP AND SUBURBAN 4WD(Cont.)									
1979	Fd	GM		7084A - D153	MD392	R40H5004DP	R40H5500	NR	NR
1978	Fd	GM		728A - D52	MD52	R40H5004DP	R40H5500	NR	NR
	Fd	GM		728A - D52	MD52	R40H5004DP	R40H5500	NR	NR
	Ra	GM	11-5/32" x 2-3/4 "	2073TT - 473	R46473	R40H369	R40H4072DP ²⁷⁸	R40H2586	R40H2587
	Ra	GM	11-5/32" x 2-3/4 "	2073TT - 473	R46473	R40H369	R40H4072DP ²⁷⁸	R40H2586	R40H2587
	Ra	GM	13 " x 2-1/2 "	2042AT - 451	R46451	R40H378	R40H7055	R40H2588	R40H2589
Optional	Fd	GM		7084A - D153	MD392	R40H5004DP	R40H5500	NR	NR
	Fd	GM		7084A - D153	MD392	R40H5004DP	R40H5500	NR	NR
1977	Fd	GM		728A - D52	MD52	R40H5004DP	R40H5500	NR	NR
	Fd	GM		728A - D52	MD52	R40H5004DP	R40H5500	NR	NR
Optional	Fd	GM		7084A - D153	MD392	R40H5004DP	R40H5500	NR	NR
	Fd	GM		7084A - D153	MD392	R40H5004DP	R40H5500	NR	NR
1976	Fd	GM		728A - D52	MD52	R40H5004DP	R40H5500	NR	NR
	Fd	GM		728A - D52	MD52	R40H5004DP	R40H5500	NR	NR
Optional	Fd	GM		7084A - D153	MD392	R40H5004DP	R40H5500	NR	NR
	Fd	GM		7084A - D153	MD392	R40H5004DP	R40H5500	NR	NR
K-3500 SERIES-1 TON PICKUP AND SUBURBAN 4WD									
1997 Dual Rear Wheels or Extended Cab	Fd	GM		7339 - D459	MD459	R40H5083	R40H5788	NR	NR
	Ra	GM	13 " x 3-1/2 "	2157T - S656	R46452	R40H378	R40H7055	R40H2588	R40H2589
Single Rear Wheels	Fd	GM		7260 - D370	MD370	R40H5083	R40H5707	NR	NR
	Ra	GM	13 " x 2-1/2 "	2042T - S655	R46451	R40H378	R40H7055	R40H2588	R40H2589
1996 Dual Rear Wheels or Extended Cab	Fd	GM		7339 - D459	MD459	R40H5083	R40H5788	NR	NR
	Ra	GM	13 " x 3-1/2 "	2157T - S656	R46452	R40H378	R40H7055	R40H2588	R40H2589
Single Rear Wheels	Fd	GM		7260 - D370	MD370	R40H5083	R40H5707	NR	NR
	Ra	GM	13 " x 2-1/2 "	2042T - S655	R46451	R40H378	R40H7055	R40H2588	R40H2589
1995 Dual Rear Wheels or Extended Cab	Fd	GM		7339 - D459	MD459	R40H5083	R40H5788	NR	NR
	Ra	GM	13 " x 3-1/2 "	2157T - S656	R46452	R40H378	R40H7055	R40H2588	R40H2589
Single Rear Wheels	Fd	GM		7260 - D370	MD370	R40H5083	R40H5707	NR	NR
	Ra	GM	13 " x 2-1/2 "	2042T - S655	R46451	R40H378	R40H7055	R40H2588	R40H2589
1994	Fd	GM		7260 - D370	MD370	R40H5083	R40H5707	NR	NR
	Fd	GM		7339 - D459	MD459	R40H5083	R40H5788	NR	NR
	Fd	GM		7339 - D459	MD459	R40H5083	R40H5788	NR	NR
	Fd	GM		7260 - D370	MD370	R40H5083	R40H5707	NR	NR
Dual Rear Wheels or Extended Cab 9,000, 9,200 lb. GVW	Ra	GM	13 " x 3-1/2 "	2157T - S656	R46452	R40H378	R40H7055	R40H2588	R40H2589
	Ra	GM	13 " x 3-1/2 "	2157T - S656	R46452	R40H378	R40H7055	R40H2588	R40H2589
	Ra	GM	13 " x 3-1/2 "	2157T - S656	R46452	R40H378	R40H7055	R40H2588	R40H2589
	Ra	GM	13 " x 3-1/2 "	2157T - S656	R46452	R40H378	R40H7055	R40H2588	R40H2589
Single Rear Wheels 9,000, 9,200 lb. GVW	Ra	GM	13 " x 2-1/2 "	2042T - S655	R46451	R40H378	R40H7055	R40H2588	R40H2589
	Ra	GM	13 " x 2-1/2 "	2042T - S655	R46451	R40H378	R40H7055	R40H2588	R40H2589
Dual Rear Wheels or Extended Cab 10,000, 11,000, 12,000lb. GVW	Ra	GM	13 " x 3-1/2 "	2157T - S656	R46452	R40H378	R40H7055	R40H2588	R40H2589
	Ra	GM	13 " x 3-1/2 "	2157T - S656	R46452	R40H378	R40H7055	R40H2588	R40H2589
1993	Fd	GM		7339 - D459	MD459	R40H5083	R40H5788	NR	NR
	Fd	GM		7260 - D370	MD370	R40H5083	R40H5707	NR	NR
	Ra	GM	13 " x 2-1/2 "	2042T - S655	R46451	R40H378	R40H7055	R40H2588	R40H2589
	Ra	GM	13 " x 3-1/2 "	2157T - S656	R46452	R40H378	R40H7055	R40H2588	R40H2589

35 - R44141049 is rotor only, for hub only use E-8394

69 - Hose on Rear Axle Housing

282 - 10 1/2" Ring Gear, First Design; Use 3 3/8" Outside Diameter

Axle Tubes

www.XpresswayPlus.com

1-470

53 - Power Brakes

278 - For Heavy Duty version use E-11287

309 - Power Brakes, Hydroboost

65 - 135.5", 159.5" Wheel Base

280 - 10 1/2" Ring Gear

405 - Rotor Only

MERITOR DRUM OR ROTOR NO.	CALIPER OR CYLINDER BORE SIZE	MERITOR CALIPER OR WHEEL CYLINDER (LEFT)	MERITOR CALIPER OR WHEEL CYLINDER (RIGHT)	MERITOR CALIPER OR WHEEL CYLINDER REPAIR KIT	MERITOR CALIPER PISTON	MERITOR MASTER CYLINDER	MERITOR MASTER CYLINDER KIT	MERITOR BRAKE HOSE (LEFT)	MERITOR BRAKE HOSE (RIGHT)
GMC / CHEV(Cont.)									
K-2500 SERIES-3/4 TON PICKUP AND SUBURBAN 4WD(Cont.)									
N/A	3-5/32 "	R42R55382	R42R55381	R4066557	R4090068S	-	-	-	-
R44141049 ³⁵ R44141049 ³⁵	2-15/16 " 2-15/16 "	R42R55061 R42R55208	R42R55060 R42R55207	R4066848 R4066848	R4090013S R4090013S	-	-	-	-
N/A N/A N/A R44140363 ²⁸²		- - - -	- - - -	N/A N/A N/A N/A	NR NR NR NR	-	-	-	-
N/A N/A	3-5/32 " 3-5/32 "	R42R55382 R42R55382	R42R55381 R42R55381	R4066557 R4066557	R4090068S R4090068S	-	-	-	-
R44141049 ³⁵ R44141049 ³⁵	2-15/16 " 2-15/16 "	R42R55208 R42R55061	R42R55207 R42R55060	R4066848 R4066848	R4090013S R4090013S	-	-	-	-
N/A N/A	3-5/32 " 3-5/32 "	R42R55382 R42R55382	R42R55381 R42R55381	R4066557 R4066557	R4090068S R4090068S	-	-	-	-
R44141049 ³⁵ R44141049 ³⁵	2-15/16 " 2-15/16 "	R42R55208 R42R55061	R42R55207 R42R55060	R4066848 R4066848	R4090013S R4090013S	-	-	-	-
N/A N/A	3-5/32 " 3-5/32 "	R42R55382 R42R55382	R42R55381 R42R55381	R4066557 R4066557	R4090068S R4090068S	-	-	-	-
R44141049 ³⁵ R44141049 ³⁵	2-15/16 " 2-15/16 "	R42R55208 R42R55061	R42R55207 R42R55060	R4066848 R4066848	R4090013S R4090013S	-	-	-	-
N/A N/A	3-5/32 " 3-5/32 "	R42R55382 R42R55382	R42R55381 R42R55381	R4066557 R4066557	R4090068S R4090068S	-	-	-	-
K-3500 SERIES-1 TON PICKUP AND SUBURBAN 4WD									
R44141770 ⁴⁰⁵	3-25/32 "	R42R55687	R42R55688	R4066211	R4090188S	R4110376 ³⁰⁹	N/A	R4578514	R4578513
N/A	1-3/16 "	R4133708	R4133708	N/A	NR	-	-	R4577765	R4577765
R44141477 ⁴⁰⁵	3-5/32 "	R42R55497	R42R55496	R4066330	R4090101S	R4110376 ³⁰⁹	N/A	R4578514	R4578513
N/A	1-1/16 "	R4133709	R4133709	N/A	NR	-	-	R4577765	R4577765
R44141770 ⁴⁰⁵	3-25/32 "	R42R55687	R42R55688	R4066211	R4090188S	R4110376 ³⁰⁹	N/A	R4578403	R4578460
N/A	1-3/16 "	R4133708	R4133708	N/A	NR	-	-	R4577765	R4577765
R44141477 ⁴⁰⁵	3-5/32 "	R42R55497	R42R55496	R4066330	R4090101S	R4110376 ³⁰⁹	N/A	R4578403	R4578460
N/A	1-1/16 "	R4133709	R4133709	N/A	NR	-	-	R4577765	R4577765
R44141770 ⁴⁰⁵	3-25/32 "	R42R55687	R42R55688	R4066211	R4090188S	R4110376 ³⁰⁹	N/A	R4578790	R4578392
N/A	1-3/16 "	R4133708	R4133708	N/A	NR	-	-	R4578360 ⁶⁹	R4578360
R44141477 ⁴⁰⁵	3-5/32 "	R42R55497	R42R55496	R4066330	R4090101S	R4110376 ³⁰⁹	N/A	R4578790	R4578392
N/A	1-1/16 "	R4133709	R4133709	N/A	NR	-	-	N/A	N/A
R44141477 ⁴⁰⁵ R44141770 ⁴⁰⁵ R44141770 ⁴⁰⁵ R44141477 ⁴⁰⁵	3-5/32 " 3-25/32 " 3-25/32 " 3-5/32 "	R42R55497 R42R55687 R42R55687 R42R55497	R42R55496 R42R55688 R42R55688 R42R55496	R4066330 R4066211 R4066211 R4066330	R4090101S R4090188S R4090188S R4090101S	R4112220 ³⁰⁹ R4112220 ³⁰⁹ R4113022 ⁵³ R4113022 ⁵³	R4122141 R4122141 R4122437 R4122437	R4578224 R4578790 R4578790 R4578224	R4578787 R4578392 R4578392 R4578787
R44140387 R44140387 R44140619 R44140619	1-3/16 " 1-3/16 " 1-3/16 " 1-3/16 "	R4133708 R4133708 R4133708 R4133708	R4133708 R4133708 R4133708 R4133708	R4166872 R4166872 R4166872 R4166872	NR NR NR NR	- - - -	- - - -	R4578360 ⁶⁹ R4578360 ⁶⁵ R4578360 ⁶⁹ R4578360 ⁶⁵	R4578360 R4578360 R4578360 R4578360
R44140363 ²⁸² R44140363 ²⁸²	1-1/16 " 1-1/16 "	R4133709 R4133709	R4133709 R4133709	N/A N/A	NR NR	- -	- -	R4577765 R4578360 ⁶⁵	R4577765 R4578360
R44140388 ²⁸⁰ R44140388 ²⁸⁰	1-3/16 " 1-3/16 "	R4133708 R4133708	R4133708 R4133708	R4166872 R4166872	NR NR	- -	- -	R4578360 ⁶⁹ R4578360 ⁶⁵	R4578360 R4578360
R44141770 ⁴⁰⁵ R44141477 ⁴⁰⁵	3-25/32 " 3-5/32 "	R42R55687 R42R55497	R42R55688 R42R55496	R4066211 R4066330	R4090188S R4090101S	R4113022 ⁵³ R4112220 ³⁰⁹	R4122437 R4122141	R4578790 R4578224	R4578392 R4578787
R44140363 ²⁸² R44140388 ²⁸⁰	1-1/16 " 1-3/16 "	R4133709 R4133708	R4133709 R4133708	N/A R4166872	NR NR	- -	- -	R4577765 R4577765	R4577765 R4577765

MAKE MODEL YEAR AXLE CODE AXLE WEIGHT	AXLE & BRK. TYPE	BRK. MFG.	BRAKE SIZE	FMSI	MERITOR DISC PAD OR BRAKE SHOE	MERITOR GUIDE PIN OR RETURN SPRING KIT	MERITOR CALIPER HWD. KIT OR RETURN SPRING KIT	MERITOR ADJUSTER KIT (LEFT WHEEL)	MERITOR ADJUSTER KIT (RIGHT WHEEL)
GMC / CHEV(Cont.)									
K-3500 SERIES-1 TON PICKUP AND SUBURBAN 4WD(Cont.)									
1993	Ra	GM	13 " x 3-1/2 "	2157T - S656	R46452	R40H378	R40H7055	R40H2588	R40H2589
1992	Fd	GM		7339 - D459	MD459	R40H5083	R40H5788	NR	NR
	Fd	GM		7260 - D370	MD370	R40H5083	R40H5707	NR	NR
	Fd	GM		7260 - D370	MD370	R40H5083	R40H5707	NR	NR
	Fd	GM		7339 - D459	MD459	R40H5083	R40H5788	NR	NR
	Ra	GM	13 " x 2-1/2 "	2042AT - 451	R46451	R40H378	R40H7055	R40H2588	R40H2589
	Ra	GM	13 " x 2-1/2 "	2042AT - 451	R46451	R40H378	R40H7055	R40H2588	R40H2589
	Ra	GM	13 " x 3-1/2 "	2157T - 452	R46452	R40H378	R40H7055	R40H2588	R40H2589
	Ra	GM	13 " x 3-1/2 "	2157T - 452	R46452	R40H378	R40H7055	R40H2588	R40H2589
	Ra	GM	13 " x 3-1/2 "	2157T - 452	R46452	R40H378	R40H7055	R40H2588	R40H2589
	Ra	GM	13 " x 3-1/2 "	2157T - 452	R46452	R40H378	R40H7055	R40H2588	R40H2589
	Ra	GM	13 " x 3-1/2 "	2157T - 452	R46452	R40H378	R40H7055	R40H2588	R40H2589
	1991	Fd	GM		7339 - D459	MD459	R40H5083	R40H5788	NR
Fd		GM		7260 - D370	MD370	R40H5083	R40H5707	NR	NR
Fd		GM		7339 - D459	MD459	R40H5083	R40H5788	NR	NR
Ra		GM	13 " x 2-1/2 "	2042AT - 451	R46451	R40H378	R40H7055	R40H2588	R40H2589
Ra		GM	13 " x 2-1/2 "	2042AT - 451	R46451	R40H378	R40H7055	R40H2588	R40H2589
Ra		GM	13 " x 3-1/2 "	2157T - 452	R46452	R40H378	R40H7055	R40H2588	R40H2589
Ra		GM	13 " x 3-1/2 "	2157T - 452	R46452	R40H378	R40H7055	R40H2588	R40H2589
Ra		GM	13 " x 3-1/2 "	2157T - 452	R46452	R40H378	R40H7055	R40H2588	R40H2589
Ra		GM	13 " x 3-1/2 "	2157T - 452	R46452	R40H378	R40H7055	R40H2588	R40H2589
Ra		GM	13 " x 3-1/2 "	2157T - 452	R46452	R40H378	R40H7055	R40H2588	R40H2589
Ra		GM	13 " x 3-1/2 "	2157T - 452	R46452	R40H378	R40H7055	R40H2588	R40H2589
1990 Dual Rear Wheels		Fd	GM		7339 - D459	MD459	R40H5083	R40H5788	NR
	Ra	GM	13 " x 3-1/2 "	2157T - 452	R46452	R40H378	R40H7055	R40H2588	R40H2589
1990 Single Rear Wheels	Fd	GM		7260 - D370	MD370	R40H5083	R40H5707	NR	NR
	Ra	GM	13 " x 2-1/2 "	2042AT - 451	R46451	R40H378	R40H7055	R40H2588	R40H2589
	Ra	GM	13 " x 2-1/2 "	2042AT - 451	R46451	R40H378	R40H7055	R40H2588	R40H2589
1989	Fd	GM		7260 - D370	MD370	R40H5083	R40H5707	NR	NR
	Ra	GM	13 " x 2-1/2 "	2042AT - 451	R46451	R40H378	R40H7055	R40H2588	R40H2589
	Ra	GM	13 " x 2-1/2 "	2042AT - 451	R46451	R40H378	R40H7055	R40H2588	R40H2589
	Ra	GM	13 " x 3-1/2 "	2157T - 452	R46452	R40H378	R40H7055	R40H2588	R40H2589
1988	Fd	GM		7260 - D370	MD370	R40H5083	R40H5707	NR	NR
	Ra	GM	13 " x 2-1/2 "	2042AT - 451	R46451	R40H378	R40H7055	R40H2588	R40H2589
	Ra	GM	13 " x 2-1/2 "	2042AT - 451	R46451	R40H378	R40H7055	R40H2588	R40H2589
	Ra	GM	13 " x 3-1/2 "	2157T - 452	R46452	R40H378	R40H7055	R40H2588	R40H2589
1986	Fd	BX		7081 - D149	MD149	R40H5010	R40H5529	NR	NR
	Ra	GM	13 " x 3-1/2 "	2157T - 452	R46452	R40H378	R40H7055	R40H2588	R40H2589
	Ra	GM	13 " x 3-1/2 "	2157T - 452	R46452	R40H378	R40H7055	R40H2588	R40H2589
1985	Fd	BX		7081 - D149	MD149	R40H5010	R40H5529	NR	NR
	Fd	BX		7081 - D149	MD149	R40H5010	R40H5529	NR	NR
	Ra	GM	13 " x 3-1/2 "	2157T - 452	R46452	R40H378	R40H7055	R40H2588	R40H2589
	Ra	GM	13 " x 3-1/2 "	2157T - 452	R46452	R40H378	R40H7055	R40H2588	R40H2589
1984	Fd	BX		7081 - D149	MD149	R40H5010	R40H5529	NR	NR
	Fd	BX		7081 - D149	MD149	R40H5010	R40H5529	NR	NR
	Ra	GM	13 " x 3-1/2 "	2157T - 452	R46452	R40H378	R40H7055	R40H2588	R40H2589
1983	Ra	GM	13 " x 3-1/2 "	2157T - 452	R46452	R40H378	R40H7055	R40H2588	R40H2589
	Ra	GM	13 " x 3-1/2 "	2157T - 452	R46452	R40H378	R40H7055	R40H2588	R40H2589
1982	Fd	BX		7081 - D149	MD149	R40H5010	R40H5529	NR	NR
	Fd	BX		7081 - D149	MD149	R40H5010	R40H5529	NR	NR

53 - Power Brakes
69 - Hose on Rear Axle Housing

64 - 131.5", 155.5" Wheel Base
77 - Hub Casting # 102764

65 - 135.5", 159.5" Wheel Base
79 - Inboard Mounting

280 - 10 1/2" Ring Gear

282 - 10 1/2" Ring Gear, First Design: Use 3 3/8" Outside Diameter Axle Tubes
293 - With 9 1/2" Ring Gear and 6 3/8" Drum Width

www.XpresswayPlus.com

Contact our Customer Service Teams

MERITOR DRUM OR ROTOR NO.	CALIPER OR CYLINDER BORE SIZE	MERITOR CALIPER OR WHEEL CYLINDER (LEFT)	MERITOR CALIPER OR WHEEL CYLINDER (RIGHT)	MERITOR CALIPER OR WHEEL CYLINDER REPAIR KIT	MERITOR CALIPER PISTON	MERITOR MASTER CYLINDER	MERITOR MASTER CYLINDER KIT	MERITOR BRAKE HOSE (LEFT)	MERITOR BRAKE HOSE (RIGHT)
GMC / CHEV(Cont.)									
K-3500 SERIES-1 TON PICKUP AND SUBURBAN 4WD(Cont.)									
R44140388 ²⁸⁰	1-3/16 "	R4133708	R4133708	R4166872	NR	-	-	R4578360 ⁶⁹	R4578360
N/A	3-25/32 "	R42R55687	R42R55688	R4066211	R4090188S	R4112220 ³⁰⁹	R4122141	R451534 ⁶⁴	R4577461
R44140267 ⁷⁹	3-5/32 "	R42R55497	R42R55496	R4066330	R4090101S	R4113022 ⁵³	R4122437	R4578224	R4578787
R44141477 ⁴⁰⁵	3-5/32 "	R42R55497	R42R55496	R4066330	R4090101S	R4112220 ³⁰⁹	R4122141	R4578224	R4578787
N/A	3-25/32 "	R42R55687	R42R55688	R4066211	R4090188S	R4113022 ⁵³	R4122437	R451534 ⁶⁴	R4577461
R44140363 ²⁸²	1-1/16 "	R4133709	R4133709	N/A	NR	-	-	-	R4578360
R44140363 ²⁸²	1-1/16 "	R4133709	R4133709	N/A	NR	-	-	-	R4577765
R44140388 ²⁸⁰	1-3/16 "	R4133708	R4133708	R4166872	NR	-	-	-	R4577765
R44140387	1-3/16 "	R4133708	R4133708	R4166872	NR	-	-	-	R4578360
R44140619	1-3/16 "	R4133708	R4133708	R4166872	NR	-	-	-	R4577765
R44140619	1-3/16 "	R4133708	R4133708	R4166872	NR	-	-	-	R4578360
R44140388 ²⁸⁰	1-3/16 "	R4133708	R4133708	R4166872	NR	-	-	-	R4578360
R44140387	1-3/16 "	R4133708	R4133708	R4166872	NR	-	-	-	R4577765
R44141770 ⁴⁰⁵	3-25/32 "	R42R55687	R42R55688	R4066211	R4090188S	R4113022 ⁵³	R4122437	R4578224	R4578787
R44141477 ⁴⁰⁵	3-5/32 "	R42R55497	R42R55496	R4066330	R4090101S	R4113022 ⁵³	R4122437	R4578224	R4578787
R44141770 ⁴⁰⁵	3-25/32 "	R42R55687	R42R55688	R4066211	R4090188S	R4113022 ⁵³	R4122437	R451534 ⁶⁴	R4577461
R44140363 ²⁸²	1-1/16 "	R4133709	R4133709	N/A	NR	-	-	R4577765	R4577765
R44140363 ²⁸²	1-1/16 "	R4133709	R4133709	N/A	NR	-	-	R4577765	R4577765
R44140388 ²⁸⁰	1-3/16 "	R4133708	R4133708	R4166872	NR	-	-	R4578360 ⁶⁵	R4578360
R44140388 ²⁸⁰	1-3/16 "	R4133708	R4133708	R4166872	NR	-	-	R4578360 ⁶⁵	R4578360
R44140619	1-3/16 "	R4133708	R4133708	R4166872	NR	-	-	R4578360 ⁶⁵	R4578360
R44140619	1-3/16 "	R4133708	R4133708	R4166872	NR	-	-	R4578360 ⁶⁵	R4578360
R44140387	1-3/16 "	R4133708	R4133708	R4166872	NR	-	-	R4578360 ⁶⁵	R4578360
R44140387	1-3/16 "	R4133708	R4133708	R4166872	NR	-	-	R4578360 ⁶⁵	R4578360
R44141770 ⁴⁰⁵	3-25/32 "	R42R55687	R42R55688	R4066211	R4090188S	R4112220 ³⁰⁹	R4122141	R451534 ⁶⁴	R4577461
R44140388 ²⁸⁰	1-3/16 "	R4133708	R4133708	R4166872	NR	-	-	R4577765	R4577765
R44141477 ⁴⁰⁵	3-5/32 "	R42R55497	R42R55496	R4066330	R4090101S	R4112220 ³⁰⁹	R4122141	R451534 ⁶⁴	R4577461
R44140536 ²⁸⁰	1-1/16 "	R4133709	R4133709	N/A	NR	-	-	R4578360 ⁶⁵	R4578360
R44140363 ²⁸²	1-1/16 "	R4133709	R4133709	N/A	NR	-	-	R4578360 ⁶⁵	R4578360
R44141477 ⁴⁰⁵	3-5/32 "	R42R55497	R42R55496	R4066330	R4090101S	R4112220 ³⁰⁹	R4122141	R4578224	R4578787
R44140449 ²⁹³	1-1/16 "	R4133709	R4133709	N/A	NR	-	-	R4577765	R4577765
R44140536 ²⁸⁰	1-1/16 "	R4133709	R4133709	N/A	NR	-	-	R4577765	R4577765
R44140388 ²⁸⁰	1-3/16 "	R4133708	R4133708	R4166872	NR	-	-	R4577765	R4577765
R44141477 ⁴⁰⁵	3-5/32 "	R42R55497	R42R55496	R4066330	R4090101S	R4112220 ³⁰⁹	R4122141	R4578224	R4578787
R44140536 ²⁸⁰	1-1/16 "	R4133709	R4133709	N/A	NR	-	-	R4577765	R4577765
R44140449 ²⁹³	1-1/16 "	R4133709	R4133709	N/A	NR	-	-	R4577765	R4577765
R44140388 ²⁸⁰	1-3/16 "	R4133708	R4133708	R4166872	NR	-	-	R4577765	R4577765
R44141469 ³⁵¹	3-3/8 "	R42R55200	R42R55199 ³⁴⁶	R4066780	R4090021	R4111982 ³¹⁴	N/A	R4577419	R458529
R44140387	1-1/16 "	R4133709	R4133709	N/A	NR	-	-	R4588651	R4588651
R44140388 ²⁸⁰	1-3/16 "	R4133708	R4133708	R4166872	NR	-	-	R4588651	R4588651
R44141468 ⁷⁷	3-3/8 "	R42R55200	R42R55199 ³⁴⁶	R4066780	R4090021	R4111982 ³¹⁴	N/A	R4577419	R458529
R44141469 ³⁵¹	3-3/8 "	R42R55200	R42R55199 ³⁴⁶	R4066780	R4090021	R4111982 ³¹⁴	N/A	R4577419	R458529
R44140388 ²⁸⁰	1-3/16 "	R4133708	R4133708	R4166872	NR	-	-	R4588651	R4588651
R44140387	1-1/16 "	R4133709	R4133709	N/A	NR	-	-	R4588651	R4588651
R44141469 ³⁵¹	3-3/8 "	R42R55200	R42R55199 ³⁴⁶	R4066780	R4090021	R4111982 ³¹⁴	N/A	R4577419	R458529
R44141468 ⁷⁷	3-3/8 "	R42R55200	R42R55199 ³⁴⁶	R4066780	R4090021	R4111982 ³¹⁴	N/A	R4577419	R458529
R44140388 ²⁸⁰	1-3/16 "	R4133708	R4133708	R4166872	NR	-	-	R4588651	R4588651
R44140387	1-1/16 "	R4133709	R4133709	N/A	NR	-	-	R4588651	R4588651
R44141469 ³⁵¹	3-3/8 "	R42R55200	R42R55199 ³⁴⁶	R4066780	R4090021	R4111584 ³¹³	R4122597	R4577419	R458529
R44141468 ⁷⁷	3-3/8 "	R42R55200	R42R55199 ³⁴⁶	R4066780	R4090021	R4111982 ³¹⁴	N/A	R4577419	R458529
R44140387	1-3/16 "	R4133708	R4133708	R4166872	NR	-	-	R4588651	R4588651
R44140388 ²⁸⁰	1-3/16 "	R4133708	R4133708	R4166872	NR	-	-	R4588651	R4588651
R44141469 ³⁵¹	3-3/8 "	R42R55200	R42R55199 ³⁴⁶	R4066780	R4090021	R4111584 ³¹³	R4122597	R4577334	R4577335

309 - Power Brakes, Hydroboost
346 - 4500 lb. Casting Number 2238451452, 10mm Inlet

313 - Power Brakes, 1st Design, Cylinder Stamped 1605
351 - 1/2" Studs, 4500 lb. Axle, Rotor Casting Number 100353, Hub Casting Number 102764

314 - Power Brakes, 2nd Design, Cylinder Stamped 1925

MAKE MODEL YEAR AXLE CODE AXLE WEIGHT	AXLE & BRK. TYPE	BRK. MFG.	BRAKE SIZE	FMSI	MERITOR DISC PAD OR BRAKE SHOE	MERITOR GUIDE PIN OR RETURN SPRING KIT	MERITOR CALIPER HWD. KIT OR RETURN SPRING KIT	MERITOR ADJUSTER KIT (LEFT WHEEL)	MERITOR ADJUSTER KIT (RIGHT WHEEL)
GMC / CHEV(Cont.)									
K-3500 SERIES-1 TON PICKUP AND SUBURBAN 4WD(Cont.)									
1982	Fd	BX		7081 - D149	MD149	R40H5010	R40H5529	NR	NR
	Ra	GM	13 " x 3-1/2 "	2157T - 452	R46452	R40H378	R40H7055	R40H2588	R40H2589
	Ra	GM	13 " x 3-1/2 "	2157T - 452	R46452	R40H378	R40H7055	R40H2588	R40H2589
1981	Fd	BX		7081 - D149	MD149	R40H5010	R40H5529	NR	NR
	Fd	BX		7081 - D149	MD149	R40H5010	R40H5529	NR	NR
	Ra	GM	13 " x 3-1/2 "	2157T - 452	R46452	R40H378	R40H7055	R40H2588	R40H2589
	Ra	GM	13 " x 3-1/2 "	2157T - 452	R46452	R40H378	R40H7055	R40H2588	R40H2589
1980	Fd	BX		7081 - D149	MD149	R40H5010	R40H5529	NR	NR
	Fd	BX		7081 - D149	MD149	R40H5010	R40H5529	NR	NR
	Fd	BX		7081 - D149	MD149	R40H5010	R40H5529	NR	NR
	Fd	BX		7081 - D149	MD149	R40H5010	R40H5529	NR	NR
	Ra	GM	13 " x 3-1/2 "	2157T - 452	R46452	R40H378	R40H7055	R40H2588	R40H2589
1979	Fd	BX		7081 - D149	MD149	R40H5010	R40H5529	NR	NR
	Fd	BX		7081 - D149	MD149	R40H5010	R40H5529	NR	NR
	Ra	GM	13 " x 3-1/2 "	2157T - 452	R46452	R40H378	R40H7055	R40H2588	R40H2589
	Ra	GM	13 " x 3-1/2 "	2157T - 452	R46452	R40H378	R40H7055	R40H2588	R40H2589
1978	Fd	BX		7081 - D149	MD149	R40H5010	R40H5529	NR	NR
	Ra	GM	13 " x 3-1/2 "	2157T - 452	R46452	R40H378	R40H7055	R40H2588	R40H2589
1977	Fd	BX		7081 - D149	MD149	R40H5010	R40H5529	NR	NR
	Ra	GM	13 " x 3-1/2 "	2157T - 452	R46452	R40H378	R40H7055	R40H2588	R40H2589
LLV POSTAL VEHICLE									
1995	Fd	GM		7070A - D154	MD154	R40H5004DP	R40H5536	NR	NR
	Ra	GM	9.5 x 2 "	2117ATT - 514	R468135	R40H367	R40H4019DP	R40H2622	R40H2623
1994	Fd	GM		7070A - D154	MD154	R40H5004DP	R40H5536	NR	NR
1993	Fd	GM		7070A - D154	MD154	R40H5004DP	R40H5536	NR	NR
1992	Fd	GM		7070A - D154	MD154	R40H5004DP	R40H5536	NR	NR
1991	Fd	GM		7070A - D154	MD154	R40H5004DP	R40H5536	NR	NR
1990	Fd	GM		7070A - D154	MD154	R40H5004DP	R40H5536	NR	NR
1989	Fd	GM		7070A - D154	MD154	R40H5004DP	R40H5536	NR	NR
1988	Fd	GM		7070A - D154	MD154	R40H5004DP	R40H5536	NR	NR
1987	Fd	GM		7070A - D154	MD154	R40H5004DP	R40H5536	NR	NR
P-20, P-2500 SERIES-3/4 TON FORWARD CONTROL									
1989	Ra	GM	11-5/32" x 2-3/4 "	2073TT - 473	R46473	R40H369	R40H4072DP ²⁷⁸	R40H2586	R40H2587
	Ra	GM	11-5/32" x 2-3/4 "	2073TT - 473	R46473	R40H369	R40H4072DP ²⁷⁸	R40H2586	R40H2587
	Ra	GM	13 " x 2-1/2 "	2042AT - 451	R46451	R40H378	R40H7055	R40H2588	R40H2589
	Ra	GM	13 " x 2-1/2 "	2042AT - 451	R46451	R40H378	R40H7055	R40H2588	R40H2589
7,200 lb. GVW	Fd	GM		728A - D52	MD52	R40H5004DP	R40H5500	NR	NR
	Fd	GM		728A - D52	MD52	R40H5004DP	R40H5500	NR	NR
8,400 lb. GVW	Fd	GM		7280 - D392	MD392	R40H5004DP	R40H5500	NR	NR
	Fd	GM		7280 - D392	MD392	R40H5004DP	R40H5500	NR	NR
1988	Ra	GM	11-5/32" x 2-3/4 "	2073TT - 473	R46473	R40H369	R40H4072DP ²⁷⁸	R40H2586	R40H2587
	Ra	GM	11-5/32" x 2-3/4 "	2073TT - 473	R46473	R40H369	R40H4072DP ²⁷⁸	R40H2586	R40H2587
	Ra	GM	13 " x 2-1/2 "	2042AT - 451	R46451	R40H378	R40H7055	R40H2588	R40H2589
	Ra	GM	13 " x 2-1/2 "	2042AT - 451	R46451	R40H378	R40H7055	R40H2588	R40H2589

53 - Power Brakes
 280 - 10 1/2" Ring Gear
 313 - Power Brakes, 1st Design, Cylinder Stamped 1605

77 - Hub Casting # 102764
 293 - With 9 1/2" Ring Gear and 6 3/8" Drum Width
 346 - 4500 lb. Casting Number 2238451452, 10mm Inlet

278 - For Heavy Duty version use E-11287
 312 - Power Brakes, Except Hydroboost
 351 - 1/2" Studs, 4500 lb. Axle, Rotor Casting Number 100353, Hub Casting Number 102764

MERITOR DRUM OR ROTOR NO.	CALIPER OR CYLINDER BORE SIZE	MERITOR CALIPER OR WHEEL CYLINDER (LEFT)	MERITOR CALIPER OR WHEEL CYLINDER (RIGHT)	MERITOR CALIPER OR WHEEL CYLINDER REPAIR KIT	MERITOR CALIPER PISTON	MERITOR MASTER CYLINDER	MERITOR MASTER CYLINDER KIT	MERITOR BRAKE HOSE (LEFT)	MERITOR BRAKE HOSE (RIGHT)
GMC / CHEV(Cont.)									
K-3500 SERIES-1 TON PICKUP AND SUBURBAN 4WD(Cont.)									
R44141468 ⁷⁷	3-3/8 "	R42R55200	R42R55199 ³⁴⁶	R4066780	R4090021	R4111584 ³¹³	R4122597	R4577334	R4577335
R44140387	1-3/16 "	R4133708	R4133708	R4166872	NR	-	-	R4588651	R4588651
R44140388 ²⁸⁰	1-3/16 "	R4133708	R4133708	R4166872	NR	-	-	R4588651	R4588651
R44141469 ³⁵¹	3-3/8 "	R42R55200	R42R55199 ³⁴⁶	R4066780	R4090021	R4111584 ³¹³	R4122597	R4577334	R4577335
R44141468 ⁷⁷	3-3/8 "	R42R55200	R42R55199 ³⁴⁶	R4066780	R4090021	R4111584 ³¹³	R4122597	R4577334	R4577335
R44140387	1-3/16 "	R4133708	R4133708	R4166872	NR	-	-	R4588651	R4588651
R44140388 ²⁸⁰	1-3/16 "	R4133708	R4133708	R4166872	NR	-	-	R4588651	R4588651
R44141468 ⁴⁰⁵	3-3/8 "	R42R55200	R42R55199 ³⁴⁶	R4066780	R4090021	R4111730 ³¹²	R4122203	R4577334	R4577335
R44141468 ⁴⁰⁵	3-3/8 "	R42R55200	R42R55199 ³⁴⁶	R4066780	R4090021	R4111584 ³¹³	R4122597	R4577334	R4577335
R44141469 ³⁵¹	3-3/8 "	R42R55200	R42R55199 ³⁴⁶	R4066780	R4090021	R4111730 ³¹²	R4122203	R4577334	R4577335
R44141469 ³⁵¹	3-3/8 "	R42R55200	R42R55199 ³⁴⁶	R4066780	R4090021	R4111584 ³¹³	R4122597	R4577334	R4577335
R44140388 ²⁸⁰	1-3/16 "	R4133708	R4133708	R4166872	NR	-	-	R4588651	R4588651
R44141469 ³⁵¹	3-3/8 "	R42R55200	R42R55199 ³⁴⁶	R4066780	R4090021	R4111584 ³¹³	R4122597	R4577334	R4577335
R44141468 ⁷⁷	3-3/8 "	R42R55200	R42R55199 ³⁴⁶	R4066780	R4090021	R4111730 ³¹²	R4122203	R4577334	R4577335
R44140388 ²⁸⁰	1-3/16 "	R4133708	R4133708	R4166872	NR	-	-	R4588651	R4588651
R44140388 ²⁸⁰	1-3/16 "	R4133708	R4133708	R4166872	NR	-	-	R4588651	R4588651
R44141468 ⁷⁷	3-3/8 "	R42R55200	R42R55199 ³⁴⁶	R4066780	R4090021	R4111584 ³¹³	R4122597	R4577334	R4577335
R44140388 ²⁸⁰	1-3/16 "	R4133708	R4133708	R4166872	NR	-	-	-	-
R44141468 ⁷⁷	3-3/8 "	R42R55200	R42R55199 ³⁴⁶	R4066780	R4090021	R4111584 ³¹³	R4122597	R4577334	R4577335
R44140388 ²⁸⁰	1-3/16 "	R4133708	R4133708	R4166872	NR	-	-	-	-
LLV POSTAL VEHICLE									
R44141233 ³⁸¹	2-1/2 "	R42R55265	R42R55264	R4066715	R4090028S	R4112342 ⁵³	N/A	R4577544	R4577544
N/A		-	-	N/A	NR	-	-	R4577544	R4577544
R44141233 ³⁸¹	2-1/2 "	R42R55265	R42R55264	R4066715	R4090028S	R4112342 ⁵³	N/A	R4577544	R4577544
R44141233 ³⁸¹	2-1/2 "	R42R55265	R42R55264	R4066715	R4090028S	R4112342 ⁵³	N/A	R4577544	R4577544
R44141233 ³⁸¹	2-1/2 "	R42R55265	R42R55264	R4066715	R4090028S	R4112342 ⁵³	N/A	R4577544	R4577544
R44141233 ³⁸¹	2-1/2 "	R42R55265	R42R55264	R4066715	R4090028S	R4112342 ⁵³	N/A	R4577544	R4577544
R44141233 ³⁸¹	2-1/2 "	R42R55265	R42R55264	R4066715	R4090028S	R4112342 ⁵³	N/A	R4577544	R4577544
R44141233 ³⁸¹	2-1/2 "	R42R55265	R42R55264	R4066715	R4090028S	R4112342 ⁵³	N/A	R4577544	R4577544
R44141233 ³⁸¹	2-1/2 "	R42R55265	R42R55264	R4066715	R4090028S	R4112342 ⁵³	N/A	R4577544	R4577544
R44141233 ³⁸¹	2-1/2 "	R42R55265	R42R55264	R4066715	R4090028S	R4112342 ⁵³	N/A	R4577544	R4577544
P-20, P-2500 SERIES-3/4 TON FORWARD CONTROL									
R44140450	1 "	R4133608	R4133608	R4166620	NR	-	-	-	-
R44140450	1 "	R4133608	R4133608	R4166620	NR	-	-	-	-
R44140449 ²⁹³	1-1/16 "	R4133709	R4133709	N/A	NR	-	-	-	-
R44140449 ²⁹³	1-1/16 "	R4133709	R4133709	N/A	NR	-	-	-	-
R44141186 ³⁸¹	2-15/16 "	R42R55208	R42R55207	R4066848	R4090013S	-	-	-	-
R44141186 ³⁸¹	2-15/16 "	R42R55208	R42R55207	R4066848	R4090013S	-	-	-	-
R44141186 ³⁸¹	3-5/32 "	R42R55382	R42R55381	R4066557	R4090068S	-	-	-	-
R44141186 ³⁸¹	3-5/32 "	R42R55382	R42R55381	R4066557	R4090068S	-	-	-	-
R44140450	1 "	R4133608	R4133608	R4166620	NR	-	-	-	-
R44140450	1 "	R4133608	R4133608	R4166620	NR	-	-	-	-
R44140449 ²⁹³	1-1/16 "	R4133709	R4133709	N/A	NR	-	-	-	-
R44140449 ²⁹³	1-1/16 "	R4133709	R4133709	N/A	NR	-	-	-	-

381 - Rotor and Hub One Piece Assembly W/O ABS Ring

405 - Rotor Only

MAKE MODEL YEAR AXLE CODE AXLE WEIGHT	AXLE & BRK. TYPE	BRK. MFG.	BRAKE SIZE	FMSI	MERITOR DISC PAD OR BRAKE SHOE	MERITOR GUIDE PIN OR RETURN SPRING KIT	MERITOR CALIPER HWD. KIT OR RETURN SPRING KIT	MERITOR ADJUSTER KIT (LEFT WHEEL)	MERITOR ADJUSTER KIT (RIGHT WHEEL)
GMC / CHEV(Cont.)									
P-20, P-2500 SERIES-3/4 TON FORWARD CONTROL(Cont.)									
1988 7,200 lb. GVW	Fd Fd	GM GM		728A - D52 728A - D52	MD52 MD52	R40H5004DP R40H5004DP	R40H5500 R40H5500	NR NR	NR NR
8,400 lb. GVW	Fd Fd	GM GM		7280 - D392 7280 - D392	MD392 MD392	R40H5004DP R40H5004DP	R40H5500 R40H5500	NR NR	NR NR
1987	Fd Fd Fd Fd	GM GM GM GM		728A - D52 7214 - D52 7214 - D52 728A - D52	MD52 MD52 MD52 MD52	R40H5004DP R40H5004DP R40H5004DP R40H5004DP	R40H5500 R40H5500 R40H5500 R40H5500	NR NR NR NR	NR NR NR NR
	Ra Ra Ra Ra	GM GM GM GM	11-5/32" x 2-3/4 " 11-5/32" x 2-3/4 " 13" x 2-1/2 " 13" x 2-1/2 "	2073TT - 473 2073TT - 473 2042AT - 451 2042AT - 451	R46473 R46473 R46451 R46451	R40H369 R40H369 R40H378 R40H378	R40H4072DP ²⁷⁸ R40H4072DP ²⁷⁸ R40H7055 R40H7055	R40H2586 R40H2586 R40H2588 R40H2588	R40H2587 R40H2587 R40H2589 R40H2589
8,400 lb. GVW	Fd Fd	GM GM		7084 - D153 7084 - D153	MD392 MD392	R40H5004DP R40H5004DP	R40H5500 R40H5500	NR NR	NR NR
1986	Fd Fd Fd Fd	GM GM GM GM		728A - D52 7214 - D52 7214 - D52 728A - D52	MD52 MD52 MD52 MD52	R40H5004DP R40H5004DP R40H5004DP R40H5004DP	R40H5500 R40H5500 R40H5500 R40H5500	NR NR NR NR	NR NR NR NR
	Ra Ra Ra Ra	GM GM GM GM	11-5/32" x 2-3/4 " 11-5/32" x 2-3/4 " 13" x 2-1/2 " 13" x 2-1/2 "	2073TT - 473 2073TT - 473 2042AT - 451 2042AT - 451	R46473 R46473 R46451 R46451	R40H369 R40H369 R40H378 R40H378	R40H4072DP ²⁷⁸ R40H4072DP ²⁷⁸ R40H7055 R40H7055	R40H2586 R40H2586 R40H2588 R40H2588	R40H2587 R40H2587 R40H2589 R40H2589
8,400 lb. GVW	Fd Fd	GM GM		7084 - D153 7084 - D153	MD392 MD392	R40H5004DP R40H5004DP	R40H5500 R40H5500	NR NR	NR NR
1985	Fd Fd Fd Fd	GM GM GM GM		728A - D52 728A - D52 7214 - D52 7214 - D52	MD52 MD52 MD52 MD52	R40H5004DP R40H5004DP R40H5004DP R40H5004DP	R40H5500 R40H5500 R40H5500 R40H5500	NR NR NR NR	NR NR NR NR
	Ra Ra Ra Ra	GM GM GM GM	11-5/32" x 2-3/4 " 11-5/32" x 2-3/4 " 13" x 2-1/2 " 13" x 2-1/2 "	2073TT - 473 2073TT - 473 2042AT - 451 2042AT - 451	R46473 R46473 R46451 R46451	R40H369 R40H369 R40H378 R40H378	R40H4072DP ²⁷⁸ R40H4072DP ²⁷⁸ R40H7055 R40H7055	R40H2586 R40H2586 R40H2588 R40H2588	R40H2587 R40H2587 R40H2589 R40H2589
8,400 lb. GVW	Fd Fd	GM GM		7084 - D153 7084 - D153	MD392 MD392	R40H5004DP R40H5004DP	R40H5500 R40H5500	NR NR	NR NR
1984	Fd Fd Fd Fd	GM GM GM GM		728A - D52 728A - D52 7214 - D52 7214 - D52	MD52 MD52 MD52 MD52	R40H5004DP R40H5004DP R40H5004DP R40H5004DP	R40H5500 R40H5500 R40H5500 R40H5500	NR NR NR NR	NR NR NR NR
	Ra Ra Ra Ra	GM GM GM GM	11-5/32" x 2-3/4 " 11-5/32" x 2-3/4 " 13" x 2-1/2 " 13" x 2-1/2 "	2073TT - 473 2073TT - 473 2042AT - 451 2042AT - 451	R46473 R46473 R46451 R46451	R40H369 R40H369 R40H378 R40H378	R40H4072DP ²⁷⁸ R40H4072DP ²⁷⁸ R40H7055 R40H7055	R40H2586 R40H2586 R40H2588 R40H2588	R40H2587 R40H2587 R40H2589 R40H2589
8,400 lb. GVW	Fd Fd	GM GM		7084 - D153 7084 - D153	MD392 MD392	R40H5004DP R40H5004DP	R40H5500 R40H5500	NR NR	NR NR
1983	Fd Fd Fd Fd	GM GM GM GM		7214 - D52 7214 - D52 728A - D52 728A - D52	MD52 MD52 MD52 MD52	R40H5004DP R40H5004DP R40H5004DP R40H5004DP	R40H5500 R40H5500 R40H5500 R40H5500	NR NR NR NR	NR NR NR NR
	Ra Ra Ra Ra	GM GM GM GM	11-5/32" x 2-3/4 " 11-5/32" x 2-3/4 " 13" x 2-1/2 " 13" x 2-1/2 "	2073TT - 473 2073TT - 473 2042AT - 451 2042AT - 451	R46473 R46473 R46451 R46451	R40H369 R40H369 R40H378 R40H378	R40H4072DP ²⁷⁸ R40H4072DP ²⁷⁸ R40H7055 R40H7055	R40H2586 R40H2586 R40H2588 R40H2588	R40H2587 R40H2587 R40H2589 R40H2589
8,400 lb. GVW	Fd Fd	GM GM		7084 - D153 7084 - D153	MD392 MD392	R40H5004DP R40H5004DP	R40H5500 R40H5500	NR NR	NR NR
1982	Fd Fd Fd	GM GM GM		7214 - D52 728A - D52 7214 - D52	MD52 MD52 MD52	R40H5004DP R40H5004DP R40H5004DP	R40H5500 R40H5500 R40H5500	NR NR NR	NR NR NR

278 - For Heavy Duty version use E-11287

293 - With 9 1/2" Ring Gear and 6 3/8" Drum Width

381 - Rotor and Hub One Piece Assembly W/O ABS Ring

MERITOR DRUM OR ROTOR NO.	CALIPER OR CYLINDER BORE SIZE	MERITOR CALIPER OR WHEEL CYLINDER (LEFT)	MERITOR CALIPER OR WHEEL CYLINDER (RIGHT)	MERITOR CALIPER OR WHEEL CYLINDER REPAIR KIT	MERITOR CALIPER PISTON	MERITOR MASTER CYLINDER	MERITOR MASTER CYLINDER KIT	MERITOR BRAKE HOSE (LEFT)	MERITOR BRAKE HOSE (RIGHT)
GMC / CHEV(Cont.)									
P-20, P-2500 SERIES-3/4 TON FORWARD CONTROL(Cont.)									
R44141186 ³⁸¹ R44141186 ³⁸¹	2-15/16 " 2-15/16 "	R42R55208 R42R55208	R42R55207 R42R55207	R4066848 R4066848	R4090013S R4090013S	-	-	-	-
R44141186 ³⁸¹ R44141186 ³⁸¹	3-5/32 " 3-5/32 "	R42R55382 R42R55382	R42R55381 R42R55381	R4066557 R4066557	R4090068S R4090068S	-	-	-	-
R44141186 ³⁸¹ R44141186 ³⁸¹ R44141186 ³⁸¹ R44141186 ³⁸¹	2-15/16 " 2-15/16 " 2-15/16 " 2-15/16 "	R42R55208 R42R55208 R42R55208 R42R55208	R42R55207 R42R55207 R42R55207 R42R55207	R4066848 R4066848 R4066848 R4066848	R4090013S R4090013S R4090013S R4090013S	-	-	-	-
R44140450 R44140450 R44140449 ²⁹³ R44140449 ²⁹³	1 " 1 " 1-1/16 " 1-1/16 "	R4133608 R4133608 R4133709 R4133709	R4133608 R4133608 R4133709 R4133709	R4166620 R4166620 N/A N/A	NR NR NR NR	-	-	-	-
R44141186 ³⁸¹ R44141186 ³⁸¹	3-5/32 " 3-5/32 "	R42R55382 R42R55382	R42R55381 R42R55381	R4066557 R4066557	R4090068S R4090068S	-	-	-	-
R44141186 ³⁸¹ R44141186 ³⁸¹ R44141186 ³⁸¹ R44141186 ³⁸¹	2-15/16 " 2-15/16 " 2-15/16 " 2-15/16 "	R42R55208 R42R55208 R42R55208 R42R55208	R42R55207 R42R55207 R42R55207 R42R55207	R4066848 R4066848 R4066848 R4066848	R4090013S R4090013S R4090013S R4090013S	-	-	-	-
R44140450 R44140450 R44140449 ²⁹³ R44140449 ²⁹³	1 " 1 " 1-1/16 " 1-1/16 "	R4133608 R4133608 R4133709 R4133709	R4133608 R4133608 R4133709 R4133709	R4166620 R4166620 N/A N/A	NR NR NR NR	-	-	-	-
R44141186 ³⁸¹ R44141186 ³⁸¹	3-5/32 " 3-5/32 "	R42R55382 R42R55382	R42R55381 R42R55381	R4066557 R4066557	R4090068S R4090068S	-	-	-	-
R44141186 ³⁸¹ R44141186 ³⁸¹ R44141186 ³⁸¹ R44141186 ³⁸¹	2-15/16 " 2-15/16 " 2-15/16 " 2-15/16 "	R42R55208 R42R55208 R42R55208 R42R55208	R42R55207 R42R55207 R42R55207 R42R55207	R4066848 R4066848 R4066848 R4066848	R4090013S R4090013S R4090013S R4090013S	-	-	-	-
R44140450 R44140450 R44140449 ²⁹³ R44140449 ²⁹³	1 " 1 " 1-1/16 " 1-1/16 "	R4133608 R4133608 R4133709 R4133709	R4133608 R4133608 R4133709 R4133709	R4166620 R4166620 N/A N/A	NR NR NR NR	-	-	-	-
R44141186 ³⁸¹ R44141186 ³⁸¹	3-5/32 " 3-5/32 "	R42R55382 R42R55382	R42R55381 R42R55381	R4066557 R4066557	R4090068S R4090068S	-	-	-	-
R44141186 ³⁸¹ R44141186 ³⁸¹ R44141186 ³⁸¹ R44141186 ³⁸¹	2-15/16 " 2-15/16 " 2-15/16 " 2-15/16 "	R42R55208 R42R55208 R42R55208 R42R55208	R42R55207 R42R55207 R42R55207 R42R55207	R4066848 R4066848 R4066848 R4066848	R4090013S R4090013S R4090013S R4090013S	-	-	-	-
R44140450 R44140450 R44140449 ²⁹³ R44140449 ²⁹³	1 " 1 " 1-1/16 " 1-1/16 "	R4133608 R4133608 R4133709 R4133709	R4133608 R4133608 R4133709 R4133709	R4166620 R4166620 N/A N/A	NR NR NR NR	-	-	-	-
R44141186 ³⁸¹ R44141186 ³⁸¹	3-5/32 " 3-5/32 "	R42R55382 R42R55382	R42R55381 R42R55381	R4066557 R4066557	R4090068S R4090068S	-	-	-	-
R44141186 ³⁸¹ R44141186 ³⁸¹ R44141186 ³⁸¹	2-15/16 " 2-15/16 " 2-15/16 "	R42R55208 R42R55208 R42R55208	R42R55207 R42R55207 R42R55207	R4066848 R4066848 R4066848	R4090013S R4090013S R4090013S	-	-	-	-

1 APPLICATION

MAKE MODEL YEAR AXLE CODE AXLE WEIGHT	AXLE & BRK. TYPE	BRK. MFG.	BRAKE SIZE	FMSI	MERITOR DISC PAD OR BRAKE SHOE	MERITOR GUIDE PIN OR RETURN SPRING KIT	MERITOR CALIPER HWD. KIT OR RETURN SPRING KIT	MERITOR ADJUSTER KIT (LEFT WHEEL)	MERITOR ADJUSTER KIT (RIGHT WHEEL)
GMC / CHEV(Cont.)									
P-20, P-2500 SERIES-3/4 TON FORWARD CONTROL(Cont.)									
1982	Fd	GM		728A - D52	MD52	R40H5004DP	R40H5500	NR	NR
	Ra	GM	11-5/32" x 2-3/4 "	2073TT - 473	R46473	R40H369	R40H4072DP ²⁷⁸	R40H2586	R40H2587
	Ra	GM	11-5/32" x 2-3/4 "	2073TT - 473	R46473	R40H369	R40H4072DP ²⁷⁸	R40H2586	R40H2587
	Ra	GM	13 " x 2-1/2 "	2042AT - 451	R46451	R40H378	R40H7055	R40H2588	R40H2589
	Ra	GM	13 " x 2-1/2 "	2042AT - 451	R46451	R40H378	R40H7055	R40H2588	R40H2589
8,400 lb. GVW	Fd	GM		7084 - D153	MD392	R40H5004DP	R40H5500	NR	NR
	Fd	GM		7084 - D153	MD392	R40H5004DP	R40H5500	NR	NR
1981	Fd	GM		7214 - D52	MD52	R40H5004DP	R40H5500	NR	NR
	Fd	GM		728A - D52	MD52	R40H5004DP	R40H5500	NR	NR
	Fd	GM		7214 - D52	MD52	R40H5004DP	R40H5500	NR	NR
	Fd	GM		728A - D52	MD52	R40H5004DP	R40H5500	NR	NR
	Ra	GM	11-5/32" x 2-3/4 "	2073TT - 473	R46473	R40H369	R40H4072DP ²⁷⁸	R40H2586	R40H2587
	Ra	GM	11-5/32" x 2-3/4 "	2073TT - 473	R46473	R40H369	R40H4072DP ²⁷⁸	R40H2586	R40H2587
	Ra	GM	13 " x 2-1/2 "	2042AT - 451	R46451	R40H378	R40H7055	R40H2588	R40H2589
	Ra	GM	13 " x 2-1/2 "	2042AT - 451	R46451	R40H378	R40H7055	R40H2588	R40H2589
	Ra	GM	13 " x 2-1/2 "	2042AT - 451	R46451	R40H378	R40H7055	R40H2588	R40H2589
8,400 lb. GVW	Fd	GM		7084 - D153	MD392	R40H5004DP	R40H5500	NR	NR
	Fd	GM		7084 - D153	MD392	R40H5004DP	R40H5500	NR	NR
1980	Fd	GM		7214 - D52	MD52	R40H5004DP	R40H5500	NR	NR
	Fd	GM		728A - D52	MD52	R40H5004DP	R40H5500	NR	NR
	Fd	GM		728A - D52	MD52	R40H5004DP	R40H5500	NR	NR
	Fd	GM		7214 - D52	MD52	R40H5004DP	R40H5500	NR	NR
	Ra	GM	11-5/32" x 2-3/4 "	2073TT - 473	R46473	R40H369	R40H4072DP ²⁷⁸	R40H2586	R40H2587
	Ra	GM	11-5/32" x 2-3/4 "	2073TT - 473	R46473	R40H369	R40H4072DP ²⁷⁸	R40H2586	R40H2587
	Ra	GM	13 " x 2-1/2 "	2042AT - 451	R46451	R40H378	R40H7055	R40H2588	R40H2589
	Ra	GM	13 " x 2-1/2 "	2042AT - 451	R46451	R40H378	R40H7055	R40H2588	R40H2589
	Ra	GM	13 " x 2-1/2 "	2042AT - 451	R46451	R40H378	R40H7055	R40H2588	R40H2589
8,400 lb. GVW	Fd	GM		7084 - D153	MD392	R40H5004DP	R40H5500	NR	NR
	Fd	GM		7084 - D153	MD392	R40H5004DP	R40H5500	NR	NR
1979	Fd	GM		728A - D52	MD52	R40H5004DP	R40H5500	NR	NR
	Fd	GM		728A - D52	MD52	R40H5004DP	R40H5500	NR	NR
	Fd	GM		7214 - D52	MD52	R40H5004DP	R40H5500	NR	NR
	Fd	GM		7214 - D52	MD52	R40H5004DP	R40H5500	NR	NR
	Ra	GM	11-5/32" x 2-3/4 "	2073TT - 473	R46473	R40H369	R40H4072DP ²⁷⁸	R40H2586	R40H2587
	Ra	GM	11-5/32" x 2-3/4 "	2073TT - 473	R46473	R40H369	R40H4072DP ²⁷⁸	R40H2586	R40H2587
	Ra	GM	13 " x 2-1/2 "	2042AT - 451	R46451	R40H378	R40H7055	R40H2588	R40H2589
	Ra	GM	13 " x 2-1/2 "	2042AT - 451	R46451	R40H378	R40H7055	R40H2588	R40H2589
	Ra	GM	13 " x 2-1/2 "	2042AT - 451	R46451	R40H378	R40H7055	R40H2588	R40H2589
8,400 lb. GVW	Fd	GM		7084 - D153	MD392	R40H5004DP	R40H5500	NR	NR
	Fd	GM		7084 - D153	MD392	R40H5004DP	R40H5500	NR	NR
1978	Fd	GM		728A - D52	MD52	R40H5004DP	R40H5500	NR	NR
	Fd	GM		728A - D52	MD52	R40H5004DP	R40H5500	NR	NR
	Ra	GM	11-5/32" x 2-3/4 "	2073TT - 473	R46473	R40H369	R40H4072DP ²⁷⁸	R40H2586	R40H2587
	Ra	GM	11-5/32" x 2-3/4 "	2073TT - 473	R46473	R40H369	R40H4072DP ²⁷⁸	R40H2586	R40H2587
	Ra	GM	13 " x 2-1/2 "	2042AT - 451	R46451	R40H378	R40H7055	R40H2588	R40H2589
1977	Fd	GM		728A - D52	MD52	R40H5004DP	R40H5500	NR	NR
	Fd	GM		728A - D52	MD52	R40H5004DP	R40H5500	NR	NR
	Ra	GM	11-5/32" x 2-3/4 "	2073TT - 473	R46473	R40H369	R40H4072DP ²⁷⁸	R40H2586	R40H2587
	Ra	GM	11-5/32" x 2-3/4 "	2073TT - 473	R46473	R40H369	R40H4072DP ²⁷⁸	R40H2586	R40H2587
	Ra	GM	13 " x 2-1/2 "	2042AT - 451	R46451	R40H378	R40H7055	R40H2588	R40H2589
	Ra	GM	13 " x 2-1/2 "	2042AT - 451	R46451	R40H378	R40H7055	R40H2588	R40H2589
	Ra	GM	13 " x 2-1/2 "	2042AT - 451	R46451	R40H378	R40H7055	R40H2588	R40H2589
	Ra	GM	13 " x 2-1/2 "	2042AT - 451	R46451	R40H378	R40H7055	R40H2588	R40H2589
	Ra	GM	13 " x 2-1/2 "	2042AT - 451	R46451	R40H378	R40H7055	R40H2588	R40H2589
1976	Fd	GM		728A - D52	MD52	R40H5004DP	R40H5500	NR	NR
	Fd	GM		728A - D52	MD52	R40H5004DP	R40H5500	NR	NR
	Ra	GM	11-5/32" x 2-3/4 "	2073TT - 473	R46473	R40H369	R40H4072DP ²⁷⁸	R40H2586	R40H2587
	Ra	GM	11-5/32" x 2-3/4 "	2073TT - 473	R46473	R40H369	R40H4072DP ²⁷⁸	R40H2586	R40H2587
	Ra	GM	13 " x 2-1/2 "	2042AT - 451	R46451	R40H378	R40H7055	R40H2588	R40H2589
P-30, P-3500 SERIES-1 TON FORWARD CONTROL AND MOTOR HOME CHASSIS	Fd	GM		728A - D52	MD52	R40H5004DP	R40H5500	NR	NR
	Fd	GM		728A - D52	MD52	R40H5004DP	R40H5500	NR	NR
	Ra	GM	11-5/32" x 2-3/4 "	2073TT - 473	R46473	R40H369	R40H4072DP ²⁷⁸	R40H2586	R40H2587
	Ra	GM	11-5/32" x 2-3/4 "	2073TT - 473	R46473	R40H369	R40H4072DP ²⁷⁸	R40H2586	R40H2587
	Ra	GM	13 " x 2-1/2 "	2042AT - 451	R46451	R40H378	R40H7055	R40H2588	R40H2589
	Ra	GM	13 " x 2-1/2 "	2042AT - 451	R46451	R40H378	R40H7055	R40H2588	R40H2589
	Ra	GM	13 " x 2-1/2 "	2042AT - 451	R46451	R40H378	R40H7055	R40H2588	R40H2589
	Ra	GM	13 " x 2-1/2 "	2042AT - 451	R46451	R40H378	R40H7055	R40H2588	R40H2589
	Ra	GM	13 " x 2-1/2 "	2042AT - 451	R46451	R40H378	R40H7055	R40H2588	R40H2589
2001 10 1/2 Ring Gear	Ra	GM	13 " x 2-1/2 "	2042T - 451	R46451	R40H378	R40H7055	R40H2588	R40H2589

278 - For Heavy Duty version use E-11287

282 - 10 1/2" Ring Gear, First Design; Use 3 3/8" Outside Diameter 293 - With 9 1/2" Ring Gear and 6 3/8" Drum Width Axle Tubes

381 - Rotor and Hub One Piece Assembly W/O ABS Ring

MERITOR DRUM OR ROTOR NO.	CALIPER OR CYLINDER BORE SIZE	MERITOR CALIPER OR WHEEL CYLINDER (LEFT)	MERITOR CALIPER OR WHEEL CYLINDER (RIGHT)	MERITOR CALIPER OR WHEEL CYLINDER REPAIR KIT	MERITOR CALIPER PISTON	MERITOR MASTER CYLINDER	MERITOR MASTER CYLINDER KIT	MERITOR BRAKE HOSE (LEFT)	MERITOR BRAKE HOSE (RIGHT)
GMC / CHEV(Cont.)									
P-20, P-2500 SERIES-3/4 TON FORWARD CONTROL(Cont.)									
R44141186 ³⁸¹	2-15/16 "	R42R55208	R42R55207	R4066848	R4090013S	-	-	-	-
R44140450	1 "	R4133608	R4133608	R4166620	NR	-	-	-	-
R44140450	1 "	R4133608	R4133608	R4166620	NR	-	-	-	-
R44140449 ²⁹³	1-1/16 "	R4133709	R4133709	N/A	NR	-	-	-	-
R44140449 ²⁹³	1-1/16 "	R4133709	R4133709	N/A	NR	-	-	-	-
R44141186 ³⁸¹	3-5/32 "	R42R55382	R42R55381	R4066557	R4090068S	-	-	-	-
R44141186 ³⁸¹	3-5/32 "	R42R55382	R42R55381	R4066557	R4090068S	-	-	-	-
R44141186 ³⁸¹	2-15/16 "	R42R55208	R42R55207	R4066848	R4090013S	-	-	-	-
R44141186 ³⁸¹	2-15/16 "	R42R55208	R42R55207	R4066848	R4090013S	-	-	-	-
R44141186 ³⁸¹	2-15/16 "	R42R55208	R42R55207	R4066848	R4090013S	-	-	-	-
R44141186 ³⁸¹	2-15/16 "	R42R55208	R42R55207	R4066848	R4090013S	-	-	-	-
R44140450	1 "	R4133608	R4133608	R4166620	NR	-	-	-	-
R44140450	1 "	R4133608	R4133608	R4166620	NR	-	-	-	-
R44140449 ²⁹³	1-1/16 "	R4133709	R4133709	N/A	NR	-	-	-	-
R44140449 ²⁹³	1-1/16 "	R4133709	R4133709	N/A	NR	-	-	-	-
R44141186 ³⁸¹	3-5/32 "	R42R55382	R42R55381	R4066557	R4090068S	-	-	-	-
R44141186 ³⁸¹	3-5/32 "	R42R55382	R42R55381	R4066557	R4090068S	-	-	-	-
R44141186 ³⁸¹	2-15/16 "	R42R55208	R42R55207	R4066848	R4090013S	-	-	-	-
R44141186 ³⁸¹	2-15/16 "	R42R55208	R42R55207	R4066848	R4090013S	-	-	-	-
R44141186 ³⁸¹	2-15/16 "	R42R55208	R42R55207	R4066848	R4090013S	-	-	-	-
R44141186 ³⁸¹	2-15/16 "	R42R55208	R42R55207	R4066848	R4090013S	-	-	-	-
R44140450	1 "	R4133608	R4133608	R4166620	NR	-	-	-	-
R44140450	1 "	R4133608	R4133608	R4166620	NR	-	-	-	-
R44140449 ²⁹³	1-1/16 "	R4133709	R4133709	N/A	NR	-	-	-	-
R44140449 ²⁹³	1-1/16 "	R4133709	R4133709	N/A	NR	-	-	-	-
R44141186 ³⁸¹	3-5/32 "	R42R55382	R42R55381	R4066557	R4090068S	-	-	-	-
R44141186 ³⁸¹	3-5/32 "	R42R55382	R42R55381	R4066557	R4090068S	-	-	-	-
R44141186 ³⁸¹	2-15/16 "	R42R55208	R42R55207	R4066848	R4090013S	-	-	-	-
R44141186 ³⁸¹	2-15/16 "	R42R55208	R42R55207	R4066848	R4090013S	-	-	-	-
R44141186 ³⁸¹	2-15/16 "	R42R55208	R42R55207	R4066848	R4090013S	-	-	-	-
R44141186 ³⁸¹	2-15/16 "	R42R55208	R42R55207	R4066848	R4090013S	-	-	-	-
R44140450	1 "	R4133608	R4133608	R4166620	NR	-	-	-	-
R44140450	1 "	R4133608	R4133608	R4166620	NR	-	-	-	-
R44140449 ²⁹³	1-1/16 "	R4133709	R4133709	N/A	NR	-	-	-	-
R44140449 ²⁹³	1-1/16 "	R4133709	R4133709	N/A	NR	-	-	-	-
R44141186 ³⁸¹	3-5/32 "	R42R55382	R42R55381	R4066557	R4090068S	-	-	-	-
R44141186 ³⁸¹	3-5/32 "	R42R55382	R42R55381	R4066557	R4090068S	-	-	-	-
R44141186 ³⁸¹	2-15/16 "	R42R55061	R42R55060	R4066848	R4090013S	-	-	-	-
R44141186 ³⁸¹	2-15/16 "	R42R55061	R42R55060	R4066848	R4090013S	-	-	-	-
R44140450	1 "	R4133608	R4133608	R4166620	NR	-	-	-	-
R44140450	1 "	R4133608	R4133608	R4166620	NR	-	-	-	-
R44140363 ²⁸²	1-1/16 "	R4133709	R4133709	N/A	NR	-	-	-	-
R44140363 ²⁸²	1-1/16 "	R4133709	R4133709	N/A	NR	-	-	-	-
R44141186 ³⁸¹	2-15/16 "	R42R55061	R42R55060	R4066848	R4090013S	-	-	-	-
R44141186 ³⁸¹	2-15/16 "	R42R55061	R42R55060	R4066848	R4090013S	-	-	-	-
R44140450	1 "	R4133608	R4133608	R4166620	NR	-	-	-	-
R44140450	1 "	R4133608	R4133608	R4166620	NR	-	-	-	-
R44140363 ²⁸²	1-1/16 "	R4133709	R4133709	N/A	NR	-	-	-	-
R44140363 ²⁸²	1-1/16 "	R4133709	R4133709	N/A	NR	-	-	-	-
R44141186 ³⁸¹	2-15/16 "	R42R55061	R42R55060	R4066848	R4090013S	-	-	-	-
R44141186 ³⁸¹	2-15/16 "	R42R55061	R42R55060	R4066848	R4090013S	-	-	-	-
R44140450	1 "	R4133608	R4133608	R4166620	NR	-	-	-	-
R44140450	1 "	R4133608	R4133608	R4166620	NR	-	-	-	-
R44140363 ²⁸²	1-1/16 "	R4133709	R4133709	N/A	NR	-	-	-	-
R44140363 ²⁸²	1-1/16 "	R4133709	R4133709	N/A	NR	-	-	-	-
P-30, P-3500 SERIES-1 TON FORWARD CONTROL AND MOTOR HOME CHASSIS									
R44140363 ²⁸²	1-1/16 "	R4133709	R4133709	N/A	NR	-	-	-	-

1 APPLICATION

MAKE MODEL YEAR AXLE CODE AXLE WEIGHT	AXLE & BRK. TYPE	BRK. MFG.	BRAKE SIZE	FMSI	MERITOR DISC PAD OR BRAKE SHOE	MERITOR GUIDE PIN OR RETURN SPRING KIT	MERITOR CALIPER HWD. KIT OR RETURN SPRING KIT	MERITOR ADJUSTER KIT (LEFT WHEEL)	MERITOR ADJUSTER KIT (RIGHT WHEEL)
GMC / CHEV(Cont.)									
P-30, P-3500 SERIES-1 TON FORWARD CONTROL AND MOTOR HOME CHASSIS(Cont.)									
2001									
10 1/2 Ring Gear w/ Dual Rear Wheels	Ra	GM	13 " x 3-1/2 "	2157T - 452	R46452	R40H378	R40H7055	R40H2588	R40H2589
10 1/2 Ring Gear w/ Single Rear Wheels	Ra	GM	13 " x 3-1/2 "	2157T - 452	R46452	R40H378	R40H7055	R40H2588	R40H2589
4 Wheel ABS w/ Rear Drum Brakes 13 1/2	Fd	GM		7081 - D149	MD149	R40H5010	R40H5529	NR	NR
Dual Rear Wheels w/ Rear Drum Brakes	Fd	GM		7081 - D149	MD149	R40H5010	R40H5529	NR	NR
Single Rear Wheels w/ Rear Drum Brakes	Fd	GM		7081 - D149	MD149	R40H5010	R40H5529	NR	NR
w/ 4 Wheel Disc Brake	Fd	BX		7815 - D380	MD184	R40H5010	R40H5522	NR	NR
	Rd	BX		7815 - D380	MD184	R40H5010	R40H5522	NR	NR
2000									
10 1/2 Ring Gear	Ra	GM	13 " x 2-1/2 "	2042T - 451	R46451	R40H378	R40H7055	R40H2588	R40H2589
10 1/2 Ring Gear w/ Dual Rear Wheels	Ra	GM	13 " x 3-1/2 "	2157T - 452	R46452	R40H378	R40H7055	R40H2588	R40H2589
10 1/2 Ring Gear w/ Single Rear Wheels	Ra	GM	13 " x 3-1/2 "	2157T - 452	R46452	R40H378	R40H7055	R40H2588	R40H2589
4 Wheel ABS w/ Rear Drum Brakes 13 1/2	Fd	GM		7081 - D149	MD149	R40H5010	R40H5529	NR	NR
Dual Rear Wheels w/ Rear Drum Brakes	Fd	GM		7081 - D149	MD149	R40H5010	R40H5529	NR	NR
Single Rear Wheels w/ Rear Drum Brakes	Fd	GM		7081 - D149	MD149	R40H5010	R40H5529	NR	NR
w/ 4 Wheel Disc Brake	Fd	BX		7815 - D380	MD184	R40H5010	R40H5522	NR	NR
	Rd	BX		7815 - D380	MD184	R40H5010	R40H5522	NR	NR
1999									
10 1/2 Ring Gear	Ra	GM	13 " x 2-1/2 "	2042T - 451	R46451	R40H378	R40H7055	R40H2588	R40H2589
10 1/2 Ring Gear w/ Dual Rear Wheels	Ra	GM	13 " x 3-1/2 "	2157T - 452	R46452	R40H378	R40H7055	R40H2588	R40H2589
10 1/2 Ring Gear w/ Single Rear Wheels	Ra	GM	13 " x 3-1/2 "	2157T - 452	R46452	R40H378	R40H7055	R40H2588	R40H2589
4 Wheel ABS w/ Rear Drum Brakes 13 1/2	Fd	GM		7081 - D149	MD149	R40H5010	R40H5529	NR	NR
Dual Rear Wheels w/ Rear Drum Brakes	Fd	GM		7081 - D149	MD149	R40H5010	R40H5529	NR	NR
Single Rear Wheels w/ Rear Drum Brakes	Fd	GM		7081 - D149	MD149	R40H5010	R40H5529	NR	NR
w/ 4 Wheel Disc Brake	Fd	BX		7815 - D380	MD184	R40H5010	R40H5522	NR	NR
	Rd	BX		7815 - D380	MD184	R40H5010	R40H5522	NR	NR
1998									
10 1/2 Ring Gear	Ra	GM	13 " x 2-1/2 "	2042T - 451	R46451	R40H378	R40H7055	R40H2588	R40H2589
10 1/2 Ring Gear w/ Dual Rear Wheels	Ra	GM	13 " x 3-1/2 "	2157T - 452	R46452	R40H378	R40H7055	R40H2588	R40H2589
10 1/2 Ring Gear w/ Single Rear Wheels	Ra	GM	13 " x 3-1/2 "	2157T - 452	R46452	R40H378	R40H7055	R40H2588	R40H2589
4 Wheel ABS w/ Rear Drum Brakes 13 1/2	Fd	GM		7081 - D149	MD149	R40H5010	R40H5529	NR	NR
Dual Rear Wheels w/ Rear Drum Brakes	Fd	GM		7081 - D149	MD149	R40H5010	R40H5529	NR	NR
Single Rear Wheels w/ Rear Drum Brakes	Fd	GM		7081 - D149	MD149	R40H5010	R40H5529	NR	NR
w/ 4 Wheel Disc Brake	Fd	BX		7815 - D380	MD184	R40H5010	R40H5522	NR	NR
	Rd	BX		7815 - D380	MD184	R40H5010	R40H5522	NR	NR
1997									
10 1/2 Ring Gear	Ra	GM	13 " x 2-1/2 "	2042T - 451	R46451	R40H378	R40H7055	R40H2588	R40H2589
10 1/2 Ring Gear w/ Dual Rear Wheels	Ra	GM	13 " x 3-1/2 "	2157T - 452	R46452	R40H378	R40H7055	R40H2588	R40H2589
10 1/2 Ring Gear w/ Single Rear Wheels	Ra	GM	13 " x 3-1/2 "	2157T - 452	R46452	R40H378	R40H7055	R40H2588	R40H2589
4 Wheel ABS w/ Rear Drum Brakes 13 1/2	Fd	GM		7081 - D149	MD149	R40H5010	R40H5529	NR	NR

67 - 183.5" Wheel Base

280 - 10 1/2" Ring Gear

282 - 10 1/2" Ring Gear, First Design; Use 3 3/8" Outside Diameter Axle Tubes

346 - 4500 lb. Casting Number 2238451452, 10mm Inlet

381 - Rotor and Hub One Piece Assembly W/O ABS Ring

394 - 8 Stud Rotor and Hub one piece Assembly

405 - Rotor Only

www.XpresswayPlus.com

Contact our Customer Service Teams

MERITOR DRUM OR ROTOR NO.	CALIPER OR CYLINDER BORE SIZE	MERITOR CALIPER OR WHEEL CYLINDER (LEFT)	MERITOR CALIPER OR WHEEL CYLINDER (RIGHT)	MERITOR CALIPER OR WHEEL CYLINDER REPAIR KIT	MERITOR CALIPER PISTON	MERITOR MASTER CYLINDER	MERITOR MASTER CYLINDER KIT	MERITOR BRAKE HOSE (LEFT)	MERITOR BRAKE HOSE (RIGHT)
GMC / CHEV(Cont.)									
P-30, P-3500 SERIES-1 TON FORWARD CONTROL AND MOTOR HOME CHASSIS(Cont.)									
R44140388 ²⁸⁰	1-3/16 "	R4133708	R4133708	R4166872	NR	-	-	-	-
R44140387	1-1/16 "	R4133709	R4133709	N/A	NR	-	-	-	-
R44145368	3-3/8 "	R42R55200	R42R55199 ³⁴⁶	R4066780	R4090021	R4110376	-	-	-
R44141862 ³⁹⁴	3-3/8 "	R42R55200	R42R55199 ³⁴⁶	R4066780	R4090021	R4110376	-	-	-
R44141859 ³⁸¹	3-3/8 "	R42R55200	R42R55199 ³⁴⁶	R4066780	R4090021	R4110376	-	-	-
R4411316 ⁶⁷		R42R55805	R42R55805	N/A	N/A	R4513542	-	-	-
R44145028 ⁴⁰⁵		R42R55805	R42R55805	N/A	N/A	-	-	-	-
R44140363 ²⁸²	1-1/16 "	R4133709	R4133709	N/A	NR	-	-	-	-
R44140388 ²⁸⁰	1-3/16 "	R4133708	R4133708	R4166872	NR	-	-	-	-
R44140387	1-1/16 "	R4133709	R4133709	N/A	NR	-	-	-	-
R44145368	3-3/8 "	R42R55200	R42R55199 ³⁴⁶	R4066780	R4090021	R4110376	-	-	-
R44141862 ³⁹⁴	3-3/8 "	R42R55200	R42R55199 ³⁴⁶	R4066780	R4090021	R4110376	-	-	-
R44141859 ³⁸¹	3-3/8 "	R42R55200	R42R55199 ³⁴⁶	R4066780	R4090021	R4110376	-	-	-
R4411316 ⁶⁷		R42R55805	R42R55805	N/A	N/A	R4513542	-	-	-
R44145028 ⁴⁰⁵		R42R55805	R42R55805	N/A	N/A	-	-	-	-
R44140363 ²⁸²	1-1/16 "	R4133709	R4133709	N/A	NR	-	-	-	-
R44140388 ²⁸⁰	1-3/16 "	R4133708	R4133708	R4166872	NR	-	-	-	-
R44140387	1-1/16 "	R4133709	R4133709	N/A	NR	-	-	-	-
R44145368	3-3/8 "	R42R55200	R42R55199 ³⁴⁶	R4066780	R4090021	R4110376	-	-	-
R44141862 ³⁹⁴	3-3/8 "	R42R55200	R42R55199 ³⁴⁶	R4066780	R4090021	R4110376	-	-	-
R44141859 ³⁸¹	3-3/8 "	R42R55200	R42R55199 ³⁴⁶	R4066780	R4090021	R4110376	-	-	-
R4411316 ⁶⁷		R42R55805	R42R55805	N/A	N/A	R4513542	-	-	-
R44145028 ⁴⁰⁵		R42R55805	R42R55805	N/A	N/A	-	-	-	-
R44140363 ²⁸²	1-1/16 "	R4133709	R4133709	N/A	NR	-	-	-	-
R44140388 ²⁸⁰	1-3/16 "	R4133708	R4133708	R4166872	NR	-	-	-	-
R44140387	1-1/16 "	R4133709	R4133709	N/A	NR	-	-	-	-
R44145368	3-3/8 "	R42R55200	R42R55199 ³⁴⁶	R4066780	R4090021	R4110376	-	-	-
R44141862 ³⁹⁴	3-3/8 "	R42R55200	R42R55199 ³⁴⁶	R4066780	R4090021	R4110376	-	-	-
R44141859 ³⁸¹	3-3/8 "	R42R55200	R42R55199 ³⁴⁶	R4066780	R4090021	R4110376	-	-	-
R4411316 ⁶⁷		R42R55805	R42R55805	N/A	N/A	R4513542	-	-	-
R44145028 ⁴⁰⁵		R42R55805	R42R55805	N/A	N/A	-	-	-	-
R44140363 ²⁸²	1-1/16 "	R4133709	R4133709	N/A	NR	-	-	-	-
R44140388 ²⁸⁰	1-3/16 "	R4133708	R4133708	R4166872	NR	-	-	-	-
R44140387	1-1/16 "	R4133709	R4133709	N/A	NR	-	-	-	-
R44145368	3-3/8 "	R42R55200	R42R55199 ³⁴⁶	R4066780	R4090021	R4110376	-	-	-

1 APPLICATION

MAKE MODEL YEAR AXLE CODE AXLE WEIGHT	AXLE & BRK. TYPE	BRK. MFG.	BRAKE SIZE	FMSI	MERITOR DISC PAD OR BRAKE SHOE	MERITOR GUIDE PIN OR RETURN SPRING KIT	MERITOR CALIPER HWD. KIT OR RETURN SPRING KIT	MERITOR ADJUSTER KIT (LEFT WHEEL)	MERITOR ADJUSTER KIT (RIGHT WHEEL)
GMC / CHEV(Cont.)									
P-30, P-3500 SERIES-1 TON FORWARD CONTROL AND MOTOR HOME CHASSIS(Cont.)									
1997									
Dual Rear Wheels w/ Rear Drum Brakes	Fd	GM		7081 - D149	MD149	R40H5010	R40H5529	NR	NR
Single Rear Wheels w/ Rear Drum Brakes	Fd	GM		7081 - D149	MD149	R40H5010	R40H5529	NR	NR
w/ 4 Wheel Disc Brake	Fd	BX		7815 - D380	MD184	R40H5010	R40H5522	NR	NR
	Rd	BX		7815 - D380	MD184	R40H5010	R40H5522	NR	NR
1996									
Motor Home Chassis	Ra Ra	GM GM	13 " x 3-1/2 " 13 " x 3-1/2 "	2157T - 452 2157T - 452	R46452 R46452	R40H378 R40H378	R40H7055 R40H7055	R40H2588 R40H2588	R40H2589 R40H2589
Motor Home Chassis Except I-Beam	Fd Fd	BX BX		7081 - D149 7081 - D149	MD149 MD149	R40H5010 R40H5010	R40H5529 R40H5529	NR NR	NR NR
Motor Home Chassis With I-Beam	Fd Fd	BX BX		7081 - D149 7081 - D149	MD149 MD149	R40H5010 R40H5010	R40H5529 R40H5529	NR NR	NR NR
Motor Home Chassis With Rear Disc Brake	Fd Fd Rd Rd	BX BX BX BX		7081 - D149 7081 - D149 7081 - D149 7081 - D149	MD149 MD149 MD149 MD149	R40H5010 R40H5010 R40H5010 R40H5010	R40H5529 R40H5529 R40H5529 R40H5529	NR NR NR NR	NR NR NR NR
8,200 lb. GVW	Fd Fd Ra Ra	GM GM GM GM	13 " x 2-1/2 " 13 " x 2-1/2 "	7084 - D153 7084 - D153 2042T - 451 2042T - 451	MD392 MD392 R46451 R46451	R40H5004DP R40H5004DP R40H378 R40H378	R40H5500 R40H5500 R40H7055 R40H7055	NR NR R40H2588 R40H2588	NR NR R40H2589 R40H2589
9,000, 14,500lb. GVW	Fd Fd Rd Rd	BX BX BX BX		7081 - D149 7081 - D149 7081 - D149 7081 - D149	MD149 MD149 MD149 MD149	R40H5010 R40H5010 R40H5010 R40H5010	R40H5529 R40H5529 R40H5529 R40H5529	NR NR NR NR	NR NR NR NR
Dual Rear Wheels 9,000, 14,500lb. GVW	Fd Fd Fd Ra Ra	BX BX BX GM GM	13 " x 3-1/2 " 13 " x 3-1/2 "	7081 - D149 7081 - D149 7081 - D149 2157T - 452 2157T - 452	MD149 MD149 MD149 R46452 R46452	R40H5010 R40H5010 R40H5010 R40H378 R40H378	R40H5529 R40H5529 R40H5529 R40H7055 R40H7055	NR NR NR R40H2588 R40H2588	NR NR NR R40H2589 R40H2589
Single Rear Wheels 9,000, 14,500lb. GVW	Fd Fd Ra Ra	BX BX GM GM	13 " x 3-1/2 " 13 " x 3-1/2 "	7081 - D149 7081 - D149 2157T - 452 2157T - 452	MD149 MD149 R46452 R46452	R40H5010 R40H5010 R40H378 R40H378	R40H5529 R40H5529 R40H7055 R40H7055	NR NR R40H2588 R40H2588	NR NR R40H2589 R40H2589
1995									
Motor Home Chassis	Ra Ra	GM GM	13 " x 3-1/2 " 13 " x 3-1/2 "	2157T - 452 2157T - 452	R46452 R46452	R40H378 R40H378	R40H7055 R40H7055	R40H2588 R40H2588	R40H2589 R40H2589
Motor Home Chassis Except I-Beam	Fd Fd	BX BX		7081 - D149 7081 - D149	MD149 MD149	R40H5010 R40H5010	R40H5529 R40H5529	NR NR	NR NR
Motor Home Chassis With I-Beam	Fd Fd	BX BX		7081 - D149 7081 - D149	MD149 MD149	R40H5010 R40H5010	R40H5529 R40H5529	NR NR	NR NR
Motor Home Chassis With Rear Disc Brake	Fd Fd Rd Rd	BX BX BX BX		7081 - D149 7081 - D149 7081 - D149 7081 - D149	MD149 MD149 MD149 MD149	R40H5010 R40H5010 R40H5010 R40H5010	R40H5529 R40H5529 R40H5529 R40H5529	NR NR NR NR	NR NR NR NR
8,200 lb. GVW	Fd Fd Ra Ra	GM GM GM GM	13 " x 2-1/2 " 13 " x 2-1/2 "	7084 - D153 7084 - D153 2042T - S655 2042T - S655	MD392 MD392 R46451 R46451	R40H5004DP R40H5004DP R40H378 R40H378	R40H5500 R40H5500 R40H7055 R40H7055	NR NR R40H2588 R40H2588	NR NR R40H2589 R40H2589
9,000, 14,500lb. GVW	Fd Fd Rd Rd	BX BX BX BX		7081 - D149 7081 - D149 7081 - D149 7081 - D149	MD149 MD149 MD149 MD149	R40H5010 R40H5010 R40H5010 R40H5010	R40H5529 R40H5529 R40H5529 R40H5529	NR NR NR NR	NR NR NR NR
Dual Rear Wheels 9,000, 14,500lb. GVW	Fd Fd Fd	BX BX BX		7081 - D149 7081 - D149 7081 - D149	MD149 MD149 MD149	R40H5010 R40H5010 R40H5010	R40H5529 R40H5529 R40H5529	NR NR NR	NR NR NR

32 - For rotor only use R44141480

67 - 183.5" Wheel Base

280 - 10 1/2" Ring Gear

282 - 10 1/2" Ring Gear, First Design; Use 3 3/8" Outside Diameter

346 - 4500 lb. Casting Number 2238451452, 10mm Inlet

381 - Rotor and Hub One Piece Assembly W/O ABS Ring

Axle Tubes

405 - Rotor Only

www.XpresswayPlus.com

Contact our Customer Service Teams

MERITOR DRUM OR ROTOR NO.	CALIPER OR CYLINDER BORE SIZE	MERITOR CALIPER OR WHEEL CYLINDER (LEFT)	MERITOR CALIPER OR WHEEL CYLINDER (RIGHT)	MERITOR CALIPER OR WHEEL CYLINDER REPAIR KIT	MERITOR CALIPER PISTON	MERITOR MASTER CYLINDER	MERITOR MASTER CYLINDER KIT	MERITOR BRAKE HOSE (LEFT)	MERITOR BRAKE HOSE (RIGHT)
GMC / CHEV(Cont.)									
P-30, P-3500 SERIES-1 TON FORWARD CONTROL AND MOTOR HOME CHASSIS(Cont.)									
R44141862 ³⁹⁴	3-3/8 "	R42R55200	R42R55199 ³⁴⁶	R4066780	R4090021	R4110376	-	-	-
R44141859 ³⁸¹	3-3/8 "	R42R55200	R42R55199 ³⁴⁶	R4066780	R4090021	R4110376	-	-	-
R4411316 ⁶⁷		R42R55805	R42R55805	N/A	N/A	R4513542	-	-	-
R44145028 ⁴⁰⁵		R42R55805	R42R55805	N/A	N/A		-	-	-
R44140388 ²⁸⁰	1-3/16 "	R4133708	R4133708	R4166872	NR		-	-	-
R44140388 ²⁸⁰	1-3/16 "	R4133708	R4133708	R4166872	NR		-	-	-
R44141130 ³²	3-3/8 "	R42R55200	R42R55199 ³⁴⁶	R4066780	R4090021		-	-	-
R44141130 ³²	3-3/8 "	R42R55200	R42R55199 ³⁴⁶	R4066780	R4090021		-	-	-
R44141508 ³²	3-3/8 "	R42R55200	R42R55199 ³⁴⁶	R4066780	R4090021		-	-	-
R44141508 ³²	3-3/8 "	R42R55200	R42R55199 ³⁴⁶	R4066780	R4090021		-	-	-
R44141480 ⁴⁰⁵	3-3/8 "	R42R55200	R42R55199 ³⁴⁶	R4066780	R4090021		-	-	-
R44141480 ⁴⁰⁵	3-3/8 "	R42R55200	R42R55199 ³⁴⁶	R4066780	R4090021		-	-	-
R44141483 ⁴⁰⁵	3-3/8 "	R42R55200	R42R55199	R4066780	R4090021		-	-	-
R44141483 ⁴⁰⁵	3-3/8 "	R42R55200	R42R55199	R4066780	R4090021		-	-	-
R44141186 ³⁸¹	3-5/32 "	R42R55382	R42R55381	R4066557	R4090068S		-	-	-
R44141186 ³⁸¹	3-5/32 "	R42R55382	R42R55381	R4066557	R4090068S		-	-	-
R44140363 ²⁸²	1-1/16 "	R4133709	R4133709	N/A	NR		-	-	-
R44140363 ²⁸²	1-1/16 "	R4133709	R4133709	N/A	NR		-	-	-
R44141480 ⁴⁰⁵	3-3/8 "	R42R55200	R42R55199 ³⁴⁶	R4066780	R4090021		-	-	-
R44141480 ⁴⁰⁵	3-3/8 "	R42R55200	R42R55199 ³⁴⁶	R4066780	R4090021		-	-	-
R44141483 ⁴⁰⁵	3-3/8 "	R42R55200	R42R55199	R4066780	R4090021		-	-	-
R44141483 ⁴⁰⁵	3-3/8 "	R42R55200	R42R55199	R4066780	R4090021		-	-	-
R44141130 ³²	3-3/8 "	R42R55200	R42R55199 ³⁴⁶	R4066780	R4090021		-	-	-
R44141130 ³²	3-3/8 "	R42R55200	R42R55199 ³⁴⁶	R4066780	R4090021		-	-	-
R44141508 ³²	3-3/8 "	R42R55200	R42R55199 ³⁴⁶	R4066780	R4090021		-	-	-
R44141508 ³²	3-3/8 "	R42R55200	R42R55199 ³⁴⁶	R4066780	R4090021		-	-	-
R44141480 ⁴⁰⁵	3-3/8 "	R42R55200	R42R55199 ³⁴⁶	R4066780	R4090021		-	-	-
R44141480 ⁴⁰⁵	3-3/8 "	R42R55200	R42R55199 ³⁴⁶	R4066780	R4090021		-	-	-
R44141483 ⁴⁰⁵	3-3/8 "	R42R55200	R42R55199	R4066780	R4090021		-	-	-
R44141483 ⁴⁰⁵	3-3/8 "	R42R55200	R42R55199	R4066780	R4090021		-	-	-
R44141186 ³⁸¹	3-5/32 "	R42R55382	R42R55381	R4066557	R4090068S		-	-	-
R44141186 ³⁸¹	3-5/32 "	R42R55382	R42R55381	R4066557	R4090068S		-	-	-
R44140363 ²⁸²	1-1/16 "	R4133709	R4133709	N/A	NR		-	-	-
R44140363 ²⁸²	1-1/16 "	R4133709	R4133709	N/A	NR		-	-	-
R44141480 ⁴⁰⁵	3-3/8 "	R42R55200	R42R55199 ³⁴⁶	R4066780	R4090021		-	-	-
R44141480 ⁴⁰⁵	3-3/8 "	R42R55200	R42R55199 ³⁴⁶	R4066780	R4090021		-	-	-
R44141483 ⁴⁰⁵	3-3/8 "	R42R55200	R42R55199	R4066780	R4090021		-	-	-
R44141483 ⁴⁰⁵	3-3/8 "	R42R55200	R42R55199	R4066780	R4090021		-	-	-
R44141508 ³²	3-3/8 "	R42R55200	R42R55199 ³⁴⁶	R4066780	R4090021		-	-	-
R44141130 ³²	3-3/8 "	R42R55200	R42R55199 ³⁴⁶	R4066780	R4090021		-	-	-
R44141130 ³²	3-3/8 "	R42R55200	R42R55199 ³⁴⁶	R4066780	R4090021		-	-	-

1 APPLICATION

MAKE MODEL YEAR AXLE CODE AXLE WEIGHT	AXLE & BRK. TYPE	BRK. MFG.	BRAKE SIZE	FMSI	MERITOR DISC PAD OR BRAKE SHOE	MERITOR GUIDE PIN OR RETURN SPRING KIT	MERITOR CALIPER HWD. KIT OR RETURN SPRING KIT	MERITOR ADJUSTER KIT (LEFT WHEEL)	MERITOR ADJUSTER KIT (RIGHT WHEEL)
GMC / CHEV(Cont.)									
P-30, P-3500 SERIES-1 TON FORWARD CONTROL AND MOTOR HOME CHASSIS(Cont.)									
1995	Ra Ra	GM GM	13 " x 3-1/2 " 13 " x 3-1/2 "	2157T - 452 2157T - 452	R46452 R46452	R40H378 R40H378	R40H7055 R40H7055	R40H2588 R40H2588	R40H2589 R40H2589
Single Rear Wheels 9,000, 14,500lb. GVW	Fd Fd	BX BX		7081 - D149 7081 - D149	MD149 MD149	R40H5010 R40H5010	R40H5529 R40H5529	NR NR	NR NR
	Ra Ra	GM GM	13 " x 3-1/2 " 13 " x 3-1/2 "	2157T - 452 2157T - 452	R46452 R46452	R40H378 R40H378	R40H7055 R40H7055	R40H2588 R40H2588	R40H2589 R40H2589
1994	Ra Ra	GM GM	13 " x 3-1/2 " 13 " x 3-1/2 "	2157T - 452 2157T - 452	R46452 R46452	R40H378 R40H378	R40H7055 R40H7055	R40H2588 R40H2588	R40H2589 R40H2589
Motor Home Chassis Except I-Beam	Fd Fd	BX BX		7081 - D149 7081 - D149	MD149 MD149	R40H5010 R40H5010	R40H5529 R40H5529	NR NR	NR NR
Motor Home Chassis With I-Beam	Fd Fd	BX BX		7081 - D149 7081 - D149	MD149 MD149	R40H5010 R40H5010	R40H5529 R40H5529	NR NR	NR NR
Motor Home Chassis With Rear Disc Brake	Fd Fd	BX BX		7081 - D149 7081 - D149	MD149 MD149	R40H5010 R40H5010	R40H5529 R40H5529	NR NR	NR NR
	Rd Rd	BX BX		7081 - D149 7081 - D149	MD149 MD149	R40H5010 R40H5010	R40H5529 R40H5529	NR NR	NR NR
8,200 lb. GVW	Fd Fd	GM GM		7084 - D153 7084 - D153	MD392 MD392	R40H5004DP R40H5004DP	R40H5500 R40H5500	NR NR	NR NR
	Ra Ra	GM GM	13 " x 2-1/2 " 13 " x 2-1/2 "	2042T - S655 2042T - S655	R46451 R46451	R40H378 R40H378	R40H7055 R40H7055	R40H2588 R40H2588	R40H2589 R40H2589
9,000, 14,500lb. GVW	Fd Fd	BX BX		7081 - D149 7081 - D149	MD149 MD149	R40H5010 R40H5010	R40H5529 R40H5529	NR NR	NR NR
	Rd Rd	BX BX		7081 - D149 7081 - D149	MD149 MD149	R40H5010 R40H5010	R40H5529 R40H5529	NR NR	NR NR
Dual Rear Wheels 9,000, 14,500lb. GVW	Fd Fd Fd	BX BX BX		7081 - D149 7081 - D149 7081 - D149	MD149 MD149 MD149	R40H5010 R40H5010 R40H5010	R40H5529 R40H5529 R40H5529	NR NR NR	NR NR NR
	Ra Ra	GM GM	13 " x 3-1/2 " 13 " x 3-1/2 "	2157T - 452 2157T - 452	R46452 R46452	R40H378 R40H378	R40H7055 R40H7055	R40H2588 R40H2588	R40H2589 R40H2589
Single Rear Wheels 9,000, 14,500lb. GVW	Fd Fd	BX BX		7081 - D149 7081 - D149	MD149 MD149	R40H5010 R40H5010	R40H5529 R40H5529	NR NR	NR NR
	Ra Ra	GM GM	13 " x 3-1/2 " 13 " x 3-1/2 "	2157T - 452 2157T - 452	R46452 R46452	R40H378 R40H378	R40H7055 R40H7055	R40H2588 R40H2588	R40H2589 R40H2589
1993	Ra Ra	GM GM	13 " x 3-1/2 " 13 " x 3-1/2 "	2157T - 452 2157T - 452	R46452 R46452	R40H378 R40H378	R40H7055 R40H7055	R40H2588 R40H2588	R40H2589 R40H2589
Motor Home Chassis Except I-Beam	Fd Fd	BX BX		7081 - D149 7081 - D149	MD149 MD149	R40H5010 R40H5010	R40H5529 R40H5529	NR NR	NR NR
Motor Home Chassis With I-Beam	Fd Fd	BX BX		7081 - D149 7081 - D149	MD149 MD149	R40H5010 R40H5010	R40H5529 R40H5529	NR NR	NR NR
Motor Home Chassis With Rear Disc Brake	Fd Fd	BX BX		7081 - D149 7081 - D149	MD149 MD149	R40H5010 R40H5010	R40H5529 R40H5529	NR NR	NR NR
	Rd Rd	BX BX		7081 - D149 7081 - D149	MD149 MD149	R40H5010 R40H5010	R40H5529 R40H5529	NR NR	NR NR
8,200 lb. GVW	Fd Fd	GM GM		7084 - D153 7084 - D153	MD392 MD392	R40H5004DP R40H5004DP	R40H5500 R40H5500	NR NR	NR NR
	Ra Ra	GM GM	13 " x 2-1/2 " 13 " x 2-1/2 "	2042T - S655 2042T - S655	R46451 R46451	R40H378 R40H378	R40H7055 R40H7055	R40H2588 R40H2588	R40H2589 R40H2589
9,000, 14,500lb. GVW	Fd Fd	BX BX		7081 - D149 7081 - D149	MD149 MD149	R40H5010 R40H5010	R40H5529 R40H5529	NR NR	NR NR
	Rd Rd	BX BX		7081 - D149 7081 - D149	MD149 MD149	R40H5010 R40H5010	R40H5529 R40H5529	NR NR	NR NR
Dual Rear Wheels 9,000, 14,500lb. GVW	Fd	BX		7081 - D149	MD149	R40H5010	R40H5529	NR	NR

32 - For rotor only use R44141480

280 - 10 1/2" Ring Gear

282 - 10 1/2" Ring Gear, First Design; Use 3 3/8" Outside Diameter Axle Tubes
405 - Rotor Only

346 - 4500 lb. Casting Number 2238451452, 10mm Inlet

381 - Rotor and Hub One Piece Assembly W/O ABS Ring

MERITOR DRUM OR ROTOR NO.	CALIPER OR CYLINDER BORE SIZE	MERITOR CALIPER OR WHEEL CYLINDER (LEFT)	MERITOR CALIPER OR WHEEL CYLINDER (RIGHT)	MERITOR CALIPER OR WHEEL CYLINDER REPAIR KIT	MERITOR CALIPER PISTON	MERITOR MASTER CYLINDER	MERITOR MASTER CYLINDER KIT	MERITOR BRAKE HOSE (LEFT)	MERITOR BRAKE HOSE (RIGHT)
GMC / CHEV(Cont.)									
P-30, P-3500 SERIES-1 TON FORWARD CONTROL AND MOTOR HOME CHASSIS(Cont.)									
R44140388 ²⁸⁰ R44140388 ²⁸⁰	1-3/16 " 1-3/16 "	R4133708 R4133708	R4133708 R4133708	R4166872 R4166872	NR NR	- -	- -	- -	- -
R44141152 ³⁸¹ R44141152 ³⁸¹	3-3/8 " 3-3/8 "	R42R55200 R42R55200	R42R55199 ³⁴⁶ R42R55199 ³⁴⁶	R4066780 R4066780	R4090021 R4090021	- -	- -	- -	- -
R44140387 R44140387	1-1/16 " 1-1/16 "	R4133709 R4133709	R4133709 R4133709	N/A N/A	NR NR	- -	- -	- -	- -
R44140388 ²⁸⁰ R44140388 ²⁸⁰	1-3/16 " 1-3/16 "	R4133708 R4133708	R4133708 R4133708	R4166872 R4166872	NR NR	- -	- -	- -	- -
R44141130 ³² R44141130 ³²	3-3/8 " 3-3/8 "	R42R55200 R42R55200	R42R55199 ³⁴⁶ R42R55199 ³⁴⁶	R4066780 R4066780	R4090021 R4090021	- -	- -	- -	- -
R44141508 ³² R44141508 ³²	3-3/8 " 3-3/8 "	R42R55200 R42R55200	R42R55199 ³⁴⁶ R42R55199 ³⁴⁶	R4066780 R4066780	R4090021 R4090021	- -	- -	- -	- -
R44141480 ⁴⁰⁵ R44141480 ⁴⁰⁵	3-3/8 " 3-3/8 "	R42R55200 R42R55200	R42R55199 ³⁴⁶ R42R55199 ³⁴⁶	R4066780 R4066780	R4090021 R4090021	- -	- -	- -	- -
R44141483 ⁴⁰⁵ R44141483 ⁴⁰⁵	3-3/8 " 3-3/8 "	R42R55200 R42R55200	R42R55199 R42R55199	R4066780 R4066780	R4090021 R4090021	- -	- -	- -	- -
R44141186 ³⁸¹ R44141186 ³⁸¹	3-5/32 " 3-5/32 "	R42R55382 R42R55382	R42R55381 R42R55381	R4066557 R4066557	R4090068S R4090068S	- -	- -	- -	- -
R44140363 ²⁸² R44140363 ²⁸²	1-1/16 " 1-1/16 "	R4133709 R4133709	R4133709 R4133709	N/A N/A	NR NR	- -	- -	- -	- -
R44141480 ⁴⁰⁵ R44141480 ⁴⁰⁵	3-3/8 " 3-3/8 "	R42R55200 R42R55200	R42R55199 ³⁴⁶ R42R55199 ³⁴⁶	R4066780 R4066780	R4090021 R4090021	- -	- -	- -	- -
R44141483 ⁴⁰⁵ R44141483 ⁴⁰⁵	3-3/8 " 3-3/8 "	R42R55200 R42R55200	R42R55199 R42R55199	R4066780 R4066780	R4090021 R4090021	- -	- -	- -	- -
R44141130 ³² R44141130 ³² R44141508 ³²	3-3/8 " 3-3/8 " 3-3/8 "	R42R55200 R42R55200 R42R55200	R42R55199 ³⁴⁶ R42R55199 ³⁴⁶ R42R55199 ³⁴⁶	R4066780 R4066780 R4066780	R4090021 R4090021 R4090021	- - -	- - -	- - -	- - -
R44140388 ²⁸⁰ R44140388 ²⁸⁰	1-3/16 " 1-3/16 "	R4133708 R4133708	R4133708 R4133708	R4166872 R4166872	NR NR	- -	- -	- -	- -
R44141152 ³⁸¹ R44141152 ³⁸¹	3-3/8 " 3-3/8 "	R42R55200 R42R55200	R42R55199 ³⁴⁶ R42R55199 ³⁴⁶	R4066780 R4066780	R4090021 R4090021	- -	- -	- -	- -
R44140387 R44140387	1-1/16 " 1-1/16 "	R4133709 R4133709	R4133709 R4133709	N/A N/A	NR NR	- -	- -	- -	- -
R44140388 ²⁸⁰ R44140388 ²⁸⁰	1-3/16 " 1-3/16 "	R4133708 R4133708	R4133708 R4133708	R4166872 R4166872	NR NR	- -	- -	- -	- -
R44141130 ³² R44141130 ³²	3-3/8 " 3-3/8 "	R42R55200 R42R55200	R42R55199 ³⁴⁶ R42R55199 ³⁴⁶	R4066780 R4066780	R4090021 R4090021	- -	- -	- -	- -
R44141508 ³² R44141508 ³²	3-3/8 " 3-3/8 "	R42R55200 R42R55200	R42R55199 ³⁴⁶ R42R55199 ³⁴⁶	R4066780 R4066780	R4090021 R4090021	- -	- -	- -	- -
R44141480 ⁴⁰⁵ R44141480 ⁴⁰⁵	3-3/8 " 3-3/8 "	R42R55200 R42R55200	R42R55199 ³⁴⁶ R42R55199 ³⁴⁶	R4066780 R4066780	R4090021 R4090021	- -	- -	- -	- -
R44141483 ⁴⁰⁵ R44141483 ⁴⁰⁵	3-3/8 " 3-3/8 "	R42R55200 R42R55200	R42R55199 R42R55199	R4066780 R4066780	R4090021 R4090021	- -	- -	- -	- -
R44141186 ³⁸¹ R44141186 ³⁸¹	3-5/32 " 3-5/32 "	R42R55382 R42R55382	R42R55381 R42R55381	R4066557 R4066557	R4090068S R4090068S	- -	- -	- -	- -
R44140363 ²⁸² R44140363 ²⁸²	1-1/16 " 1-1/16 "	R4133709 R4133709	R4133709 R4133709	N/A N/A	NR NR	- -	- -	- -	- -
R44141480 ⁴⁰⁵ R44141480 ⁴⁰⁵	3-3/8 " 3-3/8 "	R42R55200 R42R55200	R42R55199 ³⁴⁶ R42R55199 ³⁴⁶	R4066780 R4066780	R4090021 R4090021	- -	- -	- -	- -
R44141483 ⁴⁰⁵ R44141483 ⁴⁰⁵	3-3/8 " 3-3/8 "	R42R55200 R42R55200	R42R55199 R42R55199	R4066780 R4066780	R4090021 R4090021	- -	- -	- -	- -
R44141130 ³²	3-3/8 "	R42R55200	R42R55199 ³⁴⁶	R4066780	R4090021	-	-	-	-

1 APPLICATION

MAKE MODEL YEAR AXLE CODE AXLE WEIGHT	AXLE & BRK. TYPE	BRK. MFG.	BRAKE SIZE	FMSI	MERITOR DISC PAD OR BRAKE SHOE	MERITOR GUIDE PIN OR RETURN SPRING KIT	MERITOR CALIPER HWD. KIT OR RETURN SPRING KIT	MERITOR ADJUSTER KIT (LEFT WHEEL)	MERITOR ADJUSTER KIT (RIGHT WHEEL)
GMC / CHEV(Cont.)									
P-30, P-3500 SERIES-1 TON FORWARD CONTROL AND MOTOR HOME CHASSIS(Cont.)									
1993	Fd	BX		7081 - D149	MD149	R40H5010	R40H5529	NR	NR
	Fd	BX		7081 - D149	MD149	R40H5010	R40H5529	NR	NR
Single Rear Wheels 9,000, 14,500lb. GVW	Ra	GM	13 " x 3-1/2 "	2157T - 452	R46452	R40H378	R40H7055	R40H2588	R40H2589
	Ra	GM	13 " x 3-1/2 "	2157T - 452	R46452	R40H378	R40H7055	R40H2588	R40H2589
1992 Motor Home Chassis	Fd	BX		7081 - D149	MD149	R40H5010	R40H5529	NR	NR
	Fd	BX		7081 - D149	MD149	R40H5010	R40H5529	NR	NR
Motor Home Chassis Except I-Beam	Ra	GM	13 " x 3-1/2 "	2157T - 452	R46452	R40H378	R40H7055	R40H2588	R40H2589
	Ra	GM	13 " x 3-1/2 "	2157T - 452	R46452	R40H378	R40H7055	R40H2588	R40H2589
Motor Home Chassis With I-Beam	Fd	BX		7081 - D149	MD149	R40H5010	R40H5529	NR	NR
	Fd	BX		7081 - D149	MD149	R40H5010	R40H5529	NR	NR
Motor Home Chassis With Rear Disc Brake	Fd	BX		7081 - D149	MD149	R40H5010	R40H5529	NR	NR
	Fd	BX		7081 - D149	MD149	R40H5010	R40H5529	NR	NR
	Rd	BX		7081 - D149	MD149	R40H5010	R40H5529	NR	NR
	Rd	BX		7081 - D149	MD149	R40H5010	R40H5529	NR	NR
8,200 lb. GVW	Fd	GM		7084 - D153	MD392	R40H5004DP	R40H5500	NR	NR
	Fd	GM		7084 - D153	MD392	R40H5004DP	R40H5500	NR	NR
9,000, 14,500lb. GVW	Ra	GM	13 " x 2-1/2 "	2042T - S655	R46451	R40H378	R40H7055	R40H2588	R40H2589
	Ra	GM	13 " x 2-1/2 "	2042T - S655	R46451	R40H378	R40H7055	R40H2588	R40H2589
9,000, 14,500lb. GVW	Fd	BX		7081 - D149	MD149	R40H5010	R40H5529	NR	NR
	Fd	BX		7081 - D149	MD149	R40H5010	R40H5529	NR	NR
Dual Rear Wheels 9,000, 14,500lb. GVW	Rd	BX		7081 - D149	MD149	R40H5010	R40H5529	NR	NR
	Rd	BX		7081 - D149	MD149	R40H5010	R40H5529	NR	NR
Dual Rear Wheels 9,000, 14,500lb. GVW	Fd	BX		7081 - D149	MD149	R40H5010	R40H5529	NR	NR
	Fd	BX		7081 - D149	MD149	R40H5010	R40H5529	NR	NR
	Fd	BX		7081 - D149	MD149	R40H5010	R40H5529	NR	NR
	Ra	GM	13 " x 3-1/2 "	2157T - 452	R46452	R40H378	R40H7055	R40H2588	R40H2589
Single Rear Wheels 9,000, 14,500lb. GVW	Ra	GM	13 " x 3-1/2 "	2157T - 452	R46452	R40H378	R40H7055	R40H2588	R40H2589
	Ra	GM	13 " x 3-1/2 "	2157T - 452	R46452	R40H378	R40H7055	R40H2588	R40H2589
1991 Dual Rear Wheels	Fd	BX		7081 - D149	MD149	R40H5010	R40H5529	NR	NR
	Fd	BX		7081 - D149	MD149	R40H5010	R40H5529	NR	NR
Dual Rear Wheels Except I-Beam	Ra	GM	13 " x 3-1/2 "	2157T - 452	R46452	R40H378	R40H7055	R40H2588	R40H2589
	Ra	GM	13 " x 3-1/2 "	2157T - 452	R46452	R40H378	R40H7055	R40H2588	R40H2589
Dual Rear Wheels with I-Beam	Fd	BX		7081 - D149	MD149	R40H5010	R40H5529	NR	NR
	Fd	BX		7081 - D149	MD149	R40H5010	R40H5529	NR	NR
Motor Home Chassis	Ra	GM	13 " x 3-1/2 "	2157T - 452	R46452	R40H378	R40H7055	R40H2588	R40H2589
	Ra	GM	13 " x 3-1/2 "	2157T - 452	R46452	R40H378	R40H7055	R40H2588	R40H2589
Motor Home Chassis Except I-Beam	Fd	BX		7081 - D149	MD149	R40H5010	R40H5529	NR	NR
	Fd	BX		7081 - D149	MD149	R40H5010	R40H5529	NR	NR
Motor Home Chassis With I-Beam	Ra	GM	13 " x 3-1/2 "	2157T - 452	R46452	R40H378	R40H7055	R40H2588	R40H2589
	Ra	GM	13 " x 3-1/2 "	2157T - 452	R46452	R40H378	R40H7055	R40H2588	R40H2589
Motor Home Chassis With Rear Disc Brake	Fd	BX		7081 - D149	MD149	R40H5010	R40H5529	NR	NR
	Fd	BX		7081 - D149	MD149	R40H5010	R40H5529	NR	NR
	Rd	BX		7081 - D149	MD149	R40H5010	R40H5529	NR	NR
	Rd	BX		7081 - D149	MD149	R40H5010	R40H5529	NR	NR

32 - For rotor only use R44141480

280 - 10 1/2" Ring Gear

282 - 10 1/2" Ring Gear, First Design; Use 3 3/8" Outside Diameter Axle Tubes

346 - 4500 lb. Casting Number 2238451452, 10mm Inlet

381 - Rotor and Hub One Piece Assembly W/O ABS Ring

405 - Rotor Only

MERITOR DRUM OR ROTOR NO.	CALIPER OR CYLINDER BORE SIZE	MERITOR CALIPER OR WHEEL CYLINDER (LEFT)	MERITOR CALIPER OR WHEEL CYLINDER (RIGHT)	MERITOR CALIPER OR WHEEL CYLINDER REPAIR KIT	MERITOR CALIPER PISTON	MERITOR MASTER CYLINDER	MERITOR MASTER CYLINDER KIT	MERITOR BRAKE HOSE (LEFT)	MERITOR BRAKE HOSE (RIGHT)
GMC / CHEV(Cont.)									
P-30, P-3500 SERIES-1 TON FORWARD CONTROL AND MOTOR HOME CHASSIS(Cont.)									
R44141130 ³² R44141508 ³²	3-3/8 " 3-3/8 "	R42R55200 R42R55200	R42R55199 ³⁴⁶ R42R55199 ³⁴⁶	R4066780 R4066780	R4090021 R4090021	-	-	-	-
R44140388 ²⁸⁰ R44140388 ²⁸⁰	1-3/16 " 1-3/16 "	R4133708 R4133708	R4133708 R4133708	R4166872 R4166872	NR NR	-	-	-	-
R44141152 ³⁸¹ R44141152 ³⁸¹	3-3/8 " 3-3/8 "	R42R55200 R42R55200	R42R55199 ³⁴⁶ R42R55199 ³⁴⁶	R4066780 R4066780	R4090021 R4090021	-	-	-	-
R44140387 R44140387	1-1/16 " 1-1/16 "	R4133709 R4133709	R4133709 R4133709	N/A N/A	NR NR	-	-	-	-
R44140388 ²⁸⁰ R44140388 ²⁸⁰	1-3/16 " 1-3/16 "	R4133708 R4133708	R4133708 R4133708	R4166872 R4166872	NR NR	-	-	-	-
R44141130 ³² R44141130 ³²	3-3/8 " 3-3/8 "	R42R55200 R42R55200	R42R55199 ³⁴⁶ R42R55199 ³⁴⁶	R4066780 R4066780	R4090021 R4090021	-	-	-	-
R44141508 ³² R44141508 ³²	3-3/8 " 3-3/8 "	R42R55200 R42R55200	R42R55199 ³⁴⁶ R42R55199 ³⁴⁶	R4066780 R4066780	R4090021 R4090021	-	-	-	-
R44141480 ⁴⁰⁵ R44141480 ⁴⁰⁵	3-3/8 " 3-3/8 "	R42R55200 R42R55200	R42R55199 ³⁴⁶ R42R55199 ³⁴⁶	R4066780 R4066780	R4090021 R4090021	-	-	-	-
R44141483 ⁴⁰⁵ R44141483 ⁴⁰⁵	3-3/8 " 3-3/8 "	R42R55200 R42R55200	R42R55199 R42R55199	R4066780 R4066780	R4090021 R4090021	-	-	-	-
R44141186 ³⁸¹ R44141186 ³⁸¹	3-5/32 " 3-5/32 "	R42R55382 R42R55382	R42R55381 R42R55381	R4066557 R4066557	R4090068S R4090068S	-	-	-	-
R44140363 ²⁸² R44140363 ²⁸²	1-1/16 " 1-1/16 "	R4133709 R4133709	R4133709 R4133709	N/A N/A	NR NR	-	-	-	-
R44141480 ⁴⁰⁵ R44141480 ⁴⁰⁵	3-3/8 " 3-3/8 "	R42R55200 R42R55200	R42R55199 ³⁴⁶ R42R55199 ³⁴⁶	R4066780 R4066780	R4090021 R4090021	-	-	-	-
R44141483 ⁴⁰⁵ R44141483 ⁴⁰⁵	3-3/8 " 3-3/8 "	R42R55200 R42R55200	R42R55199 R42R55199	R4066780 R4066780	R4090021 R4090021	-	-	-	-
R44141130 ³² R44141130 ³² R44141508 ³²	3-3/8 " 3-3/8 " 3-3/8 "	R42R55200 R42R55200 R42R55200	R42R55199 ³⁴⁶ R42R55199 ³⁴⁶ R42R55199 ³⁴⁶	R4066780 R4066780 R4066780	R4090021 R4090021 R4090021	-	-	-	-
R44140388 ²⁸⁰ R44140388 ²⁸⁰	1-3/16 " 1-3/16 "	R4133708 R4133708	R4133708 R4133708	R4166872 R4166872	NR NR	-	-	-	-
R44141152 ³⁸¹ R44141152 ³⁸¹	3-3/8 " 3-3/8 "	R42R55200 R42R55200	R42R55199 ³⁴⁶ R42R55199 ³⁴⁶	R4066780 R4066780	R4090021 R4090021	-	-	-	-
R44140387 R44140387	1-1/16 " 1-1/16 "	R4133709 R4133709	R4133709 R4133709	N/A N/A	NR NR	-	-	-	-
R44140388 ²⁸⁰	1-3/16 "	R4133708	R4133708	R4166872	NR	-	-	-	-
R44141130 ³² R44141130 ³²	3-3/8 " 3-3/8 "	R42R55200 R42R55200	R42R55199 ³⁴⁶ R42R55199 ³⁴⁶	R4066780 R4066780	R4090021 R4090021	-	-	-	-
R44141508 ³² R44141508 ³²	3-3/8 " 3-3/8 "	R42R55200 R42R55200	R42R55199 ³⁴⁶ R42R55199 ³⁴⁶	R4066780 R4066780	R4090021 R4090021	-	-	-	-
R44140388 ²⁸⁰ R44140388 ²⁸⁰	1-3/16 " 1-3/16 "	R4133708 R4133708	R4133708 R4133708	R4166872 R4166872	NR NR	-	-	-	-
R44141130 ³² R44141130 ³²	3-3/8 " 3-3/8 "	R42R55200 R42R55200	R42R55199 ³⁴⁶ R42R55199 ³⁴⁶	R4066780 R4066780	R4090021 R4090021	-	-	-	-
R44141508 ³² R44141508 ³²	3-3/8 " 3-3/8 "	R42R55200 R42R55200	R42R55199 ³⁴⁶ R42R55199 ³⁴⁶	R4066780 R4066780	R4090021 R4090021	-	-	-	-
R44141480 ⁴⁰⁵ R44141480 ⁴⁰⁵	3-3/8 " 3-3/8 "	R42R55200 R42R55200	R42R55199 ³⁴⁶ R42R55199 ³⁴⁶	R4066780 R4066780	R4090021 R4090021	-	-	-	-
R44141483 ⁴⁰⁵ R44141483 ⁴⁰⁵	3-3/8 " 3-3/8 "	R42R55200 R42R55200	R42R55199 R42R55199	R4066780 R4066780	R4090021 R4090021	-	-	-	-

1 APPLICATION

MAKE MODEL YEAR AXLE CODE AXLE WEIGHT	AXLE & BRK. TYPE	BRK. MFG.	BRAKE SIZE	FMSI	MERITOR DISC PAD OR BRAKE SHOE	MERITOR GUIDE PIN OR RETURN SPRING KIT	MERITOR CALIPER HWD. KIT OR RETURN SPRING KIT	MERITOR ADJUSTER KIT (LEFT WHEEL)	MERITOR ADJUSTER KIT (RIGHT WHEEL)
GMC / CHEV(Cont.)									
P-30, P-3500 SERIES-1 TON FORWARD CONTROL AND MOTOR HOME CHASSIS(Cont.)									
1991 8,400 lb. GVW	Fd Fd	GM GM		7280 - D392 7280 - D392	MD392 MD392	R40H5004DP R40H5004DP	R40H5500 R40H5500	NR NR	NR NR
	Ra Ra	GM GM	13 " x 2-1/2 " 13 " x 2-1/2 "	2042AT - 451 2042AT - 451	R46451 R46451	R40H378 R40H378	R40H7055 R40H7055	R40H2588 R40H2588	R40H2589 R40H2589
Dual Rear Wheels 9,000, 12,500lb. GVW	Ra	GM	13 " x 3-1/2 "	2157T - 452	R46452	R40H378	R40H7055	R40H2588	R40H2589
Single Rear Wheels 9,000, 12,500lb. GVW	Fd Fd Ra	BX BX GM		7081 - D149 7081 - D149 2157T - 452	MD149 MD149 R46452	R40H5010 R40H5010 R40H378	R40H5529 R40H5529 R40H7055	NR NR R40H2588	NR NR R40H2589
14,500 lb. GVW	Fd Fd Rd Rd	BX BX BX BX		7081 - D149 7081 - D149 7081 - D149 7081 - D149	MD149 MD149 MD149 MD149	R40H5010 R40H5010 R40H5010 R40H5010	R40H5529 R40H5529 R40H5529 R40H5529	NR NR NR NR	NR NR NR NR
1990 Dual Rear Wheels	Ra	GM	13 " x 3-1/2 "	2157T - 452	R46452	R40H378	R40H7055	R40H2588	R40H2589
Dual Rear Wheels Except I-Beam	Fd Fd	BX BX		7081 - D149 7081 - D149	MD149 MD149	R40H5010 R40H5010	R40H5529 R40H5529	NR NR	NR NR
Dual Rear Wheels with I-Beam	Fd Fd	BX BX		7081 - D149 7081 - D149	MD149 MD149	R40H5010 R40H5010	R40H5529 R40H5529	NR NR	NR NR
Motor Home Chassis	Ra Ra	GM GM	13 " x 3-1/2 " 13 " x 3-1/2 "	2157T - 452 2157T - 452	R46452 R46452	R40H378 R40H378	R40H7055 R40H7055	R40H2588 R40H2588	R40H2589 R40H2589
Motor Home Chassis Except I-Beam	Fd Fd	BX BX		7081 - D149 7081 - D149	MD149 MD149	R40H5010 R40H5010	R40H5529 R40H5529	NR NR	NR NR
Motor Home Chassis With I-Beam	Fd	BX		7081 - D149	MD149	R40H5010	R40H5529	NR	NR
Motor Home Chassis With I-Beam and Rear Disc Brake	Fd	BX		7081 - D149	MD149	R40H5010	R40H5529	NR	NR
Motor Home Chassis With Rear Disc Brake	Fd Rd Rd	BX BX BX		7081 - D149 7081 - D149 7081 - D149	MD149 MD149 MD149	R40H5010 R40H5010 R40H5010	R40H5529 R40H5529 R40H5529	NR NR NR	NR NR NR
8,400 lb. GVW	Fd Fd	GM GM		7280 - D392 7280 - D392	MD392 MD392	R40H5004DP R40H5004DP	R40H5500 R40H5500	NR NR	NR NR
	Ra Ra	GM GM	13 " x 2-1/2 " 13 " x 2-1/2 "	2042AT - 451 2042AT - 451	R46451 R46451	R40H378 R40H378	R40H7055 R40H7055	R40H2588 R40H2588	R40H2589 R40H2589
Dual Rear Wheels 9,000, 12,500lb. GVW	Ra	GM	13 " x 3-1/2 "	2157T - 452	R46452	R40H378	R40H7055	R40H2588	R40H2589
Single Rear Wheels 9,000, 12,500lb. GVW	Fd Fd Ra Ra	BX BX GM GM		7081 - D149 7081 - D149 2157T - 452 2157T - 452	MD149 MD149 R46452 R46452	R40H5010 R40H5010 R40H378 R40H378	R40H5529 R40H5529 R40H7055 R40H7055	NR NR R40H2588 R40H2588	NR NR R40H2589 R40H2589
14,500 lb. GVW	Fd Fd Rd Rd	BX BX BX BX		7081 - D149 7081 - D149 7081 - D149 7081 - D149	MD149 MD149 MD149 MD149	R40H5010 R40H5010 R40H5010 R40H5010	R40H5529 R40H5529 R40H5529 R40H5529	NR NR NR NR	NR NR NR NR
1989 Dual Rear Wheels	Ra	GM	13 " x 3-1/2 "	2157T - 452	R46452	R40H378	R40H7055	R40H2588	R40H2589
Dual Rear Wheels Except I-Beam	Fd Fd	BX BX		7081 - D149 7081 - D149	MD149 MD149	R40H5010 R40H5010	R40H5529 R40H5529	NR NR	NR NR
Dual Rear Wheels with I-Beam	Fd Fd	BX BX		7081 - D149 7081 - D149	MD149 MD149	R40H5010 R40H5010	R40H5529 R40H5529	NR NR	NR NR
Motor Home Chassis	Ra Ra	GM GM	13 " x 3-1/2 " 13 " x 3-1/2 "	2157T - 452 2157T - 452	R46452 R46452	R40H378 R40H378	R40H7055 R40H7055	R40H2588 R40H2588	R40H2589 R40H2589
Motor Home Chassis Except I-Beam	Fd Fd	BX BX		7081 - D149 7081 - D149	MD149 MD149	R40H5010 R40H5010	R40H5529 R40H5529	NR NR	NR NR

32 - For rotor only use R44141480

280 - 10 1/2" Ring Gear

282 - 10 1/2" Ring Gear, First Design; Use 3 3/8" Outside Diameter Axle Tubes

346 - 4500 lb. Casting Number 2238451452, 10mm Inlet

381 - Rotor and Hub One Piece Assembly W/O ABS Ring

405 - Rotor Only

MERITOR DRUM OR ROTOR NO.	CALIPER OR CYLINDER BORE SIZE	MERITOR CALIPER OR WHEEL CYLINDER (LEFT)	MERITOR CALIPER OR WHEEL CYLINDER (RIGHT)	MERITOR CALIPER OR WHEEL CYLINDER REPAIR KIT	MERITOR CALIPER PISTON	MERITOR MASTER CYLINDER	MERITOR MASTER CYLINDER KIT	MERITOR BRAKE HOSE (LEFT)	MERITOR BRAKE HOSE (RIGHT)
GMC / CHEV(Cont.)									
P-30, P-3500 SERIES-1 TON FORWARD CONTROL AND MOTOR HOME CHASSIS(Cont.)									
R44141186 ³⁸¹ R44141186 ³⁸¹	3-5/32 " 3-5/32 "	R42R55382 R42R55382	R42R55381 R42R55381	R4066557 R4066557	R4090068S R4090068S	-	-	-	-
R44140363 ²⁸² R44140363 ²⁸²	1-1/16 " 1-1/16 "	R4133709 R4133709	R4133709 R4133709	N/A N/A	NR NR	-	-	-	-
R44140388 ²⁸⁰	1-3/16 "	R4133708	R4133708	R4166872	NR	-	-	-	-
R44141152 ³⁸¹ R44141152 ³⁸¹	3-3/8 " 3-3/8 "	R42R55200 R42R55200	R42R55199 ³⁴⁶ R42R55199 ³⁴⁶	R4066780 R4066780	R4090021 R4090021	-	-	-	-
R44140387	1-1/16 "	R4133709	R4133709	N/A	NR	-	-	-	-
R44141480 ⁴⁰⁵ R44141480 ⁴⁰⁵	3-3/8 " 3-3/8 "	R42R55200 R42R55200	R42R55199 ³⁴⁶ R42R55199 ³⁴⁶	R4066780 R4066780	R4090021 R4090021	-	-	-	-
R44141483 ⁴⁰⁵ R44141483 ⁴⁰⁵	3-3/8 " 3-3/8 "	R42R55200 R42R55200	R42R55199 R42R55199	R4066780 R4066780	R4090021 R4090021	-	-	-	-
R44140388 ²⁸⁰	1-3/16 "	R4133708	R4133708	R4166872	NR	-	-	-	-
R44141130 ³² R44141130 ³²	3-3/8 " 3-3/8 "	R42R55200 R42R55200	R42R55199 ³⁴⁶ R42R55199 ³⁴⁶	R4066780 R4066780	R4090021 R4090021	-	-	-	-
R44141508 ³² R44141508 ³²	3-3/8 " 3-3/8 "	R42R55200 R42R55200	R42R55199 ³⁴⁶ R42R55199 ³⁴⁶	R4066780 R4066780	R4090021 R4090021	-	-	-	-
R44140388 ²⁸⁰ R44140388 ²⁸⁰	1-3/16 " 1-3/16 "	R4133708 R4133708	R4133708 R4133708	R4166872 R4166872	NR NR	-	-	-	-
R44141130 ³² R44141130 ³²	3-3/8 " 3-3/8 "	R42R55200 R42R55200	R42R55199 ³⁴⁶ R42R55199 ³⁴⁶	R4066780 R4066780	R4090021 R4090021	-	-	-	-
R44141508 ³²	3-3/8 "	R42R55200	R42R55199 ³⁴⁶	R4066780	R4090021	-	-	-	-
R44141480 ⁴⁰⁵	3-3/8 "	R42R55200	R42R55199 ³⁴⁶	R4066780	R4090021	-	-	-	-
R44141480 ⁴⁰⁵	3-3/8 "	R42R55200	R42R55199 ³⁴⁶	R4066780	R4090021	-	-	-	-
R44141483 ⁴⁰⁵ R44141483 ⁴⁰⁵	3-3/8 " 3-3/8 "	R42R55200 R42R55200	R42R55199 R42R55199	R4066780 R4066780	R4090021 R4090021	-	-	-	-
R44141186 ³⁸¹ R44141186 ³⁸¹	3-5/32 " 3-5/32 "	R42R55382 R42R55382	R42R55381 R42R55381	R4066557 R4066557	R4090068S R4090068S	-	-	-	-
R44140363 ²⁸² R44140363 ²⁸²	1-1/16 " 1-1/16 "	R4133709 R4133709	R4133709 R4133709	N/A N/A	NR NR	-	-	-	-
R44140388 ²⁸⁰	1-3/16 "	R4133708	R4133708	R4166872	NR	-	-	-	-
R44141152 ³⁸¹ R44141152 ³⁸¹	3-3/8 " 3-3/8 "	R42R55200 R42R55200	R42R55199 ³⁴⁶ R42R55199 ³⁴⁶	R4066780 R4066780	R4090021 R4090021	-	-	-	-
R44140387	1-1/16 "	R4133709	R4133709	N/A	NR	-	-	-	-
R44140387	1-1/16 "	R4133709	R4133709	N/A	NR	-	-	-	-
R44141480 ⁴⁰⁵ R44141480 ⁴⁰⁵	3-3/8 " 3-3/8 "	R42R55200 R42R55200	R42R55199 ³⁴⁶ R42R55199 ³⁴⁶	R4066780 R4066780	R4090021 R4090021	-	-	-	-
R44141483 ⁴⁰⁵ R44141483 ⁴⁰⁵	3-3/8 " 3-3/8 "	R42R55200 R42R55200	R42R55199 R42R55199	R4066780 R4066780	R4090021 R4090021	-	-	-	-
R44140388 ²⁸⁰	1-3/16 "	R4133708	R4133708	R4166872	NR	-	-	-	-
R44141130 ³² R44141130 ³²	3-3/8 " 3-3/8 "	R42R55200 R42R55200	R42R55199 ³⁴⁶ R42R55199 ³⁴⁶	R4066780 R4066780	R4090021 R4090021	-	-	-	-
R44141508 ³² R44141508 ³²	3-3/8 " 3-3/8 "	R42R55200 R42R55200	R42R55199 ³⁴⁶ R42R55199 ³⁴⁶	R4066780 R4066780	R4090021 R4090021	-	-	-	-
R44140388 ²⁸⁰ R44140388 ²⁸⁰	1-3/16 " 1-3/16 "	R4133708 R4133708	R4133708 R4133708	R4166872 R4166872	NR NR	-	-	-	-
R44141130 ³² R44141130 ³²	3-3/8 " 3-3/8 "	R42R55200 R42R55200	R42R55199 ³⁴⁶ R42R55199 ³⁴⁶	R4066780 R4066780	R4090021 R4090021	-	-	-	-

MAKE MODEL YEAR AXLE CODE AXLE WEIGHT	AXLE & BRK. TYPE	BRK. MFG.	BRAKE SIZE	FMSI	MERITOR DISC PAD OR BRAKE SHOE	MERITOR GUIDE PIN OR RETURN SPRING KIT	MERITOR CALIPER HWD. KIT OR RETURN SPRING KIT	MERITOR ADJUSTER KIT (LEFT WHEEL)	MERITOR ADJUSTER KIT (RIGHT WHEEL)
GMC / CHEV(Cont.)									
P-30, P-3500 SERIES-1 TON FORWARD CONTROL AND MOTOR HOME CHASSIS(Cont.)									
1989									
Motor Home Chassis With I-Beam	Fd	BX		7081 - D149	MD149	R40H5010	R40H5529	NR	NR
Motor Home Chassis With I-Beam and Rear Disc Brake	Fd	BX		7081 - D149	MD149	R40H5010	R40H5529	NR	NR
Motor Home Chassis With Rear Disc Brake	Fd	BX		7081 - D149	MD149	R40H5010	R40H5529	NR	NR
	Rd	BX		7081 - D149	MD149	R40H5010	R40H5529	NR	NR
	Rd	BX		7081 - D149	MD149	R40H5010	R40H5529	NR	NR
8,400 lb. GVW	Fd	GM		7280 - D392	MD392	R40H5004DP	R40H5500	NR	NR
	Fd	GM		7280 - D392	MD392	R40H5004DP	R40H5500	NR	NR
	Ra	GM	13 " x 2-1/2 "	2042AT - 451	R46451	R40H378	R40H7055	R40H2588	R40H2589
Ra	GM	13 " x 2-1/2 "	2042AT - 451	R46451	R40H378	R40H7055	R40H2588	R40H2589	
Dual Rear Wheels 9,000, 12,500lb. GVW	Ra	GM	13 " x 3-1/2 "	2157T - 452	R46452	R40H378	R40H7055	R40H2588	R40H2589
Single Rear Wheels 9,000, 12,500lb. GVW	Fd	BX		7081 - D149	MD149	R40H5010	R40H5529	NR	NR
	Fd	BX		7081 - D149	MD149	R40H5010	R40H5529	NR	NR
	Ra	GM	13 " x 3-1/2 "	2157T - 452	R46452	R40H378	R40H7055	R40H2588	R40H2589
	Ra	GM	13 " x 3-1/2 "	2157T - 452	R46452	R40H378	R40H7055	R40H2588	R40H2589
14,500 lb. GVW	Fd	BX		7081 - D149	MD149	R40H5010	R40H5529	NR	NR
	Fd	BX		7081 - D149	MD149	R40H5010	R40H5529	NR	NR
	Rd	BX		7081 - D149	MD149	R40H5010	R40H5529	NR	NR
	Rd	BX		7081 - D149	MD149	R40H5010	R40H5529	NR	NR
1988									
Dual Rear Wheels	Ra	GM	13 " x 3-1/2 "	2157T - 452	R46452	R40H378	R40H7055	R40H2588	R40H2589
Dual Rear Wheels Except I-Beam	Fd	BX		7081 - D149	MD149	R40H5010	R40H5529	NR	NR
	Fd	BX		7081 - D149	MD149	R40H5010	R40H5529	NR	NR
Dual Rear Wheels with I-Beam	Fd	BX		7081 - D149	MD149	R40H5010	R40H5529	NR	NR
	Fd	BX		7081 - D149	MD149	R40H5010	R40H5529	NR	NR
Motor Home Chassis	Ra	GM	13 " x 3-1/2 "	2157T - 452	R46452	R40H378	R40H7055	R40H2588	R40H2589
	Ra	GM	13 " x 3-1/2 "	2157T - 452	R46452	R40H378	R40H7055	R40H2588	R40H2589
Motor Home Chassis Except I-Beam	Fd	BX		7081 - D149	MD149	R40H5010	R40H5529	NR	NR
	Fd	BX		7081 - D149	MD149	R40H5010	R40H5529	NR	NR
Motor Home Chassis With I-Beam	Fd	BX		7081 - D149	MD149	R40H5010	R40H5529	NR	NR
Motor Home Chassis With I-Beam and Rear Disc Brake	Fd	BX		7081 - D149	MD149	R40H5010	R40H5529	NR	NR
Motor Home Chassis With Rear Disc Brake	Fd	BX		7081 - D149	MD149	R40H5010	R40H5529	NR	NR
	Rd	BX		7081 - D149	MD149	R40H5010	R40H5529	NR	NR
	Rd	BX		7081 - D149	MD149	R40H5010	R40H5529	NR	NR
8,400 lb. GVW	Fd	GM		7280 - D392	MD392	R40H5004DP	R40H5500	NR	NR
	Fd	GM		7280 - D392	MD392	R40H5004DP	R40H5500	NR	NR
	Ra	GM	13 " x 2-1/2 "	2042AT - 451	R46451	R40H378	R40H7055	R40H2588	R40H2589
Ra	GM	13 " x 2-1/2 "	2042AT - 451	R46451	R40H378	R40H7055	R40H2588	R40H2589	
Dual Rear Wheels 9,000, 12,500lb. GVW	Ra	GM	13 " x 3-1/2 "	2157T - 452	R46452	R40H378	R40H7055	R40H2588	R40H2589
Single Rear Wheels 9,000, 12,500lb. GVW	Fd	BX		7081 - D149	MD149	R40H5010	R40H5529	NR	NR
	Fd	BX		7081 - D149	MD149	R40H5010	R40H5529	NR	NR
	Ra	GM	13 " x 3-1/2 "	2157T - 452	R46452	R40H378	R40H7055	R40H2588	R40H2589
	Ra	GM	13 " x 3-1/2 "	2157T - 452	R46452	R40H378	R40H7055	R40H2588	R40H2589
14,500 lb. GVW	Fd	BX		7081 - D149	MD149	R40H5010	R40H5529	NR	NR
	Fd	BX		7081 - D149	MD149	R40H5010	R40H5529	NR	NR
	Rd	BX		7081 - D149	MD149	R40H5010	R40H5529	NR	NR
	Rd	BX		7081 - D149	MD149	R40H5010	R40H5529	NR	NR
1987									
Dual Rear Wheels	Ra	GM	13 " x 3-1/2 "	2157T - 452	R46452	R40H378	R40H7055	R40H2588	R40H2589
Dual Rear Wheels Except I-Beam	Fd	BX		7081 - D149	MD149	R40H5010	R40H5529	NR	NR

32 - For rotor only use R44141480

280 - 10 1/2" Ring Gear

282 - 10 1/2" Ring Gear, First Design; Use 3 3/8" Outside Diameter Axle Tubes

346 - 4500 lb. Casting Number 2238451452, 10mm Inlet

381 - Rotor and Hub One Piece Assembly W/O ABS Ring

405 - Rotor Only

MERITOR DRUM OR ROTOR NO.	CALIPER OR CYLINDER BORE SIZE	MERITOR CALIPER OR WHEEL CYLINDER (LEFT)	MERITOR CALIPER OR WHEEL CYLINDER (RIGHT)	MERITOR CALIPER OR WHEEL CYLINDER REPAIR KIT	MERITOR CALIPER PISTON	MERITOR MASTER CYLINDER	MERITOR MASTER CYLINDER KIT	MERITOR BRAKE HOSE (LEFT)	MERITOR BRAKE HOSE (RIGHT)
GMC / CHEV(Cont.)									
P-30, P-3500 SERIES-1 TON FORWARD CONTROL AND MOTOR HOME CHASSIS(Cont.)									
R44141508 ³²	3-3/8 "	R42R55200	R42R55199 ³⁴⁶	R4066780	R4090021	-	-	-	-
R44141480 ⁴⁰⁵	3-3/8 "	R42R55200	R42R55199 ³⁴⁶	R4066780	R4090021	-	-	-	-
R44141480 ⁴⁰⁵	3-3/8 "	R42R55200	R42R55199 ³⁴⁶	R4066780	R4090021	-	-	-	-
R44141483 ⁴⁰⁵	3-3/8 "	R42R55200	R42R55199	R4066780	R4090021	-	-	-	-
R44141483 ⁴⁰⁵	3-3/8 "	R42R55200	R42R55199	R4066780	R4090021	-	-	-	-
R44141186 ³⁸¹	3-5/32 "	R42R55382	R42R55381	R4066557	R4090068S	-	-	-	-
R44141186 ³⁸¹	3-5/32 "	R42R55382	R42R55381	R4066557	R4090068S	-	-	-	-
R44140363 ²⁸²	1-1/16 "	R4133709	R4133709	N/A	NR	-	-	-	-
R44140363 ²⁸²	1-1/16 "	R4133709	R4133709	N/A	NR	-	-	-	-
R44140388 ²⁸⁰	1-3/16 "	R4133708	R4133708	R4166872	NR	-	-	-	-
R44141152 ³⁸¹	3-3/8 "	R42R55200	R42R55199 ³⁴⁶	R4066780	R4090021	-	-	-	-
R44141152 ³⁸¹	3-3/8 "	R42R55200	R42R55199 ³⁴⁶	R4066780	R4090021	-	-	-	-
R44140387	1-1/16 "	R4133709	R4133709	N/A	NR	-	-	-	-
R44140387	1-1/16 "	R4133709	R4133709	N/A	NR	-	-	-	-
R44141480 ⁴⁰⁵	3-3/8 "	R42R55200	R42R55199 ³⁴⁶	R4066780	R4090021	-	-	-	-
R44141480 ⁴⁰⁵	3-3/8 "	R42R55200	R42R55199 ³⁴⁶	R4066780	R4090021	-	-	-	-
R44141483 ⁴⁰⁵	3-3/8 "	R42R55200	R42R55199	R4066780	R4090021	-	-	-	-
R44141483 ⁴⁰⁵	3-3/8 "	R42R55200	R42R55199	R4066780	R4090021	-	-	-	-
R44140388 ²⁸⁰	1-3/16 "	R4133708	R4133708	R4166872	NR	-	-	-	-
R44141130 ³²	3-3/8 "	R42R55200	R42R55199 ³⁴⁶	R4066780	R4090021	-	-	-	-
R44141130 ³²	3-3/8 "	R42R55200	R42R55199 ³⁴⁶	R4066780	R4090021	-	-	-	-
R44141508 ³²	3-3/8 "	R42R55200	R42R55199 ³⁴⁶	R4066780	R4090021	-	-	-	-
R44141508 ³²	3-3/8 "	R42R55200	R42R55199 ³⁴⁶	R4066780	R4090021	-	-	-	-
R44140388 ²⁸⁰	1-3/16 "	R4133708	R4133708	R4166872	NR	-	-	-	-
R44140388 ²⁸⁰	1-3/16 "	R4133708	R4133708	R4166872	NR	-	-	-	-
R44141130 ³²	3-3/8 "	R42R55200	R42R55199 ³⁴⁶	R4066780	R4090021	-	-	-	-
R44141130 ³²	3-3/8 "	R42R55200	R42R55199 ³⁴⁶	R4066780	R4090021	-	-	-	-
R44141508 ³²	3-3/8 "	R42R55200	R42R55199 ³⁴⁶	R4066780	R4090021	-	-	-	-
R44141480 ⁴⁰⁵	3-3/8 "	R42R55200	R42R55199 ³⁴⁶	R4066780	R4090021	-	-	-	-
R44141480 ⁴⁰⁵	3-3/8 "	R42R55200	R42R55199 ³⁴⁶	R4066780	R4090021	-	-	-	-
R44141483 ⁴⁰⁵	3-3/8 "	R42R55200	R42R55199	R4066780	R4090021	-	-	-	-
R44141483 ⁴⁰⁵	3-3/8 "	R42R55200	R42R55199	R4066780	R4090021	-	-	-	-
R44141186 ³⁸¹	3-5/32 "	R42R55382	R42R55381	R4066557	R4090068S	-	-	-	-
R44141186 ³⁸¹	3-5/32 "	R42R55382	R42R55381	R4066557	R4090068S	-	-	-	-
R44140363 ²⁸²	1-1/16 "	R4133709	R4133709	N/A	NR	-	-	-	-
R44140363 ²⁸²	1-1/16 "	R4133709	R4133709	N/A	NR	-	-	-	-
R44140388 ²⁸⁰	1-3/16 "	R4133708	R4133708	R4166872	NR	-	-	-	-
R44141152 ³⁸¹	3-3/8 "	R42R55200	R42R55199 ³⁴⁶	R4066780	R4090021	-	-	-	-
R44141152 ³⁸¹	3-3/8 "	R42R55200	R42R55199 ³⁴⁶	R4066780	R4090021	-	-	-	-
R44140387	1-1/16 "	R4133709	R4133709	N/A	NR	-	-	-	-
R44140387	1-1/16 "	R4133709	R4133709	N/A	NR	-	-	-	-
R44141480 ⁴⁰⁵	3-3/8 "	R42R55200	R42R55199 ³⁴⁶	R4066780	R4090021	-	-	-	-
R44141480 ⁴⁰⁵	3-3/8 "	R42R55200	R42R55199 ³⁴⁶	R4066780	R4090021	-	-	-	-
R44141483 ⁴⁰⁵	3-3/8 "	R42R55200	R42R55199	R4066780	R4090021	-	-	-	-
R44141483 ⁴⁰⁵	3-3/8 "	R42R55200	R42R55199	R4066780	R4090021	-	-	-	-
R44140388 ²⁸⁰	1-3/16 "	R4133708	R4133708	R4166872	NR	-	-	-	-
R44141130 ³²	3-3/8 "	R42R55200	R42R55199 ³⁴⁶	R4066780	R4090021	-	-	-	-

MAKE MODEL YEAR AXLE CODE AXLE WEIGHT	AXLE & BRK. TYPE	BRK. MFG.	BRAKE SIZE	FMSI	MERITOR DISC PAD OR BRAKE SHOE	MERITOR GUIDE PIN OR RETURN SPRING KIT	MERITOR CALIPER HWD. KIT OR RETURN SPRING KIT	MERITOR ADJUSTER KIT (LEFT WHEEL)	MERITOR ADJUSTER KIT (RIGHT WHEEL)
GMC / CHEV(Cont.)									
P-30, P-3500 SERIES-1 TON FORWARD CONTROL AND MOTOR HOME CHASSIS(Cont.)									
1987									
Dual Rear Wheels Except I-Beam	Fd	BX		7081 - D149	MD149	R40H5010	R40H5529	NR	NR
Dual Rear Wheels with I-Beam	Fd Fd	BX BX		7081 - D149 7081 - D149	MD149 MD149	R40H5010 R40H5010	R40H5529 R40H5529	NR NR	NR NR
Motor Home Chassis	Ra Ra	GM GM	13 " x 3-1/2 " 13 " x 3-1/2 "	2157T - 452 2157T - 452	R46452 R46452	R40H378 R40H378	R40H7055 R40H7055	R40H2588 R40H2588	R40H2589 R40H2589
Motor Home Chassis Except I-Beam	Fd Fd	BX BX		7081 - D149 7081 - D149	MD149 MD149	R40H5010 R40H5010	R40H5529 R40H5529	NR NR	NR NR
Motor Home Chassis With I-Beam	Fd	BX		7081 - D149	MD149	R40H5010	R40H5529	NR	NR
Motor Home Chassis With I-Beam and Rear Disc Brake	Fd	BX		7081 - D149	MD149	R40H5010	R40H5529	NR	NR
Motor Home Chassis With Rear Disc Brake	Fd Rd Rd	BX BX BX		7081 - D149 7081 - D149 7081 - D149	MD149 MD149 MD149	R40H5010 R40H5010 R40H5010	R40H5529 R40H5529 R40H5529	NR NR NR	NR NR NR
8,400 lb. GVW	Fd Fd Ra Ra	GM GM GM GM		7280 - D392 7280 - D392 2042AT - 451 2042AT - 451	MD392 MD392 R46451 R46451	R40H5004DP R40H5004DP R40H378 R40H378	R40H5500 R40H5500 R40H7055 R40H7055	NR NR R40H2588 R40H2588	NR NR R40H2589 R40H2589
Dual Rear Wheels 9,000, 12,500lb. GVW	Ra	GM	13 " x 3-1/2 "	2157T - 452	R46452	R40H378	R40H7055	R40H2588	R40H2589
Single Rear Wheels 9,000, 12,500lb. GVW	Fd Fd Ra Ra	BX BX GM GM		7081 - D149 7081 - D149 2157T - 452 2157T - 452	MD149 MD149 R46452 R46452	R40H5010 R40H5010 R40H378 R40H378	R40H5529 R40H5529 R40H7055 R40H7055	NR NR R40H2588 R40H2588	NR NR R40H2589 R40H2589
14,500 lb. GVW	Fd Fd Rd Rd	BX BX BX BX		7081 - D149 7081 - D149 7081 - D149 7081 - D149	MD149 MD149 MD149 MD149	R40H5010 R40H5010 R40H5010 R40H5010	R40H5529 R40H5529 R40H5529 R40H5529	NR NR NR NR	NR NR NR NR
1986									
Dual Rear Wheels	Ra	GM	13 " x 3-1/2 "	2157T - 452	R46452	R40H378	R40H7055	R40H2588	R40H2589
Dual Rear Wheels Except I-Beam	Fd Fd	BX BX		7081 - D149 7081 - D149	MD149 MD149	R40H5010 R40H5010	R40H5529 R40H5529	NR NR	NR NR
Dual Rear Wheels with I-Beam	Fd Fd	BX BX		7081 - D149 7081 - D149	MD149 MD149	R40H5010 R40H5010	R40H5529 R40H5529	NR NR	NR NR
Motor Home Chassis	Ra Ra	GM GM	13 " x 3-1/2 " 13 " x 3-1/2 "	2157T - 452 2157T - 452	R46452 R46452	R40H378 R40H378	R40H7055 R40H7055	R40H2588 R40H2588	R40H2589 R40H2589
Motor Home Chassis Except I-Beam	Fd Fd	BX BX		7081 - D149 7081 - D149	MD149 MD149	R40H5010 R40H5010	R40H5529 R40H5529	NR NR	NR NR
Motor Home Chassis With I-Beam	Fd	BX		7081 - D149	MD149	R40H5010	R40H5529	NR	NR
Motor Home Chassis With I-Beam and Rear Disc Brake	Fd	BX		7081 - D149	MD149	R40H5010	R40H5529	NR	NR
Motor Home Chassis With Rear Disc Brake	Fd Rd Rd	BX BX BX		7081 - D149 7081 - D149 7081 - D149	MD149 MD149 MD149	R40H5010 R40H5010 R40H5010	R40H5529 R40H5529 R40H5529	NR NR NR	NR NR NR
8,400 lb. GVW	Fd Fd Ra Ra	GM GM GM GM		7280 - D392 7280 - D392 2042AT - 451 2042AT - 451	MD392 MD392 R46451 R46451	R40H5004DP R40H5004DP R40H378 R40H378	R40H5500 R40H5500 R40H7055 R40H7055	NR NR R40H2588 R40H2588	NR NR R40H2589 R40H2589
Dual Rear Wheels 9,000, 12,500lb. GVW	Ra	GM	13 " x 3-1/2 "	2157T - 452	R46452	R40H378	R40H7055	R40H2588	R40H2589
Single Rear Wheels 9,000, 12,500lb. GVW	Fd Fd	BX BX		7081 - D149 7081 - D149	MD149 MD149	R40H5010 R40H5010	R40H5529 R40H5529	NR NR	NR NR

32 - For rotor only use R44141480

280 - 10 1/2" Ring Gear

282 - 10 1/2" Ring Gear, First Design; Use 3 3/8" Outside Diameter Axle Tubes
405 - Rotor Only

346 - 4500 lb. Casting Number 2238451452, 10mm Inlet

381 - Rotor and Hub One Piece Assembly W/O ABS Ring

MERITOR DRUM OR ROTOR NO.	CALIPER OR CYLINDER BORE SIZE	MERITOR CALIPER OR WHEEL CYLINDER (LEFT)	MERITOR CALIPER OR WHEEL CYLINDER (RIGHT)	MERITOR CALIPER OR WHEEL CYLINDER REPAIR KIT	MERITOR CALIPER PISTON	MERITOR MASTER CYLINDER	MERITOR MASTER CYLINDER KIT	MERITOR BRAKE HOSE (LEFT)	MERITOR BRAKE HOSE (RIGHT)
GMC / CHEV(Cont.)									
P-30, P-3500 SERIES-1 TON FORWARD CONTROL AND MOTOR HOME CHASSIS(Cont.)									
R44141130 ³²	3-3/8 "	R42R55200	R42R55199 ³⁴⁶	R4066780	R4090021	-	-	-	-
R44141508 ³²	3-3/8 "	R42R55200	R42R55199 ³⁴⁶	R4066780	R4090021	-	-	-	-
R44141508 ³²	3-3/8 "	R42R55200	R42R55199 ³⁴⁶	R4066780	R4090021	-	-	-	-
R44140388 ²⁸⁰	1-3/16 "	R4133708	R4133708	R4166872	NR	-	-	-	-
R44140388 ²⁸⁰	1-3/16 "	R4133708	R4133708	R4166872	NR	-	-	-	-
R44141130 ³²	3-3/8 "	R42R55200	R42R55199 ³⁴⁶	R4066780	R4090021	-	-	-	-
R44141130 ³²	3-3/8 "	R42R55200	R42R55199 ³⁴⁶	R4066780	R4090021	-	-	-	-
R44141508 ³²	3-3/8 "	R42R55200	R42R55199 ³⁴⁶	R4066780	R4090021	-	-	-	-
R44141480 ⁴⁰⁵	3-3/8 "	R42R55200	R42R55199 ³⁴⁶	R4066780	R4090021	-	-	-	-
R44141480 ⁴⁰⁵	3-3/8 "	R42R55200	R42R55199 ³⁴⁶	R4066780	R4090021	-	-	-	-
R44141483 ⁴⁰⁵	3-3/8 "	R42R55200	R42R55199	R4066780	R4090021	-	-	-	-
R44141483 ⁴⁰⁵	3-3/8 "	R42R55200	R42R55199	R4066780	R4090021	-	-	-	-
R44141186 ³⁸¹	3-5/32 "	R42R55382	R42R55381	R4066557	R4090068S	-	-	-	-
R44141186 ³⁸¹	3-5/32 "	R42R55382	R42R55381	R4066557	R4090068S	-	-	-	-
R44140363 ²⁸²	1-1/16 "	R4133709	R4133709	N/A	NR	-	-	-	-
R44140363 ²⁸²	1-1/16 "	R4133709	R4133709	N/A	NR	-	-	-	-
R44140388 ²⁸⁰	1-3/16 "	R4133708	R4133708	R4166872	NR	-	-	-	-
R44141152 ³⁸¹	3-3/8 "	R42R55200	R42R55199 ³⁴⁶	R4066780	R4090021	-	-	-	-
R44141152 ³⁸¹	3-3/8 "	R42R55200	R42R55199 ³⁴⁶	R4066780	R4090021	-	-	-	-
R44140387	1-1/16 "	R4133709	R4133709	N/A	NR	-	-	-	-
R44140387	1-1/16 "	R4133709	R4133709	N/A	NR	-	-	-	-
R44141480 ⁴⁰⁵	3-3/8 "	R42R55200	R42R55199 ³⁴⁶	R4066780	R4090021	-	-	-	-
R44141480 ⁴⁰⁵	3-3/8 "	R42R55200	R42R55199 ³⁴⁶	R4066780	R4090021	-	-	-	-
R44141483 ⁴⁰⁵	3-3/8 "	R42R55200	R42R55199	R4066780	R4090021	-	-	-	-
R44141483 ⁴⁰⁵	3-3/8 "	R42R55200	R42R55199	R4066780	R4090021	-	-	-	-
R44140388 ²⁸⁰	1-3/16 "	R4133708	R4133708	R4166872	NR	-	-	-	-
R44141130 ³²	3-3/8 "	R42R55200	R42R55199 ³⁴⁶	R4066780	R4090021	-	-	-	-
R44141130 ³²	3-3/8 "	R42R55200	R42R55199 ³⁴⁶	R4066780	R4090021	-	-	-	-
R44141508 ³²	3-3/8 "	R42R55200	R42R55199 ³⁴⁶	R4066780	R4090021	-	-	-	-
R44141508 ³²	3-3/8 "	R42R55200	R42R55199 ³⁴⁶	R4066780	R4090021	-	-	-	-
R44140388 ²⁸⁰	1-3/16 "	R4133708	R4133708	R4166872	NR	-	-	-	-
R44140388 ²⁸⁰	1-3/16 "	R4133708	R4133708	R4166872	NR	-	-	-	-
R44141130 ³²	3-3/8 "	R42R55200	R42R55199 ³⁴⁶	R4066780	R4090021	-	-	-	-
R44141130 ³²	3-3/8 "	R42R55200	R42R55199 ³⁴⁶	R4066780	R4090021	-	-	-	-
R44141508 ³²	3-3/8 "	R42R55200	R42R55199 ³⁴⁶	R4066780	R4090021	-	-	-	-
R44141480 ⁴⁰⁵	3-3/8 "	R42R55200	R42R55199 ³⁴⁶	R4066780	R4090021	-	-	-	-
R44141480 ⁴⁰⁵	3-3/8 "	R42R55200	R42R55199 ³⁴⁶	R4066780	R4090021	-	-	-	-
R44141483 ⁴⁰⁵	3-3/8 "	R42R55200	R42R55199	R4066780	R4090021	-	-	-	-
R44141483 ⁴⁰⁵	3-3/8 "	R42R55200	R42R55199	R4066780	R4090021	-	-	-	-
R44141186 ³⁸¹	3-5/32 "	R42R55382	R42R55381	R4066557	R4090068S	-	-	-	-
R44141186 ³⁸¹	3-5/32 "	R42R55382	R42R55381	R4066557	R4090068S	-	-	-	-
R44140363 ²⁸²	1-1/16 "	R4133709	R4133709	N/A	NR	-	-	-	-
R44140363 ²⁸²	1-1/16 "	R4133709	R4133709	N/A	NR	-	-	-	-
R44140388 ²⁸⁰	1-3/16 "	R4133708	R4133708	R4166872	NR	-	-	-	-
R44141152 ³⁸¹	3-3/8 "	R42R55200	R42R55199 ³⁴⁶	R4066780	R4090021	-	-	-	-
R44141152 ³⁸¹	3-3/8 "	R42R55200	R42R55199 ³⁴⁶	R4066780	R4090021	-	-	-	-

MAKE MODEL YEAR AXLE CODE AXLE WEIGHT	AXLE & BRK. TYPE	BRK. MFG.	BRAKE SIZE	FMSI	MERITOR DISC PAD OR BRAKE SHOE	MERITOR GUIDE PIN OR RETURN SPRING KIT	MERITOR CALIPER HWD. KIT OR RETURN SPRING KIT	MERITOR ADJUSTER KIT (LEFT WHEEL)	MERITOR ADJUSTER KIT (RIGHT WHEEL)
GMC / CHEV(Cont.)									
P-30, P-3500 SERIES-1 TON FORWARD CONTROL AND MOTOR HOME CHASSIS(Cont.)									
1986	Ra	GM	13 " x 3-1/2 "	2157T - 452	R46452	R40H378	R40H7055	R40H2588	R40H2589
	Ra	GM	13 " x 3-1/2 "	2157T - 452	R46452	R40H378	R40H7055	R40H2588	R40H2589
14,500 lb. GVW	Fd	BX		7081 - D149	MD149	R40H5010	R40H5529	NR	NR
	Fd	BX		7081 - D149	MD149	R40H5010	R40H5529	NR	NR
	Rd	BX		7081 - D149	MD149	R40H5010	R40H5529	NR	NR
	Rd	BX		7081 - D149	MD149	R40H5010	R40H5529	NR	NR
1985 Dual Rear Wheels	Ra	GM	13 " x 3-1/2 "	2157T - 452	R46452	R40H378	R40H7055	R40H2588	R40H2589
	Dual Rear Wheels Except I-Beam								
		Fd		7081 - D149	MD149	R40H5010	R40H5529	NR	NR
		Fd		7081 - D149	MD149	R40H5010	R40H5529	NR	NR
Dual Rear Wheels with I-Beam		Fd		7081 - D149	MD149	R40H5010	R40H5529	NR	NR
		Fd		7081 - D149	MD149	R40H5010	R40H5529	NR	NR
Motor Home Chassis		Ra	13 " x 3-1/2 "	2157T - 452	R46452	R40H378	R40H7055	R40H2588	R40H2589
		Ra	13 " x 3-1/2 "	2157T - 452	R46452	R40H378	R40H7055	R40H2588	R40H2589
Motor Home Chassis Except I-Beam		Fd		7081 - D149	MD149	R40H5010	R40H5529	NR	NR
		Fd		7081 - D149	MD149	R40H5010	R40H5529	NR	NR
Motor Home Chassis With I-Beam		Fd		7081 - D149	MD149	R40H5010	R40H5529	NR	NR
Motor Home Chassis With I-Beam and Rear Disc Brake		Fd		7081 - D149	MD149	R40H5010	R40H5529	NR	NR
Motor Home Chassis With Rear Disc Brake		Fd		7081 - D149	MD149	R40H5010	R40H5529	NR	NR
		Rd		7081 - D149	MD149	R40H5010	R40H5529	NR	NR
		Rd		7081 - D149	MD149	R40H5010	R40H5529	NR	NR
8,400 lb. GVW	Fd	GM		7280 - D392	MD392	R40H5004DP	R40H5500	NR	NR
	Fd	GM		7280 - D392	MD392	R40H5004DP	R40H5500	NR	NR
	Ra	GM	13 " x 2-1/2 "	2042AT - 451	R46451	R40H378	R40H7055	R40H2588	R40H2589
	Ra	GM	13 " x 2-1/2 "	2042AT - 451	R46451	R40H378	R40H7055	R40H2588	R40H2589
Dual Rear Wheels 9,000, 12,500lb. GVW		Ra	13 " x 3-1/2 "	2157T - 452	R46452	R40H378	R40H7055	R40H2588	R40H2589
Single Rear Wheels 9,000, 12,500lb. GVW		Fd		7081 - D149	MD149	R40H5010	R40H5529	NR	NR
		Fd		7081 - D149	MD149	R40H5010	R40H5529	NR	NR
		Ra	13 " x 3-1/2 "	2157T - 452	R46452	R40H378	R40H7055	R40H2588	R40H2589
		Ra	13 " x 3-1/2 "	2157T - 452	R46452	R40H378	R40H7055	R40H2588	R40H2589
14,500 lb. GVW	Fd	BX		7081 - D149	MD149	R40H5010	R40H5529	NR	NR
	Fd	BX		7081 - D149	MD149	R40H5010	R40H5529	NR	NR
	Rd	BX		7081 - D149	MD149	R40H5010	R40H5529	NR	NR
	Rd	BX		7081 - D149	MD149	R40H5010	R40H5529	NR	NR
1984	Fd	BX		7081 - D149	MD149	R40H5010	R40H5529	NR	NR
	Fd	BX		7081 - D149	MD149	R40H5010	R40H5529	NR	NR
	Fd	BX		7081 - D149	MD149	R40H5010	R40H5529	NR	NR
	Ra	GM	13 " x 2-1/2 "	2042AT - 451	R46451	R40H378	R40H7055	R40H2588	R40H2589
	Rd	BX		7081 - D149	MD149	R40H5010	R40H5529	NR	NR
	Rd	BX		7081 - D149	MD149	R40H5010	R40H5529	NR	NR
Dual Rear Wheels		Ra	13 " x 3-1/2 "	2157T - 452	R46452	R40H378	R40H7055	R40H2588	R40H2589
		Ra	13 " x 3-1/2 "	2157T - 452	R46452	R40H378	R40H7055	R40H2588	R40H2589
Motor Home Chassis		Fd		7081 - D149	MD149	R40H5010	R40H5529	NR	NR
		Ra	13 " x 3-1/2 "	2157T - 452	R46452	R40H378	R40H7055	R40H2588	R40H2589
		Ra	13 " x 3-1/2 "	2157T - 452	R46452	R40H378	R40H7055	R40H2588	R40H2589
Motor Home Chassis With Rear Disc Brake		Fd		7081 - D149	MD149	R40H5010	R40H5529	NR	NR
		Fd		7081 - D149	MD149	R40H5010	R40H5529	NR	NR
		Rd		7081 - D149	MD149	R40H5010	R40H5529	NR	NR
		Rd		7081 - D149	MD149	R40H5010	R40H5529	NR	NR
Single Rear Wheels		Ra	13 " x 3-1/2 "	2157T - 452	R46452	R40H378	R40H7055	R40H2588	R40H2589
		Ra	13 " x 3-1/2 "	2157T - 452	R46452	R40H378	R40H7055	R40H2588	R40H2589
7,500, 8,200lb. GVW		Fd		7084A - D153	MD392	R40H5004DP	R40H5500	NR	NR

32 - For rotor only use R44141480

280 - 10 1/2" Ring Gear

282 - 10 1/2" Ring Gear, First Design; Use 3 3/8" Outside Diameter Axle Tubes

346 - 4500 lb. Casting Number 2238451452, 10mm Inlet

381 - Rotor and Hub One Piece Assembly W/O ABS Ring

405 - Rotor Only

MERITOR DRUM OR ROTOR NO.	CALIPER OR CYLINDER BORE SIZE	MERITOR CALIPER OR WHEEL CYLINDER (LEFT)	MERITOR CALIPER OR WHEEL CYLINDER (RIGHT)	MERITOR CALIPER OR WHEEL CYLINDER REPAIR KIT	MERITOR CALIPER PISTON	MERITOR MASTER CYLINDER	MERITOR MASTER CYLINDER KIT	MERITOR BRAKE HOSE (LEFT)	MERITOR BRAKE HOSE (RIGHT)
GMC / CHEV(Cont.)									
P-30, P-3500 SERIES-1 TON FORWARD CONTROL AND MOTOR HOME CHASSIS(Cont.)									
R44140387	1-1/16 "	R4133709	R4133709	N/A	NR	-	-	-	-
R44140387	1-1/16 "	R4133709	R4133709	N/A	NR	-	-	-	-
R44141480 ⁴⁰⁵	3-3/8 "	R42R55200	R42R55199 ³⁴⁶	R4066780	R4090021	-	-	-	-
R44141480 ⁴⁰⁵	3-3/8 "	R42R55200	R42R55199 ³⁴⁶	R4066780	R4090021	-	-	-	-
R44141483 ⁴⁰⁵	3-3/8 "	R42R55200	R42R55199	R4066780	R4090021	-	-	-	-
R44141483 ⁴⁰⁵	3-3/8 "	R42R55200	R42R55199	R4066780	R4090021	-	-	-	-
R44140388 ²⁸⁰	1-3/16 "	R4133708	R4133708	R4166872	NR	-	-	-	-
R44141130 ³²	3-3/8 "	R42R55200	R42R55199 ³⁴⁶	R4066780	R4090021	-	-	-	-
R44141130 ³²	3-3/8 "	R42R55200	R42R55199 ³⁴⁶	R4066780	R4090021	-	-	-	-
R44141508 ³²	3-3/8 "	R42R55200	R42R55199 ³⁴⁶	R4066780	R4090021	-	-	-	-
R44141508 ³²	3-3/8 "	R42R55200	R42R55199 ³⁴⁶	R4066780	R4090021	-	-	-	-
R44140388 ²⁸⁰	1-3/16 "	R4133708	R4133708	R4166872	NR	-	-	-	-
R44140388 ²⁸⁰	1-3/16 "	R4133708	R4133708	R4166872	NR	-	-	-	-
R44141130 ³²	3-3/8 "	R42R55200	R42R55199 ³⁴⁶	R4066780	R4090021	-	-	-	-
R44141130 ³²	3-3/8 "	R42R55200	R42R55199 ³⁴⁶	R4066780	R4090021	-	-	-	-
R44141508 ³²	3-3/8 "	R42R55200	R42R55199 ³⁴⁶	R4066780	R4090021	-	-	-	-
R44141480 ⁴⁰⁵	3-3/8 "	R42R55200	R42R55199 ³⁴⁶	R4066780	R4090021	-	-	-	-
R44141480 ⁴⁰⁵	3-3/8 "	R42R55200	R42R55199 ³⁴⁶	R4066780	R4090021	-	-	-	-
R44141483 ⁴⁰⁵	3-3/8 "	R42R55200	R42R55199	R4066780	R4090021	-	-	-	-
R44141483 ⁴⁰⁵	3-3/8 "	R42R55200	R42R55199	R4066780	R4090021	-	-	-	-
R44141186 ³⁸¹	3-5/32 "	R42R55382	R42R55381	R4066557	R4090068S	-	-	-	-
R44141186 ³⁸¹	3-5/32 "	R42R55382	R42R55381	R4066557	R4090068S	-	-	-	-
R44140363 ²⁸²	1-1/16 "	R4133709	R4133709	N/A	NR	-	-	-	-
R44140363 ²⁸²	1-1/16 "	R4133709	R4133709	N/A	NR	-	-	-	-
R44140388 ²⁸⁰	1-3/16 "	R4133708	R4133708	R4166872	NR	-	-	-	-
R44141152 ³⁸¹	3-3/8 "	R42R55200	R42R55199 ³⁴⁶	R4066780	R4090021	-	-	-	-
R44141152 ³⁸¹	3-3/8 "	R42R55200	R42R55199 ³⁴⁶	R4066780	R4090021	-	-	-	-
R44140387	1-1/16 "	R4133709	R4133709	N/A	NR	-	-	-	-
R44140387	1-1/16 "	R4133709	R4133709	N/A	NR	-	-	-	-
R44141480 ⁴⁰⁵	3-3/8 "	R42R55200	R42R55199 ³⁴⁶	R4066780	R4090021	-	-	-	-
R44141480 ⁴⁰⁵	3-3/8 "	R42R55200	R42R55199 ³⁴⁶	R4066780	R4090021	-	-	-	-
R44141483 ⁴⁰⁵	3-3/8 "	R42R55200	R42R55199	R4066780	R4090021	-	-	-	-
R44141483 ⁴⁰⁵	3-3/8 "	R42R55200	R42R55199	R4066780	R4090021	-	-	-	-
R44141480 ⁴⁰⁵	3-3/8 "	R42R55200	R42R55199 ³⁴⁶	R4066780	R4090021	-	-	-	-
R44141130 ³²	3-3/8 "	R42R55200	R42R55199 ³⁴⁶	R4066780	R4090021	-	-	-	-
R44141480 ⁴⁰⁵	3-3/8 "	R42R55200	R42R55199 ³⁴⁶	R4066780	R4090021	-	-	-	-
R44140363 ²⁸²	1-1/16 "	R4133709	R4133709	N/A	NR	-	-	-	-
R44141483 ⁴⁰⁵	3-3/8 "	R42R55200	R42R55199	R4066780	R4090021	-	-	-	-
R44141483 ⁴⁰⁵	3-3/8 "	R42R55200	R42R55199	R4066780	R4090021	-	-	-	-
R44140363 ²⁸²	1-1/16 "	R4133709	R4133709	N/A	NR	-	-	-	-
R44140388 ²⁸⁰	1-3/16 "	R4133708	R4133708	R4166872	NR	-	-	-	-
R44140388 ²⁸⁰	1-3/16 "	R4133708	R4133708	R4166872	NR	-	-	-	-
R44141130 ³²	3-3/8 "	R42R55200	R42R55199 ³⁴⁶	R4066780	R4090021	-	-	-	-
R44140388 ²⁸⁰	1-3/16 "	R4133708	R4133708	R4166872	NR	-	-	-	-
R44140388 ²⁸⁰	1-3/16 "	R4133708	R4133708	R4166872	NR	-	-	-	-
R44141480 ⁴⁰⁵	3-3/8 "	R42R55200	R42R55199 ³⁴⁶	R4066780	R4090021	-	-	-	-
R44141480 ⁴⁰⁵	3-3/8 "	R42R55200	R42R55199 ³⁴⁶	R4066780	R4090021	-	-	-	-
R44141483 ⁴⁰⁵	3-3/8 "	R42R55200	R42R55199	R4066780	R4090021	-	-	-	-
R44141483 ⁴⁰⁵	3-3/8 "	R42R55200	R42R55199	R4066780	R4090021	-	-	-	-
R44140387	1-3/16 "	R4133708	R4133708	R4166872	NR	-	-	-	-
R44140387	1-3/16 "	R4133708	R4133708	R4166872	NR	-	-	-	-
R44141186 ³⁸¹	3-5/32 "	R42R55382	R42R55381	R4066557	R4090068S	-	-	-	-

MAKE MODEL YEAR AXLE CODE AXLE WEIGHT	AXLE & BRK. TYPE	BRK. MFG.	BRAKE SIZE	FMSI	MERITOR DISC PAD OR BRAKE SHOE	MERITOR GUIDE PIN OR RETURN SPRING KIT	MERITOR CALIPER HWD. KIT OR RETURN SPRING KIT	MERITOR ADJUSTER KIT (LEFT WHEEL)	MERITOR ADJUSTER KIT (RIGHT WHEEL)
GMC / CHEV(Cont.)									
P-30, P-3500 SERIES-1 TON FORWARD CONTROL AND MOTOR HOME CHASSIS(Cont.)									
1984	Fd	GM		7084A - D153	MD392	R40H5004DP	R40H5500	NR	NR
Dual Rear Wheels 9,000, 11,500lb. GVW	Fd Fd	BX BX		7081 - D149 7081 - D149	MD149 MD149	R40H5010 R40H5010	R40H5529 R40H5529	NR NR	NR NR
Single Rear Wheels 9,000, 11,500lb. GVW	Fd Fd	BX BX		7081 - D149 7081 - D149	MD149 MD149	R40H5010 R40H5010	R40H5529 R40H5529	NR NR	NR NR
1983	Fd	BX		7081 - D149	MD149	R40H5010	R40H5529	NR	NR
	Fd	BX		7081 - D149	MD149	R40H5010	R40H5529	NR	NR
	Fd	BX		7081 - D149	MD149	R40H5010	R40H5529	NR	NR
	Ra	GM	13 " x 2-1/2 "	2042AT - 451	R46451	R40H378	R40H7055	R40H2588	R40H2589
	Rd	BX		7081 - D149	MD149	R40H5010	R40H5529	NR	NR
	Rd	BX		7081 - D149	MD149	R40H5010	R40H5529	NR	NR
Dual Rear Wheels	Ra	GM	13 " x 3-1/2 "	2157T - 452	R46452	R40H378	R40H7055	R40H2588	R40H2589
	Ra	GM	13 " x 3-1/2 "	2157T - 452	R46452	R40H378	R40H7055	R40H2588	R40H2589
Motor Home Chassis	Fd	BX		7081 - D149	MD149	R40H5010	R40H5529	NR	NR
	Ra	GM	13 " x 3-1/2 "	2157T - 452	R46452	R40H378	R40H7055	R40H2588	R40H2589
Motor Home Chassis With Rear Disc Brake	Fd	BX		7081 - D149	MD149	R40H5010	R40H5529	NR	NR
	Fd	BX		7081 - D149	MD149	R40H5010	R40H5529	NR	NR
Single Rear Wheels	Ra	GM	13 " x 3-1/2 "	2157T - 452	R46452	R40H378	R40H7055	R40H2588	R40H2589
	Ra	GM	13 " x 3-1/2 "	2157T - 452	R46452	R40H378	R40H7055	R40H2588	R40H2589
7,500, 8,200lb. GVW	Fd Fd	GM GM		7084A - D153 7084A - D153	MD392 MD392	R40H5004DP R40H5004DP	R40H5500 R40H5500	NR NR	NR NR
Dual Rear Wheels 9,000, 11,500lb. GVW	Fd Fd	BX BX		7081 - D149 7081 - D149	MD149 MD149	R40H5010 R40H5010	R40H5529 R40H5529	NR NR	NR NR
Single Rear Wheels 9,000, 11,500lb. GVW	Fd Fd	BX BX		7081 - D149 7081 - D149	MD149 MD149	R40H5010 R40H5010	R40H5529 R40H5529	NR NR	NR NR
1982	Fd	BX		7081 - D149	MD149	R40H5010	R40H5529	NR	NR
	Fd	BX		7081 - D149	MD149	R40H5010	R40H5529	NR	NR
	Fd	BX		7081 - D149	MD149	R40H5010	R40H5529	NR	NR
	Ra	GM	13 " x 2-1/2 "	2042AT - 451	R46451	R40H378	R40H7055	R40H2588	R40H2589
	Rd	BX		7081 - D149	MD149	R40H5010	R40H5529	NR	NR
	Rd	BX		7081 - D149	MD149	R40H5010	R40H5529	NR	NR
Dual Rear Wheels	Ra	GM	13 " x 3-1/2 "	2157T - 452	R46452	R40H378	R40H7055	R40H2588	R40H2589
	Ra	GM	13 " x 3-1/2 "	2157T - 452	R46452	R40H378	R40H7055	R40H2588	R40H2589
Motor Home Chassis	Fd	BX		7081 - D149	MD149	R40H5010	R40H5529	NR	NR
	Ra	GM	13 " x 3-1/2 "	2157T - 452	R46452	R40H378	R40H7055	R40H2588	R40H2589
Motor Home Chassis With Rear Disc Brake	Fd	BX		7081 - D149	MD149	R40H5010	R40H5529	NR	NR
	Fd	BX		7081 - D149	MD149	R40H5010	R40H5529	NR	NR
Single Rear Wheels	Ra	GM	13 " x 3-1/2 "	2157T - 452	R46452	R40H378	R40H7055	R40H2588	R40H2589
	Ra	GM	13 " x 3-1/2 "	2157T - 452	R46452	R40H378	R40H7055	R40H2588	R40H2589
7,500, 8,200lb. GVW	Fd Fd	GM GM		7084A - D153 7084A - D153	MD392 MD392	R40H5004DP R40H5004DP	R40H5500 R40H5500	NR NR	NR NR
Dual Rear Wheels 9,000, 11,500lb. GVW	Fd Fd	BX BX		7081 - D149 7081 - D149	MD149 MD149	R40H5010 R40H5010	R40H5529 R40H5529	NR NR	NR NR
Single Rear Wheels 9,000, 11,500lb. GVW	Fd Fd	BX BX		7081 - D149 7081 - D149	MD149 MD149	R40H5010 R40H5010	R40H5529 R40H5529	NR NR	NR NR

32 - For rotor only use R44141480

280 - 10 1/2" Ring Gear

282 - 10 1/2" Ring Gear, First Design; Use 3 3/8" Outside Diameter Axle Tubes

346 - 4500 lb. Casting Number 2238451452, 10mm Inlet

381 - Rotor and Hub One Piece Assembly W/O ABS Ring

405 - Rotor Only

MERITOR DRUM OR ROTOR NO.	CALIPER OR CYLINDER BORE SIZE	MERITOR CALIPER OR WHEEL CYLINDER (LEFT)	MERITOR CALIPER OR WHEEL CYLINDER (RIGHT)	MERITOR CALIPER OR WHEEL CYLINDER REPAIR KIT	MERITOR CALIPER PISTON	MERITOR MASTER CYLINDER	MERITOR MASTER CYLINDER KIT	MERITOR BRAKE HOSE (LEFT)	MERITOR BRAKE HOSE (RIGHT)
GMC / CHEV(Cont.)									
P-30, P-3500 SERIES-1 TON FORWARD CONTROL AND MOTOR HOME CHASSIS(Cont.)									
R44141186 ³⁸¹	3-5/32 "	R42R55382	R42R55381	R4066557	R4090068S	-	-	-	-
R44141130 ³² R44141130 ³²	3-3/8 " 3-3/8 "	R42R55200 R42R55200	R42R55199 ³⁴⁶ R42R55199 ³⁴⁶	R4066780 R4066780	R4090021 R4090021	-	-	-	-
R44141152 ³⁸¹ R44141152 ³⁸¹	3-3/8 " 3-3/8 "	R42R55200 R42R55200	R42R55199 ³⁴⁶ R42R55199 ³⁴⁶	R4066780 R4066780	R4090021 R4090021	-	-	-	-
R44141130 ³² R44141480 ⁴⁰⁵ R44141480 ⁴⁰⁵	3-3/8 " 3-3/8 " 3-3/8 "	R42R55200 R42R55200 R42R55200	R42R55199 ³⁴⁶ R42R55199 ³⁴⁶ R42R55199 ³⁴⁶	R4066780 R4066780 R4066780	R4090021 R4090021 R4090021	-	-	-	-
R44140363 ²⁸²	1-1/16 "	R4133709	R4133709	N/A	NR	-	-	-	-
R44141483 ⁴⁰⁵ R44141483 ⁴⁰⁵	3-3/8 " 3-3/8 "	R42R55200 R42R55200	R42R55199 R42R55199	R4066780 R4066780	R4090021 R4090021	-	-	-	-
R44140363 ²⁸²	1-1/16 "	R4133709	R4133709	N/A	NR	-	-	-	-
R44140388 ²⁸⁰ R44140388 ²⁸⁰	1-3/16 " 1-3/16 "	R4133708 R4133708	R4133708 R4133708	R4166872 R4166872	NR NR	-	-	-	-
R44141130 ³²	3-3/8 "	R42R55200	R42R55199 ³⁴⁶	R4066780	R4090021	-	-	-	-
R44140388 ²⁸⁰ R44140388 ²⁸⁰	1-3/16 " 1-3/16 "	R4133708 R4133708	R4133708 R4133708	R4166872 R4166872	NR NR	-	-	-	-
R44141480 ⁴⁰⁵ R44141480 ⁴⁰⁵	3-3/8 " 3-3/8 "	R42R55200 R42R55200	R42R55199 ³⁴⁶ R42R55199 ³⁴⁶	R4066780 R4066780	R4090021 R4090021	-	-	-	-
R44141483 ⁴⁰⁵ R44141483 ⁴⁰⁵	3-3/8 " 3-3/8 "	R42R55200 R42R55200	R42R55199 R42R55199	R4066780 R4066780	R4090021 R4090021	-	-	-	-
R44140387 R44140387	1-3/16 " 1-3/16 "	R4133708 R4133708	R4133708 R4133708	R4166872 R4166872	NR NR	-	-	-	-
R44141186 ³⁸¹ R44141186 ³⁸¹	3-5/32 " 3-5/32 "	R42R55382 R42R55382	R42R55381 R42R55381	R4066557 R4066557	R4090068S R4090068S	-	-	-	-
R44141130 ³² R44141130 ³²	3-3/8 " 3-3/8 "	R42R55200 R42R55200	R42R55199 ³⁴⁶ R42R55199 ³⁴⁶	R4066780 R4066780	R4090021 R4090021	-	-	-	-
R44141152 ³⁸¹ R44141152 ³⁸¹	3-3/8 " 3-3/8 "	R42R55200 R42R55200	R42R55199 ³⁴⁶ R42R55199 ³⁴⁶	R4066780 R4066780	R4090021 R4090021	-	-	-	-
R44141130 ³² R44141480 ⁴⁰⁵ R44141480 ⁴⁰⁵	3-3/8 " 3-3/8 " 3-3/8 "	R42R55200 R42R55200 R42R55200	R42R55199 ³⁴⁶ R42R55199 ³⁴⁶ R42R55199 ³⁴⁶	R4066780 R4066780 R4066780	R4090021 R4090021 R4090021	-	-	-	-
R44140363 ²⁸²	1-1/16 "	R4133709	R4133709	N/A	NR	-	-	-	-
R44141483 ⁴⁰⁵ R44141483 ⁴⁰⁵	3-3/8 " 3-3/8 "	R42R55200 R42R55200	R42R55199 R42R55199	R4066780 R4066780	R4090021 R4090021	-	-	-	-
R44140363 ²⁸²	1-1/16 "	R4133709	R4133709	N/A	NR	-	-	-	-
R44140388 ²⁸⁰ R44140388 ²⁸⁰	1-3/16 " 1-3/16 "	R4133708 R4133708	R4133708 R4133708	R4166872 R4166872	NR NR	-	-	-	-
R44141130 ³²	3-3/8 "	R42R55200	R42R55199 ³⁴⁶	R4066780	R4090021	-	-	-	-
R44140388 ²⁸⁰ R44140388 ²⁸⁰	1-3/16 " 1-3/16 "	R4133708 R4133708	R4133708 R4133708	R4166872 R4166872	NR NR	-	-	-	-
R44141480 ⁴⁰⁵ R44141480 ⁴⁰⁵	3-3/8 " 3-3/8 "	R42R55200 R42R55200	R42R55199 ³⁴⁶ R42R55199 ³⁴⁶	R4066780 R4066780	R4090021 R4090021	-	-	-	-
R44141483 ⁴⁰⁵ R44141483 ⁴⁰⁵	3-3/8 " 3-3/8 "	R42R55200 R42R55200	R42R55199 R42R55199	R4066780 R4066780	R4090021 R4090021	-	-	-	-
R44140387 R44140387	1-3/16 " 1-3/16 "	R4133708 R4133708	R4133708 R4133708	R4166872 R4166872	NR NR	-	-	-	-
R44141186 ³⁸¹ R44141186 ³⁸¹	3-5/32 " 3-5/32 "	R42R55382 R42R55382	R42R55381 R42R55381	R4066557 R4066557	R4090068S R4090068S	-	-	-	-
R44141130 ³² R44141130 ³²	3-3/8 " 3-3/8 "	R42R55200 R42R55200	R42R55199 ³⁴⁶ R42R55199 ³⁴⁶	R4066780 R4066780	R4090021 R4090021	-	-	-	-
R44141152 ³⁸¹ R44141152 ³⁸¹	3-3/8 " 3-3/8 "	R42R55200 R42R55200	R42R55199 ³⁴⁶ R42R55199 ³⁴⁶	R4066780 R4066780	R4090021 R4090021	-	-	-	-

MAKE MODEL YEAR AXLE CODE AXLE WEIGHT	AXLE & BRK. TYPE	BRK. MFG.	BRAKE SIZE	FMSI	MERITOR DISC PAD OR BRAKE SHOE	MERITOR GUIDE PIN OR RETURN SPRING KIT	MERITOR CALIPER HWD. KIT OR RETURN SPRING KIT	MERITOR ADJUSTER KIT (LEFT WHEEL)	MERITOR ADJUSTER KIT (RIGHT WHEEL)
GMC / CHEV(Cont.)									
P-30, P-3500 SERIES-1 TON FORWARD CONTROL AND MOTOR HOME CHASSIS(Cont.)									
1981	Fd	BX		7081 - D149	MD149	R40H5010	R40H5529	NR	NR
	Fd	BX		7081 - D149	MD149	R40H5010	R40H5529	NR	NR
	Fd	BX		7081 - D149	MD149	R40H5010	R40H5529	NR	NR
	Ra	GM	13 " x 2-1/2 "	2042AT - 451	R46451	R40H378	R40H7055	R40H2588	R40H2589
	Rd	BX		7081 - D149	MD149	R40H5010	R40H5529	NR	NR
Dual Rear Wheels	Rd	BX		7081 - D149	MD149	R40H5010	R40H5529	NR	NR
	Ra	GM	13 " x 2-1/2 "	2042AT - 451	R46451	R40H378	R40H7055	R40H2588	R40H2589
Motor Home Chassis	Ra	GM	13 " x 3-1/2 "	2157T - 452	R46452	R40H378	R40H7055	R40H2588	R40H2589
	Ra	GM	13 " x 3-1/2 "	2157T - 452	R46452	R40H378	R40H7055	R40H2588	R40H2589
Motor Home Chassis With Rear Disc Brake	Fd	BX		7081 - D149	MD149	R40H5010	R40H5529	NR	NR
	Rd	BX		7081 - D149	MD149	R40H5010	R40H5529	NR	NR
Single Rear Wheels	Rd	BX		7081 - D149	MD149	R40H5010	R40H5529	NR	NR
	Ra	GM	13 " x 3-1/2 "	2157T - 452	R46452	R40H378	R40H7055	R40H2588	R40H2589
7,500, 8,200lb. GVW	Ra	GM	13 " x 3-1/2 "	2157T - 452	R46452	R40H378	R40H7055	R40H2588	R40H2589
	Fd	GM		7084A - D153	MD392	R40H5004DP	R40H5500	NR	NR
Dual Rear Wheels 9,000, 11,500lb. GVW	Fd	GM		7084A - D153	MD392	R40H5004DP	R40H5500	NR	NR
	Fd	BX		7081 - D149	MD149	R40H5010	R40H5529	NR	NR
Single Rear Wheels 9,000, 11,500lb. GVW	Fd	BX		7081 - D149	MD149	R40H5010	R40H5529	NR	NR
	Fd	BX		7081 - D149	MD149	R40H5010	R40H5529	NR	NR
1980	Fd	BX		7081 - D149	MD149	R40H5010	R40H5529	NR	NR
	Fd	BX		7081 - D149	MD149	R40H5010	R40H5529	NR	NR
	Fd	BX		7081 - D149	MD149	R40H5010	R40H5529	NR	NR
	Rd	BX		7081 - D149	MD149	R40H5010	R40H5529	NR	NR
Dual Rear Wheels	Rd	BX		7081 - D149	MD149	R40H5010	R40H5529	NR	NR
7,500, 8,200lb. GVW	Fd	GM		7084A - D153	MD392	R40H5004DP	R40H5500	NR	NR
	Fd	GM		7084A - D153	MD392	R40H5004DP	R40H5500	NR	NR
	Ra	GM	13 " x 2-1/2 "	2042AT - 451	R46451	R40H378	R40H7055	R40H2588	R40H2589
Dual Rear Wheels 10,000 lb. GVW	Ra	GM	13 " x 2-1/2 "	2042AT - 451	R46451	R40H378	R40H7055	R40H2588	R40H2589
	Ra	GM	13 " x 3-1/2 "	2157T - 452	R46452	R40H378	R40H7055	R40H2588	R40H2589
Single Rear Wheels 10,000 lb. GVW	Ra	GM	13 " x 3-1/2 "	2157T - 452	R46452	R40H378	R40H7055	R40H2588	R40H2589
	Fd	BX		7081 - D149	MD149	R40H5010	R40H5529	NR	NR
	Fd	BX		7081 - D149	MD149	R40H5010	R40H5529	NR	NR
	Fd	BX		7081 - D149	MD149	R40H5010	R40H5529	NR	NR
1979	Fd	BX		7081 - D149	MD149	R40H5010	R40H5529	NR	NR
	Fd	BX		7081 - D149	MD149	R40H5010	R40H5529	NR	NR
	Fd	BX		7081 - D149	MD149	R40H5010	R40H5529	NR	NR
	Rd	BX		7081 - D149	MD149	R40H5010	R40H5529	NR	NR
Dual Rear Wheels	Rd	BX		7081 - D149	MD149	R40H5010	R40H5529	NR	NR
7,500, 8,200lb. GVW	Fd	GM		7084A - D153	MD392	R40H5004DP	R40H5500	NR	NR
	Fd	GM		7084A - D153	MD392	R40H5004DP	R40H5500	NR	NR
	Ra	GM	13 " x 2-1/2 "	2042AT - 451	R46451	R40H378	R40H7055	R40H2588	R40H2589
Dual Rear Wheels 10,000 lb. GVW	Ra	GM	13 " x 2-1/2 "	2042AT - 451	R46451	R40H378	R40H7055	R40H2588	R40H2589
	Ra	GM	13 " x 3-1/2 "	2157T - 452	R46452	R40H378	R40H7055	R40H2588	R40H2589
Single Rear Wheels 10,000 lb. GVW	Ra	GM	13 " x 3-1/2 "	2157T - 452	R46452	R40H378	R40H7055	R40H2588	R40H2589
	Fd	BX		7081 - D149	MD149	R40H5010	R40H5529	NR	NR
	Fd	BX		7081 - D149	MD149	R40H5010	R40H5529	NR	NR
	Fd	BX		7081 - D149	MD149	R40H5010	R40H5529	NR	NR

32 - For rotor only use R44141480

280 - 10 1/2" Ring Gear

282 - 10 1/2" Ring Gear, First Design; Use 3 3/8" Outside Diameter Axle Tubes
405 - Rotor Only

346 - 4500 lb. Casting Number 2238451452, 10mm Inlet

381 - Rotor and Hub One Piece Assembly W/O ABS Ring

MERITOR DRUM OR ROTOR NO.	CALIPER OR CYLINDER BORE SIZE	MERITOR CALIPER OR WHEEL CYLINDER (LEFT)	MERITOR CALIPER OR WHEEL CYLINDER (RIGHT)	MERITOR CALIPER OR WHEEL CYLINDER REPAIR KIT	MERITOR CALIPER PISTON	MERITOR MASTER CYLINDER	MERITOR MASTER CYLINDER KIT	MERITOR BRAKE HOSE (LEFT)	MERITOR BRAKE HOSE (RIGHT)
GMC / CHEV(Cont.)									
P-30, P-3500 SERIES-1 TON FORWARD CONTROL AND MOTOR HOME CHASSIS(Cont.)									
R44141480 ⁴⁰⁵	3-3/8 "	R42R55200	R42R55199 ³⁴⁶	R4066780	R4090021	-	-	-	-
R44141480 ⁴⁰⁵	3-3/8 "	R42R55200	R42R55199 ³⁴⁶	R4066780	R4090021	-	-	-	-
R44141130 ³²	3-3/8 "	R42R55200	R42R55199 ³⁴⁶	R4066780	R4090021	-	-	-	-
R44140363 ²⁸²	1-1/16 "	R4133709	R4133709	N/A	NR	-	-	-	-
R44141483 ⁴⁰⁵	3-3/8 "	R42R55200	R42R55199	R4066780	R4090021	-	-	-	-
R44141483 ⁴⁰⁵	3-3/8 "	R42R55200	R42R55199	R4066780	R4090021	-	-	-	-
R44140363 ²⁸²	1-1/16 "	R4133709	R4133709	N/A	NR	-	-	-	-
R44140388 ²⁸⁰	1-3/16 "	R4133708	R4133708	R4166872	NR	-	-	-	-
R44140388 ²⁸⁰	1-3/16 "	R4133708	R4133708	R4166872	NR	-	-	-	-
R44141130 ³²	3-3/8 "	R42R55200	R42R55199 ³⁴⁶	R4066780	R4090021	-	-	-	-
R44140388 ²⁸⁰	1-3/16 "	R4133708	R4133708	R4166872	NR	-	-	-	-
R44140388 ²⁸⁰	1-3/16 "	R4133708	R4133708	R4166872	NR	-	-	-	-
R44141480 ⁴⁰⁵	3-3/8 "	R42R55200	R42R55199 ³⁴⁶	R4066780	R4090021	-	-	-	-
R44141480 ⁴⁰⁵	3-3/8 "	R42R55200	R42R55199 ³⁴⁶	R4066780	R4090021	-	-	-	-
R44141483 ⁴⁰⁵	3-3/8 "	R42R55200	R42R55199	R4066780	R4090021	-	-	-	-
R44141483 ⁴⁰⁵	3-3/8 "	R42R55200	R42R55199	R4066780	R4090021	-	-	-	-
R44140387	1-3/16 "	R4133708	R4133708	R4166872	NR	-	-	-	-
R44140387	1-3/16 "	R4133708	R4133708	R4166872	NR	-	-	-	-
R44141186 ³⁸¹	3-5/32 "	R42R55382	R42R55381	R4066557	R4090068S	-	-	-	-
R44141186 ³⁸¹	3-5/32 "	R42R55382	R42R55381	R4066557	R4090068S	-	-	-	-
R44141130 ³²	3-3/8 "	R42R55200	R42R55199 ³⁴⁶	R4066780	R4090021	-	-	-	-
R44141130 ³²	3-3/8 "	R42R55200	R42R55199 ³⁴⁶	R4066780	R4090021	-	-	-	-
R44141152 ³⁸¹	3-3/8 "	R42R55200	R42R55199 ³⁴⁶	R4066780	R4090021	-	-	-	-
R44141152 ³⁸¹	3-3/8 "	R42R55200	R42R55199 ³⁴⁶	R4066780	R4090021	-	-	-	-
R44141480 ⁴⁰⁵	3-3/8 "	R42R55200	R42R55199 ³⁴⁶	R4066780	R4090021	-	-	-	-
R44141480 ⁴⁰⁵	3-3/8 "	R42R55200	R42R55199 ³⁴⁶	R4066780	R4090021	-	-	-	-
R44141480 ⁴⁰⁵	3-3/8 "	R42R55200	R42R55199 ³⁴⁶	R4066780	R4090021	-	-	-	-
R44141483 ⁴⁰⁵	3-3/8 "	R42R55200	R42R55199	R4066780	R4090021	-	-	-	-
R44141483 ⁴⁰⁵	3-3/8 "	R42R55200	R42R55199	R4066780	R4090021	-	-	-	-
R44141186 ³⁸¹	3-5/32 "	R42R55382	R42R55381	R4066557	R4090068S	-	-	-	-
R44141186 ³⁸¹	3-5/32 "	R42R55382	R42R55381	R4066557	R4090068S	-	-	-	-
R44140363 ²⁸²	1-1/16 "	R4133709	R4133709	N/A	NR	-	-	-	-
R44140363 ²⁸²	1-1/16 "	R4133709	R4133709	N/A	NR	-	-	-	-
R44140388 ²⁸⁰	1-3/16 "	R4133708	R4133708	R4166872	NR	-	-	-	-
R44140388 ²⁸⁰	1-3/16 "	R4133708	R4133708	R4166872	NR	-	-	-	-
N/A	3-3/8 "	R42R55200	R42R55199 ³⁴⁶	R4066780	R4090021	-	-	-	-
R44141152 ³⁸¹	3-3/8 "	R42R55200	R42R55199 ³⁴⁶	R4066780	R4090021	-	-	-	-
R44141152 ³⁸¹	3-3/8 "	R42R55200	R42R55199 ³⁴⁶	R4066780	R4090021	-	-	-	-
R44141130 ³²	3-3/8 "	R42R55200	R42R55199 ³⁴⁶	R4066780	R4090021	-	-	-	-
R44141480 ⁴⁰⁵	3-3/8 "	R42R55200	R42R55199 ³⁴⁶	R4066780	R4090021	-	-	-	-
R44141480 ⁴⁰⁵	3-3/8 "	R42R55200	R42R55199 ³⁴⁶	R4066780	R4090021	-	-	-	-
R44141480 ⁴⁰⁵	3-3/8 "	R42R55200	R42R55199 ³⁴⁶	R4066780	R4090021	-	-	-	-
R44141483 ⁴⁰⁵	3-3/8 "	R42R55200	R42R55199	R4066780	R4090021	-	-	-	-
R44141483 ⁴⁰⁵	3-3/8 "	R42R55200	R42R55199	R4066780	R4090021	-	-	-	-
R44141186 ³⁸¹	3-5/32 "	R42R55382	R42R55381	R4066557	R4090068S	-	-	-	-
R44141186 ³⁸¹	3-5/32 "	R42R55382	R42R55381	R4066557	R4090068S	-	-	-	-
R44140363 ²⁸²	1-1/16 "	R4133709	R4133709	N/A	NR	-	-	-	-
R44140363 ²⁸²	1-1/16 "	R4133709	R4133709	N/A	NR	-	-	-	-
R44140388 ²⁸⁰	1-3/16 "	R4133708	R4133708	R4166872	NR	-	-	-	-
R44140388 ²⁸⁰	1-3/16 "	R4133708	R4133708	R4166872	NR	-	-	-	-
R44141130 ³²	3-3/8 "	R42R55200	R42R55199 ³⁴⁶	R4066780	R4090021	-	-	-	-
N/A	3-3/8 "	R42R55200	R42R55199 ³⁴⁶	R4066780	R4090021	-	-	-	-
R44141152 ³⁸¹	3-3/8 "	R42R55200	R42R55199 ³⁴⁶	R4066780	R4090021	-	-	-	-
R44141152 ³⁸¹	3-3/8 "	R42R55200	R42R55199 ³⁴⁶	R4066780	R4090021	-	-	-	-

MAKE MODEL YEAR AXLE CODE AXLE WEIGHT	AXLE & BRK. TYPE	BRK. MFG.	BRAKE SIZE	FMSI	MERITOR DISC PAD OR BRAKE SHOE	MERITOR GUIDE PIN OR RETURN SPRING KIT	MERITOR CALIPER HWD. KIT OR RETURN SPRING KIT	MERITOR ADJUSTER KIT (LEFT WHEEL)	MERITOR ADJUSTER KIT (RIGHT WHEEL)
GMC / CHEV(Cont.)									
P-30, P-3500 SERIES-1 TON FORWARD CONTROL AND MOTOR HOME CHASSIS(Cont.)									
1978	Fd	BX		7081 - D149	MD149	R40H5010	R40H5529	NR	NR
	Fd	BX		7081 - D149	MD149	R40H5010	R40H5529	NR	NR
	Fd	BX		7081 - D149	MD149	R40H5010	R40H5529	NR	NR
	Rd	BX		7081 - D149	MD149	R40H5010	R40H5529	NR	NR
Dual Rear Wheels	Rd	BX		7081 - D149	MD149	R40H5010	R40H5529	NR	NR
7,500, 8,200lb. GVW	Fd	GM		7084A - D153	MD392	R40H5004DP	R40H5500	NR	NR
	Fd	GM		7084A - D153	MD392	R40H5004DP	R40H5500	NR	NR
	Ra	GM	13 " x 2-1/2 "	2042AT - 451	R46451	R40H378	R40H7055	R40H2588	R40H2589
	Ra	GM	13 " x 2-1/2 "	2042AT - 451	R46451	R40H378	R40H7055	R40H2588	R40H2589
Dual Rear Wheels 10,000 lb. GVW	Fd	BX		7081 - D149	MD149	R40H5010	R40H5529	NR	NR
	Ra	GM	13 " x 3-1/2 "	2157T - 452	R46452	R40H378	R40H7055	R40H2588	R40H2589
	Ra	GM	13 " x 3-1/2 "	2157T - 452	R46452	R40H378	R40H7055	R40H2588	R40H2589
Single Rear Wheels 10,000 lb. GVW	Fd	BX		7081 - D149	MD149	R40H5010	R40H5529	NR	NR
	Fd	BX		7081 - D149	MD149	R40H5010	R40H5529	NR	NR
1977	Fd	BX		7081 - D149	MD149	R40H5010	R40H5529	NR	NR
	Fd	BX		7081 - D149	MD149	R40H5010	R40H5529	NR	NR
	Fd	BX		7081 - D149	MD149	R40H5010	R40H5529	NR	NR
	Rd	BX		7081 - D149	MD149	R40H5010	R40H5529	NR	NR
Dual Rear Wheels	Rd	BX		7081 - D149	MD149	R40H5010	R40H5529	NR	NR
7,500, 8,200lb. GVW	Fd	GM		7084A - D153	MD392	R40H5004DP	R40H5500	NR	NR
	Fd	GM		7084A - D153	MD392	R40H5004DP	R40H5500	NR	NR
	Ra	GM	13 " x 2-1/2 "	2042AT - 451	R46451	R40H378	R40H7055	R40H2588	R40H2589
	Ra	GM	13 " x 2-1/2 "	2042AT - 451	R46451	R40H378	R40H7055	R40H2588	R40H2589
Dual Rear Wheels 10,000 lb. GVW	Fd	BX		7081 - D149	MD149	R40H5010	R40H5529	NR	NR
	Ra	GM	13 " x 3-1/2 "	2157T - 452	R46452	R40H378	R40H7055	R40H2588	R40H2589
	Ra	GM	13 " x 3-1/2 "	2157T - 452	R46452	R40H378	R40H7055	R40H2588	R40H2589
Single Rear Wheels 10,000 lb. GVW	Fd	BX		7081 - D149	MD149	R40H5010	R40H5529	NR	NR
	Fd	BX		7081 - D149	MD149	R40H5010	R40H5529	NR	NR
1976	Fd	BX		7081 - D149	MD149	R40H5010	R40H5529	NR	NR
	Fd	BX		7081 - D149	MD149	R40H5010	R40H5529	NR	NR
	Fd	BX		7081 - D149	MD149	R40H5010	R40H5529	NR	NR
	Rd	BX		7081 - D149	MD149	R40H5010	R40H5529	NR	NR
Dual Rear Wheels	Rd	BX		7081 - D149	MD149	R40H5010	R40H5529	NR	NR
7,500, 8,200lb. GVW	Fd	GM		7084A - D153	MD392	R40H5004DP	R40H5500	NR	NR
	Fd	GM		7084A - D153	MD392	R40H5004DP	R40H5500	NR	NR
	Ra	GM	13 " x 2-1/2 "	2042AT - 451	R46451	R40H378	R40H7055	R40H2588	R40H2589
	Ra	GM	13 " x 2-1/2 "	2042AT - 451	R46451	R40H378	R40H7055	R40H2588	R40H2589
Dual Rear Wheels 10,000 lb. GVW	Fd	BX		7081 - D149	MD149	R40H5010	R40H5529	NR	NR
	Ra	GM	13 " x 3-1/2 "	2157T - 452	R46452	R40H378	R40H7055	R40H2588	R40H2589
	Ra	GM	13 " x 3-1/2 "	2157T - 452	R46452	R40H378	R40H7055	R40H2588	R40H2589
Single Rear Wheels 10,000 lb. GVW	Fd	BX		7081 - D149	MD149	R40H5010	R40H5529	NR	NR
	Fd	BX		7081 - D149	MD149	R40H5010	R40H5529	NR	NR
R-25, R-2500 SERIES-3/4 TIN CONVENTIONAL PICKUP AND SUBURBAN 2WD									
1991	Fd	GM		7280 - D392	MD392	R40H5004DP	R40H5500	NR	NR
	Fd	GM		7280 - D392	MD392	R40H5004DP	R40H5500	NR	NR
	Ra	GM	13 " x 2-1/2 "	2042AT - 451	R46451	R40H378	R40H7055	R40H2588	R40H2589
	Ra	GM	13 " x 2-1/2 "	2042AT - 451	R46451	R40H378	R40H7055	R40H2588	R40H2589
	Ra	GM	13 " x 2-1/2 "	2042AT - 451	R46451	R40H378	R40H7055	R40H2588	R40H2589
	Ra	GM	13 " x 2-1/2 "	2042AT - 451	R46451	R40H378	R40H7055	R40H2588	R40H2589
1990	Fd	GM		7280 - D392	MD392	R40H5004DP	R40H5500	NR	NR
	Fd	GM		7280 - D392	MD392	R40H5004DP	R40H5500	NR	NR
	Ra	GM	13 " x 2-1/2 "	2042AT - 451	R46451	R40H378	R40H7055	R40H2588	R40H2589

32 - For rotor only use R44141480

280 - 10 1/2" Ring Gear

282 - 10 1/2" Ring Gear, First Design; Use 3 3/8" Outside Diameter Axle Tubes

293 - With 9 1/2" Ring Gear and 6 3/8" Drum Width

346 - 4500 lb. Casting Number 2238451452, 10mm Inlet

381 - Rotor and Hub One Piece Assembly W/O ABS Ring

405 - Rotor Only

www.XpresswayPlus.com

Contact our Customer Service Teams

1-500

1-888-725-9355

MERITOR DRUM OR ROTOR NO.	CALIPER OR CYLINDER BORE SIZE	MERITOR CALIPER OR WHEEL CYLINDER (LEFT)	MERITOR CALIPER OR WHEEL CYLINDER (RIGHT)	MERITOR CALIPER OR WHEEL CYLINDER REPAIR KIT	MERITOR CALIPER PISTON	MERITOR MASTER CYLINDER	MERITOR MASTER CYLINDER KIT	MERITOR BRAKE HOSE (LEFT)	MERITOR BRAKE HOSE (RIGHT)
GMC / CHEV(Cont.)									
P-30, P-3500 SERIES-1 TON FORWARD CONTROL AND MOTOR HOME CHASSIS(Cont.)									
R44141480 ⁴⁰⁵	3-3/8 "	R42R55200	R42R55199 ³⁴⁶	R4066780	R4090021	-	-	-	-
R44141480 ⁴⁰⁵	3-3/8 "	R42R55200	R42R55199 ³⁴⁶	R4066780	R4090021	-	-	-	-
R44141480 ⁴⁰⁵	3-3/8 "	R42R55200	R42R55199 ³⁴⁶	R4066780	R4090021	-	-	-	-
R44141483 ⁴⁰⁵	3-3/8 "	R42R55200	R42R55199	R4066780	R4090021	-	-	-	-
R44141483 ⁴⁰⁵	3-3/8 "	R42R55200	R42R55199	R4066780	R4090021	-	-	-	-
R44141186 ³⁸¹	3-5/32 "	R42R55382	R42R55381	R4066557	R4090068S	-	-	-	-
R44141186 ³⁸¹	3-5/32 "	R42R55382	R42R55381	R4066557	R4090068S	-	-	-	-
R44140363 ²⁸²	1-1/16 "	R4133709	R4133709	N/A	NR	-	-	-	-
R44140363 ²⁸²	1-1/16 "	R4133709	R4133709	N/A	NR	-	-	-	-
R44141130 ³²	3-3/8 "	R42R55200	R42R55199 ³⁴⁶	R4066780	R4090021	-	-	-	-
R44140388 ²⁸⁰	1-3/16 "	R4133708	R4133708	R4166872	NR	-	-	-	-
R44140388 ²⁸⁰	1-3/16 "	R4133708	R4133708	R4166872	NR	-	-	-	-
N/A	3-3/8 "	R42R55200	R42R55199 ³⁴⁶	R4066780	R4090021	-	-	-	-
R44141130 ³²	3-3/8 "	R42R55200	R42R55199 ³⁴⁶	R4066780	R4090021	-	-	-	-
R44141480 ⁴⁰⁵	3-3/8 "	R42R55200	R42R55199 ³⁴⁶	R4066780	R4090021	-	-	-	-
R44141480 ⁴⁰⁵	3-3/8 "	R42R55200	R42R55199 ³⁴⁶	R4066780	R4090021	-	-	-	-
R44141480 ⁴⁰⁵	3-3/8 "	R42R55200	R42R55199 ³⁴⁶	R4066780	R4090021	-	-	-	-
R44141483 ⁴⁰⁵	3-3/8 "	R42R55200	R42R55199	R4066780	R4090021	-	-	-	-
R44141483 ⁴⁰⁵	3-3/8 "	R42R55200	R42R55199	R4066780	R4090021	-	-	-	-
R44141186 ³⁸¹	3-5/32 "	R42R55382	R42R55381	R4066557	R4090068S	-	-	-	-
R44141186 ³⁸¹	3-5/32 "	R42R55382	R42R55381	R4066557	R4090068S	-	-	-	-
R44140363 ²⁸²	1-1/16 "	R4133709	R4133709	N/A	NR	-	-	-	-
R44140363 ²⁸²	1-1/16 "	R4133709	R4133709	N/A	NR	-	-	-	-
R44141130 ³²	3-3/8 "	R42R55200	R42R55199 ³⁴⁶	R4066780	R4090021	-	-	-	-
R44140388 ²⁸⁰	1-3/16 "	R4133708	R4133708	R4166872	NR	-	-	-	-
R44140388 ²⁸⁰	1-3/16 "	R4133708	R4133708	R4166872	NR	-	-	-	-
R44141130 ³²	3-3/8 "	R42R55200	R42R55199 ³⁴⁶	R4066780	R4090021	-	-	-	-
N/A	3-3/8 "	R42R55200	R42R55199 ³⁴⁶	R4066780	R4090021	-	-	-	-
R44141480 ⁴⁰⁵	3-3/8 "	R42R55200	R42R55199 ³⁴⁶	R4066780	R4090021	-	-	-	-
R44141480 ⁴⁰⁵	3-3/8 "	R42R55200	R42R55199 ³⁴⁶	R4066780	R4090021	-	-	-	-
R44141480 ⁴⁰⁵	3-3/8 "	R42R55200	R42R55199 ³⁴⁶	R4066780	R4090021	-	-	-	-
R44141483 ⁴⁰⁵	3-3/8 "	R42R55200	R42R55199	R4066780	R4090021	-	-	-	-
R44141483 ⁴⁰⁵	3-3/8 "	R42R55200	R42R55199	R4066780	R4090021	-	-	-	-
R44141186 ³⁸¹	3-5/32 "	R42R55382	R42R55381	R4066557	R4090068S	-	-	-	-
R44141186 ³⁸¹	3-5/32 "	R42R55382	R42R55381	R4066557	R4090068S	-	-	-	-
R44140363 ²⁸²	1-1/16 "	R4133709	R4133709	N/A	NR	-	-	-	-
R44140363 ²⁸²	1-1/16 "	R4133709	R4133709	N/A	NR	-	-	-	-
R44141130 ³²	3-3/8 "	R42R55200	R42R55199 ³⁴⁶	R4066780	R4090021	-	-	-	-
R44140388 ²⁸⁰	1-3/16 "	R4133708	R4133708	R4166872	NR	-	-	-	-
R44140388 ²⁸⁰	1-3/16 "	R4133708	R4133708	R4166872	NR	-	-	-	-
N/A	3-3/8 "	R42R55200	R42R55199 ³⁴⁶	R4066780	R4090021	-	-	-	-
R44141130 ³²	3-3/8 "	R42R55200	R42R55199 ³⁴⁶	R4066780	R4090021	-	-	-	-
R-25, R-2500 SERIES-3/4 TIN CONVENTIONAL PICKUP AND SUBURBAN 2WD									
R44141186 ³⁸¹	3-5/32 "	R42R55382	R42R55381	R4066557	R4090068S	-	-	-	-
R44141186 ³⁸¹	3-5/32 "	R42R55382	R42R55381	R4066557	R4090068S	-	-	-	-
R44140449 ²⁹³	1-1/16 "	R4133709	R4133709	N/A	NR	-	-	-	-
R44140363 ²⁸²	1-1/16 "	R4133709	R4133709	N/A	NR	-	-	-	-
R44140363 ²⁸²	1-1/16 "	R4133709	R4133709	N/A	NR	-	-	-	-
R44140449 ²⁹³	1-1/16 "	R4133709	R4133709	N/A	NR	-	-	-	-
R44141186 ³⁸¹	3-5/32 "	R42R55382	R42R55381	R4066557	R4090068S	-	-	-	-
R44141186 ³⁸¹	3-5/32 "	R42R55382	R42R55381	R4066557	R4090068S	-	-	-	-
R44140363 ²⁸²	1-1/16 "	R4133709	R4133709	N/A	NR	-	-	-	-

MAKE MODEL YEAR AXLE CODE AXLE WEIGHT	AXLE & BRK. TYPE	BRK. MFG.	BRAKE SIZE	FMSI	MERITOR DISC PAD OR BRAKE SHOE	MERITOR GUIDE PIN OR RETURN SPRING KIT	MERITOR CALIPER HWD. KIT OR RETURN SPRING KIT	MERITOR ADJUSTER KIT (LEFT WHEEL)	MERITOR ADJUSTER KIT (RIGHT WHEEL)
GMC / CHEV(Cont.)									
R-25, R-2500 SERIES-3/4 TIN CONVENTIONAL PICKUP AND SUBURBAN 2WD(Cont.)									
1990	Ra Ra Ra	GM GM GM	13 " x 2-1/2 " 13 " x 2-1/2 " 13 " x 2-1/2 "	2042AT - 451 2042AT - 451 2042AT - 451	R46451 R46451 R46451	R40H378 R40H378 R40H378	R40H7055 R40H7055 R40H7055	R40H2588 R40H2588 R40H2588	R40H2589 R40H2589 R40H2589
1989	Fd Fd Ra Ra Ra Ra	GM GM GM GM GM GM	 13 " x 2-1/2 " 13 " x 2-1/2 " 13 " x 2-1/2 " 13 " x 2-1/2 "	7280 - D392 7280 - D392 2042AT - 451 2042AT - 451 2042AT - 451 2042AT - 451	MD392 MD392 R46451 R46451 R46451 R46451	R40H5004DP R40H5004DP R40H378 R40H378 R40H378 R40H378	R40H5500 R40H5500 R40H7055 R40H7055 R40H7055 R40H7055	NR NR R40H2588 R40H2588 R40H2588 R40H2588	NR NR R40H2589 R40H2589 R40H2589 R40H2589
1988	Ra Ra Ra Ra	GM GM GM GM	13 " x 2-1/2 " 13 " x 2-1/2 " 13 " x 2-1/2 " 13 " x 2-1/2 "	2042AT - 451 2042AT - 451 2042AT - 451 2042AT - 451	R46451 R46451 R46451 R46451	R40H378 R40H378 R40H378 R40H378	R40H7055 R40H7055 R40H7055 R40H7055	R40H2588 R40H2588 R40H2588 R40H2588	R40H2589 R40H2589 R40H2589 R40H2589
7,200 lb. GVW	Fd Fd	GM GM		728A - D52 728A - D52	MD52 MD52	R40H5004DP R40H5004DP	R40H5500 R40H5500	NR NR	NR NR
8,400 lb. GVW	Fd Fd	GM GM		7084A - D153 7084A - D153	MD392 MD392	R40H5004DP R40H5004DP	R40H5500 R40H5500	NR NR	NR NR
1987	Ra Ra Ra Ra Ra Ra	GM GM GM GM GM GM	11.1563 x 2-3/4 " 11.1563 x 2-3/4 " 13 " x 2-1/2 " 13 " x 2-1/2 " 13 " x 2-1/2 " 13 " x 2-1/2 "	2073TT - 473 2073TT - 473 2042AT - 451 2042AT - 451 2042AT - 451 2042AT - 451	R46473 R46473 R46451 R46451 R46451 R46451	R40H369 R40H369 R40H378 R40H378 R40H378 R40H378	R40H4072DP ²⁷⁸ R40H4072DP ²⁷⁸ R40H7055 R40H7055 R40H7055 R40H7055	R40H2586 R40H2586 R40H2588 R40H2588 R40H2588 R40H2588	R40H2587 R40H2587 R40H2589 R40H2589 R40H2589 R40H2589
7,200 lb. GVW	Fd Fd	GM GM		728A - D52 728A - D52	MD52 MD52	R40H5004DP R40H5004DP	R40H5500 R40H5500	NR NR	NR NR
8,400 lb. GVW	Fd Fd	GM GM		7084A - D153 7084A - D153	MD392 MD392	R40H5004DP R40H5004DP	R40H5500 R40H5500	NR NR	NR NR
R-30, R-3500 SERIES-1 TON CONVENTIONAL PICKUP AND SUBURBAN 2WD									
1991 Dual Rear Wheels	Fd Fd Ra Ra	BX BX GM GM	 13 " x 3-1/2 " 13 " x 3-1/2 "	7081 - D149 7081 - D149 2157T - 452 2157T - 452	MD149 MD149 R46452 R46452	R40H5010 R40H5010 R40H378 R40H378	R40H5529 R40H5529 R40H7055 R40H7055	NR NR R40H2588 R40H2588	NR NR R40H2589 R40H2589
Single Rear Wheels	Fd Fd Ra Ra	BX BX GM GM	 13 " x 3-1/2 " 13 " x 3-1/2 "	7081 - D149 7081 - D149 2157T - 452 2157T - 452	MD149 MD149 R46452 R46452	R40H5010 R40H5010 R40H378 R40H378	R40H5529 R40H5529 R40H7055 R40H7055	NR NR R40H2588 R40H2588	NR NR R40H2589 R40H2589
1990 Dual Rear Wheels	Fd Fd Ra Ra	BX BX GM GM	 13 " x 3-1/2 " 13 " x 3-1/2 "	7081 - D149 7081 - D149 2157T - 452 2157T - 452	MD149 MD149 R46452 R46452	R40H5010 R40H5010 R40H378 R40H378	R40H5529 R40H5529 R40H7055 R40H7055	NR NR R40H2588 R40H2588	NR NR R40H2589 R40H2589
Single Rear Wheels	Fd Fd Ra Ra	BX BX GM GM	 13 " x 3-1/2 " 13 " x 3-1/2 "	7081 - D149 7081 - D149 2157T - 452 2157T - 452	MD149 MD149 R46452 R46452	R40H5010 R40H5010 R40H378 R40H378	R40H5529 R40H5529 R40H7055 R40H7055	NR NR R40H2588 R40H2588	NR NR R40H2589 R40H2589
1989	Ra Ra	GM GM	13 " x 2-1/2 " 13 " x 2-1/2 "	2042AT - 451 2042AT - 451	R46451 R46451	R40H378 R40H378	R40H7055 R40H7055	R40H2588 R40H2588	R40H2589 R40H2589
Dual Rear Wheels	Fd Fd Ra Ra	BX BX GM GM	 13 " x 3-1/2 " 13 " x 3-1/2 "	7081 - D149 7081 - D149 2157T - 452 2157T - 452	MD149 MD149 R46452 R46452	R40H5010 R40H5010 R40H378 R40H378	R40H5529 R40H5529 R40H7055 R40H7055	NR NR R40H2588 R40H2588	NR NR R40H2589 R40H2589
Single Rear Wheels	Fd Fd Ra Ra	BX BX GM GM	 13 " x 3-1/2 " 13 " x 3-1/2 "	7081 - D149 7081 - D149 2157T - 452 2157T - 452	MD149 MD149 R46452 R46452	R40H5010 R40H5010 R40H378 R40H378	R40H5529 R40H5529 R40H7055 R40H7055	NR NR R40H2588 R40H2588	NR NR R40H2589 R40H2589
1988	Ra Ra	GM GM	13 " x 2-1/2 " 13 " x 2-1/2 "	2042AT - 451 2042AT - 451	R46451 R46451	R40H378 R40H378	R40H7055 R40H7055	R40H2588 R40H2588	R40H2589 R40H2589

32 - For rotor only use R44141480

278 - For Heavy Duty version use E-11287

280 - 10 1/2" Ring Gear

282 - 10 1/2" Ring Gear, First Design; Use 3 3/8" Outside Diameter Axle Tubes

293 - With 9 1/2" Ring Gear and 6 3/8" Drum Width

346 - 4500 lb. Casting Number 2238451452, 10mm Inlet

381 - Rotor and Hub One Piece Assembly W/O ABS Ring

www.XpresswayPlus.com

Contact our Customer Service Teams

MERITOR DRUM OR ROTOR NO.	CALIPER OR CYLINDER BORE SIZE	MERITOR CALIPER OR WHEEL CYLINDER (LEFT)	MERITOR CALIPER OR WHEEL CYLINDER (RIGHT)	MERITOR CALIPER OR WHEEL CYLINDER REPAIR KIT	MERITOR CALIPER PISTON	MERITOR MASTER CYLINDER	MERITOR MASTER CYLINDER KIT	MERITOR BRAKE HOSE (LEFT)	MERITOR BRAKE HOSE (RIGHT)
GMC / CHEV(Cont.)									
R-25, R-2500 SERIES-3/4 TIN CONVENTIONAL PICKUP AND SUBURBAN 2WD(Cont.)									
R44140363 ²⁸²	1-1/16 "	R4133709	R4133709	N/A	NR	-	-	-	-
R44140449 ²⁹³	1-1/16 "	R4133709	R4133709	N/A	NR	-	-	-	-
R44140449 ²⁹³	1-1/16 "	R4133709	R4133709	N/A	NR	-	-	-	-
R44141186 ³⁸¹	3-5/32 "	R42R55382	R42R55381	R4066557	R4090068S	-	-	-	-
R44141186 ³⁸¹	3-5/32 "	R42R55382	R42R55381	R4066557	R4090068S	-	-	-	-
R44140363 ²⁸²	1-1/16 "	R4133709	R4133709	N/A	NR	-	-	-	-
R44140449 ²⁹³	1-1/16 "	R4133709	R4133709	N/A	NR	-	-	-	-
R44140363 ²⁸²	1-1/16 "	R4133709	R4133709	N/A	NR	-	-	-	-
R44140449 ²⁹³	1-1/16 "	R4133709	R4133709	N/A	NR	-	-	-	-
R44140449 ²⁹³	1-1/16 "	R4133709	R4133709	N/A	NR	-	-	-	-
R44140363 ²⁸²	1-1/16 "	R4133709	R4133709	N/A	NR	-	-	-	-
R44140449 ²⁹³	1-1/16 "	R4133709	R4133709	N/A	NR	-	-	-	-
R44140363 ²⁸²	1-1/16 "	R4133709	R4133709	N/A	NR	-	-	-	-
R44140449 ²⁹³	1-1/16 "	R4133709	R4133709	N/A	NR	-	-	-	-
R44140449 ²⁹³	1-1/16 "	R4133709	R4133709	N/A	NR	-	-	-	-
R44140363 ²⁸²	1-1/16 "	R4133709	R4133709	N/A	NR	-	-	-	-
R44141186 ³⁸¹	2-15/16 "	R42R55208	R42R55207	R4066848	R4090013S	-	-	-	-
R44141186 ³⁸¹	2-15/16 "	R42R55208	R42R55207	R4066848	R4090013S	-	-	-	-
R44141186 ³⁸¹	3-5/32 "	R42R55382	R42R55381	R4066557	R4090068S	-	-	-	-
R44141186 ³⁸¹	3-5/32 "	R42R55382	R42R55381	R4066557	R4090068S	-	-	-	-
R44140450	1 "	R4133608	R4133608	R4166620	NR	-	-	-	-
R44140450	1 "	R4133608	R4133608	R4166620	NR	-	-	-	-
R44140363 ²⁸²	1-1/16 "	R4133709	R4133709	N/A	NR	-	-	-	-
R44140449 ²⁹³	1-1/16 "	R4133709	R4133709	N/A	NR	-	-	-	-
R44140449 ²⁹³	1-1/16 "	R4133709	R4133709	N/A	NR	-	-	-	-
R44140363 ²⁸²	1-1/16 "	R4133709	R4133709	N/A	NR	-	-	-	-
R44141186 ³⁸¹	2-15/16 "	R42R55208	R42R55207	R4066848	R4090013S	-	-	-	-
R44141186 ³⁸¹	2-15/16 "	R42R55208	R42R55207	R4066848	R4090013S	-	-	-	-
R44141186 ³⁸¹	3-5/32 "	R42R55382	R42R55381	R4066557	R4090068S	-	-	-	-
R44141186 ³⁸¹	3-5/32 "	R42R55382	R42R55381	R4066557	R4090068S	-	-	-	-
R-30, R-3500 SERIES-1 TON CONVENTIONAL PICKUP AND SUBURBAN 2WD									
R44141130 ³²	3-3/8 "	R42R55200	R42R55199 ³⁴⁶	R4066780	R4090021	-	-	-	-
R44141130 ³²	3-3/8 "	R42R55200	R42R55199 ³⁴⁶	R4066780	R4090021	-	-	-	-
R44140388 ²⁸⁰	1-3/16 "	R4133708	R4133708	R4166872	NR	-	-	-	-
R44140388 ²⁸⁰	1-3/16 "	R4133708	R4133708	R4166872	NR	-	-	-	-
R44141152 ³⁸¹	3-3/8 "	R42R55200	R42R55199 ³⁴⁶	R4066780	R4090021	-	-	-	-
R44141152 ³⁸¹	3-3/8 "	R42R55200	R42R55199 ³⁴⁶	R4066780	R4090021	-	-	-	-
R44140387	1-1/16 "	R4133709	R4133709	N/A	NR	-	-	-	-
R44140387	1-1/16 "	R4133709	R4133709	N/A	NR	-	-	-	-
R44141130 ³²	3-3/8 "	R42R55200	R42R55199 ³⁴⁶	R4066780	R4090021	-	-	-	-
R44141130 ³²	3-3/8 "	R42R55200	R42R55199 ³⁴⁶	R4066780	R4090021	-	-	-	-
R44140388 ²⁸⁰	1-3/16 "	R4133708	R4133708	R4166872	NR	-	-	-	-
R44140388 ²⁸⁰	1-3/16 "	R4133708	R4133708	R4166872	NR	-	-	-	-
R44141152 ³⁸¹	3-3/8 "	R42R55200	R42R55199 ³⁴⁶	R4066780	R4090021	-	-	-	-
R44141152 ³⁸¹	3-3/8 "	R42R55200	R42R55199 ³⁴⁶	R4066780	R4090021	-	-	-	-
R44140387	1-1/16 "	R4133709	R4133709	N/A	NR	-	-	-	-
R44140387	1-1/16 "	R4133709	R4133709	N/A	NR	-	-	-	-
R44140363 ²⁸²	-	-	-	N/A	NR	-	-	-	-
R44140363 ²⁸²	1-1/16 "	R4133709	R4133709	N/A	NR	-	-	-	-
R44141130 ³²	3-3/8 "	R42R55200	R42R55199 ³⁴⁶	R4066780	R4090021	-	-	-	-
R44141130 ³²	3-3/8 "	R42R55200	R42R55199 ³⁴⁶	R4066780	R4090021	-	-	-	-
R44140388 ²⁸⁰	1-3/16 "	R4133708	R4133708	R4166872	NR	-	-	-	-
R44140388 ²⁸⁰	1-3/16 "	R4133708	R4133708	R4166872	NR	-	-	-	-
R44141152 ³⁸¹	3-3/8 "	R42R55200	R42R55199 ³⁴⁶	R4066780	R4090021	-	-	-	-
R44141152 ³⁸¹	3-3/8 "	R42R55200	R42R55199 ³⁴⁶	R4066780	R4090021	-	-	-	-
R44140387	1-1/16 "	R4133709	R4133709	N/A	NR	-	-	-	-
R44140387	1-1/16 "	R4133709	R4133709	N/A	NR	-	-	-	-
R44140363 ²⁸²	-	-	-	N/A	NR	-	-	-	-
R44140363 ²⁸²	1-1/16 "	R4133709	R4133709	N/A	NR	-	-	-	-

MAKE MODEL YEAR AXLE CODE AXLE WEIGHT	AXLE & BRK. TYPE	BRK. MFG.	BRAKE SIZE	FMSI	MERITOR DISC PAD OR BRAKE SHOE	MERITOR GUIDE PIN OR RETURN SPRING KIT	MERITOR CALIPER HWD. KIT OR RETURN SPRING KIT	MERITOR ADJUSTER KIT (LEFT WHEEL)	MERITOR ADJUSTER KIT (RIGHT WHEEL)
GMC / CHEV(Cont.)									
R-30, R-3500 SERIES-1 TON CONVENTIONAL PICKUP AND SUBURBAN 2WD(Cont.)									
1988									
Dual Rear Wheels	Fd	BX		7081 - D149	MD149	R40H5010	R40H5529	NR	NR
	Fd	BX		7081 - D149	MD149	R40H5010	R40H5529	NR	NR
	Ra	GM	13 " x 3-1/2 "	2157T - 452	R46452	R40H378	R40H7055	R40H2588	R40H2589
	Ra	GM	13 " x 3-1/2 "	2157T - 452	R46452	R40H378	R40H7055	R40H2588	R40H2589
Single Rear Wheels	Fd	BX		7081 - D149	MD149	R40H5010	R40H5529	NR	NR
	Fd	BX		7081 - D149	MD149	R40H5010	R40H5529	NR	NR
	Ra	GM	13 " x 3-1/2 "	2157T - 452	R46452	R40H378	R40H7055	R40H2588	R40H2589
	Ra	GM	13 " x 3-1/2 "	2157T - 452	R46452	R40H378	R40H7055	R40H2588	R40H2589
1987									
Dual Rear Wheels	Ra	GM	13 " x 2-1/2 "	2042AT - 451	R46451	R40H378	R40H7055	R40H2588	R40H2589
	Ra	GM	13 " x 2-1/2 "	2042AT - 451	R46451	R40H378	R40H7055	R40H2588	R40H2589
	Fd	BX		7081 - D149	MD149	R40H5010	R40H5529	NR	NR
	Fd	BX		7081 - D149	MD149	R40H5010	R40H5529	NR	NR
Single Rear Wheels	Ra	GM	13 " x 3-1/2 "	2157T - 452	R46452	R40H378	R40H7055	R40H2588	R40H2589
	Ra	GM	13 " x 3-1/2 "	2157T - 452	R46452	R40H378	R40H7055	R40H2588	R40H2589
1987									
Dual Rear Wheels	Fd	BX		7081 - D149	MD149	R40H5010	R40H5529	NR	NR
	Fd	BX		7081 - D149	MD149	R40H5010	R40H5529	NR	NR
Single Rear Wheels	Ra	GM	13 " x 3-1/2 "	2157T - 452	R46452	R40H378	R40H7055	R40H2588	R40H2589
	Ra	GM	13 " x 3-1/2 "	2157T - 452	R46452	R40H378	R40H7055	R40H2588	R40H2589
1987									
Dual Rear Wheels	Fd	BX		7081 - D149	MD149	R40H5010	R40H5529	NR	NR
	Fd	BX		7081 - D149	MD149	R40H5010	R40H5529	NR	NR
Single Rear Wheels	Ra	GM	13 " x 3-1/2 "	2157T - 452	R46452	R40H378	R40H7055	R40H2588	R40H2589
	Ra	GM	13 " x 3-1/2 "	2157T - 452	R46452	R40H378	R40H7055	R40H2588	R40H2589
V-20, V-2500 SERIES-3/4 TON CONVENTIONAL PICKUP AND SUBURBAN 4WD									
1991									
	Fd	GM		7280 - D392	MD392	R40H5004DP	R40H5500	NR	NR
	Fd	GM		7280 - D392	MD392	R40H5004DP	R40H5500	NR	NR
Suburban Except 13 Brakes, Except Diesel Engine	Ra	GM	13 " x 2-1/2 "	2042AT - 451	R46451	R40H378	R40H7055	R40H2588	R40H2589
	Ra	GM	13 " x 2-1/2 "	2042AT - 451	R46451	R40H378	R40H7055	R40H2588	R40H2589
1990									
	Fd	GM		7280 - D392	MD392	R40H5004DP	R40H5500	NR	NR
	Fd	GM		7280 - D392	MD392	R40H5004DP	R40H5500	NR	NR
Suburban Except 13 Brakes, Except Diesel Engine	Ra	GM	13 " x 2-1/2 "	2042AT - 451	R46451	R40H378	R40H7055	R40H2588	R40H2589
	Ra	GM	13 " x 2-1/2 "	2042AT - 451	R46451	R40H378	R40H7055	R40H2588	R40H2589
1989									
	Fd	GM		7280 - D392	MD392	R40H5004DP	R40H5500	NR	NR
	Fd	GM		7280 - D392	MD392	R40H5004DP	R40H5500	NR	NR
Suburban Except 13 Brakes, Except Diesel Engine	Fd	GM		7280 - D392	MD392	R40H5004DP	R40H5500	NR	NR
	Ra	GM	13 " x 2-1/2 "	2042AT - 451	R46451	R40H378	R40H7055	R40H2588	R40H2589
Suburban Except 13 Brakes, Except Diesel Engine	Ra	GM	13 " x 2-1/2 "	2042AT - 451	R46451	R40H378	R40H7055	R40H2588	R40H2589
	Ra	GM	13 " x 2-1/2 "	2042AT - 451	R46451	R40H378	R40H7055	R40H2588	R40H2589
1988									
6,600lb. GVW	Ra	GM	11.1563 x 2-3/4 "	2073TT - 473	R46473	R40H369	R40H4072DP ²⁷⁸	R40H2586	R40H2587
	Ra	GM	13 " x 2-1/2 "	2042AT - 451	R46451	R40H378	R40H7055	R40H2588	R40H2589
8,600 lb. GVW	Fd	GM		728A - D52	MD52	R40H5004DP	R40H5500	NR	NR
1987									
6,600lb. GVW	Fd	GM		7084A - D153	MD392	R40H5004DP	R40H5500	NR	NR
	Fd	GM		7084A - D153	MD392	R40H5004DP	R40H5500	NR	NR
1987									
6,600lb. GVW	Ra	GM	13 " x 2-1/2 "	2042AT - 451	R46451	R40H378	R40H7055	R40H2588	R40H2589
	Ra	GM	13 " x 2-1/2 "	2042AT - 451	R46451	R40H378	R40H7055	R40H2588	R40H2589
1987 Option	Ra	GM	11.1563 x 2-3/4 "	2073TT - 473	R46473	R40H369	R40H4072DP ²⁷⁸	R40H2586	R40H2587
6,600lb. GVW	Fd	GM		728A - D52	MD52	R40H5004DP	R40H5500	NR	NR
8,600 lb. GVW	Fd	GM		7084A - D153	MD392	R40H5004DP	R40H5500	NR	NR
V-30, V-3500 SERIES-1 TON PICKUP AND SUBURBAN 4WD									
1991									
	Fd	GM		7339 - D459	MD459	R40H5083	R40H5788	NR	NR
	Fd	GM		7260 - D370	MD370	R40H5083	R40H5707	NR	NR
Suburban Except 13 Brakes, Except Diesel Engine	Fd	GM		7339 - D459	MD459	R40H5083	R40H5788	NR	NR
	Ra	GM	13 " x 2-1/2 "	2042AT - 451	R46451	R40H378	R40H7055	R40H2588	R40H2589
Suburban Except 13 Brakes, Except Diesel Engine	Ra	GM	13 " x 2-1/2 "	2042AT - 451	R46451	R40H378	R40H7055	R40H2588	R40H2589
	Ra	GM	13 " x 3-1/2 "	2157T - 452	R46452	R40H378	R40H7055	R40H2588	R40H2589
Suburban Except 13 Brakes, Except Diesel Engine	Ra	GM	13 " x 3-1/2 "	2157T - 452	R46452	R40H378	R40H7055	R40H2588	R40H2589
	Ra	GM	13 " x 3-1/2 "	2157T - 452	R46452	R40H378	R40H7055	R40H2588	R40H2589
Suburban Except 13 Brakes, Except Diesel Engine	Ra	GM	13 " x 3-1/2 "	2157T - 452	R46452	R40H378	R40H7055	R40H2588	R40H2589
	Ra	GM	13 " x 3-1/2 "	2157T - 452	R46452	R40H378	R40H7055	R40H2588	R40H2589
Suburban Except 13 Brakes, Except Diesel Engine	Ra	GM	13 " x 3-1/2 "	2157T - 452	R46452	R40H378	R40H7055	R40H2588	R40H2589
	Ra	GM	13 " x 3-1/2 "	2157T - 452	R46452	R40H378	R40H7055	R40H2588	R40H2589

32 - For rotor only use R44141480
 64 - 131.5", 155.5" Wheel Base
 280 - 10 1/2" Ring Gear

35 - R44141049 is rotor only, for hub only use E-8394
 65 - 135.5", 159.5" Wheel Base
 282 - 10 1/2" Ring Gear, First Design: Use 3 3/8" Outside Diameter
 Axle Tubes

53 - Power Brakes
 278 - For Heavy Duty version use E-11287
 293 - With 9 1/2" Ring Gear and 6 3/8" Drum Width

MERITOR DRUM OR ROTOR NO.	CALIPER OR CYLINDER BORE SIZE	MERITOR CALIPER OR WHEEL CYLINDER (LEFT)	MERITOR CALIPER OR WHEEL CYLINDER (RIGHT)	MERITOR CALIPER OR WHEEL CYLINDER REPAIR KIT	MERITOR CALIPER PISTON	MERITOR MASTER CYLINDER	MERITOR MASTER CYLINDER KIT	MERITOR BRAKE HOSE (LEFT)	MERITOR BRAKE HOSE (RIGHT)
GMC / CHEV(Cont.)									
R-30, R-3500 SERIES-1 TON CONVENTIONAL PICKUP AND SUBURBAN 2WD(Cont.)									
R44141130 ³² R44141130 ³²	3-3/8 " 3-3/8 "	R42R55200 R42R55200	R42R55199 ³⁴⁶ R42R55199 ³⁴⁶	R4066780 R4066780	R4090021 R4090021	- -	- -	- -	- -
R44140388 ²⁸⁰ R44140388 ²⁸⁰	1-3/16 " 1-3/16 "	R4133708 R4133708	R4133708 R4133708	R4166872 R4166872	NR NR	- -	- -	- -	- -
R44141152 ³⁸¹ R44141152 ³⁸¹	3-3/8 " 3-3/8 "	R42R55200 R42R55200	R42R55199 ³⁴⁶ R42R55199 ³⁴⁶	R4066780 R4066780	R4090021 R4090021	- -	- -	- -	- -
R44140387 R44140387	1-1/16 " 1-1/16 "	R4133709 R4133709	R4133709 R4133709	N/A N/A	NR NR	- -	- -	- -	- -
R44140363 ²⁸² R44140363 ²⁸²	1-1/16 " -	R4133709 -	R4133709 -	N/A N/A	NR NR	- -	- -	- -	- -
R44141130 ³² R44141130 ³²	3-3/8 " 3-3/8 "	R42R55200 R42R55200	R42R55199 ³⁴⁶ R42R55199 ³⁴⁶	R4066780 R4066780	R4090021 R4090021	- -	- -	- -	- -
R44140388 ²⁸⁰ R44140388 ²⁸⁰	1-3/16 " 1-3/16 "	R4133708 R4133708	R4133708 R4133708	R4166872 R4166872	NR NR	- -	- -	- -	- -
R44141152 ³⁸¹ R44141152 ³⁸¹	3-3/8 " 3-3/8 "	R42R55200 R42R55200	R42R55199 ³⁴⁶ R42R55199 ³⁴⁶	R4066780 R4066780	R4090021 R4090021	- -	- -	- -	- -
R44140387 R44140387	1-1/16 " 1-1/16 "	R4133709 R4133709	R4133709 R4133709	N/A N/A	NR NR	- -	- -	- -	- -
V-20, V-2500 SERIES-3/4 TON CONVENTIONAL PICKUP AND SUBURBAN 4WD									
N/A R44141049 ³⁵	3-5/32 " 3-5/32 "	R42R55382 R42R55382	R42R55381 R42R55381	R4066557 R4066557	R4090068S R4090068S	- -	- -	- -	- -
R44140449 ²⁹³ R44140449 ²⁹³	1-1/16 " 1-1/16 "	R4133709 R4133709	R4133709 R4133709	N/A N/A	NR NR	- -	- -	- -	- -
R44141049 ³⁵	3-5/32 "	R42R55382	R42R55381	R4066557	R4090068S	-	-	-	-
R44141049 ³⁵ N/A R44141049 ³⁵	3-5/32 " 3-5/32 " 3-5/32 "	R42R55382 R42R55382 R42R55382	R42R55381 R42R55381 R42R55381	R4066557 R4066557 R4066557	R4090068S R4090068S R4090068S	- - -	- - -	- - -	- - -
R44140449 ²⁹³ R44140449 ²⁹³	1-1/16 " 1-1/16 "	R4133709 R4133709	R4133709 R4133709	N/A N/A	NR NR	- -	- -	- -	- -
R44141049 ³⁵ R44141049 ³⁵ N/A	3-5/32 " 3-5/32 " 3-5/32 "	R42R55382 R42R55382 R42R55382	R42R55381 R42R55381 R42R55381	R4066557 R4066557 R4066557	R4090068S R4090068S R4090068S	- - -	- - -	- - -	- - -
R44140449 ²⁹³ R44140449 ²⁹³	1-1/16 " 1-1/16 "	R4133709 R4133709	R4133709 R4133709	N/A N/A	NR NR	- -	- -	- -	- -
R44140450 R44140449 ²⁹³	1 " 1-1/16 "	R4133608 R4133709	R4133608 R4133709	R4166620 N/A	NR NR	- -	- -	- -	- -
R44141049 ³⁵ R44141049 ³⁵	2-15/16 " 3-5/32 "	R42R55206 R42R55382	R42R55205 R42R55381	R4066848 R4066557	R4090013S R4090068S	- -	- -	- -	- -
R44140449 ²⁹³ R44140450	1-1/16 " 1 "	R4133709 R4133608	R4133709 R4133608	N/A R4166620	NR NR	- -	- -	- -	- -
R44141049 ³⁵ R44141049 ³⁵	2-15/16 " 3-5/32 "	R42R55206 R42R55382	R42R55205 R42R55381	R4066848 R4066557	R4090013S R4090068S	- -	- -	- -	- -
V-30, V-3500 SERIES-1 TON PICKUP AND SUBURBAN 4WD									
R44141770 ⁴⁰⁵ R44141770 ⁴⁰⁵ R44141770 ⁴⁰⁵	3-25/32 " 3-5/32 " 3-25/32 "	R42R55687 R42R55497 R42R55687	R42R55688 R42R55496 R42R55688	R4066211 R4066330 R4066211	R4090188S R4090101S R4090188S	R4113022 ⁵³ R4113022 ⁵³ R4113022 ⁵³	R4122437 R4122437 R4122437	R4578224 R4578224 R451534 ⁶⁴	R4578787 R4578787 R4577461
R44140363 ²⁸² R44140363 ²⁸² R44140388 ²⁸⁰ R44140387 R44140619 R44140388 ²⁸⁰ R44140619 R44140387	1-1/16 " 1-1/16 " 1-3/16 " 1-3/16 " 1-3/16 " 1-3/16 " 1-3/16 " 1-3/16 "	R4133709 R4133709 R4133708 R4133708 R4133708 R4133708 R4133708 R4133708	R4133709 R4133709 R4133708 R4133708 R4133708 R4133708 R4133708 R4133708	N/A N/A R4166872 R4166872 R4166872 R4166872 R4166872 R4166872	NR NR NR NR NR NR NR NR	- - - - - - - -	- - - - - - - -	R4577765 R4577765 R4578360 ⁶⁵ R4578360 ⁶⁵ R4578360 ⁶⁵ R4578360 ⁶⁵ R4578360 ⁶⁵ R4578360 ⁶⁵	R4577765 R4577765 R4578360 R4578360 R4578360 R4578360 R4578360 R4578360

346 - 4500 lb. Casting Number 2238451452, 10mm Inlet

381 - Rotor and Hub One Piece Assembly W/O ABS Ring

405 - Rotor Only

MAKE MODEL YEAR AXLE CODE AXLE WEIGHT	AXLE & BRK. TYPE	BRK. MFG.	BRAKE SIZE	FMSI	MERITOR DISC PAD OR BRAKE SHOE	MERITOR GUIDE PIN OR RETURN SPRING KIT	MERITOR CALIPER HWD. KIT OR RETURN SPRING KIT	MERITOR ADJUSTER KIT (LEFT WHEEL)	MERITOR ADJUSTER KIT (RIGHT WHEEL)
GMC / CHEV(Cont.)									
V-30, V-3500 SERIES-1 TON PICKUP AND SUBURBAN 4WD(Cont.)									
1989	Fd	GM		7260 - D370	MD370	R40H5083	R40H5707	NR	NR
	Ra	GM	13 " x 2-1/2 "	2042AT - 451	R46451	R40H378	R40H7055	R40H2588	R40H2589
	Ra	GM	13 " x 2-1/2 "	2042AT - 451	R46451	R40H378	R40H7055	R40H2588	R40H2589
	Ra	GM	13 " x 3-1/2 "	2157T - 452	R46452	R40H378	R40H7055	R40H2588	R40H2589
1988	Fd	GM		7260 - D370	MD370	R40H5083	R40H5707	NR	NR
	Ra	GM	13 " x 2-1/2 "	2042AT - 451	R46451	R40H378	R40H7055	R40H2588	R40H2589
	Ra	GM	13 " x 2-1/2 "	2157T - 452	R46452	R40H378	R40H7055	R40H2588	R40H2589
	Ra	GM	13 " x 3-1/2 "	2157T - 452	R46452	R40H378	R40H7055	R40H2588	R40H2589
1987	Fd	GM		7260 - D370	MD370	R40H5083	R40H5707	NR	NR
	Ra	GM	13 " x 2-1/2 "	2042AT - 451	R46451	R40H378	R40H7055	R40H2588	R40H2589
	Ra	GM	13 " x 3-1/2 "	2157T - 452	R46452	R40H378	R40H7055	R40H2588	R40H2589
	Ra	GM	13 " x 3-1/2 "	2157T - 452	R46452	R40H378	R40H7055	R40H2588	R40H2589
W 4									
2005									
Diesel Engine 1-04 through 10,001 - 14,000 lbs GVWR Class 3 Vehicle	Fd	Isuzu		7699 - D827	MD827 ³⁶⁸	R4112503	-	N/A	N/A
Gasoline Engine 14,001 - 16,000 lbs GVWR Class 4 Vehicle	Fd	Isuzu		7699 - D827	MD827 ³⁶⁹	-	-	N/A	N/A
2004									
Diesel Engine 1-04 through 10,001 - 14,000 lbs GVWR Class 3 Vehicle	Fd	Isuzu		7699 - D827	MD827 ³⁶⁸	R4112503	-	N/A	N/A
Gasoline Engine 7-03 through 6-04 14,001 - 16,000 lbs GVWR Class 4 Vehicle	Fd	Isuzu		7699 - D827	MD827 ³⁶⁹	R4112504	-	N/A	N/A
Gasoline Engine 7-04 Through 14,001 - 16,000 lbs GVWR Class 4 Vehicle	Fd	Isuzu		7699 - D827	MD827 ³⁶⁹	R4112503	-	N/A	N/A
2003									
Diesel Engine 1-03 through 11-03 10,001 - 14,000 lbs GVWR Class 3 Vehicle	Fd	Isuzu		7697 - D825	MD825 ³⁶⁸	R4112503	-	N/A	N/A
Diesel Engine 11-03 through 12-03 10,001 - 14,000 lbs GVWR Class 3 Vehicle	Fd	Isuzu		7697 - D825	MD825 ³⁶⁸	-	-	N/A	N/A
Gasoline Engine 7-03 through 6-04 14,001 - 16,000 lbs GVWR Class 4 Vehicle	Fd	Isuzu		7699 - D827	MD827 ³⁶⁹	R4112504	-	N/A	N/A
Gasoline Engine 8-99 through 6-03 14,001 - 16,000 lbs GVWR Class 4 Vehicle	Fd	Isuzu		7699 - D827	MD827 ³⁶⁹	R4112504	-	N/A	N/A
2002									
Diesel Engine 10,001 - 14,000 lbs GVWR Class 3 Vehicle	Fd	Isuzu		7697 - D825	MD825 ³⁶⁸	R4112503	-	N/A	N/A
Gasoline Engine 14,001 - 16,000 lbs GVWR Class 4 Vehicle	Fd	Isuzu		7699 - D827	MD827 ³⁶⁹	R4112504	-	N/A	N/A
2001									
Diesel Engine 1-01 through 1-03 10,001 - 14,000 lbs GVWR Class 3 Vehicle	Fd	Isuzu		7697 - D825	MD825 ³⁶⁹	R4112503	-	N/A	N/A
Gasoline Engine 14,001 - 16,000 lbs GVWR Class 4 Vehicle	Fd	Isuzu		7699 - D827	MD827 ³⁶⁹	R4112504	-	N/A	N/A

280 - 10 1/2" Ring Gear
368 - Isuzu # includes all clips

293 - With 9 1/2" Ring Gear and 6 3/8" Drum Width
369 - Includes all clips

309 - Power Brakes, Hydroboost
405 - Rotor Only

MERITOR DRUM OR ROTOR NO.	CALIPER OR CYLINDER BORE SIZE	MERITOR CALIPER OR WHEEL CYLINDER (LEFT)	MERITOR CALIPER OR WHEEL CYLINDER (RIGHT)	MERITOR CALIPER OR WHEEL CYLINDER REPAIR KIT	MERITOR CALIPER PISTON	MERITOR MASTER CYLINDER	MERITOR MASTER CYLINDER KIT	MERITOR BRAKE HOSE (LEFT)	MERITOR BRAKE HOSE (RIGHT)
GMC / CHEV(Cont.)									
V-30, V-3500 SERIES-1 TON PICKUP AND SUBURBAN 4WD(Cont.)									
R44141477 ⁴⁰⁵	3-5/32 "	R42R55497	R42R55496	R4066330	R4090101S	R4112220 ³⁰⁹	R4122141	R4578224	R4578787
R44140449 ²⁹³	1-1/16 "	R4133709	R4133709	N/A	NR	-	-	R4577765	R4577765
R44140536 ²⁸⁰	1-1/16 "	R4133709	R4133709	N/A	NR	-	-	R4577765	R4577765
R44140388 ²⁸⁰	1-3/16 "	R4133708	R4133708	R4166872	NR	-	-	R4577765	R4577765
R44141477 ⁴⁰⁵	3-5/32 "	R42R55497	R42R55496	R4066330	R4090101S	R4112220 ³⁰⁹	R4122141	R4578224	R4578787
R44140536 ²⁸⁰	1-1/16 "	R4133709	R4133709	N/A	NR	-	-	R4577765	R4577765
R44140388 ²⁸⁰	1-3/16 "	R4133708	R4133708	R4166872	NR	-	-	R4577765	R4577765
R44141477 ⁴⁰⁵	3-5/32 "	R42R55497	R42R55496	R4066330	R4090101S	R4112220 ³⁰⁹	R4122141	R4578224	R4578787
R44140536 ²⁸⁰	1-1/16 "	R4133709	R4133709	N/A	NR	-	-	R4577765	R4577765
R44140388 ²⁸⁰	1-3/16 "	R4133708	R4133708	R4166872	NR	-	-	R4577765	R4577765
W 4									
-	54mm	R4212269	R4212270	R4012285	R4012281	-	-	-	-
R4421493R		R4212273	R4212274	R4012284	R4012280	-	-	-	-
-		R4212269	R4212270	R4012285	R4012281	-	-	-	-
R4421493R		R4212275	R4212276	R4012283	R4012279	-	-	-	-
R4421493R		R4212273	R4212274	R4012284	R4012280	-	-	-	-
-		R4212271X	R4212272X	R4012286	R4012282	-	-	-	-
-		R4212271X	R4212272X	R4012286	R4012282	-	-	-	-
R4421493R		R4212275	R4212276	R4012283	R4012279	-	-	-	-
-		R4212275	R4212276	R4012283	R4012279	-	-	-	-
-		R4212271X	R4212272X	R4012286	R4012282	-	-	-	-
-		R4212275	R4212276	R4012283	R4012279	-	-	-	-
-		R4212271X	R4212272X	R4012286	R4012282	-	-	-	-
-		R4212275	R4212276	R4012283	R4012279	-	-	-	-

1 APPLICATION

MAKE MODEL YEAR AXLE CODE AXLE WEIGHT	AXLE & BRK. TYPE	BRK. MFG.	BRAKE SIZE	FMSI	MERITOR DISC PAD OR BRAKE SHOE	MERITOR GUIDE PIN OR RETURN SPRING KIT	MERITOR CALIPER HWD. KIT OR RETURN SPRING KIT	MERITOR ADJUSTER KIT (LEFT WHEEL)	MERITOR ADJUSTER KIT (RIGHT WHEEL)
GMC / CHEV(Cont.)									
W 4(Cont.)									
2000									
Diesel Engine 7-99 through 12-00 10,001 - 14,000 lbs GVWR Class 3 Vehicle	Fd	Isuzu		7697 - D825	MD825 ³⁶⁹	-	-	N/A	N/A
Gasoline Engine 14,001 - 16,000 lbs GVWR Class 4 Vehicle	Fd	Isuzu		7699 - D827	MD827 ³⁶⁹	R4112504	-	N/A	N/A
1999									
Diesel Engine 1-98 Through 4-99 10,001 - 14,000 lbs GVWR Class 3 Vehicle	Fd	Isuzu		7697 - D825	MD825 ³⁶⁹	R4112503	-	N/A	N/A
Diesel Engine 5-99 through 6-99 10,001 - 14,000 lbs GVWR Class 3 Vehicle	Fd	Isuzu		7697 - D825	MD825 ³⁶⁹	R4112503	-	N/A	N/A
Diesel Engine 7-99 through 12-00 10,001 - 14,000 lbs GVWR Class 3 Vehicle	Fd	Isuzu		7697 - D825	MD825 ³⁶⁹	-	-	N/A	N/A
Gasoline Engine 2-99 Through 6-99 Except 4 Wheel ABS 14,001 - 16,000 lbs GVWR Class 4 Vehicle	Fd	Isuzu		7698 - D826	MD826 ³⁶⁹	R4112504	-	N/A	N/A
Gasoline Engine 2-99 Through 6-99 With 4 Wheel ABS 14,001 - 16,000 lbs GVWR Class 4 Vehicle	Fd	Isuzu		7699 - D827	MD827 ³⁶⁹	R4112504	-	N/A	N/A
Gasoline Engine 7-99 Through 14,001 - 16,000 lbs GVWR Class 4 Vehicle	Fd	Isuzu		7699 - D827	MD827 ³⁶⁹	R4112504	-	N/A	N/A
1998									
Diesel Engine 1-98 Through 4-99 10,001 - 14,000 lbs GVWR Class 3 Vehicle	Fd	Isuzu		7697 - D825	MD825 ³⁶⁹	R4112503	-	N/A	N/A
Gasoline Engine 10-97 Through 1-99 14,001 - 16,000 lbs GVWR Class 4 Vehicle	Fd	Isuzu		7698 - D826	MD826 ³⁶⁹	R4112503	-	N/A	N/A
1997									
Diesel Engine 10,001 - 14,000 lbs GVWR Class 3 Vehicle	Fd	Isuzu						N/A	N/A
Gasoline Engine 14,001 - 16,000 lbs GVWR Class 4 Vehicle	Fd	Isuzu						N/A	N/A
W 5									
2005									
Gasoline Engine 7-04 through 10,001 - 14,000 lbs GVWR Class 3 Vehicle	Fd	Isuzu		7699 - D827	MD827 ³⁶⁸	R4112503	-	N/A	N/A
Diesel Engine 1-04 through 16,001 - 19,500 lbs GVWR Class 5 Vehicle	Fd			7699 - D827	MD827 ³⁶⁹			N/A	N/A
2004									
Gasoline Engine 12-03 through 6-04 10,001 - 14,000 lbs GVWR Class 3 Vehicle	Fd	Isuzu		7697 - D825	MD825 ³⁶⁸	R4112503	-	N/A	N/A

368 - Isuzu # includes all clips

369 - Includes all clips

MERITOR DRUM OR ROTOR NO.	CALIPER OR CYLINDER BORE SIZE	MERITOR CALIPER OR WHEEL CYLINDER (LEFT)	MERITOR CALIPER OR WHEEL CYLINDER (RIGHT)	MERITOR CALIPER OR WHEEL CYLINDER REPAIR KIT	MERITOR CALIPER PISTON	MERITOR MASTER CYLINDER	MERITOR MASTER CYLINDER KIT	MERITOR BRAKE HOSE (LEFT)	MERITOR BRAKE HOSE (RIGHT)
GMC / CHEV(Cont.)									
W 4(Cont.)									
-	-	-	-	-	-	-	-	-	-
-	-	R4212275	R4212276	R4012283	R4012279	-	-	-	-
-	-	R4212271X	R4212272X	R4012286	R4012282	-	-	-	-
-	-	R4212271X	R4212272X	R4012286	R4012282	-	-	-	-
-	-	-	-	-	-	-	-	-	-
-	-	R4212277X	R4212278X	R4012283	R4012279	-	-	-	-
-	-	R4212275	R4212276	R4012283	R4012279	-	-	-	-
-	-	R4212275	R4212276	R4012283	R4012279	-	-	-	-
-	-	R4212271X	R4212272X	R4012286	R4012282	-	-	-	-
-	-	R4212277X	R4212278X	R4012283	R4012279	-	-	-	-
-	-	-	-	-	-	-	-	-	-
-	-	-	-	-	-	-	-	-	-
W 5									
-	-	R4212269	-	-	-	-	-	-	-
R4421493R	-	R4212273	R4212274	R4012284	R4012280	-	-	-	-
-	-	R4212271X	R4212272X	R4012286	R4012282	-	-	-	-

1-APPLICATION

MAKE MODEL YEAR AXLE CODE AXLE WEIGHT	AXLE & BRK. TYPE	BRK. MFG.	BRAKE SIZE	FMSI	MERITOR DISC PAD OR BRAKE SHOE	MERITOR GUIDE PIN OR RETURN SPRING KIT	MERITOR CALIPER HWD. KIT OR RETURN SPRING KIT	MERITOR ADJUSTER KIT (LEFT WHEEL)	MERITOR ADJUSTER KIT (RIGHT WHEEL)
GMC / CHEV(Cont.)									
W 5(Cont.)									
2004									
Gasoline Engine 7-04 through 10,001 - 14,000 lbs GVWR Class 3 Vehicle	Fd	Isuzu		7699 - D827	MD827 ³⁶⁸	R4112503	-	N/A	N/A
Diesel Engine 1-04 through 16,001 - 19,500 lbs GVWR Class 5 Vehicle	Fd			7699 - D827	MD827 ³⁶⁹	-	-	N/A	N/A
2003									
Gasoline Engine 7-03 through 11-03 10,001 - 14,000 lbs GVWR Class 3 Vehicle	Fd	Isuzu		7697 - D825	MD825 ³⁶⁸	R4112503	-	N/A	N/A
Gasoline Engine 7-03 through 6-04 10,001 - 14,000 lbs GVWR Class 3 Vehicle	Fd	Isuzu		7697 - D825	MD825 ³⁶⁸	R4112503	-	N/A	N/A
Diesel Engine 1-03 through 12-03 16,001 - 19,500 lbs GVWR Class 5 Vehicle	Fd	Isuzu		7699 - D827	MD827 ³⁶⁹	R4112504	-	N/A	N/A
2002									
Gasoline Engine 10,001 - 14,000 lbs GVWR Class 3 Vehicle	Fd	Isuzu		7697 - D825	MD825 ³⁶⁸	R4112503	-	N/A	N/A
Diesel Engine 1-01 through 12-02 16,001 - 19,500 lbs GVWR Class 5 Vehicle	Fd	Isuzu		7699 - D827	MD827 ³⁶⁹	R4112504	-	N/A	N/A
2001									
Gasoline Engine 10,001 - 14,000 lbs GVWR Class 3 Vehicle	Fd	Isuzu		7697 - D825	MD825 ³⁶⁹	R4112503	-	N/A	N/A
Diesel Engine 1-01 through 12-02 16,001 - 19,500 lbs GVWR Class 5 Vehicle	Fd	Isuzu		7699 - D827	MD827 ³⁶⁹	R4112504	-	N/A	N/A
2000									
Gasoline Engine 10,001 - 14,000 lbs GVWR Class 3 Vehicle	Fd	Isuzu		7697 - D825	MD825 ³⁶⁹	R4112503	-	N/A	N/A
Diesel Engine 16,001 - 19,500 lbs GVWR Class 5 Vehicle	Fd	Isuzu		7699 - D827	MD827 ³⁶⁹	R4112504	-	N/A	N/A
1999									
Gasoline Engine 10-97 through 5-99 10,001 - 14,000 lbs GVWR Class 3 Vehicle	Fd	Isuzu		7697 - D825	MD825 ³⁶⁹	R4112503	-	N/A	N/A
Gasoline Engine 6-99 through 10,001 - 14,000 lbs GVWR Class 3 Vehicle	Fd	Isuzu		7697 - D825	MD825 ³⁶⁹	R4112503	-	N/A	N/A
Diesel Engine 16,001 - 19,500 lbs GVWR Class 5 Vehicle	Fd	Isuzu		7699 - D827	MD827 ³⁶⁹	R4112504	-	N/A	N/A
1998									
Gasoline Engine 10-97 through 5-99 10,001 - 14,000 lbs GVWR Class 3 Vehicle	Fd	Isuzu		7697 - D825	MD825 ³⁶⁹	R4112503	-	N/A	N/A
Diesel Engine 16,001 - 19,500 lbs GVWR Class 5 Vehicle	Fd	Isuzu		7698 - D826	MD826 ³⁶⁹	R4112503	-	N/A	N/A
1997									
	Fd	Isuzu			-	-	-	N/A	N/A

368 - Isuzu # includes all clips

369 - Includes all clips

MERITOR DRUM OR ROTOR NO.	CALIPER OR CYLINDER BORE SIZE	MERITOR CALIPER OR WHEEL CYLINDER (LEFT)	MERITOR CALIPER OR WHEEL CYLINDER (RIGHT)	MERITOR CALIPER OR WHEEL CYLINDER REPAIR KIT	MERITOR CALIPER PISTON	MERITOR MASTER CYLINDER	MERITOR MASTER CYLINDER KIT	MERITOR BRAKE HOSE (LEFT)	MERITOR BRAKE HOSE (RIGHT)
GMC / CHEV(Cont.)									
W 5(Cont.)									
-		R4212269	-	-	-	-	-	-	-
R4421493R		R4212273	R4212274	R4012284	R4012280	-	-	-	-
-		R4212271X	R4212272X	R4012286	R4012282	-	-	-	-
-		R4212271X	R4212272X	R4012286	R4012282	-	-	-	-
R4421493R		R4212275	R4212276	R4012283	R4012279	-	-	-	-
-		R4212271X	R4212272X	R4012286	R4012282	-	-	-	-
R4421493R		R4212275	R4212276	R4012283	R4012279	-	-	-	-
-		R4212271X	R4212272X	R4012286	R4012282	-	-	-	-
R4421493R		R4212275	R4212276	R4012283	R4012279	-	-	-	-
-		R4212271X	R4212272X	R4012286	R4012282	-	-	-	-
R4421493R		R4212275	R4212276	R4012283	R4012279	-	-	-	-
-		R4212271X	R4212272X	R4012286	R4012282	-	-	-	-
-		R4212271X	R4212272X	R4012286	R4012282	-	-	-	-
R4421493R		R4212275	R4212276	R4012283	R4012279	-	-	-	-
-		R4212271X	R4212272X	R4012286	R4012282	-	-	-	-
-		R4212277X	R4212278X	R4012283	R4012279	-	-	-	-
-		-	-	-	-	-	-	-	-

1-APPLICATION

MAKE MODEL YEAR AXLE CODE AXLE WEIGHT	AXLE & BRK. TYPE	BRK. MFG.	BRAKE SIZE	FMSI	MERITOR DISC PAD OR BRAKE SHOE	MERITOR GUIDE PIN OR RETURN SPRING KIT	MERITOR CALIPER HWD. KIT OR RETURN SPRING KIT	MERITOR ADJUSTER KIT (LEFT WHEEL)	MERITOR ADJUSTER KIT (RIGHT WHEEL)
HINO									
145									
2005									
14,000 lb GVW Class 3	Fd	Meritor		7636 - D769	MD769	N/A	R4011729	N/A	N/A
	Fd	Meritor			MDP5094 ³⁷⁰	SJ1035	SP8566	N/A	N/A
	Fd	Meritor		7636 - D769	MD769	N/A	R4011729	N/A	N/A
	Fd	Meritor			MDP5094 ³⁷⁰	SJ1035	SP8566	N/A	N/A
	Rd	Meritor		7636 - D769	MD769	N/A	R4011729	N/A	N/A
	Rd	Meritor			-	-	-	N/A	N/A
	Rd	Meritor		7636 - D769	MD769	N/A	R4011729	N/A	N/A
	Rd	Meritor			-	-	-	N/A	N/A
2004									
14,000 lb GVW Class 3	Fd	Meritor		7636 - D769	MD769	N/A	R4011729	N/A	N/A
	Fd	Meritor			MDP5094 ³⁷⁰	SJ1035	SP8566	N/A	N/A
	Fd	Meritor		7636 - D769	MDP5094 ³⁷⁰	SJ1035	SP8566	N/A	N/A
	Fd	Meritor			MD769	N/A	R4011729	N/A	N/A
	Rd	Meritor		7636 - D769	MD769	N/A	R4011729	N/A	N/A
	Rd	Meritor			-	-	-	N/A	N/A
	Rd	Meritor		7636 - D769	MD769	N/A	R4011729	N/A	N/A
	Rd	Meritor			-	-	-	N/A	N/A
2003									
14,000 lb GVW Class 3	Fd	Meritor		7636 - D769	MDP5094 ³⁷⁰	SJ1035	SP8566	N/A	N/A
	Fd	Meritor			MD769	N/A	R4011729	N/A	N/A
	Fd	Meritor		7636 - D769	MDP5094 ³⁷⁰	SJ1035	SP8566	N/A	N/A
	Fd	Meritor			MD769	N/A	R4011729	N/A	N/A
	Rd	Meritor			-	-	-	N/A	N/A
	Rd	Meritor		7636 - D769	MD769	N/A	R4011729	N/A	N/A
	Rd	Meritor		7636 - D769	MD769	N/A	R4011729	N/A	N/A
	Rd	Meritor			-	-	-	N/A	N/A
165									
2005									
16,000 lb GVW Class 4	Fd	Meritor		7636 - D769	MDP5094 ³⁷⁰	SJ1035	SP8566	N/A	N/A
	Fd	Meritor			MD769	N/A	R4011729	N/A	N/A
	Fd	Meritor		7636 - D769	MDP5094 ³⁷⁰	SJ1035	SP8566	N/A	N/A
	Fd	Meritor			MD769	N/A	R4011729	N/A	N/A
	Rd	Meritor		7636 - D769	MD769	N/A	R4011729	N/A	N/A
	Rd	Meritor		7636 - D769	MD769	N/A	R4011729	N/A	N/A
	Rd	Meritor			-	-	-	N/A	N/A
	Rd	Meritor			-	-	-	N/A	N/A
2004									
16,000 lb GVW Class 4	Fd	Meritor		7636 - D769	MD769	N/A	R4011729	N/A	N/A
	Fd	Meritor			MDP5094 ³⁷⁰	SJ1035	SP8566	N/A	N/A
	Fd	Meritor		7636 - D769	MD769	N/A	R4011729	N/A	N/A
	Fd	Meritor			MDP5094 ³⁷⁰	SJ1035	SP8566	N/A	N/A
	Rd	Meritor		7636 - D769	MD769	N/A	R4011729	N/A	N/A
	Rd	Meritor		7636 - D769	MD769	N/A	R4011729	N/A	N/A
	Rd	Meritor			-	-	-	N/A	N/A
	Rd	Meritor			-	-	-	N/A	N/A
2003									
16,000 lb GVW Class 4	Fd	Meritor		7636 - D769	MD769	N/A	R4011729	N/A	N/A
	Fd	Meritor			MDP5094 ³⁷⁰	SJ1035	SP8566	N/A	N/A
	Fd	Meritor		7636 - D769	MDP5094 ³⁷⁰	SJ1035	SP8566	N/A	N/A
	Fd	Meritor			MD769	N/A	R4011729	N/A	N/A
	Rd	Meritor		7636 - D769	MD769	N/A	R4011729	N/A	N/A
	Rd	Meritor		7636 - D769	MD769	N/A	R4011729	N/A	N/A
	Rd	Meritor			-	-	-	N/A	N/A
	Rd	Meritor			-	-	-	N/A	N/A
185									
2005									
18,000 lb GVW Class 5	Fd	Meritor		7636 - D769	MDP5094 ³⁷⁰	SJ1035	SP8566	N/A	N/A
	Fd	Meritor			MD769	N/A	R4011729	N/A	N/A
	Fd	Meritor		7636 - D769	MDP5094 ³⁷⁰	SJ1035	SP8566	N/A	N/A
	Fd	Meritor			MD769	N/A	R4011729	N/A	N/A

370 - includes pad retaining plate

MERITOR DRUM OR ROTOR NO.	CALIPER OR CYLINDER BORE SIZE	MERITOR CALIPER OR WHEEL CYLINDER (LEFT)	MERITOR CALIPER OR WHEEL CYLINDER (RIGHT)	MERITOR CALIPER OR WHEEL CYLINDER REPAIR KIT	MERITOR CALIPER PISTON	MERITOR MASTER CYLINDER	MERITOR MASTER CYLINDER KIT	MERITOR BRAKE HOSE (LEFT)	MERITOR BRAKE HOSE (RIGHT)
HINO									
145									
23-123625-002	70mm	60450469002	60450468002	R4011730	60050334	-	-	-	-
23-123626-002	60mm	LRG717	LRG716	SP8597	31320085	-	-	-	-
23-123624-002	64mm	60450474001	60450473001	R4011731	R4011511	-	-	-	-
23-123618-002	60mm	LRG715	1229-F-474	SP8597	31320085	-	-	-	-
23-123625-002	70mm	60450469002	60450468002	R4011730	60050334	-	-	-	-
23-123618-002	-	-	-	-	-	-	-	-	-
23-123624-002	64mm	60450474001	60450473001	R4011731	R4011511	-	-	-	-
23-123626-002	-	-	-	-	-	-	-	-	-
23-123618-002	-	-	-	-	-	-	-	-	-
23-123626-002	-	-	-	-	-	-	-	-	-
23-123625-002	64mm	60450474001	60450473001	R4011731	R4011511	-	-	-	-
23-123624-002	60mm	LRG715	1229-F-474	SP8597	31320085	-	-	-	-
23-123626-002	60mm	LRG717	LRG716	SP8597	31320085	-	-	-	-
23-123625-002	70mm	60450469002	60450468002	R4011730	60050334	-	-	-	-
23-123624-002	64mm	60450474001	60450473001	R4011731	R4011511	-	-	-	-
23-123626-002	-	-	-	-	-	-	-	-	-
23-123618-002	-	-	-	-	-	-	-	-	-
23-123625-002	70mm	60450469002	60450468002	R4011730	60050334	-	-	-	-
23-123624-002	64mm	60450474001	60450473001	R4011731	R4011511	-	-	-	-
165									
23-123626-002	60mm	LRG717	LRG716	SP8597	31320085	-	-	-	-
23-123624-002	64mm	60450474001	60450473001	R4011731	R4011511	-	-	-	-
23-123618-002	60mm	LRG715	1229-F-474	SP8597	31320085	-	-	-	-
23-123625-002	70mm	60450469002	60450468002	R4011730	60050334	-	-	-	-
23-123625-002	70mm	60450469002	60450468002	R4011730	60050334	-	-	-	-
23-123624-002	64mm	60450474001	60450473001	R4011731	R4011511	-	-	-	-
23-123626-002	-	-	-	-	-	-	-	-	-
23-123618-002	-	-	-	-	-	-	-	-	-
23-123624-002	64mm	60450474001	60450473001	R4011731	R4011511	-	-	-	-
23-123626-002	60mm	LRG717	LRG716	SP8597	31320085	-	-	-	-
23-123625-002	70mm	60450469002	60450468002	R4011730	60050334	-	-	-	-
23-123618-002	60mm	LRG715	1229-F-474	SP8597	31320085	-	-	-	-
23-123626-002	-	-	-	-	-	-	-	-	-
23-123624-002	64mm	60450474001	60450473001	R4011731	R4011511	-	-	-	-
23-123625-002	70mm	60450469002	60450468002	R4011730	60050334	-	-	-	-
23-123618-002	-	-	-	-	-	-	-	-	-
23-123624-002	64mm	60450474001	60450473001	R4011731	R4011511	-	-	-	-
23-123626-002	60mm	LRG717	LRG716	SP8597	31320085	-	-	-	-
23-123618-002	60mm	LRG715	1229-F-474	SP8597	31320085	-	-	-	-
23-123625-002	70mm	60450469002	60450468002	R4011730	60050334	-	-	-	-
23-123626-002	-	-	-	-	-	-	-	-	-
23-123624-002	64mm	60450474001	60450473001	R4011731	R4011511	-	-	-	-
23-123625-002	70mm	60450469002	60450468002	R4011730	60050334	-	-	-	-
23-123618-002	-	-	-	-	-	-	-	-	-
185									
23-123626-002	60mm	LRG717	LRG716	SP8597	31320085	-	-	-	-
23-123625-002	70mm	60450469002	60450468002	R4011730	60050334	-	-	-	-
23-123618-002	60mm	LRG715	1229-F-474	SP8597	31320085	-	-	-	-
23-123624-002	64mm	60450474001	60450473001	R4011731	R4011511	-	-	-	-

1 APPLICATION

MAKE MODEL YEAR AXLE CODE AXLE WEIGHT	AXLE & BRK. TYPE	BRK. MFG.	BRAKE SIZE	FMSI	MERITOR DISC PAD OR BRAKE SHOE	MERITOR GUIDE PIN OR RETURN SPRING KIT	MERITOR CALIPER HWD. KIT OR RETURN SPRING KIT	MERITOR ADJUSTER KIT (LEFT WHEEL)	MERITOR ADJUSTER KIT (RIGHT WHEEL)
HINO(Cont.)									
185(Cont.)									
2005									
	Rd	Meritor			-	-	-	N/A	N/A
	Rd	Meritor		7636 - D769	MD769	N/A	R4011729	N/A	N/A
	Rd	Meritor		7636 - D769	MD769	N/A	R4011729	N/A	N/A
18,000 lb GVW Class 5	Rd	Meritor			-	-	-	N/A	N/A
2004									
18,000 lb GVW Class 5									
	Fd	Meritor		7636 - D769	MD769	N/A	R4011729	N/A	N/A
	Fd	Meritor		7636 - D769	MD769	N/A	R4011729	N/A	N/A
	Fd	Meritor			MDP5094 ³⁷⁰	SJ1035	SP8566	N/A	N/A
	Fd	Meritor			MDP5094 ³⁷⁰	SJ1035	SP8566	N/A	N/A
	Rd	Meritor		7636 - D769	MD769	N/A	R4011729	N/A	N/A
	Rd	Meritor		7636 - D769	MD769	N/A	R4011729	N/A	N/A
	Rd	Meritor			-	-	-	N/A	N/A
18,000 lb GVW Class 5	Rd	Meritor			-	-	-	N/A	N/A
2003									
18,000 lb GVW Class 5									
	Fd	Meritor		7636 - D769	MD769	N/A	R4011729	N/A	N/A
	Fd	Meritor			MDP5094 ³⁷⁰	SJ1035	SP8566	N/A	N/A
	Fd	Meritor		7636 - D769	MD769	N/A	R4011729	N/A	N/A
	Fd	Meritor			MDP5094 ³⁷⁰	SJ1035	SP8566	N/A	N/A
	Rd	Meritor			-	-	-	N/A	N/A
	Rd	Meritor		7636 - D769	MD769	N/A	R4011729	N/A	N/A
	Rd	Meritor		7636 - D769	MD769	N/A	R4011729	N/A	N/A
18,000 lb GVW Class 5	Rd	Meritor			-	-	-	N/A	N/A
238 / 238LP									
2005									
23,000 lb GVW Class 6									
	Fd	Meritor		7636 - D769	MD769	N/A	R4011729	N/A	N/A
	Fd	Meritor			MDP5094 ³⁷⁰	SJ1035	SP8566	N/A	N/A
	Fd	Meritor			MDP5094 ³⁷⁰	SJ1035	SP8566	N/A	N/A
	Fd	Meritor		7636 - D769	MD769	N/A	R4011729	N/A	N/A
	Rd	Meritor			-	-	-	N/A	N/A
	Rd	Meritor		7636 - D769	MD769	N/A	R4011729	N/A	N/A
	Rd	Meritor		7636 - D769	MD769	N/A	R4011729	N/A	N/A
23,000 lb GVW Class 6	Rd	Meritor			-	-	-	N/A	N/A
2004									
23,000 lb GVW Class 6									
	Fd	Meritor		7636 - D769	MD769	N/A	R4011729	N/A	N/A
	Fd	Meritor		7636 - D769	MD769	N/A	R4011729	N/A	N/A
	Fd	Meritor			MDP5094 ³⁷⁰	SJ1035	SP8566	N/A	N/A
	Fd	Meritor			MDP5094 ³⁷⁰	SJ1035	SP8566	N/A	N/A
	Rd	Meritor		7636 - D769	MD769	N/A	R4011729	N/A	N/A
	Rd	Meritor			-	-	-	N/A	N/A
	Rd	Meritor		7636 - D769	MD769	N/A	R4011729	N/A	N/A
23,000 lb GVW Class 6	Rd	Meritor			-	-	-	N/A	N/A
2003									
23,000 lb GVW Class 6									
	Fd	Meritor		7636 - D769	MD769	N/A	R4011729	N/A	N/A
	Fd	Meritor		7636 - D769	MD769	N/A	R4011729	N/A	N/A
	Fd	Meritor			MDP5094 ³⁷⁰	SJ1035	SP8566	N/A	N/A
	Fd	Meritor			MDP5094 ³⁷⁰	SJ1035	SP8566	N/A	N/A
	Rd	Meritor		7636 - D769	MD769	N/A	R4011729	N/A	N/A
	Rd	Meritor			-	-	-	N/A	N/A
	Rd	Meritor		7636 - D769	MD769	N/A	R4011729	N/A	N/A
23,000 lb GVW Class 6	Rd	Meritor			-	-	-	N/A	N/A
268 / 268A									
2005									
23,000 lb GVW Class 6									
	Fd	Meritor		7636 - D769	MD769	N/A	R4011729	N/A	N/A
	Fd	Meritor			MDP5094 ³⁷⁰	SJ1035	SP8566	N/A	N/A
	Fd	Meritor			MDP5094 ³⁷⁰	SJ1035	SP8566	N/A	N/A
	Fd	Meritor		7636 - D769	MD769	N/A	R4011729	N/A	N/A
	Rd	Meritor			-	-	-	N/A	N/A
	Rd	Meritor		7636 - D769	MD769	N/A	R4011729	N/A	N/A

370 - includes pad retaining plate

MERITOR DRUM OR ROTOR NO.	CALIPER OR CYLINDER BORE SIZE	MERITOR CALIPER OR WHEEL CYLINDER (LEFT)	MERITOR CALIPER OR WHEEL CYLINDER (RIGHT)	MERITOR CALIPER OR WHEEL CYLINDER REPAIR KIT	MERITOR CALIPER PISTON	MERITOR MASTER CYLINDER	MERITOR MASTER CYLINDER KIT	MERITOR BRAKE HOSE (LEFT)	MERITOR BRAKE HOSE (RIGHT)
HINO(Cont.)									
185(Cont.)									
23-123626-002									
23-123624-002	64mm	60450474001	60450473001	R4011731	R4011511	-	-	-	-
23-123625-002	70mm	60450469002	60450468002	R4011730	60050334	-	-	-	-
23-123618-002									
23-123625-002	70mm	60450469002	60450468002	R4011730	60050334	-	-	-	-
23-123624-002	64mm	60450474001	60450473001	R4011731	R4011511	-	-	-	-
23-123626-002	60mm	LRG717	LRG716	SP8597	31320085	-	-	-	-
23-123618-002	60mm	LRG715	1229-F-474	SP8597	31320085	-	-	-	-
23-123625-002	70mm	60450469002	60450468002	R4011730	60050334	-	-	-	-
23-123624-002	64mm	60450474001	60450473001	R4011731	R4011511	-	-	-	-
23-123626-002									
23-123618-002									
23-123625-002	70mm	60450469002	60450468002	R4011730	60050334	-	-	-	-
23-123626-002	60mm	LRG717	LRG716	SP8597	31320085	-	-	-	-
23-123624-002	64mm	60450474001	60450473001	R4011731	R4011511	-	-	-	-
23-123618-002	60mm	LRG715	1229-F-474	SP8597	31320085	-	-	-	-
23-123626-002									
23-123624-002	64mm	60450474001	60450473001	R4011731	R4011511	-	-	-	-
23-123625-002	70mm	60450469002	60450468002	R4011730	60050334	-	-	-	-
23-123618-002									
238 / 238LP									
23-123625-002	70mm	60450469002	60450468002	R4011730	60050334	-	-	-	-
23-123618-002	60mm	LRG715	1229-F-474	SP8597	31320085	-	-	-	-
23-123626-002	60mm	LRG717	LRG716	SP8597	31320085	-	-	-	-
23-123624-002	64mm	60450474001	60450473001	R4011731	R4011511	-	-	-	-
23-123626-002									
23-123625-002	70mm	60450469002	60450468002	R4011730	60050334	-	-	-	-
23-123624-002	64mm	60450474001	60450473001	R4011731	R4011511	-	-	-	-
23-123618-002									
23-123625-002	70mm	60450469002	60450468002	R4011730	60050334	-	-	-	-
23-123624-002	64mm	60450474001	60450473001	R4011731	R4011511	-	-	-	-
23-123626-002	60mm	LRG715	1229-F-474	SP8597	31320085	-	-	-	-
23-123618-002	60mm	LRG717	LRG716	SP8597	31320085	-	-	-	-
23-123624-002	64mm	60450474001	60450473001	R4011731	R4011511	-	-	-	-
23-123626-002									
23-123625-002	70mm	60450469002	60450468002	R4011730	60050334	-	-	-	-
23-123618-002									
268 / 268A									
23-123625-002	70mm	60450469002	60450468002	R4011730	60050334	-	-	-	-
23-123618-002	60mm	LRG715	1229-F-474	SP8597	31320085	-	-	-	-
23-123626-002	60mm	LRG717	LRG716	SP8597	31320085	-	-	-	-
23-123624-002	64mm	60450474001	60450473001	R4011731	R4011511	-	-	-	-
23-123624-002	64mm	60450474001	60450473001	R4011731	R4011511	-	-	-	-

MAKE MODEL YEAR AXLE CODE AXLE WEIGHT	AXLE & BRK. TYPE	BRK. MFG.	BRAKE SIZE	FMSI	MERITOR DISC PAD OR BRAKE SHOE	MERITOR GUIDE PIN OR RETURN SPRING KIT	MERITOR CALIPER HWD. KIT OR RETURN SPRING KIT	MERITOR ADJUSTER KIT (LEFT WHEEL)	MERITOR ADJUSTER KIT (RIGHT WHEEL)
HINO(Cont.)									
268 / 268A(Cont.)									
2005	Rd Rd	Meritor Meritor		7636 - D769	MD769 -	N/A -	R4011729 -	N/A N/A	N/A N/A
23,000 lb GVW Class 6	Rd	Meritor			-	-	-	N/A	N/A
2004	Fd Fd Fd Fd	Meritor Meritor Meritor Meritor		7636 - D769	MD769 MDP5094 ³⁷⁰ MDP5094 ³⁷⁰ MD769	N/A SJ1035 SJ1035 N/A	R4011729 SP8566 SP8566 R4011729	N/A N/A N/A N/A	N/A N/A N/A N/A
	Rd Rd Rd	Meritor Meritor Meritor		7636 - D769 7636 - D769	- MD769 MD769	- N/A N/A	- R4011729 R4011729	N/A N/A N/A	N/A N/A N/A
23,000 lb GVW Class 6	Rd	Meritor			-	-	-	N/A	N/A
2003	Fd Fd Fd Fd	Meritor Meritor Meritor Meritor		7636 - D769	MD769 MDP5094 ³⁷⁰ MD769 MDP5094 ³⁷⁰	N/A SJ1035 N/A SJ1035	R4011729 SP8566 R4011729 SP8566	N/A N/A N/A N/A	N/A N/A N/A N/A
	Rd Rd Rd	Meritor Meritor Meritor		7636 - D769 7636 - D769	MD769 MD769 -	N/A N/A -	R4011729 R4011729 -	N/A N/A N/A	N/A N/A N/A
23,000 lb GVW Class 6	Rd	Meritor			-	-	-	N/A	N/A
338									
2005	Fd Fd Fd Fd	Meritor Meritor Meritor Meritor		7636 - D769	MDP5094 ³⁷⁰ MDP5094 ³⁷⁰ MD769	SJ1035 SJ1035 N/A	SP8566 SP8566 R4011729	N/A N/A N/A	N/A N/A N/A
	Rd Rd Rd	Meritor Meritor Meritor		7636 - D769 7636 - D769	MD769 MD769 -	N/A N/A -	R4011729 R4011729 -	N/A N/A N/A	N/A N/A N/A
33,000 lb GVW Class 7	Rd	Meritor			-	-	-	N/A	N/A
2004	Fd Fd Fd Fd	Meritor Meritor Meritor Meritor		7636 - D769	MD769 MD769 MDP5094 ³⁷⁰ MDP5094 ³⁷⁰	N/A N/A SJ1035 SJ1035	R4011729 R4011729 SP8566 SP8566	N/A N/A N/A N/A	N/A N/A N/A N/A
	Rd Rd Rd	Meritor Meritor Meritor		7636 - D769 7636 - D769	MD769 - MD769	N/A - N/A	R4011729 - R4011729	N/A N/A N/A	N/A N/A N/A
33,000 lb GVW Class 7	Rd	Meritor			-	-	-	N/A	N/A
2003	Fd Fd Fd Fd	Meritor Meritor Meritor Meritor		7636 - D769	MDP5094 ³⁷⁰ MD769 MD769 MDP5094 ³⁷⁰	SJ1035 N/A N/A SJ1035	SP8566 R4011729 R4011729 SP8566	N/A N/A N/A N/A	N/A N/A N/A N/A
	Rd Rd Rd	Meritor Meritor Meritor		7636 - D769 7636 - D769	- MD769 MD769	- N/A N/A	- R4011729 R4011729	N/A N/A N/A	N/A N/A N/A
33,000 lb GVW Class 7	Rd	Meritor			-	-	-	N/A	N/A
FA									
1994	Fm Rm		320mm x 75mm	1468 - S683	R409861	R409847	R409848	N/A	N/A
			320mm x 75mm	1468 - S683	R409861	R409847	R409848	N/A	N/A
1993	Fm Rm		320mm x 75mm	1468 - S683	R409861	R409847	R409848	N/A	N/A
			320mm x 75mm	1468 - S683	R409861	R409847	R409848	N/A	N/A

370 - includes pad retaining plate

MERITOR DRUM OR ROTOR NO.	CALIPER OR CYLINDER BORE SIZE	MERITOR CALIPER OR WHEEL CYLINDER (LEFT)	MERITOR CALIPER OR WHEEL CYLINDER (RIGHT)	MERITOR CALIPER OR WHEEL CYLINDER REPAIR KIT	MERITOR CALIPER PISTON	MERITOR MASTER CYLINDER	MERITOR MASTER CYLINDER KIT	MERITOR BRAKE HOSE (LEFT)	MERITOR BRAKE HOSE (RIGHT)
HINO(Cont.)									
268 / 268A(Cont.)									
23-123625-002 23-123626-002	70mm	60450469002	60450468002	R4011730	60050334	-	-	-	-
23-123618-002	-	-	-	-	-	-	-	-	-
23-123625-002 23-123618-002 23-123626-002 23-123624-002	70mm 60mm 60mm 64mm	60450469002 LRG715 LRG717 60450474001	60450468002 1229-F-474 LRG716 60450473001	R4011730 SP8597 SP8597 R4011731	60050334 31320085 31320085 R4011511	-	-	-	-
23-123626-002 23-123624-002 23-123625-002	64mm 70mm	60450474001 60450469002	60450473001 60450468002	R4011731 R4011730	R4011511 60050334	-	-	-	-
23-123618-002	-	-	-	-	-	-	-	-	-
23-123625-002 23-123626-002 23-123624-002 23-123618-002	70mm 60mm 64mm 60mm	60450469002 LRG717 60450474001 LRG715	60450468002 LRG716 60450473001 1229-F-474	R4011730 SP8597 R4011731 SP8597	60050334 31320085 R4011511 31320085	-	-	-	-
23-123624-002 23-123625-002 23-123626-002	64mm 70mm	60450474001 60450469002	60450473001 60450468002	R4011731 R4011730	R4011511 60050334	-	-	-	-
23-123618-002	-	-	-	-	-	-	-	-	-
338									
23-123618-002 23-123626-002 23-123625-002 23-123624-002	60mm 60mm 70mm 64mm	LRG715 LRG717 60450469002 60450474001	1229-F-474 LRG716 60450468002 60450473001	SP8597 SP8597 R4011730 R4011731	31320085 31320085 60050334 R4011511	-	-	-	-
23-123624-002 23-123625-002 23-123626-002	64mm 70mm	60450474001 60450469002	60450473001 60450468002	R4011731 R4011730	R4011511 60050334	-	-	-	-
23-123618-002	-	-	-	-	-	-	-	-	-
23-123625-002 23-123624-002 23-123626-002 23-123618-002	70mm 64mm 60mm 60mm	60450469002 60450474001 LRG717 LRG715	60450468002 60450473001 LRG716 1229-F-474	R4011730 R4011731 SP8597 SP8597	60050334 R4011511 31320085 31320085	-	-	-	-
23-123625-002 23-123626-002 23-123624-002	70mm - 64mm	60450469002 - 60450474001	60450468002 - 60450473001	R4011730 - R4011731	60050334 - R4011511	-	-	-	-
23-123618-002	-	-	-	-	-	-	-	-	-
23-123626-002 23-123624-002 23-123625-002 23-123618-002	60mm 64mm 70mm 60mm	LRG717 60450474001 60450469002 LRG715	LRG716 60450473001 60450468002 1229-F-474	SP8597 R4011731 R4011730 SP8597	31320085 R4011511 60050334 31320085	-	-	-	-
23-123626-002 23-123625-002 23-123624-002	70mm - 64mm	60450469002 - 60450474001	60450468002 - 60450473001	R4011730 - R4011731	60050334 - R4011511	-	-	-	-
23-123618-002	-	-	-	-	-	-	-	-	-
FA									
N/A	-	-	-	N/A	NR	-	-	-	-
N/A	-	-	-	N/A	NR	-	-	-	-
N/A	-	-	-	N/A	NR	-	-	-	-
N/A	-	-	-	N/A	NR	-	-	-	-

MAKE MODEL YEAR AXLE CODE AXLE WEIGHT	AXLE & BRK. TYPE	BRK. MFG.	BRAKE SIZE	FMSI	MERITOR DISC PAD OR BRAKE SHOE	MERITOR GUIDE PIN OR RETURN SPRING KIT	MERITOR CALIPER HWD. KIT OR RETURN SPRING KIT	MERITOR ADJUSTER KIT (LEFT WHEEL)	MERITOR ADJUSTER KIT (RIGHT WHEEL)
HINO(Cont.)									
FA(Cont.)									
1992	Fm		320mm x 75mm	1468 - S683	R409861	R409847	R409848	N/A	N/A
	Rm		320mm x 75mm	1468 - S683	R409861	R409847	R409848	N/A	N/A
1991	Fm		320mm x 75mm	1468 - S683	R409861	R409847	R409848	N/A	N/A
	Rm		320mm x 75mm	1468 - S683	R409861	R409847	R409848	N/A	N/A
1990	Fm		320mm x 75mm	1468 - S683	R409861	R409847	R409848	N/A	N/A
	Rm		320mm x 75mm	1468 - S683	R409861	R409847	R409848	N/A	N/A
1989	Fm		320mm x 75mm	1468 - S683	R409861	R409847	R409848	N/A	N/A
	Rm		320mm x 75mm	1468 - S683	R409861	R409847	R409848	N/A	N/A
FB									
1994	Fm		320mm x 75mm	1468 - S683	R409861	R409847	R409848	N/A	N/A
	Rm		320mm x 75mm	1468 - S683	R409861	R409847	R409848	N/A	N/A
1993	Fm		320mm x 75mm	1468 - S683	R409861	R409847	R409848	N/A	N/A
	Rm		320mm x 75mm	1468 - S683	R409861	R409847	R409848	N/A	N/A
1992	Fm		320mm x 75mm	1468 - S683	R409861	R409847	R409848	N/A	N/A
	Rm		320mm x 75mm	1468 - S683	R409861	R409847	R409848	N/A	N/A
1991	Fm		320mm x 75mm	1468 - S683	R409861	R409847	R409848	N/A	N/A
	Rm		320mm x 75mm	1468 - S683	R409861	R409847	R409848	N/A	N/A
1990	Fm		320mm x 75mm	1468 - S683	R409861	R409847	R409848	N/A	N/A
	Rm		320mm x 75mm	1468 - S683	R409861	R409847	R409848	N/A	N/A
1989	Fm		320mm x 75mm	1468 - S683	R409861	R409847	R409848	N/A	N/A
	Rm		320mm x 75mm	1468 - S683	R409861	R409847	R409848	N/A	N/A
FB-15									
1994	Fm		320mm x 110mm	1469 - S684	R409862	R409849	R409850	N/A	N/A
	Rm		320mm x 125mm	1470 - S685	R409863	R409851	R409852	N/A	N/A
1993	Fm		320mm x 110mm	1469 - S684	R409862	R409849	R409850	N/A	N/A
	Rm		320mm x 125mm	1470 - S685	R409863	R409851	R409852	N/A	N/A
1992	Fm		320mm x 110mm	1469 - S684	R409862	R409849	R409850	N/A	N/A
	Rm		320mm x 125mm	1470 - S685	R409863	R409851	R409852	N/A	N/A
1991	Fm		320mm x 110mm	1469 - S684	R409862	R409849	R409850	N/A	N/A
	Rm		320mm x 125mm	1470 - S685	R409863	R409851	R409852	N/A	N/A
1990	Fm		320mm x 110mm	1469 - S684	R409862	R409849	R409850	N/A	N/A
	Rm		320mm x 125mm	1470 - S685	R409863	R409851	R409852	N/A	N/A
1989	Fm		320mm x 110mm	1469 - S684	R409862	R409849	R409850	N/A	N/A
	Rm		320mm x 125mm	1470 - S685	R409863	R409851	R409852	N/A	N/A
1987	Fm		320mm x 110mm	1469 - S684	R409862	R409849	R409850	N/A	N/A
	Rm		320mm x 125mm	1470 - S685	R409863	R409851	R409852	N/A	N/A
1986	Fm		320mm x 110mm	1469 - S684	R409862	R409849	R409850	N/A	N/A
	Rm		320mm x 125mm	1470 - S685	R409863	R409851	R409852	N/A	N/A
FD									
1994	Fm		320mm x 110mm	1469 - S684	R409862	R409849	R409850	N/A	N/A
	Rm		320mm x 125mm	1470 - S685	R409863	R409851	R409852	N/A	N/A
1993	Fm		320mm x 110mm	1469 - S684	R409862	R409849	R409850	N/A	N/A

MAKE MODEL YEAR AXLE CODE AXLE WEIGHT	AXLE & BRK. TYPE	BRK. MFG.	BRAKE SIZE	FMSI	MERITOR DISC PAD OR BRAKE SHOE	MERITOR GUIDE PIN OR RETURN SPRING KIT	MERITOR CALIPER HWD. KIT OR RETURN SPRING KIT	MERITOR ADJUSTER KIT (LEFT WHEEL)	MERITOR ADJUSTER KIT (RIGHT WHEEL)
HINO(Cont.)									
FD(Cont.)									
1993	Rm		320mm x 125mm	1470 - S685	R409863	R409851	R409852	N/A	N/A
1992	Fm		320mm x 110mm	1469 - S684	R409862	R409849	R409850	N/A	N/A
	Rm		320mm x 125mm	1470 - S685	R409863	R409851	R409852	N/A	N/A
1991	Fm		320mm x 110mm	1469 - S684	R409862	R409849	R409850	N/A	N/A
	Rm		320mm x 125mm	1470 - S685	R409863	R409851	R409852	N/A	N/A
1990	Fm		320mm x 110mm	1469 - S684	R409862	R409849	R409850	N/A	N/A
	Rm		320mm x 125mm	1470 - S685	R409863	R409851	R409852	N/A	N/A
1989	Fm		320mm x 110mm	1469 - S684	R409862	R409849	R409850	N/A	N/A
	Rm		320mm x 125mm	1470 - S685	R409863	R409851	R409852	N/A	N/A
1987	Fm		320mm x 110mm	1469 - S684	R409862	R409849	R409850	N/A	N/A
	Rm		320mm x 125mm	1470 - S685	R409863	R409851	R409852	N/A	N/A
1986	Fm		320mm x 110mm	1469 - S684	R409862	R409849	R409850	N/A	N/A
	Rm		320mm x 125mm	1470 - S685	R409863	R409851	R409852	N/A	N/A
FD5H									
1994	Fm		320mm x 110mm	1469 - S684	R409862	R409849	R409850	N/A	N/A
	Rm		320mm x 125mm	1470 - S685	R409863	R409851	R409852	N/A	N/A
1993	Fm		320mm x 110mm	1469 - S684	R409862	R409849	R409850	N/A	N/A
	Rm		320mm x 125mm	1470 - S685	R409863	R409851	R409852	N/A	N/A
1992	Fm		320mm x 110mm	1469 - S684	R409862	R409849	R409850	N/A	N/A
	Rm		320mm x 125mm	1470 - S685	R409863	R409851	R409852	N/A	N/A
1991	Fm		320mm x 110mm	1469 - S684	R409862	R409849	R409850	N/A	N/A
	Rm		320mm x 125mm	1470 - S685	R409863	R409851	R409852	N/A	N/A
1990	Fm		320mm x 110mm	1469 - S684	R409862	R409849	R409850	N/A	N/A
	Rm		320mm x 125mm	1470 - S685	R409863	R409851	R409852	N/A	N/A
1989	Fm		320mm x 110mm	1469 - S684	R409862	R409849	R409850	N/A	N/A
	Rm		320mm x 125mm	1470 - S685	R409863	R409851	R409852	N/A	N/A
1987	Fm		320mm x 110mm	1469 - S684	R409862	R409849	R409850	N/A	N/A
	Rm		320mm x 125mm	1470 - S685	R409863	R409851	R409852	N/A	N/A
1986	Fm		320mm x 110mm	1469 - S684	R409862	R409849	R409850	N/A	N/A
	Rm		320mm x 125mm	1470 - S685	R409863	R409851	R409852	N/A	N/A
FE									
1994	Fm		400mm x 120mm	1422 - S617	R467410	R409843	R409844	N/A	N/A
	Fm		400mm x 120mm	1422 - S617	R467410	R409843	R409844	N/A	N/A
1993	Fm		400mm x 120mm	1422 - S617	R467410	R409843	R409844	N/A	N/A
	Fm		400mm x 120mm	1422 - S617	R467410	R409843	R409844	N/A	N/A
1992	Fm		400mm x 120mm	1422 - S617	R467410	R409843	R409844	N/A	N/A
	Fm		400mm x 120mm	1422 - S617	R467410	R409843	R409844	N/A	N/A
1991	Fm		400mm x 120mm	1422 - S617	R467410	R409843	R409844	N/A	N/A
	Fm		400mm x 120mm	1422 - S617	R467410	R409843	R409844	N/A	N/A
1990	Fm		400mm x 120mm	1422 - S617	R467410	R409843	R409844	N/A	N/A
	Fm		400mm x 120mm	1422 - S617	R467410	R409843	R409844	N/A	N/A
1989	Fm		400mm x 120mm	1422 - S617	R467410	R409843	R409844	N/A	N/A

MAKE MODEL YEAR AXLE CODE AXLE WEIGHT	AXLE & BRK. TYPE	BRK. MFG.	BRAKE SIZE	FMSI	MERITOR DISC PAD OR BRAKE SHOE	MERITOR GUIDE PIN OR RETURN SPRING KIT	MERITOR CALIPER HWD. KIT OR RETURN SPRING KIT	MERITOR ADJUSTER KIT (LEFT WHEEL)	MERITOR ADJUSTER KIT (RIGHT WHEEL)
HINO(Cont.)									
FE(Cont.)									
1989	Fm		400mm x 120mm	1422 - S617	R467410	R409843	R409844	N/A	N/A
1987	Fm Fm		400mm x 120mm 400mm x 120mm	1422 - S617 1422 - S617	R467410 R467410	R409843 R409843	R409844 R409844	N/A N/A	N/A N/A
1986	Fm Fm		400mm x 120mm 400mm x 120mm	1422 - S617 1422 - S617	R467410 R467410	R409843 R409843	R409844 R409844	N/A N/A	N/A N/A
1985	Fm Fm		400mm x 120mm 400mm x 120mm	1422 - S617 1422 - S617	R467410 R467410	R409843 R409843	R409844 R409844	N/A N/A	N/A N/A
FE5H									
1994	Fm		400mm x 120mm	1422 - S617	R467410	R409843	R409844	N/A	N/A
1993	Fm		400mm x 120mm	1422 - S617	R467410	R409843	R409844	N/A	N/A
1992	Fm		400mm x 120mm	1422 - S617	R467410	R409843	R409844	N/A	N/A
1991	Fm		400mm x 120mm	1422 - S617	R467410	R409843	R409844	N/A	N/A
1990	Fm		400mm x 120mm	1422 - S617	R467410	R409843	R409844	N/A	N/A
1989	Fm		400mm x 120mm	1422 - S617	R467410	R409843	R409844	N/A	N/A
1987	Fm		400mm x 120mm	1422 - S617	R467410	R409843	R409844	N/A	N/A
1986	Fm		400mm x 120mm	1422 - S617	R467410	R409843	R409844	N/A	N/A
1985	Fm		400mm x 120mm	1422 - S617	R467410	R409843	R409844	N/A	N/A
FF4H									
1994	Fm		400mm x 120mm	1422 - S617	R467410	R409843	R409844	N/A	N/A
1993	Fm		400mm x 120mm	1422 - S617	R467410	R409843	R409844	N/A	N/A
1992	Fm		400mm x 120mm	1422 - S617	R467410	R409843	R409844	N/A	N/A
1991	Fm		400mm x 120mm	1422 - S617	R467410	R409843	R409844	N/A	N/A
1990	Fm		400mm x 120mm	1422 - S617	R467410	R409843	R409844	N/A	N/A
1989	Fm		400mm x 120mm	1422 - S617	R467410	R409843	R409844	N/A	N/A
1987	Fm		400mm x 120mm	1422 - S617	R467410	R409843	R409844	N/A	N/A
1986	Fm		400mm x 120mm	1422 - S617	R467410	R409843	R409844	N/A	N/A
1985	Fm		400mm x 120mm	1422 - S617	R467410	R409843	R409844	N/A	N/A
FF5H									
1994	Fm		400mm x 120mm	1422 - S617	R467410	R409843	R409844	N/A	N/A
1993	Fm		400mm x 120mm	1422 - S617	R467410	R409843	R409844	N/A	N/A
1992	Fm		400mm x 120mm	1422 - S617	R467410	R409843	R409844	N/A	N/A
1991	Fm		400mm x 120mm	1422 - S617	R467410	R409843	R409844	N/A	N/A
1990	Fm		400mm x 120mm	1422 - S617	R467410	R409843	R409844	N/A	N/A
1989	Fm		400mm x 120mm	1422 - S617	R467410	R409843	R409844	N/A	N/A
1987	Fm		400mm x 120mm	1422 - S617	R467410	R409843	R409844	N/A	N/A

MERITOR DRUM OR ROTOR NO.	CALIPER OR CYLINDER BORE SIZE	MERITOR CALIPER OR WHEEL CYLINDER (LEFT)	MERITOR CALIPER OR WHEEL CYLINDER (RIGHT)	MERITOR CALIPER OR WHEEL CYLINDER REPAIR KIT	MERITOR CALIPER PISTON	MERITOR MASTER CYLINDER	MERITOR MASTER CYLINDER KIT	MERITOR BRAKE HOSE (LEFT)	MERITOR BRAKE HOSE (RIGHT)
HINO(Cont.)									
FE(Cont.)									
N/A		-	-	N/A	NR	-	-	-	-
N/A		-	-	N/A	NR	-	-	-	-
N/A		-	-	N/A	NR	-	-	-	-
N/A		-	-	N/A	NR	-	-	-	-
N/A		-	-	N/A	NR	-	-	-	-
N/A		-	-	N/A	NR	-	-	-	-
FE5H									
N/A		-	-	N/A	NR	-	-	-	-
N/A		-	-	N/A	NR	-	-	-	-
N/A		-	-	N/A	NR	-	-	-	-
N/A		-	-	N/A	NR	-	-	-	-
N/A		-	-	N/A	NR	-	-	-	-
N/A		-	-	N/A	NR	-	-	-	-
N/A		-	-	N/A	NR	-	-	-	-
N/A		-	-	N/A	NR	-	-	-	-
N/A		-	-	N/A	NR	-	-	-	-
FF4H									
N/A		-	-	N/A	NR	-	-	-	-
N/A		-	-	N/A	NR	-	-	-	-
N/A		-	-	N/A	NR	-	-	-	-
N/A		-	-	N/A	NR	-	-	-	-
N/A		-	-	N/A	NR	-	-	-	-
N/A		-	-	N/A	NR	-	-	-	-
N/A		-	-	N/A	NR	-	-	-	-
N/A		-	-	N/A	NR	-	-	-	-
N/A		-	-	N/A	NR	-	-	-	-
N/A		-	-	N/A	NR	-	-	-	-
FF5H									
N/A		-	-	N/A	NR	-	-	-	-
N/A		-	-	N/A	NR	-	-	-	-
N/A		-	-	N/A	NR	-	-	-	-
N/A		-	-	N/A	NR	-	-	-	-
N/A		-	-	N/A	NR	-	-	-	-
N/A		-	-	N/A	NR	-	-	-	-
N/A		-	-	N/A	NR	-	-	-	-
N/A		-	-	N/A	NR	-	-	-	-

MAKE MODEL YEAR AXLE CODE AXLE WEIGHT	AXLE & BRK. TYPE	BRK. MFG.	BRAKE SIZE	FMSI	MERITOR DISC PAD OR BRAKE SHOE	MERITOR GUIDE PIN OR RETURN SPRING KIT	MERITOR CALIPER HWD. KIT OR RETURN SPRING KIT	MERITOR ADJUSTER KIT (LEFT WHEEL)	MERITOR ADJUSTER KIT (RIGHT WHEEL)
HINO(Cont.)									
FF5H(Cont.)									
1986	Fm		400mm x 120mm	1422 - S617	R467410	R409843	R409844	N/A	N/A
1985	Fm		400mm x 120mm	1422 - S617	R467410	R409843	R409844	N/A	N/A
FG									
1994	Fm		400mm x 120mm	1422 - S617	R467410	R409843	R409844	N/A	N/A
1993	Fm		400mm x 120mm	1422 - S617	R467410	R409843	R409844	N/A	N/A
1992	Fm		400mm x 120mm	1422 - S617	R467410	R409843	R409844	N/A	N/A
1991	Fm		400mm x 120mm	1422 - S617	R467410	R409843	R409844	N/A	N/A
1990	Fm		400mm x 120mm	1422 - S617	R467410	R409843	R409844	N/A	N/A
1989	Fm		400mm x 120mm	1422 - S617	R467410	R409843	R409844	N/A	N/A
1987	Fm		400mm x 120mm	1422 - S617	R467410	R409843	R409844	N/A	N/A
1986	Fm		400mm x 120mm	1422 - S617	R467410	R409843	R409844	N/A	N/A
1985	Fm		400mm x 120mm	1422 - S617	R467410	R409843	R409844	N/A	N/A
GC									
1994	Fm		320mm x 110mm	1469 - S684	R409862	R409849	R409850	N/A	N/A
	Rm		320mm x 125mm	1470 - S685	R409863	R409851	R409852	N/A	N/A
1993	Fm		320mm x 110mm	1469 - S684	R409862	R409849	R409850	N/A	N/A
	Rm		320mm x 125mm	1470 - S685	R409863	R409851	R409852	N/A	N/A
1992	Fm		320mm x 110mm	1469 - S684	R409862	R409849	R409850	N/A	N/A
	Rm		320mm x 125mm	1470 - S685	R409863	R409851	R409852	N/A	N/A
1991	Fm		320mm x 110mm	1469 - S684	R409862	R409849	R409850	N/A	N/A
	Rm		320mm x 125mm	1470 - S685	R409863	R409851	R409852	N/A	N/A
1990	Fm		320mm x 110mm	1469 - S684	R409862	R409849	R409850	N/A	N/A
	Rm		320mm x 125mm	1470 - S685	R409863	R409851	R409852	N/A	N/A
1989	Fm		320mm x 110mm	1469 - S684	R409862	R409849	R409850	N/A	N/A
	Rm		320mm x 125mm	1470 - S685	R409863	R409851	R409852	N/A	N/A
1987	Fm		320mm x 110mm	1469 - S684	R409862	R409849	R409850	N/A	N/A
	Rm		320mm x 125mm	1470 - S685	R409863	R409851	R409852	N/A	N/A
1986	Fm		320mm x 110mm	1469 - S684	R409862	R409849	R409850	N/A	N/A
	Rm		320mm x 125mm	1470 - S685	R409863	R409851	R409852	N/A	N/A
ISUZU									
FSR SERIES									
1995	Fm		400mm x 115mm	1421 - S616	R467412-21 ³⁴³	R407413	R407414	N/A	N/A
	Rm		410mm x 115mm	1420 - S615	R46741821 ³⁴⁴	R407417	N/A	N/A	N/A
	Rm		410mm x 115mm	1420 - S615	R46741821 ³⁴⁴	R407417	N/A	N/A	N/A
1994	Fm		400mm x 115mm	1421 - S616	R467412-21 ³⁴³	R407413	R407414	N/A	N/A
	Rm		410mm x 115mm	1420 - S615	R46741821 ³⁴⁴	R407417	N/A	N/A	N/A
	Rm		410mm x 115mm	1420 - S615	R46741821 ³⁴⁴	R407417	N/A	N/A	N/A
1993	Fm		400mm x 115mm	1421 - S616	R467412-21 ³⁴³	R407413	R407414	N/A	N/A
	Rm		410mm x 115mm	1420 - S615	R46741821 ³⁴⁴	R407417	N/A	N/A	N/A

307 - Power Brakes, Single System Hydrovac
343 - Use E-7409 for Lining and Rivet Set

329 - Forward
344 - Use E-7411 for Lining and Rivet Set

330 - Rearward

MERITOR DRUM OR ROTOR NO.	CALIPER OR CYLINDER BORE SIZE	MERITOR CALIPER OR WHEEL CYLINDER (LEFT)	MERITOR CALIPER OR WHEEL CYLINDER (RIGHT)	MERITOR CALIPER OR WHEEL CYLINDER REPAIR KIT	MERITOR CALIPER PISTON	MERITOR MASTER CYLINDER	MERITOR MASTER CYLINDER KIT	MERITOR BRAKE HOSE (LEFT)	MERITOR BRAKE HOSE (RIGHT)
HINO(Cont.)									
FF5H(Cont.)									
N/A		-	-	N/A	NR	-	-	-	-
N/A		-	-	N/A	NR	-	-	-	-
FG									
N/A		-	-	N/A	NR	-	-	-	-
N/A		-	-	N/A	NR	-	-	-	-
N/A		-	-	N/A	NR	-	-	-	-
N/A		-	-	N/A	NR	-	-	-	-
N/A		-	-	N/A	NR	-	-	-	-
N/A		-	-	N/A	NR	-	-	-	-
N/A		-	-	N/A	NR	-	-	-	-
N/A		-	-	N/A	NR	-	-	-	-
N/A		-	-	N/A	NR	-	-	-	-
N/A		-	-	N/A	NR	-	-	-	-
GC									
N/A		-	-	N/A	NR	-	-	-	-
N/A		-	-	N/A	NR	-	-	-	-
N/A		-	-	N/A	NR	-	-	-	-
N/A		-	-	N/A	NR	-	-	-	-
N/A		-	-	N/A	NR	-	-	-	-
N/A		-	-	N/A	NR	-	-	-	-
N/A		-	-	N/A	NR	-	-	-	-
N/A		-	-	N/A	NR	-	-	-	-
N/A		-	-	N/A	NR	-	-	-	-
N/A		-	-	N/A	NR	-	-	-	-
N/A		-	-	N/A	NR	-	-	-	-
N/A		-	-	N/A	NR	-	-	-	-
N/A		-	-	N/A	NR	-	-	-	-
N/A		-	-	N/A	NR	-	-	-	-
N/A		-	-	N/A	NR	-	-	-	-
N/A		-	-	N/A	NR	-	-	-	-
N/A		-	-	N/A	NR	-	-	-	-
N/A		-	-	N/A	NR	-	-	-	-
ISUZU									
FSR SERIES									
N/A	1-3/8 "	R417415	R417416	R417417	NR	R4110348 ³⁰⁷	R4110406	-	-
N/A	1-47/64 "	R417421	R417423 ³³⁰	R417424	NR	-	-	-	-
N/A	1-47/64 "	R417420	R417422 ³²⁹	R417424	NR	-	-	-	-
N/A	1-3/8 "	R417415	R417416	R417417	NR	R4110348 ³⁰⁷	R4110406	R451557	R451554
N/A	1-47/64 "	R417420	R417422 ³²⁹	R417424	NR	-	-	-	-
N/A	1-47/64 "	R417421	R417423 ³³⁰	R417424	NR	-	-	-	-
N/A	1-3/8 "	R417415	R417416	R417417	NR	R4110348 ³⁰⁷	R4110406	R451557	R451554
N/A	1-47/64 "	R417420	R417422 ³²⁹	R417424	NR	-	-	-	-

MAKE MODEL YEAR AXLE CODE AXLE WEIGHT	AXLE & BRK. TYPE	BRK. MFG.	BRAKE SIZE	FMSI	MERITOR DISC PAD OR BRAKE SHOE	MERITOR GUIDE PIN OR RETURN SPRING KIT	MERITOR CALIPER HWD. KIT OR RETURN SPRING KIT	MERITOR ADJUSTER KIT (LEFT WHEEL)	MERITOR ADJUSTER KIT (RIGHT WHEEL)
ISUZU(Cont.)									
FSR SERIES(Cont.)									
1993	Rm		410mm x 115mm	1420 - S615	R46741821 ³⁴⁴	R407417	N/A	N/A	N/A
1992	Fm		400mm x 115mm	1421 - S616	R467412-21 ³⁴³	R407413	R407414	N/A	N/A
	Rm		410mm x 115mm	1420 - S615	R46741821 ³⁴⁴	R407417	N/A	N/A	N/A
1991	Rm		410mm x 115mm	1420 - S615	R46741821 ³⁴⁴	R407417	N/A	N/A	N/A
	Fm		400mm x 115mm	1421 - S616	R467412-21 ³⁴³	R407413	R407414	N/A	N/A
	Rm		410mm x 115mm	1420 - S615	R46741821 ³⁴⁴	R407417	N/A	N/A	N/A
1990	Rm		410mm x 115mm	1420 - S615	R46741821 ³⁴⁴	R407417	N/A	N/A	N/A
	Fm		400mm x 115mm	1421 - S616	R467412-21 ³⁴³	R407413	R407414	N/A	N/A
	Rm		410mm x 115mm	1420 - S615	R46741821 ³⁴⁴	R407417	N/A	N/A	N/A
1989	Rm		410mm x 115mm	1420 - S615	R46741821 ³⁴⁴	R407417	N/A	N/A	N/A
	Fm		400mm x 115mm	1421 - S616	R467412-21 ³⁴³	R407413	R407414	N/A	N/A
	Rm		410mm x 115mm	1420 - S615	R46741821 ³⁴⁴	R407417	N/A	N/A	N/A
1988	Rm		410mm x 115mm	1420 - S615	R46741821 ³⁴⁴	R407417	N/A	N/A	N/A
	Fm		400mm x 115mm	1421 - S616	R467412-21 ³⁴³	R407413	R407414	N/A	N/A
	Rm		410mm x 115mm	1420 - S615	R46741821 ³⁴⁴	R407417	N/A	N/A	N/A
1987	Rm		410mm x 115mm	1420 - S615	R46741821 ³⁴⁴	R407417	N/A	N/A	N/A
	Fm		400mm x 115mm	1421 - S616	R467412-21 ³⁴³	R407413	R407414	N/A	N/A
	Rm		410mm x 115mm	1420 - S615	R46741821 ³⁴⁴	R407417	N/A	N/A	N/A
FTR SERIES									
1995	Fm		410mm x 140mm	1418 - S613	R46613	R407394	R407396	NR	NR
	Rm		410mm x 140mm	1418 - S613	R46613	R407394	R407396	NR	NR
1994	Fm		410mm x 140mm	1418 - S613	R46613	R407394	R407396	NR	NR
	Rm		410mm x 140mm	1418 - S613	R46613	R407394	R407396	NR	NR
1993	Fm		410mm x 140mm	1418 - S613	R46613	R407394	R407396	NR	NR
	Rm		410mm x 140mm	1418 - S613	R46613	R407394	R407396	NR	NR
1992	Fm		410mm x 140mm	1418 - S613	R46613	R407394	R407396	NR	NR
	Rm		410mm x 140mm	1418 - S613	R46613	R407394	R407396	NR	NR
1991	Fm		410mm x 140mm	1418 - S613	R46613	R407394	R407396	NR	NR
	Rm		410mm x 140mm	1418 - S613	R46613	R407394	R407396	NR	NR
1990	Fm		410mm x 140mm	1418 - S613	R46613	R407394	R407396	NR	NR
	Rm		410mm x 140mm	1418 - S613	R46613	R407394	R407396	NR	NR
1989	Fm		410mm x 140mm	1418 - S613	R46613	R407394	R407396	NR	NR
	Rm		410mm x 140mm	1418 - S613	R46613	R407394	R407396	NR	NR
1988	Fm		410mm x 140mm	1418 - S613	R46613	R407394	R407396	NR	NR
	Rm		410mm x 140mm	1418 - S613	R46613	R407394	R407396	NR	NR
1987	Fm		410mm x 140mm	1418 - S613	R46613	R407394	R407396	NR	NR
	Rm		410mm x 140mm	1418 - S613	R46613	R407394	R407396	NR	NR
1986	Fm		410mm x 140mm	1418 - S613	R46613	R407394	R407396	NR	NR
	Rm		410mm x 140mm	1418 - S613	R46613	R407394	R407396	NR	NR
1985	Fm		410mm x 140mm	1418 - S613	R46613	R407394	R407396	NR	NR
	Rm		410mm x 140mm	1418 - S613	R46613	R407394	R407396	NR	NR
1984	Fm		410mm x 140mm	1418 - S613	R46613	R407394	R407396	NR	NR
	Rm		410mm x 140mm	1418 - S613	R46613	R407394	R407396	NR	NR

307 - Power Brakes, Single System Hydrovac
343 - Use E-7409 for Lining and Rivet Set

329 - Forward
344 - Use E-7411 for Lining and Rivet Set

330 - Rearward

MERITOR DRUM OR ROTOR NO.	CALIPER OR CYLINDER BORE SIZE	MERITOR CALIPER OR WHEEL CYLINDER (LEFT)	MERITOR CALIPER OR WHEEL CYLINDER (RIGHT)	MERITOR CALIPER OR WHEEL CYLINDER REPAIR KIT	MERITOR CALIPER PISTON	MERITOR MASTER CYLINDER	MERITOR MASTER CYLINDER KIT	MERITOR BRAKE HOSE (LEFT)	MERITOR BRAKE HOSE (RIGHT)
ISUZU(Cont.)									
FSR SERIES(Cont.)									
N/A	1-47/64 "	R417421	R417423 ³³⁰	R417424	NR	-	-	-	-
N/A	1-3/8 "	R417415	R417416	R417417	NR	R4110348 ³⁰⁷	R4110406	R451557	R451554
N/A	1-47/64 "	R417421	R417423 ³³⁰	R417424	NR	-	-	-	-
N/A	1-47/64 "	R417420	R417422 ³²⁹	R417424	NR	-	-	-	-
N/A	1-3/8 "	R417415	R417416	R417417	NR	R4110348 ³⁰⁷	R4110406	R451557	R451554
N/A	1-47/64 "	R417421	R417423 ³³⁰	R417424	NR	-	-	-	-
N/A	1-47/64 "	R417420	R417422 ³²⁹	R417424	NR	-	-	-	-
N/A	1-3/8 "	R417415	R417416	R417417	NR	R4110348 ³⁰⁷	R4110406	R451557	R451554
N/A	1-47/64 "	R417420	R417422 ³²⁹	R417424	NR	-	-	-	-
N/A	1-47/64 "	R417421	R417423 ³³⁰	R417424	NR	-	-	-	-
N/A	1-3/8 "	R417415	R417416	R417417	NR	R4110348 ³⁰⁷	R4110406	-	-
N/A	1-47/64 "	R417421	R417423 ³³⁰	R417424	NR	-	-	-	-
N/A	1-47/64 "	R417420	R417422 ³²⁹	R417424	NR	-	-	-	-
N/A	1-3/8 "	R417415	R417416	R417417	NR	R4110348 ³⁰⁷	R4110406	-	-
N/A	1-47/64 "	R417420	R417422 ³²⁹	R417424	NR	-	-	-	-
N/A	1-47/64 "	R417421	R417423 ³³⁰	R417424	NR	-	-	-	-
N/A	1-3/8 "	R417415	R417416	R417417	NR	R4110348 ³⁰⁷	R4110406	-	-
N/A	1-47/64 "	R417420	R417422 ³²⁹	R417424	NR	-	-	-	-
N/A	1-47/64 "	R417421	R417423 ³³⁰	R417424	NR	-	-	-	-
FTR SERIES									
N/A	47.5mm	R417398	R417397	R417399	NR	-	-	R451557	R451554
N/A	53.5mm	R417401	R417401	R417402	NR	-	-	N/A	N/A
N/A	47.5mm	R417398	R417397	R417399	NR	-	-	R451557	R451554
N/A	53.5mm	R417401	R417401	R417402	NR	-	-	N/A	N/A
N/A	47.5mm	R417398	R417397	R417399	NR	-	-	R451557	R451554
N/A	53.5mm	R417401	R417401	R417402	NR	-	-	N/A	N/A
N/A	47.5mm	R417398	R417397	R417399	NR	-	-	R451557	R451554
N/A	53.5mm	R417401	R417401	R417402	NR	-	-	N/A	N/A
N/A	47.5mm	R417398	R417397	R417399	NR	-	-	R451557	R451554
N/A	53.5mm	R417401	R417401	R417402	NR	-	-	N/A	N/A
N/A	47.5mm	R417398	R417397	R417399	NR	-	-	R451557	R451554
N/A	53.5mm	R417401	R417401	R417402	NR	-	-	N/A	N/A
N/A	47.5mm	R417398	R417397	R417399	NR	-	-	R451557	R451554
N/A	53.5mm	R417401	R417401	R417402	NR	-	-	N/A	N/A
N/A	47.5mm	R417398	R417397	R417399	NR	-	-	R451557	R451554
N/A	53.5mm	R417401	R417401	R417402	NR	-	-	N/A	N/A
N/A	47.5mm	R417398	R417397	R417399	NR	-	-	R451557	R451554
N/A	53.5mm	R417401	R417401	R417402	NR	-	-	N/A	N/A

MAKE MODEL YEAR AXLE CODE AXLE WEIGHT	AXLE & BRK. TYPE	BRK. MFG.	BRAKE SIZE	FMSI	MERITOR DISC PAD OR BRAKE SHOE	MERITOR GUIDE PIN OR RETURN SPRING KIT	MERITOR CALIPER HWD. KIT OR RETURN SPRING KIT	MERITOR ADJUSTER KIT (LEFT WHEEL)	MERITOR ADJUSTER KIT (RIGHT WHEEL)
ISUZU(Cont.)									
NPR SERIES									
2005									
Diesel Engine 1-04 through 10,001 - 14,000 lbs GVWR Class 3 Vehicle	Fd	Isuzu		7699 - D827	MD827 ³⁶⁸	R4112503	-	N/A	N/A
Gasoline Engine 14,001 - 16,000 lbs GVWR Class 4 Vehicle	Fd	Isuzu		7699 - D827	MD827 ³⁶⁹	-	-	N/A	N/A
2004									
Diesel Engine 1-04 through 10,001 - 14,000 lbs GVWR Class 3 Vehicle	Fd	Isuzu		7699 - D827	MD827 ³⁶⁸	R4112503	-	N/A	N/A
Gasoline Engine 7-03 through 6-04 14,001 - 16,000 lbs GVWR Class 4 Vehicle	Fd	Isuzu		7699 - D827	MD827 ³⁶⁹	R4112504	-	N/A	N/A
Gasoline Engine 7-04 Through 14,001 - 16,000 lbs GVWR Class 4 Vehicle	Fd	Isuzu		7699 - D827	MD827 ³⁶⁹	-	-	N/A	N/A
2003									
Diesel Engine 1-03 through 11-03 10,001 - 14,000 lbs GVWR Class 3 Vehicle	Fd	Isuzu		7697 - D825	MD825 ³⁶⁸	R4112503	-	N/A	N/A
Diesel Engine 11-03 through 12-03 10,001 - 14,000 lbs GVWR Class 3 Vehicle	Fd	Isuzu		7697 - D825	MD825 ³⁶⁸	R4112503	-	N/A	N/A
Gasoline Engine 7-03 through 6-04 14,001 - 16,000 lbs GVWR Class 4 Vehicle	Fd	Isuzu		7699 - D827	MD827 ³⁶⁹	R4112504	-	N/A	N/A
Gasoline Engine 8-99 through 6-03 14,001 - 16,000 lbs GVWR Class 4 Vehicle	Fd	Isuzu		7699 - D827	MD827 ³⁶⁹	R4112504	-	N/A	N/A
2002									
Diesel Engine 10,001 - 14,000 lbs GVWR Class 3 Vehicle	Fd	Isuzu		7697 - D825	MD825 ³⁶⁸	R4112503	-	N/A	N/A
Gasoline Engine 14,001 - 16,000 lbs GVWR Class 4 Vehicle	Fd	Isuzu		7699 - D827	MD827 ³⁶⁹	R4112504	-	N/A	N/A
2001									
Diesel Engine 1-01 through 1-03 10,001 - 14,000 lbs GVWR Class 3 Vehicle	Fd	Isuzu		7697 - D825	MD825 ³⁶⁹	R4112503	-	N/A	N/A
Gasoline Engine 14,001 - 16,000 lbs GVWR Class 4 Vehicle	Fd	Isuzu		7699 - D827	MD827 ³⁶⁹	R4112504	-	N/A	N/A
2000									
Diesel Engine 7-99 through 12-00 10,001 - 14,000 lbs GVWR Class 3 Vehicle	Fd	Isuzu		7697 - D825	MD825 ³⁶⁹	-	-	N/A	N/A
Gasoline Engine 14,001 - 16,000 lbs GVWR Class 4 Vehicle	Fd	Isuzu		7699 - D827	MD827 ³⁶⁹	R4112504	-	N/A	N/A
1999									
Diesel Engine 1-98 Through 4-99 10,001 - 14,000 lbs GVWR Class 3 Vehicle	Fd	Isuzu		7697 - D825	MD825 ³⁶⁹	R4112503	-	N/A	N/A

368 - Isuzu # includes all clips

369 - Includes all clips

MERITOR DRUM OR ROTOR NO.	CALIPER OR CYLINDER BORE SIZE	MERITOR CALIPER OR WHEEL CYLINDER (LEFT)	MERITOR CALIPER OR WHEEL CYLINDER (RIGHT)	MERITOR CALIPER OR WHEEL CYLINDER REPAIR KIT	MERITOR CALIPER PISTON	MERITOR MASTER CYLINDER	MERITOR MASTER CYLINDER KIT	MERITOR BRAKE HOSE (LEFT)	MERITOR BRAKE HOSE (RIGHT)
ISUZU(Cont.)									
NPR SERIES									
-		R4212269	R4212270	R4012285	R4012281	-	-	-	-
R4421493R		R4212273	R4212274	R4012284	R4012280	-	-	-	-
-		R4212269	R4212270	R4012285	R4012281	-	-	-	-
R4421493R		R4212275	R4212276	R4012283	R4012279	-	-	-	-
R4421493R		R4212273	R4212274	R4012284	R4012280	-	-	-	-
-		R4212271X	R4212272X	R4012286	R4012282	-	-	-	-
-		R4212271X	R4212272X	R4012286	R4012282	-	-	-	-
R4421493R		R4212275	R4212276	R4012283	R4012279	-	-	-	-
-		R4212275	R4212276	R4012283	R4012279	-	-	-	-
-		R4212271X	R4212272X	R4012286	R4012282	-	-	-	-
-		R4212275	R4212276	R4012283	R4012279	-	-	-	-
-		R4212271X	R4212272X	R4012286	R4012282	-	-	-	-
-		R4212275	R4212276	R4012283	R4012279	-	-	-	-
-		R4212271X	R4212272X	R4012286	R4012282	-	-	-	-
-		R4212275	R4212276	R4012283	R4012279	-	-	-	-
-		R4212271X	R4212272X	R4012286	R4012282	-	-	-	-
-		R4212275	R4212276	R4012283	R4012279	-	-	-	-
-		R4212271X	R4212272X	R4012286	R4012282	-	-	-	-

1 APPLICATION

MAKE MODEL YEAR AXLE CODE AXLE WEIGHT	AXLE & BRK. TYPE	BRK. MFG.	BRAKE SIZE	FMSI	MERITOR DISC PAD OR BRAKE SHOE	MERITOR GUIDE PIN OR RETURN SPRING KIT	MERITOR CALIPER HWD. KIT OR RETURN SPRING KIT	MERITOR ADJUSTER KIT (LEFT WHEEL)	MERITOR ADJUSTER KIT (RIGHT WHEEL)
ISUZU(Cont.)									
NPR SERIES(Cont.)									
1999	Fd	Isuzu		7697 - D825	MD825 ³⁶⁹	R4112503	-	N/A	N/A
Diesel Engine 7-99 through 12-00 10,001 - 14,000 lbs GVWR Class 3 Vehicle	Fd	Isuzu		7697 - D825	MD825 ³⁶⁹	-	-	N/A	N/A
Gasoline Engine 2-99 Through 6-99 Except 4 Wheel ABS 14,001 - 16,000 lbs GVWR Class 4 Vehicle	Fd	Isuzu		7698 - D826	MD826 ³⁶⁹	R4112504	-	N/A	N/A
Gasoline Engine 2-99 Through 6-99 With 4 Wheel ABS 14,001 - 16,000 lbs GVWR Class 4 Vehicle	Fd	Isuzu		7699 - D827	MD827 ³⁶⁹	R4112504	-	N/A	N/A
Gasoline Engine 7-99 Through 14,001 - 16,000 lbs GVWR Class 4 Vehicle	Fd	Isuzu		7699 - D827	MD827 ³⁶⁹	R4112504	-	N/A	N/A
1998	Fd	Isuzu		7697 - D825	MD825 ³⁶⁹	R4112503	-	N/A	N/A
Diesel Engine 1-98 Through 4-99 10,001 - 14,000 lbs GVWR Class 3 Vehicle	Fd	Isuzu		7697 - D825	MD825 ³⁶⁹	R4112503	-	N/A	N/A
Gasoline Engine 10-97 Through 1-99 14,001 - 16,000 lbs GVWR Class 4 Vehicle	Fd	Isuzu		7698 - D826	MD826 ³⁶⁹	R4112503	-	N/A	N/A
1997	Fd	Isuzu						N/A	N/A
Diesel Engine 10,001 - 14,000 lbs GVWR Class 3 Vehicle	Fd	Isuzu						N/A	N/A
Gasoline Engine 14,001 - 16,000 lbs GVWR Class 4 Vehicle	Fd	Isuzu						N/A	N/A
	Fd			7425 - D675	MD675	N/A	N/A	NR	NR
	Fd			7425 - D675	MD675	N/A	N/A	NR	NR
	Fd			7425 - D675	MD675	N/A	N/A	NR	NR
	Fd			7425 - D675	MD675	N/A	N/A	NR	NR
1996	Fd			7425 - D675	MD675	N/A	N/A	NR	NR
	Fd			7425 - D675	MD675	N/A	N/A	NR	NR
	Fd			7425 - D675	MD675	N/A	N/A	NR	NR
	Fd			7425 - D675	MD675	N/A	N/A	NR	NR
1995	Fd			7425 - D546	MD675	N/A	R4166161	NR	NR
	Fd			7425 - D546	MD675	N/A	R4166161	NR	NR
	Fd			7425 - D546	MD675	N/A	R4166161	NR	NR
	Fd			7425 - D546	MD675	N/A	R4166161	NR	NR
	Fm				R46735721 ³⁴²	R41207361	R40H9238	NR	NR
	Fm				R46735721 ³⁴²	R41207361	R40H9238	N/A	N/A
	Fm				R46735721 ³⁴²	R41207361	R40H9238	NR	NR
	Fm				R46735721 ³⁴²	R41207361	R40H9238	NR	NR
	Fm				R46735721 ³⁴²	R41207361	R40H9238	N/A	N/A
	Fm				R46735721 ³⁴²	R41207361	R40H9238	N/A	N/A
	Fm				R46735721 ³⁴²	R41207361	R40H9238	NR	NR
	Fm		320mm x 75mm	1417 - S726	R46735721 ³⁴²	R41207361	R40H9238	NR	NR
	Fm		320mm x 75mm	1417 - S726	R46735721 ³⁴²	R41207361	R40H9238	NR	NR
	Fm		320mm x 75mm	1417 - S726	R46735721 ³⁴²	R41207361	R40H9238	NR	NR
	Fm		320mm x 75mm	1417 - S726	R46735721 ³⁴²	R41207361	R40H9238	N/A	N/A

53 - Power Brakes
329 - Forward
342 - Use E-7358 for Lining and Rivet Set
www.XpresswayPlus.com

54 - Manual Brakes
330 - Rearward
369 - Includes all clips

311 - Power Brakes, Stripped Chassis, Front Disc Brakes
336 - Manual Brakes, Stripped Chassis, Front Disc Brakes
405 - Rotor Only

MERITOR DRUM OR ROTOR NO.	CALIPER OR CYLINDER BORE SIZE	MERITOR CALIPER OR WHEEL CYLINDER (LEFT)	MERITOR CALIPER OR WHEEL CYLINDER (RIGHT)	MERITOR CALIPER OR WHEEL CYLINDER REPAIR KIT	MERITOR CALIPER PISTON	MERITOR MASTER CYLINDER	MERITOR MASTER CYLINDER KIT	MERITOR BRAKE HOSE (LEFT)	MERITOR BRAKE HOSE (RIGHT)
ISUZU(Cont.)									
NPR SERIES(Cont.)									
-	-	R4212271X	R4212272X	R4012286	R4012282	-	-	-	-
-	-	-	-	-	-	-	-	-	-
-	-	R4212277X	R4212278X	R4012283	R4012279	-	-	-	-
-	-	R4212275	R4212276	R4012283	R4012279	-	-	-	-
-	-	R4212275	R4212276	R4012283	R4012279	-	-	-	-
-	-	R4212271X	R4212272X	R4012286	R4012282	-	-	-	-
-	-	R4212277X	R4212278X	R4012283	R4012279	-	-	-	-
-	-	-	-	-	-	-	-	-	-
R44141730 ⁴⁰⁵	-	-	-	R4066306	R4090126S	N/A ³³⁶	N/A	R4578267	R4578267
R44141730 ⁴⁰⁵	-	-	-	R4066306	R4090126S	N/A ⁵⁴	N/A	R4578267	R4578267
R44141730 ⁴⁰⁵	-	-	-	R4066306	R4090126S	R4113182 ³¹¹	R4110409	R4578267	R4578267
R44141730 ⁴⁰⁵	-	-	-	R4066306	R4090126S	R4113123 ⁵³	R4110409	R4578267	R4578267
R44141730 ⁴⁰⁵	-	-	-	R4066306	R4090126S	N/A ⁵⁴	N/A	R4578267	R4578267
R44141730 ⁴⁰⁵	-	-	-	R4066306	R4090126S	R4113182 ³¹¹	R4110409	R4578267	R4578267
R44141730 ⁴⁰⁵	-	-	-	R4066306	R4090126S	N/A ³³⁶	N/A	R4578267	R4578267
R44141730 ⁴⁰⁵	-	-	-	R4066306	R4090126S	R4113123 ⁵³	R4110409	R4578267	R4578267
R44141730 ⁴⁰⁵	-	-	-	R4066306	R4090126S	R4113182 ³¹¹	R4110409	R4578267	R4578267
R44141730 ⁴⁰⁵	-	-	-	R4066306	R4090126S	N/A ⁵⁴	N/A	R4578267	R4578267
R44141730 ⁴⁰⁵	-	-	-	R4066306	R4090126S	N/A ³³⁶	N/A	R4578267	R4578267
R44141730 ⁴⁰⁵	-	-	-	R4066306	R4090126S	R4113123 ⁵³	R4110409	R4578267	R4578267
R44141730 ⁴⁰⁵	-	-	-	R4066306	R4090126S	R4113182 ³¹¹	R4110409	R4578267	R4578267
N/A	-	R417379	R41207375	R417382	NR	N/A ⁵⁴	N/A	R4578267	R4578267
N/A	-	R41207364	R41207366 ³³⁰	R417382	NR	N/A ⁵⁴	N/A	R4578267	R4578267
N/A	-	R417379	R41207381	R417382	NR	N/A ³³⁶	N/A	R4578267	R4578267
N/A	-	R417379	R41207375	R417382	NR	N/A ³³⁶	N/A	R4578267	R4578267
N/A	-	R417363	R417365 ³²⁹	R417382	NR	N/A ⁵⁴	N/A	R4578267	R4578267
N/A	-	R417363	R417365 ³²⁹	R417382	NR	N/A ³³⁶	N/A	R4578267	R4578267
N/A	-	R417379	R41207381	R417382	NR	N/A ⁵⁴	N/A	R4578267	R4578267
N/A	-	R41207364	R41207366 ³³⁰	R417382	NR	N/A ³³⁶	N/A	R4578267	R4578267
N/A	1-1/16 "	R417379	R41207375	R417382	NR	R4113123 ⁵³	R4110409	R4578267	R4578267
N/A	1-1/16 "	R417379	R41207375	R417382	NR	R4113182 ³¹¹	R4110409	R4578267	R4578267
N/A	1-1/16 "	R417379	R41207381	R417382	NR	R4113123 ⁵³	R4110409	R4578267	R4578267
N/A	1-1/16 "	R41207364	R41207366 ³³⁰	R417382	NR	R4113123 ⁵³	R4110409	R4578267	R4578267

MAKE MODEL YEAR AXLE CODE AXLE WEIGHT	AXLE & BRK. TYPE	BRK. MFG.	BRAKE SIZE	FMSI	MERITOR DISC PAD OR BRAKE SHOE	MERITOR GUIDE PIN OR RETURN SPRING KIT	MERITOR CALIPER HWD. KIT OR RETURN SPRING KIT	MERITOR ADJUSTER KIT (LEFT WHEEL)	MERITOR ADJUSTER KIT (RIGHT WHEEL)
ISUZU(Cont.)									
NPR SERIES(Cont.)									
1995	Fm		320mm x 75mm	1417 - S726	R46735721 ³⁴²	R41207361	R40H9238	N/A	N/A
	Fm		320mm x 75mm	1417 - S726	R46735721 ³⁴²	R41207361	R40H9238	N/A	N/A
	Fm		320mm x 75mm	1417 - S726	R46735721 ³⁴²	R41207361	R40H9238	N/A	N/A
	Fm		320mm x 75mm	1417 - S726	R46735721 ³⁴²	R41207361	R40H9238	NR	NR
	Ra		11-13/16"x2-61/64"	1454 - S668	N/A	N/A	N/A	N/A	N/A
	Rm		320mm x 100mm	1482 - S699	R46699	N/A	N/A	N/A	N/A
	Rm		320mm x 100mm	1482 - S699	R46699	N/A	N/A	N/A	N/A
	Rm		320mm x 75mm	1417 - S726	R46735721 ³⁴²	R41207361	R40H9238	N/A	N/A
	Rm		320mm x 75mm	1417 - S726	R46735721 ³⁴²	R41207361	R40H9238	N/A	N/A
	Rm		320mm x 75mm	1417 - S726	R46735721 ³⁴²	R41207361	R40H9238	N/A	N/A
	Rm		320mm x 75mm	1417 - S726	R46735721 ³⁴²	R41207361	R40H9238	N/A	N/A
	Rm		320mm x 75mm	1417 - S726	R46735721 ³⁴²	R41207361	R40H9238	N/A	N/A
	Rm		320mm x 75mm	1417 - S726	R46735721 ³⁴²	R41207361	R40H9238	N/A	N/A
	Rm		320mm x 75mm	1417 - S726	R46735721 ³⁴²	R41207361	R40H9238	N/A	N/A
1994	Fd			7425 - D546	MD675	N/A	N/A	NR	NR
	Fd			7425 - D546	MD675	N/A	N/A	NR	NR
	Fd			7425 - D546	MD675	N/A	N/A	NR	NR
	Fd			7425 - D546	MD675	N/A	N/A	NR	NR
	Fm				R46735721 ³⁴²	R41207361	R40H9238	N/A	N/A
	Fm				R46735721 ³⁴²	R41207361	R40H9238	NR	NR
	Fm				R46735721 ³⁴²	R41207361	R40H9238	NR	NR
	Fm				R46735721 ³⁴²	R41207361	R40H9238	N/A	N/A
	Fm				R46735721 ³⁴²	R41207361	R40H9238	N/A	N/A
	Fm				R46735721 ³⁴²	R41207361	R40H9238	NR	NR
	Fm				R46735721 ³⁴²	R41207361	R40H9238	NR	NR
	Fm				R46735721 ³⁴²	R41207361	R40H9238	N/A	N/A
	Fm				R46735721 ³⁴²	R41207361	R40H9238	N/A	N/A
	Fm				R46735721 ³⁴²	R41207361	R40H9238	N/A	N/A
	Fm				R46735721 ³⁴²	R41207361	R40H9238	N/A	N/A
	Fm				R46735721 ³⁴²	R41207361	R40H9238	N/A	N/A
	Fm				R46735721 ³⁴²	R41207361	R40H9238	NR	NR
	Fm				R46735721 ³⁴²	R41207361	R40H9238	N/A	N/A
	Fm				R46735721 ³⁴²	R41207361	R40H9238	NR	NR
	Fm				R46735721 ³⁴²	R41207361	R40H9238	N/A	N/A
	Fm				R46735721 ³⁴²	R41207361	R40H9238	N/A	N/A
	Ra		11-13/16"x2-61/64"	1454 - S668	N/A	N/A	N/A	N/A	N/A
	Rm		320mm x 100mm	1482 - S699	R46699	N/A	N/A	N/A	N/A
	Rm		320mm x 100mm	1482 - S699	R46699	N/A	N/A	N/A	N/A
Rm		320mm x 75mm	1417 - S726	R46735721 ³⁴²	R41207361	R40H9238	N/A	N/A	
Rm		320mm x 75mm	1417 - S726	R46735721 ³⁴²	R41207361	R40H9238	N/A	N/A	
With Front Disc Brakes	Rm		320mm x 75mm	1417 - S726	R46735721 ³⁴²	R41207361	R40H9238	N/A	N/A
	Rm		320mm x 75mm	1417 - S726	R46735721 ³⁴²	R41207361	R40H9238	N/A	N/A
1993	Fd			7425 - D546	MD675	N/A	N/A	NR	NR
	Fd			7425 - D546	MD675	N/A	N/A	NR	NR
	Fd			7425 - D546	MD675	N/A	N/A	NR	NR
	Fd			7425 - D546	MD675	N/A	N/A	NR	NR
	Fm				R46735721 ³⁴²	R41207361	R40H9238	N/A	N/A
	Fm				R46735721 ³⁴²	R41207361	R40H9238	N/A	N/A
	Fm				R46735721 ³⁴²	R41207361	R40H9238	NR	NR
	Fm				R46735721 ³⁴²	R41207361	R40H9238	N/A	N/A
	Fm				R46735721 ³⁴²	R41207361	R40H9238	NR	NR
	Fm				R46735721 ³⁴²	R41207361	R40H9238	NR	NR
	Fm				R46735721 ³⁴²	R41207361	R40H9238	NR	NR
	Fm				R46735721 ³⁴²	R41207361	R40H9238	NR	NR
	Fm				R46735721 ³⁴²	R41207361	R40H9238	NR	NR
	Fm				R46735721 ³⁴²	R41207361	R40H9238	NR	NR
	Fm				R46735721 ³⁴²	R41207361	R40H9238	NR	NR
	Fm				R46735721 ³⁴²	R41207361	R40H9238	NR	NR
	Fm				R46735721 ³⁴²	R41207361	R40H9238	NR	NR
	Fm				R46735721 ³⁴²	R41207361	R40H9238	NR	NR
	Fm				R46735721 ³⁴²	R41207361	R40H9238	NR	NR
	Fm				R46735721 ³⁴²	R41207361	R40H9238	NR	NR
	Fm				R46735721 ³⁴²	R41207361	R40H9238	N/A	N/A
	Ra		11-13/16"x2-61/64"	1454 - S668	N/A	N/A	N/A	N/A	N/A

53 - Power Brakes
 329 - Forward
 342 - Use E-7358 for Lining and Rivet Set
 www.XpresswayPlus.com
 1-532

54 - Manual Brakes
 330 - Rearward
 405 - Rotor Only

311 - Power Brakes, Stripped Chassis, Front Disc Brakes
 336 - Manual Brakes, Stripped Chassis, Front Disc Brakes

Contact our Customer Service Teams
 1-888-725-9355

MERITOR DRUM OR ROTOR NO.	CALIPER OR CYLINDER BORE SIZE	MERITOR CALIPER OR WHEEL CYLINDER (LEFT)	MERITOR CALIPER OR WHEEL CYLINDER (RIGHT)	MERITOR CALIPER OR WHEEL CYLINDER REPAIR KIT	MERITOR CALIPER PISTON	MERITOR MASTER CYLINDER	MERITOR MASTER CYLINDER KIT	MERITOR BRAKE HOSE (LEFT)	MERITOR BRAKE HOSE (RIGHT)
ISUZU(Cont.)									
NPR SERIES(Cont.)									
N/A	1-1/16 "	R41207364	R41207366 ³³⁰	R417382	NR	R4113182 ³¹¹	R4110409	R4578267	R4578267
N/A	1-1/16 "	R417363	R417365 ³²⁹	R417382	NR	R4113182 ³¹¹	R4110409	R4578267	R4578267
N/A	1-1/16 "	R417363	R417365 ³²⁹	R417382	NR	R4113123 ⁵³	R4110409	R4578267	R4578267
N/A	1-1/16 "	R417379	R41207381	R417382	NR	R4113182 ³¹¹	R4110409	R4578267	R4578267
N/A	-	-	-	-	NR	-	-	N/A	N/A
N/A	1 "	-	-	N/A	NR	-	-	N/A	N/A
N/A	1 "	-	-	N/A	NR	-	-	N/A	N/A
N/A	1-1/16 "	R417372	R41207375 ³²⁹	R417382	NR	-	-	N/A	N/A
N/A	1-1/16 "	R417379	R41207375	R417382	NR	-	-	N/A	N/A
N/A	1-1/16 "	R417372	R41207374 ³³⁰	R417382	NR	-	-	N/A	N/A
N/A	1-1/16 "	R417379	R41207381	R417382	NR	-	-	N/A	N/A
R44141730 ⁴⁰⁵	-	-	-	R4066306	R4090126S	R4113123 ⁵³	R4110409	R4578267	R4578267
R44141730 ⁴⁰⁵	-	-	-	R4066306	R4090126S	N/A ³³⁶	N/A	R4578267	R4578267
R44141730 ⁴⁰⁵	-	-	-	R4066306	R4090126S	N/A ⁵⁴	N/A	R4578267	R4578267
R44141730 ⁴⁰⁵	-	-	-	R4066306	R4090126S	R4113182 ³¹¹	R4110409	R4578267	R4578267
N/A	-	R417363	R417365 ³²⁹	R417382	NR	N/A ³³⁶	N/A	R4578267	R4578267
N/A	-	R417379	R41207381	R417382	NR	N/A ⁵⁴	N/A	R4578267	R4578267
N/A	-	R417379	R41207375	R417382	NR	N/A ³³⁶	N/A	R4578267	R4578267
N/A	-	R41207364	R41207366 ³³⁰	R417382	NR	N/A ⁵⁴	N/A	R4578267	R4578267
N/A	-	R417363	R417365 ³²⁹	R417382	NR	N/A ⁵⁴	N/A	R4578267	R4578267
N/A	-	R417379	R41207375	R417382	NR	N/A ⁵⁴	N/A	R4578267	R4578267
N/A	-	R417379	R41207381	R417382	NR	N/A ³³⁶	N/A	R4578267	R4578267
N/A	-	R41207364	R41207366 ³³⁰	R417382	NR	N/A ³³⁶	N/A	R4578267	R4578267
N/A	1-1/16 "	R417363	R417365 ³²⁹	R417382	NR	R4113123 ⁵³	R4110409	R4578267	R4578267
N/A	1-1/16 "	R417379	R41207381	R417382	NR	R4113123 ⁵³	R4110409	R4578267	R4578267
N/A	1-1/16 "	R417379	R41207375	R417382	NR	R4113123 ⁵³	R4110409	R4578267	R4578267
N/A	1-1/16 "	R41207364	R41207366 ³³⁰	R417382	NR	R4113123 ⁵³	R4110409	R4578267	R4578267
N/A	1-1/16 "	R417379	R41207381	R417382	NR	R4113182 ³¹¹	R4110409	R4578267	R4578267
N/A	1-1/16 "	R417363	R417365 ³²⁹	R417382	NR	R4113182 ³¹¹	R4110409	R4578267	R4578267
N/A	1-1/16 "	R417379	R41207375	R417382	NR	R4113182 ³¹¹	R4110409	R4578267	R4578267
N/A	1-1/16 "	R41207364	R41207366 ³³⁰	R417382	NR	R4113182 ³¹¹	R4110409	R4578267	R4578267
N/A	-	-	-	-	NR	-	-	-	-
N/A	1 "	-	-	N/A	NR	-	-	N/A	N/A
N/A	1 "	-	-	N/A	NR	-	-	N/A	N/A
N/A	1-1/16 "	R417372	R41207375 ³²⁹	R417382	NR	-	-	N/A	N/A
N/A	1-1/16 "	R417372	R41207374 ³³⁰	R417382	NR	-	-	N/A	N/A
N/A	1-1/16 "	R417379	R41207381	R417382	NR	-	-	N/A	N/A
N/A	1-1/16 "	R417379	R41207375	R417382	NR	-	-	N/A	-
R44141730 ⁴⁰⁵	-	-	-	R4066306	R4090126S	R4113182 ³¹¹	R4110409	R4578267	R4578267
R44141730 ⁴⁰⁵	-	-	-	R4066306	R4090126S	N/A ⁵⁴	N/A	R4578267	R4578267
R44141730 ⁴⁰⁵	-	-	-	R4066306	R4090126S	R4113123 ⁵³	R4110409	R4578267	R4578267
R44141730 ⁴⁰⁵	-	-	-	R4066306	R4090126S	N/A ³³⁶	N/A	R4578267	R4578267
N/A	-	R41207364	R41207366 ³³⁰	R417382	NR	N/A ⁵⁴	N/A	R4578267	R4578267
N/A	-	R41207364	R41207366 ³³⁰	R417382	NR	N/A ³³⁶	N/A	R4578267	R4578267
N/A	-	R417379	R41207375	R417382	NR	N/A ³³⁶	N/A	R4578267	R4578267
N/A	-	R417363	R417365 ³²⁹	R417382	NR	N/A ⁵⁴	N/A	R4578267	R4578267
N/A	-	R417379	R41207381	R417382	NR	N/A ⁵⁴	N/A	R4578267	R4578267
N/A	-	R417379	R41207381	R417382	NR	N/A ³³⁶	N/A	R4578267	R4578267
N/A	-	R417379	R41207375	R417382	NR	N/A ⁵⁴	N/A	R4578267	R4578267
N/A	-	R417363	R417365 ³²⁹	R417382	NR	N/A ³³⁶	N/A	R4578267	R4578267
N/A	1-1/16 "	R41207364	R41207366 ³³⁰	R417382	NR	R4113182 ³¹¹	R4110409	R4578267	R4578267
N/A	1-1/16 "	R417363	R417365 ³²⁹	R417382	NR	R4113123 ⁵³	R4110409	R4578267	R4578267
N/A	1-1/16 "	R417379	R41207375	R417382	NR	R4113182 ³¹¹	R4110409	R4578267	R4578267
N/A	1-1/16 "	R417379	R41207381	R417382	NR	R4113182 ³¹¹	R4110409	R4578267	R4578267
N/A	1-1/16 "	R41207364	R41207366 ³³⁰	R417382	NR	R4113123 ⁵³	R4110409	R4578267	R4578267
N/A	1-1/16 "	R417379	R41207375	R417382	NR	R4113123 ⁵³	R4110409	R4578267	R4578267
N/A	1-1/16 "	R417379	R41207381	R417382	NR	R4113123 ⁵³	R4110409	R4578267	R4578267
N/A	1-1/16 "	R417363	R417365 ³²⁹	R417382	NR	R4113182 ³¹¹	R4110409	R4578267	R4578267
N/A	-	-	-	-	NR	-	-	N/A	N/A

1 APPLICATION

MERITOR DRUM OR ROTOR NO.	CALIPER OR CYLINDER BORE SIZE	MERITOR CALIPER OR WHEEL CYLINDER (LEFT)	MERITOR CALIPER OR WHEEL CYLINDER (RIGHT)	MERITOR CALIPER OR WHEEL CYLINDER REPAIR KIT	MERITOR CALIPER PISTON	MERITOR MASTER CYLINDER	MERITOR MASTER CYLINDER KIT	MERITOR BRAKE HOSE (LEFT)	MERITOR BRAKE HOSE (RIGHT)
ISUZU(Cont.)									
NPR SERIES(Cont.)									
N/A	1 "	-	-	N/A	NR	-	-	N/A	N/A
N/A	1 "	-	-	N/A	NR	-	-	N/A	N/A
N/A	1-1/16 "	R417372	R41207374 ³³⁰	R417382	NR	-	-	N/A	N/A
N/A	1-1/16 "	R417372	R41207375 ³²⁹	R417382	NR	-	-	N/A	N/A
N/A	1-1/16 "	R417379	R41207375	R417382	NR	-	-	N/A	N/A
N/A	1-1/16 "	R417379	R41207381	R417382	NR	-	-	N/A	N/A
R44141730 ⁴⁰⁵		-	-	R4066306	R4090126S	R4113123 ⁵³	R4110409	R4578267	R4578267
R44141730 ⁴⁰⁵		-	-	R4066306	R4090126S	N/A ³³⁶	N/A	R4578267	R4578267
R44141730 ⁴⁰⁵		-	-	R4066306	R4090126S	N/A ⁵⁴	N/A	R4578267	R4578267
R44141730 ⁴⁰⁵		-	-	R4066306	R4090126S	R4113182 ³¹¹	R4110409	R4578267	R4578267
N/A		R417363	R417365 ³²⁹	R417382	NR	N/A ⁵⁴	N/A	R4578267	R4578267
N/A		R417379	R41207375	R417382	NR	N/A ³³⁶	N/A	R4578267	R4578267
N/A		R417379	R41207381	R417382	NR	N/A ³³⁶	N/A	R4578267	R4578267
N/A		R417363	R417365 ³²⁹	R417382	NR	N/A ³³⁶	N/A	R4578267	R4578267
N/A		R41207364	R41207366 ³³⁰	R417382	NR	N/A ³³⁶	N/A	R4578267	R4578267
N/A		R417379	R41207381	R417382	NR	N/A ⁵⁴	N/A	R4578267	R4578267
N/A		R417379	R41207375	R417382	NR	N/A ⁵⁴	N/A	R4578267	R4578267
N/A	1-1/16 "	R41207364	R41207366 ³³⁰	R417382	NR	N/A ⁵⁴	N/A	R4578267	R4578267
N/A	1-1/16 "	R417363	R417365 ³²⁹	R417382	NR	R4113182 ³¹¹	R4110409	R4578267	R4578267
N/A	1-1/16 "	R417363	R417365 ³²⁹	R417382	NR	R4113123 ⁵³	R4110409	R4578267	R4578267
N/A	1-1/16 "	R41207364	R41207366 ³³⁰	R417382	NR	R4113182 ³¹¹	R4110409	R4578267	R4578267
N/A	1-1/16 "	R417379	R41207381	R417382	NR	R4113123 ⁵³	R4110409	R4578267	R4578267
N/A	1-1/16 "	R417379	R41207375	R417382	NR	R4113182 ³¹¹	R4110409	R4578267	R4578267
N/A	1-1/16 "	R417379	R41207381	R417382	NR	R4113182 ³¹¹	R4110409	R4578267	R4578267
N/A	1-1/16 "	R417379	R41207375	R417382	NR	R4113123 ⁵³	R4110409	R4578267	R4578267
N/A	1-1/16 "	R41207364	R41207366 ³³⁰	R417382	NR	R4113123 ⁵³	R4110409	R4578267	R4578267
N/A		-	-	-	NR	-	-	N/A	N/A
N/A	1 "	-	-	N/A	NR	-	-	N/A	N/A
N/A	1 "	-	-	N/A	NR	-	-	N/A	N/A
N/A	1-1/16 "	R417372	R41207374 ³³⁰	R417382	NR	-	-	N/A	N/A
N/A	1-1/16 "	R417372	R41207375 ³²⁹	R417382	NR	-	-	N/A	N/A
N/A	1-1/16 "	R417379	R41207375	R417382	NR	-	-	N/A	N/A
N/A	1-1/16 "	R417379	R41207381	R417382	NR	-	-	N/A	N/A
R44141730 ⁴⁰⁵		-	-	R4066306	R4090126S	R4113123 ⁵³	R4110409	R4578267	R4578267
R44141730 ⁴⁰⁵		-	-	R4066306	R4090126S	R4113182 ³¹¹	R4110409	R4578267	R4578267
R44141730 ⁴⁰⁵		-	-	R4066306	R4090126S	N/A ³³⁶	N/A	R4578267	R4578267
R44141730 ⁴⁰⁵		-	-	R4066306	R4090126S	N/A ⁵⁴	N/A	R4578267	R4578267
N/A		R417363	R417365 ³²⁹	R417382	NR	N/A ³³⁶	N/A	R4578267	R4578267
N/A		R417379	R41207381	R417382	NR	N/A ³³⁶	N/A	R4578267	R4578267
N/A		R417379	R41207375	R417382	NR	N/A ⁵⁴	N/A	R4578267	R4578267
N/A		R417379	R41207381	R417382	NR	N/A ⁵⁴	N/A	R4578267	R4578267
N/A		R41207364	R41207366 ³³⁰	R417382	NR	N/A ³³⁶	N/A	R4578267	R4578267
N/A		R417379	R41207375	R417382	NR	N/A ³³⁶	N/A	R4578267	R4578267
N/A		R41207364	R41207366 ³³⁰	R417382	NR	N/A ⁵⁴	N/A	R4578267	R4578267
N/A	1-1/16 "	R417363	R417365 ³²⁹	R417382	NR	N/A ⁵⁴	N/A	R4578267	R4578267
N/A	1-1/16 "	R417379	R41207381	R417382	NR	R4113182 ³¹¹	R4110409	R4578267	R4578267
N/A	1-1/16 "	R417379	R41207375	R417382	NR	R4113123 ⁵³	R4110409	R4578267	R4578267
N/A	1-1/16 "	R417363	R417365 ³²⁹	R417382	NR	R4113123 ⁵³	R4110409	R4578267	R4578267
N/A	1-1/16 "	R417363	R417365 ³²⁹	R417382	NR	R4113182 ³¹¹	R4110409	R4578267	R4578267
N/A	1-1/16 "	R41207364	R41207366 ³³⁰	R417382	NR	R4113182 ³¹¹	R4110409	R4578267	R4578267
N/A	1-1/16 "	R41207364	R41207366 ³³⁰	R417382	NR	R4113123 ⁵³	R4110409	R4578267	R4578267
N/A	1-1/16 "	R417379	R41207381	R417382	NR	R4113123 ⁵³	R4110409	R4578267	R4578267
N/A	1-1/16 "	R417379	R41207375	R417382	NR	R4113182 ³¹¹	R4110409	R4578267	R4578267
N/A		-	-	-	NR	-	-	N/A	N/A
N/A	1 "	-	-	N/A	NR	-	-	N/A	N/A
N/A	1 "	-	-	N/A	NR	-	-	N/A	N/A
N/A	1-1/16 "	R417372	R41207374 ³³⁰	R417382	NR	-	-	N/A	N/A
N/A	1-1/16 "	R417372	R41207375 ³²⁹	R417382	NR	-	-	N/A	N/A
N/A	1-1/16 "	R417379	R41207375	R417382	NR	-	-	N/A	N/A
N/A	1-1/16 "	R417379	R41207381	R417382	NR	-	-	N/A	N/A

1 APPLICATION

MAKE MODEL YEAR AXLE CODE AXLE WEIGHT	AXLE & BRK. TYPE	BRK. MFG.	BRAKE SIZE	FMSI	MERITOR DISC PAD OR BRAKE SHOE	MERITOR GUIDE PIN OR RETURN SPRING KIT	MERITOR CALIPER HWD. KIT OR RETURN SPRING KIT	MERITOR ADJUSTER KIT (LEFT WHEEL)	MERITOR ADJUSTER KIT (RIGHT WHEEL)
ISUZU(Cont.)									
NPR SERIES(Cont.)									
1990									
	Fd			7425 - D546	MD675	N/A	N/A	NR	NR
	Fd			7425 - D546	MD675	N/A	N/A	NR	NR
	Fd			7425 - D546	MD675	N/A	N/A	NR	NR
	Fd			7425 - D546	MD675	N/A	N/A	NR	NR
	Fm				R46735721 ³⁴²	R41207361	R40H9238	N/A	N/A
	Fm				R46735721 ³⁴²	R41207361	R40H9238	N/A	N/A
	Fm				R46735721 ³⁴²	R41207361	R40H9238	NR	NR
	Fm				R46735721 ³⁴²	R41207361	R40H9238	NR	NR
	Fm				R46735721 ³⁴²	R41207361	R40H9238	N/A	N/A
	Fm				R46735721 ³⁴²	R41207361	R40H9238	N/A	N/A
	Fm				R46735721 ³⁴²	R41207361	R40H9238	NR	NR
	Fm				R46735721 ³⁴²	R41207361	R40H9238	NR	NR
	Fm		320mm x 75mm	1417 - S726	R46735721 ³⁴²	R41207361	R40H9238	NR	NR
	Fm		320mm x 75mm	1417 - S726	R46735721 ³⁴²	R41207361	R40H9238	N/A	N/A
	Fm		320mm x 75mm	1417 - S726	R46735721 ³⁴²	R41207361	R40H9238	NR	NR
	Fm		320mm x 75mm	1417 - S726	R46735721 ³⁴²	R41207361	R40H9238	N/A	N/A
	Fm		320mm x 75mm	1417 - S726	R46735721 ³⁴²	R41207361	R40H9238	NR	NR
	Fm		320mm x 75mm	1417 - S726	R46735721 ³⁴²	R41207361	R40H9238	N/A	N/A
	Fm		320mm x 75mm	1417 - S726	R46735721 ³⁴²	R41207361	R40H9238	N/A	N/A
	Fm		320mm x 75mm	1417 - S726	R46735721 ³⁴²	R41207361	R40H9238	NR	NR
	Ra		11-13/16"x2-61/64"	1454 - S668	N/A	N/A	N/A	N/A	N/A
	Rm		320mm x 100mm	1482 - S699	R46699	N/A	N/A	N/A	N/A
	Rm		320mm x 100mm	1482 - S699	R46699	N/A	N/A	N/A	N/A
	Rm		320mm x 75mm	1417 - S726	R46735721 ³⁴²	R41207361	R40H9238	N/A	N/A
	Rm		320mm x 75mm	1417 - S726	R46735721 ³⁴²	R41207361	R40H9238	N/A	N/A
With Front Disc Brakes	Rm		320mm x 75mm	1417 - S726	R46735721 ³⁴²	R41207361	R40H9238	N/A	N/A
	Rm		320mm x 75mm	1417 - S726	R46735721 ³⁴²	R41207361	R40H9238	N/A	N/A
1989									
	Fd			7425 - D546	MD675	N/A	N/A	NR	NR
	Fd			7425 - D546	MD675	N/A	N/A	NR	NR
	Fd			7425 - D546	MD675	N/A	N/A	NR	NR
	Fd			7425 - D546	MD675	N/A	N/A	NR	NR
	Fm				R46735721 ³⁴²	R41207361	R40H9238	N/A	N/A
	Fm				R46735721 ³⁴²	R41207361	R40H9238	N/A	N/A
	Fm				R46735721 ³⁴²	R41207361	R40H9238	NR	NR
	Fm				R46735721 ³⁴²	R41207361	R40H9238	NR	NR
	Fm				R46735721 ³⁴²	R41207361	R40H9238	N/A	N/A
	Fm				R46735721 ³⁴²	R41207361	R40H9238	NR	NR
	Fm				R46735721 ³⁴²	R41207361	R40H9238	N/A	N/A
	Fm				R46735721 ³⁴²	R41207361	R40H9238	N/A	N/A
	Fm		320mm x 75mm	1417 - S726	R46735721 ³⁴²	R41207361	R40H9238	N/A	N/A
	Fm		320mm x 75mm	1417 - S726	R46735721 ³⁴²	R41207361	R40H9238	NR	NR
	Fm		320mm x 75mm	1417 - S726	R46735721 ³⁴²	R41207361	R40H9238	NR	NR
	Fm		320mm x 75mm	1417 - S726	R46735721 ³⁴²	R41207361	R40H9238	NR	NR
	Fm		320mm x 75mm	1417 - S726	R46735721 ³⁴²	R41207361	R40H9238	N/A	N/A
	Fm		320mm x 75mm	1417 - S726	R46735721 ³⁴²	R41207361	R40H9238	N/A	N/A
	Fm		320mm x 75mm	1417 - S726	R46735721 ³⁴²	R41207361	R40H9238	N/A	N/A
	Fm		320mm x 75mm	1417 - S726	R46735721 ³⁴²	R41207361	R40H9238	N/A	N/A
	Ra		11-13/16"x2-61/64"	1454 - S668	N/A	N/A	N/A	N/A	N/A
	Rm		320mm x 100mm	1482 - S699	R46699	N/A	N/A	N/A	N/A
	Rm		320mm x 100mm	1482 - S699	R46699	N/A	N/A	N/A	N/A
	Rm		320mm x 75mm	1417 - S726	R46735721 ³⁴²	R41207361	R40H9238	N/A	N/A
	Rm		320mm x 75mm	1417 - S726	R46735721 ³⁴²	R41207361	R40H9238	N/A	N/A
With Front Disc Brakes	Rm		320mm x 75mm	1417 - S726	R46735721 ³⁴²	R41207361	R40H9238	N/A	N/A
	Rm		320mm x 75mm	1417 - S726	R46735721 ³⁴²	R41207361	R40H9238	N/A	N/A
1988									
	Fd			7425 - D546	MD675	N/A	N/A	NR	NR
	Fd			7425 - D546	MD675	N/A	N/A	NR	NR
	Fd			7425 - D546	MD675	N/A	N/A	NR	NR
	Fd			7425 - D546	MD675	N/A	N/A	NR	NR
	Fm				R46735721 ³⁴²	R41207361	R40H9238	N/A	N/A
	Fm				R46735721 ³⁴²	R41207361	R40H9238	NR	NR

MERITOR DRUM OR ROTOR NO.	CALIPER OR CYLINDER BORE SIZE	MERITOR CALIPER OR WHEEL CYLINDER (LEFT)	MERITOR CALIPER OR WHEEL CYLINDER (RIGHT)	MERITOR CALIPER OR WHEEL CYLINDER REPAIR KIT	MERITOR CALIPER PISTON	MERITOR MASTER CYLINDER	MERITOR MASTER CYLINDER KIT	MERITOR BRAKE HOSE (LEFT)	MERITOR BRAKE HOSE (RIGHT)
ISUZU(Cont.)									
NPR SERIES(Cont.)									
R44141730 ⁴⁰⁵		-	-	R4066306	R4090126S	R4113123 ⁵³	R4110409	R4578267	R4578267
R44141730 ⁴⁰⁵		-	-	R4066306	R4090126S	R4113182 ³¹¹	R4110409	R4578267	R4578267
R44141730 ⁴⁰⁵		-	-	R4066306	R4090126S	N/A ³³⁶	N/A	R4578267	R4578267
R44141730 ⁴⁰⁵		-	-	R4066306	R4090126S	N/A ⁵⁴	N/A	R4578267	R4578267
N/A		R417363	R417365 ³²⁹	R417382	NR	N/A ⁵⁴	N/A	R4578267	R4578267
N/A		R41207364	R41207366 ³³⁰	R417382	NR	N/A ⁵⁴	N/A	R4578267	R4578267
N/A		R417379	R41207375	R417382	NR	N/A ⁵⁴	N/A	R4578267	R4578267
N/A		R417379	R41207381	R417382	NR	N/A ³³⁶	N/A	R4578267	R4578267
N/A		R41207364	R41207366 ³³⁰	R417382	NR	N/A ³³⁶	N/A	R4578267	R4578267
N/A		R417363	R417365 ³²⁹	R417382	NR	N/A ³³⁶	N/A	R4578267	R4578267
N/A		R417379	R41207381	R417382	NR	N/A ⁵⁴	N/A	R4578267	R4578267
N/A		R417379	R41207375	R417382	NR	N/A ³³⁶	N/A	R4578267	R4578267
N/A	1-1/16 "	R417379	R41207375	R417382	NR	R4113182 ³¹¹	R4110409	R4578267	R4578267
N/A	1-1/16 "	R41207364	R41207366 ³³⁰	R417382	NR	R4113123 ⁵³	R4110409	R4578267	R4578267
N/A	1-1/16 "	R417379	R41207375	R417382	NR	R4113123 ⁵³	R4110409	R4578267	R4578267
N/A	1-1/16 "	R417363	R417365 ³²⁹	R417382	NR	R4113123 ⁵³	R4110409	R4578267	R4578267
N/A	1-1/16 "	R417379	R41207381	R417382	NR	R4113182 ³¹¹	R4110409	R4578267	R4578267
N/A	1-1/16 "	R417363	R417365 ³²⁹	R417382	NR	R4113182 ³¹¹	R4110409	R4578267	R4578267
N/A	1-1/16 "	R41207364	R41207366 ³³⁰	R417382	NR	R4113182 ³¹¹	R4110409	R4578267	R4578267
N/A	1-1/16 "	R417379	R41207375	R417382	NR	R4113123 ⁵³	R4110409	R4578267	R4578267
N/A		-	-	-	NR	-	-	N/A	N/A
N/A	1 "	-	-	N/A	NR	-	-	N/A	N/A
N/A	1 "	-	-	N/A	NR	-	-	N/A	N/A
N/A	1-1/16 "	R417372	R41207374 ³³⁰	R417382	NR	-	-	N/A	N/A
N/A	1-1/16 "	R417372	R41207375 ³²⁹	R417382	NR	-	-	N/A	N/A
N/A	1-1/16 "	R417379	R41207375	R417382	NR	-	-	N/A	N/A
N/A	1-1/16 "	R417379	R41207381	R417382	NR	-	-	N/A	N/A
R44141730 ⁴⁰⁵		-	-	R4066306	R4090126S	R4113182 ³¹¹	R4110409	R4578267	R4578267
R44141730 ⁴⁰⁵		-	-	R4066306	R4090126S	N/A ³³⁶	N/A	R4578267	R4578267
R44141730 ⁴⁰⁵		-	-	R4066306	R4090126S	N/A ⁵⁴	N/A	R4578267	R4578267
R44141730 ⁴⁰⁵		-	-	R4066306	R4090126S	R4113123 ⁵³	R4110409	R4578267	R4578267
N/A		R41207364	R41207366 ³³⁰	R417382	NR	N/A ³³⁶	N/A	R4578267	R4578267
N/A		R41207364	R41207366 ³³⁰	R417382	NR	N/A ⁵⁴	N/A	R4578267	R4578267
N/A		R417379	R41207381	R417382	NR	N/A ³³⁶	N/A	R4578267	R4578267
N/A		R417379	R41207375	R417382	NR	N/A ⁵⁴	N/A	R4578267	R4578267
N/A		R417363	R417365 ³²⁹	R417382	NR	N/A ⁵⁴	N/A	R4578267	R4578267
N/A		R417379	R41207375	R417382	NR	N/A ³³⁶	N/A	R4578267	R4578267
N/A		R417363	R417365 ³²⁹	R417382	NR	N/A ³³⁶	N/A	R4578267	R4578267
N/A		R417379	R41207381	R417382	NR	N/A ⁵⁴	N/A	R4578267	R4578267
N/A	1-1/16 "	R41207364	R41207366 ³³⁰	R417382	NR	R4113182 ³¹¹	R4110409	R4578267	R4578267
N/A	1-1/16 "	R417379	R41207375	R417382	NR	R4113123 ⁵³	R4110409	R4578267	R4578267
N/A	1-1/16 "	R417379	R41207381	R417382	NR	R4113123 ⁵³	R4110409	R4578267	R4578267
N/A	1-1/16 "	R417379	R41207375	R417382	NR	R4113182 ³¹¹	R4110409	R4578267	R4578267
N/A	1-1/16 "	R417379	R41207381	R417382	NR	R4113182 ³¹¹	R4110409	R4578267	R4578267
N/A	1-1/16 "	R417363	R417365 ³²⁹	R417382	NR	R4113182 ³¹¹	R4110409	R4578267	R4578267
N/A	1-1/16 "	R41207364	R41207366 ³³⁰	R417382	NR	R4113123 ⁵³	R4110409	R4578267	R4578267
N/A	1-1/16 "	R417363	R417365 ³²⁹	R417382	NR	R4113123 ⁵³	R4110409	R4578267	R4578267
N/A		-	-	-	NR	-	-	N/A	N/A
N/A	1 "	-	-	N/A	NR	-	-	N/A	N/A
N/A	1 "	-	-	N/A	NR	-	-	N/A	N/A
N/A	1-1/16 "	R417372	R41207375 ³²⁹	R417382	NR	-	-	N/A	N/A
N/A	1-1/16 "	R417372	R41207374 ³³⁰	R417382	NR	-	-	N/A	N/A
N/A	1-1/16 "	R417379	R41207381	R417382	NR	-	-	N/A	N/A
N/A	1-1/16 "	R417379	R41207375	R417382	NR	-	-	N/A	N/A
R44141730 ⁴⁰⁵		-	-	R4066306	R4090126S	N/A ³³⁶	N/A	R4578267	R4578267
R44141730 ⁴⁰⁵		-	-	R4066306	R4090126S	N/A ⁵⁴	N/A	R4578267	R4578267
R44141730 ⁴⁰⁵		-	-	R4066306	R4090126S	R4113182 ³¹¹	R4110409	R4578267	R4578267
R44141730 ⁴⁰⁵		-	-	R4066306	R4090126S	R4113123 ⁵³	R4110409	R4578267	R4578267
N/A		R417363	R417365 ³²⁹	R417382	NR	N/A ⁵⁴	N/A	R4578267	R4578267
N/A		R417379	R41207375	R417382	NR	N/A ³³⁶	N/A	R4578267	R4578267

1 APPLICATION

MAKE MODEL YEAR AXLE CODE AXLE WEIGHT	AXLE & BRK. TYPE	BRK. MFG.	BRAKE SIZE	FMSI	MERITOR DISC PAD OR BRAKE SHOE	MERITOR GUIDE PIN OR RETURN SPRING KIT	MERITOR CALIPER HWD. KIT OR RETURN SPRING KIT	MERITOR ADJUSTER KIT (LEFT WHEEL)	MERITOR ADJUSTER KIT (RIGHT WHEEL)
ISUZU(Cont.)									
NPR SERIES(Cont.)									
1988	Fm				R46735721 ³⁴²	R41207361	R40H9238	N/A	N/A
	Fm				R46735721 ³⁴²	R41207361	R40H9238	N/A	N/A
	Fm				R46735721 ³⁴²	R41207361	R40H9238	NR	NR
	Fm				R46735721 ³⁴²	R41207361	R40H9238	NR	NR
	Fm				R46735721 ³⁴²	R41207361	R40H9238	NR	NR
	Fm				R46735721 ³⁴²	R41207361	R40H9238	N/A	N/A
	Fm		320mm x 75mm	1417 - S726	R46735721 ³⁴²	R41207361	R40H9238	N/A	N/A
	Fm		320mm x 75mm	1417 - S726	R46735721 ³⁴²	R41207361	R40H9238	NR	NR
	Fm		320mm x 75mm	1417 - S726	R46735721 ³⁴²	R41207361	R40H9238	N/A	N/A
	Fm		320mm x 75mm	1417 - S726	R46735721 ³⁴²	R41207361	R40H9238	NR	NR
	Fm		320mm x 75mm	1417 - S726	R46735721 ³⁴²	R41207361	R40H9238	N/A	N/A
	Fm		320mm x 75mm	1417 - S726	R46735721 ³⁴²	R41207361	R40H9238	NR	NR
	Fm		320mm x 75mm	1417 - S726	R46735721 ³⁴²	R41207361	R40H9238	N/A	N/A
	Fm		320mm x 75mm	1417 - S726	R46735721 ³⁴²	R41207361	R40H9238	NR	NR
	Ra		11-13/16"x2-61/64"	1454 - S668	N/A	N/A	N/A	N/A	N/A
	Rm		320mm x 100mm	1482 - S699	R46699	N/A	N/A	N/A	N/A
	Rm		320mm x 100mm	1482 - S699	R46699	N/A	N/A	N/A	N/A
	Rm		320mm x 75mm	1417 - S726	R46735721 ³⁴²	R41207361	R40H9238	N/A	N/A
Rm		320mm x 75mm	1417 - S726	R46735721 ³⁴²	R41207361	R40H9238	N/A	N/A	
With Front Disc Brakes	Rm		320mm x 75mm	1417 - S726	R46735721 ³⁴²	R41207361	R40H9238	N/A	N/A
	Rm		320mm x 75mm	1417 - S726	R46735721 ³⁴²	R41207361	R40H9238	N/A	N/A
1987	Fd			7425 - D546	MD675	N/A	N/A	NR	NR
	Fd			7425 - D546	MD675	N/A	N/A	NR	NR
	Fd			7425 - D546	MD675	N/A	N/A	NR	NR
	Fd			7425 - D546	MD675	N/A	N/A	NR	NR
	Fm				R46735721 ³⁴²	R41207361	R40H9238	N/A	N/A
	Fm				R46735721 ³⁴²	R41207361	R40H9238	N/A	N/A
	Fm				R46735721 ³⁴²	R41207361	R40H9238	NR	NR
	Fm				R46735721 ³⁴²	R41207361	R40H9238	NR	NR
	Fm				R46735721 ³⁴²	R41207361	R40H9238	NR	NR
	Fm				R46735721 ³⁴²	R41207361	R40H9238	N/A	N/A
	Fm				R46735721 ³⁴²	R41207361	R40H9238	N/A	N/A
	Fm		320mm x 75mm	1417 - S726	R46735721 ³⁴²	R41207361	R40H9238	N/A	N/A
	Fm		320mm x 75mm	1417 - S726	R46735721 ³⁴²	R41207361	R40H9238	N/A	N/A
	Fm		320mm x 75mm	1417 - S726	R46735721 ³⁴²	R41207361	R40H9238	NR	NR
	Fm		320mm x 75mm	1417 - S726	R46735721 ³⁴²	R41207361	R40H9238	NR	NR
	Ra		11-13/16"x2-61/64"	1454 - S668	N/A	N/A	N/A	N/A	N/A
	Rm		320mm x 100mm	1482 - S699	R46699	N/A	N/A	N/A	N/A
	Rm		320mm x 100mm	1482 - S699	R46699	N/A	N/A	N/A	N/A
Rm		320mm x 75mm	1417 - S726	R46735721 ³⁴²	R41207361	R40H9238	N/A	N/A	
Rm		320mm x 75mm	1417 - S726	R46735721 ³⁴²	R41207361	R40H9238	N/A	N/A	
With Front Disc Brakes	Rm		320mm x 75mm	1417 - S726	R46735721 ³⁴²	R41207361	R40H9238	N/A	N/A
	Rm		320mm x 75mm	1417 - S726	R46735721 ³⁴²	R41207361	R40H9238	N/A	N/A
1986	Fm		320mm x 75mm	1416 - S612	R46612 ³⁴²	R41207361	R40H9238	N/A	N/A
	Fm		320mm x 75mm	1416 - S612	R46612 ³⁴²	R41207361	R40H9238	N/A	N/A
	Rm		320mm x 75mm	1416 - S612	R46612 ³⁴²	R41207361	R40H9238	N/A	N/A
	Rm		320mm x 75mm	1416 - S612	R46612 ³⁴²	R41207361	R40H9238	N/A	N/A
1985	Fm		320mm x 75mm	1416 - S612	R46612 ³⁴²	R41207361	R40H9238	N/A	N/A
	Fm		320mm x 75mm	1416 - S612	R46612 ³⁴²	R41207361	R40H9238	N/A	N/A
	Rm		320mm x 75mm	1416 - S612	R46612 ³⁴²	R41207361	R40H9238	N/A	N/A
	Rm		320mm x 75mm	1416 - S612	R46612 ³⁴²	R41207361	R40H9238	N/A	N/A
1984	Fm		320mm x 75mm	1416 - S612	R46612 ³⁴²	R41207361	R40H9238	N/A	N/A
	Fm		320mm x 75mm	1416 - S612	R46612 ³⁴²	R41207361	R40H9238	N/A	N/A

53 - Power Brakes
329 - Forward
342 - Use E-7358 for Lining and Rivet Set
www.XpresswayPlus.com

54 - Manual Brakes
330 - Rearward
405 - Rotor Only

311 - Power Brakes, Stripped Chassis, Front Disc Brakes
336 - Manual Brakes, Stripped Chassis, Front Disc Brakes

MERITOR DRUM OR ROTOR NO.	CALIPER OR CYLINDER BORE SIZE	MERITOR CALIPER OR WHEEL CYLINDER (LEFT)	MERITOR CALIPER OR WHEEL CYLINDER (RIGHT)	MERITOR CALIPER OR WHEEL CYLINDER REPAIR KIT	MERITOR CALIPER PISTON	MERITOR MASTER CYLINDER	MERITOR MASTER CYLINDER KIT	MERITOR BRAKE HOSE (LEFT)	MERITOR BRAKE HOSE (RIGHT)
ISUZU(Cont.)									
NPR SERIES(Cont.)									
N/A		R41207364	R41207366 ³³⁰	R417382	NR	N/A ⁵⁴	N/A	R4578267	R4578267
N/A		R41207364	R41207366 ³³⁰	R417382	NR	N/A ³³⁶	N/A	R4578267	R4578267
N/A		R417379	R41207381	R417382	NR	N/A ⁵⁴	N/A	R4578267	R4578267
N/A		R417379	R41207375	R417382	NR	N/A ⁵⁴	N/A	R4578267	R4578267
N/A		R417379	R41207381	R417382	NR	N/A ³³⁶	N/A	R4578267	R4578267
N/A		R417363	R417365 ³²⁹	R417382	NR	N/A ³³⁶	N/A	R4578267	R4578267
N/A	1-1/16 "	R417363	R417365 ³²⁹	R417382	NR	R4113123 ⁵³	R4110409	R4578267	R4578267
N/A	1-1/16 "	R417379	R41207375	R417382	NR	R4113123 ⁵³	R4110409	R4578267	R4578267
N/A	1-1/16 "	R41207364	R41207366 ³³⁰	R417382	NR	R4113123 ⁵³	R4110409	R4578267	R4578267
N/A	1-1/16 "	R417379	R41207375	R417382	NR	R4113182 ³¹¹	R4110409	R4578267	R4578267
N/A	1-1/16 "	R417363	R417365 ³²⁹	R417382	NR	R4113182 ³¹¹	R4110409	R4578267	R4578267
N/A	1-1/16 "	R417379	R41207381	R417382	NR	R4113123 ⁵³	R4110409	R4578267	R4578267
N/A	1-1/16 "	R41207364	R41207366 ³³⁰	R417382	NR	R4113182 ³¹¹	R4110409	R4578267	R4578267
N/A	1-1/16 "	R417379	R41207381	R417382	NR	R4113182 ³¹¹	R4110409	R4578267	R4578267
N/A		-	-	-	NR	-	-	N/A	N/A
N/A	1 "	-	-	N/A	NR	-	-	N/A	N/A
N/A	1 "	-	-	N/A	NR	-	-	N/A	N/A
N/A	1-1/16 "	R417372	R41207375 ³²⁹	R417382	NR	-	-	N/A	N/A
N/A	1-1/16 "	R417372	R41207374 ³³⁰	R417382	NR	-	-	N/A	N/A
N/A	1-1/16 "	R417379	R41207375	R417382	NR	-	-	N/A	N/A
N/A	1-1/16 "	R417379	R41207381	R417382	NR	-	-	N/A	N/A
R44141730 ⁴⁰⁵		-	-	R4066306	R4090126S	R4113182 ³¹¹	R4110409	R4578267	R4578267
R44141730 ⁴⁰⁵		-	-	R4066306	R4090126S	N/A ³³⁶	N/A	R4578267	R4578267
R44141730 ⁴⁰⁵		-	-	R4066306	R4090126S	N/A ⁵⁴	N/A	R4578267	R4578267
R44141730 ⁴⁰⁵		-	-	R4066306	R4090126S	R4113123 ⁵³	R4110409	R4578267	R4578267
N/A		R417363	R417365 ³²⁹	R417382	NR	N/A ⁵⁴	N/A	R4578267	R4578267
N/A		R41207364	R41207366 ³³⁰	R417382	NR	N/A ³³⁶	N/A	R4578267	R4578267
N/A		R417379	R41207375	R417382	NR	N/A ⁵⁴	N/A	R4578267	R4578267
N/A		R417379	R41207381	R417382	NR	N/A ⁵⁴	N/A	R4578267	R4578267
N/A		R417379	R41207375	R417382	NR	N/A ³³⁶	N/A	R4578267	R4578267
N/A		R41207364	R41207366 ³³⁰	R417382	NR	N/A ⁵⁴	N/A	R4578267	R4578267
N/A		R417363	R417365 ³²⁹	R417382	NR	N/A ³³⁶	N/A	R4578267	R4578267
N/A	1-1/16 "	R417379	R41207381	R417382	NR	N/A ³³⁶	N/A	R4578267	R4578267
N/A	1-1/16 "	R417363	R417365 ³²⁹	R417382	NR	R4113123 ⁵³	R4110409	R4578267	R4578267
N/A	1-1/16 "	R41207364	R41207366 ³³⁰	R417382	NR	R4113182 ³¹¹	R4110409	R4578267	R4578267
N/A	1-1/16 "	R417379	R41207375	R417382	NR	R4113123 ⁵³	R4110409	R4578267	R4578267
N/A	1-1/16 "	R417379	R41207381	R417382	NR	R4113182 ³¹¹	R4110409	R4578267	R4578267
N/A	1-1/16 "	R417363	R417365 ³²⁹	R417382	NR	R4113182 ³¹¹	R4110409	R4578267	R4578267
N/A	1-1/16 "	R417379	R41207381	R417382	NR	R4113123 ⁵³	R4110409	R4578267	R4578267
N/A	1-1/16 "	R417379	R41207375	R417382	NR	R4113182 ³¹¹	R4110409	R4578267	R4578267
N/A	1-1/16 "	R41207364	R41207366 ³³⁰	R417382	NR	R4113123 ⁵³	R4110409	R4578267	R4578267
N/A		-	-	-	NR	-	-	N/A	N/A
N/A	1 "	-	-	N/A	NR	-	-	N/A	N/A
N/A	1 "	-	-	N/A	NR	-	-	N/A	N/A
N/A	1-1/16 "	R417372	R41207375 ³²⁹	R417382	NR	-	-	N/A	N/A
N/A	1-1/16 "	R417372	R41207374 ³³⁰	R417382	NR	-	-	N/A	N/A
N/A	1-1/16 "	R417379	R41207375	R417382	NR	-	-	N/A	N/A
N/A	1-1/16 "	R417379	R41207381	R417382	NR	-	-	N/A	N/A
N/A	1-3/16 "	R417367	R417369	R417383	NR	-	-	-	-
N/A	1-3/16 "	R417368	R417370	R417383	NR	-	-	-	-
N/A	1-3/16 "	R417376	R417377 ³³⁰	R417383	NR	-	-	-	-
N/A	1-3/16 "	R417376	R417377 ³²⁹	R417383	NR	-	-	-	-
N/A	1-3/16 "	R417367	R417369	R417383	NR	-	-	-	-
N/A	1-3/16 "	R417368	R417370	R417383	NR	-	-	-	-
N/A	1-3/16 "	R417376	R417377 ³³⁰	R417383	NR	-	-	-	-
N/A	1-3/16 "	R417376	R417377 ³²⁹	R417383	NR	-	-	-	-
N/A	1-3/16 "	R417367	R417369	R417383	NR	-	-	-	-
N/A	1-3/16 "	R417368	R417370	R417383	NR	-	-	-	-

1 APPLICATION

MAKE MODEL YEAR AXLE CODE AXLE WEIGHT	AXLE & BRK. TYPE	BRK. MFG.	BRAKE SIZE	FMSI	MERITOR DISC PAD OR BRAKE SHOE	MERITOR GUIDE PIN OR RETURN SPRING KIT	MERITOR CALIPER HWD. KIT OR RETURN SPRING KIT	MERITOR ADJUSTER KIT (LEFT WHEEL)	MERITOR ADJUSTER KIT (RIGHT WHEEL)
ISUZU(Cont.)									
NPR SERIES(Cont.)									
1984	Rm Rm		320mm x 75mm 320mm x 75mm	1416 - S612 1416 - S612	R46612 ³⁴² R46612 ³⁴²	R41207361 R41207361	R40H9238 R40H9238	N/A N/A	N/A N/A
NQR SERIES									
2005									
Gasoline Engine 7-04 through 10,001 - 14,000 lbs GVWR Class 3 Vehicle	Fd	Isuzu		7699 - D827	MD827 ³⁶⁸	R4112503	-	N/A	N/A
Diesel Engine 1-04 through 16,001 - 19,500 lbs GVWR Class 5 Vehicle	Fd			7699 - D827	MD827 ³⁶⁹	-	-	N/A	N/A
2004									
Gasoline Engine 12-03 through 6-04 10,001 - 14,000 lbs GVWR Class 3 Vehicle	Fd	Isuzu		7697 - D825	MD825 ³⁶⁸	R4112503	-	N/A	N/A
Gasoline Engine 7-04 through 10,001 - 14,000 lbs GVWR Class 3 Vehicle	Fd	Isuzu		7699 - D827	MD827 ³⁶⁸	R4112503	-	N/A	N/A
Diesel Engine 1-04 through 16,001 - 19,500 lbs GVWR Class 5 Vehicle	Fd			7699 - D827	MD827 ³⁶⁹	-	-	N/A	N/A
2003									
Gasoline Engine 7-03 through 11-03 10,001 - 14,000 lbs GVWR Class 3 Vehicle	Fd	Isuzu		7697 - D825	MD825 ³⁶⁸	R4112503	-	N/A	N/A
Gasoline Engine 7-03 through 6-04 10,001 - 14,000 lbs GVWR Class 3 Vehicle	Fd	Isuzu		7697 - D825	MD825 ³⁶⁸	R4112503	-	N/A	N/A
Diesel Engine 1-03 through 12-03 16,001 - 19,500 lbs GVWR Class 5 Vehicle	Fd	Isuzu		7699 - D827	MD827 ³⁶⁹	R4112504	-	N/A	N/A
2002									
Gasoline Engine 10,001 - 14,000 lbs GVWR Class 3 Vehicle	Fd	Isuzu		7697 - D825	MD825 ³⁶⁸	R4112503	-	N/A	N/A
Diesel Engine 1-01 through 12-02 16,001 - 19,500 lbs GVWR Class 5 Vehicle	Fd	Isuzu		7699 - D827	MD827 ³⁶⁹	R4112504	-	N/A	N/A
2001									
Gasoline Engine 10,001 - 14,000 lbs GVWR Class 3 Vehicle	Fd	Isuzu		7697 - D825	MD825 ³⁶⁹	R4112503	-	N/A	N/A
Diesel Engine 1-01 through 12-02 16,001 - 19,500 lbs GVWR Class 5 Vehicle	Fd	Isuzu		7699 - D827	MD827 ³⁶⁹	R4112504	-	N/A	N/A
2000									
Gasoline Engine 10,001 - 14,000 lbs GVWR Class 3 Vehicle	Fd	Isuzu		7697 - D825	MD825 ³⁶⁹	R4112503	-	N/A	N/A
Diesel Engine 16,001 - 19,500 lbs GVWR Class 5 Vehicle	Fd	Isuzu		7699 - D827	MD827 ³⁶⁹	R4112504	-	N/A	N/A
1999									
Gasoline Engine 10-97 through 5-99 10,001 - 14,000 lbs GVWR Class 3 Vehicle	Fd	Isuzu		7697 - D825	MD825 ³⁶⁹	R4112503	-	N/A	N/A

329 - Forward
368 - Isuzu # includes all clips

330 - Rearward
369 - Includes all clips

342 - Use E-7358 for Lining and Rivet Set

MERITOR DRUM OR ROTOR NO.	CALIPER OR CYLINDER BORE SIZE	MERITOR CALIPER OR WHEEL CYLINDER (LEFT)	MERITOR CALIPER OR WHEEL CYLINDER (RIGHT)	MERITOR CALIPER OR WHEEL CYLINDER REPAIR KIT	MERITOR CALIPER PISTON	MERITOR MASTER CYLINDER	MERITOR MASTER CYLINDER KIT	MERITOR BRAKE HOSE (LEFT)	MERITOR BRAKE HOSE (RIGHT)
ISUZU(Cont.)									
NPR SERIES(Cont.)									
N/A N/A	1-3/16 " 1-3/16 "	R417376 R417376	R417377 ³³⁰ R417377 ³²⁹	R417383 R417383	NR NR	-	-	-	-
NOR SERIES									
-		R4212269	R4212270	R4012285	R4012281	-	-	-	-
R4421493R		R4212273	R4212274	R4012284	R4012280	-	-	-	-
-		R4212271X	R4212272X	R4012286	R4012282	-	-	-	-
-		R4212269	-	-	-	-	-	-	-
R4421493R		R4212273	R4212274	R4012284	R4012280	-	-	-	-
-		R4212271X	R4212272X	R4012286	R4012282	-	-	-	-
-		R4212271X	R4212272X	R4012286	R4012282	-	-	-	-
R4421493R		R4212275	R4212276	R4012283	R4012279	-	-	-	-
-		R4212271X	R4212272X	R4012286	R4012282	-	-	-	-
R4421493R		R4212275	R4212276	R4012283	R4012279	-	-	-	-
-		R4212271X	R4212272X	R4012286	R4012282	-	-	-	-
R4421493R		R4212275	R4212276	R4012283	R4012279	-	-	-	-
-		R4212271X	R4212272X	R4012286	R4012282	-	-	-	-
R4421493R		R4212275	R4212276	R4012283	R4012279	-	-	-	-
-		R4212271X	R4212272X	R4012286	R4012282	-	-	-	-
R4421493R		R4212275	R4212276	R4012283	R4012279	-	-	-	-
-		R4212271X	R4212272X	R4012286	R4012282	-	-	-	-

MAKE MODEL YEAR AXLE CODE AXLE WEIGHT	AXLE & BRK. TYPE	BRK. MFG.	BRAKE SIZE	FMSI	MERITOR DISC PAD OR BRAKE SHOE	MERITOR GUIDE PIN OR RETURN SPRING KIT	MERITOR CALIPER HWD. KIT OR RETURN SPRING KIT	MERITOR ADJUSTER KIT (LEFT WHEEL)	MERITOR ADJUSTER KIT (RIGHT WHEEL)
ISUZU(Cont.)									
NQR SERIES(Cont.)									
1999									
Gasoline Engine 6-99 through 10,001 - 14,000 lbs GVWR Class 3 Vehicle	Fd	Isuzu		7697 - D825	MD825 ³⁶⁹	R4112503	-	N/A	N/A
Diesel Engine 16,001 - 19,500 lbs GVWR Class 5 Vehicle	Fd	Isuzu		7699 - D827	MD827 ³⁶⁹	R4112504	-	N/A	N/A
1998									
Gasoline Engine 10-97 through 5-99 10,001 - 14,000 lbs GVWR Class 3 Vehicle	Fd	Isuzu		7697 - D825	MD825 ³⁶⁹	R4112503	-	N/A	N/A
Diesel Engine 16,001 - 19,500 lbs GVWR Class 5 Vehicle	Fd	Isuzu		7698 - D826	MD826 ³⁶⁹	R4112503	-	N/A	N/A
1997									
	Fd	Isuzu						N/A	N/A
NRR SERIES									
1995									
	Fa		11-13/16"x2-61/64"	1454 - S668	R46672	R4011281	R4011262	N/A	N/A
	Fa		320mm x 110mm	1458 - S672	N/A	N/A	N/A	N/A	N/A
	Fa		12-19/32"x4-23/32"	1455 - S669	R46672	R4011281	R4011262	N/A	N/A
	Ra		12-19/32"x4-23/32"	1455 - S669	R469826	N/A	N/A	N/A	N/A
	Ra		12-19/32"x4-23/32"	1455 - S669	R469826	N/A	N/A	N/A	N/A
1994									
	Fa		320mm x 110mm	1458 - S672	R46672	R4011281	R4011262	N/A	N/A
	Fa		12-19/32"x4-23/32"	1455 - S669	R46672	R4011281	R4011262	N/A	N/A
	Ra		12-19/32"x4-23/32"	1455 - S669	R469826	N/A	N/A	N/A	N/A
	Ra		12-19/32"x4-23/32"	1455 - S669	R469826	N/A	N/A	N/A	N/A
1993									
	Fa		320mm x 110mm	1458 - S672	R46672	R4011281	R4011262	N/A	N/A
	Ra		12-19/32"x4-23/32"	1455 - S669	R469826	N/A	N/A	N/A	N/A
	Ra		12-19/32"x4-23/32"	1455 - S669	R469826	N/A	N/A	N/A	N/A
1992									
	Fa		320mm x 110mm	1458 - S672	R46672	R4011281	R4011262	N/A	N/A
	Ra		12-19/32"x4-23/32"	1455 - S669	R469826	N/A	N/A	N/A	N/A
	Ra		12-19/32"x4-23/32"	1455 - S669	R469826	N/A	N/A	N/A	N/A
1991									
	Fa		320mm x 110mm	1458 - S672	R46672	R4011281	R4011262	N/A	N/A
	Fa		12-19/32"x4-23/32"	1455 - S669	R46672	R4011281	R4011262	N/A	N/A
	Ra		12-19/32"x4-23/32"	1455 - S669	R469826	N/A	N/A	N/A	N/A
	Ra		12-19/32"x4-23/32"	1455 - S669	R469826	N/A	N/A	N/A	N/A
1990									
	Fa		320mm x 110mm	1458 - S672	R46672	R4011281	R4011262	N/A	N/A
	Fa		12-19/32"x4-23/32"	1455 - S669	R46672	R4011281	R4011262	N/A	N/A
	Ra		12-19/32"x4-23/32"	1455 - S669	R469826	N/A	N/A	N/A	N/A
	Ra		12-19/32"x4-23/32"	1455 - S669	R469826	N/A	N/A	N/A	N/A
1989									
	Fa		320mm x 110mm	1458 - S672	R46672	R4011281	R4011262	N/A	N/A
	Fa				R46672	R4011281	R4011262	N/A	N/A

52 - 18" Length
369 - Includes all clips

54 - Manual Brakes

307 - Power Brakes, Single System Hydrovac

MERITOR DRUM OR ROTOR NO.	CALIPER OR CYLINDER BORE SIZE	MERITOR CALIPER OR WHEEL CYLINDER (LEFT)	MERITOR CALIPER OR WHEEL CYLINDER (RIGHT)	MERITOR CALIPER OR WHEEL CYLINDER REPAIR KIT	MERITOR CALIPER PISTON	MERITOR MASTER CYLINDER	MERITOR MASTER CYLINDER KIT	MERITOR BRAKE HOSE (LEFT)	MERITOR BRAKE HOSE (RIGHT)
ISUZU(Cont.)									
NQR SERIES(Cont.)									
-		R4212271X	R4212272X	R4012286	R4012282	-	-	-	-
R4421493R		R4212275	R4212276	R4012283	R4012279	-	-	-	-
-		R4212271X	R4212272X	R4012286	R4012282	-	-	-	-
-		R4212277X	R4212278X	R4012283	R4012279	-	-	-	-
-		-	-	-	-	-	-	-	-
NRR SERIES									
N/A		N/A	R4111282	R4111292	NR	N/A ⁵²	N/A	R4511249	R4511249
N/A	1.4375	-	R4111282	N/A	N/A	-	-	-	-
N/A	1-1/2 "	R 4111284	R 4111283	R4111291	NR	R4110348 ³⁰⁷	R4110406	R4511249	R4511249
N/A	1-1/2 "	R 4111286	R 4111285	R4111291	NR	-	-	N/A	N/A
N/A		N/A	R4111282	R4111292	NR	N/A ⁵²	N/A	R4511249	R4511249
N/A	1.4375	N/A	R4111282	R4111292	NR	R4110348 ³⁰⁷	R4110406	R4511249	R4511249
N/A	1-1/2 "	R 4111286	R 4111285	R4111291	NR	-	-	N/A	N/A
N/A	1-1/2 "	R 4111284	R 4111283	R4111291	NR	-	-	N/A	N/A
N/A	1.4375	N/A	R4111282	R4111292	NR	R4110348 ³⁰⁷	R4110406	R4511249	R4511249
N/A	1-1/2 "	R 4111284	R 4111283	R4111291	NR	-	-	-	-
N/A	1-1/2 "	R 4111286	R 4111285	R4111291	NR	-	-	-	-
N/A	1.4375	N/A	R4111282	R4111292	NR	R4110348 ³⁰⁷	R4110406	R4511249	R4511249
N/A	1-1/2 "	R 4111284	R 4111283	R4111291	NR	-	-	-	-
N/A	1-1/2 "	R 4111286	R 4111285	R4111291	NR	-	-	-	-
N/A		N/A	R4111282	R4111292	NR	N/A ⁵⁴	N/A	R4511249	R4511249
N/A	1.4375	N/A	R4111282	R4111292	NR	R4110348 ³⁰⁷	R4110406	R4511249	R4511249
N/A	1-1/2 "	R 4111284	R 4111283	R4111291	NR	-	-	-	-
N/A	1-1/2 "	R 4111286	R 4111285	R4111291	NR	-	-	-	-
N/A		N/A	R4111282	R4111292	NR	N/A ⁵⁴	N/A	R4511249	R4511249
N/A	1.4375	N/A	R4111282	R4111292	NR	R4110348 ³⁰⁷	R4110406	R4511249	R4511249

MAKE MODEL YEAR AXLE CODE AXLE WEIGHT	AXLE & BRK. TYPE	BRK. MFG.	BRAKE SIZE	FMSI	MERITOR DISC PAD OR BRAKE SHOE	MERITOR GUIDE PIN OR RETURN SPRING KIT	MERITOR CALIPER HWD. KIT OR RETURN SPRING KIT	MERITOR ADJUSTER KIT (LEFT WHEEL)	MERITOR ADJUSTER KIT (RIGHT WHEEL)
ISUZU(Cont.)									
NRR SERIES(Cont.)									
1989	Ra		12-19/32"x4-23/32"	1455 - S669	R469826	N/A	N/A	N/A	N/A
	Ra		12-19/32"x4-23/32"	1455 - S669	R469826	N/A	N/A	N/A	N/A
1988	Fa		320mm x 110mm	1458 - S672	R46672	R4011281	R4011262	N/A	N/A
	Fa			1458 - S672	R46672	R4011281	R4011262	N/A	N/A
	Ra		12-19/32"x4-23/32"	1455 - S669	R469826	N/A	N/A	N/A	N/A
	Ra		12-19/32"x4-23/32"	1455 - S669	R469826	N/A	N/A	N/A	N/A
ITE									
1000 SERIES									
2005 1652 SC I-60SG 6,000 lb	Fd	Bosch		7654 - D786	-	R4011754	NR	NR	NR
1652 SC I-80S 8,000 lb	Fd	Bosch		7654 - D786	-	R4011754	NR	NR	NR
1652 SC I-100S 9,000 lb	Fd	Bosch		7654 - D786	-	R4011754	NR	NR	NR
1652 SC Spicer S135-S 13,500 lb	Rd	Bosch		7654 - D786	-	R4011754	NR	NR	NR
1652 SC Spicer S150-S 15,500 lb	Rd	Bosch		7654 - D786	-	R4011754	NR	NR	NR
1652 SC 17060S 17,500 lb	Rd	Bosch		7654 - D786	-	R4011754	NR	NR	NR
1652 SC 19060S 19,000 lb	Rd	Bosch		7654 - D786	-	R4011754	NR	NR	NR
140, 1400, 1452, 1454 SERIES									
1993 M1400, M1452, M1454 Metro Series, Forward Control	Fd	BX		7108 - D184	MD184	R40H5010	R40H5519	NR	NR
	Fd	BX		7108 - D184	MD184	R40H5010	R40H5519	NR	NR
	Fd	BX		7142 - D225	MD225	R40H5010	R40H5522	NR	NR
	Fd	BX		7108 - D184	MD184	R40H5010	R40H5519	NR	NR
	Fd	BX		7108 - D184	MD184	R40H5010	R40H5519	NR	NR
	Fd	BX		7142 - D225	MD225	R40H5010	R40H5522	NR	NR
	Rd	BX		7142 - D225	MD225	R40H5010	R40H5522	NR	NR
	Rd	BX		7108 - D184	MD184	R40H5010	R40H5519	NR	NR
	Rd	BX		7108 - D184	MD184	R40H5010	R40H5519	NR	NR
	Rd	BX		7108 - D184	MD184	R40H5010	R40H5519	NR	NR
1992	Fd	BX		7108 - D184	MD184	R40H5010	R40H5519	NR	NR
	Fd	BX		7142 - D225	MD225	R40H5010	R40H5522	NR	NR
	Fd	BX		7108 - D184	MD184	R40H5010	R40H5519	NR	NR
	Fd	BX		7108 - D184	MD184	R40H5010	R40H5519	NR	NR
	Fd	BX		7108 - D184	MD184	R40H5010	R40H5519	NR	NR
	Fd	BX		7142 - D225	MD225	R40H5010	R40H5522	NR	NR
	Fd	BX		7108 - D184	MD184	R40H5010	R40H5519	NR	NR
	Fd	BX		7108 - D184	MD184	R40H5010	R40H5519	NR	NR
	Fd	BX		7142 - D225	MD225	R40H5010	R40H5522	NR	NR
	Rd	BX		7142 - D225	MD225	R40H5010	R40H5522	NR	NR
	Rd	BX		7142 - D225	MD225	R40H5010	R40H5522	NR	NR
	Rd	BX		7108 - D184	MD184	R40H5010	R40H5519	NR	NR
	Rd	BX		7108 - D184	MD184	R40H5010	R40H5519	NR	NR
	Rd	BX		7108 - D184	MD184	R40H5010	R40H5519	NR	NR

37 - Also available as a New unit
 201 - Steel Piston
 271 - 6 Stud, Hat Shape
 www.XpresswayPlus.com
 1-544

54 - Manual Brakes
 266 - 10 Stud, Hat Shaped
 307 - Power Brakes, Single System Hydrovac

72 - Phenolic/Steel Face
 268 - 5 Stud, Hat Shape
 365 - Caliper Loaded with Hardware and Disc Pads

Contact our Customer Service Teams
 1-888-725-9355

MERITOR DRUM OR ROTOR NO.	CALIPER OR CYLINDER BORE SIZE	MERITOR CALIPER OR WHEEL CYLINDER (LEFT)	MERITOR CALIPER OR WHEEL CYLINDER (RIGHT)	MERITOR CALIPER OR WHEEL CYLINDER REPAIR KIT	MERITOR CALIPER PISTON	MERITOR MASTER CYLINDER	MERITOR MASTER CYLINDER KIT	MERITOR BRAKE HOSE (LEFT)	MERITOR BRAKE HOSE (RIGHT)
ISUZU(Cont.)									
NRR SERIES(Cont.)									
N/A	1-1/2 "	R 4111284	R 4111283	R4111291	NR	-	-	-	-
N/A	1-1/2 "	R 4111286	R 4111285	R4111291	NR	-	-	-	-
N/A		N/A	R4111282	R4111292	NR	N/A ⁵⁴	N/A	R4511249	R4511249
N/A	1.4375	N/A	R4111282	R4111292	NR	R4110348 ³⁰⁷	R4110406	R4511249	R4511249
N/A	1-1/2 "	R 4111284	R 4111283	R4111291	NR	-	-	-	-
N/A	1-1/2 "	R 4111286	R 4111285	R4111291	NR	-	-	-	-
ITE									
1000 SERIES									
23-123550-004 ³⁸⁷	66mm	R424153263	R424153263 ³⁶⁵	R4011752	R4011751	-	-	-	-
23-123550-004 ³⁸⁷	66mm	R424153263	R424153263 ³⁶⁵	R4011752	R4011751	-	-	-	-
23-123550-004 ³⁸⁷	66mm	R424153263	R424153263 ³⁶⁵	R4011752	R4011751	-	-	-	-
23-123550-004 ³⁸⁷	66mm	R424153263	R424153263 ³⁶⁵	R4011752	R4011751	-	-	-	-
23-123550-004 ³⁸⁷	66mm	R424153263	R424153263 ³⁶⁵	R4011752	R4011751	-	-	-	-
23-123550-004 ³⁸⁷	66mm	R424153263	R424153263 ³⁶⁵	R4011752	R4011751	-	-	-	-
23-123550-004 ³⁸⁷	66mm	R424153263	R424153263 ³⁶⁵	R4011752	R4011751	-	-	-	-
140, 1400, 1452, 1454 SERIES									
R44141476 ²⁶⁸	2-19/32 "	R42R55314	R42R55314 ³⁷	R40107771	R4090100P ⁷²	-	-	-	-
R44141476 ²⁶⁸	3-3/8 "	R42R55099	R42R55098 ³⁷	R4066780	R4090021 ²⁰¹	-	-	-	-
R44141476 ²⁶⁸	2-7/8 "	R42R55250	R42R55250 ³⁷	R4066365	R4090096 ⁷²	-	-	-	-
23-123552-004 ²⁶⁶	3-3/8 "	R42R55099	R42R55098 ³⁷	R4066780	R4090021 ²⁰¹	-	-	-	-
23-123572-004 ²⁷¹	3-3/8 "	R42R55099	R42R55098 ³⁷	R4066780	R4090021 ²⁰¹	-	-	-	-
23-123572-004 ²⁷¹	2-7/8 "	R42R55250	R42R55250 ³⁷	R4066365	R4090096 ⁷²	-	-	-	-
23-123552-004 ²⁶⁶	2-7/8 "	R42R55250	R42R55250 ³⁷	R4066365	R4090096 ⁷²	-	-	R4577512	R4577512
23-123552-004 ²⁶⁶	2-19/32 "	R42R55314	R42R55314 ³⁷	R40107771	R4090100P ⁷²	-	-	R4577512	R4577512
23-123572-004 ²⁷¹	2-19/32 "	R42R55314	R42R55314 ³⁷	R40107771	R4090100P ⁷²	-	-	R4577512	R4577512
23-123572-004 ²⁷¹	2-19/32 "	R42R55314	R42R55314 ³⁷	R40107771	R4090100P ⁷²	-	-	-	-
23-123572-004 ²⁷¹	2-7/8 "	R42R55250	R42R55250 ³⁷	R4066365	R4090096 ⁷²	-	-	-	-
23-123572-004 ²⁷¹	3-3/8 "	R42R55099	R42R55098 ³⁷	R4066780	R4090021 ²⁰¹	-	-	-	-
23-123552-004 ²⁶⁶	2-19/32 "	R42R55314	R42R55314 ³⁷	R40107771	R4090100P ⁷²	-	-	-	-
R44141476 ²⁶⁸	2-19/32 "	R42R55314	R42R55314 ³⁷	R40107771	R4090100P ⁷²	-	-	-	-
R44141476 ²⁶⁸	2-7/8 "	R42R55250	R42R55250 ³⁷	R4066365	R4090096 ⁷²	-	-	-	-
R44141476 ²⁶⁸	3-3/8 "	R42R55099	R42R55098 ³⁷	R4066780	R4090021 ²⁰¹	-	-	-	-
23-123552-004 ²⁶⁶	3-3/8 "	R42R55099	R42R55098 ³⁷	R4066780	R4090021 ²⁰¹	-	-	-	-
23-123552-004 ²⁶⁶	2-7/8 "	R42R55250	R42R55250 ³⁷	R4066365	R4090096 ⁷²	-	-	-	-
23-123552-004 ²⁶⁶	2-7/8 "	R42R55250	R42R55250 ³⁷	R4066365	R4090096 ⁷²	-	-	R4577512	R4577512
23-123572-004 ²⁷¹	2-7/8 "	R42R55250	R42R55250 ³⁷	R4066365	R4090096 ⁷²	-	-	R4577512	R4577512
23-123552-004 ²⁶⁶	2-19/32 "	R42R55314	R42R55314 ³⁷	R40107771	R4090100P ⁷²	-	-	R4577512	R4577512
23-123572-004 ²⁷¹	2-19/32 "	R42R55314	R42R55314 ³⁷	R40107771	R4090100P ⁷²	-	-	R4577512	R4577512

387 - 10 Hole Rotor

MAKE MODEL YEAR AXLE CODE AXLE WEIGHT	AXLE & BRK. TYPE	BRK. MFG.	BRAKE SIZE	FMSI	MERITOR DISC PAD OR BRAKE SHOE	MERITOR GUIDE PIN OR RETURN SPRING KIT	MERITOR CALIPER HWD. KIT OR RETURN SPRING KIT	MERITOR ADJUSTER KIT (LEFT WHEEL)	MERITOR ADJUSTER KIT (RIGHT WHEEL)
ITE(Cont.)									
140, 1400, 1452, 1454 SERIES(Cont.)									
1991	Fd	BX		7142 - D225	MD225	R40H5010	R40H5522	NR	NR
	Fd	BX		7142 - D225	MD225	R40H5010	R40H5522	NR	NR
	Fd	BX		7108 - D184	MD184	R40H5010	R40H5519	NR	NR
	Fd	BX		7108 - D184	MD184	R40H5010	R40H5519	NR	NR
	Fd	BX		7108 - D184	MD184	R40H5010	R40H5519	NR	NR
	Fd	BX		7108 - D184	MD184	R40H5010	R40H5519	NR	NR
	Fd	BX		7108 - D184	MD184	R40H5010	R40H5519	NR	NR
	Fd	BX		7142 - D225	MD225	R40H5010	R40H5522	NR	NR
	Fd	BX		7108 - D184	MD184	R40H5010	R40H5519	NR	NR
	Rd	BX		7142 - D225	MD225	R40H5010	R40H5522	NR	NR
	Rd	BX		7142 - D225	MD225	R40H5010	R40H5522	NR	NR
	Rd	BX		7108 - D184	MD184	R40H5010	R40H5519	NR	NR
	Rd	BX		7108 - D184	MD184	R40H5010	R40H5519	NR	NR
	1990	Fd	BX		7108 - D184	MD184	R40H5010	R40H5519	NR
Fd		BX		7142 - D225	MD225	R40H5010	R40H5522	NR	NR
Fd		BX		7108 - D184	MD184	R40H5010	R40H5519	NR	NR
Fd		BX		7108 - D184	MD184	R40H5010	R40H5519	NR	NR
Fd		BX		7142 - D225	MD225	R40H5010	R40H5522	NR	NR
Fd		BX		7142 - D225	MD225	R40H5010	R40H5522	NR	NR
Fd		BX		7108 - D184	MD184	R40H5010	R40H5519	NR	NR
Fd		BX		7142 - D225	MD225	R40H5010	R40H5522	NR	NR
Fd		BX		7108 - D184	MD184	R40H5010	R40H5519	NR	NR
Fd		BX		7108 - D184	MD184	R40H5010	R40H5519	NR	NR
Fd		BX		7142 - D225	MD225	R40H5010	R40H5522	NR	NR
Fd		BX		7108 - D184	MD184	R40H5010	R40H5519	NR	NR
Fd		BX		7108 - D184	MD184	R40H5010	R40H5519	NR	NR
Rd		BX		7142 - D225	MD225	R40H5010	R40H5522	NR	NR
Rd	BX		7142 - D225	MD225	R40H5010	R40H5522	NR	NR	
Rd	BX		7108 - D184	MD184	R40H5010	R40H5519	NR	NR	
Rd	BX		7108 - D184	MD184	R40H5010	R40H5519	NR	NR	
1989	Fd	BX		7108 - D184	MD184	R40H5010	R40H5519	NR	NR
	Fd	BX		7142 - D225	MD225	R40H5010	R40H5522	NR	NR
	Fd	BX		7108 - D184	MD184	R40H5010	R40H5519	NR	NR
	Fd	BX		7108 - D184	MD184	R40H5010	R40H5519	NR	NR
	Fd	BX		7108 - D184	MD184	R40H5010	R40H5519	NR	NR
	Fd	BX		7142 - D225	MD225	R40H5010	R40H5522	NR	NR
	Fd	BX		7108 - D184	MD184	R40H5010	R40H5519	NR	NR
	Fd	BX		7108 - D184	MD184	R40H5010	R40H5519	NR	NR
	Fd	BX		7142 - D225	MD225	R40H5010	R40H5522	NR	NR
	Fd	BX		7142 - D225	MD225	R40H5010	R40H5522	NR	NR
	Fd	BX		7108 - D184	MD184	R40H5010	R40H5519	NR	NR
	Fd	BX		7108 - D184	MD184	R40H5010	R40H5519	NR	NR
	Fd	BX		7142 - D225	MD225	R40H5010	R40H5522	NR	NR
	Rd	BX		7108 - D184	MD184	R40H5010	R40H5519	NR	NR
Rd	BX		7108 - D184	MD184	R40H5010	R40H5519	NR	NR	
Rd	BX		7142 - D225	MD225	R40H5010	R40H5522	NR	NR	
Rd	BX		7142 - D225	MD225	R40H5010	R40H5522	NR	NR	
S1400, S1452, S1454 Conventional Series	Fd	BX		7142 - D225	MD225	R40H5010	R40H5522	NR	NR
	Fd	BX		7108 - D184	MD184	R40H5010	R40H5519	NR	NR
	Fd	BX		7142 - D225	MD225	R40H5010	R40H5522	NR	NR
	Fd	BX		7108 - D184	MD184	R40H5010	R40H5519	NR	NR
	Fd	BX		7108 - D184	MD184	R40H5010	R40H5519	NR	NR
	Fd	BX		7142 - D225	MD225	R40H5010	R40H5522	NR	NR
	Fd	BX		7108 - D184	MD184	R40H5010	R40H5519	NR	NR
	Fd	BX		7108 - D184	MD184	R40H5010	R40H5519	NR	NR
	Fd	BX		7142 - D225	MD225	R40H5010	R40H5522	NR	NR
	Fd	BX		7142 - D225	MD225	R40H5010	R40H5522	NR	NR
	Fd	BX		7108 - D184	MD184	R40H5010	R40H5519	NR	NR
	Fd	BX		7108 - D184	MD184	R40H5010	R40H5519	NR	NR
	Fd	BX		7142 - D225	MD225	R40H5010	R40H5522	NR	NR
	Fd	BX		7108 - D184	MD184	R40H5010	R40H5519	NR	NR
Fd	BX		7108 - D184	MD184	R40H5010	R40H5519	NR	NR	

MERITOR DRUM OR ROTOR NO.	CALIPER OR CYLINDER BORE SIZE	MERITOR CALIPER OR WHEEL CYLINDER (LEFT)	MERITOR CALIPER OR WHEEL CYLINDER (RIGHT)	MERITOR CALIPER OR WHEEL CYLINDER REPAIR KIT	MERITOR CALIPER PISTON	MERITOR MASTER CYLINDER	MERITOR MASTER CYLINDER KIT	MERITOR BRAKE HOSE (LEFT)	MERITOR BRAKE HOSE (RIGHT)
ITE(Cont.)									
140, 1400, 1452, 1454 SERIES(Cont.)									
23-123572-004 ²⁷¹	2-7/8 "	R42R55250	R42R55250 ³⁷	R4066365	R4090096 ⁷²	-	-	-	-
23-123552-004 ²⁶⁶	2-7/8 "	R42R55250	R42R55250 ³⁷	R4066365	R4090096 ⁷²	-	-	-	-
R44141476 ²⁶⁸	2-19/32 "	R42R55314	R42R55314 ³⁷	R40107771	R4090100P ⁷²	-	-	-	-
23-123552-004 ²⁶⁶	3-3/8 "	R42R55099	R42R55098 ³⁷	R4066780	R4090021 ²⁰¹	-	-	-	-
23-123572-004 ²⁷¹	2-19/32 "	R42R55314	R42R55314 ³⁷	R40107771	R4090100P ⁷²	-	-	-	-
R44141476 ²⁶⁸	3-3/8 "	R42R55099	R42R55098 ³⁷	R4066780	R4090021 ²⁰¹	-	-	-	-
23-123552-004 ²⁶⁶	2-19/32 "	R42R55314	R42R55314 ³⁷	R40107771	R4090100P ⁷²	-	-	-	-
R44141476 ²⁶⁸	2-7/8 "	R42R55250	R42R55250 ³⁷	R4066365	R4090096 ⁷²	-	-	-	-
23-123572-004 ²⁷¹	3-3/8 "	R42R55099	R42R55098 ³⁷	R4066780	R4090021 ²⁰¹	-	-	-	-
23-123552-004 ²⁶⁶	2-7/8 "	R42R55250	R42R55250 ³⁷	R4066365	R4090096 ⁷²	-	-	R4577512	R4577512
23-123552-004 ²⁶⁶	2-7/8 "	R42R55250	R42R55250 ³⁷	R4066365	R4090096 ⁷²	-	-	R4577512	R4577512
23-123552-004 ²⁶⁶	2-19/32 "	R42R55314	R42R55314 ³⁷	R40107771	R4090100P ⁷²	-	-	R4577512	R4577512
23-123572-004 ²⁷¹	2-19/32 "	R42R55314	R42R55314 ³⁷	R40107771	R4090100P ⁷²	-	-	R4577512	R4577512
R44141476 ²⁶⁸	3-3/8 "	R42R55099	R42R55098 ³⁷	R4066780	R4090021 ²⁰¹	-	-	-	-
23-122920-002 ²⁷³	2-7/8 "	R42R55250	R42R55250 ³⁷	R4066365	R4090096 ⁷²	-	-	-	-
R44141608 ²⁶⁷	2-19/32 "	R42R55314	R42R55314 ³⁷	R40107771	R4090100P ⁷²	-	-	-	-
23-122920-002 ²⁷³	2-19/32 "	R42R55314	R42R55314 ³⁷	R40107771	R4090100P ⁷²	-	-	-	-
23-123552-004 ²⁶⁶	2-7/8 "	R42R55250	R42R55250 ³⁷	R4066365	R4090096 ⁷²	-	-	-	-
R44141476 ²⁶⁸	2-7/8 "	R42R55250	R42R55250 ³⁷	R4066365	R4090096 ⁷²	-	-	-	-
R44141476 ²⁶⁸	2-19/32 "	R42R55314	R42R55314 ³⁷	R40107771	R4090100P ⁷²	-	-	-	-
R44141608 ²⁶⁷	2-7/8 "	R42R55250	R42R55250 ³⁷	R4066365	R4090096 ⁷²	-	-	-	-
23-123552-004 ²⁶⁶	3-3/8 "	R42R55099	R42R55098 ³⁷	R4066780	R4090021 ²⁰¹	-	-	-	-
23-123572-004 ²⁷¹	3-3/8 "	R42R55099	R42R55098 ³⁷	R4066780	R4090021 ²⁰¹	-	-	-	-
23-123572-004 ²⁷¹	2-7/8 "	R42R55250	R42R55250 ³⁷	R4066365	R4090096 ⁷²	-	-	-	-
23-122920-002 ²⁷³	3-3/8 "	R42R55099	R42R55098 ³⁷	R4066780	R4090021 ²⁰¹	-	-	-	-
23-123572-004 ²⁷¹	2-19/32 "	R42R55314	R42R55314 ³⁷	R40107771	R4090100P ⁷²	-	-	-	-
23-123552-004 ²⁶⁶	2-7/8 "	R42R55250	R42R55250 ³⁷	R4066365	R4090096 ⁷²	-	-	R4577512	R4577512
23-123572-004 ²⁷¹	2-7/8 "	R42R55250	R42R55250 ³⁷	R4066365	R4090096 ⁷²	-	-	R4577512	R4577512
23-123552-004 ²⁶⁶	2-19/32 "	R42R55314	R42R55314 ³⁷	R40107771	R4090100P ⁷²	-	-	R4577512	R4577512
23-123572-004 ²⁷¹	2-19/32 "	R42R55314	R42R55314 ³⁷	R40107771	R4090100P ⁷²	-	-	R4577512	R4577512
23-123572-004 ²⁷¹	3-3/8 "	R42R55099	R42R55098 ³⁷	R4066780	R4090021 ²⁰¹	-	-	-	-
R44141476 ²⁶⁸	2-7/8 "	R42R55250	R42R55250 ³⁷	R4066365	R4090096 ⁷²	-	-	-	-
23-122920-002 ²⁷³	3-3/8 "	R42R55099	R42R55098 ³⁷	R4066780	R4090021 ²⁰¹	-	-	-	-
23-123572-004 ²⁷¹	2-19/32 "	R42R55314	R42R55314 ³⁷	R40107771	R4090100P ⁷²	-	-	-	-
R44141476 ²⁶⁸	3-3/8 "	R42R55099	R42R55098 ³⁷	R4066780	R4090021 ²⁰¹	-	-	-	-
R44141608 ²⁶⁷	2-7/8 "	R42R55250	R42R55250 ³⁷	R4066365	R4090096 ⁷²	-	-	-	-
R44141608 ²⁶⁷	2-19/32 "	R42R55314	R42R55314 ³⁷	R40107771	R4090100P ⁷²	-	-	-	-
R44141476 ²⁶⁸	2-19/32 "	R42R55314	R42R55314 ³⁷	R40107771	R4090100P ⁷²	-	-	-	-
23-122920-002 ²⁷³	2-7/8 "	R42R55250	R42R55250 ³⁷	R4066365	R4090096 ⁷²	-	-	-	-
23-123552-004 ²⁶⁶	2-7/8 "	R42R55250	R42R55250 ³⁷	R4066365	R4090096 ⁷²	-	-	-	-
23-122920-002 ²⁷³	2-19/32 "	R42R55314	R42R55314 ³⁷	R40107771	R4090100P ⁷²	-	-	-	-
23-123552-004 ²⁶⁶	3-3/8 "	R42R55099	R42R55098 ³⁷	R4066780	R4090021 ²⁰¹	-	-	-	-
23-123572-004 ²⁷¹	2-7/8 "	R42R55250	R42R55250 ³⁷	R4066365	R4090096 ⁷²	-	-	-	-
23-123572-004 ²⁷¹	2-19/32 "	R42R55314	R42R55314 ³⁷	R40107771	R4090100P ⁷²	-	-	R4577512	R4577512
23-123552-004 ²⁶⁶	2-19/32 "	R42R55314	R42R55314 ³⁷	R40107771	R4090100P ⁷²	-	-	R4577512	R4577512
23-123552-004 ²⁶⁶	2-7/8 "	R42R55250	R42R55250 ³⁷	R4066365	R4090096 ⁷²	-	-	R4577512	R4577512
23-123572-004 ²⁷¹	2-7/8 "	R42R55250	R42R55250 ³⁷	R4066365	R4090096 ⁷²	-	-	R4577512	R4577512
23-122527-002 ²⁷²	2-7/8 "	R42R55250	R42R55250 ³⁷	R4066365	R4090096 ⁷²	-	-	-	-
23-122701-002 ²⁶⁹	3-3/8 "	R42R55099	R42R55098 ³⁷	R4066780	R4090021 ²⁰¹	-	-	-	-
R44141476 ²⁶⁸	2-7/8 "	R42R55250	R42R55250 ³⁷	R4066365	R4090096 ⁷²	-	-	-	-
23-123572-004 ²⁷¹	2-19/32 "	R42R55314	R42R55314 ³⁷	R40107771	R4090100P ⁷²	-	-	-	-
R44141858 ²⁷⁵	2-19/32 "	R42R55314	R42R55314 ³⁷	R40107771	R4090100P ⁷²	-	-	-	-
23-122701-002 ²⁶⁹	2-7/8 "	R42R55250	R42R55250 ³⁷	R4066365	R4090096 ⁷²	-	-	-	-
23-122701-002 ²⁶⁹	2-19/32 "	R42R55314	R42R55314 ³⁷	R40107771	R4090100P ⁷²	-	-	-	-
23-123552-004 ²⁶⁶	2-19/32 "	R42R55314	R42R55314 ³⁷	R40107771	R4090100P ⁷²	-	-	-	-
R44141858 ²⁷⁵	2-7/8 "	R42R55250	R42R55250 ³⁷	R4066365	R4090096 ⁷²	-	-	-	-
23-122920-002 ²⁷³	3-3/8 "	R42R55099	R42R55098 ³⁷	R4066780	R4090021 ²⁰¹	-	-	-	-
23-123552-004 ²⁶⁶	2-7/8 "	R42R55250	R42R55250 ³⁷	R4066365	R4090096 ⁷²	-	-	-	-
23-123572-004 ²⁷¹	2-7/8 "	R42R55250	R42R55250 ³⁷	R4066365	R4090096 ⁷²	-	-	-	-
23-122527-002 ²⁷²	3-3/8 "	R42R55099	R42R55098 ³⁷	R4066780	R4090021 ²⁰¹	-	-	-	-
R44141476 ²⁶⁸	2-19/32 "	R42R55314	R42R55314 ³⁷	R40107771	R4090100P ⁷²	-	-	-	-

1 APPLICATION

273 - 5 Stud, U Shape, .780 Dia. Studs

275 - 5 Stud, U Shape, .656 Dia. Studs

MAKE MODEL YEAR AXLE CODE AXLE WEIGHT	AXLE & BRK. TYPE	BRK. MFG.	BRAKE SIZE	FMSI	MERITOR DISC PAD OR BRAKE SHOE	MERITOR GUIDE PIN OR RETURN SPRING KIT	MERITOR CALIPER HWD. KIT OR RETURN SPRING KIT	MERITOR ADJUSTER KIT (LEFT WHEEL)	MERITOR ADJUSTER KIT (RIGHT WHEEL)	
ITE(Cont.)										
140, 1400, 1452, 1454 SERIES(Cont.)										
1989	Fd	BX		7108 - D184	MD184	R40H5010	R40H5519	NR	NR	
	Fd	BX		7108 - D184	MD184	R40H5010	R40H5519	NR	NR	
	Fd	BX		7108 - D184	MD184	R40H5010	R40H5519	NR	NR	
	Fd	BX		7142 - D225	MD225	R40H5010	R40H5522	NR	NR	
	Fd	BX		7108 - D184	MD184	R40H5010	R40H5519	NR	NR	
	Fd	BX		7108 - D184	MD184	R40H5010	R40H5519	NR	NR	
	Rd	BX		7142 - D225	MD225	R40H5010	R40H5522	NR	NR	
	Rd	BX		7108 - D184	MD184	R40H5010	R40H5519	NR	NR	
	Rd	BX		7108 - D184	MD184	R40H5010	R40H5519	NR	NR	
	Rd	BX		7142 - D225	MD225	R40H5010	R40H5522	NR	NR	
	Rd	BX		7108 - D184	MD184	R40H5010	R40H5519	NR	NR	
	Rd	BX		7142 - D225	MD225	R40H5010	R40H5522	NR	NR	
	Rd	BX		7142 - D225	MD225	R40H5010	R40H5522	NR	NR	
	Rd	BX		7142 - D225	MD225	R40H5010	R40H5522	NR	NR	
	Rd	BX		7108 - D184	MD184	R40H5010	R40H5519	NR	NR	
	S1400, S1452, S1454 Conventional Series 14039, 14057	Rd	BX		7142 - D225	MD225	R40H5010	R40H5522	NR	NR
		Rd	BX		7108 - D184	MD184	R40H5010	R40H5519	NR	NR
	1988 M1400, M1452, M1454 Metro Series, Forward Control	Fd	BX		7108 - D184	MD184	R40H5010	R40H5519	NR	NR
Fd		BX		7108 - D184	MD184	R40H5010	R40H5519	NR	NR	
Fd		BX		7108 - D184	MD184	R40H5010	R40H5519	NR	NR	
Fd		BX		7142 - D225	MD225	R40H5010	R40H5522	NR	NR	
Fd		BX		7142 - D225	MD225	R40H5010	R40H5522	NR	NR	
Fd		BX		7108 - D184	MD184	R40H5010	R40H5519	NR	NR	
Fd		BX		7142 - D225	MD225	R40H5010	R40H5522	NR	NR	
Fd		BX		7108 - D184	MD184	R40H5010	R40H5519	NR	NR	
Fd		BX		7108 - D184	MD184	R40H5010	R40H5519	NR	NR	
Fd		BX		7142 - D225	MD225	R40H5010	R40H5522	NR	NR	
Fd		BX		7108 - D184	MD184	R40H5010	R40H5519	NR	NR	
Fd		BX		7142 - D225	MD225	R40H5010	R40H5522	NR	NR	
Fd		BX		7108 - D184	MD184	R40H5010	R40H5519	NR	NR	
Fd		BX		7108 - D184	MD184	R40H5010	R40H5519	NR	NR	
Fd		BX		7142 - D225	MD225	R40H5010	R40H5522	NR	NR	
Rd		BX		7108 - D184	MD184	R40H5010	R40H5519	NR	NR	
Rd		BX		7142 - D225	MD225	R40H5010	R40H5522	NR	NR	
Rd		BX		7142 - D225	MD225	R40H5010	R40H5522	NR	NR	
Rd	BX		7108 - D184	MD184	R40H5010	R40H5519	NR	NR		
S1400, S1452, S1454 Conventional Series	Fd	BX		7142 - D225	MD225	R40H5010	R40H5522	NR	NR	
	Fd	BX		7108 - D184	MD184	R40H5010	R40H5519	NR	NR	
	Fd	BX		7108 - D184	MD184	R40H5010	R40H5519	NR	NR	
	Fd	BX		7108 - D184	MD184	R40H5010	R40H5519	NR	NR	
	Fd	BX		7142 - D225	MD225	R40H5010	R40H5522	NR	NR	
	Fd	BX		7142 - D225	MD225	R40H5010	R40H5522	NR	NR	
	Fd	BX		7108 - D184	MD184	R40H5010	R40H5519	NR	NR	
	Fd	BX		7108 - D184	MD184	R40H5010	R40H5519	NR	NR	
	Fd	BX		7142 - D225	MD225	R40H5010	R40H5522	NR	NR	
	Fd	BX		7142 - D225	MD225	R40H5010	R40H5522	NR	NR	
	Fd	BX		7108 - D184	MD184	R40H5010	R40H5519	NR	NR	
	Fd	BX		7108 - D184	MD184	R40H5010	R40H5519	NR	NR	
	Fd	BX		7142 - D225	MD225	R40H5010	R40H5522	NR	NR	
	Fd	BX		7108 - D184	MD184	R40H5010	R40H5519	NR	NR	
	Fd	BX		7108 - D184	MD184	R40H5010	R40H5519	NR	NR	
	Fd	BX		7108 - D184	MD184	R40H5010	R40H5519	NR	NR	
	Fd	BX		7108 - D184	MD184	R40H5010	R40H5519	NR	NR	
	Fd	BX		7108 - D184	MD184	R40H5010	R40H5519	NR	NR	
	Fd	BX		7108 - D184	MD184	R40H5010	R40H5519	NR	NR	
	Fd	BX		7142 - D225	MD225	R40H5010	R40H5522	NR	NR	
	Fd	BX		7142 - D225	MD225	R40H5010	R40H5522	NR	NR	
	Fd	BX		7108 - D184	MD184	R40H5010	R40H5519	NR	NR	
	Fd	BX		7108 - D184	MD184	R40H5010	R40H5519	NR	NR	
	Rd	BX		7108 - D184	MD184	R40H5010	R40H5519	NR	NR	
	Rd	BX		7108 - D184	MD184	R40H5010	R40H5519	NR	NR	

37 - Also available as a New unit
 266 - 10 Stud, Hat Shaped
 269 - 5 Stud, U Shape
 www.XpresswayPlus.com

72 - Phenolic/Steel Face
 267 - 10 Stud, U Shaped
 270 - 5 Stud, U Shape, .766 Dia. Studs

201 - Steel Piston
 268 - 5 Stud, Hat Shape
 271 - 6 Stud, Hat Shape

MERITOR DRUM OR ROTOR NO.	CALIPER OR CYLINDER BORE SIZE	MERITOR CALIPER OR WHEEL CYLINDER (LEFT)	MERITOR CALIPER OR WHEEL CYLINDER (RIGHT)	MERITOR CALIPER OR WHEEL CYLINDER REPAIR KIT	MERITOR CALIPER PISTON	MERITOR MASTER CYLINDER	MERITOR MASTER CYLINDER KIT	MERITOR BRAKE HOSE (LEFT)	MERITOR BRAKE HOSE (RIGHT)
ITE(Cont.)									
140, 1400, 1452, 1454 SERIES(Cont.)									
R44141858 ²⁷⁵	3-3/8 "	R42R55099	R42R55098 ³⁷	R4066780	R4090021 ²⁰¹	-	-	-	-
23-123572-004 ²⁷¹	3-3/8 "	R42R55099	R42R55098 ³⁷	R4066780	R4090021 ²⁰¹	-	-	-	-
R44141476 ²⁶⁸	3-3/8 "	R42R55099	R42R55098 ³⁷	R4066780	R4090021 ²⁰¹	-	-	-	-
23-122920-002 ²⁷³	2-7/8 "	R42R55250	R42R55250 ³⁷	R4066365	R4090096 ⁷²	-	-	-	-
23-122920-002 ²⁷³	2-19/32 "	R42R55314	R42R55314 ³⁷	R40107771	R4090100P ⁷²	-	-	-	-
23-123552-004 ²⁶⁶	3-3/8 "	R42R55099	R42R55098 ³⁷	R4066780	R4090021 ²⁰¹	-	-	-	-
23-123552-004 ²⁶⁶	2-7/8 "	R42R55250	R42R55250 ³⁷	R4066365	R4090096 ⁷²	-	-	R4577512	R4577512
23-123552-004 ²⁶⁶	2-19/32 "	R42R55314	R42R55314 ³⁷	R40107771	R4090100P ⁷²	-	-	R4577512	R4577512
R44141627 ²⁷⁰	2-19/32 "	R42R55314	R42R55314 ³⁷	R40107771	R4090100P ⁷²	-	-	R4577512	R4577512
R44141627 ²⁷⁰	2-7/8 "	R42R55250	R42R55250 ³⁷	R4066365	R4090096 ⁷²	-	-	R4577512	R4577512
R44141628 ²⁶⁹	2-19/32 "	R42R55314	R42R55314 ³⁷	R40107771	R4090100P ⁷²	-	-	R4577512	R4577512
R44141629 ²⁶⁹	2-19/32 "	R42R55314	R42R55314 ³⁷	R40107771	R4090100P ⁷²	-	-	R4577512	R4577512
R44141628 ²⁶⁹	2-7/8 "	R42R55250	R42R55250 ³⁷	R4066365	R4090096 ⁷²	-	-	R4577512	R4577512
23-123572-004 ²⁷¹	2-7/8 "	R42R55250	R42R55250 ³⁷	R4066365	R4090096 ⁷²	-	-	R4577512	R4577512
R44141629 ²⁶⁹	2-7/8 "	R42R55250	R42R55250 ³⁷	R4066365	R4090096 ⁷²	-	-	R4577512	R4577512
23-123572-004 ²⁷¹	2-19/32 "	R42R55314	R42R55314 ³⁷	R40107771	R4090100P ⁷²	-	-	R4577512	R4577512
R44141608 ²⁶⁷	2-7/8 "	R42R55250	R42R55250 ³⁷	R4066365	R4090096 ⁷²	-	-	R4577512	R4577512
R44141608 ²⁶⁷	2-19/32 "	R42R55314	R42R55314 ³⁷	R40107771	R4090100P ⁷²	-	-	R4577512	R4577512
R44141476 ²⁶⁸	2-19/32 "	R42R55314	R42R55314 ³⁷	R40107771	R4090100P ⁷²	-	-	-	-
R44141608 ²⁶⁷	2-19/32 "	R42R55314	R42R55314 ³⁷	R40107771	R4090100P ⁷²	-	-	-	-
R44141476 ²⁶⁸	3-3/8 "	R42R55099	R42R55098 ³⁷	R4066780	R4090021 ²⁰¹	-	-	-	-
R44141608 ²⁶⁷	2-7/8 "	R42R55250	R42R55250 ³⁷	R4066365	R4090096 ⁷²	-	-	-	-
R44141476 ²⁶⁸	2-7/8 "	R42R55250	R42R55250 ³⁷	R4066365	R4090096 ⁷²	-	-	-	-
23-123572-004 ²⁷¹	3-3/8 "	R42R55099	R42R55098 ³⁷	R4066780	R4090021 ²⁰¹	-	-	-	-
23-122920-002 ²⁷³	2-7/8 "	R42R55250	R42R55250 ³⁷	R4066365	R4090096 ⁷²	-	-	-	-
23-123572-004 ²⁷¹	2-19/32 "	R42R55314	R42R55314 ³⁷	R40107771	R4090100P ⁷²	-	-	-	-
23-123552-004 ²⁶⁶	3-3/8 "	R42R55099	R42R55098 ³⁷	R4066780	R4090021 ²⁰¹	-	-	-	-
23-123572-004 ²⁷¹	2-7/8 "	R42R55250	R42R55250 ³⁷	R4066365	R4090096 ⁷²	-	-	-	-
23-122920-002 ²⁷³	3-3/8 "	R42R55099	R42R55098 ³⁷	R4066780	R4090021 ²⁰¹	-	-	-	-
23-122920-002 ²⁷³	2-19/32 "	R42R55314	R42R55314 ³⁷	R40107771	R4090100P ⁷²	-	-	-	-
23-123552-004 ²⁶⁶	2-7/8 "	R42R55250	R42R55250 ³⁷	R4066365	R4090096 ⁷²	-	-	-	-
23-123572-004 ²⁷¹	2-19/32 "	R42R55314	R42R55314 ³⁷	R40107771	R4090100P ⁷²	-	-	R4577512	R4577512
23-123572-004 ²⁷¹	2-7/8 "	R42R55250	R42R55250 ³⁷	R4066365	R4090096 ⁷²	-	-	R4577512	R4577512
23-123552-004 ²⁶⁶	2-7/8 "	R42R55250	R42R55250 ³⁷	R4066365	R4090096 ⁷²	-	-	R4577512	R4577512
23-123552-004 ²⁶⁶	2-19/32 "	R42R55314	R42R55314 ³⁷	R40107771	R4090100P ⁷²	-	-	R4577512	R4577512
23-123552-004 ²⁶⁶	2-7/8 "	R42R55250	R42R55250 ³⁷	R4066365	R4090096 ⁷²	-	-	-	-
R44141858 ²⁷⁵	2-19/32 "	R42R55314	R42R55314 ³⁷	R40107771	R4090100P ⁷²	-	-	-	-
23-122920-002 ²⁷³	3-3/8 "	R42R55099	R42R55098 ³⁷	R4066780	R4090021 ²⁰¹	-	-	-	-
23-122527-002 ²⁷²	2-19/32 "	R42R55314	R42R55314 ³⁷	R40107771	R4090100P ⁷²	-	-	-	-
23-122920-002 ²⁷³	2-7/8 "	R42R55250	R42R55250 ³⁷	R4066365	R4090096 ⁷²	-	-	-	-
23-122527-002 ²⁷²	2-7/8 "	R42R55250	R42R55250 ³⁷	R4066365	R4090096 ⁷²	-	-	-	-
23-122920-002 ²⁷³	2-19/32 "	R42R55314	R42R55314 ³⁷	R40107771	R4090100P ⁷²	-	-	-	-
23-123572-004 ²⁷¹	3-3/8 "	R42R55099	R42R55098 ³⁷	R4066780	R4090021 ²⁰¹	-	-	-	-
23-122701-002 ²⁶⁹	2-7/8 "	R42R55250	R42R55250 ³⁷	R4066365	R4090096 ⁷²	-	-	-	-
23-123572-004 ²⁷¹	2-7/8 "	R42R55250	R42R55250 ³⁷	R4066365	R4090096 ⁷²	-	-	-	-
23-123572-004 ²⁷¹	2-19/32 "	R42R55314	R42R55314 ³⁷	R40107771	R4090100P ⁷²	-	-	-	-
R44141476 ²⁶⁸	3-3/8 "	R42R55099	R42R55098 ³⁷	R4066780	R4090021 ²⁰¹	-	-	-	-
23-122527-002 ²⁷²	3-3/8 "	R42R55099	R42R55098 ³⁷	R4066780	R4090021 ²⁰¹	-	-	-	-
23-123552-004 ²⁶⁶	3-3/8 "	R42R55099	R42R55098 ³⁷	R4066780	R4090021 ²⁰¹	-	-	-	-
R44141858 ²⁷⁵	3-3/8 "	R42R55099	R42R55098 ³⁷	R4066780	R4090021 ²⁰¹	-	-	-	-
23-122701-002 ²⁶⁹	2-19/32 "	R42R55314	R42R55314 ³⁷	R40107771	R4090100P ⁷²	-	-	-	-
23-122701-002 ²⁶⁹	3-3/8 "	R42R55099	R42R55098 ³⁷	R4066780	R4090021 ²⁰¹	-	-	-	-
R44141476 ²⁶⁸	2-7/8 "	R42R55250	R42R55250 ³⁷	R4066365	R4090096 ⁷²	-	-	-	-
R44141858 ²⁷⁵	2-7/8 "	R42R55250	R42R55250 ³⁷	R4066365	R4090096 ⁷²	-	-	-	-
R44141476 ²⁶⁸	2-19/32 "	R42R55314	R42R55314 ³⁷	R40107771	R4090100P ⁷²	-	-	-	-
23-123552-004 ²⁶⁶	2-19/32 "	R42R55314	R42R55314 ³⁷	R40107771	R4090100P ⁷²	-	-	-	-
R44141629 ²⁶⁹	2-19/32 "	R42R55314	R42R55314 ³⁷	R40107771	R4090100P ⁷²	-	-	R4577512	R4577512
R44141627 ²⁷⁰	2-19/32 "	R42R55314	R42R55314 ³⁷	R40107771	R4090100P ⁷²	-	-	R4577512	R4577512

272 - 6 Stud, U Shape

273 - 5 Stud, U Shape, .780 Dia. Studs

275 - 5 Stud, U Shape, .656 Dia. Studs

1 APPLICATION

MAKE MODEL YEAR AXLE CODE AXLE WEIGHT	AXLE & BRK. TYPE	BRK. MFG.	BRAKE SIZE	FMSI	MERITOR DISC PAD OR BRAKE SHOE	MERITOR GUIDE PIN OR RETURN SPRING KIT	MERITOR CALIPER HWD. KIT OR RETURN SPRING KIT	MERITOR ADJUSTER KIT (LEFT WHEEL)	MERITOR ADJUSTER KIT (RIGHT WHEEL)
ITE(Cont.)									
140, 1400, 1452, 1454 SERIES(Cont.)									
1988	Rd	BX		7142 - D225	MD225	R40H5010	R40H5522	NR	NR
	Rd	BX		7142 - D225	MD225	R40H5010	R40H5522	NR	NR
	Rd	BX		7108 - D184	MD184	R40H5010	R40H5519	NR	NR
	Rd	BX		7108 - D184	MD184	R40H5010	R40H5519	NR	NR
	Rd	BX		7142 - D225	MD225	R40H5010	R40H5522	NR	NR
	Rd	BX		7108 - D184	MD184	R40H5010	R40H5519	NR	NR
	Rd	BX		7142 - D225	MD225	R40H5010	R40H5522	NR	NR
	Rd	BX		7142 - D225	MD225	R40H5010	R40H5522	NR	NR
S1400, S1452, S1454 Conventional Series 14039, 14057	Rd	BX		7108 - D184	MD184	R40H5010	R40H5519	NR	NR
	Rd	BX		7142 - D225	MD225	R40H5010	R40H5522	NR	NR
1987 M1400, M1452, M1454 Metro Series, Forward Control	Fd	BX		7108 - D184	MD184	R40H5010	R40H5519	NR	NR
	Fd	BX		7108 - D184	MD184	R40H5010	R40H5519	NR	NR
	Fd	BX		7142 - D225	MD225	R40H5010	R40H5522	NR	NR
	Fd	BX		7108 - D184	MD184	R40H5010	R40H5519	NR	NR
	Fd	BX		7142 - D225	MD225	R40H5010	R40H5522	NR	NR
	Fd	BX		7108 - D184	MD184	R40H5010	R40H5519	NR	NR
	Fd	BX		7108 - D184	MD184	R40H5010	R40H5519	NR	NR
	Fd	BX		7142 - D225	MD225	R40H5010	R40H5522	NR	NR
	Fd	BX		7108 - D184	MD184	R40H5010	R40H5519	NR	NR
	Fd	BX		7142 - D225	MD225	R40H5010	R40H5522	NR	NR
	Fd	BX		7108 - D184	MD184	R40H5010	R40H5519	NR	NR
	Fd	BX		7142 - D225	MD225	R40H5010	R40H5522	NR	NR
	Fd	BX		7108 - D184	MD184	R40H5010	R40H5519	NR	NR
	Rd	BX		7108 - D184	MD184	R40H5010	R40H5519	NR	NR
	Rd	BX		7108 - D184	MD184	R40H5010	R40H5519	NR	NR
	Rd	BX		7142 - D225	MD225	R40H5010	R40H5522	NR	NR
	Rd	BX		7142 - D225	MD225	R40H5010	R40H5522	NR	NR
S1400, S1452, S1454 Conventional Series	Fd	BX		7142 - D225	MD225	R40H5010	R40H5522	NR	NR
	Fd	BX		7108 - D184	MD184	R40H5010	R40H5519	NR	NR
	Fd	BX		7108 - D184	MD184	R40H5010	R40H5519	NR	NR
	Fd	BX		7108 - D184	MD184	R40H5010	R40H5519	NR	NR
	Fd	BX		7108 - D184	MD184	R40H5010	R40H5519	NR	NR
	Fd	BX		7108 - D184	MD184	R40H5010	R40H5519	NR	NR
	Fd	BX		7142 - D225	MD225	R40H5010	R40H5522	NR	NR
	Fd	BX		7108 - D184	MD184	R40H5010	R40H5519	NR	NR
	Fd	BX		7108 - D184	MD184	R40H5010	R40H5519	NR	NR
	Fd	BX		7142 - D225	MD225	R40H5010	R40H5522	NR	NR
	Fd	BX		7108 - D184	MD184	R40H5010	R40H5519	NR	NR
	Fd	BX		7108 - D184	MD184	R40H5010	R40H5519	NR	NR
	Fd	BX		7142 - D225	MD225	R40H5010	R40H5522	NR	NR
	Fd	BX		7108 - D184	MD184	R40H5010	R40H5519	NR	NR
	Fd	BX		7108 - D184	MD184	R40H5010	R40H5519	NR	NR
	Fd	BX		7108 - D184	MD184	R40H5010	R40H5519	NR	NR
	Fd	BX		7108 - D184	MD184	R40H5010	R40H5519	NR	NR
	Fd	BX		7108 - D184	MD184	R40H5010	R40H5519	NR	NR
	Fd	BX		7108 - D184	MD184	R40H5010	R40H5519	NR	NR
	Fd	BX		7108 - D184	MD184	R40H5010	R40H5519	NR	NR
	Fd	BX		7108 - D184	MD184	R40H5010	R40H5519	NR	NR
	Rd	BX		7108 - D184	MD184	R40H5010	R40H5519	NR	NR
	Rd	BX		7142 - D225	MD225	R40H5010	R40H5522	NR	NR
	Rd	BX		7108 - D184	MD184	R40H5010	R40H5519	NR	NR
	Rd	BX		7142 - D225	MD225	R40H5010	R40H5522	NR	NR
	Rd	BX		7142 - D225	MD225	R40H5010	R40H5522	NR	NR
	Rd	BX		7108 - D184	MD184	R40H5010	R40H5519	NR	NR
	Rd	BX		7108 - D184	MD184	R40H5010	R40H5519	NR	NR
	Rd	BX		7142 - D225	MD225	R40H5010	R40H5522	NR	NR
	Rd	BX		7142 - D225	MD225	R40H5010	R40H5522	NR	NR
	Rd	BX		7108 - D184	MD184	R40H5010	R40H5519	NR	NR

37 - Also available as a New unit
 266 - 10 Stud, Hat Shaped
 269 - 5 Stud, U Shape
 www.XpresswayPlus.com

72 - Phenolic/Steel Face
 267 - 10 Stud, U Shaped
 270 - 5 Stud, U Shape, .766 Dia. Studs

201 - Steel Piston
 268 - 5 Stud, Hat Shape
 271 - 6 Stud, Hat Shape

MERITOR DRUM OR ROTOR NO.	CALIPER OR CYLINDER BORE SIZE	MERITOR CALIPER OR WHEEL CYLINDER (LEFT)	MERITOR CALIPER OR WHEEL CYLINDER (RIGHT)	MERITOR CALIPER OR WHEEL CYLINDER REPAIR KIT	MERITOR CALIPER PISTON	MERITOR MASTER CYLINDER	MERITOR MASTER CYLINDER KIT	MERITOR BRAKE HOSE (LEFT)	MERITOR BRAKE HOSE (RIGHT)
ITE(Cont.)									
140, 1400, 1452, 1454 SERIES(Cont.)									
23-123572-004 ²⁷¹ 23-123552-004 ²⁶⁶ 23-123572-004 ²⁷¹ R44141628 ²⁶⁹ R44141629 ²⁶⁹ 23-123552-004 ²⁶⁶ R44141628 ²⁶⁹ R44141627 ²⁷⁰	2-7/8 " 2-7/8 " 2-19/32 " 2-19/32 " 2-7/8 " 2-19/32 " 2-7/8 " 2-7/8 "	R42R55250 R42R55250 R42R55314 R42R55314 R42R55250 R42R55314 R42R55250 R42R55250	R42R55250 ³⁷ R42R55250 ³⁷ R42R55314 ³⁷ R42R55314 ³⁷ R42R55250 ³⁷ R42R55314 ³⁷ R42R55250 ³⁷ R42R55250 ³⁷	R4066365 R4066365 R40107771 R40107771 R4066365 R40107771 R4066365 R4066365	R4090096 ⁷² R4090096 ⁷² R4090100P ⁷² R4090100P ⁷² R4090096 ⁷² R4090100P ⁷² R4090096 ⁷² R4090096 ⁷²	- - - - - - - -	- - - - - - - -	R4577512 R4577512 R4577512 R4577512 R4577512 R4577512 R4577512 R4577512	R4577512 R4577512 R4577512 R4577512 R4577512 R4577512 R4577512 R4577512
R44141608 ²⁶⁷ R44141608 ²⁶⁷	2-19/32 " 2-7/8 "	R42R55314 R42R55250	R42R55314 ³⁷ R42R55250 ³⁷	R40107771 R4066365	R4090100P ⁷² R4090096 ⁷²	- -	- -	R4577512 R4577512	R4577512 R4577512
R44141476 ²⁶⁸ R44141476 ²⁶⁸ 23-123552-004 ²⁶⁶ 23-122920-002 ²⁷³ 23-122920-002 ²⁷³ R44141608 ²⁶⁷ 23-123572-004 ²⁷¹ R44141608 ²⁶⁷ 23-122920-002 ²⁷³ R44141476 ²⁶⁸ 23-123572-004 ²⁷¹ 23-123572-004 ²⁷¹ 23-123552-004 ²⁶⁶	3-3/8 " 2-19/32 " 2-7/8 " 2-19/32 " 2-7/8 " 2-19/32 " 3-3/8 " 2-7/8 " 3-3/8 " 2-7/8 " 2-19/32 " 2-7/8 " 3-3/8 "	R42R55099 R42R55314 R42R55250 R42R55314 R42R55250 R42R55314 R42R55099 R42R55250 R42R55099 R42R55250 R42R55314 R42R55250 R42R55099	R42R55098 ³⁷ R42R55314 ³⁷ R42R55250 ³⁷ R42R55314 ³⁷ R42R55250 ³⁷ R42R55314 ³⁷ R42R55098 ³⁷ R42R55250 ³⁷ R42R55098 ³⁷ R42R55250 ³⁷ R42R55314 ³⁷ R42R55250 ³⁷ R42R55098 ³⁷	R4066780 R40107771 R4066365 R40107771 R4066780 R4066365 R4066780 R4066365 R4066780 R4066365 R40107771 R4066365 R4066780	R4090021 ²⁰¹ R4090100P ⁷² R4090096 ⁷² R4090100P ⁷² R4090096 ⁷² R4090100P ⁷² R4090021 ²⁰¹ R4090096 ⁷² R4090021 ²⁰¹ R4090096 ⁷² R4090100P ⁷² R4090096 ⁷² R4090021 ²⁰¹	- - - - - - - - - - - - -	- - - - - - - - - - - - - -	- - - - - - - - - - - - - -	- - - - - - - - - - - - -
23-123552-004 ²⁶⁶ 23-123572-004 ²⁷¹ 23-123572-004 ²⁷¹ 23-123552-004 ²⁶⁶	2-19/32 " 2-19/32 " 2-7/8 " 2-7/8 "	R42R55314 R42R55314 R42R55250 R42R55250	R42R55314 ³⁷ R42R55314 ³⁷ R42R55250 ³⁷ R42R55250 ³⁷	R40107771 R40107771 R4066365 R4066365	R4090100P ⁷² R4090100P ⁷² R4090096 ⁷² R4090096 ⁷²	- - - -	- - - -	R4577512 R4577512 R4577512 R4577512	R4577512 R4577512 R4577512 R4577512
23-122701-002 ²⁶⁹ 23-122920-002 ²⁷³ 23-123572-004 ²⁷¹ 23-123552-004 ²⁶⁶ 23-123552-004 ²⁶⁶ 23-122920-002 ²⁷³ 23-123552-004 ²⁶⁶ 23-122701-002 ²⁶⁹ R44141858 ²⁷⁵ 23-122701-002 ²⁶⁹ 23-122527-002 ²⁷² 23-123572-004 ²⁷¹ R44141476 ²⁶⁸ R44141858 ²⁷⁵ 23-122920-002 ²⁷³ 23-122527-002 ²⁷² R44141476 ²⁶⁸ 23-122527-002 ²⁷² 23-123572-004 ²⁷¹ R44141476 ²⁶⁸ R44141858 ²⁷⁵	2-7/8 " 2-19/32 " 3-3/8 " 2-19/32 " 3-3/8 " 3-3/8 " 3-3/8 " 2-7/8 " 3-3/8 " 2-19/32 " 2-19/32 " 2-7/8 " 2-7/8 " 2-7/8 " 2-7/8 " 2-19/32 " 2-19/32 " 3-3/8 " 2-19/32 " 3-3/8 " 3-3/8 "	R42R55250 R42R55314 R42R55099 R42R55314 R42R55099 R42R55099 R42R55250 R42R55099 R42R55314 R42R55314 R42R55250 R42R55250 R42R55250 R42R55250 R42R55250 R42R55314 R42R55314 R42R55099 R42R55314 R42R55099 R42R55099	R42R55250 ³⁷ R42R55314 ³⁷ R42R55098 ³⁷ R42R55314 ³⁷ R42R55098 ³⁷ R42R55098 ³⁷ R42R55250 ³⁷ R42R55098 ³⁷ R42R55314 ³⁷ R42R55314 ³⁷ R42R55250 ³⁷ R42R55250 ³⁷ R42R55250 ³⁷ R42R55250 ³⁷ R42R55314 ³⁷ R42R55314 ³⁷ R42R55098 ³⁷ R42R55098 ³⁷ R42R55098 ³⁷ R42R55098 ³⁷	R4066365 R40107771 R4066780 R40107771 R4066780 R4066365 R4066780 R4066365 R4066780 R4066365 R40107771 R4066365 R4066365 R4066365 R4066365 R40107771 R40107771 R4066780 R4066780 R4066780 R4066780	R4090096 ⁷² R4090100P ⁷² R4090021 ²⁰¹ R4090100P ⁷² R4090021 ²⁰¹ R4090021 ²⁰¹ R4090096 ⁷² R4090021 ²⁰¹ R4090100P ⁷² R4090100P ⁷² R4090096 ⁷² R4090096 ⁷² R4090096 ⁷² R4090096 ⁷² R4090100P ⁷² R4090100P ⁷² R4090021 ²⁰¹ R4090021 ²⁰¹ R4090021 ²⁰¹ R4090021 ²⁰¹	- -	- -	- -	- -
R44141627 ²⁷⁰ R44141628 ²⁶⁹ 23-123572-004 ²⁷¹ 23-123552-004 ²⁶⁶ R44141627 ²⁷⁰ R44141629 ²⁶⁹ R44141628 ²⁶⁹ R44141629 ²⁶⁹ 23-123572-004 ²⁷¹ 23-123552-004 ²⁶⁶	2-19/32 " 2-7/8 " 2-19/32 " 2-7/8 " 2-7/8 " 2-19/32 " 2-19/32 " 2-7/8 " 2-7/8 " 2-19/32 " 2-19/32 "	R42R55314 R42R55250 R42R55314 R42R55250 R42R55250 R42R55314 R42R55314 R42R55314 R42R55250 R42R55250 R42R55314	R42R55314 ³⁷ R42R55250 ³⁷ R42R55314 ³⁷ R42R55250 ³⁷ R42R55250 ³⁷ R42R55314 ³⁷ R42R55314 ³⁷ R42R55314 ³⁷ R42R55250 ³⁷ R42R55250 ³⁷ R42R55314 ³⁷	R40107771 R4066365 R40107771 R4066365 R4066365 R40107771 R40107771 R4066365 R4066365 R40107771 R40107771	R4090100P ⁷² R4090096 ⁷² R4090100P ⁷² R4090096 ⁷² R4090096 ⁷² R4090100P ⁷² R4090100P ⁷² R4090096 ⁷² R4090100P ⁷² R4090100P ⁷² R4090100P ⁷²	- - - - - - - - - - - -	- - - - - - - - - - - -	R4577512 R4577512 R4577512 R4577512 R4577512 R4577512 R4577512 R4577512 R4577512 R4577512 R4577512 R4577512	R4577512 R4577512 R4577512 R4577512 R4577512 R4577512 R4577512 R4577512 R4577512 R4577512 R4577512 R4577512

1 APPLICATION

272 - 6 Stud, U Shape

273 - 5 Stud, U Shape, .780 Dia. Studs

275 - 5 Stud, U Shape, .656 Dia. Studs

Contact our Customer Service Teams
1-888-725-9355

www.XpresswayPlus.com

MAKE MODEL YEAR AXLE CODE AXLE WEIGHT	AXLE & BRK. TYPE	BRK. MFG.	BRAKE SIZE	FMSI	MERITOR DISC PAD OR BRAKE SHOE	MERITOR GUIDE PIN OR RETURN SPRING KIT	MERITOR CALIPER HWD. KIT OR RETURN SPRING KIT	MERITOR ADJUSTER KIT (LEFT WHEEL)	MERITOR ADJUSTER KIT (RIGHT WHEEL)
ITE(Cont.)									
150, 1500 SERIES(Cont.)									
1974 RA27	Ra	WG	15 " x 4 "	4645A - 376	Discontinued	R40H597	R40H9200	R40H3540	R40H3541
1973 FA28	Fa	WG	14 " x 2-1/2 "	1294A - 325	N/A	R40H521	R40H9237	R40H3502	R40H3503
RA25	Ra	WG	15 " x 5 "	1252 - 346	R700346	R40H597	R40H9200	R40H3540	R40H3541
RA27	Ra	WG	15 " x 4 "	4645A - 376	Discontinued	R40H597	R40H9200	R40H3540	R40H3541
160, 1600, 1650 SERIES									
1995 M1600, M1652, M1654 Metro Series, Forward Control	Fd	BX		7108 - D184	MD184	R40H5010	R40H5519	NR	NR
	Fd	BX		7108 - D184	MD184	R40H5010	R40H5519	NR	NR
	Fd	BX		7108 - D184	MD184	R40H5010	R40H5519	NR	NR
	Fd	BX		7108 - D184	MD184	R40H5010	R40H5519	NR	NR
	Fd	BX		7142 - D225	MD225	R40H5010	R40H5522	NR	NR
	Fd	BX		7142 - D225	MD225	R40H5010	R40H5522	NR	NR
	Fd	BX		7108 - D184	MD184	R40H5010	R40H5519	NR	NR
	Fd	BX		7108 - D184	MD184	R40H5010	R40H5519	NR	NR
	Fd	BX		7142 - D225	MD225	R40H5010	R40H5522	NR	NR
	Fd	BX		7108 - D184	MD184	R40H5010	R40H5519	NR	NR
	Fd	BX		7108 - D184	MD184	R40H5010	R40H5519	NR	NR
	Fd	BX		7108 - D184	MD184	R40H5010	R40H5519	NR	NR
	Fd	BX		7142 - D225	MD225	R40H5010	R40H5522	NR	NR
	Rd	BX		7108 - D184	MD184	R40H5010	R40H5519	NR	NR
	Rd	BX		7142 - D225	MD225	R40H5010	R40H5522	NR	NR
	Rd	BX		7108 - D184	MD184	R40H5010	R40H5519	NR	NR
	Rd	BX		7142 - D225	MD225	R40H5010	R40H5522	NR	NR
1994	Fd	BX		7142 - D225	MD225	R40H5010	R40H5522	NR	NR
	Fd	BX		7108 - D184	MD184	R40H5010	R40H5519	NR	NR
	Fd	BX		7108 - D184	MD184	R40H5010	R40H5519	NR	NR
	Fd	BX		7142 - D225	MD225	R40H5010	R40H5522	NR	NR
	Fd	BX		7142 - D225	MD225	R40H5010	R40H5522	NR	NR
	Fd	BX		7108 - D184	MD184	R40H5010	R40H5519	NR	NR
	Fd	BX		7108 - D184	MD184	R40H5010	R40H5519	NR	NR
	Fd	BX		7108 - D184	MD184	R40H5010	R40H5519	NR	NR
	Fd	BX		7108 - D184	MD184	R40H5010	R40H5519	NR	NR
	Fd	BX		7108 - D184	MD184	R40H5010	R40H5519	NR	NR
	Fd	BX		7142 - D225	MD225	R40H5010	R40H5522	NR	NR
	Fd	BX		7108 - D184	MD184	R40H5010	R40H5519	NR	NR
	Rd	BX		7142 - D225	MD225	R40H5010	R40H5522	NR	NR
	Rd	BX		7142 - D225	MD225	R40H5010	R40H5522	NR	NR
	Rd	BX		7108 - D184	MD184	R40H5010	R40H5519	NR	NR
	Rd	BX		7108 - D184	MD184	R40H5010	R40H5519	NR	NR
1993	Fd	BX		7108 - D184	MD184	R40H5010	R40H5519	NR	NR
	Fd	BX		7142 - D225	MD225	R40H5010	R40H5522	NR	NR
	Fd	BX		7108 - D184	MD184	R40H5010	R40H5519	NR	NR
	Fd	BX		7142 - D225	MD225	R40H5010	R40H5522	NR	NR
	Fd	BX		7108 - D184	MD184	R40H5010	R40H5519	NR	NR
	Fd	BX		7108 - D184	MD184	R40H5010	R40H5519	NR	NR
	Fd	BX		7108 - D184	MD184	R40H5010	R40H5519	NR	NR
	Fd	BX		7142 - D225	MD225	R40H5010	R40H5522	NR	NR
	Fd	BX		7108 - D184	MD184	R40H5010	R40H5519	NR	NR
	Fd	BX		7108 - D184	MD184	R40H5010	R40H5519	NR	NR
	Fd	BX		7142 - D225	MD225	R40H5010	R40H5522	NR	NR
	Fd	BX		7108 - D184	MD184	R40H5010	R40H5519	NR	NR
	Rd	BX		7108 - D184	MD184	R40H5010	R40H5519	NR	NR
	Rd	BX		7142 - D225	MD225	R40H5010	R40H5522	NR	NR
	Rd	BX		7108 - D184	MD184	R40H5010	R40H5519	NR	NR
	Rd	BX		7142 - D225	MD225	R40H5010	R40H5522	NR	NR
1992	Fd	BX		7108 - D184	MD184	R40H5010	R40H5519	NR	NR
	Fd	BX		7108 - D184	MD184	R40H5010	R40H5519	NR	NR
	Fd	BX		7142 - D225	MD225	R40H5010	R40H5522	NR	NR
	Fd	BX		7108 - D184	MD184	R40H5010	R40H5519	NR	NR

37 - Also available as a New unit
 266 - 10 Stud, Hat Shaped
 273 - 5 Stud, U Shape, .780 Dia. Studs
 www.XpresswayPlus.com
 1-556

72 - Phenolic/Steel Face
 268 - 5 Stud, Hat Shape

201 - Steel Piston
 271 - 6 Stud, Hat Shape

MAKE MODEL YEAR AXLE CODE AXLE WEIGHT	AXLE & BRK. TYPE	BRK. MFG.	BRAKE SIZE	FMSI	MERITOR DISC PAD OR BRAKE SHOE	MERITOR GUIDE PIN OR RETURN SPRING KIT	MERITOR CALIPER HWD. KIT OR RETURN SPRING KIT	MERITOR ADJUSTER KIT (LEFT WHEEL)	MERITOR ADJUSTER KIT (RIGHT WHEEL)
ITE(Cont.)									
160, 1600, 1650 SERIES(Cont.)									
1992									
	Fd	BX		7108 - D184	MD184	R40H5010	R40H5519	NR	NR
	Fd	BX		7108 - D184	MD184	R40H5010	R40H5519	NR	NR
	Fd	BX		7142 - D225	MD225	R40H5010	R40H5522	NR	NR
	Fd	BX		7142 - D225	MD225	R40H5010	R40H5522	NR	NR
	Fd	BX		7108 - D184	MD184	R40H5010	R40H5519	NR	NR
	Fd	BX		7142 - D225	MD225	R40H5010	R40H5522	NR	NR
	Fd	BX		7108 - D184	MD184	R40H5010	R40H5519	NR	NR
	Fd	BX		7108 - D184	MD184	R40H5010	R40H5519	NR	NR
	Rd	BX		7142 - D225	MD225	R40H5010	R40H5522	NR	NR
	Rd	BX		7142 - D225	MD225	R40H5010	R40H5522	NR	NR
	Rd	BX		7108 - D184	MD184	R40H5010	R40H5519	NR	NR
	Rd	BX		7108 - D184	MD184	R40H5010	R40H5519	NR	NR
1991									
	Fd	BX		7142 - D225	MD225	R40H5010	R40H5522	NR	NR
	Fd	BX		7108 - D184	MD184	R40H5010	R40H5519	NR	NR
	Fd	BX		7108 - D184	MD184	R40H5010	R40H5519	NR	NR
	Fd	BX		7108 - D184	MD184	R40H5010	R40H5519	NR	NR
	Fd	BX		7108 - D184	MD184	R40H5010	R40H5519	NR	NR
	Fd	BX		7142 - D225	MD225	R40H5010	R40H5522	NR	NR
	Fd	BX		7142 - D225	MD225	R40H5010	R40H5522	NR	NR
	Fd	BX		7108 - D184	MD184	R40H5010	R40H5519	NR	NR
	Fd	BX		7108 - D184	MD184	R40H5010	R40H5519	NR	NR
	Fd	BX		7108 - D184	MD184	R40H5010	R40H5519	NR	NR
	Fd	BX		7142 - D225	MD225	R40H5010	R40H5522	NR	NR
	Rd	BX		7108 - D184	MD184	R40H5010	R40H5519	NR	NR
	Rd	BX		7108 - D184	MD184	R40H5010	R40H5519	NR	NR
	Rd	BX		7142 - D225	MD225	R40H5010	R40H5522	NR	NR
	Rd	BX		7142 - D225	MD225	R40H5010	R40H5522	NR	NR
1990									
	Fd	BX		7108 - D184	MD184	R40H5010	R40H5519	NR	NR
	Fd	BX		7108 - D184	MD184	R40H5010	R40H5519	NR	NR
	Fd	BX		7108 - D184	MD184	R40H5010	R40H5519	NR	NR
	Fd	BX		7142 - D225	MD225	R40H5010	R40H5522	NR	NR
	Fd	BX		7108 - D184	MD184	R40H5010	R40H5519	NR	NR
	Fd	BX		7108 - D184	MD184	R40H5010	R40H5519	NR	NR
	Fd	BX		7142 - D225	MD225	R40H5010	R40H5522	NR	NR
	Fd	BX		7142 - D225	MD225	R40H5010	R40H5522	NR	NR
	Fd	BX		7108 - D184	MD184	R40H5010	R40H5519	NR	NR
	Fd	BX		7108 - D184	MD184	R40H5010	R40H5519	NR	NR
	Fd	BX		7142 - D225	MD225	R40H5010	R40H5522	NR	NR
	Fd	BX		7142 - D225	MD225	R40H5010	R40H5522	NR	NR
	Fd	BX		7108 - D184	MD184	R40H5010	R40H5519	NR	NR
	Fd	BX		7108 - D184	MD184	R40H5010	R40H5519	NR	NR
	Rd	BX		7142 - D225	MD225	R40H5010	R40H5522	NR	NR
	Rd	BX		7108 - D184	MD184	R40H5010	R40H5519	NR	NR
	Rd	BX		7142 - D225	MD225	R40H5010	R40H5522	NR	NR
	Rd	BX		7108 - D184	MD184	R40H5010	R40H5519	NR	NR
1989									
C1610, C1650 Cargostar Tilt Cab	Fd	BX		7142 - D225	MD225	R40H5010	R40H5522	NR	NR
	Fd	BX		7108 - D184	MD184	R40H5010	R40H5519	NR	NR
	Rd	BX		7142 - D225	MD225	R40H5010	R40H5522	NR	NR
M1600, M1652, M1654 Metro Series, Forward Control									
	Fd	BX		7108 - D184	MD184	R40H5010	R40H5519	NR	NR
	Fd	BX		7108 - D184	MD184	R40H5010	R40H5519	NR	NR
	Fd	BX		7142 - D225	MD225	R40H5010	R40H5522	NR	NR
	Fd	BX		7142 - D225	MD225	R40H5010	R40H5522	NR	NR
	Fd	BX		7108 - D184	MD184	R40H5010	R40H5519	NR	NR
	Fd	BX		7142 - D225	MD225	R40H5010	R40H5522	NR	NR
	Fd	BX		7108 - D184	MD184	R40H5010	R40H5519	NR	NR
	Fd	BX		7108 - D184	MD184	R40H5010	R40H5519	NR	NR
	Fd	BX		7108 - D184	MD184	R40H5010	R40H5519	NR	NR

37 - Also available as a New unit
 201 - Steel Piston
 268 - 5 Stud, Hat Shape
 www.XpresswayPlus.com

53 - Power Brakes
 266 - 10 Stud, Hat Shaped
 269 - 5 Stud, U Shape

72 - Phenolic/Steel Face
 267 - 10 Stud, U Shaped
 271 - 6 Stud, Hat Shape

MERITOR DRUM OR ROTOR NO.	CALIPER OR CYLINDER BORE SIZE	MERITOR CALIPER OR WHEEL CYLINDER (LEFT)	MERITOR CALIPER OR WHEEL CYLINDER (RIGHT)	MERITOR CALIPER OR WHEEL CYLINDER REPAIR KIT	MERITOR CALIPER PISTON	MERITOR MASTER CYLINDER	MERITOR MASTER CYLINDER KIT	MERITOR BRAKE HOSE (LEFT)	MERITOR BRAKE HOSE (RIGHT)
ITE(Cont.)									
160, 1600, 1650 SERIES(Cont.)									
23-122920-002 ²⁷³ R44141476 ²⁶⁸	3-3/8 "	R42R55099	R42R55098 ³⁷	R4066780	R4090021 ²⁰¹	-	-	-	-
23-122920-002 ²⁷³ R44141476 ²⁶⁸	3-3/8 "	R42R55099	R42R55098 ³⁷	R4066780	R4090021 ²⁰¹	-	-	-	-
23-122920-002 ²⁷³ R44141476 ²⁶⁸	2-7/8 "	R42R55250	R42R55250 ³⁷	R4066365	R4090096 ⁷²	-	-	-	-
23-123552-004 ²⁶⁶ 23-123572-004 ²⁷¹	2-7/8 "	R42R55250	R42R55250 ³⁷	R4066365	R4090096 ⁷²	-	-	-	-
23-123552-004 ²⁶⁶ 23-123572-004 ²⁷¹	3-3/8 "	R42R55099	R42R55098 ³⁷	R4066780	R4090021 ²⁰¹	-	-	-	-
23-123552-004 ²⁶⁶ 23-123572-004 ²⁷¹	2-7/8 "	R42R55250	R42R55250 ³⁷	R4066365	R4090096 ⁷²	-	-	-	-
23-123552-004 ²⁶⁶ 23-123572-004 ²⁷¹	2-19/32 "	R42R55314	R42R55314 ³⁷	R40107771	R4090100P ⁷²	-	-	-	-
23-123552-004 ²⁶⁶ 23-123572-004 ²⁷¹	3-3/8 "	R42R55099	R42R55098 ³⁷	R4066780	R4090021 ²⁰¹	-	-	-	-
23-123552-004 ²⁶⁶ 23-123572-004 ²⁷¹	2-7/8 "	R42R55250	R42R55250 ³⁷	R4066365	R4090096 ⁷²	-	-	R4577512	R4577512
23-123572-004 ²⁷¹ 23-123552-004 ²⁶⁶	2-7/8 "	R42R55250	R42R55250 ³⁷	R4066365	R4090096 ⁷²	-	-	R4577512	R4577512
23-123572-004 ²⁷¹ 23-123552-004 ²⁶⁶	2-19/32 "	R42R55314	R42R55314 ³⁷	R40107771	R4090100P ⁷²	-	-	R4577512	R4577512
23-123552-004 ²⁶⁶ 23-123572-004 ²⁷¹	2-19/32 "	R42R55314	R42R55314 ³⁷	R40107771	R4090100P ⁷²	-	-	R4577512	R4577512
23-122920-002 ²⁷³ R44141476 ²⁶⁸	2-7/8 "	R42R55250	R42R55250 ³⁷	R4066365	R4090096 ⁷²	-	-	-	-
23-122920-002 ²⁷³ R44141476 ²⁶⁸	3-3/8 "	R42R55099	R42R55098 ³⁷	R4066780	R4090021 ²⁰¹	-	-	-	-
23-123572-004 ²⁷¹ 23-123552-004 ²⁶⁶	2-19/32 "	R42R55314	R42R55314 ³⁷	R40107771	R4090100P ⁷²	-	-	-	-
23-123552-004 ²⁶⁶ R44141476 ²⁶⁸	3-3/8 "	R42R55099	R42R55098 ³⁷	R4066780	R4090021 ²⁰¹	-	-	-	-
23-123552-004 ²⁶⁶ R44141476 ²⁶⁸	2-19/32 "	R42R55314	R42R55314 ³⁷	R40107771	R4090100P ⁷²	-	-	-	-
23-123552-004 ²⁶⁶ R44141476 ²⁶⁸	2-7/8 "	R42R55250	R42R55250 ³⁷	R4066365	R4090096 ⁷²	-	-	-	-
23-123552-004 ²⁶⁶ R44141476 ²⁶⁸	2-7/8 "	R42R55250	R42R55250 ³⁷	R4066365	R4090096 ⁷²	-	-	-	-
23-122920-002 ²⁷³ R44141476 ²⁶⁸	2-19/32 "	R42R55314	R42R55314 ³⁷	R40107771	R4090100P ⁷²	-	-	-	-
23-122920-002 ²⁷³ R44141476 ²⁶⁸	3-3/8 "	R42R55099	R42R55098 ³⁷	R4066780	R4090021 ²⁰¹	-	-	-	-
23-123552-004 ²⁶⁶ R44141476 ²⁶⁸	2-7/8 "	R42R55250	R42R55250 ³⁷	R4066365	R4090096 ⁷²	-	-	-	-
23-123552-004 ²⁶⁶ R44141476 ²⁶⁸	2-7/8 "	R42R55250	R42R55250 ³⁷	R4066365	R4090096 ⁷²	-	-	-	-
23-123552-004 ²⁶⁶ R44141476 ²⁶⁸	2-19/32 "	R42R55314	R42R55314 ³⁷	R40107771	R4090100P ⁷²	-	-	-	-
23-122920-002 ²⁷³ R44141476 ²⁶⁸	2-19/32 "	R42R55314	R42R55314 ³⁷	R40107771	R4090100P ⁷²	-	-	-	-
23-122920-002 ²⁷³ R44141476 ²⁶⁸	3-3/8 "	R42R55099	R42R55098 ³⁷	R4066780	R4090021 ²⁰¹	-	-	-	-
23-123552-004 ²⁶⁶ R44141476 ²⁶⁸	2-7/8 "	R42R55250	R42R55250 ³⁷	R4066365	R4090096 ⁷²	-	-	-	-
23-123552-004 ²⁶⁶ R44141476 ²⁶⁸	2-7/8 "	R42R55250	R42R55250 ³⁷	R4066365	R4090096 ⁷²	-	-	-	-
23-123552-004 ²⁶⁶ R44141476 ²⁶⁸	2-19/32 "	R42R55314	R42R55314 ³⁷	R40107771	R4090100P ⁷²	-	-	-	-
23-123552-004 ²⁶⁶ R44141476 ²⁶⁸	2-19/32 "	R42R55314	R42R55314 ³⁷	R40107771	R4090100P ⁷²	-	-	-	-
23-123552-004 ²⁶⁶ R44141476 ²⁶⁸	2-7/8 "	R42R55250	R42R55250 ³⁷	R4066365	R4090096 ⁷²	-	-	R4577512	R4577512
23-123572-004 ²⁷¹ 23-123552-004 ²⁶⁶	2-19/32 "	R42R55314	R42R55314 ³⁷	R40107771	R4090100P ⁷²	-	-	R4577512	R4577512
23-123572-004 ²⁷¹ 23-123552-004 ²⁶⁶	2-7/8 "	R42R55250	R42R55250 ³⁷	R4066365	R4090096 ⁷²	-	-	R4577512	R4577512
23-123552-004 ²⁶⁶ 23-123572-004 ²⁷¹	2-7/8 "	R42R55250	R42R55250 ³⁷	R4066365	R4090096 ⁷²	-	-	R4577512	R4577512
23-123552-004 ²⁶⁶ 23-123572-004 ²⁷¹	2-19/32 "	R42R55314	R42R55314 ³⁷	R40107771	R4090100P ⁷²	-	-	R4577512	R4577512
23-122701-002 ²⁶⁹ 23-122527-002 ²⁷²	2-7/8 "	R42R55250	R42R55250 ³⁷	R4066365	R4090096 ⁷²	-	-	-	-
23-122527-002 ²⁷² 23-122527-002 ²⁷²	2-19/32 "	R42R55314	R42R55314 ³⁷	R40107771	R4090100P ⁷²	N/A ⁵³	-	-	-
23-122527-002 ²⁷² 23-122527-002 ²⁷²	2-7/8 "	R42R55250	R42R55250 ³⁷	R4066365	R4090096 ⁷²	-	-	-	-
23-123572-004 ²⁷¹ 23-122920-002 ²⁷³	3-3/8 "	R42R55099	R42R55098 ³⁷	R4066780	R4090021 ²⁰¹	-	-	-	-
23-122920-002 ²⁷³ R44141476 ²⁶⁸	2-19/32 "	R42R55314	R42R55314 ³⁷	R40107771	R4090100P ⁷²	-	-	-	-
23-122920-002 ²⁷³ R44141476 ²⁶⁸	2-7/8 "	R42R55250	R42R55250 ³⁷	R4066365	R4090096 ⁷²	-	-	-	-
23-123552-004 ²⁶⁶ R44141476 ²⁶⁸	2-7/8 "	R42R55250	R42R55250 ³⁷	R4066365	R4090096 ⁷²	-	-	-	-
23-123552-004 ²⁶⁶ R44141476 ²⁶⁸	3-3/8 "	R42R55099	R42R55098 ³⁷	R4066780	R4090021 ²⁰¹	-	-	-	-
23-122920-002 ²⁷³ R44141476 ²⁶⁸	2-7/8 "	R42R55250	R42R55250 ³⁷	R4066365	R4090096 ⁷²	-	-	-	-
23-123572-004 ²⁷¹ R44141476 ²⁶⁸	2-19/32 "	R42R55314	R42R55314 ³⁷	R40107771	R4090100P ⁷²	-	-	-	-
23-123572-004 ²⁷¹ R44141476 ²⁶⁸	2-19/32 "	R42R55314	R42R55314 ³⁷	R40107771	R4090100P ⁷²	-	-	-	-
23-123572-004 ²⁷¹ R44141476 ²⁶⁸	3-3/8 "	R42R55099	R42R55098 ³⁷	R4066780	R4090021 ²⁰¹	-	-	-	-

1 APPLICATION

MAKE MODEL YEAR AXLE CODE AXLE WEIGHT	AXLE & BRK. TYPE	BRK. MFG.	BRAKE SIZE	FMSI	MERITOR DISC PAD OR BRAKE SHOE	MERITOR GUIDE PIN OR RETURN SPRING KIT	MERITOR CALIPER HWD. KIT OR RETURN SPRING KIT	MERITOR ADJUSTER KIT (LEFT WHEEL)	MERITOR ADJUSTER KIT (RIGHT WHEEL)
ITE(Cont.)									
160, 1600, 1650 SERIES(Cont.)									
1989	Fd	BX		7108 - D184	MD184	R40H5010	R40H5519	NR	NR
	Fd	BX		7108 - D184	MD184	R40H5010	R40H5519	NR	NR
	Fd	BX		7142 - D225	MD225	R40H5010	R40H5522	NR	NR
	Fd	BX		7142 - D225	MD225	R40H5010	R40H5522	NR	NR
	Fd	BX		7108 - D184	MD184	R40H5010	R40H5519	NR	NR
	Rd	BX		7142 - D225	MD225	R40H5010	R40H5522	NR	NR
	Rd	BX		7108 - D184	MD184	R40H5010	R40H5519	NR	NR
	Rd	BX		7108 - D184	MD184	R40H5010	R40H5519	NR	NR
	Rd	BX		7142 - D225	MD225	R40H5010	R40H5522	NR	NR
	Rd	BX		7142 - D225	MD225	R40H5010	R40H5522	NR	NR
S1600, S1652, S1654 Conventional	Fd	BX		7142 - D225	MD225	R40H5010	R40H5522	NR	NR
	Fd	BX		7142 - D225	MD225	R40H5010	R40H5522	NR	NR
	Fd	BX		7108 - D184	MD184	R40H5010	R40H5519	NR	NR
	Fd	BX		7108 - D184	MD184	R40H5010	R40H5519	NR	NR
	Fd	BX		7142 - D225	MD225	R40H5010	R40H5522	NR	NR
	Fd	BX		7108 - D184	MD184	R40H5010	R40H5519	NR	NR
	Fd	BX		7142 - D225	MD225	R40H5010	R40H5522	NR	NR
	Fd	BX		7108 - D184	MD184	R40H5010	R40H5519	NR	NR
	Fd	BX		7108 - D184	MD184	R40H5010	R40H5519	NR	NR
	Fd	BX		7108 - D184	MD184	R40H5010	R40H5519	NR	NR
	Fd	BX		7108 - D184	MD184	R40H5010	R40H5519	NR	NR
	Fd	BX		7142 - D225	MD225	R40H5010	R40H5522	NR	NR
	Fd	BX		7108 - D184	MD184	R40H5010	R40H5519	NR	NR
	Fd	BX		7108 - D184	MD184	R40H5010	R40H5519	NR	NR
	Fd	BX		7108 - D184	MD184	R40H5010	R40H5519	NR	NR
	Fd	BX		7142 - D225	MD225	R40H5010	R40H5522	NR	NR
	Fd	BX		7108 - D184	MD184	R40H5010	R40H5519	NR	NR
	Fd	BX		7108 - D184	MD184	R40H5010	R40H5519	NR	NR
	Fd	BX		7142 - D225	MD225	R40H5010	R40H5522	NR	NR
	Rd	BX		7108 - D184	MD184	R40H5010	R40H5519	NR	NR
	Rd	BX		7142 - D225	MD225	R40H5010	R40H5522	NR	NR
	Rd	BX		7108 - D184	MD184	R40H5010	R40H5519	NR	NR
	Rd	BX		7142 - D225	MD225	R40H5010	R40H5522	NR	NR
	Rd	BX		7108 - D184	MD184	R40H5010	R40H5519	NR	NR
	Rd	BX		7142 - D225	MD225	R40H5010	R40H5522	NR	NR
	Rd	BX		7108 - D184	MD184	R40H5010	R40H5519	NR	NR
	Rd	BX		7142 - D225	MD225	R40H5010	R40H5522	NR	NR
	1988 C1610, C1650 Cargostar Tilt Cab	Fd	BX		7108 - D184	MD184	R40H5010	R40H5519	NR
Fd		BX		7142 - D225	MD225	R40H5010	R40H5522	NR	NR
Rd		BX		7142 - D225	MD225	R40H5010	R40H5522	NR	NR
M1600, M1652, M1654 Metro Series, Forward Control	Fd	BX		7108 - D184	MD184	R40H5010	R40H5519	NR	NR
	Fd	BX		7108 - D184	MD184	R40H5010	R40H5519	NR	NR
	Fd	BX		7108 - D184	MD184	R40H5010	R40H5519	NR	NR
	Fd	BX		7142 - D225	MD225	R40H5010	R40H5522	NR	NR
	Fd	BX		7108 - D184	MD184	R40H5010	R40H5519	NR	NR
	Fd	BX		7108 - D184	MD184	R40H5010	R40H5519	NR	NR
	Fd	BX		7108 - D184	MD184	R40H5010	R40H5519	NR	NR
	Fd	BX		7108 - D184	MD184	R40H5010	R40H5519	NR	NR
	Fd	BX		7142 - D225	MD225	R40H5010	R40H5522	NR	NR
	Fd	BX		7108 - D184	MD184	R40H5010	R40H5519	NR	NR
	Fd	BX		7142 - D225	MD225	R40H5010	R40H5522	NR	NR
	Fd	BX		7142 - D225	MD225	R40H5010	R40H5522	NR	NR
	Fd	BX		7142 - D225	MD225	R40H5010	R40H5522	NR	NR
	Fd	BX		7142 - D225	MD225	R40H5010	R40H5522	NR	NR

37 - Also available as a New unit
 201 - Steel Piston
 268 - 5 Stud, Hat Shape
 www.XpresswayPlus.com
 1-560

53 - Power Brakes
 266 - 10 Stud, Hat Shaped
 269 - 5 Stud, U Shape

72 - Phenolic/Steel Face
 267 - 10 Stud, U Shaped
 270 - 5 Stud, U Shape, .766 Dia. Studs

MERITOR DRUM OR ROTOR NO.	CALIPER OR CYLINDER BORE SIZE	MERITOR CALIPER OR WHEEL CYLINDER (LEFT)	MERITOR CALIPER OR WHEEL CYLINDER (RIGHT)	MERITOR CALIPER OR WHEEL CYLINDER REPAIR KIT	MERITOR CALIPER PISTON	MERITOR MASTER CYLINDER	MERITOR MASTER CYLINDER KIT	MERITOR BRAKE HOSE (LEFT)	MERITOR BRAKE HOSE (RIGHT)
ITE(Cont.)									
160, 1600, 1650 SERIES(Cont.)									
23-123552-004 ²⁶⁶	2-19/32 "	R42R55314	R42R55314 ³⁷	R40107771	R4090100P ⁷²	-	-	-	-
R44141608 ²⁶⁷	2-19/32 "	R42R55314	R42R55314 ³⁷	R40107771	R4090100P ⁷²	-	-	-	-
23-123572-004 ²⁷¹	2-7/8 "	R42R55250	R42R55250 ³⁷	R4066365	R4090096 ⁷²	-	-	-	-
23-123552-004 ²⁶⁶	2-7/8 "	R42R55250	R42R55250 ³⁷	R4066365	R4090096 ⁷²	-	-	-	-
23-122920-002 ²⁷³	3-3/8 "	R42R55099	R42R55098 ³⁷	R4066780	R4090021 ²⁰¹	-	-	-	-
23-123552-004 ²⁶⁶	2-7/8 "	R42R55250	R42R55250 ³⁷	R4066365	R4090096 ⁷²	-	-	R4577512	R4577512
23-123552-004 ²⁶⁶	2-19/32 "	R42R55314	R42R55314 ³⁷	R40107771	R4090100P ⁷²	-	-	R4577512	R4577512
23-123572-004 ²⁷¹	2-19/32 "	R42R55314	R42R55314 ³⁷	R40107771	R4090100P ⁷²	-	-	R4577512	R4577512
23-123572-004 ²⁷¹	2-7/8 "	R42R55250	R42R55250 ³⁷	R4066365	R4090096 ⁷²	-	-	R4577512	R4577512
R44141858 ²⁷⁵	2-7/8 "	R42R55250	R42R55250 ³⁷	R4066365	R4090096 ⁷²	-	-	-	-
R44141476 ²⁶⁸	2-7/8 "	R42R55250	R42R55250 ³⁷	R4066365	R4090096 ⁷²	-	-	-	-
23-123552-004 ²⁶⁶	2-19/32 "	R42R55314	R42R55314 ³⁷	R40107771	R4090100P ⁷²	-	-	-	-
23-123552-004 ²⁶⁶	3-3/8 "	R42R55099	R42R55098 ³⁷	R4066780	R4090021 ²⁰¹	-	-	-	-
23-123572-004 ²⁷¹	2-7/8 "	R42R55250	R42R55250 ³⁷	R4066365	R4090096 ⁷²	-	-	-	-
23-122920-002 ²⁷³	3-3/8 "	R42R55099	R42R55098 ³⁷	R4066780	R4090021 ²⁰¹	-	-	-	-
23-122701-002 ²⁶⁹	2-7/8 "	R42R55250	R42R55250 ³⁷	R4066365	R4090096 ⁷²	-	-	-	-
23-122701-002 ²⁶⁹	3-3/8 "	R42R55099	R42R55098 ³⁷	R4066780	R4090021 ²⁰¹	-	-	-	-
R44141476 ²⁶⁸	2-19/32 "	R42R55314	R42R55314 ³⁷	R40107771	R4090100P ⁷²	-	-	-	-
23-122701-002 ²⁶⁹	2-19/32 "	R42R55314	R42R55314 ³⁷	R40107771	R4090100P ⁷²	-	-	-	-
23-123572-004 ²⁷¹	3-3/8 "	R42R55099	R42R55098 ³⁷	R4066780	R4090021 ²⁰¹	-	-	-	-
23-122527-002 ²⁷²	3-3/8 "	R42R55099	R42R55098 ³⁷	R4066780	R4090021 ²⁰¹	-	-	-	-
23-123552-004 ²⁶⁶	2-7/8 "	R42R55250	R42R55250 ³⁷	R4066365	R4090096 ⁷²	-	-	-	-
R44141858 ²⁷⁵	3-3/8 "	R42R55099	R42R55098 ³⁷	R4066780	R4090021 ²⁰¹	-	-	-	-
R44141858 ²⁷⁵	2-19/32 "	R42R55314	R42R55314 ³⁷	R40107771	R4090100P ⁷²	-	-	-	-
23-123572-004 ²⁷¹	2-19/32 "	R42R55314	R42R55314 ³⁷	R40107771	R4090100P ⁷²	-	-	-	-
R44141476 ²⁶⁸	3-3/8 "	R42R55099	R42R55098 ³⁷	R4066780	R4090021 ²⁰¹	-	-	-	-
23-122920-002 ²⁷³	2-7/8 "	R42R55250	R42R55250 ³⁷	R4066365	R4090096 ⁷²	-	-	-	-
23-122527-002 ²⁷²	2-19/32 "	R42R55314	R42R55314 ³⁷	R40107771	R4090100P ⁷²	-	-	-	-
23-122920-002 ²⁷³	2-19/32 "	R42R55314	R42R55314 ³⁷	R40107771	R4090100P ⁷²	-	-	-	-
23-122527-002 ²⁷²	2-7/8 "	R42R55250	R42R55250 ³⁷	R4066365	R4090096 ⁷²	-	-	-	-
R44141608 ²⁶⁷	2-19/32 "	R42R55314	R42R55314 ³⁷	R40107771	R4090100P ⁷²	-	-	-	-
R44141608 ²⁶⁷	2-7/8 "	R42R55250	R42R55250 ³⁷	R4066365	R4090096 ⁷²	-	-	-	-
23-123552-004 ²⁶⁶	2-19/32 "	R42R55314	R42R55314 ³⁷	R40107771	R4090100P ⁷²	-	-	-	-
23-123572-004 ²⁷¹	2-7/8 "	R42R55250	R42R55250 ³⁷	R4066365	R4090096 ⁷²	-	-	-	-
R44141629 ²⁶⁹	2-19/32 "	R42R55314	R42R55314 ³⁷	R40107771	R4090100P ⁷²	-	-	-	-
R44141628 ²⁶⁹	2-19/32 "	R42R55314	R42R55314 ³⁷	R40107771	R4090100P ⁷²	-	-	-	-
R44141628 ²⁶⁹	2-7/8 "	R42R55250	R42R55250 ³⁷	R4066365	R4090096 ⁷²	-	-	-	-
R44141627 ²⁷⁰	2-19/32 "	R42R55314	R42R55314 ³⁷	R40107771	R4090100P ⁷²	-	-	-	-
23-123552-004 ²⁶⁶	2-7/8 "	R42R55250	R42R55250 ³⁷	R4066365	R4090096 ⁷²	-	-	-	-
23-123572-004 ²⁷¹	2-19/32 "	R42R55314	R42R55314 ³⁷	R40107771	R4090100P ⁷²	-	-	-	-
R44141627 ²⁷⁰	2-7/8 "	R42R55250	R42R55250 ³⁷	R4066365	R4090096 ⁷²	-	-	-	-
R44141629 ²⁶⁹	2-7/8 "	R42R55250	R42R55250 ³⁷	R4066365	R4090096 ⁷²	-	-	-	-
23-122527-002 ²⁷²	2-19/32 "	R42R55314	R42R55314 ³⁷	R40107771	R4090100P ⁷²	N/A ⁵³	-	-	-
23-122701-002 ²⁶⁹	2-7/8 "	R42R55250	R42R55250 ³⁷	R4066365	R4090096 ⁷²	-	-	-	-
23-122527-002 ²⁷²	2-7/8 "	R42R55250	R42R55250 ³⁷	R4066365	R4090096 ⁷²	-	-	-	-
23-123552-004 ²⁶⁶	3-3/8 "	R42R55099	R42R55098 ³⁷	R4066780	R4090021 ²⁰¹	-	-	-	-
23-123572-004 ²⁷¹	3-3/8 "	R42R55099	R42R55098 ³⁷	R4066780	R4090021 ²⁰¹	-	-	-	-
R44141476 ²⁶⁸	2-19/32 "	R42R55314	R42R55314 ³⁷	R40107771	R4090100P ⁷²	-	-	-	-
R44141608 ²⁶⁷	2-7/8 "	R42R55250	R42R55250 ³⁷	R4066365	R4090096 ⁷²	-	-	-	-
R44141476 ²⁶⁸	3-3/8 "	R42R55099	R42R55098 ³⁷	R4066780	R4090021 ²⁰¹	-	-	-	-
23-123572-004 ²⁷¹	2-19/32 "	R42R55314	R42R55314 ³⁷	R40107771	R4090100P ⁷²	-	-	-	-
23-122920-002 ²⁷³	3-3/8 "	R42R55099	R42R55098 ³⁷	R4066780	R4090021 ²⁰¹	-	-	-	-
23-122920-002 ²⁷³	2-19/32 "	R42R55314	R42R55314 ³⁷	R40107771	R4090100P ⁷²	-	-	-	-
23-123552-004 ²⁶⁶	2-19/32 "	R42R55314	R42R55314 ³⁷	R40107771	R4090100P ⁷²	-	-	-	-
R44141476 ²⁶⁸	2-7/8 "	R42R55250	R42R55250 ³⁷	R4066365	R4090096 ⁷²	-	-	-	-
R44141608 ²⁶⁷	2-19/32 "	R42R55314	R42R55314 ³⁷	R40107771	R4090100P ⁷²	-	-	-	-
23-122920-002 ²⁷³	2-7/8 "	R42R55250	R42R55250 ³⁷	R4066365	R4090096 ⁷²	-	-	-	-
23-123572-004 ²⁷¹	2-7/8 "	R42R55250	R42R55250 ³⁷	R4066365	R4090096 ⁷²	-	-	-	-
23-123552-004 ²⁶⁶	2-7/8 "	R42R55250	R42R55250 ³⁷	R4066365	R4090096 ⁷²	-	-	-	-

1 APPLICATION

271 - 6 Stud, Hat Shape
275 - 5 Stud, U Shape, .656 Dia. Studs

272 - 6 Stud, U Shape

273 - 5 Stud, U Shape, .780 Dia. Studs

Contact our Customer Service Teams
1-888-725-9355

www.XpresswayPlus.com

MERITOR DRUM OR ROTOR NO.	CALIPER OR CYLINDER BORE SIZE	MERITOR CALIPER OR WHEEL CYLINDER (LEFT)	MERITOR CALIPER OR WHEEL CYLINDER (RIGHT)	MERITOR CALIPER OR WHEEL CYLINDER REPAIR KIT	MERITOR CALIPER PISTON	MERITOR MASTER CYLINDER	MERITOR MASTER CYLINDER KIT	MERITOR BRAKE HOSE (LEFT)	MERITOR BRAKE HOSE (RIGHT)
ITE(Cont.)									
160, 1600, 1650 SERIES(Cont.)									
23-123552-004 ²⁶⁶	2-19/32 "	R42R55314	R42R55314 ³⁷	R40107771	R4090100P ⁷²	-	-	R4577512	R4577512
23-123572-004 ²⁷¹	2-19/32 "	R42R55314	R42R55314 ³⁷	R40107771	R4090100P ⁷²	-	-	R4577512	R4577512
23-123572-004 ²⁷¹	2-7/8 "	R42R55250	R42R55250 ³⁷	R4066365	R4090096 ⁷²	-	-	R4577512	R4577512
23-123552-004 ²⁶⁶	2-7/8 "	R42R55250	R42R55250 ³⁷	R4066365	R4090096 ⁷²	-	-	R4577512	R4577512
23-123552-004 ²⁶⁶	2-19/32 "	R42R55314	R42R55314 ³⁷	R40107771	R4090100P ⁷²	N/A ⁵³	-	R458632	R458632
R44141476 ²⁶⁸	2-7/8 "	R42R55250	R42R55250 ³⁷	R4066365	R4090096 ⁷²	N/A ⁵³	-	R458632	R458632
23-123572-004 ²⁷¹	2-19/32 "	R42R55314	R42R55314 ³⁷	R40107771	R4090100P ⁷²	N/A ⁵³	-	R458632	R458632
23-123552-004 ²⁶⁶	2-7/8 "	R42R55314	R42R55314 ³⁷	R4066365	R40107771	R4090096 ⁷²	-	N/A	N/A
23-122701-002 ²⁶⁹	2-19/32 "	R42R55314	R42R55314 ³⁷	R40107771	R4090100P ⁷²	N/A ⁵³	-	R458632	R458632
R44141858 ²⁷⁵	2-19/32 "	R42R55314	R42R55314 ³⁷	R40107771	R4090100P ⁷²	N/A ⁵³	-	R458632	R458632
R44141476 ²⁶⁸	2-7/8 "	R42R55250	R42R55250 ³⁷	R4066365	R4090096 ⁷²	N/A ⁵³	-	R458635	R458635
23-123552-004 ²⁶⁶	2-7/8 "	R42R55250	R42R55250 ³⁷	R4066365	R4090096 ⁷²	N/A ⁵³	-	R458632	R458632
23-123572-004 ²⁷¹	2-7/8 "	R42R55250	R42R55250 ³⁷	R4066365	R4090096 ⁷²	N/A ⁵³	-	R458632	R458632
23-123572-004 ²⁷¹	3-3/8 "	R42R55099	R42R55098 ³⁷	R4066780	R4090021 ²⁰¹	N/A ⁵³	-	R458635	R458635
R44141476 ²⁶⁸	2-19/32 "	R42R55314	R42R55314 ³⁷	R40107771	R4090100P ⁷²	N/A ⁵³	-	R458632	R458632
23-122527-002 ²⁷²	3-3/8 "	R42R55099	R42R55098 ³⁷	R4066780	R4090021 ²⁰¹	N/A ⁵³	-	N/A	N/A
R44141858 ²⁷⁵	3-3/8 "	R42R55099	R42R55098 ³⁷	R4066780	R4090021 ²⁰¹	N/A ⁵³	-	R458636	R458636
23-122920-002 ²⁷³	3-3/8 "	R42R55099	R42R55098 ³⁷	R4066780	R4090021 ²⁰¹	N/A ⁵³	-	R458635	R458635
23-122701-002 ²⁶⁹	2-7/8 "	R42R55250	R42R55250 ³⁷	R4066365	R4090096 ⁷²	N/A ⁵³	-	R458636	R458636
23-122527-002 ²⁷²	2-7/8 "	R42R55250	R42R55250 ³⁷	R4066365	R4090096 ⁷²	N/A ⁵³	-	R458632	R458632
R44141858 ²⁷⁵	2-19/32 "	R42R55314	R42R55314 ³⁷	R40107771	R4090100P ⁷²	N/A ⁵³	-	R458635	R458635
23-122920-002 ²⁷³	2-19/32 "	R42R55314	R42R55314 ³⁷	R40107771	R4090100P ⁷²	N/A ⁵³	-	R458632	R458632
R44141476 ²⁶⁸	2-7/8 "	R42R55250	R42R55250 ³⁷	R4066365	R4090096 ⁷²	N/A ⁵³	-	N/A	N/A
23-123552-004 ²⁶⁶	2-7/8 "	R42R55250	R42R55250 ³⁷	R4066365	R4090096 ⁷²	N/A ⁵³	-	N/A	N/A
23-122920-002 ²⁷³	2-19/32 "	R42R55314	R42R55314 ³⁷	R40107771	R4090100P ⁷²	N/A ⁵³	-	N/A	N/A
R44141476 ²⁶⁸	2-19/32 "	R42R55314	R42R55314 ³⁷	R40107771	R4090100P ⁷²	N/A ⁵³	-	N/A	N/A
23-123572-004 ²⁷¹	2-19/32 "	R42R55314	R42R55314 ³⁷	R40107771	R4090100P ⁷²	N/A ⁵³	-	N/A	N/A
23-122527-002 ²⁷²	2-19/32 "	R42R55314	R42R55314 ³⁷	R40107771	R4090100P ⁷²	N/A ⁵³	-	N/A	N/A
23-122701-002 ²⁶⁹	2-7/8 "	R42R55250	R42R55250 ³⁷	R4066365	R4090096 ⁷²	N/A ⁵³	-	R458635	R458635
R44141858 ²⁷⁵	3-3/8 "	R42R55099	R42R55098 ³⁷	R4066780	R4090021 ²⁰¹	N/A ⁵³	-	R458635	R458635
23-122920-002 ²⁷³	3-3/8 "	R42R55099	R42R55098 ³⁷	R4066780	R4090021 ²⁰¹	N/A ⁵³	-	R458632	R458632
23-123572-004 ²⁷¹	3-3/8 "	R42R55099	R42R55098 ³⁷	R4066780	R4090021 ²⁰¹	N/A ⁵³	-	R458632	R458632
23-123572-004 ²⁷¹	2-7/8 "	R42R55250	R42R55250 ³⁷	R4066365	R4090096 ⁷²	N/A ⁵³	-	R458635	R458635
23-122527-002 ²⁷²	2-19/32 "	R42R55314	R42R55314 ³⁷	R40107771	R4090100P ⁷²	N/A ⁵³	-	R458632	R458632
R44141476 ²⁶⁸	3-3/8 "	R42R55099	R42R55098 ³⁷	R4066780	R4090021 ²⁰¹	N/A ⁵³	-	R458635	R458635
23-122701-002 ²⁶⁹	2-7/8 "	R42R55250	R42R55250 ³⁷	R4066365	R4090096 ⁷²	N/A ⁵³	-	R458632	R458632
R44141858 ²⁷⁵	2-7/8 "	R42R55250	R42R55250 ³⁷	R4066365	R4090096 ⁷²	N/A ⁵³	-	R458635	R458635
23-122920-002 ²⁷³	2-7/8 "	R42R55250	R42R55250 ³⁷	R4066365	R4090096 ⁷²	N/A ⁵³	-	R458635	R458635
23-123552-004 ²⁶⁶	3-3/8 "	R42R55099	R42R55098 ³⁷	R4066780	R4090021 ²⁰¹	N/A ⁵³	-	R458635	R458635
23-122701-002 ²⁶⁹	3-3/8 "	R42R55099	R42R55098 ³⁷	R4066780	R4090021 ²⁰¹	N/A ⁵³	-	R458636	R458636
R44141858 ²⁷⁵	2-7/8 "	R42R55250	R42R55250 ³⁷	R4066365	R4090096 ⁷²	N/A ⁵³	-	N/A	N/A
23-122920-002 ²⁷³	2-7/8 "	R42R55250	R42R55250 ³⁷	R4066365	R4090096 ⁷²	N/A ⁵³	-	R458632	R458632
23-122701-002 ²⁶⁹	2-19/32 "	R42R55314	R42R55314 ³⁷	R40107771	R4090100P ⁷²	N/A ⁵³	-	R458635	R458635
23-122527-002 ²⁷²	3-3/8 "	R42R55099	R42R55098 ³⁷	R4066780	R4090021 ²⁰¹	N/A ⁵³	-	R458632	R458632
R44141858 ²⁷⁵	2-19/32 "	R42R55314	R42R55314 ³⁷	R40107771	R4090100P ⁷²	N/A ⁵³	-	R458636	R458636
R44141858 ²⁷⁵	2-7/8 "	R42R55250	R42R55250 ³⁷	R4066365	R4090096 ⁷²	N/A ⁵³	-	R458632	R458632
23-122527-002 ²⁷²	3-3/8 "	R42R55099	R42R55098 ³⁷	R4066780	R4090021 ²⁰¹	N/A ⁵³	-	R458636	R458636
R44141858 ²⁷⁵	2-7/8 "	R42R55250	R42R55250 ³⁷	R4066365	R4090096 ⁷²	N/A ⁵³	-	R458636	R458636
23-122527-002 ²⁷²	2-7/8 "	R42R55250	R42R55250 ³⁷	R4066365	R4090096 ⁷²	N/A ⁵³	-	R458635	R458635
23-123552-004 ²⁶⁶	2-7/8 "	R42R55250	R42R55250 ³⁷	R4066365	R4090096 ⁷²	N/A ⁵³	-	R458635	R458635
23-122701-002 ²⁶⁹	2-7/8 "	R42R55250	R42R55250 ³⁷	R4066365	R4090096 ⁷²	N/A ⁵³	-	N/A	N/A
23-123552-004 ²⁶⁶	3-3/8 "	R42R55099	R42R55098 ³⁷	R4066780	R4090021 ²⁰¹	N/A ⁵³	-	R458632	R458632
23-122527-002 ²⁷²	2-7/8 "	R42R55250	R42R55250 ³⁷	R4066365	R4090096 ⁷²	N/A ⁵³	-	N/A	N/A
23-122920-002 ²⁷³	2-7/8 "	R42R55250	R42R55250 ³⁷	R4066365	R4090096 ⁷²	N/A ⁵³	-	N/A	N/A
23-122920-002 ²⁷³	2-19/32 "	R42R55314	R42R55314 ³⁷	R40107771	R4090100P ⁷²	N/A ⁵³	-	R458636	R458636
R44141476 ²⁶⁸	2-19/32 "	R42R55314	R42R55314 ³⁷	R40107771	R4090100P ⁷²	N/A ⁵³	-	R458636	R458636
23-123552-004 ²⁶⁶	2-19/32 "	R42R55314	R42R55314 ³⁷	R40107771	R4090100P ⁷²	N/A ⁵³	-	R458636	R458636
23-123572-004 ²⁷¹	2-19/32 "	R42R55314	R42R55314 ³⁷	R40107771	R4090100P ⁷²	N/A ⁵³	-	R458636	R458636
23-123552-004 ²⁶⁶	2-7/8 "	R42R55250	R42R55250 ³⁷	R4066365	R4090096 ⁷²	N/A ⁵³	-	R458636	R458636
23-122701-002 ²⁶⁹	3-3/8 "	R42R55099	R42R55098 ³⁷	R4066780	R4090021 ²⁰¹	N/A ⁵³	-	R458635	R458635
23-123572-004 ²⁷¹	2-7/8 "	R42R55250	R42R55250 ³⁷	R4066365	R4090096 ⁷²	N/A ⁵³	-	N/A	N/A
R44141476 ²⁶⁸	3-3/8 "	R42R55099	R42R55098 ³⁷	R4066780	R4090021 ²⁰¹	N/A ⁵³	-	R458632	R458632

1 APPLICATION

273 - 5 Stud, U Shape, .780 Dia. Studs

275 - 5 Stud, U Shape, .656 Dia. Studs

MERITOR DRUM OR ROTOR NO.	CALIPER OR CYLINDER BORE SIZE	MERITOR CALIPER OR WHEEL CYLINDER (LEFT)	MERITOR CALIPER OR WHEEL CYLINDER (RIGHT)	MERITOR CALIPER OR WHEEL CYLINDER REPAIR KIT	MERITOR CALIPER PISTON	MERITOR MASTER CYLINDER	MERITOR MASTER CYLINDER KIT	MERITOR BRAKE HOSE (LEFT)	MERITOR BRAKE HOSE (RIGHT)
ITE(Cont.)									
160, 1600, 1650 SERIES(Cont.)									
R44141476 ²⁶⁸	3-3/8 "	R42R55099	R42R55098 ³⁷	R4066780	R4090021 ²⁰¹	N/A ⁵³	-	N/A	N/A
23-123572-004 ²⁷¹	3-3/8 "	R42R55099	R42R55098 ³⁷	R4066780	R4090021 ²⁰¹	N/A ⁵³	-	N/A	N/A
23-122701-002 ²⁶⁹	3-3/8 "	R42R55099	R42R55098 ³⁷	R4066780	R4090021 ²⁰¹	N/A ⁵³	-	R458632	R458632
23-122920-002 ²⁷³	3-3/8 "	R42R55099	R42R55098 ³⁷	R4066780	R4090021 ²⁰¹	N/A ⁵³	-	N/A	N/A
23-122527-002 ²⁷²	2-19/32 "	R42R55314	R42R55314 ³⁷	R40107771	R4090100P ⁷²	N/A ⁵³	-	R458636	R458636
23-123552-004 ²⁶⁶	3-3/8 "	R42R55099	R42R55098 ³⁷	R4066780	R4090021 ²⁰¹	N/A ⁵³	-	N/A	N/A
R44141858 ²⁷⁵	3-3/8 "	R42R55099	R42R55098 ³⁷	R4066780	R4090021 ²⁰¹	N/A ⁵³	-	R458632	R458632
23-122701-002 ²⁶⁹	2-19/32 "	R42R55314	R42R55314 ³⁷	R40107771	R4090100P ⁷²	N/A ⁵³	-	N/A	N/A
R44141858 ²⁷⁵	2-19/32 "	R42R55314	R42R55314 ³⁷	R40107771	R4090100P ⁷²	N/A ⁵³	-	N/A	N/A
23-122701-002 ²⁶⁹	3-3/8 "	R42R55099	R42R55098 ³⁷	R4066780	R4090021 ²⁰¹	N/A ⁵³	-	N/A	N/A
R44141858 ²⁷⁵	3-3/8 "	R42R55099	R42R55098 ³⁷	R4066780	R4090021 ²⁰¹	N/A ⁵³	-	N/A	N/A
23-123572-004 ²⁷¹	3-3/8 "	R42R55099	R42R55098 ³⁷	R4066780	R4090021 ²⁰¹	N/A ⁵³	-	R458636	R458636
23-123572-004 ²⁷¹	2-7/8 "	R42R55250	R42R55250 ³⁷	R4066365	R4090096 ⁷²	N/A ⁵³	-	R458636	R458636
23-122920-002 ²⁷³	2-19/32 "	R42R55314	R42R55314 ³⁷	R40107771	R4090100P ⁷²	N/A ⁵³	-	R458635	R458635
23-122527-002 ²⁷²	3-3/8 "	R42R55099	R42R55098 ³⁷	R4066780	R4090021 ²⁰¹	N/A ⁵³	-	R458635	R458635
R44141476 ²⁶⁸	3-3/8 "	R42R55099	R42R55098 ³⁷	R4066780	R4090021 ²⁰¹	N/A ⁵³	-	R458636	R458636
23-123552-004 ²⁶⁶	3-3/8 "	R42R55099	R42R55098 ³⁷	R4066780	R4090021 ²⁰¹	N/A ⁵³	-	R458636	R458636
23-122701-002 ²⁶⁹	2-19/32 "	R42R55314	R42R55314 ³⁷	R40107771	R4090100P ⁷²	N/A ⁵³	-	R458636	R458636
R44141476 ²⁶⁸	2-19/32 "	R42R55314	R42R55314 ³⁷	R40107771	R4090100P ⁷²	N/A ⁵³	-	R458635	R458635
23-123552-004 ²⁶⁶	2-19/32 "	R42R55314	R42R55314 ³⁷	R40107771	R4090100P ⁷²	N/A ⁵³	-	R458635	R458635
23-122920-002 ²⁷³	2-7/8 "	R42R55250	R42R55250 ³⁷	R4066365	R4090096 ⁷²	N/A ⁵³	-	R458636	R458636
R44141476 ²⁶⁸	2-7/8 "	R42R55250	R42R55250 ³⁷	R4066365	R4090096 ⁷²	N/A ⁵³	-	R458636	R458636
23-123572-004 ²⁷¹	2-19/32 "	R42R55314	R42R55314 ³⁷	R40107771	R4090100P ⁷²	N/A ⁵³	-	R458635	R458635
23-122527-002 ²⁷²	2-7/8 "	R42R55250	R42R55250 ³⁷	R4066365	R4090096 ⁷²	N/A ⁵³	-	R458636	R458636
23-122527-002 ²⁷²	2-19/32 "	R42R55314	R42R55314 ³⁷	R40107771	R4090100P ⁷²	N/A ⁵³	-	R458635	R458635
23-122920-002 ²⁷³	3-3/8 "	R42R55099	R42R55098 ³⁷	R4066780	R4090021 ²⁰¹	N/A ⁵³	-	R458636	R458636
R44141627 ²⁷⁰	2-7/8 "	R42R55250	R42R55250 ³⁷	R4066365	R4090096 ⁷²	-	-	R458634 ⁵²	R458634
23-123552-004 ²⁶⁶	2-19/32 "	R42R55314	R42R55314 ³⁷	R40107771	R4090100P ⁷²	-	-	R458634 ⁵²	R458634
R44141629 ²⁶⁹	2-19/32 "	R42R55314	R42R55314 ³⁷	R40107771	R4090100P ⁷²	-	-	R458634 ⁵²	R458634
23-123572-004 ²⁷¹	2-19/32 "	R42R55314	R42R55314 ³⁷	R40107771	R4090100P ⁷²	-	-	R4577512	R4577512
R44141627 ²⁷⁰	2-19/32 "	R42R55314	R42R55314 ³⁷	R40107771	R4090100P ⁷²	-	-	R4577512	R4577512
R44141608 ²⁶⁷	2-7/8 "	R42R55250	R42R55250 ³⁷	R4066365	R4090096 ⁷²	-	-	R4577512	R4577512
R44141629 ²⁶⁹	2-19/32 "	R42R55314	R42R55314 ³⁷	R40107771	R4090100P ⁷²	-	-	R4577512	R4577512
R44141608 ²⁶⁷	2-19/32 "	R42R55314	R42R55314 ³⁷	R40107771	R4090100P ⁷²	-	-	R4577512	R4577512
R44141628 ²⁶⁹	2-19/32 "	R42R55314	R42R55314 ³⁷	R40107771	R4090100P ⁷²	-	-	R458634 ⁵²	R458634
23-123552-004 ²⁶⁶	2-7/8 "	R42R55250	R42R55250 ³⁷	R4066365	R4090096 ⁷²	-	-	R458634 ⁵²	R458634
R44141629 ²⁶⁹	2-7/8 "	R42R55250	R42R55250 ³⁷	R4066365	R4090096 ⁷²	-	-	R4577512	R4577512
R44141629 ²⁶⁹	2-7/8 "	R42R55250	R42R55250 ³⁷	R4066365	R4090096 ⁷²	-	-	R4577512	R4577512
R44141608 ²⁶⁷	2-7/8 "	R42R55250	R42R55250 ³⁷	R4066365	R4090096 ⁷²	-	-	R458634 ⁵²	R458634
R44141627 ²⁷⁰	2-19/32 "	R42R55314	R42R55314 ³⁷	R40107771	R4090100P ⁷²	-	-	R458634 ⁵²	R458634
23-123572-004 ²⁷¹	2-19/32 "	R42R55314	R42R55314 ³⁷	R40107771	R4090100P ⁷²	-	-	R458634 ⁵²	R458634
R44141628 ²⁶⁹	2-7/8 "	R42R55250	R42R55250 ³⁷	R4066365	R4090096 ⁷²	-	-	R4577512	R4577512
23-123572-004 ²⁷¹	2-7/8 "	R42R55250	R42R55250 ³⁷	R4066365	R4090096 ⁷²	-	-	R458634 ⁵²	R458634
R44141628 ²⁶⁹	2-7/8 "	R42R55250	R42R55250 ³⁷	R4066365	R4090096 ⁷²	-	-	R458634 ⁵²	R458634
23-123572-004 ²⁷¹	2-7/8 "	R42R55250	R42R55250 ³⁷	R4066365	R4090096 ⁷²	-	-	R4577512	R4577512
R44141627 ²⁷⁰	2-7/8 "	R42R55250	R42R55250 ³⁷	R4066365	R4090096 ⁷²	-	-	R4577512	R4577512
23-123552-004 ²⁶⁶	2-19/32 "	R42R55314	R42R55314 ³⁷	R40107771	R4090100P ⁷²	-	-	R4577512	R4577512
R44141628 ²⁶⁹	2-19/32 "	R42R55314	R42R55314 ³⁷	R40107771	R4090100P ⁷²	-	-	R4577512	R4577512
R44141608 ²⁶⁷	2-19/32 "	R42R55314	R42R55314 ³⁷	R40107771	R4090100P ⁷²	-	-	R458634 ⁵²	R458634
23-122701-002 ²⁶⁹	2-7/8 "	R42R55250	R42R55250 ³⁷	R4066365	R4090096 ⁷²	-	-	-	-
23-122527-002 ²⁷²	2-19/32 "	R42R55314	R42R55314 ³⁷	R40107771	R4090100P ⁷²	N/A ⁵³	-	-	-
23-122527-002 ²⁷²	2-7/8 "	R42R55250	R42R55250 ³⁷	R4066365	R4090096 ⁷²	-	-	-	-
R44141476 ²⁶⁸	2-7/8 "	R42R55250	R42R55250 ³⁷	R4066365	R4090096 ⁷²	-	-	R458632	R458632
23-123572-004 ²⁷¹	2-19/32 "	R42R55314	R42R55314 ³⁷	R40107771	R4090100P ⁷²	-	-	R458632	R458632
23-123552-004 ²⁶⁶	3-3/8 "	R42R55099	R42R55098 ³⁷	R4066780	R4090021 ²⁰¹	-	-	R458636	R458636
23-122920-002 ²⁷³	3-3/8 "	R42R55099	R42R55098 ³⁷	R4066780	R4090021 ²⁰¹	-	-	R458632	R458632
23-123572-004 ²⁷¹	2-19/32 "	R42R55314	R42R55314 ³⁷	R40107771	R4090100P ⁷²	-	-	R458636	R458636
23-123572-004 ²⁷¹	2-7/8 "	R42R55250	R42R55250 ³⁷	R4066365	R4090096 ⁷²	-	-	R458636	R458636
23-123552-004 ²⁶⁶	2-19/32 "	R42R55314	R42R55314 ³⁷	R40107771	R4090100P ⁷²	-	-	R458636	R458636

270 - 5 Stud, U Shape, .766 Dia. Studs
273 - 5 Stud, U Shape, .780 Dia. Studs

271 - 6 Stud, Hat Shape
275 - 5 Stud, U Shape, .656 Dia. Studs

272 - 6 Stud, U Shape

Contact our Customer Service Teams
1-888-725-9355

www.XpresswayPlus.com

1 APPLICATION

MAKE MODEL YEAR AXLE CODE AXLE WEIGHT	AXLE & BRK. TYPE	BRK. MFG.	BRAKE SIZE	FMSI	MERITOR DISC PAD OR BRAKE SHOE	MERITOR GUIDE PIN OR RETURN SPRING KIT	MERITOR CALIPER HWD. KIT OR RETURN SPRING KIT	MERITOR ADJUSTER KIT (LEFT WHEEL)	MERITOR ADJUSTER KIT (RIGHT WHEEL)
ITE(Cont.)									
160, 1600, 1650 SERIES(Cont.)									
1987	Fd	BX		7108 - D184	MD184	R40H5010	R40H5519	NR	NR
	Fd	BX		7108 - D184	MD184	R40H5010	R40H5519	NR	NR
	Fd	BX		7108 - D184	MD184	R40H5010	R40H5519	NR	NR
	Fd	BX		7142 - D225	MD225	R40H5010	R40H5522	NR	NR
	Fd	BX		7108 - D184	MD184	R40H5010	R40H5519	NR	NR
	Fd	BX		7108 - D184	MD184	R40H5010	R40H5519	NR	NR
	Fd	BX		7108 - D184	MD184	R40H5010	R40H5519	NR	NR
	Fd	BX		7142 - D225	MD225	R40H5010	R40H5522	NR	NR
	Fd	BX		7108 - D184	MD184	R40H5010	R40H5519	NR	NR
	Fd	BX		7108 - D184	MD184	R40H5010	R40H5519	NR	NR
	Fd	BX		7142 - D225	MD225	R40H5010	R40H5522	NR	NR
	Fd	BX		7108 - D184	MD184	R40H5010	R40H5519	NR	NR
	Fd	BX		7108 - D184	MD184	R40H5010	R40H5519	NR	NR
	Fd	BX		7108 - D184	MD184	R40H5010	R40H5519	NR	NR
	Fd	BX		7142 - D225	MD225	R40H5010	R40H5522	NR	NR
	Fd	BX		7142 - D225	MD225	R40H5010	R40H5522	NR	NR
	Fd	BX		7142 - D225	MD225	R40H5010	R40H5522	NR	NR
	Fd	BX		7142 - D225	MD225	R40H5010	R40H5522	NR	NR
	Rd	BX		7142 - D225	MD225	R40H5010	R40H5522	NR	NR
	Rd	BX		7142 - D225	MD225	R40H5010	R40H5522	NR	NR
	Rd	BX		7108 - D184	MD184	R40H5010	R40H5519	NR	NR
	Rd	BX		7108 - D184	MD184	R40H5010	R40H5519	NR	NR
S1600, S1652, S1654 Conventional	Fd	BX		7108 - D184	MD184	R40H5010	R40H5519	NR	NR
	Fd	BX		7108 - D184	MD184	R40H5010	R40H5519	NR	NR
	Fd	BX		7142 - D225	MD225	R40H5010	R40H5522	NR	NR
	Fd	BX		7108 - D184	MD184	R40H5010	R40H5519	NR	NR
	Fd	BX		7142 - D225	MD225	R40H5010	R40H5522	NR	NR
	Fd	BX		7108 - D184	MD184	R40H5010	R40H5519	NR	NR
	Fd	BX		7108 - D184	MD184	R40H5010	R40H5519	NR	NR
	Fd	BX		7108 - D184	MD184	R40H5010	R40H5519	NR	NR
	Fd	BX		7142 - D225	MD225	R40H5010	R40H5522	NR	NR
	Fd	BX		7108 - D184	MD184	R40H5010	R40H5519	NR	NR
	Fd	BX		7108 - D184	MD184	R40H5010	R40H5519	NR	NR
	Fd	BX		7108 - D184	MD184	R40H5010	R40H5519	NR	NR
	Fd	BX		7142 - D225	MD225	R40H5010	R40H5522	NR	NR
	Fd	BX		7108 - D184	MD184	R40H5010	R40H5519	NR	NR
	Fd	BX		7108 - D184	MD184	R40H5010	R40H5519	NR	NR
	Fd	BX		7108 - D184	MD184	R40H5010	R40H5519	NR	NR
	Fd	BX		7142 - D225	MD225	R40H5010	R40H5522	NR	NR
	Fd	BX		7142 - D225	MD225	R40H5010	R40H5522	NR	NR
	Fd	BX		7108 - D184	MD184	R40H5010	R40H5519	NR	NR
	Fd	BX		7108 - D184	MD184	R40H5010	R40H5519	NR	NR
	Fd	BX		7108 - D184	MD184	R40H5010	R40H5519	NR	NR
	Fd	BX		7142 - D225	MD225	R40H5010	R40H5522	NR	NR
	Fd	BX		7142 - D225	MD225	R40H5010	R40H5522	NR	NR
	Fd	BX		7108 - D184	MD184	R40H5010	R40H5519	NR	NR
	Fd	BX		7108 - D184	MD184	R40H5010	R40H5519	NR	NR
	Fd	BX		7108 - D184	MD184	R40H5010	R40H5519	NR	NR
	Fd	BX		7142 - D225	MD225	R40H5010	R40H5522	NR	NR
	Fd	BX		7142 - D225	MD225	R40H5010	R40H5522	NR	NR
	Fd	BX		7108 - D184	MD184	R40H5010	R40H5519	NR	NR
	Fd	BX		7108 - D184	MD184	R40H5010	R40H5519	NR	NR

37 - Also available as a New unit
 72 - Phenolic/Steel Face
 267 - 10 Stud, U Shaped
 www.XpresswayPlus.com
 1-566

52 - 18" Length
 201 - Steel Piston
 268 - 5 Stud, Hat Shape

53 - Power Brakes
 266 - 10 Stud, Hat Shaped
 269 - 5 Stud, U Shape

Contact our Customer Service Teams
 1-888-725-9355

MERITOR DRUM OR ROTOR NO.	CALIPER OR CYLINDER BORE SIZE	MERITOR CALIPER OR WHEEL CYLINDER (LEFT)	MERITOR CALIPER OR WHEEL CYLINDER (RIGHT)	MERITOR CALIPER OR WHEEL CYLINDER REPAIR KIT	MERITOR CALIPER PISTON	MERITOR MASTER CYLINDER	MERITOR MASTER CYLINDER KIT	MERITOR BRAKE HOSE (LEFT)	MERITOR BRAKE HOSE (RIGHT)
ITE(Cont.)									
160, 1600, 1650 SERIES(Cont.)									
23-122920-002 ²⁷³	2-19/32 "	R42R55314	R42R55314 ³⁷	R40107771	R4090100P ⁷²	-	-	R458632	R458632
R44141476 ²⁶⁸	2-19/32 "	R42R55314	R42R55314 ³⁷	R40107771	R4090100P ⁷²	-	-	R458636	R458636
23-122920-002 ²⁷³	3-3/8 "	R42R55099	R42R55098 ³⁷	R4066780	R4090021 ²⁰¹	-	-	R458636	R458636
23-123552-004 ²⁶⁶	2-7/8 "	R42R55250	R42R55250 ³⁷	R4066365	R4090096 ⁷²	-	-	R458632	R458632
R44141476 ²⁶⁸	3-3/8 "	R42R55099	R42R55098 ³⁷	R4066780	R4090021 ²⁰¹	-	-	R458632	R458632
R44141608 ²⁶⁷	2-19/32 "	R42R55314	R42R55314 ³⁷	R40107771	R4090100P ⁷²	-	-	R458632	R458632
R44141608 ²⁶⁷	2-19/32 "	R42R55314	R42R55314 ³⁷	R40107771	R4090100P ⁷²	-	-	R458636	R458636
23-122920-002 ²⁷³	2-19/32 "	R42R55314	R42R55314 ³⁷	R40107771	R4090100P ⁷²	-	-	R458636	R458636
23-123552-004 ²⁶⁶	2-7/8 "	R42R55250	R42R55250 ³⁷	R4066365	R4090096 ⁷²	-	-	R458636	R458636
23-123572-004 ²⁷¹	3-3/8 "	R42R55099	R42R55098 ³⁷	R4066780	R4090021 ²⁰¹	-	-	R458636	R458636
23-123572-004 ²⁷¹	2-7/8 "	R42R55250	R42R55250 ³⁷	R4066365	R4090096 ⁷²	-	-	R458632	R458632
R44141476 ²⁶⁸	2-19/32 "	R42R55314	R42R55314 ³⁷	R40107771	R4090100P ⁷²	-	-	R458632	R458632
23-123552-004 ²⁶⁶	2-19/32 "	R42R55314	R42R55314 ³⁷	R40107771	R4090100P ⁷²	-	-	R458632	R458632
23-123572-004 ²⁷¹	3-3/8 "	R42R55099	R42R55098 ³⁷	R4066780	R4090021 ²⁰¹	-	-	R458632	R458632
R44141476 ²⁶⁸	3-3/8 "	R42R55099	R42R55098 ³⁷	R4066780	R4090021 ²⁰¹	-	-	R458636	R458636
23-123552-004 ²⁶⁶	3-3/8 "	R42R55099	R42R55098 ³⁷	R4066780	R4090021 ²⁰¹	-	-	R458632	R458632
R44141476 ²⁶⁸	2-7/8 "	R42R55250	R42R55250 ³⁷	R4066365	R4090096 ⁷²	-	-	R458636	R458636
R44141608 ²⁶⁷	2-7/8 "	R42R55250	R42R55250 ³⁷	R4066365	R4090096 ⁷²	-	-	R458632	R458632
23-122920-002 ²⁷³	2-7/8 "	R42R55250	R42R55250 ³⁷	R4066365	R4090096 ⁷²	-	-	R458632	R458632
R44141608 ²⁶⁷	2-7/8 "	R42R55250	R42R55250 ³⁷	R4066365	R4090096 ⁷²	-	-	R458636	R458636
23-122920-002 ²⁷³	2-7/8 "	R42R55250	R42R55250 ³⁷	R4066365	R4090096 ⁷²	-	-	R458636	R458636
23-123552-004 ²⁶⁶	2-7/8 "	R42R55250	R42R55250 ³⁷	R4066365	R4090096 ⁷²	-	-	R458634 ⁵²	R458634
23-123572-004 ²⁷¹	2-7/8 "	R42R55250	R42R55250 ³⁷	R4066365	R4090096 ⁷²	-	-	R458634 ⁵²	R458634
23-123572-004 ²⁷¹	2-19/32 "	R42R55314	R42R55314 ³⁷	R40107771	R4090100P ⁷²	-	-	R458634 ⁵²	R458634
23-123552-004 ²⁶⁶	2-19/32 "	R42R55314	R42R55314 ³⁷	R40107771	R4090100P ⁷²	-	-	R458634 ⁵²	R458634
R44141858 ²⁷⁵	2-19/32 "	R42R55314	R42R55314 ³⁷	R40107771	R4090100P ⁷²	N/A ⁵³	-	R458635	R458635
23-122920-002 ²⁷³	3-3/8 "	R42R55099	R42R55098 ³⁷	R4066780	R4090021 ²⁰¹	N/A ⁵³	-	R458635	R458635
R44141476 ²⁶⁸	2-7/8 "	R42R55250	R42R55250 ³⁷	R4066365	R4090096 ⁷²	N/A ⁵³	-	R458636	R458636
23-122527-002 ²⁷²	2-7/8 "	R42R55250	R42R55250 ³⁷	R4066365	R4090096 ⁷²	N/A ⁵³	-	R458636	R458636
23-123552-004 ²⁶⁶	2-19/32 "	R42R55314	R42R55314 ³⁷	R40107771	R4090100P ⁷²	N/A ⁵³	-	R458635	R458635
23-122701-002 ²⁶⁹	2-19/32 "	R42R55250	R42R55250 ³⁷	R4066365	R4090096 ⁷²	N/A ⁵³	-	R458632	R458632
23-122527-002 ²⁷²	3-3/8 "	R42R55099	R42R55098 ³⁷	R4066780	R4090021 ²⁰¹	N/A ⁵³	-	R458635	R458635
R44141476 ²⁶⁸	2-19/32 "	R42R55314	R42R55314 ³⁷	R40107771	R4090100P ⁷²	N/A ⁵³	-	R458635	R458635
23-123572-004 ²⁷¹	3-3/8 "	R42R55099	R42R55098 ³⁷	R4066780	R4090021 ²⁰¹	N/A ⁵³	-	R458632	R458632
23-123552-004 ²⁶⁶	3-3/8 "	R42R55099	R42R55098 ³⁷	R4066780	R4090021 ²⁰¹	N/A ⁵³	-	N/A	N/A
23-122701-002 ²⁶⁹	2-7/8 "	R42R55250	R42R55250 ³⁷	R4066365	R4090096 ⁷²	N/A ⁵³	-	R458636	R458636
23-122920-002 ²⁷³	2-7/8 "	R42R55250	R42R55250 ³⁷	R4066365	R4090096 ⁷²	N/A ⁵³	-	R458635	R458635
R44141476 ²⁶⁸	2-7/8 "	R42R55250	R42R55250 ³⁷	R4066365	R4090096 ⁷²	N/A ⁵³	-	N/A	N/A
23-122527-002 ²⁷²	2-7/8 "	R42R55250	R42R55250 ³⁷	R4066365	R4090096 ⁷²	N/A ⁵³	-	N/A	N/A
23-122920-002 ²⁷³	2-19/32 "	R42R55314	R42R55314 ³⁷	R40107771	R4090100P ⁷²	N/A ⁵³	-	N/A	N/A
23-122701-002 ²⁶⁹	3-3/8 "	R42R55099	R42R55098 ³⁷	R4066780	R4090021 ²⁰¹	N/A ⁵³	-	R458636	R458636
23-122920-002 ²⁷³	3-3/8 "	R42R55099	R42R55098 ³⁷	R4066780	R4090021 ²⁰¹	N/A ⁵³	-	R458636	R458636
23-122527-002 ²⁷²	2-7/8 "	R42R55250	R42R55250 ³⁷	R4066365	R4090096 ⁷²	N/A ⁵³	-	R458635	R458635
R44141858 ²⁷⁵	3-3/8 "	R42R55099	R42R55098 ³⁷	R4066780	R4090021 ²⁰¹	N/A ⁵³	-	N/A	N/A
23-123572-004 ²⁷¹	2-7/8 "	R42R55250	R42R55250 ³⁷	R4066365	R4090096 ⁷²	N/A ⁵³	-	R458632	R458632
23-123552-004 ²⁶⁶	2-19/32 "	R42R55314	R42R55314 ³⁷	R40107771	R4090100P ⁷²	N/A ⁵³	-	R458636	R458636
R44141476 ²⁶⁸	3-3/8 "	R42R55099	R42R55098 ³⁷	R4066780	R4090021 ²⁰¹	N/A ⁵³	-	R458635	R458635
23-122701-002 ²⁶⁹	2-19/32 "	R42R55314	R42R55314 ³⁷	R40107771	R4090100P ⁷²	N/A ⁵³	-	R458636	R458636
23-122920-002 ²⁷³	2-19/32 "	R42R55314	R42R55314 ³⁷	R40107771	R4090100P ⁷²	N/A ⁵³	-	R458636	R458636
23-123572-004 ²⁷¹	2-19/32 "	R42R55314	R42R55314 ³⁷	R40107771	R4090100P ⁷²	N/A ⁵³	-	R458636	R458636
R44141476 ²⁶⁸	3-3/8 "	R42R55099	R42R55098 ³⁷	R4066780	R4090021 ²⁰¹	N/A ⁵³	-	R458632	R458632
23-123572-004 ²⁷¹	2-7/8 "	R42R55250	R42R55250 ³⁷	R4066365	R4090096 ⁷²	N/A ⁵³	-	R458636	R458636
23-122527-002 ²⁷²	3-3/8 "	R42R55099	R42R55098 ³⁷	R4066780	R4090021 ²⁰¹	N/A ⁵³	-	N/A	N/A
R44141858 ²⁷⁵	2-7/8 "	R42R55250	R42R55250 ³⁷	R4066365	R4090096 ⁷²	N/A ⁵³	-	R458632	R458632
23-122527-002 ²⁷²	2-7/8 "	R42R55250	R42R55250 ³⁷	R4066365	R4090096 ⁷²	N/A ⁵³	-	R458632	R458632
23-123572-004 ²⁷¹	2-19/32 "	R42R55314	R42R55314 ³⁷	R40107771	R4090100P ⁷²	N/A ⁵³	-	N/A	N/A
R44141858 ²⁷⁵	2-19/32 "	R42R55314	R42R55314 ³⁷	R40107771	R4090100P ⁷²	N/A ⁵³	-	R458636	R458636
23-122527-002 ²⁷²	2-19/32 "	R42R55314	R42R55314 ³⁷	R40107771	R4090100P ⁷²	N/A ⁵³	-	R458632	R458632
23-122920-002 ²⁷³	2-7/8 "	R42R55250	R42R55250 ³⁷	R4066365	R4090096 ⁷²	N/A ⁵³	-	R458636	R458636
23-122701-002 ²⁶⁹	2-7/8 "	R42R55250	R42R55250 ³⁷	R4066365	R4090096 ⁷²	N/A ⁵³	-	N/A	N/A
23-122920-002 ²⁷³	2-7/8 "	R42R55250	R42R55250 ³⁷	R4066365	R4090096 ⁷²	N/A ⁵³	-	N/A	N/A
23-122920-002 ²⁷³	3-3/8 "	R42R55099	R42R55098 ³⁷	R4066780	R4090021 ²⁰¹	N/A ⁵³	-	N/A	N/A
23-122701-002 ²⁶⁹	3-3/8 "	R42R55099	R42R55098 ³⁷	R4066780	R4090021 ²⁰¹	N/A ⁵³	-	N/A	N/A

271 - 6 Stud, Hat Shape
275 - 5 Stud, U Shape, .656 Dia. Studs

272 - 6 Stud, U Shape

273 - 5 Stud, U Shape, .780 Dia. Studs

Contact our Customer Service Teams
1-888-725-9355

www.XpresswayPlus.com

1 APPLICATION

MERITOR DRUM OR ROTOR NO.	CALIPER OR CYLINDER BORE SIZE	MERITOR CALIPER OR WHEEL CYLINDER (LEFT)	MERITOR CALIPER OR WHEEL CYLINDER (RIGHT)	MERITOR CALIPER OR WHEEL CYLINDER REPAIR KIT	MERITOR CALIPER PISTON	MERITOR MASTER CYLINDER	MERITOR MASTER CYLINDER KIT	MERITOR BRAKE HOSE (LEFT)	MERITOR BRAKE HOSE (RIGHT)
ITE(Cont.)									
160, 1600, 1650 SERIES(Cont.)									
23-123552-004 ²⁶⁶	2-7/8 "	R42R55250	R42R55250 ³⁷	R4066365	R4090096 ⁷²	-	-	R458634 ⁵²	R458634
23-123572-004 ²⁷¹	2-19/32 "	R42R55314	R42R55314 ³⁷	R40107771	R4090100P ⁷²	-	-	R458634 ⁵²	R458634
R44141627 ²⁷⁰	2-19/32 "	R42R55314	R42R55314 ³⁷	R40107771	R4090100P ⁷²	-	-	R458634 ⁵²	R458634
R44141628 ²⁶⁹	2-19/32 "	R42R55314	R42R55314 ³⁷	R40107771	R4090100P ⁷²	-	-	R4577512	R4577512
23-123552-004 ²⁶⁶	2-19/32 "	R42R55314	R42R55314 ³⁷	R40107771	R4090100P ⁷²	-	-	R458634 ⁵²	R458634
23-122527-002 ²⁷²	2-19/32 "	R42R55314	R42R55314 ³⁷	R40107771	R4090100P ⁷²	N/A ⁵³	-	-	-
23-122701-002 ²⁶⁹	2-7/8 "	R42R55250	R42R55250 ³⁷	R4066365	R4090096 ⁷²	-	-	-	-
23-122527-002 ²⁷²	2-7/8 "	R42R55250	R42R55250 ³⁷	R4066365	R4090096 ⁷²	-	-	-	-
23-122920-002 ²⁷³	2-19/32 "	R42R55314	R42R55314 ³⁷	R40107771	R4090100P ⁷²	N/A ⁵³	-	R458635	R458635
23-123552-004 ²⁶⁶	2-19/32 "	R42R55314	R42R55314 ³⁷	R40107771	R4090100P ⁷²	N/A ⁵³	-	R458632	R458632
R44141858 ²⁷⁵	3-3/8 "	R42R55099	R42R55098 ³⁷	R4066780	R4090021 ²⁰¹	N/A ⁵³	-	R458635	R458635
23-123572-004 ²⁷¹	2-7/8 "	R42R55250	R42R55250 ³⁷	R4066365	R4090096 ⁷²	N/A ⁵³	-	R458635	R458635
R44141858 ²⁷⁵	2-7/8 "	R42R55250	R42R55250 ³⁷	R4066365	R4090096 ⁷²	N/A ⁵³	-	R458636	R458636
23-123572-004 ²⁷¹	2-19/32 "	R42R55314	R42R55314 ³⁷	R40107771	R4090100P ⁷²	N/A ⁵³	-	R458636	R458636
23-122527-002 ²⁷²	3-3/8 "	R42R55099	R42R55098 ³⁷	R4066780	R4090021 ²⁰¹	N/A ⁵³	-	R458632	R458632
23-122920-002 ²⁷³	3-3/8 "	R42R55099	R42R55098 ³⁷	R4066780	R4090021 ²⁰¹	N/A ⁵³	-	R458632	R458632
23-123572-004 ²⁷¹	2-7/8 "	R42R55250	R42R55250 ³⁷	R4066365	R4090096 ⁷²	N/A ⁵³	-	R458632	R458632
R44141858 ²⁷⁵	2-7/8 "	R42R55250	R42R55250 ³⁷	R4066365	R4090096 ⁷²	N/A ⁵³	-	R458632	R458632
23-122527-002 ²⁷²	2-7/8 "	R42R55250	R42R55250 ³⁷	R4066365	R4090096 ⁷²	N/A ⁵³	-	N/A	N/A
R44141858 ²⁷⁵	3-3/8 "	R42R55099	R42R55098 ³⁷	R4066780	R4090021 ²⁰¹	N/A ⁵³	-	R458636	R458636
R44141476 ²⁶⁸	3-3/8 "	R42R55099	R42R55098 ³⁷	R4066780	R4090021 ²⁰¹	N/A ⁵³	-	R458636	R458636
23-123572-004 ²⁷¹	2-19/32 "	R42R55314	R42R55314 ³⁷	R40107771	R4090100P ⁷²	N/A ⁵³	-	R458635	R458635
23-122527-002 ²⁷²	2-19/32 "	R42R55314	R42R55314 ³⁷	R40107771	R4090100P ⁷²	N/A ⁵³	-	R458635	R458635
23-123552-004 ²⁶⁶	2-7/8 "	R42R55250	R42R55250 ³⁷	R4066365	R4090096 ⁷²	N/A ⁵³	-	R458632	R458632
23-122701-002 ²⁶⁹	2-7/8 "	R42R55250	R42R55250 ³⁷	R4066365	R4090096 ⁷²	N/A ⁵³	-	N/A	N/A
23-122701-002 ²⁶⁹	2-7/8 "	R42R55250	R42R55250 ³⁷	R4066365	R4090096 ⁷²	N/A ⁵³	-	R458636	R458636
R44141476 ²⁶⁸	3-3/8 "	R42R55099	R42R55098 ³⁷	R4066780	R4090021 ²⁰¹	N/A ⁵³	-	N/A	N/A
23-123572-004 ²⁷¹	3-3/8 "	R42R55099	R42R55098 ³⁷	R4066780	R4090021 ²⁰¹	N/A ⁵³	-	R458635	R458635
R44141476 ²⁶⁸	2-19/32 "	R42R55314	R42R55314 ³⁷	R40107771	R4090100P ⁷²	N/A ⁵³	-	N/A	N/A
23-122701-002 ²⁶⁹	2-7/8 "	R42R55250	R42R55250 ³⁷	R4066365	R4090096 ⁷²	N/A ⁵³	-	R458635	R458635
R44141476 ²⁶⁸	2-7/8 "	R42R55250	R42R55250 ³⁷	R4066365	R4090096 ⁷²	N/A ⁵³	-	R458635	R458635
23-122920-002 ²⁷³	2-19/32 "	R42R55314	R42R55314 ³⁷	R40107771	R4090100P ⁷²	N/A ⁵³	-	N/A	N/A
R44141476 ²⁶⁸	2-7/8 "	R42R55250	R42R55250 ³⁷	R4066365	R4090096 ⁷²	N/A ⁵³	-	R458636	R458636
23-122527-002 ²⁷²	3-3/8 "	R42R55099	R42R55098 ³⁷	R4066780	R4090021 ²⁰¹	N/A ⁵³	-	R458636	R458636
23-122920-002 ²⁷³	2-7/8 "	R42R55250	R42R55250 ³⁷	R4066365	R4090096 ⁷²	N/A ⁵³	-	R458635	R458635
23-123572-004 ²⁷¹	2-19/32 "	R42R55314	R42R55314 ³⁷	R40107771	R4090100P ⁷²	N/A ⁵³	-	R458632	R458632
R44141476 ²⁶⁸	2-19/32 "	R42R55314	R42R55314 ³⁷	R40107771	R4090100P ⁷²	N/A ⁵³	-	R458636	R458636
23-123572-004 ²⁷¹	3-3/8 "	R42R55099	R42R55098 ³⁷	R4066780	R4090021 ²⁰¹	N/A ⁵³	-	R458632	R458632
23-122920-002 ²⁷³	2-7/8 "	R42R55250	R42R55250 ³⁷	R4066365	R4090096 ⁷²	N/A ⁵³	-	R458636	R458636
23-122701-002 ²⁶⁹	2-7/8 "	R42R55250	R42R55250 ³⁷	R4066365	R4090096 ⁷²	N/A ⁵³	-	R458632	R458632
23-122920-002 ²⁷³	2-7/8 "	R42R55250	R42R55250 ³⁷	R4066365	R4090096 ⁷²	N/A ⁵³	-	N/A	N/A
23-123552-004 ²⁶⁶	2-19/32 "	R42R55314	R42R55314 ³⁷	R40107771	R4090100P ⁷²	N/A ⁵³	-	R458635	R458635
R44141476 ²⁶⁸	2-7/8 "	R42R55250	R42R55250 ³⁷	R4066365	R4090096 ⁷²	N/A ⁵³	-	N/A	N/A
R44141858 ²⁷⁵	2-19/32 "	R42R55314	R42R55314 ³⁷	R40107771	R4090100P ⁷²	N/A ⁵³	-	N/A	N/A
R44141476 ²⁶⁸	2-19/32 "	R42R55314	R42R55314 ³⁷	R40107771	R4090100P ⁷²	N/A ⁵³	-	R458632	R458632
23-122701-002 ²⁶⁹	3-3/8 "	R42R55099	R42R55098 ³⁷	R4066780	R4090021 ²⁰¹	N/A ⁵³	-	R458635	R458635
23-123572-004 ²⁷¹	3-3/8 "	R42R55099	R42R55098 ³⁷	R4066780	R4090021 ²⁰¹	N/A ⁵³	-	R458636	R458636
R44141858 ²⁷⁵	2-7/8 "	R42R55250	R42R55250 ³⁷	R4066365	R4090096 ⁷²	N/A ⁵³	-	N/A	N/A
23-122701-002 ²⁶⁹	2-19/32 "	R42R55314	R42R55314 ³⁷	R40107771	R4090100P ⁷²	N/A ⁵³	-	N/A	N/A
23-122701-002 ²⁶⁹	3-3/8 "	R42R55099	R42R55098 ³⁷	R4066780	R4090021 ²⁰¹	N/A ⁵³	-	R458636	R458636
23-123552-004 ²⁶⁶	3-3/8 "	R42R55099	R42R55098 ³⁷	R4066780	R4090021 ²⁰¹	N/A ⁵³	-	R458635	R458635
R44141476 ²⁶⁸	2-19/32 "	R42R55314	R42R55314 ³⁷	R40107771	R4090100P ⁷²	N/A ⁵³	-	R458635	R458635
23-123572-004 ²⁷¹	3-3/8 "	R42R55099	R42R55098 ³⁷	R4066780	R4090021 ²⁰¹	N/A ⁵³	-	N/A	N/A
23-122701-002 ²⁶⁹	3-3/8 "	R42R55099	R42R55098 ³⁷	R4066780	R4090021 ²⁰¹	N/A ⁵³	-	R458632	R458632
23-123552-004 ²⁶⁶	2-7/8 "	R42R55250	R42R55250 ³⁷	R4066365	R4090096 ⁷²	N/A ⁵³	-	R458635	R458635
23-123572-004 ²⁷¹	2-7/8 "	R42R55250	R42R55250 ³⁷	R4066365	R4090096 ⁷²	N/A ⁵³	-	R458636	R458636
R44141476 ²⁶⁸	3-3/8 "	R42R55099	R42R55098 ³⁷	R4066780	R4090021 ²⁰¹	N/A ⁵³	-	R458635	R458635
23-122920-002 ²⁷³	2-19/32 "	R42R55314	R42R55314 ³⁷	R40107771	R4090100P ⁷²	N/A ⁵³	-	R458632	R458632
23-122920-002 ²⁷³	3-3/8 "	R42R55099	R42R55098 ³⁷	R4066780	R4090021 ²⁰¹	N/A ⁵³	-	N/A	N/A
23-122701-002 ²⁶⁹	2-19/32 "	R42R55314	R42R55314 ³⁷	R40107771	R4090100P ⁷²	N/A ⁵³	-	R458636	R458636
23-123552-004 ²⁶⁶	3-3/8 "	R42R55099	R42R55098 ³⁷	R4066780	R4090021 ²⁰¹	N/A ⁵³	-	N/A	N/A

271 - 6 Stud, Hat Shape
275 - 5 Stud, U Shape, .656 Dia. Studs

272 - 6 Stud, U Shape

273 - 5 Stud, U Shape, .780 Dia. Studs

Contact our Customer Service Teams
1-888-725-9355

www.XpresswayPlus.com

1 APPLICATION

MERITOR DRUM OR ROTOR NO.	CALIPER OR CYLINDER BORE SIZE	MERITOR CALIPER OR WHEEL CYLINDER (LEFT)	MERITOR CALIPER OR WHEEL CYLINDER (RIGHT)	MERITOR CALIPER OR WHEEL CYLINDER REPAIR KIT	MERITOR CALIPER PISTON	MERITOR MASTER CYLINDER	MERITOR MASTER CYLINDER KIT	MERITOR BRAKE HOSE (LEFT)	MERITOR BRAKE HOSE (RIGHT)
ITE(Cont.)									
160, 1600, 1650 SERIES(Cont.)									
23-122701-002 ²⁶⁹	2-19/32 "	R42R55314	R42R55314 ³⁷	R40107771	R4090100P ⁷²	N/A ⁵³	-	R458635	R458635
R44141858 ²⁷⁵	3-3/8 "	R42R55099	R42R55098 ³⁷	R4066780	R4090021 ²⁰¹	N/A ⁵³	-	N/A	N/A
23-122527-002 ²⁷²	2-19/32 "	R42R55314	R42R55314 ³⁷	R40107771	R4090100P ⁷²	N/A ⁵³	-	N/A	N/A
23-122701-002 ²⁶⁹	2-19/32 "	R42R55314	R42R55314 ³⁷	R40107771	R4090100P ⁷²	N/A ⁵³	-	R458632	R458632
23-122527-002 ²⁷²	3-3/8 "	R42R55099	R42R55098 ³⁷	R4066780	R4090021 ²⁰¹	N/A ⁵³	-	R458635	R458635
23-122920-002 ²⁷³	2-7/8 "	R42R55250	R42R55250 ³⁷	R4066365	R4090096 ⁷²	N/A ⁵³	-	R458632	R458632
23-123552-004 ²⁶⁶	3-3/8 "	R42R55099	R42R55098 ³⁷	R4066780	R4090021 ²⁰¹	N/A ⁵³	-	R458632	R458632
23-122527-002 ²⁷²	2-19/32 "	R42R55314	R42R55314 ³⁷	R40107771	R4090100P ⁷²	N/A ⁵³	-	R458636	R458636
23-122527-002 ²⁷²	2-7/8 "	R42R55250	R42R55250 ³⁷	R4066365	R4090096 ⁷²	N/A ⁵³	-	R458635	R458635
R44141858 ²⁷⁵	3-3/8 "	R42R55099	R42R55098 ³⁷	R4066780	R4090021 ²⁰¹	N/A ⁵³	-	R458632	R458632
R44141476 ²⁶⁸	2-7/8 "	R42R55250	R42R55250 ³⁷	R4066365	R4090096 ⁷²	N/A ⁵³	-	R458632	R458632
23-122920-002 ²⁷³	3-3/8 "	R42R55099	R42R55098 ³⁷	R4066780	R4090021 ²⁰¹	N/A ⁵³	-	R458636	R458636
R44141858 ²⁷⁵	2-19/32 "	R42R55314	R42R55314 ³⁷	R40107771	R4090100P ⁷²	N/A ⁵³	-	R458635	R458635
R44141858 ²⁷⁵	2-19/32 "	R42R55314	R42R55314 ³⁷	R40107771	R4090100P ⁷²	N/A ⁵³	-	R458636	R458636
23-122527-002 ²⁷²	3-3/8 "	R42R55099	R42R55098 ³⁷	R4066780	R4090021 ²⁰¹	N/A ⁵³	-	N/A	N/A
23-122527-002 ²⁷²	2-19/32 "	R42R55314	R42R55314 ³⁷	R40107771	R4090100P ⁷²	N/A ⁵³	-	R458632	R458632
R44141858 ²⁷⁵	2-7/8 "	R42R55250	R42R55250 ³⁷	R4066365	R4090096 ⁷²	N/A ⁵³	-	R458635	R458635
23-123552-004 ²⁶⁶	2-19/32 "	R42R55314	R42R55314 ³⁷	R40107771	R4090100P ⁷²	N/A ⁵³	-	N/A	N/A
23-123552-004 ²⁶⁶	2-7/8 "	R42R55250	R42R55250 ³⁷	R4066365	R4090096 ⁷²	N/A ⁵³	-	N/A	N/A
23-122527-002 ²⁷²	2-7/8 "	R42R55250	R42R55250 ³⁷	R4066365	R4090096 ⁷²	N/A ⁵³	-	R458636	R458636
23-123552-004 ²⁶⁶	3-3/8 "	R42R55099	R42R55098 ³⁷	R4066780	R4090021 ²⁰¹	N/A ⁵³	-	R458636	R458636
23-123572-004 ²⁷¹	2-7/8 "	R42R55250	R42R55250 ³⁷	R4066365	R4090096 ⁷²	N/A ⁵³	-	N/A	N/A
23-123552-004 ²⁶⁶	2-7/8 "	R42R55250	R42R55250 ³⁷	R4066365	R4090096 ⁷²	N/A ⁵³	-	R458636	R458636
R44141476 ²⁶⁸	3-3/8 "	R42R55099	R42R55098 ³⁷	R4066780	R4090021 ²⁰¹	N/A ⁵³	-	R458632	R458632
23-123572-004 ²⁷¹	2-19/32 "	R42R55314	R42R55314 ³⁷	R40107771	R4090100P ⁷²	N/A ⁵³	-	N/A	N/A
23-122527-002 ²⁷²	2-7/8 "	R42R55250	R42R55250 ³⁷	R4066365	R4090096 ⁷²	N/A ⁵³	-	R458632	R458632
23-122920-002 ²⁷³	2-19/32 "	R42R55314	R42R55314 ³⁷	R40107771	R4090100P ⁷²	N/A ⁵³	-	R458636	R458636
R44141858 ²⁷⁵	2-19/32 "	R42R55314	R42R55314 ³⁷	R40107771	R4090100P ⁷²	N/A ⁵³	-	R458632	R458632
23-122920-002 ²⁷³	3-3/8 "	R42R55099	R42R55098 ³⁷	R4066780	R4090021 ²⁰¹	N/A ⁵³	-	R458635	R458635
23-123552-004 ²⁶⁶	2-19/32 "	R42R55314	R42R55314 ³⁷	R40107771	R4090100P ⁷²	N/A ⁵³	-	R458636	R458636
23-122701-002 ²⁶⁹	3-3/8 "	R42R55099	R42R55098 ³⁷	R4066780	R4090021 ²⁰¹	N/A ⁵³	-	N/A	N/A
R44141627 ²⁷⁰	2-7/8 "	R42R55250	R42R55250 ³⁷	R4066365	R4090096 ⁷²	-	-	R458634 ⁵²	R458634
23-123552-004 ²⁶⁶	2-19/32 "	R42R55314	R42R55314 ³⁷	R40107771	R4090100P ⁷²	-	-	R4577512	R4577512
R44141629 ²⁶⁹	2-19/32 "	R42R55314	R42R55314 ³⁷	R40107771	R4090100P ⁷²	-	-	R458634 ⁵²	R458634
23-123572-004 ²⁷¹	2-7/8 "	R42R55250	R42R55250 ³⁷	R4066365	R4090096 ⁷²	-	-	R4577512	R4577512
23-123552-004 ²⁶⁶	2-19/32 "	R42R55314	R42R55314 ³⁷	R40107771	R4090100P ⁷²	-	-	R458634 ⁵²	R458634
R44141627 ²⁷⁰	2-19/32 "	R42R55314	R42R55314 ³⁷	R40107771	R4090100P ⁷²	-	-	R4577512	R4577512
R44141608 ²⁶⁷	2-19/32 "	R42R55314	R42R55314 ³⁷	R40107771	R4090100P ⁷²	-	-	R4577512	R4577512
R44141629 ²⁶⁹	2-7/8 "	R42R55250	R42R55250 ³⁷	R4066365	R4090096 ⁷²	-	-	R458634 ⁵²	R458634
R44141629 ²⁶⁹	2-7/8 "	R42R55250	R42R55250 ³⁷	R4066365	R4090096 ⁷²	-	-	R4577512	R4577512
23-123552-004 ²⁶⁶	2-7/8 "	R42R55250	R42R55250 ³⁷	R4066365	R4090096 ⁷²	-	-	R458634 ⁵²	R458634
R44141627 ²⁷⁰	2-19/32 "	R42R55314	R42R55314 ³⁷	R40107771	R4090100P ⁷²	-	-	R458634 ⁵²	R458634
R44141608 ²⁶⁷	2-7/8 "	R42R55250	R42R55250 ³⁷	R4066365	R4090096 ⁷²	-	-	R4577512	R4577512
R44141628 ²⁶⁹	2-7/8 "	R42R55250	R42R55250 ³⁷	R4066365	R4090096 ⁷²	-	-	R458634 ⁵²	R458634
R44141629 ²⁶⁹	2-19/32 "	R42R55314	R42R55314 ³⁷	R40107771	R4090100P ⁷²	-	-	R4577512	R4577512
R44141608 ²⁶⁷	2-19/32 "	R42R55314	R42R55314 ³⁷	R40107771	R4090100P ⁷²	-	-	R458634 ⁵²	R458634
R44141627 ²⁷⁰	2-7/8 "	R42R55250	R42R55250 ³⁷	R4066365	R4090096 ⁷²	-	-	R4577512	R4577512
R44141628 ²⁶⁹	2-7/8 "	R42R55250	R42R55250 ³⁷	R4066365	R4090096 ⁷²	-	-	R4577512	R4577512
R44141608 ²⁶⁷	2-7/8 "	R42R55250	R42R55250 ³⁷	R4066365	R4090096 ⁷²	-	-	R458634 ⁵²	R458634
23-123572-004 ²⁷¹	2-19/32 "	R42R55314	R42R55314 ³⁷	R40107771	R4090100P ⁷²	-	-	R4577512	R4577512
23-123572-004 ²⁷¹	2-19/32 "	R42R55314	R42R55314 ³⁷	R40107771	R4090100P ⁷²	-	-	R458634 ⁵²	R458634
R44141628 ²⁶⁹	2-19/32 "	R42R55314	R42R55314 ³⁷	R40107771	R4090100P ⁷²	-	-	R4577512	R4577512
R44141628 ²⁶⁹	2-19/32 "	R42R55314	R42R55314 ³⁷	R40107771	R4090100P ⁷²	-	-	R458634 ⁵²	R458634
23-123552-004 ²⁶⁶	2-7/8 "	R42R55250	R42R55250 ³⁷	R4066365	R4090096 ⁷²	-	-	R4577512	R4577512
23-123572-004 ²⁷¹	2-7/8 "	R42R55250	R42R55250 ³⁷	R4066365	R4090096 ⁷²	-	-	R458634 ⁵²	R458634
23-122701-002 ²⁶⁹	2-7/8 "	R42R55250	R42R55250 ³⁷	R4066365	R4090096 ⁷²	N/A ⁵³	-	-	-
23-122527-002 ²⁷²	2-19/32 "	R42R55314	R42R55314 ³⁷	R40107771	R4090100P ⁷²	N/A ⁵³	-	-	-
23-122527-002 ²⁷²	2-7/8 "	R42R55250	R42R55250 ³⁷	R4066365	R4090096 ⁷²	-	-	-	-
23-123572-004 ²⁷¹	3-3/8 "	R42R55099	R42R55098 ³⁷	R4066780	R4090021 ²⁰¹	N/A ⁵³	-	-	-
23-122920-002 ²⁷³	2-19/32 "	R42R55314	R42R55314 ³⁷	R40107771	R4090100P ⁷²	N/A ⁵³	-	-	-

1 APPLICATION

270 - 5 Stud, U Shape, .766 Dia. Studs
273 - 5 Stud, U Shape, .780 Dia. Studs

271 - 6 Stud, Hat Shape
275 - 5 Stud, U Shape, .656 Dia. Studs

272 - 6 Stud, U Shape

Contact our Customer Service Teams
1-888-725-9355

www.XpresswayPlus.com

MAKE MODEL YEAR AXLE CODE AXLE WEIGHT	AXLE & BRK. TYPE	BRK. MFG.	BRAKE SIZE	FMSI	MERITOR DISC PAD OR BRAKE SHOE	MERITOR GUIDE PIN OR RETURN SPRING KIT	MERITOR CALIPER HWD. KIT OR RETURN SPRING KIT	MERITOR ADJUSTER KIT (LEFT WHEEL)	MERITOR ADJUSTER KIT (RIGHT WHEEL)
ITE(Cont.)									
160, 1600, 1650 SERIES(Cont.)									
1985	Fd	BX		7142 - D225	MD225	R40H5010	R40H5522	NR	NR
	Fd	BX		7142 - D225	MD225	R40H5010	R40H5522	NR	NR
	Fd	BX		7142 - D225	MD225	R40H5010	R40H5522	NR	NR
	Fd	BX		7108 - D184	MD184	R40H5010	R40H5519	NR	NR
	Fd	BX		7108 - D184	MD184	R40H5010	R40H5519	NR	NR
	Fd	BX		7142 - D225	MD225	R40H5010	R40H5522	NR	NR
	Fd	BX		7108 - D184	MD184	R40H5010	R40H5519	NR	NR
	Fd	BX		7108 - D184	MD184	R40H5010	R40H5519	NR	NR
	Fd	BX		7108 - D184	MD184	R40H5010	R40H5519	NR	NR
	Fd	BX		7108 - D184	MD184	R40H5010	R40H5519	NR	NR
	Fd	BX		7108 - D184	MD184	R40H5010	R40H5519	NR	NR
	Fd	BX		7108 - D184	MD184	R40H5010	R40H5519	NR	NR
	Fd	BX		7108 - D184	MD184	R40H5010	R40H5519	NR	NR
	Fd	BX		7108 - D184	MD184	R40H5010	R40H5519	NR	NR
	Fd	BX		7108 - D184	MD184	R40H5010	R40H5519	NR	NR
	Fd	BX		7108 - D184	MD184	R40H5010	R40H5519	NR	NR
	Fd	BX		7108 - D184	MD184	R40H5010	R40H5519	NR	NR
	Fd	BX		7142 - D225	MD225	R40H5010	R40H5522	NR	NR
	Fd	BX		7108 - D184	MD184	R40H5010	R40H5519	NR	NR
	Fd	BX		7142 - D225	MD225	R40H5010	R40H5522	NR	NR
	Fd	BX		7108 - D184	MD184	R40H5010	R40H5519	NR	NR
	Fd	BX		7142 - D225	MD225	R40H5010	R40H5522	NR	NR
	Fd	BX		7108 - D184	MD184	R40H5010	R40H5519	NR	NR
	Fd	BX		7142 - D225	MD225	R40H5010	R40H5522	NR	NR
	Fd	BX		7108 - D184	MD184	R40H5010	R40H5519	NR	NR
	Fd	BX		7108 - D184	MD184	R40H5010	R40H5519	NR	NR
	Fd	BX		7108 - D184	MD184	R40H5010	R40H5519	NR	NR
	Fd	BX		7108 - D184	MD184	R40H5010	R40H5519	NR	NR
	Fd	BX		7142 - D225	MD225	R40H5010	R40H5522	NR	NR
	Fd	BX		7108 - D184	MD184	R40H5010	R40H5519	NR	NR
	Fd	BX		7142 - D225	MD225	R40H5010	R40H5522	NR	NR
	Fd	BX		7108 - D184	MD184	R40H5010	R40H5519	NR	NR
	Fd	BX		7108 - D184	MD184	R40H5010	R40H5519	NR	NR
	Fd	BX		7108 - D184	MD184	R40H5010	R40H5519	NR	NR
	Fd	BX		7108 - D184	MD184	R40H5010	R40H5519	NR	NR
	Fd	BX		7142 - D225	MD225	R40H5010	R40H5522	NR	NR
	Rd	BX		7142 - D225	MD225	R40H5010	R40H5522	NR	NR
	Rd	BX		7142 - D225	MD225	R40H5010	R40H5522	NR	NR
	Rd	BX		7108 - D184	MD184	R40H5010	R40H5519	NR	NR
	Rd	BX		7142 - D225	MD225	R40H5010	R40H5522	NR	NR
	Rd	BX		7108 - D184	MD184	R40H5010	R40H5519	NR	NR
	Rd	BX		7108 - D184	MD184	R40H5010	R40H5519	NR	NR
	Rd	BX		7142 - D225	MD225	R40H5010	R40H5522	NR	NR
	Rd	BX		7108 - D184	MD184	R40H5010	R40H5519	NR	NR
	Rd	BX		7142 - D225	MD225	R40H5010	R40H5522	NR	NR
	Rd	BX		7108 - D184	MD184	R40H5010	R40H5519	NR	NR
	Rd	BX		7108 - D184	MD184	R40H5010	R40H5519	NR	NR
1984									
C1610, C1650 Cargostar Tilt Cab	Fd	BX		7108 - D184	MD184	R40H5010	R40H5519	NR	NR
	Fd	BX		7142 - D225	MD225	R40H5010	R40H5522	NR	NR
	Rd	BX		7142 - D225	MD225	R40H5010	R40H5522	NR	NR
S1600, S1652, S1654 Conventional	Fd	BX		7108 - D184	MD184	R40H5010	R40H5519	NR	NR
	Fd	BX		7142 - D225	MD225	R40H5010	R40H5522	NR	NR
	Fd	BX		7142 - D225	MD225	R40H5010	R40H5522	NR	NR
	Fd	BX		7142 - D225	MD225	R40H5010	R40H5522	NR	NR
	Fd	BX		7108 - D184	MD184	R40H5010	R40H5519	NR	NR
	Fd	BX		7108 - D184	MD184	R40H5010	R40H5519	NR	NR

37 - Also available as a New unit
 72 - Phenolic/Steel Face
 267 - 10 Stud, U Shaped
 www.XpresswayPlus.com

52 - 18" Length
 201 - Steel Piston
 268 - 5 Stud, Hat Shape

53 - Power Brakes
 266 - 10 Stud, Hat Shaped
 269 - 5 Stud, U Shape

MERITOR DRUM OR ROTOR NO.	CALIPER OR CYLINDER BORE SIZE	MERITOR CALIPER OR WHEEL CYLINDER (LEFT)	MERITOR CALIPER OR WHEEL CYLINDER (RIGHT)	MERITOR CALIPER OR WHEEL CYLINDER REPAIR KIT	MERITOR CALIPER PISTON	MERITOR MASTER CYLINDER	MERITOR MASTER CYLINDER KIT	MERITOR BRAKE HOSE (LEFT)	MERITOR BRAKE HOSE (RIGHT)
ITE(Cont.)									
160, 1600, 1650 SERIES(Cont.)									
23-122527-002 ²⁷²	2-7/8 "	R42R55250	R42R55250 ³⁷	R4066365	R4090096 ⁷²	N/A ⁵³	-	-	-
23-123572-004 ²⁷¹	2-7/8 "	R42R55250	R42R55250 ³⁷	R4066365	R4090096 ⁷²	N/A ⁵³	-	-	-
23-123552-004 ²⁶⁶	2-7/8 "	R42R55250	R42R55250 ³⁷	R4066365	R4090096 ⁷²	N/A ⁵³	-	-	-
23-122527-002 ²⁷²	2-19/32 "	R42R55314	R42R55314 ³⁷	R40107771	R4090100P ⁷²	N/A ⁵³	-	-	-
R44141476 ²⁶⁸	2-19/32 "	R42R55314	R42R55314 ³⁷	R40107771	R4090100P ⁷²	N/A ⁵³	-	-	-
23-122920-002 ²⁷³	2-7/8 "	R42R55250	R42R55250 ³⁷	R4066365	R4090096 ⁷²	N/A ⁵³	-	-	-
23-123552-004 ²⁶⁶	3-3/8 "	R42R55099	R42R55098 ³⁷	R4066780	R4090021 ²⁰¹	N/A ⁵³	-	-	-
R44141858 ²⁷⁵	2-19/32 "	R42R55314	R42R55314 ³⁷	R40107771	R4090100P ⁷²	N/A ⁵³	-	R458632	R458632
23-122527-002 ²⁷²	2-19/32 "	R42R55314	R42R55314 ³⁷	R40107771	R4090100P ⁷²	N/A ⁵³	-	R458632	R458632
R44141476 ²⁶⁸	3-3/8 "	R42R55099	R42R55098 ³⁷	R4066780	R4090021 ²⁰¹	N/A ⁵³	-	-	-
23-122920-002 ²⁷³	2-19/32 "	R42R55314	R42R55314 ³⁷	R40107771	R4090100P ⁷²	N/A ⁵³	-	R458632	R458632
23-123572-004 ²⁷¹	2-7/8 "	R42R55250	R42R55250 ³⁷	R4066365	R4090096 ⁷²	N/A ⁵³	-	R458632	R458632
23-123552-004 ²⁶⁶	2-19/32 "	R42R55314	R42R55314 ³⁷	R40107771	R4090100P ⁷²	N/A ⁵³	-	-	-
23-122701-002 ²⁶⁹	3-3/8 "	R42R55099	R42R55098 ³⁷	R4066780	R4090021 ²⁰¹	N/A ⁵³	-	-	-
R44141858 ²⁷⁵	3-3/8 "	R42R55099	R42R55098 ³⁷	R4066780	R4090021 ²⁰¹	N/A ⁵³	-	-	-
23-122920-002 ²⁷³	2-7/8 "	R42R55250	R42R55250 ³⁷	R4066365	R4090096 ⁷²	N/A ⁵³	-	R458632	R458632
R44141476 ²⁶⁸	3-3/8 "	R42R55099	R42R55098 ³⁷	R4066780	R4090021 ²⁰¹	N/A ⁵³	-	R458632	R458632
R44141476 ²⁶⁸	2-19/32 "	R42R55314	R42R55314 ³⁷	R40107771	R4090100P ⁷²	N/A ⁵³	-	R458632	R458632
23-122527-002 ²⁷²	2-7/8 "	R42R55250	R42R55250 ³⁷	R4066365	R4090096 ⁷²	N/A ⁵³	-	R458632	R458632
23-122920-002 ²⁷³	3-3/8 "	R42R55099	R42R55098 ³⁷	R4066780	R4090021 ²⁰¹	N/A ⁵³	-	R458632	R458632
23-123552-004 ²⁶⁶	3-3/8 "	R42R55099	R42R55098 ³⁷	R4066780	R4090021 ²⁰¹	N/A ⁵³	-	R458632	R458632
23-122701-002 ²⁶⁹	2-19/32 "	R42R55314	R42R55314 ³⁷	R40107771	R4090100P ⁷²	N/A ⁵³	-	-	-
23-122527-002 ²⁷²	3-3/8 "	R42R55099	R42R55098 ³⁷	R4066780	R4090021 ²⁰¹	N/A ⁵³	-	-	-
23-122701-002 ²⁶⁹	2-19/32 "	R42R55314	R42R55314 ³⁷	R40107771	R4090100P ⁷²	N/A ⁵³	-	R458632	R458632
23-122527-002 ²⁷²	3-3/8 "	R42R55099	R42R55098 ³⁷	R4066780	R4090021 ²⁰¹	N/A ⁵³	-	R458632	R458632
23-123552-004 ²⁶⁶	2-7/8 "	R42R55250	R42R55250 ³⁷	R4066365	R4090096 ⁷²	N/A ⁵³	-	R458632	R458632
23-122701-002 ²⁶⁹	2-7/8 "	R42R55250	R42R55250 ³⁷	R4066365	R4090096 ⁷²	N/A ⁵³	-	R458632	R458632
23-123572-004 ²⁷¹	3-3/8 "	R42R55099	R42R55098 ³⁷	R4066780	R4090021 ²⁰¹	N/A ⁵³	-	R458632	R458632
R44141858 ²⁷⁵	2-7/8 "	R42R55250	R42R55250 ³⁷	R4066365	R4090096 ⁷²	N/A ⁵³	-	R458632	R458632
23-123572-004 ²⁷¹	2-19/32 "	R42R55314	R42R55314 ³⁷	R40107771	R4090100P ⁷²	N/A ⁵³	-	R458632	R458632
23-122701-002 ²⁶⁹	2-7/8 "	R42R55250	R42R55250 ³⁷	R4066365	R4090096 ⁷²	N/A ⁵³	-	-	-
23-123572-004 ²⁷¹	2-19/32 "	R42R55314	R42R55314 ³⁷	R40107771	R4090100P ⁷²	N/A ⁵³	-	-	-
R44141858 ²⁷⁵	3-3/8 "	R42R55099	R42R55098 ³⁷	R4066780	R4090021 ²⁰¹	N/A ⁵³	-	R458632	R458632
23-122701-002 ²⁶⁹	3-3/8 "	R42R55099	R42R55098 ³⁷	R4066780	R4090021 ²⁰¹	N/A ⁵³	-	R458632	R458632
R44141858 ²⁷⁵	2-7/8 "	R42R55250	R42R55250 ³⁷	R4066365	R4090096 ⁷²	N/A ⁵³	-	-	-
R44141476 ²⁶⁸	2-7/8 "	R42R55250	R42R55250 ³⁷	R4066365	R4090096 ⁷²	N/A ⁵³	-	R458632	R458632
R44141858 ²⁷⁵	2-19/32 "	R42R55314	R42R55314 ³⁷	R40107771	R4090100P ⁷²	N/A ⁵³	-	-	-
23-122920-002 ²⁷³	3-3/8 "	R42R55099	R42R55098 ³⁷	R4066780	R4090021 ²⁰¹	N/A ⁵³	-	-	-
23-123552-004 ²⁶⁶	2-19/32 "	R42R55314	R42R55314 ³⁷	R40107771	R4090100P ⁷²	N/A ⁵³	-	R458632	R458632
R44141476 ²⁶⁸	2-7/8 "	R42R55250	R42R55250 ³⁷	R4066365	R4090096 ⁷²	N/A ⁵³	-	-	-
R44141627 ²⁷⁰	2-7/8 "	R42R55250	R42R55250 ³⁷	R4066365	R4090096 ⁷²	-	-	R458634 ⁵²	R458634
R44141628 ²⁶⁹	2-7/8 "	R42R55250	R42R55250 ³⁷	R4066365	R4090096 ⁷²	-	-	R458634 ⁵²	R458634
R44141629 ²⁶⁹	2-19/32 "	R42R55314	R42R55314 ³⁷	R40107771	R4090100P ⁷²	-	-	R458634 ⁵²	R458634
23-123572-004 ²⁷¹	2-7/8 "	R42R55250	R42R55250 ³⁷	R4066365	R4090096 ⁷²	-	-	R458634 ⁵²	R458634
23-123572-004 ²⁷¹	2-19/32 "	R42R55314	R42R55314 ³⁷	R40107771	R4090100P ⁷²	-	-	R458634 ⁵²	R458634
23-123552-004 ²⁶⁶	2-19/32 "	R42R55314	R42R55314 ³⁷	R40107771	R4090100P ⁷²	-	-	R458634 ⁵²	R458634
23-123552-004 ²⁶⁶	2-7/8 "	R42R55250	R42R55250 ³⁷	R4066365	R4090096 ⁷²	-	-	R458634 ⁵²	R458634
R44141608 ²⁶⁷	2-19/32 "	R42R55314	R42R55314 ³⁷	R40107771	R4090100P ⁷²	-	-	R458634 ⁵²	R458634
R44141627 ²⁷⁰	2-19/32 "	R42R55314	R42R55314 ³⁷	R40107771	R4090100P ⁷²	-	-	R458634 ⁵²	R458634
R44141629 ²⁶⁹	2-7/8 "	R42R55250	R42R55250 ³⁷	R4066365	R4090096 ⁷²	-	-	R458634 ⁵²	R458634
R44141608 ²⁶⁷	2-7/8 "	R42R55250	R42R55250 ³⁷	R4066365	R4090096 ⁷²	-	-	R458634 ⁵²	R458634
R44141628 ²⁶⁹	2-19/32 "	R42R55314	R42R55314 ³⁷	R40107771	R4090100P ⁷²	-	-	R458634 ⁵²	R458634
23-122527-002 ²⁷²	2-19/32 "	R42R55314	R42R55314 ³⁷	R40107771	R4090100P ⁷²	N/A ⁵³	-	-	-
23-122701-002 ²⁶⁹	2-7/8 "	R42R55250	R42R55250 ³⁷	R4066365	R4090096 ⁷²	N/A ⁵³	-	-	-
23-122527-002 ²⁷²	2-7/8 "	R42R55250	R42R55250 ³⁷	R4066365	R4090096 ⁷²	-	-	-	-
23-122920-002 ²⁷³	2-19/32 "	R42R55314	R42R55314 ³⁷	R40107771	R4090100P ⁷²	N/A ⁵³	-	R458632	R458632
R44141858 ²⁷⁵	2-7/8 "	R42R55250	R42R55250 ³⁷	R4066365	R4090096 ⁷²	N/A ⁵³	-	R4577503	R4577503
23-122920-002 ²⁷³	2-7/8 "	R42R55250	R42R55250 ³⁷	R4066365	R4090096 ⁷²	N/A ⁵³	-	R4577503	R4577503
R44141858 ²⁷⁵	2-7/8 "	R42R55250	R42R55250 ³⁷	R4066365	R4090096 ⁷²	N/A ⁵³	-	R458632	R458632
R44141476 ²⁶⁸	3-3/8 "	R42R55099	R42R55098 ³⁷	R4066780	R4090021 ²⁰¹	N/A ⁵³	-	R4577503	R4577503
23-122527-002 ²⁷²	2-19/32 "	R42R55314	R42R55314 ³⁷	R40107771	R4090100P ⁷²	N/A ⁵³	-	R458632	R458632

270 - 5 Stud, U Shape, .766 Dia. Studs
273 - 5 Stud, U Shape, .780 Dia. Studs

271 - 6 Stud, Hat Shape
275 - 5 Stud, U Shape, .656 Dia. Studs

272 - 6 Stud, U Shape

Contact our Customer Service Teams
1-888-725-9355

www.XpresswayPlus.com

1 APPLICATION

MAKE MODEL YEAR AXLE CODE AXLE WEIGHT	AXLE & BRK. TYPE	BRK. MFG.	BRAKE SIZE	FMSI	MERITOR DISC PAD OR BRAKE SHOE	MERITOR GUIDE PIN OR RETURN SPRING KIT	MERITOR CALIPER HWD. KIT OR RETURN SPRING KIT	MERITOR ADJUSTER KIT (LEFT WHEEL)	MERITOR ADJUSTER KIT (RIGHT WHEEL)
ITE(Cont.)									
160, 1600, 1650 SERIES(Cont.)									
1984	Fd	BX		7108 - D184	MD184	R40H5010	R40H5519	NR	NR
	Fd	BX		7142 - D225	MD225	R40H5010	R40H5522	NR	NR
	Fd	BX		7108 - D184	MD184	R40H5010	R40H5519	NR	NR
	Fd	BX		7142 - D225	MD225	R40H5010	R40H5522	NR	NR
	Fd	BX		7142 - D225	MD225	R40H5010	R40H5522	NR	NR
	Fd	BX		7108 - D184	MD184	R40H5010	R40H5519	NR	NR
	Fd	BX		7108 - D184	MD184	R40H5010	R40H5519	NR	NR
	Fd	BX		7108 - D184	MD184	R40H5010	R40H5519	NR	NR
	Fd	BX		7142 - D225	MD225	R40H5010	R40H5522	NR	NR
	Fd	BX		7108 - D184	MD184	R40H5010	R40H5519	NR	NR
	Fd	BX		7142 - D225	MD225	R40H5010	R40H5522	NR	NR
	Fd	BX		7108 - D184	MD184	R40H5010	R40H5519	NR	NR
	Fd	BX		7108 - D184	MD184	R40H5010	R40H5519	NR	NR
	Fd	BX		7142 - D225	MD225	R40H5010	R40H5522	NR	NR
	Fd	BX		7108 - D184	MD184	R40H5010	R40H5519	NR	NR
	Fd	BX		7108 - D184	MD184	R40H5010	R40H5519	NR	NR
	Fd	BX		7142 - D225	MD225	R40H5010	R40H5522	NR	NR
	Fd	BX		7108 - D184	MD184	R40H5010	R40H5519	NR	NR
	Fd	BX		7108 - D184	MD184	R40H5010	R40H5519	NR	NR
	Fd	BX		7142 - D225	MD225	R40H5010	R40H5522	NR	NR
	Fd	BX		7108 - D184	MD184	R40H5010	R40H5519	NR	NR
	Fd	BX		7108 - D184	MD184	R40H5010	R40H5519	NR	NR
	Fd	BX		7142 - D225	MD225	R40H5010	R40H5522	NR	NR
	Fd	BX		7108 - D184	MD184	R40H5010	R40H5519	NR	NR
	Fd	BX		7108 - D184	MD184	R40H5010	R40H5519	NR	NR
	Fd	BX		7142 - D225	MD225	R40H5010	R40H5522	NR	NR
	Fd	BX		7108 - D184	MD184	R40H5010	R40H5519	NR	NR
	Fd	BX		7108 - D184	MD184	R40H5010	R40H5519	NR	NR
	Rd	BX		7142 - D225	MD225	R40H5010	R40H5522	NR	NR
	Rd	BX		7108 - D184	MD184	R40H5010	R40H5519	NR	NR
	Rd	BX		7108 - D184	MD184	R40H5010	R40H5519	NR	NR
	Rd	BX		7108 - D184	MD184	R40H5010	R40H5519	NR	NR
	Rd	BX		7142 - D225	MD225	R40H5010	R40H5522	NR	NR
	Rd	BX		7142 - D225	MD225	R40H5010	R40H5522	NR	NR
	Rd	BX		7142 - D225	MD225	R40H5010	R40H5522	NR	NR
	Rd	BX		7142 - D225	MD225	R40H5010	R40H5522	NR	NR
	Rd	BX		7108 - D184	MD184	R40H5010	R40H5519	NR	NR
	Rd	BX		7108 - D184	MD184	R40H5010	R40H5519	NR	NR
	Rd	BX		7108 - D184	MD184	R40H5010	R40H5519	NR	NR
	Rd	BX		7142 - D225	MD225	R40H5010	R40H5522	NR	NR
1983									
M1600, M1652, M1654 Metro Series, Forward Control	Fd	BX		7108 - D184	MD184	R40H5010	R40H5519	NR	NR
M1600, M1652, M1654 Metro Series, Forward Control FA101	Fd	BX		7108 - D184	MD184	R40H5010	R40H5519	NR	NR
	Fd	BX		7108 - D184	MD184	R40H5010	R40H5519	NR	NR
	Fd	BX		7108 - D184	MD184	R40H5010	R40H5519	NR	NR
	Fd	BX		7108 - D184	MD184	R40H5010	R40H5519	NR	NR
	Fd	BX		7108 - D184	MD184	R40H5010	R40H5519	NR	NR
M1600, M1652, M1654 Metro Series, Forward Control FA209	Fa	WG	15 " x 3 "	1245C - 321	R700321	R40H521	R40H9237	R40H3502	R40H3503

37 - Also available as a New unit

53 - Power Brakes
266 - 10 Stud, Hat Shaped
www.XpresswayPlus.com

38 - First design, may have external joining tube and uses steel pistons
72 - Phenolic/Steel Face
267 - 10 Stud, U Shaped

52 - 18" Length
201 - Steel Piston
268 - 5 Stud, Hat Shape

MERITOR DRUM OR ROTOR NO.	CALIPER OR CYLINDER BORE SIZE	MERITOR CALIPER OR WHEEL CYLINDER (LEFT)	MERITOR CALIPER OR WHEEL CYLINDER (RIGHT)	MERITOR CALIPER OR WHEEL CYLINDER REPAIR KIT	MERITOR CALIPER PISTON	MERITOR MASTER CYLINDER	MERITOR MASTER CYLINDER KIT	MERITOR BRAKE HOSE (LEFT)	MERITOR BRAKE HOSE (RIGHT)
ITE(Cont.)									
160, 1600, 1650 SERIES(Cont.)									
R44141476 ²⁶⁸	3-3/8 "	R42R55099	R42R55098 ³⁷	R4066780	R4090021 ²⁰¹	N/A ⁵³	-	R458632	R458632
23-122920-002 ²⁷³	2-7/8 "	R42R55250	R42R55250 ³⁷	R4066365	R4090096 ⁷²	N/A ⁵³	-	R458632	R458632
23-123572-004 ²⁷¹	2-19/32 "	R42R55314	R42R55314 ³⁷	R40107771	R4090100P ⁷²	N/A ⁵³	-	R4577503	R4577503
23-122527-002 ²⁷²	2-7/8 "	R42R55250	R42R55250 ³⁷	R4066365	R4090096 ⁷²	N/A ⁵³	-	R458632	R458632
23-122701-002 ²⁶⁹	2-7/8 "	R42R55250	R42R55250 ³⁷	R4066365	R4090096 ⁷²	N/A ⁵³	-	R4577503	R4577503
23-122701-002 ²⁶⁹	2-7/8 "	R42R55250	R42R55250 ³⁷	R4066365	R4090096 ⁷²	N/A ⁵³	-	R458632	R458632
23-123572-004 ²⁷¹	3-3/8 "	R42R55099	R42R55098 ³⁷	R4066780	R4090021 ²⁰¹	N/A ⁵³	-	R458632	R458632
R44141858 ²⁷⁵	2-19/32 "	R42R55314	R42R55314 ³⁷	R40107771	R4090100P ⁷²	N/A ⁵³	-	R4577503	R4577503
R44141476 ²⁶⁸	2-19/32 "	R42R55314	R42R55314 ³⁷	R40107771	R4090100P ⁷²	N/A ⁵³	-	R458632	R458632
R44141858 ²⁷⁵	3-3/8 "	R42R55099	R42R55098 ³⁷	R4066780	R4090021 ²⁰¹	N/A ⁵³	-	R4577503	R4577503
23-123572-004 ²⁷¹	2-7/8 "	R42R55250	R42R55250 ³⁷	R4066365	R4090096 ⁷²	N/A ⁵³	-	R4577503	R4577503
23-123552-004 ²⁶⁶	2-19/32 "	R42R55314	R42R55314 ³⁷	R40107771	R4090100P ⁷²	N/A ⁵³	-	R4577503	R4577503
R44141476 ²⁶⁸	2-19/32 "	R42R55314	R42R55314 ³⁷	R40107771	R4090100P ⁷²	N/A ⁵³	-	R4577503	R4577503
23-122527-002 ²⁷²	2-7/8 "	R42R55250	R42R55250 ³⁷	R4066365	R4090096 ⁷²	N/A ⁵³	-	R4577503	R4577503
23-122527-002 ²⁷²	2-19/32 "	R42R55314	R42R55314 ³⁷	R40107771	R4090100P ⁷²	N/A ⁵³	-	R4577503	R4577503
R44141858 ²⁷⁵	3-3/8 "	R42R55099	R42R55098 ³⁷	R4066780	R4090021 ²⁰¹	N/A ⁵³	-	R458632	R458632
23-123552-004 ²⁶⁶	3-3/8 "	R42R55099	R42R55098 ³⁷	R4066780	R4090021 ²⁰¹	N/A ⁵³	-	R4577503	R4577503
23-123572-004 ²⁷¹	2-19/32 "	R42R55314	R42R55314 ³⁷	R40107771	R4090100P ⁷²	N/A ⁵³	-	R458632	R458632
23-123572-004 ²⁷¹	2-7/8 "	R42R55250	R42R55250 ³⁷	R4066365	R4090096 ⁷²	N/A ⁵³	-	R458632	R458632
23-122527-002 ²⁷²	3-3/8 "	R42R55099	R42R55098 ³⁷	R4066780	R4090021 ²⁰¹	N/A ⁵³	-	R458632	R458632
23-122701-002 ²⁶⁹	3-3/8 "	R42R55099	R42R55098 ³⁷	R4066780	R4090021 ²⁰¹	N/A ⁵³	-	R4577503	R4577503
R44141476 ²⁶⁸	2-7/8 "	R42R55250	R42R55250 ³⁷	R4066365	R4090096 ⁷²	N/A ⁵³	-	R4577503	R4577503
23-123552-004 ²⁶⁶	2-19/32 "	R42R55314	R42R55314 ³⁷	R40107771	R4090100P ⁷²	N/A ⁵³	-	R458632	R458632
23-122527-002 ²⁷²	3-3/8 "	R42R55099	R42R55098 ³⁷	R4066780	R4090021 ²⁰¹	N/A ⁵³	-	R4577503	R4577503
23-123552-004 ²⁶⁶	2-7/8 "	R42R55250	R42R55250 ³⁷	R4066365	R4090096 ⁷²	N/A ⁵³	-	R458632	R458632
23-123552-004 ²⁶⁶	3-3/8 "	R42R55099	R42R55098 ³⁷	R4066780	R4090021 ²⁰¹	N/A ⁵³	-	R458632	R458632
23-122920-002 ²⁷³	3-3/8 "	R42R55099	R42R55098 ³⁷	R4066780	R4090021 ²⁰¹	N/A ⁵³	-	R4577503	R4577503
23-122701-002 ²⁶⁹	2-19/32 "	R42R55314	R42R55314 ³⁷	R40107771	R4090100P ⁷²	N/A ⁵³	-	R4577503	R4577503
23-122920-002 ²⁷³	3-3/8 "	R42R55099	R42R55098 ³⁷	R4066780	R4090021 ²⁰¹	N/A ⁵³	-	R458632	R458632
23-123572-004 ²⁷¹	3-3/8 "	R42R55099	R42R55098 ³⁷	R4066780	R4090021 ²⁰¹	N/A ⁵³	-	R4577503	R4577503
23-122920-002 ²⁷³	2-19/32 "	R42R55314	R42R55314 ³⁷	R40107771	R4090100P ⁷²	N/A ⁵³	-	R4577503	R4577503
23-122701-002 ²⁶⁹	3-3/8 "	R42R55099	R42R55098 ³⁷	R4066780	R4090021 ²⁰¹	N/A ⁵³	-	R458632	R458632
R44141476 ²⁶⁸	2-7/8 "	R42R55250	R42R55250 ³⁷	R4066365	R4090096 ⁷²	N/A ⁵³	-	R458632	R458632
R44141858 ²⁷⁵	2-19/32 "	R42R55314	R42R55314 ³⁷	R40107771	R4090100P ⁷²	N/A ⁵³	-	R458632	R458632
23-123552-004 ²⁶⁶	2-7/8 "	R42R55250	R42R55250 ³⁷	R4066365	R4090096 ⁷²	N/A ⁵³	-	R4577503	R4577503
23-122701-002 ²⁶⁹	2-19/32 "	R42R55314	R42R55314 ³⁷	R40107771	R4090100P ⁷²	N/A ⁵³	-	R458632	R458632
R44141627 ²⁷⁰	2-7/8 "	R42R55250	R42R55250 ³⁷	R4066365	R4090096 ⁷²	-	-	R458634 ⁵²	R458634
R44141627 ²⁷⁰	2-19/32 "	R42R55314	R42R55314 ³⁷	R40107771	R4090100P ⁷²	-	-	R458634 ⁵²	R458634
R44141629 ²⁶⁹	2-19/32 "	R42R55314	R42R55314 ³⁷	R40107771	R4090100P ⁷²	-	-	R458634 ⁵²	R458634
R44141628 ²⁶⁹	2-19/32 "	R42R55314	R42R55314 ³⁷	R40107771	R4090100P ⁷²	-	-	R458634 ⁵²	R458634
R44141628 ²⁶⁹	2-7/8 "	R42R55250	R42R55250 ³⁷	R4066365	R4090096 ⁷²	-	-	R458634 ⁵²	R458634
23-123572-004 ²⁷¹	2-7/8 "	R42R55250	R42R55250 ³⁷	R4066365	R4090096 ⁷²	-	-	R458634 ⁵²	R458634
R44141629 ²⁶⁹	2-7/8 "	R42R55250	R42R55250 ³⁷	R4066365	R4090096 ⁷²	-	-	R458634 ⁵²	R458634
23-123552-004 ²⁶⁶	2-7/8 "	R42R55250	R42R55250 ³⁷	R4066365	R4090096 ⁷²	-	-	R458634 ⁵²	R458634
23-123572-004 ²⁷¹	2-19/32 "	R42R55314	R42R55314 ³⁷	R40107771	R4090100P ⁷²	-	-	R458634 ⁵²	R458634
23-123552-004 ²⁶⁶	2-19/32 "	R42R55314	R42R55314 ³⁷	R40107771	R4090100P ⁷²	-	-	R458634 ⁵²	R458634
R44141608 ²⁶⁷	2-19/32 "	R42R55314	R42R55314 ³⁷	R40107771	R4090100P ⁷²	-	-	R458634 ⁵²	R458634
R44141608 ²⁶⁷	2-7/8 "	R42R55250	R42R55250 ³⁷	R4066365	R4090096 ⁷²	-	-	R458634 ⁵²	R458634
23-122527-002 ²⁷²	3-3/8 "	R42R55099	R42R55098 ³⁷	R4066780	R4090021 ²⁰¹	-	-	-	-
23-122527-002 ²⁷²	2-19/32 "	R42R55245	R42R55245 ³⁸	R402235118	R402238231 ²⁰¹	-	-	-	-
23-122701-002 ²⁶⁹	2-19/32 "	R42R55245	R42R55245 ³⁸	R402235118	R402238231 ²⁰¹	-	-	-	-
23-123572-004 ²⁷¹	2-19/32 "	R42R55245	R42R55245 ³⁸	R402235118	R402238231 ²⁰¹	-	-	-	-
23-123552-004 ²⁶⁶	2-19/32 "	R42R55245	R42R55245 ³⁸	R402235118	R402238231 ²⁰¹	-	-	-	-
23-122920-002 ²⁷³	2-19/32 "	R42R55245	R42R55245 ³⁸	R402235118	R402238231 ²⁰¹	-	-	-	-
R44141476 ²⁶⁸	2-19/32 "	R42R55245	R42R55245 ³⁸	R402235118	R402238231 ²⁰¹	-	-	-	-
N/A	1-1/4 "	R4133581	R4133582	R4166923	NR	-	-	-	-

269 - 5 Stud, U Shape

270 - 5 Stud, U Shape, .766 Dia. Studs

271 - 6 Stud, Hat Shape

272 - 6 Stud, U Shape

273 - 5 Stud, U Shape, .780 Dia. Studs

275 - 5 Stud, U Shape, .656 Dia. Studs

Contact our Customer Service Teams
1-888-725-9355

www.XpresswayPlus.com

1 APPLICATION

MAKE MODEL YEAR AXLE CODE AXLE WEIGHT	AXLE & BRK. TYPE	BRK. MFG.	BRAKE SIZE	FMSI	MERITOR DISC PAD OR BRAKE SHOE	MERITOR GUIDE PIN OR RETURN SPRING KIT	MERITOR CALIPER HWD. KIT OR RETURN SPRING KIT	MERITOR ADJUSTER KIT (LEFT WHEEL)	MERITOR ADJUSTER KIT (RIGHT WHEEL)
ITE(Cont.)									
160, 1600, 1650 SERIES(Cont.)									
1983	Fm	WG	15 " x 3 "	1245A - 235	R700235	R40H521	R40H9201	R40H3524	R40H3524
M1600, M1652, M1654 Metro Series, Forward Control FA309	Fd	BX		7142 - D225	MD225	R40H5010	R40H5522	NR	NR
	Fd	BX		7142 - D225	MD225	R40H5010	R40H5522	NR	NR
	Fd	BX		7142 - D225	MD225	R40H5010	R40H5522	NR	NR
	Fd	BX		7142 - D225	MD225	R40H5010	R40H5522	NR	NR
	Fd	BX		7142 - D225	MD225	R40H5010	R40H5522	NR	NR
	Fd	BX		7142 - D225	MD225	R40H5010	R40H5522	NR	NR
M1600, M1652, M1654 Metro Series, Forward Control FA69	Fa	WG	14 " x 2-1/2 "	1294A - 325	N/A	R40H521	R40H9237	R40H3502	R40H3503
	Fm	WG	14 " x 2-1/2 "	1294 - 296	N/A	R40H521	R40H9201	R40H3524	R40H3524
M1600, M1652, M1654 Metro Series, Forward Control FA71, 73, 101	Fd	BX		7108 - D184	MD184	R40H5010	R40H5519	NR	NR
	Fd	BX		7108 - D184	MD184	R40H5010	R40H5519	NR	NR
	Fd	BX		7108 - D184	MD184	R40H5010	R40H5519	NR	NR
	Fd	BX		7108 - D184	MD184	R40H5010	R40H5519	NR	NR
	Fd	BX		7108 - D184	MD184	R40H5010	R40H5519	NR	NR
M1600, M1652, M1654 Metro Series, Forward Control FA73, 101	Fa	WG	15 " x 3-1/2 "	1280B - 322	R464004	R40H521	R40H9237	R40H3502	R40H3503
	Fm	WG	15 " x 3-1/2 "	1280 - 463	R700463	R40H521	R40H9201	R40H3524	R40H3524
M1600, M1652, M1654 Metro Series, Forward Control FA73, 101, 109	Fa	WG	15 " x 3 "	1245C - 321	R700321	R40H521	R40H9237	R40H3502	R40H3503
	Fm	WG	15 " x 3 "	1245A - 235	R700235	R40H521	R40H9201	R40H3524	R40H3524
M1600, M1652, M1654 Metro Series, Forward Control FA74	Fa	WG	15 " x 3 "	1245C - 321	R700321	R40H521	R40H9237	R40H3502	R40H3503
	Fm	WG	15 " x 3 "	1245A - 235	R700235	R40H521	R40H9201	R40H3524	R40H3524
M1600, M1652, M1654 Metro Series, Forward Control FA78, 81	Fa	WG	15 " x 3 "	1245C - 321	R700321	R40H521	R40H9237	R40H3502	R40H3503
M1600, M1652, M1654 Metro Series, Forward Control FA99	Fa	WG	15 " x 3 "	1245C - 321	R700321	R40H521	R40H9237	R40H3502	R40H3503
	Fm	WG	15 " x 3 "	1245A - 235	R700235	R40H521	R40H9201	R40H3524	R40H3524
M1600, M1652, M1654 Metro Series, Forward Control RA25, 126, 184	Ra	WG	15 " x 4 "	4645A - 376	Discontinued	R40H597	R40H9200	R40H3540	R40H3541
	Ra	WG	15 " x 5 "	1252 - 346	R700346	R40H597	R40H9200	R40H3540	R40H3541
	Rm	WG	15 " x 4 "	4645A - 376	Discontinued	R40H597	R40H9200	R40H3518	R404148
	Rm	WG	15 " x 5 "	1252 - 346	R700346	R40H597	R40H9200	R40H3518	R404148
M1600, M1652, M1654 Metro Series, Forward Control RA29, 30, 39, 187	Rd	BX		7108 - D184	MD184	R40H5010	R40H5519	NR	NR
	Rd	BX		7108 - D184	MD184	R40H5010	R40H5519	NR	NR
	Rd	BX		7108 - D184	MD184	R40H5010	R40H5519	NR	NR
	Rd	BX		7108 - D184	MD184	R40H5010	R40H5519	NR	NR
	Rd	BX		7108 - D184	MD184	R40H5010	R40H5519	NR	NR
	Rd	BX		7108 - D184	MD184	R40H5010	R40H5519	NR	NR

37 - Also available as a New unit

201 - Steel Piston
268 - 5 Stud, Hat Shape
www.XpresswayPlus.com

38 - First design, may have external joining tube and uses steel pistons
266 - 10 Stud, Hat Shaped
269 - 5 Stud, U Shape

72 - Phenolic/Steel Face

267 - 10 Stud, U Shaped
270 - 5 Stud, U Shape, .766 Dia. Studs

MERITOR DRUM OR ROTOR NO.	CALIPER OR CYLINDER BORE SIZE	MERITOR CALIPER OR WHEEL CYLINDER (LEFT)	MERITOR CALIPER OR WHEEL CYLINDER (RIGHT)	MERITOR CALIPER OR WHEEL CYLINDER REPAIR KIT	MERITOR CALIPER PISTON	MERITOR MASTER CYLINDER	MERITOR MASTER CYLINDER KIT	MERITOR BRAKE HOSE (LEFT)	MERITOR BRAKE HOSE (RIGHT)
ITE(Cont.)									
160, 1600, 1650 SERIES(Cont.)									
N/A	1-1/4 "	R4133581	R4133582	R4166923	NR	-	-	-	-
23-123572-004 ²⁷¹ R44141476 ²⁶⁸	2-7/8 "	R42R55250	R42R55250 ³⁷	R4066365	R4090096 ⁷²	-	-	-	-
23-122701-002 ²⁶⁹	2-7/8 "	R42R55250	R42R55250 ³⁷	R4066365	R4090096 ⁷²	-	-	-	-
23-122920-002 ²⁷³	2-7/8 "	R42R55250	R42R55250 ³⁷	R4066365	R4090096 ⁷²	-	-	-	-
23-122527-002 ²⁷²	2-7/8 "	R42R55250	R42R55250 ³⁷	R4066365	R4090096 ⁷²	-	-	-	-
23-123552-004 ²⁶⁶	2-7/8 "	R42R55250	R42R55250 ³⁷	R4066365	R4090096 ⁷²	-	-	-	-
N/A	1-1/8 "	R4133714	R4133715	R4166926	NR	-	-	-	-
N/A	1-1/8 "	R4133714	R4133715	R4166926	NR	-	-	-	-
23-123552-004 ²⁶⁶ R44141476 ²⁶⁸	3-3/8 "	R42R55099	R42R55098 ³⁷	R4066780	R4090021 ²⁰¹	-	-	-	-
23-122701-002 ²⁶⁹	3-3/8 "	R42R55099	R42R55098 ³⁷	R4066780	R4090021 ²⁰¹	-	-	-	-
23-123572-004 ²⁷¹	3-3/8 "	R42R55099	R42R55098 ³⁷	R4066780	R4090021 ²⁰¹	-	-	-	-
23-122920-002 ²⁷³	3-3/8 "	R42R55099	R42R55098 ³⁷	R4066780	R4090021 ²⁰¹	-	-	-	-
N/A	1-1/4 "	R4133581	R4133582	R4166923	NR	-	-	-	-
N/A	1-1/4 "	R4133581	R4133582	R4166923	NR	-	-	-	-
N/A	1-1/4 "	R4133581	R4133582	R4166923	NR	-	-	-	-
N/A	1-1/8 "	R4133714	R4133715	R4166926	NR	-	-	-	-
N/A	1-1/4 "	R4133581	R4133582	R4166923	NR	-	-	-	-
N/A	1-1/4 "	R4133581	R4133582	R4166923	NR	-	-	-	-
N/A	1-1/8 "	R4133320	R4133321	R4166926	NR	-	-	-	-
N/A	1-1/4 "	R4133581	R4133582	R4166923	NR	-	-	-	-
N/A	1-1/4 "	R4133581	R4133582	R4166923	NR	-	-	-	-
N/A	1-1/2 "	R4133580	R4133580	Discontinued	NR	-	-	-	-
N/A	1-5/8 "	R4133338	R4133338	R4166689	NR	-	-	-	-
N/A	1-1/2 "	R4133580	R4133580	Discontinued	NR	-	-	-	-
N/A	1-5/8 "	R4133338	R4133338	R4166689	NR	-	-	-	-
R44141608 ²⁶⁷ R44141628 ²⁶⁹	2-19/32 "	R42R55245	R42R55245 ³⁸	R402235118	R402238231 ²⁰¹	-	-	-	-
23-122527-002 ²⁷²	2-19/32 "	R42R55245	R42R55245 ³⁸	R402235118	R402238231 ²⁰¹	-	-	-	-
R44141629 ²⁶⁹	2-19/32 "	R42R55245	R42R55245 ³⁸	R402235118	R402238231 ²⁰¹	-	-	-	-
23-123552-004 ²⁶⁶	2-19/32 "	R42R55245	R42R55245 ³⁸	R402235118	R402238231 ²⁰¹	-	-	-	-
23-123572-004 ²⁷¹	2-19/32 "	R42R55245	R42R55245 ³⁸	R402235118	R402238231 ²⁰¹	-	-	-	-
R44141627 ²⁷⁰	2-19/32 "	R42R55245	R42R55245 ³⁸	R402235118	R402238231 ²⁰¹	-	-	-	-

1 APPLICATION

271 - 6 Stud, Hat Shape

272 - 6 Stud, U Shape

273 - 5 Stud, U Shape, .780 Dia. Studs

MAKE MODEL YEAR AXLE CODE AXLE WEIGHT	AXLE & BRK. TYPE	BRK. MFG.	BRAKE SIZE	FMSI	MERITOR DISC PAD OR BRAKE SHOE	MERITOR GUIDE PIN OR RETURN SPRING KIT	MERITOR CALIPER HWD. KIT OR RETURN SPRING KIT	MERITOR ADJUSTER KIT (LEFT WHEEL)	MERITOR ADJUSTER KIT (RIGHT WHEEL)
ITE(Cont.)									
160, 1600, 1650 SERIES(Cont.)									
1983									
M1600, M1652, M1654 Metro Series, Forward Control RA30, 39, 127, 187, 189	Ra	WG	15 " x 5 "	1252 - 346	R700346	R40H597	R40H9200	R40H3540	R40H3541
	Rm	WG	15 " x 5 "	1252 - 346	R700346	R40H597	R40H9200	R40H3518	R404148
M1600, M1652, M1654 Metro Series, Forward Control RA39	Ra	WG	15 " x 6 "	4596 - 381	R700381	R40H597	R40H9200	R40H3540	R40H3541
M1600, M1652, M1654 Metro Series, Forward Control RA39, 189	Ra	WG	16 " x 6 "	1255 - 386	N/A	R40H597	R40H9200	N/A	N/A
	Rm	WG	16 " x 6 "	1255 - 386	N/A	R40H597	R40H9200	R404149	R404150
M1600, M1652, M1654 Metro Series, Forward Control RA42, 44, 130, 186, 199	Rd	BX		7142 - D225	MD225	R40H5010	R40H5522	NR	NR
	Rd	BX		7142 - D225	MD225	R40H5010	R40H5522	NR	NR
	Rd	BX		7142 - D225	MD225	R40H5010	R40H5522	NR	NR
	Rd	BX		7142 - D225	MD225	R40H5010	R40H5522	NR	NR
	Rd	BX		7142 - D225	MD225	R40H5010	R40H5522	NR	NR
	Rd	BX		7142 - D225	MD225	R40H5010	R40H5522	NR	NR
	Rd	BX		7142 - D225	MD225	R40H5010	R40H5522	NR	NR
	Rd	BX		7142 - D225	MD225	R40H5010	R40H5522	NR	NR
	Rd	BX		7142 - D225	MD225	R40H5010	R40H5522	NR	NR
	Rd	BX		7142 - D225	MD225	R40H5010	R40H5522	NR	NR
	Rd	BX		7142 - D225	MD225	R40H5010	R40H5522	NR	NR
	Rd	BX		7142 - D225	MD225	R40H5010	R40H5522	NR	NR
M1600, M1652, M1654 Metro Series, Forward Control RA44	Ra	WG	15 " x 7 "	4597 - 383	R700383	R40H597	R40H9200	R40H3540	R40H3541
S1600, S1652, S1654 Conventional	Fd	BX		7108 - D184	MD184	R40H5010	R40H5519	NR	NR
	Fd	BX		7142 - D225	MD225	R40H5010	R40H5522	NR	NR
	Fd	BX		7142 - D225	MD225	R40H5010	R40H5522	NR	NR
	Fd	BX		7108 - D184	MD184	R40H5010	R40H5519	NR	NR
	Fd	BX		7108 - D184	MD184	R40H5010	R40H5519	NR	NR
	Fd	BX		7142 - D225	MD225	R40H5010	R40H5522	NR	NR
	Fd	BX		7108 - D184	MD184	R40H5010	R40H5519	NR	NR
	Fd	BX		7108 - D184	MD184	R40H5010	R40H5519	NR	NR
	Fd	BX		7108 - D184	MD184	R40H5010	R40H5519	NR	NR
	Fd	BX		7108 - D184	MD184	R40H5010	R40H5519	NR	NR
	Fd	BX		7108 - D184	MD184	R40H5010	R40H5519	NR	NR
	Fd	BX		7142 - D225	MD225	R40H5010	R40H5522	NR	NR
	Fd	BX		7142 - D225	MD225	R40H5010	R40H5522	NR	NR
	Fd	BX		7108 - D184	MD184	R40H5010	R40H5519	NR	NR
	Fd	BX		7108 - D184	MD184	R40H5010	R40H5519	NR	NR
	Fd	BX		7142 - D225	MD225	R40H5010	R40H5522	NR	NR
	Fd	BX		7142 - D225	MD225	R40H5010	R40H5522	NR	NR
	Fd	BX		7108 - D184	MD184	R40H5010	R40H5519	NR	NR
	Fd	BX		7108 - D184	MD184	R40H5010	R40H5519	NR	NR
	Fd	BX		7142 - D225	MD225	R40H5010	R40H5522	NR	NR
	Fd	BX		7142 - D225	MD225	R40H5010	R40H5522	NR	NR
	Fd	BX		7108 - D184	MD184	R40H5010	R40H5519	NR	NR
	Fd	BX		7108 - D184	MD184	R40H5010	R40H5519	NR	NR
	Fd	BX		7142 - D225	MD225	R40H5010	R40H5522	NR	NR
	Fd	BX		7142 - D225	MD225	R40H5010	R40H5522	NR	NR

37 - Also available as a New unit
 266 - 10 Stud, Hat Shaped
 269 - 5 Stud, U Shape
 www.XpresswayPlus.com

72 - Phenolic/Steel Face
 267 - 10 Stud, U Shaped
 270 - 5 Stud, U Shape, .766 Dia. Studs

201 - Steel Piston
 268 - 5 Stud, Hat Shape
 271 - 6 Stud, Hat Shape

MERITOR DRUM OR ROTOR NO.	CALIPER OR CYLINDER BORE SIZE	MERITOR CALIPER OR WHEEL CYLINDER (LEFT)	MERITOR CALIPER OR WHEEL CYLINDER (RIGHT)	MERITOR CALIPER OR WHEEL CYLINDER REPAIR KIT	MERITOR CALIPER PISTON	MERITOR MASTER CYLINDER	MERITOR MASTER CYLINDER KIT	MERITOR BRAKE HOSE (LEFT)	MERITOR BRAKE HOSE (RIGHT)
ITE(Cont.)									
160, 1600, 1650 SERIES(Cont.)									
23-122920-002 ²⁷³	2-19/32 "	R42R55314	R42R55314 ³⁷	R40107771	R4090100P ⁷²	R4111912 ³³¹	R4122386	R458632	R458632
R44141858 ²⁷⁵	3-3/8 "	R42R55099	R42R55098 ³⁷	R4066780	R4090021 ²⁰¹	R4111912 ³³¹	R4122386	R4577503	R4577503
R44141858 ²⁷⁵	2-19/32 "	R42R55314	R42R55314 ³⁷	R40107771	R4090100P ⁷²	R4111294 ³³²	R4122346	R458632	R458632
23-122920-002 ²⁷³	3-3/8 "	R42R55099	R42R55098 ³⁷	R4066780	R4090021 ²⁰¹	R4111912 ³³¹	R4122386	R458632	R458632
23-123572-004 ²⁷¹	2-19/32 "	R42R55314	R42R55314 ³⁷	R40107771	R4090100P ⁷²	R4111993 ³⁰²	R4122386	R4577503	R4577503
23-123552-004 ²⁶⁶	3-3/8 "	R42R55099	R42R55098 ³⁷	R4066780	R4090021 ²⁰¹	R4111993 ³⁰²	R4122386	R4577503	R4577503
23-122701-002 ²⁶⁹	2-19/32 "	R42R55314	R42R55314 ³⁷	R40107771	R4090100P ⁷²	R4111993 ³⁰²	R4122386	R458632	R458632
23-122527-002 ²⁷²	2-7/8 "	R42R55250	R42R55250 ³⁷	R4066365	R4090096 ⁷²	R4111912 ³³¹	R4122386	R4577503	R4577503
R44141858 ²⁷⁵	3-3/8 "	R42R55099	R42R55098 ³⁷	R4066780	R4090021 ²⁰¹	R4111912 ³³¹	R4122386	R458632	R458632
23-123552-004 ²⁶⁶	3-3/8 "	R42R55099	R42R55098 ³⁷	R4066780	R4090021 ²⁰¹	R4111993 ³⁰²	R4122386	R458632	R458632
23-122527-002 ²⁷²	2-7/8 "	R42R55250	R42R55250 ³⁷	R4066365	R4090096 ⁷²	R4111294 ³³²	R4122346	R458632	R458632
23-122701-002 ²⁶⁹	2-7/8 "	R42R55250	R42R55250 ³⁷	R4066365	R4090096 ⁷²	R4111294 ³³²	R4122346	R458632	R458632
R44141476 ²⁶⁸	2-19/32 "	R42R55314	R42R55314 ³⁷	R40107771	R4090100P ⁷²	R4111912 ³³¹	R4122386	R458632	R458632
23-123552-004 ²⁶⁶	3-3/8 "	R42R55099	R42R55098 ³⁷	R4066780	R4090021 ²⁰¹	R4111993 ³⁰²	R4122386	R458632	R458632
R44141858 ²⁷⁵	2-19/32 "	R42R55314	R42R55314 ³⁷	R40107771	R4090100P ⁷²	R4111993 ³⁰²	R4122386	R458632	R458632
R44141476 ²⁶⁸	2-7/8 "	R42R55250	R42R55250 ³⁷	R4066365	R4090096 ⁷²	R4111294 ³³²	R4122346	R458632	R458632
23-123552-004 ²⁶⁶	2-7/8 "	R42R55250	R42R55250 ³⁷	R4066365	R4090096 ⁷²	R4111912 ³³¹	R4122386	R458632	R458632
23-123572-004 ²⁷¹	3-3/8 "	R42R55099	R42R55098 ³⁷	R4066780	R4090021 ²⁰¹	R4111294 ³³²	R4122346	R458632	R458632
23-122527-002 ²⁷²	2-19/32 "	R42R55314	R42R55314 ³⁷	R40107771	R4090100P ⁷²	R4111294 ³³²	R4122346	R4577503	R4577503
R44141476 ²⁶⁸	2-7/8 "	R42R55250	R42R55250 ³⁷	R4066365	R4090096 ⁷²	R4111912 ³³¹	R4122386	R458632	R458632
23-122920-002 ²⁷³	2-19/32 "	R42R55314	R42R55314 ³⁷	R40107771	R4090100P ⁷²	R4111993 ³⁰²	R4122386	R4577503	R4577503
R44141476 ²⁶⁸	3-3/8 "	R42R55099	R42R55098 ³⁷	R4066780	R4090021 ²⁰¹	R4111912 ³³¹	R4122386	R4577503	R4577503
R44141476 ²⁶⁸	2-19/32 "	R42R55314	R42R55314 ³⁷	R40107771	R4090100P ⁷²	R4111912 ³³¹	R4122386	R4577503	R4577503
R44141476 ²⁶⁸	2-7/8 "	R42R55250	R42R55250 ³⁷	R4066365	R4090096 ⁷²	R4111294 ³³²	R4122346	R4577503	R4577503
23-123552-004 ²⁶⁶	2-7/8 "	R42R55250	R42R55250 ³⁷	R4066365	R4090096 ⁷²	R4111993 ³⁰²	R4122386	R4577503	R4577503
23-123572-004 ²⁷¹	3-3/8 "	R42R55099	R42R55098 ³⁷	R4066780	R4090021 ²⁰¹	R4111993 ³⁰²	R4122386	R4577503	R4577503
23-122527-002 ²⁷²	2-19/32 "	R42R55314	R42R55314 ³⁷	R40107771	R4090100P ⁷²	R4111912 ³³¹	R4122386	R458632	R458632
R44141858 ²⁷⁵	2-19/32 "	R42R55314	R42R55314 ³⁷	R40107771	R4090100P ⁷²	R4111294 ³³²	R4122346	R4577503	R4577503
23-123552-004 ²⁶⁶	2-19/32 "	R42R55314	R42R55314 ³⁷	R40107771	R4090100P ⁷²	R4111912 ³³¹	R4122386	R4577503	R4577503
R44141476 ²⁶⁸	2-19/32 "	R42R55314	R42R55314 ³⁷	R40107771	R4090100P ⁷²	R4111294 ³³²	R4122346	R458632	R458632
R44141476 ²⁶⁸	2-7/8 "	R42R55250	R42R55250 ³⁷	R4066365	R4090096 ⁷²	R4111294 ³³²	R4122346	R4577503	R4577503
23-123552-004 ²⁶⁶	2-7/8 "	R42R55250	R42R55250 ³⁷	R4066365	R4090096 ⁷²	R4111993 ³⁰²	R4122386	R4577503	R4577503
23-123572-004 ²⁷¹	3-3/8 "	R42R55099	R42R55098 ³⁷	R4066780	R4090021 ²⁰¹	R4111912 ³³¹	R4122386	R458632	R458632
23-122527-002 ²⁷²	2-19/32 "	R42R55314	R42R55314 ³⁷	R40107771	R4090100P ⁷²	R4111912 ³³¹	R4122386	R458632	R458632
R44141858 ²⁷⁵	3-3/8 "	R42R55099	R42R55098 ³⁷	R4066780	R4090021 ²⁰¹	R4111912 ³³¹	R4122386	R458632	R458632
23-122920-002 ²⁷³	2-7/8 "	R42R55250	R42R55250 ³⁷	R4066365	R4090096 ⁷²	R4111294 ³³²	R4122346	R4577503	R4577503
23-122701-002 ²⁶⁹	2-7/8 "	R42R55250	R42R55250 ³⁷	R4066365	R4090096 ⁷²	R4111993 ³⁰²	R4122386	R4577503	R4577503
23-122527-002 ²⁷²	2-19/32 "	R42R55314	R42R55314 ³⁷	R40107771	R4090100P ⁷²	R4111993 ³⁰²	R4122386	R458632	R458632
23-123572-004 ²⁷¹	3-3/8 "	R42R55099	R42R55098 ³⁷	R4066780	R4090021 ²⁰¹	R4111912 ³³¹	R4122386	R458632	R458632
23-123552-004 ²⁶⁶	3-3/8 "	R42R55099	R42R55098 ³⁷	R4066780	R4090021 ²⁰¹	R4111294 ³³²	R4122346	R458632	R458632
R44141476 ²⁶⁸	2-19/32 "	R42R55314	R42R55314 ³⁷	R40107771	R4090100P ⁷²	R4111912 ³³¹	R4122386	R458632	R458632
R44141476 ²⁶⁸	3-3/8 "	R42R55099	R42R55098 ³⁷	R4066780	R4090021 ²⁰¹	R4111993 ³⁰²	R4122386	R458632	R458632
23-122920-002 ²⁷³	2-19/32 "	R42R55314	R42R55314 ³⁷	R40107771	R4090100P ⁷²	R4111993 ³⁰²	R4122386	R4577503	R4577503
23-123572-004 ²⁷¹	3-3/8 "	R42R55099	R42R55098 ³⁷	R4066780	R4090021 ²⁰¹	R4111294 ³³²	R4122346	R458632	R458632
23-122701-002 ²⁶⁹	2-7/8 "	R42R55250	R42R55250 ³⁷	R4066365	R4090096 ⁷²	R4111912 ³³¹	R4122386	R458632	R458632
23-122527-002 ²⁷²	2-7/8 "	R42R55250	R42R55250 ³⁷	R4066365	R4090096 ⁷²	R4111912 ³³¹	R4122386	R458632	R458632
23-123572-004 ²⁷¹	2-19/32 "	R42R55314	R42R55314 ³⁷	R40107771	R4090100P ⁷²	R4111993 ³⁰²	R4122386	R4577503	R4577503
R44141858 ²⁷⁵	3-3/8 "	R42R55099	R42R55098 ³⁷	R4066780	R4090021 ²⁰¹	R4111294 ³³²	R4122346	R4577503	R4577503
23-122527-002 ²⁷²	2-7/8 "	R42R55250	R42R55250 ³⁷	R4066365	R4090096 ⁷²	R4111993 ³⁰²	R4122386	R458632	R458632
R44141858 ²⁷⁵	2-19/32 "	R42R55314	R42R55314 ³⁷	R40107771	R4090100P ⁷²	R4111912 ³³¹	R4122386	R458632	R458632
R44141476 ²⁶⁸	2-7/8 "	R42R55250	R42R55250 ³⁷	R4066365	R4090096 ⁷²	R4111294 ³³²	R4122346	R4577503	R4577503
R44141858 ²⁷⁵	2-7/8 "	R42R55250	R42R55250 ³⁷	R4066365	R4090096 ⁷²	R4111912 ³³¹	R4122386	R458632	R458632
23-122527-002 ²⁷²	2-19/32 "	R42R55314	R42R55314 ³⁷	R40107771	R4090100P ⁷²	R4111294 ³³²	R4122346	R458632	R458632
23-122920-002 ²⁷³	2-7/8 "	R42R55250	R42R55250 ³⁷	R4066365	R4090096 ⁷²	R4111912 ³³¹	R4122386	R458632	R458632

275 - 5 Stud, U Shape, .656 Dia. Studs
332 - Power Brakes, Hydraulic Booster

302 - Power Brakes, Dual System

331 - Power Brakes, Delco Dual System

Contact our Customer Service Teams
1-888-725-9355

www.XpresswayPlus.com

1 APPLICATION

MAKE MODEL YEAR AXLE CODE AXLE WEIGHT	AXLE & BRK. TYPE	BRK. MFG.	BRAKE SIZE	FMSI	MERITOR DISC PAD OR BRAKE SHOE	MERITOR GUIDE PIN OR RETURN SPRING KIT	MERITOR CALIPER HWD. KIT OR RETURN SPRING KIT	MERITOR ADJUSTER KIT (LEFT WHEEL)	MERITOR ADJUSTER KIT (RIGHT WHEEL)
ITE(Cont.)									
160, 1600, 1650 SERIES(Cont.)									
1983									
	Fd	BX		7142 - D225	MD225	R40H5010	R40H5522	NR	NR
	Fd	BX		7108 - D184	MD184	R40H5010	R40H5519	NR	NR
	Fd	BX		7108 - D184	MD184	R40H5010	R40H5519	NR	NR
	Fd	BX		7108 - D184	MD184	R40H5010	R40H5519	NR	NR
	Fd	BX		7108 - D184	MD184	R40H5010	R40H5519	NR	NR
	Fd	BX		7142 - D225	MD225	R40H5010	R40H5522	NR	NR
	Fd	BX		7142 - D225	MD225	R40H5010	R40H5522	NR	NR
	Fd	BX		7108 - D184	MD184	R40H5010	R40H5519	NR	NR
	Fd	BX		7108 - D184	MD184	R40H5010	R40H5519	NR	NR
	Fd	BX		7142 - D225	MD225	R40H5010	R40H5522	NR	NR
	Fd	BX		7108 - D184	MD184	R40H5010	R40H5519	NR	NR
	Fd	BX		7108 - D184	MD184	R40H5010	R40H5519	NR	NR
	Fd	BX		7108 - D184	MD184	R40H5010	R40H5519	NR	NR
	Fd	BX		7142 - D225	MD225	R40H5010	R40H5522	NR	NR
	Fd	BX		7108 - D184	MD184	R40H5010	R40H5519	NR	NR
	Fd	BX		7108 - D184	MD184	R40H5010	R40H5519	NR	NR
	Fd	BX		7108 - D184	MD184	R40H5010	R40H5519	NR	NR
	Fd	BX		7142 - D225	MD225	R40H5010	R40H5522	NR	NR
	Fd	BX		7108 - D184	MD184	R40H5010	R40H5519	NR	NR
	Fd	BX		7108 - D184	MD184	R40H5010	R40H5519	NR	NR
	Fd	BX		7142 - D225	MD225	R40H5010	R40H5522	NR	NR
	Fd	BX		7108 - D184	MD184	R40H5010	R40H5519	NR	NR
	Fd	BX		7108 - D184	MD184	R40H5010	R40H5519	NR	NR
	Fd	BX		7142 - D225	MD225	R40H5010	R40H5522	NR	NR
	Fd	BX		7108 - D184	MD184	R40H5010	R40H5519	NR	NR
	Fd	BX		7108 - D184	MD184	R40H5010	R40H5519	NR	NR
	Fd	BX		7142 - D225	MD225	R40H5010	R40H5522	NR	NR
	Fd	BX		7108 - D184	MD184	R40H5010	R40H5519	NR	NR
	Fd	BX		7108 - D184	MD184	R40H5010	R40H5519	NR	NR
	Fd	BX		7142 - D225	MD225	R40H5010	R40H5522	NR	NR
	Fd	BX		7108 - D184	MD184	R40H5010	R40H5519	NR	NR
	Fd	BX		7108 - D184	MD184	R40H5010	R40H5519	NR	NR
	Rd	BX		7142 - D225	MD225	R40H5010	R40H5522	NR	NR
	Rd	BX		7142 - D225	MD225	R40H5010	R40H5522	NR	NR
	Rd	BX		7108 - D184	MD184	R40H5010	R40H5519	NR	NR
	Rd	BX		7142 - D225	MD225	R40H5010	R40H5522	NR	NR
	Rd	BX		7108 - D184	MD184	R40H5010	R40H5519	NR	NR
	Rd	BX		7142 - D225	MD225	R40H5010	R40H5522	NR	NR
	Rd	BX		7108 - D184	MD184	R40H5010	R40H5519	NR	NR
	Rd	BX		7108 - D184	MD184	R40H5010	R40H5519	NR	NR
	Rd	BX		7142 - D225	MD225	R40H5010	R40H5522	NR	NR
	Rd	BX		7108 - D184	MD184	R40H5010	R40H5519	NR	NR
	Rd	BX		7108 - D184	MD184	R40H5010	R40H5519	NR	NR
1982									
M1600, M1652, M1654 Metro Series, Forward Control FA209	Fa	WG	15 " x 3 "	1245C - 321	R700321	R40H521	R40H9237	R40H3502	R40H3503
	Fm	WG	15 " x 3 "	1245A - 235	R700235	R40H521	R40H9201	R40H3524	R40H3524
M1600, M1652, M1654 Metro Series, Forward Control FA69	Fa	WG	14 " x 2-1/2 "	1294A - 325	N/A	R40H521	R40H9237	R40H3502	R40H3503
	Fm	WG	14 " x 2-1/2 "	1294 - 296	N/A	R40H521	R40H9201	R40H3524	R40H3524
M1600, M1652, M1654 Metro Series, Forward Control FA73, 101	Fa	WG	15 " x 3-1/2 "	1280B - 322	R464004	R40H521	R40H9237	R40H3502	R40H3503
	Fm	WG	15 " x 3-1/2 "	1280 - 463	R700463	R40H521	R40H9201	R40H3524	R40H3524
M1600, M1652, M1654 Metro Series, Forward Control FA73, 101, 109	Fa	WG	15 " x 3 "	1245C - 321	R700321	R40H521	R40H9237	R40H3502	R40H3503

37 - Also available as a New unit
201 - Steel Piston
268 - 5 Stud, Hat Shape
www.XpresswayPlus.com

52 - 18" Length
266 - 10 Stud, Hat Shaped
269 - 5 Stud, U Shape

72 - Phenolic/Steel Face
267 - 10 Stud, U Shaped
270 - 5 Stud, U Shape, .766 Dia. Studs

MERITOR DRUM OR ROTOR NO.	CALIPER OR CYLINDER BORE SIZE	MERITOR CALIPER OR WHEEL CYLINDER (LEFT)	MERITOR CALIPER OR WHEEL CYLINDER (RIGHT)	MERITOR CALIPER OR WHEEL CYLINDER REPAIR KIT	MERITOR CALIPER PISTON	MERITOR MASTER CYLINDER	MERITOR MASTER CYLINDER KIT	MERITOR BRAKE HOSE (LEFT)	MERITOR BRAKE HOSE (RIGHT)
ITE(Cont.)									
160, 1600, 1650 SERIES(Cont.)									
R44141858 ²⁷⁵	2-7/8 "	R42R55250	R42R55250 ³⁷	R4066365	R4090096 ⁷²	R4111294 ³³²	R4122346	R4577503	R4577503
R44141858 ²⁷⁵	3-3/8 "	R42R55099	R42R55098 ³⁷	R4066780	R4090021 ²⁰¹	R4111993 ³⁰²	R4122386	R4577503	R4577503
23-122701-002 ²⁶⁹	3-3/8 "	R42R55099	R42R55098 ³⁷	R4066780	R4090021 ²⁰¹	R4111294 ³³²	R4122346	R4577503	R4577503
23-122527-002 ²⁷²	3-3/8 "	R42R55099	R42R55098 ³⁷	R4066780	R4090021 ²⁰¹	R4111294 ³³²	R4122346	R4577503	R4577503
23-123572-004 ²⁷¹	2-19/32 "	R42R55314	R42R55314 ³⁷	R40107771	R4090100P ⁷²	R4111294 ³³²	R4122346	R458632	R458632
R44141476 ²⁶⁸	2-7/8 "	R42R55250	R42R55250 ³⁷	R4066365	R4090096 ⁷²	R4111912 ³³¹	R4122386	R4577503	R4577503
R44141858 ²⁷⁵	2-7/8 "	R42R55250	R42R55250 ³⁷	R4066365	R4090096 ⁷²	R4111912 ³³¹	R4122386	R4577503	R4577503
23-122527-002 ²⁷²	2-19/32 "	R42R55314	R42R55314 ³⁷	R40107771	R4090100P ⁷²	R4111993 ³⁰²	R4122386	R4577503	R4577503
23-123572-004 ²⁷¹	2-19/32 "	R42R55314	R42R55314 ³⁷	R40107771	R4090100P ⁷²	R4111912 ³³¹	R4122386	R4577503	R4577503
23-122920-002 ²⁷³	2-7/8 "	R42R55250	R42R55250 ³⁷	R4066365	R4090096 ⁷²	R4111993 ³⁰²	R4122386	R458632	R458632
23-122552-004 ²⁶⁶	2-7/8 "	R42R55250	R42R55250 ³⁷	R4066365	R4090096 ⁷²	R4111912 ³³¹	R4122386	R4577503	R4577503
R44141858 ²⁷⁵	3-3/8 "	R42R55099	R42R55098 ³⁷	R4066780	R4090021 ²⁰¹	R4111294 ³³²	R4122346	R458632	R458632
R44141476 ²⁶⁸	2-19/32 "	R42R55314	R42R55314 ³⁷	R40107771	R4090100P ⁷²	R4111993 ³⁰²	R4122386	R458632	R458632
23-122527-002 ²⁷²	3-3/8 "	R42R55099	R42R55098 ³⁷	R4066780	R4090021 ²⁰¹	R4111294 ³³²	R4122346	R458632	R458632
23-122920-002 ²⁷³	3-3/8 "	R42R55099	R42R55098 ³⁷	R4066780	R4090021 ²⁰¹	R4111993 ³⁰²	R4122386	R458632	R458632
23-122552-004 ²⁶⁶	2-7/8 "	R42R55250	R42R55250 ³⁷	R4066365	R4090096 ⁷²	R4111912 ³³¹	R4122386	R4577503	R4577503
R44141858 ²⁷⁵	2-7/8 "	R42R55250	R42R55250 ³⁷	R4066365	R4090096 ⁷²	R4111912 ³³¹	R4122386	R4577503	R4577503
23-122527-002 ²⁷²	2-19/32 "	R42R55314	R42R55314 ³⁷	R40107771	R4090100P ⁷²	R4111993 ³⁰²	R4122386	R4577503	R4577503
23-122920-002 ²⁷³	3-3/8 "	R42R55099	R42R55098 ³⁷	R4066780	R4090021 ²⁰¹	R4111993 ³⁰²	R4122386	R458632	R458632
23-122552-004 ²⁶⁶	2-7/8 "	R42R55250	R42R55250 ³⁷	R4066365	R4090096 ⁷²	R4111294 ³³²	R4122346	R458632	R458632
R44141858 ²⁷⁵	2-7/8 "	R42R55250	R42R55250 ³⁷	R4066365	R4090096 ⁷²	R4111294 ³³²	R4122346	R458632	R458632
23-123572-004 ²⁷¹	2-7/8 "	R42R55250	R42R55250 ³⁷	R4066365	R4090096 ⁷²	R4111912 ³³¹	R4122386	R458632	R458632
23-122527-002 ²⁷²	3-3/8 "	R42R55099	R42R55098 ³⁷	R4066780	R4090021 ²⁰¹	R4111912 ³³¹	R4122386	R4577503	R4577503
23-122701-002 ²⁶⁹	2-7/8 "	R42R55250	R42R55250 ³⁷	R4066365	R4090096 ⁷²	R4111912 ³³¹	R4122386	R4577503	R4577503
23-122920-002 ²⁷³	2-19/32 "	R42R55314	R42R55314 ³⁷	R40107771	R4090100P ⁷²	R4111294 ³³²	R4122346	R458632	R458632
23-122701-002 ²⁶⁹	2-19/32 "	R42R55314	R42R55314 ³⁷	R40107771	R4090100P ⁷²	R4111912 ³³¹	R4122386	R458632	R458632
23-123552-004 ²⁶⁶	3-3/8 "	R42R55099	R42R55098 ³⁷	R4066780	R4090021 ²⁰¹	R4111912 ³³¹	R4122386	R4577503	R4577503
R44141858 ²⁷⁵	2-19/32 "	R42R55314	R42R55314 ³⁷	R40107771	R4090100P ⁷²	R4111993 ³⁰²	R4122386	R4577503	R4577503
23-122701-002 ²⁶⁹	3-3/8 "	R42R55099	R42R55098 ³⁷	R4066780	R4090021 ²⁰¹	R4111993 ³⁰²	R4122386	R4577503	R4577503
R44141858 ²⁷⁵	2-7/8 "	R42R55250	R42R55250 ³⁷	R4066365	R4090096 ⁷²	R4111993 ³⁰²	R4122386	R4577503	R4577503
23-123572-004 ²⁷¹	2-7/8 "	R42R55250	R42R55250 ³⁷	R4066365	R4090096 ⁷²	R4111912 ³³¹	R4122386	R458632	R458632
23-122527-002 ²⁷²	3-3/8 "	R42R55099	R42R55098 ³⁷	R4066780	R4090021 ²⁰¹	R4111912 ³³¹	R4122386	R4577503	R4577503
23-122701-002 ²⁶⁹	2-19/32 "	R42R55314	R42R55314 ³⁷	R40107771	R4090100P ⁷²	R4111294 ³³²	R4122346	R4577503	R4577503
23-122527-002 ²⁷²	2-19/32 "	R42R55314	R42R55314 ³⁷	R40107771	R4090100P ⁷²	R4111912 ³³¹	R4122386	R4577503	R4577503
23-122701-002 ²⁶⁹	3-3/8 "	R42R55099	R42R55098 ³⁷	R4066780	R4090021 ²⁰¹	R4111294 ³³²	R4122346	R458632	R458632
23-123572-004 ²⁷¹	2-7/8 "	R42R55250	R42R55250 ³⁷	R4066365	R4090096 ⁷²	R4111912 ³³¹	R4122386	R4577503	R4577503
R44141858 ²⁷⁵	2-7/8 "	R42R55250	R42R55250 ³⁷	R4066365	R4090096 ⁷²	R4111993 ³⁰²	R4122386	R458632	R458632
R44141476 ²⁶⁸	2-7/8 "	R42R55250	R42R55250 ³⁷	R4066365	R4090096 ⁷²	R4111993 ³⁰²	R4122386	R458632	R458632
R44141476 ²⁶⁸	3-3/8 "	R42R55099	R42R55098 ³⁷	R4066780	R4090021 ²⁰¹	R4111294 ³³²	R4122346	R458632	R458632
23-123572-004 ²⁷¹	2-7/8 "	R42R55250	R42R55250 ³⁷	R4066365	R4090096 ⁷²	-	-	R458634 ⁵²	R458634
23-123552-004 ²⁶⁶	2-7/8 "	R42R55250	R42R55250 ³⁷	R4066365	R4090096 ⁷²	-	-	R458634 ⁵²	R458634
R44141608 ²⁶⁷	2-19/32 "	R42R55314	R42R55314 ³⁷	R40107771	R4090100P ⁷²	-	-	R458634 ⁵²	R458634
R44141629 ²⁶⁹	2-7/8 "	R42R55250	R42R55250 ³⁷	R4066365	R4090096 ⁷²	-	-	R458634 ⁵²	R458634
23-123552-004 ²⁶⁶	2-19/32 "	R42R55314	R42R55314 ³⁷	R40107771	R4090100P ⁷²	-	-	R458634 ⁵²	R458634
R44141608 ²⁶⁷	2-7/8 "	R42R55250	R42R55250 ³⁷	R4066365	R4090096 ⁷²	-	-	R458634 ⁵²	R458634
R44141629 ²⁶⁹	2-19/32 "	R42R55314	R42R55314 ³⁷	R40107771	R4090100P ⁷²	-	-	R458634 ⁵²	R458634
R44141628 ²⁶⁹	2-19/32 "	R42R55314	R42R55314 ³⁷	R40107771	R4090100P ⁷²	-	-	R458634 ⁵²	R458634
R44141628 ²⁶⁹	2-7/8 "	R42R55250	R42R55250 ³⁷	R4066365	R4090096 ⁷²	-	-	R458634 ⁵²	R458634
R44141627 ²⁷⁰	2-7/8 "	R42R55250	R42R55250 ³⁷	R4066365	R4090096 ⁷²	-	-	R458634 ⁵²	R458634
R44141627 ²⁷⁰	2-19/32 "	R42R55314	R42R55314 ³⁷	R40107771	R4090100P ⁷²	-	-	R458634 ⁵²	R458634
23-123572-004 ²⁷¹	2-19/32 "	R42R55314	R42R55314 ³⁷	R40107771	R4090100P ⁷²	-	-	R458634 ⁵²	R458634
N/A	1-1/4 "	R4133581	R4133582	R4166923	NR	-	-	-	-
N/A	1-1/4 "	R4133581	R4133582	R4166923	NR	-	-	-	-
N/A	1-1/8 "	R4133714	R4133715	R4166926	NR	-	-	-	-
N/A	1-1/8 "	R4133714	R4133715	R4166926	NR	-	-	-	-
N/A	1-1/4 "	R4133581	R4133582	R4166923	NR	-	-	-	-
N/A	1-1/4 "	R4133581	R4133582	R4166923	NR	-	-	-	-
N/A	1-1/4 "	R4133581	R4133582	R4166923	NR	-	-	-	-

1 APPLICATION

271 - 6 Stud, Hat Shape
275 - 5 Stud, U Shape, .656 Dia. Studs
332 - Power Brakes, Hydraulic Booster
Contact our Customer Service Teams
1-888-725-9355

272 - 6 Stud, U Shape
302 - Power Brakes, Dual System

273 - 5 Stud, U Shape, .780 Dia. Studs
331 - Power Brakes, Delco Dual System

MAKE MODEL YEAR AXLE CODE AXLE WEIGHT	AXLE & BRK. TYPE	BRK. MFG.	BRAKE SIZE	FMSI	MERITOR DISC PAD OR BRAKE SHOE	MERITOR GUIDE PIN OR RETURN SPRING KIT	MERITOR CALIPER HWD. KIT OR RETURN SPRING KIT	MERITOR ADJUSTER KIT (LEFT WHEEL)	MERITOR ADJUSTER KIT (RIGHT WHEEL)
ITE(Cont.)									
160, 1600, 1650 SERIES(Cont.)									
1982	Fm	WG	15 " x 3 "	1245A - 235	R700235	R40H521	R40H9201	R40H3524	R40H3524
M1600, M1652, M1654 Metro Series, Forward Control FA74	Fa	WG	15 " x 3 "	1245C - 321	R700321	R40H521	R40H9237	R40H3502	R40H3503
	Fm	WG	15 " x 3 "	1245A - 235	R700235	R40H521	R40H9201	R40H3524	R40H3524
M1600, M1652, M1654 Metro Series, Forward Control FA78, 81	Fa	WG	15 " x 3 "	1245C - 321	R700321	R40H521	R40H9237	R40H3502	R40H3503
M1600, M1652, M1654 Metro Series, Forward Control FA99	Fa	WG	15 " x 3 "	1245C - 321	R700321	R40H521	R40H9237	R40H3502	R40H3503
	Fm	WG	15 " x 3 "	1245A - 235	R700235	R40H521	R40H9201	R40H3524	R40H3524
M1600, M1652, M1654 Metro Series, Forward Control RA25, 126, 184	Ra	WG	15 " x 4 "	4645A - 376	Discontinued	R40H597	R40H9200	R40H3540	R40H3541
	Ra	WG	15 " x 5 "	1252 - 346	R700346	R40H597	R40H9200	R40H3540	R40H3541
	Rm	WG	15 " x 4 "	4645A - 376	Discontinued	R40H597	R40H9200	R40H3518	R404148
	Rm	WG	15 " x 5 "	1252 - 346	R700346	R40H597	R40H9200	R40H3518	R404148
M1600, M1652, M1654 Metro Series, Forward Control RA30, 39, 127, 187, 189	Ra	WG	15 " x 5 "	1252 - 346	R700346	R40H597	R40H9200	R40H3540	R40H3541
	Rm	WG	15 " x 5 "	1252 - 346	R700346	R40H597	R40H9200	R40H3518	R404148
M1600, M1652, M1654 Metro Series, Forward Control RA39	Ra	WG	15 " x 6 "	4596 - 381	R700381	R40H597	R40H9200	R40H3540	R40H3541
M1600, M1652, M1654 Metro Series, Forward Control RA39, 189	Ra	WG	16 " x 6 "	1255 - 386	N/A	R40H597	R40H9200	N/A	N/A
	Rm	WG	16 " x 6 "	1255 - 386	N/A	R40H597	R40H9200	R404149	R404150
M1600, M1652, M1654 Metro Series, Forward Control RA44	Ra	WG	15 " x 7 "	4597 - 383	R700383	R40H597	R40H9200	R40H3540	R40H3541
1981									
M1600, M1652, M1654 Metro Series, Forward Control FA209	Fa	WG	15 " x 3 "	1245C - 321	R700321	R40H521	R40H9237	R40H3502	R40H3503
	Fm	WG	15 " x 3 "	1245A - 235	R700235	R40H521	R40H9201	R40H3524	R40H3524
M1600, M1652, M1654 Metro Series, Forward Control FA69	Fa	WG	14 " x 2-1/2 "	1294A - 325	N/A	R40H521	R40H9237	R40H3502	R40H3503
	Fm	WG	14 " x 2-1/2 "	1294 - 296	N/A	R40H521	R40H9201	R40H3524	R40H3524
M1600, M1652, M1654 Metro Series, Forward Control FA73, 101	Fa	WG	15 " x 3-1/2 "	1280B - 322	R464004	R40H521	R40H9237	R40H3502	R40H3503
	Fm	WG	15 " x 3-1/2 "	1280 - 463	R700463	R40H521	R40H9201	R40H3524	R40H3524
M1600, M1652, M1654 Metro Series, Forward Control FA73, 101, 109	Fa	WG	15 " x 3 "	1245C - 321	R700321	R40H521	R40H9237	R40H3502	R40H3503
	Fm	WG	15 " x 3 "	1245A - 235	R700235	R40H521	R40H9201	R40H3524	R40H3524
M1600, M1652, M1654 Metro Series, Forward Control FA74	Fa	WG	15 " x 3 "	1245C - 321	R700321	R40H521	R40H9237	R40H3502	R40H3503

MERITOR DRUM OR ROTOR NO.	CALIPER OR CYLINDER BORE SIZE	MERITOR CALIPER OR WHEEL CYLINDER (LEFT)	MERITOR CALIPER OR WHEEL CYLINDER (RIGHT)	MERITOR CALIPER OR WHEEL CYLINDER REPAIR KIT	MERITOR CALIPER PISTON	MERITOR MASTER CYLINDER	MERITOR MASTER CYLINDER KIT	MERITOR BRAKE HOSE (LEFT)	MERITOR BRAKE HOSE (RIGHT)
ITE(Cont.)									
160, 1600, 1650 SERIES(Cont.)									
N/A	1-1/8 "	R4133714	R4133715	R4166926	NR	-	-	-	-
N/A	1-1/4 "	R4133581	R4133582	R4166923	NR	-	-	-	-
N/A	1-1/4 "	R4133581	R4133582	R4166923	NR	-	-	-	-
N/A	1-1/8 "	R4133320	R4133321	R4166926	NR	-	-	-	-
N/A	1-1/4 "	R4133581	R4133582	R4166923	NR	-	-	-	-
N/A	1-1/4 "	R4133581	R4133582	R4166923	NR	-	-	-	-
N/A	1-1/2 "	R4133580	R4133580	Discontinued	NR	-	-	-	-
N/A	1-5/8 "	R4133338	R4133338	R4166689	NR	-	-	-	-
N/A	1-1/2 "	R4133580	R4133580	Discontinued	NR	-	-	-	-
N/A	1-5/8 "	R4133338	R4133338	R4166689	NR	-	-	-	-
N/A	1-1/2 "	R4133580	R4133580	Discontinued	NR	-	-	-	-
N/A	1-1/2 "	R4133580	R4133580	Discontinued	NR	-	-	-	-
N/A	1-5/8 "	R4133338	R4133338	R4166689	NR	-	-	-	-
N/A	1-7/8 "	R4133584	R4133584	R4166897	NR	-	-	-	-
N/A	1-7/8 "	R4133584	R4133584	R4166897	NR	-	-	-	-
N/A	1-3/4 "	R4133400	R4133400	R4166917	NR	-	-	-	-
N/A	1-1/4 "	R4133581	R4133582	R4166923	NR	-	-	-	-
N/A	1-1/4 "	R4133581	R4133582	R4166923	NR	-	-	-	-
N/A	1-1/8 "	R4133714	R4133715	R4166926	NR	-	-	-	-
N/A	1-1/8 "	R4133714	R4133715	R4166926	NR	-	-	-	-
N/A	1-1/4 "	R4133581	R4133582	R4166923	NR	-	-	-	-
N/A	1-1/4 "	R4133581	R4133582	R4166923	NR	-	-	-	-
N/A	1-1/4 "	R4133581	R4133582	R4166923	NR	-	-	-	-
N/A	1-1/8 "	R4133714	R4133715	R4166926	NR	-	-	-	-
N/A	1-1/4 "	R4133581	R4133582	R4166923	NR	-	-	-	-

1 APPLICATION

MAKE MODEL YEAR AXLE CODE AXLE WEIGHT	AXLE & BRK. TYPE	BRK. MFG.	BRAKE SIZE	FMSI	MERITOR DISC PAD OR BRAKE SHOE	MERITOR GUIDE PIN OR RETURN SPRING KIT	MERITOR CALIPER HWD. KIT OR RETURN SPRING KIT	MERITOR ADJUSTER KIT (LEFT WHEEL)	MERITOR ADJUSTER KIT (RIGHT WHEEL)
ITE(Cont.)									
160, 1600, 1650 SERIES(Cont.)									
1981	Fm	WG	15 " x 3 "	1245A - 235	R700235	R40H521	R40H9201	R40H3524	R40H3524
M1600, M1652, M1654 Metro Series, Forward Control FA78, 81	Fa	WG	15 " x 3 "	1245C - 321	R700321	R40H521	R40H9237	R40H3502	R40H3503
M1600, M1652, M1654 Metro Series, Forward Control FA99	Fa	WG	15 " x 3 "	1245C - 321	R700321	R40H521	R40H9237	R40H3502	R40H3503
	Fm	WG	15 " x 3 "	1245A - 235	R700235	R40H521	R40H9201	R40H3524	R40H3524
M1600, M1652, M1654 Metro Series, Forward Control RA25, 126, 184	Ra	WG	15 " x 4 "	4645A - 376	Discontinued	R40H597	R40H9200	R40H3540	R40H3541
	Ra	WG	15 " x 5 "	1252 - 346	R700346	R40H597	R40H9200	R40H3540	R40H3541
	Rm	WG	15 " x 4 "	4645A - 376	Discontinued	R40H597	R40H9200	R40H3518	R404148
	Rm	WG	15 " x 5 "	1252 - 346	R700346	R40H597	R40H9200	R40H3518	R404148
M1600, M1652, M1654 Metro Series, Forward Control RA30, 39, 127, 187, 189	Ra	WG	15 " x 5 "	1252 - 346	R700346	R40H597	R40H9200	R40H3540	R40H3541
	Rm	WG	15 " x 5 "	1252 - 346	R700346	R40H597	R40H9200	R40H3518	R404148
M1600, M1652, M1654 Metro Series, Forward Control RA39	Ra	WG	15 " x 6 "	4596 - 381	R700381	R40H597	R40H9200	R40H3540	R40H3541
M1600, M1652, M1654 Metro Series, Forward Control RA39, 189	Ra	WG	16 " x 6 "	1255 - 386	N/A	R40H597	R40H9200	N/A	N/A
	Rm	WG	16 " x 6 "	1255 - 386	N/A	R40H597	R40H9200	R404149	R404150
M1600, M1652, M1654 Metro Series, Forward Control RA44	Ra	WG	15 " x 7 "	4597 - 383	R700383	R40H597	R40H9200	R40H3540	R40H3541
1980									
M1600, M1652, M1654 Metro Series, Forward Control FA209	Fa	WG	15 " x 3 "	1245C - 321	R700321	R40H521	R40H9237	R40H3502	R40H3503
	Fm	WG	15 " x 3 "	1245A - 235	R700235	R40H521	R40H9201	R40H3524	R40H3524
M1600, M1652, M1654 Metro Series, Forward Control FA69	Fa	WG	14 " x 2-1/2 "	1294A - 325	N/A	R40H521	R40H9237	R40H3502	R40H3503
	Fm	WG	14 " x 2-1/2 "	1294 - 296	N/A	R40H521	R40H9201	R40H3524	R40H3524
M1600, M1652, M1654 Metro Series, Forward Control FA73, 101	Fa	WG	15 " x 3-1/2 "	1280B - 322	R464004	R40H521	R40H9237	R40H3502	R40H3503
	Fm	WG	15 " x 3-1/2 "	1280 - 463	R700463	R40H521	R40H9201	R40H3524	R40H3524
M1600, M1652, M1654 Metro Series, Forward Control FA73, 101, 109	Fa	WG	15 " x 3 "	1245C - 321	R700321	R40H521	R40H9237	R40H3502	R40H3503
	Fm	WG	15 " x 3 "	1245A - 235	R700235	R40H521	R40H9201	R40H3524	R40H3524
M1600, M1652, M1654 Metro Series, Forward Control FA74	Fa	WG	15 " x 3 "	1245C - 321	R700321	R40H521	R40H9237	R40H3502	R40H3503
	Fm	WG	15 " x 3 "	1245A - 235	R700235	R40H521	R40H9201	R40H3524	R40H3524
M1600, M1652, M1654 Metro Series, Forward Control FA78, 81	Fa	WG	15 " x 3 "	1245C - 321	R700321	R40H521	R40H9237	R40H3502	R40H3503

MERITOR DRUM OR ROTOR NO.	CALIPER OR CYLINDER BORE SIZE	MERITOR CALIPER OR WHEEL CYLINDER (LEFT)	MERITOR CALIPER OR WHEEL CYLINDER (RIGHT)	MERITOR CALIPER OR WHEEL CYLINDER REPAIR KIT	MERITOR CALIPER PISTON	MERITOR MASTER CYLINDER	MERITOR MASTER CYLINDER KIT	MERITOR BRAKE HOSE (LEFT)	MERITOR BRAKE HOSE (RIGHT)
ITE(Cont.)									
160, 1600, 1650 SERIES(Cont.)									
N/A	1-1/4 "	R4133581	R4133582	R4166923	NR	-	-	-	-
N/A	1-1/8 "	R4133320	R4133321	R4166926	NR	-	-	-	-
N/A	1-1/4 "	R4133581	R4133582	R4166923	NR	-	-	-	-
N/A	1-1/4 "	R4133581	R4133582	R4166923	NR	-	-	-	-
N/A	1-1/2 "	R4133580	R4133580	Discontinued	NR	-	-	-	-
N/A	1-5/8 "	R4133338	R4133338	R4166689	NR	-	-	-	-
N/A	1-1/2 "	R4133580	R4133580	Discontinued	NR	-	-	-	-
N/A	1-5/8 "	R4133338	R4133338	R4166689	NR	-	-	-	-
N/A	1-1/2 "	R4133580	R4133580	Discontinued	NR	-	-	-	-
N/A	1-1/2 "	R4133580	R4133580	Discontinued	NR	-	-	-	-
N/A	1-5/8 "	R4133338	R4133338	R4166689	NR	-	-	-	-
N/A	1-7/8 "	R4133584	R4133584	R4166897	NR	-	-	-	-
N/A	1-7/8 "	R4133584	R4133584	R4166897	NR	-	-	-	-
N/A	1-3/4 "	R4133400	R4133400	R4166917	NR	-	-	-	-
N/A	1-1/4 "	R4133581	R4133582	R4166923	NR	-	-	-	-
N/A	1-1/4 "	R4133581	R4133582	R4166923	NR	-	-	-	-
N/A	1-1/8 "	R4133714	R4133715	R4166926	NR	-	-	-	-
N/A	1-1/8 "	R4133714	R4133715	R4166926	NR	-	-	-	-
N/A	1-1/4 "	R4133581	R4133582	R4166923	NR	-	-	-	-
N/A	1-1/4 "	R4133581	R4133582	R4166923	NR	-	-	-	-
N/A	1-1/4 "	R4133581	R4133582	R4166923	NR	-	-	-	-
N/A	1-1/8 "	R4133714	R4133715	R4166926	NR	-	-	-	-
N/A	1-1/4 "	R4133581	R4133582	R4166923	NR	-	-	-	-
N/A	1-1/4 "	R4133581	R4133582	R4166923	NR	-	-	-	-
N/A	1-1/8 "	R4133320	R4133321	R4166926	NR	-	-	-	-

1-APPLICATION

MAKE MODEL YEAR AXLE CODE AXLE WEIGHT	AXLE & BRK. TYPE	BRK. MFG.	BRAKE SIZE	FMSI	MERITOR DISC PAD OR BRAKE SHOE	MERITOR GUIDE PIN OR RETURN SPRING KIT	MERITOR CALIPER HWD. KIT OR RETURN SPRING KIT	MERITOR ADJUSTER KIT (LEFT WHEEL)	MERITOR ADJUSTER KIT (RIGHT WHEEL)
ITE(Cont.)									
160, 1600, 1650 SERIES(Cont.)									
1980									
M1600, M1652, M1654 Metro Series, Forward Control FA99	Fa	WG	15 " x 3 "	1245C - 321	R700321	R40H521	R40H9237	R40H3502	R40H3503
	Fm	WG	15 " x 3 "	1245A - 235	R700235	R40H521	R40H9201	R40H3524	R40H3524
M1600, M1652, M1654 Metro Series, Forward Control RA25, 126, 184	Ra	WG	15 " x 4 "	4645A - 376	Discontinued	R40H597	R40H9200	R40H3540	R40H3541
	Ra	WG	15 " x 5 "	1252 - 346	R700346	R40H597	R40H9200	R40H3540	R40H3541
	Rm	WG	15 " x 4 "	4645A - 376	Discontinued	R40H597	R40H9200	R40H3518	R404148
	Rm	WG	15 " x 5 "	1252 - 346	R700346	R40H597	R40H9200	R40H3518	R404148
M1600, M1652, M1654 Metro Series, Forward Control RA30, 39, 127, 187, 189	Ra	WG	15 " x 5 "	1252 - 346	R700346	R40H597	R40H9200	R40H3540	R40H3541
	Rm	WG	15 " x 5 "	1252 - 346	R700346	R40H597	R40H9200	R40H3518	R404148
M1600, M1652, M1654 Metro Series, Forward Control RA39	Ra	WG	15 " x 6 "	4596 - 381	R700381	R40H597	R40H9200	R40H3540	R40H3541
M1600, M1652, M1654 Metro Series, Forward Control RA39, 189	Ra	WG	16 " x 6 "	1255 - 386	N/A	R40H597	R40H9200	N/A	N/A
	Rm	WG	16 " x 6 "	1255 - 386	N/A	R40H597	R40H9200	R404149	R404150
M1600, M1652, M1654 Metro Series, Forward Control RA44	Ra	WG	15 " x 7 "	4597 - 383	R700383	R40H597	R40H9200	R40H3540	R40H3541
1979									
M1600, M1652, M1654 Metro Series, Forward Control FA209	Fa	WG	15 " x 3 "	1245C - 321	R700321	R40H521	R40H9237	R40H3502	R40H3503
	Fm	WG	15 " x 3 "	1245A - 235	R700235	R40H521	R40H9201	R40H3524	R40H3524
M1600, M1652, M1654 Metro Series, Forward Control FA69	Fa	WG	14 " x 2-1/2 "	1294A - 325	N/A	R40H521	R40H9237	R40H3502	R40H3503
	Fm	WG	14 " x 2-1/2 "	1294 - 296	N/A	R40H521	R40H9201	R40H3524	R40H3524
M1600, M1652, M1654 Metro Series, Forward Control FA73, 101	Fa	WG	15 " x 3-1/2 "	1280B - 322	R464004	R40H521	R40H9237	R40H3502	R40H3503
	Fm	WG	15 " x 3-1/2 "	1280 - 463	R700463	R40H521	R40H9201	R40H3524	R40H3524
M1600, M1652, M1654 Metro Series, Forward Control FA73, 101, 109	Fa	WG	15 " x 3 "	1245C - 321	R700321	R40H521	R40H9237	R40H3502	R40H3503
	Fm	WG	15 " x 3 "	1245A - 235	R700235	R40H521	R40H9201	R40H3524	R40H3524
M1600, M1652, M1654 Metro Series, Forward Control FA74	Fa	WG	15 " x 3 "	1245C - 321	R700321	R40H521	R40H9237	R40H3502	R40H3503
	Fm	WG	15 " x 3 "	1245A - 235	R700235	R40H521	R40H9201	R40H3524	R40H3524
M1600, M1652, M1654 Metro Series, Forward Control FA78, 81	Fa	WG	15 " x 3 "	1245C - 321	R700321	R40H521	R40H9237	R40H3502	R40H3503
M1600, M1652, M1654 Metro Series, Forward Control FA99	Fa	WG	15 " x 3 "	1245C - 321	R700321	R40H521	R40H9237	R40H3502	R40H3503

MERITOR DRUM OR ROTOR NO.	CALIPER OR CYLINDER BORE SIZE	MERITOR CALIPER OR WHEEL CYLINDER (LEFT)	MERITOR CALIPER OR WHEEL CYLINDER (RIGHT)	MERITOR CALIPER OR WHEEL CYLINDER REPAIR KIT	MERITOR CALIPER PISTON	MERITOR MASTER CYLINDER	MERITOR MASTER CYLINDER KIT	MERITOR BRAKE HOSE (LEFT)	MERITOR BRAKE HOSE (RIGHT)
ITE(Cont.)									
160, 1600, 1650 SERIES(Cont.)									
N/A	1-1/4 "	R4133581	R4133582	R4166923	NR	-	-	-	-
N/A	1-1/4 "	R4133581	R4133582	R4166923	NR	-	-	-	-
N/A	1-1/2 "	R4133580	R4133580	Discontinued	NR	-	-	-	-
N/A	1-5/8 "	R4133338	R4133338	R4166689	NR	-	-	-	-
N/A	1-1/2 "	R4133580	R4133580	Discontinued	NR	-	-	-	-
N/A	1-5/8 "	R4133338	R4133338	R4166689	NR	-	-	-	-
N/A	1-1/2 "	R4133580	R4133580	Discontinued	NR	-	-	-	-
N/A	1-1/2 "	R4133580	R4133580	Discontinued	NR	-	-	-	-
N/A	1-5/8 "	R4133338	R4133338	R4166689	NR	-	-	-	-
N/A	1-7/8 "	R4133584	R4133584	R4166897	NR	-	-	-	-
N/A	1-7/8 "	R4133584	R4133584	R4166897	NR	-	-	-	-
N/A	1-3/4 "	R4133400	R4133400	R4166917	NR	-	-	-	-
N/A	1-1/4 "	R4133581	R4133582	R4166923	NR	-	-	-	-
N/A	1-1/4 "	R4133581	R4133582	R4166923	NR	-	-	-	-
N/A	1-1/8 "	R4133714	R4133715	R4166926	NR	-	-	-	-
N/A	1-1/8 "	R4133714	R4133715	R4166926	NR	-	-	-	-
N/A	1-1/4 "	R4133581	R4133582	R4166923	NR	-	-	-	-
N/A	1-1/4 "	R4133581	R4133582	R4166923	NR	-	-	-	-
N/A	1-1/4 "	R4133581	R4133582	R4166923	NR	-	-	-	-
N/A	1-1/8 "	R4133714	R4133715	R4166926	NR	-	-	-	-
N/A	1-1/4 "	R4133581	R4133582	R4166923	NR	-	-	-	-
N/A	1-1/4 "	R4133581	R4133582	R4166923	NR	-	-	-	-
N/A	1-1/8 "	R4133320	R4133321	R4166926	NR	-	-	-	-
N/A	1-1/4 "	R4133581	R4133582	R4166923	NR	-	-	-	-

1-APPLICATION

MAKE MODEL YEAR AXLE CODE AXLE WEIGHT	AXLE & BRK. TYPE	BRK. MFG.	BRAKE SIZE	FMSI	MERITOR DISC PAD OR BRAKE SHOE	MERITOR GUIDE PIN OR RETURN SPRING KIT	MERITOR CALIPER HWD. KIT OR RETURN SPRING KIT	MERITOR ADJUSTER KIT (LEFT WHEEL)	MERITOR ADJUSTER KIT (RIGHT WHEEL)
ITE(Cont.)									
160, 1600, 1650 SERIES(Cont.)									
1979									
M1600, M1652, M1654 Metro Series, Forward Control FA99	Fm	WG	15 " x 3 "	1245A - 235	R700235	R40H521	R40H9201	R40H3524	R40H3524
M1600, M1652, M1654 Metro Series, Forward Control RA25, 126, 184	Ra	WG	15 " x 4 "	4645A - 376	Discontinued	R40H597	R40H9200	R40H3540	R40H3541
	Ra	WG	15 " x 5 "	1252 - 346	R700346	R40H597	R40H9200	R40H3540	R40H3541
	Rm	WG	15 " x 4 "	4645A - 376	Discontinued	R40H597	R40H9200	R40H3518	R404148
Rm	WG	15 " x 5 "	1252 - 346	R700346	R40H597	R40H9200	R40H3518	R404148	
M1600, M1652, M1654 Metro Series, Forward Control RA30, 39, 127, 187, 189	Ra	WG	15 " x 5 "	1252 - 346	R700346	R40H597	R40H9200	R40H3540	R40H3541
	Rm	WG	15 " x 5 "	1252 - 346	R700346	R40H597	R40H9200	R40H3518	R404148
M1600, M1652, M1654 Metro Series, Forward Control RA39	Ra	WG	15 " x 6 "	4596 - 381	R700381	R40H597	R40H9200	R40H3540	R40H3541
M1600, M1652, M1654 Metro Series, Forward Control RA39, 189	Ra	WG	16 " x 6 "	1255 - 386	N/A	R40H597	R40H9200	N/A	N/A
	Rm	WG	16 " x 6 "	1255 - 386	N/A	R40H597	R40H9200	R404149	R404150
M1600, M1652, M1654 Metro Series, Forward Control RA44	Ra	WG	15 " x 7 "	4597 - 383	R700383	R40H597	R40H9200	R40H3540	R40H3541
1978									
M1600, M1652, M1654 Metro Series, Forward Control FA209	Fa	WG	15 " x 3 "	1245C - 321	R700321	R40H521	R40H9237	R40H3502	R40H3503
	Fm	WG	15 " x 3 "	1245A - 235	R700235	R40H521	R40H9201	R40H3524	R40H3524
M1600, M1652, M1654 Metro Series, Forward Control FA69	Fa	WG	14 " x 2-1/2 "	1294A - 325	N/A	R40H521	R40H9237	R40H3502	R40H3503
	Fm	WG	14 " x 2-1/2 "	1294 - 296	N/A	R40H521	R40H9201	R40H3524	R40H3524
M1600, M1652, M1654 Metro Series, Forward Control FA73, 101	Fa	WG	15 " x 3-1/2 "	1280B - 322	R464004	R40H521	R40H9237	R40H3502	R40H3503
	Fm	WG	15 " x 3-1/2 "	1280 - 463	R700463	R40H521	R40H9201	R40H3524	R40H3524
M1600, M1652, M1654 Metro Series, Forward Control FA73, 101, 109	Fa	WG	15 " x 3 "	1245C - 321	R700321	R40H521	R40H9237	R40H3502	R40H3503
	Fm	WG	15 " x 3 "	1245A - 235	R700235	R40H521	R40H9201	R40H3524	R40H3524
M1600, M1652, M1654 Metro Series, Forward Control FA74	Fa	WG	15 " x 3 "	1245C - 321	R700321	R40H521	R40H9237	R40H3502	R40H3503
	Fm	WG	15 " x 3 "	1245A - 235	R700235	R40H521	R40H9201	R40H3524	R40H3524
M1600, M1652, M1654 Metro Series, Forward Control FA78, 81	Fa	WG	15 " x 3 "	1245C - 321	R700321	R40H521	R40H9237	R40H3502	R40H3503
M1600, M1652, M1654 Metro Series, Forward Control FA99	Fa	WG	15 " x 3 "	1245C - 321	R700321	R40H521	R40H9237	R40H3502	R40H3503

MERITOR DRUM OR ROTOR NO.	CALIPER OR CYLINDER BORE SIZE	MERITOR CALIPER OR WHEEL CYLINDER (LEFT)	MERITOR CALIPER OR WHEEL CYLINDER (RIGHT)	MERITOR CALIPER OR WHEEL CYLINDER REPAIR KIT	MERITOR CALIPER PISTON	MERITOR MASTER CYLINDER	MERITOR MASTER CYLINDER KIT	MERITOR BRAKE HOSE (LEFT)	MERITOR BRAKE HOSE (RIGHT)
ITE(Cont.)									
160, 1600, 1650 SERIES(Cont.)									
N/A	1-1/4 "	R4133581	R4133582	R4166923	NR	-	-	-	-
N/A	1-1/2 "	R4133580	R4133580	Discontinued	NR	-	-	-	-
N/A	1-5/8 "	R4133338	R4133338	R4166689	NR	-	-	-	-
N/A	1-1/2 "	R4133580	R4133580	Discontinued	NR	-	-	-	-
N/A	1-5/8 "	R4133338	R4133338	R4166689	NR	-	-	-	-
N/A	1-1/2 "	R4133580	R4133580	Discontinued	NR	-	-	-	-
N/A	1-1/2 "	R4133580	R4133580	Discontinued	NR	-	-	-	-
N/A	1-5/8 "	R4133338	R4133338	R4166689	NR	-	-	-	-
N/A	1-7/8 "	R4133584	R4133584	R4166897	NR	-	-	-	-
N/A	1-7/8 "	R4133584	R4133584	R4166897	NR	-	-	-	-
N/A	1-3/4 "	R4133400	R4133400	R4166917	NR	-	-	-	-
N/A	1-1/4 "	R4133581	R4133582	R4166923	NR	-	-	-	-
N/A	1-1/4 "	R4133581	R4133582	R4166923	NR	-	-	-	-
N/A	1-1/8 "	R4133714	R4133715	R4166926	NR	-	-	-	-
N/A	1-1/8 "	R4133714	R4133715	R4166926	NR	-	-	-	-
N/A	1-1/4 "	R4133581	R4133582	R4166923	NR	-	-	-	-
N/A	1-1/4 "	R4133581	R4133582	R4166923	NR	-	-	-	-
N/A	1-1/4 "	R4133581	R4133582	R4166923	NR	-	-	-	-
N/A	1-1/8 "	R4133714	R4133715	R4166926	NR	-	-	-	-
N/A	1-1/4 "	R4133581	R4133582	R4166923	NR	-	-	-	-
N/A	1-1/4 "	R4133581	R4133582	R4166923	NR	-	-	-	-
N/A	1-1/8 "	R4133320	R4133321	R4166926	NR	-	-	-	-
N/A	1-1/4 "	R4133581	R4133582	R4166923	NR	-	-	-	-

1-APPLICATION

MAKE MODEL YEAR AXLE CODE AXLE WEIGHT	AXLE & BRK. TYPE	BRK. MFG.	BRAKE SIZE	FMSI	MERITOR DISC PAD OR BRAKE SHOE	MERITOR GUIDE PIN OR RETURN SPRING KIT	MERITOR CALIPER HWD. KIT OR RETURN SPRING KIT	MERITOR ADJUSTER KIT (LEFT WHEEL)	MERITOR ADJUSTER KIT (RIGHT WHEEL)
ITE(Cont.)									
160, 1600, 1650 SERIES(Cont.)									
1978	Fm	WG	15 " x 3 "	1245A - 235	R700235	R40H521	R40H9201	R40H3524	R40H3524
M1600, M1652, M1654 Metro Series, Forward Control RA25, 126, 184	Ra Ra	WG WG	15 " x 4 " 15 " x 5 "	4645A - 376 1252 - 346	Discontinued R700346	R40H597 R40H597	R40H9200 R40H9200	R40H3540 R40H3540	R40H3541 R40H3541
	Rm Rm	WG WG	15 " x 4 " 15 " x 5 "	4645A - 376 1252 - 346	Discontinued R700346	R40H597 R40H597	R40H9200 R40H9200	R40H3518 R40H3518	R404148 R404148
M1600, M1652, M1654 Metro Series, Forward Control RA30, 39, 127, 187, 189	Ra Rm	WG WG	15 " x 5 " 15 " x 5 "	1252 - 346 1252 - 346	R700346 R700346	R40H597 R40H597	R40H9200 R40H9200	R40H3540 R40H3518	R40H3541 R404148
M1600, M1652, M1654 Metro Series, Forward Control RA39	Ra	WG	15 " x 6 "	4596 - 381	R700381	R40H597	R40H9200	R40H3540	R40H3541
M1600, M1652, M1654 Metro Series, Forward Control RA39, 189	Ra Rm	WG WG	16 " x 6 " 16 " x 6 "	1255 - 386 1255 - 386	N/A N/A	R40H597 R40H597	R40H9200 R40H9200	N/A R404149	N/A R404150
M1600, M1652, M1654 Metro Series, Forward Control RA44	Ra	WG	15 " x 7 "	4597 - 383	R700383	R40H597	R40H9200	R40H3540	R40H3541
1977									
M1600, M1652, M1654 Metro Series, Forward Control FA209	Fa Fm	WG WG	15 " x 3 " 15 " x 3 "	1245C - 321 1245A - 235	R700321 R700235	R40H521 R40H521	R40H9237 R40H9201	R40H3502 R40H3524	R40H3503 R40H3524
M1600, M1652, M1654 Metro Series, Forward Control FA69	Fa Fm	WG WG	14 " x 2-1/2 " 14 " x 2-1/2 "	1294A - 325 1294 - 296	N/A N/A	R40H521 R40H521	R40H9237 R40H9201	R40H3502 R40H3524	R40H3503 R40H3524
M1600, M1652, M1654 Metro Series, Forward Control FA73, 101	Fa Fm	WG WG	15 " x 3-1/2 " 15 " x 3-1/2 "	1280B - 322 1280 - 463	R464004 R700463	R40H521 R40H521	R40H9237 R40H9201	R40H3502 R40H3524	R40H3503 R40H3524
M1600, M1652, M1654 Metro Series, Forward Control FA73, 101, 109	Fa Fm	WG WG	15 " x 3 " 15 " x 3 "	1245C - 321 1245A - 235	R700321 R700235	R40H521 R40H521	R40H9237 R40H9201	R40H3502 R40H3524	R40H3503 R40H3524
M1600, M1652, M1654 Metro Series, Forward Control FA74	Fa Fm	WG WG	15 " x 3 " 15 " x 3 "	1245C - 321 1245A - 235	R700321 R700235	R40H521 R40H521	R40H9237 R40H9201	R40H3502 R40H3524	R40H3503 R40H3524
M1600, M1652, M1654 Metro Series, Forward Control FA78, 81	Fa	WG	15 " x 3 "	1245C - 321	R700321	R40H521	R40H9237	R40H3502	R40H3503
M1600, M1652, M1654 Metro Series, Forward Control FA99	Fa Fm	WG WG	15 " x 3 " 15 " x 3 "	1245C - 321 1245A - 235	R700321 R700235	R40H521 R40H521	R40H9237 R40H9201	R40H3502 R40H3524	R40H3503 R40H3524
M1600, M1652, M1654 Metro Series, Forward Control RA25, 126, 184	Ra	WG	15 " x 4 "	4645A - 376	Discontinued	R40H597	R40H9200	R40H3540	R40H3541

MERITOR DRUM OR ROTOR NO.	CALIPER OR CYLINDER BORE SIZE	MERITOR CALIPER OR WHEEL CYLINDER (LEFT)	MERITOR CALIPER OR WHEEL CYLINDER (RIGHT)	MERITOR CALIPER OR WHEEL CYLINDER REPAIR KIT	MERITOR CALIPER PISTON	MERITOR MASTER CYLINDER	MERITOR MASTER CYLINDER KIT	MERITOR BRAKE HOSE (LEFT)	MERITOR BRAKE HOSE (RIGHT)
ITE(Cont.)									
160, 1600, 1650 SERIES(Cont.)									
N/A	1-1/4 "	R4133581	R4133582	R4166923	NR	-	-	-	-
N/A	1-1/2 "	R4133580	R4133580	Discontinued	NR	-	-	-	-
N/A	1-5/8 "	R4133338	R4133338	R4166689	NR	-	-	-	-
N/A	1-1/2 "	R4133580	R4133580	Discontinued	NR	-	-	-	-
N/A	1-5/8 "	R4133338	R4133338	R4166689	NR	-	-	-	-
N/A	1-1/2 "	R4133580	R4133580	Discontinued	NR	-	-	-	-
N/A	1-1/2 "	R4133580	R4133580	Discontinued	NR	-	-	-	-
N/A	1-5/8 "	R4133338	R4133338	R4166689	NR	-	-	-	-
N/A	1-7/8 "	R4133584	R4133584	R4166897	NR	-	-	-	-
N/A	1-7/8 "	R4133584	R4133584	R4166897	NR	-	-	-	-
N/A	1-3/4 "	R4133400	R4133400	R4166917	NR	-	-	-	-
-	1-1/4 "	R4133581	R4133582	R4166923	NR	-	-	-	-
-	1-1/4 "	R4133581	R4133582	R4166923	NR	-	-	-	-
-	1-1/8 "	R4133714	R4133715	R4166926	NR	-	-	-	-
-	1-1/8 "	R4133714	R4133715	R4166926	NR	-	-	-	-
-	1-1/4 "	R4133581	R4133582	R4166923	NR	-	-	-	-
-	1-1/4 "	R4133581	R4133582	R4166923	NR	-	-	-	-
-	1-1/4 "	R4133581	R4133582	R4166923	NR	-	-	-	-
-	1-1/8 "	R4133714	R4133715	R4166926	NR	-	-	-	-
-	1-1/4 "	R4133581	R4133582	R4166923	NR	-	-	-	-
-	1-1/4 "	R4133581	R4133582	R4166923	NR	-	-	-	-
-	1-1/8 "	R4133320	R4133321	R4166926	NR	-	-	-	-
-	1-1/4 "	R4133581	R4133582	R4166923	NR	-	-	-	-
-	1-1/4 "	R4133581	R4133582	R4166923	NR	-	-	-	-
-	1-1/2 "	R4133580	R4133580	Discontinued	NR	-	-	-	-

1-APPLICATION

MAKE MODEL YEAR AXLE CODE AXLE WEIGHT	AXLE & BRK. TYPE	BRK. MFG.	BRAKE SIZE	FMSI	MERITOR DISC PAD OR BRAKE SHOE	MERITOR GUIDE PIN OR RETURN SPRING KIT	MERITOR CALIPER HWD. KIT OR RETURN SPRING KIT	MERITOR ADJUSTER KIT (LEFT WHEEL)	MERITOR ADJUSTER KIT (RIGHT WHEEL)
ITE(Cont.)									
160, 1600, 1650 SERIES(Cont.)									
1977	Ra	WG	15 " x 5 "	1252 - 346	R700346	R40H597	R40H9200	R40H3540	R40H3541
	Rm Rm	WG WG	15 " x 4 " 15 " x 5 "	4645A - 376 1252 - 346	Discontinued R700346	R40H597 R40H597	R40H9200 R40H9200	R40H3518 R40H3518	R404148 R404148
M1600, M1652, M1654 Metro Series, Forward Control RA30, 39, 127, 187, 189	Ra	WG	15 " x 5 "	1252 - 346	R700346	R40H597	R40H9200	R40H3540	R40H3541
	Rm	WG	15 " x 5 "	1252 - 346	R700346	R40H597	R40H9200	R40H3518	R404148
M1600, M1652, M1654 Metro Series, Forward Control RA39	Ra	WG	15 " x 6 "	4596 - 381	R700381	R40H597	R40H9200	R40H3540	R40H3541
M1600, M1652, M1654 Metro Series, Forward Control RA39, 189	Ra	WG	16 " x 6 "	1255 - 386	N/A	R40H597	R40H9200	NLA	NLA
	Rm	WG	16 " x 6 "	1255 - 386	N/A	R40H597	R40H9200	R404149	R404150
M1600, M1652, M1654 Metro Series, Forward Control RA44	Ra	WG	15 " x 7 "	4597 - 383	R700383	R40H597	R40H9200	R40H3540	R40H3541
1976 M1600, M1652, M1654 Metro Series, Forward Control FA209	Fa	WG	15 " x 3 "	1245C - 321	R700321	R40H521	R40H9237	R40H3502	R40H3503
	Fm	WG	15 " x 3 "	1245A - 235	R700235	R40H521	R40H9201	R40H3524	R40H3524
M1600, M1652, M1654 Metro Series, Forward Control FA69	Fa	WG	14 " x 2-1/2 "	1294A - 325	N/A	R40H521	R40H9237	R40H3502	R40H3503
	Fm	WG	14 " x 2-1/2 "	1294 - 296	N/A	R40H521	R40H9201	R40H3524	R40H3524
M1600, M1652, M1654 Metro Series, Forward Control FA73, 101	Fa	WG	15 " x 3-1/2 "	1280B - 322	R464004	R40H521	R40H9237	R40H3502	R40H3503
	Fm	WG	15 " x 3-1/2 "	1280 - 463	R700463	R40H521	R40H9201	R40H3524	R40H3524
M1600, M1652, M1654 Metro Series, Forward Control FA73, 101, 109	Fa	WG	15 " x 3 "	1245C - 321	R700321	R40H521	R40H9237	R40H3502	R40H3503
	Fm	WG	15 " x 3 "	1245A - 235	R700235	R40H521	R40H9201	R40H3524	R40H3524
M1600, M1652, M1654 Metro Series, Forward Control FA74	Fa	WG	15 " x 3 "	1245C - 321	R700321	R40H521	R40H9237	R40H3502	R40H3503
	Fm	WG	15 " x 3 "	1245A - 235	R700235	R40H521	R40H9201	R40H3524	R40H3524
M1600, M1652, M1654 Metro Series, Forward Control FA78, 81	Fa	WG	15 " x 3 "	1245C - 321	R700321	R40H521	R40H9237	R40H3502	R40H3503
M1600, M1652, M1654 Metro Series, Forward Control FA99	Fa	WG	15 " x 3 "	1245C - 321	R700321	R40H521	R40H9237	R40H3502	R40H3503
	Fm	WG	15 " x 3 "	1245A - 235	R700235	R40H521	R40H9201	R40H3524	R40H3524
M1600, M1652, M1654 Metro Series, Forward Control RA25, 126, 184	Ra	WG	15 " x 4 "	4645A - 376	Discontinued	R40H597	R40H9200	R40H3540	R40H3541
	Ra	WG	15 " x 5 "	1252 - 346	R700346	R40H597	R40H9200	R40H3540	R40H3541
	Rm	WG	15 " x 4 "	4645A - 376	Discontinued	R40H597	R40H9200	R40H3518	R404148
	Rm	WG	15 " x 5 "	1252 - 346	R700346	R40H597	R40H9200	R40H3518	R404148

MERITOR DRUM OR ROTOR NO.	CALIPER OR CYLINDER BORE SIZE	MERITOR CALIPER OR WHEEL CYLINDER (LEFT)	MERITOR CALIPER OR WHEEL CYLINDER (RIGHT)	MERITOR CALIPER OR WHEEL CYLINDER REPAIR KIT	MERITOR CALIPER PISTON	MERITOR MASTER CYLINDER	MERITOR MASTER CYLINDER KIT	MERITOR BRAKE HOSE (LEFT)	MERITOR BRAKE HOSE (RIGHT)
ITE(Cont.)									
160, 1600, 1650 SERIES(Cont.)									
-	1-5/8 "	R4133338	R4133338	R4166689	NR	-	-	-	-
-	1-1/2 "	R4133580	R4133580	Discontinued	NR	-	-	-	-
-	1-5/8 "	R4133338	R4133338	R4166689	NR	-	-	-	-
-	1-1/2 "	R4133580	R4133580	Discontinued	NR	-	-	-	-
-	1-1/2 "	R4133580	R4133580	Discontinued	NR	-	-	-	-
-	1-5/8 "	R4133338	R4133338	R4166689	NR	-	-	-	-
-	1-7/8 "	R4133584	R4133584	R4166897	NR	-	-	-	-
-	1-7/8 "	R4133584	R4133584	R4166897	NR	-	-	-	-
-	1-3/4 "	R4133400	R4133400	R4166917	NR	-	-	-	-
-	1-1/4 "	R4133581	R4133582	R4166923	NR	-	-	-	-
-	1-1/4 "	R4133581	R4133582	R4166923	NR	-	-	-	-
-	1-1/8 "	R4133714	R4133715	R4166926	NR	-	-	-	-
-	1-1/8 "	R4133714	R4133715	R4166926	NR	-	-	-	-
-	1-1/4 "	R4133581	R4133582	R4166923	NR	-	-	-	-
-	1-1/4 "	R4133581	R4133582	R4166923	NR	-	-	-	-
-	1-1/4 "	R4133581	R4133582	R4166923	NR	-	-	-	-
-	1-1/8 "	R4133714	R4133715	R4166926	NR	-	-	-	-
-	1-1/4 "	R4133581	R4133582	R4166923	NR	-	-	-	-
-	1-1/4 "	R4133581	R4133582	R4166923	NR	-	-	-	-
-	1-1/8 "	R4133320	R4133321	R4166926	NR	-	-	-	-
-	1-1/4 "	R4133581	R4133582	R4166923	NR	-	-	-	-
-	1-1/4 "	R4133581	R4133582	R4166923	NR	-	-	-	-
-	1-1/2 "	R4133580	R4133580	Discontinued	NR	-	-	-	-
-	1-5/8 "	R4133338	R4133338	R4166689	NR	-	-	-	-
-	1-1/2 "	R4133580	R4133580	Discontinued	NR	-	-	-	-
-	1-5/8 "	R4133338	R4133338	R4166689	NR	-	-	-	-

1-APPLICATION

MAKE MODEL YEAR AXLE CODE AXLE WEIGHT	AXLE & BRK. TYPE	BRK. MFG.	BRAKE SIZE	FMSI	MERITOR DISC PAD OR BRAKE SHOE	MERITOR GUIDE PIN OR RETURN SPRING KIT	MERITOR CALIPER HWD. KIT OR RETURN SPRING KIT	MERITOR ADJUSTER KIT (LEFT WHEEL)	MERITOR ADJUSTER KIT (RIGHT WHEEL)
ITE(Cont.)									
160, 1600, 1650 SERIES(Cont.)									
1976									
M1600, M1652, M1654 Metro Series, Forward Control RA30, 39, 127, 187, 189	Ra	WG	15 " x 5 "	1252 - 346	R700346	R40H597	R40H9200	R40H3540	R40H3541
	Rm	WG	15 " x 5 "	1252 - 346	R700346	R40H597	R40H9200	R40H3518	R404148
M1600, M1652, M1654 Metro Series, Forward Control RA39	Ra	WG	15 " x 6 "	4596 - 381	R700381	R40H597	R40H9200	R40H3540	R40H3541
M1600, M1652, M1654 Metro Series, Forward Control RA39, 189	Ra	WG	16 " x 6 "	1255 - 386	N/A	R40H597	R40H9200	NLA	NLA
	Rm	WG	16 " x 6 "	1255 - 386	N/A	R40H597	R40H9200	R404149	R404150
M1600, M1652, M1654 Metro Series, Forward Control RA44	Ra	WG	15 " x 7 "	4597 - 383	R700383	R40H597	R40H9200	R40H3540	R40H3541
1975									
M1600, M1652, M1654 Metro Series, Forward Control FA209	Fa	WG	15 " x 3 "	1245C - 321	R700321	R40H521	R40H9237	R40H3502	R40H3503
	Fm	WG	15 " x 3 "	1245A - 235	R700235	R40H521	R40H9201	R40H3524	R40H3524
M1600, M1652, M1654 Metro Series, Forward Control FA69	Fa	WG	14 " x 2-1/2 "	1294A - 325	N/A	R40H521	R40H9237	R40H3502	R40H3503
	Fm	WG	14 " x 2-1/2 "	1294 - 296	N/A	R40H521	R40H9201	R40H3524	R40H3524
M1600, M1652, M1654 Metro Series, Forward Control FA73, 101	Fa	WG	15 " x 3-1/2 "	1280B - 322	R464004	R40H521	R40H9237	R40H3502	R40H3503
	Fm	WG	15 " x 3-1/2 "	1280 - 463	R700463	R40H521	R40H9201	R40H3524	R40H3524
M1600, M1652, M1654 Metro Series, Forward Control FA73, 101, 109	Fa	WG	15 " x 3 "	1245C - 321	R700321	R40H521	R40H9237	R40H3502	R40H3503
	Fm	WG	15 " x 3 "	1245A - 235	R700235	R40H521	R40H9201	R40H3524	R40H3524
M1600, M1652, M1654 Metro Series, Forward Control FA74	Fa	WG	15 " x 3 "	1245C - 321	R700321	R40H521	R40H9237	R40H3502	R40H3503
	Fm	WG	15 " x 3 "	1245A - 235	R700235	R40H521	R40H9201	R40H3524	R40H3524
M1600, M1652, M1654 Metro Series, Forward Control FA78, 81	Fa	WG	15 " x 3 "	1245C - 321	R700321	R40H521	R40H9237	R40H3502	R40H3503
M1600, M1652, M1654 Metro Series, Forward Control FA99	Fa	WG	15 " x 3 "	1245C - 321	R700321	R40H521	R40H9237	R40H3502	R40H3503
	Fm	WG	15 " x 3 "	1245A - 235	R700235	R40H521	R40H9201	R40H3524	R40H3524
M1600, M1652, M1654 Metro Series, Forward Control RA25, 126, 184	Ra	WG	15 " x 4 "	4645A - 376	Discontinued	R40H597	R40H9200	R40H3540	R40H3541
	Ra	WG	15 " x 5 "	1252 - 346	R700346	R40H597	R40H9200	R40H3540	R40H3541
	Rm	WG	15 " x 4 "	4645A - 376	Discontinued	R40H597	R40H9200	R40H3518	R404148
	Rm	WG	15 " x 5 "	1252 - 346	R700346	R40H597	R40H9200	R40H3518	R404148
M1600, M1652, M1654 Metro Series, Forward Control RA30, 39, 127, 187, 189	Ra	WG	15 " x 5 "	1252 - 346	R700346	R40H597	R40H9200	R40H3540	R40H3541

MERITOR DRUM OR ROTOR NO.	CALIPER OR CYLINDER BORE SIZE	MERITOR CALIPER OR WHEEL CYLINDER (LEFT)	MERITOR CALIPER OR WHEEL CYLINDER (RIGHT)	MERITOR CALIPER OR WHEEL CYLINDER REPAIR KIT	MERITOR CALIPER PISTON	MERITOR MASTER CYLINDER	MERITOR MASTER CYLINDER KIT	MERITOR BRAKE HOSE (LEFT)	MERITOR BRAKE HOSE (RIGHT)
ITE(Cont.)									
160, 1600, 1650 SERIES(Cont.)									
-	1-1/2 "	R4133580	R4133580	Discontinued	NR	-	-	-	-
-	1-1/2 "	R4133580	R4133580	Discontinued	NR	-	-	-	-
-	1-5/8 "	R4133338	R4133338	R4166689	NR	-	-	-	-
-	1-7/8 "	R4133584	R4133584	R4166897	NR	-	-	-	-
-	1-7/8 "	R4133584	R4133584	R4166897	NR	-	-	-	-
-	1-3/4 "	R4133400	R4133400	R4166917	NR	-	-	-	-
-	1-1/4 "	R4133581	R4133582	R4166923	NR	-	-	-	-
-	1-1/4 "	R4133581	R4133582	R4166923	NR	-	-	-	-
-	1-1/8 "	R4133714	R4133715	R4166926	NR	-	-	-	-
-	1-1/8 "	R4133714	R4133715	R4166926	NR	-	-	-	-
-	1-1/4 "	R4133581	R4133582	R4166923	NR	-	-	-	-
-	1-1/4 "	R4133581	R4133582	R4166923	NR	-	-	-	-
-	1-1/4 "	R4133581	R4133582	R4166923	NR	-	-	-	-
-	1-1/8 "	R4133714	R4133715	R4166926	NR	-	-	-	-
-	1-1/4 "	R4133581	R4133582	R4166923	NR	-	-	-	-
-	1-1/4 "	R4133581	R4133582	R4166923	NR	-	-	-	-
-	1-1/8 "	R4133320	R4133321	R4166926	NR	-	-	-	-
-	1-1/4 "	R4133581	R4133582	R4166923	NR	-	-	-	-
-	1-1/4 "	R4133581	R4133582	R4166923	NR	-	-	-	-
-	1-1/2 "	R4133580	R4133580	Discontinued	NR	-	-	-	-
-	1-5/8 "	R4133338	R4133338	R4166689	NR	-	-	-	-
-	1-1/2 "	R4133580	R4133580	Discontinued	NR	-	-	-	-
-	1-5/8 "	R4133338	R4133338	R4166689	NR	-	-	-	-
-	1-1/2 "	R4133580	R4133580	Discontinued	NR	-	-	-	-

1 APPLICATION

MAKE MODEL YEAR AXLE CODE AXLE WEIGHT	AXLE & BRK. TYPE	BRK. MFG.	BRAKE SIZE	FMSI	MERITOR DISC PAD OR BRAKE SHOE	MERITOR GUIDE PIN OR RETURN SPRING KIT	MERITOR CALIPER HWD. KIT OR RETURN SPRING KIT	MERITOR ADJUSTER KIT (LEFT WHEEL)	MERITOR ADJUSTER KIT (RIGHT WHEEL)
ITE(Cont.)									
160, 1600, 1650 SERIES(Cont.)									
1975	Rm	WG	15 " x 5 "	1252 - 346	R700346	R40H597	R40H9200	R40H3518	R404148
M1600, M1652, M1654 Metro Series, Forward Control RA39	Ra	WG	15 " x 6 "	4596 - 381	R700381	R40H597	R40H9200	R40H3540	R40H3541
M1600, M1652, M1654 Metro Series, Forward Control RA39, 189	Ra	WG	16 " x 6 "	1255 - 386	N/A	R40H597	R40H9200	NLA	NLA
	Rm	WG	16 " x 6 "	1255 - 386	N/A	R40H597	R40H9200	R404149	R404150
M1600, M1652, M1654 Metro Series, Forward Control RA44	Ra	WG	15 " x 7 "	4597 - 383	R700383	R40H597	R40H9200	R40H3540	R40H3541
1974 M1600, M1652, M1654 Metro Series, Forward Control FA209	Fa	WG	15 " x 3 "	1245C - 321	R700321	R40H521	R40H9237	R40H3502	R40H3503
	Fm	WG	15 " x 3 "	1245A - 235	R700235	R40H521	R40H9201	R40H3524	R40H3524
M1600, M1652, M1654 Metro Series, Forward Control FA69	Fa	WG	14 " x 2-1/2 "	1294A - 325	N/A	R40H521	R40H9237	R40H3502	R40H3503
	Fm	WG	14 " x 2-1/2 "	1294 - 296	N/A	R40H521	R40H9201	R40H3524	R40H3524
M1600, M1652, M1654 Metro Series, Forward Control FA73, 101	Fa	WG	15 " x 3-1/2 "	1280B - 322	R464004	R40H521	R40H9237	R40H3502	R40H3503
	Fm	WG	15 " x 3-1/2 "	1280 - 463	R700463	R40H521	R40H9201	R40H3524	R40H3524
M1600, M1652, M1654 Metro Series, Forward Control FA73, 101, 109	Fa	WG	15 " x 3 "	1245C - 321	R700321	R40H521	R40H9237	R40H3502	R40H3503
	Fm	WG	15 " x 3 "	1245A - 235	R700235	R40H521	R40H9201	R40H3524	R40H3524
M1600, M1652, M1654 Metro Series, Forward Control FA74	Fa	WG	15 " x 3 "	1245C - 321	R700321	R40H521	R40H9237	R40H3502	R40H3503
	Fm	WG	15 " x 3 "	1245A - 235	R700235	R40H521	R40H9201	R40H3524	R40H3524
M1600, M1652, M1654 Metro Series, Forward Control FA78, 81	Fa	WG	15 " x 3 "	1245C - 321	R700321	R40H521	R40H9237	R40H3502	R40H3503
M1600, M1652, M1654 Metro Series, Forward Control FA99	Fa	WG	15 " x 3 "	1245C - 321	R700321	R40H521	R40H9237	R40H3502	R40H3503
	Fm	WG	15 " x 3 "	1245A - 235	R700235	R40H521	R40H9201	R40H3524	R40H3524
M1600, M1652, M1654 Metro Series, Forward Control RA25, 126, 184	Ra	WG	15 " x 4 "	4645A - 376	Discontinued	R40H597	R40H9200	R40H3540	R40H3541
	Ra	WG	15 " x 5 "	1252 - 346	R700346	R40H597	R40H9200	R40H3540	R40H3541
	Rm	WG	15 " x 4 "	4645A - 376	Discontinued	R40H597	R40H9200	R40H3518	R404148
	Rm	WG	15 " x 5 "	1252 - 346	R700346	R40H597	R40H9200	R40H3518	R404148
M1600, M1652, M1654 Metro Series, Forward Control RA30, 39, 127, 187, 189	Ra	WG	15 " x 5 "	1252 - 346	R700346	R40H597	R40H9200	R40H3540	R40H3541
	Rm	WG	15 " x 5 "	1252 - 346	R700346	R40H597	R40H9200	R40H3518	R404148
M1600, M1652, M1654 Metro Series, Fwd Control RA39	Ra	WG	15 " x 6 "	4596 - 381	R700381	R40H597	R40H9200	R40H3540	R40H3541

MERITOR DRUM OR ROTOR NO.	CALIPER OR CYLINDER BORE SIZE	MERITOR CALIPER OR WHEEL CYLINDER (LEFT)	MERITOR CALIPER OR WHEEL CYLINDER (RIGHT)	MERITOR CALIPER OR WHEEL CYLINDER REPAIR KIT	MERITOR CALIPER PISTON	MERITOR MASTER CYLINDER	MERITOR MASTER CYLINDER KIT	MERITOR BRAKE HOSE (LEFT)	MERITOR BRAKE HOSE (RIGHT)
ITE(Cont.)									
160, 1600, 1650 SERIES(Cont.)									
-	1-1/2 "	R4133580	R4133580	Discontinued	NR	-	-	-	-
-	1-5/8 "	R4133338	R4133338	R4166689	NR	-	-	-	-
-	1-7/8 "	R4133584	R4133584	R4166897	NR	-	-	-	-
-	1-7/8 "	R4133584	R4133584	R4166897	NR	-	-	-	-
-	1-3/4 "	R4133400	R4133400	R4166917	NR	-	-	-	-
-	1-1/4 "	R4133581	R4133582	R4166923	NR	-	-	-	-
-	1-1/4 "	R4133581	R4133582	R4166923	NR	-	-	-	-
-	1-1/8 "	R4133714	R4133715	R4166926	NR	-	-	-	-
-	1-1/8 "	R4133714	R4133715	R4166926	NR	-	-	-	-
-	1-1/4 "	R4133581	R4133582	R4166923	NR	-	-	-	-
-	1-1/4 "	R4133581	R4133582	R4166923	NR	-	-	-	-
-	1-1/4 "	R4133581	R4133582	R4166923	NR	-	-	-	-
-	1-1/8 "	R4133714	R4133715	R4166926	NR	-	-	-	-
-	1-1/4 "	R4133581	R4133582	R4166923	NR	-	-	-	-
-	1-1/4 "	R4133581	R4133582	R4166923	NR	-	-	-	-
-	1-1/8 "	R4133320	R4133321	R4166926	NR	-	-	-	-
-	1-1/4 "	R4133581	R4133582	R4166923	NR	-	-	-	-
-	1-1/4 "	R4133581	R4133582	R4166923	NR	-	-	-	-
-	1-1/2 "	R4133580	R4133580	Discontinued	NR	-	-	-	-
-	1-5/8 "	R4133338	R4133338	R4166689	NR	-	-	-	-
-	1-1/2 "	R4133580	R4133580	Discontinued	NR	-	-	-	-
-	1-5/8 "	R4133338	R4133338	R4166689	NR	-	-	-	-
-	1-1/2 "	R4133580	R4133580	Discontinued	NR	-	-	-	-
-	1-1/2 "	R4133580	R4133580	Discontinued	NR	-	-	-	-
-	1-5/8 "	R4133338	R4133338	R4166689	NR	-	-	-	-

1-APPLICATION

MAKE MODEL YEAR AXLE CODE AXLE WEIGHT	AXLE & BRK. TYPE	BRK. MFG.	BRAKE SIZE	FMSI	MERITOR DISC PAD OR BRAKE SHOE	MERITOR GUIDE PIN OR RETURN SPRING KIT	MERITOR CALIPER HWD. KIT OR RETURN SPRING KIT	MERITOR ADJUSTER KIT (LEFT WHEEL)	MERITOR ADJUSTER KIT (RIGHT WHEEL)
ITE(Cont.)									
160, 1600, 1650 SERIES(Cont.)									
1974									
M1600, M1652, M1654 Metro Series, Forward Control RA39, 189	Ra	WG	16 " x 6 "	1255 - 386	N/A	R40H597	R40H9200	NLA	NLA
	Rm	WG	16 " x 6 "	1255 - 386	N/A	R40H597	R40H9200	R404149	R404150
M1600, M1652, M1654 Metro Series, Forward Control RA44	Ra	WG	15 " x 7 "	4597 - 383	R700383	R40H597	R40H9200	R40H3540	R40H3541
1973									
M1600, M1652, M1654 Metro Series, Forward Control FA209	Fa	WG	15 " x 3 "	1245C - 321	R700321	R40H521	R40H9237	R40H3502	R40H3503
	Fm	WG	15 " x 3 "	1245A - 235	R700235	R40H521	R40H9201	R40H3524	R40H3524
M1600, M1652, M1654 Metro Series, Forward Control FA69	Fa	WG	14 " x 2-1/2 "	1294A - 325	N/A	R40H521	R40H9237	R40H3502	R40H3503
	Fm	WG	14 " x 2-1/2 "	1294 - 296	N/A	R40H521	R40H9201	R40H3524	R40H3524
M1600, M1652, M1654 Metro Series, Forward Control FA73, 101	Fa	WG	15 " x 3-1/2 "	1280B - 322	R464004	R40H521	R40H9237	R40H3502	R40H3503
	Fm	WG	15 " x 3-1/2 "	1280 - 463	R700463	R40H521	R40H9201	R40H3524	R40H3524
M1600, M1652, M1654 Metro Series, Forward Control FA73, 101, 109	Fa	WG	15 " x 3 "	1245C - 321	R700321	R40H521	R40H9237	R40H3502	R40H3503
	Fm	WG	15 " x 3 "	1245A - 235	R700235	R40H521	R40H9201	R40H3524	R40H3524
M1600, M1652, M1654 Metro Series, Forward Control FA74	Fa	WG	15 " x 3 "	1245C - 321	R700321	R40H521	R40H9237	R40H3502	R40H3503
	Fm	WG	15 " x 3 "	1245A - 235	R700235	R40H521	R40H9201	R40H3524	R40H3524
M1600, M1652, M1654 Metro Series, Forward Control FA78, 81	Fa	WG	15 " x 3 "	1245C - 321	R700321	R40H521	R40H9237	R40H3502	R40H3503
M1600, M1652, M1654 Metro Series, Forward Control FA99	Fa	WG	15 " x 3 "	1245C - 321	R700321	R40H521	R40H9237	R40H3502	R40H3503
	Fm	WG	15 " x 3 "	1245A - 235	R700235	R40H521	R40H9201	R40H3524	R40H3524
M1600, M1652, M1654 Metro Series, Forward Control RA25, 126, 184	Ra	WG	15 " x 4 "	4645A - 376	Discontinued	R40H597	R40H9200	R40H3540	R40H3541
	Ra	WG	15 " x 5 "	1252 - 346	R700346	R40H597	R40H9200	R40H3540	R40H3541
	Rm	WG	15 " x 4 "	4645A - 376	Discontinued	R40H597	R40H9200	R40H3518	R404148
	Rm	WG	15 " x 5 "	1252 - 346	R700346	R40H597	R40H9200	R40H3518	R404148
M1600, M1652, M1654 Metro Series, Forward Control RA30, 39, 127, 187, 189	Ra	WG	15 " x 5 "	1252 - 346	R700346	R40H597	R40H9200	R40H3540	R40H3541
	Rm	WG	15 " x 5 "	1252 - 346	R700346	R40H597	R40H9200	R40H3518	R404148
M1600, M1652, M1654 Metro Series, Forward Control RA39	Ra	WG	15 " x 6 "	4596 - 381	R700381	R40H597	R40H9200	R40H3540	R40H3541
M1600, M1652, M1654 Metro Series, Forward Control RA39, 189	Ra	WG	16 " x 6 "	1255 - 386	N/A	R40H597	R40H9200	NLA	NLA

MERITOR DRUM OR ROTOR NO.	CALIPER OR CYLINDER BORE SIZE	MERITOR CALIPER OR WHEEL CYLINDER (LEFT)	MERITOR CALIPER OR WHEEL CYLINDER (RIGHT)	MERITOR CALIPER OR WHEEL CYLINDER REPAIR KIT	MERITOR CALIPER PISTON	MERITOR MASTER CYLINDER	MERITOR MASTER CYLINDER KIT	MERITOR BRAKE HOSE (LEFT)	MERITOR BRAKE HOSE (RIGHT)
ITE(Cont.)									
160, 1600, 1650 SERIES(Cont.)									
-	1-7/8 "	R4133584	R4133584	R4166897	NR	-	-	-	-
-	1-7/8 "	R4133584	R4133584	R4166897	NR	-	-	-	-
-	1-3/4 "	R4133400	R4133400	R4166917	NR	-	-	-	-
-	1-1/4 "	R4133581	R4133582	R4166923	NR	-	-	-	-
-	1-1/4 "	R4133581	R4133582	R4166923	NR	-	-	-	-
-	1-1/8 "	R4133714	R4133715	R4166926	NR	-	-	-	-
-	1-1/8 "	R4133714	R4133715	R4166926	NR	-	-	-	-
-	1-1/4 "	R4133581	R4133582	R4166923	NR	-	-	-	-
-	1-1/4 "	R4133581	R4133582	R4166923	NR	-	-	-	-
-	1-1/4 "	R4133581	R4133582	R4166923	NR	-	-	-	-
-	1-1/8 "	R4133714	R4133715	R4166926	NR	-	-	-	-
-	1-1/4 "	R4133581	R4133582	R4166923	NR	-	-	-	-
-	1-1/4 "	R4133581	R4133582	R4166923	NR	-	-	-	-
-	1-1/8 "	R4133320	R4133321	R4166926	NR	-	-	-	-
-	1-1/4 "	R4133581	R4133582	R4166923	NR	-	-	-	-
-	1-1/4 "	R4133581	R4133582	R4166923	NR	-	-	-	-
-	1-1/2 "	R4133580	R4133580	Discontinued	NR	-	-	-	-
-	1-5/8 "	R4133338	R4133338	R4166689	NR	-	-	-	-
-	1-1/2 "	R4133580	R4133580	Discontinued	NR	-	-	-	-
-	1-5/8 "	R4133338	R4133338	R4166689	NR	-	-	-	-
-	1-1/2 "	R4133580	R4133580	Discontinued	NR	-	-	-	-
-	1-1/2 "	R4133580	R4133580	Discontinued	NR	-	-	-	-
-	1-5/8 "	R4133338	R4133338	R4166689	NR	-	-	-	-
-	1-7/8 "	R4133584	R4133584	R4166897	NR	-	-	-	-

1-APPLICATION

MAKE MODEL YEAR AXLE CODE AXLE WEIGHT	AXLE & BRK. TYPE	BRK. MFG.	BRAKE SIZE	FMSI	MERITOR DISC PAD OR BRAKE SHOE	MERITOR GUIDE PIN OR RETURN SPRING KIT	MERITOR CALIPER HWD. KIT OR RETURN SPRING KIT	MERITOR ADJUSTER KIT (LEFT WHEEL)	MERITOR ADJUSTER KIT (RIGHT WHEEL)
ITE(Cont.)									
160, 1600, 1650 SERIES(Cont.)									
1973	Rm	WG	16 " x 6 "	1255 - 386	N/A	R40H597	R40H9200	R404149	R404150
M1600, M1652, M1654 Metro Series, Forward Control RA44	Ra	WG	15 " x 7 "	4597 - 383	R700383	R40H597	R40H9200	R40H3540	R40H3541
1972									
M1600, M1652, M1654 Metro Series, Forward Control FA209	Fa	WG	15 " x 3 "	1245C - 321	R700321	R40H521	R40H9237	R40H3502	R40H3503
	Fm	WG	15 " x 3 "	1245A - 235	R700235	R40H521	R40H9201	R40H3524	R40H3524
M1600, M1652, M1654 Metro Series, Forward Control FA69	Fa	WG	14 " x 2-1/2 "	1294A - 325	N/A	R40H521	R40H9237	R40H3502	R40H3503
	Fm	WG	14 " x 2-1/2 "	1294 - 296	N/A	R40H521	R40H9201	R40H3524	R40H3524
M1600, M1652, M1654 Metro Series, Forward Control FA73, 101	Fa	WG	15 " x 3-1/2 "	1280B - 322	R464004	R40H521	R40H9237	R40H3502	R40H3503
	Fm	WG	15 " x 3-1/2 "	1280 - 463	R700463	R40H521	R40H9201	R40H3524	R40H3524
M1600, M1652, M1654 Metro Series, Forward Control FA73, 101, 109	Fa	WG	15 " x 3 "	1245C - 321	R700321	R40H521	R40H9237	R40H3502	R40H3503
	Fm	WG	15 " x 3 "	1245A - 235	R700235	R40H521	R40H9201	R40H3524	R40H3524
M1600, M1652, M1654 Metro Series, Forward Control FA74	Fa	WG	15 " x 3 "	1245C - 321	R700321	R40H521	R40H9237	R40H3502	R40H3503
	Fm	WG	15 " x 3 "	1245A - 235	R700235	R40H521	R40H9201	R40H3524	R40H3524
M1600, M1652, M1654 Metro Series, Forward Control FA78, 81	Fa	WG	15 " x 3 "	1245C - 321	R700321	R40H521	R40H9237	R40H3502	R40H3503
M1600, M1652, M1654 Metro Series, Forward Control FA99	Fa	WG	15 " x 3 "	1245C - 321	R700321	R40H521	R40H9237	R40H3502	R40H3503
	Fm	WG	15 " x 3 "	1245A - 235	R700235	R40H521	R40H9201	R40H3524	R40H3524
M1600, M1652, M1654 Metro Series, Forward Control RA25, 126, 184	Ra	WG	15 " x 4 "	4645A - 376	Discontinued	R40H597	R40H9200	R40H3540	R40H3541
	Ra	WG	15 " x 5 "	1252 - 346	R700346	R40H597	R40H9200	R40H3540	R40H3541
	Rm	WG	15 " x 4 "	4645A - 376	Discontinued	R40H597	R40H9200	R40H3518	R404148
	Rm	WG	15 " x 5 "	1252 - 346	R700346	R40H597	R40H9200	R40H3518	R404148
M1600, M1652, M1654 Metro Series, Forward Control RA30, 39, 127, 187, 189	Ra	WG	15 " x 5 "	1252 - 346	R700346	R40H597	R40H9200	R40H3540	R40H3541
	Rm	WG	15 " x 5 "	1252 - 346	R700346	R40H597	R40H9200	R40H3518	R404148
M1600, M1652, M1654 Metro Series, Forward Control RA39	Ra	WG	15 " x 6 "	4596 - 381	R700381	R40H597	R40H9200	R40H3540	R40H3541
M1600, M1652, M1654 Metro Series, Forward Control RA39, 189	Ra	WG	16 " x 6 "	1255 - 386	N/A	R40H597	R40H9200	NLA	NLA
	Rm	WG	16 " x 6 "	1255 - 386	N/A	R40H597	R40H9200	R404149	R404150
M1600, M1652, M1654 Metro Series, Forward Control RA44	Ra	WG	15 " x 7 "	4597 - 383	R700383	R40H597	R40H9200	R40H3540	R40H3541

MERITOR DRUM OR ROTOR NO.	CALIPER OR CYLINDER BORE SIZE	MERITOR CALIPER OR WHEEL CYLINDER (LEFT)	MERITOR CALIPER OR WHEEL CYLINDER (RIGHT)	MERITOR CALIPER OR WHEEL CYLINDER REPAIR KIT	MERITOR CALIPER PISTON	MERITOR MASTER CYLINDER	MERITOR MASTER CYLINDER KIT	MERITOR BRAKE HOSE (LEFT)	MERITOR BRAKE HOSE (RIGHT)
ITE(Cont.)									
160, 1600, 1650 SERIES(Cont.)									
-	1-7/8 "	R4133584	R4133584	R4166897	NR	-	-	-	-
-	1-3/4 "	R4133400	R4133400	R4166917	NR	-	-	-	-
-	1-1/4 "	R4133581	R4133582	R4166923	NR	-	-	-	-
-	1-1/4 "	R4133581	R4133582	R4166923	NR	-	-	-	-
-	1-1/8 "	R4133714	R4133715	R4166926	NR	-	-	-	-
-	1-1/8 "	R4133714	R4133715	R4166926	NR	-	-	-	-
-	1-1/4 "	R4133581	R4133582	R4166923	NR	-	-	-	-
-	1-1/4 "	R4133581	R4133582	R4166923	NR	-	-	-	-
-	1-1/4 "	R4133581	R4133582	R4166923	NR	-	-	-	-
-	1-1/8 "	R4133714	R4133715	R4166926	NR	-	-	-	-
-	1-1/4 "	R4133581	R4133582	R4166923	NR	-	-	-	-
-	1-1/4 "	R4133581	R4133582	R4166923	NR	-	-	-	-
-	1-1/8 "	R4133320	R4133321	R4166926	NR	-	-	-	-
-	1-1/4 "	R4133581	R4133582	R4166923	NR	-	-	-	-
-	1-1/4 "	R4133581	R4133582	R4166923	NR	-	-	-	-
-	1-1/2 "	R4133580	R4133580	Discontinued	NR	-	-	-	-
-	1-5/8 "	R4133338	R4133338	R4166689	NR	-	-	-	-
-	1-1/2 "	R4133580	R4133580	Discontinued	NR	-	-	-	-
-	1-5/8 "	R4133338	R4133338	R4166689	NR	-	-	-	-
-	1-1/2 "	R4133580	R4133580	Discontinued	NR	-	-	-	-
-	1-1/2 "	R4133580	R4133580	Discontinued	NR	-	-	-	-
-	1-5/8 "	R4133338	R4133338	R4166689	NR	-	-	-	-
-	1-7/8 "	R4133584	R4133584	R4166897	NR	-	-	-	-
-	1-7/8 "	R4133584	R4133584	R4166897	NR	-	-	-	-
-	1-3/4 "	R4133400	R4133400	R4166917	NR	-	-	-	-

MAKE MODEL YEAR AXLE CODE AXLE WEIGHT	AXLE & BRK. TYPE	BRK. MFG.	BRAKE SIZE	FMSI	MERITOR DISC PAD OR BRAKE SHOE	MERITOR GUIDE PIN OR RETURN SPRING KIT	MERITOR CALIPER HWD. KIT OR RETURN SPRING KIT	MERITOR ADJUSTER KIT (LEFT WHEEL)	MERITOR ADJUSTER KIT (RIGHT WHEEL)
ITE(Cont.)									
160, 1600, 1650 SERIES(Cont.)									
1971 M1600, M1652, M1654 Metro Series, Forward Control FA209	Fa	WG	15 " x 3 "	1245C - 321	R700321	R40H521	R40H9237	R40H3502	R40H3503
	Fm	WG	15 " x 3 "	1245A - 235	R700235	R40H521	R40H9201	R40H3524	R40H3524
M1600, M1652, M1654 Metro Series, Forward Control FA69	Fa	WG	14 " x 2-1/2 "	1294A - 325	N/A	R40H521	R40H9237	R40H3502	R40H3503
	Fm	WG	14 " x 2-1/2 "	1294 - 296	N/A	R40H521	R40H9201	R40H3524	R40H3524
M1600, M1652, M1654 Metro Series, Forward Control FA73, 101	Fa	WG	15 " x 3-1/2 "	1280B - 322	R464004	R40H521	R40H9237	R40H3502	R40H3503
	Fm	WG	15 " x 3-1/2 "	1280 - 463	R700463	R40H521	R40H9201	R40H3524	R40H3524
M1600, M1652, M1654 Metro Series, Forward Control FA73, 101, 109	Fa	WG	15 " x 3 "	1245C - 321	R700321	R40H521	R40H9237	R40H3502	R40H3503
	Fm	WG	15 " x 3 "	1245A - 235	R700235	R40H521	R40H9201	R40H3524	R40H3524
M1600, M1652, M1654 Metro Series, Forward Control FA74	Fa	WG	15 " x 3 "	1245C - 321	R700321	R40H521	R40H9237	R40H3502	R40H3503
	Fm	WG	15 " x 3 "	1245A - 235	R700235	R40H521	R40H9201	R40H3524	R40H3524
M1600, M1652, M1654 Metro Series, Forward Control FA78, 81	Fa	WG	15 " x 3 "	1245C - 321	R700321	R40H521	R40H9237	R40H3502	R40H3503
M1600, M1652, M1654 Metro Series, Forward Control FA99	Fa	WG	15 " x 3 "	1245C - 321	R700321	R40H521	R40H9237	R40H3502	R40H3503
	Fm	WG	15 " x 3 "	1245A - 235	R700235	R40H521	R40H9201	R40H3524	R40H3524
M1600, M1652, M1654 Metro Series, Forward Control RA25, 126, 184	Ra	WG	15 " x 4 "	4645A - 376	Discontinued	R40H597	R40H9200	R40H3540	R40H3541
	Ra	WG	15 " x 5 "	1252 - 346	R700346	R40H597	R40H9200	R40H3540	R40H3541
	Rm	WG	15 " x 4 "	4645A - 376	Discontinued	R40H597	R40H9200	R40H3518	R404148
	Rm	WG	15 " x 5 "	1252 - 346	R700346	R40H597	R40H9200	R40H3518	R404148
M1600, M1652, M1654 Metro Series, Forward Control RA30, 39, 127, 187, 189	Ra	WG	15 " x 5 "	1252 - 346	R700346	R40H597	R40H9200	R40H3540	R40H3541
	Rm	WG	15 " x 5 "	1252 - 346	R700346	R40H597	R40H9200	R40H3518	R404148
M1600, M1652, M1654 Metro Series, Forward Control RA39	Ra	WG	15 " x 6 "	4596 - 381	R700381	R40H597	R40H9200	R40H3540	R40H3541
M1600, M1652, M1654 Metro Series, Forward Control RA39, 189	Ra	WG	16 " x 6 "	1255 - 386	N/A	R40H597	R40H9200	NLA	NLA
	Rm	WG	16 " x 6 "	1255 - 386	N/A	R40H597	R40H9200	R404149	R404150
M1600, M1652, M1654 Metro Series, Forward Control RA44	Ra	WG	15 " x 7 "	4597 - 383	R700383	R40H597	R40H9200	R40H3540	R40H3541
1970 M1600, M1652, M1654 Metro Series, Forward Control FA209	Fa	WG	15 " x 3 "	1245C - 321	R700321	R40H521	R40H9237	R40H3502	R40H3503

MERITOR DRUM OR ROTOR NO.	CALIPER OR CYLINDER BORE SIZE	MERITOR CALIPER OR WHEEL CYLINDER (LEFT)	MERITOR CALIPER OR WHEEL CYLINDER (RIGHT)	MERITOR CALIPER OR WHEEL CYLINDER REPAIR KIT	MERITOR CALIPER PISTON	MERITOR MASTER CYLINDER	MERITOR MASTER CYLINDER KIT	MERITOR BRAKE HOSE (LEFT)	MERITOR BRAKE HOSE (RIGHT)
ITE(Cont.)									
160, 1600, 1650 SERIES(Cont.)									
-	1-1/4 "	R4133581	R4133582	R4166923	NR	-	-	-	-
-	1-1/4 "	R4133581	R4133582	R4166923	NR	-	-	-	-
-	1-1/8 "	R4133714	R4133715	R4166926	NR	-	-	-	-
-	1-1/8 "	R4133714	R4133715	R4166926	NR	-	-	-	-
-	1-1/4 "	R4133581	R4133582	R4166923	NR	-	-	-	-
-	1-1/4 "	R4133581	R4133582	R4166923	NR	-	-	-	-
-	1-1/4 "	R4133581	R4133582	R4166923	NR	-	-	-	-
-	1-1/8 "	R4133714	R4133715	R4166926	NR	-	-	-	-
-	1-1/4 "	R4133581	R4133582	R4166923	NR	-	-	-	-
-	1-1/4 "	R4133581	R4133582	R4166923	NR	-	-	-	-
-	1-1/8 "	R4133320	R4133321	R4166926	NR	-	-	-	-
-	1-1/4 "	R4133581	R4133582	R4166923	NR	-	-	-	-
-	1-1/4 "	R4133581	R4133582	R4166923	NR	-	-	-	-
-	1-1/2 "	R4133580	R4133580	Discontinued	NR	-	-	-	-
-	1-5/8 "	R4133338	R4133338	R4166689	NR	-	-	-	-
-	1-1/2 "	R4133580	R4133580	Discontinued	NR	-	-	-	-
-	1-5/8 "	R4133338	R4133338	R4166689	NR	-	-	-	-
-	1-1/2 "	R4133580	R4133580	Discontinued	NR	-	-	-	-
-	1-1/2 "	R4133580	R4133580	Discontinued	NR	-	-	-	-
-	1-5/8 "	R4133338	R4133338	R4166689	NR	-	-	-	-
-	1-7/8 "	R4133584	R4133584	R4166897	NR	-	-	-	-
-	1-7/8 "	R4133584	R4133584	R4166897	NR	-	-	-	-
-	1-3/4 "	R4133400	R4133400	R4166917	NR	-	-	-	-
-	1-1/4 "	R4133581	R4133582	R4166923	NR	-	-	-	-

1-APPLICATION

MAKE MODEL YEAR AXLE CODE AXLE WEIGHT	AXLE & BRK. TYPE	BRK. MFG.	BRAKE SIZE	FMSI	MERITOR DISC PAD OR BRAKE SHOE	MERITOR GUIDE PIN OR RETURN SPRING KIT	MERITOR CALIPER HWD. KIT OR RETURN SPRING KIT	MERITOR ADJUSTER KIT (LEFT WHEEL)	MERITOR ADJUSTER KIT (RIGHT WHEEL)
ITE(Cont.)									
160, 1600, 1650 SERIES(Cont.)									
1970	Fm	WG	15 " x 3 "	1245A - 235	R700235	R40H521	R40H9201	R40H3524	R40H3524
M1600, M1652, M1654 Metro Series, Forward Control FA69	Fa	WG	14 " x 2-1/2 "	1294A - 325	N/A	R40H521	R40H9237	R40H3502	R40H3503
	Fm	WG	14 " x 2-1/2 "	1294 - 296	N/A	R40H521	R40H9201	R40H3524	R40H3524
M1600, M1652, M1654 Metro Series, Forward Control FA73, 101	Fa	WG	15 " x 3-1/2 "	1280B - 322	R464004	R40H521	R40H9237	R40H3502	R40H3503
	Fm	WG	15 " x 3-1/2 "	1280 - 463	R700463	R40H521	R40H9201	R40H3524	R40H3524
M1600, M1652, M1654 Metro Series, Forward Control FA73, 101, 109	Fa	WG	15 " x 3 "	1245C - 321	R700321	R40H521	R40H9237	R40H3502	R40H3503
	Fm	WG	15 " x 3 "	1245A - 235	R700235	R40H521	R40H9201	R40H3524	R40H3524
M1600, M1652, M1654 Metro Series, Forward Control FA74	Fa	WG	15 " x 3 "	1245C - 321	R700321	R40H521	R40H9237	R40H3502	R40H3503
	Fm	WG	15 " x 3 "	1245A - 235	R700235	R40H521	R40H9201	R40H3524	R40H3524
M1600, M1652, M1654 Metro Series, Forward Control FA78, 81	Fa	WG	15 " x 3 "	1245C - 321	R700321	R40H521	R40H9237	R40H3502	R40H3503
M1600, M1652, M1654 Metro Series, Forward Control FA99	Fa	WG	15 " x 3 "	1245C - 321	R700321	R40H521	R40H9237	R40H3502	R40H3503
	Fm	WG	15 " x 3 "	1245A - 235	R700235	R40H521	R40H9201	R40H3524	R40H3524
M1600, M1652, M1654 Metro Series, Forward Control RA25, 126, 184	Ra	WG	15 " x 4 "	4645A - 376	Discontinued	R40H597	R40H9200	R40H3540	R40H3541
	Ra	WG	15 " x 5 "	1252 - 346	R700346	R40H597	R40H9200	R40H3540	R40H3541
	Rm	WG	15 " x 4 "	4645A - 376	Discontinued	R40H597	R40H9200	R40H3518	R404148
	Rm	WG	15 " x 5 "	1252 - 346	R700346	R40H597	R40H9200	R40H3518	R404148
M1600, M1652, M1654 Metro Series, Forward Control RA30, 39, 127, 187, 189	Ra	WG	15 " x 5 "	1252 - 346	R700346	R40H597	R40H9200	R40H3540	R40H3541
	Rm	WG	15 " x 5 "	1252 - 346	R700346	R40H597	R40H9200	R40H3518	R404148
M1600, M1652, M1654 Metro Series, Forward Control RA39	Ra	WG	15 " x 6 "	4596 - 381	R700381	R40H597	R40H9200	R40H3540	R40H3541
M1600, M1652, M1654 Metro Series, Forward Control RA39, 189	Ra	WG	16 " x 6 "	1255 - 386	N/A	R40H597	R40H9200	NLA	NLA
	Rm	WG	16 " x 6 "	1255 - 386	N/A	R40H597	R40H9200	R404149	R404150
M1600, M1652, M1654 Metro Series, Forward Control RA44	Ra	WG	15 " x 7 "	4597 - 383	R700383	R40H597	R40H9200	R40H3540	R40H3541
1969 M1600, M1652, M1654 Metro Series, Forward Control FA209	Fa	WG	15 " x 3 "	1245C - 321	R700321	R40H521	R40H9237	R40H3502	R40H3503
	Fm	WG	15 " x 3 "	1245A - 235	R700235	R40H521	R40H9201	R40H3524	R40H3524
M1600, M1652, M1654 Metro Series, Forward Control FA69	Fa	WG	14 " x 2-1/2 "	1294A - 325	N/A	R40H521	R40H9237	R40H3502	R40H3503

MERITOR DRUM OR ROTOR NO.	CALIPER OR CYLINDER BORE SIZE	MERITOR CALIPER OR WHEEL CYLINDER (LEFT)	MERITOR CALIPER OR WHEEL CYLINDER (RIGHT)	MERITOR CALIPER OR WHEEL CYLINDER REPAIR KIT	MERITOR CALIPER PISTON	MERITOR MASTER CYLINDER	MERITOR MASTER CYLINDER KIT	MERITOR BRAKE HOSE (LEFT)	MERITOR BRAKE HOSE (RIGHT)
ITE(Cont.)									
160, 1600, 1650 SERIES(Cont.)									
-	1-1/4 "	R4133581	R4133582	R4166923	NR	-	-	-	-
-	1-1/8 "	R4133714	R4133715	R4166926	NR	-	-	-	-
-	1-1/8 "	R4133714	R4133715	R4166926	NR	-	-	-	-
-	1-1/4 "	R4133581	R4133582	R4166923	NR	-	-	-	-
-	1-1/4 "	R4133581	R4133582	R4166923	NR	-	-	-	-
-	1-1/4 "	R4133581	R4133582	R4166923	NR	-	-	-	-
-	1-1/8 "	R4133714	R4133715	R4166926	NR	-	-	-	-
-	1-1/4 "	R4133581	R4133582	R4166923	NR	-	-	-	-
-	1-1/4 "	R4133581	R4133582	R4166923	NR	-	-	-	-
-	1-1/8 "	R4133320	R4133321	R4166926	NR	-	-	-	-
-	1-1/4 "	R4133581	R4133582	R4166923	NR	-	-	-	-
-	1-1/4 "	R4133581	R4133582	R4166923	NR	-	-	-	-
-	1-1/2 "	R4133580	R4133580	Discontinued	NR	-	-	-	-
-	1-5/8 "	R4133338	R4133338	R4166689	NR	-	-	-	-
-	1-1/2 "	R4133580	R4133580	Discontinued	NR	-	-	-	-
-	1-5/8 "	R4133338	R4133338	R4166689	NR	-	-	-	-
-	1-1/2 "	R4133580	R4133580	Discontinued	NR	-	-	-	-
-	1-1/2 "	R4133580	R4133580	Discontinued	NR	-	-	-	-
-	1-5/8 "	R4133338	R4133338	R4166689	NR	-	-	-	-
-	1-7/8 "	R4133584	R4133584	R4166897	NR	-	-	-	-
-	1-7/8 "	R4133584	R4133584	R4166897	NR	-	-	-	-
-	1-3/4 "	R4133400	R4133400	R4166917	NR	-	-	-	-
-	1-1/4 "	R4133581	R4133582	R4166923	NR	-	-	-	-
-	1-1/4 "	R4133581	R4133582	R4166923	NR	-	-	-	-
-	1-1/8 "	R4133714	R4133715	R4166926	NR	-	-	-	-

1 APPLICATION

MAKE MODEL YEAR AXLE CODE AXLE WEIGHT	AXLE & BRK. TYPE	BRK. MFG.	BRAKE SIZE	FMSI	MERITOR DISC PAD OR BRAKE SHOE	MERITOR GUIDE PIN OR RETURN SPRING KIT	MERITOR CALIPER HWD. KIT OR RETURN SPRING KIT	MERITOR ADJUSTER KIT (LEFT WHEEL)	MERITOR ADJUSTER KIT (RIGHT WHEEL)
ITE(Cont.)									
160, 1600, 1650 SERIES(Cont.)									
1969	Fm	WG	14 " x 2-1/2 "	1294 - 296	N/A	R40H521	R40H9201	R40H3524	R40H3524
M1600, M1652, M1654 Metro Series, Forward Control FA73, 101	Fa	WG	15 " x 3-1/2 "	1280B - 322	R464004	R40H521	R40H9237	R40H3502	R40H3503
	Fm	WG	15 " x 3-1/2 "	1280 - 463	R700463	R40H521	R40H9201	R40H3524	R40H3524
M1600, M1652, M1654 Metro Series, Forward Control FA73, 101, 109	Fa	WG	15 " x 3 "	1245C - 321	R700321	R40H521	R40H9237	R40H3502	R40H3503
	Fm	WG	15 " x 3 "	1245A - 235	R700235	R40H521	R40H9201	R40H3524	R40H3524
M1600, M1652, M1654 Metro Series, Forward Control FA74	Fa	WG	15 " x 3 "	1245C - 321	R700321	R40H521	R40H9237	R40H3502	R40H3503
	Fm	WG	15 " x 3 "	1245A - 235	R700235	R40H521	R40H9201	R40H3524	R40H3524
M1600, M1652, M1654 Metro Series, Forward Control FA78, 81	Fa	WG	15 " x 3 "	1245C - 321	R700321	R40H521	R40H9237	R40H3502	R40H3503
M1600, M1652, M1654 Metro Series, Forward Control FA99	Fa	WG	15 " x 3 "	1245C - 321	R700321	R40H521	R40H9237	R40H3502	R40H3503
	Fm	WG	15 " x 3 "	1245A - 235	R700235	R40H521	R40H9201	R40H3524	R40H3524
M1600, M1652, M1654 Metro Series, Forward Control RA25, 126, 184	Ra	WG	15 " x 4 "	4645A - 376	Discontinued	R40H597	R40H9200	R40H3540	R40H3541
	Ra	WG	15 " x 5 "	1252 - 346	R700346	R40H597	R40H9200	R40H3540	R40H3541
	Rm	WG	15 " x 4 "	4645A - 376	Discontinued	R40H597	R40H9200	R40H3518	R404148
	Rm	WG	15 " x 5 "	1252 - 346	R700346	R40H597	R40H9200	R40H3518	R404148
M1600, M1652, M1654 Metro Series, Forward Control RA30, 39, 127, 187, 189	Ra	WG	15 " x 5 "	1252 - 346	R700346	R40H597	R40H9200	R40H3540	R40H3541
	Rm	WG	15 " x 5 "	1252 - 346	R700346	R40H597	R40H9200	R40H3518	R404148
M1600, M1652, M1654 Metro Series, Forward Control RA39	Ra	WG	15 " x 6 "	4596 - 381	R700381	R40H597	R40H9200	R40H3540	R40H3541
M1600, M1652, M1654 Metro Series, Forward Control RA39, 189	Ra	WG	16 " x 6 "	1255 - 386	N/A	R40H597	R40H9200	NLA	NLA
	Rm	WG	16 " x 6 "	1255 - 386	N/A	R40H597	R40H9200	R404149	R404150
M1600, M1652, M1654 Metro Series, Forward Control RA44	Ra	WG	15 " x 7 "	4597 - 383	R700383	R40H597	R40H9200	R40H3540	R40H3541
1968									
M1600, M1652, M1654 Metro Series, Forward Control FA209	Fa	WG	15 " x 3 "	1245C - 321	R700321	R40H521	R40H9237	R40H3502	R40H3503
	Fm	WG	15 " x 3 "	1245A - 235	R700235	R40H521	R40H9201	R40H3524	R40H3524
M1600, M1652, M1654 Metro Series, Forward Control FA69	Fa	WG	14 " x 2-1/2 "	1294A - 325	N/A	R40H521	R40H9237	R40H3502	R40H3503
	Fm	WG	14 " x 2-1/2 "	1294 - 296	N/A	R40H521	R40H9201	R40H3524	R40H3524
M1600, M1652, M1654 Metro Series, Fwd Control FA73, 101	Fa	WG	15 " x 3-1/2 "	1280B - 322	R464004	R40H521	R40H9237	R40H3502	R40H3503

MERITOR DRUM OR ROTOR NO.	CALIPER OR CYLINDER BORE SIZE	MERITOR CALIPER OR WHEEL CYLINDER (LEFT)	MERITOR CALIPER OR WHEEL CYLINDER (RIGHT)	MERITOR CALIPER OR WHEEL CYLINDER REPAIR KIT	MERITOR CALIPER PISTON	MERITOR MASTER CYLINDER	MERITOR MASTER CYLINDER KIT	MERITOR BRAKE HOSE (LEFT)	MERITOR BRAKE HOSE (RIGHT)
ITE(Cont.)									
160, 1600, 1650 SERIES(Cont.)									
-	1-1/8 "	R4133714	R4133715	R4166926	NR	-	-	-	-
-	1-1/4 "	R4133581	R4133582	R4166923	NR	-	-	-	-
-	1-1/4 "	R4133581	R4133582	R4166923	NR	-	-	-	-
-	1-1/4 "	R4133581	R4133582	R4166923	NR	-	-	-	-
-	1-1/8 "	R4133714	R4133715	R4166926	NR	-	-	-	-
-	1-1/4 "	R4133581	R4133582	R4166923	NR	-	-	-	-
-	1-1/4 "	R4133581	R4133582	R4166923	NR	-	-	-	-
-	1-1/8 "	R4133320	R4133321	R4166926	NR	-	-	-	-
-	1-1/4 "	R4133581	R4133582	R4166923	NR	-	-	-	-
-	1-1/4 "	R4133581	R4133582	R4166923	NR	-	-	-	-
-	1-1/2 "	R4133580	R4133580	Discontinued	NR	-	-	-	-
-	1-5/8 "	R4133338	R4133338	R4166689	NR	-	-	-	-
-	1-1/2 "	R4133580	R4133580	Discontinued	NR	-	-	-	-
-	1-5/8 "	R4133338	R4133338	R4166689	NR	-	-	-	-
-	1-1/2 "	R4133580	R4133580	Discontinued	NR	-	-	-	-
-	1-1/2 "	R4133580	R4133580	Discontinued	NR	-	-	-	-
-	1-5/8 "	R4133338	R4133338	R4166689	NR	-	-	-	-
-	1-7/8 "	R4133584	R4133584	R4166897	NR	-	-	-	-
-	1-7/8 "	R4133584	R4133584	R4166897	NR	-	-	-	-
-	1-3/4 "	R4133400	R4133400	R4166917	NR	-	-	-	-
-	1-1/4 "	R4133581	R4133582	R4166923	NR	-	-	-	-
-	1-1/4 "	R4133581	R4133582	R4166923	NR	-	-	-	-
-	1-1/8 "	R4133714	R4133715	R4166926	NR	-	-	-	-
-	1-1/8 "	R4133714	R4133715	R4166926	NR	-	-	-	-
-	1-1/4 "	R4133581	R4133582	R4166923	NR	-	-	-	-

1-APPLICATION

MAKE MODEL YEAR AXLE CODE AXLE WEIGHT	AXLE & BRK. TYPE	BRK. MFG.	BRAKE SIZE	FMSI	MERITOR DISC PAD OR BRAKE SHOE	MERITOR GUIDE PIN OR RETURN SPRING KIT	MERITOR CALIPER HWD. KIT OR RETURN SPRING KIT	MERITOR ADJUSTER KIT (LEFT WHEEL)	MERITOR ADJUSTER KIT (RIGHT WHEEL)
ITE(Cont.)									
160, 1600, 1650 SERIES(Cont.)									
1968									
M1600, M1652, M1654 Metro Series, Forward Control FA73, 101	Fm	WG	15 " x 3-1/2 "	1280 - 463	R700463	R40H521	R40H9201	R40H3524	R40H3524
M1600, M1652, M1654 Metro Series, Forward Control FA73, 101, 109	Fa	WG	15 " x 3 "	1245C - 321	R700321	R40H521	R40H9237	R40H3502	R40H3503
	Fm	WG	15 " x 3 "	1245A - 235	R700235	R40H521	R40H9201	R40H3524	R40H3524
M1600, M1652, M1654 Metro Series, Forward Control FA74	Fa	WG	15 " x 3 "	1245C - 321	R700321	R40H521	R40H9237	R40H3502	R40H3503
	Fm	WG	15 " x 3 "	1245A - 235	R700235	R40H521	R40H9201	R40H3524	R40H3524
M1600, M1652, M1654 Metro Series, Forward Control FA78, 81	Fa	WG	15 " x 3 "	1245C - 321	R700321	R40H521	R40H9237	R40H3502	R40H3503
M1600, M1652, M1654 Metro Series, Forward Control FA99	Fa	WG	15 " x 3 "	1245C - 321	R700321	R40H521	R40H9237	R40H3502	R40H3503
	Fm	WG	15 " x 3 "	1245A - 235	R700235	R40H521	R40H9201	R40H3524	R40H3524
M1600, M1652, M1654 Metro Series, Forward Control RA25, 126, 184	Ra	WG	15 " x 4 "	4645A - 376	Discontinued	R40H597	R40H9200	R40H3540	R40H3541
	Ra	WG	15 " x 5 "	1252 - 346	R700346	R40H597	R40H9200	R40H3540	R40H3541
	Rm	WG	15 " x 4 "	4645A - 376	Discontinued	R40H597	R40H9200	R40H3518	R404148
	Rm	WG	15 " x 5 "	1252 - 346	R700346	R40H597	R40H9200	R40H3518	R404148
M1600, M1652, M1654 Metro Series, Forward Control RA30, 39, 127, 187, 189	Ra	WG	15 " x 5 "	1252 - 346	R700346	R40H597	R40H9200	R40H3540	R40H3541
	Rm	WG	15 " x 5 "	1252 - 346	R700346	R40H597	R40H9200	R40H3518	R404148
M1600, M1652, M1654 Metro Series, Forward Control RA39	Ra	WG	15 " x 6 "	4596 - 381	R700381	R40H597	R40H9200	R40H3540	R40H3541
M1600, M1652, M1654 Metro Series, Forward Control RA39, 189	Ra	WG	16 " x 6 "	1255 - 386	N/A	R40H597	R40H9200	NLA	NLA
	Rm	WG	16 " x 6 "	1255 - 386	N/A	R40H597	R40H9200	R404149	R404150
M1600, M1652, M1654 Metro Series, Forward Control RA44	Ra	WG	15 " x 7 "	4597 - 383	R700383	R40H597	R40H9200	R40H3540	R40H3541
1967									
M1600, M1652, M1654 Metro Series, Forward Control FA209	Fa	WG	15 " x 3 "	1245C - 321	R700321	R40H521	R40H9237	R40H3502	R40H3503
	Fm	WG	15 " x 3 "	1245A - 235	R700235	R40H521	R40H9201	R40H3524	R40H3524
M1600, M1652, M1654 Metro Series, Forward Control FA69	Fa	WG	14 " x 2-1/2 "	1294A - 325	N/A	R40H521	R40H9237	R40H3502	R40H3503
	Fm	WG	14 " x 2-1/2 "	1294 - 296	N/A	R40H521	R40H9201	R40H3524	R40H3524
M1600, M1652, M1654 Metro Series, Forward Control FA73, 101	Fa	WG	15 " x 3-1/2 "	1280B - 322	R464004	R40H521	R40H9237	R40H3502	R40H3503

MERITOR DRUM OR ROTOR NO.	CALIPER OR CYLINDER BORE SIZE	MERITOR CALIPER OR WHEEL CYLINDER (LEFT)	MERITOR CALIPER OR WHEEL CYLINDER (RIGHT)	MERITOR CALIPER OR WHEEL CYLINDER REPAIR KIT	MERITOR CALIPER PISTON	MERITOR MASTER CYLINDER	MERITOR MASTER CYLINDER KIT	MERITOR BRAKE HOSE (LEFT)	MERITOR BRAKE HOSE (RIGHT)
ITE(Cont.)									
160, 1600, 1650 SERIES(Cont.)									
-	1-1/4 "	R4133581	R4133582	R4166923	NR	-	-	-	-
-	1-1/4 "	R4133581	R4133582	R4166923	NR	-	-	-	-
-	1-1/8 "	R4133714	R4133715	R4166926	NR	-	-	-	-
-	1-1/4 "	R4133581	R4133582	R4166923	NR	-	-	-	-
-	1-1/4 "	R4133581	R4133582	R4166923	NR	-	-	-	-
-	1-1/8 "	R4133320	R4133321	R4166926	NR	-	-	-	-
-	1-1/4 "	R4133581	R4133582	R4166923	NR	-	-	-	-
-	1-1/4 "	R4133581	R4133582	R4166923	NR	-	-	-	-
-	1-1/2 "	R4133580	R4133580	Discontinued	NR	-	-	-	-
-	1-5/8 "	R4133338	R4133338	R4166689	NR	-	-	-	-
-	1-1/2 "	R4133580	R4133580	Discontinued	NR	-	-	-	-
-	1-1/2 "	R4133580	R4133580	Discontinued	NR	-	-	-	-
-	1-5/8 "	R4133338	R4133338	R4166689	NR	-	-	-	-
-	1-1/2 "	R4133580	R4133580	Discontinued	NR	-	-	-	-
-	1-1/2 "	R4133580	R4133580	Discontinued	NR	-	-	-	-
-	1-5/8 "	R4133338	R4133338	R4166689	NR	-	-	-	-
-	1-7/8 "	R4133584	R4133584	R4166897	NR	-	-	-	-
-	1-7/8 "	R4133584	R4133584	R4166897	NR	-	-	-	-
-	1-3/4 "	R4133400	R4133400	R4166917	NR	-	-	-	-
-	1-1/4 "	R4133581	R4133582	R4166923	NR	-	-	-	-
-	1-1/4 "	R4133581	R4133582	R4166923	NR	-	-	-	-
-	1-1/8 "	R4133714	R4133715	R4166926	NR	-	-	-	-
-	1-1/8 "	R4133714	R4133715	R4166926	NR	-	-	-	-
-	1-1/4 "	R4133581	R4133582	R4166923	NR	-	-	-	-

1 APPLICATION

MAKE MODEL YEAR AXLE CODE AXLE WEIGHT	AXLE & BRK. TYPE	BRK. MFG.	BRAKE SIZE	FMSI	MERITOR DISC PAD OR BRAKE SHOE	MERITOR GUIDE PIN OR RETURN SPRING KIT	MERITOR CALIPER HWD. KIT OR RETURN SPRING KIT	MERITOR ADJUSTER KIT (LEFT WHEEL)	MERITOR ADJUSTER KIT (RIGHT WHEEL)
ITE(Cont.)									
160, 1600, 1650 SERIES(Cont.)									
1967	Fm	WG	15 " x 3-1/2 "	1280 - 463	R700463	R40H521	R40H9201	R40H3524	R40H3524
M1600, M1652, M1654 Metro Series, Forward Control FA73, 101, 109	Fa	WG	15 " x 3 "	1245C - 321	R700321	R40H521	R40H9237	R40H3502	R40H3503
	Fm	WG	15 " x 3 "	1245A - 235	R700235	R40H521	R40H9201	R40H3524	R40H3524
M1600, M1652, M1654 Metro Series, Forward Control FA74	Fa	WG	15 " x 3 "	1245C - 321	R700321	R40H521	R40H9237	R40H3502	R40H3503
	Fm	WG	15 " x 3 "	1245A - 235	R700235	R40H521	R40H9201	R40H3524	R40H3524
M1600, M1652, M1654 Metro Series, Forward Control FA78, 81	Fa	WG	15 " x 3 "	1245C - 321	R700321	R40H521	R40H9237	R40H3502	R40H3503
M1600, M1652, M1654 Metro Series, Forward Control FA99	Fa	WG	15 " x 3 "	1245C - 321	R700321	R40H521	R40H9237	R40H3502	R40H3503
	Fm	WG	15 " x 3 "	1245A - 235	R700235	R40H521	R40H9201	R40H3524	R40H3524
M1600, M1652, M1654 Metro Series, Forward Control RA25, 126, 184	Ra	WG	15 " x 4 "	4645A - 376	Discontinued	R40H597	R40H9200	R40H3540	R40H3541
	Ra	WG	15 " x 5 "	1252 - 346	R700346	R40H597	R40H9200	R40H3540	R40H3541
	Rm	WG	15 " x 4 "	4645A - 376	Discontinued	R40H597	R40H9200	R40H3518	R404148
	Rm	WG	15 " x 5 "	1252 - 346	R700346	R40H597	R40H9200	R40H3518	R404148
M1600, M1652, M1654 Metro Series, Forward Control RA30, 39, 127, 187, 189	Ra	WG	15 " x 5 "	1252 - 346	R700346	R40H597	R40H9200	R40H3540	R40H3541
	Rm	WG	15 " x 5 "	1252 - 346	R700346	R40H597	R40H9200	R40H3518	R404148
M1600, M1652, M1654 Metro Series, Forward Control RA39	Ra	WG	15 " x 6 "	4596 - 381	R700381	R40H597	R40H9200	R40H3540	R40H3541
M1600, M1652, M1654 Metro Series, Forward Control RA39, 189	Ra	WG	16 " x 6 "	1255 - 386	N/A	R40H597	R40H9200	NLA	NLA
	Rm	WG	16 " x 6 "	1255 - 386	N/A	R40H597	R40H9200	R404149	R404150
M1600, M1652, M1654 Metro Series, Forward Control RA44	Ra	WG	15 " x 7 "	4597 - 383	R700383	R40H597	R40H9200	R40H3540	R40H3541
1966 M1600, M1652, M1654 Metro Series, Forward Control FA209	Fa	WG	15 " x 3 "	1245C - 321	R700321	R40H521	R40H9237	R40H3502	R40H3503
	Fm	WG	15 " x 3 "	1245A - 235	R700235	R40H521	R40H9201	R40H3524	R40H3524
M1600, M1652, M1654 Metro Series, Forward Control FA69	Fa	WG	14 " x 2-1/2 "	1294A - 325	N/A	R40H521	R40H9237	R40H3502	R40H3503
	Fm	WG	14 " x 2-1/2 "	1294 - 296	N/A	R40H521	R40H9201	R40H3524	R40H3524
M1600, M1652, M1654 Metro Series, Forward Control FA73, 101	Fa	WG	15 " x 3-1/2 "	1280B - 322	R464004	R40H521	R40H9237	R40H3502	R40H3503
	Fm	WG	15 " x 3-1/2 "	1280 - 463	R700463	R40H521	R40H9201	R40H3524	R40H3524
M1600, M1652, M1654 Metro Series, Forward Control FA73, 101, 109	Fa	WG	15 " x 3 "	1245C - 321	R700321	R40H521	R40H9237	R40H3502	R40H3503

MERITOR DRUM OR ROTOR NO.	CALIPER OR CYLINDER BORE SIZE	MERITOR CALIPER OR WHEEL CYLINDER (LEFT)	MERITOR CALIPER OR WHEEL CYLINDER (RIGHT)	MERITOR CALIPER OR WHEEL CYLINDER REPAIR KIT	MERITOR CALIPER PISTON	MERITOR MASTER CYLINDER	MERITOR MASTER CYLINDER KIT	MERITOR BRAKE HOSE (LEFT)	MERITOR BRAKE HOSE (RIGHT)
ITE(Cont.)									
160, 1600, 1650 SERIES(Cont.)									
-	1-1/4 "	R4133581	R4133582	R4166923	NR	-	-	-	-
-	1-1/4 "	R4133581	R4133582	R4166923	NR	-	-	-	-
-	1-1/8 "	R4133714	R4133715	R4166926	NR	-	-	-	-
-	1-1/4 "	R4133581	R4133582	R4166923	NR	-	-	-	-
-	1-1/4 "	R4133581	R4133582	R4166923	NR	-	-	-	-
-	1-1/8 "	R4133320	R4133321	R4166926	NR	-	-	-	-
-	1-1/4 "	R4133581	R4133582	R4166923	NR	-	-	-	-
-	1-1/4 "	R4133581	R4133582	R4166923	NR	-	-	-	-
-	1-1/2 "	R4133580	R4133580	Discontinued	NR	-	-	-	-
-	1-5/8 "	R4133338	R4133338	R4166689	NR	-	-	-	-
-	1-1/2 "	R4133580	R4133580	Discontinued	NR	-	-	-	-
-	1-5/8 "	R4133338	R4133338	R4166689	NR	-	-	-	-
-	1-1/2 "	R4133580	R4133580	Discontinued	NR	-	-	-	-
-	1-1/2 "	R4133580	R4133580	Discontinued	NR	-	-	-	-
-	1-5/8 "	R4133338	R4133338	R4166689	NR	-	-	-	-
-	1-7/8 "	R4133584	R4133584	R4166897	NR	-	-	-	-
-	1-7/8 "	R4133584	R4133584	R4166897	NR	-	-	-	-
-	1-3/4 "	R4133400	R4133400	R4166917	NR	-	-	-	-
-	1-1/4 "	R4133581	R4133582	R4166923	NR	-	-	-	-
-	1-1/4 "	R4133581	R4133582	R4166923	NR	-	-	-	-
-	1-1/8 "	R4133714	R4133715	R4166926	NR	-	-	-	-
-	1-1/8 "	R4133714	R4133715	R4166926	NR	-	-	-	-
-	1-1/4 "	R4133581	R4133582	R4166923	NR	-	-	-	-
-	1-1/4 "	R4133581	R4133582	R4166923	NR	-	-	-	-
-	1-1/4 "	R4133581	R4133582	R4166923	NR	-	-	-	-

MAKE MODEL YEAR AXLE CODE AXLE WEIGHT	AXLE & BRK. TYPE	BRK. MFG.	BRAKE SIZE	FMSI	MERITOR DISC PAD OR BRAKE SHOE	MERITOR GUIDE PIN OR RETURN SPRING KIT	MERITOR CALIPER HWD. KIT OR RETURN SPRING KIT	MERITOR ADJUSTER KIT (LEFT WHEEL)	MERITOR ADJUSTER KIT (RIGHT WHEEL)
ITE(Cont.)									
160, 1600, 1650 SERIES(Cont.)									
1966	Fm	WG	15 " x 3 "	1245A - 235	R700235	R40H521	R40H9201	R40H3524	R40H3524
M1600, M1652, M1654 Metro Series, Forward Control FA74	Fa	WG	15 " x 3 "	1245C - 321	R700321	R40H521	R40H9237	R40H3502	R40H3503
	Fm	WG	15 " x 3 "	1245A - 235	R700235	R40H521	R40H9201	R40H3524	R40H3524
M1600, M1652, M1654 Metro Series, Forward Control FA78, 81	Fa	WG	15 " x 3 "	1245C - 321	R700321	R40H521	R40H9237	R40H3502	R40H3503
M1600, M1652, M1654 Metro Series, Forward Control FA99	Fa	WG	15 " x 3 "	1245C - 321	R700321	R40H521	R40H9237	R40H3502	R40H3503
	Fm	WG	15 " x 3 "	1245A - 235	R700235	R40H521	R40H9201	R40H3524	R40H3524
M1600, M1652, M1654 Metro Series, Forward Control RA25, 126, 184	Ra	WG	15 " x 4 "	4645A - 376	Discontinued	R40H597	R40H9200	R40H3540	R40H3541
	Ra	WG	15 " x 5 "	1252 - 346	R700346	R40H597	R40H9200	R40H3540	R40H3541
	Rm	WG	15 " x 4 "	4645A - 376	Discontinued	R40H597	R40H9200	R40H3518	R404148
	Rm	WG	15 " x 5 "	1252 - 346	R700346	R40H597	R40H9200	R40H3518	R404148
M1600, M1652, M1654 Metro Series, Forward Control RA30, 39, 127, 187, 189	Ra	WG	15 " x 5 "	1252 - 346	R700346	R40H597	R40H9200	R40H3540	R40H3541
	Rm	WG	15 " x 5 "	1252 - 346	R700346	R40H597	R40H9200	R40H3518	R404148
M1600, M1652, M1654 Metro Series, Forward Control RA39	Ra	WG	15 " x 6 "	4596 - 381	R700381	R40H597	R40H9200	R40H3540	R40H3541
M1600, M1652, M1654 Metro Series, Forward Control RA39, 189	Ra	WG	16 " x 6 "	1255 - 386	N/A	R40H597	R40H9200	NLA	NLA
	Rm	WG	16 " x 6 "	1255 - 386	N/A	R40H597	R40H9200	R404149	R404150
M1600, M1652, M1654 Metro Series, Forward Control RA44	Ra	WG	15 " x 7 "	4597 - 383	R700383	R40H597	R40H9200	R40H3540	R40H3541
1965									
M1600, M1652, M1654 Metro Series, Forward Control FA209	Fa	WG	15 " x 3 "	1245C - 321	R700321	R40H521	R40H9237	R40H3502	R40H3503
	Fm	WG	15 " x 3 "	1245A - 235	R700235	R40H521	R40H9201	R40H3524	R40H3524
M1600, M1652, M1654 Metro Series, Forward Control FA69	Fa	WG	14 " x 2-1/2 "	1294A - 325	N/A	R40H521	R40H9237	R40H3502	R40H3503
	Fm	WG	14 " x 2-1/2 "	1294 - 296	N/A	R40H521	R40H9201	R40H3524	R40H3524
M1600, M1652, M1654 Metro Series, Forward Control FA73, 101	Fa	WG	15 " x 3-1/2 "	1280B - 322	R464004	R40H521	R40H9237	R40H3502	R40H3503
	Fm	WG	15 " x 3-1/2 "	1280 - 463	R700463	R40H521	R40H9201	R40H3524	R40H3524
M1600, M1652, M1654 Metro Series, Forward Control FA73, 101, 109	Fa	WG	15 " x 3 "	1245C - 321	R700321	R40H521	R40H9237	R40H3502	R40H3503
	Fm	WG	15 " x 3 "	1245A - 235	R700235	R40H521	R40H9201	R40H3524	R40H3524
M1600, M1652, M1654 Metro Series, Forward Control FA74	Fa	WG	15 " x 3 "	1245C - 321	R700321	R40H521	R40H9237	R40H3502	R40H3503

MERITOR DRUM OR ROTOR NO.	CALIPER OR CYLINDER BORE SIZE	MERITOR CALIPER OR WHEEL CYLINDER (LEFT)	MERITOR CALIPER OR WHEEL CYLINDER (RIGHT)	MERITOR CALIPER OR WHEEL CYLINDER REPAIR KIT	MERITOR CALIPER PISTON	MERITOR MASTER CYLINDER	MERITOR MASTER CYLINDER KIT	MERITOR BRAKE HOSE (LEFT)	MERITOR BRAKE HOSE (RIGHT)
ITE(Cont.)									
160, 1600, 1650 SERIES(Cont.)									
-	1-1/8 "	R4133714	R4133715	R4166926	NR	-	-	-	-
-	1-1/4 "	R4133581	R4133582	R4166923	NR	-	-	-	-
-	1-1/4 "	R4133581	R4133582	R4166923	NR	-	-	-	-
-	1-1/8 "	R4133320	R4133321	R4166926	NR	-	-	-	-
-	1-1/4 "	R4133581	R4133582	R4166923	NR	-	-	-	-
-	1-1/4 "	R4133581	R4133582	R4166923	NR	-	-	-	-
-	1-1/2 "	R4133580	R4133580	Discontinued	NR	-	-	-	-
-	1-5/8 "	R4133338	R4133338	R4166689	NR	-	-	-	-
-	1-1/2 "	R4133580	R4133580	Discontinued	NR	-	-	-	-
-	1-5/8 "	R4133338	R4133338	R4166689	NR	-	-	-	-
-	1-1/2 "	R4133580	R4133580	Discontinued	NR	-	-	-	-
-	1-1/2 "	R4133580	R4133580	Discontinued	NR	-	-	-	-
-	1-5/8 "	R4133338	R4133338	R4166689	NR	-	-	-	-
-	1-7/8 "	R4133584	R4133584	R4166897	NR	-	-	-	-
-	1-7/8 "	R4133584	R4133584	R4166897	NR	-	-	-	-
-	1-3/4 "	R4133400	R4133400	R4166917	NR	-	-	-	-
-	1-1/4 "	R4133581	R4133582	R4166923	NR	-	-	-	-
-	1-1/4 "	R4133581	R4133582	R4166923	NR	-	-	-	-
-	1-1/8 "	R4133714	R4133715	R4166926	NR	-	-	-	-
-	1-1/8 "	R4133714	R4133715	R4166926	NR	-	-	-	-
-	1-1/4 "	R4133581	R4133582	R4166923	NR	-	-	-	-
-	1-1/4 "	R4133581	R4133582	R4166923	NR	-	-	-	-
-	1-1/4 "	R4133581	R4133582	R4166923	NR	-	-	-	-
-	1-1/8 "	R4133714	R4133715	R4166926	NR	-	-	-	-
-	1-1/4 "	R4133581	R4133582	R4166923	NR	-	-	-	-

1-APPLICATION

MAKE MODEL YEAR AXLE CODE AXLE WEIGHT	AXLE & BRK. TYPE	BRK. MFG.	BRAKE SIZE	FMSI	MERITOR DISC PAD OR BRAKE SHOE	MERITOR GUIDE PIN OR RETURN SPRING KIT	MERITOR CALIPER HWD. KIT OR RETURN SPRING KIT	MERITOR ADJUSTER KIT (LEFT WHEEL)	MERITOR ADJUSTER KIT (RIGHT WHEEL)
ITE(Cont.)									
160, 1600, 1650 SERIES(Cont.)									
1965	Fm	WG	15 " x 3 "	1245A - 235	R700235	R40H521	R40H9201	R40H3524	R40H3524
M1600, M1652, M1654 Metro Series, Forward Control FA78, 81	Fa	WG	15 " x 3 "	1245C - 321	R700321	R40H521	R40H9237	R40H3502	R40H3503
M1600, M1652, M1654 Metro Series, Forward Control FA99	Fa	WG	15 " x 3 "	1245C - 321	R700321	R40H521	R40H9237	R40H3502	R40H3503
	Fm	WG	15 " x 3 "	1245A - 235	R700235	R40H521	R40H9201	R40H3524	R40H3524
M1600, M1652, M1654 Metro Series, Forward Control RA25, 126, 184	Ra	WG	15 " x 4 "	4645A - 376	Discontinued	R40H597	R40H9200	R40H3540	R40H3541
	Ra	WG	15 " x 5 "	1252 - 346	R700346	R40H597	R40H9200	R40H3540	R40H3541
	Rm	WG	15 " x 4 "	4645A - 376	Discontinued	R40H597	R40H9200	R40H3518	R404148
	Rm	WG	15 " x 5 "	1252 - 346	R700346	R40H597	R40H9200	R40H3518	R404148
M1600, M1652, M1654 Metro Series, Forward Control RA30, 39, 127, 187, 189	Ra	WG	15 " x 5 "	1252 - 346	R700346	R40H597	R40H9200	R40H3540	R40H3541
	Rm	WG	15 " x 5 "	1252 - 346	R700346	R40H597	R40H9200	R40H3518	R404148
M1600, M1652, M1654 Metro Series, Forward Control RA39	Ra	WG	15 " x 6 "	4596 - 381	R700381	R40H597	R40H9200	R40H3540	R40H3541
M1600, M1652, M1654 Metro Series, Forward Control RA39, 189	Ra	WG	16 " x 6 "	1255 - 386	N/A	R40H597	R40H9200	NLA	NLA
	Rm	WG	16 " x 6 "	1255 - 386	N/A	R40H597	R40H9200	R404149	R404150
M1600, M1652, M1654 Metro Series, Forward Control RA44	Ra	WG	15 " x 7 "	4597 - 383	R700383	R40H597	R40H9200	R40H3540	R40H3541
170, 1700, 1710, 1723, 1724, 1750, 1753, 1754 SERIES CONVENTIONAL CAB, SCHOOL BUS, TILT CAB									
1989 C1710, C1750 Cargostar Tilt Cab FA101	Fd	BX		7108 - D184	MD184	R40H5010	R40H5519	NR	NR
	Fd	BX		7108 - D184	MD184	R40H5010	R40H5519	NR	NR
	Fd	BX		7108 - D184	MD184	R40H5010	R40H5519	NR	NR
	Fd	BX		7108 - D184	MD184	R40H5010	R40H5519	NR	NR
	Fd	BX		7108 - D184	MD184	R40H5010	R40H5519	NR	NR
	Fd	BX		7108 - D184	MD184	R40H5010	R40H5519	NR	NR
C1710, C1750 Cargostar Tilt Cab FA309, 329, 339	Fd	BX		7142 - D225	MD225	R40H5010	R40H5522	NR	NR
	Fd	BX		7142 - D225	MD225	R40H5010	R40H5522	NR	NR
	Fd	BX		7142 - D225	MD225	R40H5010	R40H5522	NR	NR
	Fd	BX		7142 - D225	MD225	R40H5010	R40H5522	NR	NR
	Fd	BX		7142 - D225	MD225	R40H5010	R40H5522	NR	NR
	Fd	BX		7142 - D225	MD225	R40H5010	R40H5522	NR	NR
C1710, C1750 Cargostar Tilt Cab RA29, 30, 42, 44	Rd	BX		7142 - D225	MD225	R40H5010	R40H5522	NR	NR
	Rd	BX		7142 - D225	MD225	R40H5010	R40H5522	NR	NR
	Rd	BX		7142 - D225	MD225	R40H5010	R40H5522	NR	NR
	Rd	BX		7142 - D225	MD225	R40H5010	R40H5522	NR	NR
	Rd	BX		7142 - D225	MD225	R40H5010	R40H5522	NR	NR
	Rd	BX		7108 - D184	MD184	R40H5010	R40H5519	NR	NR
	Rd	BX		7142 - D225	MD225	R40H5010	R40H5522	NR	NR
	Rd	BX		7108 - D184	MD184	R40H5010	R40H5519	NR	NR

37 - Also available as a New unit
 267 - 10 Stud, U Shaped
 270 - 5 Stud, U Shape, .766 Dia. Studs
 www.XpresswayPlus.com

72 - Phenolic/Steel Face
 268 - 5 Stud, Hat Shape
 271 - 6 Stud, Hat Shape

266 - 10 Stud, Hat Shaped
 269 - 5 Stud, U Shape
 272 - 6 Stud, U Shape

MERITOR DRUM OR ROTOR NO.	CALIPER OR CYLINDER BORE SIZE	MERITOR CALIPER OR WHEEL CYLINDER (LEFT)	MERITOR CALIPER OR WHEEL CYLINDER (RIGHT)	MERITOR CALIPER OR WHEEL CYLINDER REPAIR KIT	MERITOR CALIPER PISTON	MERITOR MASTER CYLINDER	MERITOR MASTER CYLINDER KIT	MERITOR BRAKE HOSE (LEFT)	MERITOR BRAKE HOSE (RIGHT)
ITE(Cont.)									
160, 1600, 1650 SERIES(Cont.)									
-	1-1/4 "	R4133581	R4133582	R4166923	NR	-	-	-	-
-	1-1/8 "	R4133320	R4133321	R4166926	NR	-	-	-	-
-	1-1/4 "	R4133581	R4133582	R4166923	NR	-	-	-	-
-	1-1/4 "	R4133581	R4133582	R4166923	NR	-	-	-	-
-	1-1/2 "	R4133580	R4133580	Discontinued	NR	-	-	-	-
-	1-5/8 "	R4133338	R4133338	R4166689	NR	-	-	-	-
-	1-1/2 "	R4133580	R4133580	Discontinued	NR	-	-	-	-
-	1-5/8 "	R4133338	R4133338	R4166689	NR	-	-	-	-
-	1-1/2 "	R4133580	R4133580	Discontinued	NR	-	-	-	-
-	1-1/2 "	R4133580	R4133580	Discontinued	NR	-	-	-	-
-	1-5/8 "	R4133338	R4133338	R4166689	NR	-	-	-	-
-	1-7/8 "	R4133584	R4133584	R4166897	NR	-	-	-	-
-	1-7/8 "	R4133584	R4133584	R4166897	NR	-	-	-	-
-	1-3/4 "	R4133400	R4133400	R4166917	NR	-	-	-	-
170, 1700, 1710, 1723, 1724, 1750, 1753, 1754 SERIES CONVENTIONAL CAB, SCHOOL BUS, TILT CAB									
23-123552-004 ²⁶⁶	2-19/32 "	R42R55314	R42R55314 ³⁷	R40107771	R4090100P ⁷²	-	-	-	-
23-123572-004 ²⁷¹	2-19/32 "	R42R55314	R42R55314 ³⁷	R40107771	R4090100P ⁷²	-	-	-	-
R44141476 ²⁶⁸	2-19/32 "	R42R55314	R42R55314 ³⁷	R40107771	R4090100P ⁷²	-	-	-	-
23-122920-002 ²⁷³	2-19/32 "	R42R55314	R42R55314 ³⁷	R40107771	R4090100P ⁷²	-	-	-	-
R44141858 ²⁷⁵	2-19/32 "	R42R55314	R42R55314 ³⁷	R40107771	R4090100P ⁷²	-	-	-	-
23-122527-002 ²⁷²	2-19/32 "	R42R55314	R42R55314 ³⁷	R40107771	R4090100P ⁷²	-	-	-	-
23-123572-004 ²⁷¹	2-7/8 "	R42R55250	R42R55250 ³⁷	R4066365	R4090096 ⁷²	-	-	-	-
23-122920-002 ²⁷³	2-7/8 "	R42R55250	R42R55250 ³⁷	R4066365	R4090096 ⁷²	-	-	-	-
R44141858 ²⁷⁵	2-7/8 "	R42R55250	R42R55250 ³⁷	R4066365	R4090096 ⁷²	-	-	-	-
23-122527-002 ²⁷²	2-7/8 "	R42R55250	R42R55250 ³⁷	R4066365	R4090096 ⁷²	-	-	-	-
R44141476 ²⁶⁸	2-7/8 "	R42R55250	R42R55250 ³⁷	R4066365	R4090096 ⁷²	-	-	-	-
23-123552-004 ²⁶⁶	2-7/8 "	R42R55250	R42R55250 ³⁷	R4066365	R4090096 ⁷²	-	-	-	-
R44141629 ²⁶⁹	2-7/8 "	R42R55250	R42R55250 ³⁷	R4066365	R4090096 ⁷²	-	-	-	-
23-123572-004 ²⁷¹	2-7/8 "	R42R55250	R42R55250 ³⁷	R4066365	R4090096 ⁷²	-	-	-	-
R44141608 ²⁶⁷	2-7/8 "	R42R55250	R42R55250 ³⁷	R4066365	R4090096 ⁷²	-	-	-	-
23-122527-002 ²⁷²	2-7/8 "	R42R55250	R42R55250 ³⁷	R4066365	R4090096 ⁷²	-	-	-	-
R44141628 ²⁶⁹	2-19/32 "	R42R55314	R42R55314 ³⁷	R40107771	R4090100P ⁷²	-	-	-	-
R44141627 ²⁷⁰	2-7/8 "	R42R55250	R42R55250 ³⁷	R4066365	R4090096 ⁷²	-	-	-	-
R44141629 ²⁶⁹	2-19/32 "	R42R55314	R42R55314 ³⁷	R40107771	R4090100P ⁷²	-	-	-	-

273 - 5 Stud, U Shape, .780 Dia. Studs

275 - 5 Stud, U Shape, .656 Dia. Studs

MERITOR DRUM OR ROTOR NO.	CALIPER OR CYLINDER BORE SIZE	MERITOR CALIPER OR WHEEL CYLINDER (LEFT)	MERITOR CALIPER OR WHEEL CYLINDER (RIGHT)	MERITOR CALIPER OR WHEEL CYLINDER REPAIR KIT	MERITOR CALIPER PISTON	MERITOR MASTER CYLINDER	MERITOR MASTER CYLINDER KIT	MERITOR BRAKE HOSE (LEFT)	MERITOR BRAKE HOSE (RIGHT)
ITE(Cont.)									
170, 1700, 1710, 1723, 1724, 1750, 1753, 1754 SERIES CONVENTIONAL CAB, SCHOOL BUS, TILT CAB(Cont.)									
23-123552-004 ²⁶⁶	2-7/8 "	R42R55250	R42R55250 ³⁷	R4066365	R4090096 ⁷²	-	-	-	-
23-122527-002 ²⁷²	2-7/8 "	R42R55250	R42R55250 ³⁷	R4066365	R4090096 ⁷²	-	-	-	-
R44141627 ²⁷⁰	2-19/32 "	R42R55245	R42R55245 ³⁸	R402235118	R402238231 ²⁰¹	-	-	-	-
23-122527-002 ²⁷²	2-7/8 "	R42R55250	R42R55250 ³⁷	R4066365	R4090096 ⁷²	-	-	-	-
R44141629 ²⁶⁹	2-7/8 "	R42R55250	R42R55250 ³⁷	R4066365	R4090096 ⁷²	-	-	-	-
R44141608 ²⁶⁷	2-19/32 "	R42R55245	R42R55245 ³⁸	R402235118	R402238231 ²⁰¹	-	-	-	-
R44141629 ²⁶⁹	2-7/8 "	R42R55250	R42R55250 ³⁷	R4066365	R4090096 ⁷²	-	-	-	-
23-122527-002 ²⁷²	2-7/8 "	R42R55250	R42R55250 ³⁷	R4066365	R4090096 ⁷²	-	-	-	-
R44141608 ²⁶⁷	2-7/8 "	R42R55250	R42R55250 ³⁷	R4066365	R4090096 ⁷²	-	-	-	-
R44141627 ²⁷⁰	2-7/8 "	R42R55250	R42R55250 ³⁷	R4066365	R4090096 ⁷²	-	-	-	-
R44141628 ²⁶⁹	2-19/32 "	R42R55314	R42R55314 ³⁷	R40107771	R4090100P ⁷²	-	-	-	-
23-123572-004 ²⁷¹	2-19/32 "	R42R55314	R42R55314 ³⁷	R40107771	R4090100P ⁷²	-	-	-	-
R44141627 ²⁷⁰	2-7/8 "	R42R55250	R42R55250 ³⁷	R4066365	R4090096 ⁷²	-	-	-	-
23-123572-004 ²⁷¹	2-7/8 "	R42R55250	R42R55250 ³⁷	R4066365	R4090096 ⁷²	-	-	-	-
R44141629 ²⁶⁹	2-19/32 "	R42R55314	R42R55314 ³⁷	R40107771	R4090100P ⁷²	-	-	-	-
R44141627 ²⁷⁰	2-19/32 "	R42R55245	R42R55245 ³⁸	R402235118	R402238231 ²⁰¹	-	-	-	-
23-123572-004 ²⁷¹	2-7/8 "	R42R55250	R42R55250 ³⁷	R4066365	R4090096 ⁷²	-	-	-	-
23-122527-002 ²⁷²	2-19/32 "	R42R55245	R42R55245 ³⁸	R402235118	R402238231 ²⁰¹	-	-	-	-
R44141608 ²⁶⁷	2-7/8 "	R42R55250	R42R55250 ³⁷	R4066365	R4090096 ⁷²	-	-	-	-
R44141628 ²⁶⁹	2-7/8 "	R42R55250	R42R55250 ³⁷	R4066365	R4090096 ⁷²	-	-	-	-
R44141627 ²⁷⁰	2-19/32 "	R42R55245	R42R55245 ³⁸	R402235118	R402238231 ²⁰¹	-	-	-	-
R44141627 ²⁷⁰	2-19/32 "	R42R55314	R42R55314 ³⁷	R40107771	R4090100P ⁷²	-	-	-	-
23-123552-004 ²⁶⁶	2-19/32 "	R42R55314	R42R55314 ³⁷	R40107771	R4090100P ⁷²	-	-	-	-
R44141629 ²⁶⁹	2-19/32 "	R42R55245	R42R55245 ³⁸	R402235118	R402238231 ²⁰¹	-	-	-	-
R44141629 ²⁶⁹	2-7/8 "	R42R55250	R42R55250 ³⁷	R4066365	R4090096 ⁷²	-	-	-	-
R44141628 ²⁶⁹	2-7/8 "	R42R55250	R42R55250 ³⁷	R4066365	R4090096 ⁷²	-	-	-	-
R44141608 ²⁶⁷	2-7/8 "	R42R55250	R42R55250 ³⁷	R4066365	R4090096 ⁷²	-	-	-	-
R44141627 ²⁷⁰	2-19/32 "	R42R55245	R42R55245 ³⁸	R402235118	R402238231 ²⁰¹	-	-	-	-
23-123572-004 ²⁷¹	2-19/32 "	R42R55245	R42R55245 ³⁸	R402235118	R402238231 ²⁰¹	-	-	-	-
R44141628 ²⁶⁹	2-7/8 "	R42R55250	R42R55250 ³⁷	R4066365	R4090096 ⁷²	-	-	-	-
23-123572-004 ²⁷¹	2-7/8 "	R42R55250	R42R55250 ³⁷	R4066365	R4090096 ⁷²	-	-	-	-
R44141627 ²⁷⁰	2-19/32 "	R42R55245	R42R55245 ³⁸	R402235118	R402238231 ²⁰¹	-	-	-	-
R44141628 ²⁶⁹	2-19/32 "	R42R55245	R42R55245 ³⁸	R402235118	R402238231 ²⁰¹	-	-	-	-
23-123552-004 ²⁶⁶	2-19/32 "	R42R55245	R42R55245 ³⁸	R402235118	R402238231 ²⁰¹	-	-	-	-
R44141608 ²⁶⁷	2-19/32 "	R42R55314	R42R55314 ³⁷	R40107771	R4090100P ⁷²	-	-	-	-
23-123552-004 ²⁶⁶	2-7/8 "	R42R55250	R42R55250 ³⁷	R4066365	R4090096 ⁷²	-	-	-	-
R44141627 ²⁷⁰	2-19/32 "	R42R55245	R42R55245 ³⁸	R402235118	R402238231 ²⁰¹	-	-	-	-
23-123572-004 ²⁷¹	2-7/8 "	R42R55250	R42R55250 ³⁷	R4066365	R4090096 ⁷²	-	-	-	-
R44141627 ²⁷⁰	2-19/32 "	R42R55245	R42R55245 ³⁸	R402235118	R402238231 ²⁰¹	-	-	-	-
R44141628 ²⁶⁹	2-19/32 "	R42R55245	R42R55245 ³⁸	R402235118	R402238231 ²⁰¹	-	-	-	-
23-123552-004 ²⁶⁶	2-19/32 "	R42R55245	R42R55245 ³⁸	R402235118	R402238231 ²⁰¹	-	-	-	-
R44141608 ²⁶⁷	2-19/32 "	R42R55314	R42R55314 ³⁷	R40107771	R4090100P ⁷²	-	-	-	-
23-123552-004 ²⁶⁶	2-7/8 "	R42R55250	R42R55250 ³⁷	R4066365	R4090096 ⁷²	-	-	-	-
R44141627 ²⁷⁰	2-19/32 "	R42R55245	R42R55245 ³⁸	R402235118	R402238231 ²⁰¹	-	-	-	-
23-123572-004 ²⁷¹	3-3/8 "	R42R55099	R42R55098 ³⁷	R4066780	R4090021 ²⁰¹	-	-	-	-
23-123572-004 ²⁷¹	3-3/8 "	R42R55099	R42R55098 ³⁷	R4066780	R4090021 ²⁰¹	-	-	-	-
R44141858 ²⁷⁵	3-3/8 "	R42R55099	R42R55098 ³⁷	R4066780	R4090021 ²⁰¹	-	-	-	-
R44141476 ²⁶⁸	3-3/8 "	R42R55099	R42R55098 ³⁷	R4066780	R4090021 ²⁰¹	-	-	-	-
23-123572-004 ²⁷¹	3-3/8 "	R42R55099	R42R55098 ³⁷	R4066780	R4090021 ²⁰¹	-	-	-	-
R44141476 ²⁶⁸	3-3/8 "	R42R55099	R42R55098 ³⁷	R4066780	R4090021 ²⁰¹	-	-	-	-
23-122920-002 ²⁷³	3-3/8 "	R42R55099	R42R55098 ³⁷	R4066780	R4090021 ²⁰¹	-	-	-	-
23-123552-004 ²⁶⁶	3-3/8 "	R42R55099	R42R55098 ³⁷	R4066780	R4090021 ²⁰¹	-	-	-	-
R44141858 ²⁷⁵	3-3/8 "	R42R55099	R42R55098 ³⁷	R4066780	R4090021 ²⁰¹	-	-	-	-
23-122920-002 ²⁷³	3-3/8 "	R42R55099	R42R55098 ³⁷	R4066780	R4090021 ²⁰¹	-	-	-	-
23-123552-004 ²⁶⁶	2-19/32 "	R42R55314	R42R55314 ³⁷	R40107771	R4090100P ⁷²	-	-	-	-
23-122920-002 ²⁷³	2-19/32 "	R42R55314	R42R55314 ³⁷	R40107771	R4090100P ⁷²	-	-	-	-
R44141476 ²⁶⁸	2-19/32 "	R42R55314	R42R55314 ³⁷	R40107771	R4090100P ⁷²	-	-	-	-
23-122527-002 ²⁷²	2-19/32 "	R42R55314	R42R55314 ³⁷	R40107771	R4090100P ⁷²	-	-	-	-
R44141858 ²⁷⁵	2-19/32 "	R42R55314	R42R55314 ³⁷	R40107771	R4090100P ⁷²	-	-	-	-
23-123572-004 ²⁷¹	2-19/32 "	R42R55314	R42R55314 ³⁷	R40107771	R4090100P ⁷²	-	-	-	-
23-123572-004 ²⁷¹	2-7/8 "	R42R55250	R42R55250 ³⁷	R4066365	R4090096 ⁷²	-	-	-	-
23-122920-002 ²⁷³	2-7/8 "	R42R55250	R42R55250 ³⁷	R4066365	R4090096 ⁷²	-	-	-	-
R44141476 ²⁶⁸	2-7/8 "	R42R55250	R42R55250 ³⁷	R4066365	R4090096 ⁷²	-	-	-	-
R44141476 ²⁶⁸	2-7/8 "	R42R55250	R42R55250 ³⁷	R4066365	R4090096 ⁷²	-	-	-	-
23-122920-002 ²⁷³	2-7/8 "	R42R55250	R42R55250 ³⁷	R4066365	R4090096 ⁷²	-	-	-	-
23-123552-004 ²⁶⁶	2-7/8 "	R42R55250	R42R55250 ³⁷	R4066365	R4090096 ⁷²	-	-	-	-

1 APPLICATION

271 - 6 Stud, Hat Shape

272 - 6 Stud, U Shape

273 - 5 Stud, U Shape, .780 Dia. Studs

275 - 5 Stud, U Shape, .656 Dia. Studs

MERITOR DRUM OR ROTOR NO.	CALIPER OR CYLINDER BORE SIZE	MERITOR CALIPER OR WHEEL CYLINDER (LEFT)	MERITOR CALIPER OR WHEEL CYLINDER (RIGHT)	MERITOR CALIPER OR WHEEL CYLINDER REPAIR KIT	MERITOR CALIPER PISTON	MERITOR MASTER CYLINDER	MERITOR MASTER CYLINDER KIT	MERITOR BRAKE HOSE (LEFT)	MERITOR BRAKE HOSE (RIGHT)
ITE(Cont.)									
170, 1700, 1710, 1723, 1724, 1750, 1753, 1754 SERIES CONVENTIONAL CAB, SCHOOL BUS, TILT CAB(Cont.)									
23-123572-004 ²⁷¹	2-7/8 "	R42R55250	R42R55250 ³⁷	R4066365	R4090096 ⁷²	-	-	-	-
R44141858 ²⁷⁵	2-7/8 "	R42R55250	R42R55250 ³⁷	R4066365	R4090096 ⁷²	-	-	-	-
R44141476 ²⁶⁸	2-7/8 "	R42R55250	R42R55250 ³⁷	R4066365	R4090096 ⁷²	-	-	-	-
23-123572-004 ²⁷¹	2-7/8 "	R42R55250	R42R55250 ³⁷	R4066365	R4090096 ⁷²	-	-	-	-
R44141476 ²⁶⁸	2-7/8 "	R42R55250	R42R55250 ³⁷	R4066365	R4090096 ⁷²	-	-	-	-
23-123572-004 ²⁷¹	2-7/8 "	R42R55250	R42R55250 ³⁷	R4066365	R4090096 ⁷²	-	-	-	-
R44141858 ²⁷⁵	2-7/8 "	R42R55250	R42R55250 ³⁷	R4066365	R4090096 ⁷²	-	-	-	-
23-122527-002 ²⁷²	2-7/8 "	R42R55250	R42R55250 ³⁷	R4066365	R4090096 ⁷²	-	-	-	-
23-122920-002 ²⁷³	2-7/8 "	R42R55250	R42R55250 ³⁷	R4066365	R4090096 ⁷²	-	-	-	-
23-123552-004 ²⁶⁶	2-7/8 "	R42R55250	R42R55250 ³⁷	R4066365	R4090096 ⁷²	-	-	-	-
23-122920-002 ²⁷³	2-7/8 "	R42R55250	R42R55250 ³⁷	R4066365	R4090096 ⁷²	-	-	-	-
R44141858 ²⁷⁵	2-7/8 "	R42R55250	R42R55250 ³⁷	R4066365	R4090096 ⁷²	-	-	-	-
R44141858 ²⁷⁵	2-7/8 "	R42R55250	R42R55250 ³⁷	R4066365	R4090096 ⁷²	-	-	-	-
23-122527-002 ²⁷²	2-7/8 "	R42R55250	R42R55250 ³⁷	R4066365	R4090096 ⁷²	-	-	-	-
23-122527-002 ²⁷²	2-7/8 "	R42R55250	R42R55250 ³⁷	R4066365	R4090096 ⁷²	-	-	-	-
23-122527-002 ²⁷²	2-7/8 "	R42R55250	R42R55250 ³⁷	R4066365	R4090096 ⁷²	-	-	-	-
23-123552-004 ²⁶⁶	2-7/8 "	R42R55250	R42R55250 ³⁷	R4066365	R4090096 ⁷²	-	-	-	-
23-123572-004 ²⁷¹	2-7/8 "	R42R55250	R42R55250 ³⁷	R4066365	R4090096 ⁷²	-	-	-	-
23-123552-004 ²⁶⁶	2-7/8 "	R42R55250	R42R55250 ³⁷	R4066365	R4090096 ⁷²	-	-	-	-
R44141476 ²⁶⁸	2-7/8 "	R42R55250	R42R55250 ³⁷	R4066365	R4090096 ⁷²	-	-	-	-
R44141476 ²⁶⁸	2-7/8 "	R42R55250	R42R55250 ³⁷	R4066365	R4090096 ⁷²	-	-	-	-
R44141858 ²⁷⁵	2-7/8 "	R42R55250	R42R55250 ³⁷	R4066365	R4090096 ⁷²	-	-	-	-
23-123572-004 ²⁷¹	2-7/8 "	R42R55250	R42R55250 ³⁷	R4066365	R4090096 ⁷²	-	-	-	-
23-122920-002 ²⁷³	2-7/8 "	R42R55250	R42R55250 ³⁷	R4066365	R4090096 ⁷²	-	-	-	-
23-123552-004 ²⁶⁶	2-7/8 "	R42R55250	R42R55250 ³⁷	R4066365	R4090096 ⁷²	-	-	-	-
23-122527-002 ²⁷²	2-7/8 "	R42R55250	R42R55250 ³⁷	R4066365	R4090096 ⁷²	-	-	-	-
R44141858 ²⁷⁵	2-7/8 "	R42R55250	R42R55250 ³⁷	R4066365	R4090096 ⁷²	-	-	-	-
23-123552-004 ²⁶⁶	2-7/8 "	R42R55250	R42R55250 ³⁷	R4066365	R4090096 ⁷²	-	-	-	-
23-122527-002 ²⁷²	2-7/8 "	R42R55250	R42R55250 ³⁷	R4066365	R4090096 ⁷²	-	-	-	-
23-122527-002 ²⁷²	3-3/8 "	R42R55099	R42R55098 ³⁷	R4066780	R4090021 ²⁰¹	-	-	-	-
23-122527-002 ²⁷²	3-3/8 "	R42R55099	R42R55098 ³⁷	R4066780	R4090021 ²⁰¹	-	-	-	-
R44141629 ²⁶⁹	2-7/8 "	R42R55250	R42R55250 ³⁷	R4066365	R4090096 ⁷²	-	-	-	-
R44141628 ²⁶⁹	2-19/32 "	R42R55314	R42R55314 ³⁷	R40107771	R4090100P ⁷²	-	-	-	-
R44141627 ²⁷⁰	2-19/32 "	R42R55245	R42R55245 ³⁸	R402235118	R402238231 ²⁰¹	-	-	-	-
23-123572-004 ²⁷¹	2-7/8 "	R42R55250	R42R55250 ³⁷	R4066365	R4090096 ⁷²	-	-	-	-
23-122527-002 ²⁷²	2-7/8 "	R42R55250	R42R55250 ³⁷	R4066365	R4090096 ⁷²	-	-	-	-
R44141608 ²⁶⁷	2-19/32 "	R42R55314	R42R55314 ³⁷	R40107771	R4090100P ⁷²	-	-	-	-
23-123572-004 ²⁷¹	2-7/8 "	R42R55250	R42R55250 ³⁷	R4066365	R4090096 ⁷²	-	-	-	-
R44141627 ²⁷⁰	2-19/32 "	R42R55245	R42R55245 ³⁸	R402235118	R402238231 ²⁰¹	-	-	-	-
R44141628 ²⁶⁹	2-7/8 "	R42R55250	R42R55250 ³⁷	R4066365	R4090096 ⁷²	-	-	-	-
23-122527-002 ²⁷²	2-7/8 "	R42R55250	R42R55250 ³⁷	R4066365	R4090096 ⁷²	-	-	-	-
R44141627 ²⁷⁰	2-19/32 "	R42R55245	R42R55245 ³⁸	R402235118	R402238231 ²⁰¹	-	-	-	-
R44141627 ²⁷⁰	2-7/8 "	R42R55250	R42R55250 ³⁷	R4066365	R4090096 ⁷²	-	-	-	-
R44141627 ²⁷⁰	2-7/8 "	R42R55250	R42R55250 ³⁷	R4066365	R4090096 ⁷²	-	-	-	-
R44141627 ²⁷⁰	2-19/32 "	R42R55245	R42R55245 ³⁸	R402235118	R402238231 ²⁰¹	-	-	-	-
R44141629 ²⁶⁹	2-19/32 "	R42R55245	R42R55245 ³⁸	R402235118	R402238231 ²⁰¹	-	-	-	-
R44141627 ²⁷⁰	2-19/32 "	R42R55245	R42R55245 ³⁸	R402235118	R402238231 ²⁰¹	-	-	-	-
R44141627 ²⁷⁰	2-7/8 "	R42R55250	R42R55250 ³⁷	R4066365	R4090096 ⁷²	-	-	-	-
R44141629 ²⁶⁹	2-19/32 "	R42R55314	R42R55314 ³⁷	R40107771	R4090100P ⁷²	-	-	-	-
23-123552-004 ²⁶⁶	2-7/8 "	R42R55250	R42R55250 ³⁷	R4066365	R4090096 ⁷²	-	-	-	-
R44141627 ²⁷⁰	2-19/32 "	R42R55314	R42R55314 ³⁷	R40107771	R4090100P ⁷²	-	-	-	-
23-123552-004 ²⁶⁶	2-7/8 "	R42R55250	R42R55250 ³⁷	R4066365	R4090096 ⁷²	-	-	-	-
23-123572-004 ²⁷¹	2-19/32 "	R42R55245	R42R55245 ³⁸	R402235118	R402238231 ²⁰¹	-	-	-	-
23-123572-004 ²⁷¹	2-19/32 "	R42R55314	R42R55314 ³⁷	R40107771	R4090100P ⁷²	-	-	-	-
R44141608 ²⁶⁷	2-7/8 "	R42R55250	R42R55250 ³⁷	R4066365	R4090096 ⁷²	-	-	-	-
R44141608 ²⁶⁷	2-19/32 "	R42R55245	R42R55245 ³⁸	R402235118	R402238231 ²⁰¹	-	-	-	-
R44141628 ²⁶⁹	2-7/8 "	R42R55250	R42R55250 ³⁷	R4066365	R4090096 ⁷²	-	-	-	-
R44141628 ²⁶⁹	2-7/8 "	R42R55250	R42R55250 ³⁷	R4066365	R4090096 ⁷²	-	-	-	-
23-123572-004 ²⁷¹	2-7/8 "	R42R55250	R42R55250 ³⁷	R4066365	R4090096 ⁷²	-	-	-	-
23-123552-004 ²⁶⁶	2-19/32 "	R42R55245	R42R55245 ³⁸	R402235118	R402238231 ²⁰¹	-	-	-	-

1 APPLICATION

271 - 6 Stud, Hat Shape

272 - 6 Stud, U Shape

273 - 5 Stud, U Shape, .780 Dia. Studs

275 - 5 Stud, U Shape, .656 Dia. Studs

MERITOR DRUM OR ROTOR NO.	CALIPER OR CYLINDER BORE SIZE	MERITOR CALIPER OR WHEEL CYLINDER (LEFT)	MERITOR CALIPER OR WHEEL CYLINDER (RIGHT)	MERITOR CALIPER OR WHEEL CYLINDER REPAIR KIT	MERITOR CALIPER PISTON	MERITOR MASTER CYLINDER	MERITOR MASTER CYLINDER KIT	MERITOR BRAKE HOSE (LEFT)	MERITOR BRAKE HOSE (RIGHT)
ITE(Cont.)									
170, 1700, 1710, 1723, 1724, 1750, 1753, 1754 SERIES CONVENTIONAL CAB, SCHOOL BUS, TILT CAB(Cont.)									
23-122527-002 ²⁷²	2-7/8 "	R429218X	R429218X ³⁹	R406532	R4090070 ⁴⁰	-	-	-	-
23-122527-002 ²⁷²	2-7/8 "	R429218X	R429218X ³⁹	R406532	R4090070 ⁴⁰	-	-	-	-
R44141608 ²⁶⁷	2-19/32 "	R42R55245	R42R55245 ³⁸	R402235118	R402238231 ²⁰¹	-	-	-	-
23-123552-004 ²⁶⁶	2-7/8 "	R429218X	R429218X ³⁹	R406532	R4090070 ⁴⁰	-	-	-	-
R44141628 ²⁶⁹	2-19/32 "	R42R55245	R42R55245 ³⁸	R402235118	R402238231 ²⁰¹	-	-	-	-
23-123552-004 ²⁶⁶	2-19/32 "	R42R55245	R42R55245 ³⁸	R402235118	R402238231 ²⁰¹	-	-	-	-
23-123552-004 ²⁶⁶	2-7/8 "	R429218X	R429218X ³⁹	R406532	R4090070 ⁴⁰	-	-	-	-
R44141629 ²⁶⁹	2-19/32 "	R42R55245	R42R55245 ³⁸	R402235118	R402238231 ²⁰¹	-	-	-	-
R44141627 ²⁷⁰	2-19/32 "	R42R55245	R42R55245 ³⁸	R402235118	R402238231 ²⁰¹	-	-	-	-
R44141629 ²⁶⁹	2-7/8 "	R429218X	R429218X ³⁹	R406532	R4090070 ⁴⁰	-	-	-	-
23-123552-004 ²⁶⁶	2-19/32 "	R42R55245	R42R55245 ³⁸	R402235118	R402238231 ²⁰¹	-	-	-	-
R44141627 ²⁷⁰	2-7/8 "	R429218X	R429218X ³⁹	R406532	R4090070 ⁴⁰	-	-	-	-
R44141629 ²⁶⁹	2-7/8 "	R429218X	R429218X ³⁹	R406532	R4090070 ⁴⁰	-	-	-	-
23-122527-002 ²⁷²	2-19/32 "	R42R55245	R42R55245 ³⁸	R402235118	R402238231 ²⁰¹	-	-	-	-
R44141629 ²⁶⁹	2-19/32 "	R42R55245	R42R55245 ³⁸	R402235118	R402238231 ²⁰¹	-	-	-	-
R44141608 ²⁶⁷	2-7/8 "	R429218X	R429218X ³⁹	R406532	R4090070 ⁴⁰	-	-	-	-
R44141628 ²⁶⁹	2-7/8 "	R429218X	R429218X ³⁹	R406532	R4090070 ⁴⁰	-	-	-	-
R44141627 ²⁷⁰	2-7/8 "	R429218X	R429218X ³⁹	R406532	R4090070 ⁴⁰	-	-	-	-
23-123572-004 ²⁷¹	2-7/8 "	R429218X	R429218X ³⁹	R406532	R4090070 ⁴⁰	-	-	-	-
R44141629 ²⁶⁹	2-7/8 "	R429218X	R429218X ³⁹	R406532	R4090070 ⁴⁰	-	-	-	-
23-123572-004 ²⁷¹	2-7/8 "	R429218X	R429218X ³⁹	R406532	R4090070 ⁴⁰	-	-	-	-
R44141627 ²⁷⁰	2-7/8 "	R429218X	R429218X ³⁹	R406532	R4090070 ⁴⁰	-	-	-	-
R44141628 ²⁶⁹	2-7/8 "	R429218X	R429218X ³⁹	R406532	R4090070 ⁴⁰	-	-	-	-
23-123572-004 ²⁷¹	2-19/32 "	R42R55245	R42R55245 ³⁸	R402235118	R402238231 ²⁰¹	-	-	-	-
R44141628 ²⁶⁹	2-7/8 "	R429218X	R429218X ³⁹	R406532	R4090070 ⁴⁰	-	-	-	-
23-123572-004 ²⁷¹	2-19/32 "	R42R55245	R42R55245 ³⁸	R402235118	R402238231 ²⁰¹	-	-	-	-
23-122920-002 ²⁷³	3-3/8 "	R42R55099	R42R55098 ³⁷	R4066780	R4090021 ²⁰¹	N/A ⁵³	-	R458635	R458635
23-122920-002 ²⁷³	3-3/8 "	R42R55099	R42R55098 ³⁷	R4066780	R4090021 ²⁰¹	N/A ⁵³	-	N/A	N/A
23-123552-004 ²⁶⁶	3-3/8 "	R42R55099	R42R55098 ³⁷	R4066780	R4090021 ²⁰¹	N/A ⁵³	-	R458635	R458635
23-123572-004 ²⁷¹	3-3/8 "	R42R55099	R42R55098 ³⁷	R4066780	R4090021 ²⁰¹	N/A ⁵³	-	N/A	N/A
R44141858 ²⁷⁵	3-3/8 "	R42R55099	R42R55098 ³⁷	R4066780	R4090021 ²⁰¹	N/A ⁵³	-	N/A	N/A
R44141858 ²⁷⁵	3-3/8 "	R42R55099	R42R55098 ³⁷	R4066780	R4090021 ²⁰¹	N/A ⁵³	-	R458635	R458635
23-122920-002 ²⁷³	3-3/8 "	R42R55099	R42R55098 ³⁷	R4066780	R4090021 ²⁰¹	N/A ⁵³	-	N/A	N/A
R44141476 ²⁶⁸	3-3/8 "	R42R55099	R42R55098 ³⁷	R4066780	R4090021 ²⁰¹	N/A ⁵³	-	R458635	R458635
23-123572-004 ²⁷¹	3-3/8 "	R42R55099	R42R55098 ³⁷	R4066780	R4090021 ²⁰¹	N/A ⁵³	-	R458635	R458635
23-123552-004 ²⁶⁶	3-3/8 "	R42R55099	R42R55098 ³⁷	R4066780	R4090021 ²⁰¹	N/A ⁵³	-	R458632	R458632
R44141476 ²⁶⁸	3-3/8 "	R42R55099	R42R55098 ³⁷	R4066780	R4090021 ²⁰¹	N/A ⁵³	-	R458635	R458635
23-123572-004 ²⁷¹	3-3/8 "	R42R55099	R42R55098 ³⁷	R4066780	R4090021 ²⁰¹	N/A ⁵³	-	R458635	R458635
23-122920-002 ²⁷³	3-3/8 "	R42R55099	R42R55098 ³⁷	R4066780	R4090021 ²⁰¹	N/A ⁵³	-	R458636	R458636
23-122920-002 ²⁷³	3-3/8 "	R42R55099	R42R55098 ³⁷	R4066780	R4090021 ²⁰¹	N/A ⁵³	-	R458636	R458636
23-123572-004 ²⁷¹	3-3/8 "	R42R55099	R42R55098 ³⁷	R4066780	R4090021 ²⁰¹	N/A ⁵³	-	R458636	R458636
R44141476 ²⁶⁸	3-3/8 "	R42R55099	R42R55098 ³⁷	R4066780	R4090021 ²⁰¹	N/A ⁵³	-	R458636	R458636
R44141476 ²⁶⁸	3-3/8 "	R42R55099	R42R55098 ³⁷	R4066780	R4090021 ²⁰¹	N/A ⁵³	-	N/A	N/A
R44141858 ²⁷⁵	3-3/8 "	R42R55099	R42R55098 ³⁷	R4066780	R4090021 ²⁰¹	N/A ⁵³	-	R458636	R458636
23-123552-004 ²⁶⁶	3-3/8 "	R42R55099	R42R55098 ³⁷	R4066780	R4090021 ²⁰¹	N/A ⁵³	-	N/A	N/A
R44141476 ²⁶⁸	3-3/8 "	R42R55099	R42R55098 ³⁷	R4066780	R4090021 ²⁰¹	N/A ⁵³	-	N/A	N/A
23-123552-004 ²⁶⁶	3-3/8 "	R42R55099	R42R55098 ³⁷	R4066780	R4090021 ²⁰¹	N/A ⁵³	-	N/A	N/A
R44141858 ²⁷⁵	3-3/8 "	R42R55099	R42R55098 ³⁷	R4066780	R4090021 ²⁰¹	N/A ⁵³	-	N/A	N/A
23-123572-004 ²⁷¹	3-3/8 "	R42R55099	R42R55098 ³⁷	R4066780	R4090021 ²⁰¹	N/A ⁵³	-	R458632	R458632
R44141858 ²⁷⁵	3-3/8 "	R42R55099	R42R55098 ³⁷	R4066780	R4090021 ²⁰¹	N/A ⁵³	-	R458632	R458632
23-123552-004 ²⁶⁶	3-3/8 "	R42R55099	R42R55098 ³⁷	R4066780	R4090021 ²⁰¹	N/A ⁵³	-	R458632	R458632
R44141858 ²⁷⁵	3-3/8 "	R42R55099	R42R55098 ³⁷	R4066780	R4090021 ²⁰¹	N/A ⁵³	-	R458632	R458632
R44141476 ²⁶⁸	3-3/8 "	R42R55099	R42R55098 ³⁷	R4066780	R4090021 ²⁰¹	N/A ⁵³	-	R458632	R458632
23-123572-004 ²⁷¹	3-3/8 "	R42R55099	R42R55098 ³⁷	R4066780	R4090021 ²⁰¹	N/A ⁵³	-	R458632	R458632
23-123552-004 ²⁶⁶	3-3/8 "	R42R55099	R42R55098 ³⁷	R4066780	R4090021 ²⁰¹	N/A ⁵³	-	R458636	R458636
23-122920-002 ²⁷³	3-3/8 "	R42R55099	R42R55098 ³⁷	R4066780	R4090021 ²⁰¹	N/A ⁵³	-	R458632	R458632
23-122920-002 ²⁷³	3-3/8 "	R42R55099	R42R55098 ³⁷	R4066780	R4090021 ²⁰¹	N/A ⁵³	-	R458632	R458632
23-123552-004 ²⁶⁶	3-3/8 "	R42R55099	R42R55098 ³⁷	R4066780	R4090021 ²⁰¹	N/A ⁵³	-	R458636	R458636
R44141858 ²⁷⁵	3-3/8 "	R42R55099	R42R55098 ³⁷	R4066780	R4090021 ²⁰¹	N/A ⁵³	-	R458636	R458636
23-123572-004 ²⁷¹	3-3/8 "	R42R55099	R42R55098 ³⁷	R4066780	R4090021 ²⁰¹	N/A ⁵³	-	R458636	R458636
R44141476 ²⁶⁸	3-3/8 "	R42R55099	R42R55098 ³⁷	R4066780	R4090021 ²⁰¹	N/A ⁵³	-	R458636	R458636
23-122920-002 ²⁷³	3-3/8 "	R42R55099	R42R55098 ³⁷	R4066780	R4090021 ²⁰¹	N/A ⁵³	-	R458635	R458635

1 APPLICATION

269 - 5 Stud, U Shape

270 - 5 Stud, U Shape, .766 Dia. Studs

271 - 6 Stud, Hat Shape

272 - 6 Stud, U Shape

273 - 5 Stud, U Shape, .780 Dia. Studs

275 - 5 Stud, U Shape, .656 Dia. Studs

MERITOR DRUM OR ROTOR NO.	CALIPER OR CYLINDER BORE SIZE	MERITOR CALIPER OR WHEEL CYLINDER (LEFT)	MERITOR CALIPER OR WHEEL CYLINDER (RIGHT)	MERITOR CALIPER OR WHEEL CYLINDER REPAIR KIT	MERITOR CALIPER PISTON	MERITOR MASTER CYLINDER	MERITOR MASTER CYLINDER KIT	MERITOR BRAKE HOSE (LEFT)	MERITOR BRAKE HOSE (RIGHT)
ITE(Cont.)									
170, 1700, 1710, 1723, 1724, 1750, 1753, 1754 SERIES CONVENTIONAL CAB, SCHOOL BUS, TILT CAB(Cont.)									
23-123572-004 ²⁷¹	2-7/8 "	R429218X	R429218X ³⁹	R406532	R4090070 ⁴⁰	N/A ⁵³	-	R458636	R458636
23-123552-004 ²⁶⁶	2-7/8 "	R429218X	R429218X ³⁹	R406532	R4090070 ⁴⁰	N/A ⁵³	-	R458632	R458632
23-122920-002 ²⁷³	2-7/8 "	R429218X	R429218X ³⁹	R406532	R4090070 ⁴⁰	N/A ⁵³	-	N/A	N/A
23-122920-002 ²⁷³	2-7/8 "	R429218X	R429218X ³⁹	R406532	R4090070 ⁴⁰	N/A ⁵³	-	R458635	R458635
23-123552-004 ²⁶⁶	2-7/8 "	R429218X	R429218X ³⁹	R406532	R4090070 ⁴⁰	N/A ⁵³	-	R458635	R458635
23-123552-004 ²⁶⁶	2-7/8 "	R429218X	R429218X ³⁹	R406532	R4090070 ⁴⁰	N/A ⁵³	-	R458636	R458636
23-122527-002 ²⁷²	2-7/8 "	R429218X	R429218X ³⁹	R406532	R4090070 ⁴⁰	N/A ⁵³	-	N/A	N/A
23-122920-002 ²⁷³	2-7/8 "	R429218X	R429218X ³⁹	R406532	R4090070 ⁴⁰	N/A ⁵³	-	R458636	R458636
23-122920-002 ²⁷³	2-7/8 "	R429218X	R429218X ³⁹	R406532	R4090070 ⁴⁰	N/A ⁵³	-	N/A	N/A
23-123552-004 ²⁶⁶	2-7/8 "	R429218X	R429218X ³⁹	R406532	R4090070 ⁴⁰	N/A ⁵³	-	R458635	R458635
R44141858 ²⁷⁵	2-7/8 "	R429218X	R429218X ³⁹	R406532	R4090070 ⁴⁰	N/A ⁵³	-	R458632	R458632
23-123572-004 ²⁷¹	2-7/8 "	R429218X	R429218X ³⁹	R406532	R4090070 ⁴⁰	N/A ⁵³	-	R458632	R458632
23-123572-004 ²⁷¹	2-7/8 "	R429218X	R429218X ³⁹	R406532	R4090070 ⁴⁰	N/A ⁵³	-	R458636	R458636
23-123572-004 ²⁷¹	2-7/8 "	R429218X	R429218X ³⁹	R406532	R4090070 ⁴⁰	N/A ⁵³	-	N/A	N/A
R44141476 ²⁶⁸	2-7/8 "	R429218X	R429218X ³⁹	R406532	R4090070 ⁴⁰	N/A ⁵³	-	R458636	R458636
23-122527-002 ²⁷²	2-7/8 "	R429218X	R429218X ³⁹	R406532	R4090070 ⁴⁰	N/A ⁵³	-	R458632	R458632
R44141858 ²⁷⁵	2-7/8 "	R429218X	R429218X ³⁹	R406532	R4090070 ⁴⁰	N/A ⁵³	-	R458635	R458635
23-123552-004 ²⁶⁶	2-7/8 "	R429218X	R429218X ³⁹	R406532	R4090070 ⁴⁰	N/A ⁵³	-	N/A	N/A
23-122527-002 ²⁷²	2-7/8 "	R429218X	R429218X ³⁹	R406532	R4090070 ⁴⁰	N/A ⁵³	-	N/A	N/A
R44141476 ²⁶⁸	2-7/8 "	R429218X	R429218X ³⁹	R406532	R4090070 ⁴⁰	N/A ⁵³	-	N/A	N/A
23-122920-002 ²⁷³	2-7/8 "	R429218X	R429218X ³⁹	R406532	R4090070 ⁴⁰	N/A ⁵³	-	R458636	R458636
23-122527-002 ²⁷²	2-7/8 "	R429218X	R429218X ³⁹	R406532	R4090070 ⁴⁰	N/A ⁵³	-	R458632	R458632
23-123572-004 ²⁷¹	2-7/8 "	R429218X	R429218X ³⁹	R406532	R4090070 ⁴⁰	N/A ⁵³	-	N/A	N/A
23-123572-004 ²⁷¹	2-7/8 "	R429218X	R429218X ³⁹	R406532	R4090070 ⁴⁰	N/A ⁵³	-	R458632	R458632
23-122920-002 ²⁷³	2-7/8 "	R429218X	R429218X ³⁹	R406532	R4090070 ⁴⁰	N/A ⁵³	-	R458632	R458632
23-123552-004 ²⁶⁶	2-7/8 "	R429218X	R429218X ³⁹	R406532	R4090070 ⁴⁰	N/A ⁵³	-	R458632	R458632
R44141476 ²⁶⁸	2-7/8 "	R429218X	R429218X ³⁹	R406532	R4090070 ⁴⁰	N/A ⁵³	-	R458632	R458632
23-122920-002 ²⁷³	2-7/8 "	R429218X	R429218X ³⁹	R406532	R4090070 ⁴⁰	N/A ⁵³	-	N/A	N/A
23-123572-004 ²⁷¹	2-7/8 "	R429218X	R429218X ³⁹	R406532	R4090070 ⁴⁰	N/A ⁵³	-	N/A	N/A
23-123552-004 ²⁶⁶	2-7/8 "	R429218X	R429218X ³⁹	R406532	R4090070 ⁴⁰	N/A ⁵³	-	R458632	R458632
23-122527-002 ²⁷²	2-7/8 "	R429218X	R429218X ³⁹	R406532	R4090070 ⁴⁰	N/A ⁵³	-	R458632	R458632
R44141476 ²⁶⁸	2-7/8 "	R429218X	R429218X ³⁹	R406532	R4090070 ⁴⁰	N/A ⁵³	-	R458632	R458632
R44141476 ²⁶⁸	2-7/8 "	R429218X	R429218X ³⁹	R406532	R4090070 ⁴⁰	N/A ⁵³	-	N/A	N/A
23-123572-004 ²⁷¹	2-7/8 "	R429218X	R429218X ³⁹	R406532	R4090070 ⁴⁰	N/A ⁵³	-	R458635	R458635
23-122527-002 ²⁷²	2-7/8 "	R429218X	R429218X ³⁹	R406532	R4090070 ⁴⁰	N/A ⁵³	-	R458636	R458636
23-123552-004 ²⁶⁶	2-7/8 "	R429218X	R429218X ³⁹	R406532	R4090070 ⁴⁰	N/A ⁵³	-	R458635	R458635
23-123572-004 ²⁷¹	2-7/8 "	R429218X	R429218X ³⁹	R406532	R4090070 ⁴⁰	N/A ⁵³	-	R458635	R458635
23-122527-002 ²⁷²	2-7/8 "	R429218X	R429218X ³⁹	R406532	R4090070 ⁴⁰	N/A ⁵³	-	N/A	N/A
23-122920-002 ²⁷³	2-7/8 "	R429218X	R429218X ³⁹	R406532	R4090070 ⁴⁰	N/A ⁵³	-	R458635	R458635
23-123552-004 ²⁶⁶	2-7/8 "	R429218X	R429218X ³⁹	R406532	R4090070 ⁴⁰	N/A ⁵³	-	N/A	N/A
23-123572-004 ²⁷¹	2-7/8 "	R429218X	R429218X ³⁹	R406532	R4090070 ⁴⁰	N/A ⁵³	-	R458632	R458632
23-122527-002 ²⁷²	2-7/8 "	R429218X	R429218X ³⁹	R406532	R4090070 ⁴⁰	N/A ⁵³	-	N/A	N/A
23-122527-002 ²⁷²	2-7/8 "	R429218X	R429218X ³⁹	R406532	R4090070 ⁴⁰	N/A ⁵³	-	R458636	R458636
23-123572-004 ²⁷¹	2-7/8 "	R429218X	R429218X ³⁹	R406532	R4090070 ⁴⁰	N/A ⁵³	-	R458636	R458636
R44141858 ²⁷⁵	2-7/8 "	R429218X	R429218X ³⁹	R406532	R4090070 ⁴⁰	N/A ⁵³	-	N/A	N/A
23-123572-004 ²⁷¹	2-7/8 "	R429218X	R429218X ³⁹	R406532	R4090070 ⁴⁰	N/A ⁵³	-	R458635	R458635
23-122527-002 ²⁷²	2-7/8 "	R429218X	R429218X ³⁹	R406532	R4090070 ⁴⁰	N/A ⁵³	-	N/A	N/A
23-122527-002 ²⁷²	2-7/8 "	R429218X	R429218X ³⁹	R406532	R4090070 ⁴⁰	N/A ⁵³	-	R458636	R458636
23-123552-004 ²⁶⁶	2-7/8 "	R429218X	R429218X ³⁹	R406532	R4090070 ⁴⁰	N/A ⁵³	-	N/A	N/A
23-123572-004 ²⁷¹	2-7/8 "	R429218X	R429218X ³⁹	R406532	R4090070 ⁴⁰	N/A ⁵³	-	R458635	R458635
23-122527-002 ²⁷²	2-7/8 "	R429218X	R429218X ³⁹	R406532	R4090070 ⁴⁰	N/A ⁵³	-	N/A	N/A
23-122920-002 ²⁷³	2-7/8 "	R429218X	R429218X ³⁹	R406532	R4090070 ⁴⁰	N/A ⁵³	-	R458635	R458635
23-123552-004 ²⁶⁶	2-7/8 "	R429218X	R429218X ³⁹	R406532	R4090070 ⁴⁰	N/A ⁵³	-	R458636	R458636
23-122920-002 ²⁷³	2-7/8 "	R429218X	R429218X ³⁹	R406532	R4090070 ⁴⁰	N/A ⁵³	-	R458635	R458635
23-122527-002 ²⁷²	2-7/8 "	R429218X	R429218X ³⁹	R406532	R4090070 ⁴⁰	N/A ⁵³	-	R458636	R458636
23-122527-002 ²⁷²	2-7/8 "	R429218X	R429218X ³⁹	R406532	R4090070 ⁴⁰	N/A ⁵³	-	N/A	N/A
23-122920-002 ²⁷³	2-7/8 "	R429218X	R429218X ³⁹	R406532	R4090070 ⁴⁰	N/A ⁵³	-	N/A	N/A
R44141858 ²⁷⁵	2-7/8 "	R429218X	R429218X ³⁹	R406532	R4090070 ⁴⁰	N/A ⁵³	-	R458632	R458632
23-123552-004 ²⁶⁶	2-7/8 "	R429218X	R429218X ³⁹	R406532	R4090070 ⁴⁰	N/A ⁵³	-	R458635	R458635
R44141476 ²⁶⁸	2-7/8 "	R429218X	R429218X ³⁹	R406532	R4090070 ⁴⁰	N/A ⁵³	-	N/A	N/A
23-123552-004 ²⁶⁶	2-7/8 "	R429218X	R429218X ³⁹	R406532	R4090070 ⁴⁰	N/A ⁵³	-	N/A	N/A
R44141858 ²⁷⁵	2-7/8 "	R429218X	R429218X ³⁹	R406532	R4090070 ⁴⁰	N/A ⁵³	-	R458632	R458632
R44141476 ²⁶⁸	2-7/8 "	R429218X	R429218X ³⁹	R406532	R4090070 ⁴⁰	N/A ⁵³	-	R458636	R458636

1 APPLICATION

MERITOR DRUM OR ROTOR NO.	CALIPER OR CYLINDER BORE SIZE	MERITOR CALIPER OR WHEEL CYLINDER (LEFT)	MERITOR CALIPER OR WHEEL CYLINDER (RIGHT)	MERITOR CALIPER OR WHEEL CYLINDER REPAIR KIT	MERITOR CALIPER PISTON	MERITOR MASTER CYLINDER	MERITOR MASTER CYLINDER KIT	MERITOR BRAKE HOSE (LEFT)	MERITOR BRAKE HOSE (RIGHT)
ITE(Cont.)									
170, 1700, 1710, 1723, 1724, 1750, 1753, 1754 SERIES CONVENTIONAL CAB, SCHOOL BUS, TILT CAB(Cont.)									
23-122527-002 ²⁷²	2-7/8 "	R429218X	R429218X ³⁹	R406532	R4090070 ⁴⁰	N/A ⁵³	-	R458635	R458635
R44141858 ²⁷⁵	2-7/8 "	R429218X	R429218X ³⁹	R406532	R4090070 ⁴⁰	N/A ⁵³	-	R458636	R458636
R44141476 ²⁶⁸	2-7/8 "	R429218X	R429218X ³⁹	R406532	R4090070 ⁴⁰	N/A ⁵³	-	R458632	R458632
R44141476 ²⁶⁸	2-7/8 "	R429218X	R429218X ³⁹	R406532	R4090070 ⁴⁰	N/A ⁵³	-	R458635	R458635
R44141858 ²⁷⁵	2-7/8 "	R429218X	R429218X ³⁹	R406532	R4090070 ⁴⁰	N/A ⁵³	-	R458636	R458636
23-123572-004 ²⁷¹	2-7/8 "	R429218X	R429218X ³⁹	R406532	R4090070 ⁴⁰	N/A ⁵³	-	R458636	R458636
R44141476 ²⁶⁸	2-7/8 "	R429218X	R429218X ³⁹	R406532	R4090070 ⁴⁰	N/A ⁵³	-	N/A	N/A
23-123572-004 ²⁷¹	2-7/8 "	R429218X	R429218X ³⁹	R406532	R4090070 ⁴⁰	N/A ⁵³	-	N/A	N/A
23-123552-004 ²⁶⁶	2-7/8 "	R429218X	R429218X ³⁹	R406532	R4090070 ⁴⁰	N/A ⁵³	-	R458632	R458632
R44141858 ²⁷⁵	2-7/8 "	R429218X	R429218X ³⁹	R406532	R4090070 ⁴⁰	N/A ⁵³	-	R458635	R458635
23-122920-002 ²⁷³	2-7/8 "	R429218X	R429218X ³⁹	R406532	R4090070 ⁴⁰	N/A ⁵³	-	R458632	R458632
23-123572-004 ²⁷¹	2-7/8 "	R429218X	R429218X ³⁹	R406532	R4090070 ⁴⁰	N/A ⁵³	-	N/A	N/A
23-122527-002 ²⁷²	2-7/8 "	R429218X	R429218X ³⁹	R406532	R4090070 ⁴⁰	N/A ⁵³	-	R458632	R458632
23-123572-004 ²⁷¹	2-7/8 "	R429218X	R429218X ³⁹	R406532	R4090070 ⁴⁰	N/A ⁵³	-	N/A	N/A
23-122527-002 ²⁷²	2-7/8 "	R429218X	R429218X ³⁹	R406532	R4090070 ⁴⁰	N/A ⁵³	-	R458632	R458632
23-122920-002 ²⁷³	2-7/8 "	R429218X	R429218X ³⁹	R406532	R4090070 ⁴⁰	N/A ⁵³	-	R458632	R458632
R44141476 ²⁶⁸	2-7/8 "	R429218X	R429218X ³⁹	R406532	R4090070 ⁴⁰	N/A ⁵³	-	R458632	R458632
23-123552-004 ²⁶⁶	2-7/8 "	R429218X	R429218X ³⁹	R406532	R4090070 ⁴⁰	N/A ⁵³	-	R458632	R458632
R44141858 ²⁷⁵	2-7/8 "	R429218X	R429218X ³⁹	R406532	R4090070 ⁴⁰	N/A ⁵³	-	N/A	N/A
R44141858 ²⁷⁵	2-7/8 "	R429218X	R429218X ³⁹	R406532	R4090070 ⁴⁰	N/A ⁵³	-	R458635	R458635
R44141476 ²⁶⁸	2-7/8 "	R429218X	R429218X ³⁹	R406532	R4090070 ⁴⁰	N/A ⁵³	-	R458636	R458636
23-123572-004 ²⁷¹	2-7/8 "	R429218X	R429218X ³⁹	R406532	R4090070 ⁴⁰	N/A ⁵³	-	R458635	R458635
R44141858 ²⁷⁵	2-7/8 "	R429218X	R429218X ³⁹	R406532	R4090070 ⁴⁰	N/A ⁵³	-	R458636	R458636
23-122920-002 ²⁷³	2-7/8 "	R429218X	R429218X ³⁹	R406532	R4090070 ⁴⁰	N/A ⁵³	-	R458636	R458636
R44141476 ²⁶⁸	2-7/8 "	R429218X	R429218X ³⁹	R406532	R4090070 ⁴⁰	N/A ⁵³	-	R458636	R458636
23-122920-002 ²⁷³	2-7/8 "	R429218X	R429218X ³⁹	R406532	R4090070 ⁴⁰	N/A ⁵³	-	R458632	R458632
23-123552-004 ²⁶⁶	2-7/8 "	R429218X	R429218X ³⁹	R406532	R4090070 ⁴⁰	N/A ⁵³	-	R458636	R458636
23-123572-004 ²⁷¹	2-7/8 "	R429218X	R429218X ³⁹	R406532	R4090070 ⁴⁰	N/A ⁵³	-	R458635	R458635
23-123552-004 ²⁶⁶	2-7/8 "	R429218X	R429218X ³⁹	R406532	R4090070 ⁴⁰	N/A ⁵³	-	R458636	R458636
23-122920-002 ²⁷³	2-7/8 "	R429218X	R429218X ³⁹	R406532	R4090070 ⁴⁰	N/A ⁵³	-	R458636	R458636
23-122527-002 ²⁷²	2-7/8 "	R429218X	R429218X ³⁹	R406532	R4090070 ⁴⁰	N/A ⁵³	-	R458635	R458635
23-123572-004 ²⁷¹	2-7/8 "	R429218X	R429218X ³⁹	R406532	R4090070 ⁴⁰	N/A ⁵³	-	R458636	R458636
23-123572-004 ²⁷¹	2-7/8 "	R429218X	R429218X ³⁹	R406532	R4090070 ⁴⁰	N/A ⁵³	-	R458632	R458632
23-122527-002 ²⁷²	2-7/8 "	R429218X	R429218X ³⁹	R406532	R4090070 ⁴⁰	N/A ⁵³	-	R458636	R458636
R44141476 ²⁶⁸	2-7/8 "	R429218X	R429218X ³⁹	R406532	R4090070 ⁴⁰	N/A ⁵³	-	N/A	N/A
R44141858 ²⁷⁵	2-7/8 "	R429218X	R429218X ³⁹	R406532	R4090070 ⁴⁰	N/A ⁵³	-	R458635	R458635
R44141858 ²⁷⁵	2-7/8 "	R429218X	R429218X ³⁹	R406532	R4090070 ⁴⁰	N/A ⁵³	-	N/A	N/A
R44141476 ²⁶⁸	2-7/8 "	R429218X	R429218X ³⁹	R406532	R4090070 ⁴⁰	N/A ⁵³	-	R458635	R458635
23-122527-002 ²⁷²	2-7/8 "	R429218X	R429218X ³⁹	R406532	R4090070 ⁴⁰	N/A ⁵³	-	R458636	R458636
23-123552-004 ²⁶⁶	2-7/8 "	R429218X	R429218X ³⁹	R406532	R4090070 ⁴⁰	N/A ⁵³	-	N/A	N/A
23-123572-004 ²⁷¹	2-7/8 "	R429218X	R429218X ³⁹	R406532	R4090070 ⁴⁰	N/A ⁵³	-	R458635	R458635
R44141858 ²⁷⁵	2-7/8 "	R429218X	R429218X ³⁹	R406532	R4090070 ⁴⁰	N/A ⁵³	-	N/A	N/A
R44141858 ²⁷⁵	2-7/8 "	R429218X	R429218X ³⁹	R406532	R4090070 ⁴⁰	N/A ⁵³	-	R458635	R458635
R44141476 ²⁶⁸	2-7/8 "	R429218X	R429218X ³⁹	R406532	R4090070 ⁴⁰	N/A ⁵³	-	R458635	R458635
R44141476 ²⁶⁸	2-7/8 "	R429218X	R429218X ³⁹	R406532	R4090070 ⁴⁰	N/A ⁵³	-	N/A	N/A
23-122527-002 ²⁷²	2-7/8 "	R429218X	R429218X ³⁹	R406532	R4090070 ⁴⁰	N/A ⁵³	-	R458635	R458635
23-123552-004 ²⁶⁶	2-7/8 "	R429218X	R429218X ³⁹	R406532	R4090070 ⁴⁰	N/A ⁵³	-	R458636	R458636
23-123572-004 ²⁷¹	2-7/8 "	R429218X	R429218X ³⁹	R406532	R4090070 ⁴⁰	N/A ⁵³	-	R458635	R458635
R44141858 ²⁷⁵	2-7/8 "	R429218X	R429218X ³⁹	R406532	R4090070 ⁴⁰	N/A ⁵³	-	N/A	N/A
R44141858 ²⁷⁵	2-7/8 "	R429218X	R429218X ³⁹	R406532	R4090070 ⁴⁰	N/A ⁵³	-	R458635	R458635
R44141476 ²⁶⁸	2-7/8 "	R429218X	R429218X ³⁹	R406532	R4090070 ⁴⁰	N/A ⁵³	-	R458635	R458635
R44141476 ²⁶⁸	2-7/8 "	R429218X	R429218X ³⁹	R406532	R4090070 ⁴⁰	N/A ⁵³	-	N/A	N/A
23-122527-002 ²⁷²	3-3/8 "	R42R55099	R42R55098 ³⁷	R4066780	R4090021 ²⁰¹	N/A ⁵³	-	R458635	R458635
23-122527-002 ²⁷²	3-3/8 "	R42R55099	R42R55098 ³⁷	R4066780	R4090021 ²⁰¹	N/A ⁵³	-	N/A	N/A
23-122527-002 ²⁷²	3-3/8 "	R42R55099	R42R55098 ³⁷	R4066780	R4090021 ²⁰¹	N/A ⁵³	-	R458632	R458632
23-122527-002 ²⁷²	3-3/8 "	R42R55099	R42R55098 ³⁷	R4066780	R4090021 ²⁰¹	N/A ⁵³	-	R458636	R458636
23-122527-002 ²⁷²	3-3/8 "	R42R55099	R42R55098 ³⁷	R4066780	R4090021 ²⁰¹	N/A ⁵³	-	N/A	N/A
23-122527-002 ²⁷²	3-3/8 "	R42R55099	R42R55098 ³⁷	R4066780	R4090021 ²⁰¹	N/A ⁵³	-	R458632	R458632
23-122527-002 ²⁷²	3-3/8 "	R42R55099	R42R55098 ³⁷	R4066780	R4090021 ²⁰¹	N/A ⁵³	-	R458636	R458636
23-122527-002 ²⁷²	3-3/8 "	R42R55099	R42R55098 ³⁷	R4066780	R4090021 ²⁰¹	N/A ⁵³	-	R458635	R458635
R44141608 ²⁶⁷	2-7/8 "	R429218X	R429218X ³⁹	R406532	R4090070 ⁴⁰	-	-	R4577512	R4577512
23-123552-004 ²⁶⁶	2-7/8 "	R429218X	R429218X ³⁹	R406532	R4090070 ⁴⁰	-	-	R458634 ⁵²	R458634
R44141608 ²⁶⁷	2-19/32 "	R42R55245	R42R55245 ³⁸	R402235118	R402238231 ²⁰¹	-	-	R458634 ⁵²	R458634
R44141629 ²⁶⁹	2-7/8 "	R429218X	R429218X ³⁹	R406532	R4090070 ⁴⁰	-	-	R458634 ⁵²	R458634
23-122527-002 ²⁷²	2-19/32 "	R42R55245	R42R55245 ³⁸	R402235118	R402238231 ²⁰¹	-	-	R4577512	R4577512
R44141608 ²⁶⁷	2-7/8 "	R429218X	R429218X ³⁹	R406532	R4090070 ⁴⁰	-	-	R4577512	R4577512
23-122527-002 ²⁷²	2-7/8 "	R429218X	R429218X ³⁹	R406532	R4090070 ⁴⁰	-	-	R4577512	R4577512
R44141608 ²⁶⁷	2-19/32 "	R42R55245	R42R55245 ³⁸	R402235118	R402238231 ²⁰¹	-	-	R4577512	R4577512

1 APPLICATION

268 - 5 Stud, Hat Shape

269 - 5 Stud, U Shape

271 - 6 Stud, Hat Shape

272 - 6 Stud, U Shape

273 - 5 Stud, U Shape, .780 Dia. Studs

275 - 5 Stud, U Shape, .656 Dia. Studs

MERITOR DRUM OR ROTOR NO.	CALIPER OR CYLINDER BORE SIZE	MERITOR CALIPER OR WHEEL CYLINDER (LEFT)	MERITOR CALIPER OR WHEEL CYLINDER (RIGHT)	MERITOR CALIPER OR WHEEL CYLINDER REPAIR KIT	MERITOR CALIPER PISTON	MERITOR MASTER CYLINDER	MERITOR MASTER CYLINDER KIT	MERITOR BRAKE HOSE (LEFT)	MERITOR BRAKE HOSE (RIGHT)
ITE(Cont.)									
170, 1700, 1710, 1723, 1724, 1750, 1753, 1754 SERIES CONVENTIONAL CAB, SCHOOL BUS, TILT CAB(Cont.)									
R44141608 ²⁶⁷	2-7/8 "	R429218X	R429218X ³⁹	R406532	R4090070 ⁴⁰	-	-	-	-
R44141627 ²⁷⁰	2-7/8 "	R429218X	R429218X ³⁹	R406532	R4090070 ⁴⁰	-	-	-	-
R44141628 ²⁶⁹	2-7/8 "	R429218X	R429218X ³⁹	R406532	R4090070 ⁴⁰	-	-	-	-
23-122527-002 ²⁷²	2-19/32 "	R42R55245	R42R55245 ³⁸	R402235118	R402238231 ²⁰¹	-	-	-	-
R44141627 ²⁷⁰	2-7/8 "	R429218X	R429218X ³⁹	R406532	R4090070 ⁴⁰	-	-	-	-
23-123572-004 ²⁷¹	2-7/8 "	R429218X	R429218X ³⁹	R406532	R4090070 ⁴⁰	-	-	-	-
R44141629 ²⁶⁹	2-19/32 "	R42R55245	R42R55245 ³⁸	R402235118	R402238231 ²⁰¹	-	-	-	-
23-122527-002 ²⁷²	2-7/8 "	R429218X	R429218X ³⁹	R406532	R4090070 ⁴⁰	-	-	-	-
23-123552-004 ²⁶⁶	2-7/8 "	R429218X	R429218X ³⁹	R406532	R4090070 ⁴⁰	-	-	-	-
R44141628 ²⁶⁹	2-7/8 "	R429218X	R429218X ³⁹	R406532	R4090070 ⁴⁰	-	-	-	-
R44141628 ²⁶⁹	2-7/8 "	R429218X	R429218X ³⁹	R406532	R4090070 ⁴⁰	-	-	-	-
R44141627 ²⁷⁰	2-7/8 "	R429218X	R429218X ³⁹	R406532	R4090070 ⁴⁰	-	-	-	-
23-123552-004 ²⁶⁶	2-7/8 "	R429218X	R429218X ³⁹	R406532	R4090070 ⁴⁰	-	-	-	-
R44141608 ²⁶⁷	2-19/32 "	R42R55245	R42R55245 ³⁸	R402235118	R402238231 ²⁰¹	-	-	-	-
R44141628 ²⁶⁹	2-19/32 "	R42R55245	R42R55245 ³⁸	R402235118	R402238231 ²⁰¹	-	-	-	-
R44141628 ²⁶⁹	2-19/32 "	R42R55245	R42R55245 ³⁸	R402235118	R402238231 ²⁰¹	-	-	-	-
23-123572-004 ²⁷¹	2-19/32 "	R42R55245	R42R55245 ³⁸	R402235118	R402238231 ²⁰¹	-	-	-	-
R44141608 ²⁶⁷	2-7/8 "	R429218X	R429218X ³⁹	R406532	R4090070 ⁴⁰	-	-	-	-
R44141629 ²⁶⁹	2-7/8 "	R429218X	R429218X ³⁹	R406532	R4090070 ⁴⁰	-	-	-	-
R44141629 ²⁶⁹	2-7/8 "	R429218X	R429218X ³⁹	R406532	R4090070 ⁴⁰	-	-	-	-
23-123552-004 ²⁶⁶	2-7/8 "	R429218X	R429218X ³⁹	R406532	R4090070 ⁴⁰	-	-	-	-
23-123572-004 ²⁷¹	2-19/32 "	R42R55245	R42R55245 ³⁸	R402235118	R402238231 ²⁰¹	-	-	-	-
R44141476 ²⁶⁸	2-19/32 "	R42R55245	R42R55245 ³⁸	R402235118	R402238231 ²⁰¹	-	-	-	-
23-123552-004 ²⁶⁶	2-19/32 "	R42R55245	R42R55245 ³⁸	R402235118	R402238231 ²⁰¹	-	-	-	-
R44141858 ²⁷⁵	2-19/32 "	R42R55245	R42R55245 ³⁸	R402235118	R402238231 ²⁰¹	-	-	-	-
23-122527-002 ²⁷²	2-19/32 "	R42R55245	R42R55245 ³⁸	R402235118	R402238231 ²⁰¹	-	-	-	-
23-122920-002 ²⁷³	2-19/32 "	R42R55245	R42R55245 ³⁸	R402235118	R402238231 ²⁰¹	-	-	-	-
23-123572-004 ²⁷¹	2-19/32 "	R42R55245	R42R55245 ³⁸	R402235118	R402238231 ²⁰¹	-	-	-	-
23-123552-004 ²⁶⁶	2-7/8 "	R429218X	R429218X ³⁹	R406532	R4090070 ⁴⁰	-	-	-	-
23-123572-004 ²⁷¹	2-7/8 "	R429218X	R429218X ³⁹	R406532	R4090070 ⁴⁰	-	-	-	-
R44141476 ²⁶⁸	2-7/8 "	R429218X	R429218X ³⁹	R406532	R4090070 ⁴⁰	-	-	-	-
23-122527-002 ²⁷²	2-7/8 "	R429218X	R429218X ³⁹	R406532	R4090070 ⁴⁰	-	-	-	-
23-123552-004 ²⁶⁶	2-7/8 "	R429218X	R429218X ³⁹	R406532	R4090070 ⁴⁰	-	-	-	-
23-122920-002 ²⁷³	2-7/8 "	R429218X	R429218X ³⁹	R406532	R4090070 ⁴⁰	-	-	-	-
R44141858 ²⁷⁵	2-7/8 "	R429218X	R429218X ³⁹	R406532	R4090070 ⁴⁰	-	-	-	-
23-123572-004 ²⁷¹	2-7/8 "	R429218X	R429218X ³⁹	R406532	R4090070 ⁴⁰	-	-	-	-
23-122527-002 ²⁷²	2-7/8 "	R429218X	R429218X ³⁹	R406532	R4090070 ⁴⁰	-	-	-	-
23-122920-002 ²⁷³	2-7/8 "	R429218X	R429218X ³⁹	R406532	R4090070 ⁴⁰	-	-	-	-
R44141858 ²⁷⁵	2-7/8 "	R429218X	R429218X ³⁹	R406532	R4090070 ⁴⁰	-	-	-	-
23-123552-004 ²⁶⁶	2-7/8 "	R429218X	R429218X ³⁹	R406532	R4090070 ⁴⁰	-	-	-	-
R44141476 ²⁶⁸	2-7/8 "	R429218X	R429218X ³⁹	R406532	R4090070 ⁴⁰	-	-	-	-
R44141858 ²⁷⁵	2-7/8 "	R429218X	R429218X ³⁹	R406532	R4090070 ⁴⁰	-	-	-	-
R44141476 ²⁶⁸	2-7/8 "	R429218X	R429218X ³⁹	R406532	R4090070 ⁴⁰	-	-	-	-
R44141858 ²⁷⁵	2-7/8 "	R429218X	R429218X ³⁹	R406532	R4090070 ⁴⁰	-	-	-	-
23-123572-004 ²⁷¹	2-7/8 "	R429218X	R429218X ³⁹	R406532	R4090070 ⁴⁰	-	-	-	-
23-122920-002 ²⁷³	2-7/8 "	R429218X	R429218X ³⁹	R406532	R4090070 ⁴⁰	-	-	-	-
23-122527-002 ²⁷²	2-7/8 "	R429218X	R429218X ³⁹	R406532	R4090070 ⁴⁰	-	-	-	-
23-122527-002 ²⁷²	2-7/8 "	R429218X	R429218X ³⁹	R406532	R4090070 ⁴⁰	-	-	-	-
23-123552-004 ²⁶⁶	2-7/8 "	R429218X	R429218X ³⁹	R406532	R4090070 ⁴⁰	-	-	-	-
23-123552-004 ²⁶⁶	2-7/8 "	R429218X	R429218X ³⁹	R406532	R4090070 ⁴⁰	-	-	-	-
23-122527-002 ²⁷²	2-7/8 "	R429218X	R429218X ³⁹	R406532	R4090070 ⁴⁰	-	-	-	-
R44141476 ²⁶⁸	2-7/8 "	R429218X	R429218X ³⁹	R406532	R4090070 ⁴⁰	-	-	-	-
R44141858 ²⁷⁵	2-7/8 "	R429218X	R429218X ³⁹	R406532	R4090070 ⁴⁰	-	-	-	-
23-123552-004 ²⁶⁶	2-7/8 "	R429218X	R429218X ³⁹	R406532	R4090070 ⁴⁰	-	-	-	-
R44141858 ²⁷⁵	2-7/8 "	R429218X	R429218X ³⁹	R406532	R4090070 ⁴⁰	-	-	-	-
23-122527-002 ²⁷²	2-7/8 "	R429218X	R429218X ³⁹	R406532	R4090070 ⁴⁰	-	-	-	-
R44141476 ²⁶⁸	2-7/8 "	R429218X	R429218X ³⁹	R406532	R4090070 ⁴⁰	-	-	-	-
23-123572-004 ²⁷¹	2-7/8 "	R429218X	R429218X ³⁹	R406532	R4090070 ⁴⁰	-	-	-	-

1 APPLICATION

271 - 6 Stud, Hat Shape

272 - 6 Stud, U Shape

273 - 5 Stud, U Shape, .780 Dia. Studs

275 - 5 Stud, U Shape, .656 Dia. Studs

MERITOR DRUM OR ROTOR NO.	CALIPER OR CYLINDER BORE SIZE	MERITOR CALIPER OR WHEEL CYLINDER (LEFT)	MERITOR CALIPER OR WHEEL CYLINDER (RIGHT)	MERITOR CALIPER OR WHEEL CYLINDER REPAIR KIT	MERITOR CALIPER PISTON	MERITOR MASTER CYLINDER	MERITOR MASTER CYLINDER KIT	MERITOR BRAKE HOSE (LEFT)	MERITOR BRAKE HOSE (RIGHT)
ITE(Cont.)									
170, 1700, 1710, 1723, 1724, 1750, 1753, 1754 SERIES CONVENTIONAL CAB, SCHOOL BUS, TILT CAB(Cont.)									
R44141476 ²⁶⁸	2-7/8 "	R429218X	R429218X ³⁹	R406532	R4090070 ⁴⁰	-	-	-	-
23-123572-004 ²⁷¹	2-7/8 "	R429218X	R429218X ³⁹	R406532	R4090070 ⁴⁰	-	-	-	-
23-122920-002 ²⁷³	2-7/8 "	R429218X	R429218X ³⁹	R406532	R4090070 ⁴⁰	-	-	-	-
23-123572-004 ²⁷¹	2-7/8 "	R429218X	R429218X ³⁹	R406532	R4090070 ⁴⁰	-	-	-	-
23-122920-002 ²⁷³	2-7/8 "	R429218X	R429218X ³⁹	R406532	R4090070 ⁴⁰	-	-	-	-
R44141608 ²⁶⁷	2-7/8 "	R429218X	R429218X ³⁹	R406532	R4090070 ⁴⁰	-	-	-	-
23-123572-004 ²⁷¹	2-19/32 "	R42R55245	R42R55245 ³⁸	R402235118	R402238231 ²⁰¹	-	-	-	-
23-123552-004 ²⁶⁶	2-7/8 "	R429218X	R429218X ³⁹	R406532	R4090070 ⁴⁰	-	-	-	-
23-123552-004 ²⁶⁶	2-7/8 "	R429218X	R429218X ³⁹	R406532	R4090070 ⁴⁰	-	-	-	-
23-122527-002 ²⁷²	2-19/32 "	R42R55245	R42R55245 ³⁸	R402235118	R402238231 ²⁰¹	-	-	-	-
R44141608 ²⁶⁷	2-7/8 "	R429218X	R429218X ³⁹	R406532	R4090070 ⁴⁰	-	-	-	-
R44141608 ²⁶⁷	2-7/8 "	R429218X	R429218X ³⁹	R406532	R4090070 ⁴⁰	-	-	-	-
23-123572-004 ²⁷¹	2-19/32 "	R42R55245	R42R55245 ³⁸	R402235118	R402238231 ²⁰¹	-	-	-	-
23-122527-002 ²⁷²	2-7/8 "	R429218X	R429218X ³⁹	R406532	R4090070 ⁴⁰	-	-	-	-
R44141629 ²⁶⁹	2-7/8 "	R429218X	R429218X ³⁹	R406532	R4090070 ⁴⁰	-	-	-	-
R44141628 ²⁶⁹	2-19/32 "	R42R55245	R42R55245 ³⁸	R402235118	R402238231 ²⁰¹	-	-	-	-
R44141629 ²⁶⁹	2-7/8 "	R429218X	R429218X ³⁹	R406532	R4090070 ⁴⁰	-	-	-	-
23-122527-002 ²⁷²	2-7/8 "	R429218X	R429218X ³⁹	R406532	R4090070 ⁴⁰	-	-	-	-
R44141628 ²⁶⁹	2-19/32 "	R42R55245	R42R55245 ³⁸	R402235118	R402238231 ²⁰¹	-	-	-	-
23-122527-002 ²⁷²	2-7/8 "	R429218X	R429218X ³⁹	R406532	R4090070 ⁴⁰	-	-	-	-
23-123552-004 ²⁶⁶	2-19/32 "	R42R55245	R42R55245 ³⁸	R402235118	R402238231 ²⁰¹	-	-	-	-
R44141627 ²⁷⁰	2-7/8 "	R429218X	R429218X ³⁹	R406532	R4090070 ⁴⁰	-	-	-	-
23-123552-004 ²⁶⁶	2-19/32 "	R42R55245	R42R55245 ³⁸	R402235118	R402238231 ²⁰¹	-	-	-	-
R44141628 ²⁶⁹	2-7/8 "	R429218X	R429218X ³⁹	R406532	R4090070 ⁴⁰	-	-	-	-
23-123552-004 ²⁶⁶	2-7/8 "	R429218X	R429218X ³⁹	R406532	R4090070 ⁴⁰	-	-	-	-
R44141608 ²⁶⁷	2-19/32 "	R42R55245	R42R55245 ³⁸	R402235118	R402238231 ²⁰¹	-	-	-	-
23-123572-004 ²⁷¹	2-7/8 "	R429218X	R429218X ³⁹	R406532	R4090070 ⁴⁰	-	-	-	-
R44141628 ²⁶⁹	2-7/8 "	R429218X	R429218X ³⁹	R406532	R4090070 ⁴⁰	-	-	-	-
R44141629 ²⁶⁹	2-19/32 "	R42R55245	R42R55245 ³⁸	R402235118	R402238231 ²⁰¹	-	-	-	-
R44141629 ²⁶⁹	2-19/32 "	R42R55245	R42R55245 ³⁸	R402235118	R402238231 ²⁰¹	-	-	-	-
R44141628 ²⁶⁹	2-7/8 "	R429218X	R429218X ³⁹	R406532	R4090070 ⁴⁰	-	-	-	-
23-123572-004 ²⁷¹	2-7/8 "	R429218X	R429218X ³⁹	R406532	R4090070 ⁴⁰	-	-	-	-
R44141627 ²⁷⁰	2-7/8 "	R429218X	R429218X ³⁹	R406532	R4090070 ⁴⁰	-	-	-	-
23-123572-004 ²⁷¹	2-7/8 "	R429218X	R429218X ³⁹	R406532	R4090070 ⁴⁰	-	-	-	-
R44141627 ²⁷⁰	2-7/8 "	R429218X	R429218X ³⁹	R406532	R4090070 ⁴⁰	-	-	-	-
R44141608 ²⁶⁷	2-19/32 "	R42R55245	R42R55245 ³⁸	R402235118	R402238231 ²⁰¹	-	-	-	-
R44141629 ²⁶⁹	2-7/8 "	R429218X	R429218X ³⁹	R406532	R4090070 ⁴⁰	-	-	-	-
R44141627 ²⁷⁰	2-19/32 "	R42R55245	R42R55245 ³⁸	R402235118	R402238231 ²⁰¹	-	-	-	-
R44141476 ²⁶⁸	3-3/8 "	R42R55099	R42R55098 ³⁷	R4066780	R4090021 ²⁰¹	N/A ⁵³	-	R458635	R458635
R44141858 ²⁷⁵	3-3/8 "	R42R55099	R42R55098 ³⁷	R4066780	R4090021 ²⁰¹	N/A ⁵³	-	R458635	R458635
23-122920-002 ²⁷³	3-3/8 "	R42R55099	R42R55098 ³⁷	R4066780	R4090021 ²⁰¹	N/A ⁵³	-	R458636	R458636
23-123572-004 ²⁷¹	3-3/8 "	R42R55099	R42R55098 ³⁷	R4066780	R4090021 ²⁰¹	N/A ⁵³	-	N/A	N/A
R44141476 ²⁶⁸	3-3/8 "	R42R55099	R42R55098 ³⁷	R4066780	R4090021 ²⁰¹	N/A ⁵³	-	N/A	N/A
R44141858 ²⁷⁵	3-3/8 "	R42R55099	R42R55098 ³⁷	R4066780	R4090021 ²⁰¹	N/A ⁵³	-	R458636	R458636
R44141858 ²⁷⁵	3-3/8 "	R42R55099	R42R55098 ³⁷	R4066780	R4090021 ²⁰¹	N/A ⁵³	-	N/A	N/A
23-123572-004 ²⁷¹	3-3/8 "	R42R55099	R42R55098 ³⁷	R4066780	R4090021 ²⁰¹	N/A ⁵³	-	R458636	R458636
23-123552-004 ²⁶⁶	3-3/8 "	R42R55099	R42R55098 ³⁷	R4066780	R4090021 ²⁰¹	N/A ⁵³	-	R458636	R458636
R44141476 ²⁶⁸	3-3/8 "	R42R55099	R42R55098 ³⁷	R4066780	R4090021 ²⁰¹	N/A ⁵³	-	R458635	R458635
23-123572-004 ²⁷¹	3-3/8 "	R42R55099	R42R55098 ³⁷	R4066780	R4090021 ²⁰¹	N/A ⁵³	-	R458635	R458635
23-123572-004 ²⁷¹	3-3/8 "	R42R55099	R42R55098 ³⁷	R4066780	R4090021 ²⁰¹	N/A ⁵³	-	R458632	R458632
23-123572-004 ²⁷¹	3-3/8 "	R42R55099	R42R55098 ³⁷	R4066780	R4090021 ²⁰¹	N/A ⁵³	-	R458632	R458632
R44141858 ²⁷⁵	3-3/8 "	R42R55099	R42R55098 ³⁷	R4066780	R4090021 ²⁰¹	N/A ⁵³	-	R458632	R458632
23-122920-002 ²⁷³	3-3/8 "	R42R55099	R42R55098 ³⁷	R4066780	R4090021 ²⁰¹	N/A ⁵³	-	R458632	R458632
R44141476 ²⁶⁸	3-3/8 "	R42R55099	R42R55098 ³⁷	R4066780	R4090021 ²⁰¹	N/A ⁵³	-	R458636	R458636
R44141858 ²⁷⁵	3-3/8 "	R42R55099	R42R55098 ³⁷	R4066780	R4090021 ²⁰¹	N/A ⁵³	-	N/A	N/A
R44141858 ²⁷⁵	3-3/8 "	R42R55099	R42R55098 ³⁷	R4066780	R4090021 ²⁰¹	N/A ⁵³	-	R458636	R458636
23-122920-002 ²⁷³	3-3/8 "	R42R55099	R42R55098 ³⁷	R4066780	R4090021 ²⁰¹	N/A ⁵³	-	R458632	R458632
23-122920-002 ²⁷³	3-3/8 "	R42R55099	R42R55098 ³⁷	R4066780	R4090021 ²⁰¹	N/A ⁵³	-	N/A	N/A
23-123572-004 ²⁷¹	3-3/8 "	R42R55099	R42R55098 ³⁷	R4066780	R4090021 ²⁰¹	N/A ⁵³	-	N/A	N/A

1 APPLICATION

269 - 5 Stud, U Shape

270 - 5 Stud, U Shape, .766 Dia. Studs

271 - 6 Stud, Hat Shape

272 - 6 Stud, U Shape

273 - 5 Stud, U Shape, .780 Dia. Studs

275 - 5 Stud, U Shape, .656 Dia. Studs

MERITOR DRUM OR ROTOR NO.	CALIPER OR CYLINDER BORE SIZE	MERITOR CALIPER OR WHEEL CYLINDER (LEFT)	MERITOR CALIPER OR WHEEL CYLINDER (RIGHT)	MERITOR CALIPER OR WHEEL CYLINDER REPAIR KIT	MERITOR CALIPER PISTON	MERITOR MASTER CYLINDER	MERITOR MASTER CYLINDER KIT	MERITOR BRAKE HOSE (LEFT)	MERITOR BRAKE HOSE (RIGHT)
ITE(Cont.)									
170, 1700, 1710, 1723, 1724, 1750, 1753, 1754 SERIES CONVENTIONAL CAB, SCHOOL BUS, TILT CAB(Cont.)									
23-123552-004 ²⁶⁶	3-3/8 "	R42R55099	R42R55098 ³⁷	R4066780	R4090021 ²⁰¹	N/A ⁵³	-	R458635	R458635
23-123572-004 ²⁷¹	3-3/8 "	R42R55099	R42R55098 ³⁷	R4066780	R4090021 ²⁰¹	N/A ⁵³	-	R458636	R458636
23-123552-004 ²⁶⁶	3-3/8 "	R42R55099	R42R55098 ³⁷	R4066780	R4090021 ²⁰¹	N/A ⁵³	-	N/A	N/A
23-123552-004 ²⁶⁶	3-3/8 "	R42R55099	R42R55098 ³⁷	R4066780	R4090021 ²⁰¹	N/A ⁵³	-	N/A	N/A
23-123552-004 ²⁶⁶	3-3/8 "	R42R55099	R42R55098 ³⁷	R4066780	R4090021 ²⁰¹	N/A ⁵³	-	R458632	R458632
23-122920-002 ²⁷³	3-3/8 "	R42R55099	R42R55098 ³⁷	R4066780	R4090021 ²⁰¹	N/A ⁵³	-	R458635	R458635
R44141476 ²⁶⁸	3-3/8 "	R42R55099	R42R55098 ³⁷	R4066780	R4090021 ²⁰¹	N/A ⁵³	-	R458632	R458632
23-122920-002 ²⁷³	3-3/8 "	R42R55099	R42R55098 ³⁷	R4066780	R4090021 ²⁰¹	N/A ⁵³	-	N/A	N/A
R44141476 ²⁶⁸	3-3/8 "	R42R55099	R42R55098 ³⁷	R4066780	R4090021 ²⁰¹	N/A ⁵³	-	R458632	R458632
23-122920-002 ²⁷³	3-3/8 "	R42R55099	R42R55098 ³⁷	R4066780	R4090021 ²⁰¹	N/A ⁵³	-	R458635	R458635
R44141476 ²⁶⁸	3-3/8 "	R42R55099	R42R55098 ³⁷	R4066780	R4090021 ²⁰¹	N/A ⁵³	-	R458636	R458636
R44141858 ²⁷⁵	3-3/8 "	R42R55099	R42R55098 ³⁷	R4066780	R4090021 ²⁰¹	N/A ⁵³	-	R458632	R458632
23-123552-004 ²⁶⁶	3-3/8 "	R42R55099	R42R55098 ³⁷	R4066780	R4090021 ²⁰¹	N/A ⁵³	-	R458636	R458636
23-123552-004 ²⁶⁶	3-3/8 "	R42R55099	R42R55098 ³⁷	R4066780	R4090021 ²⁰¹	N/A ⁵³	-	R458636	R458636
23-122920-002 ²⁷³	3-3/8 "	R42R55099	R42R55098 ³⁷	R4066780	R4090021 ²⁰¹	N/A ⁵³	-	R458636	R458636
R44141476 ²⁶⁸	3-3/8 "	R42R55099	R42R55098 ³⁷	R4066780	R4090021 ²⁰¹	N/A ⁵³	-	N/A	N/A
23-123552-004 ²⁶⁶	3-3/8 "	R42R55099	R42R55098 ³⁷	R4066780	R4090021 ²⁰¹	N/A ⁵³	-	R458632	R458632
23-123572-004 ²⁷¹	3-3/8 "	R42R55099	R42R55098 ³⁷	R4066780	R4090021 ²⁰¹	N/A ⁵³	-	R458635	R458635
R44141858 ²⁷⁵	3-3/8 "	R42R55099	R42R55098 ³⁷	R4066780	R4090021 ²⁰¹	N/A ⁵³	-	R458635	R458635
23-122920-002 ²⁷³	2-19/32 "	R42R55245	R42R55245 ³⁸	R402235118	R402238231 ²⁰¹	N/A ⁵³	-	R458636	R458636
23-123552-004 ²⁶⁶	2-19/32 "	R42R55245	R42R55245 ³⁸	R402235118	R402238231 ²⁰¹	N/A ⁵³	-	R458636	R458636
R44141858 ²⁷⁵	2-19/32 "	R42R55245	R42R55245 ³⁸	R402235118	R402238231 ²⁰¹	N/A ⁵³	-	R458632	R458632
23-123572-004 ²⁷¹	2-19/32 "	R42R55245	R42R55245 ³⁸	R402235118	R402238231 ²⁰¹	N/A ⁵³	-	R458632	R458632
R44141476 ²⁶⁸	2-19/32 "	R42R55245	R42R55245 ³⁸	R402235118	R402238231 ²⁰¹	N/A ⁵³	-	R458632	R458632
23-122920-002 ²⁷³	2-19/32 "	R42R55245	R42R55245 ³⁸	R402235118	R402238231 ²⁰¹	N/A ⁵³	-	R458635	R458635
23-122527-002 ²⁷²	2-19/32 "	R42R55245	R42R55245 ³⁸	R402235118	R402238231 ²⁰¹	N/A ⁵³	-	N/A	N/A
23-122527-002 ²⁷²	2-19/32 "	R42R55245	R42R55245 ³⁸	R402235118	R402238231 ²⁰¹	N/A ⁵³	-	R458635	R458635
R44141476 ²⁶⁸	2-19/32 "	R42R55245	R42R55245 ³⁸	R402235118	R402238231 ²⁰¹	N/A ⁵³	-	R458636	R458636
23-123552-004 ²⁶⁶	2-19/32 "	R42R55245	R42R55245 ³⁸	R402235118	R402238231 ²⁰¹	N/A ⁵³	-	N/A	N/A
R44141858 ²⁷⁵	2-19/32 "	R42R55245	R42R55245 ³⁸	R402235118	R402238231 ²⁰¹	N/A ⁵³	-	R458635	R458635
23-123552-004 ²⁶⁶	2-19/32 "	R42R55245	R42R55245 ³⁸	R402235118	R402238231 ²⁰¹	N/A ⁵³	-	R458632	R458632
23-122527-002 ²⁷²	2-19/32 "	R42R55245	R42R55245 ³⁸	R402235118	R402238231 ²⁰¹	N/A ⁵³	-	R458636	R458636
23-123572-004 ²⁷¹	2-19/32 "	R42R55245	R42R55245 ³⁸	R402235118	R402238231 ²⁰¹	N/A ⁵³	-	R458635	R458635
R44141476 ²⁶⁸	2-19/32 "	R42R55245	R42R55245 ³⁸	R402235118	R402238231 ²⁰¹	N/A ⁵³	-	N/A	N/A
23-123552-004 ²⁶⁶	2-19/32 "	R42R55245	R42R55245 ³⁸	R402235118	R402238231 ²⁰¹	N/A ⁵³	-	R458635	R458635
23-123572-004 ²⁷¹	2-19/32 "	R42R55245	R42R55245 ³⁸	R402235118	R402238231 ²⁰¹	N/A ⁵³	-	R458636	R458636
R44141858 ²⁷⁵	2-19/32 "	R42R55245	R42R55245 ³⁸	R402235118	R402238231 ²⁰¹	N/A ⁵³	-	N/A	N/A
23-122920-002 ²⁷³	2-19/32 "	R42R55245	R42R55245 ³⁸	R402235118	R402238231 ²⁰¹	N/A ⁵³	-	R458632	R458632
R44141476 ²⁶⁸	2-19/32 "	R42R55245	R42R55245 ³⁸	R402235118	R402238231 ²⁰¹	N/A ⁵³	-	R458635	R458635
23-122920-002 ²⁷³	2-19/32 "	R42R55245	R42R55245 ³⁸	R402235118	R402238231 ²⁰¹	N/A ⁵³	-	N/A	N/A
R44141858 ²⁷⁵	2-19/32 "	R42R55245	R42R55245 ³⁸	R402235118	R402238231 ²⁰¹	N/A ⁵³	-	R458636	R458636
23-122527-002 ²⁷²	2-19/32 "	R42R55245	R42R55245 ³⁸	R402235118	R402238231 ²⁰¹	N/A ⁵³	-	R458632	R458632
23-123572-004 ²⁷¹	2-19/32 "	R42R55245	R42R55245 ³⁸	R402235118	R402238231 ²⁰¹	N/A ⁵³	-	N/A	N/A
23-122527-002 ²⁷²	2-7/8 "	R429218X	R429218X ³⁹	R406532	R4090070 ⁴⁰	N/A ⁵³	-	R458636	R458636
R44141858 ²⁷⁵	2-7/8 "	R429218X	R429218X ³⁹	R406532	R4090070 ⁴⁰	N/A ⁵³	-	N/A	N/A
23-122920-002 ²⁷³	2-7/8 "	R429218X	R429218X ³⁹	R406532	R4090070 ⁴⁰	N/A ⁵³	-	N/A	N/A
23-122920-002 ²⁷³	2-7/8 "	R429218X	R429218X ³⁹	R406532	R4090070 ⁴⁰	N/A ⁵³	-	R458636	R458636
23-123552-004 ²⁶⁶	2-7/8 "	R429218X	R429218X ³⁹	R406532	R4090070 ⁴⁰	N/A ⁵³	-	N/A	N/A
23-122527-002 ²⁷²	2-7/8 "	R429218X	R429218X ³⁹	R406532	R4090070 ⁴⁰	N/A ⁵³	-	R458632	R458632
R44141476 ²⁶⁸	2-7/8 "	R429218X	R429218X ³⁹	R406532	R4090070 ⁴⁰	N/A ⁵³	-	N/A	N/A
R44141476 ²⁶⁸	2-7/8 "	R429218X	R429218X ³⁹	R406532	R4090070 ⁴⁰	N/A ⁵³	-	R458632	R458632
23-122920-002 ²⁷³	2-7/8 "	R429218X	R429218X ³⁹	R406532	R4090070 ⁴⁰	N/A ⁵³	-	R458635	R458635
R44141476 ²⁶⁸	2-7/8 "	R429218X	R429218X ³⁹	R406532	R4090070 ⁴⁰	N/A ⁵³	-	R458635	R458635
23-122527-002 ²⁷²	2-7/8 "	R429218X	R429218X ³⁹	R406532	R4090070 ⁴⁰	N/A ⁵³	-	R458635	R458635
R44141476 ²⁶⁸	2-7/8 "	R429218X	R429218X ³⁹	R406532	R4090070 ⁴⁰	N/A ⁵³	-	N/A	N/A
23-122527-002 ²⁷²	2-7/8 "	R429218X	R429218X ³⁹	R406532	R4090070 ⁴⁰	N/A ⁵³	-	R458632	R458632
23-122920-002 ²⁷³	2-7/8 "	R429218X	R429218X ³⁹	R406532	R4090070 ⁴⁰	N/A ⁵³	-	R458636	R458636
23-122920-002 ²⁷³	2-7/8 "	R429218X	R429218X ³⁹	R406532	R4090070 ⁴⁰	N/A ⁵³	-	N/A	N/A
R44141858 ²⁷⁵	2-7/8 "	R429218X	R429218X ³⁹	R406532	R4090070 ⁴⁰	N/A ⁵³	-	R458632	R458632
R44141476 ²⁶⁸	2-7/8 "	R429218X	R429218X ³⁹	R406532	R4090070 ⁴⁰	N/A ⁵³	-	N/A	N/A

272 - 6 Stud, U Shape

273 - 5 Stud, U Shape, .780 Dia. Studs

275 - 5 Stud, U Shape, .656 Dia. Studs

MERITOR DRUM OR ROTOR NO.	CALIPER OR CYLINDER BORE SIZE	MERITOR CALIPER OR WHEEL CYLINDER (LEFT)	MERITOR CALIPER OR WHEEL CYLINDER (RIGHT)	MERITOR CALIPER OR WHEEL CYLINDER REPAIR KIT	MERITOR CALIPER PISTON	MERITOR MASTER CYLINDER	MERITOR MASTER CYLINDER KIT	MERITOR BRAKE HOSE (LEFT)	MERITOR BRAKE HOSE (RIGHT)
ITE(Cont.)									
170, 1700, 1710, 1723, 1724, 1750, 1753, 1754 SERIES CONVENTIONAL CAB, SCHOOL BUS, TILT CAB(Cont.)									
23-123552-004 ²⁶⁶	2-7/8 "	R429218X	R429218X ³⁹	R406532	R4090070 ⁴⁰	N/A ⁵³	-	R458632	R458632
23-122527-002 ²⁷²	2-7/8 "	R429218X	R429218X ³⁹	R406532	R4090070 ⁴⁰	N/A ⁵³	-	R458632	R458632
23-122920-002 ²⁷³	2-7/8 "	R429218X	R429218X ³⁹	R406532	R4090070 ⁴⁰	N/A ⁵³	-	R458636	R458636
23-123572-004 ²⁷¹	2-7/8 "	R429218X	R429218X ³⁹	R406532	R4090070 ⁴⁰	N/A ⁵³	-	N/A	N/A
R44141476 ²⁶⁸	2-7/8 "	R429218X	R429218X ³⁹	R406532	R4090070 ⁴⁰	N/A ⁵³	-	R458636	R458636
R44141858 ²⁷⁵	2-7/8 "	R429218X	R429218X ³⁹	R406532	R4090070 ⁴⁰	N/A ⁵³	-	R458635	R458635
R44141858 ²⁷⁵	2-7/8 "	R429218X	R429218X ³⁹	R406532	R4090070 ⁴⁰	N/A ⁵³	-	N/A	N/A
R44141858 ²⁷⁵	2-7/8 "	R429218X	R429218X ³⁹	R406532	R4090070 ⁴⁰	N/A ⁵³	-	N/A	N/A
R44141476 ²⁶⁸	2-7/8 "	R429218X	R429218X ³⁹	R406532	R4090070 ⁴⁰	N/A ⁵³	-	R458632	R458632
R44141476 ²⁶⁸	2-7/8 "	R429218X	R429218X ³⁹	R406532	R4090070 ⁴⁰	N/A ⁵³	-	R458636	R458636
23-123572-004 ²⁷¹	2-7/8 "	R429218X	R429218X ³⁹	R406532	R4090070 ⁴⁰	N/A ⁵³	-	N/A	N/A
23-122920-002 ²⁷³	2-7/8 "	R429218X	R429218X ³⁹	R406532	R4090070 ⁴⁰	N/A ⁵³	-	R458636	R458636
23-122527-002 ²⁷²	2-7/8 "	R429218X	R429218X ³⁹	R406532	R4090070 ⁴⁰	N/A ⁵³	-	N/A	N/A
23-123552-004 ²⁶⁶	2-7/8 "	R429218X	R429218X ³⁹	R406532	R4090070 ⁴⁰	N/A ⁵³	-	N/A	N/A
R44141476 ²⁶⁸	2-7/8 "	R429218X	R429218X ³⁹	R406532	R4090070 ⁴⁰	N/A ⁵³	-	R458632	R458632
23-122920-002 ²⁷³	2-7/8 "	R429218X	R429218X ³⁹	R406532	R4090070 ⁴⁰	N/A ⁵³	-	R458635	R458635
23-123572-004 ²⁷¹	2-7/8 "	R429218X	R429218X ³⁹	R406532	R4090070 ⁴⁰	N/A ⁵³	-	R458635	R458635
23-123552-004 ²⁶⁶	2-7/8 "	R429218X	R429218X ³⁹	R406532	R4090070 ⁴⁰	N/A ⁵³	-	R458636	R458636
R44141858 ²⁷⁵	2-7/8 "	R429218X	R429218X ³⁹	R406532	R4090070 ⁴⁰	N/A ⁵³	-	R458636	R458636
23-123552-004 ²⁶⁶	2-7/8 "	R429218X	R429218X ³⁹	R406532	R4090070 ⁴⁰	N/A ⁵³	-	N/A	N/A
23-122920-002 ²⁷³	2-7/8 "	R429218X	R429218X ³⁹	R406532	R4090070 ⁴⁰	N/A ⁵³	-	N/A	N/A
23-123572-004 ²⁷¹	2-7/8 "	R429218X	R429218X ³⁹	R406532	R4090070 ⁴⁰	N/A ⁵³	-	R458635	R458635
23-122527-002 ²⁷²	2-7/8 "	R429218X	R429218X ³⁹	R406532	R4090070 ⁴⁰	N/A ⁵³	-	N/A	N/A
R44141858 ²⁷⁵	2-7/8 "	R429218X	R429218X ³⁹	R406532	R4090070 ⁴⁰	N/A ⁵³	-	R458632	R458632
23-123572-004 ²⁷¹	2-7/8 "	R429218X	R429218X ³⁹	R406532	R4090070 ⁴⁰	N/A ⁵³	-	R458636	R458636
23-122527-002 ²⁷²	2-7/8 "	R429218X	R429218X ³⁹	R406532	R4090070 ⁴⁰	N/A ⁵³	-	R458636	R458636
23-123552-004 ²⁶⁶	2-7/8 "	R429218X	R429218X ³⁹	R406532	R4090070 ⁴⁰	N/A ⁵³	-	R458636	R458636
23-122527-002 ²⁷²	2-7/8 "	R429218X	R429218X ³⁹	R406532	R4090070 ⁴⁰	N/A ⁵³	-	R458635	R458635
R44141858 ²⁷⁵	2-7/8 "	R429218X	R429218X ³⁹	R406532	R4090070 ⁴⁰	N/A ⁵³	-	R458636	R458636
23-123552-004 ²⁶⁶	2-7/8 "	R429218X	R429218X ³⁹	R406532	R4090070 ⁴⁰	N/A ⁵³	-	R458636	R458636
23-123552-004 ²⁶⁶	2-7/8 "	R429218X	R429218X ³⁹	R406532	R4090070 ⁴⁰	N/A ⁵³	-	R458635	R458635
R44141476 ²⁶⁸	2-7/8 "	R429218X	R429218X ³⁹	R406532	R4090070 ⁴⁰	N/A ⁵³	-	R458632	R458632
23-122920-002 ²⁷³	2-7/8 "	R429218X	R429218X ³⁹	R406532	R4090070 ⁴⁰	N/A ⁵³	-	R458635	R458635
R44141476 ²⁶⁸	2-7/8 "	R429218X	R429218X ³⁹	R406532	R4090070 ⁴⁰	N/A ⁵³	-	N/A	N/A
R44141476 ²⁶⁸	2-7/8 "	R429218X	R429218X ³⁹	R406532	R4090070 ⁴⁰	N/A ⁵³	-	R458635	R458635
R44141858 ²⁷⁵	2-7/8 "	R429218X	R429218X ³⁹	R406532	R4090070 ⁴⁰	N/A ⁵³	-	R458632	R458632
23-122527-002 ²⁷²	2-7/8 "	R429218X	R429218X ³⁹	R406532	R4090070 ⁴⁰	N/A ⁵³	-	R458636	R458636
23-122527-002 ²⁷²	2-7/8 "	R429218X	R429218X ³⁹	R406532	R4090070 ⁴⁰	N/A ⁵³	-	R458636	R458636
23-122527-002 ²⁷²	2-7/8 "	R429218X	R429218X ³⁹	R406532	R4090070 ⁴⁰	N/A ⁵³	-	N/A	N/A
23-122920-002 ²⁷³	2-7/8 "	R429218X	R429218X ³⁹	R406532	R4090070 ⁴⁰	N/A ⁵³	-	R458632	R458632
23-123572-004 ²⁷¹	2-7/8 "	R429218X	R429218X ³⁹	R406532	R4090070 ⁴⁰	N/A ⁵³	-	R458636	R458636
23-123552-004 ²⁶⁶	2-7/8 "	R429218X	R429218X ³⁹	R406532	R4090070 ⁴⁰	N/A ⁵³	-	R458632	R458632
R44141476 ²⁶⁸	2-7/8 "	R429218X	R429218X ³⁹	R406532	R4090070 ⁴⁰	N/A ⁵³	-	N/A	N/A
R44141858 ²⁷⁵	2-7/8 "	R429218X	R429218X ³⁹	R406532	R4090070 ⁴⁰	N/A ⁵³	-	R458636	R458636
23-123572-004 ²⁷¹	2-7/8 "	R429218X	R429218X ³⁹	R406532	R4090070 ⁴⁰	N/A ⁵³	-	N/A	N/A
23-123552-004 ²⁶⁶	2-7/8 "	R429218X	R429218X ³⁹	R406532	R4090070 ⁴⁰	N/A ⁵³	-	R458636	R458636
23-123552-004 ²⁶⁶	2-7/8 "	R429218X	R429218X ³⁹	R406532	R4090070 ⁴⁰	N/A ⁵³	-	R458632	R458632
R44141858 ²⁷⁵	2-7/8 "	R429218X	R429218X ³⁹	R406532	R4090070 ⁴⁰	N/A ⁵³	-	R458635	R458635
23-123572-004 ²⁷¹	2-7/8 "	R429218X	R429218X ³⁹	R406532	R4090070 ⁴⁰	N/A ⁵³	-	N/A	N/A
23-123572-004 ²⁷¹	2-7/8 "	R429218X	R429218X ³⁹	R406532	R4090070 ⁴⁰	N/A ⁵³	-	R458636	R458636
23-123552-004 ²⁶⁶	2-7/8 "	R429218X	R429218X ³⁹	R406532	R4090070 ⁴⁰	N/A ⁵³	-	R458632	R458632
23-123552-004 ²⁶⁶	2-7/8 "	R429218X	R429218X ³⁹	R406532	R4090070 ⁴⁰	N/A ⁵³	-	R458636	R458636
23-122527-002 ²⁷²	2-7/8 "	R429218X	R429218X ³⁹	R406532	R4090070 ⁴⁰	N/A ⁵³	-	R458636	R458636
23-123572-004 ²⁷¹	2-7/8 "	R429218X	R429218X ³⁹	R406532	R4090070 ⁴⁰	N/A ⁵³	-	R458636	R458636
23-123572-004 ²⁷¹	2-7/8 "	R429218X	R429218X ³⁹	R406532	R4090070 ⁴⁰	N/A ⁵³	-	N/A	N/A
23-123552-004 ²⁶⁶	2-7/8 "	R429218X	R429218X ³⁹	R406532	R4090070 ⁴⁰	N/A ⁵³	-	R458636	R458636
23-123552-004 ²⁶⁶	2-7/8 "	R429218X	R429218X ³⁹	R406532	R4090070 ⁴⁰	N/A ⁵³	-	R458632	R458632
23-122527-002 ²⁷²	3-3/8 "	R42R55099	R42R55098 ³⁷	R4066780	R4090021 ²⁰¹	N/A ⁵³	-	R458632	R458632
23-122527-002 ²⁷²	3-3/8 "	R42R55099	R42R55098 ³⁷	R4066780	R4090021 ²⁰¹	N/A ⁵³	-	R458632	R458632
23-122527-002 ²⁷²	3-3/8 "	R42R55099	R42R55098 ³⁷	R4066780	R4090021 ²⁰¹	N/A ⁵³	-	R458636	R458636

1 APPLICATION

273 - 5 Stud, U Shape, .780 Dia. Studs

275 - 5 Stud, U Shape, .656 Dia. Studs

MERITOR DRUM OR ROTOR NO.	CALIPER OR CYLINDER BORE SIZE	MERITOR CALIPER OR WHEEL CYLINDER (LEFT)	MERITOR CALIPER OR WHEEL CYLINDER (RIGHT)	MERITOR CALIPER OR WHEEL CYLINDER REPAIR KIT	MERITOR CALIPER PISTON	MERITOR MASTER CYLINDER	MERITOR MASTER CYLINDER KIT	MERITOR BRAKE HOSE (LEFT)	MERITOR BRAKE HOSE (RIGHT)
ITE(Cont.)									
170, 1700, 1710, 1723, 1724, 1750, 1753, 1754 SERIES CONVENTIONAL CAB, SCHOOL BUS, TILT CAB(Cont.)									
23-122527-002 ²⁷²	3-3/8 "	R42R55099	R42R55098 ³⁷	R4066780	R4090021 ²⁰¹	N/A ⁵³	-	N/A	N/A
23-122527-002 ²⁷²	3-3/8 "	R42R55099	R42R55098 ³⁷	R4066780	R4090021 ²⁰¹	N/A ⁵³	-	N/A	N/A
23-122527-002 ²⁷²	3-3/8 "	R42R55099	R42R55098 ³⁷	R4066780	R4090021 ²⁰¹	N/A ⁵³	-	R458635	R458635
23-122527-002 ²⁷²	3-3/8 "	R42R55099	R42R55098 ³⁷	R4066780	R4090021 ²⁰¹	N/A ⁵³	-	R458635	R458635
23-122527-002 ²⁷²	3-3/8 "	R42R55099	R42R55098 ³⁷	R4066780	R4090021 ²⁰¹	N/A ⁵³	-	R458636	R458636
R44141629 ²⁶⁹	2-7/8 "	R429218X	R429218X ³⁹	R406532	R4090070 ⁴⁰	-	-	R458634 ⁵²	R458634
R44141608 ²⁶⁷	2-19/32 "	R42R55245	R42R55245 ³⁸	R402235118	R402238231 ²⁰¹	-	-	R458634 ⁵²	R458634
23-123552-004 ²⁶⁶	2-19/32 "	R42R55245	R42R55245 ³⁸	R402235118	R402238231 ²⁰¹	-	-	R4577512	R4577512
23-123552-004 ²⁶⁶	2-7/8 "	R429218X	R429218X ³⁹	R406532	R4090070 ⁴⁰	-	-	R458634 ⁵²	R458634
R44141627 ²⁷⁰	2-7/8 "	R429218X	R429218X ³⁹	R406532	R4090070 ⁴⁰	-	-	R4577512	R4577512
R44141628 ²⁶⁹	2-7/8 "	R429218X	R429218X ³⁹	R406532	R4090070 ⁴⁰	-	-	R458634 ⁵²	R458634
23-123552-004 ²⁶⁶	2-19/32 "	R42R55245	R42R55245 ³⁸	R402235118	R402238231 ²⁰¹	-	-	R458634 ⁵²	R458634
R44141608 ²⁶⁷	2-7/8 "	R429218X	R429218X ³⁹	R406532	R4090070 ⁴⁰	-	-	R4577512	R4577512
R44141629 ²⁶⁹	2-7/8 "	R429218X	R429218X ³⁹	R406532	R4090070 ⁴⁰	-	-	R4577512	R4577512
R44141628 ²⁶⁹	2-7/8 "	R429218X	R429218X ³⁹	R406532	R4090070 ⁴⁰	-	-	R458634 ⁵²	R458634
23-123552-004 ²⁶⁶	2-7/8 "	R429218X	R429218X ³⁹	R406532	R4090070 ⁴⁰	-	-	R458634 ⁵²	R458634
R44141629 ²⁶⁹	2-19/32 "	R42R55245	R42R55245 ³⁸	R402235118	R402238231 ²⁰¹	-	-	R458634 ⁵²	R458634
23-122527-002 ²⁷²	2-7/8 "	R429218X	R429218X ³⁹	R406532	R4090070 ⁴⁰	-	-	R4577512	R4577512
R44141629 ²⁶⁹	2-7/8 "	R429218X	R429218X ³⁹	R406532	R4090070 ⁴⁰	-	-	R458634 ⁵²	R458634
23-122527-002 ²⁷²	2-19/32 "	R42R55245	R42R55245 ³⁸	R402235118	R402238231 ²⁰¹	-	-	R4577512	R4577512
R44141628 ²⁶⁹	2-19/32 "	R42R55245	R42R55245 ³⁸	R402235118	R402238231 ²⁰¹	-	-	R4577512	R4577512
23-122527-002 ²⁷²	2-7/8 "	R429218X	R429218X ³⁹	R406532	R4090070 ⁴⁰	-	-	R4577512	R4577512
R44141628 ²⁶⁹	2-7/8 "	R429218X	R429218X ³⁹	R406532	R4090070 ⁴⁰	-	-	R4577512	R4577512
23-122527-002 ²⁷²	2-7/8 "	R429218X	R429218X ³⁹	R406532	R4090070 ⁴⁰	-	-	R4577512	R4577512
R44141627 ²⁷⁰	2-7/8 "	R429218X	R429218X ³⁹	R406532	R4090070 ⁴⁰	-	-	R4577512	R4577512
R44141608 ²⁶⁷	2-7/8 "	R429218X	R429218X ³⁹	R406532	R4090070 ⁴⁰	-	-	R4577512	R4577512
23-123572-004 ²⁷¹	2-7/8 "	R429218X	R429218X ³⁹	R406532	R4090070 ⁴⁰	-	-	R458634 ⁵²	R458634
23-123572-004 ²⁷¹	2-7/8 "	R429218X	R429218X ³⁹	R406532	R4090070 ⁴⁰	-	-	R458634 ⁵²	R458634
R44141627 ²⁷⁰	2-7/8 "	R429218X	R429218X ³⁹	R406532	R4090070 ⁴⁰	-	-	R458634 ⁵²	R458634
23-123552-004 ²⁶⁶	2-19/32 "	R42R55245	R42R55245 ³⁸	R402235118	R402238231 ²⁰¹	-	-	R4577512	R4577512
R44141628 ²⁶⁹	2-19/32 "	R42R55245	R42R55245 ³⁸	R402235118	R402238231 ²⁰¹	-	-	R4577512	R4577512
23-122527-002 ²⁷²	2-7/8 "	R429218X	R429218X ³⁹	R406532	R4090070 ⁴⁰	-	-	R4577512	R4577512
R44141627 ²⁷⁰	2-7/8 "	R429218X	R429218X ³⁹	R406532	R4090070 ⁴⁰	-	-	R458634 ⁵²	R458634
23-123572-004 ²⁷¹	2-19/32 "	R42R55245	R42R55245 ³⁸	R402235118	R402238231 ²⁰¹	-	-	R4577512	R4577512
23-123552-004 ²⁶⁶	2-7/8 "	R429218X	R429218X ³⁹	R406532	R4090070 ⁴⁰	-	-	R4577512	R4577512
23-122527-002 ²⁷²	2-7/8 "	R429218X	R429218X ³⁹	R406532	R4090070 ⁴⁰	-	-	R458634 ⁵²	R458634
R44141608 ²⁶⁷	2-7/8 "	R429218X	R429218X ³⁹	R406532	R4090070 ⁴⁰	-	-	R4577512	R4577512
R44141628 ²⁶⁹	2-19/32 "	R42R55245	R42R55245 ³⁸	R402235118	R402238231 ²⁰¹	-	-	R458634 ⁵²	R458634
R44141627 ²⁷⁰	2-7/8 "	R429218X	R429218X ³⁹	R406532	R4090070 ⁴⁰	-	-	R458634 ⁵²	R458634
23-123552-004 ²⁶⁶	2-19/32 "	R42R55245	R42R55245 ³⁸	R402235118	R402238231 ²⁰¹	-	-	R458634 ⁵²	R458634
23-123572-004 ²⁷¹	2-19/32 "	R42R55245	R42R55245 ³⁸	R402235118	R402238231 ²⁰¹	-	-	R4577512	R4577512
23-123572-004 ²⁷¹	2-7/8 "	R429218X	R429218X ³⁹	R406532	R4090070 ⁴⁰	-	-	R458634 ⁵²	R458634
R44141608 ²⁶⁷	2-7/8 "	R429218X	R429218X ³⁹	R406532	R4090070 ⁴⁰	-	-	R458634 ⁵²	R458634
23-123572-004 ²⁷¹	2-19/32 "	R42R55245	R42R55245 ³⁸	R402235118	R402238231 ²⁰¹	-	-	R458634 ⁵²	R458634
R44141608 ²⁶⁷	2-7/8 "	R429218X	R429218X ³⁹	R406532	R4090070 ⁴⁰	-	-	R458634 ⁵²	R458634
R44141627 ²⁷⁰	2-19/32 "	R42R55245	R42R55245 ³⁸	R402235118	R402238231 ²⁰¹	-	-	R4577512	R4577512
R44141608 ²⁶⁷	2-7/8 "	R429218X	R429218X ³⁹	R406532	R4090070 ⁴⁰	-	-	R458634 ⁵²	R458634
23-123572-004 ²⁷¹	2-7/8 "	R429218X	R429218X ³⁹	R406532	R4090070 ⁴⁰	-	-	R4577512	R4577512
R44141628 ²⁶⁹	2-19/32 "	R42R55245	R42R55245 ³⁸	R402235118	R402238231 ²⁰¹	-	-	R458634 ⁵²	R458634
R44141627 ²⁷⁰	2-19/32 "	R42R55245	R42R55245 ³⁸	R402235118	R402238231 ²⁰¹	-	-	R458634 ⁵²	R458634
23-122527-002 ²⁷²	2-7/8 "	R429218X	R429218X ³⁹	R406532	R4090070 ⁴⁰	-	-	R458634 ⁵²	R458634
R44141628 ²⁶⁹	2-7/8 "	R429218X	R429218X ³⁹	R406532	R4090070 ⁴⁰	-	-	R4577512	R4577512
R44141629 ²⁶⁹	2-7/8 "	R429218X	R429218X ³⁹	R406532	R4090070 ⁴⁰	-	-	R4577512	R4577512
23-122527-002 ²⁷²	2-7/8 "	R429218X	R429218X ³⁹	R406532	R4090070 ⁴⁰	-	-	R458634 ⁵²	R458634
R44141629 ²⁶⁹	2-7/8 "	R429218X	R429218X ³⁹	R406532	R4090070 ⁴⁰	-	-	R4577512	R4577512
23-123572-004 ²⁷¹	2-19/32 "	R42R55245	R42R55245 ³⁸	R402235118	R402238231 ²⁰¹	-	-	R458634 ⁵²	R458634
R44141627 ²⁷⁰	2-7/8 "	R429218X	R429218X ³⁹	R406532	R4090070 ⁴⁰	-	-	R4577512	R4577512
R44141629 ²⁶⁹	2-19/32 "	R42R55245	R42R55245 ³⁸	R402235118	R402238231 ²⁰¹	-	-	R458634 ⁵²	R458634
23-123552-004 ²⁶⁶	2-7/8 "	R429218X	R429218X ³⁹	R406532	R4090070 ⁴⁰	-	-	R4577512	R4577512
R44141608 ²⁶⁷	2-19/32 "	R42R55245	R42R55245 ³⁸	R402235118	R402238231 ²⁰¹	-	-	R4577512	R4577512
R44141629 ²⁶⁹	2-7/8 "	R429218X	R429218X ³⁹	R406532	R4090070 ⁴⁰	-	-	R458634 ⁵²	R458634
R44141628 ²⁶⁹	2-7/8 "	R429218X	R429218X ³⁹	R406532	R4090070 ⁴⁰	-	-	R4577512	R4577512

1 APPLICATION

269 - 5 Stud, U Shape

270 - 5 Stud, U Shape, .766 Dia. Studs

271 - 6 Stud, Hat Shape

272 - 6 Stud, U Shape

MERITOR DRUM OR ROTOR NO.	CALIPER OR CYLINDER BORE SIZE	MERITOR CALIPER OR WHEEL CYLINDER (LEFT)	MERITOR CALIPER OR WHEEL CYLINDER (RIGHT)	MERITOR CALIPER OR WHEEL CYLINDER REPAIR KIT	MERITOR CALIPER PISTON	MERITOR MASTER CYLINDER	MERITOR MASTER CYLINDER KIT	MERITOR BRAKE HOSE (LEFT)	MERITOR BRAKE HOSE (RIGHT)
ITE(Cont.)									
170, 1700, 1710, 1723, 1724, 1750, 1753, 1754 SERIES CONVENTIONAL CAB, SCHOOL BUS, TILT CAB(Cont.)									
R44141608 ²⁶⁷	2-19/32 "	R42R55245	R42R55245 ³⁸	R402235118	R402238231 ²⁰¹	-	-	R4577512	R4577512
23-123552-004 ²⁶⁶	2-7/8 "	R429218X	R429218X ³⁹	R406532	R4090070 ⁴⁰	-	-	R4577512	R4577512
23-123572-004 ²⁷¹	2-7/8 "	R429218X	R429218X ³⁹	R406532	R4090070 ⁴⁰	-	-	R4577512	R4577512
R44141628 ²⁶⁹	2-7/8 "	R429218X	R429218X ³⁹	R406532	R4090070 ⁴⁰	-	-	R458634 ⁴⁵²	R458634
R44141629 ²⁶⁹	2-19/32 "	R42R55245	R42R55245 ³⁸	R402235118	R402238231 ²⁰¹	-	-	R458634 ⁴⁵²	R458634
R44141629 ²⁶⁹	2-19/32 "	R42R55245	R42R55245 ³⁸	R402235118	R402238231 ²⁰¹	-	-	R4577512	R4577512
23-123572-004 ²⁷¹	2-7/8 "	R429218X	R429218X ³⁹	R406532	R4090070 ⁴⁰	-	-	R4577512	R4577512
23-123552-004 ²⁶⁶	2-7/8 "	R429218X	R429218X ³⁹	R406532	R4090070 ⁴⁰	-	-	R458634 ⁴⁵²	R458634
23-122527-002 ²⁷²	2-19/32 "	R42R55245	R42R55245 ³⁸	R402235118	R402238231 ²⁰¹	-	-	R4577512	R4577512
R44141858 ²⁷⁵	3-3/8 "	R42R55099	R42R55098 ³⁷	R4066780	R4090021 ²⁰¹	-	-	-	-
R44141858 ²⁷⁵	3-3/8 "	R42R55099	R42R55098 ³⁷	R4066780	R4090021 ²⁰¹	-	-	-	-
23-123552-004 ²⁶⁶	3-3/8 "	R42R55099	R42R55098 ³⁷	R4066780	R4090021 ²⁰¹	-	-	-	-
23-122920-002 ²⁷³	3-3/8 "	R42R55099	R42R55098 ³⁷	R4066780	R4090021 ²⁰¹	-	-	-	-
23-123572-004 ²⁷¹	3-3/8 "	R42R55099	R42R55098 ³⁷	R4066780	R4090021 ²⁰¹	-	-	-	-
23-122920-002 ²⁷³	3-3/8 "	R42R55099	R42R55098 ³⁷	R4066780	R4090021 ²⁰¹	-	-	-	-
R44141476 ²⁶⁸	3-3/8 "	R42R55099	R42R55098 ³⁷	R4066780	R4090021 ²⁰¹	-	-	-	-
23-123552-004 ²⁶⁶	3-3/8 "	R42R55099	R42R55098 ³⁷	R4066780	R4090021 ²⁰¹	-	-	-	-
23-123572-004 ²⁷¹	3-3/8 "	R42R55099	R42R55098 ³⁷	R4066780	R4090021 ²⁰¹	-	-	-	-
R44141476 ²⁶⁸	3-3/8 "	R42R55099	R42R55098 ³⁷	R4066780	R4090021 ²⁰¹	-	-	-	-
23-122527-002 ²⁷²	2-19/32 "	R42R55245	R42R55245 ³⁸	R402235118	R402238231 ²⁰¹	-	-	-	-
R44141476 ²⁶⁸	2-19/32 "	R42R55245	R42R55245 ³⁸	R402235118	R402238231 ²⁰¹	-	-	-	-
23-123552-004 ²⁶⁶	2-19/32 "	R42R55245	R42R55245 ³⁸	R402235118	R402238231 ²⁰¹	-	-	-	-
23-123572-004 ²⁷¹	2-19/32 "	R42R55245	R42R55245 ³⁸	R402235118	R402238231 ²⁰¹	-	-	-	-
23-122920-002 ²⁷³	2-19/32 "	R42R55245	R42R55245 ³⁸	R402235118	R402238231 ²⁰¹	-	-	-	-
R44141858 ²⁷⁵	2-19/32 "	R42R55245	R42R55245 ³⁸	R402235118	R402238231 ²⁰¹	-	-	-	-
23-123572-004 ²⁷¹	2-7/8 "	R429218X	R429218X ³⁹	R406532	R4090070 ⁴⁰	-	-	-	-
23-122920-002 ²⁷³	2-7/8 "	R429218X	R429218X ³⁹	R406532	R4090070 ⁴⁰	-	-	-	-
R44141858 ²⁷⁵	2-7/8 "	R429218X	R429218X ³⁹	R406532	R4090070 ⁴⁰	-	-	-	-
23-122920-002 ²⁷³	2-7/8 "	R429218X	R429218X ³⁹	R406532	R4090070 ⁴⁰	-	-	-	-
23-122527-002 ²⁷²	2-7/8 "	R429218X	R429218X ³⁹	R406532	R4090070 ⁴⁰	-	-	-	-
R44141858 ²⁷⁵	2-7/8 "	R429218X	R429218X ³⁹	R406532	R4090070 ⁴⁰	-	-	-	-
23-123572-004 ²⁷¹	2-7/8 "	R429218X	R429218X ³⁹	R406532	R4090070 ⁴⁰	-	-	-	-
R44141476 ²⁶⁸	2-7/8 "	R429218X	R429218X ³⁹	R406532	R4090070 ⁴⁰	-	-	-	-
R44141476 ²⁶⁸	2-7/8 "	R429218X	R429218X ³⁹	R406532	R4090070 ⁴⁰	-	-	-	-
23-122527-002 ²⁷²	2-7/8 "	R429218X	R429218X ³⁹	R406532	R4090070 ⁴⁰	-	-	-	-
R44141476 ²⁶⁸	2-7/8 "	R429218X	R429218X ³⁹	R406532	R4090070 ⁴⁰	-	-	-	-
23-123552-004 ²⁶⁶	2-7/8 "	R429218X	R429218X ³⁹	R406532	R4090070 ⁴⁰	-	-	-	-
23-123552-004 ²⁶⁶	2-7/8 "	R429218X	R429218X ³⁹	R406532	R4090070 ⁴⁰	-	-	-	-
R44141476 ²⁶⁸	2-7/8 "	R429218X	R429218X ³⁹	R406532	R4090070 ⁴⁰	-	-	-	-
R44141858 ²⁷⁵	2-7/8 "	R429218X	R429218X ³⁹	R406532	R4090070 ⁴⁰	-	-	-	-
23-122527-002 ²⁷²	2-7/8 "	R429218X	R429218X ³⁹	R406532	R4090070 ⁴⁰	-	-	-	-
23-123552-004 ²⁶⁶	2-7/8 "	R429218X	R429218X ³⁹	R406532	R4090070 ⁴⁰	-	-	-	-
23-122527-002 ²⁷²	2-7/8 "	R429218X	R429218X ³⁹	R406532	R4090070 ⁴⁰	-	-	-	-
23-123552-004 ²⁶⁶	2-7/8 "	R429218X	R429218X ³⁹	R406532	R4090070 ⁴⁰	-	-	-	-
23-122527-002 ²⁷²	2-7/8 "	R429218X	R429218X ³⁹	R406532	R4090070 ⁴⁰	-	-	-	-
23-123572-004 ²⁷¹	2-7/8 "	R429218X	R429218X ³⁹	R406532	R4090070 ⁴⁰	-	-	-	-
R44141858 ²⁷⁵	2-7/8 "	R429218X	R429218X ³⁹	R406532	R4090070 ⁴⁰	-	-	-	-
23-122527-002 ²⁷²	2-7/8 "	R429218X	R429218X ³⁹	R406532	R4090070 ⁴⁰	-	-	-	-
23-123552-004 ²⁶⁶	2-7/8 "	R429218X	R429218X ³⁹	R406532	R4090070 ⁴⁰	-	-	-	-
R44141858 ²⁷⁵	2-7/8 "	R429218X	R429218X ³⁹	R406532	R4090070 ⁴⁰	-	-	-	-
23-122920-002 ²⁷³	2-7/8 "	R429218X	R429218X ³⁹	R406532	R4090070 ⁴⁰	-	-	-	-
23-122920-002 ²⁷³	2-7/8 "	R429218X	R429218X ³⁹	R406532	R4090070 ⁴⁰	-	-	-	-
23-123572-004 ²⁷¹	2-7/8 "	R429218X	R429218X ³⁹	R406532	R4090070 ⁴⁰	-	-	-	-
23-123552-004 ²⁶⁶	2-7/8 "	R429218X	R429218X ³⁹	R406532	R4090070 ⁴⁰	-	-	-	-
R44141476 ²⁶⁸	2-7/8 "	R429218X	R429218X ³⁹	R406532	R4090070 ⁴⁰	-	-	-	-
23-123572-004 ²⁷¹	2-7/8 "	R429218X	R429218X ³⁹	R406532	R4090070 ⁴⁰	-	-	-	-
R44141476 ²⁶⁸	2-7/8 "	R429218X	R429218X ³⁹	R406532	R4090070 ⁴⁰	-	-	-	-
23-123572-004 ²⁷¹	2-7/8 "	R429218X	R429218X ³⁹	R406532	R4090070 ⁴⁰	-	-	-	-
23-122920-002 ²⁷³	2-7/8 "	R429218X	R429218X ³⁹	R406532	R4090070 ⁴⁰	-	-	-	-

1 APPLICATION

269 - 5 Stud, U Shape

271 - 6 Stud, Hat Shape

272 - 6 Stud, U Shape

273 - 5 Stud, U Shape, .780 Dia. Studs

275 - 5 Stud, U Shape, .656 Dia. Studs

MERITOR DRUM OR ROTOR NO.	CALIPER OR CYLINDER BORE SIZE	MERITOR CALIPER OR WHEEL CYLINDER (LEFT)	MERITOR CALIPER OR WHEEL CYLINDER (RIGHT)	MERITOR CALIPER OR WHEEL CYLINDER REPAIR KIT	MERITOR CALIPER PISTON	MERITOR MASTER CYLINDER	MERITOR MASTER CYLINDER KIT	MERITOR BRAKE HOSE (LEFT)	MERITOR BRAKE HOSE (RIGHT)
ITE(Cont.)									
170, 1700, 1710, 1723, 1724, 1750, 1753, 1754 SERIES CONVENTIONAL CAB, SCHOOL BUS, TILT CAB(Cont.)									
23-122920-002 ²⁷³	2-7/8 "	R429218X	R429218X ³⁹	R406532	R4090070 ⁴⁰	N/A ⁵³	-	-	-
R44141858 ²⁷⁵	2-7/8 "	R429218X	R429218X ³⁹	R406532	R4090070 ⁴⁰	N/A ⁵³	-	-	-
R44141476 ²⁶⁸	2-7/8 "	R429218X	R429218X ³⁹	R406532	R4090070 ⁴⁰	N/A ⁵³	-	-	-
23-123572-004 ²⁷¹	2-7/8 "	R429218X	R429218X ³⁹	R406532	R4090070 ⁴⁰	N/A ⁵³	-	-	-
R44141858 ²⁷⁵	2-7/8 "	R429218X	R429218X ³⁹	R406532	R4090070 ⁴⁰	N/A ⁵³	-	-	-
R44141476 ²⁶⁸	2-7/8 "	R429218X	R429218X ³⁹	R406532	R4090070 ⁴⁰	N/A ⁵³	-	-	-
23-123552-004 ²⁶⁶	2-7/8 "	R429218X	R429218X ³⁹	R406532	R4090070 ⁴⁰	N/A ⁵³	-	-	-
23-123572-004 ²⁷¹	2-7/8 "	R429218X	R429218X ³⁹	R406532	R4090070 ⁴⁰	N/A ⁵³	-	-	-
23-122527-002 ²⁷²	2-7/8 "	R429218X	R429218X ³⁹	R406532	R4090070 ⁴⁰	N/A ⁵³	-	-	-
23-123572-004 ²⁷¹	2-7/8 "	R429218X	R429218X ³⁹	R406532	R4090070 ⁴⁰	N/A ⁵³	-	-	-
R44141858 ²⁷⁵	2-7/8 "	R429218X	R429218X ³⁹	R406532	R4090070 ⁴⁰	N/A ⁵³	-	-	-
23-123572-004 ²⁷¹	2-7/8 "	R429218X	R429218X ³⁹	R406532	R4090070 ⁴⁰	N/A ⁵³	-	-	-
23-122920-002 ²⁷³	2-7/8 "	R429218X	R429218X ³⁹	R406532	R4090070 ⁴⁰	N/A ⁵³	-	-	-
R44141476 ²⁶⁸	2-7/8 "	R429218X	R429218X ³⁹	R406532	R4090070 ⁴⁰	N/A ⁵³	-	-	-
R44141858 ²⁷⁵	2-7/8 "	R429218X	R429218X ³⁹	R406532	R4090070 ⁴⁰	N/A ⁵³	-	-	-
23-123572-004 ²⁷¹	2-7/8 "	R429218X	R429218X ³⁹	R406532	R4090070 ⁴⁰	N/A ⁵³	-	-	-
R44141476 ²⁶⁸	2-7/8 "	R429218X	R429218X ³⁹	R406532	R4090070 ⁴⁰	N/A ⁵³	-	-	-
23-122920-002 ²⁷³	2-7/8 "	R429218X	R429218X ³⁹	R406532	R4090070 ⁴⁰	N/A ⁵³	-	-	-
R44141858 ²⁷⁵	2-7/8 "	R429218X	R429218X ³⁹	R406532	R4090070 ⁴⁰	N/A ⁵³	-	-	-
23-122920-002 ²⁷³	2-7/8 "	R429218X	R429218X ³⁹	R406532	R4090070 ⁴⁰	N/A ⁵³	-	-	-
23-123552-004 ²⁶⁶	2-7/8 "	R429218X	R429218X ³⁹	R406532	R4090070 ⁴⁰	-	-	-	-
23-123552-004 ²⁶⁶	2-7/8 "	R429218X	R429218X ³⁹	R406532	R4090070 ⁴⁰	-	-	-	-
23-123572-004 ²⁷¹	2-19/32 "	R42R55245	R42R55245 ³⁸	R402235118	R402238231 ²⁰¹	-	-	-	-
R44141628 ²⁶⁹	2-19/32 "	R42R55245	R42R55245 ³⁸	R402235118	R402238231 ²⁰¹	-	-	-	-
R44141608 ²⁶⁷	2-7/8 "	R429218X	R429218X ³⁹	R406532	R4090070 ⁴⁰	-	-	-	-
R44141608 ²⁶⁷	2-19/32 "	R42R55245	R42R55245 ³⁸	R402235118	R402238231 ²⁰¹	-	-	-	-
23-123572-004 ²⁷¹	2-7/8 "	R429218X	R429218X ³⁹	R406532	R4090070 ⁴⁰	-	-	-	-
R44141608 ²⁶⁷	2-19/32 "	R42R55245	R42R55245 ³⁸	R402235118	R402238231 ²⁰¹	-	-	-	-
R44141628 ²⁶⁹	2-7/8 "	R429218X	R429218X ³⁹	R406532	R4090070 ⁴⁰	-	-	-	-
R44141628 ²⁶⁹	2-19/32 "	R42R55245	R42R55245 ³⁸	R402235118	R402238231 ²⁰¹	-	-	-	-
R44141608 ²⁶⁷	2-7/8 "	R429218X	R429218X ³⁹	R406532	R4090070 ⁴⁰	-	-	-	-
23-123552-004 ²⁶⁶	2-7/8 "	R429218X	R429218X ³⁹	R406532	R4090070 ⁴⁰	-	-	-	-
R44141629 ²⁶⁹	2-7/8 "	R429218X	R429218X ³⁹	R406532	R4090070 ⁴⁰	-	-	-	-
23-122527-002 ²⁷²	2-7/8 "	R429218X	R429218X ³⁹	R406532	R4090070 ⁴⁰	-	-	-	-
R44141627 ²⁷⁰	2-7/8 "	R429218X	R429218X ³⁹	R406532	R4090070 ⁴⁰	-	-	-	-
23-122527-002 ²⁷²	2-7/8 "	R429218X	R429218X ³⁹	R406532	R4090070 ⁴⁰	-	-	-	-
23-123572-004 ²⁷¹	2-19/32 "	R42R55245	R42R55245 ³⁸	R402235118	R402238231 ²⁰¹	-	-	-	-
R44141627 ²⁷⁰	2-7/8 "	R429218X	R429218X ³⁹	R406532	R4090070 ⁴⁰	-	-	-	-
23-123552-004 ²⁶⁶	2-19/32 "	R42R55245	R42R55245 ³⁸	R402235118	R402238231 ²⁰¹	-	-	-	-
23-123552-004 ²⁶⁶	2-19/32 "	R42R55245	R42R55245 ³⁸	R402235118	R402238231 ²⁰¹	-	-	-	-
23-123572-004 ²⁷¹	2-7/8 "	R429218X	R429218X ³⁹	R406532	R4090070 ⁴⁰	-	-	-	-
R44141628 ²⁶⁹	2-7/8 "	R429218X	R429218X ³⁹	R406532	R4090070 ⁴⁰	-	-	-	-
R44141629 ²⁶⁹	2-19/32 "	R42R55245	R42R55245 ³⁸	R402235118	R402238231 ²⁰¹	-	-	-	-
23-123572-004 ²⁷¹	2-7/8 "	R429218X	R429218X ³⁹	R406532	R4090070 ⁴⁰	-	-	-	-
23-122527-002 ²⁷²	2-19/32 "	R42R55245	R42R55245 ³⁸	R402235118	R402238231 ²⁰¹	-	-	-	-
R44141629 ²⁶⁹	2-7/8 "	R429218X	R429218X ³⁹	R406532	R4090070 ⁴⁰	-	-	-	-
R44141627 ²⁷⁰	2-19/32 "	R42R55245	R42R55245 ³⁸	R402235118	R402238231 ²⁰¹	-	-	-	-
R44141629 ²⁶⁹	2-7/8 "	R429218X	R429218X ³⁹	R406532	R4090070 ⁴⁰	-	-	-	-
R44141608 ²⁶⁷	2-7/8 "	R429218X	R429218X ³⁹	R406532	R4090070 ⁴⁰	-	-	-	-
R44141629 ²⁶⁹	2-19/32 "	R42R55245	R42R55245 ³⁸	R402235118	R402238231 ²⁰¹	-	-	-	-
23-122527-002 ²⁷²	2-7/8 "	R429218X	R429218X ³⁹	R406532	R4090070 ⁴⁰	-	-	-	-
R44141627 ²⁷⁰	2-7/8 "	R429218X	R429218X ³⁹	R406532	R4090070 ⁴⁰	-	-	-	-
R44141628 ²⁶⁹	2-7/8 "	R429218X	R429218X ³⁹	R406532	R4090070 ⁴⁰	-	-	-	-
23-123552-004 ²⁶⁶	3-3/8 "	R42R55099	R42R55098 ³⁷	R4066780	R4090021 ²⁰¹	N/A ⁵³	-	R458635	R458635
23-123572-004 ²⁷¹	3-3/8 "	R42R55099	R42R55098 ³⁷	R4066780	R4090021 ²⁰¹	N/A ⁵³	-	N/A	N/A
23-123552-004 ²⁶⁶	3-3/8 "	R42R55099	R42R55098 ³⁷	R4066780	R4090021 ²⁰¹	N/A ⁵³	-	R458635	R458635
R44141858 ²⁷⁵	3-3/8 "	R42R55099	R42R55098 ³⁷	R4066780	R4090021 ²⁰¹	N/A ⁵³	-	R458632	R458632
R44141476 ²⁶⁸	3-3/8 "	R42R55099	R42R55098 ³⁷	R4066780	R4090021 ²⁰¹	N/A ⁵³	-	R458636	R458636
R44141858 ²⁷⁵	3-3/8 "	R42R55099	R42R55098 ³⁷	R4066780	R4090021 ²⁰¹	N/A ⁵³	-	N/A	N/A
23-123572-004 ²⁷¹	3-3/8 "	R42R55099	R42R55098 ³⁷	R4066780	R4090021 ²⁰¹	N/A ⁵³	-	R458632	R458632

1 APPLICATION

269 - 5 Stud, U Shape

270 - 5 Stud, U Shape, .766 Dia. Studs

271 - 6 Stud, Hat Shape

272 - 6 Stud, U Shape

273 - 5 Stud, U Shape, .780 Dia. Studs

275 - 5 Stud, U Shape, .656 Dia. Studs

MERITOR DRUM OR ROTOR NO.	CALIPER OR CYLINDER BORE SIZE	MERITOR CALIPER OR WHEEL CYLINDER (LEFT)	MERITOR CALIPER OR WHEEL CYLINDER (RIGHT)	MERITOR CALIPER OR WHEEL CYLINDER REPAIR KIT	MERITOR CALIPER PISTON	MERITOR MASTER CYLINDER	MERITOR MASTER CYLINDER KIT	MERITOR BRAKE HOSE (LEFT)	MERITOR BRAKE HOSE (RIGHT)
ITE(Cont.)									
170, 1700, 1710, 1723, 1724, 1750, 1753, 1754 SERIES CONVENTIONAL CAB, SCHOOL BUS, TILT CAB(Cont.)									
23-122920-002 ²⁷³	3-3/8 "	R42R55099	R42R55098 ³⁷	R4066780	R4090021 ²⁰¹	N/A ⁵³	-	R458635	R458635
23-122920-002 ²⁷³	3-3/8 "	R42R55099	R42R55098 ³⁷	R4066780	R4090021 ²⁰¹	N/A ⁵³	-	R458635	R458635
R44141476 ²⁶⁸	3-3/8 "	R42R55099	R42R55098 ³⁷	R4066780	R4090021 ²⁰¹	N/A ⁵³	-	N/A	N/A
R44141476 ²⁶⁸	3-3/8 "	R42R55099	R42R55098 ³⁷	R4066780	R4090021 ²⁰¹	N/A ⁵³	-	R458635	R458635
23-122920-002 ²⁷³	3-3/8 "	R42R55099	R42R55098 ³⁷	R4066780	R4090021 ²⁰¹	N/A ⁵³	-	R458632	R458632
R44141476 ²⁶⁸	3-3/8 "	R42R55099	R42R55098 ³⁷	R4066780	R4090021 ²⁰¹	N/A ⁵³	-	N/A	N/A
23-122920-002 ²⁷³	3-3/8 "	R42R55099	R42R55098 ³⁷	R4066780	R4090021 ²⁰¹	N/A ⁵³	-	R458632	R458632
R44141858 ²⁷⁵	3-3/8 "	R42R55099	R42R55098 ³⁷	R4066780	R4090021 ²⁰¹	N/A ⁵³	-	R458636	R458636
23-123572-004 ²⁷¹	3-3/8 "	R42R55099	R42R55098 ³⁷	R4066780	R4090021 ²⁰¹	N/A ⁵³	-	R458636	R458636
23-123552-004 ²⁶⁶	3-3/8 "	R42R55099	R42R55098 ³⁷	R4066780	R4090021 ²⁰¹	N/A ⁵³	-	R458636	R458636
R44141858 ²⁷⁵	3-3/8 "	R42R55099	R42R55098 ³⁷	R4066780	R4090021 ²⁰¹	N/A ⁵³	-	N/A	N/A
R44141858 ²⁷⁵	3-3/8 "	R42R55099	R42R55098 ³⁷	R4066780	R4090021 ²⁰¹	N/A ⁵³	-	R458636	R458636
23-123572-004 ²⁷¹	3-3/8 "	R42R55099	R42R55098 ³⁷	R4066780	R4090021 ²⁰¹	N/A ⁵³	-	R458636	R458636
R44141476 ²⁶⁸	3-3/8 "	R42R55099	R42R55098 ³⁷	R4066780	R4090021 ²⁰¹	N/A ⁵³	-	R458632	R458632
R44141858 ²⁷⁵	3-3/8 "	R42R55099	R42R55098 ³⁷	R4066780	R4090021 ²⁰¹	N/A ⁵³	-	R458632	R458632
R44141858 ²⁷⁵	3-3/8 "	R42R55099	R42R55098 ³⁷	R4066780	R4090021 ²⁰¹	N/A ⁵³	-	R458632	R458632
23-122920-002 ²⁷³	3-3/8 "	R42R55099	R42R55098 ³⁷	R4066780	R4090021 ²⁰¹	N/A ⁵³	-	N/A	N/A
R44141476 ²⁶⁸	3-3/8 "	R42R55099	R42R55098 ³⁷	R4066780	R4090021 ²⁰¹	N/A ⁵³	-	R458632	R458632
R44141858 ²⁷⁵	3-3/8 "	R42R55099	R42R55098 ³⁷	R4066780	R4090021 ²⁰¹	N/A ⁵³	-	R458635	R458635
R44141858 ²⁷⁵	3-3/8 "	R42R55099	R42R55098 ³⁷	R4066780	R4090021 ²⁰¹	N/A ⁵³	-	R458635	R458635
23-122920-002 ²⁷³	3-3/8 "	R42R55099	R42R55098 ³⁷	R4066780	R4090021 ²⁰¹	N/A ⁵³	-	R458635	R458635
23-123552-004 ²⁶⁶	3-3/8 "	R42R55099	R42R55098 ³⁷	R4066780	R4090021 ²⁰¹	N/A ⁵³	-	R458636	R458636
23-123572-004 ²⁷¹	3-3/8 "	R42R55099	R42R55098 ³⁷	R4066780	R4090021 ²⁰¹	N/A ⁵³	-	R458635	R458635
R44141476 ²⁶⁸	3-3/8 "	R42R55099	R42R55098 ³⁷	R4066780	R4090021 ²⁰¹	N/A ⁵³	-	R458636	R458636
23-123552-004 ²⁶⁶	3-3/8 "	R42R55099	R42R55098 ³⁷	R4066780	R4090021 ²⁰¹	N/A ⁵³	-	N/A	N/A
23-123552-004 ²⁶⁶	3-3/8 "	R42R55099	R42R55098 ³⁷	R4066780	R4090021 ²⁰¹	N/A ⁵³	-	R458632	R458632
R44141476 ²⁶⁸	3-3/8 "	R42R55099	R42R55098 ³⁷	R4066780	R4090021 ²⁰¹	N/A ⁵³	-	R458636	R458636
R44141858 ²⁷⁵	3-3/8 "	R42R55099	R42R55098 ³⁷	R4066780	R4090021 ²⁰¹	N/A ⁵³	-	R458632	R458632
R44141858 ²⁷⁵	3-3/8 "	R42R55099	R42R55098 ³⁷	R4066780	R4090021 ²⁰¹	N/A ⁵³	-	N/A	N/A
23-123572-004 ²⁷¹	3-3/8 "	R42R55099	R42R55098 ³⁷	R4066780	R4090021 ²⁰¹	N/A ⁵³	-	N/A	N/A
23-122920-002 ²⁷³	3-3/8 "	R42R55099	R42R55098 ³⁷	R4066780	R4090021 ²⁰¹	N/A ⁵³	-	N/A	N/A
R44141476 ²⁶⁸	3-3/8 "	R42R55099	R42R55098 ³⁷	R4066780	R4090021 ²⁰¹	N/A ⁵³	-	R458635	R458635
23-123552-004 ²⁶⁶	3-3/8 "	R42R55099	R42R55098 ³⁷	R4066780	R4090021 ²⁰¹	N/A ⁵³	-	R458636	R458636
23-123552-004 ²⁶⁶	3-3/8 "	R42R55099	R42R55098 ³⁷	R4066780	R4090021 ²⁰¹	N/A ⁵³	-	R458632	R458632
23-123572-004 ²⁷¹	3-3/8 "	R42R55099	R42R55098 ³⁷	R4066780	R4090021 ²⁰¹	N/A ⁵³	-	R458635	R458635
23-122920-002 ²⁷³	3-3/8 "	R42R55099	R42R55098 ³⁷	R4066780	R4090021 ²⁰¹	N/A ⁵³	-	R458636	R458636
23-123552-004 ²⁶⁶	2-19/32 "	R42R55245	R42R55245 ³⁸	R402235118	R402238231 ²⁰¹	N/A ⁵³	-	R458636	R458636
23-123552-004 ²⁶⁶	2-19/32 "	R42R55245	R42R55245 ³⁸	R402235118	R402238231 ²⁰¹	N/A ⁵³	-	N/A	N/A
R44141858 ²⁷⁵	2-19/32 "	R42R55245	R42R55245 ³⁸	R402235118	R402238231 ²⁰¹	N/A ⁵³	-	R458632	R458632
R44141476 ²⁶⁸	2-19/32 "	R42R55245	R42R55245 ³⁸	R402235118	R402238231 ²⁰¹	N/A ⁵³	-	R458632	R458632
23-123572-004 ²⁷¹	2-19/32 "	R42R55245	R42R55245 ³⁸	R402235118	R402238231 ²⁰¹	N/A ⁵³	-	R458632	R458632
23-122920-002 ²⁷³	2-19/32 "	R42R55245	R42R55245 ³⁸	R402235118	R402238231 ²⁰¹	N/A ⁵³	-	N/A	N/A
23-122527-002 ²⁷²	2-19/32 "	R42R55245	R42R55245 ³⁸	R402235118	R402238231 ²⁰¹	N/A ⁵³	-	R458636	R458636
23-123552-004 ²⁶⁶	2-19/32 "	R42R55245	R42R55245 ³⁸	R402235118	R402238231 ²⁰¹	N/A ⁵³	-	R458632	R458632
R44141858 ²⁷⁵	2-19/32 "	R42R55245	R42R55245 ³⁸	R402235118	R402238231 ²⁰¹	N/A ⁵³	-	R458636	R458636
23-122527-002 ²⁷²	2-19/32 "	R42R55245	R42R55245 ³⁸	R402235118	R402238231 ²⁰¹	N/A ⁵³	-	N/A	N/A
R44141858 ²⁷⁵	2-19/32 "	R42R55245	R42R55245 ³⁸	R402235118	R402238231 ²⁰¹	N/A ⁵³	-	R458635	R458635
23-123572-004 ²⁷¹	2-19/32 "	R42R55245	R42R55245 ³⁸	R402235118	R402238231 ²⁰¹	N/A ⁵³	-	R458635	R458635
23-122527-002 ²⁷²	2-19/32 "	R42R55245	R42R55245 ³⁸	R402235118	R402238231 ²⁰¹	N/A ⁵³	-	R458635	R458635
23-123572-004 ²⁷¹	2-19/32 "	R42R55245	R42R55245 ³⁸	R402235118	R402238231 ²⁰¹	N/A ⁵³	-	R458635	R458635
23-122527-002 ²⁷²	2-19/32 "	R42R55245	R42R55245 ³⁸	R402235118	R402238231 ²⁰¹	N/A ⁵³	-	R458636	R458636
23-122920-002 ²⁷³	2-19/32 "	R42R55245	R42R55245 ³⁸	R402235118	R402238231 ²⁰¹	N/A ⁵³	-	R458632	R458632
R44141476 ²⁶⁸	2-19/32 "	R42R55245	R42R55245 ³⁸	R402235118	R402238231 ²⁰¹	N/A ⁵³	-	R458636	R458636
R44141476 ²⁶⁸	2-19/32 "	R42R55245	R42R55245 ³⁸	R402235118	R402238231 ²⁰¹	N/A ⁵³	-	R458636	R458636
23-122920-002 ²⁷³	2-19/32 "	R42R55245	R42R55245 ³⁸	R402235118	R402238231 ²⁰¹	N/A ⁵³	-	R458635	R458635
R44141476 ²⁶⁸	2-19/32 "	R42R55245	R42R55245 ³⁸	R402235118	R402238231 ²⁰¹	N/A ⁵³	-	N/A	N/A
23-123552-004 ²⁶⁶	2-19/32 "	R42R55245	R42R55245 ³⁸	R402235118	R402238231 ²⁰¹	N/A ⁵³	-	R458635	R458635
23-123572-004 ²⁷¹	2-19/32 "	R42R55245	R42R55245 ³⁸	R402235118	R402238231 ²⁰¹	N/A ⁵³	-	N/A	N/A
R44141858 ²⁷⁵	2-19/32 "	R42R55245	R42R55245 ³⁸	R402235118	R402238231 ²⁰¹	N/A ⁵³	-	N/A	N/A
23-123572-004 ²⁷¹	2-7/8 "	R429218X	R429218X ³⁹	R406532	R4090070 ⁴⁰	N/A ⁵³	-	N/A	N/A
23-123552-004 ²⁶⁶	2-7/8 "	R429218X	R429218X ³⁹	R406532	R4090070 ⁴⁰	N/A ⁵³	-	R458632	R458632
R44141858 ²⁷⁵	2-7/8 "	R429218X	R429218X ³⁹	R406532	R4090070 ⁴⁰	N/A ⁵³	-	R458636	R458636
R44141476 ²⁶⁸	2-7/8 "	R429218X	R429218X ³⁹	R406532	R4090070 ⁴⁰	N/A ⁵³	-	R458632	R458632

1 APPLICATION

272 - 6 Stud, U Shape

273 - 5 Stud, U Shape, .780 Dia. Studs

275 - 5 Stud, U Shape, .656 Dia. Studs

MERITOR DRUM OR ROTOR NO.	CALIPER OR CYLINDER BORE SIZE	MERITOR CALIPER OR WHEEL CYLINDER (LEFT)	MERITOR CALIPER OR WHEEL CYLINDER (RIGHT)	MERITOR CALIPER OR WHEEL CYLINDER REPAIR KIT	MERITOR CALIPER PISTON	MERITOR MASTER CYLINDER	MERITOR MASTER CYLINDER KIT	MERITOR BRAKE HOSE (LEFT)	MERITOR BRAKE HOSE (RIGHT)
ITE(Cont.)									
170, 1700, 1710, 1723, 1724, 1750, 1753, 1754 SERIES CONVENTIONAL CAB, SCHOOL BUS, TILT CAB(Cont.)									
23-123572-004 ²⁷¹	2-7/8 "	R429218X	R429218X ³⁹	R406532	R4090070 ⁴⁰	N/A ⁵³	-	N/A	N/A
23-123552-004 ²⁶⁶	2-7/8 "	R429218X	R429218X ³⁹	R406532	R4090070 ⁴⁰	N/A ⁵³	-	R458632	R458632
23-122527-002 ²⁷²	2-7/8 "	R429218X	R429218X ³⁹	R406532	R4090070 ⁴⁰	N/A ⁵³	-	R458635	R458635
R44141858 ²⁷⁵	2-7/8 "	R429218X	R429218X ³⁹	R406532	R4090070 ⁴⁰	N/A ⁵³	-	N/A	N/A
R44141858 ²⁷⁵	2-7/8 "	R429218X	R429218X ³⁹	R406532	R4090070 ⁴⁰	N/A ⁵³	-	N/A	N/A
23-122527-002 ²⁷²	2-7/8 "	R429218X	R429218X ³⁹	R406532	R4090070 ⁴⁰	N/A ⁵³	-	R458635	R458635
23-122920-002 ²⁷³	2-7/8 "	R429218X	R429218X ³⁹	R406532	R4090070 ⁴⁰	N/A ⁵³	-	N/A	N/A
23-123552-004 ²⁶⁶	2-7/8 "	R429218X	R429218X ³⁹	R406532	R4090070 ⁴⁰	N/A ⁵³	-	R458635	R458635
R44141476 ²⁶⁸	2-7/8 "	R429218X	R429218X ³⁹	R406532	R4090070 ⁴⁰	N/A ⁵³	-	R458632	R458632
23-123572-004 ²⁷¹	2-7/8 "	R429218X	R429218X ³⁹	R406532	R4090070 ⁴⁰	N/A ⁵³	-	R458636	R458636
R44141476 ²⁶⁸	2-7/8 "	R429218X	R429218X ³⁹	R406532	R4090070 ⁴⁰	N/A ⁵³	-	R458636	R458636
23-122527-002 ²⁷²	2-7/8 "	R429218X	R429218X ³⁹	R406532	R4090070 ⁴⁰	N/A ⁵³	-	R458632	R458632
23-122920-002 ²⁷³	2-7/8 "	R429218X	R429218X ³⁹	R406532	R4090070 ⁴⁰	N/A ⁵³	-	R458632	R458632
23-123572-004 ²⁷¹	2-7/8 "	R429218X	R429218X ³⁹	R406532	R4090070 ⁴⁰	N/A ⁵³	-	R458632	R458632
23-123572-004 ²⁷¹	2-7/8 "	R429218X	R429218X ³⁹	R406532	R4090070 ⁴⁰	N/A ⁵³	-	R458636	R458636
23-123552-004 ²⁶⁶	2-7/8 "	R429218X	R429218X ³⁹	R406532	R4090070 ⁴⁰	N/A ⁵³	-	R458632	R458632
R44141858 ²⁷⁵	2-7/8 "	R429218X	R429218X ³⁹	R406532	R4090070 ⁴⁰	N/A ⁵³	-	R458636	R458636
R44141858 ²⁷⁵	2-7/8 "	R429218X	R429218X ³⁹	R406532	R4090070 ⁴⁰	N/A ⁵³	-	R458632	R458632
23-123572-004 ²⁷¹	2-7/8 "	R429218X	R429218X ³⁹	R406532	R4090070 ⁴⁰	N/A ⁵³	-	R458635	R458635
23-123552-004 ²⁶⁶	2-7/8 "	R429218X	R429218X ³⁹	R406532	R4090070 ⁴⁰	N/A ⁵³	-	R458636	R458636
23-123552-004 ²⁶⁶	2-7/8 "	R429218X	R429218X ³⁹	R406532	R4090070 ⁴⁰	N/A ⁵³	-	N/A	N/A
R44141858 ²⁷⁵	2-7/8 "	R429218X	R429218X ³⁹	R406532	R4090070 ⁴⁰	N/A ⁵³	-	R458635	R458635
23-123572-004 ²⁷¹	2-7/8 "	R429218X	R429218X ³⁹	R406532	R4090070 ⁴⁰	N/A ⁵³	-	R458632	R458632
23-123552-004 ²⁶⁶	2-7/8 "	R429218X	R429218X ³⁹	R406532	R4090070 ⁴⁰	N/A ⁵³	-	R458635	R458635
R44141476 ²⁶⁸	2-7/8 "	R429218X	R429218X ³⁹	R406532	R4090070 ⁴⁰	N/A ⁵³	-	N/A	N/A
23-122527-002 ²⁷²	2-7/8 "	R429218X	R429218X ³⁹	R406532	R4090070 ⁴⁰	N/A ⁵³	-	N/A	N/A
23-122527-002 ²⁷²	2-7/8 "	R429218X	R429218X ³⁹	R406532	R4090070 ⁴⁰	N/A ⁵³	-	N/A	N/A
R44141476 ²⁶⁸	2-7/8 "	R429218X	R429218X ³⁹	R406532	R4090070 ⁴⁰	N/A ⁵³	-	N/A	N/A
23-122920-002 ²⁷³	2-7/8 "	R429218X	R429218X ³⁹	R406532	R4090070 ⁴⁰	N/A ⁵³	-	R458635	R458635
23-122920-002 ²⁷³	2-7/8 "	R429218X	R429218X ³⁹	R406532	R4090070 ⁴⁰	N/A ⁵³	-	R458632	R458632
23-122527-002 ²⁷²	2-7/8 "	R429218X	R429218X ³⁹	R406532	R4090070 ⁴⁰	N/A ⁵³	-	R458632	R458632
R44141476 ²⁶⁸	2-7/8 "	R429218X	R429218X ³⁹	R406532	R4090070 ⁴⁰	N/A ⁵³	-	R458635	R458635
23-122920-002 ²⁷³	2-7/8 "	R429218X	R429218X ³⁹	R406532	R4090070 ⁴⁰	N/A ⁵³	-	R458636	R458636
23-122920-002 ²⁷³	2-7/8 "	R429218X	R429218X ³⁹	R406532	R4090070 ⁴⁰	N/A ⁵³	-	R458632	R458632
23-122527-002 ²⁷²	2-7/8 "	R429218X	R429218X ³⁹	R406532	R4090070 ⁴⁰	N/A ⁵³	-	R458632	R458632
R44141476 ²⁶⁸	2-7/8 "	R429218X	R429218X ³⁹	R406532	R4090070 ⁴⁰	N/A ⁵³	-	N/A	N/A
23-122920-002 ²⁷³	2-7/8 "	R429218X	R429218X ³⁹	R406532	R4090070 ⁴⁰	N/A ⁵³	-	R458635	R458635
23-123552-004 ²⁶⁶	2-7/8 "	R429218X	R429218X ³⁹	R406532	R4090070 ⁴⁰	N/A ⁵³	-	N/A	N/A
23-123572-004 ²⁷¹	2-7/8 "	R429218X	R429218X ³⁹	R406532	R4090070 ⁴⁰	N/A ⁵³	-	R458635	R458635
23-123552-004 ²⁶⁶	2-7/8 "	R429218X	R429218X ³⁹	R406532	R4090070 ⁴⁰	N/A ⁵³	-	R458636	R458636
R44141858 ²⁷⁵	2-7/8 "	R429218X	R429218X ³⁹	R406532	R4090070 ⁴⁰	N/A ⁵³	-	R458636	R458636
23-122527-002 ²⁷²	2-7/8 "	R429218X	R429218X ³⁹	R406532	R4090070 ⁴⁰	N/A ⁵³	-	N/A	N/A
23-122920-002 ²⁷³	2-7/8 "	R429218X	R429218X ³⁹	R406532	R4090070 ⁴⁰	N/A ⁵³	-	R458632	R458632
R44141476 ²⁶⁸	2-7/8 "	R429218X	R429218X ³⁹	R406532	R4090070 ⁴⁰	N/A ⁵³	-	N/A	N/A
23-123552-004 ²⁶⁶	2-7/8 "	R429218X	R429218X ³⁹	R406532	R4090070 ⁴⁰	N/A ⁵³	-	N/A	N/A
23-122527-002 ²⁷²	2-7/8 "	R429218X	R429218X ³⁹	R406532	R4090070 ⁴⁰	N/A ⁵³	-	R458636	R458636
23-123572-004 ²⁷¹	2-7/8 "	R429218X	R429218X ³⁹	R406532	R4090070 ⁴⁰	N/A ⁵³	-	R458635	R458635
23-122527-002 ²⁷²	2-7/8 "	R429218X	R429218X ³⁹	R406532	R4090070 ⁴⁰	N/A ⁵³	-	R458632	R458632
R44141858 ²⁷⁵	2-7/8 "	R429218X	R429218X ³⁹	R406532	R4090070 ⁴⁰	N/A ⁵³	-	R458635	R458635
23-122527-002 ²⁷²	2-7/8 "	R429218X	R429218X ³⁹	R406532	R4090070 ⁴⁰	N/A ⁵³	-	R458636	R458636
23-123552-004 ²⁶⁶	2-7/8 "	R429218X	R429218X ³⁹	R406532	R4090070 ⁴⁰	N/A ⁵³	-	N/A	N/A
R44141858 ²⁷⁵	2-7/8 "	R429218X	R429218X ³⁹	R406532	R4090070 ⁴⁰	N/A ⁵³	-	R458635	R458635
R44141476 ²⁶⁸	2-7/8 "	R429218X	R429218X ³⁹	R406532	R4090070 ⁴⁰	N/A ⁵³	-	R458636	R458636
23-123572-004 ²⁷¹	2-7/8 "	R429218X	R429218X ³⁹	R406532	R4090070 ⁴⁰	N/A ⁵³	-	R458632	R458632
23-123572-004 ²⁷¹	2-7/8 "	R429218X	R429218X ³⁹	R406532	R4090070 ⁴⁰	N/A ⁵³	-	R458636	R458636
R44141476 ²⁶⁸	2-7/8 "	R429218X	R429218X ³⁹	R406532	R4090070 ⁴⁰	N/A ⁵³	-	R458632	R458632
23-123552-004 ²⁶⁶	2-7/8 "	R429218X	R429218X ³⁹	R406532	R4090070 ⁴⁰	N/A ⁵³	-	R458635	R458635
23-122920-002 ²⁷³	2-7/8 "	R429218X	R429218X ³⁹	R406532	R4090070 ⁴⁰	N/A ⁵³	-	N/A	N/A
R44141858 ²⁷⁵	2-7/8 "	R429218X	R429218X ³⁹	R406532	R4090070 ⁴⁰	N/A ⁵³	-	R458636	R458636

1 APPLICATION

MERITOR DRUM OR ROTOR NO.	CALIPER OR CYLINDER BORE SIZE	MERITOR CALIPER OR WHEEL CYLINDER (LEFT)	MERITOR CALIPER OR WHEEL CYLINDER (RIGHT)	MERITOR CALIPER OR WHEEL CYLINDER REPAIR KIT	MERITOR CALIPER PISTON	MERITOR MASTER CYLINDER	MERITOR MASTER CYLINDER KIT	MERITOR BRAKE HOSE (LEFT)	MERITOR BRAKE HOSE (RIGHT)
ITE(Cont.)									
170, 1700, 1710, 1723, 1724, 1750, 1753, 1754 SERIES CONVENTIONAL CAB, SCHOOL BUS, TILT CAB(Cont.)									
23-122527-002 ²⁷²	2-7/8 "	R429218X	R429218X ³⁹	R406532	R4090070 ⁴⁰	N/A ⁵³	-	R458635	R458635
23-122920-002 ²⁷³	2-7/8 "	R429218X	R429218X ³⁹	R406532	R4090070 ⁴⁰	N/A ⁵³	-	R458636	R458636
23-122920-002 ²⁷³	2-7/8 "	R429218X	R429218X ³⁹	R406532	R4090070 ⁴⁰	N/A ⁵³	-	N/A	N/A
R44141858 ²⁷⁵	2-7/8 "	R429218X	R429218X ³⁹	R406532	R4090070 ⁴⁰	N/A ⁵³	-	R458636	R458636
23-122920-002 ²⁷³	2-7/8 "	R429218X	R429218X ³⁹	R406532	R4090070 ⁴⁰	N/A ⁵³	-	R458635	R458635
23-122527-002 ²⁷²	2-7/8 "	R429218X	R429218X ³⁹	R406532	R4090070 ⁴⁰	N/A ⁵³	-	R458636	R458636
23-122527-002 ²⁷²	2-7/8 "	R429218X	R429218X ³⁹	R406532	R4090070 ⁴⁰	N/A ⁵³	-	R458632	R458632
23-123552-004 ²⁶⁶	2-7/8 "	R429218X	R429218X ³⁹	R406532	R4090070 ⁴⁰	N/A ⁵³	-	R458635	R458635
23-123572-004 ²⁷¹	2-7/8 "	R429218X	R429218X ³⁹	R406532	R4090070 ⁴⁰	N/A ⁵³	-	R458632	R458632
23-123572-004 ²⁷¹	2-7/8 "	R429218X	R429218X ³⁹	R406532	R4090070 ⁴⁰	N/A ⁵³	-	R458636	R458636
23-122527-002 ²⁷²	2-7/8 "	R429218X	R429218X ³⁹	R406532	R4090070 ⁴⁰	N/A ⁵³	-	N/A	N/A
23-122920-002 ²⁷³	2-7/8 "	R429218X	R429218X ³⁹	R406532	R4090070 ⁴⁰	N/A ⁵³	-	R458635	R458635
R44141476 ²⁶⁸	2-7/8 "	R429218X	R429218X ³⁹	R406532	R4090070 ⁴⁰	N/A ⁵³	-	R458635	R458635
R44141476 ²⁶⁸	2-7/8 "	R429218X	R429218X ³⁹	R406532	R4090070 ⁴⁰	N/A ⁵³	-	N/A	N/A
R44141476 ²⁶⁸	2-7/8 "	R429218X	R429218X ³⁹	R406532	R4090070 ⁴⁰	N/A ⁵³	-	R458635	R458635
23-122527-002 ²⁷²	2-7/8 "	R429218X	R429218X ³⁹	R406532	R4090070 ⁴⁰	N/A ⁵³	-	R458636	R458636
R44141476 ²⁶⁸	2-7/8 "	R429218X	R429218X ³⁹	R406532	R4090070 ⁴⁰	N/A ⁵³	-	R458636	R458636
23-122920-002 ²⁷³	2-7/8 "	R429218X	R429218X ³⁹	R406532	R4090070 ⁴⁰	N/A ⁵³	-	N/A	N/A
R44141476 ²⁶⁸	2-7/8 "	R429218X	R429218X ³⁹	R406532	R4090070 ⁴⁰	N/A ⁵³	-	N/A	N/A
23-123552-004 ²⁶⁶	2-7/8 "	R429218X	R429218X ³⁹	R406532	R4090070 ⁴⁰	N/A ⁵³	-	R458636	R458636
R44141476 ²⁶⁸	2-7/8 "	R429218X	R429218X ³⁹	R406532	R4090070 ⁴⁰	N/A ⁵³	-	R458635	R458635
R44141476 ²⁶⁸	2-7/8 "	R429218X	R429218X ³⁹	R406532	R4090070 ⁴⁰	N/A ⁵³	-	N/A	N/A
23-122527-002 ²⁷²	2-7/8 "	R429218X	R429218X ³⁹	R406532	R4090070 ⁴⁰	N/A ⁵³	-	R458632	R458632
23-122920-002 ²⁷³	2-7/8 "	R429218X	R429218X ³⁹	R406532	R4090070 ⁴⁰	N/A ⁵³	-	R458636	R458636
23-123572-004 ²⁷¹	2-7/8 "	R429218X	R429218X ³⁹	R406532	R4090070 ⁴⁰	N/A ⁵³	-	N/A	N/A
23-123572-004 ²⁷¹	2-7/8 "	R429218X	R429218X ³⁹	R406532	R4090070 ⁴⁰	N/A ⁵³	-	R458635	R458635
R44141858 ²⁷⁵	2-7/8 "	R429218X	R429218X ³⁹	R406532	R4090070 ⁴⁰	N/A ⁵³	-	N/A	N/A
R44141476 ²⁶⁸	2-7/8 "	R429218X	R429218X ³⁹	R406532	R4090070 ⁴⁰	N/A ⁵³	-	R458636	R458636
23-123552-004 ²⁶⁶	2-7/8 "	R429218X	R429218X ³⁹	R406532	R4090070 ⁴⁰	N/A ⁵³	-	N/A	N/A
R44141476 ²⁶⁸	2-7/8 "	R429218X	R429218X ³⁹	R406532	R4090070 ⁴⁰	N/A ⁵³	-	R458635	R458635
R44141858 ²⁷⁵	2-7/8 "	R429218X	R429218X ³⁹	R406532	R4090070 ⁴⁰	N/A ⁵³	-	R458632	R458632
23-122527-002 ²⁷²	2-7/8 "	R429218X	R429218X ³⁹	R406532	R4090070 ⁴⁰	N/A ⁵³	-	R458636	R458636
R44141858 ²⁷⁵	2-7/8 "	R429218X	R429218X ³⁹	R406532	R4090070 ⁴⁰	N/A ⁵³	-	N/A	N/A
23-122920-002 ²⁷³	2-7/8 "	R429218X	R429218X ³⁹	R406532	R4090070 ⁴⁰	N/A ⁵³	-	R458632	R458632
23-122527-002 ²⁷²	2-7/8 "	R429218X	R429218X ³⁹	R406532	R4090070 ⁴⁰	N/A ⁵³	-	R458635	R458635
R44141476 ²⁶⁸	2-7/8 "	R429218X	R429218X ³⁹	R406532	R4090070 ⁴⁰	N/A ⁵³	-	R458632	R458632
23-123552-004 ²⁶⁶	2-7/8 "	R429218X	R429218X ³⁹	R406532	R4090070 ⁴⁰	N/A ⁵³	-	R458636	R458636
R44141858 ²⁷⁵	2-7/8 "	R429218X	R429218X ³⁹	R406532	R4090070 ⁴⁰	N/A ⁵³	-	R458632	R458632
23-123572-004 ²⁷¹	2-7/8 "	R429218X	R429218X ³⁹	R406532	R4090070 ⁴⁰	N/A ⁵³	-	N/A	N/A
R44141476 ²⁶⁸	2-7/8 "	R429218X	R429218X ³⁹	R406532	R4090070 ⁴⁰	N/A ⁵³	-	R458635	R458635
23-122920-002 ²⁷³	2-7/8 "	R429218X	R429218X ³⁹	R406532	R4090070 ⁴⁰	N/A ⁵³	-	R458632	R458632
R44141476 ²⁶⁸	2-7/8 "	R429218X	R429218X ³⁹	R406532	R4090070 ⁴⁰	N/A ⁵³	-	R458636	R458636
R44141476 ²⁶⁸	2-7/8 "	R429218X	R429218X ³⁹	R406532	R4090070 ⁴⁰	N/A ⁵³	-	R458632	R458632
23-122527-002 ²⁷²	2-7/8 "	R429218X	R429218X ³⁹	R406532	R4090070 ⁴⁰	N/A ⁵³	-	R458636	R458636
23-122527-002 ²⁷²	2-7/8 "	R429218X	R429218X ³⁹	R406532	R4090070 ⁴⁰	N/A ⁵³	-	N/A	N/A
23-123552-004 ²⁶⁶	2-7/8 "	R429218X	R429218X ³⁹	R406532	R4090070 ⁴⁰	N/A ⁵³	-	R458632	R458632
R44141858 ²⁷⁵	2-7/8 "	R429218X	R429218X ³⁹	R406532	R4090070 ⁴⁰	N/A ⁵³	-	R458635	R458635
23-123572-004 ²⁷¹	2-7/8 "	R429218X	R429218X ³⁹	R406532	R4090070 ⁴⁰	N/A ⁵³	-	R458632	R458632
23-123552-004 ²⁶⁶	2-7/8 "	R429218X	R429218X ³⁹	R406532	R4090070 ⁴⁰	N/A ⁵³	-	R458636	R458636
23-123572-004 ²⁷¹	2-7/8 "	R429218X	R429218X ³⁹	R406532	R4090070 ⁴⁰	N/A ⁵³	-	R458632	R458632

MERITOR DRUM OR ROTOR NO.	CALIPER OR CYLINDER BORE SIZE	MERITOR CALIPER OR WHEEL CYLINDER (LEFT)	MERITOR CALIPER OR WHEEL CYLINDER (RIGHT)	MERITOR CALIPER OR WHEEL CYLINDER REPAIR KIT	MERITOR CALIPER PISTON	MERITOR MASTER CYLINDER	MERITOR MASTER CYLINDER KIT	MERITOR BRAKE HOSE (LEFT)	MERITOR BRAKE HOSE (RIGHT)
ITE(Cont.)									
170, 1700, 1710, 1723, 1724, 1750, 1753, 1754 SERIES CONVENTIONAL CAB, SCHOOL BUS, TILT CAB(Cont.)									
23-123552-004 ²⁶⁶	2-7/8 "	R429218X	R429218X ³⁹	R406532	R4090070 ⁴⁰	N/A ⁵³	-	R458632	R458632
23-122527-002 ²⁷²	2-7/8 "	R429218X	R429218X ³⁹	R406532	R4090070 ⁴⁰	N/A ⁵³	-	R458636	R458636
23-123572-004 ²⁷¹	2-7/8 "	R429218X	R429218X ³⁹	R406532	R4090070 ⁴⁰	N/A ⁵³	-	N/A	N/A
R44141858 ²⁷⁵	2-7/8 "	R429218X	R429218X ³⁹	R406532	R4090070 ⁴⁰	N/A ⁵³	-	R458632	R458632
23-123572-004 ²⁷¹	2-7/8 "	R429218X	R429218X ³⁹	R406532	R4090070 ⁴⁰	N/A ⁵³	-	R458636	R458636
R44141858 ²⁷⁵	2-7/8 "	R429218X	R429218X ³⁹	R406532	R4090070 ⁴⁰	N/A ⁵³	-	N/A	N/A
23-123572-004 ²⁷¹	2-7/8 "	R429218X	R429218X ³⁹	R406532	R4090070 ⁴⁰	N/A ⁵³	-	R458632	R458632
23-123552-004 ²⁶⁶	2-7/8 "	R429218X	R429218X ³⁹	R406532	R4090070 ⁴⁰	N/A ⁵³	-	R458635	R458635
R44141858 ²⁷⁵	2-7/8 "	R429218X	R429218X ³⁹	R406532	R4090070 ⁴⁰	N/A ⁵³	-	R458636	R458636
23-123552-004 ²⁶⁶	2-7/8 "	R429218X	R429218X ³⁹	R406532	R4090070 ⁴⁰	N/A ⁵³	-	R458632	R458632
R44141858 ²⁷⁵	2-7/8 "	R429218X	R429218X ³⁹	R406532	R4090070 ⁴⁰	N/A ⁵³	-	R458632	R458632
23-122527-002 ²⁷²	3-3/8 "	R42R55099	R42R55098 ³⁷	R4066780	R4090021 ²⁰¹	N/A ⁵³	-	R458632	R458632
23-122527-002 ²⁷²	3-3/8 "	R42R55099	R42R55098 ³⁷	R4066780	R4090021 ²⁰¹	N/A ⁵³	-	R458636	R458636
23-122527-002 ²⁷²	3-3/8 "	R42R55099	R42R55098 ³⁷	R4066780	R4090021 ²⁰¹	N/A ⁵³	-	R458636	R458636
23-122527-002 ²⁷²	3-3/8 "	R42R55099	R42R55098 ³⁷	R4066780	R4090021 ²⁰¹	N/A ⁵³	-	R458635	R458635
23-122527-002 ²⁷²	3-3/8 "	R42R55099	R42R55098 ³⁷	R4066780	R4090021 ²⁰¹	N/A ⁵³	-	R458635	R458635
23-122527-002 ²⁷²	3-3/8 "	R42R55099	R42R55098 ³⁷	R4066780	R4090021 ²⁰¹	N/A ⁵³	-	N/A	N/A
23-122527-002 ²⁷²	3-3/8 "	R42R55099	R42R55098 ³⁷	R4066780	R4090021 ²⁰¹	N/A ⁵³	-	N/A	N/A
23-122527-002 ²⁷²	3-3/8 "	R42R55099	R42R55098 ³⁷	R4066780	R4090021 ²⁰¹	N/A ⁵³	-	R458635	R458635
R44141627 ²⁷⁰	2-7/8 "	R429218X	R429218X ³⁹	R406532	R4090070 ⁴⁰	-	-	R458634 ⁵²	R458634
R44141608 ²⁶⁷	2-7/8 "	R429218X	R429218X ³⁹	R406532	R4090070 ⁴⁰	-	-	R4577512	R4577512
R44141629 ²⁶⁹	2-7/8 "	R429218X	R429218X ³⁹	R406532	R4090070 ⁴⁰	-	-	R4577512	R4577512
R44141628 ²⁶⁹	2-19/32 "	R42R55245	R42R55245 ³⁸	R402235118	R402238231 ²⁰¹	-	-	R4577512	R4577512
23-123552-004 ²⁶⁶	2-19/32 "	R42R55245	R42R55245 ³⁸	R402235118	R402238231 ²⁰¹	-	-	R458634 ⁵²	R458634
23-123572-004 ²⁷¹	2-7/8 "	R429218X	R429218X ³⁹	R406532	R4090070 ⁴⁰	-	-	R458634 ⁵²	R458634
23-123552-004 ²⁶⁶	2-19/32 "	R42R55245	R42R55245 ³⁸	R402235118	R402238231 ²⁰¹	-	-	R458634 ⁵²	R458634
23-123572-004 ²⁷¹	2-7/8 "	R429218X	R429218X ³⁹	R406532	R4090070 ⁴⁰	-	-	R458634 ⁵²	R458634
R44141628 ²⁶⁹	2-7/8 "	R429218X	R429218X ³⁹	R406532	R4090070 ⁴⁰	-	-	R4577512	R4577512
23-122527-002 ²⁷²	2-7/8 "	R429218X	R429218X ³⁹	R406532	R4090070 ⁴⁰	-	-	R458634 ⁵²	R458634
R44141628 ²⁶⁹	2-19/32 "	R42R55245	R42R55245 ³⁸	R402235118	R402238231 ²⁰¹	-	-	R458634 ⁵²	R458634
23-122527-002 ²⁷²	2-7/8 "	R429218X	R429218X ³⁹	R406532	R4090070 ⁴⁰	-	-	R458634 ⁵²	R458634
23-122527-002 ²⁷²	2-7/8 "	R429218X	R429218X ³⁹	R406532	R4090070 ⁴⁰	-	-	R458634 ⁵²	R458634
23-122527-002 ²⁷²	2-7/8 "	R429218X	R429218X ³⁹	R406532	R4090070 ⁴⁰	-	-	R458634 ⁵²	R458634
23-123572-004 ²⁷¹	2-7/8 "	R429218X	R429218X ³⁹	R406532	R4090070 ⁴⁰	-	-	R458634 ⁵²	R458634
R44141627 ²⁷⁰	2-7/8 "	R429218X	R429218X ³⁹	R406532	R4090070 ⁴⁰	-	-	R458634 ⁵²	R458634
23-122527-002 ²⁷²	2-7/8 "	R429218X	R429218X ³⁹	R406532	R4090070 ⁴⁰	-	-	R4577512	R4577512
R44141628 ²⁶⁹	2-7/8 "	R429218X	R429218X ³⁹	R406532	R4090070 ⁴⁰	-	-	R458634 ⁵²	R458634
23-123552-004 ²⁶⁶	2-7/8 "	R429218X	R429218X ³⁹	R406532	R4090070 ⁴⁰	-	-	R4577512	R4577512
R44141628 ²⁶⁹	2-19/32 "	R42R55245	R42R55245 ³⁸	R402235118	R402238231 ²⁰¹	-	-	R458634 ⁵²	R458634
R44141629 ²⁶⁹	2-19/32 "	R42R55245	R42R55245 ³⁸	R402235118	R402238231 ²⁰¹	-	-	R458634 ⁵²	R458634
R44141628 ²⁶⁹	2-7/8 "	R429218X	R429218X ³⁹	R406532	R4090070 ⁴⁰	-	-	R458634 ⁵²	R458634
R44141627 ²⁷⁰	2-7/8 "	R429218X	R429218X ³⁹	R406532	R4090070 ⁴⁰	-	-	R458634 ⁵²	R458634
R44141628 ²⁶⁹	2-19/32 "	R42R55245	R42R55245 ³⁸	R402235118	R402238231 ²⁰¹	-	-	R4577512	R4577512
R44141629 ²⁶⁹	2-19/32 "	R42R55245	R42R55245 ³⁸	R402235118	R402238231 ²⁰¹	-	-	R458634 ⁵²	R458634
R44141628 ²⁶⁹	2-7/8 "	R429218X	R429218X ³⁹	R406532	R4090070 ⁴⁰	-	-	R4577512	R4577512
R44141627 ²⁷⁰	2-7/8 "	R429218X	R429218X ³⁹	R406532	R4090070 ⁴⁰	-	-	R458634 ⁵²	R458634
R44141628 ²⁶⁹	2-19/32 "	R42R55245	R42R55245 ³⁸	R402235118	R402238231 ²⁰¹	-	-	R4577512	R4577512
R44141629 ²⁶⁹	2-19/32 "	R42R55245	R42R55245 ³⁸	R402235118	R402238231 ²⁰¹	-	-	R458634 ⁵²	R458634
R44141608 ²⁶⁷	2-7/8 "	R429218X	R429218X ³⁹	R406532	R4090070 ⁴⁰	-	-	R4577512	R4577512
23-123552-004 ²⁶⁶	2-7/8 "	R429218X	R429218X ³⁹	R406532	R4090070 ⁴⁰	-	-	R458634 ⁵²	R458634
23-122527-002 ²⁷²	2-7/8 "	R429218X	R429218X ³⁹	R406532	R4090070 ⁴⁰	-	-	R4577512	R4577512
R44141608 ²⁶⁷	2-7/8 "	R429218X	R429218X ³⁹	R406532	R4090070 ⁴⁰	-	-	R4577512	R4577512
23-123572-004 ²⁷¹	2-19/32 "	R42R55245	R42R55245 ³⁸	R402235118	R402238231 ²⁰¹	-	-	R4577512	R4577512
23-123572-004 ²⁷¹	2-19/32 "	R42R55245	R42R55245 ³⁸	R402235118	R402238231 ²⁰¹	-	-	R4577512	R4577512
R44141628 ²⁶⁹	2-7/8 "	R429218X	R429218X ³⁹	R406532	R4090070 ⁴⁰	-	-	R458634 ⁵²	R458634
23-123572-004 ²⁷¹	2-19/32 "	R42R55245	R42R55245 ³⁸	R402235118	R402238231 ²⁰¹	-	-	R458634 ⁵²	R458634
R44141629 ²⁶⁹	2-7/8 "	R429218X	R429218X ³⁹	R406532	R4090070 ⁴⁰	-	-	R4577512	R4577512
R44141629 ²⁶⁹	2-7/8 "	R429218X	R429218X ³⁹	R406532	R4090070 ⁴⁰	-	-	R4577512	R4577512
R44141627 ²⁷⁰	2-19/32 "	R42R55245	R42R55245 ³⁸	R402235118	R402238231 ²⁰¹	-	-	R458634 ⁵²	R458634
R44141608 ²⁶⁷	2-19/32 "	R42R55245	R42R55245 ³⁸	R402235118	R402238231 ²⁰¹	-	-	R458634 ⁵²	R458634
R44141628 ²⁶⁹	2-7/8 "	R429218X	R429218X ³⁹	R406532	R4090070 ⁴⁰	-	-	R4577512	R4577512
23-123552-004 ²⁶⁶	2-7/8 "	R429218X	R429218X ³⁹	R406532	R4090070 ⁴⁰	-	-	R458634 ⁵²	R458634
R44141628 ²⁶⁹	2-7/8 "	R429218X	R429218X ³⁹	R406532	R4090070 ⁴⁰	-	-	R4577512	R4577512
R44141608 ²⁶⁷	2-19/32 "	R42R55245	R42R55245 ³⁸	R402235118	R402238231 ²⁰¹	-	-	R458634 ⁵²	R458634
23-122527-002 ²⁷²	2-19/32 "	R42R55245	R42R55245 ³⁸	R402235118	R402238231 ²⁰¹	-	-	R4577512	R4577512
R44141608 ²⁶⁷	2-7/8 "	R429218X	R429218X ³⁹	R406532	R4090070 ⁴⁰	-	-	R458634 ⁵²	R458634

1 APPLICATION

269 - 5 Stud, U Shape

270 - 5 Stud, U Shape, .766 Dia. Studs

271 - 6 Stud, Hat Shape

272 - 6 Stud, U Shape

275 - 5 Stud, U Shape, .656 Dia. Studs

MERITOR DRUM OR ROTOR NO.	CALIPER OR CYLINDER BORE SIZE	MERITOR CALIPER OR WHEEL CYLINDER (LEFT)	MERITOR CALIPER OR WHEEL CYLINDER (RIGHT)	MERITOR CALIPER OR WHEEL CYLINDER REPAIR KIT	MERITOR CALIPER PISTON	MERITOR MASTER CYLINDER	MERITOR MASTER CYLINDER KIT	MERITOR BRAKE HOSE (LEFT)	MERITOR BRAKE HOSE (RIGHT)
ITE(Cont.)									
170, 1700, 1710, 1723, 1724, 1750, 1753, 1754 SERIES CONVENTIONAL CAB, SCHOOL BUS, TILT CAB(Cont.)									
23-123572-004 ²⁷¹	2-19/32 "	R42R55245	R42R55245 ³⁸	R402235118	R402238231 ²⁰¹	-	-	R458634 ⁵²	R458634
23-123552-004 ²⁶⁶	2-7/8 "	R429218X	R429218X ³⁹	R406532	R4090070 ⁴⁰	-	-	R4577512	R4577512
R44141608 ²⁶⁷	2-19/32 "	R42R55245	R42R55245 ³⁸	R402235118	R402238231 ²⁰¹	-	-	R4577512	R4577512
R44141608 ²⁶⁷	2-7/8 "	R429218X	R429218X ³⁹	R406532	R4090070 ⁴⁰	-	-	R458634 ⁵²	R458634
23-123552-004 ²⁶⁶	2-19/32 "	R42R55245	R42R55245 ³⁸	R402235118	R402238231 ²⁰¹	-	-	R4577512	R4577512
R44141629 ²⁶⁹	2-7/8 "	R429218X	R429218X ³⁹	R406532	R4090070 ⁴⁰	-	-	R458634 ⁵²	R458634
R44141627 ²⁷⁰	2-7/8 "	R429218X	R429218X ³⁹	R406532	R4090070 ⁴⁰	-	-	R4577512	R4577512
23-123552-004 ²⁶⁶	2-19/32 "	R42R55245	R42R55245 ³⁸	R402235118	R402238231 ²⁰¹	-	-	R4577512	R4577512
R44141627 ²⁷⁰	2-7/8 "	R429218X	R429218X ³⁹	R406532	R4090070 ⁴⁰	-	-	R4577512	R4577512
23-122527-002 ²⁷²	2-7/8 "	R429218X	R429218X ³⁹	R406532	R4090070 ⁴⁰	-	-	R4577512	R4577512
23-123572-004 ²⁷¹	2-7/8 "	R429218X	R429218X ³⁹	R406532	R4090070 ⁴⁰	-	-	R4577512	R4577512
R44141629 ²⁶⁹	2-19/32 "	R42R55245	R42R55245 ³⁸	R402235118	R402238231 ²⁰¹	-	-	R4577512	R4577512
R44141608 ²⁶⁷	2-19/32 "	R42R55245	R42R55245 ³⁸	R402235118	R402238231 ²⁰¹	-	-	R4577512	R4577512
23-123572-004 ²⁷¹	2-7/8 "	R429218X	R429218X ³⁹	R406532	R4090070 ⁴⁰	-	-	R4577512	R4577512
R44141608 ²⁶⁷	2-7/8 "	R429218X	R429218X ³⁹	R406532	R4090070 ⁴⁰	-	-	R458634 ⁵²	R458634
R44141629 ²⁶⁹	2-7/8 "	R429218X	R429218X ³⁹	R406532	R4090070 ⁴⁰	-	-	R458634 ⁵²	R458634
R44141627 ²⁷⁰	2-7/8 "	R429218X	R429218X ³⁹	R406532	R4090070 ⁴⁰	-	-	R4577512	R4577512
23-123552-004 ²⁶⁶	2-7/8 "	R429218X	R429218X ³⁹	R406532	R4090070 ⁴⁰	-	-	R4577512	R4577512
R44141627 ²⁷⁰	2-19/32 "	R42R55245	R42R55245 ³⁸	R402235118	R402238231 ²⁰¹	-	-	R4577512	R4577512
23-123572-004 ²⁷¹	2-7/8 "	R429218X	R429218X ³⁹	R406532	R4090070 ⁴⁰	-	-	R4577512	R4577512
R44141629 ²⁶⁹	2-7/8 "	R429218X	R429218X ³⁹	R406532	R4090070 ⁴⁰	-	-	R458634 ⁵²	R458634
R44141629 ²⁶⁹	2-19/32 "	R42R55245	R42R55245 ³⁸	R402235118	R402238231 ²⁰¹	-	-	R4577512	R4577512
23-123552-004 ²⁶⁶	2-7/8 "	R429218X	R429218X ³⁹	R406532	R4090070 ⁴⁰	-	-	R4577512	R4577512
23-122527-002 ²⁷²	2-19/32 "	R42R55245	R42R55245 ³⁸	R402235118	R402238231 ²⁰¹	-	-	R458634 ⁵²	R458634
23-123552-004 ²⁶⁶	3-3/8 "	R42R55099	R42R55098 ³⁷	R4066780	R4090021 ²⁰¹	-	-	-	-
R44141476 ²⁶⁸	3-3/8 "	R42R55099	R42R55098 ³⁷	R4066780	R4090021 ²⁰¹	-	-	-	-
23-123552-004 ²⁶⁶	3-3/8 "	R42R55099	R42R55098 ³⁷	R4066780	R4090021 ²⁰¹	-	-	-	-
R44141858 ²⁷⁵	3-3/8 "	R42R55099	R42R55098 ³⁷	R4066780	R4090021 ²⁰¹	-	-	-	-
R44141476 ²⁶⁸	3-3/8 "	R42R55099	R42R55098 ³⁷	R4066780	R4090021 ²⁰¹	-	-	-	-
23-122920-002 ²⁷³	3-3/8 "	R42R55099	R42R55098 ³⁷	R4066780	R4090021 ²⁰¹	-	-	-	-
R44141858 ²⁷⁵	3-3/8 "	R42R55099	R42R55098 ³⁷	R4066780	R4090021 ²⁰¹	-	-	-	-
23-122920-002 ²⁷³	3-3/8 "	R42R55099	R42R55098 ³⁷	R4066780	R4090021 ²⁰¹	-	-	-	-
23-123572-004 ²⁷¹	3-3/8 "	R42R55099	R42R55098 ³⁷	R4066780	R4090021 ²⁰¹	-	-	-	-
23-123572-004 ²⁷¹	3-3/8 "	R42R55099	R42R55098 ³⁷	R4066780	R4090021 ²⁰¹	-	-	-	-
R44141476 ²⁶⁸	2-19/32 "	R42R55245	R42R55245 ³⁸	R402235118	R402238231 ²⁰¹	-	-	-	-
23-123572-004 ²⁷¹	2-19/32 "	R42R55245	R42R55245 ³⁸	R402235118	R402238231 ²⁰¹	-	-	-	-
R44141858 ²⁷⁵	2-19/32 "	R42R55245	R42R55245 ³⁸	R402235118	R402238231 ²⁰¹	-	-	-	-
23-123552-004 ²⁶⁶	2-19/32 "	R42R55245	R42R55245 ³⁸	R402235118	R402238231 ²⁰¹	-	-	-	-
23-122920-002 ²⁷³	2-19/32 "	R42R55245	R42R55245 ³⁸	R402235118	R402238231 ²⁰¹	-	-	-	-
23-122527-002 ²⁷²	2-19/32 "	R42R55245	R42R55245 ³⁸	R402235118	R402238231 ²⁰¹	-	-	-	-
23-123552-004 ²⁶⁶	2-7/8 "	R429218X	R429218X ³⁹	R406532	R4090070 ⁴⁰	-	-	-	-
23-122527-002 ²⁷²	2-7/8 "	R429218X	R429218X ³⁹	R406532	R4090070 ⁴⁰	-	-	-	-
23-123552-004 ²⁶⁶	2-7/8 "	R429218X	R429218X ³⁹	R406532	R4090070 ⁴⁰	-	-	-	-
R44141476 ²⁶⁸	2-7/8 "	R429218X	R429218X ³⁹	R406532	R4090070 ⁴⁰	-	-	-	-
23-123572-004 ²⁷¹	2-7/8 "	R429218X	R429218X ³⁹	R406532	R4090070 ⁴⁰	-	-	-	-
23-122920-002 ²⁷³	2-7/8 "	R429218X	R429218X ³⁹	R406532	R4090070 ⁴⁰	-	-	-	-
23-123572-004 ²⁷¹	2-7/8 "	R429218X	R429218X ³⁹	R406532	R4090070 ⁴⁰	-	-	-	-
23-122527-002 ²⁷²	2-7/8 "	R429218X	R429218X ³⁹	R406532	R4090070 ⁴⁰	-	-	-	-
R44141858 ²⁷⁵	2-7/8 "	R429218X	R429218X ³⁹	R406532	R4090070 ⁴⁰	-	-	-	-
23-123572-004 ²⁷¹	2-7/8 "	R429218X	R429218X ³⁹	R406532	R4090070 ⁴⁰	-	-	-	-
R44141476 ²⁶⁸	2-7/8 "	R429218X	R429218X ³⁹	R406532	R4090070 ⁴⁰	-	-	-	-
23-122920-002 ²⁷³	2-7/8 "	R429218X	R429218X ³⁹	R406532	R4090070 ⁴⁰	-	-	-	-
R44141476 ²⁶⁸	2-7/8 "	R429218X	R429218X ³⁹	R406532	R4090070 ⁴⁰	-	-	-	-
23-123572-004 ²⁷¹	2-7/8 "	R429218X	R429218X ³⁹	R406532	R4090070 ⁴⁰	-	-	-	-
23-122527-002 ²⁷²	2-7/8 "	R429218X	R429218X ³⁹	R406532	R4090070 ⁴⁰	-	-	-	-
23-123572-004 ²⁷¹	2-7/8 "	R429218X	R429218X ³⁹	R406532	R4090070 ⁴⁰	-	-	-	-
23-123552-004 ²⁶⁶	2-7/8 "	R429218X	R429218X ³⁹	R406532	R4090070 ⁴⁰	-	-	-	-
23-123552-004 ²⁶⁶	2-7/8 "	R429218X	R429218X ³⁹	R406532	R4090070 ⁴⁰	-	-	-	-
R44141476 ²⁶⁸	2-7/8 "	R429218X	R429218X ³⁹	R406532	R4090070 ⁴⁰	-	-	-	-

269 - 5 Stud, U Shape

270 - 5 Stud, U Shape, .766 Dia. Studs

271 - 6 Stud, Hat Shape

272 - 6 Stud, U Shape

273 - 5 Stud, U Shape, .780 Dia. Studs

275 - 5 Stud, U Shape, .656 Dia. Studs

MAKE MODEL YEAR AXLE CODE AXLE WEIGHT	AXLE & BRK. TYPE	BRK. MFG.	BRAKE SIZE	FMSI	MERITOR DISC PAD OR BRAKE SHOE	MERITOR GUIDE PIN OR RETURN SPRING KIT	MERITOR CALIPER HWD. KIT OR RETURN SPRING KIT	MERITOR ADJUSTER KIT (LEFT WHEEL)	MERITOR ADJUSTER KIT (RIGHT WHEEL)
ITE(Cont.)									
170, 1700, 1710, 1723, 1724, 1750, 1753, 1754 SERIES CONVENTIONAL CAB, SCHOOL BUS, TILT CAB(Cont.)									
1986	Fd	BX		7142 - D225	MD225	R40H5010	R40H5522	NR	NR
	Fd	BX		7142 - D225	MD225	R40H5010	R40H5522	NR	NR
	Fd	BX		7142 - D225	MD225	R40H5010	R40H5522	NR	NR
	Fd	BX		7142 - D225	MD225	R40H5010	R40H5522	NR	NR
	Fd	BX		7142 - D225	MD225	R40H5010	R40H5522	NR	NR
	Fd	BX		7142 - D225	MD225	R40H5010	R40H5522	NR	NR
	Fd	BX		7142 - D225	MD225	R40H5010	R40H5522	NR	NR
	Fd	BX		7142 - D225	MD225	R40H5010	R40H5522	NR	NR
	Fd	BX		7142 - D225	MD225	R40H5010	R40H5522	NR	NR
	Fd	BX		7142 - D225	MD225	R40H5010	R40H5522	NR	NR
	Fd	BX		7142 - D225	MD225	R40H5010	R40H5522	NR	NR
S1724, S1754 Conventional FA73	Fd	BX		7108 - D184	MD184	R40H5010	R40H5519	NR	NR
	Fd	BX		7108 - D184	MD184	R40H5010	R40H5519	NR	NR
S1724, S1754 Conventional RA29, 30, 42, 44	Rd	BX		7142 - D225	MD225	R40H5010	R40H5522	NR	NR
	Rd	BX		7142 - D225	MD225	R40H5010	R40H5522	NR	NR
	Rd	BX		7108 - D184	MD184	R40H5010	R40H5519	NR	NR
	Rd	BX		7142 - D225	MD225	R40H5010	R40H5522	NR	NR
	Rd	BX		7142 - D225	MD225	R40H5010	R40H5522	NR	NR
	Rd	BX		7142 - D225	MD225	R40H5010	R40H5522	NR	NR
	Rd	BX		7108 - D184	MD184	R40H5010	R40H5519	NR	NR
	Rd	BX		7142 - D225	MD225	R40H5010	R40H5522	NR	NR
	Rd	BX		7108 - D184	MD184	R40H5010	R40H5519	NR	NR
	Rd	BX		7142 - D225	MD225	R40H5010	R40H5522	NR	NR
	Rd	BX		7142 - D225	MD225	R40H5010	R40H5522	NR	NR
	Rd	BX		7108 - D184	MD184	R40H5010	R40H5519	NR	NR
	Rd	BX		7142 - D225	MD225	R40H5010	R40H5522	NR	NR
	Rd	BX		7108 - D184	MD184	R40H5010	R40H5519	NR	NR
	Rd	BX		7142 - D225	MD225	R40H5010	R40H5522	NR	NR
	Rd	BX		7142 - D225	MD225	R40H5010	R40H5522	NR	NR
	Rd	BX		7108 - D184	MD184	R40H5010	R40H5519	NR	NR
	Rd	BX		7142 - D225	MD225	R40H5010	R40H5522	NR	NR
	Rd	BX		7142 - D225	MD225	R40H5010	R40H5522	NR	NR
	Rd	BX		7108 - D184	MD184	R40H5010	R40H5519	NR	NR
	Rd	BX		7142 - D225	MD225	R40H5010	R40H5522	NR	NR
	Rd	BX		7142 - D225	MD225	R40H5010	R40H5522	NR	NR
	Rd	BX		7108 - D184	MD184	R40H5010	R40H5519	NR	NR
	Rd	BX		7142 - D225	MD225	R40H5010	R40H5522	NR	NR
	Rd	BX		7142 - D225	MD225	R40H5010	R40H5522	NR	NR
	Rd	BX		7108 - D184	MD184	R40H5010	R40H5519	NR	NR
	Rd	BX		7142 - D225	MD225	R40H5010	R40H5522	NR	NR
	Rd	BX		7142 - D225	MD225	R40H5010	R40H5522	NR	NR
	Rd	BX		7108 - D184	MD184	R40H5010	R40H5519	NR	NR
	Rd	BX		7142 - D225	MD225	R40H5010	R40H5522	NR	NR
1985 C1710, C1750 Cargostar Tilt Cab FA101	Fd	BX		7108 - D184	MD184	R40H5010	R40H5519	NR	NR
	Fd	BX		7108 - D184	MD184	R40H5010	R40H5519	NR	NR
	Fd	BX		7108 - D184	MD184	R40H5010	R40H5519	NR	NR
	Fd	BX		7108 - D184	MD184	R40H5010	R40H5519	NR	NR
	Fd	BX		7108 - D184	MD184	R40H5010	R40H5519	NR	NR
	Fd	BX		7108 - D184	MD184	R40H5010	R40H5519	NR	NR
C1710, C1750 Cargostar Tilt Cab FA309, 329, 339	Fd	BX		7142 - D225	MD225	R40H5010	R40H5522	NR	NR

37 - Also available as a New unit

40 - For chrome plated steel version, use R4090070P
266 - 10 Stud, Hat Shaped
www.XpresswayPlus.com

38 - First design, may have external joining tube and uses steel pistons
53 - Power Brakes
267 - 10 Stud, U Shaped

39 - First design, uses steel pistons.

201 - Steel Piston
268 - 5 Stud, Hat Shape

MERITOR DRUM OR ROTOR NO.	CALIPER OR CYLINDER BORE SIZE	MERITOR CALIPER OR WHEEL CYLINDER (LEFT)	MERITOR CALIPER OR WHEEL CYLINDER (RIGHT)	MERITOR CALIPER OR WHEEL CYLINDER REPAIR KIT	MERITOR CALIPER PISTON	MERITOR MASTER CYLINDER	MERITOR MASTER CYLINDER KIT	MERITOR BRAKE HOSE (LEFT)	MERITOR BRAKE HOSE (RIGHT)
ITE(Cont.)									
170, 1700, 1710, 1723, 1724, 1750, 1753, 1754 SERIES CONVENTIONAL CAB, SCHOOL BUS, TILT CAB(Cont.)									
R44141858 ²⁷⁵	2-7/8 "	R429218X	R429218X ³⁹	R406532	R4090070 ⁴⁰	-	-	-	-
R44141858 ²⁷⁵	2-7/8 "	R429218X	R429218X ³⁹	R406532	R4090070 ⁴⁰	-	-	-	-
23-122920-002 ²⁷³	2-7/8 "	R429218X	R429218X ³⁹	R406532	R4090070 ⁴⁰	-	-	-	-
23-122920-002 ²⁷³	2-7/8 "	R429218X	R429218X ³⁹	R406532	R4090070 ⁴⁰	-	-	-	-
23-123572-004 ²⁷¹	2-7/8 "	R429218X	R429218X ³⁹	R406532	R4090070 ⁴⁰	-	-	-	-
R44141476 ²⁶⁸	2-7/8 "	R429218X	R429218X ³⁹	R406532	R4090070 ⁴⁰	-	-	-	-
23-122527-002 ²⁷²	2-7/8 "	R429218X	R429218X ³⁹	R406532	R4090070 ⁴⁰	-	-	-	-
R44141858 ²⁷⁵	2-7/8 "	R429218X	R429218X ³⁹	R406532	R4090070 ⁴⁰	-	-	-	-
23-122920-002 ²⁷³	2-7/8 "	R429218X	R429218X ³⁹	R406532	R4090070 ⁴⁰	-	-	-	-
R44141858 ²⁷⁵	2-7/8 "	R429218X	R429218X ³⁹	R406532	R4090070 ⁴⁰	-	-	-	-
R44141858 ²⁷⁵	2-7/8 "	R429218X	R429218X ³⁹	R406532	R4090070 ⁴⁰	-	-	-	-
R44141476 ²⁶⁸	2-7/8 "	R429218X	R429218X ³⁹	R406532	R4090070 ⁴⁰	-	-	-	-
23-123552-004 ²⁶⁶	2-7/8 "	R429218X	R429218X ³⁹	R406532	R4090070 ⁴⁰	-	-	-	-
23-122527-002 ²⁷²	2-7/8 "	R429218X	R429218X ³⁹	R406532	R4090070 ⁴⁰	-	-	-	-
23-122527-002 ²⁷²	3-3/8 "	R42R55099	R42R55098 ³⁷	R4066780	R4090021 ²⁰¹	-	-	-	-
23-122527-002 ²⁷²	3-3/8 "	R42R55099	R42R55098 ³⁷	R4066780	R4090021 ²⁰¹	-	-	-	-
R44141608 ²⁶⁷	2-7/8 "	R429218X	R429218X ³⁹	R406532	R4090070 ⁴⁰	-	-	-	-
23-122527-002 ²⁷²	2-7/8 "	R429218X	R429218X ³⁹	R406532	R4090070 ⁴⁰	-	-	-	-
R44141628 ²⁶⁹	2-19/32 "	R42R55245	R42R55245 ³⁸	R402235118	R402238231 ²⁰¹	-	-	-	-
R44141608 ²⁶⁷	2-7/8 "	R429218X	R429218X ³⁹	R406532	R4090070 ⁴⁰	-	-	-	-
R44141628 ²⁶⁹	2-7/8 "	R429218X	R429218X ³⁹	R406532	R4090070 ⁴⁰	-	-	-	-
R44141627 ²⁷⁰	2-7/8 "	R429218X	R429218X ³⁹	R406532	R4090070 ⁴⁰	-	-	-	-
23-123572-004 ²⁷¹	2-19/32 "	R42R55245	R42R55245 ³⁸	R402235118	R402238231 ²⁰¹	-	-	-	-
R44141627 ²⁷⁰	2-7/8 "	R429218X	R429218X ³⁹	R406532	R4090070 ⁴⁰	-	-	-	-
23-123552-004 ²⁶⁶	2-19/32 "	R42R55245	R42R55245 ³⁸	R402235118	R402238231 ²⁰¹	-	-	-	-
R44141628 ²⁶⁹	2-7/8 "	R429218X	R429218X ³⁹	R406532	R4090070 ⁴⁰	-	-	-	-
R44141627 ²⁷⁰	2-7/8 "	R429218X	R429218X ³⁹	R406532	R4090070 ⁴⁰	-	-	-	-
23-122527-002 ²⁷²	2-7/8 "	R429218X	R429218X ³⁹	R406532	R4090070 ⁴⁰	-	-	-	-
R44141628 ²⁶⁹	2-19/32 "	R42R55245	R42R55245 ³⁸	R402235118	R402238231 ²⁰¹	-	-	-	-
R44141629 ²⁶⁹	2-7/8 "	R429218X	R429218X ³⁹	R406532	R4090070 ⁴⁰	-	-	-	-
R44141608 ²⁶⁷	2-7/8 "	R429218X	R429218X ³⁹	R406532	R4090070 ⁴⁰	-	-	-	-
R44141627 ²⁷⁰	2-19/32 "	R42R55245	R42R55245 ³⁸	R402235118	R402238231 ²⁰¹	-	-	-	-
23-122527-002 ²⁷²	2-7/8 "	R429218X	R429218X ³⁹	R406532	R4090070 ⁴⁰	-	-	-	-
23-123572-004 ²⁷¹	2-19/32 "	R42R55245	R42R55245 ³⁸	R402235118	R402238231 ²⁰¹	-	-	-	-
R44141608 ²⁶⁷	2-19/32 "	R42R55245	R42R55245 ³⁸	R402235118	R402238231 ²⁰¹	-	-	-	-
23-123552-004 ²⁶⁶	2-7/8 "	R429218X	R429218X ³⁹	R406532	R4090070 ⁴⁰	-	-	-	-
R44141608 ²⁶⁷	2-19/32 "	R42R55245	R42R55245 ³⁸	R402235118	R402238231 ²⁰¹	-	-	-	-
23-123552-004 ²⁶⁶	2-7/8 "	R429218X	R429218X ³⁹	R406532	R4090070 ⁴⁰	-	-	-	-
R44141628 ²⁶⁹	2-7/8 "	R429218X	R429218X ³⁹	R406532	R4090070 ⁴⁰	-	-	-	-
23-123572-004 ²⁷¹	2-7/8 "	R429218X	R429218X ³⁹	R406532	R4090070 ⁴⁰	-	-	-	-
23-123572-004 ²⁷¹	2-7/8 "	R429218X	R429218X ³⁹	R406532	R4090070 ⁴⁰	-	-	-	-
R44141629 ²⁶⁹	2-19/32 "	R42R55245	R42R55245 ³⁸	R402235118	R402238231 ²⁰¹	-	-	-	-
23-123552-004 ²⁶⁶	2-19/32 "	R42R55245	R42R55245 ³⁸	R402235118	R402238231 ²⁰¹	-	-	-	-
23-123572-004 ²⁷¹	2-7/8 "	R429218X	R429218X ³⁹	R406532	R4090070 ⁴⁰	-	-	-	-
23-123552-004 ²⁶⁶	2-7/8 "	R429218X	R429218X ³⁹	R406532	R4090070 ⁴⁰	-	-	-	-
R44141629 ²⁶⁹	2-7/8 "	R429218X	R429218X ³⁹	R406532	R4090070 ⁴⁰	-	-	-	-
23-122527-002 ²⁷²	2-19/32 "	R42R55245	R42R55245 ³⁸	R402235118	R402238231 ²⁰¹	-	-	-	-
R44141629 ²⁶⁹	2-19/32 "	R42R55245	R42R55245 ³⁸	R402235118	R402238231 ²⁰¹	-	-	-	-
R44141629 ²⁶⁹	2-7/8 "	R429218X	R429218X ³⁹	R406532	R4090070 ⁴⁰	-	-	-	-
R44141476 ²⁶⁸	2-19/32 "	R42R55245	R42R55245 ³⁸	R402235118	R402238231 ²⁰¹	N/A ⁵³	-	-	-
23-123572-004 ²⁷¹	2-19/32 "	R42R55245	R42R55245 ³⁸	R402235118	R402238231 ²⁰¹	N/A ⁵³	-	-	-
R44141858 ²⁷⁵	2-19/32 "	R42R55245	R42R55245 ³⁸	R402235118	R402238231 ²⁰¹	N/A ⁵³	-	-	-
23-122527-002 ²⁷²	2-19/32 "	R42R55245	R42R55245 ³⁸	R402235118	R402238231 ²⁰¹	N/A ⁵³	-	-	-
23-122920-002 ²⁷³	2-19/32 "	R42R55245	R42R55245 ³⁸	R402235118	R402238231 ²⁰¹	N/A ⁵³	-	-	-
23-123552-004 ²⁶⁶	2-19/32 "	R42R55245	R42R55245 ³⁸	R402235118	R402238231 ²⁰¹	N/A ⁵³	-	-	-
R44141858 ²⁷⁵	2-7/8 "	R429218X	R429218X ³⁹	R406532	R4090070 ⁴⁰	N/A ⁵³	-	-	-

1 APPLICATION

269 - 5 Stud, U Shape

270 - 5 Stud, U Shape, .766 Dia. Studs

271 - 6 Stud, Hat Shape

272 - 6 Stud, U Shape

273 - 5 Stud, U Shape, .780 Dia. Studs

275 - 5 Stud, U Shape, .656 Dia. Studs

MERITOR DRUM OR ROTOR NO.	CALIPER OR CYLINDER BORE SIZE	MERITOR CALIPER OR WHEEL CYLINDER (LEFT)	MERITOR CALIPER OR WHEEL CYLINDER (RIGHT)	MERITOR CALIPER OR WHEEL CYLINDER REPAIR KIT	MERITOR CALIPER PISTON	MERITOR MASTER CYLINDER	MERITOR MASTER CYLINDER KIT	MERITOR BRAKE HOSE (LEFT)	MERITOR BRAKE HOSE (RIGHT)
ITE(Cont.)									
170, 1700, 1710, 1723, 1724, 1750, 1753, 1754 SERIES CONVENTIONAL CAB, SCHOOL BUS, TILT CAB(Cont.)									
23-123552-004 ²⁶⁶	2-7/8 "	R429218X	R429218X ³⁹	R406532	R4090070 ⁴⁰	N/A ⁵³	-	-	-
23-122920-002 ²⁷³	2-7/8 "	R429218X	R429218X ³⁹	R406532	R4090070 ⁴⁰	N/A ⁵³	-	-	-
23-123552-004 ²⁶⁶	2-7/8 "	R429218X	R429218X ³⁹	R406532	R4090070 ⁴⁰	N/A ⁵³	-	-	-
23-123572-004 ²⁷¹	2-7/8 "	R429218X	R429218X ³⁹	R406532	R4090070 ⁴⁰	N/A ⁵³	-	-	-
R44141858 ²⁷⁵	2-7/8 "	R429218X	R429218X ³⁹	R406532	R4090070 ⁴⁰	N/A ⁵³	-	-	-
23-122920-002 ²⁷³	2-7/8 "	R429218X	R429218X ³⁹	R406532	R4090070 ⁴⁰	N/A ⁵³	-	-	-
23-122920-002 ²⁷³	2-7/8 "	R429218X	R429218X ³⁹	R406532	R4090070 ⁴⁰	N/A ⁵³	-	-	-
23-122527-002 ²⁷²	2-7/8 "	R429218X	R429218X ³⁹	R406532	R4090070 ⁴⁰	N/A ⁵³	-	-	-
23-122920-002 ²⁷³	2-7/8 "	R429218X	R429218X ³⁹	R406532	R4090070 ⁴⁰	N/A ⁵³	-	-	-
23-123572-004 ²⁷¹	2-7/8 "	R429218X	R429218X ³⁹	R406532	R4090070 ⁴⁰	N/A ⁵³	-	-	-
R44141476 ²⁶⁸	2-7/8 "	R429218X	R429218X ³⁹	R406532	R4090070 ⁴⁰	N/A ⁵³	-	-	-
23-122920-002 ²⁷³	2-7/8 "	R429218X	R429218X ³⁹	R406532	R4090070 ⁴⁰	N/A ⁵³	-	-	-
23-123552-004 ²⁶⁶	2-7/8 "	R429218X	R429218X ³⁹	R406532	R4090070 ⁴⁰	N/A ⁵³	-	-	-
R44141476 ²⁶⁸	2-7/8 "	R429218X	R429218X ³⁹	R406532	R4090070 ⁴⁰	N/A ⁵³	-	-	-
R44141858 ²⁷⁵	2-7/8 "	R429218X	R429218X ³⁹	R406532	R4090070 ⁴⁰	N/A ⁵³	-	-	-
R44141476 ²⁶⁸	2-7/8 "	R429218X	R429218X ³⁹	R406532	R4090070 ⁴⁰	N/A ⁵³	-	-	-
R44141858 ²⁷⁵	2-7/8 "	R429218X	R429218X ³⁹	R406532	R4090070 ⁴⁰	N/A ⁵³	-	-	-
23-123572-004 ²⁷¹	2-7/8 "	R429218X	R429218X ³⁹	R406532	R4090070 ⁴⁰	N/A ⁵³	-	-	-
23-122527-002 ²⁷²	2-7/8 "	R429218X	R429218X ³⁹	R406532	R4090070 ⁴⁰	N/A ⁵³	-	-	-
23-123552-004 ²⁶⁶	2-7/8 "	R429218X	R429218X ³⁹	R406532	R4090070 ⁴⁰	N/A ⁵³	-	-	-
R44141858 ²⁷⁵	2-7/8 "	R429218X	R429218X ³⁹	R406532	R4090070 ⁴⁰	N/A ⁵³	-	-	-
R44141476 ²⁶⁸	2-7/8 "	R429218X	R429218X ³⁹	R406532	R4090070 ⁴⁰	N/A ⁵³	-	-	-
23-123552-004 ²⁶⁶	2-7/8 "	R429218X	R429218X ³⁹	R406532	R4090070 ⁴⁰	N/A ⁵³	-	-	-
23-123552-004 ²⁶⁶	2-7/8 "	R429218X	R429218X ³⁹	R406532	R4090070 ⁴⁰	N/A ⁵³	-	-	-
23-122527-002 ²⁷²	2-7/8 "	R429218X	R429218X ³⁹	R406532	R4090070 ⁴⁰	N/A ⁵³	-	-	-
23-122527-002 ²⁷²	2-7/8 "	R429218X	R429218X ³⁹	R406532	R4090070 ⁴⁰	N/A ⁵³	-	-	-
R44141476 ²⁶⁸	2-7/8 "	R429218X	R429218X ³⁹	R406532	R4090070 ⁴⁰	N/A ⁵³	-	-	-
23-123572-004 ²⁷¹	2-7/8 "	R429218X	R429218X ³⁹	R406532	R4090070 ⁴⁰	N/A ⁵³	-	-	-
R44141858 ²⁷⁵	2-7/8 "	R429218X	R429218X ³⁹	R406532	R4090070 ⁴⁰	N/A ⁵³	-	-	-
R44141476 ²⁶⁸	2-7/8 "	R429218X	R429218X ³⁹	R406532	R4090070 ⁴⁰	N/A ⁵³	-	-	-
23-123572-004 ²⁷¹	2-7/8 "	R429218X	R429218X ³⁹	R406532	R4090070 ⁴⁰	N/A ⁵³	-	-	-
23-123572-004 ²⁷¹	2-7/8 "	R429218X	R429218X ³⁹	R406532	R4090070 ⁴⁰	N/A ⁵³	-	-	-
23-122527-002 ²⁷²	2-7/8 "	R429218X	R429218X ³⁹	R406532	R4090070 ⁴⁰	N/A ⁵³	-	-	-
R44141628 ²⁶⁹	2-19/32 "	R42R55245	R42R55245 ³⁸	R402235118	R402238231 ²⁰¹	-	-	-	-
R44141629 ²⁶⁹	2-19/32 "	R42R55245	R42R55245 ³⁸	R402235118	R402238231 ²⁰¹	-	-	-	-
R44141629 ²⁶⁹	2-19/32 "	R42R55245	R42R55245 ³⁸	R402235118	R402238231 ²⁰¹	-	-	-	-
R44141628 ²⁶⁹	2-19/32 "	R42R55245	R42R55245 ³⁸	R402235118	R402238231 ²⁰¹	-	-	-	-
R44141627 ²⁷⁰	2-19/32 "	R42R55245	R42R55245 ³⁸	R402235118	R402238231 ²⁰¹	-	-	-	-
R44141608 ²⁶⁷	2-7/8 "	R429218X	R429218X ³⁹	R406532	R4090070 ⁴⁰	-	-	-	-
23-123552-004 ²⁶⁶	2-7/8 "	R429218X	R429218X ³⁹	R406532	R4090070 ⁴⁰	-	-	-	-
R44141627 ²⁷⁰	2-7/8 "	R429218X	R429218X ³⁹	R406532	R4090070 ⁴⁰	-	-	-	-
R44141627 ²⁷⁰	2-7/8 "	R429218X	R429218X ³⁹	R406532	R4090070 ⁴⁰	-	-	-	-
R44141608 ²⁶⁷	2-7/8 "	R429218X	R429218X ³⁹	R406532	R4090070 ⁴⁰	-	-	-	-
R44141627 ²⁷⁰	2-7/8 "	R429218X	R429218X ³⁹	R406532	R4090070 ⁴⁰	-	-	-	-
R44141608 ²⁶⁷	2-7/8 "	R429218X	R429218X ³⁹	R406532	R4090070 ⁴⁰	-	-	-	-
R44141628 ²⁶⁹	2-7/8 "	R429218X	R429218X ³⁹	R406532	R4090070 ⁴⁰	-	-	-	-
R44141629 ²⁶⁹	2-7/8 "	R429218X	R429218X ³⁹	R406532	R4090070 ⁴⁰	-	-	-	-
23-122527-002 ²⁷²	2-7/8 "	R429218X	R429218X ³⁹	R406532	R4090070 ⁴⁰	-	-	-	-
R44141628 ²⁶⁹	2-7/8 "	R429218X	R429218X ³⁹	R406532	R4090070 ⁴⁰	-	-	-	-
23-123552-004 ²⁶⁶	2-19/32 "	R42R55245	R42R55245 ³⁸	R402235118	R402238231 ²⁰¹	-	-	-	-
R44141608 ²⁶⁷	2-19/32 "	R42R55245	R42R55245 ³⁸	R402235118	R402238231 ²⁰¹	-	-	-	-
23-123572-004 ²⁷¹	2-7/8 "	R429218X	R429218X ³⁹	R406532	R4090070 ⁴⁰	-	-	-	-
23-122527-002 ²⁷²	2-19/32 "	R42R55245	R42R55245 ³⁸	R402235118	R402238231 ²⁰¹	-	-	-	-
23-123552-004 ²⁶⁶	2-7/8 "	R429218X	R429218X ³⁹	R406532	R4090070 ⁴⁰	-	-	-	-
23-123572-004 ²⁷¹	2-19/32 "	R42R55245	R42R55245 ³⁸	R402235118	R402238231 ²⁰¹	-	-	-	-
R44141629 ²⁶⁹	2-7/8 "	R429218X	R429218X ³⁹	R406532	R4090070 ⁴⁰	-	-	-	-
23-122527-002 ²⁷²	2-7/8 "	R429218X	R429218X ³⁹	R406532	R4090070 ⁴⁰	-	-	-	-
R44141629 ²⁶⁹	2-7/8 "	R429218X	R429218X ³⁹	R406532	R4090070 ⁴⁰	-	-	-	-
23-122527-002 ²⁷²	2-7/8 "	R429218X	R429218X ³⁹	R406532	R4090070 ⁴⁰	-	-	-	-
R44141608 ²⁶⁷	2-19/32 "	R42R55245	R42R55245 ³⁸	R402235118	R402238231 ²⁰¹	-	-	-	-

1 APPLICATION

270 - 5 Stud, U Shape, .766 Dia. Studs

271 - 6 Stud, Hat Shape

272 - 6 Stud, U Shape

273 - 5 Stud, U Shape, .780 Dia. Studs

275 - 5 Stud, U Shape, .656 Dia. Studs

Contact our Customer Service Teams
1-888-725-9355

www.XpresswayPlus.com

MAKE MODEL YEAR AXLE CODE AXLE WEIGHT	AXLE & BRK. TYPE	BRK. MFG.	BRAKE SIZE	FMSI	MERITOR DISC PAD OR BRAKE SHOE	MERITOR GUIDE PIN OR RETURN SPRING KIT	MERITOR CALIPER HWD. KIT OR RETURN SPRING KIT	MERITOR ADJUSTER KIT (LEFT WHEEL)	MERITOR ADJUSTER KIT (RIGHT WHEEL)
ITE(Cont.)									
170, 1700, 1710, 1723, 1724, 1750, 1753, 1754 SERIES CONVENTIONAL CAB, SCHOOL BUS, TILT CAB(Cont.)									
1985	Rd	BX		7142 - D225	MD225	R40H5010	R40H5522	NR	NR
	Rd	BX		7142 - D225	MD225	R40H5010	R40H5522	NR	NR
	Rd	BX		7108 - D184	MD184	R40H5010	R40H5519	NR	NR
	Rd	BX		7108 - D184	MD184	R40H5010	R40H5519	NR	NR
	Rd	BX		7108 - D184	MD184	R40H5010	R40H5519	NR	NR
	Rd	BX		7142 - D225	MD225	R40H5010	R40H5522	NR	NR
	Rd	BX		7108 - D184	MD184	R40H5010	R40H5519	NR	NR
	Rd	BX		7108 - D184	MD184	R40H5010	R40H5519	NR	NR
	Rd	BX		7142 - D225	MD225	R40H5010	R40H5522	NR	NR
	Rd	BX		7142 - D225	MD225	R40H5010	R40H5522	NR	NR
	Rd	BX		7108 - D184	MD184	R40H5010	R40H5519	NR	NR
	Rd	BX		7108 - D184	MD184	R40H5010	R40H5519	NR	NR
	Rd	BX		7142 - D225	MD225	R40H5010	R40H5522	NR	NR
	Rd	BX		7142 - D225	MD225	R40H5010	R40H5522	NR	NR
	Rd	BX		7108 - D184	MD184	R40H5010	R40H5519	NR	NR
	Rd	BX		7108 - D184	MD184	R40H5010	R40H5519	NR	NR
	Rd	BX		7142 - D225	MD225	R40H5010	R40H5522	NR	NR
	Rd	BX		7142 - D225	MD225	R40H5010	R40H5522	NR	NR
	Rd	BX		7108 - D184	MD184	R40H5010	R40H5519	NR	NR
	Rd	BX		7108 - D184	MD184	R40H5010	R40H5519	NR	NR
S1724, S1754 Conventional	Fd	BX		7108 - D184	MD184	R40H5010	R40H5519	NR	NR
	Fd	BX		7108 - D184	MD184	R40H5010	R40H5519	NR	NR
	Fd	BX		7108 - D184	MD184	R40H5010	R40H5519	NR	NR
	Fd	BX		7108 - D184	MD184	R40H5010	R40H5519	NR	NR
	Fd	BX		7108 - D184	MD184	R40H5010	R40H5519	NR	NR
	Fd	BX		7108 - D184	MD184	R40H5010	R40H5519	NR	NR
	Fd	BX		7108 - D184	MD184	R40H5010	R40H5519	NR	NR
	Fd	BX		7108 - D184	MD184	R40H5010	R40H5519	NR	NR
	Fd	BX		7108 - D184	MD184	R40H5010	R40H5519	NR	NR
	Fd	BX		7108 - D184	MD184	R40H5010	R40H5519	NR	NR
	Fd	BX		7108 - D184	MD184	R40H5010	R40H5519	NR	NR
	Fd	BX		7108 - D184	MD184	R40H5010	R40H5519	NR	NR
	Fd	BX		7108 - D184	MD184	R40H5010	R40H5519	NR	NR
	Fd	BX		7108 - D184	MD184	R40H5010	R40H5519	NR	NR
	Fd	BX		7108 - D184	MD184	R40H5010	R40H5519	NR	NR
S1724, S1754 Conventional FA101	Fd	BX		7108 - D184	MD184	R40H5010	R40H5519	NR	NR
	Fd	BX		7108 - D184	MD184	R40H5010	R40H5519	NR	NR
	Fd	BX		7108 - D184	MD184	R40H5010	R40H5519	NR	NR
	Fd	BX		7108 - D184	MD184	R40H5010	R40H5519	NR	NR
	Fd	BX		7108 - D184	MD184	R40H5010	R40H5519	NR	NR
	Fd	BX		7108 - D184	MD184	R40H5010	R40H5519	NR	NR
	Fd	BX		7108 - D184	MD184	R40H5010	R40H5519	NR	NR
	Fd	BX		7108 - D184	MD184	R40H5010	R40H5519	NR	NR
	Fd	BX		7108 - D184	MD184	R40H5010	R40H5519	NR	NR
	Fd	BX		7108 - D184	MD184	R40H5010	R40H5519	NR	NR
	Fd	BX		7108 - D184	MD184	R40H5010	R40H5519	NR	NR
S1724, S1754 Conventional FA309, 329, 339	Fd	BX		7142 - D225	MD225	R40H5010	R40H5522	NR	NR
	Fd	BX		7142 - D225	MD225	R40H5010	R40H5522	NR	NR
	Fd	BX		7142 - D225	MD225	R40H5010	R40H5522	NR	NR
	Fd	BX		7142 - D225	MD225	R40H5010	R40H5522	NR	NR

37 - Also available as a New unit

40 - For chrome plated steel version, use R4090070P
266 - 10 Stud, Hat Shaped
www.XpresswayPlus.com

38 - First design, may have external joining tube and uses steel pistons
52 - 18" Length
267 - 10 Stud, U Shaped

39 - First design, uses steel pistons.

201 - Steel Piston
268 - 5 Stud, Hat Shape

MERITOR DRUM OR ROTOR NO.	CALIPER OR CYLINDER BORE SIZE	MERITOR CALIPER OR WHEEL CYLINDER (LEFT)	MERITOR CALIPER OR WHEEL CYLINDER (RIGHT)	MERITOR CALIPER OR WHEEL CYLINDER REPAIR KIT	MERITOR CALIPER PISTON	MERITOR MASTER CYLINDER	MERITOR MASTER CYLINDER KIT	MERITOR BRAKE HOSE (LEFT)	MERITOR BRAKE HOSE (RIGHT)
ITE(Cont.)									
170, 1700, 1710, 1723, 1724, 1750, 1753, 1754 SERIES CONVENTIONAL CAB, SCHOOL BUS, TILT CAB(Cont.)									
R44141627 ²⁷⁰	2-7/8 "	R429218X	R429218X ³⁹	R406532	R4090070 ⁴⁰	-	-	R458634 ⁵²	R458634
R44141608 ²⁶⁷	2-7/8 "	R429218X	R429218X ³⁹	R406532	R4090070 ⁴⁰	-	-	R458634 ⁵²	R458634
23-123572-004 ²⁷¹	2-19/32 "	R42R55245	R42R55245 ³⁸	R402235118	R402238231 ²⁰¹	-	-	R458634 ⁵²	R458634
23-123552-004 ²⁶⁶	2-19/32 "	R42R55245	R42R55245 ³⁸	R402235118	R402238231 ²⁰¹	-	-	R458634 ⁵²	R458634
R44141629 ²⁶⁹	2-19/32 "	R42R55245	R42R55245 ³⁸	R402235118	R402238231 ²⁰¹	-	-	R458634 ⁵²	R458634
23-122527-002 ²⁷²	2-7/8 "	R429218X	R429218X ³⁹	R406532	R4090070 ⁴⁰	-	-	R458634 ⁵²	R458634
23-122527-002 ²⁷²	2-19/32 "	R42R55245	R42R55245 ³⁸	R402235118	R402238231 ²⁰¹	-	-	R458634 ⁵²	R458634
R44141608 ²⁶⁷	2-19/32 "	R42R55245	R42R55245 ³⁸	R402235118	R402238231 ²⁰¹	-	-	R458634 ⁵²	R458634
R44141627 ²⁷⁰	2-7/8 "	R429218X	R429218X ³⁹	R406532	R4090070 ⁴⁰	-	-	R458634 ⁵²	R458634
R44141628 ²⁶⁹	2-7/8 "	R429218X	R429218X ³⁹	R406532	R4090070 ⁴⁰	-	-	R458634 ⁵²	R458634
R44141628 ²⁶⁹	2-19/32 "	R42R55245	R42R55245 ³⁸	R402235118	R402238231 ²⁰¹	-	-	R458634 ⁵²	R458634
R44141628 ²⁶⁹	2-7/8 "	R429218X	R429218X ³⁹	R406532	R4090070 ⁴⁰	-	-	R458634 ⁵²	R458634
R44141629 ²⁶⁹	2-7/8 "	R429218X	R429218X ³⁹	R406532	R4090070 ⁴⁰	-	-	R458634 ⁵²	R458634
23-123552-004 ²⁶⁶	2-19/32 "	R42R55245	R42R55245 ³⁸	R402235118	R402238231 ²⁰¹	-	-	R458634 ⁵²	R458634
23-122527-002 ²⁷²	2-7/8 "	R429218X	R429218X ³⁹	R406532	R4090070 ⁴⁰	-	-	R458634 ⁵²	R458634
23-123572-004 ²⁷¹	2-19/32 "	R42R55245	R42R55245 ³⁸	R402235118	R402238231 ²⁰¹	-	-	R458634 ⁵²	R458634
R44141629 ²⁶⁹	2-7/8 "	R429218X	R429218X ³⁹	R406532	R4090070 ⁴⁰	-	-	R458634 ⁵²	R458634
R44141608 ²⁶⁷	2-7/8 "	R429218X	R429218X ³⁹	R406532	R4090070 ⁴⁰	-	-	R458634 ⁵²	R458634
R44141629 ²⁶⁹	2-19/32 "	R42R55245	R42R55245 ³⁸	R402235118	R402238231 ²⁰¹	-	-	R458634 ⁵²	R458634
R44141627 ²⁷⁰	2-7/8 "	R429218X	R429218X ³⁹	R406532	R4090070 ⁴⁰	-	-	R458634 ⁵²	R458634
R44141628 ²⁶⁹	2-19/32 "	R42R55245	R42R55245 ³⁸	R402235118	R402238231 ²⁰¹	-	-	R458634 ⁵²	R458634
R44141608 ²⁶⁷	2-19/32 "	R42R55245	R42R55245 ³⁸	R402235118	R402238231 ²⁰¹	-	-	R458634 ⁵²	R458634
23-123552-004 ²⁶⁶	2-7/8 "	R429218X	R429218X ³⁹	R406532	R4090070 ⁴⁰	-	-	R458634 ⁵²	R458634
23-123572-004 ²⁷¹	2-19/32 "	R42R55245	R42R55245 ³⁸	R402235118	R402238231 ²⁰¹	-	-	R458634 ⁵²	R458634
R44141629 ²⁶⁹	2-7/8 "	R429218X	R429218X ³⁹	R406532	R4090070 ⁴⁰	-	-	R458634 ⁵²	R458634
R44141608 ²⁶⁷	2-7/8 "	R429218X	R429218X ³⁹	R406532	R4090070 ⁴⁰	-	-	R458634 ⁵²	R458634
R44141629 ²⁶⁹	2-19/32 "	R42R55245	R42R55245 ³⁸	R402235118	R402238231 ²⁰¹	-	-	R458634 ⁵²	R458634
R44141627 ²⁷⁰	2-7/8 "	R429218X	R429218X ³⁹	R406532	R4090070 ⁴⁰	-	-	R458634 ⁵²	R458634
R44141628 ²⁶⁹	2-19/32 "	R42R55245	R42R55245 ³⁸	R402235118	R402238231 ²⁰¹	-	-	R458634 ⁵²	R458634
R44141608 ²⁶⁷	2-19/32 "	R42R55245	R42R55245 ³⁸	R402235118	R402238231 ²⁰¹	-	-	R458634 ⁵²	R458634
23-123552-004 ²⁶⁶	2-7/8 "	R429218X	R429218X ³⁹	R406532	R4090070 ⁴⁰	-	-	R458634 ⁵²	R458634
23-123572-004 ²⁷¹	2-19/32 "	R42R55245	R42R55245 ³⁸	R402235118	R402238231 ²⁰¹	-	-	R458634 ⁵²	R458634
R44141627 ²⁷⁰	2-19/32 "	R42R55245	R42R55245 ³⁸	R402235118	R402238231 ²⁰¹	-	-	R458634 ⁵²	R458634
23-122920-002 ²⁷³	3-3/8 "	R42R55099	R42R55098 ³⁷	R4066780	R4090021 ²⁰¹	-	-	R4577503	R4577503
23-123572-004 ²⁷¹	3-3/8 "	R42R55099	R42R55098 ³⁷	R4066780	R4090021 ²⁰¹	-	-	R458632	R458632
R44141476 ²⁶⁸	3-3/8 "	R42R55099	R42R55098 ³⁷	R4066780	R4090021 ²⁰¹	-	-	R458632	R458632
R44141858 ²⁷⁵	3-3/8 "	R42R55099	R42R55098 ³⁷	R4066780	R4090021 ²⁰¹	-	-	R4577503	R4577503
R44141476 ²⁶⁸	3-3/8 "	R42R55099	R42R55098 ³⁷	R4066780	R4090021 ²⁰¹	-	-	R458632	R458632
R44141858 ²⁷⁵	3-3/8 "	R42R55099	R42R55098 ³⁷	R4066780	R4090021 ²⁰¹	-	-	R4577503	R4577503
23-123572-004 ²⁷¹	3-3/8 "	R42R55099	R42R55098 ³⁷	R4066780	R4090021 ²⁰¹	-	-	R4577503	R4577503
R44141476 ²⁶⁸	3-3/8 "	R42R55099	R42R55098 ³⁷	R4066780	R4090021 ²⁰¹	-	-	R4577503	R4577503
23-122920-002 ²⁷³	3-3/8 "	R42R55099	R42R55098 ³⁷	R4066780	R4090021 ²⁰¹	-	-	R458632	R458632
R44141476 ²⁶⁸	3-3/8 "	R42R55099	R42R55098 ³⁷	R4066780	R4090021 ²⁰¹	-	-	R4577503	R4577503
R44141858 ²⁷⁵	3-3/8 "	R42R55099	R42R55098 ³⁷	R4066780	R4090021 ²⁰¹	-	-	R458632	R458632
23-123572-004 ²⁷¹	3-3/8 "	R42R55099	R42R55098 ³⁷	R4066780	R4090021 ²⁰¹	-	-	R458632	R458632
23-123552-004 ²⁶⁶	3-3/8 "	R42R55099	R42R55098 ³⁷	R4066780	R4090021 ²⁰¹	-	-	R4577503	R4577503
23-123552-004 ²⁶⁶	3-3/8 "	R42R55099	R42R55098 ³⁷	R4066780	R4090021 ²⁰¹	-	-	R4577503	R4577503
R44141858 ²⁷⁵	3-3/8 "	R42R55099	R42R55098 ³⁷	R4066780	R4090021 ²⁰¹	-	-	R458632	R458632
23-122920-002 ²⁷³	3-3/8 "	R42R55099	R42R55098 ³⁷	R4066780	R4090021 ²⁰¹	-	-	R458632	R458632
23-123552-004 ²⁶⁶	3-3/8 "	R42R55099	R42R55098 ³⁷	R4066780	R4090021 ²⁰¹	-	-	R458632	R458632
23-122920-002 ²⁷³	3-3/8 "	R42R55099	R42R55098 ³⁷	R4066780	R4090021 ²⁰¹	-	-	R4577503	R4577503
23-123572-004 ²⁷¹	3-3/8 "	R42R55099	R42R55098 ³⁷	R4066780	R4090021 ²⁰¹	-	-	R4577503	R4577503
23-122920-002 ²⁷³	2-19/32 "	R42R55245	R42R55245 ³⁸	R402235118	R402238231 ²⁰¹	-	-	R458632	R458632
23-123572-004 ²⁷¹	2-19/32 "	R42R55245	R42R55245 ³⁸	R402235118	R402238231 ²⁰¹	-	-	R4577503	R4577503
R44141476 ²⁶⁸	2-19/32 "	R42R55245	R42R55245 ³⁸	R402235118	R402238231 ²⁰¹	-	-	R4577503	R4577503
R44141858 ²⁷⁵	2-19/32 "	R42R55245	R42R55245 ³⁸	R402235118	R402238231 ²⁰¹	-	-	R458632	R458632
R44141476 ²⁶⁸	2-19/32 "	R42R55245	R42R55245 ³⁸	R402235118	R402238231 ²⁰¹	-	-	R458632	R458632
23-123552-004 ²⁶⁶	2-19/32 "	R42R55245	R42R55245 ³⁸	R402235118	R402238231 ²⁰¹	-	-	R458632	R458632
23-122527-002 ²⁷²	2-19/32 "	R42R55245	R42R55245 ³⁸	R402235118	R402238231 ²⁰¹	-	-	R458632	R458632
R44141858 ²⁷⁵	2-19/32 "	R42R55245	R42R55245 ³⁸	R402235118	R402238231 ²⁰¹	-	-	R4577503	R4577503
23-122527-002 ²⁷²	2-19/32 "	R42R55245	R42R55245 ³⁸	R402235118	R402238231 ²⁰¹	-	-	R4577503	R4577503
23-123572-004 ²⁷¹	2-19/32 "	R42R55245	R42R55245 ³⁸	R402235118	R402238231 ²⁰¹	-	-	R458632	R458632
23-123552-004 ²⁶⁶	2-19/32 "	R42R55245	R42R55245 ³⁸	R402235118	R402238231 ²⁰¹	-	-	R4577503	R4577503
23-122920-002 ²⁷³	2-19/32 "	R42R55245	R42R55245 ³⁸	R402235118	R402238231 ²⁰¹	-	-	R4577503	R4577503
23-122527-002 ²⁷²	2-7/8 "	R429218X	R429218X ³⁹	R406532	R4090070 ⁴⁰	-	-	R458632	R458632
23-122527-002 ²⁷²	2-7/8 "	R429218X	R429218X ³⁹	R406532	R4090070 ⁴⁰	-	-	R4577503	R4577503
23-123572-004 ²⁷¹	2-7/8 "	R429218X	R429218X ³⁹	R406532	R4090070 ⁴⁰	-	-	R458632	R458632
R44141476 ²⁶⁸	2-7/8 "	R429218X	R429218X ³⁹	R406532	R4090070 ⁴⁰	-	-	R458632	R458632

269 - 5 Stud, U Shape

270 - 5 Stud, U Shape, .766 Dia. Studs

271 - 6 Stud, Hat Shape

272 - 6 Stud, U Shape

273 - 5 Stud, U Shape, .780 Dia. Studs

275 - 5 Stud, U Shape, .656 Dia. Studs

MERITOR DRUM OR ROTOR NO.	CALIPER OR CYLINDER BORE SIZE	MERITOR CALIPER OR WHEEL CYLINDER (LEFT)	MERITOR CALIPER OR WHEEL CYLINDER (RIGHT)	MERITOR CALIPER OR WHEEL CYLINDER REPAIR KIT	MERITOR CALIPER PISTON	MERITOR MASTER CYLINDER	MERITOR MASTER CYLINDER KIT	MERITOR BRAKE HOSE (LEFT)	MERITOR BRAKE HOSE (RIGHT)
ITE(Cont.)									
170, 1700, 1710, 1723, 1724, 1750, 1753, 1754 SERIES CONVENTIONAL CAB, SCHOOL BUS, TILT CAB(Cont.)									
R44141858 ²⁷⁵	2-7/8 "	R429218X	R429218X ³⁹	R406532	R4090070 ⁴⁰	-	-	R4577503	R4577503
23-122527-002 ²⁷²	2-7/8 "	R429218X	R429218X ³⁹	R406532	R4090070 ⁴⁰	-	-	R4577503	R4577503
R44141476 ²⁶⁸	2-7/8 "	R429218X	R429218X ³⁹	R406532	R4090070 ⁴⁰	-	-	R4577503	R4577503
23-122920-002 ²⁷³	2-7/8 "	R429218X	R429218X ³⁹	R406532	R4090070 ⁴⁰	-	-	R4577503	R4577503
23-122920-002 ²⁷³	2-7/8 "	R429218X	R429218X ³⁹	R406532	R4090070 ⁴⁰	-	-	R4577503	R4577503
23-123552-004 ²⁶⁶	2-7/8 "	R429218X	R429218X ³⁹	R406532	R4090070 ⁴⁰	-	-	R4577503	R4577503
23-123572-004 ²⁷¹	2-7/8 "	R429218X	R429218X ³⁹	R406532	R4090070 ⁴⁰	-	-	R458632	R458632
R44141858 ²⁷⁵	2-7/8 "	R429218X	R429218X ³⁹	R406532	R4090070 ⁴⁰	-	-	R458632	R458632
R44141476 ²⁶⁸	2-7/8 "	R429218X	R429218X ³⁹	R406532	R4090070 ⁴⁰	-	-	R4577503	R4577503
23-122920-002 ²⁷³	2-7/8 "	R429218X	R429218X ³⁹	R406532	R4090070 ⁴⁰	-	-	R4577503	R4577503
23-123552-004 ²⁶⁶	2-7/8 "	R429218X	R429218X ³⁹	R406532	R4090070 ⁴⁰	-	-	R4577503	R4577503
23-123552-004 ²⁶⁶	2-7/8 "	R429218X	R429218X ³⁹	R406532	R4090070 ⁴⁰	-	-	R4577503	R4577503
23-123572-004 ²⁷¹	2-7/8 "	R429218X	R429218X ³⁹	R406532	R4090070 ⁴⁰	-	-	R458632	R458632
R44141858 ²⁷⁵	2-7/8 "	R429218X	R429218X ³⁹	R406532	R4090070 ⁴⁰	-	-	R4577503	R4577503
23-123572-004 ²⁷¹	2-7/8 "	R429218X	R429218X ³⁹	R406532	R4090070 ⁴⁰	-	-	R458632	R458632
23-123552-004 ²⁶⁶	2-7/8 "	R429218X	R429218X ³⁹	R406532	R4090070 ⁴⁰	-	-	R458632	R458632
23-123572-004 ²⁷¹	2-7/8 "	R429218X	R429218X ³⁹	R406532	R4090070 ⁴⁰	-	-	R458632	R458632
23-123572-004 ²⁷¹	2-7/8 "	R429218X	R429218X ³⁹	R406532	R4090070 ⁴⁰	-	-	R4577503	R4577503
23-123572-004 ²⁷¹	2-7/8 "	R429218X	R429218X ³⁹	R406532	R4090070 ⁴⁰	-	-	R4577503	R4577503
23-123572-004 ²⁷¹	2-7/8 "	R429218X	R429218X ³⁹	R406532	R4090070 ⁴⁰	-	-	R458632	R458632
23-122527-002 ²⁷²	2-7/8 "	R429218X	R429218X ³⁹	R406532	R4090070 ⁴⁰	-	-	R458632	R458632
23-123552-004 ²⁶⁶	2-7/8 "	R429218X	R429218X ³⁹	R406532	R4090070 ⁴⁰	-	-	R458632	R458632
R44141858 ²⁷⁵	2-7/8 "	R429218X	R429218X ³⁹	R406532	R4090070 ⁴⁰	-	-	R4577503	R4577503
23-123572-004 ²⁷¹	2-7/8 "	R429218X	R429218X ³⁹	R406532	R4090070 ⁴⁰	-	-	R4577503	R4577503
23-123552-004 ²⁶⁶	2-7/8 "	R429218X	R429218X ³⁹	R406532	R4090070 ⁴⁰	-	-	R4577503	R4577503
23-123552-004 ²⁶⁶	2-7/8 "	R429218X	R429218X ³⁹	R406532	R4090070 ⁴⁰	-	-	R458632	R458632
23-122527-002 ²⁷²	2-7/8 "	R429218X	R429218X ³⁹	R406532	R4090070 ⁴⁰	-	-	R458632	R458632
23-123552-004 ²⁶⁶	2-7/8 "	R429218X	R429218X ³⁹	R406532	R4090070 ⁴⁰	-	-	R4577503	R4577503
23-122920-002 ²⁷³	2-7/8 "	R429218X	R429218X ³⁹	R406532	R4090070 ⁴⁰	-	-	R458632	R458632
23-122527-002 ²⁷²	2-7/8 "	R429218X	R429218X ³⁹	R406532	R4090070 ⁴⁰	-	-	R458632	R458632
23-122920-002 ²⁷³	2-7/8 "	R429218X	R429218X ³⁹	R406532	R4090070 ⁴⁰	-	-	R4577503	R4577503
R44141476 ²⁶⁸	2-7/8 "	R429218X	R429218X ³⁹	R406532	R4090070 ⁴⁰	-	-	R4577503	R4577503
R44141476 ²⁶⁸	2-7/8 "	R429218X	R429218X ³⁹	R406532	R4090070 ⁴⁰	-	-	R4577503	R4577503
23-122920-002 ²⁷³	2-7/8 "	R429218X	R429218X ³⁹	R406532	R4090070 ⁴⁰	-	-	R458632	R458632
23-123572-004 ²⁷¹	2-7/8 "	R429218X	R429218X ³⁹	R406532	R4090070 ⁴⁰	-	-	R4577503	R4577503
R44141858 ²⁷⁵	2-7/8 "	R429218X	R429218X ³⁹	R406532	R4090070 ⁴⁰	-	-	R458632	R458632
23-122527-002 ²⁷²	2-7/8 "	R429218X	R429218X ³⁹	R406532	R4090070 ⁴⁰	-	-	R4577503	R4577503
R44141476 ²⁶⁸	2-7/8 "	R429218X	R429218X ³⁹	R406532	R4090070 ⁴⁰	-	-	R458632	R458632
R44141858 ²⁷⁵	2-7/8 "	R429218X	R429218X ³⁹	R406532	R4090070 ⁴⁰	-	-	R458632	R458632
R44141476 ²⁶⁸	2-7/8 "	R429218X	R429218X ³⁹	R406532	R4090070 ⁴⁰	-	-	R4577503	R4577503
23-123552-004 ²⁶⁶	2-7/8 "	R429218X	R429218X ³⁹	R406532	R4090070 ⁴⁰	-	-	R4577503	R4577503
23-122920-002 ²⁷³	2-7/8 "	R429218X	R429218X ³⁹	R406532	R4090070 ⁴⁰	-	-	R458632	R458632
23-123552-004 ²⁶⁶	2-7/8 "	R429218X	R429218X ³⁹	R406532	R4090070 ⁴⁰	-	-	R458632	R458632
23-122920-002 ²⁷³	2-7/8 "	R429218X	R429218X ³⁹	R406532	R4090070 ⁴⁰	-	-	R458632	R458632
23-122527-002 ²⁷²	2-7/8 "	R429218X	R429218X ³⁹	R406532	R4090070 ⁴⁰	-	-	R4577503	R4577503
23-123552-004 ²⁶⁶	2-7/8 "	R429218X	R429218X ³⁹	R406532	R4090070 ⁴⁰	-	-	R458632	R458632
R44141476 ²⁶⁸	2-7/8 "	R429218X	R429218X ³⁹	R406532	R4090070 ⁴⁰	-	-	R458632	R458632
R44141476 ²⁶⁸	2-7/8 "	R429218X	R429218X ³⁹	R406532	R4090070 ⁴⁰	-	-	R458632	R458632
23-122527-002 ²⁷²	2-7/8 "	R429218X	R429218X ³⁹	R406532	R4090070 ⁴⁰	-	-	R4577503	R4577503
R44141858 ²⁷⁵	2-7/8 "	R429218X	R429218X ³⁹	R406532	R4090070 ⁴⁰	-	-	R4577503	R4577503
R44141476 ²⁶⁸	2-7/8 "	R429218X	R429218X ³⁹	R406532	R4090070 ⁴⁰	-	-	R458632	R458632
23-123552-004 ²⁶⁶	2-7/8 "	R429218X	R429218X ³⁹	R406532	R4090070 ⁴⁰	-	-	R4577503	R4577503
23-122920-002 ²⁷³	2-7/8 "	R429218X	R429218X ³⁹	R406532	R4090070 ⁴⁰	-	-	R458632	R458632
23-122527-002 ²⁷²	2-7/8 "	R429218X	R429218X ³⁹	R406532	R4090070 ⁴⁰	-	-	R458632	R458632
23-123572-004 ²⁷¹	2-7/8 "	R429218X	R429218X ³⁹	R406532	R4090070 ⁴⁰	-	-	R4577503	R4577503
23-122920-002 ²⁷³	2-7/8 "	R429218X	R429218X ³⁹	R406532	R4090070 ⁴⁰	-	-	R4577503	R4577503
23-123552-004 ²⁶⁶	2-7/8 "	R429218X	R429218X ³⁹	R406532	R4090070 ⁴⁰	-	-	R458632	R458632

1 APPLICATION

MERITOR DRUM OR ROTOR NO.	CALIPER OR CYLINDER BORE SIZE	MERITOR CALIPER OR WHEEL CYLINDER (LEFT)	MERITOR CALIPER OR WHEEL CYLINDER (RIGHT)	MERITOR CALIPER OR WHEEL CYLINDER REPAIR KIT	MERITOR CALIPER PISTON	MERITOR MASTER CYLINDER	MERITOR MASTER CYLINDER KIT	MERITOR BRAKE HOSE (LEFT)	MERITOR BRAKE HOSE (RIGHT)
ITE(Cont.)									
170, 1700, 1710, 1723, 1724, 1750, 1753, 1754 SERIES CONVENTIONAL CAB, SCHOOL BUS, TILT CAB(Cont.)									
23-123552-004 ²⁶⁶	2-7/8 "	R429218X	R429218X ³⁹	R406532	R4090070 ⁴⁰	N/A ⁵³	-	-	-
23-122920-002 ²⁷³	2-7/8 "	R429218X	R429218X ³⁹	R406532	R4090070 ⁴⁰	N/A ⁵³	-	-	-
R44141858 ²⁷⁵	2-7/8 "	R429218X	R429218X ³⁹	R406532	R4090070 ⁴⁰	N/A ⁵³	-	-	-
R44141476 ²⁶⁸	2-7/8 "	R429218X	R429218X ³⁹	R406532	R4090070 ⁴⁰	N/A ⁵³	-	-	-
23-122920-002 ²⁷³	2-7/8 "	R429218X	R429218X ³⁹	R406532	R4090070 ⁴⁰	N/A ⁵³	-	-	-
23-123552-004 ²⁶⁶	2-7/8 "	R429218X	R429218X ³⁹	R406532	R4090070 ⁴⁰	N/A ⁵³	-	-	-
R44141858 ²⁷⁵	2-7/8 "	R429218X	R429218X ³⁹	R406532	R4090070 ⁴⁰	N/A ⁵³	-	-	-
R44141476 ²⁶⁸	2-7/8 "	R429218X	R429218X ³⁹	R406532	R4090070 ⁴⁰	N/A ⁵³	-	-	-
23-122527-002 ²⁷²	2-7/8 "	R429218X	R429218X ³⁹	R406532	R4090070 ⁴⁰	N/A ⁵³	-	-	-
23-123552-004 ²⁶⁶	2-7/8 "	R429218X	R429218X ³⁹	R406532	R4090070 ⁴⁰	N/A ⁵³	-	-	-
R44141476 ²⁶⁸	2-7/8 "	R429218X	R429218X ³⁹	R406532	R4090070 ⁴⁰	N/A ⁵³	-	-	-
23-122920-002 ²⁷³	2-7/8 "	R429218X	R429218X ³⁹	R406532	R4090070 ⁴⁰	N/A ⁵³	-	-	-
23-123552-004 ²⁶⁶	2-7/8 "	R429218X	R429218X ³⁹	R406532	R4090070 ⁴⁰	N/A ⁵³	-	-	-
23-123572-004 ²⁷¹	2-7/8 "	R429218X	R429218X ³⁹	R406532	R4090070 ⁴⁰	N/A ⁵³	-	-	-
23-122920-002 ²⁷³	2-7/8 "	R429218X	R429218X ³⁹	R406532	R4090070 ⁴⁰	N/A ⁵³	-	-	-
23-122527-002 ²⁷²	2-7/8 "	R429218X	R429218X ³⁹	R406532	R4090070 ⁴⁰	N/A ⁵³	-	-	-
23-123572-004 ²⁷¹	2-7/8 "	R429218X	R429218X ³⁹	R406532	R4090070 ⁴⁰	N/A ⁵³	-	-	-
23-123572-004 ²⁷¹	2-7/8 "	R429218X	R429218X ³⁹	R406532	R4090070 ⁴⁰	N/A ⁵³	-	-	-
R44141858 ²⁷⁵	2-7/8 "	R429218X	R429218X ³⁹	R406532	R4090070 ⁴⁰	N/A ⁵³	-	-	-
R44141476 ²⁶⁸	2-7/8 "	R429218X	R429218X ³⁹	R406532	R4090070 ⁴⁰	N/A ⁵³	-	-	-
23-122527-002 ²⁷²	2-7/8 "	R429218X	R429218X ³⁹	R406532	R4090070 ⁴⁰	N/A ⁵³	-	-	-
23-122527-002 ²⁷²	2-7/8 "	R429218X	R429218X ³⁹	R406532	R4090070 ⁴⁰	N/A ⁵³	-	-	-
23-122527-002 ²⁷²	2-7/8 "	R429218X	R429218X ³⁹	R406532	R4090070 ⁴⁰	N/A ⁵³	-	-	-
R44141476 ²⁶⁸	2-7/8 "	R429218X	R429218X ³⁹	R406532	R4090070 ⁴⁰	N/A ⁵³	-	-	-
23-122920-002 ²⁷³	2-7/8 "	R429218X	R429218X ³⁹	R406532	R4090070 ⁴⁰	N/A ⁵³	-	-	-
R44141858 ²⁷⁵	2-7/8 "	R429218X	R429218X ³⁹	R406532	R4090070 ⁴⁰	N/A ⁵³	-	-	-
R44141628 ²⁶⁹	2-19/32 "	R42R55245	R42R55245 ³⁸	R402235118	R402238231 ²⁰¹	-	-	-	-
R44141608 ²⁶⁷	2-7/8 "	R429218X	R429218X ³⁹	R406532	R4090070 ⁴⁰	-	-	-	-
23-123572-004 ²⁷¹	2-7/8 "	R429218X	R429218X ³⁹	R406532	R4090070 ⁴⁰	-	-	-	-
23-123572-004 ²⁷¹	2-7/8 "	R429218X	R429218X ³⁹	R406532	R4090070 ⁴⁰	-	-	-	-
R44141629 ²⁶⁹	2-7/8 "	R429218X	R429218X ³⁹	R406532	R4090070 ⁴⁰	-	-	-	-
23-123552-004 ²⁶⁶	2-19/32 "	R42R55245	R42R55245 ³⁸	R402235118	R402238231 ²⁰¹	-	-	-	-
R44141629 ²⁶⁹	2-19/32 "	R42R55245	R42R55245 ³⁸	R402235118	R402238231 ²⁰¹	-	-	-	-
R44141627 ²⁷⁰	2-7/8 "	R429218X	R429218X ³⁹	R406532	R4090070 ⁴⁰	-	-	-	-
R44141627 ²⁷⁰	2-7/8 "	R429218X	R429218X ³⁹	R406532	R4090070 ⁴⁰	-	-	-	-
R44141608 ²⁶⁷	2-7/8 "	R429218X	R429218X ³⁹	R406532	R4090070 ⁴⁰	-	-	-	-
R44141608 ²⁶⁷	2-19/32 "	R42R55245	R42R55245 ³⁸	R402235118	R402238231 ²⁰¹	-	-	-	-
23-122527-002 ²⁷²	2-7/8 "	R429218X	R429218X ³⁹	R406532	R4090070 ⁴⁰	-	-	-	-
23-123572-004 ²⁷¹	2-19/32 "	R42R55245	R42R55245 ³⁸	R402235118	R402238231 ²⁰¹	-	-	-	-
R44141628 ²⁶⁹	2-7/8 "	R429218X	R429218X ³⁹	R406532	R4090070 ⁴⁰	-	-	-	-
23-123572-004 ²⁷¹	2-7/8 "	R429218X	R429218X ³⁹	R406532	R4090070 ⁴⁰	-	-	-	-
R44141628 ²⁶⁹	2-19/32 "	R42R55245	R42R55245 ³⁸	R402235118	R402238231 ²⁰¹	-	-	-	-
R44141628 ²⁶⁹	2-7/8 "	R429218X	R429218X ³⁹	R406532	R4090070 ⁴⁰	-	-	-	-
23-122527-002 ²⁷²	2-19/32 "	R42R55245	R42R55245 ³⁸	R402235118	R402238231 ²⁰¹	-	-	-	-
R44141627 ²⁷⁰	2-7/8 "	R429218X	R429218X ³⁹	R406532	R4090070 ⁴⁰	-	-	-	-
23-123552-004 ²⁶⁶	2-7/8 "	R429218X	R429218X ³⁹	R406532	R4090070 ⁴⁰	-	-	-	-
R44141629 ²⁶⁹	2-7/8 "	R429218X	R429218X ³⁹	R406532	R4090070 ⁴⁰	-	-	-	-
23-122527-002 ²⁷²	2-7/8 "	R429218X	R429218X ³⁹	R406532	R4090070 ⁴⁰	-	-	-	-
23-123552-004 ²⁶⁶	2-7/8 "	R429218X	R429218X ³⁹	R406532	R4090070 ⁴⁰	-	-	-	-
R44141608 ²⁶⁷	2-7/8 "	R429218X	R429218X ³⁹	R406532	R4090070 ⁴⁰	-	-	-	-
R44141628 ²⁶⁹	2-7/8 "	R429218X	R429218X ³⁹	R406532	R4090070 ⁴⁰	-	-	-	-
R44141629 ²⁶⁹	2-19/32 "	R42R55245	R42R55245 ³⁸	R402235118	R402238231 ²⁰¹	-	-	-	-
23-123572-004 ²⁷¹	2-19/32 "	R42R55245	R42R55245 ³⁸	R402235118	R402238231 ²⁰¹	-	-	-	-
23-123552-004 ²⁶⁶	2-7/8 "	R429218X	R429218X ³⁹	R406532	R4090070 ⁴⁰	-	-	-	-
23-123552-004 ²⁶⁶	2-19/32 "	R42R55245	R42R55245 ³⁸	R402235118	R402238231 ²⁰¹	-	-	-	-
R44141629 ²⁶⁹	2-7/8 "	R429218X	R429218X ³⁹	R406532	R4090070 ⁴⁰	-	-	-	-
23-122527-002 ²⁷²	2-7/8 "	R429218X	R429218X ³⁹	R406532	R4090070 ⁴⁰	-	-	-	-
R44141608 ²⁶⁷	2-19/32 "	R42R55245	R42R55245 ³⁸	R402235118	R402238231 ²⁰¹	-	-	-	-
R44141628 ²⁶⁹	2-7/8 "	R429218X	R429218X ³⁹	R406532	R4090070 ⁴⁰	-	-	-	-
R44141629 ²⁶⁹	2-19/32 "	R42R55245	R42R55245 ³⁸	R402235118	R402238231 ²⁰¹	-	-	-	-
23-123572-004 ²⁷¹	2-19/32 "	R42R55245	R42R55245 ³⁸	R402235118	R402238231 ²⁰¹	-	-	-	-
23-123552-004 ²⁶⁶	2-7/8 "	R429218X	R429218X ³⁹	R406532	R4090070 ⁴⁰	-	-	-	-
23-123552-004 ²⁶⁶	2-19/32 "	R42R55245	R42R55245 ³⁸	R402235118	R402238231 ²⁰¹	-	-	-	-
R44141629 ²⁶⁹	2-7/8 "	R429218X	R429218X ³⁹	R406532	R4090070 ⁴⁰	-	-	-	-
23-122527-002 ²⁷²	2-7/8 "	R429218X	R429218X ³⁹	R406532	R4090070 ⁴⁰	-	-	-	-
R44141608 ²⁶⁷	2-19/32 "	R42R55245	R42R55245 ³⁸	R402235118	R402238231 ²⁰¹	-	-	-	-
R44141627 ²⁷⁰	2-19/32 "	R42R55245	R42R55245 ³⁸	R402235118	R402238231 ²⁰¹	-	-	-	-

1 APPLICATION

270 - 5 Stud, U Shape, .766 Dia. Studs

271 - 6 Stud, Hat Shape

272 - 6 Stud, U Shape

273 - 5 Stud, U Shape, .780 Dia. Studs

275 - 5 Stud, U Shape, .656 Dia. Studs

Contact our Customer Service Teams
1-888-725-9355

www.XpresswayPlus.com

MERITOR DRUM OR ROTOR NO.	CALIPER OR CYLINDER BORE SIZE	MERITOR CALIPER OR WHEEL CYLINDER (LEFT)	MERITOR CALIPER OR WHEEL CYLINDER (RIGHT)	MERITOR CALIPER OR WHEEL CYLINDER REPAIR KIT	MERITOR CALIPER PISTON	MERITOR MASTER CYLINDER	MERITOR MASTER CYLINDER KIT	MERITOR BRAKE HOSE (LEFT)	MERITOR BRAKE HOSE (RIGHT)
ITE(Cont.)									
170, 1700, 1710, 1723, 1724, 1750, 1753, 1754 SERIES CONVENTIONAL CAB, SCHOOL BUS, TILT CAB(Cont.)									
23-122527-002 ²⁷²	2-19/32 "	R42R55245	R42R55245 ³⁸	R402235118	R402238231 ²⁰¹	R4111993 ³⁰²	R4122386	R458632	R458632
23-123572-004 ²⁷¹	2-19/32 "	R42R55245	R42R55245 ³⁸	R402235118	R402238231 ²⁰¹	N/A ⁵³	-	R458632	R458632
23-122920-002 ²⁷³	2-7/8 "	R429218X	R429218X ³⁹	R406532	R4090070 ⁴⁰	N/A ⁵³	-	R4577503	R4577503
23-122920-002 ²⁷³	2-7/8 "	R429218X	R429218X ³⁹	R406532	R4090070 ⁴⁰	R4111993 ³⁰²	R4122386	R458632	R458632
R44141858 ²⁷⁵	2-7/8 "	R429218X	R429218X ³⁹	R406532	R4090070 ⁴⁰	N/A ⁵³	-	R458632	R458632
R44141476 ²⁶⁸	2-7/8 "	R429218X	R429218X ³⁹	R406532	R4090070 ⁴⁰	N/A ⁵³	-	R458632	R458632
23-122920-002 ²⁷³	2-7/8 "	R429218X	R429218X ³⁹	R406532	R4090070 ⁴⁰	N/A ⁵³	-	R4577503	R4577503
23-122920-002 ²⁷³	2-7/8 "	R429218X	R429218X ³⁹	R406532	R4090070 ⁴⁰	R4111993 ³⁰²	R4122386	R458632	R458632
23-123572-004 ²⁷¹	2-7/8 "	R429218X	R429218X ³⁹	R406532	R4090070 ⁴⁰	R4111993 ³⁰²	R4122386	R4577503	R4577503
R44141858 ²⁷⁵	2-7/8 "	R429218X	R429218X ³⁹	R406532	R4090070 ⁴⁰	N/A ⁵³	-	R458632	R458632
23-123552-004 ²⁶⁶	2-7/8 "	R429218X	R429218X ³⁹	R406532	R4090070 ⁴⁰	R4111993 ³⁰²	R4122386	R458632	R458632
R44141476 ²⁶⁸	2-7/8 "	R429218X	R429218X ³⁹	R406532	R4090070 ⁴⁰	R4111993 ³⁰²	R4122386	R4577503	R4577503
23-122527-002 ²⁷²	2-7/8 "	R429218X	R429218X ³⁹	R406532	R4090070 ⁴⁰	R4111993 ³⁰²	R4122386	R458632	R458632
23-123572-004 ²⁷¹	2-7/8 "	R429218X	R429218X ³⁹	R406532	R4090070 ⁴⁰	R4111993 ³⁰²	R4122386	R458632	R458632
23-122527-002 ²⁷²	2-7/8 "	R429218X	R429218X ³⁹	R406532	R4090070 ⁴⁰	R4111993 ³⁰²	R4122386	R458632	R458632
23-123572-004 ²⁷¹	2-7/8 "	R429218X	R429218X ³⁹	R406532	R4090070 ⁴⁰	N/A ⁵³	-	R4577503	R4577503
23-122920-002 ²⁷³	2-7/8 "	R429218X	R429218X ³⁹	R406532	R4090070 ⁴⁰	R4111993 ³⁰²	R4122386	R4577503	R4577503
R44141476 ²⁶⁸	2-7/8 "	R429218X	R429218X ³⁹	R406532	R4090070 ⁴⁰	N/A ⁵³	-	R4577503	R4577503
23-123572-004 ²⁷¹	2-7/8 "	R429218X	R429218X ³⁹	R406532	R4090070 ⁴⁰	R4111993 ³⁰²	R4122386	R458632	R458632
23-122527-002 ²⁷²	2-7/8 "	R429218X	R429218X ³⁹	R406532	R4090070 ⁴⁰	N/A ⁵³	-	R4577503	R4577503
R44141476 ²⁶⁸	2-7/8 "	R429218X	R429218X ³⁹	R406532	R4090070 ⁴⁰	N/A ⁵³	-	R4577503	R4577503
R44141858 ²⁷⁵	2-7/8 "	R429218X	R429218X ³⁹	R406532	R4090070 ⁴⁰	R4111993 ³⁰²	R4122386	R458632	R458632
23-122527-002 ²⁷²	2-7/8 "	R429218X	R429218X ³⁹	R406532	R4090070 ⁴⁰	R4111993 ³⁰²	R4122386	R458632	R458632
23-123552-004 ²⁶⁶	2-7/8 "	R429218X	R429218X ³⁹	R406532	R4090070 ⁴⁰	N/A ⁵³	-	R458632	R458632
23-122920-002 ²⁷³	2-7/8 "	R429218X	R429218X ³⁹	R406532	R4090070 ⁴⁰	R4111993 ³⁰²	R4122386	R458632	R458632
23-123552-004 ²⁶⁶	2-7/8 "	R429218X	R429218X ³⁹	R406532	R4090070 ⁴⁰	N/A ⁵³	-	R4577503	R4577503
23-122527-002 ²⁷²	2-7/8 "	R429218X	R429218X ³⁹	R406532	R4090070 ⁴⁰	R4111993 ³⁰²	R4122386	R458632	R458632
23-122527-002 ²⁷²	2-7/8 "	R429218X	R429218X ³⁹	R406532	R4090070 ⁴⁰	N/A ⁵³	-	R4577503	R4577503
23-123552-004 ²⁶⁶	2-7/8 "	R429218X	R429218X ³⁹	R406532	R4090070 ⁴⁰	N/A ⁵³	-	R458632	R458632
R44141476 ²⁶⁸	2-7/8 "	R429218X	R429218X ³⁹	R406532	R4090070 ⁴⁰	R4111993 ³⁰²	R4122386	R4577503	R4577503
R44141858 ²⁷⁵	2-7/8 "	R429218X	R429218X ³⁹	R406532	R4090070 ⁴⁰	R4111993 ³⁰²	R4122386	R458632	R458632
23-122527-002 ²⁷²	2-7/8 "	R429218X	R429218X ³⁹	R406532	R4090070 ⁴⁰	R4111993 ³⁰²	R4122386	R458632	R458632
23-123552-004 ²⁶⁶	2-7/8 "	R429218X	R429218X ³⁹	R406532	R4090070 ⁴⁰	N/A ⁵³	-	R4577503	R4577503
R44141476 ²⁶⁸	2-7/8 "	R429218X	R429218X ³⁹	R406532	R4090070 ⁴⁰	N/A ⁵³	-	R458632	R458632
R44141858 ²⁷⁵	2-7/8 "	R429218X	R429218X ³⁹	R406532	R4090070 ⁴⁰	R4111993 ³⁰²	R4122386	R458632	R458632
23-122527-002 ²⁷²	2-7/8 "	R429218X	R429218X ³⁹	R406532	R4090070 ⁴⁰	R4111993 ³⁰²	R4122386	R458632	R458632
23-123552-004 ²⁶⁶	2-7/8 "	R429218X	R429218X ³⁹	R406532	R4090070 ⁴⁰	N/A ⁵³	-	R4577503	R4577503
23-122920-002 ²⁷³	2-7/8 "	R429218X	R429218X ³⁹	R406532	R4090070 ⁴⁰	R4111993 ³⁰²	R4122386	R458632	R458632
R44141858 ²⁷⁵	2-7/8 "	R429218X	R429218X ³⁹	R406532	R4090070 ⁴⁰	N/A ⁵³	-	R458632	R458632
23-123552-004 ²⁶⁶	2-7/8 "	R429218X	R429218X ³⁹	R406532	R4090070 ⁴⁰	R4111993 ³⁰²	R4122386	R458632	R458632
23-122527-002 ²⁷²	2-7/8 "	R429218X	R429218X ³⁹	R406532	R4090070 ⁴⁰	R4111993 ³⁰²	R4122386	R458632	R458632
23-122527-002 ²⁷²	2-7/8 "	R429218X	R429218X ³⁹	R406532	R4090070 ⁴⁰	N/A ⁵³	-	R4577503	R4577503
R44141476 ²⁶⁸	2-7/8 "	R429218X	R429218X ³⁹	R406532	R4090070 ⁴⁰	R4111993 ³⁰²	R4122386	R458632	R458632
R44141858 ²⁷⁵	2-7/8 "	R429218X	R429218X ³⁹	R406532	R4090070 ⁴⁰	R4111993 ³⁰²	R4122386	R458632	R458632
23-123572-004 ²⁷¹	2-7/8 "	R429218X	R429218X ³⁹	R406532	R4090070 ⁴⁰	N/A ⁵³	-	R4577503	R4577503
23-123572-004 ²⁷¹	2-7/8 "	R429218X	R429218X ³⁹	R406532	R4090070 ⁴⁰	R4111993 ³⁰²	R4122386	R458632	R458632
23-122527-002 ²⁷²	2-7/8 "	R429218X	R429218X ³⁹	R406532	R4090070 ⁴⁰	N/A ⁵³	-	R4577503	R4577503
R44141858 ²⁷⁵	2-7/8 "	R429218X	R429218X ³⁹	R406532	R4090070 ⁴⁰	N/A ⁵³	-	R458632	R458632
R44141476 ²⁶⁸	2-7/8 "	R429218X	R429218X ³⁹	R406532	R4090070 ⁴⁰	N/A ⁵³	-	R4577503	R4577503
23-122920-002 ²⁷³	2-7/8 "	R429218X	R429218X ³⁹	R406532	R4090070 ⁴⁰	N/A ⁵³	-	R458632	R458632
23-123552-004 ²⁶⁶	2-7/8 "	R429218X	R429218X ³⁹	R406532	R4090070 ⁴⁰	N/A ⁵³	-	R458632	R458632
R44141476 ²⁶⁸	2-7/8 "	R429218X	R429218X ³⁹	R406532	R4090070 ⁴⁰	R4111993 ³⁰²	R4122386	R4577503	R4577503
23-122527-002 ²⁷²	2-7/8 "	R429218X	R429218X ³⁹	R406532	R4090070 ⁴⁰	R4111993 ³⁰²	R4122386	R4577503	R4577503
23-123552-004 ²⁶⁶	2-7/8 "	R429218X	R429218X ³⁹	R406532	R4090070 ⁴⁰	R4111993 ³⁰²	R4122386	R4577503	R4577503
23-122527-002 ²⁷²	2-7/8 "	R429218X	R429218X ³⁹	R406532	R4090070 ⁴⁰	N/A ⁵³	-	R458632	R458632
R44141476 ²⁶⁸	2-7/8 "	R429218X	R429218X ³⁹	R406532	R4090070 ⁴⁰	R4111993 ³⁰²	R4122386	R458632	R458632
R44141858 ²⁷⁵	2-7/8 "	R429218X	R429218X ³⁹	R406532	R4090070 ⁴⁰	R4111993 ³⁰²	R4122386	R458632	R458632
23-123552-004 ²⁶⁶	2-7/8 "	R429218X	R429218X ³⁹	R406532	R4090070 ⁴⁰	N/A ⁵³	-	R4577503	R4577503
23-122527-002 ²⁷²	2-7/8 "	R429218X	R429218X ³⁹	R406532	R4090070 ⁴⁰	R4111993 ³⁰²	R4122386	R458632	R458632
23-123552-004 ²⁶⁶	2-7/8 "	R429218X	R429218X ³⁹	R406532	R4090070 ⁴⁰	R4111993 ³⁰²	R4122386	R4577503	R4577503
23-123572-004 ²⁷¹	2-7/8 "	R429218X	R429218X ³⁹	R406532	R4090070 ⁴⁰	N/A ⁵³	-	R458632	R458632
R44141476 ²⁶⁸	2-7/8 "	R429218X	R429218X ³⁹	R406532	R4090070 ⁴⁰	R4111993 ³⁰²	R4122386	R458632	R458632

1 APPLICATION

273 - 5 Stud, U Shape, .780 Dia. Studs

275 - 5 Stud, U Shape, .656 Dia. Studs

302 - Power Brakes, Dual System

MERITOR DRUM OR ROTOR NO.	CALIPER OR CYLINDER BORE SIZE	MERITOR CALIPER OR WHEEL CYLINDER (LEFT)	MERITOR CALIPER OR WHEEL CYLINDER (RIGHT)	MERITOR CALIPER OR WHEEL CYLINDER REPAIR KIT	MERITOR CALIPER PISTON	MERITOR MASTER CYLINDER	MERITOR MASTER CYLINDER KIT	MERITOR BRAKE HOSE (LEFT)	MERITOR BRAKE HOSE (RIGHT)
ITE(Cont.)									
170, 1700, 1710, 1723, 1724, 1750, 1753, 1754 SERIES CONVENTIONAL CAB, SCHOOL BUS, TILT CAB(Cont.)									
23-122527-002 ²⁷²	2-7/8 "	R429218X	R429218X ³⁹	R406532	R4090070 ⁴⁰	R4111993 ³⁰²	R4122386	R4577503	R4577503
23-123552-004 ²⁶⁶	2-7/8 "	R429218X	R429218X ³⁹	R406532	R4090070 ⁴⁰	R4111993 ³⁰²	R4122386	R458632	R458632
23-122920-002 ²⁷³	2-7/8 "	R429218X	R429218X ³⁹	R406532	R4090070 ⁴⁰	R4111993 ³⁰²	R4122386	R458632	R458632
23-122527-002 ²⁷²	2-7/8 "	R429218X	R429218X ³⁹	R406532	R4090070 ⁴⁰	N/A ⁵³	-	R4577503	R4577503
23-122920-002 ²⁷³	2-7/8 "	R429218X	R429218X ³⁹	R406532	R4090070 ⁴⁰	R4111993 ³⁰²	R4122386	R4577503	R4577503
23-123572-004 ²⁷¹	2-7/8 "	R429218X	R429218X ³⁹	R406532	R4090070 ⁴⁰	N/A ⁵³	-	R4577503	R4577503
23-123572-004 ²⁷¹	2-7/8 "	R429218X	R429218X ³⁹	R406532	R4090070 ⁴⁰	N/A ⁵³	-	R458632	R458632
R44141858 ²⁷⁵	2-7/8 "	R429218X	R429218X ³⁹	R406532	R4090070 ⁴⁰	N/A ⁵³	-	R458632	R458632
23-122527-002 ²⁷²	2-7/8 "	R429218X	R429218X ³⁹	R406532	R4090070 ⁴⁰	N/A ⁵³	-	R458632	R458632
23-123552-004 ²⁶⁶	2-7/8 "	R429218X	R429218X ³⁹	R406532	R4090070 ⁴⁰	N/A ⁵³	-	R4577503	R4577503
23-123552-004 ²⁶⁶	2-7/8 "	R429218X	R429218X ³⁹	R406532	R4090070 ⁴⁰	R4111993 ³⁰²	R4122386	R458632	R458632
R44141858 ²⁷⁵	2-7/8 "	R429218X	R429218X ³⁹	R406532	R4090070 ⁴⁰	N/A ⁵³	-	R4577503	R4577503
23-122920-002 ²⁷³	2-7/8 "	R429218X	R429218X ³⁹	R406532	R4090070 ⁴⁰	R4111993 ³⁰²	R4122386	R4577503	R4577503
23-122920-002 ²⁷³	2-7/8 "	R429218X	R429218X ³⁹	R406532	R4090070 ⁴⁰	N/A ⁵³	-	R458632	R458632
23-123552-004 ²⁶⁶	2-7/8 "	R429218X	R429218X ³⁹	R406532	R4090070 ⁴⁰	R4111993 ³⁰²	R4122386	R4577503	R4577503
R44141858 ²⁷⁵	2-7/8 "	R429218X	R429218X ³⁹	R406532	R4090070 ⁴⁰	N/A ⁵³	-	R4577503	R4577503
23-123552-004 ²⁶⁶	2-7/8 "	R429218X	R429218X ³⁹	R406532	R4090070 ⁴⁰	N/A ⁵³	-	R4577503	R4577503
23-122527-002 ²⁷²	2-7/8 "	R429218X	R429218X ³⁹	R406532	R4090070 ⁴⁰	N/A ⁵³	-	R458632	R458632
23-122527-002 ²⁷²	2-7/8 "	R429218X	R429218X ³⁹	R406532	R4090070 ⁴⁰	R4111993 ³⁰²	R4122386	R458632	R458632
R44141476 ²⁶⁸	2-7/8 "	R429218X	R429218X ³⁹	R406532	R4090070 ⁴⁰	R4111993 ³⁰²	R4122386	R4577503	R4577503
R44141858 ²⁷⁵	2-7/8 "	R429218X	R429218X ³⁹	R406532	R4090070 ⁴⁰	R4111993 ³⁰²	R4122386	R458632	R458632
23-122527-002 ²⁷²	3-3/8 "	R42R55099	R42R55098 ³⁷	R4066780	R4090021 ²⁰¹	R4111993 ³⁰²	R4122386	R458632	R458632
23-122527-002 ²⁷²	3-3/8 "	R42R55099	R42R55098 ³⁷	R4066780	R4090021 ²⁰¹	R4111993 ³⁰²	R4122386	R458632	R458632
23-122527-002 ²⁷²	3-3/8 "	R42R55099	R42R55098 ³⁷	R4066780	R4090021 ²⁰¹	R4111993 ³⁰²	R4122386	R4577503	R4577503
23-122527-002 ²⁷²	3-3/8 "	R42R55099	R42R55098 ³⁷	R4066780	R4090021 ²⁰¹	R4111993 ³⁰²	R4122386	R4577503	R4577503
23-122527-002 ²⁷²	3-3/8 "	R42R55099	R42R55098 ³⁷	R4066780	R4090021 ²⁰¹	N/A ⁵³	-	R4577503	R4577503
23-122527-002 ²⁷²	3-3/8 "	R42R55099	R42R55098 ³⁷	R4066780	R4090021 ²⁰¹	N/A ⁵³	-	R458632	R458632
23-122527-002 ²⁷²	3-3/8 "	R42R55099	R42R55098 ³⁷	R4066780	R4090021 ²⁰¹	N/A ⁵³	-	R458632	R458632
23-123572-004 ²⁷¹	2-7/8 "	R429218X	R429218X ³⁹	R406532	R4090070 ⁴⁰	-	-	R458634 ⁵²	R458634
R44141628 ²⁶⁹	2-19/32 "	R42R55245	R42R55245 ³⁸	R402235118	R402238231 ²⁰¹	-	-	R458634 ⁵²	R458634
23-123572-004 ²⁷¹	2-7/8 "	R429218X	R429218X ³⁹	R406532	R4090070 ⁴⁰	-	-	R458634 ⁵²	R458634
R44141627 ²⁷⁰	2-19/32 "	R42R55245	R42R55245 ³⁸	R402235118	R402238231 ²⁰¹	-	-	R458634 ⁵²	R458634
R44141629 ²⁶⁹	2-19/32 "	R42R55245	R42R55245 ³⁸	R402235118	R402238231 ²⁰¹	-	-	R458634 ⁵²	R458634
23-122527-002 ²⁷²	2-7/8 "	R429218X	R429218X ³⁹	R406532	R4090070 ⁴⁰	-	-	R458634 ⁵²	R458634
R44141608 ²⁶⁷	2-7/8 "	R429218X	R429218X ³⁹	R406532	R4090070 ⁴⁰	-	-	R458634 ⁵²	R458634
23-123552-004 ²⁶⁶	2-7/8 "	R429218X	R429218X ³⁹	R406532	R4090070 ⁴⁰	-	-	R458634 ⁵²	R458634
23-123572-004 ²⁷¹	2-7/8 "	R429218X	R429218X ³⁹	R406532	R4090070 ⁴⁰	-	-	R458634 ⁵²	R458634
R44141628 ²⁶⁹	2-19/32 "	R42R55245	R42R55245 ³⁸	R402235118	R402238231 ²⁰¹	-	-	R458634 ⁵²	R458634
23-123572-004 ²⁷¹	2-19/32 "	R42R55245	R42R55245 ³⁸	R402235118	R402238231 ²⁰¹	-	-	R458634 ⁵²	R458634
R44141628 ²⁶⁹	2-7/8 "	R429218X	R429218X ³⁹	R406532	R4090070 ⁴⁰	-	-	R458634 ⁵²	R458634
R44141629 ²⁶⁹	2-7/8 "	R429218X	R429218X ³⁹	R406532	R4090070 ⁴⁰	-	-	R458634 ⁵²	R458634
R44141608 ²⁶⁷	2-7/8 "	R429218X	R429218X ³⁹	R406532	R4090070 ⁴⁰	-	-	R458634 ⁵²	R458634
R44141629 ²⁶⁹	2-7/8 "	R429218X	R429218X ³⁹	R406532	R4090070 ⁴⁰	-	-	R458634 ⁵²	R458634
23-123572-004 ²⁷¹	2-19/32 "	R42R55245	R42R55245 ³⁸	R402235118	R402238231 ²⁰¹	-	-	R458634 ⁵²	R458634
R44141629 ²⁶⁹	2-7/8 "	R429218X	R429218X ³⁹	R406532	R4090070 ⁴⁰	-	-	R458634 ⁵²	R458634
R44141627 ²⁷⁰	2-7/8 "	R429218X	R429218X ³⁹	R406532	R4090070 ⁴⁰	-	-	R458634 ⁵²	R458634
R44141628 ²⁶⁹	2-7/8 "	R429218X	R429218X ³⁹	R406532	R4090070 ⁴⁰	-	-	R458634 ⁵²	R458634
R44141627 ²⁷⁰	2-7/8 "	R429218X	R429218X ³⁹	R406532	R4090070 ⁴⁰	-	-	R458634 ⁵²	R458634
23-123572-004 ²⁷¹	2-19/32 "	R42R55245	R42R55245 ³⁸	R402235118	R402238231 ²⁰¹	-	-	R458634 ⁵²	R458634
R44141627 ²⁷⁰	2-7/8 "	R429218X	R429218X ³⁹	R406532	R4090070 ⁴⁰	-	-	R458634 ⁵²	R458634
R44141628 ²⁶⁹	2-7/8 "	R429218X	R429218X ³⁹	R406532	R4090070 ⁴⁰	-	-	R458634 ⁵²	R458634
R44141627 ²⁷⁰	2-7/8 "	R429218X	R429218X ³⁹	R406532	R4090070 ⁴⁰	-	-	R458634 ⁵²	R458634
23-123572-004 ²⁷¹	2-19/32 "	R42R55245	R42R55245 ³⁸	R402235118	R402238231 ²⁰¹	-	-	R458634 ⁵²	R458634
R44141608 ²⁶⁷	2-7/8 "	R429218X	R429218X ³⁹	R406532	R4090070 ⁴⁰	-	-	R458634 ⁵²	R458634
23-122527-002 ²⁷²	2-7/8 "	R429218X	R429218X ³⁹	R406532	R4090070 ⁴⁰	-	-	R458634 ⁵²	R458634
R44141629 ²⁶⁹	2-19/32 "	R42R55245	R42R55245 ³⁸	R402235118	R402238231 ²⁰¹	-	-	R458634 ⁵²	R458634
23-123552-004 ²⁶⁶	2-19/32 "	R42R55245	R42R55245 ³⁸	R402235118	R402238231 ²⁰¹	-	-	R458634 ⁵²	R458634
R44141629 ²⁶⁹	2-7/8 "	R429218X	R429218X ³⁹	R406532	R4090070 ⁴⁰	-	-	R458634 ⁵²	R458634
R44141608 ²⁶⁷	2-7/8 "	R429218X	R429218X ³⁹	R406532	R4090070 ⁴⁰	-	-	R458634 ⁵²	R458634
R44141628 ²⁶⁹	2-7/8 "	R429218X	R429218X ³⁹	R406532	R4090070 ⁴⁰	-	-	R458634 ⁵²	R458634
R44141629 ²⁶⁹	2-19/32 "	R42R55245	R42R55245 ³⁸	R402235118	R402238231 ²⁰¹	-	-	R458634 ⁵²	R458634

268 - 5 Stud, Hat Shape

269 - 5 Stud, U Shape

270 - 5 Stud, U Shape, .766 Dia. Studs

271 - 6 Stud, Hat Shape

272 - 6 Stud, U Shape

273 - 5 Stud, U Shape, .780 Dia. Studs

275 - 5 Stud, U Shape, .656 Dia. Studs

302 - Power Brakes, Dual System

Contact our Customer Service Teams
1-888-725-9355

www.XpresswayPlus.com

MERITOR DRUM OR ROTOR NO.	CALIPER OR CYLINDER BORE SIZE	MERITOR CALIPER OR WHEEL CYLINDER (LEFT)	MERITOR CALIPER OR WHEEL CYLINDER (RIGHT)	MERITOR CALIPER OR WHEEL CYLINDER REPAIR KIT	MERITOR CALIPER PISTON	MERITOR MASTER CYLINDER	MERITOR MASTER CYLINDER KIT	MERITOR BRAKE HOSE (LEFT)	MERITOR BRAKE HOSE (RIGHT)
ITE(Cont.)									
170, 1700, 1710, 1723, 1724, 1750, 1753, 1754 SERIES CONVENTIONAL CAB, SCHOOL BUS, TILT CAB(Cont.)									
23-123552-004 ²⁶⁶ R44141476 ²⁶⁸	2-7/8 "	R429218X	R429218X ³⁹	R406532	R4090070 ⁴⁰	R4111993 ³⁰²	R4122386	R458632	R458632
23-122527-002 ²⁷²	2-7/8 "	R429218X	R429218X ³⁹	R406532	R4090070 ⁴⁰	R4111993 ³⁰²	R4122386	R458632	R458632
23-123552-004 ²⁶⁶ R44141858 ²⁷⁵	2-7/8 "	R429218X	R429218X ³⁹	R406532	R4090070 ⁴⁰	R4111993 ³⁰²	R4122386	R4577503	R4577503
23-122527-002 ²⁷² R44141858 ²⁷⁵	2-7/8 "	R429218X	R429218X ³⁹	R406532	R4090070 ⁴⁰	R4111993 ³⁰²	R4122386	R458632	R458632
23-122527-002 ²⁷² R44141858 ²⁷⁵	2-7/8 "	R429218X	R429218X ³⁹	R406532	R4090070 ⁴⁰	R4111993 ³⁰²	R4122386	R4577503	R4577503
23-122527-002 ²⁷² R44141858 ²⁷⁵	2-7/8 "	R429218X	R429218X ³⁹	R406532	R4090070 ⁴⁰	R4111993 ³⁰²	R4122386	R458632	R458632
23-122920-002 ²⁷³ R44141858 ²⁷⁵	2-7/8 "	R429218X	R429218X ³⁹	R406532	R4090070 ⁴⁰	R4111993 ³⁰²	R4122386	R458632	R458632
23-123572-004 ²⁷¹	2-7/8 "	R429218X	R429218X ³⁹	R406532	R4090070 ⁴⁰	R4111993 ³⁰²	R4122386	R4577503	R4577503
23-122527-002 ²⁷²	2-7/8 "	R429218X	R429218X ³⁹	R406532	R4090070 ⁴⁰	R4111993 ³⁰²	R4122386	R458632	R458632
23-123572-004 ²⁷¹	2-7/8 "	R429218X	R429218X ³⁹	R406532	R4090070 ⁴⁰	R4111993 ³⁰²	R4122386	R458632	R458632
23-122920-002 ²⁷³	2-7/8 "	R429218X	R429218X ³⁹	R406532	R4090070 ⁴⁰	R4111993 ³⁰²	R4122386	R4577503	R4577503
23-122527-002 ²⁷²	3-3/8 "	R42R55099	R42R55098 ³⁷	R4066780	R4090021 ²⁰¹	R4111993 ³⁰²	R4122386	R458632	R458632
23-122527-002 ²⁷²	3-3/8 "	R42R55099	R42R55098 ³⁷	R4066780	R4090021 ²⁰¹	R4111993 ³⁰²	R4122386	R458632	R458632
23-122527-002 ²⁷²	3-3/8 "	R42R55099	R42R55098 ³⁷	R4066780	R4090021 ²⁰¹	R4111993 ³⁰²	R4122386	R4577503	R4577503
23-122527-002 ²⁷²	3-3/8 "	R42R55099	R42R55098 ³⁷	R4066780	R4090021 ²⁰¹	R4111993 ³⁰²	R4122386	R4577503	R4577503
23-123572-004 ²⁷¹ R44141629 ²⁶⁹	2-19/32 "	R42R55245	R42R55245 ³⁸	R402235118	R402238231 ²⁰¹	-	-	R458634 ⁵²	R458634
R44141608 ²⁶⁷	2-19/32 "	R42R55245	R42R55245 ³⁸	R402235118	R402238231 ²⁰¹	-	-	R458634 ⁵²	R458634
23-123572-004 ²⁷¹ R44141628 ²⁶⁹	2-7/8 "	R429218X	R429218X ³⁹	R406532	R4090070 ⁴⁰	-	-	R458634 ⁵²	R458634
R44141628 ²⁶⁹	2-7/8 "	R429218X	R429218X ³⁹	R406532	R4090070 ⁴⁰	-	-	R458634 ⁵²	R458634
R44141608 ²⁶⁷	2-7/8 "	R429218X	R429218X ³⁹	R406532	R4090070 ⁴⁰	-	-	R458634 ⁵²	R458634
R44141627 ²⁷⁰	2-7/8 "	R429218X	R429218X ³⁹	R406532	R4090070 ⁴⁰	-	-	R458634 ⁵²	R458634
R44141628 ²⁶⁹	2-7/8 "	R429218X	R429218X ³⁹	R406532	R4090070 ⁴⁰	-	-	R458634 ⁵²	R458634
R44141629 ²⁶⁹	2-19/32 "	R42R55245	R42R55245 ³⁸	R402235118	R402238231 ²⁰¹	-	-	R458634 ⁵²	R458634
R44141608 ²⁶⁷	2-7/8 "	R429218X	R429218X ³⁹	R406532	R4090070 ⁴⁰	-	-	R458634 ⁵²	R458634
23-122527-002 ²⁷²	2-7/8 "	R429218X	R429218X ³⁹	R406532	R4090070 ⁴⁰	-	-	R458634 ⁵²	R458634
23-122527-002 ²⁷²	2-7/8 "	R429218X	R429218X ³⁹	R406532	R4090070 ⁴⁰	-	-	R458634 ⁵²	R458634
R44141627 ²⁷⁰	2-19/32 "	R42R55245	R42R55245 ³⁸	R402235118	R402238231 ²⁰¹	-	-	R458634 ⁵²	R458634
23-123552-004 ²⁶⁶	2-7/8 "	R429218X	R429218X ³⁹	R406532	R4090070 ⁴⁰	-	-	R458634 ⁵²	R458634
R44141628 ²⁶⁹	2-19/32 "	R42R55245	R42R55245 ³⁸	R402235118	R402238231 ²⁰¹	-	-	R458634 ⁵²	R458634
23-123572-004 ²⁷¹ R44141629 ²⁶⁹	2-19/32 "	R42R55245	R42R55245 ³⁸	R402235118	R402238231 ²⁰¹	-	-	R458634 ⁵²	R458634
R44141629 ²⁶⁹	2-7/8 "	R429218X	R429218X ³⁹	R406532	R4090070 ⁴⁰	-	-	R458634 ⁵²	R458634
23-123552-004 ²⁶⁶	2-7/8 "	R429218X	R429218X ³⁹	R406532	R4090070 ⁴⁰	-	-	R458634 ⁵²	R458634
R44141628 ²⁶⁹	2-19/32 "	R42R55245	R42R55245 ³⁸	R402235118	R402238231 ²⁰¹	-	-	R458634 ⁵²	R458634
R44141629 ²⁶⁹	2-7/8 "	R429218X	R429218X ³⁹	R406532	R4090070 ⁴⁰	-	-	R458634 ⁵²	R458634
23-123572-004 ²⁷¹ R44141608 ²⁶⁷	2-7/8 "	R429218X	R429218X ³⁹	R406532	R4090070 ⁴⁰	-	-	R458634 ⁵²	R458634
R44141608 ²⁶⁷	2-19/32 "	R42R55245	R42R55245 ³⁸	R402235118	R402238231 ²⁰¹	-	-	R458634 ⁵²	R458634
23-123552-004 ²⁶⁶	2-7/8 "	R429218X	R429218X ³⁹	R406532	R4090070 ⁴⁰	-	-	R458634 ⁵²	R458634
23-122527-002 ²⁷²	2-19/32 "	R42R55245	R42R55245 ³⁸	R402235118	R402238231 ²⁰¹	-	-	R458634 ⁵²	R458634
R44141608 ²⁶⁷	2-19/32 "	R42R55245	R42R55245 ³⁸	R402235118	R402238231 ²⁰¹	-	-	R458634 ⁵²	R458634
23-123572-004 ²⁷¹ R44141628 ²⁶⁹	2-7/8 "	R429218X	R429218X ³⁹	R406532	R4090070 ⁴⁰	-	-	R458634 ⁵²	R458634
R44141628 ²⁶⁹	2-7/8 "	R429218X	R429218X ³⁹	R406532	R4090070 ⁴⁰	-	-	R458634 ⁵²	R458634
23-123552-004 ²⁶⁶	2-19/32 "	R42R55245	R42R55245 ³⁸	R402235118	R402238231 ²⁰¹	-	-	R458634 ⁵²	R458634
23-122527-002 ²⁷²	2-7/8 "	R429218X	R429218X ³⁹	R406532	R4090070 ⁴⁰	-	-	R458634 ⁵²	R458634
23-123552-004 ²⁶⁶ R44141629 ²⁶⁹	2-19/32 "	R42R55245	R42R55245 ³⁸	R402235118	R402238231 ²⁰¹	-	-	R458634 ⁵²	R458634
R44141629 ²⁶⁹	2-7/8 "	R429218X	R429218X ³⁹	R406532	R4090070 ⁴⁰	-	-	R458634 ⁵²	R458634
R44141627 ²⁷⁰	2-7/8 "	R429218X	R429218X ³⁹	R406532	R4090070 ⁴⁰	-	-	R458634 ⁵²	R458634
R44141627 ²⁷⁰	2-7/8 "	R429218X	R429218X ³⁹	R406532	R4090070 ⁴⁰	-	-	R458634 ⁵²	R458634
N/A	1-1/4 "	R4133581	R4133582	R4166923	NR	-	-	-	-
N/A	1-1/4 "	R4133581	R4133582	R4166923	NR	-	-	-	-
N/A				N/A	N/A	-	-	-	-
N/A				N/A	N/A	-	-	-	-

1 APPLICATION

269 - 5 Stud, U Shape

270 - 5 Stud, U Shape, .766 Dia. Studs

271 - 6 Stud, Hat Shape

272 - 6 Stud, U Shape

273 - 5 Stud, U Shape, .780 Dia. Studs

275 - 5 Stud, U Shape, .656 Dia. Studs

302 - Power Brakes, Dual System
Contact our Customer Service Teams
1-888-725-9355

www.XpresswayPlus.com

MAKE MODEL YEAR AXLE CODE AXLE WEIGHT	AXLE & BRK. TYPE	BRK. MFG.	BRAKE SIZE	FMSI	MERITOR DISC PAD OR BRAKE SHOE	MERITOR GUIDE PIN OR RETURN SPRING KIT	MERITOR CALIPER HWD. KIT OR RETURN SPRING KIT	MERITOR ADJUSTER KIT (LEFT WHEEL)	MERITOR ADJUSTER KIT (RIGHT WHEEL)
ITE(Cont.)									
170, 1700, 1710, 1723, 1724, 1750, 1753, 1754 SERIES CONVENTIONAL CAB, SCHOOL BUS, TILT CAB(Cont.)									
1983 C1710, C1750 Cargostar Tilt Cab FA208	Fa	WG	15 " x 3-1/2 "	1280B - 322	R464004	R40H521	R40H9237	R40H3502	R40H3503
	Fm	WG	15 " x 3-1/2 "	1280 - 463	R700463	R40H521	R40H9201	R40H3524	R40H3524
C1710, C1750 Cargostar Tilt Cab FA309, 329, 339	Fd	BX		7142 - D225	MD225	R40H5010	R40H5522	NR	NR
C1710, C1750 Cargostar Tilt Cab FA48, 68, 70, 72	Fa	WG	14 " x 2-1/2 "	1294A - 325	N/A	R40H521	R40H9237	R40H3502	R40H3503
	Fm	WG	14 " x 2-1/2 "	1294 - 296	N/A	R40H521	R40H9201	R40H3524	R40H3524
C1710, C1750 Cargostar Tilt Cab FA71, 73, 101	Fa	WG	15 " x 3 "	1245C - 321	R700321	R40H521	R40H9237	R40H3502	R40H3503
	Fa	WG	15 " x 3-1/2 "	1280B - 322	R464004	R40H521	R40H9237	R40H3502	R40H3503
	Fm	WG	15 " x 3 "	1245A - 235	R700235	R40H521	R40H9201	R40H3524	R40H3524
	Fm	WG	15 " x 3-1/2 "	1280 - 463	R700463	R40H521	R40H9201	R40H3524	R40H3524
C1710, C1750 Cargostar Tilt Cab FA73, 101	Fd	BX		7108 - D184	MD184	R40H5010	R40H5519	NR	NR
C1710, C1750 Cargostar Tilt Cab FA73, 101, 104	Fd	BX		7108 - D184	MD184	R40H5010	R40H5519	NR	NR
C1710, C1750 Cargostar Tilt Cab FA74	Fa	WG	15 " x 3 "	1245C - 321	R700321	R40H521	R40H9237	R40H3502	R40H3503
	Fm	WG	15 " x 3 "	1245A - 235	R700235	R40H521	R40H9201	R40H3524	R40H3524
C1710, C1750 Cargostar Tilt Cab FA78, 81	Fa	WG	15 " x 3 "	1245C - 321	R700321	R40H521	R40H9237	R40H3502	R40H3503
C1710, C1750 Cargostar Tilt Cab FA89, 91, 98	Fa	WG	15 " x 3 "	1245C - 321	R700321	R40H521	R40H9237	R40H3502	R40H3503
	Fm	WG	15 " x 3 "	1245A - 235	R700235	R40H521	R40H9201	R40H3524	R40H3524
C1710, C1750 Cargostar Tilt Cab RA184	Ra	WG	15 " x 4 "	4645A - 376	Discontinued	R40H597	R40H9200	R40H3540	R40H3541
	Rm	WG	15 " x 4 "	4645A - 376	Discontinued	R40H597	R40H9200	R40H3518	R404148
C1710, C1750 Cargostar Tilt Cab RA25, 184	Ra	WG	15 " x 5 "	1252 - 346	R700346	R40H597	R40H9200	R40H3540	R40H3541
	Rm	WG	15 " x 5 "	1252 - 346	R700346	R40H597	R40H9200	R40H3518	R404148
C1710, C1750 Cargostar Tilt Cab RA29, 30, 187	Ra	WG	15 " x 5 "	1252 - 346	R700346	R40H597	R40H9200	R40H3540	R40H3541
	Rm	WG	15 " x 5 "	1252 - 346	R700346	R40H597	R40H9200	R40H3518	R404148
C1710, C1750 Cargostar Tilt Cab RA29, 30, 39, 42, 187, 189, 199	Rd	BX		7108 - D184	MD184	R40H5010	R40H5519	NR	NR
C1710, C1750 Cargostar Tilt Cab RA30, 187	Ra	WG	16 " x 5 "	1254 - 385	N/A	R40H597	R40H9200	N/A	N/A
	Rm	WG	16 " x 5 "	1254 - 385	N/A	R40H597	R40H9200	R404149	R404150
C1710, C1750 Cargostar Tilt Cab RA30, 39, 44, 186, 189	Ra	WG	15 " x 6 "	4596 - 381	R700381	R40H597	R40H9200	R40H3540	R40H3541
	Rm	WG	15 " x 6 "	4596 - 381	R700381	R40H597	R40H9200	R40H3518	R404148
C1710, C1750 Cargostar Tilt Cab RA39, 199	Ra	WG	15 " x 7 "	4597 - 383	R700383	R40H597	R40H9200	R40H3540	R40H3541
	Rm	WG	15 " x 7 "	4597 - 383	R700383	R40H597	R40H9200	R40H3518	R404148

37 - Also available as a New unit

38 - First design, may have external joining tube and uses steel pistons

39 - First design, uses steel pistons.

40 - For chrome plated steel version, use R4090070P

201 - Steel Piston

269 - 5 Stud, U Shape

272 - 6 Stud, U Shape

www.XpresswayPlus.com

Contact our Customer Service Teams

MERITOR DRUM OR ROTOR NO.	CALIPER OR CYLINDER BORE SIZE	MERITOR CALIPER OR WHEEL CYLINDER (LEFT)	MERITOR CALIPER OR WHEEL CYLINDER (RIGHT)	MERITOR CALIPER OR WHEEL CYLINDER REPAIR KIT	MERITOR CALIPER PISTON	MERITOR MASTER CYLINDER	MERITOR MASTER CYLINDER KIT	MERITOR BRAKE HOSE (LEFT)	MERITOR BRAKE HOSE (RIGHT)
ITE(Cont.)									
170, 1700, 1710, 1723, 1724, 1750, 1753, 1754 SERIES CONVENTIONAL CAB, SCHOOL BUS, TILT CAB(Cont.)									
N/A	1-1/4 "	R4133581	R4133582	R4166923	NR	-	-	-	-
N/A	1-1/4 "	R4133581	R4133582	R4166923	NR	-	-	-	-
23-122701-002 ²⁶⁹	2-7/8 "	R429218X	R429218X ³⁹	R406532	R4090070 ⁴⁰	-	-	-	-
N/A	1-1/8 "	R4133714	R4133715	R4166926	NR	-	-	-	-
N/A	1-1/8 "	R4133714	R4133715	R4166926	NR	-	-	-	-
N/A	1-1/4 "	R4133581	R4133582	R4166923	NR	-	-	-	-
N/A	1-1/4 "	R4133581	R4133582	R4166923	NR	-	-	-	-
N/A	1-1/4 "	R4133581	R4133582	R4166923	NR	-	-	-	-
N/A	1-1/4 "	R4133581	R4133582	R4166923	NR	-	-	-	-
23-122527-002 ²⁷²	3-3/8 "	R42R55099	R42R55098 ³⁷	R4066780	R4090021 ²⁰¹	-	-	-	-
23-122527-002 ²⁷²	2-19/32 "	R42R55245	R42R55245 ³⁸	R402235118	R402238231 ²⁰¹	-	-	-	-
N/A	1-1/4 "	R4133581	R4133582	R4166923	NR	-	-	-	-
N/A	1-1/4 "	R4133581	R4133582	R4166923	NR	-	-	-	-
N/A	1-1/4 "	R4133581	R4133582	R4166923	NR	-	-	-	-
N/A	1-1/4 "	R4133581	R4133582	R4166923	NR	-	-	-	-
N/A	1-1/4 "	R4133581	R4133582	R4166923	NR	-	-	-	-
N/A	1-1/2 "	R4133580	R4133580	Discontinued	NR	-	-	-	-
N/A	1-1/2 "	R4133580	R4133580	Discontinued	NR	-	-	-	-
N/A	1-1/2 "	R4133580	R4133580	Discontinued	NR	-	-	-	-
N/A	1-1/2 "	R4133580	R4133580	Discontinued	NR	-	-	-	-
N/A	1-1/2 "	R4133580	R4133580	Discontinued	NR	-	-	-	-
N/A	1-1/2 "	R4133580	R4133580	Discontinued	NR	-	-	-	-
23-122527-002 ²⁷²	2-19/32 "	R42R55245	R42R55245 ³⁸	R402235118	R402238231 ²⁰¹	-	-	-	-
N/A	1-5/8 "	R4133338	R4133338	R4166689	NR	-	-	-	-
N/A	1-5/8 "	R4133338	R4133338	R4166689	NR	-	-	-	-
N/A	1-5/8 "	R4133338	R4133338	R4166689	NR	-	-	-	-
N/A	1-5/8 "	R4133338	R4133338	R4166689	NR	-	-	-	-
N/A	1-5/8 "	R4133338	R4133338	R4166689	NR	-	-	-	-
N/A	1-5/8 "	R4133338	R4133338	R4166689	NR	-	-	-	-

MERITOR DRUM OR ROTOR NO.	CALIPER OR CYLINDER BORE SIZE	MERITOR CALIPER OR WHEEL CYLINDER (LEFT)	MERITOR CALIPER OR WHEEL CYLINDER (RIGHT)	MERITOR CALIPER OR WHEEL CYLINDER REPAIR KIT	MERITOR CALIPER PISTON	MERITOR MASTER CYLINDER	MERITOR MASTER CYLINDER KIT	MERITOR BRAKE HOSE (LEFT)	MERITOR BRAKE HOSE (RIGHT)
ITE(Cont.)									
170, 1700, 1710, 1723, 1724, 1750, 1753, 1754 SERIES CONVENTIONAL CAB, SCHOOL BUS, TILT CAB(Cont.)									
23-123572-004 ²⁷¹	2-7/8 "	R429218X	R429218X ³⁹	R406532	R4090070 ⁴⁰	-	-	R458634 ⁵²	R458634
R44141627 ²⁷⁰	2-7/8 "	R429218X	R429218X ³⁹	R406532	R4090070 ⁴⁰	-	-	R458634 ⁵²	R458634
R44141628 ²⁶⁹	2-19/32 "	R42R55245	R42R55245 ³⁸	R402235118	R402238231 ²⁰¹	-	-	R458634 ⁵²	R458634
R44141608 ²⁶⁷	2-7/8 "	R429218X	R429218X ³⁹	R406532	R4090070 ⁴⁰	-	-	R458634 ⁵²	R458634
23-123572-004 ²⁷¹	2-19/32 "	R42R55245	R42R55245 ³⁸	R402235118	R402238231 ²⁰¹	-	-	R458634 ⁵²	R458634
23-123572-004 ²⁷¹	2-19/32 "	R42R55245	R42R55245 ³⁸	R402235118	R402238231 ²⁰¹	-	-	R458634 ⁵²	R458634
R44141608 ²⁶⁷	2-7/8 "	R429218X	R429218X ³⁹	R406532	R4090070 ⁴⁰	-	-	R458634 ⁵²	R458634
23-122527-002 ²⁷²	2-7/8 "	R429218X	R429218X ³⁹	R406532	R4090070 ⁴⁰	-	-	R458634 ⁵²	R458634
23-122527-002 ²⁷²	2-7/8 "	R429218X	R429218X ³⁹	R406532	R4090070 ⁴⁰	-	-	R458634 ⁵²	R458634
23-123552-004 ²⁶⁶	2-19/32 "	R42R55245	R42R55245 ³⁸	R402235118	R402238231 ²⁰¹	-	-	R458634 ⁵²	R458634
R44141627 ²⁷⁰	2-19/32 "	R42R55245	R42R55245 ³⁸	R402235118	R402238231 ²⁰¹	-	-	R458634 ⁵²	R458634
R44141628 ²⁶⁹	2-19/32 "	R42R55245	R42R55245 ³⁸	R402235118	R402238231 ²⁰¹	-	-	R458634 ⁵²	R458634
R44141627 ²⁷⁰	2-7/8 "	R429218X	R429218X ³⁹	R406532	R4090070 ⁴⁰	-	-	R458634 ⁵²	R458634
R44141629 ²⁶⁹	2-7/8 "	R429218X	R429218X ³⁹	R406532	R4090070 ⁴⁰	-	-	R458634 ⁵²	R458634
R44141608 ²⁶⁷	2-19/32 "	R42R55245	R42R55245 ³⁸	R402235118	R402238231 ²⁰¹	-	-	R458634 ⁵²	R458634
23-123572-004 ²⁷¹	2-19/32 "	R42R55245	R42R55245 ³⁸	R402235118	R402238231 ²⁰¹	-	-	R458634 ⁵²	R458634
23-122527-002 ²⁷²	2-7/8 "	R429218X	R429218X ³⁹	R406532	R4090070 ⁴⁰	-	-	R458634 ⁵²	R458634
23-123572-004 ²⁷¹	2-7/8 "	R429218X	R429218X ³⁹	R406532	R4090070 ⁴⁰	-	-	R458634 ⁵²	R458634
R44141629 ²⁶⁹	2-7/8 "	R429218X	R429218X ³⁹	R406532	R4090070 ⁴⁰	-	-	R458634 ⁵²	R458634
23-122527-002 ²⁷²	2-7/8 "	R429218X	R429218X ³⁹	R406532	R4090070 ⁴⁰	-	-	R458634 ⁵²	R458634
R44141629 ²⁶⁹	2-7/8 "	R429218X	R429218X ³⁹	R406532	R4090070 ⁴⁰	-	-	R458634 ⁵²	R458634
23-122527-002 ²⁷²	2-19/32 "	R42R55245	R42R55245 ³⁸	R402235118	R402238231 ²⁰¹	-	-	R458634 ⁵²	R458634
R44141627 ²⁷⁰	2-7/8 "	R429218X	R429218X ³⁹	R406532	R4090070 ⁴⁰	-	-	R458634 ⁵²	R458634
23-123552-004 ²⁶⁶	2-7/8 "	R429218X	R429218X ³⁹	R406532	R4090070 ⁴⁰	-	-	R458634 ⁵²	R458634
23-123572-004 ²⁷¹	2-7/8 "	R429218X	R429218X ³⁹	R406532	R4090070 ⁴⁰	-	-	R458634 ⁵²	R458634
23-123572-004 ²⁷¹	2-7/8 "	R429218X	R429218X ³⁹	R406532	R4090070 ⁴⁰	-	-	R458634 ⁵²	R458634
23-123552-004 ²⁶⁶	2-19/32 "	R42R55245	R42R55245 ³⁸	R402235118	R402238231 ²⁰¹	-	-	R458634 ⁵²	R458634
R44141608 ²⁶⁷	2-19/32 "	R42R55245	R42R55245 ³⁸	R402235118	R402238231 ²⁰¹	-	-	R458634 ⁵²	R458634
23-123572-004 ²⁷¹	2-7/8 "	R429218X	R429218X ³⁹	R406532	R4090070 ⁴⁰	-	-	R458634 ⁵²	R458634
R44141608 ²⁶⁷	2-7/8 "	R429218X	R429218X ³⁹	R406532	R4090070 ⁴⁰	-	-	R458634 ⁵²	R458634
R44141628 ²⁶⁹	2-7/8 "	R429218X	R429218X ³⁹	R406532	R4090070 ⁴⁰	-	-	R458634 ⁵²	R458634
23-123552-004 ²⁶⁶	2-19/32 "	R42R55245	R42R55245 ³⁸	R402235118	R402238231 ²⁰¹	-	-	R458634 ⁵²	R458634
R44141629 ²⁶⁹	2-19/32 "	R42R55245	R42R55245 ³⁸	R402235118	R402238231 ²⁰¹	-	-	R458634 ⁵²	R458634
R44141628 ²⁶⁹	2-7/8 "	R429218X	R429218X ³⁹	R406532	R4090070 ⁴⁰	-	-	R458634 ⁵²	R458634
23-123552-004 ²⁶⁶	2-7/8 "	R429218X	R429218X ³⁹	R406532	R4090070 ⁴⁰	-	-	R458634 ⁵²	R458634
R44141627 ²⁷⁰	2-7/8 "	R429218X	R429218X ³⁹	R406532	R4090070 ⁴⁰	-	-	R458634 ⁵²	R458634
R44141628 ²⁶⁹	2-7/8 "	R429218X	R429218X ³⁹	R406532	R4090070 ⁴⁰	-	-	R458634 ⁵²	R458634
R44141629 ²⁶⁹	2-19/32 "	R42R55245	R42R55245 ³⁸	R402235118	R402238231 ²⁰¹	-	-	R458634 ⁵²	R458634
R44141608 ²⁶⁷	2-19/32 "	R42R55245	R42R55245 ³⁸	R402235118	R402238231 ²⁰¹	-	-	R458634 ⁵²	R458634
R44141629 ²⁶⁹	2-19/32 "	R42R55245	R42R55245 ³⁸	R402235118	R402238231 ²⁰¹	-	-	R458634 ⁵²	R458634
23-123572-004 ²⁷¹	2-7/8 "	R429218X	R429218X ³⁹	R406532	R4090070 ⁴⁰	-	-	R458634 ⁵²	R458634
23-123552-004 ²⁶⁶	2-7/8 "	R429218X	R429218X ³⁹	R406532	R4090070 ⁴⁰	-	-	R458634 ⁵²	R458634
23-122527-002 ²⁷²	2-19/32 "	R42R55245	R42R55245 ³⁸	R402235118	R402238231 ²⁰¹	-	-	R458634 ⁵²	R458634
23-123552-004 ²⁶⁶	2-7/8 "	R429218X	R429218X ³⁹	R406532	R4090070 ⁴⁰	-	-	R458634 ⁵²	R458634
R44141627 ²⁷⁰	2-7/8 "	R429218X	R429218X ³⁹	R406532	R4090070 ⁴⁰	-	-	R458634 ⁵²	R458634
R44141608 ²⁶⁷	2-19/32 "	R42R55245	R42R55245 ³⁸	R402235118	R402238231 ²⁰¹	-	-	R458634 ⁵²	R458634
23-123552-004 ²⁶⁶	2-7/8 "	R429218X	R429218X ³⁹	R406532	R4090070 ⁴⁰	-	-	R458634 ⁵²	R458634
N/A	1-1/4 "	R4133581	R4133582	R4166923	NR	-	-	-	-
N/A	1-1/4 "	R4133581	R4133582	R4166923	NR	-	-	-	-
N/A	1-1/4 "	R4133581	R4133582	R4166923	NR	-	-	-	-
N/A	1-1/4 "	R4133581	R4133582	R4166923	NR	-	-	-	-
23-122701-002 ²⁶⁹	2-7/8 "	R429218X	R429218X ³⁹	R406532	R4090070 ⁴⁰	R4111993 ³⁰²	R4122386	R4577503	R4577503
23-122701-002 ²⁶⁹	2-7/8 "	R429218X	R429218X ³⁹	R406532	R4090070 ⁴⁰	R4111993 ³⁰²	R4122386	R458632	R458632
23-122701-002 ²⁶⁹	2-7/8 "	R429218X	R429218X ³⁹	R406532	R4090070 ⁴⁰	R4111294 ³³²	R4122346	R4577503	R4577503
23-122701-002 ²⁶⁹	2-7/8 "	R429218X	R429218X ³⁹	R406532	R4090070 ⁴⁰	R4111294 ³³²	R4122346	R458632	R458632
N/A	1-1/8 "	R4133714	R4133715	R4166926	NR	-	-	-	-
N/A	1-1/8 "	R4133714	R4133715	R4166926	NR	-	-	-	-
N/A	1-1/4 "	R4133581	R4133582	R4166923	NR	-	-	-	-

271 - 6 Stud, Hat Shape

272 - 6 Stud, U Shape

302 - Power Brakes, Dual System

332 - Power Brakes, Hydraulic Booster

MAKE MODEL YEAR AXLE CODE AXLE WEIGHT	AXLE & BRK. TYPE	BRK. MFG.	BRAKE SIZE	FMSI	MERITOR DISC PAD OR BRAKE SHOE	MERITOR GUIDE PIN OR RETURN SPRING KIT	MERITOR CALIPER HWD. KIT OR RETURN SPRING KIT	MERITOR ADJUSTER KIT (LEFT WHEEL)	MERITOR ADJUSTER KIT (RIGHT WHEEL)
ITE(Cont.)									
170, 1700, 1710, 1723, 1724, 1750, 1753, 1754 SERIES CONVENTIONAL CAB, SCHOOL BUS, TILT CAB(Cont.)									
1983	Fa	WG	15 " x 3-1/2 "	1280B - 322	R464004	R40H521	R40H9237	R40H3502	R40H3503
	Fm	WG	15 " x 3 "	1245A - 235	R700235	R40H521	R40H9201	R40H3524	R40H3524
S1724, S1754 Conventional FA73, 101	Fm	WG	15 " x 3-1/2 "	1280 - 463	R700463	R40H521	R40H9201	R40H3524	R40H3524
	Fd	BX		7108 - D184	MD184	R40H5010	R40H5519	NR	NR
S1724, S1754 Conventional FA73, 101, 104	Fd	BX		7108 - D184	MD184	R40H5010	R40H5519	NR	NR
	Fd	BX		7108 - D184	MD184	R40H5010	R40H5519	NR	NR
	Fd	BX		7108 - D184	MD184	R40H5010	R40H5519	NR	NR
	Fd	BX		7108 - D184	MD184	R40H5010	R40H5519	NR	NR
S1724, S1754 Conventional FA74	Fd	BX		7108 - D184	MD184	R40H5010	R40H5519	NR	NR
	Fd	BX		7108 - D184	MD184	R40H5010	R40H5519	NR	NR
	Fd	BX		7108 - D184	MD184	R40H5010	R40H5519	NR	NR
	Fd	BX		7108 - D184	MD184	R40H5010	R40H5519	NR	NR
S1724, S1754 Conventional FA78	Fa	WG	15 " x 3 "	1245C - 321	R700321	R40H521	R40H9237	R40H3502	R40H3503
	Fm	WG	15 " x 3 "	1245A - 235	R700235	R40H521	R40H9201	R40H3524	R40H3524
S1724, S1754 Conventional FA78, 81	Fa	WG	15 " x 3 "	1245C - 321	R700321	R40H521	R40H9237	R40H3502	R40H3503
S1724, S1754 Conventional FA89, 91, 98	Fa	WG	15 " x 3 "	1245C - 321	R700321	R40H521	R40H9237	R40H3502	R40H3503
	Fm	WG	15 " x 3 "	1245A - 235	R700235	R40H521	R40H9201	R40H3524	R40H3524
S1724, S1754 Conventional RA184	Ra	WG	15 " x 4 "	4645A - 376	Discontinued	R40H597	R40H9200	R40H3540	R40H3541
	Rm	WG	15 " x 4 "	4645A - 376	Discontinued	R40H597	R40H9200	R40H3518	R404148
S1724, S1754 Conventional RA25, 184	Ra	WG	15 " x 5 "	1252 - 346	R700346	R40H597	R40H9200	R40H3540	R40H3541
	Rm	WG	15 " x 5 "	1252 - 346	R700346	R40H597	R40H9200	R40H3518	R404148
S1724, S1754 Conventional RA29, 30, 187	Ra	WG	15 " x 5 "	1252 - 346	R700346	R40H597	R40H9200	R40H3540	R40H3541
	Rm	WG	15 " x 5 "	1252 - 346	R700346	R40H597	R40H9200	R40H3518	R404148
S1724, S1754 Conventional RA29, 30, 39, 42, 187, 189, 199	Rd	BX		7108 - D184	MD184	R40H5010	R40H5519	NR	NR
S1724, S1754 Conventional RA30, 187	Ra	WG	16 " x 5 "	1254 - 385	N/A	R40H597	R40H9200	N/A	N/A
	Rm	WG	16 " x 5 "	1254 - 385	N/A	R40H597	R40H9200	R404149	R404150
S1724, S1754 Conventional RA30, 39, 44, 186, 189	Ra	WG	15 " x 6 "	4596 - 381	R700381	R40H597	R40H9200	R40H3540	R40H3541
	Rm	WG	15 " x 6 "	4596 - 381	R700381	R40H597	R40H9200	R40H3518	R404148
S1724, S1754 Conventional RA39, 199	Ra	WG	15 " x 7 "	4597 - 383	R700383	R40H597	R40H9200	R40H3540	R40H3541
	Rm	WG	15 " x 7 "	4597 - 383	R700383	R40H597	R40H9200	R40H3518	R404148
S1724, S1754 Conventional RA39, 42, 44, 186, 199	Rd	BX		7142 - D225	MD225	R40H5010	R40H5522	NR	NR
S1724, S1754 Conventional RA44, 186	Ra	WG	15 " x 7 "	4597 - 383	R700383	R40H597	R40H9200	N/A	N/A
	Rm	WG	15 " x 7 "	4597 - 383	R700383	R40H597	R40H9200	R40H3518	R404148
S1724, S1754 Conventional RA47, 57	Ra	WG	16 " x 6 "	1255 - 386	N/A	R40H597	R40H9200	N/A	N/A
	Rm	WG	16 " x 6 "	1255 - 386	N/A	R40H597	R40H9200	R404149	R404150
1982 C1710, C1750 Cargostar Tilt Cab FA109, 208	Fa	WG	15 " x 3 "	1245C - 321	R700321	R40H521	R40H9237	R40H3502	R40H3503
	Fm	WG	15 " x 3 "	1245A - 235	R700235	R40H521	R40H9201	R40H3524	R40H3524
C1710, C1750 Cargostar Tilt Cab FA118, 127, 139	Fa	WG	15 " x 5 "	1345A - 491	N/A	R40H521	R40H9237	R40H3502	R40H3503
	Fm	WG	15 " x 5 "	1345 - 490	N/A	R40H521	R40H9201	R40H3524	R40H3524
C1710, C1750 Cargostar Tilt Cab FA208	Fa	WG	15 " x 3-1/2 "	1280B - 322	R464004	R40H521	R40H9237	R40H3502	R40H3503

37 - Also available as a New unit

40 - For chrome plated steel version, use R4090070P
272 - 6 Stud, U Shape
www.XpresswayPlus.com

38 - First design, may have external joining tube and uses steel pistons
52 - 18" Length
302 - Power Brakes, Dual System

39 - First design, uses steel pistons.

201 - Steel Piston
332 - Power Brakes, Hydraulic Booster

MERITOR DRUM OR ROTOR NO.	CALIPER OR CYLINDER BORE SIZE	MERITOR CALIPER OR WHEEL CYLINDER (LEFT)	MERITOR CALIPER OR WHEEL CYLINDER (RIGHT)	MERITOR CALIPER OR WHEEL CYLINDER REPAIR KIT	MERITOR CALIPER PISTON	MERITOR MASTER CYLINDER	MERITOR MASTER CYLINDER KIT	MERITOR BRAKE HOSE (LEFT)	MERITOR BRAKE HOSE (RIGHT)
ITE(Cont.)									
170, 1700, 1710, 1723, 1724, 1750, 1753, 1754 SERIES CONVENTIONAL CAB, SCHOOL BUS, TILT CAB(Cont.)									
N/A	1-1/4 "	R4133581	R4133582	R4166923	NR	-	-	-	-
N/A	1-1/4 "	R4133581	R4133582	R4166923	NR	-	-	-	-
N/A	1-1/4 "	R4133581	R4133582	R4166923	NR	-	-	-	-
23-122527-002 ²⁷²	3-3/8 "	R42R55099	R42R55098 ³⁷	R4066780	R4090021 ²⁰¹	R4111993 ³⁰²	R4122386	R458632	R458632
23-122527-002 ²⁷²	3-3/8 "	R42R55099	R42R55098 ³⁷	R4066780	R4090021 ²⁰¹	R4111993 ³⁰²	R4122386	R4577503	R4577503
23-122527-002 ²⁷²	3-3/8 "	R42R55099	R42R55098 ³⁷	R4066780	R4090021 ²⁰¹	R4111294 ³³²	R4122346	R458632	R458632
23-122527-002 ²⁷²	3-3/8 "	R42R55099	R42R55098 ³⁷	R4066780	R4090021 ²⁰¹	R4111294 ³³²	R4122346	R4577503	R4577503
23-122527-002 ²⁷²	2-19/32 "	R42R55245	R42R55245 ³⁸	R402235118	R402238231 ²⁰¹	R4111294 ³³²	R4122346	R4577503	R4577503
23-122527-002 ²⁷²	2-19/32 "	R42R55245	R42R55245 ³⁸	R402235118	R402238231 ²⁰¹	R4111993 ³⁰²	R4122386	R458632	R458632
23-122527-002 ²⁷²	2-19/32 "	R42R55245	R42R55245 ³⁸	R402235118	R402238231 ²⁰¹	R4111294 ³³²	R4122346	R458632	R458632
23-122527-002 ²⁷²	2-19/32 "	R42R55245	R42R55245 ³⁸	R402235118	R402238231 ²⁰¹	R4111993 ³⁰²	R4122386	R4577503	R4577503
N/A	1-1/4 "	R4133581	R4133582	R4166923	NR	-	-	-	-
N/A	1-1/4 "	R4133581	R4133582	R4166923	NR	-	-	-	-
N/A	1-1/4 "	R4133581	R4133582	R4166923	NR	-	-	-	-
N/A	1-1/4 "	R4133581	R4133582	R4166923	NR	-	-	-	-
N/A	1-1/4 "	R4133581	R4133582	R4166923	NR	-	-	-	-
N/A	1-1/2 "	R4133580	R4133580	Discontinued	NR	-	-	-	-
N/A	1-1/2 "	R4133580	R4133580	Discontinued	NR	-	-	-	-
N/A	1-1/2 "	R4133580	R4133580	Discontinued	NR	-	-	-	-
N/A	1-1/2 "	R4133580	R4133580	Discontinued	NR	-	-	-	-
N/A	1-1/2 "	R4133580	R4133580	Discontinued	NR	-	-	-	-
N/A	1-1/2 "	R4133580	R4133580	Discontinued	NR	-	-	-	-
23-122527-002 ²⁷²	2-19/32 "	R42R55245	R42R55245 ³⁸	R402235118	R402238231 ²⁰¹	-	-	R458634 ⁵²	R458634
N/A	1-5/8 "	R4133338	R4133338	R4166689	NR	-	-	-	-
N/A	1-5/8 "	R4133338	R4133338	R4166689	NR	-	-	-	-
N/A	1-5/8 "	R4133338	R4133338	R4166689	NR	-	-	-	-
N/A	1-5/8 "	R4133338	R4133338	R4166689	NR	-	-	-	-
N/A	1-5/8 "	R4133338	R4133338	R4166689	NR	-	-	-	-
N/A	1-5/8 "	R4133338	R4133338	R4166689	NR	-	-	-	-
N/A	2-7/8 "	R429218X	R429218X ³⁹	R406532	R4090070 ⁴⁰	-	-	R458634 ⁵²	R458634
N/A	1-5/8 "	R4133338	R4133338	R4166689	NR	-	-	-	-
N/A	1-5/8 "	R4133338	R4133338	R4166689	NR	-	-	-	-
N/A	1-3/4 "	R4133400	R4133400	R4166917	NR	-	-	-	-
N/A	1-3/4 "	R4133400	R4133400	R4166917	NR	-	-	-	-
N/A	1-1/4 "	R4133581	R4133582	R4166923	NR	-	-	-	-
N/A	1-1/4 "	R4133581	R4133582	R4166923	NR	-	-	-	-
N/A	-	-	-	N/A	N/A	-	-	-	-
N/A	-	-	-	N/A	N/A	-	-	-	-
N/A	1-1/4 "	R4133581	R4133582	R4166923	NR	-	-	-	-

MAKE MODEL YEAR AXLE CODE AXLE WEIGHT	AXLE & BRK. TYPE	BRK. MFG.	BRAKE SIZE	FMSI	MERITOR DISC PAD OR BRAKE SHOE	MERITOR GUIDE PIN OR RETURN SPRING KIT	MERITOR CALIPER HWD. KIT OR RETURN SPRING KIT	MERITOR ADJUSTER KIT (LEFT WHEEL)	MERITOR ADJUSTER KIT (RIGHT WHEEL)
ITE(Cont.)									
170, 1700, 1710, 1723, 1724, 1750, 1753, 1754 SERIES CONVENTIONAL CAB, SCHOOL BUS, TILT CAB(Cont.)									
1982 C1710, C1750 Cargostar Tilt Cab FA208	Fm	WG	15 " x 3-1/2 "	1280 - 463	R700463	R40H521	R40H9201	R40H3524	R40H3524
C1710, C1750 Cargostar Tilt Cab FA48, 68, 70, 72	Fa	WG	14 " x 2-1/2 "	1294A - 325	N/A	R40H521	R40H9237	R40H3502	R40H3503
	Fm	WG	14 " x 2-1/2 "	1294 - 296	N/A	R40H521	R40H9201	R40H3524	R40H3524
C1710, C1750 Cargostar Tilt Cab FA71, 73, 101	Fa	WG	15 " x 3 "	1245C - 321	R700321	R40H521	R40H9237	R40H3502	R40H3503
	Fa	WG	15 " x 3-1/2 "	1280B - 322	R464004	R40H521	R40H9237	R40H3502	R40H3503
	Fm	WG	15 " x 3 "	1245A - 235	R700235	R40H521	R40H9201	R40H3524	R40H3524
	Fm	WG	15 " x 3-1/2 "	1280 - 463	R700463	R40H521	R40H9201	R40H3524	R40H3524
C1710, C1750 Cargostar Tilt Cab FA74	Fa	WG	15 " x 3 "	1245C - 321	R700321	R40H521	R40H9237	R40H3502	R40H3503
	Fm	WG	15 " x 3 "	1245A - 235	R700235	R40H521	R40H9201	R40H3524	R40H3524
C1710, C1750 Cargostar Tilt Cab FA78, 81	Fa	WG	15 " x 3 "	1245C - 321	R700321	R40H521	R40H9237	R40H3502	R40H3503
C1710, C1750 Cargostar Tilt Cab FA89, 91, 98	Fa	WG	15 " x 3 "	1245C - 321	R700321	R40H521	R40H9237	R40H3502	R40H3503
	Fm	WG	15 " x 3 "	1245A - 235	R700235	R40H521	R40H9201	R40H3524	R40H3524
C1710, C1750 Cargostar Tilt Cab RA184	Ra	WG	15 " x 4 "	4645A - 376	Discontinued	R40H597	R40H9200	R40H3540	R40H3541
	Rm	WG	15 " x 4 "	4645A - 376	Discontinued	R40H597	R40H9200	R40H3518	R404148
C1710, C1750 Cargostar Tilt Cab RA25, 184	Ra	WG	15 " x 5 "	1252 - 346	R700346	R40H597	R40H9200	R40H3540	R40H3541
	Rm	WG	15 " x 5 "	1252 - 346	R700346	R40H597	R40H9200	R40H3518	R404148
C1710, C1750 Cargostar Tilt Cab RA29, 30, 187	Ra	WG	15 " x 5 "	1252 - 346	R700346	R40H597	R40H9200	R40H3540	R40H3541
	Rm	WG	15 " x 5 "	1252 - 346	R700346	R40H597	R40H9200	R40H3518	R404148
C1710, C1750 Cargostar Tilt Cab RA30, 187	Ra	WG	16 " x 5 "	1254 - 385	N/A	R40H597	R40H9200	N/A	N/A
	Rm	WG	16 " x 5 "	1254 - 385	N/A	R40H597	R40H9200	R404149	R404150
C1710, C1750 Cargostar Tilt Cab RA30, 39, 44, 186, 189	Ra	WG	15 " x 6 "	4596 - 381	R700381	R40H597	R40H9200	R40H3540	R40H3541
	Rm	WG	15 " x 6 "	4596 - 381	R700381	R40H597	R40H9200	R40H3518	R404148
C1710, C1750 Cargostar Tilt Cab RA39, 199	Ra	WG	15 " x 7 "	4597 - 383	R700383	R40H597	R40H9200	R40H3540	R40H3541
	Rm	WG	15 " x 7 "	4597 - 383	R700383	R40H597	R40H9200	R40H3518	R404148
C1710, C1750 Cargostar Tilt Cab RA44, 186	Ra	WG	15 " x 7 "	4597 - 383	R700383	R40H597	R40H9200	N/A	N/A
	Rm	WG	15 " x 7 "	4597 - 383	R700383	R40H597	R40H9200	R40H3518	R404148
C1710, C1750 Cargostar Tilt Cab RA47, 57	Ra	WG	16 " x 6 "	1255 - 386	N/A	R40H597	R40H9200	N/A	N/A
	Rm	WG	16 " x 6 "	1255 - 386	N/A	R40H597	R40H9200	R404149	R404150
S1723, S1753 School Bus	Fd	BX		7108 - D184	MD184	R40H5010	R40H5519	NR	NR
	Fd	BX		7108 - D184	MD184	R40H5010	R40H5519	NR	NR
	Fd	BX		7108 - D184	MD184	R40H5010	R40H5519	NR	NR
	Fd	BX		7108 - D184	MD184	R40H5010	R40H5519	NR	NR
	Fd	BX		7108 - D184	MD184	R40H5010	R40H5519	NR	NR
	Fd	BX		7108 - D184	MD184	R40H5010	R40H5519	NR	NR

37 - Also available as a New unit
 266 - 10 Stud, Hat Shaped
 275 - 5 Stud, U Shape, .656 Dia. Studs
 www.XpresswayPlus.com

53 - Power Brakes
 268 - 5 Stud, Hat Shape
 302 - Power Brakes, Dual System

201 - Steel Piston
 273 - 5 Stud, U Shape, .780 Dia. Studs

MERITOR DRUM OR ROTOR NO.	CALIPER OR CYLINDER BORE SIZE	MERITOR CALIPER OR WHEEL CYLINDER (LEFT)	MERITOR CALIPER OR WHEEL CYLINDER (RIGHT)	MERITOR CALIPER OR WHEEL CYLINDER REPAIR KIT	MERITOR CALIPER PISTON	MERITOR MASTER CYLINDER	MERITOR MASTER CYLINDER KIT	MERITOR BRAKE HOSE (LEFT)	MERITOR BRAKE HOSE (RIGHT)
ITE(Cont.)									
170, 1700, 1710, 1723, 1724, 1750, 1753, 1754 SERIES CONVENTIONAL CAB, SCHOOL BUS, TILT CAB(Cont.)									
N/A	1-1/4 "	R4133581	R4133582	R4166923	NR	-	-	-	-
N/A	1-1/8 "	R4133714	R4133715	R4166926	NR	-	-	-	-
N/A	1-1/8 "	R4133714	R4133715	R4166926	NR	-	-	-	-
N/A	1-1/4 "	R4133581	R4133582	R4166923	NR	-	-	-	-
N/A	1-1/4 "	R4133581	R4133582	R4166923	NR	-	-	-	-
N/A	1-1/4 "	R4133581	R4133582	R4166923	NR	-	-	-	-
N/A	1-1/4 "	R4133581	R4133582	R4166923	NR	-	-	-	-
N/A	1-1/4 "	R4133581	R4133582	R4166923	NR	-	-	-	-
N/A	1-1/4 "	R4133581	R4133582	R4166923	NR	-	-	-	-
N/A	1-1/4 "	R4133581	R4133582	R4166923	NR	-	-	-	-
N/A	1-1/2 "	R4133580	R4133580	Discontinued	NR	-	-	-	-
N/A	1-1/2 "	R4133580	R4133580	Discontinued	NR	-	-	-	-
N/A	1-1/2 "	R4133580	R4133580	Discontinued	NR	-	-	-	-
N/A	1-1/2 "	R4133580	R4133580	Discontinued	NR	-	-	-	-
N/A	1-1/2 "	R4133580	R4133580	Discontinued	NR	-	-	-	-
N/A	1-1/2 "	R4133580	R4133580	Discontinued	NR	-	-	-	-
N/A	1-5/8 "	R4133338	R4133338	R4166689	NR	-	-	-	-
N/A	1-5/8 "	R4133338	R4133338	R4166689	NR	-	-	-	-
N/A	1-5/8 "	R4133338	R4133338	R4166689	NR	-	-	-	-
N/A	1-5/8 "	R4133338	R4133338	R4166689	NR	-	-	-	-
N/A	1-5/8 "	R4133338	R4133338	R4166689	NR	-	-	-	-
N/A	1-5/8 "	R4133338	R4133338	R4166689	NR	-	-	-	-
N/A	1-3/4 "	R4133400	R4133400	R4166917	NR	-	-	-	-
N/A	1-3/4 "	R4133400	R4133400	R4166917	NR	-	-	-	-
23-123552-004 ²⁶⁶	3-3/8 "	R42R55099	R42R55098 ³⁷	R4066780	R4090021 ²⁰¹	N/A ⁵³	-	R4577503	R4577503
R44141858 ²⁷⁵	3-3/8 "	R42R55099	R42R55098 ³⁷	R4066780	R4090021 ²⁰¹	R4111993 ³⁰²	R4122386	R4577503	R4577503
R44141476 ²⁶⁸	3-3/8 "	R42R55099	R42R55098 ³⁷	R4066780	R4090021 ²⁰¹	N/A ⁵³	-	R458632	R458632
23-122920-002 ²⁷³	3-3/8 "	R42R55099	R42R55098 ³⁷	R4066780	R4090021 ²⁰¹	R4111993 ³⁰²	R4122386	R458632	R458632
R44141858 ²⁷⁵	3-3/8 "	R42R55099	R42R55098 ³⁷	R4066780	R4090021 ²⁰¹	R4111993 ³⁰²	R4122386	R4577503	R4577503
R44141858 ²⁷⁵	3-3/8 "	R42R55099	R42R55098 ³⁷	R4066780	R4090021 ²⁰¹	R4111993 ³⁰²	R4122386	R458632	R458632

1 APPLICATION

MERITOR DRUM OR ROTOR NO.	CALIPER OR CYLINDER BORE SIZE	MERITOR CALIPER OR WHEEL CYLINDER (LEFT)	MERITOR CALIPER OR WHEEL CYLINDER (RIGHT)	MERITOR CALIPER OR WHEEL CYLINDER REPAIR KIT	MERITOR CALIPER PISTON	MERITOR MASTER CYLINDER	MERITOR MASTER CYLINDER KIT	MERITOR BRAKE HOSE (LEFT)	MERITOR BRAKE HOSE (RIGHT)
ITE(Cont.)									
170, 1700, 1710, 1723, 1724, 1750, 1753, 1754 SERIES CONVENTIONAL CAB, SCHOOL BUS, TILT CAB(Cont.)									
23-123552-004 ²⁶⁶	2-7/8 "	R429218X	R429218X ³⁹	R406532	R4090070 ⁴⁰	R4111993 ³⁰²	R4122386	R458632	R458632
23-123572-004 ²⁷¹	2-7/8 "	R429218X	R429218X ³⁹	R406532	R4090070 ⁴⁰	R4111993 ³⁰²	R4122386	R458632	R458632
23-123572-004 ²⁷¹	2-7/8 "	R429218X	R429218X ³⁹	R406532	R4090070 ⁴⁰	R4111993 ³⁰²	R4122386	R4577503	R4577503
23-123572-004 ²⁷¹	2-7/8 "	R429218X	R429218X ³⁹	R406532	R4090070 ⁴⁰	R4111993 ³⁰²	R4122386	R4577503	R4577503
23-123552-004 ²⁶⁶	2-7/8 "	R429218X	R429218X ³⁹	R406532	R4090070 ⁴⁰	N/A ⁵³	-	R4577503	R4577503
23-123552-004 ²⁶⁶	2-7/8 "	R429218X	R429218X ³⁹	R406532	R4090070 ⁴⁰	R4111993 ³⁰²	R4122386	R458632	R458632
R44141476 ²⁶⁸	2-7/8 "	R429218X	R429218X ³⁹	R406532	R4090070 ⁴⁰	N/A ⁵³	-	R4577503	R4577503
R44141858 ²⁷⁵	2-7/8 "	R429218X	R429218X ³⁹	R406532	R4090070 ⁴⁰	N/A ⁵³	-	R458632	R458632
R44141476 ²⁶⁸	2-7/8 "	R429218X	R429218X ³⁹	R406532	R4090070 ⁴⁰	N/A ⁵³	-	R458632	R458632
23-123552-004 ²⁶⁶	2-7/8 "	R429218X	R429218X ³⁹	R406532	R4090070 ⁴⁰	R4111993 ³⁰²	R4122386	R4577503	R4577503
23-122920-002 ²⁷³	2-7/8 "	R429218X	R429218X ³⁹	R406532	R4090070 ⁴⁰	R4111993 ³⁰²	R4122386	R458632	R458632
R44141858 ²⁷⁵	2-7/8 "	R429218X	R429218X ³⁹	R406532	R4090070 ⁴⁰	N/A ⁵³	-	R4577503	R4577503
23-123572-004 ²⁷¹	2-7/8 "	R429218X	R429218X ³⁹	R406532	R4090070 ⁴⁰	R4111993 ³⁰²	R4122386	R458632	R458632
R44141858 ²⁷⁵	2-7/8 "	R429218X	R429218X ³⁹	R406532	R4090070 ⁴⁰	R4111993 ³⁰²	R4122386	R4577503	R4577503
R44141476 ²⁶⁸	2-7/8 "	R429218X	R429218X ³⁹	R406532	R4090070 ⁴⁰	R4111993 ³⁰²	R4122386	R458632	R458632
23-122527-002 ²⁷²	3-3/8 "	R42R55099	R42R55098 ³⁷	R4066780	R4090021 ²⁰¹	R4111993 ³⁰²	R4122386	R458632	R458632
23-122527-002 ²⁷²	3-3/8 "	R42R55099	R42R55098 ³⁷	R4066780	R4090021 ²⁰¹	N/A ⁵³	-	R4577503	R4577503
23-122527-002 ²⁷²	3-3/8 "	R42R55099	R42R55098 ³⁷	R4066780	R4090021 ²⁰¹	N/A ⁵³	-	R4577503	R4577503
23-122527-002 ²⁷²	3-3/8 "	R42R55099	R42R55098 ³⁷	R4066780	R4090021 ²⁰¹	N/A ⁵³	-	R458632	R458632
23-122527-002 ²⁷²	3-3/8 "	R42R55099	R42R55098 ³⁷	R4066780	R4090021 ²⁰¹	R4111993 ³⁰²	R4122386	R458632	R458632
23-122527-002 ²⁷²	3-3/8 "	R42R55099	R42R55098 ³⁷	R4066780	R4090021 ²⁰¹	R4111993 ³⁰²	R4122386	R4577503	R4577503
23-122527-002 ²⁷²	3-3/8 "	R42R55099	R42R55098 ³⁷	R4066780	R4090021 ²⁰¹	R4111993 ³⁰²	R4122386	R4577503	R4577503
R44141627 ²⁷⁰	2-7/8 "	R429218X	R429218X ³⁹	R406532	R4090070 ⁴⁰	-	-	R458634 ⁵²	R458634
23-123572-004 ²⁷¹	2-7/8 "	R429218X	R429218X ³⁹	R406532	R4090070 ⁴⁰	-	-	R458634 ⁵²	R458634
R44141608 ²⁶⁷	2-7/8 "	R429218X	R429218X ³⁹	R406532	R4090070 ⁴⁰	-	-	R458634 ⁵²	R458634
R44141627 ²⁷⁰	2-19/32 "	R42R55245	R42R55245 ³⁸	R402235118	R402238231 ²⁰¹	-	-	R458634 ⁵²	R458634
R44141608 ²⁶⁷	2-7/8 "	R429218X	R429218X ³⁹	R406532	R4090070 ⁴⁰	-	-	R458634 ⁵²	R458634
23-122527-002 ²⁷²	2-19/32 "	R42R55245	R42R55245 ³⁸	R402235118	R402238231 ²⁰¹	-	-	R458634 ⁵²	R458634
R44141629 ²⁶⁹	2-19/32 "	R42R55245	R42R55245 ³⁸	R402235118	R402238231 ²⁰¹	-	-	R458634 ⁵²	R458634
R44141627 ²⁷⁰	2-7/8 "	R429218X	R429218X ³⁹	R406532	R4090070 ⁴⁰	-	-	R458634 ⁵²	R458634
R44141629 ²⁶⁹	2-7/8 "	R429218X	R429218X ³⁹	R406532	R4090070 ⁴⁰	-	-	R458634 ⁵²	R458634
R44141629 ²⁶⁹	2-7/8 "	R429218X	R429218X ³⁹	R406532	R4090070 ⁴⁰	-	-	R458634 ⁵²	R458634
R44141628 ²⁶⁹	2-7/8 "	R429218X	R429218X ³⁹	R406532	R4090070 ⁴⁰	-	-	R458634 ⁵²	R458634
R44141608 ²⁶⁷	2-19/32 "	R42R55245	R42R55245 ³⁸	R402235118	R402238231 ²⁰¹	-	-	R458634 ⁵²	R458634
23-123552-004 ²⁶⁶	2-19/32 "	R42R55245	R42R55245 ³⁸	R402235118	R402238231 ²⁰¹	-	-	R458634 ⁵²	R458634
23-122527-002 ²⁷²	2-19/32 "	R42R55245	R42R55245 ³⁸	R402235118	R402238231 ²⁰¹	-	-	R458634 ⁵²	R458634
R44141629 ²⁶⁹	2-7/8 "	R429218X	R429218X ³⁹	R406532	R4090070 ⁴⁰	-	-	R458634 ⁵²	R458634
R44141627 ²⁷⁰	2-7/8 "	R429218X	R429218X ³⁹	R406532	R4090070 ⁴⁰	-	-	R458634 ⁵²	R458634
R44141629 ²⁶⁹	2-19/32 "	R42R55245	R42R55245 ³⁸	R402235118	R402238231 ²⁰¹	-	-	R458634 ⁵²	R458634
R44141608 ²⁶⁷	2-7/8 "	R429218X	R429218X ³⁹	R406532	R4090070 ⁴⁰	-	-	R458634 ⁵²	R458634
R44141627 ²⁷⁰	2-7/8 "	R429218X	R429218X ³⁹	R406532	R4090070 ⁴⁰	-	-	R458634 ⁵²	R458634
R44141628 ²⁶⁹	2-7/8 "	R429218X	R429218X ³⁹	R406532	R4090070 ⁴⁰	-	-	R458634 ⁵²	R458634
23-123552-004 ²⁶⁶	2-7/8 "	R429218X	R429218X ³⁹	R406532	R4090070 ⁴⁰	-	-	R458634 ⁵²	R458634
23-123572-004 ²⁷¹	2-7/8 "	R429218X	R429218X ³⁹	R406532	R4090070 ⁴⁰	-	-	R458634 ⁵²	R458634
23-123572-004 ²⁷¹	2-7/8 "	R429218X	R429218X ³⁹	R406532	R4090070 ⁴⁰	-	-	R458634 ⁵²	R458634
23-123552-004 ²⁶⁶	2-19/32 "	R42R55245	R42R55245 ³⁸	R402235118	R402238231 ²⁰¹	-	-	R458634 ⁵²	R458634
23-123572-004 ²⁷¹	2-7/8 "	R429218X	R429218X ³⁹	R406532	R4090070 ⁴⁰	-	-	R458634 ⁵²	R458634
23-123552-004 ²⁶⁶	2-19/32 "	R42R55245	R42R55245 ³⁸	R402235118	R402238231 ²⁰¹	-	-	R458634 ⁵²	R458634
R44141628 ²⁶⁹	2-7/8 "	R429218X	R429218X ³⁹	R406532	R4090070 ⁴⁰	-	-	R458634 ⁵²	R458634
23-123572-004 ²⁷¹	2-19/32 "	R42R55245	R42R55245 ³⁸	R402235118	R402238231 ²⁰¹	-	-	R458634 ⁵²	R458634
23-122527-002 ²⁷²	2-7/8 "	R429218X	R429218X ³⁹	R406532	R4090070 ⁴⁰	-	-	R458634 ⁵²	R458634
R44141629 ²⁶⁹	2-7/8 "	R429218X	R429218X ³⁹	R406532	R4090070 ⁴⁰	-	-	R458634 ⁵²	R458634
23-122527-002 ²⁷²	2-7/8 "	R429218X	R429218X ³⁹	R406532	R4090070 ⁴⁰	-	-	R458634 ⁵²	R458634
23-123552-004 ²⁶⁶	2-7/8 "	R429218X	R429218X ³⁹	R406532	R4090070 ⁴⁰	-	-	R458634 ⁵²	R458634
23-123572-004 ²⁷¹	2-19/32 "	R42R55245	R42R55245 ³⁸	R402235118	R402238231 ²⁰¹	-	-	R458634 ⁵²	R458634

268 - 5 Stud, Hat Shape

269 - 5 Stud, U Shape

270 - 5 Stud, U Shape, .766 Dia. Studs

271 - 6 Stud, Hat Shape

272 - 6 Stud, U Shape

273 - 5 Stud, U Shape, .780 Dia. Studs

275 - 5 Stud, U Shape, .656 Dia. Studs

302 - Power Brakes, Dual System

Contact our Customer Service Teams
1-888-725-9355

www.XpresswayPlus.com

MERITOR DRUM OR ROTOR NO.	CALIPER OR CYLINDER BORE SIZE	MERITOR CALIPER OR WHEEL CYLINDER (LEFT)	MERITOR CALIPER OR WHEEL CYLINDER (RIGHT)	MERITOR CALIPER OR WHEEL CYLINDER REPAIR KIT	MERITOR CALIPER PISTON	MERITOR MASTER CYLINDER	MERITOR MASTER CYLINDER KIT	MERITOR BRAKE HOSE (LEFT)	MERITOR BRAKE HOSE (RIGHT)
ITE(Cont.)									
170, 1700, 1710, 1723, 1724, 1750, 1753, 1754 SERIES CONVENTIONAL CAB, SCHOOL BUS, TILT CAB(Cont.)									
R44141628 ²⁶⁹	2-19/32 "	R42R55245	R42R55245 ³⁸	R402235118	R402238231 ²⁰¹	-	-	R458634 ⁵²	R458634
R44141608 ²⁶⁷	2-19/32 "	R42R55245	R42R55245 ³⁸	R402235118	R402238231 ²⁰¹	-	-	R458634 ⁵²	R458634
R44141628 ²⁶⁹	2-19/32 "	R42R55245	R42R55245 ³⁸	R402235118	R402238231 ²⁰¹	-	-	R458634 ⁵²	R458634
R44141628 ²⁶⁹	2-19/32 "	R42R55245	R42R55245 ³⁸	R402235118	R402238231 ²⁰¹	-	-	R458634 ⁵²	R458634
R44141627 ²⁷⁰	2-7/8 "	R429218X	R429218X ³⁹	R406532	R4090070 ⁴⁰	-	-	R458634 ⁵²	R458634
23-122527-002 ²⁷²	2-7/8 "	R429218X	R429218X ³⁹	R406532	R4090070 ⁴⁰	-	-	R458634 ⁵²	R458634
R44141628 ²⁶⁹	2-7/8 "	R429218X	R429218X ³⁹	R406532	R4090070 ⁴⁰	-	-	R458634 ⁵²	R458634
23-123572-004 ²⁷¹	2-19/32 "	R42R55245	R42R55245 ³⁸	R402235118	R402238231 ²⁰¹	-	-	R458634 ⁵²	R458634
23-123572-004 ²⁷¹	2-7/8 "	R429218X	R429218X ³⁹	R406532	R4090070 ⁴⁰	-	-	R458634 ⁵²	R458634
23-122527-002 ²⁷²	2-7/8 "	R429218X	R429218X ³⁹	R406532	R4090070 ⁴⁰	-	-	R458634 ⁵²	R458634
R44141608 ²⁶⁷	2-7/8 "	R429218X	R429218X ³⁹	R406532	R4090070 ⁴⁰	-	-	R458634 ⁵²	R458634
R44141608 ²⁶⁷	2-7/8 "	R429218X	R429218X ³⁹	R406532	R4090070 ⁴⁰	-	-	R458634 ⁵²	R458634
23-123552-004 ²⁶⁶	2-19/32 "	R42R55245	R42R55245 ³⁸	R402235118	R402238231 ²⁰¹	-	-	R458634 ⁵²	R458634
R44141628 ²⁶⁹	2-7/8 "	R429218X	R429218X ³⁹	R406532	R4090070 ⁴⁰	-	-	R458634 ⁵²	R458634
R44141629 ²⁶⁹	2-7/8 "	R429218X	R429218X ³⁹	R406532	R4090070 ⁴⁰	-	-	R458634 ⁵²	R458634
23-123572-004 ²⁷¹	2-7/8 "	R429218X	R429218X ³⁹	R406532	R4090070 ⁴⁰	-	-	R458634 ⁵²	R458634
R44141627 ²⁷⁰	2-7/8 "	R429218X	R429218X ³⁹	R406532	R4090070 ⁴⁰	-	-	R458634 ⁵²	R458634
R44141629 ²⁶⁹	2-7/8 "	R429218X	R429218X ³⁹	R406532	R4090070 ⁴⁰	-	-	R458634 ⁵²	R458634
R44141627 ²⁷⁰	2-19/32 "	R42R55245	R42R55245 ³⁸	R402235118	R402238231 ²⁰¹	-	-	R458634 ⁵²	R458634
R44141608 ²⁶⁷	2-7/8 "	R429218X	R429218X ³⁹	R406532	R4090070 ⁴⁰	-	-	R458634 ⁵²	R458634
23-123572-004 ²⁷¹	2-19/32 "	R42R55245	R42R55245 ³⁸	R402235118	R402238231 ²⁰¹	-	-	R458634 ⁵²	R458634
23-123552-004 ²⁶⁶	2-7/8 "	R429218X	R429218X ³⁹	R406532	R4090070 ⁴⁰	-	-	R458634 ⁵²	R458634
R44141629 ²⁶⁹	2-19/32 "	R42R55245	R42R55245 ³⁸	R402235118	R402238231 ²⁰¹	-	-	R458634 ⁵²	R458634
R44141628 ²⁶⁹	2-19/32 "	R42R55245	R42R55245 ³⁸	R402235118	R402238231 ²⁰¹	-	-	R458634 ⁵²	R458634
23-122527-002 ²⁷²	2-7/8 "	R429218X	R429218X ³⁹	R406532	R4090070 ⁴⁰	-	-	R458634 ⁵²	R458634
23-123552-004 ²⁶⁶	2-7/8 "	R429218X	R429218X ³⁹	R406532	R4090070 ⁴⁰	-	-	R458634 ⁵²	R458634
23-123552-004 ²⁶⁶	2-7/8 "	R429218X	R429218X ³⁹	R406532	R4090070 ⁴⁰	-	-	R458634 ⁵²	R458634
23-122527-002 ²⁷²	2-7/8 "	R429218X	R429218X ³⁹	R406532	R4090070 ⁴⁰	-	-	R458634 ⁵²	R458634
N/A	1-1/4 "	R4133581	R4133582	R4166923	NR	-	-	-	-
N/A	1-1/4 "	R4133581	R4133582	R4166923	NR	-	-	-	-
N/A		-	-	N/A	N/A	-	-	-	-
N/A		-	-	N/A	N/A	-	-	-	-
N/A	1-1/4 "	R4133581	R4133582	R4166923	NR	-	-	-	-
N/A	1-1/4 "	R4133581	R4133582	R4166923	NR	-	-	-	-
N/A	1-1/8 "	R4133714	R4133715	R4166926	NR	-	-	-	-
N/A	1-1/8 "	R4133714	R4133715	R4166926	NR	-	-	-	-
N/A	1-1/4 "	R4133581	R4133582	R4166923	NR	-	-	-	-
N/A	1-1/4 "	R4133581	R4133582	R4166923	NR	-	-	-	-
N/A	1-1/4 "	R4133581	R4133582	R4166923	NR	-	-	-	-
N/A	1-1/4 "	R4133581	R4133582	R4166923	NR	-	-	-	-
N/A	1-1/4 "	R4133581	R4133582	R4166923	NR	-	-	-	-
N/A	1-1/4 "	R4133581	R4133582	R4166923	NR	-	-	-	-
N/A	1-1/4 "	R4133581	R4133582	R4166923	NR	-	-	-	-
N/A	1-1/2 "	R4133580	R4133580	Discontinued	NR	-	-	-	-
N/A	1-1/2 "	R4133580	R4133580	Discontinued	NR	-	-	-	-
N/A	1-1/2 "	R4133580	R4133580	Discontinued	NR	-	-	-	-
N/A	1-1/2 "	R4133580	R4133580	Discontinued	NR	-	-	-	-

1 APPLICATION

271 - 6 Stud, Hat Shape

272 - 6 Stud, U Shape

MAKE MODEL YEAR AXLE CODE AXLE WEIGHT	AXLE & BRK. TYPE	BRK. MFG.	BRAKE SIZE	FMSI	MERITOR DISC PAD OR BRAKE SHOE	MERITOR GUIDE PIN OR RETURN SPRING KIT	MERITOR CALIPER HWD. KIT OR RETURN SPRING KIT	MERITOR ADJUSTER KIT (LEFT WHEEL)	MERITOR ADJUSTER KIT (RIGHT WHEEL)
ITE(Cont.)									
170, 1700, 1710, 1723, 1724, 1750, 1753, 1754 SERIES CONVENTIONAL CAB, SCHOOL BUS, TILT CAB(Cont.)									
1982	Rm	WG	15 " x 5 "	1252 - 346	R700346	R40H597	R40H9200	R40H3518	R404148
S1724, S1754 Conventional RA30, 187	Ra	WG	16 " x 5 "	1254 - 385	N/A	R40H597	R40H9200	N/A	N/A
	Rm	WG	16 " x 5 "	1254 - 385	N/A	R40H597	R40H9200	R404149	R404150
S1724, S1754 Conventional RA30, 39, 44, 186, 189	Ra	WG	15 " x 6 "	4596 - 381	R700381	R40H597	R40H9200	R40H3540	R40H3541
	Rm	WG	15 " x 6 "	4596 - 381	R700381	R40H597	R40H9200	R40H3518	R404148
S1724, S1754 Conventional RA39, 199	Ra	WG	15 " x 7 "	4597 - 383	R700383	R40H597	R40H9200	R40H3540	R40H3541
	Rm	WG	15 " x 7 "	4597 - 383	R700383	R40H597	R40H9200	R40H3518	R404148
S1724, S1754 Conventional RA44, 186	Ra	WG	15 " x 7 "	4597 - 383	R700383	R40H597	R40H9200	N/A	N/A
	Rm	WG	15 " x 7 "	4597 - 383	R700383	R40H597	R40H9200	R40H3518	R404148
S1724, S1754 Conventional RA47, 57	Ra	WG	16 " x 6 "	1255 - 386	N/A	R40H597	R40H9200	N/A	N/A
	Rm	WG	16 " x 6 "	1255 - 386	N/A	R40H597	R40H9200	R404149	R404150
1981									
C1710, C1750 Cargostar Tilt Cab FA109, 208	Fa	WG	15 " x 3 "	1245C - 321	R700321	R40H521	R40H9237	R40H3502	R40H3503
	Fm	WG	15 " x 3 "	1245A - 235	R700235	R40H521	R40H9201	R40H3524	R40H3524
C1710, C1750 Cargostar Tilt Cab FA118, 127, 139	Fa	WG	15 " x 5 "	1345A - 491	N/A	R40H521	R40H9237	R40H3502	R40H3503
	Fm	WG	15 " x 5 "	1345 - 490	N/A	R40H521	R40H9201	R40H3524	R40H3524
C1710, C1750 Cargostar Tilt Cab FA208	Fa	WG	15 " x 3-1/2 "	1280B - 322	R464004	R40H521	R40H9237	R40H3502	R40H3503
	Fm	WG	15 " x 3-1/2 "	1280 - 463	R700463	R40H521	R40H9201	R40H3524	R40H3524
C1710, C1750 Cargostar Tilt Cab FA48, 68, 70, 72	Fa	WG	14 " x 2-1/2 "	1294A - 325	N/A	R40H521	R40H9237	R40H3502	R40H3503
	Fm	WG	14 " x 2-1/2 "	1294 - 296	N/A	R40H521	R40H9201	R40H3524	R40H3524
C1710, C1750 Cargostar Tilt Cab FA71, 73, 101	Fa	WG	15 " x 3 "	1245C - 321	R700321	R40H521	R40H9237	R40H3502	R40H3503
	Fa	WG	15 " x 3-1/2 "	1280B - 322	R464004	R40H521	R40H9237	R40H3502	R40H3503
	Fm	WG	15 " x 3 "	1245A - 235	R700235	R40H521	R40H9201	R40H3524	R40H3524
	Fm	WG	15 " x 3-1/2 "	1280 - 463	R700463	R40H521	R40H9201	R40H3524	R40H3524
C1710, C1750 Cargostar Tilt Cab FA74	Fa	WG	15 " x 3 "	1245C - 321	R700321	R40H521	R40H9237	R40H3502	R40H3503
	Fm	WG	15 " x 3 "	1245A - 235	R700235	R40H521	R40H9201	R40H3524	R40H3524
C1710, C1750 Cargostar Tilt Cab FA78, 81	Fa	WG	15 " x 3 "	1245C - 321	R700321	R40H521	R40H9237	R40H3502	R40H3503
C1710, C1750 Cargostar Tilt Cab FA89, 91, 98	Fa	WG	15 " x 3 "	1245C - 321	R700321	R40H521	R40H9237	R40H3502	R40H3503
	Fm	WG	15 " x 3 "	1245A - 235	R700235	R40H521	R40H9201	R40H3524	R40H3524
C1710, C1750 Cargostar Tilt Cab RA184	Ra	WG	15 " x 4 "	4645A - 376	Discontinued	R40H597	R40H9200	R40H3540	R40H3541
	Rm	WG	15 " x 4 "	4645A - 376	Discontinued	R40H597	R40H9200	R40H3518	R404148
C1710, C1750 Cargostar Tilt Cab RA25, 184	Ra	WG	15 " x 5 "	1252 - 346	R700346	R40H597	R40H9200	R40H3540	R40H3541
	Rm	WG	15 " x 5 "	1252 - 346	R700346	R40H597	R40H9200	R40H3518	R404148
C1710, C1750 Cargostar Tilt Cab RA29, 30, 187	Ra	WG	15 " x 5 "	1252 - 346	R700346	R40H597	R40H9200	R40H3540	R40H3541

MERITOR DRUM OR ROTOR NO.	CALIPER OR CYLINDER BORE SIZE	MERITOR CALIPER OR WHEEL CYLINDER (LEFT)	MERITOR CALIPER OR WHEEL CYLINDER (RIGHT)	MERITOR CALIPER OR WHEEL CYLINDER REPAIR KIT	MERITOR CALIPER PISTON	MERITOR MASTER CYLINDER	MERITOR MASTER CYLINDER KIT	MERITOR BRAKE HOSE (LEFT)	MERITOR BRAKE HOSE (RIGHT)
ITE(Cont.)									
170, 1700, 1710, 1723, 1724, 1750, 1753, 1754 SERIES CONVENTIONAL CAB, SCHOOL BUS, TILT CAB(Cont.)									
N/A	1-1/2 "	R4133580	R4133580	Discontinued	NR	-	-	-	-
N/A	1-5/8 "	R4133338	R4133338	R4166689	NR	-	-	-	-
N/A	1-5/8 "	R4133338	R4133338	R4166689	NR	-	-	-	-
N/A	1-5/8 "	R4133338	R4133338	R4166689	NR	-	-	-	-
N/A	1-5/8 "	R4133338	R4133338	R4166689	NR	-	-	-	-
N/A	1-5/8 "	R4133338	R4133338	R4166689	NR	-	-	-	-
N/A	1-5/8 "	R4133338	R4133338	R4166689	NR	-	-	-	-
N/A	1-5/8 "	R4133338	R4133338	R4166689	NR	-	-	-	-
N/A	1-3/4 "	R4133400	R4133400	R4166917	NR	-	-	-	-
N/A	1-3/4 "	R4133400	R4133400	R4166917	NR	-	-	-	-
N/A	1-1/4 "	R4133581	R4133582	R4166923	NR	-	-	-	-
N/A	1-1/4 "	R4133581	R4133582	R4166923	NR	-	-	-	-
N/A	-	-	-	N/A	N/A	-	-	-	-
N/A	-	-	-	N/A	N/A	-	-	-	-
N/A	1-1/4 "	R4133581	R4133582	R4166923	NR	-	-	-	-
N/A	1-1/4 "	R4133581	R4133582	R4166923	NR	-	-	-	-
N/A	1-1/8 "	R4133714	R4133715	R4166926	NR	-	-	-	-
N/A	1-1/8 "	R4133714	R4133715	R4166926	NR	-	-	-	-
N/A	1-1/4 "	R4133581	R4133582	R4166923	NR	-	-	-	-
N/A	1-1/4 "	R4133581	R4133582	R4166923	NR	-	-	-	-
N/A	1-1/4 "	R4133581	R4133582	R4166923	NR	-	-	-	-
N/A	1-1/4 "	R4133581	R4133582	R4166923	NR	-	-	-	-
N/A	1-1/4 "	R4133581	R4133582	R4166923	NR	-	-	-	-
N/A	1-1/4 "	R4133581	R4133582	R4166923	NR	-	-	-	-
N/A	1-1/4 "	R4133581	R4133582	R4166923	NR	-	-	-	-
N/A	1-1/4 "	R4133581	R4133582	R4166923	NR	-	-	-	-
N/A	1-1/2 "	R4133580	R4133580	Discontinued	NR	-	-	-	-
N/A	1-1/2 "	R4133580	R4133580	Discontinued	NR	-	-	-	-
N/A	1-1/2 "	R4133580	R4133580	Discontinued	NR	-	-	-	-
N/A	1-1/2 "	R4133580	R4133580	Discontinued	NR	-	-	-	-
N/A	1-1/2 "	R4133580	R4133580	Discontinued	NR	-	-	-	-

MAKE MODEL YEAR AXLE CODE AXLE WEIGHT	AXLE & BRK. TYPE	BRK. MFG.	BRAKE SIZE	FMSI	MERITOR DISC PAD OR BRAKE SHOE	MERITOR GUIDE PIN OR RETURN SPRING KIT	MERITOR CALIPER HWD. KIT OR RETURN SPRING KIT	MERITOR ADJUSTER KIT (LEFT WHEEL)	MERITOR ADJUSTER KIT (RIGHT WHEEL)
ITE(Cont.)									
170, 1700, 1710, 1723, 1724, 1750, 1753, 1754 SERIES CONVENTIONAL CAB, SCHOOL BUS, TILT CAB(Cont.)									
1981	Rm	WG	15 " x 5 "	1252 - 346	R700346	R40H597	R40H9200	R40H3518	R404148
C1710, C1750 Cargostar Tilt Cab RA30, 187	Ra	WG	16 " x 5 "	1254 - 385	N/A	R40H597	R40H9200	N/A	N/A
	Rm	WG	16 " x 5 "	1254 - 385	N/A	R40H597	R40H9200	R404149	R404150
C1710, C1750 Cargostar Tilt Cab RA30, 39, 44, 186, 189	Ra	WG	15 " x 6 "	4596 - 381	R700381	R40H597	R40H9200	R40H3540	R40H3541
	Rm	WG	15 " x 6 "	4596 - 381	R700381	R40H597	R40H9200	R40H3518	R404148
C1710, C1750 Cargostar Tilt Cab RA39, 199	Ra	WG	15 " x 7 "	4597 - 383	R700383	R40H597	R40H9200	R40H3540	R40H3541
	Rm	WG	15 " x 7 "	4597 - 383	R700383	R40H597	R40H9200	R40H3518	R404148
C1710, C1750 Cargostar Tilt Cab RA44, 186	Ra	WG	15 " x 7 "	4597 - 383	R700383	R40H597	R40H9200	N/A	N/A
	Rm	WG	15 " x 7 "	4597 - 383	R700383	R40H597	R40H9200	R40H3518	R404148
C1710, C1750 Cargostar Tilt Cab RA47, 57	Ra	WG	16 " x 6 "	1255 - 386	N/A	R40H597	R40H9200	N/A	N/A
	Rm	WG	16 " x 6 "	1255 - 386	N/A	R40H597	R40H9200	R404149	R404150
S1723, S1753 School Bus	Fd	BX		7108 - D184	MD184	R40H5010	R40H5519	NR	NR
	Fd	BX		7108 - D184	MD184	R40H5010	R40H5519	NR	NR
	Fd	BX		7108 - D184	MD184	R40H5010	R40H5519	NR	NR
	Fd	BX		7108 - D184	MD184	R40H5010	R40H5519	NR	NR
	Fd	BX		7108 - D184	MD184	R40H5010	R40H5519	NR	NR
	Fd	BX		7108 - D184	MD184	R40H5010	R40H5519	NR	NR
	Fd	BX		7108 - D184	MD184	R40H5010	R40H5519	NR	NR
	Fd	BX		7108 - D184	MD184	R40H5010	R40H5519	NR	NR
	Fd	BX		7108 - D184	MD184	R40H5010	R40H5519	NR	NR
	Fd	BX		7108 - D184	MD184	R40H5010	R40H5519	NR	NR
	Fd	BX		7108 - D184	MD184	R40H5010	R40H5519	NR	NR
	Fd	BX		7108 - D184	MD184	R40H5010	R40H5519	NR	NR
	Fd	BX		7108 - D184	MD184	R40H5010	R40H5519	NR	NR
	Fd	BX		7108 - D184	MD184	R40H5010	R40H5519	NR	NR
	Fd	BX		7108 - D184	MD184	R40H5010	R40H5519	NR	NR
	Fd	BX		7108 - D184	MD184	R40H5010	R40H5519	NR	NR
	Fd	BX		7108 - D184	MD184	R40H5010	R40H5519	NR	NR
	Fd	BX		7108 - D184	MD184	R40H5010	R40H5519	NR	NR
	Fd	BX		7108 - D184	MD184	R40H5010	R40H5519	NR	NR
	Fd	BX		7108 - D184	MD184	R40H5010	R40H5519	NR	NR
	Fd	BX		7108 - D184	MD184	R40H5010	R40H5519	NR	NR
	Fd	BX		7108 - D184	MD184	R40H5010	R40H5519	NR	NR
	Fd	BX		7108 - D184	MD184	R40H5010	R40H5519	NR	NR
	Fd	BX		7108 - D184	MD184	R40H5010	R40H5519	NR	NR
	Fd	BX		7108 - D184	MD184	R40H5010	R40H5519	NR	NR
	Fd	BX		7108 - D184	MD184	R40H5010	R40H5519	NR	NR
	Fd	BX		7108 - D184	MD184	R40H5010	R40H5519	NR	NR
	S1723, S1753 School Bus FA101	Fd	BX		7108 - D184	MD184	R40H5010	R40H5519	NR

37 - Also available as a New unit
 201 - Steel Piston
 271 - 6 Stud, Hat Shape
 www.XpresswayPlus.com
 1-726

38 - First design, may have external joining tube and uses steel pistons
 266 - 10 Stud, Hat Shaped
 272 - 6 Stud, U Shape

53 - Power Brakes
 268 - 5 Stud, Hat Shape
 273 - 5 Stud, U Shape, .780 Dia. Studs

MERITOR DRUM OR ROTOR NO.	CALIPER OR CYLINDER BORE SIZE	MERITOR CALIPER OR WHEEL CYLINDER (LEFT)	MERITOR CALIPER OR WHEEL CYLINDER (RIGHT)	MERITOR CALIPER OR WHEEL CYLINDER REPAIR KIT	MERITOR CALIPER PISTON	MERITOR MASTER CYLINDER	MERITOR MASTER CYLINDER KIT	MERITOR BRAKE HOSE (LEFT)	MERITOR BRAKE HOSE (RIGHT)
ITE(Cont.)									
170, 1700, 1710, 1723, 1724, 1750, 1753, 1754 SERIES CONVENTIONAL CAB, SCHOOL BUS, TILT CAB(Cont.)									
N/A	1-1/2 "	R4133580	R4133580	Discontinued	NR	-	-	-	-
N/A	1-5/8 "	R4133338	R4133338	R4166689	NR	-	-	-	-
N/A	1-5/8 "	R4133338	R4133338	R4166689	NR	-	-	-	-
N/A	1-5/8 "	R4133338	R4133338	R4166689	NR	-	-	-	-
N/A	1-5/8 "	R4133338	R4133338	R4166689	NR	-	-	-	-
N/A	1-5/8 "	R4133338	R4133338	R4166689	NR	-	-	-	-
N/A	1-5/8 "	R4133338	R4133338	R4166689	NR	-	-	-	-
N/A	1-5/8 "	R4133338	R4133338	R4166689	NR	-	-	-	-
N/A	1-3/4 "	R4133400	R4133400	R4166917	NR	-	-	-	-
N/A	1-3/4 "	R4133400	R4133400	R4166917	NR	-	-	-	-
23-123572-004 ²⁷¹	3-3/8 "	R42R55099	R42R55098 ³⁷	R4066780	R4090021 ²⁰¹	R4111993 ³⁰²	R4122386	R4577503	R4577503
R44141858 ²⁷⁵	3-3/8 "	R42R55099	R42R55098 ³⁷	R4066780	R4090021 ²⁰¹	R4111993 ³⁰²	R4122386	R458632	R458632
23-123552-004 ²⁶⁶	3-3/8 "	R42R55099	R42R55098 ³⁷	R4066780	R4090021 ²⁰¹	N/A ⁵³	-	R4577503	R4577503
23-122920-002 ²⁷³	3-3/8 "	R42R55099	R42R55098 ³⁷	R4066780	R4090021 ²⁰¹	R4111993 ³⁰²	R4122386	R4577503	R4577503
R44141476 ²⁶⁸	3-3/8 "	R42R55099	R42R55098 ³⁷	R4066780	R4090021 ²⁰¹	N/A ⁵³	-	R458632	R458632
23-123552-004 ²⁶⁶	3-3/8 "	R42R55099	R42R55098 ³⁷	R4066780	R4090021 ²⁰¹	N/A ⁵³	-	R4577503	R4577503
R44141858 ²⁷⁵	3-3/8 "	R42R55099	R42R55098 ³⁷	R4066780	R4090021 ²⁰¹	R4111993 ³⁰²	R4122386	R458632	R458632
R44141476 ²⁶⁸	3-3/8 "	R42R55099	R42R55098 ³⁷	R4066780	R4090021 ²⁰¹	N/A ⁵³	-	R4577503	R4577503
23-123572-004 ²⁷¹	3-3/8 "	R42R55099	R42R55098 ³⁷	R4066780	R4090021 ²⁰¹	N/A ⁵³	-	R458632	R458632
R44141476 ²⁶⁸	3-3/8 "	R42R55099	R42R55098 ³⁷	R4066780	R4090021 ²⁰¹	R4111993 ³⁰²	R4122386	R458632	R458632
R44141476 ²⁶⁸	3-3/8 "	R42R55099	R42R55098 ³⁷	R4066780	R4090021 ²⁰¹	R4111993 ³⁰²	R4122386	R458632	R458632
R44141858 ²⁷⁵	3-3/8 "	R42R55099	R42R55098 ³⁷	R4066780	R4090021 ²⁰¹	N/A ⁵³	-	R4577503	R4577503
23-123552-004 ²⁶⁶	3-3/8 "	R42R55099	R42R55098 ³⁷	R4066780	R4090021 ²⁰¹	N/A ⁵³	-	R458632	R458632
R44141858 ²⁷⁵	3-3/8 "	R42R55099	R42R55098 ³⁷	R4066780	R4090021 ²⁰¹	R4111993 ³⁰²	R4122386	R4577503	R4577503
23-123552-004 ²⁶⁶	3-3/8 "	R42R55099	R42R55098 ³⁷	R4066780	R4090021 ²⁰¹	R4111993 ³⁰²	R4122386	R458632	R458632
23-122920-002 ²⁷³	3-3/8 "	R42R55099	R42R55098 ³⁷	R4066780	R4090021 ²⁰¹	R4111993 ³⁰²	R4122386	R458632	R458632
23-122920-002 ²⁷³	3-3/8 "	R42R55099	R42R55098 ³⁷	R4066780	R4090021 ²⁰¹	R4111993 ³⁰²	R4122386	R4577503	R4577503
R44141476 ²⁶⁸	3-3/8 "	R42R55099	R42R55098 ³⁷	R4066780	R4090021 ²⁰¹	N/A ⁵³	-	R458632	R458632
R44141476 ²⁶⁸	3-3/8 "	R42R55099	R42R55098 ³⁷	R4066780	R4090021 ²⁰¹	R4111993 ³⁰²	R4122386	R4577503	R4577503
23-122920-002 ²⁷³	3-3/8 "	R42R55099	R42R55098 ³⁷	R4066780	R4090021 ²⁰¹	N/A ⁵³	-	R458632	R458632
23-122920-002 ²⁷³	3-3/8 "	R42R55099	R42R55098 ³⁷	R4066780	R4090021 ²⁰¹	N/A ⁵³	-	R458632	R458632
R44141858 ²⁷⁵	3-3/8 "	R42R55099	R42R55098 ³⁷	R4066780	R4090021 ²⁰¹	N/A ⁵³	-	R4577503	R4577503
23-122920-002 ²⁷³	3-3/8 "	R42R55099	R42R55098 ³⁷	R4066780	R4090021 ²⁰¹	N/A ⁵³	-	R4577503	R4577503
23-123572-004 ²⁷¹	3-3/8 "	R42R55099	R42R55098 ³⁷	R4066780	R4090021 ²⁰¹	R4111993 ³⁰²	R4122386	R4577503	R4577503
23-123552-004 ²⁶⁶	3-3/8 "	R42R55099	R42R55098 ³⁷	R4066780	R4090021 ²⁰¹	N/A ⁵³	-	R458632	R458632
R44141476 ²⁶⁸	3-3/8 "	R42R55099	R42R55098 ³⁷	R4066780	R4090021 ²⁰¹	N/A ⁵³	-	R4577503	R4577503
23-123572-004 ²⁷¹	3-3/8 "	R42R55099	R42R55098 ³⁷	R4066780	R4090021 ²⁰¹	N/A ⁵³	-	R4577503	R4577503
23-123552-004 ²⁶⁶	3-3/8 "	R42R55099	R42R55098 ³⁷	R4066780	R4090021 ²⁰¹	R4111993 ³⁰²	R4122386	R4577503	R4577503
23-123572-004 ²⁷¹	3-3/8 "	R42R55099	R42R55098 ³⁷	R4066780	R4090021 ²⁰¹	R4111993 ³⁰²	R4122386	R4577503	R4577503
23-122920-002 ²⁷³	3-3/8 "	R42R55099	R42R55098 ³⁷	R4066780	R4090021 ²⁰¹	N/A ⁵³	-	R4577503	R4577503
R44141858 ²⁷⁵	3-3/8 "	R42R55099	R42R55098 ³⁷	R4066780	R4090021 ²⁰¹	N/A ⁵³	-	R458632	R458632
23-123572-004 ²⁷¹	3-3/8 "	R42R55099	R42R55098 ³⁷	R4066780	R4090021 ²⁰¹	R4111993 ³⁰²	R4122386	R458632	R458632
23-123552-004 ²⁶⁶	3-3/8 "	R42R55099	R42R55098 ³⁷	R4066780	R4090021 ²⁰¹	N/A ⁵³	-	R4577503	R4577503
R44141858 ²⁷⁵	3-3/8 "	R42R55099	R42R55098 ³⁷	R4066780	R4090021 ²⁰¹	R4111993 ³⁰²	R4122386	R458632	R458632
23-123572-004 ²⁷¹	3-3/8 "	R42R55099	R42R55098 ³⁷	R4066780	R4090021 ²⁰¹	R4111993 ³⁰²	R4122386	R458632	R458632
23-123552-004 ²⁶⁶	3-3/8 "	R42R55099	R42R55098 ³⁷	R4066780	R4090021 ²⁰¹	N/A ⁵³	-	R458632	R458632
R44141858 ²⁷⁵	3-3/8 "	R42R55099	R42R55098 ³⁷	R4066780	R4090021 ²⁰¹	N/A ⁵³	-	R458632	R458632
23-123572-004 ²⁷¹	3-3/8 "	R42R55099	R42R55098 ³⁷	R4066780	R4090021 ²⁰¹	R4111993 ³⁰²	R4122386	R458632	R458632
23-123552-004 ²⁶⁶	3-3/8 "	R42R55099	R42R55098 ³⁷	R4066780	R4090021 ²⁰¹	N/A ⁵³	-	R458632	R458632
R44141858 ²⁷⁵	3-3/8 "	R42R55099	R42R55098 ³⁷	R4066780	R4090021 ²⁰¹	N/A ⁵³	-	R458632	R458632
23-122920-002 ²⁷³	3-3/8 "	R42R55099	R42R55098 ³⁷	R4066780	R4090021 ²⁰¹	R4111993 ³⁰²	R4122386	R458632	R458632
R44141858 ²⁷⁵	3-3/8 "	R42R55099	R42R55098 ³⁷	R4066780	R4090021 ²⁰¹	N/A ⁵³	-	R458632	R458632
23-122527-002 ²⁷²	2-19/32 "	R42R55245	R42R55245 ³⁸	R402235118	R402238231 ²⁰¹	R4111993 ³⁰²	R4122386	R458632	R458632

1 APPLICATION

275 - 5 Stud, U Shape, .656 Dia. Studs

302 - Power Brakes, Dual System

MERITOR DRUM OR ROTOR NO.	CALIPER OR CYLINDER BORE SIZE	MERITOR CALIPER OR WHEEL CYLINDER (LEFT)	MERITOR CALIPER OR WHEEL CYLINDER (RIGHT)	MERITOR CALIPER OR WHEEL CYLINDER REPAIR KIT	MERITOR CALIPER PISTON	MERITOR MASTER CYLINDER	MERITOR MASTER CYLINDER KIT	MERITOR BRAKE HOSE (LEFT)	MERITOR BRAKE HOSE (RIGHT)
ITE(Cont.)									
170, 1700, 1710, 1723, 1724, 1750, 1753, 1754 SERIES CONVENTIONAL CAB, SCHOOL BUS, TILT CAB(Cont.)									
23-122920-002 ²⁷³	2-7/8 "	R429218X	R429218X ³⁹	R406532	R4090070 ⁴⁰	R4111993 ³⁰²	R4122386	R4577503	R4577503
R44141476 ²⁶⁸	2-7/8 "	R429218X	R429218X ³⁹	R406532	R4090070 ⁴⁰	N/A ⁵³	-	R4577503	R4577503
R44141476 ²⁶⁸	2-7/8 "	R429218X	R429218X ³⁹	R406532	R4090070 ⁴⁰	N/A ⁵³	-	R458632	R458632
23-122920-002 ²⁷³	2-7/8 "	R429218X	R429218X ³⁹	R406532	R4090070 ⁴⁰	R4111993 ³⁰²	R4122386	R458632	R458632
23-122527-002 ²⁷²	2-7/8 "	R429218X	R429218X ³⁹	R406532	R4090070 ⁴⁰	N/A ⁵³	-	R458632	R458632
23-123572-004 ²⁷¹	2-7/8 "	R429218X	R429218X ³⁹	R406532	R4090070 ⁴⁰	R4111993 ³⁰²	R4122386	R458632	R458632
23-122920-002 ²⁷³	2-7/8 "	R429218X	R429218X ³⁹	R406532	R4090070 ⁴⁰	R4111993 ³⁰²	R4122386	R4577503	R4577503
23-123572-004 ²⁷¹	2-7/8 "	R429218X	R429218X ³⁹	R406532	R4090070 ⁴⁰	R4111993 ³⁰²	R4122386	R458632	R458632
R44141476 ²⁶⁸	2-7/8 "	R429218X	R429218X ³⁹	R406532	R4090070 ⁴⁰	N/A ⁵³	-	R4577503	R4577503
23-122920-002 ²⁷³	2-7/8 "	R429218X	R429218X ³⁹	R406532	R4090070 ⁴⁰	R4111993 ³⁰²	R4122386	R458632	R458632
23-123572-004 ²⁷¹	2-7/8 "	R429218X	R429218X ³⁹	R406532	R4090070 ⁴⁰	N/A ⁵³	-	R4577503	R4577503
23-123552-004 ²⁶⁶	2-7/8 "	R429218X	R429218X ³⁹	R406532	R4090070 ⁴⁰	N/A ⁵³	-	R4577503	R4577503
23-123552-004 ²⁶⁶	2-7/8 "	R429218X	R429218X ³⁹	R406532	R4090070 ⁴⁰	N/A ⁵³	-	R4577503	R4577503
23-123572-004 ²⁷¹	2-7/8 "	R429218X	R429218X ³⁹	R406532	R4090070 ⁴⁰	R4111993 ³⁰²	R4122386	R4577503	R4577503
R44141858 ²⁷⁵	2-7/8 "	R429218X	R429218X ³⁹	R406532	R4090070 ⁴⁰	N/A ⁵³	-	R4577503	R4577503
23-122527-002 ²⁷²	2-7/8 "	R429218X	R429218X ³⁹	R406532	R4090070 ⁴⁰	R4111993 ³⁰²	R4122386	R458632	R458632
R44141476 ²⁶⁸	2-7/8 "	R429218X	R429218X ³⁹	R406532	R4090070 ⁴⁰	R4111993 ³⁰²	R4122386	R458632	R458632
23-123552-004 ²⁶⁶	2-7/8 "	R429218X	R429218X ³⁹	R406532	R4090070 ⁴⁰	R4111993 ³⁰²	R4122386	R4577503	R4577503
23-123572-004 ²⁷¹	2-7/8 "	R429218X	R429218X ³⁹	R406532	R4090070 ⁴⁰	N/A ⁵³	-	R4577503	R4577503
23-123552-004 ²⁶⁶	2-7/8 "	R429218X	R429218X ³⁹	R406532	R4090070 ⁴⁰	N/A ⁵³	-	R4577503	R4577503
23-123572-004 ²⁷¹	2-7/8 "	R429218X	R429218X ³⁹	R406532	R4090070 ⁴⁰	R4111993 ³⁰²	R4122386	R4577503	R4577503
R44141858 ²⁷⁵	2-7/8 "	R429218X	R429218X ³⁹	R406532	R4090070 ⁴⁰	N/A ⁵³	-	R4577503	R4577503
23-122527-002 ²⁷²	2-7/8 "	R429218X	R429218X ³⁹	R406532	R4090070 ⁴⁰	R4111993 ³⁰²	R4122386	R458632	R458632
R44141476 ²⁶⁸	2-7/8 "	R429218X	R429218X ³⁹	R406532	R4090070 ⁴⁰	R4111993 ³⁰²	R4122386	R458632	R458632
23-122920-002 ²⁷³	2-7/8 "	R429218X	R429218X ³⁹	R406532	R4090070 ⁴⁰	N/A ⁵³	-	R458632	R458632
23-122527-002 ²⁷²	2-7/8 "	R429218X	R429218X ³⁹	R406532	R4090070 ⁴⁰	R4111993 ³⁰²	R4122386	R458632	R458632
23-122920-002 ²⁷³	2-7/8 "	R429218X	R429218X ³⁹	R406532	R4090070 ⁴⁰	N/A ⁵³	-	R458632	R458632
23-123552-004 ²⁶⁶	2-7/8 "	R429218X	R429218X ³⁹	R406532	R4090070 ⁴⁰	R4111993 ³⁰²	R4122386	R4577503	R4577503
23-123552-004 ²⁶⁶	2-7/8 "	R429218X	R429218X ³⁹	R406532	R4090070 ⁴⁰	N/A ⁵³	-	R4577503	R4577503
23-123572-004 ²⁷¹	2-7/8 "	R429218X	R429218X ³⁹	R406532	R4090070 ⁴⁰	R4111993 ³⁰²	R4122386	R458632	R458632
23-123552-004 ²⁶⁶	2-7/8 "	R429218X	R429218X ³⁹	R406532	R4090070 ⁴⁰	N/A ⁵³	-	R458632	R458632
R44141476 ²⁶⁸	2-7/8 "	R429218X	R429218X ³⁹	R406532	R4090070 ⁴⁰	R4111993 ³⁰²	R4122386	R4577503	R4577503
23-123572-004 ²⁷¹	2-7/8 "	R429218X	R429218X ³⁹	R406532	R4090070 ⁴⁰	N/A ⁵³	-	R4577503	R4577503
23-123572-004 ²⁷¹	2-7/8 "	R429218X	R429218X ³⁹	R406532	R4090070 ⁴⁰	N/A ⁵³	-	R4577503	R4577503
23-123572-004 ²⁷¹	2-7/8 "	R429218X	R429218X ³⁹	R406532	R4090070 ⁴⁰	R4111993 ³⁰²	R4122386	R458632	R458632
23-123552-004 ²⁶⁶	2-7/8 "	R429218X	R429218X ³⁹	R406532	R4090070 ⁴⁰	N/A ⁵³	-	R4577503	R4577503
23-123552-004 ²⁶⁶	2-7/8 "	R429218X	R429218X ³⁹	R406532	R4090070 ⁴⁰	N/A ⁵³	-	R458632	R458632
R44141858 ²⁷⁵	2-7/8 "	R429218X	R429218X ³⁹	R406532	R4090070 ⁴⁰	R4111993 ³⁰²	R4122386	R4577503	R4577503
R44141476 ²⁶⁸	2-7/8 "	R429218X	R429218X ³⁹	R406532	R4090070 ⁴⁰	N/A ⁵³	-	R4577503	R4577503
23-123572-004 ²⁷¹	2-7/8 "	R429218X	R429218X ³⁹	R406532	R4090070 ⁴⁰	R4111993 ³⁰²	R4122386	R4577503	R4577503
23-122527-002 ²⁷²	2-7/8 "	R429218X	R429218X ³⁹	R406532	R4090070 ⁴⁰	N/A ⁵³	-	R4577503	R4577503
23-122920-002 ²⁷³	2-7/8 "	R429218X	R429218X ³⁹	R406532	R4090070 ⁴⁰	R4111993 ³⁰²	R4122386	R4577503	R4577503
R44141858 ²⁷⁵	2-7/8 "	R429218X	R429218X ³⁹	R406532	R4090070 ⁴⁰	R4111993 ³⁰²	R4122386	R4577503	R4577503
23-123552-004 ²⁶⁶	2-7/8 "	R429218X	R429218X ³⁹	R406532	R4090070 ⁴⁰	N/A ⁵³	-	R458632	R458632
R44141858 ²⁷⁵	2-7/8 "	R429218X	R429218X ³⁹	R406532	R4090070 ⁴⁰	N/A ⁵³	-	R458632	R458632
23-123572-004 ²⁷¹	2-7/8 "	R429218X	R429218X ³⁹	R406532	R4090070 ⁴⁰	N/A ⁵³	-	R4577503	R4577503
23-122527-002 ²⁷²	2-7/8 "	R429218X	R429218X ³⁹	R406532	R4090070 ⁴⁰	R4111993 ³⁰²	R4122386	R4577503	R4577503
R44141476 ²⁶⁸	2-7/8 "	R429218X	R429218X ³⁹	R406532	R4090070 ⁴⁰	N/A ⁵³	-	R458632	R458632
23-123552-004 ²⁶⁶	2-7/8 "	R429218X	R429218X ³⁹	R406532	R4090070 ⁴⁰	R4111993 ³⁰²	R4122386	R458632	R458632
23-122527-002 ²⁷²	2-7/8 "	R429218X	R429218X ³⁹	R406532	R4090070 ⁴⁰	N/A ⁵³	-	R458632	R458632

MERITOR DRUM OR ROTOR NO.	CALIPER OR CYLINDER BORE SIZE	MERITOR CALIPER OR WHEEL CYLINDER (LEFT)	MERITOR CALIPER OR WHEEL CYLINDER (RIGHT)	MERITOR CALIPER OR WHEEL CYLINDER REPAIR KIT	MERITOR CALIPER PISTON	MERITOR MASTER CYLINDER	MERITOR MASTER CYLINDER KIT	MERITOR BRAKE HOSE (LEFT)	MERITOR BRAKE HOSE (RIGHT)
ITE(Cont.)									
170, 1700, 1710, 1723, 1724, 1750, 1753, 1754 SERIES CONVENTIONAL CAB, SCHOOL BUS, TILT CAB(Cont.)									
R44141629 ²⁶⁹	2-19/32 "	R42R55245	R42R55245 ³⁸	R402235118	R402238231 ²⁰¹	-	-	R458634 ⁵²	R458634
23-123552-004 ²⁶⁶	2-19/32 "	R42R55245	R42R55245 ³⁸	R402235118	R402238231 ²⁰¹	-	-	R458634 ⁵²	R458634
R44141627 ²⁷⁰	2-7/8 "	R429218X	R429218X ³⁹	R406532	R4090070 ⁴⁰	-	-	R458634 ⁵²	R458634
23-123572-004 ²⁷¹	2-7/8 "	R429218X	R429218X ³⁹	R406532	R4090070 ⁴⁰	-	-	R458634 ⁵²	R458634
23-122527-002 ²⁷²	2-7/8 "	R429218X	R429218X ³⁹	R406532	R4090070 ⁴⁰	-	-	R458634 ⁵²	R458634
R44141608 ²⁶⁷	2-19/32 "	R42R55245	R42R55245 ³⁸	R402235118	R402238231 ²⁰¹	-	-	R458634 ⁵²	R458634
R44141628 ²⁶⁹	2-7/8 "	R429218X	R429218X ³⁹	R406532	R4090070 ⁴⁰	-	-	R458634 ⁵²	R458634
23-123572-004 ²⁷¹	2-19/32 "	R42R55245	R42R55245 ³⁸	R402235118	R402238231 ²⁰¹	-	-	R458634 ⁵²	R458634
R44141608 ²⁶⁷	2-7/8 "	R429218X	R429218X ³⁹	R406532	R4090070 ⁴⁰	-	-	R458634 ⁵²	R458634
R44141608 ²⁶⁷	2-7/8 "	R429218X	R429218X ³⁹	R406532	R4090070 ⁴⁰	-	-	R458634 ⁵²	R458634
R44141628 ²⁶⁹	2-7/8 "	R429218X	R429218X ³⁹	R406532	R4090070 ⁴⁰	-	-	R458634 ⁵²	R458634
23-123552-004 ²⁶⁶	2-7/8 "	R429218X	R429218X ³⁹	R406532	R4090070 ⁴⁰	-	-	R458634 ⁵²	R458634
R44141629 ²⁶⁹	2-19/32 "	R42R55245	R42R55245 ³⁸	R402235118	R402238231 ²⁰¹	-	-	R458634 ⁵²	R458634
23-122527-002 ²⁷²	2-7/8 "	R429218X	R429218X ³⁹	R406532	R4090070 ⁴⁰	-	-	R458634 ⁵²	R458634
R44141628 ²⁶⁹	2-19/32 "	R42R55245	R42R55245 ³⁸	R402235118	R402238231 ²⁰¹	-	-	R458634 ⁵²	R458634
23-123572-004 ²⁷¹	2-7/8 "	R429218X	R429218X ³⁹	R406532	R4090070 ⁴⁰	-	-	R458634 ⁵²	R458634
R44141629 ²⁶⁹	2-19/32 "	R42R55245	R42R55245 ³⁸	R402235118	R402238231 ²⁰¹	-	-	R458634 ⁵²	R458634
R44141628 ²⁶⁹	2-7/8 "	R429218X	R429218X ³⁹	R406532	R4090070 ⁴⁰	-	-	R458634 ⁵²	R458634
R44141629 ²⁶⁹	2-7/8 "	R429218X	R429218X ³⁹	R406532	R4090070 ⁴⁰	-	-	R458634 ⁵²	R458634
23-123552-004 ²⁶⁶	2-7/8 "	R429218X	R429218X ³⁹	R406532	R4090070 ⁴⁰	-	-	R458634 ⁵²	R458634
R44141629 ²⁶⁹	2-19/32 "	R42R55245	R42R55245 ³⁸	R402235118	R402238231 ²⁰¹	-	-	R458634 ⁵²	R458634
23-122527-002 ²⁷²	2-7/8 "	R429218X	R429218X ³⁹	R406532	R4090070 ⁴⁰	-	-	R458634 ⁵²	R458634
R44141628 ²⁶⁹	2-19/32 "	R42R55245	R42R55245 ³⁸	R402235118	R402238231 ²⁰¹	-	-	R458634 ⁵²	R458634
23-123572-004 ²⁷¹	2-7/8 "	R429218X	R429218X ³⁹	R406532	R4090070 ⁴⁰	-	-	R458634 ⁵²	R458634
23-123572-004 ²⁷¹	2-7/8 "	R429218X	R429218X ³⁹	R406532	R4090070 ⁴⁰	-	-	R458634 ⁵²	R458634
23-122527-002 ²⁷²	2-7/8 "	R429218X	R429218X ³⁹	R406532	R4090070 ⁴⁰	-	-	R458634 ⁵²	R458634
R44141608 ²⁶⁷	2-7/8 "	R429218X	R429218X ³⁹	R406532	R4090070 ⁴⁰	-	-	R458634 ⁵²	R458634
23-123572-004 ²⁷¹	2-19/32 "	R42R55245	R42R55245 ³⁸	R402235118	R402238231 ²⁰¹	-	-	R458634 ⁵²	R458634
23-123572-004 ²⁷¹	2-19/32 "	R42R55245	R42R55245 ³⁸	R402235118	R402238231 ²⁰¹	-	-	R458634 ⁵²	R458634
23-122527-002 ²⁷²	2-19/32 "	R42R55245	R42R55245 ³⁸	R402235118	R402238231 ²⁰¹	-	-	R458634 ⁵²	R458634
R44141629 ²⁶⁹	2-7/8 "	R429218X	R429218X ³⁹	R406532	R4090070 ⁴⁰	-	-	R458634 ⁵²	R458634
R44141627 ²⁷⁰	2-7/8 "	R429218X	R429218X ³⁹	R406532	R4090070 ⁴⁰	-	-	R458634 ⁵²	R458634
R44141629 ²⁶⁹	2-7/8 "	R429218X	R429218X ³⁹	R406532	R4090070 ⁴⁰	-	-	R458634 ⁵²	R458634
R44141627 ²⁷⁰	2-7/8 "	R429218X	R429218X ³⁹	R406532	R4090070 ⁴⁰	-	-	R458634 ⁵²	R458634
R44141608 ²⁶⁷	2-7/8 "	R429218X	R429218X ³⁹	R406532	R4090070 ⁴⁰	-	-	R458634 ⁵²	R458634
23-123552-004 ²⁶⁶	2-7/8 "	R429218X	R429218X ³⁹	R406532	R4090070 ⁴⁰	-	-	R458634 ⁵²	R458634
23-123572-004 ²⁷¹	2-7/8 "	R429218X	R429218X ³⁹	R406532	R4090070 ⁴⁰	-	-	R458634 ⁵²	R458634
R44141629 ²⁶⁹	2-7/8 "	R429218X	R429218X ³⁹	R406532	R4090070 ⁴⁰	-	-	R458634 ⁵²	R458634
R44141628 ²⁶⁹	2-19/32 "	R42R55245	R42R55245 ³⁸	R402235118	R402238231 ²⁰¹	-	-	R458634 ⁵²	R458634
R44141627 ²⁷⁰	2-19/32 "	R42R55245	R42R55245 ³⁸	R402235118	R402238231 ²⁰¹	-	-	R458634 ⁵²	R458634
R44141629 ²⁶⁹	2-7/8 "	R429218X	R429218X ³⁹	R406532	R4090070 ⁴⁰	-	-	R458634 ⁵²	R458634
23-123552-004 ²⁶⁶	2-19/32 "	R42R55245	R42R55245 ³⁸	R402235118	R402238231 ²⁰¹	-	-	R458634 ⁵²	R458634
23-123572-004 ²⁷¹	2-7/8 "	R429218X	R429218X ³⁹	R406532	R4090070 ⁴⁰	-	-	R458634 ⁵²	R458634
23-123572-004 ²⁷¹	2-19/32 "	R42R55245	R42R55245 ³⁸	R402235118	R402238231 ²⁰¹	-	-	R458634 ⁵²	R458634
R44141627 ²⁷⁰	2-7/8 "	R429218X	R429218X ³⁹	R406532	R4090070 ⁴⁰	-	-	R458634 ⁵²	R458634
R44141608 ²⁶⁷	2-7/8 "	R429218X	R429218X ³⁹	R406532	R4090070 ⁴⁰	-	-	R458634 ⁵²	R458634
R44141608 ²⁶⁷	2-19/32 "	R42R55245	R42R55245 ³⁸	R402235118	R402238231 ²⁰¹	-	-	R458634 ⁵²	R458634
23-123552-004 ²⁶⁶	2-7/8 "	R429218X	R429218X ³⁹	R406532	R4090070 ⁴⁰	-	-	R458634 ⁵²	R458634
23-123572-004 ²⁷¹	2-7/8 "	R429218X	R429218X ³⁹	R406532	R4090070 ⁴⁰	-	-	R458634 ⁵²	R458634
R44141629 ²⁶⁹	2-7/8 "	R429218X	R429218X ³⁹	R406532	R4090070 ⁴⁰	-	-	R458634 ⁵²	R458634
R44141628 ²⁶⁹	2-7/8 "	R429218X	R429218X ³⁹	R406532	R4090070 ⁴⁰	-	-	R458634 ⁵²	R458634
R44141628 ²⁶⁹	2-19/32 "	R42R55245	R42R55245 ³⁸	R402235118	R402238231 ²⁰¹	-	-	R458634 ⁵²	R458634
R44141627 ²⁷⁰	2-7/8 "	R429218X	R429218X ³⁹	R406532	R4090070 ⁴⁰	-	-	R458634 ⁵²	R458634
23-122527-002 ²⁷²	2-7/8 "	R429218X	R429218X ³⁹	R406532	R4090070 ⁴⁰	-	-	R458634 ⁵²	R458634
R44141608 ²⁶⁷	2-7/8 "	R429218X	R429218X ³⁹	R406532	R4090070 ⁴⁰	-	-	R458634 ⁵²	R458634
N/A	1-1/4 "	R4133581	R4133582	R4166923	NR	-	-	-	-
N/A	1-1/4 "	R4133581	R4133582	R4166923	NR	-	-	-	-
N/A	-	-	-	N/A	N/A	-	-	-	-
N/A	-	-	-	N/A	N/A	-	-	-	-
N/A	1-1/4 "	R4133581	R4133582	R4166923	NR	-	-	-	-

1 APPLICATION

MAKE MODEL YEAR AXLE CODE AXLE WEIGHT	AXLE & BRK. TYPE	BRK. MFG.	BRAKE SIZE	FMSI	MERITOR DISC PAD OR BRAKE SHOE	MERITOR GUIDE PIN OR RETURN SPRING KIT	MERITOR CALIPER HWD. KIT OR RETURN SPRING KIT	MERITOR ADJUSTER KIT (LEFT WHEEL)	MERITOR ADJUSTER KIT (RIGHT WHEEL)
ITE(Cont.)									
170, 1700, 1710, 1723, 1724, 1750, 1753, 1754 SERIES CONVENTIONAL CAB, SCHOOL BUS, TILT CAB(Cont.)									
1981	Fm	WG	15 " x 3-1/2 "	1280 - 463	R700463	R40H521	R40H9201	R40H3524	R40H3524
S1724, S1754 Conventional FA48, 68, 70, 72	Fa	WG	14 " x 2-1/2 "	1294A - 325	N/A	R40H521	R40H9237	R40H3502	R40H3503
	Fm	WG	14 " x 2-1/2 "	1294 - 296	N/A	R40H521	R40H9201	R40H3524	R40H3524
S1724, S1754 Conventional FA71, 73, 101	Fa	WG	15 " x 3 "	1245C - 321	R700321	R40H521	R40H9237	R40H3502	R40H3503
	Fa	WG	15 " x 3-1/2 "	1280B - 322	R464004	R40H521	R40H9237	R40H3502	R40H3503
	Fm	WG	15 " x 3 "	1245A - 235	R700235	R40H521	R40H9201	R40H3524	R40H3524
	Fm	WG	15 " x 3-1/2 "	1280 - 463	R700463	R40H521	R40H9201	R40H3524	R40H3524
S1724, S1754 Conventional FA74	Fa	WG	15 " x 3 "	1245C - 321	R700321	R40H521	R40H9237	R40H3502	R40H3503
	Fm	WG	15 " x 3 "	1245A - 235	R700235	R40H521	R40H9201	R40H3524	R40H3524
S1724, S1754 Conventional FA78, 81	Fa	WG	15 " x 3 "	1245C - 321	R700321	R40H521	R40H9237	R40H3502	R40H3503
S1724, S1754 Conventional FA89, 91, 98	Fa	WG	15 " x 3 "	1245C - 321	R700321	R40H521	R40H9237	R40H3502	R40H3503
	Fm	WG	15 " x 3 "	1245A - 235	R700235	R40H521	R40H9201	R40H3524	R40H3524
S1724, S1754 Conventional RA184	Ra	WG	15 " x 4 "	4645A - 376	Discontinued	R40H597	R40H9200	R40H3540	R40H3541
	Rm	WG	15 " x 4 "	4645A - 376	Discontinued	R40H597	R40H9200	R40H3518	R404148
S1724, S1754 Conventional RA25, 184	Ra	WG	15 " x 5 "	1252 - 346	R700346	R40H597	R40H9200	R40H3540	R40H3541
	Rm	WG	15 " x 5 "	1252 - 346	R700346	R40H597	R40H9200	R40H3518	R404148
S1724, S1754 Conventional RA29, 30, 187	Ra	WG	15 " x 5 "	1252 - 346	R700346	R40H597	R40H9200	R40H3540	R40H3541
	Rm	WG	15 " x 5 "	1252 - 346	R700346	R40H597	R40H9200	R40H3518	R404148
S1724, S1754 Conventional RA30, 187	Ra	WG	16 " x 5 "	1254 - 385	N/A	R40H597	R40H9200	N/A	N/A
	Rm	WG	16 " x 5 "	1254 - 385	N/A	R40H597	R40H9200	R404149	R404150
S1724, S1754 Conventional RA30, 39, 44, 186, 189	Ra	WG	15 " x 6 "	4596 - 381	R700381	R40H597	R40H9200	R40H3540	R40H3541
	Rm	WG	15 " x 6 "	4596 - 381	R700381	R40H597	R40H9200	R40H3518	R404148
S1724, S1754 Conventional RA39, 199	Ra	WG	15 " x 7 "	4597 - 383	R700383	R40H597	R40H9200	R40H3540	R40H3541
	Rm	WG	15 " x 7 "	4597 - 383	R700383	R40H597	R40H9200	R40H3518	R404148
S1724, S1754 Conventional RA44, 186	Ra	WG	15 " x 7 "	4597 - 383	R700383	R40H597	R40H9200	N/A	N/A
	Rm	WG	15 " x 7 "	4597 - 383	R700383	R40H597	R40H9200	R40H3518	R404148
S1724, S1754 Conventional RA47, 57	Ra	WG	16 " x 6 "	1255 - 386	N/A	R40H597	R40H9200	N/A	N/A
	Rm	WG	16 " x 6 "	1255 - 386	N/A	R40H597	R40H9200	R404149	R404150
1980 C1710, C1750 Cargostar Tilt Cab FA109, 208	Fa	WG	15 " x 3 "	1245C - 321	R700321	R40H521	R40H9237	R40H3502	R40H3503
	Fm	WG	15 " x 3 "	1245A - 235	R700235	R40H521	R40H9201	R40H3524	R40H3524
C1710, C1750 Cargostar Tilt Cab FA118, 127, 139	Fa	WG	15 " x 5 "	1345A - 491	N/A	R40H521	R40H9237	R40H3502	R40H3503
	Fm	WG	15 " x 5 "	1345 - 490	N/A	R40H521	R40H9201	R40H3524	R40H3524
C1710, C1750 Cargostar Tilt Cab FA208	Fa	WG	15 " x 3-1/2 "	1280B - 322	R464004	R40H521	R40H9237	R40H3502	R40H3503
	Fm	WG	15 " x 3-1/2 "	1280 - 463	R700463	R40H521	R40H9201	R40H3524	R40H3524
C1710, C1750 Cargostar Tilt Cab FA48, 68, 70, 72	Fa	WG	14 " x 2-1/2 "	1294A - 325	N/A	R40H521	R40H9237	R40H3502	R40H3503
	Fm	WG	14 " x 2-1/2 "	1294 - 296	N/A	R40H521	R40H9201	R40H3524	R40H3524
C1710, C1750 Cargostar Tilt Cab FA71, 73, 101	Fa	WG	15 " x 3 "	1245C - 321	R700321	R40H521	R40H9237	R40H3502	R40H3503

MERITOR DRUM OR ROTOR NO.	CALIPER OR CYLINDER BORE SIZE	MERITOR CALIPER OR WHEEL CYLINDER (LEFT)	MERITOR CALIPER OR WHEEL CYLINDER (RIGHT)	MERITOR CALIPER OR WHEEL CYLINDER REPAIR KIT	MERITOR CALIPER PISTON	MERITOR MASTER CYLINDER	MERITOR MASTER CYLINDER KIT	MERITOR BRAKE HOSE (LEFT)	MERITOR BRAKE HOSE (RIGHT)
ITE(Cont.)									
170, 1700, 1710, 1723, 1724, 1750, 1753, 1754 SERIES CONVENTIONAL CAB, SCHOOL BUS, TILT CAB(Cont.)									
N/A	1-1/4 "	R4133581	R4133582	R4166923	NR	-	-	-	-
N/A	1-1/8 "	R4133714	R4133715	R4166926	NR	-	-	-	-
N/A	1-1/8 "	R4133714	R4133715	R4166926	NR	-	-	-	-
N/A	1-1/4 "	R4133581	R4133582	R4166923	NR	-	-	-	-
N/A	1-1/4 "	R4133581	R4133582	R4166923	NR	-	-	-	-
N/A	1-1/4 "	R4133581	R4133582	R4166923	NR	-	-	-	-
N/A	1-1/4 "	R4133581	R4133582	R4166923	NR	-	-	-	-
N/A	1-1/4 "	R4133581	R4133582	R4166923	NR	-	-	-	-
N/A	1-1/4 "	R4133581	R4133582	R4166923	NR	-	-	-	-
N/A	1-1/4 "	R4133581	R4133582	R4166923	NR	-	-	-	-
N/A	1-1/4 "	R4133581	R4133582	R4166923	NR	-	-	-	-
N/A	1-1/2 "	R4133580	R4133580	Discontinued	NR	-	-	-	-
N/A	1-1/2 "	R4133580	R4133580	Discontinued	NR	-	-	-	-
N/A	1-1/2 "	R4133580	R4133580	Discontinued	NR	-	-	-	-
N/A	1-1/2 "	R4133580	R4133580	Discontinued	NR	-	-	-	-
N/A	1-1/2 "	R4133580	R4133580	Discontinued	NR	-	-	-	-
N/A	1-1/2 "	R4133580	R4133580	Discontinued	NR	-	-	-	-
N/A	1-5/8 "	R4133338	R4133338	R4166689	NR	-	-	-	-
N/A	1-5/8 "	R4133338	R4133338	R4166689	NR	-	-	-	-
N/A	1-5/8 "	R4133338	R4133338	R4166689	NR	-	-	-	-
N/A	1-5/8 "	R4133338	R4133338	R4166689	NR	-	-	-	-
N/A	1-5/8 "	R4133338	R4133338	R4166689	NR	-	-	-	-
N/A	1-5/8 "	R4133338	R4133338	R4166689	NR	-	-	-	-
N/A	1-5/8 "	R4133338	R4133338	R4166689	NR	-	-	-	-
N/A	1-3/4 "	R4133400	R4133400	R4166917	NR	-	-	-	-
N/A	1-3/4 "	R4133400	R4133400	R4166917	NR	-	-	-	-
N/A	1-1/4 "	R4133581	R4133582	R4166923	NR	-	-	-	-
N/A	1-1/4 "	R4133581	R4133582	R4166923	NR	-	-	-	-
N/A				N/A	N/A	-	-	-	-
N/A				N/A	N/A	-	-	-	-
N/A	1-1/4 "	R4133581	R4133582	R4166923	NR	-	-	-	-
N/A	1-1/4 "	R4133581	R4133582	R4166923	NR	-	-	-	-
N/A	1-1/8 "	R4133714	R4133715	R4166926	NR	-	-	-	-
N/A	1-1/8 "	R4133714	R4133715	R4166926	NR	-	-	-	-
N/A	1-1/4 "	R4133581	R4133582	R4166923	NR	-	-	-	-

1-APPLICATION

MERITOR DRUM OR ROTOR NO.	CALIPER OR CYLINDER BORE SIZE	MERITOR CALIPER OR WHEEL CYLINDER (LEFT)	MERITOR CALIPER OR WHEEL CYLINDER (RIGHT)	MERITOR CALIPER OR WHEEL CYLINDER REPAIR KIT	MERITOR CALIPER PISTON	MERITOR MASTER CYLINDER	MERITOR MASTER CYLINDER KIT	MERITOR BRAKE HOSE (LEFT)	MERITOR BRAKE HOSE (RIGHT)
ITE(Cont.)									
170, 1700, 1710, 1723, 1724, 1750, 1753, 1754 SERIES CONVENTIONAL CAB, SCHOOL BUS, TILT CAB(Cont.)									
N/A	1-1/4 "	R4133581	R4133582	R4166923	NR	-	-	-	-
N/A	1-1/4 "	R4133581	R4133582	R4166923	NR	-	-	-	-
N/A	1-1/4 "	R4133581	R4133582	R4166923	NR	-	-	-	-
N/A	1-1/4 "	R4133581	R4133582	R4166923	NR	-	-	-	-
N/A	1-1/4 "	R4133581	R4133582	R4166923	NR	-	-	-	-
N/A	1-1/4 "	R4133581	R4133582	R4166923	NR	-	-	-	-
N/A	1-1/4 "	R4133581	R4133582	R4166923	NR	-	-	-	-
N/A	1-1/2 "	R4133580	R4133580	Discontinued	NR	-	-	-	-
N/A	1-1/2 "	R4133580	R4133580	Discontinued	NR	-	-	-	-
N/A	1-1/2 "	R4133580	R4133580	Discontinued	NR	-	-	-	-
N/A	1-1/2 "	R4133580	R4133580	Discontinued	NR	-	-	-	-
N/A	1-1/2 "	R4133580	R4133580	Discontinued	NR	-	-	-	-
N/A	1-1/2 "	R4133580	R4133580	Discontinued	NR	-	-	-	-
N/A	1-5/8 "	R4133338	R4133338	R4166689	NR	-	-	-	-
N/A	1-5/8 "	R4133338	R4133338	R4166689	NR	-	-	-	-
N/A	1-5/8 "	R4133338	R4133338	R4166689	NR	-	-	-	-
N/A	1-5/8 "	R4133338	R4133338	R4166689	NR	-	-	-	-
N/A	1-5/8 "	R4133338	R4133338	R4166689	NR	-	-	-	-
N/A	1-5/8 "	R4133338	R4133338	R4166689	NR	-	-	-	-
N/A	1-5/8 "	R4133338	R4133338	R4166689	NR	-	-	-	-
N/A	1-3/4 "	R4133400	R4133400	R4166917	NR	-	-	-	-
N/A	1-3/4 "	R4133400	R4133400	R4166917	NR	-	-	-	-
23-122920-002 ²⁷³	3-3/8 "	R42R55099	R42R55098 ³⁷	R4066780	R4090021 ²⁰¹	N/A ⁵³	-	R4577503	R4577503
R44141476 ²⁶⁸	3-3/8 "	R42R55099	R42R55098 ³⁷	R4066780	R4090021 ²⁰¹	R4111993 ³⁰²	R4122386	R4577503	R4577503
23-122920-002 ²⁷³	3-3/8 "	R42R55099	R42R55098 ³⁷	R4066780	R4090021 ²⁰¹	N/A ⁵³	-	R458632	R458632
23-123552-004 ²⁶⁶	3-3/8 "	R42R55099	R42R55098 ³⁷	R4066780	R4090021 ²⁰¹	N/A ⁵³	-	R458632	R458632
R44141476 ²⁶⁸	3-3/8 "	R42R55099	R42R55098 ³⁷	R4066780	R4090021 ²⁰¹	N/A ⁵³	-	R458632	R458632
R44141476 ²⁶⁸	3-3/8 "	R42R55099	R42R55098 ³⁷	R4066780	R4090021 ²⁰¹	N/A ⁵³	-	R458632	R458632
23-123572-004 ²⁷¹	3-3/8 "	R42R55099	R42R55098 ³⁷	R4066780	R4090021 ²⁰¹	R4111993 ³⁰²	R4122386	R4577503	R4577503
R44141858 ²⁷⁵	3-3/8 "	R42R55099	R42R55098 ³⁷	R4066780	R4090021 ²⁰¹	N/A ⁵³	-	R458632	R458632
23-122920-002 ²⁷³	3-3/8 "	R42R55099	R42R55098 ³⁷	R4066780	R4090021 ²⁰¹	R4111993 ³⁰²	R4122386	R458632	R458632
R44141476 ²⁶⁸	3-3/8 "	R42R55099	R42R55098 ³⁷	R4066780	R4090021 ²⁰¹	R4111993 ³⁰²	R4122386	R458632	R458632
23-122920-002 ²⁷³	3-3/8 "	R42R55099	R42R55098 ³⁷	R4066780	R4090021 ²⁰¹	R4111993 ³⁰²	R4122386	R4577503	R4577503
23-122920-002 ²⁷³	3-3/8 "	R42R55099	R42R55098 ³⁷	R4066780	R4090021 ²⁰¹	R4111993 ³⁰²	R4122386	R4577503	R4577503
23-122920-002 ²⁷³	3-3/8 "	R42R55099	R42R55098 ³⁷	R4066780	R4090021 ²⁰¹	R4111993 ³⁰²	R4122386	R458632	R458632
R44141858 ²⁷⁵	3-3/8 "	R42R55099	R42R55098 ³⁷	R4066780	R4090021 ²⁰¹	N/A ⁵³	-	R4577503	R4577503
23-123552-004 ²⁶⁶	3-3/8 "	R42R55099	R42R55098 ³⁷	R4066780	R4090021 ²⁰¹	N/A ⁵³	-	R4577503	R4577503
23-123572-004 ²⁷¹	3-3/8 "	R42R55099	R42R55098 ³⁷	R4066780	R4090021 ²⁰¹	R4111993 ³⁰²	R4122386	R4577503	R4577503

MERITOR DRUM OR ROTOR NO.	CALIPER OR CYLINDER BORE SIZE	MERITOR CALIPER OR WHEEL CYLINDER (LEFT)	MERITOR CALIPER OR WHEEL CYLINDER (RIGHT)	MERITOR CALIPER OR WHEEL CYLINDER REPAIR KIT	MERITOR CALIPER PISTON	MERITOR MASTER CYLINDER	MERITOR MASTER CYLINDER KIT	MERITOR BRAKE HOSE (LEFT)	MERITOR BRAKE HOSE (RIGHT)
ITE(Cont.)									
170, 1700, 1710, 1723, 1724, 1750, 1753, 1754 SERIES CONVENTIONAL CAB, SCHOOL BUS, TILT CAB(Cont.)									
23-123552-004 ²⁶⁶	3-3/8 "	R42R55099	R42R55098 ³⁷	R4066780	R4090021 ²⁰¹	N/A ⁵³	-	R458632	R458632
R44141858 ²⁷⁵	3-3/8 "	R42R55099	R42R55098 ³⁷	R4066780	R4090021 ²⁰¹	R4111993 ³⁰²	R4122386	R458632	R458632
23-123552-004 ²⁶⁶	3-3/8 "	R42R55099	R42R55098 ³⁷	R4066780	R4090021 ²⁰¹	N/A ⁵³	-	R4577503	R4577503
R44141858 ²⁷⁵	3-3/8 "	R42R55099	R42R55098 ³⁷	R4066780	R4090021 ²⁰¹	R4111993 ³⁰²	R4122386	R458632	R458632
23-123552-004 ²⁶⁶	3-3/8 "	R42R55099	R42R55098 ³⁷	R4066780	R4090021 ²⁰¹	R4111993 ³⁰²	R4122386	R458632	R458632
23-123572-004 ²⁷¹	3-3/8 "	R42R55099	R42R55098 ³⁷	R4066780	R4090021 ²⁰¹	N/A ⁵³	-	R458632	R458632
R44141858 ²⁷⁵	3-3/8 "	R42R55099	R42R55098 ³⁷	R4066780	R4090021 ²⁰¹	R4111993 ³⁰²	R4122386	R4577503	R4577503
R44141476 ²⁶⁸	3-3/8 "	R42R55099	R42R55098 ³⁷	R4066780	R4090021 ²⁰¹	N/A ⁵³	-	R4577503	R4577503
23-123552-004 ²⁶⁶	3-3/8 "	R42R55099	R42R55098 ³⁷	R4066780	R4090021 ²⁰¹	R4111993 ³⁰²	R4122386	R458632	R458632
R44141858 ²⁷⁵	3-3/8 "	R42R55099	R42R55098 ³⁷	R4066780	R4090021 ²⁰¹	R4111993 ³⁰²	R4122386	R4577503	R4577503
23-123572-004 ²⁷¹	3-3/8 "	R42R55099	R42R55098 ³⁷	R4066780	R4090021 ²⁰¹	N/A ⁵³	-	R458632	R458632
R44141476 ²⁶⁸	3-3/8 "	R42R55099	R42R55098 ³⁷	R4066780	R4090021 ²⁰¹	R4111993 ³⁰²	R4122386	R4577503	R4577503
23-123552-004 ²⁶⁶	3-3/8 "	R42R55099	R42R55098 ³⁷	R4066780	R4090021 ²⁰¹	R4111993 ³⁰²	R4122386	R458632	R458632
R44141858 ²⁷⁵	3-3/8 "	R42R55099	R42R55098 ³⁷	R4066780	R4090021 ²⁰¹	R4111993 ³⁰²	R4122386	R4577503	R4577503
23-123572-004 ²⁷¹	3-3/8 "	R42R55099	R42R55098 ³⁷	R4066780	R4090021 ²⁰¹	N/A ⁵³	-	R458632	R458632
R44141858 ²⁷⁵	3-3/8 "	R42R55099	R42R55098 ³⁷	R4066780	R4090021 ²⁰¹	R4111993 ³⁰²	R4122386	R4577503	R4577503
R44141858 ²⁷⁵	3-3/8 "	R42R55099	R42R55098 ³⁷	R4066780	R4090021 ²⁰¹	N/A ⁵³	-	R458632	R458632
23-123572-004 ²⁷¹	3-3/8 "	R42R55099	R42R55098 ³⁷	R4066780	R4090021 ²⁰¹	R4111993 ³⁰²	R4122386	R4577503	R4577503
R44141858 ²⁷⁵	3-3/8 "	R42R55099	R42R55098 ³⁷	R4066780	R4090021 ²⁰¹	N/A ⁵³	-	R458632	R458632
23-123552-004 ²⁶⁶	3-3/8 "	R42R55099	R42R55098 ³⁷	R4066780	R4090021 ²⁰¹	R4111993 ³⁰²	R4122386	R4577503	R4577503
23-122920-002 ²⁷³	3-3/8 "	R42R55099	R42R55098 ³⁷	R4066780	R4090021 ²⁰¹	N/A ⁵³	-	R458632	R458632
23-122920-002 ²⁷³	3-3/8 "	R42R55099	R42R55098 ³⁷	R4066780	R4090021 ²⁰¹	N/A ⁵³	-	R4577503	R4577503
R44141476 ²⁶⁸	3-3/8 "	R42R55099	R42R55098 ³⁷	R4066780	R4090021 ²⁰¹	R4111993 ³⁰²	R4122386	R4577503	R4577503
23-123572-004 ²⁷¹	3-3/8 "	R42R55099	R42R55098 ³⁷	R4066780	R4090021 ²⁰¹	N/A ⁵³	-	R4577503	R4577503
R44141476 ²⁶⁸	3-3/8 "	R42R55099	R42R55098 ³⁷	R4066780	R4090021 ²⁰¹	N/A ⁵³	-	R4577503	R4577503
23-122920-002 ²⁷³	2-19/32 "	R42R55245	R42R55245 ³⁸	R402235118	R402238231 ²⁰¹	N/A ⁵³	-	R458632	R458632
23-122527-002 ²⁷²	2-19/32 "	R42R55245	R42R55245 ³⁸	R402235118	R402238231 ²⁰¹	N/A ⁵³	-	R4577503	R4577503
23-123572-004 ²⁷¹	2-19/32 "	R42R55245	R42R55245 ³⁸	R402235118	R402238231 ²⁰¹	R4111993 ³⁰²	R4122386	R458632	R458632
R44141858 ²⁷⁵	2-19/32 "	R42R55245	R42R55245 ³⁸	R402235118	R402238231 ²⁰¹	N/A ⁵³	-	R4577503	R4577503
R44141476 ²⁶⁸	2-19/32 "	R42R55245	R42R55245 ³⁸	R402235118	R402238231 ²⁰¹	R4111993 ³⁰²	R4122386	R458632	R458632
23-123552-004 ²⁶⁶	2-19/32 "	R42R55245	R42R55245 ³⁸	R402235118	R402238231 ²⁰¹	N/A ⁵³	-	R458632	R458632
23-123552-004 ²⁶⁶	2-19/32 "	R42R55245	R42R55245 ³⁸	R402235118	R402238231 ²⁰¹	R4111993 ³⁰²	R4122386	R4577503	R4577503
23-123572-004 ²⁷¹	2-19/32 "	R42R55245	R42R55245 ³⁸	R402235118	R402238231 ²⁰¹	N/A ⁵³	-	R4577503	R4577503
R44141858 ²⁷⁵	2-19/32 "	R42R55245	R42R55245 ³⁸	R402235118	R402238231 ²⁰¹	R4111993 ³⁰²	R4122386	R4577503	R4577503
R44141476 ²⁶⁸	2-19/32 "	R42R55245	R42R55245 ³⁸	R402235118	R402238231 ²⁰¹	N/A ⁵³	-	R458632	R458632
23-123552-004 ²⁶⁶	2-19/32 "	R42R55245	R42R55245 ³⁸	R402235118	R402238231 ²⁰¹	R4111993 ³⁰²	R4122386	R4577503	R4577503
23-123572-004 ²⁷¹	2-19/32 "	R42R55245	R42R55245 ³⁸	R402235118	R402238231 ²⁰¹	N/A ⁵³	-	R458632	R458632
R44141858 ²⁷⁵	2-19/32 "	R42R55245	R42R55245 ³⁸	R402235118	R402238231 ²⁰¹	R4111993 ³⁰²	R4122386	R4577503	R4577503
R44141858 ²⁷⁵	2-19/32 "	R42R55245	R42R55245 ³⁸	R402235118	R402238231 ²⁰¹	N/A ⁵³	-	R458632	R458632
23-122527-002 ²⁷²	2-19/32 "	R42R55245	R42R55245 ³⁸	R402235118	R402238231 ²⁰¹	R4111993 ³⁰²	R4122386	R458632	R458632
23-123552-004 ²⁶⁶	2-19/32 "	R42R55245	R42R55245 ³⁸	R402235118	R402238231 ²⁰¹	N/A ⁵³	-	R4577503	R4577503
23-123572-004 ²⁷¹	2-19/32 "	R42R55245	R42R55245 ³⁸	R402235118	R402238231 ²⁰¹	R4111993 ³⁰²	R4122386	R4577503	R4577503
23-122920-002 ²⁷³	2-19/32 "	R42R55245	R42R55245 ³⁸	R402235118	R402238231 ²⁰¹	N/A ⁵³	-	R458632	R458632
R44141858 ²⁷⁵	2-19/32 "	R42R55245	R42R55245 ³⁸	R402235118	R402238231 ²⁰¹	R4111993 ³⁰²	R4122386	R4577503	R4577503
R44141858 ²⁷⁵	2-19/32 "	R42R55245	R42R55245 ³⁸	R402235118	R402238231 ²⁰¹	N/A ⁵³	-	R458632	R458632
23-122527-002 ²⁷²	2-19/32 "	R42R55245	R42R55245 ³⁸	R402235118	R402238231 ²⁰¹	R4111993 ³⁰²	R4122386	R4577503	R4577503
23-122527-002 ²⁷²	2-19/32 "	R42R55245	R42R55245 ³⁸	R402235118	R402238231 ²⁰¹	N/A ⁵³	-	R458632	R458632
R44141476 ²⁶⁸	2-19/32 "	R42R55245	R42R55245 ³⁸	R402235118	R402238231 ²⁰¹	R4111993 ³⁰²	R4122386	R4577503	R4577503
23-122920-002 ²⁷³	2-19/32 "	R42R55245	R42R55245 ³⁸	R402235118	R402238231 ²⁰¹	N/A ⁵³	-	R4577503	R4577503
23-122920-002 ²⁷³	2-19/32 "	R42R55245	R42R55245 ³⁸	R402235118	R402238231 ²⁰¹	R4111993 ³⁰²	R4122386	R458632	R458632
R44141858 ²⁷⁵	2-7/8 "	R429218X	R429218X ³⁹	R406532	R4090070 ⁴⁰	N/A ⁵³	-	R4577503	R4577503
23-122527-002 ²⁷²	2-7/8 "	R429218X	R429218X ³⁹	R406532	R4090070 ⁴⁰	N/A ⁵³	-	R458632	R458632
R44141858 ²⁷⁵	2-7/8 "	R429218X	R429218X ³⁹	R406532	R4090070 ⁴⁰	N/A ⁵³	-	R458632	R458632
23-123572-004 ²⁷¹	2-7/8 "	R429218X	R429218X ³⁹	R406532	R4090070 ⁴⁰	N/A ⁵³	-	R4577503	R4577503
23-122920-002 ²⁷³	2-7/8 "	R429218X	R429218X ³⁹	R406532	R4090070 ⁴⁰	R4111993 ³⁰²	R4122386	R458632	R458632
23-122527-002 ²⁷²	2-7/8 "	R429218X	R429218X ³⁹	R406532	R4090070 ⁴⁰	R4111993 ³⁰²	R4122386	R458632	R458632
23-122920-002 ²⁷³	2-7/8 "	R429218X	R429218X ³⁹	R406532	R4090070 ⁴⁰	N/A ⁵³	-	R4577503	R4577503
23-122527-002 ²⁷²	2-7/8 "	R429218X	R429218X ³⁹	R406532	R4090070 ⁴⁰	R4111993 ³⁰²	R4122386	R4577503	R4577503
23-123572-004 ²⁷¹	2-7/8 "	R429218X	R429218X ³⁹	R406532	R4090070 ⁴⁰	N/A ⁵³	-	R458632	R458632
23-123552-004 ²⁶⁶	2-7/8 "	R429218X	R429218X ³⁹	R406532	R4090070 ⁴⁰	N/A ⁵³	-	R458632	R458632
R44141476 ²⁶⁸	2-7/8 "	R429218X	R429218X ³⁹	R406532	R4090070 ⁴⁰	R4111993 ³⁰²	R4122386	R458632	R458632
R44141858 ²⁷⁵	2-7/8 "	R429218X	R429218X ³⁹	R406532	R4090070 ⁴⁰	R4111993 ³⁰²	R4122386	R4577503	R4577503
23-123552-004 ²⁶⁶	2-7/8 "	R429218X	R429218X ³⁹	R406532	R4090070 ⁴⁰	R4111993 ³⁰²	R4122386	R4577503	R4577503

272 - 6 Stud, U Shape

273 - 5 Stud, U Shape, .780 Dia. Studs

275 - 5 Stud, U Shape, .656 Dia. Studs

302 - Power Brakes, Dual System

MAKE MODEL YEAR AXLE CODE AXLE WEIGHT	AXLE & BRK. TYPE	BRK. MFG.	BRAKE SIZE	FMSI	MERITOR DISC PAD OR BRAKE SHOE	MERITOR GUIDE PIN OR RETURN SPRING KIT	MERITOR CALIPER HWD. KIT OR RETURN SPRING KIT	MERITOR ADJUSTER KIT (LEFT WHEEL)	MERITOR ADJUSTER KIT (RIGHT WHEEL)
ITE(Cont.)									
170, 1700, 1710, 1723, 1724, 1750, 1753, 1754 SERIES CONVENTIONAL CAB, SCHOOL BUS, TILT CAB(Cont.)									
1980	Rd	BX		7142 - D225	MD225	R40H5010	R40H5522	NR	NR
	Rd	BX		7108 - D184	MD184	R40H5010	R40H5519	NR	NR
	Rd	BX		7108 - D184	MD184	R40H5010	R40H5519	NR	NR
	Rd	BX		7142 - D225	MD225	R40H5010	R40H5522	NR	NR
	Rd	BX		7142 - D225	MD225	R40H5010	R40H5522	NR	NR
	Rd	BX		7142 - D225	MD225	R40H5010	R40H5522	NR	NR
	Rd	BX		7142 - D225	MD225	R40H5010	R40H5522	NR	NR
	Rd	BX		7108 - D184	MD184	R40H5010	R40H5519	NR	NR
	Rd	BX		7108 - D184	MD184	R40H5010	R40H5519	NR	NR
	Rd	BX		7142 - D225	MD225	R40H5010	R40H5522	NR	NR
	Rd	BX		7142 - D225	MD225	R40H5010	R40H5522	NR	NR
	Rd	BX		7108 - D184	MD184	R40H5010	R40H5519	NR	NR
	Rd	BX		7142 - D225	MD225	R40H5010	R40H5522	NR	NR
	Rd	BX		7142 - D225	MD225	R40H5010	R40H5522	NR	NR
	Rd	BX		7108 - D184	MD184	R40H5010	R40H5519	NR	NR
	Rd	BX		7108 - D184	MD184	R40H5010	R40H5519	NR	NR
	Rd	BX		7142 - D225	MD225	R40H5010	R40H5522	NR	NR
S1724, S1754 Conventional FA109, 208	Fa	WG	15 " x 3 "	1245C - 321	R700321	R40H521	R40H9237	R40H3502	R40H3503
	Fm	WG	15 " x 3 "	1245A - 235	R700235	R40H521	R40H9201	R40H3524	R40H3524
S1724, S1754 Conventional FA118, 127, 139	Fa	WG	15 " x 5 "	1345A - 491	N/A	R40H521	R40H9237	R40H3502	R40H3503
	Fm	WG	15 " x 5 "	1345 - 490	N/A	R40H521	R40H9201	R40H3524	R40H3524
S1724, S1754 Conventional FA208	Fa	WG	15 " x 3-1/2 "	1280B - 322	R464004	R40H521	R40H9237	R40H3502	R40H3503
	Fm	WG	15 " x 3-1/2 "	1280 - 463	R700463	R40H521	R40H9201	R40H3524	R40H3524
S1724, S1754 Conventional FA48, 68, 70, 72	Fa	WG	14 " x 2-1/2 "	1294A - 325	N/A	R40H521	R40H9237	R40H3502	R40H3503
	Fm	WG	14 " x 2-1/2 "	1294 - 296	N/A	R40H521	R40H9201	R40H3524	R40H3524
S1724, S1754 Conventional FA71, 73, 101	Fa	WG	15 " x 3 "	1245C - 321	R700321	R40H521	R40H9237	R40H3502	R40H3503
	Fa	WG	15 " x 3-1/2 "	1280B - 322	R464004	R40H521	R40H9237	R40H3502	R40H3503
	Fm	WG	15 " x 3 "	1245A - 235	R700235	R40H521	R40H9201	R40H3524	R40H3524
	Fm	WG	15 " x 3-1/2 "	1280 - 463	R700463	R40H521	R40H9201	R40H3524	R40H3524
S1724, S1754 Conventional FA74	Fa	WG	15 " x 3 "	1245C - 321	R700321	R40H521	R40H9237	R40H3502	R40H3503
	Fm	WG	15 " x 3 "	1245A - 235	R700235	R40H521	R40H9201	R40H3524	R40H3524
S1724, S1754 Conventional FA78, 81	Fa	WG	15 " x 3 "	1245C - 321	R700321	R40H521	R40H9237	R40H3502	R40H3503
S1724, S1754 Conventional FA89, 91, 98	Fa	WG	15 " x 3 "	1245C - 321	R700321	R40H521	R40H9237	R40H3502	R40H3503
	Fm	WG	15 " x 3 "	1245A - 235	R700235	R40H521	R40H9201	R40H3524	R40H3524
S1724, S1754 Conventional RA184	Ra	WG	15 " x 4 "	4645A - 376	Discontinued	R40H597	R40H9200	R40H3540	R40H3541
	Rm	WG	15 " x 4 "	4645A - 376	Discontinued	R40H597	R40H9200	R40H3518	R404148
S1724, S1754 Conventional RA25, 184	Ra	WG	15 " x 5 "	1252 - 346	R700346	R40H597	R40H9200	R40H3540	R40H3541
	Rm	WG	15 " x 5 "	1252 - 346	R700346	R40H597	R40H9200	R40H3518	R404148
S1724, S1754 Conventional RA29, 30, 187	Ra	WG	15 " x 5 "	1252 - 346	R700346	R40H597	R40H9200	R40H3540	R40H3541
	Rm	WG	15 " x 5 "	1252 - 346	R700346	R40H597	R40H9200	R40H3518	R404148
S1724, S1754 Conventional RA30, 187	Ra	WG	16 " x 5 "	1254 - 385	N/A	R40H597	R40H9200	N/A	N/A
	Rm	WG	16 " x 5 "	1254 - 385	N/A	R40H597	R40H9200	R404149	R404150
S1724, S1754 Conventional RA30, 39, 44, 186, 189	Ra	WG	15 " x 6 "	4596 - 381	R700381	R40H597	R40H9200	R40H3540	R40H3541
	Rm	WG	15 " x 6 "	4596 - 381	R700381	R40H597	R40H9200	R40H3518	R404148
S1724, S1754 Conventional RA39, 199	Ra	WG	15 " x 7 "	4597 - 383	R700383	R40H597	R40H9200	R40H3540	R40H3541
	Rm	WG	15 " x 7 "	4597 - 383	R700383	R40H597	R40H9200	R40H3518	R404148

38 - First design, may have external joining tube and uses steel pistons
 52 - 18" Length
 267 - 10 Stud, U Shaped
 www.XpresswayPlus.com

39 - First design, uses steel pistons.
 201 - Steel Piston
 269 - 5 Stud, U Shape

40 - For chrome plated steel version, use R4090070P
 266 - 10 Stud, Hat Shaped
 270 - 5 Stud, U Shape, .766 Dia. Studs

MERITOR DRUM OR ROTOR NO.	CALIPER OR CYLINDER BORE SIZE	MERITOR CALIPER OR WHEEL CYLINDER (LEFT)	MERITOR CALIPER OR WHEEL CYLINDER (RIGHT)	MERITOR CALIPER OR WHEEL CYLINDER REPAIR KIT	MERITOR CALIPER PISTON	MERITOR MASTER CYLINDER	MERITOR MASTER CYLINDER KIT	MERITOR BRAKE HOSE (LEFT)	MERITOR BRAKE HOSE (RIGHT)
ITE(Cont.)									
170, 1700, 1710, 1723, 1724, 1750, 1753, 1754 SERIES CONVENTIONAL CAB, SCHOOL BUS, TILT CAB(Cont.)									
R44141608 ²⁶⁷	2-7/8 "	R429218X	R429218X ³⁹	R406532	R4090070 ⁴⁰	-	-	R458634 ⁵²	R458634
R44141608 ²⁶⁷	2-19/32 "	R42R55245	R42R55245 ³⁸	R402235118	R402238231 ²⁰¹	-	-	R458634 ⁵²	R458634
23-123552-004 ²⁶⁶	2-19/32 "	R42R55245	R42R55245 ³⁸	R402235118	R402238231 ²⁰¹	-	-	R458634 ⁵²	R458634
R44141608 ²⁶⁷	2-7/8 "	R429218X	R429218X ³⁹	R406532	R4090070 ⁴⁰	-	-	R458634 ⁵²	R458634
R44141628 ²⁶⁹	2-7/8 "	R429218X	R429218X ³⁹	R406532	R4090070 ⁴⁰	-	-	R458634 ⁵²	R458634
R44141628 ²⁶⁹	2-7/8 "	R429218X	R429218X ³⁹	R406532	R4090070 ⁴⁰	-	-	R458634 ⁵²	R458634
R44141608 ²⁶⁷	2-7/8 "	R429218X	R429218X ³⁹	R406532	R4090070 ⁴⁰	-	-	R458634 ⁵²	R458634
R44141629 ²⁶⁹	2-19/32 "	R42R55245	R42R55245 ³⁸	R402235118	R402238231 ²⁰¹	-	-	R458634 ⁵²	R458634
R44141608 ²⁶⁷	2-19/32 "	R42R55245	R42R55245 ³⁸	R402235118	R402238231 ²⁰¹	-	-	R458634 ⁵²	R458634
23-123552-004 ²⁶⁶	2-7/8 "	R429218X	R429218X ³⁹	R406532	R4090070 ⁴⁰	-	-	R458634 ⁵²	R458634
R44141608 ²⁶⁷	2-7/8 "	R429218X	R429218X ³⁹	R406532	R4090070 ⁴⁰	-	-	R458634 ⁵²	R458634
23-123572-004 ²⁷¹	2-19/32 "	R42R55245	R42R55245 ³⁸	R402235118	R402238231 ²⁰¹	-	-	R458634 ⁵²	R458634
R44141627 ²⁷⁰	2-7/8 "	R429218X	R429218X ³⁹	R406532	R4090070 ⁴⁰	-	-	R458634 ⁵²	R458634
R44141629 ²⁶⁹	2-7/8 "	R429218X	R429218X ³⁹	R406532	R4090070 ⁴⁰	-	-	R458634 ⁵²	R458634
23-123552-004 ²⁶⁶	2-7/8 "	R429218X	R429218X ³⁹	R406532	R4090070 ⁴⁰	-	-	R458634 ⁵²	R458634
23-122527-002 ²⁷²	2-7/8 "	R429218X	R429218X ³⁹	R406532	R4090070 ⁴⁰	-	-	R458634 ⁵²	R458634
23-122527-002 ²⁷²	2-19/32 "	R42R55245	R42R55245 ³⁸	R402235118	R402238231 ²⁰¹	-	-	R458634 ⁵²	R458634
23-122527-002 ²⁷²	2-19/32 "	R42R55245	R42R55245 ³⁸	R402235118	R402238231 ²⁰¹	-	-	R458634 ⁵²	R458634
R44141629 ²⁶⁹	2-7/8 "	R429218X	R429218X ³⁹	R406532	R4090070 ⁴⁰	-	-	R458634 ⁵²	R458634
N/A	1-1/4 "	R4133581	R4133582	R4166923	NR	-	-	-	-
N/A	1-1/4 "	R4133581	R4133582	R4166923	NR	-	-	-	-
N/A		-	-	N/A	N/A	-	-	-	-
N/A		-	-	N/A	N/A	-	-	-	-
N/A	1-1/4 "	R4133581	R4133582	R4166923	NR	-	-	-	-
N/A	1-1/4 "	R4133581	R4133582	R4166923	NR	-	-	-	-
N/A	1-1/8 "	R4133714	R4133715	R4166926	NR	-	-	-	-
N/A	1-1/8 "	R4133714	R4133715	R4166926	NR	-	-	-	-
N/A	1-1/4 "	R4133581	R4133582	R4166923	NR	-	-	-	-
N/A	1-1/4 "	R4133581	R4133582	R4166923	NR	-	-	-	-
N/A	1-1/4 "	R4133581	R4133582	R4166923	NR	-	-	-	-
N/A	1-1/4 "	R4133581	R4133582	R4166923	NR	-	-	-	-
N/A	1-1/4 "	R4133581	R4133582	R4166923	NR	-	-	-	-
N/A	1-1/4 "	R4133581	R4133582	R4166923	NR	-	-	-	-
N/A	1-1/4 "	R4133581	R4133582	R4166923	NR	-	-	-	-
N/A	1-1/2 "	R4133580	R4133580	Discontinued	NR	-	-	-	-
N/A	1-1/2 "	R4133580	R4133580	Discontinued	NR	-	-	-	-
N/A	1-1/2 "	R4133580	R4133580	Discontinued	NR	-	-	-	-
N/A	1-1/2 "	R4133580	R4133580	Discontinued	NR	-	-	-	-
N/A	1-1/2 "	R4133580	R4133580	Discontinued	NR	-	-	-	-
N/A	1-1/2 "	R4133580	R4133580	Discontinued	NR	-	-	-	-
N/A	1-5/8 "	R4133338	R4133338	R4166689	NR	-	-	-	-
N/A	1-5/8 "	R4133338	R4133338	R4166689	NR	-	-	-	-
N/A	1-5/8 "	R4133338	R4133338	R4166689	NR	-	-	-	-
N/A	1-5/8 "	R4133338	R4133338	R4166689	NR	-	-	-	-
N/A	1-5/8 "	R4133338	R4133338	R4166689	NR	-	-	-	-
N/A	1-5/8 "	R4133338	R4133338	R4166689	NR	-	-	-	-

1 APPLICATION

MAKE MODEL YEAR AXLE CODE AXLE WEIGHT	AXLE & BRK. TYPE	BRK. MFG.	BRAKE SIZE	FMSI	MERITOR DISC PAD OR BRAKE SHOE	MERITOR GUIDE PIN OR RETURN SPRING KIT	MERITOR CALIPER HWD. KIT OR RETURN SPRING KIT	MERITOR ADJUSTER KIT (LEFT WHEEL)	MERITOR ADJUSTER KIT (RIGHT WHEEL)
ITE(Cont.)									
170, 1700, 1710, 1723, 1724, 1750, 1753, 1754 SERIES CONVENTIONAL CAB, SCHOOL BUS, TILT CAB(Cont.)									
1980 S1724, S1754 Conventional RA44, 186	Ra	WG	15 " x 7 "	4597 - 383	R700383	R40H597	R40H9200	N/A	N/A
	Rm	WG	15 " x 7 "	4597 - 383	R700383	R40H597	R40H9200	R40H3518	R404148
S1724, S1754 Conventional RA47, 57	Ra	WG	16 " x 6 "	1255 - 386	N/A	R40H597	R40H9200	N/A	N/A
	Rm	WG	16 " x 6 "	1255 - 386	N/A	R40H597	R40H9200	R404149	R404150
1979 C1710, C1750 Cargostar Tilt Cab FA109, 208	Fa	WG	15 " x 3 "	1245C - 321	R700321	R40H521	R40H9237	R40H3502	R40H3503
	Fm	WG	15 " x 3 "	1245A - 235	R700235	R40H521	R40H9201	R40H3524	R40H3524
C1710, C1750 Cargostar Tilt Cab FA118, 127, 139	Fa	WG	15 " x 5 "	1345A - 491	N/A	R40H521	R40H9237	R40H3502	R40H3503
	Fm	WG	15 " x 5 "	1345 - 490	N/A	R40H521	R40H9201	R40H3524	R40H3524
C1710, C1750 Cargostar Tilt Cab FA208	Fa	WG	15 " x 3-1/2 "	1280B - 322	R464004	R40H521	R40H9237	R40H3502	R40H3503
	Fm	WG	15 " x 3-1/2 "	1280 - 463	R700463	R40H521	R40H9201	R40H3524	R40H3524
C1710, C1750 Cargostar Tilt Cab FA48, 68, 70, 72	Fa	WG	14 " x 2-1/2 "	1294A - 325	N/A	R40H521	R40H9237	R40H3502	R40H3503
	Fm	WG	14 " x 2-1/2 "	1294 - 296	N/A	R40H521	R40H9201	R40H3524	R40H3524
C1710, C1750 Cargostar Tilt Cab FA71, 73, 101	Fa	WG	15 " x 3 "	1245C - 321	R700321	R40H521	R40H9237	R40H3502	R40H3503
	Fa	WG	15 " x 3-1/2 "	1280B - 322	R464004	R40H521	R40H9237	R40H3502	R40H3503
	Fm	WG	15 " x 3 "	1245A - 235	R700235	R40H521	R40H9201	R40H3524	R40H3524
	Fm	WG	15 " x 3-1/2 "	1280 - 463	R700463	R40H521	R40H9201	R40H3524	R40H3524
C1710, C1750 Cargostar Tilt Cab FA74	Fa	WG	15 " x 3 "	1245C - 321	R700321	R40H521	R40H9237	R40H3502	R40H3503
	Fm	WG	15 " x 3 "	1245A - 235	R700235	R40H521	R40H9201	R40H3524	R40H3524
C1710, C1750 Cargostar Tilt Cab FA78, 81	Fa	WG	15 " x 3 "	1245C - 321	R700321	R40H521	R40H9237	R40H3502	R40H3503
C1710, C1750 Cargostar Tilt Cab FA89, 91, 98	Fa	WG	15 " x 3 "	1245C - 321	R700321	R40H521	R40H9237	R40H3502	R40H3503
	Fm	WG	15 " x 3 "	1245A - 235	R700235	R40H521	R40H9201	R40H3524	R40H3524
C1710, C1750 Cargostar Tilt Cab RA184	Ra	WG	15 " x 4 "	4645A - 376	Discontinued	R40H597	R40H9200	R40H3540	R40H3541
	Rm	WG	15 " x 4 "	4645A - 376	Discontinued	R40H597	R40H9200	R40H3518	R404148
C1710, C1750 Cargostar Tilt Cab RA25, 184	Ra	WG	15 " x 5 "	1252 - 346	R700346	R40H597	R40H9200	R40H3540	R40H3541
	Rm	WG	15 " x 5 "	1252 - 346	R700346	R40H597	R40H9200	R40H3518	R404148
C1710, C1750 Cargostar Tilt Cab RA29, 30, 187	Ra	WG	15 " x 5 "	1252 - 346	R700346	R40H597	R40H9200	R40H3540	R40H3541
	Rm	WG	15 " x 5 "	1252 - 346	R700346	R40H597	R40H9200	R40H3518	R404148
C1710, C1750 Cargostar Tilt Cab RA30, 187	Ra	WG	16 " x 5 "	1254 - 385	N/A	R40H597	R40H9200	N/A	N/A
	Rm	WG	16 " x 5 "	1254 - 385	N/A	R40H597	R40H9200	R404149	R404150
C1710, C1750 Cargostar Tilt Cab RA30, 39, 44, 186, 189	Ra	WG	15 " x 6 "	4596 - 381	R700381	R40H597	R40H9200	R40H3540	R40H3541
	Rm	WG	15 " x 6 "	4596 - 381	R700381	R40H597	R40H9200	R40H3518	R404148
C1710, C1750 Cargostar Tilt Cab RA39, 199	Ra	WG	15 " x 7 "	4597 - 383	R700383	R40H597	R40H9200	R40H3540	R40H3541

MERITOR DRUM OR ROTOR NO.	CALIPER OR CYLINDER BORE SIZE	MERITOR CALIPER OR WHEEL CYLINDER (LEFT)	MERITOR CALIPER OR WHEEL CYLINDER (RIGHT)	MERITOR CALIPER OR WHEEL CYLINDER REPAIR KIT	MERITOR CALIPER PISTON	MERITOR MASTER CYLINDER	MERITOR MASTER CYLINDER KIT	MERITOR BRAKE HOSE (LEFT)	MERITOR BRAKE HOSE (RIGHT)
ITE(Cont.)									
170, 1700, 1710, 1723, 1724, 1750, 1753, 1754 SERIES CONVENTIONAL CAB, SCHOOL BUS, TILT CAB(Cont.)									
N/A	1-5/8 "	R4133338	R4133338	R4166689	NR	-	-	-	-
N/A	1-5/8 "	R4133338	R4133338	R4166689	NR	-	-	-	-
N/A	1-3/4 "	R4133400	R4133400	R4166917	NR	-	-	-	-
N/A	1-3/4 "	R4133400	R4133400	R4166917	NR	-	-	-	-
N/A	1-1/4 "	R4133581	R4133582	R4166923	NR	-	-	-	-
N/A	1-1/4 "	R4133581	R4133582	R4166923	NR	-	-	-	-
N/A		-	-	N/A	N/A	-	-	-	-
N/A		-	-	N/A	N/A	-	-	-	-
N/A	1-1/4 "	R4133581	R4133582	R4166923	NR	-	-	-	-
N/A	1-1/4 "	R4133581	R4133582	R4166923	NR	-	-	-	-
N/A	1-1/8 "	R4133714	R4133715	R4166926	NR	-	-	-	-
N/A	1-1/8 "	R4133714	R4133715	R4166926	NR	-	-	-	-
N/A	1-1/4 "	R4133581	R4133582	R4166923	NR	-	-	-	-
N/A	1-1/4 "	R4133581	R4133582	R4166923	NR	-	-	-	-
N/A	1-1/4 "	R4133581	R4133582	R4166923	NR	-	-	-	-
N/A	1-1/4 "	R4133581	R4133582	R4166923	NR	-	-	-	-
N/A	1-1/4 "	R4133581	R4133582	R4166923	NR	-	-	-	-
N/A	1-1/4 "	R4133581	R4133582	R4166923	NR	-	-	-	-
N/A	1-1/4 "	R4133581	R4133582	R4166923	NR	-	-	-	-
N/A	1-1/4 "	R4133581	R4133582	R4166923	NR	-	-	-	-
N/A	1-1/2 "	R4133580	R4133580	Discontinued	NR	-	-	-	-
N/A	1-1/2 "	R4133580	R4133580	Discontinued	NR	-	-	-	-
N/A	1-1/2 "	R4133580	R4133580	Discontinued	NR	-	-	-	-
N/A	1-1/2 "	R4133580	R4133580	Discontinued	NR	-	-	-	-
N/A	1-1/2 "	R4133580	R4133580	Discontinued	NR	-	-	-	-
N/A	1-1/2 "	R4133580	R4133580	Discontinued	NR	-	-	-	-
N/A	1-5/8 "	R4133338	R4133338	R4166689	NR	-	-	-	-
N/A	1-5/8 "	R4133338	R4133338	R4166689	NR	-	-	-	-
N/A	1-5/8 "	R4133338	R4133338	R4166689	NR	-	-	-	-
N/A	1-5/8 "	R4133338	R4133338	R4166689	NR	-	-	-	-
N/A	1-5/8 "	R4133338	R4133338	R4166689	NR	-	-	-	-

MAKE MODEL YEAR AXLE CODE AXLE WEIGHT	AXLE & BRK. TYPE	BRK. MFG.	BRAKE SIZE	FMSI	MERITOR DISC PAD OR BRAKE SHOE	MERITOR GUIDE PIN OR RETURN SPRING KIT	MERITOR CALIPER HWD. KIT OR RETURN SPRING KIT	MERITOR ADJUSTER KIT (LEFT WHEEL)	MERITOR ADJUSTER KIT (RIGHT WHEEL)
ITE(Cont.)									
170, 1700, 1710, 1723, 1724, 1750, 1753, 1754 SERIES CONVENTIONAL CAB, SCHOOL BUS, TILT CAB(Cont.)									
1979 C1710, C1750 Cargostar Tilt Cab RA39, 199	Rm	WG	15 " x 7 "	4597 - 383	R700383	R40H597	R40H9200	R40H3518	R404148
C1710, C1750 Cargostar Tilt Cab RA44, 186	Ra	WG	15 " x 7 "	4597 - 383	R700383	R40H597	R40H9200	N/A	N/A
	Rm	WG	15 " x 7 "	4597 - 383	R700383	R40H597	R40H9200	R40H3518	R404148
C1710, C1750 Cargostar Tilt Cab RA47, 57	Ra	WG	16 " x 6 "	1255 - 386	N/A	R40H597	R40H9200	N/A	N/A
	Rm	WG	16 " x 6 "	1255 - 386	N/A	R40H597	R40H9200	R404149	R404150
S1723, S1753 School Bus FA109, 208	Fa	WG	15 " x 3 "	1245C - 321	R700321	R40H521	R40H9237	R40H3502	R40H3503
	Fm	WG	15 " x 3 "	1245A - 235	R700235	R40H521	R40H9201	R40H3524	R40H3524
S1723, S1753 School Bus FA118, 127, 139	Fa	WG	15 " x 5 "	1345A - 491	N/A	R40H521	R40H9237	R40H3502	R40H3503
	Fm	WG	15 " x 5 "	1345 - 490	N/A	R40H521	R40H9201	R40H3524	R40H3524
S1723, S1753 School Bus FA208	Fa	WG	15 " x 3-1/2 "	1280B - 322	R464004	R40H521	R40H9237	R40H3502	R40H3503
	Fm	WG	15 " x 3-1/2 "	1280 - 463	R700463	R40H521	R40H9201	R40H3524	R40H3524
S1723, S1753 School Bus FA48, 68, 70, 72	Fa	WG	14 " x 2-1/2 "	1294A - 325	N/A	R40H521	R40H9237	R40H3502	R40H3503
	Fm	WG	14 " x 2-1/2 "	1294 - 296	N/A	R40H521	R40H9201	R40H3524	R40H3524
S1723, S1753 School Bus FA71, 73, 101	Fa	WG	15 " x 3 "	1245C - 321	R700321	R40H521	R40H9237	R40H3502	R40H3503
	Fa	WG	15 " x 3-1/2 "	1280B - 322	R464004	R40H521	R40H9237	R40H3502	R40H3503
	Fm	WG	15 " x 3 "	1245A - 235	R700235	R40H521	R40H9201	R40H3524	R40H3524
	Fm	WG	15 " x 3-1/2 "	1280 - 463	R700463	R40H521	R40H9201	R40H3524	R40H3524
S1723, S1753 School Bus FA74	Fa	WG	15 " x 3 "	1245C - 321	R700321	R40H521	R40H9237	R40H3502	R40H3503
	Fm	WG	15 " x 3 "	1245A - 235	R700235	R40H521	R40H9201	R40H3524	R40H3524
S1723, S1753 School Bus FA78, 81	Fa	WG	15 " x 3 "	1245C - 321	R700321	R40H521	R40H9237	R40H3502	R40H3503
S1723, S1753 School Bus FA89, 91, 98	Fa	WG	15 " x 3 "	1245C - 321	R700321	R40H521	R40H9237	R40H3502	R40H3503
	Fm	WG	15 " x 3 "	1245A - 235	R700235	R40H521	R40H9201	R40H3524	R40H3524
S1723, S1753 School Bus RA184	Ra	WG	15 " x 4 "	4645A - 376	Discontinued	R40H597	R40H9200	R40H3540	R40H3541
	Rm	WG	15 " x 4 "	4645A - 376	Discontinued	R40H597	R40H9200	R40H3518	R404148
S1723, S1753 School Bus RA25, 184	Ra	WG	15 " x 5 "	1252 - 346	R700346	R40H597	R40H9200	R40H3540	R40H3541
	Rm	WG	15 " x 5 "	1252 - 346	R700346	R40H597	R40H9200	R40H3518	R404148
S1723, S1753 School Bus RA29, 30, 187	Ra	WG	15 " x 5 "	1252 - 346	R700346	R40H597	R40H9200	R40H3540	R40H3541
	Rm	WG	15 " x 5 "	1252 - 346	R700346	R40H597	R40H9200	R40H3518	R404148
S1723, S1753 School Bus RA30, 187	Ra	WG	16 " x 5 "	1254 - 385	N/A	R40H597	R40H9200	N/A	N/A
	Rm	WG	16 " x 5 "	1254 - 385	N/A	R40H597	R40H9200	R404149	R404150
S1723, S1753 School Bus RA30, 39, 44, 186, 189	Ra	WG	15 " x 6 "	4596 - 381	R700381	R40H597	R40H9200	R40H3540	R40H3541
	Rm	WG	15 " x 6 "	4596 - 381	R700381	R40H597	R40H9200	R40H3518	R404148
S1723, S1753 School Bus RA39, 199	Ra	WG	15 " x 7 "	4597 - 383	R700383	R40H597	R40H9200	R40H3540	R40H3541
	Rm	WG	15 " x 7 "	4597 - 383	R700383	R40H597	R40H9200	R40H3518	R404148
S1723, S1753 School Bus RA44, 186	Ra	WG	15 " x 7 "	4597 - 383	R700383	R40H597	R40H9200	N/A	N/A
	Rm	WG	15 " x 7 "	4597 - 383	R700383	R40H597	R40H9200	R40H3518	R404148
S1723, S1753 School Bus RA47, 57	Ra	WG	16 " x 6 "	1255 - 386	N/A	R40H597	R40H9200	N/A	N/A
	Rm	WG	16 " x 6 "	1255 - 386	N/A	R40H597	R40H9200	R404149	R404150
S1724, S1754 Conventional FA109, 208	Fa	WG	15 " x 3 "	1245C - 321	R700321	R40H521	R40H9237	R40H3502	R40H3503

MERITOR DRUM OR ROTOR NO.	CALIPER OR CYLINDER BORE SIZE	MERITOR CALIPER OR WHEEL CYLINDER (LEFT)	MERITOR CALIPER OR WHEEL CYLINDER (RIGHT)	MERITOR CALIPER OR WHEEL CYLINDER REPAIR KIT	MERITOR CALIPER PISTON	MERITOR MASTER CYLINDER	MERITOR MASTER CYLINDER KIT	MERITOR BRAKE HOSE (LEFT)	MERITOR BRAKE HOSE (RIGHT)
ITE(Cont.)									
170, 1700, 1710, 1723, 1724, 1750, 1753, 1754 SERIES CONVENTIONAL CAB, SCHOOL BUS, TILT CAB(Cont.)									
N/A	1-5/8 "	R4133338	R4133338	R4166689	NR	-	-	-	-
N/A	1-5/8 "	R4133338	R4133338	R4166689	NR	-	-	-	-
N/A	1-5/8 "	R4133338	R4133338	R4166689	NR	-	-	-	-
N/A	1-3/4 "	R4133400	R4133400	R4166917	NR	-	-	-	-
N/A	1-3/4 "	R4133400	R4133400	R4166917	NR	-	-	-	-
N/A	1-1/4 "	R4133581	R4133582	R4166923	NR	-	-	-	-
N/A	1-1/4 "	R4133581	R4133582	R4166923	NR	-	-	-	-
N/A		-	-	N/A	N/A	-	-	-	-
N/A		-	-	N/A	N/A	-	-	-	-
N/A	1-1/4 "	R4133581	R4133582	R4166923	NR	-	-	-	-
N/A	1-1/4 "	R4133581	R4133582	R4166923	NR	-	-	-	-
N/A	1-1/8 "	R4133714	R4133715	R4166926	NR	-	-	-	-
N/A	1-1/8 "	R4133714	R4133715	R4166926	NR	-	-	-	-
N/A	1-1/4 "	R4133581	R4133582	R4166923	NR	-	-	-	-
N/A	1-1/4 "	R4133581	R4133582	R4166923	NR	-	-	-	-
N/A	1-1/4 "	R4133581	R4133582	R4166923	NR	-	-	-	-
N/A	1-1/4 "	R4133581	R4133582	R4166923	NR	-	-	-	-
N/A	1-1/4 "	R4133581	R4133582	R4166923	NR	-	-	-	-
N/A	1-1/4 "	R4133581	R4133582	R4166923	NR	-	-	-	-
N/A	1-1/4 "	R4133581	R4133582	R4166923	NR	-	-	-	-
N/A	1-1/2 "	R4133580	R4133580	Discontinued	NR	-	-	-	-
N/A	1-1/2 "	R4133580	R4133580	Discontinued	NR	-	-	-	-
N/A	1-1/2 "	R4133580	R4133580	Discontinued	NR	-	-	-	-
N/A	1-1/2 "	R4133580	R4133580	Discontinued	NR	-	-	-	-
N/A	1-1/2 "	R4133580	R4133580	Discontinued	NR	-	-	-	-
N/A	1-1/2 "	R4133580	R4133580	Discontinued	NR	-	-	-	-
N/A	1-5/8 "	R4133338	R4133338	R4166689	NR	-	-	-	-
N/A	1-5/8 "	R4133338	R4133338	R4166689	NR	-	-	-	-
N/A	1-5/8 "	R4133338	R4133338	R4166689	NR	-	-	-	-
N/A	1-5/8 "	R4133338	R4133338	R4166689	NR	-	-	-	-
N/A	1-5/8 "	R4133338	R4133338	R4166689	NR	-	-	-	-
N/A	1-5/8 "	R4133338	R4133338	R4166689	NR	-	-	-	-
N/A	1-5/8 "	R4133338	R4133338	R4166689	NR	-	-	-	-
N/A	1-3/4 "	R4133400	R4133400	R4166917	NR	-	-	-	-
N/A	1-3/4 "	R4133400	R4133400	R4166917	NR	-	-	-	-
N/A	1-1/4 "	R4133581	R4133582	R4166923	NR	-	-	-	-

MAKE MODEL YEAR AXLE CODE AXLE WEIGHT	AXLE & BRK. TYPE	BRK. MFG.	BRAKE SIZE	FMSI	MERITOR DISC PAD OR BRAKE SHOE	MERITOR GUIDE PIN OR RETURN SPRING KIT	MERITOR CALIPER HWD. KIT OR RETURN SPRING KIT	MERITOR ADJUSTER KIT (LEFT WHEEL)	MERITOR ADJUSTER KIT (RIGHT WHEEL)
ITE(Cont.)									
170, 1700, 1710, 1723, 1724, 1750, 1753, 1754 SERIES CONVENTIONAL CAB, SCHOOL BUS, TILT CAB(Cont.)									
1979	Fm	WG	15 " x 3 "	1245A - 235	R700235	R40H521	R40H9201	R40H3524	R40H3524
S1724, S1754 Conventional FA118, 127, 139	Fa	WG	15 " x 5 "	1345A - 491	N/A	R40H521	R40H9237	R40H3502	R40H3503
	Fm	WG	15 " x 5 "	1345 - 490	N/A	R40H521	R40H9201	R40H3524	R40H3524
S1724, S1754 Conventional FA208	Fa	WG	15 " x 3-1/2 "	1280B - 322	R464004	R40H521	R40H9237	R40H3502	R40H3503
	Fm	WG	15 " x 3-1/2 "	1280 - 463	R700463	R40H521	R40H9201	R40H3524	R40H3524
S1724, S1754 Conventional FA48, 68, 70, 72	Fa	WG	14 " x 2-1/2 "	1294A - 325	N/A	R40H521	R40H9237	R40H3502	R40H3503
	Fm	WG	14 " x 2-1/2 "	1294 - 296	N/A	R40H521	R40H9201	R40H3524	R40H3524
S1724, S1754 Conventional FA71, 73, 101	Fa	WG	15 " x 3 "	1245C - 321	R700321	R40H521	R40H9237	R40H3502	R40H3503
	Fa	WG	15 " x 3-1/2 "	1280B - 322	R464004	R40H521	R40H9237	R40H3502	R40H3503
	Fm	WG	15 " x 3 "	1245A - 235	R700235	R40H521	R40H9201	R40H3524	R40H3524
	Fm	WG	15 " x 3-1/2 "	1280 - 463	R700463	R40H521	R40H9201	R40H3524	R40H3524
S1724, S1754 Conventional FA74	Fa	WG	15 " x 3 "	1245C - 321	R700321	R40H521	R40H9237	R40H3502	R40H3503
	Fm	WG	15 " x 3 "	1245A - 235	R700235	R40H521	R40H9201	R40H3524	R40H3524
S1724, S1754 Conventional FA78, 81	Fa	WG	15 " x 3 "	1245C - 321	R700321	R40H521	R40H9237	R40H3502	R40H3503
S1724, S1754 Conventional FA89, 91, 98	Fa	WG	15 " x 3 "	1245C - 321	R700321	R40H521	R40H9237	R40H3502	R40H3503
	Fm	WG	15 " x 3 "	1245A - 235	R700235	R40H521	R40H9201	R40H3524	R40H3524
S1724, S1754 Conventional RA184	Ra	WG	15 " x 4 "	4645A - 376	Discontinued	R40H597	R40H9200	R40H3540	R40H3541
	Rm	WG	15 " x 4 "	4645A - 376	Discontinued	R40H597	R40H9200	R40H3518	R404148
S1724, S1754 Conventional RA25, 184	Ra	WG	15 " x 5 "	1252 - 346	R700346	R40H597	R40H9200	R40H3540	R40H3541
	Rm	WG	15 " x 5 "	1252 - 346	R700346	R40H597	R40H9200	R40H3518	R404148
S1724, S1754 Conventional RA29, 30, 187	Ra	WG	15 " x 5 "	1252 - 346	R700346	R40H597	R40H9200	R40H3540	R40H3541
	Rm	WG	15 " x 5 "	1252 - 346	R700346	R40H597	R40H9200	R40H3518	R404148
S1724, S1754 Conventional RA30, 187	Ra	WG	16 " x 5 "	1254 - 385	N/A	R40H597	R40H9200	N/A	N/A
	Rm	WG	16 " x 5 "	1254 - 385	N/A	R40H597	R40H9200	R404149	R404150
S1724, S1754 Conventional RA30, 39, 44, 186, 189	Ra	WG	15 " x 6 "	4596 - 381	R700381	R40H597	R40H9200	R40H3540	R40H3541
	Rm	WG	15 " x 6 "	4596 - 381	R700381	R40H597	R40H9200	R40H3518	R404148
S1724, S1754 Conventional RA39, 199	Ra	WG	15 " x 7 "	4597 - 383	R700383	R40H597	R40H9200	R40H3540	R40H3541
	Rm	WG	15 " x 7 "	4597 - 383	R700383	R40H597	R40H9200	R40H3518	R404148
S1724, S1754 Conventional RA44, 186	Ra	WG	15 " x 7 "	4597 - 383	R700383	R40H597	R40H9200	N/A	N/A
	Rm	WG	15 " x 7 "	4597 - 383	R700383	R40H597	R40H9200	R40H3518	R404148
S1724, S1754 Conventional RA47, 57	Ra	WG	16 " x 6 "	1255 - 386	N/A	R40H597	R40H9200	N/A	N/A
	Rm	WG	16 " x 6 "	1255 - 386	N/A	R40H597	R40H9200	R404149	R404150
1978									
C1710, C1750 Cargostar Tilt Cab FA109, 208	Fa	WG	15 " x 3 "	1245C - 321	R700321	R40H521	R40H9237	R40H3502	R40H3503
	Fm	WG	15 " x 3 "	1245A - 235	R700235	R40H521	R40H9201	R40H3524	R40H3524
C1710, C1750 Cargostar Tilt Cab FA118, 127, 139	Fa	WG	15 " x 5 "	1345A - 491	N/A	R40H521	R40H9237	R40H3502	R40H3503
	Fm	WG	15 " x 5 "	1345 - 490	N/A	R40H521	R40H9201	R40H3524	R40H3524
C1710, C1750 Cargostar Tilt Cab FA208	Fa	WG	15 " x 3-1/2 "	1280B - 322	R464004	R40H521	R40H9237	R40H3502	R40H3503
	Fm	WG	15 " x 3-1/2 "	1280 - 463	R700463	R40H521	R40H9201	R40H3524	R40H3524
C1710, C1750 Cargostar Tilt Cab FA48, 68, 70, 72	Fa	WG	14 " x 2-1/2 "	1294A - 325	N/A	R40H521	R40H9237	R40H3502	R40H3503

MERITOR DRUM OR ROTOR NO.	CALIPER OR CYLINDER BORE SIZE	MERITOR CALIPER OR WHEEL CYLINDER (LEFT)	MERITOR CALIPER OR WHEEL CYLINDER (RIGHT)	MERITOR CALIPER OR WHEEL CYLINDER REPAIR KIT	MERITOR CALIPER PISTON	MERITOR MASTER CYLINDER	MERITOR MASTER CYLINDER KIT	MERITOR BRAKE HOSE (LEFT)	MERITOR BRAKE HOSE (RIGHT)
ITE(Cont.)									
170, 1700, 1710, 1723, 1724, 1750, 1753, 1754 SERIES CONVENTIONAL CAB, SCHOOL BUS, TILT CAB(Cont.)									
N/A	1-1/4 "	R4133581	R4133582	R4166923	NR	-	-	-	-
N/A		-	-	N/A	N/A	-	-	-	-
N/A		-	-	N/A	N/A	-	-	-	-
N/A	1-1/4 "	R4133581	R4133582	R4166923	NR	-	-	-	-
N/A	1-1/4 "	R4133581	R4133582	R4166923	NR	-	-	-	-
N/A	1-1/8 "	R4133714	R4133715	R4166926	NR	-	-	-	-
N/A	1-1/8 "	R4133714	R4133715	R4166926	NR	-	-	-	-
N/A	1-1/4 "	R4133581	R4133582	R4166923	NR	-	-	-	-
N/A	1-1/4 "	R4133581	R4133582	R4166923	NR	-	-	-	-
N/A	1-1/4 "	R4133581	R4133582	R4166923	NR	-	-	-	-
N/A	1-1/4 "	R4133581	R4133582	R4166923	NR	-	-	-	-
N/A	1-1/4 "	R4133581	R4133582	R4166923	NR	-	-	-	-
N/A	1-1/4 "	R4133581	R4133582	R4166923	NR	-	-	-	-
N/A	1-1/4 "	R4133581	R4133582	R4166923	NR	-	-	-	-
N/A	1-1/4 "	R4133581	R4133582	R4166923	NR	-	-	-	-
N/A	1-1/2 "	R4133580	R4133580	Discontinued	NR	-	-	-	-
N/A	1-1/2 "	R4133580	R4133580	Discontinued	NR	-	-	-	-
N/A	1-1/2 "	R4133580	R4133580	Discontinued	NR	-	-	-	-
N/A	1-1/2 "	R4133580	R4133580	Discontinued	NR	-	-	-	-
N/A	1-1/2 "	R4133580	R4133580	Discontinued	NR	-	-	-	-
N/A	1-1/2 "	R4133580	R4133580	Discontinued	NR	-	-	-	-
N/A	1-5/8 "	R4133338	R4133338	R4166689	NR	-	-	-	-
N/A	1-5/8 "	R4133338	R4133338	R4166689	NR	-	-	-	-
N/A	1-5/8 "	R4133338	R4133338	R4166689	NR	-	-	-	-
N/A	1-5/8 "	R4133338	R4133338	R4166689	NR	-	-	-	-
N/A	1-5/8 "	R4133338	R4133338	R4166689	NR	-	-	-	-
N/A	1-5/8 "	R4133338	R4133338	R4166689	NR	-	-	-	-
N/A	1-5/8 "	R4133338	R4133338	R4166689	NR	-	-	-	-
N/A	1-5/8 "	R4133338	R4133338	R4166689	NR	-	-	-	-
N/A	1-3/4 "	R4133400	R4133400	R4166917	NR	-	-	-	-
N/A	1-3/4 "	R4133400	R4133400	R4166917	NR	-	-	-	-
N/A	1-1/4 "	R4133581	R4133582	R4166923	NR	-	-	-	-
N/A	1-1/4 "	R4133581	R4133582	R4166923	NR	-	-	-	-
N/A		-	-	N/A	N/A	-	-	-	-
N/A		-	-	N/A	N/A	-	-	-	-
N/A	1-1/4 "	R4133581	R4133582	R4166923	NR	-	-	-	-
N/A	1-1/4 "	R4133581	R4133582	R4166923	NR	-	-	-	-
N/A	1-1/8 "	R4133714	R4133715	R4166926	NR	-	-	-	-

MAKE MODEL YEAR AXLE CODE AXLE WEIGHT	AXLE & BRK. TYPE	BRK. MFG.	BRAKE SIZE	FMSI	MERITOR DISC PAD OR BRAKE SHOE	MERITOR GUIDE PIN OR RETURN SPRING KIT	MERITOR CALIPER HWD. KIT OR RETURN SPRING KIT	MERITOR ADJUSTER KIT (LEFT WHEEL)	MERITOR ADJUSTER KIT (RIGHT WHEEL)
ITE(Cont.)									
170, 1700, 1710, 1723, 1724, 1750, 1753, 1754 SERIES CONVENTIONAL CAB, SCHOOL BUS, TILT CAB(Cont.)									
1978	Fm	WG	14 " x 2-1/2 "	1294 - 296	N/A	R40H521	R40H9201	R40H3524	R40H3524
C1710, C1750 Cargostar Tilt Cab FA71, 73, 101	Fa	WG	15 " x 3 "	1245C - 321	R700321	R40H521	R40H9237	R40H3502	R40H3503
	Fa	WG	15 " x 3-1/2 "	1280B - 322	R464004	R40H521	R40H9237	R40H3502	R40H3503
	Fm	WG	15 " x 3 "	1245A - 235	R700235	R40H521	R40H9201	R40H3524	R40H3524
C1710, C1750 Cargostar Tilt Cab FA74	Fm	WG	15 " x 3-1/2 "	1280 - 463	R700463	R40H521	R40H9201	R40H3524	R40H3524
	Fa	WG	15 " x 3 "	1245C - 321	R700321	R40H521	R40H9237	R40H3502	R40H3503
C1710, C1750 Cargostar Tilt Cab FA74	Fm	WG	15 " x 3 "	1245A - 235	R700235	R40H521	R40H9201	R40H3524	R40H3524
	Fa	WG	15 " x 3 "	1245C - 321	R700321	R40H521	R40H9237	R40H3502	R40H3503
C1710, C1750 Cargostar Tilt Cab FA78, 81	Fa	WG	15 " x 3 "	1245C - 321	R700321	R40H521	R40H9237	R40H3502	R40H3503
C1710, C1750 Cargostar Tilt Cab FA89, 91, 98	Fa	WG	15 " x 3 "	1245C - 321	R700321	R40H521	R40H9237	R40H3502	R40H3503
	Fm	WG	15 " x 3 "	1245A - 235	R700235	R40H521	R40H9201	R40H3524	R40H3524
C1710, C1750 Cargostar Tilt Cab RA184	Ra	WG	15 " x 4 "	4645A - 376	Discontinued	R40H597	R40H9200	R40H3540	R40H3541
	Rm	WG	15 " x 4 "	4645A - 376	Discontinued	R40H597	R40H9200	R40H3518	R404148
C1710, C1750 Cargostar Tilt Cab RA25, 184	Ra	WG	15 " x 5 "	1252 - 346	R700346	R40H597	R40H9200	R40H3540	R40H3541
	Rm	WG	15 " x 5 "	1252 - 346	R700346	R40H597	R40H9200	R40H3518	R404148
C1710, C1750 Cargostar Tilt Cab RA29, 30, 187	Ra	WG	15 " x 5 "	1252 - 346	R700346	R40H597	R40H9200	R40H3540	R40H3541
	Rm	WG	15 " x 5 "	1252 - 346	R700346	R40H597	R40H9200	R40H3518	R404148
C1710, C1750 Cargostar Tilt Cab RA30, 187	Ra	WG	16 " x 5 "	1254 - 385	N/A	R40H597	R40H9200	N/A	N/A
	Rm	WG	16 " x 5 "	1254 - 385	N/A	R40H597	R40H9200	R404149	R404150
C1710, C1750 Cargostar Tilt Cab RA30, 39, 44, 186, 189	Ra	WG	15 " x 6 "	4596 - 381	R700381	R40H597	R40H9200	R40H3540	R40H3541
	Rm	WG	15 " x 6 "	4596 - 381	R700381	R40H597	R40H9200	R40H3518	R404148
C1710, C1750 Cargostar Tilt Cab RA39, 199	Ra	WG	15 " x 7 "	4597 - 383	R700383	R40H597	R40H9200	R40H3540	R40H3541
	Rm	WG	15 " x 7 "	4597 - 383	R700383	R40H597	R40H9200	R40H3518	R404148
C1710, C1750 Cargostar Tilt Cab RA44, 186	Ra	WG	15 " x 7 "	4597 - 383	R700383	R40H597	R40H9200	N/A	N/A
	Rm	WG	15 " x 7 "	4597 - 383	R700383	R40H597	R40H9200	R40H3518	R404148
C1710, C1750 Cargostar Tilt Cab RA47, 57	Ra	WG	16 " x 6 "	1255 - 386	N/A	R40H597	R40H9200	N/A	N/A
	Rm	WG	16 " x 6 "	1255 - 386	N/A	R40H597	R40H9200	R404149	R404150
S1723, S1753 School Bus FA109, 208	Fa	WG	15 " x 3 "	1245C - 321	R700321	R40H521	R40H9237	R40H3502	R40H3503
	Fm	WG	15 " x 3 "	1245A - 235	R700235	R40H521	R40H9201	R40H3524	R40H3524
S1723, S1753 School Bus FA118, 127, 139	Fa	WG	15 " x 5 "	1345A - 491	N/A	R40H521	R40H9237	R40H3502	R40H3503
	Fm	WG	15 " x 5 "	1345 - 490	N/A	R40H521	R40H9201	R40H3524	R40H3524
S1723, S1753 School Bus FA208	Fa	WG	15 " x 3-1/2 "	1280B - 322	R464004	R40H521	R40H9237	R40H3502	R40H3503
	Fm	WG	15 " x 3-1/2 "	1280 - 463	R700463	R40H521	R40H9201	R40H3524	R40H3524
S1723, S1753 School Bus FA48, 68, 70, 72	Fa	WG	14 " x 2-1/2 "	1294A - 325	N/A	R40H521	R40H9237	R40H3502	R40H3503

MERITOR DRUM OR ROTOR NO.	CALIPER OR CYLINDER BORE SIZE	MERITOR CALIPER OR WHEEL CYLINDER (LEFT)	MERITOR CALIPER OR WHEEL CYLINDER (RIGHT)	MERITOR CALIPER OR WHEEL CYLINDER REPAIR KIT	MERITOR CALIPER PISTON	MERITOR MASTER CYLINDER	MERITOR MASTER CYLINDER KIT	MERITOR BRAKE HOSE (LEFT)	MERITOR BRAKE HOSE (RIGHT)
ITE(Cont.)									
170, 1700, 1710, 1723, 1724, 1750, 1753, 1754 SERIES CONVENTIONAL CAB, SCHOOL BUS, TILT CAB(Cont.)									
N/A	1-1/8 "	R4133714	R4133715	R4166926	NR	-	-	-	-
N/A	1-1/4 "	R4133581	R4133582	R4166923	NR	-	-	-	-
N/A	1-1/4 "	R4133581	R4133582	R4166923	NR	-	-	-	-
N/A	1-1/4 "	R4133581	R4133582	R4166923	NR	-	-	-	-
N/A	1-1/4 "	R4133581	R4133582	R4166923	NR	-	-	-	-
N/A	1-1/4 "	R4133581	R4133582	R4166923	NR	-	-	-	-
N/A	1-1/4 "	R4133581	R4133582	R4166923	NR	-	-	-	-
N/A	1-1/4 "	R4133581	R4133582	R4166923	NR	-	-	-	-
N/A	1-1/2 "	R4133580	R4133580	Discontinued	NR	-	-	-	-
N/A	1-1/2 "	R4133580	R4133580	Discontinued	NR	-	-	-	-
N/A	1-1/2 "	R4133580	R4133580	Discontinued	NR	-	-	-	-
N/A	1-1/2 "	R4133580	R4133580	Discontinued	NR	-	-	-	-
N/A	1-1/2 "	R4133580	R4133580	Discontinued	NR	-	-	-	-
N/A	1-5/8 "	R4133338	R4133338	R4166689	NR	-	-	-	-
N/A	1-5/8 "	R4133338	R4133338	R4166689	NR	-	-	-	-
N/A	1-5/8 "	R4133338	R4133338	R4166689	NR	-	-	-	-
N/A	1-5/8 "	R4133338	R4133338	R4166689	NR	-	-	-	-
N/A	1-5/8 "	R4133338	R4133338	R4166689	NR	-	-	-	-
N/A	1-5/8 "	R4133338	R4133338	R4166689	NR	-	-	-	-
N/A	1-5/8 "	R4133338	R4133338	R4166689	NR	-	-	-	-
N/A	1-3/4 "	R4133400	R4133400	R4166917	NR	-	-	-	-
N/A	1-3/4 "	R4133400	R4133400	R4166917	NR	-	-	-	-
N/A	1-1/4 "	R4133581	R4133582	R4166923	NR	-	-	-	-
N/A	1-1/4 "	R4133581	R4133582	R4166923	NR	-	-	-	-
N/A		-	-	N/A	N/A	-	-	-	-
N/A		-	-	N/A	N/A	-	-	-	-
N/A	1-1/4 "	R4133581	R4133582	R4166923	NR	-	-	-	-
N/A	1-1/4 "	R4133581	R4133582	R4166923	NR	-	-	-	-
N/A	1-1/8 "	R4133714	R4133715	R4166926	NR	-	-	-	-

1-APPLICATION

MAKE MODEL YEAR AXLE CODE AXLE WEIGHT	AXLE & BRK. TYPE	BRK. MFG.	BRAKE SIZE	FMSI	MERITOR DISC PAD OR BRAKE SHOE	MERITOR GUIDE PIN OR RETURN SPRING KIT	MERITOR CALIPER HWD. KIT OR RETURN SPRING KIT	MERITOR ADJUSTER KIT (LEFT WHEEL)	MERITOR ADJUSTER KIT (RIGHT WHEEL)
ITE(Cont.)									
170, 1700, 1710, 1723, 1724, 1750, 1753, 1754 SERIES CONVENTIONAL CAB, SCHOOL BUS, TILT CAB(Cont.)									
1978	Fm	WG	14 " x 2-1/2 "	1294 - 296	N/A	R40H521	R40H9201	R40H3524	R40H3524
S1723, S1753 School Bus FA71, 73, 101	Fa	WG	15 " x 3 "	1245C - 321	R700321	R40H521	R40H9237	R40H3502	R40H3503
	Fa	WG	15 " x 3-1/2 "	1280B - 322	R464004	R40H521	R40H9237	R40H3502	R40H3503
	Fm	WG	15 " x 3 "	1245A - 235	R700235	R40H521	R40H9201	R40H3524	R40H3524
	Fm	WG	15 " x 3-1/2 "	1280 - 463	R700463	R40H521	R40H9201	R40H3524	R40H3524
S1723, S1753 School Bus FA74	Fa	WG	15 " x 3 "	1245C - 321	R700321	R40H521	R40H9237	R40H3502	R40H3503
	Fm	WG	15 " x 3 "	1245A - 235	R700235	R40H521	R40H9201	R40H3524	R40H3524
S1723, S1753 School Bus FA78, 81	Fa	WG	15 " x 3 "	1245C - 321	R700321	R40H521	R40H9237	R40H3502	R40H3503
S1723, S1753 School Bus FA89, 91, 98	Fa	WG	15 " x 3 "	1245C - 321	R700321	R40H521	R40H9237	R40H3502	R40H3503
	Fm	WG	15 " x 3 "	1245A - 235	R700235	R40H521	R40H9201	R40H3524	R40H3524
S1723, S1753 School Bus RA184	Ra	WG	15 " x 4 "	4645A - 376	Discontinued	R40H597	R40H9200	R40H3540	R40H3541
	Rm	WG	15 " x 4 "	4645A - 376	Discontinued	R40H597	R40H9200	R40H3518	R404148
S1723, S1753 School Bus RA25, 184	Ra	WG	15 " x 5 "	1252 - 346	R700346	R40H597	R40H9200	R40H3540	R40H3541
	Rm	WG	15 " x 5 "	1252 - 346	R700346	R40H597	R40H9200	R40H3518	R404148
S1723, S1753 School Bus RA29, 30, 187	Ra	WG	15 " x 5 "	1252 - 346	R700346	R40H597	R40H9200	R40H3540	R40H3541
	Rm	WG	15 " x 5 "	1252 - 346	R700346	R40H597	R40H9200	R40H3518	R404148
S1723, S1753 School Bus RA30, 187	Ra	WG	16 " x 5 "	1254 - 385	N/A	R40H597	R40H9200	N/A	N/A
	Rm	WG	16 " x 5 "	1254 - 385	N/A	R40H597	R40H9200	R404149	R404150
S1723, S1753 School Bus RA30, 39, 44, 186, 189	Ra	WG	15 " x 6 "	4596 - 381	R700381	R40H597	R40H9200	R40H3540	R40H3541
	Rm	WG	15 " x 6 "	4596 - 381	R700381	R40H597	R40H9200	R40H3518	R404148
S1723, S1753 School Bus RA39, 199	Ra	WG	15 " x 7 "	4597 - 383	R700383	R40H597	R40H9200	R40H3540	R40H3541
	Rm	WG	15 " x 7 "	4597 - 383	R700383	R40H597	R40H9200	R40H3518	R404148
S1723, S1753 School Bus RA44, 186	Ra	WG	15 " x 7 "	4597 - 383	R700383	R40H597	R40H9200	N/A	N/A
	Rm	WG	15 " x 7 "	4597 - 383	R700383	R40H597	R40H9200	R40H3518	R404148
S1723, S1753 School Bus RA47, 57	Ra	WG	16 " x 6 "	1255 - 386	N/A	R40H597	R40H9200	N/A	N/A
	Rm	WG	16 " x 6 "	1255 - 386	N/A	R40H597	R40H9200	R404149	R404150
S1724, S1754 Conventional FA109, 208	Fa	WG	15 " x 3 "	1245C - 321	R700321	R40H521	R40H9237	R40H3502	R40H3503
	Fm	WG	15 " x 3 "	1245A - 235	R700235	R40H521	R40H9201	R40H3524	R40H3524
S1724, S1754 Conventional FA118, 127, 139	Fa	WG	15 " x 5 "	1345A - 491	N/A	R40H521	R40H9237	R40H3502	R40H3503
	Fm	WG	15 " x 5 "	1345 - 490	N/A	R40H521	R40H9201	R40H3524	R40H3524
S1724, S1754 Conventional FA208	Fa	WG	15 " x 3-1/2 "	1280B - 322	R464004	R40H521	R40H9237	R40H3502	R40H3503
	Fm	WG	15 " x 3-1/2 "	1280 - 463	R700463	R40H521	R40H9201	R40H3524	R40H3524
S1724, S1754 Conventional FA48, 68, 70, 72	Fa	WG	14 " x 2-1/2 "	1294A - 325	N/A	R40H521	R40H9237	R40H3502	R40H3503
	Fm	WG	14 " x 2-1/2 "	1294 - 296	N/A	R40H521	R40H9201	R40H3524	R40H3524
S1724, S1754 Conventional FA71, 73, 101	Fa	WG	15 " x 3 "	1245C - 321	R700321	R40H521	R40H9237	R40H3502	R40H3503
	Fa	WG	15 " x 3-1/2 "	1280B - 322	R464004	R40H521	R40H9237	R40H3502	R40H3503
	Fm	WG	15 " x 3 "	1245A - 235	R700235	R40H521	R40H9201	R40H3524	R40H3524
	Fm	WG	15 " x 3-1/2 "	1280 - 463	R700463	R40H521	R40H9201	R40H3524	R40H3524
S1724, S1754 Conventional FA74	Fa	WG	15 " x 3 "	1245C - 321	R700321	R40H521	R40H9237	R40H3502	R40H3503
	Fm	WG	15 " x 3 "	1245A - 235	R700235	R40H521	R40H9201	R40H3524	R40H3524
S1724, S1754 Conventional FA78, 81	Fa	WG	15 " x 3 "	1245C - 321	R700321	R40H521	R40H9237	R40H3502	R40H3503
S1724, S1754 Conventional FA89, 91, 98	Fa	WG	15 " x 3 "	1245C - 321	R700321	R40H521	R40H9237	R40H3502	R40H3503

MERITOR DRUM OR ROTOR NO.	CALIPER OR CYLINDER BORE SIZE	MERITOR CALIPER OR WHEEL CYLINDER (LEFT)	MERITOR CALIPER OR WHEEL CYLINDER (RIGHT)	MERITOR CALIPER OR WHEEL CYLINDER REPAIR KIT	MERITOR CALIPER PISTON	MERITOR MASTER CYLINDER	MERITOR MASTER CYLINDER KIT	MERITOR BRAKE HOSE (LEFT)	MERITOR BRAKE HOSE (RIGHT)
ITE(Cont.)									
170, 1700, 1710, 1723, 1724, 1750, 1753, 1754 SERIES CONVENTIONAL CAB, SCHOOL BUS, TILT CAB(Cont.)									
N/A	1-1/8 "	R4133714	R4133715	R4166926	NR	-	-	-	-
N/A	1-1/4 "	R4133581	R4133582	R4166923	NR	-	-	-	-
N/A	1-1/4 "	R4133581	R4133582	R4166923	NR	-	-	-	-
N/A	1-1/4 "	R4133581	R4133582	R4166923	NR	-	-	-	-
N/A	1-1/4 "	R4133581	R4133582	R4166923	NR	-	-	-	-
N/A	1-1/4 "	R4133581	R4133582	R4166923	NR	-	-	-	-
N/A	1-1/4 "	R4133581	R4133582	R4166923	NR	-	-	-	-
N/A	1-1/4 "	R4133581	R4133582	R4166923	NR	-	-	-	-
N/A	1-1/2 "	R4133580	R4133580	Discontinued	NR	-	-	-	-
N/A	1-1/2 "	R4133580	R4133580	Discontinued	NR	-	-	-	-
N/A	1-1/2 "	R4133580	R4133580	Discontinued	NR	-	-	-	-
N/A	1-1/2 "	R4133580	R4133580	Discontinued	NR	-	-	-	-
N/A	1-1/2 "	R4133580	R4133580	Discontinued	NR	-	-	-	-
N/A	1-1/2 "	R4133580	R4133580	Discontinued	NR	-	-	-	-
N/A	1-5/8 "	R4133338	R4133338	R4166689	NR	-	-	-	-
N/A	1-5/8 "	R4133338	R4133338	R4166689	NR	-	-	-	-
N/A	1-5/8 "	R4133338	R4133338	R4166689	NR	-	-	-	-
N/A	1-5/8 "	R4133338	R4133338	R4166689	NR	-	-	-	-
N/A	1-5/8 "	R4133338	R4133338	R4166689	NR	-	-	-	-
N/A	1-5/8 "	R4133338	R4133338	R4166689	NR	-	-	-	-
N/A	1-5/8 "	R4133338	R4133338	R4166689	NR	-	-	-	-
N/A	1-3/4 "	R4133400	R4133400	R4166917	NR	-	-	-	-
N/A	1-3/4 "	R4133400	R4133400	R4166917	NR	-	-	-	-
N/A	1-1/4 "	R4133581	R4133582	R4166923	NR	-	-	-	-
N/A	1-1/4 "	R4133581	R4133582	R4166923	NR	-	-	-	-
N/A		-	-	N/A	N/A	-	-	-	-
N/A		-	-	N/A	N/A	-	-	-	-
N/A	1-1/4 "	R4133581	R4133582	R4166923	NR	-	-	-	-
N/A	1-1/4 "	R4133581	R4133582	R4166923	NR	-	-	-	-
N/A	1-1/8 "	R4133714	R4133715	R4166926	NR	-	-	-	-
N/A	1-1/8 "	R4133714	R4133715	R4166926	NR	-	-	-	-
N/A	1-1/4 "	R4133581	R4133582	R4166923	NR	-	-	-	-
N/A	1-1/4 "	R4133581	R4133582	R4166923	NR	-	-	-	-
N/A	1-1/4 "	R4133581	R4133582	R4166923	NR	-	-	-	-
N/A	1-1/4 "	R4133581	R4133582	R4166923	NR	-	-	-	-
N/A	1-1/4 "	R4133581	R4133582	R4166923	NR	-	-	-	-
N/A	1-1/4 "	R4133581	R4133582	R4166923	NR	-	-	-	-
N/A	1-1/4 "	R4133581	R4133582	R4166923	NR	-	-	-	-
N/A	1-1/4 "	R4133581	R4133582	R4166923	NR	-	-	-	-

1 APPLICATION

MAKE MODEL YEAR AXLE CODE AXLE WEIGHT	AXLE & BRK. TYPE	BRK. MFG.	BRAKE SIZE	FMSI	MERITOR DISC PAD OR BRAKE SHOE	MERITOR GUIDE PIN OR RETURN SPRING KIT	MERITOR CALIPER HWD. KIT OR RETURN SPRING KIT	MERITOR ADJUSTER KIT (LEFT WHEEL)	MERITOR ADJUSTER KIT (RIGHT WHEEL)
ITE(Cont.)									
170, 1700, 1710, 1723, 1724, 1750, 1753, 1754 SERIES CONVENTIONAL CAB, SCHOOL BUS, TILT CAB(Cont.)									
1978	Fm	WG	15 " x 3 "	1245A - 235	R700235	R40H521	R40H9201	R40H3524	R40H3524
S1724, S1754 Conventional RA184	Ra	WG	15 " x 4 "	4645A - 376	Discontinued	R40H597	R40H9200	R40H3540	R40H3541
	Rm	WG	15 " x 4 "	4645A - 376	Discontinued	R40H597	R40H9200	R40H3518	R404148
S1724, S1754 Conventional RA25, 184	Ra	WG	15 " x 5 "	1252 - 346	R700346	R40H597	R40H9200	R40H3540	R40H3541
	Rm	WG	15 " x 5 "	1252 - 346	R700346	R40H597	R40H9200	R40H3518	R404148
S1724, S1754 Conventional RA29, 30, 187	Ra	WG	15 " x 5 "	1252 - 346	R700346	R40H597	R40H9200	R40H3540	R40H3541
	Rm	WG	15 " x 5 "	1252 - 346	R700346	R40H597	R40H9200	R40H3518	R404148
S1724, S1754 Conventional RA30, 187	Ra	WG	16 " x 5 "	1254 - 385	N/A	R40H597	R40H9200	N/A	N/A
	Rm	WG	16 " x 5 "	1254 - 385	N/A	R40H597	R40H9200	R404149	R404150
S1724, S1754 Conventional RA30, 39, 44, 186, 189	Ra	WG	15 " x 6 "	4596 - 381	R700381	R40H597	R40H9200	R40H3540	R40H3541
	Rm	WG	15 " x 6 "	4596 - 381	R700381	R40H597	R40H9200	R40H3518	R404148
S1724, S1754 Conventional RA39, 199	Ra	WG	15 " x 7 "	4597 - 383	R700383	R40H597	R40H9200	R40H3540	R40H3541
	Rm	WG	15 " x 7 "	4597 - 383	R700383	R40H597	R40H9200	R40H3518	R404148
S1724, S1754 Conventional RA44, 186	Ra	WG	15 " x 7 "	4597 - 383	R700383	R40H597	R40H9200	N/A	N/A
	Rm	WG	15 " x 7 "	4597 - 383	R700383	R40H597	R40H9200	R40H3518	R404148
S1724, S1754 Conventional RA47, 57	Ra	WG	16 " x 6 "	1255 - 386	N/A	R40H597	R40H9200	N/A	N/A
	Rm	WG	16 " x 6 "	1255 - 386	N/A	R40H597	R40H9200	R404149	R404150
1977									
C1710, C1750 Cargostar Tilt Cab FA109, 208	Fa	WG	15 " x 3 "	1245C - 321	R700321	R40H521	R40H9237	R40H3502	R40H3503
	Fm	WG	15 " x 3 "	1245A - 235	R700235	R40H521	R40H9201	R40H3524	R40H3524
C1710, C1750 Cargostar Tilt Cab FA118, 127, 139	Fa	WG	15 " x 5 "	1345A - 491	N/A	R40H521	R40H9237	R40H3502	R40H3503
	Fm	WG	15 " x 5 "	1345 - 490	N/A	R40H521	R40H9201	R40H3524	R40H3524
C1710, C1750 Cargostar Tilt Cab FA208	Fa	WG	15 " x 3-1/2 "	1280B - 322	R464004	R40H521	R40H9237	R40H3502	R40H3503
	Fm	WG	15 " x 3-1/2 "	1280 - 463	R700463	R40H521	R40H9201	R40H3524	R40H3524
C1710, C1750 Cargostar Tilt Cab FA48, 68, 70, 72	Fa	WG	14 " x 2-1/2 "	1294A - 325	N/A	R40H521	R40H9237	R40H3502	R40H3503
	Fm	WG	14 " x 2-1/2 "	1294 - 296	N/A	R40H521	R40H9201	R40H3524	R40H3524
C1710, C1750 Cargostar Tilt Cab FA71, 73, 101	Fa	WG	15 " x 3 "	1245C - 321	R700321	R40H521	R40H9237	R40H3502	R40H3503
	Fa	WG	15 " x 3-1/2 "	1280B - 322	R464004	R40H521	R40H9237	R40H3502	R40H3503
	Fm	WG	15 " x 3 "	1245A - 235	R700235	R40H521	R40H9201	R40H3524	R40H3524
	Fm	WG	15 " x 3-1/2 "	1280 - 463	R700463	R40H521	R40H9201	R40H3524	R40H3524
C1710, C1750 Cargostar Tilt Cab FA74	Fa	WG	15 " x 3 "	1245C - 321	R700321	R40H521	R40H9237	R40H3502	R40H3503
	Fm	WG	15 " x 3 "	1245A - 235	R700235	R40H521	R40H9201	R40H3524	R40H3524
C1710, C1750 Cargostar Tilt Cab FA78, 81	Fa	WG	15 " x 3 "	1245C - 321	R700321	R40H521	R40H9237	R40H3502	R40H3503
C1710, C1750 Cargostar Tilt Cab FA89, 91, 98	Fa	WG	15 " x 3 "	1245C - 321	R700321	R40H521	R40H9237	R40H3502	R40H3503
	Fm	WG	15 " x 3 "	1245A - 235	R700235	R40H521	R40H9201	R40H3524	R40H3524
C1710, C1750 Cargostar Tilt Cab RA184	Ra	WG	15 " x 4 "	4645A - 376	Discontinued	R40H597	R40H9200	R40H3540	R40H3541

MERITOR DRUM OR ROTOR NO.	CALIPER OR CYLINDER BORE SIZE	MERITOR CALIPER OR WHEEL CYLINDER (LEFT)	MERITOR CALIPER OR WHEEL CYLINDER (RIGHT)	MERITOR CALIPER OR WHEEL CYLINDER REPAIR KIT	MERITOR CALIPER PISTON	MERITOR MASTER CYLINDER	MERITOR MASTER CYLINDER KIT	MERITOR BRAKE HOSE (LEFT)	MERITOR BRAKE HOSE (RIGHT)
ITE(Cont.)									
170, 1700, 1710, 1723, 1724, 1750, 1753, 1754 SERIES CONVENTIONAL CAB, SCHOOL BUS, TILT CAB(Cont.)									
N/A	1-1/4 "	R4133581	R4133582	R4166923	NR	-	-	-	-
N/A	1-1/2 "	R4133580	R4133580	Discontinued	NR	-	-	-	-
N/A	1-1/2 "	R4133580	R4133580	Discontinued	NR	-	-	-	-
N/A	1-1/2 "	R4133580	R4133580	Discontinued	NR	-	-	-	-
N/A	1-1/2 "	R4133580	R4133580	Discontinued	NR	-	-	-	-
N/A	1-1/2 "	R4133580	R4133580	Discontinued	NR	-	-	-	-
N/A	1-1/2 "	R4133580	R4133580	Discontinued	NR	-	-	-	-
N/A	1-5/8 "	R4133338	R4133338	R4166689	NR	-	-	-	-
N/A	1-5/8 "	R4133338	R4133338	R4166689	NR	-	-	-	-
N/A	1-5/8 "	R4133338	R4133338	R4166689	NR	-	-	-	-
N/A	1-5/8 "	R4133338	R4133338	R4166689	NR	-	-	-	-
N/A	1-5/8 "	R4133338	R4133338	R4166689	NR	-	-	-	-
N/A	1-5/8 "	R4133338	R4133338	R4166689	NR	-	-	-	-
N/A	1-5/8 "	R4133338	R4133338	R4166689	NR	-	-	-	-
N/A	1-5/8 "	R4133338	R4133338	R4166689	NR	-	-	-	-
N/A	1-3/4 "	R4133400	R4133400	R4166917	NR	-	-	-	-
N/A	1-3/4 "	R4133400	R4133400	R4166917	NR	-	-	-	-
-	1-1/4 "	R4133581	R4133582	R4166923	NR	-	-	-	-
-	1-1/4 "	R4133581	R4133582	R4166923	NR	-	-	-	-
-									
-									
-									
-	1-1/4 "	R4133581	R4133582	R4166923	NR	-	-	-	-
-	1-1/4 "	R4133581	R4133582	R4166923	NR	-	-	-	-
-	1-1/8 "	R4133714	R4133715	R4166926	NR	-	-	-	-
-	1-1/8 "	R4133714	R4133715	R4166926	NR	-	-	-	-
-	1-1/4 "	R4133581	R4133582	R4166923	NR	-	-	-	-
-	1-1/4 "	R4133581	R4133582	R4166923	NR	-	-	-	-
-	1-1/4 "	R4133581	R4133582	R4166923	NR	-	-	-	-
-	1-1/4 "	R4133581	R4133582	R4166923	NR	-	-	-	-
-	1-1/4 "	R4133581	R4133582	R4166923	NR	-	-	-	-
-	1-1/4 "	R4133581	R4133582	R4166923	NR	-	-	-	-
-	1-1/4 "	R4133581	R4133582	R4166923	NR	-	-	-	-
-	1-1/4 "	R4133581	R4133582	R4166923	NR	-	-	-	-
-	1-1/4 "	R4133581	R4133582	R4166923	NR	-	-	-	-
-	1-1/2 "	R4133580	R4133580	Discontinued	NR	-	-	-	-

1 APPLICATION

MAKE MODEL YEAR AXLE CODE AXLE WEIGHT	AXLE & BRK. TYPE	BRK. MFG.	BRAKE SIZE	FMSI	MERITOR DISC PAD OR BRAKE SHOE	MERITOR GUIDE PIN OR RETURN SPRING KIT	MERITOR CALIPER HWD. KIT OR RETURN SPRING KIT	MERITOR ADJUSTER KIT (LEFT WHEEL)	MERITOR ADJUSTER KIT (RIGHT WHEEL)
ITE(Cont.)									
170, 1700, 1710, 1723, 1724, 1750, 1753, 1754 SERIES CONVENTIONAL CAB, SCHOOL BUS, TILT CAB(Cont.)									
1977 C1710, C1750 Cargostar Tilt Cab RA184	Rm	WG	15 " x 4 "	4645A - 376	Discontinued	R40H597	R40H9200	R40H3518	R404148
C1710, C1750 Cargostar Tilt Cab RA25, 184	Ra	WG	15 " x 5 "	1252 - 346	R700346	R40H597	R40H9200	R40H3540	R40H3541
	Rm	WG	15 " x 5 "	1252 - 346	R700346	R40H597	R40H9200	R40H3518	R404148
C1710, C1750 Cargostar Tilt Cab RA29, 30, 187	Ra	WG	15 " x 5 "	1252 - 346	R700346	R40H597	R40H9200	R40H3540	R40H3541
	Rm	WG	15 " x 5 "	1252 - 346	R700346	R40H597	R40H9200	R40H3518	R404148
C1710, C1750 Cargostar Tilt Cab RA30, 187	Ra	WG	16 " x 5 "	1254 - 385	N/A	R40H597	R40H9200	NLA	NLA
	Rm	WG	16 " x 5 "	1254 - 385	N/A	R40H597	R40H9200	R404149	R404150
C1710, C1750 Cargostar Tilt Cab RA30, 39, 44, 186, 189	Ra	WG	15 " x 6 "	4596 - 381	R700381	R40H597	R40H9200	R40H3540	R40H3541
	Rm	WG	15 " x 6 "	4596 - 381	R700381	R40H597	R40H9200	R40H3518	R404148
C1710, C1750 Cargostar Tilt Cab RA39, 199	Ra	WG	15 " x 7 "	4597 - 383	R700383	R40H597	R40H9200	R40H3540	R40H3541
	Rm	WG	15 " x 7 "	4597 - 383	R700383	R40H597	R40H9200	R40H3518	R404148
C1710, C1750 Cargostar Tilt Cab RA44, 186	Ra	WG	15 " x 7 "	4597 - 383	R700383	R40H597	R40H9200	NLA	NLA
	Rm	WG	15 " x 7 "	4597 - 383	R700383	R40H597	R40H9200	R40H3518	R404148
C1710, C1750 Cargostar Tilt Cab RA47, 57	Ra	WG	16 " x 6 "	1255 - 386	N/A	R40H597	R40H9200	NLA	NLA
	Rm	WG	16 " x 6 "	1255 - 386	N/A	R40H597	R40H9200	R404149	R404150
S1723, S1753 School Bus FA109, 208	Fa	WG	15 " x 3 "	1245C - 321	R700321	R40H521	R40H9237	R40H3502	R40H3503
	Fm	WG	15 " x 3 "	1245A - 235	R700235	R40H521	R40H9201	R40H3524	R40H3524
S1723, S1753 School Bus FA118, 127, 139	Fa	WG	15 " x 5 "	1345A - 491	N/A	R40H521	R40H9237	R40H3502	R40H3503
	Fm	WG	15 " x 5 "	1345 - 490	N/A	R40H521	R40H9201	R40H3524	R40H3524
S1723, S1753 School Bus FA208	Fa	WG	15 " x 3-1/2 "	1280B - 322	R464004	R40H521	R40H9237	R40H3502	R40H3503
	Fm	WG	15 " x 3-1/2 "	1280 - 463	R700463	R40H521	R40H9201	R40H3524	R40H3524
S1723, S1753 School Bus FA48, 68, 70, 72	Fa	WG	14 " x 2-1/2 "	1294A - 325	N/A	R40H521	R40H9237	R40H3502	R40H3503
	Fm	WG	14 " x 2-1/2 "	1294 - 296	N/A	R40H521	R40H9201	R40H3524	R40H3524
S1723, S1753 School Bus FA71, 73, 101	Fa	WG	15 " x 3 "	1245C - 321	R700321	R40H521	R40H9237	R40H3502	R40H3503
	Fa	WG	15 " x 3-1/2 "	1280B - 322	R464004	R40H521	R40H9237	R40H3502	R40H3503
	Fm	WG	15 " x 3 "	1245A - 235	R700235	R40H521	R40H9201	R40H3524	R40H3524
	Fm	WG	15 " x 3-1/2 "	1280 - 463	R700463	R40H521	R40H9201	R40H3524	R40H3524
S1723, S1753 School Bus FA74	Fa	WG	15 " x 3 "	1245C - 321	R700321	R40H521	R40H9237	R40H3502	R40H3503
	Fm	WG	15 " x 3 "	1245A - 235	R700235	R40H521	R40H9201	R40H3524	R40H3524
S1723, S1753 School Bus FA78, 81	Fa	WG	15 " x 3 "	1245C - 321	R700321	R40H521	R40H9237	R40H3502	R40H3503
S1723, S1753 School Bus FA89, 91, 98	Fa	WG	15 " x 3 "	1245C - 321	R700321	R40H521	R40H9237	R40H3502	R40H3503
	Fm	WG	15 " x 3 "	1245A - 235	R700235	R40H521	R40H9201	R40H3524	R40H3524
S1723, S1753 School Bus RA184	Ra	WG	15 " x 4 "	4645A - 376	Discontinued	R40H597	R40H9200	R40H3540	R40H3541
	Rm	WG	15 " x 4 "	4645A - 376	Discontinued	R40H597	R40H9200	R40H3518	R404148
S1723, S1753 School Bus RA25, 184	Ra	WG	15 " x 5 "	1252 - 346	R700346	R40H597	R40H9200	R40H3540	R40H3541

MERITOR DRUM OR ROTOR NO.	CALIPER OR CYLINDER BORE SIZE	MERITOR CALIPER OR WHEEL CYLINDER (LEFT)	MERITOR CALIPER OR WHEEL CYLINDER (RIGHT)	MERITOR CALIPER OR WHEEL CYLINDER REPAIR KIT	MERITOR CALIPER PISTON	MERITOR MASTER CYLINDER	MERITOR MASTER CYLINDER KIT	MERITOR BRAKE HOSE (LEFT)	MERITOR BRAKE HOSE (RIGHT)
ITE(Cont.)									
170, 1700, 1710, 1723, 1724, 1750, 1753, 1754 SERIES CONVENTIONAL CAB, SCHOOL BUS, TILT CAB(Cont.)									
-	1-1/2 "	R4133580	R4133580	Discontinued	NR	-	-	-	-
-	1-1/2 "	R4133580	R4133580	Discontinued	NR	-	-	-	-
-	1-1/2 "	R4133580	R4133580	Discontinued	NR	-	-	-	-
-	1-1/2 "	R4133580	R4133580	Discontinued	NR	-	-	-	-
-	1-1/2 "	R4133580	R4133580	Discontinued	NR	-	-	-	-
-	1-5/8 "	R4133338	R4133338	R4166689	NR	-	-	-	-
-	1-5/8 "	R4133338	R4133338	R4166689	NR	-	-	-	-
-	1-5/8 "	R4133338	R4133338	R4166689	NR	-	-	-	-
-	1-5/8 "	R4133338	R4133338	R4166689	NR	-	-	-	-
-	1-5/8 "	R4133338	R4133338	R4166689	NR	-	-	-	-
-	1-5/8 "	R4133338	R4133338	R4166689	NR	-	-	-	-
-	1-5/8 "	R4133338	R4133338	R4166689	NR	-	-	-	-
-	1-5/8 "	R4133338	R4133338	R4166689	NR	-	-	-	-
-	1-3/4 "	R4133400	R4133400	R4166917	NR	-	-	-	-
-	1-3/4 "	R4133400	R4133400	R4166917	NR	-	-	-	-
-	1-1/4 "	R4133581	R4133582	R4166923	NR	-	-	-	-
-	1-1/4 "	R4133581	R4133582	R4166923	NR	-	-	-	-
-		-	-	-	-	-	-	-	-
-		-	-	-	-	-	-	-	-
-	1-1/4 "	R4133581	R4133582	R4166923	NR	-	-	-	-
-	1-1/4 "	R4133581	R4133582	R4166923	NR	-	-	-	-
-	1-1/8 "	R4133714	R4133715	R4166926	NR	-	-	-	-
-	1-1/8 "	R4133714	R4133715	R4166926	NR	-	-	-	-
-	1-1/4 "	R4133581	R4133582	R4166923	NR	-	-	-	-
-	1-1/4 "	R4133581	R4133582	R4166923	NR	-	-	-	-
-	1-1/4 "	R4133581	R4133582	R4166923	NR	-	-	-	-
-	1-1/4 "	R4133581	R4133582	R4166923	NR	-	-	-	-
-	1-1/4 "	R4133581	R4133582	R4166923	NR	-	-	-	-
-	1-1/4 "	R4133581	R4133582	R4166923	NR	-	-	-	-
-	1-1/4 "	R4133581	R4133582	R4166923	NR	-	-	-	-
-	1-1/4 "	R4133581	R4133582	R4166923	NR	-	-	-	-
-	1-1/2 "	R4133580	R4133580	Discontinued	NR	-	-	-	-
-	1-1/2 "	R4133580	R4133580	Discontinued	NR	-	-	-	-
-	1-1/2 "	R4133580	R4133580	Discontinued	NR	-	-	-	-

1-APPLICATION

MAKE MODEL YEAR AXLE CODE AXLE WEIGHT	AXLE & BRK. TYPE	BRK. MFG.	BRAKE SIZE	FMSI	MERITOR DISC PAD OR BRAKE SHOE	MERITOR GUIDE PIN OR RETURN SPRING KIT	MERITOR CALIPER HWD. KIT OR RETURN SPRING KIT	MERITOR ADJUSTER KIT (LEFT WHEEL)	MERITOR ADJUSTER KIT (RIGHT WHEEL)
ITE(Cont.)									
170, 1700, 1710, 1723, 1724, 1750, 1753, 1754 SERIES CONVENTIONAL CAB, SCHOOL BUS, TILT CAB(Cont.)									
1977	Rm	WG	15 " x 5 "	1252 - 346	R700346	R40H597	R40H9200	R40H3518	R404148
S1723, S1753 School Bus RA29, 30, 187	Ra	WG	15 " x 5 "	1252 - 346	R700346	R40H597	R40H9200	R40H3540	R40H3541
	Rm	WG	15 " x 5 "	1252 - 346	R700346	R40H597	R40H9200	R40H3518	R404148
S1723, S1753 School Bus RA30, 187	Ra	WG	16 " x 5 "	1254 - 385	N/A	R40H597	R40H9200	NLA	NLA
	Rm	WG	16 " x 5 "	1254 - 385	N/A	R40H597	R40H9200	R404149	R404150
S1723, S1753 School Bus RA30, 39, 44, 186, 189	Ra	WG	15 " x 6 "	4596 - 381	R700381	R40H597	R40H9200	R40H3540	R40H3541
	Rm	WG	15 " x 6 "	4596 - 381	R700381	R40H597	R40H9200	R40H3518	R404148
S1723, S1753 School Bus RA39, 199	Ra	WG	15 " x 7 "	4597 - 383	R700383	R40H597	R40H9200	R40H3540	R40H3541
	Rm	WG	15 " x 7 "	4597 - 383	R700383	R40H597	R40H9200	R40H3518	R404148
S1723, S1753 School Bus RA44, 186	Ra	WG	15 " x 7 "	4597 - 383	R700383	R40H597	R40H9200	NLA	NLA
	Rm	WG	15 " x 7 "	4597 - 383	R700383	R40H597	R40H9200	R40H3518	R404148
S1723, S1753 School Bus RA47, 57	Ra	WG	16 " x 6 "	1255 - 386	N/A	R40H597	R40H9200	NLA	NLA
	Rm	WG	16 " x 6 "	1255 - 386	N/A	R40H597	R40H9200	R404149	R404150
S1724, S1754 Conventional FA109, 208	Fa	WG	15 " x 3 "	1245C - 321	R700321	R40H521	R40H9237	R40H3502	R40H3503
	Fm	WG	15 " x 3 "	1245A - 235	R700235	R40H521	R40H9201	R40H3524	R40H3524
S1724, S1754 Conventional FA118, 127, 139	Fa	WG	15 " x 5 "	1345A - 491	N/A	R40H521	R40H9237	R40H3502	R40H3503
	Fm	WG	15 " x 5 "	1345 - 490	N/A	R40H521	R40H9201	R40H3524	R40H3524
S1724, S1754 Conventional FA208	Fa	WG	15 " x 3-1/2 "	1280B - 322	R464004	R40H521	R40H9237	R40H3502	R40H3503
	Fm	WG	15 " x 3-1/2 "	1280 - 463	R700463	R40H521	R40H9201	R40H3524	R40H3524
S1724, S1754 Conventional FA48, 68, 70, 72	Fa	WG	14 " x 2-1/2 "	1294A - 325	N/A	R40H521	R40H9237	R40H3502	R40H3503
	Fm	WG	14 " x 2-1/2 "	1294 - 296	N/A	R40H521	R40H9201	R40H3524	R40H3524
S1724, S1754 Conventional FA71, 73, 101	Fa	WG	15 " x 3 "	1245C - 321	R700321	R40H521	R40H9237	R40H3502	R40H3503
	Fa	WG	15 " x 3-1/2 "	1280B - 322	R464004	R40H521	R40H9237	R40H3502	R40H3503
	Fm	WG	15 " x 3 "	1245A - 235	R700235	R40H521	R40H9201	R40H3524	R40H3524
	Fm	WG	15 " x 3-1/2 "	1280 - 463	R700463	R40H521	R40H9201	R40H3524	R40H3524
S1724, S1754 Conventional FA74	Fa	WG	15 " x 3 "	1245C - 321	R700321	R40H521	R40H9237	R40H3502	R40H3503
	Fm	WG	15 " x 3 "	1245A - 235	R700235	R40H521	R40H9201	R40H3524	R40H3524
S1724, S1754 Conventional FA78, 81	Fa	WG	15 " x 3 "	1245C - 321	R700321	R40H521	R40H9237	R40H3502	R40H3503
S1724, S1754 Conventional FA89, 91, 98	Fa	WG	15 " x 3 "	1245C - 321	R700321	R40H521	R40H9237	R40H3502	R40H3503
	Fm	WG	15 " x 3 "	1245A - 235	R700235	R40H521	R40H9201	R40H3524	R40H3524
S1724, S1754 Conventional RA184	Ra	WG	15 " x 4 "	4645A - 376	Discontinued	R40H597	R40H9200	R40H3540	R40H3541
	Rm	WG	15 " x 4 "	4645A - 376	Discontinued	R40H597	R40H9200	R40H3518	R404148
S1724, S1754 Conventional RA25, 184	Ra	WG	15 " x 5 "	1252 - 346	R700346	R40H597	R40H9200	R40H3540	R40H3541
	Rm	WG	15 " x 5 "	1252 - 346	R700346	R40H597	R40H9200	R40H3518	R404148
S1724, S1754 Conventional RA29, 30, 187	Ra	WG	15 " x 5 "	1252 - 346	R700346	R40H597	R40H9200	R40H3540	R40H3541
	Rm	WG	15 " x 5 "	1252 - 346	R700346	R40H597	R40H9200	R40H3518	R404148
S1724, S1754 Conventional RA30, 187	Ra	WG	16 " x 5 "	1254 - 385	N/A	R40H597	R40H9200	NLA	NLA
	Rm	WG	16 " x 5 "	1254 - 385	N/A	R40H597	R40H9200	R404149	R404150
S1724, S1754 Conventional RA30, 39, 44, 186, 189	Ra	WG	15 " x 6 "	4596 - 381	R700381	R40H597	R40H9200	R40H3540	R40H3541
	Rm	WG	15 " x 6 "	4596 - 381	R700381	R40H597	R40H9200	R40H3518	R404148
S1724, S1754 Conventional RA39, 199	Ra	WG	15 " x 7 "	4597 - 383	R700383	R40H597	R40H9200	R40H3540	R40H3541

MERITOR DRUM OR ROTOR NO.	CALIPER OR CYLINDER BORE SIZE	MERITOR CALIPER OR WHEEL CYLINDER (LEFT)	MERITOR CALIPER OR WHEEL CYLINDER (RIGHT)	MERITOR CALIPER OR WHEEL CYLINDER REPAIR KIT	MERITOR CALIPER PISTON	MERITOR MASTER CYLINDER	MERITOR MASTER CYLINDER KIT	MERITOR BRAKE HOSE (LEFT)	MERITOR BRAKE HOSE (RIGHT)
ITE(Cont.)									
170, 1700, 1710, 1723, 1724, 1750, 1753, 1754 SERIES CONVENTIONAL CAB, SCHOOL BUS, TILT CAB(Cont.)									
-	1-1/2 "	R4133580	R4133580	Discontinued	NR	-	-	-	-
-	1-1/2 "	R4133580	R4133580	Discontinued	NR	-	-	-	-
-	1-1/2 "	R4133580	R4133580	Discontinued	NR	-	-	-	-
-	1-5/8 "	R4133338	R4133338	R4166689	NR	-	-	-	-
-	1-5/8 "	R4133338	R4133338	R4166689	NR	-	-	-	-
-	1-5/8 "	R4133338	R4133338	R4166689	NR	-	-	-	-
-	1-5/8 "	R4133338	R4133338	R4166689	NR	-	-	-	-
-	1-5/8 "	R4133338	R4133338	R4166689	NR	-	-	-	-
-	1-5/8 "	R4133338	R4133338	R4166689	NR	-	-	-	-
-	1-5/8 "	R4133338	R4133338	R4166689	NR	-	-	-	-
-	1-5/8 "	R4133338	R4133338	R4166689	NR	-	-	-	-
-	1-3/4 "	R4133400	R4133400	R4166917	NR	-	-	-	-
-	1-3/4 "	R4133400	R4133400	R4166917	NR	-	-	-	-
-	1-1/4 "	R4133581	R4133582	R4166923	NR	-	-	-	-
-	1-1/4 "	R4133581	R4133582	R4166923	NR	-	-	-	-
-									
-									
-	1-1/4 "	R4133581	R4133582	R4166923	NR	-	-	-	-
-	1-1/4 "	R4133581	R4133582	R4166923	NR	-	-	-	-
-	1-1/8 "	R4133714	R4133715	R4166926	NR	-	-	-	-
-	1-1/8 "	R4133714	R4133715	R4166926	NR	-	-	-	-
-	1-1/4 "	R4133581	R4133582	R4166923	NR	-	-	-	-
-	1-1/4 "	R4133581	R4133582	R4166923	NR	-	-	-	-
-	1-1/4 "	R4133581	R4133582	R4166923	NR	-	-	-	-
-	1-1/4 "	R4133581	R4133582	R4166923	NR	-	-	-	-
-	1-1/4 "	R4133581	R4133582	R4166923	NR	-	-	-	-
-	1-1/4 "	R4133581	R4133582	R4166923	NR	-	-	-	-
-	1-1/4 "	R4133581	R4133582	R4166923	NR	-	-	-	-
-	1-1/4 "	R4133581	R4133582	R4166923	NR	-	-	-	-
-	1-1/2 "	R4133580	R4133580	Discontinued	NR	-	-	-	-
-	1-1/2 "	R4133580	R4133580	Discontinued	NR	-	-	-	-
-	1-1/2 "	R4133580	R4133580	Discontinued	NR	-	-	-	-
-	1-1/2 "	R4133580	R4133580	Discontinued	NR	-	-	-	-
-	1-1/2 "	R4133580	R4133580	Discontinued	NR	-	-	-	-
-	1-1/2 "	R4133580	R4133580	Discontinued	NR	-	-	-	-
-	1-5/8 "	R4133338	R4133338	R4166689	NR	-	-	-	-
-	1-5/8 "	R4133338	R4133338	R4166689	NR	-	-	-	-
-	1-5/8 "	R4133338	R4133338	R4166689	NR	-	-	-	-
-	1-5/8 "	R4133338	R4133338	R4166689	NR	-	-	-	-
-	1-5/8 "	R4133338	R4133338	R4166689	NR	-	-	-	-

1 APPLICATION

MAKE MODEL YEAR AXLE CODE AXLE WEIGHT	AXLE & BRK. TYPE	BRK. MFG.	BRAKE SIZE	FMSI	MERITOR DISC PAD OR BRAKE SHOE	MERITOR GUIDE PIN OR RETURN SPRING KIT	MERITOR CALIPER HWD. KIT OR RETURN SPRING KIT	MERITOR ADJUSTER KIT (LEFT WHEEL)	MERITOR ADJUSTER KIT (RIGHT WHEEL)
ITE(Cont.)									
170, 1700, 1710, 1723, 1724, 1750, 1753, 1754 SERIES CONVENTIONAL CAB, SCHOOL BUS, TILT CAB(Cont.)									
1977	Rm	WG	15 " x 7 "	4597 - 383	R700383	R40H597	R40H9200	R40H3518	R404148
S1724, S1754 Conventional RA44, 186	Ra	WG	15 " x 7 "	4597 - 383	R700383	R40H597	R40H9200	NLA	NLA
	Rm	WG	15 " x 7 "	4597 - 383	R700383	R40H597	R40H9200	R40H3518	R404148
S1724, S1754 Conventional RA47, 57	Ra	WG	16 " x 6 "	1255 - 386	N/A	R40H597	R40H9200	NLA	NLA
	Rm	WG	16 " x 6 "	1255 - 386	N/A	R40H597	R40H9200	R404149	R404150
1976 C1710, C1750 Cargostar Tilt Cab FA109, 208	Fa	WG	15 " x 3 "	1245C - 321	R700321	R40H521	R40H9237	R40H3502	R40H3503
	Fm	WG	15 " x 3 "	1245A - 235	R700235	R40H521	R40H9201	R40H3524	R40H3524
C1710, C1750 Cargostar Tilt Cab FA118, 127, 139	Fa	WG	15 " x 5 "	1345A - 491	N/A	R40H521	R40H9237	R40H3502	R40H3503
	Fm	WG	15 " x 5 "	1345 - 490	N/A	R40H521	R40H9201	R40H3524	R40H3524
C1710, C1750 Cargostar Tilt Cab FA208	Fa	WG	15 " x 3-1/2 "	1280B - 322	R464004	R40H521	R40H9237	R40H3502	R40H3503
	Fm	WG	15 " x 3-1/2 "	1280 - 463	R700463	R40H521	R40H9201	R40H3524	R40H3524
C1710, C1750 Cargostar Tilt Cab FA48, 68, 70, 72	Fa	WG	14 " x 2-1/2 "	1294A - 325	N/A	R40H521	R40H9237	R40H3502	R40H3503
	Fm	WG	14 " x 2-1/2 "	1294 - 296	N/A	R40H521	R40H9201	R40H3524	R40H3524
C1710, C1750 Cargostar Tilt Cab FA71, 73, 101	Fa	WG	15 " x 3 "	1245C - 321	R700321	R40H521	R40H9237	R40H3502	R40H3503
	Fa	WG	15 " x 3-1/2 "	1280B - 322	R464004	R40H521	R40H9237	R40H3502	R40H3503
	Fm	WG	15 " x 3 "	1245A - 235	R700235	R40H521	R40H9201	R40H3524	R40H3524
	Fm	WG	15 " x 3-1/2 "	1280 - 463	R700463	R40H521	R40H9201	R40H3524	R40H3524
C1710, C1750 Cargostar Tilt Cab FA74	Fa	WG	15 " x 3 "	1245C - 321	R700321	R40H521	R40H9237	R40H3502	R40H3503
	Fm	WG	15 " x 3 "	1245A - 235	R700235	R40H521	R40H9201	R40H3524	R40H3524
C1710, C1750 Cargostar Tilt Cab FA78, 81	Fa	WG	15 " x 3 "	1245C - 321	R700321	R40H521	R40H9237	R40H3502	R40H3503
C1710, C1750 Cargostar Tilt Cab FA89, 91, 98	Fa	WG	15 " x 3 "	1245C - 321	R700321	R40H521	R40H9237	R40H3502	R40H3503
	Fm	WG	15 " x 3 "	1245A - 235	R700235	R40H521	R40H9201	R40H3524	R40H3524
C1710, C1750 Cargostar Tilt Cab RA184	Ra	WG	15 " x 4 "	4645A - 376	Discontinued	R40H597	R40H9200	R40H3540	R40H3541
	Rm	WG	15 " x 4 "	4645A - 376	Discontinued	R40H597	R40H9200	R40H3518	R404148
C1710, C1750 Cargostar Tilt Cab RA25, 184	Ra	WG	15 " x 5 "	1252 - 346	R700346	R40H597	R40H9200	R40H3540	R40H3541
	Rm	WG	15 " x 5 "	1252 - 346	R700346	R40H597	R40H9200	R40H3518	R404148
C1710, C1750 Cargostar Tilt Cab RA29, 30, 187	Ra	WG	15 " x 5 "	1252 - 346	R700346	R40H597	R40H9200	R40H3540	R40H3541
	Rm	WG	15 " x 5 "	1252 - 346	R700346	R40H597	R40H9200	R40H3518	R404148
C1710, C1750 Cargostar Tilt Cab RA30, 187	Ra	WG	16 " x 5 "	1254 - 385	N/A	R40H597	R40H9200	NLA	NLA
	Rm	WG	16 " x 5 "	1254 - 385	N/A	R40H597	R40H9200	R404149	R404150
C1710, C1750 Cargostar Tilt Cab RA30, 39, 44, 186, 189	Ra	WG	15 " x 6 "	4596 - 381	R700381	R40H597	R40H9200	R40H3540	R40H3541
	Rm	WG	15 " x 6 "	4596 - 381	R700381	R40H597	R40H9200	R40H3518	R404148

MERITOR DRUM OR ROTOR NO.	CALIPER OR CYLINDER BORE SIZE	MERITOR CALIPER OR WHEEL CYLINDER (LEFT)	MERITOR CALIPER OR WHEEL CYLINDER (RIGHT)	MERITOR CALIPER OR WHEEL CYLINDER REPAIR KIT	MERITOR CALIPER PISTON	MERITOR MASTER CYLINDER	MERITOR MASTER CYLINDER KIT	MERITOR BRAKE HOSE (LEFT)	MERITOR BRAKE HOSE (RIGHT)
ITE(Cont.)									
170, 1700, 1710, 1723, 1724, 1750, 1753, 1754 SERIES CONVENTIONAL CAB, SCHOOL BUS, TILT CAB(Cont.)									
-	1-5/8 "	R4133338	R4133338	R4166689	NR	-	-	-	-
-	1-5/8 "	R4133338	R4133338	R4166689	NR	-	-	-	-
-	1-5/8 "	R4133338	R4133338	R4166689	NR	-	-	-	-
-	1-3/4 "	R4133400	R4133400	R4166917	NR	-	-	-	-
-	1-3/4 "	R4133400	R4133400	R4166917	NR	-	-	-	-
-									
-	1-1/4 "	R4133581	R4133582	R4166923	NR	-	-	-	-
-	1-1/4 "	R4133581	R4133582	R4166923	NR	-	-	-	-
-									
-									
-									
-	1-1/4 "	R4133581	R4133582	R4166923	NR	-	-	-	-
-	1-1/4 "	R4133581	R4133582	R4166923	NR	-	-	-	-
-									
-	1-1/8 "	R4133714	R4133715	R4166926	NR	-	-	-	-
-	1-1/8 "	R4133714	R4133715	R4166926	NR	-	-	-	-
-									
-	1-1/4 "	R4133581	R4133582	R4166923	NR	-	-	-	-
-	1-1/4 "	R4133581	R4133582	R4166923	NR	-	-	-	-
-	1-1/4 "	R4133581	R4133582	R4166923	NR	-	-	-	-
-	1-1/4 "	R4133581	R4133582	R4166923	NR	-	-	-	-
-									
-	1-1/4 "	R4133581	R4133582	R4166923	NR	-	-	-	-
-	1-1/4 "	R4133581	R4133582	R4166923	NR	-	-	-	-
-									
-	1-1/2 "	R4133580	R4133580	Discontinued	NR	-	-	-	-
-	1-1/2 "	R4133580	R4133580	Discontinued	NR	-	-	-	-
-									
-	1-1/2 "	R4133580	R4133580	Discontinued	NR	-	-	-	-
-	1-1/2 "	R4133580	R4133580	Discontinued	NR	-	-	-	-
-									
-	1-5/8 "	R4133338	R4133338	R4166689	NR	-	-	-	-
-	1-5/8 "	R4133338	R4133338	R4166689	NR	-	-	-	-
-									
-	1-5/8 "	R4133338	R4133338	R4166689	NR	-	-	-	-
-	1-5/8 "	R4133338	R4133338	R4166689	NR	-	-	-	-

MAKE MODEL YEAR AXLE CODE AXLE WEIGHT	AXLE & BRK. TYPE	BRK. MFG.	BRAKE SIZE	FMSI	MERITOR DISC PAD OR BRAKE SHOE	MERITOR GUIDE PIN OR RETURN SPRING KIT	MERITOR CALIPER HWD. KIT OR RETURN SPRING KIT	MERITOR ADJUSTER KIT (LEFT WHEEL)	MERITOR ADJUSTER KIT (RIGHT WHEEL)
ITE(Cont.)									
170, 1700, 1710, 1723, 1724, 1750, 1753, 1754 SERIES CONVENTIONAL CAB, SCHOOL BUS, TILT CAB(Cont.)									
1976 C1710, C1750 Cargostar Tilt Cab RA39, 199	Ra	WG	15 " x 7 "	4597 - 383	R700383	R40H597	R40H9200	R40H3540	R40H3541
	Rm	WG	15 " x 7 "	4597 - 383	R700383	R40H597	R40H9200	R40H3518	R404148
C1710, C1750 Cargostar Tilt Cab RA44, 186	Ra	WG	15 " x 7 "	4597 - 383	R700383	R40H597	R40H9200	NLA	NLA
	Rm	WG	15 " x 7 "	4597 - 383	R700383	R40H597	R40H9200	R40H3518	R404148
C1710, C1750 Cargostar Tilt Cab RA47, 57	Ra	WG	16 " x 6 "	1255 - 386	N/A	R40H597	R40H9200	NLA	NLA
	Rm	WG	16 " x 6 "	1255 - 386	N/A	R40H597	R40H9200	R404149	R404150
S1723, S1753 School Bus FA109, 208	Fa	WG	15 " x 3 "	1245C - 321	R700321	R40H521	R40H9237	R40H3502	R40H3503
	Fm	WG	15 " x 3 "	1245A - 235	R700235	R40H521	R40H9201	R40H3524	R40H3524
S1723, S1753 School Bus FA118, 127, 139	Fa	WG	15 " x 5 "	1345A - 491	N/A	R40H521	R40H9237	R40H3502	R40H3503
	Fm	WG	15 " x 5 "	1345 - 490	N/A	R40H521	R40H9201	R40H3524	R40H3524
S1723, S1753 School Bus FA208	Fa	WG	15 " x 3-1/2 "	1280B - 322	R464004	R40H521	R40H9237	R40H3502	R40H3503
	Fm	WG	15 " x 3-1/2 "	1280 - 463	R700463	R40H521	R40H9201	R40H3524	R40H3524
S1723, S1753 School Bus FA48, 68, 70, 72	Fa	WG	14 " x 2-1/2 "	1294A - 325	N/A	R40H521	R40H9237	R40H3502	R40H3503
	Fm	WG	14 " x 2-1/2 "	1294 - 296	N/A	R40H521	R40H9201	R40H3524	R40H3524
S1723, S1753 School Bus FA71, 73, 101	Fa	WG	15 " x 3 "	1245C - 321	R700321	R40H521	R40H9237	R40H3502	R40H3503
	Fa	WG	15 " x 3-1/2 "	1280B - 322	R464004	R40H521	R40H9237	R40H3502	R40H3503
	Fm	WG	15 " x 3 "	1245A - 235	R700235	R40H521	R40H9201	R40H3524	R40H3524
	Fm	WG	15 " x 3-1/2 "	1280 - 463	R700463	R40H521	R40H9201	R40H3524	R40H3524
S1723, S1753 School Bus FA74	Fa	WG	15 " x 3 "	1245C - 321	R700321	R40H521	R40H9237	R40H3502	R40H3503
	Fm	WG	15 " x 3 "	1245A - 235	R700235	R40H521	R40H9201	R40H3524	R40H3524
S1723, S1753 School Bus FA78, 81	Fa	WG	15 " x 3 "	1245C - 321	R700321	R40H521	R40H9237	R40H3502	R40H3503
S1723, S1753 School Bus FA89, 91, 98	Fa	WG	15 " x 3 "	1245C - 321	R700321	R40H521	R40H9237	R40H3502	R40H3503
	Fm	WG	15 " x 3 "	1245A - 235	R700235	R40H521	R40H9201	R40H3524	R40H3524
S1723, S1753 School Bus RA184	Ra	WG	15 " x 4 "	4645A - 376	Discontinued	R40H597	R40H9200	R40H3540	R40H3541
	Rm	WG	15 " x 4 "	4645A - 376	Discontinued	R40H597	R40H9200	R40H3518	R404148
S1723, S1753 School Bus RA25, 184	Ra	WG	15 " x 5 "	1252 - 346	R700346	R40H597	R40H9200	R40H3540	R40H3541
	Rm	WG	15 " x 5 "	1252 - 346	R700346	R40H597	R40H9200	R40H3518	R404148
S1723, S1753 School Bus RA29, 30, 187	Ra	WG	15 " x 5 "	1252 - 346	R700346	R40H597	R40H9200	R40H3540	R40H3541
	Rm	WG	15 " x 5 "	1252 - 346	R700346	R40H597	R40H9200	R40H3518	R404148
S1723, S1753 School Bus RA30, 187	Ra	WG	16 " x 5 "	1254 - 385	N/A	R40H597	R40H9200	NLA	NLA
	Rm	WG	16 " x 5 "	1254 - 385	N/A	R40H597	R40H9200	R404149	R404150
S1723, S1753 School Bus RA30, 39, 44, 186, 189	Ra	WG	15 " x 6 "	4596 - 381	R700381	R40H597	R40H9200	R40H3540	R40H3541
	Rm	WG	15 " x 6 "	4596 - 381	R700381	R40H597	R40H9200	R40H3518	R404148
S1723, S1753 School Bus RA39, 199	Ra	WG	15 " x 7 "	4597 - 383	R700383	R40H597	R40H9200	R40H3540	R40H3541
	Rm	WG	15 " x 7 "	4597 - 383	R700383	R40H597	R40H9200	R40H3518	R404148
S1723, S1753 School Bus RA44, 186	Ra	WG	15 " x 7 "	4597 - 383	R700383	R40H597	R40H9200	NLA	NLA
	Rm	WG	15 " x 7 "	4597 - 383	R700383	R40H597	R40H9200	R40H3518	R404148
S1723, S1753 School Bus RA47, 57	Ra	WG	16 " x 6 "	1255 - 386	N/A	R40H597	R40H9200	NLA	NLA
	Rm	WG	16 " x 6 "	1255 - 386	N/A	R40H597	R40H9200	R404149	R404150

MERITOR DRUM OR ROTOR NO.	CALIPER OR CYLINDER BORE SIZE	MERITOR CALIPER OR WHEEL CYLINDER (LEFT)	MERITOR CALIPER OR WHEEL CYLINDER (RIGHT)	MERITOR CALIPER OR WHEEL CYLINDER REPAIR KIT	MERITOR CALIPER PISTON	MERITOR MASTER CYLINDER	MERITOR MASTER CYLINDER KIT	MERITOR BRAKE HOSE (LEFT)	MERITOR BRAKE HOSE (RIGHT)
ITE(Cont.)									
170, 1700, 1710, 1723, 1724, 1750, 1753, 1754 SERIES CONVENTIONAL CAB, SCHOOL BUS, TILT CAB(Cont.)									
-	1-5/8 "	R4133338	R4133338	R4166689	NR	-	-	-	-
-	1-5/8 "	R4133338	R4133338	R4166689	NR	-	-	-	-
-	1-5/8 "	R4133338	R4133338	R4166689	NR	-	-	-	-
-	1-5/8 "	R4133338	R4133338	R4166689	NR	-	-	-	-
-	1-3/4 "	R4133400	R4133400	R4166917	NR	-	-	-	-
-	1-3/4 "	R4133400	R4133400	R4166917	NR	-	-	-	-
-	1-1/4 "	R4133581	R4133582	R4166923	NR	-	-	-	-
-	1-1/4 "	R4133581	R4133582	R4166923	NR	-	-	-	-
-									
-									
-	1-1/4 "	R4133581	R4133582	R4166923	NR	-	-	-	-
-	1-1/4 "	R4133581	R4133582	R4166923	NR	-	-	-	-
-	1-1/8 "	R4133714	R4133715	R4166926	NR	-	-	-	-
-	1-1/8 "	R4133714	R4133715	R4166926	NR	-	-	-	-
-	1-1/4 "	R4133581	R4133582	R4166923	NR	-	-	-	-
-	1-1/4 "	R4133581	R4133582	R4166923	NR	-	-	-	-
-	1-1/4 "	R4133581	R4133582	R4166923	NR	-	-	-	-
-	1-1/4 "	R4133581	R4133582	R4166923	NR	-	-	-	-
-	1-1/4 "	R4133581	R4133582	R4166923	NR	-	-	-	-
-	1-1/4 "	R4133581	R4133582	R4166923	NR	-	-	-	-
-	1-1/4 "	R4133581	R4133582	R4166923	NR	-	-	-	-
-	1-1/2 "	R4133580	R4133580	Discontinued	NR	-	-	-	-
-	1-1/2 "	R4133580	R4133580	Discontinued	NR	-	-	-	-
-	1-1/2 "	R4133580	R4133580	Discontinued	NR	-	-	-	-
-	1-1/2 "	R4133580	R4133580	Discontinued	NR	-	-	-	-
-	1-1/2 "	R4133580	R4133580	Discontinued	NR	-	-	-	-
-	1-1/2 "	R4133580	R4133580	Discontinued	NR	-	-	-	-
-	1-5/8 "	R4133338	R4133338	R4166689	NR	-	-	-	-
-	1-5/8 "	R4133338	R4133338	R4166689	NR	-	-	-	-
-	1-5/8 "	R4133338	R4133338	R4166689	NR	-	-	-	-
-	1-5/8 "	R4133338	R4133338	R4166689	NR	-	-	-	-
-	1-5/8 "	R4133338	R4133338	R4166689	NR	-	-	-	-
-	1-5/8 "	R4133338	R4133338	R4166689	NR	-	-	-	-
-	1-5/8 "	R4133338	R4133338	R4166689	NR	-	-	-	-
-	1-5/8 "	R4133338	R4133338	R4166689	NR	-	-	-	-
-	1-3/4 "	R4133400	R4133400	R4166917	NR	-	-	-	-
-	1-3/4 "	R4133400	R4133400	R4166917	NR	-	-	-	-

1 APPLICATION

MAKE MODEL YEAR AXLE CODE AXLE WEIGHT	AXLE & BRK. TYPE	BRK. MFG.	BRAKE SIZE	FMSI	MERITOR DISC PAD OR BRAKE SHOE	MERITOR GUIDE PIN OR RETURN SPRING KIT	MERITOR CALIPER HWD. KIT OR RETURN SPRING KIT	MERITOR ADJUSTER KIT (LEFT WHEEL)	MERITOR ADJUSTER KIT (RIGHT WHEEL)
ITE(Cont.)									
170, 1700, 1710, 1723, 1724, 1750, 1753, 1754 SERIES CONVENTIONAL CAB, SCHOOL BUS, TILT CAB(Cont.)									
1976 S1724, S1754 Conventional FA109, 208	Fa	WG	15 " x 3 "	1245C - 321	R700321	R40H521	R40H9237	R40H3502	R40H3503
	Fm	WG	15 " x 3 "	1245A - 235	R700235	R40H521	R40H9201	R40H3524	R40H3524
S1724, S1754 Conventional FA118, 127, 139	Fa	WG	15 " x 5 "	1345A - 491	N/A	R40H521	R40H9237	R40H3502	R40H3503
	Fm	WG	15 " x 5 "	1345 - 490	N/A	R40H521	R40H9201	R40H3524	R40H3524
S1724, S1754 Conventional FA208	Fa	WG	15 " x 3-1/2 "	1280B - 322	R464004	R40H521	R40H9237	R40H3502	R40H3503
	Fm	WG	15 " x 3-1/2 "	1280 - 463	R700463	R40H521	R40H9201	R40H3524	R40H3524
S1724, S1754 Conventional FA48, 68, 70, 72	Fa	WG	14 " x 2-1/2 "	1294A - 325	N/A	R40H521	R40H9237	R40H3502	R40H3503
	Fm	WG	14 " x 2-1/2 "	1294 - 296	N/A	R40H521	R40H9201	R40H3524	R40H3524
S1724, S1754 Conventional FA71, 73, 101	Fa	WG	15 " x 3 "	1245C - 321	R700321	R40H521	R40H9237	R40H3502	R40H3503
	Fa	WG	15 " x 3-1/2 "	1280B - 322	R464004	R40H521	R40H9237	R40H3502	R40H3503
	Fm	WG	15 " x 3 "	1245A - 235	R700235	R40H521	R40H9201	R40H3524	R40H3524
	Fm	WG	15 " x 3-1/2 "	1280 - 463	R700463	R40H521	R40H9201	R40H3524	R40H3524
S1724, S1754 Conventional FA74	Fa	WG	15 " x 3 "	1245C - 321	R700321	R40H521	R40H9237	R40H3502	R40H3503
	Fm	WG	15 " x 3 "	1245A - 235	R700235	R40H521	R40H9201	R40H3524	R40H3524
S1724, S1754 Conventional FA78, 81	Fa	WG	15 " x 3 "	1245C - 321	R700321	R40H521	R40H9237	R40H3502	R40H3503
S1724, S1754 Conventional FA89, 91, 98	Fa	WG	15 " x 3 "	1245C - 321	R700321	R40H521	R40H9237	R40H3502	R40H3503
	Fm	WG	15 " x 3 "	1245A - 235	R700235	R40H521	R40H9201	R40H3524	R40H3524
S1724, S1754 Conventional RA184	Ra	WG	15 " x 4 "	4645A - 376	Discontinued	R40H597	R40H9200	R40H3540	R40H3541
	Rm	WG	15 " x 4 "	4645A - 376	Discontinued	R40H597	R40H9200	R40H3518	R404148
S1724, S1754 Conventional RA25, 184	Ra	WG	15 " x 5 "	1252 - 346	R700346	R40H597	R40H9200	R40H3540	R40H3541
	Rm	WG	15 " x 5 "	1252 - 346	R700346	R40H597	R40H9200	R40H3518	R404148
S1724, S1754 Conventional RA29, 30, 187	Ra	WG	15 " x 5 "	1252 - 346	R700346	R40H597	R40H9200	R40H3540	R40H3541
	Rm	WG	15 " x 5 "	1252 - 346	R700346	R40H597	R40H9200	R40H3518	R404148
S1724, S1754 Conventional RA30, 187	Ra	WG	16 " x 5 "	1254 - 385	N/A	R40H597	R40H9200	NLA	NLA
	Rm	WG	16 " x 5 "	1254 - 385	N/A	R40H597	R40H9200	R404149	R404150
S1724, S1754 Conventional RA30, 39, 44, 186, 189	Ra	WG	15 " x 6 "	4596 - 381	R700381	R40H597	R40H9200	R40H3540	R40H3541
	Rm	WG	15 " x 6 "	4596 - 381	R700381	R40H597	R40H9200	R40H3518	R404148
S1724, S1754 Conventional RA39, 199	Ra	WG	15 " x 7 "	4597 - 383	R700383	R40H597	R40H9200	R40H3540	R40H3541
	Rm	WG	15 " x 7 "	4597 - 383	R700383	R40H597	R40H9200	R40H3518	R404148
S1724, S1754 Conventional RA44, 186	Ra	WG	15 " x 7 "	4597 - 383	R700383	R40H597	R40H9200	NLA	NLA
	Rm	WG	15 " x 7 "	4597 - 383	R700383	R40H597	R40H9200	R40H3518	R404148
S1724, S1754 Conventional RA47, 57	Ra	WG	16 " x 6 "	1255 - 386	N/A	R40H597	R40H9200	NLA	NLA
	Rm	WG	16 " x 6 "	1255 - 386	N/A	R40H597	R40H9200	R404149	R404150
1975 C1710, C1750 Cargostar Tilt Cab FA109, 208	Fa	WG	15 " x 3 "	1245C - 321	R700321	R40H521	R40H9237	R40H3502	R40H3503
	Fm	WG	15 " x 3 "	1245A - 235	R700235	R40H521	R40H9201	R40H3524	R40H3524
C1710, C1750 Cargostar Tilt Cab FA118, 127, 139	Fa	WG	15 " x 5 "	1345A - 491	N/A	R40H521	R40H9237	R40H3502	R40H3503
	Fm	WG	15 " x 5 "	1345 - 490	N/A	R40H521	R40H9201	R40H3524	R40H3524
C1710, C1750 Cargostar Tilt Cab FA208	Fa	WG	15 " x 3-1/2 "	1280B - 322	R464004	R40H521	R40H9237	R40H3502	R40H3503

MERITOR DRUM OR ROTOR NO.	CALIPER OR CYLINDER BORE SIZE	MERITOR CALIPER OR WHEEL CYLINDER (LEFT)	MERITOR CALIPER OR WHEEL CYLINDER (RIGHT)	MERITOR CALIPER OR WHEEL CYLINDER REPAIR KIT	MERITOR CALIPER PISTON	MERITOR MASTER CYLINDER	MERITOR MASTER CYLINDER KIT	MERITOR BRAKE HOSE (LEFT)	MERITOR BRAKE HOSE (RIGHT)
ITE(Cont.)									
170, 1700, 1710, 1723, 1724, 1750, 1753, 1754 SERIES CONVENTIONAL CAB, SCHOOL BUS, TILT CAB(Cont.)									
-	1-1/4 "	R4133581	R4133582	R4166923	NR	-	-	-	-
-	1-1/4 "	R4133581	R4133582	R4166923	NR	-	-	-	-
-									
-									
-	1-1/4 "	R4133581	R4133582	R4166923	NR	-	-	-	-
-	1-1/4 "	R4133581	R4133582	R4166923	NR	-	-	-	-
-	1-1/8 "	R4133714	R4133715	R4166926	NR	-	-	-	-
-	1-1/8 "	R4133714	R4133715	R4166926	NR	-	-	-	-
-	1-1/4 "	R4133581	R4133582	R4166923	NR	-	-	-	-
-	1-1/4 "	R4133581	R4133582	R4166923	NR	-	-	-	-
-	1-1/4 "	R4133581	R4133582	R4166923	NR	-	-	-	-
-	1-1/4 "	R4133581	R4133582	R4166923	NR	-	-	-	-
-	1-1/4 "	R4133581	R4133582	R4166923	NR	-	-	-	-
-	1-1/4 "	R4133581	R4133582	R4166923	NR	-	-	-	-
-	1-1/4 "	R4133581	R4133582	R4166923	NR	-	-	-	-
-	1-1/4 "	R4133581	R4133582	R4166923	NR	-	-	-	-
-	1-1/2 "	R4133580	R4133580	Discontinued	NR	-	-	-	-
-	1-1/2 "	R4133580	R4133580	Discontinued	NR	-	-	-	-
-	1-1/2 "	R4133580	R4133580	Discontinued	NR	-	-	-	-
-	1-1/2 "	R4133580	R4133580	Discontinued	NR	-	-	-	-
-	1-1/2 "	R4133580	R4133580	Discontinued	NR	-	-	-	-
-	1-1/2 "	R4133580	R4133580	Discontinued	NR	-	-	-	-
-	1-5/8 "	R4133338	R4133338	R4166689	NR	-	-	-	-
-	1-5/8 "	R4133338	R4133338	R4166689	NR	-	-	-	-
-	1-5/8 "	R4133338	R4133338	R4166689	NR	-	-	-	-
-	1-5/8 "	R4133338	R4133338	R4166689	NR	-	-	-	-
-	1-5/8 "	R4133338	R4133338	R4166689	NR	-	-	-	-
-	1-5/8 "	R4133338	R4133338	R4166689	NR	-	-	-	-
-	1-5/8 "	R4133338	R4133338	R4166689	NR	-	-	-	-
-	1-3/4 "	R4133400	R4133400	R4166917	NR	-	-	-	-
-	1-3/4 "	R4133400	R4133400	R4166917	NR	-	-	-	-
-									
-	1-1/4 "	R4133581	R4133582	R4166923	NR	-	-	-	-
-	1-1/4 "	R4133581	R4133582	R4166923	NR	-	-	-	-
-									
-									
-	1-1/4 "	R4133581	R4133582	R4166923	NR	-	-	-	-

1 APPLICATION

MAKE MODEL YEAR AXLE CODE AXLE WEIGHT	AXLE & BRK. TYPE	BRK. MFG.	BRAKE SIZE	FMSI	MERITOR DISC PAD OR BRAKE SHOE	MERITOR GUIDE PIN OR RETURN SPRING KIT	MERITOR CALIPER HWD. KIT OR RETURN SPRING KIT	MERITOR ADJUSTER KIT (LEFT WHEEL)	MERITOR ADJUSTER KIT (RIGHT WHEEL)
ITE(Cont.)									
170, 1700, 1710, 1723, 1724, 1750, 1753, 1754 SERIES CONVENTIONAL CAB, SCHOOL BUS, TILT CAB(Cont.)									
1975 C1710, C1750 Cargostar Tilt Cab FA208	Fm	WG	15 " x 3-1/2 "	1280 - 463	R700463	R40H521	R40H9201	R40H3524	R40H3524
C1710, C1750 Cargostar Tilt Cab FA48, 68, 70, 72	Fa	WG	14 " x 2-1/2 "	1294A - 325	N/A	R40H521	R40H9237	R40H3502	R40H3503
	Fm	WG	14 " x 2-1/2 "	1294 - 296	N/A	R40H521	R40H9201	R40H3524	R40H3524
C1710, C1750 Cargostar Tilt Cab FA71, 73, 101	Fa	WG	15 " x 3 "	1245C - 321	R700321	R40H521	R40H9237	R40H3502	R40H3503
	Fa	WG	15 " x 3-1/2 "	1280B - 322	R464004	R40H521	R40H9237	R40H3502	R40H3503
	Fm	WG	15 " x 3 "	1245A - 235	R700235	R40H521	R40H9201	R40H3524	R40H3524
	Fm	WG	15 " x 3-1/2 "	1280 - 463	R700463	R40H521	R40H9201	R40H3524	R40H3524
C1710, C1750 Cargostar Tilt Cab FA74	Fa	WG	15 " x 3 "	1245C - 321	R700321	R40H521	R40H9237	R40H3502	R40H3503
	Fm	WG	15 " x 3 "	1245A - 235	R700235	R40H521	R40H9201	R40H3524	R40H3524
C1710, C1750 Cargostar Tilt Cab FA78, 81	Fa	WG	15 " x 3 "	1245C - 321	R700321	R40H521	R40H9237	R40H3502	R40H3503
C1710, C1750 Cargostar Tilt Cab FA89, 91, 98	Fa	WG	15 " x 3 "	1245C - 321	R700321	R40H521	R40H9237	R40H3502	R40H3503
	Fm	WG	15 " x 3 "	1245A - 235	R700235	R40H521	R40H9201	R40H3524	R40H3524
C1710, C1750 Cargostar Tilt Cab RA184	Ra	WG	15 " x 4 "	4645A - 376	Discontinued	R40H597	R40H9200	R40H3540	R40H3541
	Rm	WG	15 " x 4 "	4645A - 376	Discontinued	R40H597	R40H9200	R40H3518	R404148
C1710, C1750 Cargostar Tilt Cab RA25, 184	Ra	WG	15 " x 5 "	1252 - 346	R700346	R40H597	R40H9200	R40H3540	R40H3541
	Rm	WG	15 " x 5 "	1252 - 346	R700346	R40H597	R40H9200	R40H3518	R404148
C1710, C1750 Cargostar Tilt Cab RA29, 30, 187	Ra	WG	15 " x 5 "	1252 - 346	R700346	R40H597	R40H9200	R40H3540	R40H3541
	Rm	WG	15 " x 5 "	1252 - 346	R700346	R40H597	R40H9200	R40H3518	R404148
C1710, C1750 Cargostar Tilt Cab RA30, 187	Ra	WG	16 " x 5 "	1254 - 385	N/A	R40H597	R40H9200	NLA	NLA
	Rm	WG	16 " x 5 "	1254 - 385	N/A	R40H597	R40H9200	R404149	R404150
C1710, C1750 Cargostar Tilt Cab RA30, 39, 44, 186, 189	Ra	WG	15 " x 6 "	4596 - 381	R700381	R40H597	R40H9200	R40H3540	R40H3541
	Rm	WG	15 " x 6 "	4596 - 381	R700381	R40H597	R40H9200	R40H3518	R404148
C1710, C1750 Cargostar Tilt Cab RA39, 199	Ra	WG	15 " x 7 "	4597 - 383	R700383	R40H597	R40H9200	R40H3540	R40H3541
	Rm	WG	15 " x 7 "	4597 - 383	R700383	R40H597	R40H9200	R40H3518	R404148
C1710, C1750 Cargostar Tilt Cab RA44, 186	Ra	WG	15 " x 7 "	4597 - 383	R700383	R40H597	R40H9200	NLA	NLA
	Rm	WG	15 " x 7 "	4597 - 383	R700383	R40H597	R40H9200	R40H3518	R404148
C1710, C1750 Cargostar Tilt Cab RA47, 57	Ra	WG	16 " x 6 "	1255 - 386	N/A	R40H597	R40H9200	NLA	NLA
	Rm	WG	16 " x 6 "	1255 - 386	N/A	R40H597	R40H9200	R404149	R404150
S1723, S1753 School Bus FA109, 208	Fa	WG	15 " x 3 "	1245C - 321	R700321	R40H521	R40H9237	R40H3502	R40H3503
	Fm	WG	15 " x 3 "	1245A - 235	R700235	R40H521	R40H9201	R40H3524	R40H3524
S1723, S1753 School Bus FA118, 127, 139	Fa	WG	15 " x 5 "	1345A - 491	N/A	R40H521	R40H9237	R40H3502	R40H3503
	Fm	WG	15 " x 5 "	1345 - 490	N/A	R40H521	R40H9201	R40H3524	R40H3524

MERITOR DRUM OR ROTOR NO.	CALIPER OR CYLINDER BORE SIZE	MERITOR CALIPER OR WHEEL CYLINDER (LEFT)	MERITOR CALIPER OR WHEEL CYLINDER (RIGHT)	MERITOR CALIPER OR WHEEL CYLINDER REPAIR KIT	MERITOR CALIPER PISTON	MERITOR MASTER CYLINDER	MERITOR MASTER CYLINDER KIT	MERITOR BRAKE HOSE (LEFT)	MERITOR BRAKE HOSE (RIGHT)
ITE(Cont.)									
170, 1700, 1710, 1723, 1724, 1750, 1753, 1754 SERIES CONVENTIONAL CAB, SCHOOL BUS, TILT CAB(Cont.)									
-	1-1/4 "	R4133581	R4133582	R4166923	NR	-	-	-	-
-	1-1/8 "	R4133714	R4133715	R4166926	NR	-	-	-	-
-	1-1/8 "	R4133714	R4133715	R4166926	NR	-	-	-	-
-	1-1/4 "	R4133581	R4133582	R4166923	NR	-	-	-	-
-	1-1/4 "	R4133581	R4133582	R4166923	NR	-	-	-	-
-	1-1/4 "	R4133581	R4133582	R4166923	NR	-	-	-	-
-	1-1/4 "	R4133581	R4133582	R4166923	NR	-	-	-	-
-	1-1/4 "	R4133581	R4133582	R4166923	NR	-	-	-	-
-	1-1/4 "	R4133581	R4133582	R4166923	NR	-	-	-	-
-	1-1/4 "	R4133581	R4133582	R4166923	NR	-	-	-	-
-	1-1/2 "	R4133580	R4133580	Discontinued	NR	-	-	-	-
-	1-1/2 "	R4133580	R4133580	Discontinued	NR	-	-	-	-
-	1-1/2 "	R4133580	R4133580	Discontinued	NR	-	-	-	-
-	1-1/2 "	R4133580	R4133580	Discontinued	NR	-	-	-	-
-	1-1/2 "	R4133580	R4133580	Discontinued	NR	-	-	-	-
-	1-1/2 "	R4133580	R4133580	Discontinued	NR	-	-	-	-
-	1-5/8 "	R4133338	R4133338	R4166689	NR	-	-	-	-
-	1-5/8 "	R4133338	R4133338	R4166689	NR	-	-	-	-
-	1-5/8 "	R4133338	R4133338	R4166689	NR	-	-	-	-
-	1-5/8 "	R4133338	R4133338	R4166689	NR	-	-	-	-
-	1-5/8 "	R4133338	R4133338	R4166689	NR	-	-	-	-
-	1-5/8 "	R4133338	R4133338	R4166689	NR	-	-	-	-
-	1-3/4 "	R4133400	R4133400	R4166917	NR	-	-	-	-
-	1-3/4 "	R4133400	R4133400	R4166917	NR	-	-	-	-
-	1-1/4 "	R4133581	R4133582	R4166923	NR	-	-	-	-
-	1-1/4 "	R4133581	R4133582	R4166923	NR	-	-	-	-
-						-	-	-	-
-						-	-	-	-

1 APPLICATION

MAKE MODEL YEAR AXLE CODE AXLE WEIGHT	AXLE & BRK. TYPE	BRK. MFG.	BRAKE SIZE	FMSI	MERITOR DISC PAD OR BRAKE SHOE	MERITOR GUIDE PIN OR RETURN SPRING KIT	MERITOR CALIPER HWD. KIT OR RETURN SPRING KIT	MERITOR ADJUSTER KIT (LEFT WHEEL)	MERITOR ADJUSTER KIT (RIGHT WHEEL)
ITE(Cont.)									
170, 1700, 1710, 1723, 1724, 1750, 1753, 1754 SERIES CONVENTIONAL CAB, SCHOOL BUS, TILT CAB(Cont.)									
1975 S1723, S1753 School Bus FA208	Fa	WG	15 " x 3-1/2 "	1280B - 322	R464004	R40H521	R40H9237	R40H3502	R40H3503
	Fm	WG	15 " x 3-1/2 "	1280 - 463	R700463	R40H521	R40H9201	R40H3524	R40H3524
S1723, S1753 School Bus FA48, 68, 70, 72	Fa	WG	14 " x 2-1/2 "	1294A - 325	N/A	R40H521	R40H9237	R40H3502	R40H3503
	Fm	WG	14 " x 2-1/2 "	1294 - 296	N/A	R40H521	R40H9201	R40H3524	R40H3524
S1723, S1753 School Bus FA71, 73, 101	Fa	WG	15 " x 3 "	1245C - 321	R700321	R40H521	R40H9237	R40H3502	R40H3503
	Fa	WG	15 " x 3-1/2 "	1280B - 322	R464004	R40H521	R40H9237	R40H3502	R40H3503
	Fm	WG	15 " x 3 "	1245A - 235	R700235	R40H521	R40H9201	R40H3524	R40H3524
	Fm	WG	15 " x 3-1/2 "	1280 - 463	R700463	R40H521	R40H9201	R40H3524	R40H3524
S1723, S1753 School Bus FA74	Fa	WG	15 " x 3 "	1245C - 321	R700321	R40H521	R40H9237	R40H3502	R40H3503
	Fm	WG	15 " x 3 "	1245A - 235	R700235	R40H521	R40H9201	R40H3524	R40H3524
S1723, S1753 School Bus FA78, 81	Fa	WG	15 " x 3 "	1245C - 321	R700321	R40H521	R40H9237	R40H3502	R40H3503
S1723, S1753 School Bus FA89, 91, 98	Fa	WG	15 " x 3 "	1245C - 321	R700321	R40H521	R40H9237	R40H3502	R40H3503
	Fm	WG	15 " x 3 "	1245A - 235	R700235	R40H521	R40H9201	R40H3524	R40H3524
S1723, S1753 School Bus RA184	Ra	WG	15 " x 4 "	4645A - 376	Discontinued	R40H597	R40H9200	R40H3540	R40H3541
	Rm	WG	15 " x 4 "	4645A - 376	Discontinued	R40H597	R40H9200	R40H3518	R404148
S1723, S1753 School Bus RA25, 184	Ra	WG	15 " x 5 "	1252 - 346	R700346	R40H597	R40H9200	R40H3540	R40H3541
	Rm	WG	15 " x 5 "	1252 - 346	R700346	R40H597	R40H9200	R40H3518	R404148
S1723, S1753 School Bus RA29, 30, 187	Ra	WG	15 " x 5 "	1252 - 346	R700346	R40H597	R40H9200	R40H3540	R40H3541
	Rm	WG	15 " x 5 "	1252 - 346	R700346	R40H597	R40H9200	R40H3518	R404148
S1723, S1753 School Bus RA30, 187	Ra	WG	16 " x 5 "	1254 - 385	N/A	R40H597	R40H9200	NLA	NLA
	Rm	WG	16 " x 5 "	1254 - 385	N/A	R40H597	R40H9200	R404149	R404150
S1723, S1753 School Bus RA30, 39, 44, 186, 189	Ra	WG	15 " x 6 "	4596 - 381	R700381	R40H597	R40H9200	R40H3540	R40H3541
	Rm	WG	15 " x 6 "	4596 - 381	R700381	R40H597	R40H9200	R40H3518	R404148
S1723, S1753 School Bus RA39, 199	Ra	WG	15 " x 7 "	4597 - 383	R700383	R40H597	R40H9200	R40H3540	R40H3541
	Rm	WG	15 " x 7 "	4597 - 383	R700383	R40H597	R40H9200	R40H3518	R404148
S1723, S1753 School Bus RA44, 186	Ra	WG	15 " x 7 "	4597 - 383	R700383	R40H597	R40H9200	NLA	NLA
	Rm	WG	15 " x 7 "	4597 - 383	R700383	R40H597	R40H9200	R40H3518	R404148
S1723, S1753 School Bus RA47, 57	Ra	WG	16 " x 6 "	1255 - 386	N/A	R40H597	R40H9200	NLA	NLA
	Rm	WG	16 " x 6 "	1255 - 386	N/A	R40H597	R40H9200	R404149	R404150
S1724, S1754 Conventional FA109, 208	Fa	WG	15 " x 3 "	1245C - 321	R700321	R40H521	R40H9237	R40H3502	R40H3503
	Fm	WG	15 " x 3 "	1245A - 235	R700235	R40H521	R40H9201	R40H3524	R40H3524
S1724, S1754 Conventional FA118, 127, 139	Fa	WG	15 " x 5 "	1345A - 491	N/A	R40H521	R40H9237	R40H3502	R40H3503
	Fm	WG	15 " x 5 "	1345 - 490	N/A	R40H521	R40H9201	R40H3524	R40H3524
S1724, S1754 Conventional FA208	Fa	WG	15 " x 3-1/2 "	1280B - 322	R464004	R40H521	R40H9237	R40H3502	R40H3503
	Fm	WG	15 " x 3-1/2 "	1280 - 463	R700463	R40H521	R40H9201	R40H3524	R40H3524
S1724, S1754 Conventional FA48, 68, 70, 72	Fa	WG	14 " x 2-1/2 "	1294A - 325	N/A	R40H521	R40H9237	R40H3502	R40H3503
	Fm	WG	14 " x 2-1/2 "	1294 - 296	N/A	R40H521	R40H9201	R40H3524	R40H3524
S1724, S1754 Conventional FA71, 73, 101	Fa	WG	15 " x 3 "	1245C - 321	R700321	R40H521	R40H9237	R40H3502	R40H3503
	Fa	WG	15 " x 3-1/2 "	1280B - 322	R464004	R40H521	R40H9237	R40H3502	R40H3503
	Fm	WG	15 " x 3 "	1245A - 235	R700235	R40H521	R40H9201	R40H3524	R40H3524
	Fm	WG	15 " x 3-1/2 "	1280 - 463	R700463	R40H521	R40H9201	R40H3524	R40H3524
S1724, S1754 Conventional FA74	Fa	WG	15 " x 3 "	1245C - 321	R700321	R40H521	R40H9237	R40H3502	R40H3503

MERITOR DRUM OR ROTOR NO.	CALIPER OR CYLINDER BORE SIZE	MERITOR CALIPER OR WHEEL CYLINDER (LEFT)	MERITOR CALIPER OR WHEEL CYLINDER (RIGHT)	MERITOR CALIPER OR WHEEL CYLINDER REPAIR KIT	MERITOR CALIPER PISTON	MERITOR MASTER CYLINDER	MERITOR MASTER CYLINDER KIT	MERITOR BRAKE HOSE (LEFT)	MERITOR BRAKE HOSE (RIGHT)
ITE(Cont.)									
170, 1700, 1710, 1723, 1724, 1750, 1753, 1754 SERIES CONVENTIONAL CAB, SCHOOL BUS, TILT CAB(Cont.)									
-	1-1/4 "	R4133581	R4133582	R4166923	NR	-	-	-	-
-	1-1/4 "	R4133581	R4133582	R4166923	NR	-	-	-	-
-	1-1/8 "	R4133714	R4133715	R4166926	NR	-	-	-	-
-	1-1/8 "	R4133714	R4133715	R4166926	NR	-	-	-	-
-	1-1/4 "	R4133581	R4133582	R4166923	NR	-	-	-	-
-	1-1/4 "	R4133581	R4133582	R4166923	NR	-	-	-	-
-	1-1/4 "	R4133581	R4133582	R4166923	NR	-	-	-	-
-	1-1/4 "	R4133581	R4133582	R4166923	NR	-	-	-	-
-	1-1/4 "	R4133581	R4133582	R4166923	NR	-	-	-	-
-	1-1/4 "	R4133581	R4133582	R4166923	NR	-	-	-	-
-	1-1/4 "	R4133581	R4133582	R4166923	NR	-	-	-	-
-	1-1/4 "	R4133581	R4133582	R4166923	NR	-	-	-	-
-	1-1/4 "	R4133581	R4133582	R4166923	NR	-	-	-	-
-	1-1/2 "	R4133580	R4133580	Discontinued	NR	-	-	-	-
-	1-1/2 "	R4133580	R4133580	Discontinued	NR	-	-	-	-
-	1-1/2 "	R4133580	R4133580	Discontinued	NR	-	-	-	-
-	1-1/2 "	R4133580	R4133580	Discontinued	NR	-	-	-	-
-	1-1/2 "	R4133580	R4133580	Discontinued	NR	-	-	-	-
-	1-1/2 "	R4133580	R4133580	Discontinued	NR	-	-	-	-
-	1-5/8 "	R4133338	R4133338	R4166689	NR	-	-	-	-
-	1-5/8 "	R4133338	R4133338	R4166689	NR	-	-	-	-
-	1-5/8 "	R4133338	R4133338	R4166689	NR	-	-	-	-
-	1-5/8 "	R4133338	R4133338	R4166689	NR	-	-	-	-
-	1-5/8 "	R4133338	R4133338	R4166689	NR	-	-	-	-
-	1-5/8 "	R4133338	R4133338	R4166689	NR	-	-	-	-
-	1-5/8 "	R4133338	R4133338	R4166689	NR	-	-	-	-
-	1-3/4 "	R4133400	R4133400	R4166917	NR	-	-	-	-
-	1-3/4 "	R4133400	R4133400	R4166917	NR	-	-	-	-
-	1-1/4 "	R4133581	R4133582	R4166923	NR	-	-	-	-
-	1-1/4 "	R4133581	R4133582	R4166923	NR	-	-	-	-
-									
-									
-									
-	1-1/4 "	R4133581	R4133582	R4166923	NR	-	-	-	-
-	1-1/4 "	R4133581	R4133582	R4166923	NR	-	-	-	-
-	1-1/8 "	R4133714	R4133715	R4166926	NR	-	-	-	-
-	1-1/8 "	R4133714	R4133715	R4166926	NR	-	-	-	-
-	1-1/4 "	R4133581	R4133582	R4166923	NR	-	-	-	-
-	1-1/4 "	R4133581	R4133582	R4166923	NR	-	-	-	-
-	1-1/4 "	R4133581	R4133582	R4166923	NR	-	-	-	-
-	1-1/4 "	R4133581	R4133582	R4166923	NR	-	-	-	-

1 APPLICATION

MAKE MODEL YEAR AXLE CODE AXLE WEIGHT	AXLE & BRK. TYPE	BRK. MFG.	BRAKE SIZE	FMSI	MERITOR DISC PAD OR BRAKE SHOE	MERITOR GUIDE PIN OR RETURN SPRING KIT	MERITOR CALIPER HWD. KIT OR RETURN SPRING KIT	MERITOR ADJUSTER KIT (LEFT WHEEL)	MERITOR ADJUSTER KIT (RIGHT WHEEL)
ITE(Cont.)									
170, 1700, 1710, 1723, 1724, 1750, 1753, 1754 SERIES CONVENTIONAL CAB, SCHOOL BUS, TILT CAB(Cont.)									
1975	Fm	WG	15 " x 3 "	1245A - 235	R700235	R40H521	R40H9201	R40H3524	R40H3524
S1724, S1754 Conventional FA78, 81	Fa	WG	15 " x 3 "	1245C - 321	R700321	R40H521	R40H9237	R40H3502	R40H3503
S1724, S1754 Conventional FA89, 91, 98	Fa	WG	15 " x 3 "	1245C - 321	R700321	R40H521	R40H9237	R40H3502	R40H3503
	Fm	WG	15 " x 3 "	1245A - 235	R700235	R40H521	R40H9201	R40H3524	R40H3524
S1724, S1754 Conventional RA184	Ra	WG	15 " x 4 "	4645A - 376	Discontinued	R40H597	R40H9200	R40H3540	R40H3541
	Rm	WG	15 " x 4 "	4645A - 376	Discontinued	R40H597	R40H9200	R40H3518	R404148
S1724, S1754 Conventional RA25, 184	Ra	WG	15 " x 5 "	1252 - 346	R700346	R40H597	R40H9200	R40H3540	R40H3541
	Rm	WG	15 " x 5 "	1252 - 346	R700346	R40H597	R40H9200	R40H3518	R404148
S1724, S1754 Conventional RA29, 30, 187	Ra	WG	15 " x 5 "	1252 - 346	R700346	R40H597	R40H9200	R40H3540	R40H3541
	Rm	WG	15 " x 5 "	1252 - 346	R700346	R40H597	R40H9200	R40H3518	R404148
S1724, S1754 Conventional RA30, 187	Ra	WG	16 " x 5 "	1254 - 385	N/A	R40H597	R40H9200	NLA	NLA
	Rm	WG	16 " x 5 "	1254 - 385	N/A	R40H597	R40H9200	R404149	R404150
S1724, S1754 Conventional RA30, 39, 44, 186, 189	Ra	WG	15 " x 6 "	4596 - 381	R700381	R40H597	R40H9200	R40H3540	R40H3541
	Rm	WG	15 " x 6 "	4596 - 381	R700381	R40H597	R40H9200	R40H3518	R404148
S1724, S1754 Conventional RA39, 199	Ra	WG	15 " x 7 "	4597 - 383	R700383	R40H597	R40H9200	R40H3540	R40H3541
	Rm	WG	15 " x 7 "	4597 - 383	R700383	R40H597	R40H9200	R40H3518	R404148
S1724, S1754 Conventional RA44, 186	Ra	WG	15 " x 7 "	4597 - 383	R700383	R40H597	R40H9200	NLA	NLA
	Rm	WG	15 " x 7 "	4597 - 383	R700383	R40H597	R40H9200	R40H3518	R404148
S1724, S1754 Conventional RA47, 57	Ra	WG	16 " x 6 "	1255 - 386	N/A	R40H597	R40H9200	NLA	NLA
	Rm	WG	16 " x 6 "	1255 - 386	N/A	R40H597	R40H9200	R404149	R404150
1974									
C1710, C1750 Cargostar Tilt Cab FA109, 208	Fa	WG	15 " x 3 "	1245C - 321	R700321	R40H521	R40H9237	R40H3502	R40H3503
	Fm	WG	15 " x 3 "	1245A - 235	R700235	R40H521	R40H9201	R40H3524	R40H3524
C1710, C1750 Cargostar Tilt Cab FA118, 127, 139	Fa	WG	15 " x 5 "	1345A - 491	N/A	R40H521	R40H9237	R40H3502	R40H3503
	Fm	WG	15 " x 5 "	1345 - 490	N/A	R40H521	R40H9201	R40H3524	R40H3524
C1710, C1750 Cargostar Tilt Cab FA208	Fa	WG	15 " x 3-1/2 "	1280B - 322	R464004	R40H521	R40H9237	R40H3502	R40H3503
	Fm	WG	15 " x 3-1/2 "	1280 - 463	R700463	R40H521	R40H9201	R40H3524	R40H3524
C1710, C1750 Cargostar Tilt Cab FA48, 68, 70, 72	Fa	WG	14 " x 2-1/2 "	1294A - 325	N/A	R40H521	R40H9237	R40H3502	R40H3503
	Fm	WG	14 " x 2-1/2 "	1294 - 296	N/A	R40H521	R40H9201	R40H3524	R40H3524
C1710, C1750 Cargostar Tilt Cab FA71, 73, 101	Fa	WG	15 " x 3 "	1245C - 321	R700321	R40H521	R40H9237	R40H3502	R40H3503
	Fa	WG	15 " x 3-1/2 "	1280B - 322	R464004	R40H521	R40H9237	R40H3502	R40H3503
	Fm	WG	15 " x 3 "	1245A - 235	R700235	R40H521	R40H9201	R40H3524	R40H3524
	Fm	WG	15 " x 3-1/2 "	1280 - 463	R700463	R40H521	R40H9201	R40H3524	R40H3524
C1710, C1750 Cargostar Tilt Cab FA74	Fa	WG	15 " x 3 "	1245C - 321	R700321	R40H521	R40H9237	R40H3502	R40H3503
	Fm	WG	15 " x 3 "	1245A - 235	R700235	R40H521	R40H9201	R40H3524	R40H3524
C1710, C1750 Cargostar Tilt Cab FA78, 81	Fa	WG	15 " x 3 "	1245C - 321	R700321	R40H521	R40H9237	R40H3502	R40H3503
C1710, C1750 Cargostar Tilt Cab FA89, 91, 98	Fa	WG	15 " x 3 "	1245C - 321	R700321	R40H521	R40H9237	R40H3502	R40H3503

MAKE MODEL YEAR AXLE CODE AXLE WEIGHT	AXLE & BRK. TYPE	BRK. MFG.	BRAKE SIZE	FMSI	MERITOR DISC PAD OR BRAKE SHOE	MERITOR GUIDE PIN OR RETURN SPRING KIT	MERITOR CALIPER HWD. KIT OR RETURN SPRING KIT	MERITOR ADJUSTER KIT (LEFT WHEEL)	MERITOR ADJUSTER KIT (RIGHT WHEEL)
ITE(Cont.)									
170, 1700, 1710, 1723, 1724, 1750, 1753, 1754 SERIES CONVENTIONAL CAB, SCHOOL BUS, TILT CAB(Cont.)									
1974	Fm	WG	15 " x 3 "	1245A - 235	R700235	R40H521	R40H9201	R40H3524	R40H3524
C1710, C1750 Cargostar Tilt Cab RA184	Ra	WG	15 " x 4 "	4645A - 376	Discontinued	R40H597	R40H9200	R40H3540	R40H3541
	Rm	WG	15 " x 4 "	4645A - 376	Discontinued	R40H597	R40H9200	R40H3518	R404148
C1710, C1750 Cargostar Tilt Cab RA25, 184	Ra	WG	15 " x 5 "	1252 - 346	R700346	R40H597	R40H9200	R40H3540	R40H3541
	Rm	WG	15 " x 5 "	1252 - 346	R700346	R40H597	R40H9200	R40H3518	R404148
C1710, C1750 Cargostar Tilt Cab RA29, 30, 187	Ra	WG	15 " x 5 "	1252 - 346	R700346	R40H597	R40H9200	R40H3540	R40H3541
	Rm	WG	15 " x 5 "	1252 - 346	R700346	R40H597	R40H9200	R40H3518	R404148
C1710, C1750 Cargostar Tilt Cab RA30, 187	Ra	WG	16 " x 5 "	1254 - 385	N/A	R40H597	R40H9200	NLA	NLA
	Rm	WG	16 " x 5 "	1254 - 385	N/A	R40H597	R40H9200	R404149	R404150
C1710, C1750 Cargostar Tilt Cab RA30, 39, 44, 186, 189	Ra	WG	15 " x 6 "	4596 - 381	R700381	R40H597	R40H9200	R40H3540	R40H3541
	Rm	WG	15 " x 6 "	4596 - 381	R700381	R40H597	R40H9200	R40H3518	R404148
C1710, C1750 Cargostar Tilt Cab RA39, 199	Ra	WG	15 " x 7 "	4597 - 383	R700383	R40H597	R40H9200	R40H3540	R40H3541
	Rm	WG	15 " x 7 "	4597 - 383	R700383	R40H597	R40H9200	R40H3518	R404148
C1710, C1750 Cargostar Tilt Cab RA44, 186	Ra	WG	15 " x 7 "	4597 - 383	R700383	R40H597	R40H9200	NLA	NLA
	Rm	WG	15 " x 7 "	4597 - 383	R700383	R40H597	R40H9200	R40H3518	R404148
C1710, C1750 Cargostar Tilt Cab RA47, 57	Ra	WG	16 " x 6 "	1255 - 386	N/A	R40H597	R40H9200	NLA	NLA
	Rm	WG	16 " x 6 "	1255 - 386	N/A	R40H597	R40H9200	R404149	R404150
S1723, S1753 School Bus FA109, 208	Fa	WG	15 " x 3 "	1245C - 321	R700321	R40H521	R40H9237	R40H3502	R40H3503
	Fm	WG	15 " x 3 "	1245A - 235	R700235	R40H521	R40H9201	R40H3524	R40H3524
S1723, S1753 School Bus FA118, 127, 139	Fa	WG	15 " x 5 "	1345A - 491	N/A	R40H521	R40H9237	R40H3502	R40H3503
	Fm	WG	15 " x 5 "	1345 - 490	N/A	R40H521	R40H9201	R40H3524	R40H3524
S1723, S1753 School Bus FA208	Fa	WG	15 " x 3-1/2 "	1280B - 322	R464004	R40H521	R40H9237	R40H3502	R40H3503
	Fm	WG	15 " x 3-1/2 "	1280 - 463	R700463	R40H521	R40H9201	R40H3524	R40H3524
S1723, S1753 School Bus FA48, 68, 70, 72	Fa	WG	14 " x 2-1/2 "	1294A - 325	N/A	R40H521	R40H9237	R40H3502	R40H3503
	Fm	WG	14 " x 2-1/2 "	1294 - 296	N/A	R40H521	R40H9201	R40H3524	R40H3524
S1723, S1753 School Bus FA71, 73, 101	Fa	WG	15 " x 3 "	1245C - 321	R700321	R40H521	R40H9237	R40H3502	R40H3503
	Fa	WG	15 " x 3-1/2 "	1280B - 322	R464004	R40H521	R40H9237	R40H3502	R40H3503
	Fm	WG	15 " x 3 "	1245A - 235	R700235	R40H521	R40H9201	R40H3524	R40H3524
	Fm	WG	15 " x 3-1/2 "	1280 - 463	R700463	R40H521	R40H9201	R40H3524	R40H3524
S1723, S1753 School Bus FA74	Fa	WG	15 " x 3 "	1245C - 321	R700321	R40H521	R40H9237	R40H3502	R40H3503
	Fm	WG	15 " x 3 "	1245A - 235	R700235	R40H521	R40H9201	R40H3524	R40H3524
S1723, S1753 School Bus FA78, 81	Fa	WG	15 " x 3 "	1245C - 321	R700321	R40H521	R40H9237	R40H3502	R40H3503
S1723, S1753 School Bus FA89, 91, 98	Fa	WG	15 " x 3 "	1245C - 321	R700321	R40H521	R40H9237	R40H3502	R40H3503
	Fm	WG	15 " x 3 "	1245A - 235	R700235	R40H521	R40H9201	R40H3524	R40H3524
S1723, S1753 School Bus RA184	Ra	WG	15 " x 4 "	4645A - 376	Discontinued	R40H597	R40H9200	R40H3540	R40H3541
	Rm	WG	15 " x 4 "	4645A - 376	Discontinued	R40H597	R40H9200	R40H3518	R404148

MERITOR DRUM OR ROTOR NO.	CALIPER OR CYLINDER BORE SIZE	MERITOR CALIPER OR WHEEL CYLINDER (LEFT)	MERITOR CALIPER OR WHEEL CYLINDER (RIGHT)	MERITOR CALIPER OR WHEEL CYLINDER REPAIR KIT	MERITOR CALIPER PISTON	MERITOR MASTER CYLINDER	MERITOR MASTER CYLINDER KIT	MERITOR BRAKE HOSE (LEFT)	MERITOR BRAKE HOSE (RIGHT)
ITE(Cont.)									
170, 1700, 1710, 1723, 1724, 1750, 1753, 1754 SERIES CONVENTIONAL CAB, SCHOOL BUS, TILT CAB(Cont.)									
-	1-1/4 "	R4133581	R4133582	R4166923	NR	-	-	-	-
-	1-1/2 "	R4133580	R4133580	Discontinued	NR	-	-	-	-
-	1-1/2 "	R4133580	R4133580	Discontinued	NR	-	-	-	-
-	1-1/2 "	R4133580	R4133580	Discontinued	NR	-	-	-	-
-	1-1/2 "	R4133580	R4133580	Discontinued	NR	-	-	-	-
-	1-1/2 "	R4133580	R4133580	Discontinued	NR	-	-	-	-
-	1-1/2 "	R4133580	R4133580	Discontinued	NR	-	-	-	-
-	1-5/8 "	R4133338	R4133338	R4166689	NR	-	-	-	-
-	1-5/8 "	R4133338	R4133338	R4166689	NR	-	-	-	-
-	1-5/8 "	R4133338	R4133338	R4166689	NR	-	-	-	-
-	1-5/8 "	R4133338	R4133338	R4166689	NR	-	-	-	-
-	1-5/8 "	R4133338	R4133338	R4166689	NR	-	-	-	-
-	1-5/8 "	R4133338	R4133338	R4166689	NR	-	-	-	-
-	1-5/8 "	R4133338	R4133338	R4166689	NR	-	-	-	-
-	1-5/8 "	R4133338	R4133338	R4166689	NR	-	-	-	-
-	1-3/4 "	R4133400	R4133400	R4166917	NR	-	-	-	-
-	1-3/4 "	R4133400	R4133400	R4166917	NR	-	-	-	-
-	1-1/4 "	R4133581	R4133582	R4166923	NR	-	-	-	-
-	1-1/4 "	R4133581	R4133582	R4166923	NR	-	-	-	-
-	-	-	-	-	-	-	-	-	-
-	-	-	-	-	-	-	-	-	-
-	1-1/4 "	R4133581	R4133582	R4166923	NR	-	-	-	-
-	1-1/4 "	R4133581	R4133582	R4166923	NR	-	-	-	-
-	1-1/8 "	R4133714	R4133715	R4166926	NR	-	-	-	-
-	1-1/8 "	R4133714	R4133715	R4166926	NR	-	-	-	-
-	1-1/4 "	R4133581	R4133582	R4166923	NR	-	-	-	-
-	1-1/4 "	R4133581	R4133582	R4166923	NR	-	-	-	-
-	1-1/4 "	R4133581	R4133582	R4166923	NR	-	-	-	-
-	1-1/4 "	R4133581	R4133582	R4166923	NR	-	-	-	-
-	1-1/4 "	R4133581	R4133582	R4166923	NR	-	-	-	-
-	1-1/4 "	R4133581	R4133582	R4166923	NR	-	-	-	-
-	1-1/4 "	R4133581	R4133582	R4166923	NR	-	-	-	-
-	1-1/4 "	R4133581	R4133582	R4166923	NR	-	-	-	-
-	1-1/2 "	R4133580	R4133580	Discontinued	NR	-	-	-	-
-	1-1/2 "	R4133580	R4133580	Discontinued	NR	-	-	-	-

MAKE MODEL YEAR AXLE CODE AXLE WEIGHT	AXLE & BRK. TYPE	BRK. MFG.	BRAKE SIZE	FMSI	MERITOR DISC PAD OR BRAKE SHOE	MERITOR GUIDE PIN OR RETURN SPRING KIT	MERITOR CALIPER HWD. KIT OR RETURN SPRING KIT	MERITOR ADJUSTER KIT (LEFT WHEEL)	MERITOR ADJUSTER KIT (RIGHT WHEEL)
ITE(Cont.)									
170, 1700, 1710, 1723, 1724, 1750, 1753, 1754 SERIES CONVENTIONAL CAB, SCHOOL BUS, TILT CAB(Cont.)									
1974									
S1723, S1753 School Bus RA25, 184	Ra	WG	15 " x 5 "	1252 - 346	R700346	R40H597	R40H9200	R40H3540	R40H3541
	Rm	WG	15 " x 5 "	1252 - 346	R700346	R40H597	R40H9200	R40H3518	R404148
S1723, S1753 School Bus RA29, 30, 187	Ra	WG	15 " x 5 "	1252 - 346	R700346	R40H597	R40H9200	R40H3540	R40H3541
	Rm	WG	15 " x 5 "	1252 - 346	R700346	R40H597	R40H9200	R40H3518	R404148
S1723, S1753 School Bus RA30, 187	Ra	WG	16 " x 5 "	1254 - 385	N/A	R40H597	R40H9200	NLA	NLA
	Rm	WG	16 " x 5 "	1254 - 385	N/A	R40H597	R40H9200	R404149	R404150
S1723, S1753 School Bus RA30, 39, 44, 186, 189	Ra	WG	15 " x 6 "	4596 - 381	R700381	R40H597	R40H9200	R40H3540	R40H3541
	Rm	WG	15 " x 6 "	4596 - 381	R700381	R40H597	R40H9200	R40H3518	R404148
S1723, S1753 School Bus RA39, 199	Ra	WG	15 " x 7 "	4597 - 383	R700383	R40H597	R40H9200	R40H3540	R40H3541
	Rm	WG	15 " x 7 "	4597 - 383	R700383	R40H597	R40H9200	R40H3518	R404148
S1723, S1753 School Bus RA44, 186	Ra	WG	15 " x 7 "	4597 - 383	R700383	R40H597	R40H9200	NLA	NLA
	Rm	WG	15 " x 7 "	4597 - 383	R700383	R40H597	R40H9200	R40H3518	R404148
S1723, S1753 School Bus RA47, 57	Ra	WG	16 " x 6 "	1255 - 386	N/A	R40H597	R40H9200	NLA	NLA
	Rm	WG	16 " x 6 "	1255 - 386	N/A	R40H597	R40H9200	R404149	R404150
S1724, S1754 Conventional FA109, 208	Fa	WG	15 " x 3 "	1245C - 321	R700321	R40H521	R40H9237	R40H3502	R40H3503
	Fm	WG	15 " x 3 "	1245A - 235	R700235	R40H521	R40H9201	R40H3524	R40H3524
S1724, S1754 Conventional FA118, 127, 139	Fa	WG	15 " x 5 "	1345A - 491	N/A	R40H521	R40H9237	R40H3502	R40H3503
	Fm	WG	15 " x 5 "	1345 - 490	N/A	R40H521	R40H9201	R40H3524	R40H3524
S1724, S1754 Conventional FA208	Fa	WG	15 " x 3-1/2 "	1280B - 322	R464004	R40H521	R40H9237	R40H3502	R40H3503
	Fm	WG	15 " x 3-1/2 "	1280 - 463	R700463	R40H521	R40H9201	R40H3524	R40H3524
S1724, S1754 Conventional FA48, 68, 70, 72	Fa	WG	14 " x 2-1/2 "	1294A - 325	N/A	R40H521	R40H9237	R40H3502	R40H3503
	Fm	WG	14 " x 2-1/2 "	1294 - 296	N/A	R40H521	R40H9201	R40H3524	R40H3524
S1724, S1754 Conventional FA71, 73, 101	Fa	WG	15 " x 3 "	1245C - 321	R700321	R40H521	R40H9237	R40H3502	R40H3503
	Fa	WG	15 " x 3-1/2 "	1280B - 322	R464004	R40H521	R40H9237	R40H3502	R40H3503
	Fm	WG	15 " x 3 "	1245A - 235	R700235	R40H521	R40H9201	R40H3524	R40H3524
	Fm	WG	15 " x 3-1/2 "	1280 - 463	R700463	R40H521	R40H9201	R40H3524	R40H3524
S1724, S1754 Conventional FA74	Fa	WG	15 " x 3 "	1245C - 321	R700321	R40H521	R40H9237	R40H3502	R40H3503
	Fm	WG	15 " x 3 "	1245A - 235	R700235	R40H521	R40H9201	R40H3524	R40H3524
S1724, S1754 Conventional FA78, 81	Fa	WG	15 " x 3 "	1245C - 321	R700321	R40H521	R40H9237	R40H3502	R40H3503
S1724, S1754 Conventional FA89, 91, 98	Fa	WG	15 " x 3 "	1245C - 321	R700321	R40H521	R40H9237	R40H3502	R40H3503
	Fm	WG	15 " x 3 "	1245A - 235	R700235	R40H521	R40H9201	R40H3524	R40H3524
S1724, S1754 Conventional RA184	Ra	WG	15 " x 4 "	4645A - 376	Discontinued	R40H597	R40H9200	R40H3540	R40H3541
	Rm	WG	15 " x 4 "	4645A - 376	Discontinued	R40H597	R40H9200	R40H3518	R404148
S1724, S1754 Conventional RA25, 184	Ra	WG	15 " x 5 "	1252 - 346	R700346	R40H597	R40H9200	R40H3540	R40H3541
	Rm	WG	15 " x 5 "	1252 - 346	R700346	R40H597	R40H9200	R40H3518	R404148
S1724, S1754 Conventional RA29, 30, 187	Ra	WG	15 " x 5 "	1252 - 346	R700346	R40H597	R40H9200	R40H3540	R40H3541
	Rm	WG	15 " x 5 "	1252 - 346	R700346	R40H597	R40H9200	R40H3518	R404148
S1724, S1754 Conventional RA30, 187	Ra	WG	16 " x 5 "	1254 - 385	N/A	R40H597	R40H9200	NLA	NLA
	Rm	WG	16 " x 5 "	1254 - 385	N/A	R40H597	R40H9200	R404149	R404150
S1724, S1754 Conventional RA30, 39, 44, 186, 189	Ra	WG	15 " x 6 "	4596 - 381	R700381	R40H597	R40H9200	R40H3540	R40H3541
	Rm	WG	15 " x 6 "	4596 - 381	R700381	R40H597	R40H9200	R40H3518	R404148

MERITOR DRUM OR ROTOR NO.	CALIPER OR CYLINDER BORE SIZE	MERITOR CALIPER OR WHEEL CYLINDER (LEFT)	MERITOR CALIPER OR WHEEL CYLINDER (RIGHT)	MERITOR CALIPER OR WHEEL CYLINDER REPAIR KIT	MERITOR CALIPER PISTON	MERITOR MASTER CYLINDER	MERITOR MASTER CYLINDER KIT	MERITOR BRAKE HOSE (LEFT)	MERITOR BRAKE HOSE (RIGHT)
ITE(Cont.)									
170, 1700, 1710, 1723, 1724, 1750, 1753, 1754 SERIES CONVENTIONAL CAB, SCHOOL BUS, TILT CAB(Cont.)									
-	1-1/2 "	R4133580	R4133580	Discontinued	NR	-	-	-	-
-	1-1/2 "	R4133580	R4133580	Discontinued	NR	-	-	-	-
-	1-1/2 "	R4133580	R4133580	Discontinued	NR	-	-	-	-
-	1-1/2 "	R4133580	R4133580	Discontinued	NR	-	-	-	-
-	1-5/8 "	R4133338	R4133338	R4166689	NR	-	-	-	-
-	1-5/8 "	R4133338	R4133338	R4166689	NR	-	-	-	-
-	1-5/8 "	R4133338	R4133338	R4166689	NR	-	-	-	-
-	1-5/8 "	R4133338	R4133338	R4166689	NR	-	-	-	-
-	1-5/8 "	R4133338	R4133338	R4166689	NR	-	-	-	-
-	1-5/8 "	R4133338	R4133338	R4166689	NR	-	-	-	-
-	1-5/8 "	R4133338	R4133338	R4166689	NR	-	-	-	-
-	1-5/8 "	R4133338	R4133338	R4166689	NR	-	-	-	-
-	1-3/4 "	R4133400	R4133400	R4166917	NR	-	-	-	-
-	1-3/4 "	R4133400	R4133400	R4166917	NR	-	-	-	-
-	1-1/4 "	R4133581	R4133582	R4166923	NR	-	-	-	-
-	1-1/4 "	R4133581	R4133582	R4166923	NR	-	-	-	-
-	-	-	-	-	-	-	-	-	-
-	-	-	-	-	-	-	-	-	-
-	1-1/4 "	R4133581	R4133582	R4166923	NR	-	-	-	-
-	1-1/4 "	R4133581	R4133582	R4166923	NR	-	-	-	-
-	1-1/8 "	R4133714	R4133715	R4166926	NR	-	-	-	-
-	1-1/8 "	R4133714	R4133715	R4166926	NR	-	-	-	-
-	1-1/4 "	R4133581	R4133582	R4166923	NR	-	-	-	-
-	1-1/4 "	R4133581	R4133582	R4166923	NR	-	-	-	-
-	1-1/4 "	R4133581	R4133582	R4166923	NR	-	-	-	-
-	1-1/4 "	R4133581	R4133582	R4166923	NR	-	-	-	-
-	1-1/4 "	R4133581	R4133582	R4166923	NR	-	-	-	-
-	1-1/4 "	R4133581	R4133582	R4166923	NR	-	-	-	-
-	1-1/4 "	R4133581	R4133582	R4166923	NR	-	-	-	-
-	1-1/2 "	R4133580	R4133580	Discontinued	NR	-	-	-	-
-	1-1/2 "	R4133580	R4133580	Discontinued	NR	-	-	-	-
-	1-1/2 "	R4133580	R4133580	Discontinued	NR	-	-	-	-
-	1-1/2 "	R4133580	R4133580	Discontinued	NR	-	-	-	-
-	1-1/2 "	R4133580	R4133580	Discontinued	NR	-	-	-	-
-	1-1/2 "	R4133580	R4133580	Discontinued	NR	-	-	-	-
-	1-5/8 "	R4133338	R4133338	R4166689	NR	-	-	-	-
-	1-5/8 "	R4133338	R4133338	R4166689	NR	-	-	-	-
-	1-5/8 "	R4133338	R4133338	R4166689	NR	-	-	-	-
-	1-5/8 "	R4133338	R4133338	R4166689	NR	-	-	-	-

1 APPLICATION

MAKE MODEL YEAR AXLE CODE AXLE WEIGHT	AXLE & BRK. TYPE	BRK. MFG.	BRAKE SIZE	FMSI	MERITOR DISC PAD OR BRAKE SHOE	MERITOR GUIDE PIN OR RETURN SPRING KIT	MERITOR CALIPER HWD. KIT OR RETURN SPRING KIT	MERITOR ADJUSTER KIT (LEFT WHEEL)	MERITOR ADJUSTER KIT (RIGHT WHEEL)
ITE(Cont.)									
170, 1700, 1710, 1723, 1724, 1750, 1753, 1754 SERIES CONVENTIONAL CAB, SCHOOL BUS, TILT CAB(Cont.)									
1974 S1724, S1754 Conventional RA39, 199	Ra	WG	15 " x 7 "	4597 - 383	R700383	R40H597	R40H9200	R40H3540	R40H3541
	Rm	WG	15 " x 7 "	4597 - 383	R700383	R40H597	R40H9200	R40H3518	R404148
S1724, S1754 Conventional RA44, 186	Ra	WG	15 " x 7 "	4597 - 383	R700383	R40H597	R40H9200	NLA	NLA
	Rm	WG	15 " x 7 "	4597 - 383	R700383	R40H597	R40H9200	R40H3518	R404148
S1724, S1754 Conventional RA47, 57	Ra	WG	16 " x 6 "	1255 - 386	N/A	R40H597	R40H9200	NLA	NLA
	Rm	WG	16 " x 6 "	1255 - 386	N/A	R40H597	R40H9200	R404149	R404150
1973 C1710, C1750 Cargostar Tilt Cab FA109, 208	Fa	WG	15 " x 3 "	1245C - 321	R700321	R40H521	R40H9237	R40H3502	R40H3503
	Fm	WG	15 " x 3 "	1245A - 235	R700235	R40H521	R40H9201	R40H3524	R40H3524
C1710, C1750 Cargostar Tilt Cab FA118, 127, 139	Fa	WG	15 " x 5 "	1345A - 491	N/A	R40H521	R40H9237	R40H3502	R40H3503
	Fm	WG	15 " x 5 "	1345 - 490	N/A	R40H521	R40H9201	R40H3524	R40H3524
C1710, C1750 Cargostar Tilt Cab FA208	Fa	WG	15 " x 3-1/2 "	1280B - 322	R464004	R40H521	R40H9237	R40H3502	R40H3503
	Fm	WG	15 " x 3-1/2 "	1280 - 463	R700463	R40H521	R40H9201	R40H3524	R40H3524
C1710, C1750 Cargostar Tilt Cab FA48, 68, 70, 72	Fa	WG	14 " x 2-1/2 "	1294A - 325	N/A	R40H521	R40H9237	R40H3502	R40H3503
	Fm	WG	14 " x 2-1/2 "	1294 - 296	N/A	R40H521	R40H9201	R40H3524	R40H3524
C1710, C1750 Cargostar Tilt Cab FA71, 73, 101	Fa	WG	15 " x 3 "	1245C - 321	R700321	R40H521	R40H9237	R40H3502	R40H3503
	Fa	WG	15 " x 3-1/2 "	1280B - 322	R464004	R40H521	R40H9237	R40H3502	R40H3503
	Fm	WG	15 " x 3 "	1245A - 235	R700235	R40H521	R40H9201	R40H3524	R40H3524
	Fm	WG	15 " x 3-1/2 "	1280 - 463	R700463	R40H521	R40H9201	R40H3524	R40H3524
C1710, C1750 Cargostar Tilt Cab FA74	Fa	WG	15 " x 3 "	1245C - 321	R700321	R40H521	R40H9237	R40H3502	R40H3503
	Fm	WG	15 " x 3 "	1245A - 235	R700235	R40H521	R40H9201	R40H3524	R40H3524
C1710, C1750 Cargostar Tilt Cab FA78, 81	Fa	WG	15 " x 3 "	1245C - 321	R700321	R40H521	R40H9237	R40H3502	R40H3503
C1710, C1750 Cargostar Tilt Cab FA89, 91, 98	Fa	WG	15 " x 3 "	1245C - 321	R700321	R40H521	R40H9237	R40H3502	R40H3503
	Fm	WG	15 " x 3 "	1245A - 235	R700235	R40H521	R40H9201	R40H3524	R40H3524
C1710, C1750 Cargostar Tilt Cab RA184	Ra	WG	15 " x 4 "	4645A - 376	Discontinued	R40H597	R40H9200	R40H3540	R40H3541
	Rm	WG	15 " x 4 "	4645A - 376	Discontinued	R40H597	R40H9200	R40H3518	R404148
C1710, C1750 Cargostar Tilt Cab RA25, 184	Ra	WG	15 " x 5 "	1252 - 346	R700346	R40H597	R40H9200	R40H3540	R40H3541
	Rm	WG	15 " x 5 "	1252 - 346	R700346	R40H597	R40H9200	R40H3518	R404148
C1710, C1750 Cargostar Tilt Cab RA29, 30, 187	Ra	WG	15 " x 5 "	1252 - 346	R700346	R40H597	R40H9200	R40H3540	R40H3541
	Rm	WG	15 " x 5 "	1252 - 346	R700346	R40H597	R40H9200	R40H3518	R404148
C1710, C1750 Cargostar Tilt Cab RA30, 187	Ra	WG	16 " x 5 "	1254 - 385	N/A	R40H597	R40H9200	NLA	NLA
	Rm	WG	16 " x 5 "	1254 - 385	N/A	R40H597	R40H9200	R404149	R404150
C1710, C1750 Cargostar Tilt Cab RA30, 39, 44, 186, 189	Ra	WG	15 " x 6 "	4596 - 381	R700381	R40H597	R40H9200	R40H3540	R40H3541

MERITOR DRUM OR ROTOR NO.	CALIPER OR CYLINDER BORE SIZE	MERITOR CALIPER OR WHEEL CYLINDER (LEFT)	MERITOR CALIPER OR WHEEL CYLINDER (RIGHT)	MERITOR CALIPER OR WHEEL CYLINDER REPAIR KIT	MERITOR CALIPER PISTON	MERITOR MASTER CYLINDER	MERITOR MASTER CYLINDER KIT	MERITOR BRAKE HOSE (LEFT)	MERITOR BRAKE HOSE (RIGHT)
ITE(Cont.)									
170, 1700, 1710, 1723, 1724, 1750, 1753, 1754 SERIES CONVENTIONAL CAB, SCHOOL BUS, TILT CAB(Cont.)									
-	1-5/8 "	R4133338	R4133338	R4166689	NR	-	-	-	-
-	1-5/8 "	R4133338	R4133338	R4166689	NR	-	-	-	-
-	1-5/8 "	R4133338	R4133338	R4166689	NR	-	-	-	-
-	1-5/8 "	R4133338	R4133338	R4166689	NR	-	-	-	-
-	1-3/4 "	R4133400	R4133400	R4166917	NR	-	-	-	-
-	1-3/4 "	R4133400	R4133400	R4166917	NR	-	-	-	-
-	1-1/4 "	R4133581	R4133582	R4166923	NR	-	-	-	-
-	1-1/4 "	R4133581	R4133582	R4166923	NR	-	-	-	-
-	-	-	-	-	-	-	-	-	-
-	-	-	-	-	-	-	-	-	-
-	1-1/4 "	R4133581	R4133582	R4166923	NR	-	-	-	-
-	1-1/4 "	R4133581	R4133582	R4166923	NR	-	-	-	-
-	1-1/8 "	R4133714	R4133715	R4166926	NR	-	-	-	-
-	1-1/8 "	R4133714	R4133715	R4166926	NR	-	-	-	-
-	1-1/4 "	R4133581	R4133582	R4166923	NR	-	-	-	-
-	1-1/4 "	R4133581	R4133582	R4166923	NR	-	-	-	-
-	1-1/4 "	R4133581	R4133582	R4166923	NR	-	-	-	-
-	1-1/4 "	R4133581	R4133582	R4166923	NR	-	-	-	-
-	1-1/4 "	R4133581	R4133582	R4166923	NR	-	-	-	-
-	1-1/4 "	R4133581	R4133582	R4166923	NR	-	-	-	-
-	1-1/4 "	R4133581	R4133582	R4166923	NR	-	-	-	-
-	1-1/4 "	R4133581	R4133582	R4166923	NR	-	-	-	-
-	1-1/2 "	R4133580	R4133580	Discontinued	NR	-	-	-	-
-	1-1/2 "	R4133580	R4133580	Discontinued	NR	-	-	-	-
-	1-1/2 "	R4133580	R4133580	Discontinued	NR	-	-	-	-
-	1-1/2 "	R4133580	R4133580	Discontinued	NR	-	-	-	-
-	1-1/2 "	R4133580	R4133580	Discontinued	NR	-	-	-	-
-	1-1/2 "	R4133580	R4133580	Discontinued	NR	-	-	-	-
-	1-5/8 "	R4133338	R4133338	R4166689	NR	-	-	-	-
-	1-5/8 "	R4133338	R4133338	R4166689	NR	-	-	-	-
-	1-5/8 "	R4133338	R4133338	R4166689	NR	-	-	-	-

1 APPLICATION

MAKE MODEL YEAR AXLE CODE AXLE WEIGHT	AXLE & BRK. TYPE	BRK. MFG.	BRAKE SIZE	FMSI	MERITOR DISC PAD OR BRAKE SHOE	MERITOR GUIDE PIN OR RETURN SPRING KIT	MERITOR CALIPER HWD. KIT OR RETURN SPRING KIT	MERITOR ADJUSTER KIT (LEFT WHEEL)	MERITOR ADJUSTER KIT (RIGHT WHEEL)
ITE(Cont.)									
170, 1700, 1710, 1723, 1724, 1750, 1753, 1754 SERIES CONVENTIONAL CAB, SCHOOL BUS, TILT CAB(Cont.)									
1973	Rm	WG	15 " x 6 "	4596 - 381	R700381	R40H597	R40H9200	R40H3518	R404148
C1710, C1750 Cargostar Tilt Cab RA39, 199	Ra	WG	15 " x 7 "	4597 - 383	R700383	R40H597	R40H9200	R40H3540	R40H3541
	Rm	WG	15 " x 7 "	4597 - 383	R700383	R40H597	R40H9200	R40H3518	R404148
C1710, C1750 Cargostar Tilt Cab RA44, 186	Ra	WG	15 " x 7 "	4597 - 383	R700383	R40H597	R40H9200	NLA	NLA
	Rm	WG	15 " x 7 "	4597 - 383	R700383	R40H597	R40H9200	R40H3518	R404148
C1710, C1750 Cargostar Tilt Cab RA47, 57	Ra	WG	16 " x 6 "	1255 - 386	N/A	R40H597	R40H9200	NLA	NLA
	Rm	WG	16 " x 6 "	1255 - 386	N/A	R40H597	R40H9200	R404149	R404150
S1723, S1753 School Bus FA109, 208	Fa	WG	15 " x 3 "	1245C - 321	R700321	R40H521	R40H9237	R40H3502	R40H3503
	Fm	WG	15 " x 3 "	1245A - 235	R700235	R40H521	R40H9201	R40H3524	R40H3524
S1723, S1753 School Bus FA118, 127, 139	Fa	WG	15 " x 5 "	1345A - 491	N/A	R40H521	R40H9237	R40H3502	R40H3503
	Fm	WG	15 " x 5 "	1345 - 490	N/A	R40H521	R40H9201	R40H3524	R40H3524
S1723, S1753 School Bus FA208	Fa	WG	15 " x 3-1/2 "	1280B - 322	R464004	R40H521	R40H9237	R40H3502	R40H3503
	Fm	WG	15 " x 3-1/2 "	1280 - 463	R700463	R40H521	R40H9201	R40H3524	R40H3524
S1723, S1753 School Bus FA48, 68, 70, 72	Fa	WG	14 " x 2-1/2 "	1294A - 325	N/A	R40H521	R40H9237	R40H3502	R40H3503
	Fm	WG	14 " x 2-1/2 "	1294 - 296	N/A	R40H521	R40H9201	R40H3524	R40H3524
S1723, S1753 School Bus FA71, 73, 101	Fa	WG	15 " x 3 "	1245C - 321	R700321	R40H521	R40H9237	R40H3502	R40H3503
	Fa	WG	15 " x 3-1/2 "	1280B - 322	R464004	R40H521	R40H9237	R40H3502	R40H3503
	Fm	WG	15 " x 3 "	1245A - 235	R700235	R40H521	R40H9201	R40H3524	R40H3524
	Fm	WG	15 " x 3-1/2 "	1280 - 463	R700463	R40H521	R40H9201	R40H3524	R40H3524
S1723, S1753 School Bus FA74	Fa	WG	15 " x 3 "	1245C - 321	R700321	R40H521	R40H9237	R40H3502	R40H3503
	Fm	WG	15 " x 3 "	1245A - 235	R700235	R40H521	R40H9201	R40H3524	R40H3524
S1723, S1753 School Bus FA78, 81	Fa	WG	15 " x 3 "	1245C - 321	R700321	R40H521	R40H9237	R40H3502	R40H3503
S1723, S1753 School Bus FA89, 91, 98	Fa	WG	15 " x 3 "	1245C - 321	R700321	R40H521	R40H9237	R40H3502	R40H3503
	Fm	WG	15 " x 3 "	1245A - 235	R700235	R40H521	R40H9201	R40H3524	R40H3524
S1723, S1753 School Bus RA184	Ra	WG	15 " x 4 "	4645A - 376	Discontinued	R40H597	R40H9200	R40H3540	R40H3541
	Rm	WG	15 " x 4 "	4645A - 376	Discontinued	R40H597	R40H9200	R40H3518	R404148
S1723, S1753 School Bus RA25, 184	Ra	WG	15 " x 5 "	1252 - 346	R700346	R40H597	R40H9200	R40H3540	R40H3541
	Rm	WG	15 " x 5 "	1252 - 346	R700346	R40H597	R40H9200	R40H3518	R404148
S1723, S1753 School Bus RA29, 30, 187	Ra	WG	15 " x 5 "	1252 - 346	R700346	R40H597	R40H9200	R40H3540	R40H3541
	Rm	WG	15 " x 5 "	1252 - 346	R700346	R40H597	R40H9200	R40H3518	R404148
S1723, S1753 School Bus RA30, 187	Ra	WG	16 " x 5 "	1254 - 385	N/A	R40H597	R40H9200	NLA	NLA
	Rm	WG	16 " x 5 "	1254 - 385	N/A	R40H597	R40H9200	R404149	R404150
S1723, S1753 School Bus RA30, 39, 44, 186, 189	Ra	WG	15 " x 6 "	4596 - 381	R700381	R40H597	R40H9200	R40H3540	R40H3541
	Rm	WG	15 " x 6 "	4596 - 381	R700381	R40H597	R40H9200	R40H3518	R404148
S1723, S1753 School Bus RA39, 199	Ra	WG	15 " x 7 "	4597 - 383	R700383	R40H597	R40H9200	R40H3540	R40H3541
	Rm	WG	15 " x 7 "	4597 - 383	R700383	R40H597	R40H9200	R40H3518	R404148
S1723, S1753 School Bus RA44, 186	Ra	WG	15 " x 7 "	4597 - 383	R700383	R40H597	R40H9200	NLA	NLA
	Rm	WG	15 " x 7 "	4597 - 383	R700383	R40H597	R40H9200	R40H3518	R404148
S1723, S1753 School Bus RA47, 57	Ra	WG	16 " x 6 "	1255 - 386	N/A	R40H597	R40H9200	NLA	NLA

MERITOR DRUM OR ROTOR NO.	CALIPER OR CYLINDER BORE SIZE	MERITOR CALIPER OR WHEEL CYLINDER (LEFT)	MERITOR CALIPER OR WHEEL CYLINDER (RIGHT)	MERITOR CALIPER OR WHEEL CYLINDER REPAIR KIT	MERITOR CALIPER PISTON	MERITOR MASTER CYLINDER	MERITOR MASTER CYLINDER KIT	MERITOR BRAKE HOSE (LEFT)	MERITOR BRAKE HOSE (RIGHT)
ITE(Cont.)									
170, 1700, 1710, 1723, 1724, 1750, 1753, 1754 SERIES CONVENTIONAL CAB, SCHOOL BUS, TILT CAB(Cont.)									
-	1-5/8 "	R4133338	R4133338	R4166689	NR	-	-	-	-
-	1-5/8 "	R4133338	R4133338	R4166689	NR	-	-	-	-
-	1-5/8 "	R4133338	R4133338	R4166689	NR	-	-	-	-
-	1-5/8 "	R4133338	R4133338	R4166689	NR	-	-	-	-
-	1-5/8 "	R4133338	R4133338	R4166689	NR	-	-	-	-
-	1-3/4 "	R4133400	R4133400	R4166917	NR	-	-	-	-
-	1-3/4 "	R4133400	R4133400	R4166917	NR	-	-	-	-
-	1-1/4 "	R4133581	R4133582	R4166923	NR	-	-	-	-
-	1-1/4 "	R4133581	R4133582	R4166923	NR	-	-	-	-
-									
-									
-	1-1/4 "	R4133581	R4133582	R4166923	NR	-	-	-	-
-	1-1/4 "	R4133581	R4133582	R4166923	NR	-	-	-	-
-	1-1/8 "	R4133714	R4133715	R4166926	NR	-	-	-	-
-	1-1/8 "	R4133714	R4133715	R4166926	NR	-	-	-	-
-	1-1/4 "	R4133581	R4133582	R4166923	NR	-	-	-	-
-	1-1/4 "	R4133581	R4133582	R4166923	NR	-	-	-	-
-	1-1/4 "	R4133581	R4133582	R4166923	NR	-	-	-	-
-	1-1/4 "	R4133581	R4133582	R4166923	NR	-	-	-	-
-	1-1/4 "	R4133581	R4133582	R4166923	NR	-	-	-	-
-	1-1/4 "	R4133581	R4133582	R4166923	NR	-	-	-	-
-	1-1/4 "	R4133581	R4133582	R4166923	NR	-	-	-	-
-	1-1/4 "	R4133581	R4133582	R4166923	NR	-	-	-	-
-	1-1/2 "	R4133580	R4133580	Discontinued	NR	-	-	-	-
-	1-1/2 "	R4133580	R4133580	Discontinued	NR	-	-	-	-
-	1-1/2 "	R4133580	R4133580	Discontinued	NR	-	-	-	-
-	1-1/2 "	R4133580	R4133580	Discontinued	NR	-	-	-	-
-	1-1/2 "	R4133580	R4133580	Discontinued	NR	-	-	-	-
-	1-1/2 "	R4133580	R4133580	Discontinued	NR	-	-	-	-
-	1-5/8 "	R4133338	R4133338	R4166689	NR	-	-	-	-
-	1-5/8 "	R4133338	R4133338	R4166689	NR	-	-	-	-
-	1-5/8 "	R4133338	R4133338	R4166689	NR	-	-	-	-
-	1-5/8 "	R4133338	R4133338	R4166689	NR	-	-	-	-
-	1-5/8 "	R4133338	R4133338	R4166689	NR	-	-	-	-
-	1-5/8 "	R4133338	R4133338	R4166689	NR	-	-	-	-
-	1-5/8 "	R4133338	R4133338	R4166689	NR	-	-	-	-
-	1-5/8 "	R4133338	R4133338	R4166689	NR	-	-	-	-
-	1-3/4 "	R4133400	R4133400	R4166917	NR	-	-	-	-

1 APPLICATION

MAKE MODEL YEAR AXLE CODE AXLE WEIGHT	AXLE & BRK. TYPE	BRK. MFG.	BRAKE SIZE	FMSI	MERITOR DISC PAD OR BRAKE SHOE	MERITOR GUIDE PIN OR RETURN SPRING KIT	MERITOR CALIPER HWD. KIT OR RETURN SPRING KIT	MERITOR ADJUSTER KIT (LEFT WHEEL)	MERITOR ADJUSTER KIT (RIGHT WHEEL)
ITE(Cont.)									
170, 1700, 1710, 1723, 1724, 1750, 1753, 1754 SERIES CONVENTIONAL CAB, SCHOOL BUS, TILT CAB(Cont.)									
1973									
	Rm	WG	16 " x 6 "	1255 - 386	N/A	R40H597	R40H9200	R404149	R404150
S1724, S1754 Conventional FA109, 208	Fa	WG	15 " x 3 "	1245C - 321	R700321	R40H521	R40H9237	R40H3502	R40H3503
	Fm	WG	15 " x 3 "	1245A - 235	R700235	R40H521	R40H9201	R40H3524	R40H3524
S1724, S1754 Conventional FA118, 127, 139	Fa	WG	15 " x 5 "	1345A - 491	N/A	R40H521	R40H9237	R40H3502	R40H3503
	Fm	WG	15 " x 5 "	1345 - 490	N/A	R40H521	R40H9201	R40H3524	R40H3524
S1724, S1754 Conventional FA208	Fa	WG	15 " x 3-1/2 "	1280B - 322	R464004	R40H521	R40H9237	R40H3502	R40H3503
	Fm	WG	15 " x 3-1/2 "	1280 - 463	R700463	R40H521	R40H9201	R40H3524	R40H3524
S1724, S1754 Conventional FA48, 68, 70, 72	Fa	WG	14 " x 2-1/2 "	1294A - 325	N/A	R40H521	R40H9237	R40H3502	R40H3503
	Fm	WG	14 " x 2-1/2 "	1294 - 296	N/A	R40H521	R40H9201	R40H3524	R40H3524
S1724, S1754 Conventional FA71, 73, 101	Fa	WG	15 " x 3 "	1245C - 321	R700321	R40H521	R40H9237	R40H3502	R40H3503
	Fa	WG	15 " x 3-1/2 "	1280B - 322	R464004	R40H521	R40H9237	R40H3502	R40H3503
	Fm	WG	15 " x 3 "	1245A - 235	R700235	R40H521	R40H9201	R40H3524	R40H3524
	Fm	WG	15 " x 3-1/2 "	1280 - 463	R700463	R40H521	R40H9201	R40H3524	R40H3524
S1724, S1754 Conventional FA74	Fa	WG	15 " x 3 "	1245C - 321	R700321	R40H521	R40H9237	R40H3502	R40H3503
	Fm	WG	15 " x 3 "	1245A - 235	R700235	R40H521	R40H9201	R40H3524	R40H3524
S1724, S1754 Conventional FA78, 81	Fa	WG	15 " x 3 "	1245C - 321	R700321	R40H521	R40H9237	R40H3502	R40H3503
S1724, S1754 Conventional FA89, 91, 98	Fa	WG	15 " x 3 "	1245C - 321	R700321	R40H521	R40H9237	R40H3502	R40H3503
	Fm	WG	15 " x 3 "	1245A - 235	R700235	R40H521	R40H9201	R40H3524	R40H3524
S1724, S1754 Conventional RA184	Ra	WG	15 " x 4 "	4645A - 376	Discontinued	R40H597	R40H9200	R40H3540	R40H3541
	Rm	WG	15 " x 4 "	4645A - 376	Discontinued	R40H597	R40H9200	R40H3518	R404148
S1724, S1754 Conventional RA25, 184	Ra	WG	15 " x 5 "	1252 - 346	R700346	R40H597	R40H9200	R40H3540	R40H3541
	Rm	WG	15 " x 5 "	1252 - 346	R700346	R40H597	R40H9200	R40H3518	R404148
S1724, S1754 Conventional RA29, 30, 187	Ra	WG	15 " x 5 "	1252 - 346	R700346	R40H597	R40H9200	R40H3540	R40H3541
	Rm	WG	15 " x 5 "	1252 - 346	R700346	R40H597	R40H9200	R40H3518	R404148
S1724, S1754 Conventional RA30, 187	Ra	WG	16 " x 5 "	1254 - 385	N/A	R40H597	R40H9200	NLA	NLA
	Rm	WG	16 " x 5 "	1254 - 385	N/A	R40H597	R40H9200	R404149	R404150
S1724, S1754 Conventional RA30, 39, 44, 186, 189	Ra	WG	15 " x 6 "	4596 - 381	R700381	R40H597	R40H9200	R40H3540	R40H3541
	Rm	WG	15 " x 6 "	4596 - 381	R700381	R40H597	R40H9200	R40H3518	R404148
S1724, S1754 Conventional RA39, 199	Ra	WG	15 " x 7 "	4597 - 383	R700383	R40H597	R40H9200	R40H3540	R40H3541
	Rm	WG	15 " x 7 "	4597 - 383	R700383	R40H597	R40H9200	R40H3518	R404148
S1724, S1754 Conventional RA44, 186	Ra	WG	15 " x 7 "	4597 - 383	R700383	R40H597	R40H9200	NLA	NLA
	Rm	WG	15 " x 7 "	4597 - 383	R700383	R40H597	R40H9200	R40H3518	R404148
S1724, S1754 Conventional RA47, 57	Ra	WG	16 " x 6 "	1255 - 386	N/A	R40H597	R40H9200	NLA	NLA
	Rm	WG	16 " x 6 "	1255 - 386	N/A	R40H597	R40H9200	R404149	R404150
1972									
C1710, C1750 Cargostar Tilt Cab FA109, 208	Fa	WG	15 " x 3 "	1245C - 321	R700321	R40H521	R40H9237	R40H3502	R40H3503
	Fm	WG	15 " x 3 "	1245A - 235	R700235	R40H521	R40H9201	R40H3524	R40H3524
C1710, C1750 Cargostar Tilt Cab FA118, 127, 139	Fa	WG	15 " x 5 "	1345A - 491	N/A	R40H521	R40H9237	R40H3502	R40H3503
	Fm	WG	15 " x 5 "	1345 - 490	N/A	R40H521	R40H9201	R40H3524	R40H3524
C1710, C1750 Cargostar Tilt Cab FA208	Fa	WG	15 " x 3-1/2 "	1280B - 322	R464004	R40H521	R40H9237	R40H3502	R40H3503

MERITOR DRUM OR ROTOR NO.	CALIPER OR CYLINDER BORE SIZE	MERITOR CALIPER OR WHEEL CYLINDER (LEFT)	MERITOR CALIPER OR WHEEL CYLINDER (RIGHT)	MERITOR CALIPER OR WHEEL CYLINDER REPAIR KIT	MERITOR CALIPER PISTON	MERITOR MASTER CYLINDER	MERITOR MASTER CYLINDER KIT	MERITOR BRAKE HOSE (LEFT)	MERITOR BRAKE HOSE (RIGHT)
ITE(Cont.)									
170, 1700, 1710, 1723, 1724, 1750, 1753, 1754 SERIES CONVENTIONAL CAB, SCHOOL BUS, TILT CAB(Cont.)									
-	1-3/4 "	R4133400	R4133400	R4166917	NR	-	-	-	-
-	1-1/4 "	R4133581	R4133582	R4166923	NR	-	-	-	-
-	1-1/4 "	R4133581	R4133582	R4166923	NR	-	-	-	-
-	-	-	-	-	-	-	-	-	-
-	-	-	-	-	-	-	-	-	-
-	1-1/4 "	R4133581	R4133582	R4166923	NR	-	-	-	-
-	1-1/4 "	R4133581	R4133582	R4166923	NR	-	-	-	-
-	1-1/8 "	R4133714	R4133715	R4166926	NR	-	-	-	-
-	1-1/8 "	R4133714	R4133715	R4166926	NR	-	-	-	-
-	1-1/4 "	R4133581	R4133582	R4166923	NR	-	-	-	-
-	1-1/4 "	R4133581	R4133582	R4166923	NR	-	-	-	-
-	1-1/4 "	R4133581	R4133582	R4166923	NR	-	-	-	-
-	1-1/4 "	R4133581	R4133582	R4166923	NR	-	-	-	-
-	1-1/4 "	R4133581	R4133582	R4166923	NR	-	-	-	-
-	1-1/4 "	R4133581	R4133582	R4166923	NR	-	-	-	-
-	1-1/4 "	R4133581	R4133582	R4166923	NR	-	-	-	-
-	1-1/2 "	R4133580	R4133580	Discontinued	NR	-	-	-	-
-	1-1/2 "	R4133580	R4133580	Discontinued	NR	-	-	-	-
-	1-1/2 "	R4133580	R4133580	Discontinued	NR	-	-	-	-
-	1-1/2 "	R4133580	R4133580	Discontinued	NR	-	-	-	-
-	1-1/2 "	R4133580	R4133580	Discontinued	NR	-	-	-	-
-	1-1/2 "	R4133580	R4133580	Discontinued	NR	-	-	-	-
-	1-5/8 "	R4133338	R4133338	R4166689	NR	-	-	-	-
-	1-5/8 "	R4133338	R4133338	R4166689	NR	-	-	-	-
-	1-5/8 "	R4133338	R4133338	R4166689	NR	-	-	-	-
-	1-5/8 "	R4133338	R4133338	R4166689	NR	-	-	-	-
-	1-5/8 "	R4133338	R4133338	R4166689	NR	-	-	-	-
-	1-5/8 "	R4133338	R4133338	R4166689	NR	-	-	-	-
-	1-3/4 "	R4133400	R4133400	R4166917	NR	-	-	-	-
-	1-3/4 "	R4133400	R4133400	R4166917	NR	-	-	-	-
-	-	-	-	-	-	-	-	-	-
-	1-1/4 "	R4133581	R4133582	R4166923	NR	-	-	-	-
-	1-1/4 "	R4133581	R4133582	R4166923	NR	-	-	-	-
-	-	-	-	-	-	-	-	-	-
-	-	-	-	-	-	-	-	-	-
-	1-1/4 "	R4133581	R4133582	R4166923	NR	-	-	-	-

MAKE MODEL YEAR AXLE CODE AXLE WEIGHT	AXLE & BRK. TYPE	BRK. MFG.	BRAKE SIZE	FMSI	MERITOR DISC PAD OR BRAKE SHOE	MERITOR GUIDE PIN OR RETURN SPRING KIT	MERITOR CALIPER HWD. KIT OR RETURN SPRING KIT	MERITOR ADJUSTER KIT (LEFT WHEEL)	MERITOR ADJUSTER KIT (RIGHT WHEEL)
ITE(Cont.)									
170, 1700, 1710, 1723, 1724, 1750, 1753, 1754 SERIES CONVENTIONAL CAB, SCHOOL BUS, TILT CAB(Cont.)									
1972	Fm	WG	15 " x 3-1/2 "	1280 - 463	R700463	R40H521	R40H9201	R40H3524	R40H3524
C1710, C1750 Cargostar Tilt Cab FA48, 68, 70, 72	Fa	WG	14 " x 2-1/2 "	1294A - 325	N/A	R40H521	R40H9237	R40H3502	R40H3503
	Fm	WG	14 " x 2-1/2 "	1294 - 296	N/A	R40H521	R40H9201	R40H3524	R40H3524
C1710, C1750 Cargostar Tilt Cab FA71, 73, 101	Fa	WG	15 " x 3 "	1245C - 321	R700321	R40H521	R40H9237	R40H3502	R40H3503
	Fa	WG	15 " x 3-1/2 "	1280B - 322	R464004	R40H521	R40H9237	R40H3502	R40H3503
	Fm	WG	15 " x 3 "	1245A - 235	R700235	R40H521	R40H9201	R40H3524	R40H3524
	Fm	WG	15 " x 3-1/2 "	1280 - 463	R700463	R40H521	R40H9201	R40H3524	R40H3524
C1710, C1750 Cargostar Tilt Cab FA74	Fa	WG	15 " x 3 "	1245C - 321	R700321	R40H521	R40H9237	R40H3502	R40H3503
	Fm	WG	15 " x 3 "	1245A - 235	R700235	R40H521	R40H9201	R40H3524	R40H3524
C1710, C1750 Cargostar Tilt Cab FA78, 81	Fa	WG	15 " x 3 "	1245C - 321	R700321	R40H521	R40H9237	R40H3502	R40H3503
C1710, C1750 Cargostar Tilt Cab FA89, 91, 98	Fa	WG	15 " x 3 "	1245C - 321	R700321	R40H521	R40H9237	R40H3502	R40H3503
	Fm	WG	15 " x 3 "	1245A - 235	R700235	R40H521	R40H9201	R40H3524	R40H3524
C1710, C1750 Cargostar Tilt Cab RA184	Ra	WG	15 " x 4 "	4645A - 376	Discontinued	R40H597	R40H9200	R40H3540	R40H3541
	Rm	WG	15 " x 4 "	4645A - 376	Discontinued	R40H597	R40H9200	R40H3518	R404148
C1710, C1750 Cargostar Tilt Cab RA25, 184	Ra	WG	15 " x 5 "	1252 - 346	R700346	R40H597	R40H9200	R40H3540	R40H3541
	Rm	WG	15 " x 5 "	1252 - 346	R700346	R40H597	R40H9200	R40H3518	R404148
C1710, C1750 Cargostar Tilt Cab RA29, 30, 187	Ra	WG	15 " x 5 "	1252 - 346	R700346	R40H597	R40H9200	R40H3540	R40H3541
	Rm	WG	15 " x 5 "	1252 - 346	R700346	R40H597	R40H9200	R40H3518	R404148
C1710, C1750 Cargostar Tilt Cab RA30, 187	Ra	WG	16 " x 5 "	1254 - 385	N/A	R40H597	R40H9200	NLA	NLA
	Rm	WG	16 " x 5 "	1254 - 385	N/A	R40H597	R40H9200	R404149	R404150
C1710, C1750 Cargostar Tilt Cab RA30, 39, 44, 186, 189	Ra	WG	15 " x 6 "	4596 - 381	R700381	R40H597	R40H9200	R40H3540	R40H3541
	Rm	WG	15 " x 6 "	4596 - 381	R700381	R40H597	R40H9200	R40H3518	R404148
C1710, C1750 Cargostar Tilt Cab RA39, 199	Ra	WG	15 " x 7 "	4597 - 383	R700383	R40H597	R40H9200	R40H3540	R40H3541
	Rm	WG	15 " x 7 "	4597 - 383	R700383	R40H597	R40H9200	R40H3518	R404148
C1710, C1750 Cargostar Tilt Cab RA44, 186	Ra	WG	15 " x 7 "	4597 - 383	R700383	R40H597	R40H9200	NLA	NLA
	Rm	WG	15 " x 7 "	4597 - 383	R700383	R40H597	R40H9200	R40H3518	R404148
C1710, C1750 Cargostar Tilt Cab RA47, 57	Ra	WG	16 " x 6 "	1255 - 386	N/A	R40H597	R40H9200	NLA	NLA
	Rm	WG	16 " x 6 "	1255 - 386	N/A	R40H597	R40H9200	R404149	R404150
S1723, S1753 School Bus FA109, 208	Fa	WG	15 " x 3 "	1245C - 321	R700321	R40H521	R40H9237	R40H3502	R40H3503
	Fm	WG	15 " x 3 "	1245A - 235	R700235	R40H521	R40H9201	R40H3524	R40H3524
S1723, S1753 School Bus FA118, 127, 139	Fa	WG	15 " x 5 "	1345A - 491	N/A	R40H521	R40H9237	R40H3502	R40H3503
	Fm	WG	15 " x 5 "	1345 - 490	N/A	R40H521	R40H9201	R40H3524	R40H3524
S1723, S1753 School Bus FA208	Fa	WG	15 " x 3-1/2 "	1280B - 322	R464004	R40H521	R40H9237	R40H3502	R40H3503

MERITOR DRUM OR ROTOR NO.	CALIPER OR CYLINDER BORE SIZE	MERITOR CALIPER OR WHEEL CYLINDER (LEFT)	MERITOR CALIPER OR WHEEL CYLINDER (RIGHT)	MERITOR CALIPER OR WHEEL CYLINDER REPAIR KIT	MERITOR CALIPER PISTON	MERITOR MASTER CYLINDER	MERITOR MASTER CYLINDER KIT	MERITOR BRAKE HOSE (LEFT)	MERITOR BRAKE HOSE (RIGHT)
ITE(Cont.)									
170, 1700, 1710, 1723, 1724, 1750, 1753, 1754 SERIES CONVENTIONAL CAB, SCHOOL BUS, TILT CAB(Cont.)									
-	1-1/4 "	R4133581	R4133582	R4166923	NR	-	-	-	-
-	1-1/8 "	R4133714	R4133715	R4166926	NR	-	-	-	-
-	1-1/8 "	R4133714	R4133715	R4166926	NR	-	-	-	-
-	1-1/4 "	R4133581	R4133582	R4166923	NR	-	-	-	-
-	1-1/4 "	R4133581	R4133582	R4166923	NR	-	-	-	-
-	1-1/4 "	R4133581	R4133582	R4166923	NR	-	-	-	-
-	1-1/4 "	R4133581	R4133582	R4166923	NR	-	-	-	-
-	1-1/4 "	R4133581	R4133582	R4166923	NR	-	-	-	-
-	1-1/4 "	R4133581	R4133582	R4166923	NR	-	-	-	-
-	1-1/4 "	R4133581	R4133582	R4166923	NR	-	-	-	-
-	1-1/4 "	R4133581	R4133582	R4166923	NR	-	-	-	-
-	1-1/4 "	R4133581	R4133582	R4166923	NR	-	-	-	-
-	1-1/2 "	R4133580	R4133580	Discontinued	NR	-	-	-	-
-	1-1/2 "	R4133580	R4133580	Discontinued	NR	-	-	-	-
-	1-1/2 "	R4133580	R4133580	Discontinued	NR	-	-	-	-
-	1-1/2 "	R4133580	R4133580	Discontinued	NR	-	-	-	-
-	1-1/2 "	R4133580	R4133580	Discontinued	NR	-	-	-	-
-	1-1/2 "	R4133580	R4133580	Discontinued	NR	-	-	-	-
-	1-5/8 "	R4133338	R4133338	R4166689	NR	-	-	-	-
-	1-5/8 "	R4133338	R4133338	R4166689	NR	-	-	-	-
-	1-5/8 "	R4133338	R4133338	R4166689	NR	-	-	-	-
-	1-5/8 "	R4133338	R4133338	R4166689	NR	-	-	-	-
-	1-5/8 "	R4133338	R4133338	R4166689	NR	-	-	-	-
-	1-5/8 "	R4133338	R4133338	R4166689	NR	-	-	-	-
-	1-5/8 "	R4133338	R4133338	R4166689	NR	-	-	-	-
-	1-3/4 "	R4133400	R4133400	R4166917	NR	-	-	-	-
-	1-3/4 "	R4133400	R4133400	R4166917	NR	-	-	-	-
-	1-1/4 "	R4133581	R4133582	R4166923	NR	-	-	-	-
-	1-1/4 "	R4133581	R4133582	R4166923	NR	-	-	-	-
-						-	-	-	-
-						-	-	-	-
-	1-1/4 "	R4133581	R4133582	R4166923	NR	-	-	-	-

MAKE MODEL YEAR AXLE CODE AXLE WEIGHT	AXLE & BRK. TYPE	BRK. MFG.	BRAKE SIZE	FMSI	MERITOR DISC PAD OR BRAKE SHOE	MERITOR GUIDE PIN OR RETURN SPRING KIT	MERITOR CALIPER HWD. KIT OR RETURN SPRING KIT	MERITOR ADJUSTER KIT (LEFT WHEEL)	MERITOR ADJUSTER KIT (RIGHT WHEEL)
ITE(Cont.)									
170, 1700, 1710, 1723, 1724, 1750, 1753, 1754 SERIES CONVENTIONAL CAB, SCHOOL BUS, TILT CAB(Cont.)									
1972	Fm	WG	15 " x 3-1/2 "	1280 - 463	R700463	R40H521	R40H9201	R40H3524	R40H3524
S1723, S1753 School Bus FA48, 68, 70, 72	Fa	WG	14 " x 2-1/2 "	1294A - 325	N/A	R40H521	R40H9237	R40H3502	R40H3503
	Fm	WG	14 " x 2-1/2 "	1294 - 296	N/A	R40H521	R40H9201	R40H3524	R40H3524
S1723, S1753 School Bus FA71, 73, 101	Fa	WG	15 " x 3 "	1245C - 321	R700321	R40H521	R40H9237	R40H3502	R40H3503
	Fa	WG	15 " x 3-1/2 "	1280B - 322	R464004	R40H521	R40H9237	R40H3502	R40H3503
	Fm	WG	15 " x 3 "	1245A - 235	R700235	R40H521	R40H9201	R40H3524	R40H3524
	Fm	WG	15 " x 3-1/2 "	1280 - 463	R700463	R40H521	R40H9201	R40H3524	R40H3524
S1723, S1753 School Bus FA74	Fa	WG	15 " x 3 "	1245C - 321	R700321	R40H521	R40H9237	R40H3502	R40H3503
	Fm	WG	15 " x 3 "	1245A - 235	R700235	R40H521	R40H9201	R40H3524	R40H3524
S1723, S1753 School Bus FA78, 81	Fa	WG	15 " x 3 "	1245C - 321	R700321	R40H521	R40H9237	R40H3502	R40H3503
S1723, S1753 School Bus FA89, 91, 98	Fa	WG	15 " x 3 "	1245C - 321	R700321	R40H521	R40H9237	R40H3502	R40H3503
	Fm	WG	15 " x 3 "	1245A - 235	R700235	R40H521	R40H9201	R40H3524	R40H3524
S1723, S1753 School Bus RA184	Ra	WG	15 " x 4 "	4645A - 376	Discontinued	R40H597	R40H9200	R40H3540	R40H3541
	Rm	WG	15 " x 4 "	4645A - 376	Discontinued	R40H597	R40H9200	R40H3518	R404148
S1723, S1753 School Bus RA25, 184	Ra	WG	15 " x 5 "	1252 - 346	R700346	R40H597	R40H9200	R40H3540	R40H3541
	Rm	WG	15 " x 5 "	1252 - 346	R700346	R40H597	R40H9200	R40H3518	R404148
S1723, S1753 School Bus RA29, 30, 187	Ra	WG	15 " x 5 "	1252 - 346	R700346	R40H597	R40H9200	R40H3540	R40H3541
	Rm	WG	15 " x 5 "	1252 - 346	R700346	R40H597	R40H9200	R40H3518	R404148
S1723, S1753 School Bus RA30, 187	Ra	WG	16 " x 5 "	1254 - 385	N/A	R40H597	R40H9200	NLA	NLA
	Rm	WG	16 " x 5 "	1254 - 385	N/A	R40H597	R40H9200	R404149	R404150
S1723, S1753 School Bus RA30, 39, 44, 186, 189	Ra	WG	15 " x 6 "	4596 - 381	R700381	R40H597	R40H9200	R40H3540	R40H3541
	Rm	WG	15 " x 6 "	4596 - 381	R700381	R40H597	R40H9200	R40H3518	R404148
S1723, S1753 School Bus RA39, 199	Ra	WG	15 " x 7 "	4597 - 383	R700383	R40H597	R40H9200	R40H3540	R40H3541
	Rm	WG	15 " x 7 "	4597 - 383	R700383	R40H597	R40H9200	R40H3518	R404148
S1723, S1753 School Bus RA44, 186	Ra	WG	15 " x 7 "	4597 - 383	R700383	R40H597	R40H9200	NLA	NLA
	Rm	WG	15 " x 7 "	4597 - 383	R700383	R40H597	R40H9200	R40H3518	R404148
S1723, S1753 School Bus RA47, 57	Ra	WG	16 " x 6 "	1255 - 386	N/A	R40H597	R40H9200	NLA	NLA
	Rm	WG	16 " x 6 "	1255 - 386	N/A	R40H597	R40H9200	R404149	R404150
S1724, S1754 Conventional FA109, 208	Fa	WG	15 " x 3 "	1245C - 321	R700321	R40H521	R40H9237	R40H3502	R40H3503
	Fm	WG	15 " x 3 "	1245A - 235	R700235	R40H521	R40H9201	R40H3524	R40H3524
S1724, S1754 Conventional FA118, 127, 139	Fa	WG	15 " x 5 "	1345A - 491	N/A	R40H521	R40H9237	R40H3502	R40H3503
	Fm	WG	15 " x 5 "	1345 - 490	N/A	R40H521	R40H9201	R40H3524	R40H3524
S1724, S1754 Conventional FA208	Fa	WG	15 " x 3-1/2 "	1280B - 322	R464004	R40H521	R40H9237	R40H3502	R40H3503
	Fm	WG	15 " x 3-1/2 "	1280 - 463	R700463	R40H521	R40H9201	R40H3524	R40H3524
S1724, S1754 Conventional FA48, 68, 70, 72	Fa	WG	14 " x 2-1/2 "	1294A - 325	N/A	R40H521	R40H9237	R40H3502	R40H3503
	Fm	WG	14 " x 2-1/2 "	1294 - 296	N/A	R40H521	R40H9201	R40H3524	R40H3524
S1724, S1754 Conventional FA71, 73, 101	Fa	WG	15 " x 3 "	1245C - 321	R700321	R40H521	R40H9237	R40H3502	R40H3503
	Fa	WG	15 " x 3-1/2 "	1280B - 322	R464004	R40H521	R40H9237	R40H3502	R40H3503
	Fm	WG	15 " x 3 "	1245A - 235	R700235	R40H521	R40H9201	R40H3524	R40H3524
	Fm	WG	15 " x 3-1/2 "	1280 - 463	R700463	R40H521	R40H9201	R40H3524	R40H3524
S1724, S1754 Conventional FA74	Fa	WG	15 " x 3 "	1245C - 321	R700321	R40H521	R40H9237	R40H3502	R40H3503
	Fm	WG	15 " x 3 "	1245A - 235	R700235	R40H521	R40H9201	R40H3524	R40H3524

MERITOR DRUM OR ROTOR NO.	CALIPER OR CYLINDER BORE SIZE	MERITOR CALIPER OR WHEEL CYLINDER (LEFT)	MERITOR CALIPER OR WHEEL CYLINDER (RIGHT)	MERITOR CALIPER OR WHEEL CYLINDER REPAIR KIT	MERITOR CALIPER PISTON	MERITOR MASTER CYLINDER	MERITOR MASTER CYLINDER KIT	MERITOR BRAKE HOSE (LEFT)	MERITOR BRAKE HOSE (RIGHT)
ITE(Cont.)									
170, 1700, 1710, 1723, 1724, 1750, 1753, 1754 SERIES CONVENTIONAL CAB, SCHOOL BUS, TILT CAB(Cont.)									
-	1-1/4 "	R4133581	R4133582	R4166923	NR	-	-	-	-
-	1-1/8 "	R4133714	R4133715	R4166926	NR	-	-	-	-
-	1-1/8 "	R4133714	R4133715	R4166926	NR	-	-	-	-
-	1-1/4 "	R4133581	R4133582	R4166923	NR	-	-	-	-
-	1-1/4 "	R4133581	R4133582	R4166923	NR	-	-	-	-
-	1-1/4 "	R4133581	R4133582	R4166923	NR	-	-	-	-
-	1-1/4 "	R4133581	R4133582	R4166923	NR	-	-	-	-
-	1-1/4 "	R4133581	R4133582	R4166923	NR	-	-	-	-
-	1-1/4 "	R4133581	R4133582	R4166923	NR	-	-	-	-
-	1-1/4 "	R4133581	R4133582	R4166923	NR	-	-	-	-
-	1-1/4 "	R4133581	R4133582	R4166923	NR	-	-	-	-
-	1-1/4 "	R4133581	R4133582	R4166923	NR	-	-	-	-
-	1-1/2 "	R4133580	R4133580	Discontinued	NR	-	-	-	-
-	1-1/2 "	R4133580	R4133580	Discontinued	NR	-	-	-	-
-	1-1/2 "	R4133580	R4133580	Discontinued	NR	-	-	-	-
-	1-1/2 "	R4133580	R4133580	Discontinued	NR	-	-	-	-
-	1-1/2 "	R4133580	R4133580	Discontinued	NR	-	-	-	-
-	1-1/2 "	R4133580	R4133580	Discontinued	NR	-	-	-	-
-	1-1/2 "	R4133580	R4133580	Discontinued	NR	-	-	-	-
-	1-5/8 "	R4133338	R4133338	R4166689	NR	-	-	-	-
-	1-5/8 "	R4133338	R4133338	R4166689	NR	-	-	-	-
-	1-5/8 "	R4133338	R4133338	R4166689	NR	-	-	-	-
-	1-5/8 "	R4133338	R4133338	R4166689	NR	-	-	-	-
-	1-5/8 "	R4133338	R4133338	R4166689	NR	-	-	-	-
-	1-5/8 "	R4133338	R4133338	R4166689	NR	-	-	-	-
-	1-5/8 "	R4133338	R4133338	R4166689	NR	-	-	-	-
-	1-5/8 "	R4133338	R4133338	R4166689	NR	-	-	-	-
-	1-3/4 "	R4133400	R4133400	R4166917	NR	-	-	-	-
-	1-3/4 "	R4133400	R4133400	R4166917	NR	-	-	-	-
-	1-1/4 "	R4133581	R4133582	R4166923	NR	-	-	-	-
-	1-1/4 "	R4133581	R4133582	R4166923	NR	-	-	-	-
-									
-									
-	1-1/4 "	R4133581	R4133582	R4166923	NR	-	-	-	-
-	1-1/4 "	R4133581	R4133582	R4166923	NR	-	-	-	-
-	1-1/8 "	R4133714	R4133715	R4166926	NR	-	-	-	-
-	1-1/8 "	R4133714	R4133715	R4166926	NR	-	-	-	-
-	1-1/4 "	R4133581	R4133582	R4166923	NR	-	-	-	-
-	1-1/4 "	R4133581	R4133582	R4166923	NR	-	-	-	-
-	1-1/4 "	R4133581	R4133582	R4166923	NR	-	-	-	-
-	1-1/4 "	R4133581	R4133582	R4166923	NR	-	-	-	-
-	1-1/4 "	R4133581	R4133582	R4166923	NR	-	-	-	-
-	1-1/4 "	R4133581	R4133582	R4166923	NR	-	-	-	-

1 APPLICATION

MAKE MODEL YEAR AXLE CODE AXLE WEIGHT	AXLE & BRK. TYPE	BRK. MFG.	BRAKE SIZE	FMSI	MERITOR DISC PAD OR BRAKE SHOE	MERITOR GUIDE PIN OR RETURN SPRING KIT	MERITOR CALIPER HWD. KIT OR RETURN SPRING KIT	MERITOR ADJUSTER KIT (LEFT WHEEL)	MERITOR ADJUSTER KIT (RIGHT WHEEL)
ITE(Cont.)									
170, 1700, 1710, 1723, 1724, 1750, 1753, 1754 SERIES CONVENTIONAL CAB, SCHOOL BUS, TILT CAB(Cont.)									
1972 S1724, S1754 Conventional FA78, 81	Fa	WG	15 " x 3 "	1245C - 321	R700321	R40H521	R40H9237	R40H3502	R40H3503
S1724, S1754 Conventional FA89, 91, 98	Fa	WG	15 " x 3 "	1245C - 321	R700321	R40H521	R40H9237	R40H3502	R40H3503
	Fm	WG	15 " x 3 "	1245A - 235	R700235	R40H521	R40H9201	R40H3524	R40H3524
S1724, S1754 Conventional RA184	Ra	WG	15 " x 4 "	4645A - 376	Discontinued	R40H597	R40H9200	R40H3540	R40H3541
	Rm	WG	15 " x 4 "	4645A - 376	Discontinued	R40H597	R40H9200	R40H3518	R404148
S1724, S1754 Conventional RA25, 184	Ra	WG	15 " x 5 "	1252 - 346	R700346	R40H597	R40H9200	R40H3540	R40H3541
	Rm	WG	15 " x 5 "	1252 - 346	R700346	R40H597	R40H9200	R40H3518	R404148
S1724, S1754 Conventional RA29, 30, 187	Ra	WG	15 " x 5 "	1252 - 346	R700346	R40H597	R40H9200	R40H3540	R40H3541
	Rm	WG	15 " x 5 "	1252 - 346	R700346	R40H597	R40H9200	R40H3518	R404148
S1724, S1754 Conventional RA30, 187	Ra	WG	16 " x 5 "	1254 - 385	N/A	R40H597	R40H9200	NLA	NLA
	Rm	WG	16 " x 5 "	1254 - 385	N/A	R40H597	R40H9200	R404149	R404150
S1724, S1754 Conventional RA30, 39, 44, 186, 189	Ra	WG	15 " x 6 "	4596 - 381	R700381	R40H597	R40H9200	R40H3540	R40H3541
	Rm	WG	15 " x 6 "	4596 - 381	R700381	R40H597	R40H9200	R40H3518	R404148
S1724, S1754 Conventional RA39, 199	Ra	WG	15 " x 7 "	4597 - 383	R700383	R40H597	R40H9200	R40H3540	R40H3541
	Rm	WG	15 " x 7 "	4597 - 383	R700383	R40H597	R40H9200	R40H3518	R404148
S1724, S1754 Conventional RA44, 186	Ra	WG	15 " x 7 "	4597 - 383	R700383	R40H597	R40H9200	NLA	NLA
	Rm	WG	15 " x 7 "	4597 - 383	R700383	R40H597	R40H9200	R40H3518	R404148
S1724, S1754 Conventional RA47, 57	Ra	WG	16 " x 6 "	1255 - 386	N/A	R40H597	R40H9200	NLA	NLA
	Rm	WG	16 " x 6 "	1255 - 386	N/A	R40H597	R40H9200	R404149	R404150
1971 C1710, C1750 Cargostar Tilt Cab FA109, 208	Fa	WG	15 " x 3 "	1245C - 321	R700321	R40H521	R40H9237	R40H3502	R40H3503
	Fm	WG	15 " x 3 "	1245A - 235	R700235	R40H521	R40H9201	R40H3524	R40H3524
C1710, C1750 Cargostar Tilt Cab FA118, 127, 139	Fa	WG	15 " x 5 "	1345A - 491	N/A	R40H521	R40H9237	R40H3502	R40H3503
	Fm	WG	15 " x 5 "	1345 - 490	N/A	R40H521	R40H9201	R40H3524	R40H3524
C1710, C1750 Cargostar Tilt Cab FA208	Fa	WG	15 " x 3-1/2 "	1280B - 322	R464004	R40H521	R40H9237	R40H3502	R40H3503
	Fm	WG	15 " x 3-1/2 "	1280 - 463	R700463	R40H521	R40H9201	R40H3524	R40H3524
C1710, C1750 Cargostar Tilt Cab FA48, 68, 70, 72	Fa	WG	14 " x 2-1/2 "	1294A - 325	N/A	R40H521	R40H9237	R40H3502	R40H3503
	Fm	WG	14 " x 2-1/2 "	1294 - 296	N/A	R40H521	R40H9201	R40H3524	R40H3524
C1710, C1750 Cargostar Tilt Cab FA71, 73, 101	Fa	WG	15 " x 3 "	1245C - 321	R700321	R40H521	R40H9237	R40H3502	R40H3503
	Fa	WG	15 " x 3-1/2 "	1280B - 322	R464004	R40H521	R40H9237	R40H3502	R40H3503
	Fm	WG	15 " x 3 "	1245A - 235	R700235	R40H521	R40H9201	R40H3524	R40H3524
	Fm	WG	15 " x 3-1/2 "	1280 - 463	R700463	R40H521	R40H9201	R40H3524	R40H3524
C1710, C1750 Cargostar Tilt Cab FA74	Fa	WG	15 " x 3 "	1245C - 321	R700321	R40H521	R40H9237	R40H3502	R40H3503
	Fm	WG	15 " x 3 "	1245A - 235	R700235	R40H521	R40H9201	R40H3524	R40H3524
C1710, C1750 Cargostar Tilt Cab FA78, 81	Fa	WG	15 " x 3 "	1245C - 321	R700321	R40H521	R40H9237	R40H3502	R40H3503
C1710, C1750 Cargostar Tilt Cab FA89, 91, 98	Fa	WG	15 " x 3 "	1245C - 321	R700321	R40H521	R40H9237	R40H3502	R40H3503

MERITOR DRUM OR ROTOR NO.	CALIPER OR CYLINDER BORE SIZE	MERITOR CALIPER OR WHEEL CYLINDER (LEFT)	MERITOR CALIPER OR WHEEL CYLINDER (RIGHT)	MERITOR CALIPER OR WHEEL CYLINDER REPAIR KIT	MERITOR CALIPER PISTON	MERITOR MASTER CYLINDER	MERITOR MASTER CYLINDER KIT	MERITOR BRAKE HOSE (LEFT)	MERITOR BRAKE HOSE (RIGHT)
ITE(Cont.)									
170, 1700, 1710, 1723, 1724, 1750, 1753, 1754 SERIES CONVENTIONAL CAB, SCHOOL BUS, TILT CAB(Cont.)									
-	1-1/4 "	R4133581	R4133582	R4166923	NR	-	-	-	-
-	1-1/4 "	R4133581	R4133582	R4166923	NR	-	-	-	-
-	1-1/4 "	R4133581	R4133582	R4166923	NR	-	-	-	-
-	1-1/2 "	R4133580	R4133580	Discontinued	NR	-	-	-	-
-	1-1/2 "	R4133580	R4133580	Discontinued	NR	-	-	-	-
-	1-1/2 "	R4133580	R4133580	Discontinued	NR	-	-	-	-
-	1-1/2 "	R4133580	R4133580	Discontinued	NR	-	-	-	-
-	1-1/2 "	R4133580	R4133580	Discontinued	NR	-	-	-	-
-	1-1/2 "	R4133580	R4133580	Discontinued	NR	-	-	-	-
-	1-5/8 "	R4133338	R4133338	R4166689	NR	-	-	-	-
-	1-5/8 "	R4133338	R4133338	R4166689	NR	-	-	-	-
-	1-5/8 "	R4133338	R4133338	R4166689	NR	-	-	-	-
-	1-5/8 "	R4133338	R4133338	R4166689	NR	-	-	-	-
-	1-5/8 "	R4133338	R4133338	R4166689	NR	-	-	-	-
-	1-5/8 "	R4133338	R4133338	R4166689	NR	-	-	-	-
-	1-5/8 "	R4133338	R4133338	R4166689	NR	-	-	-	-
-	1-5/8 "	R4133338	R4133338	R4166689	NR	-	-	-	-
-	1-3/4 "	R4133400	R4133400	R4166917	NR	-	-	-	-
-	1-3/4 "	R4133400	R4133400	R4166917	NR	-	-	-	-
-	1-1/4 "	R4133581	R4133582	R4166923	NR	-	-	-	-
-	1-1/4 "	R4133581	R4133582	R4166923	NR	-	-	-	-
-									
-									
-	1-1/4 "	R4133581	R4133582	R4166923	NR	-	-	-	-
-	1-1/4 "	R4133581	R4133582	R4166923	NR	-	-	-	-
-	1-1/8 "	R4133714	R4133715	R4166926	NR	-	-	-	-
-	1-1/8 "	R4133714	R4133715	R4166926	NR	-	-	-	-
-	1-1/4 "	R4133581	R4133582	R4166923	NR	-	-	-	-
-	1-1/4 "	R4133581	R4133582	R4166923	NR	-	-	-	-
-	1-1/4 "	R4133581	R4133582	R4166923	NR	-	-	-	-
-	1-1/4 "	R4133581	R4133582	R4166923	NR	-	-	-	-
-	1-1/4 "	R4133581	R4133582	R4166923	NR	-	-	-	-
-	1-1/4 "	R4133581	R4133582	R4166923	NR	-	-	-	-
-	1-1/4 "	R4133581	R4133582	R4166923	NR	-	-	-	-
-	1-1/4 "	R4133581	R4133582	R4166923	NR	-	-	-	-
-	1-1/4 "	R4133581	R4133582	R4166923	NR	-	-	-	-
-	1-1/4 "	R4133581	R4133582	R4166923	NR	-	-	-	-

1 APPLICATION

MAKE MODEL YEAR AXLE CODE AXLE WEIGHT	AXLE & BRK. TYPE	BRK. MFG.	BRAKE SIZE	FMSI	MERITOR DISC PAD OR BRAKE SHOE	MERITOR GUIDE PIN OR RETURN SPRING KIT	MERITOR CALIPER HWD. KIT OR RETURN SPRING KIT	MERITOR ADJUSTER KIT (LEFT WHEEL)	MERITOR ADJUSTER KIT (RIGHT WHEEL)
ITE(Cont.)									
170, 1700, 1710, 1723, 1724, 1750, 1753, 1754 SERIES CONVENTIONAL CAB, SCHOOL BUS, TILT CAB(Cont.)									
1971	Fm	WG	15 " x 3 "	1245A - 235	R700235	R40H521	R40H9201	R40H3524	R40H3524
C1710, C1750 Cargostar Tilt Cab RA184	Ra	WG	15 " x 4 "	4645A - 376	Discontinued	R40H597	R40H9200	R40H3540	R40H3541
	Rm	WG	15 " x 4 "	4645A - 376	Discontinued	R40H597	R40H9200	R40H3518	R404148
C1710, C1750 Cargostar Tilt Cab RA25, 184	Ra	WG	15 " x 5 "	1252 - 346	R700346	R40H597	R40H9200	R40H3540	R40H3541
	Rm	WG	15 " x 5 "	1252 - 346	R700346	R40H597	R40H9200	R40H3518	R404148
C1710, C1750 Cargostar Tilt Cab RA29, 30, 187	Ra	WG	15 " x 5 "	1252 - 346	R700346	R40H597	R40H9200	R40H3540	R40H3541
	Rm	WG	15 " x 5 "	1252 - 346	R700346	R40H597	R40H9200	R40H3518	R404148
C1710, C1750 Cargostar Tilt Cab RA30, 187	Ra	WG	16 " x 5 "	1254 - 385	N/A	R40H597	R40H9200	NLA	NLA
	Rm	WG	16 " x 5 "	1254 - 385	N/A	R40H597	R40H9200	R404149	R404150
C1710, C1750 Cargostar Tilt Cab RA30, 39, 44, 186, 189	Ra	WG	15 " x 6 "	4596 - 381	R700381	R40H597	R40H9200	R40H3540	R40H3541
	Rm	WG	15 " x 6 "	4596 - 381	R700381	R40H597	R40H9200	R40H3518	R404148
C1710, C1750 Cargostar Tilt Cab RA39, 199	Ra	WG	15 " x 7 "	4597 - 383	R700383	R40H597	R40H9200	R40H3540	R40H3541
	Rm	WG	15 " x 7 "	4597 - 383	R700383	R40H597	R40H9200	R40H3518	R404148
C1710, C1750 Cargostar Tilt Cab RA44, 186	Ra	WG	15 " x 7 "	4597 - 383	R700383	R40H597	R40H9200	NLA	NLA
	Rm	WG	15 " x 7 "	4597 - 383	R700383	R40H597	R40H9200	R40H3518	R404148
C1710, C1750 Cargostar Tilt Cab RA47, 57	Ra	WG	16 " x 6 "	1255 - 386	N/A	R40H597	R40H9200	NLA	NLA
	Rm	WG	16 " x 6 "	1255 - 386	N/A	R40H597	R40H9200	R404149	R404150
S1723, S1753 School Bus FA109, 208	Fa	WG	15 " x 3 "	1245C - 321	R700321	R40H521	R40H9237	R40H3502	R40H3503
	Fm	WG	15 " x 3 "	1245A - 235	R700235	R40H521	R40H9201	R40H3524	R40H3524
S1723, S1753 School Bus FA118, 127, 139	Fa	WG	15 " x 5 "	1345A - 491	N/A	R40H521	R40H9237	R40H3502	R40H3503
	Fm	WG	15 " x 5 "	1345 - 490	N/A	R40H521	R40H9201	R40H3524	R40H3524
S1723, S1753 School Bus FA208	Fa	WG	15 " x 3-1/2 "	1280B - 322	R464004	R40H521	R40H9237	R40H3502	R40H3503
	Fm	WG	15 " x 3-1/2 "	1280 - 463	R700463	R40H521	R40H9201	R40H3524	R40H3524
S1723, S1753 School Bus FA48, 68, 70, 72	Fa	WG	14 " x 2-1/2 "	1294A - 325	N/A	R40H521	R40H9237	R40H3502	R40H3503
	Fm	WG	14 " x 2-1/2 "	1294 - 296	N/A	R40H521	R40H9201	R40H3524	R40H3524
S1723, S1753 School Bus FA71, 73, 101	Fa	WG	15 " x 3 "	1245C - 321	R700321	R40H521	R40H9237	R40H3502	R40H3503
	Fa	WG	15 " x 3-1/2 "	1280B - 322	R464004	R40H521	R40H9237	R40H3502	R40H3503
	Fm	WG	15 " x 3 "	1245A - 235	R700235	R40H521	R40H9201	R40H3524	R40H3524
	Fm	WG	15 " x 3-1/2 "	1280 - 463	R700463	R40H521	R40H9201	R40H3524	R40H3524
S1723, S1753 School Bus FA74	Fa	WG	15 " x 3 "	1245C - 321	R700321	R40H521	R40H9237	R40H3502	R40H3503
	Fm	WG	15 " x 3 "	1245A - 235	R700235	R40H521	R40H9201	R40H3524	R40H3524
S1723, S1753 School Bus FA78, 81	Fa	WG	15 " x 3 "	1245C - 321	R700321	R40H521	R40H9237	R40H3502	R40H3503
S1723, S1753 School Bus FA89, 91, 98	Fa	WG	15 " x 3 "	1245C - 321	R700321	R40H521	R40H9237	R40H3502	R40H3503
	Fm	WG	15 " x 3 "	1245A - 235	R700235	R40H521	R40H9201	R40H3524	R40H3524
S1723, S1753 School Bus RA184	Ra	WG	15 " x 4 "	4645A - 376	Discontinued	R40H597	R40H9200	R40H3540	R40H3541
	Rm	WG	15 " x 4 "	4645A - 376	Discontinued	R40H597	R40H9200	R40H3518	R404148

MERITOR DRUM OR ROTOR NO.	CALIPER OR CYLINDER BORE SIZE	MERITOR CALIPER OR WHEEL CYLINDER (LEFT)	MERITOR CALIPER OR WHEEL CYLINDER (RIGHT)	MERITOR CALIPER OR WHEEL CYLINDER REPAIR KIT	MERITOR CALIPER PISTON	MERITOR MASTER CYLINDER	MERITOR MASTER CYLINDER KIT	MERITOR BRAKE HOSE (LEFT)	MERITOR BRAKE HOSE (RIGHT)
ITE(Cont.)									
170, 1700, 1710, 1723, 1724, 1750, 1753, 1754 SERIES CONVENTIONAL CAB, SCHOOL BUS, TILT CAB(Cont.)									
-	1-1/4 "	R4133581	R4133582	R4166923	NR	-	-	-	-
-	1-1/2 "	R4133580	R4133580	Discontinued	NR	-	-	-	-
-	1-1/2 "	R4133580	R4133580	Discontinued	NR	-	-	-	-
-	1-1/2 "	R4133580	R4133580	Discontinued	NR	-	-	-	-
-	1-1/2 "	R4133580	R4133580	Discontinued	NR	-	-	-	-
-	1-1/2 "	R4133580	R4133580	Discontinued	NR	-	-	-	-
-	1-1/2 "	R4133580	R4133580	Discontinued	NR	-	-	-	-
-	1-5/8 "	R4133338	R4133338	R4166689	NR	-	-	-	-
-	1-5/8 "	R4133338	R4133338	R4166689	NR	-	-	-	-
-	1-5/8 "	R4133338	R4133338	R4166689	NR	-	-	-	-
-	1-5/8 "	R4133338	R4133338	R4166689	NR	-	-	-	-
-	1-5/8 "	R4133338	R4133338	R4166689	NR	-	-	-	-
-	1-5/8 "	R4133338	R4133338	R4166689	NR	-	-	-	-
-	1-5/8 "	R4133338	R4133338	R4166689	NR	-	-	-	-
-	1-5/8 "	R4133338	R4133338	R4166689	NR	-	-	-	-
-	1-3/4 "	R4133400	R4133400	R4166917	NR	-	-	-	-
-	1-3/4 "	R4133400	R4133400	R4166917	NR	-	-	-	-
-	1-1/4 "	R4133581	R4133582	R4166923	NR	-	-	-	-
-	1-1/4 "	R4133581	R4133582	R4166923	NR	-	-	-	-
-	-	-	-	-	-	-	-	-	-
-	-	-	-	-	-	-	-	-	-
-	1-1/4 "	R4133581	R4133582	R4166923	NR	-	-	-	-
-	1-1/4 "	R4133581	R4133582	R4166923	NR	-	-	-	-
-	1-1/8 "	R4133714	R4133715	R4166926	NR	-	-	-	-
-	1-1/8 "	R4133714	R4133715	R4166926	NR	-	-	-	-
-	1-1/4 "	R4133581	R4133582	R4166923	NR	-	-	-	-
-	1-1/4 "	R4133581	R4133582	R4166923	NR	-	-	-	-
-	1-1/4 "	R4133581	R4133582	R4166923	NR	-	-	-	-
-	1-1/4 "	R4133581	R4133582	R4166923	NR	-	-	-	-
-	1-1/4 "	R4133581	R4133582	R4166923	NR	-	-	-	-
-	1-1/4 "	R4133581	R4133582	R4166923	NR	-	-	-	-
-	1-1/4 "	R4133581	R4133582	R4166923	NR	-	-	-	-
-	1-1/4 "	R4133581	R4133582	R4166923	NR	-	-	-	-
-	1-1/2 "	R4133580	R4133580	Discontinued	NR	-	-	-	-
-	1-1/2 "	R4133580	R4133580	Discontinued	NR	-	-	-	-

1 APPLICATION

MAKE MODEL YEAR AXLE CODE AXLE WEIGHT	AXLE & BRK. TYPE	BRK. MFG.	BRAKE SIZE	FMSI	MERITOR DISC PAD OR BRAKE SHOE	MERITOR GUIDE PIN OR RETURN SPRING KIT	MERITOR CALIPER HWD. KIT OR RETURN SPRING KIT	MERITOR ADJUSTER KIT (LEFT WHEEL)	MERITOR ADJUSTER KIT (RIGHT WHEEL)
ITE(Cont.)									
170, 1700, 1710, 1723, 1724, 1750, 1753, 1754 SERIES CONVENTIONAL CAB, SCHOOL BUS, TILT CAB(Cont.)									
1971									
S1723, S1753 School Bus RA25, 184	Ra	WG	15 " x 5 "	1252 - 346	R700346	R40H597	R40H9200	R40H3540	R40H3541
	Rm	WG	15 " x 5 "	1252 - 346	R700346	R40H597	R40H9200	R40H3518	R404148
S1723, S1753 School Bus RA29, 30, 187	Ra	WG	15 " x 5 "	1252 - 346	R700346	R40H597	R40H9200	R40H3540	R40H3541
	Rm	WG	15 " x 5 "	1252 - 346	R700346	R40H597	R40H9200	R40H3518	R404148
S1723, S1753 School Bus RA30, 187	Ra	WG	16 " x 5 "	1254 - 385	N/A	R40H597	R40H9200	NLA	NLA
	Rm	WG	16 " x 5 "	1254 - 385	N/A	R40H597	R40H9200	R404149	R404150
S1723, S1753 School Bus RA30, 39, 44, 186, 189	Ra	WG	15 " x 6 "	4596 - 381	R700381	R40H597	R40H9200	R40H3540	R40H3541
	Rm	WG	15 " x 6 "	4596 - 381	R700381	R40H597	R40H9200	R40H3518	R404148
S1723, S1753 School Bus RA39, 199	Ra	WG	15 " x 7 "	4597 - 383	R700383	R40H597	R40H9200	R40H3540	R40H3541
	Rm	WG	15 " x 7 "	4597 - 383	R700383	R40H597	R40H9200	R40H3518	R404148
S1723, S1753 School Bus RA44, 186	Ra	WG	15 " x 7 "	4597 - 383	R700383	R40H597	R40H9200	NLA	NLA
	Rm	WG	15 " x 7 "	4597 - 383	R700383	R40H597	R40H9200	R40H3518	R404148
S1723, S1753 School Bus RA47, 57	Ra	WG	16 " x 6 "	1255 - 386	N/A	R40H597	R40H9200	NLA	NLA
	Rm	WG	16 " x 6 "	1255 - 386	N/A	R40H597	R40H9200	R404149	R404150
S1724, S1754 Conventional FA109, 208	Fa	WG	15 " x 3 "	1245C - 321	R700321	R40H521	R40H9237	R40H3502	R40H3503
	Fm	WG	15 " x 3 "	1245A - 235	R700235	R40H521	R40H9201	R40H3524	R40H3524
S1724, S1754 Conventional FA118, 127, 139	Fa	WG	15 " x 5 "	1345A - 491	N/A	R40H521	R40H9237	R40H3502	R40H3503
	Fm	WG	15 " x 5 "	1345 - 490	N/A	R40H521	R40H9201	R40H3524	R40H3524
S1724, S1754 Conventional FA208	Fa	WG	15 " x 3-1/2 "	1280B - 322	R464004	R40H521	R40H9237	R40H3502	R40H3503
	Fm	WG	15 " x 3-1/2 "	1280 - 463	R700463	R40H521	R40H9201	R40H3524	R40H3524
S1724, S1754 Conventional FA48, 68, 70, 72	Fa	WG	14 " x 2-1/2 "	1294A - 325	N/A	R40H521	R40H9237	R40H3502	R40H3503
	Fm	WG	14 " x 2-1/2 "	1294 - 296	N/A	R40H521	R40H9201	R40H3524	R40H3524
S1724, S1754 Conventional FA71, 73, 101	Fa	WG	15 " x 3 "	1245C - 321	R700321	R40H521	R40H9237	R40H3502	R40H3503
	Fa	WG	15 " x 3-1/2 "	1280B - 322	R464004	R40H521	R40H9237	R40H3502	R40H3503
	Fm	WG	15 " x 3 "	1245A - 235	R700235	R40H521	R40H9201	R40H3524	R40H3524
	Fm	WG	15 " x 3-1/2 "	1280 - 463	R700463	R40H521	R40H9201	R40H3524	R40H3524
S1724, S1754 Conventional FA74	Fa	WG	15 " x 3 "	1245C - 321	R700321	R40H521	R40H9237	R40H3502	R40H3503
	Fm	WG	15 " x 3 "	1245A - 235	R700235	R40H521	R40H9201	R40H3524	R40H3524
S1724, S1754 Conventional FA78, 81	Fa	WG	15 " x 3 "	1245C - 321	R700321	R40H521	R40H9237	R40H3502	R40H3503
S1724, S1754 Conventional FA89, 91, 98	Fa	WG	15 " x 3 "	1245C - 321	R700321	R40H521	R40H9237	R40H3502	R40H3503
	Fm	WG	15 " x 3 "	1245A - 235	R700235	R40H521	R40H9201	R40H3524	R40H3524
S1724, S1754 Conventional RA184	Ra	WG	15 " x 4 "	4645A - 376	Discontinued	R40H597	R40H9200	R40H3540	R40H3541
	Rm	WG	15 " x 4 "	4645A - 376	Discontinued	R40H597	R40H9200	R40H3518	R404148
S1724, S1754 Conventional RA25, 184	Ra	WG	15 " x 5 "	1252 - 346	R700346	R40H597	R40H9200	R40H3540	R40H3541
	Rm	WG	15 " x 5 "	1252 - 346	R700346	R40H597	R40H9200	R40H3518	R404148
S1724, S1754 Conventional RA29, 30, 187	Ra	WG	15 " x 5 "	1252 - 346	R700346	R40H597	R40H9200	R40H3540	R40H3541
	Rm	WG	15 " x 5 "	1252 - 346	R700346	R40H597	R40H9200	R40H3518	R404148
S1724, S1754 Conventional RA30, 187	Ra	WG	16 " x 5 "	1254 - 385	N/A	R40H597	R40H9200	NLA	NLA
	Rm	WG	16 " x 5 "	1254 - 385	N/A	R40H597	R40H9200	R404149	R404150
S1724, S1754 Conventional RA30, 39, 44, 186, 189	Ra	WG	15 " x 6 "	4596 - 381	R700381	R40H597	R40H9200	R40H3540	R40H3541
	Rm	WG	15 " x 6 "	4596 - 381	R700381	R40H597	R40H9200	R40H3518	R404148

MERITOR DRUM OR ROTOR NO.	CALIPER OR CYLINDER BORE SIZE	MERITOR CALIPER OR WHEEL CYLINDER (LEFT)	MERITOR CALIPER OR WHEEL CYLINDER (RIGHT)	MERITOR CALIPER OR WHEEL CYLINDER REPAIR KIT	MERITOR CALIPER PISTON	MERITOR MASTER CYLINDER	MERITOR MASTER CYLINDER KIT	MERITOR BRAKE HOSE (LEFT)	MERITOR BRAKE HOSE (RIGHT)
ITE(Cont.)									
170, 1700, 1710, 1723, 1724, 1750, 1753, 1754 SERIES CONVENTIONAL CAB, SCHOOL BUS, TILT CAB(Cont.)									
-	1-1/2 "	R4133580	R4133580	Discontinued	NR	-	-	-	-
-	1-1/2 "	R4133580	R4133580	Discontinued	NR	-	-	-	-
-	1-1/2 "	R4133580	R4133580	Discontinued	NR	-	-	-	-
-	1-1/2 "	R4133580	R4133580	Discontinued	NR	-	-	-	-
-	1-5/8 "	R4133338	R4133338	R4166689	NR	-	-	-	-
-	1-5/8 "	R4133338	R4133338	R4166689	NR	-	-	-	-
-	1-5/8 "	R4133338	R4133338	R4166689	NR	-	-	-	-
-	1-5/8 "	R4133338	R4133338	R4166689	NR	-	-	-	-
-	1-5/8 "	R4133338	R4133338	R4166689	NR	-	-	-	-
-	1-5/8 "	R4133338	R4133338	R4166689	NR	-	-	-	-
-	1-5/8 "	R4133338	R4133338	R4166689	NR	-	-	-	-
-	1-5/8 "	R4133338	R4133338	R4166689	NR	-	-	-	-
-	1-3/4 "	R4133400	R4133400	R4166917	NR	-	-	-	-
-	1-3/4 "	R4133400	R4133400	R4166917	NR	-	-	-	-
-	1-1/4 "	R4133581	R4133582	R4166923	NR	-	-	-	-
-	1-1/4 "	R4133581	R4133582	R4166923	NR	-	-	-	-
-	-	-	-	-	-	-	-	-	-
-	-	-	-	-	-	-	-	-	-
-	1-1/4 "	R4133581	R4133582	R4166923	NR	-	-	-	-
-	1-1/4 "	R4133581	R4133582	R4166923	NR	-	-	-	-
-	1-1/8 "	R4133714	R4133715	R4166926	NR	-	-	-	-
-	1-1/8 "	R4133714	R4133715	R4166926	NR	-	-	-	-
-	1-1/4 "	R4133581	R4133582	R4166923	NR	-	-	-	-
-	1-1/4 "	R4133581	R4133582	R4166923	NR	-	-	-	-
-	1-1/4 "	R4133581	R4133582	R4166923	NR	-	-	-	-
-	1-1/4 "	R4133581	R4133582	R4166923	NR	-	-	-	-
-	1-1/4 "	R4133581	R4133582	R4166923	NR	-	-	-	-
-	1-1/4 "	R4133581	R4133582	R4166923	NR	-	-	-	-
-	1-1/4 "	R4133581	R4133582	R4166923	NR	-	-	-	-
-	1-1/2 "	R4133580	R4133580	Discontinued	NR	-	-	-	-
-	1-1/2 "	R4133580	R4133580	Discontinued	NR	-	-	-	-
-	1-1/2 "	R4133580	R4133580	Discontinued	NR	-	-	-	-
-	1-1/2 "	R4133580	R4133580	Discontinued	NR	-	-	-	-
-	1-1/2 "	R4133580	R4133580	Discontinued	NR	-	-	-	-
-	1-1/2 "	R4133580	R4133580	Discontinued	NR	-	-	-	-
-	1-1/2 "	R4133580	R4133580	Discontinued	NR	-	-	-	-
-	1-5/8 "	R4133338	R4133338	R4166689	NR	-	-	-	-
-	1-5/8 "	R4133338	R4133338	R4166689	NR	-	-	-	-
-	1-5/8 "	R4133338	R4133338	R4166689	NR	-	-	-	-
-	1-5/8 "	R4133338	R4133338	R4166689	NR	-	-	-	-

1 APPLICATION

MAKE MODEL YEAR AXLE CODE AXLE WEIGHT	AXLE & BRK. TYPE	BRK. MFG.	BRAKE SIZE	FMSI	MERITOR DISC PAD OR BRAKE SHOE	MERITOR GUIDE PIN OR RETURN SPRING KIT	MERITOR CALIPER HWD. KIT OR RETURN SPRING KIT	MERITOR ADJUSTER KIT (LEFT WHEEL)	MERITOR ADJUSTER KIT (RIGHT WHEEL)
ITE(Cont.)									
170, 1700, 1710, 1723, 1724, 1750, 1753, 1754 SERIES CONVENTIONAL CAB, SCHOOL BUS, TILT CAB(Cont.)									
1971 S1724, S1754 Conventional RA39, 199	Ra	WG	15 " x 7 "	4597 - 383	R700383	R40H597	R40H9200	R40H3540	R40H3541
	Rm	WG	15 " x 7 "	4597 - 383	R700383	R40H597	R40H9200	R40H3518	R404148
S1724, S1754 Conventional RA44, 186	Ra	WG	15 " x 7 "	4597 - 383	R700383	R40H597	R40H9200	NLA	NLA
	Rm	WG	15 " x 7 "	4597 - 383	R700383	R40H597	R40H9200	R40H3518	R404148
S1724, S1754 Conventional RA47, 57	Ra	WG	16 " x 6 "	1255 - 386	N/A	R40H597	R40H9200	NLA	NLA
	Rm	WG	16 " x 6 "	1255 - 386	N/A	R40H597	R40H9200	R404149	R404150
1970 C1710, C1750 Cargostar Tilt Cab FA109, 208	Fa	WG	15 " x 3 "	1245C - 321	R700321	R40H521	R40H9237	R40H3502	R40H3503
	Fm	WG	15 " x 3 "	1245A - 235	R700235	R40H521	R40H9201	R40H3524	R40H3524
C1710, C1750 Cargostar Tilt Cab FA118, 127, 139	Fa	WG	15 " x 5 "	1345A - 491	N/A	R40H521	R40H9237	R40H3502	R40H3503
	Fm	WG	15 " x 5 "	1345 - 490	N/A	R40H521	R40H9201	R40H3524	R40H3524
C1710, C1750 Cargostar Tilt Cab FA208	Fa	WG	15 " x 3-1/2 "	1280B - 322	R464004	R40H521	R40H9237	R40H3502	R40H3503
	Fm	WG	15 " x 3-1/2 "	1280 - 463	R700463	R40H521	R40H9201	R40H3524	R40H3524
C1710, C1750 Cargostar Tilt Cab FA48, 68, 70, 72	Fa	WG	14 " x 2-1/2 "	1294A - 325	N/A	R40H521	R40H9237	R40H3502	R40H3503
	Fm	WG	14 " x 2-1/2 "	1294 - 296	N/A	R40H521	R40H9201	R40H3524	R40H3524
C1710, C1750 Cargostar Tilt Cab FA71, 73, 101	Fa	WG	15 " x 3 "	1245C - 321	R700321	R40H521	R40H9237	R40H3502	R40H3503
	Fa	WG	15 " x 3-1/2 "	1280B - 322	R464004	R40H521	R40H9237	R40H3502	R40H3503
	Fm	WG	15 " x 3 "	1245A - 235	R700235	R40H521	R40H9201	R40H3524	R40H3524
	Fm	WG	15 " x 3-1/2 "	1280 - 463	R700463	R40H521	R40H9201	R40H3524	R40H3524
C1710, C1750 Cargostar Tilt Cab FA74	Fa	WG	15 " x 3 "	1245C - 321	R700321	R40H521	R40H9237	R40H3502	R40H3503
	Fm	WG	15 " x 3 "	1245A - 235	R700235	R40H521	R40H9201	R40H3524	R40H3524
C1710, C1750 Cargostar Tilt Cab FA78, 81	Fa	WG	15 " x 3 "	1245C - 321	R700321	R40H521	R40H9237	R40H3502	R40H3503
C1710, C1750 Cargostar Tilt Cab FA89, 91, 98	Fa	WG	15 " x 3 "	1245C - 321	R700321	R40H521	R40H9237	R40H3502	R40H3503
	Fm	WG	15 " x 3 "	1245A - 235	R700235	R40H521	R40H9201	R40H3524	R40H3524
C1710, C1750 Cargostar Tilt Cab RA184	Ra	WG	15 " x 4 "	4645A - 376	Discontinued	R40H597	R40H9200	R40H3540	R40H3541
	Rm	WG	15 " x 4 "	4645A - 376	Discontinued	R40H597	R40H9200	R40H3518	R404148
C1710, C1750 Cargostar Tilt Cab RA25, 184	Ra	WG	15 " x 5 "	1252 - 346	R700346	R40H597	R40H9200	R40H3540	R40H3541
	Rm	WG	15 " x 5 "	1252 - 346	R700346	R40H597	R40H9200	R40H3518	R404148
C1710, C1750 Cargostar Tilt Cab RA29, 30, 187	Ra	WG	15 " x 5 "	1252 - 346	R700346	R40H597	R40H9200	R40H3540	R40H3541
	Rm	WG	15 " x 5 "	1252 - 346	R700346	R40H597	R40H9200	R40H3518	R404148
C1710, C1750 Cargostar Tilt Cab RA30, 187	Ra	WG	16 " x 5 "	1254 - 385	N/A	R40H597	R40H9200	NLA	NLA
	Rm	WG	16 " x 5 "	1254 - 385	N/A	R40H597	R40H9200	R404149	R404150
C1710, C1750 Cargostar Tilt Cab RA30, 39, 44, 186, 189	Ra	WG	15 " x 6 "	4596 - 381	R700381	R40H597	R40H9200	R40H3540	R40H3541

MERITOR DRUM OR ROTOR NO.	CALIPER OR CYLINDER BORE SIZE	MERITOR CALIPER OR WHEEL CYLINDER (LEFT)	MERITOR CALIPER OR WHEEL CYLINDER (RIGHT)	MERITOR CALIPER OR WHEEL CYLINDER REPAIR KIT	MERITOR CALIPER PISTON	MERITOR MASTER CYLINDER	MERITOR MASTER CYLINDER KIT	MERITOR BRAKE HOSE (LEFT)	MERITOR BRAKE HOSE (RIGHT)
ITE(Cont.)									
170, 1700, 1710, 1723, 1724, 1750, 1753, 1754 SERIES CONVENTIONAL CAB, SCHOOL BUS, TILT CAB(Cont.)									
-	1-5/8 "	R4133338	R4133338	R4166689	NR	-	-	-	-
-	1-5/8 "	R4133338	R4133338	R4166689	NR	-	-	-	-
-	1-5/8 "	R4133338	R4133338	R4166689	NR	-	-	-	-
-	1-5/8 "	R4133338	R4133338	R4166689	NR	-	-	-	-
-	1-3/4 "	R4133400	R4133400	R4166917	NR	-	-	-	-
-	1-3/4 "	R4133400	R4133400	R4166917	NR	-	-	-	-
-	1-1/4 "	R4133581	R4133582	R4166923	NR	-	-	-	-
-	1-1/4 "	R4133581	R4133582	R4166923	NR	-	-	-	-
-	-	-	-	-	-	-	-	-	-
-	-	-	-	-	-	-	-	-	-
-	1-1/4 "	R4133581	R4133582	R4166923	NR	-	-	-	-
-	1-1/4 "	R4133581	R4133582	R4166923	NR	-	-	-	-
-	1-1/8 "	R4133714	R4133715	R4166926	NR	-	-	-	-
-	1-1/8 "	R4133714	R4133715	R4166926	NR	-	-	-	-
-	1-1/4 "	R4133581	R4133582	R4166923	NR	-	-	-	-
-	1-1/4 "	R4133581	R4133582	R4166923	NR	-	-	-	-
-	1-1/4 "	R4133581	R4133582	R4166923	NR	-	-	-	-
-	1-1/4 "	R4133581	R4133582	R4166923	NR	-	-	-	-
-	1-1/4 "	R4133581	R4133582	R4166923	NR	-	-	-	-
-	1-1/4 "	R4133581	R4133582	R4166923	NR	-	-	-	-
-	1-1/4 "	R4133581	R4133582	R4166923	NR	-	-	-	-
-	1-1/4 "	R4133581	R4133582	R4166923	NR	-	-	-	-
-	1-1/2 "	R4133580	R4133580	Discontinued	NR	-	-	-	-
-	1-1/2 "	R4133580	R4133580	Discontinued	NR	-	-	-	-
-	1-1/2 "	R4133580	R4133580	Discontinued	NR	-	-	-	-
-	1-1/2 "	R4133580	R4133580	Discontinued	NR	-	-	-	-
-	1-1/2 "	R4133580	R4133580	Discontinued	NR	-	-	-	-
-	1-1/2 "	R4133580	R4133580	Discontinued	NR	-	-	-	-
-	1-5/8 "	R4133338	R4133338	R4166689	NR	-	-	-	-
-	1-5/8 "	R4133338	R4133338	R4166689	NR	-	-	-	-
-	1-5/8 "	R4133338	R4133338	R4166689	NR	-	-	-	-

1-APPLICATION

MAKE MODEL YEAR AXLE CODE AXLE WEIGHT	AXLE & BRK. TYPE	BRK. MFG.	BRAKE SIZE	FMSI	MERITOR DISC PAD OR BRAKE SHOE	MERITOR GUIDE PIN OR RETURN SPRING KIT	MERITOR CALIPER HWD. KIT OR RETURN SPRING KIT	MERITOR ADJUSTER KIT (LEFT WHEEL)	MERITOR ADJUSTER KIT (RIGHT WHEEL)
ITE(Cont.)									
170, 1700, 1710, 1723, 1724, 1750, 1753, 1754 SERIES CONVENTIONAL CAB, SCHOOL BUS, TILT CAB(Cont.)									
1970	Rm	WG	15 " x 6 "	4596 - 381	R700381	R40H597	R40H9200	R40H3518	R404148
C1710, C1750 Cargostar Tilt Cab RA39, 199	Ra	WG	15 " x 7 "	4597 - 383	R700383	R40H597	R40H9200	R40H3540	R40H3541
	Rm	WG	15 " x 7 "	4597 - 383	R700383	R40H597	R40H9200	R40H3518	R404148
C1710, C1750 Cargostar Tilt Cab RA44, 186	Ra	WG	15 " x 7 "	4597 - 383	R700383	R40H597	R40H9200	NLA	NLA
	Rm	WG	15 " x 7 "	4597 - 383	R700383	R40H597	R40H9200	R40H3518	R404148
C1710, C1750 Cargostar Tilt Cab RA47, 57	Ra	WG	16 " x 6 "	1255 - 386	N/A	R40H597	R40H9200	NLA	NLA
	Rm	WG	16 " x 6 "	1255 - 386	N/A	R40H597	R40H9200	R404149	R404150
S1723, S1753 School Bus FA109, 208	Fa	WG	15 " x 3 "	1245C - 321	R700321	R40H521	R40H9237	R40H3502	R40H3503
	Fm	WG	15 " x 3 "	1245A - 235	R700235	R40H521	R40H9201	R40H3524	R40H3524
S1723, S1753 School Bus FA118, 127, 139	Fa	WG	15 " x 5 "	1345A - 491	N/A	R40H521	R40H9237	R40H3502	R40H3503
	Fm	WG	15 " x 5 "	1345 - 490	N/A	R40H521	R40H9201	R40H3524	R40H3524
S1723, S1753 School Bus FA208	Fa	WG	15 " x 3-1/2 "	1280B - 322	R464004	R40H521	R40H9237	R40H3502	R40H3503
	Fm	WG	15 " x 3-1/2 "	1280 - 463	R700463	R40H521	R40H9201	R40H3524	R40H3524
S1723, S1753 School Bus FA48, 68, 70, 72	Fa	WG	14 " x 2-1/2 "	1294A - 325	N/A	R40H521	R40H9237	R40H3502	R40H3503
	Fm	WG	14 " x 2-1/2 "	1294 - 296	N/A	R40H521	R40H9201	R40H3524	R40H3524
S1723, S1753 School Bus FA71, 73, 101	Fa	WG	15 " x 3 "	1245C - 321	R700321	R40H521	R40H9237	R40H3502	R40H3503
	Fa	WG	15 " x 3-1/2 "	1280B - 322	R464004	R40H521	R40H9237	R40H3502	R40H3503
	Fm	WG	15 " x 3 "	1245A - 235	R700235	R40H521	R40H9201	R40H3524	R40H3524
	Fm	WG	15 " x 3-1/2 "	1280 - 463	R700463	R40H521	R40H9201	R40H3524	R40H3524
S1723, S1753 School Bus FA74	Fa	WG	15 " x 3 "	1245C - 321	R700321	R40H521	R40H9237	R40H3502	R40H3503
	Fm	WG	15 " x 3 "	1245A - 235	R700235	R40H521	R40H9201	R40H3524	R40H3524
S1723, S1753 School Bus FA78, 81	Fa	WG	15 " x 3 "	1245C - 321	R700321	R40H521	R40H9237	R40H3502	R40H3503
S1723, S1753 School Bus FA89, 91, 98	Fa	WG	15 " x 3 "	1245C - 321	R700321	R40H521	R40H9237	R40H3502	R40H3503
	Fm	WG	15 " x 3 "	1245A - 235	R700235	R40H521	R40H9201	R40H3524	R40H3524
S1723, S1753 School Bus RA184	Ra	WG	15 " x 4 "	4645A - 376	Discontinued	R40H597	R40H9200	R40H3540	R40H3541
	Rm	WG	15 " x 4 "	4645A - 376	Discontinued	R40H597	R40H9200	R40H3518	R404148
S1723, S1753 School Bus RA25, 184	Ra	WG	15 " x 5 "	1252 - 346	R700346	R40H597	R40H9200	R40H3540	R40H3541
	Rm	WG	15 " x 5 "	1252 - 346	R700346	R40H597	R40H9200	R40H3518	R404148
S1723, S1753 School Bus RA29, 30, 187	Ra	WG	15 " x 5 "	1252 - 346	R700346	R40H597	R40H9200	R40H3540	R40H3541
	Rm	WG	15 " x 5 "	1252 - 346	R700346	R40H597	R40H9200	R40H3518	R404148
S1723, S1753 School Bus RA30, 187	Ra	WG	16 " x 5 "	1254 - 385	N/A	R40H597	R40H9200	NLA	NLA
	Rm	WG	16 " x 5 "	1254 - 385	N/A	R40H597	R40H9200	R404149	R404150
S1723, S1753 School Bus RA30, 39, 44, 186, 189	Ra	WG	15 " x 6 "	4596 - 381	R700381	R40H597	R40H9200	R40H3540	R40H3541
	Rm	WG	15 " x 6 "	4596 - 381	R700381	R40H597	R40H9200	R40H3518	R404148
S1723, S1753 School Bus RA39, 199	Ra	WG	15 " x 7 "	4597 - 383	R700383	R40H597	R40H9200	R40H3540	R40H3541
	Rm	WG	15 " x 7 "	4597 - 383	R700383	R40H597	R40H9200	R40H3518	R404148
S1723, S1753 School Bus RA44, 186	Ra	WG	15 " x 7 "	4597 - 383	R700383	R40H597	R40H9200	NLA	NLA
	Rm	WG	15 " x 7 "	4597 - 383	R700383	R40H597	R40H9200	R40H3518	R404148
S1723, S1753 School Bus RA47, 57	Ra	WG	16 " x 6 "	1255 - 386	N/A	R40H597	R40H9200	NLA	NLA

MERITOR DRUM OR ROTOR NO.	CALIPER OR CYLINDER BORE SIZE	MERITOR CALIPER OR WHEEL CYLINDER (LEFT)	MERITOR CALIPER OR WHEEL CYLINDER (RIGHT)	MERITOR CALIPER OR WHEEL CYLINDER REPAIR KIT	MERITOR CALIPER PISTON	MERITOR MASTER CYLINDER	MERITOR MASTER CYLINDER KIT	MERITOR BRAKE HOSE (LEFT)	MERITOR BRAKE HOSE (RIGHT)
ITE(Cont.)									
170, 1700, 1710, 1723, 1724, 1750, 1753, 1754 SERIES CONVENTIONAL CAB, SCHOOL BUS, TILT CAB(Cont.)									
-	1-5/8 "	R4133338	R4133338	R4166689	NR	-	-	-	-
-	1-5/8 "	R4133338	R4133338	R4166689	NR	-	-	-	-
-	1-5/8 "	R4133338	R4133338	R4166689	NR	-	-	-	-
-	1-5/8 "	R4133338	R4133338	R4166689	NR	-	-	-	-
-	1-5/8 "	R4133338	R4133338	R4166689	NR	-	-	-	-
-	1-3/4 "	R4133400	R4133400	R4166917	NR	-	-	-	-
-	1-3/4 "	R4133400	R4133400	R4166917	NR	-	-	-	-
-	1-1/4 "	R4133581	R4133582	R4166923	NR	-	-	-	-
-	1-1/4 "	R4133581	R4133582	R4166923	NR	-	-	-	-
-									
-									
-	1-1/4 "	R4133581	R4133582	R4166923	NR	-	-	-	-
-	1-1/4 "	R4133581	R4133582	R4166923	NR	-	-	-	-
-	1-1/8 "	R4133714	R4133715	R4166926	NR	-	-	-	-
-	1-1/8 "	R4133714	R4133715	R4166926	NR	-	-	-	-
-	1-1/4 "	R4133581	R4133582	R4166923	NR	-	-	-	-
-	1-1/4 "	R4133581	R4133582	R4166923	NR	-	-	-	-
-	1-1/4 "	R4133581	R4133582	R4166923	NR	-	-	-	-
-	1-1/4 "	R4133581	R4133582	R4166923	NR	-	-	-	-
-	1-1/4 "	R4133581	R4133582	R4166923	NR	-	-	-	-
-	1-1/4 "	R4133581	R4133582	R4166923	NR	-	-	-	-
-	1-1/4 "	R4133581	R4133582	R4166923	NR	-	-	-	-
-	1-1/4 "	R4133581	R4133582	R4166923	NR	-	-	-	-
-	1-1/2 "	R4133580	R4133580	Discontinued	NR	-	-	-	-
-	1-1/2 "	R4133580	R4133580	Discontinued	NR	-	-	-	-
-	1-1/2 "	R4133580	R4133580	Discontinued	NR	-	-	-	-
-	1-1/2 "	R4133580	R4133580	Discontinued	NR	-	-	-	-
-	1-1/2 "	R4133580	R4133580	Discontinued	NR	-	-	-	-
-	1-1/2 "	R4133580	R4133580	Discontinued	NR	-	-	-	-
-	1-5/8 "	R4133338	R4133338	R4166689	NR	-	-	-	-
-	1-5/8 "	R4133338	R4133338	R4166689	NR	-	-	-	-
-	1-5/8 "	R4133338	R4133338	R4166689	NR	-	-	-	-
-	1-5/8 "	R4133338	R4133338	R4166689	NR	-	-	-	-
-	1-5/8 "	R4133338	R4133338	R4166689	NR	-	-	-	-
-	1-5/8 "	R4133338	R4133338	R4166689	NR	-	-	-	-
-	1-5/8 "	R4133338	R4133338	R4166689	NR	-	-	-	-
-	1-5/8 "	R4133338	R4133338	R4166689	NR	-	-	-	-
-	1-3/4 "	R4133400	R4133400	R4166917	NR	-	-	-	-

1 APPLICATION

MAKE MODEL YEAR AXLE CODE AXLE WEIGHT	AXLE & BRK. TYPE	BRK. MFG.	BRAKE SIZE	FMSI	MERITOR DISC PAD OR BRAKE SHOE	MERITOR GUIDE PIN OR RETURN SPRING KIT	MERITOR CALIPER HWD. KIT OR RETURN SPRING KIT	MERITOR ADJUSTER KIT (LEFT WHEEL)	MERITOR ADJUSTER KIT (RIGHT WHEEL)
ITE(Cont.)									
170, 1700, 1710, 1723, 1724, 1750, 1753, 1754 SERIES CONVENTIONAL CAB, SCHOOL BUS, TILT CAB(Cont.)									
1970 S1723, S1753 School Bus RA47, 57	Rm	WG	16 " x 6 "	1255 - 386	N/A	R40H597	R40H9200	R404149	R404150
S1724, S1754 Conventional FA109, 208	Fa	WG	15 " x 3 "	1245C - 321	R700321	R40H521	R40H9237	R40H3502	R40H3503
	Fm	WG	15 " x 3 "	1245A - 235	R700235	R40H521	R40H9201	R40H3524	R40H3524
S1724, S1754 Conventional FA118, 127, 139	Fa	WG	15 " x 5 "	1345A - 491	N/A	R40H521	R40H9237	R40H3502	R40H3503
	Fm	WG	15 " x 5 "	1345 - 490	N/A	R40H521	R40H9201	R40H3524	R40H3524
S1724, S1754 Conventional FA208	Fa	WG	15 " x 3-1/2 "	1280B - 322	R464004	R40H521	R40H9237	R40H3502	R40H3503
	Fm	WG	15 " x 3-1/2 "	1280 - 463	R700463	R40H521	R40H9201	R40H3524	R40H3524
S1724, S1754 Conventional FA48, 68, 70, 72	Fa	WG	14 " x 2-1/2 "	1294A - 325	N/A	R40H521	R40H9237	R40H3502	R40H3503
	Fm	WG	14 " x 2-1/2 "	1294 - 296	N/A	R40H521	R40H9201	R40H3524	R40H3524
S1724, S1754 Conventional FA71, 73, 101	Fa	WG	15 " x 3 "	1245C - 321	R700321	R40H521	R40H9237	R40H3502	R40H3503
	Fa	WG	15 " x 3-1/2 "	1280B - 322	R464004	R40H521	R40H9237	R40H3502	R40H3503
	Fm	WG	15 " x 3 "	1245A - 235	R700235	R40H521	R40H9201	R40H3524	R40H3524
	Fm	WG	15 " x 3-1/2 "	1280 - 463	R700463	R40H521	R40H9201	R40H3524	R40H3524
S1724, S1754 Conventional FA74	Fa	WG	15 " x 3 "	1245C - 321	R700321	R40H521	R40H9237	R40H3502	R40H3503
	Fm	WG	15 " x 3 "	1245A - 235	R700235	R40H521	R40H9201	R40H3524	R40H3524
S1724, S1754 Conventional FA78, 81	Fa	WG	15 " x 3 "	1245C - 321	R700321	R40H521	R40H9237	R40H3502	R40H3503
S1724, S1754 Conventional FA89, 91, 98	Fa	WG	15 " x 3 "	1245C - 321	R700321	R40H521	R40H9237	R40H3502	R40H3503
	Fm	WG	15 " x 3 "	1245A - 235	R700235	R40H521	R40H9201	R40H3524	R40H3524
S1724, S1754 Conventional RA184	Ra	WG	15 " x 4 "	4645A - 376	Discontinued	R40H597	R40H9200	R40H3540	R40H3541
	Rm	WG	15 " x 4 "	4645A - 376	Discontinued	R40H597	R40H9200	R40H3518	R404148
S1724, S1754 Conventional RA25, 184	Ra	WG	15 " x 5 "	1252 - 346	R700346	R40H597	R40H9200	R40H3540	R40H3541
	Rm	WG	15 " x 5 "	1252 - 346	R700346	R40H597	R40H9200	R40H3518	R404148
S1724, S1754 Conventional RA29, 30, 187	Ra	WG	15 " x 5 "	1252 - 346	R700346	R40H597	R40H9200	R40H3540	R40H3541
	Rm	WG	15 " x 5 "	1252 - 346	R700346	R40H597	R40H9200	R40H3518	R404148
S1724, S1754 Conventional RA30, 187	Ra	WG	16 " x 5 "	1254 - 385	N/A	R40H597	R40H9200	NLA	NLA
	Rm	WG	16 " x 5 "	1254 - 385	N/A	R40H597	R40H9200	R404149	R404150
S1724, S1754 Conventional RA30, 39, 44, 186, 189	Ra	WG	15 " x 6 "	4596 - 381	R700381	R40H597	R40H9200	R40H3540	R40H3541
	Rm	WG	15 " x 6 "	4596 - 381	R700381	R40H597	R40H9200	R40H3518	R404148
S1724, S1754 Conventional RA39, 199	Ra	WG	15 " x 7 "	4597 - 383	R700383	R40H597	R40H9200	R40H3540	R40H3541
	Rm	WG	15 " x 7 "	4597 - 383	R700383	R40H597	R40H9200	R40H3518	R404148
S1724, S1754 Conventional RA44, 186	Ra	WG	15 " x 7 "	4597 - 383	R700383	R40H597	R40H9200	NLA	NLA
	Rm	WG	15 " x 7 "	4597 - 383	R700383	R40H597	R40H9200	R40H3518	R404148
S1724, S1754 Conventional RA47, 57	Ra	WG	16 " x 6 "	1255 - 386	N/A	R40H597	R40H9200	NLA	NLA
	Rm	WG	16 " x 6 "	1255 - 386	N/A	R40H597	R40H9200	R404149	R404150
1969 C1710, C1750 Cargostar Tilt Cab FA109, 208	Fa	WG	15 " x 3 "	1245C - 321	R700321	R40H521	R40H9237	R40H3502	R40H3503
	Fm	WG	15 " x 3 "	1245A - 235	R700235	R40H521	R40H9201	R40H3524	R40H3524
C1710, C1750 Cargostar Tilt Cab FA118, 127, 139	Fa	WG	15 " x 5 "	1345A - 491	N/A	R40H521	R40H9237	R40H3502	R40H3503
	Fm	WG	15 " x 5 "	1345 - 490	N/A	R40H521	R40H9201	R40H3524	R40H3524
C1710, C1750 Cargostar Tilt Cab FA208	Fa	WG	15 " x 3-1/2 "	1280B - 322	R464004	R40H521	R40H9237	R40H3502	R40H3503

MERITOR DRUM OR ROTOR NO.	CALIPER OR CYLINDER BORE SIZE	MERITOR CALIPER OR WHEEL CYLINDER (LEFT)	MERITOR CALIPER OR WHEEL CYLINDER (RIGHT)	MERITOR CALIPER OR WHEEL CYLINDER REPAIR KIT	MERITOR CALIPER PISTON	MERITOR MASTER CYLINDER	MERITOR MASTER CYLINDER KIT	MERITOR BRAKE HOSE (LEFT)	MERITOR BRAKE HOSE (RIGHT)
ITE(Cont.)									
170, 1700, 1710, 1723, 1724, 1750, 1753, 1754 SERIES CONVENTIONAL CAB, SCHOOL BUS, TILT CAB(Cont.)									
-	1-3/4 "	R4133400	R4133400	R4166917	NR	-	-	-	-
-	1-1/4 "	R4133581	R4133582	R4166923	NR	-	-	-	-
-	1-1/4 "	R4133581	R4133582	R4166923	NR	-	-	-	-
-									
-									
-	1-1/4 "	R4133581	R4133582	R4166923	NR	-	-	-	-
-	1-1/4 "	R4133581	R4133582	R4166923	NR	-	-	-	-
-	1-1/8 "	R4133714	R4133715	R4166926	NR	-	-	-	-
-	1-1/8 "	R4133714	R4133715	R4166926	NR	-	-	-	-
-	1-1/4 "	R4133581	R4133582	R4166923	NR	-	-	-	-
-	1-1/4 "	R4133581	R4133582	R4166923	NR	-	-	-	-
-	1-1/4 "	R4133581	R4133582	R4166923	NR	-	-	-	-
-	1-1/4 "	R4133581	R4133582	R4166923	NR	-	-	-	-
-	1-1/4 "	R4133581	R4133582	R4166923	NR	-	-	-	-
-	1-1/4 "	R4133581	R4133582	R4166923	NR	-	-	-	-
-	1-1/4 "	R4133581	R4133582	R4166923	NR	-	-	-	-
-	1-1/4 "	R4133581	R4133582	R4166923	NR	-	-	-	-
-	1-1/4 "	R4133581	R4133582	R4166923	NR	-	-	-	-
-	1-1/2 "	R4133580	R4133580	Discontinued	NR	-	-	-	-
-	1-1/2 "	R4133580	R4133580	Discontinued	NR	-	-	-	-
-	1-1/2 "	R4133580	R4133580	Discontinued	NR	-	-	-	-
-	1-1/2 "	R4133580	R4133580	Discontinued	NR	-	-	-	-
-	1-1/2 "	R4133580	R4133580	Discontinued	NR	-	-	-	-
-	1-1/2 "	R4133580	R4133580	Discontinued	NR	-	-	-	-
-	1-5/8 "	R4133338	R4133338	R4166689	NR	-	-	-	-
-	1-5/8 "	R4133338	R4133338	R4166689	NR	-	-	-	-
-	1-5/8 "	R4133338	R4133338	R4166689	NR	-	-	-	-
-	1-5/8 "	R4133338	R4133338	R4166689	NR	-	-	-	-
-	1-5/8 "	R4133338	R4133338	R4166689	NR	-	-	-	-
-	1-5/8 "	R4133338	R4133338	R4166689	NR	-	-	-	-
-	1-5/8 "	R4133338	R4133338	R4166689	NR	-	-	-	-
-	1-3/4 "	R4133400	R4133400	R4166917	NR	-	-	-	-
-	1-3/4 "	R4133400	R4133400	R4166917	NR	-	-	-	-
-									
-	1-1/4 "	R4133581	R4133582	R4166923	NR	-	-	-	-
-	1-1/4 "	R4133581	R4133582	R4166923	NR	-	-	-	-
-									
-									
-	1-1/4 "	R4133581	R4133582	R4166923	NR	-	-	-	-

MAKE MODEL YEAR AXLE CODE AXLE WEIGHT	AXLE & BRK. TYPE	BRK. MFG.	BRAKE SIZE	FMSI	MERITOR DISC PAD OR BRAKE SHOE	MERITOR GUIDE PIN OR RETURN SPRING KIT	MERITOR CALIPER HWD. KIT OR RETURN SPRING KIT	MERITOR ADJUSTER KIT (LEFT WHEEL)	MERITOR ADJUSTER KIT (RIGHT WHEEL)
ITE(Cont.)									
170, 1700, 1710, 1723, 1724, 1750, 1753, 1754 SERIES CONVENTIONAL CAB, SCHOOL BUS, TILT CAB(Cont.)									
1969	Fm	WG	15 " x 3-1/2 "	1280 - 463	R700463	R40H521	R40H9201	R40H3524	R40H3524
C1710, C1750 Cargostar Tilt Cab FA48, 68, 70, 72	Fa	WG	14 " x 2-1/2 "	1294A - 325	N/A	R40H521	R40H9237	R40H3502	R40H3503
	Fm	WG	14 " x 2-1/2 "	1294 - 296	N/A	R40H521	R40H9201	R40H3524	R40H3524
	Fa	WG	15 " x 3 "	1245C - 321	R700321	R40H521	R40H9237	R40H3502	R40H3503
C1710, C1750 Cargostar Tilt Cab FA71, 73, 101	Fa	WG	15 " x 3-1/2 "	1280B - 322	R464004	R40H521	R40H9237	R40H3502	R40H3503
	Fm	WG	15 " x 3 "	1245A - 235	R700235	R40H521	R40H9201	R40H3524	R40H3524
	Fm	WG	15 " x 3-1/2 "	1280 - 463	R700463	R40H521	R40H9201	R40H3524	R40H3524
	Fa	WG	15 " x 3 "	1245C - 321	R700321	R40H521	R40H9237	R40H3502	R40H3503
C1710, C1750 Cargostar Tilt Cab FA74	Fa	WG	15 " x 3 "	1245A - 235	R700235	R40H521	R40H9201	R40H3524	R40H3524
	Fm	WG	15 " x 3 "	1245C - 321	R700321	R40H521	R40H9237	R40H3502	R40H3503
C1710, C1750 Cargostar Tilt Cab FA78, 81	Fa	WG	15 " x 3 "	1245C - 321	R700321	R40H521	R40H9237	R40H3502	R40H3503
	Fa	WG	15 " x 3 "	1245C - 321	R700321	R40H521	R40H9237	R40H3502	R40H3503
C1710, C1750 Cargostar Tilt Cab FA89, 91, 98	Fa	WG	15 " x 3 "	1245A - 235	R700235	R40H521	R40H9201	R40H3524	R40H3524
	Fm	WG	15 " x 3 "	1245C - 321	R700321	R40H521	R40H9237	R40H3502	R40H3503
C1710, C1750 Cargostar Tilt Cab RA184	Ra	WG	15 " x 4 "	4645A - 376	Discontinued	R40H597	R40H9200	R40H3540	R40H3541
	Rm	WG	15 " x 4 "	4645A - 376	Discontinued	R40H597	R40H9200	R40H3518	R404148
C1710, C1750 Cargostar Tilt Cab RA25, 184	Ra	WG	15 " x 5 "	1252 - 346	R700346	R40H597	R40H9200	R40H3540	R40H3541
	Rm	WG	15 " x 5 "	1252 - 346	R700346	R40H597	R40H9200	R40H3518	R404148
C1710, C1750 Cargostar Tilt Cab RA29, 30, 187	Ra	WG	15 " x 5 "	1252 - 346	R700346	R40H597	R40H9200	R40H3540	R40H3541
	Rm	WG	15 " x 5 "	1252 - 346	R700346	R40H597	R40H9200	R40H3518	R404148
C1710, C1750 Cargostar Tilt Cab RA30, 187	Ra	WG	16 " x 5 "	1254 - 385	N/A	R40H597	R40H9200	NLA	NLA
	Rm	WG	16 " x 5 "	1254 - 385	N/A	R40H597	R40H9200	R404149	R404150
C1710, C1750 Cargostar Tilt Cab RA30, 39, 44, 186, 189	Ra	WG	15 " x 6 "	4596 - 381	R700381	R40H597	R40H9200	R40H3540	R40H3541
	Rm	WG	15 " x 6 "	4596 - 381	R700381	R40H597	R40H9200	R40H3518	R404148
C1710, C1750 Cargostar Tilt Cab RA39, 199	Ra	WG	15 " x 7 "	4597 - 383	R700383	R40H597	R40H9200	R40H3540	R40H3541
	Rm	WG	15 " x 7 "	4597 - 383	R700383	R40H597	R40H9200	R40H3518	R404148
C1710, C1750 Cargostar Tilt Cab RA44, 186	Ra	WG	15 " x 7 "	4597 - 383	R700383	R40H597	R40H9200	NLA	NLA
	Rm	WG	15 " x 7 "	4597 - 383	R700383	R40H597	R40H9200	R40H3518	R404148
C1710, C1750 Cargostar Tilt Cab RA47, 57	Ra	WG	16 " x 6 "	1255 - 386	N/A	R40H597	R40H9200	NLA	NLA
	Rm	WG	16 " x 6 "	1255 - 386	N/A	R40H597	R40H9200	R404149	R404150
S1723, S1753 School Bus FA109, 208	Fa	WG	15 " x 3 "	1245C - 321	R700321	R40H521	R40H9237	R40H3502	R40H3503
	Fm	WG	15 " x 3 "	1245A - 235	R700235	R40H521	R40H9201	R40H3524	R40H3524
S1723, S1753 School Bus FA118, 127, 139	Fa	WG	15 " x 5 "	1345A - 491	N/A	R40H521	R40H9237	R40H3502	R40H3503
	Fm	WG	15 " x 5 "	1345 - 490	N/A	R40H521	R40H9201	R40H3524	R40H3524
S1723, S1753 School Bus FA208	Fa	WG	15 " x 3-1/2 "	1280B - 322	R464004	R40H521	R40H9237	R40H3502	R40H3503

MERITOR DRUM OR ROTOR NO.	CALIPER OR CYLINDER BORE SIZE	MERITOR CALIPER OR WHEEL CYLINDER (LEFT)	MERITOR CALIPER OR WHEEL CYLINDER (RIGHT)	MERITOR CALIPER OR WHEEL CYLINDER REPAIR KIT	MERITOR CALIPER PISTON	MERITOR MASTER CYLINDER	MERITOR MASTER CYLINDER KIT	MERITOR BRAKE HOSE (LEFT)	MERITOR BRAKE HOSE (RIGHT)
ITE(Cont.)									
170, 1700, 1710, 1723, 1724, 1750, 1753, 1754 SERIES CONVENTIONAL CAB, SCHOOL BUS, TILT CAB(Cont.)									
-	1-1/4 "	R4133581	R4133582	R4166923	NR	-	-	-	-
-	1-1/8 "	R4133714	R4133715	R4166926	NR	-	-	-	-
-	1-1/8 "	R4133714	R4133715	R4166926	NR	-	-	-	-
-	1-1/4 "	R4133581	R4133582	R4166923	NR	-	-	-	-
-	1-1/4 "	R4133581	R4133582	R4166923	NR	-	-	-	-
-	1-1/4 "	R4133581	R4133582	R4166923	NR	-	-	-	-
-	1-1/4 "	R4133581	R4133582	R4166923	NR	-	-	-	-
-	1-1/4 "	R4133581	R4133582	R4166923	NR	-	-	-	-
-	1-1/4 "	R4133581	R4133582	R4166923	NR	-	-	-	-
-	1-1/4 "	R4133581	R4133582	R4166923	NR	-	-	-	-
-	1-1/4 "	R4133581	R4133582	R4166923	NR	-	-	-	-
-	1-1/4 "	R4133581	R4133582	R4166923	NR	-	-	-	-
-	1-1/4 "	R4133581	R4133582	R4166923	NR	-	-	-	-
-	1-1/2 "	R4133580	R4133580	Discontinued	NR	-	-	-	-
-	1-1/2 "	R4133580	R4133580	Discontinued	NR	-	-	-	-
-	1-1/2 "	R4133580	R4133580	Discontinued	NR	-	-	-	-
-	1-1/2 "	R4133580	R4133580	Discontinued	NR	-	-	-	-
-	1-1/2 "	R4133580	R4133580	Discontinued	NR	-	-	-	-
-	1-1/2 "	R4133580	R4133580	Discontinued	NR	-	-	-	-
-	1-5/8 "	R4133338	R4133338	R4166689	NR	-	-	-	-
-	1-5/8 "	R4133338	R4133338	R4166689	NR	-	-	-	-
-	1-5/8 "	R4133338	R4133338	R4166689	NR	-	-	-	-
-	1-5/8 "	R4133338	R4133338	R4166689	NR	-	-	-	-
-	1-5/8 "	R4133338	R4133338	R4166689	NR	-	-	-	-
-	1-5/8 "	R4133338	R4133338	R4166689	NR	-	-	-	-
-	1-5/8 "	R4133338	R4133338	R4166689	NR	-	-	-	-
-	1-3/4 "	R4133400	R4133400	R4166917	NR	-	-	-	-
-	1-3/4 "	R4133400	R4133400	R4166917	NR	-	-	-	-
-	1-1/4 "	R4133581	R4133582	R4166923	NR	-	-	-	-
-	1-1/4 "	R4133581	R4133582	R4166923	NR	-	-	-	-
-						-	-	-	-
-						-	-	-	-
-	1-1/4 "	R4133581	R4133582	R4166923	NR	-	-	-	-

1-APPLICATION

MAKE MODEL YEAR AXLE CODE AXLE WEIGHT	AXLE & BRK. TYPE	BRK. MFG.	BRAKE SIZE	FMSI	MERITOR DISC PAD OR BRAKE SHOE	MERITOR GUIDE PIN OR RETURN SPRING KIT	MERITOR CALIPER HWD. KIT OR RETURN SPRING KIT	MERITOR ADJUSTER KIT (LEFT WHEEL)	MERITOR ADJUSTER KIT (RIGHT WHEEL)
ITE(Cont.)									
170, 1700, 1710, 1723, 1724, 1750, 1753, 1754 SERIES CONVENTIONAL CAB, SCHOOL BUS, TILT CAB(Cont.)									
1969	Fm	WG	15 " x 3-1/2 "	1280 - 463	R700463	R40H521	R40H9201	R40H3524	R40H3524
S1723, S1753 School Bus FA48, 68, 70, 72	Fa	WG	14 " x 2-1/2 "	1294A - 325	N/A	R40H521	R40H9237	R40H3502	R40H3503
	Fm	WG	14 " x 2-1/2 "	1294 - 296	N/A	R40H521	R40H9201	R40H3524	R40H3524
S1723, S1753 School Bus FA71, 73, 101	Fa	WG	15 " x 3 "	1245C - 321	R700321	R40H521	R40H9237	R40H3502	R40H3503
	Fa	WG	15 " x 3-1/2 "	1280B - 322	R464004	R40H521	R40H9237	R40H3502	R40H3503
	Fm	WG	15 " x 3 "	1245A - 235	R700235	R40H521	R40H9201	R40H3524	R40H3524
	Fm	WG	15 " x 3-1/2 "	1280 - 463	R700463	R40H521	R40H9201	R40H3524	R40H3524
S1723, S1753 School Bus FA74	Fa	WG	15 " x 3 "	1245C - 321	R700321	R40H521	R40H9237	R40H3502	R40H3503
	Fm	WG	15 " x 3 "	1245A - 235	R700235	R40H521	R40H9201	R40H3524	R40H3524
S1723, S1753 School Bus FA78, 81	Fa	WG	15 " x 3 "	1245C - 321	R700321	R40H521	R40H9237	R40H3502	R40H3503
S1723, S1753 School Bus FA89, 91, 98	Fa	WG	15 " x 3 "	1245C - 321	R700321	R40H521	R40H9237	R40H3502	R40H3503
	Fm	WG	15 " x 3 "	1245A - 235	R700235	R40H521	R40H9201	R40H3524	R40H3524
S1723, S1753 School Bus RA184	Ra	WG	15 " x 4 "	4645A - 376	Discontinued	R40H597	R40H9200	R40H3540	R40H3541
	Rm	WG	15 " x 4 "	4645A - 376	Discontinued	R40H597	R40H9200	R40H3518	R404148
S1723, S1753 School Bus RA25, 184	Ra	WG	15 " x 5 "	1252 - 346	R700346	R40H597	R40H9200	R40H3540	R40H3541
	Rm	WG	15 " x 5 "	1252 - 346	R700346	R40H597	R40H9200	R40H3518	R404148
S1723, S1753 School Bus RA29, 30, 187	Ra	WG	15 " x 5 "	1252 - 346	R700346	R40H597	R40H9200	R40H3540	R40H3541
	Rm	WG	15 " x 5 "	1252 - 346	R700346	R40H597	R40H9200	R40H3518	R404148
S1723, S1753 School Bus RA30, 187	Ra	WG	16 " x 5 "	1254 - 385	N/A	R40H597	R40H9200	NLA	NLA
	Rm	WG	16 " x 5 "	1254 - 385	N/A	R40H597	R40H9200	R404149	R404150
S1723, S1753 School Bus RA30, 39, 44, 186, 189	Ra	WG	15 " x 6 "	4596 - 381	R700381	R40H597	R40H9200	R40H3540	R40H3541
	Rm	WG	15 " x 6 "	4596 - 381	R700381	R40H597	R40H9200	R40H3518	R404148
S1723, S1753 School Bus RA39, 199	Ra	WG	15 " x 7 "	4597 - 383	R700383	R40H597	R40H9200	R40H3540	R40H3541
	Rm	WG	15 " x 7 "	4597 - 383	R700383	R40H597	R40H9200	R40H3518	R404148
S1723, S1753 School Bus RA44, 186	Ra	WG	15 " x 7 "	4597 - 383	R700383	R40H597	R40H9200	NLA	NLA
	Rm	WG	15 " x 7 "	4597 - 383	R700383	R40H597	R40H9200	R40H3518	R404148
S1723, S1753 School Bus RA47, 57	Ra	WG	16 " x 6 "	1255 - 386	N/A	R40H597	R40H9200	NLA	NLA
	Rm	WG	16 " x 6 "	1255 - 386	N/A	R40H597	R40H9200	R404149	R404150
S1724, S1754 Conventional FA109, 208	Fa	WG	15 " x 3 "	1245C - 321	R700321	R40H521	R40H9237	R40H3502	R40H3503
	Fm	WG	15 " x 3 "	1245A - 235	R700235	R40H521	R40H9201	R40H3524	R40H3524
S1724, S1754 Conventional FA118, 127, 139	Fa	WG	15 " x 5 "	1345A - 491	N/A	R40H521	R40H9237	R40H3502	R40H3503
	Fm	WG	15 " x 5 "	1345 - 490	N/A	R40H521	R40H9201	R40H3524	R40H3524
S1724, S1754 Conventional FA208	Fa	WG	15 " x 3-1/2 "	1280B - 322	R464004	R40H521	R40H9237	R40H3502	R40H3503
	Fm	WG	15 " x 3-1/2 "	1280 - 463	R700463	R40H521	R40H9201	R40H3524	R40H3524
S1724, S1754 Conventional FA48, 68, 70, 72	Fa	WG	14 " x 2-1/2 "	1294A - 325	N/A	R40H521	R40H9237	R40H3502	R40H3503
	Fm	WG	14 " x 2-1/2 "	1294 - 296	N/A	R40H521	R40H9201	R40H3524	R40H3524
S1724, S1754 Conventional FA71, 73, 101	Fa	WG	15 " x 3 "	1245C - 321	R700321	R40H521	R40H9237	R40H3502	R40H3503
	Fa	WG	15 " x 3-1/2 "	1280B - 322	R464004	R40H521	R40H9237	R40H3502	R40H3503
	Fm	WG	15 " x 3 "	1245A - 235	R700235	R40H521	R40H9201	R40H3524	R40H3524
	Fm	WG	15 " x 3-1/2 "	1280 - 463	R700463	R40H521	R40H9201	R40H3524	R40H3524
S1724, S1754 Conventional FA74	Fa	WG	15 " x 3 "	1245C - 321	R700321	R40H521	R40H9237	R40H3502	R40H3503
	Fm	WG	15 " x 3 "	1245A - 235	R700235	R40H521	R40H9201	R40H3524	R40H3524

MERITOR DRUM OR ROTOR NO.	CALIPER OR CYLINDER BORE SIZE	MERITOR CALIPER OR WHEEL CYLINDER (LEFT)	MERITOR CALIPER OR WHEEL CYLINDER (RIGHT)	MERITOR CALIPER OR WHEEL CYLINDER REPAIR KIT	MERITOR CALIPER PISTON	MERITOR MASTER CYLINDER	MERITOR MASTER CYLINDER KIT	MERITOR BRAKE HOSE (LEFT)	MERITOR BRAKE HOSE (RIGHT)
ITE(Cont.)									
170, 1700, 1710, 1723, 1724, 1750, 1753, 1754 SERIES CONVENTIONAL CAB, SCHOOL BUS, TILT CAB(Cont.)									
-	1-1/4 "	R4133581	R4133582	R4166923	NR	-	-	-	-
-	1-1/8 "	R4133714	R4133715	R4166926	NR	-	-	-	-
-	1-1/8 "	R4133714	R4133715	R4166926	NR	-	-	-	-
-	1-1/4 "	R4133581	R4133582	R4166923	NR	-	-	-	-
-	1-1/4 "	R4133581	R4133582	R4166923	NR	-	-	-	-
-	1-1/4 "	R4133581	R4133582	R4166923	NR	-	-	-	-
-	1-1/4 "	R4133581	R4133582	R4166923	NR	-	-	-	-
-	1-1/4 "	R4133581	R4133582	R4166923	NR	-	-	-	-
-	1-1/4 "	R4133581	R4133582	R4166923	NR	-	-	-	-
-	1-1/4 "	R4133581	R4133582	R4166923	NR	-	-	-	-
-	1-1/4 "	R4133581	R4133582	R4166923	NR	-	-	-	-
-	1-1/2 "	R4133580	R4133580	Discontinued	NR	-	-	-	-
-	1-1/2 "	R4133580	R4133580	Discontinued	NR	-	-	-	-
-	1-1/2 "	R4133580	R4133580	Discontinued	NR	-	-	-	-
-	1-1/2 "	R4133580	R4133580	Discontinued	NR	-	-	-	-
-	1-1/2 "	R4133580	R4133580	Discontinued	NR	-	-	-	-
-	1-1/2 "	R4133580	R4133580	Discontinued	NR	-	-	-	-
-	1-5/8 "	R4133338	R4133338	R4166689	NR	-	-	-	-
-	1-5/8 "	R4133338	R4133338	R4166689	NR	-	-	-	-
-	1-5/8 "	R4133338	R4133338	R4166689	NR	-	-	-	-
-	1-5/8 "	R4133338	R4133338	R4166689	NR	-	-	-	-
-	1-5/8 "	R4133338	R4133338	R4166689	NR	-	-	-	-
-	1-5/8 "	R4133338	R4133338	R4166689	NR	-	-	-	-
-	1-5/8 "	R4133338	R4133338	R4166689	NR	-	-	-	-
-	1-3/4 "	R4133400	R4133400	R4166917	NR	-	-	-	-
-	1-3/4 "	R4133400	R4133400	R4166917	NR	-	-	-	-
-	1-1/4 "	R4133581	R4133582	R4166923	NR	-	-	-	-
-	1-1/4 "	R4133581	R4133582	R4166923	NR	-	-	-	-
-									
-									
-	1-1/4 "	R4133581	R4133582	R4166923	NR	-	-	-	-
-	1-1/4 "	R4133581	R4133582	R4166923	NR	-	-	-	-
-	1-1/8 "	R4133714	R4133715	R4166926	NR	-	-	-	-
-	1-1/8 "	R4133714	R4133715	R4166926	NR	-	-	-	-
-	1-1/4 "	R4133581	R4133582	R4166923	NR	-	-	-	-
-	1-1/4 "	R4133581	R4133582	R4166923	NR	-	-	-	-
-	1-1/4 "	R4133581	R4133582	R4166923	NR	-	-	-	-
-	1-1/4 "	R4133581	R4133582	R4166923	NR	-	-	-	-
-	1-1/4 "	R4133581	R4133582	R4166923	NR	-	-	-	-
-	1-1/4 "	R4133581	R4133582	R4166923	NR	-	-	-	-

1 APPLICATION

MAKE MODEL YEAR AXLE CODE AXLE WEIGHT	AXLE & BRK. TYPE	BRK. MFG.	BRAKE SIZE	FMSI	MERITOR DISC PAD OR BRAKE SHOE	MERITOR GUIDE PIN OR RETURN SPRING KIT	MERITOR CALIPER HWD. KIT OR RETURN SPRING KIT	MERITOR ADJUSTER KIT (LEFT WHEEL)	MERITOR ADJUSTER KIT (RIGHT WHEEL)
ITE(Cont.)									
170, 1700, 1710, 1723, 1724, 1750, 1753, 1754 SERIES CONVENTIONAL CAB, SCHOOL BUS, TILT CAB(Cont.)									
1969									
S1724, S1754 Conventional FA78, 81	Fa	WG	15 " x 3 "	1245C - 321	R700321	R40H521	R40H9237	R40H3502	R40H3503
S1724, S1754 Conventional FA89, 91, 98	Fa	WG	15 " x 3 "	1245C - 321	R700321	R40H521	R40H9237	R40H3502	R40H3503
	Fm	WG	15 " x 3 "	1245A - 235	R700235	R40H521	R40H9201	R40H3524	R40H3524
S1724, S1754 Conventional RA184	Ra	WG	15 " x 4 "	4645A - 376	Discontinued	R40H597	R40H9200	R40H3540	R40H3541
	Rm	WG	15 " x 4 "	4645A - 376	Discontinued	R40H597	R40H9200	R40H3518	R404148
S1724, S1754 Conventional RA25, 184	Ra	WG	15 " x 5 "	1252 - 346	R700346	R40H597	R40H9200	R40H3540	R40H3541
	Rm	WG	15 " x 5 "	1252 - 346	R700346	R40H597	R40H9200	R40H3518	R404148
S1724, S1754 Conventional RA29, 30, 187	Ra	WG	15 " x 5 "	1252 - 346	R700346	R40H597	R40H9200	R40H3540	R40H3541
	Rm	WG	15 " x 5 "	1252 - 346	R700346	R40H597	R40H9200	R40H3518	R404148
S1724, S1754 Conventional RA30, 187	Ra	WG	16 " x 5 "	1254 - 385	N/A	R40H597	R40H9200	NLA	NLA
	Rm	WG	16 " x 5 "	1254 - 385	N/A	R40H597	R40H9200	R404149	R404150
S1724, S1754 Conventional RA30, 39, 44, 186, 189	Ra	WG	15 " x 6 "	4596 - 381	R700381	R40H597	R40H9200	R40H3540	R40H3541
	Rm	WG	15 " x 6 "	4596 - 381	R700381	R40H597	R40H9200	R40H3518	R404148
S1724, S1754 Conventional RA39, 199	Ra	WG	15 " x 7 "	4597 - 383	R700383	R40H597	R40H9200	R40H3540	R40H3541
	Rm	WG	15 " x 7 "	4597 - 383	R700383	R40H597	R40H9200	R40H3518	R404148
S1724, S1754 Conventional RA44, 186	Ra	WG	15 " x 7 "	4597 - 383	R700383	R40H597	R40H9200	NLA	NLA
	Rm	WG	15 " x 7 "	4597 - 383	R700383	R40H597	R40H9200	R40H3518	R404148
S1724, S1754 Conventional RA47, 57	Ra	WG	16 " x 6 "	1255 - 386	N/A	R40H597	R40H9200	NLA	NLA
	Rm	WG	16 " x 6 "	1255 - 386	N/A	R40H597	R40H9200	R404149	R404150
1968									
C1710, C1750 Cargostar Tilt Cab FA109, 208	Fa	WG	15 " x 3 "	1245C - 321	R700321	R40H521	R40H9237	R40H3502	R40H3503
	Fm	WG	15 " x 3 "	1245A - 235	R700235	R40H521	R40H9201	R40H3524	R40H3524
C1710, C1750 Cargostar Tilt Cab FA118, 127, 139	Fa	WG	15 " x 5 "	1345A - 491	N/A	R40H521	R40H9237	R40H3502	R40H3503
	Fm	WG	15 " x 5 "	1345 - 490	N/A	R40H521	R40H9201	R40H3524	R40H3524
C1710, C1750 Cargostar Tilt Cab FA208	Fa	WG	15 " x 3-1/2 "	1280B - 322	R464004	R40H521	R40H9237	R40H3502	R40H3503
	Fm	WG	15 " x 3-1/2 "	1280 - 463	R700463	R40H521	R40H9201	R40H3524	R40H3524
C1710, C1750 Cargostar Tilt Cab FA48, 68, 70, 72	Fa	WG	14 " x 2-1/2 "	1294A - 325	N/A	R40H521	R40H9237	R40H3502	R40H3503
	Fm	WG	14 " x 2-1/2 "	1294 - 296	N/A	R40H521	R40H9201	R40H3524	R40H3524
C1710, C1750 Cargostar Tilt Cab FA71, 73, 101	Fa	WG	15 " x 3 "	1245C - 321	R700321	R40H521	R40H9237	R40H3502	R40H3503
	Fa	WG	15 " x 3-1/2 "	1280B - 322	R464004	R40H521	R40H9237	R40H3502	R40H3503
	Fm	WG	15 " x 3 "	1245A - 235	R700235	R40H521	R40H9201	R40H3524	R40H3524
	Fm	WG	15 " x 3-1/2 "	1280 - 463	R700463	R40H521	R40H9201	R40H3524	R40H3524
C1710, C1750 Cargostar Tilt Cab FA74	Fa	WG	15 " x 3 "	1245C - 321	R700321	R40H521	R40H9237	R40H3502	R40H3503
	Fm	WG	15 " x 3 "	1245A - 235	R700235	R40H521	R40H9201	R40H3524	R40H3524
C1710, C1750 Cargostar Tilt Cab FA78, 81	Fa	WG	15 " x 3 "	1245C - 321	R700321	R40H521	R40H9237	R40H3502	R40H3503
C1710, C1750 Cargostar Tilt Cab FA89, 91, 98	Fa	WG	15 " x 3 "	1245C - 321	R700321	R40H521	R40H9237	R40H3502	R40H3503

MERITOR DRUM OR ROTOR NO.	CALIPER OR CYLINDER BORE SIZE	MERITOR CALIPER OR WHEEL CYLINDER (LEFT)	MERITOR CALIPER OR WHEEL CYLINDER (RIGHT)	MERITOR CALIPER OR WHEEL CYLINDER REPAIR KIT	MERITOR CALIPER PISTON	MERITOR MASTER CYLINDER	MERITOR MASTER CYLINDER KIT	MERITOR BRAKE HOSE (LEFT)	MERITOR BRAKE HOSE (RIGHT)
ITE(Cont.)									
170, 1700, 1710, 1723, 1724, 1750, 1753, 1754 SERIES CONVENTIONAL CAB, SCHOOL BUS, TILT CAB(Cont.)									
-	1-1/4 "	R4133581	R4133582	R4166923	NR	-	-	-	-
-	1-1/4 "	R4133581	R4133582	R4166923	NR	-	-	-	-
-	1-1/4 "	R4133581	R4133582	R4166923	NR	-	-	-	-
-	1-1/2 "	R4133580	R4133580	Discontinued	NR	-	-	-	-
-	1-1/2 "	R4133580	R4133580	Discontinued	NR	-	-	-	-
-	1-1/2 "	R4133580	R4133580	Discontinued	NR	-	-	-	-
-	1-1/2 "	R4133580	R4133580	Discontinued	NR	-	-	-	-
-	1-1/2 "	R4133580	R4133580	Discontinued	NR	-	-	-	-
-	1-1/2 "	R4133580	R4133580	Discontinued	NR	-	-	-	-
-	1-5/8 "	R4133338	R4133338	R4166689	NR	-	-	-	-
-	1-5/8 "	R4133338	R4133338	R4166689	NR	-	-	-	-
-	1-5/8 "	R4133338	R4133338	R4166689	NR	-	-	-	-
-	1-5/8 "	R4133338	R4133338	R4166689	NR	-	-	-	-
-	1-5/8 "	R4133338	R4133338	R4166689	NR	-	-	-	-
-	1-5/8 "	R4133338	R4133338	R4166689	NR	-	-	-	-
-	1-5/8 "	R4133338	R4133338	R4166689	NR	-	-	-	-
-	1-5/8 "	R4133338	R4133338	R4166689	NR	-	-	-	-
-	1-3/4 "	R4133400	R4133400	R4166917	NR	-	-	-	-
-	1-3/4 "	R4133400	R4133400	R4166917	NR	-	-	-	-
-									
-	1-1/4 "	R4133581	R4133582	R4166923	NR	-	-	-	-
-	1-1/4 "	R4133581	R4133582	R4166923	NR	-	-	-	-
-									
-									
-	1-1/4 "	R4133581	R4133582	R4166923	NR	-	-	-	-
-	1-1/4 "	R4133581	R4133582	R4166923	NR	-	-	-	-
-	1-1/8 "	R4133714	R4133715	R4166926	NR	-	-	-	-
-	1-1/8 "	R4133714	R4133715	R4166926	NR	-	-	-	-
-	1-1/4 "	R4133581	R4133582	R4166923	NR	-	-	-	-
-	1-1/4 "	R4133581	R4133582	R4166923	NR	-	-	-	-
-	1-1/4 "	R4133581	R4133582	R4166923	NR	-	-	-	-
-	1-1/4 "	R4133581	R4133582	R4166923	NR	-	-	-	-
-	1-1/4 "	R4133581	R4133582	R4166923	NR	-	-	-	-
-	1-1/4 "	R4133581	R4133582	R4166923	NR	-	-	-	-
-	1-1/4 "	R4133581	R4133582	R4166923	NR	-	-	-	-
-	1-1/4 "	R4133581	R4133582	R4166923	NR	-	-	-	-
-	1-1/4 "	R4133581	R4133582	R4166923	NR	-	-	-	-
-	1-1/4 "	R4133581	R4133582	R4166923	NR	-	-	-	-
-	1-1/4 "	R4133581	R4133582	R4166923	NR	-	-	-	-

1 APPLICATION

MAKE MODEL YEAR AXLE CODE AXLE WEIGHT	AXLE & BRK. TYPE	BRK. MFG.	BRAKE SIZE	FMSI	MERITOR DISC PAD OR BRAKE SHOE	MERITOR GUIDE PIN OR RETURN SPRING KIT	MERITOR CALIPER HWD. KIT OR RETURN SPRING KIT	MERITOR ADJUSTER KIT (LEFT WHEEL)	MERITOR ADJUSTER KIT (RIGHT WHEEL)
ITE(Cont.)									
170, 1700, 1710, 1723, 1724, 1750, 1753, 1754 SERIES CONVENTIONAL CAB, SCHOOL BUS, TILT CAB(Cont.)									
1968	Fm	WG	15 " x 3 "	1245A - 235	R700235	R40H521	R40H9201	R40H3524	R40H3524
C1710, C1750 Cargostar Tilt Cab RA184	Ra	WG	15 " x 4 "	4645A - 376	Discontinued	R40H597	R40H9200	R40H3540	R40H3541
	Rm	WG	15 " x 4 "	4645A - 376	Discontinued	R40H597	R40H9200	R40H3518	R404148
C1710, C1750 Cargostar Tilt Cab RA25, 184	Ra	WG	15 " x 5 "	1252 - 346	R700346	R40H597	R40H9200	R40H3540	R40H3541
	Rm	WG	15 " x 5 "	1252 - 346	R700346	R40H597	R40H9200	R40H3518	R404148
C1710, C1750 Cargostar Tilt Cab RA29, 30, 187	Ra	WG	15 " x 5 "	1252 - 346	R700346	R40H597	R40H9200	R40H3540	R40H3541
	Rm	WG	15 " x 5 "	1252 - 346	R700346	R40H597	R40H9200	R40H3518	R404148
C1710, C1750 Cargostar Tilt Cab RA30, 187	Ra	WG	16 " x 5 "	1254 - 385	N/A	R40H597	R40H9200	NLA	NLA
	Rm	WG	16 " x 5 "	1254 - 385	N/A	R40H597	R40H9200	R404149	R404150
C1710, C1750 Cargostar Tilt Cab RA30, 39, 44, 186, 189	Ra	WG	15 " x 6 "	4596 - 381	R700381	R40H597	R40H9200	R40H3540	R40H3541
	Rm	WG	15 " x 6 "	4596 - 381	R700381	R40H597	R40H9200	R40H3518	R404148
C1710, C1750 Cargostar Tilt Cab RA39, 199	Ra	WG	15 " x 7 "	4597 - 383	R700383	R40H597	R40H9200	R40H3540	R40H3541
	Rm	WG	15 " x 7 "	4597 - 383	R700383	R40H597	R40H9200	R40H3518	R404148
C1710, C1750 Cargostar Tilt Cab RA44, 186	Ra	WG	15 " x 7 "	4597 - 383	R700383	R40H597	R40H9200	NLA	NLA
	Rm	WG	15 " x 7 "	4597 - 383	R700383	R40H597	R40H9200	R40H3518	R404148
C1710, C1750 Cargostar Tilt Cab RA47, 57	Ra	WG	16 " x 6 "	1255 - 386	N/A	R40H597	R40H9200	NLA	NLA
	Rm	WG	16 " x 6 "	1255 - 386	N/A	R40H597	R40H9200	R404149	R404150
S1723, S1753 School Bus FA109, 208	Fa	WG	15 " x 3 "	1245C - 321	R700321	R40H521	R40H9237	R40H3502	R40H3503
	Fm	WG	15 " x 3 "	1245A - 235	R700235	R40H521	R40H9201	R40H3524	R40H3524
S1723, S1753 School Bus FA118, 127, 139	Fa	WG	15 " x 5 "	1345A - 491	N/A	R40H521	R40H9237	R40H3502	R40H3503
	Fm	WG	15 " x 5 "	1345 - 490	N/A	R40H521	R40H9201	R40H3524	R40H3524
S1723, S1753 School Bus FA208	Fa	WG	15 " x 3-1/2 "	1280B - 322	R464004	R40H521	R40H9237	R40H3502	R40H3503
	Fm	WG	15 " x 3-1/2 "	1280 - 463	R700463	R40H521	R40H9201	R40H3524	R40H3524
S1723, S1753 School Bus FA48, 68, 70, 72	Fa	WG	14 " x 2-1/2 "	1294A - 325	N/A	R40H521	R40H9237	R40H3502	R40H3503
	Fm	WG	14 " x 2-1/2 "	1294 - 296	N/A	R40H521	R40H9201	R40H3524	R40H3524
S1723, S1753 School Bus FA71, 73, 101	Fa	WG	15 " x 3 "	1245C - 321	R700321	R40H521	R40H9237	R40H3502	R40H3503
	Fa	WG	15 " x 3-1/2 "	1280B - 322	R464004	R40H521	R40H9237	R40H3502	R40H3503
	Fm	WG	15 " x 3 "	1245A - 235	R700235	R40H521	R40H9201	R40H3524	R40H3524
	Fm	WG	15 " x 3-1/2 "	1280 - 463	R700463	R40H521	R40H9201	R40H3524	R40H3524
S1723, S1753 School Bus FA74	Fa	WG	15 " x 3 "	1245C - 321	R700321	R40H521	R40H9237	R40H3502	R40H3503
	Fm	WG	15 " x 3 "	1245A - 235	R700235	R40H521	R40H9201	R40H3524	R40H3524
S1723, S1753 School Bus FA78, 81	Fa	WG	15 " x 3 "	1245C - 321	R700321	R40H521	R40H9237	R40H3502	R40H3503
S1723, S1753 School Bus FA89, 91, 98	Fa	WG	15 " x 3 "	1245C - 321	R700321	R40H521	R40H9237	R40H3502	R40H3503
	Fm	WG	15 " x 3 "	1245A - 235	R700235	R40H521	R40H9201	R40H3524	R40H3524
S1723, S1753 School Bus RA184	Ra	WG	15 " x 4 "	4645A - 376	Discontinued	R40H597	R40H9200	R40H3540	R40H3541
	Rm	WG	15 " x 4 "	4645A - 376	Discontinued	R40H597	R40H9200	R40H3518	R404148

MERITOR DRUM OR ROTOR NO.	CALIPER OR CYLINDER BORE SIZE	MERITOR CALIPER OR WHEEL CYLINDER (LEFT)	MERITOR CALIPER OR WHEEL CYLINDER (RIGHT)	MERITOR CALIPER OR WHEEL CYLINDER REPAIR KIT	MERITOR CALIPER PISTON	MERITOR MASTER CYLINDER	MERITOR MASTER CYLINDER KIT	MERITOR BRAKE HOSE (LEFT)	MERITOR BRAKE HOSE (RIGHT)
ITE(Cont.)									
170, 1700, 1710, 1723, 1724, 1750, 1753, 1754 SERIES CONVENTIONAL CAB, SCHOOL BUS, TILT CAB(Cont.)									
-	1-1/4 "	R4133581	R4133582	R4166923	NR	-	-	-	-
-	1-1/2 "	R4133580	R4133580	Discontinued	NR	-	-	-	-
-	1-1/2 "	R4133580	R4133580	Discontinued	NR	-	-	-	-
-	1-1/2 "	R4133580	R4133580	Discontinued	NR	-	-	-	-
-	1-1/2 "	R4133580	R4133580	Discontinued	NR	-	-	-	-
-	1-1/2 "	R4133580	R4133580	Discontinued	NR	-	-	-	-
-	1-1/2 "	R4133580	R4133580	Discontinued	NR	-	-	-	-
-	1-5/8 "	R4133338	R4133338	R4166689	NR	-	-	-	-
-	1-5/8 "	R4133338	R4133338	R4166689	NR	-	-	-	-
-	1-5/8 "	R4133338	R4133338	R4166689	NR	-	-	-	-
-	1-5/8 "	R4133338	R4133338	R4166689	NR	-	-	-	-
-	1-5/8 "	R4133338	R4133338	R4166689	NR	-	-	-	-
-	1-5/8 "	R4133338	R4133338	R4166689	NR	-	-	-	-
-	1-5/8 "	R4133338	R4133338	R4166689	NR	-	-	-	-
-	1-5/8 "	R4133338	R4133338	R4166689	NR	-	-	-	-
-	1-3/4 "	R4133400	R4133400	R4166917	NR	-	-	-	-
-	1-3/4 "	R4133400	R4133400	R4166917	NR	-	-	-	-
-	1-1/4 "	R4133581	R4133582	R4166923	NR	-	-	-	-
-	1-1/4 "	R4133581	R4133582	R4166923	NR	-	-	-	-
-	-	-	-	-	-	-	-	-	-
-	-	-	-	-	-	-	-	-	-
-	1-1/4 "	R4133581	R4133582	R4166923	NR	-	-	-	-
-	1-1/4 "	R4133581	R4133582	R4166923	NR	-	-	-	-
-	1-1/8 "	R4133714	R4133715	R4166926	NR	-	-	-	-
-	1-1/8 "	R4133714	R4133715	R4166926	NR	-	-	-	-
-	1-1/4 "	R4133581	R4133582	R4166923	NR	-	-	-	-
-	1-1/4 "	R4133581	R4133582	R4166923	NR	-	-	-	-
-	1-1/4 "	R4133581	R4133582	R4166923	NR	-	-	-	-
-	1-1/4 "	R4133581	R4133582	R4166923	NR	-	-	-	-
-	1-1/4 "	R4133581	R4133582	R4166923	NR	-	-	-	-
-	1-1/4 "	R4133581	R4133582	R4166923	NR	-	-	-	-
-	1-1/4 "	R4133581	R4133582	R4166923	NR	-	-	-	-
-	1-1/4 "	R4133581	R4133582	R4166923	NR	-	-	-	-
-	1-1/2 "	R4133580	R4133580	Discontinued	NR	-	-	-	-
-	1-1/2 "	R4133580	R4133580	Discontinued	NR	-	-	-	-

1 APPLICATION

MAKE MODEL YEAR AXLE CODE AXLE WEIGHT	AXLE & BRK. TYPE	BRK. MFG.	BRAKE SIZE	FMSI	MERITOR DISC PAD OR BRAKE SHOE	MERITOR GUIDE PIN OR RETURN SPRING KIT	MERITOR CALIPER HWD. KIT OR RETURN SPRING KIT	MERITOR ADJUSTER KIT (LEFT WHEEL)	MERITOR ADJUSTER KIT (RIGHT WHEEL)
ITE(Cont.)									
170, 1700, 1710, 1723, 1724, 1750, 1753, 1754 SERIES CONVENTIONAL CAB, SCHOOL BUS, TILT CAB(Cont.)									
1968									
S1723, S1753 School Bus RA25, 184	Ra	WG	15 " x 5 "	1252 - 346	R700346	R40H597	R40H9200	R40H3540	R40H3541
	Rm	WG	15 " x 5 "	1252 - 346	R700346	R40H597	R40H9200	R40H3518	R404148
S1723, S1753 School Bus RA29, 30, 187	Ra	WG	15 " x 5 "	1252 - 346	R700346	R40H597	R40H9200	R40H3540	R40H3541
	Rm	WG	15 " x 5 "	1252 - 346	R700346	R40H597	R40H9200	R40H3518	R404148
S1723, S1753 School Bus RA30, 187	Ra	WG	16 " x 5 "	1254 - 385	N/A	R40H597	R40H9200	NLA	NLA
	Rm	WG	16 " x 5 "	1254 - 385	N/A	R40H597	R40H9200	R404149	R404150
S1723, S1753 School Bus RA30, 39, 44, 186, 189	Ra	WG	15 " x 6 "	4596 - 381	R700381	R40H597	R40H9200	R40H3540	R40H3541
	Rm	WG	15 " x 6 "	4596 - 381	R700381	R40H597	R40H9200	R40H3518	R404148
S1723, S1753 School Bus RA39, 199	Ra	WG	15 " x 7 "	4597 - 383	R700383	R40H597	R40H9200	R40H3540	R40H3541
	Rm	WG	15 " x 7 "	4597 - 383	R700383	R40H597	R40H9200	R40H3518	R404148
S1723, S1753 School Bus RA44, 186	Ra	WG	15 " x 7 "	4597 - 383	R700383	R40H597	R40H9200	NLA	NLA
	Rm	WG	15 " x 7 "	4597 - 383	R700383	R40H597	R40H9200	R40H3518	R404148
S1723, S1753 School Bus RA47, 57	Ra	WG	16 " x 6 "	1255 - 386	N/A	R40H597	R40H9200	NLA	NLA
	Rm	WG	16 " x 6 "	1255 - 386	N/A	R40H597	R40H9200	R404149	R404150
S1724, S1754 Conventional FA109, 208	Fa	WG	15 " x 3 "	1245C - 321	R700321	R40H521	R40H9237	R40H3502	R40H3503
	Fm	WG	15 " x 3 "	1245A - 235	R700235	R40H521	R40H9201	R40H3524	R40H3524
S1724, S1754 Conventional FA118, 127, 139	Fa	WG	15 " x 5 "	1345A - 491	N/A	R40H521	R40H9237	R40H3502	R40H3503
	Fm	WG	15 " x 5 "	1345 - 490	N/A	R40H521	R40H9201	R40H3524	R40H3524
S1724, S1754 Conventional FA208	Fa	WG	15 " x 3-1/2 "	1280B - 322	R464004	R40H521	R40H9237	R40H3502	R40H3503
	Fm	WG	15 " x 3-1/2 "	1280 - 463	R700463	R40H521	R40H9201	R40H3524	R40H3524
S1724, S1754 Conventional FA48, 68, 70, 72	Fa	WG	14 " x 2-1/2 "	1294A - 325	N/A	R40H521	R40H9237	R40H3502	R40H3503
	Fm	WG	14 " x 2-1/2 "	1294 - 296	N/A	R40H521	R40H9201	R40H3524	R40H3524
S1724, S1754 Conventional FA71, 73, 101	Fa	WG	15 " x 3 "	1245C - 321	R700321	R40H521	R40H9237	R40H3502	R40H3503
	Fa	WG	15 " x 3-1/2 "	1280B - 322	R464004	R40H521	R40H9237	R40H3502	R40H3503
	Fm	WG	15 " x 3 "	1245A - 235	R700235	R40H521	R40H9201	R40H3524	R40H3524
	Fm	WG	15 " x 3-1/2 "	1280 - 463	R700463	R40H521	R40H9201	R40H3524	R40H3524
S1724, S1754 Conventional FA74	Fa	WG	15 " x 3 "	1245C - 321	R700321	R40H521	R40H9237	R40H3502	R40H3503
	Fm	WG	15 " x 3 "	1245A - 235	R700235	R40H521	R40H9201	R40H3524	R40H3524
S1724, S1754 Conventional FA78, 81	Fa	WG	15 " x 3 "	1245C - 321	R700321	R40H521	R40H9237	R40H3502	R40H3503
S1724, S1754 Conventional FA89, 91, 98	Fa	WG	15 " x 3 "	1245C - 321	R700321	R40H521	R40H9237	R40H3502	R40H3503
	Fm	WG	15 " x 3 "	1245A - 235	R700235	R40H521	R40H9201	R40H3524	R40H3524
S1724, S1754 Conventional RA184	Ra	WG	15 " x 4 "	4645A - 376	Discontinued	R40H597	R40H9200	R40H3540	R40H3541
	Rm	WG	15 " x 4 "	4645A - 376	Discontinued	R40H597	R40H9200	R40H3518	R404148
S1724, S1754 Conventional RA25, 184	Ra	WG	15 " x 5 "	1252 - 346	R700346	R40H597	R40H9200	R40H3540	R40H3541
	Rm	WG	15 " x 5 "	1252 - 346	R700346	R40H597	R40H9200	R40H3518	R404148
S1724, S1754 Conventional RA29, 30, 187	Ra	WG	15 " x 5 "	1252 - 346	R700346	R40H597	R40H9200	R40H3540	R40H3541
	Rm	WG	15 " x 5 "	1252 - 346	R700346	R40H597	R40H9200	R40H3518	R404148
S1724, S1754 Conventional RA30, 187	Ra	WG	16 " x 5 "	1254 - 385	N/A	R40H597	R40H9200	NLA	NLA
	Rm	WG	16 " x 5 "	1254 - 385	N/A	R40H597	R40H9200	R404149	R404150
S1724, S1754 Conventional RA30, 39, 44, 186, 189	Ra	WG	15 " x 6 "	4596 - 381	R700381	R40H597	R40H9200	R40H3540	R40H3541
	Rm	WG	15 " x 6 "	4596 - 381	R700381	R40H597	R40H9200	R40H3518	R404148

MERITOR DRUM OR ROTOR NO.	CALIPER OR CYLINDER BORE SIZE	MERITOR CALIPER OR WHEEL CYLINDER (LEFT)	MERITOR CALIPER OR WHEEL CYLINDER (RIGHT)	MERITOR CALIPER OR WHEEL CYLINDER REPAIR KIT	MERITOR CALIPER PISTON	MERITOR MASTER CYLINDER	MERITOR MASTER CYLINDER KIT	MERITOR BRAKE HOSE (LEFT)	MERITOR BRAKE HOSE (RIGHT)
ITE(Cont.)									
170, 1700, 1710, 1723, 1724, 1750, 1753, 1754 SERIES CONVENTIONAL CAB, SCHOOL BUS, TILT CAB(Cont.)									
-	1-1/2 "	R4133580	R4133580	Discontinued	NR	-	-	-	-
-	1-1/2 "	R4133580	R4133580	Discontinued	NR	-	-	-	-
-	1-1/2 "	R4133580	R4133580	Discontinued	NR	-	-	-	-
-	1-1/2 "	R4133580	R4133580	Discontinued	NR	-	-	-	-
-	1-5/8 "	R4133338	R4133338	R4166689	NR	-	-	-	-
-	1-5/8 "	R4133338	R4133338	R4166689	NR	-	-	-	-
-	1-5/8 "	R4133338	R4133338	R4166689	NR	-	-	-	-
-	1-5/8 "	R4133338	R4133338	R4166689	NR	-	-	-	-
-	1-5/8 "	R4133338	R4133338	R4166689	NR	-	-	-	-
-	1-5/8 "	R4133338	R4133338	R4166689	NR	-	-	-	-
-	1-5/8 "	R4133338	R4133338	R4166689	NR	-	-	-	-
-	1-5/8 "	R4133338	R4133338	R4166689	NR	-	-	-	-
-	1-3/4 "	R4133400	R4133400	R4166917	NR	-	-	-	-
-	1-3/4 "	R4133400	R4133400	R4166917	NR	-	-	-	-
-	1-1/4 "	R4133581	R4133582	R4166923	NR	-	-	-	-
-	1-1/4 "	R4133581	R4133582	R4166923	NR	-	-	-	-
-	-	-	-	-	-	-	-	-	-
-	-	-	-	-	-	-	-	-	-
-	1-1/4 "	R4133581	R4133582	R4166923	NR	-	-	-	-
-	1-1/4 "	R4133581	R4133582	R4166923	NR	-	-	-	-
-	1-1/8 "	R4133714	R4133715	R4166926	NR	-	-	-	-
-	1-1/8 "	R4133714	R4133715	R4166926	NR	-	-	-	-
-	1-1/4 "	R4133581	R4133582	R4166923	NR	-	-	-	-
-	1-1/4 "	R4133581	R4133582	R4166923	NR	-	-	-	-
-	1-1/4 "	R4133581	R4133582	R4166923	NR	-	-	-	-
-	1-1/4 "	R4133581	R4133582	R4166923	NR	-	-	-	-
-	1-1/4 "	R4133581	R4133582	R4166923	NR	-	-	-	-
-	1-1/4 "	R4133581	R4133582	R4166923	NR	-	-	-	-
-	1-1/4 "	R4133581	R4133582	R4166923	NR	-	-	-	-
-	1-1/2 "	R4133580	R4133580	Discontinued	NR	-	-	-	-
-	1-1/2 "	R4133580	R4133580	Discontinued	NR	-	-	-	-
-	1-1/2 "	R4133580	R4133580	Discontinued	NR	-	-	-	-
-	1-1/2 "	R4133580	R4133580	Discontinued	NR	-	-	-	-
-	1-1/2 "	R4133580	R4133580	Discontinued	NR	-	-	-	-
-	1-1/2 "	R4133580	R4133580	Discontinued	NR	-	-	-	-
-	1-5/8 "	R4133338	R4133338	R4166689	NR	-	-	-	-
-	1-5/8 "	R4133338	R4133338	R4166689	NR	-	-	-	-
-	1-5/8 "	R4133338	R4133338	R4166689	NR	-	-	-	-
-	1-5/8 "	R4133338	R4133338	R4166689	NR	-	-	-	-

1 APPLICATION

MAKE MODEL YEAR AXLE CODE AXLE WEIGHT	AXLE & BRK. TYPE	BRK. MFG.	BRAKE SIZE	FMSI	MERITOR DISC PAD OR BRAKE SHOE	MERITOR GUIDE PIN OR RETURN SPRING KIT	MERITOR CALIPER HWD. KIT OR RETURN SPRING KIT	MERITOR ADJUSTER KIT (LEFT WHEEL)	MERITOR ADJUSTER KIT (RIGHT WHEEL)
ITE(Cont.)									
170, 1700, 1710, 1723, 1724, 1750, 1753, 1754 SERIES CONVENTIONAL CAB, SCHOOL BUS, TILT CAB(Cont.)									
1968									
S1724, S1754 Conventional RA39, 199	Ra	WG	15 " x 7 "	4597 - 383	R700383	R40H597	R40H9200	R40H3540	R40H3541
	Rm	WG	15 " x 7 "	4597 - 383	R700383	R40H597	R40H9200	R40H3518	R404148
S1724, S1754 Conventional RA44, 186	Ra	WG	15 " x 7 "	4597 - 383	R700383	R40H597	R40H9200	NLA	NLA
	Rm	WG	15 " x 7 "	4597 - 383	R700383	R40H597	R40H9200	R40H3518	R404148
S1724, S1754 Conventional RA47, 57	Ra	WG	16 " x 6 "	1255 - 386	N/A	R40H597	R40H9200	NLA	NLA
	Rm	WG	16 " x 6 "	1255 - 386	N/A	R40H597	R40H9200	R404149	R404150
1967									
C1710, C1750 Cargostar Tilt Cab FA109, 208	Fa	WG	15 " x 3 "	1245C - 321	R700321	R40H521	R40H9237	R40H3502	R40H3503
	Fm	WG	15 " x 3 "	1245A - 235	R700235	R40H521	R40H9201	R40H3524	R40H3524
C1710, C1750 Cargostar Tilt Cab FA118, 127, 139	Fa	WG	15 " x 5 "	1345A - 491	N/A	R40H521	R40H9237	R40H3502	R40H3503
	Fm	WG	15 " x 5 "	1345 - 490	N/A	R40H521	R40H9201	R40H3524	R40H3524
C1710, C1750 Cargostar Tilt Cab FA208	Fa	WG	15 " x 3-1/2 "	1280B - 322	R464004	R40H521	R40H9237	R40H3502	R40H3503
	Fm	WG	15 " x 3-1/2 "	1280 - 463	R700463	R40H521	R40H9201	R40H3524	R40H3524
C1710, C1750 Cargostar Tilt Cab FA48, 68, 70, 72	Fa	WG	14 " x 2-1/2 "	1294A - 325	N/A	R40H521	R40H9237	R40H3502	R40H3503
	Fm	WG	14 " x 2-1/2 "	1294 - 296	N/A	R40H521	R40H9201	R40H3524	R40H3524
C1710, C1750 Cargostar Tilt Cab FA71, 73, 101	Fa	WG	15 " x 3 "	1245C - 321	R700321	R40H521	R40H9237	R40H3502	R40H3503
	Fa	WG	15 " x 3-1/2 "	1280B - 322	R464004	R40H521	R40H9237	R40H3502	R40H3503
	Fm	WG	15 " x 3 "	1245A - 235	R700235	R40H521	R40H9201	R40H3524	R40H3524
	Fm	WG	15 " x 3-1/2 "	1280 - 463	R700463	R40H521	R40H9201	R40H3524	R40H3524
C1710, C1750 Cargostar Tilt Cab FA74	Fa	WG	15 " x 3 "	1245C - 321	R700321	R40H521	R40H9237	R40H3502	R40H3503
	Fm	WG	15 " x 3 "	1245A - 235	R700235	R40H521	R40H9201	R40H3524	R40H3524
C1710, C1750 Cargostar Tilt Cab FA78, 81	Fa	WG	15 " x 3 "	1245C - 321	R700321	R40H521	R40H9237	R40H3502	R40H3503
C1710, C1750 Cargostar Tilt Cab FA89, 91, 98	Fa	WG	15 " x 3 "	1245C - 321	R700321	R40H521	R40H9237	R40H3502	R40H3503
	Fm	WG	15 " x 3 "	1245A - 235	R700235	R40H521	R40H9201	R40H3524	R40H3524
C1710, C1750 Cargostar Tilt Cab RA184	Ra	WG	15 " x 4 "	4645A - 376	Discontinued	R40H597	R40H9200	R40H3540	R40H3541
	Rm	WG	15 " x 4 "	4645A - 376	Discontinued	R40H597	R40H9200	R40H3518	R404148
C1710, C1750 Cargostar Tilt Cab RA25, 184	Ra	WG	15 " x 5 "	1252 - 346	R700346	R40H597	R40H9200	R40H3540	R40H3541
	Rm	WG	15 " x 5 "	1252 - 346	R700346	R40H597	R40H9200	R40H3518	R404148
C1710, C1750 Cargostar Tilt Cab RA29, 30, 187	Ra	WG	15 " x 5 "	1252 - 346	R700346	R40H597	R40H9200	R40H3540	R40H3541
	Rm	WG	15 " x 5 "	1252 - 346	R700346	R40H597	R40H9200	R40H3518	R404148
C1710, C1750 Cargostar Tilt Cab RA30, 187	Ra	WG	16 " x 5 "	1254 - 385	N/A	R40H597	R40H9200	NLA	NLA
	Rm	WG	16 " x 5 "	1254 - 385	N/A	R40H597	R40H9200	R404149	R404150
C1710, C1750 Cargostar Tilt Cab RA30, 39, 44, 186, 189	Ra	WG	15 " x 6 "	4596 - 381	R700381	R40H597	R40H9200	R40H3540	R40H3541

MERITOR DRUM OR ROTOR NO.	CALIPER OR CYLINDER BORE SIZE	MERITOR CALIPER OR WHEEL CYLINDER (LEFT)	MERITOR CALIPER OR WHEEL CYLINDER (RIGHT)	MERITOR CALIPER OR WHEEL CYLINDER REPAIR KIT	MERITOR CALIPER PISTON	MERITOR MASTER CYLINDER	MERITOR MASTER CYLINDER KIT	MERITOR BRAKE HOSE (LEFT)	MERITOR BRAKE HOSE (RIGHT)
ITE(Cont.)									
170, 1700, 1710, 1723, 1724, 1750, 1753, 1754 SERIES CONVENTIONAL CAB, SCHOOL BUS, TILT CAB(Cont.)									
-	1-5/8 "	R4133338	R4133338	R4166689	NR	-	-	-	-
-	1-5/8 "	R4133338	R4133338	R4166689	NR	-	-	-	-
-	1-5/8 "	R4133338	R4133338	R4166689	NR	-	-	-	-
-	1-5/8 "	R4133338	R4133338	R4166689	NR	-	-	-	-
-	1-3/4 "	R4133400	R4133400	R4166917	NR	-	-	-	-
-	1-3/4 "	R4133400	R4133400	R4166917	NR	-	-	-	-
-	1-1/4 "	R4133581	R4133582	R4166923	NR	-	-	-	-
-	1-1/4 "	R4133581	R4133582	R4166923	NR	-	-	-	-
-	-	-	-	-	-	-	-	-	-
-	-	-	-	-	-	-	-	-	-
-	1-1/4 "	R4133581	R4133582	R4166923	NR	-	-	-	-
-	1-1/4 "	R4133581	R4133582	R4166923	NR	-	-	-	-
-	1-1/8 "	R4133714	R4133715	R4166926	NR	-	-	-	-
-	1-1/8 "	R4133714	R4133715	R4166926	NR	-	-	-	-
-	1-1/4 "	R4133581	R4133582	R4166923	NR	-	-	-	-
-	1-1/4 "	R4133581	R4133582	R4166923	NR	-	-	-	-
-	1-1/4 "	R4133581	R4133582	R4166923	NR	-	-	-	-
-	1-1/4 "	R4133581	R4133582	R4166923	NR	-	-	-	-
-	1-1/4 "	R4133581	R4133582	R4166923	NR	-	-	-	-
-	1-1/4 "	R4133581	R4133582	R4166923	NR	-	-	-	-
-	1-1/4 "	R4133581	R4133582	R4166923	NR	-	-	-	-
-	1-1/4 "	R4133581	R4133582	R4166923	NR	-	-	-	-
-	1-1/2 "	R4133580	R4133580	Discontinued	NR	-	-	-	-
-	1-1/2 "	R4133580	R4133580	Discontinued	NR	-	-	-	-
-	1-1/2 "	R4133580	R4133580	Discontinued	NR	-	-	-	-
-	1-1/2 "	R4133580	R4133580	Discontinued	NR	-	-	-	-
-	1-1/2 "	R4133580	R4133580	Discontinued	NR	-	-	-	-
-	1-1/2 "	R4133580	R4133580	Discontinued	NR	-	-	-	-
-	1-5/8 "	R4133338	R4133338	R4166689	NR	-	-	-	-
-	1-5/8 "	R4133338	R4133338	R4166689	NR	-	-	-	-
-	1-5/8 "	R4133338	R4133338	R4166689	NR	-	-	-	-

1-APPLICATION

MAKE MODEL YEAR AXLE CODE AXLE WEIGHT	AXLE & BRK. TYPE	BRK. MFG.	BRAKE SIZE	FMSI	MERITOR DISC PAD OR BRAKE SHOE	MERITOR GUIDE PIN OR RETURN SPRING KIT	MERITOR CALIPER HWD. KIT OR RETURN SPRING KIT	MERITOR ADJUSTER KIT (LEFT WHEEL)	MERITOR ADJUSTER KIT (RIGHT WHEEL)
ITE(Cont.)									
170, 1700, 1710, 1723, 1724, 1750, 1753, 1754 SERIES CONVENTIONAL CAB, SCHOOL BUS, TILT CAB(Cont.)									
1967	Rm	WG	15 " x 6 "	4596 - 381	R700381	R40H597	R40H9200	R40H3518	R404148
C1710, C1750 Cargostar Tilt Cab RA39, 199	Ra	WG	15 " x 7 "	4597 - 383	R700383	R40H597	R40H9200	R40H3540	R40H3541
	Rm	WG	15 " x 7 "	4597 - 383	R700383	R40H597	R40H9200	R40H3518	R404148
C1710, C1750 Cargostar Tilt Cab RA44, 186	Ra	WG	15 " x 7 "	4597 - 383	R700383	R40H597	R40H9200	NLA	NLA
	Rm	WG	15 " x 7 "	4597 - 383	R700383	R40H597	R40H9200	R40H3518	R404148
C1710, C1750 Cargostar Tilt Cab RA47, 57	Ra	WG	16 " x 6 "	1255 - 386	N/A	R40H597	R40H9200	NLA	NLA
	Rm	WG	16 " x 6 "	1255 - 386	N/A	R40H597	R40H9200	R404149	R404150
S1723, S1753 School Bus FA109, 208	Fa	WG	15 " x 3 "	1245C - 321	R700321	R40H521	R40H9237	R40H3502	R40H3503
	Fm	WG	15 " x 3 "	1245A - 235	R700235	R40H521	R40H9201	R40H3524	R40H3524
S1723, S1753 School Bus FA118, 127, 139	Fa	WG	15 " x 5 "	1345A - 491	N/A	R40H521	R40H9237	R40H3502	R40H3503
	Fm	WG	15 " x 5 "	1345 - 490	N/A	R40H521	R40H9201	R40H3524	R40H3524
S1723, S1753 School Bus FA208	Fa	WG	15 " x 3-1/2 "	1280B - 322	R464004	R40H521	R40H9237	R40H3502	R40H3503
	Fm	WG	15 " x 3-1/2 "	1280 - 463	R700463	R40H521	R40H9201	R40H3524	R40H3524
S1723, S1753 School Bus FA48, 68, 70, 72	Fa	WG	14 " x 2-1/2 "	1294A - 325	N/A	R40H521	R40H9237	R40H3502	R40H3503
	Fm	WG	14 " x 2-1/2 "	1294 - 296	N/A	R40H521	R40H9201	R40H3524	R40H3524
S1723, S1753 School Bus FA71, 73, 101	Fa	WG	15 " x 3 "	1245C - 321	R700321	R40H521	R40H9237	R40H3502	R40H3503
	Fa	WG	15 " x 3-1/2 "	1280B - 322	R464004	R40H521	R40H9237	R40H3502	R40H3503
	Fm	WG	15 " x 3 "	1245A - 235	R700235	R40H521	R40H9201	R40H3524	R40H3524
	Fm	WG	15 " x 3-1/2 "	1280 - 463	R700463	R40H521	R40H9201	R40H3524	R40H3524
S1723, S1753 School Bus FA74	Fa	WG	15 " x 3 "	1245C - 321	R700321	R40H521	R40H9237	R40H3502	R40H3503
	Fm	WG	15 " x 3 "	1245A - 235	R700235	R40H521	R40H9201	R40H3524	R40H3524
S1723, S1753 School Bus FA78, 81	Fa	WG	15 " x 3 "	1245C - 321	R700321	R40H521	R40H9237	R40H3502	R40H3503
S1723, S1753 School Bus FA89, 91, 98	Fa	WG	15 " x 3 "	1245C - 321	R700321	R40H521	R40H9237	R40H3502	R40H3503
	Fm	WG	15 " x 3 "	1245A - 235	R700235	R40H521	R40H9201	R40H3524	R40H3524
S1723, S1753 School Bus RA184	Ra	WG	15 " x 4 "	4645A - 376	Discontinued	R40H597	R40H9200	R40H3540	R40H3541
	Rm	WG	15 " x 4 "	4645A - 376	Discontinued	R40H597	R40H9200	R40H3518	R404148
S1723, S1753 School Bus RA25, 184	Ra	WG	15 " x 5 "	1252 - 346	R700346	R40H597	R40H9200	R40H3540	R40H3541
	Rm	WG	15 " x 5 "	1252 - 346	R700346	R40H597	R40H9200	R40H3518	R404148
S1723, S1753 School Bus RA29, 30, 187	Ra	WG	15 " x 5 "	1252 - 346	R700346	R40H597	R40H9200	R40H3540	R40H3541
	Rm	WG	15 " x 5 "	1252 - 346	R700346	R40H597	R40H9200	R40H3518	R404148
S1723, S1753 School Bus RA30, 187	Ra	WG	16 " x 5 "	1254 - 385	N/A	R40H597	R40H9200	NLA	NLA
	Rm	WG	16 " x 5 "	1254 - 385	N/A	R40H597	R40H9200	R404149	R404150
S1723, S1753 School Bus RA30, 39, 44, 186, 189	Ra	WG	15 " x 6 "	4596 - 381	R700381	R40H597	R40H9200	R40H3540	R40H3541
	Rm	WG	15 " x 6 "	4596 - 381	R700381	R40H597	R40H9200	R40H3518	R404148
S1723, S1753 School Bus RA39, 199	Ra	WG	15 " x 7 "	4597 - 383	R700383	R40H597	R40H9200	R40H3540	R40H3541
	Rm	WG	15 " x 7 "	4597 - 383	R700383	R40H597	R40H9200	R40H3518	R404148
S1723, S1753 School Bus RA44, 186	Ra	WG	15 " x 7 "	4597 - 383	R700383	R40H597	R40H9200	NLA	NLA
	Rm	WG	15 " x 7 "	4597 - 383	R700383	R40H597	R40H9200	R40H3518	R404148
S1723, S1753 School Bus RA47, 57	Ra	WG	16 " x 6 "	1255 - 386	N/A	R40H597	R40H9200	NLA	NLA

MERITOR DRUM OR ROTOR NO.	CALIPER OR CYLINDER BORE SIZE	MERITOR CALIPER OR WHEEL CYLINDER (LEFT)	MERITOR CALIPER OR WHEEL CYLINDER (RIGHT)	MERITOR CALIPER OR WHEEL CYLINDER REPAIR KIT	MERITOR CALIPER PISTON	MERITOR MASTER CYLINDER	MERITOR MASTER CYLINDER KIT	MERITOR BRAKE HOSE (LEFT)	MERITOR BRAKE HOSE (RIGHT)
ITE(Cont.)									
170, 1700, 1710, 1723, 1724, 1750, 1753, 1754 SERIES CONVENTIONAL CAB, SCHOOL BUS, TILT CAB(Cont.)									
-	1-5/8 "	R4133338	R4133338	R4166689	NR	-	-	-	-
-	1-5/8 "	R4133338	R4133338	R4166689	NR	-	-	-	-
-	1-5/8 "	R4133338	R4133338	R4166689	NR	-	-	-	-
-	1-5/8 "	R4133338	R4133338	R4166689	NR	-	-	-	-
-	1-5/8 "	R4133338	R4133338	R4166689	NR	-	-	-	-
-	1-3/4 "	R4133400	R4133400	R4166917	NR	-	-	-	-
-	1-3/4 "	R4133400	R4133400	R4166917	NR	-	-	-	-
-	1-1/4 "	R4133581	R4133582	R4166923	NR	-	-	-	-
-	1-1/4 "	R4133581	R4133582	R4166923	NR	-	-	-	-
-									
-									
-	1-1/4 "	R4133581	R4133582	R4166923	NR	-	-	-	-
-	1-1/4 "	R4133581	R4133582	R4166923	NR	-	-	-	-
-	1-1/8 "	R4133714	R4133715	R4166926	NR	-	-	-	-
-	1-1/8 "	R4133714	R4133715	R4166926	NR	-	-	-	-
-	1-1/4 "	R4133581	R4133582	R4166923	NR	-	-	-	-
-	1-1/4 "	R4133581	R4133582	R4166923	NR	-	-	-	-
-	1-1/4 "	R4133581	R4133582	R4166923	NR	-	-	-	-
-	1-1/4 "	R4133581	R4133582	R4166923	NR	-	-	-	-
-	1-1/4 "	R4133581	R4133582	R4166923	NR	-	-	-	-
-	1-1/4 "	R4133581	R4133582	R4166923	NR	-	-	-	-
-	1-1/4 "	R4133581	R4133582	R4166923	NR	-	-	-	-
-	1-1/4 "	R4133581	R4133582	R4166923	NR	-	-	-	-
-	1-1/2 "	R4133580	R4133580	Discontinued	NR	-	-	-	-
-	1-1/2 "	R4133580	R4133580	Discontinued	NR	-	-	-	-
-	1-1/2 "	R4133580	R4133580	Discontinued	NR	-	-	-	-
-	1-1/2 "	R4133580	R4133580	Discontinued	NR	-	-	-	-
-	1-1/2 "	R4133580	R4133580	Discontinued	NR	-	-	-	-
-	1-1/2 "	R4133580	R4133580	Discontinued	NR	-	-	-	-
-	1-5/8 "	R4133338	R4133338	R4166689	NR	-	-	-	-
-	1-5/8 "	R4133338	R4133338	R4166689	NR	-	-	-	-
-	1-5/8 "	R4133338	R4133338	R4166689	NR	-	-	-	-
-	1-5/8 "	R4133338	R4133338	R4166689	NR	-	-	-	-
-	1-5/8 "	R4133338	R4133338	R4166689	NR	-	-	-	-
-	1-5/8 "	R4133338	R4133338	R4166689	NR	-	-	-	-
-	1-5/8 "	R4133338	R4133338	R4166689	NR	-	-	-	-
-	1-5/8 "	R4133338	R4133338	R4166689	NR	-	-	-	-
-	1-3/4 "	R4133400	R4133400	R4166917	NR	-	-	-	-

1 APPLICATION

MAKE MODEL YEAR AXLE CODE AXLE WEIGHT	AXLE & BRK. TYPE	BRK. MFG.	BRAKE SIZE	FMSI	MERITOR DISC PAD OR BRAKE SHOE	MERITOR GUIDE PIN OR RETURN SPRING KIT	MERITOR CALIPER HWD. KIT OR RETURN SPRING KIT	MERITOR ADJUSTER KIT (LEFT WHEEL)	MERITOR ADJUSTER KIT (RIGHT WHEEL)
ITE(Cont.)									
170, 1700, 1710, 1723, 1724, 1750, 1753, 1754 SERIES CONVENTIONAL CAB, SCHOOL BUS, TILT CAB(Cont.)									
1967									
	Rm	WG	16 " x 6 "	1255 - 386	N/A	R40H597	R40H9200	R404149	R404150
S1724, S1754 Conventional FA109, 208	Fa	WG	15 " x 3 "	1245C - 321	R700321	R40H521	R40H9237	R40H3502	R40H3503
	Fm	WG	15 " x 3 "	1245A - 235	R700235	R40H521	R40H9201	R40H3524	R40H3524
S1724, S1754 Conventional FA118, 127, 139	Fa	WG	15 " x 5 "	1345A - 491	N/A	R40H521	R40H9237	R40H3502	R40H3503
	Fm	WG	15 " x 5 "	1345 - 490	N/A	R40H521	R40H9201	R40H3524	R40H3524
S1724, S1754 Conventional FA208	Fa	WG	15 " x 3-1/2 "	1280B - 322	R464004	R40H521	R40H9237	R40H3502	R40H3503
	Fm	WG	15 " x 3-1/2 "	1280 - 463	R700463	R40H521	R40H9201	R40H3524	R40H3524
S1724, S1754 Conventional FA48, 68, 70, 72	Fa	WG	14 " x 2-1/2 "	1294A - 325	N/A	R40H521	R40H9237	R40H3502	R40H3503
	Fm	WG	14 " x 2-1/2 "	1294 - 296	N/A	R40H521	R40H9201	R40H3524	R40H3524
S1724, S1754 Conventional FA71, 73, 101	Fa	WG	15 " x 3 "	1245C - 321	R700321	R40H521	R40H9237	R40H3502	R40H3503
	Fa	WG	15 " x 3-1/2 "	1280B - 322	R464004	R40H521	R40H9237	R40H3502	R40H3503
	Fm	WG	15 " x 3 "	1245A - 235	R700235	R40H521	R40H9201	R40H3524	R40H3524
	Fm	WG	15 " x 3-1/2 "	1280 - 463	R700463	R40H521	R40H9201	R40H3524	R40H3524
S1724, S1754 Conventional FA74	Fa	WG	15 " x 3 "	1245C - 321	R700321	R40H521	R40H9237	R40H3502	R40H3503
	Fm	WG	15 " x 3 "	1245A - 235	R700235	R40H521	R40H9201	R40H3524	R40H3524
S1724, S1754 Conventional FA78, 81	Fa	WG	15 " x 3 "	1245C - 321	R700321	R40H521	R40H9237	R40H3502	R40H3503
S1724, S1754 Conventional FA89, 91, 98	Fa	WG	15 " x 3 "	1245C - 321	R700321	R40H521	R40H9237	R40H3502	R40H3503
	Fm	WG	15 " x 3 "	1245A - 235	R700235	R40H521	R40H9201	R40H3524	R40H3524
S1724, S1754 Conventional RA184	Ra	WG	15 " x 4 "	4645A - 376	Discontinued	R40H597	R40H9200	R40H3540	R40H3541
	Rm	WG	15 " x 4 "	4645A - 376	Discontinued	R40H597	R40H9200	R40H3518	R404148
S1724, S1754 Conventional RA25, 184	Ra	WG	15 " x 5 "	1252 - 346	R700346	R40H597	R40H9200	R40H3540	R40H3541
	Rm	WG	15 " x 5 "	1252 - 346	R700346	R40H597	R40H9200	R40H3518	R404148
S1724, S1754 Conventional RA29, 30, 187	Ra	WG	15 " x 5 "	1252 - 346	R700346	R40H597	R40H9200	R40H3540	R40H3541
	Rm	WG	15 " x 5 "	1252 - 346	R700346	R40H597	R40H9200	R40H3518	R404148
S1724, S1754 Conventional RA30, 187	Ra	WG	16 " x 5 "	1254 - 385	N/A	R40H597	R40H9200	NLA	NLA
	Rm	WG	16 " x 5 "	1254 - 385	N/A	R40H597	R40H9200	R404149	R404150
S1724, S1754 Conventional RA30, 39, 44, 186, 189	Ra	WG	15 " x 6 "	4596 - 381	R700381	R40H597	R40H9200	R40H3540	R40H3541
	Rm	WG	15 " x 6 "	4596 - 381	R700381	R40H597	R40H9200	R40H3518	R404148
S1724, S1754 Conventional RA39, 199	Ra	WG	15 " x 7 "	4597 - 383	R700383	R40H597	R40H9200	R40H3540	R40H3541
	Rm	WG	15 " x 7 "	4597 - 383	R700383	R40H597	R40H9200	R40H3518	R404148
S1724, S1754 Conventional RA44, 186	Ra	WG	15 " x 7 "	4597 - 383	R700383	R40H597	R40H9200	NLA	NLA
	Rm	WG	15 " x 7 "	4597 - 383	R700383	R40H597	R40H9200	R40H3518	R404148
S1724, S1754 Conventional RA47, 57	Ra	WG	16 " x 6 "	1255 - 386	N/A	R40H597	R40H9200	NLA	NLA
	Rm	WG	16 " x 6 "	1255 - 386	N/A	R40H597	R40H9200	R404149	R404150
1966									
C1710, C1750 Cargostar Tilt Cab FA109, 208	Fa	WG	15 " x 3 "	1245C - 321	R700321	R40H521	R40H9237	R40H3502	R40H3503
	Fm	WG	15 " x 3 "	1245A - 235	R700235	R40H521	R40H9201	R40H3524	R40H3524
C1710, C1750 Cargostar Tilt Cab FA118, 127, 139	Fa	WG	15 " x 5 "	1345A - 491	N/A	R40H521	R40H9237	R40H3502	R40H3503
	Fm	WG	15 " x 5 "	1345 - 490	N/A	R40H521	R40H9201	R40H3524	R40H3524
C1710, C1750 Cargostar Tilt Cab FA208	Fa	WG	15 " x 3-1/2 "	1280B - 322	R464004	R40H521	R40H9237	R40H3502	R40H3503

MERITOR DRUM OR ROTOR NO.	CALIPER OR CYLINDER BORE SIZE	MERITOR CALIPER OR WHEEL CYLINDER (LEFT)	MERITOR CALIPER OR WHEEL CYLINDER (RIGHT)	MERITOR CALIPER OR WHEEL CYLINDER REPAIR KIT	MERITOR CALIPER PISTON	MERITOR MASTER CYLINDER	MERITOR MASTER CYLINDER KIT	MERITOR BRAKE HOSE (LEFT)	MERITOR BRAKE HOSE (RIGHT)
ITE(Cont.)									
170, 1700, 1710, 1723, 1724, 1750, 1753, 1754 SERIES CONVENTIONAL CAB, SCHOOL BUS, TILT CAB(Cont.)									
-	1-3/4 "	R4133400	R4133400	R4166917	NR	-	-	-	-
-	1-1/4 "	R4133581	R4133582	R4166923	NR	-	-	-	-
-	1-1/4 "	R4133581	R4133582	R4166923	NR	-	-	-	-
-	-	-	-	-	-	-	-	-	-
-	-	-	-	-	-	-	-	-	-
-	1-1/4 "	R4133581	R4133582	R4166923	NR	-	-	-	-
-	1-1/4 "	R4133581	R4133582	R4166923	NR	-	-	-	-
-	1-1/8 "	R4133714	R4133715	R4166926	NR	-	-	-	-
-	1-1/8 "	R4133714	R4133715	R4166926	NR	-	-	-	-
-	1-1/4 "	R4133581	R4133582	R4166923	NR	-	-	-	-
-	1-1/4 "	R4133581	R4133582	R4166923	NR	-	-	-	-
-	1-1/4 "	R4133581	R4133582	R4166923	NR	-	-	-	-
-	1-1/4 "	R4133581	R4133582	R4166923	NR	-	-	-	-
-	1-1/4 "	R4133581	R4133582	R4166923	NR	-	-	-	-
-	1-1/4 "	R4133581	R4133582	R4166923	NR	-	-	-	-
-	1-1/4 "	R4133581	R4133582	R4166923	NR	-	-	-	-
-	1-1/4 "	R4133581	R4133582	R4166923	NR	-	-	-	-
-	1-1/2 "	R4133580	R4133580	Discontinued	NR	-	-	-	-
-	1-1/2 "	R4133580	R4133580	Discontinued	NR	-	-	-	-
-	1-1/2 "	R4133580	R4133580	Discontinued	NR	-	-	-	-
-	1-1/2 "	R4133580	R4133580	Discontinued	NR	-	-	-	-
-	1-1/2 "	R4133580	R4133580	Discontinued	NR	-	-	-	-
-	1-1/2 "	R4133580	R4133580	Discontinued	NR	-	-	-	-
-	1-1/2 "	R4133580	R4133580	Discontinued	NR	-	-	-	-
-	1-5/8 "	R4133338	R4133338	R4166689	NR	-	-	-	-
-	1-5/8 "	R4133338	R4133338	R4166689	NR	-	-	-	-
-	1-5/8 "	R4133338	R4133338	R4166689	NR	-	-	-	-
-	1-5/8 "	R4133338	R4133338	R4166689	NR	-	-	-	-
-	1-5/8 "	R4133338	R4133338	R4166689	NR	-	-	-	-
-	1-5/8 "	R4133338	R4133338	R4166689	NR	-	-	-	-
-	1-5/8 "	R4133338	R4133338	R4166689	NR	-	-	-	-
-	1-3/4 "	R4133400	R4133400	R4166917	NR	-	-	-	-
-	1-3/4 "	R4133400	R4133400	R4166917	NR	-	-	-	-
-	-	-	-	-	-	-	-	-	-
-	1-1/4 "	R4133581	R4133582	R4166923	NR	-	-	-	-
-	1-1/4 "	R4133581	R4133582	R4166923	NR	-	-	-	-
-	-	-	-	-	-	-	-	-	-
-	-	-	-	-	-	-	-	-	-
-	1-1/4 "	R4133581	R4133582	R4166923	NR	-	-	-	-

1 APPLICATION

MAKE MODEL YEAR AXLE CODE AXLE WEIGHT	AXLE & BRK. TYPE	BRK. MFG.	BRAKE SIZE	FMSI	MERITOR DISC PAD OR BRAKE SHOE	MERITOR GUIDE PIN OR RETURN SPRING KIT	MERITOR CALIPER HWD. KIT OR RETURN SPRING KIT	MERITOR ADJUSTER KIT (LEFT WHEEL)	MERITOR ADJUSTER KIT (RIGHT WHEEL)
ITE(Cont.)									
170, 1700, 1710, 1723, 1724, 1750, 1753, 1754 SERIES CONVENTIONAL CAB, SCHOOL BUS, TILT CAB(Cont.)									
1966	Fm	WG	15 " x 3-1/2 "	1280 - 463	R700463	R40H521	R40H9201	R40H3524	R40H3524
C1710, C1750 Cargostar Tilt Cab FA48, 68, 70, 72	Fa	WG	14 " x 2-1/2 "	1294A - 325	N/A	R40H521	R40H9237	R40H3502	R40H3503
	Fm	WG	14 " x 2-1/2 "	1294 - 296	N/A	R40H521	R40H9201	R40H3524	R40H3524
	Fa	WG	15 " x 3 "	1245C - 321	R700321	R40H521	R40H9237	R40H3502	R40H3503
C1710, C1750 Cargostar Tilt Cab FA71, 73, 101	Fa	WG	15 " x 3-1/2 "	1280B - 322	R464004	R40H521	R40H9237	R40H3502	R40H3503
	Fm	WG	15 " x 3 "	1245A - 235	R700235	R40H521	R40H9201	R40H3524	R40H3524
	Fm	WG	15 " x 3-1/2 "	1280 - 463	R700463	R40H521	R40H9201	R40H3524	R40H3524
	Fa	WG	15 " x 3 "	1245C - 321	R700321	R40H521	R40H9237	R40H3502	R40H3503
C1710, C1750 Cargostar Tilt Cab FA74	Fa	WG	15 " x 3 "	1245A - 235	R700235	R40H521	R40H9201	R40H3524	R40H3524
	Fm	WG	15 " x 3 "	1245C - 321	R700321	R40H521	R40H9237	R40H3502	R40H3503
C1710, C1750 Cargostar Tilt Cab FA78, 81	Fa	WG	15 " x 3 "	1245C - 321	R700321	R40H521	R40H9237	R40H3502	R40H3503
	Fa	WG	15 " x 3 "	1245C - 321	R700321	R40H521	R40H9237	R40H3502	R40H3503
C1710, C1750 Cargostar Tilt Cab FA89, 91, 98	Fa	WG	15 " x 3 "	1245A - 235	R700235	R40H521	R40H9201	R40H3524	R40H3524
	Fm	WG	15 " x 3 "	1245C - 321	R700321	R40H521	R40H9237	R40H3502	R40H3503
C1710, C1750 Cargostar Tilt Cab RA184	Ra	WG	15 " x 4 "	4645A - 376	Discontinued	R40H597	R40H9200	R40H3540	R40H3541
	Rm	WG	15 " x 4 "	4645A - 376	Discontinued	R40H597	R40H9200	R40H3518	R404148
C1710, C1750 Cargostar Tilt Cab RA25, 184	Ra	WG	15 " x 5 "	1252 - 346	R700346	R40H597	R40H9200	R40H3540	R40H3541
	Rm	WG	15 " x 5 "	1252 - 346	R700346	R40H597	R40H9200	R40H3518	R404148
C1710, C1750 Cargostar Tilt Cab RA29, 30, 187	Ra	WG	15 " x 5 "	1252 - 346	R700346	R40H597	R40H9200	R40H3540	R40H3541
	Rm	WG	15 " x 5 "	1252 - 346	R700346	R40H597	R40H9200	R40H3518	R404148
C1710, C1750 Cargostar Tilt Cab RA30, 187	Ra	WG	16 " x 5 "	1254 - 385	N/A	R40H597	R40H9200	NLA	NLA
	Rm	WG	16 " x 5 "	1254 - 385	N/A	R40H597	R40H9200	R404149	R404150
C1710, C1750 Cargostar Tilt Cab RA30, 39, 44, 186, 189	Ra	WG	15 " x 6 "	4596 - 381	R700381	R40H597	R40H9200	R40H3540	R40H3541
	Rm	WG	15 " x 6 "	4596 - 381	R700381	R40H597	R40H9200	R40H3518	R404148
C1710, C1750 Cargostar Tilt Cab RA39, 199	Ra	WG	15 " x 7 "	4597 - 383	R700383	R40H597	R40H9200	R40H3540	R40H3541
	Rm	WG	15 " x 7 "	4597 - 383	R700383	R40H597	R40H9200	R40H3518	R404148
C1710, C1750 Cargostar Tilt Cab RA44, 186	Ra	WG	15 " x 7 "	4597 - 383	R700383	R40H597	R40H9200	NLA	NLA
	Rm	WG	15 " x 7 "	4597 - 383	R700383	R40H597	R40H9200	R40H3518	R404148
C1710, C1750 Cargostar Tilt Cab RA47, 57	Ra	WG	16 " x 6 "	1255 - 386	N/A	R40H597	R40H9200	NLA	NLA
	Rm	WG	16 " x 6 "	1255 - 386	N/A	R40H597	R40H9200	R404149	R404150
S1723, S1753 School Bus FA109, 208	Fa	WG	15 " x 3 "	1245C - 321	R700321	R40H521	R40H9237	R40H3502	R40H3503
	Fm	WG	15 " x 3 "	1245A - 235	R700235	R40H521	R40H9201	R40H3524	R40H3524
S1723, S1753 School Bus FA118, 127, 139	Fa	WG	15 " x 5 "	1345A - 491	N/A	R40H521	R40H9237	R40H3502	R40H3503
	Fm	WG	15 " x 5 "	1345 - 490	N/A	R40H521	R40H9201	R40H3524	R40H3524
S1723, S1753 School Bus FA208	Fa	WG	15 " x 3-1/2 "	1280B - 322	R464004	R40H521	R40H9237	R40H3502	R40H3503

MERITOR DRUM OR ROTOR NO.	CALIPER OR CYLINDER BORE SIZE	MERITOR CALIPER OR WHEEL CYLINDER (LEFT)	MERITOR CALIPER OR WHEEL CYLINDER (RIGHT)	MERITOR CALIPER OR WHEEL CYLINDER REPAIR KIT	MERITOR CALIPER PISTON	MERITOR MASTER CYLINDER	MERITOR MASTER CYLINDER KIT	MERITOR BRAKE HOSE (LEFT)	MERITOR BRAKE HOSE (RIGHT)
ITE(Cont.)									
170, 1700, 1710, 1723, 1724, 1750, 1753, 1754 SERIES CONVENTIONAL CAB, SCHOOL BUS, TILT CAB(Cont.)									
-	1-1/4 "	R4133581	R4133582	R4166923	NR	-	-	-	-
-	1-1/8 "	R4133714	R4133715	R4166926	NR	-	-	-	-
-	1-1/8 "	R4133714	R4133715	R4166926	NR	-	-	-	-
-	1-1/4 "	R4133581	R4133582	R4166923	NR	-	-	-	-
-	1-1/4 "	R4133581	R4133582	R4166923	NR	-	-	-	-
-	1-1/4 "	R4133581	R4133582	R4166923	NR	-	-	-	-
-	1-1/4 "	R4133581	R4133582	R4166923	NR	-	-	-	-
-	1-1/4 "	R4133581	R4133582	R4166923	NR	-	-	-	-
-	1-1/4 "	R4133581	R4133582	R4166923	NR	-	-	-	-
-	1-1/4 "	R4133581	R4133582	R4166923	NR	-	-	-	-
-	1-1/4 "	R4133581	R4133582	R4166923	NR	-	-	-	-
-	1-1/2 "	R4133580	R4133580	Discontinued	NR	-	-	-	-
-	1-1/2 "	R4133580	R4133580	Discontinued	NR	-	-	-	-
-	1-1/2 "	R4133580	R4133580	Discontinued	NR	-	-	-	-
-	1-1/2 "	R4133580	R4133580	Discontinued	NR	-	-	-	-
-	1-1/2 "	R4133580	R4133580	Discontinued	NR	-	-	-	-
-	1-1/2 "	R4133580	R4133580	Discontinued	NR	-	-	-	-
-	1-5/8 "	R4133338	R4133338	R4166689	NR	-	-	-	-
-	1-5/8 "	R4133338	R4133338	R4166689	NR	-	-	-	-
-	1-5/8 "	R4133338	R4133338	R4166689	NR	-	-	-	-
-	1-5/8 "	R4133338	R4133338	R4166689	NR	-	-	-	-
-	1-5/8 "	R4133338	R4133338	R4166689	NR	-	-	-	-
-	1-5/8 "	R4133338	R4133338	R4166689	NR	-	-	-	-
-	1-3/4 "	R4133400	R4133400	R4166917	NR	-	-	-	-
-	1-3/4 "	R4133400	R4133400	R4166917	NR	-	-	-	-
-	1-1/4 "	R4133581	R4133582	R4166923	NR	-	-	-	-
-	1-1/4 "	R4133581	R4133582	R4166923	NR	-	-	-	-
-						-	-	-	-
-	1-1/4 "	R4133581	R4133582	R4166923	NR	-	-	-	-

1-APPLICATION

MAKE MODEL YEAR AXLE CODE AXLE WEIGHT	AXLE & BRK. TYPE	BRK. MFG.	BRAKE SIZE	FMSI	MERITOR DISC PAD OR BRAKE SHOE	MERITOR GUIDE PIN OR RETURN SPRING KIT	MERITOR CALIPER HWD. KIT OR RETURN SPRING KIT	MERITOR ADJUSTER KIT (LEFT WHEEL)	MERITOR ADJUSTER KIT (RIGHT WHEEL)
ITE(Cont.)									
170, 1700, 1710, 1723, 1724, 1750, 1753, 1754 SERIES CONVENTIONAL CAB, SCHOOL BUS, TILT CAB(Cont.)									
1966 S1723, S1753 School Bus FA208	Fm	WG	15 " x 3-1/2 "	1280 - 463	R700463	R40H521	R40H9201	R40H3524	R40H3524
S1723, S1753 School Bus FA48, 68, 70, 72	Fa	WG	14 " x 2-1/2 "	1294A - 325	N/A	R40H521	R40H9237	R40H3502	R40H3503
	Fm	WG	14 " x 2-1/2 "	1294 - 296	N/A	R40H521	R40H9201	R40H3524	R40H3524
S1723, S1753 School Bus FA71, 73, 101	Fa	WG	15 " x 3 "	1245C - 321	R700321	R40H521	R40H9237	R40H3502	R40H3503
	Fa	WG	15 " x 3-1/2 "	1280B - 322	R464004	R40H521	R40H9237	R40H3502	R40H3503
	Fm	WG	15 " x 3 "	1245A - 235	R700235	R40H521	R40H9201	R40H3524	R40H3524
	Fm	WG	15 " x 3-1/2 "	1280 - 463	R700463	R40H521	R40H9201	R40H3524	R40H3524
S1723, S1753 School Bus FA74	Fa	WG	15 " x 3 "	1245C - 321	R700321	R40H521	R40H9237	R40H3502	R40H3503
	Fm	WG	15 " x 3 "	1245A - 235	R700235	R40H521	R40H9201	R40H3524	R40H3524
S1723, S1753 School Bus FA78, 81	Fa	WG	15 " x 3 "	1245C - 321	R700321	R40H521	R40H9237	R40H3502	R40H3503
S1723, S1753 School Bus FA89, 91, 98	Fa	WG	15 " x 3 "	1245C - 321	R700321	R40H521	R40H9237	R40H3502	R40H3503
	Fm	WG	15 " x 3 "	1245A - 235	R700235	R40H521	R40H9201	R40H3524	R40H3524
S1723, S1753 School Bus RA184	Ra	WG	15 " x 4 "	4645A - 376	Discontinued	R40H597	R40H9200	R40H3540	R40H3541
	Rm	WG	15 " x 4 "	4645A - 376	Discontinued	R40H597	R40H9200	R40H3518	R404148
S1723, S1753 School Bus RA25, 184	Ra	WG	15 " x 5 "	1252 - 346	R700346	R40H597	R40H9200	R40H3540	R40H3541
	Rm	WG	15 " x 5 "	1252 - 346	R700346	R40H597	R40H9200	R40H3518	R404148
S1723, S1753 School Bus RA29, 30, 187	Ra	WG	15 " x 5 "	1252 - 346	R700346	R40H597	R40H9200	R40H3540	R40H3541
	Rm	WG	15 " x 5 "	1252 - 346	R700346	R40H597	R40H9200	R40H3518	R404148
S1723, S1753 School Bus RA30, 187	Ra	WG	16 " x 5 "	1254 - 385	N/A	R40H597	R40H9200	NLA	NLA
	Rm	WG	16 " x 5 "	1254 - 385	N/A	R40H597	R40H9200	R404149	R404150
S1723, S1753 School Bus RA30, 39, 44, 186, 189	Ra	WG	15 " x 6 "	4596 - 381	R700381	R40H597	R40H9200	R40H3540	R40H3541
	Rm	WG	15 " x 6 "	4596 - 381	R700381	R40H597	R40H9200	R40H3518	R404148
S1723, S1753 School Bus RA39, 199	Ra	WG	15 " x 7 "	4597 - 383	R700383	R40H597	R40H9200	R40H3540	R40H3541
	Rm	WG	15 " x 7 "	4597 - 383	R700383	R40H597	R40H9200	R40H3518	R404148
S1723, S1753 School Bus RA44, 186	Ra	WG	15 " x 7 "	4597 - 383	R700383	R40H597	R40H9200	NLA	NLA
	Rm	WG	15 " x 7 "	4597 - 383	R700383	R40H597	R40H9200	R40H3518	R404148
S1723, S1753 School Bus RA47, 57	Ra	WG	16 " x 6 "	1255 - 386	N/A	R40H597	R40H9200	NLA	NLA
	Rm	WG	16 " x 6 "	1255 - 386	N/A	R40H597	R40H9200	R404149	R404150
S1724, S1754 Conventional FA109, 208	Fa	WG	15 " x 3 "	1245C - 321	R700321	R40H521	R40H9237	R40H3502	R40H3503
	Fm	WG	15 " x 3 "	1245A - 235	R700235	R40H521	R40H9201	R40H3524	R40H3524
S1724, S1754 Conventional FA118, 127, 139	Fa	WG	15 " x 5 "	1345A - 491	N/A	R40H521	R40H9237	R40H3502	R40H3503
	Fm	WG	15 " x 5 "	1345 - 490	N/A	R40H521	R40H9201	R40H3524	R40H3524
S1724, S1754 Conventional FA208	Fa	WG	15 " x 3-1/2 "	1280B - 322	R464004	R40H521	R40H9237	R40H3502	R40H3503
	Fm	WG	15 " x 3-1/2 "	1280 - 463	R700463	R40H521	R40H9201	R40H3524	R40H3524
S1724, S1754 Conventional FA48, 68, 70, 72	Fa	WG	14 " x 2-1/2 "	1294A - 325	N/A	R40H521	R40H9237	R40H3502	R40H3503
	Fm	WG	14 " x 2-1/2 "	1294 - 296	N/A	R40H521	R40H9201	R40H3524	R40H3524
S1724, S1754 Conventional FA71, 73, 101	Fa	WG	15 " x 3 "	1245C - 321	R700321	R40H521	R40H9237	R40H3502	R40H3503
	Fa	WG	15 " x 3-1/2 "	1280B - 322	R464004	R40H521	R40H9237	R40H3502	R40H3503
	Fm	WG	15 " x 3 "	1245A - 235	R700235	R40H521	R40H9201	R40H3524	R40H3524
	Fm	WG	15 " x 3-1/2 "	1280 - 463	R700463	R40H521	R40H9201	R40H3524	R40H3524
S1724, S1754 Conventional FA74	Fa	WG	15 " x 3 "	1245C - 321	R700321	R40H521	R40H9237	R40H3502	R40H3503

MERITOR DRUM OR ROTOR NO.	CALIPER OR CYLINDER BORE SIZE	MERITOR CALIPER OR WHEEL CYLINDER (LEFT)	MERITOR CALIPER OR WHEEL CYLINDER (RIGHT)	MERITOR CALIPER OR WHEEL CYLINDER REPAIR KIT	MERITOR CALIPER PISTON	MERITOR MASTER CYLINDER	MERITOR MASTER CYLINDER KIT	MERITOR BRAKE HOSE (LEFT)	MERITOR BRAKE HOSE (RIGHT)
ITE(Cont.)									
170, 1700, 1710, 1723, 1724, 1750, 1753, 1754 SERIES CONVENTIONAL CAB, SCHOOL BUS, TILT CAB(Cont.)									
-	1-1/4 "	R4133581	R4133582	R4166923	NR	-	-	-	-
-	1-1/8 "	R4133714	R4133715	R4166926	NR	-	-	-	-
-	1-1/8 "	R4133714	R4133715	R4166926	NR	-	-	-	-
-	1-1/4 "	R4133581	R4133582	R4166923	NR	-	-	-	-
-	1-1/4 "	R4133581	R4133582	R4166923	NR	-	-	-	-
-	1-1/4 "	R4133581	R4133582	R4166923	NR	-	-	-	-
-	1-1/4 "	R4133581	R4133582	R4166923	NR	-	-	-	-
-	1-1/4 "	R4133581	R4133582	R4166923	NR	-	-	-	-
-	1-1/4 "	R4133581	R4133582	R4166923	NR	-	-	-	-
-	1-1/4 "	R4133581	R4133582	R4166923	NR	-	-	-	-
-	1-1/4 "	R4133581	R4133582	R4166923	NR	-	-	-	-
-	1-1/4 "	R4133581	R4133582	R4166923	NR	-	-	-	-
-	1-1/4 "	R4133581	R4133582	R4166923	NR	-	-	-	-
-	1-1/2 "	R4133580	R4133580	Discontinued	NR	-	-	-	-
-	1-1/2 "	R4133580	R4133580	Discontinued	NR	-	-	-	-
-	1-1/2 "	R4133580	R4133580	Discontinued	NR	-	-	-	-
-	1-1/2 "	R4133580	R4133580	Discontinued	NR	-	-	-	-
-	1-1/2 "	R4133580	R4133580	Discontinued	NR	-	-	-	-
-	1-1/2 "	R4133580	R4133580	Discontinued	NR	-	-	-	-
-	1-5/8 "	R4133338	R4133338	R4166689	NR	-	-	-	-
-	1-5/8 "	R4133338	R4133338	R4166689	NR	-	-	-	-
-	1-5/8 "	R4133338	R4133338	R4166689	NR	-	-	-	-
-	1-5/8 "	R4133338	R4133338	R4166689	NR	-	-	-	-
-	1-5/8 "	R4133338	R4133338	R4166689	NR	-	-	-	-
-	1-5/8 "	R4133338	R4133338	R4166689	NR	-	-	-	-
-	1-5/8 "	R4133338	R4133338	R4166689	NR	-	-	-	-
-	1-3/4 "	R4133400	R4133400	R4166917	NR	-	-	-	-
-	1-3/4 "	R4133400	R4133400	R4166917	NR	-	-	-	-
-	1-1/4 "	R4133581	R4133582	R4166923	NR	-	-	-	-
-	1-1/4 "	R4133581	R4133582	R4166923	NR	-	-	-	-
-									
-									
-	1-1/4 "	R4133581	R4133582	R4166923	NR	-	-	-	-
-	1-1/4 "	R4133581	R4133582	R4166923	NR	-	-	-	-
-	1-1/8 "	R4133714	R4133715	R4166926	NR	-	-	-	-
-	1-1/8 "	R4133714	R4133715	R4166926	NR	-	-	-	-
-	1-1/4 "	R4133581	R4133582	R4166923	NR	-	-	-	-
-	1-1/4 "	R4133581	R4133582	R4166923	NR	-	-	-	-
-	1-1/4 "	R4133581	R4133582	R4166923	NR	-	-	-	-
-	1-1/4 "	R4133581	R4133582	R4166923	NR	-	-	-	-
-	1-1/4 "	R4133581	R4133582	R4166923	NR	-	-	-	-

1-APPLICATION

MAKE MODEL YEAR AXLE CODE AXLE WEIGHT	AXLE & BRK. TYPE	BRK. MFG.	BRAKE SIZE	FMSI	MERITOR DISC PAD OR BRAKE SHOE	MERITOR GUIDE PIN OR RETURN SPRING KIT	MERITOR CALIPER HWD. KIT OR RETURN SPRING KIT	MERITOR ADJUSTER KIT (LEFT WHEEL)	MERITOR ADJUSTER KIT (RIGHT WHEEL)
ITE(Cont.)									
170, 1700, 1710, 1723, 1724, 1750, 1753, 1754 SERIES CONVENTIONAL CAB, SCHOOL BUS, TILT CAB(Cont.)									
1966									
S1724, S1754 Conventional FA78, 81	Fm	WG	15 " x 3 "	1245A - 235	R700235	R40H521	R40H9201	R40H3524	R40H3524
S1724, S1754 Conventional FA89, 91, 98	Fa	WG	15 " x 3 "	1245C - 321	R700321	R40H521	R40H9237	R40H3502	R40H3503
S1724, S1754 Conventional RA184	Fa	WG	15 " x 3 "	1245C - 321	R700321	R40H521	R40H9237	R40H3502	R40H3503
	Fm	WG	15 " x 3 "	1245A - 235	R700235	R40H521	R40H9201	R40H3524	R40H3524
S1724, S1754 Conventional RA25, 184	Ra	WG	15 " x 4 "	4645A - 376	Discontinued	R40H597	R40H9200	R40H3540	R40H3541
	Rm	WG	15 " x 4 "	4645A - 376	Discontinued	R40H597	R40H9200	R40H3518	R404148
S1724, S1754 Conventional RA29, 30, 187	Ra	WG	15 " x 5 "	1252 - 346	R700346	R40H597	R40H9200	R40H3540	R40H3541
	Rm	WG	15 " x 5 "	1252 - 346	R700346	R40H597	R40H9200	R40H3518	R404148
S1724, S1754 Conventional RA30, 187	Ra	WG	15 " x 5 "	1252 - 346	R700346	R40H597	R40H9200	R40H3540	R40H3541
	Rm	WG	15 " x 5 "	1252 - 346	R700346	R40H597	R40H9200	R40H3518	R404148
S1724, S1754 Conventional RA30, 39, 44, 186, 189	Ra	WG	16 " x 5 "	1254 - 385	N/A	R40H597	R40H9200	NLA	NLA
	Rm	WG	16 " x 5 "	1254 - 385	N/A	R40H597	R40H9200	R404149	R404150
S1724, S1754 Conventional RA30, 39, 44, 186, 189	Ra	WG	15 " x 6 "	4596 - 381	R700381	R40H597	R40H9200	R40H3540	R40H3541
	Rm	WG	15 " x 6 "	4596 - 381	R700381	R40H597	R40H9200	R40H3518	R404148
S1724, S1754 Conventional RA39, 199	Ra	WG	15 " x 7 "	4597 - 383	R700383	R40H597	R40H9200	R40H3540	R40H3541
	Rm	WG	15 " x 7 "	4597 - 383	R700383	R40H597	R40H9200	R40H3518	R404148
S1724, S1754 Conventional RA44, 186	Ra	WG	15 " x 7 "	4597 - 383	R700383	R40H597	R40H9200	NLA	NLA
	Rm	WG	15 " x 7 "	4597 - 383	R700383	R40H597	R40H9200	R40H3518	R404148
S1724, S1754 Conventional RA47, 57	Ra	WG	16 " x 6 "	1255 - 386	N/A	R40H597	R40H9200	NLA	NLA
	Rm	WG	16 " x 6 "	1255 - 386	N/A	R40H597	R40H9200	R404149	R404150
1965									
C1710, C1750 Cargostar Tilt Cab FA109, 208	Fa	WG	15 " x 3 "	1245C - 321	R700321	R40H521	R40H9237	R40H3502	R40H3503
	Fm	WG	15 " x 3 "	1245A - 235	R700235	R40H521	R40H9201	R40H3524	R40H3524
C1710, C1750 Cargostar Tilt Cab FA118, 127, 139	Fa	WG	15 " x 5 "	1345A - 491	N/A	R40H521	R40H9237	R40H3502	R40H3503
	Fm	WG	15 " x 5 "	1345 - 490	N/A	R40H521	R40H9201	R40H3524	R40H3524
C1710, C1750 Cargostar Tilt Cab FA208	Fa	WG	15 " x 3-1/2 "	1280B - 322	R464004	R40H521	R40H9237	R40H3502	R40H3503
	Fm	WG	15 " x 3-1/2 "	1280 - 463	R700463	R40H521	R40H9201	R40H3524	R40H3524
C1710, C1750 Cargostar Tilt Cab FA48, 68, 70, 72	Fa	WG	14 " x 2-1/2 "	1294A - 325	N/A	R40H521	R40H9237	R40H3502	R40H3503
	Fm	WG	14 " x 2-1/2 "	1294 - 296	N/A	R40H521	R40H9201	R40H3524	R40H3524
C1710, C1750 Cargostar Tilt Cab FA71, 73, 101	Fa	WG	15 " x 3 "	1245C - 321	R700321	R40H521	R40H9237	R40H3502	R40H3503
	Fa	WG	15 " x 3-1/2 "	1280B - 322	R464004	R40H521	R40H9237	R40H3502	R40H3503
	Fm	WG	15 " x 3 "	1245A - 235	R700235	R40H521	R40H9201	R40H3524	R40H3524
	Fm	WG	15 " x 3-1/2 "	1280 - 463	R700463	R40H521	R40H9201	R40H3524	R40H3524
C1710, C1750 Cargostar Tilt Cab FA74	Fa	WG	15 " x 3 "	1245C - 321	R700321	R40H521	R40H9237	R40H3502	R40H3503
	Fm	WG	15 " x 3 "	1245A - 235	R700235	R40H521	R40H9201	R40H3524	R40H3524
C1710, C1750 Cargostar Tilt Cab FA78, 81	Fa	WG	15 " x 3 "	1245C - 321	R700321	R40H521	R40H9237	R40H3502	R40H3503
C1710, C1750 Cargostar Tilt Cab FA89, 91, 98	Fa	WG	15 " x 3 "	1245C - 321	R700321	R40H521	R40H9237	R40H3502	R40H3503

MERITOR DRUM OR ROTOR NO.	CALIPER OR CYLINDER BORE SIZE	MERITOR CALIPER OR WHEEL CYLINDER (LEFT)	MERITOR CALIPER OR WHEEL CYLINDER (RIGHT)	MERITOR CALIPER OR WHEEL CYLINDER REPAIR KIT	MERITOR CALIPER PISTON	MERITOR MASTER CYLINDER	MERITOR MASTER CYLINDER KIT	MERITOR BRAKE HOSE (LEFT)	MERITOR BRAKE HOSE (RIGHT)
ITE(Cont.)									
170, 1700, 1710, 1723, 1724, 1750, 1753, 1754 SERIES CONVENTIONAL CAB, SCHOOL BUS, TILT CAB(Cont.)									
-	1-1/4 "	R4133581	R4133582	R4166923	NR	-	-	-	-
-	1-1/4 "	R4133581	R4133582	R4166923	NR	-	-	-	-
-	1-1/4 "	R4133581	R4133582	R4166923	NR	-	-	-	-
-	1-1/4 "	R4133581	R4133582	R4166923	NR	-	-	-	-
-	1-1/2 "	R4133580	R4133580	Discontinued	NR	-	-	-	-
-	1-1/2 "	R4133580	R4133580	Discontinued	NR	-	-	-	-
-	1-1/2 "	R4133580	R4133580	Discontinued	NR	-	-	-	-
-	1-1/2 "	R4133580	R4133580	Discontinued	NR	-	-	-	-
-	1-1/2 "	R4133580	R4133580	Discontinued	NR	-	-	-	-
-	1-1/2 "	R4133580	R4133580	Discontinued	NR	-	-	-	-
-	1-5/8 "	R4133338	R4133338	R4166689	NR	-	-	-	-
-	1-5/8 "	R4133338	R4133338	R4166689	NR	-	-	-	-
-	1-5/8 "	R4133338	R4133338	R4166689	NR	-	-	-	-
-	1-5/8 "	R4133338	R4133338	R4166689	NR	-	-	-	-
-	1-5/8 "	R4133338	R4133338	R4166689	NR	-	-	-	-
-	1-5/8 "	R4133338	R4133338	R4166689	NR	-	-	-	-
-	1-5/8 "	R4133338	R4133338	R4166689	NR	-	-	-	-
-	1-5/8 "	R4133338	R4133338	R4166689	NR	-	-	-	-
-	1-3/4 "	R4133400	R4133400	R4166917	NR	-	-	-	-
-	1-3/4 "	R4133400	R4133400	R4166917	NR	-	-	-	-
-									
-	1-1/4 "	R4133581	R4133582	R4166923	NR	-	-	-	-
-	1-1/4 "	R4133581	R4133582	R4166923	NR	-	-	-	-
-									
-									
-	1-1/4 "	R4133581	R4133582	R4166923	NR	-	-	-	-
-	1-1/4 "	R4133581	R4133582	R4166923	NR	-	-	-	-
-									
-	1-1/8 "	R4133714	R4133715	R4166926	NR	-	-	-	-
-	1-1/8 "	R4133714	R4133715	R4166926	NR	-	-	-	-
-	1-1/4 "	R4133581	R4133582	R4166923	NR	-	-	-	-
-	1-1/4 "	R4133581	R4133582	R4166923	NR	-	-	-	-
-	1-1/4 "	R4133581	R4133582	R4166923	NR	-	-	-	-
-	1-1/4 "	R4133581	R4133582	R4166923	NR	-	-	-	-
-	1-1/4 "	R4133581	R4133582	R4166923	NR	-	-	-	-
-									
-	1-1/4 "	R4133581	R4133582	R4166923	NR	-	-	-	-
-	1-1/4 "	R4133581	R4133582	R4166923	NR	-	-	-	-
-									
-	1-1/4 "	R4133581	R4133582	R4166923	NR	-	-	-	-
-	1-1/4 "	R4133581	R4133582	R4166923	NR	-	-	-	-

1-APPLICATION

MAKE MODEL YEAR AXLE CODE AXLE WEIGHT	AXLE & BRK. TYPE	BRK. MFG.	BRAKE SIZE	FMSI	MERITOR DISC PAD OR BRAKE SHOE	MERITOR GUIDE PIN OR RETURN SPRING KIT	MERITOR CALIPER HWD. KIT OR RETURN SPRING KIT	MERITOR ADJUSTER KIT (LEFT WHEEL)	MERITOR ADJUSTER KIT (RIGHT WHEEL)
ITE(Cont.)									
170, 1700, 1710, 1723, 1724, 1750, 1753, 1754 SERIES CONVENTIONAL CAB, SCHOOL BUS, TILT CAB(Cont.)									
1965	Fm	WG	15 " x 3 "	1245A - 235	R700235	R40H521	R40H9201	R40H3524	R40H3524
C1710, C1750 Cargostar Tilt Cab RA184	Ra	WG	15 " x 4 "	4645A - 376	Discontinued	R40H597	R40H9200	R40H3540	R40H3541
	Rm	WG	15 " x 4 "	4645A - 376	Discontinued	R40H597	R40H9200	R40H3518	R404148
C1710, C1750 Cargostar Tilt Cab RA25, 184	Ra	WG	15 " x 5 "	1252 - 346	R700346	R40H597	R40H9200	R40H3540	R40H3541
	Rm	WG	15 " x 5 "	1252 - 346	R700346	R40H597	R40H9200	R40H3518	R404148
C1710, C1750 Cargostar Tilt Cab RA29, 30, 187	Ra	WG	15 " x 5 "	1252 - 346	R700346	R40H597	R40H9200	R40H3540	R40H3541
	Rm	WG	15 " x 5 "	1252 - 346	R700346	R40H597	R40H9200	R40H3518	R404148
C1710, C1750 Cargostar Tilt Cab RA30, 187	Ra	WG	16 " x 5 "	1254 - 385	N/A	R40H597	R40H9200	NLA	NLA
	Rm	WG	16 " x 5 "	1254 - 385	N/A	R40H597	R40H9200	R404149	R404150
C1710, C1750 Cargostar Tilt Cab RA30, 39, 44, 186, 189	Ra	WG	15 " x 6 "	4596 - 381	R700381	R40H597	R40H9200	R40H3540	R40H3541
	Rm	WG	15 " x 6 "	4596 - 381	R700381	R40H597	R40H9200	R40H3518	R404148
C1710, C1750 Cargostar Tilt Cab RA39, 199	Ra	WG	15 " x 7 "	4597 - 383	R700383	R40H597	R40H9200	R40H3540	R40H3541
	Rm	WG	15 " x 7 "	4597 - 383	R700383	R40H597	R40H9200	R40H3518	R404148
C1710, C1750 Cargostar Tilt Cab RA44, 186	Ra	WG	15 " x 7 "	4597 - 383	R700383	R40H597	R40H9200	NLA	NLA
	Rm	WG	15 " x 7 "	4597 - 383	R700383	R40H597	R40H9200	R40H3518	R404148
C1710, C1750 Cargostar Tilt Cab RA47, 57	Ra	WG	16 " x 6 "	1255 - 386	N/A	R40H597	R40H9200	NLA	NLA
	Rm	WG	16 " x 6 "	1255 - 386	N/A	R40H597	R40H9200	R404149	R404150
S1723, S1753 School Bus FA109, 208	Fa	WG	15 " x 3 "	1245C - 321	R700321	R40H521	R40H9237	R40H3502	R40H3503
	Fm	WG	15 " x 3 "	1245A - 235	R700235	R40H521	R40H9201	R40H3524	R40H3524
S1723, S1753 School Bus FA118, 127, 139	Fa	WG	15 " x 5 "	1345A - 491	N/A	R40H521	R40H9237	R40H3502	R40H3503
	Fm	WG	15 " x 5 "	1345 - 490	N/A	R40H521	R40H9201	R40H3524	R40H3524
S1723, S1753 School Bus FA208	Fa	WG	15 " x 3-1/2 "	1280B - 322	R464004	R40H521	R40H9237	R40H3502	R40H3503
	Fm	WG	15 " x 3-1/2 "	1280 - 463	R700463	R40H521	R40H9201	R40H3524	R40H3524
S1723, S1753 School Bus FA48, 68, 70, 72	Fa	WG	14 " x 2-1/2 "	1294A - 325	N/A	R40H521	R40H9237	R40H3502	R40H3503
	Fm	WG	14 " x 2-1/2 "	1294 - 296	N/A	R40H521	R40H9201	R40H3524	R40H3524
S1723, S1753 School Bus FA71, 73, 101	Fa	WG	15 " x 3 "	1245C - 321	R700321	R40H521	R40H9237	R40H3502	R40H3503
	Fa	WG	15 " x 3-1/2 "	1280B - 322	R464004	R40H521	R40H9237	R40H3502	R40H3503
	Fm	WG	15 " x 3 "	1245A - 235	R700235	R40H521	R40H9201	R40H3524	R40H3524
	Fm	WG	15 " x 3-1/2 "	1280 - 463	R700463	R40H521	R40H9201	R40H3524	R40H3524
S1723, S1753 School Bus FA74	Fa	WG	15 " x 3 "	1245C - 321	R700321	R40H521	R40H9237	R40H3502	R40H3503
	Fm	WG	15 " x 3 "	1245A - 235	R700235	R40H521	R40H9201	R40H3524	R40H3524
S1723, S1753 School Bus FA78, 81	Fa	WG	15 " x 3 "	1245C - 321	R700321	R40H521	R40H9237	R40H3502	R40H3503
S1723, S1753 School Bus FA89, 91, 98	Fa	WG	15 " x 3 "	1245C - 321	R700321	R40H521	R40H9237	R40H3502	R40H3503
	Fm	WG	15 " x 3 "	1245A - 235	R700235	R40H521	R40H9201	R40H3524	R40H3524
S1723, S1753 School Bus RA184	Ra	WG	15 " x 4 "	4645A - 376	Discontinued	R40H597	R40H9200	R40H3540	R40H3541
	Rm	WG	15 " x 4 "	4645A - 376	Discontinued	R40H597	R40H9200	R40H3518	R404148

MERITOR DRUM OR ROTOR NO.	CALIPER OR CYLINDER BORE SIZE	MERITOR CALIPER OR WHEEL CYLINDER (LEFT)	MERITOR CALIPER OR WHEEL CYLINDER (RIGHT)	MERITOR CALIPER OR WHEEL CYLINDER REPAIR KIT	MERITOR CALIPER PISTON	MERITOR MASTER CYLINDER	MERITOR MASTER CYLINDER KIT	MERITOR BRAKE HOSE (LEFT)	MERITOR BRAKE HOSE (RIGHT)
ITE(Cont.)									
170, 1700, 1710, 1723, 1724, 1750, 1753, 1754 SERIES CONVENTIONAL CAB, SCHOOL BUS, TILT CAB(Cont.)									
-	1-1/4 "	R4133581	R4133582	R4166923	NR	-	-	-	-
-	1-1/2 "	R4133580	R4133580	Discontinued	NR	-	-	-	-
-	1-1/2 "	R4133580	R4133580	Discontinued	NR	-	-	-	-
-	1-1/2 "	R4133580	R4133580	Discontinued	NR	-	-	-	-
-	1-1/2 "	R4133580	R4133580	Discontinued	NR	-	-	-	-
-	1-1/2 "	R4133580	R4133580	Discontinued	NR	-	-	-	-
-	1-1/2 "	R4133580	R4133580	Discontinued	NR	-	-	-	-
-	1-5/8 "	R4133338	R4133338	R4166689	NR	-	-	-	-
-	1-5/8 "	R4133338	R4133338	R4166689	NR	-	-	-	-
-	1-5/8 "	R4133338	R4133338	R4166689	NR	-	-	-	-
-	1-5/8 "	R4133338	R4133338	R4166689	NR	-	-	-	-
-	1-5/8 "	R4133338	R4133338	R4166689	NR	-	-	-	-
-	1-5/8 "	R4133338	R4133338	R4166689	NR	-	-	-	-
-	1-5/8 "	R4133338	R4133338	R4166689	NR	-	-	-	-
-	1-5/8 "	R4133338	R4133338	R4166689	NR	-	-	-	-
-	1-3/4 "	R4133400	R4133400	R4166917	NR	-	-	-	-
-	1-3/4 "	R4133400	R4133400	R4166917	NR	-	-	-	-
-	1-1/4 "	R4133581	R4133582	R4166923	NR	-	-	-	-
-	1-1/4 "	R4133581	R4133582	R4166923	NR	-	-	-	-
-	-	-	-	-	-	-	-	-	-
-	-	-	-	-	-	-	-	-	-
-	1-1/4 "	R4133581	R4133582	R4166923	NR	-	-	-	-
-	1-1/4 "	R4133581	R4133582	R4166923	NR	-	-	-	-
-	1-1/8 "	R4133714	R4133715	R4166926	NR	-	-	-	-
-	1-1/8 "	R4133714	R4133715	R4166926	NR	-	-	-	-
-	1-1/4 "	R4133581	R4133582	R4166923	NR	-	-	-	-
-	1-1/4 "	R4133581	R4133582	R4166923	NR	-	-	-	-
-	1-1/4 "	R4133581	R4133582	R4166923	NR	-	-	-	-
-	1-1/4 "	R4133581	R4133582	R4166923	NR	-	-	-	-
-	1-1/4 "	R4133581	R4133582	R4166923	NR	-	-	-	-
-	1-1/4 "	R4133581	R4133582	R4166923	NR	-	-	-	-
-	1-1/4 "	R4133581	R4133582	R4166923	NR	-	-	-	-
-	1-1/4 "	R4133581	R4133582	R4166923	NR	-	-	-	-
-	1-1/2 "	R4133580	R4133580	Discontinued	NR	-	-	-	-
-	1-1/2 "	R4133580	R4133580	Discontinued	NR	-	-	-	-

MAKE MODEL YEAR AXLE CODE AXLE WEIGHT	AXLE & BRK. TYPE	BRK. MFG.	BRAKE SIZE	FMSI	MERITOR DISC PAD OR BRAKE SHOE	MERITOR GUIDE PIN OR RETURN SPRING KIT	MERITOR CALIPER HWD. KIT OR RETURN SPRING KIT	MERITOR ADJUSTER KIT (LEFT WHEEL)	MERITOR ADJUSTER KIT (RIGHT WHEEL)
ITE(Cont.)									
170, 1700, 1710, 1723, 1724, 1750, 1753, 1754 SERIES CONVENTIONAL CAB, SCHOOL BUS, TILT CAB(Cont.)									
1965									
S1723, S1753 School Bus RA25, 184	Ra	WG	15 " x 5 "	1252 - 346	R700346	R40H597	R40H9200	R40H3540	R40H3541
	Rm	WG	15 " x 5 "	1252 - 346	R700346	R40H597	R40H9200	R40H3518	R404148
S1723, S1753 School Bus RA29, 30, 187	Ra	WG	15 " x 5 "	1252 - 346	R700346	R40H597	R40H9200	R40H3540	R40H3541
	Rm	WG	15 " x 5 "	1252 - 346	R700346	R40H597	R40H9200	R40H3518	R404148
S1723, S1753 School Bus RA30, 187	Ra	WG	16 " x 5 "	1254 - 385	N/A	R40H597	R40H9200	NLA	NLA
	Rm	WG	16 " x 5 "	1254 - 385	N/A	R40H597	R40H9200	R404149	R404150
S1723, S1753 School Bus RA30, 39, 44, 186, 189	Ra	WG	15 " x 6 "	4596 - 381	R700381	R40H597	R40H9200	R40H3540	R40H3541
	Rm	WG	15 " x 6 "	4596 - 381	R700381	R40H597	R40H9200	R40H3518	R404148
S1723, S1753 School Bus RA39, 199	Ra	WG	15 " x 7 "	4597 - 383	R700383	R40H597	R40H9200	R40H3540	R40H3541
	Rm	WG	15 " x 7 "	4597 - 383	R700383	R40H597	R40H9200	R40H3518	R404148
S1723, S1753 School Bus RA44, 186	Ra	WG	15 " x 7 "	4597 - 383	R700383	R40H597	R40H9200	NLA	NLA
	Rm	WG	15 " x 7 "	4597 - 383	R700383	R40H597	R40H9200	R40H3518	R404148
S1723, S1753 School Bus RA47, 57	Ra	WG	16 " x 6 "	1255 - 386	N/A	R40H597	R40H9200	NLA	NLA
	Rm	WG	16 " x 6 "	1255 - 386	N/A	R40H597	R40H9200	R404149	R404150
S1724, S1754 Conventional FA109, 208	Fa	WG	15 " x 3 "	1245C - 321	R700321	R40H521	R40H9237	R40H3502	R40H3503
	Fm	WG	15 " x 3 "	1245A - 235	R700235	R40H521	R40H9201	R40H3524	R40H3524
S1724, S1754 Conventional FA118, 127, 139	Fa	WG	15 " x 5 "	1345A - 491	N/A	R40H521	R40H9237	R40H3502	R40H3503
	Fm	WG	15 " x 5 "	1345 - 490	N/A	R40H521	R40H9201	R40H3524	R40H3524
S1724, S1754 Conventional FA208	Fa	WG	15 " x 3-1/2 "	1280B - 322	R464004	R40H521	R40H9237	R40H3502	R40H3503
	Fm	WG	15 " x 3-1/2 "	1280 - 463	R700463	R40H521	R40H9201	R40H3524	R40H3524
S1724, S1754 Conventional FA48, 68, 70, 72	Fa	WG	14 " x 2-1/2 "	1294A - 325	N/A	R40H521	R40H9237	R40H3502	R40H3503
	Fm	WG	14 " x 2-1/2 "	1294 - 296	N/A	R40H521	R40H9201	R40H3524	R40H3524
S1724, S1754 Conventional FA71, 73, 101	Fa	WG	15 " x 3 "	1245C - 321	R700321	R40H521	R40H9237	R40H3502	R40H3503
	Fa	WG	15 " x 3-1/2 "	1280B - 322	R464004	R40H521	R40H9237	R40H3502	R40H3503
	Fm	WG	15 " x 3 "	1245A - 235	R700235	R40H521	R40H9201	R40H3524	R40H3524
	Fm	WG	15 " x 3-1/2 "	1280 - 463	R700463	R40H521	R40H9201	R40H3524	R40H3524
S1724, S1754 Conventional FA74	Fa	WG	15 " x 3 "	1245C - 321	R700321	R40H521	R40H9237	R40H3502	R40H3503
	Fm	WG	15 " x 3 "	1245A - 235	R700235	R40H521	R40H9201	R40H3524	R40H3524
S1724, S1754 Conventional FA78, 81	Fa	WG	15 " x 3 "	1245C - 321	R700321	R40H521	R40H9237	R40H3502	R40H3503
S1724, S1754 Conventional FA89, 91, 98	Fa	WG	15 " x 3 "	1245C - 321	R700321	R40H521	R40H9237	R40H3502	R40H3503
	Fm	WG	15 " x 3 "	1245A - 235	R700235	R40H521	R40H9201	R40H3524	R40H3524
S1724, S1754 Conventional RA184	Ra	WG	15 " x 4 "	4645A - 376	Discontinued	R40H597	R40H9200	R40H3540	R40H3541
	Rm	WG	15 " x 4 "	4645A - 376	Discontinued	R40H597	R40H9200	R40H3518	R404148
S1724, S1754 Conventional RA25, 184	Ra	WG	15 " x 5 "	1252 - 346	R700346	R40H597	R40H9200	R40H3540	R40H3541
	Rm	WG	15 " x 5 "	1252 - 346	R700346	R40H597	R40H9200	R40H3518	R404148
S1724, S1754 Conventional RA29, 30, 187	Ra	WG	15 " x 5 "	1252 - 346	R700346	R40H597	R40H9200	R40H3540	R40H3541
	Rm	WG	15 " x 5 "	1252 - 346	R700346	R40H597	R40H9200	R40H3518	R404148
S1724, S1754 Conventional RA30, 187	Ra	WG	16 " x 5 "	1254 - 385	N/A	R40H597	R40H9200	NLA	NLA
	Rm	WG	16 " x 5 "	1254 - 385	N/A	R40H597	R40H9200	R404149	R404150
S1724, S1754 Conventional RA30, 39, 44, 186, 189	Ra	WG	15 " x 6 "	4596 - 381	R700381	R40H597	R40H9200	R40H3540	R40H3541
	Rm	WG	15 " x 6 "	4596 - 381	R700381	R40H597	R40H9200	R40H3518	R404148

MERITOR DRUM OR ROTOR NO.	CALIPER OR CYLINDER BORE SIZE	MERITOR CALIPER OR WHEEL CYLINDER (LEFT)	MERITOR CALIPER OR WHEEL CYLINDER (RIGHT)	MERITOR CALIPER OR WHEEL CYLINDER REPAIR KIT	MERITOR CALIPER PISTON	MERITOR MASTER CYLINDER	MERITOR MASTER CYLINDER KIT	MERITOR BRAKE HOSE (LEFT)	MERITOR BRAKE HOSE (RIGHT)
ITE(Cont.)									
170, 1700, 1710, 1723, 1724, 1750, 1753, 1754 SERIES CONVENTIONAL CAB, SCHOOL BUS, TILT CAB(Cont.)									
-	1-1/2 "	R4133580	R4133580	Discontinued	NR	-	-	-	-
-	1-1/2 "	R4133580	R4133580	Discontinued	NR	-	-	-	-
-	1-1/2 "	R4133580	R4133580	Discontinued	NR	-	-	-	-
-	1-1/2 "	R4133580	R4133580	Discontinued	NR	-	-	-	-
-	1-5/8 "	R4133338	R4133338	R4166689	NR	-	-	-	-
-	1-5/8 "	R4133338	R4133338	R4166689	NR	-	-	-	-
-	1-5/8 "	R4133338	R4133338	R4166689	NR	-	-	-	-
-	1-5/8 "	R4133338	R4133338	R4166689	NR	-	-	-	-
-	1-5/8 "	R4133338	R4133338	R4166689	NR	-	-	-	-
-	1-5/8 "	R4133338	R4133338	R4166689	NR	-	-	-	-
-	1-5/8 "	R4133338	R4133338	R4166689	NR	-	-	-	-
-	1-5/8 "	R4133338	R4133338	R4166689	NR	-	-	-	-
-	1-3/4 "	R4133400	R4133400	R4166917	NR	-	-	-	-
-	1-3/4 "	R4133400	R4133400	R4166917	NR	-	-	-	-
-	1-1/4 "	R4133581	R4133582	R4166923	NR	-	-	-	-
-	1-1/4 "	R4133581	R4133582	R4166923	NR	-	-	-	-
-	-	-	-	-	-	-	-	-	-
-	-	-	-	-	-	-	-	-	-
-	1-1/4 "	R4133581	R4133582	R4166923	NR	-	-	-	-
-	1-1/4 "	R4133581	R4133582	R4166923	NR	-	-	-	-
-	1-1/8 "	R4133714	R4133715	R4166926	NR	-	-	-	-
-	1-1/8 "	R4133714	R4133715	R4166926	NR	-	-	-	-
-	1-1/4 "	R4133581	R4133582	R4166923	NR	-	-	-	-
-	1-1/4 "	R4133581	R4133582	R4166923	NR	-	-	-	-
-	1-1/4 "	R4133581	R4133582	R4166923	NR	-	-	-	-
-	1-1/4 "	R4133581	R4133582	R4166923	NR	-	-	-	-
-	1-1/4 "	R4133581	R4133582	R4166923	NR	-	-	-	-
-	1-1/4 "	R4133581	R4133582	R4166923	NR	-	-	-	-
-	1-1/4 "	R4133581	R4133582	R4166923	NR	-	-	-	-
-	1-1/2 "	R4133580	R4133580	Discontinued	NR	-	-	-	-
-	1-1/2 "	R4133580	R4133580	Discontinued	NR	-	-	-	-
-	1-1/2 "	R4133580	R4133580	Discontinued	NR	-	-	-	-
-	1-1/2 "	R4133580	R4133580	Discontinued	NR	-	-	-	-
-	1-1/2 "	R4133580	R4133580	Discontinued	NR	-	-	-	-
-	1-1/2 "	R4133580	R4133580	Discontinued	NR	-	-	-	-
-	1-5/8 "	R4133338	R4133338	R4166689	NR	-	-	-	-
-	1-5/8 "	R4133338	R4133338	R4166689	NR	-	-	-	-
-	1-5/8 "	R4133338	R4133338	R4166689	NR	-	-	-	-
-	1-5/8 "	R4133338	R4133338	R4166689	NR	-	-	-	-

1 APPLICATION

MAKE MODEL YEAR AXLE CODE AXLE WEIGHT	AXLE & BRK. TYPE	BRK. MFG.	BRAKE SIZE	FMSI	MERITOR DISC PAD OR BRAKE SHOE	MERITOR GUIDE PIN OR RETURN SPRING KIT	MERITOR CALIPER HWD. KIT OR RETURN SPRING KIT	MERITOR ADJUSTER KIT (LEFT WHEEL)	MERITOR ADJUSTER KIT (RIGHT WHEEL)
ITE(Cont.)									
170, 1700, 1710, 1723, 1724, 1750, 1753, 1754 SERIES CONVENTIONAL CAB, SCHOOL BUS, TILT CAB(Cont.)									
1965 S1724, S1754 Conventional RA39, 199	Ra	WG	15 " x 7 "	4597 - 383	R700383	R40H597	R40H9200	R40H3540	R40H3541
	Rm	WG	15 " x 7 "	4597 - 383	R700383	R40H597	R40H9200	R40H3518	R404148
S1724, S1754 Conventional RA44, 186	Ra	WG	15 " x 7 "	4597 - 383	R700383	R40H597	R40H9200	NLA	NLA
	Rm	WG	15 " x 7 "	4597 - 383	R700383	R40H597	R40H9200	R40H3518	R404148
S1724, S1754 Conventional RA47, 57	Ra	WG	16 " x 6 "	1255 - 386	N/A	R40H597	R40H9200	NLA	NLA
	Rm	WG	16 " x 6 "	1255 - 386	N/A	R40H597	R40H9200	R404149	R404150
1964 C1710, C1750 Cargostar Tilt Cab FA109, 208	Fa	WG	15 " x 3 "	1245C - 321	R700321	R40H521	R40H9237	R40H3502	R40H3503
	Fm	WG	15 " x 3 "	1245A - 235	R700235	R40H521	R40H9201	R40H3524	R40H3524
C1710, C1750 Cargostar Tilt Cab FA118, 127, 139	Fa	WG	15 " x 5 "	1345A - 491	N/A	R40H521	R40H9237	R40H3502	R40H3503
	Fm	WG	15 " x 5 "	1345 - 490	N/A	R40H521	R40H9201	R40H3524	R40H3524
C1710, C1750 Cargostar Tilt Cab FA208	Fa	WG	15 " x 3-1/2 "	1280B - 322	R464004	R40H521	R40H9237	R40H3502	R40H3503
	Fm	WG	15 " x 3-1/2 "	1280 - 463	R700463	R40H521	R40H9201	R40H3524	R40H3524
C1710, C1750 Cargostar Tilt Cab FA48, 68, 70, 72	Fa	WG	14 " x 2-1/2 "	1294A - 325	N/A	R40H521	R40H9237	R40H3502	R40H3503
	Fm	WG	14 " x 2-1/2 "	1294 - 296	N/A	R40H521	R40H9201	R40H3524	R40H3524
C1710, C1750 Cargostar Tilt Cab FA71, 73, 101	Fa	WG	15 " x 3 "	1245C - 321	R700321	R40H521	R40H9237	R40H3502	R40H3503
	Fa	WG	15 " x 3-1/2 "	1280B - 322	R464004	R40H521	R40H9237	R40H3502	R40H3503
	Fm	WG	15 " x 3 "	1245A - 235	R700235	R40H521	R40H9201	R40H3524	R40H3524
	Fm	WG	15 " x 3-1/2 "	1280 - 463	R700463	R40H521	R40H9201	R40H3524	R40H3524
C1710, C1750 Cargostar Tilt Cab FA74	Fa	WG	15 " x 3 "	1245C - 321	R700321	R40H521	R40H9237	R40H3502	R40H3503
	Fm	WG	15 " x 3 "	1245A - 235	R700235	R40H521	R40H9201	R40H3524	R40H3524
C1710, C1750 Cargostar Tilt Cab FA78, 81	Fa	WG	15 " x 3 "	1245C - 321	R700321	R40H521	R40H9237	R40H3502	R40H3503
C1710, C1750 Cargostar Tilt Cab FA89, 91, 98	Fa	WG	15 " x 3 "	1245C - 321	R700321	R40H521	R40H9237	R40H3502	R40H3503
	Fm	WG	15 " x 3 "	1245A - 235	R700235	R40H521	R40H9201	R40H3524	R40H3524
C1710, C1750 Cargostar Tilt Cab RA184	Ra	WG	15 " x 4 "	4645A - 376	Discontinued	R40H597	R40H9200	R40H3540	R40H3541
	Rm	WG	15 " x 4 "	4645A - 376	Discontinued	R40H597	R40H9200	R40H3518	R404148
C1710, C1750 Cargostar Tilt Cab RA25, 184	Ra	WG	15 " x 5 "	1252 - 346	R700346	R40H597	R40H9200	R40H3540	R40H3541
	Rm	WG	15 " x 5 "	1252 - 346	R700346	R40H597	R40H9200	R40H3518	R404148
C1710, C1750 Cargostar Tilt Cab RA29, 30, 187	Ra	WG	15 " x 5 "	1252 - 346	R700346	R40H597	R40H9200	R40H3540	R40H3541
	Rm	WG	15 " x 5 "	1252 - 346	R700346	R40H597	R40H9200	R40H3518	R404148
C1710, C1750 Cargostar Tilt Cab RA30, 187	Ra	WG	16 " x 5 "	1254 - 385	N/A	R40H597	R40H9200	NLA	NLA
	Rm	WG	16 " x 5 "	1254 - 385	N/A	R40H597	R40H9200	R404149	R404150
C1710, C1750 Cargostar Tilt Cab RA30, 39, 44, 186, 189	Ra	WG	15 " x 6 "	4596 - 381	R700381	R40H597	R40H9200	R40H3540	R40H3541

MERITOR DRUM OR ROTOR NO.	CALIPER OR CYLINDER BORE SIZE	MERITOR CALIPER OR WHEEL CYLINDER (LEFT)	MERITOR CALIPER OR WHEEL CYLINDER (RIGHT)	MERITOR CALIPER OR WHEEL CYLINDER REPAIR KIT	MERITOR CALIPER PISTON	MERITOR MASTER CYLINDER	MERITOR MASTER CYLINDER KIT	MERITOR BRAKE HOSE (LEFT)	MERITOR BRAKE HOSE (RIGHT)
ITE(Cont.)									
170, 1700, 1710, 1723, 1724, 1750, 1753, 1754 SERIES CONVENTIONAL CAB, SCHOOL BUS, TILT CAB(Cont.)									
-	1-5/8 "	R4133338	R4133338	R4166689	NR	-	-	-	-
-	1-5/8 "	R4133338	R4133338	R4166689	NR	-	-	-	-
-	1-5/8 "	R4133338	R4133338	R4166689	NR	-	-	-	-
-	1-5/8 "	R4133338	R4133338	R4166689	NR	-	-	-	-
-	1-3/4 "	R4133400	R4133400	R4166917	NR	-	-	-	-
-	1-3/4 "	R4133400	R4133400	R4166917	NR	-	-	-	-
-	1-1/4 "	R4133581	R4133582	R4166923	NR	-	-	-	-
-	1-1/4 "	R4133581	R4133582	R4166923	NR	-	-	-	-
-	-	-	-	-	-	-	-	-	-
-	-	-	-	-	-	-	-	-	-
-	1-1/4 "	R4133581	R4133582	R4166923	NR	-	-	-	-
-	1-1/4 "	R4133581	R4133582	R4166923	NR	-	-	-	-
-	1-1/8 "	R4133714	R4133715	R4166926	NR	-	-	-	-
-	1-1/8 "	R4133714	R4133715	R4166926	NR	-	-	-	-
-	1-1/4 "	R4133581	R4133582	R4166923	NR	-	-	-	-
-	1-1/4 "	R4133581	R4133582	R4166923	NR	-	-	-	-
-	1-1/4 "	R4133581	R4133582	R4166923	NR	-	-	-	-
-	1-1/4 "	R4133581	R4133582	R4166923	NR	-	-	-	-
-	1-1/4 "	R4133581	R4133582	R4166923	NR	-	-	-	-
-	1-1/4 "	R4133581	R4133582	R4166923	NR	-	-	-	-
-	1-1/4 "	R4133581	R4133582	R4166923	NR	-	-	-	-
-	1-1/4 "	R4133581	R4133582	R4166923	NR	-	-	-	-
-	1-1/2 "	R4133580	R4133580	Discontinued	NR	-	-	-	-
-	1-1/2 "	R4133580	R4133580	Discontinued	NR	-	-	-	-
-	1-1/2 "	R4133580	R4133580	Discontinued	NR	-	-	-	-
-	1-1/2 "	R4133580	R4133580	Discontinued	NR	-	-	-	-
-	1-1/2 "	R4133580	R4133580	Discontinued	NR	-	-	-	-
-	1-1/2 "	R4133580	R4133580	Discontinued	NR	-	-	-	-
-	1-5/8 "	R4133338	R4133338	R4166689	NR	-	-	-	-
-	1-5/8 "	R4133338	R4133338	R4166689	NR	-	-	-	-
-	1-5/8 "	R4133338	R4133338	R4166689	NR	-	-	-	-

1 APPLICATION

MAKE MODEL YEAR AXLE CODE AXLE WEIGHT	AXLE & BRK. TYPE	BRK. MFG.	BRAKE SIZE	FMSI	MERITOR DISC PAD OR BRAKE SHOE	MERITOR GUIDE PIN OR RETURN SPRING KIT	MERITOR CALIPER HWD. KIT OR RETURN SPRING KIT	MERITOR ADJUSTER KIT (LEFT WHEEL)	MERITOR ADJUSTER KIT (RIGHT WHEEL)
ITE(Cont.)									
170, 1700, 1710, 1723, 1724, 1750, 1753, 1754 SERIES CONVENTIONAL CAB, SCHOOL BUS, TILT CAB(Cont.)									
1964 C1710, C1750 Cargostar Tilt Cab RA30, 39, 44, 186, 189	Rm	WG	15 " x 6 "	4596 - 381	R700381	R40H597	R40H9200	R40H3518	R404148
C1710, C1750 Cargostar Tilt Cab RA39, 199	Ra	WG	15 " x 7 "	4597 - 383	R700383	R40H597	R40H9200	R40H3540	R40H3541
	Rm	WG	15 " x 7 "	4597 - 383	R700383	R40H597	R40H9200	R40H3518	R404148
C1710, C1750 Cargostar Tilt Cab RA44, 186	Ra	WG	15 " x 7 "	4597 - 383	R700383	R40H597	R40H9200	NLA	NLA
	Rm	WG	15 " x 7 "	4597 - 383	R700383	R40H597	R40H9200	R40H3518	R404148
C1710, C1750 Cargostar Tilt Cab RA47, 57	Ra	WG	16 " x 6 "	1255 - 386	N/A	R40H597	R40H9200	NLA	NLA
	Rm	WG	16 " x 6 "	1255 - 386	N/A	R40H597	R40H9200	R404149	R404150
S1723, S1753 School Bus FA109, 208	Fa	WG	15 " x 3 "	1245C - 321	R700321	R40H521	R40H9237	R40H3502	R40H3503
	Fm	WG	15 " x 3 "	1245A - 235	R700235	R40H521	R40H9201	R40H3524	R40H3524
S1723, S1753 School Bus FA118, 127, 139	Fa	WG	15 " x 5 "	1345A - 491	N/A	R40H521	R40H9237	R40H3502	R40H3503
	Fm	WG	15 " x 5 "	1345 - 490	N/A	R40H521	R40H9201	R40H3524	R40H3524
S1723, S1753 School Bus FA208	Fa	WG	15 " x 3-1/2 "	1280B - 322	R464004	R40H521	R40H9237	R40H3502	R40H3503
	Fm	WG	15 " x 3-1/2 "	1280 - 463	R700463	R40H521	R40H9201	R40H3524	R40H3524
S1723, S1753 School Bus FA48, 68, 70, 72	Fa	WG	14 " x 2-1/2 "	1294A - 325	N/A	R40H521	R40H9237	R40H3502	R40H3503
	Fm	WG	14 " x 2-1/2 "	1294 - 296	N/A	R40H521	R40H9201	R40H3524	R40H3524
S1723, S1753 School Bus FA71, 73, 101	Fa	WG	15 " x 3 "	1245C - 321	R700321	R40H521	R40H9237	R40H3502	R40H3503
	Fa	WG	15 " x 3-1/2 "	1280B - 322	R464004	R40H521	R40H9237	R40H3502	R40H3503
	Fm	WG	15 " x 3 "	1245A - 235	R700235	R40H521	R40H9201	R40H3524	R40H3524
	Fm	WG	15 " x 3-1/2 "	1280 - 463	R700463	R40H521	R40H9201	R40H3524	R40H3524
S1723, S1753 School Bus FA74	Fa	WG	15 " x 3 "	1245C - 321	R700321	R40H521	R40H9237	R40H3502	R40H3503
	Fm	WG	15 " x 3 "	1245A - 235	R700235	R40H521	R40H9201	R40H3524	R40H3524
S1723, S1753 School Bus FA78, 81	Fa	WG	15 " x 3 "	1245C - 321	R700321	R40H521	R40H9237	R40H3502	R40H3503
S1723, S1753 School Bus FA89, 91, 98	Fa	WG	15 " x 3 "	1245C - 321	R700321	R40H521	R40H9237	R40H3502	R40H3503
	Fm	WG	15 " x 3 "	1245A - 235	R700235	R40H521	R40H9201	R40H3524	R40H3524
S1723, S1753 School Bus RA184	Ra	WG	15 " x 4 "	4645A - 376	Discontinued	R40H597	R40H9200	R40H3540	R40H3541
	Rm	WG	15 " x 4 "	4645A - 376	Discontinued	R40H597	R40H9200	R40H3518	R404148
S1723, S1753 School Bus RA25, 184	Ra	WG	15 " x 5 "	1252 - 346	R700346	R40H597	R40H9200	R40H3540	R40H3541
	Rm	WG	15 " x 5 "	1252 - 346	R700346	R40H597	R40H9200	R40H3518	R404148
S1723, S1753 School Bus RA29, 30, 187	Ra	WG	15 " x 5 "	1252 - 346	R700346	R40H597	R40H9200	R40H3540	R40H3541
	Rm	WG	15 " x 5 "	1252 - 346	R700346	R40H597	R40H9200	R40H3518	R404148
S1723, S1753 School Bus RA30, 187	Ra	WG	16 " x 5 "	1254 - 385	N/A	R40H597	R40H9200	NLA	NLA
	Rm	WG	16 " x 5 "	1254 - 385	N/A	R40H597	R40H9200	R404149	R404150
S1723, S1753 School Bus RA30, 39, 44, 186, 189	Ra	WG	15 " x 6 "	4596 - 381	R700381	R40H597	R40H9200	R40H3540	R40H3541
	Rm	WG	15 " x 6 "	4596 - 381	R700381	R40H597	R40H9200	R40H3518	R404148
S1723, S1753 School Bus RA39, 199	Ra	WG	15 " x 7 "	4597 - 383	R700383	R40H597	R40H9200	R40H3540	R40H3541
	Rm	WG	15 " x 7 "	4597 - 383	R700383	R40H597	R40H9200	R40H3518	R404148
S1723, S1753 School Bus RA44, 186	Ra	WG	15 " x 7 "	4597 - 383	R700383	R40H597	R40H9200	NLA	NLA
	Rm	WG	15 " x 7 "	4597 - 383	R700383	R40H597	R40H9200	R40H3518	R404148

MERITOR DRUM OR ROTOR NO.	CALIPER OR CYLINDER BORE SIZE	MERITOR CALIPER OR WHEEL CYLINDER (LEFT)	MERITOR CALIPER OR WHEEL CYLINDER (RIGHT)	MERITOR CALIPER OR WHEEL CYLINDER REPAIR KIT	MERITOR CALIPER PISTON	MERITOR MASTER CYLINDER	MERITOR MASTER CYLINDER KIT	MERITOR BRAKE HOSE (LEFT)	MERITOR BRAKE HOSE (RIGHT)
ITE(Cont.)									
170, 1700, 1710, 1723, 1724, 1750, 1753, 1754 SERIES CONVENTIONAL CAB, SCHOOL BUS, TILT CAB(Cont.)									
-	1-5/8 "	R4133338	R4133338	R4166689	NR	-	-	-	-
-	1-5/8 "	R4133338	R4133338	R4166689	NR	-	-	-	-
-	1-5/8 "	R4133338	R4133338	R4166689	NR	-	-	-	-
-	1-5/8 "	R4133338	R4133338	R4166689	NR	-	-	-	-
-	1-5/8 "	R4133338	R4133338	R4166689	NR	-	-	-	-
-	1-3/4 "	R4133400	R4133400	R4166917	NR	-	-	-	-
-	1-3/4 "	R4133400	R4133400	R4166917	NR	-	-	-	-
-	1-1/4 "	R4133581	R4133582	R4166923	NR	-	-	-	-
-	1-1/4 "	R4133581	R4133582	R4166923	NR	-	-	-	-
-									
-									
-	1-1/4 "	R4133581	R4133582	R4166923	NR	-	-	-	-
-	1-1/4 "	R4133581	R4133582	R4166923	NR	-	-	-	-
-	1-1/8 "	R4133714	R4133715	R4166926	NR	-	-	-	-
-	1-1/8 "	R4133714	R4133715	R4166926	NR	-	-	-	-
-	1-1/4 "	R4133581	R4133582	R4166923	NR	-	-	-	-
-	1-1/4 "	R4133581	R4133582	R4166923	NR	-	-	-	-
-	1-1/4 "	R4133581	R4133582	R4166923	NR	-	-	-	-
-	1-1/4 "	R4133581	R4133582	R4166923	NR	-	-	-	-
-	1-1/4 "	R4133581	R4133582	R4166923	NR	-	-	-	-
-	1-1/4 "	R4133581	R4133582	R4166923	NR	-	-	-	-
-	1-1/4 "	R4133581	R4133582	R4166923	NR	-	-	-	-
-	1-1/4 "	R4133581	R4133582	R4166923	NR	-	-	-	-
-	1-1/2 "	R4133580	R4133580	Discontinued	NR	-	-	-	-
-	1-1/2 "	R4133580	R4133580	Discontinued	NR	-	-	-	-
-	1-1/2 "	R4133580	R4133580	Discontinued	NR	-	-	-	-
-	1-1/2 "	R4133580	R4133580	Discontinued	NR	-	-	-	-
-	1-1/2 "	R4133580	R4133580	Discontinued	NR	-	-	-	-
-	1-1/2 "	R4133580	R4133580	Discontinued	NR	-	-	-	-
-	1-5/8 "	R4133338	R4133338	R4166689	NR	-	-	-	-
-	1-5/8 "	R4133338	R4133338	R4166689	NR	-	-	-	-
-	1-5/8 "	R4133338	R4133338	R4166689	NR	-	-	-	-
-	1-5/8 "	R4133338	R4133338	R4166689	NR	-	-	-	-
-	1-5/8 "	R4133338	R4133338	R4166689	NR	-	-	-	-
-	1-5/8 "	R4133338	R4133338	R4166689	NR	-	-	-	-
-	1-5/8 "	R4133338	R4133338	R4166689	NR	-	-	-	-
-	1-5/8 "	R4133338	R4133338	R4166689	NR	-	-	-	-
-	1-5/8 "	R4133338	R4133338	R4166689	NR	-	-	-	-

1-APPLICATION

MAKE MODEL YEAR AXLE CODE AXLE WEIGHT	AXLE & BRK. TYPE	BRK. MFG.	BRAKE SIZE	FMSI	MERITOR DISC PAD OR BRAKE SHOE	MERITOR GUIDE PIN OR RETURN SPRING KIT	MERITOR CALIPER HWD. KIT OR RETURN SPRING KIT	MERITOR ADJUSTER KIT (LEFT WHEEL)	MERITOR ADJUSTER KIT (RIGHT WHEEL)
ITE(Cont.)									
170, 1700, 1710, 1723, 1724, 1750, 1753, 1754 SERIES CONVENTIONAL CAB, SCHOOL BUS, TILT CAB(Cont.)									
1964 S1723, S1753 School Bus RA47, 57	Ra	WG	16 " x 6 "	1255 - 386	N/A	R40H597	R40H9200	NLA	NLA
	Rm	WG	16 " x 6 "	1255 - 386	N/A	R40H597	R40H9200	R404149	R404150
S1724, S1754 Conventional FA109, 208	Fa	WG	15 " x 3 "	1245C - 321	R700321	R40H521	R40H9237	R40H3502	R40H3503
	Fm	WG	15 " x 3 "	1245A - 235	R700235	R40H521	R40H9201	R40H3524	R40H3524
S1724, S1754 Conventional FA118, 127, 139	Fa	WG	15 " x 5 "	1345A - 491	N/A	R40H521	R40H9237	R40H3502	R40H3503
	Fm	WG	15 " x 5 "	1345 - 490	N/A	R40H521	R40H9201	R40H3524	R40H3524
S1724, S1754 Conventional FA208	Fa	WG	15 " x 3-1/2 "	1280B - 322	R464004	R40H521	R40H9237	R40H3502	R40H3503
	Fm	WG	15 " x 3-1/2 "	1280 - 463	R700463	R40H521	R40H9201	R40H3524	R40H3524
S1724, S1754 Conventional FA48, 68, 70, 72	Fa	WG	14 " x 2-1/2 "	1294A - 325	N/A	R40H521	R40H9237	R40H3502	R40H3503
	Fm	WG	14 " x 2-1/2 "	1294 - 296	N/A	R40H521	R40H9201	R40H3524	R40H3524
S1724, S1754 Conventional FA71, 73, 101	Fa	WG	15 " x 3 "	1245C - 321	R700321	R40H521	R40H9237	R40H3502	R40H3503
	Fa	WG	15 " x 3-1/2 "	1280B - 322	R464004	R40H521	R40H9237	R40H3502	R40H3503
	Fm	WG	15 " x 3 "	1245A - 235	R700235	R40H521	R40H9201	R40H3524	R40H3524
	Fm	WG	15 " x 3-1/2 "	1280 - 463	R700463	R40H521	R40H9201	R40H3524	R40H3524
S1724, S1754 Conventional FA74	Fa	WG	15 " x 3 "	1245C - 321	R700321	R40H521	R40H9237	R40H3502	R40H3503
	Fm	WG	15 " x 3 "	1245A - 235	R700235	R40H521	R40H9201	R40H3524	R40H3524
S1724, S1754 Conventional FA78, 81	Fa	WG	15 " x 3 "	1245C - 321	R700321	R40H521	R40H9237	R40H3502	R40H3503
S1724, S1754 Conventional FA89, 91, 98	Fa	WG	15 " x 3 "	1245C - 321	R700321	R40H521	R40H9237	R40H3502	R40H3503
	Fm	WG	15 " x 3 "	1245A - 235	R700235	R40H521	R40H9201	R40H3524	R40H3524
S1724, S1754 Conventional RA184	Ra	WG	15 " x 4 "	4645A - 376	Discontinued	R40H597	R40H9200	R40H3540	R40H3541
	Rm	WG	15 " x 4 "	4645A - 376	Discontinued	R40H597	R40H9200	R40H3518	R404148
S1724, S1754 Conventional RA25, 184	Ra	WG	15 " x 5 "	1252 - 346	R700346	R40H597	R40H9200	R40H3540	R40H3541
	Rm	WG	15 " x 5 "	1252 - 346	R700346	R40H597	R40H9200	R40H3518	R404148
S1724, S1754 Conventional RA29, 30, 187	Ra	WG	15 " x 5 "	1252 - 346	R700346	R40H597	R40H9200	R40H3540	R40H3541
	Rm	WG	15 " x 5 "	1252 - 346	R700346	R40H597	R40H9200	R40H3518	R404148
S1724, S1754 Conventional RA30, 187	Ra	WG	16 " x 5 "	1254 - 385	N/A	R40H597	R40H9200	NLA	NLA
	Rm	WG	16 " x 5 "	1254 - 385	N/A	R40H597	R40H9200	R404149	R404150
S1724, S1754 Conventional RA30, 39, 44, 186, 189	Ra	WG	15 " x 6 "	4596 - 381	R700381	R40H597	R40H9200	R40H3540	R40H3541
	Rm	WG	15 " x 6 "	4596 - 381	R700381	R40H597	R40H9200	R40H3518	R404148
S1724, S1754 Conventional RA39, 199	Ra	WG	15 " x 7 "	4597 - 383	R700383	R40H597	R40H9200	R40H3540	R40H3541
	Rm	WG	15 " x 7 "	4597 - 383	R700383	R40H597	R40H9200	R40H3518	R404148
S1724, S1754 Conventional RA44, 186	Ra	WG	15 " x 7 "	4597 - 383	R700383	R40H597	R40H9200	NLA	NLA
	Rm	WG	15 " x 7 "	4597 - 383	R700383	R40H597	R40H9200	R40H3518	R404148
S1724, S1754 Conventional RA47, 57	Ra	WG	16 " x 6 "	1255 - 386	N/A	R40H597	R40H9200	NLA	NLA
	Rm	WG	16 " x 6 "	1255 - 386	N/A	R40H597	R40H9200	R404149	R404150
180, 1800, 1810, 1823, 1824, 1850, 1853, 1854 SERIES CONVENTIONAL TRUCK, SCHOOL BUS, TILT CAB									
1989	Fd	BX		7108 - D184	MD184	R40H5010	R40H5519	NR	NR
	Fd	BX		7142 - D225	MD225	R40H5010	R40H5522	NR	NR
	Fd	BX		7108 - D184	MD184	R40H5010	R40H5519	NR	NR
	Fd	BX		7108 - D184	MD184	R40H5010	R40H5519	NR	NR
	Fd	BX		7108 - D184	MD184	R40H5010	R40H5519	NR	NR
	Fd	BX		7142 - D225	MD225	R40H5010	R40H5522	NR	NR
	Fd	BX		7142 - D225	MD225	R40H5010	R40H5522	NR	NR

MERITOR DRUM OR ROTOR NO.	CALIPER OR CYLINDER BORE SIZE	MERITOR CALIPER OR WHEEL CYLINDER (LEFT)	MERITOR CALIPER OR WHEEL CYLINDER (RIGHT)	MERITOR CALIPER OR WHEEL CYLINDER REPAIR KIT	MERITOR CALIPER PISTON	MERITOR MASTER CYLINDER	MERITOR MASTER CYLINDER KIT	MERITOR BRAKE HOSE (LEFT)	MERITOR BRAKE HOSE (RIGHT)
ITE(Cont.)									
170, 1700, 1710, 1723, 1724, 1750, 1753, 1754 SERIES CONVENTIONAL CAB, SCHOOL BUS, TILT CAB(Cont.)									
-	1-3/4 "	R4133400	R4133400	R4166917	NR	-	-	-	-
-	1-3/4 "	R4133400	R4133400	R4166917	NR	-	-	-	-
-	1-1/4 "	R4133581	R4133582	R4166923	NR	-	-	-	-
-	1-1/4 "	R4133581	R4133582	R4166923	NR	-	-	-	-
-		-	-	-	-	-	-	-	-
-		-	-	-	-	-	-	-	-
-	1-1/4 "	R4133581	R4133582	R4166923	NR	-	-	-	-
-	1-1/4 "	R4133581	R4133582	R4166923	NR	-	-	-	-
-	1-1/8 "	R4133714	R4133715	R4166926	NR	-	-	-	-
-	1-1/8 "	R4133714	R4133715	R4166926	NR	-	-	-	-
-	1-1/4 "	R4133581	R4133582	R4166923	NR	-	-	-	-
-	1-1/4 "	R4133581	R4133582	R4166923	NR	-	-	-	-
-	1-1/4 "	R4133581	R4133582	R4166923	NR	-	-	-	-
-	1-1/4 "	R4133581	R4133582	R4166923	NR	-	-	-	-
-	1-1/4 "	R4133581	R4133582	R4166923	NR	-	-	-	-
-	1-1/4 "	R4133581	R4133582	R4166923	NR	-	-	-	-
-	1-1/4 "	R4133581	R4133582	R4166923	NR	-	-	-	-
-	1-1/2 "	R4133580	R4133580	Discontinued	NR	-	-	-	-
-	1-1/2 "	R4133580	R4133580	Discontinued	NR	-	-	-	-
-	1-1/2 "	R4133580	R4133580	Discontinued	NR	-	-	-	-
-	1-1/2 "	R4133580	R4133580	Discontinued	NR	-	-	-	-
-	1-1/2 "	R4133580	R4133580	Discontinued	NR	-	-	-	-
-	1-1/2 "	R4133580	R4133580	Discontinued	NR	-	-	-	-
-	1-5/8 "	R4133338	R4133338	R4166689	NR	-	-	-	-
-	1-5/8 "	R4133338	R4133338	R4166689	NR	-	-	-	-
-	1-5/8 "	R4133338	R4133338	R4166689	NR	-	-	-	-
-	1-5/8 "	R4133338	R4133338	R4166689	NR	-	-	-	-
-	1-5/8 "	R4133338	R4133338	R4166689	NR	-	-	-	-
-	1-5/8 "	R4133338	R4133338	R4166689	NR	-	-	-	-
-	1-5/8 "	R4133338	R4133338	R4166689	NR	-	-	-	-
-	1-3/4 "	R4133400	R4133400	R4166917	NR	-	-	-	-
-	1-3/4 "	R4133400	R4133400	R4166917	NR	-	-	-	-
180, 1800, 1810, 1823, 1824, 1850, 1853, 1854 SERIES CONVENTIONAL TRUCK, SCHOOL BUS, TILT CAB									
23-122920-002 ²⁷³	3-3/8 "	R42R55099	R42R55098 ³⁷	R4066780	R4090021 ²⁰¹	-	-	R458636	R458636
R44141628 ²⁶⁹	2-7/8 "	R42R55250	R42R55250 ³⁷	R4066365	R4090096 ⁷²	-	-	-	-
23-123572-004 ²⁷¹	3-3/8 "	R42R55099	R42R55098 ³⁷	R4066780	R4090021 ²⁰¹	-	-	N/A	N/A
R44141476 ²⁶⁸	3-3/8 "	R42R55099	R42R55098 ³⁷	R4066780	R4090021 ²⁰¹	-	-	N/A	N/A
23-122527-002 ²⁷²	3-3/8 "	R42R55099	R42R55098 ³⁷	R4066780	R4090021 ²⁰¹	-	-	-	-
R44141608 ²⁶⁷	2-7/8 "	R42R55250	R42R55250 ³⁷	R4066365	R4090096 ⁷²	-	-	-	-
23-123572-004 ²⁷¹	2-7/8 "	R42R55250	R42R55250 ³⁷	R4066365	R4090096 ⁷²	-	-	-	-

MERITOR DRUM OR ROTOR NO.	CALIPER OR CYLINDER BORE SIZE	MERITOR CALIPER OR WHEEL CYLINDER (LEFT)	MERITOR CALIPER OR WHEEL CYLINDER (RIGHT)	MERITOR CALIPER OR WHEEL CYLINDER REPAIR KIT	MERITOR CALIPER PISTON	MERITOR MASTER CYLINDER	MERITOR MASTER CYLINDER KIT	MERITOR BRAKE HOSE (LEFT)	MERITOR BRAKE HOSE (RIGHT)
ITE(Cont.)									
180, 1800, 1810, 1823, 1824, 1850, 1853, 1854 SERIES CONVENTIONAL TRUCK, SCHOOL BUS, TILT CAB(Cont.)									
23-122920-002 ²⁷³	2-7/8 "	R42R55250	R42R55250 ³⁷	R4066365	R4090096 ⁷²	-	-	-	-
23-123552-004 ²⁶⁶	3-3/8 "	R42R55099	R42R55098 ³⁷	R4066780	R4090021 ²⁰¹	-	-	N/A	N/A
R44141627 ²⁷⁰	2-7/8 "	R42R55250	R42R55250 ³⁷	R4066365	R4090096 ⁷²	-	-	-	-
R44141858 ²⁷⁵	3-3/8 "	R42R55099	R42R55098 ³⁷	R4066780	R4090021 ²⁰¹	-	-	R458636	R458636
23-122920-002 ²⁷³	3-3/8 "	R42R55099	R42R55098 ³⁷	R4066780	R4090021 ²⁰¹	-	-	N/A	N/A
23-122527-002 ²⁷²	2-19/32 "	R42R55245	R42R55245 ³⁸	R402235118	R402238231 ²⁰¹	-	-	-	-
R44141628 ²⁶⁹	2-7/8 "	R42R55250	R42R55250 ³⁷	R4066365	R4090096 ⁷²	-	-	-	-
23-123552-004 ²⁶⁶	3-3/8 "	R42R55099	R42R55098 ³⁷	R4066780	R4090021 ²⁰¹	-	-	N/A	N/A
R44141858 ²⁷⁵	3-3/8 "	R42R55099	R42R55098 ³⁷	R4066780	R4090021 ²⁰¹	-	-	R458636	R458636
23-122920-002 ²⁷³	3-3/8 "	R42R55099	R42R55098 ³⁷	R4066780	R4090021 ²⁰¹	-	-	R458636	R458636
R44141476 ²⁶⁸	2-7/8 "	R429218X	R429218X ³⁹	R406532	R4090070 ⁴⁰	-	-	-	-
23-123572-004 ²⁷¹	2-19/32 "	R42R55245	R42R55245 ³⁸	R402235118	R402238231 ²⁰¹	-	-	-	-
R44141476 ²⁶⁸	2-19/32 "	R42R55245	R42R55245 ³⁸	R402235118	R402238231 ²⁰¹	-	-	-	-
R44141476 ²⁶⁸	3-3/8 "	R42R55099	R42R55098 ³⁷	R4066780	R4090021 ²⁰¹	-	-	R458635	R458635
R44141858 ²⁷⁵	3-3/8 "	R42R55099	R42R55098 ³⁷	R4066780	R4090021 ²⁰¹	-	-	R458636	R458636
R44141476 ²⁶⁸	3-3/8 "	R42R55099	R42R55098 ³⁷	R4066780	R4090021 ²⁰¹	-	-	N/A	N/A
23-123572-004 ²⁷¹	2-7/8 "	R42R55250	R42R55250 ³⁷	R4066365	R4090096 ⁷²	-	-	-	-
23-122527-002 ²⁷²	3-3/8 "	R42R55099	R42R55098 ³⁷	R4066780	R4090021 ²⁰¹	-	-	R458636	R458636
R44141858 ²⁷⁵	3-3/8 "	R42R55099	R42R55098 ³⁷	R4066780	R4090021 ²⁰¹	-	-	N/A	N/A
R44141476 ²⁶⁸	3-3/8 "	R42R55099	R42R55098 ³⁷	R4066780	R4090021 ²⁰¹	-	-	R458636	R458636
23-123572-004 ²⁷¹	3-3/8 "	R42R55099	R42R55098 ³⁷	R4066780	R4090021 ²⁰¹	-	-	N/A	N/A
R44141476 ²⁶⁸	3-3/8 "	R42R55099	R42R55098 ³⁷	R4066780	R4090021 ²⁰¹	-	-	R458636	R458636
23-123572-004 ²⁷¹	3-3/8 "	R42R55099	R42R55098 ³⁷	R4066780	R4090021 ²⁰¹	-	-	N/A	N/A
R44141476 ²⁶⁸	3-3/8 "	R42R55099	R42R55098 ³⁷	R4066780	R4090021 ²⁰¹	-	-	R458636	R458636
23-123572-004 ²⁷¹	3-3/8 "	R42R55099	R42R55098 ³⁷	R4066780	R4090021 ²⁰¹	-	-	N/A	N/A
R44141858 ²⁷⁵	3-3/8 "	R42R55099	R42R55098 ³⁷	R4066780	R4090021 ²⁰¹	-	-	R458636	R458636
23-122920-002 ²⁷³	3-3/8 "	R42R55099	R42R55098 ³⁷	R4066780	R4090021 ²⁰¹	-	-	N/A	N/A
R44141628 ²⁶⁹	2-7/8 "	R42R55250	R42R55250 ³⁷	R4066365	R4090096 ⁷²	-	-	-	-
23-123552-004 ²⁶⁶	3-3/8 "	R42R55099	R42R55098 ³⁷	R4066780	R4090021 ²⁰¹	-	-	-	-
23-123552-004 ²⁶⁶	3-3/8 "	R42R55099	R42R55098 ³⁷	R4066780	R4090021 ²⁰¹	-	-	R458636	R458636
23-123552-004 ²⁶⁶	2-7/8 "	R42R55250	R42R55250 ³⁷	R4066365	R4090096 ⁷²	-	-	-	-
R44141858 ²⁷⁵	3-3/8 "	R42R55099	R42R55098 ³⁷	R4066780	R4090021 ²⁰¹	-	-	-	-
23-123552-004 ²⁶⁶	3-3/8 "	R42R55099	R42R55098 ³⁷	R4066780	R4090021 ²⁰¹	-	-	R458635	R458635
23-123572-004 ²⁷¹	2-7/8 "	R429218X	R429218X ³⁹	R406532	R4090070 ⁴⁰	-	-	-	-
R44141858 ²⁷⁵	3-3/8 "	R42R55099	R42R55098 ³⁷	R4066780	R4090021 ²⁰¹	-	-	R458635	R458635
R44141608 ²⁶⁷	2-7/8 "	R42R55250	R42R55250 ³⁷	R4066365	R4090096 ⁷²	-	-	-	-
23-123552-004 ²⁶⁶	2-7/8 "	R42R55250	R42R55250 ³⁷	R4066365	R4090096 ⁷²	-	-	-	-
23-123552-004 ²⁶⁶	3-3/8 "	R42R55099	R42R55098 ³⁷	R4066780	R4090021 ²⁰¹	-	-	R458636	R458636
R44141476 ²⁶⁸	2-19/32 "	R42R55314	R42R55314 ³⁷	R40107771	R4090100P ⁷²	-	-	-	-
R44141629 ²⁶⁹	2-7/8 "	R42R55250	R42R55250 ³⁷	R4066365	R4090096 ⁷²	-	-	-	-
23-122920-002 ²⁷³	2-7/8 "	R42R55250	R42R55250 ³⁷	R4066365	R4090096 ⁷²	-	-	-	-
23-123572-004 ²⁷¹	3-3/8 "	R42R55099	R42R55098 ³⁷	R4066780	R4090021 ²⁰¹	-	-	R458635	R458635
R44141858 ²⁷⁵	2-7/8 "	R42R55250	R42R55250 ³⁷	R4066365	R4090096 ⁷²	-	-	-	-
R44141627 ²⁷⁰	2-7/8 "	R42R55250	R42R55250 ³⁷	R4066365	R4090096 ⁷²	-	-	-	-
R44141629 ²⁶⁹	2-7/8 "	R42R55250	R42R55250 ³⁷	R4066365	R4090096 ⁷²	-	-	-	-
23-122920-002 ²⁷³	3-3/8 "	R42R55099	R42R55098 ³⁷	R4066780	R4090021 ²⁰¹	-	-	-	-
23-122920-002 ²⁷³	3-3/8 "	R42R55099	R42R55098 ³⁷	R4066780	R4090021 ²⁰¹	-	-	R458635	R458635
23-122527-002 ²⁷²	3-3/8 "	R42R55099	R42R55098 ³⁷	R4066780	R4090021 ²⁰¹	-	-	N/A	N/A
23-123552-004 ²⁶⁶	3-3/8 "	R42R55099	R42R55098 ³⁷	R4066780	R4090021 ²⁰¹	-	-	R458635	R458635
23-123552-004 ²⁶⁶	2-7/8 "	R42R55250	R42R55250 ³⁷	R4066365	R4090096 ⁷²	-	-	-	-
R44141858 ²⁷⁵	3-3/8 "	R42R55099	R42R55098 ³⁷	R4066780	R4090021 ²⁰¹	-	-	R458635	R458635
23-122527-002 ²⁷²	3-3/8 "	R42R55099	R42R55098 ³⁷	R4066780	R4090021 ²⁰¹	-	-	R458635	R458635
23-123572-004 ²⁷¹	2-7/8 "	R42R55250	R42R55250 ³⁷	R4066365	R4090096 ⁷²	-	-	-	-
23-122527-002 ²⁷²	2-7/8 "	R42R55250	R42R55250 ³⁷	R4066365	R4090096 ⁷²	-	-	-	-
23-122920-002 ²⁷³	3-3/8 "	R42R55099	R42R55098 ³⁷	R4066780	R4090021 ²⁰¹	-	-	R458635	R458635
23-122920-002 ²⁷³	3-3/8 "	R42R55099	R42R55098 ³⁷	R4066780	R4090021 ²⁰¹	-	-	N/A	N/A
R44141476 ²⁶⁸	2-7/8 "	R42R55250	R42R55250 ³⁷	R4066365	R4090096 ⁷²	-	-	-	-
23-123552-004 ²⁶⁶	3-3/8 "	R42R55099	R42R55098 ³⁷	R4066780	R4090021 ²⁰¹	-	-	R458635	R458635
23-123552-004 ²⁶⁶	2-7/8 "	R42R55250	R42R55250 ³⁷	R4066365	R4090096 ⁷²	-	-	-	-
R44141476 ²⁶⁸	2-7/8 "	R42R55250	R42R55250 ³⁷	R4066365	R4090096 ⁷²	-	-	-	-
23-123572-004 ²⁷¹	3-3/8 "	R42R55099	R42R55098 ³⁷	R4066780	R4090021 ²⁰¹	-	-	N/A	N/A
23-123552-004 ²⁶⁶	2-7/8 "	R429218X	R429218X ³⁹	R406532	R4090070 ⁴⁰	-	-	-	-
23-123572-004 ²⁷¹	3-3/8 "	R42R55099	R42R55098 ³⁷	R4066780	R4090021 ²⁰¹	-	-	R458635	R458635
R44141476 ²⁶⁸	2-7/8 "	R42R55250	R42R55250 ³⁷	R4066365	R4090096 ⁷²	-	-	-	-
R44141476 ²⁶⁸	3-3/8 "	R42R55099	R42R55098 ³⁷	R4066780	R4090021 ²⁰¹	-	-	R458636	R458636

1 APPLICATION

269 - 5 Stud, U Shape

270 - 5 Stud, U Shape, .766 Dia. Studs

271 - 6 Stud, Hat Shape

272 - 6 Stud, U Shape

273 - 5 Stud, U Shape, .780 Dia. Studs

275 - 5 Stud, U Shape, .656 Dia. Studs

MERITOR DRUM OR ROTOR NO.	CALIPER OR CYLINDER BORE SIZE	MERITOR CALIPER OR WHEEL CYLINDER (LEFT)	MERITOR CALIPER OR WHEEL CYLINDER (RIGHT)	MERITOR CALIPER OR WHEEL CYLINDER REPAIR KIT	MERITOR CALIPER PISTON	MERITOR MASTER CYLINDER	MERITOR MASTER CYLINDER KIT	MERITOR BRAKE HOSE (LEFT)	MERITOR BRAKE HOSE (RIGHT)
ITE(Cont.)									
180, 1800, 1810, 1823, 1824, 1850, 1853, 1854 SERIES CONVENTIONAL TRUCK, SCHOOL BUS, TILT CAB(Cont.)									
23-123552-004 ²⁶⁶	2-19/32 "	R42R55245	R42R55245 ³⁸	R402235118	R402238231 ²⁰¹	-	-	-	-
23-122527-002 ²⁷²	2-7/8 "	R42R55250	R42R55250 ³⁷	R4066365	R4090096 ⁷²	-	-	-	-
23-123552-004 ²⁶⁶	3-3/8 "	R42R55099	R42R55099 ³⁷	R4066780	R4090021 ²⁰¹	-	R458636	R458636	-
R44141858 ²⁷⁵	2-7/8 "	R42R55250	R42R55250 ³⁷	R4066365	R4090096 ⁷²	-	-	-	-
23-123552-004 ²⁶⁶	2-7/8 "	R42R55250	R42R55250 ³⁷	R4066365	R4090096 ⁷²	-	-	-	-
23-122920-002 ²⁷³	2-19/32 "	R42R55314	R42R55314 ³⁷	R40107771	R4090100P ⁷²	-	-	-	-
23-123572-004 ²⁷¹	3-3/8 "	R42R55099	R42R55099 ³⁷	R4066780	R4090021 ²⁰¹	-	R458635	R458635	-
R44141476 ²⁶⁸	3-3/8 "	R42R55099	R42R55099 ³⁷	R4066780	R4090021 ²⁰¹	-	R458635	R458635	-
R44141608 ²⁶⁷	2-7/8 "	R42R55250	R42R55250 ³⁷	R4066365	R4090096 ⁷²	-	-	-	-
R44141858 ²⁷⁵	3-3/8 "	R42R55099	R42R55099 ³⁷	R4066780	R4090021 ²⁰¹	-	R458635	R458635	-
R44141476 ²⁶⁸	3-3/8 "	R42R55099	R42R55099 ³⁷	R4066780	R4090021 ²⁰¹	-	-	-	-
23-123572-004 ²⁷¹	2-7/8 "	R42R55250	R42R55250 ³⁷	R4066365	R4090096 ⁷²	-	-	-	-
R44141476 ²⁶⁸	3-3/8 "	R42R55099	R42R55099 ³⁷	R4066780	R4090021 ²⁰¹	-	R458635	R458635	-
23-123572-004 ²⁷¹	2-19/32 "	R42R55314	R42R55314 ³⁷	R40107771	R4090100P ⁷²	-	-	-	-
23-123572-004 ²⁷¹	2-7/8 "	R42R55250	R42R55250 ³⁷	R4066365	R4090096 ⁷²	-	-	-	-
23-122920-002 ²⁷³	2-7/8 "	R42R55250	R42R55250 ³⁷	R4066365	R4090096 ⁷²	-	-	-	-
R44141858 ²⁷⁵	3-3/8 "	R42R55099	R42R55099 ³⁷	R4066780	R4090021 ²⁰¹	-	N/A	N/A	-
R44141858 ²⁷⁵	3-3/8 "	R42R55099	R42R55099 ³⁷	R4066780	R4090021 ²⁰¹	-	N/A	N/A	-
23-123552-004 ²⁶⁶	3-3/8 "	R42R55099	R42R55099 ³⁷	R4066780	R4090021 ²⁰¹	-	N/A	N/A	-
R44141476 ²⁶⁸	3-3/8 "	R42R55099	R42R55099 ³⁷	R4066780	R4090021 ²⁰¹	-	R458636	R458636	-
23-122527-002 ²⁷²	3-3/8 "	R42R55099	R42R55099 ³⁷	R4066780	R4090021 ²⁰¹	-	-	-	-
R44141858 ²⁷⁵	2-7/8 "	R429218X	R429218X ³⁹	R406532	R4090070 ⁴⁰	-	-	-	-
R44141858 ²⁷⁵	2-19/32 "	R42R55245	R42R55245 ³⁸	R402235118	R402238231 ²⁰¹	-	-	-	-
23-122527-002 ²⁷²	2-7/8 "	R42R55250	R42R55250 ³⁷	R4066365	R4090096 ⁷²	-	-	-	-
23-123552-004 ²⁶⁶	2-7/8 "	R42R55250	R42R55250 ³⁷	R4066365	R4090096 ⁷²	-	-	-	-
23-123552-004 ²⁶⁶	2-19/32 "	R42R55314	R42R55314 ³⁷	R40107771	R4090100P ⁷²	-	-	-	-
R44141858 ²⁷⁵	2-7/8 "	R42R55250	R42R55250 ³⁷	R4066365	R4090096 ⁷²	-	-	-	-
23-122920-002 ²⁷³	2-19/32 "	R42R55245	R42R55245 ³⁸	R402235118	R402238231 ²⁰¹	-	-	-	-
23-122920-002 ²⁷³	2-7/8 "	R429218X	R429218X ³⁹	R406532	R4090070 ⁴⁰	-	-	-	-
23-123572-004 ²⁷¹	3-3/8 "	R42R55099	R42R55099 ³⁷	R4066780	R4090021 ²⁰¹	-	R458636	R458636	-
R44141858 ²⁷⁵	2-19/32 "	R42R55314	R42R55314 ³⁷	R40107771	R4090100P ⁷²	-	-	-	-
23-122527-002 ²⁷²	2-19/32 "	R42R55314	R42R55314 ³⁷	R40107771	R4090100P ⁷²	-	-	-	-
23-123572-004 ²⁷¹	2-7/8 "	R42R55250	R42R55250 ³⁷	R4066365	R4090096 ⁷²	-	-	-	-
23-122920-002 ²⁷³	3-3/8 "	R42R55099	R42R55099 ³⁷	R4066780	R4090021 ²⁰¹	-	N/A	N/A	-
R44141627 ²⁷⁰	2-7/8 "	R42R55250	R42R55250 ³⁷	R4066365	R4090096 ⁷²	-	-	-	-
23-122920-002 ²⁷³	3-3/8 "	R42R55099	R42R55099 ³⁷	R4066780	R4090021 ²⁰¹	-	R458635	R458635	-
23-122527-002 ²⁷²	2-7/8 "	R429218X	R429218X ³⁹	R406532	R4090070 ⁴⁰	-	-	-	-
R44141628 ²⁶⁹	2-19/32 "	R42R55245	R42R55245 ³⁸	R402235118	R402238231 ²⁰¹	-	R458634 ⁵²	R458634	-
23-122527-002 ²⁷²	2-19/32 "	R42R55245	R42R55245 ³⁸	R40107771	R4090100P ²⁰¹	-	R4577512	R4577512	-
R44141608 ²⁶⁷	2-19/32 "	R42R55245	R42R55245 ³⁸	R402235118	R402238231 ²⁰¹	-	R4577512	R4577512	-
23-122527-002 ²⁷²	2-19/32 "	R42R55245	R42R55245 ³⁸	R40107771	R4090100P ²⁰¹	-	R458634 ⁵²	R458634	-
23-122527-002 ²⁷²	2-19/32 "	R42R55245	R42R55245 ³⁸	R402235118	R402238231 ²⁰¹	-	R4577512	R4577512	-
R44141627 ²⁷⁰	2-19/32 "	R42R55245	R42R55245 ³⁸	R402235118	R402238231 ²⁰¹	-	R458634 ⁵²	R458634	-
23-122527-002 ²⁷²	2-19/32 "	R42R55245	R42R55245 ³⁸	R402235118	R402238231 ²⁰¹	-	R458634 ⁵²	R458634	-
23-122527-002 ²⁷²	2-19/32 "	R42R55245	R42R55245 ³⁸	R40107771	R4090100P ⁷²	-	R4577512	R4577512	-
23-122527-002 ²⁷²	2-19/32 "	R42R55245	R42R55245 ³⁸	R40107771	R4090100P ²⁰¹	-	R458634 ⁵²	R458634	-
R44141627 ²⁷⁰	2-19/32 "	R42R55245	R42R55245 ³⁸	R402235118	R402238231 ²⁰¹	-	R4577512	R4577512	-
23-122527-002 ²⁷²	2-19/32 "	R42R55245	R42R55245 ³⁸	R402235118	R402238231 ²⁰¹	-	R458634 ⁵²	R458634	-
R44141608 ²⁶⁷	2-19/32 "	R42R55245	R42R55245 ³⁸	R402235118	R402238231 ²⁰¹	-	R458634 ⁵²	R458634	-
23-122527-002 ²⁷²	2-19/32 "	R42R55245	R42R55245 ³⁸	R40107771	R4090100P ²⁰¹	-	R458634 ⁵²	R458634	-
23-122527-002 ²⁷²	2-19/32 "	R42R55245	R42R55245 ³⁸	R40107771	R4090100P ²⁰¹	-	R4577512	R4577512	-
23-122527-002 ²⁷²	2-19/32 "	R42R55245	R42R55245 ³⁸	R402235118	R402238231 ²⁰¹	-	R458634 ⁵²	R458634	-
R44141629 ²⁶⁹	2-19/32 "	R42R55245	R42R55245 ³⁸	R402235118	R402238231 ²⁰¹	-	R458634 ⁵²	R458634	-
23-122527-002 ²⁷²	2-19/32 "	R42R55245	R42R55245 ³⁸	R40107771	R4090100P ²⁰¹	-	R458634 ⁵²	R458634	-
23-123572-004 ²⁷¹	2-19/32 "	R42R55245	R42R55245 ³⁸	R402235118	R402238231 ²⁰¹	-	R4577512	R4577512	-
23-122527-002 ²⁷²	2-19/32 "	R42R55245	R42R55245 ³⁸	R40107771	R4090100P ²⁰¹	-	R4577512	R4577512	-
23-122527-002 ²⁷²	2-19/32 "	R42R55245	R42R55245 ³⁸	R40107771	R4090100P ²⁰¹	-	R4577512	R4577512	-
23-122527-002 ²⁷²	2-19/32 "	R42R55245	R42R55245 ³⁸	R40107771	R4090100P ²⁰¹	-	R458634 ⁵²	R458634	-
23-123552-004 ²⁶⁶	2-19/32 "	R42R55245	R42R55245 ³⁸	R402235118	R402238231 ²⁰¹	-	R458634 ⁵²	R458634	-
23-122527-002 ²⁷²	2-19/32 "	R42R55245	R42R55245 ³⁸	R40107771	R4090100P ²⁰¹	-	R4577512	R4577512	-
23-122527-002 ²⁷²	2-19/32 "	R42R55245	R42R55245 ³⁸	R40107771	R4090100P ²⁰¹	-	R4577512	R4577512	-
23-122527-002 ²⁷²	2-19/32 "	R42R55245	R42R55245 ³⁸	R40107771	R4090100P ²⁰¹	-	R4577512	R4577512	-
23-123552-004 ²⁶⁶	2-19/32 "	R42R55245	R42R55245 ³⁸	R402235118	R402238231 ²⁰¹	-	R4577512	R4577512	-
23-122527-002 ²⁷²	2-19/32 "	R42R55245	R42R55245 ³⁸	R40107771	R4090100P ²⁰¹	-	R4577512	R4577512	-
R44141628 ²⁶⁹	2-19/32 "	R42R55245	R42R55245 ³⁸	R402235118	R402238231 ²⁰¹	-	R4577512	R4577512	-
R44141629 ²⁶⁹	2-19/32 "	R42R55245	R42R55245 ³⁸	R402235118	R402238231 ²⁰¹	-	R4577512	R4577512	-

1 APPLICATION

268 - 5 Stud, Hat Shape

269 - 5 Stud, U Shape

270 - 5 Stud, U Shape, .766 Dia. Studs

271 - 6 Stud, Hat Shape

272 - 6 Stud, U Shape

273 - 5 Stud, U Shape, .780 Dia. Studs

275 - 5 Stud, U Shape, .656 Dia. Studs
Contact our Customer Service Teams
1-888-725-9355

www.XpresswayPlus.com

MAKE MODEL YEAR AXLE CODE AXLE WEIGHT	AXLE & BRK. TYPE	BRK. MFG.	BRAKE SIZE	FMSI	MERITOR DISC PAD OR BRAKE SHOE	MERITOR GUIDE PIN OR RETURN SPRING KIT	MERITOR CALIPER HWD. KIT OR RETURN SPRING KIT	MERITOR ADJUSTER KIT (LEFT WHEEL)	MERITOR ADJUSTER KIT (RIGHT WHEEL)
ITE(Cont.)									
180, 1800, 1810, 1823, 1824, 1850, 1853, 1854 SERIES CONVENTIONAL TRUCK, SCHOOL BUS, TILT CAB(Cont.)									
1988	Fd	BX		7142 - D225	MD225	R40H5010	R40H5522	NR	NR
	Fd	BX		7108 - D184	MD184	R40H5010	R40H5519	NR	NR
	Fd	BX		7108 - D184	MD184	R40H5010	R40H5519	NR	NR
	Fd	BX		7108 - D184	MD184	R40H5010	R40H5519	NR	NR
	Fd	BX		7142 - D225	MD225	R40H5010	R40H5522	NR	NR
	Fd	BX		7108 - D184	MD184	R40H5010	R40H5519	NR	NR
	Fd	BX		7142 - D225	MD225	R40H5010	R40H5522	NR	NR
	Fd	BX		7142 - D225	MD225	R40H5010	R40H5522	NR	NR
	Fd	BX		7142 - D225	MD225	R40H5010	R40H5522	NR	NR
	Fd	BX		7108 - D184	MD184	R40H5010	R40H5519	NR	NR
	Fd	BX		7108 - D184	MD184	R40H5010	R40H5519	NR	NR
	Fd	BX		7142 - D225	MD225	R40H5010	R40H5522	NR	NR
	Fd	BX		7108 - D184	MD184	R40H5010	R40H5519	NR	NR
	Rd	BX		7108 - D184	MD184	R40H5010	R40H5519	NR	NR
	Rd	BX		7108 - D184	MD184	R40H5010	R40H5519	NR	NR
	Rd	BX		7108 - D184	MD184	R40H5010	R40H5519	NR	NR
	Rd	BX		7108 - D184	MD184	R40H5010	R40H5519	NR	NR
	Rd	BX		7108 - D184	MD184	R40H5010	R40H5519	NR	NR
	Rd	BX		7108 - D184	MD184	R40H5010	R40H5519	NR	NR
	Rd	BX		7108 - D184	MD184	R40H5010	R40H5519	NR	NR
	Rd	BX		7108 - D184	MD184	R40H5010	R40H5519	NR	NR
	Rd	BX		7108 - D184	MD184	R40H5010	R40H5519	NR	NR
1987	Fd	BX		7108 - D184	MD184	R40H5010	R40H5519	NR	NR
	Fd	BX		7108 - D184	MD184	R40H5010	R40H5519	NR	NR
	Fd	BX		7108 - D184	MD184	R40H5010	R40H5519	NR	NR
	Fd	BX		7108 - D184	MD184	R40H5010	R40H5519	NR	NR
	Fd	BX		7108 - D184	MD184	R40H5010	R40H5519	NR	NR
	Fd	BX		7108 - D184	MD184	R40H5010	R40H5519	NR	NR
	Fd	BX		7108 - D184	MD184	R40H5010	R40H5519	NR	NR
	Fd	BX		7108 - D184	MD184	R40H5010	R40H5519	NR	NR
	Fd	BX		7108 - D184	MD184	R40H5010	R40H5519	NR	NR
	Fd	BX		7108 - D184	MD184	R40H5010	R40H5519	NR	NR
	Fd	BX		7108 - D184	MD184	R40H5010	R40H5519	NR	NR
	Fd	BX		7108 - D184	MD184	R40H5010	R40H5519	NR	NR
	Fd	BX		7108 - D184	MD184	R40H5010	R40H5519	NR	NR
	Fd	BX		7142 - D225	MD225	R40H5010	R40H5522	NR	NR
	Fd	BX		7108 - D184	MD184	R40H5010	R40H5519	NR	NR
	Fd	BX		7108 - D184	MD184	R40H5010	R40H5519	NR	NR
	Fd	BX		7108 - D184	MD184	R40H5010	R40H5519	NR	NR
	Fd	BX		7108 - D184	MD184	R40H5010	R40H5519	NR	NR
	Fd	BX		7108 - D184	MD184	R40H5010	R40H5519	NR	NR
	Fd	BX		7108 - D184	MD184	R40H5010	R40H5519	NR	NR
	Fd	BX		7108 - D184	MD184	R40H5010	R40H5519	NR	NR
	Fd	BX		7108 - D184	MD184	R40H5010	R40H5519	NR	NR
	Fd	BX		7108 - D184	MD184	R40H5010	R40H5519	NR	NR
	Fd	BX		7108 - D184	MD184	R40H5010	R40H5519	NR	NR
	Fd	BX		7108 - D184	MD184	R40H5010	R40H5519	NR	NR
	Fd	BX		7108 - D184	MD184	R40H5010	R40H5519	NR	NR
	Fd	BX		7108 - D184	MD184	R40H5010	R40H5519	NR	NR
	Fd	BX		7108 - D184	MD184	R40H5010	R40H5519	NR	NR
	Fd	BX		7108 - D184	MD184	R40H5010	R40H5519	NR	NR
	Rd	BX		7108 - D184	MD184	R40H5010	R40H5519	NR	NR

37 - Also available as a New unit

40 - For chrome plated steel version, use R4090070P
201 - Steel Piston
www.XpresswayPlus.com

38 - First design, may have external joining tube and uses steel pistons
53 - Power Brakes
266 - 10 Stud, Hat Shaped

39 - First design, uses steel pistons.

72 - Phenolic/Steel Face
267 - 10 Stud, U Shaped

MERITOR DRUM OR ROTOR NO.	CALIPER OR CYLINDER BORE SIZE	MERITOR CALIPER OR WHEEL CYLINDER (LEFT)	MERITOR CALIPER OR WHEEL CYLINDER (RIGHT)	MERITOR CALIPER OR WHEEL CYLINDER REPAIR KIT	MERITOR CALIPER PISTON	MERITOR MASTER CYLINDER	MERITOR MASTER CYLINDER KIT	MERITOR BRAKE HOSE (LEFT)	MERITOR BRAKE HOSE (RIGHT)
ITE(Cont.)									
180, 1800, 1810, 1823, 1824, 1850, 1853, 1854 SERIES CONVENTIONAL TRUCK, SCHOOL BUS, TILT CAB(Cont.)									
23-123572-004 ²⁷¹	2-7/8 "	R42R55250	R42R55250 ³⁷	R4066365	R4090096 ⁷²	-	-	-	-
23-123552-004 ²⁶⁶	2-19/32 "	R42R55245	R42R55245 ³⁸	R402235118	R402238231 ²⁰¹	-	-	-	-
23-122920-002 ²⁷³	3-3/8 "	R42R55099	R42R55098 ³⁷	R4066780	R4090021 ²⁰¹	-	-	-	-
R44141858 ²⁷⁵	2-19/32 "	R42R55245	R42R55245 ³⁸	R402235118	R402238231 ²⁰¹	-	R458636	R458636	-
23-123552-004 ²⁶⁶	2-7/8 "	R429218X	R429218X ³⁹	R406532	R4090070 ⁴⁰	-	-	-	-
23-123572-004 ²⁷¹	3-3/8 "	R42R55099	R42R55098 ³⁷	R4066780	R4090021 ²⁰¹	-	-	-	-
23-122920-002 ²⁷³	2-7/8 "	R42R55250	R42R55250 ³⁷	R4066365	R4090096 ⁷²	-	-	-	-
R44141858 ²⁷⁵	2-7/8 "	R429218X	R429218X ³⁹	R406532	R4090070 ⁴⁰	-	-	-	-
R44141608 ²⁶⁷	2-7/8 "	R42R55250	R42R55250 ³⁷	R4066365	R4090096 ⁷²	-	-	-	-
R44141476 ²⁶⁸	3-3/8 "	R42R55099	R42R55098 ³⁷	R4066780	R4090021 ²⁰¹	-	-	-	-
R44141627 ²⁷⁰	2-7/8 "	R42R55250	R42R55250 ³⁷	R4066365	R4090096 ⁷²	-	-	-	-
23-123552-004 ²⁶⁶	3-3/8 "	R42R55099	R42R55098 ³⁷	R4066780	R4090021 ²⁰¹	-	-	-	-
23-122527-002 ²⁷²	2-7/8 "	R42R55250	R42R55250 ³⁷	R4066365	R4090096 ⁷²	-	-	-	-
R44141858 ²⁷⁵	2-19/32 "	R42R55245	R42R55245 ³⁸	R402235118	R402238231 ²⁰¹	-	-	N/A	N/A
R44141608 ²⁶⁷	2-19/32 "	R42R55245	R42R55245 ³⁸	R402235118	R402238231 ²⁰¹	-	-	-	-
23-122527-002 ²⁷²	2-19/32 "	R42R55245	R42R55245 ³⁸	R40107771	R4090100P ²⁰¹	-	-	-	-
23-122527-002 ²⁷²	2-19/32 "	R42R55245	R42R55245 ³⁸	R40107771	R4090100P ²⁰¹	-	-	-	-
R44141627 ²⁷⁰	2-19/32 "	R42R55245	R42R55245 ³⁸	R402235118	R402238231 ²⁰¹	-	-	-	-
23-122527-002 ²⁷²	2-19/32 "	R42R55245	R42R55245 ³⁸	R40107771	R4090100P ²⁰¹	-	-	-	-
23-122527-002 ²⁷²	2-19/32 "	R42R55245	R42R55245 ³⁸	R40107771	R4090100P ²⁰¹	-	-	-	-
23-123552-004 ²⁶⁶	2-19/32 "	R42R55245	R42R55245 ³⁸	R402235118	R402238231 ²⁰¹	-	-	-	-
23-122527-002 ²⁷²	2-19/32 "	R42R55245	R42R55245 ³⁸	R40107771	R4090100P ²⁰¹	-	-	-	-
R44141628 ²⁶⁹	2-19/32 "	R42R55245	R42R55245 ³⁸	R402235118	R402238231 ²⁰¹	-	-	-	-
23-122527-002 ²⁷²	2-19/32 "	R42R55245	R42R55245 ³⁸	R40107771	R4090100P ²⁰¹	-	-	-	-
23-122527-002 ²⁷²	2-19/32 "	R42R55245	R42R55245 ³⁸	R402235118	R402238231 ²⁰¹	-	-	-	-
23-123572-004 ²⁷¹	2-19/32 "	R42R55245	R42R55245 ³⁸	R402235118	R402238231 ²⁰¹	-	-	-	-
R44141629 ²⁶⁹	2-19/32 "	R42R55245	R42R55245 ³⁸	R402235118	R402238231 ²⁰¹	-	-	-	-
R44141858 ²⁷⁵	2-19/32 "	R42R55245	R42R55245 ³⁸	R402235118	R402238231 ²⁰¹	-	-	N/A	N/A
23-123552-004 ²⁶⁶	3-3/8 "	R42R55099	R42R55098 ³⁷	R4066780	R4090021 ²⁰¹	-	-	-	-
23-123572-004 ²⁷¹	3-3/8 "	R42R55099	R42R55098 ³⁷	R4066780	R4090021 ²⁰¹	-	-	-	-
R44141476 ²⁶⁸	2-19/32 "	R42R55245	R42R55245 ³⁸	R402235118	R402238231 ²⁰¹	-	-	-	-
R44141858 ²⁷⁵	3-3/8 "	R42R55099	R42R55098 ³⁷	R4066780	R4090021 ²⁰¹	-	-	-	-
R44141858 ²⁷⁵	2-19/32 "	R42R55245	R42R55245 ³⁸	R402235118	R402238231 ²⁰¹	-	R458635	R458635	-
R44141476 ²⁶⁸	3-3/8 "	R42R55099	R42R55098 ³⁷	R4066780	R4090021 ²⁰¹	-	-	-	-
R44141858 ²⁷⁵	3-3/8 "	R42R55099	R42R55098 ³⁷	R4066780	R4090021 ²⁰¹	-	-	-	-
23-122920-002 ²⁷³	3-3/8 "	R42R55099	R42R55098 ³⁷	R4066780	R4090021 ²⁰¹	-	-	-	-
23-122920-002 ²⁷³	2-19/32 "	R42R55245	R42R55245 ³⁸	R402235118	R402238231 ²⁰¹	-	-	-	-
23-123572-004 ²⁷¹	3-3/8 "	R42R55099	R42R55098 ³⁷	R4066780	R4090021 ²⁰¹	-	-	-	-
23-122527-002 ²⁷²	2-19/32 "	R42R55245	R42R55245 ³⁸	R402235118	R402238231 ²⁰¹	-	-	-	-
23-123552-004 ²⁶⁶	3-3/8 "	R42R55099	R42R55098 ³⁷	R4066780	R4090021 ²⁰¹	-	-	-	-
R44141476 ²⁶⁸	3-3/8 "	R42R55099	R42R55098 ³⁷	R4066780	R4090021 ²⁰¹	-	-	-	-
23-122527-002 ²⁷²	3-3/8 "	R42R55099	R42R55098 ³⁷	R4066780	R4090021 ²⁰¹	-	-	-	-
23-123552-004 ²⁶⁶	2-7/8 "	R429218X	R429218X ³⁹	R406532	R4090070 ⁴⁰	-	-	-	-
R44141858 ²⁷⁵	3-3/8 "	R42R55099	R42R55098 ³⁷	R4066780	R4090021 ²⁰¹	-	-	-	-
23-122527-002 ²⁷²	3-3/8 "	R42R55099	R42R55098 ³⁷	R4066780	R4090021 ²⁰¹	-	-	-	-
R44141476 ²⁶⁸	3-3/8 "	R42R55099	R42R55098 ³⁷	R4066780	R4090021 ²⁰¹	-	-	-	-
23-122920-002 ²⁷³	3-3/8 "	R42R55099	R42R55098 ³⁷	R4066780	R4090021 ²⁰¹	-	-	-	-
R44141858 ²⁷⁵	2-19/32 "	R42R55245	R42R55245 ³⁸	R402235118	R402238231 ²⁰¹	-	-	-	-
R44141858 ²⁷⁵	2-19/32 "	R42R55245	R42R55245 ³⁸	R402235118	R402238231 ²⁰¹	N/A ⁵³	N/A	-	-
23-123552-004 ²⁶⁶	3-3/8 "	R42R55099	R42R55098 ³⁷	R4066780	R4090021 ²⁰¹	R4111885 ⁵³	-	-	-
23-122920-002 ²⁷³	3-3/8 "	R42R55099	R42R55098 ³⁷	R4066780	R4090021 ²⁰¹	-	-	-	-
R44141476 ²⁶⁸	3-3/8 "	R42R55099	R42R55098 ³⁷	R4066780	R4090021 ²⁰¹	-	-	-	-
23-123572-004 ²⁷¹	3-3/8 "	R42R55099	R42R55098 ³⁷	R4066780	R4090021 ²⁰¹	-	-	-	-
23-123572-004 ²⁷¹	2-19/32 "	R42R55245	R42R55245 ³⁸	R402235118	R402238231 ²⁰¹	-	-	-	-
23-122920-002 ²⁷³	3-3/8 "	R42R55099	R42R55098 ³⁷	R4066780	R4090021 ²⁰¹	-	-	-	-
23-123552-004 ²⁶⁶	2-19/32 "	R42R55245	R42R55245 ³⁸	R402235118	R402238231 ²⁰¹	-	-	-	-
R44141858 ²⁷⁵	2-19/32 "	R42R55245	R42R55245 ³⁸	R402235118	R402238231 ²⁰¹	-	-	-	-
R44141858 ²⁷⁵	2-19/32 "	R42R55245	R42R55245 ³⁸	R402235118	R402238231 ²⁰¹	-	-	-	-
23-123552-004 ²⁶⁶	3-3/8 "	R42R55099	R42R55098 ³⁷	R4066780	R4090021 ²⁰¹	-	-	-	-
R44141858 ²⁷⁵	3-3/8 "	R42R55099	R42R55098 ³⁷	R4066780	R4090021 ²⁰¹	-	-	-	-
23-122527-002 ²⁷²	3-3/8 "	R42R55099	R42R55098 ³⁷	R4066780	R4090021 ²⁰¹	-	-	-	-
R44141608 ²⁶⁷	2-19/32 "	R42R55245	R42R55245 ³⁸	R402235118	R402238231 ²⁰¹	-	-	-	-

1 APPLICATION

268 - 5 Stud, Hat Shape

269 - 5 Stud, U Shape

270 - 5 Stud, U Shape, .766 Dia. Studs

271 - 6 Stud, Hat Shape

272 - 6 Stud, U Shape

273 - 5 Stud, U Shape, .780 Dia. Studs

275 - 5 Stud, U Shape, .656 Dia. Studs

Contact our Customer Service Teams
1-888-725-9355

www.XpresswayPlus.com

MAKE MODEL YEAR AXLE CODE AXLE WEIGHT	AXLE & BRK. TYPE	BRK. MFG.	BRAKE SIZE	FMSI	MERITOR DISC PAD OR BRAKE SHOE	MERITOR GUIDE PIN OR RETURN SPRING KIT	MERITOR CALIPER HWD. KIT OR RETURN SPRING KIT	MERITOR ADJUSTER KIT (LEFT WHEEL)	MERITOR ADJUSTER KIT (RIGHT WHEEL)
ITE(Cont.)									
180, 1800, 1810, 1823, 1824, 1850, 1853, 1854 SERIES CONVENTIONAL TRUCK, SCHOOL BUS, TILT CAB(Cont.)									
1987	Rd	BX		7108 - D184	MD184	R40H5010	R40H5519	NR	NR
	Rd	BX		7108 - D184	MD184	R40H5010	R40H5519	NR	NR
	Rd	BX		7108 - D184	MD184	R40H5010	R40H5519	NR	NR
	Rd	BX		7108 - D184	MD184	R40H5010	R40H5519	NR	NR
	Rd	BX		7108 - D184	MD184	R40H5010	R40H5519	NR	NR
	Rd	BX		7108 - D184	MD184	R40H5010	R40H5519	NR	NR
	Rd	BX		7108 - D184	MD184	R40H5010	R40H5519	NR	NR
	Rd	BX		7108 - D184	MD184	R40H5010	R40H5519	NR	NR
	Rd	BX		7108 - D184	MD184	R40H5010	R40H5519	NR	NR
	Rd	BX		7108 - D184	MD184	R40H5010	R40H5519	NR	NR
Code: 04146	Fd	BX		7142 - D225	MD225	R40H5010	R40H5522	NR	NR
	Fd	BX		7142 - D225	MD225	R40H5010	R40H5522	NR	NR
	Fd	BX		7142 - D225	MD225	R40H5010	R40H5522	NR	NR
	Fd	BX		7142 - D225	MD225	R40H5010	R40H5522	NR	NR
	Fd	BX		7142 - D225	MD225	R40H5010	R40H5522	NR	NR
	Fd	BX		7142 - D225	MD225	R40H5010	R40H5522	NR	NR
	Fd	BX		7142 - D225	MD225	R40H5010	R40H5522	NR	NR
	Fd	BX		7142 - D225	MD225	R40H5010	R40H5522	NR	NR
	Fd	BX		7142 - D225	MD225	R40H5010	R40H5522	NR	NR
	Fd	BX		7142 - D225	MD225	R40H5010	R40H5522	NR	NR
	Fd	BX		7142 - D225	MD225	R40H5010	R40H5522	NR	NR
	Fd	BX		7142 - D225	MD225	R40H5010	R40H5522	NR	NR
	Fd	BX		7142 - D225	MD225	R40H5010	R40H5522	NR	NR
	Fd	BX		7142 - D225	MD225	R40H5010	R40H5522	NR	NR
	Fd	BX		7142 - D225	MD225	R40H5010	R40H5522	NR	NR
	Fd	BX		7142 - D225	MD225	R40H5010	R40H5522	NR	NR
	Fd	BX		7142 - D225	MD225	R40H5010	R40H5522	NR	NR
	Fd	BX		7142 - D225	MD225	R40H5010	R40H5522	NR	NR
Code: 04238	Fd	BX		7142 - D225	MD225	R40H5010	R40H5522	NR	NR
	Fd	BX		7142 - D225	MD225	R40H5010	R40H5522	NR	NR
	Fd	BX		7142 - D225	MD225	R40H5010	R40H5522	NR	NR
	Fd	BX		7142 - D225	MD225	R40H5010	R40H5522	NR	NR
	Fd	BX		7142 - D225	MD225	R40H5010	R40H5522	NR	NR
	Fd	BX		7142 - D225	MD225	R40H5010	R40H5522	NR	NR
	Fd	BX		7142 - D225	MD225	R40H5010	R40H5522	NR	NR
	Fd	BX		7142 - D225	MD225	R40H5010	R40H5522	NR	NR
	Fd	BX		7142 - D225	MD225	R40H5010	R40H5522	NR	NR
	Fd	BX		7142 - D225	MD225	R40H5010	R40H5522	NR	NR
	Fd	BX		7142 - D225	MD225	R40H5010	R40H5522	NR	NR
	Fd	BX		7142 - D225	MD225	R40H5010	R40H5522	NR	NR
	Fd	BX		7142 - D225	MD225	R40H5010	R40H5522	NR	NR
	Fd	BX		7142 - D225	MD225	R40H5010	R40H5522	NR	NR
	Fd	BX		7142 - D225	MD225	R40H5010	R40H5522	NR	NR
	Fd	BX		7142 - D225	MD225	R40H5010	R40H5522	NR	NR
	Fd	BX		7142 - D225	MD225	R40H5010	R40H5522	NR	NR
1986	Fd	BX		7108 - D184	MD184	R40H5010	R40H5519	NR	NR
	Fd	BX		7108 - D184	MD184	R40H5010	R40H5519	NR	NR
	Fd	BX		7108 - D184	MD184	R40H5010	R40H5519	NR	NR
	Fd	BX		7108 - D184	MD184	R40H5010	R40H5519	NR	NR
	Fd	BX		7108 - D184	MD184	R40H5010	R40H5519	NR	NR
	Fd	BX		7108 - D184	MD184	R40H5010	R40H5519	NR	NR
	Fd	BX		7108 - D184	MD184	R40H5010	R40H5519	NR	NR
	Fd	BX		7108 - D184	MD184	R40H5010	R40H5519	NR	NR
	Fd	BX		7108 - D184	MD184	R40H5010	R40H5519	NR	NR
	Fd	BX		7108 - D184	MD184	R40H5010	R40H5519	NR	NR

37 - Also available as a New unit

40 - For chrome plated steel version, use R4090070P
201 - Steel Piston
www.XpresswayPlus.com

38 - First design, may have external joining tube and uses steel pistons
53 - Power Brakes
266 - 10 Stud, Hat Shaped

39 - First design, uses steel pistons.

72 - Phenolic/Steel Face
267 - 10 Stud, U Shaped

MERITOR DRUM OR ROTOR NO.	CALIPER OR CYLINDER BORE SIZE	MERITOR CALIPER OR WHEEL CYLINDER (LEFT)	MERITOR CALIPER OR WHEEL CYLINDER (RIGHT)	MERITOR CALIPER OR WHEEL CYLINDER REPAIR KIT	MERITOR CALIPER PISTON	MERITOR MASTER CYLINDER	MERITOR MASTER CYLINDER KIT	MERITOR BRAKE HOSE (LEFT)	MERITOR BRAKE HOSE (RIGHT)
ITE(Cont.)									
180, 1800, 1810, 1823, 1824, 1850, 1853, 1854 SERIES CONVENTIONAL TRUCK, SCHOOL BUS, TILT CAB(Cont.)									
23-122527-002 ²⁷²	2-19/32 "	R42R55245	R42R55245 ³⁸	R402235118	R402238231 ²⁰¹	-	-	-	-
23-123572-004 ²⁷¹	2-19/32 "	R42R55245	R42R55245 ³⁸	R402235118	R402238231 ²⁰¹	-	-	-	-
R44141629 ²⁶⁹	2-19/32 "	R42R55245	R42R55245 ³⁸	R402235118	R402238231 ²⁰¹	-	-	-	-
23-122527-002 ²⁷²	2-19/32 "	R42R55245	R42R55245 ³⁸	R40107771	R4090100P ²⁰¹	-	-	-	-
R44141628 ²⁶⁹	2-19/32 "	R42R55245	R42R55245 ³⁸	R402235118	R402238231 ²⁰¹	-	-	-	-
R44141627 ²⁷⁰	2-19/32 "	R42R55245	R42R55245 ³⁸	R402235118	R402238231 ²⁰¹	-	-	-	-
23-122527-002 ²⁷²	2-19/32 "	R42R55245	R42R55245 ³⁸	R40107771	R4090100P ²⁰¹	-	-	-	-
23-122527-002 ²⁷²	2-19/32 "	R42R55245	R42R55245 ³⁸	R40107771	R4090100P ²⁰¹	-	-	-	-
23-122527-002 ²⁷²	2-19/32 "	R42R55245	R42R55245 ³⁸	R40107771	R4090100P ²⁰¹	-	-	-	-
23-122527-002 ²⁷²	2-19/32 "	R42R55245	R42R55245 ³⁸	R40107771	R4090100P ²⁰¹	-	-	-	-
23-123552-004 ²⁶⁶	2-19/32 "	R42R55245	R42R55245 ³⁸	R402235118	R402238231 ²⁰¹	-	-	-	-
23-122527-002 ²⁷²	2-19/32 "	R42R55245	R42R55245 ³⁸	R40107771	R4090100P ²⁰¹	-	-	-	-
23-122920-002 ²⁷³	2-7/8 "	R42R55250	R42R55250 ³⁷	R4066365	R4090096 ⁷²	-	-	-	-
23-122527-002 ²⁷²	2-7/8 "	R42R55250	R42R55250 ³⁷	R4066365	R4090096 ⁷²	-	-	-	-
R44141858 ²⁷⁵	2-7/8 "	R42R55250	R42R55250 ³⁷	R4066365	R4090096 ⁷²	-	-	-	-
23-122527-002 ²⁷²	2-7/8 "	R42R55250	R42R55250 ³⁷	R4066365	R4090096 ⁷²	-	-	-	-
R44141476 ²⁶⁸	2-7/8 "	R42R55250	R42R55250 ³⁷	R4066365	R4090096 ⁷²	-	-	-	-
23-123552-004 ²⁶⁶	2-7/8 "	R42R55250	R42R55250 ³⁷	R4066365	R4090096 ⁷²	-	-	-	-
23-123572-004 ²⁷¹	2-7/8 "	R429218X	R429218X ³⁹	R406532	R4090070 ⁴⁰	-	-	-	-
R44141476 ²⁶⁸	2-7/8 "	R429218X	R429218X ³⁹	R406532	R4090070 ⁴⁰	-	-	-	-
23-122527-002 ²⁷²	2-7/8 "	R42R55250	R42R55250 ³⁷	R4066365	R4090096 ⁷²	-	-	-	-
23-122920-002 ²⁷³	2-7/8 "	R42R55250	R42R55250 ³⁷	R4066365	R4090096 ⁷²	-	-	-	-
23-123552-004 ²⁶⁶	2-7/8 "	R42R55250	R42R55250 ³⁷	R4066365	R4090096 ⁷²	-	-	-	-
R44141858 ²⁷⁵	2-7/8 "	R429218X	R429218X ³⁹	R406532	R4090070 ⁴⁰	-	-	-	-
23-123572-004 ²⁷¹	2-7/8 "	R42R55250	R42R55250 ³⁷	R4066365	R4090096 ⁷²	-	-	-	-
23-123572-004 ²⁷¹	2-7/8 "	R42R55250	R42R55250 ³⁷	R4066365	R4090096 ⁷²	-	-	-	-
23-122920-002 ²⁷³	2-7/8 "	R42R55250	R42R55250 ³⁷	R4066365	R4090096 ⁷²	-	-	-	-
R44141858 ²⁷⁵	2-7/8 "	R42R55250	R42R55250 ³⁷	R4066365	R4090096 ⁷²	-	-	-	-
23-123552-004 ²⁶⁶	2-7/8 "	R42R55250	R42R55250 ³⁷	R4066365	R4090096 ⁷²	-	-	-	-
23-123572-004 ²⁷¹	2-7/8 "	R42R55250	R42R55250 ³⁷	R4066365	R4090096 ⁷²	-	-	-	-
23-122527-002 ²⁷²	2-7/8 "	R429218X	R429218X ³⁹	R406532	R4090070 ⁴⁰	-	-	-	-
R44141476 ²⁶⁸	2-7/8 "	R42R55250	R42R55250 ³⁷	R4066365	R4090096 ⁷²	-	-	-	-
R44141858 ²⁷⁵	2-7/8 "	R42R55250	R42R55250 ³⁷	R4066365	R4090096 ⁷²	-	-	-	-
R44141476 ²⁶⁸	2-7/8 "	R42R55250	R42R55250 ³⁷	R4066365	R4090096 ⁷²	-	-	-	-
23-122920-002 ²⁷³	2-7/8 "	R429218X	R429218X ³⁹	R406532	R4090070 ⁴⁰	-	-	-	-
R44141628 ²⁶⁹	2-7/8 "	R42R55250	R42R55250 ³⁷	R4066365	R4090096 ⁷²	-	-	-	-
R44141627 ²⁷⁰	2-7/8 "	R42R55250	R42R55250 ³⁷	R4066365	R4090096 ⁷²	-	-	-	-
23-123552-004 ²⁶⁶	2-7/8 "	R42R55250	R42R55250 ³⁷	R4066365	R4090096 ⁷²	-	-	-	-
R44141627 ²⁷⁰	2-7/8 "	R42R55250	R42R55250 ³⁷	R4066365	R4090096 ⁷²	-	-	-	-
23-123552-004 ²⁶⁶	2-7/8 "	R42R55250	R42R55250 ³⁷	R4066365	R4090096 ⁷²	-	-	-	-
23-123572-004 ²⁷¹	2-7/8 "	R42R55250	R42R55250 ³⁷	R4066365	R4090096 ⁷²	-	-	-	-
23-123552-004 ²⁶⁶	2-7/8 "	R42R55250	R42R55250 ³⁷	R4066365	R4090096 ⁷²	-	-	-	-
R44141627 ²⁷⁰	2-7/8 "	R42R55250	R42R55250 ³⁷	R4066365	R4090096 ⁷²	-	-	-	-
R44141608 ²⁶⁷	2-7/8 "	R42R55250	R42R55250 ³⁷	R4066365	R4090096 ⁷²	-	-	-	-
R44141629 ²⁶⁹	2-7/8 "	R42R55250	R42R55250 ³⁷	R4066365	R4090096 ⁷²	-	-	-	-
23-123572-004 ²⁷¹	2-7/8 "	R42R55250	R42R55250 ³⁷	R4066365	R4090096 ⁷²	-	-	-	-
R44141628 ²⁶⁹	2-7/8 "	R42R55250	R42R55250 ³⁷	R4066365	R4090096 ⁷²	-	-	-	-
R44141608 ²⁶⁷	2-7/8 "	R42R55250	R42R55250 ³⁷	R4066365	R4090096 ⁷²	-	-	-	-
R44141629 ²⁶⁹	2-7/8 "	R42R55250	R42R55250 ³⁷	R4066365	R4090096 ⁷²	-	-	-	-
23-123572-004 ²⁷¹	2-7/8 "	R42R55250	R42R55250 ³⁷	R4066365	R4090096 ⁷²	-	-	-	-
R44141608 ²⁶⁷	2-7/8 "	R42R55250	R42R55250 ³⁷	R4066365	R4090096 ⁷²	-	-	-	-
R44141628 ²⁶⁹	2-7/8 "	R42R55250	R42R55250 ³⁷	R4066365	R4090096 ⁷²	-	-	-	-
23-123572-004 ²⁷¹	2-7/8 "	R42R55250	R42R55250 ³⁷	R4066365	R4090096 ⁷²	-	-	-	-
R44141608 ²⁶⁷	2-7/8 "	R42R55250	R42R55250 ³⁷	R4066365	R4090096 ⁷²	-	-	-	-
R44141628 ²⁶⁹	2-7/8 "	R42R55250	R42R55250 ³⁷	R4066365	R4090096 ⁷²	-	-	-	-
23-123572-004 ²⁷¹	2-7/8 "	R42R55250	R42R55250 ³⁷	R4066365	R4090096 ⁷²	-	-	-	-
R44141608 ²⁶⁷	2-7/8 "	R42R55250	R42R55250 ³⁷	R4066365	R4090096 ⁷²	-	-	-	-
R44141628 ²⁶⁹	2-7/8 "	R42R55250	R42R55250 ³⁷	R4066365	R4090096 ⁷²	-	-	-	-
23-123572-004 ²⁷¹	2-7/8 "	R42R55250	R42R55250 ³⁷	R4066365	R4090096 ⁷²	-	-	-	-
R44141608 ²⁶⁷	2-7/8 "	R42R55250	R42R55250 ³⁷	R4066365	R4090096 ⁷²	-	-	-	-
R44141628 ²⁶⁹	2-7/8 "	R42R55250	R42R55250 ³⁷	R4066365	R4090096 ⁷²	-	-	-	-
23-123572-004 ²⁷¹	2-19/32 "	R42R55245	R42R55245 ³⁸	R402235118	R402238231 ²⁰¹	-	-	-	-
R44141476 ²⁶⁸	2-19/32 "	R42R55245	R42R55245 ³⁸	R402235118	R402238231 ²⁰¹	-	-	-	-
23-122527-002 ²⁷²	3-3/8 "	R42R55099	R42R55098 ³⁷	R4066780	R4090021 ²⁰¹	-	-	-	-
R44141858 ²⁷⁵	2-19/32 "	R42R55245	R42R55245 ³⁸	R402235118	R402238231 ²⁰¹	N/A ⁵³	-	-	-
23-122527-002 ²⁷²	2-19/32 "	R42R55245	R42R55245 ³⁸	R402235118	R402238231 ²⁰¹	-	-	-	-
23-123552-004 ²⁶⁶	3-3/8 "	R42R55099	R42R55098 ³⁷	R4066780	R4090021 ²⁰¹	-	-	-	-
23-123572-004 ²⁷¹	3-3/8 "	R42R55099	R42R55098 ³⁷	R4066780	R4090021 ²⁰¹	-	-	-	-
R44141858 ²⁷⁵	2-19/32 "	R42R55245	R42R55245 ³⁸	R402235118	R402238231 ²⁰¹	-	-	R458635	R458635
R44141858 ²⁷⁵	3-3/8 "	R42R55099	R42R55098 ³⁷	R4066780	R4090021 ²⁰¹	-	-	-	-
R44141858 ²⁷⁵	2-19/32 "	R42R55245	R42R55245 ³⁸	R402235118	R402238231 ²⁰¹	-	-	R458636	R458636

1 APPLICATION

268 - 5 Stud, Hat Shape

269 - 5 Stud, U Shape

270 - 5 Stud, U Shape, .766 Dia. Studs

271 - 6 Stud, Hat Shape

272 - 6 Stud, U Shape

273 - 5 Stud, U Shape, .780 Dia. Studs

275 - 5 Stud, U Shape, .656 Dia. Studs

Contact our Customer Service Teams

1-888-725-9355

www.XpresswayPlus.com

MERITOR DRUM OR ROTOR NO.	CALIPER OR CYLINDER BORE SIZE	MERITOR CALIPER OR WHEEL CYLINDER (LEFT)	MERITOR CALIPER OR WHEEL CYLINDER (RIGHT)	MERITOR CALIPER OR WHEEL CYLINDER REPAIR KIT	MERITOR CALIPER PISTON	MERITOR MASTER CYLINDER	MERITOR MASTER CYLINDER KIT	MERITOR BRAKE HOSE (LEFT)	MERITOR BRAKE HOSE (RIGHT)
ITE(Cont.)									
180, 1800, 1810, 1823, 1824, 1850, 1853, 1854 SERIES CONVENTIONAL TRUCK, SCHOOL BUS, TILT CAB(Cont.)									
R44141858 ²⁷⁵	2-19/32 "	R42R55245	R42R55245 ³⁸	R402235118	R402238231 ²⁰¹	-	-	-	-
23-123552-004 ²⁶⁶	3-3/8 "	R42R55099	R42R55098 ³⁷	R4066780	R4090021 ²⁰¹	-	-	-	-
23-122920-002 ²⁷³	3-3/8 "	R42R55099	R42R55098 ³⁷	R4066780	R4090021 ²⁰¹	-	-	-	-
R44141858 ²⁷⁵	2-19/32 "	R42R55245	R42R55245 ³⁸	R402235118	R402238231 ²⁰¹	R4111885 ⁵³	N/A	-	-
R44141476 ²⁶⁸	3-3/8 "	R42R55099	R42R55098 ³⁷	R4066780	R4090021 ²⁰¹	-	-	-	-
R44141476 ²⁶⁸	3-3/8 "	R42R55099	R42R55098 ³⁷	R4066780	R4090021 ²⁰¹	-	-	-	-
23-122920-002 ²⁷³	2-19/32 "	R42R55245	R42R55245 ³⁸	R402235118	R402238231 ²⁰¹	-	-	N/A	-
R44141858 ²⁷⁵	2-19/32 "	R42R55245	R42R55245 ³⁸	R402235118	R402238231 ²⁰¹	-	-	N/A	N/A
R44141858 ²⁷⁵	3-3/8 "	R42R55099	R42R55098 ³⁷	R4066780	R4090021 ²⁰¹	-	-	-	-
23-122920-002 ²⁷³	3-3/8 "	R42R55099	R42R55098 ³⁷	R4066780	R4090021 ²⁰¹	-	-	-	-
R44141858 ²⁷⁵	3-3/8 "	R42R55099	R42R55098 ³⁷	R4066780	R4090021 ²⁰¹	-	-	-	-
23-123572-004 ²⁷¹	3-3/8 "	R42R55099	R42R55098 ³⁷	R4066780	R4090021 ²⁰¹	-	-	-	-
23-122920-002 ²⁷³	3-3/8 "	R42R55099	R42R55098 ³⁷	R4066780	R4090021 ²⁰¹	-	-	-	-
23-122527-002 ²⁷²	3-3/8 "	R42R55099	R42R55098 ³⁷	R4066780	R4090021 ²⁰¹	-	-	-	-
23-123552-004 ²⁶⁶	2-19/32 "	R42R55245	R42R55245 ³⁸	R402235118	R402238231 ²⁰¹	-	-	-	-
R44141858 ²⁷⁵	2-19/32 "	R42R55245	R42R55245 ³⁸	R402235118	R402238231 ²⁰¹	N/A ⁵³	-	-	-
R44141858 ²⁷⁵	3-3/8 "	R42R55099	R42R55098 ³⁷	R4066780	R4090021 ²⁰¹	-	-	-	-
R44141476 ²⁶⁸	3-3/8 "	R42R55099	R42R55098 ³⁷	R4066780	R4090021 ²⁰¹	-	-	-	-
23-122527-002 ²⁷²	3-3/8 "	R42R55099	R42R55098 ³⁷	R4066780	R4090021 ²⁰¹	-	-	-	-
23-123572-004 ²⁷¹	3-3/8 "	R42R55099	R42R55098 ³⁷	R4066780	R4090021 ²⁰¹	-	-	-	-
R44141858 ²⁷⁵	2-19/32 "	R42R55245	R42R55245 ³⁸	R402235118	R402238231 ²⁰¹	-	-	N/A	N/A
R44141476 ²⁶⁸	3-3/8 "	R42R55099	R42R55098 ³⁷	R4066780	R4090021 ²⁰¹	-	-	-	-
23-123552-004 ²⁶⁶	2-7/8 "	R429218X	R429218X ³⁹	R406532	R4090070 ⁴⁰	-	-	-	-
23-123552-004 ²⁶⁶	3-3/8 "	R42R55099	R42R55098 ³⁷	R4066780	R4090021 ²⁰¹	-	-	-	-
23-122920-002 ²⁷³	3-3/8 "	R42R55099	R42R55098 ³⁷	R4066780	R4090021 ²⁰¹	-	-	-	-
23-123552-004 ²⁶⁶	3-3/8 "	R42R55099	R42R55098 ³⁷	R4066780	R4090021 ²⁰¹	-	-	-	-
23-122527-002 ²⁷²	2-19/32 "	R42R55245	R42R55245 ³⁸	R40107771	R4090100P ²⁰¹	-	-	-	-
R44141628 ²⁶⁹	2-19/32 "	R42R55245	R42R55245 ³⁸	R402235118	R402238231 ²⁰¹	-	-	-	-
23-123552-004 ²⁶⁶	2-19/32 "	R42R55245	R42R55245 ³⁸	R402235118	R402238231 ²⁰¹	-	-	-	-
23-122527-002 ²⁷²	2-19/32 "	R42R55245	R42R55245 ³⁸	R402235118	R402238231 ²⁰¹	-	-	-	-
R44141629 ²⁶⁹	2-19/32 "	R42R55245	R42R55245 ³⁸	R402235118	R402238231 ²⁰¹	-	-	-	-
23-122527-002 ²⁷²	2-19/32 "	R42R55245	R42R55245 ³⁸	R40107771	R4090100P ²⁰¹	-	-	-	-
23-122527-002 ²⁷²	2-19/32 "	R42R55245	R42R55245 ³⁸	R40107771	R4090100P ²⁰¹	-	-	-	-
R44141608 ²⁶⁷	2-19/32 "	R42R55245	R42R55245 ³⁸	R402235118	R402238231 ²⁰¹	-	-	-	-
23-123572-004 ²⁷¹	2-19/32 "	R42R55245	R42R55245 ³⁸	R402235118	R402238231 ²⁰¹	-	-	-	-
R44141627 ²⁷⁰	2-19/32 "	R42R55245	R42R55245 ³⁸	R402235118	R402238231 ²⁰¹	-	-	-	-
23-122527-002 ²⁷²	2-19/32 "	R42R55245	R42R55245 ³⁸	R40107771	R4090100P ²⁰¹	-	-	-	-
23-122527-002 ²⁷²	2-19/32 "	R42R55245	R42R55245 ³⁸	R40107771	R4090100P ²⁰¹	-	-	-	-
23-122920-002 ²⁷³	2-7/8 "	R42R55250	R42R55250 ³⁷	R4066365	R4090096 ⁷²	-	-	-	-
23-122527-002 ²⁷²	2-7/8 "	R42R55250	R42R55250 ³⁷	R4066365	R4090096 ⁷²	-	-	-	-
R44141858 ²⁷⁵	2-7/8 "	R42R55250	R42R55250 ³⁷	R4066365	R4090096 ⁷²	-	-	-	-
R44141858 ²⁷⁵	2-7/8 "	R42R55250	R42R55250 ³⁷	R4066365	R4090096 ⁷²	-	-	-	-
R44141858 ²⁷⁵	2-7/8 "	R429218X	R429218X ³⁹	R406532	R4090070 ⁴⁰	-	-	-	-
23-122920-002 ²⁷³	2-7/8 "	R42R55250	R42R55250 ³⁷	R4066365	R4090096 ⁷²	-	-	-	-
23-123552-004 ²⁶⁶	2-7/8 "	R42R55250	R42R55250 ³⁷	R4066365	R4090096 ⁷²	-	-	-	-
23-122527-002 ²⁷²	2-7/8 "	R42R55250	R42R55250 ³⁷	R4066365	R4090096 ⁷²	-	-	-	-
R44141476 ²⁶⁸	2-7/8 "	R42R55250	R42R55250 ³⁷	R4066365	R4090096 ⁷²	-	-	-	-
R44141858 ²⁷⁵	2-7/8 "	R42R55250	R42R55250 ³⁷	R4066365	R4090096 ⁷²	-	-	-	-
R44141476 ²⁶⁸	2-7/8 "	R429218X	R429218X ³⁹	R406532	R4090070 ⁴⁰	-	-	-	-
23-123572-004 ²⁷¹	2-7/8 "	R42R55250	R42R55250 ³⁷	R4066365	R4090096 ⁷²	-	-	-	-
23-123552-004 ²⁶⁶	2-7/8 "	R42R55250	R42R55250 ³⁷	R4066365	R4090096 ⁷²	-	-	-	-
23-123552-004 ²⁶⁶	2-7/8 "	R42R55250	R42R55250 ³⁷	R4066365	R4090096 ⁷²	-	-	-	-
23-122527-002 ²⁷²	2-7/8 "	R429218X	R429218X ³⁹	R406532	R4090070 ⁴⁰	-	-	-	-
23-122527-002 ²⁷²	2-7/8 "	R42R55250	R42R55250 ³⁷	R4066365	R4090096 ⁷²	-	-	-	-
23-123572-004 ²⁷¹	2-7/8 "	R429218X	R429218X ³⁹	R406532	R4090070 ⁴⁰	-	-	-	-
R44141476 ²⁶⁸	2-7/8 "	R42R55250	R42R55250 ³⁷	R4066365	R4090096 ⁷²	-	-	-	-
23-123572-004 ²⁷¹	2-7/8 "	R42R55250	R42R55250 ³⁷	R4066365	R4090096 ⁷²	-	-	-	-
23-122920-002 ²⁷³	2-7/8 "	R429218X	R429218X ³⁹	R406532	R4090070 ⁴⁰	-	-	-	-
23-122920-002 ²⁷³	2-7/8 "	R42R55250	R42R55250 ³⁷	R4066365	R4090096 ⁷²	-	-	-	-
23-123572-004 ²⁷¹	2-7/8 "	R42R55250	R42R55250 ³⁷	R4066365	R4090096 ⁷²	-	-	-	-
R44141476 ²⁶⁸	2-7/8 "	R42R55250	R42R55250 ³⁷	R4066365	R4090096 ⁷²	-	-	-	-
R44141608 ²⁶⁷	2-7/8 "	R42R55250	R42R55250 ³⁷	R4066365	R4090096 ⁷²	-	-	-	-

1 APPLICATION

268 - 5 Stud, Hat Shape

269 - 5 Stud, U Shape

270 - 5 Stud, U Shape, .766 Dia. Studs

271 - 6 Stud, Hat Shape

272 - 6 Stud, U Shape

273 - 5 Stud, U Shape, .780 Dia. Studs

275 - 5 Stud, U Shape, .656 Dia. Studs

Contact our Customer Service Teams

1-888-725-9355

www.XpresswayPlus.com

MERITOR DRUM OR ROTOR NO.	CALIPER OR CYLINDER BORE SIZE	MERITOR CALIPER OR WHEEL CYLINDER (LEFT)	MERITOR CALIPER OR WHEEL CYLINDER (RIGHT)	MERITOR CALIPER OR WHEEL CYLINDER REPAIR KIT	MERITOR CALIPER PISTON	MERITOR MASTER CYLINDER	MERITOR MASTER CYLINDER KIT	MERITOR BRAKE HOSE (LEFT)	MERITOR BRAKE HOSE (RIGHT)
ITE(Cont.)									
180, 1800, 1810, 1823, 1824, 1850, 1853, 1854 SERIES CONVENTIONAL TRUCK, SCHOOL BUS, TILT CAB(Cont.)									
23-123552-004 ²⁶⁶	2-7/8 "	R42R55250	R42R55250 ³⁷	R4066365	R4090096 ⁷²	-	-	-	-
R44141608 ²⁶⁷	2-7/8 "	R42R55250	R42R55250 ³⁷	R4066365	R4090096 ⁷²	-	-	-	-
R44141629 ²⁶⁹	2-7/8 "	R42R55250	R42R55250 ³⁷	R4066365	R4090096 ⁷²	-	-	-	-
R44141627 ²⁷⁰	2-7/8 "	R42R55250	R42R55250 ³⁷	R4066365	R4090096 ⁷²	-	-	-	-
R44141628 ²⁶⁹	2-7/8 "	R42R55250	R42R55250 ³⁷	R4066365	R4090096 ⁷²	-	-	-	-
23-123552-004 ²⁶⁶	2-7/8 "	R42R55250	R42R55250 ³⁷	R4066365	R4090096 ⁷²	-	-	-	-
R44141629 ²⁶⁹	2-7/8 "	R42R55250	R42R55250 ³⁷	R4066365	R4090096 ⁷²	-	-	-	-
R44141628 ²⁶⁹	2-7/8 "	R42R55250	R42R55250 ³⁷	R4066365	R4090096 ⁷²	-	-	-	-
R44141628 ²⁶⁹	2-7/8 "	R42R55250	R42R55250 ³⁷	R4066365	R4090096 ⁷²	-	-	-	-
R44141608 ²⁶⁷	2-7/8 "	R42R55250	R42R55250 ³⁷	R4066365	R4090096 ⁷²	-	-	-	-
23-123572-004 ²⁷¹	2-7/8 "	R42R55250	R42R55250 ³⁷	R4066365	R4090096 ⁷²	-	-	-	-
23-123572-004 ²⁷¹	2-7/8 "	R42R55250	R42R55250 ³⁷	R4066365	R4090096 ⁷²	-	-	-	-
R44141627 ²⁷⁰	2-7/8 "	R42R55250	R42R55250 ³⁷	R4066365	R4090096 ⁷²	-	-	-	-
23-123552-004 ²⁶⁶	2-7/8 "	R42R55250	R42R55250 ³⁷	R4066365	R4090096 ⁷²	-	-	-	-
R44141627 ²⁷⁰	2-7/8 "	R42R55250	R42R55250 ³⁷	R4066365	R4090096 ⁷²	-	-	-	-
23-123552-004 ²⁶⁶	2-7/8 "	R42R55250	R42R55250 ³⁷	R4066365	R4090096 ⁷²	-	-	-	-
23-123572-004 ²⁷¹	2-7/8 "	R42R55250	R42R55250 ³⁷	R4066365	R4090096 ⁷²	-	-	-	-
R44141858 ²⁷⁵	3-3/8 "	R42R55099	R42R55098 ³⁷	R4066780	R4090021 ²⁰¹	-	-	-	-
23-122920-002 ²⁷³	3-3/8 "	R42R55099	R42R55098 ³⁷	R4066780	R4090021 ²⁰¹	-	-	-	-
R44141858 ²⁷⁵	2-19/32 "	R42R55245	R42R55245 ³⁸	R402235118	R402238231 ²⁰¹	-	N/A	N/A	-
R44141858 ²⁷⁵	3-3/8 "	R42R55099	R42R55098 ³⁷	R4066780	R4090021 ²⁰¹	-	-	-	-
R44141476 ²⁶⁸	3-3/8 "	R42R55099	R42R55098 ³⁷	R4066780	R4090021 ²⁰¹	-	-	-	-
23-123552-004 ²⁶⁶	3-3/8 "	R42R55099	R42R55098 ³⁷	R4066780	R4090021 ²⁰¹	-	-	-	-
23-123552-004 ²⁶⁶	3-3/8 "	R42R55099	R42R55098 ³⁷	R4066780	R4090021 ²⁰¹	-	-	-	-
R44141476 ²⁶⁸	2-19/32 "	R42R55245	R42R55245 ³⁸	R402235118	R402238231 ²⁰¹	-	-	-	-
23-123552-004 ²⁶⁶	2-19/32 "	R42R55245	R42R55245 ³⁸	R402235118	R402238231 ²⁰¹	-	-	-	-
R44141858 ²⁷⁵	2-19/32 "	R42R55245	R42R55245 ³⁸	R402235118	R402238231 ²⁰¹	R4111885 ⁵³	N/A	-	-
23-123572-004 ²⁷¹	2-19/32 "	R42R55245	R42R55245 ³⁸	R402235118	R402238231 ²⁰¹	-	-	-	-
23-122920-002 ²⁷³	3-3/8 "	R42R55099	R42R55098 ³⁷	R4066780	R4090021 ²⁰¹	-	-	-	-
R44141858 ²⁷⁵	2-19/32 "	R42R55245	R42R55245 ³⁸	R402235118	R402238231 ²⁰¹	N/A ⁵³	-	-	-
R44141858 ²⁷⁵	3-3/8 "	R42R55099	R42R55098 ³⁷	R4066780	R4090021 ²⁰¹	-	-	-	-
23-123572-004 ²⁷¹	3-3/8 "	R42R55099	R42R55098 ³⁷	R4066780	R4090021 ²⁰¹	-	-	-	-
R44141476 ²⁶⁸	2-19/32 "	R42R55245	R42R55245 ³⁸	R402235118	R402238231 ²⁰¹	-	-	-	-
23-122527-002 ²⁷²	2-19/32 "	R42R55245	R42R55245 ³⁸	R402235118	R402238231 ²⁰¹	-	-	-	-
23-123552-004 ²⁶⁶	3-3/8 "	R42R55099	R42R55098 ³⁷	R4066780	R4090021 ²⁰¹	-	-	-	-
R44141476 ²⁶⁸	3-3/8 "	R42R55099	R42R55098 ³⁷	R4066780	R4090021 ²⁰¹	-	-	-	-
23-123572-004 ²⁷¹	3-3/8 "	R42R55099	R42R55098 ³⁷	R4066780	R4090021 ²⁰¹	-	-	-	-
23-122527-002 ²⁷²	2-19/32 "	R42R55245	R42R55245 ³⁸	R402235118	R402238231 ²⁰¹	-	-	-	-
23-123572-004 ²⁷¹	3-3/8 "	R42R55099	R42R55098 ³⁷	R4066780	R4090021 ²⁰¹	-	-	-	-
23-122920-002 ²⁷³	2-19/32 "	R42R55245	R42R55245 ³⁸	R402235118	R402238231 ²⁰¹	-	-	-	-
23-122920-002 ²⁷³	3-3/8 "	R42R55099	R42R55098 ³⁷	R4066780	R4090021 ²⁰¹	-	-	-	-
23-122527-002 ²⁷²	3-3/8 "	R42R55099	R42R55098 ³⁷	R4066780	R4090021 ²⁰¹	-	-	-	-
R44141858 ²⁷⁵	3-3/8 "	R42R55099	R42R55098 ³⁷	R4066780	R4090021 ²⁰¹	-	-	-	-
23-123552-004 ²⁶⁶	2-7/8 "	R429218X	R429218X ³⁹	R406532	R4090070 ⁴⁰	-	-	-	-
R44141858 ²⁷⁵	2-19/32 "	R42R55245	R42R55245 ³⁸	R402235118	R402238231 ²⁰¹	-	R4577503	R4577503	-
23-123552-004 ²⁶⁶	3-3/8 "	R42R55099	R42R55098 ³⁷	R4066780	R4090021 ²⁰¹	-	-	-	-
R44141858 ²⁷⁵	2-19/32 "	R42R55245	R42R55245 ³⁸	R402235118	R402238231 ²⁰¹	-	R458632	R458632	-
23-122920-002 ²⁷³	3-3/8 "	R42R55099	R42R55098 ³⁷	R4066780	R4090021 ²⁰¹	-	-	-	-
R44141858 ²⁷⁵	2-19/32 "	R42R55245	R42R55245 ³⁸	R402235118	R402238231 ²⁰¹	-	-	-	-
R44141858 ²⁷⁵	2-19/32 "	R42R55245	R42R55245 ³⁸	R402235118	R402238231 ²⁰¹	N/A ⁵³	-	-	-
23-122527-002 ²⁷²	3-3/8 "	R42R55099	R42R55098 ³⁷	R4066780	R4090021 ²⁰¹	-	-	-	-
R44141476 ²⁶⁸	3-3/8 "	R42R55099	R42R55098 ³⁷	R4066780	R4090021 ²⁰¹	-	-	-	-
23-122527-002 ²⁷²	2-19/32 "	R42R55245	R42R55245 ³⁸	R40107771	R4090100P ²⁰¹	-	-	-	-
R44141608 ²⁶⁷	2-19/32 "	R42R55245	R42R55245 ³⁸	R402235118	R402238231 ²⁰¹	-	-	-	-
R44141627 ²⁷⁰	2-19/32 "	R42R55245	R42R55245 ³⁸	R402235118	R402238231 ²⁰¹	-	-	-	-
23-122527-002 ²⁷²	2-19/32 "	R42R55245	R42R55245 ³⁸	R40107771	R4090100P ²⁰¹	-	-	-	-
23-122527-002 ²⁷²	2-19/32 "	R42R55245	R42R55245 ³⁸	R40107771	R4090100P ²⁰¹	-	-	-	-
23-122527-002 ²⁷²	2-19/32 "	R42R55245	R42R55245 ³⁸	R40107771	R4090100P ²⁰¹	-	-	-	-
23-122527-002 ²⁷²	2-19/32 "	R42R55245	R42R55245 ³⁸	R40107771	R4090100P ²⁰¹	-	-	-	-
23-123552-004 ²⁶⁶	2-19/32 "	R42R55245	R42R55245 ³⁸	R402235118	R402238231 ²⁰¹	-	-	-	-
23-123572-004 ²⁷¹	2-19/32 "	R42R55245	R42R55245 ³⁸	R402235118	R402238231 ²⁰¹	-	-	-	-
23-122527-002 ²⁷²	2-19/32 "	R42R55245	R42R55245 ³⁸	R402235118	R402238231 ²⁰¹	-	-	-	-
23-122527-002 ²⁷²	2-19/32 "	R42R55245	R42R55245 ³⁸	R40107771	R4090100P ²⁰¹	-	-	-	-

268 - 5 Stud, Hat Shape
 271 - 6 Stud, Hat Shape
 275 - 5 Stud, U Shape, .656 Dia. Studs
 Contact our Customer Service Teams
 1-888-725-9355

269 - 5 Stud, U Shape
 272 - 6 Stud, U Shape

270 - 5 Stud, U Shape, .766 Dia. Studs
 273 - 5 Stud, U Shape, .780 Dia. Studs

www.XpresswayPlus.com

MERITOR DRUM OR ROTOR NO.	CALIPER OR CYLINDER BORE SIZE	MERITOR CALIPER OR WHEEL CYLINDER (LEFT)	MERITOR CALIPER OR WHEEL CYLINDER (RIGHT)	MERITOR CALIPER OR WHEEL CYLINDER REPAIR KIT	MERITOR CALIPER PISTON	MERITOR MASTER CYLINDER	MERITOR MASTER CYLINDER KIT	MERITOR BRAKE HOSE (LEFT)	MERITOR BRAKE HOSE (RIGHT)
ITE(Cont.)									
180, 1800, 1810, 1823, 1824, 1850, 1853, 1854 SERIES CONVENTIONAL TRUCK, SCHOOL BUS, TILT CAB(Cont.)									
R44141629 ²⁶⁹	2-19/32 "	R42R55245	R42R55245 ³⁸	R402235118	R402238231 ²⁰¹	-	-	-	-
R44141628 ²⁶⁹	2-19/32 "	R42R55245	R42R55245 ³⁸	R402235118	R402238231 ²⁰¹	-	-	-	-
23-123572-004 ²⁷¹	2-7/8 "	R429218X	R429218X ³⁹	R406532	R4090070 ⁴⁰	-	-	-	-
R44141476 ²⁶⁸	2-7/8 "	R42R55250	R42R55250 ³⁷	R4066365	R4090096 ⁷²	-	-	-	-
23-123572-004 ²⁷¹	2-7/8 "	R42R55250	R42R55250 ³⁷	R4066365	R4090096 ⁷²	-	-	-	-
R44141476 ²⁶⁸	2-7/8 "	R42R55250	R42R55250 ³⁷	R4066365	R4090096 ⁷²	-	-	-	-
R44141858 ²⁷⁵	2-7/8 "	R42R55250	R42R55250 ³⁷	R4066365	R4090096 ⁷²	-	-	-	-
23-122920-002 ²⁷³	2-7/8 "	R42R55250	R42R55250 ³⁷	R4066365	R4090096 ⁷²	-	-	-	-
23-122527-002 ²⁷²	2-7/8 "	R42R55250	R42R55250 ³⁷	R4066365	R4090096 ⁷²	-	-	-	-
R44141858 ²⁷⁵	2-7/8 "	R429218X	R429218X ³⁹	R406532	R4090070 ⁴⁰	-	-	-	-
23-122920-002 ²⁷³	2-7/8 "	R429218X	R429218X ³⁹	R406532	R4090070 ⁴⁰	-	-	-	-
23-122527-002 ²⁷²	2-7/8 "	R42R55250	R42R55250 ³⁷	R4066365	R4090096 ⁷²	-	-	-	-
23-123572-004 ²⁷¹	2-7/8 "	R42R55250	R42R55250 ³⁷	R4066365	R4090096 ⁷²	-	-	-	-
R44141858 ²⁷⁵	2-7/8 "	R42R55250	R42R55250 ³⁷	R4066365	R4090096 ⁷²	-	-	-	-
23-123572-004 ²⁷¹	2-7/8 "	R42R55250	R42R55250 ³⁷	R4066365	R4090096 ⁷²	-	-	-	-
23-122527-002 ²⁷²	2-7/8 "	R42R55250	R42R55250 ³⁷	R4066365	R4090096 ⁷²	-	-	-	-
23-122920-002 ²⁷³	2-7/8 "	R42R55250	R42R55250 ³⁷	R4066365	R4090096 ⁷²	-	-	-	-
23-123552-004 ²⁶⁶	2-7/8 "	R42R55250	R42R55250 ³⁷	R4066365	R4090096 ⁷²	-	-	-	-
R44141858 ²⁷⁵	2-7/8 "	R42R55250	R42R55250 ³⁷	R4066365	R4090096 ⁷²	-	-	-	-
R44141476 ²⁶⁸	2-7/8 "	R42R55250	R42R55250 ³⁷	R4066365	R4090096 ⁷²	-	-	-	-
R44141476 ²⁶⁸	2-7/8 "	R429218X	R429218X ³⁹	R406532	R4090070 ⁴⁰	-	-	-	-
23-122527-002 ²⁷²	2-7/8 "	R429218X	R429218X ³⁹	R406532	R4090070 ⁴⁰	-	-	-	-
23-123552-004 ²⁶⁶	2-7/8 "	R42R55250	R42R55250 ³⁷	R4066365	R4090096 ⁷²	-	-	-	-
23-122920-002 ²⁷³	2-7/8 "	R42R55250	R42R55250 ³⁷	R4066365	R4090096 ⁷²	-	-	-	-
23-123552-004 ²⁶⁶	2-7/8 "	R42R55250	R42R55250 ³⁷	R4066365	R4090096 ⁷²	-	-	-	-
23-123572-004 ²⁷¹	2-7/8 "	R42R55250	R42R55250 ³⁷	R4066365	R4090096 ⁷²	-	-	-	-
R44141629 ²⁶⁹	2-7/8 "	R42R55250	R42R55250 ³⁷	R4066365	R4090096 ⁷²	-	-	-	-
R44141628 ²⁶⁹	2-7/8 "	R42R55250	R42R55250 ³⁷	R4066365	R4090096 ⁷²	-	-	-	-
R44141608 ²⁶⁷	2-7/8 "	R42R55250	R42R55250 ³⁷	R4066365	R4090096 ⁷²	-	-	-	-
R44141628 ²⁶⁹	2-7/8 "	R42R55250	R42R55250 ³⁷	R4066365	R4090096 ⁷²	-	-	-	-
R44141608 ²⁶⁷	2-7/8 "	R42R55250	R42R55250 ³⁷	R4066365	R4090096 ⁷²	-	-	-	-
R44141627 ²⁷⁰	2-7/8 "	R42R55250	R42R55250 ³⁷	R4066365	R4090096 ⁷²	-	-	-	-
23-123572-004 ²⁷¹	2-7/8 "	R42R55250	R42R55250 ³⁷	R4066365	R4090096 ⁷²	-	-	-	-
R44141608 ²⁶⁷	2-7/8 "	R42R55250	R42R55250 ³⁷	R4066365	R4090096 ⁷²	-	-	-	-
23-123552-004 ²⁶⁶	2-7/8 "	R42R55250	R42R55250 ³⁷	R4066365	R4090096 ⁷²	-	-	-	-
23-123552-004 ²⁶⁶	2-7/8 "	R42R55250	R42R55250 ³⁷	R4066365	R4090096 ⁷²	-	-	-	-
R44141627 ²⁷⁰	2-7/8 "	R42R55250	R42R55250 ³⁷	R4066365	R4090096 ⁷²	-	-	-	-
R44141627 ²⁷⁰	2-7/8 "	R42R55250	R42R55250 ³⁷	R4066365	R4090096 ⁷²	-	-	-	-
23-123572-004 ²⁷¹	2-7/8 "	R42R55250	R42R55250 ³⁷	R4066365	R4090096 ⁷²	-	-	-	-
R44141629 ²⁶⁹	2-7/8 "	R42R55250	R42R55250 ³⁷	R4066365	R4090096 ⁷²	-	-	-	-
23-123552-004 ²⁶⁶	2-7/8 "	R42R55250	R42R55250 ³⁷	R4066365	R4090096 ⁷²	-	-	-	-
R44141628 ²⁶⁹	2-7/8 "	R42R55250	R42R55250 ³⁷	R4066365	R4090096 ⁷²	-	-	-	-
23-123572-004 ²⁷¹	3-3/8 "	R42R55099	R42R55098 ³⁷	R4066780	R4090021 ²⁰¹	-	-	-	-
23-123572-004 ²⁷¹	3-3/8 "	R42R55099	R42R55098 ³⁷	R4066780	R4090021 ²⁰¹	-	-	-	-
23-122920-002 ²⁷³	2-19/32 "	R42R55245	R42R55245 ³⁸	R402235118	R402238231 ²⁰¹	-	-	-	-
23-123552-004 ²⁶⁶	2-19/32 "	R42R55245	R42R55245 ³⁸	R402235118	R402238231 ²⁰¹	-	-	-	-
R44141476 ²⁶⁸	3-3/8 "	R42R55099	R42R55098 ³⁷	R4066780	R4090021 ²⁰¹	-	-	-	-
R44141858 ²⁷⁵	3-3/8 "	R42R55099	R42R55098 ³⁷	R4066780	R4090021 ²⁰¹	-	-	-	-
R44141858 ²⁷⁵	2-19/32 "	R42R55245	R42R55245 ³⁸	R402235118	R402238231 ²⁰¹	-	-	N/A	N/A
23-122527-002 ²⁷²	3-3/8 "	R42R55099	R42R55098 ³⁷	R4066780	R4090021 ²⁰¹	-	-	-	-
R44141858 ²⁷⁵	2-19/32 "	R42R55245	R42R55245 ³⁸	R402235118	R402238231 ²⁰¹	N/A ⁵³	-	-	-
23-122920-002 ²⁷³	3-3/8 "	R42R55099	R42R55098 ³⁷	R4066780	R4090021 ²⁰¹	-	-	-	-
23-122527-002 ²⁷²	3-3/8 "	R42R55099	R42R55098 ³⁷	R4066780	R4090021 ²⁰¹	-	-	-	-
23-122920-002 ²⁷³	3-3/8 "	R42R55099	R42R55098 ³⁷	R4066780	R4090021 ²⁰¹	-	-	-	-
R44141858 ²⁷⁵	3-3/8 "	R42R55099	R42R55098 ³⁷	R4066780	R4090021 ²⁰¹	-	-	-	-
23-123552-004 ²⁶⁶	3-3/8 "	R42R55099	R42R55098 ³⁷	R4066780	R4090021 ²⁰¹	-	-	-	-
23-123552-004 ²⁶⁶	3-3/8 "	R42R55099	R42R55098 ³⁷	R4066780	R4090021 ²⁰¹	-	-	-	-
23-122920-002 ²⁷³	3-3/8 "	R42R55099	R42R55098 ³⁷	R4066780	R4090021 ²⁰¹	-	-	-	-
23-123572-004 ²⁷¹	2-19/32 "	R42R55245	R42R55245 ³⁸	R402235118	R402238231 ²⁰¹	-	-	-	-
23-123552-004 ²⁶⁶	2-7/8 "	R429218X	R429218X ³⁹	R406532	R4090070 ⁴⁰	-	-	-	-
23-123552-004 ²⁶⁶	3-3/8 "	R42R55099	R42R55098 ³⁷	R4066780	R4090021 ²⁰¹	-	-	-	-
R44141858 ²⁷⁵	2-19/32 "	R42R55245	R42R55245 ³⁸	R402235118	R402238231 ²⁰¹	R4111993 ³⁰²	R4122386	-	-

1 APPLICATION

268 - 5 Stud, Hat Shape
 271 - 6 Stud, Hat Shape
 275 - 5 Stud, U Shape, .656 Dia. Studs
 Contact our Customer Service Teams
 1-888-725-9355

269 - 5 Stud, U Shape
 272 - 6 Stud, U Shape
 302 - Power Brakes, Dual System

270 - 5 Stud, U Shape, .766 Dia. Studs
 273 - 5 Stud, U Shape, .780 Dia. Studs
 www.XpresswayPlus.com

MAKE MODEL YEAR AXLE CODE AXLE WEIGHT	AXLE & BRK. TYPE	BRK. MFG.	BRAKE SIZE	FMSI	MERITOR DISC PAD OR BRAKE SHOE	MERITOR GUIDE PIN OR RETURN SPRING KIT	MERITOR CALIPER HWD. KIT OR RETURN SPRING KIT	MERITOR ADJUSTER KIT (LEFT WHEEL)	MERITOR ADJUSTER KIT (RIGHT WHEEL)
ITE(Cont.)									
180, 1800, 1810, 1823, 1824, 1850, 1853, 1854 SERIES CONVENTIONAL TRUCK, SCHOOL BUS, TILT CAB(Cont.)									
1984	Fd	BX		7142 - D225	MD225	R40H5010	R40H5522	NR	NR
	Fd	BX		7142 - D225	MD225	R40H5010	R40H5522	NR	NR
	Fd	BX		7142 - D225	MD225	R40H5010	R40H5522	NR	NR
	Fd	BX		7142 - D225	MD225	R40H5010	R40H5522	NR	NR
	Fd	BX		7142 - D225	MD225	R40H5010	R40H5522	NR	NR
1983	Fd	BX		7108 - D184	MD184	R40H5010	R40H5519	NR	NR
	Fd	BX		7108 - D184	MD184	R40H5010	R40H5519	NR	NR
	Fd	BX		7108 - D184	MD184	R40H5010	R40H5519	NR	NR
	Fd	BX		7108 - D184	MD184	R40H5010	R40H5519	NR	NR
	Fd	BX		7108 - D184	MD184	R40H5010	R40H5519	NR	NR
	Fd	BX		7108 - D184	MD184	R40H5010	R40H5519	NR	NR
	Fd	BX		7108 - D184	MD184	R40H5010	R40H5519	NR	NR
	Fd	BX		7108 - D184	MD184	R40H5010	R40H5519	NR	NR
	Fd	BX		7108 - D184	MD184	R40H5010	R40H5519	NR	NR
	Rd	BX		7108 - D184	MD184	R40H5010	R40H5519	NR	NR
RA39, 199	Ra	WG	15 " x 7 "	4597 - 383	R700383	R40H597	R40H9200	R40H3540	R40H3541
FA118, 127, 139	Fa	WG	15 " x 5 "	1345A - 491	N/A	R40H521	R40H9237	R40H3502	R40H3503
	Fm	WG	15 " x 5 "	1345 - 490	N/A	R40H521	R40H9201	R40H3524	R40H3524
FA208	Fa	WG	15 " x 3-1/2 "	1280B - 322	R464004	R40H521	R40H9237	R40H3502	R40H3503
FA219	Fm	WG	15 " x 3-1/2 "	1280 - 463	R700463	R40H521	R40H9201	R40H3524	R40H3524
	Fm	WG	15 " x 3-1/2 "	1280 - 463	R700463	R40H521	R40H9201	R40H3524	R40H3524
	Fm	WG	15 " x 3-1/2 "	1280 - 463	R700463	R40H521	R40H9201	R40H3524	R40H3524
	Fm	WG	15 " x 3-1/2 "	1280 - 463	R700463	R40H521	R40H9201	R40H3524	R40H3524
	Fm	WG	15 " x 3-1/2 "	1280 - 463	R700463	R40H521	R40H9201	R40H3524	R40H3524
	Fm	WG	15 " x 3-1/2 "	1280 - 463	R700463	R40H521	R40H9201	R40H3524	R40H3524
	Fm	WG	15 " x 3-1/2 "	1280 - 463	R700463	R40H521	R40H9201	R40H3524	R40H3524
	Fm	WG	15 " x 3-1/2 "	1280 - 463	R700463	R40H521	R40H9201	R40H3524	R40H3524
	Fm	WG	15 " x 3-1/2 "	1280 - 463	R700463	R40H521	R40H9201	R40H3524	R40H3524
	Fm	WG	15 " x 3-1/2 "	1280 - 463	R700463	R40H521	R40H9201	R40H3524	R40H3524
	Fm	WG	15 " x 3-1/2 "	1280 - 463	R700463	R40H521	R40H9201	R40H3524	R40H3524
	Fm	WG	15 " x 3-1/2 "	1280 - 463	R700463	R40H521	R40H9201	R40H3524	R40H3524
	Fm	WG	15 " x 3-1/2 "	1280 - 463	R700463	R40H521	R40H9201	R40H3524	R40H3524
	Fm	WG	15 " x 3-1/2 "	1280 - 463	R700463	R40H521	R40H9201	R40H3524	R40H3524
	Fm	WG	15 " x 3-1/2 "	1280 - 463	R700463	R40H521	R40H9201	R40H3524	R40H3524
	Fm	WG	15 " x 3-1/2 "	1280 - 463	R700463	R40H521	R40H9201	R40H3524	R40H3524
FA309, 329, 339	Fd	BX		7142 - D225	MD225	R40H5010	R40H5522	NR	NR
FA71, 73, 91, 98, 101, 109, 208	Fa	WG	15 " x 3 "	1245C - 321	R700321	R40H521	R40H9237	R40H3502	R40H3503
	Fa	WG	15 " x 3-1/2 "	1280B - 322	R464004	R40H521	R40H9237	R40H3502	R40H3503
	Fm	WG	15 " x 3-1/2 "	1280 - 463	R700463	R40H521	R40H9201	R40H3524	R40H3524
FA72	Fa	WG	14 " x 2-1/2 "	1294A - 325	N/A	R40H521	R40H9237	R40H3502	R40H3503
	Fm	WG	14 " x 2-1/2 "	1294 - 296	N/A	R40H521	R40H9201	R40H3524	R40H3524
RA39, 199	Rm	WG	15 " x 7 "	4597 - 383	R700383	R40H597	R40H9200	R40H3518	R404148
RA39, 42, 44, 186, 189	Ra	WG	15 " x 6 "	4596 - 381	R700381	R40H597	R40H9200	R40H3540	R40H3541
	Rm	WG	15 " x 6 "	4596 - 381	R700381	R40H597	R40H9200	R40H3518	R404148
RA39, 42, 44, 186, 199	Rd	BX		7142 - D225	MD225	R40H5010	R40H5522	NR	NR
RA44, 186, 286	Ra	WG	15 " x 7 "	4597 - 383	R700383	R40H597	R40H9200	R40H3540	R40H3541
	Rm	WG	15 " x 7 "	4597 - 383	R700383	R40H597	R40H9200	R40H3518	R404148
RA47, 57, 192	Ra	WG	16 " x 6 "	1255 - 386	N/A	R40H597	R40H9200	N/A	N/A
	Rm	WG	16 " x 6 "	1255 - 386	N/A	R40H597	R40H9200	R404149	R404150
S1724, S1754 Conventional FA71, 73, 91, 98, 101, 109, 208	Fm	WG	15 " x 3 "	1245A - 235	R700235	R40H521	R40H9201	R40H3524	R40H3524
1982 RA39, 199	Ra	WG	15 " x 7 "	4597 - 383	R700383	R40H597	R40H9200	R40H3540	R40H3541

37 - Also available as a New unit
201 - Steel Piston
269 - 5 Stud, U Shape
www.XpresswayPlus.com
1-854

38 - First design, may have external joining tube and uses steel pistons
266 - 10 Stud, Hat Shaped
270 - 5 Stud, U Shape, .766 Dia. Studs
72 - Phenolic/Steel Face
267 - 10 Stud, U Shaped
272 - 6 Stud, U Shape

Contact our Customer Service Teams
1-888-725-9355

MAKE MODEL YEAR AXLE CODE AXLE WEIGHT	AXLE & BRK. TYPE	BRK. MFG.	BRAKE SIZE	FMSI	MERITOR DISC PAD OR BRAKE SHOE	MERITOR GUIDE PIN OR RETURN SPRING KIT	MERITOR CALIPER HWD. KIT OR RETURN SPRING KIT	MERITOR ADJUSTER KIT (LEFT WHEEL)	MERITOR ADJUSTER KIT (RIGHT WHEEL)	
ITE(Cont.)										
180, 1800, 1810, 1823, 1824, 1850, 1853, 1854 SERIES CONVENTIONAL TRUCK, SCHOOL BUS, TILT CAB(Cont.)										
1982										
FA118, 127, 139	Fa	WG	15" x 5"	1345A - 491	N/A	R40H521	R40H9237	R40H3502	R40H3503	
	Fm	WG	15" x 5"	1345 - 490	N/A	R40H521	R40H9201	R40H3524	R40H3524	
FA208	Fa	WG	15" x 3-1/2"	1280B - 322	R464004	R40H521	R40H9237	R40H3502	R40H3503	
FA71, 73, 91, 98, 101, 109, 208	Fa	WG	15" x 3"	1245C - 321	R700321	R40H521	R40H9237	R40H3502	R40H3503	
	Fa	WG	15" x 3"	1245C - 321	R700321	R40H521	R40H9237	R40H3502	R40H3503	
	Fa	WG	15" x 3-1/2"	1280B - 322	R464004	R40H521	R40H9237	R40H3502	R40H3503	
	Fm	WG	15" x 3"	1245A - 235	R700235	R40H521	R40H9201	R40H3524	R40H3524	
	Fm	WG	15" x 3-1/2"	1280 - 463	R700463	R40H521	R40H9201	R40H3524	R40H3524	
	Fa72	Fa	WG	14" x 2-1/2"	1294A - 325	N/A	R40H521	R40H9237	R40H3502	R40H3503
FA72	Fm	WG	14" x 2-1/2"	1294 - 296	N/A	R40H521	R40H9201	R40H3524	R40H3524	
	Rm	WG	15" x 7"	4597 - 383	R700383	R40H597	R40H9200	R40H3518	R404148	
RA39, 199	Ra	WG	15" x 6"	4596 - 381	R700381	R40H597	R40H9200	R40H3540	R40H3541	
	Rm	WG	15" x 6"	4596 - 381	R700381	R40H597	R40H9200	R40H3518	R404148	
RA44, 186, 286	Ra	WG	15" x 7"	4597 - 383	R700383	R40H597	R40H9200	R40H3540	R40H3541	
	Rm	WG	15" x 7"	4597 - 383	R700383	R40H597	R40H9200	R40H3518	R404148	
RA47, 57, 192	Ra	WG	16" x 6"	1255 - 386	N/A	R40H597	R40H9200	N/A	N/A	
	Rm	WG	16" x 6"	1255 - 386	N/A	R40H597	R40H9200	R404149	R404150	
1981										
FA118, 127, 139	Fa	WG	15" x 5"	1345A - 491	N/A	R40H521	R40H9237	R40H3502	R40H3503	
	Fm	WG	15" x 5"	1345 - 490	N/A	R40H521	R40H9201	R40H3524	R40H3524	
FA208	Fa	WG	15" x 3-1/2"	1280B - 322	R464004	R40H521	R40H9237	R40H3502	R40H3503	
FA71, 73, 91, 98, 101, 109, 208	Fa	WG	15" x 3"	1245C - 321	R700321	R40H521	R40H9237	R40H3502	R40H3503	
	Fa	WG	15" x 3"	1245C - 321	R700321	R40H521	R40H9237	R40H3502	R40H3503	
	Fa	WG	15" x 3-1/2"	1280B - 322	R464004	R40H521	R40H9237	R40H3502	R40H3503	
	Fm	WG	15" x 3"	1245A - 235	R700235	R40H521	R40H9201	R40H3524	R40H3524	
	Fm	WG	15" x 3-1/2"	1280 - 463	R700463	R40H521	R40H9201	R40H3524	R40H3524	
	Fa72	Fa	WG	14" x 2-1/2"	1294A - 325	N/A	R40H521	R40H9237	R40H3502	R40H3503
FA72	Fm	WG	14" x 2-1/2"	1294 - 296	N/A	R40H521	R40H9201	R40H3524	R40H3524	
	1980									
FA118, 127, 139	Fa	WG	15" x 5"	1345A - 491	N/A	R40H521	R40H9237	R40H3502	R40H3503	
	Fm	WG	15" x 5"	1345 - 490	N/A	R40H521	R40H9201	R40H3524	R40H3524	
FA208	Fa	WG	15" x 3-1/2"	1280B - 322	R464004	R40H521	R40H9237	R40H3502	R40H3503	
FA71, 73, 91, 98, 101, 109, 208	Fa	WG	15" x 3"	1245C - 321	R700321	R40H521	R40H9237	R40H3502	R40H3503	
	Fa	WG	15" x 3-1/2"	1280B - 322	R464004	R40H521	R40H9237	R40H3502	R40H3503	
	Fm	WG	15" x 3"	1245A - 235	R700235	R40H521	R40H9201	R40H3524	R40H3524	
	Fm	WG	15" x 3-1/2"	1280 - 463	R700463	R40H521	R40H9201	R40H3524	R40H3524	
	Fa72	Fa	WG	14" x 2-1/2"	1294A - 325	N/A	R40H521	R40H9237	R40H3502	R40H3503
	FA72	Fm	WG	14" x 2-1/2"	1294 - 296	N/A	R40H521	R40H9201	R40H3524	R40H3524
1979										
FA118, 127, 139	Fa	WG	15" x 5"	1345A - 491	N/A	R40H521	R40H9237	R40H3502	R40H3503	
	Fm	WG	15" x 5"	1345 - 490	N/A	R40H521	R40H9201	R40H3524	R40H3524	
FA208	Fa	WG	15" x 3-1/2"	1280B - 322	R464004	R40H521	R40H9237	R40H3502	R40H3503	
FA71, 73, 91, 98, 101, 109, 208	Fa	WG	15" x 3"	1245C - 321	R700321	R40H521	R40H9237	R40H3502	R40H3503	
	Fa	WG	15" x 3-1/2"	1280B - 322	R464004	R40H521	R40H9237	R40H3502	R40H3503	
	Fm	WG	15" x 3"	1245A - 235	R700235	R40H521	R40H9201	R40H3524	R40H3524	
	Fm	WG	15" x 3-1/2"	1280 - 463	R700463	R40H521	R40H9201	R40H3524	R40H3524	
	Fa72	Fa	WG	14" x 2-1/2"	1294A - 325	N/A	R40H521	R40H9237	R40H3502	R40H3503
	FA72	Fm	WG	14" x 2-1/2"	1294 - 296	N/A	R40H521	R40H9201	R40H3524	R40H3524
1978										
FA118, 127, 139	Fa	WG	15" x 5"	1345A - 491	N/A	R40H521	R40H9237	R40H3502	R40H3503	
	Fm	WG	15" x 5"	1345 - 490	N/A	R40H521	R40H9201	R40H3524	R40H3524	
FA208	Fa	WG	15" x 3-1/2"	1280B - 322	R464004	R40H521	R40H9237	R40H3502	R40H3503	
FA71, 73, 91, 98, 101, 109, 208	Fa	WG	15" x 3"	1245C - 321	R700321	R40H521	R40H9237	R40H3502	R40H3503	
	Fa	WG	15" x 3-1/2"	1280B - 322	R464004	R40H521	R40H9237	R40H3502	R40H3503	
	Fm	WG	15" x 3"	1245A - 235	R700235	R40H521	R40H9201	R40H3524	R40H3524	
	Fm	WG	15" x 3-1/2"	1280 - 463	R700463	R40H521	R40H9201	R40H3524	R40H3524	

MERITOR DRUM OR ROTOR NO.	CALIPER OR CYLINDER BORE SIZE	MERITOR CALIPER OR WHEEL CYLINDER (LEFT)	MERITOR CALIPER OR WHEEL CYLINDER (RIGHT)	MERITOR CALIPER OR WHEEL CYLINDER REPAIR KIT	MERITOR CALIPER PISTON	MERITOR MASTER CYLINDER	MERITOR MASTER CYLINDER KIT	MERITOR BRAKE HOSE (LEFT)	MERITOR BRAKE HOSE (RIGHT)
ITE(Cont.)									
180, 1800, 1810, 1823, 1824, 1850, 1853, 1854 SERIES CONVENTIONAL TRUCK, SCHOOL BUS, TILT CAB(Cont.)									
N/A		-	-	N/A	N/A	-	-	-	-
N/A		-	-	N/A	N/A	-	-	-	-
N/A	1-1/4 "	R4133581	R4133582	R4166923	NR	-	-	-	-
N/A	1-1/4 "	R4133581	R4133582	R4166923	NR	R4111912 ³³¹	R4122386	-	-
N/A	1-1/4 "	R4133581	R4133582	R4166923	NR	R4111294 ³³²	R4122346	R4577503	R4577503
N/A	1-1/4 "	R4133581	R4133582	R4166923	NR	-	-	-	-
N/A	1-1/4 "	R4133581	R4133582	R4166923	NR	-	-	-	-
N/A	1-1/8 "	R4133714	R4133715	R4166926	NR	-	-	-	-
N/A	1-1/8 "	R4133714	R4133715	R4166926	NR	-	-	-	-
N/A	1-5/8 "	R4133338	R4133338	R4166689	NR	-	-	-	-
N/A	1-5/8 "	R4133338	R4133338	R4166689	NR	-	-	-	-
N/A	1-5/8 "	R4133338	R4133338	R4166689	NR	-	-	-	-
N/A	1-5/8 "	R4133338	R4133338	R4166689	NR	-	-	-	-
N/A	1-5/8 "	R4133338	R4133338	R4166689	NR	-	-	-	-
N/A	1-3/4 "	R4133400	R4133400	R4166917	NR	-	-	-	-
N/A	1-3/4 "	R4133400	R4133400	R4166917	NR	-	-	-	-
N/A		-	-	N/A	N/A	-	-	-	-
N/A		-	-	N/A	N/A	-	-	-	-
N/A	1-1/4 "	R4133581	R4133582	R4166923	NR	-	-	-	-
N/A	1-1/4 "	R4133581	R4133582	R4166923	NR	R4111294 ³³²	R4122346	R4577503	R4577503
N/A	1-1/4 "	R4133581	R4133582	R4166923	NR	R4111912 ³³¹	R4122386	-	-
N/A	1-1/4 "	R4133581	R4133582	R4166923	NR	-	-	-	-
N/A	1-1/4 "	R4133581	R4133582	R4166923	NR	-	-	-	-
N/A	1-1/8 "	R4133714	R4133715	R4166926	NR	-	-	-	-
N/A	1-1/8 "	R4133714	R4133715	R4166926	NR	-	-	-	-
N/A		-	-	N/A	N/A	-	-	-	-
N/A		-	-	N/A	N/A	-	-	-	-
N/A	1-1/4 "	R4133581	R4133582	R4166923	NR	-	-	-	-
N/A	1-1/4 "	R4133581	R4133582	R4166923	NR	-	-	-	-
N/A	1-1/4 "	R4133581	R4133582	R4166923	NR	-	-	-	-
N/A	1-1/4 "	R4133581	R4133582	R4166923	NR	-	-	-	-
N/A	1-1/8 "	R4133714	R4133715	R4166926	NR	-	-	-	-
N/A	1-1/8 "	R4133714	R4133715	R4166926	NR	-	-	-	-
N/A		-	-	N/A	N/A	-	-	-	-
N/A		-	-	N/A	N/A	-	-	-	-
N/A	1-1/4 "	R4133581	R4133582	R4166923	NR	-	-	-	-
N/A	1-1/4 "	R4133581	R4133582	R4166923	NR	-	-	-	-
N/A	1-1/4 "	R4133581	R4133582	R4166923	NR	-	-	-	-
N/A	1-1/4 "	R4133581	R4133582	R4166923	NR	-	-	-	-
N/A	1-1/8 "	R4133714	R4133715	R4166926	NR	-	-	-	-
N/A	1-1/8 "	R4133714	R4133715	R4166926	NR	-	-	-	-
N/A		-	-	N/A	N/A	-	-	-	-
N/A		-	-	N/A	N/A	-	-	-	-
N/A	1-1/4 "	R4133581	R4133582	R4166923	NR	-	-	-	-
N/A	1-1/4 "	R4133581	R4133582	R4166923	NR	-	-	-	-
N/A	1-1/4 "	R4133581	R4133582	R4166923	NR	-	-	-	-
N/A	1-1/4 "	R4133581	R4133582	R4166923	NR	-	-	-	-

1 APPLICATION

MAKE MODEL YEAR AXLE CODE AXLE WEIGHT	AXLE & BRK. TYPE	BRK. MFG.	BRAKE SIZE	FMSI	MERITOR DISC PAD OR BRAKE SHOE	MERITOR GUIDE PIN OR RETURN SPRING KIT	MERITOR CALIPER HWD. KIT OR RETURN SPRING KIT	MERITOR ADJUSTER KIT (LEFT WHEEL)	MERITOR ADJUSTER KIT (RIGHT WHEEL)
ITE(Cont.)									
180, 1800, 1810, 1823, 1824, 1850, 1853, 1854 SERIES CONVENTIONAL TRUCK, SCHOOL BUS, TILT CAB(Cont.)									
1978 FA72	Fa	WG	14 " x 2-1/2 "	1294A - 325	N/A	R40H521	R40H9237	R40H3502	R40H3503
	Fm	WG	14 " x 2-1/2 "	1294 - 296	N/A	R40H521	R40H9201	R40H3524	R40H3524
1977 FA118, 127, 139	Fa	WG	15 " x 5 "	1345A - 491	N/A	R40H521	R40H9237	R40H3502	R40H3503
	Fm	WG	15 " x 5 "	1345 - 490	N/A	R40H521	R40H9201	R40H3524	R40H3524
FA208	Fa	WG	15 " x 3-1/2 "	1280B - 322	R464004	R40H521	R40H9237	R40H3502	R40H3503
FA71, 73, 91, 98, 101, 109, 208	Fa	WG	15 " x 3 "	1245C - 321	R700321	R40H521	R40H9237	R40H3502	R40H3503
	Fa	WG	15 " x 3-1/2 "	1280B - 322	R464004	R40H521	R40H9237	R40H3502	R40H3503
	Fm	WG	15 " x 3 "	1245A - 235	R700235	R40H521	R40H9201	R40H3524	R40H3524
	Fm	WG	15 " x 3-1/2 "	1280 - 463	R700463	R40H521	R40H9201	R40H3524	R40H3524
FA72	Fa	WG	14 " x 2-1/2 "	1294A - 325	N/A	R40H521	R40H9237	R40H3502	R40H3503
	Fm	WG	14 " x 2-1/2 "	1294 - 296	N/A	R40H521	R40H9201	R40H3524	R40H3524
1976 FA118, 127, 139	Fa	WG	15 " x 5 "	1345A - 491	N/A	R40H521	R40H9237	R40H3502	R40H3503
	Fm	WG	15 " x 5 "	1345 - 490	N/A	R40H521	R40H9201	R40H3524	R40H3524
FA208	Fa	WG	15 " x 3-1/2 "	1280B - 322	R464004	R40H521	R40H9237	R40H3502	R40H3503
FA71, 73, 91, 98, 101, 109, 208	Fa	WG	15 " x 3 "	1245C - 321	R700321	R40H521	R40H9237	R40H3502	R40H3503
	Fa	WG	15 " x 3-1/2 "	1280B - 322	R464004	R40H521	R40H9237	R40H3502	R40H3503
	Fm	WG	15 " x 3 "	1245A - 235	R700235	R40H521	R40H9201	R40H3524	R40H3524
	Fm	WG	15 " x 3-1/2 "	1280 - 463	R700463	R40H521	R40H9201	R40H3524	R40H3524
FA72	Fa	WG	14 " x 2-1/2 "	1294A - 325	N/A	R40H521	R40H9237	R40H3502	R40H3503
	Fm	WG	14 " x 2-1/2 "	1294 - 296	N/A	R40H521	R40H9201	R40H3524	R40H3524
1975 FA118, 127, 139	Fa	WG	15 " x 5 "	1345A - 491	N/A	R40H521	R40H9237	R40H3502	R40H3503
	Fm	WG	15 " x 5 "	1345 - 490	N/A	R40H521	R40H9201	R40H3524	R40H3524
FA208	Fa	WG	15 " x 3-1/2 "	1280B - 322	R464004	R40H521	R40H9237	R40H3502	R40H3503
FA71, 73, 91, 98, 101, 109, 208	Fa	WG	15 " x 3 "	1245C - 321	R700321	R40H521	R40H9237	R40H3502	R40H3503
	Fa	WG	15 " x 3-1/2 "	1280B - 322	R464004	R40H521	R40H9237	R40H3502	R40H3503
	Fm	WG	15 " x 3 "	1245A - 235	R700235	R40H521	R40H9201	R40H3524	R40H3524
	Fm	WG	15 " x 3-1/2 "	1280 - 463	R700463	R40H521	R40H9201	R40H3524	R40H3524
FA72	Fa	WG	14 " x 2-1/2 "	1294A - 325	N/A	R40H521	R40H9237	R40H3502	R40H3503
	Fm	WG	14 " x 2-1/2 "	1294 - 296	N/A	R40H521	R40H9201	R40H3524	R40H3524
1974 FA118, 127, 139	Fa	WG	15 " x 5 "	1345A - 491	N/A	R40H521	R40H9237	R40H3502	R40H3503
	Fm	WG	15 " x 5 "	1345 - 490	N/A	R40H521	R40H9201	R40H3524	R40H3524
FA208	Fa	WG	15 " x 3-1/2 "	1280B - 322	R464004	R40H521	R40H9237	R40H3502	R40H3503
FA71, 73, 91, 98, 101, 109, 208	Fa	WG	15 " x 3 "	1245C - 321	R700321	R40H521	R40H9237	R40H3502	R40H3503
	Fa	WG	15 " x 3-1/2 "	1280B - 322	R464004	R40H521	R40H9237	R40H3502	R40H3503
	Fm	WG	15 " x 3 "	1245A - 235	R700235	R40H521	R40H9201	R40H3524	R40H3524
	Fm	WG	15 " x 3-1/2 "	1280 - 463	R700463	R40H521	R40H9201	R40H3524	R40H3524
FA72	Fa	WG	14 " x 2-1/2 "	1294A - 325	N/A	R40H521	R40H9237	R40H3502	R40H3503
	Fm	WG	14 " x 2-1/2 "	1294 - 296	N/A	R40H521	R40H9201	R40H3524	R40H3524
1973 FA118, 127, 139	Fa	WG	15 " x 5 "	1345A - 491	N/A	R40H521	R40H9237	R40H3502	R40H3503
	Fm	WG	15 " x 5 "	1345 - 490	N/A	R40H521	R40H9201	R40H3524	R40H3524
FA208	Fa	WG	15 " x 3-1/2 "	1280B - 322	R464004	R40H521	R40H9237	R40H3502	R40H3503
FA71, 73, 91, 98, 101, 109, 208	Fa	WG	15 " x 3 "	1245C - 321	R700321	R40H521	R40H9237	R40H3502	R40H3503
	Fa	WG	15 " x 3-1/2 "	1280B - 322	R464004	R40H521	R40H9237	R40H3502	R40H3503
	Fm	WG	15 " x 3 "	1245A - 235	R700235	R40H521	R40H9201	R40H3524	R40H3524
	Fm	WG	15 " x 3-1/2 "	1280 - 463	R700463	R40H521	R40H9201	R40H3524	R40H3524
FA72	Fa	WG	14 " x 2-1/2 "	1294A - 325	N/A	R40H521	R40H9237	R40H3502	R40H3503
	Fm	WG	14 " x 2-1/2 "	1294 - 296	N/A	R40H521	R40H9201	R40H3524	R40H3524
1972 FA118, 127, 139	Fa	WG	15 " x 5 "	1345A - 491	N/A	R40H521	R40H9237	R40H3502	R40H3503
	Fm	WG	15 " x 5 "	1345 - 490	N/A	R40H521	R40H9201	R40H3524	R40H3524
FA208	Fa	WG	15 " x 3-1/2 "	1280B - 322	R464004	R40H521	R40H9237	R40H3502	R40H3503

MERITOR DRUM OR ROTOR NO.	CALIPER OR CYLINDER BORE SIZE	MERITOR CALIPER OR WHEEL CYLINDER (LEFT)	MERITOR CALIPER OR WHEEL CYLINDER (RIGHT)	MERITOR CALIPER OR WHEEL CYLINDER REPAIR KIT	MERITOR CALIPER PISTON	MERITOR MASTER CYLINDER	MERITOR MASTER CYLINDER KIT	MERITOR BRAKE HOSE (LEFT)	MERITOR BRAKE HOSE (RIGHT)
ITE(Cont.)									
180, 1800, 1810, 1823, 1824, 1850, 1853, 1854 SERIES CONVENTIONAL TRUCK, SCHOOL BUS, TILT CAB(Cont.)									
N/A	1-1/8 "	R4133714	R4133715	R4166926	NR	-	-	-	-
N/A	1-1/8 "	R4133714	R4133715	R4166926	NR	-	-	-	-
-	-	-	-	-	-	-	-	-	-
-	-	-	-	-	-	-	-	-	-
-	1-1/4 "	R4133581	R4133582	R4166923	NR	-	-	-	-
-	1-1/4 "	R4133581	R4133582	R4166923	NR	-	-	-	-
-	1-1/4 "	R4133581	R4133582	R4166923	NR	-	-	-	-
-	1-1/4 "	R4133581	R4133582	R4166923	NR	-	-	-	-
-	1-1/8 "	R4133714	R4133715	R4166926	NR	-	-	-	-
-	1-1/8 "	R4133714	R4133715	R4166926	NR	-	-	-	-
-	-	-	-	-	-	-	-	-	-
-	-	-	-	-	-	-	-	-	-
-	1-1/4 "	R4133581	R4133582	R4166923	NR	-	-	-	-
-	1-1/4 "	R4133581	R4133582	R4166923	NR	-	-	-	-
-	1-1/4 "	R4133581	R4133582	R4166923	NR	-	-	-	-
-	1-1/4 "	R4133581	R4133582	R4166923	NR	-	-	-	-
-	1-1/8 "	R4133714	R4133715	R4166926	NR	-	-	-	-
-	1-1/8 "	R4133714	R4133715	R4166926	NR	-	-	-	-
-	-	-	-	-	-	-	-	-	-
-	-	-	-	-	-	-	-	-	-
-	1-1/4 "	R4133581	R4133582	R4166923	NR	-	-	-	-
-	1-1/4 "	R4133581	R4133582	R4166923	NR	-	-	-	-
-	1-1/4 "	R4133581	R4133582	R4166923	NR	-	-	-	-
-	1-1/4 "	R4133581	R4133582	R4166923	NR	-	-	-	-
-	1-1/8 "	R4133714	R4133715	R4166926	NR	-	-	-	-
-	1-1/8 "	R4133714	R4133715	R4166926	NR	-	-	-	-
-	-	-	-	-	-	-	-	-	-
-	-	-	-	-	-	-	-	-	-
-	1-1/4 "	R4133581	R4133582	R4166923	NR	-	-	-	-
-	1-1/4 "	R4133581	R4133582	R4166923	NR	-	-	-	-
-	1-1/4 "	R4133581	R4133582	R4166923	NR	-	-	-	-
-	1-1/4 "	R4133581	R4133582	R4166923	NR	-	-	-	-
-	1-1/8 "	R4133714	R4133715	R4166926	NR	-	-	-	-
-	1-1/8 "	R4133714	R4133715	R4166926	NR	-	-	-	-
-	-	-	-	-	-	-	-	-	-
-	-	-	-	-	-	-	-	-	-
-	1-1/4 "	R4133581	R4133582	R4166923	NR	-	-	-	-
-	1-1/4 "	R4133581	R4133582	R4166923	NR	-	-	-	-
-	1-1/4 "	R4133581	R4133582	R4166923	NR	-	-	-	-
-	1-1/4 "	R4133581	R4133582	R4166923	NR	-	-	-	-
-	1-1/8 "	R4133714	R4133715	R4166926	NR	-	-	-	-
-	1-1/8 "	R4133714	R4133715	R4166926	NR	-	-	-	-
-	-	-	-	-	-	-	-	-	-
-	-	-	-	-	-	-	-	-	-
-	1-1/4 "	R4133581	R4133582	R4166923	NR	-	-	-	-

1 APPLICATION

MAKE MODEL YEAR AXLE CODE AXLE WEIGHT	AXLE & BRK. TYPE	BRK. MFG.	BRAKE SIZE	FMSI	MERITOR DISC PAD OR BRAKE SHOE	MERITOR GUIDE PIN OR RETURN SPRING KIT	MERITOR CALIPER HWD. KIT OR RETURN SPRING KIT	MERITOR ADJUSTER KIT (LEFT WHEEL)	MERITOR ADJUSTER KIT (RIGHT WHEEL)
ITE(Cont.)									
180, 1800, 1810, 1823, 1824, 1850, 1853, 1854 SERIES CONVENTIONAL TRUCK, SCHOOL BUS, TILT CAB(Cont.)									
1972 FA71, 73, 91, 98, 101, 109, 208	Fa	WG	15" x 3"	1245C - 321	R700321	R40H521	R40H9237	R40H3502	R40H3503
	Fa	WG	15" x 3-1/2"	1280B - 322	R464004	R40H521	R40H9237	R40H3502	R40H3503
	Fm	WG	15" x 3"	1245A - 235	R700235	R40H521	R40H9201	R40H3524	R40H3524
	Fm	WG	15" x 3-1/2"	1280 - 463	R700463	R40H521	R40H9201	R40H3524	R40H3524
FA72	Fa	WG	14" x 2-1/2"	1294A - 325	N/A	R40H521	R40H9237	R40H3502	R40H3503
	Fm	WG	14" x 2-1/2"	1294 - 296	N/A	R40H521	R40H9201	R40H3524	R40H3524
1971 FA118, 127, 139	Fa	WG	15" x 5"	1345A - 491	N/A	R40H521	R40H9237	R40H3502	R40H3503
	Fm	WG	15" x 5"	1345 - 490	N/A	R40H521	R40H9201	R40H3524	R40H3524
FA208	Fa	WG	15" x 3-1/2"	1280B - 322	R464004	R40H521	R40H9237	R40H3502	R40H3503
FA71, 73, 91, 98, 101, 109, 208	Fa	WG	15" x 3"	1245C - 321	R700321	R40H521	R40H9237	R40H3502	R40H3503
	Fa	WG	15" x 3-1/2"	1280B - 322	R464004	R40H521	R40H9237	R40H3502	R40H3503
	Fm	WG	15" x 3"	1245A - 235	R700235	R40H521	R40H9201	R40H3524	R40H3524
	Fm	WG	15" x 3-1/2"	1280 - 463	R700463	R40H521	R40H9201	R40H3524	R40H3524
FA72	Fa	WG	14" x 2-1/2"	1294A - 325	N/A	R40H521	R40H9237	R40H3502	R40H3503
	Fm	WG	14" x 2-1/2"	1294 - 296	N/A	R40H521	R40H9201	R40H3524	R40H3524
1970 FA118, 127, 139	Fa	WG	15" x 5"	1345A - 491	N/A	R40H521	R40H9237	R40H3502	R40H3503
	Fm	WG	15" x 5"	1345 - 490	N/A	R40H521	R40H9201	R40H3524	R40H3524
FA208	Fa	WG	15" x 3-1/2"	1280B - 322	R464004	R40H521	R40H9237	R40H3502	R40H3503
FA71, 73, 91, 98, 101, 109, 208	Fa	WG	15" x 3"	1245C - 321	R700321	R40H521	R40H9237	R40H3502	R40H3503
	Fa	WG	15" x 3-1/2"	1280B - 322	R464004	R40H521	R40H9237	R40H3502	R40H3503
	Fm	WG	15" x 3"	1245A - 235	R700235	R40H521	R40H9201	R40H3524	R40H3524
	Fm	WG	15" x 3-1/2"	1280 - 463	R700463	R40H521	R40H9201	R40H3524	R40H3524
FA72	Fa	WG	14" x 2-1/2"	1294A - 325	N/A	R40H521	R40H9237	R40H3502	R40H3503
	Fm	WG	14" x 2-1/2"	1294 - 296	N/A	R40H521	R40H9201	R40H3524	R40H3524
1969 FA118, 127, 139	Fa	WG	15" x 5"	1345A - 491	N/A	R40H521	R40H9237	R40H3502	R40H3503
	Fm	WG	15" x 5"	1345 - 490	N/A	R40H521	R40H9201	R40H3524	R40H3524
FA208	Fa	WG	15" x 3-1/2"	1280B - 322	R464004	R40H521	R40H9237	R40H3502	R40H3503
FA71, 73, 91, 98, 101, 109, 208	Fa	WG	15" x 3"	1245C - 321	R700321	R40H521	R40H9237	R40H3502	R40H3503
	Fa	WG	15" x 3-1/2"	1280B - 322	R464004	R40H521	R40H9237	R40H3502	R40H3503
	Fm	WG	15" x 3"	1245A - 235	R700235	R40H521	R40H9201	R40H3524	R40H3524
	Fm	WG	15" x 3-1/2"	1280 - 463	R700463	R40H521	R40H9201	R40H3524	R40H3524
FA72	Fa	WG	14" x 2-1/2"	1294A - 325	N/A	R40H521	R40H9237	R40H3502	R40H3503
	Fm	WG	14" x 2-1/2"	1294 - 296	N/A	R40H521	R40H9201	R40H3524	R40H3524
1968 FA118, 127, 139	Fa	WG	15" x 5"	1345A - 491	N/A	R40H521	R40H9237	R40H3502	R40H3503
	Fm	WG	15" x 5"	1345 - 490	N/A	R40H521	R40H9201	R40H3524	R40H3524
FA208	Fa	WG	15" x 3-1/2"	1280B - 322	R464004	R40H521	R40H9237	R40H3502	R40H3503
FA71, 73, 91, 98, 101, 109, 208	Fa	WG	15" x 3"	1245C - 321	R700321	R40H521	R40H9237	R40H3502	R40H3503
	Fa	WG	15" x 3-1/2"	1280B - 322	R464004	R40H521	R40H9237	R40H3502	R40H3503
	Fm	WG	15" x 3"	1245A - 235	R700235	R40H521	R40H9201	R40H3524	R40H3524
	Fm	WG	15" x 3-1/2"	1280 - 463	R700463	R40H521	R40H9201	R40H3524	R40H3524
FA72	Fa	WG	14" x 2-1/2"	1294A - 325	N/A	R40H521	R40H9237	R40H3502	R40H3503
	Fm	WG	14" x 2-1/2"	1294 - 296	N/A	R40H521	R40H9201	R40H3524	R40H3524
1967 FA118, 127, 139	Fa	WG	15" x 5"	1345A - 491	N/A	R40H521	R40H9237	R40H3502	R40H3503
	Fm	WG	15" x 5"	1345 - 490	N/A	R40H521	R40H9201	R40H3524	R40H3524
FA208	Fa	WG	15" x 3-1/2"	1280B - 322	R464004	R40H521	R40H9237	R40H3502	R40H3503
FA71, 73, 91, 98, 101, 109, 208	Fa	WG	15" x 3"	1245C - 321	R700321	R40H521	R40H9237	R40H3502	R40H3503
	Fa	WG	15" x 3-1/2"	1280B - 322	R464004	R40H521	R40H9237	R40H3502	R40H3503
	Fm	WG	15" x 3"	1245A - 235	R700235	R40H521	R40H9201	R40H3524	R40H3524
	Fm	WG	15" x 3-1/2"	1280 - 463	R700463	R40H521	R40H9201	R40H3524	R40H3524
FA72	Fa	WG	14" x 2-1/2"	1294A - 325	N/A	R40H521	R40H9237	R40H3502	R40H3503

MERITOR DRUM OR ROTOR NO.	CALIPER OR CYLINDER BORE SIZE	MERITOR CALIPER OR WHEEL CYLINDER (LEFT)	MERITOR CALIPER OR WHEEL CYLINDER (RIGHT)	MERITOR CALIPER OR WHEEL CYLINDER REPAIR KIT	MERITOR CALIPER PISTON	MERITOR MASTER CYLINDER	MERITOR MASTER CYLINDER KIT	MERITOR BRAKE HOSE (LEFT)	MERITOR BRAKE HOSE (RIGHT)
ITE(Cont.)									
180, 1800, 1810, 1823, 1824, 1850, 1853, 1854 SERIES CONVENTIONAL TRUCK, SCHOOL BUS, TILT CAB(Cont.)									
-	1-1/4 "	R4133581	R4133582	R4166923	NR	-	-	-	-
-	1-1/4 "	R4133581	R4133582	R4166923	NR	-	-	-	-
-	1-1/4 "	R4133581	R4133582	R4166923	NR	-	-	-	-
-	1-1/4 "	R4133581	R4133582	R4166923	NR	-	-	-	-
-	1-1/8 "	R4133714	R4133715	R4166926	NR	-	-	-	-
-	1-1/8 "	R4133714	R4133715	R4166926	NR	-	-	-	-
-						-	-	-	-
-						-	-	-	-
-						-	-	-	-
-	1-1/4 "	R4133581	R4133582	R4166923	NR	-	-	-	-
-						-	-	-	-
-	1-1/4 "	R4133581	R4133582	R4166923	NR	-	-	-	-
-	1-1/4 "	R4133581	R4133582	R4166923	NR	-	-	-	-
-	1-1/4 "	R4133581	R4133582	R4166923	NR	-	-	-	-
-	1-1/4 "	R4133581	R4133582	R4166923	NR	-	-	-	-
-	1-1/8 "	R4133714	R4133715	R4166926	NR	-	-	-	-
-	1-1/8 "	R4133714	R4133715	R4166926	NR	-	-	-	-
-						-	-	-	-
-						-	-	-	-
-						-	-	-	-
-	1-1/4 "	R4133581	R4133582	R4166923	NR	-	-	-	-
-						-	-	-	-
-	1-1/4 "	R4133581	R4133582	R4166923	NR	-	-	-	-
-	1-1/4 "	R4133581	R4133582	R4166923	NR	-	-	-	-
-	1-1/4 "	R4133581	R4133582	R4166923	NR	-	-	-	-
-	1-1/4 "	R4133581	R4133582	R4166923	NR	-	-	-	-
-	1-1/8 "	R4133714	R4133715	R4166926	NR	-	-	-	-
-	1-1/8 "	R4133714	R4133715	R4166926	NR	-	-	-	-
-						-	-	-	-
-						-	-	-	-
-						-	-	-	-
-	1-1/4 "	R4133581	R4133582	R4166923	NR	-	-	-	-
-						-	-	-	-
-	1-1/4 "	R4133581	R4133582	R4166923	NR	-	-	-	-
-	1-1/4 "	R4133581	R4133582	R4166923	NR	-	-	-	-
-	1-1/4 "	R4133581	R4133582	R4166923	NR	-	-	-	-
-	1-1/4 "	R4133581	R4133582	R4166923	NR	-	-	-	-
-	1-1/8 "	R4133714	R4133715	R4166926	NR	-	-	-	-
-	1-1/8 "	R4133714	R4133715	R4166926	NR	-	-	-	-
-						-	-	-	-
-						-	-	-	-
-						-	-	-	-
-	1-1/4 "	R4133581	R4133582	R4166923	NR	-	-	-	-
-						-	-	-	-
-	1-1/4 "	R4133581	R4133582	R4166923	NR	-	-	-	-
-	1-1/4 "	R4133581	R4133582	R4166923	NR	-	-	-	-
-	1-1/4 "	R4133581	R4133582	R4166923	NR	-	-	-	-
-	1-1/4 "	R4133581	R4133582	R4166923	NR	-	-	-	-
-	1-1/8 "	R4133714	R4133715	R4166926	NR	-	-	-	-

1 APPLICATION

MAKE MODEL YEAR AXLE CODE AXLE WEIGHT	AXLE & BRK. TYPE	BRK. MFG.	BRAKE SIZE	FMSI	MERITOR DISC PAD OR BRAKE SHOE	MERITOR GUIDE PIN OR RETURN SPRING KIT	MERITOR CALIPER HWD. KIT OR RETURN SPRING KIT	MERITOR ADJUSTER KIT (LEFT WHEEL)	MERITOR ADJUSTER KIT (RIGHT WHEEL)
---	------------------------	--------------	---------------	------	---	--	---	---	--

ITE(Cont.)

180, 1800, 1810, 1823, 1824, 1850, 1853, 1854 SERIES CONVENTIONAL TRUCK, SCHOOL BUS, TILT CAB(Cont.)

1967 FA72	Fm	WG	14 " x 2-1/2 "	1294 - 296	N/A	R40H521	R40H9201	R40H3524	R40H3524
1966 FA118, 127, 139	Fa	WG	15 " x 5 "	1345A - 491	N/A	R40H521	R40H9237	R40H3502	R40H3503
	Fm	WG	15 " x 5 "	1345 - 490	N/A	R40H521	R40H9201	R40H3524	R40H3524
FA208	Fa	WG	15 " x 3-1/2 "	1280B - 322	R464004	R40H521	R40H9237	R40H3502	R40H3503
FA71, 73, 91, 98, 101, 109, 208	Fa	WG	15 " x 3 "	1245C - 321	R700321	R40H521	R40H9237	R40H3502	R40H3503
	Fa	WG	15 " x 3-1/2 "	1280B - 322	R464004	R40H521	R40H9237	R40H3502	R40H3503
	Fm	WG	15 " x 3 "	1245A - 235	R700235	R40H521	R40H9201	R40H3524	R40H3524
	Fm	WG	15 " x 3-1/2 "	1280 - 463	R700463	R40H521	R40H9201	R40H3524	R40H3524
FA72	Fa	WG	14 " x 2-1/2 "	1294A - 325	N/A	R40H521	R40H9237	R40H3502	R40H3503
	Fm	WG	14 " x 2-1/2 "	1294 - 296	N/A	R40H521	R40H9201	R40H3524	R40H3524
1965 FA118, 127, 139	Fa	WG	15 " x 5 "	1345A - 491	N/A	R40H521	R40H9237	R40H3502	R40H3503
	Fm	WG	15 " x 5 "	1345 - 490	N/A	R40H521	R40H9201	R40H3524	R40H3524
FA208	Fa	WG	15 " x 3-1/2 "	1280B - 322	R464004	R40H521	R40H9237	R40H3502	R40H3503
FA71, 73, 91, 98, 101, 109, 208	Fa	WG	15 " x 3 "	1245C - 321	R700321	R40H521	R40H9237	R40H3502	R40H3503
	Fa	WG	15 " x 3-1/2 "	1280B - 322	R464004	R40H521	R40H9237	R40H3502	R40H3503
	Fm	WG	15 " x 3 "	1245A - 235	R700235	R40H521	R40H9201	R40H3524	R40H3524
	Fm	WG	15 " x 3-1/2 "	1280 - 463	R700463	R40H521	R40H9201	R40H3524	R40H3524
FA72	Fa	WG	14 " x 2-1/2 "	1294A - 325	N/A	R40H521	R40H9237	R40H3502	R40H3503
	Fm	WG	14 " x 2-1/2 "	1294 - 296	N/A	R40H521	R40H9201	R40H3524	R40H3524

190, 1900, 1910, 1950 SERIES CONVENTIONAL TILT CAB

1989 S1910,S1950 Cargostar Cab Forward Code: 04145	Fd	BX		7108 - D184	MD184	R40H5010	R40H5519	NR	NR	
	Fd	BX		7142 - D225	MD225	R40H5010	R40H5522	NR	NR	
	Fd	BX		7108 - D184	MD184	R40H5010	R40H5519	NR	NR	
	Fd	BX		7142 - D225	MD225	R40H5010	R40H5522	NR	NR	
	Fd	BX		7108 - D184	MD184	R40H5010	R40H5519	NR	NR	
	Fd	BX		7142 - D225	MD225	R40H5010	R40H5522	NR	NR	
	Fd	BX		7142 - D225	MD225	R40H5010	R40H5522	NR	NR	
	Fd	BX		7142 - D225	MD225	R40H5010	R40H5522	NR	NR	
	Fd	BX		7108 - D184	MD184	R40H5010	R40H5519	NR	NR	
	Fd	BX		7108 - D184	MD184	R40H5010	R40H5519	NR	NR	
	Fd	BX		7108 - D184	MD184	R40H5010	R40H5519	NR	NR	
	Fd	BX		7142 - D225	MD225	R40H5010	R40H5522	NR	NR	
	Fd	BX		7108 - D184	MD184	R40H5010	R40H5519	NR	NR	
	Fd	BX		7142 - D225	MD225	R40H5010	R40H5522	NR	NR	
	Fd	BX		7108 - D184	MD184	R40H5010	R40H5519	NR	NR	
	Fd	BX		7142 - D225	MD225	R40H5010	R40H5522	NR	NR	
	Fd	BX		7108 - D184	MD184	R40H5010	R40H5519	NR	NR	
	Fd	BX		7142 - D225	MD225	R40H5010	R40H5522	NR	NR	
	S1910,S1950 Cargostar Cab Forward Code: 04237	Rd	BX		7108 - D184	MD184	R40H5010	R40H5519	NR	NR

37 - Also available as a New unit

72 - Phenolic/Steel Face
268 - 5 Stud, Hat Shape
www.XpresswayPlus.com

1-862

38 - First design, may have external joining tube and uses steel pistons
201 - Steel Piston
269 - 5 Stud, U Shape

52 - 18" Length
266 - 10 Stud, Hat Shaped
271 - 6 Stud, Hat Shape

Contact our Customer Service Teams
1-888-725-9355

MERITOR DRUM OR ROTOR NO.	CALIPER OR CYLINDER BORE SIZE	MERITOR CALIPER OR WHEEL CYLINDER (LEFT)	MERITOR CALIPER OR WHEEL CYLINDER (RIGHT)	MERITOR CALIPER OR WHEEL CYLINDER REPAIR KIT	MERITOR CALIPER PISTON	MERITOR MASTER CYLINDER	MERITOR MASTER CYLINDER KIT	MERITOR BRAKE HOSE (LEFT)	MERITOR BRAKE HOSE (RIGHT)
ITE(Cont.)									
180, 1800, 1810, 1823, 1824, 1850, 1853, 1854 SERIES CONVENTIONAL TRUCK, SCHOOL BUS, TILT CAB(Cont.)									
-	1-1/8 "	R4133714	R4133715	R4166926	NR	-	-	-	-
-	-	-	-	-	-	-	-	-	-
-	1-1/4 "	R4133581	R4133582	R4166923	NR	-	-	-	-
-	1-1/4 "	R4133581	R4133582	R4166923	NR	-	-	-	-
-	1-1/4 "	R4133581	R4133582	R4166923	NR	-	-	-	-
-	1-1/4 "	R4133581	R4133582	R4166923	NR	-	-	-	-
-	1-1/8 "	R4133714	R4133715	R4166926	NR	-	-	-	-
-	1-1/8 "	R4133714	R4133715	R4166926	NR	-	-	-	-
-	-	-	-	-	-	-	-	-	-
-	-	-	-	-	-	-	-	-	-
-	1-1/4 "	R4133581	R4133582	R4166923	NR	-	-	-	-
-	1-1/4 "	R4133581	R4133582	R4166923	NR	-	-	-	-
-	1-1/4 "	R4133581	R4133582	R4166923	NR	-	-	-	-
-	1-1/4 "	R4133581	R4133582	R4166923	NR	-	-	-	-
-	1-1/8 "	R4133714	R4133715	R4166926	NR	-	-	-	-
-	1-1/8 "	R4133714	R4133715	R4166926	NR	-	-	-	-
190, 1900, 1910, 1950 SERIES CONVENTIONAL TILT CAB									
23-123552-004 ²⁶⁶	3-3/8 "	R42R55099	R42R55098 ³⁷	R4066780	R4090021 ²⁰¹	-	-	R458635	R458635
23-122527-002 ²⁷²	2-7/8 "	R42R55250	R42R55250 ³⁷	R4066365	R4090096 ⁷²	-	-	R458635	R458635
23-123552-004 ²⁶⁶	2-19/32 "	R42R55314	R42R55314 ³⁷	R40107771	R4090100P ⁷²	-	-	R458635	R458635
23-122920-002 ²⁷³	2-7/8 "	R42R55250	R42R55250 ³⁷	R4066365	R4090096 ⁷²	-	-	R458635	R458635
23-123552-004 ²⁶⁶	3-3/8 "	R42R55099	R42R55098 ³⁷	R4066780	R4090021 ²⁰¹	-	-	R458632	R458632
23-122920-002 ²⁷³	2-7/8 "	R42R55250	R42R55250 ³⁷	R4066365	R4090096 ⁷²	-	-	R458632	R458632
R44141476 ²⁶⁸	2-7/8 "	R42R55250	R42R55250 ³⁷	R4066365	R4090096 ⁷²	-	-	R458632	R458632
23-122527-002 ²⁷²	2-19/32 "	R42R55314	R42R55314 ³⁷	R40107771	R4090100P ⁷²	-	-	R458632	R458632
23-122920-002 ²⁷³	2-19/32 "	R42R55314	R42R55314 ³⁷	R40107771	R4090100P ⁷²	-	-	R458635	R458635
23-122527-002 ²⁷²	3-3/8 "	R42R55099	R42R55098 ³⁷	R4066780	R4090021 ²⁰¹	-	-	R458632	R458632
R44141476 ²⁶⁸	2-19/32 "	R42R55314	R42R55314 ³⁷	R40107771	R4090100P ⁷²	-	-	R458635	R458635
23-122527-002 ²⁷²	2-19/32 "	R42R55245	R42R55245 ³⁸	R402235118	R402238231 ²⁰¹	-	-	R458632	R458632
R44141476 ²⁶⁸	2-7/8 "	R42R55250	R42R55250 ³⁷	R4066365	R4090096 ⁷²	-	-	R458635	R458635
23-123572-004 ²⁷¹	3-3/8 "	R42R55099	R42R55098 ³⁷	R4066780	R4090021 ²⁰¹	-	-	R458635	R458635
23-123552-004 ²⁶⁶	2-7/8 "	R42R55250	R42R55250 ³⁷	R4066365	R4090096 ⁷²	-	-	R458635	R458635
23-123572-004 ²⁷¹	2-19/32 "	R42R55314	R42R55314 ³⁷	R40107771	R4090100P ⁷²	-	-	R458635	R458635
23-122701-002 ²⁶⁹	2-19/32 "	R42R55314	R42R55314 ³⁷	R40107771	R4090100P ⁷²	-	-	R458632	R458632
23-122701-002 ²⁶⁹	2-7/8 "	R42R55250	R42R55250 ³⁷	R4066365	R4090096 ⁷²	-	-	R458632	R458632
R44141858 ²⁷⁵	2-7/8 "	R42R55250	R42R55250 ³⁷	R4066365	R4090096 ⁷²	-	-	R458632	R458632
23-122920-002 ²⁷³	3-3/8 "	R42R55099	R42R55098 ³⁷	R4066780	R4090021 ²⁰¹	-	-	R458635	R458635
23-123552-004 ²⁶⁶	2-7/8 "	R42R55250	R42R55250 ³⁷	R4066365	R4090096 ⁷²	-	-	R458632	R458632
23-122701-002 ²⁶⁹	2-7/8 "	R42R55250	R42R55250 ³⁷	R4066365	R4090096 ⁷²	-	-	R458635	R458635
R44141858 ²⁷⁵	3-3/8 "	R42R55099	R42R55098 ³⁷	R4066780	R4090021 ²⁰¹	-	-	R458635	R458635
R44141858 ²⁷⁵	2-19/32 "	R42R55314	R42R55314 ³⁷	R40107771	R4090100P ⁷²	-	-	R458635	R458635
23-122527-002 ²⁷²	3-3/8 "	R42R55099	R42R55098 ³⁷	R4066780	R4090021 ²⁰¹	-	-	R458635	R458635
23-122527-002 ²⁷²	2-19/32 "	R42R55314	R42R55314 ³⁷	R40107771	R4090100P ⁷²	-	-	R458635	R458635
23-122701-002 ²⁶⁹	3-3/8 "	R42R55099	R42R55098 ³⁷	R4066780	R4090021 ²⁰¹	-	-	R458635	R458635
23-123572-004 ²⁷¹	2-7/8 "	R42R55250	R42R55250 ³⁷	R4066365	R4090096 ⁷²	-	-	R458635	R458635
23-123552-004 ²⁶⁶	2-19/32 "	R42R55314	R42R55314 ³⁷	R40107771	R4090100P ⁷²	-	-	R458632	R458632
R44141476 ²⁶⁸	3-3/8 "	R42R55099	R42R55098 ³⁷	R4066780	R4090021 ²⁰¹	-	-	R458635	R458635
R44141858 ²⁷⁵	2-7/8 "	R42R55250	R42R55250 ³⁷	R4066365	R4090096 ⁷²	-	-	R458635	R458635
23-122527-002 ²⁷²	2-19/32 "	R42R55245	R42R55245 ³⁸	R402235118	R402238231 ²⁰¹	-	-	R458635	R458635
23-123572-004 ²⁷¹	2-7/8 "	R42R55250	R42R55250 ³⁷	R4066365	R4090096 ⁷²	-	-	R458632	R458632
23-123572-004 ²⁷¹	2-19/32 "	R42R55314	R42R55314 ³⁷	R40107771	R4090100P ⁷²	-	-	R458634 ⁵²	R458634

272 - 6 Stud, U Shape

273 - 5 Stud, U Shape, .780 Dia. Studs

275 - 5 Stud, U Shape, .656 Dia. Studs

MERITOR DRUM OR ROTOR NO.	CALIPER OR CYLINDER BORE SIZE	MERITOR CALIPER OR WHEEL CYLINDER (LEFT)	MERITOR CALIPER OR WHEEL CYLINDER (RIGHT)	MERITOR CALIPER OR WHEEL CYLINDER REPAIR KIT	MERITOR CALIPER PISTON	MERITOR MASTER CYLINDER	MERITOR MASTER CYLINDER KIT	MERITOR BRAKE HOSE (LEFT)	MERITOR BRAKE HOSE (RIGHT)
ITE(Cont.)									
190, 1900, 1910, 1950 SERIES CONVENTIONAL TILT CAB(Cont.)									
R44141627 ²⁷⁰	2-19/32 "	R42R55314	R42R55314 ³⁷	R40107771	R4090100P ⁷²	-	-	R458634 ⁵²	R458634
R44141608 ²⁶⁷	2-19/32 "	R42R55314	R42R55314 ³⁷	R40107771	R4090100P ⁷²	-	-	R458634 ⁵²	R458634
R44141629 ²⁶⁹	2-19/32 "	R42R55314	R42R55314 ³⁷	R40107771	R4090100P ⁷²	-	-	R458634 ⁵²	R458634
R44141628 ²⁶⁹	2-19/32 "	R42R55314	R42R55314 ³⁷	R40107771	R4090100P ⁷²	-	-	R458634 ⁵²	R458634
23-122527-002 ²⁷²	2-19/32 "	R42R55314	R42R55314 ³⁷	R40107771	R4090100P ⁷²	-	-	R458634 ⁵²	R458634
23-123552-004 ²⁶⁶	2-19/32 "	R42R55314	R42R55314 ³⁷	R40107771	R4090100P ⁷²	-	-	R458634 ⁵²	R458634
R44141628 ²⁶⁹	2-7/8 "	R42R55250	R42R55250 ³⁷	R4066365	R4090096 ⁷²	-	-	R458634 ⁵²	R458634
23-122527-002 ²⁷²	2-7/8 "	R42R55250	R42R55250 ³⁷	R4066365	R4090096 ⁷²	-	-	R458634 ⁵²	R458634
R44141629 ²⁶⁹	2-7/8 "	R42R55250	R42R55250 ³⁷	R4066365	R4090096 ⁷²	-	-	R458634 ⁵²	R458634
23-123572-004 ²⁷¹	2-7/8 "	R42R55250	R42R55250 ³⁷	R4066365	R4090096 ⁷²	-	-	R458634 ⁵²	R458634
R44141608 ²⁶⁷	2-7/8 "	R42R55250	R42R55250 ³⁷	R4066365	R4090096 ⁷²	-	-	R458634 ⁵²	R458634
23-123552-004 ²⁶⁶	2-7/8 "	R42R55250	R42R55250 ³⁷	R4066365	R4090096 ⁷²	-	-	R458634 ⁵²	R458634
R44141627 ²⁷⁰	2-7/8 "	R42R55250	R42R55250 ³⁷	R4066365	R4090096 ⁷²	-	-	R458634 ⁵²	R458634
23-123572-004 ²⁷¹	2-7/8 "	R42R55250	R42R55250 ³⁷	R4066365	R4090096 ⁷²	N/A ⁵³	-	R458635	R458635
23-122920-002 ²⁷³	2-7/8 "	R42R55250	R42R55250 ³⁷	R4066365	R4090096 ⁷²	N/A ⁵³	-	R458635	R458635
R44141476 ²⁶⁸	2-7/8 "	R42R55250	R42R55250 ³⁷	R4066365	R4090096 ⁷²	N/A ⁵³	-	R458635	R458635
23-123572-004 ²⁷¹	2-19/32 "	R42R55314	R42R55314 ³⁷	R40107771	R4090100P ⁷²	N/A ⁵³	-	R458635	R458635
23-123552-004 ²⁶⁶	2-19/32 "	R42R55245	R42R55245 ³⁸	R402235118	R402238231 ²⁰¹	N/A ⁵³	-	R458632	R458632
23-122920-002 ²⁷³	3-3/8 "	R42R55099	R42R55099 ³⁷	R4066780	R4090021 ²⁰¹	N/A ⁵³	-	R458632	R458632
R44141858 ²⁷⁵	2-7/8 "	R42R55250	R42R55250 ³⁷	R4066365	R4090096 ⁷²	N/A ⁵³	-	R458635	R458635
23-122527-002 ²⁷²	2-7/8 "	R42R55250	R42R55250 ³⁷	R4066365	R4090096 ⁷²	N/A ⁵³	-	R458632	R458632
R44141858 ²⁷⁵	3-3/8 "	R42R55099	R42R55099 ³⁷	R4066780	R4090021 ²⁰¹	N/A ⁵³	-	R458635	R458635
23-122701-002 ²⁶⁹	2-7/8 "	R42R55250	R42R55250 ³⁷	R4066365	R4090096 ⁷²	N/A ⁵³	-	R458632	R458632
R44141476 ²⁶⁸	3-3/8 "	R42R55099	R42R55099 ³⁷	R4066780	R4090021 ²⁰¹	N/A ⁵³	-	R458635	R458635
23-122527-002 ²⁷²	2-7/8 "	R42R55250	R42R55250 ³⁷	R4066365	R4090096 ⁷²	N/A ⁵³	-	R458635	R458635
23-123572-004 ²⁷¹	2-7/8 "	R42R55250	R42R55250 ³⁷	R4066365	R4090096 ⁷²	N/A ⁵³	-	R458632	R458632
23-123552-004 ²⁶⁶	2-7/8 "	R42R55250	R42R55250 ³⁷	R4066365	R4090096 ⁷²	N/A ⁵³	-	R458635	R458635
R44141476 ²⁶⁸	2-7/8 "	R42R55250	R42R55250 ³⁷	R4066365	R4090096 ⁷²	N/A ⁵³	-	R458632	R458632
23-122527-002 ²⁷²	2-7/8 "	R42R55250	R42R55250 ³⁷	R4066365	R4090096 ⁷²	N/A ⁵³	-	R458635	R458635
23-122701-002 ²⁶⁹	2-7/8 "	R42R55250	R42R55250 ³⁷	R4066365	R4090096 ⁷²	N/A ⁵³	-	R458632	R458632
23-122527-002 ²⁷²	2-7/8 "	R42R55250	R42R55250 ³⁷	R4066365	R4090096 ⁷²	N/A ⁵³	-	R458632	R458632
R44141476 ²⁶⁸	2-19/32 "	R42R55245	R42R55245 ³⁸	R402235118	R402238231 ²⁰¹	N/A ⁵³	-	R458632	R458632
23-123552-004 ²⁶⁶	2-7/8 "	R42R55250	R42R55250 ³⁷	R4066365	R4090096 ⁷²	N/A ⁵³	-	R458632	R458632
R44141858 ²⁷⁵	2-19/32 "	R42R55245	R42R55245 ³⁸	R402235118	R402238231 ²⁰¹	N/A ⁵³	-	R458635	R458635
23-123552-004 ²⁶⁶	2-19/32 "	R42R55314	R42R55314 ³⁷	R40107771	R4090100P ⁷²	N/A ⁵³	-	R458632	R458632
23-122920-002 ²⁷³	2-7/8 "	R42R55250	R42R55250 ³⁷	R4066365	R4090096 ⁷²	N/A ⁵³	-	R458632	R458632
23-123572-004 ²⁷¹	2-19/32 "	R42R55245	R42R55245 ³⁸	R402235118	R402238231 ²⁰¹	N/A ⁵³	-	R458635	R458635
23-122527-002 ²⁷²	2-7/8 "	R42R55250	R42R55250 ³⁷	R4066365	R4090096 ⁷²	N/A ⁵³	-	R458632	R458632
23-122527-002 ²⁷²	3-3/8 "	R42R55099	R42R55099 ³⁷	R4066780	R4090021 ²⁰¹	N/A ⁵³	-	R458632	R458632
R44141858 ²⁷⁵	2-19/32 "	R42R55245	R42R55245 ³⁸	R402235118	R402238231 ²⁰¹	N/A ⁵³	-	R458632	R458632
23-123572-004 ²⁷¹	3-3/8 "	R42R55099	R42R55099 ³⁷	R4066780	R4090021 ²⁰¹	N/A ⁵³	-	R458635	R458635
23-122920-002 ²⁷³	2-19/32 "	R42R55314	R42R55314 ³⁷	R40107771	R4090100P ⁷²	N/A ⁵³	-	R458635	R458635
R44141858 ²⁷⁵	2-7/8 "	R42R55250	R42R55250 ³⁷	R4066365	R4090096 ⁷²	N/A ⁵³	-	R458635	R458635
R44141476 ²⁶⁸	2-19/32 "	R42R55314	R42R55314 ³⁷	R40107771	R4090100P ⁷²	N/A ⁵³	-	R458632	R458632
23-122701-002 ²⁶⁹	2-7/8 "	R42R55250	R42R55250 ³⁷	R4066365	R4090096 ⁷²	N/A ⁵³	-	R458635	R458635
R44141858 ²⁷⁵	2-7/8 "	R42R55250	R42R55250 ³⁷	R4066365	R4090096 ⁷²	N/A ⁵³	-	R458632	R458632
23-123552-004 ²⁶⁶	2-7/8 "	R42R55250	R42R55250 ³⁷	R4066365	R4090096 ⁷²	N/A ⁵³	-	R458632	R458632
23-123552-004 ²⁶⁶	3-3/8 "	R42R55099	R42R55099 ³⁷	R4066780	R4090021 ²⁰¹	N/A ⁵³	-	R458632	R458632
23-122701-002 ²⁶⁹	2-7/8 "	R42R55250	R42R55250 ³⁷	R4066365	R4090096 ⁷²	N/A ⁵³	-	R458635	R458635
23-123572-004 ²⁷¹	2-7/8 "	R42R55250	R42R55250 ³⁷	R4066365	R4090096 ⁷²	N/A ⁵³	-	R458632	R458632
23-122701-002 ²⁶⁹	3-3/8 "	R42R55099	R42R55099 ³⁷	R4066780	R4090021 ²⁰¹	N/A ⁵³	-	R458635	R458635
R44141858 ²⁷⁵	2-7/8 "	R42R55250	R42R55250 ³⁷	R4066365	R4090096 ⁷²	N/A ⁵³	-	R458635	R458635
R44141858 ²⁷⁵	2-7/8 "	R42R55250	R42R55250 ³⁷	R4066365	R4090096 ⁷²	N/A ⁵³	-	R458635	R458635
23-122527-002 ²⁷²	3-3/8 "	R42R55099	R42R55099 ³⁷	R4066780	R4090021 ²⁰¹	N/A ⁵³	-	R458635	R458635
23-122701-002 ²⁶⁹	2-19/32 "	R42R55314	R42R55314 ³⁷	R40107771	R4090100P ⁷²	N/A ⁵³	-	R458635	R458635
23-123552-004 ²⁶⁶	2-7/8 "	R42R55250	R42R55250 ³⁷	R4066365	R4090096 ⁷²	N/A ⁵³	-	R458635	R458635
23-123552-004 ²⁶⁶	2-7/8 "	R42R55250	R42R55250 ³⁷	R4066365	R4090096 ⁷²	N/A ⁵³	-	R458632	R458632
23-122920-002 ²⁷³	2-19/32 "	R42R55314	R42R55314 ³⁷	R40107771	R4090100P ⁷²	N/A ⁵³	-	R458632	R458632
23-123572-004 ²⁷¹	3-3/8 "	R42R55099	R42R55099 ³⁷	R4066780	R4090021 ²⁰¹	N/A ⁵³	-	R458632	R458632

269 - 5 Stud, U Shape

270 - 5 Stud, U Shape, .766 Dia. Studs

271 - 6 Stud, Hat Shape

272 - 6 Stud, U Shape

273 - 5 Stud, U Shape, .780 Dia. Studs

275 - 5 Stud, U Shape, .656 Dia. Studs

Contact our Customer Service Teams
1-888-725-9355

www.XpresswayPlus.com

1 APPLICATION

MERITOR DRUM OR ROTOR NO.	CALIPER OR CYLINDER BORE SIZE	MERITOR CALIPER OR WHEEL CYLINDER (LEFT)	MERITOR CALIPER OR WHEEL CYLINDER (RIGHT)	MERITOR CALIPER OR WHEEL CYLINDER REPAIR KIT	MERITOR CALIPER PISTON	MERITOR MASTER CYLINDER	MERITOR MASTER CYLINDER KIT	MERITOR BRAKE HOSE (LEFT)	MERITOR BRAKE HOSE (RIGHT)
ITE(Cont.)									
190, 1900, 1910, 1950 SERIES CONVENTIONAL TILT CAB(Cont.)									
R44141628 ²⁶⁹	2-7/8 "	R42R55250	R42R55250 ³⁷	R4066365	R4090096 ⁷²	-	-	R458634 ⁵²	R458634
23-123572-004 ²⁷¹	2-7/8 "	R42R55250	R42R55250 ³⁷	R4066365	R4090096 ⁷²	-	-	R458634 ⁵²	R458634
R44141627 ²⁷⁰	2-7/8 "	R42R55250	R42R55250 ³⁷	R4066365	R4090096 ⁷²	-	-	R458634 ⁵²	R458634
23-122527-002 ²⁷²	2-7/8 "	R42R55250	R42R55250 ³⁷	R4066365	R4090096 ⁷²	-	-	R458634 ⁵²	R458634
R44141627 ²⁷⁰	2-7/8 "	R42R55250	R42R55250 ³⁷	R4066365	R4090096 ⁷²	-	-	R458634 ⁵²	R458634
R44141629 ²⁶⁹	2-7/8 "	R42R55250	R42R55250 ³⁷	R4066365	R4090096 ⁷²	-	-	R458634 ⁵²	R458634
R44141629 ²⁶⁹	2-7/8 "	R42R55250	R42R55250 ³⁷	R4066365	R4090096 ⁷²	-	-	R458634 ⁵²	R458634
23-123572-004 ²⁷¹	2-7/8 "	R42R55250	R42R55250 ³⁷	R4066365	R4090096 ⁷²	-	-	R458634 ⁵²	R458634
23-123552-004 ²⁶⁶	2-7/8 "	R42R55250	R42R55250 ³⁷	R4066365	R4090096 ⁷²	-	-	R458634 ⁵²	R458634
23-123572-004 ²⁷¹	2-7/8 "	R42R55250	R42R55250 ³⁷	R4066365	R4090096 ⁷²	-	-	R458634 ⁵²	R458634
R44141628 ²⁶⁹	2-7/8 "	R42R55250	R42R55250 ³⁷	R4066365	R4090096 ⁷²	-	-	R458634 ⁵²	R458634
23-122527-002 ²⁷²	2-7/8 "	R42R55250	R42R55250 ³⁷	R4066365	R4090096 ⁷²	-	-	R458634 ⁵²	R458634
23-122527-002 ²⁷²	2-7/8 "	R42R55250	R42R55250 ³⁷	R4066365	R4090096 ⁷²	-	-	R458634 ⁵²	R458634
23-123552-004 ²⁶⁶	2-7/8 "	R42R55250	R42R55250 ³⁷	R4066365	R4090096 ⁷²	-	-	R458634 ⁵²	R458634
23-123552-004 ²⁶⁶	2-7/8 "	R42R55250	R42R55250 ³⁷	R4066365	R4090096 ⁷²	-	-	R458634 ⁵²	R458634
23-123552-004 ²⁶⁶	2-7/8 "	R42R55250	R42R55250 ³⁷	R4066365	R4090096 ⁷²	-	-	R458634 ⁵²	R458634
23-123572-004 ²⁷¹	2-7/8 "	R42R55250	R42R55250 ³⁷	R4066365	R4090096 ⁷²	-	-	R458634 ⁵²	R458634
R44141627 ²⁷⁰	2-7/8 "	R42R55250	R42R55250 ³⁷	R4066365	R4090096 ⁷²	-	-	R458634 ⁵²	R458634
R44141608 ²⁶⁷	2-7/8 "	R42R55250	R42R55250 ³⁷	R4066365	R4090096 ⁷²	-	-	R458634 ⁵²	R458634
R44141608 ²⁶⁷	2-7/8 "	R42R55250	R42R55250 ³⁷	R4066365	R4090096 ⁷²	-	-	R458634 ⁵²	R458634
R44141608 ²⁶⁷	2-7/8 "	R42R55250	R42R55250 ³⁷	R4066365	R4090096 ⁷²	-	-	R458634 ⁵²	R458634
R44141629 ²⁶⁹	2-7/8 "	R42R55250	R42R55250 ³⁷	R4066365	R4090096 ⁷²	-	-	R458634 ⁵²	R458634
R44141627 ²⁷⁰	2-7/8 "	R42R55250	R42R55250 ³⁷	R4066365	R4090096 ⁷²	-	-	R458634 ⁵²	R458634
R44141628 ²⁶⁹	2-7/8 "	R42R55250	R42R55250 ³⁷	R4066365	R4090096 ⁷²	-	-	R458634 ⁵²	R458634
R44141476 ²⁶⁸	3-3/8 "	R42R55099	R42R55098 ³⁷	R4066780	R4090021 ²⁰¹	N/A ⁵³	-	R458635	R458635
R44141858 ²⁷⁵	2-7/8 "	R42R55250	R42R55250 ³⁷	R4066365	R4090096 ⁷²	N/A ⁵³	-	R458635	R458635
23-123552-004 ²⁶⁶	2-7/8 "	R42R55250	R42R55250 ³⁷	R4066365	R4090096 ⁷²	N/A ⁵³	-	R458635	R458635
23-122701-002 ²⁶⁹	2-7/8 "	R42R55250	R42R55250 ³⁷	R4066365	R4090096 ⁷²	N/A ⁵³	-	R458632	R458632
23-122920-002 ²⁷³	2-19/32 "	R42R55314	R42R55314 ³⁷	R40107771	R4090100P ⁷²	N/A ⁵³	-	R458632	R458632
23-123552-004 ²⁶⁶	2-7/8 "	R42R55250	R42R55250 ³⁷	R4066365	R4090096 ⁷²	N/A ⁵³	-	R458632	R458632
23-123572-004 ²⁷¹	2-19/32 "	R42R55314	R42R55314 ³⁷	R40107771	R4090100P ⁷²	N/A ⁵³	-	R458635	R458635
23-122527-002 ²⁷²	3-3/8 "	R42R55099	R42R55098 ³⁷	R4066780	R4090021 ²⁰¹	N/A ⁵³	-	R458635	R458635
23-123552-004 ²⁶⁶	2-7/8 "	R42R55250	R42R55250 ³⁷	R4066365	R4090096 ⁷²	N/A ⁵³	-	R458632	R458632
23-123572-004 ²⁷¹	2-19/32 "	R42R55245	R42R55245 ³⁸	R402235118	R402238231 ²⁰¹	N/A ⁵³	-	R458635	R458635
23-122527-002 ²⁷²	2-19/32 "	R42R55245	R42R55245 ³⁸	R402235118	R402238231 ²⁰¹	N/A ⁵³	-	R458635	R458635
23-122920-002 ²⁷³	2-7/8 "	R42R55250	R42R55250 ³⁷	R4066365	R4090096 ⁷²	N/A ⁵³	-	R458635	R458635
23-123572-004 ²⁷¹	3-3/8 "	R42R55099	R42R55098 ³⁷	R4066780	R4090021 ²⁰¹	N/A ⁵³	-	R458632	R458632
23-123572-004 ²⁷¹	2-7/8 "	R42R55250	R42R55250 ³⁷	R4066365	R4090096 ⁷²	N/A ⁵³	-	R458632	R458632
R44141858 ²⁷⁵	3-3/8 "	R42R55099	R42R55098 ³⁷	R4066780	R4090021 ²⁰¹	N/A ⁵³	-	R458632	R458632
23-122527-002 ²⁷²	2-7/8 "	R42R55250	R42R55250 ³⁷	R4066365	R4090096 ⁷²	N/A ⁵³	-	R458635	R458635
23-123552-004 ²⁶⁶	2-19/32 "	R42R55314	R42R55314 ³⁷	R40107771	R4090100P ⁷²	N/A ⁵³	-	R458635	R458635
R44141858 ²⁷⁵	2-19/32 "	R42R55245	R42R55245 ³⁸	R402235118	R402238231 ²⁰¹	N/A ⁵³	-	R458632	R458632
23-123552-004 ²⁶⁶	2-19/32 "	R42R55245	R42R55245 ³⁸	R402235118	R402238231 ²⁰¹	N/A ⁵³	-	R458635	R458635
23-122527-002 ²⁷²	2-7/8 "	R42R55250	R42R55250 ³⁷	R4066365	R4090096 ⁷²	N/A ⁵³	-	R458632	R458632
23-122701-002 ²⁶⁹	2-7/8 "	R42R55250	R42R55250 ³⁷	R4066365	R4090096 ⁷²	N/A ⁵³	-	R458632	R458632
23-122527-002 ²⁷²	2-7/8 "	R42R55250	R42R55250 ³⁷	R4066365	R4090096 ⁷²	N/A ⁵³	-	R458635	R458635
23-122701-002 ²⁶⁹	2-19/32 "	R42R55314	R42R55314 ³⁷	R40107771	R4090100P ⁷²	N/A ⁵³	-	R458635	R458635
R44141858 ²⁷⁵	3-3/8 "	R42R55099	R42R55098 ³⁷	R4066780	R4090021 ²⁰¹	N/A ⁵³	-	R458635	R458635
23-123552-004 ²⁶⁶	2-19/32 "	R42R55245	R42R55245 ³⁸	R402235118	R402238231 ²⁰¹	N/A ⁵³	-	R458632	R458632
23-122701-002 ²⁶⁹	2-7/8 "	R42R55250	R42R55250 ³⁷	R4066365	R4090096 ⁷²	N/A ⁵³	-	R458632	R458632
23-123552-004 ²⁶⁶	2-7/8 "	R42R55250	R42R55250 ³⁷	R4066365	R4090096 ⁷²	N/A ⁵³	-	R458635	R458635
R44141476 ²⁶⁸	2-7/8 "	R42R55250	R42R55250 ³⁷	R4066365	R4090096 ⁷²	N/A ⁵³	-	R458635	R458635
23-122701-002 ²⁶⁹	3-3/8 "	R42R55099	R42R55098 ³⁷	R4066780	R4090021 ²⁰¹	N/A ⁵³	-	R458632	R458632
23-122527-002 ²⁷²	2-7/8 "	R42R55250	R42R55250 ³⁷	R4066365	R4090096 ⁷²	N/A ⁵³	-	R458635	R458635
R44141858 ²⁷⁵	2-7/8 "	R42R55250	R42R55250 ³⁷	R4066365	R4090096 ⁷²	N/A ⁵³	-	R458635	R458635
23-122527-002 ²⁷²	2-7/8 "	R42R55250	R42R55250 ³⁷	R4066365	R4090096 ⁷²	N/A ⁵³	-	R458635	R458635
R44141858 ²⁷⁵	2-19/32 "	R42R55314	R42R55314 ³⁷	R40107771	R4090100P ⁷²	N/A ⁵³	-	R458635	R458635
23-123572-004 ²⁷¹	2-7/8 "	R42R55250	R42R55250 ³⁷	R4066365	R4090096 ⁷²	N/A ⁵³	-	R458632	R458632
23-122701-002 ²⁶⁹	3-3/8 "	R42R55099	R42R55098 ³⁷	R4066780	R4090021 ²⁰¹	N/A ⁵³	-	R458635	R458635
23-123572-004 ²⁷¹	2-7/8 "	R42R55250	R42R55250 ³⁷	R4066365	R4090096 ⁷²	N/A ⁵³	-	R458632	R458632

1 APPLICATION

269 - 5 Stud, U Shape

270 - 5 Stud, U Shape, .766 Dia. Studs

271 - 6 Stud, Hat Shape

272 - 6 Stud, U Shape

273 - 5 Stud, U Shape, .780 Dia. Studs

275 - 5 Stud, U Shape, .656 Dia. Studs

MERITOR DRUM OR ROTOR NO.	CALIPER OR CYLINDER BORE SIZE	MERITOR CALIPER OR WHEEL CYLINDER (LEFT)	MERITOR CALIPER OR WHEEL CYLINDER (RIGHT)	MERITOR CALIPER OR WHEEL CYLINDER REPAIR KIT	MERITOR CALIPER PISTON	MERITOR MASTER CYLINDER	MERITOR MASTER CYLINDER KIT	MERITOR BRAKE HOSE (LEFT)	MERITOR BRAKE HOSE (RIGHT)
ITE(Cont.)									
190, 1900, 1910, 1950 SERIES CONVENTIONAL TILT CAB(Cont.)									
R44141858 ²⁷⁵	2-19/32 "	R42R55245	R42R55245 ³⁸	R402235118	R402238231 ²⁰¹	N/A ⁵³	-	R458635	R458635
R44141476 ²⁶⁸	2-7/8 "	R42R55250	R42R55250 ³⁷	R4066365	R4090096 ⁷²	N/A ⁵³	-	R458635	R458635
R44141476 ²⁶⁸	2-7/8 "	R42R55250	R42R55250 ³⁷	R4066365	R4090096 ⁷²	N/A ⁵³	-	R458635	R458635
23-123572-004 ²⁷¹	2-7/8 "	R42R55250	R42R55250 ³⁷	R4066365	R4090096 ⁷²	N/A ⁵³	-	R458635	R458635
R44141858 ²⁷⁵	2-7/8 "	R42R55250	R42R55250 ³⁷	R4066365	R4090096 ⁷²	N/A ⁵³	-	R458635	R458635
23-122920-002 ²⁷³	2-7/8 "	R42R55250	R42R55250 ³⁷	R4066365	R4090096 ⁷²	N/A ⁵³	-	R458632	R458632
23-122527-002 ²⁷²	2-7/8 "	R42R55250	R42R55250 ³⁷	R4066365	R4090096 ⁷²	N/A ⁵³	-	R458632	R458632
23-123572-004 ²⁷¹	2-7/8 "	R42R55250	R42R55250 ³⁷	R4066365	R4090096 ⁷²	N/A ⁵³	-	R458635	R458635
23-122920-002 ²⁷³	2-7/8 "	R42R55250	R42R55250 ³⁷	R4066365	R4090096 ⁷²	N/A ⁵³	-	R458632	R458632
23-122527-002 ²⁷²	2-19/32 "	R42R55314	R42R55314 ³⁷	R40107771	R4090100P ⁷²	N/A ⁵³	-	R458632	R458632
23-122920-002 ²⁷³	3-3/8 "	R42R55099	R42R55098 ³⁷	R4066780	R4090021 ²⁰¹	N/A ⁵³	-	R458632	R458632
23-123572-004 ²⁷¹	2-7/8 "	R42R55250	R42R55250 ³⁷	R4066365	R4090096 ⁷²	N/A ⁵³	-	R458635	R458635
23-122701-002 ²⁶⁹	2-7/8 "	R42R55250	R42R55250 ³⁷	R4066365	R4090096 ⁷²	N/A ⁵³	-	R458635	R458635
23-122920-002 ²⁷³	2-19/32 "	R42R55314	R42R55314 ³⁷	R40107771	R4090100P ⁷²	N/A ⁵³	-	R458635	R458635
R44141858 ²⁷⁵	2-7/8 "	R42R55250	R42R55250 ³⁷	R4066365	R4090096 ⁷²	N/A ⁵³	-	R458632	R458632
R44141476 ²⁶⁸	2-19/32 "	R42R55314	R42R55314 ³⁷	R40107771	R4090100P ⁷²	N/A ⁵³	-	R458635	R458635
R44141476 ²⁶⁸	2-7/8 "	R42R55250	R42R55250 ³⁷	R4066365	R4090096 ⁷²	N/A ⁵³	-	R458632	R458632
23-122527-002 ²⁷²	2-19/32 "	R42R55245	R42R55245 ³⁸	R402235118	R402238231 ²⁰¹	N/A ⁵³	-	R458632	R458632
R44141858 ²⁷⁵	2-19/32 "	R42R55314	R42R55314 ³⁷	R40107771	R4090100P ⁷²	N/A ⁵³	-	R458632	R458632
23-123572-004 ²⁷¹	2-7/8 "	R42R55250	R42R55250 ³⁷	R4066365	R4090096 ⁷²	N/A ⁵³	-	R458635	R458635
R44141476 ²⁶⁸	2-7/8 "	R42R55250	R42R55250 ³⁷	R4066365	R4090096 ⁷²	N/A ⁵³	-	R458632	R458632
23-123572-004 ²⁷¹	3-3/8 "	R42R55099	R42R55098 ³⁷	R4066780	R4090021 ²⁰¹	N/A ⁵³	-	R458635	R458635
23-123552-004 ²⁶⁶	2-7/8 "	R42R55250	R42R55250 ³⁷	R4066365	R4090096 ⁷²	N/A ⁵³	-	R458632	R458632
R44141858 ²⁷⁵	2-7/8 "	R42R55250	R42R55250 ³⁷	R4066365	R4090096 ⁷²	N/A ⁵³	-	R458632	R458632
23-123572-004 ²⁷¹	2-7/8 "	R42R55250	R42R55250 ³⁷	R4066365	R4090096 ⁷²	N/A ⁵³	-	R458632	R458632
23-123572-004 ²⁷¹	2-19/32 "	R42R55245	R42R55245 ³⁸	R402235118	R402238231 ²⁰¹	N/A ⁵³	-	R458632	R458632
23-123552-004 ²⁶⁶	3-3/8 "	R42R55099	R42R55098 ³⁷	R4066780	R4090021 ²⁰¹	N/A ⁵³	-	R458635	R458635
R44141476 ²⁶⁸	3-3/8 "	R42R55099	R42R55098 ³⁷	R4066780	R4090021 ²⁰¹	N/A ⁵³	-	R458632	R458632
23-122920-002 ²⁷³	2-7/8 "	R42R55250	R42R55250 ³⁷	R4066365	R4090096 ⁷²	N/A ⁵³	-	R458632	R458632
23-122920-002 ²⁷³	3-3/8 "	R42R55099	R42R55098 ³⁷	R4066780	R4090021 ²⁰¹	N/A ⁵³	-	R458635	R458635
R44141858 ²⁷⁵	2-7/8 "	R42R55250	R42R55250 ³⁷	R4066365	R4090096 ⁷²	N/A ⁵³	-	R458632	R458632
23-122527-002 ²⁷²	2-7/8 "	R42R55250	R42R55250 ³⁷	R4066365	R4090096 ⁷²	N/A ⁵³	-	R458632	R458632
R44141476 ²⁶⁸	2-19/32 "	R42R55245	R42R55245 ³⁸	R402235118	R402238231 ²⁰¹	N/A ⁵³	-	R458632	R458632
23-123552-004 ²⁶⁶	3-3/8 "	R42R55099	R42R55098 ³⁷	R4066780	R4090021 ²⁰¹	N/A ⁵³	-	R458632	R458632
23-123572-004 ²⁷¹	2-19/32 "	R42R55314	R42R55314 ³⁷	R40107771	R4090100P ⁷²	N/A ⁵³	-	R458632	R458632
R44141476 ²⁶⁸	2-7/8 "	R42R55250	R42R55250 ³⁷	R4066365	R4090096 ⁷²	N/A ⁵³	-	R458632	R458632
R44141476 ²⁶⁸	2-19/32 "	R42R55245	R42R55245 ³⁸	R402235118	R402238231 ²⁰¹	N/A ⁵³	-	R458635	R458635
23-123552-004 ²⁶⁶	2-7/8 "	R42R55250	R42R55250 ³⁷	R4066365	R4090096 ⁷²	N/A ⁵³	-	R458635	R458635
23-122701-002 ²⁶⁹	2-19/32 "	R42R55314	R42R55314 ³⁷	R40107771	R4090100P ⁷²	N/A ⁵³	-	R458632	R458632
23-122527-002 ²⁷²	2-19/32 "	R42R55314	R42R55314 ³⁷	R40107771	R4090100P ⁷²	N/A ⁵³	-	R458635	R458635
R44141476 ²⁶⁸	2-19/32 "	R42R55314	R42R55314 ³⁷	R40107771	R4090100P ⁷²	N/A ⁵³	-	R458632	R458632
23-123552-004 ²⁶⁶	2-19/32 "	R42R55314	R42R55314 ³⁷	R40107771	R4090100P ⁷²	N/A ⁵³	-	R458632	R458632
23-122701-002 ²⁶⁹	2-7/8 "	R42R55250	R42R55250 ³⁷	R4066365	R4090096 ⁷²	N/A ⁵³	-	R458635	R458635
23-122527-002 ²⁷²	3-3/8 "	R42R55099	R42R55098 ³⁷	R4066780	R4090021 ²⁰¹	N/A ⁵³	-	R458632	R458632
23-123552-004 ²⁶⁶	2-7/8 "	R42R55250	R42R55250 ³⁷	R4066365	R4090096 ⁷²	N/A ⁵³	-	R458635	R458635
23-122920-002 ²⁷³	2-7/8 "	R42R55250	R42R55250 ³⁷	R4066365	R4090096 ⁷²	N/A ⁵³	-	R458635	R458635
R44141858 ²⁷⁵	2-7/8 "	R42R55250	R42R55250 ³⁷	R4066365	R4090096 ⁷²	N/A ⁵³	-	R458632	R458632
23-122920-002 ²⁷³	2-7/8 "	R42R55250	R42R55250 ³⁷	R4066365	R4090096 ⁷²	N/A ⁵³	-	R458632	R458632
R44141858 ²⁷⁵	2-7/8 "	R42R55250	R42R55250 ³⁷	R4066365	R4090096 ⁷²	N/A ⁵³	-	R458632	R458632
23-122701-002 ²⁶⁹	2-7/8 "	R42R55250	R42R55250 ³⁷	R4066365	R4090096 ⁷²	N/A ⁵³	-	R458635	R458635
23-123552-004 ²⁶⁶	2-7/8 "	R42R55250	R42R55250 ³⁷	R4066365	R4090096 ⁷²	N/A ⁵³	-	R458632	R458632
R44141628 ²⁶⁹	2-19/32 "	R42R55245	R42R55245 ³⁸	R402235118	R402238231 ²⁰¹	-	-	R458634 ⁵²	R458634
R44141627 ²⁷⁰	2-19/32 "	R42R55245	R42R55245 ³⁸	R40107771	R4090100P ²⁰¹	-	-	R458634 ⁵²	R458634
R44141629 ²⁶⁹	2-19/32 "	R42R55245	R42R55245 ³⁸	R40107771	R4090100P ²⁰¹	-	-	R458634 ⁵²	R458634
23-123572-004 ²⁷¹	2-19/32 "	R42R55245	R42R55245 ³⁸	R40107771	R4090100P ²⁰¹	-	-	R458634 ⁵²	R458634
R44141628 ²⁶⁹	2-19/32 "	R42R55245	R42R55245 ³⁸	R40107771	R4090100P ²⁰¹	-	-	R458634 ⁵²	R458634
23-123572-004 ²⁷¹	2-19/32 "	R42R55245	R42R55245 ³⁸	R402235118	R402238231 ²⁰¹	-	-	R458634 ⁵²	R458634
23-123552-004 ²⁶⁶	2-19/32 "	R42R55245	R42R55245 ³⁸	R402235118	R402238231 ²⁰¹	-	-	R458634 ⁵²	R458634
23-122527-002 ²⁷²	2-19/32 "	R42R55245	R42R55245 ³⁸	R402235118	R402238231 ²⁰¹	-	-	R458634 ⁵²	R458634
R44141608 ²⁶⁷	2-19/32 "	R42R55245	R42R55245 ³⁸	R402235118	R402238231 ²⁰¹	-	-	R458634 ⁵²	R458634
23-122527-002 ²⁷²	2-19/32 "	R42R55314	R42R55314 ³⁷	R40107771	R4090100P ⁷²	-	-	R458634 ⁵²	R458634
R44141629 ²⁶⁹	2-19/32 "	R42R55245	R42R55245 ³⁸	R402235118	R402238231 ²⁰¹	-	-	R458634 ⁵²	R458634

1 APPLICATION

269 - 5 Stud, U Shape

270 - 5 Stud, U Shape, .766 Dia. Studs

271 - 6 Stud, Hat Shape

272 - 6 Stud, U Shape

273 - 5 Stud, U Shape, .780 Dia. Studs

275 - 5 Stud, U Shape, .656 Dia. Studs

MAKE MODEL YEAR AXLE CODE AXLE WEIGHT	AXLE & BRK. TYPE	BRK. MFG.	BRAKE SIZE	FMSI	MERITOR DISC PAD OR BRAKE SHOE	MERITOR GUIDE PIN OR RETURN SPRING KIT	MERITOR CALIPER HWD. KIT OR RETURN SPRING KIT	MERITOR ADJUSTER KIT (LEFT WHEEL)	MERITOR ADJUSTER KIT (RIGHT WHEEL)
ITE(Cont.)									
190, 1900, 1910, 1950 SERIES CONVENTIONAL TILT CAB(Cont.)									
1986	Fd	BX		7142 - D225	MD225	R40H5010	R40H5522	NR	NR
	Fd	BX		7142 - D225	MD225	R40H5010	R40H5522	NR	NR
	Fd	BX		7108 - D184	MD184	R40H5010	R40H5519	NR	NR
	Fd	BX		7108 - D184	MD184	R40H5010	R40H5519	NR	NR
	Fd	BX		7108 - D184	MD184	R40H5010	R40H5519	NR	NR
	Fd	BX		7108 - D184	MD184	R40H5010	R40H5519	NR	NR
	Fd	BX		7142 - D225	MD225	R40H5010	R40H5522	NR	NR
	Fd	BX		7142 - D225	MD225	R40H5010	R40H5522	NR	NR
	Fd	BX		7108 - D184	MD184	R40H5010	R40H5519	NR	NR
	Fd	BX		7142 - D225	MD225	R40H5010	R40H5522	NR	NR
	Fd	BX		7142 - D225	MD225	R40H5010	R40H5522	NR	NR
	Fd	BX		7108 - D184	MD184	R40H5010	R40H5519	NR	NR
	Fd	BX		7142 - D225	MD225	R40H5010	R40H5522	NR	NR
	Fd	BX		7142 - D225	MD225	R40H5010	R40H5522	NR	NR
	Fd	BX		7108 - D184	MD184	R40H5010	R40H5519	NR	NR
	Fd	BX		7142 - D225	MD225	R40H5010	R40H5522	NR	NR
	Fd	BX		7142 - D225	MD225	R40H5010	R40H5522	NR	NR
	Fd	BX		7108 - D184	MD184	R40H5010	R40H5519	NR	NR
	Fd	BX		7142 - D225	MD225	R40H5010	R40H5522	NR	NR
	Fd	BX		7142 - D225	MD225	R40H5010	R40H5522	NR	NR
	Fd	BX		7108 - D184	MD184	R40H5010	R40H5519	NR	NR
	Fd	BX		7142 - D225	MD225	R40H5010	R40H5522	NR	NR
	Fd	BX		7142 - D225	MD225	R40H5010	R40H5522	NR	NR
	Fd	BX		7108 - D184	MD184	R40H5010	R40H5519	NR	NR
	Fd	BX		7142 - D225	MD225	R40H5010	R40H5522	NR	NR
	Fd	BX		7142 - D225	MD225	R40H5010	R40H5522	NR	NR
	Fd	BX		7108 - D184	MD184	R40H5010	R40H5519	NR	NR
	Fd	BX		7142 - D225	MD225	R40H5010	R40H5522	NR	NR
	Fd	BX		7142 - D225	MD225	R40H5010	R40H5522	NR	NR
	Fd	BX		7108 - D184	MD184	R40H5010	R40H5519	NR	NR
	Fd	BX		7142 - D225	MD225	R40H5010	R40H5522	NR	NR
	Fd	BX		7142 - D225	MD225	R40H5010	R40H5522	NR	NR
	Fd	BX		7108 - D184	MD184	R40H5010	R40H5519	NR	NR
	Fd	BX		7142 - D225	MD225	R40H5010	R40H5522	NR	NR
	Fd	BX		7142 - D225	MD225	R40H5010	R40H5522	NR	NR
	Fd	BX		7108 - D184	MD184	R40H5010	R40H5519	NR	NR
	Fd	BX		7142 - D225	MD225	R40H5010	R40H5522	NR	NR
	Fd	BX		7142 - D225	MD225	R40H5010	R40H5522	NR	NR
	Fd	BX		7108 - D184	MD184	R40H5010	R40H5519	NR	NR
	Fd	BX		7142 - D225	MD225	R40H5010	R40H5522	NR	NR
	Fd	BX		7142 - D225	MD225	R40H5010	R40H5522	NR	NR
S1910,S1950 Cargostar Cab Forward Code: 04237	Rd	BX		7108 - D184	MD184	R40H5010	R40H5519	NR	NR

37 - Also available as a New unit
53 - Power Brakes
266 - 10 Stud, Hat Shaped
www.XpresswayPlus.com
1-874

38 - First design, may have external joining tube and uses steel pistons
72 - Phenolic/Steel Face
268 - 5 Stud, Hat Shape

52 - 18" Length
201 - Steel Piston
269 - 5 Stud, U Shape

MERITOR DRUM OR ROTOR NO.	CALIPER OR CYLINDER BORE SIZE	MERITOR CALIPER OR WHEEL CYLINDER (LEFT)	MERITOR CALIPER OR WHEEL CYLINDER (RIGHT)	MERITOR CALIPER OR WHEEL CYLINDER REPAIR KIT	MERITOR CALIPER PISTON	MERITOR MASTER CYLINDER	MERITOR MASTER CYLINDER KIT	MERITOR BRAKE HOSE (LEFT)	MERITOR BRAKE HOSE (RIGHT)
ITE(Cont.)									
190, 1900, 1910, 1950 SERIES CONVENTIONAL TILT CAB(Cont.)									
R44141858 ²⁷⁵	2-7/8 "	R42R55250	R42R55250 ³⁷	R4066365	R4090096 ⁷²	N/A ⁵³	-	R458632	R458632
23-122920-002 ²⁷³	2-7/8 "	R42R55250	R42R55250 ³⁷	R4066365	R4090096 ⁷²	N/A ⁵³	-	R458635	R458635
23-122527-002 ²⁷²	2-19/32 "	R42R55314	R42R55314 ³⁷	R40107771	R4090100P ⁷²	N/A ⁵³	-	R458635	R458635
R44141858 ²⁷⁵	3-3/8 "	R42R55099	R42R55098 ³⁷	R4066780	R4090021 ²⁰¹	N/A ⁵³	-	R458632	R458632
R44141858 ²⁷⁵	2-19/32 "	R42R55245	R42R55245 ³⁸	R402235118	R402238231 ²⁰¹	N/A ⁵³	-	R458632	R458632
23-122527-002 ²⁷²	3-3/8 "	R42R55099	R42R55098 ³⁷	R4066780	R4090021 ²⁰¹	N/A ⁵³	-	R458632	R458632
R44141476 ²⁶⁸	2-19/32 "	R42R55245	R42R55245 ³⁸	R402235118	R402238231 ²⁰¹	N/A ⁵³	-	R458632	R458632
23-122527-002 ²⁷²	2-7/8 "	R42R55250	R42R55250 ³⁷	R4066365	R4090096 ⁷²	N/A ⁵³	-	R458632	R458632
23-122920-002 ²⁷³	2-7/8 "	R42R55250	R42R55250 ³⁷	R4066365	R4090096 ⁷²	N/A ⁵³	-	R458632	R458632
23-123552-004 ²⁶⁶	2-19/32 "	R42R55245	R42R55245 ³⁸	R402235118	R402238231 ²⁰¹	N/A ⁵³	-	R458635	R458635
23-122701-002 ²⁶⁹	2-7/8 "	R42R55250	R42R55250 ³⁷	R4066365	R4090096 ⁷²	N/A ⁵³	-	R458635	R458635
R44141858 ²⁷⁵	2-7/8 "	R42R55250	R42R55250 ³⁷	R4066365	R4090096 ⁷²	N/A ⁵³	-	R458632	R458632
23-123572-004 ²⁷¹	2-7/8 "	R42R55250	R42R55250 ³⁷	R4066365	R4090096 ⁷²	N/A ⁵³	-	R458635	R458635
R44141476 ²⁶⁸	3-3/8 "	R42R55099	R42R55098 ³⁷	R4066780	R4090021 ²⁰¹	N/A ⁵³	-	R458632	R458632
23-123572-004 ²⁷¹	2-7/8 "	R42R55250	R42R55250 ³⁷	R4066365	R4090096 ⁷²	N/A ⁵³	-	R458635	R458635
23-122920-002 ²⁷³	2-7/8 "	R42R55250	R42R55250 ³⁷	R4066365	R4090096 ⁷²	N/A ⁵³	-	R458632	R458632
23-122527-002 ²⁷²	2-7/8 "	R42R55250	R42R55250 ³⁷	R4066365	R4090096 ⁷²	N/A ⁵³	-	R458632	R458632
23-123552-004 ²⁶⁶	3-3/8 "	R42R55099	R42R55098 ³⁷	R4066780	R4090021 ²⁰¹	N/A ⁵³	-	R458632	R458632
23-123552-004 ²⁶⁶	2-7/8 "	R42R55250	R42R55250 ³⁷	R4066365	R4090096 ⁷²	N/A ⁵³	-	R458632	R458632
R44141858 ²⁷⁵	2-19/32 "	R42R55314	R42R55314 ³⁷	R40107771	R4090100P ⁷²	N/A ⁵³	-	R458632	R458632
23-122527-002 ²⁷²	2-19/32 "	R42R55245	R42R55245 ³⁸	R402235118	R402238231 ²⁰¹	N/A ⁵³	-	R458632	R458632
R44141858 ²⁷⁵	2-7/8 "	R42R55250	R42R55250 ³⁷	R4066365	R4090096 ⁷²	N/A ⁵³	-	R458632	R458632
23-122701-002 ²⁶⁹	2-7/8 "	R42R55250	R42R55250 ³⁷	R4066365	R4090096 ⁷²	N/A ⁵³	-	R458635	R458635
23-122701-002 ²⁶⁹	3-3/8 "	R42R55099	R42R55098 ³⁷	R4066780	R4090021 ²⁰¹	N/A ⁵³	-	R458635	R458635
23-122920-002 ²⁷³	2-19/32 "	R42R55314	R42R55314 ³⁷	R40107771	R4090100P ⁷²	N/A ⁵³	-	R458635	R458635
R44141858 ²⁷⁵	2-7/8 "	R42R55250	R42R55250 ³⁷	R4066365	R4090096 ⁷²	N/A ⁵³	-	R458635	R458635
R44141858 ²⁷⁵	2-7/8 "	R42R55250	R42R55250 ³⁷	R4066365	R4090096 ⁷²	N/A ⁵³	-	R458635	R458635
23-122920-002 ²⁷³	3-3/8 "	R42R55099	R42R55098 ³⁷	R4066780	R4090021 ²⁰¹	N/A ⁵³	-	R458632	R458632
23-122527-002 ²⁷²	2-7/8 "	R42R55250	R42R55250 ³⁷	R4066365	R4090096 ⁷²	N/A ⁵³	-	R458632	R458632
23-123572-004 ²⁷¹	3-3/8 "	R42R55099	R42R55098 ³⁷	R4066780	R4090021 ²⁰¹	N/A ⁵³	-	R458635	R458635
23-123552-004 ²⁶⁶	2-19/32 "	R42R55314	R42R55314 ³⁷	R40107771	R4090100P ⁷²	N/A ⁵³	-	R458632	R458632
R44141858 ²⁷⁵	2-7/8 "	R42R55250	R42R55250 ³⁷	R4066365	R4090096 ⁷²	N/A ⁵³	-	R458635	R458635
23-122527-002 ²⁷²	2-7/8 "	R42R55250	R42R55250 ³⁷	R4066365	R4090096 ⁷²	N/A ⁵³	-	R458635	R458635
23-123552-004 ²⁶⁶	2-7/8 "	R42R55250	R42R55250 ³⁷	R4066365	R4090096 ⁷²	N/A ⁵³	-	R458635	R458635
R44141476 ²⁶⁸	2-19/32 "	R42R55314	R42R55314 ³⁷	R40107771	R4090100P ⁷²	N/A ⁵³	-	R458632	R458632
23-122920-002 ²⁷³	2-19/32 "	R42R55314	R42R55314 ³⁷	R40107771	R4090100P ⁷²	N/A ⁵³	-	R458632	R458632
23-123552-004 ²⁶⁶	2-7/8 "	R42R55250	R42R55250 ³⁷	R4066365	R4090096 ⁷²	N/A ⁵³	-	R458632	R458632
23-122701-002 ²⁶⁹	2-7/8 "	R42R55250	R42R55250 ³⁷	R4066365	R4090096 ⁷²	N/A ⁵³	-	R458632	R458632
23-123552-004 ²⁶⁶	2-19/32 "	R42R55245	R42R55245 ³⁸	R402235118	R402238231 ²⁰¹	N/A ⁵³	-	R458632	R458632
23-123572-004 ²⁷¹	2-7/8 "	R42R55250	R42R55250 ³⁷	R4066365	R4090096 ⁷²	N/A ⁵³	-	R458635	R458635
23-123572-004 ²⁷¹	2-7/8 "	R42R55250	R42R55250 ³⁷	R4066365	R4090096 ⁷²	N/A ⁵³	-	R458632	R458632
23-122701-002 ²⁶⁹	3-3/8 "	R42R55099	R42R55098 ³⁷	R4066780	R4090021 ²⁰¹	N/A ⁵³	-	R458635	R458635
23-122701-002 ²⁶⁹	2-19/32 "	R42R55314	R42R55314 ³⁷	R40107771	R4090100P ⁷²	N/A ⁵³	-	R458635	R458635
23-122701-002 ²⁶⁹	2-7/8 "	R42R55250	R42R55250 ³⁷	R4066365	R4090096 ⁷²	N/A ⁵³	-	R458632	R458632
R44141858 ²⁷⁵	2-19/32 "	R42R55245	R42R55245 ³⁸	R402235118	R402238231 ²⁰¹	N/A ⁵³	-	R458635	R458635
23-122527-002 ²⁷²	2-7/8 "	R42R55250	R42R55250 ³⁷	R4066365	R4090096 ⁷²	N/A ⁵³	-	R458635	R458635
23-122701-002 ²⁶⁹	3-3/8 "	R42R55099	R42R55098 ³⁷	R4066780	R4090021 ²⁰¹	N/A ⁵³	-	R458632	R458632
23-123552-004 ²⁶⁶	2-7/8 "	R42R55250	R42R55250 ³⁷	R4066365	R4090096 ⁷²	N/A ⁵³	-	R458635	R458635
R44141476 ²⁶⁸	2-7/8 "	R42R55250	R42R55250 ³⁷	R4066365	R4090096 ⁷²	N/A ⁵³	-	R458632	R458632
23-122527-002 ²⁷²	2-7/8 "	R42R55250	R42R55250 ³⁷	R4066365	R4090096 ⁷²	N/A ⁵³	-	R458635	R458635
23-122701-002 ²⁶⁹	2-7/8 "	R42R55250	R42R55250 ³⁷	R4066365	R4090096 ⁷²	N/A ⁵³	-	R458632	R458632
R44141858 ²⁷⁵	3-3/8 "	R42R55099	R42R55098 ³⁷	R4066780	R4090021 ²⁰¹	N/A ⁵³	-	R458635	R458635
23-122527-002 ²⁷²	2-19/32 "	R42R55314	R42R55314 ³⁷	R40107771	R4090100P ⁷²	N/A ⁵³	-	R458632	R458632
23-123552-004 ²⁶⁶	2-7/8 "	R42R55250	R42R55250 ³⁷	R4066365	R4090096 ⁷²	N/A ⁵³	-	R458632	R458632
R44141476 ²⁶⁸	2-7/8 "	R42R55250	R42R55250 ³⁷	R4066365	R4090096 ⁷²	N/A ⁵³	-	R458635	R458635
23-123572-004 ²⁷¹	2-19/32 "	R42R55314	R42R55314 ³⁷	R40107771	R4090100P ⁷²	N/A ⁵³	-	R458635	R458635
23-123572-004 ²⁷¹	2-7/8 "	R42R55250	R42R55250 ³⁷	R4066365	R4090096 ⁷²	N/A ⁵³	-	R458635	R458635
23-122920-002 ²⁷³	2-7/8 "	R42R55250	R42R55250 ³⁷	R4066365	R4090096 ⁷²	N/A ⁵³	-	R458632	R458632
23-123572-004 ²⁷¹	2-19/32 "	R42R55245	R42R55245 ³⁸	R40107771	R4090100P ²⁰¹	-	-	R458634 ⁵²	R458634

1 APPLICATION

271 - 6 Stud, Hat Shape

272 - 6 Stud, U Shape

273 - 5 Stud, U Shape, .780 Dia. Studs

275 - 5 Stud, U Shape, .656 Dia. Studs

MAKE MODEL YEAR AXLE CODE AXLE WEIGHT	AXLE & BRK. TYPE	BRK. MFG.	BRAKE SIZE	FMSI	MERITOR DISC PAD OR BRAKE SHOE	MERITOR GUIDE PIN OR RETURN SPRING KIT	MERITOR CALIPER HWD. KIT OR RETURN SPRING KIT	MERITOR ADJUSTER KIT (LEFT WHEEL)	MERITOR ADJUSTER KIT (RIGHT WHEEL)
ITE(Cont.)									
190, 1900, 1910, 1950 SERIES CONVENTIONAL TILT CAB(Cont.)									
1986	Rd	BX		7108 - D184	MD184	R40H5010	R40H5519	NR	NR
	Rd	BX		7108 - D184	MD184	R40H5010	R40H5519	NR	NR
	Rd	BX		7108 - D184	MD184	R40H5010	R40H5519	NR	NR
	Rd	BX		7108 - D184	MD184	R40H5010	R40H5519	NR	NR
	Rd	BX		7108 - D184	MD184	R40H5010	R40H5519	NR	NR
	Rd	BX		7108 - D184	MD184	R40H5010	R40H5519	NR	NR
	Rd	BX		7108 - D184	MD184	R40H5010	R40H5519	NR	NR
	Rd	BX		7108 - D184	MD184	R40H5010	R40H5519	NR	NR
	Rd	BX		7108 - D184	MD184	R40H5010	R40H5519	NR	NR
	Rd	BX		7108 - D184	MD184	R40H5010	R40H5519	NR	NR
	Rd	BX		7108 - D184	MD184	R40H5010	R40H5519	NR	NR
S1910,S1950 Cargostar Cab Forward Code: 04238	Rd	BX		7142 - D225	MD225	R40H5010	R40H5522	NR	NR
	Rd	BX		7142 - D225	MD225	R40H5010	R40H5522	NR	NR
	Rd	BX		7142 - D225	MD225	R40H5010	R40H5522	NR	NR
	Rd	BX		7142 - D225	MD225	R40H5010	R40H5522	NR	NR
	Rd	BX		7142 - D225	MD225	R40H5010	R40H5522	NR	NR
	Rd	BX		7142 - D225	MD225	R40H5010	R40H5522	NR	NR
	Rd	BX		7142 - D225	MD225	R40H5010	R40H5522	NR	NR
	Rd	BX		7142 - D225	MD225	R40H5010	R40H5522	NR	NR
	Rd	BX		7142 - D225	MD225	R40H5010	R40H5522	NR	NR
	Rd	BX		7142 - D225	MD225	R40H5010	R40H5522	NR	NR
	Rd	BX		7142 - D225	MD225	R40H5010	R40H5522	NR	NR
	Rd	BX		7142 - D225	MD225	R40H5010	R40H5522	NR	NR
	Rd	BX		7142 - D225	MD225	R40H5010	R40H5522	NR	NR
	Rd	BX		7142 - D225	MD225	R40H5010	R40H5522	NR	NR
	Rd	BX		7142 - D225	MD225	R40H5010	R40H5522	NR	NR
	Rd	BX		7142 - D225	MD225	R40H5010	R40H5522	NR	NR
	Rd	BX		7142 - D225	MD225	R40H5010	R40H5522	NR	NR
	Rd	BX		7142 - D225	MD225	R40H5010	R40H5522	NR	NR
	Rd	BX		7142 - D225	MD225	R40H5010	R40H5522	NR	NR
	Rd	BX		7142 - D225	MD225	R40H5010	R40H5522	NR	NR
	Rd	BX		7142 - D225	MD225	R40H5010	R40H5522	NR	NR
	Rd	BX		7142 - D225	MD225	R40H5010	R40H5522	NR	NR
	Rd	BX		7142 - D225	MD225	R40H5010	R40H5522	NR	NR
1985 S1910,S1950 Cargostar Cab Forward Code: 04145	Fd	BX		7142 - D225	MD225	R40H5010	R40H5522	NR	NR
	Fd	BX		7108 - D184	MD184	R40H5010	R40H5519	NR	NR
	Fd	BX		7142 - D225	MD225	R40H5010	R40H5522	NR	NR
	Fd	BX		7108 - D184	MD184	R40H5010	R40H5519	NR	NR
	Fd	BX		7142 - D225	MD225	R40H5010	R40H5522	NR	NR
	Fd	BX		7108 - D184	MD184	R40H5010	R40H5519	NR	NR
	Fd	BX		7108 - D184	MD184	R40H5010	R40H5519	NR	NR
	Fd	BX		7108 - D184	MD184	R40H5010	R40H5519	NR	NR
	Fd	BX		7108 - D184	MD184	R40H5010	R40H5519	NR	NR
	Fd	BX		7108 - D184	MD184	R40H5010	R40H5519	NR	NR
	Fd	BX		7142 - D225	MD225	R40H5010	R40H5522	NR	NR
	Fd	BX		7108 - D184	MD184	R40H5010	R40H5519	NR	NR
	Fd	BX		7142 - D225	MD225	R40H5010	R40H5522	NR	NR
	Fd	BX		7108 - D184	MD184	R40H5010	R40H5519	NR	NR
	Fd	BX		7108 - D184	MD184	R40H5010	R40H5519	NR	NR
	Fd	BX		7108 - D184	MD184	R40H5010	R40H5519	NR	NR
	Fd	BX		7108 - D184	MD184	R40H5010	R40H5519	NR	NR
	Fd	BX		7108 - D184	MD184	R40H5010	R40H5519	NR	NR
	Fd	BX		7108 - D184	MD184	R40H5010	R40H5519	NR	NR

37 - Also available as a New unit

53 - Power Brakes
266 - 10 Stud, Hat Shaped
www.XpresswayPlus.com

1-876

38 - First design, may have external joining tube and uses steel pistons
72 - Phenolic/Steel Face
267 - 10 Stud, U Shaped

52 - 18" Length

201 - Steel Piston
268 - 5 Stud, Hat Shape

MERITOR DRUM OR ROTOR NO.	CALIPER OR CYLINDER BORE SIZE	MERITOR CALIPER OR WHEEL CYLINDER (LEFT)	MERITOR CALIPER OR WHEEL CYLINDER (RIGHT)	MERITOR CALIPER OR WHEEL CYLINDER REPAIR KIT	MERITOR CALIPER PISTON	MERITOR MASTER CYLINDER	MERITOR MASTER CYLINDER KIT	MERITOR BRAKE HOSE (LEFT)	MERITOR BRAKE HOSE (RIGHT)
ITE(Cont.)									
190, 1900, 1910, 1950 SERIES CONVENTIONAL TILT CAB(Cont.)									
23-122527-002 ²⁷²	2-19/32 "	R42R55314	R42R55314 ³⁷	R40107771	R4090100P ⁷²	-	-	R458634 ⁵²	R458634
23-122527-002 ²⁷²	2-19/32 "	R42R55245	R42R55245 ³⁸	R402235118	R402238231 ²⁰¹	-	-	R458634 ⁵²	R458634
R44141628 ²⁶⁹	2-19/32 "	R42R55245	R42R55245 ³⁸	R402235118	R402238231 ²⁰¹	-	-	R458634 ⁵²	R458634
R44141608 ²⁶⁷	2-19/32 "	R42R55245	R42R55245 ³⁸	R40107771	R4090100P ²⁰¹	-	-	R458634 ⁵²	R458634
23-123552-004 ²⁶⁶	2-19/32 "	R42R55245	R42R55245 ³⁸	R40107771	R4090100P ²⁰¹	-	-	R458634 ⁵²	R458634
R44141629 ²⁶⁹	2-19/32 "	R42R55245	R42R55245 ³⁸	R40107771	R4090100P ²⁰¹	-	-	R458634 ⁵²	R458634
23-123552-004 ²⁶⁶	2-19/32 "	R42R55245	R42R55245 ³⁸	R402235118	R402238231 ²⁰¹	-	-	R458634 ⁵²	R458634
R44141608 ²⁶⁷	2-19/32 "	R42R55245	R42R55245 ³⁸	R402235118	R402238231 ²⁰¹	-	-	R458634 ⁵²	R458634
23-123572-004 ²⁷¹	2-19/32 "	R42R55245	R42R55245 ³⁸	R402235118	R402238231 ²⁰¹	-	-	R458634 ⁵²	R458634
R44141629 ²⁶⁹	2-19/32 "	R42R55245	R42R55245 ³⁸	R402235118	R402238231 ²⁰¹	-	-	R458634 ⁵²	R458634
R44141628 ²⁶⁹	2-19/32 "	R42R55245	R42R55245 ³⁸	R40107771	R4090100P ²⁰¹	-	-	R458634 ⁵²	R458634
R44141627 ²⁷⁰	2-19/32 "	R42R55245	R42R55245 ³⁸	R40107771	R4090100P ²⁰¹	-	-	R458634 ⁵²	R458634
R44141627 ²⁷⁰	2-19/32 "	R42R55245	R42R55245 ³⁸	R402235118	R402238231 ²⁰¹	-	-	R458634 ⁵²	R458634
23-122527-002 ²⁷²	2-7/8 "	R42R55250	R42R55250 ³⁷	R4066365	R4090096 ⁷²	-	-	R458634 ⁵²	R458634
R44141608 ²⁶⁷	2-7/8 "	R42R55250	R42R55250 ³⁷	R4066365	R4090096 ⁷²	-	-	R458634 ⁵²	R458634
23-123552-004 ²⁶⁶	2-7/8 "	R42R55250	R42R55250 ³⁷	R4066365	R4090096 ⁷²	-	-	R458634 ⁵²	R458634
23-123552-004 ²⁶⁶	2-7/8 "	R42R55250	R42R55250 ³⁷	R4066365	R4090096 ⁷²	-	-	R458634 ⁵²	R458634
R44141608 ²⁶⁷	2-7/8 "	R42R55250	R42R55250 ³⁷	R4066365	R4090096 ⁷²	-	-	R458634 ⁵²	R458634
23-123572-004 ²⁷¹	2-7/8 "	R42R55250	R42R55250 ³⁷	R4066365	R4090096 ⁷²	-	-	R458634 ⁵²	R458634
23-123552-004 ²⁶⁶	2-7/8 "	R42R55250	R42R55250 ³⁷	R4066365	R4090096 ⁷²	-	-	R458634 ⁵²	R458634
23-122527-002 ²⁷²	2-7/8 "	R42R55250	R42R55250 ³⁷	R4066365	R4090096 ⁷²	-	-	R458634 ⁵²	R458634
R44141627 ²⁷⁰	2-7/8 "	R42R55250	R42R55250 ³⁷	R4066365	R4090096 ⁷²	-	-	R458634 ⁵²	R458634
23-123572-004 ²⁷¹	2-7/8 "	R42R55250	R42R55250 ³⁷	R4066365	R4090096 ⁷²	-	-	R458634 ⁵²	R458634
23-122527-002 ²⁷²	2-7/8 "	R42R55250	R42R55250 ³⁷	R4066365	R4090096 ⁷²	-	-	R458634 ⁵²	R458634
R44141627 ²⁷⁰	2-7/8 "	R42R55250	R42R55250 ³⁷	R4066365	R4090096 ⁷²	-	-	R458634 ⁵²	R458634
R44141628 ²⁶⁹	2-7/8 "	R42R55250	R42R55250 ³⁷	R4066365	R4090096 ⁷²	-	-	R458634 ⁵²	R458634
R44141628 ²⁶⁹	2-7/8 "	R42R55250	R42R55250 ³⁷	R4066365	R4090096 ⁷²	-	-	R458634 ⁵²	R458634
R44141627 ²⁷⁰	2-7/8 "	R42R55250	R42R55250 ³⁷	R4066365	R4090096 ⁷²	-	-	R458634 ⁵²	R458634
R44141629 ²⁶⁹	2-7/8 "	R42R55250	R42R55250 ³⁷	R4066365	R4090096 ⁷²	-	-	R458634 ⁵²	R458634
23-123572-004 ²⁷¹	2-7/8 "	R42R55250	R42R55250 ³⁷	R4066365	R4090096 ⁷²	-	-	R458634 ⁵²	R458634
R44141629 ²⁶⁹	2-7/8 "	R42R55250	R42R55250 ³⁷	R4066365	R4090096 ⁷²	-	-	R458634 ⁵²	R458634
R44141628 ²⁶⁹	2-7/8 "	R42R55250	R42R55250 ³⁷	R4066365	R4090096 ⁷²	-	-	R458634 ⁵²	R458634
R44141608 ²⁶⁷	2-7/8 "	R42R55250	R42R55250 ³⁷	R4066365	R4090096 ⁷²	-	-	R458634 ⁵²	R458634
R44141608 ²⁶⁷	2-7/8 "	R42R55250	R42R55250 ³⁷	R4066365	R4090096 ⁷²	-	-	R458634 ⁵²	R458634
R44141629 ²⁶⁹	2-7/8 "	R42R55250	R42R55250 ³⁷	R4066365	R4090096 ⁷²	-	-	R458634 ⁵²	R458634
R44141628 ²⁶⁹	2-7/8 "	R42R55250	R42R55250 ³⁷	R4066365	R4090096 ⁷²	-	-	R458634 ⁵²	R458634
23-122527-002 ²⁷²	2-7/8 "	R42R55250	R42R55250 ³⁷	R4066365	R4090096 ⁷²	-	-	R458634 ⁵²	R458634
23-123572-004 ²⁷¹	2-7/8 "	R42R55250	R42R55250 ³⁷	R4066365	R4090096 ⁷²	-	-	R458634 ⁵²	R458634
23-123552-004 ²⁶⁶	2-7/8 "	R42R55250	R42R55250 ³⁷	R4066365	R4090096 ⁷²	-	-	R458634 ⁵²	R458634
R44141627 ²⁷⁰	2-7/8 "	R42R55250	R42R55250 ³⁷	R4066365	R4090096 ⁷²	-	-	R458634 ⁵²	R458634
23-123572-004 ²⁷¹	2-7/8 "	R42R55250	R42R55250 ³⁷	R4066365	R4090096 ⁷²	N/A ⁵³	-	R458635	R458635
23-122527-002 ²⁷²	2-19/32 "	R42R55245	R42R55245 ³⁸	R402235118	R402238231 ²⁰¹	N/A ⁵³	-	R458632	R458632
23-122920-002 ²⁷³	2-7/8 "	R42R55250	R42R55250 ³⁷	R4066365	R4090096 ⁷²	N/A ⁵³	-	R458632	R458632
23-122920-002 ²⁷³	2-19/32 "	R42R55314	R42R55314 ³⁷	R40107771	R4090100P ⁷²	N/A ⁵³	-	R458635	R458635
23-122527-002 ²⁷²	2-7/8 "	R42R55250	R42R55250 ³⁷	R4066365	R4090096 ⁷²	N/A ⁵³	-	R458632	R458632
23-123552-004 ²⁶⁶	2-19/32 "	R42R55245	R42R55245 ³⁸	R402235118	R402238231 ²⁰¹	N/A ⁵³	-	R458635	R458635
23-122527-002 ²⁷²	2-7/8 "	R42R55250	R42R55250 ³⁷	R4066365	R4090096 ⁷²	N/A ⁵³	-	R458632	R458632
23-123552-004 ²⁶⁶	2-19/32 "	R42R55314	R42R55314 ³⁷	R40107771	R4090100P ⁷²	N/A ⁵³	-	R458635	R458635
R44141858 ²⁷⁵	2-19/32 "	R42R55245	R42R55245 ³⁸	R402235118	R402238231 ²⁰¹	N/A ⁵³	-	R458632	R458632
23-122920-002 ²⁷³	2-19/32 "	R42R55314	R42R55314 ³⁷	R40107771	R4090100P ⁷²	N/A ⁵³	-	R458632	R458632
23-123572-004 ²⁷¹	2-19/32 "	R42R55314	R42R55314 ³⁷	R40107771	R4090100P ⁷²	N/A ⁵³	-	R458635	R458635
23-123552-004 ²⁶⁶	2-7/8 "	R42R55250	R42R55250 ³⁷	R4066365	R4090096 ⁷²	N/A ⁵³	-	R458632	R458632
23-122527-002 ²⁷²	3-3/8 "	R42R55099	R42R55098 ³⁷	R4066780	R4090021 ²⁰¹	N/A ⁵³	-	R458635	R458635
23-122920-002 ²⁷³	2-7/8 "	R42R55250	R42R55250 ³⁷	R4066365	R4090096 ⁷²	N/A ⁵³	-	R458635	R458635
23-123572-004 ²⁷¹	3-3/8 "	R42R55099	R42R55098 ³⁷	R4066780	R4090021 ²⁰¹	N/A ⁵³	-	R458632	R458632
23-123572-004 ²⁷¹	2-19/32 "	R42R55245	R42R55245 ³⁸	R402235118	R402238231 ²⁰¹	N/A ⁵³	-	R458635	R458635
R44141476 ²⁶⁸	2-19/32 "	R42R55245	R42R55245 ³⁸	R402235118	R402238231 ²⁰¹	N/A ⁵³	-	R458632	R458632
23-123552-004 ²⁶⁶	3-3/8 "	R42R55099	R42R55098 ³⁷	R4066780	R4090021 ²⁰¹	N/A ⁵³	-	R458632	R458632

1 APPLICATION

269 - 5 Stud, U Shape

270 - 5 Stud, U Shape, .766 Dia. Studs

271 - 6 Stud, Hat Shape

272 - 6 Stud, U Shape

273 - 5 Stud, U Shape, .780 Dia. Studs

275 - 5 Stud, U Shape, .656 Dia. Studs

MERITOR DRUM OR ROTOR NO.	CALIPER OR CYLINDER BORE SIZE	MERITOR CALIPER OR WHEEL CYLINDER (LEFT)	MERITOR CALIPER OR WHEEL CYLINDER (RIGHT)	MERITOR CALIPER OR WHEEL CYLINDER REPAIR KIT	MERITOR CALIPER PISTON	MERITOR MASTER CYLINDER	MERITOR MASTER CYLINDER KIT	MERITOR BRAKE HOSE (LEFT)	MERITOR BRAKE HOSE (RIGHT)
ITE(Cont.)									
190, 1900, 1910, 1950 SERIES CONVENTIONAL TILT CAB(Cont.)									
R44141476 ²⁶⁸	2-19/32 "	R42R55314	R42R55314 ³⁷	R40107771	R4090100P ⁷²	N/A ⁵³	-	R458632	R458632
23-122701-002 ²⁶⁹	2-19/32 "	R42R55314	R42R55314 ³⁷	R40107771	R4090100P ⁷²	N/A ⁵³	-	R458632	R458632
23-122527-002 ²⁷²	2-19/32 "	R42R55314	R42R55314 ³⁷	R40107771	R4090100P ⁷²	N/A ⁵³	-	R458635	R458635
23-122920-002 ²⁷³	2-7/8 "	R42R55250	R42R55250 ³⁷	R4066365	R4090096 ⁷²	N/A ⁵³	-	R458635	R458635
R44141858 ²⁷⁵	2-7/8 "	R42R55250	R42R55250 ³⁷	R4066365	R4090096 ⁷²	N/A ⁵³	-	R458632	R458632
23-122527-002 ²⁷²	2-19/32 "	R42R55245	R42R55245 ³⁸	R402235118	R402238231 ²⁰¹	N/A ⁵³	-	R458635	R458635
R44141628 ²⁶⁹	2-19/32 "	R42R55245	R42R55245 ³⁸	R402235118	R402238231 ²⁰¹	-	-	R458634 ⁵²	R458634
R44141608 ²⁶⁷	2-19/32 "	R42R55245	R42R55245 ³⁸	R402235118	R402238231 ²⁰¹	-	-	R458634 ⁵²	R458634
23-122527-002 ²⁷²	2-19/32 "	R42R55314	R42R55314 ³⁷	R40107771	R4090100P ⁷²	-	-	R458634 ⁵²	R458634
R44141627 ²⁷⁰	2-19/32 "	R42R55245	R42R55245 ³⁸	R40107771	R4090100P ²⁰¹	-	-	R458634 ⁵²	R458634
23-122527-002 ²⁷²	2-19/32 "	R42R55245	R42R55245 ³⁸	R402235118	R402238231 ²⁰¹	-	-	R458634 ⁵²	R458634
R44141608 ²⁶⁷	2-19/32 "	R42R55245	R42R55245 ³⁸	R40107771	R4090100P ²⁰¹	-	-	R458634 ⁵²	R458634
R44141627 ²⁷⁰	2-19/32 "	R42R55245	R42R55245 ³⁸	R402235118	R402238231 ²⁰¹	-	-	R458634 ⁵²	R458634
R44141628 ²⁶⁹	2-19/32 "	R42R55245	R42R55245 ³⁸	R40107771	R4090100P ²⁰¹	-	-	R458634 ⁵²	R458634
23-123572-004 ²⁷¹	2-19/32 "	R42R55245	R42R55245 ³⁸	R40107771	R4090100P ²⁰¹	-	-	R458634 ⁵²	R458634
R44141629 ²⁶⁹	2-19/32 "	R42R55245	R42R55245 ³⁸	R40107771	R4090100P ²⁰¹	-	-	R458634 ⁵²	R458634
23-123552-004 ²⁶⁶	2-19/32 "	R42R55245	R42R55245 ³⁸	R402235118	R402238231 ²⁰¹	-	-	R458634 ⁵²	R458634
23-123552-004 ²⁶⁶	2-19/32 "	R42R55245	R42R55245 ³⁸	R40107771	R4090100P ²⁰¹	-	-	R458634 ⁵²	R458634
R44141629 ²⁶⁹	2-19/32 "	R42R55245	R42R55245 ³⁸	R402235118	R402238231 ²⁰¹	-	-	R458634 ⁵²	R458634
23-123572-004 ²⁷¹	2-19/32 "	R42R55245	R42R55245 ³⁸	R402235118	R402238231 ²⁰¹	-	-	R458634 ⁵²	R458634
R44141627 ²⁷⁰	2-7/8 "	R42R55250	R42R55250 ³⁷	R4066365	R4090096 ⁷²	-	-	R458634 ⁵²	R458634
23-122527-002 ²⁷²	2-7/8 "	R42R55250	R42R55250 ³⁷	R4066365	R4090096 ⁷²	-	-	R458634 ⁵²	R458634
R44141628 ²⁶⁹	2-7/8 "	R42R55250	R42R55250 ³⁷	R4066365	R4090096 ⁷²	-	-	R458634 ⁵²	R458634
23-123552-004 ²⁶⁶	2-7/8 "	R42R55250	R42R55250 ³⁷	R4066365	R4090096 ⁷²	-	-	R458634 ⁵²	R458634
R44141628 ²⁶⁹	2-7/8 "	R42R55250	R42R55250 ³⁷	R4066365	R4090096 ⁷²	-	-	R458634 ⁵²	R458634
R44141627 ²⁷⁰	2-7/8 "	R42R55250	R42R55250 ³⁷	R4066365	R4090096 ⁷²	-	-	R458634 ⁵²	R458634
R44141608 ²⁶⁷	2-7/8 "	R42R55250	R42R55250 ³⁷	R4066365	R4090096 ⁷²	-	-	R458634 ⁵²	R458634
R44141628 ²⁶⁹	2-7/8 "	R42R55250	R42R55250 ³⁷	R4066365	R4090096 ⁷²	-	-	R458634 ⁵²	R458634
R44141608 ²⁶⁷	2-7/8 "	R42R55250	R42R55250 ³⁷	R4066365	R4090096 ⁷²	-	-	R458634 ⁵²	R458634
R44141627 ²⁷⁰	2-7/8 "	R42R55250	R42R55250 ³⁷	R4066365	R4090096 ⁷²	-	-	R458634 ⁵²	R458634
23-123552-004 ²⁶⁶	2-7/8 "	R42R55250	R42R55250 ³⁷	R4066365	R4090096 ⁷²	-	-	R458634 ⁵²	R458634
R44141629 ²⁶⁹	2-7/8 "	R42R55250	R42R55250 ³⁷	R4066365	R4090096 ⁷²	-	-	R458634 ⁵²	R458634
23-123552-004 ²⁶⁶	2-7/8 "	R42R55250	R42R55250 ³⁷	R4066365	R4090096 ⁷²	-	-	R458634 ⁵²	R458634
R44141629 ²⁶⁹	2-7/8 "	R42R55250	R42R55250 ³⁷	R4066365	R4090096 ⁷²	-	-	R458634 ⁵²	R458634
23-123572-004 ²⁷¹	2-7/8 "	R42R55250	R42R55250 ³⁷	R4066365	R4090096 ⁷²	-	-	R458634 ⁵²	R458634
23-122527-002 ²⁷²	2-7/8 "	R42R55250	R42R55250 ³⁷	R4066365	R4090096 ⁷²	-	-	R458634 ⁵²	R458634
R44141629 ²⁶⁹	2-7/8 "	R42R55250	R42R55250 ³⁷	R4066365	R4090096 ⁷²	-	-	R458634 ⁵²	R458634
23-123572-004 ²⁷¹	2-7/8 "	R42R55250	R42R55250 ³⁷	R4066365	R4090096 ⁷²	-	-	R458634 ⁵²	R458634
23-122527-002 ²⁷²	2-7/8 "	R42R55250	R42R55250 ³⁷	R4066365	R4090096 ⁷²	-	-	R458634 ⁵²	R458634
R44141608 ²⁶⁷	2-7/8 "	R42R55250	R42R55250 ³⁷	R4066365	R4090096 ⁷²	-	-	R458634 ⁵²	R458634
23-123552-004 ²⁶⁶	2-7/8 "	R42R55250	R42R55250 ³⁷	R4066365	R4090096 ⁷²	-	-	R458634 ⁵²	R458634
23-122527-002 ²⁷²	2-7/8 "	R42R55250	R42R55250 ³⁷	R4066365	R4090096 ⁷²	-	-	R458634 ⁵²	R458634
R44141629 ²⁶⁹	2-7/8 "	R42R55250	R42R55250 ³⁷	R4066365	R4090096 ⁷²	-	-	R458634 ⁵²	R458634
R44141628 ²⁶⁹	2-7/8 "	R42R55250	R42R55250 ³⁷	R4066365	R4090096 ⁷²	-	-	R458634 ⁵²	R458634
R44141629 ²⁶⁹	2-7/8 "	R42R55250	R42R55250 ³⁷	R4066365	R4090096 ⁷²	-	-	R458634 ⁵²	R458634
23-123572-004 ²⁷¹	2-7/8 "	R42R55250	R42R55250 ³⁷	R4066365	R4090096 ⁷²	-	-	R458634 ⁵²	R458634
23-123572-004 ²⁷¹	2-7/8 "	R42R55250	R42R55250 ³⁷	R4066365	R4090096 ⁷²	-	-	R458634 ⁵²	R458634
23-123572-004 ²⁷¹	2-7/8 "	R42R55250	R42R55250 ³⁷	R4066365	R4090096 ⁷²	-	-	R458634 ⁵²	R458634
R44141627 ²⁷⁰	2-7/8 "	R42R55250	R42R55250 ³⁷	R4066365	R4090096 ⁷²	-	-	R458634 ⁵²	R458634
R44141858 ²⁷⁵	2-19/32 "	R42R55245	R42R55245	R402235118	R402238231 ²⁰¹	R4111993 ³⁰²	R4122386	-	-
R44141476 ²⁶⁸	2-7/8 "	R429218X	R429218X ³⁹	R406532	R4090070 ⁴⁰	R4111993 ³⁰²	R4122386	-	-
23-122920-002 ²⁷³	3-3/8 "	R42R55099	R42R55099 ³⁷	R4066780	R4090021 ²⁰¹	N/A ⁵³	-	-	-
23-122527-002 ²⁷²	2-7/8 "	R429218X	R429218X ³⁹	R406532	R4090070 ⁴⁰	N/A ⁵³	-	-	-
23-123552-004 ²⁶⁶	2-7/8 "	R429218X	R429218X ³⁹	R406532	R4090070 ⁴⁰	R4111993 ³⁰²	R4122386	-	-
23-122701-002 ²⁶⁹	2-7/8 "	R429218X	R429218X ³⁹	R406532	R4090070 ⁴⁰	R4111993 ³⁰²	R4122386	-	-
23-122527-002 ²⁷²	2-7/8 "	R429218X	R429218X ³⁹	R406532	R4090070 ⁴⁰	R4111993 ³⁰²	R4122386	-	-
23-122527-002 ²⁷²	2-7/8 "	R429218X	R429218X ³⁹	R406532	R4090070 ⁴⁰	R4111993 ³⁰²	R4122386	-	-
23-122527-002 ²⁷²	2-7/8 "	R429218X	R429218X ³⁹	R406532	R4090070 ⁴⁰	R4111993 ³⁰²	R4122386	-	-
23-122920-002 ²⁷³	2-19/32 "	R42R55245	R42R55245	R402235118	R402238231 ²⁰¹	N/A ⁵³	-	-	-

1 APPLICATION

267 - 10 Stud, U Shaped
 270 - 5 Stud, U Shape, .766 Dia. Studs
 273 - 5 Stud, U Shape, .780 Dia. Studs
 Contact our Customer Service Teams
 1-888-725-9355

268 - 5 Stud, Hat Shape
 271 - 6 Stud, Hat Shape
 275 - 5 Stud, U Shape, .656 Dia. Studs

269 - 5 Stud, U Shape
 272 - 6 Stud, U Shape
 302 - Power Brakes, Dual System
 www.XpresswayPlus.com

MERITOR DRUM OR ROTOR NO.	CALIPER OR CYLINDER BORE SIZE	MERITOR CALIPER OR WHEEL CYLINDER (LEFT)	MERITOR CALIPER OR WHEEL CYLINDER (RIGHT)	MERITOR CALIPER OR WHEEL CYLINDER REPAIR KIT	MERITOR CALIPER PISTON	MERITOR MASTER CYLINDER	MERITOR MASTER CYLINDER KIT	MERITOR BRAKE HOSE (LEFT)	MERITOR BRAKE HOSE (RIGHT)
ITE(Cont.)									
190, 1900, 1910, 1950 SERIES CONVENTIONAL TILT CAB(Cont.)									
R44141858 ²⁷⁵	2-7/8 "	R429218X	R429218X ³⁹	R406532	R4090070 ⁴⁰	N/A ⁵³	-	-	-
23-122527-002 ²⁷²	2-7/8 "	R429218X	R429218X ³⁹	R406532	R4090070 ⁴⁰	R4111993 ³⁰²	R4122386	-	-
R44141476 ²⁶⁸	3-3/8 "	R42R55099	R42R55098 ³⁷	R4066780	R4090021 ²⁰¹	R4111993 ³⁰²	R4122386	-	-
23-123552-004 ²⁶⁶	2-7/8 "	R429218X	R429218X ³⁹	R406532	R4090070 ⁴⁰	R4111993 ³⁰²	R4122386	-	-
R44141858 ²⁷⁵	2-7/8 "	R429218X	R429218X ³⁹	R406532	R4090070 ⁴⁰	R4111993 ³⁰²	R4122386	-	-
23-123552-004 ²⁶⁶	3-3/8 "	R42R55099	R42R55098 ³⁷	R4066780	R4090021 ²⁰¹	R4111993 ³⁰²	R4122386	-	-
23-122701-002 ²⁶⁹	2-7/8 "	R429218X	R429218X ³⁹	R406532	R4090070 ⁴⁰	N/A ⁵³	-	-	-
R44141476 ²⁶⁸	2-19/32 "	R42R55245	R42R55245	R402235118	R402238231 ²⁰¹	R4111993 ³⁰²	R4122386	-	-
23-123572-004 ²⁷¹	2-7/8 "	R42R55099	R42R55098 ³⁷	R4066780	R4090021 ²⁰¹	N/A ⁵³	-	-	-
R44141858 ²⁷⁵	3-3/8 "	R42R55099	R42R55098 ³⁷	R4066780	R4090021 ²⁰¹	N/A ⁵³	-	-	-
23-122701-002 ²⁶⁹	2-7/8 "	R429218X	R429218X ³⁹	R406532	R4090070 ⁴⁰	R4111993 ³⁰²	R4122386	-	-
23-122527-002 ²⁷²	2-7/8 "	R429218X	R429218X ³⁹	R406532	R4090070 ⁴⁰	N/A ⁵³	-	-	-
R44141476 ²⁶⁸	2-7/8 "	R429218X	R429218X ³⁹	R406532	R4090070 ⁴⁰	N/A ⁵³	-	-	-
R44141858 ²⁷⁵	2-7/8 "	R429218X	R429218X ³⁹	R406532	R4090070 ⁴⁰	N/A ⁵³	-	-	-
23-122701-002 ²⁶⁹	2-19/32 "	R42R55245	R42R55245	R402235118	R402238231 ²⁰¹	N/A ⁵³	-	-	-
R44141858 ²⁷⁵	2-7/8 "	R429218X	R429218X ³⁹	R406532	R4090070 ⁴⁰	N/A ⁵³	-	-	-
23-123552-004 ²⁶⁶	2-7/8 "	R429218X	R429218X ³⁹	R406532	R4090070 ⁴⁰	N/A ⁵³	-	-	-
23-123552-004 ²⁶⁶	2-7/8 "	R429218X	R429218X ³⁹	R406532	R4090070 ⁴⁰	R4111993 ³⁰²	R4122386	-	-
23-122920-002 ²⁷³	3-3/8 "	R42R55099	R42R55098 ³⁷	R4066780	R4090021 ²⁰¹	R4111993 ³⁰²	R4122386	-	-
R44141858 ²⁷⁵	2-19/32 "	R42R55245	R42R55245	R402235118	R402238231 ²⁰¹	N/A ⁵³	-	-	-
R44141476 ²⁶⁸	2-7/8 "	R429218X	R429218X ³⁹	R406532	R4090070 ⁴⁰	N/A ⁵³	-	-	-
23-123552-004 ²⁶⁶	2-19/32 "	R42R55245	R42R55245	R402235118	R402238231 ²⁰¹	R4111993 ³⁰²	R4122386	-	-
23-122527-002 ²⁷²	3-3/8 "	R42R55099	R42R55098 ³⁷	R4066780	R4090021 ²⁰¹	N/A ⁵³	-	-	-
23-123572-004 ²⁷¹	2-19/32 "	R42R55245	R42R55245	R402235118	R402238231 ²⁰¹	N/A ⁵³	-	-	-
23-123572-004 ²⁷¹	2-7/8 "	R429218X	R429218X ³⁹	R406532	R4090070 ⁴⁰	N/A ⁵³	-	-	-
23-122920-002 ²⁷³	3-3/8 "	R42R55099	R42R55098 ³⁷	R4066780	R4090021 ²⁰¹	R4111993 ³⁰²	R4122386	-	-
R44141858 ²⁷⁵	2-19/32 "	R42R55245	R42R55245	R402235118	R402238231 ²⁰¹	N/A ⁵³	-	-	-
R44141476 ²⁶⁸	2-7/8 "	R429218X	R429218X ³⁹	R406532	R4090070 ⁴⁰	N/A ⁵³	-	-	-
23-123552-004 ²⁶⁶	2-19/32 "	R42R55245	R42R55245	R402235118	R402238231 ²⁰¹	R4111993 ³⁰²	R4122386	-	-
23-122527-002 ²⁷²	3-3/8 "	R42R55099	R42R55098 ³⁷	R4066780	R4090021 ²⁰¹	N/A ⁵³	-	-	-
23-123572-004 ²⁷¹	2-19/32 "	R42R55245	R42R55245	R402235118	R402238231 ²⁰¹	N/A ⁵³	-	-	-
23-123572-004 ²⁷¹	2-7/8 "	R429218X	R429218X ³⁹	R406532	R4090070 ⁴⁰	R4111993 ³⁰²	R4122386	-	-
23-122920-002 ²⁷³	2-7/8 "	R429218X	R429218X ³⁹	R406532	R4090070 ⁴⁰	N/A ⁵³	-	-	-
23-122527-002 ²⁷²	2-19/32 "	R42R55245	R42R55245	R402235118	R402238231 ²⁰¹	N/A ⁵³	-	-	-
R44141858 ²⁷⁵	3-3/8 "	R42R55099	R42R55098 ³⁷	R4066780	R4090021 ²⁰¹	R4111993 ³⁰²	R4122386	-	-
23-122701-002 ²⁶⁹	2-7/8 "	R429218X	R429218X ³⁹	R406532	R4090070 ⁴⁰	N/A ⁵³	-	-	-
23-122527-002 ²⁷²	2-7/8 "	R429218X	R429218X ³⁹	R406532	R4090070 ⁴⁰	N/A ⁵³	-	-	-
R44141858 ²⁷⁵	2-7/8 "	R429218X	R429218X ³⁹	R406532	R4090070 ⁴⁰	R4111993 ³⁰²	R4122386	-	-
23-123572-004 ²⁷¹	3-3/8 "	R42R55099	R42R55098 ³⁷	R4066780	R4090021 ²⁰¹	R4111993 ³⁰²	R4122386	-	-
23-122527-002 ²⁷²	2-19/32 "	R42R55245	R42R55245	R402235118	R402238231 ²⁰¹	N/A ⁵³	-	-	-
R44141858 ²⁷⁵	2-7/8 "	R429218X	R429218X ³⁹	R406532	R4090070 ⁴⁰	N/A ⁵³	-	-	-
23-122701-002 ²⁶⁹	2-19/32 "	R42R55245	R42R55245	R402235118	R402238231 ²⁰¹	R4111993 ³⁰²	R4122386	-	-
23-122527-002 ²⁷²	2-7/8 "	R429218X	R429218X ³⁹	R406532	R4090070 ⁴⁰	N/A ⁵³	-	-	-
23-122920-002 ²⁷³	2-7/8 "	R429218X	R429218X ³⁹	R406532	R4090070 ⁴⁰	N/A ⁵³	-	-	-
R44141858 ²⁷⁵	2-19/32 "	R42R55245	R42R55245	R402235118	R402238231 ²⁰¹	N/A ⁵³	-	-	-
23-123552-004 ²⁶⁶	2-19/32 "	R42R55245	R42R55245	R402235118	R402238231 ²⁰¹	N/A ⁵³	-	-	-
23-122701-002 ²⁶⁹	3-3/8 "	R42R55099	R42R55098 ³⁷	R4066780	R4090021 ²⁰¹	R4111993 ³⁰²	R4122386	-	-
R44141476 ²⁶⁸	2-19/32 "	R42R55245	R42R55245	R402235118	R402238231 ²⁰¹	N/A ⁵³	-	-	-
23-123572-004 ²⁷¹	2-19/32 "	R42R55245	R42R55245	R402235118	R402238231 ²⁰¹	R4111993 ³⁰²	R4122386	-	-
23-123572-004 ²⁷¹	2-7/8 "	R429218X	R429218X ³⁹	R406532	R4090070 ⁴⁰	R4111993 ³⁰²	R4122386	-	-
R44141476 ²⁶⁸	2-19/32 "	R42R55245	R42R55245	R402235118	R402238231 ²⁰¹	N/A ⁵³	-	-	-
23-123552-004 ²⁶⁶	3-3/8 "	R42R55099	R42R55098 ³⁷	R4066780	R4090021 ²⁰¹	N/A ⁵³	-	-	-
23-123572-004 ²⁷¹	2-19/32 "	R42R55245	R42R55245	R402235118	R402238231 ²⁰¹	R4111993 ³⁰²	R4122386	-	-
R44141476 ²⁶⁸	3-3/8 "	R42R55099	R42R55098 ³⁷	R4066780	R4090021 ²⁰¹	N/A ⁵³	-	-	-
23-122701-002 ²⁶⁹	2-7/8 "	R429218X	R429218X ³⁹	R406532	R4090070 ⁴⁰	R4111993 ³⁰²	R4122386	-	-
R44141476 ²⁶⁸	2-7/8 "	R429218X	R429218X ³⁹	R406532	R4090070 ⁴⁰	R4111993 ³⁰²	R4122386	-	-
23-123572-004 ²⁷¹	2-7/8 "	R429218X	R429218X ³⁹	R406532	R4090070 ⁴⁰	R4111993 ³⁰²	R4122386	-	-
23-123572-004 ²⁷¹	2-7/8 "	R429218X	R429218X ³⁹	R406532	R4090070 ⁴⁰	N/A ⁵³	-	-	-
23-122920-002 ²⁷³	2-7/8 "	R429218X	R429218X ³⁹	R406532	R4090070 ⁴⁰	R4111993 ³⁰²	R4122386	-	-

1 APPLICATION

272 - 6 Stud, U Shape
302 - Power Brakes, Dual System

273 - 5 Stud, U Shape, .780 Dia. Studs

275 - 5 Stud, U Shape, .656 Dia. Studs

Contact our Customer Service Teams
1-888-725-9355

www.XpresswayPlus.com

MERITOR DRUM OR ROTOR NO.	CALIPER OR CYLINDER BORE SIZE	MERITOR CALIPER OR WHEEL CYLINDER (LEFT)	MERITOR CALIPER OR WHEEL CYLINDER (RIGHT)	MERITOR CALIPER OR WHEEL CYLINDER REPAIR KIT	MERITOR CALIPER PISTON	MERITOR MASTER CYLINDER	MERITOR MASTER CYLINDER KIT	MERITOR BRAKE HOSE (LEFT)	MERITOR BRAKE HOSE (RIGHT)
ITE(Cont.)									
190, 1900, 1910, 1950 SERIES CONVENTIONAL TILT CAB(Cont.)									
23-122527-002 ²⁷²	2-19/32 "	R42R55245	R42R55245	R402235118	R402238231 ²⁰¹	R4111993 ³⁰²	R4122386	-	-
23-122920-002 ²⁷³	2-7/8 "	R429218X	R429218X ³⁹	R406532	R4090070 ⁴⁰	R4111993 ³⁰²	R4122386	-	-
23-122527-002 ²⁷²	2-19/32 "	R42R55245	R42R55245	R402235118	R402238231 ²⁰¹	R4111993 ³⁰²	R4122386	-	-
23-122920-002 ²⁷³	2-7/8 "	R429218X	R429218X ³⁹	R406532	R4090070 ⁴⁰	R4111993 ³⁰²	R4122386	-	-
23-123572-004 ²⁷¹	2-7/8 "	R429218X	R429218X ³⁹	R406532	R4090070 ⁴⁰	N/A ⁵³	-	-	-
R44141858 ²⁷⁵	2-7/8 "	R429218X	R429218X ³⁹	R406532	R4090070 ⁴⁰	R4111993 ³⁰²	R4122386	-	-
R44141476 ²⁶⁸	2-7/8 "	R429218X	R429218X ³⁹	R406532	R4090070 ⁴⁰	N/A ⁵³	-	-	-
23-123552-004 ²⁶⁶	2-7/8 "	R429218X	R429218X ³⁹	R406532	R4090070 ⁴⁰	N/A ⁵³	-	-	-
23-123552-004 ²⁶⁶	2-7/8 "	R429218X	R429218X ³⁹	R406532	R4090070 ⁴⁰	N/A ⁵³	-	-	-
23-123572-004 ²⁷¹	2-7/8 "	R429218X	R429218X ³⁹	R406532	R4090070 ⁴⁰	R4111993 ³⁰²	R4122386	-	-
R44141476 ²⁶⁸	2-7/8 "	R429218X	R429218X ³⁹	R406532	R4090070 ⁴⁰	R4111993 ³⁰²	R4122386	-	-
23-122920-002 ²⁷³	2-7/8 "	R429218X	R429218X ³⁹	R406532	R4090070 ⁴⁰	N/A ⁵³	-	-	-
23-123552-004 ²⁶⁶	2-7/8 "	R429218X	R429218X ³⁹	R406532	R4090070 ⁴⁰	N/A ⁵³	-	-	-
R44141858 ²⁷⁵	2-19/32 "	R42R55245	R42R55245	R402235118	R402238231 ²⁰¹	R4111993 ³⁰²	R4122386	-	-
23-122527-002 ²⁷²	2-7/8 "	R429218X	R429218X ³⁹	R406532	R4090070 ⁴⁰	R4111993 ³⁰²	R4122386	-	-
R44141858 ²⁷⁵	2-7/8 "	R429218X	R429218X ³⁹	R406532	R4090070 ⁴⁰	R4111993 ³⁰²	R4122386	-	-
R44141608 ²⁶⁷	2-19/32 "	R42R55245	R42R55245	R40107771	R4090100P ²⁰¹	-	-	-	-
23-122527-002 ²⁷²	2-19/32 "	R42R55245	R42R55245	R402235118	R402238231 ²⁰¹	-	-	-	-
23-123572-004 ²⁷¹	2-19/32 "	R42R55245	R42R55245	R402235118	R402238231 ²⁰¹	-	-	-	-
R44141627 ²⁷⁰	2-19/32 "	R42R55245	R42R55245	R40107771	R4090100P ²⁰¹	-	-	-	-
R44141627 ²⁷⁰	2-19/32 "	R42R55245	R42R55245	R402235118	R402238231 ²⁰¹	-	-	-	-
R44141628 ²⁶⁹	2-19/32 "	R42R55245	R42R55245	R402235118	R402238231 ²⁰¹	-	-	-	-
23-123552-004 ²⁶⁶	2-19/32 "	R42R55245	R42R55245	R40107771	R4090100P ²⁰¹	-	-	-	-
R44141629 ²⁶⁹	2-19/32 "	R42R55245	R42R55245	R402235118	R402238231 ²⁰¹	-	-	-	-
R44141628 ²⁶⁹	2-19/32 "	R42R55245	R42R55245	R40107771	R4090100P ²⁰¹	-	-	-	-
R44141608 ²⁶⁷	2-19/32 "	R42R55245	R42R55245	R402235118	R402238231 ²⁰¹	-	-	-	-
23-123552-004 ²⁶⁶	2-19/32 "	R42R55245	R42R55245	R402235118	R402238231 ²⁰¹	-	-	-	-
23-122527-002 ²⁷²	2-19/32 "	R42R55245	R42R55245	R402235118	R402238231 ²⁰¹	-	-	-	-
R44141629 ²⁶⁹	2-19/32 "	R42R55245	R42R55245	R40107771	R4090100P ²⁰¹	-	-	-	-
23-123572-004 ²⁷¹	2-19/32 "	R42R55245	R42R55245	R40107771	R4090100P ²⁰¹	-	-	-	-
R44141627 ²⁷⁰	2-7/8 "	R429218X	R429218X ³⁹	R406532	R4090070 ⁴⁰	-	-	-	-
R44141628 ²⁶⁹	2-7/8 "	R429218X	R429218X ³⁹	R406532	R4090070 ⁴⁰	-	-	-	-
R44141628 ²⁶⁹	2-7/8 "	R429218X	R429218X ³⁹	R406532	R4090070 ⁴⁰	-	-	-	-
R44141627 ²⁷⁰	2-7/8 "	R429218X	R429218X ³⁹	R406532	R4090070 ⁴⁰	-	-	-	-
R44141608 ²⁶⁷	2-7/8 "	R429218X	R429218X ³⁹	R406532	R4090070 ⁴⁰	-	-	-	-
R44141629 ²⁶⁹	2-7/8 "	R429218X	R429218X ³⁹	R406532	R4090070 ⁴⁰	-	-	-	-
R44141628 ²⁶⁹	2-7/8 "	R429218X	R429218X ³⁹	R406532	R4090070 ⁴⁰	-	-	-	-
23-122527-002 ²⁷²	2-7/8 "	R429218X	R429218X ³⁹	R406532	R4090070 ⁴⁰	-	-	-	-
R44141629 ²⁶⁹	2-7/8 "	R429218X	R429218X ³⁹	R406532	R4090070 ⁴⁰	-	-	-	-
23-123552-004 ²⁶⁶	2-7/8 "	R429218X	R429218X ³⁹	R406532	R4090070 ⁴⁰	-	-	-	-
23-123572-004 ²⁷¹	2-7/8 "	R429218X	R429218X ³⁹	R406532	R4090070 ⁴⁰	-	-	-	-
R44141627 ²⁷⁰	2-7/8 "	R429218X	R429218X ³⁹	R406532	R4090070 ⁴⁰	-	-	-	-
23-123572-004 ²⁷¹	2-7/8 "	R429218X	R429218X ³⁹	R406532	R4090070 ⁴⁰	-	-	-	-
R44141608 ²⁶⁷	2-7/8 "	R429218X	R429218X ³⁹	R406532	R4090070 ⁴⁰	-	-	-	-
R44141628 ²⁶⁹	2-7/8 "	R429218X	R429218X ³⁹	R406532	R4090070 ⁴⁰	-	-	-	-
23-122527-002 ²⁷²	2-7/8 "	R429218X	R429218X ³⁹	R406532	R4090070 ⁴⁰	-	-	-	-
23-123572-004 ²⁷¹	2-7/8 "	R429218X	R429218X ³⁹	R406532	R4090070 ⁴⁰	-	-	-	-
23-122527-002 ²⁷²	2-7/8 "	R429218X	R429218X ³⁹	R406532	R4090070 ⁴⁰	-	-	-	-
23-122527-002 ²⁷²	2-7/8 "	R429218X	R429218X ³⁹	R406532	R4090070 ⁴⁰	-	-	-	-
23-123552-004 ²⁶⁶	2-7/8 "	R429218X	R429218X ³⁹	R406532	R4090070 ⁴⁰	-	-	-	-
23-123552-004 ²⁶⁶	2-7/8 "	R429218X	R429218X ³⁹	R406532	R4090070 ⁴⁰	-	-	-	-
R44141608 ²⁶⁷	2-7/8 "	R429218X	R429218X ³⁹	R406532	R4090070 ⁴⁰	-	-	-	-
R44141629 ²⁶⁹	2-7/8 "	R429218X	R429218X ³⁹	R406532	R4090070 ⁴⁰	-	-	-	-
R44141608 ²⁶⁷	2-7/8 "	R429218X	R429218X ³⁹	R406532	R4090070 ⁴⁰	-	-	-	-
R44141629 ²⁶⁹	2-7/8 "	R429218X	R429218X ³⁹	R406532	R4090070 ⁴⁰	-	-	-	-
23-123572-004 ²⁷¹	2-7/8 "	R429218X	R429218X ³⁹	R406532	R4090070 ⁴⁰	-	-	-	-
R44141627 ²⁷⁰	2-7/8 "	R429218X	R429218X ³⁹	R406532	R4090070 ⁴⁰	-	-	-	-
23-123552-004 ²⁶⁶	2-7/8 "	R429218X	R429218X ³⁹	R406532	R4090070 ⁴⁰	N/A ⁵³	-	-	-

1 APPLICATION

271 - 6 Stud, Hat Shape
275 - 5 Stud, U Shape, .656 Dia. Studs

272 - 6 Stud, U Shape
302 - Power Brakes, Dual System

273 - 5 Stud, U Shape, .780 Dia. Studs

MERITOR DRUM OR ROTOR NO.	CALIPER OR CYLINDER BORE SIZE	MERITOR CALIPER OR WHEEL CYLINDER (LEFT)	MERITOR CALIPER OR WHEEL CYLINDER (RIGHT)	MERITOR CALIPER OR WHEEL CYLINDER REPAIR KIT	MERITOR CALIPER PISTON	MERITOR MASTER CYLINDER	MERITOR MASTER CYLINDER KIT	MERITOR BRAKE HOSE (LEFT)	MERITOR BRAKE HOSE (RIGHT)
ITE(Cont.)									
190, 1900, 1910, 1950 SERIES CONVENTIONAL TILT CAB(Cont.)									
23-123552-004 ²⁶⁶	2-7/8 "	R429218X	R429218X ³⁹	R406532	R4090070 ⁴⁰	R4111993 ³⁰²	R4122386	-	-
R44141858 ²⁷⁵	2-7/8 "	R429218X	R429218X ³⁹	R406532	R4090070 ⁴⁰	N/A ⁵³	-	-	-
23-123572-004 ²⁷¹	3-3/8 "	R42R55099	R42R55098 ³⁷	R4066780	R4090021 ²⁰¹	R4111993 ³⁰²	R4122386	-	-
23-122701-002 ²⁶⁹	2-7/8 "	R429218X	R429218X ³⁹	R406532	R4090070 ⁴⁰	R4111993 ³⁰²	R4122386	-	-
23-122701-002 ²⁶⁹	3-3/8 "	R42R55099	R42R55098 ³⁷	R4066780	R4090021 ²⁰¹	N/A ⁵³	-	-	-
23-122920-002 ²⁷³	2-7/8 "	R429218X	R429218X ³⁹	R406532	R4090070 ⁴⁰	N/A ⁵³	-	-	-
23-122920-002 ²⁷³	2-19/32 "	R42R55245	R42R55245	R402235118	R402238231 ²⁰¹	R4111993 ³⁰²	R4122386	-	-
23-123572-004 ²⁷¹	2-19/32 "	R42R55245	R42R55245	R402235118	R402238231 ²⁰¹	N/A ⁵³	-	-	-
23-122920-002 ²⁷³	3-3/8 "	R42R55099	R42R55098 ³⁷	R4066780	R4090021 ²⁰¹	R4111993 ³⁰²	R4122386	-	-
23-123572-004 ²⁷¹	2-19/32 "	R42R55245	R42R55245	R402235118	R402238231 ²⁰¹	N/A ⁵³	-	-	-
23-122527-002 ²⁷²	3-3/8 "	R42R55099	R42R55098 ³⁷	R4066780	R4090021 ²⁰¹	N/A ⁵³	-	-	-
R44141858 ²⁷⁵	2-7/8 "	R429218X	R429218X ³⁹	R406532	R4090070 ⁴⁰	N/A ⁵³	-	-	-
23-122527-002 ²⁷²	2-7/8 "	R429218X	R429218X ³⁹	R406532	R4090070 ⁴⁰	N/A ⁵³	-	-	-
23-123572-004 ²⁷¹	2-7/8 "	R429218X	R429218X ³⁹	R406532	R4090070 ⁴⁰	R4111993 ³⁰²	R4122386	-	-
R44141858 ²⁷⁵	2-19/32 "	R42R55245	R42R55245	R402235118	R402238231 ²⁰¹	N/A ⁵³	-	-	-
23-123552-004 ²⁶⁶	3-3/8 "	R42R55099	R42R55098 ³⁷	R4066780	R4090021 ²⁰¹	N/A ⁵³	-	-	-
R44141858 ²⁷⁵	2-19/32 "	R42R55245	R42R55245	R402235118	R402238231 ²⁰¹	R4111993 ³⁰²	R4122386	-	-
23-122527-002 ²⁷²	2-7/8 "	R429218X	R429218X ³⁹	R406532	R4090070 ⁴⁰	R4111993 ³⁰²	R4122386	-	-
23-123552-004 ²⁶⁶	2-19/32 "	R42R55245	R42R55245	R402235118	R402238231 ²⁰¹	N/A ⁵³	-	-	-
R44141476 ²⁶⁸	3-3/8 "	R42R55099	R42R55098 ³⁷	R4066780	R4090021 ²⁰¹	R4111993 ³⁰²	R4122386	-	-
R44141858 ²⁷⁵	3-3/8 "	R42R55099	R42R55098 ³⁷	R4066780	R4090021 ²⁰¹	R4111993 ³⁰²	R4122386	-	-
23-122527-002 ²⁷²	2-7/8 "	R429218X	R429218X ³⁹	R406532	R4090070 ⁴⁰	R4111993 ³⁰²	R4122386	-	-
23-123552-004 ²⁶⁶	2-19/32 "	R42R55245	R42R55245	R402235118	R402238231 ²⁰¹	N/A ⁵³	-	-	-
R44141858 ²⁷⁵	2-19/32 "	R42R55245	R42R55245	R402235118	R402238231 ²⁰¹	N/A ⁵³	-	-	-
23-122527-002 ²⁷²	2-7/8 "	R429218X	R429218X ³⁹	R406532	R4090070 ⁴⁰	R4111993 ³⁰²	R4122386	-	-
23-123552-004 ²⁶⁶	2-19/32 "	R42R55245	R42R55245	R402235118	R402238231 ²⁰¹	N/A ⁵³	-	-	-
R44141858 ²⁷⁵	2-19/32 "	R42R55245	R42R55245	R402235118	R402238231 ²⁰¹	N/A ⁵³	-	-	-
23-123572-004 ²⁷¹	2-7/8 "	R429218X	R429218X ³⁹	R406532	R4090070 ⁴⁰	R4111993 ³⁰²	R4122386	-	-
23-122527-002 ²⁷²	2-7/8 "	R429218X	R429218X ³⁹	R406532	R4090070 ⁴⁰	N/A ⁵³	-	-	-
R44141476 ²⁶⁸	2-7/8 "	R429218X	R429218X ³⁹	R406532	R4090070 ⁴⁰	N/A ⁵³	-	-	-
23-123572-004 ²⁷¹	2-7/8 "	R429218X	R429218X ³⁹	R406532	R4090070 ⁴⁰	N/A ⁵³	-	-	-
R44141858 ²⁷⁵	3-3/8 "	R42R55099	R42R55098 ³⁷	R4066780	R4090021 ²⁰¹	N/A ⁵³	-	-	-
R44141476 ²⁶⁸	3-3/8 "	R42R55099	R42R55098 ³⁷	R4066780	R4090021 ²⁰¹	N/A ⁵³	-	-	-
23-123552-004 ²⁶⁶	2-19/32 "	R42R55245	R42R55245	R402235118	R402238231 ²⁰¹	R4111993 ³⁰²	R4122386	-	-
23-122527-002 ²⁷²	2-7/8 "	R429218X	R429218X ³⁹	R406532	R4090070 ⁴⁰	R4111993 ³⁰²	R4122386	-	-
R44141858 ²⁷⁵	2-7/8 "	R429218X	R429218X ³⁹	R406532	R4090070 ⁴⁰	N/A ⁵³	-	-	-
23-122701-002 ²⁶⁹	2-7/8 "	R429218X	R429218X ³⁹	R406532	R4090070 ⁴⁰	R4111993 ³⁰²	R4122386	-	-
23-122527-002 ²⁷²	2-7/8 "	R429218X	R429218X ³⁹	R406532	R4090070 ⁴⁰	N/A ⁵³	-	-	-
23-123552-004 ²⁶⁶	2-7/8 "	R429218X	R429218X ³⁹	R406532	R4090070 ⁴⁰	R4111993 ³⁰²	R4122386	-	-
23-122701-002 ²⁶⁹	2-19/32 "	R42R55245	R42R55245	R402235118	R402238231 ²⁰¹	N/A ⁵³	-	-	-
R44141476 ²⁶⁸	2-7/8 "	R429218X	R429218X ³⁹	R406532	R4090070 ⁴⁰	N/A ⁵³	-	-	-
23-122701-002 ²⁶⁹	2-7/8 "	R429218X	R429218X ³⁹	R406532	R4090070 ⁴⁰	R4111993 ³⁰²	R4122386	-	-
R44141476 ²⁶⁸	2-7/8 "	R429218X	R429218X ³⁹	R406532	R4090070 ⁴⁰	R4111993 ³⁰²	R4122386	-	-
23-122920-002 ²⁷³	2-7/8 "	R429218X	R429218X ³⁹	R406532	R4090070 ⁴⁰	R4111993 ³⁰²	R4122386	-	-
23-122527-002 ²⁷²	3-3/8 "	R42R55099	R42R55098 ³⁷	R4066780	R4090021 ²⁰¹	R4111993 ³⁰²	R4122386	-	-
23-122920-002 ²⁷³	2-7/8 "	R429218X	R429218X ³⁹	R406532	R4090070 ⁴⁰	R4111993 ³⁰²	R4122386	-	-
23-123552-004 ²⁶⁶	2-7/8 "	R429218X	R429218X ³⁹	R406532	R4090070 ⁴⁰	N/A ⁵³	-	-	-
23-123572-004 ²⁷¹	2-7/8 "	R429218X	R429218X ³⁹	R406532	R4090070 ⁴⁰	R4111993 ³⁰²	R4122386	-	-
23-123572-004 ²⁷¹	2-19/32 "	R42R55245	R42R55245	R402235118	R402238231 ²⁰¹	R4111993 ³⁰²	R4122386	-	-
R44141476 ²⁶⁸	2-7/8 "	R429218X	R429218X ³⁹	R406532	R4090070 ⁴⁰	N/A ⁵³	-	-	-
R44141476 ²⁶⁸	2-19/32 "	R42R55245	R42R55245	R402235118	R402238231 ²⁰¹	N/A ⁵³	-	-	-
23-123552-004 ²⁶⁶	2-7/8 "	R429218X	R429218X ³⁹	R406532	R4090070 ⁴⁰	N/A ⁵³	-	-	-
23-122701-002 ²⁶⁹	2-7/8 "	R429218X	R429218X ³⁹	R406532	R4090070 ⁴⁰	N/A ⁵³	-	-	-
23-122527-002 ²⁷²	2-19/32 "	R42R55245	R42R55245	R402235118	R402238231 ²⁰¹	R4111993 ³⁰²	R4122386	-	-
R44141858 ²⁷⁵	2-19/32 "	R42R55245	R42R55245	R402235118	R402238231 ²⁰¹	R4111993 ³⁰²	R4122386	-	-
23-122920-002 ²⁷³	2-19/32 "	R42R55245	R42R55245	R402235118	R402238231 ²⁰¹	N/A ⁵³	-	-	-
23-122701-002 ²⁶⁹	2-7/8 "	R429218X	R429218X ³⁹	R406532	R4090070 ⁴⁰	N/A ⁵³	-	-	-
23-123552-004 ²⁶⁶	2-7/8 "	R429218X	R429218X ³⁹	R406532	R4090070 ⁴⁰	R4111993 ³⁰²	R4122386	-	-
23-123572-004 ²⁷¹	3-3/8 "	R42R55099	R42R55098 ³⁷	R4066780	R4090021 ²⁰¹	N/A ⁵³	-	-	-
23-123552-004 ²⁶⁶	2-7/8 "	R429218X	R429218X ³⁹	R406532	R4090070 ⁴⁰	R4111993 ³⁰²	R4122386	-	-
R44141476 ²⁶⁸	2-7/8 "	R429218X	R429218X ³⁹	R406532	R4090070 ⁴⁰	R4111993 ³⁰²	R4122386	-	-
23-122701-002 ²⁶⁹	2-7/8 "	R429218X	R429218X ³⁹	R406532	R4090070 ⁴⁰	N/A ⁵³	-	-	-
23-123572-004 ²⁷¹	2-7/8 "	R429218X	R429218X ³⁹	R406532	R4090070 ⁴⁰	N/A ⁵³	-	-	-
R44141476 ²⁶⁸	2-19/32 "	R42R55245	R42R55245	R402235118	R402238231 ²⁰¹	R4111993 ³⁰²	R4122386	-	-
R44141858 ²⁷⁵	2-7/8 "	R429218X	R429218X ³⁹	R406532	R4090070 ⁴⁰	R4111993 ³⁰²	R4122386	-	-
23-122920-002 ²⁷³	2-7/8 "	R429218X	R429218X ³⁹	R406532	R4090070 ⁴⁰	N/A ⁵³	-	-	-
R44141858 ²⁷⁵	2-7/8 "	R429218X	R429218X ³⁹	R406532	R4090070 ⁴⁰	R4111993 ³⁰²	R4122386	-	-

1 APPLICATION

272 - 6 Stud, U Shape
302 - Power Brakes, Dual System

273 - 5 Stud, U Shape, .780 Dia. Studs

275 - 5 Stud, U Shape, .656 Dia. Studs

Contact our Customer Service Teams
1-888-725-9355

www.XpresswayPlus.com

MAKE MODEL YEAR AXLE CODE AXLE WEIGHT	AXLE & BRK. TYPE	BRK. MFG.	BRAKE SIZE	FMSI	MERITOR DISC PAD OR BRAKE SHOE	MERITOR GUIDE PIN OR RETURN SPRING KIT	MERITOR CALIPER HWD. KIT OR RETURN SPRING KIT	MERITOR ADJUSTER KIT (LEFT WHEEL)	MERITOR ADJUSTER KIT (RIGHT WHEEL)
ITE(Cont.)									
190, 1900, 1910, 1950 SERIES CONVENTIONAL TILT CAB(Cont.)									
1983									
	Fd	BX		7108 - D184	MD184	R40H5010	R40H5519	NR	NR
	Fd	BX		7108 - D184	MD184	R40H5010	R40H5519	NR	NR
	Fd	BX		7108 - D184	MD184	R40H5010	R40H5519	NR	NR
	Fd	BX		7108 - D184	MD184	R40H5010	R40H5519	NR	NR
	Fd	BX		7142 - D225	MD225	R40H5010	R40H5522	NR	NR
	Fd	BX		7142 - D225	MD225	R40H5010	R40H5522	NR	NR
	Fd	BX		7142 - D225	MD225	R40H5010	R40H5522	NR	NR
	Fd	BX		7108 - D184	MD184	R40H5010	R40H5519	NR	NR
	Fd	BX		7108 - D184	MD184	R40H5010	R40H5519	NR	NR
	Fd	BX		7142 - D225	MD225	R40H5010	R40H5522	NR	NR
	Fd	BX		7142 - D225	MD225	R40H5010	R40H5522	NR	NR
	Fd	BX		7108 - D184	MD184	R40H5010	R40H5519	NR	NR
	Fd	BX		7108 - D184	MD184	R40H5010	R40H5519	NR	NR
	Fd	BX		7142 - D225	MD225	R40H5010	R40H5522	NR	NR
	Fd	BX		7142 - D225	MD225	R40H5010	R40H5522	NR	NR
	Fd	BX		7108 - D184	MD184	R40H5010	R40H5519	NR	NR
	Fd	BX		7108 - D184	MD184	R40H5010	R40H5519	NR	NR
	Fd	BX		7142 - D225	MD225	R40H5010	R40H5522	NR	NR
	Fd	BX		7142 - D225	MD225	R40H5010	R40H5522	NR	NR
	Fd	BX		7108 - D184	MD184	R40H5010	R40H5519	NR	NR
	Fd	BX		7142 - D225	MD225	R40H5010	R40H5522	NR	NR
1982 FA139, 219	Fa	WG	15 " x 3-1/2 "	1280B - 322	R464004	R40H521	R40H9237	R40H3502	R40H3503
	Fm	WG	15 " x 3-1/2 "	1280 - 463	R700463	R40H521	R40H9201	R40H3524	R40H3524
FA98, 101, 109, 209	Fa	WG	15 " x 3 "	1245C - 321	R700321	R40H521	R40H9237	R40H3502	R40H3503
	Fm	WG	15 " x 3 "	1245A - 235	R700235	R40H521	R40H9201	R40H3524	R40H3524
RA302, 328, 341, 351	TRa	WG	15 " x 6 "	4596 - 381	R700381	R40H597	R40H9200	R40H3540	R40H3541
	TRm	WG	15 " x 6 "	4596 - 381	R700381	R40H597	R40H9200	R40H3518	R404148
RA302, 328, 351	TRa	WG	15 " x 7 "	4597 - 383	R700383	R40H597	R40H9200	N/A	N/A
	TRm	WG	15 " x 7 "	4597 - 383	R700383	R40H597	R40H9200	R40H3518	R404148
RA44, 186	Ra	WG	15 " x 6 "	4596 - 381	R700381	R40H597	R40H9200	R40H3540	R40H3541
	Ra	WG	15 " x 7 "	4597 - 383	R700383	R40H597	R40H9200	R40H3540	R40H3541
	Rm	WG	15 " x 6 "	4596 - 381	R700381	R40H597	R40H9200	R40H3518	R404148
	Rm	WG	15 " x 7 "	4597 - 383	R700383	R40H597	R40H9200	R40H3518	R404148
RA47, 192, 292	Ra	WG	16 " x 6 "	1255 - 386	N/A	R40H597	R40H9200	N/A	N/A
	Rm	WG	16 " x 6 "	1255 - 386	N/A	R40H597	R40H9200	R404149	R404150
1981									
FA139, 219	Fa	WG	15 " x 3-1/2 "	1280B - 322	R464004	R40H521	R40H9237	R40H3502	R40H3503
	Fm	WG	15 " x 3-1/2 "	1280 - 463	R700463	R40H521	R40H9201	R40H3524	R40H3524
FA98, 101, 109, 209	Fa	WG	15 " x 3 "	1245C - 321	R700321	R40H521	R40H9237	R40H3502	R40H3503
	Fm	WG	15 " x 3 "	1245A - 235	R700235	R40H521	R40H9201	R40H3524	R40H3524
RA302, 328, 341, 351	TRa	WG	15 " x 6 "	4596 - 381	R700381	R40H597	R40H9200	R40H3540	R40H3541
	TRm	WG	15 " x 6 "	4596 - 381	R700381	R40H597	R40H9200	R40H3518	R404148
RA302, 328, 351	TRa	WG	15 " x 7 "	4597 - 383	R700383	R40H597	R40H9200	N/A	N/A
	TRm	WG	15 " x 7 "	4597 - 383	R700383	R40H597	R40H9200	R40H3518	R404148
RA44, 186	Ra	WG	15 " x 6 "	4596 - 381	R700381	R40H597	R40H9200	R40H3540	R40H3541
	Ra	WG	15 " x 7 "	4597 - 383	R700383	R40H597	R40H9200	R40H3540	R40H3541
	Rm	WG	15 " x 6 "	4596 - 381	R700381	R40H597	R40H9200	R40H3518	R404148
	Rm	WG	15 " x 7 "	4597 - 383	R700383	R40H597	R40H9200	R40H3518	R404148
RA47, 192, 292	Ra	WG	16 " x 6 "	1255 - 386	N/A	R40H597	R40H9200	N/A	N/A
	Rm	WG	16 " x 6 "	1255 - 386	N/A	R40H597	R40H9200	R404149	R404150
1980									
FA139, 219	Fa	WG	15 " x 3-1/2 "	1280B - 322	R464004	R40H521	R40H9237	R40H3502	R40H3503
	Fm	WG	15 " x 3-1/2 "	1280 - 463	R700463	R40H521	R40H9201	R40H3524	R40H3524
FA98, 101, 109, 209	Fa	WG	15 " x 3 "	1245C - 321	R700321	R40H521	R40H9237	R40H3502	R40H3503
	Fm	WG	15 " x 3 "	1245A - 235	R700235	R40H521	R40H9201	R40H3524	R40H3524
RA302, 328, 341, 351	TRa	WG	15 " x 6 "	4596 - 381	R700381	R40H597	R40H9200	R40H3540	R40H3541
	TRm	WG	15 " x 6 "	4596 - 381	R700381	R40H597	R40H9200	R40H3518	R404148
RA302, 328, 351	TRa	WG	15 " x 7 "	4597 - 383	R700383	R40H597	R40H9200	N/A	N/A
	TRm	WG	15 " x 7 "	4597 - 383	R700383	R40H597	R40H9200	R40H3518	R404148
RA44, 186	Ra	WG	15 " x 6 "	4596 - 381	R700381	R40H597	R40H9200	R40H3540	R40H3541
	Ra	WG	15 " x 7 "	4597 - 383	R700383	R40H597	R40H9200	R40H3540	R40H3541

37 - Also available as a New unit
 53 - Power Brakes
 268 - 5 Stud, Hat Shape
 www.XpresswayPlus.com
 1-888

39 - First design, uses steel pistons.
 201 - Steel Piston
 269 - 5 Stud, U Shape

40 - For chrome plated steel version, use R4090070P
 266 - 10 Stud, Hat Shaped
 271 - 6 Stud, Hat Shape

MERITOR DRUM OR ROTOR NO.	CALIPER OR CYLINDER BORE SIZE	MERITOR CALIPER OR WHEEL CYLINDER (LEFT)	MERITOR CALIPER OR WHEEL CYLINDER (RIGHT)	MERITOR CALIPER OR WHEEL CYLINDER REPAIR KIT	MERITOR CALIPER PISTON	MERITOR MASTER CYLINDER	MERITOR MASTER CYLINDER KIT	MERITOR BRAKE HOSE (LEFT)	MERITOR BRAKE HOSE (RIGHT)
ITE(Cont.)									
190, 1900, 1910, 1950 SERIES CONVENTIONAL TILT CAB(Cont.)									
23-122527-002 ²⁷²	2-19/32 "	R42R55245	R42R55245	R402235118	R402238231 ²⁰¹	N/A ⁵³	-	-	-
23-122701-002 ²⁶⁹	2-19/32 "	R42R55245	R42R55245	R402235118	R402238231 ²⁰¹	R4111993 ³⁰²	R4122386	-	-
23-122527-002 ²⁷²	2-19/32 "	R42R55245	R42R55245	R402235118	R402238231 ²⁰¹	N/A ⁵³	-	-	-
23-122701-002 ²⁶⁹	3-3/8 "	R42R55099	R42R55098 ³⁷	R4066780	R4090021 ²⁰¹	R4111993 ³⁰²	R4122386	-	-
R44141858 ²⁷⁵	2-7/8 "	R429218X	R429218X ³⁹	R406532	R4090070 ⁴⁰	R4111993 ³⁰²	R4122386	-	-
23-123572-004 ²⁷¹	2-7/8 "	R429218X	R429218X ³⁹	R406532	R4090070 ⁴⁰	N/A ⁵³	-	-	-
23-123572-004 ²⁷¹	2-7/8 "	R429218X	R429218X ³⁹	R406532	R4090070 ⁴⁰	R4111993 ³⁰²	R4122386	-	-
R44141476 ²⁶⁸	2-19/32 "	R42R55245	R42R55245	R402235118	R402238231 ²⁰¹	R4111993 ³⁰²	R4122386	-	-
23-123552-004 ²⁶⁶	3-3/8 "	R42R55099	R42R55098 ³⁷	R4066780	R4090021 ²⁰¹	R4111993 ³⁰²	R4122386	-	-
23-123552-004 ²⁶⁶	2-7/8 "	R429218X	R429218X ³⁹	R406532	R4090070 ⁴⁰	N/A ⁵³	-	-	-
23-123572-004 ²⁷¹	2-19/32 "	R42R55245	R42R55245	R402235118	R402238231 ²⁰¹	R4111993 ³⁰²	R4122386	-	-
R44141476 ²⁶⁸	2-19/32 "	R42R55245	R42R55245	R402235118	R402238231 ²⁰¹	N/A ⁵³	-	-	-
R44141476 ²⁶⁸	2-7/8 "	R429218X	R429218X ³⁹	R406532	R4090070 ⁴⁰	R4111993 ³⁰²	R4122386	-	-
23-122920-002 ²⁷³	2-7/8 "	R429218X	R429218X ³⁹	R406532	R4090070 ⁴⁰	N/A ⁵³	-	-	-
23-122920-002 ²⁷³	3-3/8 "	R42R55099	R42R55098 ³⁷	R4066780	R4090021 ²⁰¹	N/A ⁵³	-	-	-
23-122527-002 ²⁷²	2-19/32 "	R42R55245	R42R55245	R402235118	R402238231 ²⁰¹	R4111993 ³⁰²	R4122386	-	-
23-122527-002 ²⁷²	2-7/8 "	R429218X	R429218X ³⁹	R406532	R4090070 ⁴⁰	R4111993 ³⁰²	R4122386	-	-
R44141858 ²⁷⁵	2-7/8 "	R429218X	R429218X ³⁹	R406532	R4090070 ⁴⁰	R4111993 ³⁰²	R4122386	-	-
23-123572-004 ²⁷¹	2-7/8 "	R429218X	R429218X ³⁹	R406532	R4090070 ⁴⁰	N/A ⁵³	-	-	-
23-122920-002 ²⁷³	2-7/8 "	R429218X	R429218X ³⁹	R406532	R4090070 ⁴⁰	R4111993 ³⁰²	R4122386	-	-
23-123552-004 ²⁶⁶	2-19/32 "	R42R55245	R42R55245	R402235118	R402238231 ²⁰¹	R4111993 ³⁰²	R4122386	-	-
R44141858 ²⁷⁵	2-7/8 "	R429218X	R429218X ³⁹	R406532	R4090070 ⁴⁰	N/A ⁵³	-	-	-
N/A	1-1/4 "	R4133581	R4133582	R4166923	NR	R4111294 ³³²	R4122346	R4577503	R4577503
N/A	1-1/4 "	R4133581	R4133582	R4166923	NR	R4111294 ³³²	R4122346	R4577503	R4577503
N/A	1-1/4 "	R4133581	R4133582	R4166923	NR	R4111294 ³³²	R4122346	R4577503	R4577503
N/A	1-1/4 "	R4133581	R4133582	R4166923	NR	R4111294 ³³²	R4122346	R4577503	R4577503
N/A	1-5/8 "	R4133338	R4133338	R4166689	NR	-	-	-	-
N/A	1-5/8 "	R4133338	R4133338	R4166689	NR	-	-	-	-
N/A	1-3/4 "	R4133400	R4133400	R4166917	NR	-	-	-	-
N/A	1-3/4 "	R4133400	R4133400	R4166917	NR	-	-	-	-
N/A	1-5/8 "	R4133338	R4133338	R4166689	NR	-	-	-	-
N/A	1-5/8 "	R4133338	R4133338	R4166689	NR	-	-	-	-
N/A	1-5/8 "	R4133338	R4133338	R4166689	NR	-	-	-	-
N/A	1-5/8 "	R4133338	R4133338	R4166689	NR	-	-	-	-
N/A	1-3/4 "	R4133584	R4133584	R4166897	NR	-	-	-	-
N/A	1-3/4 "	R4133584	R4133584	R4166897	NR	-	-	-	-
N/A	1-1/4 "	R4133581	R4133582	R4166923	NR	-	-	-	-
N/A	1-1/4 "	R4133581	R4133582	R4166923	NR	-	-	-	-
N/A	1-1/4 "	R4133581	R4133582	R4166923	NR	-	-	-	-
N/A	1-1/4 "	R4133581	R4133582	R4166923	NR	-	-	-	-
N/A	1-5/8 "	R4133338	R4133338	R4166689	NR	-	-	-	-
N/A	1-5/8 "	R4133338	R4133338	R4166689	NR	-	-	-	-
N/A	1-3/4 "	R4133584	R4133584	R4166897	NR	-	-	-	-
N/A	1-3/4 "	R4133584	R4133584	R4166897	NR	-	-	-	-
N/A	1-1/4 "	R4133581	R4133582	R4166923	NR	-	-	-	-
N/A	1-1/4 "	R4133581	R4133582	R4166923	NR	-	-	-	-
N/A	1-1/4 "	R4133581	R4133582	R4166923	NR	-	-	-	-
N/A	1-1/4 "	R4133581	R4133582	R4166923	NR	-	-	-	-
N/A	1-5/8 "	R4133338	R4133338	R4166689	NR	-	-	-	-
N/A	1-5/8 "	R4133338	R4133338	R4166689	NR	-	-	-	-
N/A	1-3/4 "	R4133400	R4133400	R4166917	NR	-	-	-	-
N/A	1-3/4 "	R4133400	R4133400	R4166917	NR	-	-	-	-
N/A	1-5/8 "	R4133338	R4133338	R4166689	NR	-	-	-	-
N/A	1-5/8 "	R4133338	R4133338	R4166689	NR	-	-	-	-

1 APPLICATION

272 - 6 Stud, U Shape
302 - Power Brakes, Dual System

273 - 5 Stud, U Shape, .780 Dia. Studs
332 - Power Brakes, Hydraulic Booster

275 - 5 Stud, U Shape, .656 Dia. Studs

Contact our Customer Service Teams
1-888-725-9355

www.XpresswayPlus.com

MAKE MODEL YEAR AXLE CODE AXLE WEIGHT	AXLE & BRK. TYPE	BRK. MFG.	BRAKE SIZE	FMSI	MERITOR DISC PAD OR BRAKE SHOE	MERITOR GUIDE PIN OR RETURN SPRING KIT	MERITOR CALIPER HWD. KIT OR RETURN SPRING KIT	MERITOR ADJUSTER KIT (LEFT WHEEL)	MERITOR ADJUSTER KIT (RIGHT WHEEL)
ITE(Cont.)									
190, 1900, 1910, 1950 SERIES CONVENTIONAL TILT CAB(Cont.)									
1980	Rm	WG	15" x 6"	4596 - 381	R700381	R40H597	R40H9200	R40H3518	R404148
	Rm	WG	15" x 7"	4597 - 383	R700383	R40H597	R40H9200	R40H3518	R404148
RA47, 192, 292	Ra	WG	16" x 6"	1255 - 386	N/A	R40H597	R40H9200	N/A	N/A
	Rm	WG	16" x 6"	1255 - 386	N/A	R40H597	R40H9200	R404149	R404150
1979									
FA139, 219	Fa	WG	15" x 3-1/2"	1280B - 322	R464004	R40H521	R40H9237	R40H3502	R40H3503
	Fm	WG	15" x 3-1/2"	1280 - 463	R700463	R40H521	R40H9201	R40H3524	R40H3524
FA98, 101, 109, 209	Fa	WG	15" x 3"	1245C - 321	R700321	R40H521	R40H9237	R40H3502	R40H3503
	Fm	WG	15" x 3"	1245A - 235	R700235	R40H521	R40H9201	R40H3524	R40H3524
RA302, 328, 341, 351	TRa	WG	15" x 6"	4596 - 381	R700381	R40H597	R40H9200	R40H3540	R40H3541
	TRm	WG	15" x 6"	4596 - 381	R700381	R40H597	R40H9200	R40H3518	R404148
RA302, 328, 351	TRa	WG	15" x 7"	4597 - 383	R700383	R40H597	R40H9200	N/A	N/A
	TRm	WG	15" x 7"	4597 - 383	R700383	R40H597	R40H9200	R40H3518	R404148
RA44, 186	Ra	WG	15" x 6"	4596 - 381	R700381	R40H597	R40H9200	R40H3540	R40H3541
	Ra	WG	15" x 7"	4597 - 383	R700383	R40H597	R40H9200	R40H3540	R40H3541
	Rm	WG	15" x 6"	4596 - 381	R700381	R40H597	R40H9200	R40H3518	R404148
	Rm	WG	15" x 7"	4597 - 383	R700383	R40H597	R40H9200	R40H3518	R404148
RA47, 192, 292	Ra	WG	16" x 6"	1255 - 386	N/A	R40H597	R40H9200	N/A	N/A
	Rm	WG	16" x 6"	1255 - 386	N/A	R40H597	R40H9200	R404149	R404150
1978									
FA139, 219	Fa	WG	15" x 3-1/2"	1280B - 322	R464004	R40H521	R40H9237	R40H3502	R40H3503
	Fm	WG	15" x 3-1/2"	1280 - 463	R700463	R40H521	R40H9201	R40H3524	R40H3524
FA98, 101, 109, 209	Fa	WG	15" x 3"	1245C - 321	R700321	R40H521	R40H9237	R40H3502	R40H3503
	Fm	WG	15" x 3"	1245A - 235	R700235	R40H521	R40H9201	R40H3524	R40H3524
RA302, 328, 341, 351	TRa	WG	15" x 6"	4596 - 381	R700381	R40H597	R40H9200	R40H3540	R40H3541
	TRm	WG	15" x 6"	4596 - 381	R700381	R40H597	R40H9200	R40H3518	R404148
RA302, 328, 351	TRa	WG	15" x 7"	4597 - 383	R700383	R40H597	R40H9200	N/A	N/A
	TRm	WG	15" x 7"	4597 - 383	R700383	R40H597	R40H9200	R40H3518	R404148
RA44, 186	Ra	WG	15" x 6"	4596 - 381	R700381	R40H597	R40H9200	R40H3540	R40H3541
	Ra	WG	15" x 7"	4597 - 383	R700383	R40H597	R40H9200	R40H3540	R40H3541
	Rm	WG	15" x 6"	4596 - 381	R700381	R40H597	R40H9200	R40H3518	R404148
	Rm	WG	15" x 7"	4597 - 383	R700383	R40H597	R40H9200	R40H3518	R404148
RA47, 192, 292	Ra	WG	16" x 6"	1255 - 386	N/A	R40H597	R40H9200	N/A	N/A
	Rm	WG	16" x 6"	1255 - 386	N/A	R40H597	R40H9200	R404149	R404150
1977									
FA139, 219	Fa	WG	15" x 3-1/2"	1280B - 322	R464004	R40H521	R40H9237	R40H3502	R40H3503
	Fm	WG	15" x 3-1/2"	1280 - 463	R700463	R40H521	R40H9201	R40H3524	R40H3524
FA98, 101, 109, 209	Fa	WG	15" x 3"	1245C - 321	R700321	R40H521	R40H9237	R40H3502	R40H3503
	Fm	WG	15" x 3"	1245A - 235	R700235	R40H521	R40H9201	R40H3524	R40H3524
RA302, 328, 341, 351	TRa	WG	15" x 6"	4596 - 381	R700381	R40H597	R40H9200	R40H3540	R40H3541
	TRm	WG	15" x 6"	4596 - 381	R700381	R40H597	R40H9200	R40H3518	R404148
RA302, 328, 351	TRa	WG	15" x 7"	4597 - 383	R700383	R40H597	R40H9200	NLA	NLA
	TRm	WG	15" x 7"	4597 - 383	R700383	R40H597	R40H9200	R40H3518	R404148
RA44, 186	Ra	WG	15" x 6"	4596 - 381	R700381	R40H597	R40H9200	R40H3540	R40H3541
	Ra	WG	15" x 7"	4597 - 383	R700383	R40H597	R40H9200	R40H3540	R40H3541
	Rm	WG	15" x 6"	4596 - 381	R700381	R40H597	R40H9200	R40H3518	R404148
	Rm	WG	15" x 7"	4597 - 383	R700383	R40H597	R40H9200	R40H3518	R404148
RA47, 192, 292	Ra	WG	16" x 6"	1255 - 386	N/A	R40H597	R40H9200	NLA	NLA
	Rm	WG	16" x 6"	1255 - 386	N/A	R40H597	R40H9200	R404149	R404150
1976									
FA211	Fm	WG	15" x 3-1/2"	1280 - 463	R700463	R40H521	R40H9201	R40H3524	R40H3524
FA139, 219	Fa	WG	15" x 3-1/2"	1280B - 322	R464004	R40H521	R40H9237	R40H3502	R40H3503
	Fm	WG	15" x 3-1/2"	1280 - 463	R700463	R40H521	R40H9201	R40H3524	R40H3524
FA211	Fa	WG	15" x 3-1/2"	1280B - 322	R464004	R40H521	R40H9237	R40H3502	R40H3503
FA91, 100	Fa	WG	15" x 3"	1245C - 321	R700321	R40H521	R40H9237	R40H3502	R40H3503
	Fm	WG	15" x 3"	1245A - 235	R700235	R40H521	R40H9201	R40H3524	R40H3524
FA98, 101, 109, 209	Fa	WG	15" x 3"	1245C - 321	R700321	R40H521	R40H9237	R40H3502	R40H3503
	Fm	WG	15" x 3"	1245A - 235	R700235	R40H521	R40H9201	R40H3524	R40H3524
RA192	Ra	WG	16" x 6"	1255 - 386	N/A	R40H597	R40H9200	NLA	NLA
	Rm	WG	16" x 6"	1255 - 386	N/A	R40H597	R40H9200	R404149	R404150
RA302, 328, 341, 351	TRa	WG	15" x 6"	4596 - 381	R700381	R40H597	R40H9200	R40H3540	R40H3541

MERITOR DRUM OR ROTOR NO.	CALIPER OR CYLINDER BORE SIZE	MERITOR CALIPER OR WHEEL CYLINDER (LEFT)	MERITOR CALIPER OR WHEEL CYLINDER (RIGHT)	MERITOR CALIPER OR WHEEL CYLINDER REPAIR KIT	MERITOR CALIPER PISTON	MERITOR MASTER CYLINDER	MERITOR MASTER CYLINDER KIT	MERITOR BRAKE HOSE (LEFT)	MERITOR BRAKE HOSE (RIGHT)
ITE(Cont.)									
190, 1900, 1910, 1950 SERIES CONVENTIONAL TILT CAB(Cont.)									
N/A	1-5/8 "	R4133338	R4133338	R4166689	NR	-	-	-	-
N/A	1-5/8 "	R4133338	R4133338	R4166689	NR	-	-	-	-
N/A	1-3/4 "	R4133584	R4133584	R4166897	NR	-	-	-	-
N/A	1-3/4 "	R4133584	R4133584	R4166897	NR	-	-	-	-
N/A	1-1/4 "	R4133581	R4133582	R4166923	NR	-	-	-	-
N/A	1-1/4 "	R4133581	R4133582	R4166923	NR	-	-	-	-
N/A	1-1/4 "	R4133581	R4133582	R4166923	NR	-	-	-	-
N/A	1-1/4 "	R4133581	R4133582	R4166923	NR	-	-	-	-
N/A	1-5/8 "	R4133338	R4133338	R4166689	NR	-	-	-	-
N/A	1-5/8 "	R4133338	R4133338	R4166689	NR	-	-	-	-
N/A	1-3/4 "	R4133400	R4133400	R4166917	NR	-	-	-	-
N/A	1-3/4 "	R4133400	R4133400	R4166917	NR	-	-	-	-
N/A	1-5/8 "	R4133338	R4133338	R4166689	NR	-	-	-	-
N/A	1-5/8 "	R4133338	R4133338	R4166689	NR	-	-	-	-
N/A	1-5/8 "	R4133338	R4133338	R4166689	NR	-	-	-	-
N/A	1-5/8 "	R4133338	R4133338	R4166689	NR	-	-	-	-
N/A	1-3/4 "	R4133584	R4133584	R4166897	NR	-	-	-	-
N/A	1-3/4 "	R4133584	R4133584	R4166897	NR	-	-	-	-
N/A	1-1/4 "	R4133581	R4133582	R4166923	NR	-	-	-	-
N/A	1-1/4 "	R4133581	R4133582	R4166923	NR	-	-	-	-
N/A	1-1/4 "	R4133581	R4133582	R4166923	NR	-	-	-	-
N/A	1-1/4 "	R4133581	R4133582	R4166923	NR	-	-	-	-
N/A	1-5/8 "	R4133338	R4133338	R4166689	NR	-	-	-	-
N/A	1-5/8 "	R4133338	R4133338	R4166689	NR	-	-	-	-
N/A	1-3/4 "	R4133400	R4133400	R4166917	NR	-	-	-	-
N/A	1-3/4 "	R4133400	R4133400	R4166917	NR	-	-	-	-
N/A	1-5/8 "	R4133338	R4133338	R4166689	NR	-	-	-	-
N/A	1-5/8 "	R4133338	R4133338	R4166689	NR	-	-	-	-
N/A	1-5/8 "	R4133338	R4133338	R4166689	NR	-	-	-	-
N/A	1-5/8 "	R4133338	R4133338	R4166689	NR	-	-	-	-
N/A	1-3/4 "	R4133584	R4133584	R4166897	NR	-	-	-	-
N/A	1-3/4 "	R4133584	R4133584	R4166897	NR	-	-	-	-
-	1-1/4 "	R4133581	R4133582	R4166923	NR	-	-	-	-
-	1-1/4 "	R4133581	R4133582	R4166923	NR	-	-	-	-
-	1-1/4 "	R4133581	R4133582	R4166923	NR	-	-	-	-
-	1-1/4 "	R4133581	R4133582	R4166923	NR	-	-	-	-
-	1-5/8 "	R4133338	R4133338	R4166689	NR	-	-	-	-
-	1-5/8 "	R4133338	R4133338	R4166689	NR	-	-	-	-
-	1-3/4 "	R4133400	R4133400	R4166917	NR	-	-	-	-
-	1-3/4 "	R4133400	R4133400	R4166917	NR	-	-	-	-
-	1-5/8 "	R4133338	R4133338	R4166689	NR	-	-	-	-
-	1-5/8 "	R4133338	R4133338	R4166689	NR	-	-	-	-
-	1-5/8 "	R4133338	R4133338	R4166689	NR	-	-	-	-
-	1-5/8 "	R4133338	R4133338	R4166689	NR	-	-	-	-
-	1-3/4 "	R4133584	R4133584	R4166897	NR	-	-	-	-
-	1-3/4 "	R4133584	R4133584	R4166897	NR	-	-	-	-
-	1-1/4 "	R4133581	R4133582	R4166923	NR	-	-	-	-
-	1-1/4 "	R4133581	R4133582	R4166923	NR	-	-	-	-
-	1-1/4 "	R4133581	R4133582	R4166923	NR	-	-	-	-
-	1-1/4 "	R4133581	R4133582	R4166923	NR	-	-	-	-
-	1-1/4 "	R4133581	R4133582	R4166923	NR	-	-	-	-
-	1-1/4 "	R4133581	R4133582	R4166923	NR	-	-	-	-
-	1-1/4 "	R4133581	R4133582	R4166923	NR	-	-	-	-
-	1-1/4 "	R4133581	R4133582	R4166923	NR	-	-	-	-
-	1-3/4 "	R4133584	R4133584	R4166897	NR	-	-	-	-
-	1-3/4 "	R4133584	R4133584	R4166897	NR	-	-	-	-
-	1-5/8 "	R4133338	R4133338	R4166689	NR	-	-	-	-

1 APPLICATION

MAKE MODEL YEAR AXLE CODE AXLE WEIGHT	AXLE & BRK. TYPE	BRK. MFG.	BRAKE SIZE	FMSI	MERITOR DISC PAD OR BRAKE SHOE	MERITOR GUIDE PIN OR RETURN SPRING KIT	MERITOR CALIPER HWD. KIT OR RETURN SPRING KIT	MERITOR ADJUSTER KIT (LEFT WHEEL)	MERITOR ADJUSTER KIT (RIGHT WHEEL)
ITE(Cont.)									
190, 1900, 1910, 1950 SERIES CONVENTIONAL TILT CAB(Cont.)									
1976									
RA302, 328, 341, 351	TRm	WG	15" x 6"	4596 - 381	R700381	R40H597	R40H9200	R40H3518	R404148
RA302, 328, 351	TRa	WG	15" x 7"	4597 - 383	R700383	R40H597	R40H9200	NLA	NLA
	TRm	WG	15" x 7"	4597 - 383	R700383	R40H597	R40H9200	R40H3518	R404148
RA341	TRa	WG	15" x 5"	1252 - 346	R700346	R40H597	R40H9200	R40H3540	R40H3541
	TRm	WG	15" x 5"	1252 - 346	R700346	R40H597	R40H9200	R40H3518	R404148
RA44, 186	Ra	WG	15" x 6"	4596 - 381	R700381	R40H597	R40H9200	R40H3540	R40H3541
	Ra	WG	15" x 7"	4597 - 383	R700383	R40H597	R40H9200	R40H3540	R40H3541
	Ra	WG	15" x 7"	4597 - 383	R700383	R40H597	R40H9200	R40H3540	R40H3541
	Rm	WG	15" x 6"	4596 - 381	R700381	R40H597	R40H9200	R40H3518	R404148
	Rm	WG	15" x 7"	4597 - 383	R700383	R40H597	R40H9200	R40H3518	R404148
	Rm	WG	15" x 7"	4597 - 383	R700383	R40H597	R40H9200	R40H3518	R404148
RA47, 192, 292	Ra	WG	16" x 6"	1255 - 386	N/A	R40H597	R40H9200	NLA	NLA
	Rm	WG	16" x 6"	1255 - 386	N/A	R40H597	R40H9200	R404149	R404150
1975									
FA211	Fm	WG	15" x 3-1/2"	1280 - 463	R700463	R40H521	R40H9201	R40H3524	R40H3524
FA139, 219	Fa	WG	15" x 3-1/2"	1280B - 322	R464004	R40H521	R40H9237	R40H3502	R40H3503
	Fm	WG	15" x 3-1/2"	1280 - 463	R700463	R40H521	R40H9201	R40H3524	R40H3524
FA211	Fa	WG	15" x 3-1/2"	1280B - 322	R464004	R40H521	R40H9237	R40H3502	R40H3503
FA91, 100	Fa	WG	15" x 3"	1245C - 321	R700321	R40H521	R40H9237	R40H3502	R40H3503
	Fm	WG	15" x 3"	1245A - 235	R700235	R40H521	R40H9201	R40H3524	R40H3524
FA98, 101, 109, 209	Fa	WG	15" x 3"	1245C - 321	R700321	R40H521	R40H9237	R40H3502	R40H3503
	Fm	WG	15" x 3"	1245A - 235	R700235	R40H521	R40H9201	R40H3524	R40H3524
RA192	Ra	WG	16" x 6"	1255 - 386	N/A	R40H597	R40H9200	NLA	NLA
	Rm	WG	16" x 6"	1255 - 386	N/A	R40H597	R40H9200	R404149	R404150
RA302, 328, 341, 351	TRa	WG	15" x 6"	4596 - 381	R700381	R40H597	R40H9200	R40H3540	R40H3541
	TRm	WG	15" x 6"	4596 - 381	R700381	R40H597	R40H9200	R40H3518	R404148
RA302, 328, 351	TRa	WG	15" x 7"	4597 - 383	R700383	R40H597	R40H9200	NLA	NLA
	TRm	WG	15" x 7"	4597 - 383	R700383	R40H597	R40H9200	R40H3518	R404148
RA341	TRa	WG	15" x 5"	1252 - 346	R700346	R40H597	R40H9200	R40H3540	R40H3541
	TRm	WG	15" x 5"	1252 - 346	R700346	R40H597	R40H9200	R40H3518	R404148
RA44, 186	Ra	WG	15" x 6"	4596 - 381	R700381	R40H597	R40H9200	R40H3540	R40H3541
	Ra	WG	15" x 7"	4597 - 383	R700383	R40H597	R40H9200	R40H3540	R40H3541
	Ra	WG	15" x 7"	4597 - 383	R700383	R40H597	R40H9200	R40H3540	R40H3541
	Rm	WG	15" x 6"	4596 - 381	R700381	R40H597	R40H9200	R40H3518	R404148
	Rm	WG	15" x 7"	4597 - 383	R700383	R40H597	R40H9200	R40H3518	R404148
	Rm	WG	15" x 7"	4597 - 383	R700383	R40H597	R40H9200	R40H3518	R404148
RA47, 192, 292	Ra	WG	16" x 6"	1255 - 386	N/A	R40H597	R40H9200	NLA	NLA
	Rm	WG	16" x 6"	1255 - 386	N/A	R40H597	R40H9200	R404149	R404150
1974									
FA211	Fm	WG	15" x 3-1/2"	1280 - 463	R700463	R40H521	R40H9201	R40H3524	R40H3524
FA139, 219	Fa	WG	15" x 3-1/2"	1280B - 322	R464004	R40H521	R40H9237	R40H3502	R40H3503
	Fm	WG	15" x 3-1/2"	1280 - 463	R700463	R40H521	R40H9201	R40H3524	R40H3524
FA211	Fa	WG	15" x 3-1/2"	1280B - 322	R464004	R40H521	R40H9237	R40H3502	R40H3503
FA91, 100	Fa	WG	15" x 3"	1245C - 321	R700321	R40H521	R40H9237	R40H3502	R40H3503
	Fm	WG	15" x 3"	1245A - 235	R700235	R40H521	R40H9201	R40H3524	R40H3524
FA98, 101, 109, 209	Fa	WG	15" x 3"	1245C - 321	R700321	R40H521	R40H9237	R40H3502	R40H3503
	Fm	WG	15" x 3"	1245A - 235	R700235	R40H521	R40H9201	R40H3524	R40H3524
RA192	Ra	WG	16" x 6"	1255 - 386	N/A	R40H597	R40H9200	NLA	NLA
	Rm	WG	16" x 6"	1255 - 386	N/A	R40H597	R40H9200	R404149	R404150
RA302, 328, 341, 351	TRa	WG	15" x 6"	4596 - 381	R700381	R40H597	R40H9200	R40H3540	R40H3541
	TRm	WG	15" x 6"	4596 - 381	R700381	R40H597	R40H9200	R40H3518	R404148
RA302, 328, 351	TRa	WG	15" x 7"	4597 - 383	R700383	R40H597	R40H9200	NLA	NLA
	TRm	WG	15" x 7"	4597 - 383	R700383	R40H597	R40H9200	R40H3518	R404148
RA341	TRa	WG	15" x 5"	1252 - 346	R700346	R40H597	R40H9200	R40H3540	R40H3541
	TRm	WG	15" x 5"	1252 - 346	R700346	R40H597	R40H9200	R40H3518	R404148
RA44, 186	Ra	WG	15" x 6"	4596 - 381	R700381	R40H597	R40H9200	R40H3540	R40H3541
	Ra	WG	15" x 7"	4597 - 383	R700383	R40H597	R40H9200	R40H3540	R40H3541
	Ra	WG	15" x 7"	4597 - 383	R700383	R40H597	R40H9200	R40H3540	R40H3541
	Rm	WG	15" x 6"	4596 - 381	R700381	R40H597	R40H9200	R40H3518	R404148
	Rm	WG	15" x 7"	4597 - 383	R700383	R40H597	R40H9200	R40H3518	R404148
	Rm	WG	15" x 7"	4597 - 383	R700383	R40H597	R40H9200	R40H3518	R404148

MERITOR DRUM OR ROTOR NO.	CALIPER OR CYLINDER BORE SIZE	MERITOR CALIPER OR WHEEL CYLINDER (LEFT)	MERITOR CALIPER OR WHEEL CYLINDER (RIGHT)	MERITOR CALIPER OR WHEEL CYLINDER REPAIR KIT	MERITOR CALIPER PISTON	MERITOR MASTER CYLINDER	MERITOR MASTER CYLINDER KIT	MERITOR BRAKE HOSE (LEFT)	MERITOR BRAKE HOSE (RIGHT)
ITE(Cont.)									
190, 1900, 1910, 1950 SERIES CONVENTIONAL TILT CAB(Cont.)									
-	1-5/8 "	R4133338	R4133338	R4166689	NR	-	-	-	-
-	1-3/4 "	R4133400	R4133400	R4166917	NR	-	-	-	-
-	1-3/4 "	R4133400	R4133400	R4166917	NR	-	-	-	-
-	1-5/8 "	R4133338	R4133338	R4166689	NR	-	-	-	-
-	1-5/8 "	R4133338	R4133338	R4166689	NR	-	-	-	-
-	1-5/8 "	R4133338	R4133338	R4166689	NR	-	-	-	-
-	1-3/4 "	R4133400	R4133400	R4166917	NR	-	-	-	-
-	1-5/8 "	R4133338	R4133338	R4166689	NR	-	-	-	-
-	1-5/8 "	R4133338	R4133338	R4166689	NR	-	-	-	-
-	1-5/8 "	R4133338	R4133338	R4166689	NR	-	-	-	-
-	1-3/4 "	R4133400	R4133400	R4166917	NR	-	-	-	-
-	1-5/8 "	R4133338	R4133338	R4166689	NR	-	-	-	-
-	1-3/4 "	R4133584	R4133584	R4166897	NR	-	-	-	-
-	1-3/4 "	R4133584	R4133584	R4166897	NR	-	-	-	-
-									
-	1-1/4 "	R4133581	R4133582	R4166923	NR	-	-	-	-
-	1-1/4 "	R4133581	R4133582	R4166923	NR	-	-	-	-
-	1-1/4 "	R4133581	R4133582	R4166923	NR	-	-	-	-
-	1-1/4 "	R4133581	R4133582	R4166923	NR	-	-	-	-
-	1-1/4 "	R4133581	R4133582	R4166923	NR	-	-	-	-
-	1-1/4 "	R4133581	R4133582	R4166923	NR	-	-	-	-
-	1-1/4 "	R4133581	R4133582	R4166923	NR	-	-	-	-
-	1-1/4 "	R4133581	R4133582	R4166923	NR	-	-	-	-
-	1-1/4 "	R4133581	R4133582	R4166923	NR	-	-	-	-
-	1-3/4 "	R4133584	R4133584	R4166897	NR	-	-	-	-
-	1-3/4 "	R4133584	R4133584	R4166897	NR	-	-	-	-
-	1-5/8 "	R4133338	R4133338	R4166689	NR	-	-	-	-
-	1-5/8 "	R4133338	R4133338	R4166689	NR	-	-	-	-
-	1-3/4 "	R4133400	R4133400	R4166917	NR	-	-	-	-
-	1-3/4 "	R4133400	R4133400	R4166917	NR	-	-	-	-
-	1-5/8 "	R4133338	R4133338	R4166689	NR	-	-	-	-
-	1-5/8 "	R4133338	R4133338	R4166689	NR	-	-	-	-
-	1-5/8 "	R4133338	R4133338	R4166689	NR	-	-	-	-
-	1-3/4 "	R4133400	R4133400	R4166917	NR	-	-	-	-
-	1-5/8 "	R4133338	R4133338	R4166689	NR	-	-	-	-
-	1-5/8 "	R4133338	R4133338	R4166689	NR	-	-	-	-
-	1-3/4 "	R4133400	R4133400	R4166917	NR	-	-	-	-
-	1-3/4 "	R4133584	R4133584	R4166897	NR	-	-	-	-
-	1-3/4 "	R4133584	R4133584	R4166897	NR	-	-	-	-
-									
-	1-1/4 "	R4133581	R4133582	R4166923	NR	-	-	-	-
-	1-1/4 "	R4133581	R4133582	R4166923	NR	-	-	-	-
-	1-1/4 "	R4133581	R4133582	R4166923	NR	-	-	-	-
-	1-1/4 "	R4133581	R4133582	R4166923	NR	-	-	-	-
-	1-1/4 "	R4133581	R4133582	R4166923	NR	-	-	-	-
-	1-1/4 "	R4133581	R4133582	R4166923	NR	-	-	-	-
-	1-1/4 "	R4133581	R4133582	R4166923	NR	-	-	-	-
-	1-1/4 "	R4133581	R4133582	R4166923	NR	-	-	-	-
-	1-1/4 "	R4133581	R4133582	R4166923	NR	-	-	-	-
-	1-3/4 "	R4133584	R4133584	R4166897	NR	-	-	-	-
-	1-3/4 "	R4133584	R4133584	R4166897	NR	-	-	-	-
-	1-5/8 "	R4133338	R4133338	R4166689	NR	-	-	-	-
-	1-5/8 "	R4133338	R4133338	R4166689	NR	-	-	-	-
-	1-5/8 "	R4133338	R4133338	R4166689	NR	-	-	-	-
-	1-3/4 "	R4133400	R4133400	R4166917	NR	-	-	-	-
-	1-3/4 "	R4133400	R4133400	R4166917	NR	-	-	-	-
-	1-5/8 "	R4133338	R4133338	R4166689	NR	-	-	-	-
-	1-5/8 "	R4133338	R4133338	R4166689	NR	-	-	-	-
-	1-5/8 "	R4133338	R4133338	R4166689	NR	-	-	-	-
-	1-3/4 "	R4133400	R4133400	R4166917	NR	-	-	-	-
-	1-5/8 "	R4133338	R4133338	R4166689	NR	-	-	-	-
-	1-5/8 "	R4133338	R4133338	R4166689	NR	-	-	-	-
-	1-3/4 "	R4133400	R4133400	R4166917	NR	-	-	-	-
-	1-5/8 "	R4133338	R4133338	R4166689	NR	-	-	-	-
-	1-3/4 "	R4133400	R4133400	R4166917	NR	-	-	-	-

1 APPLICATION

MAKE MODEL YEAR AXLE CODE AXLE WEIGHT	AXLE & BRK. TYPE	BRK. MFG.	BRAKE SIZE	FMSI	MERITOR DISC PAD OR BRAKE SHOE	MERITOR GUIDE PIN OR RETURN SPRING KIT	MERITOR CALIPER HWD. KIT OR RETURN SPRING KIT	MERITOR ADJUSTER KIT (LEFT WHEEL)	MERITOR ADJUSTER KIT (RIGHT WHEEL)
ITE(Cont.)									
190, 1900, 1910, 1950 SERIES CONVENTIONAL TILT CAB(Cont.)									
1974	Rm	WG	15 " x 7 "	4597 - 383	R700383	R40H597	R40H9200	R40H3518	R404148
RA47, 192, 292	Ra	WG	16 " x 6 "	1255 - 386	N/A	R40H597	R40H9200	NLA	NLA
	Rm	WG	16 " x 6 "	1255 - 386	N/A	R40H597	R40H9200	R404149	R404150
1973									
FA211	Fm	WG	15 " x 3-1/2 "	1280 - 463	R700463	R40H521	R40H9201	R40H3524	R40H3524
FA139, 219	Fa	WG	15 " x 3-1/2 "	1280B - 322	R464004	R40H521	R40H9237	R40H3502	R40H3503
	Fm	WG	15 " x 3-1/2 "	1280 - 463	R700463	R40H521	R40H9201	R40H3524	R40H3524
FA211	Fa	WG	15 " x 3-1/2 "	1280B - 322	R464004	R40H521	R40H9237	R40H3502	R40H3503
FA91, 100	Fa	WG	15 " x 3 "	1245C - 321	R700321	R40H521	R40H9237	R40H3502	R40H3503
	Fm	WG	15 " x 3 "	1245A - 235	R700235	R40H521	R40H9201	R40H3524	R40H3524
FA98, 101, 109, 209	Fa	WG	15 " x 3 "	1245C - 321	R700321	R40H521	R40H9237	R40H3502	R40H3503
	Fm	WG	15 " x 3 "	1245A - 235	R700235	R40H521	R40H9201	R40H3524	R40H3524
RA192	Ra	WG	16 " x 6 "	1255 - 386	N/A	R40H597	R40H9200	NLA	NLA
	Rm	WG	16 " x 6 "	1255 - 386	N/A	R40H597	R40H9200	R404149	R404150
RA302, 328, 341, 351	TRa	WG	15 " x 6 "	4596 - 381	R700381	R40H597	R40H9200	R40H3540	R40H3541
	TRm	WG	15 " x 6 "	4596 - 381	R700381	R40H597	R40H9200	R40H3518	R404148
RA302, 328, 351	TRa	WG	15 " x 7 "	4597 - 383	R700383	R40H597	R40H9200	NLA	NLA
	TRm	WG	15 " x 7 "	4597 - 383	R700383	R40H597	R40H9200	R40H3518	R404148
RA341	TRa	WG	15 " x 5 "	1252 - 346	R700346	R40H597	R40H9200	R40H3540	R40H3541
	TRm	WG	15 " x 5 "	1252 - 346	R700346	R40H597	R40H9200	R40H3518	R404148
RA44, 186	Ra	WG	15 " x 6 "	4596 - 381	R700381	R40H597	R40H9200	R40H3540	R40H3541
	Ra	WG	15 " x 7 "	4597 - 383	R700383	R40H597	R40H9200	R40H3540	R40H3541
	Ra	WG	15 " x 7 "	4597 - 383	R700383	R40H597	R40H9200	R40H3540	R40H3541
	Rm	WG	15 " x 6 "	4596 - 381	R700381	R40H597	R40H9200	R40H3518	R404148
RA47, 192, 292	Rm	WG	15 " x 7 "	4597 - 383	R700383	R40H597	R40H9200	R40H3518	R404148
	Rm	WG	15 " x 7 "	4597 - 383	R700383	R40H597	R40H9200	R40H3518	R404148
RA47, 192, 292	Ra	WG	16 " x 6 "	1255 - 386	N/A	R40H597	R40H9200	NLA	NLA
	Rm	WG	16 " x 6 "	1255 - 386	N/A	R40H597	R40H9200	R404149	R404150
1972									
FA211	Fm	WG	15 " x 3-1/2 "	1280 - 463	R700463	R40H521	R40H9201	R40H3524	R40H3524
FA139, 219	Fa	WG	15 " x 3-1/2 "	1280B - 322	R464004	R40H521	R40H9237	R40H3502	R40H3503
	Fm	WG	15 " x 3-1/2 "	1280 - 463	R700463	R40H521	R40H9201	R40H3524	R40H3524
FA211	Fa	WG	15 " x 3-1/2 "	1280B - 322	R464004	R40H521	R40H9237	R40H3502	R40H3503
FA91, 100	Fa	WG	15 " x 3 "	1245C - 321	R700321	R40H521	R40H9237	R40H3502	R40H3503
	Fm	WG	15 " x 3 "	1245A - 235	R700235	R40H521	R40H9201	R40H3524	R40H3524
FA98, 101, 109, 209	Fa	WG	15 " x 3 "	1245C - 321	R700321	R40H521	R40H9237	R40H3502	R40H3503
	Fm	WG	15 " x 3 "	1245A - 235	R700235	R40H521	R40H9201	R40H3524	R40H3524
RA192	Ra	WG	16 " x 6 "	1255 - 386	N/A	R40H597	R40H9200	NLA	NLA
	Rm	WG	16 " x 6 "	1255 - 386	N/A	R40H597	R40H9200	R404149	R404150
RA302, 328, 341, 351	TRa	WG	15 " x 6 "	4596 - 381	R700381	R40H597	R40H9200	R40H3540	R40H3541
	TRm	WG	15 " x 6 "	4596 - 381	R700381	R40H597	R40H9200	R40H3518	R404148
RA302, 328, 351	TRa	WG	15 " x 7 "	4597 - 383	R700383	R40H597	R40H9200	NLA	NLA
	TRm	WG	15 " x 7 "	4597 - 383	R700383	R40H597	R40H9200	R40H3518	R404148
RA341	TRa	WG	15 " x 5 "	1252 - 346	R700346	R40H597	R40H9200	R40H3540	R40H3541
	TRm	WG	15 " x 5 "	1252 - 346	R700346	R40H597	R40H9200	R40H3518	R404148
RA44, 186	Ra	WG	15 " x 6 "	4596 - 381	R700381	R40H597	R40H9200	R40H3540	R40H3541
	Ra	WG	15 " x 7 "	4597 - 383	R700383	R40H597	R40H9200	R40H3540	R40H3541
	Ra	WG	15 " x 7 "	4597 - 383	R700383	R40H597	R40H9200	R40H3540	R40H3541
	Rm	WG	15 " x 6 "	4596 - 381	R700381	R40H597	R40H9200	R40H3518	R404148
RA47, 192, 292	Rm	WG	15 " x 7 "	4597 - 383	R700383	R40H597	R40H9200	R40H3518	R404148
	Rm	WG	15 " x 7 "	4597 - 383	R700383	R40H597	R40H9200	R40H3518	R404148
RA47, 192, 292	Ra	WG	16 " x 6 "	1255 - 386	N/A	R40H597	R40H9200	NLA	NLA
	Rm	WG	16 " x 6 "	1255 - 386	N/A	R40H597	R40H9200	R404149	R404150
1971									
FA211	Fm	WG	15 " x 3-1/2 "	1280 - 463	R700463	R40H521	R40H9201	R40H3524	R40H3524
FA139, 219	Fa	WG	15 " x 3-1/2 "	1280B - 322	R464004	R40H521	R40H9237	R40H3502	R40H3503
	Fm	WG	15 " x 3-1/2 "	1280 - 463	R700463	R40H521	R40H9201	R40H3524	R40H3524
FA211	Fa	WG	15 " x 3-1/2 "	1280B - 322	R464004	R40H521	R40H9237	R40H3502	R40H3503
FA91, 100	Fa	WG	15 " x 3 "	1245C - 321	R700321	R40H521	R40H9237	R40H3502	R40H3503

MAKE MODEL YEAR AXLE CODE AXLE WEIGHT	AXLE & BRK. TYPE	BRK. MFG.	BRAKE SIZE	FMSI	MERITOR DISC PAD OR BRAKE SHOE	MERITOR GUIDE PIN OR RETURN SPRING KIT	MERITOR CALIPER HWD. KIT OR RETURN SPRING KIT	MERITOR ADJUSTER KIT (LEFT WHEEL)	MERITOR ADJUSTER KIT (RIGHT WHEEL)
ITE(Cont.)									
190, 1900, 1910, 1950 SERIES CONVENTIONAL TILT CAB(Cont.)									
1971									
	Fm	WG	15 " x 3 "	1245A - 235	R700235	R40H521	R40H9201	R40H3524	R40H3524
FA98, 101, 109, 209	Fa	WG	15 " x 3 "	1245C - 321	R700321	R40H521	R40H9237	R40H3502	R40H3503
	Fm	WG	15 " x 3 "	1245A - 235	R700235	R40H521	R40H9201	R40H3524	R40H3524
RA192	Ra	WG	16 " x 6 "	1255 - 386	N/A	R40H597	R40H9200	NLA	NLA
	Rm	WG	16 " x 6 "	1255 - 386	N/A	R40H597	R40H9200	R404149	R404150
RA302, 328, 341, 351	TRa	WG	15 " x 6 "	4596 - 381	R700381	R40H597	R40H9200	R40H3540	R40H3541
	TRm	WG	15 " x 6 "	4596 - 381	R700381	R40H597	R40H9200	R40H3518	R404148
RA302, 328, 351	TRa	WG	15 " x 7 "	4597 - 383	R700383	R40H597	R40H9200	NLA	NLA
	TRm	WG	15 " x 7 "	4597 - 383	R700383	R40H597	R40H9200	R40H3518	R404148
RA341	TRa	WG	15 " x 5 "	1252 - 346	R700346	R40H597	R40H9200	R40H3540	R40H3541
	TRm	WG	15 " x 5 "	1252 - 346	R700346	R40H597	R40H9200	R40H3518	R404148
RA44, 186	Ra	WG	15 " x 6 "	4596 - 381	R700381	R40H597	R40H9200	R40H3540	R40H3541
	Ra	WG	15 " x 7 "	4597 - 383	R700383	R40H597	R40H9200	R40H3540	R40H3541
	Ra	WG	15 " x 7 "	4597 - 383	R700383	R40H597	R40H9200	R40H3540	R40H3541
	Rm	WG	15 " x 6 "	4596 - 381	R700381	R40H597	R40H9200	R40H3518	R404148
	Rm	WG	15 " x 7 "	4597 - 383	R700383	R40H597	R40H9200	R40H3518	R404148
	Rm	WG	15 " x 7 "	4597 - 383	R700383	R40H597	R40H9200	R40H3518	R404148
RA47, 192, 292	Ra	WG	16 " x 6 "	1255 - 386	N/A	R40H597	R40H9200	NLA	NLA
	Rm	WG	16 " x 6 "	1255 - 386	N/A	R40H597	R40H9200	R404149	R404150
1970									
FA139, 219	Fa	WG	15 " x 3-1/2 "	1280B - 322	R464004	R40H521	R40H9237	R40H3502	R40H3503
	Fm	WG	15 " x 3-1/2 "	1280 - 463	R700463	R40H521	R40H9201	R40H3524	R40H3524
FA98, 101, 109, 209	Fa	WG	15 " x 3 "	1245C - 321	R700321	R40H521	R40H9237	R40H3502	R40H3503
	Fm	WG	15 " x 3 "	1245A - 235	R700235	R40H521	R40H9201	R40H3524	R40H3524
RA302, 328, 341, 351	TRa	WG	15 " x 6 "	4596 - 381	R700381	R40H597	R40H9200	R40H3540	R40H3541
	TRm	WG	15 " x 6 "	4596 - 381	R700381	R40H597	R40H9200	R40H3518	R404148
RA302, 328, 351	TRa	WG	15 " x 7 "	4597 - 383	R700383	R40H597	R40H9200	NLA	NLA
	TRm	WG	15 " x 7 "	4597 - 383	R700383	R40H597	R40H9200	R40H3518	R404148
RA44, 186	Ra	WG	15 " x 6 "	4596 - 381	R700381	R40H597	R40H9200	R40H3540	R40H3541
	Ra	WG	15 " x 7 "	4597 - 383	R700383	R40H597	R40H9200	R40H3540	R40H3541
	Rm	WG	15 " x 6 "	4596 - 381	R700381	R40H597	R40H9200	R40H3518	R404148
	Rm	WG	15 " x 7 "	4597 - 383	R700383	R40H597	R40H9200	R40H3518	R404148
RA47, 192, 292	Ra	WG	16 " x 6 "	1255 - 386	N/A	R40H597	R40H9200	NLA	NLA
	Rm	WG	16 " x 6 "	1255 - 386	N/A	R40H597	R40H9200	R404149	R404150
1969									
FA139, 219	Fa	WG	15 " x 3-1/2 "	1280B - 322	R464004	R40H521	R40H9237	R40H3502	R40H3503
	Fm	WG	15 " x 3-1/2 "	1280 - 463	R700463	R40H521	R40H9201	R40H3524	R40H3524
RA302, 328, 341, 351	TRa	WG	15 " x 6 "	4596 - 381	R700381	R40H597	R40H9200	R40H3540	R40H3541
	TRm	WG	15 " x 6 "	4596 - 381	R700381	R40H597	R40H9200	R40H3518	R404148
RA302, 328, 351	TRa	WG	15 " x 7 "	4597 - 383	R700383	R40H597	R40H9200	NLA	NLA
	TRm	WG	15 " x 7 "	4597 - 383	R700383	R40H597	R40H9200	R40H3518	R404148
RA44, 186	Ra	WG	15 " x 6 "	4596 - 381	R700381	R40H597	R40H9200	R40H3540	R40H3541
	Ra	WG	15 " x 7 "	4597 - 383	R700383	R40H597	R40H9200	R40H3540	R40H3541
	Rm	WG	15 " x 6 "	4596 - 381	R700381	R40H597	R40H9200	R40H3518	R404148
	Rm	WG	15 " x 7 "	4597 - 383	R700383	R40H597	R40H9200	R40H3518	R404148
RA47, 192, 292	Ra	WG	16 " x 6 "	1255 - 386	N/A	R40H597	R40H9200	NLA	NLA
	Rm	WG	16 " x 6 "	1255 - 386	N/A	R40H597	R40H9200	R404149	R404150
2000 SERIES: TRACTOR									
1982									
FA139	Fa	WG	15 " x 3-1/2 "	1280B - 322	R464004	R40H521	R40H9237	R40H3502	R40H3503
	Fm	WG	15 " x 3-1/2 "	1280 - 463	R700463	R40H521	R40H9201	R40H3524	R40H3524
FA98, 101, 109	Fa	WG	15 " x 3 "	1245C - 321	R700321	R40H521	R40H9237	R40H3502	R40H3503
	Fm	WG	15 " x 3 "	1245A - 235	R700235	R40H521	R40H9201	R40H3524	R40H3524
RA302, 303, 306	TRa	WG	15 " x 7 "	4597 - 383	R700383	R40H597	R40H9200	N/A	N/A
RA302, 303, 306, 328, 351	TRa	WG	15 " x 6 "	4596 - 381	R700381	R40H597	R40H9200	R40H3540	R40H3541
	TRm	WG	15 " x 6 "	4596 - 381	R700381	R40H597	R40H9200	R40H3518	R404148
	TRm	WG	15 " x 7 "	4597 - 383	R700383	R40H597	R40H9200	R40H3518	R404148
RA44, 186	Ra	WG	15 " x 6 "	4596 - 381	R700381	R40H597	R40H9200	R40H3540	R40H3541
	Ra	WG	15 " x 7 "	4597 - 383	R700383	R40H597	R40H9200	R40H3540	R40H3541
	Rm	WG	15 " x 6 "	4596 - 381	R700381	R40H597	R40H9200	R40H3518	R404148
	Rm	WG	15 " x 7 "	4597 - 383	R700383	R40H597	R40H9200	R40H3518	R404148
RA47, 192, 292	Ra	WG	16 " x 6 "	1255 - 386	N/A	R40H597	R40H9200	N/A	N/A

MAKE MODEL YEAR AXLE CODE AXLE WEIGHT	AXLE & BRK. TYPE	BRK. MFG.	BRAKE SIZE	FMSI	MERITOR DISC PAD OR BRAKE SHOE	MERITOR GUIDE PIN OR RETURN SPRING KIT	MERITOR CALIPER HWD. KIT OR RETURN SPRING KIT	MERITOR ADJUSTER KIT (LEFT WHEEL)	MERITOR ADJUSTER KIT (RIGHT WHEEL)
ITE(Cont.)									
2000 SERIES: TRACTOR(Cont.)									
1982	Rm	WG	16 " x 6 "	1255 - 386	N/A	R40H597	R40H9200	R404149	R404150
1981 FA139	Fa	WG	15 " x 3-1/2 "	1280B - 322	R464004	R40H521	R40H9237	R40H3502	R40H3503
	Fm	WG	15 " x 3-1/2 "	1280 - 463	R700463	R40H521	R40H9201	R40H3524	R40H3524
FA98, 101, 109	Fa	WG	15 " x 3 "	1245C - 321	R700321	R40H521	R40H9237	R40H3502	R40H3503
	Fm	WG	15 " x 3 "	1245A - 235	R700235	R40H521	R40H9201	R40H3524	R40H3524
RA302, 303, 306	TRa	WG	15 " x 7 "	4597 - 383	R700383	R40H597	R40H9200	N/A	N/A
RA302, 303, 306, 328, 351	TRa	WG	15 " x 6 "	4596 - 381	R700381	R40H597	R40H9200	R40H3540	R40H3541
	TRm	WG	15 " x 6 "	4596 - 381	R700381	R40H597	R40H9200	R40H3518	R404148
	TRm	WG	15 " x 7 "	4597 - 383	R700383	R40H597	R40H9200	R40H3518	R404148
RA44, 186	Ra	WG	15 " x 6 "	4596 - 381	R700381	R40H597	R40H9200	R40H3540	R40H3541
	Ra	WG	15 " x 7 "	4597 - 383	R700383	R40H597	R40H9200	R40H3540	R40H3541
	Rm	WG	15 " x 6 "	4596 - 381	R700381	R40H597	R40H9200	R40H3518	R404148
	Rm	WG	15 " x 7 "	4597 - 383	R700383	R40H597	R40H9200	R40H3518	R404148
RA47, 192, 292	Ra	WG	16 " x 6 "	1255 - 386	N/A	R40H597	R40H9200	N/A	N/A
	Rm	WG	16 " x 6 "	1255 - 386	N/A	R40H597	R40H9200	R404149	R404150
1980 FA139	Fa	WG	15 " x 3-1/2 "	1280B - 322	R464004	R40H521	R40H9237	R40H3502	R40H3503
	Fm	WG	15 " x 3-1/2 "	1280 - 463	R700463	R40H521	R40H9201	R40H3524	R40H3524
FA98, 101, 109	Fa	WG	15 " x 3 "	1245C - 321	R700321	R40H521	R40H9237	R40H3502	R40H3503
	Fm	WG	15 " x 3 "	1245A - 235	R700235	R40H521	R40H9201	R40H3524	R40H3524
RA302, 303, 306	TRa	WG	15 " x 7 "	4597 - 383	R700383	R40H597	R40H9200	N/A	N/A
RA302, 303, 306, 328, 351	TRa	WG	15 " x 6 "	4596 - 381	R700381	R40H597	R40H9200	R40H3540	R40H3541
	TRm	WG	15 " x 6 "	4596 - 381	R700381	R40H597	R40H9200	R40H3518	R404148
	TRm	WG	15 " x 7 "	4597 - 383	R700383	R40H597	R40H9200	R40H3518	R404148
RA44, 186	Ra	WG	15 " x 6 "	4596 - 381	R700381	R40H597	R40H9200	R40H3540	R40H3541
	Ra	WG	15 " x 7 "	4597 - 383	R700383	R40H597	R40H9200	R40H3540	R40H3541
	Rm	WG	15 " x 6 "	4596 - 381	R700381	R40H597	R40H9200	R40H3518	R404148
	Rm	WG	15 " x 7 "	4597 - 383	R700383	R40H597	R40H9200	R40H3518	R404148
RA47, 192, 292	Ra	WG	16 " x 6 "	1255 - 386	N/A	R40H597	R40H9200	N/A	N/A
	Rm	WG	16 " x 6 "	1255 - 386	N/A	R40H597	R40H9200	R404149	R404150
1979 FA139	Fa	WG	15 " x 3-1/2 "	1280B - 322	R464004	R40H521	R40H9237	R40H3502	R40H3503
	Fm	WG	15 " x 3-1/2 "	1280 - 463	R700463	R40H521	R40H9201	R40H3524	R40H3524
FA98, 101, 109	Fa	WG	15 " x 3 "	1245C - 321	R700321	R40H521	R40H9237	R40H3502	R40H3503
	Fm	WG	15 " x 3 "	1245A - 235	R700235	R40H521	R40H9201	R40H3524	R40H3524
RA302, 303, 306	TRa	WG	15 " x 7 "	4597 - 383	R700383	R40H597	R40H9200	N/A	N/A
RA302, 303, 306, 328, 351	TRa	WG	15 " x 6 "	4596 - 381	R700381	R40H597	R40H9200	R40H3540	R40H3541
	TRm	WG	15 " x 6 "	4596 - 381	R700381	R40H597	R40H9200	R40H3518	R404148
	TRm	WG	15 " x 7 "	4597 - 383	R700383	R40H597	R40H9200	R40H3518	R404148
RA44, 186	Ra	WG	15 " x 6 "	4596 - 381	R700381	R40H597	R40H9200	R40H3540	R40H3541
	Ra	WG	15 " x 7 "	4597 - 383	R700383	R40H597	R40H9200	R40H3540	R40H3541
	Rm	WG	15 " x 6 "	4596 - 381	R700381	R40H597	R40H9200	R40H3518	R404148
	Rm	WG	15 " x 7 "	4597 - 383	R700383	R40H597	R40H9200	R40H3518	R404148
RA47, 192, 292	Ra	WG	16 " x 6 "	1255 - 386	N/A	R40H597	R40H9200	N/A	N/A
	Rm	WG	16 " x 6 "	1255 - 386	N/A	R40H597	R40H9200	R404149	R404150
1978 FA139	Fa	WG	15 " x 3-1/2 "	1280B - 322	R464004	R40H521	R40H9237	R40H3502	R40H3503
	Fm	WG	15 " x 3-1/2 "	1280 - 463	R700463	R40H521	R40H9201	R40H3524	R40H3524
FA98, 101, 109	Fa	WG	15 " x 3 "	1245C - 321	R700321	R40H521	R40H9237	R40H3502	R40H3503
	Fm	WG	15 " x 3 "	1245A - 235	R700235	R40H521	R40H9201	R40H3524	R40H3524
RA302, 303, 306	TRa	WG	15 " x 7 "	4597 - 383	R700383	R40H597	R40H9200	N/A	N/A
RA302, 303, 306, 328, 351	TRa	WG	15 " x 6 "	4596 - 381	R700381	R40H597	R40H9200	R40H3540	R40H3541
	TRm	WG	15 " x 6 "	4596 - 381	R700381	R40H597	R40H9200	R40H3518	R404148
	TRm	WG	15 " x 7 "	4597 - 383	R700383	R40H597	R40H9200	R40H3518	R404148
RA44, 186	Ra	WG	15 " x 6 "	4596 - 381	R700381	R40H597	R40H9200	R40H3540	R40H3541
	Ra	WG	15 " x 7 "	4597 - 383	R700383	R40H597	R40H9200	R40H3540	R40H3541
	Rm	WG	15 " x 6 "	4596 - 381	R700381	R40H597	R40H9200	R40H3518	R404148
	Rm	WG	15 " x 7 "	4597 - 383	R700383	R40H597	R40H9200	R40H3518	R404148
RA47, 192, 292	Ra	WG	16 " x 6 "	1255 - 386	N/A	R40H597	R40H9200	N/A	N/A
	Rm	WG	16 " x 6 "	1255 - 386	N/A	R40H597	R40H9200	R404149	R404150
1977 FA139	Fa	WG	15 " x 3-1/2 "	1280B - 322	R464004	R40H521	R40H9237	R40H3502	R40H3503

MERITOR DRUM OR ROTOR NO.	CALIPER OR CYLINDER BORE SIZE	MERITOR CALIPER OR WHEEL CYLINDER (LEFT)	MERITOR CALIPER OR WHEEL CYLINDER (RIGHT)	MERITOR CALIPER OR WHEEL CYLINDER REPAIR KIT	MERITOR CALIPER PISTON	MERITOR MASTER CYLINDER	MERITOR MASTER CYLINDER KIT	MERITOR BRAKE HOSE (LEFT)	MERITOR BRAKE HOSE (RIGHT)
ITE(Cont.)									
2000 SERIES: TRACTOR(Cont.)									
N/A	1-3/4 "	R4133584	R4133584	R4166897	NR	-	-	-	-
N/A	1-1/4 "	R4133581	R4133582	R4166923	NR	-	-	-	-
N/A	1-1/4 "	R4133581	R4133582	R4166923	NR	-	-	-	-
N/A	1-1/4 "	R4133581	R4133582	R4166923	NR	-	-	-	-
N/A	1-1/4 "	R4133581	R4133582	R4166923	NR	-	-	-	-
N/A	1-3/4 "	R4133400	R4133400	R4166917	NR	-	-	-	-
N/A	1-5/8 "	R4133338	R4133338	R4166689	NR	-	-	-	-
N/A	1-5/8 "	R4133338	R4133338	R4166689	NR	-	-	-	-
N/A	1-3/4 "	R4133400	R4133400	R4166917	NR	-	-	-	-
N/A	1-5/8 "	R4133338	R4133338	R4166689	NR	-	-	-	-
N/A	1-5/8 "	R4133338	R4133338	R4166689	NR	-	-	-	-
N/A	1-5/8 "	R4133338	R4133338	R4166689	NR	-	-	-	-
N/A	1-5/8 "	R4133338	R4133338	R4166689	NR	-	-	-	-
N/A	1-3/4 "	R4133584	R4133584	R4166897	NR	-	-	-	-
N/A	1-3/4 "	R4133584	R4133584	R4166897	NR	-	-	-	-
N/A	1-1/4 "	R4133581	R4133582	R4166923	NR	-	-	-	-
N/A	1-1/4 "	R4133581	R4133582	R4166923	NR	-	-	-	-
N/A	1-1/4 "	R4133581	R4133582	R4166923	NR	-	-	-	-
N/A	1-1/4 "	R4133581	R4133582	R4166923	NR	-	-	-	-
N/A	1-3/4 "	R4133400	R4133400	R4166917	NR	-	-	-	-
N/A	1-5/8 "	R4133338	R4133338	R4166689	NR	-	-	-	-
N/A	1-5/8 "	R4133338	R4133338	R4166689	NR	-	-	-	-
N/A	1-3/4 "	R4133400	R4133400	R4166917	NR	-	-	-	-
N/A	1-5/8 "	R4133338	R4133338	R4166689	NR	-	-	-	-
N/A	1-5/8 "	R4133338	R4133338	R4166689	NR	-	-	-	-
N/A	1-5/8 "	R4133338	R4133338	R4166689	NR	-	-	-	-
N/A	1-5/8 "	R4133338	R4133338	R4166689	NR	-	-	-	-
N/A	1-3/4 "	R4133584	R4133584	R4166897	NR	-	-	-	-
N/A	1-3/4 "	R4133584	R4133584	R4166897	NR	-	-	-	-
N/A	1-1/4 "	R4133581	R4133582	R4166923	NR	-	-	-	-
N/A	1-1/4 "	R4133581	R4133582	R4166923	NR	-	-	-	-
N/A	1-1/4 "	R4133581	R4133582	R4166923	NR	-	-	-	-
N/A	1-1/4 "	R4133581	R4133582	R4166923	NR	-	-	-	-
N/A	1-3/4 "	R4133400	R4133400	R4166917	NR	-	-	-	-
N/A	1-5/8 "	R4133338	R4133338	R4166689	NR	-	-	-	-
N/A	1-5/8 "	R4133338	R4133338	R4166689	NR	-	-	-	-
N/A	1-3/4 "	R4133400	R4133400	R4166917	NR	-	-	-	-
N/A	1-5/8 "	R4133338	R4133338	R4166689	NR	-	-	-	-
N/A	1-5/8 "	R4133338	R4133338	R4166689	NR	-	-	-	-
N/A	1-5/8 "	R4133338	R4133338	R4166689	NR	-	-	-	-
N/A	1-5/8 "	R4133338	R4133338	R4166689	NR	-	-	-	-
N/A	1-3/4 "	R4133584	R4133584	R4166897	NR	-	-	-	-
N/A	1-3/4 "	R4133584	R4133584	R4166897	NR	-	-	-	-
N/A	1-1/4 "	R4133581	R4133582	R4166923	NR	-	-	-	-
N/A	1-1/4 "	R4133581	R4133582	R4166923	NR	-	-	-	-
N/A	1-1/4 "	R4133581	R4133582	R4166923	NR	-	-	-	-
N/A	1-1/4 "	R4133581	R4133582	R4166923	NR	-	-	-	-
N/A	1-3/4 "	R4133400	R4133400	R4166917	NR	-	-	-	-
N/A	1-5/8 "	R4133338	R4133338	R4166689	NR	-	-	-	-
N/A	1-5/8 "	R4133338	R4133338	R4166689	NR	-	-	-	-
N/A	1-3/4 "	R4133400	R4133400	R4166917	NR	-	-	-	-
N/A	1-5/8 "	R4133338	R4133338	R4166689	NR	-	-	-	-
N/A	1-5/8 "	R4133338	R4133338	R4166689	NR	-	-	-	-
N/A	1-5/8 "	R4133338	R4133338	R4166689	NR	-	-	-	-
N/A	1-5/8 "	R4133338	R4133338	R4166689	NR	-	-	-	-
N/A	1-3/4 "	R4133584	R4133584	R4166897	NR	-	-	-	-
N/A	1-3/4 "	R4133584	R4133584	R4166897	NR	-	-	-	-
-	1-1/4 "	R4133581	R4133582	R4166923	NR	-	-	-	-

1 APPLICATION

MAKE MODEL YEAR AXLE CODE AXLE WEIGHT	AXLE & BRK. TYPE	BRK. MFG.	BRAKE SIZE	FMSI	MERITOR DISC PAD OR BRAKE SHOE	MERITOR GUIDE PIN OR RETURN SPRING KIT	MERITOR CALIPER HWD. KIT OR RETURN SPRING KIT	MERITOR ADJUSTER KIT (LEFT WHEEL)	MERITOR ADJUSTER KIT (RIGHT WHEEL)
ITE(Cont.)									
2000 SERIES: TRACTOR(Cont.)									
1977	Fm	WG	15 " x 3-1/2 "	1280 - 463	R700463	R40H521	R40H9201	R40H3524	R40H3524
FA98, 101, 109	Fa	WG	15 " x 3 "	1245C - 321	R700321	R40H521	R40H9237	R40H3502	R40H3503
	Fm	WG	15 " x 3 "	1245A - 235	R700235	R40H521	R40H9201	R40H3524	R40H3524
RA302, 303, 306	TRa	WG	15 " x 7 "	4597 - 383	R700383	R40H597	R40H9200	NLA	NLA
RA302, 303, 306, 328, 351	TRa	WG	15 " x 6 "	4596 - 381	R700381	R40H597	R40H9200	R40H3540	R40H3541
	TRm	WG	15 " x 6 "	4596 - 381	R700381	R40H597	R40H9200	R40H3518	R404148
	TRm	WG	15 " x 7 "	4597 - 383	R700383	R40H597	R40H9200	R40H3518	R404148
RA44, 186	Ra	WG	15 " x 6 "	4596 - 381	R700381	R40H597	R40H9200	R40H3540	R40H3541
	Ra	WG	15 " x 7 "	4597 - 383	R700383	R40H597	R40H9200	R40H3540	R40H3541
	Rm	WG	15 " x 6 "	4596 - 381	R700381	R40H597	R40H9200	R40H3518	R404148
RA47, 192, 292	Rm	WG	15 " x 7 "	4597 - 383	R700383	R40H597	R40H9200	R40H3518	R404148
	Ra	WG	16 " x 6 "	1255 - 386	N/A	R40H597	R40H9200	NLA	NLA
RA47, 192, 292	Rm	WG	16 " x 6 "	1255 - 386	N/A	R40H597	R40H9200	R404149	R404150
	Ra	WG	15 " x 3-1/2 "	1280B - 322	R464004	R40H521	R40H9237	R40H3502	R40H3503
FA139	Fa	WG	15 " x 3-1/2 "	1280 - 463	R700463	R40H521	R40H9201	R40H3524	R40H3524
	Fm	WG	15 " x 3-1/2 "	1280 - 463	R700463	R40H521	R40H9201	R40H3524	R40H3524
FA98, 101, 109	Fa	WG	15 " x 3 "	1245C - 321	R700321	R40H521	R40H9237	R40H3502	R40H3503
	Fm	WG	15 " x 3 "	1245A - 235	R700235	R40H521	R40H9201	R40H3524	R40H3524
RA302, 303, 306	TRa	WG	15 " x 7 "	4597 - 383	R700383	R40H597	R40H9200	NLA	NLA
RA302, 303, 306, 328, 351	TRa	WG	15 " x 6 "	4596 - 381	R700381	R40H597	R40H9200	R40H3540	R40H3541
	TRm	WG	15 " x 6 "	4596 - 381	R700381	R40H597	R40H9200	R40H3518	R404148
	TRm	WG	15 " x 7 "	4597 - 383	R700383	R40H597	R40H9200	R40H3518	R404148
RA44, 186	Ra	WG	15 " x 6 "	4596 - 381	R700381	R40H597	R40H9200	R40H3540	R40H3541
	Ra	WG	15 " x 7 "	4597 - 383	R700383	R40H597	R40H9200	R40H3540	R40H3541
	Rm	WG	15 " x 6 "	4596 - 381	R700381	R40H597	R40H9200	R40H3518	R404148
RA47, 192, 292	Rm	WG	15 " x 7 "	4597 - 383	R700383	R40H597	R40H9200	R40H3518	R404148
	Ra	WG	16 " x 6 "	1255 - 386	N/A	R40H597	R40H9200	NLA	NLA
RA47, 192, 292	Rm	WG	16 " x 6 "	1255 - 386	N/A	R40H597	R40H9200	R404149	R404150
	Fa	WG	15 " x 3-1/2 "	1280B - 322	R464004	R40H521	R40H9237	R40H3502	R40H3503
FA139	Fa	WG	15 " x 3-1/2 "	1280 - 463	R700463	R40H521	R40H9201	R40H3524	R40H3524
	Fm	WG	15 " x 3-1/2 "	1280 - 463	R700463	R40H521	R40H9201	R40H3524	R40H3524
FA98, 101, 109	Fa	WG	15 " x 3 "	1245C - 321	R700321	R40H521	R40H9237	R40H3502	R40H3503
	Fm	WG	15 " x 3 "	1245A - 235	R700235	R40H521	R40H9201	R40H3524	R40H3524
RA302, 303, 306	TRa	WG	15 " x 7 "	4597 - 383	R700383	R40H597	R40H9200	NLA	NLA
RA302, 303, 306, 328, 351	TRa	WG	15 " x 6 "	4596 - 381	R700381	R40H597	R40H9200	R40H3540	R40H3541
	TRm	WG	15 " x 6 "	4596 - 381	R700381	R40H597	R40H9200	R40H3518	R404148
	TRm	WG	15 " x 7 "	4597 - 383	R700383	R40H597	R40H9200	R40H3518	R404148
RA44, 186	Ra	WG	15 " x 6 "	4596 - 381	R700381	R40H597	R40H9200	R40H3540	R40H3541
	Ra	WG	15 " x 7 "	4597 - 383	R700383	R40H597	R40H9200	R40H3540	R40H3541
	Rm	WG	15 " x 6 "	4596 - 381	R700381	R40H597	R40H9200	R40H3518	R404148
RA47, 192, 292	Rm	WG	15 " x 7 "	4597 - 383	R700383	R40H597	R40H9200	R40H3518	R404148
	Ra	WG	16 " x 6 "	1255 - 386	N/A	R40H597	R40H9200	NLA	NLA
RA47, 192, 292	Rm	WG	16 " x 6 "	1255 - 386	N/A	R40H597	R40H9200	R404149	R404150
	Fa	WG	15 " x 3-1/2 "	1280B - 322	R464004	R40H521	R40H9237	R40H3502	R40H3503
FA139	Fa	WG	15 " x 3-1/2 "	1280 - 463	R700463	R40H521	R40H9201	R40H3524	R40H3524
	Fm	WG	15 " x 3-1/2 "	1280 - 463	R700463	R40H521	R40H9201	R40H3524	R40H3524
FA98, 101, 109	Fa	WG	15 " x 3 "	1245C - 321	R700321	R40H521	R40H9237	R40H3502	R40H3503
	Fm	WG	15 " x 3 "	1245A - 235	R700235	R40H521	R40H9201	R40H3524	R40H3524
RA302, 303, 306	TRa	WG	15 " x 7 "	4597 - 383	R700383	R40H597	R40H9200	NLA	NLA
RA302, 303, 306, 328, 351	TRa	WG	15 " x 6 "	4596 - 381	R700381	R40H597	R40H9200	R40H3540	R40H3541
	TRm	WG	15 " x 6 "	4596 - 381	R700381	R40H597	R40H9200	R40H3518	R404148
	TRm	WG	15 " x 7 "	4597 - 383	R700383	R40H597	R40H9200	R40H3518	R404148
RA44, 186	Ra	WG	15 " x 6 "	4596 - 381	R700381	R40H597	R40H9200	R40H3540	R40H3541
	Ra	WG	15 " x 7 "	4597 - 383	R700383	R40H597	R40H9200	R40H3540	R40H3541
	Rm	WG	15 " x 6 "	4596 - 381	R700381	R40H597	R40H9200	R40H3518	R404148
RA47, 192, 292	Rm	WG	15 " x 7 "	4597 - 383	R700383	R40H597	R40H9200	R40H3518	R404148
	Ra	WG	16 " x 6 "	1255 - 386	N/A	R40H597	R40H9200	NLA	NLA
RA47, 192, 292	Rm	WG	16 " x 6 "	1255 - 386	N/A	R40H597	R40H9200	R404149	R404150
	Fa	WG	15 " x 3-1/2 "	1280B - 322	R464004	R40H521	R40H9237	R40H3502	R40H3503
FA139	Fa	WG	15 " x 3-1/2 "	1280 - 463	R700463	R40H521	R40H9201	R40H3524	R40H3524
	Fm	WG	15 " x 3-1/2 "	1280 - 463	R700463	R40H521	R40H9201	R40H3524	R40H3524
FA98, 101, 109	Fa	WG	15 " x 3 "	1245C - 321	R700321	R40H521	R40H9237	R40H3502	R40H3503

MERITOR DRUM OR ROTOR NO.	CALIPER OR CYLINDER BORE SIZE	MERITOR CALIPER OR WHEEL CYLINDER (LEFT)	MERITOR CALIPER OR WHEEL CYLINDER (RIGHT)	MERITOR CALIPER OR WHEEL CYLINDER REPAIR KIT	MERITOR CALIPER PISTON	MERITOR MASTER CYLINDER	MERITOR MASTER CYLINDER KIT	MERITOR BRAKE HOSE (LEFT)	MERITOR BRAKE HOSE (RIGHT)
ITE(Cont.)									
2000 SERIES: TRACTOR(Cont.)									
-	1-1/4 "	R4133581	R4133582	R4166923	NR	-	-	-	-
-	1-1/4 "	R4133581	R4133582	R4166923	NR	-	-	-	-
-	1-1/4 "	R4133581	R4133582	R4166923	NR	-	-	-	-
-	1-3/4 "	R4133400	R4133400	R4166917	NR	-	-	-	-
-	1-5/8 "	R4133338	R4133338	R4166689	NR	-	-	-	-
-	1-5/8 "	R4133338	R4133338	R4166689	NR	-	-	-	-
-	1-3/4 "	R4133400	R4133400	R4166917	NR	-	-	-	-
-	1-5/8 "	R4133338	R4133338	R4166689	NR	-	-	-	-
-	1-5/8 "	R4133338	R4133338	R4166689	NR	-	-	-	-
-	1-5/8 "	R4133338	R4133338	R4166689	NR	-	-	-	-
-	1-5/8 "	R4133338	R4133338	R4166689	NR	-	-	-	-
-	1-3/4 "	R4133584	R4133584	R4166897	NR	-	-	-	-
-	1-3/4 "	R4133584	R4133584	R4166897	NR	-	-	-	-
-	1-1/4 "	R4133581	R4133582	R4166923	NR	-	-	-	-
-	1-1/4 "	R4133581	R4133582	R4166923	NR	-	-	-	-
-	1-1/4 "	R4133581	R4133582	R4166923	NR	-	-	-	-
-	1-1/4 "	R4133581	R4133582	R4166923	NR	-	-	-	-
-	1-3/4 "	R4133400	R4133400	R4166917	NR	-	-	-	-
-	1-5/8 "	R4133338	R4133338	R4166689	NR	-	-	-	-
-	1-5/8 "	R4133338	R4133338	R4166689	NR	-	-	-	-
-	1-3/4 "	R4133400	R4133400	R4166917	NR	-	-	-	-
-	1-5/8 "	R4133338	R4133338	R4166689	NR	-	-	-	-
-	1-5/8 "	R4133338	R4133338	R4166689	NR	-	-	-	-
-	1-5/8 "	R4133338	R4133338	R4166689	NR	-	-	-	-
-	1-5/8 "	R4133338	R4133338	R4166689	NR	-	-	-	-
-	1-3/4 "	R4133584	R4133584	R4166897	NR	-	-	-	-
-	1-3/4 "	R4133584	R4133584	R4166897	NR	-	-	-	-
-	1-1/4 "	R4133581	R4133582	R4166923	NR	-	-	-	-
-	1-1/4 "	R4133581	R4133582	R4166923	NR	-	-	-	-
-	1-1/4 "	R4133581	R4133582	R4166923	NR	-	-	-	-
-	1-1/4 "	R4133581	R4133582	R4166923	NR	-	-	-	-
-	1-3/4 "	R4133400	R4133400	R4166917	NR	-	-	-	-
-	1-5/8 "	R4133338	R4133338	R4166689	NR	-	-	-	-
-	1-5/8 "	R4133338	R4133338	R4166689	NR	-	-	-	-
-	1-5/8 "	R4133338	R4133338	R4166689	NR	-	-	-	-
-	1-5/8 "	R4133338	R4133338	R4166689	NR	-	-	-	-
-	1-5/8 "	R4133338	R4133338	R4166689	NR	-	-	-	-
-	1-3/4 "	R4133584	R4133584	R4166897	NR	-	-	-	-
-	1-3/4 "	R4133584	R4133584	R4166897	NR	-	-	-	-
-	1-1/4 "	R4133581	R4133582	R4166923	NR	-	-	-	-
-	1-1/4 "	R4133581	R4133582	R4166923	NR	-	-	-	-
-	1-1/4 "	R4133581	R4133582	R4166923	NR	-	-	-	-
-	1-1/4 "	R4133581	R4133582	R4166923	NR	-	-	-	-
-	1-3/4 "	R4133400	R4133400	R4166917	NR	-	-	-	-
-	1-5/8 "	R4133338	R4133338	R4166689	NR	-	-	-	-
-	1-5/8 "	R4133338	R4133338	R4166689	NR	-	-	-	-
-	1-3/4 "	R4133400	R4133400	R4166917	NR	-	-	-	-
-	1-5/8 "	R4133338	R4133338	R4166689	NR	-	-	-	-
-	1-5/8 "	R4133338	R4133338	R4166689	NR	-	-	-	-
-	1-5/8 "	R4133338	R4133338	R4166689	NR	-	-	-	-
-	1-5/8 "	R4133338	R4133338	R4166689	NR	-	-	-	-
-	1-3/4 "	R4133584	R4133584	R4166897	NR	-	-	-	-
-	1-3/4 "	R4133584	R4133584	R4166897	NR	-	-	-	-
-	1-1/4 "	R4133581	R4133582	R4166923	NR	-	-	-	-
-	1-1/4 "	R4133581	R4133582	R4166923	NR	-	-	-	-
-	1-1/4 "	R4133581	R4133582	R4166923	NR	-	-	-	-

1 APPLICATION

MAKE MODEL YEAR AXLE CODE AXLE WEIGHT	AXLE & BRK. TYPE	BRK. MFG.	BRAKE SIZE	FMSI	MERITOR DISC PAD OR BRAKE SHOE	MERITOR GUIDE PIN OR RETURN SPRING KIT	MERITOR CALIPER HWD. KIT OR RETURN SPRING KIT	MERITOR ADJUSTER KIT (LEFT WHEEL)	MERITOR ADJUSTER KIT (RIGHT WHEEL)
ITE(Cont.)									
2000 SERIES: TRACTOR(Cont.)									
1973									
FA98, 101, 109	Fm	WG	15 " x 3 "	1245A - 235	R700235	R40H521	R40H9201	R40H3524	R40H3524
RA302, 303, 306	TRa	WG	15 " x 7 "	4597 - 383	R700383	R40H597	R40H9200	NLA	NLA
RA302, 303, 306, 328, 351	TRa	WG	15 " x 6 "	4596 - 381	R700381	R40H597	R40H9200	R40H3540	R40H3541
	TRm	WG	15 " x 6 "	4596 - 381	R700381	R40H597	R40H9200	R40H3518	R404148
RA44, 186	TRm	WG	15 " x 7 "	4597 - 383	R700383	R40H597	R40H9200	R40H3518	R404148
	Ra	WG	15 " x 6 "	4596 - 381	R700381	R40H597	R40H9200	R40H3540	R40H3541
RA47, 192, 292	Ra	WG	15 " x 7 "	4597 - 383	R700383	R40H597	R40H9200	R40H3540	R40H3541
	Rm	WG	15 " x 6 "	4596 - 381	R700381	R40H597	R40H9200	R40H3518	R404148
RA47, 192, 292	Rm	WG	15 " x 7 "	4597 - 383	R700383	R40H597	R40H9200	R40H3518	R404148
	Ra	WG	16 " x 6 "	1255 - 386	N/A	R40H597	R40H9200	NLA	NLA
RA47, 192, 292	Rm	WG	16 " x 6 "	1255 - 386	N/A	R40H597	R40H9200	R404149	R404150
	1972								
FA139									
FA98, 101, 109	Fa	WG	15 " x 3-1/2 "	1280B - 322	R464004	R40H521	R40H9237	R40H3502	R40H3503
	Fm	WG	15 " x 3-1/2 "	1280 - 463	R700463	R40H521	R40H9201	R40H3524	R40H3524
FA98, 101, 109	Fa	WG	15 " x 3 "	1245C - 321	R700321	R40H521	R40H9237	R40H3502	R40H3503
	Fm	WG	15 " x 3 "	1245A - 235	R700235	R40H521	R40H9201	R40H3524	R40H3524
RA302, 303, 306	TRa	WG	15 " x 7 "	4597 - 383	R700383	R40H597	R40H9200	NLA	NLA
RA302, 303, 306, 328, 351	TRa	WG	15 " x 6 "	4596 - 381	R700381	R40H597	R40H9200	R40H3540	R40H3541
	TRm	WG	15 " x 6 "	4596 - 381	R700381	R40H597	R40H9200	R40H3518	R404148
RA44, 186	TRm	WG	15 " x 7 "	4597 - 383	R700383	R40H597	R40H9200	R40H3518	R404148
	Ra	WG	15 " x 6 "	4596 - 381	R700381	R40H597	R40H9200	R40H3540	R40H3541
RA47, 192, 292	Ra	WG	15 " x 7 "	4597 - 383	R700383	R40H597	R40H9200	R40H3540	R40H3541
	Rm	WG	15 " x 6 "	4596 - 381	R700381	R40H597	R40H9200	R40H3518	R404148
RA47, 192, 292	Rm	WG	15 " x 7 "	4597 - 383	R700383	R40H597	R40H9200	R40H3518	R404148
	Ra	WG	16 " x 6 "	1255 - 386	N/A	R40H597	R40H9200	NLA	NLA
RA47, 192, 292	Rm	WG	16 " x 6 "	1255 - 386	N/A	R40H597	R40H9200	R404149	R404150
	1971								
FA139									
FA98, 101, 109	Fa	WG	15 " x 3-1/2 "	1280B - 322	R464004	R40H521	R40H9237	R40H3502	R40H3503
	Fm	WG	15 " x 3-1/2 "	1280 - 463	R700463	R40H521	R40H9201	R40H3524	R40H3524
FA98, 101, 109	Fa	WG	15 " x 3 "	1245C - 321	R700321	R40H521	R40H9237	R40H3502	R40H3503
	Fm	WG	15 " x 3 "	1245A - 235	R700235	R40H521	R40H9201	R40H3524	R40H3524
RA302, 303, 306	TRa	WG	15 " x 7 "	4597 - 383	R700383	R40H597	R40H9200	NLA	NLA
RA302, 303, 306, 328, 351	TRa	WG	15 " x 6 "	4596 - 381	R700381	R40H597	R40H9200	R40H3540	R40H3541
	TRm	WG	15 " x 6 "	4596 - 381	R700381	R40H597	R40H9200	R40H3518	R404148
RA44, 186	TRm	WG	15 " x 7 "	4597 - 383	R700383	R40H597	R40H9200	R40H3518	R404148
	Ra	WG	15 " x 6 "	4596 - 381	R700381	R40H597	R40H9200	R40H3540	R40H3541
RA47, 192, 292	Ra	WG	15 " x 7 "	4597 - 383	R700383	R40H597	R40H9200	R40H3540	R40H3541
	Rm	WG	15 " x 6 "	4596 - 381	R700381	R40H597	R40H9200	R40H3518	R404148
RA47, 192, 292	Rm	WG	15 " x 7 "	4597 - 383	R700383	R40H597	R40H9200	R40H3518	R404148
	Ra	WG	16 " x 6 "	1255 - 386	N/A	R40H597	R40H9200	NLA	NLA
RA47, 192, 292	Rm	WG	16 " x 6 "	1255 - 386	N/A	R40H597	R40H9200	R404149	R404150
	1970								
FA139									
FA98, 101, 109	Fa	WG	15 " x 3-1/2 "	1280B - 322	R464004	R40H521	R40H9237	R40H3502	R40H3503
	Fm	WG	15 " x 3-1/2 "	1280 - 463	R700463	R40H521	R40H9201	R40H3524	R40H3524
FA98, 101, 109	Fa	WG	15 " x 3 "	1245C - 321	R700321	R40H521	R40H9237	R40H3502	R40H3503
	Fm	WG	15 " x 3 "	1245A - 235	R700235	R40H521	R40H9201	R40H3524	R40H3524
RA302, 303, 306	TRa	WG	15 " x 7 "	4597 - 383	R700383	R40H597	R40H9200	NLA	NLA
RA302, 303, 306, 328, 351	TRa	WG	15 " x 6 "	4596 - 381	R700381	R40H597	R40H9200	R40H3540	R40H3541
	TRm	WG	15 " x 6 "	4596 - 381	R700381	R40H597	R40H9200	R40H3518	R404148
RA44, 186	TRm	WG	15 " x 7 "	4597 - 383	R700383	R40H597	R40H9200	R40H3518	R404148
	Ra	WG	15 " x 6 "	4596 - 381	R700381	R40H597	R40H9200	R40H3540	R40H3541
RA47, 192, 292	Ra	WG	15 " x 7 "	4597 - 383	R700383	R40H597	R40H9200	R40H3540	R40H3541
	Rm	WG	15 " x 6 "	4596 - 381	R700381	R40H597	R40H9200	R40H3518	R404148
RA47, 192, 292	Rm	WG	15 " x 7 "	4597 - 383	R700383	R40H597	R40H9200	R40H3518	R404148
	Ra	WG	16 " x 6 "	1255 - 386	N/A	R40H597	R40H9200	NLA	NLA
RA47, 192, 292	Rm	WG	16 " x 6 "	1255 - 386	N/A	R40H597	R40H9200	R404149	R404150
	1969								
FA139									
FA98, 101, 109	Fa	WG	15 " x 3-1/2 "	1280B - 322	R464004	R40H521	R40H9237	R40H3502	R40H3503
	Fm	WG	15 " x 3-1/2 "	1280 - 463	R700463	R40H521	R40H9201	R40H3524	R40H3524
FA98, 101, 109	Fa	WG	15 " x 3 "	1245C - 321	R700321	R40H521	R40H9237	R40H3502	R40H3503
	Fm	WG	15 " x 3 "	1245A - 235	R700235	R40H521	R40H9201	R40H3524	R40H3524
RA302, 303, 306	TRa	WG	15 " x 7 "	4597 - 383	R700383	R40H597	R40H9200	NLA	NLA

MERITOR DRUM OR ROTOR NO.	CALIPER OR CYLINDER BORE SIZE	MERITOR CALIPER OR WHEEL CYLINDER (LEFT)	MERITOR CALIPER OR WHEEL CYLINDER (RIGHT)	MERITOR CALIPER OR WHEEL CYLINDER REPAIR KIT	MERITOR CALIPER PISTON	MERITOR MASTER CYLINDER	MERITOR MASTER CYLINDER KIT	MERITOR BRAKE HOSE (LEFT)	MERITOR BRAKE HOSE (RIGHT)
ITE(Cont.)									
2000 SERIES: TRACTOR(Cont.)									
-	1-1/4 "	R4133581	R4133582	R4166923	NR	-	-	-	-
-	1-3/4 "	R4133400	R4133400	R4166917	NR	-	-	-	-
-	1-5/8 "	R4133338	R4133338	R4166689	NR	-	-	-	-
-	1-5/8 "	R4133338	R4133338	R4166689	NR	-	-	-	-
-	1-3/4 "	R4133400	R4133400	R4166917	NR	-	-	-	-
-	1-5/8 "	R4133338	R4133338	R4166689	NR	-	-	-	-
-	1-5/8 "	R4133338	R4133338	R4166689	NR	-	-	-	-
-	1-5/8 "	R4133338	R4133338	R4166689	NR	-	-	-	-
-	1-5/8 "	R4133338	R4133338	R4166689	NR	-	-	-	-
-	1-3/4 "	R4133584	R4133584	R4166897	NR	-	-	-	-
-	1-3/4 "	R4133584	R4133584	R4166897	NR	-	-	-	-
-	1-1/4 "	R4133581	R4133582	R4166923	NR	-	-	-	-
-	1-1/4 "	R4133581	R4133582	R4166923	NR	-	-	-	-
-	1-1/4 "	R4133581	R4133582	R4166923	NR	-	-	-	-
-	1-1/4 "	R4133581	R4133582	R4166923	NR	-	-	-	-
-	1-3/4 "	R4133400	R4133400	R4166917	NR	-	-	-	-
-	1-5/8 "	R4133338	R4133338	R4166689	NR	-	-	-	-
-	1-5/8 "	R4133338	R4133338	R4166689	NR	-	-	-	-
-	1-3/4 "	R4133400	R4133400	R4166917	NR	-	-	-	-
-	1-5/8 "	R4133338	R4133338	R4166689	NR	-	-	-	-
-	1-5/8 "	R4133338	R4133338	R4166689	NR	-	-	-	-
-	1-5/8 "	R4133338	R4133338	R4166689	NR	-	-	-	-
-	1-5/8 "	R4133338	R4133338	R4166689	NR	-	-	-	-
-	1-3/4 "	R4133584	R4133584	R4166897	NR	-	-	-	-
-	1-3/4 "	R4133584	R4133584	R4166897	NR	-	-	-	-
-	1-1/4 "	R4133581	R4133582	R4166923	NR	-	-	-	-
-	1-1/4 "	R4133581	R4133582	R4166923	NR	-	-	-	-
-	1-1/4 "	R4133581	R4133582	R4166923	NR	-	-	-	-
-	1-1/4 "	R4133581	R4133582	R4166923	NR	-	-	-	-
-	1-3/4 "	R4133400	R4133400	R4166917	NR	-	-	-	-
-	1-5/8 "	R4133338	R4133338	R4166689	NR	-	-	-	-
-	1-5/8 "	R4133338	R4133338	R4166689	NR	-	-	-	-
-	1-3/4 "	R4133400	R4133400	R4166917	NR	-	-	-	-
-	1-5/8 "	R4133338	R4133338	R4166689	NR	-	-	-	-
-	1-5/8 "	R4133338	R4133338	R4166689	NR	-	-	-	-
-	1-5/8 "	R4133338	R4133338	R4166689	NR	-	-	-	-
-	1-5/8 "	R4133338	R4133338	R4166689	NR	-	-	-	-
-	1-3/4 "	R4133584	R4133584	R4166897	NR	-	-	-	-
-	1-3/4 "	R4133584	R4133584	R4166897	NR	-	-	-	-
-	1-1/4 "	R4133581	R4133582	R4166923	NR	-	-	-	-
-	1-1/4 "	R4133581	R4133582	R4166923	NR	-	-	-	-
-	1-1/4 "	R4133581	R4133582	R4166923	NR	-	-	-	-
-	1-1/4 "	R4133581	R4133582	R4166923	NR	-	-	-	-
-	1-3/4 "	R4133400	R4133400	R4166917	NR	-	-	-	-
-	1-5/8 "	R4133338	R4133338	R4166689	NR	-	-	-	-
-	1-5/8 "	R4133338	R4133338	R4166689	NR	-	-	-	-
-	1-3/4 "	R4133400	R4133400	R4166917	NR	-	-	-	-
-	1-5/8 "	R4133338	R4133338	R4166689	NR	-	-	-	-
-	1-5/8 "	R4133338	R4133338	R4166689	NR	-	-	-	-
-	1-5/8 "	R4133338	R4133338	R4166689	NR	-	-	-	-
-	1-5/8 "	R4133338	R4133338	R4166689	NR	-	-	-	-
-	1-3/4 "	R4133584	R4133584	R4166897	NR	-	-	-	-
-	1-3/4 "	R4133584	R4133584	R4166897	NR	-	-	-	-
-	1-1/4 "	R4133581	R4133582	R4166923	NR	-	-	-	-
-	1-1/4 "	R4133581	R4133582	R4166923	NR	-	-	-	-
-	1-1/4 "	R4133581	R4133582	R4166923	NR	-	-	-	-
-	1-1/4 "	R4133581	R4133582	R4166923	NR	-	-	-	-
-	1-3/4 "	R4133400	R4133400	R4166917	NR	-	-	-	-

1 APPLICATION

MAKE MODEL YEAR AXLE CODE AXLE WEIGHT	AXLE & BRK. TYPE	BRK. MFG.	BRAKE SIZE	FMSI	MERITOR DISC PAD OR BRAKE SHOE	MERITOR GUIDE PIN OR RETURN SPRING KIT	MERITOR CALIPER HWD. KIT OR RETURN SPRING KIT	MERITOR ADJUSTER KIT (LEFT WHEEL)	MERITOR ADJUSTER KIT (RIGHT WHEEL)
ITE(Cont.)									
2000 SERIES: TRACTOR(Cont.)									
1969									
RA302, 303, 306, 328, 351	TRa	WG	15 " x 6 "	4596 - 381	R700381	R40H597	R40H9200	R40H3540	R40H3541
	TRm	WG	15 " x 6 "	4596 - 381	R700381	R40H597	R40H9200	R40H3518	R404148
	TRm	WG	15 " x 7 "	4597 - 383	R700383	R40H597	R40H9200	R40H3518	R404148
RA44, 186	Ra	WG	15 " x 6 "	4596 - 381	R700381	R40H597	R40H9200	R40H3540	R40H3541
	Ra	WG	15 " x 7 "	4597 - 383	R700383	R40H597	R40H9200	R40H3540	R40H3541
	Rm	WG	15 " x 6 "	4596 - 381	R700381	R40H597	R40H9200	R40H3518	R404148
	Rm	WG	15 " x 7 "	4597 - 383	R700383	R40H597	R40H9200	R40H3518	R404148
RA47, 192, 292	Ra	WG	16 " x 6 "	1255 - 386	N/A	R40H597	R40H9200	NLA	NLA
	Rm	WG	16 " x 6 "	1255 - 386	N/A	R40H597	R40H9200	R404149	R404150
3000, 3200, 3300 SC SERIES SCHOOL BUS									
2008									
Through May Spicer D800-F 8,000 lb	Fd	Bosch		7654 - D786	-	R4011754	NR	NR	NR
Through May I-100S 10,000 lb	Fd	Bosch		7654 - D786	-	R4011754	NR	NR	NR
Through May S135-S 13,500 lb	Rd	Bosch		7654 - D786	-	R4011754	NR	NR	NR
Through May S150-S 15,500 lb	Rd	Bosch		7654 - D786	-	R4011754	NR	NR	NR
Through May Dana Spicer 17060S 17,500 lb	Rd	Bosch		7654 - D786	-	R4011754	NR	NR	NR
Through May Dana Spicer 19060S 19,000 lb	Rd	Bosch		7654 - D786	-	R4011754	NR	NR	NR
Through May Dana Spicer 21060S 21,000 lb	Rd	Bosch		7654 - D786	-	R4011754	NR	NR	NR
Through May Dana Spicer 23090S 23,000 lb	Rd	Bosch		7654 - D786	-	R4011754	NR	NR	NR
2007									
Spicer D800-F 8,000 lb	Fd	Bosch		7654 - D786	-	R4011754	NR	NR	NR
I-100S 10,000 lb	Fd	Bosch		7654 - D786	-	R4011754	NR	NR	NR
S135-S 13,500 lb	Rd	Bosch		7654 - D786	-	R4011754	NR	NR	NR
S150-S 15,500 lb	Rd	Bosch		7654 - D786	-	R4011754	NR	NR	NR
Dana Spicer 17060S 17,500 lb	Rd	Bosch		7654 - D786	-	R4011754	NR	NR	NR
Dana Spicer 19060S 19,000 lb	Rd	Bosch		7654 - D786	-	R4011754	NR	NR	NR
Dana Spicer 21060S 21,000 lb	Rd	Bosch		7654 - D786	-	R4011754	NR	NR	NR
Dana Spicer 23090S 23,000 lb	Rd	Bosch		7654 - D786	-	R4011754	NR	NR	NR
2006									
Spicer D800-F 8,000 lb	Fd	Bosch		7654 - D786	-	R4011754	NR	NR	NR
I-100S 10,000 lb	Fd	Bosch		7654 - D786	-	R4011754	NR	NR	NR
S135-S 13,500 lb	Rd	Bosch		7654 - D786	-	R4011754	NR	NR	NR
S150-S 15,500 lb	Rd	Bosch		7654 - D786	-	R4011754	NR	NR	NR
Dana Spicer 17060S 17,500 lb	Rd	Bosch		7654 - D786	-	R4011754	NR	NR	NR

MAKE MODEL YEAR AXLE CODE AXLE WEIGHT	AXLE & BRK. TYPE	BRK. MFG.	BRAKE SIZE	FMSI	MERITOR DISC PAD OR BRAKE SHOE	MERITOR GUIDE PIN OR RETURN SPRING KIT	MERITOR CALIPER HWD. KIT OR RETURN SPRING KIT	MERITOR ADJUSTER KIT (LEFT WHEEL)	MERITOR ADJUSTER KIT (RIGHT WHEEL)
ITE(Cont.)									
3000, 3200, 3300 SC SERIES SCHOOL BUS(Cont.)									
2006									
Dana Spicer 19060S 19,000 lb	Rd	Bosch		7654 - D786	-	R4011754	NR	NR	NR
Dana Spicer 21060S 21,000 lb	Rd	Bosch		7654 - D786	-	R4011754	NR	NR	NR
Dana Spicer 23090S 23,000 lb	Rd	Bosch		7654 - D786	-	R4011754	NR	NR	NR
2005									
Spicer D800-F 8,000 lb	Fd	Bosch		7654 - D786	-	R4011754	NR	NR	NR
I-100S 10,000 lb	Fd	Bosch		7654 - D786	-	R4011754	NR	NR	NR
S135-S 13,500 lb	Rd	Bosch		7654 - D786	-	R4011754	NR	NR	NR
S150-S 15,500 lb	Rd	Bosch		7654 - D786	-	R4011754	NR	NR	NR
Dana Spicer 17060S 17,500 lb	Rd	Bosch		7654 - D786	-	R4011754	NR	NR	NR
Dana Spicer 19060S 19,000 lb	Rd	Bosch		7654 - D786	-	R4011754	NR	NR	NR
Dana Spicer 21060S 21,000 lb	Rd	Bosch		7654 - D786	-	R4011754	NR	NR	NR
Dana Spicer 23090S 23,000 lb	Rd	Bosch		7654 - D786	-	R4011754	NR	NR	NR
2004									
Spicer D800-F 8,000 lb	Fd	Bosch		7654 - D786	-	R4011754	NR	NR	NR
I-100S 10,000 lb	Fd	Bosch		7654 - D786	-	R4011754	NR	NR	NR
S135-S 13,500 lb	Rd	Bosch		7654 - D786	-	R4011754	NR	NR	NR
S150-S 15,500 lb	Rd	Bosch		7654 - D786	-	R4011754	NR	NR	NR
Dana Spicer 17060S 17,500 lb	Rd	Bosch		7654 - D786	-	R4011754	NR	NR	NR
Dana Spicer 19060S 19,000 lb	Rd	Bosch		7654 - D786	-	R4011754	NR	NR	NR
Dana Spicer 21060S 21,000 lb	Rd	Bosch		7654 - D786	-	R4011754	NR	NR	NR
Dana Spicer 23090S 23,000 lb	Rd	Bosch		7654 - D786	-	R4011754	NR	NR	NR
2003									
Spicer D800-F 8,000 lb	Fd	Bosch		7654 - D786	-	R4011754	NR	NR	NR
I-100S 10,000 lb	Fd	Bosch		7654 - D786	-	R4011754	NR	NR	NR
S135-S 13,500 lb	Rd	Bosch		7654 - D786	-	R4011754	NR	NR	NR
S150-S 15,500 lb	Rd	Bosch		7654 - D786	-	R4011754	NR	NR	NR
Dana Spicer 17060S 17,500 lb	Rd	Bosch		7654 - D786	-	R4011754	NR	NR	NR
Dana Spicer 19060S 19,000 lb	Rd	Bosch		7654 - D786	-	R4011754	NR	NR	NR
Dana Spicer 21060S 21,000 lb	Rd	Bosch		7654 - D786	-	R4011754	NR	NR	NR
Dana Spicer 23090S 23,000 lb	Rd	Bosch		7654 - D786	-	R4011754	NR	NR	NR
2002									
Spicer D800-F 8,000 lb	Fd	Bosch		7654 - D786	-	R4011754	NR	NR	NR
I-100S 10,000 lb	Fd	Bosch		7654 - D786	-	R4011754	NR	NR	NR
S135-S 13,500 lb	Rd	Bosch		7654 - D786	-	R4011754	NR	NR	NR

MAKE MODEL YEAR AXLE CODE AXLE WEIGHT	AXLE & BRK. TYPE	BRK. MFG.	BRAKE SIZE	FMSI	MERITOR DISC PAD OR BRAKE SHOE	MERITOR GUIDE PIN OR RETURN SPRING KIT	MERITOR CALIPER HWD. KIT OR RETURN SPRING KIT	MERITOR ADJUSTER KIT (LEFT WHEEL)	MERITOR ADJUSTER KIT (RIGHT WHEEL)
ITE(Cont.)									
3000, 3200, 3300 SC SERIES SCHOOL BUS(Cont.)									
2002									
S150-S 15,500 lb	Rd	Bosch		7654 - D786	-	R4011754	NR	NR	NR
Dana Spicer 17060S 17,500 lb	Rd	Bosch		7654 - D786	-	R4011754	NR	NR	NR
Dana Spicer 19060S 19,000 lb	Rd	Bosch		7654 - D786	-	R4011754	NR	NR	NR
Dana Spicer 21060S 21,000 lb	Rd	Bosch		7654 - D786	-	R4011754	NR	NR	NR
Dana Spicer 23090S 23,000 lb	Rd	Bosch		7654 - D786	-	R4011754	NR	NR	NR
2001									
Spicer D800-F 8,000 lb	Fd	Bosch		7654 - D786	-	R4011754	NR	NR	NR
I-100S 10,000 lb	Fd	Bosch		7654 - D786	-	R4011754	NR	NR	NR
S135-S 13,500 lb	Rd	Bosch		7654 - D786	-	R4011754	NR	NR	NR
S150-S 15,500 lb	Rd	Bosch		7654 - D786	-	R4011754	NR	NR	NR
Dana Spicer 17060S 17,500 lb	Rd	Bosch		7654 - D786	-	R4011754	NR	NR	NR
Dana Spicer 19060S 19,000 lb	Rd	Bosch		7654 - D786	-	R4011754	NR	NR	NR
Dana Spicer 21060S 21,000 lb	Rd	Bosch		7654 - D786	-	R4011754	NR	NR	NR
Dana Spicer 23090S 23,000 lb	Rd	Bosch		7654 - D786	-	R4011754	NR	NR	NR
2000									
Spicer D800-F 8,000 lb	Fd	Bosch		7654 - D786	-	R4011754	NR	NR	NR
I-100S 10,000 lb	Fd	Bosch		7654 - D786	-	R4011754	NR	NR	NR
S135-S 13,500 lb	Rd	Bosch		7654 - D786	-	R4011754	NR	NR	NR
S150-S 15,500 lb	Rd	Bosch		7654 - D786	-	R4011754	NR	NR	NR
Dana Spicer 17060S 17,500 lb	Rd	Bosch		7654 - D786	-	R4011754	NR	NR	NR
Dana Spicer 19060S 19,000 lb	Rd	Bosch		7654 - D786	-	R4011754	NR	NR	NR
Dana Spicer 21060S 21,000 lb	Rd	Bosch		7654 - D786	-	R4011754	NR	NR	NR
Dana Spicer 23090S 23,000 lb	Rd	Bosch		7654 - D786	-	R4011754	NR	NR	NR
3000, 3400, 3600, 3800, 3900 SERIES: SCHOOL BUS									
1999									
	Fd	BX		7108 - D184	MD184	R40H5010	R40H5519	NR	NR
	Fd	BX		7108 - D184	MD184	R40H5010	R40H5519	NR	NR
	Fd	BX		7142 - D225	MD225	R40H5010	R40H5522	NR	NR
	Fd	BX		7142 - D225	MD225	R40H5010	R40H5522	NR	NR
	Fd	BX		7142 - D225	MD225	R40H5010	R40H5522	NR	NR
	Fd	BX		7108 - D184	MD184	R40H5010	R40H5519	NR	NR
	Fd	BX		7108 - D184	MD184	R40H5010	R40H5519	NR	NR
	Fd	BX		7108 - D184	MD184	R40H5010	R40H5519	NR	NR
	Fd	BX		7108 - D184	MD184	R40H5010	R40H5519	NR	NR
	Fd	BX		7108 - D184	MD184	R40H5010	R40H5519	NR	NR
	Fd	BX		7142 - D225	MD225	R40H5010	R40H5522	NR	NR
	Rd	BX		7142 - D225	MD225	R40H5010	R40H5522	NR	NR
	Rd	BX		7108 - D184	MD184	R40H5010	R40H5519	NR	NR
	Rd	BX		7142 - D225	MD225	R40H5010	R40H5522	NR	NR
	Rd	BX		7108 - D184	MD184	R40H5010	R40H5519	NR	NR
1998									
	Fd	BX		7108 - D184	MD184	R40H5010	R40H5519	NR	NR

37 - Also available as a New unit
 266 - 10 Stud, Hat Shaped
 271 - 6 Stud, Hat Shape
 www.XpresswayPlus.com

72 - Phenolic/Steel Face
 267 - 10 Stud, U Shaped
 365 - Caliper Loaded with Hardware and Disc Pads

201 - Steel Piston
 268 - 5 Stud, Hat Shape
 387 - 10 Hole Rotor

MAKE MODEL YEAR AXLE CODE AXLE WEIGHT	AXLE & BRK. TYPE	BRK. MFG.	BRAKE SIZE	FMSI	MERITOR DISC PAD OR BRAKE SHOE	MERITOR GUIDE PIN OR RETURN SPRING KIT	MERITOR CALIPER HWD. KIT OR RETURN SPRING KIT	MERITOR ADJUSTER KIT (LEFT WHEEL)	MERITOR ADJUSTER KIT (RIGHT WHEEL)
ITE(Cont.)									
3000, 3400, 3600, 3800, 3900 SERIES: SCHOOL BUS(Cont.)									
1998	Fd	BX		7142 - D225	MD225	R40H5010	R40H5522	NR	NR
	Fd	BX		7108 - D184	MD184	R40H5010	R40H5519	NR	NR
	Fd	BX		7108 - D184	MD184	R40H5010	R40H5519	NR	NR
	Fd	BX		7142 - D225	MD225	R40H5010	R40H5522	NR	NR
	Fd	BX		7108 - D184	MD184	R40H5010	R40H5519	NR	NR
	Fd	BX		7108 - D184	MD184	R40H5010	R40H5519	NR	NR
	Fd	BX		7142 - D225	MD225	R40H5010	R40H5522	NR	NR
	Fd	BX		7142 - D225	MD225	R40H5010	R40H5522	NR	NR
	Fd	BX		7108 - D184	MD184	R40H5010	R40H5519	NR	NR
	Fd	BX		7108 - D184	MD184	R40H5010	R40H5519	NR	NR
	Rd	BX		7142 - D225	MD225	R40H5010	R40H5522	NR	NR
	Rd	BX		7142 - D225	MD225	R40H5010	R40H5522	NR	NR
	Rd	BX		7108 - D184	MD184	R40H5010	R40H5519	NR	NR
	Rd	BX		7108 - D184	MD184	R40H5010	R40H5519	NR	NR
1997	Fd	BX		7108 - D184	MD184	R40H5010	R40H5519	NR	NR
	Fd	BX		7142 - D225	MD225	R40H5010	R40H5522	NR	NR
	Fd	BX		7108 - D184	MD184	R40H5010	R40H5519	NR	NR
	Fd	BX		7108 - D184	MD184	R40H5010	R40H5519	NR	NR
	Fd	BX		7142 - D225	MD225	R40H5010	R40H5522	NR	NR
	Fd	BX		7108 - D184	MD184	R40H5010	R40H5519	NR	NR
	Fd	BX		7108 - D184	MD184	R40H5010	R40H5519	NR	NR
	Fd	BX		7142 - D225	MD225	R40H5010	R40H5522	NR	NR
	Fd	BX		7142 - D225	MD225	R40H5010	R40H5522	NR	NR
	Fd	BX		7108 - D184	MD184	R40H5010	R40H5519	NR	NR
	Fd	BX		7108 - D184	MD184	R40H5010	R40H5519	NR	NR
	Rd	BX		7142 - D225	MD225	R40H5010	R40H5522	NR	NR
	Rd	BX		7108 - D184	MD184	R40H5010	R40H5519	NR	NR
	Rd	BX		7142 - D225	MD225	R40H5010	R40H5522	NR	NR
Rd	BX		7108 - D184	MD184	R40H5010	R40H5519	NR	NR	
1996	Fd	BX		7108 - D184	MD184	R40H5010	R40H5519	NR	NR
	Fd	BX		7142 - D225	MD225	R40H5010	R40H5522	NR	NR
	Fd	BX		7108 - D184	MD184	R40H5010	R40H5519	NR	NR
	Fd	BX		7142 - D225	MD225	R40H5010	R40H5522	NR	NR
	Fd	BX		7108 - D184	MD184	R40H5010	R40H5519	NR	NR
	Fd	BX		7108 - D184	MD184	R40H5010	R40H5519	NR	NR
	Fd	BX		7108 - D184	MD184	R40H5010	R40H5519	NR	NR
	Fd	BX		7142 - D225	MD225	R40H5010	R40H5522	NR	NR
	Fd	BX		7108 - D184	MD184	R40H5010	R40H5519	NR	NR
	Fd	BX		7142 - D225	MD225	R40H5010	R40H5522	NR	NR
	Rd	BX		7142 - D225	MD225	R40H5010	R40H5522	NR	NR
	Rd	BX		7108 - D184	MD184	R40H5010	R40H5519	NR	NR
	Rd	BX		7142 - D225	MD225	R40H5010	R40H5522	NR	NR
	Rd	BX		7108 - D184	MD184	R40H5010	R40H5519	NR	NR
1995	Fd	BX		7142 - D225	MD225	R40H5010	R40H5522	NR	NR
	Fd	BX		7108 - D184	MD184	R40H5010	R40H5519	NR	NR
	Fd	BX		7108 - D184	MD184	R40H5010	R40H5519	NR	NR
	Fd	BX		7108 - D184	MD184	R40H5010	R40H5519	NR	NR
	Fd	BX		7142 - D225	MD225	R40H5010	R40H5522	NR	NR
	Fd	BX		7108 - D184	MD184	R40H5010	R40H5519	NR	NR
	Fd	BX		7142 - D225	MD225	R40H5010	R40H5522	NR	NR
	Fd	BX		7108 - D184	MD184	R40H5010	R40H5519	NR	NR
	Fd	BX		7108 - D184	MD184	R40H5010	R40H5519	NR	NR
	Fd	BX		7108 - D184	MD184	R40H5010	R40H5519	NR	NR
	Fd	BX		7142 - D225	MD225	R40H5010	R40H5522	NR	NR
	Rd	BX		7142 - D225	MD225	R40H5010	R40H5522	NR	NR
	Rd	BX		7142 - D225	MD225	R40H5010	R40H5522	NR	NR
	Rd	BX		7108 - D184	MD184	R40H5010	R40H5519	NR	NR
Rd	BX		7108 - D184	MD184	R40H5010	R40H5519	NR	NR	
1994	Fd	BX		7142 - D225	MD225	R40H5010	R40H5522	NR	NR

MERITOR DRUM OR ROTOR NO.	CALIPER OR CYLINDER BORE SIZE	MERITOR CALIPER OR WHEEL CYLINDER (LEFT)	MERITOR CALIPER OR WHEEL CYLINDER (RIGHT)	MERITOR CALIPER OR WHEEL CYLINDER REPAIR KIT	MERITOR CALIPER PISTON	MERITOR MASTER CYLINDER	MERITOR MASTER CYLINDER KIT	MERITOR BRAKE HOSE (LEFT)	MERITOR BRAKE HOSE (RIGHT)
ITE(Cont.)									
3000, 3400, 3600, 3800, 3900 SERIES: SCHOOL BUS(Cont.)									
23-123552-004 ²⁶⁶ R44141476 ²⁶⁸ R44141608 ²⁶⁷	2-7/8 " 2-19/32 " 2-19/32 "	R42R55250 R42R55314 R42R55314	R42R55250 ³⁷ R42R55314 ³⁷ R42R55314 ³⁷	R4066365 R40107771 R40107771	R4090096 ⁷² R4090100P ⁷² R4090100P ⁷²	- - -	- - -	- - -	- - -
23-123572-004 ²⁷¹ 23-123552-004 ²⁶⁶ 23-123572-004 ²⁷¹ R44141608 ²⁶⁷ R44141476 ²⁶⁸	2-7/8 " 3-3/8 " 2-7/8 " 2-7/8 "	R42R55250 R42R55099 R42R55250 R42R55250	R42R55250 ³⁷ R42R55098 ³⁷ R42R55250 ³⁷ R42R55250 ³⁷	R4066365 R4066780 R4066365 R4066365	R4090096 ⁷² R4090021 ²⁰¹ R4090096 ⁷² R4090096 ⁷²	- - - -	- - - -	- - - -	- - - -
23-123572-004 ²⁷¹ R44141476 ²⁶⁸ 23-123572-004 ²⁷¹ R44141476 ²⁶⁸	2-7/8 " 2-7/8 " 2-19/32 " 3-3/8 "	R42R55250 R42R55250 R42R55314 R42R55099	R42R55250 ³⁷ R42R55250 ³⁷ R42R55314 ³⁷ R42R55098 ³⁷	R4066365 R4066365 R40107771 R4066780	R4090096 ⁷² R4090096 ⁷² R4090100P ⁷² R4090021 ²⁰¹	- - - -	- - - -	- - - -	- - - -
23-123572-004 ²⁷¹ 23-123552-004 ²⁶⁶ 23-123572-004 ²⁷¹ 23-123552-004 ²⁶⁶	2-7/8 " 2-7/8 " 2-19/32 " 2-19/32 "	R42R55250 R42R55250 R42R55314 R42R55314	R42R55250 ³⁷ R42R55250 ³⁷ R42R55314 ³⁷ R42R55314 ³⁷	R4066365 R4066365 R40107771 R40107771	R4090096 ⁷² R4090096 ⁷² R4090100P ⁷² R4090100P ⁷²	- - - -	- - - -	- - - -	- - - -
23-123552-004 ²⁶⁶ 23-123552-004 ²⁶⁶ R44141476 ²⁶⁸ R44141608 ²⁶⁷ R44141608 ²⁶⁷	3-3/8 " 2-7/8 " 2-19/32 " 2-19/32 "	R42R55099 R42R55250 R42R55314 R42R55314	R42R55098 ³⁷ R42R55250 ³⁷ R42R55314 ³⁷ R42R55250 ³⁷	R4066780 R4066365 R40107771 R40107771	R4090021 ²⁰¹ R4090096 ⁷² R4090100P ⁷² R4090100P ⁷²	- - - -	- - - -	- - - -	- - - -
23-123552-004 ²⁶⁶ 23-123572-004 ²⁷¹ R44141476 ²⁶⁸ 23-123572-004 ²⁷¹ R44141476 ²⁶⁸	2-19/32 " 2-7/8 " 2-7/8 " 2-7/8 "	R42R55250 R42R55314 R42R55250 R42R55099	R42R55098 ³⁷ R42R55250 ³⁷ R42R55250 ³⁷ R42R55098 ³⁷	R4066780 R4066365 R4066365 R4066780	R4090021 ²⁰¹ R4090096 ⁷² R4090096 ⁷² R4090021 ²⁰¹	- - - -	- - - -	- - - -	- - - -
23-123572-004 ²⁷¹ 23-123572-004 ²⁷¹ 23-123552-004 ²⁶⁶ 23-123552-004 ²⁶⁶	2-7/8 " 2-19/32 " 2-7/8 " 2-19/32 "	R42R55250 R42R55314 R42R55250 R42R55314	R42R55250 ³⁷ R42R55314 ³⁷ R42R55250 ³⁷ R42R55314 ³⁷	R4066365 R40107771 R4066365 R40107771	R4090096 ⁷² R4090100P ⁷² R4090096 ⁷² R4090100P ⁷²	- - - -	- - - -	- - - -	- - - -
23-123552-004 ²⁶⁶ 23-123552-004 ²⁶⁶ R44141476 ²⁶⁸ R44141608 ²⁶⁷ R44141608 ²⁶⁷	3-3/8 " 2-7/8 " 2-19/32 " 2-19/32 "	R42R55099 R42R55250 R42R55314 R42R55314	R42R55098 ³⁷ R42R55250 ³⁷ R42R55314 ³⁷ R42R55314 ³⁷	R4066780 R4066365 R40107771 R4066365	R4090021 ²⁰¹ R4090096 ⁷² R4090100P ⁷² R4090096 ⁷²	- - - -	- - - -	- - - -	- - - -
23-123572-004 ²⁷¹ 23-123572-004 ²⁷¹ 23-123572-004 ²⁷¹ 23-123572-004 ²⁷¹	2-19/32 " 3-3/8 " 2-19/32 " 2-7/8 "	R42R55314 R42R55099 R42R55314 R42R55250	R42R55314 ³⁷ R42R55098 ³⁷ R42R55314 ³⁷ R42R55250 ³⁷	R40107771 R4066780 R40107771 R4066365	R4090100P ⁷² R4090021 ²⁰¹ R4090100P ⁷² R4090096 ⁷²	- - - -	- - - -	- - - -	- - - -
23-123572-004 ²⁷¹ 23-123552-004 ²⁶⁶ 23-123552-004 ²⁶⁶ 23-123572-004 ²⁷¹	2-7/8 " 2-19/32 " 2-7/8 " 2-19/32 "	R42R55250 R42R55314 R42R55250 R42R55314	R42R55250 ³⁷ R42R55314 ³⁷ R42R55250 ³⁷ R42R55314 ³⁷	R4066365 R40107771 R4066365 R40107771	R4090096 ⁷² R4090100P ⁷² R4090096 ⁷² R4090100P ⁷²	- - - -	- - - -	- - - -	- - - -
23-123552-004 ²⁶⁶ 23-123552-004 ²⁶⁶ R44141476 ²⁶⁸ R44141608 ²⁶⁷ R44141608 ²⁶⁷	2-7/8 " 3-3/8 " 2-19/32 " 3-3/8 "	R42R55250 R42R55099 R42R55314 R42R55099	R42R55250 ³⁷ R42R55098 ³⁷ R42R55314 ³⁷ R42R55098 ³⁷	R4066365 R4066780 R40107771 R4066780	R4090096 ⁷² R4090021 ²⁰¹ R4090100P ⁷² R4090021 ²⁰¹	- - - -	- - - -	- - - -	- - - -
23-123572-004 ²⁷¹ 23-123572-004 ²⁷¹ 23-123572-004 ²⁷¹ 23-123552-004 ²⁶⁶ R44141608 ²⁶⁷ R44141476 ²⁶⁸	2-19/32 " 2-7/8 " 3-3/8 " 2-19/32 " 2-19/32 " 2-7/8 "	R42R55314 R42R55250 R42R55314 R42R55314 R42R55314 R42R55250	R42R55314 ³⁷ R42R55250 ³⁷ R42R55314 ³⁷ R42R55314 ³⁷ R42R55314 ³⁷ R42R55250 ³⁷	R40107771 R4066365 R4066780 R40107771 R40107771 R4066365	R4090100P ⁷² R4090096 ⁷² R4090021 ²⁰¹ R4090100P ⁷² R4090100P ⁷² R4090096 ⁷²	- - - - - -	- - - - - -	- - - - - -	- - - - - -
23-123572-004 ²⁷¹ 23-123552-004 ²⁶⁶ 23-123552-004 ²⁶⁶ 23-123572-004 ²⁷¹	2-7/8 " 2-7/8 " 2-19/32 " 2-19/32 "	R42R55250 R42R55250 R42R55314 R42R55314	R42R55250 ³⁷ R42R55250 ³⁷ R42R55314 ³⁷ R42R55314 ³⁷	R4066365 R4066365 R40107771 R40107771	R4090096 ⁷² R4090096 ⁷² R4090100P ⁷² R4090100P ⁷²	- - - -	- - - -	- - - -	- - - -
R44141476 ²⁶⁸	2-7/8 "	R42R55250	R42R55250 ³⁷	R4066365	R4090096 ⁷²	-	-	-	-

1 APPLICATION

MAKE MODEL YEAR AXLE CODE AXLE WEIGHT	AXLE & BRK. TYPE	BRK. MFG.	BRAKE SIZE	FMSI	MERITOR DISC PAD OR BRAKE SHOE	MERITOR GUIDE PIN OR RETURN SPRING KIT	MERITOR CALIPER HWD. KIT OR RETURN SPRING KIT	MERITOR ADJUSTER KIT (LEFT WHEEL)	MERITOR ADJUSTER KIT (RIGHT WHEEL)
ITE(Cont.)									
3000, 3400, 3600, 3800, 3900 SERIES: SCHOOL BUS(Cont.)									
1994	Fd	BX		7108 - D184	MD184	R40H5010	R40H5519	NR	NR
	Fd	BX		7108 - D184	MD184	R40H5010	R40H5519	NR	NR
	Fd	BX		7108 - D184	MD184	R40H5010	R40H5519	NR	NR
	Fd	BX		7142 - D225	MD225	R40H5010	R40H5522	NR	NR
	Fd	BX		7108 - D184	MD184	R40H5010	R40H5519	NR	NR
	Fd	BX		7142 - D225	MD225	R40H5010	R40H5522	NR	NR
	Fd	BX		7142 - D225	MD225	R40H5010	R40H5522	NR	NR
	Fd	BX		7108 - D184	MD184	R40H5010	R40H5519	NR	NR
	Fd	BX		7108 - D184	MD184	R40H5010	R40H5519	NR	NR
	Fd	BX		7108 - D184	MD184	R40H5010	R40H5519	NR	NR
	Rd	BX		7142 - D225	MD225	R40H5010	R40H5522	NR	NR
	Rd	BX		7108 - D184	MD184	R40H5010	R40H5519	NR	NR
	Rd	BX		7108 - D184	MD184	R40H5010	R40H5519	NR	NR
	Rd	BX		7142 - D225	MD225	R40H5010	R40H5522	NR	NR
1993	Fd	BX		7108 - D184	MD184	R40H5010	R40H5519	NR	NR
	Fd	BX		7108 - D184	MD184	R40H5010	R40H5519	NR	NR
	Fd	BX		7142 - D225	MD225	R40H5010	R40H5522	NR	NR
	Fd	BX		7108 - D184	MD184	R40H5010	R40H5519	NR	NR
	Fd	BX		7142 - D225	MD225	R40H5010	R40H5522	NR	NR
	Fd	BX		7108 - D184	MD184	R40H5010	R40H5519	NR	NR
	Fd	BX		7108 - D184	MD184	R40H5010	R40H5519	NR	NR
	Fd	BX		7142 - D225	MD225	R40H5010	R40H5522	NR	NR
	Fd	BX		7108 - D184	MD184	R40H5010	R40H5519	NR	NR
	Fd	BX		7108 - D184	MD184	R40H5010	R40H5519	NR	NR
	Fd	BX		7108 - D184	MD184	R40H5010	R40H5519	NR	NR
	Fd	BX		7142 - D225	MD225	R40H5010	R40H5522	NR	NR
	Rd	BX		7142 - D225	MD225	R40H5010	R40H5522	NR	NR
	Rd	BX		7108 - D184	MD184	R40H5010	R40H5519	NR	NR
Rd	BX		7108 - D184	MD184	R40H5010	R40H5519	NR	NR	
Rd	BX		7142 - D225	MD225	R40H5010	R40H5522	NR	NR	
1992	Fd	BX		7108 - D184	MD184	R40H5010	R40H5519	NR	NR
	Fd	BX		7142 - D225	MD225	R40H5010	R40H5522	NR	NR
	Fd	BX		7142 - D225	MD225	R40H5010	R40H5522	NR	NR
	Fd	BX		7108 - D184	MD184	R40H5010	R40H5519	NR	NR
	Fd	BX		7108 - D184	MD184	R40H5010	R40H5519	NR	NR
	Fd	BX		7142 - D225	MD225	R40H5010	R40H5522	NR	NR
	Fd	BX		7108 - D184	MD184	R40H5010	R40H5519	NR	NR
	Fd	BX		7108 - D184	MD184	R40H5010	R40H5519	NR	NR
	Fd	BX		7108 - D184	MD184	R40H5010	R40H5519	NR	NR
	Fd	BX		7108 - D184	MD184	R40H5010	R40H5519	NR	NR
	Fd	BX		7142 - D225	MD225	R40H5010	R40H5522	NR	NR
	Rd	BX		7142 - D225	MD225	R40H5010	R40H5522	NR	NR
	Rd	BX		7142 - D225	MD225	R40H5010	R40H5522	NR	NR
	Rd	BX		7108 - D184	MD184	R40H5010	R40H5519	NR	NR
Rd	BX		7108 - D184	MD184	R40H5010	R40H5519	NR	NR	
1991	Fd	BX		7108 - D184	MD184	R40H5010	R40H5519	NR	NR
	Fd	BX		7142 - D225	MD225	R40H5010	R40H5522	NR	NR
	Fd	BX		7108 - D184	MD184	R40H5010	R40H5519	NR	NR
	Fd	BX		7108 - D184	MD184	R40H5010	R40H5519	NR	NR
	Fd	BX		7142 - D225	MD225	R40H5010	R40H5522	NR	NR
	Fd	BX		7142 - D225	MD225	R40H5010	R40H5522	NR	NR
	Fd	BX		7142 - D225	MD225	R40H5010	R40H5522	NR	NR
	Fd	BX		7108 - D184	MD184	R40H5010	R40H5519	NR	NR
	Fd	BX		7108 - D184	MD184	R40H5010	R40H5519	NR	NR
	Fd	BX		7108 - D184	MD184	R40H5010	R40H5519	NR	NR
	Rd	BX		7142 - D225	MD225	R40H5010	R40H5522	NR	NR
	Rd	BX		7108 - D184	MD184	R40H5010	R40H5519	NR	NR
	Rd	BX		7142 - D225	MD225	R40H5010	R40H5522	NR	NR
	Rd	BX		7108 - D184	MD184	R40H5010	R40H5519	NR	NR
1990	Fd	BX		7142 - D225	MD225	R40H5010	R40H5522	NR	NR

37 - Also available as a New unit
 266 - 10 Stud, Hat Shaped
 271 - 6 Stud, Hat Shape
 www.XpresswayPlus.com
 1-912

72 - Phenolic/Steel Face
 267 - 10 Stud, U Shaped

201 - Steel Piston
 268 - 5 Stud, Hat Shape

MAKE MODEL YEAR AXLE CODE AXLE WEIGHT	AXLE & BRK. TYPE	BRK. MFG.	BRAKE SIZE	FMSI	MERITOR DISC PAD OR BRAKE SHOE	MERITOR GUIDE PIN OR RETURN SPRING KIT	MERITOR CALIPER HWD. KIT OR RETURN SPRING KIT	MERITOR ADJUSTER KIT (LEFT WHEEL)	MERITOR ADJUSTER KIT (RIGHT WHEEL)
ITE(Cont.)									
3000, 3400, 3600, 3800, 3900 SERIES: SCHOOL BUS(Cont.)									
1990	Fd	BX		7108 - D184	MD184	R40H5010	R40H5519	NR	NR
	Fd	BX		7108 - D184	MD184	R40H5010	R40H5519	NR	NR
	Fd	BX		7108 - D184	MD184	R40H5010	R40H5519	NR	NR
	Fd	BX		7142 - D225	MD225	R40H5010	R40H5522	NR	NR
	Fd	BX		7108 - D184	MD184	R40H5010	R40H5519	NR	NR
	Fd	BX		7108 - D184	MD184	R40H5010	R40H5519	NR	NR
	Fd	BX		7108 - D184	MD184	R40H5010	R40H5519	NR	NR
	Fd	BX		7108 - D184	MD184	R40H5010	R40H5519	NR	NR
	Fd	BX		7142 - D225	MD225	R40H5010	R40H5522	NR	NR
	Fd	BX		7142 - D225	MD225	R40H5010	R40H5522	NR	NR
	Rd	BX		7142 - D225	MD225	R40H5010	R40H5522	NR	NR
	Rd	BX		7108 - D184	MD184	R40H5010	R40H5519	NR	NR
	Rd	BX		7142 - D225	MD225	R40H5010	R40H5522	NR	NR
	Rd	BX		7108 - D184	MD184	R40H5010	R40H5519	NR	NR
400 SERIES: LFE MEDIUM DUTY									
1994	Air Over Hydraulic Brakes	Fa	320mm x 110mm	1410 - S602	R467406	R409841	R409842	N/A	N/A
		Ra	320mm x 130mm	1434 - S632	R469824	R409845	R409846	N/A	N/A
1993		Fa	320mm x 110mm	1410 - S602	R467406	R409841	R409842	N/A	N/A
		Ra	320mm x 130mm	1434 - S632	R469824	R409845	R409846	N/A	N/A
1992		Fa	320mm x 110mm	1410 - S602	R467406	R409841	R409842	N/A	N/A
		Ra	320mm x 130mm	1434 - S632	R469824	R409845	R409846	N/A	N/A
1991		Fa	320mm x 110mm	1410 - S602	R467406	R409841	R409842	N/A	N/A
		Ra	320mm x 130mm	1434 - S632	R469824	R409845	R409846	N/A	N/A
1990		Fa	320mm x 110mm	1410 - S602	R467406	R409841	R409842	N/A	N/A
		Ra	320mm x 130mm	1434 - S632	R469824	R409845	R409846	N/A	N/A
1989		Fa	320mm x 110mm	1410 - S602	R467406	R409841	R409842	N/A	N/A
		Ra	320mm x 130mm	1434 - S632	R469824	R409845	R409846	N/A	N/A
1988		Fa	320mm x 110mm	1410 - S602	R467406	R409841	R409842	N/A	N/A
		Ra	320mm x 130mm	1434 - S632	R469824	R409845	R409846	N/A	N/A
1987		Fa	320mm x 110mm	1410 - S602	R467406	R409841	R409842	N/A	N/A
		Ra	320mm x 130mm	1434 - S632	R469824	R409845	R409846	N/A	N/A
1986		Fa	320mm x 110mm	1410 - S602	R467406	R409841	R409842	N/A	N/A
		Ra	320mm x 130mm	1434 - S632	R469824	R409845	R409846	N/A	N/A
4000 SERIES: MEDIUM CONVENTIONALS									
1999	Fd	BX		7142 - D225	MD225	R40H5010	R40H5522	NR	NR
	Fd	BX		7142 - D225	MD225	R40H5010	R40H5522	NR	NR
	Fd	BX		7108 - D184	MD184	R40H5010	R40H5519	NR	NR
	Fd	BX		7108 - D184	MD184	R40H5010	R40H5519	NR	NR
	Fd	BX		7108 - D184	MD184	R40H5010	R40H5519	NR	NR
	Fd	BX		7108 - D184	MD184	R40H5010	R40H5519	NR	NR
	Fd	BX		7142 - D225	MD225	R40H5010	R40H5522	NR	NR
	Fd	BX		7108 - D184	MD184	R40H5010	R40H5519	NR	NR
	Fd	BX		7108 - D184	MD184	R40H5010	R40H5519	NR	NR
	Fd	BX		7108 - D184	MD184	R40H5010	R40H5519	NR	NR
	Fd	BX		7108 - D184	MD184	R40H5010	R40H5519	NR	NR
	Fd	BX		7108 - D184	MD184	R40H5010	R40H5519	NR	NR
	Fd	BX		7142 - D225	MD225	R40H5010	R40H5522	NR	NR
	Rd	BX		7142 - D225	MD225	R40H5010	R40H5522	NR	NR
	Rd	BX		7108 - D184	MD184	R40H5010	R40H5519	NR	NR
	Rd	BX		7142 - D225	MD225	R40H5010	R40H5522	NR	NR
	Rd	BX		7108 - D184	MD184	R40H5010	R40H5519	NR	NR
	Rd	BX		7108 - D184	MD184	R40H5010	R40H5519	NR	NR
	Rd	BX		7142 - D225	MD225	R40H5010	R40H5522	NR	NR

37 - Also available as a New unit
 266 - 10 Stud, Hat Shaped
 270 - 5 Stud, U Shape, .766 Dia. Studs
 www.XpresswayPlus.com
 1-914

72 - Phenolic/Steel Face
 267 - 10 Stud, U Shaped
 271 - 6 Stud, Hat Shape

201 - Steel Piston
 268 - 5 Stud, Hat Shape

MERITOR DRUM OR ROTOR NO.	CALIPER OR CYLINDER BORE SIZE	MERITOR CALIPER OR WHEEL CYLINDER (LEFT)	MERITOR CALIPER OR WHEEL CYLINDER (RIGHT)	MERITOR CALIPER OR WHEEL CYLINDER REPAIR KIT	MERITOR CALIPER PISTON	MERITOR MASTER CYLINDER	MERITOR MASTER CYLINDER KIT	MERITOR BRAKE HOSE (LEFT)	MERITOR BRAKE HOSE (RIGHT)
ITE(Cont.)									
3000, 3400, 3600, 3800, 3900 SERIES: SCHOOL BUS(Cont.)									
R44141476 ²⁶⁸	2-19/32 "	R42R55314	R42R55314 ³⁷	R40107771	R4090100P ⁷²	-	-	-	-
R44141476 ²⁶⁸	3-3/8 "	R42R55099	R42R55098 ³⁷	R4066780	R4090021 ²⁰¹	-	-	-	-
23-123572-004 ²⁷¹	2-19/32 "	R42R55314	R42R55314 ³⁷	R40107771	R4090100P ⁷²	-	-	-	-
R44141608 ²⁶⁷	2-7/8 "	R42R55250	R42R55250 ³⁷	R4066365	R4090096 ⁷²	-	-	-	-
23-123552-004 ²⁶⁶	3-3/8 "	R42R55099	R42R55098 ³⁷	R4066780	R4090021 ²⁰¹	-	-	-	-
23-123552-004 ²⁶⁶	2-19/32 "	R42R55314	R42R55314 ³⁷	R40107771	R4090100P ⁷²	-	-	-	-
23-123572-004 ²⁷¹	3-3/8 "	R42R55099	R42R55098 ³⁷	R4066780	R4090021 ²⁰¹	-	-	-	-
R44141608 ²⁶⁷	2-19/32 "	R42R55314	R42R55314 ³⁷	R40107771	R4090100P ⁷²	-	-	-	-
R44141476 ²⁶⁸	2-7/8 "	R42R55250	R42R55250 ³⁷	R4066365	R4090096 ⁷²	-	-	-	-
23-123572-004 ²⁷¹	2-7/8 "	R42R55250	R42R55250 ³⁷	R4066365	R4090096 ⁷²	-	-	-	-
23-123572-004 ²⁷¹	2-7/8 "	R42R55250	R42R55250 ³⁷	R4066365	R4090096 ⁷²	-	-	-	-
23-123552-004 ²⁶⁶	2-19/32 "	R42R55314	R42R55314 ³⁷	R40107771	R4090100P ⁷²	-	-	-	-
23-123552-004 ²⁶⁶	2-7/8 "	R42R55250	R42R55250 ³⁷	R4066365	R4090096 ⁷²	-	-	-	-
23-123572-004 ²⁷¹	2-19/32 "	R42R55314	R42R55314 ³⁷	R40107771	R4090100P ⁷²	-	-	-	-
400 SERIES: LFE MEDIUM DUTY									
N/A	1-3/8 "	-	-	N/A	NR	-	-	R451651	R451651
N/A	1.4375	-	-	N/A	NR	-	-	R451652	R451652
N/A	1-3/8 "	-	-	N/A	NR	-	-	R451651	R451651
N/A	1.4375	-	-	N/A	NR	-	-	R451652	R451652
N/A	1-3/8 "	-	-	N/A	NR	-	-	R451651	R451651
N/A	1.4375	-	-	N/A	NR	-	-	R451652	R451652
N/A	1-3/8 "	-	-	N/A	NR	-	-	R451651	R451651
N/A	1.4375	-	-	N/A	NR	-	-	R451652	R451652
N/A	1-3/8 "	-	-	N/A	NR	-	-	R451651	R451651
N/A	1.4375	-	-	N/A	NR	-	-	R451652	R451652
N/A	1-3/8 "	-	-	N/A	NR	-	-	R451651	R451651
N/A	1.4375	-	-	N/A	NR	-	-	R451652	R451652
N/A	1-3/8 "	-	-	N/A	NR	-	-	R451651	R451651
N/A	1.4375	-	-	N/A	NR	-	-	R451652	R451652
N/A	1-3/8 "	-	-	N/A	NR	-	-	R451651	R451651
N/A	1.4375	-	-	N/A	NR	-	-	R451652	R451652
N/A	1-3/8 "	-	-	N/A	NR	-	-	R451651	R451651
N/A	1.4375	-	-	N/A	NR	-	-	R451652	R451652
4000 SERIES: MEDIUM CONVENTIONALS									
23-123572-004 ²⁷¹	2-7/8 "	R42R55250	R42R55250 ³⁷	R4066365	R4090096 ⁷²	-	-	-	-
23-123552-004 ²⁶⁶	2-7/8 "	R42R55250	R42R55250 ³⁷	R4066365	R4090096 ⁷²	-	-	-	-
23-123552-004 ²⁶⁶	3-3/8 "	R42R55099	R42R55098 ³⁷	R4066780	R4090021 ²⁰¹	-	-	-	-
R44141476 ²⁶⁸	2-19/32 "	R42R55314	R42R55314 ³⁷	R40107771	R4090100P ⁷²	-	-	-	-
R44141476 ²⁶⁸	3-3/8 "	R42R55099	R42R55098 ³⁷	R4066780	R4090021 ²⁰¹	-	-	-	-
R44141608 ²⁶⁷	3-3/8 "	R42R55099	R42R55098 ³⁷	R4066780	R4090021 ²⁰¹	-	-	-	-
R44141476 ²⁶⁸	2-7/8 "	R42R55250	R42R55250 ³⁷	R4066365	R4090096 ⁷²	-	-	-	-
R44141608 ²⁶⁷	2-19/32 "	R42R55314	R42R55314 ³⁷	R40107771	R4090100P ⁷²	-	-	-	-
23-123572-004 ²⁷¹	2-19/32 "	R42R55314	R42R55314 ³⁷	R40107771	R4090100P ⁷²	-	-	-	-
23-123552-004 ²⁶⁶	2-19/32 "	R42R55314	R42R55314 ³⁷	R40107771	R4090100P ⁷²	-	-	-	-
23-123572-004 ²⁷¹	3-3/8 "	R42R55099	R42R55098 ³⁷	R4066780	R4090021 ²⁰¹	-	-	-	-
R44141608 ²⁶⁷	2-7/8 "	R42R55250	R42R55250 ³⁷	R4066365	R4090096 ⁷²	-	-	-	-
23-123572-004 ²⁷¹	2-7/8 "	R42R55250	R42R55250 ³⁷	R4066365	R4090096 ⁷²	-	-	R4577512	R4577512
23-123552-004 ²⁶⁶	2-19/32 "	R42R55314	R42R55314 ³⁷	R40107771	R4090100P ⁷²	-	-	R4577512	R4577512
23-123552-004 ²⁶⁶	2-7/8 "	R42R55250	R42R55250 ³⁷	R4066365	R4090096 ⁷²	-	-	R4577512	R4577512
23-123572-004 ²⁷¹	2-19/32 "	R42R55314	R42R55314 ³⁷	R40107771	R4090100P ⁷²	-	-	R4577512	R4577512
R44141627 ²⁷⁰	2-19/32 "	R42R55314	R42R55314 ³⁷	R40107771	R4090100P ⁷²	-	-	R4577512	R4577512
R44141627 ²⁷⁰	2-7/8 "	R42R55250	R42R55250 ³⁷	R4066365	R4090096 ⁷²	-	-	R4577512	R4577512

MAKE MODEL YEAR AXLE CODE AXLE WEIGHT	AXLE & BRK. TYPE	BRK. MFG.	BRAKE SIZE	FMSI	MERITOR DISC PAD OR BRAKE SHOE	MERITOR GUIDE PIN OR RETURN SPRING KIT	MERITOR CALIPER HWD. KIT OR RETURN SPRING KIT	MERITOR ADJUSTER KIT (LEFT WHEEL)	MERITOR ADJUSTER KIT (RIGHT WHEEL)
ITE(Cont.)									
4000 SERIES: MEDIUM CONVENTIONALS(Cont.)									
1998	Fd	BX		7142 - D225	MD225	R40H5010	R40H5522	NR	NR
	Fd	BX		7108 - D184	MD184	R40H5010	R40H5519	NR	NR
	Fd	BX		7108 - D184	MD184	R40H5010	R40H5519	NR	NR
	Fd	BX		7142 - D225	MD225	R40H5010	R40H5522	NR	NR
	Fd	BX		7142 - D225	MD225	R40H5010	R40H5522	NR	NR
	Fd	BX		7108 - D184	MD184	R40H5010	R40H5519	NR	NR
	Fd	BX		7108 - D184	MD184	R40H5010	R40H5519	NR	NR
	Fd	BX		7108 - D184	MD184	R40H5010	R40H5519	NR	NR
	Fd	BX		7142 - D225	MD225	R40H5010	R40H5522	NR	NR
	Fd	BX		7108 - D184	MD184	R40H5010	R40H5519	NR	NR
	Fd	BX		7108 - D184	MD184	R40H5010	R40H5519	NR	NR
	Fd	BX		7108 - D184	MD184	R40H5010	R40H5519	NR	NR
	Fd	BX		7108 - D184	MD184	R40H5010	R40H5519	NR	NR
	Fd	BX		7108 - D184	MD184	R40H5010	R40H5519	NR	NR
	Fd	BX		7108 - D184	MD184	R40H5010	R40H5519	NR	NR
	Rd	BX		7108 - D184	MD184	R40H5010	R40H5519	NR	NR
	Rd	BX		7142 - D225	MD225	R40H5010	R40H5522	NR	NR
Rd	BX		7142 - D225	MD225	R40H5010	R40H5522	NR	NR	
Rd	BX		7108 - D184	MD184	R40H5010	R40H5519	NR	NR	
Rd	BX		7142 - D225	MD225	R40H5010	R40H5522	NR	NR	
Rd	BX		7108 - D184	MD184	R40H5010	R40H5519	NR	NR	
1997	Fd	BX		7108 - D184	MD184	R40H5010	R40H5519	NR	NR
	Fd	BX		7108 - D184	MD184	R40H5010	R40H5519	NR	NR
	Fd	BX		7108 - D184	MD184	R40H5010	R40H5519	NR	NR
	Fd	BX		7108 - D184	MD184	R40H5010	R40H5519	NR	NR
	Fd	BX		7142 - D225	MD225	R40H5010	R40H5522	NR	NR
	Fd	BX		7108 - D184	MD184	R40H5010	R40H5519	NR	NR
	Fd	BX		7108 - D184	MD184	R40H5010	R40H5519	NR	NR
	Fd	BX		7108 - D184	MD184	R40H5010	R40H5519	NR	NR
	Fd	BX		7142 - D225	MD225	R40H5010	R40H5522	NR	NR
	Fd	BX		7108 - D184	MD184	R40H5010	R40H5519	NR	NR
	Fd	BX		7142 - D225	MD225	R40H5010	R40H5522	NR	NR
	Fd	BX		7142 - D225	MD225	R40H5010	R40H5522	NR	NR
	Rd	BX		7142 - D225	MD225	R40H5010	R40H5522	NR	NR
	Rd	BX		7108 - D184	MD184	R40H5010	R40H5519	NR	NR
	Rd	BX		7108 - D184	MD184	R40H5010	R40H5519	NR	NR
	Rd	BX		7108 - D184	MD184	R40H5010	R40H5519	NR	NR
	Rd	BX		7142 - D225	MD225	R40H5010	R40H5522	NR	NR
Rd	BX		7142 - D225	MD225	R40H5010	R40H5522	NR	NR	
1996	Fd	BX		7108 - D184	MD184	R40H5010	R40H5519	NR	NR
	Fd	BX		7142 - D225	MD225	R40H5010	R40H5522	NR	NR
	Fd	BX		7108 - D184	MD184	R40H5010	R40H5519	NR	NR
	Fd	BX		7142 - D225	MD225	R40H5010	R40H5522	NR	NR
	Fd	BX		7108 - D184	MD184	R40H5010	R40H5519	NR	NR
	Fd	BX		7142 - D225	MD225	R40H5010	R40H5522	NR	NR
	Fd	BX		7108 - D184	MD184	R40H5010	R40H5519	NR	NR
	Fd	BX		7108 - D184	MD184	R40H5010	R40H5519	NR	NR
	Fd	BX		7108 - D184	MD184	R40H5010	R40H5519	NR	NR
	Fd	BX		7142 - D225	MD225	R40H5010	R40H5522	NR	NR
	Fd	BX		7108 - D184	MD184	R40H5010	R40H5519	NR	NR
	Fd	BX		7108 - D184	MD184	R40H5010	R40H5519	NR	NR
	Rd	BX		7142 - D225	MD225	R40H5010	R40H5522	NR	NR
	Rd	BX		7142 - D225	MD225	R40H5010	R40H5522	NR	NR
	Rd	BX		7108 - D184	MD184	R40H5010	R40H5519	NR	NR
	Rd	BX		7108 - D184	MD184	R40H5010	R40H5519	NR	NR
	1995	Fd	BX		7108 - D184	MD184	R40H5010	R40H5519	NR
Fd		BX		7142 - D225	MD225	R40H5010	R40H5522	NR	NR
Fd		BX		7108 - D184	MD184	R40H5010	R40H5519	NR	NR
Fd		BX		7108 - D184	MD184	R40H5010	R40H5519	NR	NR
Fd		BX		7108 - D184	MD184	R40H5010	R40H5519	NR	NR
Fd		BX		7108 - D184	MD184	R40H5010	R40H5519	NR	NR
Fd		BX		7142 - D225	MD225	R40H5010	R40H5522	NR	NR

37 - Also available as a New unit
 266 - 10 Stud, Hat Shaped
 270 - 5 Stud, U Shape, .766 Dia. Studs
 www.XpresswayPlus.com

72 - Phenolic/Steel Face
 267 - 10 Stud, U Shaped
 271 - 6 Stud, Hat Shape

201 - Steel Piston
 268 - 5 Stud, Hat Shape

MERITOR DRUM OR ROTOR NO.	CALIPER OR CYLINDER BORE SIZE	MERITOR CALIPER OR WHEEL CYLINDER (LEFT)	MERITOR CALIPER OR WHEEL CYLINDER (RIGHT)	MERITOR CALIPER OR WHEEL CYLINDER REPAIR KIT	MERITOR CALIPER PISTON	MERITOR MASTER CYLINDER	MERITOR MASTER CYLINDER KIT	MERITOR BRAKE HOSE (LEFT)	MERITOR BRAKE HOSE (RIGHT)
ITE(Cont.)									
4000 SERIES: MEDIUM CONVENTIONALS(Cont.)									
R44141476 ²⁶⁸	2-7/8 "	R42R55250	R42R55250 ³⁷	R4066365	R4090096 ⁷²	-	-	-	-
23-123572-004 ²⁷¹	3-3/8 "	R42R55099	R42R55098 ³⁷	R4066780	R4090021 ²⁰¹	-	-	-	-
R44141608 ²⁶⁷	3-3/8 "	R42R55099	R42R55098 ³⁷	R4066780	R4090021 ²⁰¹	-	-	-	-
23-123572-004 ²⁷¹	2-7/8 "	R42R55250	R42R55250 ³⁷	R4066365	R4090096 ⁷²	-	-	-	-
R44141608 ²⁶⁷	2-7/8 "	R42R55250	R42R55250 ³⁷	R4066365	R4090096 ⁷²	-	-	-	-
23-123572-004 ²⁷¹	2-19/32 "	R42R55314	R42R55314 ³⁷	R40107771	R4090100P ⁷²	-	-	-	-
R44141476 ²⁶⁸	2-19/32 "	R42R55314	R42R55314 ³⁷	R40107771	R4090100P ⁷²	-	-	-	-
23-123552-004 ²⁶⁶	3-3/8 "	R42R55099	R42R55098 ³⁷	R4066780	R4090021 ²⁰¹	-	-	-	-
23-123552-004 ²⁶⁶	2-7/8 "	R42R55250	R42R55250 ³⁷	R4066365	R4090096 ⁷²	-	-	-	-
23-123552-004 ²⁶⁶	2-19/32 "	R42R55314	R42R55314 ³⁷	R40107771	R4090100P ⁷²	-	-	-	-
R44141476 ²⁶⁸	3-3/8 "	R42R55099	R42R55098 ³⁷	R4066780	R4090021 ²⁰¹	-	-	-	-
R44141608 ²⁶⁷	2-19/32 "	R42R55314	R42R55314 ³⁷	R40107771	R4090100P ⁷²	-	-	-	-
23-123552-004 ²⁶⁶	2-7/8 "	R42R55250	R42R55250 ³⁷	R4066365	R4090096 ⁷²	-	-	-	-
R44141476 ²⁶⁸	3-3/8 "	R42R55099	R42R55098 ³⁷	R4066780	R4090021 ²⁰¹	-	-	-	-
R44141608 ²⁶⁷	2-19/32 "	R42R55314	R42R55314 ³⁷	R40107771	R4090100P ⁷²	-	-	-	-
23-123552-004 ²⁶⁶	2-7/8 "	R42R55250	R42R55250 ³⁷	R4066365	R4090096 ⁷²	-	-	-	-
23-123552-004 ²⁶⁶	2-19/32 "	R42R55314	R42R55314 ³⁷	R40107771	R4090100P ⁷²	-	-	-	-
23-123552-004 ²⁶⁶	2-19/32 "	R42R55314	R42R55314 ³⁷	R40107771	R4090100P ⁷²	-	-	-	-
23-123572-004 ²⁷¹	2-7/8 "	R42R55250	R42R55250 ³⁷	R4066365	R4090096 ⁷²	-	-	R4577512	R4577512
23-123572-004 ²⁷¹	2-7/8 "	R42R55250	R42R55250 ³⁷	R4066365	R4090096 ⁷²	-	-	R4577512	R4577512
R44141627 ²⁷⁰	2-7/8 "	R42R55250	R42R55250 ³⁷	R4066365	R4090096 ⁷²	-	-	R4577512	R4577512
R44141627 ²⁷⁰	2-19/32 "	R42R55314	R42R55314 ³⁷	R40107771	R4090100P ⁷²	-	-	R4577512	R4577512
23-123572-004 ²⁷¹	2-7/8 "	R42R55250	R42R55250 ³⁷	R4066365	R4090096 ⁷²	-	-	R4577512	R4577512
23-123572-004 ²⁷¹	2-19/32 "	R42R55314	R42R55314 ³⁷	R40107771	R4090100P ⁷²	-	-	R4577512	R4577512
R44141476 ²⁶⁸	2-19/32 "	R42R55314	R42R55314 ³⁷	R40107771	R4090100P ⁷²	-	-	-	-
23-123572-004 ²⁷¹	3-3/8 "	R42R55099	R42R55098 ³⁷	R4066780	R4090021 ²⁰¹	-	-	-	-
R44141476 ²⁶⁸	3-3/8 "	R42R55099	R42R55098 ³⁷	R4066780	R4090021 ²⁰¹	-	-	-	-
R44141608 ²⁶⁷	2-19/32 "	R42R55314	R42R55314 ³⁷	R40107771	R4090100P ⁷²	-	-	-	-
23-123552-004 ²⁶⁶	2-7/8 "	R42R55250	R42R55250 ³⁷	R4066365	R4090096 ⁷²	-	-	-	-
23-123552-004 ²⁶⁶	2-19/32 "	R42R55314	R42R55314 ³⁷	R40107771	R4090100P ⁷²	-	-	-	-
23-123572-004 ²⁷¹	2-19/32 "	R42R55314	R42R55314 ³⁷	R40107771	R4090100P ⁷²	-	-	-	-
R44141608 ²⁶⁷	2-7/8 "	R42R55250	R42R55250 ³⁷	R4066365	R4090096 ⁷²	-	-	-	-
R44141608 ²⁶⁷	3-3/8 "	R42R55099	R42R55098 ³⁷	R4066780	R4090021 ²⁰¹	-	-	-	-
23-123572-004 ²⁷¹	2-7/8 "	R42R55250	R42R55250 ³⁷	R4066365	R4090096 ⁷²	-	-	-	-
R44141476 ²⁶⁸	2-7/8 "	R42R55250	R42R55250 ³⁷	R4066365	R4090096 ⁷²	-	-	-	-
23-123572-004 ²⁷¹	2-7/8 "	R42R55250	R42R55250 ³⁷	R4066365	R4090096 ⁷²	-	-	R4577512	R4577512
R44141627 ²⁷⁰	2-19/32 "	R42R55314	R42R55314 ³⁷	R40107771	R4090100P ⁷²	-	-	R4577512	R4577512
23-123552-004 ²⁶⁶	2-7/8 "	R42R55250	R42R55250 ³⁷	R4066365	R4090096 ⁷²	-	-	R4577512	R4577512
23-123552-004 ²⁶⁶	2-19/32 "	R42R55314	R42R55314 ³⁷	R40107771	R4090100P ⁷²	-	-	R4577512	R4577512
23-123572-004 ²⁷¹	2-19/32 "	R42R55314	R42R55314 ³⁷	R40107771	R4090100P ⁷²	-	-	R4577512	R4577512
23-123572-004 ²⁷¹	2-7/8 "	R42R55250	R42R55250 ³⁷	R4066365	R4090096 ⁷²	-	-	R4577512	R4577512
R44141627 ²⁷⁰	2-19/32 "	R42R55314	R42R55314 ³⁷	R40107771	R4090100P ⁷²	-	-	R4577512	R4577512
23-123572-004 ²⁷¹	2-19/32 "	R42R55314	R42R55314 ³⁷	R40107771	R4090100P ⁷²	-	-	-	-
R44141476 ²⁶⁸	2-7/8 "	R42R55250	R42R55250 ³⁷	R4066365	R4090096 ⁷²	-	-	-	-
R44141476 ²⁶⁸	3-3/8 "	R42R55099	R42R55098 ³⁷	R4066780	R4090021 ²⁰¹	-	-	-	-
R44141608 ²⁶⁷	2-19/32 "	R42R55314	R42R55314 ³⁷	R40107771	R4090100P ⁷²	-	-	-	-
23-123572-004 ²⁷¹	3-3/8 "	R42R55099	R42R55098 ³⁷	R4066780	R4090021 ²⁰¹	-	-	-	-
R44141608 ²⁶⁷	3-3/8 "	R42R55099	R42R55098 ³⁷	R4066780	R4090021 ²⁰¹	-	-	-	-
23-123552-004 ²⁶⁶	2-7/8 "	R42R55250	R42R55250 ³⁷	R4066365	R4090096 ⁷²	-	-	-	-

1 APPLICATION

MAKE MODEL YEAR AXLE CODE AXLE WEIGHT	AXLE & BRK. TYPE	BRK. MFG.	BRAKE SIZE	FMSI	MERITOR DISC PAD OR BRAKE SHOE	MERITOR GUIDE PIN OR RETURN SPRING KIT	MERITOR CALIPER HWD. KIT OR RETURN SPRING KIT	MERITOR ADJUSTER KIT (LEFT WHEEL)	MERITOR ADJUSTER KIT (RIGHT WHEEL)	
ITE(Cont.)										
4000 SERIES: MEDIUM CONVENTIONALS(Cont.)										
1995	Fd	BX		7108 - D184	MD184	R40H5010	R40H5519	NR	NR	
	Fd	BX		7108 - D184	MD184	R40H5010	R40H5519	NR	NR	
	Fd	BX		7142 - D225	MD225	R40H5010	R40H5522	NR	NR	
	Fd	BX		7108 - D184	MD184	R40H5010	R40H5519	NR	NR	
	Fd	BX		7142 - D225	MD225	R40H5010	R40H5522	NR	NR	
	Rd	BX		7142 - D225	MD225	R40H5010	R40H5522	NR	NR	
	Rd	BX		7142 - D225	MD225	R40H5010	R40H5522	NR	NR	
	Rd	BX		7108 - D184	MD184	R40H5010	R40H5519	NR	NR	
	Rd	BX		7108 - D184	MD184	R40H5010	R40H5519	NR	NR	
	Rd	BX		7142 - D225	MD225	R40H5010	R40H5522	NR	NR	
	Rd	BX		7108 - D184	MD184	R40H5010	R40H5519	NR	NR	
	1994	Fd	BX		7108 - D184	MD184	R40H5010	R40H5519	NR	NR
		Fd	BX		7108 - D184	MD184	R40H5010	R40H5519	NR	NR
		Fd	BX		7142 - D225	MD225	R40H5010	R40H5522	NR	NR
Fd		BX		7108 - D184	MD184	R40H5010	R40H5519	NR	NR	
Fd		BX		7142 - D225	MD225	R40H5010	R40H5522	NR	NR	
Fd		BX		7142 - D225	MD225	R40H5010	R40H5522	NR	NR	
Fd		BX		7108 - D184	MD184	R40H5010	R40H5519	NR	NR	
Fd		BX		7108 - D184	MD184	R40H5010	R40H5519	NR	NR	
Fd		BX		7108 - D184	MD184	R40H5010	R40H5519	NR	NR	
Fd		BX		7108 - D184	MD184	R40H5010	R40H5519	NR	NR	
Fd		BX		7108 - D184	MD184	R40H5010	R40H5519	NR	NR	
Rd		BX		7142 - D225	MD225	R40H5010	R40H5522	NR	NR	
Rd		BX		7108 - D184	MD184	R40H5010	R40H5519	NR	NR	
Rd		BX		7108 - D184	MD184	R40H5010	R40H5519	NR	NR	
1993	Fd	BX		7108 - D184	MD184	R40H5010	R40H5519	NR	NR	
	Fd	BX		7142 - D225	MD225	R40H5010	R40H5522	NR	NR	
	Fd	BX		7142 - D225	MD225	R40H5010	R40H5522	NR	NR	
	Fd	BX		7108 - D184	MD184	R40H5010	R40H5519	NR	NR	
	Fd	BX		7142 - D225	MD225	R40H5010	R40H5522	NR	NR	
	Fd	BX		7108 - D184	MD184	R40H5010	R40H5519	NR	NR	
	Fd	BX		7108 - D184	MD184	R40H5010	R40H5519	NR	NR	
	Fd	BX		7108 - D184	MD184	R40H5010	R40H5519	NR	NR	
	Fd	BX		7108 - D184	MD184	R40H5010	R40H5519	NR	NR	
	Fd	BX		7108 - D184	MD184	R40H5010	R40H5519	NR	NR	
	Fd	BX		7108 - D184	MD184	R40H5010	R40H5519	NR	NR	
	Fd	BX		7142 - D225	MD225	R40H5010	R40H5522	NR	NR	
	Rd	BX		7108 - D184	MD184	R40H5010	R40H5519	NR	NR	
	Rd	BX		7108 - D184	MD184	R40H5010	R40H5519	NR	NR	
1992	Fd	BX		7108 - D184	MD184	R40H5010	R40H5519	NR	NR	
	Fd	BX		7108 - D184	MD184	R40H5010	R40H5519	NR	NR	
	Fd	BX		7108 - D184	MD184	R40H5010	R40H5519	NR	NR	
	Fd	BX		7108 - D184	MD184	R40H5010	R40H5519	NR	NR	
	Fd	BX		7142 - D225	MD225	R40H5010	R40H5522	NR	NR	
	Fd	BX		7108 - D184	MD184	R40H5010	R40H5519	NR	NR	
	Fd	BX		7142 - D225	MD225	R40H5010	R40H5522	NR	NR	
	Fd	BX		7142 - D225	MD225	R40H5010	R40H5522	NR	NR	
	Fd	BX		7108 - D184	MD184	R40H5010	R40H5519	NR	NR	
	Fd	BX		7108 - D184	MD184	R40H5010	R40H5519	NR	NR	
	Fd	BX		7108 - D184	MD184	R40H5010	R40H5519	NR	NR	
	Fd	BX		7108 - D184	MD184	R40H5010	R40H5519	NR	NR	
	Fd	BX		7142 - D225	MD225	R40H5010	R40H5522	NR	NR	
	Rd	BX		7142 - D225	MD225	R40H5010	R40H5522	NR	NR	
Rd	BX		7108 - D184	MD184	R40H5010	R40H5519	NR	NR		

37 - Also available as a New unit
 266 - 10 Stud, Hat Shaped
 270 - 5 Stud, U Shape, .766 Dia. Studs
 www.XpresswayPlus.com

72 - Phenolic/Steel Face
 267 - 10 Stud, U Shaped
 271 - 6 Stud, Hat Shape

201 - Steel Piston
 268 - 5 Stud, Hat Shape

MERITOR DRUM OR ROTOR NO.	CALIPER OR CYLINDER BORE SIZE	MERITOR CALIPER OR WHEEL CYLINDER (LEFT)	MERITOR CALIPER OR WHEEL CYLINDER (RIGHT)	MERITOR CALIPER OR WHEEL CYLINDER REPAIR KIT	MERITOR CALIPER PISTON	MERITOR MASTER CYLINDER	MERITOR MASTER CYLINDER KIT	MERITOR BRAKE HOSE (LEFT)	MERITOR BRAKE HOSE (RIGHT)
ITE(Cont.)									
4000 SERIES: MEDIUM CONVENTIONALS(Cont.)									
23-123552-004 ²⁶⁶ R44141476 ²⁶⁸	2-19/32 " 2-19/32 "	R42R55314 R42R55314	R42R55314 ³⁷ R42R55314 ³⁷	R40107771 R40107771	R4090100P ⁷² R4090100P ⁷²	- -	- -	- -	- -
23-123572-004 ²⁷¹ 23-123552-004 ²⁶⁶ R44141608 ²⁶⁷	2-7/8 " 3-3/8 " 2-7/8 "	R42R55250 R42R55099 R42R55250	R42R55250 ³⁷ R42R55098 ³⁷ R42R55250 ³⁷	R4066365 R4066780 R4066365	R4090096 ⁷² R4090021 ²⁰¹ R4090096 ⁷²	- - -	- - -	- - -	- - -
23-123572-004 ²⁷¹ R44141627 ²⁷⁰ R44141627 ²⁷⁰	2-7/8 " 2-7/8 " 2-19/32 "	R42R55250 R42R55250 R42R55314	R42R55250 ³⁷ R42R55250 ³⁷ R42R55314 ³⁷	R4066365 R4066365 R40107771	R4090096 ⁷² R4090096 ⁷² R4090100P ⁷²	- - -	- - -	R4577512 R4577512 R4577512	R4577512 R4577512 R4577512
23-123572-004 ²⁷¹ 23-123552-004 ²⁶⁶ 23-123552-004 ²⁶⁶	2-19/32 " 2-7/8 " 2-19/32 "	R42R55314 R42R55314 R42R55314	R42R55314 ³⁷ R42R55314 ³⁷ R42R55314 ³⁷	R40107771 R40107771 R40107771	R4090100P ⁷² R4090100P ⁷² R4090100P ⁷²	- - -	- - -	R4577512 R4577512 R4577512	R4577512 R4577512 R4577512
23-123552-004 ²⁶⁶ R44141476 ²⁶⁸ 23-123572-004 ²⁷¹ R44141476 ²⁶⁸ R44141476 ²⁶⁸ 23-123552-004 ²⁶⁶ R44141608 ²⁶⁷ R44141608 ²⁶⁷ R44141608 ²⁶⁷ 23-123572-004 ²⁷¹ 23-123572-004 ²⁷¹ 23-123572-004 ²⁷¹ R44141627 ²⁷⁰ 23-123552-004 ²⁶⁶ 23-123572-004 ²⁷¹	3-3/8 " 2-19/32 " 2-7/8 " 3-3/8 " 2-7/8 " 2-7/8 " 3-3/8 " 2-19/32 " 2-19/32 " 3-3/8 " 2-19/32 " 3-3/8 " 2-7/8 " 2-19/32 " 2-19/32 "	R42R55099 R42R55314 R42R55250 R42R55099 R42R55250 R42R55099 R42R55314 R42R55314 R42R55314 R42R55099 R42R55314 R42R55099 R42R55250 R42R55314 R42R55314	R42R55098 ³⁷ R42R55314 ³⁷ R42R55250 ³⁷ R42R55098 ³⁷ R42R55250 ³⁷ R42R55098 ³⁷ R42R55314 ³⁷ R42R55314 ³⁷ R42R55314 ³⁷ R42R55098 ³⁷ R42R55314 ³⁷ R42R55098 ³⁷ R42R55250 ³⁷ R42R55314 ³⁷ R42R55314 ³⁷	R4066780 R40107771 R4066365 R4066780 R4066365 R4066365 R4066780 R40107771 R40107771 R4066780 R4066365 R4066780 R4066365 R40107771 R40107771	R4090021 ²⁰¹ R4090100P ⁷² R4090096 ⁷² R4090021 ²⁰¹ R4090096 ⁷² R4090021 ²⁰¹ R4090100P ⁷² R4090100P ⁷² R4090021 ²⁰¹ R4090100P ⁷² R4090021 ²⁰¹ R4090096 ⁷² R4090021 ²⁰¹ R4090100P ⁷²	- - - - - - - - - - - - - - -	- - - - - - - - - - - - - - - -	- - - - - - - - - - - - - - - -	- - - - - - - - - - - - - - -
23-123552-004 ²⁶⁶ 23-123552-004 ²⁶⁶ 23-123572-004 ²⁷¹ 23-123572-004 ²⁷¹ R44141627 ²⁷⁰	2-7/8 " 2-19/32 " 2-19/32 " 2-7/8 " 2-7/8 "	R42R55250 R42R55314 R42R55314 R42R55250 R42R55314	R42R55250 ³⁷ R42R55314 ³⁷ R42R55314 ³⁷ R42R55250 ³⁷ R42R55314 ³⁷	R4066365 R40107771 R40107771 R4066365 R4066365	R4090096 ⁷² R4090100P ⁷² R4090100P ⁷² R4090096 ⁷² R4090100P ⁷²	- - - - -	- - - - -	R4577512 R4577512 R4577512 R4577512 R4577512	R4577512 R4577512 R4577512 R4577512 R4577512
R44141608 ²⁶⁷ R44141608 ²⁶⁷ R44141476 ²⁶⁸ 23-123552-004 ²⁶⁶ 23-123552-004 ²⁶⁶ R44141608 ²⁶⁷ 23-123572-004 ²⁷¹ 23-123572-004 ²⁷¹ R44141476 ²⁶⁸ R44141476 ²⁶⁸ 23-123552-004 ²⁶⁶ 23-123572-004 ²⁷¹	3-3/8 " 2-7/8 " 2-7/8 " 2-19/32 " 2-7/8 " 2-19/32 " 2-19/32 " 3-3/8 " 3-3/8 " 2-19/32 " 3-3/8 " 2-7/8 "	R42R55099 R42R55250 R42R55250 R42R55314 R42R55250 R42R55314 R42R55314 R42R55099 R42R55099 R42R55314 R42R55099 R42R55250 R42R55250	R42R55098 ³⁷ R42R55250 ³⁷ R42R55250 ³⁷ R42R55314 ³⁷ R42R55250 ³⁷ R42R55314 ³⁷ R42R55314 ³⁷ R42R55098 ³⁷ R42R55098 ³⁷ R42R55314 ³⁷ R42R55098 ³⁷ R42R55250 ³⁷ R42R55250 ³⁷	R4066780 R4066365 R4066365 R40107771 R4066365 R40107771 R40107771 R4066780 R4066780 R40107771 R4066780 R4066365 R4066365	R4090021 ²⁰¹ R4090096 ⁷² R4090096 ⁷² R4090100P ⁷² R4090096 ⁷² R4090100P ⁷² R4090100P ⁷² R4090021 ²⁰¹ R4090021 ²⁰¹ R4090100P ⁷² R4090021 ²⁰¹ R4090096 ⁷² R4090096 ⁷²	- - - - - - - - - - - - - -	- - - - - - - - - - - - - -	- - - - - - - - - - - - - -	- - - - - - - - - - - - -
R44141627 ²⁷⁰ 23-123572-004 ²⁷¹ 23-123572-004 ²⁷¹ R44141627 ²⁷⁰ 23-123552-004 ²⁶⁶ 23-123552-004 ²⁶⁶	2-19/32 " 2-19/32 " 2-7/8 " 2-7/8 " 2-19/32 " 2-7/8 "	R42R55314 R42R55314 R42R55250 R42R55250 R42R55314 R42R55250	R42R55314 ³⁷ R42R55314 ³⁷ R42R55250 ³⁷ R42R55250 ³⁷ R42R55314 ³⁷ R42R55250 ³⁷	R40107771 R40107771 R4066365 R4066365 R40107771 R4066365	R4090100P ⁷² R4090100P ⁷² R4090096 ⁷² R4090096 ⁷² R4090100P ⁷² R4090096 ⁷²	- - - - - -	- - - - - -	R4577512 R4577512 R4577512 R4577512 R4577512 R4577512	R4577512 R4577512 R4577512 R4577512 R4577512 R4577512
23-123572-004 ²⁷¹ R44141476 ²⁶⁸ 23-123552-004 ²⁶⁶ 23-123552-004 ²⁶⁶ 23-123572-004 ²⁷¹ R44141608 ²⁶⁷ R44141476 ²⁶⁸ R44141608 ²⁶⁷ 23-123572-004 ²⁷¹ R44141608 ²⁶⁷ R44141476 ²⁶⁸ 23-123552-004 ²⁶⁶ 23-123572-004 ²⁷¹ 23-123552-004 ²⁶⁶ 23-123572-004 ²⁷¹	3-3/8 " 3-3/8 " 3-3/8 " 2-19/32 " 2-7/8 " 3-3/8 " 2-7/8 " 2-7/8 " 2-19/32 " 2-19/32 " 2-19/32 " 2-7/8 " 2-7/8 " 2-7/8 " 2-19/32 "	R42R55099 R42R55099 R42R55099 R42R55314 R42R55250 R42R55099 R42R55250 R42R55250 R42R55314 R42R55314 R42R55314 R42R55250 R42R55314 R42R55250 R42R55314	R42R55098 ³⁷ R42R55098 ³⁷ R42R55098 ³⁷ R42R55314 ³⁷ R42R55250 ³⁷ R42R55098 ³⁷ R42R55250 ³⁷ R42R55250 ³⁷ R42R55314 ³⁷ R42R55314 ³⁷ R42R55314 ³⁷ R42R55250 ³⁷ R42R55314 ³⁷ R42R55250 ³⁷ R42R55314 ³⁷	R4066780 R4066780 R4066780 R40107771 R4066365 R4066780 R4066365 R4066365 R40107771 R40107771 R40107771 R4066365 R4066365 R4066365 R40107771	R4090021 ²⁰¹ R4090021 ²⁰¹ R4090021 ²⁰¹ R4090100P ⁷² R4090096 ⁷² R4090021 ²⁰¹ R4090096 ⁷² R4090096 ⁷² R4090100P ⁷² R4090100P ⁷² R4090100P ⁷² R4090096 ⁷² R4090096 ⁷² R4090096 ⁷² R4090100P ⁷²	- - - - - - - - - - - - - - -	- - - - - - - - - - - - - - -	- - - - - - - - - - - - - - -	- - - - - - - - - - - - - -
23-123552-004 ²⁶⁶ 23-123572-004 ²⁷¹	2-7/8 " 2-19/32 "	R42R55250 R42R55314	R42R55250 ³⁷ R42R55314 ³⁷	R4066365 R40107771	R4090096 ⁷² R4090100P ⁷²	- -	- -	R4577512 R4577512	R4577512 R4577512

1 APPLICATION

MAKE MODEL YEAR AXLE CODE AXLE WEIGHT	AXLE & BRK. TYPE	BRK. MFG.	BRAKE SIZE	FMSI	MERITOR DISC PAD OR BRAKE SHOE	MERITOR GUIDE PIN OR RETURN SPRING KIT	MERITOR CALIPER HWD. KIT OR RETURN SPRING KIT	MERITOR ADJUSTER KIT (LEFT WHEEL)	MERITOR ADJUSTER KIT (RIGHT WHEEL)
ITE(Cont.)									
4000 SERIES: MEDIUM CONVENTIONALS(Cont.)									
1992	Rd	BX		7142 - D225	MD225	R40H5010	R40H5522	NR	NR
	Rd	BX		7142 - D225	MD225	R40H5010	R40H5522	NR	NR
	Rd	BX		7108 - D184	MD184	R40H5010	R40H5519	NR	NR
	Rd	BX		7108 - D184	MD184	R40H5010	R40H5519	NR	NR
1991	Fd	BX		7142 - D225	MD225	R40H5010	R40H5522	NR	NR
	Fd	BX		7108 - D184	MD184	R40H5010	R40H5519	NR	NR
	Fd	BX		7142 - D225	MD225	R40H5010	R40H5522	NR	NR
	Fd	BX		7108 - D184	MD184	R40H5010	R40H5519	NR	NR
	Fd	BX		7108 - D184	MD184	R40H5010	R40H5519	NR	NR
	Fd	BX		7108 - D184	MD184	R40H5010	R40H5519	NR	NR
	Fd	BX		7142 - D225	MD225	R40H5010	R40H5522	NR	NR
	Fd	BX		7108 - D184	MD184	R40H5010	R40H5519	NR	NR
	Fd	BX		7108 - D184	MD184	R40H5010	R40H5519	NR	NR
	Fd	BX		7142 - D225	MD225	R40H5010	R40H5522	NR	NR
	Fd	BX		7108 - D184	MD184	R40H5010	R40H5519	NR	NR
	Rd	BX		7108 - D184	MD184	R40H5010	R40H5519	NR	NR
	Rd	BX		7108 - D184	MD184	R40H5010	R40H5519	NR	NR
	Rd	BX		7142 - D225	MD225	R40H5010	R40H5522	NR	NR
	Rd	BX		7142 - D225	MD225	R40H5010	R40H5522	NR	NR
	Rd	BX		7108 - D184	MD184	R40H5010	R40H5519	NR	NR
	Rd	BX		7108 - D184	MD184	R40H5010	R40H5519	NR	NR
1990	Fd	BX		7142 - D225	MD225	R40H5010	R40H5522	NR	NR
	Fd	BX		7108 - D184	MD184	R40H5010	R40H5519	NR	NR
	Fd	BX		7108 - D184	MD184	R40H5010	R40H5519	NR	NR
	Fd	BX		7142 - D225	MD225	R40H5010	R40H5522	NR	NR
	Fd	BX		7108 - D184	MD184	R40H5010	R40H5519	NR	NR
	Fd	BX		7108 - D184	MD184	R40H5010	R40H5519	NR	NR
	Fd	BX		7142 - D225	MD225	R40H5010	R40H5522	NR	NR
	Fd	BX		7108 - D184	MD184	R40H5010	R40H5519	NR	NR
	Fd	BX		7108 - D184	MD184	R40H5010	R40H5519	NR	NR
	Fd	BX		7142 - D225	MD225	R40H5010	R40H5522	NR	NR
	Fd	BX		7108 - D184	MD184	R40H5010	R40H5519	NR	NR
	Fd	BX		7108 - D184	MD184	R40H5010	R40H5519	NR	NR
	Rd	BX		7142 - D225	MD225	R40H5010	R40H5522	NR	NR
	Rd	BX		7108 - D184	MD184	R40H5010	R40H5519	NR	NR
	Rd	BX		7142 - D225	MD225	R40H5010	R40H5522	NR	NR
	Rd	BX		7108 - D184	MD184	R40H5010	R40H5519	NR	NR
	Rd	BX		7108 - D184	MD184	R40H5010	R40H5519	NR	NR
	Rd	BX		7142 - D225	MD225	R40H5010	R40H5522	NR	NR
	Rd	BX		7108 - D184	MD184	R40H5010	R40H5519	NR	NR
4200, 4300, 4400, 4600, 4700, 4900 SERIES: MEDIUM CONVENTIONALS									
2008 Through April Spicer D800-F 8,000 lb	Fd	Bosch		7654 - D786	MD786A	R4011754	NR	NR	NR
Through April I-100S 10,000 lb	Fd	Bosch		7654 - D786	MD786A	R4011754	NR	NR	NR
Through April I-120S 11,000 lb	Fd	Bosch		7654 - D786	MD786A	R4011754	NR	NR	NR
Through April I-120SG 12,000 lb	Fd	Bosch		7654 - D786	MD786A	R4011754	NR	NR	NR
	Fd	Bosch		7655 - D786	MD786	R4011754	NR	NR	NR
Through April S122-S 12,200 lb	Rd	Bosch		7654 - D786	MD786A	R4011754	NR	NR	NR
Through April S135-S 13,500 lb	Rd	Bosch		7654 - D786	MD786A	R4011754	NR	NR	NR
Through April I-140S 14,000 lb	Fd	Bosch		7655 - D786	MD786	R4011754	NR	NR	NR

37 - Also available as a New unit
 266 - 10 Stud, Hat Shaped
 270 - 5 Stud, U Shape, .766 Dia. Studs
 www.XpresswayPlus.com

72 - Phenolic/Steel Face
 267 - 10 Stud, U Shaped
 271 - 6 Stud, Hat Shape

201 - Steel Piston
 268 - 5 Stud, Hat Shape
 365 - Caliper Loaded with Hardware and Disc Pads

Contact our Customer Service Teams
 1-888-725-9355

MERITOR DRUM OR ROTOR NO.	CALIPER OR CYLINDER BORE SIZE	MERITOR CALIPER OR WHEEL CYLINDER (LEFT)	MERITOR CALIPER OR WHEEL CYLINDER (RIGHT)	MERITOR CALIPER OR WHEEL CYLINDER REPAIR KIT	MERITOR CALIPER PISTON	MERITOR MASTER CYLINDER	MERITOR MASTER CYLINDER KIT	MERITOR BRAKE HOSE (LEFT)	MERITOR BRAKE HOSE (RIGHT)
ITE(Cont.)									
4000 SERIES: MEDIUM CONVENTIONALS(Cont.)									
23-123572-004 ²⁷¹ R44141627 ²⁷⁰	2-7/8 "	R42R55250	R42R55250 ³⁷	R4066365	R4090096 ⁷²	-	-	R4577512	R4577512
23-123552-004 ²⁶⁶ R44141627 ²⁷⁰	2-19/32 "	R42R55314	R42R55314 ³⁷	R40107771	R4090100P ⁷²	-	-	R4577512	R4577512
R44141476 ²⁶⁸ 23-123552-004 ²⁶⁶	2-7/8 "	R42R55250	R42R55250 ³⁷	R4066365	R4090096 ⁷²	-	-	-	-
23-123552-004 ²⁶⁶	3-3/8 "	R42R55099	R42R55098 ³⁷	R4066780	R4090021 ²⁰¹	-	-	-	-
R44141608 ²⁶⁷ R44141476 ²⁶⁸	2-19/32 "	R42R55314	R42R55314 ³⁷	R40107771	R4090100P ⁷²	-	-	-	-
23-123572-004 ²⁷¹	2-7/8 "	R42R55250	R42R55250 ³⁷	R4066365	R4090096 ⁷²	-	-	-	-
23-123572-004 ²⁷¹	3-3/8 "	R42R55099	R42R55098 ³⁷	R4066780	R4090021 ²⁰¹	-	-	-	-
R44141476 ²⁶⁸ R44141608 ²⁶⁷	2-19/32 "	R42R55314	R42R55314 ³⁷	R40107771	R4090100P ⁷²	-	-	-	-
23-123552-004 ²⁶⁶	2-7/8 "	R42R55250	R42R55250 ³⁷	R4066365	R4090096 ⁷²	-	-	-	-
23-123552-004 ²⁶⁶	2-19/32 "	R42R55314	R42R55314 ³⁷	R40107771	R4090100P ⁷²	-	-	-	-
23-123552-004 ²⁶⁶ R44141627 ²⁷⁰	2-19/32 "	R42R55314	R42R55314 ³⁷	R40107771	R4090100P ⁷²	-	-	R4577512	R4577512
R44141627 ²⁷⁰	2-7/8 "	R42R55250	R42R55250 ³⁷	R4066365	R4090096 ⁷²	-	-	R4577512	R4577512
23-123572-004 ²⁷¹	2-7/8 "	R42R55250	R42R55250 ³⁷	R4066365	R4090096 ⁷²	-	-	R4577512	R4577512
23-123572-004 ²⁷¹	2-19/32 "	R42R55314	R42R55314 ³⁷	R40107771	R4090100P ⁷²	-	-	R4577512	R4577512
23-123552-004 ²⁶⁶	2-7/8 "	R42R55250	R42R55250 ³⁷	R4066365	R4090096 ⁷²	-	-	R4577512	R4577512
R44141608 ²⁶⁷ R44141608 ²⁶⁷	2-7/8 "	R42R55250	R42R55250 ³⁷	R4066365	R4090096 ⁷²	-	-	-	-
23-123552-004 ²⁶⁶	3-3/8 "	R42R55099	R42R55098 ³⁷	R4066780	R4090021 ²⁰¹	-	-	-	-
23-123552-004 ²⁶⁶	2-19/32 "	R42R55314	R42R55314 ³⁷	R40107771	R4090100P ⁷²	-	-	-	-
R44141476 ²⁶⁸ 23-123552-004 ²⁶⁶	2-7/8 "	R42R55250	R42R55250 ³⁷	R4066365	R4090096 ⁷²	-	-	-	-
23-123552-004 ²⁶⁶	3-3/8 "	R42R55099	R42R55098 ³⁷	R4066780	R4090021 ²⁰¹	-	-	-	-
R44141476 ²⁶⁸ 23-123572-004 ²⁷¹	2-7/8 "	R42R55250	R42R55250 ³⁷	R4066365	R4090096 ⁷²	-	-	-	-
23-123572-004 ²⁷¹	3-3/8 "	R42R55099	R42R55098 ³⁷	R4066780	R4090021 ²⁰¹	-	-	-	-
23-123572-004 ²⁷¹	2-19/32 "	R42R55314	R42R55314 ³⁷	R40107771	R4090100P ⁷²	-	-	-	-
23-123572-004 ²⁷¹	2-7/8 "	R42R55250	R42R55250 ³⁷	R4066365	R4090096 ⁷²	-	-	-	-
R44141608 ²⁶⁷ R44141476 ²⁶⁸	2-19/32 "	R42R55314	R42R55314 ³⁷	R40107771	R4090100P ⁷²	-	-	-	-
23-123572-004 ²⁷¹	3-3/8 "	R42R55099	R42R55098 ³⁷	R4066780	R4090021 ²⁰¹	-	-	-	-
23-123572-004 ²⁷¹	2-7/8 "	R42R55250	R42R55250 ³⁷	R4066365	R4090096 ⁷²	-	-	R4577512	R4577512
23-123572-004 ²⁷¹	2-19/32 "	R42R55314	R42R55314 ³⁷	R40107771	R4090100P ⁷²	-	-	R4577512	R4577512
23-123552-004 ²⁶⁶	2-7/8 "	R42R55250	R42R55250 ³⁷	R4066365	R4090096 ⁷²	-	-	R4577512	R4577512
23-123552-004 ²⁶⁶	2-19/32 "	R42R55314	R42R55314 ³⁷	R40107771	R4090100P ⁷²	-	-	R4577512	R4577512
R44141627 ²⁷⁰ R44141627 ²⁷⁰	2-7/8 "	R42R55250	R42R55250 ³⁷	R4066365	R4090096 ⁷²	-	-	R4577512	R4577512
R44141627 ²⁷⁰	2-19/32 "	R42R55314	R42R55314 ³⁷	R40107771	R4090100P ⁷²	-	-	R4577512	R4577512
4200, 4300, 4400, 4600, 4700, 4900 SERIES: MEDIUM CONVENTIONALS									
23-123550-004 ³⁸⁷	66mm	R424153263	R424153263 ³⁶⁵	R4011752	R4011751	-	-	-	-
23-123550-004 ³⁸⁷	66mm	R424153263	R424153263 ³⁶⁵	R4011752	R4011751	-	-	-	-
23-123550-004 ³⁸⁷	66mm	R424153263	R424153263 ³⁶⁵	R4011752	R4011751	-	-	-	-
23-123550-004 ³⁸⁷ 23-123550-004 ³⁸⁷	66mm 73mm	R424153263 R424153216	R424153263 ³⁶⁵ R424153216 ³⁶⁵	R4011752 R4011758	R4011751 R4011757	-	-	-	-
23-123550-004 ³⁸⁷	66mm	R424153263	R424153263 ³⁶⁵	R4011752	R4011751	-	-	-	-
23-123550-004 ³⁸⁷	66mm	R424153263	R424153263 ³⁶⁵	R4011752	R4011751	-	-	-	-
23-123550-004 ³⁸⁷	73mm	R424153216	R424153216 ³⁶⁵	R4011758	R4011757	-	-	-	-

387 - 10 Hole Rotor

MAKE MODEL YEAR AXLE CODE AXLE WEIGHT	AXLE & BRK. TYPE	BRK. MFG.	BRAKE SIZE	FMSI	MERITOR DISC PAD OR BRAKE SHOE	MERITOR GUIDE PIN OR RETURN SPRING KIT	MERITOR CALIPER HWD. KIT OR RETURN SPRING KIT	MERITOR ADJUSTER KIT (LEFT WHEEL)	MERITOR ADJUSTER KIT (RIGHT WHEEL)
ITE(Cont.)									
4200, 4300, 4400, 4600, 4700, 4900 SERIES: MEDIUM CONVENTIONALS(Cont.)									
2008									
Through April S150-S 15,500 lb	Rd	Bosch		7654 - D786	MD786A	R4011754	NR	NR	NR
Through April Dana Spicer 17060S 17,500 lb	Rd	Bosch		7654 - D786	MD786A	R4011754	NR	NR	NR
Through April Dana Spicer 19060S 19,000 lb	Rd	Bosch		7654 - D786	MD786A	R4011754	NR	NR	NR
Through April Spicer M190-T 2-Speed 19,000 lb	Rd	Bosch		7654 - D786	MD786A	R4011754	NR	NR	NR
Through April Dana Spicer 21060S 21,000 lb	Rd	Bosch		7654 - D786	MD786A	R4011754	NR	NR	NR
Through April Dana Spicer 22060S 22,000 lb	Rd	Bosch		7654 - D786	MD786A	R4011754	NR	NR	NR
Through April Dana Spicer 23090S 23,000 lb	Rd	Bosch		7654 - D786	MD786A	R4011754	NR	NR	NR
Through April Dana Spicer 26050S 26,000 lb	Rd	Bosch		7655 - D786	MD786	R4011754	NR	NR	NR
2007									
Spicer D800-F 8,000 lb	Fd	Bosch		7654 - D786	MD786A	R4011754	NR	NR	NR
I-100S 10,000 lb	Fd	Bosch		7654 - D786	MD786A	R4011754	NR	NR	NR
I-120S 11,000 lb	Fd	Bosch		7654 - D786	MD786A	R4011754	NR	NR	NR
I-120SG 12,000 lb	Fd Fd	Bosch Bosch		7654 - D786 7655 - D786	MD786A MD786	R4011754 R4011754	NR NR	NR NR	NR NR
S122-S 12,200 lb	Rd	Bosch		7654 - D786	MD786A	R4011754	NR	NR	NR
S135-S 13,500 lb	Rd	Bosch		7654 - D786	MD786A	R4011754	NR	NR	NR
I-140S 14,000 lb	Fd	Bosch		7655 - D786	MD786	R4011754	NR	NR	NR
S150-S 15,500 lb	Rd	Bosch		7654 - D786	MD786A	R4011754	NR	NR	NR
Dana Spicer 17060S 17,500 lb	Rd	Bosch		7654 - D786	MD786A	R4011754	NR	NR	NR
Dana Spicer 19060S 19,000 lb	Rd	Bosch		7654 - D786	MD786A	R4011754	NR	NR	NR
Spicer M190-T 2-Speed 19,000 lb	Rd	Bosch		7654 - D786	MD786A	R4011754	NR	NR	NR
Dana Spicer 21060S 21,000 lb	Rd	Bosch		7654 - D786	MD786A	R4011754	NR	NR	NR
Dana Spicer 22060S 22,000 lb	Rd	Bosch		7654 - D786	MD786A	R4011754	NR	NR	NR
Dana Spicer 23090S 23,000 lb	Rd	Bosch		7654 - D786	MD786A	R4011754	NR	NR	NR
Dana Spicer 26050S 26,000 lb	Rd	Bosch		7655 - D786	MD786	R4011754	NR	NR	NR
2006									
Spicer D800-F 8,000 lb	Fd	Bosch		7654 - D786	MD786A	R4011754	NR	NR	NR
I-100S 10,000 lb	Fd	Bosch		7654 - D786	MD786A	R4011754	NR	NR	NR
I-120S 11,000 lb	Fd	Bosch		7654 - D786	MD786A	R4011754	NR	NR	NR

MAKE MODEL YEAR AXLE CODE AXLE WEIGHT	AXLE & BRK. TYPE	BRK. MFG.	BRAKE SIZE	FMSI	MERITOR DISC PAD OR BRAKE SHOE	MERITOR GUIDE PIN OR RETURN SPRING KIT	MERITOR CALIPER HWD. KIT OR RETURN SPRING KIT	MERITOR ADJUSTER KIT (LEFT WHEEL)	MERITOR ADJUSTER KIT (RIGHT WHEEL)
ITE(Cont.)									
4200, 4300, 4400, 4600, 4700, 4900 SERIES: MEDIUM CONVENTIONALS(Cont.)									
2006									
I-120SG 12,000 lb	Fd Fd	Bosch Bosch		7654 - D786 7655 - D786	MD786A MD786	R4011754 R4011754	NR NR	NR NR	NR NR
S122-S 12,200 lb	Rd	Bosch		7654 - D786	MD786A	R4011754	NR	NR	NR
S135-S 13,500 lb	Rd	Bosch		7654 - D786	MD786A	R4011754	NR	NR	NR
I-140S 14,000 lb	Fd	Bosch		7655 - D786	MD786	R4011754	NR	NR	NR
S150-S 15,500 lb	Rd	Bosch		7654 - D786	MD786A	R4011754	NR	NR	NR
Dana Spicer 17060S 17,500 lb	Rd	Bosch		7654 - D786	MD786A	R4011754	NR	NR	NR
Dana Spicer 19060S 19,000 lb	Rd	Bosch		7654 - D786	MD786A	R4011754	NR	NR	NR
Spicer M190-T 2-Speed 19,000 lb	Rd	Bosch		7654 - D786	MD786A	R4011754	NR	NR	NR
Dana Spicer 21060S 21,000 lb	Rd	Bosch		7654 - D786	MD786A	R4011754	NR	NR	NR
Dana Spicer 22060S 22,000 lb	Rd	Bosch		7654 - D786	MD786A	R4011754	NR	NR	NR
Dana Spicer 23090S 23,000 lb	Rd	Bosch		7654 - D786	MD786A	R4011754	NR	NR	NR
Dana Spicer 26050S 26,000 lb	Rd	Bosch		7655 - D786	MD786	R4011754	NR	NR	NR
2005									
Spicer D800-F 8,000 lb	Fd	Bosch		7654 - D786	MD786A	R4011754	NR	NR	NR
I-100S 10,000 lb	Fd	Bosch		7654 - D786	MD786A	R4011754	NR	NR	NR
I-120S 11,000 lb	Fd	Bosch		7654 - D786	MD786A	R4011754	NR	NR	NR
I-120SG 12,000 lb	Fd Fd	Bosch Bosch		7654 - D786 7655 - D786	MD786A MD786	R4011754 R4011754	NR NR	NR NR	NR NR
S122-S 12,200 lb	Rd	Bosch		7654 - D786	MD786A	R4011754	NR	NR	NR
S135-S 13,500 lb	Rd	Bosch		7654 - D786	MD786A	R4011754	NR	NR	NR
I-140S 14,000 lb	Fd	Bosch		7655 - D786	MD786	R4011754	NR	NR	NR
S150-S 15,500 lb	Rd	Bosch		7654 - D786	MD786A	R4011754	NR	NR	NR
Dana Spicer 17060S 17,500 lb	Rd	Bosch		7654 - D786	MD786A	R4011754	NR	NR	NR
Dana Spicer 19060S 19,000 lb	Rd	Bosch		7654 - D786	MD786A	R4011754	NR	NR	NR
Spicer M190-T 2-Speed 19,000 lb	Rd	Bosch		7654 - D786	MD786A	R4011754	NR	NR	NR
Dana Spicer 21060S 21,000 lb	Rd	Bosch		7654 - D786	MD786A	R4011754	NR	NR	NR
Dana Spicer 22060S 22,000 lb	Rd	Bosch		7654 - D786	MD786A	R4011754	NR	NR	NR
Dana Spicer 23090S 23,000 lb	Rd	Bosch		7654 - D786	MD786A	R4011754	NR	NR	NR
Dana Spicer 26050S 26,000 lb	Rd	Bosch		7655 - D786	MD786	R4011754	NR	NR	NR
2004									
Spicer D800-F 8,000 lb	Fd	Bosch		7654 - D786	MD786A	R4011754	NR	NR	NR
I-100S 10,000 lb	Fd	Bosch		7654 - D786	MD786A	R4011754	NR	NR	NR
I-120S 11,000 lb	Fd	Bosch		7654 - D786	MD786A	R4011754	NR	NR	NR

MAKE MODEL YEAR AXLE CODE AXLE WEIGHT	AXLE & BRK. TYPE	BRK. MFG.	BRAKE SIZE	FMSI	MERITOR DISC PAD OR BRAKE SHOE	MERITOR GUIDE PIN OR RETURN SPRING KIT	MERITOR CALIPER HWD. KIT OR RETURN SPRING KIT	MERITOR ADJUSTER KIT (LEFT WHEEL)	MERITOR ADJUSTER KIT (RIGHT WHEEL)
ITE(Cont.)									
4200, 4300, 4400, 4600, 4700, 4900 SERIES: MEDIUM CONVENTIONALS(Cont.)									
2004									
I-120SG 12,000 lb	Fd Fd	Bosch Bosch		7654 - D786 7655 - D786	MD786A MD786	R4011754 R4011754	NR NR	NR NR	NR NR
S122-S 12,200 lb	Rd	Bosch		7654 - D786	MD786A	R4011754	NR	NR	NR
S135-S 13,500 lb	Rd	Bosch		7654 - D786	MD786A	R4011754	NR	NR	NR
I-140S 14,000 lb	Fd	Bosch		7655 - D786	MD786	R4011754	NR	NR	NR
S150-S 15,500 lb	Rd	Bosch		7654 - D786	MD786A	R4011754	NR	NR	NR
Dana Spicer 17060S 17,500 lb	Rd	Bosch		7654 - D786	MD786A	R4011754	NR	NR	NR
Dana Spicer 19060S 19,000 lb	Rd	Bosch		7654 - D786	MD786A	R4011754	NR	NR	NR
Spicer M190-T 2-Speed 19,000 lb	Rd	Bosch		7654 - D786	MD786A	R4011754	NR	NR	NR
Dana Spicer 21060S 21,000 lb	Rd	Bosch		7654 - D786	MD786A	R4011754	NR	NR	NR
Dana Spicer 22060S 22,000 lb	Rd	Bosch		7654 - D786	MD786A	R4011754	NR	NR	NR
Dana Spicer 23090S 23,000 lb	Rd	Bosch		7654 - D786	MD786A	R4011754	NR	NR	NR
Dana Spicer 26050S 26,000 lb	Rd	Bosch		7655 - D786	MD786	R4011754	NR	NR	NR
2003									
Spicer D800-F 8,000 lb	Fd	Bosch		7654 - D786	MD786A	R4011754	NR	NR	NR
I-100S 10,000 lb	Fd	Bosch		7654 - D786	MD786A	R4011754	NR	NR	NR
I-120S 11,000 lb	Fd	Bosch		7654 - D786	MD786A	R4011754	NR	NR	NR
I-120SG 12,000 lb	Fd Fd	Bosch Bosch		7654 - D786 7655 - D786	MD786A MD786	R4011754 R4011754	NR NR	NR NR	NR NR
S122-S 12,200 lb	Rd	Bosch		7654 - D786	MD786A	R4011754	NR	NR	NR
S135-S 13,500 lb	Rd	Bosch		7654 - D786	MD786A	R4011754	NR	NR	NR
I-140S 14,000 lb	Fd	Bosch		7655 - D786	MD786	R4011754	NR	NR	NR
S150-S 15,500 lb	Rd	Bosch		7654 - D786	MD786A	R4011754	NR	NR	NR
Dana Spicer 17060S 17,500 lb	Rd	Bosch		7654 - D786	MD786A	R4011754	NR	NR	NR
Dana Spicer 19060S 19,000 lb	Rd	Bosch		7654 - D786	MD786A	R4011754	NR	NR	NR
Spicer M190-T 2-Speed 19,000 lb	Rd	Bosch		7654 - D786	MD786A	R4011754	NR	NR	NR
Dana Spicer 21060S 21,000 lb	Rd	Bosch		7654 - D786	MD786A	R4011754	NR	NR	NR
Dana Spicer 22060S 22,000 lb	Rd	Bosch		7654 - D786	MD786A	R4011754	NR	NR	NR
Dana Spicer 23090S 23,000 lb	Rd	Bosch		7654 - D786	MD786A	R4011754	NR	NR	NR
Dana Spicer 26050S 26,000 lb	Rd	Bosch		7655 - D786	MD786	R4011754	NR	NR	NR
2002									
Spicer D800-F 8,000 lb	Fd	Bosch		7654 - D786	MD786A	R4011754	NR	NR	NR
I-100S 10,000 lb	Fd	Bosch		7654 - D786	MD786A	R4011754	NR	NR	NR
I-120S 11,000 lb	Fd	Bosch		7654 - D786	MD786A	R4011754	NR	NR	NR

MAKE MODEL YEAR AXLE CODE AXLE WEIGHT	AXLE & BRK. TYPE	BRK. MFG.	BRAKE SIZE	FMSI	MERITOR DISC PAD OR BRAKE SHOE	MERITOR GUIDE PIN OR RETURN SPRING KIT	MERITOR CALIPER HWD. KIT OR RETURN SPRING KIT	MERITOR ADJUSTER KIT (LEFT WHEEL)	MERITOR ADJUSTER KIT (RIGHT WHEEL)
ITE(Cont.)									
4200, 4300, 4400, 4600, 4700, 4900 SERIES: MEDIUM CONVENTIONALS(Cont.)									
2002									
I-120SG 12,000 lb	Fd Fd	Bosch Bosch		7654 - D786 7655 - D786	MD786A MD786	R4011754 R4011754	NR NR	NR NR	NR NR
S122-S 12,200 lb	Rd	Bosch		7654 - D786	MD786A	R4011754	NR	NR	NR
S135-S 13,500 lb	Rd	Bosch		7654 - D786	MD786A	R4011754	NR	NR	NR
I-140S 14,000 lb	Fd	Bosch		7655 - D786	MD786	R4011754	NR	NR	NR
S150-S 15,500 lb	Rd	Bosch		7654 - D786	MD786A	R4011754	NR	NR	NR
Dana Spicer 17060S 17,500 lb	Rd	Bosch		7654 - D786	MD786A	R4011754	NR	NR	NR
Dana Spicer 19060S 19,000 lb	Rd	Bosch		7654 - D786	MD786A	R4011754	NR	NR	NR
Spicer M190-T 2-Speed 19,000 lb	Rd	Bosch		7654 - D786	MD786A	R4011754	NR	NR	NR
Dana Spicer 21060S 21,000 lb	Rd	Bosch		7654 - D786	MD786A	R4011754	NR	NR	NR
Dana Spicer 22060S 22,000 lb	Rd	Bosch		7654 - D786	MD786A	R4011754	NR	NR	NR
Dana Spicer 23090S 23,000 lb	Rd	Bosch		7654 - D786	MD786A	R4011754	NR	NR	NR
Dana Spicer 26050S 26,000 lb	Rd	Bosch		7655 - D786	MD786	R4011754	NR	NR	NR
2001									
Spicer D800-F 8,000 lb	Fd	Bosch		7654 - D786	MD786A	R4011754	NR	NR	NR
I-100S 10,000 lb	Fd	Bosch		7654 - D786	MD786A	R4011754	NR	NR	NR
I-120S 11,000 lb	Fd	Bosch		7654 - D786	MD786A	R4011754	NR	NR	NR
I-120SG 12,000 lb	Fd Fd	Bosch Bosch		7654 - D786 7655 - D786	MD786A MD786	R4011754 R4011754	NR NR	NR NR	NR NR
S122-S 12,200 lb	Rd	Bosch		7654 - D786	MD786A	R4011754	NR	NR	NR
S135-S 13,500 lb	Rd	Bosch		7654 - D786	MD786A	R4011754	NR	NR	NR
I-140S 14,000 lb	Fd	Bosch		7655 - D786	MD786	R4011754	NR	NR	NR
S150-S 15,500 lb	Rd	Bosch		7654 - D786	MD786A	R4011754	NR	NR	NR
Dana Spicer 17060S 17,500 lb	Rd	Bosch		7654 - D786	MD786A	R4011754	NR	NR	NR
Dana Spicer 19060S 19,000 lb	Rd	Bosch		7654 - D786	MD786A	R4011754	NR	NR	NR
Spicer M190-T 2-Speed 19,000 lb	Rd	Bosch		7654 - D786	MD786A	R4011754	NR	NR	NR
Dana Spicer 21060S 21,000 lb	Rd	Bosch		7654 - D786	MD786A	R4011754	NR	NR	NR
Dana Spicer 22060S 22,000 lb	Rd	Bosch		7654 - D786	MD786A	R4011754	NR	NR	NR
Dana Spicer 23090S 23,000 lb	Rd	Bosch		7654 - D786	MD786A	R4011754	NR	NR	NR
Dana Spicer 26050S 26,000 lb	Rd	Bosch		7655 - D786	MD786	R4011754	NR	NR	NR
2000									
Spicer D800-F 8,000 lb	Fd	Bosch		7654 - D786	MD786A	R4011754	NR	NR	NR
I-100S 10,000 lb	Fd	Bosch		7654 - D786	MD786A	R4011754	NR	NR	NR
I-120S 11,000 lb	Fd	Bosch		7654 - D786	MD786A	R4011754	NR	NR	NR

MAKE MODEL YEAR AXLE CODE AXLE WEIGHT	AXLE & BRK. TYPE	BRK. MFG.	BRAKE SIZE	FMSI	MERITOR DISC PAD OR BRAKE SHOE	MERITOR GUIDE PIN OR RETURN SPRING KIT	MERITOR CALIPER HWD. KIT OR RETURN SPRING KIT	MERITOR ADJUSTER KIT (LEFT WHEEL)	MERITOR ADJUSTER KIT (RIGHT WHEEL)
ITE(Cont.)									
4200, 4300, 4400, 4600, 4700, 4900 SERIES: MEDIUM CONVENTIONALS(Cont.)									
2000 I-120SG 12,000 lb	Fd Fd	Bosch Bosch		7654 - D786 7655 - D786	MD786A MD786	R4011754 R4011754	NR NR	NR NR	NR NR
S122-S 12,200 lb	Rd	Bosch		7654 - D786	MD786A	R4011754	NR	NR	NR
S135-S 13,500 lb	Rd	Bosch		7654 - D786	MD786A	R4011754	NR	NR	NR
I-140S 14,000 lb	Fd	Bosch		7655 - D786	MD786	R4011754	NR	NR	NR
S150-S 15,500 lb	Rd	Bosch		7654 - D786	MD786A	R4011754	NR	NR	NR
Dana Spicer 17060S 17,500 lb	Rd	Bosch		7654 - D786	MD786A	R4011754	NR	NR	NR
Dana Spicer 19060S 19,000 lb	Rd	Bosch		7654 - D786	MD786A	R4011754	NR	NR	NR
Spicer M190-T 2-Speed 19,000 lb	Rd	Bosch		7654 - D786	MD786A	R4011754	NR	NR	NR
Dana Spicer 21060S 21,000 lb	Rd	Bosch		7654 - D786	MD786A	R4011754	NR	NR	NR
Dana Spicer 22060S 22,000 lb	Rd	Bosch		7654 - D786	MD786A	R4011754	NR	NR	NR
Dana Spicer 23090S 23,000 lb	Rd	Bosch		7654 - D786	MD786A	R4011754	NR	NR	NR
Dana Spicer 26050S 26,000 lb	Rd	Bosch		7655 - D786	MD786	R4011754	NR	NR	NR
500 SERIES: LFE MEDIUM DUTY									
1994 Air Over Hydraulic Brakes	Fa Ra		370mm x 100mm 370mm x 135mm	1411 - S603 1412 - S604	R409864 R467407	R409843 R409843	R409844 R409844	N/A N/A	N/A N/A
1993	Fa Ra		370mm x 100mm 370mm x 135mm	1411 - S603 1412 - S604	R409864 R467407	R409843 R409843	R409844 R409844	N/A N/A	N/A N/A
1992	Fa Ra		370mm x 100mm 370mm x 135mm	1411 - S603 1412 - S604	R409864 R467407	R409843 R409843	R409844 R409844	N/A N/A	N/A N/A
1991	Fa Ra		370mm x 100mm 370mm x 135mm	1411 - S603 1412 - S604	R409864 R467407	R409843 R409843	R409844 R409844	N/A N/A	N/A N/A
1990	Fa Ra		370mm x 100mm 370mm x 135mm	1411 - S603 1412 - S604	R409864 R467407	R409843 R409843	R409844 R409844	N/A N/A	N/A N/A
1989	Fa Ra		370mm x 100mm 370mm x 135mm	1411 - S603 1412 - S604	R409864 R467407	R409843 R409843	R409844 R409844	N/A N/A	N/A N/A
1988	Fa Ra		370mm x 100mm 370mm x 135mm	1411 - S603 1412 - S604	R409864 R467407	R409843 R409843	R409844 R409844	N/A N/A	N/A N/A
1987	Fa Ra		370mm x 100mm 370mm x 135mm	1411 - S603 1412 - S604	R409864 R467407	R409843 R409843	R409844 R409844	N/A N/A	N/A N/A
1986	Fa Ra		370mm x 100mm 370mm x 135mm	1411 - S603 1412 - S604	R409864 R467407	R409843 R409843	R409844 R409844	N/A N/A	N/A N/A
700 SERIES: LFE MEDIUM DUTY									
1994	Fa Ra		400mm x 120mm 410mm x 154mm	1422 - S617 1419 - S614	R467410 R467408	R409843 R409853	R409844 R409844	N/A N/A	N/A N/A
1993	Fa Ra		400mm x 120mm 410mm x 154mm	1422 - S617 1419 - S614	R467410 R467408	R409843 R409853	R409844 R409844	N/A N/A	N/A N/A
1992	Fa		400mm x 120mm	1422 - S617	R467410	R409843	R409844	N/A	N/A

MERITOR DRUM OR ROTOR NO.	CALIPER OR CYLINDER BORE SIZE	MERITOR CALIPER OR WHEEL CYLINDER (LEFT)	MERITOR CALIPER OR WHEEL CYLINDER (RIGHT)	MERITOR CALIPER OR WHEEL CYLINDER REPAIR KIT	MERITOR CALIPER PISTON	MERITOR MASTER CYLINDER	MERITOR MASTER CYLINDER KIT	MERITOR BRAKE HOSE (LEFT)	MERITOR BRAKE HOSE (RIGHT)
ITE(Cont.)									
4200, 4300, 4400, 4600, 4700, 4900 SERIES: MEDIUM CONVENTIONALS(Cont.)									
23-123550-004 ³⁸⁷	66mm	R424153263	R424153263 ³⁶⁵	R4011752	R4011751	-	-	-	-
23-123550-004 ³⁸⁷	73mm	R424153216	R424153216 ³⁶⁵	R4011758	R4011757	-	-	-	-
23-123550-004 ³⁸⁷	66mm	R424153263	R424153263 ³⁶⁵	R4011752	R4011751	-	-	-	-
23-123550-004 ³⁸⁷	66mm	R424153263	R424153263 ³⁶⁵	R4011752	R4011751	-	-	-	-
23-123550-004 ³⁸⁷	73mm	R424153216	R424153216 ³⁶⁵	R4011758	R4011757	-	-	-	-
23-123550-004 ³⁸⁷	66mm	R424153263	R424153263 ³⁶⁵	R4011752	R4011751	-	-	-	-
23-123550-004 ³⁸⁷	66mm	R424153263	R424153263 ³⁶⁵	R4011752	R4011751	-	-	-	-
23-123550-004 ³⁸⁷	66mm	R424153263	R424153263 ³⁶⁵	R4011752	R4011751	-	-	-	-
23-123550-004 ³⁸⁷	66mm	R424153263	R424153263 ³⁶⁵	R4011752	R4011751	-	-	-	-
23-123550-004 ³⁸⁷	66mm	R424153263	R424153263 ³⁶⁵	R4011752	R4011751	-	-	-	-
23-123550-004 ³⁸⁷	66mm	R424153263	R424153263 ³⁶⁵	R4011752	R4011751	-	-	-	-
23-123550-004 ³⁸⁷	66mm	R424153263	R424153263 ³⁶⁵	R4011752	R4011751	-	-	-	-
23-123550-004 ³⁸⁷	66mm	R424153263	R424153263 ³⁶⁵	R4011752	R4011751	-	-	-	-
23-123550-004 ³⁸⁷	73mm	R424153216	R424153216 ³⁶⁵	R4011758	R4011757	-	-	-	-
500 SERIES: LFE MEDIUM DUTY									
N/A	1.4375	-	-	N/A	NR	-	-	-	-
N/A	1-1/2 "	-	-	N/A	NR	-	-	R45165	R45165
N/A	1.4375	-	-	N/A	NR	-	-	-	-
N/A	1-1/2 "	-	-	N/A	NR	-	-	R45165	R45165
N/A	1.4375	-	-	N/A	NR	-	-	-	-
N/A	1-1/2 "	-	-	N/A	NR	-	-	R45165	R45165
N/A	1.4375	-	-	N/A	NR	-	-	-	-
N/A	1-1/2 "	-	-	N/A	NR	-	-	R45165	R45165
N/A	1.4375	-	-	N/A	NR	-	-	-	-
N/A	1-1/2 "	-	-	N/A	NR	-	-	R45165	R45165
N/A	1.4375	-	-	N/A	NR	-	-	-	-
N/A	1-1/2 "	-	-	N/A	NR	-	-	R45165	R45165
N/A	1.4375	-	-	N/A	NR	-	-	-	-
N/A	1-1/2 "	-	-	N/A	NR	-	-	R45165	R45165
700 SERIES: LFE MEDIUM DUTY									
N/A	1-1/2 "	-	-	N/A	NR	-	-	-	-
N/A	1-11/16 "	-	-	N/A	NR	-	-	R45165	R45165
N/A	1-1/2 "	-	-	N/A	NR	-	-	-	-
N/A	1-11/16 "	-	-	N/A	NR	-	-	R45165	R45165
N/A	1-1/2 "	-	-	N/A	NR	-	-	-	-

MAKE MODEL YEAR AXLE CODE AXLE WEIGHT	AXLE & BRK. TYPE	BRK. MFG.	BRAKE SIZE	FMSI	MERITOR DISC PAD OR BRAKE SHOE	MERITOR GUIDE PIN OR RETURN SPRING KIT	MERITOR CALIPER HWD. KIT OR RETURN SPRING KIT	MERITOR ADJUSTER KIT (LEFT WHEEL)	MERITOR ADJUSTER KIT (RIGHT WHEEL)
ITE(Cont.)									
700 SERIES: LFE MEDIUM DUTY(Cont.)									
1992 Air Over Hydraulic Brakes	Ra		410mm x 154mm	1419 - S614	R467408	R409853	R409844	N/A	N/A
1991	Fa		400mm x 120mm	1422 - S617	R467410	R409843	R409844	N/A	N/A
	Ra		410mm x 154mm	1419 - S614	R467408	R409853	R409844	N/A	N/A
1990	Fa		400mm x 120mm	1422 - S617	R467410	R409843	R409844	N/A	N/A
	Ra		410mm x 154mm	1419 - S614	R467408	R409853	R409844	N/A	N/A
1989	Fa		400mm x 120mm	1422 - S617	R467410	R409843	R409844	N/A	N/A
	Ra		410mm x 154mm	1419 - S614	R467408	R409853	R409844	N/A	N/A
1988	Fa		400mm x 120mm	1422 - S617	R467410	R409843	R409844	N/A	N/A
	Ra		410mm x 154mm	1419 - S614	R467408	R409853	R409844	N/A	N/A
1987	Fa		400mm x 120mm	1422 - S617	R467410	R409843	R409844	N/A	N/A
	Ra		410mm x 154mm	1419 - S614	R467408	R409853	R409844	N/A	N/A
1986	Fa		400mm x 120mm	1422 - S617	R467410	R409843	R409844	N/A	N/A
	Ra		410mm x 154mm	1419 - S614	R467408	R409853	R409844	N/A	N/A
IVECO									
10-14AS									
1989	Fd			7817 - D494	MD494	N/A	N/A	NR	NR
12-16AS									
1989	Fd			7817 - D494	MD494	N/A	N/A	NR	NR
18-14									
1989	Fd			7817 - D494	MD494	N/A	N/A	NR	NR
23-16									
1990	Fd			7816 - D442	MD442	N/A	N/A	NR	NR
1989	Fd			7816 - D442	MD442	N/A	N/A	NR	NR
EURO 110									
1988	Fa		325mm x 120mm	1488	N/A	NR	R407105 ³⁴⁷	R407100	R407100
	Ra		325mm x 120mm	1488	N/A	NR	R407105 ³⁴⁷	R407100	R407100
1987	Fa		325mm x 120mm	1488	N/A	NR	R407105 ³⁴⁷	R407100	R407100
	Ra		325mm x 120mm	1488	N/A	NR	R407105 ³⁴⁷	R407100	R407100
EURO 220									
1988	Fa		325mm x 120mm	1488	N/A	NR	R407105 ³⁴⁷	R407100	R407100
	Ra		325mm x 120mm	1488	N/A	NR	R407105 ³⁴⁷	R407100	R407100
1987	Fa		325mm x 120mm	1488	N/A	NR	R407105 ³⁴⁷	R407100	R407100
	Ra		325mm x 120mm	1488	N/A	NR	R407105 ³⁴⁷	R407100	R407100
EURO TURBO 12-12									
1991	Ra		325mm x 120mm	1488	N/A	NR	R407105 ³⁴⁷	R407100	R407100
1990	Ra		325mm x 120mm	1488	N/A	NR	R407105 ³⁴⁷	R407100	R407100
1989	Fd			7817 - D494	MD494	N/A	N/A	NR	NR
	Ra		325mm x 120mm	1488	N/A	NR	R407105 ³⁴⁷	R407100	R407100
EURO TURBO 120A									
1988	Fa		325mm x 120mm	1488	N/A	NR	R407105 ³⁴⁷	R407100	R407100

347 - Return Springs Also Included in R407105

MERITOR DRUM OR ROTOR NO.	CALIPER OR CYLINDER BORE SIZE	MERITOR CALIPER OR WHEEL CYLINDER (LEFT)	MERITOR CALIPER OR WHEEL CYLINDER (RIGHT)	MERITOR CALIPER OR WHEEL CYLINDER REPAIR KIT	MERITOR CALIPER PISTON	MERITOR MASTER CYLINDER	MERITOR MASTER CYLINDER KIT	MERITOR BRAKE HOSE (LEFT)	MERITOR BRAKE HOSE (RIGHT)
ITE(Cont.)									
700 SERIES: LFE MEDIUM DUTY(Cont.)									
N/A	1-11/16 "	-	-	N/A	NR	-	-	R45165	R45165
N/A	1-1/2 "	-	-	N/A	NR	-	-	-	-
N/A	1-11/16 "	-	-	N/A	NR	-	-	R45165	R45165
N/A	1-1/2 "	-	-	N/A	NR	-	-	-	-
N/A	1-11/16 "	-	-	N/A	NR	-	-	R45165	R45165
N/A	1-1/2 "	-	-	N/A	NR	-	-	-	-
N/A	1-11/16 "	-	-	N/A	NR	-	-	R45165	R45165
N/A	1-1/2 "	-	-	N/A	NR	-	-	-	-
N/A	1-11/16 "	-	-	N/A	NR	-	-	R45165	R45165
N/A	1-1/2 "	-	-	N/A	NR	-	-	-	-
N/A	1-11/16 "	-	-	N/A	NR	-	-	R45165	R45165
IVECO									
10-14AS									
N/A		N/A	N/A	N/A	N/A	-	-	-	-
12-16AS									
N/A		N/A	N/A	N/A	N/A	-	-	-	-
18-14									
N/A		N/A	N/A	N/A	N/A	-	-	-	-
23-16									
N/A		N/A	N/A	N/A	N/A	-	-	-	-
N/A		N/A	N/A	N/A	N/A	-	-	-	-
EURO 110									
R447202	1-1/16 "	R417088	R417088	N/A	NR	-	-	-	-
R447202	15/16 "	R417089	R417089	N/A	NR	-	-	-	-
R447202	1-1/16 "	R417088	R417088	N/A	NR	-	-	-	-
R447202	15/16 "	R417089	R417089	N/A	NR	-	-	-	-
EURO 220									
R447202	1 "	N/A	N/A	N/A	NR	-	-	-	-
R447202	1 "	N/A	N/A	N/A	NR	-	-	-	-
R447202	1 "	N/A	N/A	N/A	NR	-	-	-	-
R447202	1 "	N/A	N/A	N/A	NR	-	-	-	-
EURO TURBO 12-12									
R447202		N/A	N/A	N/A	NR	-	-	-	-
R447202		N/A	N/A	N/A	NR	-	-	-	-
N/A		N/A	N/A	N/A	N/A	-	-	-	-
R447202		N/A	N/A	N/A	NR	-	-	-	-
EURO TURBO 120A									
R447202	1-1/16 "	R417088	R417088	N/A	NR	-	-	-	-

MAKE MODEL YEAR AXLE CODE AXLE WEIGHT	AXLE & BRK. TYPE	BRK. MFG.	BRAKE SIZE	FMSI	MERITOR DISC PAD OR BRAKE SHOE	MERITOR GUIDE PIN OR RETURN SPRING KIT	MERITOR CALIPER HWD. KIT OR RETURN SPRING KIT	MERITOR ADJUSTER KIT (LEFT WHEEL)	MERITOR ADJUSTER KIT (RIGHT WHEEL)
IVECO(Cont.)									
EURO TURBO 120A(Cont.)									
1988	Ra		325mm x 120mm	1488	N/A	NR	R407105 ³⁴⁷	R407100	R407100
1987	Fa		325mm x 120mm	1488	N/A	NR	R407105 ³⁴⁷	R407100	R407100
	Ra		325mm x 120mm	1488	N/A	NR	R407105 ³⁴⁷	R407100	R407100
EURO TURBO 15-14									
1991	Fd			7817 - D494	MD494	N/A	N/A	NR	NR
	Ra		325mm x 120mm	1488	N/A	NR	R407105 ³⁴⁷	R407100	R407100
1990	Fd			7817 - D494	MD494	N/A	N/A	NR	NR
	Ra		325mm x 120mm	1488	N/A	NR	R407105 ³⁴⁷	R407100	R407100
1989	Fd			7817 - D494	MD494	N/A	N/A	NR	NR
	Ra		325mm x 120mm	1488	N/A	NR	R407105 ³⁴⁷	R407100	R407100
EURO TURBO 220									
1988	Fa		325mm x 120mm	1488	N/A	NR	R407105 ³⁴⁷	R407100	R407100
	Ra		325mm x 120mm	1488	N/A	NR	R407105 ³⁴⁷	R407100	R407100
1987	Fa		325mm x 120mm	1488	N/A	NR	R407105 ³⁴⁷	R407100	R407100
	Ra		325mm x 120mm	1488	N/A	NR	R407105 ³⁴⁷	R407100	R407100
EURO TURBO 230									
1988	Ra		325mm x 120mm	1488	N/A	NR	R407105 ³⁴⁷	R407099	R407099
1987	Ra		325mm x 120mm	1488	N/A	NR	R407105 ³⁴⁷	R407099	R407099
Z100									
1986	Fa		325mm x 100mm	1393	N/A	NR	R407104 ³⁴⁸	R407099	R407099 ³⁵⁰
	Ra		325mm x 100mm	1393	N/A	NR	R407104 ³⁴⁸	R407099	R407099 ³⁵⁰
1985	Fa		325mm x 100mm	1393	N/A	NR	R407104 ³⁴⁸	R407099	R407099 ³⁵⁰
	Ra		325mm x 100mm	1393	N/A	NR	R407104 ³⁴⁸	R407099	R407099 ³⁵⁰
1984	Fa		325mm x 100mm	1393	N/A	NR	R407104 ³⁴⁸	R407099	R407099 ³⁵⁰
	Ra		325mm x 100mm	1393	N/A	NR	R407104 ³⁴⁸	R407099	R407099 ³⁵⁰
1983	Fa		325mm x 100mm	1393	N/A	NR	R407104 ³⁴⁸	R407099	R407099 ³⁵⁰
	Ra		325mm x 100mm	1393	N/A	NR	R407104 ³⁴⁸	R407099	R407099 ³⁵⁰
1982	Fa		325mm x 100mm	1393	N/A	NR	R407104 ³⁴⁸	R407099	R407099 ³⁵⁰
	Ra		325mm x 100mm	1393	N/A	NR	R407104 ³⁴⁸	R407099	R407099 ³⁵⁰
Z110									
1986	Fa		325mm x 100mm	1393	N/A	NR	R407104 ³⁴⁸	R407099	R407099 ³⁵⁰
	Ra		325mm x 100mm	1393	N/A	NR	R407104 ³⁴⁸	R407099	R407099 ³⁵⁰
1985	Fa		325mm x 100mm	1393	N/A	NR	R407104 ³⁴⁸	R407099	R407099 ³⁵⁰
	Ra		325mm x 100mm	1393	N/A	NR	R407104 ³⁴⁸	R407099	R407099 ³⁵⁰
1984	Fa		325mm x 100mm	1393	N/A	NR	R407104 ³⁴⁸	R407099	R407099 ³⁵⁰
	Ra		325mm x 100mm	1393	N/A	NR	R407104 ³⁴⁸	R407099	R407099 ³⁵⁰
1983	Fa		325mm x 100mm	1393	N/A	NR	R407104 ³⁴⁸	R407099	R407099 ³⁵⁰
	Ra		325mm x 100mm	1393	N/A	NR	R407104 ³⁴⁸	R407099	R407099 ³⁵⁰
1982	Fa		325mm x 100mm	1393	N/A	NR	R407104 ³⁴⁸	R407099	R407099 ³⁵⁰
	Ra		325mm x 100mm	1393	N/A	NR	R407104 ³⁴⁸	R407099	R407099 ³⁵⁰
Z120TA									
1986	Fa		325mm x 100mm	1393	N/A	NR	R407104 ³⁴⁸	R407099	R407099 ³⁵⁰

46 - R417086 Has 15/16" Bore Size
350 - 33 Tooth Adjuster

347 - Return Springs Also Included in R407105

348 - Return Springs Also Included in E407104

MAKE MODEL YEAR AXLE CODE AXLE WEIGHT	AXLE & BRK. TYPE	BRK. MFG.	BRAKE SIZE	FMSI	MERITOR DISC PAD OR BRAKE SHOE	MERITOR GUIDE PIN OR RETURN SPRING KIT	MERITOR CALIPER HWD. KIT OR RETURN SPRING KIT	MERITOR ADJUSTER KIT (LEFT WHEEL)	MERITOR ADJUSTER KIT (RIGHT WHEEL)
IVECO(Cont.)									
Z120TA(Cont.)									
1986	Ra		325mm x 100mm	1393	N/A	NR	R407104 ³⁴⁸	R407099	R407099 ³⁵⁰
1985	Fa		325mm x 100mm	1393	N/A	NR	R407104 ³⁴⁸	R407099	R407099 ³⁵⁰
	Ra		325mm x 100mm	1393	N/A	NR	R407104 ³⁴⁸	R407099	R407099 ³⁵⁰
1984	Fa		325mm x 100mm	1393	N/A	NR	R407104 ³⁴⁸	R407099	R407099 ³⁵⁰
	Ra		325mm x 100mm	1393	N/A	NR	R407104 ³⁴⁸	R407099	R407099 ³⁵⁰
1983	Fa		325mm x 100mm	1393	N/A	NR	R407104 ³⁴⁸	R407099	R407099 ³⁵⁰
	Ra		325mm x 100mm	1393	N/A	NR	R407104 ³⁴⁸	R407099	R407099 ³⁵⁰
1982	Fa		325mm x 100mm	1393	N/A	NR	R407104 ³⁴⁸	R407099	R407099 ³⁵⁰
	Ra		325mm x 100mm	1393	N/A	NR	R407104 ³⁴⁸	R407099	R407099 ³⁵⁰
Z200									
1985	Fm		325mm x 80mm	1361	N/A	N/A	N/A	N/A	N/A
	Rm		325mm x 80mm	1361	N/A	N/A	N/A	N/A	N/A
1984	Fm		325mm x 80mm	1361	N/A	N/A	N/A	N/A	N/A
	Rm		325mm x 80mm	1361	N/A	N/A	N/A	N/A	N/A
1983	Fm		325mm x 80mm	1361	N/A	N/A	N/A	N/A	N/A
	Rm		325mm x 80mm	1361	N/A	N/A	N/A	N/A	N/A
1982	Fm		325mm x 80mm	1361	N/A	N/A	N/A	N/A	N/A
	Rm		325mm x 80mm	1361	N/A	N/A	N/A	N/A	N/A
1981	Fm		325mm x 80mm	1361	N/A	N/A	N/A	N/A	N/A
	Rm		325mm x 80mm	1361	N/A	N/A	N/A	N/A	N/A
1980	Fm		325mm x 80mm	1361	N/A	N/A	N/A	N/A	N/A
	Rm		325mm x 80mm	1361	N/A	N/A	N/A	N/A	N/A
Z220									
1986	Fa		325mm x 100mm	1393	N/A	NR	R407104 ³⁴⁸	R407099	R407099 ³⁵⁰
	Ra		325mm x 100mm	1393	N/A	NR	R407104 ³⁴⁸	R407099	R407099 ³⁵⁰
1985	Fa		325mm x 100mm	1393	N/A	NR	R407104 ³⁴⁸	R407099	R407099 ³⁵⁰
	Ra		325mm x 100mm	1393	N/A	NR	R407104 ³⁴⁸	R407099	R407099 ³⁵⁰
1984	Fa		325mm x 100mm	1393	N/A	NR	R407104 ³⁴⁸	R407099	R407099 ³⁵⁰
	Ra		325mm x 100mm	1393	N/A	NR	R407104 ³⁴⁸	R407099	R407099 ³⁵⁰
1983	Fa		325mm x 100mm	1393	N/A	NR	R407104 ³⁴⁸	R407099	R407099 ³⁵⁰
	Ra		325mm x 100mm	1393	N/A	NR	R407104 ³⁴⁸	R407099	R407099 ³⁵⁰
1982	Fa		325mm x 100mm	1393	N/A	NR	R407104 ³⁴⁸	R407099	R407099 ³⁵⁰
	Ra		325mm x 100mm	1393	N/A	NR	R407104 ³⁴⁸	R407099	R407099 ³⁵⁰
Z220T									
1986	Fa		325mm x 100mm	1393	N/A	NR	R407104 ³⁴⁸	R407099	R407099 ³⁵⁰
	Ra		325mm x 100mm	1393	N/A	NR	R407104 ³⁴⁸	R407099	R407099 ³⁵⁰
1985	Fa		325mm x 100mm	1393	N/A	NR	R407104 ³⁴⁸	R407099	R407099 ³⁵⁰
	Ra		325mm x 100mm	1393	N/A	NR	R407104 ³⁴⁸	R407099	R407099 ³⁵⁰
1984	Fa		325mm x 100mm	1393	N/A	NR	R407104 ³⁴⁸	R407099	R407099 ³⁵⁰
	Ra		325mm x 100mm	1393	N/A	NR	R407104 ³⁴⁸	R407099	R407099 ³⁵⁰
1983	Fa		325mm x 100mm	1393	N/A	NR	R407104 ³⁴⁸	R407099	R407099 ³⁵⁰
	Ra		325mm x 100mm	1393	N/A	NR	R407104 ³⁴⁸	R407099	R407099 ³⁵⁰

46 - R417086 Has 15/16" Bore Size

348 - Return Springs Also Included in E407104

350 - 33 Tooth Adjuster

MAKE MODEL YEAR AXLE CODE AXLE WEIGHT	AXLE & BRK. TYPE	BRK. MFG.	BRAKE SIZE	FMSI	MERITOR DISC PAD OR BRAKE SHOE	MERITOR GUIDE PIN OR RETURN SPRING KIT	MERITOR CALIPER HWD. KIT OR RETURN SPRING KIT	MERITOR ADJUSTER KIT (LEFT WHEEL)	MERITOR ADJUSTER KIT (RIGHT WHEEL)
IVECO(Cont.)									
Z220T(Cont.)									
1982	Fa		325mm x 100mm	1393	N/A	NR	R407104 ³⁴⁸	R407099	R407099 ³⁵⁰
	Ra		325mm x 100mm	1393	N/A	NR	R407104 ³⁴⁸	R407099	R407099 ³⁵⁰
Z230T									
1986	Fa		325mm x 120mm	1488	N/A	NR	R407105 ³⁴⁷	R407099	R407099
	Ra		325mm x 120mm	1488	N/A	NR	R407105 ³⁴⁷	R407099	R407099
1985	Fa		325mm x 120mm	1488	N/A	NR	R407105 ³⁴⁷	R407099	R407099
	Ra		325mm x 120mm	1488	N/A	NR	R407105 ³⁴⁷	R407099	R407099
1984	Fa		325mm x 120mm	1488	N/A	NR	R407105 ³⁴⁷	R407099	R407099
	Ra		325mm x 120mm	1488	N/A	NR	R407105 ³⁴⁷	R407099	R407099
1983	Fa		325mm x 120mm	1488	N/A	NR	R407105 ³⁴⁷	R407099	R407099
	Ra		325mm x 120mm	1488	N/A	NR	R407105 ³⁴⁷	R407099	R407099
MACK									
CS200									
1995	Fd	BX		7142 - D225	MD225	R40H5010	R40H5522	NR	NR
1994	Fd	BX		7142 - D225	MD225	R40H5010	R40H5522	NR	NR
1993	Fd	BX		7142 - D225	MD225	R40H5010	R40H5522	NR	NR
1992	Fd	BX		7142 - D225	MD225	R40H5010	R40H5522	NR	NR
1991	Fd	BX		7142 - D225	MD225	R40H5010	R40H5522	NR	NR
1990	Fd	BX		7142 - D225	MD225	R40H5010	R40H5522	NR	NR
1989	Fd	BX		7142 - D225	MD225	R40H5010	R40H5522	NR	NR
1988	Fd	BX		7142 - D225	MD225	R40H5010	R40H5522	NR	NR
1987	Fa		15-1/2" x 5"	1356	R46700021	R407048	R407049 ³⁴⁹	NR	NR
	Fa		15-1/2" x 5"	1356	R46700021	R407048	R407049 ³⁴⁹	NR	NR
	Fa		15-1/2" x 5"	1356	R46700021	R407048	R407049 ³⁴⁹	NR	NR
	Fa		15-1/2" x 5"	1356	R46700021	R407048	R407049 ³⁴⁹	NR	NR
	Ra		15-1/2" x 6"	1357	-	R407048	R407049 ³⁴⁹	NR	NR
	Ra		15-1/2" x 6"	1357	-	R407048	R407049 ³⁴⁹	NR	NR
1986	Fa		15-1/2" x 5"	1356	R46700021	R407048	R407049 ³⁴⁹	NR	NR
	Fa		15-1/2" x 5"	1356	R46700021	R407048	R407049 ³⁴⁹	NR	NR
	Fa		15-1/2" x 5"	1356	R46700021	R407048	R407049 ³⁴⁹	NR	NR
	Fa		15-1/2" x 5"	1356	R46700021	R407048	R407049 ³⁴⁹	NR	NR
	Ra		15-1/2" x 6"	1357	-	R407048	R407049 ³⁴⁹	NR	NR
	Ra		15-1/2" x 6"	1357	-	R407048	R407049 ³⁴⁹	NR	NR
1985	Fa		15-1/2" x 5"	1356	R46700021	R407048	R407049 ³⁴⁹	NR	NR
	Fa		15-1/2" x 5"	1356	R46700021	R407048	R407049 ³⁴⁹	NR	NR
	Fa		15-1/2" x 5"	1356	R46700021	R407048	R407049 ³⁴⁹	NR	NR
	Fa		15-1/2" x 5"	1356	R46700021	R407048	R407049 ³⁴⁹	NR	NR
	Ra		15-1/2" x 6"	1357	-	R407048	R407049 ³⁴⁹	NR	NR
	Ra		15-1/2" x 6"	1357	-	R407048	R407049 ³⁴⁹	NR	NR
1984	Fa		15-1/2" x 5"	1356	R46700021	R407048	R407049 ³⁴⁹	NR	NR
	Fa		15-1/2" x 5"	1356	R46700021	R407048	R407049 ³⁴⁹	NR	NR
	Fa		15-1/2" x 5"	1356	R46700021	R407048	R407049 ³⁴⁹	NR	NR
	Fa		15-1/2" x 5"	1356	R46700021	R407048	R407049 ³⁴⁹	NR	NR
	Ra		15-1/2" x 6"	1357	-	R407048	R407049 ³⁴⁹	NR	NR
	Ra		15-1/2" x 6"	1357	-	R407048	R407049 ³⁴⁹	NR	NR

186 - 10 Stud
349 - Contains Adjuster

347 - Return Springs Also Included in R407105
350 - 33 Tooth Adjuster

348 - Return Springs Also Included in E407104

MERITOR DRUM OR ROTOR NO.	CALIPER OR CYLINDER BORE SIZE	MERITOR CALIPER OR WHEEL CYLINDER (LEFT)	MERITOR CALIPER OR WHEEL CYLINDER (RIGHT)	MERITOR CALIPER OR WHEEL CYLINDER REPAIR KIT	MERITOR CALIPER PISTON	MERITOR MASTER CYLINDER	MERITOR MASTER CYLINDER KIT	MERITOR BRAKE HOSE (LEFT)	MERITOR BRAKE HOSE (RIGHT)
IVECO(Cont.)									
Z220T(Cont.)									
N/A	1 "	R417087	R417087	N/A	NR	-	-	-	-
N/A	1 "	R417087	R417087	N/A	NR	-	-	-	-
Z230T									
R447202	1-1/16 "	R417088	R417088	N/A	NR	-	-	-	-
R447202	15/16 "	R417089	R417089	N/A	NR	-	-	-	-
R447202	1-1/16 "	R417088	R417088	N/A	NR	-	-	-	-
R447202	15/16 "	R417089	R417089	N/A	NR	-	-	-	-
R447202	1-1/16 "	R417088	R417088	N/A	NR	-	-	-	-
R447202	15/16 "	R417089	R417089	N/A	NR	-	-	-	-
R447202	1-1/16 "	R417088	R417088	N/A	NR	-	-	-	-
R447202	15/16 "	R417089	R417089	N/A	NR	-	-	-	-
MACK									
CS200									
R447210 ¹⁸⁶	2-7/8 "	R42R55250	R42R55250	R4066365	R4090096	-	-	-	-
R447210 ¹⁸⁶	2-7/8 "	R42R55250	R42R55250	R4066365	R4090096	-	-	-	-
R447210 ¹⁸⁶	2-7/8 "	R42R55250	R42R55250	R4066365	R4090096	-	-	-	-
R447210 ¹⁸⁶	2-7/8 "	R42R55250	R42R55250	R4066365	R4090096	-	-	-	-
R447210 ¹⁸⁶	2-7/8 "	R42R55250	R42R55250	R4066365	R4090096	-	-	-	-
R447210 ¹⁸⁶	2-7/8 "	R42R55250	R42R55250	R4066365	R4090096	-	-	-	-
R447210 ¹⁸⁶	2-7/8 "	R42R55250	R42R55250	R4066365	R4090096	-	-	-	-
R447210 ¹⁸⁶	2-7/8 "	R42R55250	R42R55250	R4066365	R4090096	-	-	-	-
R447194	1-1/2 "	R 417050	R 417052	R417067	NR	-	-	-	-
R447194	1-1/2 "	R 417051	R 417053	R417067	NR	-	-	-	-
R447194	1-3/4 "	R417054	R417056	R417068	NR	-	-	-	-
R447194	1-1/2 "	R417055	R417057	R417068	NR	-	-	-	-
R447195	1-3/4 "	R417058	R417059	R417069	NR	-	-	-	-
R447195	1-3/4 "	R417054	R417056	R417068	NR	-	-	-	-
R447194	1-3/4 "	R417054	R417056	R417068	NR	-	-	-	-
R447194	1-1/2 "	R 417050	R 417052	R417067	NR	-	-	-	-
R447194	1-1/2 "	R417055	R417057	R417068	NR	-	-	-	-
R447194	1-1/2 "	R 417051	R 417053	R417067	NR	-	-	-	-
R447195	1-3/4 "	R417058	R417059	R417069	NR	-	-	-	-
R447195	1-3/4 "	R417054	R417056	R417068	NR	-	-	-	-
R447194	1-1/2 "	R417055	R417057	R417068	NR	-	-	-	-
R447194	1-1/2 "	R 417051	R 417053	R417067	NR	-	-	-	-
R447194	1-1/2 "	R 417050	R 417052	R417067	NR	-	-	-	-
R447194	1-3/4 "	R417054	R417056	R417068	NR	-	-	-	-
R447195	1-3/4 "	R417054	R417056	R417068	NR	-	-	-	-
R447195	1-3/4 "	R417058	R417059	R417069	NR	-	-	-	-
R447194	1-1/2 "	R 417050	R 417052	R417067	NR	-	-	-	-
R447194	1-3/4 "	R417054	R417056	R417068	NR	-	-	-	-
R447194	1-1/2 "	R 417051	R 417053	R417067	NR	-	-	-	-
R447194	1-1/2 "	R417055	R417057	R417068	NR	-	-	-	-
R447195	1-3/4 "	R417058	R417059	R417069	NR	-	-	-	-
R447195	1-3/4 "	R417054	R417056	R417068	NR	-	-	-	-

MAKE MODEL YEAR AXLE CODE AXLE WEIGHT	AXLE & BRK. TYPE	BRK. MFG.	BRAKE SIZE	FMSI	MERITOR DISC PAD OR BRAKE SHOE	MERITOR GUIDE PIN OR RETURN SPRING KIT	MERITOR CALIPER HWD. KIT OR RETURN SPRING KIT	MERITOR ADJUSTER KIT (LEFT WHEEL)	MERITOR ADJUSTER KIT (RIGHT WHEEL)
MACK(Cont.)									
CS200(Cont.)									
1983									
	Fa		15-1/2 " x 5 "	1356	R46700021	R407048	R407049 ³⁴⁹	NR	NR
	Fa		15-1/2 " x 5 "	1356	R46700021	R407048	R407049 ³⁴⁹	NR	NR
	Fa		15-1/2 " x 5 "	1356	R46700021	R407048	R407049 ³⁴⁹	NR	NR
	Fa		15-1/2 " x 5 "	1356	R46700021	R407048	R407049 ³⁴⁹	NR	NR
	Ra		15-1/2 " x 6 "	1357	-	R407048	R407049 ³⁴⁹	NR	NR
	Ra		15-1/2 " x 6 "	1357	-	R407048	R407049 ³⁴⁹	NR	NR
1982									
	Fa		15-1/2 " x 5 "	1356	R46700021	R407048	R407049 ³⁴⁹	NR	NR
	Fa		15-1/2 " x 5 "	1356	R46700021	R407048	R407049 ³⁴⁹	NR	NR
	Fa		15-1/2 " x 5 "	1356	R46700021	R407048	R407049 ³⁴⁹	NR	NR
	Fa		15-1/2 " x 5 "	1356	R46700021	R407048	R407049 ³⁴⁹	NR	NR
	Ra		15-1/2 " x 6 "	1357	-	R407048	R407049 ³⁴⁹	NR	NR
	Ra		15-1/2 " x 6 "	1357	-	R407048	R407049 ³⁴⁹	NR	NR
1981									
	Fa		15-1/2 " x 5 "	1356	R46700021	R407048	R407049 ³⁴⁹	NR	NR
	Fa		15-1/2 " x 5 "	1356	R46700021	R407048	R407049 ³⁴⁹	NR	NR
	Fa		15-1/2 " x 5 "	1356	R46700021	R407048	R407049 ³⁴⁹	NR	NR
	Fa		15-1/2 " x 5 "	1356	R46700021	R407048	R407049 ³⁴⁹	NR	NR
	Ra		15-1/2 " x 6 "	1357	-	R407048	R407049 ³⁴⁹	NR	NR
	Ra		15-1/2 " x 6 "	1357	-	R407048	R407049 ³⁴⁹	NR	NR
1980									
	Fa		15-1/2 " x 5 "	1356	R46700021	R407048	R407049 ³⁴⁹	NR	NR
	Fa		15-1/2 " x 5 "	1356	R46700021	R407048	R407049 ³⁴⁹	NR	NR
	Fa		15-1/2 " x 5 "	1356	R46700021	R407048	R407049 ³⁴⁹	NR	NR
	Fa		15-1/2 " x 5 "	1356	R46700021	R407048	R407049 ³⁴⁹	NR	NR
	Ra		15-1/2 " x 6 "	1357	-	R407048	R407049 ³⁴⁹	NR	NR
	Ra		15-1/2 " x 6 "	1357	-	R407048	R407049 ³⁴⁹	NR	NR
1979									
	Fa		15-1/2 " x 5 "	1356	R46700021	R407048	R407049 ³⁴⁹	NR	NR
	Fa		15-1/2 " x 5 "	1356	R46700021	R407048	R407049 ³⁴⁹	NR	NR
	Fa		15-1/2 " x 5 "	1356	R46700021	R407048	R407049 ³⁴⁹	NR	NR
	Fa		15-1/2 " x 5 "	1356	R46700021	R407048	R407049 ³⁴⁹	NR	NR
	Ra		15-1/2 " x 6 "	1357	-	R407048	R407049 ³⁴⁹	NR	NR
	Ra		15-1/2 " x 6 "	1357	-	R407048	R407049 ³⁴⁹	NR	NR
MS200									
1995									
	Fd	BX		7142 - D225	MD225	R40H5010	R40H5522	NR	NR
1994									
	Fd	BX		7142 - D225	MD225	R40H5010	R40H5522	NR	NR
1993									
	Fd	BX		7142 - D225	MD225	R40H5010	R40H5522	NR	NR
1992									
	Fd	BX		7142 - D225	MD225	R40H5010	R40H5522	NR	NR
1991									
	Fd	BX		7142 - D225	MD225	R40H5010	R40H5522	NR	NR
1990									
	Fd	BX		7142 - D225	MD225	R40H5010	R40H5522	NR	NR
1989									
	Fd	BX		7142 - D225	MD225	R40H5010	R40H5522	NR	NR
1988									
	Fd	BX		7142 - D225	MD225	R40H5010	R40H5522	NR	NR
1987									
	Fa		15-1/2 " x 5 "	1356	R46700021	R407048	R407049 ³⁴⁹	NR	NR
	Fa		15-1/2 " x 5 "	1356	R46700021	R407048	R407049 ³⁴⁹	NR	NR
	Fa		15-1/2 " x 5 "	1356	R46700021	R407048	R407049 ³⁴⁹	NR	NR
	Fa		15-1/2 " x 5 "	1356	R46700021	R407048	R407049 ³⁴⁹	NR	NR
	Ra		15-1/2 " x 6 "	1357	-	R407048	R407049 ³⁴⁹	NR	NR
	Ra		15-1/2 " x 6 "	1357	-	R407048	R407049 ³⁴⁹	NR	NR
1986									
	Fa		15-1/2 " x 5 "	1356	R46700021	R407048	R407049 ³⁴⁹	NR	NR
	Fa		15-1/2 " x 5 "	1356	R46700021	R407048	R407049 ³⁴⁹	NR	NR
	Fa		15-1/2 " x 5 "	1356	R46700021	R407048	R407049 ³⁴⁹	NR	NR
	Fa		15-1/2 " x 5 "	1356	R46700021	R407048	R407049 ³⁴⁹	NR	NR

MERITOR DRUM OR ROTOR NO.	CALIPER OR CYLINDER BORE SIZE	MERITOR CALIPER OR WHEEL CYLINDER (LEFT)	MERITOR CALIPER OR WHEEL CYLINDER (RIGHT)	MERITOR CALIPER OR WHEEL CYLINDER REPAIR KIT	MERITOR CALIPER PISTON	MERITOR MASTER CYLINDER	MERITOR MASTER CYLINDER KIT	MERITOR BRAKE HOSE (LEFT)	MERITOR BRAKE HOSE (RIGHT)
MACK(Cont.)									
CS200(Cont.)									
R447194	1-1/2 "	R 417051	R 417053	R417067	NR	-	-	-	-
R447194	1-1/2 "	R 417050	R 417052	R417067	NR	-	-	-	-
R447194	1-1/2 "	R417055	R417057	R417068	NR	-	-	-	-
R447194	1-3/4 "	R417054	R417056	R417068	NR	-	-	-	-
R447195	1-3/4 "	R417054	R417056	R417068	NR	-	-	-	-
R447195	1-3/4 "	R417058	R417059	R417069	NR	-	-	-	-
R447194	1-1/2 "	R417055	R417057	R417068	NR	-	-	-	-
R447194	1-1/2 "	R 417051	R 417053	R417067	NR	-	-	-	-
R447194	1-3/4 "	R417054	R417056	R417068	NR	-	-	-	-
R447194	1-1/2 "	R 417050	R 417052	R417067	NR	-	-	-	-
R447195	1-3/4 "	R417054	R417056	R417068	NR	-	-	-	-
R447195	1-3/4 "	R417058	R417059	R417069	NR	-	-	-	-
R447194	1-1/2 "	R 417051	R 417053	R417067	NR	-	-	-	-
R447194	1-1/2 "	R 417050	R 417052	R417067	NR	-	-	-	-
R447194	1-1/2 "	R417055	R417057	R417068	NR	-	-	-	-
R447194	1-3/4 "	R417054	R417056	R417068	NR	-	-	-	-
R447195	1-3/4 "	R417058	R417059	R417069	NR	-	-	-	-
R447195	1-3/4 "	R417054	R417056	R417068	NR	-	-	-	-
R447194	1-3/4 "	R417054	R417056	R417068	NR	-	-	-	-
R447194	1-1/2 "	R 417051	R 417053	R417067	NR	-	-	-	-
R447194	1-1/2 "	R 417050	R 417052	R417067	NR	-	-	-	-
R447194	1-1/2 "	R417055	R417057	R417068	NR	-	-	-	-
R447194	1-1/2 "	R417055	R417057	R417068	NR	-	-	-	-
R447195	1-3/4 "	R417058	R417059	R417069	NR	-	-	-	-
R447195	1-3/4 "	R417054	R417056	R417068	NR	-	-	-	-
R447194	1-1/2 "	R 417050	R 417052	R417067	NR	-	-	-	-
R447194	1-1/2 "	R417055	R417057	R417068	NR	-	-	-	-
R447194	1-3/4 "	R417054	R417056	R417068	NR	-	-	-	-
R447194	1-1/2 "	R 417051	R 417053	R417067	NR	-	-	-	-
R447195	1-3/4 "	R417058	R417059	R417069	NR	-	-	-	-
R447195	1-3/4 "	R417054	R417056	R417068	NR	-	-	-	-
MS200									
R447210 ¹⁸⁶	2-7/8 "	R42R55250	R42R55250	R4066365	R4090096	-	-	-	-
R447210 ¹⁸⁶	2-7/8 "	R42R55250	R42R55250	R4066365	R4090096	-	-	-	-
R447210 ¹⁸⁶	2-7/8 "	R42R55250	R42R55250	R4066365	R4090096	-	-	-	-
R447210 ¹⁸⁶	2-7/8 "	R42R55250	R42R55250	R4066365	R4090096	-	-	-	-
R447210 ¹⁸⁶	2-7/8 "	R42R55250	R42R55250	R4066365	R4090096	-	-	-	-
R447210 ¹⁸⁶	2-7/8 "	R42R55250	R42R55250	R4066365	R4090096	-	-	-	-
R447210 ¹⁸⁶	2-7/8 "	R42R55250	R42R55250	R4066365	R4090096	-	-	-	-
R447210 ¹⁸⁶	2-7/8 "	R42R55250	R42R55250	R4066365	R4090096	-	-	-	-
R447194	1-1/2 "	R 417050	R 417052	R417067	NR	-	-	-	-
R447194	1-1/2 "	R417055	R417057	R417068	NR	-	-	-	-
R447194	1-1/2 "	R 417051	R 417053	R417067	NR	-	-	-	-
R447194	1-3/4 "	R417054	R417056	R417068	NR	-	-	-	-
R447195	1-3/4 "	R417054	R417056	R417068	NR	-	-	-	-
R447195	1-3/4 "	R417058	R417059	R417069	NR	-	-	-	-
R447194	1-1/2 "	R 417051	R 417053	R417067	NR	-	-	-	-
R447194	1-1/2 "	R 417050	R 417052	R417067	NR	-	-	-	-
R447194	1-1/2 "	R417055	R417057	R417068	NR	-	-	-	-
R447194	1-3/4 "	R417054	R417056	R417068	NR	-	-	-	-

1 APPLICATION

MAKE MODEL YEAR AXLE CODE AXLE WEIGHT	AXLE & BRK. TYPE	BRK. MFG.	BRAKE SIZE	FMSI	MERITOR DISC PAD OR BRAKE SHOE	MERITOR GUIDE PIN OR RETURN SPRING KIT	MERITOR CALIPER HWD. KIT OR RETURN SPRING KIT	MERITOR ADJUSTER KIT (LEFT WHEEL)	MERITOR ADJUSTER KIT (RIGHT WHEEL)
MACK(Cont.)									
MS200(Cont.)									
1986	Ra Ra		15-1/2 " x 6 " 15-1/2 " x 6 "	1357 1357	- -	R407048 R407048	R407049 ³⁴⁹ R407049 ³⁴⁹	NR NR	NR NR
1985	Fa Fa Fa Fa Ra Ra		15-1/2 " x 5 " 15-1/2 " x 5 " 15-1/2 " x 5 " 15-1/2 " x 5 " 15-1/2 " x 6 " 15-1/2 " x 6 "	1356 1356 1356 1356 1357 1357	R46700021 R46700021 R46700021 R46700021 - -	R407048 R407048 R407048 R407048 R407048 R407048	R407049 ³⁴⁹ R407049 ³⁴⁹ R407049 ³⁴⁹ R407049 ³⁴⁹ R407049 ³⁴⁹ R407049 ³⁴⁹	NR NR NR NR NR NR	NR NR NR NR NR NR
1984	Fa Fa Fa Fa Ra Ra		15-1/2 " x 5 " 15-1/2 " x 5 " 15-1/2 " x 5 " 15-1/2 " x 5 " 15-1/2 " x 6 " 15-1/2 " x 6 "	1356 1356 1356 1356 1357 1357	R46700021 R46700021 R46700021 R46700021 - -	R407048 R407048 R407048 R407048 R407048 R407048	R407049 ³⁴⁹ R407049 ³⁴⁹ R407049 ³⁴⁹ R407049 ³⁴⁹ R407049 ³⁴⁹ R407049 ³⁴⁹	NR NR NR NR NR NR	NR NR NR NR NR NR
1983	Fa Fa Fa Fa Ra Ra		15-1/2 " x 5 " 15-1/2 " x 5 " 15-1/2 " x 5 " 15-1/2 " x 5 " 15-1/2 " x 6 " 15-1/2 " x 6 "	1356 1356 1356 1356 1357 1357	R46700021 R46700021 R46700021 R46700021 - -	R407048 R407048 R407048 R407048 R407048 R407048	R407049 ³⁴⁹ R407049 ³⁴⁹ R407049 ³⁴⁹ R407049 ³⁴⁹ R407049 ³⁴⁹ R407049 ³⁴⁹	NR NR NR NR NR NR	NR NR NR NR NR NR
1982	Fa Fa Fa Fa Ra Ra		15-1/2 " x 5 " 15-1/2 " x 5 " 15-1/2 " x 5 " 15-1/2 " x 5 " 15-1/2 " x 6 " 15-1/2 " x 6 "	1356 1356 1356 1356 1357 1357	R46700021 R46700021 R46700021 R46700021 - -	R407048 R407048 R407048 R407048 R407048 R407048	R407049 ³⁴⁹ R407049 ³⁴⁹ R407049 ³⁴⁹ R407049 ³⁴⁹ R407049 ³⁴⁹ R407049 ³⁴⁹	NR NR NR NR NR NR	NR NR NR NR NR NR
1981	Fa Fa Fa Fa Ra Ra		15-1/2 " x 5 " 15-1/2 " x 5 " 15-1/2 " x 5 " 15-1/2 " x 5 " 15-1/2 " x 6 " 15-1/2 " x 6 "	1356 1356 1356 1356 1357 1357	R46700021 R46700021 R46700021 R46700021 - -	R407048 R407048 R407048 R407048 R407048 R407048	R407049 ³⁴⁹ R407049 ³⁴⁹ R407049 ³⁴⁹ R407049 ³⁴⁹ R407049 ³⁴⁹ R407049 ³⁴⁹	NR NR NR NR NR NR	NR NR NR NR NR NR
1980	Fa Fa Fa Fa Ra Ra		15-1/2 " x 5 " 15-1/2 " x 5 " 15-1/2 " x 5 " 15-1/2 " x 5 " 15-1/2 " x 6 " 15-1/2 " x 6 "	1356 1356 1356 1356 1357 1357	R46700021 R46700021 R46700021 R46700021 - -	R407048 R407048 R407048 R407048 R407048 R407048	R407049 ³⁴⁹ R407049 ³⁴⁹ R407049 ³⁴⁹ R407049 ³⁴⁹ R407049 ³⁴⁹ R407049 ³⁴⁹	NR NR NR NR NR NR	NR NR NR NR NR NR
1979	Fa Fa Fa Fa Ra Ra		15-1/2 " x 5 " 15-1/2 " x 5 " 15-1/2 " x 5 " 15-1/2 " x 5 " 15-1/2 " x 6 " 15-1/2 " x 6 "	1356 1356 1356 1356 1357 1357	R46700021 R46700021 R46700021 R46700021 - -	R407048 R407048 R407048 R407048 R407048 R407048	R407049 ³⁴⁹ R407049 ³⁴⁹ R407049 ³⁴⁹ R407049 ³⁴⁹ R407049 ³⁴⁹ R407049 ³⁴⁹	NR NR NR NR NR NR	NR NR NR NR NR NR
MS300									
1984	Fa Fa Fa Fa Ra Ra		15-1/2 " x 5 " 15-1/2 " x 5 " 15-1/2 " x 5 " 15-1/2 " x 5 " 15-1/2 " x 6 " 15-1/2 " x 6 "	1356 1356 1356 1356 1357 1357	R46700021 R46700021 R46700021 R46700021 - -	R407048 R407048 R407048 R407048 R407048 R407048	R407049 ³⁴⁹ R407049 ³⁴⁹ R407049 ³⁴⁹ R407049 ³⁴⁹ R407049 ³⁴⁹ R407049 ³⁴⁹	NR NR NR NR NR NR	NR NR NR NR NR NR
1983	Fa Fa Fa		15-1/2 " x 5 " 15-1/2 " x 5 " 15-1/2 " x 5 "	1356 1356 1356	R46700021 R46700021 R46700021	R407048 R407048 R407048	R407049 ³⁴⁹ R407049 ³⁴⁹ R407049 ³⁴⁹	NR NR NR	NR NR NR

349 - Contains Adjuster

MERITOR DRUM OR ROTOR NO.	CALIPER OR CYLINDER BORE SIZE	MERITOR CALIPER OR WHEEL CYLINDER (LEFT)	MERITOR CALIPER OR WHEEL CYLINDER (RIGHT)	MERITOR CALIPER OR WHEEL CYLINDER REPAIR KIT	MERITOR CALIPER PISTON	MERITOR MASTER CYLINDER	MERITOR MASTER CYLINDER KIT	MERITOR BRAKE HOSE (LEFT)	MERITOR BRAKE HOSE (RIGHT)
MACK(Cont.)									
MS200(Cont.)									
R447195 R447195	1-3/4 " 1-3/4 "	R417054 R417058	R417056 R417059	R417068 R417069	NR NR	- -	- -	- -	- -
R447194 R447194 R447194 R447194	1-1/2 " 1-1/2 " 1-3/4 " 1-1/2 "	R 417051 R417055 R417054 R 417050	R 417053 R417057 R417056 R 417052	R417067 R417068 R417068 R417067	NR NR NR NR	- - - -	- - - -	- - - -	- - - -
R447195 R447195	1-3/4 " 1-3/4 "	R417058 R417054	R417059 R417056	R417069 R417068	NR NR	- -	- -	- -	- -
R447194 R447194 R447194 R447194	1-1/2 " 1-1/2 " 1-3/4 " 1-1/2 "	R417055 R 417051 R417054 R 417050	R417057 R 417053 R417056 R 417052	R417068 R417067 R417068 R417067	NR NR NR NR	- - - -	- - - -	- - - -	- - - -
R447195 R447195	1-3/4 " 1-3/4 "	R417054 R417058	R417056 R417059	R417068 R417069	NR NR	- -	- -	- -	- -
R447194 R447194 R447194 R447194	1-3/4 " 1-1/2 " 1-1/2 " 1-1/2 "	R417054 R 417051 R 417050 R417055	R417056 R 417053 R 417052 R417057	R417068 R417067 R417067 R417068	NR NR NR NR	- - - -	- - - -	- - - -	- - - -
R447195 R447195	1-3/4 " 1-3/4 "	R417058 R417054	R417059 R417056	R417069 R417068	NR NR	- -	- -	- -	- -
R447194 R447194 R447194 R447194	1-3/4 " 1-1/2 " 1-1/2 " 1-1/2 "	R417054 R417055 R 417050 R 417051	R417056 R417057 R 417052 R 417053	R417068 R417068 R417067 R417067	NR NR NR NR	- - - -	- - - -	- - - -	- - - -
R447195 R447195	1-3/4 " 1-3/4 "	R417058 R417054	R417059 R417056	R417069 R417068	NR NR	- -	- -	- -	- -
R447194 R447194 R447194 R447194	1-1/2 " 1-1/2 " 1-1/2 " 1-3/4 "	R417055 R 417050 R 417051 R417054	R417057 R 417052 R 417053 R417056	R417068 R417067 R417067 R417068	NR NR NR NR	- - - -	- - - -	- - - -	- - - -
R447195 R447195	1-3/4 " 1-3/4 "	R417054 R417058	R417056 R417059	R417068 R417069	NR NR	- -	- -	- -	- -
R447194 R447194 R447194 R447194	1-1/2 " 1-1/2 " 1-1/2 " 1-3/4 "	R 417050 R417055 R 417051 R417054	R 417052 R417057 R 417053 R417056	R417067 R417068 R417067 R417068	NR NR NR NR	- - - -	- - - -	- - - -	- - - -
R447195 R447195	1-3/4 " 1-3/4 "	R417054 R417058	R417056 R417059	R417068 R417069	NR NR	- -	- -	- -	- -
R447194 R447194 R447194 R447194	1-3/4 " 1-1/2 " 1-1/2 " 1-1/2 "	R417054 R 417051 R 417050 R417055	R417056 R 417053 R 417052 R417057	R417068 R417067 R417067 R417068	NR NR NR NR	- - - -	- - - -	- - - -	- - - -
R447195 R447195	1-3/4 " 1-3/4 "	R417058 R417054	R417059 R417056	R417069 R417068	NR NR	- -	- -	- -	- -
MS300									
R447194 R447194 R447194 R447194	1-1/2 " 1-1/2 " 1-3/4 " 1-1/2 "	R 417050 R417055 R417054 R 417051	R 417052 R417057 R417056 R 417053	R417067 R417068 R417068 R417067	NR NR NR NR	- - - -	- - - -	- - - -	- - - -
R447195 R447195	1-3/4 " 1-3/4 "	R417054 R417058	R417056 R417059	R417068 R417069	NR NR	- -	- -	- -	- -
R447194 R447194 R447194	1-1/2 " 1-1/2 " 1-3/4 "	R417055 R 417051 R417054	R417057 R 417053 R417056	R417068 R417067 R417068	NR NR NR	- - -	- - -	- - -	- - -

1 APPLICATION

MAKE MODEL YEAR AXLE CODE AXLE WEIGHT	AXLE & BRK. TYPE	BRK. MFG.	BRAKE SIZE	FMSI	MERITOR DISC PAD OR BRAKE SHOE	MERITOR GUIDE PIN OR RETURN SPRING KIT	MERITOR CALIPER HWD. KIT OR RETURN SPRING KIT	MERITOR ADJUSTER KIT (LEFT WHEEL)	MERITOR ADJUSTER KIT (RIGHT WHEEL)
MACK(Cont.)									
MS300(Cont.)									
1983	Fa		15-1/2 " x 5 "	1356	R46700021	R407048	R407049 ³⁴⁹	NR	NR
	Ra		15-1/2 " x 6 "	1357	-	R407048	R407049 ³⁴⁹	NR	NR
	Ra		15-1/2 " x 6 "	1357	-	R407048	R407049 ³⁴⁹	NR	NR
1982	Fa		15-1/2 " x 5 "	1356	R46700021	R407048	R407049 ³⁴⁹	NR	NR
	Fa		15-1/2 " x 5 "	1356	R46700021	R407048	R407049 ³⁴⁹	NR	NR
	Fa		15-1/2 " x 5 "	1356	R46700021	R407048	R407049 ³⁴⁹	NR	NR
	Fa		15-1/2 " x 5 "	1356	R46700021	R407048	R407049 ³⁴⁹	NR	NR
	Ra		15-1/2 " x 6 "	1357	-	R407048	R407049 ³⁴⁹	NR	NR
	Ra		15-1/2 " x 6 "	1357	-	R407048	R407049 ³⁴⁹	NR	NR
1981	Fa		15-1/2 " x 5 "	1356	R46700021	R407048	R407049 ³⁴⁹	NR	NR
	Fa		15-1/2 " x 5 "	1356	R46700021	R407048	R407049 ³⁴⁹	NR	NR
	Fa		15-1/2 " x 5 "	1356	R46700021	R407048	R407049 ³⁴⁹	NR	NR
	Fa		15-1/2 " x 5 "	1356	R46700021	R407048	R407049 ³⁴⁹	NR	NR
	Ra		15-1/2 " x 6 "	1357	-	R407048	R407049 ³⁴⁹	NR	NR
	Ra		15-1/2 " x 6 "	1357	-	R407048	R407049 ³⁴⁹	NR	NR
1980	Fa		15-1/2 " x 5 "	1356	R46700021	R407048	R407049 ³⁴⁹	NR	NR
	Fa		15-1/2 " x 5 "	1356	R46700021	R407048	R407049 ³⁴⁹	NR	NR
	Fa		15-1/2 " x 5 "	1356	R46700021	R407048	R407049 ³⁴⁹	NR	NR
	Fa		15-1/2 " x 5 "	1356	R46700021	R407048	R407049 ³⁴⁹	NR	NR
	Ra		15-1/2 " x 6 "	1357	-	R407048	R407049 ³⁴⁹	NR	NR
	Ra		15-1/2 " x 6 "	1357	-	R407048	R407049 ³⁴⁹	NR	NR
1979	Fa		15-1/2 " x 5 "	1356	R46700021	R407048	R407049 ³⁴⁹	NR	NR
	Fa		15-1/2 " x 5 "	1356	R46700021	R407048	R407049 ³⁴⁹	NR	NR
	Fa		15-1/2 " x 5 "	1356	R46700021	R407048	R407049 ³⁴⁹	NR	NR
	Fa		15-1/2 " x 5 "	1356	R46700021	R407048	R407049 ³⁴⁹	NR	NR
	Ra		15-1/2 " x 6 "	1357	-	R407048	R407049 ³⁴⁹	NR	NR
	Ra		15-1/2 " x 6 "	1357	-	R407048	R407049 ³⁴⁹	NR	NR
MAGIRUS									
160 A11FL									
1978	Fa		15-1/2 " x 5 "	1356	R46700021	R407048	R407049 ³⁴⁹	NR	NR
	Fa		15-1/2 " x 5 "	1356	R46700021	R407048	R407049 ³⁴⁹	NR	NR
	Fa		15-1/2 " x 5 "	1356	R46700021	R407048	R407049 ³⁴⁹	NR	NR
	Fa		15-1/2 " x 5 "	1356	R46700021	R407048	R407049 ³⁴⁹	NR	NR
	Ra		15-1/2 " x 6 "	1357	-	R407048	R407049 ³⁴⁹	NR	NR
	Ra		15-1/2 " x 6 "	1357	-	R407048	R407049 ³⁴⁹	NR	NR
1977	Fa		15-1/2 " x 5 "	1356	R46700021	R407048	R407049	NR	NR
	Fa		15-1/2 " x 5 "	1356	R46700021	R407048	R407049	NR	NR
	Fa		15-1/2 " x 5 "	1356	R46700021	R407048	R407049	NR	NR
	Fa		15-1/2 " x 5 "	1356	R46700021	R407048	R407049	NR	NR
	Ra		15-1/2 " x 6 "	1357	R46700121	R407048	R407049	NR	NR
	Ra		15-1/2 " x 6 "	1357	R46700121	R407048	R407049	NR	NR
160 A13FL									
1987	Fa		15-1/2 " x 5 "	1356	R46700021	R407048	R407049 ³⁴⁹	NR	NR
	Fa		15-1/2 " x 5 "	1356	R46700021	R407048	R407049 ³⁴⁹	NR	NR
	Fa		15-1/2 " x 5 "	1356	R46700021	R407048	R407049 ³⁴⁹	NR	NR
	Fa		15-1/2 " x 5 "	1356	R46700021	R407048	R407049 ³⁴⁹	NR	NR
	Ra		15-1/2 " x 6 "	1357	-	R407048	R407049 ³⁴⁹	NR	NR
	Ra		15-1/2 " x 6 "	1357	-	R407048	R407049 ³⁴⁹	NR	NR
1986	Fa		15-1/2 " x 5 "	1356	R46700021	R407048	R407049 ³⁴⁹	NR	NR
	Fa		15-1/2 " x 5 "	1356	R46700021	R407048	R407049 ³⁴⁹	NR	NR
	Fa		15-1/2 " x 5 "	1356	R46700021	R407048	R407049 ³⁴⁹	NR	NR
	Fa		15-1/2 " x 5 "	1356	R46700021	R407048	R407049 ³⁴⁹	NR	NR
	Fa		15-1/2 " x 5 "	1356	R46700021	R407048	R407049 ³⁴⁹	NR	NR
	Fa		15-1/2 " x 5 "	1356	R46700021	R407048	R407049 ³⁴⁹	NR	NR

349 - Contains Adjuster

MERITOR DRUM OR ROTOR NO.	CALIPER OR CYLINDER BORE SIZE	MERITOR CALIPER OR WHEEL CYLINDER (LEFT)	MERITOR CALIPER OR WHEEL CYLINDER (RIGHT)	MERITOR CALIPER OR WHEEL CYLINDER REPAIR KIT	MERITOR CALIPER PISTON	MERITOR MASTER CYLINDER	MERITOR MASTER CYLINDER KIT	MERITOR BRAKE HOSE (LEFT)	MERITOR BRAKE HOSE (RIGHT)
MACK(Cont.)									
MS300(Cont.)									
R447194	1-1/2 "	R 417050	R 417052	R417067	NR	-	-	-	-
R447195	1-3/4 "	R417058	R417059	R417069	NR	-	-	-	-
R447195	1-3/4 "	R417054	R417056	R417068	NR	-	-	-	-
R447194	1-1/2 "	R 417050	R 417052	R417067	NR	-	-	-	-
R447194	1-1/2 "	R 417051	R 417053	R417067	NR	-	-	-	-
R447194	1-1/2 "	R417055	R417057	R417068	NR	-	-	-	-
R447194	1-3/4 "	R417054	R417056	R417068	NR	-	-	-	-
R447195	1-3/4 "	R417054	R417056	R417068	NR	-	-	-	-
R447195	1-3/4 "	R417058	R417059	R417069	NR	-	-	-	-
R447194	1-1/2 "	R 417050	R 417052	R417067	NR	-	-	-	-
R447194	1-1/2 "	R 417051	R 417053	R417067	NR	-	-	-	-
R447194	1-3/4 "	R417054	R417056	R417068	NR	-	-	-	-
R447194	1-1/2 "	R417055	R417057	R417068	NR	-	-	-	-
R447195	1-3/4 "	R417058	R417059	R417069	NR	-	-	-	-
R447195	1-3/4 "	R417054	R417056	R417068	NR	-	-	-	-
R447194	1-1/2 "	R 417050	R 417052	R417067	NR	-	-	-	-
R447194	1-1/2 "	R 417051	R 417053	R417067	NR	-	-	-	-
R447194	1-3/4 "	R417054	R417056	R417068	NR	-	-	-	-
R447194	1-1/2 "	R 417051	R 417053	R417067	NR	-	-	-	-
R447195	1-3/4 "	R417054	R417056	R417068	NR	-	-	-	-
R447195	1-3/4 "	R417058	R417059	R417069	NR	-	-	-	-
R447194	1-1/2 "	R 417051	R 417053	R417067	NR	-	-	-	-
R447194	1-1/2 "	R417055	R417057	R417068	NR	-	-	-	-
R447194	1-3/4 "	R417054	R417056	R417068	NR	-	-	-	-
R447194	1-1/2 "	R 417051	R 417053	R417067	NR	-	-	-	-
R447195	1-3/4 "	R417054	R417056	R417068	NR	-	-	-	-
R447195	1-3/4 "	R417058	R417059	R417069	NR	-	-	-	-
MAGIRUS									
160 A11FL									
R447194	1-1/2 "	R 417050	R 417052	R417067	NR	-	-	-	-
R447194	1-1/2 "	R 417051	R 417053	R417067	NR	-	-	-	-
R447194	1-3/4 "	R417054	R417056	R417068	NR	-	-	-	-
R447194	1-1/2 "	R417055	R417057	R417068	NR	-	-	-	-
R447195	1-3/4 "	R417054	R417056	R417068	NR	-	-	-	-
R447195	1-3/4 "	R417058	R417059	R417069	NR	-	-	-	-
R447194	1-1/2 "	R 417050	R 417052	R417067	NR	-	-	-	-
R447194	1-1/2 "	R 417051	R 417053	R417067	NR	-	-	-	-
R447194	1-3/4 "	R417054	R417056	R417068	NR	-	-	-	-
R447194	1-1/2 "	R417055	R417057	R417068	NR	-	-	-	-
R447195	1-3/4 "	R417054	R417056	R417068	NR	-	-	-	-
R447195	1-3/4 "	R417058	R417059	R417069	NR	-	-	-	-
160 A13FL									
R447194	1-1/2 "	R 417050	R 417052	R417067	NR	-	-	-	-
R447194	1-1/2 "	R 417051	R 417053	R417067	NR	-	-	-	-
R447194	1-3/4 "	R417054	R417056	R417068	NR	-	-	-	-
R447194	1-1/2 "	R417055	R417057	R417068	NR	-	-	-	-
R447195	1-3/4 "	R417054	R417056	R417068	NR	-	-	-	-
R447195	1-3/4 "	R417058	R417059	R417069	NR	-	-	-	-
R447194	1-1/2 "	R 417050	R 417052	R417067	NR	-	-	-	-
R447194	1-1/2 "	R 417051	R 417053	R417067	NR	-	-	-	-
R447194	1-3/4 "	R417054	R417056	R417068	NR	-	-	-	-
R447194	1-1/2 "	R417055	R417057	R417068	NR	-	-	-	-
R447194	1-1/2 "	R 417050	R 417052	R417067	NR	-	-	-	-
R447194	1-1/2 "	R 417051	R 417053	R417067	NR	-	-	-	-

MAKE MODEL YEAR AXLE CODE AXLE WEIGHT	AXLE & BRK. TYPE	BRK. MFG.	BRAKE SIZE	FMSI	MERITOR DISC PAD OR BRAKE SHOE	MERITOR GUIDE PIN OR RETURN SPRING KIT	MERITOR CALIPER HWD. KIT OR RETURN SPRING KIT	MERITOR ADJUSTER KIT (LEFT WHEEL)	MERITOR ADJUSTER KIT (RIGHT WHEEL)	
MAGIRUS(Cont.)										
160 A13FL(Cont.)										
1986	Fa		15-1/2" x 5"	1356	R46700021	R407048	R407049 ³⁴⁹	NR	NR	
	Fa		15-1/2" x 5"	1356	R46700021	R407048	R407049 ³⁴⁹	NR	NR	
	Ra		15-1/2" x 6"	1357	-	R407048	R407049 ³⁴⁹	NR	NR	
1985	Ra		15-1/2" x 6"	1357	-	R407048	R407049 ³⁴⁹	NR	NR	
	Ra		15-1/2" x 6"	1357	-	R407048	R407049 ³⁴⁹	NR	NR	
1985	Fa		15-1/2" x 5"	1356	R46700021	R407048	R407049 ³⁴⁹	NR	NR	
	Fa		15-1/2" x 5"	1356	R46700021	R407048	R407049 ³⁴⁹	NR	NR	
	Fa		15-1/2" x 5"	1356	R46700021	R407048	R407049 ³⁴⁹	NR	NR	
	Fa		15-1/2" x 5"	1356	R46700021	R407048	R407049 ³⁴⁹	NR	NR	
	Fa		15-1/2" x 5"	1356	R46700021	R407048	R407049 ³⁴⁹	NR	NR	
	Fa		15-1/2" x 5"	1356	R46700021	R407048	R407049 ³⁴⁹	NR	NR	
	Fa		15-1/2" x 5"	1356	R46700021	R407048	R407049 ³⁴⁹	NR	NR	
	Fa		15-1/2" x 5"	1356	R46700021	R407048	R407049 ³⁴⁹	NR	NR	
	Fa		15-1/2" x 5"	1356	R46700021	R407048	R407049 ³⁴⁹	NR	NR	
	Fa		15-1/2" x 5"	1356	R46700021	R407048	R407049 ³⁴⁹	NR	NR	
	Ra		15-1/2" x 6"	1357	-	R407048	R407049 ³⁴⁹	NR	NR	
	Ra		15-1/2" x 6"	1357	-	R407048	R407049 ³⁴⁹	NR	NR	
	1984	Fa		15-1/2" x 5"	1356	R46700021	R407048	R407049 ³⁴⁹	NR	NR
		Fa		15-1/2" x 5"	1356	R46700021	R407048	R407049 ³⁴⁹	NR	NR
Fa			15-1/2" x 5"	1356	R46700021	R407048	R407049 ³⁴⁹	NR	NR	
Fa			15-1/2" x 5"	1356	R46700021	R407048	R407049 ³⁴⁹	NR	NR	
Fa			15-1/2" x 5"	1356	R46700021	R407048	R407049 ³⁴⁹	NR	NR	
Fa			15-1/2" x 5"	1356	R46700021	R407048	R407049 ³⁴⁹	NR	NR	
Fa			15-1/2" x 5"	1356	R46700021	R407048	R407049 ³⁴⁹	NR	NR	
Fa			15-1/2" x 5"	1356	R46700021	R407048	R407049 ³⁴⁹	NR	NR	
Fa			15-1/2" x 5"	1356	R46700021	R407048	R407049 ³⁴⁹	NR	NR	
Fa			15-1/2" x 5"	1356	R46700021	R407048	R407049 ³⁴⁹	NR	NR	
Fa			15-1/2" x 5"	1356	R46700021	R407048	R407049 ³⁴⁹	NR	NR	
Fa			15-1/2" x 5"	1356	R46700021	R407048	R407049 ³⁴⁹	NR	NR	
Ra			15-1/2" x 6"	1357	-	R407048	R407049 ³⁴⁹	NR	NR	
Ra			15-1/2" x 6"	1357	-	R407048	R407049 ³⁴⁹	NR	NR	
1983	Fa		15-1/2" x 5"	1356	R46700021	R407048	R407049 ³⁴⁹	NR	NR	
	Fa		15-1/2" x 5"	1356	R46700021	R407048	R407049 ³⁴⁹	NR	NR	
	Fa		15-1/2" x 5"	1356	R46700021	R407048	R407049 ³⁴⁹	NR	NR	
	Fa		15-1/2" x 5"	1356	R46700021	R407048	R407049 ³⁴⁹	NR	NR	
	Fa		15-1/2" x 5"	1356	R46700021	R407048	R407049 ³⁴⁹	NR	NR	
	Fa		15-1/2" x 5"	1356	R46700021	R407048	R407049 ³⁴⁹	NR	NR	
	Fa		15-1/2" x 5"	1356	R46700021	R407048	R407049 ³⁴⁹	NR	NR	
	Fa		15-1/2" x 5"	1356	R46700021	R407048	R407049 ³⁴⁹	NR	NR	
	Fa		15-1/2" x 5"	1356	R46700021	R407048	R407049 ³⁴⁹	NR	NR	
	Fa		15-1/2" x 5"	1356	R46700021	R407048	R407049 ³⁴⁹	NR	NR	
	Fa		15-1/2" x 5"	1356	R46700021	R407048	R407049 ³⁴⁹	NR	NR	
	Fa		15-1/2" x 5"	1356	R46700021	R407048	R407049 ³⁴⁹	NR	NR	
	Fa		15-1/2" x 5"	1356	R46700021	R407048	R407049 ³⁴⁹	NR	NR	
	Ra		15-1/2" x 6"	1357	-	R407048	R407049 ³⁴⁹	NR	NR	
Ra		15-1/2" x 6"	1357	-	R407048	R407049 ³⁴⁹	NR	NR		
1982	Fa		15-1/2" x 5"	1356	R46700021	R407048	R407049 ³⁴⁹	NR	NR	
	Fa		15-1/2" x 5"	1356	R46700021	R407048	R407049 ³⁴⁹	NR	NR	
	Fa		15-1/2" x 5"	1356	R46700021	R407048	R407049 ³⁴⁹	NR	NR	
	Fa		15-1/2" x 5"	1356	R46700021	R407048	R407049 ³⁴⁹	NR	NR	
	Fa		15-1/2" x 5"	1356	R46700021	R407048	R407049 ³⁴⁹	NR	NR	
	Fa		15-1/2" x 5"	1356	R46700021	R407048	R407049 ³⁴⁹	NR	NR	
	Fa		15-1/2" x 5"	1356	R46700021	R407048	R407049 ³⁴⁹	NR	NR	
	Fa		15-1/2" x 5"	1356	R46700021	R407048	R407049 ³⁴⁹	NR	NR	
	Fa		15-1/2" x 5"	1356	R46700021	R407048	R407049 ³⁴⁹	NR	NR	
	Fa		15-1/2" x 5"	1356	R46700021	R407048	R407049 ³⁴⁹	NR	NR	
	Fa		15-1/2" x 5"	1356	R46700021	R407048	R407049 ³⁴⁹	NR	NR	
	Fa		15-1/2" x 5"	1356	R46700021	R407048	R407049 ³⁴⁹	NR	NR	
	Fa		15-1/2" x 5"	1356	R46700021	R407048	R407049 ³⁴⁹	NR	NR	
	Ra		15-1/2" x 6"	1357	-	R407048	R407049 ³⁴⁹	NR	NR	
Ra		15-1/2" x 6"	1357	-	R407048	R407049 ³⁴⁹	NR	NR		
1981	Fa		15-1/2" x 5"	1356	R46700021	R407048	R407049 ³⁴⁹	NR	NR	
	Fa		15-1/2" x 5"	1356	R46700021	R407048	R407049 ³⁴⁹	NR	NR	
	Fa		15-1/2" x 5"	1356	R46700021	R407048	R407049 ³⁴⁹	NR	NR	

349 - Contains Adjuster

MAKE MODEL YEAR AXLE CODE AXLE WEIGHT	AXLE & BRK. TYPE	BRK. MFG.	BRAKE SIZE	FMSI	MERITOR DISC PAD OR BRAKE SHOE	MERITOR GUIDE PIN OR RETURN SPRING KIT	MERITOR CALIPER HWD. KIT OR RETURN SPRING KIT	MERITOR ADJUSTER KIT (LEFT WHEEL)	MERITOR ADJUSTER KIT (RIGHT WHEEL)
MAGIRUS(Cont.)									
160 A13FL(Cont.)									
1981	Fa		15-1/2" x 5"	1356	R46700021	R407048	R407049 ³⁴⁹	NR	NR
	Fa		15-1/2" x 5"	1356	R46700021	R407048	R407049 ³⁴⁹	NR	NR
	Fa		15-1/2" x 5"	1356	R46700021	R407048	R407049 ³⁴⁹	NR	NR
	Fa		15-1/2" x 5"	1356	R46700021	R407048	R407049 ³⁴⁹	NR	NR
	Fa		15-1/2" x 5"	1356	R46700021	R407048	R407049 ³⁴⁹	NR	NR
	Fa		15-1/2" x 5"	1356	R46700021	R407048	R407049 ³⁴⁹	NR	NR
	Fa		15-1/2" x 5"	1356	R46700021	R407048	R407049 ³⁴⁹	NR	NR
	Fa		15-1/2" x 5"	1356	R46700021	R407048	R407049 ³⁴⁹	NR	NR
	Ra		15-1/2" x 6"	1357	-	R407048	R407049 ³⁴⁹	NR	NR
	Ra		15-1/2" x 6"	1357	-	R407048	R407049 ³⁴⁹	NR	NR
1980	Fa		15-1/2" x 5"	1356	R46700021	R407048	R407049 ³⁴⁹	NR	NR
	Fa		15-1/2" x 5"	1356	R46700021	R407048	R407049 ³⁴⁹	NR	NR
	Fa		15-1/2" x 5"	1356	R46700021	R407048	R407049 ³⁴⁹	NR	NR
	Fa		15-1/2" x 5"	1356	R46700021	R407048	R407049 ³⁴⁹	NR	NR
	Fa		15-1/2" x 5"	1356	R46700021	R407048	R407049 ³⁴⁹	NR	NR
	Fa		15-1/2" x 5"	1356	R46700021	R407048	R407049 ³⁴⁹	NR	NR
	Fa		15-1/2" x 5"	1356	R46700021	R407048	R407049 ³⁴⁹	NR	NR
	Fa		15-1/2" x 5"	1356	R46700021	R407048	R407049 ³⁴⁹	NR	NR
	Fa		15-1/2" x 5"	1356	R46700021	R407048	R407049 ³⁴⁹	NR	NR
	Fa		15-1/2" x 5"	1356	R46700021	R407048	R407049 ³⁴⁹	NR	NR
	Fa		15-1/2" x 5"	1356	R46700021	R407048	R407049 ³⁴⁹	NR	NR
	Ra		15-1/2" x 6"	1357	-	R407048	R407049 ³⁴⁹	NR	NR
	Ra		15-1/2" x 6"	1357	-	R407048	R407049 ³⁴⁹	NR	NR
	1979	Fa		15-1/2" x 5"	1356	R46700021	R407048	R407049 ³⁴⁹	NR
Fa			15-1/2" x 5"	1356	R46700021	R407048	R407049 ³⁴⁹	NR	NR
Fa			15-1/2" x 5"	1356	R46700021	R407048	R407049 ³⁴⁹	NR	NR
Fa			15-1/2" x 5"	1356	R46700021	R407048	R407049 ³⁴⁹	NR	NR
Fa			15-1/2" x 5"	1356	R46700021	R407048	R407049 ³⁴⁹	NR	NR
Fa			15-1/2" x 5"	1356	R46700021	R407048	R407049 ³⁴⁹	NR	NR
Fa			15-1/2" x 5"	1356	R46700021	R407048	R407049 ³⁴⁹	NR	NR
Fa			15-1/2" x 5"	1356	R46700021	R407048	R407049 ³⁴⁹	NR	NR
Fa			15-1/2" x 5"	1356	R46700021	R407048	R407049 ³⁴⁹	NR	NR
Fa			15-1/2" x 5"	1356	R46700021	R407048	R407049 ³⁴⁹	NR	NR
Fa			15-1/2" x 5"	1356	R46700021	R407048	R407049 ³⁴⁹	NR	NR
Ra			15-1/2" x 6"	1357	-	R407048	R407049 ³⁴⁹	NR	NR
Ra			15-1/2" x 6"	1357	-	R407048	R407049 ³⁴⁹	NR	NR
1978		Fa		15-1/2" x 5"	1356	R46700021	R407048	R407049 ³⁴⁹	NR
	Fa		15-1/2" x 5"	1356	R46700021	R407048	R407049 ³⁴⁹	NR	NR
	Fa		15-1/2" x 5"	1356	R46700021	R407048	R407049 ³⁴⁹	NR	NR
	Fa		15-1/2" x 5"	1356	R46700021	R407048	R407049 ³⁴⁹	NR	NR
	Ra		15-1/2" x 6"	1357	-	R407048	R407049 ³⁴⁹	NR	NR
	Ra		15-1/2" x 6"	1357	-	R407048	R407049 ³⁴⁹	NR	NR
MITSUBISHI FUSO									
FE									
1994	Fd			7500 - D433	MD433	R4010797	R409865	NR	NR
	Fm		320mm x 75mm	1467 - S682	R469831	R409855	R409856	N/A	N/A
	Ra		320mm x 75mm	1467 - S682	R469831	R409855	R409856	N/A	N/A
	Rm		320mm x 75mm	1467 - S682	R469831	R409855	R409856	N/A	N/A
1993	Fd			7500 - D433	MD433	R4010797	R409865	NR	NR
	Fm		320mm x 75mm	1467 - S682	R469831	R409855	R409856	N/A	N/A
	Rm		320mm x 75mm	1467 - S682	R469831	R409855	R409856	N/A	N/A
1992	Fd			7500 - D433	MD433	R4010797	R409865	NR	NR
	Fm		320mm x 75mm	1467 - S682	R469831	R409855	R409856	N/A	N/A
	Rm		320mm x 75mm	1467 - S682	R469831	R409855	R409856	N/A	N/A

349 - Contains Adjuster

MERITOR DRUM OR ROTOR NO.	CALIPER OR CYLINDER BORE SIZE	MERITOR CALIPER OR WHEEL CYLINDER (LEFT)	MERITOR CALIPER OR WHEEL CYLINDER (RIGHT)	MERITOR CALIPER OR WHEEL CYLINDER REPAIR KIT	MERITOR CALIPER PISTON	MERITOR MASTER CYLINDER	MERITOR MASTER CYLINDER KIT	MERITOR BRAKE HOSE (LEFT)	MERITOR BRAKE HOSE (RIGHT)
MAGIRUS(Cont.)									
160 A13FL(Cont.)									
R447194	1-1/2 "	R417055	R417057	R417068	NR	-	-	-	-
R447194	1-1/2 "	R 417050	R 417052	R417067	NR	-	-	-	-
R447194	1-1/2 "	R 417051	R 417053	R417067	NR	-	-	-	-
R447194	1-3/4 "	R417054	R417056	R417068	NR	-	-	-	-
R447194	1-1/2 "	R417055	R417057	R417068	NR	-	-	-	-
R447194	1-1/2 "	R 417050	R 417052	R417067	NR	-	-	-	-
R447194	1-1/2 "	R 417051	R 417053	R417067	NR	-	-	-	-
R447194	1-3/4 "	R417054	R417056	R417068	NR	-	-	-	-
R447194	1-1/2 "	R417055	R417057	R417068	NR	-	-	-	-
R447195	1-3/4 "	R417054	R417056	R417068	NR	-	-	-	-
R447195	1-3/4 "	R417058	R417059	R417069	NR	-	-	-	-
R447194	1-1/2 "	R 417050	R 417052	R417067	NR	-	-	-	-
R447194	1-1/2 "	R 417051	R 417053	R417067	NR	-	-	-	-
R447194	1-3/4 "	R417054	R417056	R417068	NR	-	-	-	-
R447194	1-1/2 "	R417055	R417057	R417068	NR	-	-	-	-
R447194	1-1/2 "	R 417050	R 417052	R417067	NR	-	-	-	-
R447194	1-1/2 "	R 417051	R 417053	R417067	NR	-	-	-	-
R447194	1-1/2 "	R 417050	R 417052	R417067	NR	-	-	-	-
R447194	1-3/4 "	R417054	R417056	R417068	NR	-	-	-	-
R447194	1-1/2 "	R417055	R417057	R417068	NR	-	-	-	-
R447194	1-1/2 "	R 417050	R 417052	R417067	NR	-	-	-	-
R447194	1-1/2 "	R 417051	R 417053	R417067	NR	-	-	-	-
R447194	1-3/4 "	R417054	R417056	R417068	NR	-	-	-	-
R447194	1-1/2 "	R417055	R417057	R417068	NR	-	-	-	-
R447195	1-3/4 "	R417054	R417056	R417068	NR	-	-	-	-
R447195	1-3/4 "	R417058	R417059	R417069	NR	-	-	-	-
R447194	1-1/2 "	R 417050	R 417052	R417067	NR	-	-	-	-
R447194	1-1/2 "	R 417051	R 417053	R417067	NR	-	-	-	-
R447194	1-3/4 "	R417054	R417056	R417068	NR	-	-	-	-
R447194	1-1/2 "	R417055	R417057	R417068	NR	-	-	-	-
R447195	1-3/4 "	R417054	R417056	R417068	NR	-	-	-	-
R447195	1-3/4 "	R417058	R417059	R417069	NR	-	-	-	-
MITSUBISHI FUSO									
FE									
N/A		N/A	N/A	R409866	N/A	-	-	-	-
N/A		N/A	N/A	N/A	NR	-	-	-	-
N/A		N/A	N/A	N/A	NR	-	-	-	-
N/A		N/A	N/A	N/A	NR	-	-	-	-
N/A		N/A	N/A	R409866	N/A	-	-	-	-
N/A		N/A	N/A	N/A	NR	-	-	-	-
N/A		N/A	N/A	N/A	NR	-	-	-	-
N/A		N/A	N/A	R409866	N/A	-	-	-	-
N/A		N/A	N/A	N/A	NR	-	-	-	-
N/A		N/A	N/A	N/A	NR	-	-	-	-

MAKE MODEL YEAR AXLE CODE AXLE WEIGHT	AXLE & BRK. TYPE	BRK. MFG.	BRAKE SIZE	FMSI	MERITOR DISC PAD OR BRAKE SHOE	MERITOR GUIDE PIN OR RETURN SPRING KIT	MERITOR CALIPER HWD. KIT OR RETURN SPRING KIT	MERITOR ADJUSTER KIT (LEFT WHEEL)	MERITOR ADJUSTER KIT (RIGHT WHEEL)
1-APPLICATION									
1-APPLICATION									
MITSUBISHI FUSO(Cont.)									
FE(Cont.)									
1991	Fd			7500 - D433	MD433	R4010797	R409865	NR	NR
	Fm		320mm x 75mm	1467 - S682	R469831	R409855	R409856	N/A	N/A
	Rm		320mm x 75mm	1467 - S682	R469831	R409855	R409856	N/A	N/A
1990	Fd			7500 - D433	MD433	R4010797	R409865	NR	NR
	Fm		320mm x 75mm	1467 - S682	R469831	R409855	R409856	N/A	N/A
	Rm		320mm x 75mm	1467 - S682	R469831	R409855	R409856	N/A	N/A
1989	Fd			7500 - D433	MD433	R4010797	R409865	NR	NR
	Fm		320mm x 75mm	1467 - S682	R469831	R409855	R409856	N/A	N/A
	Rm		320mm x 75mm	1467 - S682	R469831	R409855	R409856	N/A	N/A
1988	Fd			7499 - D624	MD624	N/A	N/A	NR	NR
	Fm		320mm x 75mm	1467 - S682	R469831	R409855	R409856	N/A	N/A
	Rm		320mm x 75mm	1467 - S682	R469831	R409855	R409856	N/A	N/A
1987	Fd			7499 - D624	MD624	N/A	N/A	NR	NR
	Fm		320mm x 75mm	1467 - S682	R469831	R409855	R409856	N/A	N/A
	Rm		320mm x 75mm	1467 - S682	R469831	R409855	R409856	N/A	N/A
FE - HD MODEL 639L									
2005	Ra		321.5mm x 320mm x 75mm	1468 - S682	R4112444	R4112445	-	NR	NR
	Ra		321.5mm x 320mm x 75mm	1468 - S682	R4112444	R4112445	-	NR	NR
13,500 lb GVWR / axle 5,070 lb w / 4 wheel disc Reverse Elliot I - Beam / 5,290 lb Capacity	Fd Fd			7604 - D735 7604 - D735	MD735 MD735	NR NR	R4112431 R4112431	NR NR	NR NR
13,500 lb GVWR / axle 9,040 lb w / 4 wheel disc Full floating type / 9,480 lb Capacity	Rd Rd			7603 - D734 7603 - D734	MD734 MD734	NR NR	- -	NR NR	NR NR
2004	Ra		321.5mm x 320mm x 75mm	1468 - S682	R4112444	R4112445	-	NR	NR
	Ra		321.5mm x 320mm x 75mm	1468 - S682	R4112444	R4112445	-	NR	NR
13,500 lb GVWR / axle 5,070 lb w / 4 wheel disc Reverse Elliot I - Beam / 5,290 lb Capacity	Fd Fd			7604 - D735 7604 - D735	MD735 MD735	NR NR	R4112431 R4112431	NR NR	NR NR
13,500 lb GVWR / axle 9,040 lb w / 4 wheel disc Full floating type / 9,480 lb Capacity	Rd Rd			7603 - D734 7603 - D734	MD734 MD734	NR NR	- -	NR NR	NR NR
2003	Ra		321.5mm x 320mm x 75mm	1468 - S682	R4112444	R4112445	-	NR	NR
	Ra		321.5mm x 320mm x 75mm	1468 - S682	R4112444	R4112445	-	NR	NR
13,500 lb GVWR / axle 5,070 lb w / 4 wheel disc Reverse Elliot I - Beam / 5,290 lb Capacity	Fd Fd			7604 - D735 7604 - D735	MD735 MD735	NR NR	R4112431 R4112431	NR NR	NR NR
13,500 lb GVWR / axle 9,040 lb w / 4 wheel disc Full floating type / 9,480 lb Capacity	Rd			7603 - D734	MD734	NR	-	NR	NR

MERITOR DRUM OR ROTOR NO.	CALIPER OR CYLINDER BORE SIZE	MERITOR CALIPER OR WHEEL CYLINDER (LEFT)	MERITOR CALIPER OR WHEEL CYLINDER (RIGHT)	MERITOR CALIPER OR WHEEL CYLINDER REPAIR KIT	MERITOR CALIPER PISTON	MERITOR MASTER CYLINDER	MERITOR MASTER CYLINDER KIT	MERITOR BRAKE HOSE (LEFT)	MERITOR BRAKE HOSE (RIGHT)
MITSUBISHI FUSO(Cont.)									
FE(Cont.)									
N/A		N/A	N/A	R409866	N/A	-	-	-	-
N/A		N/A	N/A	N/A	NR	-	-	-	-
N/A		N/A	N/A	N/A	NR	-	-	-	-
N/A		N/A	N/A	R409866	N/A	-	-	-	-
N/A		N/A	N/A	N/A	NR	-	-	-	-
N/A		N/A	N/A	N/A	NR	-	-	-	-
N/A		N/A	N/A	R409866	N/A	-	-	-	-
N/A		N/A	N/A	N/A	NR	-	-	-	-
N/A		N/A	N/A	N/A	NR	-	-	-	-
N/A		N/A	N/A	N/A	N/A	-	-	-	-
N/A		N/A	N/A	N/A	NR	-	-	-	-
N/A		N/A	N/A	N/A	NR	-	-	-	-
N/A		N/A	N/A	N/A	N/A	-	-	-	-
N/A		N/A	N/A	N/A	NR	-	-	-	-
N/A		N/A	N/A	N/A	NR	-	-	-	-
FE - HD MODEL 639L									
R4612443	1-1/8 "	R4112446	R4112448 ³²⁹	N/A	NR	-	-	-	-
R4612443	1-1/8 "	R4112447	R4112449 ³³⁰	N/A	NR	-	-	-	-
R4212432	51mm	R4612434	R4612436	R4112437	N/A	-	-	-	-
R4212432	51mm	R4612433	R4612435	R4112437	N/A	-	-	-	-
R4212438	51mm	R4612439	R4612441	R4112437	N/A	-	-	-	-
R4212438	51mm	R4612440	R4612442	R4112437	N/A	-	-	-	-
R4612443	1-1/8 "	R4112446	R4112448 ³²⁹	N/A	NR	-	-	-	-
R4612443	1-1/8 "	R4112447	R4112449 ³³⁰	N/A	NR	-	-	-	-
R4212432	51mm	R4612433	R4612435	R4112437	N/A	-	-	-	-
R4212432	51mm	R4612434	R4612436	R4112437	N/A	-	-	-	-
R4212438	51mm	R4612440	R4612442	R4112437	N/A	-	-	-	-
R4212438	51mm	R4612439	R4612441	R4112437	N/A	-	-	-	-
R4612443	1-1/8 "	R4112447	R4112449 ³³⁰	N/A	NR	-	-	-	-
R4612443	1-1/8 "	R4112446	R4112448 ³²⁹	N/A	NR	-	-	-	-
R4212432	51mm	R4612433	R4612435	R4112437	N/A	-	-	-	-
R4212432	51mm	R4612434	R4612436	R4112437	N/A	-	-	-	-
R4212438	51mm	R4612439	R4612441	R4112437	N/A	-	-	-	-

1 APPLICATION

MAKE MODEL YEAR AXLE CODE AXLE WEIGHT	AXLE & BRK. TYPE	BRK. MFG.	BRAKE SIZE	FMSI	MERITOR DISC PAD OR BRAKE SHOE	MERITOR GUIDE PIN OR RETURN SPRING KIT	MERITOR CALIPER HWD. KIT OR RETURN SPRING KIT	MERITOR ADJUSTER KIT (LEFT WHEEL)	MERITOR ADJUSTER KIT (RIGHT WHEEL)
2003									
13,500 lb GVWR / axle 9,040 lb w / 4 wheel disc Full floating type / 9,480 lb Capacity	Rd			7603 - D734	MD734	NR	-	NR	NR
2002									
	Ra		321.5mm x 320mm x 75mm	1468 - S682	R4112444	R4112445	-	NR	NR
	Ra		321.5mm x 320mm x 75mm	1468 - S682	R4112444	R4112445	-	NR	NR
13,500 lb GVWR / axle 5,070 lb w / 4 wheel disc Reverse Elliot I - Beam / 5,290 lb Capacity	Fd Fd			7604 - D735 7604 - D735	MD735 MD735	NR NR	R4112431 R4112431	NR NR	NR NR
13,500 lb GVWR / axle 9,040 lb w / 4 wheel disc Full floating type / 9,480 lb Capacity	Rd Rd			7603 - D734 7603 - D734	MD734 MD734	NR NR	- -	NR NR	NR NR
2001									
	Ra		321.5mm x 320mm x 75mm	1468 - S682	R4112444	R4112445	-	NR	NR
	Ra		321.5mm x 320mm x 75mm	1468 - S682	R4112444	R4112445	-	NR	NR
13,500 lb GVWR / axle 5,070 lb w / 4 wheel disc Reverse Elliot I - Beam / 5,290 lb Capacity	Fd Fd			7604 - D735 7604 - D735	MD735 MD735	NR NR	R4112431 R4112431	NR NR	NR NR
13,500 lb GVWR / axle 9,040 lb w / 4 wheel disc Full floating type / 9,480 lb Capacity	Rd Rd			7603 - D734 7603 - D734	MD734 MD734	NR NR	- -	NR NR	NR NR
2000									
	Ra		321.5mm x 320mm x 75mm	1468 - S682	R4112444	R4112445	-	NR	NR
	Ra		321.5mm x 320mm x 75mm	1468 - S682	R4112444	R4112445	-	NR	NR
13,500 lb GVWR / axle 5,070 lb w / 4 wheel disc Reverse Elliot I - Beam / 5,290 lb Capacity	Fd Fd			7604 - D735 7604 - D735	MD735 MD735	NR NR	R4112431 R4112431	NR NR	NR NR
13,500 lb GVWR / axle 9,040 lb w / 4 wheel disc Full floating type / 9,480 lb Capacity	Rd Rd			7603 - D734 7603 - D734	MD734 MD734	NR NR	- -	NR NR	NR NR
1999									
	Ra		321.5mm x 320mm x 75mm	1468 - S682	R4112444	R4112445	-	NR	NR
	Ra		321.5mm x 320mm x 75mm	1468 - S682	R4112444	R4112445	-	NR	NR
13,500 lb GVWR / axle 5,070 lb w / 4 wheel disc Reverse Elliot I - Beam / 5,290 lb Capacity	Fd Fd			7604 - D735 7604 - D735	MD735 MD735	NR NR	R4112431 R4112431	NR NR	NR NR
13,500 lb GVWR / axle 9,040 lb w / 4 wheel disc Full floating type / 9,480 lb Capacity	Rd Rd			7603 - D734 7603 - D734	MD734 MD734	NR NR	- -	NR NR	NR NR

MERITOR DRUM OR ROTOR NO.	CALIPER OR CYLINDER BORE SIZE	MERITOR CALIPER OR WHEEL CYLINDER (LEFT)	MERITOR CALIPER OR WHEEL CYLINDER (RIGHT)	MERITOR CALIPER OR WHEEL CYLINDER REPAIR KIT	MERITOR CALIPER PISTON	MERITOR MASTER CYLINDER	MERITOR MASTER CYLINDER KIT	MERITOR BRAKE HOSE (LEFT)	MERITOR BRAKE HOSE (RIGHT)
MITSUBISHI FUSO(Cont.)									
FE - HD MODEL 639L(Cont.)									
R4212438	51mm	R4612440	R4612442	R4112437	N/A	-	-	-	-
R4612443	1-1/8 "	R4112446	R4112448 ³²⁹	N/A	NR	-	-	-	-
R4612443	1-1/8 "	R4112447	R4112449 ³³⁰	N/A	NR	-	-	-	-
R4212432	51mm	R4612434	R4612436	R4112437	N/A	-	-	-	-
R4212432	51mm	R4612433	R4612435	R4112437	N/A	-	-	-	-
R4212438	51mm	R4612440	R4612442	R4112437	N/A	-	-	-	-
R4212438	51mm	R4612439	R4612441	R4112437	N/A	-	-	-	-
R4612443	1-1/8 "	R4112447	R4112449 ³³⁰	N/A	NR	-	-	-	-
R4612443	1-1/8 "	R4112446	R4112448 ³²⁹	N/A	NR	-	-	-	-
R4212432	51mm	R4612433	R4612435	R4112437	N/A	-	-	-	-
R4212432	51mm	R4612434	R4612436	R4112437	N/A	-	-	-	-
R4212438	51mm	R4612440	R4612442	R4112437	N/A	-	-	-	-
R4212438	51mm	R4612439	R4612441	R4112437	N/A	-	-	-	-
R4612443	1-1/8 "	R4112446	R4112448 ³²⁹	N/A	NR	-	-	-	-
R4612443	1-1/8 "	R4112447	R4112449 ³³⁰	N/A	NR	-	-	-	-
R4212432	51mm	R4612434	R4612436	R4112437	N/A	-	-	-	-
R4212432	51mm	R4612433	R4612435	R4112437	N/A	-	-	-	-
R4212438	51mm	R4612440	R4612442	R4112437	N/A	-	-	-	-
R4212438	51mm	R4612439	R4612441	R4112437	N/A	-	-	-	-
R4612443	1-1/8 "	R4112447	R4112449 ³³⁰	N/A	NR	-	-	-	-
R4612443	1-1/8 "	R4112446	R4112448 ³²⁹	N/A	NR	-	-	-	-
R4212432	51mm	R4612434	R4612436	R4112437	N/A	-	-	-	-
R4212432	51mm	R4612433	R4612435	R4112437	N/A	-	-	-	-
R4212438	51mm	R4612439	R4612441	R4112437	N/A	-	-	-	-
R4212438	51mm	R4612440	R4612442	R4112437	N/A	-	-	-	-

1 APPLICATION

MERITOR DRUM OR ROTOR NO.	CALIPER OR CYLINDER BORE SIZE	MERITOR CALIPER OR WHEEL CYLINDER (LEFT)	MERITOR CALIPER OR WHEEL CYLINDER (RIGHT)	MERITOR CALIPER OR WHEEL CYLINDER REPAIR KIT	MERITOR CALIPER PISTON	MERITOR MASTER CYLINDER	MERITOR MASTER CYLINDER KIT	MERITOR BRAKE HOSE (LEFT)	MERITOR BRAKE HOSE (RIGHT)
mitsubishi fuso(Cont.)									
FE - HD MODEL 639L(Cont.)									
R4612443	1-1/8 "	R4112446	R4112448 ³²⁹	N/A	NR	-	-	-	-
R4612443	1-1/8 "	R4112447	R4112449 ³³⁰	N/A	NR	-	-	-	-
R4212432	51mm	R4612433	R4612435	R4112437	N/A	-	-	-	-
R4212432	51mm	R4612434	R4612436	R4112437	N/A	-	-	-	-
R4212438	51mm	R4612439	R4612441	R4112437	N/A	-	-	-	-
R4212438	51mm	R4612440	R4612442	R4112437	N/A	-	-	-	-
R4612443	1-1/8 "	R4112447	R4112449 ³³⁰	N/A	NR	-	-	-	-
R4612443	1-1/8 "	R4112446	R4112448 ³²⁹	N/A	NR	-	-	-	-
R4212432	51mm	R4612434	R4612436	R4112437	N/A	-	-	-	-
R4212432	51mm	R4612433	R4612435	R4112437	N/A	-	-	-	-
R4212438	51mm	R4612439	R4612441	R4112437	N/A	-	-	-	-
R4212438	51mm	R4612440	R4612442	R4112437	N/A	-	-	-	-
R4612443	1-1/8 "	R4112446	R4112448 ³²⁹	N/A	NR	-	-	-	-
R4612443	1-1/8 "	R4112447	R4112449 ³³⁰	N/A	NR	-	-	-	-
R4212432	51mm	R4612433	R4612435	R4112437	N/A	-	-	-	-
R4212432	51mm	R4612434	R4612436	R4112437	N/A	-	-	-	-
R4212438	51mm	R4612439	R4612441	R4112437	N/A	-	-	-	-
R4212438	51mm	R4612440	R4612442	R4112437	N/A	-	-	-	-
R4612443	1-1/8 "	R4112447	R4112449 ³³⁰	N/A	NR	-	-	-	-
R4612443	1-1/8 "	R4112446	R4112448 ³²⁹	N/A	NR	-	-	-	-
R4212432	51mm	R4612433	R4612435	R4112437	N/A	-	-	-	-
R4212432	51mm	R4612434	R4612436	R4112437	N/A	-	-	-	-
R4212438	51mm	R4612439	R4612441	R4112437	N/A	-	-	-	-
R4212438	51mm	R4612440	R4612442	R4112437	N/A	-	-	-	-
FE - HD MODEL 639T									
R4612443	1-1/8 "	R4112447	R4112449 ³³⁰	N/A	NR	-	-	-	-

MAKE MODEL YEAR AXLE CODE AXLE WEIGHT	AXLE & BRK. TYPE	BRK. MFG.	BRAKE SIZE	FMSI	MERITOR DISC PAD OR BRAKE SHOE	MERITOR GUIDE PIN OR RETURN SPRING KIT	MERITOR CALIPER HWD. KIT OR RETURN SPRING KIT	MERITOR ADJUSTER KIT (LEFT WHEEL)	MERITOR ADJUSTER KIT (RIGHT WHEEL)
2004									
	Ra		321.5mm x 320mm x 75mm	1468 - S682	R4112444	R4112445	-	NR	NR
14,050 lb GVWR / axle 5,290 lb w / 4 wheel disc Reverse Elliot I - Beam / 5,290 lb Capacity	Fd Fd			7603 - D734 7603 - D734	MD734 MD734	- -	- -	NR NR	NR NR
Full floating type / 9,480 lb Capacity	Rd Rd			7603 - D734 7603 - D734	MD734 MD734	NR NR	- -	NR NR	NR NR
2003									
	Ra		321.5mm x 320mm x 75mm	1468 - S682	R4112444	R4112445	-	NR	NR
	Ra		321.5mm x 320mm x 75mm	1468 - S682	R4112444	R4112445	-	NR	NR
14,050 lb GVWR / axle 5,290 lb w / 4 wheel disc Reverse Elliot I - Beam / 5,290 lb Capacity	Fd Fd			7603 - D734 7603 - D734	MD734 MD734	- -	- -	NR NR	NR NR
Full floating type / 9,480 lb Capacity	Rd Rd			7603 - D734 7603 - D734	MD734 MD734	NR NR	- -	NR NR	NR NR
2002									
	Ra		321.5mm x 320mm x 75mm	1468 - S682	R4112444	R4112445	-	NR	NR
	Ra		321.5mm x 320mm x 75mm	1468 - S682	R4112444	R4112445	-	NR	NR
14,050 lb GVWR / axle 5,290 lb w / 4 wheel disc Reverse Elliot I - Beam / 5,290 lb Capacity	Fd Fd			7603 - D734 7603 - D734	MD734 MD734	- -	- -	NR NR	NR NR
Full floating type / 9,480 lb Capacity	Rd Rd			7603 - D734 7603 - D734	MD734 MD734	NR NR	- -	NR NR	NR NR
2001									
	Ra		321.5mm x 320mm x 75mm	1468 - S682	R4112444	R4112445	-	NR	NR
	Ra		321.5mm x 320mm x 75mm	1468 - S682	R4112444	R4112445	-	NR	NR
14,050 lb GVWR / axle 5,290 lb w / 4 wheel disc Reverse Elliot I - Beam / 5,290 lb Capacity	Fd Fd			7603 - D734 7603 - D734	MD734 MD734	- -	- -	NR NR	NR NR
Full floating type / 9,480 lb Capacity	Rd Rd			7603 - D734 7603 - D734	MD734 MD734	NR NR	- -	NR NR	NR NR
2000									
	Ra		321.5mm x 320mm x 75mm	1468 - S682	R4112444	R4112445	-	NR	NR
	Ra		321.5mm x 320mm x 75mm	1468 - S682	R4112444	R4112445	-	NR	NR
14,050 lb GVWR / axle 5,290 lb w / 4 wheel disc Reverse Elliot I - Beam / 5,290 lb Capacity	Fd Fd			7603 - D734 7603 - D734	MD734 MD734	- -	- -	NR NR	NR NR
Full floating type / 9,480 lb Capacity	Rd Rd			7603 - D734 7603 - D734	MD734 MD734	NR NR	- -	NR NR	NR NR
1999									
	Ra		321.5mm x 320mm x 75mm	1468 - S682	R4112444	R4112445	-	NR	NR

MERITOR DRUM OR ROTOR NO.	CALIPER OR CYLINDER BORE SIZE	MERITOR CALIPER OR WHEEL CYLINDER (LEFT)	MERITOR CALIPER OR WHEEL CYLINDER (RIGHT)	MERITOR CALIPER OR WHEEL CYLINDER REPAIR KIT	MERITOR CALIPER PISTON	MERITOR MASTER CYLINDER	MERITOR MASTER CYLINDER KIT	MERITOR BRAKE HOSE (LEFT)	MERITOR BRAKE HOSE (RIGHT)
MITSUBISHI FUSO(Cont.)									
FE - HD MODEL 639T(Cont.)									
R4612443	1-1/8 "	R4112446	R4112448 ³²⁹	N/A	NR	-	-	-	-
R4212450 R4212450	51mm 51mm	R4612456 R4612455	R4612458 R4612457	R4112437 R4112437	N/A N/A	-	-	-	-
R4212438 R4212438	51mm 51mm	R4612439 R4612440	R4612441 R4612442	R4112437 R4112437	N/A N/A	-	-	-	-
R4612443	1-1/8 "	R4112446	R4112448 ³²⁹	N/A	NR	-	-	-	-
R4612443	1-1/8 "	R4112447	R4112449 ³³⁰	N/A	NR	-	-	-	-
R4212450 R4212450	51mm 51mm	R4612455 R4612456	R4612457 R4612458	R4112437 R4112437	N/A N/A	-	-	-	-
R4212438 R4212438	51mm 51mm	R4612439 R4612440	R4612441 R4612442	R4112437 R4112437	N/A N/A	-	-	-	-
R4612443	1-1/8 "	R4112446	R4112448 ³²⁹	N/A	NR	-	-	-	-
R4612443	1-1/8 "	R4112447	R4112449 ³³⁰	N/A	NR	-	-	-	-
R4212450 R4212450	51mm 51mm	R4612455 R4612456	R4612457 R4612458	R4112437 R4112437	N/A N/A	-	-	-	-
R4212438 R4212438	51mm 51mm	R4612440 R4612439	R4612442 R4612441	R4112437 R4112437	N/A N/A	-	-	-	-
R4612443	1-1/8 "	R4112446	R4112448 ³²⁹	N/A	NR	-	-	-	-
R4612443	1-1/8 "	R4112447	R4112449 ³³⁰	N/A	NR	-	-	-	-
R4212450 R4212450	51mm 51mm	R4612456 R4612455	R4612458 R4612457	R4112437 R4112437	N/A N/A	-	-	-	-
R4212438 R4212438	51mm 51mm	R4612439 R4612440	R4612441 R4612442	R4112437 R4112437	N/A N/A	-	-	-	-
R4612443	1-1/8 "	R4112446	R4112448 ³²⁹	N/A	NR	-	-	-	-
R4612443	1-1/8 "	R4112447	R4112449 ³³⁰	N/A	NR	-	-	-	-
R4212450 R4212450	51mm 51mm	R4612455 R4612456	R4612457 R4612458	R4112437 R4112437	N/A N/A	-	-	-	-
R4212438 R4212438	51mm 51mm	R4612440 R4612439	R4612442 R4612441	R4112437 R4112437	N/A N/A	-	-	-	-
R4612443	1-1/8 "	R4112446	R4112448 ³²⁹	N/A	NR	-	-	-	-
R4612443	1-1/8 "	R4112447	R4112449 ³³⁰	N/A	NR	-	-	-	-
R4212450 R4212450	51mm 51mm	R4612455 R4612456	R4612457 R4612458	R4112437 R4112437	N/A N/A	-	-	-	-
R4212438 R4212438	51mm 51mm	R4612440 R4612439	R4612442 R4612441	R4112437 R4112437	N/A N/A	-	-	-	-
R4612443	1-1/8 "	R4112447	R4112449 ³³⁰	N/A	NR	-	-	-	-

1 APPLICATION

MAKE MODEL YEAR AXLE CODE AXLE WEIGHT	AXLE & BRK. TYPE	BRK. MFG.	BRAKE SIZE	FMSI	MERITOR DISC PAD OR BRAKE SHOE	MERITOR GUIDE PIN OR RETURN SPRING KIT	MERITOR CALIPER HWD. KIT OR RETURN SPRING KIT	MERITOR ADJUSTER KIT (LEFT WHEEL)	MERITOR ADJUSTER KIT (RIGHT WHEEL)
1999									
	Ra		321.5mm x 320mm x 75mm	1468 - S682	R4112444	R4112445	-	NR	NR
13,500 lb GVWR / axle 5,070 lb w / 4 wheel disc Reverse Elliot I - Beam / 5,290 lb Capacity	Fd Fd			7604 - D735 7604 - D735	MD735 MD735	NR NR	R4112431 R4112431	NR NR	NR NR
13,500 lb GVWR / axle 9,040 lb w / 4 wheel disc Full floating type / 9,480 lb Capacity	Rd Rd			7603 - D734 7603 - D734	MD734 MD734	NR NR	- -	NR NR	NR NR
1998									
	Ra		321.5mm x 320mm x 75mm	1468 - S682	R4112444	R4112445	-	NR	NR
	Ra		321.5mm x 320mm x 75mm	1468 - S682	R4112444	R4112445	-	NR	NR
13,500 lb GVWR / axle 5,070 lb w / 4 wheel disc Reverse Elliot I - Beam / 5,290 lb Capacity	Fd Fd			7604 - D735 7604 - D735	MD735 MD735	NR NR	R4112431 R4112431	NR NR	NR NR
13,500 lb GVWR / axle 9,040 lb w / 4 wheel disc Full floating type / 9,480 lb Capacity	Rd Rd			7603 - D734 7603 - D734	MD734 MD734	NR NR	- -	NR NR	NR NR
1997									
	Ra		321.5mm x 320mm x 75mm	1468 - S682	R4112444	R4112445	-	NR	NR
	Ra		321.5mm x 320mm x 75mm	1468 - S682	R4112444	R4112445	-	NR	NR
13,500 lb GVWR / axle 5,070 lb w / 4 wheel disc Reverse Elliot I - Beam / 5,290 lb Capacity	Fd Fd			7604 - D735 7604 - D735	MD735 MD735	NR NR	R4112431 R4112431	NR NR	NR NR
13,500 lb GVWR / axle 9,040 lb w / 4 wheel disc Full floating type / 9,480 lb Capacity	Rd Rd			7603 - D734 7603 - D734	MD734 MD734	NR NR	- -	NR NR	NR NR
1996									
	Ra		321.5mm x 320mm x 75mm	1468 - S682	R4112444	R4112445	-	NR	NR
	Ra		321.5mm x 320mm x 75mm	1468 - S682	R4112444	R4112445	-	NR	NR
13,500 lb GVWR / axle 5,070 lb w / 4 wheel disc Reverse Elliot I - Beam / 5,290 lb Capacity	Fd Fd			7604 - D735 7604 - D735	MD735 MD735	NR NR	R4112431 R4112431	NR NR	NR NR
13,500 lb GVWR / axle 9,040 lb w / 4 wheel disc Full floating type / 9,480 lb Capacity	Rd Rd			7603 - D734 7603 - D734	MD734 MD734	NR NR	- -	NR NR	NR NR
1995									
	Ra		321.5mm x 320mm x 75mm	1468 - S682	R4112444	R4112445	-	NR	NR
	Ra		321.5mm x 320mm x 75mm	1468 - S682	R4112444	R4112445	-	NR	NR
13,500 lb GVWR / axle 5,070 lb w / 4 wheel disc Reverse Elliot I - Beam / 5,290 lb Capacity	Fd			7604 - D735	MD735	NR	R4112431	NR	NR

MERITOR DRUM OR ROTOR NO.	CALIPER OR CYLINDER BORE SIZE	MERITOR CALIPER OR WHEEL CYLINDER (LEFT)	MERITOR CALIPER OR WHEEL CYLINDER (RIGHT)	MERITOR CALIPER OR WHEEL CYLINDER REPAIR KIT	MERITOR CALIPER PISTON	MERITOR MASTER CYLINDER	MERITOR MASTER CYLINDER KIT	MERITOR BRAKE HOSE (LEFT)	MERITOR BRAKE HOSE (RIGHT)
1 APPLICATION									
1 APPLICATION									
MITSUBISHI FUSO(Cont.)									
FE - HD MODEL 639T(Cont.)									
R4612443	1-1/8 "	R4112446	R4112448 ³²⁹	N/A	NR	-	-	-	-
R4212432 R4212432	51mm 51mm	R4612433 R4612434	R4612435 R4612436	R4112437 R4112437	N/A N/A	-	-	-	-
R4212438 R4212438	51mm 51mm	R4612439 R4612440	R4612441 R4612442	R4112437 R4112437	N/A N/A	-	-	-	-
R4612443	1-1/8 "	R4112446	R4112448 ³²⁹	N/A	NR	-	-	-	-
R4612443	1-1/8 "	R4112447	R4112449 ³³⁰	N/A	NR	-	-	-	-
R4212432 R4212432	51mm 51mm	R4612434 R4612433	R4612436 R4612435	R4112437 R4112437	N/A N/A	-	-	-	-
R4212438 R4212438	51mm 51mm	R4612439 R4612440	R4612441 R4612442	R4112437 R4112437	N/A N/A	-	-	-	-
R4612443	1-1/8 "	R4112446	R4112448 ³²⁹	N/A	NR	-	-	-	-
R4612443	1-1/8 "	R4112447	R4112449 ³³⁰	N/A	NR	-	-	-	-
R4212432 R4212432	51mm 51mm	R4612434 R4612433	R4612436 R4612435	R4112437 R4112437	N/A N/A	-	-	-	-
R4212438 R4212438	51mm 51mm	R4612439 R4612440	R4612441 R4612442	R4112437 R4112437	N/A N/A	-	-	-	-
R4612443	1-1/8 "	R4112446	R4112448 ³²⁹	N/A	NR	-	-	-	-
R4612443	1-1/8 "	R4112447	R4112449 ³³⁰	N/A	NR	-	-	-	-
R4212432 R4212432	51mm 51mm	R4612433 R4612434	R4612435 R4612436	R4112437 R4112437	N/A N/A	-	-	-	-
R4212438 R4212438	51mm 51mm	R4612440 R4612439	R4612442 R4612441	R4112437 R4112437	N/A N/A	-	-	-	-
R4612443	1-1/8 "	R4112446	R4112448 ³²⁹	N/A	NR	-	-	-	-
R4612443	1-1/8 "	R4112447	R4112449 ³³⁰	N/A	NR	-	-	-	-
R4212432	51mm	R4612434	R4612436	R4112437	N/A	-	-	-	-

MAKE MODEL YEAR AXLE CODE AXLE WEIGHT	AXLE & BRK. TYPE	BRK. MFG.	BRAKE SIZE	FMSI	MERITOR DISC PAD OR BRAKE SHOE	MERITOR GUIDE PIN OR RETURN SPRING KIT	MERITOR CALIPER HWD. KIT OR RETURN SPRING KIT	MERITOR ADJUSTER KIT (LEFT WHEEL)	MERITOR ADJUSTER KIT (RIGHT WHEEL)
MITSUBISHI FUSO(Cont.)									
FE - HD MODEL 639T(Cont.)									
1995	Fd			7604 - D735	MD735	NR	R4112431	NR	NR
13,500 lb GVWR / axle 9,040 lb w / 4 wheel disc Full floating type / 9,480 lb Capacity	Rd Rd			7603 - D734 7603 - D734	MD734 MD734	NR NR	- -	NR NR	NR NR
FE - HD MODEL 640, 649									
2005	Ra Ra		321.5mm x 320mm x 75mm 321.5mm x 320mm x 75mm	1468 - S682 1468 - S682	R4112444 R4112444	R4112445 R4112445	- -	NR NR	NR NR
14,050 lb GVWR / axle 5,290 lb w / 4 wheel disc Reverse Elliot I - Beam / 5,290 lb Capacity	Fd Fd			7603 - D734 7603 - D734	MD734 MD734	- -	- -	NR NR	NR NR
Full floating type / 9,480 lb Capacity	Rd Rd			7603 - D734 7603 - D734	MD734 MD734	NR NR	- -	NR NR	NR NR
2004	Ra Ra		321.5mm x 320mm x 75mm 321.5mm x 320mm x 75mm	1468 - S682 1468 - S682	R4112444 R4112444	R4112445 R4112445	- -	NR NR	NR NR
14,050 lb GVWR / axle 5,290 lb w / 4 wheel disc Reverse Elliot I - Beam / 5,290 lb Capacity	Fd Fd			7603 - D734 7603 - D734	MD734 MD734	- -	- -	NR NR	NR NR
Full floating type / 9,480 lb Capacity	Rd Rd			7603 - D734 7603 - D734	MD734 MD734	NR NR	- -	NR NR	NR NR
2003	Ra Ra		321.5mm x 320mm x 75mm 321.5mm x 320mm x 75mm	1468 - S682 1468 - S682	R4112444 R4112444	R4112445 R4112445	- -	NR NR	NR NR
14,050 lb GVWR / axle 5,290 lb w / 4 wheel disc Reverse Elliot I - Beam / 5,290 lb Capacity	Fd Fd			7603 - D734 7603 - D734	MD734 MD734	- -	- -	NR NR	NR NR
Full floating type / 9,480 lb Capacity	Rd Rd			7603 - D734 7603 - D734	MD734 MD734	NR NR	- -	NR NR	NR NR
2002	Ra Ra		321.5mm x 320mm x 75mm 321.5mm x 320mm x 75mm	1468 - S682 1468 - S682	R4112444 R4112444	R4112445 R4112445	- -	NR NR	NR NR
14,050 lb GVWR / axle 5,290 lb w / 4 wheel disc Reverse Elliot I - Beam / 5,290 lb Capacity	Fd Fd			7603 - D734 7603 - D734	MD734 MD734	- -	- -	NR NR	NR NR
Full floating type / 9,480 lb Capacity	Rd Rd			7603 - D734 7603 - D734	MD734 MD734	NR NR	- -	NR NR	NR NR
2001	Ra Ra		321.5mm x 320mm x 75mm 321.5mm x 320mm x 75mm	1468 - S682 1468 - S682	R4112444 R4112444	R4112445 R4112445	- -	NR NR	NR NR

MERITOR DRUM OR ROTOR NO.	CALIPER OR CYLINDER BORE SIZE	MERITOR CALIPER OR WHEEL CYLINDER (LEFT)	MERITOR CALIPER OR WHEEL CYLINDER (RIGHT)	MERITOR CALIPER OR WHEEL CYLINDER REPAIR KIT	MERITOR CALIPER PISTON	MERITOR MASTER CYLINDER	MERITOR MASTER CYLINDER KIT	MERITOR BRAKE HOSE (LEFT)	MERITOR BRAKE HOSE (RIGHT)
mitsubishi fuso(Cont.)									
FE - HD MODEL 639T(Cont.)									
R4212432	51mm	R4612433	R4612435	R4112437	N/A	-	-	-	-
R4212438 R4212438	51mm 51mm	R4612440 R4612439	R4612442 R4612441	R4112437 R4112437	N/A N/A	-	-	-	-
FE - HD MODEL 640, 649									
R4612443	1-1/8 "	R4112446	R4112448 ³²⁹	N/A	NR	-	-	-	-
R4612443	1-1/8 "	R4112447	R4112449 ³³⁰	N/A	NR	-	-	-	-
R4212451 R4212451	51mm 51mm	R4612455 R4612456	R4612457 R4612458	R4112437 R4112437	N/A N/A	-	-	-	-
R4212438 R4212438	51mm 51mm	R4612439 R4612440	R4612441 R4612442	R4112437 R4112437	N/A N/A	-	-	-	-
R4612443	1-1/8 "	R4112447	R4112449 ³³⁰	N/A	NR	-	-	-	-
R4612443	1-1/8 "	R4112446	R4112448 ³²⁹	N/A	NR	-	-	-	-
R4212451 R4212451	51mm 51mm	R4612456 R4612455	R4612458 R4612457	R4112437 R4112437	N/A N/A	-	-	-	-
R4212438 R4212438	51mm 51mm	R4612440 R4612439	R4612442 R4612441	R4112437 R4112437	N/A N/A	-	-	-	-
R4612443	1-1/8 "	R4112447	R4112449 ³³⁰	N/A	NR	-	-	-	-
R4612443	1-1/8 "	R4112446	R4112448 ³²⁹	N/A	NR	-	-	-	-
R4212451 R4212451	51mm 51mm	R4612456 R4612455	R4612458 R4612457	R4112437 R4112437	N/A N/A	-	-	-	-
R4212438 R4212438	51mm 51mm	R4612439 R4612440	R4612441 R4612442	R4112437 R4112437	N/A N/A	-	-	-	-
R4612443	1-1/8 "	R4112447	R4112449 ³³⁰	N/A	NR	-	-	-	-
R4612443	1-1/8 "	R4112446	R4112448 ³²⁹	N/A	NR	-	-	-	-
R4212451 R4212451	51mm 51mm	R4612456 R4612455	R4612458 R4612457	R4112437 R4112437	N/A N/A	-	-	-	-
R4212438 R4212438	51mm 51mm	R4612439 R4612440	R4612441 R4612442	R4112437 R4112437	N/A N/A	-	-	-	-
R4612443	1-1/8 "	R4112447	R4112449 ³³⁰	N/A	NR	-	-	-	-
R4612443	1-1/8 "	R4112446	R4112448 ³²⁹	N/A	NR	-	-	-	-

MAKE MODEL YEAR AXLE CODE AXLE WEIGHT	AXLE & BRK. TYPE	BRK. MFG.	BRAKE SIZE	FMSI	MERITOR DISC PAD OR BRAKE SHOE	MERITOR GUIDE PIN OR RETURN SPRING KIT	MERITOR CALIPER HWD. KIT OR RETURN SPRING KIT	MERITOR ADJUSTER KIT (LEFT WHEEL)	MERITOR ADJUSTER KIT (RIGHT WHEEL)
2001									
14,050 lb GVWR / axle 5,290 lb w / 4 wheel disc Reverse Elliot I - Beam / 5,290 lb Capacity	Fd Fd			7603 - D734 7603 - D734	MD734 MD734	- -	- -	NR NR	NR NR
Full floating type / 9,480 lb Capacity	Rd Rd			7603 - D734 7603 - D734	MD734 MD734	NR NR	- -	NR NR	NR NR
2000									
	Ra Ra		321.5mm x 320mm x 75mm 321.5mm x 320mm x 75mm	1468 - S682 1468 - S682	R4112444 R4112444	R4112445 R4112445	- -	NR NR	NR NR
14,050 lb GVWR / axle 5,290 lb w / 4 wheel disc Reverse Elliot I - Beam / 5,290 lb Capacity	Fd Fd			7603 - D734 7603 - D734	MD734 MD734	- -	- -	NR NR	NR NR
Full floating type / 9,480 lb Capacity	Rd Rd			7603 - D734 7603 - D734	MD734 MD734	NR NR	- -	NR NR	NR NR
1999									
	Ra Ra		321.5mm x 320mm x 75mm 321.5mm x 320mm x 75mm	1468 - S682 1468 - S682	R4112444 R4112444	R4112445 R4112445	- -	NR NR	NR NR
14,050 lb GVWR / axle 5,290 lb w / 4 wheel disc Reverse Elliot I - Beam / 5,290 lb Capacity	Fd Fd			7603 - D734 7603 - D734	MD734 MD734	- -	- -	NR NR	NR NR
Full floating type / 9,480 lb Capacity	Rd Rd			7603 - D734 7603 - D734	MD734 MD734	NR NR	- -	NR NR	NR NR
1998									
	Ra Ra		321.5mm x 320mm x 75mm 321.5mm x 320mm x 75mm	1468 - S682 1468 - S682	R4112444 R4112444	R4112445 R4112445	- -	NR NR	NR NR
14,050 lb GVWR / axle 5,290 lb w / 4 wheel disc Reverse Elliot I - Beam / 5,290 lb Capacity	Fd Fd			7603 - D734 7603 - D734	MD734 MD734	- -	- -	NR NR	NR NR
Full floating type / 9,480 lb Capacity	Rd Rd			7603 - D734 7603 - D734	MD734 MD734	NR NR	- -	NR NR	NR NR
1997									
	Ra Ra		321.5mm x 320mm x 75mm 321.5mm x 320mm x 75mm	1468 - S682 1468 - S682	R4112444 R4112444	R4112445 R4112445	- -	NR NR	NR NR
14,050 lb GVWR / axle 5,290 lb w / 4 wheel disc Reverse Elliot I - Beam / 5,290 lb Capacity	Fd Fd			7603 - D734 7603 - D734	MD734 MD734	- -	- -	NR NR	NR NR
Full floating type / 9,480 lb Capacity	Rd Rd			7603 - D734 7603 - D734	MD734 MD734	NR NR	- -	NR NR	NR NR
1996									
	Ra Ra		321.5mm x 320mm x 75mm 321.5mm x 320mm x 75mm	1468 - S682 1468 - S682	R4112444 R4112444	R4112445 R4112445	- -	NR NR	NR NR

MERITOR DRUM OR ROTOR NO.	CALIPER OR CYLINDER BORE SIZE	MERITOR CALIPER OR WHEEL CYLINDER (LEFT)	MERITOR CALIPER OR WHEEL CYLINDER (RIGHT)	MERITOR CALIPER OR WHEEL CYLINDER REPAIR KIT	MERITOR CALIPER PISTON	MERITOR MASTER CYLINDER	MERITOR MASTER CYLINDER KIT	MERITOR BRAKE HOSE (LEFT)	MERITOR BRAKE HOSE (RIGHT)
1 APPLICATION									
1 APPLICATION									
1 APPLICATION									
R4212451 R4212451	51mm 51mm	R4612456 R4612455	R4612458 R4612457	R4112437 R4112437	N/A N/A	- -	- -	- -	- -
R4212438 R4212438	51mm 51mm	R4612439 R4612440	R4612441 R4612442	R4112437 R4112437	N/A N/A	- -	- -	- -	- -
R4612443 R4612443	1-1/8 " 1-1/8 "	R4112446 R4112447	R4112448 ³²⁹ R4112449 ³³⁰	N/A N/A	NR NR	- -	- -	- -	- -
R4212451 R4212451	51mm 51mm	R4612455 R4612456	R4612457 R4612458	R4112437 R4112437	N/A N/A	- -	- -	- -	- -
R4212438 R4212438	51mm 51mm	R4612439 R4612440	R4612441 R4612442	R4112437 R4112437	N/A N/A	- -	- -	- -	- -
R4612443 R4612443	1-1/8 " 1-1/8 "	R4112446 R4112447	R4112448 ³²⁹ R4112449 ³³⁰	N/A N/A	NR NR	- -	- -	- -	- -
R4212451 R4212451	51mm 51mm	R4612455 R4612456	R4612457 R4612458	R4112437 R4112437	N/A N/A	- -	- -	- -	- -
R4212438 R4212438	51mm 51mm	R4612439 R4612440	R4612441 R4612442	R4112437 R4112437	N/A N/A	- -	- -	- -	- -
R4612443 R4612443	1-1/8 " 1-1/8 "	R4112446 R4112447	R4112448 ³²⁹ R4112449 ³³⁰	N/A N/A	NR NR	- -	- -	- -	- -
R4212451 R4212451	51mm 51mm	R4612456 R4612455	R4612458 R4612457	R4112437 R4112437	N/A N/A	- -	- -	- -	- -
R4212438 R4212438	51mm 51mm	R4612440 R4612439	R4612442 R4612441	R4112437 R4112437	N/A N/A	- -	- -	- -	- -
R4612443 R4612443	1-1/8 " 1-1/8 "	R4112446 R4112447	R4112448 ³²⁹ R4112449 ³³⁰	N/A N/A	NR NR	- -	- -	- -	- -
R4212451 R4212451	51mm 51mm	R4612455 R4612456	R4612457 R4612458	R4112437 R4112437	N/A N/A	- -	- -	- -	- -
R4212438 R4212438	51mm 51mm	R4612439 R4612440	R4612441 R4612442	R4112437 R4112437	N/A N/A	- -	- -	- -	- -
R4612443 R4612443	1-1/8 " 1-1/8 "	R4112446 R4112447	R4112448 ³²⁹ R4112449 ³³⁰	N/A N/A	NR NR	- -	- -	- -	- -

MAKE MODEL YEAR AXLE CODE AXLE WEIGHT	AXLE & BRK. TYPE	BRK. MFG.	BRAKE SIZE	FMSI	MERITOR DISC PAD OR BRAKE SHOE	MERITOR GUIDE PIN OR RETURN SPRING KIT	MERITOR CALIPER HWD. KIT OR RETURN SPRING KIT	MERITOR ADJUSTER KIT (LEFT WHEEL)	MERITOR ADJUSTER KIT (RIGHT WHEEL)
1996									
14,050 lb GVWR / axle 5,290 lb w / 4 wheel disc Reverse Elliot I - Beam / 5,290 lb Capacity	Fd Fd			7603 - D734 7603 - D734	MD734 MD734	- -	- -	NR NR	NR NR
Full floating type / 9,480 lb Capacity	Rd Rd			7603 - D734 7603 - D734	MD734 MD734	NR NR	- -	NR NR	NR NR
1995									
	Ra Ra		321.5mm x 320mm x 75mm 321.5mm x 320mm x 75mm	1468 - S682 1468 - S682	R4112444 R4112444	R4112445 R4112445	- -	NR NR	NR NR
14,050 lb GVWR / axle 5,290 lb w / 4 wheel disc Reverse Elliot I - Beam / 5,290 lb Capacity	Fd Fd			7603 - D734 7603 - D734	MD734 MD734	- -	- -	NR NR	NR NR
Full floating type / 9,480 lb Capacity	Rd Rd			7603 - D734 7603 - D734	MD734 MD734	NR NR	- -	NR NR	NR NR
FG									
1993									
	Fm Rm		320mm x 75mm 320mm x 75mm	1467 - S682 1467 - S682	R469831 R469831	R409855 R409855	R409856 R409856	N/A N/A	N/A N/A
1992									
	Fm Rm		320mm x 75mm 320mm x 75mm	1467 - S682 1467 - S682	R469831 R469831	R409855 R409855	R409856 R409856	N/A N/A	N/A N/A
1991									
	Fm Rm		320mm x 75mm 320mm x 75mm	1467 - S682 1467 - S682	R469831 R469831	R409855 R409855	R409856 R409856	N/A N/A	N/A N/A
1990									
	Fm Rm		320mm x 75mm 320mm x 75mm	1467 - S682 1467 - S682	R469831 R469831	R409855 R409855	R409856 R409856	N/A N/A	N/A N/A
FG 4 X 4									
2001									
12,000 lb GVWR Single-reduction Hypod gear Ratio 5.714 5,510 lb	Fa	ABS Vacuum servo assist	321.5mm x 320mm x 75mm	1468 - S682	R4112444	R4112445	-	NR	NR
12,000 lb GVWR Single-reduction Hypod gear Ratio 5.714 (limited slip differential optional) 8,600 lb	Ra	ABS Vacuum servo assist	321.5mm x 320mm x 75mm	1468 - S682	R4112444	R4112445	-	NR	NR
2000									
12,000 lb GVWR Single-reduction Hypod gear Ratio 5.714 5,510 lb	Fa	ABS Vacuum servo assist	321.5mm x 320mm x 75mm	1468 - S682	R4112444	R4112445	-	NR	NR
12,000 lb GVWR Single-reduction Hypod gear Ratio 5.714 (limited slip differential optional) 8,600 lb	Ra	ABS Vacuum servo assist	321.5mm x 320mm x 75mm	1468 - S682	R4112444	R4112445	-	NR	NR
1999									
12,000 lb GVWR Single-reduction Hypod gear Ratio 5.714 5,510 lb	Fa	ABS Vacuum servo assist	321.5mm x 320mm x 75mm	1468 - S682	R4112444	R4112445	-	NR	NR
12,000 lb GVWR Single-reduction Hypod gear Ratio 5.714 (limited slip differential optional) 8,600 lb	Ra	ABS Vacuum servo assist	321.5mm x 320mm x 75mm	1468 - S682	R4112444	R4112445	-	NR	NR

329 - Forward

330 - Rearward

MERITOR DRUM OR ROTOR NO.	CALIPER OR CYLINDER BORE SIZE	MERITOR CALIPER OR WHEEL CYLINDER (LEFT)	MERITOR CALIPER OR WHEEL CYLINDER (RIGHT)	MERITOR CALIPER OR WHEEL CYLINDER REPAIR KIT	MERITOR CALIPER PISTON	MERITOR MASTER CYLINDER	MERITOR MASTER CYLINDER KIT	MERITOR BRAKE HOSE (LEFT)	MERITOR BRAKE HOSE (RIGHT)
1 APPLICATION									
MITSUBISHI FUSO(Cont.)									
FE - HD MODEL 640, 649(Cont.)									
R4212451	51mm	R4612456	R4612458	R4112437	N/A	-	-	-	-
R4212451	51mm	R4612455	R4612457	R4112437	N/A	-	-	-	-
R4212438	51mm	R4612439	R4612441	R4112437	N/A	-	-	-	-
R4212438	51mm	R4612440	R4612442	R4112437	N/A	-	-	-	-
R4612443	1-1/8 "	R4112446	R4112448 ³²⁹	N/A	NR	-	-	-	-
R4612443	1-1/8 "	R4112447	R4112449 ³³⁰	N/A	NR	-	-	-	-
R4212451	51mm	R4612455	R4612457	R4112437	N/A	-	-	-	-
R4212451	51mm	R4612456	R4612458	R4112437	N/A	-	-	-	-
R4212438	51mm	R4612439	R4612441	R4112437	N/A	-	-	-	-
R4212438	51mm	R4612440	R4612442	R4112437	N/A	-	-	-	-
FG									
N/A		N/A	N/A	N/A	NR	-	-	-	-
N/A		N/A	N/A	N/A	NR	-	-	-	-
N/A		N/A	N/A	N/A	NR	-	-	-	-
N/A		N/A	N/A	N/A	NR	-	-	-	-
N/A		N/A	N/A	N/A	NR	-	-	-	-
N/A		N/A	N/A	N/A	NR	-	-	-	-
N/A		N/A	N/A	N/A	NR	-	-	-	-
N/A		N/A	N/A	N/A	NR	-	-	-	-
FG 4 X 4									
R4612443									
R4612443									
R4612443									
R4612443									
R4612443									
R4612443									

MAKE MODEL YEAR AXLE CODE AXLE WEIGHT	AXLE & BRK. TYPE	BRK. MFG.	BRAKE SIZE	FMSI	MERITOR DISC PAD OR BRAKE SHOE	MERITOR GUIDE PIN OR RETURN SPRING KIT	MERITOR CALIPER HWD. KIT OR RETURN SPRING KIT	MERITOR ADJUSTER KIT (LEFT WHEEL)	MERITOR ADJUSTER KIT (RIGHT WHEEL)
1998									
12,000 lb GVWR Single-reduction Hypod gear Ratio 5.714 5,510 lb	Fa	ABS Vacuum servo assist	321.5mm x 320mm x 75mm	1468 - S682	R4112444	R4112445	-	NR	NR
12,000 lb GVWR Single-reduction Hypod gear Ratio 5.714 (limited slip differential optional) 8,600 lb	Ra	ABS Vacuum servo assist	321.5mm x 320mm x 75mm	1468 - S682	R4112444	R4112445	-	NR	NR
1997									
12,000 lb GVWR Single-reduction Hypod gear Ratio 5.714 5,510 lb	Fa	ABS Vacuum servo assist	321.5mm x 320mm x 75mm	1468 - S682	R4112444	R4112445	-	NR	NR
12,000 lb GVWR Single-reduction Hypod gear Ratio 5.714 (limited slip differential optional) 8,600 lb	Ra	ABS Vacuum servo assist	321.5mm x 320mm x 75mm	1468 - S682	R4112444	R4112445	-	NR	NR
1996									
12,000 lb GVWR Single-reduction Hypod gear Ratio 5.714 5,510 lb	Fa	ABS Vacuum servo assist	321.5mm x 320mm x 75mm	1468 - S682	R4112444	R4112445	-	NR	NR
12,000 lb GVWR Single-reduction Hypod gear Ratio 5.714 (limited slip differential optional) 8,600 lb	Ra	ABS Vacuum servo assist	321.5mm x 320mm x 75mm	1468 - S682	R4112444	R4112445	-	NR	NR
1995									
12,000 lb GVWR Single-reduction Hypod gear Ratio 5.714 5,510 lb	Fa	ABS Vacuum servo assist	321.5mm x 320mm x 75mm	1468 - S682	R4112444	R4112445	-	NR	NR
12,000 lb GVWR Single-reduction Hypod gear Ratio 5.714 (limited slip differential optional) 8,600 lb	Ra	ABS Vacuum servo assist	321.5mm x 320mm x 75mm	1468 - S682	R4112444	R4112445	-	NR	NR
1994									
12,000 lb GVWR Single-reduction Hypod gear Ratio 5.714 5,510 lb	Fa	ABS Vacuum servo assist	321.5mm x 320mm x 75mm	1468 - S682	R4112444	R4112445	-	NR	NR
12,000 lb GVWR Single-reduction Hypod gear Ratio 5.714 (limited slip differential optional) 8,600 lb	Ra	ABS Vacuum servo assist	321.5mm x 320mm x 75mm	1468 - S682	R4112444	R4112445	-	NR	NR
1993									
12,000 lb GVWR Single-reduction Hypod gear Ratio 5.714 5,510 lb	Fa	ABS Vacuum servo assist	321.5mm x 320mm x 75mm	1468 - S682	R4112444	R4112445	-	NR	NR
12,000 lb GVWR Single-reduction Hypod gear Ratio 5.714 (limited slip differential optional) 8,600 lb	Ra	ABS Vacuum servo assist	321.5mm x 320mm x 75mm	1468 - S682	R4112444	R4112445	-	NR	NR
1992									
12,000 lb GVWR Single-reduction Hypod gear Ratio 5.714 5,510 lb	Fa	ABS Vacuum servo assist	321.5mm x 320mm x 75mm	1468 - S682	R4112444	R4112445	-	NR	NR

MERITOR DRUM OR ROTOR NO.	CALIPER OR CYLINDER BORE SIZE	MERITOR CALIPER OR WHEEL CYLINDER (LEFT)	MERITOR CALIPER OR WHEEL CYLINDER (RIGHT)	MERITOR CALIPER OR WHEEL CYLINDER REPAIR KIT	MERITOR CALIPER PISTON	MERITOR MASTER CYLINDER	MERITOR MASTER CYLINDER KIT	MERITOR BRAKE HOSE (LEFT)	MERITOR BRAKE HOSE (RIGHT)
MITSUBISHI FUSO(Cont.)									
FG 4 X 4(Cont.)									
R4612443	-	-	-	-	-	-	-	-	-
R4612443	-	-	-	-	-	-	-	-	-
R4612443	-	-	-	-	-	-	-	-	-
R4612443	-	-	-	-	-	-	-	-	-
R4612443	-	-	-	-	-	-	-	-	-
R4612443	-	-	-	-	-	-	-	-	-
R4612443	-	-	-	-	-	-	-	-	-
R4612443	-	-	-	-	-	-	-	-	-
R4612443	-	-	-	-	-	-	-	-	-
R4612443	-	-	-	-	-	-	-	-	-
R4612443	-	-	-	-	-	-	-	-	-
R4612443	-	-	-	-	-	-	-	-	-
R4612443	-	-	-	-	-	-	-	-	-
R4612443	-	-	-	-	-	-	-	-	-
R4612443	-	-	-	-	-	-	-	-	-

1-APPLICATION

MAKE MODEL YEAR AXLE CODE AXLE WEIGHT	AXLE & BRK. TYPE	BRK. MFG.	BRAKE SIZE	FMSI	MERITOR DISC PAD OR BRAKE SHOE	MERITOR GUIDE PIN OR RETURN SPRING KIT	MERITOR CALIPER HWD. KIT OR RETURN SPRING KIT	MERITOR ADJUSTER KIT (LEFT WHEEL)	MERITOR ADJUSTER KIT (RIGHT WHEEL)
1-APPLICATION									
MITSUBISHI FUSO(Cont.)									
FG 4 X 4(Cont.)									
1992 12,000 lb GVWR Single-reduction Hypod gear Ratio 5.714 (limited slip differential optional) 8,600 lb	Ra	ABS Vacuum servo assist	321.5mm x 320mm x 75mm	1468 - S682	R4112444	R4112445	-	NR	NR
1991 12,000 lb GVWR Single-reduction Hypod gear Ratio 5.714 5,510 lb	Fa	ABS Vacuum servo assist	321.5mm x 320mm x 75mm	1468 - S682	R4112444	R4112445	-	NR	NR
12,000 lb GVWR Single-reduction Hypod gear Ratio 5.714 (limited slip differential optional) 8,600 lb	Ra	ABS Vacuum servo assist	321.5mm x 320mm x 75mm	1468 - S682	R4112444	R4112445	-	NR	NR
FH									
1993	Fm		320mm x 110mm	1410 - S602	R467406	R409841	R409842	N/A	N/A
	Rm		320mm x 130mm	1434 - S632	R469824	R409845	R409846	N/A	N/A
1992	Fm		320mm x 110mm	1410 - S602	R467406	R409841	R409842	N/A	N/A
	Rm		320mm x 130mm	1434 - S632	R469824	R409845	R409846	N/A	N/A
1991	Fm		320mm x 110mm	1410 - S602	R467406	R409841	R409842	N/A	N/A
	Rm		320mm x 130mm	1434 - S632	R469824	R409845	R409846	N/A	N/A
1990	Fm		320mm x 110mm	1410 - S602	R467406	R409841	R409842	N/A	N/A
	Rm		320mm x 130mm	1434 - S632	R469824	R409845	R409846	N/A	N/A
1989	Fm		320mm x 110mm	1410 - S602	R467406	R409841	R409842	N/A	N/A
	Rm		320mm x 130mm	1434 - S632	R469824	R409845	R409846	N/A	N/A
1988	Fm		320mm x 110mm	1410 - S602	R467406	R409841	R409842	N/A	N/A
	Rm		320mm x 130mm	1434 - S632	R469824	R409845	R409846	N/A	N/A
FK									
1994	Fm		400mm x 120mm	1422 - S617	R467410	R409843	R409844	N/A	N/A
	Rm		410mm x 154mm	1419 - S686	R467408	R409853	R409844	N/A	N/A
NISSAN UD									
1100 SERIES									
1991	Fa		320mm x 65mm	1465 - S680	R469829	R409859	R409860	N/A	N/A
	Ra		320mm x 65mm	1465 - S680	R469829	R409859	R409860	N/A	N/A
1990	Fa		320mm x 65mm	1465 - S680	R469829	R409859	R409860	N/A	N/A
	Ra		320mm x 65mm	1465 - S680	R469829	R409859	R409860	N/A	N/A
1989	Fa		320mm x 65mm	1465 - S680	R469829	R409859	R409860	N/A	N/A
	Ra		320mm x 65mm	1465 - S680	R469829	R409859	R409860	N/A	N/A
1200 SERIES									
2002	Fd			7527 - D646	MD646	N/A	N/A	NR	NR
	Ra		320mm x 90mm	1478 - S695	R4612461	R409857	R409858	N/A	N/A
2001	Fd			7527 - D646	MD646	N/A	N/A	NR	NR
	Ra		320mm x 90mm	1478 - S695	R4612461	R409857	R409858	N/A	N/A
2000	Fd			7527 - D646	MD646	N/A	N/A	NR	NR
	Ra		320mm x 90mm	1478 - S695	R4612461	R409857	R409858	N/A	N/A
1999	Fd			7527 - D646	MD646	N/A	N/A	NR	NR

MERITOR DRUM OR ROTOR NO.	CALIPER OR CYLINDER BORE SIZE	MERITOR CALIPER OR WHEEL CYLINDER (LEFT)	MERITOR CALIPER OR WHEEL CYLINDER (RIGHT)	MERITOR CALIPER OR WHEEL CYLINDER REPAIR KIT	MERITOR CALIPER PISTON	MERITOR MASTER CYLINDER	MERITOR MASTER CYLINDER KIT	MERITOR BRAKE HOSE (LEFT)	MERITOR BRAKE HOSE (RIGHT)
mitsubishi fuso(Cont.)									
FG 4 X 4(Cont.)									
R4612443		-	-	-	-	-	-	-	-
R4612443		-	-	-	-	-	-	-	-
R4612443		-	-	-	-	-	-	-	-
FH									
N/A		N/A	N/A	N/A	NR	-	-	-	-
N/A		N/A	N/A	N/A	NR	-	-	-	-
N/A		N/A	N/A	N/A	NR	-	-	-	-
N/A		N/A	N/A	N/A	NR	-	-	-	-
N/A		N/A	N/A	N/A	NR	-	-	-	-
N/A		N/A	N/A	N/A	NR	-	-	-	-
N/A		N/A	N/A	N/A	NR	-	-	-	-
N/A		N/A	N/A	N/A	NR	-	-	-	-
N/A		N/A	N/A	N/A	NR	-	-	-	-
N/A		N/A	N/A	N/A	NR	-	-	-	-
N/A		N/A	N/A	N/A	NR	-	-	-	-
FK									
N/A		N/A	N/A	N/A	NR	-	-	-	-
N/A		N/A	N/A	N/A	NR	-	-	-	-
NISSAN UD									
1100 SERIES									
N/A	N/A	N/A	N/A	N/A	NR	-	-	-	-
N/A	N/A	N/A	N/A	N/A	NR	-	-	-	-
N/A	N/A	N/A	N/A	N/A	NR	-	-	-	-
N/A	N/A	N/A	N/A	N/A	NR	-	-	-	-
N/A	N/A	N/A	N/A	N/A	NR	-	-	-	-
N/A	N/A	N/A	N/A	N/A	NR	-	-	-	-
1200 SERIES									
R4212454	54mm	R4612459	R4612460	N/A	N/A	-	-	-	-
N/A	N/A	N/A	N/A	N/A	NR	-	-	-	-
R4212454	54mm	R4612459	R4612460	N/A	N/A	-	-	-	-
N/A	N/A	N/A	N/A	N/A	NR	-	-	-	-
R4212454	54mm	R4612459	R4612460	N/A	N/A	-	-	-	-
N/A	N/A	N/A	N/A	N/A	NR	-	-	-	-
R4212454	54mm	R4612459	R4612460	N/A	N/A	-	-	-	-

MAKE MODEL YEAR AXLE CODE AXLE WEIGHT	AXLE & BRK. TYPE	BRK. MFG.	BRAKE SIZE	FMSI	MERITOR DISC PAD OR BRAKE SHOE	MERITOR GUIDE PIN OR RETURN SPRING KIT	MERITOR CALIPER HWD. KIT OR RETURN SPRING KIT	MERITOR ADJUSTER KIT (LEFT WHEEL)	MERITOR ADJUSTER KIT (RIGHT WHEEL)
NISSAN UD(Cont.)									
1200 SERIES(Cont.)									
1999	Ra		320mm x 90mm	1478 - S695	R4612461	R409857	R409858	N/A	N/A
1300 SERIES									
1992	Fa		320mm x 75mm	1466 - S681	R469830	R409859	R409860	N/A	N/A
	Ra		320mm x 75mm	1466 - S681	R469830	R409859	R409860	N/A	N/A
1400 SERIES									
1994	Fd			7527 - D646	MD646	N/A	N/A	NR	NR
	Ra		320mm x 90mm	1478 - S695	R469832	R409857	R409858	N/A	N/A
2600 SERIES									
1994	Fa		400mm x 120mm	1422 - S617	R467410	R409843	R409844	N/A	N/A
	Ra		410mm x 154mm	1419 - S614	R467408	R409853	R409844	N/A	N/A
1993	Fa		400mm x 120mm	1422 - S617	R467410	R409843	R409844	N/A	N/A
	Ra		410mm x 154mm	1419 - S614	R467408	R409853	R409844	N/A	N/A
1992	Fa		400mm x 120mm	1422 - S617	R467410	R409843	R409844	N/A	N/A
	Ra		410mm x 154mm	1419 - S614	R467408	R409853	R409844	N/A	N/A
1991	Fa		400mm x 120mm	1422 - S617	R467410	R409843	R409844	N/A	N/A
	Ra		410mm x 154mm	1419 - S614	R467408	R409853	R409844	N/A	N/A
1990	Fa		400mm x 120mm	1422 - S617	R467410	R409843	R409844	N/A	N/A
	Ra		410mm x 154mm	1419 - S614	R467408	R409853	R409844	N/A	N/A
1989	Fa		400mm x 120mm	1422 - S617	R467410	R409843	R409844	N/A	N/A
	Ra		410mm x 154mm	1419 - S614	R467408	R409853	R409844	N/A	N/A
1988	Fa		400mm x 120mm	1422 - S617	R467410	R409843	R409844	N/A	N/A
	Ra		410mm x 154mm	1419 - S614	R467408	R409853	R409844	N/A	N/A
1987	Fa		400mm x 120mm	1422 - S617	R467410	R409843	R409844	N/A	N/A
	Ra		410mm x 154mm	1419 - S614	R467408	R409853	R409844	N/A	N/A
1986	Fa		400mm x 120mm	1422 - S617	R467410	R409843	R409844	N/A	N/A
	Ra		410mm x 154mm	1419 - S614	R467408	R409853	R409844	N/A	N/A
1985	Fa		400mm x 120mm	1422 - S617	R467410	R409843	R409844	N/A	N/A
	Ra		410mm x 154mm	1419 - S614	R467408	R409853	R409844	N/A	N/A
1984	Fa		400mm x 120mm	1422 - S617	R467410	R409843	R409844	N/A	N/A
	Ra		410mm x 154mm	1419 - S614	R467408	R409853	R409844	N/A	N/A
2800 SERIES									
1994	Fa		400mm x 120mm	1422 - S617	R467410	R409843	R409844	N/A	N/A
	Ra		410mm x 154mm	1419 - S614	R467408	R409853	R409844	N/A	N/A
1993	Fa		400mm x 120mm	1422 - S617	R467410	R409843	R409844	N/A	N/A
	Ra		410mm x 154mm	1419 - S614	R467408	R409853	R409844	N/A	N/A
1992	Fa		400mm x 120mm	1422 - S617	R467410	R409843	R409844	N/A	N/A
	Ra		410mm x 154mm	1419 - S614	R467408	R409853	R409844	N/A	N/A
1991	Fa		400mm x 120mm	1422 - S617	R467410	R409843	R409844	N/A	N/A
	Ra		410mm x 154mm	1419 - S614	R467408	R409853	R409844	N/A	N/A
1990	Fa		400mm x 120mm	1422 - S617	R467410	R409843	R409844	N/A	N/A
	Ra		410mm x 154mm	1419 - S614	R467408	R409853	R409844	N/A	N/A
1989	Fa		400mm x 120mm	1422 - S617	R467410	R409843	R409844	N/A	N/A

MAKE MODEL YEAR AXLE CODE AXLE WEIGHT	AXLE & BRK. TYPE	BRK. MFG.	BRAKE SIZE	FMSI	MERITOR DISC PAD OR BRAKE SHOE	MERITOR GUIDE PIN OR RETURN SPRING KIT	MERITOR CALIPER HWD. KIT OR RETURN SPRING KIT	MERITOR ADJUSTER KIT (LEFT WHEEL)	MERITOR ADJUSTER KIT (RIGHT WHEEL)
NISSAN UD(Cont.)									
2800 SERIES(Cont.)									
1989	Ra		410mm x 154mm	1419 - S614	R467408	R409853	R409844	N/A	N/A
1988	Fa		400mm x 120mm	1422 - S617	R467410	R409843	R409844	N/A	N/A
	Ra		410mm x 154mm	1419 - S614	R467408	R409853	R409844	N/A	N/A
1987	Fa		400mm x 120mm	1422 - S617	R467410	R409843	R409844	N/A	N/A
	Ra		410mm x 154mm	1419 - S614	R467408	R409853	R409844	N/A	N/A
1986	Fa		400mm x 120mm	1422 - S617	R467410	R409843	R409844	N/A	N/A
	Ra		410mm x 154mm	1419 - S614	R467408	R409853	R409844	N/A	N/A
1985	Fa		400mm x 120mm	1422 - S617	R467410	R409843	R409844	N/A	N/A
	Ra		410mm x 154mm	1419 - S614	R467408	R409853	R409844	N/A	N/A
1984	Fa		400mm x 120mm	1422 - S617	R467410	R409843	R409844	N/A	N/A
	Ra		410mm x 154mm	1419 - S614	R467408	R409853	R409844	N/A	N/A
3000, 3000HD, 3000SD SERIES									
1994	Fa		400mm x 120mm	1422 - S617	R467410	R409843	R409844	N/A	N/A
	Ra		410mm x 154mm	1419 - S614	R467408	R409853	R409844	N/A	N/A
1993	Fa		400mm x 120mm	1422 - S617	R467410	R409843	R409844	N/A	N/A
	Ra		410mm x 154mm	1419 - S614	R467408	R409853	R409844	N/A	N/A
1992	Fa		400mm x 120mm	1422 - S617	R467410	R409843	R409844	N/A	N/A
	Ra		410mm x 154mm	1419 - S614	R467408	R409853	R409844	N/A	N/A
1991	Fa		400mm x 120mm	1422 - S617	R467410	R409843	R409844	N/A	N/A
	Ra		410mm x 154mm	1419 - S614	R467408	R409853	R409844	N/A	N/A
1990	Fa		400mm x 120mm	1422 - S617	R467410	R409843	R409844	N/A	N/A
	Ra		410mm x 154mm	1419 - S614	R467408	R409853	R409844	N/A	N/A
1989	Fa		400mm x 120mm	1422 - S617	R467410	R409843	R409844	N/A	N/A
	Ra		410mm x 154mm	1419 - S614	R467408	R409853	R409844	N/A	N/A
1988	Fa		400mm x 120mm	1422 - S617	R467410	R409843	R409844	N/A	N/A
	Ra		410mm x 154mm	1419 - S614	R467408	R409853	R409844	N/A	N/A
1987	Fa		400mm x 120mm	1422 - S617	R467410	R409843	R409844	N/A	N/A
	Ra		410mm x 154mm	1419 - S614	R467408	R409853	R409844	N/A	N/A
1986	Fa		400mm x 120mm	1422 - S617	R467410	R409843	R409844	N/A	N/A
	Ra		410mm x 154mm	1419 - S614	R467408	R409853	R409844	N/A	N/A
1985	Fa		400mm x 120mm	1422 - S617	R467410	R409843	R409844	N/A	N/A
	Ra		410mm x 154mm	1419 - S614	R467408	R409853	R409844	N/A	N/A
1984	Fa		400mm x 120mm	1422 - S617	R467410	R409843	R409844	N/A	N/A
	Ra		410mm x 154mm	1419 - S614	R467408	R409853	R409844	N/A	N/A
CLA-83									
1994	Fa		370mm x 100mm	1411 - S603	R409864	R409843	R409844	N/A	N/A
	Ra		370mm x 135mm	1412 - S604	R467407	R409843	R409844	N/A	N/A
1993	Fa		370mm x 100mm	1411 - S603	R409864	R409843	R409844	N/A	N/A
	Ra		370mm x 135mm	1412 - S604	R467407	R409843	R409844	N/A	N/A
1992	Fa		370mm x 100mm	1411 - S603	R409864	R409843	R409844	N/A	N/A
	Ra		370mm x 135mm	1412 - S604	R467407	R409843	R409844	N/A	N/A
1991	Fa		370mm x 100mm	1411 - S603	R409864	R409843	R409844	N/A	N/A

MAKE MODEL YEAR AXLE CODE AXLE WEIGHT	AXLE & BRK. TYPE	BRK. MFG.	BRAKE SIZE	FMSI	MERITOR DISC PAD OR BRAKE SHOE	MERITOR GUIDE PIN OR RETURN SPRING KIT	MERITOR CALIPER HWD. KIT OR RETURN SPRING KIT	MERITOR ADJUSTER KIT (LEFT WHEEL)	MERITOR ADJUSTER KIT (RIGHT WHEEL)
NISSAN UD(Cont.)									
CLA-83(Cont.)									
1991	Ra		370mm x 135mm	1412 - S604	R467407	R409843	R409844	N/A	N/A
1990	Fa		370mm x 100mm	1411 - S603	R409864	R409843	R409844	N/A	N/A
	Ra		370mm x 135mm	1412 - S604	R467407	R409843	R409844	N/A	N/A
1989	Fa		370mm x 100mm	1411 - S603	R409864	R409843	R409844	N/A	N/A
	Ra		370mm x 135mm	1412 - S604	R467407	R409843	R409844	N/A	N/A
1988	Fa		370mm x 100mm	1411 - S603	R409864	R409843	R409844	N/A	N/A
	Ra		370mm x 135mm	1412 - S604	R467407	R409843	R409844	N/A	N/A
1987	Fa		370mm x 100mm	1411 - S603	R409864	R409843	R409844	N/A	N/A
	Ra		370mm x 135mm	1412 - S604	R467407	R409843	R409844	N/A	N/A
CLE-87									
1994	Fa		370mm x 100mm	1411 - S603	R409864	R409843	R409844	N/A	N/A
	Ra		370mm x 135mm	1412 - S604	R467407	R409843	R409844	N/A	N/A
1993	Fa		370mm x 100mm	1411 - S603	R409864	R409843	R409844	N/A	N/A
	Ra		370mm x 135mm	1412 - S604	R467407	R409843	R409844	N/A	N/A
1992	Fa		370mm x 100mm	1411 - S603	R409864	R409843	R409844	N/A	N/A
	Ra		370mm x 135mm	1412 - S604	R467407	R409843	R409844	N/A	N/A
1991	Fa		370mm x 100mm	1411 - S603	R409864	R409843	R409844	N/A	N/A
	Ra		370mm x 135mm	1412 - S604	R467407	R409843	R409844	N/A	N/A
1990	Fa		370mm x 100mm	1411 - S603	R409864	R409843	R409844	N/A	N/A
	Ra		370mm x 135mm	1412 - S604	R467407	R409843	R409844	N/A	N/A
1989	Fa		370mm x 100mm	1411 - S603	R409864	R409843	R409844	N/A	N/A
	Ra		370mm x 135mm	1412 - S604	R467407	R409843	R409844	N/A	N/A
1988	Fa		370mm x 100mm	1411 - S603	R409864	R409843	R409844	N/A	N/A
	Ra		370mm x 135mm	1412 - S604	R467407	R409843	R409844	N/A	N/A
1987	Fa		370mm x 100mm	1411 - S603	R409864	R409843	R409844	N/A	N/A
	Ra		370mm x 135mm	1412 - S604	R467407	R409843	R409844	N/A	N/A
CMA-83									
1994	Fa		320mm x 110mm	1410 - S602	R467406	R409841	R409842	N/A	N/A
	Ra		320mm x 130mm	1434 - S632	R469824	R409845	R409846	N/A	N/A
	Ra		320mm x 135mm	1464 - S679	R469828	N/A	N/A	N/A	N/A
1993	Fa		320mm x 110mm	1410 - S602	R467406	R409841	R409842	N/A	N/A
	Ra		320mm x 130mm	1434 - S632	R469824	R409845	R409846	N/A	N/A
	Ra		320mm x 135mm	1464 - S679	R469828	N/A	N/A	N/A	N/A
1992	Fa		320mm x 110mm	1410 - S602	R467406	R409841	R409842	N/A	N/A
	Ra		320mm x 130mm	1434 - S632	R469824	R409845	R409846	N/A	N/A
	Ra		320mm x 135mm	1464 - S679	R469828	N/A	N/A	N/A	N/A
1991	Fa		320mm x 110mm	1410 - S602	R467406	R409841	R409842	N/A	N/A
	Ra		320mm x 130mm	1434 - S632	R469824	R409845	R409846	N/A	N/A
	Ra		320mm x 135mm	1464 - S679	R469828	N/A	N/A	N/A	N/A
1990	Fa		320mm x 110mm	1410 - S602	R467406	R409841	R409842	N/A	N/A
	Ra		320mm x 130mm	1434 - S632	R469824	R409845	R409846	N/A	N/A
	Ra		320mm x 135mm	1464 - S679	R469828	N/A	N/A	N/A	N/A
1989	Fa		320mm x 110mm	1410 - S602	R467406	R409841	R409842	N/A	N/A
	Ra		320mm x 130mm	1434 - S632	R469824	R409845	R409846	N/A	N/A

MAKE MODEL YEAR AXLE CODE AXLE WEIGHT	AXLE & BRK. TYPE	BRK. MFG.	BRAKE SIZE	FMSI	MERITOR DISC PAD OR BRAKE SHOE	MERITOR GUIDE PIN OR RETURN SPRING KIT	MERITOR CALIPER HWD. KIT OR RETURN SPRING KIT	MERITOR ADJUSTER KIT (LEFT WHEEL)	MERITOR ADJUSTER KIT (RIGHT WHEEL)
NISSAN UD(Cont.)									
CMA-83(Cont.)									
1989	Ra		320mm x 135mm	1464 - S679	R469828	N/A	N/A	N/A	N/A
1987	Fa		320mm x 110mm	1410 - S602	R467406	R409841	R409842	N/A	N/A
	Ra		320mm x 130mm	1434 - S632	R469824	R409845	R409846	N/A	N/A
	Ra		320mm x 135mm	1464 - S679	R469828	N/A	N/A	N/A	N/A
1986	Fa		320mm x 110mm	1410 - S602	R467406	R409841	R409842	N/A	N/A
	Ra		320mm x 130mm	1434 - S632	R469824	R409845	R409846	N/A	N/A
	Ra		320mm x 135mm	1464 - S679	R469828	N/A	N/A	N/A	N/A
CMA-87/88									
1994	Fa		320mm x 110mm	1410 - S602	R467406	R409841	R409842	N/A	N/A
	Ra		320mm x 130mm	1434 - S632	R469824	R409845	R409846	N/A	N/A
	Ra		320mm x 135mm	1464 - S679	R469828	N/A	N/A	N/A	N/A
1993	Fa		320mm x 110mm	1410 - S602	R467406	R409841	R409842	N/A	N/A
	Ra		320mm x 130mm	1434 - S632	R469824	R409845	R409846	N/A	N/A
	Ra		320mm x 135mm	1464 - S679	R469828	N/A	N/A	N/A	N/A
1992	Fa		320mm x 110mm	1410 - S602	R467406	R409841	R409842	N/A	N/A
	Ra		320mm x 130mm	1434 - S632	R469824	R409845	R409846	N/A	N/A
	Ra		320mm x 135mm	1464 - S679	R469828	N/A	N/A	N/A	N/A
1991	Fa		320mm x 110mm	1410 - S602	R467406	R409841	R409842	N/A	N/A
	Ra		320mm x 130mm	1434 - S632	R469824	R409845	R409846	N/A	N/A
	Ra		320mm x 135mm	1464 - S679	R469828	N/A	N/A	N/A	N/A
1990	Fa		320mm x 110mm	1410 - S602	R467406	R409841	R409842	N/A	N/A
	Ra		320mm x 130mm	1434 - S632	R469824	R409845	R409846	N/A	N/A
	Ra		320mm x 135mm	1464 - S679	R469828	N/A	N/A	N/A	N/A
1989	Fa		320mm x 110mm	1410 - S602	R467406	R409841	R409842	N/A	N/A
	Ra		320mm x 130mm	1434 - S632	R469824	R409845	R409846	N/A	N/A
	Ra		320mm x 135mm	1464 - S679	R469828	N/A	N/A	N/A	N/A
1987	Fa		320mm x 110mm	1410 - S602	R467406	R409841	R409842	N/A	N/A
	Ra		320mm x 130mm	1434 - S632	R469824	R409845	R409846	N/A	N/A
	Ra		320mm x 135mm	1464 - S679	R469828	N/A	N/A	N/A	N/A
1986	Fa		320mm x 110mm	1410 - S602	R467406	R409841	R409842	N/A	N/A
	Ra		320mm x 130mm	1434 - S632	R469824	R409845	R409846	N/A	N/A
	Ra		320mm x 135mm	1464 - S679	R469828	N/A	N/A	N/A	N/A
CPB-12 SERIES									
1994	Fa		400mm x 120mm	1422 - S617	R467410	R409843	R409844	N/A	N/A
	Ra		410mm x 154mm	1419 - S614	R467408	R409853	R409844	N/A	N/A
1993	Fa		400mm x 120mm	1422 - S617	R467410	R409843	R409844	N/A	N/A
	Ra		410mm x 154mm	1419 - S614	R467408	R409853	R409844	N/A	N/A
1992	Fa		400mm x 120mm	1422 - S617	R467410	R409843	R409844	N/A	N/A
	Ra		410mm x 154mm	1419 - S614	R467408	R409853	R409844	N/A	N/A
1991	Fa		400mm x 120mm	1422 - S617	R467410	R409843	R409844	N/A	N/A
	Ra		410mm x 154mm	1419 - S614	R467408	R409853	R409844	N/A	N/A
1990	Fa		400mm x 120mm	1422 - S617	R467410	R409843	R409844	N/A	N/A
	Ra		410mm x 154mm	1419 - S614	R467408	R409853	R409844	N/A	N/A
1989	Fa		400mm x 120mm	1422 - S617	R467410	R409843	R409844	N/A	N/A
	Ra		410mm x 154mm	1419 - S614	R467408	R409853	R409844	N/A	N/A
1988	Fa		400mm x 120mm	1422 - S617	R467410	R409843	R409844	N/A	N/A

MAKE MODEL YEAR AXLE CODE AXLE WEIGHT	AXLE & BRK. TYPE	BRK. MFG.	BRAKE SIZE	FMSI	MERITOR DISC PAD OR BRAKE SHOE	MERITOR GUIDE PIN OR RETURN SPRING KIT	MERITOR CALIPER HWD. KIT OR RETURN SPRING KIT	MERITOR ADJUSTER KIT (LEFT WHEEL)	MERITOR ADJUSTER KIT (RIGHT WHEEL)	
NISSAN UD(Cont.)										
CPB-12 SERIES(Cont.)										
1988	Ra		410mm x 154mm	1419 - S614	R467408	R409853	R409844	N/A	N/A	
1987	Fa		400mm x 120mm	1422 - S617	R467410	R409843	R409844	N/A	N/A	
	Ra		410mm x 154mm	1419 - S614	R467408	R409853	R409844	N/A	N/A	
1986	Fa		400mm x 120mm	1422 - S617	R467410	R409843	R409844	N/A	N/A	
	Ra		410mm x 154mm	1419 - S614	R467408	R409853	R409844	N/A	N/A	
1985	Fa		400mm x 120mm	1422 - S617	R467410	R409843	R409844	N/A	N/A	
	Ra		410mm x 154mm	1419 - S614	R467408	R409853	R409844	N/A	N/A	
1984	Fa		400mm x 120mm	1422 - S617	R467410	R409843	R409844	N/A	N/A	
	Ra		410mm x 154mm	1419 - S614	R467408	R409853	R409844	N/A	N/A	
STERLING										
ACTERRA										
2006	Fd	Bosch		7655 - D786	MD786	R4011754	NR	NR	NR	
	Fd	Bosch		7654 - D786	MD786A	R4011754	NR	NR	NR	
	Rd	Bosch		7655 - D786	MD786	R4011754	NR	NR	NR	
	Rd	Bosch		7654 - D786	MD786A	R4011754	NR	NR	NR	
2005	Fd	Bosch		7655 - D786	MD786	R4011754	NR	NR	NR	
	Fd	Bosch		7654 - D786	MD786A	R4011754	NR	NR	NR	
	Rd	Bosch		7655 - D786	MD786	R4011754	NR	NR	NR	
	Rd	Bosch		7654 - D786	MD786A	R4011754	NR	NR	NR	
2004	Fd	Bosch		7655 - D786	MD786	R4011754	NR	NR	NR	
	Fd	Bosch		7654 - D786	MD786A	R4011754	NR	NR	NR	
	Rd	Bosch		7655 - D786	MD786	R4011754	NR	NR	NR	
	Rd	Bosch		7654 - D786	MD786A	R4011754	NR	NR	NR	
2003	Fd	Bosch		7655 - D786	MD786	R4011754	NR	NR	NR	
	Fd	Bosch		7654 - D786	MD786A	R4011754	NR	NR	NR	
	Fd	Meritor		7636 - D769	MD769	NR	R4011729	NR	NR	
	Fd	Meritor		7636 - D769	MD769	NR	R4011729	NR	NR	
	Fd	Meritor		7636 - D769	MD769	NR	R4011729	NR	NR	
	Fd	Meritor		7636 - D769	MD769	NR	R4011729	NR	NR	
	Rd	Bosch		7655 - D786	MD786	R4011754	NR	NR	NR	
	Rd	Bosch		7654 - D786	MD786A	R4011754	NR	NR	NR	
2002	Fd	Bosch		7655 - D786	MD786	R4011754	NR	NR	NR	
	Fd	Bosch		7654 - D786	MD786A	R4011754	NR	NR	NR	
	Fd	Meritor		7636 - D769	MD769	NR	R4011729	NR	NR	
	Fd	Meritor		7636 - D769	MD769	NR	R4011729	NR	NR	
	Fd	Meritor		7636 - D769	MD769	NR	R4011729	NR	NR	
	Fd	Meritor		7636 - D769	MD769	NR	R4011729	NR	NR	
	Rd	Bosch		7655 - D786	MD786	R4011754	NR	NR	NR	
	Rd	Bosch		7654 - D786	MD786A	R4011754	NR	NR	NR	
	2001	Fd	Bosch		7655 - D786	MD786	R4011754	NR	NR	NR
		Fd	Bosch		7654 - D786	MD786A	R4011754	NR	NR	NR
Fd		Meritor		7636 - D769	MD769	NR	R4011729	NR	NR	
Fd		Meritor		7636 - D769	MD769	NR	R4011729	NR	NR	
Fd		Meritor		7636 - D769	MD769	NR	R4011729	NR	NR	
Fd		Meritor		7636 - D769	MD769	NR	R4011729	NR	NR	
Rd		Bosch		7655 - D786	MD786	R4011754	NR	NR	NR	
Rd		Bosch		7654 - D786	MD786A	R4011754	NR	NR	NR	
2000	Fd	Bosch		7655 - D786	MD786	R4011754	NR	NR	NR	
	Fd	Bosch		7654 - D786	MD786A	R4011754	NR	NR	NR	
	Fd	Meritor		7636 - D769	MD769	NR	R4011729	NR	NR	
	Fd	Meritor		7636 - D769	MD769	NR	R4011729	NR	NR	

356 - Single Hydraulic System, Bosch Cylinder, after Serial No. Q20000, 18,500lb. Rear Axle

365 - Caliper Loaded with Hardware and Disc Pads

MERITOR DRUM OR ROTOR NO.	CALIPER OR CYLINDER BORE SIZE	MERITOR CALIPER OR WHEEL CYLINDER (LEFT)	MERITOR CALIPER OR WHEEL CYLINDER (RIGHT)	MERITOR CALIPER OR WHEEL CYLINDER REPAIR KIT	MERITOR CALIPER PISTON	MERITOR MASTER CYLINDER	MERITOR MASTER CYLINDER KIT	MERITOR BRAKE HOSE (LEFT)	MERITOR BRAKE HOSE (RIGHT)
NISSAN UD(Cont.)									
CPB-12 SERIES(Cont.)									
N/A	N/A	N/A	N/A	N/A	NR	-	-	-	-
N/A	N/A	N/A	N/A	N/A	NR	-	-	-	-
N/A	N/A	N/A	N/A	N/A	NR	-	-	-	-
N/A	N/A	N/A	N/A	N/A	NR	-	-	-	-
N/A	N/A	N/A	N/A	N/A	NR	-	-	-	-
N/A	N/A	N/A	N/A	N/A	NR	-	-	-	-
N/A	N/A	N/A	N/A	N/A	NR	-	-	-	-
N/A	N/A	N/A	N/A	N/A	NR	-	-	-	-
N/A	N/A	N/A	N/A	N/A	NR	-	-	-	-
STERLING									
ACTERRA									
23-123557-004	73mm	R424153216	R424153216 ³⁵⁶	R4011758	R4011757	-	-	-	-
23-123557-004	66mm	R424153263	R424153263 ³⁵⁶	R4011752	R4011751	-	-	-	-
23-123557-004	73mm	R424153216	R424153216 ³⁵⁶	R4011758	R4011757	-	-	-	-
23-123557-004	66mm	R424153263	R424153263 ³⁵⁶	R4011752	R4011751	-	-	-	-
23-123557-004	73mm	R424153216	R424153216 ³⁵⁶	R4011758	R4011757	-	-	-	-
23-123557-004	66mm	R424153263	R424153263 ³⁵⁶	R4011752	R4011751	-	-	-	-
23-123557-004	73mm	R424153216	R424153216 ³⁵⁶	R4011758	R4011757	-	-	-	-
23-123557-004	66mm	R424153263	R424153263 ³⁵⁶	R4011752	R4011751	-	-	-	-
23-123557-004	73mm	R424153216	R424153216 ³⁵⁶	R4011758	R4011757	-	-	-	-
23-123557-004	66mm	R424153263	R424153263 ³⁵⁶	R4011752	R4011751	-	-	-	-
23-123557-004	73mm	R424153216	R424153216 ³⁵⁶	R4011758	R4011757	-	-	-	-
23-123557-004	66mm	R424153263	R424153263 ³⁵⁶	R4011752	R4011751	-	-	-	-
23-123557-004	73mm	R424153216	R424153216 ³⁵⁶	R4011758	R4011757	-	-	-	-
23-123557-004	66mm	R424153263	R424153263 ³⁵⁶	R4011752	R4011751	-	-	-	-
23-123557-004	64mm	60450474001	60450473001 ³⁵⁶	R4011731	R4011511	-	-	-	-
23-123557-004	70mm	60450469002	60450468002 ³⁵⁶	R4011730	60050334	-	-	-	-
23-123557-004	64mm	60450474001	60450473001 ³⁵⁶	R4011731	R4011511	-	-	-	-
23-123557-004	70mm	60450469002	60450468002 ³⁵⁶	R4011730	60050334	-	-	-	-
23-123557-004	73mm	R424153216	R424153216 ³⁵⁶	R4011758	R4011757	-	-	-	-
23-123557-004	66mm	R424153263	R424153263 ³⁵⁶	R4011752	R4011751	-	-	-	-
23-123557-004	73mm	R424153216	R424153216 ³⁵⁶	R4011758	R4011757	-	-	-	-
23-123557-004	66mm	R424153263	R424153263 ³⁵⁶	R4011752	R4011751	-	-	-	-
23-123557-004	64mm	60450474001	60450473001 ³⁵⁶	R4011731	R4011511	-	-	-	-
23-123557-004	70mm	60450469002	60450468002 ³⁵⁶	R4011730	60050334	-	-	-	-
23-123557-004	64mm	60450474001	60450473001 ³⁵⁶	R4011731	R4011511	-	-	-	-
23-123557-004	70mm	60450469002	60450468002 ³⁵⁶	R4011730	60050334	-	-	-	-
23-123557-004	73mm	R424153216	R424153216 ³⁵⁶	R4011758	R4011757	-	-	-	-
23-123557-004	66mm	R424153263	R424153263 ³⁵⁶	R4011752	R4011751	-	-	-	-
23-123557-004	73mm	R424153216	R424153216 ³⁵⁶	R4011758	R4011757	-	-	-	-
23-123557-004	66mm	R424153263	R424153263 ³⁵⁶	R4011752	R4011751	-	-	-	-
23-123557-004	64mm	60450474001	60450473001 ³⁵⁶	R4011731	R4011511	-	-	-	-
23-123557-004	70mm	60450469002	60450468002 ³⁵⁶	R4011730	60050334	-	-	-	-
23-123557-004	64mm	60450474001	60450473001 ³⁵⁶	R4011731	R4011511	-	-	-	-
23-123557-004	70mm	60450469002	60450468002 ³⁵⁶	R4011730	60050334	-	-	-	-
23-123557-004	73mm	R424153216	R424153216 ³⁵⁶	R4011758	R4011757	-	-	-	-
23-123557-004	66mm	R424153263	R424153263 ³⁵⁶	R4011752	R4011751	-	-	-	-
23-123557-004	73mm	R424153216	R424153216 ³⁵⁶	R4011758	R4011757	-	-	-	-
23-123557-004	66mm	R424153263	R424153263 ³⁵⁶	R4011752	R4011751	-	-	-	-
23-123557-004	64mm	60450474001	60450473001 ³⁵⁶	R4011731	R4011511	-	-	-	-
23-123557-004	70mm	60450469002	60450468002 ³⁵⁶	R4011730	60050334	-	-	-	-

MAKE MODEL YEAR AXLE CODE AXLE WEIGHT	AXLE & BRK. TYPE	BRK. MFG.	BRAKE SIZE	FMSI	MERITOR DISC PAD OR BRAKE SHOE	MERITOR GUIDE PIN OR RETURN SPRING KIT	MERITOR CALIPER HWD. KIT OR RETURN SPRING KIT	MERITOR ADJUSTER KIT (LEFT WHEEL)	MERITOR ADJUSTER KIT (RIGHT WHEEL)
STERLING(Cont.)									
ACTERRA(Cont.)									
2000	Rd	Bosch		7655 - D786	MD786	R4011754	NR	NR	NR
	Rd	Bosch		7654 - D786	MD786A	R4011754	NR	NR	NR
	Rd	Meritor		7636 - D769	MD769	NR	R4011729	NR	NR
	Rd	Meritor		7636 - D769	MD769	NR	R4011729	NR	NR
THOMAS BUILT									
2007	Rd	Bosch		7654 - D786	MD786A	R4011754	NR	NR	NR
	Rd	Bosch		7654 - D786	MD786A	R4011754	NR	NR	NR
	Rd	Meritor		7636 - D769	MD769	NR	R4011729	NR	NR
Westport 10,000 & 12,000 lb.	Fd	Meritor		7636 - D769	MD769	NR	R4011729	NR	NR
6,000 lb to 9,900 lb	Fd	Bosch		7654 - D786	MD786A	R4011754	NR	NR	NR
	Fd	Bosch		7654 - D786	MD786A	R4011754	NR	NR	NR
	Fd	Meritor		7636 - D769	MD769	NR	R4011729	NR	NR
10,000 & 12,000 lb.	Fd	Bosch		7655 - D786	MD786	R4011754	NR	NR	NR
	Fd	Bosch		7655 - D786	MD786	R4011754	NR	NR	NR
19,000 to 23,000 lb	Rd	Bosch		7655 - D786	MD786	R4011754	NR	NR	NR
	Rd	Bosch		7655 - D786	MD786	R4011754	NR	NR	NR
2006	Rd	Bosch		7654 - D786	MD786A	R4011754	NR	NR	NR
	Rd	Bosch		7654 - D786	MD786A	R4011754	NR	NR	NR
	Rd	Meritor		7636 - D769	MD769	NR	R4011729	NR	NR
Westport 10,000 & 12,000 lb.	Fd	Meritor		7636 - D769	MD769	NR	R4011729	NR	NR
6,000 lb to 9,900 lb	Fd	Bosch		7654 - D786	MD786A	R4011754	NR	NR	NR
	Fd	Bosch		7654 - D786	MD786A	R4011754	NR	NR	NR
	Fd	Meritor		7636 - D769	MD769	NR	R4011729	NR	NR
10,000 & 12,000 lb.	Fd	Bosch		7655 - D786	MD786	R4011754	NR	NR	NR
	Fd	Bosch		7655 - D786	MD786	R4011754	NR	NR	NR
19,000 to 23,000 lb	Rd	Bosch		7655 - D786	MD786	R4011754	NR	NR	NR
	Rd	Bosch		7655 - D786	MD786	R4011754	NR	NR	NR
2005	Rd	Bosch		7654 - D786	MD786A	R4011754	NR	NR	NR
6,000 lb to 9,900 lb	Fd	Bosch		7654 - D786	MD786A	R4011754	NR	NR	NR
10,000 & 12,000 lb.	Fd	Bosch		7655 - D786	MD786	R4011754	NR	NR	NR
19,000 to 23,000 lb	Rd	Bosch		7655 - D786	MD786	R4011754	NR	NR	NR
2004	Rd	Bosch		7654 - D786	MD786A	R4011754	NR	NR	NR
6,000 lb to 9,900 lb	Fd	Bosch		7654 - D786	MD786A	R4011754	NR	NR	NR
10,000 & 12,000 lb.	Fd	Bosch		7655 - D786	MD786	R4011754	NR	NR	NR
19,000 to 23,000 lb	Rd	Bosch		7655 - D786	MD786	R4011754	NR	NR	NR
2003	Rd	Meritor		7636 - D769	MD769	NR	R4011729	NR	NR
Westport 10,000 & 12,000 lb.	Fd	Meritor		7636 - D769	MD769	NR	R4011729	NR	NR
6,000 lb to 9,900 lb	Fd	Meritor		7636 - D769	MD769	NR	R4011729	NR	NR
19,000 to 23,000 lb	Rd	Meritor		7636 - D769	MD769	NR	R4011729	NR	NR
2002	Rd	Meritor		7636 - D769	MD769	NR	R4011729	NR	NR
Westport 10,000 & 12,000 lb.	Fd	Meritor		7636 - D769	MD769	NR	R4011729	NR	NR
6,000 lb to 9,900 lb	Fd	Meritor		7636 - D769	MD769	NR	R4011729	NR	NR
19,000 to 23,000 lb	Rd	Meritor		7636 - D769	MD769	NR	R4011729	NR	NR
VOLVO									
F6									
1987	Fa		15-1/2" x 5"	1356	R46700021	R407048	R407049 ³⁴⁹	NR	NR
	Fa		15-1/2" x 5"	1356	R46700021	R407048	R407049 ³⁴⁹	NR	NR
	Fa		15-1/2" x 5"	1356	R46700021	R407048	R407049 ³⁴⁹	NR	NR
	Fa		15-1/2" x 5"	1356	R46700021	R407048	R407049 ³⁴⁹	NR	NR
	Fa		15-1/2" x 5"	1356	R46700021	R407048	R407049 ³⁴⁹	NR	NR

349 - Contains Adjuster

356 - Single Hydraulic System, Bosch Cylinder, after Serial No. Q20000, 18,500lb. Rear Axle

365 - Caliper Loaded with Hardware and Disc Pads

MERITOR DRUM OR ROTOR NO.	CALIPER OR CYLINDER BORE SIZE	MERITOR CALIPER OR WHEEL CYLINDER (LEFT)	MERITOR CALIPER OR WHEEL CYLINDER (RIGHT)	MERITOR CALIPER OR WHEEL CYLINDER REPAIR KIT	MERITOR CALIPER PISTON	MERITOR MASTER CYLINDER	MERITOR MASTER CYLINDER KIT	MERITOR BRAKE HOSE (LEFT)	MERITOR BRAKE HOSE (RIGHT)
STERLING(Cont.)									
ACTERRA(Cont.)									
23-123557-004	73mm	R424153216	R424153216 ³⁵⁶	R4011758	R4011757	-	-	-	-
23-123557-004	66mm	R424153263	R424153263 ³⁵⁶	R4011752	R4011751	-	-	-	-
23-123557-004	64mm	60450474001	60450473001 ³⁵⁶	R4011731	R4011511	-	-	-	-
23-123557-004	70mm	60450469002	60450468002 ³⁵⁶	R4011730	60050334	-	-	-	-
THOMAS BUILT									
23-123557-004	66mm	R424153263	R424153263 ³⁵⁶	R4011752	R4011751	-	-	-	-
23-123557-004	66mm	R424153263	R424153263 ³⁵⁶	R4011752	R4011751	-	-	-	-
23-123557-004	64mm	60450474001	60450473001	R4011731	R4011511	-	-	-	-
23-123557-004	70mm	60450469002	60450468002	R4011730	60050334	-	-	-	-
23-123557-004	66mm	R424153263	R424153263 ³⁵⁶	R4011752	R4011751	-	-	-	-
23-123557-004	66mm	R424153263	R424153263 ³⁵⁶	R4011752	R4011751	-	-	-	-
23-123557-004	64mm	60450474001	60450473001	R4011731	R4011511	-	-	-	-
23-123557-004	73mm	R424153216	R424153216 ³⁶⁵	R4011758	R4011757	-	-	-	-
23-123557-004	73mm	R424153216	R424153216 ³⁶⁵	R4011758	R4011757	-	-	-	-
23-123557-004	73mm	R424153216	R424153216 ³⁶⁵	R4011758	R4011757	-	-	-	-
23-123557-004	73mm	R424153216	R424153216 ³⁶⁵	R4011758	R4011757	-	-	-	-
23-123557-004	66mm	R424153263	R424153263 ³⁵⁶	R4011752	R4011751	-	-	-	-
23-123557-004	66mm	R424153263	R424153263 ³⁵⁶	R4011752	R4011751	-	-	-	-
23-123557-004	64mm	60450474001	60450473001	R4011731	R4011511	-	-	-	-
23-123557-004	70mm	60450469002	60450468002	R4011730	60050334	-	-	-	-
23-123557-004	66mm	R424153263	R424153263 ³⁵⁶	R4011752	R4011751	-	-	-	-
23-123557-004	66mm	R424153263	R424153263 ³⁵⁶	R4011752	R4011751	-	-	-	-
23-123557-004	64mm	60450474001	60450473001	R4011731	R4011511	-	-	-	-
23-123557-004	73mm	R424153216	R424153216 ³⁶⁵	R4011758	R4011757	-	-	-	-
23-123557-004	73mm	R424153216	R424153216 ³⁶⁵	R4011758	R4011757	-	-	-	-
23-123557-004	73mm	R424153216	R424153216 ³⁶⁵	R4011758	R4011757	-	-	-	-
23-123557-004	66mm	R424153263	R424153263 ³⁵⁶	R4011752	R4011751	-	-	-	-
23-123557-004	66mm	R424153263	R424153263 ³⁵⁶	R4011752	R4011751	-	-	-	-
23-123557-004	73mm	R424153216	R424153216 ³⁶⁵	R4011758	R4011757	-	-	-	-
23-123557-004	73mm	R424153216	R424153216 ³⁶⁵	R4011758	R4011757	-	-	-	-
23-123557-004	64mm	60450474001	60450473001	R4011731	R4011511	-	-	-	-
23-123557-004	70mm	60450469002	60450468002	R4011730	60050334	-	-	-	-
23-123557-004	64mm	60450474001	60450473001	R4011731	R4011511	-	-	-	-
23-123557-004	70mm	60450469002	60450468002	R4011730	60050334	-	-	-	-
23-123557-004	64mm	60450474001	60450473001	R4011731	R4011511	-	-	-	-
23-123557-004	70mm	60450469002	60450468002	R4011730	60050334	-	-	-	-
23-123557-004	64mm	60450474001	60450473001	R4011731	R4011511	-	-	-	-
23-123557-004	70mm	60450469002	60450468002	R4011730	60050334	-	-	-	-
VOLVO									
F6									
R447194	1-3/4 "	R417054	R417056	R417068	NR	-	-	-	-
R447194	1-1/2 "	R 417050	R 417052	R417067	NR	-	-	-	-
R447194	1-1/2 "	R417055	R417057	R417068	NR	-	-	-	-
R447194	1-3/4 "	R417054	R417056	R417068	NR	-	-	-	-
R447194	1-1/2 "	R 417051	R 417053	R417067	NR	-	-	-	-

1 APPLICATION

MAKE MODEL YEAR AXLE CODE AXLE WEIGHT	AXLE & BRK. TYPE	BRK. MFG.	BRAKE SIZE	FMSI	MERITOR DISC PAD OR BRAKE SHOE	MERITOR GUIDE PIN OR RETURN SPRING KIT	MERITOR CALIPER HWD. KIT OR RETURN SPRING KIT	MERITOR ADJUSTER KIT (LEFT WHEEL)	MERITOR ADJUSTER KIT (RIGHT WHEEL)
VOLVO(Cont.)									
F6(Cont.)									
1987	Fa		15-1/2" x 5"	1356	R46700021	R407048	R407049 ³⁴⁹	NR	NR
	Fa		15-1/2" x 5"	1356	R46700021	R407048	R407049 ³⁴⁹	NR	NR
	Fa		15-1/2" x 5"	1356	R46700021	R407048	R407049 ³⁴⁹	NR	NR
	Ra		15-1/2" x 6"	1357	-	R407048	R407049 ³⁴⁹	NR	NR
	Ra		15-1/2" x 6"	1357	-	R407048	R407049 ³⁴⁹	NR	NR
1986	Fa		15-1/2" x 5"	1356	R46700021	R407048	R407049 ³⁴⁹	NR	NR
	Fa		15-1/2" x 5"	1356	R46700021	R407048	R407049 ³⁴⁹	NR	NR
	Fa		15-1/2" x 5"	1356	R46700021	R407048	R407049 ³⁴⁹	NR	NR
	Fa		15-1/2" x 5"	1356	R46700021	R407048	R407049 ³⁴⁹	NR	NR
	Fa		15-1/2" x 5"	1356	R46700021	R407048	R407049 ³⁴⁹	NR	NR
	Fa		15-1/2" x 5"	1356	R46700021	R407048	R407049 ³⁴⁹	NR	NR
	Fa		15-1/2" x 5"	1356	R46700021	R407048	R407049 ³⁴⁹	NR	NR
	Fa		15-1/2" x 5"	1356	R46700021	R407048	R407049 ³⁴⁹	NR	NR
	Ra		15-1/2" x 6"	1357	-	R407048	R407049 ³⁴⁹	NR	NR
	Ra		15-1/2" x 6"	1357	-	R407048	R407049 ³⁴⁹	NR	NR
1985	Fa		15-1/2" x 5"	1356	R46700021	R407048	R407049 ³⁴⁹	NR	NR
	Fa		15-1/2" x 5"	1356	R46700021	R407048	R407049 ³⁴⁹	NR	NR
	Fa		15-1/2" x 5"	1356	R46700021	R407048	R407049 ³⁴⁹	NR	NR
	Fa		15-1/2" x 5"	1356	R46700021	R407048	R407049 ³⁴⁹	NR	NR
	Fa		15-1/2" x 5"	1356	R46700021	R407048	R407049 ³⁴⁹	NR	NR
	Fa		15-1/2" x 5"	1356	R46700021	R407048	R407049 ³⁴⁹	NR	NR
	Fa		15-1/2" x 5"	1356	R46700021	R407048	R407049 ³⁴⁹	NR	NR
	Fa		15-1/2" x 5"	1356	R46700021	R407048	R407049 ³⁴⁹	NR	NR
	Ra		15-1/2" x 6"	1357	-	R407048	R407049 ³⁴⁹	NR	NR
	Ra		15-1/2" x 6"	1357	-	R407048	R407049 ³⁴⁹	NR	NR
1984	Fa		15-1/2" x 5"	1356	R46700021	R407048	R407049 ³⁴⁹	NR	NR
	Fa		15-1/2" x 5"	1356	R46700021	R407048	R407049 ³⁴⁹	NR	NR
	Fa		15-1/2" x 5"	1356	R46700021	R407048	R407049 ³⁴⁹	NR	NR
	Fa		15-1/2" x 5"	1356	R46700021	R407048	R407049 ³⁴⁹	NR	NR
	Fa		15-1/2" x 5"	1356	R46700021	R407048	R407049 ³⁴⁹	NR	NR
	Fa		15-1/2" x 5"	1356	R46700021	R407048	R407049 ³⁴⁹	NR	NR
	Fa		15-1/2" x 5"	1356	R46700021	R407048	R407049 ³⁴⁹	NR	NR
	Fa		15-1/2" x 5"	1356	R46700021	R407048	R407049 ³⁴⁹	NR	NR
	Ra		15-1/2" x 6"	1357	-	R407048	R407049 ³⁴⁹	NR	NR
	Ra		15-1/2" x 6"	1357	-	R407048	R407049 ³⁴⁹	NR	NR
1983	Fa		15-1/2" x 5"	1356	R46700021	R407048	R407049 ³⁴⁹	NR	NR
	Fa		15-1/2" x 5"	1356	R46700021	R407048	R407049 ³⁴⁹	NR	NR
	Fa		15-1/2" x 5"	1356	R46700021	R407048	R407049 ³⁴⁹	NR	NR
	Fa		15-1/2" x 5"	1356	R46700021	R407048	R407049 ³⁴⁹	NR	NR
	Fa		15-1/2" x 5"	1356	R46700021	R407048	R407049 ³⁴⁹	NR	NR
	Fa		15-1/2" x 5"	1356	R46700021	R407048	R407049 ³⁴⁹	NR	NR
	Fa		15-1/2" x 5"	1356	R46700021	R407048	R407049 ³⁴⁹	NR	NR
	Fa		15-1/2" x 5"	1356	R46700021	R407048	R407049 ³⁴⁹	NR	NR
	Ra		15-1/2" x 6"	1357	-	R407048	R407049 ³⁴⁹	NR	NR
	Ra		15-1/2" x 6"	1357	-	R407048	R407049 ³⁴⁹	NR	NR
1982	Fa		15-1/2" x 5"	1356	R46700021	R407048	R407049 ³⁴⁹	NR	NR
	Fa		15-1/2" x 5"	1356	R46700021	R407048	R407049 ³⁴⁹	NR	NR
	Fa		15-1/2" x 5"	1356	R46700021	R407048	R407049 ³⁴⁹	NR	NR
	Fa		15-1/2" x 5"	1356	R46700021	R407048	R407049 ³⁴⁹	NR	NR
	Fa		15-1/2" x 5"	1356	R46700021	R407048	R407049 ³⁴⁹	NR	NR
	Fa		15-1/2" x 5"	1356	R46700021	R407048	R407049 ³⁴⁹	NR	NR
	Fa		15-1/2" x 5"	1356	R46700021	R407048	R407049 ³⁴⁹	NR	NR
	Fa		15-1/2" x 5"	1356	R46700021	R407048	R407049 ³⁴⁹	NR	NR
	Ra		15-1/2" x 6"	1357	-	R407048	R407049 ³⁴⁹	NR	NR
	Ra		15-1/2" x 6"	1357	-	R407048	R407049 ³⁴⁹	NR	NR
1981	Fa		15-1/2" x 5"	1356	R46700021	R407048	R407049 ³⁴⁹	NR	NR
	Fa		15-1/2" x 5"	1356	R46700021	R407048	R407049 ³⁴⁹	NR	NR
	Fa		15-1/2" x 5"	1356	R46700021	R407048	R407049 ³⁴⁹	NR	NR

349 - Contains Adjuster

MERITOR DRUM OR ROTOR NO.	CALIPER OR CYLINDER BORE SIZE	MERITOR CALIPER OR WHEEL CYLINDER (LEFT)	MERITOR CALIPER OR WHEEL CYLINDER (RIGHT)	MERITOR CALIPER OR WHEEL CYLINDER REPAIR KIT	MERITOR CALIPER PISTON	MERITOR MASTER CYLINDER	MERITOR MASTER CYLINDER KIT	MERITOR BRAKE HOSE (LEFT)	MERITOR BRAKE HOSE (RIGHT)
VOLVO(Cont.)									
F6(Cont.)									
R447194	1-1/2 "	R 417051	R 417053	R417067	NR	-	-	-	-
R447194	1-1/2 "	R 417050	R 417052	R417067	NR	-	-	-	-
R447194	1-1/2 "	R417055	R417057	R417068	NR	-	-	-	-
R447195	1-3/4 "	R417058	R417059	R417069	NR	-	-	-	-
R447195	1-3/4 "	R417054	R417056	R417068	NR	-	-	-	-
R447194	1-1/2 "	R 417050	R 417052	R417067	NR	-	-	-	-
R447194	1-1/2 "	R417055	R417057	R417068	NR	-	-	-	-
R447194	1-3/4 "	R417054	R417056	R417068	NR	-	-	-	-
R447194	1-1/2 "	R 417051	R 417053	R417067	NR	-	-	-	-
R447194	1-1/2 "	R 417050	R 417052	R417067	NR	-	-	-	-
R447194	1-1/2 "	R417055	R417057	R417068	NR	-	-	-	-
R447194	1-1/2 "	R 417051	R 417053	R417067	NR	-	-	-	-
R447194	1-1/2 "	R 417051	R 417053	R417067	NR	-	-	-	-
R447194	1-3/4 "	R417054	R417056	R417068	NR	-	-	-	-
R447195	1-3/4 "	R417054	R417056	R417068	NR	-	-	-	-
R447195	1-3/4 "	R417058	R417059	R417069	NR	-	-	-	-
R447194	1-1/2 "	R 417050	R 417052	R417067	NR	-	-	-	-
R447194	1-3/4 "	R417054	R417056	R417068	NR	-	-	-	-
R447194	1-1/2 "	R 417051	R 417053	R417067	NR	-	-	-	-
R447194	1-1/2 "	R 417050	R 417052	R417067	NR	-	-	-	-
R447194	1-1/2 "	R417055	R417057	R417068	NR	-	-	-	-
R447194	1-1/2 "	R 417051	R 417053	R417067	NR	-	-	-	-
R447194	1-1/2 "	R417055	R417057	R417068	NR	-	-	-	-
R447194	1-3/4 "	R417054	R417056	R417068	NR	-	-	-	-
R447195	1-3/4 "	R417058	R417059	R417069	NR	-	-	-	-
R447195	1-3/4 "	R417054	R417056	R417068	NR	-	-	-	-
R447194	1-1/2 "	R 417050	R 417052	R417067	NR	-	-	-	-
R447194	1-3/4 "	R417054	R417056	R417068	NR	-	-	-	-
R447194	1-1/2 "	R417055	R417057	R417068	NR	-	-	-	-
R447194	1-1/2 "	R 417051	R 417053	R417067	NR	-	-	-	-
R447194	1-1/2 "	R 417050	R 417052	R417067	NR	-	-	-	-
R447194	1-1/2 "	R417055	R417057	R417068	NR	-	-	-	-
R447195	1-3/4 "	R417058	R417059	R417069	NR	-	-	-	-
R447195	1-3/4 "	R417054	R417056	R417068	NR	-	-	-	-
R447194	1-1/2 "	R417055	R417057	R417068	NR	-	-	-	-
R447194	1-1/2 "	R 417050	R 417052	R417067	NR	-	-	-	-
R447194	1-1/2 "	R 417051	R 417053	R417067	NR	-	-	-	-
R447194	1-1/2 "	R 417051	R 417053	R417067	NR	-	-	-	-
R447194	1-3/4 "	R417054	R417056	R417068	NR	-	-	-	-
R447194	1-1/2 "	R417055	R417057	R417068	NR	-	-	-	-
R447194	1-3/4 "	R417054	R417056	R417068	NR	-	-	-	-
R447194	1-1/2 "	R 417050	R 417052	R417067	NR	-	-	-	-
R447195	1-3/4 "	R417054	R417056	R417068	NR	-	-	-	-
R447195	1-3/4 "	R417058	R417059	R417069	NR	-	-	-	-
R447194	1-1/2 "	R 417050	R 417052	R417067	NR	-	-	-	-
R447194	1-1/2 "	R 417051	R 417053	R417067	NR	-	-	-	-
R447194	1-1/2 "	R417055	R417057	R417068	NR	-	-	-	-

1 APPLICATION

MAKE MODEL YEAR AXLE CODE AXLE WEIGHT	AXLE & BRK. TYPE	BRK. MFG.	BRAKE SIZE	FMSI	MERITOR DISC PAD OR BRAKE SHOE	MERITOR GUIDE PIN OR RETURN SPRING KIT	MERITOR CALIPER HWD. KIT OR RETURN SPRING KIT	MERITOR ADJUSTER KIT (LEFT WHEEL)	MERITOR ADJUSTER KIT (RIGHT WHEEL)
VOLVO(Cont.)									
F6(Cont.)									
1981									
	Fa		15-1/2 " x 5 "	1356	R46700021	R407048	R407049 ³⁴⁹	NR	NR
	Fa		15-1/2 " x 5 "	1356	R46700021	R407048	R407049 ³⁴⁹	NR	NR
	Fa		15-1/2 " x 5 "	1356	R46700021	R407048	R407049 ³⁴⁹	NR	NR
	Fa		15-1/2 " x 5 "	1356	R46700021	R407048	R407049 ³⁴⁹	NR	NR
	Fa		15-1/2 " x 5 "	1356	R46700021	R407048	R407049 ³⁴⁹	NR	NR
	Ra		15-1/2 " x 6 "	1357	-	R407048	R407049 ³⁴⁹	NR	NR
	Ra		15-1/2 " x 6 "	1357	-	R407048	R407049 ³⁴⁹	NR	NR
1980									
	Fa		15-1/2 " x 5 "	1356	R46700021	R407048	R407049 ³⁴⁹	NR	NR
	Fa		15-1/2 " x 5 "	1356	R46700021	R407048	R407049 ³⁴⁹	NR	NR
	Fa		15-1/2 " x 5 "	1356	R46700021	R407048	R407049 ³⁴⁹	NR	NR
	Fa		15-1/2 " x 5 "	1356	R46700021	R407048	R407049 ³⁴⁹	NR	NR
	Fa		15-1/2 " x 5 "	1356	R46700021	R407048	R407049 ³⁴⁹	NR	NR
	Fa		15-1/2 " x 5 "	1356	R46700021	R407048	R407049 ³⁴⁹	NR	NR
	Fa		15-1/2 " x 5 "	1356	R46700021	R407048	R407049 ³⁴⁹	NR	NR
	Ra		15-1/2 " x 6 "	1357	-	R407048	R407049 ³⁴⁹	NR	NR
	Ra		15-1/2 " x 6 "	1357	-	R407048	R407049 ³⁴⁹	NR	NR
1979									
	Fa		15-1/2 " x 5 "	1356	R46700021	R407048	R407049 ³⁴⁹	NR	NR
	Fa		15-1/2 " x 5 "	1356	R46700021	R407048	R407049 ³⁴⁹	NR	NR
	Fa		15-1/2 " x 5 "	1356	R46700021	R407048	R407049 ³⁴⁹	NR	NR
	Fa		15-1/2 " x 5 "	1356	R46700021	R407048	R407049 ³⁴⁹	NR	NR
	Fa		15-1/2 " x 5 "	1356	R46700021	R407048	R407049 ³⁴⁹	NR	NR
	Fa		15-1/2 " x 5 "	1356	R46700021	R407048	R407049 ³⁴⁹	NR	NR
	Fa		15-1/2 " x 5 "	1356	R46700021	R407048	R407049 ³⁴⁹	NR	NR
	Fa		15-1/2 " x 5 "	1356	R46700021	R407048	R407049 ³⁴⁹	NR	NR
	Ra		15-1/2 " x 6 "	1357	-	R407048	R407049 ³⁴⁹	NR	NR
	Ra		15-1/2 " x 6 "	1357	-	R407048	R407049 ³⁴⁹	NR	NR
1978									
	Fa		15-1/2 " x 5 "	1356	R46700021	R407048	R407049 ³⁴⁹	NR	NR
	Fa		15-1/2 " x 5 "	1356	R46700021	R407048	R407049 ³⁴⁹	NR	NR
	Fa		15-1/2 " x 5 "	1356	R46700021	R407048	R407049 ³⁴⁹	NR	NR
	Fa		15-1/2 " x 5 "	1356	R46700021	R407048	R407049 ³⁴⁹	NR	NR
	Fa		15-1/2 " x 5 "	1356	R46700021	R407048	R407049 ³⁴⁹	NR	NR
	Fa		15-1/2 " x 5 "	1356	R46700021	R407048	R407049 ³⁴⁹	NR	NR
	Fa		15-1/2 " x 5 "	1356	R46700021	R407048	R407049 ³⁴⁹	NR	NR
	Ra		15-1/2 " x 6 "	1357	-	R407048	R407049 ³⁴⁹	NR	NR
	Ra		15-1/2 " x 6 "	1357	-	R407048	R407049 ³⁴⁹	NR	NR
1977									
	Fa		15-1/2 " x 5 "	1356	R46700021	R407048	R407049	NR	NR
	Fa		15-1/2 " x 5 "	1356	R46700021	R407048	R407049	NR	NR
	Fa		15-1/2 " x 5 "	1356	R46700021	R407048	R407049	NR	NR
	Fa		15-1/2 " x 5 "	1356	R46700021	R407048	R407049	NR	NR
	Fa		15-1/2 " x 5 "	1356	R46700021	R407048	R407049	NR	NR
	Fa		15-1/2 " x 5 "	1356	R46700021	R407048	R407049	NR	NR
	Fa		15-1/2 " x 5 "	1356	R46700021	R407048	R407049	NR	NR
	Fa		15-1/2 " x 5 "	1356	R46700021	R407048	R407049	NR	NR
	Ra		15-1/2 " x 6 "	1357	R46700121	R407048	R407049	NR	NR
	Ra		15-1/2 " x 6 "	1357	R46700121	R407048	R407049	NR	NR
WORKHORSE									
CUSTOM CHASSIS 4 WHEEL DISC BRAKE									
2003									
Dual Piston Caliper	Fd	BX		7815 - D380	MD184	NR	NR	NR	NR
	Rd	BX		7815 - D380	MD184	NR	NR	NR	NR
	Rd	BX		7815 - D380	MD184	NR	NR	NR	NR
Single Piston Caliper	Fd	BX		7081A - D149	MD149	NR	NR	NR	NR
	Rd	BX		7081A - D149	MD149	NR	NR	NR	NR
	Rd	BX		7081A - D149	MD149	NR	NR	NR	NR
2002									
Dual Piston Caliper	Fd	BX		7815 - D380	MD184	NR	NR	NR	NR

82 - 5 Stud Rotor
405 - Rotor Only

186 - 10 Stud

349 - Contains Adjuster

MERITOR DRUM OR ROTOR NO.	CALIPER OR CYLINDER BORE SIZE	MERITOR CALIPER OR WHEEL CYLINDER (LEFT)	MERITOR CALIPER OR WHEEL CYLINDER (RIGHT)	MERITOR CALIPER OR WHEEL CYLINDER REPAIR KIT	MERITOR CALIPER PISTON	MERITOR MASTER CYLINDER	MERITOR MASTER CYLINDER KIT	MERITOR BRAKE HOSE (LEFT)	MERITOR BRAKE HOSE (RIGHT)
VOLVO(Cont.)									
F6(Cont.)									
R447194	1-3/4 "	R417054	R417056	R417068	NR	-	-	-	-
R447194	1-1/2 "	R 417051	R 417053	R417067	NR	-	-	-	-
R447194	1-1/2 "	R 417050	R 417052	R417067	NR	-	-	-	-
R447194	1-1/2 "	R417055	R417057	R417068	NR	-	-	-	-
R447194	1-3/4 "	R417054	R417056	R417068	NR	-	-	-	-
R447195	1-3/4 "	R417054	R417056	R417068	NR	-	-	-	-
R447195	1-3/4 "	R417058	R417059	R417069	NR	-	-	-	-
R447194	1-1/2 "	R 417051	R 417053	R417067	NR	-	-	-	-
R447194	1-1/2 "	R417055	R417057	R417068	NR	-	-	-	-
R447194	1-1/2 "	R 417050	R 417052	R417067	NR	-	-	-	-
R447194	1-1/2 "	R 417051	R 417053	R417067	NR	-	-	-	-
R447194	1-1/2 "	R 417050	R 417052	R417067	NR	-	-	-	-
R447194	1-1/2 "	R417055	R417057	R417068	NR	-	-	-	-
R447194	1-3/4 "	R417054	R417056	R417068	NR	-	-	-	-
R447194	1-3/4 "	R417054	R417056	R417068	NR	-	-	-	-
R447195	1-3/4 "	R417054	R417056	R417068	NR	-	-	-	-
R447195	1-3/4 "	R417058	R417059	R417069	NR	-	-	-	-
R447194	1-1/2 "	R 417050	R 417052	R417067	NR	-	-	-	-
R447194	1-1/2 "	R 417051	R 417053	R417067	NR	-	-	-	-
R447194	1-1/2 "	R417055	R417057	R417068	NR	-	-	-	-
R447194	1-3/4 "	R417054	R417056	R417068	NR	-	-	-	-
R447194	1-1/2 "	R 417051	R 417053	R417067	NR	-	-	-	-
R447194	1-1/2 "	R417055	R417057	R417068	NR	-	-	-	-
R447194	1-1/2 "	R417055	R417057	R417068	NR	-	-	-	-
R447194	1-3/4 "	R417054	R417056	R417068	NR	-	-	-	-
R447194	1-1/2 "	R 417050	R 417052	R417067	NR	-	-	-	-
R447195	1-3/4 "	R417058	R417059	R417069	NR	-	-	-	-
R447195	1-3/4 "	R417054	R417056	R417068	NR	-	-	-	-
R447194	1-1/2 "	R 417051	R 417053	R417067	NR	-	-	-	-
R447194	1-1/2 "	R 417050	R 417052	R417067	NR	-	-	-	-
R447194	1-3/4 "	R417054	R417056	R417068	NR	-	-	-	-
R447194	1-1/2 "	R417055	R417057	R417068	NR	-	-	-	-
R447194	1-1/2 "	R 417051	R 417053	R417067	NR	-	-	-	-
R447194	1-3/4 "	R417054	R417056	R417068	NR	-	-	-	-
R447194	1-1/2 "	R 417050	R 417052	R417067	NR	-	-	-	-
R447194	1-1/2 "	R417055	R417057	R417068	NR	-	-	-	-
R447195	1-3/4 "	R417058	R417059	R417069	NR	-	-	-	-
R447195	1-3/4 "	R417054	R417056	R417068	NR	-	-	-	-
R447194	1-1/2 "	R417055	R417057	R417068	NR	-	-	-	-
R447194	1-1/2 "	R 417050	R 417052	R417067	NR	-	-	-	-
R447194	1-1/2 "	R417055	R417057	R417068	NR	-	-	-	-
R447194	1-1/2 "	R 417050	R 417052	R417067	NR	-	-	-	-
R447194	1-3/4 "	R417054	R417056	R417068	NR	-	-	-	-
R447194	1-1/2 "	R 417051	R 417053	R417067	NR	-	-	-	-
R447194	1-1/2 "	R 417051	R 417053	R417067	NR	-	-	-	-
R447194	1-3/4 "	R417054	R417056	R417068	NR	-	-	-	-
R447195	1-3/4 "	R417054	R417056	R417068	NR	-	-	-	-
R447195	1-3/4 "	R417058	R417059	R417069	NR	-	-	-	-
WORKHORSE									
CUSTOM CHASSIS 4 WHEEL DISC BRAKE									
R44141483 ¹⁸⁶	66mm	R42R55805	R42R55805	-	-	R4111982	-	-	-
R44145028 ⁴⁰⁵	66mm	R42R55805	R42R55805	-	-	R4111982	-	-	-
R44141483 ¹⁸⁶	66mm	R42R55805	R42R55805	-	-	R4111982	-	-	-
R4411316 ⁸²	86mm	R42R55200	R42R55199	R4066780	R4090021	R4111982	-	-	-
R44141483 ¹⁸⁶	86mm	R42R55200	R42R55199	R4066780	R4090021	R4111982	-	-	-
R4411316 ⁸²	86mm	R42R55200	R42R55199	R4066780	R4090021	R4111982	-	-	-
R44141483 ¹⁸⁶	66mm	R42R55805	R42R55805	-	-	R4111982	-	-	-

MAKE MODEL YEAR AXLE CODE AXLE WEIGHT	AXLE & BRK. TYPE	BRK. MFG.	BRAKE SIZE	FMSI	MERITOR DISC PAD OR BRAKE SHOE	MERITOR GUIDE PIN OR RETURN SPRING KIT	MERITOR CALIPER HWD. KIT OR RETURN SPRING KIT	MERITOR ADJUSTER KIT (LEFT WHEEL)	MERITOR ADJUSTER KIT (RIGHT WHEEL)
WORKHORSE(Cont.)									
CUSTOM CHASSIS 4 WHEEL DISC BRAKE(Cont.)									
2002									
	Rd	BX		7815 - D380	MD184	NR	NR	NR	NR
	Rd	BX		7815 - D380	MD184	NR	NR	NR	NR
Single Piston Caliper	Fd	BX		7081A - D149	MD149	NR	NR	NR	NR
	Rd	BX		7081A - D149	MD149	NR	NR	NR	NR
	Rd	BX		7081A - D149	MD149	NR	NR	NR	NR
2001									
Dual Piston Caliper	Fd	BX		7815 - D380	MD184	NR	NR	NR	NR
	Rd	BX		7815 - D380	MD184	NR	NR	NR	NR
	Rd	BX		7815 - D380	MD184	NR	NR	NR	NR
Single Piston Caliper	Fd	BX		7081A - D149	MD149	NR	NR	NR	NR
	Rd	BX		7081A - D149	MD149	NR	NR	NR	NR
	Rd	BX		7081A - D149	MD149	NR	NR	NR	NR
2000									
Dual Piston Caliper	Fd	BX		7815 - D380	MD184	NR	NR	NR	NR
	Rd	BX		7815 - D380	MD184	NR	NR	NR	NR
	Rd	BX		7815 - D380	MD184	NR	NR	NR	NR
Single Piston Caliper	Fd	BX		7081A - D149	MD149	NR	NR	NR	NR
	Rd	BX		7081A - D149	MD149	NR	NR	NR	NR
	Rd	BX		7081A - D149	MD149	NR	NR	NR	NR
1999									
Dual Piston Caliper	Fd	BX		7815 - D380	MD184	NR	NR	NR	NR
	Rd	BX		7815 - D380	MD184	NR	NR	NR	NR
	Rd	BX		7815 - D380	MD184	NR	NR	NR	NR
Single Piston Caliper	Fd	BX		7081A - D149	MD149	NR	NR	NR	NR
	Rd	BX		7081A - D149	MD149	NR	NR	NR	NR
	Rd	BX		7081A - D149	MD149	NR	NR	NR	NR
1998									
Dual Piston Caliper	Fd	BX		7815 - D380	MD184	NR	NR	NR	NR
	Rd	BX		7815 - D380	MD184	NR	NR	NR	NR
	Rd	BX		7815 - D380	MD184	NR	NR	NR	NR
Single Piston Caliper	Fd	BX		7081A - D149	MD149	NR	NR	NR	NR
	Rd	BX		7081A - D149	MD149	NR	NR	NR	NR
	Rd	BX		7081A - D149	MD149	NR	NR	NR	NR
1997									
Dual Piston Caliper	Fd	BX		7815 - D380	MD184	NR	NR	NR	NR
	Rd	BX		7815 - D380	MD184	NR	NR	NR	NR
	Rd	BX		7815 - D380	MD184	NR	NR	NR	NR
Single Piston Caliper	Fd	BX		7081A - D149	MD149	NR	NR	NR	NR
	Rd	BX		7081A - D149	MD149	NR	NR	NR	NR
	Rd	BX		7081A - D149	MD149	NR	NR	NR	NR
1996									
Dual Piston Caliper	Fd	BX		7815 - D380	MD184	NR	NR	NR	NR
	Rd	BX		7815 - D380	MD184	NR	NR	NR	NR
	Rd	BX		7815 - D380	MD184	NR	NR	NR	NR
Single Piston Caliper	Fd	BX		7081A - D149	MD149	NR	NR	NR	NR
	Rd	BX		7081A - D149	MD149	NR	NR	NR	NR
	Rd	BX		7081A - D149	MD149	NR	NR	NR	NR
1995									
Dual Piston Caliper	Fd	BX		7815 - D380	MD184	NR	NR	NR	NR
	Rd	BX		7815 - D380	MD184	NR	NR	NR	NR
	Rd	BX		7815 - D380	MD184	NR	NR	NR	NR
Single Piston Caliper	Fd	BX		7081A - D149	MD149	NR	NR	NR	NR
	Rd	BX		7081A - D149	MD149	NR	NR	NR	NR
	Rd	BX		7081A - D149	MD149	NR	NR	NR	NR
CUSTOM CHASSIS FRONT DISC REAR DRUM									
2003									
13 x 2 1/2 Rear Brake	Ra	GM	13 " x 2-1/2 "	2042AT - 451	R46451	R40H378	R40H7055	R40H2588	R40H2589
13 x 2 1/2 Rear Brake 2 Wheel ABS	Fd	BX		7081A - D149	MD149	NR	NR	NR	NR
13 x 2 1/2 Rear Brake 4 Wheel ABS	Fd	BX		7081A - D149	MD149	NR	NR	NR	NR
13 x 3 1/2 Rear Brake	Ra	GM	13 " x 3-1/2 "	2157T - 452	R46452	R40H378	R40H7055	R40H2588	R40H2589

82 - 5 Stud Rotor

186 - 10 Stud

280 - 10 1/2" Ring Gear

282 - 10 1/2" Ring Gear, First Design; Use 3 3/8" Outside Diameter Axle Tubes

381 - Rotor and Hub One Piece Assembly W/O ABS Ring

405 - Rotor Only

MERITOR DRUM OR ROTOR NO.	CALIPER OR CYLINDER BORE SIZE	MERITOR CALIPER OR WHEEL CYLINDER (LEFT)	MERITOR CALIPER OR WHEEL CYLINDER (RIGHT)	MERITOR CALIPER OR WHEEL CYLINDER REPAIR KIT	MERITOR CALIPER PISTON	MERITOR MASTER CYLINDER	MERITOR MASTER CYLINDER KIT	MERITOR BRAKE HOSE (LEFT)	MERITOR BRAKE HOSE (RIGHT)
WORKHORSE(Cont.)									
CUSTOM CHASSIS 4 WHEEL DISC BRAKE(Cont.)									
R44141483 ¹⁸⁶	66mm	R42R55805	R42R55805	-	-	R4111982	-	-	-
R44145028 ⁴⁰⁵	66mm	R42R55805	R42R55805	-	-	R4111982	-	-	-
R4411316 ⁶²	86mm	R42R55200	R42R55199	R4066780	R4090021	R4111982	-	-	-
R44141483 ¹⁸⁶	86mm	R42R55200	R42R55199	R4066780	R4090021	R4111982	-	-	-
R4411316 ⁶²	86mm	R42R55200	R42R55199	R4066780	R4090021	R4111982	-	-	-
R44141483 ¹⁸⁶	66mm	R42R55805	R42R55805	-	-	R4111982	-	-	-
R44141483 ¹⁸⁶	66mm	R42R55805	R42R55805	-	-	R4111982	-	-	-
R44145028 ⁴⁰⁵	66mm	R42R55805	R42R55805	-	-	R4111982	-	-	-
R4411316 ⁶²	86mm	R42R55200	R42R55199	R4066780	R4090021	R4111982	-	-	-
R4411316 ⁶²	86mm	R42R55200	R42R55199	R4066780	R4090021	R4111982	-	-	-
R44141483 ¹⁸⁶	86mm	R42R55200	R42R55199	R4066780	R4090021	R4111982	-	-	-
R44141483 ¹⁸⁶	66mm	R42R55805	R42R55805	-	-	R4111982	-	-	-
R44141483 ¹⁸⁶	66mm	R42R55805	R42R55805	-	-	R4111982	-	-	-
R44145028 ⁴⁰⁵	66mm	R42R55805	R42R55805	-	-	R4111982	-	-	-
R4411316 ⁶²	86mm	R42R55200	R42R55199	R4066780	R4090021	R4111982	-	-	-
R4411316 ⁶²	86mm	R42R55200	R42R55199	R4066780	R4090021	R4111982	-	-	-
R44141483 ¹⁸⁶	86mm	R42R55200	R42R55199	R4066780	R4090021	R4111982	-	-	-
R44141483 ¹⁸⁶	66mm	R42R55805	R42R55805	-	-	R4111982	-	-	-
R44145028 ⁴⁰⁵	66mm	R42R55805	R42R55805	-	-	R4111982	-	-	-
R44141483 ¹⁸⁶	66mm	R42R55805	R42R55805	-	-	R4111982	-	-	-
R4411316 ⁶²	86mm	R42R55200	R42R55199	R4066780	R4090021	R4111982	-	-	-
R4411316 ⁶²	86mm	R42R55200	R42R55199	R4066780	R4090021	R4111982	-	-	-
R44141483 ¹⁸⁶	86mm	R42R55200	R42R55199	R4066780	R4090021	R4111982	-	-	-
R44141483 ¹⁸⁶	66mm	R42R55805	R42R55805	-	-	R4111982	-	-	-
R44145028 ⁴⁰⁵	66mm	R42R55805	R42R55805	-	-	R4111982	-	-	-
R44141483 ¹⁸⁶	66mm	R42R55805	R42R55805	-	-	R4111982	-	-	-
R4411316 ⁶²	86mm	R42R55200	R42R55199	R4066780	R4090021	R4111982	-	-	-
R4411316 ⁶²	86mm	R42R55200	R42R55199	R4066780	R4090021	R4111982	-	-	-
R44141483 ¹⁸⁶	86mm	R42R55200	R42R55199	R4066780	R4090021	R4111982	-	-	-
R44141483 ¹⁸⁶	66mm	R42R55805	R42R55805	-	-	R4111982	-	-	-
R44141483 ¹⁸⁶	66mm	R42R55805	R42R55805	-	-	R4111982	-	-	-
R44145028 ⁴⁰⁵	66mm	R42R55805	R42R55805	-	-	R4111982	-	-	-
R4411316 ⁶²	86mm	R42R55200	R42R55199	R4066780	R4090021	R4111982	-	-	-
R4411316 ⁶²	86mm	R42R55200	R42R55199	R4066780	R4090021	R4111982	-	-	-
R44141483 ¹⁸⁶	86mm	R42R55200	R42R55199	R4066780	R4090021	R4111982	-	-	-
R4411316 ⁶²	86mm	R42R55200	R42R55199	R4066780	R4090021	R4111982	-	-	-
R44141483 ¹⁸⁶	66mm	R42R55805	R42R55805	-	-	R4111982	-	-	-
R44141483 ¹⁸⁶	66mm	R42R55805	R42R55805	-	-	R4111982	-	-	-
R44145028 ⁴⁰⁵	66mm	R42R55805	R42R55805	-	-	R4111982	-	-	-
R4411316 ⁶²	86mm	R42R55200	R42R55199	R4066780	R4090021	R4111982	-	-	-
R4411316 ⁶²	86mm	R42R55200	R42R55199	R4066780	R4090021	R4111982	-	-	-
R44141483 ¹⁸⁶	86mm	R42R55200	R42R55199	R4066780	R4090021	R4111982	-	-	-
R44141483 ¹⁸⁶	66mm	R42R55805	R42R55805	-	-	R4111982	-	-	-
R44141483 ¹⁸⁶	66mm	R42R55805	R42R55805	-	-	R4111982	-	-	-
R44145028 ⁴⁰⁵	66mm	R42R55805	R42R55805	-	-	R4111982	-	-	-
R4411316 ⁶²	86mm	R42R55200	R42R55199	R4066780	R4090021	R4111982	-	-	-
R4411316 ⁶²	86mm	R42R55200	R42R55199	R4066780	R4090021	R4111982	-	-	-
R44141483 ¹⁸⁶	86mm	R42R55200	R42R55199	R4066780	R4090021	R4111982	-	-	-
R44141483 ¹⁸⁶	86mm	R42R55200	R42R55199	R4066780	R4090021	R4111982	-	-	-
CUSTOM CHASSIS FRONT DISC REAR DRUM									
R44140363 ²⁸²	1-1/16 "	R4133709	R4133709	-	-	R4111982	-	-	-
R44141186 ³⁸¹	86mm	R42R55200	R42R55199	R4066780	R4090021	R4111982	-	-	-
R44141859 ³⁸¹	86mm	R42R55200	R42R55199	R4066780	R4090021	R4111982	-	-	-
R44140388 ²⁸⁰	1-3/16 "	R4133708	R4133708	-	-	R4111982	-	-	-

MAKE MODEL YEAR AXLE CODE AXLE WEIGHT	AXLE & BRK. TYPE	BRK. MFG.	BRAKE SIZE	FMSI	MERITOR DISC PAD OR BRAKE SHOE	MERITOR GUIDE PIN OR RETURN SPRING KIT	MERITOR CALIPER HWD. KIT OR RETURN SPRING KIT	MERITOR ADJUSTER KIT (LEFT WHEEL)	MERITOR ADJUSTER KIT (RIGHT WHEEL)
WORKHORSE(Cont.)									
CUSTOM CHASSIS FRONT DISC REAR DRUM(Cont.)									
2003									
13 x 3 1/2 Rear Brake - DRW w/ 4 Wheel ABS	Fd	BX		7081A - D149	MD149	NR	NR	NR	NR
13 x 3 1/2 Rear Brake - DRW w/ I Beam Frt Susp	Fd	BX		7081A - D149	MD149	NR	NR	NR	NR
13 x 3 1/2 Rear Brake - DRW w/ Ind Frt Susp	Fd	BX		7081A - D149	MD149	NR	NR	NR	NR
13 x 3 1/2 Rear Brake - SRW	Fd	BX		7081A - D149	MD149	NR	NR	NR	NR
2002									
13 x 2 1/2 Rear Brake	Ra	GM	13 " x 2-1/2 "	2042AT - 451	R46451	R40H378	R40H7055	R40H2588	R40H2589
13 x 2 1/2 Rear Brake 2 Wheel ABS	Fd	BX		7081A - D149	MD149	NR	NR	NR	NR
13 x 2 1/2 Rear Brake 4 Wheel ABS	Fd	BX		7081A - D149	MD149	NR	NR	NR	NR
13 x 3 1/2 Rear Brake	Ra	GM	13 " x 3-1/2 "	2157T - 452	R46452	R40H378	R40H7055	R40H2588	R40H2589
13 x 3 1/2 Rear Brake - DRW w/ 4 Wheel ABS	Fd	BX		7081A - D149	MD149	NR	NR	NR	NR
13 x 3 1/2 Rear Brake - DRW w/ I Beam Frt Susp	Fd	BX		7081A - D149	MD149	NR	NR	NR	NR
13 x 3 1/2 Rear Brake - DRW w/ Ind Frt Susp	Fd	BX		7081A - D149	MD149	NR	NR	NR	NR
13 x 3 1/2 Rear Brake - SRW	Fd	BX		7081A - D149	MD149	NR	NR	NR	NR
2001									
13 x 2 1/2 Rear Brake	Ra	GM	13 " x 2-1/2 "	2042AT - 451	R46451	R40H378	R40H7055	R40H2588	R40H2589
13 x 2 1/2 Rear Brake 2 Wheel ABS	Fd	BX		7081A - D149	MD149	NR	NR	NR	NR
13 x 2 1/2 Rear Brake 4 Wheel ABS	Fd	BX		7081A - D149	MD149	NR	NR	NR	NR
13 x 3 1/2 Rear Brake	Ra	GM	13 " x 3-1/2 "	2157T - 452	R46452	R40H378	R40H7055	R40H2588	R40H2589
13 x 3 1/2 Rear Brake - DRW w/ 4 Wheel ABS	Fd	BX		7081A - D149	MD149	NR	NR	NR	NR
13 x 3 1/2 Rear Brake - DRW w/ I Beam Frt Susp	Fd	BX		7081A - D149	MD149	NR	NR	NR	NR
13 x 3 1/2 Rear Brake - DRW w/ Ind Frt Susp	Fd	BX		7081A - D149	MD149	NR	NR	NR	NR
13 x 3 1/2 Rear Brake - SRW	Fd	BX		7081A - D149	MD149	NR	NR	NR	NR
2000									
13 x 2 1/2 Rear Brake	Ra	GM	13 " x 2-1/2 "	2042AT - 451	R46451	R40H378	R40H7055	R40H2588	R40H2589
13 x 2 1/2 Rear Brake 2 Wheel ABS	Fd	BX		7081A - D149	MD149	NR	NR	NR	NR
13 x 2 1/2 Rear Brake 4 Wheel ABS	Fd	BX		7081A - D149	MD149	NR	NR	NR	NR
13 x 3 1/2 Rear Brake	Ra	GM	13 " x 3-1/2 "	2157T - 452	R46452	R40H378	R40H7055	R40H2588	R40H2589
13 x 3 1/2 Rear Brake - DRW w/ 4 Wheel ABS	Fd	BX		7081A - D149	MD149	NR	NR	NR	NR
13 x 3 1/2 Rear Brake - DRW w/ I Beam Frt Susp	Fd	BX		7081A - D149	MD149	NR	NR	NR	NR
13 x 3 1/2 Rear Brake - DRW w/ Ind Frt Susp	Fd	BX		7081A - D149	MD149	NR	NR	NR	NR
13 x 3 1/2 Rear Brake - SRW	Fd	BX		7081A - D149	MD149	NR	NR	NR	NR
1999									
13 x 2 1/2 Rear Brake	Ra	GM	13 " x 2-1/2 "	2042AT - 451	R46451	R40H378	R40H7055	R40H2588	R40H2589
13 x 2 1/2 Rear Brake 2 Wheel ABS	Fd	BX		7081A - D149	MD149	NR	NR	NR	NR
13 x 2 1/2 Rear Brake 4 Wheel ABS	Fd	BX		7081A - D149	MD149	NR	NR	NR	NR
13 x 3 1/2 Rear Brake	Ra	GM	13 " x 3-1/2 "	2157T - 452	R46452	R40H378	R40H7055	R40H2588	R40H2589
13 x 3 1/2 Rear Brake - DRW w/ 4 Wheel ABS	Fd	BX		7081A - D149	MD149	NR	NR	NR	NR
13 x 3 1/2 Rear Brake - DRW w/ I Beam Frt Susp	Fd	BX		7081A - D149	MD149	NR	NR	NR	NR

32 - For rotor only use R44141480

280 - 10 1/2" Ring Gear

282 - 10 1/2" Ring Gear, First Design; Use 3 3/8" Outside Diameter Axle Tubes

381 - Rotor and Hub One Piece Assembly W/O ABS Ring

394 - 8 Stud Rotor and Hub one piece Assembly

MERITOR DRUM OR ROTOR NO.	CALIPER OR CYLINDER BORE SIZE	MERITOR CALIPER OR WHEEL CYLINDER (LEFT)	MERITOR CALIPER OR WHEEL CYLINDER (RIGHT)	MERITOR CALIPER OR WHEEL CYLINDER REPAIR KIT	MERITOR CALIPER PISTON	MERITOR MASTER CYLINDER	MERITOR MASTER CYLINDER KIT	MERITOR BRAKE HOSE (LEFT)	MERITOR BRAKE HOSE (RIGHT)
WORKHORSE(Cont.)									
CUSTOM CHASSIS FRONT DISC REAR DRUM(Cont.)									
R44141862 ³⁹⁴	86mm	R42R55200	R42R55199	R4066780	R4090021	R4111982	-	-	-
R44145368	86mm	R42R55200	R42R55199	R4066780	R4090021	R4111982	-	-	-
R44141130 ³²	86mm	R42R55200	R42R55199	R4066780	R4090021	R4111982	-	-	-
R44141152 ³⁸¹	86mm	R42R55200	R42R55199	R4066780	R4090021	R4111982	-	-	-
R44140363 ²⁸²	1-1/16 "	R4133709	R4133709	-	-	R4111982	-	-	-
R44141186 ³⁸¹	86mm	R42R55200	R42R55199	R4066780	R4090021	R4111982	-	-	-
R44141859 ³⁸¹	86mm	R42R55200	R42R55199	R4066780	R4090021	R4111982	-	-	-
R44140388 ²⁸⁰	1-3/16 "	R4133708	R4133708	-	-	R4111982	-	-	-
R44141862 ³⁹⁴	86mm	R42R55200	R42R55199	R4066780	R4090021	R4111982	-	-	-
R44145368	86mm	R42R55200	R42R55199	R4066780	R4090021	R4111982	-	-	-
R44141130 ³²	86mm	R42R55200	R42R55199	R4066780	R4090021	R4111982	-	-	-
R44141152 ³⁸¹	86mm	R42R55200	R42R55199	R4066780	R4090021	R4111982	-	-	-
R44140363 ²⁸²	1-1/16 "	R4133709	R4133709	-	-	R4111982	-	-	-
R44141186 ³⁸¹	86mm	R42R55200	R42R55199	R4066780	R4090021	R4111982	-	-	-
R44141859 ³⁸¹	86mm	R42R55200	R42R55199	R4066780	R4090021	R4111982	-	-	-
R44140388 ²⁸⁰	1-3/16 "	R4133708	R4133708	-	-	R4111982	-	-	-
R44141862 ³⁹⁴	86mm	R42R55200	R42R55199	R4066780	R4090021	R4111982	-	-	-
R44145368	86mm	R42R55200	R42R55199	R4066780	R4090021	R4111982	-	-	-
R44141130 ³²	86mm	R42R55200	R42R55199	R4066780	R4090021	R4111982	-	-	-
R44141152 ³⁸¹	86mm	R42R55200	R42R55199	R4066780	R4090021	R4111982	-	-	-
R44140363 ²⁸²	1-1/16 "	R4133709	R4133709	-	-	R4111982	-	-	-
R44141186 ³⁸¹	86mm	R42R55200	R42R55199	R4066780	R4090021	R4111982	-	-	-
R44141859 ³⁸¹	86mm	R42R55200	R42R55199	R4066780	R4090021	R4111982	-	-	-
R44140388 ²⁸⁰	1-3/16 "	R4133708	R4133708	-	-	R4111982	-	-	-
R44141862 ³⁹⁴	86mm	R42R55200	R42R55199	R4066780	R4090021	R4111982	-	-	-
R44145368	86mm	R42R55200	R42R55199	R4066780	R4090021	R4111982	-	-	-
R44141130 ³²	86mm	R42R55200	R42R55199	R4066780	R4090021	R4111982	-	-	-
R44141152 ³⁸¹	86mm	R42R55200	R42R55199	R4066780	R4090021	R4111982	-	-	-
R44140363 ²⁸²	1-1/16 "	R4133709	R4133709	-	-	R4111982	-	-	-
R44141186 ³⁸¹	86mm	R42R55200	R42R55199	R4066780	R4090021	R4111982	-	-	-
R44141859 ³⁸¹	86mm	R42R55200	R42R55199	R4066780	R4090021	R4111982	-	-	-
R44140388 ²⁸⁰	1-3/16 "	R4133708	R4133708	-	-	R4111982	-	-	-
R44141862 ³⁹⁴	86mm	R42R55200	R42R55199	R4066780	R4090021	R4111982	-	-	-
R44145368	86mm	R42R55200	R42R55199	R4066780	R4090021	R4111982	-	-	-

1 APPLICATION

MAKE MODEL YEAR AXLE CODE AXLE WEIGHT	AXLE & BRK. TYPE	BRK. MFG.	BRAKE SIZE	FMSI	MERITOR DISC PAD OR BRAKE SHOE	MERITOR GUIDE PIN OR RETURN SPRING KIT	MERITOR CALIPER HWD. KIT OR RETURN SPRING KIT	MERITOR ADJUSTER KIT (LEFT WHEEL)	MERITOR ADJUSTER KIT (RIGHT WHEEL)
WORKHORSE(Cont.)									
CUSTOM CHASSIS FRONT DISC REAR DRUM(Cont.)									
1999									
13 x 3 1/2 Rear Brake - DRW w/ Ind Frt Susp	Fd	BX		7081A - D149	MD149	NR	NR	NR	NR
13 x 3 1/2 Rear Brake - SRW	Fd	BX		7081A - D149	MD149	NR	NR	NR	NR
1998									
13 x 2 1/2 Rear Brake	Ra	GM	13 " x 2-1/2 "	2042AT - 451	R46451	R40H378	R40H7055	R40H2588	R40H2589
13 x 2 1/2 Rear Brake 2 Wheel ABS	Fd	BX		7081A - D149	MD149	NR	NR	NR	NR
13 x 2 1/2 Rear Brake 4 Wheel ABS	Fd	BX		7081A - D149	MD149	NR	NR	NR	NR
13 x 3 1/2 Rear Brake	Ra	GM	13 " x 3-1/2 "	2157T - 452	R46452	R40H378	R40H7055	R40H2588	R40H2589
13 x 3 1/2 Rear Brake - DRW w/ 4 Wheel ABS	Fd	BX		7081A - D149	MD149	NR	NR	NR	NR
13 x 3 1/2 Rear Brake - DRW w/ I Beam Frt Susp	Fd	BX		7081A - D149	MD149	NR	NR	NR	NR
13 x 3 1/2 Rear Brake - DRW w/ Ind Frt Susp	Fd	BX		7081A - D149	MD149	NR	NR	NR	NR
13 x 3 1/2 Rear Brake - SRW	Fd	BX		7081A - D149	MD149	NR	NR	NR	NR
1997									
13 x 2 1/2 Rear Brake	Ra	GM	13 " x 2-1/2 "	2042AT - 451	R46451	R40H378	R40H7055	R40H2588	R40H2589
13 x 2 1/2 Rear Brake 2 Wheel ABS	Fd	BX		7081A - D149	MD149	NR	NR	NR	NR
13 x 2 1/2 Rear Brake 4 Wheel ABS	Fd	BX		7081A - D149	MD149	NR	NR	NR	NR
13 x 3 1/2 Rear Brake	Ra	GM	13 " x 3-1/2 "	2157T - 452	R46452	R40H378	R40H7055	R40H2588	R40H2589
13 x 3 1/2 Rear Brake - DRW w/ 4 Wheel ABS	Fd	BX		7081A - D149	MD149	NR	NR	NR	NR
13 x 3 1/2 Rear Brake - DRW w/ I Beam Frt Susp	Fd	BX		7081A - D149	MD149	NR	NR	NR	NR
13 x 3 1/2 Rear Brake - DRW w/ Ind Frt Susp	Fd	BX		7081A - D149	MD149	NR	NR	NR	NR
13 x 3 1/2 Rear Brake - SRW	Fd	BX		7081A - D149	MD149	NR	NR	NR	NR
1996									
13 x 2 1/2 Rear Brake	Ra	GM	13 " x 2-1/2 "	2042AT - 451	R46451	R40H378	R40H7055	R40H2588	R40H2589
13 x 2 1/2 Rear Brake 2 Wheel ABS	Fd	BX		7081A - D149	MD149	NR	NR	NR	NR
13 x 2 1/2 Rear Brake 4 Wheel ABS	Fd	BX		7081A - D149	MD149	NR	NR	NR	NR
13 x 3 1/2 Rear Brake	Ra	GM	13 " x 3-1/2 "	2157T - 452	R46452	R40H378	R40H7055	R40H2588	R40H2589
13 x 3 1/2 Rear Brake - DRW w/ 4 Wheel ABS	Fd	BX		7081A - D149	MD149	NR	NR	NR	NR
13 x 3 1/2 Rear Brake - DRW w/ I Beam Frt Susp	Fd	BX		7081A - D149	MD149	NR	NR	NR	NR
13 x 3 1/2 Rear Brake - DRW w/ Ind Frt Susp	Fd	BX		7081A - D149	MD149	NR	NR	NR	NR
13 x 3 1/2 Rear Brake - SRW	Fd	BX		7081A - D149	MD149	NR	NR	NR	NR
1995									
13 x 2 1/2 Rear Brake	Ra	GM	13 " x 2-1/2 "	2042AT - 451	R46451	R40H378	R40H7055	R40H2588	R40H2589
13 x 2 1/2 Rear Brake 2 Wheel ABS	Fd	BX		7081A - D149	MD149	NR	NR	NR	NR
13 x 2 1/2 Rear Brake 4 Wheel ABS	Fd	BX		7081A - D149	MD149	NR	NR	NR	NR
13 x 3 1/2 Rear Brake	Ra	GM	13 " x 3-1/2 "	2157T - 452	R46452	R40H378	R40H7055	R40H2588	R40H2589
13 x 3 1/2 Rear Brake - DRW w/ 4 Wheel ABS	Fd	BX		7081A - D149	MD149	NR	NR	NR	NR
13 x 3 1/2 Rear Brake - DRW w/ I Beam Frt Susp	Fd	BX		7081A - D149	MD149	NR	NR	NR	NR
13 x 3 1/2 Rear Brake - DRW w/ Ind Frt Susp	Fd	BX		7081A - D149	MD149	NR	NR	NR	NR
13 x 3 1/2 Rear Brake - SRW	Fd	BX		7081A - D149	MD149	NR	NR	NR	NR

32 - For rotor only use R44141480

280 - 10 1/2" Ring Gear

282 - 10 1/2" Ring Gear, First Design; Use 3 3/8" Outside Diameter Axle Tubes

381 - Rotor and Hub One Piece Assembly W/O ABS Ring

394 - 8 Stud Rotor and Hub one piece Assembly

MERITOR DRUM OR ROTOR NO.	CALIPER OR CYLINDER BORE SIZE	MERITOR CALIPER OR WHEEL CYLINDER (LEFT)	MERITOR CALIPER OR WHEEL CYLINDER (RIGHT)	MERITOR CALIPER OR WHEEL CYLINDER REPAIR KIT	MERITOR CALIPER PISTON	MERITOR MASTER CYLINDER	MERITOR MASTER CYLINDER KIT	MERITOR BRAKE HOSE (LEFT)	MERITOR BRAKE HOSE (RIGHT)
WORKHORSE(Cont.)									
CUSTOM CHASSIS FRONT DISC REAR DRUM(Cont.)									
R44141130 ³²	86mm	R42R55200	R42R55199	R4066780	R4090021	R4111982	-	-	-
R44141152 ³⁸¹	86mm	R42R55200	R42R55199	R4066780	R4090021	R4111982	-	-	-
R44140363 ²⁸²	1-1/16 "	R4133709	R4133709	-	-	R4111982	-	-	-
R44141186 ³⁸¹	86mm	R42R55200	R42R55199	R4066780	R4090021	R4111982	-	-	-
R44141859 ³⁸¹	86mm	R42R55200	R42R55199	R4066780	R4090021	R4111982	-	-	-
R44140388 ²⁸⁰	1-3/16 "	R4133708	R4133708	-	-	R4111982	-	-	-
R44141862 ³⁹⁴	86mm	R42R55200	R42R55199	R4066780	R4090021	R4111982	-	-	-
R44145368	86mm	R42R55200	R42R55199	R4066780	R4090021	R4111982	-	-	-
R44141130 ³²	86mm	R42R55200	R42R55199	R4066780	R4090021	R4111982	-	-	-
R44141152 ³⁸¹	86mm	R42R55200	R42R55199	R4066780	R4090021	R4111982	-	-	-
R44140363 ²⁸²	1-1/16 "	R4133709	R4133709	-	-	R4111982	-	-	-
R44141186 ³⁸¹	86mm	R42R55200	R42R55199	R4066780	R4090021	R4111982	-	-	-
R44141859 ³⁸¹	86mm	R42R55200	R42R55199	R4066780	R4090021	R4111982	-	-	-
R44140388 ²⁸⁰	1-3/16 "	R4133708	R4133708	-	-	R4111982	-	-	-
R44141862 ³⁹⁴	86mm	R42R55200	R42R55199	R4066780	R4090021	R4111982	-	-	-
R44145368	86mm	R42R55200	R42R55199	R4066780	R4090021	R4111982	-	-	-
R44141130 ³²	86mm	R42R55200	R42R55199	R4066780	R4090021	R4111982	-	-	-
R44141152 ³⁸¹	86mm	R42R55200	R42R55199	R4066780	R4090021	R4111982	-	-	-
R44140363 ²⁸²	1-1/16 "	R4133709	R4133709	-	-	R4111982	-	-	-
R44141186 ³⁸¹	86mm	R42R55200	R42R55199	R4066780	R4090021	R4111982	-	-	-
R44141859 ³⁸¹	86mm	R42R55200	R42R55199	R4066780	R4090021	R4111982	-	-	-
R44140388 ²⁸⁰	1-3/16 "	R4133708	R4133708	-	-	R4111982	-	-	-
R44141862 ³⁹⁴	86mm	R42R55200	R42R55199	R4066780	R4090021	R4111982	-	-	-
R44145368	86mm	R42R55200	R42R55199	R4066780	R4090021	R4111982	-	-	-
R44141130 ³²	86mm	R42R55200	R42R55199	R4066780	R4090021	R4111982	-	-	-
R44141152 ³⁸¹	86mm	R42R55200	R42R55199	R4066780	R4090021	R4111982	-	-	-
R44140363 ²⁸²	1-1/16 "	R4133709	R4133709	-	-	R4111982	-	-	-
R44141186 ³⁸¹	86mm	R42R55200	R42R55199	R4066780	R4090021	R4111982	-	-	-
R44141859 ³⁸¹	86mm	R42R55200	R42R55199	R4066780	R4090021	R4111982	-	-	-
R44140388 ²⁸⁰	1-3/16 "	R4133708	R4133708	-	-	R4111982	-	-	-
R44141862 ³⁹⁴	86mm	R42R55200	R42R55199	R4066780	R4090021	R4111982	-	-	-
R44145368	86mm	R42R55200	R42R55199	R4066780	R4090021	R4111982	-	-	-
R44141130 ³²	86mm	R42R55200	R42R55199	R4066780	R4090021	R4111982	-	-	-
R44141152 ³⁸¹	86mm	R42R55200	R42R55199	R4066780	R4090021	R4111982	-	-	-
R44140363 ²⁸²	1-1/16 "	R4133709	R4133709	-	-	R4111982	-	-	-
R44141186 ³⁸¹	86mm	R42R55200	R42R55199	R4066780	R4090021	R4111982	-	-	-
R44141859 ³⁸¹	86mm	R42R55200	R42R55199	R4066780	R4090021	R4111982	-	-	-
R44140388 ²⁸⁰	1-3/16 "	R4133708	R4133708	-	-	R4111982	-	-	-
R44141862 ³⁹⁴	86mm	R42R55200	R42R55199	R4066780	R4090021	R4111982	-	-	-
R44145368	86mm	R42R55200	R42R55199	R4066780	R4090021	R4111982	-	-	-
R44141130 ³²	86mm	R42R55200	R42R55199	R4066780	R4090021	R4111982	-	-	-
R44141152 ³⁸¹	86mm	R42R55200	R42R55199	R4066780	R4090021	R4111982	-	-	-

1 APPLICATION

MAKE MODEL YEAR AXLE CODE AXLE WEIGHT	AXLE & BRK. TYPE	BRK. MFG.	BRAKE SIZE	FMSI	MERITOR DISC PAD OR BRAKE SHOE	MERITOR GUIDE PIN OR RETURN SPRING KIT	MERITOR CALIPER HWD. KIT OR RETURN SPRING KIT	MERITOR ADJUSTER KIT (LEFT WHEEL)	MERITOR ADJUSTER KIT (RIGHT WHEEL)
---	------------------------	--------------	---------------	------	---	--	---	---	--

WORKHORSE(Cont.)

CUSTOM CHASSIS FRONT DISC REAR DRUM(Cont.)

1994 13 x 2 1/2 Rear Brake	Fd	BX		7084A - D153	MD392	NR	NR	NR	NR
13 x 3 1/2 Rear Brake	Fd				-	NR	NR	NR	NR

UFO - GVW 26,000 lb

2007 4 Wheel Disc 9,500 lb	Fd	Meritor		7636 - D769	MD769	-	R4011729	-	-
4 Wheel Disc 17,500 lb	Rd	Meritor		7636 - D769	MD769	-	R4011729	-	-
2006 4 Wheel Disc 9,500 lb	Fd	Meritor		7636 - D769	MD769	-	R4011729	-	-
4 Wheel Disc 17,500 lb	Rd	Meritor		7636 - D769	MD769	-	R4011729	-	-
2005 4 Wheel Disc 9,500 lb	Fd	Meritor		7636 - D769	MD769	-	R4011729	-	-
4 Wheel Disc 17,500 lb	Rd	Meritor		7636 - D769	MD769	-	R4011729	-	-

W20 - GVW 20,700 lb

2007 4 Wheel Disc 7,500 lb	Fd	Bosch		7654 - D786	MD786A	R4011754	R404153343	-	-
4 Wheel Disc Standard Rear Axle 13,500 lb	Rd	Bosch		7654 - D786	MD786A	R4011754	R404153343	-	-
4 Wheel Disc Optional Rear Axle 14,500 lb	Rd	Bosch		7654 - D786	MD786A	R4011754	R404153343	-	-
2006 4 Wheel Disc 7,500 lb	Fd	Bosch		7654 - D786	MD786A	R4011754	R404153343	-	-
4 Wheel Disc Standard Rear Axle 13,500 lb	Rd	Bosch		7654 - D786	MD786A	R4011754	R404153343	-	-
4 Wheel Disc Optional Rear Axle 14,500 lb	Rd	Bosch		7654 - D786	MD786A	R4011754	R404153343	-	-
2005 4 Wheel Disc 7,500 lb	Fd	Bosch		7654 - D786	MD786A	R4011754	R404153343	-	-
4 Wheel Disc Standard Rear Axle 13,500 lb	Rd	Bosch		7654 - D786	MD786A	R4011754	R404153343	-	-
4 Wheel Disc Optional Rear Axle 14,500 lb	Rd	Bosch		7654 - D786	MD786A	R4011754	R404153343	-	-

W22 - GVW 22,000 lb

2007 4 Wheel Disc Standard Front Axle 8,000 lb	Fd	Bosch		7654 - D786	MD786A	R4011754	R404153343	-	-
4 Wheel Disc Optional Front Axle 8,500 lb	Fd	Bosch		7654 - D786	MD786A	R4011754	R404153343	-	-
4 Wheel Disc Standard Rear Axle 14,500 lb	Rd	Bosch		7654 - D786	MD786A	R4011754	R404153343	-	-
4 Wheel Disc Optional Rear Axle 15,000 lb	Rd	Bosch		7654 - D786	MD786A	R4011754	R404153343	-	-
2006 4 Wheel Disc Standard Front Axle 8,000 lb	Fd	Bosch		7654 - D786	MD786A	R4011754	R404153343	-	-

266 - 10 Stud, Hat Shaped

381 - Rotor and Hub One Piece Assembly W/O ABS Ring

387 - 10 Hole Rotor

MERITOR DRUM OR ROTOR NO.	CALIPER OR CYLINDER BORE SIZE	MERITOR CALIPER OR WHEEL CYLINDER (LEFT)	MERITOR CALIPER OR WHEEL CYLINDER (RIGHT)	MERITOR CALIPER OR WHEEL CYLINDER REPAIR KIT	MERITOR CALIPER PISTON	MERITOR MASTER CYLINDER	MERITOR MASTER CYLINDER KIT	MERITOR BRAKE HOSE (LEFT)	MERITOR BRAKE HOSE (RIGHT)
WORKHORSE(Cont.)									
CUSTOM CHASSIS FRONT DISC REAR DRUM(Cont.)									
R44141186 ³⁸¹	80mm	R42R55382	R42R55381	-	-	R4112029	-	-	-
UFO - GVW 26,000 lb									
-	70mm	60450483	60450482	R4011730	60050334	-	-	-	-
-	70mm	60450483	60450482	R4011730	60050334	-	-	-	-
-	70mm	60450483	60450482	R4011730	60050334	-	-	-	-
-	70mm	60450483	60450482	R4011730	60050334	-	-	-	-
-	70mm	60450483	60450482	R4011730	60050334	-	-	-	-
-	70mm	60450483	60450482	R4011730	60050334	-	-	-	-
W20 - GVW 20,700 lb									
23-123550-004 ³⁸⁷	66mm	R4255849	R4255849	R4011752	R4011751	-	-	-	-
23-123552-004 ²⁶⁶	66mm	R4255849	R4255849	R4011752	R4011751	-	-	-	-
23-123552-004 ²⁶⁶	66mm	R4255849	R4255849	R4011752	R4011751	-	-	-	-
23-123550-004 ³⁸⁷	66mm	R4255849	R4255849	R4011752	R4011751	-	-	-	-
23-123552-004 ²⁶⁶	66mm	R4255849	R4255849	R4011752	R4011751	-	-	-	-
23-123552-004 ²⁶⁶	66mm	R4255849	R4255849	R4011752	R4011751	-	-	-	-
23-123550-004 ³⁸⁷	66mm	R4255849	R4255849	R4011752	R4011751	-	-	-	-
23-123552-004 ²⁶⁶	66mm	R4255849	R4255849	R4011752	R4011751	-	-	-	-
23-123552-004 ²⁶⁶	66mm	R4255849	R4255849	R4011752	R4011751	-	-	-	-
W22 - GVW 22,000 lb									
23-123550-004 ³⁸⁷	66mm	R4255849	R4255849	R4011752	R4011751	-	-	-	-
23-123550-004 ³⁸⁷	66mm	R4255849	R4255849	R4011752	R4011751	-	-	-	-
23-123552-004 ²⁶⁶	66mm	R4255849	R4255849	R4011752	R4011751	-	-	-	-
23-123552-004 ²⁶⁶	66mm	R4255849	R4255849	R4011752	R4011751	-	-	-	-
23-123550-004 ³⁸⁷	66mm	R4255849	R4255849	R4011752	R4011751	-	-	-	-

MAKE MODEL YEAR AXLE CODE AXLE WEIGHT	AXLE & BRK. TYPE	BRK. MFG.	BRAKE SIZE	FMSI	MERITOR DISC PAD OR BRAKE SHOE	MERITOR GUIDE PIN OR RETURN SPRING KIT	MERITOR CALIPER HWD. KIT OR RETURN SPRING KIT	MERITOR ADJUSTER KIT (LEFT WHEEL)	MERITOR ADJUSTER KIT (RIGHT WHEEL)
WORKHORSE(Cont.)									
W22 - GVW 22,000 lb(Cont.)									
2006									
4 Wheel Disc Optional Front Axle 8,500 lb	Fd	Bosch		7654 - D786	MD786A	R4011754	R404153343	-	-
4 Wheel Disc Standard Rear Axle 14,500 lb	Rd	Bosch		7654 - D786	MD786A	R4011754	R404153343	-	-
4 Wheel Disc Optional Rear Axle 15,000 lb	Rd	Bosch		7654 - D786	MD786A	R4011754	R404153343	-	-
2005									
4 Wheel Disc Standard Front Axle 8,000 lb	Fd	Bosch		7654 - D786	MD786A	R4011754	R404153343	-	-
4 Wheel Disc Optional Front Axle 8,500 lb	Fd	Bosch		7654 - D786	MD786A	R4011754	R404153343	-	-
4 Wheel Disc Standard Rear Axle 14,500 lb	Rd	Bosch		7654 - D786	MD786A	R4011754	R404153343	-	-
4 Wheel Disc Optional Rear Axle 15,000 lb	Rd	Bosch		7654 - D786	MD786A	R4011754	R404153343	-	-
W24 - GVW 24000 lb									
2007									
4 Wheel Disc 9,000 lb	Fd	Meritor		7636 - D769	MD769	-	R4011729	-	-
4 Wheel Disc 15,500 lb	Rd	Meritor		7636 - D769	MD769	-	R4011729	-	-
2006									
4 Wheel Disc 9,000 lb	Fd	Meritor		7636 - D769	MD769	-	R4011729	-	-
4 Wheel Disc 15,500 lb	Rd	Meritor		7636 - D769	MD769	-	R4011729	-	-
2005									
4 Wheel Disc 9,000 lb	Fd	Meritor		7636 - D769	MD769	-	R4011729	-	-
4 Wheel Disc 15,500 lb	Rd	Meritor		7636 - D769	MD769	-	R4011729	-	-
W25.5 - GVW 25,500 lb									
2007									
4 Wheel Disc 9,000 lb	Fd	Meritor		7636 - D769	MD769	-	R4011729	-	-
4 Wheel Disc 16,500 lb	Rd	Meritor		7636 - D769	MD769	-	R4011729	-	-
2006									
4 Wheel Disc 9,000 lb	Fd	Meritor		7636 - D769	MD769	-	R4011729	-	-
4 Wheel Disc 16,500 lb	Rd	Meritor		7636 - D769	MD769	-	R4011729	-	-
2005									
4 Wheel Disc 9,000 lb	Fd	Meritor		7636 - D769	MD769	-	R4011729	-	-
4 Wheel Disc 16,500 lb	Rd	Meritor		7636 - D769	MD769	-	R4011729	-	-
W62 - DIESEL - GVW 19,500 lb									
2007									
4 Wheel Disc 9,000 lb	Fd	Meritor		7636 - D769	MD769	-	R4011729	-	-
4 Wheel Disc 13,000 lb	Rd	Meritor		7636 - D769	MD769	-	R4011729	-	-
2006									
4 Wheel Disc 9,000 lb	Fd	Meritor		7636 - D769	MD769	-	R4011729	-	-

MERITOR DRUM OR ROTOR NO.	CALIPER OR CYLINDER BORE SIZE	MERITOR CALIPER OR WHEEL CYLINDER (LEFT)	MERITOR CALIPER OR WHEEL CYLINDER (RIGHT)	MERITOR CALIPER OR WHEEL CYLINDER REPAIR KIT	MERITOR CALIPER PISTON	MERITOR MASTER CYLINDER	MERITOR MASTER CYLINDER KIT	MERITOR BRAKE HOSE (LEFT)	MERITOR BRAKE HOSE (RIGHT)
WORKHORSE(Cont.)									
W22 - GVW 22,000 lb(Cont.)									
23-123550-004 ³⁸⁷	66mm	R4255849	R4255849	R4011752	R4011751	-	-	-	-
23-123552-004 ²⁶⁶	66mm	R4255849	R4255849	R4011752	R4011751	-	-	-	-
23-123552-004 ²⁶⁶	66mm	R4255849	R4255849	R4011752	R4011751	-	-	-	-
23-123550-004 ³⁸⁷	66mm	R4255849	R4255849	R4011752	R4011751	-	-	-	-
23-123550-004 ³⁸⁷	66mm	R4255849	R4255849	R4011752	R4011751	-	-	-	-
23-123552-004 ²⁶⁶	66mm	R4255849	R4255849	R4011752	R4011751	-	-	-	-
23-123552-004 ²⁶⁶	66mm	R4255849	R4255849	R4011752	R4011751	-	-	-	-
W24 - GVW 24000 lb									
-	70mm	60450483	60450482	R4011730	60050334	-	-	-	-
-	70mm	60450483	60450482	R4011730	60050334	-	-	-	-
-	70mm	60450483	60450482	R4011730	60050334	-	-	-	-
-	70mm	60450483	60450482	R4011730	60050334	-	-	-	-
-	70mm	60450483	60450482	R4011730	60050334	-	-	-	-
-	70mm	60450483	60450482	R4011730	60050334	-	-	-	-
W25.5 - GVW 25,500 lb									
-	70mm	60450483	60450482	R4011730	60050334	-	-	-	-
-	70mm	60450483	60450482	R4011730	60050334	-	-	-	-
-	70mm	60450483	60450482	R4011730	60050334	-	-	-	-
-	70mm	60450483	60450482	R4011730	60050334	-	-	-	-
-	70mm	60450483	60450482	R4011730	60050334	-	-	-	-
-	70mm	60450483	60450482	R4011730	60050334	-	-	-	-
W62 - DIESEL - GVW 19,500 lb									
-	64mm	60450481	60450480	R4011731	R4011511	-	-	-	-
-	64mm	60450481	60450480	R4011731	R4011511	-	-	-	-
-	64mm	60450481	60450480	R4011731	R4011511	-	-	-	-

MAKE MODEL YEAR AXLE CODE AXLE WEIGHT	AXLE & BRK. TYPE	BRK. MFG.	BRAKE SIZE	FMSI	MERITOR DISC PAD OR BRAKE SHOE	MERITOR GUIDE PIN OR RETURN SPRING KIT	MERITOR CALIPER HWD. KIT OR RETURN SPRING KIT	MERITOR ADJUSTER KIT (LEFT WHEEL)	MERITOR ADJUSTER KIT (RIGHT WHEEL)
WORKHORSE(Cont.)									
W62 - DIESEL - GVW 19,500 lb(Cont.)									
2006									
4 Wheel Disc 13,000 lb	Rd	Meritor		7636 - D769	MD769	-	R4011729	-	-
2005									
4 Wheel Disc 9,000 lb	Fd	Meritor		7636 - D769	MD769	-	R4011729	-	-
4 Wheel Disc 13,000 lb	Rd	Meritor		7636 - D769	MD769	-	R4011729	-	-
W62 - DIESEL - GVW 23,500 lb									
2007									
4 Wheel Disc 9,000 lb	Fd	Meritor		7636 - D769	MD769	-	R4011729	-	-
4 Wheel Disc 15,500 lb	Rd	Meritor		7636 - D769	MD769	-	R4011729	-	-
2006									
4 Wheel Disc 9,000 lb	Fd	Meritor		7636 - D769	MD769	-	R4011729	-	-
4 Wheel Disc 15,500 lb	Rd	Meritor		7636 - D769	MD769	-	R4011729	-	-
2005									
4 Wheel Disc 9,000 lb	Fd	Meritor		7636 - D769	MD769	-	R4011729	-	-
4 Wheel Disc 15,500 lb	Rd	Meritor		7636 - D769	MD769	-	R4011729	-	-
W62 - GAS - GVW 19,500 lb									
2007									
4 Wheel Disc 9,000 lb	Fd	Meritor		7636 - D769	MD769	-	R4011729	-	-
4 Wheel Disc 13,000 lb	Rd	Meritor		7636 - D769	MD769	-	R4011729	-	-
2006									
4 Wheel Disc 9,000 lb	Fd	Meritor		7636 - D769	MD769	-	R4011729	-	-
4 Wheel Disc 13,000 lb	Rd	Meritor		7636 - D769	MD769	-	R4011729	-	-
2005									
4 Wheel Disc 9,000 lb	Fd	Meritor		7636 - D769	MD769	-	R4011729	-	-
4 Wheel Disc 13,000 lb	Rd	Meritor		7636 - D769	MD769	-	R4011729	-	-
W62 - GAS - GVW 23,500 lb									
2007									
4 Wheel Disc 9,000 lb	Fd	Meritor		7636 - D769	MD769	-	R4011729	-	-
4 Wheel Disc 15,500 lb	Rd	Meritor		7636 - D769	MD769	-	R4011729	-	-
2006									
4 Wheel Disc 9,000 lb	Fd	Meritor		7636 - D769	MD769	-	R4011729	-	-
4 Wheel Disc 15,500 lb	Rd	Meritor		7636 - D769	MD769	-	R4011729	-	-
2005									
4 Wheel Disc 9,000 lb	Fd	Meritor		7636 - D769	MD769	-	R4011729	-	-
4 Wheel Disc 15,500 lb	Rd	Meritor		7636 - D769	MD769	-	R4011729	-	-

MERITOR DRUM OR ROTOR NO.	CALIPER OR CYLINDER BORE SIZE	MERITOR CALIPER OR WHEEL CYLINDER (LEFT)	MERITOR CALIPER OR WHEEL CYLINDER (RIGHT)	MERITOR CALIPER OR WHEEL CYLINDER REPAIR KIT	MERITOR CALIPER PISTON	MERITOR MASTER CYLINDER	MERITOR MASTER CYLINDER KIT	MERITOR BRAKE HOSE (LEFT)	MERITOR BRAKE HOSE (RIGHT)
WORKHORSE(Cont.)									
W62 - DIESEL - GVW 19,500 lb(Cont.)									
-	64mm	60450481	60450480	R4011731	R4011511	-	-	-	-
-	64mm	60450481	60450480	R4011731	R4011511	-	-	-	-
-	64mm	60450481	60450480	R4011731	R4011511	-	-	-	-
W62 - DIESEL - GVW 23,500 lb									
-	70mm	60450483	60450482	R4011730	60050334	-	-	-	-
-	70mm	60450483	60450482	R4011730	60050334	-	-	-	-
-	70mm	60450483	60450482	R4011730	60050334	-	-	-	-
-	70mm	60450483	60450482	R4011730	60050334	-	-	-	-
-	70mm	60450483	60450482	R4011730	60050334	-	-	-	-
-	70mm	60450483	60450482	R4011730	60050334	-	-	-	-
W62 - GAS - GVW 19,500 lb									
-	64mm	60450481	60450480	R4011731	R4011511	-	-	-	-
-	64mm	60450481	60450480	R4011731	R4011511	-	-	-	-
-	64mm	60450481	60450480	R4011731	R4011511	-	-	-	-
-	64mm	60450481	60450480	R4011731	R4011511	-	-	-	-
-	64mm	60450481	60450480	R4011731	R4011511	-	-	-	-
-	64mm	60450481	60450480	R4011731	R4011511	-	-	-	-
W62 - GAS - GVW 23,500 lb									
-	70mm	60450483	60450482	R4011730	60050334	-	-	-	-
-	70mm	60450483	60450482	R4011730	60050334	-	-	-	-
-	70mm	60450483	60450482	R4011730	60050334	-	-	-	-
-	70mm	60450483	60450482	R4011730	60050334	-	-	-	-
-	70mm	60450483	60450482	R4011730	60050334	-	-	-	-
-	70mm	60450483	60450482	R4011730	60050334	-	-	-	-

MERITOR WABCO

Hydraulic ABS (H-ABS) &
Hydraulic Power Brake (HPB)

Section 2

MERITOR WABCO HYDRAULICS ABS (H-ABS)

Overview

Meritor WABCO Hydraulic Anti-lock Braking System (ABS) is an electronic wheel speed monitoring and control system used on medium-duty trucks, buses and motor home chassis equipped with a hydraulic brake system.

How Hydraulic ABS Works

ABS wheel sensors detect wheel speeds. The sensors generate signals that are transmitted to an Electronic Control Unit (ECU). If the wheels start to lock, the ECU signals the modulator assembly, a control valve assembly, to regulate the brake pressure of each locking wheel.

During an ABS stop, a solenoid valve in the modulator assembly is rapidly pulsed; that is, it opens and closes several times to control the brake pressure. When this occurs, drivers may notice a pulsating of the brake pedal.

An ABS indicator lamp on the vehicle dash alerts the driver to a possible system fault and provides blink code information to diagnose the system.

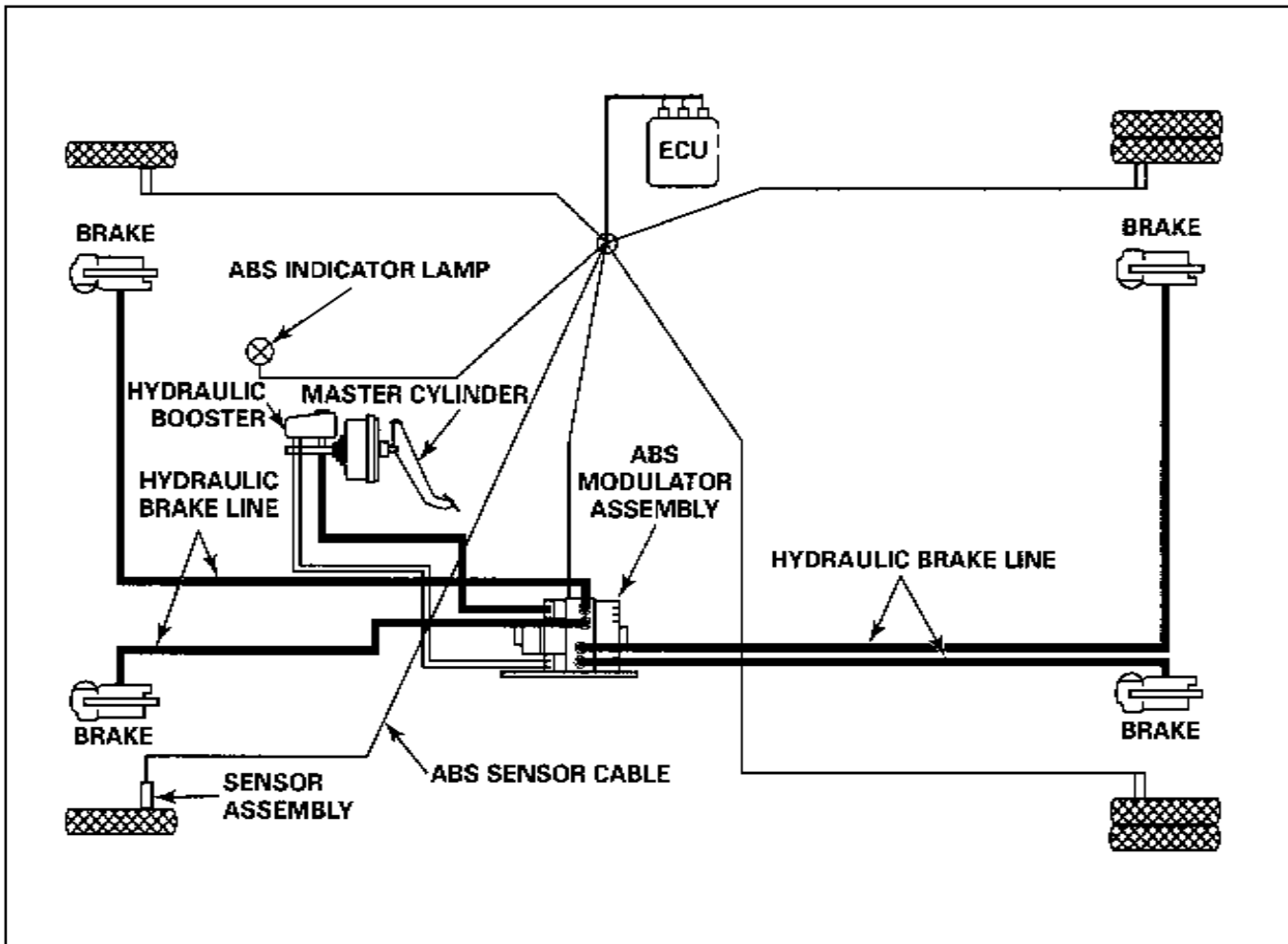
NOTE:

If the ABS indicator lamp comes on during normal vehicle operation, drivers may complete their trip, but are instructed to have their vehicles serviced as soon as possible.

In the unlikely event of an ABS system malfunction, the ABS in the affected wheel will be disabled and will return to normal braking. The other sensed wheels will retain their ABS function.


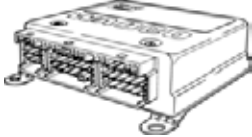

System Layout

A typical Meritor WABCO D version Hydraulic ABS system with a Cab-Mounted ECU is illustrated below.



H-ABS SYSTEM COMPONENTS

ELECTRONIC CONTROL UNITS (ECU)

<p>C VERSION HABS CAB MOUNTED</p>  <p>12-Volt 4S/4M</p>	<p>NEW PART NO.</p> <p>S446 044 047 0 S446 044 061 0 S446 044 062 0</p>	<p>SERVICE EXCHANGE NO.</p> <p>S446 044 047 7 S446 044 061 7 S446 044 062 7</p>	<p>CORE GROUP</p> <p>ECU451 ECU451 ECU451</p>	<p>CORE NO.</p> <p>XC3100 XC3101 XC3102</p>
	<p>D VERSION ECUS</p>  <p>CAB Mounted ECU 12-Volt 4S/4M</p>	<p>PART NUMBER</p> <p>S446 044 085 0 S446 044 086 0</p>	<p>SERVICE EXCHANGE NO.</p> <p>S446 044 085 0 S446 044 086 0</p>	<p>CORE GROUP</p> <p>ECU452 ECU452</p>
<p>D VERSION ECUS</p>  <p>Frame Mounted ECU</p> <ul style="list-style-type: none"> • 12-Volt • 4S/4M 	<p>PART NUMBER</p> <p>S446 109 010 0</p>	<p>SERVICE EXCHANGE NO.</p> <p>S446 109 010 7</p>	<p>CORE GROUP</p> <p>ECU453</p>	<p>CORE NO.</p> <p>XC3106</p>

MERITOR WABCO

H-ABS SYSTEM COMPONENTS

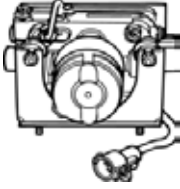
MODULATOR ASSEMBLIES

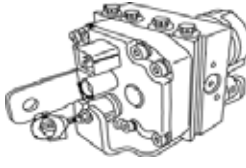
- C Version Hydraulic ABS
- D Version Hydraulic ABS

OEM modulator assemblies are sold with dry modulator valves. For aftermarket, Meritor WABCO sells only wet modulator valves (valves pre-filled with brake fluid). To help you identify the proper replacement parts, we have included the OEM part numbers. OEM Dry modulator valve assemblies are listed WITHOUT the S suffix.

NOTE: If the number of the valve you are replacing is for a dry valve, the ArvinMeritor customer service representative will provide the correct WET valve in its place.

MERITOR WABCO

C VERSION HABS MODULATOR VALVE	REPLACEMENT PARTS			
	MODULATOR ASSY.	MODULATOR	BRACKET	REMARKS
	S478 407 011 0	N/A	N/A	Valve includes bracket
	S478 407 012 0	N/A	N/A	Valve includes bracket
	—	—	S478 407 353 2	

D VERSION HABS MODULATOR VALVE	REPLACEMENT PARTS			
	MODULATOR ASSY.	MODULATOR	BRACKET	REMARKS
	478 407 014 0	S478 407 056 0	S478 407 356 4	For aftermarket repl. assy. order part no. S478 407 015 0
	S478 407 015 0	S478 407 056 0	S478 407 356 4	
	478 407 016 0	S478 407 056 0	S478 407 358 4 S478 407 357 4	Two brackets used in this assembly.
	S478 407 018 0	S478 407 060 0	S478 901 352 4	
	S478 407 019 0	----->	----->	Replaced by S478 407 062 0
	S478 407 027 0	S478 407 058 0	S478 407 056 4	
	S478 407 028 0	----->	----->	Replaced by S478 407 062 0
	478 407 033 0	S478 407 060 0	S478 901 352 4	For aftermarket repl. assy. order part no. S478 407 018 0
	478 407 061 0	S478 407 058 0	S478 407 055 2	For aftermarket repl. assy. order part no. S478 407 062 0
	S478 407 062 0	S478 407 058 0	S478 407 055 2	

HYDRAULIC POWER BRAKE (HPB) COMPONENTS

Overview

Meritor WABCO's Hydraulic Power Brake (HPB) is a braking and vehicle control system for Business Class trucks, Classes 4 through 7, and buses that are equipped with hydraulic brakes. The HPB system provides the following functions.

- Full power brake performance
- Brake control functions including Anti-Lock Braking System (ABS), Automatic Traction Control (ATC) and Electronic Brake force Distribution (EBD)
- Optional parking brake control

System Components

The HPB system consists of two main components — the Hydraulic Compact Unit (HCU) and a dual circuit master cylinder. The HPB system is also available with an optional parking brake pressure supply valve. Figure 1.1, Figure 1.2 and Figure 1.3.

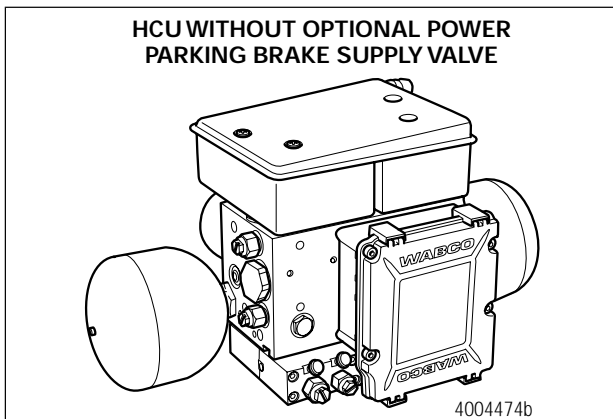


Figure 1.1

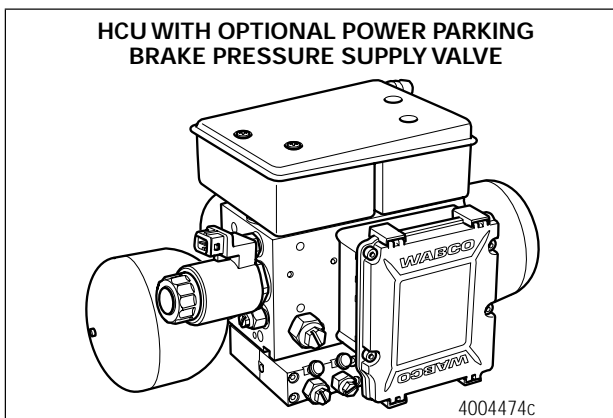


Figure 1.2

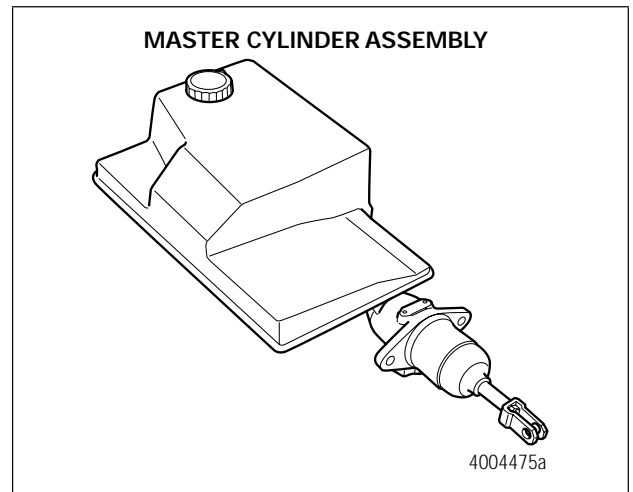


Figure 1.3

Hydraulic Compact Unit

The HCU consists of an electronic control unit, two independent electric motors driving two pump systems, two accumulators, a dual circuit fluid reservoir with integrated filters, pressure relief valves, solenoid valves and a dual circuit relay valve. The HCU is mounted to the vehicle frame rail with two brackets. Figure 1.4.

- Two pump motors draw brake fluid from the reservoir to pressurize the accumulators. The motors are not serviceable.
- Two gas-filled hydraulic accumulators store energy supplied by the pumps. Accumulators are sealed at the factory and are non-refillable. Accumulators may be replaced without replacing the entire HCU.
- The ECU processes sensor signals and generates solenoid valve commands to reduce, maintain or increase brake pressure for control function. The ECU constantly monitors the pressure in the accumulators, using one pressure sensor per brake circuit. The ECU may be replaced without replacing the complete HCU.
- The optional pressure supply valve controls the Spring-Applied/ Hydraulic Released (SAHR) parking brake. The pressure supply valve is mounted on the HCU behind the accumulator. The pressure supply valve may be replaced without replacing the entire HCU.
- The dual circuit HCU reservoir holds the hydraulic brake fluid. The reservoir may be replaced without replacing the entire HCU.

HYDRAULIC POWER BRAKE (HPB) COMPONENTS

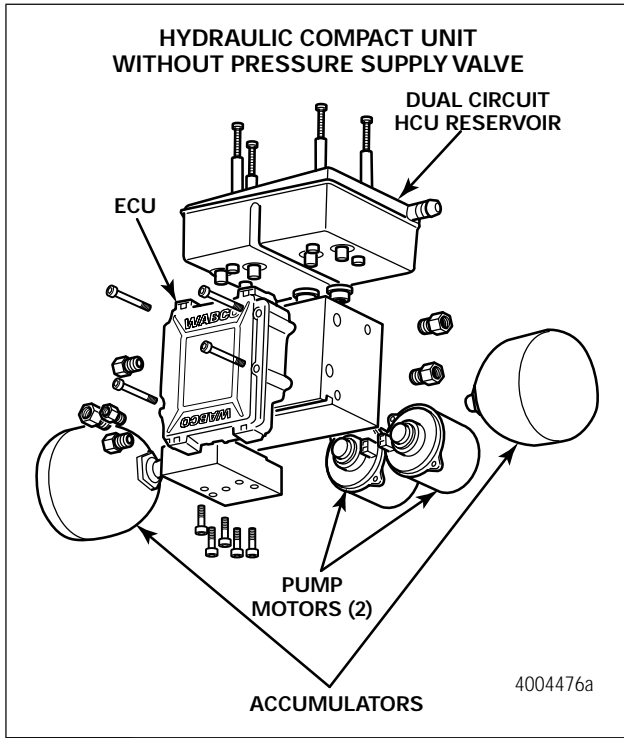


Figure 1.4

Master Cylinder Assembly

The dual circuit master cylinder with an integrated relay valve provides the translation of brake pedal force into hydraulic braking pressure, and sends the driver's demand signal to the HCU. Figure 1.5.

- The foot brake switch provides brake status to the ECU and eliminates the need for a brake light switch.
- The master cylinder reservoir holds the hydraulic brake fluid.
- The fluid sensor switch monitors fluid level in the master cylinder reservoir.
- The master cylinder reservoir and both switches may be replaced without replacing the entire master cylinder.
- The master cylinder cap provided by Meritor WABCO contains a special gore material that allows the reservoir to breathe, and serves as a filter to help prevent contaminants from getting into the reservoir. This is the only cap approved for use with Meritor WABCO HPB. Replacement caps may be obtained from Meritor WABCO.

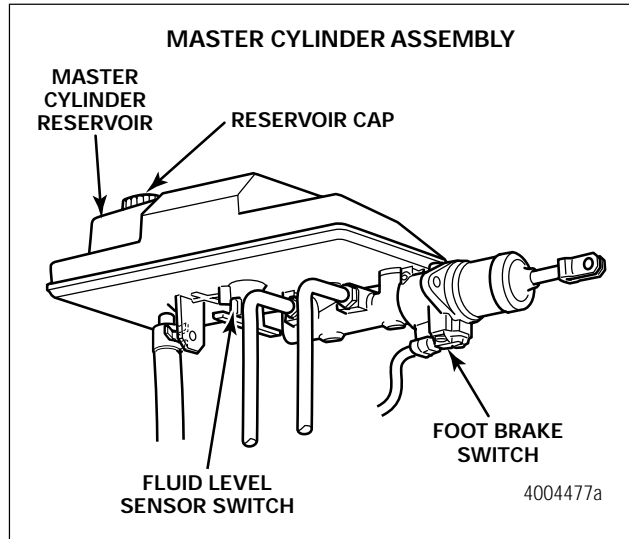


Figure 1.5

Wheel-End Sensors

A Meritor WABCO wheel-end sensor is installed at each wheel whose speed is to be monitored. These sensors generate electronic signals which are sent to the ECU. A sensor spring clip holds the wheel speed sensor in place. Figure 1.6. The sensor and sensor clip must be lubricated before installation and whenever wheel-end maintenance is performed.

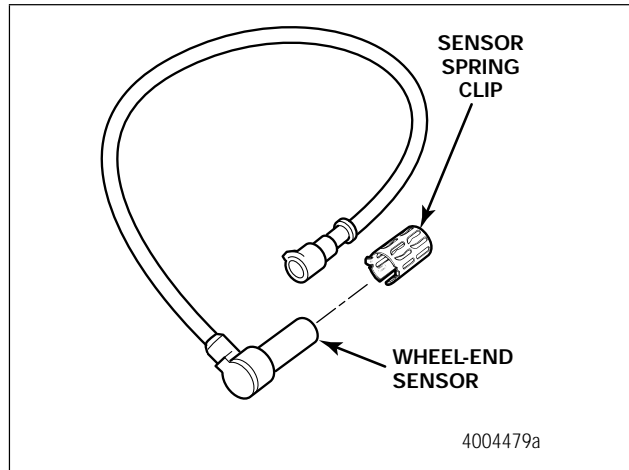


Figure 1.6

HYDRAULIC POWER BRAKE (HPB) COMPONENTS

TOOLBOX™ Software

TOOLBOX™ Software is a PC-based diagnostics program required to diagnose HPB system faults. For HPB, version 5.0 or higher is required. The program runs in Windows® 98 or higher. TOOLBOX™ is available from SPX Service Solutions, 1-800-328-6657.

Figure 1.7.

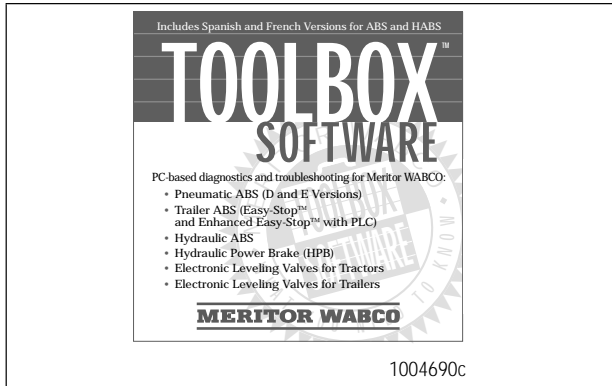


Figure 1.7

Low Pressure Hose

This manual contains service information for a low pressure hose which is not produced by Meritor WABCO but is an integral part of the HPB system.

How the HPB System Works

Meritor WABCO's hydraulic power braking system provides the energy required to actuate the brakes and control the electronic brake force distribution (EBD), ABS and ATC functions. The HCU is activated each time the ignition is turned on or whenever the driver steps on the brake pedal. If the system is equipped with the optional power park brake, the HCU also supplies the energy to release and control the service and park brakes.

The Meritor WABCO HPB system for trucks is illustrated in Figure 1.8. A complete HPB system layout, with hydraulic brake lines, appears in the Appendix.

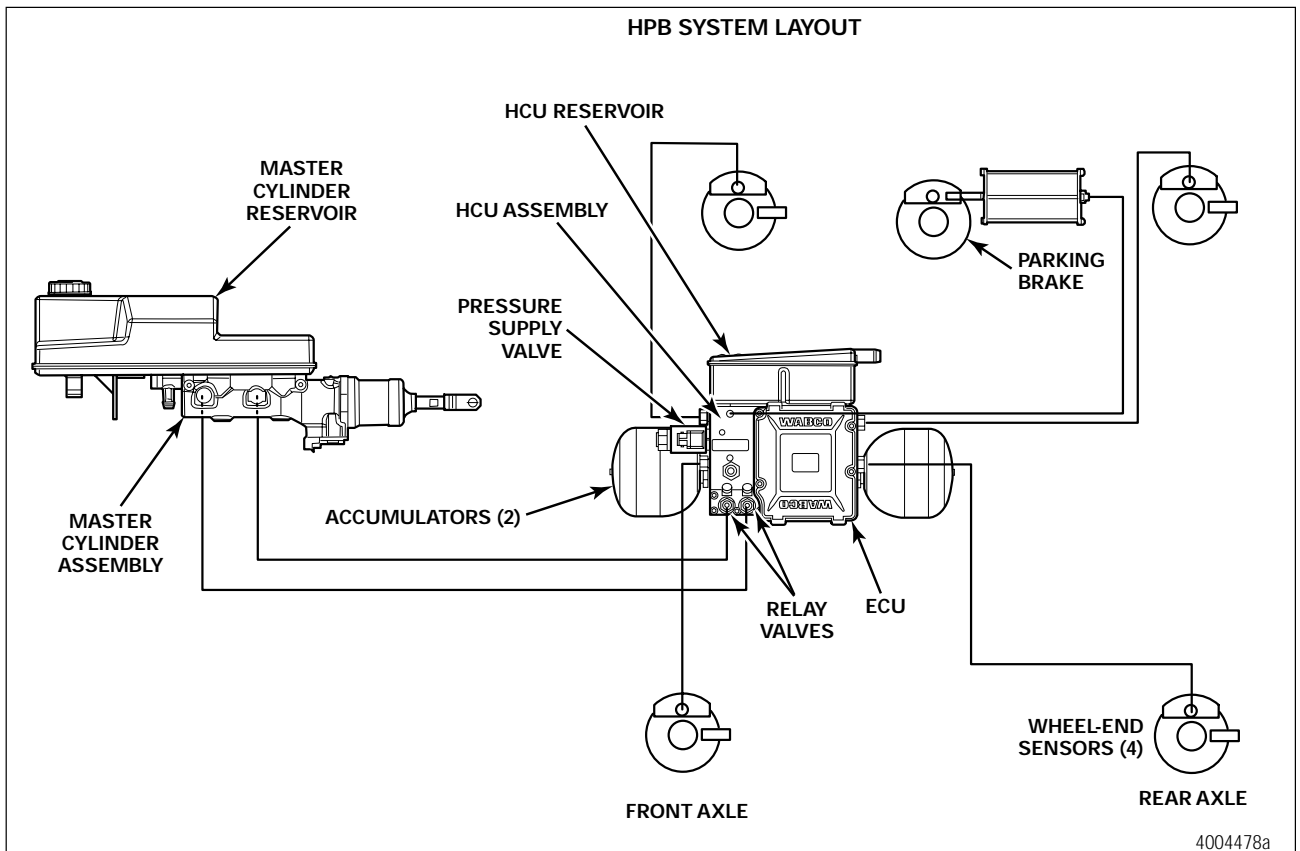


Figure 1.8

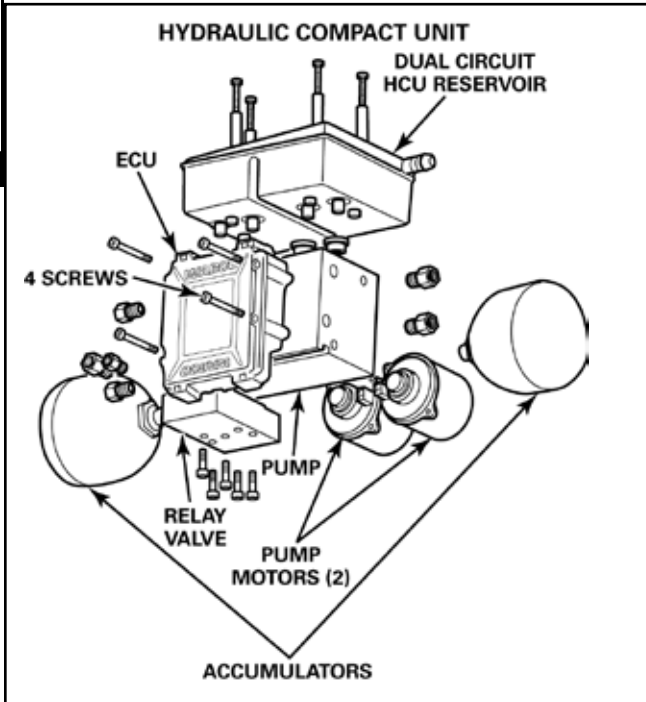
HYDRAULIC POWER BRAKE (HPB) COMPONENTS

HYDRAULIC COMPACT UNIT (HCU) ASSEMBLY - WITH ECU
S478 407 924 2 (NEW) S478 407 991 7 (Service Exchange)

HYDRAULIC COMPACT UNIT (HCU) ASSEMBLY - WITHOUT ECU
S478 407 933 2 (NEW) S478 407 992 7 (Service Exchange)

- Replacement parts include the HCU assembly, ECU, reservoir, accumulators, pressure supply valve, parking brake switch, relay valve, and appropriate hardware kits. SAHR is not distributed by Meritor WABCO, please contact the OEM for product details.

MERITOR WABCO



ECU and reservoir may be purchased individually.
 Mounting bracket is not included with the replacement assembly.

Components

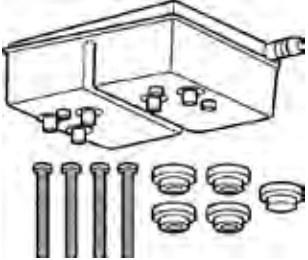

HCU	S478 407 122 0
Electronic Control Unit	S446 046 009 2
HCU Reservoir	S451 900 523 2
HCU Bracket (front)	S478 901 052 2
HCU Bracket (rear)	S478 901 053 2
Accumulator	S458 501 026 1
Reservoir	S451 900 523 2
Relay Valve	S478 407 930 2 (no ATC) or
Relay Valve	S478 407 929 2 (with ATC)
Pump	S478 905 152 2

ELECTRONIC CONTROL UNIT (ECU) REPLACEMENT KITS


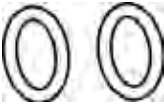
	NEW PART NO.	SERVICE EXCHANGE NO.	DESCRIPTION	CORE GROUP	CORE NO.
ECU Replacement Kit 	S446 046 920 2	S446 046 990 7	ECU replacement kit , ABS with ATC	ECU455	XC3123
			ECU replacement kit, ABS only		
ECU Hardware Kit 	S446 046 921 2		Kit contains two pressure seals and four screws.		
			Services 446 046 009 2		

HYDRAULIC POWER BRAKE (HPB) COMPONENTS


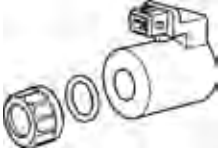
HCU RESERVOIR REPLACEMENT KITS

HCU Reservoir Replacement Kit	PART NO.	APPLICATION INFORMATION	REMARKS
	S451 900 922 2	Kit contains HCU reservoir, four screws, reservoir plug and four rubber grommets.	Services 451 900 531 2
<p data-bbox="349 569 548 592">Rubber Grommet Kit</p> 	S451 900 923 2	Kit contains four rubber grommets.	

ACCUMULATOR REPLACEMENT KITS

Accumulator Replacement Kit	PART NO.	APPLICATION INFORMATION	REMARKS
	S458 501 924 2	Kit contains two accumulators labeled with warning statement and two O-rings.	Services 458 501 019 2
<p data-bbox="342 1083 565 1106">Accumulator O-ring Kit</p> 	S458 501 923 2	Kit contains two O-rings.	



PRESSURE SUPPLY VALVE REPLACEMENT KITS

Pressure Supply Valve Replacement Kit	PART NO.	APPLICATION INFORMATION
	S476 901 920 2	Kit includes solenoid valve with coil, O-ring and nut.
<p data-bbox="285 1719 602 1743">Coil Kit for Pressure Supply Valve</p> 	S472 879 920 2	Kit contains coil, nut and O-ring.

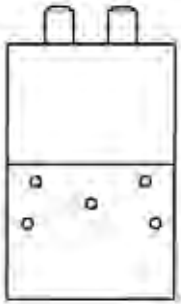

HYDRAULIC POWER BRAKE (HPB) COMPONENTS

PARKING BRAKE SWITCH

REPLACEMENT KITS – Mounted on the cab, not on the HCU

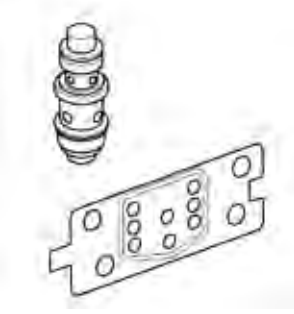
Parking Brake Switch Replacement Kit	PART NO.	APPLICATION INFORMATION
	<p>S446 280 012 0</p>	<p>Kit contains switch with attached mounting plate, mounting screws.</p>
<p>Parking Brake - Dash Knob</p> 	<p>S446 280 790 4</p>	<p>Not included in the parking brake switch replacement kit.</p>

RELAY VALVE REPLACEMENT KITS

Relay Valve Replacement Kit	PART NO.	APPLICATION INFORMATION
	<p>S478 407 929 2</p>	<p>With Automatic Traction Control (ATC). Kit contains a relay valve and a steel plate.</p>
	<p>S478 407 930 2</p>	<p>Without ATC. Kit contains a relay valve and a steel plate.</p>

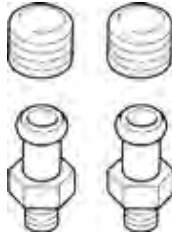

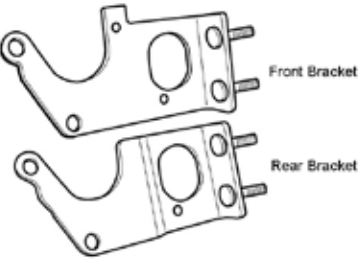
HYDRAULIC POWER BRAKE (HPB) COMPONENTS

PUMP REPLACEMENT KIT

Pump Replacement Kit	PART NO.	APPLICATION INFORMATION	REMARKS
	<p>S478 407 928 2</p>	<p>Kit contains pump and seal plate.</p>	<p>Serves 478 905 152 2</p>

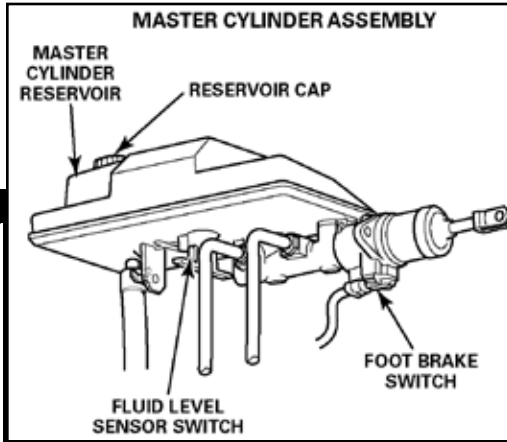
MERITOR WABCO

HCU ACCESSORIES

Relay Valve Bleeder Screw Kit	PART NO.	APPLICATION INFORMATION
	<p>S478 407 921 2</p>	<p>Kit contains two relay valve bleeder screws and two protective caps.</p>
<p>HCU Hardware Mounting Kit</p> 	<p>R950054</p>	<p>Kit includes four bushings, and four 10 mm screws.</p>
<p>HCU Mounting Brackets</p>  <p>Front Bracket</p> <p>Rear Bracket</p>	<p>S478 901 052 2 Front Mounting Bracket</p> <p>S478 901 053 2 Rear Mounting Bracket</p>	<p>Mounting hardware not included. Order Kit R950054 for mounting hardware.</p>

HYDRAULIC POWER BRAKE (HPB) COMPONENTS

MASTER CYLINDER ASSEMBLY



S468 411 005 0 Master cylinder with travel switch

S468 413 020 2 Master cylinder Reservoir with fluid level switch - Bus

S468 413 021 2 Master cylinder Reservoir with fluid level switch - Truck

S446 045 007 2 Master cylinder travel switch

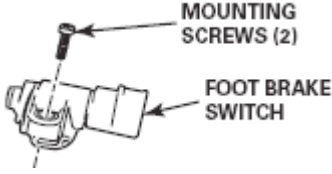
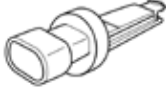



S468 413 921 2 Master cylinder fluid level switch

MASTER CYLINDER ASSEMBLY REPLACEMENT KITS

Master Cylinder Replacement Kit	PART NO.	APPLICATION INFORMATION
	R950056	Kit contains master cylinder, travel switch and screw, 2 rubber grommets and washers, 2 roll pins.
Master Cylinder Reservoir Kit	R950055	For bus application, kit contains master cylinder reservoir, fluid level switch, 2 rubber grommets and washers. Cap not included.
	R955421	For truck application, kit contains master cylinder reservoir, travel switch and screw, 2 rubber grommets and washers. Cap not included.
Master Cylinder Cap	S451 900 474 2	Fits all three master cylinder reservoirs.
Master Cylinder Bracket	S478 901 054 0	For Bus Applications Use with master cylinders 468 411 005 0 & 468 413 020 2
	S478 901 057 2	For Medium Duty Truck Applications Use with master cylinder 468 413 021 2

HYDRAULIC POWER BRAKE (HPB) COMPONENTS

MASTER CYLINDER TRAVEL SWITCH REPLACEMENT KITS

Travel Switch Kit	PART NO.	APPLICATION INFORMATION
 <p>MOUNTING SCREWS (2) FOOT BRAKE SWITCH</p>	<p>S468 411 923 2</p>	<p>Kit contains travel switch, gasket and 2 screws.</p>
<p>Fluid Level Switch</p> 	<p>S468 413 921 2</p>	<p>Kit contains fluid level switch.</p>
<p>Roll Pin Kit</p> 	<p>R950057</p>	<p>Kit contains two roll pins</p>
<p>Rubber Grommets Kit for Master Cylinder</p> 	<p>S451 900 924 2</p>	<p>Kit contains two rubber grommets</p>
<p>Clevis Pin Kit for Master Cylinder</p> 	<p>S451 900 925 2</p>	<p>Kit contains one master cylinder clevis pin.</p>

H-ABS AND HPB COMPONENTS

SENSORS

- Installed at wheel ends to measure the motion of a sensed wheel
- Straight sensors are typically used in heavy front axle applications (16,000 - 20,000 GAWR)
- Right Angle (90°) sensors are used in most other applications
- Sensor Extension Cables are available (see next page)

WHEEL SPEED SENSORS

All sensors include sensor with cable leads, spring clip and lubricant. Cable lead lengths are specified on the following page. Sensor part numbers shown as a reference only, orders as the appropriate sensor kit part number.


Sensor Kits:

- Sensor kits include sensor with cable leads, spring clip, lubricant and instruction sheet.
- When replacing a sensor you must also replace the spring clip.
- Sensor cable lead lengths are specified on the following page.
- Sensor extension cables are available.


Function: Installed at wheel ends to measure the motion of a sensed wheel in ABS applications.

Style: Meritor WABCO sensors are either straight or 90° pencil-type sensor. Straight sensors are typically used in heavy front axle applications (16,000 – 20,000 GAWR) 90° sensors are used in most other applications.

Straight Sensors

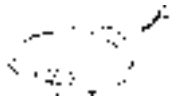
	KIT NUMBER	SENSOR	CABLE LEAD	
			FEET	METERS
	R955337	S441 032 444 0	5.8	1.7
	R955338	S441 032 900 0	5.8	1.7

Right Angle (90°) Sensors

	KIT NUMBER	SENSOR	CABLE LEAD	
			FEET	METERS
	R955432	S941 032 261 0	2.5	0.7
	R955436	S941 032 262 0	2.8	0.86
	R955434	S941 032 266 0	3.1	0.9
	R955437	S941 032 265 0	3.2	0.99
	R955438	S941 032 267 0	3.3	1.0
	R955433	S941 032 264 0	3.5	1.07
	R955439	S941 032 269 0	4.47	1.46
	R955435	S941 032 268 0	4.6	1.4

H-ABS AND HPB COMPONENTS

SENSOR EXTENSION CABLES


CABLE	PART NO.	CABLE LENGTH		APPLICATION INFORMATION
		FEET	METERS	
 <p>For use with Cab-Mounted ECUs</p>	S449 711 015 0	4.9	1.5	
	S449 711 031 0	9.8	3.0	
	S449 711 050 0	16.4	5.0	
	S949 711 065 0	21.3	6.5	
	S449 711 080 0	26.4	8.0	
	S449 711 100 0	32.8	10.0	
	S449 711 120 0	39.4	12.0	
	S449 711 150 0	49.2	15.0	

FUNCTION: Connects the wheel end sensors to the ECU
STYLE: 2-Wire with connector

MERITOR WABCO

SENSOR SPRING CLIP

- Holds the steel speed sensor in close proximity to the tooth wheel

	KIT NUMBER	SENSOR	I.D.	O.D.	LENGTH	APPLICATION INFORMATION
	R955459	S899 760 510 4	0.63 IN. 16.0 MM	0.71 IN. 18.0 MM	1.18 IN. 30.0 MM	Sensor Clip - Copper
	R955458	S899 759 815 4				Sensor Clip - Chrome Nickel

TOOTH WHEEL

PART NUMBER	INNER DIAMETER	OUTER DIAMETER	NUMBER OF TEETH	COMMENTS
3237D1070	5.11	6.45	100	Before replacing a tooth wheel, contact either the OEM or the hub manufacturer to see if the wheel and hub are sold as one unit. Part numbers listed are for tooth wheels manufactured by ArvinMeritor.
3237Q1031	5.12	7.50	100	
3237R1032	5.43	7.68	100	
3237L1260	5.61	6.78	100	
3237G1047*	5.99	7.28	100	
3237W1097	5.99	7.28	100	
3237Y1195	6.30	7.76	100	
3237Q1239	6.42	7.95	100	
3237K1051	6.43	7.06	100	
3237V1192	6.44	7.56	100	
3237T1242	6.50	8.37	80	
3237H1256	6.51	7.30	100	
3237V1062	6.87	7.91	100	
3237P1056	7.79	8.62	100	

* 6 Holes, .21 hole size bolt circle 7.93

H-ABS AND HPB LITERATURE

HPB

Maintenance Manuals

- MM0401 Meritor WABCO Hydraulic Power Brake (HPB) System

Technical Bulletins

- TP-0672 HCU Relay Valve Replacement Procedure
- TP-0673 Hydraulic Compact Unit (HCU) Pump Replacement Procedure
- TP-0555 Leak Check Procedure for Meritor WABCO Hydraulic ABS and Hydraulic Power Brake (HPB) System
- TP-0438 Hydraulic Power Brake (HPB) Installation Instructions

Product Brochures

- TP-9795 Hydraulic ABS for Medium-Duty Trucks, Buses and Chassis (*not available in print*)
- SP-9927 HABS for Medium-Duty Trucks, Buses and Chassis

H-ABS

Maintenance Manuals

- MM0677 Hydraulic Anti-Lock Braking Systems (HABS) for Medium-Duty Trucks, Buses and Motor Home Chassis for E Version Hydraulic ABS
- MM0677FC Systèmes de freinage hydraulique ABS pour camions, autobus et autocaravanes Pour système de freinage hydraulique ABS Version E (*not available in print*)
- MM0677SP Sistemas de Frenos Antibloqueo Hidráulicos (HABS) para Camiones de Servicio Mediano, Autobuses y Chasis de Casas Rodantes Para Sistemas ABS Hidráulicos Versión E (*not available in print*)
- MM39 D-Version HABS for Medium-Duty Trucks, Buses and Motor Home Chassis
- MM39SP ABS hidráulico para chasis de camions de servicio mediano, autobuses y casas rodantes
- MM38 C-Version HABS for Medium Duty-Trucks, Buses and Motor Home Chassis

Technical Bulletins, Troubleshooting and Diagnostic Aids

- TP-0772 HABS Modulator Assembly Bracket Replacement Procedure Kit R955452
- TP-0555 Leak Check Procedure for Meritor WABCO Hydraulic ABS and Hydraulic Power Brake (HPB)

System

- TP-02102 Installation Instructions for Meritor WABCO Wheel Speed Sensor Replacement Kit
- TP-20192 Proper Sensor Adjustment for HABS
- TP-99124 HABS Installation Guide for OEMs and Body Builders (Includes Body Builder Installation Information)
- TP-99124SP Guía de instalación del sistema de frenos anti-bloqueo hidráulico (HABS) para OEMs y fabricantes de carrocerías (incluye información de instalación para fabricantes de carrocerías), ABS hidráulico version D
- SP-9916 Hydraulic ABS Driver Tips


Video

- T-0142V Hydraulic ABS for Medium-Duty Trucks, Buses and Motor Home Chassis

H-ABS AND HPB COMPONENTS

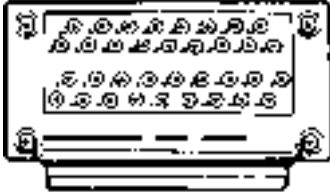
DIAGNOSTIC & TEST EQUIPMENT

TOOLBOX™ Software

 The image shows the packaging for Toolbox Software. The box is white with a black and grey design. The word 'TOOLBOX' is prominently displayed in large, bold, black letters. Below it, 'SOFTWARE' is written in a smaller font. There are several bullet points in a smaller font, and the Meritor WABCO logo is at the bottom.	<p>TOOLBOX™ Software is a PC-based diagnostics program for use with D Version HABS. It is not compatible with C Version HABS. With this program the technician can display system faults and wheel speed data, test individual components, perform brake bleed procedures, verify installation wiring and more. TOOLBOX version 4.1 (or higher) runs in Windows® 95, 98, 2000, NT and Me. An RS232 to J1708 converter box or RS292 to PLC converter cable is required to run TOOLBOX.™ To order TOOLBOX™ Software, call SPX at 1-800-328-6657.</p> <p>TOOLBOX version 7.0 or higher is recommended for HPB diagnostics.</p>
--	---



Meritor WABCO Test Adaptor

 The image shows a rectangular test adaptor device. It has a front panel with several rows of circular ports or indicators. The device is mounted on a base with four feet.	<p>Part Number S446 300 314 0</p> <p>The test adaptor helps technicians service and troubleshoot C-Version Meritor WABCO ABS. It is not compatible with D Version H-ABS or HPB.</p>
--	--

NUMERICAL PARTS LISTING

MERITOR WABCO

Part Number	Page	Part Number	Page	Part Number	Page
3237D1070	2-15	S449 711 050 0	2-15	S478 407 357 4	2-4
3237G1047	2-15	S449 711 080 0	2-15	S478 407 358 4	2-4
3237H1256	2-15	S449 711 100 0	2-15	S478 407 921 2	2-11
3237K1051	2-15	S449 711 120 0	2-15	S478 407 928 2	2-11
3237L1260	2-15	S449 711 150 0	2-15	S478 407 929 2	2-8,2-10
3237P1056	2-15	S451 900 474 2	2-12	S478 407 930 2	2-8,2-10
3237Q1031	2-15	S451 900 523 2	2-8	S478 901 052 2	2-8,2-11
3237Q1239	2-15	S451 900 922 2	2-9	S478 901 053 2	2-8,2-11
3237R1032	2-15	S451 900 923 2	2-9	S478 901 054 0	2-12
3237T1242	2-15	S451 900 924 2	2-13	S478 901 057 2	2-12
3237V1062	2-15	S451 900 925 2	2-13	S478 901 352 4	2-4
3237V1192	2-15	S458 501 026 1	2-8	S478 905 152 2	2-8
3237W1097	2-15	S458 501 923 2	2-9	S949 711 065 0	2-15
3237Y1195	2-15	S458 501 924 2	2-9	TOOLBOX™	2-17
478 407 014 0	2-4	S468 411 005 0	2-12	TOOTH WHEEL	2-15
478 407 016 0	2-4	S468 411 923 2	2-13		
478 407 033 0	2-4	S468 413 020 2	2-12		
478 407 061 0	2-4	S468 413 021 2	2-12		
R950054	2-11	S468 413 921 2	2-12,2-13		
R950055	2-12	S472 879 920 2	2-9		
R950056	2-12	S476 901 920 2	2-9		
R950057	2-13	S478 407 011 0	2-4		
R955421	2-12	S478 407 012 0	2-4		
S446 044 047 0	2-3	S478 407 015 0	2-4		
S446 044 061 0	2-3	S478 407 018 0	2-4		
S446 044 062 0	2-3	S478 407 019 0	2-4		
S446 044 085 0	2-3	S478 407 027 0	2-4		
S446 044 086 0	2-3	S478 407 028 0	2-4		
S446 045 007 2	2-12	S478 407 055 2	2-4		
S446 046 009 2	2-8	S478 407 056 0	2-4		
S446 046 920 2	2-8	S478 407 056 4	2-4		
S446 046 921 2	2-8	S478 407 058 0	2-4		
S446 280 012 0	2-10	S478 407 060 0	2-4		
S446 280 790 4	2-10	S478 407 062 0	2-4		
S446 300 314 0	2-17	S478 407 122 0	2-8		
S449 711 015 0	2-15	S478 407 353 2	2-4		
S449 711 031 0	2-15	S478 407 356 4	2-4		

XpresswayPlus.ArvinMeritor.com



XpresswayPlus.ArvinMeritor.com
For all of your parts-ordering needs

Don't forget about using XpresswayPlus for:

- Ordering parts online
- Order status
- Price and availability
- Invoice Lookup
- Parts Catalog
- Online e-mail or phone numbers for Customer Service, Information Services, Marketing, Catalog, and eSupport
- Reference Library
- The Company Store
- Literature
- Dealer/Distributor locator

XpresswayPlus is easy to use, can reduce phone calls, and save you valuable time.

WHAT YOU NEED:	WHERE TO LOOK:
ACCOUNT CHANGE	CUSTOMER SERVICE
AFTERMARKET & PRODUCTION ASSEMBLIES	CATALOG
APPLICATION INFORMATION	CATALOG
BILL-OF-LADING NUMBER	ORDER STATUS
BILL-OF-MATERIAL	CATALOG
BULLETINS	REFERENCE LIBRARY
CONTACT NAMES & NUMBERS	CUSTOMER SERVICE
FIELD SUPPORT REPRESENTATIVES	CUSTOMER SERVICE
INVOICE (VIEW & PRINT)	ORDER STATUS
NEWSLETTER	REFERENCE LIBRARY
ORDER DETAILS	ORDER STATUS
ORDER HISTORY FILE	ORDER STATUS
ORDER MERCHANDISE	COMPANY STORE
ORDER SUBMIT	CREATE NEW ORDER
ORDER SUBMIT - STOCK UPLOAD (MULTIPLE LINES)	CREATE NEW ORDER
PART DETAILS	CATALOG
PART IMAGES	CATALOG
PART NUMBER COMPARISON	CATALOG
PARTS BOOKS	REFERENCE LIBRARY
PASSWORD CHANGE	CUSTOMER SERVICE
PRICE (LIST)	CATALOG
PRICE (NET) & AVAILABILITY	PRICE & AVAILABILITY
PRODUCT BROCHURES	REFERENCE LIBRARY
PRODUCT UPDATES	REFERENCE LIBRARY
PROOF-OF-DELIVERY	ORDER STATUS
REQUEST-FOR-QUOTATION (FOR MERITOR BRAND)	PRICE REQUEST
SALES LITERATURE	REFERENCE LIBRARY
SEND QUESTIONS, COMMENTS, ISSUES	CONTACT US
SHIPPER NUMBER	ORDER STATUS
TECH TIPS	REFERENCE LIBRARY
TRACKING NUMBER	ORDER STATUS
WARRANTY INFORMATION	REFERENCE LIBRARY
WHERE-USED INFORMATION	CATALOG

NOTES

MERITOR WABCO

Large empty rectangular box for notes.

Domestic Disc Brake
Assemblies & Exploded Views
and Reference Charts
Section 3

TYPICAL TRUCK DISC BRAKE KIT

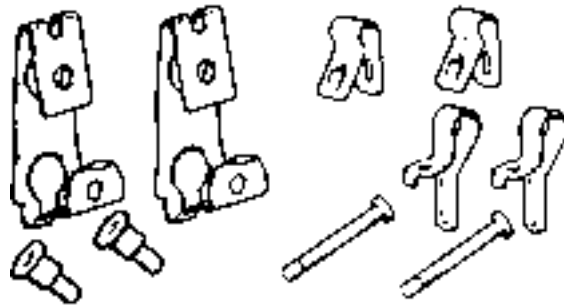
Meritor offers a full line of Hydraulic Disc Brake Hardware Kits for light- and medium-duty trucks and vans. For reference purposes, the illustrations below indicate the components found in a typical Meritor Disc Brake Kit.

Each Meritor Caliper Hardware Kit contains enough parts to service one axle.

Each Meritor Caliper Seal Kit contains enough parts to service one wheel.

CALIPER HARDWARE KITS

- Helps restore caliper performance
- Adds service life to disc pads
- Assists in maintaining proper caliper alignment



3 - DISC BRAKE

CALIPER SEAL KITS

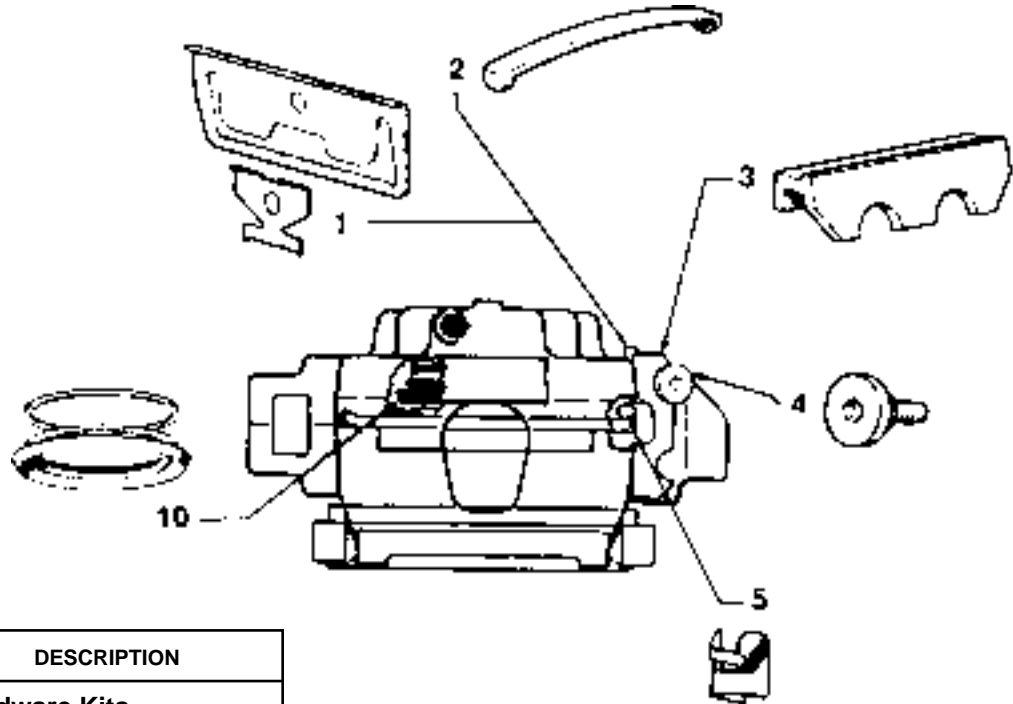
- Helps maintain piston floating action
- Reduces piston contamination



TYPICAL TRUCK DISC BRAKE KIT

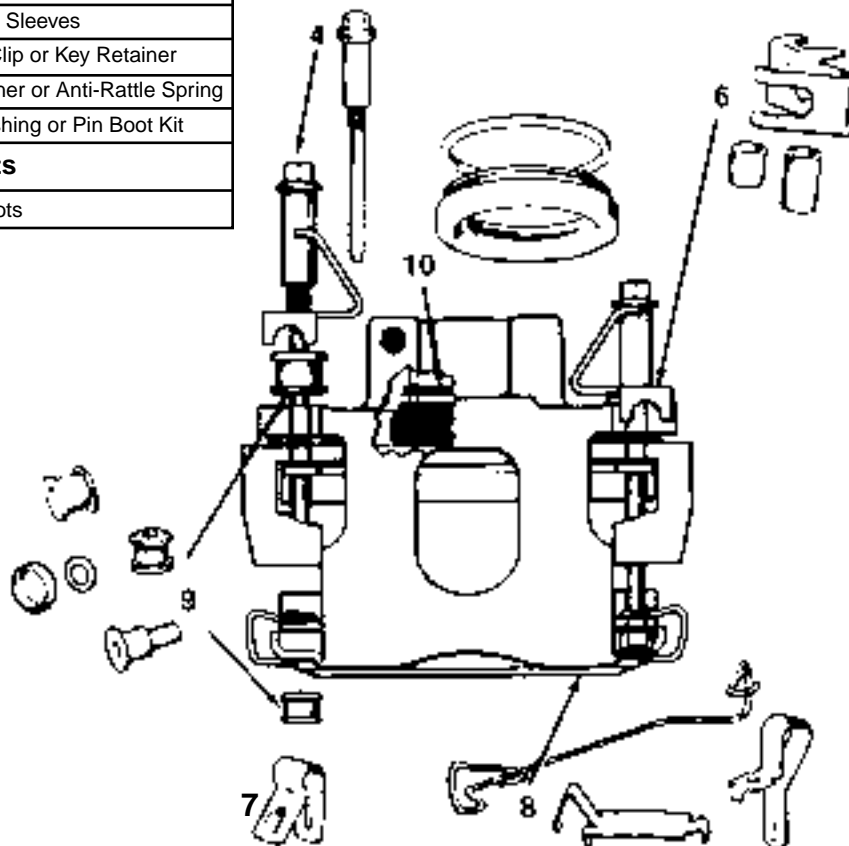
DISC BRAKE PARTS IDENTIFICATION CHARTS

TYPICAL SINGLE PISTON SLIDING CALIPER DISC BRAKE ASSEMBLY



ITECM NO.	DESCRIPTION
Caliper Hardware Kits	
1	Retainer
2	Caliper Support Spring
3	Caliper Support Key
4	Caliper Bolt
5	Shoe Retainer
6	Stabilizers - Sleeves
7	Shoe Pin, Clip or Key Retainer
8	Shoe Retainer or Anti-Rattle Spring
9	Rubber Bushing or Pin Boot Kit
Caliper Seal Kits	
10	Seals & Boots

TYPICAL SINGLE PISTON FLOATING CALIPER DISC BRAKE ASSEMBLY



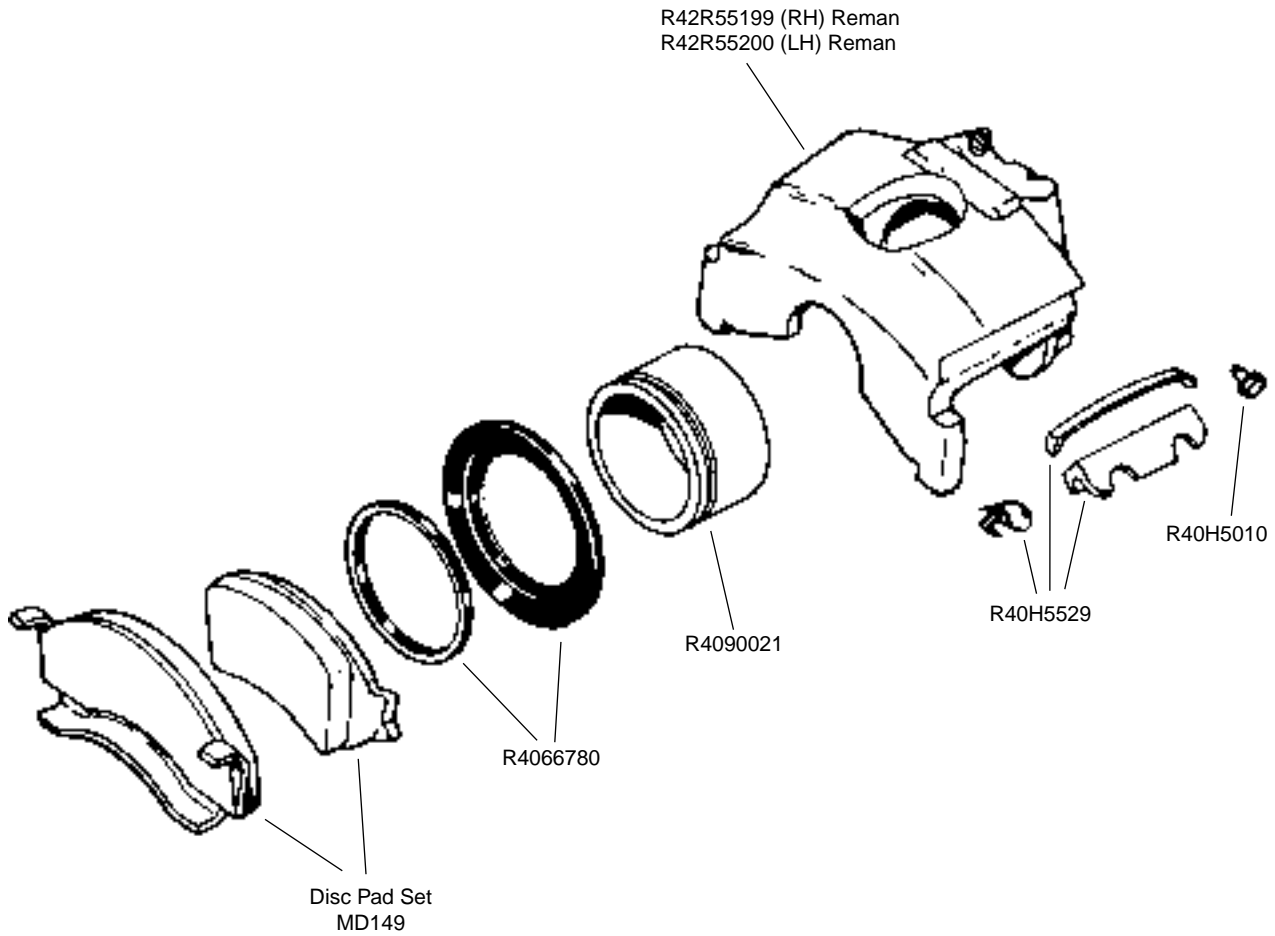
3 - DISC BRAKE

BENDIX HYDRAULIC DISC BRAKE





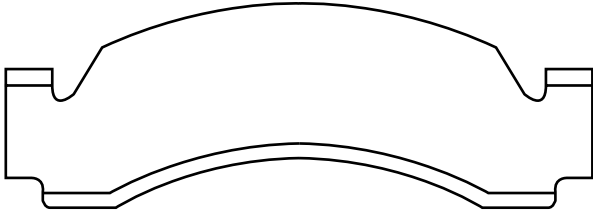
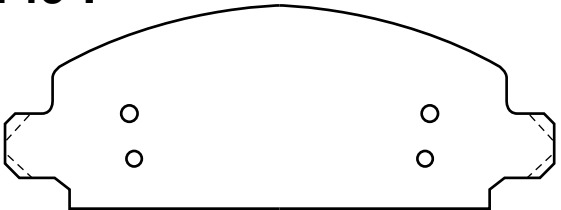
(3.38" Single Piston)

FMSI 7081A-D149

3 - DISC BRAKE



BENDIX HYDRAULIC DISC BRAKE PARTS

<p>HARDWARE KIT Services One Wheel</p> 	MERITOR NO.	REPLACES	
<p>BOOT AND SEAL KIT</p> 	R40H529	Bendix H529	
<p>GUIDE BOLT CALIPER PISTON</p> 	R40H5010	Bendix H5010	
<p>OUTER BRAKE PAD</p>  <p>3.375" Dia.</p>	R4090021 Steel	Bendix 90021	
<p>D149-O Same as D89-O and D129-O</p>  <p>INNER BRAKE PAD</p>	<p>MD149 MMD149 MVD149</p>	<p>BACKING PLATE LENGTH</p>	<p>LINING LENGTH</p>
<p>D149-I</p>  <p>Wear Sensor Will Retrofit D89-I and D129-I</p>		<p>8 1/8"</p>	<p>8"</p>
		<p>7 1/4"</p>	<p>6"</p>

3 - DISC BRAKE

BENDIX HYDRAULIC DISC BRAKE

(3.38" Single Piston)

FMSI 7108-D184
7806-D184
7815-D184
7815-D380
7815-D717

R4255098 (RH) New
R4255099 (LH) New
R42R55098 (RH) Reman
R42R55099 (LH) Reman

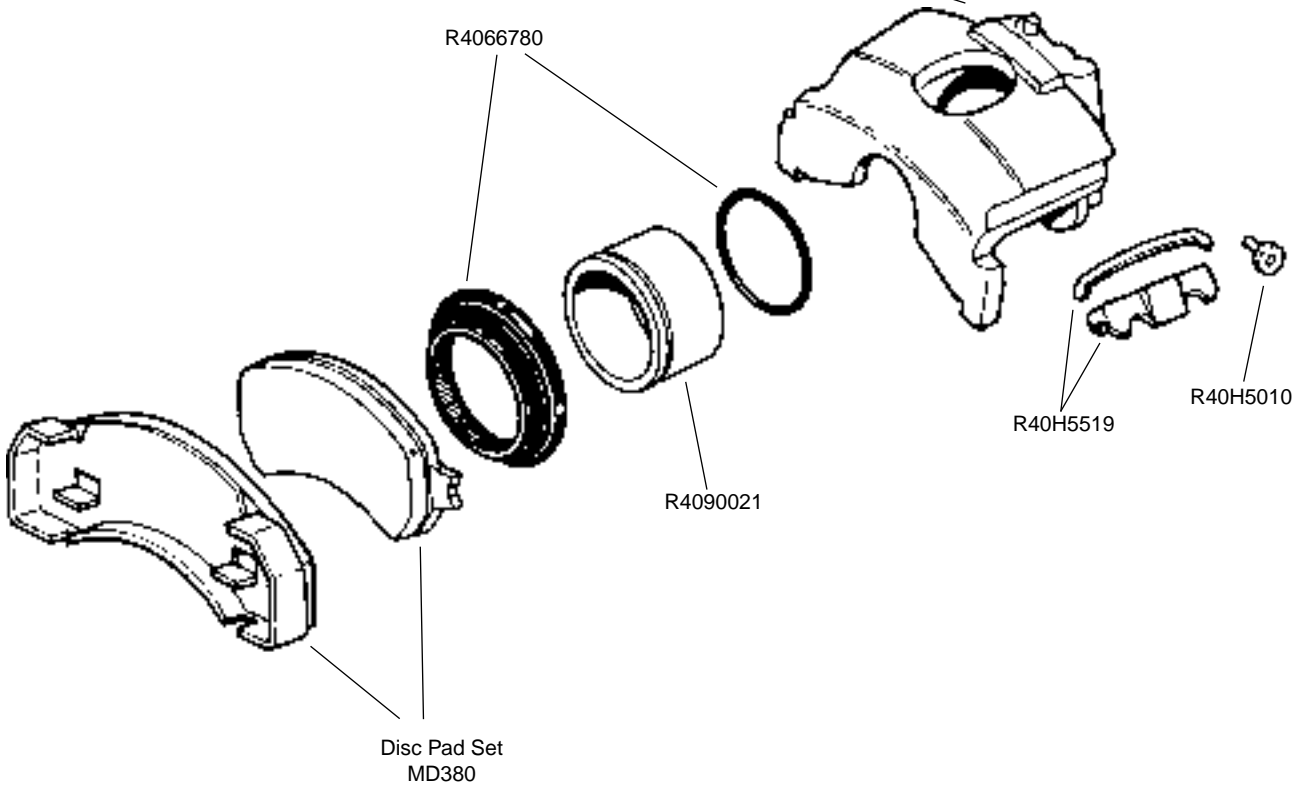
R4066780

R4090021

R40H5519





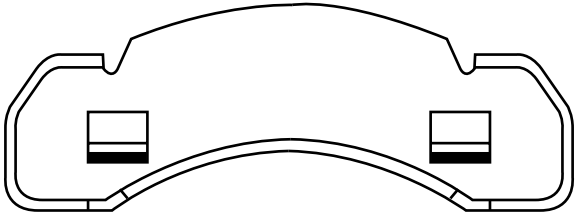
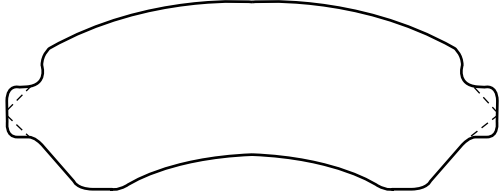
R40H5010

Disc Pad Set
MD380



3 - DISC BRAKE

BENDIX HYDRAULIC DISC BRAKE PARTS

HARDWARE KIT Services One Wheel 	MERITOR NO. R40H5519	REPLACES Bendix H5519 ITEC 44225C1 571667C1	
BOOT AND SEAL KIT 	R4066780	Bendix 66780	
GUIDE BOLT 	R40H5010	Bendix H5010 ITEC 442198C1	
CALIPER PISTON  3.375" Dia.	R4090021 Steel	Bendix 90021	
D380-O OUTER BRAKE PAD  (MOLDED)	MD184 MMD184 MD380 MVD380	BACKING PLATE LENGTH	REPLACES
D380-I INNER BRAKE PAD  (MOLDED)		10 1/16"	ITEC 990952093 NOTE: D184 is a riveted pad, D380 is integrally molded
		LINING LENGTH	
		10"	
BACKING PLATE LENGTH	8 5/64"		
LINING LENGTH	6 53/64"		

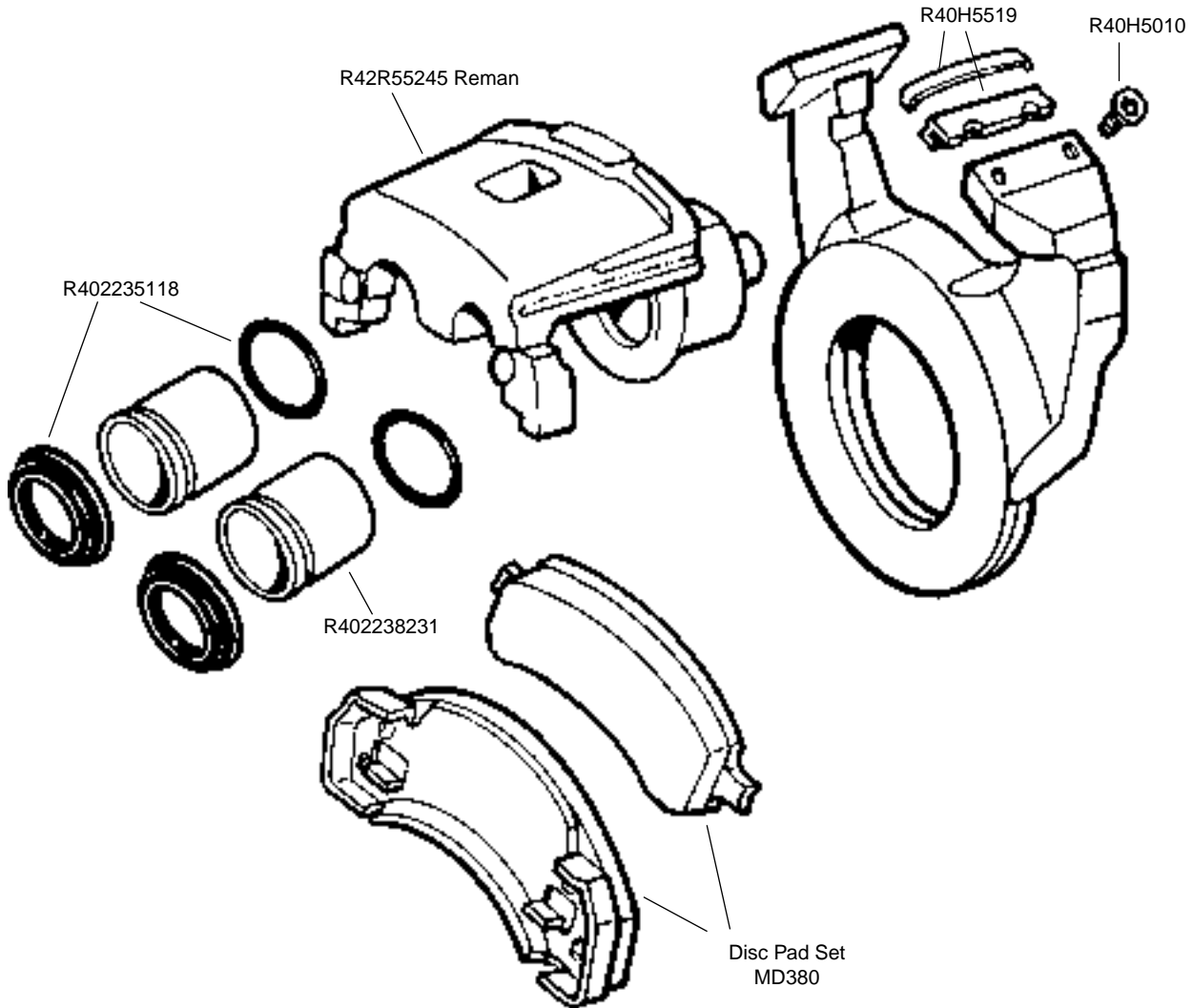
3 - DISC BRAKE

BENDIX HYDRAULIC DISC BRAKE

(2.60" Twin Piston)
FIRST DESIGN
(Pre-1989)

FMSI 7108-D184
7806-D184
7815-D184
7815-D380
7815-D717


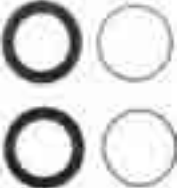


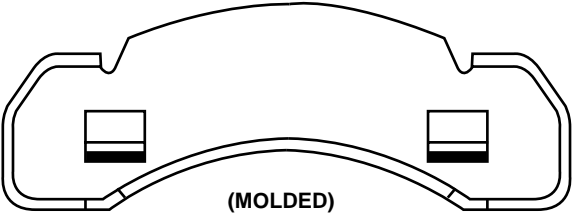

3 - DISC BRAKE



NOTE:

The First Design Caliper (R42R55245) and Second Design Caliper (R4255314, R42R55314) are interchangeable as assemblies, but their component parts are not.

BENDIX HYDRAULIC DISC BRAKE PARTS

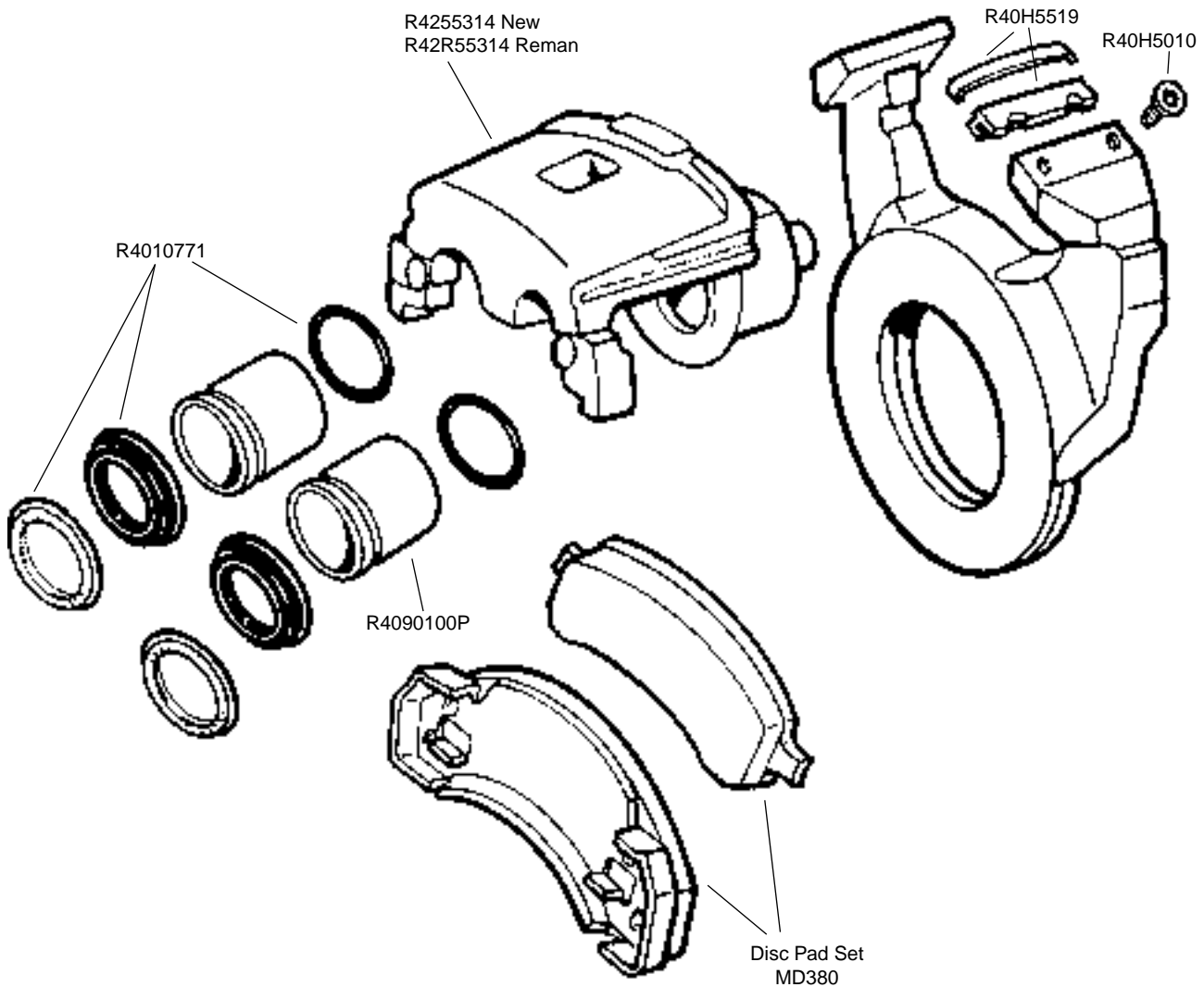
<p>HARDWARE KIT Services One Wheel</p> 	<p>MERITOR NO.</p> <p>R40H5519</p>	<p>REPLACES</p> <p>Bendix H5634 ITEC 442255C1 571667C1</p>		
<p>BOOT AND SEAL KIT</p> 	<p>R402235118</p>	<p>Bendix 66549 2235118 4150389 ITEC 582027C91</p> <p>First and Second Design Pistons and Seals are not interchangeable.</p>		
<p>GUIDE BOLT</p> 	<p>R40H5010</p>	<p>Bendix H5010 ITEC 442198C1</p>		
<p>CALIPER PISTON</p>  <p>2.60" Dia.</p>	<p>R402238231 Steel</p>	<p>Bendix 90055 2238231 ITEC 582025C1</p> <p>First and Second Design Pistons and Seals are not interchangeable.</p>		
<p>D380-O OUTER BRAKE PAD</p>  <p>(MOLDED)</p>	<p>MMD184 MD184 MD380 MVD380</p>	<p>BACKING PLATE LENGTH</p>	<p>REPLACES</p>	
<p>D380-I INNER BRAKE PAD</p>  <p>(MOLDED)</p>		<p>10 1/16"</p>	<p>LINING LENGTH</p>	<p>ITEC 990952C93</p> <p>NOTE: D184 is a riveted pad, D380 is integrally molded</p>
<p>10"</p>		<p>BACKING PLATE LENGTH</p>	<p>8 5/64"</p>	
<p>LINING LENGTH</p>		<p>6 53/64"</p>	<p>6 53/64"</p>	

3 - DISC BRAKE

BENDIX HYDRAULIC DISC BRAKE

(2.60" Twin Piston)
SECOND DESIGN
(Effective with Model Year 1989)

FMSI 7108-D184
7806-D184
7815-D184
7815-D380
7815-D717


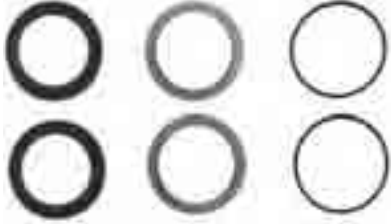


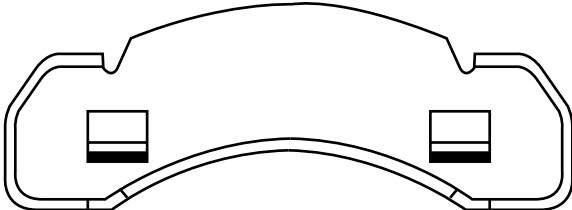
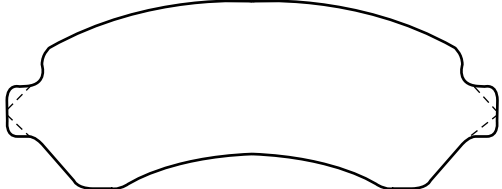


3 - DISC BRAKE

NOTE:

The First Design Caliper (R42R55245) and Second Design Caliper (R4255314, R42R55314) are interchangeable as assemblies, but their component parts are not.

BENDIX HYDRAULIC DISC BRAKE PARTS

<p>HARDWARE KIT Services One Wheel</p> 	<p>MERITOR NO.</p> <p>R40H5519</p>	<p>REPLACES</p> <p>Bendix H5634 ITEC 442255C1 571667C1</p>		
<p>BOOT AND SEAL KIT (SECOND DESIGN)</p> 	<p>R4010771</p>	<p>Bendix 10771</p> <p>Second Design Boot Seal is made with a metal insert and is driven into the caliper housing.</p> <p>Second Design Boot Seal has only 2 folds in the rubber.</p> <p>First and Second Design Pistons and Seals are not interchangeable.</p>		
<p>GUIDE BOLT</p> 	<p>R40H5010</p>	<p>Bendix H5010 ITEC 442198C1</p>		
<p>CALIPER PISTON</p>  <p>2.60" Dia.</p>	<p>R4090100P Phenolic/Steel</p>	<p>Bendix 4151728</p> <p>Second Design Piston is phenolic with a metal "face" designed to reduce wear caused by abrasion on the Disc Pad.</p> <p>First and Second Design Pistons and Seals are not interchangeable.</p>		
<p>D380-O OUTER BRAKE PAD</p>  <p>(MOLDED)</p>	<p>MM184 MD184 MD380 MVD380</p>	<p>BACKING PLATE LENGTH</p>	<p>REPLACES</p>	
<p>D380-I INNER BRAKE PAD</p>  <p>(MOLDED)</p>		<p>10 1/16"</p>	<p>LINING LENGTH</p>	<p>ITEC 990952C93</p> <p>NOTE: D184 is a riveted pad, D380 is integrally molded</p>
		<p>10"</p>	<p>BACKING PLATE LENGTH</p>	
		<p>8 5/64"</p>	<p>LINING LENGTH</p>	
<p>6 53/64"</p>				

3 - DISC BRAKE

BENDIX HYDRAULIC DISC BRAKE

(2.88" Twin Piston)
FIRST DESIGN
(Pre-1988)

FMSI 7142-D225
(Optional 7808-D225)

For Informational
Purposes Only

R40H5522

R40H5010

R406532


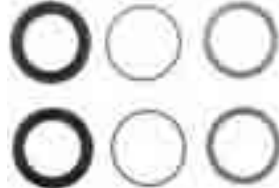


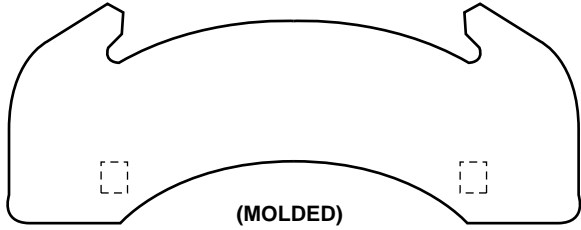
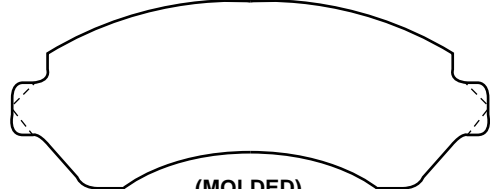
R4090070 (Phenolic)
or
R4090070P
(Chrome Plated Steel)

Disc Pad Set
MD225

3 - DISC BRAKE

NOTE:
The First and Second Design Caliper are interchangeable as assemblies, but their component parts are not.

BENDIX HYDRAULIC DISC BRAKE PARTS

<p>HARDWARE KIT Services One Wheel</p> 	<p>MERITOR NO.</p>	<p>REPLACES</p>		
<p>BOOT AND SEAL KIT (FIRST DESIGN)</p> 	<p>R40H5522</p>	<p>Bendix H5635 GM 15501010 15501013 ITEC 593644C1 592693C1</p>		
<p>GUIDE BOLT</p> 	<p>R40H5010</p>	<p>Bendix H5010 ITEC 442198C1</p>		
<p>CALIPER PISTON</p>  <p>2.88" Dia.</p>	<p>R4090070 Phenolic</p>	<p>Bendix 90070 GM 15514588 ITEC 593694C1</p> <p>R4090070P Chrome Plated Steel Version of R4090070</p> <p>First and Second Design Pistons and Seals are not interchangeable.</p>		
<p>D225-O OUTER BRAKE PAD</p>  <p>(MOLDED)</p>	<p>MD225 MMD225 MVD225</p>	<p>BACKING PLATE LENGTH</p>	<p>REPLACES</p>	
<p>D225-I INNER BRAKE PAD</p>  <p>(MOLDED)</p>		<p>10 5/8"</p>	<p>LINING LENGTH</p>	<p>ITEC 1694274C91 990953C93</p>
<p>10 1/2"</p>		<p>BACKING PLATE LENGTH</p>	<p>8 5/64"</p>	
<p>LINING LENGTH</p>		<p>6 53/64"</p>	<p>LINING LENGTH</p>	

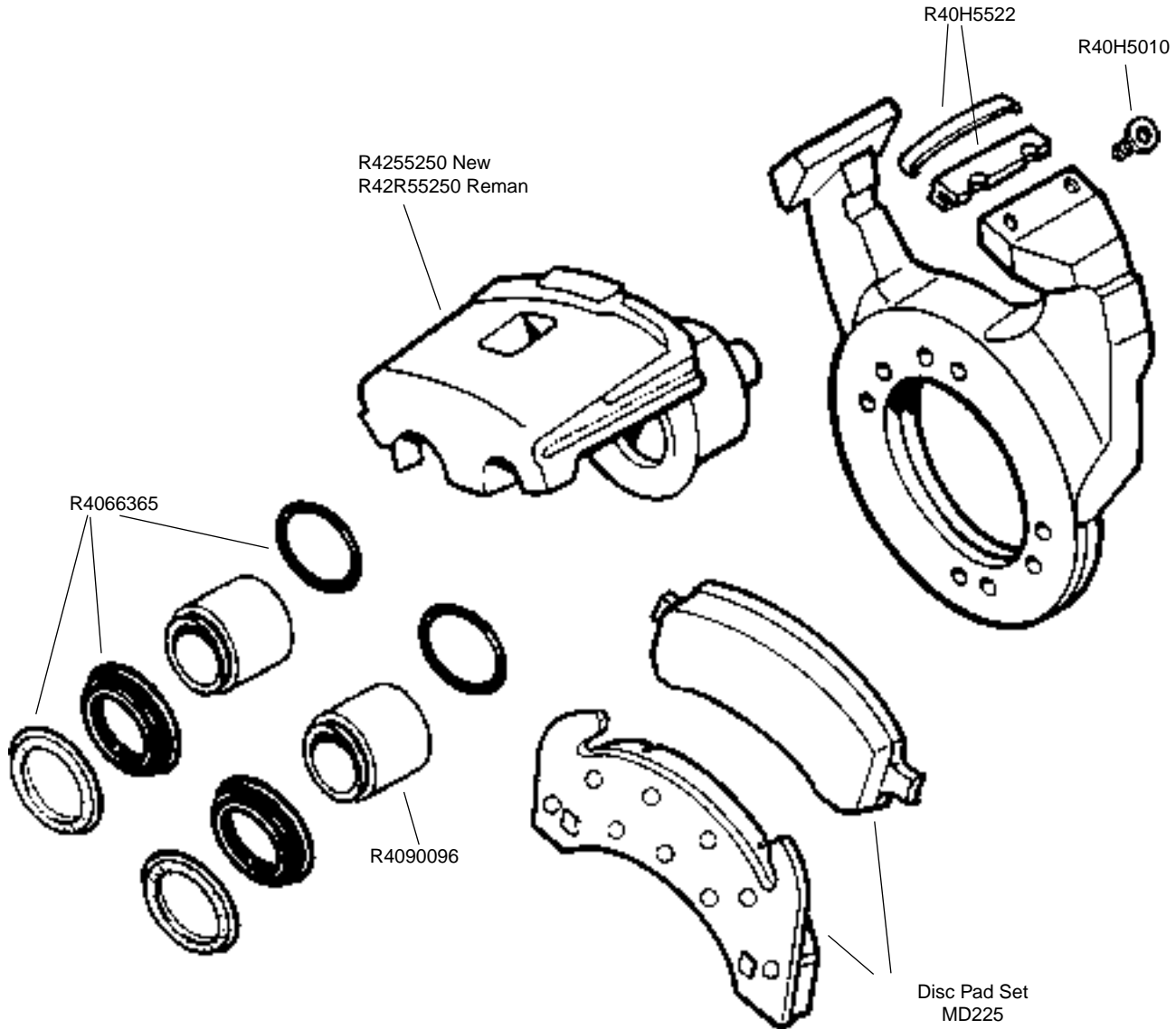
3 - DISC BRAKE

BENDIX HYDRAULIC DISC BRAKE

(2.88" Twin Piston) SECOND DESIGN

(Effective with Model Year 1988 ITEC and GM Medium-Duty Trucks)

FMSI 7142-D225 (Optional 7808-D225)


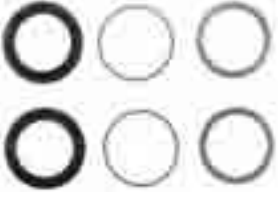


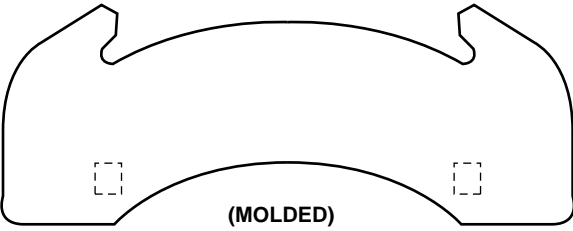
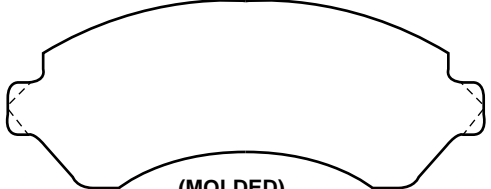


3 - DISC BRAKE

NOTE:
Freightliner with Air Suspension
R4255656

NOTE:
The First and Second Design Caliper are interchangeable as assemblies, but their component parts are not.

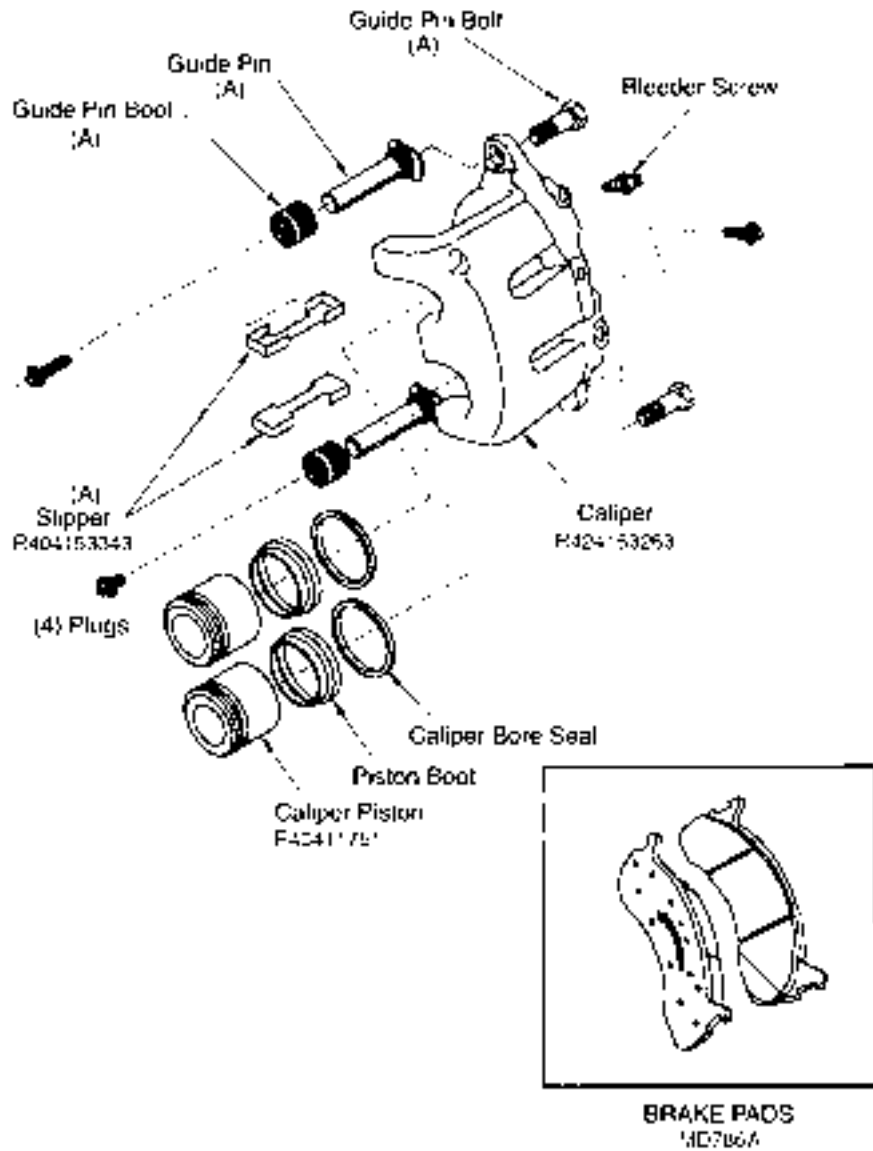
BENDIX HYDRAULIC DISC BRAKE PARTS

<p>HARDWARE KIT Services One Wheel</p> 	<p>MERITOR NO.</p> <p>R40H5522</p>	<p>REPLACES</p> <p>Bendix H5635 GM 15501010 15501013 ITEC 593644C1 592693C1</p>	
<p>BOOT AND SEAL KIT</p> 	<p>R4066365</p>	<p>Bendix 66381</p> <p>Second Design Boot Seal is made with a metal insert and is driven into the caliper housing.</p> <p>Second Design Boot Seal has only 2 folds in the rubber.</p> <p>First and Second Design Pistons and Seals are not interchangeable.</p>	
<p>GUIDE BOLT</p> 	<p>R40H5010</p>	<p>Bendix H5010 ITEC 442198C1</p>	
<p>CALIPER PISTON</p>  <p>2.88" Dia.</p>	<p>R4090096 Phenolic/Steel</p>	<p>Bendix 90096</p> <p>Second Design Piston is phenolic with a metal "face" designed to reduce wear caused by abrasion on the Disc Pad.</p> <p>First and Second Design Pistons and Seals are not interchangeable.</p>	
<p>D225-O OUTER BRAKE PAD</p>  <p>(MOLDED)</p>	<p>MD225 MMD225 MVD225</p>	<p>BACKING PLATE LENGTH</p>	<p>REPLACES</p>
<p>D225-I INNER BRAKE PAD</p>  <p>(MOLDED)</p>		<p>10 5/8"</p>	<p>LINING LENGTH</p>
<p>10 1/2"</p>	<p>BACKING PLATE LENGTH</p>	<p>8 5/64"</p>	
<p>LINING LENGTH</p>	<p>6 53/64"</p>		

3 - DISC BRAKE

BOSCH HYDRAULIC DISC BRAKE




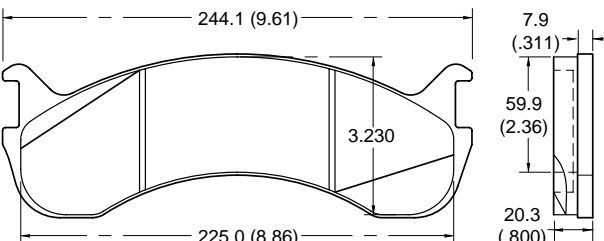
Pin Slide Disc Brake Components (66MM)



3 - DISC BRAKE

A	Contained in Guide Pin Kit R4011754
---	-------------------------------------

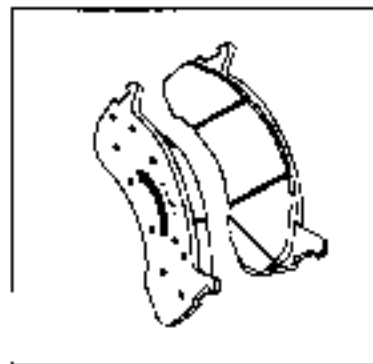
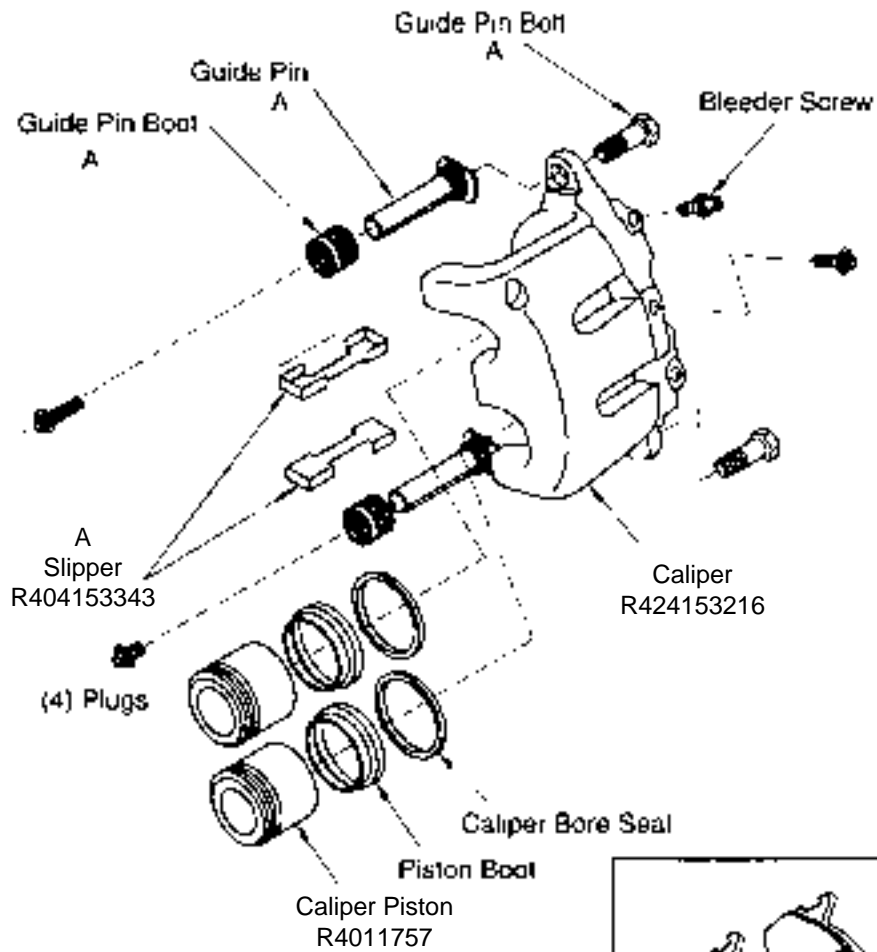
BOSCH HYDRAULIC DISC BRAKE

<p>GUIDE PIN KIT Services One Wheel</p> 	<p>MERITOR NO.</p>	<p>REPLACES</p>
<p>BOOT AND SEAL KIT</p> 	<p>R4011754</p>	<p>Bosch 2 BX4153343 Slippers 2 BX4153232 Guide Pin Boot 2 BX4153231 Guide Pin 2 BX4153235 Guide Pin Bolt</p>
<p>CALIPER PISTON</p>  <p>66MM Dia. (not actual Piston shown)</p>	<p>R4011751 (66MM)</p>	<p>Bosch BX4153264 (Piston)</p>
<p>D786 OUTER AND INNER BRAKE PAD</p> 	<p>MM786A MD786A MVD786A</p>	<p>KIT D786A FMSI 7654D786 Thin Set</p> <p>ITEC 2501842C91</p>

3 - DISC BRAKE




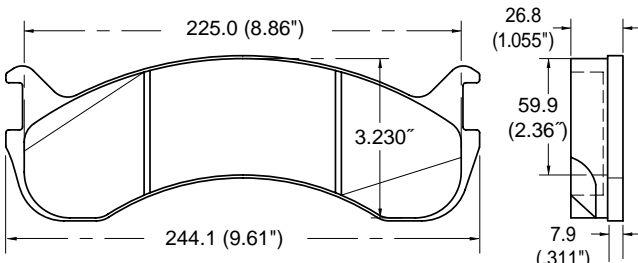
BOSCH HYDRAULIC DISC BRAKE

Pin Slide Disc Brake Components (73MM)



BRAKE PADS
MD786A

BOSCH HYDRAULIC DISC BRAKE

<p>GUIDE PIN KIT Services One Wheel</p> 	<p>MERITOR NO.</p>	<p>REPLACES</p>
<p>BOOT AND SEAL KIT</p> 	<p>R4011754</p>	<p>Bosch 2 BX4153343 Slippers 2 BX4153232 Guide Pin Boot 2 BX4153231 Guide Pin 2 BX4153235 Guide Pin Bolt</p>
<p>CALIPER PISTON</p>  <p>73MM Dia. (not actual Piston shown)</p>	<p>R4011758 (73MM)</p>	<p>Bosch BX22338679 (Seal) BX4153219 (Boot)</p>
<p>D786 OUTER AND INNER BRAKE PAD</p> 	<p>R4011757 (73MM)</p>	<p>Bosch BX4153217 (Piston)</p> <p>MMD786 MD786 MVD786</p> <p>KIT D786S FMSI 7655D786</p> <p>ITEC 2501841C91</p>

3 - DISC BRAKE

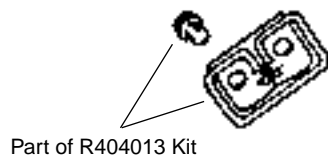
GUNITE (KELSEY-HAYES) HYDRAULIC DISC BRAKE

3 5/8" Dia. (3.62")
(Air Over Hydraulic)

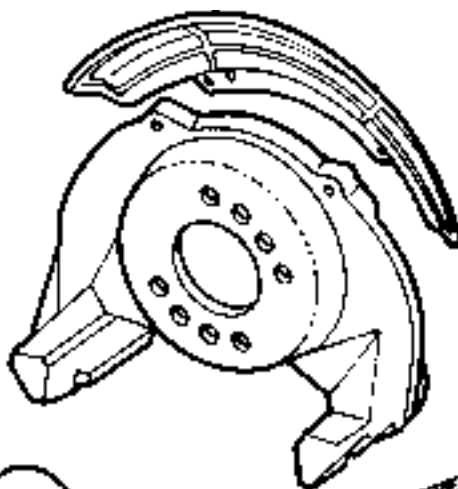
FMSI 7098-D171
7041-D105

Casting No.
KH91142-1

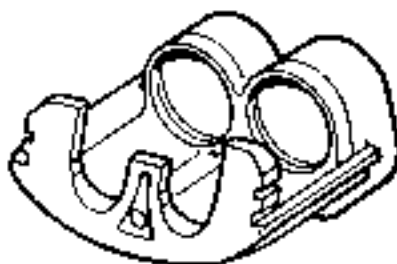
Gunite/HD1002
D5HA2B120BB



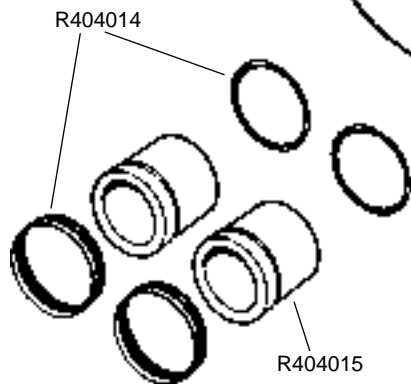
Part of R404013 Kit



Part of R404013 Kit

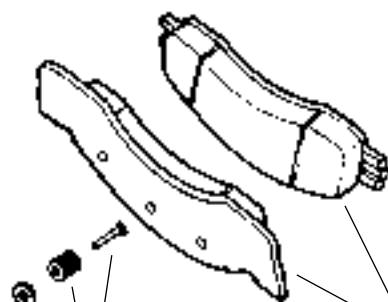


NOTE:
Caliper not available
at this time



R404014

R404015



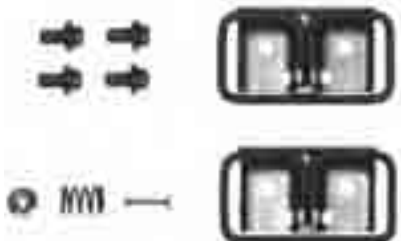


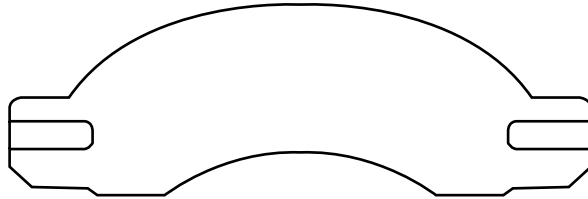
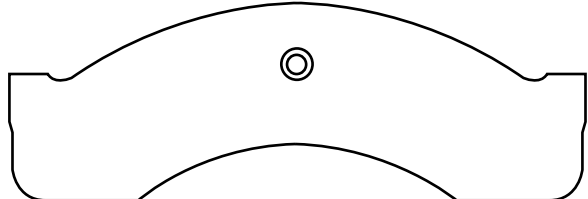
Disc Pad Set
MD171

Part of R404013 Kit

Rotors:		
R44141856	D5HZ-1102A	(Gunite No. R3065X)
N/A	D5HZ-1102B	(Gunite No. R3064X)

3 - DISC BRAKE

GUNITE (KELSEY-HAYES) HYDRAULIC DISC BRAKE

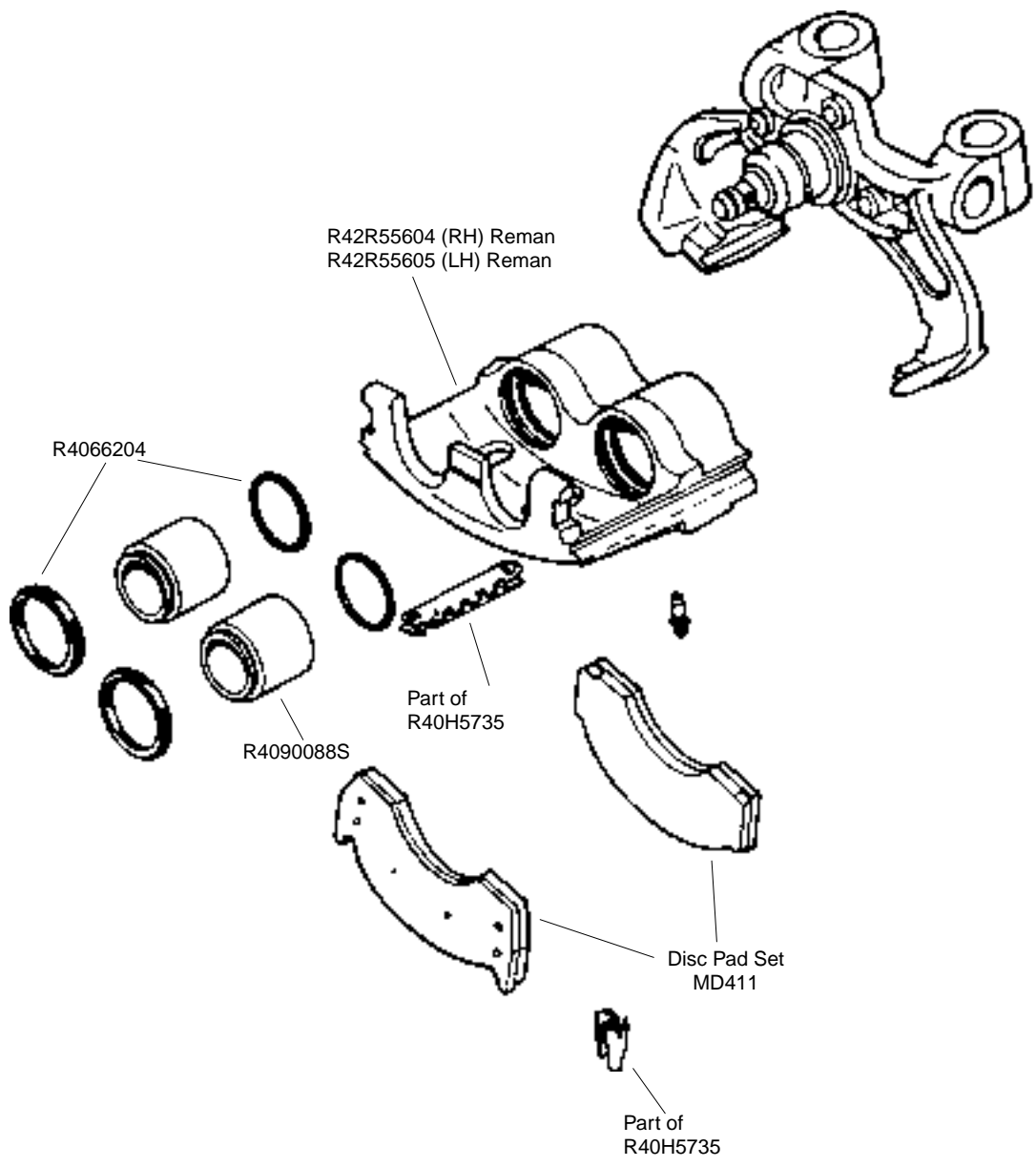
HARDWARE KIT Services One Wheel 	MERITOR NO.	REPLACES
BOOT AND SEAL KIT 	R404013	Gunite HD8001
CALIPER PISTON  3.625" Dia.	R404014 Steel	Gunite HD5004 Gunite HD5005
D171-I INNER BRAKE PAD  (MOLDED) (Has 1/4" radius removed)	MD171 MMD171 MVD171	Gunite HD3002B (Gunite Kit includes Pads, Pins, Springs and Clips)
D171-O OUTER BRAKE PAD  (MOLDED) (Has 1/4" radius removed)		

3 - DISC BRAKE

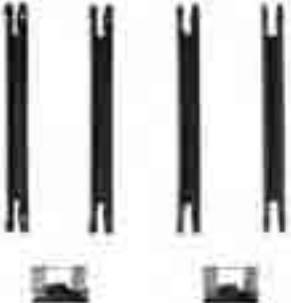


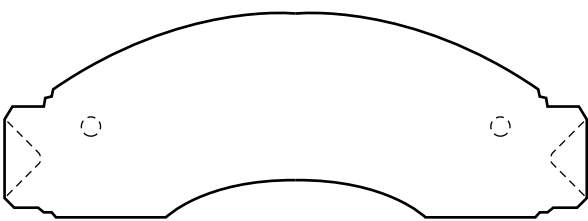
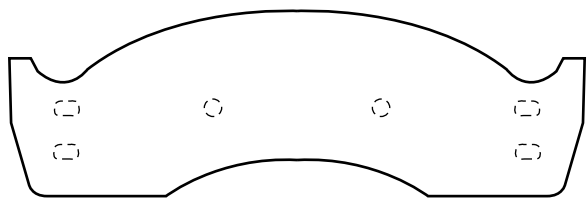
GUNITE (KELSEY-HAYES) HYDRAULIC DISC BRAKE FOR FORD F450 SUPER DUTY

FMSI 7299-D411

3 - DISC BRAKE



GUNITE (KELSEY-HAYES) HYDRAULIC DISC BRAKE PARTS

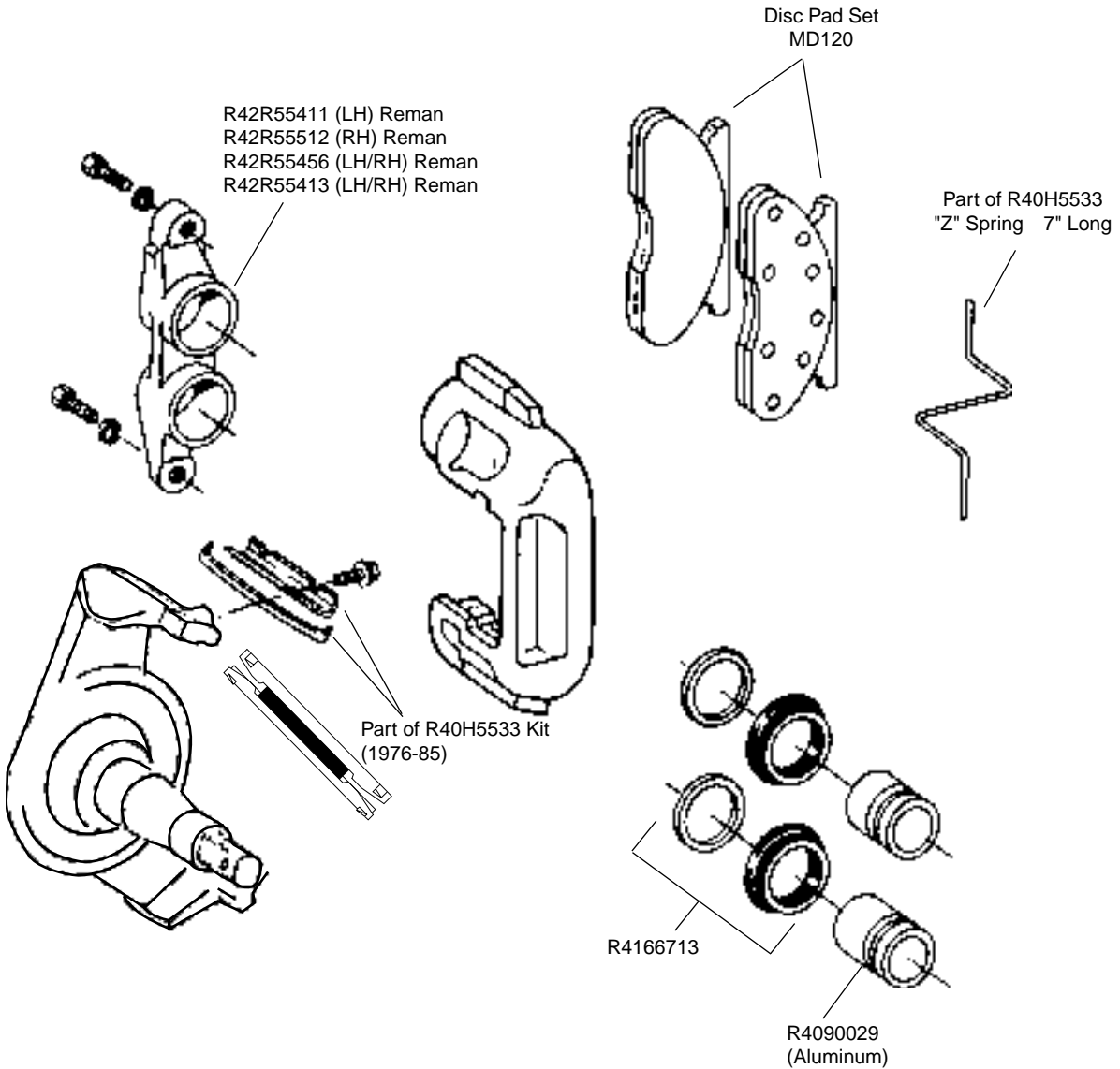
<p>HARDWARE KIT Services One Axle</p> 	<p>MERITOR NO.</p>	<p>REPLACES</p>
<p>BOOT AND SEAL KIT</p> 	<p>R40H5735</p>	<p>Ford E8TZ-2B164A E8TZ-2C150A</p>
<p>CALIPER PISTON</p>  <p>2.35" Dia.</p>	<p>R4090088S Steel</p>	<p>Ford E8TZ-2196B</p>
<p>INNER BRAKE PAD</p> <p>D411-E</p>  <p>(MOLDED)</p>	<p>MD411 MMD411 MVD411</p>	<p>—</p>
<p>OUTER BRAKE PAD</p> <p>D411-O</p>  <p>(MOLDED)</p>		

3 - DISC BRAKE





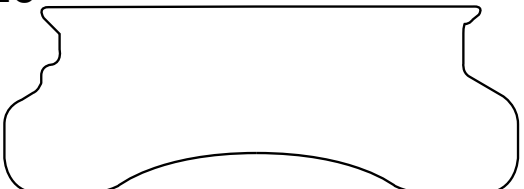
MERITOR HYDRAULIC DISC BRAKE

FMSI 7054-D120

3 - DISC BRAKE



MERITOR HYDRAULIC DISC BRAKE PARTS

<p>HARDWARE KIT Services One Wheel</p>  <p>1976-1985</p>	<p>MERITOR NO.</p> <p>R40H5533</p>	<p>REPLACES</p> <p>Bendix H5533 Meritor 60-050135</p> <p>Use R4255250 Guide Bolt with this configuration (1976-1985).</p> <p>Note: Pad Retainer Spring 7" Long</p>	
<p>HARDWARE KIT Services One Wheel</p>  <p>1986-1995</p>	<p>R407130</p>	<p>Carlson H5011 & H5420</p> <p>Replaces R4255250 Guide Bolt, Support Key and Spring from R40H5533 (1986-1995).</p> <p>Note: Pad Retainer Spring 7" Long</p>	
<p>BOOT AND SEAL KIT</p> 	<p>R4166713</p>	<p>Bendix 66713 Meritor 60-050136</p>	
<p>CALIPER PISTON</p>  <p>2.181" Dia.</p>	<p>R4090029 Aluminum</p>	<p>Bendix 90029 Meritor 69-270621</p>	
<p>D120 OUTER AND INNER BRAKE PAD</p>  <p>OEM Shoes with insulator have the same profile for inner/outer material location</p>	<p>MD120 MMD120 MVD120</p>	<p>BACKING PLATE LENGTH</p>	<p>REPLACES</p>
		<p>7 9/16"</p>	<p>Meritor 60-050169</p>
		<p>LINING LENGTH</p> <p>7 7/16"</p>	

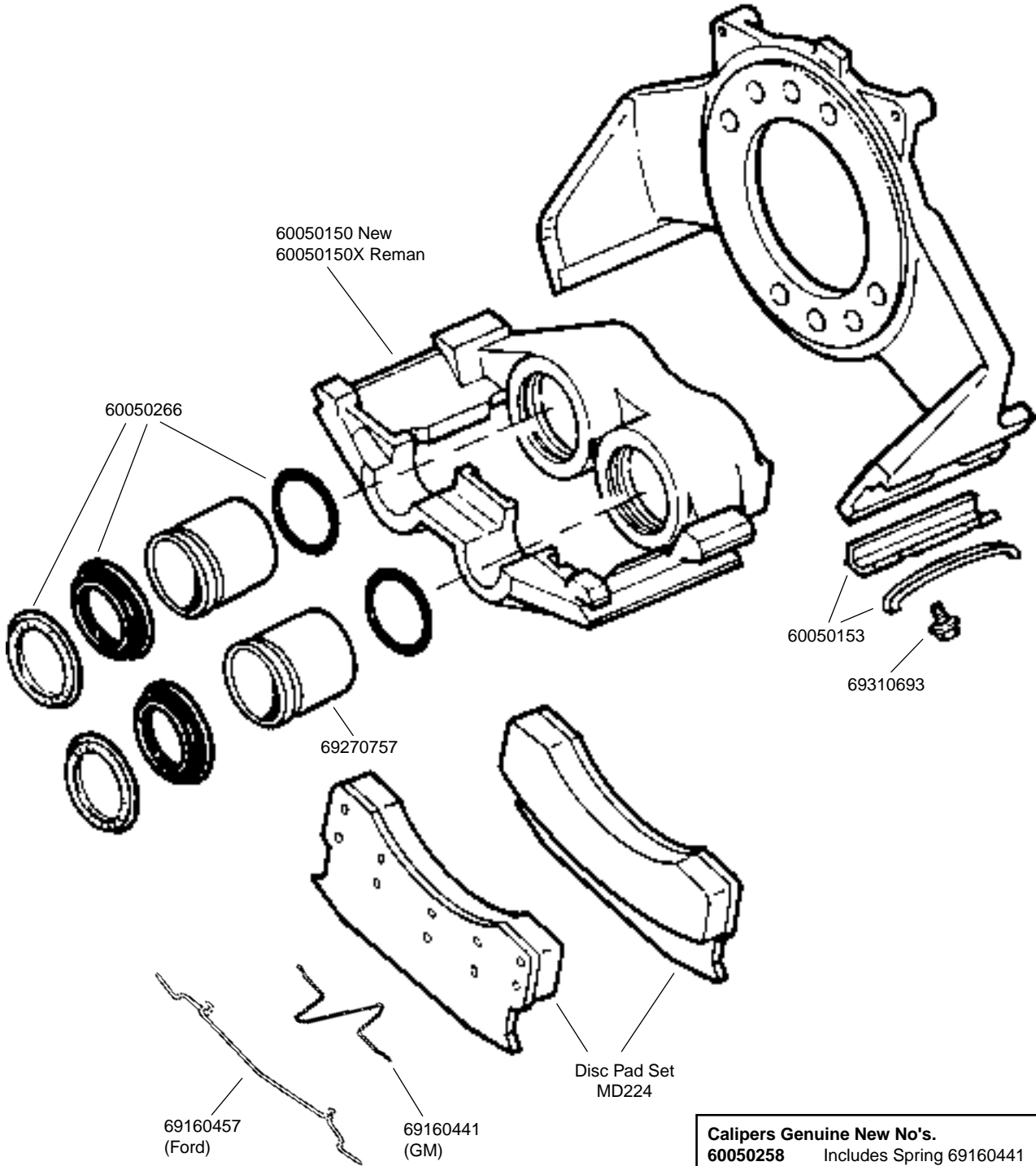
3 - DISC BRAKE

MERITOR HYDRAULIC DISC BRAKE

(2.50" Twin Piston)







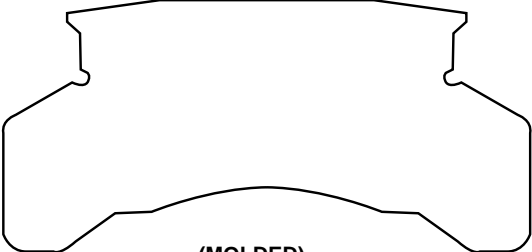
FMSI 7141-D224
(Optional 7807-D224)

3 - DISC BRAKE



Calipers Genuine New No's.	
60050258	Includes Spring 69160441
60450395MD	Includes Hardware and Pads
60050150	Bare Caliper Assembly
Calipers All Makes New	
R4255251	Bare Caliper Assembly

MERITOR HYDRAULIC DISC BRAKE PARTS

<p>HARDWARE KIT Services One Wheel</p> 	MERITOR NO.	REPLACES	
<p>BOOT AND SEAL KIT</p> 	60050153	Ford E4HZ-28487A E4HZ-28552A GM 15501147 Meritor 69-420654 69-69160383	
<p>GUIDE BOLT</p> 	69310693	Carlson H5037 For Use With 60050153 Kit	
<p>DISC PAD RETAINER CLIP FORD</p> 	69160457	—	
<p>DISC PAD RETAINER CLIP GM</p> 	69160441	Meritor 69-160441B	
<p>CALIPER PISTON</p>  <p>2.50" Dia.</p>	69270757 Aluminum	Meritor 69-270757	
<p>D224 OUTER AND INNER BRAKE PAD</p>  <p>(MOLDED)</p>	MD224 MMD224 MVD224	BACKING PLATE LENGTH	REPLACES
		8 13/32"	Meritor 69-240767
		LINING LENGTH	
		8 11/32"	

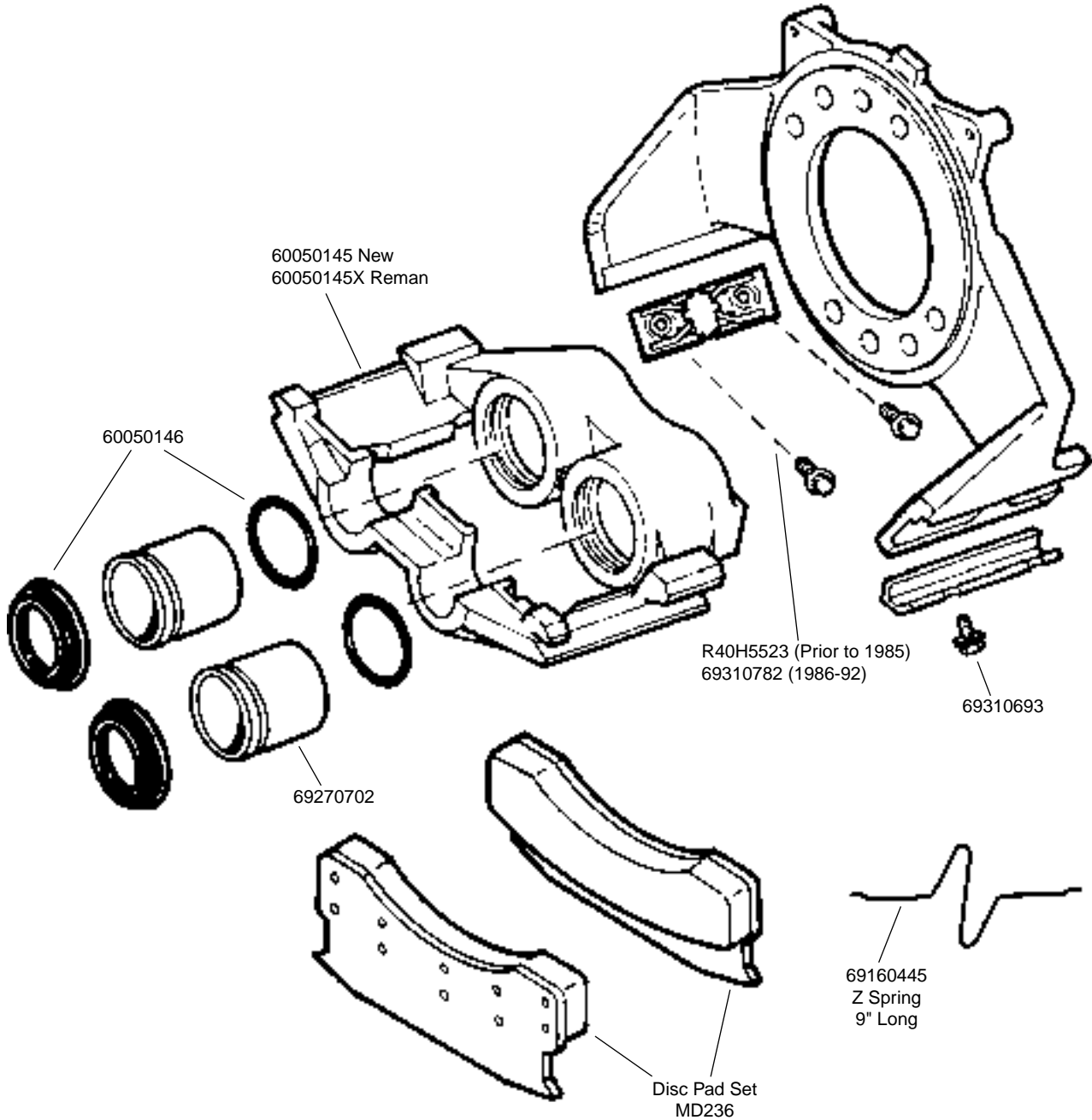
3 - DISC BRAKE

MERITOR HYDRAULIC DISC BRAKE

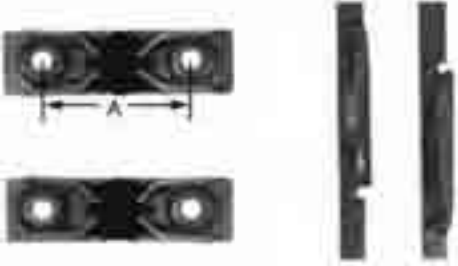




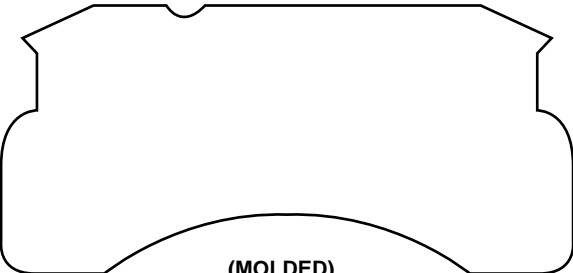
(2.88" Twin Piston)

FMSI 7149-D236
7809-D236

3 - DISC BRAKE



MERITOR HYDRAULIC DISC BRAKE PARTS

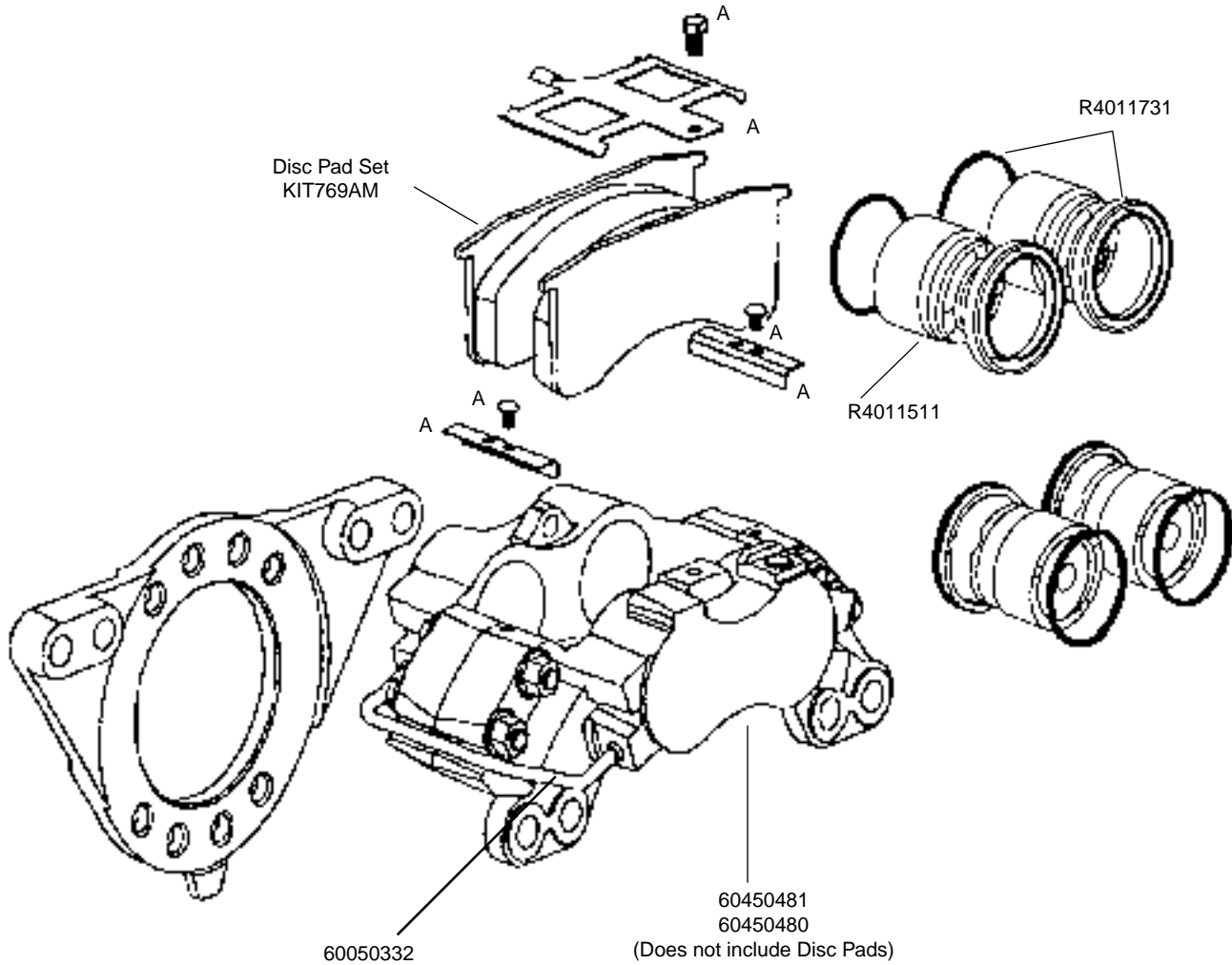
<p>HARDWARE KIT Services One Axle</p>  <p>Meritor has changed the caliper keys contained in the new kits to separate left hand and right hand keys. Because the end user probably will not know which caliper key is needed, Meritor now supplies both keys in the new kits which service one axle.</p>	<p>MERITOR NO.</p>		<p>REPLACES</p>	
<p>BOOT AND SEAL KIT</p> 	<p>60050146</p>		<p>Meritor 69-050146</p>	
<p>GUIDE BOLT</p> 	<p>69310693</p>		<p>For Use With R40H5523, 69310782 Meritor 69310782</p>	
<p>CALIPER PISTON</p>  <p>2.88" Dia.</p>	<p>69270702 Aluminum</p>		<p>Meritor 69-270702</p>	
<p>DISC PAD RETAINER CLIP</p> 	<p>69160445</p>		<p>Meritor 69-160445B Note: Disc Pad Retainer 9" Long</p>	
<p>D236 OUTER AND INNER BRAKE PAD</p>  <p>(MOLDED)</p>	<p>MD236 MMD236 MVD236</p>		<p>BACKING PLATE LENGTH</p>	<p>REPLACES</p>
			<p>9"</p>	<p>Meritor 69-240770</p>
			<p>LINING LENGTH</p>	
			<p>8 15/16"</p>	

3 - DISC BRAKE

MERITOR HYDRAULIC DISC BRAKE

**4 x 64MM Quadraulic
Phenolic Piston
7/16"-24 Inlet**

3 - DISC BRAKE




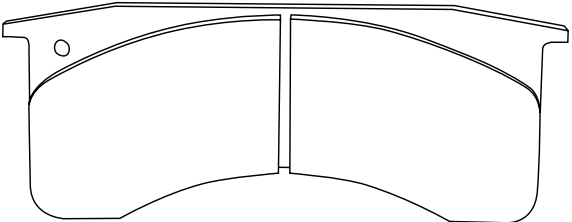


Note: See Meritor Quadraulic Disc Brake ID Chart in the Calipers section, page 5-54, on how to ID.

A	Contained in Hardware R4011729
---	-----------------------------------

60450481008 60450480008 Includes Disc Pads KITD769GM

MERITOR HYDRAULIC DISC BRAKE

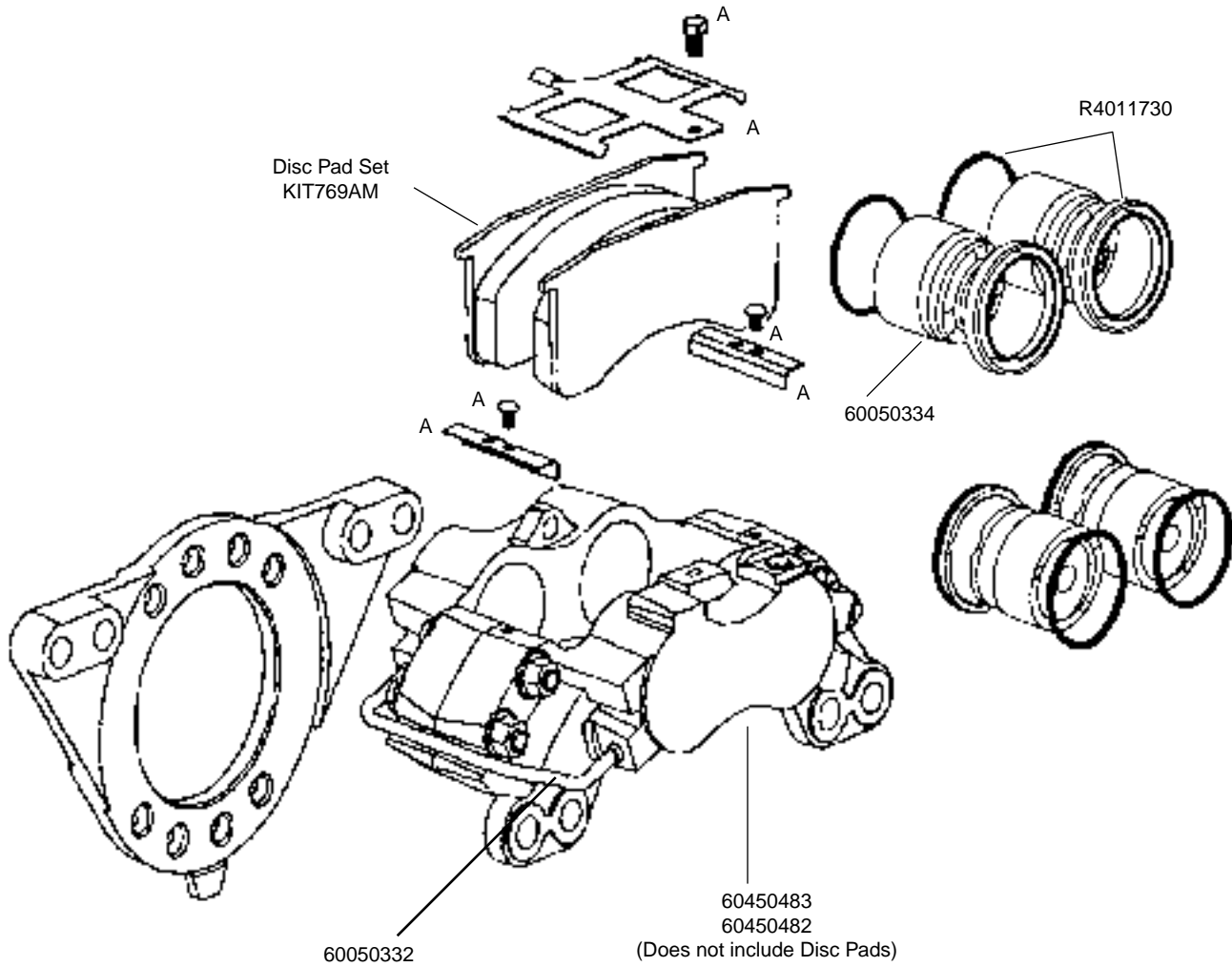
HARDWARE KIT Services One Wheel	MERITOR NO.	REPLACES
	R4011729	Meritor 1 69160483 (Anti-Rattle Spring) 1 69310818 (Bolt) 2 69330709 (Lining Spacer) 2 69310819 (Lining Spacer Bolt)
BOOT AND SEAL KIT 	R4011731 (64MM)	Meritor 69170343 (Seal) 69340647 (Boot)
CALIPER PISTON  64MM Dia.	R4011511 (64MM)	Meritor 69260551 (Piston) 69330719 (Heat Shield)
D769 OUTER AND INNER BRAKE PAD 	KITD769AM KITD769GM MD769 MVD769 MMD769	FMSI 7636 Note: FMSI 7636D1032 is the same as 7636D769. The lining did not change. While the backing plates are the same dimension, the D1032 plate includes a lug used to attach a squealer tab required by some OEMs. The existing Meritor disc pads already meet this requirement.

3 - DISC BRAKE

MERITOR HYDRAULIC DISC BRAKE

4 x 70MM Quadraulic Phenolic Piston 7/16"-24 Inlet

3 - DISC BRAKE




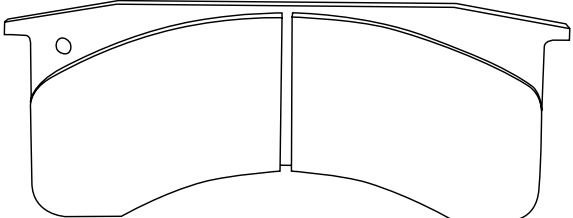


Note: See Meritor Qualdraulic Disc Brake ID Chart in the Calipers section, page 5-54, on how to ID.

A	Contained in Hardware R4011729
---	-----------------------------------

60450483008 60450482008 Includes Disc Pads KITD769GM

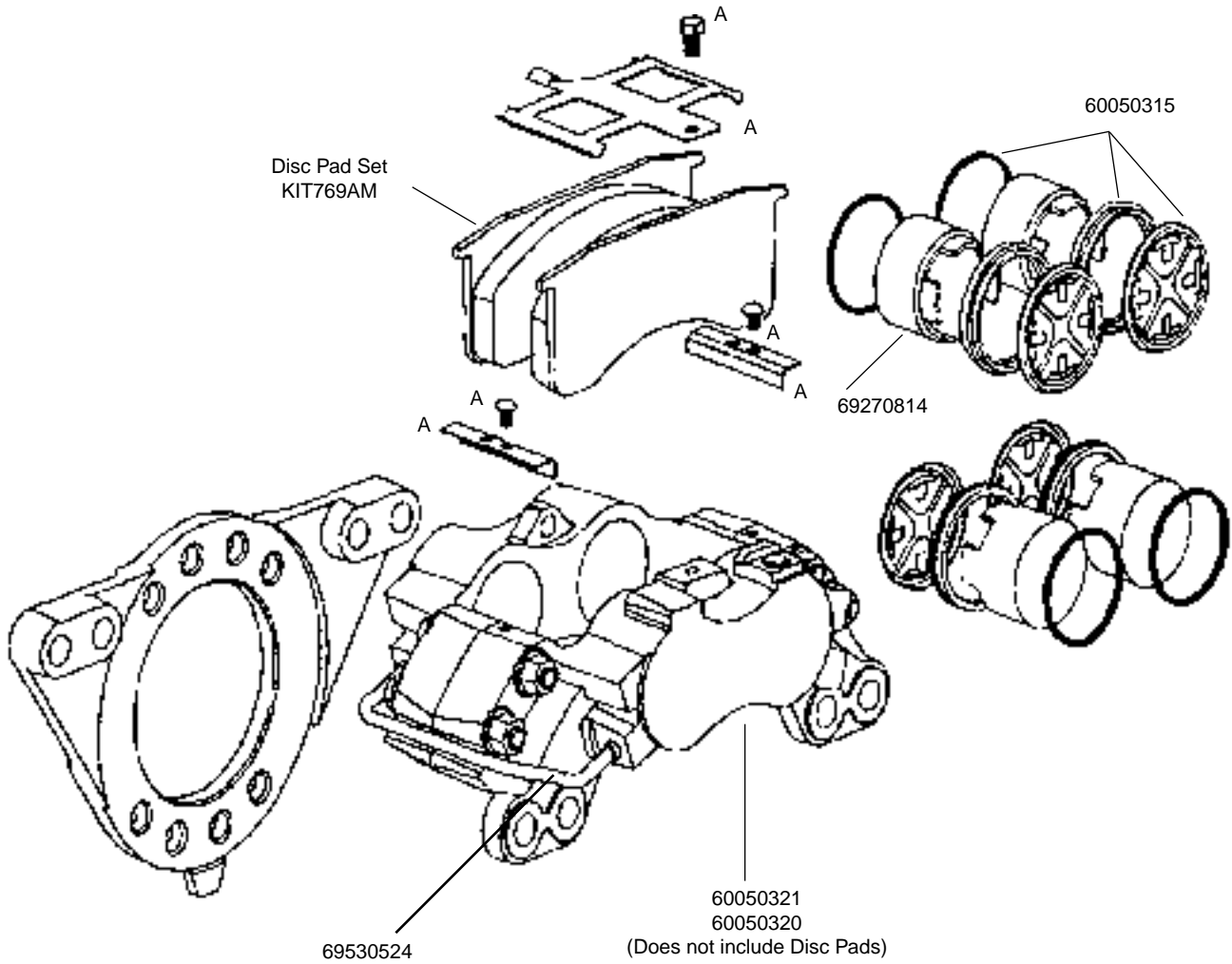
MERITOR HYDRAULIC DISC BRAKE

HARDWARE KIT Services One Wheel	MERITOR NO.	REPLACES
	R4011729	Meritor 1 69160483 (Anti-Rattle Spring) 1 69310818 (Bolt) 2 69330709 (Lining Spacer) 2 69310814 (Lining Spacer Bolt)
BOOT AND SEAL KIT 	R4011730	Meritor 4 69340646 (Boot) 4 69170337 (Seal)
CALIPER PISTON  70MM Dia.	60050334 Phenolic	Meritor 1 60050334 (Piston) or 1 69260549 (Piston)
D769 OUTER AND INNER BRAKE PAD 	KITD769GM KITD769AM MD769 MVD769 MMD769	FMSI 7636 Note: FMSI 7636D1032 is the same as 7636D769. The lining did not change. While the backing plates are the same dimension, the D1032 plate includes a lug used to attach a squealer tab required by some OEMs. The existing Meritor disc pads already meet this requirement.

MERITOR HYDRAULIC DISC BRAKE

4 x 70MM Quadraulic Steel Piston M10 x 1.5 Inlet Port

3 - DISC BRAKE




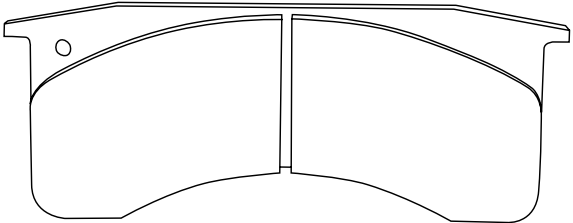


Note: See Meritor Quadraulic Disc Brake ID Chart in the Calipers section, page 5-54, on how to ID.

A	Contained in Hardware R4011121
----------	---

60450455 60450454 Includes Disc Pads KITD769GM
--

MERITOR HYDRAULIC DISC BRAKE

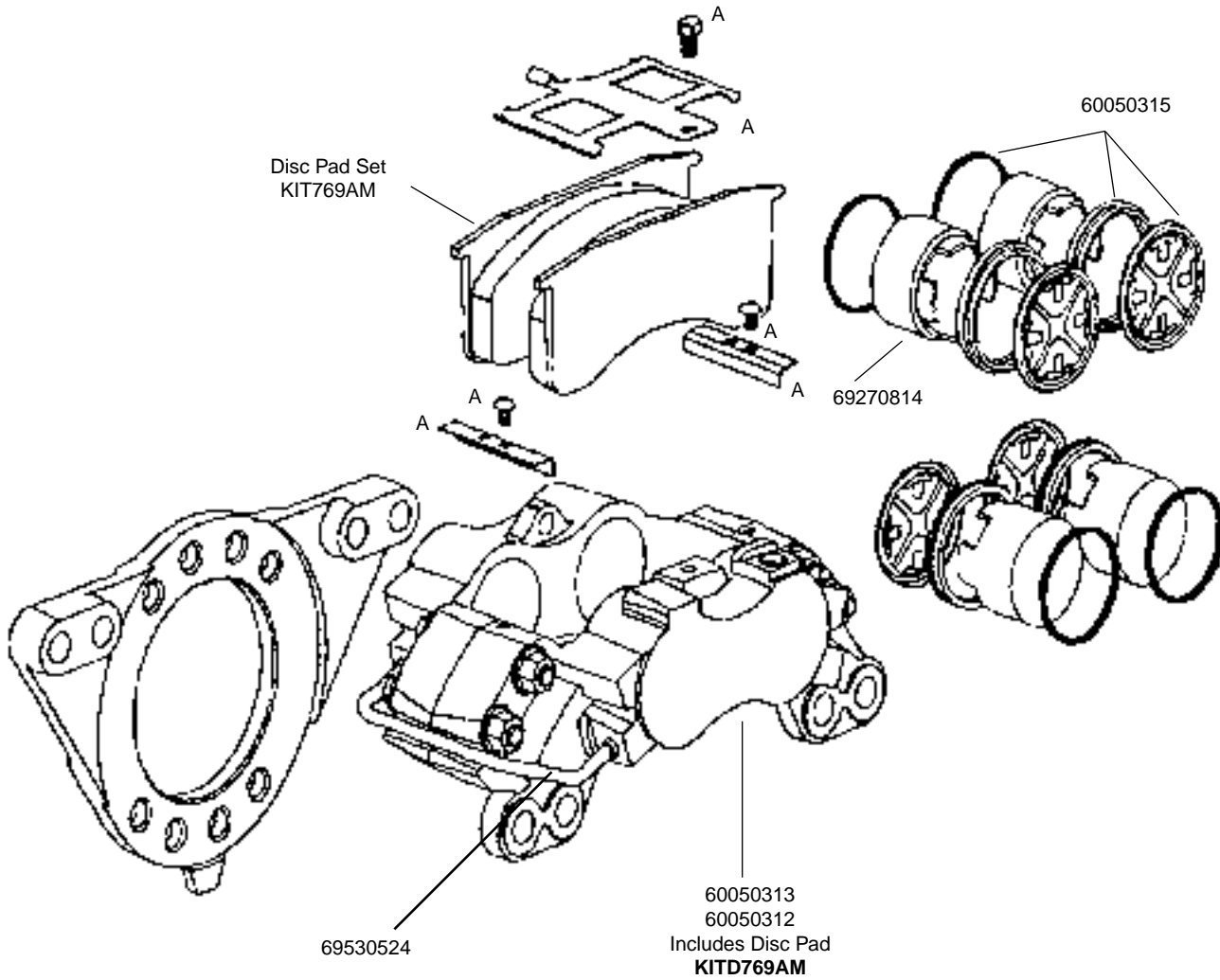
<p>HARDWARE KIT Services One Wheel</p> 	<p>MERITOR NO.</p>	<p>REPLACES</p>
<p>BOOT AND SEAL KIT</p> 	<p>R4011121</p>	<p>Meritor 1 69160483 (Anti-Rattle Spring) 1 69310818 (Bolt) 2 69310803 (Lining Spacer Bolt) 2 69330709 (Lining Spacer)</p>
<p>PHENOLIC CALIPER PISTON</p>  <p>70MM Dia</p>	<p>60050315</p>	<p>For Steel Piston (Steel Piston No Longer Available as new service replacement)</p> <p>Meritor 4 69340642 (Boot) 4 69170337 (Seal) 4 69330714 (Boot Shield)</p>
<p>OUTER AND INNER BRAKE PAD D769</p> 	<p>R4011730</p>	<p>For Phenolic Replacement Piston</p> <p>4 69170337 (Seal) 4 69340646 (Boot)</p>
	<p>60050334</p>	<p>Meritor 60050334 or 69260549</p>
	<p>KITD769AM KITD769GM MD769 MMD769 MVD769</p>	<p>Meritor 69210823 60050314</p> <p>FMSI 7636</p> <p>Note: FMSI 7636D1032 is the same as 7636D769. The lining did not change. While the backing plates are the same dimension, the D1032 plate includes a lug used to attach a squealer tab required by some OEMs. The existing Meritor disc pads already meet this requirement.</p>

3 - DISC BRAKE

MERITOR HYDRAULIC DISC BRAKE

**4 x 70MM Quadraulic
Steel Piston
7/16"-24 Inlet Port**




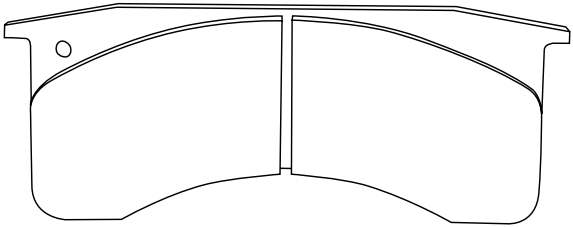
3 - DISC BRAKE



Note: See Meritor Quadraulic Disc Brake ID Chart in the Calipers section, page 5-54, on how to ID.

A	Contained in Hardware R4011121
---	-----------------------------------

MERITOR HYDRAULIC DISC BRAKE

<p>HARDWARE KIT Services One Wheel</p> 	MERITOR NO.	REPLACES
<p>BOOT AND SEAL KIT</p> 	<p>R4011121</p>	<p>Meritor 1 69160483 (Anti-Rattle Spring) 1 69310818 (Bolt) 2 69310803 (Lining Spacer Bolt) 2 69330709 (Lining Spacer)</p>
<p>PHENOLIC CALIPER PISTON</p>  <p>70MM Dia</p>	<p>60050334</p>	<p>Meritor 60050344 or 69260549</p>
<p>OUTER AND INNER BRAKE PAD D769</p> 	<p>KITD769AM KITD769GM MD769 MMD769 MVD769</p>	<p>Meritor 69210823 60050314 FMSI 7636</p> <p>Note: FMSI 7636D1032 is the same as 7636D769. The lining did not change. While the backing plates are the same dimension, the D1032 plate includes a lug used to attach a squealer tab required by some OEMs. The existing Meritor disc pads already meet this requirement.</p>

3 - DISC BRAKE

NOTES

3 - DISC BRAKE

Domestic Drum Brake
Assemblies & Exploded Views
and Reference Charts
Section 4

LIGHT-DUTY TRUCK DRUM BRAKE KIT PROGRAM

Meritor offers a full line of Hydraulic Drum Brake Hardware Kits for light-duty trucks and vans. For reference purposes, the illustrations below indicate the components found in a typical Meritor Drum Brake Kit.

Each Meritor Hold Down Kit contains enough parts to service one axle.

Each Meritor Adjuster Kit contains enough parts to service one wheel.

HOLD DOWN KITS

- Kits contain all components needed to repair a single axle
- Replacement promotes longer lining life



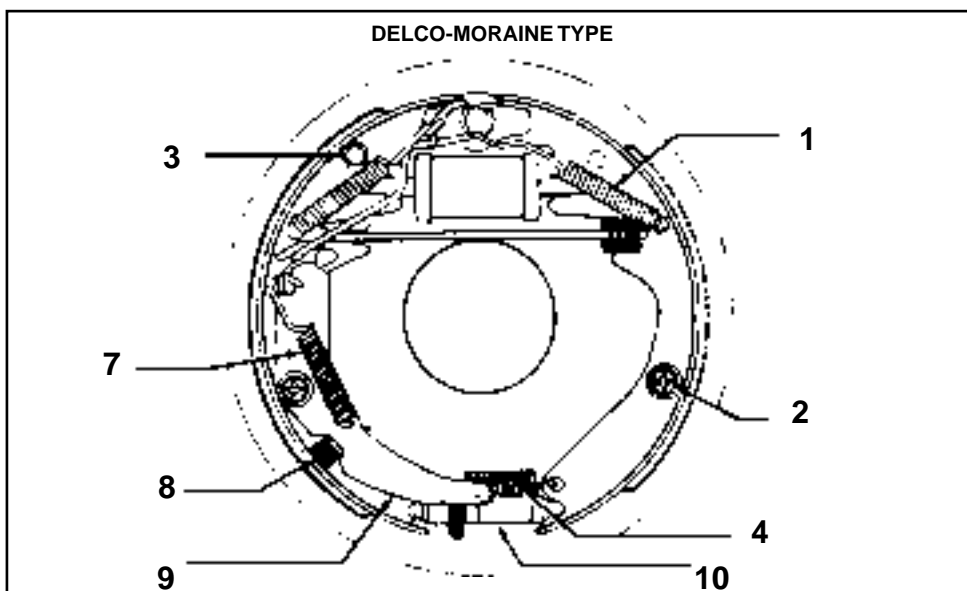
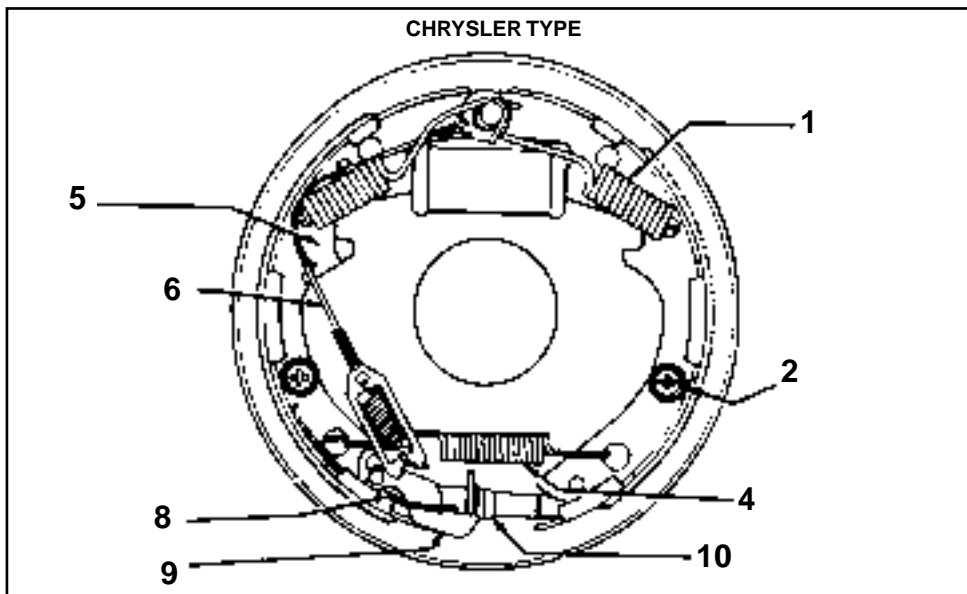
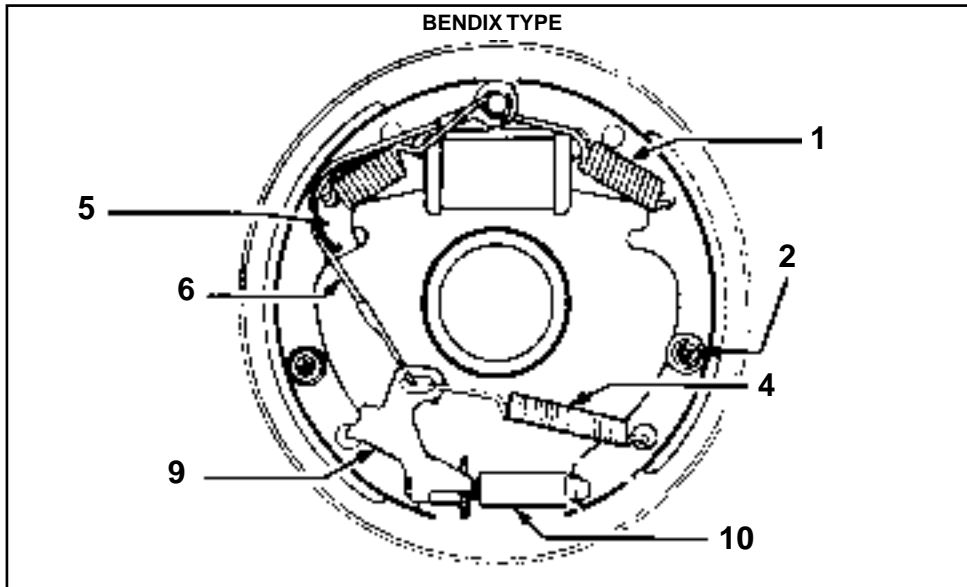
ADJUSTER KITS

- Contains all parts needed to rebuild a self-adjusting mechanism



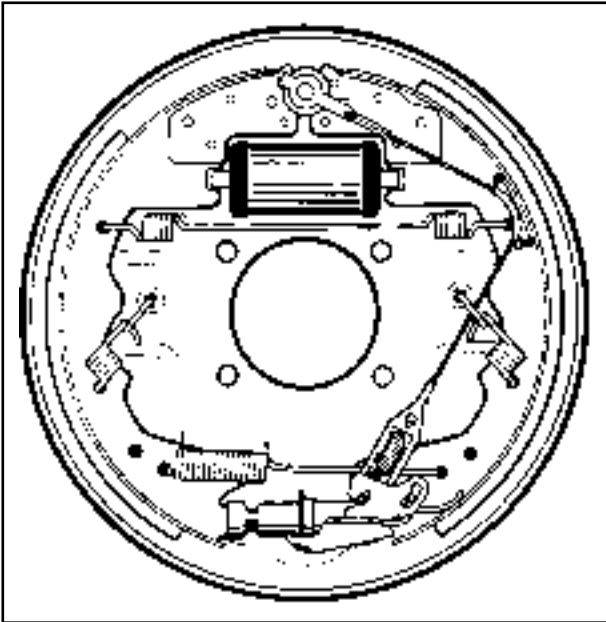
TYPICAL LIGHT-DUTY TRUCK DRUM BRAKE KIT

DRUM BRAKE PARTS IDENTIFICATION CHARTS



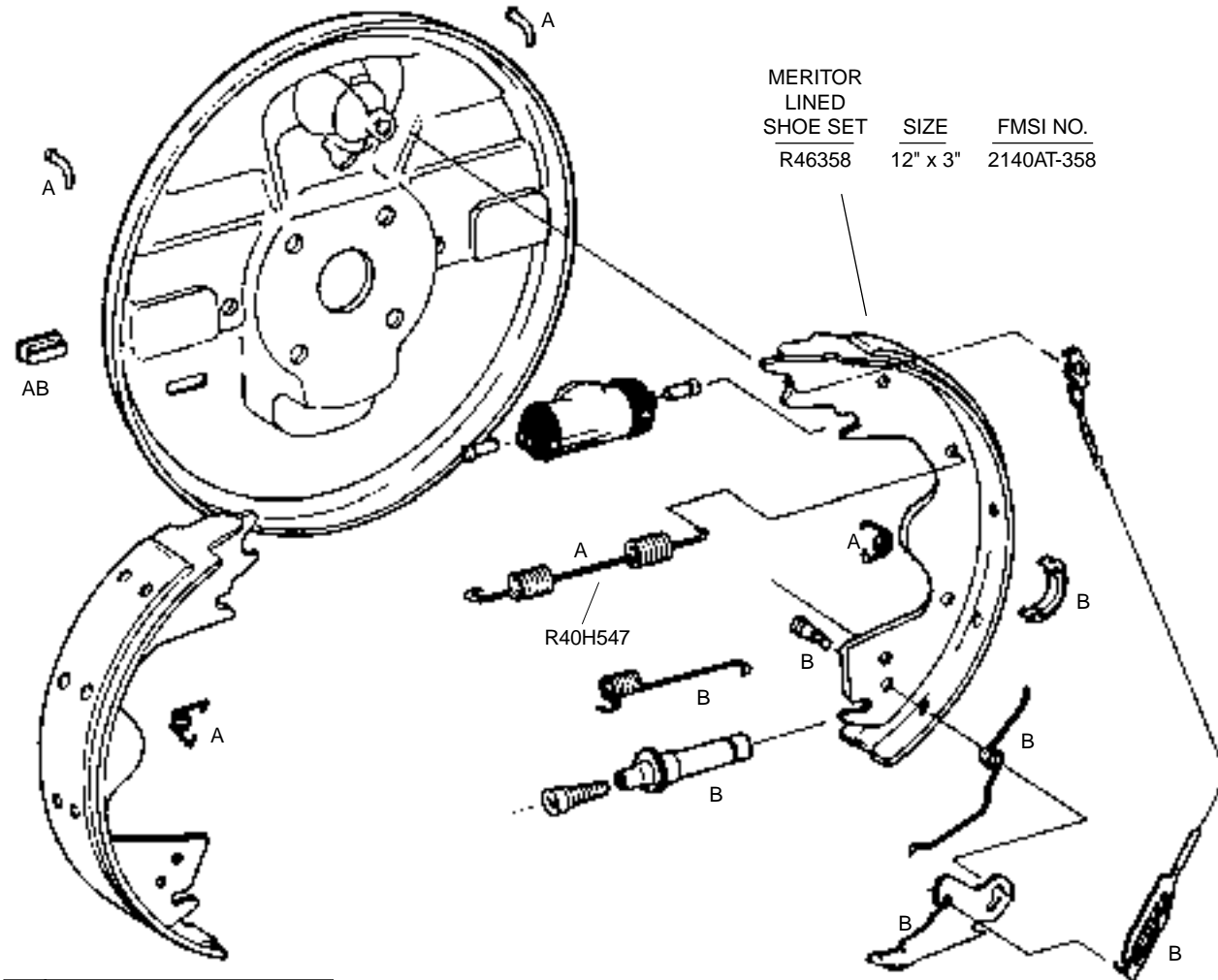
ITEM NO.	DESCRIPTION
Hold Down Kits	
1	Shoe Return Spring
2	Hold Down Assembly
3	"C" Washer or Pin Lock
Adjuster Kits	
4	Adjusting Screw Spring
5	Cable Guide
6	Self-Adjusting Cable
7	Over-Ride Spring
8	Lever Return Spring
9	Self-Adjusting Lever
10	Adjusting Screw Assembly

BENDIX (FORD) FRONT BRAKE 12" x 3"



AUTOMATIC ADJUSTMENT

FMSI LINING	FMSI SHOE	BRAKE SIZE
2140AT	358	12" x 3"
(Old FMSI 314 is replaced by 358)		

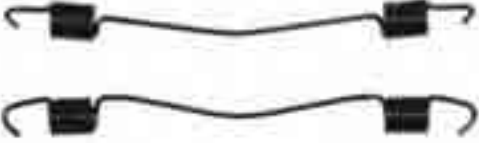
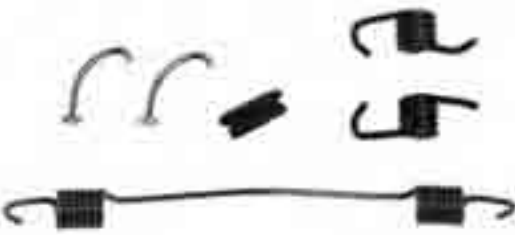




MERITOR LINED SHOE SET	SIZE	FMSI NO.
R46358	12" x 3"	2140AT-358

A	Contained in Hold Down Kit R40H7145
B	Contained in Adjuster Kit R40H2598 LH R40H2599 RH

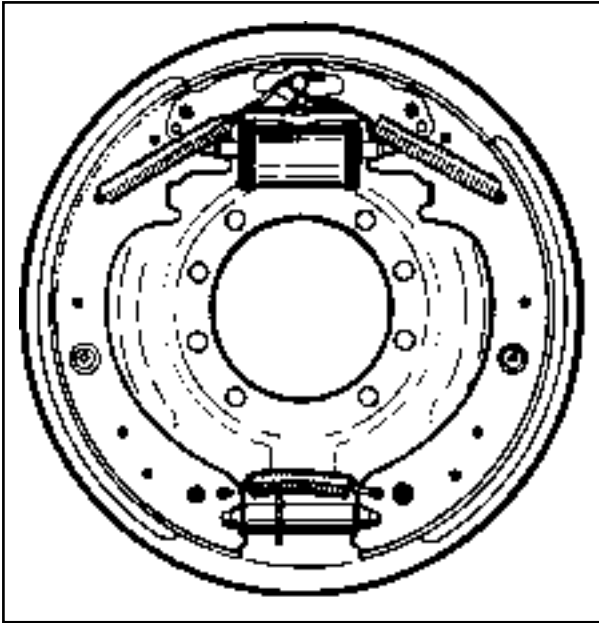
For Wheel Cylinder Applications see Vehicle Application Guide, beginning in Section 1

BENDIX (FORD) FRONT BRAKE 12" x 3"

APPLICATION		KIT NUMBER
<p>RETURN SPRING KIT for BENDIX 12" x 3" Automatic Adjustment Front Brake</p> <p>Services One Axle</p>		<p>MERITOR KIT R40H547 Replaces Bendix H547</p>
<p>HOLD DOWN KIT for BENDIX 12" x 3" Automatic Adjustment Front Brake</p> <p>Services One Wheel</p>		<p>MERITOR KIT R40H7145 Replaces (1/2) Bendix H7145</p>
<p>AUTOMATIC ADJUSTER KIT RH for BENDIX 12" x 3" Automatic Adjustment Front Brake</p> <p>Services One Wheel</p>		<p>MERITOR KIT R40H2599 (RH) Replaces Bendix H2599</p>
<p>AUTOMATIC ADJUSTER KIT LH for BENDIX 12" x 3" Automatic Adjustment Front Brake</p> <p>Services One Wheel</p>		<p>MERITOR KIT R40H2598 (LH) Replaces Bendix H2598</p>

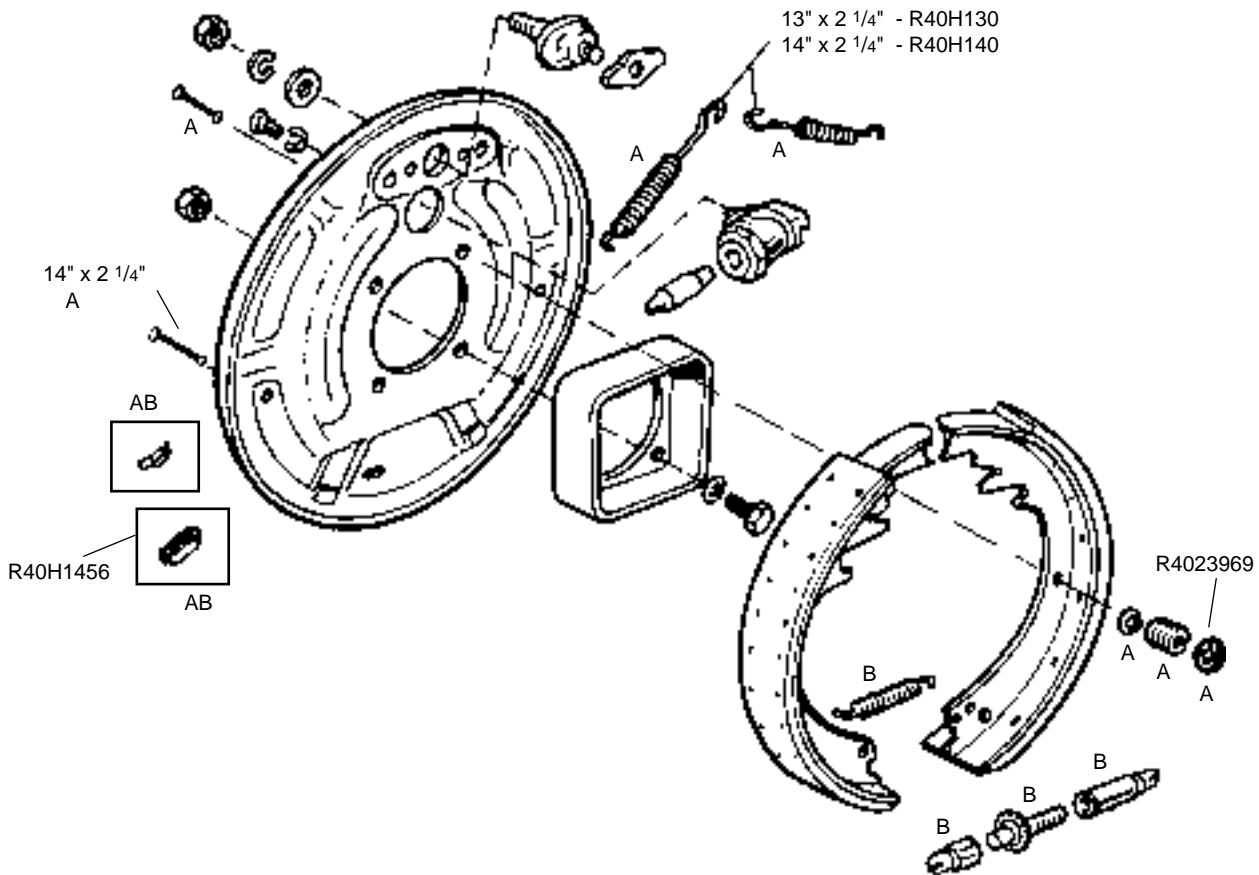
BENDIX FRONT BRAKE 13" x 2 1/4", 14" x 2 1/4"

4 - DRUM BRAKE



MANUAL ADJUSTMENT




FMSI LINING	FMSI SHOE	BRAKE SIZE
2043	36	13" x 2 1/4"
224A	63	14" x 2 1/4"



A	Contained in Hold Down Kit 14" x 2 1/4" R40H9207
B	Contained in Adjuster Kit Both Assemblies R40H3514

For Wheel Cylinder Applications see Vehicle Application Guide, beginning in Section 1

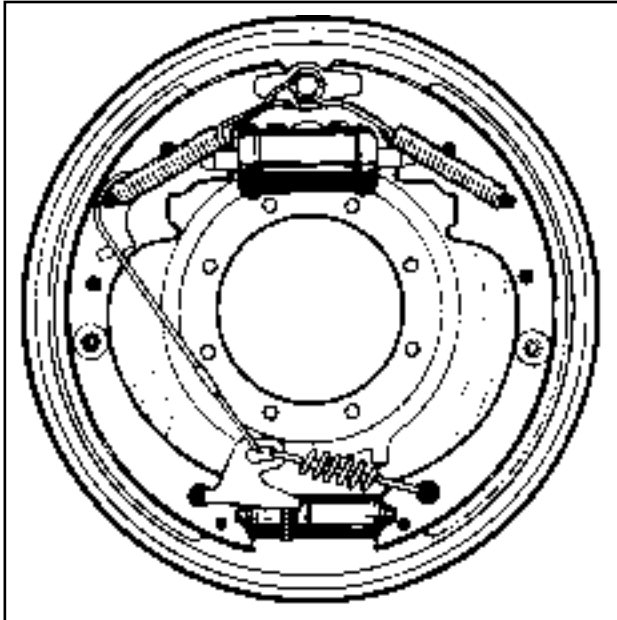
BENDIX FRONT BRAKE 13" x 2 1/4", 14" x 2 1/4"

APPLICATION		KIT NUMBER
<p>RETURN SPRING KIT for BENDIX 13" x 2 1/4", 14" x 2 1/4" Manual Adjustment Front Brake</p> <p>Services One Axle</p>		<p>MERITOR KIT R40H140 Replaces Bendix H140</p> <p>6 1/4" Long Blue</p> <p>MERITOR KIT R40H130 Replaces Bendix H130</p> <p>5 1/8" Long Orange</p>
<p>HOLD DOWN KIT for BENDIX 13" x 2 1/4", 14" x 2 1/4" Manual Adjustment Front Brake</p> <p>Services One Wheel</p>		<p>MERITOR KIT R40H9207 Replaces (1/2) Bendix H9207</p>
<p>MANUAL ADJUSTER KIT for BENDIX 13" x 2 1/4", 14" x 2 1/4" Manual Adjustment Front Brake</p> <p>Services One Wheel</p>		<p>MERITOR KIT R40H3514 Replaces Bendix H3514</p>

4 - DRUM BRAKE

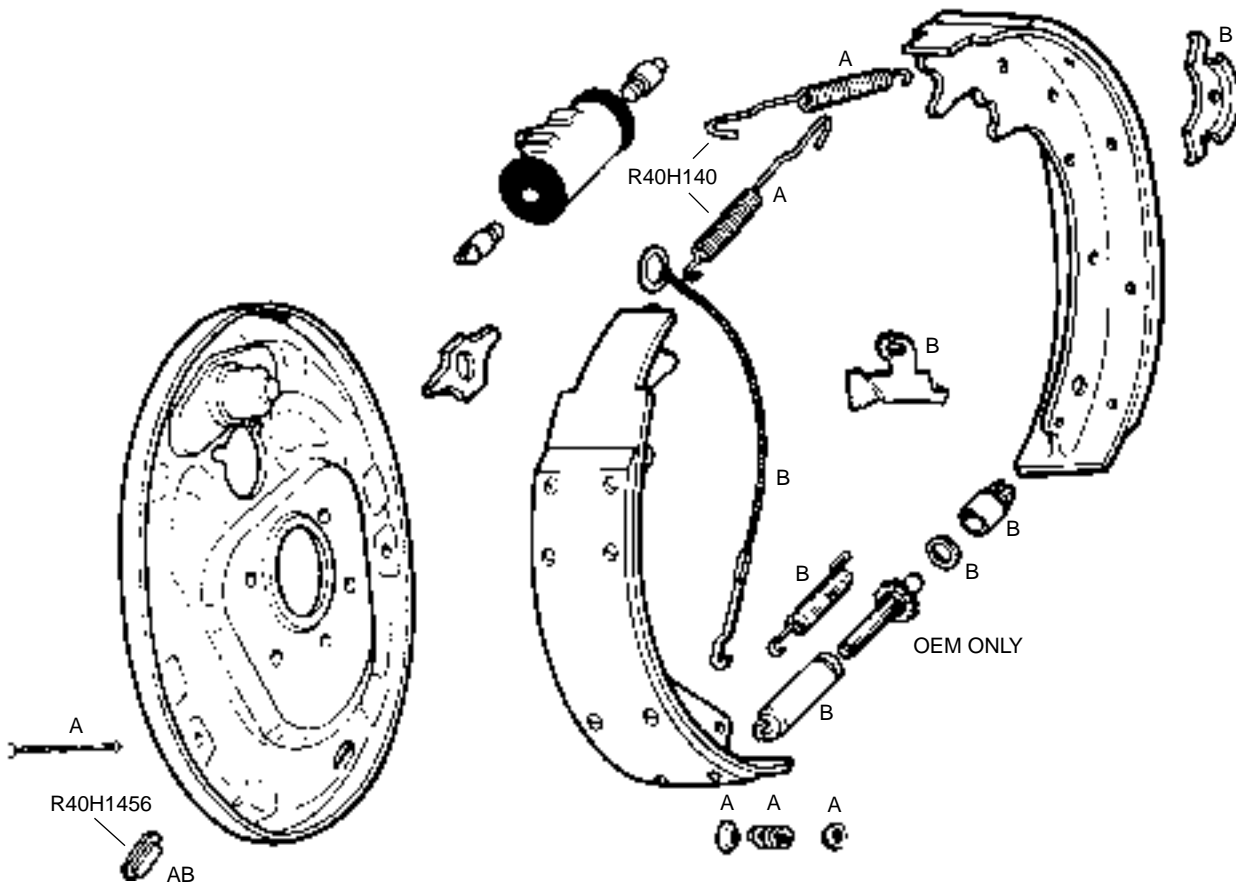
BENDIX FRONT BRAKE 14" x 2 1/2"

4 - DRUM BRAKE



AUTOMATIC ADJUSTMENT


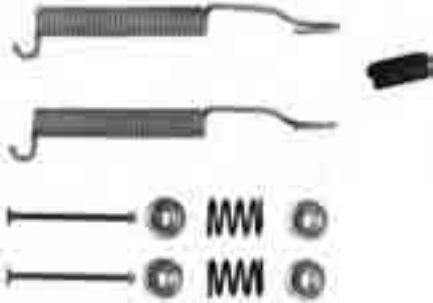


FMSI LINING	FMSI SHOE	BRAKE SIZE
2060	398	14" x 2 1/2"



A	Contained in Hold Down Kit R40H9204
B	Contained in Adjuster Kit R40H3556 LH R40H3557 RH

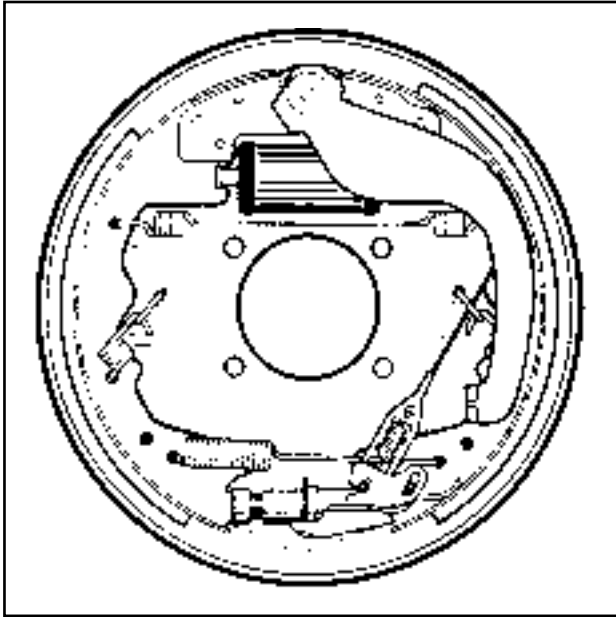
For Wheel Cylinder Applications see Vehicle Application Guide, beginning in Section 1.

BENDIX FRONT BRAKE 14" x 2 1/2"

APPLICATION		KIT NUMBER
<p>RETURN SPRING KIT for BENDIX 14" x 2 1/2" Automatic Adjustment Front Brake</p> <p>Services One Axle</p>		<p>MERITOR KIT R40H140 Replaces Bendix H140</p> <p>6 1/4" Long Blue</p>
<p>HOLD DOWN KIT for BENDIX 14" x 2 1/2" Automatic Adjustment Front Brake</p> <p>Services One Wheel</p>		<p>MERITOR KIT R40H9204 Replaces (1/2) Bendix H9204</p>
<p>AUTOMATIC ADJUSTER KIT RH for BENDIX 14" x 2 1/2" Automatic Adjustment Front Brake</p> <p>Services One Wheel</p>		<p>MERITOR KIT R40H3557 (RH) Replaces Bendix H3557</p>
<p>AUTOMATIC ADJUSTER KIT LH for BENDIX 14" x 2 1/2" Automatic Adjustment Front Brake</p> <p>Services One Wheel</p>		<p>MERITOR KIT R40H3556 (LH) Replaces Bendix H3556</p>

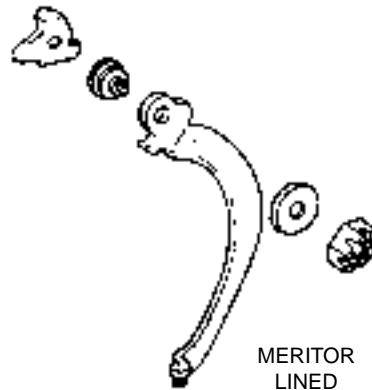
BENDIX (FORD) REAR BRAKE 12" x 2 1/2", 12" x 3"

4 - DRUM BRAKE

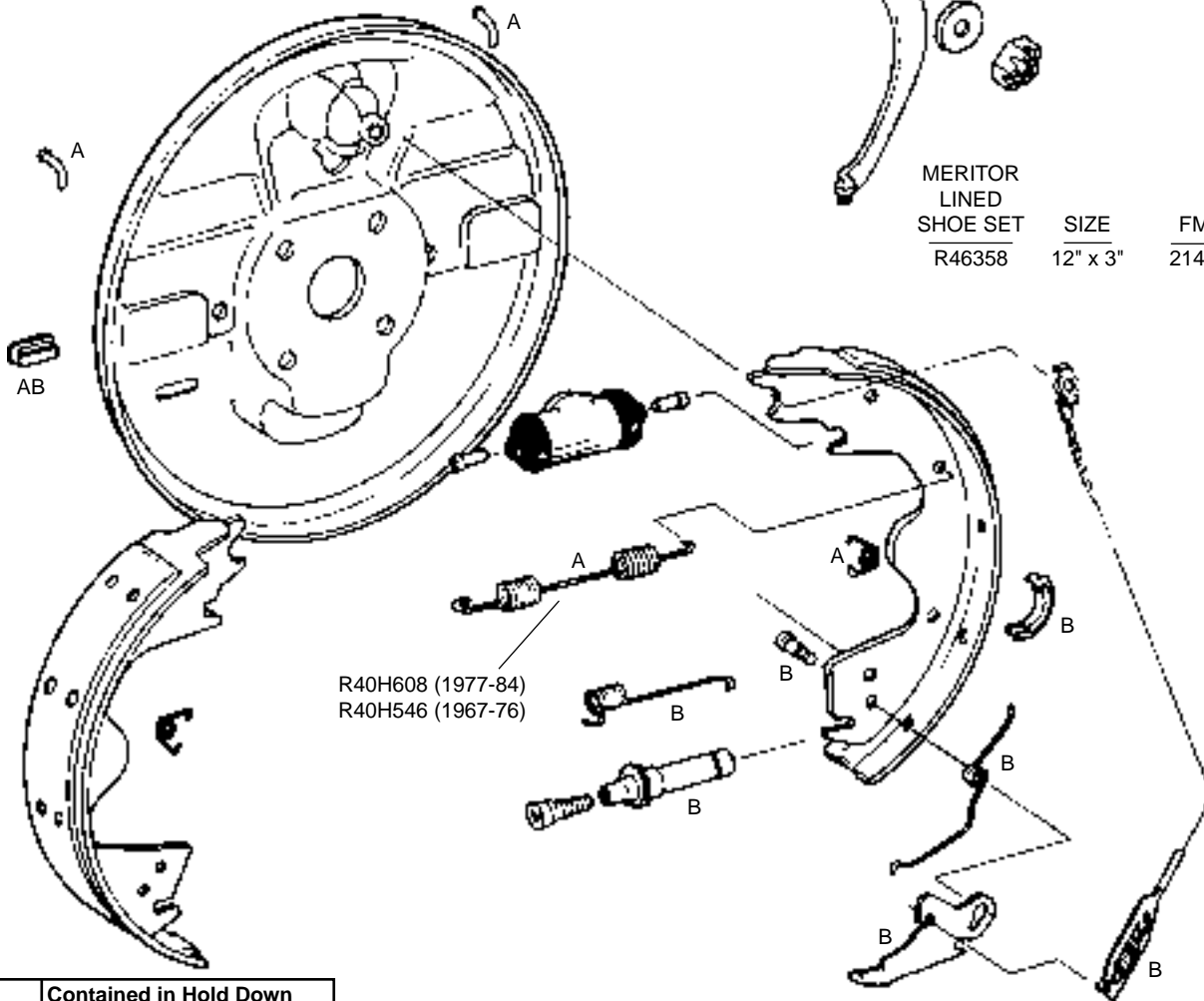


AUTOMATIC ADJUSTMENT

FMSI LINING	FMSI SHOE	BRAKE SIZE
2146T	316	12" x 2 1/2"
2146AT	316	12" x 2 1/2"
2140AT	358	12" x 3"
(Old FMSI 314 is replaced by 358)		



MERITOR LINED SHOE SET	SIZE	FMSI NO.
R46358	12" x 3"	2140AT-358

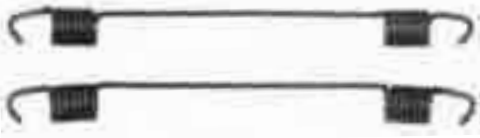
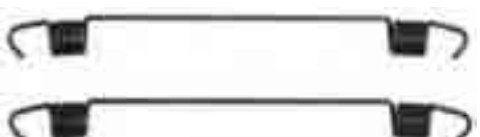
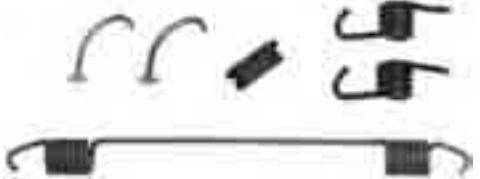
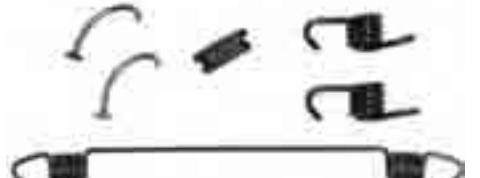




R40H608 (1977-84)
R40H546 (1967-76)

A	Contained in Hold Down Kit R40H7181 (1977-84) R40H7146 (1967-76)
B	Contained in Adjuster Kit R40H2598 LH R40H2599 RH

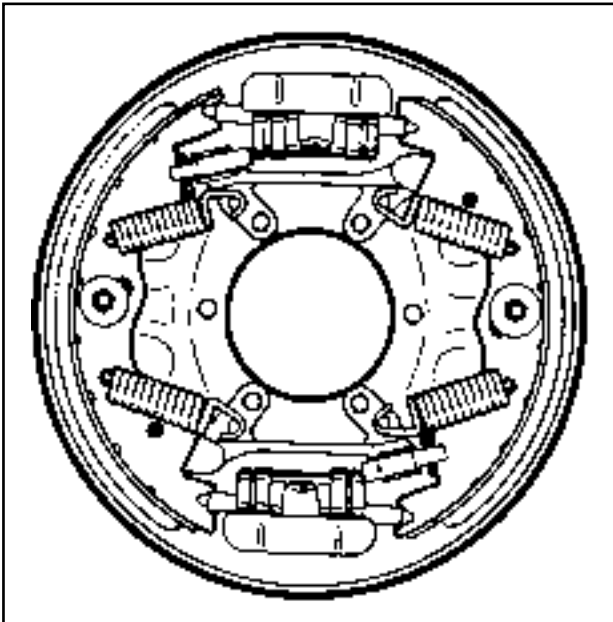
For Wheel Cylinder Applications see Vehicle Application Guide, beginning in Section 1.

BENDIX (FORD) REAR BRAKE 12" x 2 1/2", 12" x 3"

APPLICATION		KIT NUMBER
<p>RETURN SPRING KIT for BENDIX 12" x 2 1/2", 12" x 3" Automatic Adjustment Rear Brake</p> <p>Services One Axle</p>		<p>MERITOR KIT R40H608</p> <p>1977-1984</p> <p>Replaces Bendix H608</p>
		<p>MERITOR KIT R40H546</p> <p>1967-1976</p> <p>Replaces Bendix H546</p>
<p>HOLD DOWN KIT for BENDIX 12" x 2 1/2", 12" x 3" Automatic Adjustment Rear Brake</p> <p>Services One Wheel</p>		<p>MERITOR KIT R40H7181</p> <p>1977 -1984</p> <p>Replaces (1/2) Bendix H7181 For 12" x 3"</p>
		<p>MERITOR KIT R40H7146</p> <p>1967-1976</p> <p>Replaces (1/2) Bendix H7146 For 12" x 2 1/2"</p>
<p>AUTOMATIC ADJUSTER KIT RH for BENDIX 12" x 2 1/2", 12" x 3" Automatic Adjustment Rear Brake</p> <p>Services One Wheel</p>		<p>MERITOR KIT R40H2599 (RH)</p> <p>1967-1984</p> <p>Replaces Bendix H2599</p>
<p>AUTOMATIC ADJUSTER KIT LH for BENDIX 12" x 2 1/2", 12" x 3" Automatic Adjustment Rear Brake</p> <p>Services One Wheel</p>		<p>MERITOR KIT R40H2598 (LH)</p> <p>1967-1984</p> <p>Replaces Bendix H2598</p>

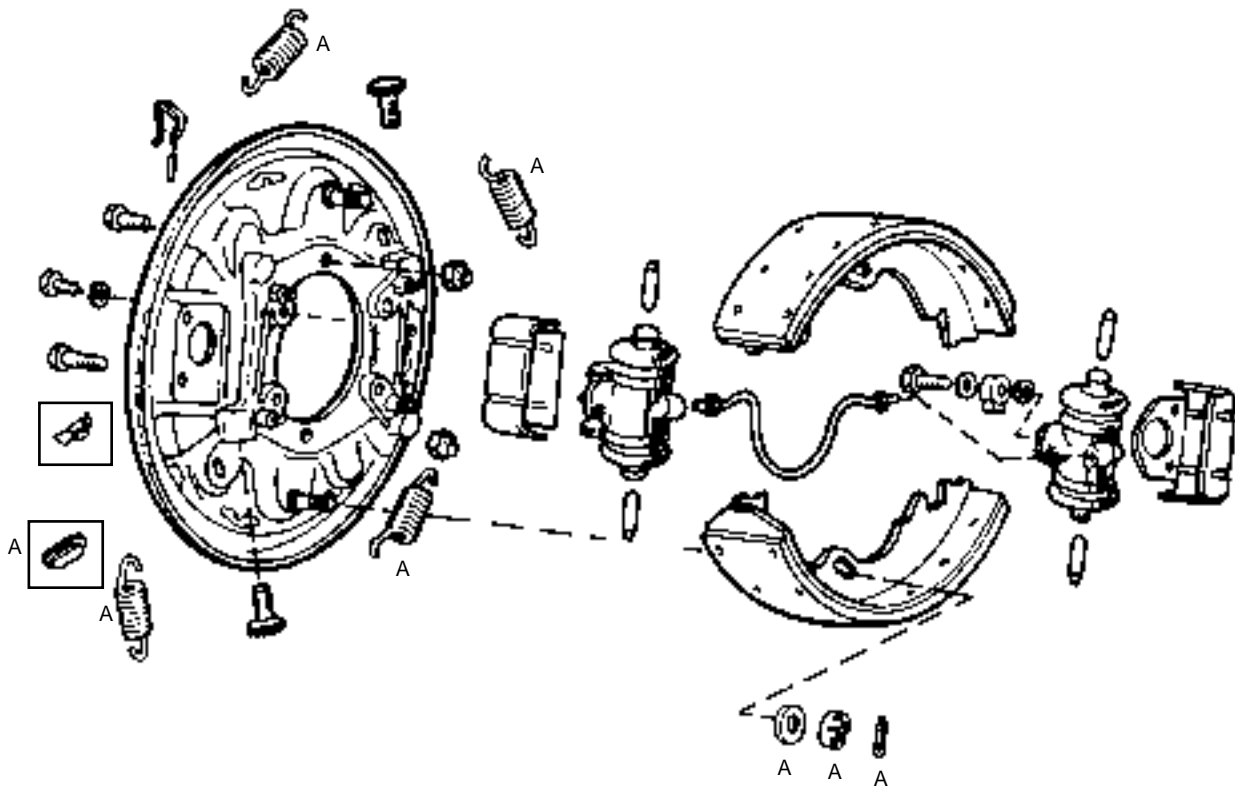
BENDIX REAR BRAKE 14 1/8" x 3 1/2", 15" x 4"

4 - DRUM BRAKE



MANUAL ADJUSTMENT


FMSI LINING	FMSI SHOE	BRAKE SIZE
2041	22	14 1/8" x 3 1/2"
2032	402	15" x 4"



A Contained in Hold Down Kit R40H9224

For Wheel Cylinder Applications see Vehicle Application Guide, beginning in Section 1.

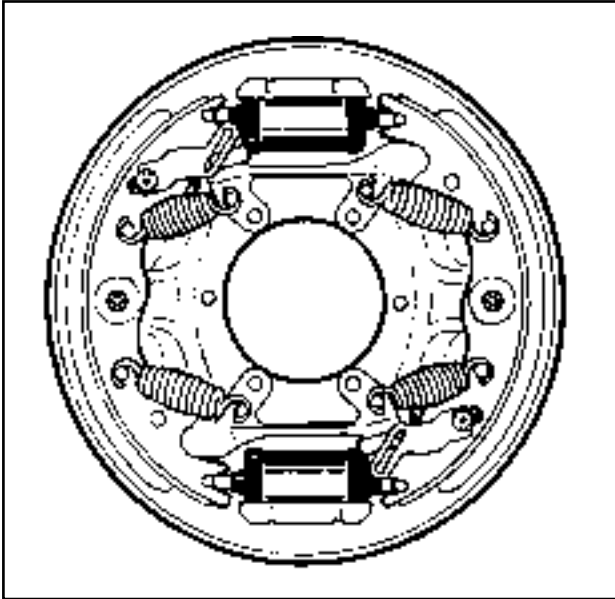
BENDIX REAR BRAKE 14 1/8" x 3 1/2", 15" x 4"

APPLICATION		KIT NUMBER
<p>HOLD DOWN KIT for BENDIX 14 1/8" x 3 1/2", 15" x 4" Manual Adjustment Rear Brake</p> <p>Services One Wheel</p>		<p>MERITOR KIT R40H9224 Replaces (1/2) Bendix H9224</p>

4 - DRUM BRAKE

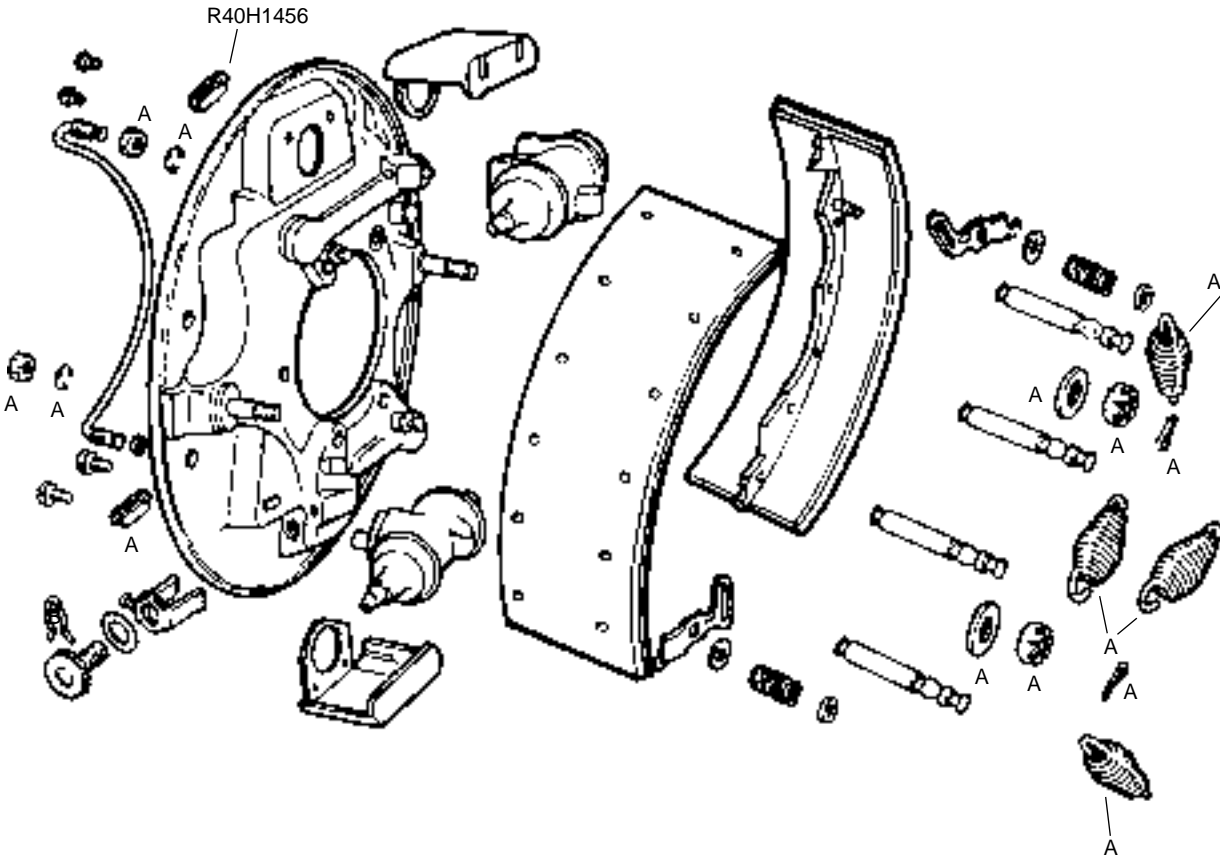
BENDIX REAR BRAKE 15" x 4"

4 - DRUM BRAKE



AUTOMATIC ADJUSTMENT

FMSI LINING	FMSI SHOE	BRAKE SIZE
2032	402	15" x 4"



A Contained in Hold Down Kit R40H9223

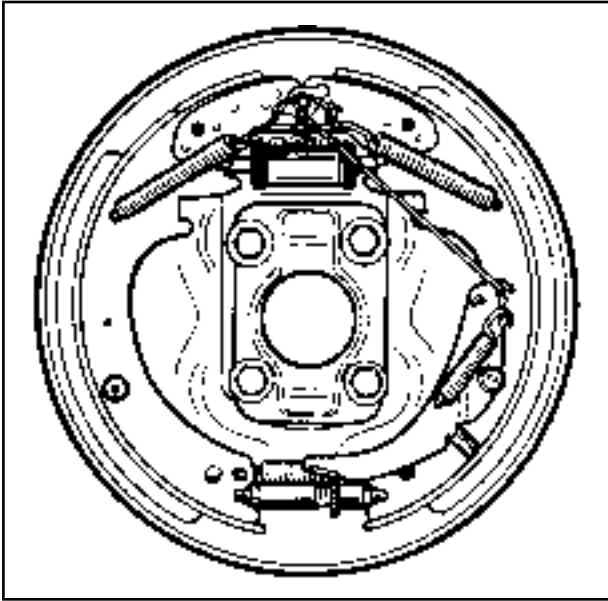
For Wheel Cylinder Applications see Vehicle Application Guide, beginning in Section 1.

BENDIX REAR BRAKE 15" x 4"

APPLICATION		KIT NUMBER
<p>HOLD DOWN KIT for BENDIX 15" x 4" Automatic Adjustment Rear Brake</p> <p>Services One Wheel</p>		<p>MERITOR KIT R40H9223 Replaces (1/2) Bendix H9223</p>

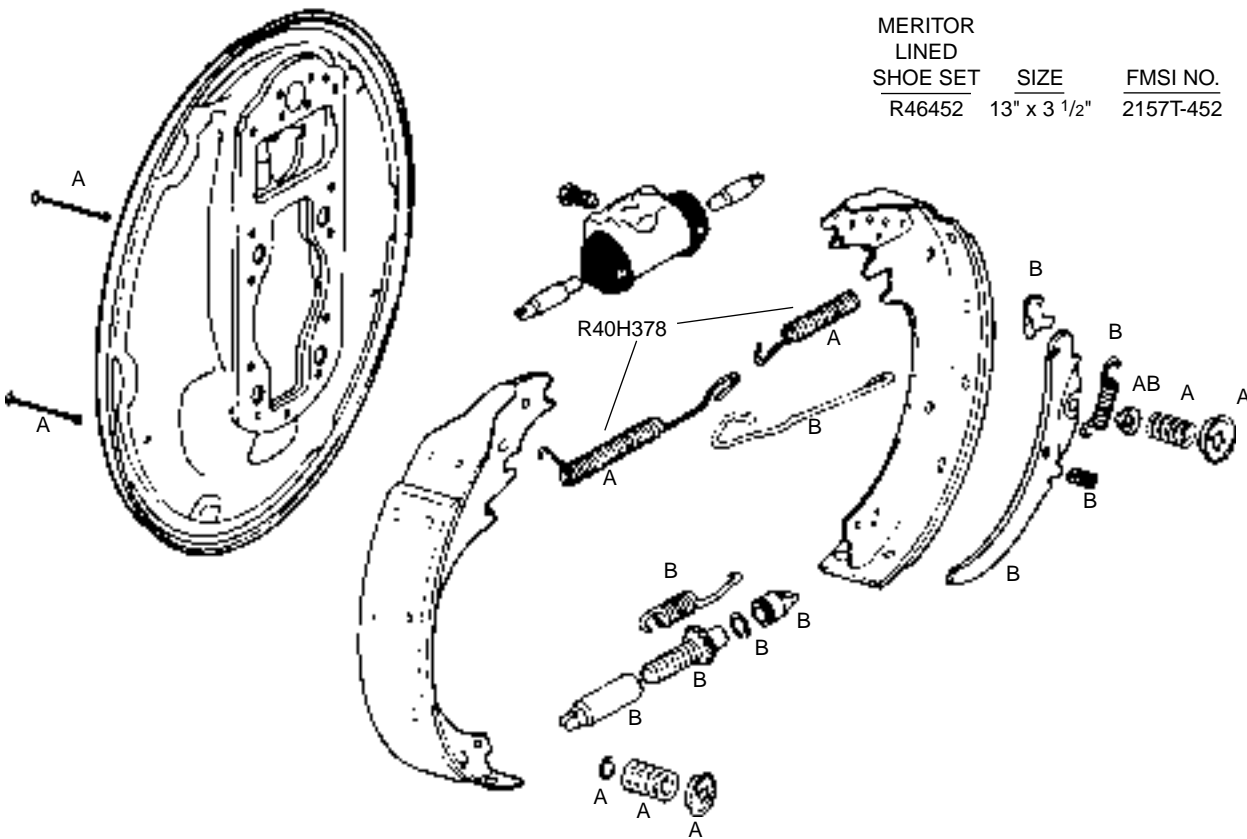
4 - DRUM BRAKE

GENERAL MOTORS REAR BRAKE 13" x 3 1/2"



AUTOMATIC ADJUSTMENT

FMSI LINING	FMSI SHOE	BRAKE SIZE
2157T	452	13" x 3 1/2"







MERITOR LINED SHOE SET	SIZE	FMSI NO.
R46452	13" x 3 1/2"	2157T-452

A	Contained in Hold Down Kit R40H7055
B	Contained in Adjuster Kit R40H2588 LH R40H2589 RH

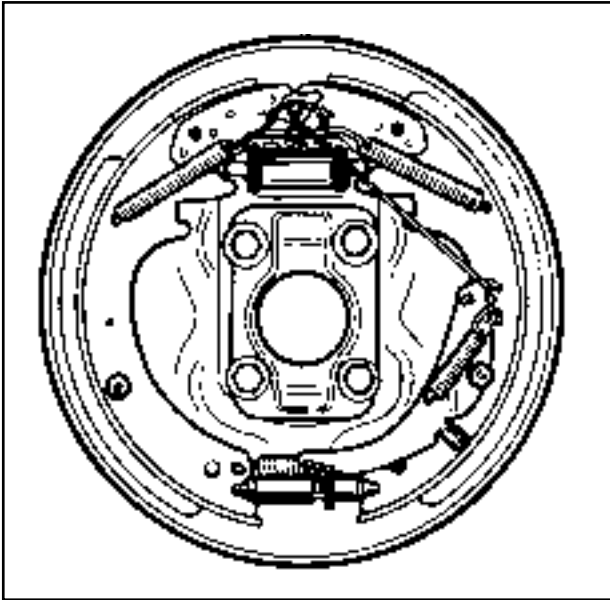
For Wheel Cylinder Applications see Vehicle Application Guide, Section 1

GENERAL MOTORS REAR BRAKE 13" x 3 1/2"

APPLICATION		KIT NUMBER
<p>RETURN SPRING KIT for GENERAL MOTORS 13" x 3 1/2" Automatic Adjustment Rear Brake</p> <p>Services One Axle</p>		<p>MERITOR KIT R40H378</p>
<p>HOLD DOWN KIT for GENERAL MOTORS 13" x 3 1/2" Automatic Adjustment Rear Brake</p> <p>Services One Wheel</p>		<p>MERITOR KIT R40H7055</p>
<p>AUTOMATIC ADJUSTER KIT RH for GENERAL MOTORS 13" x 3 1/2" Automatic Adjustment Rear Brake</p> <p>Services One Wheel</p>		<p>MERITOR KIT R40H2589 (RH)</p>
<p>AUTOMATIC ADJUSTER KIT LH for GENERAL MOTORS 13" x 3 1/2" Automatic Adjustment Rear Brake</p> <p>Services One Wheel</p>		<p>MERITOR KIT R40H2588 (LH)</p>

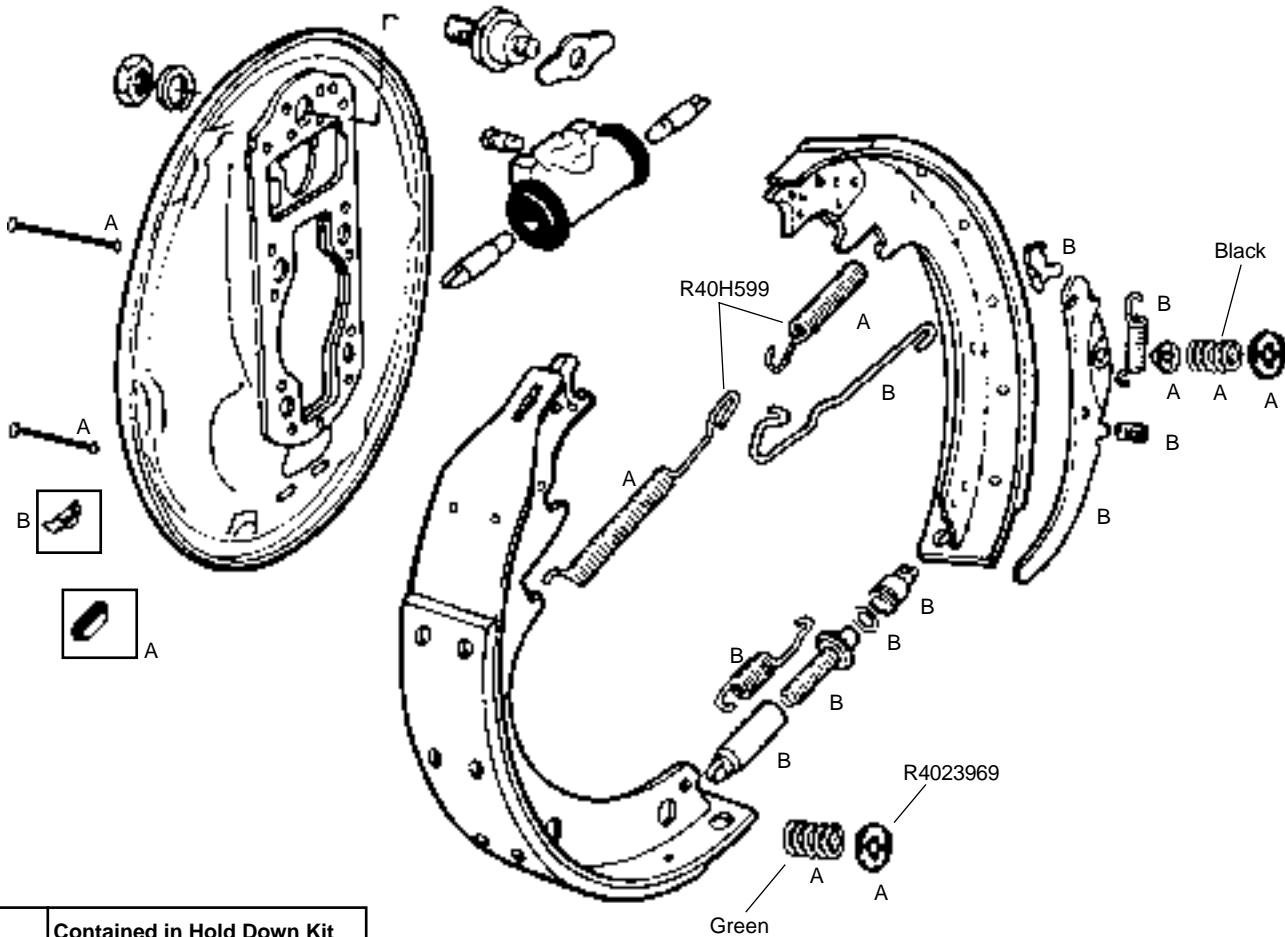
GENERAL MOTORS FRONT BRAKE 14" x 2 1/2"

4 - DRUM BRAKE



AUTOMATIC ADJUSTMENT


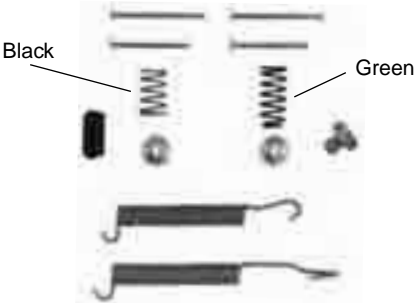


FMSI LINING	FMSI SHOE	BRAKE SIZE
2039	299	14" x 2 1/2"



A	Contained in Hold Down Kit R40H9206
B	Contained in Adjuster Kit R40H3500 LH R40H3501 RH

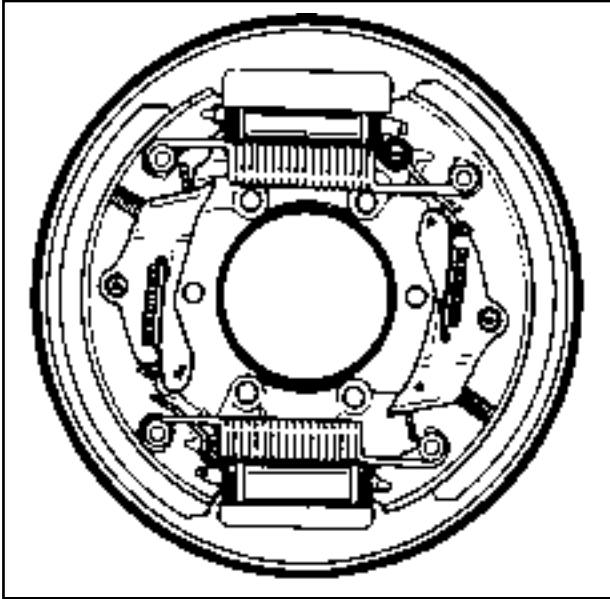
For Wheel Cylinder Applications see Vehicle Application Guide, beginning in Section 1.

GENERAL MOTORS FRONT BRAKE 14" x 2 1/2"

APPLICATION		KIT NUMBER
<p>RETURN SPRING KIT for GENERAL MOTORS 14" x 2 1/2" Automatic Adjustment Front Brake</p> <p>Services One Axle</p>		<p>MERITOR KIT R40H599 Replaces General Motors 1416653</p> <p>5 1/16" Long 6 1/8" Long</p>
<p>BRAKE SHOE HOLD DOWN KIT for GENERAL MOTORS 14" x 2 1/2" Automatic Adjustment Front Brake</p> <p>Services One Wheel</p>		<p>MERITOR KIT R40H9206 Replaces General Motors 94020711 412685 5459446 1416653</p>
<p>AUTOMATIC ADJUSTER KIT LH for GENERAL MOTORS 14" x 2 1/2" Automatic Adjustment Front Brake</p> <p>Services One Wheel</p>		<p>MERITOR KIT R40H3500 (LH) Replaces General Motors 334303 3873517 3856847</p>
<p>AUTOMATIC ADJUSTER KIT RH for GENERAL MOTORS 14" x 2 1/2" Automatic Adjustment Front Brake</p> <p>Services One Wheel</p>		<p>MERITOR KIT R40H3501 (RH) Replaces General Motors 334304 3873518 3856848</p>

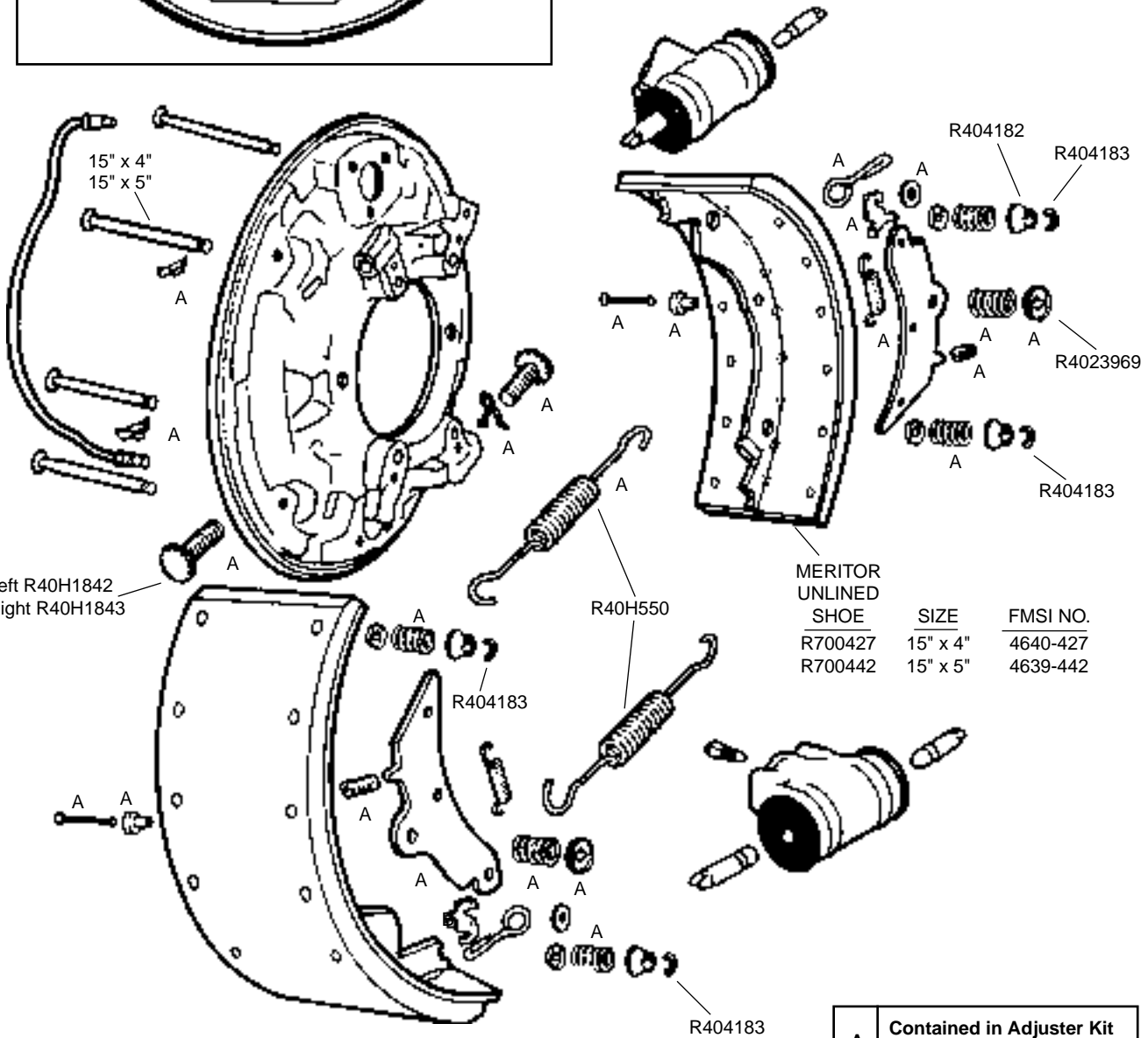
GENERAL MOTORS REAR BRAKE 15" x 4", 15" x 5"

4 - DRUM BRAKE



AUTOMATIC ADJUSTMENT

FMSI LINING	FMSI SHOE	BRAKE SIZE
4640	427	15" x 4"
4639	442	15" x 5"





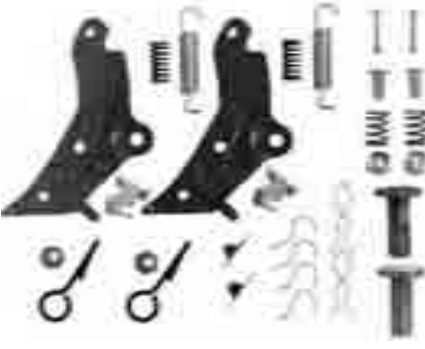

MERITOR UNLINED SHOE	SIZE	FMSI NO.
R700427	15" x 4"	4640-427
R700442	15" x 5"	4639-442

For Wheel Cylinder Applications see Vehicle Application Guide, Section 1

A	Contained in Adjuster Kit R40H3510 LH R40H3511 RH
---	---

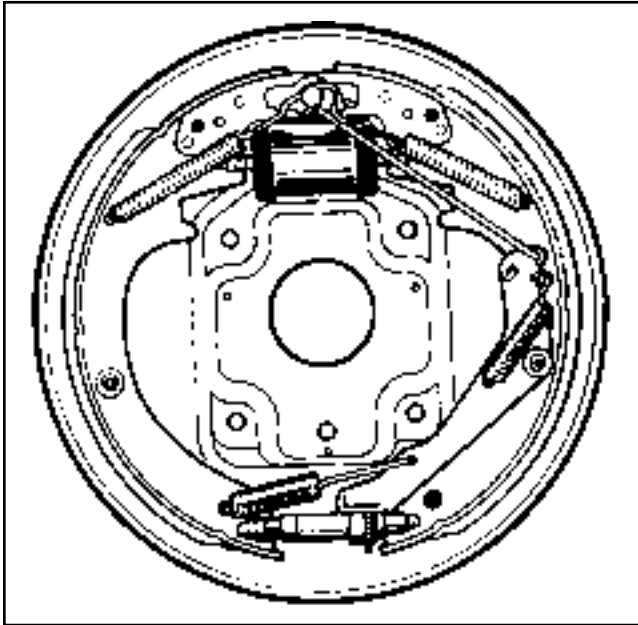
GENERAL MOTORS REAR BRAKE 15" x 4", 15" x 5"

4 - DRUM BRAKE

APPLICATION		KIT NUMBER		
<p>RETURN SPRING KIT for GENERAL MOTORS 15" x 4", 15" x 5"</p> <p>Automatic Adjustment Rear Brake</p> <p>Services One Axle</p>			<p>MERITOR KIT R40H550 Replaces General Motors 341520</p> <p>8 3/4" Long Black</p>	
<p>AUTOMATIC ADJUSTER KIT RH for GENERAL MOTORS 15" x 4", 15" x 5"</p> <p>Automatic Adjustment Rear Brake</p> <p>Services One Wheel</p>		<p>MERITOR KIT R40H3511 (RH) Replaces General Motors 3987476 3987462</p> <p>Kit Includes R40H1843 Adjusting Screw (New Style)</p>		
<p>AUTOMATIC ADJUSTER KIT LH for GENERAL MOTORS 15" x 4", 15" x 5"</p> <p>Automatic Adjustment Rear Brake</p> <p>Services One Wheel</p>		<p>MERITOR KIT R40H3510 (LH) Replaces General Motors 3987475 3987461</p> <p>Kit Includes R40H1842 Adjusting Screw (New Style)</p>		
<p>HOLD DOWN PIN</p>		<p>MERITOR NO.</p>	<p>BRAKE</p>	<p>LENGTH</p>
		<p>R404032</p>	<p>15" x 4"</p>	<p>4"</p>
		<p>R404033</p>	<p>15" x 5"</p>	<p>4 1/2"</p>

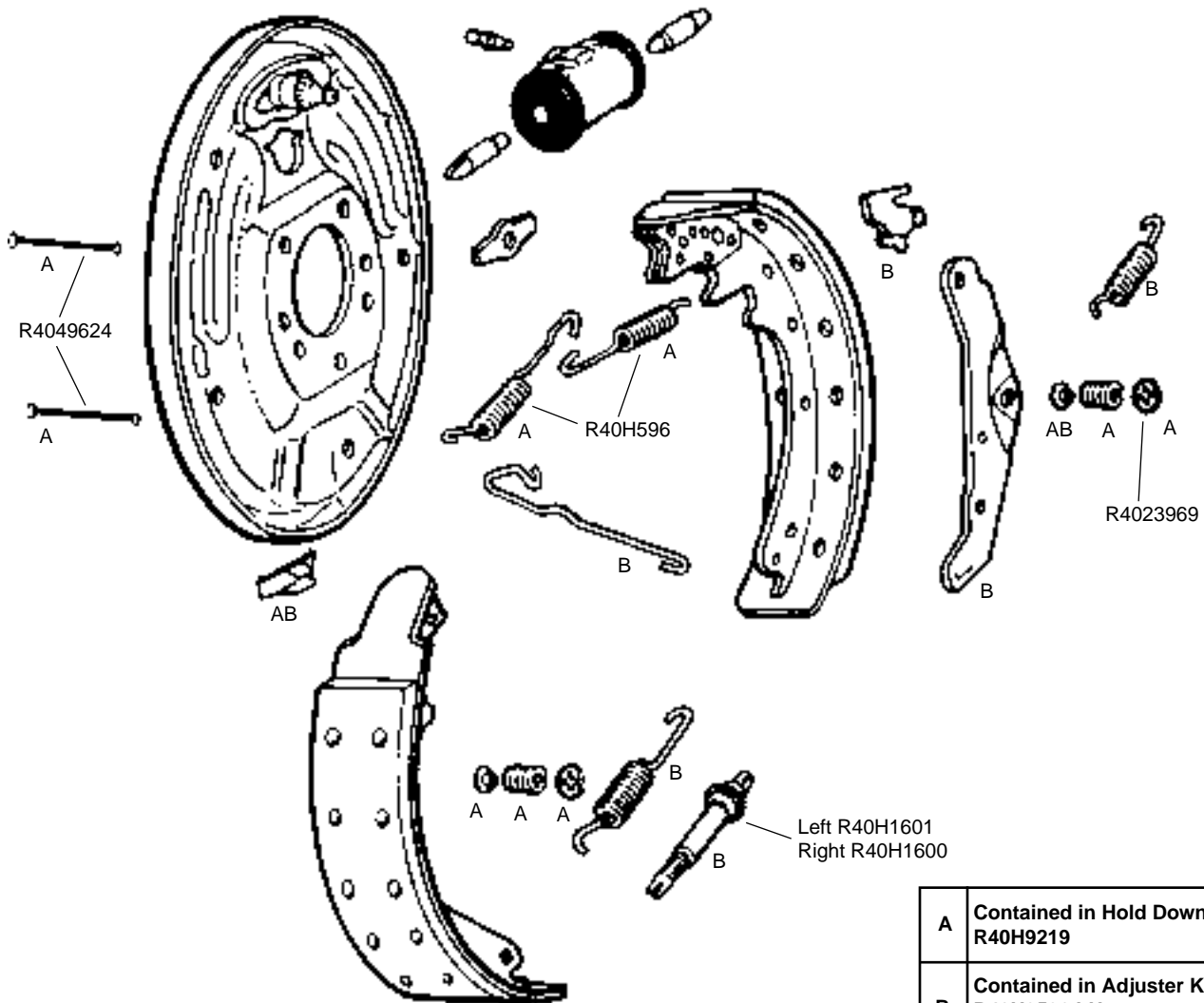
GUNITE (KELSEY-HAYES) FRONT BRAKE 14" x 2 1/2"

4 - DRUM BRAKE



AUTOMATIC ADJUSTMENT

FMSI LINING	FMSI SHOE	BRAKE SIZE
2060 or 2060T	361	14" x 2 1/2"








For Wheel Cylinder Applications see Vehicle Application Guide, Section 1

A	Contained in Hold Down Kit R40H9219
B	Contained in Adjuster Kit R40H3536 LH R40H3537 RH

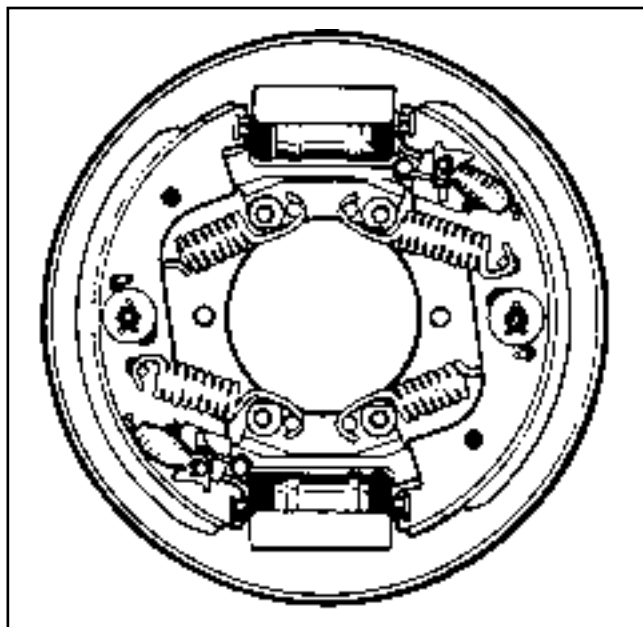
GUNITE (KELSEY-HAYES) FRONT BRAKE 14" x 2 1/2"

4 - DRUM BRAKE

APPLICATION		KIT NUMBER
<p>RETURN SPRING KIT for GUNITE (KELSEY-HAYES) 14" x 2 1/2" Automatic Adjustment Front Brake</p> <p>Services One Axle</p>		<p>MERITOR KIT R40H596 Replaces Gunite (Kelsey-Hayes) 7033, 7034</p> <p>5 9/16" Long Gray 6 1/8" Long Blue</p>
<p>HOLD DOWN KIT for GUNITE (KELSEY-HAYES) 14" x 2 1/2" Automatic Adjustment Front Brake</p> <p>Services One Wheel</p>		<p>MERITOR KIT R40H9219 Replaces Gunite (Kelsey-Hayes) 7038</p>
<p>AUTOMATIC ADJUSTER KIT RH for GUNITE (KELSEY-HAYES) 14" x 2 1/2" Automatic Adjustment Front Brake</p> <p>Services One Wheel</p>		<p>MERITOR KIT R40H3537 (RH) Replaces Gunite (Kelsey-Hayes) 7033, 7036</p>
<p>AUTOMATIC ADJUSTER KIT LH for GUNITE (KELSEY-HAYES) 14" x 2 1/2" Automatic Adjustment Front Brake</p> <p>Services One Wheel</p>		<p>MERITOR KIT R40H3536 (LH) Replaces Gunite (Kelsey-Hayes) 7034, 7037</p>
<p>ADJUSTING SCREW for GUNITE (KELSEY-HAYES) 14" x 2 1/2" Automatic Adjustment Front Brake</p>		<p>R40H1600 (RH) Replaces Gunite (Kelsey-Hayes) 7044</p> <p>R40H1601 (LH) Replaces Gunite (Kelsey-Hayes) 7045</p>

GUNITE (KELSEY-HAYES) REAR BRAKE 15" x 4", 15" x 5"

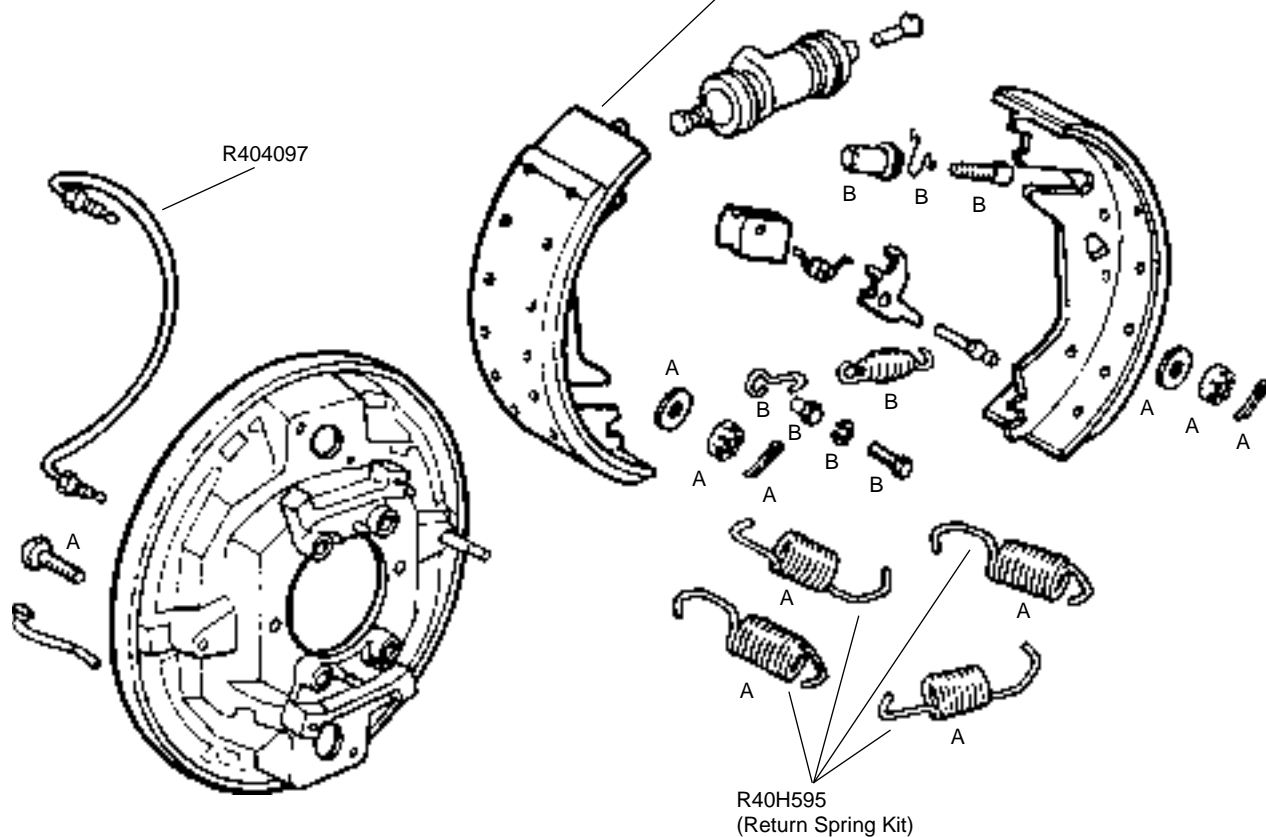
4 - DRUM BRAKE



AUTOMATIC ADJUSTMENT

FMSI LINING	FMSI SHOE	BRAKE SIZE
4646	400	15" x 5"
4647	401	15" x 4"

MERITOR UNLINED SHOE	SIZE	FMSI NO.
R700401	15" x 4"	4647-401
R700400	15" x 5"	4646-400









A	Contained in Hold Down Kit R40H9220
B	Contained in Adjuster Kit R40H3538 LH R40H3539 RH

For Wheel Cylinder Applications see Vehicle Application Guide, Section 1

GUNITE (KELSEY-HAYES) REAR BRAKE 15" x 4", 15" x 5"

4 - DRUM BRAKE

APPLICATION		KIT NUMBER
<p>RETURN SPRING KIT for GUNITE (KELSEY-HAYES) 15" x 4", 15" x 5" Automatic Adjustment Rear Brake Services One Axle</p>		<p>MERITOR KIT R40H595 Replaces Gunite (Kelsey-Hayes) 7004 4 13/16" Long Gray 5 3/8" Long Black</p>
<p>HOLD DOWN KIT for GUNITE (KELSEY-HAYES) 15" x 4", 15" x 5" Automatic Adjustment Rear Brake Services One Wheel</p>		<p>MERITOR KIT R40H9220</p>
<p>AUTOMATIC ADJUSTER KIT RH LH Thread for GUNITE (KELSEY-HAYES) 15" x 4", 15" x 5" Automatic Adjustment Rear Brake Services One Wheel</p>		<p>MERITOR KIT R40H3539 (RH)</p>
<p>AUTOMATIC ADJUSTER KIT LH RH Thread for GUNITE (KELSEY-HAYES) 15" x 4", 15" x 5" Automatic Adjustment Rear Brake Services One Wheel</p>		<p>MERITOR KIT R40H3538 (LH)</p>

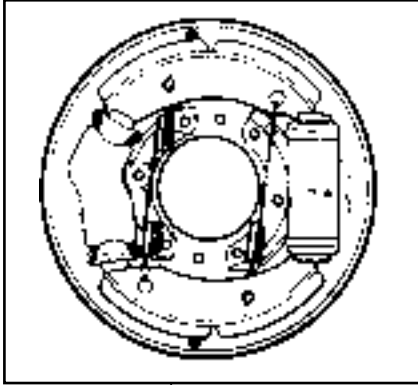
CROSS TUBE ASSEMBLY	MERITOR NO.	REPLACES	APPLICATION
	<p>R404097</p>	<p>Gunite (Kelsey-Hayes) 7012</p>	<p>For Gunite (Kelsey-Hayes) 15" x 4", 15" x 5" Hydraulic Rear Brakes.</p>
SPRING RETAINER PIN	MERITOR NO.	APPLICATION	
	<p>R404038</p>	<p>For Gunite (Kelsey-Hayes) 15" x 4", 15" x 5" Hydraulic Rear Brakes.</p>	

LUCAS (FORD) REAR BRAKE

15" x 5", 15" x 6" and 15" x 7"

AUTOMATIC ADJUSTMENT

FMSI LINING	FMSI SHOE	BRAKE SIZE
4528A	542	15" x 5"
4504A	543	15" x 6"
4505A	544	15" x 7"



COMPLETE BACKING PLATE
SEE PAGE 4-37

BARE BACKING PLATE
291003 5" RH
291002 5" LH
291005 6" & 7" RH
291004 6" & 7" LH

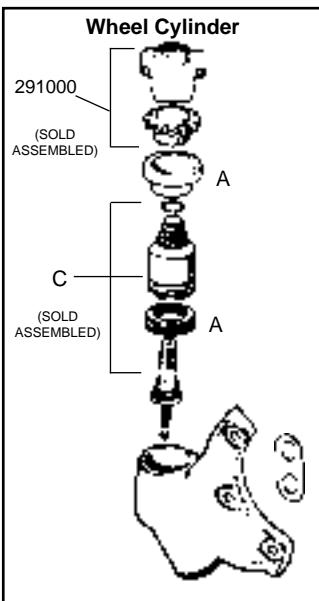
CYLINDERS AND EXPANDERS
SEE PAGE 6-131

R40H618
(SPRING KIT)

SP7862S RH
SP7861S LH

MERITOR UNLINED

SHOE	SIZE	FMSI NO.
451003	15" x 5"	4528A-542
451004	15" x 6"	4504A-543
451005	15" x 7"	4505A-544



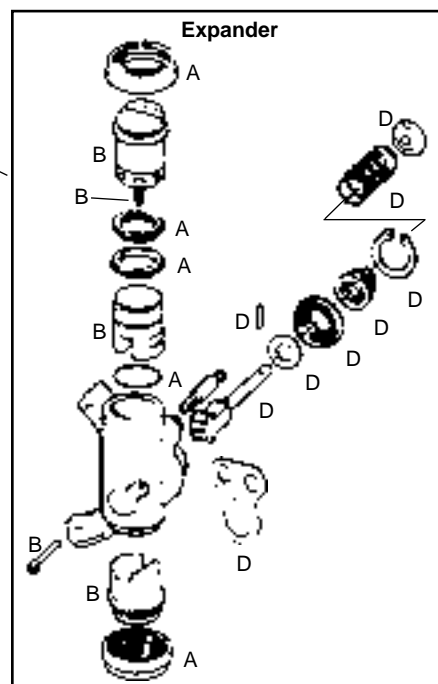
Wheel Cylinder

291000
(SOLD ASSEMBLED)

C
(SOLD ASSEMBLED)

A	Contained in Seal Kits (Services One Wheel) SP7873S for 1 3/4" Wheel Cylinder and Expander
B	Contained in Expander Kits SP7880S (RH) for 1 3/4" Dia. Expander SP7879S (LH) for 1 3/4" Dia. Expander
C	Adjuster Assembly SP7887S for 1 3/4" Dia. Wheel Cylinder
D	Contained in Expander Assembly SP7920S

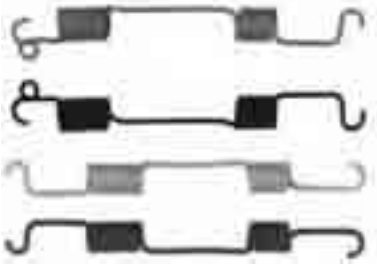



For Wheel Cylinder Applications see Vehicle Application Guide, Section 1



Expander

LUCAS (FORD) REAR BRAKE

15" x 5", 15" x 6" and 15" x 7"

APPLICATION		KIT NUMBER
<p>RETURN SPRING KIT for LUCAS (FORD) 15" x 5", 15" x 6", 15" x 7" Automatic Adjustment Rear Brake</p> <p>Services One Axle</p>		<p>MERITOR KIT R40H618 Replaces Lucas (Ford) SP7896/SP7897 (New) SP7852/SP7853 (Old) Ford E4HZ-2296B/2297B (New) E4HZ-2296A/2297A (Old)</p> <p>Includes: 1 Green Spring } For LH Brakes 1 Orange Spring } 1 White Spring } For RH Brakes 1 Yellow Spring }</p>
<p>CROSS TUBE ASSEMBLIES for LUCAS (FORD) 15" x 5", 15" x 6", and 15" x 7" Rear Brake</p>		<p>MERITOR KIT SP7862S (RH) Replaces Lucas (Ford) SP7862</p> <hr/> <p>MERITOR KIT SP7861S (LH) Replaces Lucas (Ford) SP7861</p>
<p>EXPANDER KIT for LUCAS (FORD) 15" x 6" and 15" x 7"</p> <p>Use SP7879S LH SP7880S RH</p> <p>Services One Wheel</p>		<p>MERITOR KIT SP7879S (LH) For 1 3/4" Dia. Expander Replaces Lucas (Ford) SP7855 Ford E4HZ-2C197A</p> <hr/> <p>MERITOR KIT SP7880S (RH) For 1 3/4" Dia. Expander Replaces Lucas (Ford) SP7856 Ford E4HZ-2C197B</p>
<p>MANUAL ADJUSTMENT OVERRIDE ASSEMBLY for LUCAS (FORD) 15" x 5", 15" x 6", and 15" x 7" Automatic Adjustment Rear Brake</p>		<p>MERITOR KIT 291000 Replaces Lucas (Ford) 68191307 Ford E4HZ-2C199A</p>

LUCAS BRAKE DRUMS

4 - DRUM BRAKE

15.00" X 5"									
OVERALL DEPTH	BRAKE SURFACE WIDTH	PILOT DIA.	BOLT CIRCLE DIA.	BOLT HOLES		WEIGHT	PART NUMBER	FORD PART NUMBER	WHEEL TYPE
				NO.	SIZE				
6.59"	5.56"	9.44"	11.00"	5	0.66"	76	85-120517-002	F5HZ 1126 B	SPOKE
7.22"	5.50"	6.25"	8.75"	6	0.84"	74	03-120553-002	C8TZ 1126 E	DISC
8.02"	5.47"	8.99"	10.83"	8	0.84"	71	85-123332-002	F0HZ 1126 C	DISC
15.00" X 6"									
OVERALL DEPTH	BRAKE SURFACE WIDTH	PILOT DIA.	BOLT CIRCLE DIA.	BOLT HOLES		WEIGHT	PART NUMBER	FORD PART NUMBER	WHEEL TYPE
				NO.	SIZE				
7.09"	6.50"	9.44"	11.00"	5	0.66"	78	85-120516-002	F5HZ 1126 A	SPOKE
8.79"	6.75"	8.99"	10.83"	8	0.84"	84	85-123331-002	F0HZ 1126 B	DISC
15.00" X 7"									
OVERALL DEPTH	BRAKE SURFACE WIDTH	PILOT DIA.	BOLT CIRCLE DIA.	BOLT HOLES		WEIGHT	PART NUMBER	FORD PART NUMBER	WHEEL TYPE
				NO.	SIZE				
8.51"	7.36"	10.50"	12.75"	5	0.78"	89	85-122011-002	F5HZ 1126 D	SPOKE
8.51"	7.36"	10.50"	12.75"	6	0.78"	90	85-123203-002	F5HZ 1126 F	SPOKE
10.18"	7.56"	8.70"	10.83"	8	0.85"	110	85-123548-002	F6HZ 1126 H	DISC
10.92"	7.50"	8.99"	10.83"	8	0.84"	96	85-123276-002	F0HZ 1126 A	DISC

LUCAS BRAKE SHOES




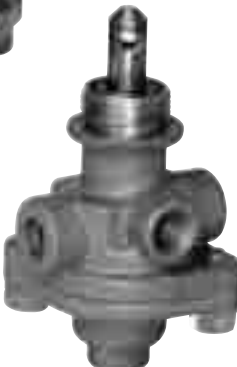
Size	FMSI	New Lined Shoe	Reman Lined Shoe	New Steel
15" x 5"	4528A-542	SMA2124528	XSMA2124528L	451003
15" x 6"	4504A-543	SMA2124504	XSMA2124504L	451004
15" x 7"	4505A-544	SMA2124505	XSMA2124505L	451005

LUCAS (FORD) REAR BRAKE (Cont'd.)

15" x 5", 15" x 6" and 15" x 7"

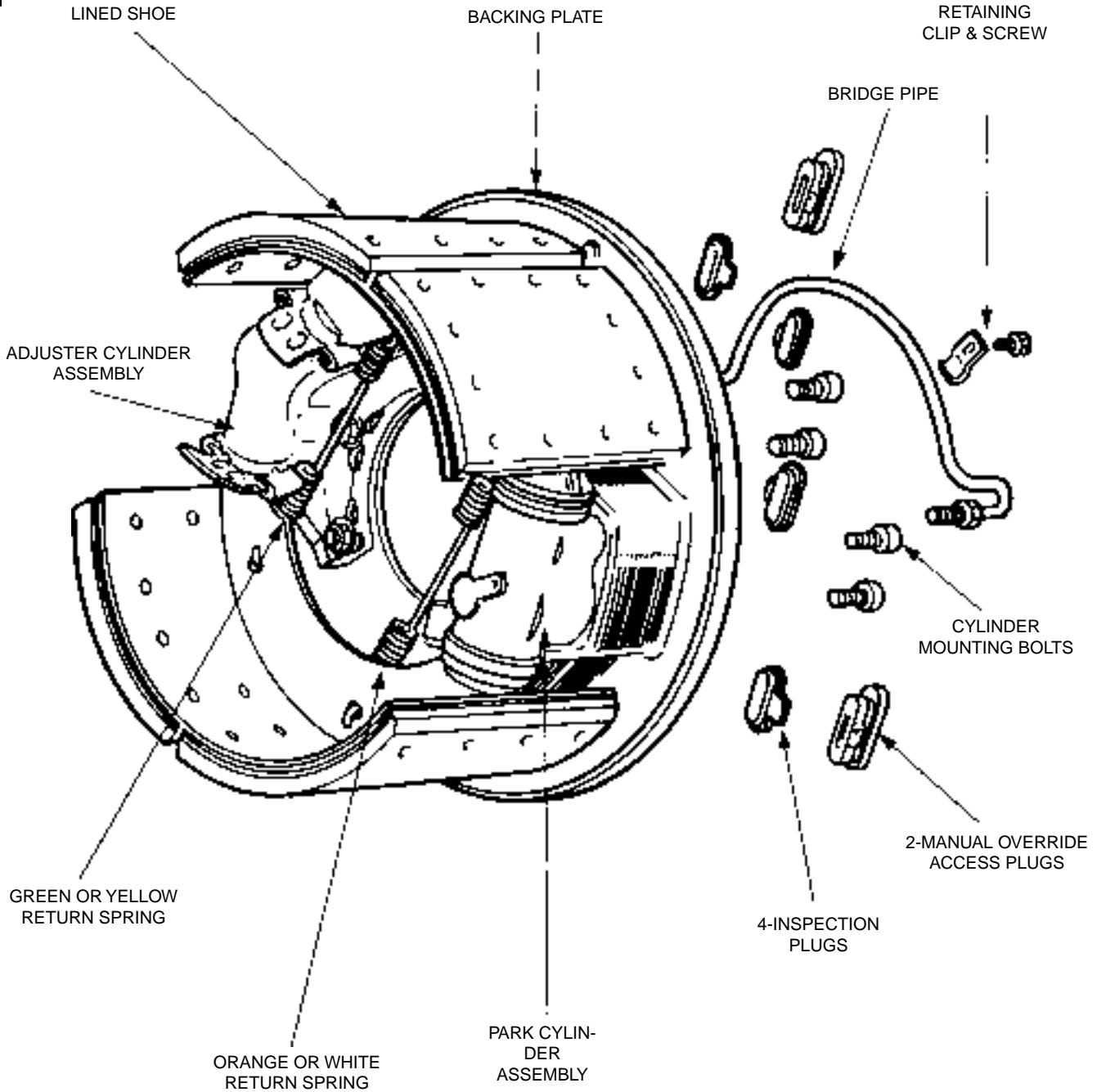
Product Code 201

4 - DRUM BRAKE

APPLICATION		KIT NUMBER
<p>AUTOMATIC ADJUSTER ASSEMBLY for LUCAS (FORD) 15" x 5" Use E-4060 for LUCAS (FORD) 15" x 6" and 15" x 7" Use E-4061 Services One Wheel</p>		<p>MERITOR SP7888S For 1 5/8" Dia. Wheel Cylinder Replaces Lucas (Ford) SP7870 Ford E4HZ-2C200B</p> <p>MERITOR SP7887S For 1 3/4" Dia. Wheel Cylinder Replaces Lucas (Ford) SP7869 Ford E4HZ-2C200A</p>
<p>NEW STYLE "SLEEVED" EXPANDER WEDGE ASSEMBLY for LUCAS (FORD) Two Required to Service One Wheel</p>		<p>MERITOR SP7920S For Euclid Expanders: 201179, 201180, 201181, 201182 Replaces Lucas (Ford) SP7920 Ford E6HZ-2B024A</p>
<p>SPRING BRAKE CHAMBER for LUCAS (FORD) Full Hydraulic Brake</p>	 R476120  R476120X	<p>FULL HYDRAULIC MERITOR R476120 (New) R476120X (Reman) Bleeder Kit MQ5200</p> <p>AIR OVER HYDRAULIC MERITOR R477208 (New) R477208X (Reman)</p> <p>NOTE: Air/Hydraulic Unit has no Bleeder Ports.</p> <p>R477208 & R477208X not shown, will not have bleeder ports</p> <p>Replaces Midland MA15500</p>
<p>HR-1 HYDRAULIC RELAY VALVE</p> <p>HPP-1 HYDRAULIC PUSH-PULL VALVE</p>	 065060X  065077X	<p>HR-1 HYDRAULIC RELAY VALVE</p> <ul style="list-style-type: none"> • 1 7/8" UNS Exhaust Port • 1 7/16" UNF Delivery Port • 1 7/16" UNF Push Pull Delivery Port • 1 7/16" UNF Control Port • 1 9/16" Supply Port • 2 1/2" UNC Mounting Holes <p>HPP-1 HYDRAULIC PUSH-PULL VALVE</p> <ul style="list-style-type: none"> • 1 1/8" PT Supply Port • 2 1/8" PT Delivery Port • 1 1/8"-27" Exhaust Port

PARTS

DURAPARK® 15" Diameter 5", 6", & 7" Widths



Assembly

SERVICE KITS

4 - DRUM BRAKE

Brake Position	LH	RH
SPRING KIT (1) Green or Yellow Spring (1) Orange or White Spring	SP7896S SP7896 (green/orange)	SP7897S SP7897 (yellow/white)
<p>The springs on the A2LS brakes have been redesigned and new spring kits created. The new springs simultaneously adjust the top and bottom during forward stops of the vehicle. Previously, the bottom shoe adjusted during forward stops and the top shoe during reverse stops.</p> <p>The top and bottom shoe adjustment during forward stops is accomplished by different spring tensions between the two springs on each brake.</p> <p><i>Initially, the new spring kits must be installed in Axle Sets (LH & RH wheels) in order to prevent automatic brake adjustment imbalance.</i></p>	R407969 Complete axle kit includes both SP7896S & SP7897S 	
BRIDGE PIPE KIT (1) Bridge Pipe Assembly (1) Retaining Clip (1) Screw	SP7861S SP7861	SP7862S SP7862
PLUG KIT (2) M.O. Access Plugs (4) Inspection Plugs	SP7860S SP7860	
BACKING PLATE KIT 5" shoe width BACKING PLATE KIT 6" & 7" shoe widths (1) Dirtshield (2) M.O. Access Plugs (1) Park Cylinder Gasket (4) Inspection Plugs (1) Adjuster Cylinder Gasket (4) Mounting Bolts	29 1002 68919018 29 1004 68919020 (Illustration pg. 2-140)	29 1003 68919019 29 1005 68919021
BOLT KIT, CYL. TO BACKPLATE	SP7854S	SP7854
Bore Size and Brake Position	1.75" R.H./L.H.	

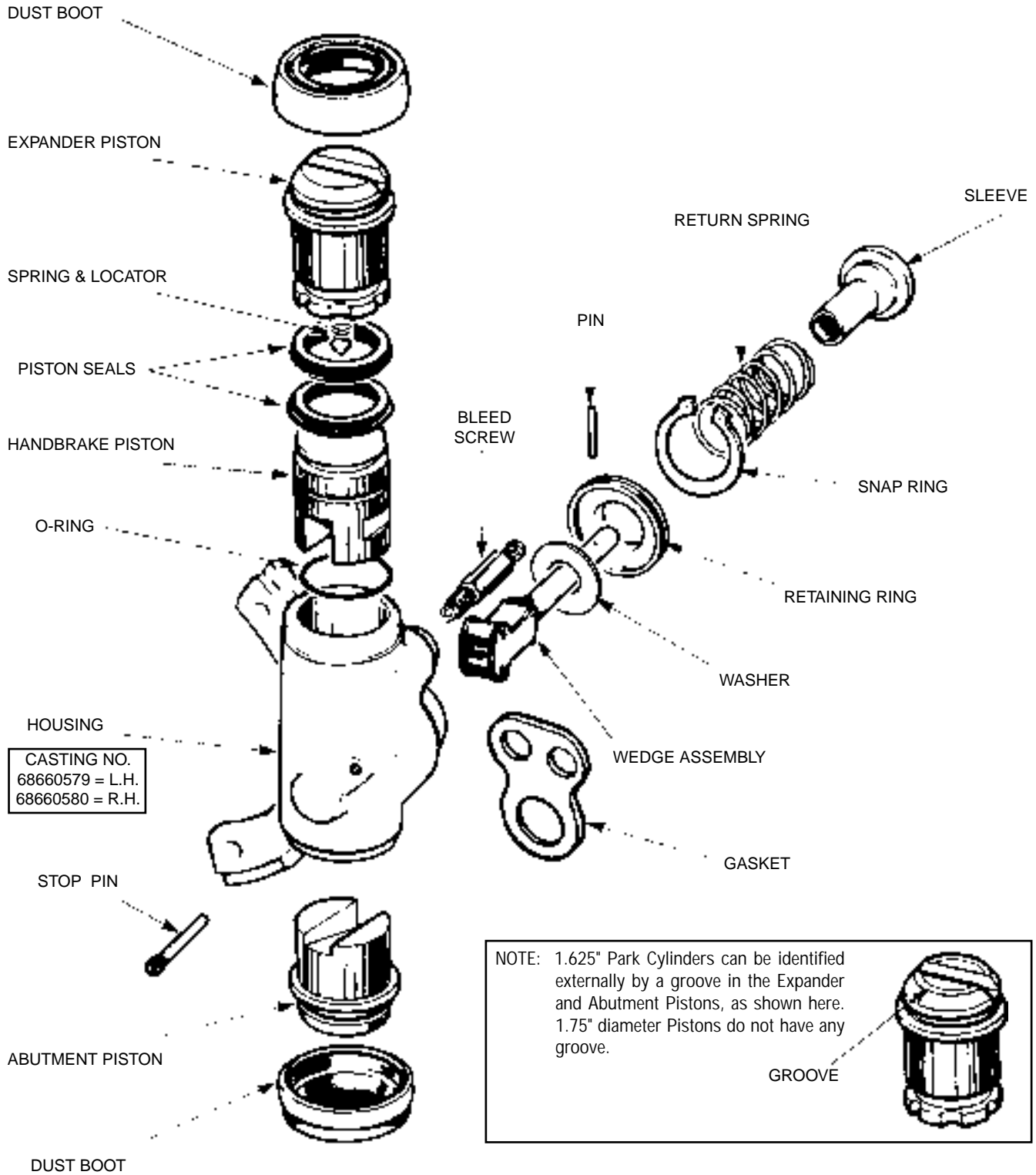
SEAL KIT, WHEEL END (1) Seal kit, Adjuster Cylinder (1) Seal kit, Park Cylinder	SP7873S SP7873
--	--------------------------

Brake Shoe and Lining Kits		
Brake Size	Unlined Shoe (each)	Lined Shoe (each)
15 x 5"	45 1003 68937200	SMA2124528
15 x 6"	45 1004 68937201	SMA2124504
15 x 7"	45 1005 68937202	SMA2124505

Park Cylinder

DURAPARK® 15" Diameter 5", 6", & 7" Widths

4 - DRUM BRAKE



Bore Size and Brake Position	1.75" LH	1.75" RH
Minor Overhaul Kits		
SEAL KIT (1) Dust Boots (1) Retaining Ring (2) Hydraulic Seals (1) Gasket (1) O-Ring (1) Grease Pack	SP7872S SP7872	
DUST BOOT (2) Dust Boots (1) Grease Pack	SP7889S SP7889	
PORT INSERT	29 1006	68150036
BLEED SCREW	29 1001	68660515

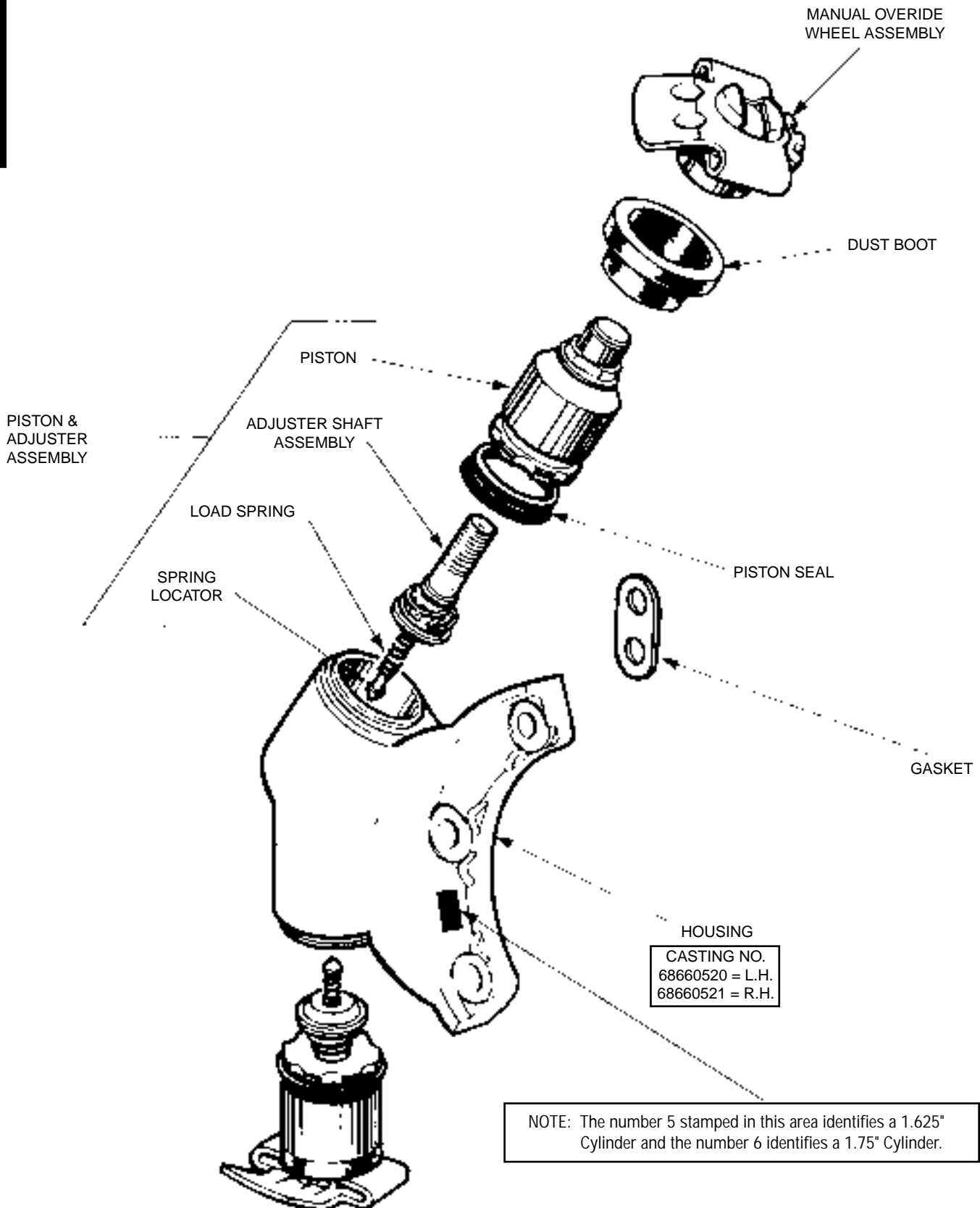
Major Overhaul Kits

PISTON KIT (1) Expander Piston (1) Spring & Locator (1) Handbrake Piston (1) Stop Pin (1) Abutment Piston	SP7879S SP7879	SP7880S SP7880
WEDGE KIT (1) Wedge Assembly (1) Sleeve (1) Washer (1) Pin (1) Retaining Ring (1) Gasket (1) Snap Ring (1) Grease Pack (1) Return Spring	SP7920S SP7920	
HOUSING (1) Housing (2) Port Inserts (1) Bleed Screw	29 1056 68919052	29 1057 68919053
CYLINDER (1) Park Cylinder Assembly (1) Gasket (2) Bolts	20 1179 68919067 20 1179X Reman.	20 1180 68919068 20 1180X Reman.

Adjuster Cylinder

DURAPARK® 15" Diameter 5", 6", & 7" Widths

4 - DRUM BRAKE



Adjuster Cylinder

SERVICE KITS

Bore Size and Brake Position	1.75" LH	1.75" RH
------------------------------	----------	----------

Minor Overhaul Kits

SEAL KIT (2) Piston Seals (2) Dust Boots (1) Gasket (1) Grease Pack	SP7871S SP7871	
DUST BOOT (2) Dust Boots (1) Grease Pack	SP7868S SP7868	
PORT INSERT	29 1000	68191307
MANUAL OVERRIDE WHEEL	29 1006	68150036

Major Overhaul Kits

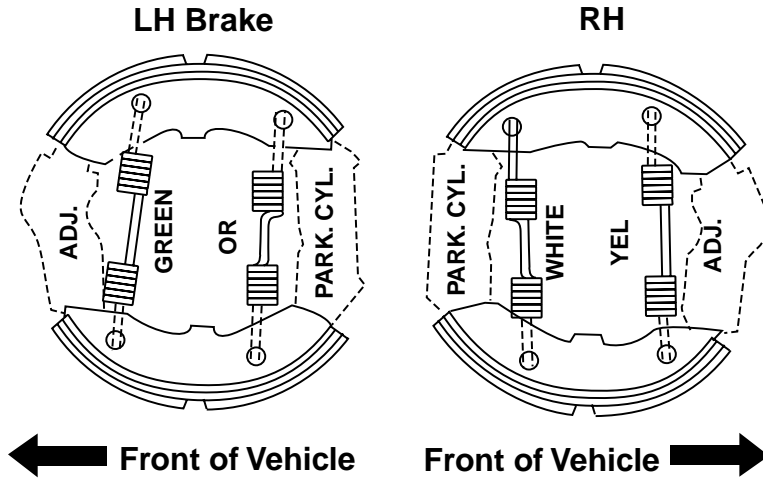
HOUSING (1) Housing (1) Port Insert	29 1061 68966097	29 1062 68966098
PISTON & ADJUSTER ASSEMBLY (1) Piston (1) Adjustment Shaft Assembly (1) Load Spring (1) Spring Locator	SP7887S SP7887	SP7888S SP7888
CYLINDER (1) Adjuster Cylinder Assembly (2) Manual Override Wheels (1) Gasket (2) Bolts	20 1183 68919071 20 1183X Reman.	20 1184 68919072 20 1184X Reman.

Meets FMVSS — 105 requirements for Automatic Adjustment

4 - DRUM BRAKE

LUCAS GIRLING DRUM BRAKES FORD TRUCKS CLASS 5, 6, 7

Heavy-Duty Return Spring Kits



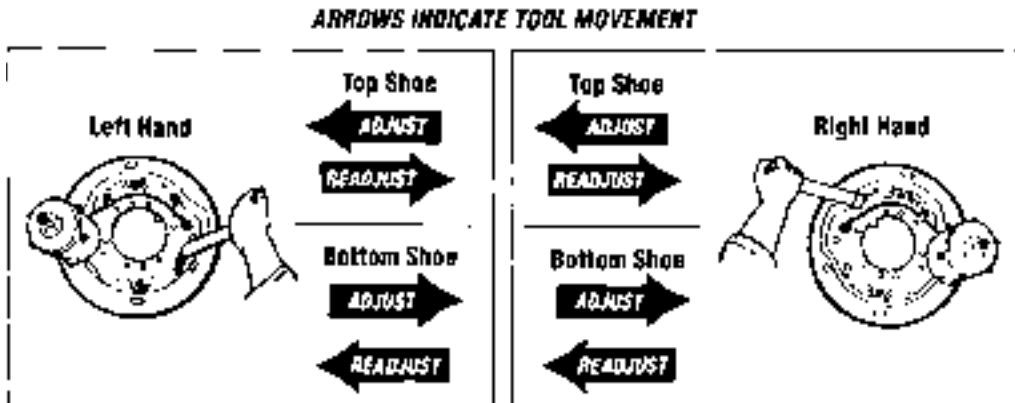
The springs on Lucas brakes have been redesigned and new spring kits created. The new springs simultaneously adjust the top and bottom during forward stops of the vehicle. Previously, the bottom shoe adjusted during forward stops and the top shoe during reverse stops.

The top and bottom shoe adjustment during forward stops is accomplished by different spring tensions between the two springs on each brake.



Initially, the new spring kits must be installed in Axle Sets (LH & RH wheels) in order to prevent automatic brake adjustment imbalance.

These new springs are being introduced as a running interchangeable change.

Kit Description	Kit #
Spring Kit	R40H618

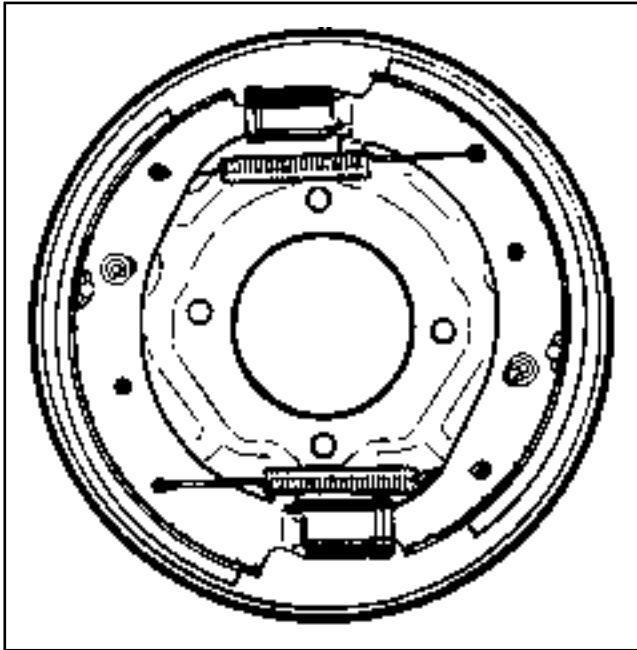


LUCAS BACKING PLATE ASSEMBLIES

(Left Hand Assembly shown)	MERITOR NO.	BACKING PLATE OVERALL DEPTH	APPLICATION
 <p>← Front of Vehicle</p> <p>Assembly includes backing plate, wheel cylinder, expander, two return springs, cross tube, and all rubber inspection plugs.</p>	79919003 (New) R429422X (Reman)	2 1/2"	Left Hand Assembly with 1 3/4" Wheel Cylinder and Expander for 6" and 7" Brakes
	79919004 (New) R429423X (Reman)	2 1/2"	Right Hand Assembly with 1 3/4" Wheel Cylinder and Expander for 6" and 7" Brakes
	79919005 (New) R429424X (Reman)	1 1/2"	Left Hand Assembly with 1 3/4" Wheel Cylinder and Expander for 5" Brakes Important Note: The 1 3/4" assembly is a retrofit for the 1 5/8" assembly, usually used on the 15" x 5" brake. When retrofitting to 1 3/4", you must do both wheel ends on a single rear axle. Retrofitting should never be done on a tandem rear axle using 1 5/8" assemblies.
	79919006 (New) R429425X (Reman)	1 1/2"	Right Hand Assembly with 1 3/4" Wheel Cylinder and Expander for 5" Brakes Important Note: The 1 3/4" assembly is a retrofit for the 1 5/8" assembly, usually used on the 15" x 5" brake. When retrofitting to 1 3/4", you must do both wheel ends on a single rear axle. Retrofitting should never be done on a tandem rear axle using 1 5/8" assemblies.
	68021279NPI (New) 68021279X (Reman)	1 3/4"	Left Hand New Backing Assembly with Shoes. 15" x 5" x 1.75" 55.93 lbs.
	68021280NPI (New) 68021280X (Reman)	1 3/4"	Right Hand New Backing Assembly with Shoes. 15" x 5" x 1.75" 55.93 lbs.
	68021281NPI (New) 68021281X (Reman)	1 3/4"	Left Hand New Backing Assembly with Shoes. 15" x 6" x 1.75" 58.70 lbs.
	68021282NPI (New) 68021282X (Reman)	1 3/4"	Right Hand New Backing Assembly with Shoes. 15" x 6" x 1.75" 58.70 lbs.
	68021283NFP (New) 68021283X (Reman)	1 3/4"	Left Hand New Backing Assembly with Shoes. 15" x 7" x 1.75" 61.73 lbs.
	68021284NFP (New) 68021284X (Reman)	1 3/4"	Right Hand New Backing Assembly with Shoes. 15" x 7" x 1.75" 61.73 lbs.

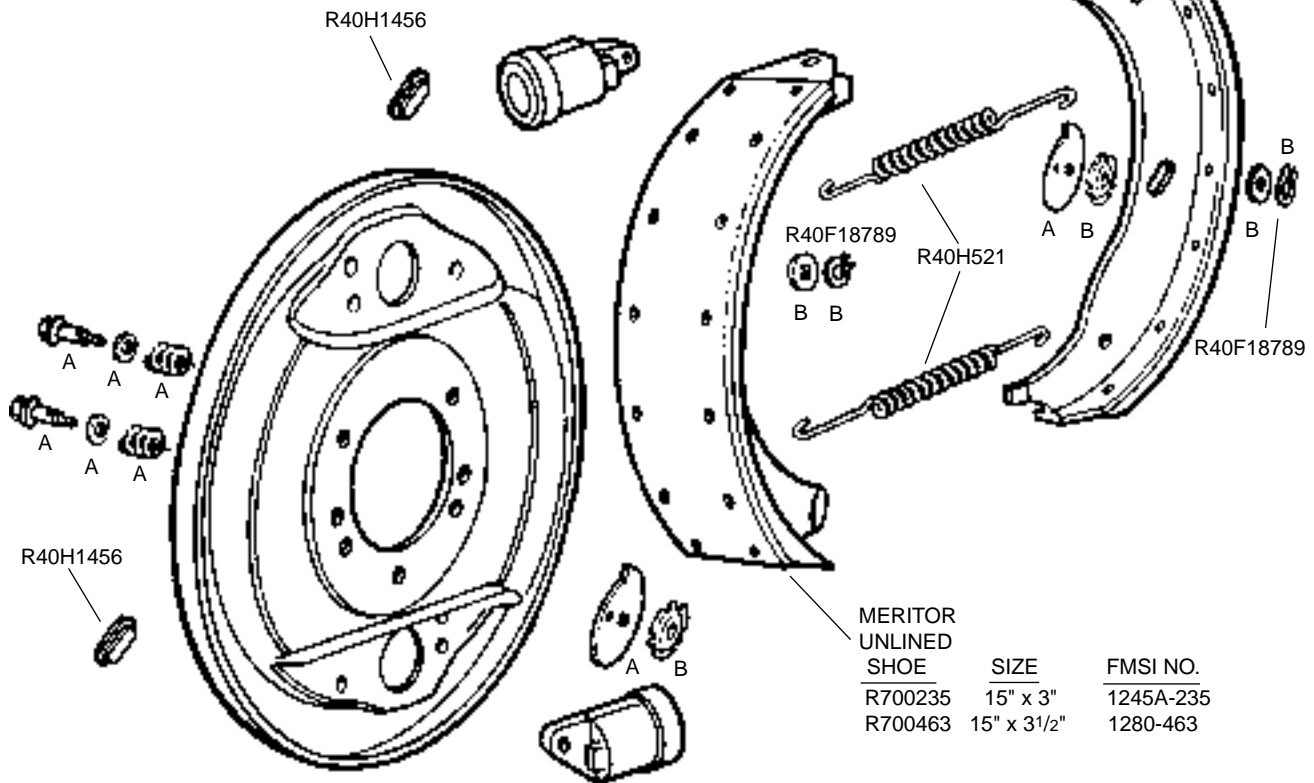
WAGNER FRONT BRAKE

14" x 2 1/2", 15" x 3", 15" x 3 1/2", 15" x 5"



MANUAL ADJUSTMENT

FMSI LINING	FMSI SHOE	BRAKE SIZE
1294	296	14" x 2 1/2"
1245A	235	15" x 3"
1280	463	15" x 3 1/2"
1345	490	15" x 5"




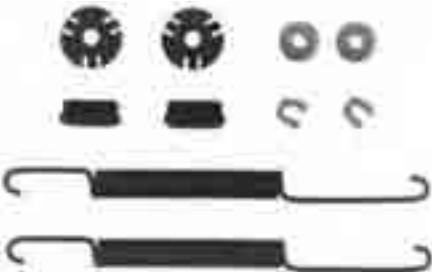
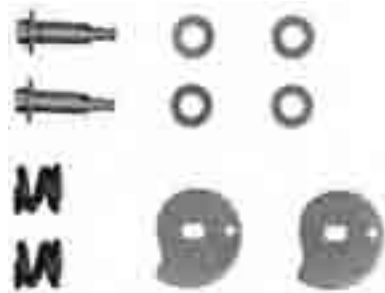

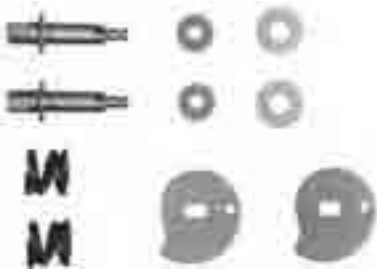

A	Contained in Adjuster Kit R40H3524
B	Contained in Hold Down Kit R40H9201

For Wheel Cylinder Applications see Vehicle Application Guide, Section 1

WAGNER FRONT BRAKE

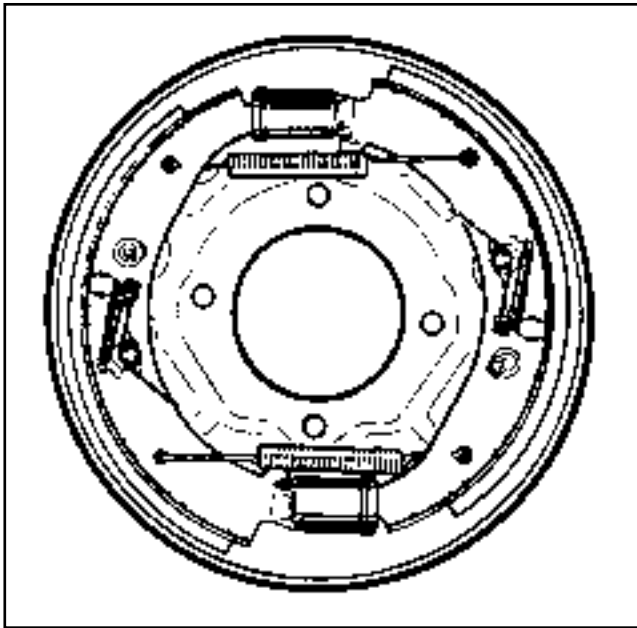
14" x 2 1/2", 15" x 3", 15" x 3 1/2", 15" x 5"

4 - DRUM BRAKE

APPLICATION		KIT NUMBER			
RETURN SPRING KIT for All WAGNER Manual Adjustment Front Brake Services One Axle		MERITOR R40H521 Replaces Wagner F36445 8 1/2" Long Green			
HOLD DOWN KIT for All WAGNER Manual Adjustment Front Brake Services One Wheel		MERITOR R40H9201 Replaces Wagner F19408			
MANUAL ADJUSTER KIT for All WAGNER Manual Adjustment Front Brake Except General Motors Services One Wheel		MERITOR R40H3524 Replaces Wagner F3909 F75775 F10602 F19408			
MANUAL ADJUSTER KIT for Chevrolet & GMC Manual Adjustment Front Brake Services One Wheel		MERITOR R404132 Replaces Wagner F3909 F75778 F10602 F19408			
MANUAL ADJUSTER KIT for Chevrolet & GMC Manual Adjustment Front Brake Services One Wheel		MERITOR R404133 Replaces Wagner F3909 F75779 F32523 F10602			
ADJUSTER STUD for WAGNER Manual Adjustment Front Brake	 I.D. Mark	MERITOR NO.	REPLACES	I.D. MARK	O.A.L.
		NLA	Wagner F75775	75	2.01"
		NLA	Wagner F75779	79	2.60"

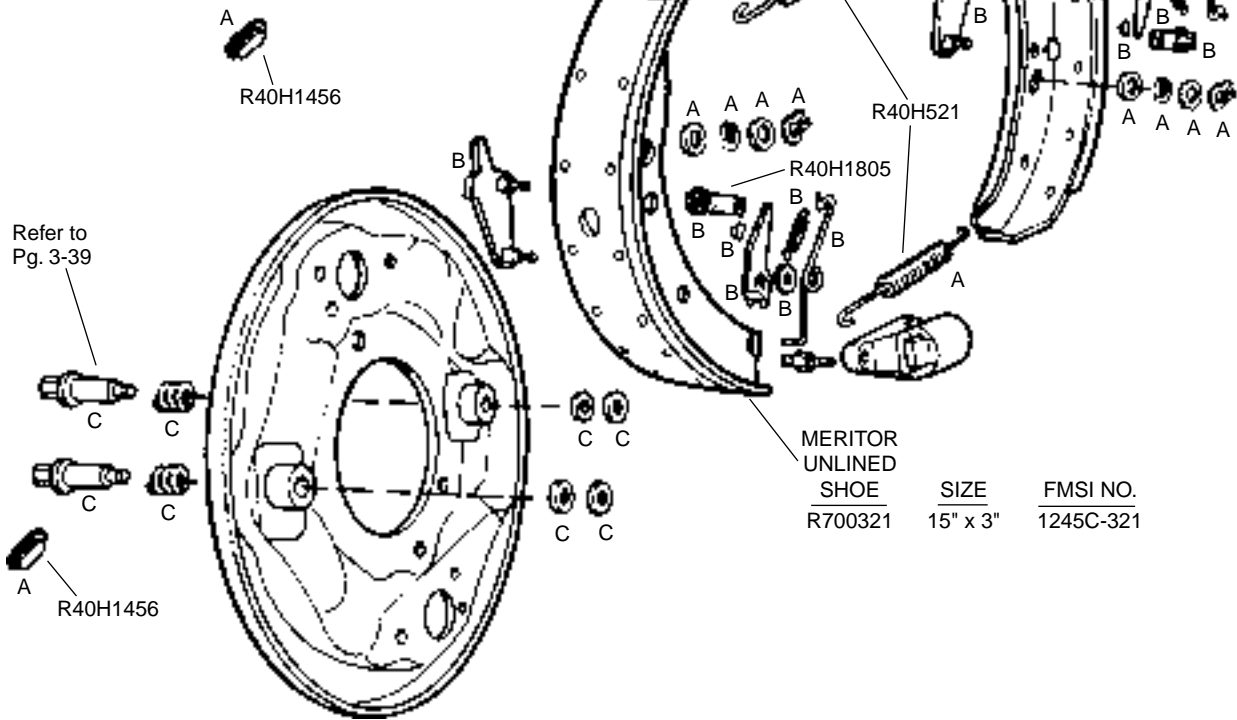
WAGNER FRONT BRAKE

14" x 2 1/2", 15" x 3", 15" x 3 1/2", 15" x 5"



AUTOMATIC ADJUSTMENT

FMSI LINING	FMSI SHOE	BRAKE SIZE
1294A	325	14" x 2 1/2"
1245C	321	15" x 3"
1280B	322	15" x 3 1/2"
1345A	491	15" x 5"



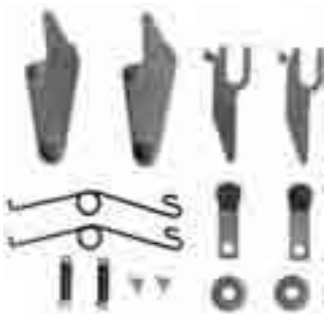
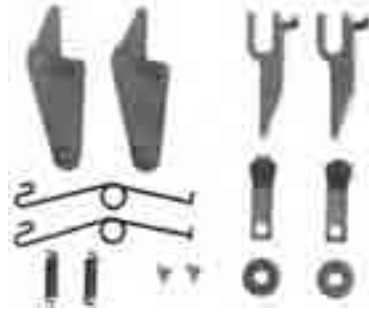




A	Contained in Hold Down Kit R40H9237
B	Contained in Adjuster Kit R40H3502 LH R40H3503 RH
C	Contained in Stud Kit, See Pg. 3-41

For Wheel Cylinder Applications see Vehicle Application Guide, Section 1

WAGNER FRONT BRAKE

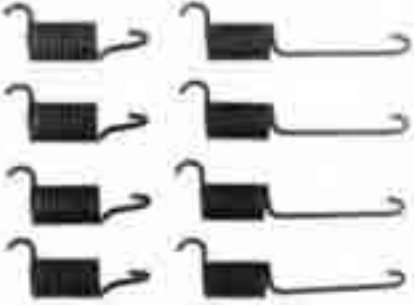
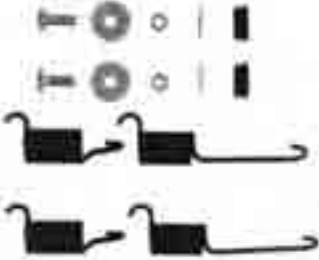
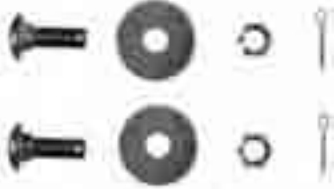




14" x 2 1/2", 15" x 3", 15" x 3 1/2", 15" x 5"

APPLICATION		KIT NUMBER
<p style="text-align: center;">RETURN SPRING KIT for ALL WAGNER</p> <p style="text-align: center;">AutomaticAdjustment Front Brake</p> <p style="text-align: center;">Services One Axle</p>		<p>MERITOR KIT R40H521</p> <p style="text-align: center;">8 1/2" Long Green</p>
<p style="text-align: center;">HOLD DOWN KIT for ALL WAGNER</p> <p style="text-align: center;">AutomaticAdjustment Front Brake</p> <p style="text-align: center;">Services One Wheel</p>		<p>MERITOR KIT R40H9237</p> <p style="text-align: center;">Replaces Wagner F73399</p>
<p style="text-align: center;">AUTOMATIC ADJUSTER KIT RH for ALL WAGNER</p> <p style="text-align: center;">AutomaticAdjustment RH Front Brake</p> <p style="text-align: center;">Services One Wheel</p>		<p>MERITOR KIT R40H3503 (RH)</p> <p style="text-align: center;">Replaces Wagner F59160</p>
<p style="text-align: center;">AUTOMATIC ADJUSTER KIT LH for ALL WAGNER</p> <p style="text-align: center;">AutomaticAdjustment LH Front Brake</p> <p style="text-align: center;">Services One Wheel</p>		<p>MERITOR KIT R40H3502 (LH)</p> <p style="text-align: center;">Replaces Wagner F59159</p>
<p style="text-align: center;">STUD KIT for ALL WAGNER</p> <p style="text-align: center;">Automatic Adjustment Front Brake</p> <p style="text-align: center;">Services One Wheel</p>		<p>MERITOR KIT R404140</p> <p style="text-align: center;">Includes Stud (O.A.L. 2.15") I.D. Mark - 71</p>
		<p>MERITOR KIT R404141</p> <p style="text-align: center;">Includes Stud (O.A.L. 2.50") I.D. Mark - 72</p>
<p style="text-align: center;">ADJUSTING PLUG for ALL WAGNER</p> <p style="text-align: center;">Automatic Adjustment Front Brake</p> <p style="text-align: center;">(4 Plugs Per Package) Services One Axle</p>		<p>MERITOR R40H1805</p> <p style="text-align: center;">Replaces Wagner F59351</p>

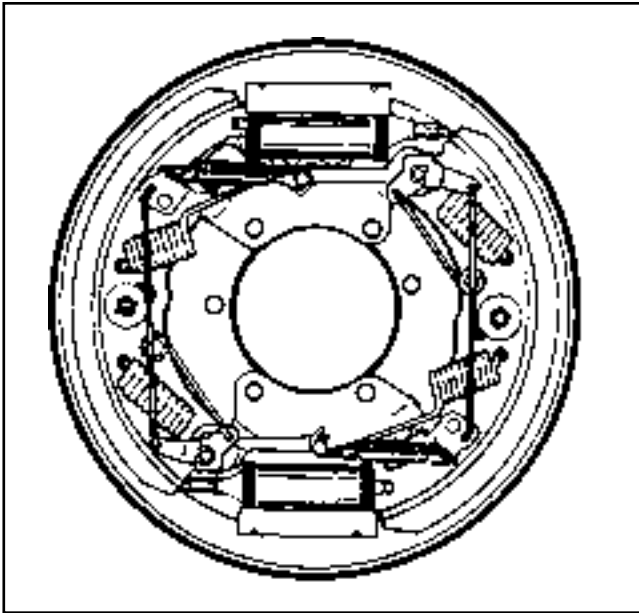
4 - DRUM BRAKE

WAGNER REAR BRAKE (ALL)

4 - DRUM BRAKE

APPLICATION			KIT NUMBER		
<p>RETURN SPRING KIT</p> <p>for ALL WAGNER 15" and 16" Manual Adjustment Rear Brake</p> <p>Services One Axle</p>			<p>MERITOR KIT R40H597</p> <p>4 1/4" Long 6 5/8" Long</p> <p>Replaces Wagner F98318</p>		
<p>HOLD DOWN KIT</p> <p>for ALL WAGNER 15" and 16" Manual Adjustment Rear Brake</p> <p>Services One Wheel</p>			<p>MERITOR KIT R40H9200</p> <p>Replaces Wagner F19413</p>		
<p>GUIDE BOLT KIT for ALL WAGNER 15" and 16" Manual Adjustment Rear Brake</p> <p>Services One Wheel</p>			<p>MERITOR KIT R40H8200</p> <p>Replaces (2) Wagner F19309</p>		
<p>MANUAL ADJUSTER KIT</p> <p>for WAGNER 15" Manual Adjustment Rear Brake</p> <p>Services One Wheel</p>			<p>KIT R404148 Contains R40H1861 RH Adjuster Screws See Page 3-47</p> <p>KIT R404147 Contains R40H1860 LH Adjuster Screws See Page 3-47</p>		
<p>MANUAL ADJUSTER KIT</p> <p>for WAGNER 16" Manual Adjustment Rear Brake</p> <p>Services One Wheel</p>			<p>KIT R404150 Contains R40H1864 RH Adjuster Screws See Page 3-47</p> <p>KIT R404149 Contains R40H1865 LH Adjuster Screw See Page 3-47</p>		
<p>STAR WHEELS</p> <p>16 Teeth 15" Brake 18 Teeth 16" Brake</p>	<p>16 TEETH</p> 	<p>18 TEETH</p> 	<p>MERITOR NO.</p>	<p>REPLACES</p>	<p>TEETH</p>
			<p>R40H1807</p>	<p>Wagner F12086</p>	<p>16</p>
			<p>R40H1808</p>	<p>Wagner F19293</p>	<p>18</p>

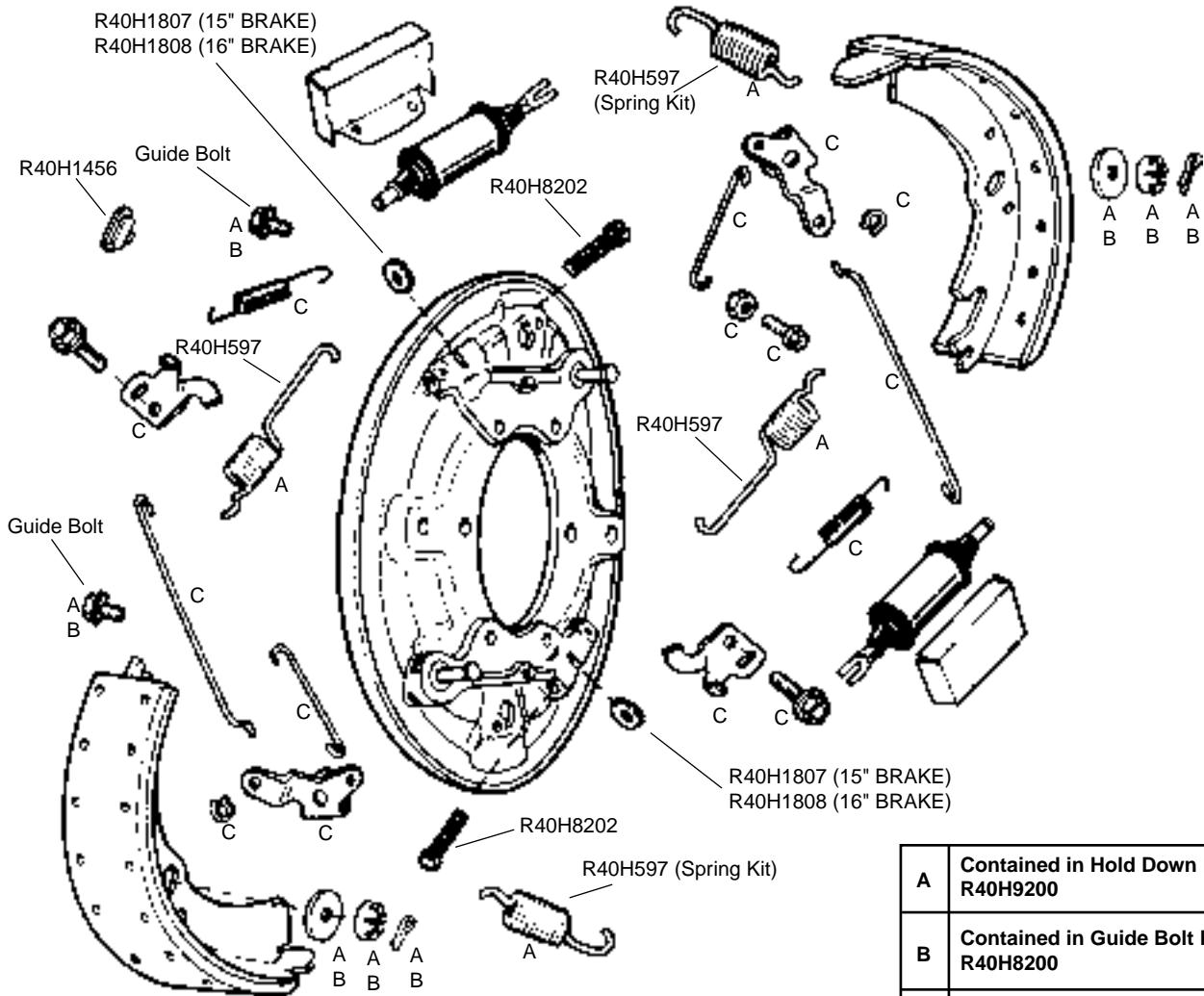
WAGNER REAR BRAKE (ALL)



AUTOMATIC ADJUSTMENT

FMSI LINING	FMSI SHOE	BRAKE SIZE
1252	346	15" x 5"
1252	379	15" x 5"
1254	385	16" x 5"
1255	386	16" x 6"
4596	381	15" x 6"
4597	383	15" x 7"
4645A	376	15" x 4"

MERITOR UNLINED SHOE	SIZE	FMSI NO.
R700346	15" x 5"	1252-346
R700381	15" x 6"	4596-381

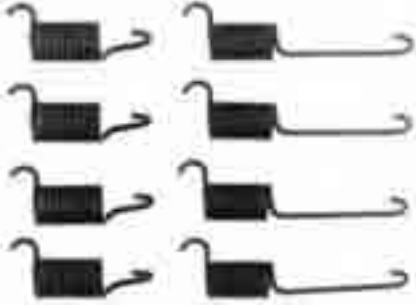
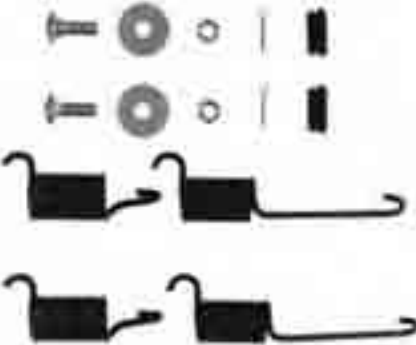
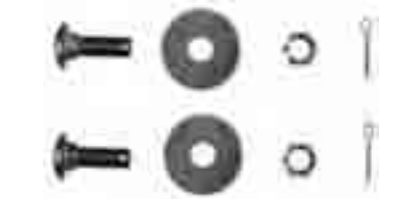



For Wheel Cylinder Applications see Vehicle Application Guide, See Section 1

A	Contained in Hold Down Kit R40H9200
B	Contained in Guide Bolt Kit R40H8200
C	Contained in Adjuster Kits R40H3540 & R40H3541

WAGNER REAR BRAKE (ALL)

4 - DRUM BRAKE

APPLICATION		KIT NUMBER			
<p>RETURN SPRING KIT</p> <p>for All 15" and 16" WAGNER</p> <p>Automatic Adjustment Rear Brake</p> <p>Services One Axle</p>		<p>MERITOR KIT R40H597</p> <p>4 1/4" Long 6 5/8" Long</p> <p>Replaces Wagner F98318</p>			
<p>HOLD DOWN KIT</p> <p>for All 15" and 16" WAGNER</p> <p>Automatic Adjustment Rear Brake</p> <p>Services One Wheel</p>		<p>MERITOR KIT R40H9200</p> <p>Replaces Wagner F19413</p>			
<p>GUIDE BOLT KIT</p> <p>for All 15" and 16" WAGNER</p> <p>Automatic Adjustment Rear Brake</p> <p>Services One Wheel</p>		<p>MERITOR KIT R40H8200</p> <p>Replaces (2) Wagner F19309</p>			
<p>AUTOMATIC ADJUSTER KIT</p> <p>for 15" WAGNER</p> <p>Automatic Adjustment Rear Brake</p> <p>To determine ratio measure distance "A" as shown and refer to chart.</p> <p>Services One Wheel</p>		<p>MERITOR NO.</p>	<p>RATIO</p>	<p>A</p>	<p>WAGNER NO.</p>
		<p>R40H3540 (LH)</p>	<p>1.67</p>	<p>29/32"</p>	<p>F59157</p>
		<p>R40H3541 (RH)</p>	<p>1.67</p>	<p>29/32"</p>	<p>F59158</p>

WAGNER ANCHOR BRACKETS

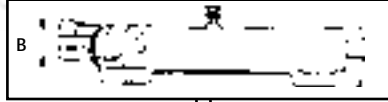
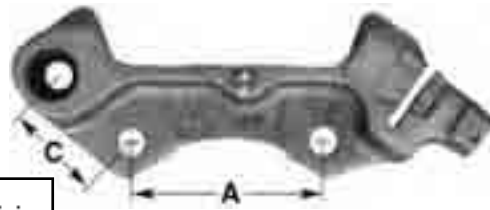
Listed by Brake Size

4 - DRUM BRAKE

LEFT HAND BRACKET ASSEMBLY



RIGHT HAND BRACKET ASSEMBLY









MERITOR NO.	BRAKE SIZE	REPLACES	A	B	C	MERITOR NO.	BRAKE SIZE	REPLACES	A	B	C
R40H1916	15" x 4"	Wagner F71934, F57506 ITE 392573C91 351970C91 (Casting No. 19134)	3 19/32"	17/64"	2 7/8"	R40H1917	15" x 4"	Wagner F71935, F57507 ITE 392574C91 351971C91 (Casting No. 19135)	3 19/32"	17/64"	2 7/8"
R40H1900	15" x 6" 15" x 7"	Wagner F71932, F26052 ITE 386262C91 384263C91 (Upper) (Casting No. 20551)	3 19/64"	13/32"	1 7/8"	R40H1901	15" x 6" 15" x 7"	Wagner F71933, F26053 ITE 386263C91 384264C91 (Upper) (Casting No. 20552)	3 19/64"	13/32"	1 7/8"
R40H1902	15" x 6" 15" x 7"	Wagner F68610, F26048 ITE 386264C91 384261C91 (Lower) GM 3933995, 2431345 Dodge 2954607 (Casting No. 20551)	3 37/64"	13/32"	1 7/8"	R40H1903	15" x 6" 15" x 7"	Wagner F68611, F26049 ITE 386265C91 384262C91 (Lower) GM 3933996, 2431436 Dodge 2954606 (Casting No. 20552)	3 37/64"	13/32"	1 7/8"

BRACKET BOLT ASSEMBLY









MERITOR NO.	REPLACES	APPLICATION
R40H8202	Bendix H8202	Included with all Meritor Anchor Bracket Castings for Wagner Brakes

WAGNER HARDWARE PARTS

15" BRAKE ADJUSTING SCREW		MERITOR NO.	REPACES WAGNER NO.	THREAD SIZE	O.A.L.	APPLICATION	
 <p>Remove ring for manual applications.</p>	R40H1861 (RH)	F59303	5/8"-12	1 5/8"	For Wagner 15" Rear Brake		
	R40H1860 (LH)	F59302	5/8"-12	1 5/8"			
16" BRAKE ADJUSTING SCREW							
 <p>Remove ring for manual applications.</p>	R40H1864 (RH)	F59532	3/4"-12	1 3/4"	For Wagner 16" Rear Brake		
	R40H1865 (LH)	F59531	3/4"-12	1 3/4"			
AUTOMATIC SHOE ANCHOR				SLOT WIDTH	DIA.	O.A.L.	
		R40H1868	F59339	.500"	1"	2"	15" x 6" 15" x 7"
MANUAL SHOE ANCHOR							
		R40H1869	F19146	.500"	1"	1 5/16"	15" x 5" 15" x 6" 15" x 7"
STAR WHEEL				APPLICATION			
16 TEETH	18 TEETH	R40H1807 16 Teeth	F12086	All Wagner 15" Rear Brakes			
		R40H1808 18 Teeth	F19293	All Wagner 16" Rear Brakes			

MISCELLANEOUS BRAKE HARDWARE

DUST COVER	MERITOR NO.	REPLACES	GENERAL INFORMATION	APPLICATION
	R40H1456	Wagner F17814 Bendix H1456	Rubber	All
HOLD DOWN CUP 	R4023969	Wagner F23880 Bendix H1132	13/16" O.D.	All
"C" CLIP 	R404183	GM 3884948	—	GM Rear
"C" CLIP 	R40F18789 (Shown)	Wagner F18789	—	Wagner Front
	R40FC004395	Wagner FC004395	Alternate Version of R40F18789	
"C" CLIP 	R40H1177	Wagner F6477 Bendix H1177	—	Wagner Rear
HOLD DOWN PIN 	MERITOR NO.	REPLACES	END MARKING	O.A.L.
	R4049624	Wagner F23878 Bendix H1110	10	2 9/16"

MISCELLANEOUS ADJUSTER PARTS

ADJUSTING SCREW	MERITOR NO.	REPLACES	APPLICATION
	R40H1843 (RH)	Bendix H1843 GM 3987462	Used on Late Model GM 15" x 4" and 15" x 5" Rear Brake
	R40H1842 (LH)	Bendix H1842 GM 3987461	

4 - DRUM BRAKE

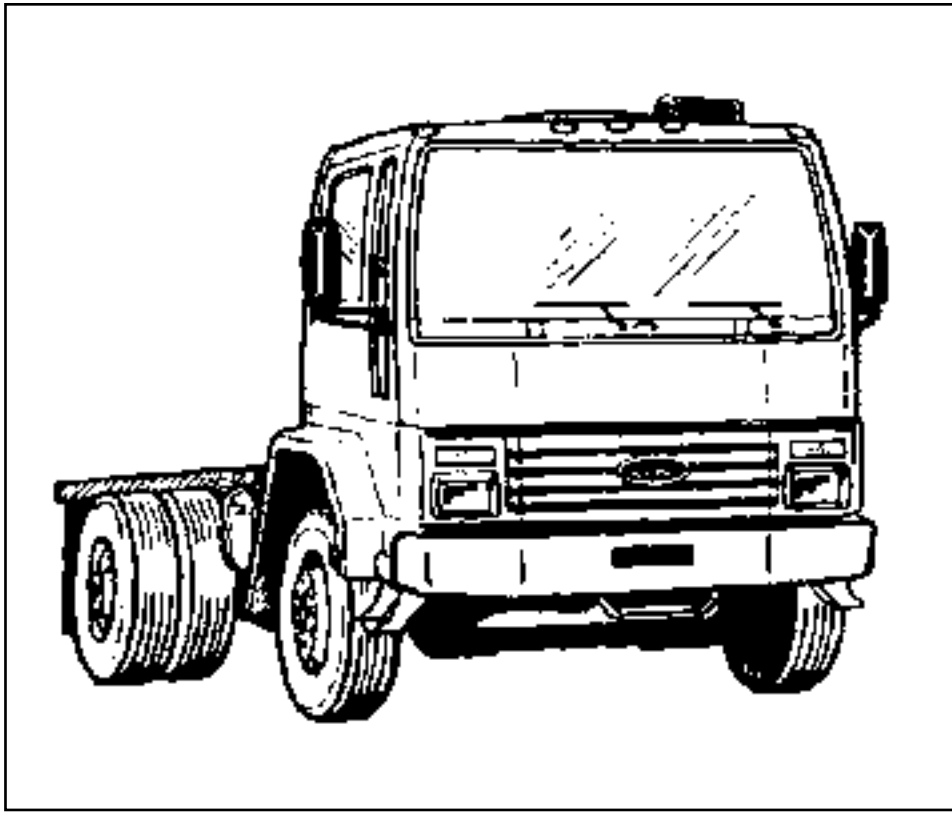
NOTES

4 - DRUM BRAKE

A large, empty rectangular box with a thin black border, occupying most of the page. It is intended for handwritten or typed notes.

Import Vehicle Brake &
Exploded Views
Section 5

FORD CARGO FRONT DISC BRAKE



CF SERIES

Built in Sao Paulo, Brazil by Autolatina, the Brazilian joint venture between Volkswagen and Ford Motor Company. Was introduced into the United States in the Fall of 1985.

In 1991, Ford stopped importing the Cargo from Brazil and began building it in Louisville, Kentucky along with other model Ford trucks. Louisville Ford Cargos use Rockwell Air Brakes and Lucas Hydraulic Brakes.

FORD CARGO FRONT DISC BRAKE

INDEX OF BRAKE SYSTEM

MODEL AND YEAR	FRONT BRAKE			REAR BRAKE		
	SIZE	TYPE	PAGE	SIZE	TYPE	PAGE
CF 6000 — 26,500 lb. GVW						
July 1985 - 1991	73 mm	Disc Air Over Hydraulic Dual Piston	4-4	15" x 7"	Drum Air Over Hydraulic Automatic Adjustment	4-4
CF 7000 — 29,500 lb. GVW						
July 1985 - 1991	STANDARD					
	73 mm	Disc Air Over Hydraulic Dual Piston	4-4	15" x 7"	Drum Air Over Hydraulic Automatic Adjustment	4-4
	OPTIONAL					
	15" x 4"	Drum Full air S-Cam	—	16 1/2" x 7"	Drum Full air S-Cam	4-4
CF 8000 — 33,000 and 36,000 lb. GVW (Truck) 50,000 and 60,000 lb. GVW (Tractor Package Option)						
September 1987 - 1991	STANDARD					
	73 mm	Disc Air Over Hydraulic Dual Piston	4-4	15" x 7"	Drum Air Over Hydraulic Automatic Adjustment	4-4

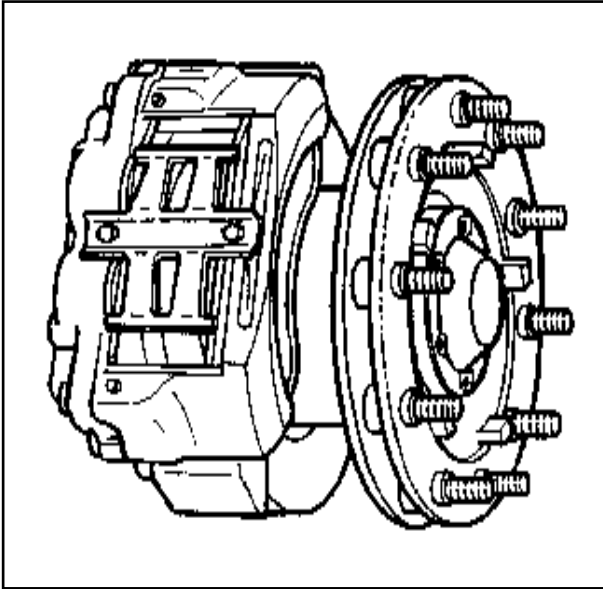
FORD CARGO FRONT DISC BRAKE

73mm DUAL PISTON AIR OVER HYDRAULIC

CF 6000 (July 1985 -1991)
With 9000 lb. rated Front Axles

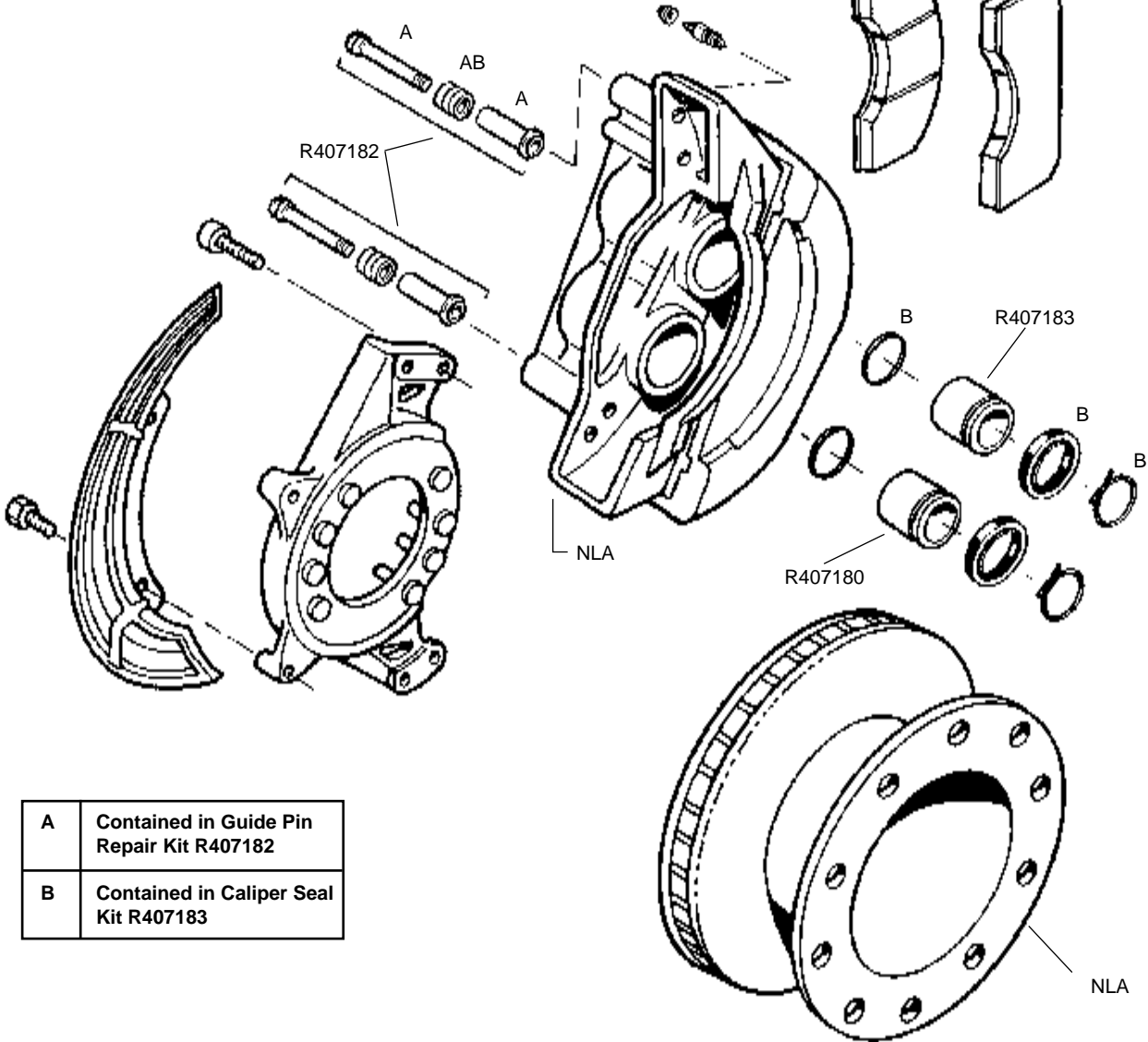
CF 7000 (July 1985 - 1991)
With 12,000 lb. rated Front Axles

CF 8000 (September 1987 - 1991)
With 12,000 lb. rated Front Axles








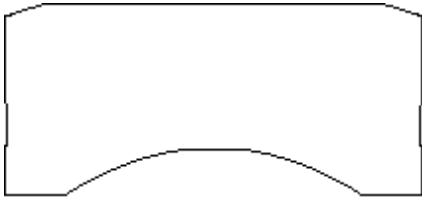
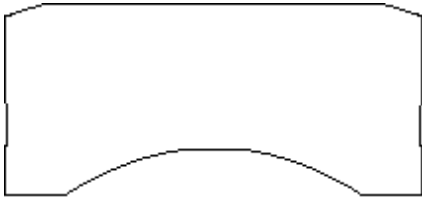
DISC PAD SET
MD379

R497181



A	Contained in Guide Pin Repair Kit R407182
B	Contained in Caliper Seal Kit R407183

FORD CARGO FRONT DISC BRAKE

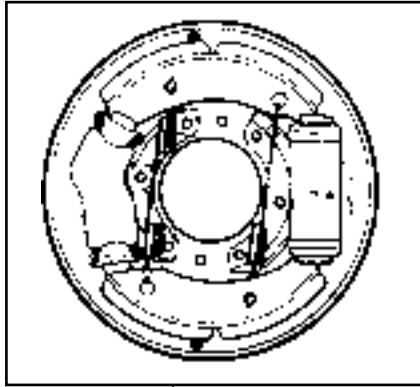
<p>CALIPER PISTON</p>  <p>2.874" (73mm) Dia. Steel</p>	<p>MERITOR NO.</p>	<p>REPLACES</p>	<p>QTY. / AXLE</p>
<p>DISC PAD RETAINER KIT</p> 	<p>R407180</p>	<p>Ford E6HZ-2120A</p>	<p>4</p>
<p>GUIDE PIN REPAIR KIT</p> 	<p>R407181</p>	<p>Ford E7HZ-2L296A</p> <p>Includes: 2 Retainer Plate 4 Guide Screw</p>	<p>1</p>
<p>GUIDE PIN REPAIR KIT</p> 	<p>R407182</p>	<p>Ford E6HZ-C150A</p> <p>Includes: 2 Guide Pin 2 Guild Sleeve 2 Dust Boot 1 Tube of Lubricant</p>	<p>2</p>
<p>CALIPER SEAL KIT</p> 	<p>R407183</p>	<p>Includes: 2 Square-cut Seal Ring 2 Dust Boot 2 Retaining Ring 2 Caliper Boot Seal 1 Tube of Lubricant</p>	<p>2</p>
<p>D379 OUTER AND INNER BRAKE PAD</p>  <p>(MOLDED)</p>	<p>NLA Left</p>	<p>Includes complete Caliper Assembly Caliper Casting No. VFCC 0005-1 Inlet and Bleed Part Sizes: 7/16"-24</p>	<p>1</p>
	<p>NLA Right</p>	<p>Includes complete Caliper Assembly Caliper Casting No. VFCC 2284-5 Inlet and Bleed Part Sizes: 7/16"-24</p>	<p>1</p>
<p>D379 OUTER AND INNER BRAKE PAD</p>  <p>(MOLDED)</p>	<p>MD379</p>	<p>FMSI 7812-D327 7812-D379 7814-D379</p> <p>Axle Set contains four integrally molded Disc Pads in Euclid E42 non-asbestos mix</p> <p>Nominal Thickness: 34mm (.945") (Disc Pad and Backing Plate) Backing Plate Length: 209mm (8.228")</p> <p>Wear Limit: 2mm (.079")</p>	<p>2</p>

5 - IMPORT BRAKE

FORD CARGO REAR DRUM BRAKE 15" x 7"

AUTOMATIC ADJUSTMENT

FMSI LINING	FMSI SHOE	BRAKE SIZE
4528A	542	15" x 5"
4504A	543	15" x 6"
4505A	544	15" x 7"



COMPLETE BACKING PLATE
SEE PAGE 4-37

BARE BACKING PLATE
29 1003 5" RH
29 1002 5" LH
29 1005 6" & 7" RH
29 1004 6" & 7" LH

CYLINDERS AND EXPANDERS
SEE PAGES 6-131

R407969
(SPRING KIT)

SP7862S RH
SP7861S LH

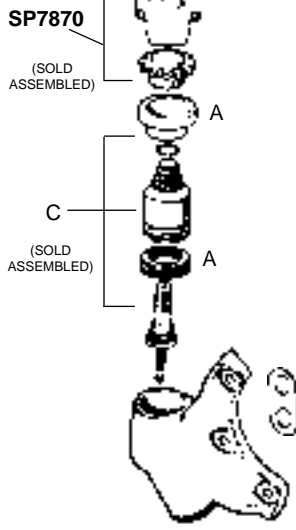
MERITOR UNLINED SHOE

SHOE	SIZE	FMSI NO.
451003	15" x 5"	4528A-542
451004	15" x 6"	4504A-543
451005	15" x 7"	4505A-544

5 - IMPORT BRAKE



Wheel Cylinder

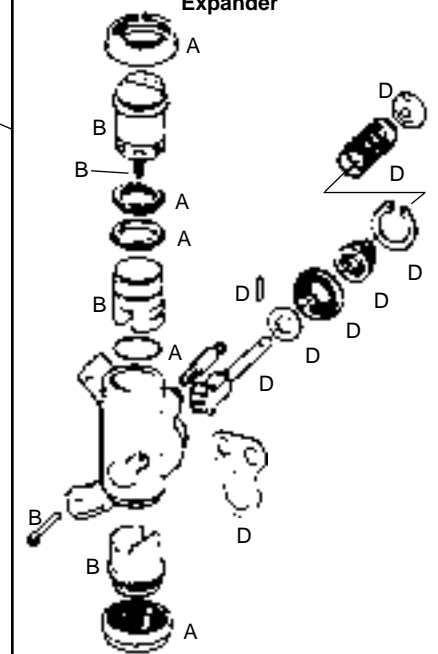


SP7870
(SOLD ASSEMBLED)

C
(SOLD ASSEMBLED)

A	Contained in Seal Kits (Services One Wheel) SP 7865 for 1 3/4" Wheel Cylinder and Expander
B	Contained in Expander Kits SP 7880S (RH) for 1 3/4" Dia. Expander SP 7879S (LH) for 1 3/4" Dia. Expander
C	Adjuster Assembly SP 7887S for 1 3/4" Dia. Wheel Cylinder
D	Contained in Expander Assembly SP 7920S

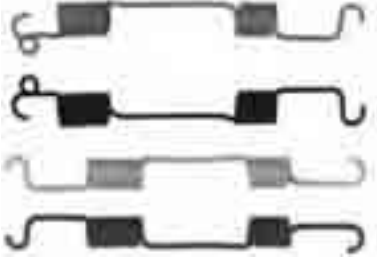



Expander



For Wheel Cylinder Applications see Vehicle Application Guide, beginning in Section 1

FORD CARGO REAR DRUM BRAKE 15" x 7"

Product Code 201

APPLICATION		KIT NUMBER
<p>RETURN SPRING KIT for LUCAS (FORD) 15" x 5", 15" x 6", 15" x 7" Automatic Adjustment Rear Brake</p> <p>Services One Axle</p>		<p>MERITOR KIT R407969 Replaces Lucas (Ford) SP7896/ SP7897(New) SP7852/SP7853 (Old) Ford E4HZ-2296B/2297B (New) E4HZ-2296A/2297A (Old)</p> <p>Includes: 1 Green Spring } For LH 1 Orange Spring } Brakes 1 White Spring } For RH 1 Yellow Spring } Brakes</p>
<p>CROSS TUBE ASSEMBLIES for LUCAS (FORD) 15" x 5", 15" x 6", and 15" x 7" Rear Brake</p>		<p>MERITOR KIT SP 7862S (RH) Replaces Lucas (Ford) SP7862</p> <hr/> <p>MERITOR KIT SP 7861S (LH) Replaces Lucas (Ford) SP7861</p>
<p>EXPANDER KIT for LUCAS (FORD) 15" x 6" and 15" x 7"</p> <p>Use E-4057 LH E-4056 RH</p> <p>Services One Wheel</p>		<p>MERITOR KIT SP 7879S (LH) For 1 3/4" Dia. Expander Replaces Lucas (Ford) SP7855 Ford E4HZ-2C197A</p> <hr/> <p>MERITOR KIT SP 7880S (RH) For 1 3/4" Dia. Expander Replaces Lucas (Ford) SP7856 Ford E4HZ-2C197B</p>
<p>MANUAL ADJUSTMENT OVERRIDE ASSEMBLY for LUCAS (FORD) 15" x 5", 15" x 6", and 15" x 7" Automatic Adjustment Rear Brake</p>		<p>MERITOR KIT SP 7870 Replaces Lucas (Ford) 68191307 Ford E4HZ-2C199A</p>

5 - IMPORT BRAKE

(Continued on next page)

LUCAS BRAKE DRUMS

15.00" X 5"									
OVERALL DEPTH	BRAKE SURFACE WIDTH	PILOT DIA.	BOLT CIRCLE DIA.	BOLT HOLES		WEIGHT	PART NUMBER	FORD PART NUMBER	WHEEL TYPE
				NO.	SIZE				
6.59"	5.56"	9.44"	11.00"	5	0.66"	76	85-120517-002	F5HZ 1126 B	SPOKE
7.22"	5.50"	6.25"	8.75"	6	0.84"	74	03-120553-002	C8TZ 1126 E	DISC
8.02"	5.47"	8.99"	10.83"	8	0.84"	71	85-123332-002	F0HZ 1126 C	DISC
15.00" X 6"									
OVERALL DEPTH	BRAKE SURFACE WIDTH	PILOT DIA.	BOLT CIRCLE DIA.	BOLT HOLES		WEIGHT	PART NUMBER	FORD PART NUMBER	WHEEL TYPE
				NO.	SIZE				
7.09"	6.50"	9.44"	11.00"	5	0.66"	78	85-120516-002	F5HZ 1126 A	SPOKE
8.79"	6.75"	8.99"	10.83"	8	0.84"	84	85-123331-002	F0HZ 1126 B	DISC
15.00" X 7"									
OVERALL DEPTH	BRAKE SURFACE WIDTH	PILOT DIA.	BOLT CIRCLE DIA.	BOLT HOLES		WEIGHT	PART NUMBER	FORD PART NUMBER	WHEEL TYPE
				NO.	SIZE				
8.51"	7.36"	10.50"	12.75"	5	0.78"	89	85-122011-002	F5HZ 1126 D	SPOKE
8.51"	7.36"	10.50"	12.75"	6	0.78"	90	85-123203-002	F5HZ 1126 F	SPOKE
10.18"	7.56"	8.70"	10.83"	8	0.85"	110	85-123548-002	F6HZ 1126 H	DISC
10.92"	7.50"	8.99"	10.83"	8	0.84"	96	85-123276-002	F0HZ 1126 A	DISC



LUCAS BRAKE SHOES

Size	FMSI	New Lined Shoe	Reman Lined Shoe	New Steel
15" x 5"	4528A-542	SMA2124528	XSMA2124528L	451003
15" x 6"	4504A-543	SMA2124504	XSMA2124504L	451004
15" x 7"	4505A-544	SMA2124505	XSMA2124505L	451005

5 - IMPORT BRAKE

FORD CARGO REAR DRUM BRAKE 15" x 7"

Product Code 201

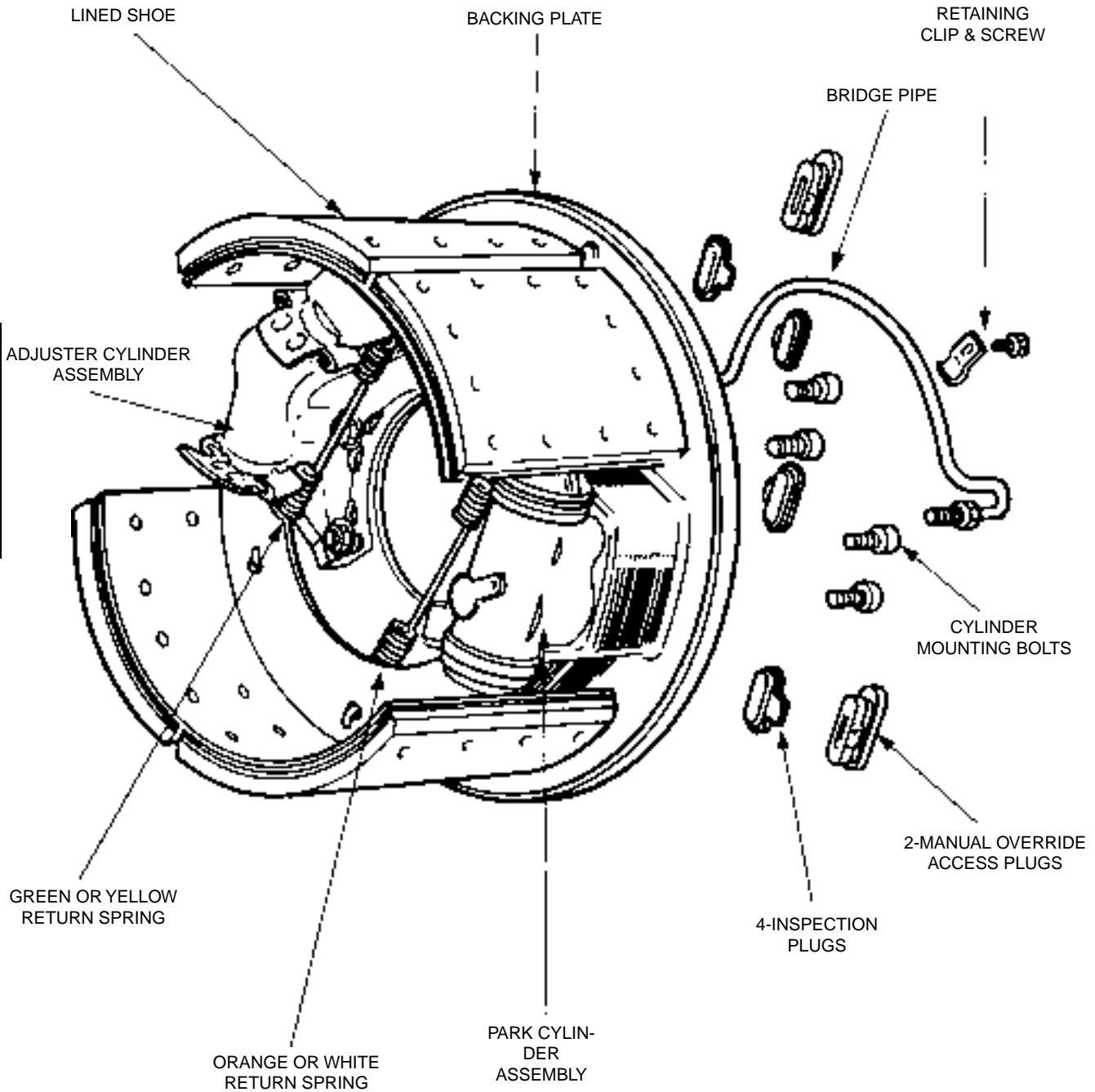
APPLICATION		KIT NUMBER
<p>AUTOMATIC ADJUSTER ASSEMBLY for LUCAS (FORD) 15" x 5" Use E-4060 for LUCAS (FORD) 15" x 6" and 15" x 7" Use E-4061</p> <p>Services One Wheel</p>		<p>MERITOR SP 7870 For 1 5/8" Dia. Wheel Cylinder Replaces Lucas (Ford) SP7870 Ford E4HZ-2C200B</p> <p>MERITOR SP 7887S For 1 3/4" Dia. Wheel Cylinder Replaces Lucas (Ford) SP7869 Ford E4HZ-2C200A</p>
<p>NEW STYLE "SLEEVED" EXPANDER WEDGE ASSEMBLY for LUCAS (FORD)</p> <p>Two Required to Service One Wheel</p>		<p>MERITOR SP 7920S For Meritor Expanders: 201181, 201182, 201179, 201180 Replaces Lucas (Ford) SP7920 Ford E6HZ-2B024A</p>
<p>SPRING BRAKE CHAMBER for LUCAS (FORD) Full Hydraulic Brake</p>	 R476120  R476120X	<p>FULL HYDRAULIC MERITOR R476120 (New) R476120X (Reman) Bleeder Kit MQ5200</p> <p>AIR OVER HYDRAULIC MERITOR R477208 (New) R477208X (Reman)</p> <p>NOTE: Air/Hydraulic Unit has no Bleeder Ports.</p> <p>R477208 & R477208X not shown, will not have bleeder ports</p> <p>Replaces Midland MA15500</p>
<p>HR-1 HYDRAULIC RELAY VALVE</p> <p>HPP-1 HYDRAULIC PUSH-PULL VALVE</p>	 065060X  065077X	<p>HR-1 HYDRAULIC RELAY VALVE</p> <ul style="list-style-type: none"> • 1 7/8" UNS Exhaust Port • 1 7/16" UNF Delivery Port • 1 7/16" UNF Push Pull Delivery Port • 1 7/16" UNF Control Port • 1 9/16" Supply Port • 2 1/2" UNC Mounting Holes <p>HPP-1 HYDRAULIC PUSH-PULL VALVE</p> <ul style="list-style-type: none"> • 1 1/8" PT Supply Port • 2 1/8" PT Delivery Port • 1 1/8"-27" Exhaust Port

5 - IMPORT BRAKE

PARTS

DURAPARK® 15" Diameter 5", 6", & 7" Widths

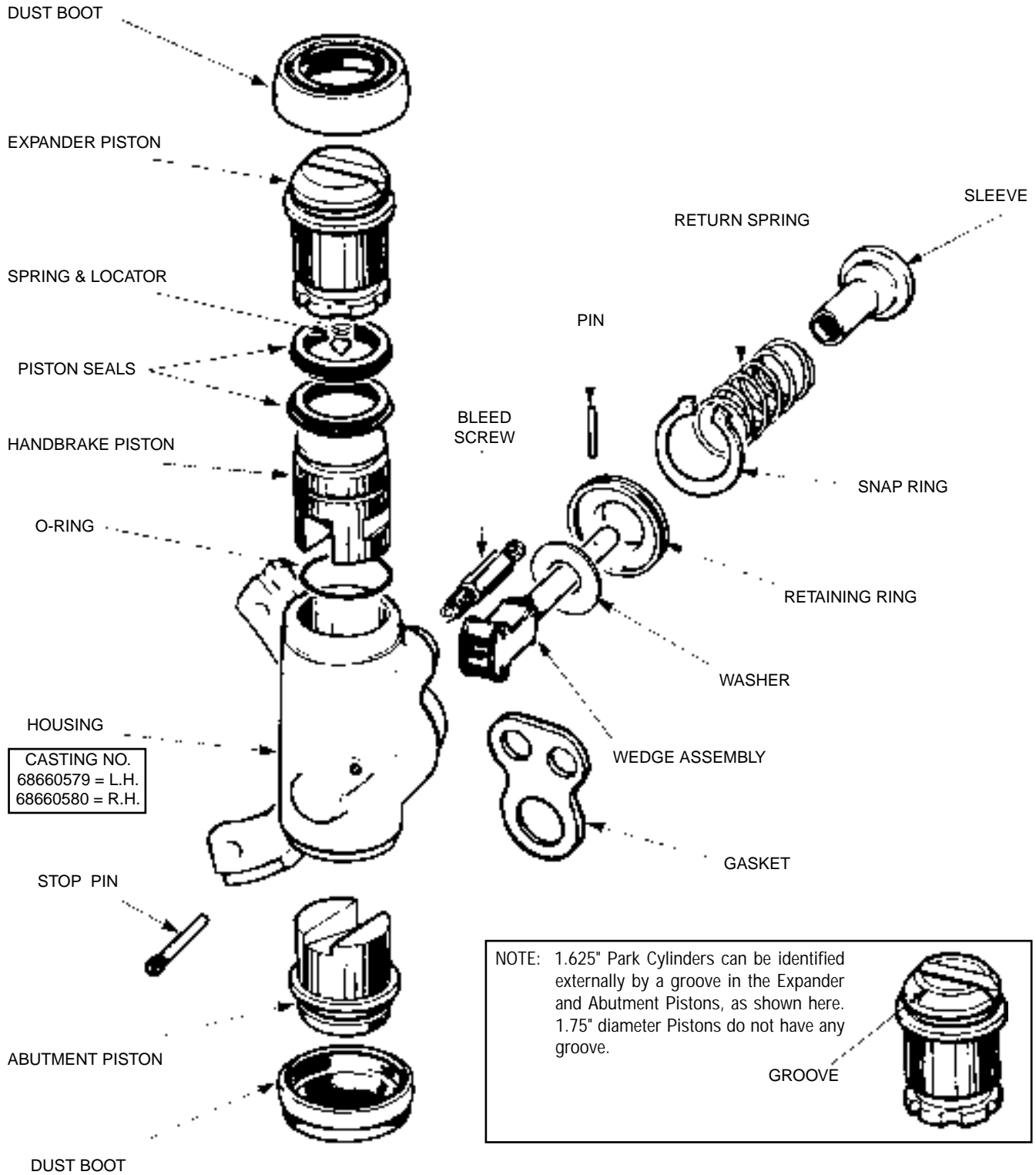
5 - IMPORT BRAKE



Park Cylinder

DURAPARK® 15" Diameter 5", 6", & 7" Widths

5 - IMPORT BRAKE



Bore Size and Brake Position	1.75" LH	1.75" RH
Minor Overhaul Kits		
SEAL KIT (1) Dust Boots (1) Retaining Ring (2) Hydraulic Seals (1) Gasket (1) O-Ring (1) Grease Pack	SP7872S SP7872	
DUST BOOT (2) Dust Boots (1) Grease Pack	SP7889S SP7889	
PORT INSERT	29 1006	68150036
BLEED SCREW	29 1001	68660515

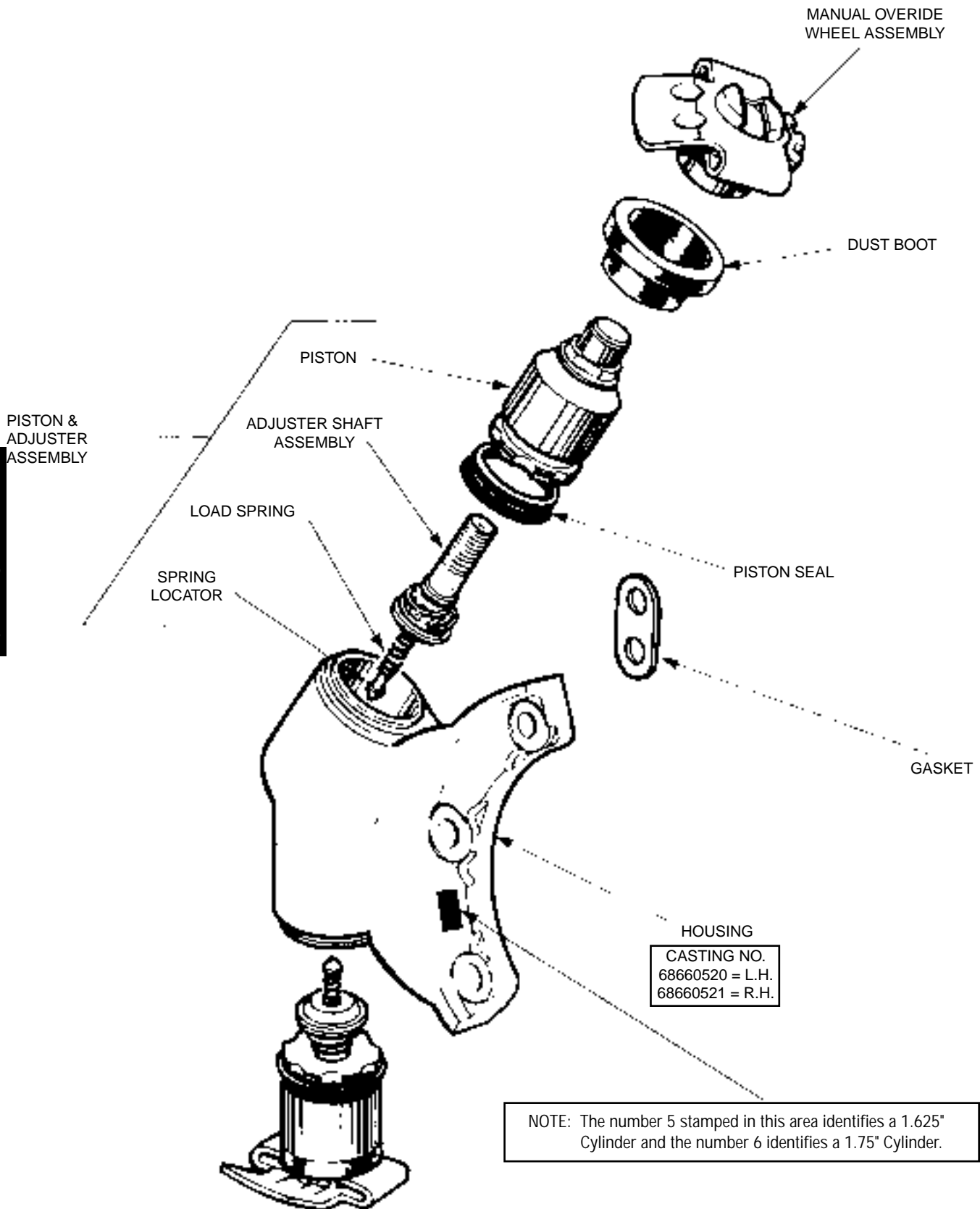
Major Overhaul Kits

PISTON KIT (1) Expander Piston (1) Spring & Locator (1) Handbrake Piston (1) Stop Pin (1) Abutment Piston	SP7879S SP7879	SP7880S SP7880
WEDGE KIT (1) Wedge Assembly (1) Sleeve (1) Washer (1) Pin (1) Retaining Ring (1) Gasket (1) Snap Ring (1) Grease Pack (1) Return Spring	SP7920S SP7920	
HOUSING (1) Housing (2) Port Inserts (1) Bleed Screw	29 1056 68919052	29 1057 68919053
CYLINDER (1) Park Cylinder Assembly (1) Gasket (2) Bolts	20 1179 68919067 20 1179X Reman.	20 1180 68919068 20 1180X Reman.

Adjuster Cylinder

DURAPARK® 15" Diameter 5", 6", & 7" Widths

5 - IMPORT BRAKE



Adjuster Cylinder

SERVICE KITS

Bore Size and Brake Position	1.75" LH	1.75" RH
------------------------------	----------	----------

Minor Overhaul Kits

SEAL KIT (2) Piston Seals (2) Dust Boots (1) Gasket (1) Grease Pack	SP7871S SP7871	
DUST BOOT (2) Dust Boots (1) Grease Pack	SP7868S SP7868	
PORT INSERT	29 1000	68191307
MANUAL OVERRIDE WHEEL	29 1006	68150036

Major Overhaul Kits

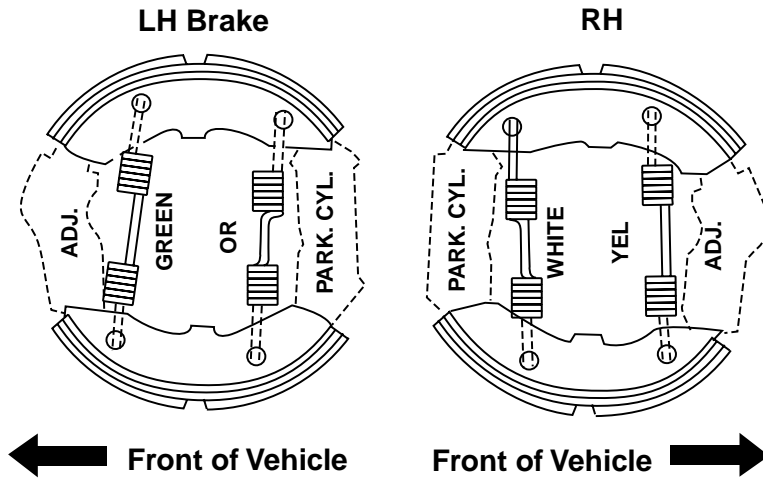
HOUSING (1) Housing (1) Port Insert	29 1061 68966097	29 1062 68966098
PISTON & ADJUSTER ASSEMBLY (1) Piston (1) Adjustment Shaft Assembly (1) Load Spring (1) Spring Locator	SP7887S SP7887	SP7888S SP7888
CYLINDER (1) Adjuster Cylinder Assembly (2) Manual Override Wheels (1) Gasket (2) Bolts	20 1183 68919071 20 1183X Reman.	20 1184 68919072 20 1184X Reman.

5 - IMPORT BRAKE

Meets FMVSS — 105 requirements for Automatic Adjustment

LUCAS GIRLING DRUM BRAKES FORD TRUCKS CLASS 5, 6, 7

Heavy-Duty Return Spring Kits



5 - IMPORT BRAKE

The springs on Lucas brakes have been redesigned and new spring kits created. The new springs simultaneously adjust the top and bottom during forward stops of the vehicle. Previously, the bottom shoe adjusted during forward stops and the top shoe during reverse stops.

The top and bottom shoe adjustment during forward stops is accomplished by different spring tensions between the two springs on each brake.



Initially, the new spring kits must be installed in Axle Sets (LH & RH wheels) in order to prevent automatic brake adjustment imbalance.

These new springs are being introduced as a running interchangeable change.

Kit Description	Kit #
Spring Kit	R40H618



LUCAS BACKING PLATE ASSEMBLIES

(Left Hand Assembly shown)	MERITOR NO.	BACKING PLATE OVERALL DEPTH	APPLICATION
 <p data-bbox="293 653 496 674">← Front of Vehicle</p> <p data-bbox="196 741 537 835">Assembly includes backing plate, wheel cylinder, expander, two return springs, cross tube, and all rubber inspection plugs.</p>	79919003 (New) R429422X (Reman)	2 1/2"	Left Hand Assembly with 1 3/4" Wheel Cylinder and Expander for 6" and 7" Brakes
	79919004 (New) R429423X (Reman)	2 1/2"	Right Hand Assembly with 1 3/4" Wheel Cylinder and Expander for 6" and 7" Brakes
	79919005 (New) R429424X (Reman)	1 1/2"	Left Hand Assembly with 1 3/4" Wheel Cylinder and Expander for 5" Brakes Important Note: The 1 3/4" assembly is a retrofit for the 1 5/8" assembly, usually used on the 15" x 5" brake. When retrofitting to 1 3/4", you must do both wheel ends on a single rear axle. Retrofitting should never be done on a tandem rear axle using 1 5/8" assemblies.
	79919006 (New) R429425X (Reman)	1 1/2"	Right Hand Assembly with 1 3/4" Wheel Cylinder and Expander for 5" Brakes Important Note: The 1 3/4" assembly is a retrofit for the 1 5/8" assembly, usually used on the 15" x 5" brake. When retrofitting to 1 3/4", you must do both wheel ends on a single rear axle. Retrofitting should never be done on a tandem rear axle using 1 5/8" assemblies.
	68021279NPI (New) 68021279X (Reman)	1 3/4"	Left Hand New Backing Assembly with Shoes. 15" x 5" x 1.75" 55.93 lbs.
	68021280NPI (New) 68021280X (Reman)	1 3/4"	Right Hand New Backing Assembly with Shoes. 15" x 5" x 1.75" 55.93 lbs.
	68021281NPI (New) 68021281X (Reman)	1 3/4"	Left Hand New Backing Assembly with Shoes. 15" x 6" x 1.75" 58.70 lbs.
	68021282NPI (New) 68021282X (Reman)	1 3/4"	Right Hand New Backing Assembly with Shoes. 15" x 6" x 1.75" 58.70 lbs.
	68021283NFP (New) 68021283X (Reman)	1 3/4"	Left Hand New Backing Assembly with Shoes. 15" x 7" x 1.75" 61.73 lbs.
	68021284NFP (New) 68021284X (Reman)	1 3/4"	Right Hand New Backing Assembly with Shoes. 15" x 7" x 1.75" 61.73 lbs.

5 - IMPORT BRAKE

HINO HYDRAULIC DISC BRAKE

Vehicle Type and Year	HINO					HINO				
	Front Brake					Rear Brake				
	Size	Shoes	Hardware	Wheel Cylinder	Drum	Size	Shoes	Hardware	Wheel Cylinder	Drum
FA Series Class 4 Vehicle GVW Rating 15,000 lb.										
1989 - 1993	320mm x 75mm	R46683	R412212662	R412012671 L/H R412912562 R/H	R442712660	320mm x 75mm	R46683	R412212662	R412012675 L/H Front R412012676 L/H Rear R412012677 R/H Front R412012678 R/H Rear	R442712667
1994 - 1997	320mm x 75mm	R46683	R412212662	R412012673 L/H R412012674 R/H	R46683	320mm x 75mm	R46683	R412212662	N/A	R442712667
1998 - 1999	320mm x 110mm	R46684	R412212663	N/A	R442712661	320mm x 125mm	R46685	R412212670	N/A	R442712668
2000 - 2001	320mm x 110mm	R46684	R412212663	N/A	R442712661	320mm x 125mm	R46685	R412212670	N/A	R442712669
FB Series Class 5 Vehicle GVW Rating 17,600 lb.										
1989 - 1990	320mm x 75mm	R46683	R412212662	R412012680 L/H R412012681 R/H	R442712660	320mm x 75mm	R46683	R412212662	N/A	R442712667
1989 - 1990	320mm x 110mm	R46684	R412212663	N/A	R442712661	320mm x 125mm	R46685	R412212670	N/A	R442712679
1991 - 2001	320mm x 110mm	R46684	R412212663	N/A	R442712661					
1991 - 1997						320mm x 125mm	R46684	R412212663	N/A	R442712679
1998 - 1999						320mm x 125mm	R46684	R412212663	N/A	R442712668
2000 - 2001							N/A	N/A	N/A	R442712669
FD Series Class 6 Vehicle GVW Rating 22,300 lb. (Air Over Hydraulic Brake System)										
FD 17 Series 1990 - 1991	320mm x 110mm	R46684	R412212663	R412012682 L/H R412012683 R/H	N/A	320mm x 125mm	R46685	R412212670	R412012684 L/H Front R412012685 L/H Rear R412012686 R/H Front R412012687 R/H Rear	N/A
FD 20 Series 1991 - 1992	320mm x 110mm	R46684	R412212663	R412012682 L/H R412012683 R/H	N/A	320mm x 125mm	R46685	R412212670	R412012684 L/H Front R412012685 L/H Rear R412012686 R/H Front R412012687 R/H Rear	N/A
FD 2J Series 1999 - 2001	320mm x 110mm	R46684	R412212663	N/A	N/A	320mm x 125mm	R46685	R412212670	N/A	N/A
FD 5H Series 1993 - 1997	320mm x 110mm	R46684	R412212663	R412012682 L/H R412012683 R/H	N/A	320mm x 125mm	R46685	R412212670	R412012684 L/H Front R412012685 L/H Rear R412012686 R/H Front R412012687 R/H Rear	N/A
FE, FF Series Class 6 - 7 Vehicle GVW Rating 25,995 - 30,000 lb. (Air Over Hydraulic Brake System)										
FE, FF 17, 19 Series 1989	320mm x 110mm	R46684	R412212663	R412012689 L/H R412012690 R/H	N/A	N/A	N/A	N/A	R412012692 L/H Front R412012693 L/H Rear R412012694 R/H Front R412012695 R/H Rear	N/A

5 - IMPORT BRAKE

HINO HYDRAULIC DISC BRAKE

HINO										
Vehicle Type and Year	Front Brake					Rear Brake				
	Size	Shoes	Hardware	Wheel Cylinder	Drum	Size	Shoes	Hardware	Wheel Cylinder	Drum
GC Series Class 6 - 7 Vehicle GVW Rating 25,995 - 30,000 lb. (Air Over Hydraulic Brake System)										
GC 17 Series 1990 - 1991	320mm x 110mm	R46684	R412212663	R412012682 L/H R412012683 R/H	N/A	320mm x 125mm	R46685	R412212670	R412012684 L/H Front R412012685 L/H Rear R412012686 R/H Front R412012687 R/H Rear	N/A
GC 20 Series 1/91 - 1992	320mm x 110mm	R46684	R412212663	N/A	N/A	320mm x 125mm	R46685	R412212670	R412012684 L/H Front R412012685 L/H Rear R412012686 R/H Front R412012687 R/H Rear	N/A
Brake Type	Designation	Type	Front Brake				Rear Brake			
			Rotor	Caliper	Disc Pads	Page	Rotor	Caliper	Disc Pads	Page
145 Series Truck Class 4 Vehicle GVW Rating 15,000 lb. 2003 - 2006										
11.97" Front & Rear Disc Brakes	L/H	ABS	23-123618-002	R4212300	MDP5040	Group 1	23-123626-002	R4212300	MDP5040	Group 1
	R/H			R4212301				R4212301		
165 Series Truck Class 4 Vehicle GVW Rating 16,000 lb. 2002 - 2006										
11.97" Front & Rear Disc Brakes	L/H	ABS	23-123618-002	R4212300	MDP5040	Group 1	23-123626-002	R4212300	MDP5040	Group 1
	R/H			R4212301				R4212301		
185 Series Truck Class 5 Vehicle GVW Rating 18,000 lb. 2002 - 2006										
12.756" Front Disc & 15.375 Rear Disc Brakes	L/H	ABS	23-123625-002	R4212298	MDP5040	Group 1	23-123617-002	60450481	MD769	Group 1
	R/H			R4212299				60450480		
238 Series Truck Class 6 Vehicle GVW Rating 23,000 lb. 2002 - 2006										
15.375" Front Disc & Rear Disc Brakes	L/H	ABS	23-123557-002	60450481	MD769	Group 1	23-123557-002	60450483	MD769	Group 1
	R/H			60450480				60450482		
258LP Series Truck Class 6 Vehicle GVW Rating 25,500 lb. 2002 - 2006										
15.375" Front Disc & Rear Disc Brakes	L/H	ABS		60450481	MD769	Group 1		60450483	MD769	Group 1
	R/H			60450480				60450482		
268 Series Truck Class 7 Vehicle GVW Rating 29,950 lb. 2002 - 2006										
15.375" Front Disc & Rear Disc Brakes	L/H	ABS	23-123557-002	60450481	MD769	Group 1	23-123557-002	60450483	MD769	Group 1
	R/H			60450480				60450482		

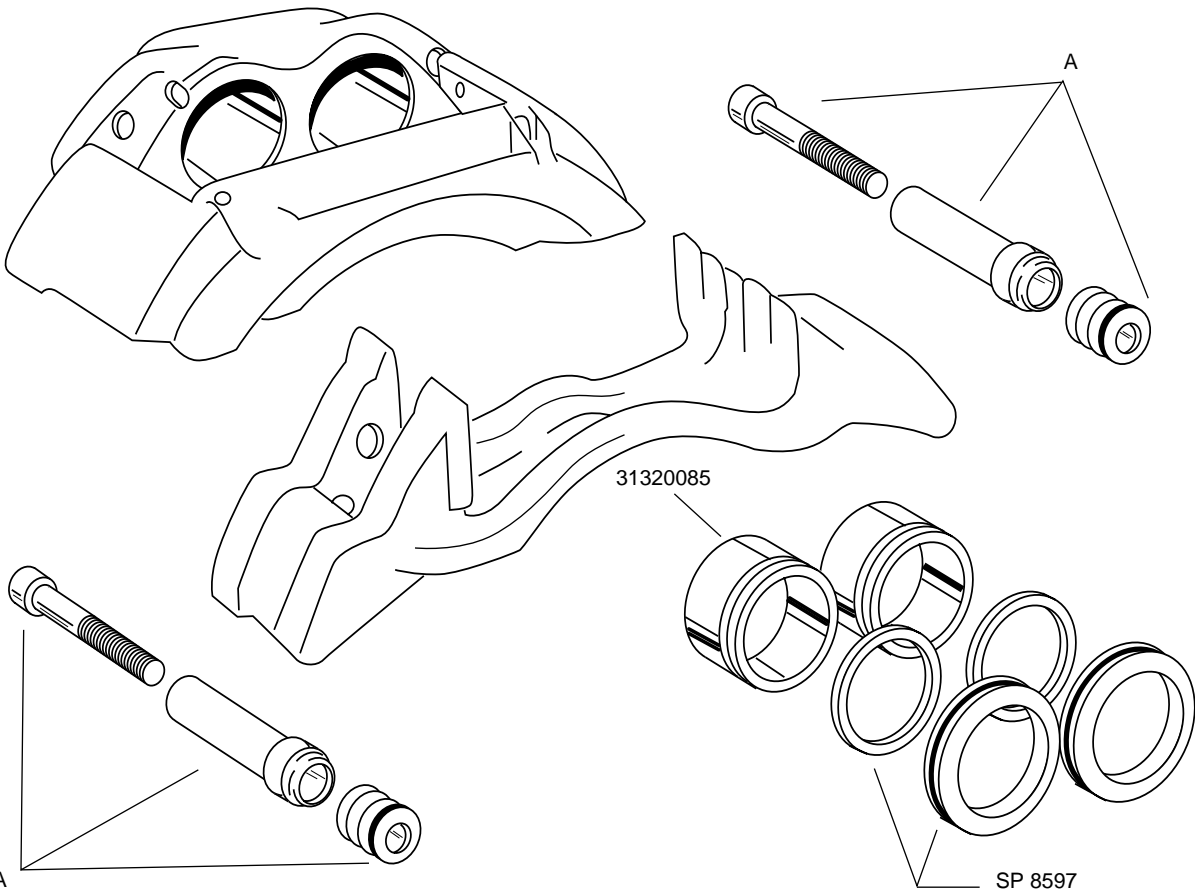
5 - IMPORT BRAKE

HINO HYDRAULIC DISC BRAKE

WITH 12.756" ROTORS

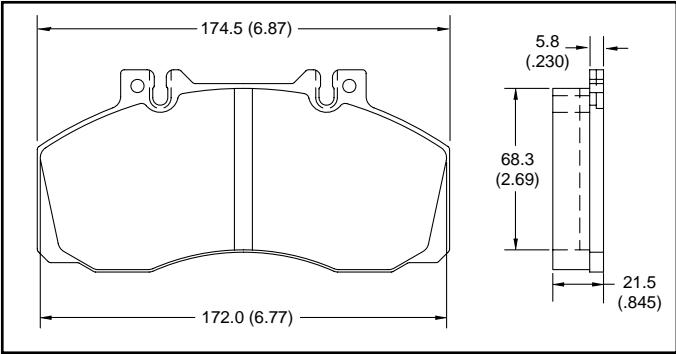
5 - IMPORT BRAKE

LG714 LH
LG715 RH



A





SP 8597



Disc Pads
FMSI D1062 • MDP5094

A	SJ1035 Guide Pin Kit
---	---------------------------------

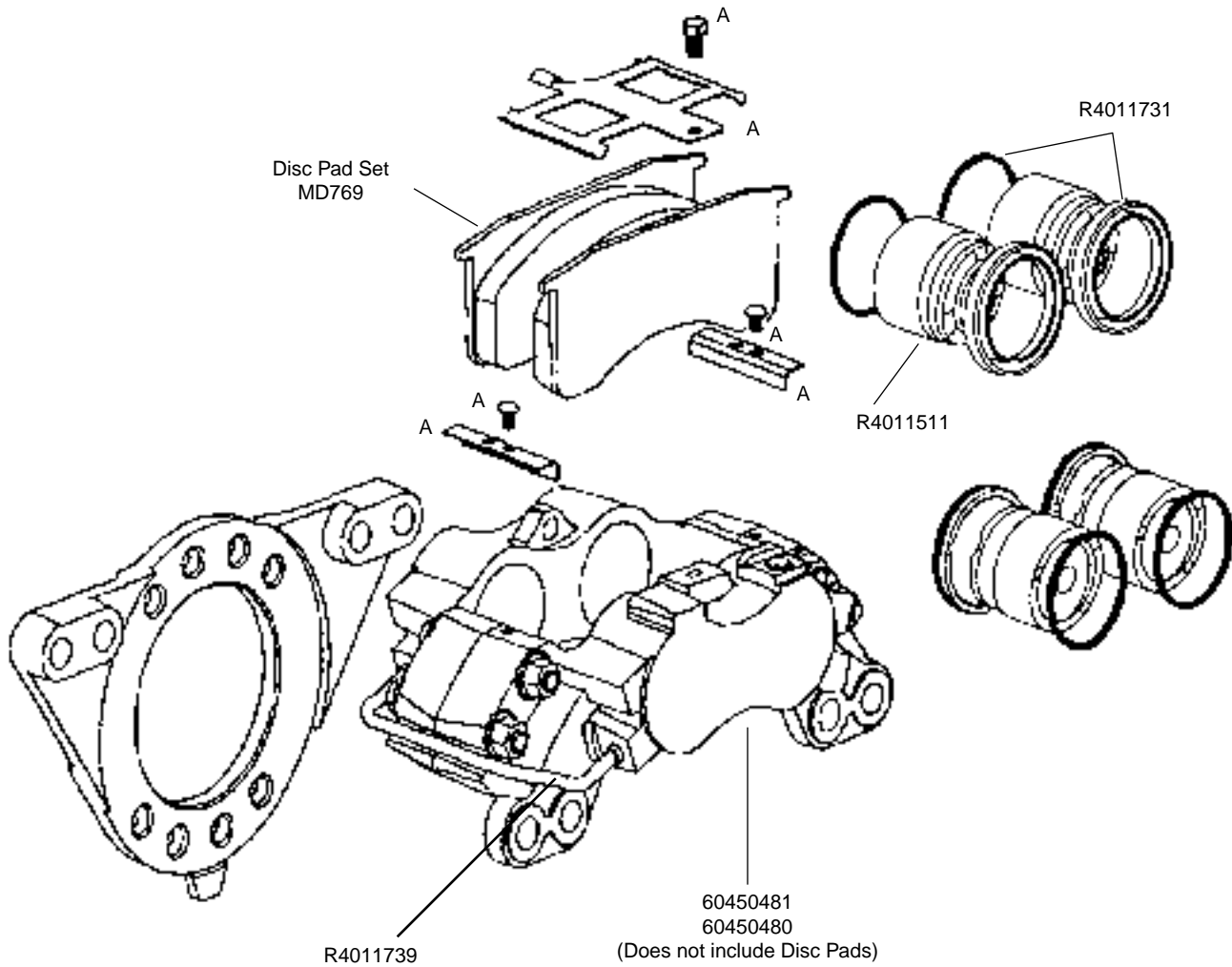
HINO HYDRAULIC DISC BRAKE

GUIDE PIN KIT	MERITOR NO.	REPLACES
	<p>SJ1035</p>	<p>2 Guide Pin 68130045 2 Boots 68320057 2 End Cover 68320555 2 Sleeve 68320554 2 Grease 32932966</p>
<p>GUIDE PIN BOOT KIT</p> 	<p>SP 8566</p>	<p>2 Boots 68320057 2 Grease 32932966 2 Grease 68966041</p>
<p>CALIPER PISTON</p>  <p>60MM</p>	<p>31320085</p>	<p>Meritor 31320085</p>
<p>OUTER AND INNER BRAKE PAD</p> <p>D1062</p> 	<p>MDP5094</p> <p>MD1062</p>	<p>Meritor 69210823 60050314</p> <p>Retaining Plate 31320219</p> <p>FMSI D1062</p>

5 - IMPORT BRAKE

HINO HYDRAULIC DISC BRAKE

4 x 64MM Quadraulic
Phenolic Piston
7/16"-24 Inlet




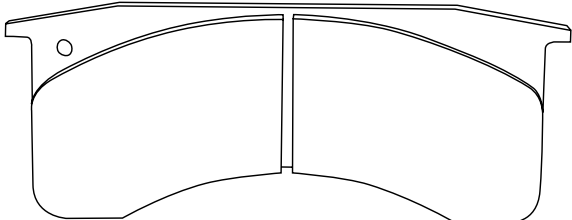


Note: See Qualdraulic Disc Brake ID Chart page 5-64 in the Calipers section on how to ID.




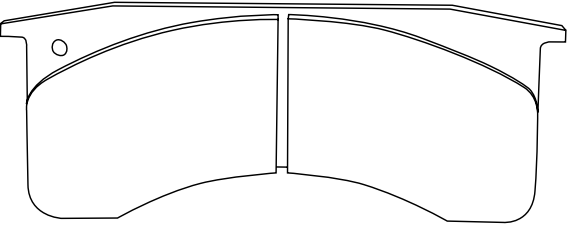
A	Contained in Hardware Kit R4011729
---	------------------------------------

60450481004 60450480004 Contains Disc Pad Kit KITD769GM

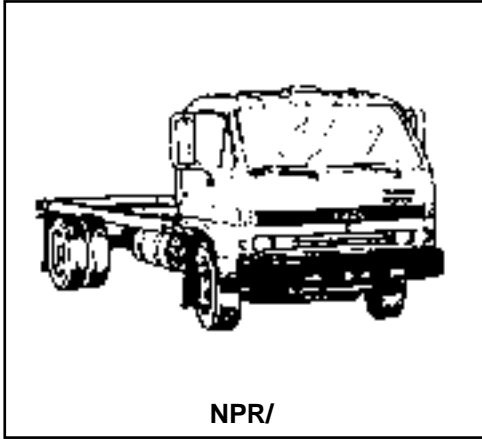
HINO HYDRAULIC DISC BRAKE

HARDWARE KIT Services One Wheel	MERITOR NO.	REPLACES
	R4011729	Meritor 1 69160483 (Anti-Rattle Spring) 1 69310818 (Bolt) 2 69330709 (Lining Spacer) 2 69310819 (Lining Spacer Bolt)
BOOT AND SEAL KIT 	R4011731 (64MM)	Meritor 69170343 (Seal) 69340647 (Boot)
CALIPER PISTON  64MM Dia.	R4011511 (64MM)	Meritor 69260551 (Piston) 69330719 (Heat Shield)
D769 OUTER AND INNER BRAKE PAD 	MD769 MMD769 MVD769 KITD769AM KITD769GM	KITD769AM FMSI 7636-D769 Note: FMSI 7636D1032 is the same as 7636D769. The lining did not change. While the backing plates are the same dimension, the D1032 plate includes a lug used to attach a squealer tab required by some OEMs. The existing Meritor MD769 Stopmate disc pads already meet this requirement.

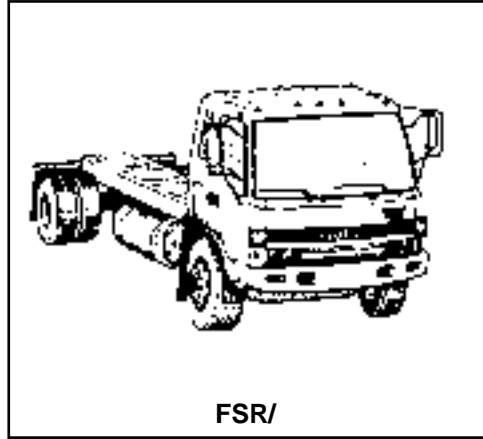
HINO HYDRAULIC DISC BRAKE

HARDWARE KIT Services One Wheel	MERITOR NO.	REPLACES
	R4011729	Meritor 1 69160483 (Anti-Rattle Spring) 1 69310818 (Bolt) 2 69330709 (Lining Spacer) 2 69310819 (Lining Spacer Bolt)
BOOT AND SEAL KIT 	R4011730	Meritor 4 69340646 (Boot) 4 69170337 (Seal)
CALIPER PISTON  70MM Dia.	60050334 Phenolic	Meritor 1 69260549 (Piston)
D769 OUTER AND INNER BRAKE PAD 	MD769 MVD769 MMD769 KITD769AM KITD769GM	KITD769AM FMSI 7636-D769 Note: FMSI 7636D1032 is the same as 7636D769. The lining did not change. While the backing plates are the same dimension, the D1032 plate includes a lug used to attach a squealer tab required by some OEMs. The existing Meritor MD769 disc pads already meet this requirement.

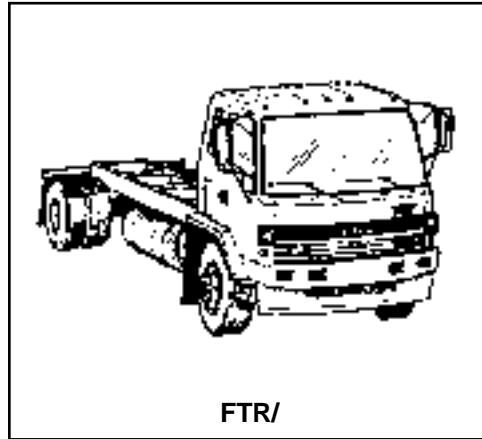
ISUZU (CHEVROLET/GM)



NPR/



FSR/



FTR/

NPR, FSR and FTR MODELS

Built in Fujisawa, Japan by Isuzu Motors, Ltd. In 1984, Isuzu Truck of America was founded and introduced Isuzu trucks into the United States.

ISUZU (CHEVROLET/GM)

MODEL AND YEAR	FRONT BRAKE			REAR BRAKE		
	TYPE	SIZE		TYPE	SIZE	
FRR / W5 - 18,000 lb to 19,500 lb GVW						
FRR 2/94 - 6/97	Drum	320mm x 110mm		Drum	320mm x 145mm	
FRR 7/97 - 1/99	Drum			Drum		
FRR 2/99 - 2004	Drum			Drum		
FSR / W6 - 23,000 lb to 25,000 lb GVW						
FSR 9/86 - 11/89	Drum	400mm x 115mm	Currently No Illustrated View. See Application Section of Catalog.			Currently No Illustrated View. See Application Section of Catalog.
FSR 9/86 - 5/90				Drum	410mm x 115	
FSR 12/89 - 12/93 Low Deck Model	Drum	370mm x 100mm		Drum	370mm x 135mm	
FSR 12/89 - 12/93 Except Low Deck Model	Drum	400mm x 115mm		Drum	410mm x 115	
FSR 1/94 - 1996	Drum	400mm x 115mm		Drum	410mm x 115	
FSR 3/96 - 2002 with 8100lb FA and Dayton Caliper	Disc	Caliper 60050150 Twin Piston 2.50" dia				
FSR 3/96 - 2002 with 11000, 12000lb FA and Bendix Caliper	Disc	Caliper R4255250 Twin Piston 2.88" dia				
FSR 3/96 - 2/98				Disc	Caliper 60050150 Twin Piston 2.50" dia	
				Disc	Caliper R4255250 Twin Piston 2.88" dia	
FSR 3/98 - 2002				Disc	Caliper 60050150 Twin Piston 2.50" dia	
				Disc	Caliper R4255250 Twin Piston 2.88" dia	
				Disc	Caliper 6005032 / 60450454 4 piston 70mm dia.	
					Caliper 60050321 / 60450455 4 piston 70mm dia.	
FTR / W7- 25,950 lb. to 30,000 lb GVW						
FTR 9/86 - 12/93	Drum	410mm x 140mm Air Over Hydraulic	Group 6	Drum	410mm x 140mm Air Over Hydraulic	Group 6
FTR 1/94 - 9/94	Drum	410mm x 140mm Air Over Hydraulic - Auto adjust	Currently No Illustrated View. See Application Section of Catalog.	Drum	410mm x 140mm Air Over Hydraulic - Auto adjust	Currently No Illustrated View. See Application Section of Catalog.
		410mm x 140mm Air Over Hydraulic - Manual adjust	Group 6		410mm x 140mm Air Over Hydraulic - Manual adjust	Group 6
FTR 10/94 - 1996	Drum	410mm x 140mm Air Over Hydraulic	Currently No Illustrated View. See Application Section of Catalog.	Drum	410mm x 140mm Air Over Hydraulic	Currently No Illustrated View. See Application Section of Catalog.
FTR 3/96 - 2002	Disc	Caliper 60050150 Twin Piston 2.50" dia				
		Caliper R4255250 Twin Piston 2.88" dia				

5 - IMPORT BRAKE

ISUZU (CHEVROLET/GM)

MODEL AND YEAR	FRONT BRAKE			REAR BRAKE		
	TYPE	SIZE		TYPE	SIZE	
FTR 4/03 - 2004	Disc	Caliper 60050320 / 60450454 4 piston 70mm dia.				
		Caliper 60050321 / 60450455 4 piston 70mm dia.				
FTR 3/96 - 2-98				Disc	Caliper 60050150 Twin Piston 2.50" dia	
					Caliper R4255250 Twin Piston 2.88" dia	
FTR 3/98 - 2002				Disc	Caliper 60050150 Twin Piston 2.50" dia	
					Caliper R4255250 Twin Piston 2.88" dia	
					Caliper 60050320 / 60450454 4 piston 70mm dia.	
					Caliper 60050321 / 60450455 4 piston 70mm dia.	
FVR / W7, FXR - 33,000 lb. GVW						
FVR, FXR 3/98 - 2002	Disc	Caliper 60050150 Twin Piston 2.50" dia		Disc	Caliper 60050150 Twin Piston 2.50" dia	
		Caliper R4255250 Twin Piston 2.88" dia			Caliper R4255250 Twin Piston 2.88" dia	
FVR, FXR 4/03 - 2004	Disc	Caliper 60050320 / 60450454 4 piston 70mm dia.		Disc	Caliper 60050320 / 60450454 4 piston 70mm dia.	
		Caliper 60050321 / 60450455 4 piston 70mm dia.			Caliper 60050321 / 60450455 4 piston 70mm dia.	
KS22, KS32 - 11,500 lb. GVW						
KS22, KS32 6/84 - 7/85	Drum	320mm x 75mm Manual Adjust		Drum	320mm x 75mm Manual Adjust	
NPR / W35-45	Chassis Cab Gasoline 12,050 - 14,050 lb. GVW					
	Chassis Cab Diesel 12,000 - 14,500 lb. GVW					
	Crew Cab Chassis Cab 14,500 - 17,950 lb. GVW					
NPR 1986	Drum	320mm x 75mm		Drum	320mm x 75mm	
NPR 1987 - 8/88	Drum	320mm x 75mm		Drum	320mm x 75mm	
NPR 9/88 - 12/90	Drum	320mm x 75mm		Drum	300mm x 75mm - Flat Low	
NPR 1/91 - 11/93	Drum	320mm x 75mm 11,000, 13,000 lb Axle				
NPR 1/91 - 11/93	Drum	320mm x 100mm 14,000 lb Axle				
NPR 9/88 - 11/93				Drum	300mm x 75mm - Flat Low	
				Drum	320mm x 75mm 11,000 lb Axle - exc Flat Low	
				Drum	320mm x 100mm 13,000, 14,250 lb. Axles	
NPR 8/87 - 9/97	Disc with Gas Engine	54mm Caliper				

5 - IMPORT BRAKE

ISUZU (CHEVROLET/GM)

MODEL AND YEAR	FRONT BRAKE			REAR BRAKE		
	TYPE	SIZE		TYPE	SIZE	
NPR 10/97 - 1/99 Class 4 HD Vehicles	Disc with Gas Engine	57mm Caliper				
NPR 2/99 - 6/99 Class 3 Vehicles	Disc with Gas Engine	54mm Caliper				
NPR 10/97 - 1/99 Class 4 HD Vehicles	Disc with Gas Engine	57mm Caliper				
NPR 10/97 - 1/99 Class 4 HD Vehicles With Out ABS	Disc with Gas Engine	57mm Caliper				
NPR 10/97 - 1/99 Class 4 HD Vehicles With ABS	Disc with Gas Engine	57mm Caliper				
NPR 7/99 - 2004 Class 3 Vehicles	Disc with Gas Engine	54mm Caliper				
NPR 7/99 - 2004 Class 4 HD Vehicles	Disc with Gas Engine	57mm Caliper				
NPR 8/87 - 8/88	Disc with Gas Engine			Drum	320mm x 75mm	
NPR 9/88 - 11/93	Disc with Gas Engine			Drum	300mm x 75mm Flat Low	
				Drum	320mm x 100mm 13,000, 14,000 lb. Axles	
				Drum	320mm x 75mm 11,000 lb. Axle exc Flat Low	
NPR 12/93 - 8/94	Disc with Gas Engine			Drum	320mm x 75mm 11,000 lb. Axle	
				Drum	320mm x 100mm 13,000, 14,000 lb. Axles	
NPR 9/94 - 9/97	Disc with Gas Engine			Drum	320mm x 75mm exc 13,250 lb. Axle	
				Drum	320mm x 75mm 13,250 lb. Axle	
NPR 10/97 - 6/01 Class 3 Vehicle	Disc with Gas Engine			Drum	320mm x 75mm	
NPR 10/97 - 6/01 Class 4 HD Vehicle	Disc with Gas Engine			Drum	311.2mm x 121.9mm	Currently No Illustrated View. See Application Section of Catalog.
NPR 7/01 - 2004 Class 3 Vehicle	Disc with Gas Engine			Drum	320mm x 100mm	Group 3
NPR 7/01 - 2004 Class 4 HD Vehicle	Disc with Gas Engine			Drum	311.2mm x 121.9mm	
NPR 8/87 - 12/97	Disc with Diesel Engine	54mm Caliper				

5 - IMPORT BRAKE

ISUZU (CHEVROLET/GM)

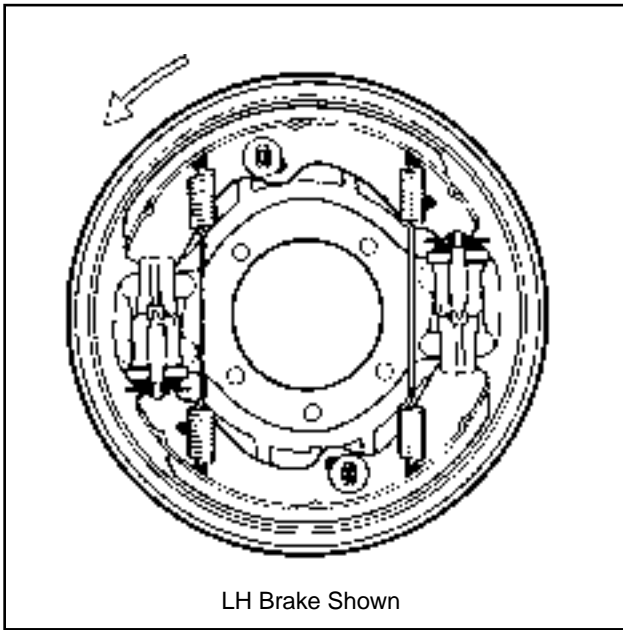
MODEL AND YEAR	FRONT BRAKE			REAR BRAKE		
	TYPE	SIZE		TYPE	SIZE	
NPR 1/98 - 12/03	Disc with Diesel Engine	54mm Caliper				
NPR 1/04 - 2005	Disc with Diesel Engine	54mm Caliper				
NPR 8/87 - 8/88	Disc with Diesel Engine			Drum	320mm x 75mm	
NPR 9/88 - 11/93	Disc with Diesel Engine			Drum	300mm x 75mm Flat Low	
				Drum	320mm x 75mm 11,000 lb. Axle exc Flat Low	
				Drum	320mm x 100mm 13,000, 14,250 lb. Axle	
NPR 12/93 - 8/94	Disc with Diesel Engine			Drum	320mm x 75mm 11,000 lb. Axle	
				Drum	320mm x 100mm 13,000, 14,250 lb. Axle	
NPR 9/94 - 12/97	Disc with Diesel Engine			Drum	320mm x 75mm exc 14,250 lb. Axle	
				Drum	320mm x 100mm 14,250 lb. Axle	
NPR 1/98 - 2005 Class 3 Vehicle	Disc with Diesel Engine			Drum	320mm x 75mm	
NPR 1/98 - 2005 Class 4 HD Vehicle	Disc with Diesel Engine			Drum	320mm x 100mm	
NQR / W5 - 17,950 lb. GVW						
NQR 1/98 - 12/98	Disc	57mm Caliper		Drum	311.2mm x 121.9mm	Currently No Illustrated View. See Application Section of Catalog.
NQR 1/99 - 12/03	Disc	57mm Caliper				
NQR 1/04 - 2005	Disc	57mm Caliper				
NRR - HD / W5 - 19,500 lb. GVW						
NRR 11/87 - 7/93	Drum	320mm x 110mm	Currently No Illustrated View. See Application Section of Catalog.	Drum	320mm x 120mm	Currently No Illustrated View. See Application Section of Catalog.
NRR 1/04 - 2005	Disc	57mm Caliper	Group 4			

5 - IMPORT BRAKE

NOTES

Large empty rectangular box for notes.

ISUZU FRONT DRUM BRAKE 320mm x 75mm (12.598" x 2.953")



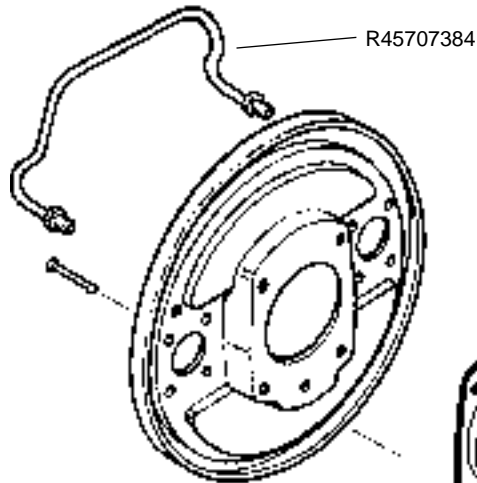
MANUAL ADJUSTMENT HYDRAULIC

FMSI LINING	FMSI SHOE	BRAKE SIZE
1416	S612	320mm x 75mm

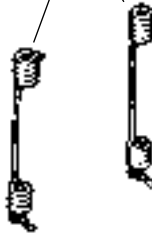
Front Drum:	
R442712616	1985 - 1986
R442712617	1987 - 11/93

Lined Shoe Kits (4 Shoes Per)
R46612 1985 - 11/93

5 - IMPORT BRAKE

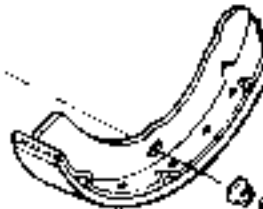


R41207361









R41207364 LH
R41207366 RH
R41207368 LH
R41207370 RH

R41207363 LH
R41207365 RH
R41207367 LH
R41207369 RH



A	Contained in Hold Down Kit R40H9238
---	-------------------------------------

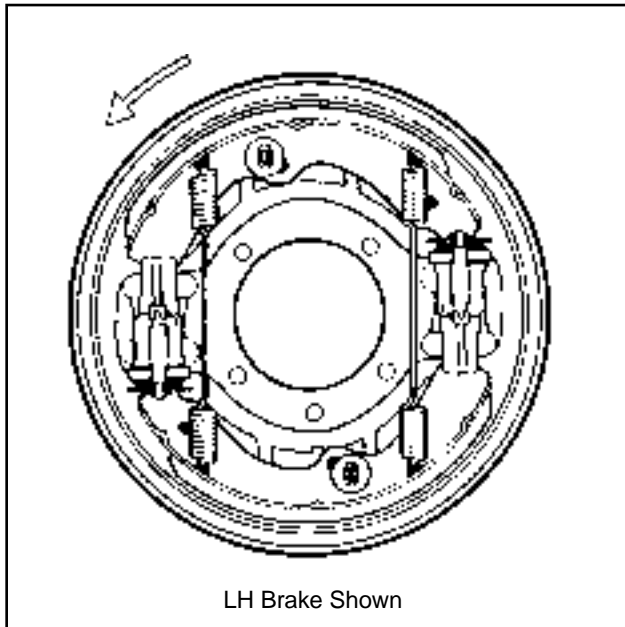
ISUZU FRONT DRUM BRAKE 320mm x 75mm (12.598" x 2.953")

APPLICATION		KIT NUMBER
<p style="text-align: center;">BRAKE SHOE RETURN SPRING</p> <p style="text-align: center;">Front and Rear Drum Brake 4 Per Axle</p> <p style="text-align: center;">208mm (8.189") O.A.L.</p> <p style="text-align: center;">HOLD DOWN KIT</p> <p style="text-align: center;">Front and Rear Drum Brake 1 Per Axle</p> <p>Includes:</p> <ul style="list-style-type: none"> 4 Hold Down Pins 4 Hold Down Springs 8 Spring Retainers 		<p>MERITOR KIT NO. R40207361</p> <p>For all models includes:</p> <ul style="list-style-type: none"> 4 Hold Down Pin 4 Hold Down Spring 8 Spring Retainer
<p>CROSS TUBE</p> <p>2 per wheel cylinder kit</p>		<p>MERITOR NO. R45707384</p>
<p style="text-align: center;">WHEEL CYLINDERS (1 1/16" Bore)</p> <p style="text-align: center;">Wheel cylinders include pistons and manual adjuster.</p> <p>Casting #'s 51336L 51336R</p>	<p>R41207363</p>  <p>R41207365</p> 	<p style="text-align: center;">For 8/84 - 12/90 1/91 - 11/93 exc. 14,250 lb. Axle</p> <ul style="list-style-type: none"> 1 R41207363 LH Brake - Front 1 R41207364 LH Brake - Rear w/o Bleeder 1 R41207365 RH Brake - Front 1 R41207366 RH Brake - Rear w/o Bleeder <p>Port 10 x 1mm inverted flair</p>
<p style="text-align: center;">WHEEL CYLINDERS (1 3/16" Bore)</p> <p style="text-align: center;">Wheel cylinders include pistons and manual adjuster.</p> <p>Casting #'s 51338L 51338R</p>	<p>R41207367</p>  <p>R41207369</p> 	<p style="text-align: center;">For 1/91 - 11/93 14,250 lb. Axle</p> <ul style="list-style-type: none"> 1 R41207367 LH Brake - Front 1 R41207368 LH Brake - Rear w/o Bleeder 1 R41207369 RH Brake - Front 1 R41207370 RH Brake - Rear w/o Bleeder <p>Port 10 x 1mm</p>
<p>WHEEL CYLINDER REPAIR KITS</p>	<p>Photo not available at time of printing</p>	<p style="text-align: center;">MERITOR KIT</p> <ul style="list-style-type: none"> 1 R417382 For 1 1/16" Wheel Cylinder <p>Includes:</p> <ul style="list-style-type: none"> 4 Dust Boots 4 Cylinder Cup

5 - IMPORT BRAKE

Continued on next page.

ISUZU FRONT DRUM BRAKE 320mm x 100mm



LH Brake Shown

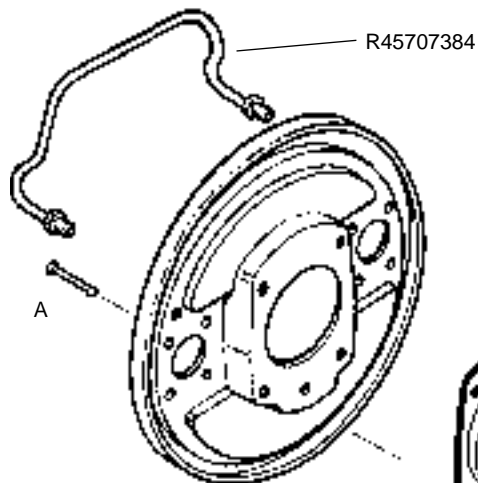
MANUAL ADJUSTMENT HYDRAULIC

FMSI LINING	FMSI SHOE	BRAKE SIZE
1482	S699	320mm x 100mm

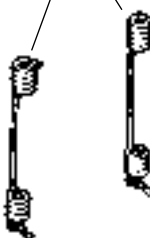
Front Drum:	
R442712616	1985 - 1986
R442712617	1987 - 11/93

Lined Shoe Kits (4 Shoes Per)
R46612 1985 - 11/93

5 - IMPORT BRAKE



R41207361



R41207364 LH
R41207366 RH
R41207368 LH
R41207370 RH

R41207363 LH
R41207365 RH
R41207367 LH
R41207369 RH



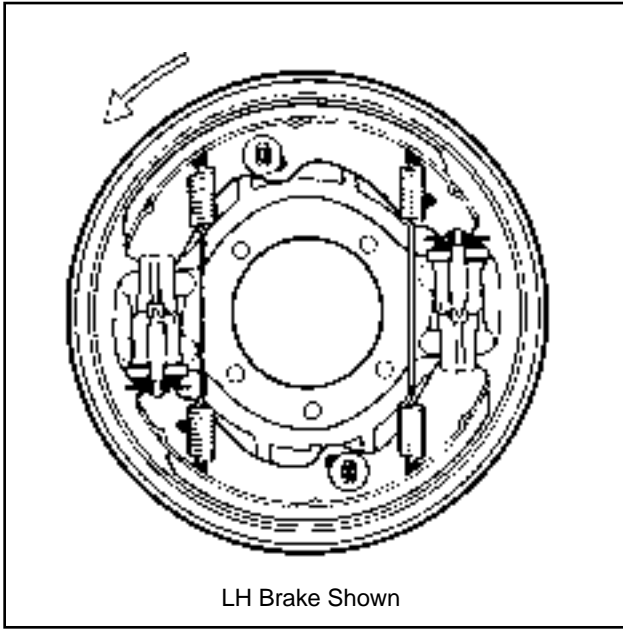
A	Contained in Hold Down Kit R407362
For Wheel Cylinder Repair Kits See Next Page.	

ISUZU FRONT DRUM BRAKE 320mm x 100mm

APPLICATION		KIT NUMBER
<p align="center">WHEEL CYLINDERS (1 3/16" Bore)</p> <p>Wheel cylinders include pistons and manual adjuster.</p> <p>Casting #'s 51338L 51338R</p>	<p>R41207367</p>  <p>R41207369</p> 	<p align="center">For 1/91 - 11/93 14,250 lb. Axle</p> <p>1 R41207367 LH Brake - Front 1 R41207368 LH Brake - Rear w/o Bleeder 1 R41207369 RH Brake - Front 1 R41207370 RH Brake - Rear w/o Bleeder</p> <p>Port 10 x 1mm</p>

5 - IMPORT BRAKE

ISUZU FRONT DRUM BRAKE 320mm x 100mm



LH Brake Shown

MANUAL ADJUSTMENT HYDRAULIC

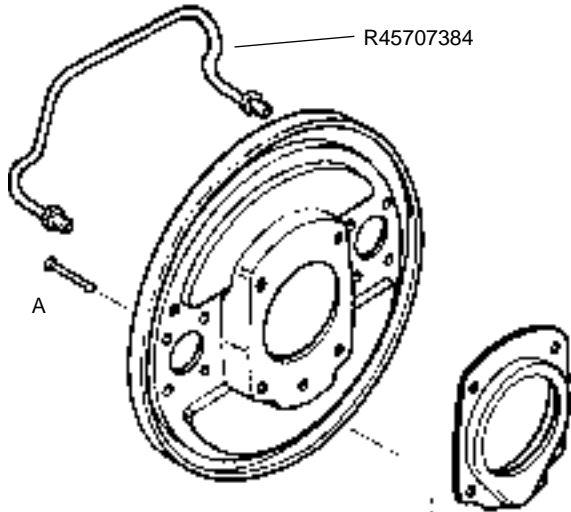
FMSI LINING	FMSI SHOE	BRAKE SIZE
1416	S612	320mm x 75mm
1482	S699	320mm x 100mm

Rear Drum:

R442712616	1986	
R442712617	1987 - 8/88	With 11,000 lb. Axles - exc. Flat Low
R442712619	9/88 - 11/93	With 13,000 and 14,250 lb. Axles - exc. Flat Low

Lined Shoe Kits

R46612	320mm x 75 mm
R46699	320mm x 100mm



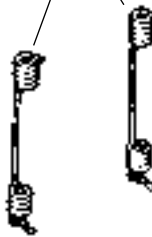
R45707384

A



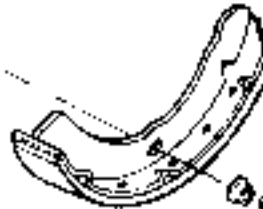
R46612
R46699

R41207361



R41207364 LH
R41207366 RH
R41207368 LH
R41207370 RH

R41207363 LH
R41207365 RH
R41207367 LH
R41207369 RH



A
A
A

A	Contained in Hold Down Kit R407362
For Wheel Cylinder Repair Kits See Next Page.	

ISUZU FRONT DRUM BRAKE 320mm x 100mm

WITH FRONT DRUM BRAKES			
 R41207372  R41207375	WHEEL CYLINDERS (1" Bore)		
	R412012622	L/H Brake Front and Rear	9/88 - 11/93 For Flat Low
	R412012623	R/H Brake Front	
	R412012624	R/H Brake Rear	
	WHEEL CYLINDERS (1-1/16" Bore)		
	R41207372	L/H Brake Front and Rear	1987 - 8/88 and 9/88 - 12/90 exc Flat Low Vehicles 1/91 - 11/93 with 14,250 Axle - exc Flat Low
	R41207375	R/H Brake Front	
	R41207374	R/H Brake Rear	
	WHEEL CYLINDERS (1-5/16" Bore)		
	R412012625	L/H Brake Front and Rear	1/91 - 11/93 For 14,250 lb. Axle
R412012626	R/H Brake Front		
R412012627	R/H Brake Rear		
WITH FRONT DISC BRAKES			
 R41207379  R41207380  R41207381	WHEEL CYLINDERS (1" Bore)		
	R412012628	L/H Brake Front and Rear	9/88 - 12/90 For Flat Low
	R412012629	R/H Brake Front	
	R412012630	R/H Brake Rear	
	R412012631	L/H Brake Front and Rear	1/91 - 11/93 For Flat Low
	R412012632	R/H Brake Front	
	R412012633	R/H Brake Rear	
	WHEEL CYLINDERS (1-1/16" Bore)		
	R41207379	L/H Brake Front and Rear	8/87 - 8/88 9/88 - 7/92 exc Flat Low 8/92 - 1/99 exc Flat Low & 13,000, 14,250 lb. Axles 2/99 - 6/99 Class 3 Vehicle with out ABS With Gas Engines
	R41207380	R/H Brake Front	
	R41207381	R/H Brake Rear	
	R41207379	L/H Brake Front and Rear	8/87 - 8/88 9/88 - 7/92 exc Flat Low 8/92 - 11/93 exc Flat Low & 13,000 lb. Axles 12/93 - 8/94 exc 13,000, 14,250 lb. Axles 9/94 - 12/97 exc 14,250 lb. Axles With Diesel Engines
	R41207380	R/H Brake Front	
	R41207381	R/H Brake Rear	
	R41207379	L/H Brake Front and Rear	1/98 - 13/98 Class 3 Vehicle With Diesel Engines
	R41207380	R/H Brake Front	
	R41207381	R/H Brake Rear	
	R41207379	L/H Brake Front	2/99 - 6/01 Class 3 Vehicle With Gas Engines
	R412012640	L/H Brake Rear	
	R41207380	R/H Brake Front	
	R41207381	R/H Brake Rear	1/99 - 2/03 Class 3 Vehicle With Diesel Engines
	R41207379	L/H Brake Front	
	R412012640	L/H Brake Rear	
	R41207380	R/H Brake Front	3/03 - 2005 Class 3 Vehicle With Diesel Engines
	R41207381	R/H Brake Rear	
	R412012651	L/H Brake Front	
	R412012652	L/H Brake Rear	3/03 - 2005 Class 3 Vehicle With Diesel Engines
	R412012653	R/H Brake Front	
	R412012654	R/H Brake Rear	

5 - IMPORT BRAKE

ISUZU FRONT DRUM BRAKE 320mm x 75mm

WITH FRONT DISC BRAKES (Cont'd.)

WHEEL CYLINDERS (1-3/16" Bore)

Photo not available at time of printing.	R412012634	L/H Brake Front and Rear	8/92 - 11/93 & 9/94 - 9/97 With 13,000 lb. Axle 12/93 - 8/94 With 13,000, 14250 lb Axle With Gas Engines
	R412012635	R/H Brake Front	
	R412012636	R/H Brake Rear	
	R412012634	L/H Brake Front and Rear	1/98 - 12/98 Class 4 Vehicle With Diesel Engines
	R412012635	R/H Brake Front	
	R412012636	R/H Brake Rear	
	R412012634	L/H Brake Front	7/01 - 3/02 Class 3 Vehicle With Gas Engines
	R412012641	L/H Brake Rear	
	R412012635	R/H Brake Front	
	R412012636	R/H Brake Rear	
	R412012634	L/H Brake Front	4/02 - 6/02 Class 3 Vehicle With Gas Engines
	R412012641	L/H Brake Rear	
	R412012635	R/H Brake Front	
	R412012642	R/H Brake Rear	
	R412012634	L/H Brake Front	1/99 - 12/02 Class 4 Vehicle With Diesel Engines
	R412012641	L/H Brake Rear	
	R412012635	R/H Brake Front	
	R412012642	R/H Brake Rear	
	R412012645	L/H Brake Front	7/02 - 2004 Class 3 Vehicle With Gas Engines
	R412012646	L/H Brake Rear	
R412012647	R/H Brake Front		
R412012642	R/H Brake Rear		
R412012645	L/H Brake Front	1/03 - 2005 Class 4 HD Vehicle With Diesel Engines	
R412012646	L/H Brake Rear		
R412012647	R/H Brake Front		
R412012642	R/H Brake Rear		
Photo not available at time of printing.	WHEEL CYLINDERS (1-5/16" Bore)		
	R412012637	L/H Brake Front and Rear	10/97 - 6/99 Class 4 HD Vehicle With out ABS With Gas Engines
	R412012638	R/H Brake Front	
	R412012639	R/H Brake Rear	
	R412012637	L/H Brake Front	2/99 - 6/02 Class 4 HD Vehicle With ABS With Gas Engines
	R412012644	L/H Brake Rear	
	R412012638	R/H Brake Front	
	R412012639	R/H Brake Rear	7/02 - 2004 Class 4 HD Vehicle With Gas Engines
	R412012648	L/H Brake Front	
	R412012649	L/H Brake Rear	
	R412012643	R/H Brake Front	
	R412012650	R/H Brake Rear	

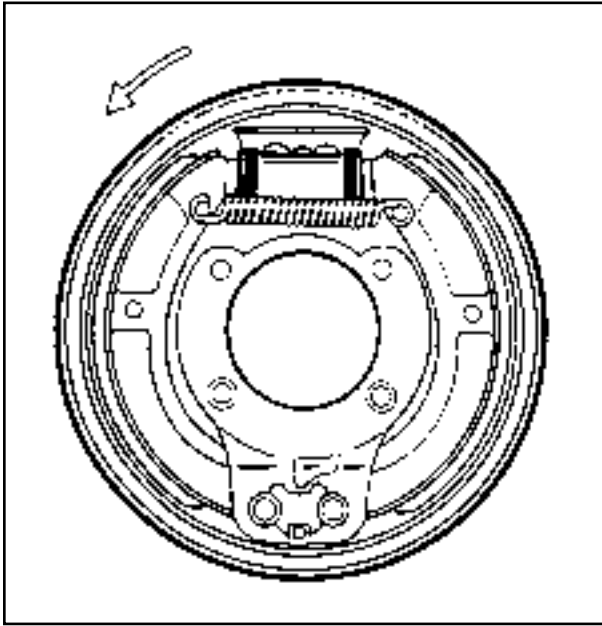
ISUZU FRONT DRUM BRAKE 320mm x 75mm

DRUMS				
MERITOR PART NO.	BRAKE SIZE	BOLT HOLES BOLT SIZE	BOLT CIRCLE	GENERAL INFORMATION
R442712616	320mm x 75mm	5 19.5mm	5 x 203	Height 192mm / Pilot 155.7mm ID 320.8mm / Max ID 321.5mm
R442712617	320mm x 75mm	6 22.5mm	6 x 223	Height 179mm / Pilot 171.9mm ID 320.8mm / Max ID 321.5mm
R442712619	320mm x 75mm	6 22.5mm	6 x 222.2	Height 192mm / Pilot 171.9mm ID 320.8mm / Max ID 321.5mm

ISUZU FRONT DRUM BRAKE 410mm x 140mm

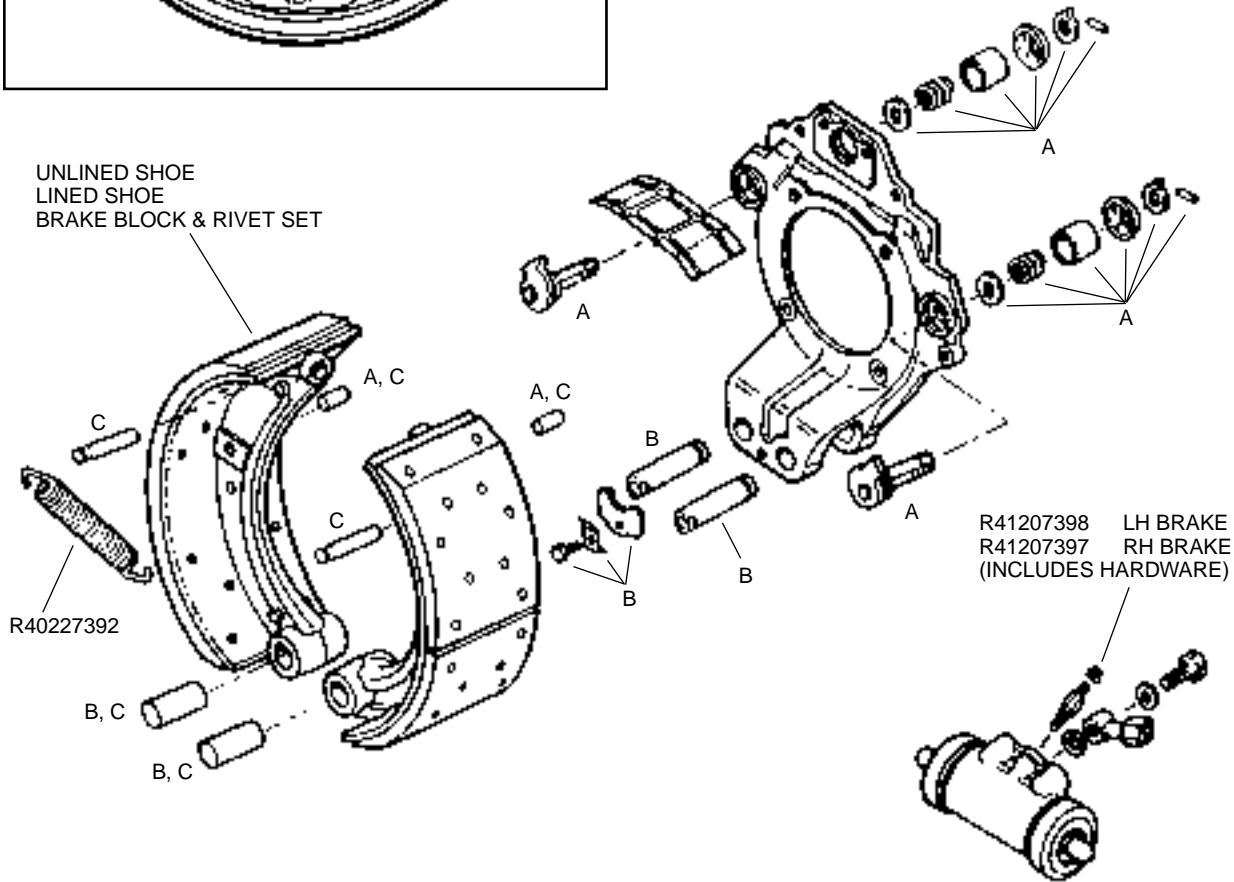
MANUAL ADJUSTMENT HYDRAULIC

W7 Tiltmaster (September 1986 - Present)
25,950 lb. - 30,000 lb. GVW



5 - IMPORT BRAKE

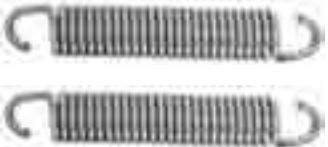



UNLINED SHOE
LINED SHOE
BRAKE BLOCK & RIVET SET





R41207398 LH BRAKE
R41207397 RH BRAKE
(INCLUDES HARDWARE)

A	Contained in Manual Adjuster Kit R407394	Not Shown	Uses Wheel Cylinder Repair Kit R41207399
B	Contained in Anchor Pin Service Kit R40227396		

ISUZU FRONT DRUM BRAKE 410mm x 140mm

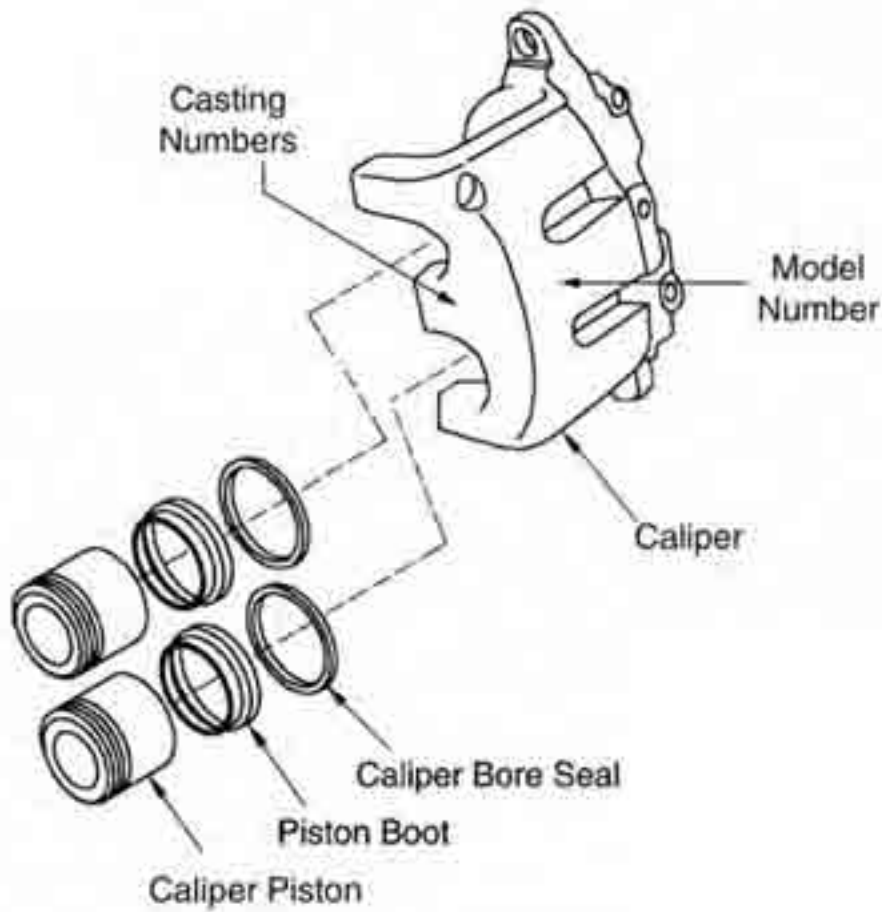
APPLICATION		KIT NUMBER
<p>BRAKE SHOE RETURN SPRING KIT (Black)</p> <p>Front Drum Brake 2 Per Axle</p> <p>Contains two return springs 7-3/8" (7.375") O.A.L.</p>		<p>MERITOR KIT NO.</p> <p>2 R40227392 Return Spring - Black</p>
<p>MANUAL ADJUSTER KIT</p> <p>Front Drum Brake 2 Per Axle</p>		<p>MERITOR KIT NO. R40227394</p> <p>2 R40227394</p> <p>Includes:</p> <ul style="list-style-type: none"> 1 Clockwise Adjuster Cam 1 Counterclockwise Adjuster Cam 2 Adjuster Cam Spring 2 Adjuster Cam Boot 2 Cam Boot Cover 2 Adjustment Indicator 2 Adjuster Cam Washer 2 Spindle Pin 2 Cam Guide Pin
<p>ANCHOR PIN SERVICE KIT</p> <p>Front Drum Brake 2 Per Axle</p>		<p>MERITOR KIT NO. R40227396</p> <p>2 R40227396</p> <p>Includes:</p> <ul style="list-style-type: none"> 2 Anchor Pin 2 Brake Shoe Bushing 1 Lock Plate 1 Lock Washer 1 Lock Bolt
<p>UNLINED BRAKE SHOE</p> <p>Used FMSI 1418 Brake Block Also used on rear brake</p>	<p>Photo Not Available At Time Of Printing</p>	<p>MERITOR NO. R467389 (NLA)</p> <p>Cast Brake Shoe</p> <p>Includes:</p> <ul style="list-style-type: none"> 1 Spring Retainer Pin (furnished loose) 1 Cam Guide Pin (furnished loose) 1 Bronze Shoe Bushing (installed)
<p>LINED BRAKE SHOE</p>	<p>Photo Not Available At Time Of Printing</p>	<p>MERITOR NO. R46613</p> <p>R467389 Brake Shoe lined with non-asbestos Brake Block</p>
<p>BRAKE BLOCK AND RIVET SET</p>	<p>Photo Not Available At Time Of Printing</p>	<p>MERITOR NO. R467390</p> <p>Includes:</p> <ul style="list-style-type: none"> 1 Axle Set of Meritor E31-1418* Non-Asbestos Brake Block 80 1097320340 Rivet <p>*Not Sold Separately</p> <p>Nominal Thickness: 15.8mm (.622") Wear Limit: 1mm (.039") above rivet heads</p>
<p>BRAKE LINING RIVET SET</p>	<p>Photo Not Available At Time Of Printing</p>	<p>MERITOR NO. 1097320340</p> <p>80 Semi-tubular brass Rivet with 6mm (.245") diameter body x 18.5mm (.728") long</p>
<p>WHEEL CYLINDERS 47.5mm (1.870" Bore)</p> <p>Wheel cylinder includes pipe joint, pipe joint bolt, gasket and piston.</p>	 <p>R41207397</p>	<p>R41207398 Front LH Brake with Bleeder Screw R41207397 Front RH Brake with Bleeder Screw</p> <p>WHEEL CYLINDER REPAIR KIT</p> <p>R41207399 Includes: 2 Piston Seal 2 Dust Boot Seal 2 Back-up Ring</p>

ISUZU REAR DRUM BRAKE 410mm x 140mm

	MERITOR NO.	DESCRIPTION	SPECIFICATIONS	QTY./ AXLE
Photo Not Available At Time Of Printing	R46613	LINED BRAKE SHOE	Brake Shoe lined with R46613 Meritor non-asbestos Brake Block	4
	R40227400	BRAKE SHOE RETURN KIT (Black)	Contains two return springs 7 3/8" O.A.L.	2
	WHEEL CYLINDER 53.5MM (2.106" Bore)			
	R40227401	Rear LH & RH Brake	With Pistons and Bleeder Screw	1
Photo Not Available At Time Of Printing	WHEEL CYLINDER REPAIR KIT			
	R40227402	For 53.5mm Wheel Cylinder	Includes: 2 Pistons Seal 2 Dust Boot Seal 2 Back-up Ring	2



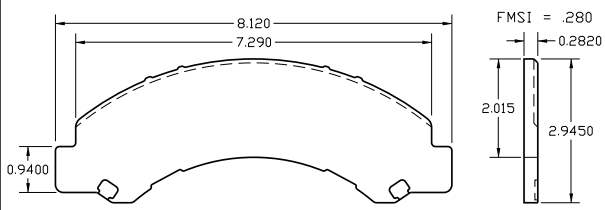
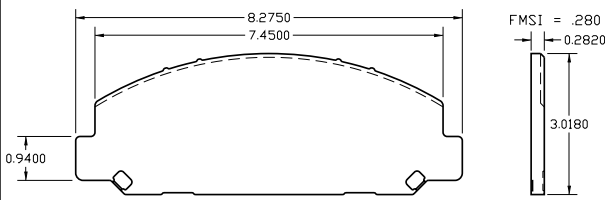
5 - IMPORT BRAKE

ISUZU HYDRAULIC DISC BRAKE



ISUZU / GM CALIPERS								
CALIPER NO.	LOCATION	HARDWARE	BOOT AND SEAL KIT	PISTON	DISC PADS	CASTING NO. TOP	CASTING NO. MIDDLE	CASTING NO. BOTTOM OR SIDE
R4212269	L/H	R4012469	R4012285	R4012281	MD827	5407	A934X	5707
R4212270	R/H	R4012469	R4012285	R4012281	MD827	5407	A935X	5721
R4212271X	L/H	R4012470	R4012286	R4012282	MD825	AD54T	2918	A922X
R4212272X	R/H	R4012470	R4012286	R4012282	MD825	AD54T	5111	A923X
R4212273	L/H	R4012471	R4012284	R4012280	MD827	5705	A940	4Z15
R4212274	R/H	R4012471	R4012284	R4012280	MD827	5705	A940	5609
R4212275	L/H	R4012470	R4012283	R4012279	MD827	AD57T	518	5702
R4212276	R/H	R4012470	R4012283	R4012279	MD827	AD57T	54D	5702
R4212277X	L/H	R4012470	R4012283	R4012279	MD826	AD57T	4X13	A918 3
R4212278X	R/H	R4012470	R4012283	R4012279	MD826	AD57T	829	BD012

ISUZU HYDRAULIC DISC BRAKE

<p>HARDWARE KIT Services One Axle</p> <p>Photo Not Available At Time of Printing</p>	<p>MERITOR NO.</p>	<p>REPLACES</p>
<p>BOOT AND SEAL KIT</p>  <p>R4012283 Shown</p>	<p>R402212503 R402212504 R4012471</p>	<p>Isuzu / GM N/A Isuzu / GM N/A Isuzu / GM N/A</p>
<p>CALIPER PISTON</p>  <p>R4012280 Shown</p>	<p>R4012279 R4012280 R4012281</p>	<p>Isuzu / GM 8-97168-593-0 Isuzu / GM 8-97365-279-0 Isuzu / GM 8-97365-269-0</p>
<p>D825 BRAKE PAD D826</p> 	<p>MD825 MD826 MD827</p>	<p>See page 2-62 for more detail See page 2-62 for more detail See page 2-62 for more detail</p>
<p>D827</p> 		

5 - IMPORT BRAKE

ISUZU FRONT DISC BRAKE CALIPERS

ISUZU FRONT DISC BRAKE CALIPERS

NPR VEHICLES WITH GAS ENGINES & REAR DRUM BRAKES



R4212271X

R42R1012655X Left / 54mm Piston Dia.

R42R1012656X Right / 54mm Piston Dia.

R4212271X Left / 54mm Piston Dia.

R4212272X Right / 54mm Piston Dia.

R4212277X Left / 57mm Piston Dia.

R4212278X Right / 57mm Piston Dia.



R4212221X

R4212271X Left / 54mm Piston Dia.

R4212272X Right / 54mm Piston Dia.

R4212277X Left / 57mm Piston Dia.

R4212278X Right / 57mm Piston Dia.



R4212277X

R4212275 Left / 57mm Piston Dia.

R4212276 Right / 57mm Piston Dia.

R4212271X Left / 54mm Piston Dia.

R4212272X Right / 54mm Piston Dia.



R4212275

R4212275 Left / 57mm Piston Dia.

R4212276 Right / 57mm Piston Dia.

8/87 - 9/97

With Gas Engines
Disc Pads E-D675-V

10/97 - 1/99

Class 3 Vehicles With Gas Engines
Disc Pads E-D825-S

10/97 - 1/99

Class 4 HD Vehicles With Gas Engines
Disc Pads E-D826-S

2/99 - 6/99

Class 3 Vehicle With Gas Engines
Disc Pads E-D825-S

2/99 - 6/99

Class 4 HD Vehicle With Gas Engines w/o ABS
Disc Pads E-D826-S

2/99 - 6/99

Class 4 HD Vehicle With Gas Engines with ABS
Disc Pads E-D827-S

7/99 - 2004

Class 3 Vehicle With Gas Engines
Disc Pads E-D825-S

2/99 - 6/99

Class 4 HD Vehicle With Gas Engines
Disc Pads E-D827-S

NPR VEHICLES WITH DIESEL ENGINES & REAR DRUM BRAKES



R4212269

R42R1012655X Left / 54mm Piston Dia.

R42R1012656X Right / 54mm Piston Dia.

R4212271X Left / 54mm Piston Dia.

R4212272X Right / 54mm Piston Dia.



R4212270

R4212269 Left / 54mm Piston Dia.

R4212270 Right / 54mm Piston Dia.

8/87 - 12/97

With Diesel Engines
Disc Pads E-D826-S

1/98 - 12/03

With Diesel Engines
Disc Pads E-D825-S

1/04 - 2005

With Diesel Engines
Disc Pads E-D825-S

NQR VEHICLES WITH REAR DRUM BRAKES



R4212278

R4212277X Left / 57mm Piston Dia.

R4212278X Right / 57mm Piston Dia.

R4212275 Left / 57mm Piston Dia.

R4212276 Right / 57mm Piston Dia.



R4212273

R4212273 Left / 57mm Piston Dia.

R4212274 Right / 57mm Piston Dia.

1/98 - 12/98

Disc Pads E-D675-V

1/99 - 12/03

Disc Pads E-D827-S

1/04 - 2005

Disc Pads E-D827-S

NRR VEHICLES WITH REAR DRUM BRAKES



R4212274

R4212273 Left / 57mm Piston Dia.

R4212274 Right / 57mm Piston Dia.

1/04 - 2005

Disc Pads E-D827-S

NOTES

Large empty rectangular box for notes.

MITSUBISHI FUSO

Vehicle Model and Year	Designation	Type	Front Brake			Type	Rear Brake			
			Rotor	Caliper	Disc Pads		Rotor or Drum	Shoes or Disc Pads	Hardware	Calipers or Wheel Cylinders
FE Series Vehicle GVW Rating 11,500 - 14,050 lb. 1987 - 2006										
1987 - 11/88	Front Axle	Disc 48mm Dia. Caliper Pistons	R46681	R42R1012698X L/H R42R1012699X R/H	MD624					
12/88 - 3/95	Front Axle	Disc 51mm Dia. Caliper Pistons	R441712432	R42R1012433X L/H Upper R42R1012434X L/H Lower R42R1012435X R/H Upper R42R1012436X R/H Lower	MD433 2 Sets Required					
FE 639 4/95 - 1999	Front Axle	Disc 51mm Dia. Caliper Pistons	R441712432	R42R1012433X L/H Upper R42R1012434X L/H Lower R42R1012435X R/H Upper R42R1012436X R/H Lower	MD735 2 Sets Required					
FE 640, FE649 4/95 - 1999	Front Axle	Disc 51mm Dia. Caliper Pistons	R441712451	R42R1012455X L/H Upper R42R1012456X L/H Lower R42R1012457X R/H Upper R42R1012458X R/H Lower	MD734 2 Sets Required					
FE369 L 2000 - 2004	Front Axle	Disc 51mm Dia. Caliper Pistons	R441712432	R42R1012433X L/H Upper R42R1012434X L/H Lower R42R1012435X R/H Upper R42R1012436X R/H Lower	MD735 2 Sets Required					
FE639 T 2000 - 2004	Front Axle	Disc 51mm Dia. Caliper Pistons	R441712450	R42R1012455X L/H Upper R42R1012456X L/H Lower R42R1012457X R/H Upper R42R1012458X R/H Lower	MD734 2 Sets Required					
FE640, FE649 2000 - 2004	Front Axle	Disc 51mm Dia. Caliper Pistons	R441712451	R42R1012455X L/H Upper R42R1012456X L/H Lower R42R1012457X R/H Upper R42R1012458X R/H Lower	MD734 2 Sets Required					
1987 - 6/89	Rear Axle					Drum 320mm x 75mm	R442712443	R442712444	R402212445	R412012701 L/H Front R412012702 L/H Rear R4120122703 R/H Front R4120122704 R/H Rear
7/89 - 2004	Rear Axle					Drum 320mm x 75mm	R442712443	R442712444	R402212445	R412212446 L/H Front R412212447 L/H Rear R412212448 R/H Front R412212448 R/H Rear
1995 - 2004	Rear Axle					Disc 51mm Dia. Caliper Pistons	R442712438	MD734	MD734 2 Sets Required	R42R1012439 L/H Front R42R1012440 L/H Rear R42R1012441 R/H Front R42R1012442 R/H Rear

5 - IMPORT BRAKE

MITSUBISHI FUSO

Vehicle Model and Year	Designation	Type	Front Brake			Type	Rear Brake			
			Rotor	Caliper	Disc Pads		Rotor or Drum	Shoes or Disc Pads	Hardware	Calipers or Wheel Cylinders
FG AWD Series Vehicle GVW Rating 12,000 - 14,050 lb. 1990 - 2001										
1990 - 2001	Front Axle	Drum 320mm x 75mm	R442712443	R442712444	R402212445	N/A				
1990 - 2001	Rear Axle	Drum 320mm x 75mm					R442712443	R442712444	R402212445	N/A
FH Series Vehicle GVW Rating 17,995 lb. 1988 - 2000										
1988 - 1995	Front Axle	Drum 320mm x 110mm	N/A	R46602	R402212708	N/A				
1996 - 2000	Front Axle	Drum 320mm x 120mm	N/A	R47830	N/A	N/A				
1988 - 1995	Rear Axle	Drum 320mm x 130mm					N/A	R46632	R402212709	N/A
1996 - 2000	Rear Axle	Drum 320mm x 140mm					N/A	R46731	N/A	N/A
FK Series Vehicle GVW Rating 20,935 - 23,000 lb. 1998 - 2000										
1987 - 2000	Front Axle	Drum 400mm x 120mm	N/A	R46617	R402212711	N/A				
1987 - 2000	Rear Axle	Drum 400mm x 155mm					N/A	R46686	R402212712	N/A
FM Series Vehicle GVW Rating 25,995 - 30,000 lb. 1989 - 2006										

5 - IMPORT BRAKE

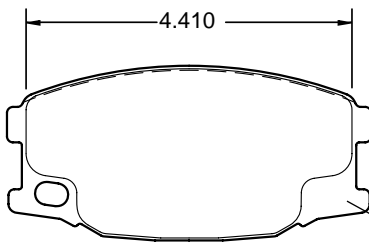
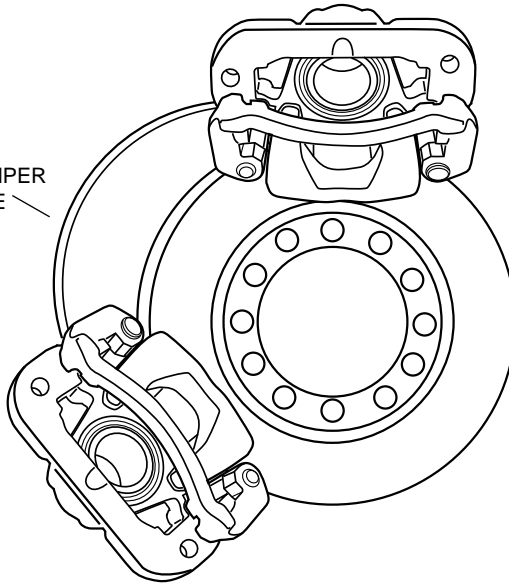
MITSUBISHI FUSO

FRONT AXLE 51MM DIA PISTON

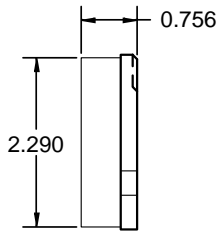
CALIPERS

R42R1012433X LH Upper
R42R1012434X LH Lower
R42R1012435X RH Upper
R42R1012436X RH Lower

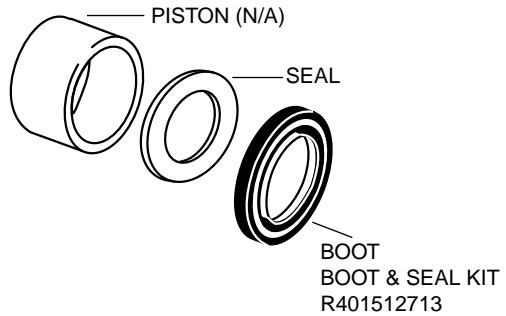
JUMPER
LINE



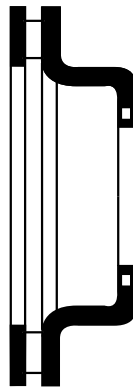
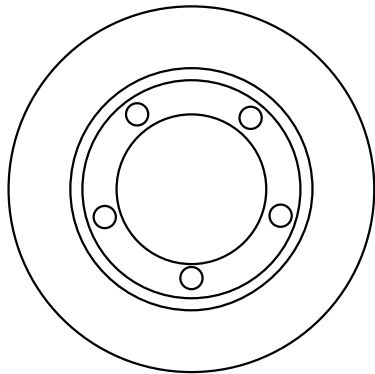
FMSI 7603-D734



MD433
2 sets required



PISTON (N/A)
SEAL
BOOT
BOOT & SEAL KIT
R401512713



ROTOR

R441712432
O.D. 288.0mm
Height 56.1mm
Pilot 56.1mm
Bolt 5

Mounted Behind the Hub

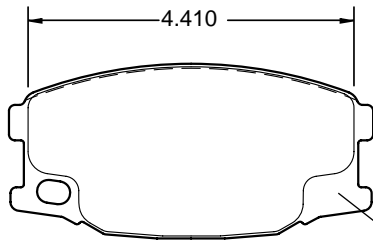
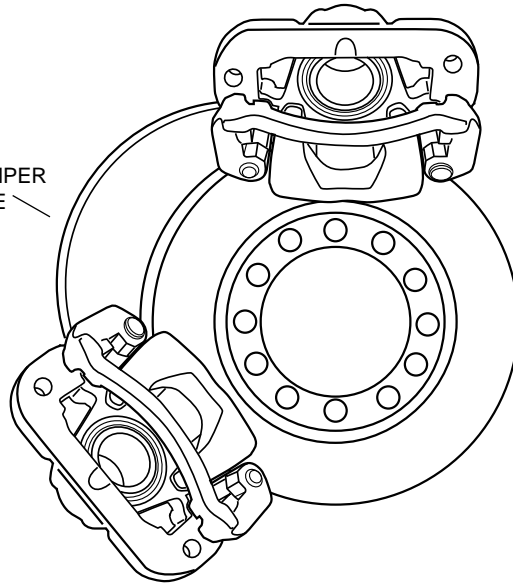
MITSUBISHI FUSO

FRONT AXLE 51MM DIA PISTON

CALIPERS

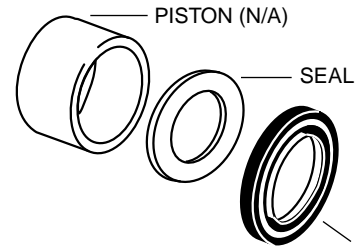
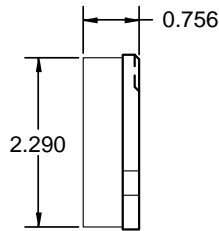
R42R1012433X LH Upper
R42R1012434X LH Lower
R42R1012435X RH Upper
R42R1012436X RH Lower

JUMPER
LINE



FMSI 7603-D734

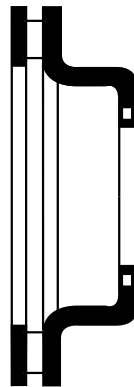
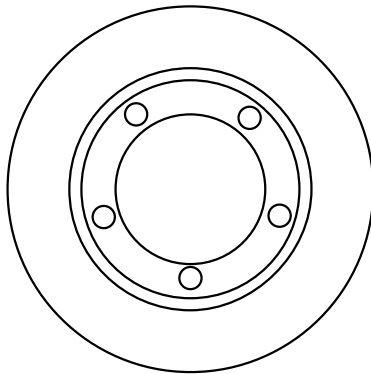
MD735
2 sets required



PISTON (N/A)

SEAL

BOOT
BOOT & SEAL KIT
R401512713



ROTOR

R441712432
O.D. 288.0mm
Height 56.1mm
Pilot 110.0mm
Bolt 5

Mounted Behind the Hub

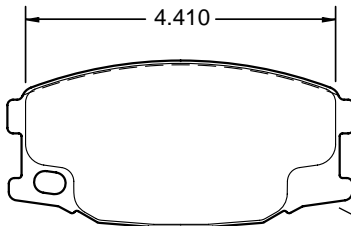
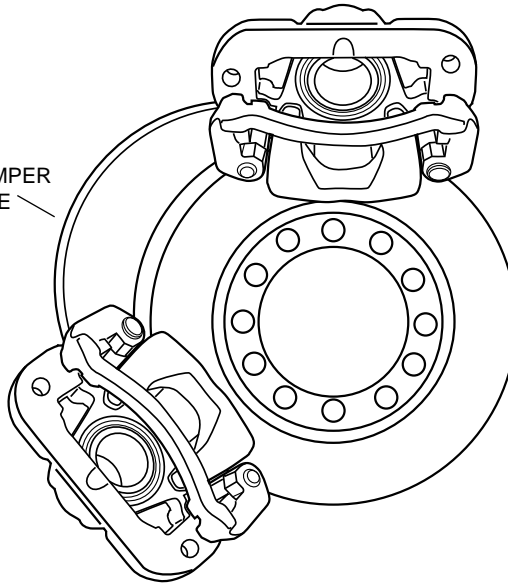
MITSUBISHI FUSO

FRONT AXLE 51MM DIA PISTON

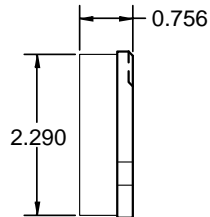
CALIPERS

R42R1012455X LH Upper
R42R1012456X LH Lower
R42R1012457X RH Upper
R42R1012458X RH Lower

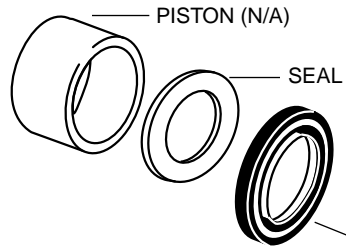
JUMPER
LINE



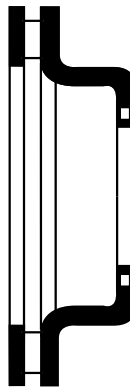
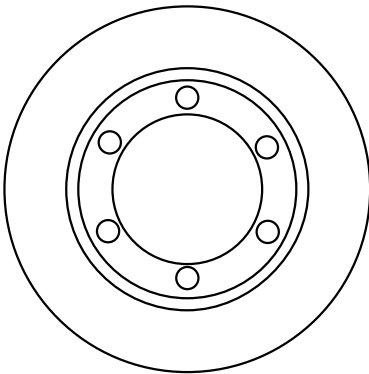
FMSI 7603-D734



MD734
2 sets required



BOOT
BOOT & SEAL KIT
R401512713



ROTOR

R441712451
O.D. 293.0mm
Height 53.9mm
Pilot 114.0mm
Bolt 6

Mounted Behind the Hub

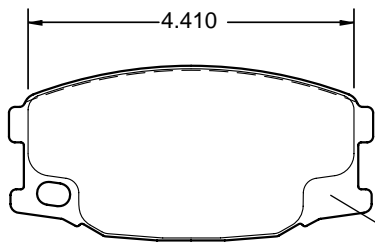
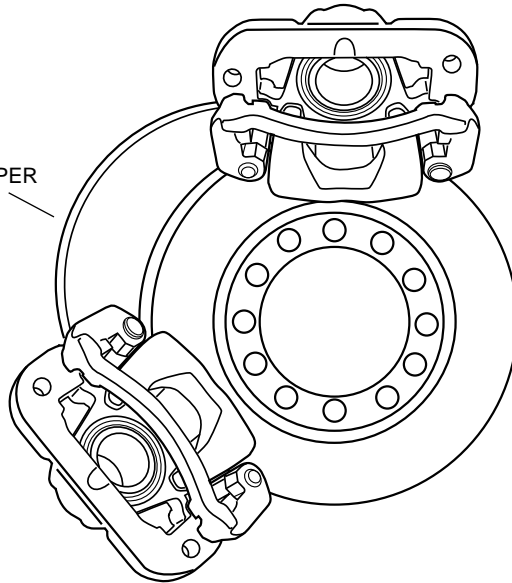
MITSUBUSHI FUSO

FRONT AXLE 51MM DIA PISTON

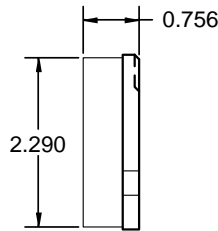
CALIPERS

R42R1012455X LH Upper
R42R1012456X LH Lower
R42R1012457X RH Upper
R42R1012458X RH Lower

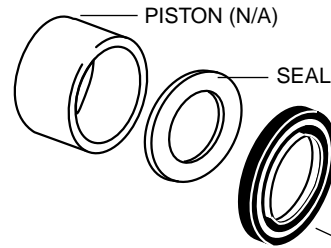
JUMPER
LINE



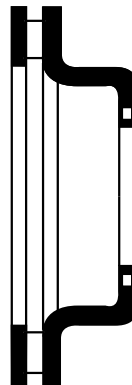
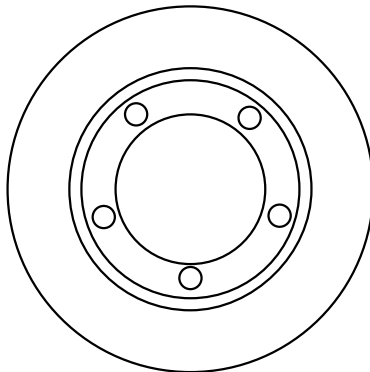
FMSI 7603-D734



MD734
2 sets required



BOOT
BOOT & SEAL KIT
R401512713



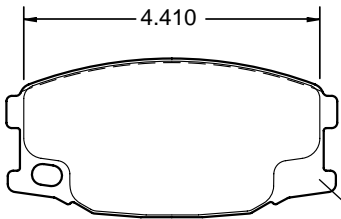
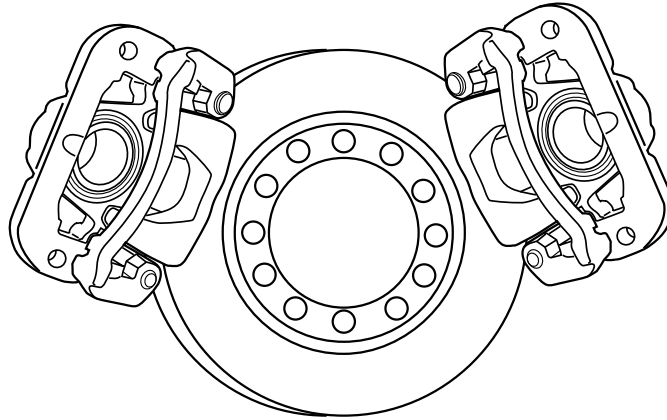
ROTOR

R441712450
O.D. 293.0mm
Height 54.3mm
Pilot 110.0mm
Bolt 5

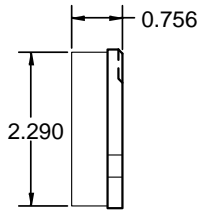
Mounted Behind the Hub

MITSUBISHI FUSO

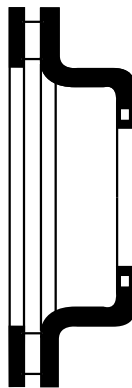
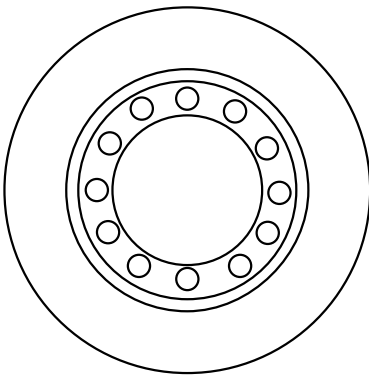
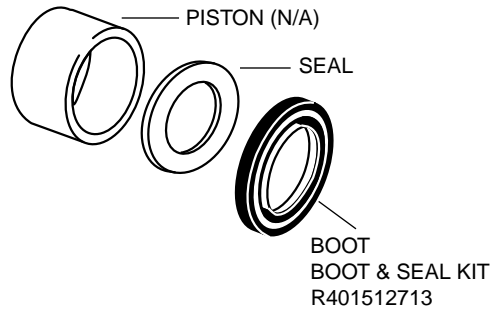
REAR AXLE 51MM DIA PISTON



FMSI 7603-D734



MD734
2 sets required



ROTOR
R441712451
O.D. 293.0mm
Height 49.1mm
Pilot 124.0mm
Bolt 12

Mounted Behind the Hub

NOTES

Empty rectangular box for notes.

NISSAN UD

Vehicle Type and Year	Front Brake					Rear Brake				
	Size	Shoes	Hardware	Wheel Cylinder	Drum	Size	Shoes	Hardware	Wheel Cylinder	Drum
UD 1100										
1989 - 1991	320mm x 65mm	R6680	R402212715	N/A	N/A	320mm x 65mm	R6680	N/A	N/A	N/A
Vehicle Type and Year	Front Brake					Rear Brake				
	Type	Pads	Caliper	Caliper Repair Kit	Rotor	Type & Size	Shoes	Hardware	Wheel Cylinder	Drum
UD 1200 Series Vehicle GVW Rating 12,000 lb.										
1999 - 2002	Disc Brake	MD646	R42R1012459 R42R1012460	R401512717	R441712454	Drum 320mm x 90mm	R46695	R402212716	N/A	N/A
Vehicle Type and Year	Front Brake					Rear Brake				
	Size	Shoes	Hardware	Wheel Cylinder	Drum	Size	Shoes	Hardware	Wheel Cylinder	Drum
UD 1300 Series Vehicle GVW Rating 13,000 lb.										
1992 - 1993	320mm x 75mm	R46681	R402212716	N/A	N/A	320mm x 75mm	R46681	R402212716	N/A	N/A
Vehicle Type and Year	Front Brake					Rear Brake				
	Type	Pads	Caliper	Caliper Repair Kit	Rotor	Type & Size	Shoes	Hardware	Wheel Cylinder	Drum
UD 1400 Series Vehicle GVW Rating 14,250 lb.										
1994 - 2002	Disc Brake	MD646	R42R1012459 R42R1012460	R401512717	R401712718	Drum 320mm x 90mm	R46695	R402212716	N/A	N/A
Vehicle Type and Year	Front Brake					Rear Brake				
	Size	Shoes	Hardware	Wheel Cylinder	Drum	Size	Shoes	Hardware	Wheel Cylinder	Drum
UD 1800 Series Vehicle GVW Rating 17,995 lb. (Air Over Hydraulic Brake System)										
1989 - 2002	320mm x 110mm	R46602	R402212708	N/A	N/A					
1989 - 1994						320mm x 135mm	R46679	R402212709	N/A	N/A
1995 - 2002 w/o Wheel Park						320mm x 135mm	R46679	R402212709	N/A	N/A
1995 - 2002 With Wheel Park						320mm x 135mm	R46717	R402212720	N/A	N/A

5 - IMPORT BRAKE

NISSAN UD

Vehicle Type and Year	Front Brake					Rear Brake				
	Size	Shoes	Hardware	Wheel Cylinder	Drum	Size	Shoes	Hardware	Wheel Cylinder	Drum
UD 2000 Series Vehicle GVW Rating 19,500 lb. (Air Over Hydraulic Brake System)										
1984 - 1994	370mm x 100mm	R46603	R402212724	N/A	N/A					
1995 - 2002	320mm x 110mm	R46602	R402212708	N/A	N/A					
1989 - 1994						320mm x 135mm	R46604	R402212724	N/A	N/A
1995 - 2002 w/o Wheel Park						320mm x 135mm	R46679	R402212709	N/A	N/A
1995 - 2002 With Wheel Park						320mm x 135mm	R46717	R402212720	N/A	N/A
Vehicle Type and Year	Front Brake					Rear Brake				
	Size	Shoes	Hardware	Wheel Cylinder	Drum	Size	Shoes	Hardware	Wheel Cylinder	Drum
UD 2300 Series Vehicle GVW Rating 23,000 lb. (Air Over Hydraulic Brake System)										
1989 - 2002	370mm x 100mm	R46603	R402212724	N/A	N/A	370mm x 135mm	R46604	R402212724	N/A	N/A
Vehicle Type and Year	Front Brake					Rear Brake				
	Size	Shoes	Hardware	Wheel Cylinder	Drum	Size	Shoes	Hardware	Wheel Cylinder	Drum
UD 2600 Series Vehicle GVW Rating 25,995 lb. (Air Over Hydraulic Brake System)										
1998 - 2002	100mm x 120mm	R46617	R402212711	N/A	N/A	400mm x 154mm	R46614	R402212725	N/A	N/A
Vehicle Type and Year	Front Brake					Rear Brake				
	Size	Shoes	Hardware	Wheel Cylinder	Drum	Size	Shoes	Hardware	Wheel Cylinder	Drum
UD 3300 Series Vehicle GVW Rating 32,900 lb. (Air Over Hydraulic Brake System)										
1999 - 2006	410mm x 150mm	N/A	N/A	N/A	N/A	410mm x 220mm	N/A	N/A	N/A	N/A

5 - IMPORT BRAKE

IMPORT BRAKE SHOE INDEX

FMSI SHOE NO.	FMSI FRICTION NO.	MERITOR LINED SHOE NO.	MERITOR UNLINED SHOE NO.	BRAKE SIZE	CENTRIC CROSS	MANUFACTURE	AXLE POSITION	ADJUSTMENT	RETURN SPRING KIT	COMMENTS
Imports										
S603	1411	R46603		370mm x 100mm Low Deck	112.060	Isuzu / Nissan UD	Front		R402212724	Need Complete shoe assembly / boxed in qty of four
S612	1416	R46612		320mm x 75mm	112.061	Isuzu	Rear			Need Complete shoe assembly / boxed in qty of four
S726	1417			320mm x 75mm	112.073					Need Complete shoe assembly / boxed in qty of four
S615	1420			410mm x 115mm	112.062	Isuzu	Rear			Need Complete shoe assembly / boxed in qty of four
S616	1421			400mm x 115mm	112.062	Isuzu	Front			Need Complete shoe assembly / boxed in qty of four
S632	1434	R46632		320mm x 130mm	112.063					Need Complete shoe assembly / boxed in qty of four
S669	1455			320mm x 120mm	112.067					Need Complete shoe assembly / boxed in qty of four
S672	1458	R46672		320mm x 110mm	112.067	Isuzu	Front		R412212614	Need Complete shoe assembly / boxed in qty of four
S679	1464	R46679		320mm x 135mm	112.068	Mitsubishi Fuso	Rear		R402212709	Need Complete shoe assembly / boxed in qty of four
S680	1465	R46680		320mm x 65mm	112.068	Nissan UD	Front / Rear		R402212715	Need Complete shoe assembly / boxed in qty of four
S681	1466	R46681		320mm x 75mm	112.068	Nissan UD	Front / Rear			Need Complete shoe assembly / boxed in qty of four
S682	1467	R46682		320mm x 75mm	112.068	Mitsubishi Fuso	Rear			New Part Number Currently in Purch01
S683	1468	R46683		320mm x 75mm	112.068					Need Complete shoe assembly / boxed in qty of four
S684	1469	R46684		320mm x 110mm	112.068	Hino	Front		R412212663	Need Complete shoe assembly / boxed in qty of four
S685	1470	R46685		320mm x 125mm	112.069	Hino	Rear		R442712620	Need Complete shoe assembly / boxed in qty of four
S695	1478	R46695		320mm x 90mm	112.070					New Part Number Currently in Purch01
S699	1482	R46699		320mm x 100mm	112.070	Isuzu	Rear			Need Complete shoe assembly / boxed in qty of four
S602	1410	R46602		320mm x 110mm	112.060	Mitsubishi Fuso	Front			Need Complete shoe assembly / boxed in qty of four

5 - IMPORT BRAKE

IMPORT BRAKE SHOE INDEX

FMSI SHOE NO.	FMSI FRICTION NO.	MERITOR LINED SHOE NO.	MERITOR UNLINED SHOE NO.	BRAKE SIZE	CENTRIC CROSS	MANUFACTURE	AXLE POSITION	ADJUSTMENT	RETURN SPRING KIT	COMMENTS
S604	1412			370mm x 135mm	112.060	Isuzu	Rear			Need Complete shoe assembly / boxed in qty of four
S613	1418	R46613		410mm x 140mm Manual (16.142" x 5.512")	112.061	Isuzu	Front / Rear			Need Complete shoe assembly / boxed in qty of four
S614	1419	R46614		400mm x 154mm	112.061	Nissan UD	Rear			Need Complete shoe assembly / boxed in qty of four
S617	1422	R46617		400mm x 120mm	112.062	Nissan UD	Front			Need Complete shoe assembly / boxed in qty of four
S668	1454			300mm x 75mm	112.067	Isuzu	Rear			Need Complete shoe assembly / boxed in qty of four
S792	1534	R46792		311.2mm x 121.9mm	112.079	Isuzu	Rear			Need Complete shoe assembly / boxed in qty of four
S727	1498			320mm x 145mm	112.073	Isuzu	Rear			Need Complete shoe assembly / boxed in qty of four
S718	1418			410mm x 140mm Auto	112.072	Isuzu	Front / Rear			Need Complete shoe assembly / boxed in qty of four
S647	2086			9" x 3" Park Brake Shoe	110.065		Parking			
S824	1556			12" x 3" Park Brake Shoe	110.082		Parking			
S717	1464	R46717		320mm x 135mm w/ wheel park	112.072					Need Complete shoe assembly / boxed in qty of four
S730	1501	R46730		320mm x 120mm Front wheel Mits		Mitsubishi Fuso	Front			
S731	1502	R46731								
S686	1419	R46686								

5 - IMPORT BRAKE

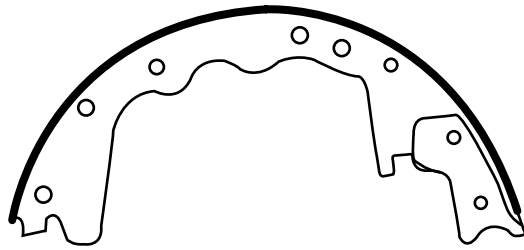
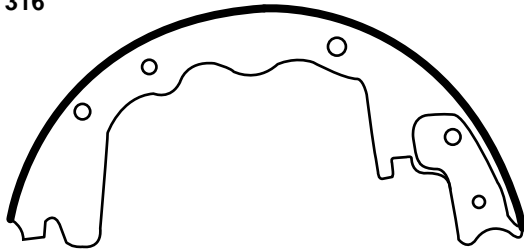
IMPORT BRAKE SHOE INDEX

FMSI SHOE NO.	FMSI FRICTION NO.	MERITOR LINED SHOE NO.	MERITOR UNLINED SHOE NO.	BRAKE SIZE	CENTRIC CROSS	MANUFACTURE	AXLE POSTION	ADJUST-MENT	RETURN SPRING KIT	COMMENTS
449	2159TT	R46449		11" x 2"		General Motors	Rear	Automatic	R40H7046	
451	2042AT	R46451		13" x 2 1/2"		General Motors	Rear	Automatic	R40H378	
452	2157T	R46452		13" x 3 1/2"		General Motors	Rear	Automatic	R40H378	
462	2134ATT	R46462		11" x 2"		GMC / Jeep	Rear	Automatic	R4011082	
473	2073T	R46473		11 11/64" x 2 3/4"		General Motors	Rear	Automatic	R307690	
481	2089AT	R468134		10" x 2 1/2"		Ford / Jeep	Rear	Automatic	R408044 / R40H7149	
514	2117ATT	R46514		9 1/2" x 2"		General Motors	Rear	Automatic	R507950	
538	2168T	R46538		9 1/2" x 2 1/2"		Dodge	Rear	Automatic	R40H133	
552	2165T	R46552		8 55/64" x 1 49/64"		General Motors	Rear	Automatic	R407953	
569	2151T	R41569		9" x 1 3/4"		Ford	Rear	Automatic	R40H364	
581	2089AT	R41581		10" x 2 1/2"		Ford	Rear	Automatic	R40H357	
582	2141AT	R41582		11 1/32" x 2 1/4"		Ford	Rear	Automatic	R40H7225	
583	2171T	R418140		12 1/8" x 3 1/2"		Ford	Rear	Automatic	R40H608	
593	1404	R46593		10" x 2 1/4"		General Motors	Rear	Automatic	R40H7276	
705	2089AT	R46705		10" x 2 1/2"		Ford	Rear	Automatic		

IMPORT BRAKE SHOE

357

Old 316



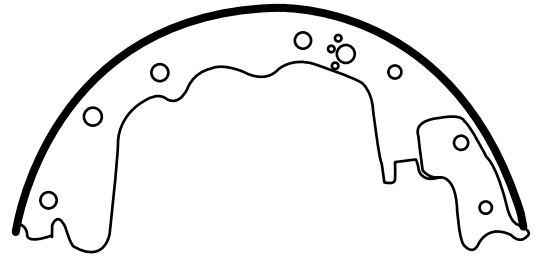
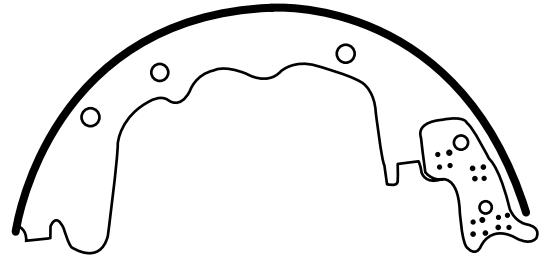
Low Anchor Type

Sold 4 Per Set

MERITOR SHOE NO.	FMSI SHOE NO.	FMSI LINING NO.	SIZE	RIVET
R46357 (LS)	357	2146AT	12" x 2 1/2"	4-5

358

Old 314

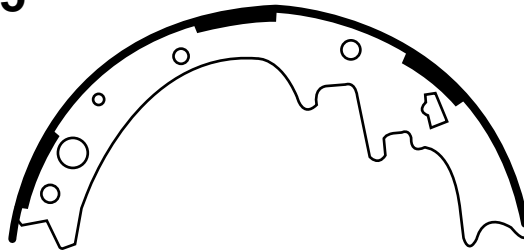


Low Anchor Type

Sold 4 Per Set

MERITOR SHOE NO.	FMSI SHOE NO.	FMSI LINING NO.	SIZE	RIVET
R46358 (LS)	358	2140AT	12" x 3"	4-5

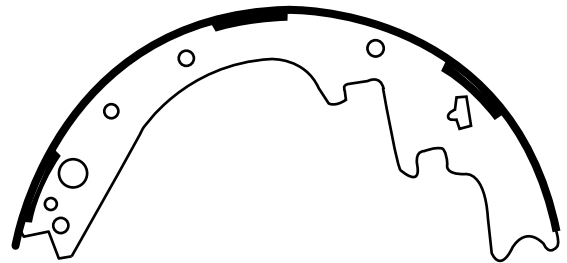
445



Sold 4 Per Set

MERITOR SHOE NO.	FMSI SHOE NO.	FMSI LINING NO.	SIZE	RIVET
R46445 (LS)	445	2089T	10" x 2 1/2"	4-4

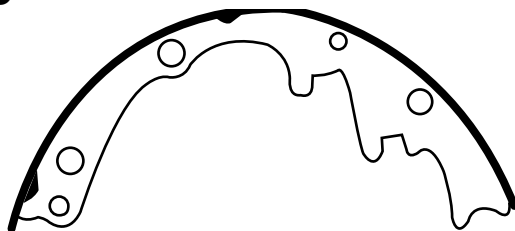
446



Sold 4 Per Set

MERITOR SHOE NO.	FMSI SHOE NO.	FMSI LINING NO.	SIZE	RIVET
R46446 (LS)	446	2025T	11" x 2 1/2"	Bonded

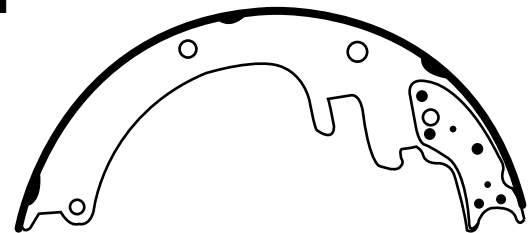
449



Sold 4 Per Set

MERITOR SHOE NO.	FMSI SHOE NO.	FMSI LINING NO.	SIZE	RIVET
R46449 (LS)	449	2159TT	11" x 2"	4-5

451



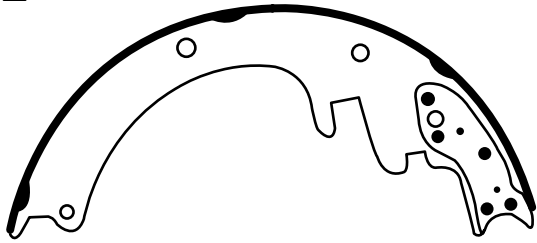
Sold 4 Per Set

MERITOR SHOE NO.	FMSI SHOE NO.	FMSI LINING NO.	SIZE	RIVET
R46451 (LS)	451	2042AT	13" x 2 1/2"	7-6

5 - IMPORT BRAKE

IMPORT BRAKE SHOE

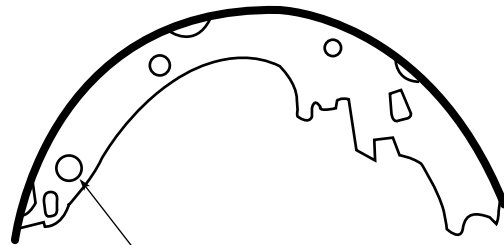
452



Sold 4 Per Set

MERITOR SHOE NO.	FMSI SHOE NO.	FMSI LINING NO.	SIZE	RIVET
R46452 (LS)	452	2157T	13" x 3 1/2"	7-6

462

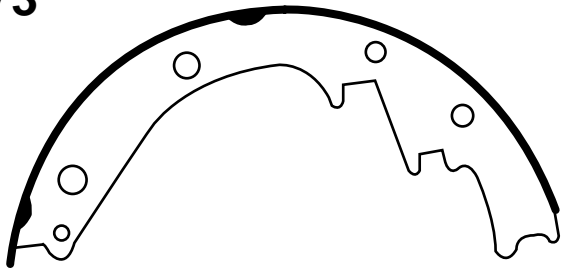


Some shoes produced without this hole
Delco-Moraine Design

Sold 4 Per Set

MERITOR SHOE NO.	FMSI SHOE NO.	FMSI LINING NO.	SIZE	RIVET
R46462 (LS)	462	2134ATT	11" x 2"	4-4

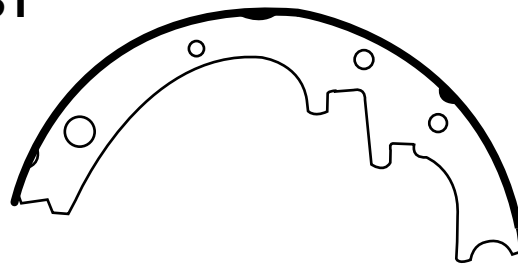
473



Sold 4 Per Set

MERITOR SHOE NO.	FMSI SHOE NO.	FMSI LINING NO.	SIZE	RIVET
R46473 (LS)	473	2073T	11 11/64" x 2 3/4"	5-

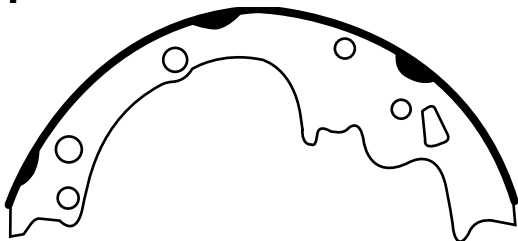
481



Sold 4 Per Set

MERITOR SHOE NO.	FMSI SHOE NO.	FMSI LINING NO.	SIZE	RIVET
R468134 (LS)	481	2089AT	10" x 2 1/2"	4-4

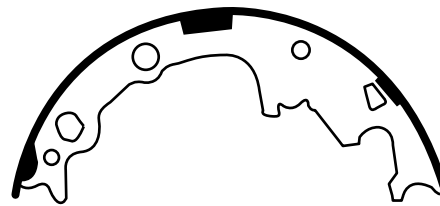
514



Sold 4 Per Set

MERITOR SHOE NO.	FMSI SHOE NO.	FMSI LINING NO.	SIZE	RIVET
R46514 (LS)	514	2117ATT	9 1/2" x 2"	4-4

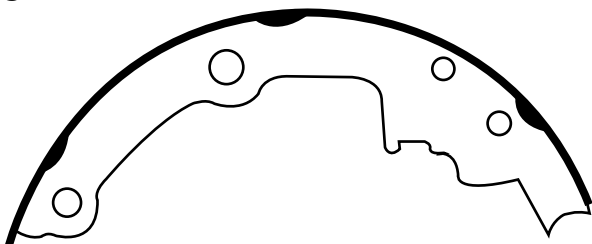
538



Sold 4 Per Set

MERITOR SHOE NO.	FMSI SHOE NO.	FMSI LINING NO.	SIZE	RIVET
R46538 (LS)	538	2168T	9" x 2 1/2"	3mm

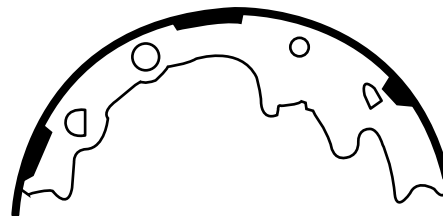
552



Sold 4 Per Set

MERITOR SHOE NO.	FMSI SHOE NO.	FMSI LINING NO.	SIZE	RIVET
R46552 (LS)	552	2165T	8 55/64" x 1 49/64"	4-4

569



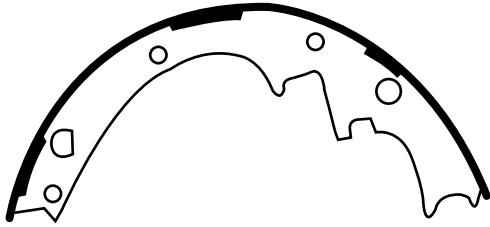
Sold 4 Per Set

MERITOR SHOE NO.	FMSI SHOE NO.	FMSI LINING NO.	SIZE	RIVET
R41569 (LS)	569	2151T	9" x 1 3/4"	4-4

5 - IMPORT BRAKE

IMPORT BRAKE SHOE

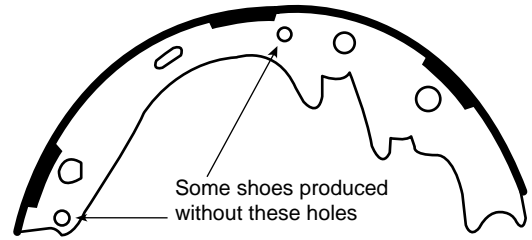
581



Sold 4 Per Set

MERITOR SHOE NO.	FMSI SHOE NO.	FMSI LINING NO.	SIZE	RIVET
R41581 (LS)	581	2089AT	10" x 2 1/2"	4-4

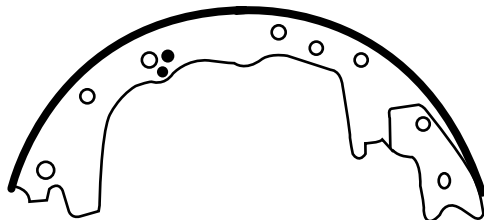
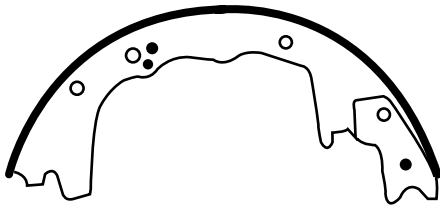
582



Sold 4 Per Set

MERITOR SHOE NO.	FMSI SHOE NO.	FMSI LINING NO.	SIZE	RIVET
R41582 (LS)	582	2141AT	11 1/32" x 2 1/4"	4-5

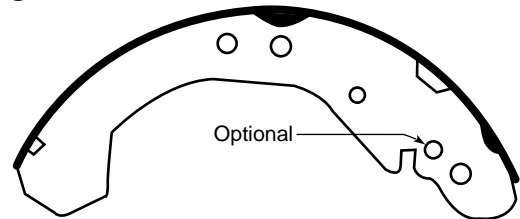
583



Sold 4 Per Set

MERITOR SHOE NO.	FMSI SHOE NO.	FMSI LINING NO.	SIZE	RIVET
R41583 (LS)	583	2171T	12 1/8" x 3 1/2"	Bonded

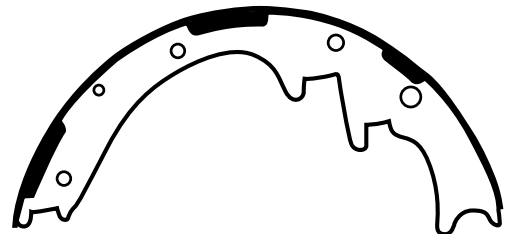
593



Sold 4 Per Set

MERITOR SHOE NO.	FMSI SHOE NO.	FMSI LINING NO.	SIZE	RIVET
R46593 (LS)	593	1404	10" x 2 1/4"	—

705



Sold 4 Per Set

MERITOR SHOE NO.	FMSI SHOE NO.	FMSI LINING NO.	SIZE	RIVET
R46705 (LS)	705	2089AT	10" x 2 1/2"	—

S602



Sold 4 Per Set

MERITOR SHOE NO.	FMSI SHOE NO.	FMSI LINING NO.	SIZE	RIVET
R46602 (FT)	S602	1410	370mm x 110mm	

S603



Sold 4 Per Set

MERITOR SHOE NO.	FMSI SHOE NO.	FMSI LINING NO.	SIZE	RIVET
R46603 (FT)	S603	1411	370mm x 100mm Low Deck	

5 - IMPORT BRAKE

IMPORT BRAKE SHOE

S604



Sold 4 Per Set

MERITOR SHOE NO.	FMSI SHOE NO.	FMSI LINING NO.	SIZE	RIVET
—	S604	—	370mm x 135mm	—

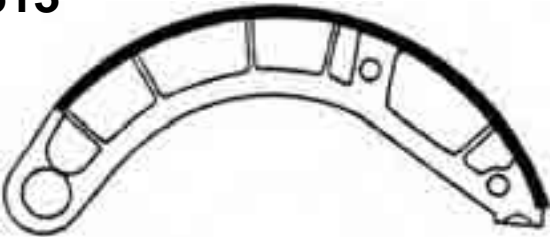
S612



Sold 4 Per Set

MERITOR SHOE NO.	FMSI SHOE NO.	FMSI LINING NO.	SIZE	RIVET
R46612 (FT)	S612	1416	370mm x 75mm	—

S613



Sold 4 Per Set

MERITOR SHOE NO.	FMSI SHOE NO.	FMSI LINING NO.	SIZE	RIVET
R46613	S613	1418	410mm x 140mm Manual (16.142"x 5.512")	—

S614



Sold 4 Per Set

MERITOR SHOE NO.	FMSI SHOE NO.	FMSI LINING NO.	SIZE	RIVET
R46614	S614	1419	400mm x 154mm	—

S615



Sold 4 Per Set

MERITOR SHOE NO.	FMSI SHOE NO.	FMSI LINING NO.	SIZE	RIVET
—	S615	1420	400mm x 115mm	—

S616



Sold 4 Per Set

MERITOR SHOE NO.	FMSI SHOE NO.	FMSI LINING NO.	SIZE	RIVET
—	S616	1421	400mm x 115mm	—

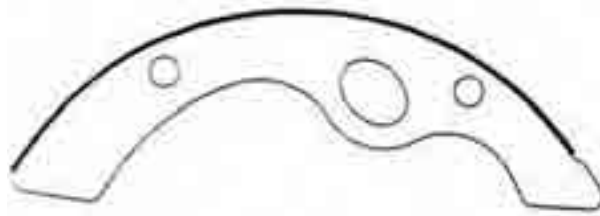
S617



Sold 4 Per Set

MERITOR SHOE NO.	FMSI SHOE NO.	FMSI LINING NO.	SIZE	RIVET
R46617	S617	1422	400mm x 115mm	—

S632

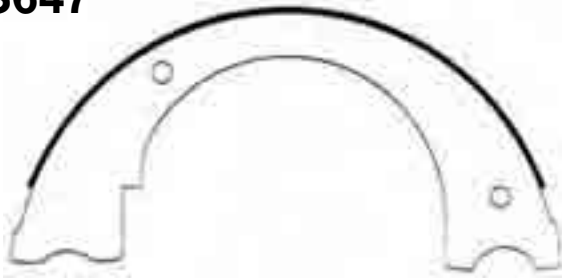


Sold 4 Per Set

MERITOR SHOE NO.	FMSI SHOE NO.	FMSI LINING NO.	SIZE	RIVET
R46632	S632	1434	320mm x 130mm	—

IMPORT BRAKE SHOE

S647



Sold 4 Per Set

MERITOR SHOE NO.	FMSI SHOE NO.	FMSI LINING NO.	SIZE	RIVET
—	S647	2086	9" x 3"	—

S668



Sold 4 Per Set

MERITOR SHOE NO.	FMSI SHOE NO.	FMSI LINING NO.	SIZE	RIVET
—	S668	1454	300mm x 75mm	—

S669



Sold 4 Per Set

MERITOR SHOE NO.	FMSI SHOE NO.	FMSI LINING NO.	SIZE	RIVET
—	S669	1455	320mm x 120mm	—

S672



Sold 4 Per Set

MERITOR SHOE NO.	FMSI SHOE NO.	FMSI LINING NO.	SIZE	RIVET
R46672	S672	1458	320mm x 110mm	—

S679



Sold 4 Per Set

MERITOR SHOE NO.	FMSI SHOE NO.	FMSI LINING NO.	SIZE	RIVET
R46679	S679	1464	320mm x 135mm	—

S680



Sold 4 Per Set

MERITOR SHOE NO.	FMSI SHOE NO.	FMSI LINING NO.	SIZE	RIVET
R46680	S680	1465	320mm x 65mm	—

S681



Sold 4 Per Set

MERITOR SHOE NO.	FMSI SHOE NO.	FMSI LINING NO.	SIZE	RIVET
R46681	S681	1466	320mm x 75mm	—

S682



Sold 4 Per Set

MERITOR SHOE NO.	FMSI SHOE NO.	FMSI LINING NO.	SIZE	RIVET
R46682	S682	1467	320mm x 75mm	—

5 - IMPORT BRAKE

IMPORT BRAKE SHOE

5 - IMPORT BRAKE

S683



Sold 4 Per Set

MERITOR SHOE NO.	FMSI SHOE NO.	FMSI LINING NO.	SIZE	RIVET
R46683	S683	1468	320mm x 75mm	—

S685



Sold 4 Per Set

MERITOR SHOE NO.	FMSI SHOE NO.	FMSI LINING NO.	SIZE	RIVET
R46685	S685	1470	320mm x 125mm	—

S695



Sold 4 Per Set

MERITOR SHOE NO.	FMSI SHOE NO.	FMSI LINING NO.	SIZE	RIVET
R46695	S695	1478	320mm x 90mm	—

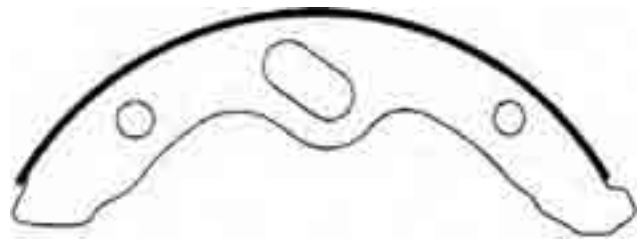
S717



Sold 4 Per Set

MERITOR SHOE NO.	FMSI SHOE NO.	FMSI LINING NO.	SIZE	RIVET
R46717	S717	1464	320mm x 135mm w/ wheel park	—

S684



Sold 4 Per Set

MERITOR SHOE NO.	FMSI SHOE NO.	FMSI LINING NO.	SIZE	RIVET
R46684	S684	1469	320mm x 110mm	—

S686



Sold 4 Per Set

MERITOR SHOE NO.	FMSI SHOE NO.	FMSI LINING NO.	SIZE	RIVET
R46686	S686	1419	—	—

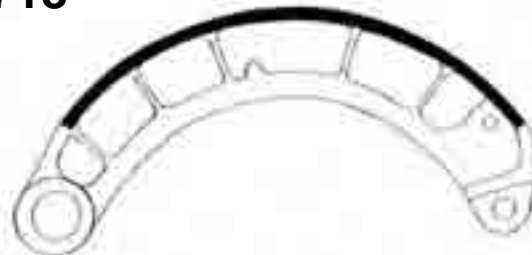
S699



Sold 4 Per Set

MERITOR SHOE NO.	FMSI SHOE NO.	FMSI LINING NO.	SIZE	RIVET
R46699	S699	1482	320mm x 100mm	

S718



Sold 4 Per Set

MERITOR SHOE NO.	FMSI SHOE NO.	FMSI LINING NO.	SIZE	RIVET
—	S718	1418	410mm x 140mm	—

IMPORT BRAKE SHOE

S726



Sold 4 Per Set

MERITOR SHOE NO.	FMSI SHOE NO.	FMSI LINING NO.	SIZE	RIVET
—	S726	1417	320mm x 75mm	—

S727



Sold 4 Per Set

MERITOR SHOE NO.	FMSI SHOE NO.	FMSI LINING NO.	SIZE	RIVET
—	S727	1498	320mm x 145mm	—

S730



Sold 4 Per Set

MERITOR SHOE NO.	FMSI SHOE NO.	FMSI LINING NO.	SIZE	RIVET
R46730	S730	1501	320mm x 120mm Front wheel Mits	—

S731



Sold 4 Per Set

MERITOR SHOE NO.	FMSI SHOE NO.	FMSI LINING NO.	SIZE	RIVET
R46731	S731	1502	—	—

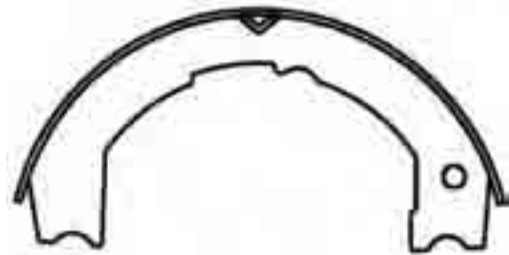
S792



Sold 4 Per Set

MERITOR SHOE NO.	FMSI SHOE NO.	FMSI LINING NO.	SIZE	RIVET
R46792	S792	1534	311.2mm x 121.9mm	—

S824



Sold 4 Per Set

MERITOR SHOE NO.	FMSI SHOE NO.	FMSI LINING NO.	SIZE	RIVET
—	S824	1556	12" x 3" Park Brake Shoe	—

5 - IMPORT BRAKE

NOTES

5 - IMPORT BRAKE

NOTES

A large, empty rectangular box with a black border, intended for handwritten notes.

XpresswayPlus.ArvinMeritor.com



XpresswayPlus.ArvinMeritor.com
For all of your parts-ordering needs

Don't forget about using XpresswayPlus for:

- Ordering parts online
- Order status
- Price and availability
- Invoice Lookup
- Parts Catalog
- Online e-mail or phone numbers for Customer Service, Information Services, Marketing, Catalog, and eSupport
- Reference Library
- The Company Store
- Literature
- Dealer/Distributor locator

XpresswayPlus is easy to use, can reduce phone calls, and save you valuable time.

WHAT YOU NEED:	WHERE TO LOOK:
ACCOUNT CHANGE	CUSTOMER SERVICE
AFTERMARKET & PRODUCTION ASSEMBLIES	CATALOG
APPLICATION INFORMATION	CATALOG
BILL-OF-LADING NUMBER	ORDER STATUS
BILL-OF-MATERIAL	CATALOG
BULLETINS	REFERENCE LIBRARY
CONTACT NAMES & NUMBERS	CUSTOMER SERVICE
FIELD SUPPORT REPRESENTATIVES	CUSTOMER SERVICE
INVOICE (VIEW & PRINT)	ORDER STATUS
NEWSLETTER	REFERENCE LIBRARY
ORDER DETAILS	ORDER STATUS
ORDER HISTORY FILE	ORDER STATUS
ORDER MERCHANDISE	COMPANY STORE
ORDER SUBMIT	CREATE NEW ORDER
ORDER SUBMIT - STOCK UPLOAD (MULTIPLE LINES)	CREATE NEW ORDER
PART DETAILS	CATALOG
PART IMAGES	CATALOG
PART NUMBER COMPARISON	CATALOG
PARTS BOOKS	REFERENCE LIBRARY
PASSWORD CHANGE	CUSTOMER SERVICE
PRICE (LIST)	CATALOG
PRICE (NET) & AVAILABILITY	PRICE & AVAILABILITY
PRODUCT BROCHURES	REFERENCE LIBRARY
PRODUCT UPDATES	REFERENCE LIBRARY
PROOF-OF-DELIVERY	ORDER STATUS
REQUEST-FOR-QUOTATION (FOR MERITOR BRAND)	PRICE REQUEST
SALES LITERATURE	REFERENCE LIBRARY
SEND QUESTIONS, COMMENTS, ISSUES	CONTACT US
SHIPPER NUMBER	ORDER STATUS
TECH TIPS	REFERENCE LIBRARY
TRACKING NUMBER	ORDER STATUS
WARRANTY INFORMATION	REFERENCE LIBRARY
WHERE-USED INFORMATION	CATALOG

Product Illustrations
and Photos
Section 6

HYDRAULIC DISC BRAKE CALIPERS

Listed By Casting Number

CASTING NO.	MERITOR CALIPER PART NO.	NO. OF PISTONS	PISTON DIA.
418	R42R55688	1	3.39" (3 25/64")
418	R42L55688	1	3.39" (3 25/64")
418	R42LV55688	1	3.39" (3 25/64")
419	R42R55687	1	3.39" (3 25/64")
419	R42L55687	1	3.39" (3 25/64")
419	R42LV55687	1	3.39" (3 25/64")
0456	60050145	2	2.88"
0456	60040145X	2	2.88"
0456	60050145XL	2	2.88"
0456	60050145XV	2	2.88"
518	R4212275	2	57mm
0578	60050145	2	2.88"
0578	60040145X	2	2.88"
0578	60050145XL	2	2.88"
0578	60050145XV	2	2.88"
632	R42R55496	1	3.156" (3 5/32")
632	R42L55496	1	3.156" (3 5/32")
632	R42LV55496	1	3.156" (3 5/32")
633	R42R55497	1	3.156" (3 5/32")
633	R42L55497	1	3.156" (3 5/32")
633	R42LV55497	1	3.156" (3 5/32")
5609	R4212274	2	57mm
5702	R4212275	2	57mm
5702	R4212276	2	57mm
5705	R4212273	2	57mm
5705	R4212274	2	57mm
22602	60050150	2	2.50"
22602	60050150X	2	2.50"
22602	60050150XL	2	2.50"
22602	60050150XV	2	2.50"
120684	R4255604	2	60mm
120684	R4255605	2	60mm
127951	R4255748	2	56mm
127951	R42R55748	2	56mm
127951	R42L55748	2	56mm
127951	R42LV55748	2	56mm
127951	R4255749	2	56mm
127951	R42R55749	2	56mm
127951	R42L55749	2	56mm
127951	R42LV55749	2	56mm
129297	R4255794	2	51mm
129297	R42R55794	2	51mm
129297	R42L55794	2	51mm

CASTING NO.	MERITOR CALIPER PART NO.	NO. OF PISTONS	PISTON DIA.
129297	R42LV55794	2	51mm
129297	R4255795	2	51mm
129297	R42R55795	2	51mm
129297	R42L55795	2	51mm
129297	R42LV55795	2	51mm
130307	R4255861	2	60mm
130307	R42R55861	2	60mm
130307	R42L55861	2	60mm
130307	R42LV55861	2	60mm
130307	R4255862	2	60mm
130307	R42R55862	2	60mm
130307	R42L55862	2	60mm
130307	R42LV55862	2	60mm
131072	R4255915	2	54mm
131072	R42R55915	2	54mm
131072	R4255916	2	54mm
131072	R42R55916	2	54mm
131072	R4255865	2	54mm
131072	R42R55865	2	54mm
131072	R42L55865	2	54mm
131072	R42LV55865	2	54mm
131072	R4255866	2	54mm
131072	R42R55866	2	54mm
131072	R42L55866	2	54mm
131072	R42LV55866	2	54mm
131447	R4255887	2	56mm
131447	R42R55887	2	56mm
131447	R42L55887	2	56mm
131447	R42LV55887	2	56mm
131447	R4255888	2	56mm
131447	R42R55888	2	56mm
131447	R42L55888	2	56mm
131447	R42LV55888	2	56mm
132705	R4255857	2	45mm
132705	R42R55857	2	45mm
132705	R42L55857	2	45mm
132705	R42LV55857	2	45mm
132705	R4255858	2	45mm
132705	R42R55858	2	45mm
132705	R42L55858	2	45mm
132705	R42LV55858	2	45mm
134247	R4255748	2	56mm
134247	R42R55748	2	56mm

6 - CALIPERS

* Caliper RH / LH designations are determined by clocking mount on the axle.

** Parts not supplied with these calipers

XpresswayPlus.ArvinMeritor.com

HYDRAULIC DISC BRAKE CALIPERS

Listed By Casting Number

CASTING NO.	MERITOR CALIPER PART NO.	NO. OF PISTONS	PISTON DIA.
134247	R42L55748	2	56mm
134247	R42LV55748	2	56mm
134247	R4255749	2	56mm
134247	R42R55749	2	56mm
134247	R42L55749	2	56mm
134247	R42LV55749	2	56mm
134248	R4255889	2	56mm
134248	R42R55889	2	56mm
134248	R42L55889	2	56mm
134248	R42LV55889	2	56mm
134248	R4255890	2	56mm
134248	R42R55890	2	56mm
134248	R42L55890	2	56mm
134248	R42LV55890	2	56mm
134248	R421005093266AA	2	56mm
134248	R421005093269AA	2	56mm
134254	R4255887	2	56mm
134254	R42R55887	2	56mm
134254	R42L55887	2	56mm
134254	R42LV55887	2	56mm
134254	R4255888	2	56mm
134254	R42R55888	2	56mm
134254	R42L55888	2	56mm
134254	R42LV55888	2	56mm
135607	R4212067	2	66mm
135607	R42R12067	2	66mm
135607	R42L12067	2	66mm
135607	R42LV12067	2	66mm
136743	R4212068	2	60mm
136743	R42R12068	2	60mm
136743	R42L12068	2	60mm
136743	R42LV12068	2	60mm
137149	R4255915	2	54mm
137149	R42R55915	2	54mm
137149	R4255916	2	54mm
137149	R42R55916	2	54mm
137149	R4255865	2	54mm
137149	R42R55865	2	54mm
137149	R42L55865	2	54mm
137149	R42LV55865	2	54mm
137149	R4255866	2	54mm
137149	R42R55866	2	54mm
137149	R42L55866	2	54mm

CASTING NO.	MERITOR CALIPER PART NO.	NO. OF PISTONS	PISTON DIA.
137149	R42LV55866	2	54mm
142296	R4212083	2	60mm
142296	R42R12083	2	60mm
142296	R42L12083	2	60mm
142296	R42LV12083	2	60mm
142296	R4212084	2	60mm
142296	R42R12084	2	60mm
142296	R42L12084	2	60mm
142296	R42LV12084	2	60mm
142298	R4212253	2	60mm
142298	R42R12253	2	60mm
142298	R42L12253	2	60mm
142298	R42LV12253	2	60mm
142298	R4212254	2	60mm
142298	R42R12254	2	60mm
142298	R42L12254	2	60mm
142298	R42LV12254	2	60mm
143477	R4255915	2	54mm
143477	R42R55915	2	54mm
143477	R4255916	2	54mm
143477	R42R55916	2	54mm
143477	R4255865	2	54mm
143477	R42R55865	2	54mm
143477	R42L55865	2	54mm
143477	R42LV55865	2	54mm
143477	R4255866	2	54mm
143477	R42R55866	2	54mm
143477	R42L55866	2	54mm
143477	R42LV55866	2	54mm
143477	R421005102062AA	2	54mm
143477	R421005102063AA	2	54mm
144138	R4212248	2	54mm
144138	R42R12248	2	54mm
144138	R42L12248	2	54mm
144138	R42LV12248	2	54mm
144138	R4212249	2	54mm
144138	R42R12249	2	54mm
144138	R42L12249	2	54mm
144138	R42LV12249	2	54mm
144150	R4212243	2	48mm
144150	R42R12243	2	48mm
144150	R42L12243	2	48mm
144150	R42LV12243	2	48mm

6 - CALIPERS

* Caliper RH / LH designations are determined by clocking mount on the axle.

** Parts not supplied with these calipers

Contact Customer Care
1-888-725-9355

XpresswayPlus.ArvinMeritor.com

HYDRAULIC DISC BRAKE CALIPERS

Listed By Casting Number

CASTING NO.	MERITOR CALIPER PART NO.	NO. OF PISTONS	PISTON DIA.
144150	R4212244	2	48mm
144150	R42R12244	2	48mm
144150	R42L12244	2	48mm
144150	R42LV12244	2	48mm
145513	R4212069	2	66mm
145513	R42R12069	2	66mm
145513	R42L12069	2	66mm
145513	R42LV12069	2	66mm
152280	R4255915	2	54mm
152280	R42R55915	2	54mm
152280	R4255916	2	54mm
152280	R42R55916	2	54mm
152280	R4255865	2	54mm
152280	R42R55865	2	54mm
152280	R42L55865	2	54mm
152280	R42LV55865	2	54mm
152280	R4255866	2	54mm
152280	R42R55866	2	54mm
152280	R42L55866	2	54mm
152280	R42LV55866	2	54mm
152280	R421005102062AA	2	54mm
152280	R421005102063AA	2	54mm
154518	R4212077	2	60mm
154518	R42R12077	2	60mm
154518	R42L12077	2	60mm
154518	R42LV12077	2	60mm
154518	R4212078	2	60mm
154518	R42R12078	2	60mm
154518	R42L12078	2	60mm
154518	R42LV12078	2	60mm
415733	R4255313	2	2.60"
415733	R42R55313	2	2.60"
415733	R42L55313	2	2.60"
415733	R42LV55313X	2	2.60"
2238229	R42R55245	2	2.60"
2238229	R42L55245	2	2.60"
2238229	R42LV55245	2	2.60"
4150344	R4255250	2	2.88"
4150344	R42R55250	2	2.88"
4150344	R42L55250	2	2.88"
4150344	R42LV55250	2	2.88"
4150844	R4255250	2	2.88"
4150844	R42R55250	2	2.88"

CASTING NO.	MERITOR CALIPER PART NO.	NO. OF PISTONS	PISTON DIA.
4150844	R42L55250	2	2.88"
4150844	R42LV55250	2	2.88"
4151020	R42R55245	2	2.60"
4151020	R42L55245	2	2.60"
4151020	R42LV55245	2	2.60"
4151733	R4255717	2	2.60"
4151733	R42R55717	2	2.60"
4151733	R42L55717	2	2.60"
4151733	R42LV55717	2	2.60"
4152279	R4255656	2	2.88"
4152279	R42R55656	2	2.88"
4152279	R42L55656	2	2.88"
4152279	R42LV55656	2	2.88"
4153222	R4255850	2	73mm
4153222	R424153216	2	73mm
4153222	R42R55850	2	73mm
4153222	R42L55850	2	73mm
4153222	R42LV55850	2	73mm
4153269	R4255849	2	66mm
4153269	R424153263	2	66mm
4153269	R42R55849	2	66mm
4153269	R42L55849	2	66mm
4153269	R42LV55849	2	66mm
12068401	R42R55604	2	60mm (2.362")
12068401	R42L55604	2	60mm (2.362")
12068401	R42LV55604	2	60mm (2.362")
12068401	R42R55605	2	60mm (2.362")
12068401	R42L55605	2	60mm (2.362")
12068401	R42LV55605	2	60mm (2.362")
13544401	R4255972	2	51mm
13544401	R42R55972	2	51mm
13544401	R42L55972	2	51mm
13544401	R42LV55972	2	51mm
13544401	R4255973	2	51mm
13544401	R42R55973	2	51mm
13544401	R42L55973	2	51mm
13544401	R42LV55973	2	51mm
13544402	R4255966	2	45mm
13544402	R42R55966	2	45mm
13544402	R42L55966	2	45mm
13544402	R42LV55966	2	45mm
13544402	R4255967	2	45mm
13544402	R42R55967	2	45mm

6 - CALIPERS

* Caliper RH / LH designations are determined by clocking mount on the axle.

** Parts not supplied with these calipers

XpresswayPlus.ArvinMeritor.com

Contact Customer Care

1-888-725-9355

HYDRAULIC DISC BRAKE CALIPERS

Listed By Casting Number

CASTING NO.	MERITOR CALIPER PART NO.	NO. OF PISTONS	PISTON DIA.
13544402	R42L55967	2	45mm
13544402	R42LV55967	2	45mm
14599301	R4255966	2	45mm
14599301	R42R55966	2	45mm
14599301	R42L55966	2	45mm
14599301	R42LV55966	2	45mm
14599301	R4255967	2	45mm
14599301	R42R55967	2	45mm
14599301	R42L55967	2	45mm
14599301	R42LV55967	2	45mm
2238451L	R4255099	1	3.38" (3 3/8")
2238451L	R42R55099	1	3.38" (3 3/8")
2238451L	R42L55099	1	3.38" (3 3/8")
2238451L	R42LV55099	1	3.38" (3 3/8")
2238452R	R4255098	1	3.38" (3 3/8")
2238452R	R42R55098	1	3.38" (3 3/8")
2238452R	R42L55098	1	3.38" (3 3/8")
2238452R	R42LV55098	1	3.38" (3 3/8")
472-W	60050150	2	2.50"
472-W	60050150X	2	2.50"
472-W	60050150XL	2	2.50"
472-W	60050150XV	2	2.50"
4Z15	R4212273	2	57mm
54D	R4212276	2	57mm
A940	R4212273	2	57mm
A940	R4212274	2	57mm
AD57T	R4212275	2	57mm
AD57T	R4212276	2	57mm
VFCC 0005-1	R42R7178	2	73mm
VFCC 2284-5	R42R7179	2	73mm

* Caliper RH / LH designations are determined by clocking mount on the axle.

** Parts not supplied with these calipers

Contact Customer Care
1-888-725-9355

XpresswayPlus.ArvinMeritor.com

HYDRAULIC DISC BRAKE CALIPERS

Listed By Part Number

Meritor Caliper Part No.	Replaces Bendix No.	Position	No. Of Pistons	Piston Dia.	Description	Meritor Disc Pad Set No.	Hardware Kit Number
R4255656	55656	R/H & L/H Front or Rear	2	2.88"	Bare Caliper New		
R42R55656	R55656	R/H & L/H Front or Rear	2	2.88"	Caliper Remanufactured		
R42L55656		R/H & L/H Front or Rear	2	2.88"	Loaded Caliper 2.88bx W/Air suspension	MD225	R40H5522
R42LV55656	L55656LM / RM	R/H & L/H Front or Rear	2	2.88"	Loaded Caliper 2.88bx W/Air suspension	MVD225	R40H5522
60050150	55251	R/H & L/H Front or Rear	2	2.50"	Bare Caliper New		
60050150X	R55251	R/H & L/H Front or Rear	2	2.50"	Caliper Remanufactured		
60050150XL	L55251PREM	R/H & L/H Front or Rear	2	2.50"	Loaded Caliper	MD224	60050153
60050150XV	L55251M	R/H & L/H Front or Rear	2	2.50"	Loaded Caliper	MVD224	60050153
R4255313	55313	R/H & L/H Front or Rear	2	2.60"	Bare Caliper New		
R42R55313	R55313	R/H & L/H Front or Rear	2	2.60"	Caliper Remanufactured		
R42L55313		R/H & L/H Front or Rear	2	2.60"	Loaded Caliper	MD380	R40H5522
R42LV55313X	L55313M	R/H & L/H Front or Rear	2	2.60"	Loaded Caliper	MVD380	R40H5522
60050312		* See Foot Note	4	70mm	Loaded Caliper New Quadrauc 70mm SP	MD769	R4011121
60050312X		* See Foot Note	4	70mm	Caliper Remanufactured Quadrauc 70mm SP		
60050312XL		* See Foot Note	4	70mm	Loaded Caliper Remanufactured Quadrauc 70mm SP	MD769	R4011121
60050312XV		* See Foot Note	4	70mm	Loaded Caliper Remanufactured Quadrauc 70mm SP	MVD769	R4011121
60050313		* See Foot Note	4	70mm	Loaded Caliper New Quadrauc 70mm SP	MD769	R4011121
60050313X		* See Foot Note	4	70mm	Caliper Remanufactured Quadrauc 70mm SP		
60050313XL		* See Foot Note	4	70mm	Loaded Caliper Remanufactured Quadrauc 70mm SP	MD769	R4011121
60050313XV		* See Foot Note	4	70mm	Loaded Caliper Remanufactured Quadrauc 70mm SP	MVD769	R4011121
R42R55687	R55687	R/H	1	3.39" (3 25/64")	Caliper 96-00 C3500 LD		
R42L55687	L55687FM	R/H	1	3.39" (3 25/64")	Loaded Caliper Remanufactured	MD459	R40H5788
R42LV55687	L55687M	R/H	1	3.39" (3 25/64")	Loaded Caliper Remanufactured	MVD459	R40H5788
R42R55688	R55688	L/H	1	3.39" (3 25/64")	Caliper 96-00 C3500 LD		
R42L55688	L55688FM	L/H	1	3.39" (3 25/64")	Loaded Caliper Remanufactured	MD459	R40H5788
R42LV55688	L55688M	L/H	1	3.39" (3 25/64")	Loaded Caliper Remanufactured	MVD459	R40H5788
R42R55748	R55748	R/H	2	56mm	Caliper Remanufactured		
R42L55748	L55748FM	R/H	2	56mm	Loaded Caliper Remanufactured	MD655	R4012262

6 - CALIPERS

* Caliper RH / LH designations are determined by clocking mount on the axle.

** Parts not supplied with these calipers

XpresswayPlus.ArvinMeritor.com

6-2

Contact Customer Care
1-888-725-9355

HYDRAULIC DISC BRAKE CALIPERS

Listed By Part Number

Meritor Caliper Part No.	Replaces Bendix No.	Position	No. Of Pistons	Piston Dia.	Description	Meritor Disc Pad Set No.	Hardware Kit Number
R42LV55748	L55748M	R/H	2	56mm	Loaded Caliper Remanufactured	MVD655	R4012262
R42R55749	R55749	L/H	2	56mm	Caliper Remanufactured		
R42L55749	L55749FM	L/H	2	56mm	Loaded Caliper Remanufactured	MD655	R4012262
R42LV55749	L55749M	L/H	2	56mm	Loaded Caliper Remanufactured	MVD655	R4012262
60450454		* See Foot Note	4	70mm	Loaded Caliper New Quadraulic 70mm SP	MD769	R4011121
60050320X		* See Foot Note	4	70mm	Caliper Remanufactured Quadraulic 70mm SP		
60050320XL		* See Foot Note	4	70mm	Loaded Caliper Remanufactured Quadraulic 70mm SP	MD769	R4011121
60050320XV		* See Foot Note	4	70mm	Loaded Caliper Remanufactured Quadraulic 70mm SP	MVD769	R4011121
60450455		* See Foot Note	4	70mm	Loaded Caliper New Quadraulic 70mm SP	MD769	R4011121
60050321X		* See Foot Note	4	70mm	Caliper Remanufactured Quadraulic 70mm SP		
60050321XL		* See Foot Note	4	70mm	Loaded Caliper Remanufactured Quadraulic 70mm SP	MD769	R4011121
60050321XV		* See Foot Note	4	70mm	Loaded Caliper Remanufactured Quadraulic 70mm SP	MVD769	R4011121
60450482004		* See Foot Note	4	70mm	Loaded Caliper New Quadraulic 70mm PP	MD769	R4011121
60450482X		* See Foot Note	4	70mm	Caliper Remanufactured Quadraulic 70mm PP		
60450482XL		* See Foot Note	4	70mm	Loaded Caliper Remanufactured Quadraulic 70mm PP	MD769	R4011729
60450482XV		* See Foot Note	4	70mm	Loaded Caliper Remanufactured Quadraulic 70mm PP	MVD769	R4011729
60450483004		* See Foot Note	4	70mm	Loaded Caliper New Quadraulic 70mm PP	MD769	R4011729
60450483X		* See Foot Note	4	70mm	Caliper Remanufactured Quadraulic 70mm PP		
60450483XL		* See Foot Note	4	70mm	Loaded Caliper Remanufactured Quadraulic 70mm PP	MD769	R4011729
60450483XV		* See Foot Note	4	70mm	Loaded Caliper Remanufactured Quadraulic 70mm PP	MVD769	R4011729
60450480004		* See Foot Note	4	64mm	Loaded Caliper New Quadraulic 64mm PP	MD769	R4011729
60450480X		* See Foot Note	4	64mm	Caliper Remanufactured Quadraulic 64mm PP		
60450480XL		* See Foot Note	4	64mm	Loaded Caliper Remanufactured Quadraulic 64mm PP	MD769	R4011729
60450480XV		* See Foot Note	4	64mm	Loaded Caliper Remanufactured Quadraulic 64mm PP	MVD769	R4011729
60450481004		* See Foot Note	4	64mm	Loaded Caliper New Quadraulic 64mm PP	MD769	R4011729
60450481004		* See Foot Note	4	64mm	Caliper Remanufactured Quadraulic 64mm PP		

6 - CALIPERS

* Caliper RH / LH designations are determined by clocking mount on the axle.

** Parts not supplied with these calipers

HYDRAULIC DISC BRAKE CALIPERS

Listed By Part Number

Meritor Caliper Part No.	Replaces Bendix No.	Position	No. Of Pistons	Piston Dia.	Description	Meritor Disc Pad Set No.	Hardware Kit Number
60450481XL		* See Foot Note	4	64mm	Loaded Caliper Remanufactured Quadraulic 64mm PP	MD769	R4011729
60450481XV		* See Foot Note	4	64mm	Loaded Caliper Remanufactured Quadraulic 64mm PP	MVD769	R4011729
R4255849	55849ZOH	R/H & L/H	2	66mm	Bare Caliper New 66mm Bosch		
R424153263		R/H & L/H	2	66mm	Loaded Caliper New 66mm Bosch	MD786A	R4011754
R42R55849	R55849	R/H & L/H	2	66mm	Caliper Remanufactured 66mm Bosch		
R42L55849		R/H & L/H	2	66mm	Loaded Caliper Remanufactured 66mm Bosch	MD786A	R4011754
R42LV55849	L55849PM	R/H & L/H	2	66mm	Loaded Caliper Remanufactured 66mm Bosch	MVD786A	R4011754
R4255850	55850ZOH	R/H & L/H	2	73mm	Bare Caliper New 73mm Bosch		
R424153216		R/H & L/H	2	73mm	Loaded Caliper New 73mm Bosch	MD786	R4011754
R42R55850	R55850	R/H & L/H	2	73mm	Caliper Remanufactured 73mm Bosch		
R42L55850		R/H & L/H	2	73mm	Loaded Caliper Remanufactured 73mm Bosch	MD786	R4011754
R42LV55850	L55850PM	R/H & L/H	2	73mm	Loaded Caliper Remanufactured 73mm Bosch	MVD786	R4011754
R4255861	55861	R/H Front & L/H Rear	2	66mm	Bare Caliper New F450		
R42R55861	R55861	R/H Front & L/H Rear	2	66mm	Caliper Remanufactured F450		
R42L55861		R/H Front & L/H Rear	2	66mm	Loaded Caliper Remanufactured F450	MD777	R40H15088
R42LV55861	L55861PM	R/H Front & L/H Rear	2	66mm	Loaded Caliper Remanufactured F450	MVD777	R40H15088
R4255862	55862	L/H Front & R/H Rear	2	66mm	Bare Caliper New F450		
R42R55862	R55862	L/H Front & R/H Rear	2	66mm	Caliper Remanufactured F450		
R42L55862		L/H Front & R/H Rear	2	66mm	Loaded Caliper Remanufactured F450	MD777	R40H15088
R42LV55862	L55862PM	L/H Front & R/H Rear	2	66mm	Loaded Caliper Remanufactured F450	MVD777	R40H15088
R4255857	55857	R/H Rear	2	45mm	Bare Caliper New		
R42R55857	R55857	R/H Rear	2	45mm	Caliper Remanufactured		
R42L55857	L55857PFM	R/H Rear	2	45mm	Loaded Caliper Remanufactured	MD411	R40H5916
R42LV55857	L55857PM	R/H Rear	2	45mm	Loaded Caliper Remanufactured	MVD411	R40H5916
R4255858	55858	L/H Rear	2	45mm	Bare Caliper New		
R42R55858	R55858	L/H Rear	2	45mm	Caliper Remanufactured		
R42L55858	L55858PFM	L/H Rear	2	45mm	Loaded Caliper Remanufactured	MD411	R40H5916
R42LV55858	L55858PM	L/H Rear	2	45mm	Loaded Caliper Remanufactured	MVD411	R40H5916
R4255915	55915	R/H	2	54mm	Bare Caliper New		
R42R55915	R55915	R/H	2	54mm	Caliper Remanufactured		
R4255916	55916	L/H	2	54mm	Bare Caliper New		
R42R55916	R55916	L/H	2	54mm	Caliper Remanufactured		
R4255887	55887	R/H	2	56mm	Bare Caliper New		
R42R55887	R55887	R/H	2	56mm	Caliper Remanufactured		
R42L55887	L55887PFM	R/H	2	56mm	Loaded Caliper Remanufactured	MD655	R40H5864

6 - CALIPERS

* Caliper RH / LH designations are determined by clocking mount on the axle.

** Parts not supplied with these calipers

HYDRAULIC DISC BRAKE CALIPERS

Listed By Part Number

Meritor Caliper Part No.	Replaces Bendix No.	Position	No. Of Pistons	Piston Dia.	Description	Meritor Disc Pad Set No.	Hardware Kit Number
R42LV55887		R/H	2	56mm	Loaded Caliper Remanufactured	MVD655	R40H5864
R4255888	55888	L/H	2	56mm	Bare Caliper New		
R42R55888	R55888	L/H	2	56mm	Caliper Remanufactured		
R42L55888	L55888PFM	L/H	2	56mm	Loaded Caliper Remanufactured	MD655	R40H5864
R42LV55888		L/H	2	56mm	Loaded Caliper Remanufactured	MVD655	R40H5864
R4255889	55889	R/H	2	56mm	Bare Caliper New		
R42R55889	R55889	R/H	2	56mm	Caliper Remanufactured		
R42L55889		R/H	2	56mm	Loaded Caliper Remanufactured	MD821	R40H5975
R42LV55889	L55889PM	R/H	2	56mm	Loaded Caliper Remanufactured	MVD821	R40H5975
R4255890		L/H	2	56mm	Bare Caliper New		
R42R55890	R55890	L/H	2	56mm	Caliper Remanufactured		
R42L55890		L/H	2	56mm	Loaded Caliper Remanufactured	MD821	R40H5975
R42LV55890	L55890PM	L/H	2	56mm	Loaded Caliper Remanufactured	MVD821	R40H5975
R4212067		R/H & L/H	2	66mm	Bare Caliper New		
R42R12067	R56520P	R/H & L/H	2	66mm	Bare Caliper Remanufactured		
R42L12067		R/H & L/H	2	66mm	Loaded Caliper Remanufactured	MD1010	R4012072
R42LV12067		R/H & L/H	2	66mm	Loaded Caliper Remanufactured	MVD1010	R4012072
R4212068		R/H & L/H	2	60mm	Bare Caliper New		
R42R12068		R/H & L/H	2	60mm	Bare Caliper Remanufactured		
R42L12068		R/H & L/H	2	60mm	Loaded Caliper Remanufactured	MD1010	R4012072
R42LV12068		R/H & L/H	2	60mm	Loaded Caliper Remanufactured	MVD1010	R4012072
R4212069		R/H & L/H	2	66mm	Bare Caliper New		
R42R12069		R/H & L/H	2	66mm	Bare Caliper Remanufactured		
R42L12069		R/H & L/H	2	66mm	Loaded Caliper Remanufactured	MD1064	R4012072
R42LV12069		R/H & L/H	2	66mm	Loaded Caliper Remanufactured	MVD1064	R4012072
R4255604	55604	R/H	2	60mm	Bare Caliper New / for reman use e-9181x		
R4255605	55605	L/H	2	60mm	Bare Caliper New / for reman use e-9182x		
R4212077		R/H	2	60mm	Bare Caliper New		
R42R12077		R/H	2	60mm	Caliper Remanufactured		
R42L12077		R/H	2	60mm	Loaded Caliper Remanufactured	MD1069	R4012081
R42LV12077		R/H	2	60mm	Loaded Caliper Remanufactured	MVD1069	R4012081
R4212078		L/H	2	60mm	Bare Caliper New		
R42R12078		L/H	2	60mm	Caliper Remanufactured		
R42L12078		L/H	2	60mm	Loaded Caliper Remanufactured	MD1069	R4012081
R42LV12078		L/H	2	60mm	Loaded Caliper Remanufactured	MVD1069	R4012081
R4212083		R/H	2	60mm	Bare Caliper New		
R42R12083		R/H	2	60mm	Caliper Remanufactured		
R42L12083		R/H	2	60mm	Loaded Caliper Remanufactured	MD1069	

6 - CALIPERS

* Caliper RH / LH designations are determined by clocking mount on the axle.

** Parts not supplied with these calipers

Contact Customer Care
1-888-725-9355

XpresswayPlus.ArvinMeritor.com

HYDRAULIC DISC BRAKE CALIPERS

Listed By Part Number

Meritor Caliper Part No.	Replaces Bendix No.	Position	No. Of Pistons	Piston Dia.	Description	Meritor Disc Pad Set No.	Hardware Kit Number
R42LV12083		R/H	2	60mm	Loaded Caliper Remanufactured	MVD1069	
R4212084		L/H	2	60mm	Bare Caliper New		
R42R12084		L/H	2	60mm	Caliper Remanufactured		
R42L12084		L/H	2	60mm	Loaded Caliper Remanufactured	MD1069	
R42LV12084		L/H	2	60mm	Loaded Caliper Remanufactured	MVD1069	
R4212086		R/H & L/H	2	2.18"	Bare Caliper New 2.18 piston		
R4255865	55865	R/H	2	54mm	Bare Caliper New		
R42R55865	R55865	R/H	2	54mm	Caliper Remanufactured		
R42L55865	L55865PFM	R/H	2	54mm	Loaded Caliper Remanufactured	MD758	R40H15068
R42LV55865	L55865PM	R/H	2	54mm	Loaded Caliper Remanufactured	MVD758	R40H15068
R4255866	55866	L/H	2	54mm	Bare Caliper New		
R42R55866	R55866	L/H	2	54mm	Caliper Remanufactured		
R42L55866	L55866PFM	L/H	2	54mm	Loaded Caliper Remanufactured	MD758	R40H15068
R42LV55866	L55866PM	L/H	2	54mm	Loaded Caliper Remanufactured	MVD758	R40H15068
R421005102062AA		R/H	2	54mm	Bare Caliper New		
R421005102063AA		L/H	2	54mm	Bare Caliper New		
R421005093266AA		R/H	2	56mm	Bare Caliper New		
R421005093269AA		L/H	2	56mm	Bare Caliper New		
R4212095							R4012015
R4212096							
R4255989	55989	R/H	1				
R4255988	55988	L/H	1				
R4256546	56546	L/H Rear	2	44mm	Sprinter Caliper		
R42R56546	R56546	L/H Rear	2	44mm	Sprinter Caliper		
R42L56546	L56546M*	L/H Rear	2	44mm	Sprinter Caliper	MD949	
R4256547	56547	R/H Rear	2	44mm	Sprinter Caliper		
R42R56547	R56547	R/H Rear	2	44mm	Sprinter Caliper		
R42L56547	L56547M*	R/H Rear	2	44mm	Sprinter Caliper	MD949	
R4256544	56544	L/H Front	2	44mm	Sprinter Caliper		
R42R56544	R56544	L/H Front	2	44mm	Sprinter Caliper		
R42L56544	L56544M*	L/H Front	2	44mm	Sprinter Caliper	MD949	
R4256545	56545	R/H Front	2	44mm	Sprinter Caliper		
R42R56545	R56545	R/H Front	2	44mm	Sprinter Caliper		
R42L56545	L56545M*	R/H Front	2	44mm	Sprinter Caliper	MD949	
R4255972	55972	R/H Rear	2	51mm	Bare Caliper NEW		
R42R55972	R55972	R/H Rear	2	51mm	Caliper Remanufactured		
R42L55972		R/H Rear	2	51mm	Loaded Caliper Remanufactured	MD702	R40H5707
R42LV55972		R/H Rear	2	51mm	Loaded Caliper Remanufactured	MVD702	R40H5707
R4255973	55973	L/H Rear	2	51mm	Bare Caliper NEW		
R42R55973	R55973	L/H Rear	2	51mm	Caliper Remanufactured		
R42L55973		L/H Rear	2	51mm	Loaded Caliper Remanufactured	MD702	R40H5707
R42LV55973		L/H Rear	2	51mm	Loaded Caliper Remanufactured	MVD702	R40H5707
R4255966	55966	R/H Rear	2	45mm	Bare Caliper NEW		
R42R55966	R55966	R/H Rear	2	45mm	Caliper Remanufactured		
R42L55966		R/H Rear	2	45mm	Loaded Caliper Remanufactured	MD702	R40H5707
R42LV55966		R/H Rear	2	45mm	Loaded Caliper Remanufactured	MVD702	R40H5707

6 - CALIPERS

* Caliper RH / LH designations are determined by clocking mount on the axle.

** Parts not supplied with these calipers

HYDRAULIC DISC BRAKE CALIPERS

Listed By Part Number

Meritor Caliper Part No.	Replaces Bendix No.	Position	No. Of Pistons	Piston Dia.	Description	Meritor Disc Pad Set No.	Hardware Kit Number
R4255967	55967	L/H Rear	2	45mm	Bare Caliper NEW		
R42R55967	R55967	L/H Rear	2	45mm	Caliper Remanufactured		
R42L55967		L/H Rear	2	45mm	Loaded Caliper Remanufactured	MD702	R40H5707
R42LV55967		L/H Rear	2	45mm	Loaded Caliper Remanufactured	MVD702	R40H5707
R4212243		R/H Front	2	48mm	Bare Caliper NEW		
R42R12243		R/H Front	2	48mm	Caliper Remanufactured		
R42L12243		R/H Front	2	48mm	Loaded Caliper Remanufactured	MD1069	R4012247
R42LV12243		R/H Front	2	48mm	Loaded Caliper Remanufactured	MVD1069	R4012247
R4212244		L/H Front	2	48mm	Bare Caliper NEW		
R42R12244		L/H Front	2	48mm	Caliper Remanufactured		
R42L12244		L/H Front	2	48mm	Loaded Caliper Remanufactured	MD1069	R4012247
R42LV12244		L/H Front	2	48mm	Loaded Caliper Remanufactured	MVD1069	R4012247
R4212248		R/H	2	54mm	Bare Caliper NEW		
R42R12248		R/H	2	54mm	Caliper Remanufactured		
R42L12248		R/H	2	54mm	Loaded Caliper Remanufactured	MD1069	R4012081
R42LV12248		R/H	2	54mm	Loaded Caliper Remanufactured	MVD1069	R4012081
R4212249		L/H	2	54mm	Bare Caliper NEW		
R42R12249		L/H	2	54mm	Caliper Remanufactured		
R42L12249		L/H	2	54mm	Loaded Caliper Remanufactured	MD1069	R4012081
R42LV12249		L/H	2	54mm	Loaded Caliper Remanufactured	MVD1069	R4012081
R4212253		R/H	2	60mm	Bare Caliper NEW		
R42R12253		R/H	2	60mm	Caliper Remanufactured		
R42L12253		R/H	2	60mm	Loaded Caliper Remanufactured	MD1066	R4012257
R42LV12253		R/H	2	60mm	Loaded Caliper Remanufactured	MVD1066	R4012257
R4212254		L/H	2	60mm	Bare Caliper NEW		
R42R12254		L/H	2	60mm	Caliper Remanufactured		
R42L12254		L/H	2	60mm	Loaded Caliper Remanufactured	MD1066	R4012257
R42LV12254		L/H	2	60mm	Loaded Caliper Remanufactured	MVD1066	R4012257
R4255748	55748		2	56mm	Bare Caliper NEW	MD655**	R4012262
R42R55748	Use R42R55748 for Reman and loaded calipers		2	56mm			
R42L55748			2	56mm			
R42LV55748			2	56mm			
R4255749	55749		2	56mm	Bare Caliper NEW	MD655**	R4012262
R42R55749	Use R42L55749 for Reman and loaded calipers		2	56mm			
R42L55749			2	56mm			
R42LV55749			2	56mm			
R4255794	55794	R/H	2	51mm	Bare Caliper NEW		
R42R55794	R55794	R/H	2	51mm	Caliper Remanufactured		R40H15087
R42L55794		R/H	2	51mm	Loaded Caliper Remanufactured	MD702	R40H15087
R42LV55794		R/H	2	51mm	Loaded Caliper Remanufactured	MVD702	R40H15087
R4255795	55795	L/H	2	51mm	Bare Caliper NEW		
R42R55795	R55795	L/H	2	51mm	Bare Caliper Remanufactured		

6 - CALIPERS

* Caliper RH / LH designations are determined by clocking mount on the axle.

** Parts not supplied with these calipers

Contact Customer Care
1-888-725-9355

XpresswayPlus.ArvinMeritor.com

HYDRAULIC DISC BRAKE CALIPERS

Listed By Part Number

Meritor Caliper Part No.	Replaces Bendix No.	Position	No. Of Pistons	Piston Dia.	Description	Meritor Disc Pad Set No.	Hardware Kit Number
R42L55795		L/H	2	51mm	Loaded Caliper Remanufactured	MD702	R40H15087
R42LV55795		L/H	2	51mm	Loaded Caliper Remanufactured	MVD702	R40H15087
R4212269		L/H	2		Isuzu / GM Calipers	MD827**	R4012469
R4212270		R/H	2		Isuzu / GM Calipers	MD827**	R4012469
R4212271X		L/H	2		Isuzu / GM Calipers	MD825**	R402212504
R4212272X		R/H	2		Isuzu / GM Calipers	MD825**	R402212504
R4212273		L/H	2		Isuzu / GM Calipers	MD827**	R4012469
R4212274		R/H	2		Isuzu / GM Calipers	MD827**	R4012469
R4212275		L/H	2		Isuzu / GM Calipers	MD827**	R4012469
R4212276		R/H	2		Isuzu / GM Calipers	MD827**	R4012469
R4212277X		L/H	2		Isuzu / GM Calipers	MD826**	R4012283
R4212278X		R/H	2		Isuzu / GM Calipers	MD826**	R4012283
R4212298			2	60mm	Hino Caliper / Meritor Part Number LRG714	MDP5040	SJ1035
R4212299			2	60mm	Hino Caliper / Meritor Part Number LRG715	MDP5040	SJ1035
R4212300			2	60mm	Hino Caliper / Meritor Part Number LRG716	MDP5040	SJ1035
R4212301			2	60mm	Hino Caliper / Meritor Part Number LRG717	MDP5040	SJ1035
R4212416X					Caliper Remanufactured	MD898**	R40H15087
R4212417X					Caliper Remanufactured	MD898**	R40H15087
R4212488X					Caliper Remanufactured	MD784**	R40H5931
R4212489X					Caliper Remanufactured	MD784**	R40H5931
R4212490					Bare Caliper NEW	MD702**	R40H5974
R4212491					Bare Caliper NEW	MD702**	R40H5974
R42R55805	R55805				Caliper Remanufactured		
R42R55853	R55853	R/H			Caliper Remanufactured	MVD785**	R40H5931
R42R55854	R55854	L/H			Caliper Remanufactured	MVD785**	R40H5931
R42R55855	R55855	R/H			Caliper Remanufactured	MD784**	R40H5931
R42R55856	R55856	L/H			Caliper Remanufactured	MD784**	R40H5931
R4255098	55098	R/H	1	3.38" (3 3/8")	Bare Caliper NEW		
R42R55098	R55098	R/H	1	3.38" (3 3/8")	Caliper Remanufactured		R40H5519
R42L55098		R/H	1	3.38" (3 3/8")	Loaded Caliper Remanufactured	MD380	R40H5519
R42LV55098	L55098AM	R/H	1	3.38" (3 3/8")	Loaded Caliper Remanufactured	MVD380	R40H5519
R4255099	55099	L/H	1	3.38" (3 3/8")	Bare Caliper NEW		
R42R55099	R55099	L/H	1	3.38" (3 3/8")	Caliper Remanufactured		
R42L55099		L/H	1	3.38" (3 3/8")	Loaded Caliper Remanufactured	MD380	R40H5519
R42LV55099	L55099AM	L/H	1	3.38" (3 3/8")	Loaded Caliper Remanufactured	MVD380	R40H5519
R4255717	55717	R/H & L/H Front or Rear	2	2.60"	Bare Caliper NEW 55314		
R42R55717	R55717	R/H & L/H Front or Rear	2	2.60"	Caliper Remanufactured		
R42L55717	L55314PREM	R/H & L/H Front or Rear	2	2.60"	Loaded Caliper Remanufactured	MD380	R40H5522
R42LV55717	L55314M	R/H & L/H Front or Rear	2	2.60"	Loaded Caliper Remanufactured	MVD380	R40H5522
R4255250	55250	R/H & L/H Front or Rear	2	2.88"	Bare Caliper NEW 2.88 BX 55250		

6 - CALIPERS

* Caliper RH / LH designations are determined by clocking mount on the axle.

** Parts not supplied with these calipers

XpresswayPlus.ArvinMeritor.com

6-8

Contact Customer Care

1-888-725-9355

HYDRAULIC DISC BRAKE CALIPERS

Listed By Part Number

Meritor Caliper Part No.	Replaces Bendix No.	Position	No. Of Pistons	Piston Dia.	Description	Meritor Disc Pad Set No.	Hardware Kit Number
R42R55250	R55250	R/H & L/H Front or Rear	2	2.88"	Caliper Remanufactured		
R42L55250	L55250PREM	R/H & L/H Front or Rear	2	2.88"	Loaded Caliper Remanufactured	MD225HD	R40H5522
R42LV55250	L55250LM / RM	R/H & L/H Front or Rear	2	2.88"	Loaded Caliper Remanufactured	MVD225	R40H5522
#N/A!	55252	R/H & L/H Front	2	2.5" (2 1/2")	Bare Caliper NEW		
#N/A!	R55251	R/H & L/H Front	2	2.5" (2 1/2")	Caliper Remanufactured		
#N/A!	L55251PREM	R/H & L/H Front	2	2.5" (2 1/2")	Loaded Caliper Remanufactured	MD224	60050153
#N/A!	L55251M	R/H & L/H Front	2	2.5" (2 1/2")	Loaded Caliper Remanufactured	MVD224	60050153
60050145	55252	R/H & L/H Front	2	2.88"	Bare Caliper NEW		
60040145X	R55252	R/H & L/H Front	2	2.88"	Caliper Remanufactured		
60050145XL	L55252PREM	R/H & L/H Front	2	2.88"	Loaded Caliper Remanufactured	MD236	69310782
60050145XV	L55252M	R/H & L/H Front	2	2.88"	Loaded Caliper Remanufactured	MVD236	69310782
R42R7178		L/H Front	2	73mm	Ford Cargo Front Disc 73mm	MD379**	R407181
R42R7179		R/H Front	2	73mm	Ford Cargo Front Disc 73mm	MD379**	R407181
R42R55454	R55454 / R55681	R/H	2	2.375"	Caliper Remanufactured		
R42L55454		R/H	2	2.375"	Loaded Caliper Remanufactured	MD87	R40H5516
R42LV55454	L55454M	R/H	2	2.375"	Loaded Caliper Remanufactured	MVD87	R40H5516
R42R55455	R55455 / R55682	L/H	2	2.375"	Caliper Remanufactured		
R42L55455	L55455M	L/H	2	2.375"	Loaded Caliper Remanufactured	MD87	R40H5516
R42LV55455		L/H	2	2.375"	Loaded Caliper Remanufactured	MVD87	R40H5516
R42R55116	R55116	R/H	1	3.094" (3 3/32")		MD269**	R40H5516
R42R55117	R55117	L/H	1	3.094" (3 3/32")		MD269**	R40H5516
R42R55216	R55216	R/H Front	1	2.938" (2 15/16")			
R42LV55215	L55215	R/H Front	1	2.938" (2 15/16")		MVD52	R40H5500
R42R55216	R55216	L/H Front	1	2.938" (2 15/16")			
R42LV55216	L55216	L/H Front	1	2.938" (2 15/16")		MVD52	R40H5500
R42R55094	R55094	R/H	1	73mm (2.874")		MD50	R40H5511
R42R55095	R55095	L/H	1	73mm (2.874")		MD50	R40H5511
R42R55158	R55158	R/H	1	3.094" (3 3/32")	Caliper Remanufactured		
R42L55118		R/H	1	3.094" (3 3/32")	Loaded Caliper Remanufactured	MD269	R40H5516
R42LV55118	L55158M	R/H	1	3.094" (3 3/32")	Loaded Caliper Remanufactured	MVD269	R40H5516
R42R55159	R55159	L/H	1	3.094" (3 3/32")	Caliper Remanufactured		
R42L55119		L/H	1	3.094" (3 3/32")	Loaded Caliper Remanufactured	MD269	R40H5516

6 - CALIPERS

* Caliper RH / LH designations are determined by clocking mount on the axle.

** Parts not supplied with these calipers

HYDRAULIC DISC BRAKE CALIPERS

Listed By Part Number

Meritor Caliper Part No.	Replaces Bendix No.	Position	No. Of Pistons	Piston Dia.	Description	Meritor Disc Pad Set No.	Hardware Kit Number
R42LV55119	L55159M	L/H	1	3.094" (3 3/32")	Loaded Caliper Remanufactured	MVD269	R40H5516
R42R55209	R55209	R/H	1	2.50" (2 1/2")		MD154**	R40H5536
R42R55210	R55210	L/H	1	2.50" (2 1/2")		MD154**	R40H5536
R42R55383	R55383	R/H	1	2.938" (2 15/16")	Caliper Remanufactured		
R42L55207	L55383FM	R/H	1	2.938" (2 15/16")	Loaded Caliper Remanufactured	MD52	R40H5500
R42LV55207	L55383M	R/H	1	2.938" (2 15/16")	Loaded Caliper Remanufactured	MVD52	R40H5500
R42R55384	R55384	L/H	1	2.938" (2 15/16")	Caliper Remanufactured		
R42L55208	L55384FM	L/H	1	2.938" (2 15/16")	Loaded Caliper Remanufactured	MD52	R40H5500
R42LV55208	L55384M	L/H	1	2.938" (2 15/16")	Loaded Caliper Remanufactured	MVD52	R40H5500
R42R55205	R55205	L/H	1	2.938" (2 15/16")	Caliper Remanufactured		
R42L55205	L55205FM	R/H	1	2.938" (2 15/16")	Loaded Caliper Remanufactured	MD52	R40H5500
R42LV55205	L55205M	R/H	1	2.938" (2 15/16")	Loaded Caliper Remanufactured	MVD52	R40H5500
R42R55206	R55206	L/H	1	2.938" (2 15/16")	Caliper Remanufactured		
R42L55206	L55206FM	L/H	1	2.938" (2 15/16")	Loaded Caliper Remanufactured	MD52	R40H5500
R42LV55206	L55206M	L/H	1	2.938" (2 15/16")	Loaded Caliper Remanufactured	MVD52	R40H5500
R42R55243	R55243	R/H	1	73mm (2.874")	Caliper Remanufactured		
R42L55243		R/H	1	73mm (2.874")	Loaded Caliper Remanufactured	MD50	R40H5545
R42LV55243	L55243M	R/H	1	73mm (2.874")	Loaded Caliper Remanufactured	MVD50	R40H5545
R42R55244	R55244	L/H	1	73mm (2.874")	Caliper Remanufactured		
R42L55244		L/H	1	73mm (2.874")	Loaded Caliper Remanufactured	MD50	R40H5545
R42LV55244	L55244M	L/H	1	73mm (2.874")	Loaded Caliper Remanufactured	MVD50	R40H5545
R42R55412	R55412	L/H	2	2.188" (2 3/16")	Caliper Remanufactured		
R42L55411		R/H	2	2.188" (2 3/16")	Loaded Caliper Remanufactured	MD120	R40H5533
R42LV55411	L55411M	R/H	2	2.188" (2 3/16")	Loaded Caliper Remanufactured	MVD120	R40H5533
R42R55412	R55412	L/H	2	2.188" (2 3/16")	Caliper Remanufactured		
R42L55412		L/H	2	2.188" (2 3/16")	Loaded Caliper Remanufactured	MD120	R40H5533
R42LV55412	L55412M	L/H	2	2.188" (2 3/16")	Loaded Caliper Remanufactured	MVD120	R40H5533
R42R55199	R55199	R/H	1	3.38" (3 8")	Caliper Remanufactured		
R42L55199	L55199FM	R/H	1	3.38" (3 8")	Loaded Caliper Remanufactured	MD149	R40H5529
R42LV55199	L55199M	R/H	1	3.38" (3 8")	Loaded Caliper Remanufactured	MVD149	R40H5529

6 - CALIPERS

* Caliper RH / LH designations are determined by clocking mount on the axle.

** Parts not supplied with these calipers

HYDRAULIC DISC BRAKE CALIPERS

Listed By Part Number

Meritor Caliper Part No.	Replaces Bendix No.	Position	No. Of Pistons	Piston Dia.	Description	Meritor Disc Pad Set No.	Hardware Kit Number
R42R55200	R55200	L/H	1	3.38" (3 3/8")	Caliper Remanufactured		
R42L55200	L55200FM	L/H	1	3.38" (3 3/8")	Loaded Caliper Remanufactured	MD149	R40H5529
R42LV55200	L55200M	L/H	1	3.38" (3 3/8")	Loaded Caliper Remanufactured	MVD149	R40H5529
R42R55381	R55381	R/H	1	80mm (3.150")	Caliper Remanufactured		
R42L55381	L55381FM	R/H	1	80mm (3.150")	Loaded Caliper Remanufactured	MD392	R40H5500
R42LV55381	L55381M	R/H	1	80mm (3.150")	Loaded Caliper Remanufactured	MVD392	R40H5500
R42R55382	R55382	L/H	1	80mm (3.150")	Caliper Remanufactured		R40H5500
R42L55382	L55382FM	L/H	1	80mm (3.150")	Loaded Caliper Remanufactured	MD392	R40H5500
R42LV55382	L55382M	L/H	1	80mm (3.150")	Loaded Caliper Remanufactured	MVD392	R40H5500
R42R55604	R55604	R/H	2	60mm (2.362")	Caliper Remanufactured		
R42L55604		R/H	2	60mm (2.362")	Loaded Caliper Remanufactured	MD411	R40H5735
R42LV55604	L55604M	R/H	2	60mm (2.362")	Loaded Caliper Remanufactured	MVD411	R40H5735
R42R55605	R55605	L/H	2	60mm (2.362")	Caliper Remanufactured		
R42L55605		L/H	2	60mm (2.362")	Loaded Caliper Remanufactured	MD411	R40H5735
R42LV55605	L55605M	L/H	2	60mm (2.362")	Loaded Caliper Remanufactured	MVD411	R40H5735
R42R55500	R55500	R/H	1	2.938 (2 15/16")	Caliper Remanufactured		
R42L55500	L55500FM	R/H	1	2.938 (2 15/16")	Loaded Caliper Remanufactured	MD369	R40H5707
R42LV55500	L55500M	R/H	1	2.938 (2 15/16")	Loaded Caliper Remanufactured	MVD369	R40H5707
R42R55501	R55501	L/H	1	2.938 (2 15/16")	Caliper Remanufactured		
R42L55501	L55501FM	L/H	1	2.938 (2 15/16")	Loaded Caliper Remanufactured	MD369	R40H5707
R42LV55501	L55501M	L/H	1	2.938 (2 15/16")	Loaded Caliper Remanufactured	MVD369	R40H5707
R42R55496	R55496	R/H	1	3.156" (3 5/32")	Caliper Remanufactured		
R42L55496	L55496FM	R/H	1	3.156" (3 5/32")	Loaded Caliper Remanufactured	MD370	R40H5707
R42LV55496	L55496M	R/H	1	3.156" (3 5/32")	Loaded Caliper Remanufactured	MVD370	R40H5707
R42R55497	R55497	L/H	1	3.156" (3 5/32")	Caliper Remanufactured		
R42L55497	L55497FM	L/H	1	3.156" (3 5/32")	Loaded Caliper Remanufactured	MD370	R40H5707
R42LV55497	L55497M	L/H	1	3.156" (3 5/32")	Loaded Caliper Remanufactured	MVD370	R40H5707
R42R55060	R55060	R/H	1	2.938 (2 15/16")	Caliper Remanufactured		
R42L55060		R/H	1	2.938 (2 15/16")	Loaded Caliper Remanufactured	MD52	R40H5500
R42LV55060	L55060	R/H	1	2.938 (2 15/16")	Loaded Caliper Remanufactured	MVD52	R40H5500

6 - CALIPERS

* Caliper RH / LH designations are determined by clocking mount on the axle.

** Parts not supplied with these calipers

Contact Customer Care
1-888-725-9355

XpresswayPlus.ArvinMeritor.com

6-11

HYDRAULIC DISC BRAKE CALIPERS

Listed By Part Number

Meritor Caliper Part No.	Replaces Bendix No.	Position	No. Of Pistons	Piston Dia.	Description	Meritor Disc Pad Set No.	Hardware Kit Number
R42R55061	R55061	L/H	1	2.938 (2 15/16")	Caliper Remanufactured		
R42L55061		L/H	1	2.938 (2 15/16")	Loaded Caliper Remanufactured	MD52	R40H5500
R42LV55061	L55061	L/H	1	2.938 (2 15/16")	Loaded Caliper Remanufactured	MVD52	R40H5500
R42R55677	R55677		2	2.188" (2 3/16")		MD120**	
R42R55413	R55413		2	2.188" (2 3/16")		MD120**	
R42R55460	R55460	R/H	2	2.188" (2 3/16")	Caliper Remanufactured		
R42L55460	L55460FM	R/H	2	2.188" (2 3/16")	Loaded Caliper Remanufactured	MD450	R40H5533
R42LV55460	L55460M	R/H	2	2.188" (2 3/16")	Loaded Caliper Remanufactured	MVD450	R40H5533
R42R55461	R55461	L/H	2	2.188" (2 3/16")	Caliper Remanufactured		
R42L55461	L55461FM	L/H	2	2.188" (2 3/16")	Loaded Caliper Remanufactured	MD450	R40H5533
R42LV55461	L55461M	L/H	2	2.188" (2 3/16")	Loaded Caliper Remanufactured	MVD450	R40H5533
R42R55636	R55636	R/H	2	56mm (2.205")	Caliper Remanufactured		
R42L55636	L55636FM	R/H	2	56mm (2.205")	Loaded Caliper Remanufactured	MD557	R40H5815
R42LV55636	L55636M	R/H	2	56mm (2.205")	Loaded Caliper Remanufactured	MVD557	R40H5815
R42R55637	R55637	L/H	2	56mm (2.205")	Caliper Remanufactured		
R42L55637	L55637FM	L/H	2	56mm (2.205")	Loaded Caliper Remanufactured	MD557	R40H5815
R42LV55637	L55637M	L/H	2	56mm (2.205")	Loaded Caliper Remanufactured	MVD557	R40H5815
R42R55245	R55245	R/H & L/H Front or Rear	2	2.60"	Caliper Remanufactured		
R42L55245			2	2.60"	Loaded Caliper Remanufactured	MD380	R40H5522
R42LV55245			2	2.60"	Loaded Caliper Remanufactured	MVD380	R40H5522
R42R55460P	R55460P	R/H	2	2.188" (2 3/16")	Caliper Remanufactured		
R42L55460P	L55460PFM	R/H	2	2.188" (2 3/16")	Loaded Caliper Remanufactured	MD450	R40H5815
R42LV55460P	L55460PM	R/H	2	2.188" (2 3/16")	Loaded Caliper Remanufactured	MVD450	R40H5815
R42R55461P	R55461P	L/H	2	2.188" (2 3/16")	Caliper Remanufactured		
R42L55461P	L55461PFM	L/H	2	2.188" (2 3/16")	Loaded Caliper Remanufactured	MD450	R40H5815
R42LV55461P	L55461PM	L/H	2	2.188" (2 3/16")	Loaded Caliper Remanufactured	MVD450	R40H5815
		R/H & L/H Front or Rear	2	2.88			

6 - CALIPERS

* Caliper RH / LH designations are determined by clocking mount on the axle.

** Parts not supplied with these calipers

HYDRAULIC DISC BRAKE CALIPERS

Listed By Core Number

Meritor Caliper Part No.	Description	Core Part No.
R4255098	Bare Caliper NEW	
R42R55098	Caliper Remanufactured	XC2001
R42L55098	Loaded Caliper Remanufactured	XC2001
R42LV55098	Loaded Caliper Remanufactured	XC2001
R4255099	Bare Caliper NEW	
R42R55099	Caliper Remanufactured	XC2002
R42L55099	Loaded Caliper Remanufactured	XC2002
R42LV55099	Loaded Caliper Remanufactured	XC2002
R4255717	Bare Caliper NEW 55314	
R42R55717	Caliper Remanufactured	XC2101
R42L55717	Loaded Caliper Remanufactured	XC2101
R42LV55717	Loaded Caliper Remanufactured	XC2101
R4255250	Bare Caliper NEW 2.88 BX 55250	
R42R55250	Caliper Remanufactured	XC2004
R42L55250	Loaded Caliper Remanufactured	XC2004
R42LV55250	Loaded Caliper Remanufactured	XC2004
60050145	Bare Caliper NEW	
60040145X	Caliper Remanufactured	XC2006
60050145XL	Loaded Caliper Remanufactured	XC2006
60050145XV	Loaded Caliper Remanufactured	XC2006
R42R55454	Caliper Remanufactured	XC2017
R42L55454	Loaded Caliper Remanufactured	XC2017
R42LV55454	Loaded Caliper Remanufactured	XC2017
R42R55455	Caliper Remanufactured	XC2018
R42L55455	Loaded Caliper Remanufactured	XC2018
R42LV55455	Loaded Caliper Remanufactured	XC2018
R42R55116	Caliper Remanufactured	XC2019
R42R55117	Caliper Remanufactured	XC2020
R42R55216	Caliper Remanufactured	XC2021
R42LV55215	Loaded Caliper Remanufactured	XC2021
R42R55216	Caliper Remanufactured	XC2022
R42LV55216	Loaded Caliper Remanufactured	XC2022
R42R55094	Caliper Remanufactured	XC2023
R42R55095	Caliper Remanufactured	XC2024
R42R55158	Caliper Remanufactured	XC2025
R42L55118	Loaded Caliper Remanufactured	XC2025
R42LV55118	Loaded Caliper Remanufactured	XC2025
R42R55159	Caliper Remanufactured	XC2026
R42L55119	Loaded Caliper Remanufactured	XC2026
R42LV55119	Loaded Caliper Remanufactured	XC2026
R42R55209	Caliper Remanufactured	XC2029
R42R55210	Caliper Remanufactured	XC2030
R42R55383	Caliper Remanufactured	XC2031
R42L55207	Loaded Caliper Remanufactured	XC2031

Meritor Caliper Part No.	Description	Core Part No.
R42LV55207	Loaded Caliper Remanufactured	XC2031
R42R55384	Caliper Remanufactured	XC2032
R42L55208	Loaded Caliper Remanufactured	XC2032
R42LV55208	Loaded Caliper Remanufactured	XC2032
R42R55205	Caliper Remanufactured	XC2033
R42L55205	Loaded Caliper Remanufactured	XC2033
R42LV55205	Loaded Caliper Remanufactured	XC2033
R42R55206	Caliper Remanufactured	XC2034
R42L55206	Loaded Caliper Remanufactured	XC2034
R42LV55206	Loaded Caliper Remanufactured	XC2034
R42R55243	Caliper Remanufactured	XM2037
R42L55243	Loaded Caliper Remanufactured	XM2037
R42LV55243	Loaded Caliper Remanufactured	XM2037
R42R55244	Caliper Remanufactured	XM2038
R42L55244	Loaded Caliper Remanufactured	XM2038
R42LV55244	Loaded Caliper Remanufactured	XM2038
R42R55412	Caliper Remanufactured	XC2041
R42L55411	Loaded Caliper Remanufactured	XC2041
R42LV55411	Loaded Caliper Remanufactured	XC2041
R42R55412	Caliper Remanufactured	XC2042
R42L55412	Loaded Caliper Remanufactured	XC2042
R42LV55412	Loaded Caliper Remanufactured	XC2042
R42R55199	Caliper Remanufactured	XC2043
R42L55199	Loaded Caliper Remanufactured	XC2043
R42LV55199	Loaded Caliper Remanufactured	XC2043
R42R55200	Caliper Remanufactured	XC2044
R42L55200	Loaded Caliper Remanufactured	XC2044
R42LV55200	Loaded Caliper Remanufactured	XC2044
R42R55381	Caliper Remanufactured	XC2045
R42L55381	Loaded Caliper Remanufactured	XC2045
R42LV55381	Loaded Caliper Remanufactured	XC2045
R42R55382	Caliper Remanufactured	XC2046
R42L55382	Loaded Caliper Remanufactured	XC2046
R42LV55382	Loaded Caliper Remanufactured	XC2046
R42R55604	Caliper Remanufactured	XC2055
R42L55604	Loaded Caliper Remanufactured	XC2055
R42LV55604	Loaded Caliper Remanufactured	XC2055
R42R55605	Caliper Remanufactured	XC2056
R42L55605	Loaded Caliper Remanufactured	XC2056
R42LV55605	Loaded Caliper Remanufactured	XC2056
R42R55500	Caliper Remanufactured	XC2059
R42L55500	Loaded Caliper Remanufactured	XC2059
R42LV55500	Loaded Caliper Remanufactured	XC2059
R42R55501	Caliper Remanufactured	XC2060

6 - CALIPERS

* Caliper RH / LH designations are determined by clocking mount on the axle.

** Parts not supplied with these calipers

HYDRAULIC DISC BRAKE CALIPERS

Listed By Core Number

Meritor Caliper Part No.	Description	Core Part No.
R42L55501	Loaded Caliper Remanufactured	XC2060
R42LV55501	Loaded Caliper Remanufactured	XC2060
R42R55496	Caliper Remanufactured	XC2067
R42L55496	Loaded Caliper Remanufactured	XC2067
R42LV55496	Loaded Caliper Remanufactured	XC2067
R42R55497	Caliper Remanufactured	XC2068
R42L55497	Loaded Caliper Remanufactured	XC2068
R42LV55497	Loaded Caliper Remanufactured	XC2068
R42R55060	Caliper Remanufactured	XC2073
R42L55060	Loaded Caliper Remanufactured	XC2073
R42LV55060	Loaded Caliper Remanufactured	XC2073
R42R55061	Caliper Remanufactured	XC2074
R42L55061	Loaded Caliper Remanufactured	XC2074
R42LV55061	Loaded Caliper Remanufactured	XC2074
R42R55677	Caliper Remanufactured	XM2075
R42R55413	Caliper Remanufactured	XM2077
R42R55460	Caliper Remanufactured	XC2079
R42L55460	Loaded Caliper Remanufactured	XC2079
R42LV55460	Loaded Caliper Remanufactured	XC2079
R42R55461	Caliper Remanufactured	XC2080
R42L55461	Loaded Caliper Remanufactured	XC2080
R42LV55461	Loaded Caliper Remanufactured	XC2080
R42R55636	Caliper Remanufactured	XC2081
R42L55636	Loaded Caliper Remanufactured	XC2081
R42LV55636	Loaded Caliper Remanufactured	XC2081
R42R55637	Caliper Remanufactured	XC2082
R42L55637	Loaded Caliper Remanufactured	XC2082
R42LV55637	Loaded Caliper Remanufactured	XC2082
R42R55245	Caliper Remanufactured	XC2083
R42L55245	Loaded Caliper Remanufactured	XC2083
R42LV55245	Loaded Caliper Remanufactured	XC2083
R42R55460P	Caliper Remanufactured	XC2086
R42L55460P	Loaded Caliper Remanufactured	XC2086
R42LV55460P	Loaded Caliper Remanufactured	XC2086
R42R55461P	Caliper Remanufactured	XC2087
R42L55461P	Loaded Caliper Remanufactured	XC2087
R42LV55461P	Loaded Caliper Remanufactured	XC2087
R4255656	Bare Caliper New	
R42R55656	Caliper Remanufactured	XC2103
R42L55656	Loaded Caliper 2.88bx W/Air suspension	XC2103
R42LV55656	Loaded Caliper 2.88bx W/Air suspension	XC2103
60050150	Bare Caliper New	

Meritor Caliper Part No.	Description	Core Part No.
60050150X	Caliper Remanufactured	XC2104
60050150XL	Loaded Caliper	XC2104
60050150XV	Loaded Caliper	XC2104
R4255313	Bare Caliper New	
R42R55313	Caliper Remanufactured	XC2102
R42L55313	Loaded Caliper	XC2102
R42LV55313X	Loaded Caliper	XC2102
60050312	Loaded Caliper New Quadraulic 70mm SP	XC2407
60050312XL	Loaded Caliper Remanufactured Quadraulic 70mm SP	XC2407
60050313	Loaded Caliper New Quadraulic 70mm SP	XC2406
60050313XL	Loaded Caliper Remanufactured Quadraulic 70mm SP	XC2406
R42R55687	Caliper 96-00 C3500 LD	XC2112
R42L55687	Loaded Caliper Remanufactured	XC2112
R42LV55687	Loaded Caliper Remanufactured	XC2112
R42R55688	Caliper 96-00 C3500 LD	XC2113
R42L55688	Loaded Caliper Remanufactured	XC2113
R42LV55688	Loaded Caliper Remanufactured	XC2113
R42R55748	Caliper Remanufactured	XC2118
R42L55748	Loaded Caliper Remanufactured	XC2118
R42LV55748	Loaded Caliper Remanufactured	XC2118
R42R55749	Caliper Remanufactured	XC2119
R42L55749	Loaded Caliper Remanufactured	XC2119
R42LV55749	Loaded Caliper Remanufactured	XC2119
60450454	Loaded Caliper New Quadraulic 70mm SP	XC2405
60050320X	Caliper Remanufactured Quadraulic 70mm SP	XC2405
60050320XL	Loaded Caliper Remanufactured Quadraulic 70mm SP	XC2405
60050320XV	Loaded Caliper Remanufactured Quadraulic 70mm SP	XC2405
60450455	Loaded Caliper New Quadraulic 70mm SP	XC2404
60050321X	Caliper Remanufactured Quadraulic 70mm SP	XC2404
60050321XL	Loaded Caliper Remanufactured Quadraulic 70mm SP	XC2404
60050321XV	Loaded Caliper Remanufactured Quadraulic 70mm SP	XC2404
60450482004	Loaded Caliper New Quadraulic 70mm PP	XC2403
60450482X	Caliper Remanufactured Quadraulic 70mm PP	XC2403

6 - CALIPERS

* Caliper RH / LH designations are determined by clocking mount on the axle.

** Parts not supplied with these calipers

HYDRAULIC DISC BRAKE CALIPERS

Listed By Core Number

Meritor Caliper Part No.	Description	Core Part No.
60450482XL	Loaded Caliper Remanufactured Quadraulic 70mm PP	XC2403
Meritor Caliper Part No.	Description	Core Part No.
60450482XV	Loaded Caliper Remanufactured Quadraulic 70mm PP	XC2403
60450483004	Loaded Caliper New Quadraulic 70mm PP	XC2402
60450483X	Caliper Remanufactured Quadraulic 70mm PP	XC2402
60450483XL	Loaded Caliper Remanufactured Quadraulic 70mm PP	XC2402
60450483XV	Loaded Caliper Remanufactured Quadraulic 70mm PP	XC2402
60450480004	Loaded Caliper New Quadraulic 64mm PP	XC2401
60450480X	Caliper Remanufactured Quadraulic 64mm PP	XC2401
60450480XL	Loaded Caliper Remanufactured Quadraulic 64mm PP	XC2401
60450480XV	Loaded Caliper Remanufactured Quadraulic 64mm PP	XC2401
60450481004	Loaded Caliper New Quadraulic 64mm PP	XC2400
60450481X	Caliper Remanufactured Quadraulic 64mm PP	XC2400
60450481XL	Loaded Caliper Remanufactured Quadraulic 64mm PP	XC2400
60450481XV	Loaded Caliper Remanufactured Quadraulic 64mm PP	XC2400
R4255849	Bare Caliper New 66mm Bosch	
R424153263	Loaded Caliper New 66mm Bosch	
R42R55849	Caliper Remanufactured 66mm Bosch	XC2468
R42L55849	Loaded Caliper Remanufactured 66mm Bosch	XC2468
R42LV55849	Loaded Caliper Remanufactured 66mm Bosch	XC2468
R4255850	Bare Caliper New 73mm Bosch	
R424153216	Loaded Caliper New 73mm Bosch	
R42R55850	Caliper Remanufactured 73mm Bosch	XC2469
R42L55850	Loaded Caliper Remanufactured 73mm Bosch	XC2469
R42LV55850	Loaded Caliper Remanufactured 73mm Bosch	XC2469
R4255861	Bare Caliper New F450	
R42R55861	Caliper Remanufactured F450	XC2428
R42L55861	Loaded Caliper Remanufactured F450	XC2428

Meritor Caliper Part No.	Description	Core Part No.
R42LV55861	Loaded Caliper Remanufactured F450	XC2428
R4255862	Bare Caliper New F450	
R42R55862	Caliper Remanufactured F450	XC2429
Meritor Caliper Part No.	Description	Core Part No.
R42L55862	Loaded Caliper Remanufactured F450	XC2429
R42LV55862	Loaded Caliper Remanufactured F450	XC2429
R4255857	Bare Caliper New	
R42R55857	Caliper Remanufactured	XC2452
R42L55857	Loaded Caliper Remanufactured	XC2452
R42LV55857	Loaded Caliper Remanufactured	XC2452
R4255858	Bare Caliper New	
R42R55858	Caliper Remanufactured	XC2453
R42L55858	Loaded Caliper Remanufactured	XC2453
R42LV55858	Loaded Caliper Remanufactured	XC2453
R4255915	Bare Caliper New	
R42R55915	Caliper Remanufactured	XC2430
R4255916	Bare Caliper New	
R42R55916	Caliper Remanufactured	XC2431
R4255887	Bare Caliper New	
R42R55887	Caliper Remanufactured	XC2432
R42L55887	Loaded Caliper Remanufactured	XC2432
R42LV55887	Loaded Caliper Remanufactured	XC2432
R4255888	Bare Caliper New	
R42R55888	Caliper Remanufactured	XC2433
R42L55888	Loaded Caliper Remanufactured	XC2433
R42LV55888	Loaded Caliper Remanufactured	XC2433
R4255889	Bare Caliper New	
R42R55889	Caliper Remanufactured	XC2434
R42L55889	Loaded Caliper Remanufactured	XC2434
R42LV55889	Loaded Caliper Remanufactured	XC2434
R4255890	Bare Caliper New	
R42R55890	Caliper Remanufactured	XC2435
R42L55890	Loaded Caliper Remanufactured	XC2435
R42LV55890	Loaded Caliper Remanufactured	XC2435
R4212067	Bare Caliper New	
R42R12067	Bare Caliper Remanufactured	XC2462
R42L12067	Loaded Caliper Remanufactured	XC2462
R42LV12067	Loaded Caliper Remanufactured	XC2462
R4212068	Bare Caliper New	
R42R12068	Bare Caliper Remanufactured	XC2463
R42L12068	Loaded Caliper Remanufactured	XC2463

6 - CALIPERS

* Caliper RH / LH designations are determined by clocking mount on the axle.

** Parts not supplied with these calipers

Contact Customer Care
1-888-725-9355

XpresswayPlus.ArvinMeritor.com

HYDRAULIC DISC BRAKE CALIPERS

Listed By Part Number

Meritor Caliper Part No.	Description	Core Part No.
R42LV12068	Loaded Caliper Remanufactured	XC2463
R4212069	Bare Caliper New	
R42R12069	Bare Caliper Remanufactured	XC2464
R42L12069	Loaded Caliper Remanufactured	XC2464
R42LV12069	Loaded Caliper Remanufactured	XC2464
Meritor Caliper Part No.	Description	Core Part No.
R4255604	Bare Caliper New / for reman use e-9181x	
R4255605	Bare Caliper New / for reman use e-9182x	
R4212077	Bare Caliper New	
R42R12077	Caliper Remanufactured	XC2456
R42L12077	Loaded Caliper Remanufactured	XC2456
R42LV12077	Loaded Caliper Remanufactured	XC2456
R4212078	Bare Caliper New	
R42R12078	Caliper Remanufactured	XC2457
R42L12078	Loaded Caliper Remanufactured	XC2457
R42LV12078	Loaded Caliper Remanufactured	XC2457
R4212083	Bare Caliper New	
R42R12083	Caliper Remanufactured	XC2414
R4212084	Bare Caliper New	
R42R12084	Caliper Remanufactured	XC2415
60050295	Bare Caliper New 2.18 piston	
R4255865	Bare Caliper New	
R42R55865	Caliper Remanufactured	XC2436
R42L55865	Loaded Caliper Remanufactured	XC2436
R42LV55865	Loaded Caliper Remanufactured	XC2436
R4255866	Bare Caliper New	
R42R55866	Caliper Remanufactured	XC2437
R42L55866	Loaded Caliper Remanufactured	XC2437
R42LV55866	Loaded Caliper Remanufactured	XC2437
	Bare Caliper New	
	Bare Caliper New	
	Bare Caliper New	
	Bare Caliper New	
R4212095	Bare Caliper New	
R4212096	Bare Caliper New	
R4255989	Bare Caliper New	
R4255988	Bare Caliper New	
R4256546	Sprinter Caliper	
R42LV56547	Sprinter Caliper	XC2446
R4256547	Sprinter Caliper	
R42LV56547	Sprinter Caliper	XC2447

Meritor Caliper Part No.	Description	Core Part No.
R4256544	Sprinter Caliper	
R42LV56544	Sprinter Caliper	XC2458
R4256545	Sprinter Caliper	
R42LV56545	Sprinter Caliper	XC2458
R4255972	Bare Caliper NEW	
R42R55972	Caliper Remanufactured	XC2448
R42L55972	Loaded Caliper Remanufactured	XC2448
R42LV55972	Loaded Caliper Remanufactured	XC2448
Meritor Caliper Part No.	Description	Core Part No.
R4255973	Bare Caliper NEW	
R42R55973	Caliper Remanufactured	XC2449
R42L55973	Loaded Caliper Remanufactured	XC2449
R42LV55973	Loaded Caliper Remanufactured	XC2449
R4255966	Bare Caliper NEW	
R42R55966	Caliper Remanufactured	XC2450
R42L55966	Loaded Caliper Remanufactured	XC2450
R42LV55966	Loaded Caliper Remanufactured	XC2450
R4255967	Bare Caliper NEW	
R42R55967	Caliper Remanufactured	XC2451
R42L55967	Loaded Caliper Remanufactured	XC2451
R42LV55967	Loaded Caliper Remanufactured	XC2451
R4212243	Bare Caliper NEW	
R42R12243	Caliper Remanufactured	XC2416
R42L12243	Loaded Caliper Remanufactured	XC2416
R42LV12243	Loaded Caliper Remanufactured	XC2416
R4212244	Bare Caliper NEW	
R42R12244	Caliper Remanufactured	XC2417
R42L12244	Loaded Caliper Remanufactured	XC2417
R42LV12244	Loaded Caliper Remanufactured	XC2417
R4212248	Bare Caliper NEW	
R42R12248	Caliper Remanufactured	XC2418
R42L12248	Loaded Caliper Remanufactured	XC2418
R42LV12248	Loaded Caliper Remanufactured	XC2418
R4212249	Bare Caliper NEW	
R42R12249	Caliper Remanufactured	XC2419
R42L12249	Loaded Caliper Remanufactured	XC2419
R42LV12249	Loaded Caliper Remanufactured	XC2419
R4212253	Bare Caliper NEW	
R42R12253	Caliper Remanufactured	XC2420
R42L12253	Loaded Caliper Remanufactured	XC2420
R42LV12253	Loaded Caliper Remanufactured	XC2420
R4212254	Bare Caliper NEW	

6 - CALIPERS

* Caliper RH / LH designations are determined by clocking mount on the axle.

** Parts not supplied with these calipers

XpresswayPlus.ArvinMeritor.com

Contact Customer Care

1-888-725-9355

HYDRAULIC DISC BRAKE CALIPERS

Listed By Part Number

Meritor Caliper Part No.	Description	Core Part No.
R42R12254	Caliper Remanufactured	XC2421
R42L12254	Loaded Caliper Remanufactured	XC2421
R42LV12254	Loaded Caliper Remanufactured	XC2421
R4255748	Bare Caliper NEW	
R42R55748	Caliper Remanufactured	XC2460
R42L55748	Loaded Caliper Remanufactured	XC2460
R42LV55748	Loaded Caliper Remanufactured	XC2460
R4255749	Bare Caliper NEW	
R42R55749	Caliper Remanufactured	XC2461
R42L55749	Loaded Caliper Remanufactured	XC2461
R42LV55749	Loaded Caliper Remanufactured	XC2461
Meritor Caliper Part No.	Description	Core Part No.
R4255794	Bare Caliper NEW	
R42R55794	Caliper Remanufactured	XC2465
R42L55794	Loaded Caliper Remanufactured	XC2465
R42LV55794	Loaded Caliper Remanufactured	XC2465
R4255795	Bare Caliper NEW	
R42R55795	Bare Caliper Remanufactured	XC2466
R42L55795	Loaded Caliper Remanufactured	XC2466
R42LV55795	Loaded Caliper Remanufactured	XC2466
R4212269	Isuzu / GM Calipers	XC2422
R4212270	Isuzu / GM Calipers	XC2423
R4212271X	Isuzu / GM Calipers	XC2122
R4212272X	Isuzu / GM Calipers	XC2123
R4212273	Isuzu / GM Calipers	XC2424
R4212274	Isuzu / GM Calipers	XC2425
R4212275	Isuzu / GM Calipers	XC2426
R4212276	Isuzu / GM Calipers	XC2427
R4212277X	Isuzu / GM Calipers	XC2124
R4212278X	Isuzu / GM Calipers	XC2125
R4212298	Hino Caliper / Meritor Part Number LRG714	
R4212299	Hino Caliper / Meritor Part Number LRG715	
R4212300	Hino Caliper / Meritor Part Number LRG716	
R4212301	Hino Caliper / Meritor Part Number LRG717	
R4212416X	Caliper Remanufactured	XC2471
R4212417X	Caliper Remanufactured	XC2472
R42R1012433	Caliper Remanufactured	XC
R42R1012434	Caliper Remanufactured	XC
R42R1012435	Caliper Remanufactured	XC
R42R1012436	Caliper Remanufactured	XC

Meritor Caliper Part No.	Description	Core Part No.
R42R1012439	Caliper Remanufactured	XC
R42R1012440	Caliper Remanufactured	XC
R42R1012441	Caliper Remanufactured	XC
R42R1012442	Caliper Remanufactured	XC
R42R1012455	Caliper Remanufactured	XC
R42R1012456	Caliper Remanufactured	XC
R42R1012457	Caliper Remanufactured	XC
R42R1012458	Caliper Remanufactured	XC
R42R1012459	Caliper Remanufactured	XC
R42R1012460	Caliper Remanufactured	XC
R4212488X	Caliper Remanufactured	XC2473
R4212489X	Caliper Remanufactured	XC2474
R4212490	Bare Caliper NEW	
R4212491	Bare Caliper NEW	
Meritor Caliper Part No.	Description	Core Part No.
R42R55805	Caliper Remanufactured	XC2477
R42R55853	Caliper Remanufactured	XC2478
R42R55854	Caliper Remanufactured	XC2479
R42R55855	Caliper Remanufactured	XC2480
R42R55856	Caliper Remanufactured	XC2481
R42R1012655		XC
R42R1012656		XC
R42R1012698		XC
R42R1012699		XC

6 - CALIPERS

* Caliper RH / LH designations are determined by clocking mount on the axle.

** Parts not supplied with these calipers

Contact Customer Care
1-888-725-9355

XpresswayPlus.ArvinMeritor.com

MERITOR®

an *ArvinMeritor* brand

Service Parts Instructions

Installing Caliper Bumper Gap Shims on All-Makes Hydraulic Disc Brakes

Kit R40H8203

Hazard Alert Messages

Read and observe all Warning and Caution hazard alert messages in this publication. They provide information that can help prevent serious personal injury, damage to components, or both.

⚠ WARNING

To prevent serious eye injury, always wear safe eye protection when you perform vehicle maintenance or service.

Park the vehicle on a level surface. Block the wheels to prevent the vehicle from moving. Support the vehicle with safety stands. Do not work under a vehicle supported only by jacks. Jacks can slip and fall over. Serious personal injury and damage to components can result.

⚠ ASBESTOS AND NON-ASBESTOS FIBERS WARNING

Some brake linings contain asbestos fibers, a cancer and lung disease hazard. Some brake linings contain non-asbestos fibers, whose long-term effects to health are unknown. You must use caution when you handle both asbestos and non-asbestos materials.

How to Obtain Kits

Call ArvinMeritor's Commercial Vehicle Aftermarket at 888-725-9355.

Kit R40H8203

Part	Quantity
Shims — 0.025" (0.635 mm) Thick	2
Shims — 0.045" (1.143 mm) Thick	2
Support Keys	2
Support Springs	2

Determine if Shims are Required

1. Wear safe eye protection.
2. Park the vehicle on a level surface. Block the wheels to prevent the vehicle from moving.
3. Remove the caliper assembly from the anchor plate. Remove the key retention bolt. Then tap out the key and spring.
4. Use a wire brush to clean the v-way surfaces of the caliper and anchor plate. File any deep nicks or gouges smooth.
5. Lay a straightedge across the caliper v-way surfaces. Use a feeler gauge to measure the gap.
 - If the gap depth is 0.050-inch (1.27 mm) or more: Replace the caliper. Figure 1.

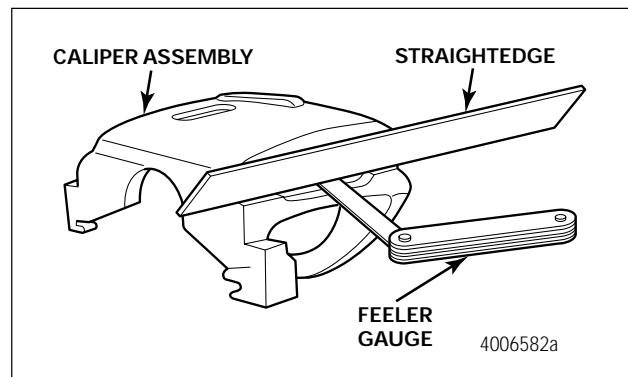


Figure 1

6. Install the caliper back into the anchor plate. Install a new production key and bolt, but do not install the support spring at this time.
7. Insert a screwdriver into the center of the key-to-bumper gap. Pry firmly to ensure the caliper is seated against the three slide surfaces "A", "B" and "D". Figure 2.

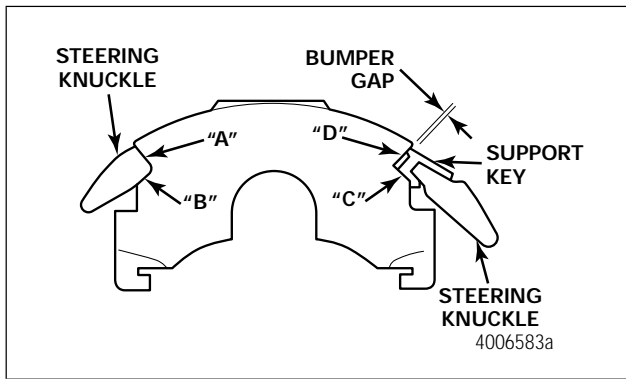


Figure 2

8. Measure the bumper gap. Use the largest feeler gauge or stack of gauges that will fit into the gap on either side of the screwdriver. Figure 2.
9. Use the bumper gap measurement to select a shim according to the table.
 - **If the bumper gap exceeds 0.145-inch (3.683 mm):** Replace the old caliper with a new caliper and remeasure the bumper gap.
 - **If the bumper gap with the new caliper is between 0.058-inch (1.473 mm) and 0.145-inch (3.683 mm):** Select a shim from the table.
 - **If the bumper gap with the new caliper exceeds 0.145-inch (3.683 mm):** Replace the anchor plate also. Use a new key and spring when assembling the new components.

Gap Size	Shim Thickness
0-0.058" (0-1.473 mm)	None required
0.058-0.101" (1.473-2.565 mm)	0.025" (0.635 mm)
0.101-0.145" (2.565-3.683 mm)	0.045" (1.143 mm)
0.145" (3.683 mm)	Refer to Step 9.

Install the Shim

1. Remove the caliper assembly from the anchor plate. Install the selected shim on the anchor plate v-way opposite the key and spring v-way. Figure 3.

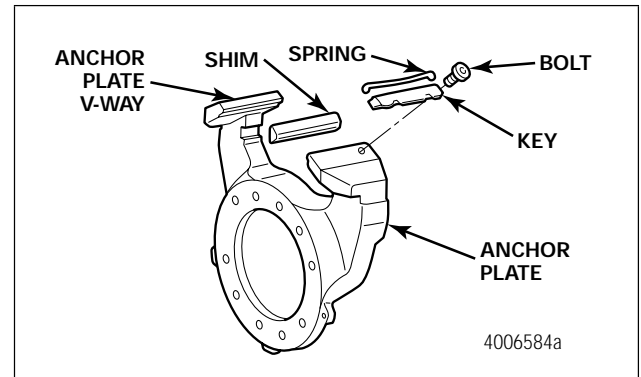


Figure 3

2. With the shim in place on the anchor plate v-way, reinstall the caliper assembly with a new key and spring.
3. Measure the bumper gap as described in Steps 7 and 8. If the gap exceeds 0.058-inch (1.473 mm), install a thicker shim or replace components as described in Step 9.

ArvinMeritor™

Meritor Heavy Vehicle Systems, LLC
7975 Dixie Highway
Florence, KY 41042 USA
888-725-9355
arvinmeritor.com

Information contained in this publication was in effect at the time the publication was approved for printing and is subject to change without notice or liability. Meritor Heavy Vehicle Systems, LLC, reserves the right to revise the information presented or to discontinue the production of parts described at any time.

Copyright 2008
ArvinMeritor, Inc.
All Rights Reserved

Printed in USA

TP-0857
Issued 02-08
(16579/22882)

MERITOR®
an *ArvinMeritor* brand

Service Parts Instructions

Installing Caliper Bumper Gap Shims on All-Makes Hydraulic Disc Brakes

Kit R40H5664

Hazard Alert Messages

Read and observe all Warning and Caution hazard alert messages in this publication. They provide information that can help prevent serious personal injury, damage to components, or both.

⚠ WARNING

To prevent serious eye injury, always wear safe eye protection when you perform vehicle maintenance or service.

Park the vehicle on a level surface. Block the wheels to prevent the vehicle from moving. Support the vehicle with safety stands. Do not work under a vehicle supported only by jacks. Jacks can slip and fall over. Serious personal injury and damage to components can result.

⚠ ASBESTOS AND NON-ASBESTOS FIBERS WARNING

Some brake linings contain asbestos fibers, a cancer and lung disease hazard. Some brake linings contain non-asbestos fibers, whose long-term effects to health are unknown. You must use caution when you handle both asbestos and non-asbestos materials.

How to Obtain Kits

Call ArvinMeritor's Commercial Vehicle Aftermarket at 888-725-9355.

Kit R40H5664

Part	Quantity
Shims for 0.036-0.055" (0.914-1.397 mm) Gap — 682	2
Shims for 0.056-0.075" (1.422-1.905 mm) Gap — 683	2
Shims for 0.076-0.095" (1.93-2.413 mm) Gap — 684	2
Shims for 0.096-0.115" (2.438-2.921 mm) Gap — 685	2

Determine if Shims are Required

1. Wear safe eye protection.
2. Park the vehicle on a level surface. Block the wheels to prevent the vehicle from moving.
3. Remove the spring, retainer and bolt from the caliper. Figure 1.

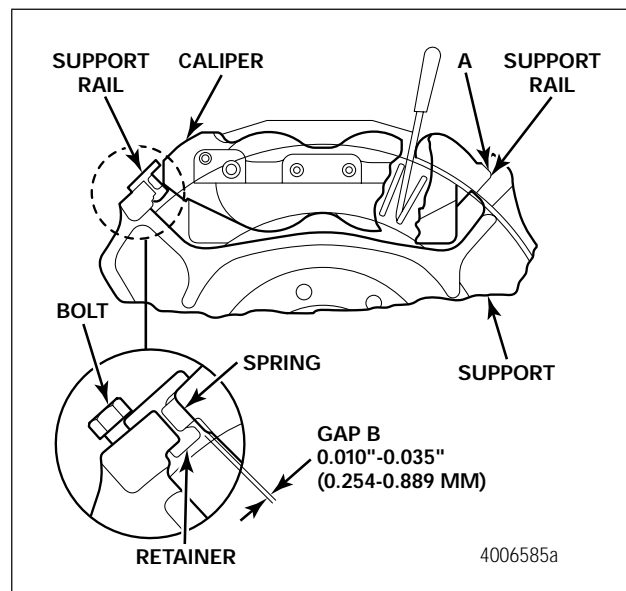


Figure 1

⚠ CAUTION

Set the caliper on the suspension or support it with a length of strong wire. Do not let the caliper hang from the hydraulic hose. Damage to components can result.

- Lift the caliper up and off the support. Set the caliper on the suspension or support it with a length of strong wire. Do not let the caliper hang from the hydraulic hose.
- Use a wire brush to clean the support rails and rail surfaces on the caliper.
- Reinstall the caliper on the support.
- Reinstall the spring and retainer.
- With the caliper assembled on the support, place a screwdriver or other suitable tool between the rotor vanes. Rotate the wheel by hand FORWARD to position the forward support rail in full contact with the caliper support rail surfaces.
- Use a feeler gauge to measure the gap.
 - If the measurement is 0.010-0.035-inch (0.254-0.889 mm): The gap is within specifications and no shims are required.
 - If the measurement is greater than 0.035-inch (0.889 mm): Select an appropriate size shim from the following table to achieve a gap within specifications. Do not use a shim thickness that will result in a gap that is less than 0.010-inch (0.254 mm).
 - If the gap is greater than 0.115-inch (2.921 mm): Replace the support.

Gap "B" Measurement	Shim ID
0.036-0.055" (0.914-1.397 mm)	682*
0.056-0.075" (1.422-1.905 mm)	683
0.076-0.095" (1.93-2.413 mm)	684
0.096-0.115" (2.438-2.921 mm)	685

*Number 682 is the thinnest shim and will not have the part number stamped on its surface.

ArvinMeritor™

Meritor Heavy Vehicle Systems, LLC
7975 Dixie Highway
Florence, KY 41042 USA
888-725-9355
arvinmeritor.com

Information contained in this publication was in effect at the time the publication was approved for printing and is subject to change without notice or liability. Meritor Heavy Vehicle Systems, LLC, reserves the right to revise the information presented or to discontinue the production of parts described at any time.

Copyright 2008
ArvinMeritor, Inc.
All Rights Reserved

Printed in USA

TP-0858
Issued 02-08
(16579/22882)

Install the Shim

- Remove the spring, retainer and bolt.
- Lift the forward end of the caliper enough to provide clearance between the caliper and the support rail to allow installation of the shim. The widest side of the shim is to fit up against the widest surface of the support rail. Figure 2.

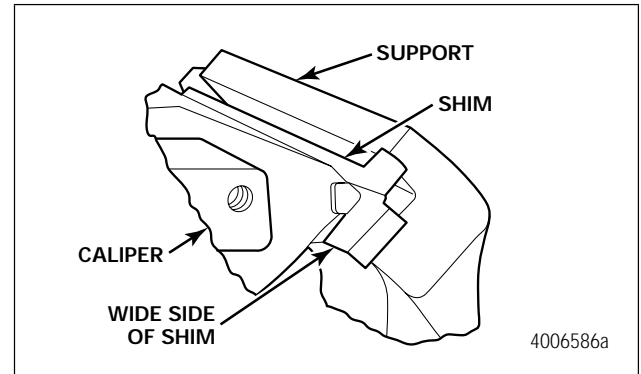


Figure 2

- Use disc brake grease recommended by Meritor to lubricate the support rail surface on the caliper that will contact the shim.
- With the shim installed, return the caliper to its original position on the support. Install the new spring and new retainer provided in Kit R40H5664. Install a new bolt.
- Measure the gap to ensure it is within 0.010-0.035-inch (0.254-0.889 mm). If the gap is not within specifications, repeat the steps for installing shims with the next thicker shim.

MERITOR®

an ArvinMeritor brand

Service Parts Instructions

Installing Caliper Bumper Gap Shims on All-Makes Hydraulic Disc Brakes

Kit R404151706

Hazard Alert Messages

Read and observe all Warning and Caution hazard alert messages in this publication. They provide information that can help prevent serious personal injury, damage to components, or both.

⚠️ WARNING

To prevent serious eye injury, always wear safe eye protection when you perform vehicle maintenance or service.

Park the vehicle on a level surface. Block the wheels to prevent the vehicle from moving. Support the vehicle with safety stands. Do not work under a vehicle supported only by jacks. Jacks can slip and fall over. Serious personal injury and damage to components can result.

⚠️ ASBESTOS AND NON-ASBESTOS FIBERS WARNING

Some brake linings contain asbestos fibers, a cancer and lung disease hazard. Some brake linings contain non-asbestos fibers, whose long-term effects to health are unknown. You must use caution when you handle both asbestos and non-asbestos materials.

How to Obtain Kits

Call ArvinMeritor's Commercial Vehicle Aftermarket at 888-725-9355.

Kit R404151706

Part	Quantity
Shims for 0.036-0.059" (0.914-1.5 mm) Gap — 690	2
Shims for 0.060-0.074" (1.524-1.879 mm) Gap — 691	2
Shims for 0.075-0.089" (1.905-2.26 mm) Gap — 692	2
Shims for 0.090-0.114" (2.286-2.895 mm) Gap — 693	2
Shims for 0.115-0.130" (2.921-3.302 mm) Gap — 694	2

Determine if Shims are Required

1. Wear safe eye protection.
2. Park the vehicle on a level surface. Block the wheels to prevent the vehicle from moving.
3. Place a screwdriver or other suitable tool in between the caliper and outboard lining plate. Apply light pressure back and forth to force the pistons back slightly from the rotor. Remove the screwdriver. Figure 1.

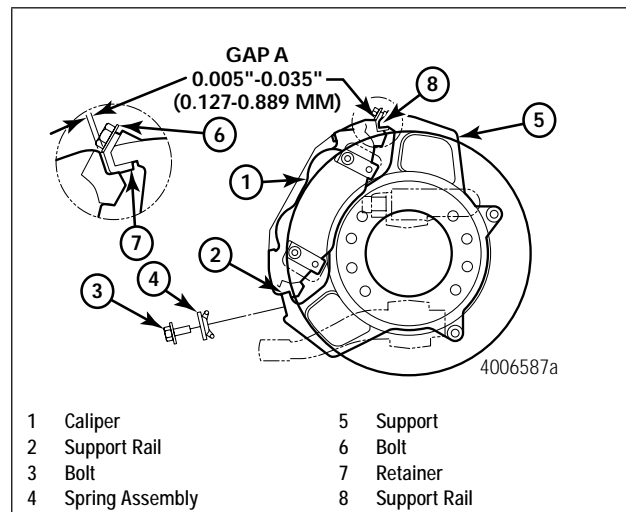


Figure 1

4. Remove the bolts and spring assembly.
5. Remove the retainer bolt and retainer.

⚠️ CAUTION

Set the caliper on the suspension or support it with a length of strong wire. Do not let the caliper hang from the hydraulic hose. Damage to components can result.

6. Lift the caliper up and off the support rail. Set the caliper on the suspension or support it with a length of strong wire. Do not let the caliper hang from the hydraulic hose.
7. Use a wire brush to clean the support rails and rail surfaces of the caliper.

8. Reinstall the caliper onto the support.
9. Reinstall the retainer.
10. With the caliper in place on the support, pull out on the top end of the caliper to open up a gap between the caliper rail and the retainer.

⚠ CAUTION

Use only enough force to wedge the rails apart. Do not use excessive force. Damage to components can result.

11. Place a screwdriver or other suitable tool into the gap between the rail surfaces at "A" to maintain the distance when measuring. Use only enough force to wedge the rails apart. Do not use excessive force. Damage to components can result.
12. Use a feeler gauge to measure the gap at "A".
 - If the measurement is within 0.005-0.035-inch (0.127-0.889 mm): The gap is within specifications and no shims are required.
 - If the measurement is 0.036-inch (0.914 mm) or greater: Select an appropriate size shim from the table to achieve a gap as close as possible to 0.005-inch (0.127 mm).
 - If the gap is greater than 0.130-inch (3.302 mm): Replace the support.

Gap "A" Measurement	Shim Number
0.036-0.059" (0.914-1.5 mm)	690*
0.060-0.074" (1.524-1.879 mm)	691
0.075-0.089" (1.905-2.26 mm)	692
0.090-0.114" (2.286-2.895 mm)	693
0.115-0.130" (2.921-3.302 mm)	694

*Number 690 is the thinnest shim and may not have the part number stamped on its surface.

Install the Shim

1. Remove the retainer.

⚠ CAUTION

Set the caliper on the suspension or support it with a length of strong wire. Do not let the caliper hang from the hydraulic hose. Damage to components can result.

2. Lift the caliper up and off the support rail. Set the caliper on the suspension or support it with a length of strong wire. Do not let the caliper hang from the hydraulic hose.
3. Lubricate the rail surfaces of the caliper with grease approved by Meritor for disc brake applications.
4. With the shim installed, return the caliper to its original position on the support. Install a new retainer and a new bolt provided in Kit R404151706. Figure 2.

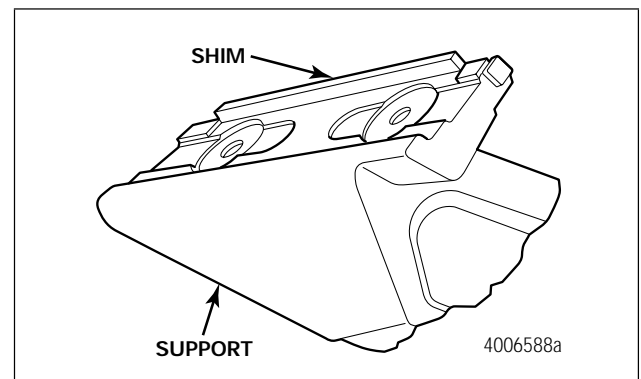


Figure 2

5. Measure the gap at "A" between the retainer and caliper rail to ensure the gap is not less than 0.005-inch (0.127 mm).
 - If the gap is greater than 0.035-inch (0.889 mm): Repeat the shim installation steps with a thicker shim. Do not use a shim thickness that will result in a gap width that is less than the 0.005-inch (0.127 mm) minimum.
6. Install a new spring assembly provided in Kit R404151706. Install a new bolt.
7. If the support is replaced, measure the gap again. Install a shim if the gap exceeds 0.035-inch (0.889 mm).

ArvinMeritor™

Meritor Heavy Vehicle Systems, LLC
7975 Dixie Highway
Florence, KY 41042 USA
888-725-9355
arvinmeritor.com

Information contained in this publication was in effect at the time the publication was approved for printing and is subject to change without notice or liability. Meritor Heavy Vehicle Systems, LLC, reserves the right to revise the information presented or to discontinue the production of parts described at any time.




Copyright 2008
ArvinMeritor, Inc.
All Rights Reserved

Printed in USA




TP-0859
Issued 02-08
(16579/22882)

CALIPER INFORMATION CHART




Listed by Piston Diameter

REFERENCE ONLY CALIPER N/A		2.362" (60mm) SINGLE PISTON	REFERENCE ONLY CALIPER N/A	
				
LEFT HAND			RIGHT HAND	
MERITOR NO.	REPLACES		MERITOR NO.	REPLACES
R42R55279	Bendix EIS IBP Raybestos Wagner	R55279 RC6200 4180 G9007L RWC-4216 CR110447	R42R55278	Bendix EIS IBP Raybestos Wagner
				R55278 RC6199 4179 G9007R RWC-4215 CR110448

MERITOR DISC PAD SET NO.	MERITOR HARDWARE KIT	APPLICATION	NOTES
MD259 (D259)	R40H5641 (Services one axle)	Dodge	Brake Hose Inlet: 7/16" - 20

REFERENCE ONLY CALIPER N/A		2.362" (60mm) SINGLE PISTON	REFERENCE ONLY CALIPER N/A	
				
LEFT HAND			RIGHT HAND	
MERITOR NO.	REPLACES		MERITOR NO.	REPLACES
R42R55519	Bendix EIS IBP Raybestos Wagner	R55519 RC6552 4350 C9013L RWC-6022 CR116344	R42R55518	Bendix EIS IBP Raybestos Wagner
				R55518 RC6551 4349 C9013R RWC-6021 CR116345

MERITOR DISC PAD SET NO.	MERITOR HARDWARE KIT	APPLICATION	NOTES
MD344 (D344)	R40H5719 (Services one axle)	Dodge	Brake Hose Inlet: 7/16" - 20



REFERENCE ONLY CALIPER N/A		2.362" (60mm) SINGLE PISTON	REFERENCE ONLY CALIPER N/A	
				
LEFT HAND			RIGHT HAND	
MERITOR NO.	REPLACES		MERITOR NO.	REPLACES
R42R55507	Bendix EIS IBP Raybestos Wagner	R55507 RC6366 4348 C9011L RWC-5278 CR119052	R42R55506	Bendix EIS IBP Raybestos Wagner
				R55506 RC6365 4347 C9011R RWC-5277 CR119053

MERITOR DISC PAD SET NO.	MERITOR HARDWARE KIT	APPLICATION	NOTES
MD367 (D367)	R40H5002 (Services one axle)	Dodge	Brake Hose Inlet: 7/16" - 20



6 - CALIPERS

CALIPER INFORMATION CHART

Listed by Piston Diameter

REFERENCE ONLY CALIPER N/A		2.362" (60mm) SINGLE PISTON	REFERENCE ONLY CALIPER N/A		
 LEFT HAND			 RIGHT HAND		
MERITOR NO.	REPLACES		MERITOR NO.	REPLACES	
R42R55521	Bendix EIS IBP	R55521 — 4352 C9014L	R42R55520	Bendix EIS IBP	R55520 — 4351 C9014R
	Raybestos Wagner	RWC-4288 CR119332			

MERITOR DISC PAD SET NO.	MERITOR HARDWARE KIT	APPLICATION	NOTES
MD416 (D414)	N/A	Dodge	Brake Hose Inlet: 7/16" - 20

REFERENCE ONLY CALIPER N/A		2.362" (60mm) SINGLE PISTON	REFERENCE ONLY CALIPER N/A		
 LEFT HAND			 RIGHT HAND		
MERITOR NO.	REPLACES		MERITOR NO.	REPLACES	
R42R55591	Bendix EIS IBP	R55591 — 4398 C9024L	R42R55590	Bendix EIS IBP	R55590 — 4397 C9024R
	Raybestos Wagner	RWC-50071 CR123608		Raybestos Wagner	RWC-50070 CR123609

MERITOR DISC PAD SET NO.	MERITOR HARDWARE KIT	APPLICATION	NOTES
MD521 (D521)	N/A	Dodge	Casting No. 12205501

REFERENCE ONLY CALIPER N/A		2.362" (60mm) SINGLE PISTON	REFERENCE ONLY CALIPER N/A		
 LEFT HAND			 RIGHT HAND		
MERITOR NO.	REPLACES		MERITOR NO.	REPLACES	
R42R55631	Bendix EIS IBP	— — 4400 C9025L	R42R55630	Bendix EIS IBP	— — 4399 C9025R
	Raybestos Wagner	RWC-50073 CR123606		Raybestos Wagner	RWC-50072 CR123607

MERITOR DISC PAD SET NO.	MERITOR HARDWARE KIT	APPLICATION	NOTES
MD522 (D522)	N/A	Dodge	Casting No. 12580501

CALIPER INFORMATION CHART

Listed by Piston Diameter

2.5" (2 1/2") SINGLE PISTON		2.5" (2 1/2") SINGLE PISTON	
LEFT HAND		RIGHT HAND	
MERITOR NO.	REPLACES	MERITOR NO.	REPLACES
R42R55210	Bendix R55210 EIS RC6126 IBP 4072 G7005L Raybestos RWC-5210 Wagner CR99022	R42R55209	Bendix R55209 EIS RC6125 IBP 4071 G7005R Raybestos RWC-5209 Wagner CR99023

MERITOR DISC PAD SET NO.	MERITOR HARDWARE KIT	APPLICATION	NOTES
MD154 (D154)	R40H5536 (Services one axle)	Chevrolet, GMC	Brake Hose Inlet: M10 x 1.5

REFERENCE ONLY CALIPER N/A		2.5" (2 1/2") SINGLE PISTON		REFERENCE ONLY CALIPER N/A	
LEFT HAND		RIGHT HAND		LEFT HAND	
MERITOR NO.	REPLACES	MERITOR NO.	REPLACES	MERITOR NO.	REPLACES
R42R55265	Bendix R55265 EIS RC6138 IBP 4129 G7010L Raybestos RWC-5220 Wagner CR98888	R42R55264	Bendix R55264 EIS RC6137 IBP 4128 G7010R Raybestos RWC-5219 Wagner CR98889		

MERITOR DISC PAD SET NO.	MERITOR HARDWARE KIT	APPLICATION	NOTES
MD154 (D154)	R40H5536 (Services one axle)	Chevrolet, GMC	Brake Hose Inlet: 3/8" - 16




REFERENCE ONLY CALIPER N/A		2.5" (2 1/2") SINGLE PISTON		REFERENCE ONLY CALIPER N/A	
LEFT HAND		RIGHT HAND		LEFT HAND	
MERITOR NO.	REPLACES	MERITOR NO.	REPLACES	MERITOR NO.	REPLACES
R42R55499	Bendix R55499 EIS RC6560 IBP 4342 G7028L Raybestos RWC-4416 Wagner CR116290	R42R55498	Bendix R55498 EIS RC6559 IBP 4341 G7028R Raybestos RWC-4415 Wagner CR116291		




MERITOR DISC PAD SET NO.	MERITOR HARDWARE KIT	APPLICATION	NOTES
MD368 (D368)	R40H5707 (Services one axle)	Chevrolet, GMC	Brake Hose Inlet: M10 x 1.5




6 - CALIPERS

CALIPER INFORMATION CHART

Listed by Piston Diameter

REFERENCE ONLY CALIPER N/A		2.5" (2 1/2") SINGLE PISTON		REFERENCE ONLY CALIPER N/A	
					
LEFT HAND		RIGHT HAND			
MERITOR NO.	REPLACES		MERITOR NO.	REPLACES	
R42R55305	Bendix EIS IBP	R55305 RC6194 4370 G7033L	R42R55304	Bendix EIS IBP	R55304 RC6193 4369 G7033R
	Raybestos Wagner	RWC-4218 CR107084		Raybestos Wagner	RWC-4217 CR107085
MERITOR DISC PAD SET NO.	MERITOR HARDWARE KIT	APPLICATION	NOTES		
MD215 (D215)	N/A	Chevrolet, GMC	Brake Hose Inlet: M10 x 1.5		




REFERENCE ONLY CALIPER N/A		2.5" (2 1/2") SINGLE PISTON		REFERENCE ONLY CALIPER N/A	
					
LEFT HAND		RIGHT HAND			
MERITOR NO.	REPLACES		MERITOR NO.	REPLACES	
R42R55617	Bendix EIS IBP	R55617 — 4372 G7034L	R42R55616	Bendix EIS IBP	R55616 — 4371 G7034R
	Raybestos Wagner	RWC-50007 CR123141		Raybestos Wagner	RWC-50006 CR123142
MERITOR DISC PAD SET NO.	MERITOR HARDWARE KIT	APPLICATION	NOTES		
MD505 (D505)	R40H5788 (Services one axle)	Chevrolet, GMC	—		




REFERENCE ONLY CALIPER N/A		2.594" (2 19/32") SINGLE PISTON		REFERENCE ONLY CALIPER N/A	
					
LEFT HAND		RIGHT HAND			
MERITOR NO.	REPLACES		MERITOR NO.	REPLACES	
R42R55234	Bendix EIS IBP	R55234 RC6150 4143 F1009L	R42R55233	Bendix EIS IBP	R55233 RC6149 4142 F1009R
	Raybestos Wagner	RWC-5234 CR102428		Raybestos Wagner	RWC-5233 CR102425
MERITOR DISC PAD SET NO.	MERITOR HARDWARE KIT	APPLICATION	NOTES		
MD91 (D91)	R40H5545 (Services one axle)	Ford	Brake Hose Inlet: 3/8" - 24		

6 - CALIPERS




CALIPER INFORMATION CHART

Listed by Piston Diameter

REFERENCE ONLY CALIPER N/A		2.598" (66mm) SINGLE PISTON		REFERENCE ONLY CALIPER N/A	
 LEFT HAND		 RIGHT HAND		 LEFT HAND	
MERITOR NO.	REPLACES	MERITOR NO.	REPLACES		
R42R55249	Bendix R55249	R42R55248	Bendix R55248		
	EIS RC6182		EIS RC6181		
	IBP 4197		IBP 4196		
	F1012L		F1012R		
Raybestos RWC-5249	Wagner CR110413	Raybestos RWC-5248	Wagner CR110414		
MERITOR DISC PAD SET NO.	MERITOR HARDWARE KIT	APPLICATION	NOTES		
MD387 (D387)	R40H5654 (Services one axle)	Ford	Brake Hose Inlet: 3/8" - 24		



REFERENCE ONLY CALIPER N/A		2.598" (66mm) SINGLE PISTON		REFERENCE ONLY CALIPER N/A	
 LEFT HAND		 RIGHT HAND		 LEFT HAND	
MERITOR NO.	REPLACES	MERITOR NO.	REPLACES		
R42R55259	Bendix R55259	R42R55258	Bendix R55258		
	EIS RC6260		EIS RC6259		
	IBP 4310		IBP 4309		
	F1022L		F1022R		
	Raybestos RWC-4246		Wagner CR112480	Raybestos RWC-4245	Wagner CR112481
MERITOR DISC PAD SET NO.	MERITOR HARDWARE KIT	APPLICATION	NOTES		
MD326 (D326)	R40H5653 (Services one axle)	Ford	Brake Hose Inlet: 3/8" - 24		



6 - CALIPERS


REFERENCE ONLY CALIPER N/A		2.598" (66mm) SINGLE PISTON		REFERENCE ONLY CALIPER N/A	
 LEFT HAND		 RIGHT HAND		 LEFT HAND	
MERITOR NO.	REPLACES	MERITOR NO.	REPLACES		
R42R55635	Bendix R55635	R42R55634	Bendix R55634		
	EIS —		EIS —		
	IBP 4406		IBP 4405		
	C9028L		C9028R		
	Raybestos RWC-50125		Wagner CR124108	Raybestos RWC-50124	Wagner CR124109
MERITOR DISC PAD SET NO.	MERITOR HARDWARE KIT	APPLICATION	NOTES		
MD529 (D529)	R40H5719 (Services one axle)	Dodge	—		

CALIPER INFORMATION CHART

Listed by Piston Diameter



 LEFT HAND		2.874" (73mm) SINGLE PISTON		 RIGHT HAND	
MERITOR NO.	REPLACES	MERITOR NO.	REPLACES		
R42R55095	Bendix R55095 EIS RC6034 IBP 4034 F1617L Raybestos RWC-5095 Wagner CR76818	R42R55094	Bendix R55094 EIS RC6033 IBP 4033 F1617R Raybestos RWC-5094 Wagner CR76819		
MERITOR DISC PAD SET NO.	MERITOR HARDWARE KIT	APPLICATION	NOTES		
MD50 (D50)	R40H5511 (Services one axle)	Ford	Brake Hose Inlet: 3/8" - 24		



 LEFT HAND		2.874" (73mm) SINGLE PISTON		 RIGHT HAND	
MERITOR NO.	REPLACES	MERITOR NO.	REPLACES		
R42R55244	Bendix R55244 EIS RC6148 IBP 4149 F1008L Raybestos RWC-5244 Wagner CR102432	R42R55243	Bendix R55243 EIS RC6147 IBP 4148 F1008R Raybestos RWC-5243 Wagner CR102433		
MERITOR DISC PAD SET NO.	MERITOR HARDWARE KIT	APPLICATION	NOTES		
MD50 (D50)	R40H5545 (Services one axle)	Ford	Has a "V-Way" anchor plate groove Brake Hose Inlet: 3/8" - 24		



REFERENCE ONLY CALIPER N/A		2.874" (73mm) SINGLE PISTON		REFERENCE ONLY CALIPER N/A	
 LEFT HAND				 RIGHT HAND	
MERITOR NO.	REPLACES	MERITOR NO.	REPLACES		
R42R55255	Bendix R55255, R55293 EIS RC6342 IBP 4308 F1021L Raybestos RWC-4256 Wagner CR112482	R42R55254	Bendix R55254, R55292 EIS RC6341 IBP 4307 F1021R Raybestos RWC-4255 Wagner CR112483		
MERITOR DISC PAD SET NO.	MERITOR HARDWARE KIT	APPLICATION	NOTES		
MD375 (D375)	R40H5654 (Services one axle)	Ford	Has a "U-Way" anchor plate groove Brake Hose Inlet: 3/8" - 24		

CALIPER INFORMATION CHART

Listed by Piston Diameter

2.938" (2 15/16") SINGLE PISTON		2.938" (2 15/16") SINGLE PISTON	
	LEFT HAND		RIGHT HAND
MERITOR NO.	REPLACES	MERITOR NO.	REPLACES
R42R55216	Bendix R55216 EIS RC6046 IBP 4046 G5051L Raybestos RWC-5039 Wagner CR76050	R42R55215	Bendix R55215 EIS RC6045 IBP 4045 G5051R Raybestos RWC-5038 Wagner CR76051
MERITOR DISC PAD SET NO.	MERITOR HARDWARE KIT	APPLICATION	NOTES
MD52 (D52)	R40H5500 (Services one axle)	Chevrolet, GMC	Distance between Ears: 3" Brake Hose Inlet : 7/16" - 20



REFERENCE ONLY CALIPER N/A		2.938" (2 15/16") SINGLE PISTON		REFERENCE ONLY CALIPER N/A	
	LEFT HAND		RIGHT HAND		
MERITOR NO.	REPLACES	MERITOR NO.	REPLACES		
R42R55194	Bendix R55194 EIS RC6124 IBP 4021 G7004L Raybestos RWC-5194 Wagner CR98670	R42R55193	Bendix R55193 EIS RC6123 IBP 4020 G7004R Raybestos RWC-5193 Wagner CR98671		
MERITOR DISC PAD SET NO.	MERITOR HARDWARE KIT	APPLICATION	NOTES		
MD52 (D52)	R40H5500 (Services one axle)	Chevrolet, GMC	Distance between Ears: 2 3/4" Brake Hose Inlet : 10MM		

2.938" (2 15/16") SINGLE PISTON		2.938" (2 15/16") SINGLE PISTON	
	LEFT HAND		RIGHT HAND
MERITOR NO.	REPLACES	MERITOR NO.	REPLACES
R42R55208	Bendix R55208, R55384 EIS RC6140 IBP 4127 G7011/25/40L Raybestos RWC-5208 Wagner CR98884	R42R55207	Bendix R55207, R55383 EIS RC6139 IBP 4126 G7011/25/40R Raybestos RWC-5207 Wagner CR98885
MERITOR DISC PAD SET NO.	MERITOR HARDWARE KIT	APPLICATION	NOTES
MD52 (D52)	R40H5500 (Services one axle)	Chevrolet, GMC	Distance between Ears: 3" Brake Hose Inlet : 10MM



6 - CALIPERS

CALIPER INFORMATION CHART

Listed by Piston Diameter

 LEFT HAND		 RIGHT HAND	
2.938" (2 15/16") SINGLE PISTON			
MERITOR NO.	REPLACES	MERITOR NO.	REPLACES
R42R55206	Bendix R55206	R42R55205	Bendix R55205
	EIS RC6142		EIS RC6141
	IBP 4209		IBP 4208
	G7012L		G7012R
	Raybestos RWC-5206		Raybestos RWC-5205
Wagner CR98886	Wagner CR98887		

MERITOR DISC PAD SET NO.	MERITOR HARDWARE KIT	APPLICATION	NOTES
MD52 (D52)	R40H5500 (Services one axle)	Chevrolet, GMC	Brake Hose Inlet: M10 x 1.5

 LEFT HAND		 RIGHT HAND	
2.938" (2 15/16") SINGLE PISTON			
MERITOR NO.	REPLACES	MERITOR NO.	REPLACES
R42R55501	Bendix R55501	R42R55500	Bendix R55500
	EIS RC6558		EIS RC6557
	IBP 4418		IBP 4417
	G7031L		G7031R
	Raybestos RWC-4418		Raybestos RWC-4417
Wagner CR116292	Wagner CR116293		

MERITOR DISC PAD SET NO.	MERITOR HARDWARE KIT	APPLICATION	NOTES
MD369 (D369)	R40H5707 (Services one axle)	Chevrolet, GMC	Brake Hose Inlet: M10 x 1.5

 LEFT HAND		 RIGHT HAND	
2.938" (2 15/16") SINGLE PISTON			
MERITOR NO.	REPLACES	MERITOR NO.	REPLACES
R42R55061	Bendix R55061	R42R55060	Bendix R55060
	EIS RC6036		EIS RC6035
	IBP 4036		IBP 4035
	G0506L		G0506R
	Raybestos RWC-5061		Raybestos RWC-5060
Wagner CR76816	Wagner CR76817		

MERITOR DISC PAD SET NO.	MERITOR HARDWARE KIT	APPLICATION	NOTES
MD52 (D52)	R40H5500 (Services one axle)	Chevrolet, GMC	Distance between Ears: 3" Brake Hose Inlet : 7/16" - 20

CALIPER INFORMATION CHART

Listed by Piston Diameter

3.094" (3 3/32") SINGLE PISTON		3.094" (3 3/32") SINGLE PISTON	
LEFT HAND		RIGHT HAND	
MERITOR NO.	REPLACES	MERITOR NO.	REPLACES
R42R55117	Bendix R55117 EIS RC6074 IBP 4074 C9899L Raybestos RWC-5117 Wagner CR83262	R42R55116	Bendix R55116 EIS RC6073 IBP 4073 C9899R Raybestos RWC-5116 Wagner CR83263

MERITOR DISC PAD SET NO.	MERITOR HARDWARE KIT	APPLICATION	NOTES
MD269 (D86)	R40H5516 (Services one axle)	Dodge	Brake Hose Inlet : 7/16" - 20

3.094" (3 3/32") SINGLE PISTON		3.094" (3 3/32") SINGLE PISTON	
LEFT HAND		RIGHT HAND	
MERITOR NO.	REPLACES	MERITOR NO.	REPLACES
R42R55119	Bendix R55119 EIS RC6120 IBP 4076 C9002L Raybestos — Wagner CR104396	R42R55118	Bendix R55118 EIS RC6119 IBP 4075 C9002R Raybestos — Wagner CR104397

MERITOR DISC PAD SET NO.	MERITOR HARDWARE KIT	APPLICATION	NOTES
MD269 (D269)	R40H5516 (Services one axle)	Dodge	Brake Hose Inlet : 7/16" - 20

3.150" (80mm) SINGLE PISTON		3.150" (80mm) SINGLE PISTON	
LEFT HAND		RIGHT HAND	
MERITOR NO.	REPLACES	MERITOR NO.	REPLACES
R42R55382	Bendix R55382 EIS RC6364 IBP 4123 G7014L Raybestos RWC-5222 Wagner CR98954	R42R55381	Bendix R55381 EIS RC6363 IBP 4122 G7014R Raybestos RWC-5221 Wagner CR98955

MERITOR DISC PAD SET NO.	MERITOR HARDWARE KIT	APPLICATION	NOTES
MD392 (D153)	R40H5500 (Services one axle)	Chevrolet, GMC	Brake Hose Inlet: 3/8" - 16

6 - CALIPERS

CALIPER INFORMATION CHART

Listed by Piston Diameter

3.156" (3 5/32") SINGLE PISTON			
LEFT HAND		RIGHT HAND	
MERITOR NO.	REPLACES	MERITOR NO.	REPLACES
R42R55497	Bendix R55497 EIS RC6556 IBP 4420 G7032L Raybestos RWC-4414 Wagner CR116294	R42R55496	Bendix R55496 EIS RC6555 IBP 4419 G7032R Raybestos RWC-4413 Wagner CR116295

MERITOR DISC PAD SET NO.	MERITOR HARDWARE KIT	APPLICATION	NOTES
MD370 (D370)	R40H5707 (Services one axle)	Chevrolet, GMC	Brake Hose Inlet: M10 x 1.5

3.38" (3 3/8") SINGLE PISTON			
LEFT HAND		RIGHT HAND	
MERITOR NO.	REPLACES	MERITOR NO.	REPLACES
R42R55200	Bendix R55200 EIS RC6152 IBP 4167 G7009L Raybestos RWC-5200 Wagner CR98906	R42R55199	Bendix R55199 EIS RC6151 IBP 4166 G7009R Raybestos RWC-5199 Wagner CR98907

MERITOR DISC PAD SET NO.	MERITOR HARDWARE KIT	APPLICATION	NOTES
MD149 (D149)	R40H5529 (Services one axle)	Chevrolet, GMC	Brake Hose Inlet: M10 x 1.5

3.38" (3 3/8") SINGLE PISTON			
RIGHT HAND		LEFT HAND	
MERITOR NO.	REPLACES	MERITOR NO.	REPLACES
R42R55099 R4255099	Bendix 55098 EIS RC6088 IBP 4909 M3005R Raybestos RWC-5099 Wagner CR130210	R4255098X R4255098 (New)	Bendix 55099 EIS RC6087 IBP 4910 M3005L Raybestos RWC-5098 Wagner CR130211

MERITOR DISC PAD SET NO.	MERITOR HARDWARE KIT	APPLICATION	NOTES
MD380 (D184)	R40H5519 (Services one wheel)	Medium-Duty ITE	Casting No. for R4255098 (RH) - 2238452R (2238450 RH Assy.*) Casting No. for R4255099 (LH) - 2238451L (223449 LH Assy.*) Brake Hose Inlet: 7/16" - 20 * Information from Robert Bosch Corp.-Bendix Drwg.

CALIPER INFORMATION CHART

Listed by Piston Diameter

MERITOR NO.		REPLACES		MERITOR NO.		REPLACES	
R42R55989		Bendix	R55989	R42R55988		Bendix	R55988

MERITOR DISC PAD SET NO.	MERITOR HARDWARE KIT	APPLICATION	NOTES
—	—	—	





3.156" (3 5/32")
SINGLE PISTON





CALIPER INFORMATION CHART



Listed by Piston Diameter

			
LEFT HAND		RIGHT HAND	
2.188" (2 3/16") TWIN PISTON			
MERITOR NO.	REPLACES	MERITOR NO.	REPLACES
R42R55412	Bendix R55412 EIS RC5091 IBP 4808 F1013L Raybestos RWC-7008 Wagner CR102430	R42R55411	Bendix R55411 EIS RC5090 IBP 4807 F1013R Raybestos RWC-7007 Wagner CR102431

MERITOR DISC PAD SET NO.	MERITOR HARDWARE KIT	APPLICATION	NOTES
MD120 (D120)	R40H5533 (Services one wheel)	Ford	Brake Hose Inlet : 3/8" - 24

			
2.188" (2 3/16") TWIN PISTON			
MERITOR NO.	REPLACES		
R42R55456	Bendix R55457 (LH), R55456 (RH) EIS RC5096 (LH), RC5096 (RH) IBP 4804 (LH), 4803(RH), F1019L, F1019R Raybestos RWC-4050 (LH), RWC-4049 (RH) Wagner CR130035 (LH), CR105668 (RH)		



MERITOR DISC PAD SET NO.	MERITOR HARDWARE KIT	APPLICATION	NOTES
MD120 (D120)	R40H5533 (Services one wheel)	Ford	Overall length - 11 1/4"


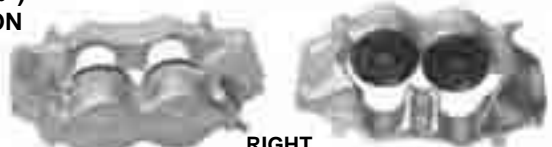
			
2.188" (2 3/16") TWIN PISTON			
MERITOR NO.	REPLACES		
R42R55413	Bendix R55414 (LH), R55413 (RH) EIS RC5098(LH), RC5098(RH) IBP 4806 (LH), 4805 (RH), F1003L, F1003R Raybestos RWC-5182(LH), RWC-5182(RH) Wagner CR130036 (LH), CR105669		



MERITOR DISC PAD SET NO.	MERITOR HARDWARE KIT	APPLICATION	NOTES
MD120 (D120)	R40H5533 (Services one wheel)	Ford	Overall length - 10 1/4"

CALIPER INFORMATION CHART

Listed by Piston Diameter

2.188" (2 3/16") TWIN PISTON			
 LEFT HAND		 RIGHT HAND	
MERITOR NO.	REPLACES	MERITOR NO.	REPLACES
R42R55461	Bendix R55461 EIS RC6252 IBP 4810 F1038L Raybestos RWC-6016 Wagner CR116931	R42R55460	Bendix R55460 EIS RC6251 IBP 4809 F1038R Raybestos RWC-6015 Wagner CR116932
MERITOR DISC PAD SET NO.	MERITOR HARDWARE KIT	APPLICATION	NOTES
MD450 (D450)	R40H5533 (Services one wheel)	Ford	Brake Hose Inlet : 3/8" - 24

2.188" (2 3/16") TWIN PISTON			
 LEFT HAND		 RIGHT HAND	
MERITOR NO.	REPLACES	MERITOR NO.	REPLACES
R42R55461P	Bendix R55461P EIS RC6252 IBP — Raybestos RWC-50107 Wagner CR128856	R42R55460P	Bendix R55460P EIS RC6251 IBP — Raybestos RWC-50106 Wagner CR128857
MERITOR DISC PAD SET NO.	MERITOR HARDWARE KIT	APPLICATION	NOTES
MD450 (D450)	R40H5533 (Services one wheel)	Ford	Phenolic Pistons

2.205" (56mm) TWIN PISTON			
 LEFT HAND		 RIGHT HAND	
MERITOR NO.	REPLACES	MERITOR NO.	REPLACES
R42R55461	Bendix — EIS — IBP — Raybestos RWC-50105 Wagner CR128780P	R42R55460	Bendix — EIS — IBP — Raybestos RWC-50104 Wagner CR128781P
MERITOR DISC PAD SET NO.	MERITOR HARDWARE KIT	APPLICATION	NOTES
MD557 (D557)	R40H5815 (Services one axle)	Ford	3/8"-24 Brake Line Port



6 - CALIPERS

CALIPER INFORMATION CHART




Listed by Piston Diameter

 LEFT HAND		 RIGHT HAND	
2.362" (60mm) TWIN PISTON			
MERITOR NO.	REPLACES	MERITOR NO.	REPLACES
R42R55605	Bendix R55605	R42R55604	Bendix R55604
	EIS —		EIS —
	IBP 4812		IBP 4811
	F1030L		F1030R
	Raybestos RWC-7026		Raybestos RWC-7025
Wagner CR130127	Wagner CR130128		

MERITOR DISC PAD SET NO.	MERITOR HARDWARE KIT	APPLICATION	NOTES
MD411 (D411)	R40H5735 (Services one axle)	Ford	—





 LEFT HAND		 RIGHT HAND	
2.375" (2 3/8") TWIN PISTON			
MERITOR NO.	REPLACES	MERITOR NO.	REPLACES
R42R55455	Bendix R55455	R42R55454	Bendix R55454
	EIS RC6399		EIS RC6398
	IBP 4388		IBP 4387
	C9019L		C9019R
	Raybestos RWC-4072		Raybestos RWC-4071
Wagner CR83308	Wagner CR83309		

MERITOR DISC PAD SET NO.	MERITOR HARDWARE KIT	APPLICATION	NOTES
MD87 (D87)	R40H5516 (Services one axle)	Dodge	—





2.50" MERITOR - TWIN PISTON				
 Front View		 E-4244 Back View	 60050150 Back View	
MERITOR NO.	REPLACES	MERITOR DISC PAD NO.	MERITOR HARDWARE KIT	NOTES
60050150X 60050150 Note: 60050150 is for later model Ford applications with leaf spring clearance	Bendix 055251 Dayton 60-050150 EIS RC6575 GMC 15510024 IBP 4903/4, M3002L/R Raybestos RWC-7800 Wagner CR120313	MD224	60050153 (Services one wheel)	Casting No.472-W Pad Retainers: Ford - 69160457 GM - 6910441 R4194010 Bleeder

CALIPER INFORMATION CHART

Listed by Piston Diameter

2.60" BENDIX TWIN PISTON			
			
Front View		Back View	
First Design (Pre -1989)		Second Design (1989-Current)	
MERITOR NO.	REPLACES	MERITOR NO.	REPLACES
R42R55245	Bendix 055245 Dayton 60-050174 IBP 4905/6,M3003L/R First Design <u>may</u> have an external joining tube and uses steel pistons	R42R55314 R4255314A	Bendix 055314 EIS RC6573 Wagner CR112057 Second Design is bridged internally and uses phenolic/metal-faced pistons

MERITOR DISC PAD SET NO.	MERITOR HARDWARE KIT	NOTES
MD380 (7815 D380)	R40H5522 (Services one wheel)	Casting No. for R42R55245 - 4151020, 2238229 Casting No. for R4255314A - 4151733 The First and Second Design Calipers are interchangeable as assemblies, but their component parts are not.

2.60" BENDIX TWIN PISTON			
			
Front View		Back View	
MERITOR NO.	REPLACES	MERITOR NO.	REPLACES
R42R55314 R4255314A	Bendix 55717 Casting No. 4151733	R42R55313 R4255313	Bendix 55313 Casting No. 4151733

MERITOR DISC PAD SET NO.	MERITOR HARDWARE KIT	NOTES
MD380 (7815D380)	R40H5522 (Services one wheel)	The R4255313 is for Freightliner applications with air ride suspension. R419410 Bleeder 7/16"-24 Inlet

2.60" GM REAR CALIPER CLASS 3 VEHICLES TOP INLET

Photo not available at time of printing.

MERITOR NO.	CASTING NUMBERS	REPLACES	MERITOR DISC PAD NO.	EUCLID HARDWARE KIT	NOTES
R42R55805	1452828	Bendix L55805PM	MD380	—	10-4384S

CALIPER INFORMATION CHART


Listed by Piston Diameter

2.88" DAYTON WALTHER - TWIN PISTON




MERITOR NO.	REPLACES	MERITOR DISC PAD NO.	MERITOR HARDWARE KIT	NOTES
60050145X 60050145	Bendix 55252 Dayton 60-050145 EIS RC6578 Ford E3HZ-2B120A IBP 4907/8, M3004L/R Raybestos RWC-7900 Wagner CR108723	MD236 (D236)	R40H5523 (Prior to 1982) (Services one wheel)	Casting No. 0578

2.88" BENDIX TWIN PISTON
Second Design (1988 - Current)



Front View




Back View


MERITOR NO.	REPLACES
R42R55250 (Phenolic/Steel Pistons) R4255250	Bendix 055250 Dayton 60-050175 EIS RC6574 GMC 1550101,15514583 IBP 4901/2, M3001L/R ITE 1658443C91 Raybestos RWC-7700 Wagner CR120549

MERITOR DISC PAD SET NO.	MERITOR HARDWARE KIT	NOTES
MD225HD (D225)	R40H5522 (Service one wheel)	Casting No. for R4255250 - 4150844 The First and Second Design Calipers are interchangeable as assemblies, but their component parts are not.

2.88" BENDIX TWIN PISTON



Front View



Back View

MERITOR NO.	REPLACES
R4255656 (Phenolic/Steel Pistons) R42R55656	Bendix 55656 Casting No. 4152279

MERITOR DISC PAD SET NO.	MERITOR HARDWARE KIT	APPLICATION	NOTES
MD225HD (D225)	R40H5522	Freightliner	For Freightliner applications with air-ride suspension (Services one wheel)

CALIPER INFORMATION CHART

Listed by Piston Diameter

44mm SPRINTER CALIPER TWIN PISTON			
LEFT HAND		RIGHT HAND	
MERITOR NO.	REPLACES	MERITOR NO.	REPLACES
R4256546	Bendix 56546 Wabco 40 244 009	R4256547	Bendix 56547 Wabco 40 244 010

MERITOR DISC PAD SET NO.	MERITOR HARDWARE KIT	APPLICATION	NOTES
MD949	—	Sprinter	—

44mm SPRINTER TWIN PISTON			
MERITOR NO.	REPLACES	MERITOR NO.	REPLACES
R4256544	Bendix 56544 Wabco 40 244 017	R4256545	Bendix 56545 Wabco 40 244 018

MERITOR DISC PAD NO.	MERITOR HARDWARE KIT	NOTES
MD949 (D184)	—	Application Sprinter 2500 / 3500

45mm TWIN PISTON			
MERITOR NO.	REPLACES	MERITOR NO.	REPLACES
R4255857	Bendix 55857 Raybestos — Ford XC2Z2552AD	R4255858	Bendix 55858 Raybestos — Ford XC2Z2553AD

MERITOR DISC PAD NO.	MERITOR HARDWARE KIT	NOTES
MD411	R40H5735	Casting No. 132705 Application Ford E250 / 350

6 - CALIPERS

CALIPER INFORMATION CHART

Listed by Piston Diameter

45mm TWIN PISTON		45mm TWIN PISTON	
MERITOR NO.	REPLACES	MERITOR NO.	REPLACES
R42R5966	Chrysler 05018586AA	R4255973	Chrysler 05018587AA

MERITOR DISC PAD NO.	MERITOR HARDWARE KIT	NOTES	
MD702	R405707	Casting No. Application	14599301, 13544402 Dodge Truck Rear 2001/2002

45mm DODGE PISTON		45mm DODGE PISTON			
MERITOR NO.	CASTING NUMBERS	REPLACES	MERITOR NO.	CASTING NUMBERS	REPLACES
R4212490	14599301/ 13544402	—	R4212491	14599301/ 13544402	—

MERITOR DISC PAD NO.	MERITOR HARDWARE KIT	NOTES	
MD702	R40H5974	Casting No. Application	14599301, 13544402 Dodge Truck Rear 2001/2002



48mm TWIN PISTON		48mm TWIN PISTON	
MERITOR NO.	REPLACES	MERITOR NO.	REPLACES
R4212243	Ford 5C3Z2553AA	R4212244	Ford 5C3Z2552AA



MERITOR DISC PAD NO.	MERITOR HARDWARE KIT	NOTES	
MD1069	R4012081	Casting No. Application	144150 Ford 2005/2006 F250/350 SRW over 8500 GVW

CALIPER INFORMATION CHART

Listed by Piston Diameter

48mm MITSUBISHI FUSO CALIPER			
<i>Photo not available at time of printing.</i>		<i>Photo not available at time of printing.</i>	
MERITOR NO.	REPLACES	MERITOR NO.	REPLACES
R42R1012698	—	R42R1012699	—
MERITOR DISC PAD SET NO.	MERITOR HARDWARE KIT	APPLICATION	NOTES
MD624	R40H5735	Mitsubishi	—

51mm TWIN PISTON			
			
MERITOR NO.	REPLACES	MERITOR NO.	REPLACES
R4255972	Bendix 55972 Chrysler 05018570AA	R4255973	Chrysler 05018571AA
MERITOR DISC PAD NO.	MERITOR HARDWARE KIT	NOTES	
MD702	R40H5707	Casting No. 13544401 Application Dodge Truck Rear 2001/2002	

51mm MITSUBISHI FUSO CALIPERS					
					
MERITOR NO.	CASTING NUMBERS	REPLACES	MERITOR NO.	CASTING NUMBERS	REPLACES
R42R1012433	15T K32	Mitsubishi Fuso 10-6204S	R42R1012434	15T K31	Mitsubishi Fuso 10-6176S
MERITOR DISC PAD NO.	MERITOR HARDWARE KIT	NOTES			
MD433	R402212504	Inlet Port: 10 x 1mm			

6 - CALIPERS

CALIPER INFORMATION CHART

Listed by Piston Diameter

51mm MITSUBISHI FUSO CALIPERS					
MERITOR NO.	CASTING NUMBERS	REPLACES	MERITOR NO.	CASTING NUMBERS	REPLACES
R42R1012435	—	Mitsubishi Fuso 10-6205S	R42R1912436	—	Mitsubishi Fuso 10-6177S

MERITOR DISC PAD NO.	MERITOR HARDWARE KIT	NOTES
MD433	—	Inlet Port: 10 x 1mm

51mm MITSUBISHI FUSO REAR FE CALIPERS					
MERITOR NO.	CASTING NUMBERS	REPLACES	MERITOR NO.	CASTING NUMBERS	REPLACES
R42R1012439	15L 15M 15AM	Mitsubishi Fuso FE-HD Model 639L 10-6238S	R42R1012440	15L 15M 15AM	Mitsubishi Fuso FE-HD Model 639L 10-6239S


MERITOR DISC PAD NO.	MERITOR HARDWARE KIT	NOTES
MD734	R402212504	Inlet Port: 10 x 1mm

51mm MITSUBISHI FUSO REAR FE CALIPERS					
<i>Photo not available at time of printing.</i>			<i>Photo not available at time of printing.</i>		
MERITOR NO.	CASTING NUMBERS	REPLACES	MERITOR NO.	CASTING NUMBERS	REPLACES
R42R1012441	15L 15M 15AM	Mitsubishi Fuso FE-HD Model 639L 10-6236S	R42R1012442	15L 15M 15AM	Mitsubishi Fuso FE-HD Model 639L 10-6237S


MERITOR DISC PAD NO.	MERITOR HARDWARE KIT	NOTES
MD734	R402212504	Inlet Port: 10 x 1mm

CALIPER INFORMATION CHART

Listed by Piston Diameter

51mm MITSUBISHI FUSO CALIPER:					
<i>Photo not available at time of printing.</i>					
MERITOR NO.	CASTING NUMBERS	REPLACES	MERITOR NO.	CASTING NUMBERS	REPLACES
R42R1012455	—	Mitsubishi Fuso FE-HD Model 639T 10-6236S	R42R1012456	15L 15M 15AM	Mitsubishi Fuso FE-HD Model 639T 10-6238S

MERITOR DISC PAD NO.	MERITOR HARDWARE KIT	NOTES
MD734	R402212504	Inlet Port: 10 x 1mm

51mm MITSUBISHI FUSO CALIPER:			
<i>Photo not available at time of printing.</i>			
MERITOR NO.	REPLACES	MERITOR NO.	REPLACES
R42R1012457	Mitsubishi Fuso FE-HD Model 639T 10-6237S	R42R1012458	Mitsubishi Fuso FE-HD Model 639T 10-6239S

MERITOR DISC PAD NO.	MERITOR HARDWARE KIT	NOTES
MD734	—	Inlet Port: 10 x 1mm



51mm TWIN PISTON			
			
MERITOR NO.	REPLACES	MERITOR NO.	REPLACES
R4255794	Bendix 55794 Ford XL3Z2B120EA	R4255795	Bendix 55795 Ford XL3Z2B121EA

MERITOR DISC PAD NO.	MERITOR HARDWARE KIT	NOTES
MD702	R40H15087	Casting No. 129297 Application Ford Front F250 Light Duty 1997-2004



6 - CALIPERS

CALIPER INFORMATION CHART



Listed by Piston Diameter

54mm TWIN PISTON			
			
MERITOR NO.	REPLACES	MERITOR NO.	REPLACES
R4255915	Bendix 55915 Chrysler 05003894AA	R4255916	Bendix 55916 Chrysler 05003895AA

MERITOR DISC PAD NO.	MERITOR HARDWARE KIT	NOTES	
MD758	R4011079	Casting No. Application	131072, 137149, 143477, 152280 Dodge

54mm TWIN PISTON			
			
MERITOR NO.	REPLACES	MERITOR NO.	REPLACES
R4255865	Bendix 55865 Chrysler 05018236AA Raybestos RC10967	R4255866	Bendix 55866 Chrysler 05018237AA Raybestos RC10968

MERITOR DISC PAD NO.	MERITOR HARDWARE KIT	NOTES	
MD758	R4011079	Casting No. Application	131072, 137149, 143477, 152280 Dodge Ram 2000-2001

54mm TWIN PISTON			
			
MERITOR NO.	REPLACES	MERITOR NO.	REPLACES
R421005102062AA	Bendix — Chrysler 05102062AA	R421005102063AA	Bendix — Chrysler 05102063AA





MERITOR DISC PAD NO.	MERITOR HARDWARE KIT	NOTES	
—	—	Casting No. Application	143477, 152280 Dodge

CALIPER INFORMATION CHART

Listed by Piston Diameter

54mm TWIN PISTON				
				
MERITOR NO.	REPLACES		MERITOR NO.	REPLACES
R4212248	Ford	5C3Z2553BA	R4212249	Ford 5C3Z2552BA

MERITOR DISC PAD NO.	MERITOR HARDWARE KIT	NOTES
MD1069	R4012081	Casting No. 144138 Application Ford 2005/2006 F250/135 DRW over 8500 GVW



54mm NISSAN UD CALIPERS					
					
MERITOR NO.	CASTING NUMBERS	REPLACES	MERITOR NO.	CASTING NUMBERS	REPLACES
R42R1012459	AD45V, 2112	Nissan UD 10-7154S	R42R1012460	—	Nissan UD 10-7155S

MERITOR DISC PAD NO.	MERITOR HARDWARE KIT	NOTES
MD646	—	Inlet Port: 10 x 1mm



6 - CALIPERS

CALIPER INFORMATION CHART

Listed by Piston Diameter

54mm ISUZU / GM CALIPERS					
					
MERITOR NO.	CASTING NUMBERS	REPLACES	MERITOR NO.	CASTING NUMBERS	REPLACES
R4212269	5407 A9344 5707	Isuzu/GM 97365908	R4212270	5407 A935X 5721	Isuzu/GM 97365907

MERITOR DISC PAD NO.	MERITOR HARDWARE KIT	NOTES
MD827	R4012469 (Services one wheel)	—

54mm ISUZU / GM CALIPERS TWIN PISTON					
					
MERITOR NO.	CASTING NUMBERS	REPLACES	MERITOR NO.	CASTING NUMBERS	REPLACES
R4212271X	AD54T 2918 A922X	Isuzu/GM 97720216 Includes Disc Pads	R4212272X	AD54T 5111 A923X	Isuzu/GM 97720206 Includes Disc Pads





MERITOR DISC PAD NO.	MERITOR HARDWARE KIT	NOTES
MD825	R402212504	—

54mm ISUZU CALIPERS					
<i>Photo not available at time of printing.</i>			<i>Photo not available at time of printing.</i>		
MERITOR NO.	CASTING NUMBERS	REPLACES	MERITOR NO.	CASTING NUMBERS	REPLACES
R42R1012655	AD76T 3516 42107	—	R42R1012656	—	—

MERITOR DISC PAD NO.	MERITOR HARDWARE KIT	NOTES
MD675	—	Inlet Port: 10 x 1mm

CALIPER INFORMATION CHART

Listed by Piston Diameter

56mm TWIN PISTON			
			
			
MERITOR NO.	REPLACES	MERITOR NO.	REPLACES
R4255887	Bendix 55887 Chrysler 05003906AB, 05003906AA	R4255888	Bendix 55888 Chrysler 05003907AB, 05003907AA

MERITOR DISC PAD NO.	MERITOR HARDWARE KIT	NOTES	
MD655	R40H5864	Casting No. Application	134254, 131447 Dodge - Ram Van

56mm TWIN PISTON			
			
			
MERITOR NO.	REPLACES	MERITOR NO.	REPLACES
R4255889	Bendix 55889 Chrysler 05015252AA	R4255890	Bendix 55890 Chrysler 05015253AA

MERITOR DISC PAD NO.	MERITOR HARDWARE KIT	NOTES	
MD821	R40H5975	Casting No. Application	134248 Dodge Front





56mm TWIN PISTON			
			
			
MERITOR NO.	REPLACES	MERITOR NO.	REPLACES
R421005093266AA	Bendix — Chrysler 05093266A	R421005093269AA	Bendix — Chrysler 0593269A

MERITOR DISC PAD NO.	MERITOR HARDWARE KIT	NOTES	
MD965	R4011079	Casting No. Application	134248 Dodge Ram 2500/3500





6 - CALIPERS

NEW CALIPER INFORMATION CHART





Listed by Piston Diameter

56mm TWIN PISTON			
			
			
MERITOR NO.	REPLACES	MERITOR NO.	REPLACES
R4255748	Bendix 55748 Ford F7TZ2B120AA	R4255749	Bendix 55749 Ford F7TZ2B121AA

MERITOR DISC PAD NO.	MERITOR HARDWARE KIT	NOTES
MD655	R40H5864	Casting No. 134247, 127951 Application Ford F250/350 E250, E350 1995-98 1999-06

57mm ISUZU / GM CALIPE					
					
					
MERITOR NO.	CASTING NUMBERS	REPLACES	MERITOR NO.	CASTING NUMBERS	REPLACES
R4212273	5705 A940 4Z15	Isuzu/GM 97365910 Includes Disc Pads	R4212274	5705 A940 5609	Isuzu/GM 97365909 Includes Disc Pads



MERITOR DISC PAD NO.	MERITOR HARDWARE KIT	NOTES
MD827	R4012284 (Services one wheel)	—

57mm ISUZU / GM CALIPERS					
					
					
MERITOR NO.	CASTING NUMBERS	REPLACES	MERITOR NO.	CASTING NUMBERS	REPLACES
R4212275	AD57T 518 5702	Isuzu/GM 97207148 Includes Disc Pads	R4212276	AD57T 54D 5702	Isuzu/GM 97207147 Includes Disc Pads


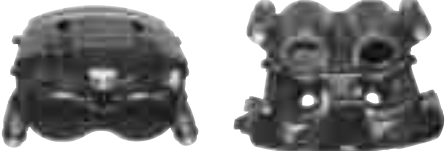
MERITOR DISC PAD NO.	MERITOR HARDWARE KIT	NOTES
MD827	R402212504 (Services one wheel)	—

NEW CALIPER INFORMATION CHART



Listed by Piston Diameter

57mm ISUZU / GM CALIPERS					
					
MERITOR NO.	CASTING NUMBERS	REPLACES	MERITOR NO.	CASTING NUMBERS	REPLACES
R4212277X	D57T 4X13 A918 3	Isuzu/GM 97365910	R4212278X	D57T 829 BD012	Isuzu/GM 97365909

MERITOR DISC PAD NO.	MERITOR HARDWARE KIT	NOTES
MD826	R4012283 (Services one wheel)	—

60mm TWIN PISTON			
			
MERITOR NO.	REPLACES	MERITOR NO.	REPLACES
R4255861	Bendix 55861 Raybestos — Ford F81Z2B120AA	R4255862	Bendix 55862 Raybestos — Ford F81Z2B121AA

MERITOR DISC PAD NO.	MERITOR HARDWARE KIT	NOTES
MD777	R40H15088	Casting No. 130307 Application Ford F450

60mm TWIN PISTON			
			
MERITOR NO.	REPLACES	CASTING NO.	APPLICATION
R4212068	GM 88982725	136743	GM Platform GMT560 4500, 5500, 6500

MERITOR DISC PAD NO.	MERITOR HARDWARE KIT	NOTES
MD1010	—	—

6 - CALIPERS

NEW CALIPER INFORMATION CHART

Listed by Piston Diameter

60mm TWIN PISTON			
MERITOR NO.	REPLACES	MERITOR NO.	REPLACES
R4255604 For Reman use R42R55604	Bendix 55604 Ford E8TZ2B120A Raybestos RWC7026	R4255605 For Reman use R42R55605	Bendix 55605 Ford E8TZ2B121A Raybestos RWC7025

MERITOR DISC PAD NO.	MERITOR HARDWARE KIT	NOTES
MD411	R40H5735	Casting No. 120684 Application Ford F450 Front and Rear 1988-1997

60mm TWIN PISTON			
MERITOR NO.	REPLACES	MERITOR NO.	REPLACES
R4212077	Ford 5C3Z2B120CA	R4212078	Ford 5C3Z2B121CA


MERITOR DISC PAD NO.	MERITOR HARDWARE KIT	NOTES
MD1069	R4012081	Casting No. 154518 Application Ford Front 2005/06, F250/350 DRW over 8500 GVW

60mm TWIN PISTON			
MERITOR NO.	REPLACES	MERITOR NO.	REPLACES
R4212083	Ford 5C3Z2B120AA	R4212084	Ford 5C3Z2B121AA



MERITOR DISC PAD NO.	MERITOR HARDWARE KIT	NOTES
MD1069	—	Casting No. 142296 Application Ford Front 2005/06, F250/350 SRW over 8500 GVW

NEW CALIPER INFORMATION CHART



Listed by Piston Diameter

				60mm TWIN PISTON					
MERITOR NO.	REPLACES			MERITOR NO.	REPLACES				
R4212253	Ford	5C3Z2B120BA		R4212254	Ford	5C3Z2B121BA			

MERITOR DISC PAD NO.	MERITOR HARDWARE KIT	NOTES		
MD1066	R4012257	Casting No. Application	142298 Ford Front Steer Axle	2005/2006 F450/550

		66MM TWIN PISTON			
Front View		Back View			
MERITOR NO.	REPLACES			CASTING NO.	
R424153263	55849	Bendix		4153269	
	4153273	Bosch			
	2501839C91	ITE			

MERITOR DISC PAD SET NO.	MERITOR HARDWARE KIT	NOTES	
MD786A (7654D286)	R4011754 (Services one wheel)	Bosch Pin Slide. Brake Pad Included	



		66mm TWIN PISTON			
MERITOR NO.	REPLACES			CASTING NO.	APPLICATION
R4212067	GM	88982726		135607	GM Platform GMT560 4500, 5500, 6500

MERITOR DISC PAD NO.	MERITOR HARDWARE KIT	NOTES	
MD1010	—	—	



6 - CALIPERS

NEW CALIPER INFORMATION CHART


Listed by Piston Diameter

66mm TWIN PISTON			
			
MERITOR NO.	REPLACES	CASTING NO.	APPLICATION
R4212069	GM 89040158	145513	GM Platform GMT560 4500, 5500, 6500

MERITOR DISC PAD NO.	MERITOR HARDWARE KIT	NOTES
MD1010	—	—

73MM TWIN PISTON		
		
	Front View	Back View
MERITOR NO.	REPLACES	CASTING NO.
R424153216	55850 Bendix 4153216 Bosch 2501838C91 ITE	4153222

MERITOR DISC PAD SET NO.	MERITOR HARDWARE KIT	NOTES
MD786 (7655D286)	R4011754 (Services one wheel)	Bosch Pin Slide Brake Pad Included

73mm (2.87") TWIN PISTON - VARGA			
			
MERITOR NO.	REPLACES	MERITOR NO.	REPLACES
R427178X R427178 (New) Left Hand (Shown)	—	R427179X R427179 (New) Right Hand	—

MERITOR DISC PAD SET NO.	MERITOR HARDWARE KIT	APPLICATION	NOTES
MD379 (D327)	R407182 (Services one wheel)	Ford Cargo	R427178 Casting Number VFCC 0005-1 R427179 Casting Number VFCC 2284-5

6 - CALIPERS

NEW CALIPER INFORMATION CHART

Listed by Piston Diameter

60mm TWIN PISTON			
MERITOR NO.	REPLACES	MERITOR NO.	REPLACES
LRG714	Meritor LRG714	LRG715	Meritor LRG715

MERITOR DISC PAD NO.	MERITOR HARDWARE KIT	NOTES
MDP5040	SJ1035	Application Hino

60mm TWIN PISTON			
MERITOR NO.	REPLACES	MERITOR NO.	REPLACES
LRG716	Meritor LRG716	LRG717	Meritor LRG717


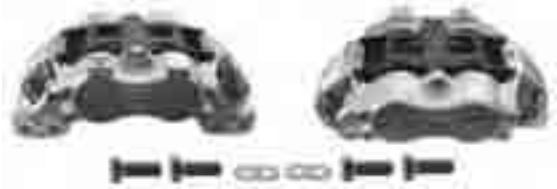

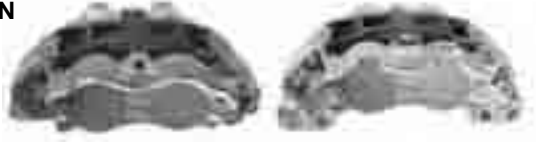
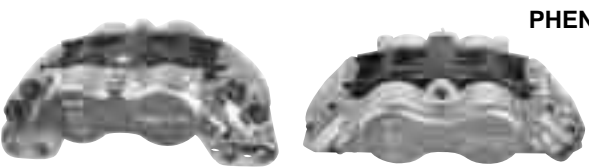
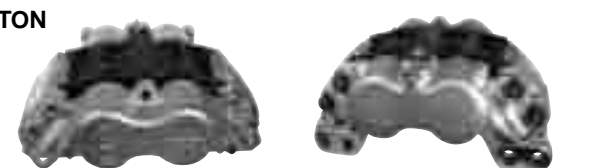
MERITOR DISC PAD NO.	MERITOR HARDWARE KIT	NOTES
MDP5040	SJ1035	Application Hino

64mm QUADRAULIC PHENOLIC PISTON			
MERITOR NO.	REPLACES	MERITOR NO.	REPLACES
60450474001	Meritor 60450474 No Disc Pads Meritor 60450474001 Includes Disc Pads	60450473001	Meritor 60450473 No Disc Pads Meritor 60450473001 Includes Disc Pads

MERITOR DISC PAD SET NO.	MERITOR HARDWARE KIT	NOTES
KIT769AM MD769 (7636D769)	R4011729 (Services one wheel)	—

6 - CALIPERS

CALIPER INFORMATION CHART

 70mm (2.76") FOUR PISTON							
MERITOR NO.		REPLACES		MERITOR NO.		REPLACES	
60050313		Meritor 60050313		60050312		Meritor 60050312	
MERITOR DISC PAD SET NO.	MERITOR HARDWARE KIT	APPLICATION	NOTES				
KIT769AM (7636D769)	R4011121 (Wheel Kit)	GM ITE	—				
 70mm (2.76") FOUR PISTON							
MERITOR NO.		REPLACES		MERITOR NO.		REPLACES	
60450454		Meritor 60450454 Includes Disc Pads		60450455 (New)		Meritor 60450455 Includes Disc Pads	
		Meritor 60050320 No Disc Pads				Meritor 60050321 No Disc Pads	
MERITOR DISC PAD SET NO.	MERITOR HARDWARE KIT	APPLICATION	NOTES				
KIT769AM (7636D769)	R4011121 (Wheel Kit)	GM ITE	—				
 70mm PHENOLIC PISTON							
MERITOR NO.		REPLACES		MERITOR NO.		REPLACES	
60450483		Meritor 60450483 No Disc Pads		60450482		Meritor 60450482 No Disc Pads	
		Meritor 60450469002 Includes Disc Pads				Meritor 60450468002 Includes Disc Pads	
MERITOR DISC PAD SET NO.	MERITOR HARDWARE KIT	NOTES					
KIT769AM (7636D769)	R4011729 (Services one wheel)						

6 - CALIPERS

NEW CALIPER INFORMATION CHART

Listed by Piston Diameter

GM REAR CALIPER CLASS 3 VEHICLES			
<i>Photo not available at time of printing.</i>		<i>Photo not available at time of printing.</i>	
MERITOR NO.	REPLACES	MERITOR NO.	REPLACES
R42R55994 (RH)	Bendix L55994PM	R42R55995 (LH)	Bendix L55995PM
MERITOR DISC PAD SET NO.	MERITOR HARDWARE KIT	APPLICATION	NOTES
MD974	—	—	—

GM REAR CALIPER CLASS 3 VEHICLES			
<i>Photo not available at time of printing.</i>		<i>Photo not available at time of printing.</i>	
MERITOR NO.	REPLACES	MERITOR NO.	REPLACES
R42R55943 (RH)	Bendix L55943PM	R42R55944 (LH)	Bendix L55944PM
MERITOR DISC PAD SET NO.	MERITOR HARDWARE KIT	APPLICATION	NOTES
MD784	—	—	—

6 - CALIPERS

NEW CALIPER INFORMATION CHART

Listed by Piston Diameter

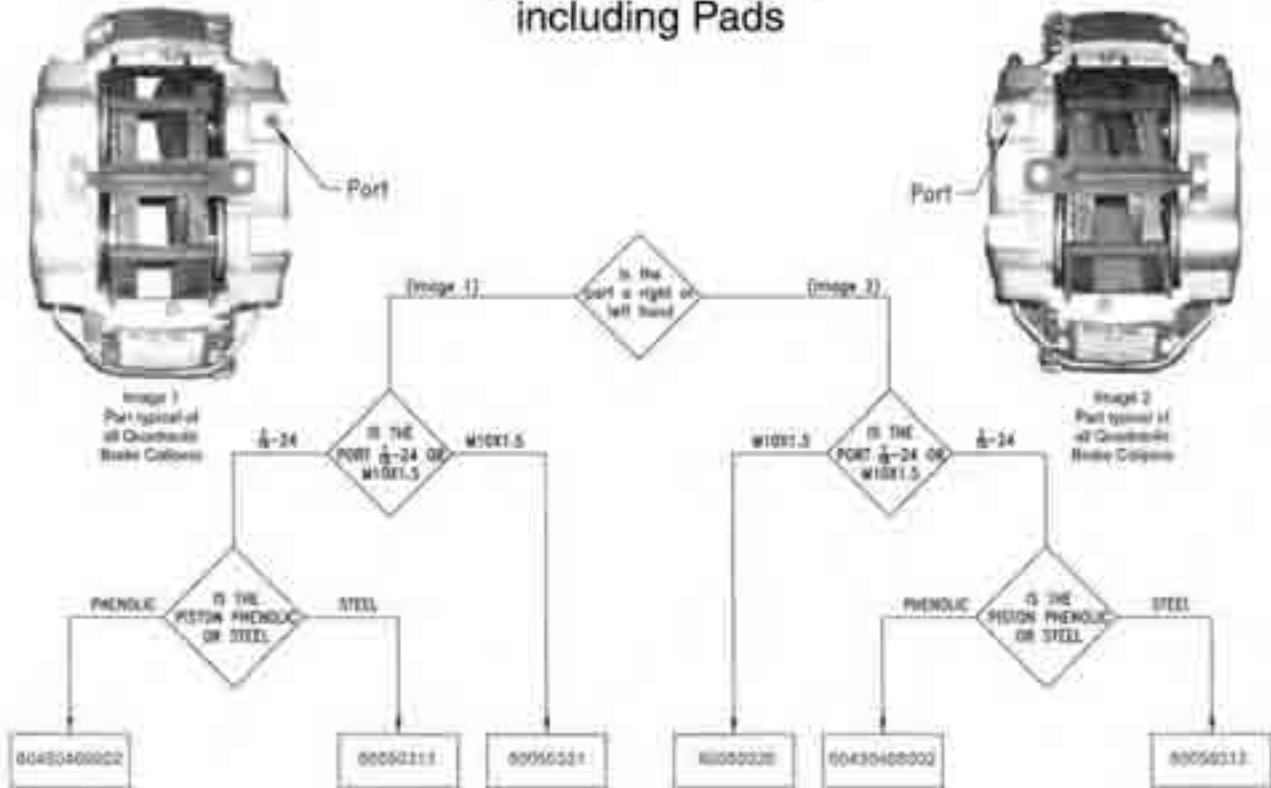
GM REAR CALIPER VEHICLES			
<i>Photo not available at time of printing.</i>		<i>Photo not available at time of printing.</i>	
MERITOR NO.	REPLACES	MERITOR NO.	REPLACES
R42R55853 (RH)	Bendix L55853PM	R42R55854 (LH)	Bendix L55854PM
MERITOR DISC PAD SET NO.	EUCLID HARDWARE KIT	APPLICATION	NOTES
MD785	—	—	R42R55853: 10-14373 R42R55854: 10-14372

GM REAR CALIPER			
<i>Photo not available at time of printing.</i>		<i>Photo not available at time of printing.</i>	
MERITOR NO.	REPLACES	MERITOR NO.	REPLACES
R42R55855 (RH)	Bendix L55855PM	R42R55856 (LH)	Bendix L55856PM
MERITOR DISC PAD SET NO.	EUCLID HARDWARE KIT	APPLICATION	NOTES
MD784	—	—	Casting No.: 1802573 R42R55855: 10-4377S R42R55856: 10-4376S

6 - CALIPERS

MERITOR QUADRAULIC DISC BRAKE IDENTIFICATION CHART

For 70mm Pistons
including Pads



Caliper RH/LH designations are determined by clocking on the axle.

HYDRAULIC DISC BRAKE PAD INDEX

Listed by FMSI Plate Number

DISC BRAKES

FMSI PLATE NO.	FMSI LINING NO.	MERITOR VALUE LINE DISC PAD SET	MERITOR DISC PAD SET	MERITOR PREMIUM LINE DISC PAD SET	HOLD DOWN KIT	GUIDE PIN	PAD SHIM NO.
D50	788 or	MVD50	MD50		R40H5654	R40H5545	---
D50	7013A	MVD50	MD50		R40H5654	R40H5545	---
D52	728A or	MVD52	MD52		R40H5500	---	---
D52	7214A	MVD52	MD52		R40H5500	---	---
D86	7019		MD269		R40H5516	---	---
D91	7027A	MVD91	MD91		---	---	---
D120	7054	MVD120	MD120	MMD120	60050135	---	---
D123	7019		MD269		R40H5516	R40H5004DP	---
D149	7018A	MVD149	MD149	MMD149	R40H5529	---	---
D153	7084A		MD392		R40H5500	---	---
D154	7070A or	MVD154	MD154		R40H5536	---	---
D154	7480 or	MVD154	MD154		R40H5536	---	---
D154	7480A	MVD154	MD154		R40H5536	---	---
D171	7805		MD171	MMD171	---	---	---
D184	7806	MVD184	MD184	MMD184	---	R40H5010	---
D202	7480A		MD154		R40H5536	R40H5004DP	---
D215	7136	MVD215	MD215		---	---	---
D224	7141 or	MVD224	MD224	MMD224	60050153	---	---
D224	7807	MVD224	MD224	MMD224	60050153	---	---
D225	7142 or	MVD225	MD225	MMD225	R40H5522	R40H5010	---
D225	7808 or	MVD225	MD225	MMD225	R40H5522	R40H5010	---
D225	7818	MVD225	MD225	MMD225	R40H5522	R40H5010	---
D236	7149 or	MVD236	MD236	MMD236	69310782	---	---
D236	7809	MVD236	MD236	MMD236	69310782	69310693	---
D249	7125		MD387		R40H5653	R407130	---
D259	7164	MVD259	MD259		---	---	---
D269	7179A	MVD269	MD269		R40H5516	---	---
D269	7179	MVD269	MD269		R40H5516	---	---
D326	7224	MVD326	MD326		R40H5653	R407130	---
D327	7812		MD379	MMD379	R40H5536	---	---
D344	7237A		MD344		R40H5719	---	---
D360	788		MD375		R40H5653	---	---
D368	7259	MVD368	MD368		R40H5707	R40H5083	R4066306
D369	7259	MVD369	MD369	MMD369	R40H5707	R40H5083	---
D370	7260 or	MVD370	MD370	MMD370	R40H5707	---	---
D370	7260D	MVD370	MD370	MMD370	R40H5707	---	---
D375	7264 or	MVD375	MD375		R40H5654	---	---
D375	7361	MVD375	MD375		R40H5654	---	---
D379	7814		MD379	MMD379	R40H5536	---	---
D380	7815	MVD380	MD380		---	---	---
D387	7125		MD387		R40H5653	R407130	---
D392	7280A	MVD392	MD392		R40H5500	R40H5004DP	---
D411	7299	MVD411	MD411	MMD411	R40H5735	---	---
D414	7302		MD416		---	R40H5045	---

6 - DISC PADS

HYDRAULIC DISC BRAKE PAD INDEX

DISC BRAKES Listed by FMSI Plate Number

FMSI PLATE NO.	FMSI LINING NO.	MERITOR VALUE LINE DISC PAD SET	MERITOR DISC PAD SET	MERITOR PREMIUM LINE DISC PAD SET	HOLD DOWN KIT	GUIDE PIN	PAD SHIM NO.
D416	7258A		MD416		---	---	---
D433	7500	MVD433	MD433		---	---	---
D442	7816		MD442		---	---	---
D450	7330	MVD450	MD450	MMD450	---	R407130	---
D459	7339	MVD459	MD459	MMD459	R40H5788	R40H5083	---
D477	7507A	MVD477	MD477		R40H5605	---	---
D494	7817	MVD494	MD494		---	---	---
D505	7384	MVD505	MD505		R40H5788	---	---
D521	7403 or	MVD521	MD521		---	R40H5045	---
D521	7403A	MVD521	MD521		---	R40H5045	---
D522	7404A	MVD522	MD522		---	R40H5045	---
D524	7406	MVD524	MD524		R40H5607	---	---
D529	7410	MVD529	MD529		R40H5719	---	---
D543	7081		MD543		R40H5529	R40H5010	---
D546	7425				---	---	---
D557	7436	MVD557	MD557		R40H5815	---	---
D591	7470A	MVD591	MD591		---	R40H5045	---
D593	7410A	MVD529	MD529		R40H5719	---	---
D601	7479	MVD601	MD601		---	---	---
D607	7489		MD387		R40H5653	R407130	---
D624	7499		MD624		---	---	---
D626	7503		MD626		---	---	---
D632	7503	MVD632	MD632		---	---	---
D642	7470A	MVD591	MD591		---	---	---
D646	7527		MD646		---	---	---
D652	7532	MVD652	MD652		---	---	---
D654	7534A	MVD387	MD387		R40H5653	R407130	---
D655	7535	MVD655	MD655	MMD655	R40H15074	---	---
D656	7536	MVD601	MD601		---	---	---
D675	7425	MVD675	MD675	MMD675	---	---	---
D679	7558	MVD679	MD679	MMD679	---	---	---
D702	7576	MVD702	MD702	MMD702	R40H5707	R40H15087	---
D711	7584	MVD711	MD711	MMD711	---	---	---
D715	7807		MD715		---	---	---
D716	7587	MVD716	MD716		---	---	---
D717	7815		MD717		---	---	---
D726	7593		MD726		---	---	---
D729	7596	MVD729	MD729		---	---	---
D734	7603		MD734		---	---	---
D735	7604		MD735		---	---	---
D746	7616	MVD746	MD746		---	---	---
D756	7625	MVD756	MD756		---	---	---
D757	7626	MVD757	MD757	MMD757	---	---	---
D758	7627	MVD758	MD758		R40H15068	---	---

6 - DISC PADS

HYDRAULIC DISC BRAKE PAD INDEX

DISC BRAKES

Listed by FMSI Plate Number

FMSI PLATE NO.	FMSI LINING NO.	MERITOR VALUE LINE DISC PAD SET	MERITOR DISC PAD SET	MERITOR PREMIUM LINE DISC PAD SET	HOLD DOWN KIT	GUIDE PIN	PAD SHIM NO.
D769	7636	MVD769	MD769	MMD769	R4011121	---	---
D769	7636	MVD769	MD769	MMD769	R4011729	---	---
D777	7627	MVD777	MD777	MMD777	---	---	---
D784	7652	MVD784	MD784		R40H5931	---	---
D785	7653	MVD785			---	---	---
D786A	7654	MVD786A	MD786A	MMD786A	R4011754	---	---
D786	7655	MVD786	MD786	MMD786	---	---	---
D802	7673	MVD802			---	---	---
D821	7694		MD821		R40H5975	---	---
D824	7625	MVD824		MMD824	---	---	---
D825	7697		MD825	MMD825	---	---	---
D826	7698		MD826		R4012283	---	---
D827	7699		MD827	MMD827	---	---	---
D859	7694		MD859	MMD859	---	---	---
D898			MD898	MMD898	---	R40H15087	---
D909	7788	MVD909		MMD909	---	---	---
D928	7829		MD928	MMD928	---	---	---
D949	7848		MD949	MMD949	---	---	---
D965	7864		MD965	MMD965	---	---	---
D974	7875 or		MD974	MMD974	---	---	---
D974	7881 or		MD974	MMD974	---	---	---
D974	7989		MD974	MMD974	---	---	---
D989	7891		MD989	MMD989	---	---	---
D1010	7914	MVD1010	MD1010	MMD1010	R4012072	---	---
D1032	7636		MD1032		---	---	---
D1064	7969	MVD1064	MD1064	MMD1064	---	---	---
D1066	7972	MVD1066	MD1066	MMD1066	---	---	---
D1067		MVD1067	MD1067	MMD1067	---	---	---
D1068		MVD1068	MD1068	MMD1068	---	---	---
D1069		MVD1069	MD1069	MMD1069	---	---	---
D1265				MMD1265	---	---	---

Note: FMSI 7636D1032 is the same as 7636D769. The lining did not change. While the backing plates are the same dimension, the D1032 plate includes a lug used to attach a squealer tab required by some OEMs. The existing Meritor KIT769 disc pads already meet this requirement.

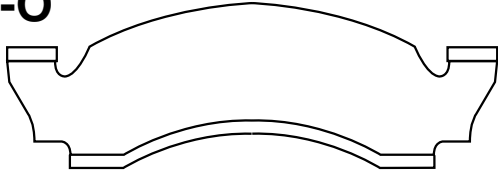
- Disc Brake
 - We offer three levels of integrally molded non-asbestos disc pad friction material to best suit your requirements.
 - » MVDXXX - An economical semi-metallic friction material with good wear features
 - » MDXXX - Our standard pad semi-metallic material with carbon base additives that gives excellent service.
 - » MDXXXM - Our premium pad semi-metallic material with aramid fiber additives giving excellent service for severe applications.

HYDRAULIC DISC BRAKE PADS

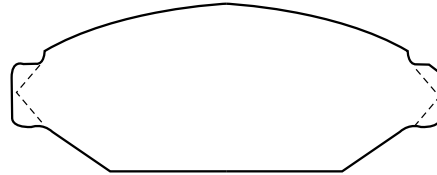
HYDRAULIC DISC BRAKE PAD SETS:

SOLD IN SETS ONLY — 1 SET CONSISTS OF 2 OUTER PADS AND 2 INNER PADS

D50-O

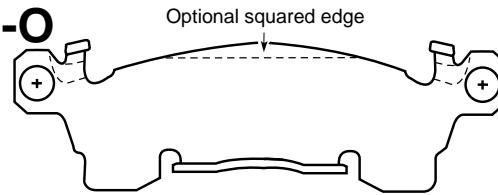


D50-I



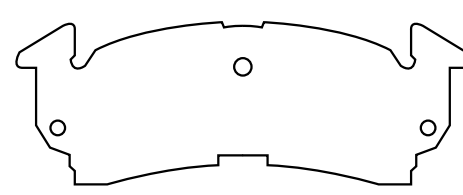
MERITOR SET NO.	FMSI OUTER PAD NO.	FMSI INNER PAD NO.	FMSI SET NO.	OUTER BACKING PLATE LENGTH	OUTER BACKING PLATE THICKNESS	INNER BACKING PLATE LENGTH	INNER BACKING PLATE THICKNESS
MD50 MVD50	D50-O	D50-I	788 7013A	7 13/64"	11/64"	6 7/32"	7/32"

D52-O



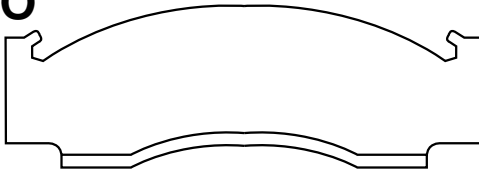
Optional squared edge

D52-I

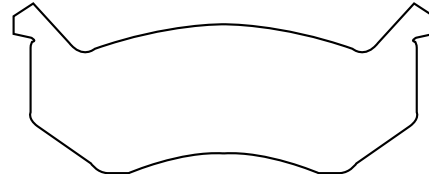


MERITOR SET NO.	FMSI OUTER PAD NO.	FMSI INNER PAD NO.	FMSI SET NO.	OUTER BACKING PLATE LENGTH	OUTER BACKING PLATE THICKNESS	INNER BACKING PLATE LENGTH	INNER BACKING PLATE THICKNESS
MD52 MD52M MVD52	D52-O	D52-I	728A 7214A	7 49/64"	9/64"	7 7/32"	9/64"

D86-O

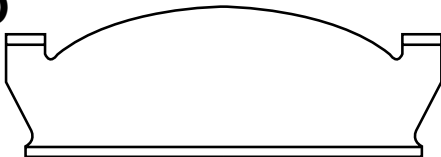


D86-I

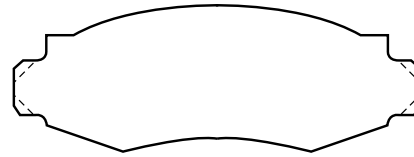


MERITOR SET NO.	FMSI OUTER PAD NO.	FMSI INNER PAD NO.	FMSI SET NO.	OUTER BACKING PLATE LENGTH	OUTER BACKING PLATE THICKNESS	INNER BACKING PLATE LENGTH	INNER BACKING PLATE THICKNESS
MD269	D86-O	D86-I	7019	6 63/64"	5/32"	5 15/16"	7/32"

D91-O



D91-I



MERITOR SET NO.	FMSI OUTER PAD NO.	FMSI INNER PAD NO.	FMSI SET NO.	OUTER BACKING PLATE LENGTH	OUTER BACKING PLATE THICKNESS	INNER BACKING PLATE LENGTH	INNER BACKING PLATE THICKNESS
MD91 MVD91	D91-O	D91-I	7027A	6 19/64"	5/32"	5 7/8"	3/16"

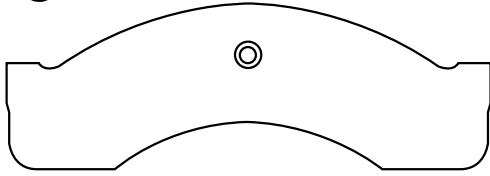
6 - DISC PADS

HYDRAULIC DISC BRAKE PADS

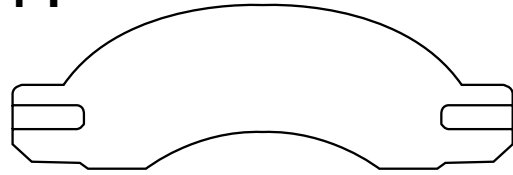
D120								
MERITOR SET NO.	FMSI PAD NO.	FMSI SET NO.	BACKING PLATE LENGTH	BACKING PLATE THICKNESS				
MD120 MD120M MVD120	D120	7054	7 9/16"	7/32"				
D122-O				D122-I				
MERITOR SET NO.	FMSI OUTER PAD NO.	FMSI INNER PAD NO.	FMSI SET NO.	OUTER BACKING PLATE LENGTH	OUTER BACKING PLATE THICKNESS	INNER BACKING PLATE LENGTH	INNER BACKING PLATE THICKNESS	
MD269	D122-O	D122-I	7019	6 63/64"	11/64"	5 5/16"	7/32"	
D149-O				D149-I				
MERITOR SET NO.	FMSI OUTER PAD NO.	FMSI INNER PAD NO.	FMSI SET NO.	OUTER BACKING PLATE LENGTH	OUTER BACKING PLATE THICKNESS	INNER BACKING PLATE LENGTH	INNER BACKING PLATE THICKNESS	
MD149 MD149M MVD149	D149-O	D149-I	7081A	8 1/8"	13/64"	7 13/64"	17/64"	
D152-O				D152-I				
MERITOR SET NO.	FMSI OUTER PAD NO.	FMSI INNER PAD NO.	FMSI SET NO.	OUTER BACKING PLATE LENGTH	OUTER BACKING PLATE THICKNESS	INNER BACKING PLATE LENGTH	INNER BACKING PLATE THICKNESS	
MD392	D152-O	D152-I	7084A	7 25/32"	1/8"	7 7/32"	7/32"	
D154-O				D154-I				
MERITOR SET NO.	FMSI OUTER PAD NO.	FMSI INNER PAD NO.	FMSI SET NO.	OUTER BACKING PLATE LENGTH	OUTER BACKING PLATE THICKNESS	INNER BACKING PLATE LENGTH	INNER BACKING PLATE THICKNESS	
MD154M MD154M MVD154	D154-O	D154-I	7070A 7480 7480A	4 55/64"	1/8"	5 27/32"	3/16"	

HYDRAULIC DISC BRAKE PADS

D171-O

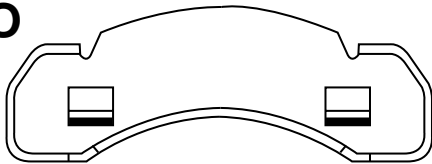


D171-I

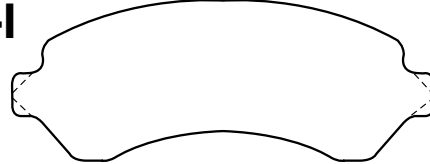


MERITOR SET NO.	FMSI OUTER PAD NO.	FMSI INNER PAD NO.	FMSI SET NO.	OUTER BACKING PLATE LENGTH	OUTER BACKING PLATE THICKNESS	INNER BACKING PLATE LENGTH	INNER BACKING PLATE THICKNESS
MD171 MVD171	D171-O	D171-I	7805	12 1/4"	19/64"	11 13/32"	19/64"

D184-O

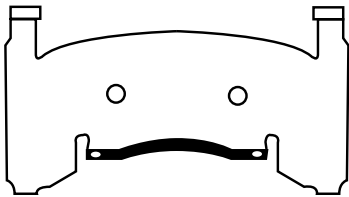


D184-I

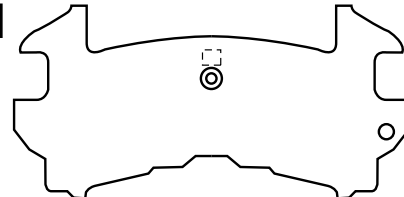


MERITOR SET NO.	FMSI OUTER PAD NO.	FMSI INNER PAD NO.	FMSI SET NO.	OUTER BACKING PLATE LENGTH	OUTER BACKING PLATE THICKNESS	INNER BACKING PLATE LENGTH	INNER BACKING PLATE THICKNESS
MD380	D184-O	D184-I	7806	10 1/16"	13/64"	8 5/64"	17/64"

D202-O

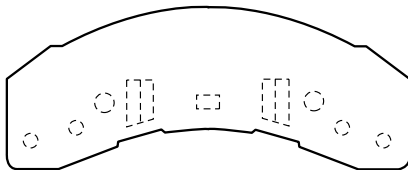


D202-I

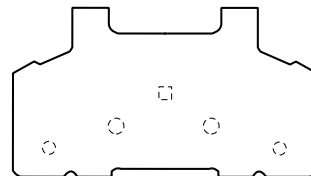


MERITOR SET NO.	FMSI OUTER PAD NO.	FMSI INNER PAD NO.	FMSI SET NO.	OUTER BACKING PLATE LENGTH	OUTER BACKING PLATE THICKNESS	INNER BACKING PLATE LENGTH	INNER BACKING PLATE THICKNESS
MD154	D202-O	D202-I	7480A	4 55/64"	1/8"	5 55/64"	3/16"

D215-O

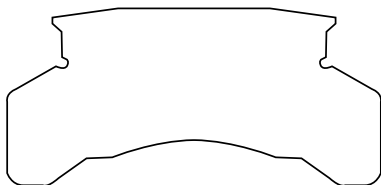


D215-I



MERITOR SET NO.	FMSI OUTER PAD NO.	FMSI INNER PAD NO.	FMSI SET NO.	OUTER BACKING PLATE LENGTH	OUTER BACKING PLATE THICKNESS	INNER BACKING PLATE LENGTH	INNER BACKING PLATE THICKNESS
MD215 MVD215	D215-O	D215-I	7136	5 51/64"	1/8"	4 59/64"	3/16"

D224



MERITOR SET NO.	FMSI PAD NO.	FMSI SET NO.	BACKING PLATE LENGTH	BACKING PLATE THICKNESS
MD224 MD224M MVD224	D224 (4 per Set)	7141 7807	8 13/32"	1/4"

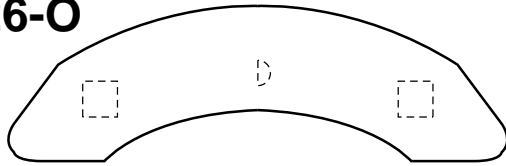
6 - DISC PADS

HYDRAULIC DISC BRAKE PADS

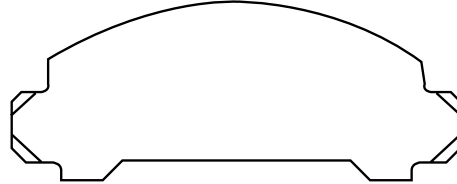
D225-O				D225-I			
MERITOR SET NO.	FMSI OUTER PAD NO.	FMSI INNER PAD NO.	FMSI SET NO.	OUTER BACKING PLATE LENGTH	OUTER BACKING PLATE THICKNESS	INNER BACKING PLATE LENGTH	INNER BACKING PLATE THICKNESS
MD225 MD225M MVD225	D225-O	D225-I	7142 7808 7818	10 5/8"	7/32"	8 5/64"	17/64"
D236							
MERITOR SET NO.	FMSI PAD NO.	FMSI SET NO.	BACKING PLATE LENGTH	BACKING PLATE THICKNESS			
MD236 MD236M MVD236	D236 (4 per Set)	7149 7809	9"	1/4"			
D249-O				D249-I			
MERITOR SET NO.	FMSI OUTER PAD NO.	FMSI INNER PAD NO.	FMSI SET NO.	OUTER BACKING PLATE LENGTH	OUTER BACKING PLATE THICKNESS	INNER BACKING PLATE LENGTH	INNER BACKING PLATE THICKNESS
MD387	D249-O	D249-I	7125	6 49/64"	13/64"	6 19/64"	13/64"
D259-O				D259-I			
MERITOR SET NO.	FMSI OUTER PAD NO.	FMSI INNER PAD NO.	FMSI SET NO.	OUTER BACKING PLATE LENGTH	OUTER BACKING PLATE THICKNESS	INNER BACKING PLATE LENGTH	INNER BACKING PLATE THICKNESS
MD259 MVD259	D259-O	D259-I	7164	8 47/64"	1/4"	6 9/64"	1/4"
D269-O				D269-I			
MERITOR SET NO.	FMSI OUTER PAD NO.	FMSI INNER PAD NO.	FMSI SET NO.	OUTER BACKING PLATE LENGTH	OUTER BACKING PLATE THICKNESS	INNER BACKING PLATE LENGTH	INNER BACKING PLATE THICKNESS
MD269 MD269M MVD269	D269-O	D269-I	7179A 7179	6 63/64"	11/64"	5 15/16"	7/32"

HYDRAULIC DISC BRAKE PADS

D326-O

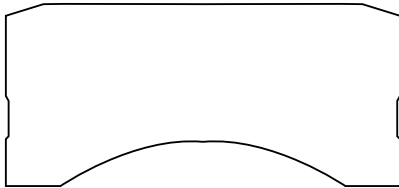


D326-I



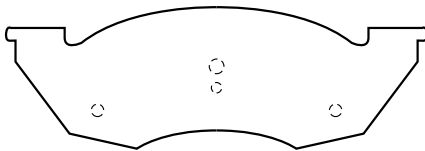
MERITOR SET NO.	FMSI OUTER PAD NO.	FMSI INNER PAD NO.	FMSI SET NO.	OUTER BACKING PLATE LENGTH	OUTER BACKING PLATE THICKNESS	INNER BACKING PLATE LENGTH	INNER BACKING PLATE THICKNESS
MD326 MVD326	D326-O	D326-I	7224	6 49/64"	13/64"	6 19/64"	13/64"

D327

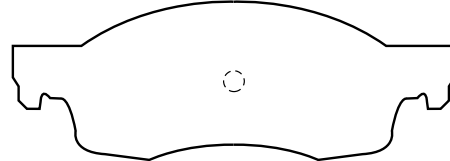


MERITOR SET NO.	FMSI PAD NO.	FMSI SET NO.	BACKING PLATE LENGTH	BACKING PLATE THICKNESS
MD379	D327	7812	8 15/64"	15/64"

D344-O

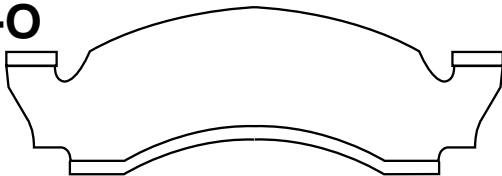


D344-I

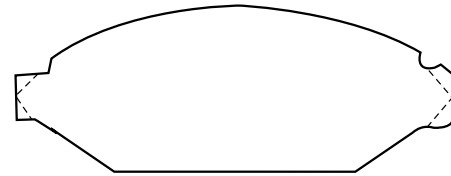


MERITOR SET NO.	FMSI OUTER PAD NO.	FMSI INNER PAD NO.	FMSI SET NO.	OUTER BACKING PLATE LENGTH	OUTER BACKING PLATE THICKNESS	INNER BACKING PLATE LENGTH	INNER BACKING PLATE THICKNESS
MD344 MVD344	D344A-O	D344A-I	7237A	6 7/16"	13/64"	6 13/32"	7/32"

D360-O

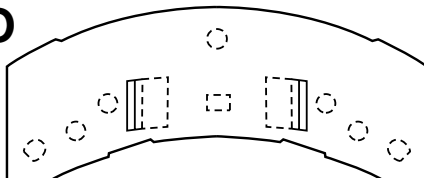


D360-I

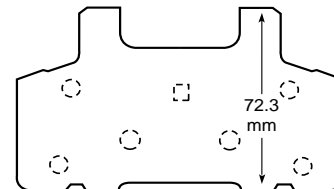


MERITOR SET NO.	FMSI OUTER PAD NO.	FMSI INNER PAD NO.	FMSI SET NO.	OUTER BACKING PLATE LENGTH	OUTER BACKING PLATE THICKNESS	INNER BACKING PLATE LENGTH	INNER BACKING PLATE THICKNESS
MD360	D360-O	D360-I	788	7 13/64"	11/64	6 13/64"	7/32"

D368-O



D368-I



MERITOR SET NO.	FMSI OUTER PAD NO.	FMSI INNER PAD NO.	FMSI SET NO.	OUTER BACKING PLATE LENGTH	OUTER BACKING PLATE THICKNESS	INNER BACKING PLATE LENGTH	INNER BACKING PLATE THICKNESS
MD368 MVD368	D368-O	D368-I	7259	5 51/64"	3/16"	4 59/64"	3/16"

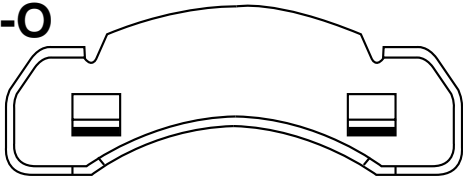
6 - DISC PADS

HYDRAULIC DISC BRAKE PADS

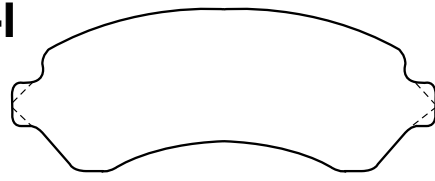
D369-O				D369-I			
MERITOR SET NO.	FMSI OUTER PAD NO.	FMSI INNER PAD NO.	FMSI SET NO.	OUTER BACKING PLATE LENGTH	OUTER BACKING PLATE THICKNESS	INNER BACKING PLATE LENGTH	INNER BACKING PLATE THICKNESS
MD369 MD369M MVD369	D369-O	D369-I	7259	5 51/64"	3/16"	4 59/64"	3/16"
D370-O				D370-I			
MERITOR SET NO.	FMSI OUTER PAD NO.	FMSI INNER PAD NO.	FMSI SET NO.	OUTER BACKING PLATE LENGTH	OUTER BACKING PLATE THICKNESS	INNER BACKING PLATE LENGTH	INNER BACKING PLATE THICKNESS
MD370 MD370M MVD370	D370-O	D370-I	7260 7260D	5 51/64"	3/16"	4 59/64"	7/32"
D375-O				D375-I			
MERITOR SET NO.	FMSI OUTER PAD NO.	FMSI INNER PAD NO.	FMSI SET NO.	OUTER BACKING PLATE LENGTH	OUTER BACKING PLATE THICKNESS	INNER BACKING PLATE LENGTH	INNER BACKING PLATE THICKNESS
MD375 MD375M MVD376	D375-O	D375-I	7264 7361	7 13/64"	11/64"	6 13/64"	7/32"
D376-O				D376-I			
Insulators staked on LH/RH wear sensors				Insulators staked on			
MERITOR SET NO.	FMSI OUTER PAD NO.	FMSI INNER PAD NO.	FMSI SET NO.	OUTER BACKING PLATE LENGTH	OUTER BACKING PLATE THICKNESS	INNER BACKING PLATE LENGTH	INNER BACKING PLATE THICKNESS
MD376	D376-O	D376-I	7265	5 33/64"	3/16"	5 33/64"	3/16"
D379							
MERITOR SET NO.	FMSI PAD NO.	FMSI SET NO.	BACKING PLATE LENGTH	BACKING PLATE THICKNESS			
MD379 MD379M MVD379	D379	7812 7814	8 15/64"	15/64"			

HYDRAULIC DISC BRAKE PADS

D380-O

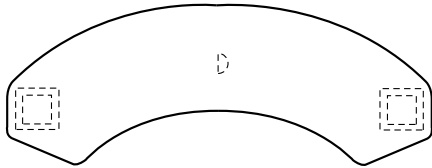


D380-I

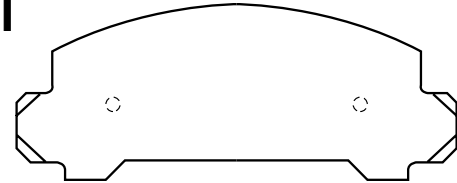


MERITOR SET NO.	FMSI OUTER PAD NO.	FMSI INNER PAD NO.	FMSI SET NO.	OUTER BACKING PLATE LENGTH	OUTER BACKING PLATE THICKNESS	INNER BACKING PLATE LENGTH	INNER BACKING PLATE THICKNESS
MD380 MD380M MVD380	D380-O	D380-I	7815	10 1/16"	13/64"	8 5/64"	17/64"

D387-O

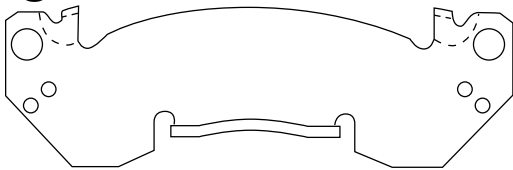


D387-I

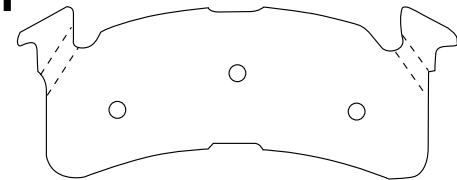


MERITOR SET NO.	FMSI OUTER PAD NO.	FMSI INNER PAD NO.	FMSI SET NO.	OUTER BACKING PLATE LENGTH	OUTER BACKING PLATE THICKNESS	INNER BACKING PLATE LENGTH	INNER BACKING PLATE THICKNESS
MD387 MVD387	D387-O	D387-I	7125	6 49/64"	13/64"	6 19/64"	13/64"

D392-O

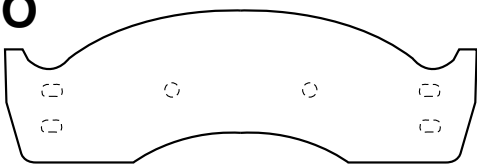


D392-I

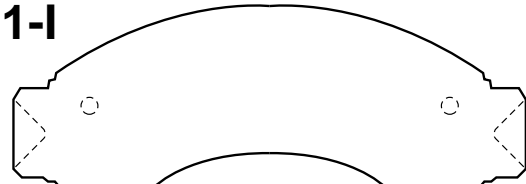


MERITOR SET NO.	FMSI OUTER PAD NO.	FMSI INNER PAD NO.	FMSI SET NO.	OUTER BACKING PLATE LENGTH	OUTER BACKING PLATE THICKNESS	INNER BACKING PLATE LENGTH	INNER BACKING PLATE THICKNESS
MD392 MVD392	D392-O	D392-I	7280	7 49/64"	3 19/64"	7 7/32"	7/32"

D411-O

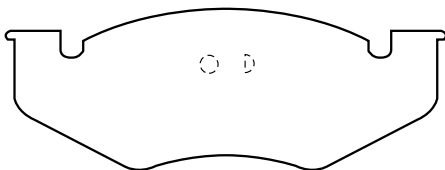


D411-I

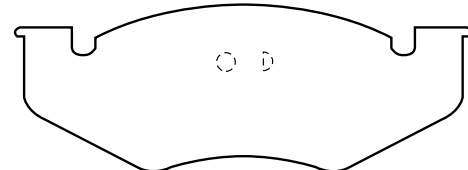


MERITOR SET NO.	FMSI OUTER PAD NO.	FMSI INNER PAD NO.	FMSI SET NO.	OUTER BACKING PLATE LENGTH	OUTER BACKING PLATE THICKNESS	INNER BACKING PLATE LENGTH	INNER BACKING PLATE THICKNESS
MD411	D411-O	D411-I	7299	9 17/64"	7/32"	8 21/32"	7/32"

D414



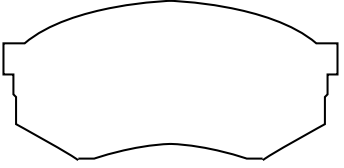
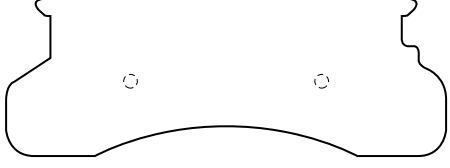
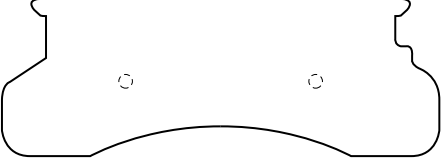
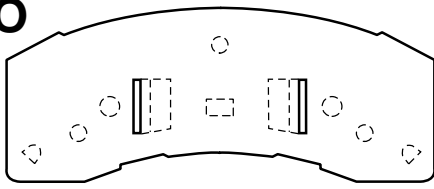
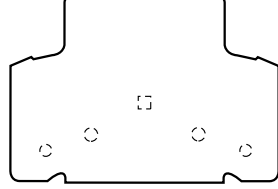


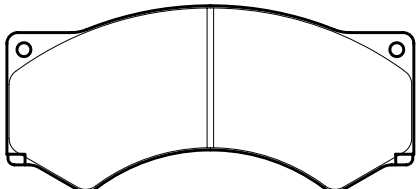
D416



MERITOR SET NO.	FMSI PAD NO.	FMSI SET NO.	BACKING PLATE LENGTH	BACKING PLATE THICKNESS	MERITOR SET NO.	FMSI PAD NO.	FMSI SET NO.	BACKING PLATE LENGTH	BACKING PLATE THICKNESS
MD416	D414	7302	6 1/2"	13/64"	MD416 MVD416	D416	7258A	6 1/2"	13/64"

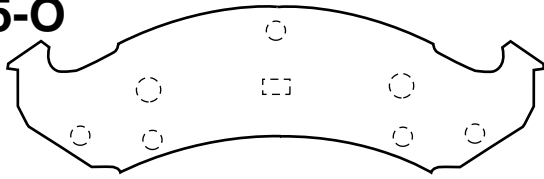
6 - DISC PADS

HYDRAULIC DISC BRAKE PADS

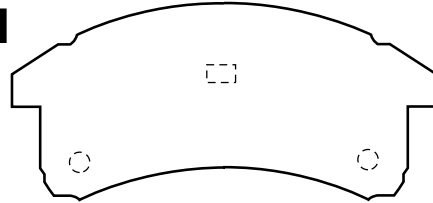
D433 					D442 				
MERITOR SET NO.	FMSI PAD NO.	FMSI SET NO.	BACKING PLATE LENGTH	BACKING PLATE THICKNESS	MERITOR SET NO.	FMSI PAD NO.	FMSI SET NO.	BACKING PLATE LENGTH	BACKING PLATE THICKNESS
MD433 MVD433	D433	7500	4 9/16"	7/32"	MD442	D432	7816	6 29/32"	15/64"
D450 									
MERITOR SET NO.	FMSI PAD NO.	FMSI SET NO.	BACKING PLATE LENGTH	BACKING PLATE THICKNESS					
MD450 MD450M MVD450	D450	7330	7 9/16"	13/64"					
D459-O 					D459-I 				
MERITOR SET NO.	FMSI OUTER PAD NO.	FMSI INNER PAD NO.	FMSI SET NO.	OUTER BACKING PLATE LENGTH	OUTER BACKING PLATE THICKNESS	INNER BACKING PLATE LENGTH	INNER BACKING PLATE THICKNESS		
MD459 MD459M MVD459	D459-O	D459-I	7339	5 51/64"	15/64"	4 29/32"	7/32"		
D477-O 					D477-I 				
MERITOR SET NO.	FMSI OUTER PAD NO.	FMSI INNER PAD NO.	FMSI SET NO.	OUTER BACKING PLATE LENGTH	OUTER BACKING PLATE THICKNESS	INNER BACKING PLATE LENGTH	INNER BACKING PLATE THICKNESS		
MD477 MD477M MVD477	D477-O	D477-I	7507A	6 31/32"	13/64"	3 31/32"	13/64"		
D494 									
MERITOR SET NO.	FMSI PAD NO.	FMSI SET NO.	BACKING PLATE LENGTH	BACKING PLATE THICKNESS					
MD494 MVD494	D494	7817	7 33/64"	3/16"					

HYDRAULIC DISC BRAKE PADS

D505-O

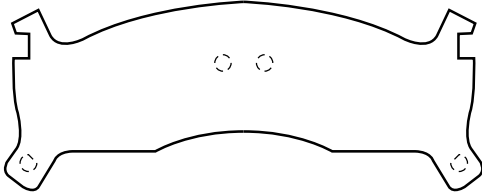


D505-I

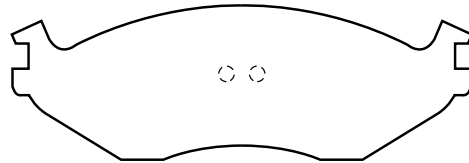


MERITOR SET NO.	FMSI OUTER PAD NO.	FMSI INNER PAD NO.	FMSI SET NO.	OUTER BACKING PLATE LENGTH	OUTER BACKING PLATE THICKNESS	INNER BACKING PLATE LENGTH	INNER BACKING PLATE THICKNESS
MD505	D505-O	D505-I	7384	8 3/8"	3/16"	5 13/16"	3/16"

D521-O

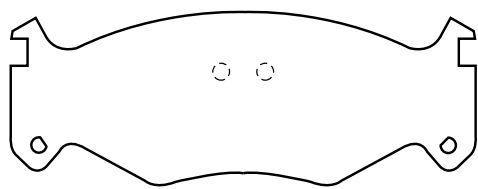


D521-I

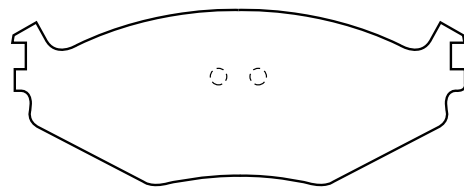


MERITOR SET NO.	FMSI OUTER PAD NO.	FMSI INNER PAD NO.	FMSI SET NO.	OUTER BACKING PLATE LENGTH	OUTER BACKING PLATE THICKNESS	INNER BACKING PLATE LENGTH	INNER BACKING PLATE THICKNESS
MD521 MVD521	D521-O	D521-I	7403 7403A	6 51/64"	3/16"	6 1/2"	13/64"

D522-O

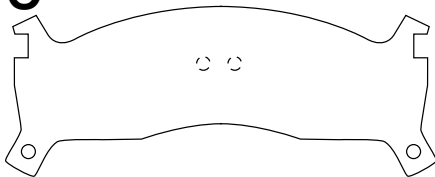


D522-I

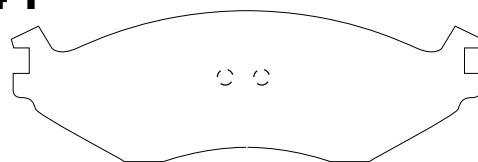


MERITOR SET NO.	FMSI OUTER PAD NO.	FMSI INNER PAD NO.	FMSI SET NO.	OUTER BACKING PLATE LENGTH	OUTER BACKING PLATE THICKNESS	INNER BACKING PLATE LENGTH	INNER BACKING PLATE THICKNESS
MD522 MVD522	D522-O	D522-I	7404A	6 1/2"	3/16"	6 1/2"	13/64"

D524-O

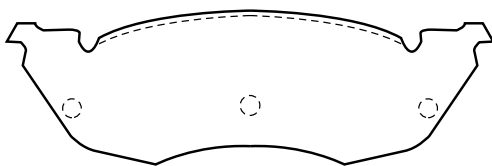


D524-I



MERITOR SET NO.	FMSI OUTER PAD NO.	FMSI INNER PAD NO.	FMSI SET NO.	OUTER BACKING PLATE LENGTH	OUTER BACKING PLATE THICKNESS	INNER BACKING PLATE LENGTH	INNER BACKING PLATE THICKNESS
MD524 MVD524	D524-O	D524-I	7406	6 51/64"	3/16"	6 1/2"	13/64"

D529



MERITOR SET NO.	FMSI PAD NO.	FMSI SET NO.	BACKING PLATE LENGTH	BACKING PLATE THICKNESS
MD529 MVD529	D529	7410	6 63/64"	7/32"

6 - DISC PADS

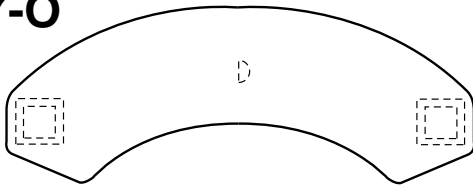
HYDRAULIC DISC BRAKE PADS

D542-O				D542-I					
MERITOR SET NO.	FMSI OUTER PAD NO.	FMSI INNER PAD NO.	FMSI SET NO.	OUTER BACKING PLATE LENGTH	OUTER BACKING PLATE THICKNESS	INNER BACKING PLATE LENGTH	INNER BACKING PLATE THICKNESS		
MD149	D542-O	D542-I	7081	8 1/8"	3/16"	7 13/64"	17/64"		
D546-O				D546-I					
MERITOR SET NO.	FMSI OUTER PAD NO.	FMSI INNER PAD NO.	FMSI SET NO.	OUTER BACKING PLATE LENGTH	OUTER BACKING PLATE THICKNESS	INNER BACKING PLATE LENGTH	INNER BACKING PLATE THICKNESS		
MD675	D546-O	D546-1	7425	9 3/8"	5/16"	7 7/32"	5/16"		
D557									
All shoes have lugs on ends for staked on insulator. Outer shoes have middle 2 lugs for clip attachment.									
MERITOR SET NO.	FMSI PAD NO.	FMSI SET NO.	BACKING PLATE LENGTH	BACKING PLATE THICKNESS					
MD557 MD557M MVD557	D557	7436	9 3/8"	13/64"					
D591-O				D591-I					
MERITOR SET NO.	FMSI OUTER PAD NO.	FMSI INNER PAD NO.	FMSI SET NO.	OUTER BACKING PLATE LENGTH	OUTER BACKING PLATE THICKNESS	INNER BACKING PLATE LENGTH	INNER BACKING PLATE THICKNESS		
MD591 MVD591	D591-O	D591-I	7470A	6 1/2"	3/16"	6 1/2"	13/64"		
D593				D601					
MERITOR SET NO.	FMSI PAD NO.	FMSI SET NO.	BACKING PLATE LENGTH	BACKING PLATE THICKNESS	MERITOR SET NO.	FMSI PAD NO.	FMSI SET NO.	BACKING PLATE LENGTH	BACKING PLATE THICKNESS
MD592	D593	7410A	6 63/64"	7/32"	MD601 MVD601	D601	7479	4 7/8"	17/64"

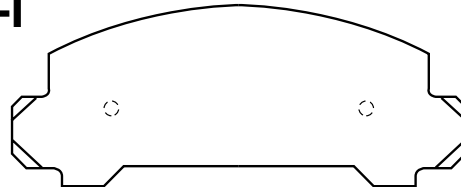
6 - DISC PADS

HYDRAULIC DISC BRAKE PADS

D607-O

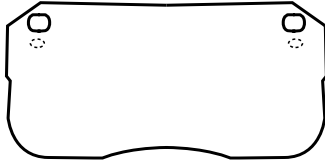


D607-I



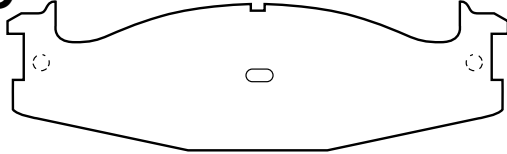
MERITOR SET NO.	FMSI OUTER PAD NO.	FMSI INNER PAD NO.	FMSI SET NO.	OUTER BACKING PLATE LENGTH	OUTER BACKING PLATE THICKNESS	INNER BACKING PLATE LENGTH	INNER BACKING PLATE THICKNESS
MD387	D607-O	D607-I	7488	6 49/64"	13/64"	6 19/64"	13/64"

D624

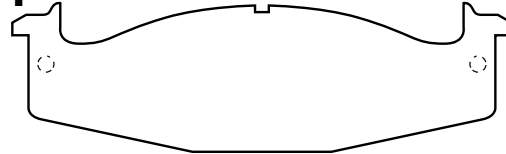


MERITOR SET NO.	FMSI PAD NO.	FMSI SET NO.	BACKING PLATE LENGTH	BACKING PLATE THICKNESS
MD624 MVD624	D624	7499	5 29/32"	7/32"

D626-O

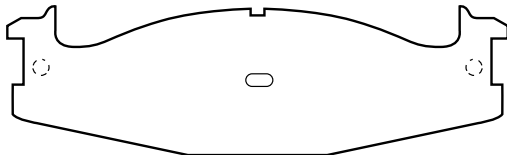


D626-I

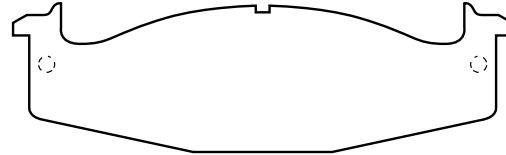


MERITOR SET NO.	FMSI OUTER PAD NO.	FMSI INNER PAD NO.	FMSI SET NO.	OUTER BACKING PLATE LENGTH	OUTER BACKING PLATE THICKNESS	INNER BACKING PLATE LENGTH	INNER BACKING PLATE THICKNESS
MD626	D626-O	D626-I	7503	7 41/64"	1/4"	7 41/64"	1/4"

D632-O

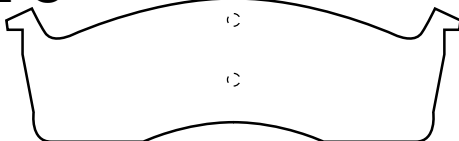


D632-I



MERITOR SET NO.	FMSI OUTER PAD NO.	FMSI INNER PAD NO.	FMSI SET NO.	OUTER BACKING PLATE LENGTH	OUTER BACKING PLATE THICKNESS	INNER BACKING PLATE LENGTH	INNER BACKING PLATE THICKNESS
MD632 MVD632	D632-O	D632-I	7503	7 41/64"	1/4"	7 41/64"	1/4"

D642-O



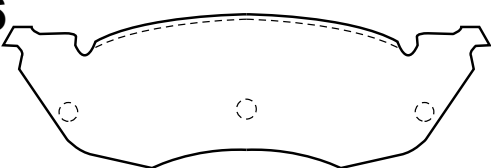
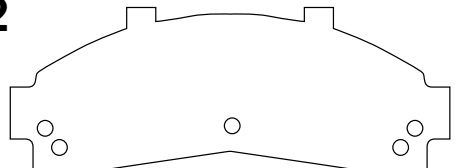
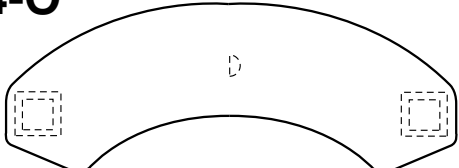
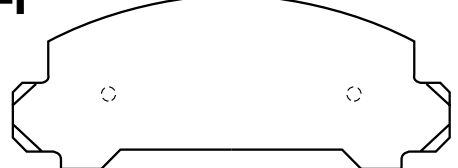
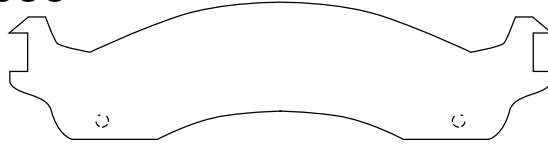
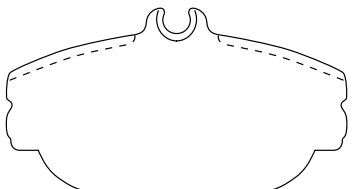
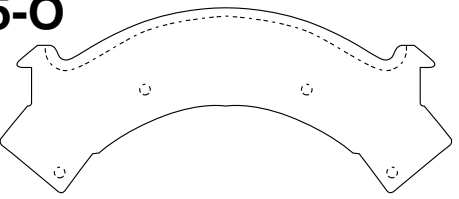
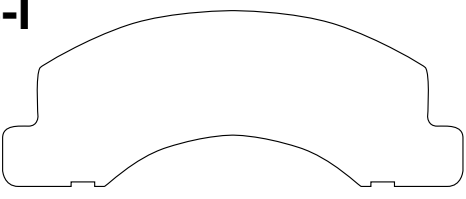
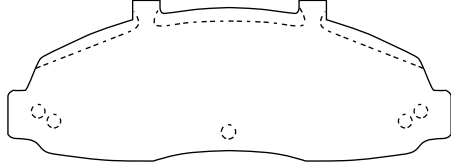
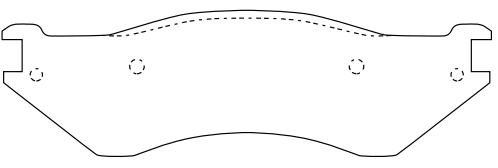
D642-I



MERITOR SET NO.	FMSI OUTER PAD NO.	FMSI INNER PAD NO.	FMSI SET NO.	OUTER BACKING PLATE LENGTH	OUTER BACKING PLATE THICKNESS	INNER BACKING PLATE LENGTH	INNER BACKING PLATE THICKNESS
MD591	D642-O	D642-I	7470A	6 1/2"	3/16"	6 1/2"	13/64"

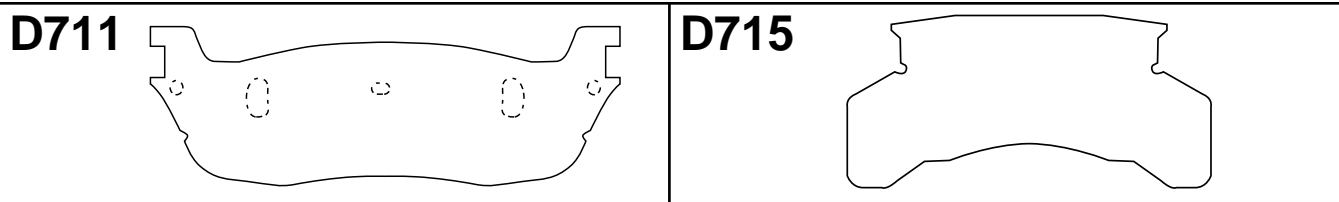
6 - DISC PADS

HYDRAULIC DISC BRAKE PADS

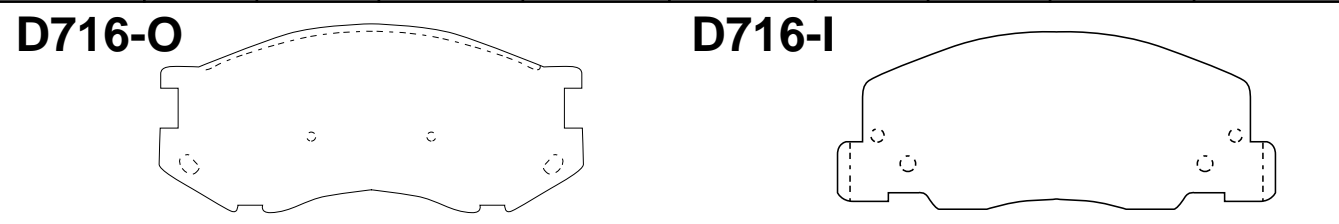
D646 					D652 				
MERITOR SET NO.	FMSI PAD NO.	FMSI SET NO.	BACKING PLATE LENGTH	BACKING PLATE THICKNESS	MERITOR SET NO.	FMSI PAD NO.	FMSI SET NO.	BACKING PLATE LENGTH	BACKING PLATE THICKNESS
MD646 MVD646	D646	7527	6 31/32"	1/4"	MD652 MVD652	D652	7532	6 1/16"	1/4"
D654-O 					D654-I 				
MERITOR SET NO.	FMSI OUTER PAD NO.	FMSI INNER PAD NO.	FMSI SET NO.	OUTER BACKING PLATE LENGTH	OUTER BACKING PLATE THICKNESS	INNER BACKING PLATE LENGTH	INNER BACKING PLATE THICKNESS		
MD387	D654-O	D654-I	7534A	6 49/64"	13/16"	6 5/16"	13/16"		
D655 					D656 				
MERITOR SET NO.	FMSI PAD NO.	FMSI SET NO.	BACKING PLATE LENGTH	BACKING PLATE THICKNESS	MERITOR SET NO.	FMSI PAD NO.	FMSI SET NO.	BACKING PLATE LENGTH	BACKING PLATE THICKNESS
MD655 MD655M MVD655	D655	7535	8 43/64"	1/4"	MD601	D656	7536	4 7/8"	17/64"
D675-O 					D675-I 				
MERITOR SET NO.	FMSI OUTER PAD NO.	FMSI INNER PAD NO.	FMSI SET NO.	OUTER BACKING PLATE LENGTH	OUTER BACKING PLATE THICKNESS	INNER BACKING PLATE LENGTH	INNER BACKING PLATE THICKNESS		
MD675 MVD675	D675-O	D675-I	7425	9 3/8"	5/16"	7 7/32"	5/16"		
D679 					D702 				
MERITOR SET NO.	FMSI PAD NO.	FMSI SET NO.	BACKING PLATE LENGTH	BACKING PLATE THICKNESS	MERITOR SET NO.	FMSI PAD NO.	FMSI SET NO.	BACKING PLATE LENGTH	BACKING PLATE THICKNESS
MD679 MVD679	D679	7558	6 35/64"	15/64"	MD702 MVD702	D702	7576	7 27/64"	15/64"

6 - DISC PADS

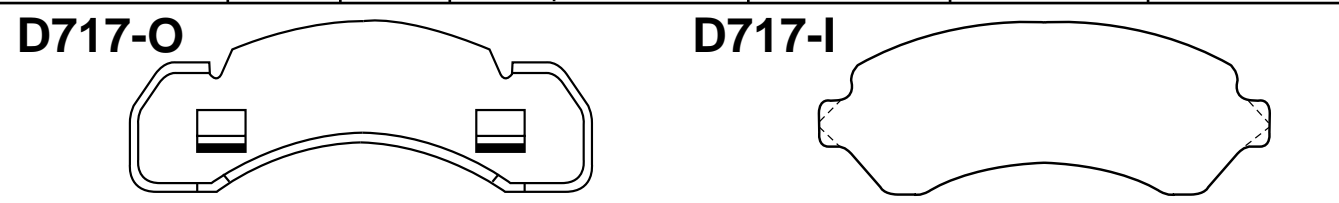
HYDRAULIC DISC BRAKE PADS



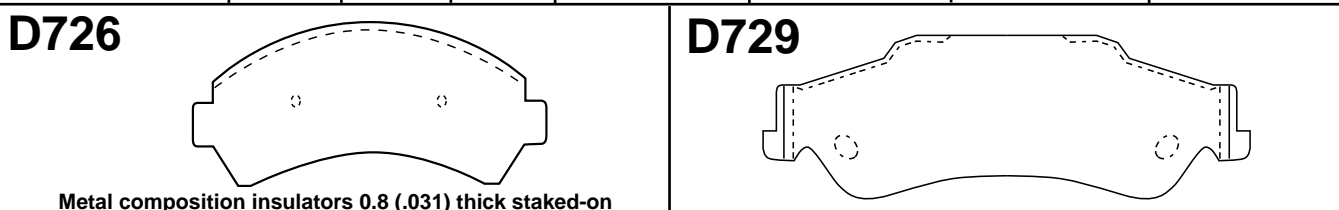
MERITOR SET NO.	FMSI PAD NO.	FMSI SET NO.	BACKING PLATE LENGTH	BACKING PLATE THICKNESS	EUCLID SET NO.	FMSI PAD NO.	FMSI SET NO.	BACKING PLATE LENGTH	BACKING PLATE THICKNESS
MD711 MVD711	D711	7584	5 39/64"	13/64"	MD715	D715	7141 7807	8 25/64"	1/4"



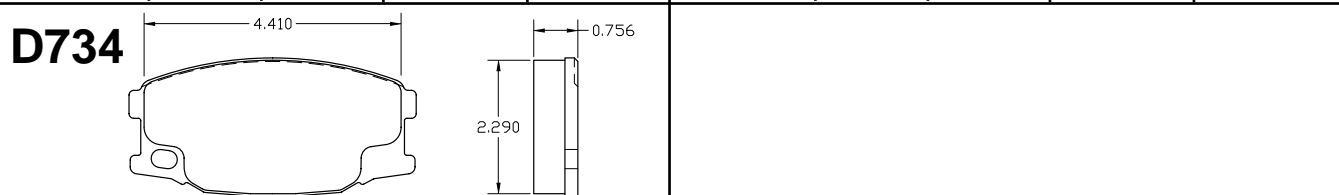
MERITOR SET NO.	FMSI OUTER PAD NO.	FMSI INNER PAD NO.	FMSI SET NO.	OUTER BACKING PLATE LENGTH	OUTER BACKING PLATE THICKNESS	INNER BACKING PLATE LENGTH	INNER BACKING PLATE THICKNESS
MD716 MVD716	D716-O	D716-I	7587	5"	7/32"	5 3/64"	7/32"



MERITOR SET NO.	FMSI OUTER PAD NO.	FMSI INNER PAD NO.	FMSI SET NO.	OUTER BACKING PLATE LENGTH	OUTER BACKING PLATE THICKNESS	INNER BACKING PLATE LENGTH	INNER BACKING PLATE THICKNESS
MD380	D717-O	D717-I	7815	10 1/16"	3/16"	8 1/16"	17/64"



MERITOR SET NO.	FMSI PAD NO.	FMSI SET NO.	BACKING PLATE LENGTH	BACKING PLATE THICKNESS	MERITOR SET NO.	FMSI PAD NO.	FMSI SET NO.	BACKING PLATE LENGTH	BACKING PLATE THICKNESS
MD726	D726	7593	6 9/16"	3/16"	MD729 MVD729	D729	7596	5 5/8"	15/64"

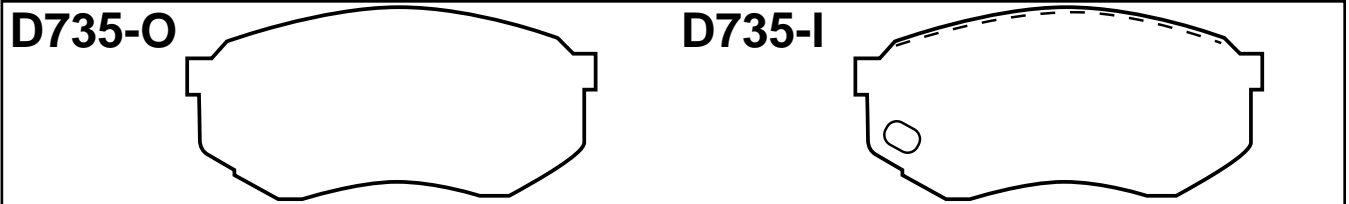


Eight piece set. One shoe as shown, one shoe mirror image
six shoes with no holes.

MERITOR SET NO.	FMSI PAD NO.	FMSI SET NO.	BACKING PLATE LENGTH	BACKING PLATE THICKNESS
MD734	D734	7603	4 15/16"	7/32"

6 - DISC PADS

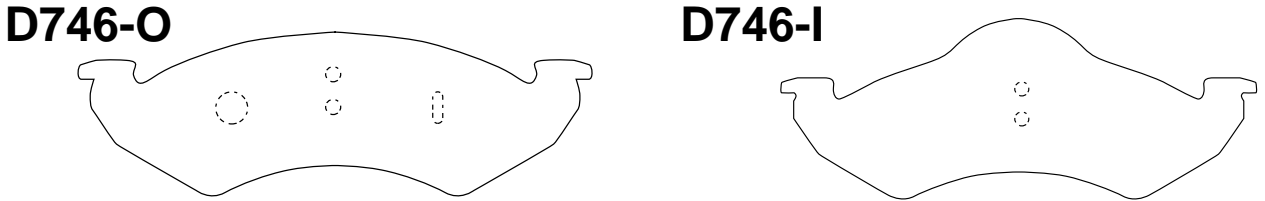
HYDRAULIC DISC BRAKE PADS



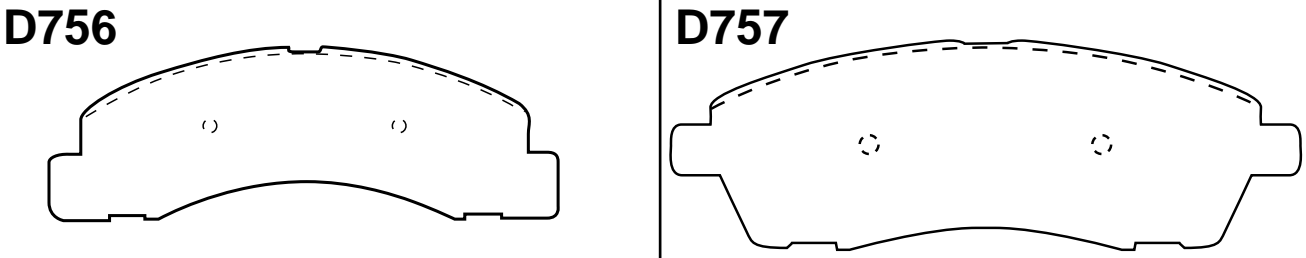
Eight piece set. 6 pieces as shown

Eight piece set. One piece as shown, one piece mirror image

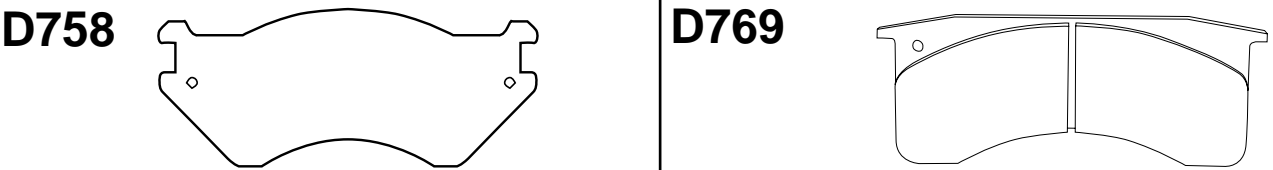
MERITOR SET NO.	FMSI OUTER PAD NO.	FMSI INNER PAD NO.	FMSI SET NO.	OUTER BACKING PLATE LENGTH	OUTER BACKING PLATE THICKNESS	INNER BACKING PLATE LENGTH	INNER BACKING PLATE THICKNESS
MD735	D735-O	D735-I	7604	4 9/16"	7/32"	4 9/16"	7/32"



MERITOR SET NO.	FMSI OUTER PAD NO.	FMSI INNER PAD NO.	FMSI SET NO.	OUTER BACKING PLATE LENGTH	OUTER BACKING PLATE THICKNESS	INNER BACKING PLATE LENGTH	INNER BACKING PLATE THICKNESS
MD746 MVD746	D746-O	D746-I	7616	7 9/16"	15/64"	7 9/16"	15/64"



MERITOR SET NO.	FMSI PAD NO.	FMSI SET NO.	BACKING PLATE LENGTH	BACKING PLATE THICKNESS	MERITOR SET NO.	FMSI PAD NO.	FMSI SET NO.	BACKING PLATE LENGTH	BACKING PLATE THICKNESS
MD756 MVD756	D7625	7625	7 39/64"	1/4"	MD757 MVD757	D7626	7626	6 1/4"	1/4"

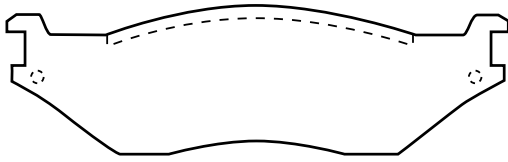


MERITOR SET NO.	FMSI PAD NO.	FMSI SET NO.	BACKING PLATE LENGTH	BACKING PLATE THICKNESS	MERITOR SET NO.	FMSI PAD NO.	FMSI SET NO.	BACKING PLATE LENGTH	BACKING PLATE THICKNESS
MD756 MVD756	D758	7627	7 27/64"	1/4"	KIT769AM MD769M MVD769	D1032	7636	9 29/64"	1/4"

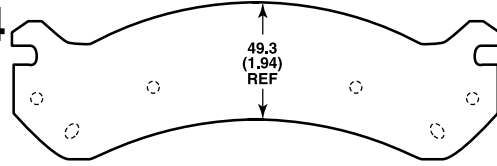
6 - DISC PADS

HYDRAULIC DISC BRAKE PADS

D777



D784

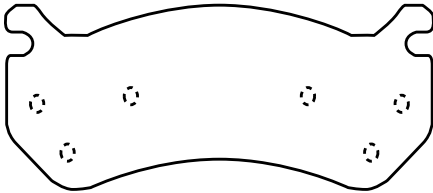


Metal composite shim 0.9 (.035) thick
Two shoes have two sensors staked-on
Two shoes have one sensors (LH,RH) staked on

MERITOR SET NO.	FMSI PAD NO.	FMSI SET NO.	BACKING PLATE LENGTH	BACKING PLATE THICKNESS
MD777 MD777M MVD777	D777	7644	8 3/4"	1/4"

MERITOR SET NO.	FMSI PAD NO.	FMSI SET NO.	BACKING PLATE LENGTH	BACKING PLATE THICKNESS
MD784 MVD784	D784	7652	8 1/2"	1/4"

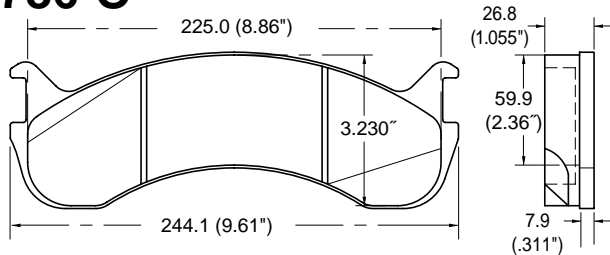
D785



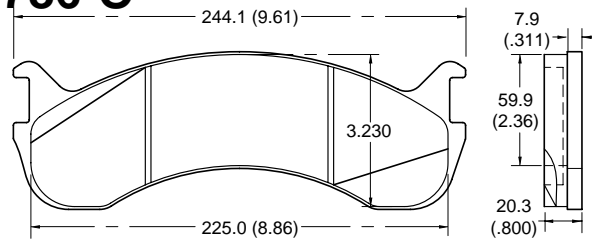
Two shoes have two sensors staked-on
Two shoes have one sensors (LH,RH) staked-on
Metal composite shim 0.9 (.035) thick

MERITOR SET NO.	FMSI PAD NO.	FMSI SET NO.	BACKING PLATE LENGTH	BACKING PLATE THICKNESS
MVD785	D785	7653	6 31/32"	15/64"

D786-O



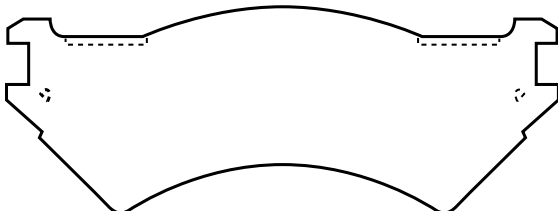
D786-O



MERITOR SET NO.	FMSI PAD NO.	FMSI SET NO.	BACKING PLATE LENGTH	BACKING PLATE THICKNESS
MD786A MD786AM MVD786A	D786	7655	9 39/64"	5/16"

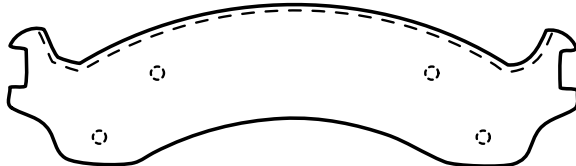
MERITOR SET NO.	FMSI PAD NO.	FMSI SET NO.	BACKING PLATE LENGTH	BACKING PLATE THICKNESS
MD786 MD786M MDV786	D786	7654	9 39/64"	5/16"

D802



Metal composite shim 0.9 (.035) thick

D821



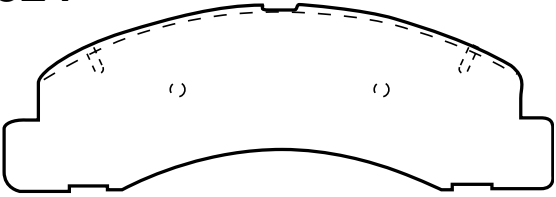
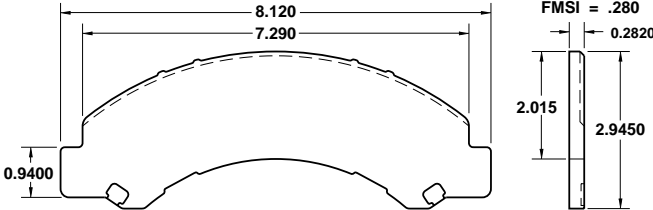
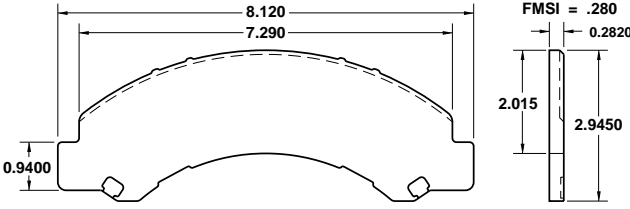
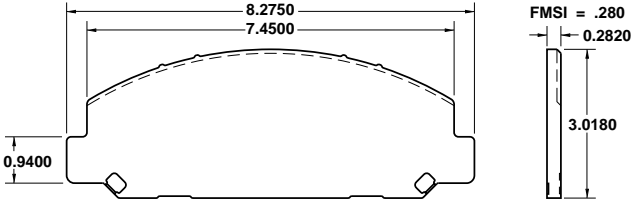
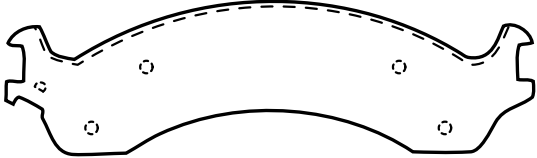
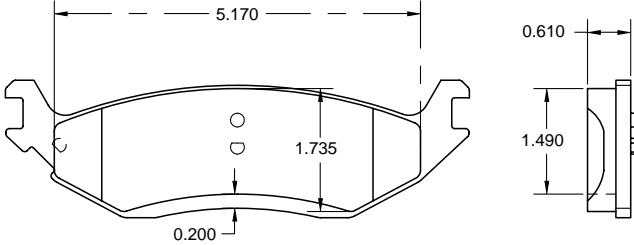
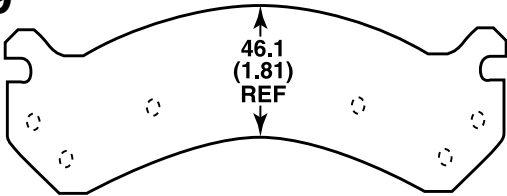
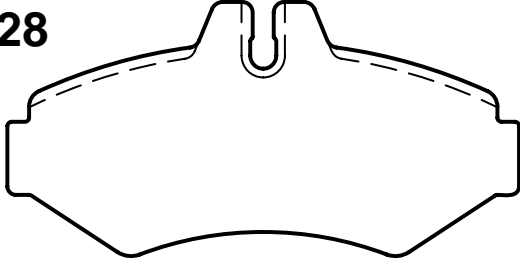
Metal composite shim 1.1 (.043) thick staked-on

MERITOR SET NO.	FMSI PAD NO.	FMSI SET NO.	BACKING PLATE LENGTH	BACKING PLATE THICKNESS
MDV802	D802	7673	7 27/64"	1/4"

MERITOR SET NO.	FMSI PAD NO.	FMSI SET NO.	BACKING PLATE LENGTH	BACKING PLATE THICKNESS
MD821	D821	7694	8 43/64"	1/4"

6 - DISC PADS

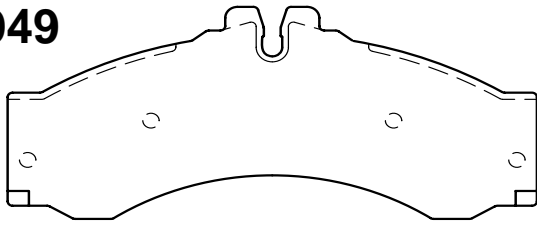
HYDRAULIC DISC BRAKE PADS

D824  Metal composite insulator 1.0 (.040) thick staked-on Two shoes have clip-on shim 0.4 (.016) thick					D825  Dimension across center of shoe 51.3 (2.02) ref.				
MERITOR SET NO.	FMSI PAD NO.	FMSI SET NO.	BACKING PLATE LENGTH	BACKING PLATE THICKNESS	MERITOR SET NO.	FMSI PAD NO.	FMSI SET NO.	BACKING PLATE LENGTH	BACKING PLATE THICKNESS
MVD824	D824	7625	7 39/64"	1/4"	MD825	D825	7697	8 1/8"	9/32"
D826  Dimension across center of shoe 59.2 (2.33) ref.					D827 FMSI Length 8.28  Dimension across center of shoe 59.2 (2.33) ref.				
MERITOR SET NO.	FMSI PAD NO.	FMSI SET NO.	BACKING PLATE LENGTH	BACKING PLATE THICKNESS	MERITOR SET NO.	FMSI PAD NO.	FMSI SET NO.	BACKING PLATE LENGTH	BACKING PLATE THICKNESS
MD826	D826	7698	8 1/8"	9/32"	MD827	D827	7697	8 9/32"	9/32"
D859 					D898 				
MERITOR SET NO.	FMSI PAD NO.	FMSI SET NO.	BACKING PLATE LENGTH	BACKING PLATE THICKNESS	MERITOR SET NO.	FMSI PAD NO.	FMSI SET NO.	BACKING PLATE LENGTH	BACKING PLATE THICKNESS
MD859	D859	7694	8 43/64"	1/4"	MD898	D898	7867 7775	5 11/64" 5 5/32"	5/8" 5/8"
D909  Metal composite shim 0.8 (0.31) thick All shoes have two sensors (LH,RH)					D928  Metal composite shim 0.7 (.028) thick				
MERITOR SET NO.	FMSI PAD NO.	FMSI SET NO.	BACKING PLATE LENGTH	BACKING PLATE THICKNESS	MERITOR SET NO.	FMSI PAD NO.	FMSI SET NO.	BACKING PLATE LENGTH	BACKING PLATE THICKNESS
MVD909	D909	7694	8 1/2"	17/64"	MD928	D928	7829	4 61/64"	7/32"

6 - DISC PADS

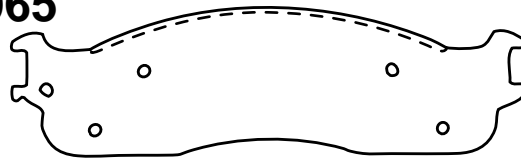
HYDRAULIC DISC BRAKE PADS

D949



Metal composite shim 0.8 (.032) thick

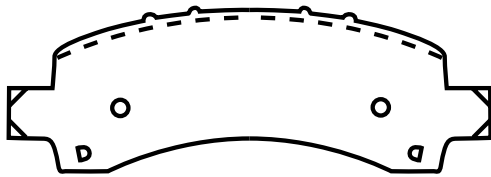
D965



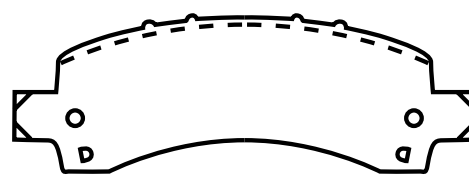
4 shoes same, 2 shoes have wear sensors
Composite shim with sticky back glued on 1.2 (.046) thick

MERITOR SET NO.	FMSI PAD NO.	FMSI SET NO.	BACKING PLATE LENGTH	BACKING PLATE THICKNESS	MERITOR SET NO.	FMSI PAD NO.	FMSI SET NO.	BACKING PLATE LENGTH	BACKING PLATE THICKNESS
MD949	D949	7848	6 31/64"	13/64"	MD965	D965	7864	8 21/32"	1/4"

D974-O



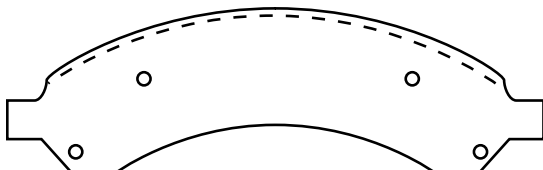
D974-I



Inner & outer identical, except 1 pair of lugs
Wear sensor LH/RH on lower lug. Shim 0.9 (.034) thick staked on

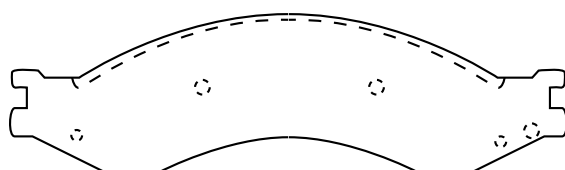
MERITOR SET NO.	FMSI OUTER PAD NO.	FMSI INNER PAD NO.	FMSI SET NO.	OUTER BACKING PLATE LENGTH	OUTER BACKING PLATE THICKNESS	INNER BACKING PLATE LENGTH	INNER BACKING PLATE THICKNESS
MDV974	D97	D974	7875 7881	6 51/64"	1/4"	6 51/64"	1/4"

D989



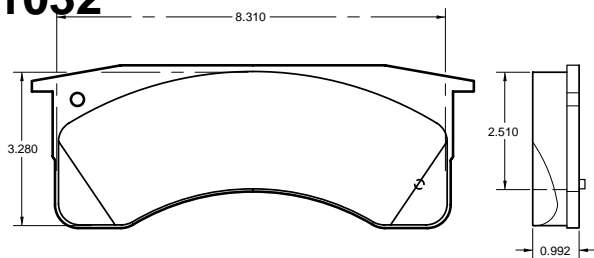
4 pcs with wear sensors (LH, RH)
Composite shim 1.0 (.038) thick staked-on

D1010



MERITOR SET NO.	FMSI PAD NO.	FMSI SET NO.	BACKING PLATE LENGTH	BACKING PLATE THICKNESS	MERITOR SET NO.	FMSI PAD NO.	FMSI SET NO.	BACKING PLATE LENGTH	BACKING PLATE THICKNESS
MVD989	D989	7891	8 19/32"	9/32"	MD1010	D1010	7914	10 21/32"	1/4"

D1032

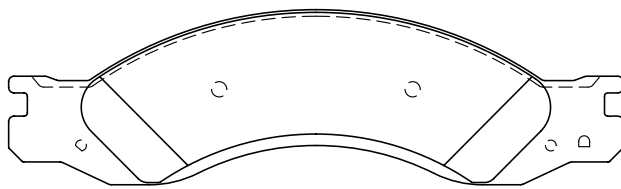
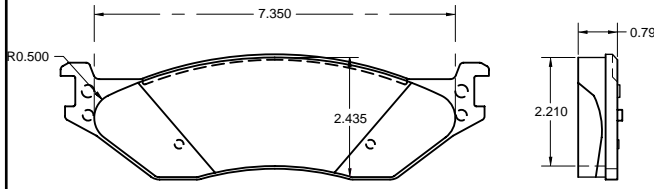
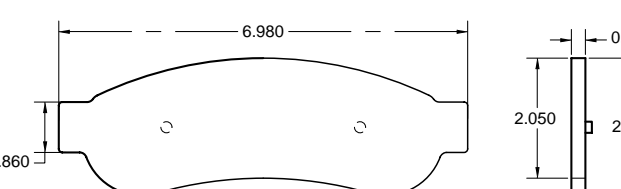
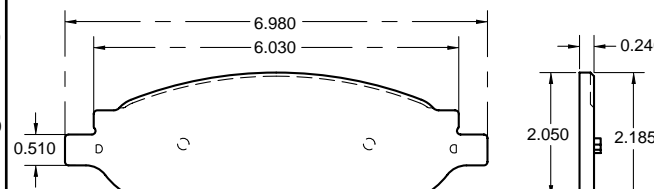
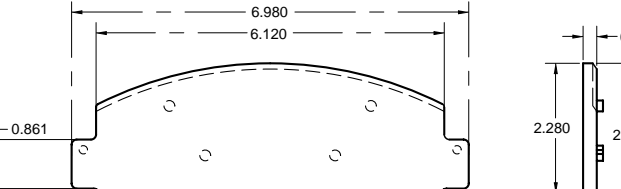


Note: FMSI 7636D1032 is the same as 7636D769. The lining did not change. While the backing plates are the same dimension, the D1032 plate includes a lug used to attach a squealer tab required by some OEMs. The existing Meritor MD769 disc pads already meet this requirement.

MERITOR SET NO.	FMSI PAD NO.	FMSI SET NO.	BACKING PLATE LENGTH	BACKING PLATE THICKNESS
MD1032	D1032	7636	8 5/16"	63/64"

6 - DISC PADS

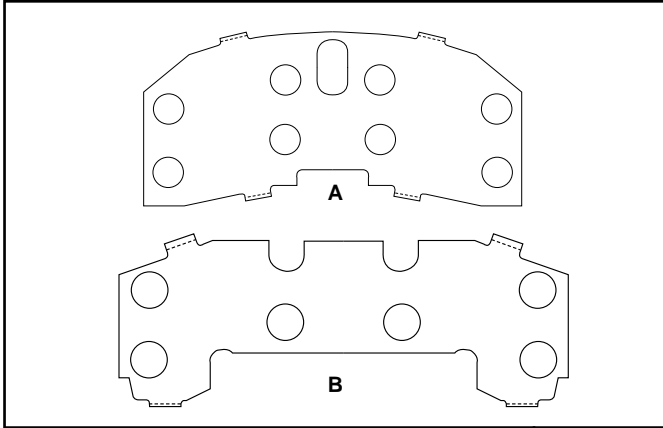
HYDRAULIC DISC BRAKE PADS

<h2>D1064</h2> 					<h2>D1066</h2> 				
MERITOR SET NO.	FMSI PAD NO.	FMSI SET NO.	BACKING PLATE LENGTH	BACKING PLATE THICKNESS	MERITOR SET NO.	FMSI PAD NO.	FMSI SET NO.	BACKING PLATE LENGTH	BACKING PLATE THICKNESS
MVD1064	D1064	7969	8 21/32"	51/64"	MD1066	D1066	7972	7 23/64"	51/64"
<h2>D1067</h2> 					<h2>D1068</h2> 				
MERITOR SET NO.	FMSI PAD NO.	FMSI SET NO.	BACKING PLATE LENGTH	BACKING PLATE THICKNESS	MERITOR SET NO.	FMSI PAD NO.	FMSI SET NO.	BACKING PLATE LENGTH	BACKING PLATE THICKNESS
MD1067 MVD1067	D1067	7973	6 63/64"	1/4"	MD1068 MVD1068	D1068	7973	6 63/64"	1/4"
<h2>D1069</h2> 									
MERITOR SET NO.	FMSI PAD NO.	FMSI SET NO.	BACKING PLATE LENGTH	BACKING PLATE THICKNESS					
MD1069 MVD1069	D1069	7974							

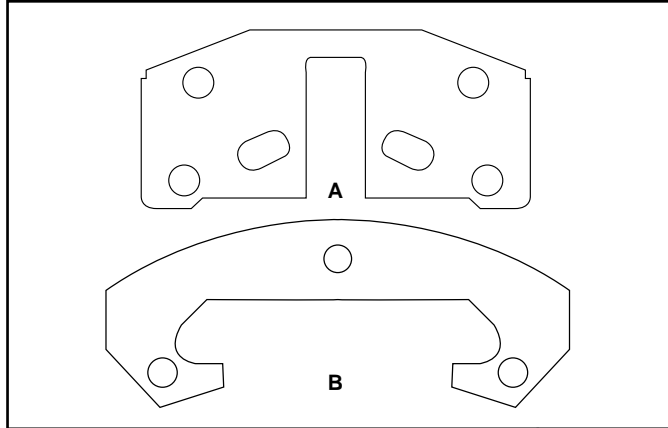
6 - DISC PADS

HYDRAULIC DISC BRAKE PAD SHIMS

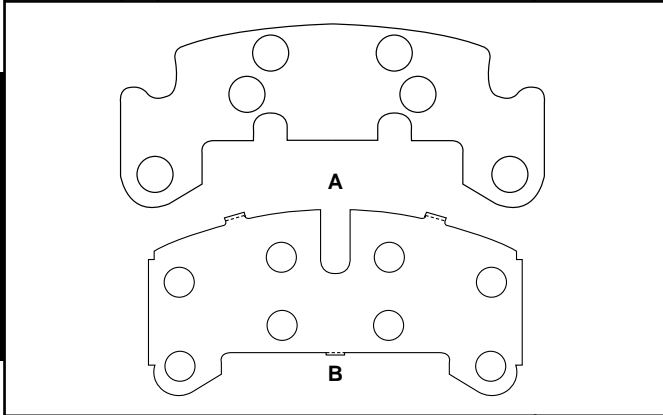
6 - DISC PADS



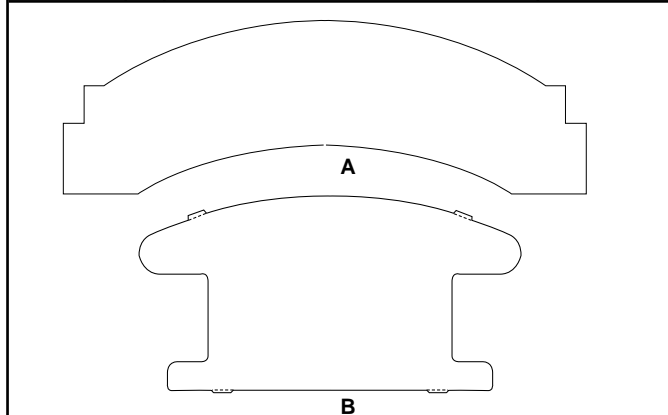
MERITOR NO.	USED WITH DISC PADS	INCLUDES PAD SHIMS
R407921	A D8, D52-I, D122-I, D313-I	2 Inner
	B D52-O, D122-O, D313-O	2 Outer



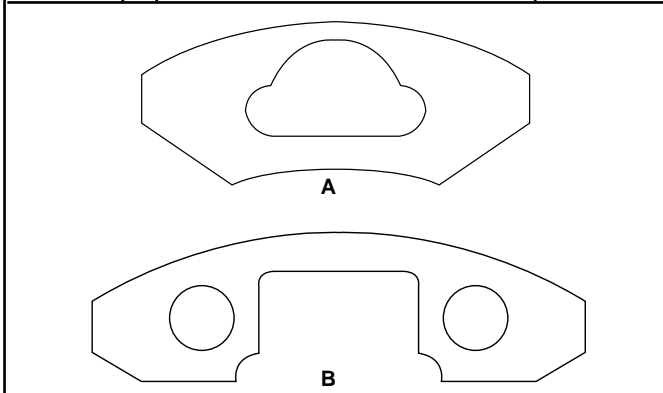
MERITOR NO.	USED WITH DISC PADS	INCLUDES PAD SHIMS
R407926	A D215-I, D368-I, D369-I, D370-I, D459-I	2 Inner
	B D215-O, D261-O, D262-O, D368-O, D369-O, D370-O, D459-O	2 Outer



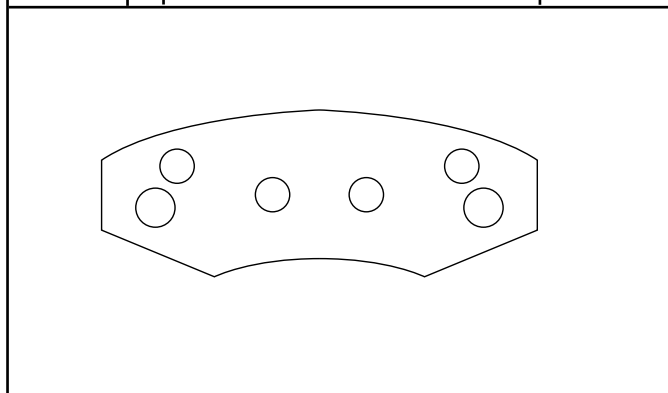
MERITOR NO.	USED WITH DISC PADS	INCLUDES PAD SHIMS
R407939	A D138-I, D154-I, D202-I	2 Inner
	B D138-O, D154-O, D202-O	2 Outer



MERITOR NO.	USED WITH DISC PADS	INCLUDES PAD SHIMS
R407945	A D87-O, D89-O, D129-O, D149-O, D543-O	2 Inner
	B D89-I, D129-I, D149-I, D543-I	2 Outer

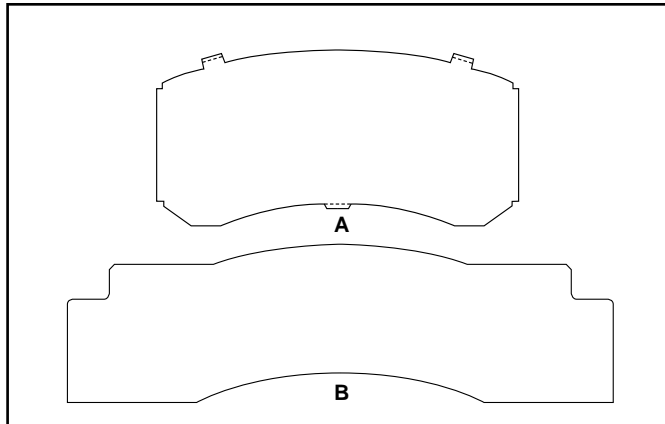


MERITOR NO.	USED WITH DISC PADS	INCLUDES PAD SHIMS
R407975	A D170, D220, D222, D253-I, D261-I, D344-I, D367-I, D395-I, D403-I, D414-I, D416-I, D477-I, D544-I	2 Inner
	B D257-O, D294-O, D343-I, D344-O, D367-O, D385-O, D414-O, D416-O, D478-O, D529-O, D544-O	2 Outer

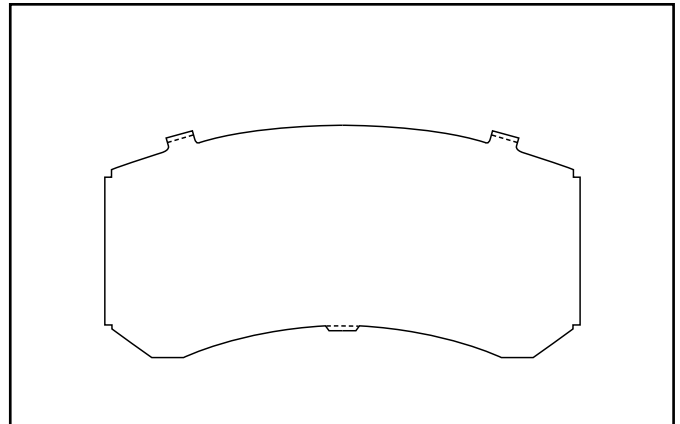


MERITOR NO.	USED WITH DISC PADS	INCLUDES PAD SHIMS
R407980	D219, D221, D259	4

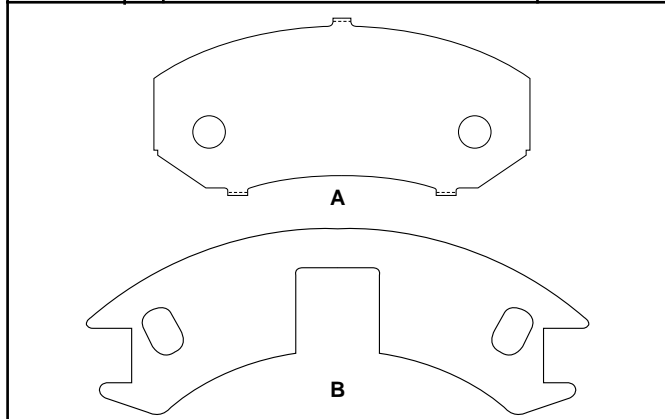
HYDRAULIC DISC BRAKE PAD SHIMS



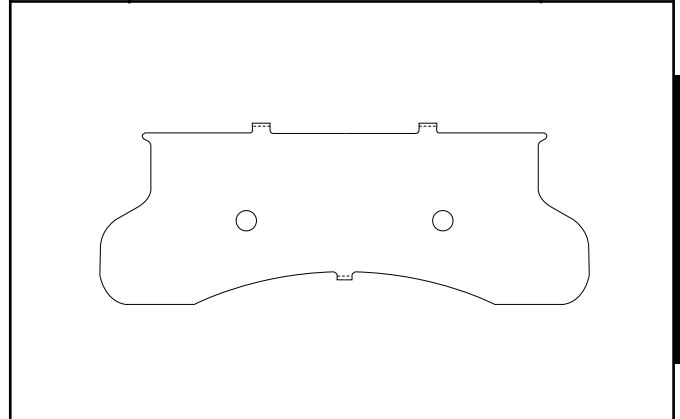
MERITOR NO.	USED WITH DISC PADS	INCLUDES PAD SHIMS
R407987	A D39, D55-I, D85, D86-I, D123-I, D269-I, D530	2 Inner
	B D86-O, D123-O, D269-O	2 Outer



MERITOR NO.	USED WITH DISC PADS	INCLUDES PAD SHIMS
R407992	D39, D55-I, D85, D86-I, D123-I, D269-I, D530	4



MERITOR NO.	USED WITH DISC PADS	INCLUDES PAD SHIMS
R408016	A D1, D33-I, D50-I, D87-I, D92-I, D102-I, D205-I, D249-I, D326-I, D360-I, D375-I, D387-I	2 Inner
	B D14-O, D33-O, D34-O, D205-O, D249-O, D387-O	2 Outer

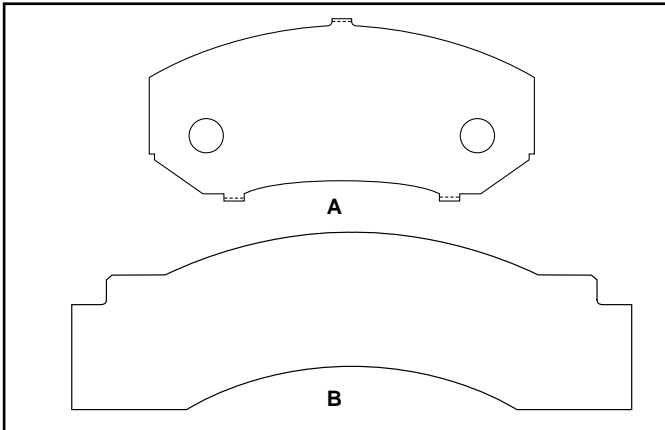


MERITOR NO.	USED WITH DISC PADS	INCLUDES PAD SHIMS
R408022	D120, D450	4

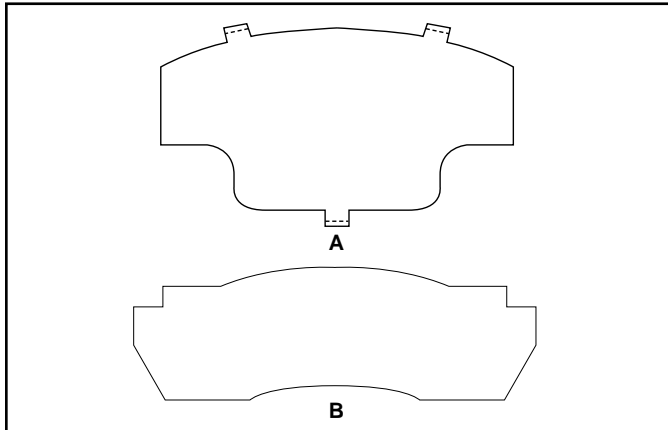
6 - DISC PADS

HYDRAULIC DISC BRAKE PAD SHIMS

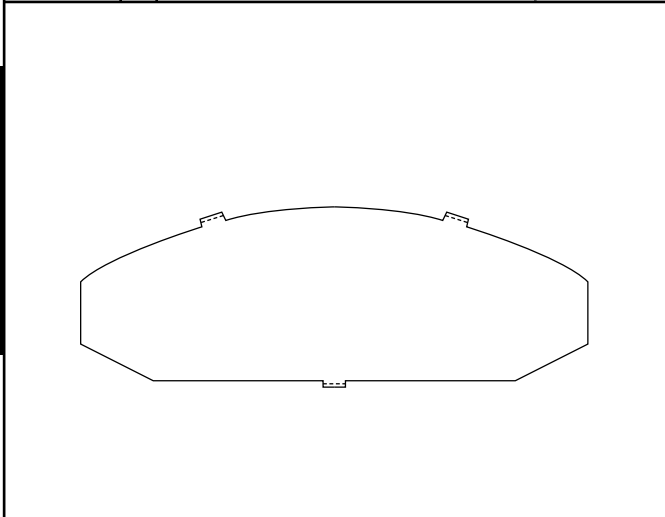
6 - DISC PADS



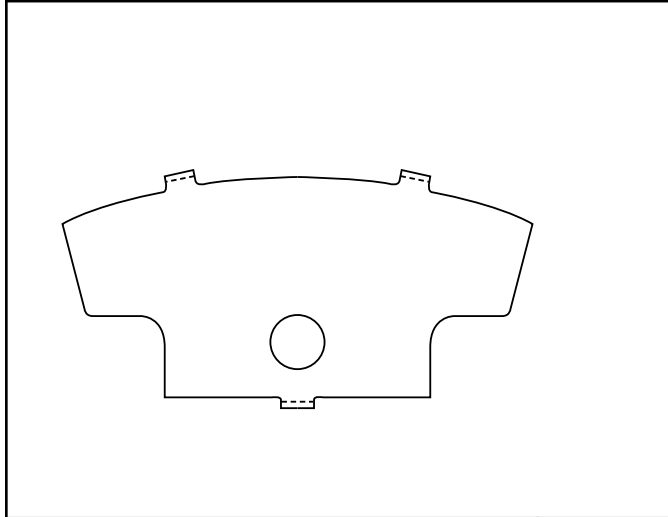
MERITOR NO.	USED WITH DISC PADS	INCLUDES PAD SHIMS
R408024	A D1, D33-I, D50-I, D87-I, D92-I, D102-I, D205-I, D249-I, D326-I, D360-I, D375-I, D387-I	2 Inner
	B D50-O, D92-O, D360-O, D375-O	2 Outer



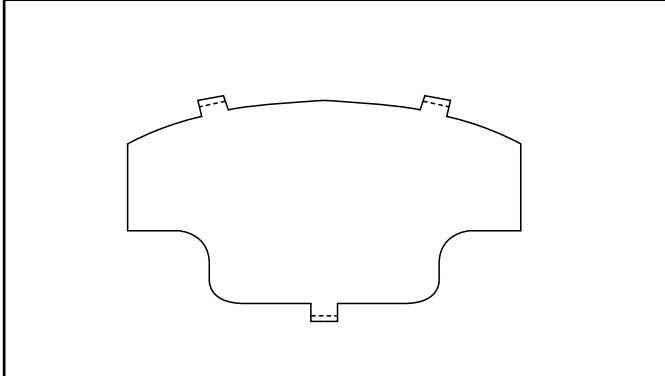
MERITOR NO.	USED WITH DISC PADS	INCLUDES PAD SHIMS
R408030	A D91-I, D147, D166, D194-I, D207, D229, D239, D241, D242, D273, D282, D285, D302, D320, D334, D363, D403-O, D433, D474, D487, D534, D539	2 Inner
	B D55-O, D84-O, D91-O, D93-O, D102-O	2 Outer



MERITOR NO.	USED WITH DISC PADS	INCLUDES PAD SHIMS
R408058	D203, D333	4



MERITOR NO.	USED WITH DISC PADS	INCLUDES PAD SHIMS
R408076	D49, D97, D98, D115, D130, D131, D265, D266, D338, D386-O	4






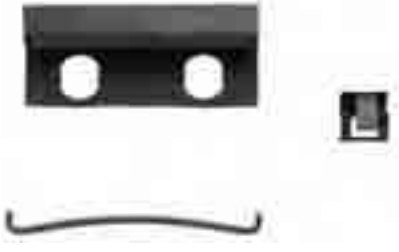
MERITOR NO.	USED WITH DISC PADS	INCLUDES PAD SHIMS
R408456	D91-I, D147, D166, D194-I, D207, D229, D239, D241, D242, D273, D282, D285, D302, D320, D334, D363, D403-O, D433, D474, D487, D534, D539	4

HYDRAULIC DISC BRAKE BUMPER GAP SHIM KITS



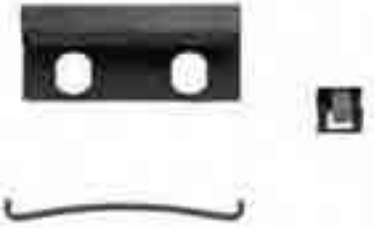
Service Procedure and Key Selection Instructions

Wear occurs between the Brake Caliper, Steering Knuckle and Retaining Mechanism on some Bendix and Dayton Disc Brakes. This wear causes excess clearance between the caliper and knuckle slide surface resulting in a noise condition (rattle). Continued operation with this noise can result in loss of the Caliper Retaining Spring causing severe damage to the brakes.

Vehicles which have this caliper rattle condition can be corrected by installing a new oversize retaining key and new style support spring. Use of the new key eliminates the necessity to replace caliper and/or steering knuckle to provide the proper caliper thrust clearances. However, in extreme cases, it will be necessary to replace the caliper and steering knuckle. See instruction sheet for specific installation procedures.

	MERITOR NO.	REPLACES	KIT INCLUDES		APPLICATION AND GENERAL INFORMATION
			QTY.	DESCRIPTION	
	R40H8203	Bendix H8203 Carlson H8204	2 2	.025" Thick Shims .045" Thick Shims	For 7142-D225 and 7108-D184 Disc Brakes. See Instruction Sheet packaged with Kit. If gap exceeds .145", replace the Caliper and/or the Anchor Plate.
	R40H5664	Carlson H8205	2 2 2 2	Shims for .036"-.055" gap (Not stamped) Shims for .056"-.075" gap Shims for .076"-.095" gap (Stamped "684") Shims for .096"-.115" gap	For 7054-D120 & 7141-D224 Disc Brakes. See Instruction Sheet (Stamped "683") packaged with Kit. If gap exceeds .115", replace the Caliper and/or the Anchor Plate. (Stamped "685")
	R404151706	Carlson H8206	2 2 2 2 2	Shims for .036"-.059" gap (Not stamped) Shims for .060"-.074" gap (Stamped "691") Shims for .075"-.089" gap (Stamped "692") Shims for .090"-.114" gap (Stamped "693") Shims for .115"-.130" gap (Stamped "694")	For 7149-D236 Disc Brakes. See Instruction Sheet packaged with Kit. If gap exceeds .130", replace the Caliper and/or the Anchor Plate.
	R40H5605	Bendix H5605 Carlson H5556	1	.040" Oversized Key for .060"-.100" gap (Stamped "II")	For 7024-D129 & 7081A-D149 Disc Brakes.

HYDRAULIC DISC BRAKE BUMPER GAP SHIM KITS

	MERITOR NO.	REPLACES	KIT INCLUDES		APPLICATION AND GENERAL INFORMATION
			QTY.	DESCRIPTION	
	R40H5606	Bendix H5606 Carlson H5557	1	.080" Oversized Key for .100"-.140" gap (Stamped "III")	For 7024-D129 & 7081A-D149 Disc Brakes.
	R40H5607	Bendix H5607 Carlson H5558	1	.120" Oversized Key for .140"-.180" gap (Stamped "IIII")	For 7024-D129 & 7081A-D149 Disc Brakes.
	R40H5608	Bendix H5608 Carlson H5559	1	.160" Oversized Key for .180"-.220" gap (Stamped "IIIIII")	For 7024-D129 & 7081A-D149 Disc Brakes. See Instruction Sheet packaged with Kit. If gap exceeds .220", replace the Caliper and/or the Anchor Plate.

6 - DRUM, HUB & ROTOR

LIGHT-DUTY TRUCK REMANUFACTURED HYDRAULIC DISC BRAKE CALIPERS

Meritor offers a comprehensive line of Remanufactured Calipers for light-duty trucks. A complete listing of these calipers is shown on the following pages.

DRUM & ROTOR MOUNTING TYPES & INSTRUCTIONS

GENERAL DRUM INSTALLATION INSTRUCTIONS

1. Meritor drums are manufactured to standards of concentricity and balance that make further machining at the time of installation unnecessary.
2. The rust preventative colored sealer should be removed from the braking surface by using solvent.
3. It is always necessary to clean hub flange, removing rust and corrosion. If the hub flange is bent, replace the hub.
4. Remove any excessive paint from hub hole in brake drum.
5. Where rivets are used to assemble hub and drum, remove any burrs from the rivet holes in the hub. If flange holes are oversized or elongated, the hub should be replaced.
6. DO NOT USE POWER IMPACT WRENCH UNLESS EQUIPPED WITH TORQUE LIMITING FEATURES.

WARNING:

MANY PARTS THAT SEEM SIMILAR ARE DIFFERENT AND SHOULD *NOT* BE INTERCHANGED.

AGAIN, NOTE THAT THE ILLUSTRATION SECTION OF THIS CATALOG IS NOT TO BE USED TO MAKE PRODUCT SUBSTITUTIONS, BUT TO IDENTIFY CONFIGURATIONS AND APPLICATIONS. SEE DISCLAIMER ON PAGE ii.

TYPE A — REAR AXLE SHAFT FLANGE MOUNTING

These drums are held to rear axle shaft flanges with speednuts, or by hold-down bolts. Drum should come off readily with removal of these fasteners. The studs in the axle shaft flange are not changed.

Finish machining is not required prior to installation.



TYPE B — RIVETED TYPE

These hubs and drums are fastened together by means of rivets and a pilot.

Removal and Installation Procedure

1. Cut off the peened heads of the rivets with a cold chisel.
2. Punch or drill out the rest of the rivets and pilot from the hub. Align hub with new drum and assemble with new rivets by inserting the rivets through the proper holes, then peening them over with a hammer. Be certain that the assembly is properly supported to prevent damage to the hub or drum. (If replacement drum does not contain rivet holes, drum is held in place by wheel bolts.)

NOTE: If rivets are not available, $5/16$ " machine bolts may be substituted for rivets, using $5/16$ " machine nuts to hold hub and drum assembly securely.



DRUM & ROTOR MOUNTING TYPES & INSTRUCTIONS

TYPE C, D AND E — SWAGED STUD TYPE

These hub and brake drums are held together with studs that have enlarged shoulders, knurled or swaged to securely hold hub and brake drum together. Easy removal is obtained by using a CARBIDE STUD-OFF CUTTER TOOL. It is essential that this tool removes ALL the swaged portion of the stud shoulder, then old stud can be pressed or driven out without damage to the hub flange or hub holes.

Firmly press new studs into the hub using a STUD GUIDE TOOL which aligns drum on the studs and press into position. After satisfactory contact is made between hub flange and brake drum, swage studs securely with a PEENING PUNCH.

NOTE: CHRYSLER PRODUCTS ONLY—TYPE C AND D

The original manufacturer supplies two types of brake drums, the full-cast type (shown in Type "C") and the composite type (shown in Type "D"). When replacing the full-cast type drum (as shown in Type "C"), which is called an INBOARD MOUNTING meaning mounted inside the hub flange, be sure to place the new brake drum OUTBOARD MOUNTED which means outside the hub flange (as shown in Type "D").

When replacing composite type brake drum (Type "D") which is an OUTBOARD MOUNTING (mounted outside of the hub flange), the brake drum is replaced in the same OUTBOARD MOUNTED position (outside the hub flange).

WARNING: DO NOT REUSE OLD STUDS.



TYPE C



TYPE D



TYPE E

TYPE F — CHEVROLET FRONT HUB AND DRUM

Some models of Chevrolet were shipped from the factory with their hubs and drums assembled with rivets. It is necessary to remove these old rivets to disassemble; however, in replacement of these brake drums riveting is not required. THE STUDS ARE NEVER REMOVED FROM THE HUB. Many later model Chevrolets have hub and drums that use speednut fasteners to hold the hub and drum together. Replacement of these require only speednuts to hold drums in place.

Removal and Installation Procedure

1. Cut off the peened heads of the rivets with a cold chisel. Drive rivet out from assembly with a steel punch. Remove drum by simply pulling the drum away from the studs.
2. Install new drum over old studs and fasten with 3 speednuts making certain they are forced down entire length of studs to make a secure contact against the brake drum. DO NOT REMOVE OLD STUDS FROM THE HUB.

If drum lathe work is required, it is recommended that either of the following two methods be used:

- (a) the wheel should be assembled with hub and drum securely fastened with lug nuts, or
- (b) lug nuts should be used on the studs without speednuts, turning the nuts all the way down the stud to the brake drum to securely fasten.

One of these two methods is necessary in order to obtain a solid and secure assembly to make for a perfect turning job on the lathe.



TYPE G — UNICAST HUB AND DRUM

This is a unicast hub and drum and in many instances are furnished without bearing cups. Cups, if not supplied, may have to be purchased for installation into drum before installing drum onto vehicle.

Finish machining is not required prior to installation.



DRUM & ROTOR MOUNTING TYPES & INSTRUCTIONS

TYPE H — HUB AND ROTOR ASSEMBLY

This is a two piece assembly consisting of a hub and rotor machined together and permanently held together with hardware (studs). This assembly is never to be disassembled.

If a stud is stripped, replace only one (1) stud. If necessary to replace more than one (1) stud, the entire assembly must be replaced.

Finish machining is not required prior to installation.



TYPE J — UNICAST ROTOR ASSEMBLY

American Made: If more than one stud must be replaced, exercise extreme caution to be certain proper stud is used and that the stud will withstand torque to manufacturer's specifications.

Imported: If stud hole threads are stripped, the entire assembly must be replaced.

Finish machining is not required prior to installation.



TYPE K — ROTOR ONLY

Rotor is mounted on the outboard side of hub. The rotor is not usually fastened to the hub and should pull free with a minimum of effort after removing caliper. Remove the rotor by sliding it off the hub. Caution should be taken not to damage the threads of the wheel bolts.

Clean hub face thoroughly. Install new rotor on hub in same position as one removed. Be certain that the rotor is perfectly seated on the hub face and that there is not "rocking" before reinstalling wheel and tightening down.

Finish machining is not required prior to installation.



TYPE L — ROTOR ONLY

FIG. A used on U.S. domestic vehicles.

FIG. B used on foreign made vehicles.

The rotor is fastened with hardware (not permanently) to the inboard side of the hub. Remove the hub and rotor as an assembly, being careful not to damage the nut, washer, bearings, etc. Then disassemble the hub from the rotor. Caution should be taken not to damage the threads of the wheel bolts and the assembly bolts.

Clean hub face thoroughly prior to attaching new rotor.

Reassemble rotor to hub by reversing steps required to disassemble old assembly. Be certain that rotor is perfectly seated on hub and that there is no "rocking" before tightening assembly hardware to vehicle manufacturer's specifications.

Finish machining is not required prior to installation.



FIG. A

FIG. B

TYPE M — ROTOR ONLY

Used primarily on American made light-duty trucks and sports utility vehicles.

The Type "M" Rotor is a replacement unit for a rotor which has been attached to the vehicle hub with staked or pressed studs.

Replacement is made by pressing out old studs, disassembling original hub and rotor and reassembling the replacement rotor with the original hub using new wheel studs. Rotor and hub mounting faces should be cleaned thoroughly before reassembly. Detailed instructions for disassembly and reassembly are included with each rotor. These should be followed carefully.



LIGHT-DUTY TRUCK ROTORS, HUBS AND DRUMS NUMERICAL LISTING

MERITOR NO.	MOUNTING TYPE	BRAKE SIZE	REPLACES	BOLT HOLES	BOLT CIRCLE	GENERAL INFORMATION
DRUMS						
R44140254	A	11" x 2"	Wagner BD60294	5	5"	Composite, Ribbed
R44140278	C	12" x 3"	Wagner BD60330	8	6 1/2"	Cast
R44140315	A	11 5/32" x 2 3/4"	Wagner BD 60341	6	5 1/2"	Composite, Ribbed
R44140316	A	11 5/32" x 2 3/4"	Wagner BD 60343	5	5"	Composite, Ribbed
R44140479	A	11 1/32" x 2 1/4"	Wagner BD60351	5	5 1/2"	Composite
R44140039	A	9 1/2" x 2"	Wagner BD60736	5	4 3/4"	Composite, Ribbed
R44140374	A	10 x 1 3/4"	Wagner BD97315	6	5 33/64"	Cast
R44140012	C	12" x 2 1/2"	Wagner BD60151	8	6 1/2"	Cast
R44140388	C	13" x 3 1/2"	Wagner BD60356	8	6 1/2"	Cast, Ribbed
R44140351	A	10 1/4" x 1 49/64"	Wagner BD60362	6	5 33/64"	Cast
R44140397	C	12" x 2 1/2"	Wagner BD60393	8	6 1/2"	Cast
R44140386	A	11" x 2"	Wagner BD60397	6	5 1/2"	Composite, Ribbed
R44140344	C	12" x 3"	Wagner BD60465	8	6 1/2"	Cast
R441404090	A	11 x 2 1/2"	Wagner BD60732	5	5 1/2"	Composite, Ribbed
R44140461	A	9" x 1 3/4"	Wagner BD60787	5	4 1/2"	Composite, Ribbed
R44140451	A	8 55/64" x 1 49/64"	Wagner BD61776	5	4 17/32"	Composite, Ribbed
R44140570	D	9" x 2 1/2"	Wagner BD125038	5	4 1/2"	Composite
R44140363	C	13" x 2 1/2"	Wagner BD60359	8	6 1/2"	Cast, Ribbed
R44140471	A,D	10" x 2"	Wagner BD60375	6	5 33/64"	Cast
R44140391	A	10 x 2 1/2"	Wagner BD60543	5	4 1/2"	Composite
R44140449	A	13" x 2 1/2"	Wagner BD60727	8	6 1/2"	Cast, Ribbed
R44140504	C	12" x 3"	Wagner BD60819	8	6 1/2"	Cast
R44140532	A	11 1/32" x 2 1/4"	Wagner BD60884	5	5 1/2"	Composite
R44140543	E	11 5/32" x 2 3/4"	Wagner BD61817	6	5 1/2"	Cast, Ribbed
R44140409	A	13" x 2 1/2"	Wagner BD60623	8	6 1/2"	Cast, Ribbed
R44140510	A	10 x 2 1/2"	Wagner BD60625	5	5 1/2"	Composite
R44140452	A	10 x 2 1/2"	Wagner BD60720	5	4 1/2"	Composite
R44140450	A	11 5/32" x 2 3/4"	Wagner BD60724	8	6 1/2"	Cast, Ribbed
R44140484	A	9 1/2" x 2"	Wagner BD60792	5	5"	Composite, Ribbed
R44140468	C	12" x 3"	Wagner BD60818	8	6 1/2"	Cast
R44140520	A	12" x 2 1/2"	Wagner BD60868	8	6 1/2"	Cast
R44140499	A	9" x 2 1/2"	Wagner BD60873	5	4 1/2"	Composite, Ribbed
R44140545	C	12 1/8" x 3 1/2"	Wagner BD60885	8	6 1/2"	Cast
R44140497	E	10" x 1 31/32"	Wagner BD61796	6	6 1/2"	Cast
R44140540	A	10" x 2 1/4"	Wagner BD61823	5	5"	Composite, Ribbed
R44140541	A	10" x 2 1/4"	Wagner BD61832	6	5 1/2"	Composite, Ribbed
R44140536	A	13" x 2 1/2"	Wagner BD61891	8	6 1/2"	Cast, Ribbed
R44140253	A	12" x 2 1/2"	Wagner BD60296	8	6 1/2"	Composite
R44140387	C,F	13" x 3 1/2"	Wagner BD60357	8	6 1/2"	Cast, Ribbed
R44140362	C	12" x 3"	Wagner BD60466	8	6 1/2"	Cast
R44140408	A	11 5/32" x 2 3/4"	Wagner BD60595	8	6 1/2"	Cast, Ribbed
R44140493	C	12" x 3"	Wagner BD60793	8	6 1/2"	Cast
R44140574	—	—	Wagner BD61838	6	5 1/2"	Cast
R44140604	A	11 5/32" x 2 3/4"	Wagner BD125051	5	5"	Composite
R44140542	C	12" x 3"	Wagner BD125201	8	6 1/2"	Cast
R44140365	A	11" x 2 1/2"	Wagner BD60187	5	4 1/2"	Composite, Ribbed
R44140267	C	12" x 2 1/2"	Wagner BD60302	8	6 1/2"	Cast
R44140264	C	12" x 3"	Wagner BD60328	8	6 1/2"	Cast
R44140506	D	9" x 2 1/2"	Wagner BD60831	5	3 15/16"	Composite
R44140547	A	12" x 2 1/2"	Wagner BD60880	8	6 1/2"	Cast
R44140496	D	9" x 2 1/2"	Wagner BD60883	5	4 1/2"	Composite, Ribbed
R44140622	—	11 5/32" x 2 3/4"	Wagner BD125207	5	5"	Composite, Ribbed
R44140619	—	13" x 3 1/2"	Wagner BD125246	—	—	—
R44140619	—	13" x 2 1/2"	Wagner BD125245	8	6 1/2"	Cast, Ribbed
R44140600	—	11 5/32" x 2 3/4"	Wagner BD125052	6	5 1/2"	Composite, Ribbed
R44140657	—	12 1/8" x 3 1/2"	Wagner BD125395	8	6 1/2"	Cast
R44140658	—	13" x 2 1/2"	Bendix 140658	8	6 1/2"	Cast
R44140685	—	12 1/8" x 3 1/2"	Bendix 140685	8	6 1/2"	Cast Finned
R44140679	—	12 1/8" x 3 1/2"	Bendix 140674	8	6 1/2"	Full Cast

LIGHT-DUTY TRUCK ROTORS, HUBS AND DRUMS NUMERICAL LISTING

MERITOR NO.	MOUNTING TYPE	BRAKE SIZE	REPLACES	BOLT HOLES	BOLT CIRCLE	GENERAL INFORMATION
DRUMS (Cont'd.)						
R44140686	—	12 1/8" x 3 1/2"	Bendix 140686	8	6 1/2"	Full Cast Finned
R44140620	—	12 1/8" x 3 1/2"	Bendix 140620	8	6 1/2"	Full Cast
R44140675	—	12" x 2 1/2" and 12" x 3"	Wagner BD125500	8	6 1/2"	Full Cast
R44140712	—	12" x 2 1/2"	Bendix 140712	7	5 29/32"	Full Cast
R44140682	—	13" x 2 1/2"	Wagner BD125407	8	6 1/2"	Full Cast Finned
R44104716	—	12 1/8" x 3 1/2"	Bendix 140716	8	6 1/2"	Full Cast
R44140023	—		Bendix 140023			
R44140037	—	9 1/2"	Bendix 140037	5	4 3/4"	Full Cast
R44140583	—	7"	Bendix 140583	4	3.937"	Full Cast
R44140619	—	13" x 3 1/2"	Bendix 140619	8	6 1/2"	Full Cast
R44140724	—	11" x 2 1/4"	Bendix 140724	5	5 1/2"	Full Cast
R44140722	—	12 1/8" x 3 1/2"	Bendix 140722	8		Cast
R44140729	—	12 1/8" x 3 1/2"	Bendix 140729	8		Cast
R4412443	—	320mm x 75mm	Mitsubshi	5	208.5mm	Centric 122.7400

MERITOR NO.	MOUNTING TYPE	BRAKE SIZE	REPLACES	BOLT HOLES	BOLT CIRCLE	GENERAL INFORMATION
HUB & DRUM						
R44140401	G	7 3/32" x 1 3/8"	Wagner BD60583	4	4 1/2"	—

MERITOR NO.	GENERAL APPLICATION	BRAKE SIZE	REPLACES	BOLT HOLES	BOLT CIRCLE
HUB ONLY					
R44141953	GM	DISC	Wagner BD 61707	6	5 1/2"
R44141951	Ford	DISC	Wagner BD 61706	5	5 1/2"
R448394	GM	DISC	Wagner BD 61708	8	6 1/2"
R448395	Dodge	DISC	Wagner BD 61709	5	5 1/2"
R448396	Dodge	DISC	Wagner BD 61710	8	6 1/2"

MERITOR NO.	MOUNTING TYPE	BRAKE SIZE	REPLACES	BOLT HOLES	BOLT CIRCLE	GENERAL INFORMATION
ROTORS						
R44141263	K	DISC	Wagner BD60678	5	4 17/32"	
R44141171	L	DISC	Wagner BD97291	4	4 1/64"	
R44141261	K	DISC	Wagner BD102075	5	4 3/4"	
R44141088	M	DISC	Wagner BD60413	6	5 1/2"	
R44141194	K	DISC	Wagner BD60531	5	4 1/2"	
R44141237	L,M	DISC	Wagner BD60394	8	6 1/2"	
R44141049	L,M	DISC	Wagner BD60427	8	6 1/2"	
R44141127	L	DISC	Wagner BD6046/	8	4 3/4"	
R44141179	L	DISC	Wagner BD60501	6	4 1/16"	
R44141453	K	DISC	Wagner BD61812	6	5 1/2"	
R44141193	M	DISC	Wagner BD60617	8	6 1/2"	
R44141389	K	DISC	Wagner BD60875	5	4 1/2"	
R44141454	K	DISC	Wagner BD61809	6	5 1/2"	
R44141663	M	DISC	Wagner BD61915	8	6 1/2"	
R44141469	L	DISC	Wagner BD60622	8	6 1/2"	
R44141397	M	DISC	Wagner BD102137	8	6 1/2"	
R44141414	L	DISC	Wagner BD102138	8	6 1/2"	
R44141174	M	DISC	Wagner BD60530	8	6 1/2"	
R44141251	L	DISC	Wagner BD60584	6	4 1/64"	
R44141223	L	DISC	Wagner BD60612	6	5 15/64"	
R44141290	L	DISC	Wagner BD60646	6	4 1/2"	
R44141455	M	DISC	Wagner BD61833	10	5 3/4"	
R44141529	K	DISC	Wagner BD125005	5	115 mm (4.53")	
R44141745	K	DISC	Wagner BD125050	5	127 mm (5")	

6 - DRUM, HUB & ROTOR

LIGHT-DUTY TRUCK ROTORS, HUBS AND DRUMS NUMERICAL LISTING

MERITOR NO.	MOUNTING TYPE	BRAKE SIZE	REPLACES	BOL/ HOLES	BOLT CIRCLE	GENERAL INFORMATION
ROTORS (Cont'd.)						
R44141483	L	DISC	Wagner BD60593	10	7 1/4"	
R44141289	M	DISC	Wagner BD60609	5	5 1/2"	
R44141664	M	DISC	Wagner BD60610	8	6 1/2"	
R44141477	L,M	DISC	Wagner BD61918	8	6 1/2"	
R44141379	K	DISC	Wagner BD61946	5	3 15/16"	
R44141214	M	DISC	Wagner BD60441	5	5 1/2"	
R44141770	M	12 1/2"	Bendix 141770	8	6 1/2"	Raybestos 56324
R44141922			Bendix 141922			Raybestos 76395
R44141934			Wagner BD125410			Bendix 141934
R44145055	M	12 61/64"	Bendix 145055	8	6 1/2"	Raybestos 66476
R44145139	K	13 9/64"	Bendix 145139	7	5 29/32"	Raybestos 66671
R44141808	M	12 9/16"	Bendix 141808	8	6 1/2"	Raybestos 6978
R44145245	K	13 1/64"	Bendix 145245	8	6 9/13"	Raybestos 66749
R44145274			Bendix 145274	8		Raybestos 66914
R44145325			Bendix 145325	10		Raybestos 66761
R4421533R			Imports			
R4421483R			Imports			
R4421493R			Imports			
R4421503R			Sprinter			
R4421513R			Sprinter			
R442R1771			Sprinter			
R44145202			Bendix 145202			Raybestos 76808
R44141450			Bendix 141450	8		Raybestos 60814
R44141507	K	10 3/64"	Bendix 141507	5	3 15/16"	Raybestos 96043
R44141547	K	11 27/64"	Bendix 141547	5	4 1/2"	Raybestos 66238
R44141586	L	10 7/32"	Bendix 141586	4	4 1/2"	Raybestos 96111
R44141621			Bendix 141621	5		Raybestos 66276
R44141741	K	10 5/32"	Bendix 141741	5	4 1/4"	Raybestos 66204
R44141770	M	12 1/2"	Bendix 141770	8	6 1/2"	Raybestos 56324
R44141893	K	10 3/32"	Bendix 141893	5	4 1/4"	Raybestos 66406
R44145050			Bendix 145050			Raybestos 66749
R44145065	M	10 15/32"	Bendix 145065	6	4 1/3"	Raybestos 56591
R44145079	K	9 1/8"	Bendix 145079	4	3 15/16"	Raybestos 96598
R44145086	L	15"	Bendix 145086	10	7 1/4"	Raybestos 8532
R44145152	K	11 3/32"	Bendix 145152	5	4 1/2"	Raybestos 76646
R44145162			Bendix 145162	8		Raybestos 66695
R44145251	K	12 53/64"	Bendix 145251	8	6 1/2"	Raybestos 66799
R44145257	K	14 17/32"	Bendix 145257	8	6 9/13"	Raybestos 66798
R44145258	K	12 53/64"	Bendix 145258	8	6 9/13"	Raybestos 66823
R44145259	K	12"	Bendix 145259	6	5 1/2"	Raybestos 56825
R44145260	K	13"	Bendix 145260	8	6 1/2"	Raybestos 56828
R44145261	K	12 4/5"	Bendix 145261	8	6 1/2"	Raybestos 56829
R44145262	K	13"	Bendix 145262	8	6 1/2"	Raybestos 56830
R44145268			Bendix 145268	8		Raybestos 66834
R44145280			Bendix 145280	8		Raybestos 66824
R44145316			Bendix 145316			Raybestos 580000
R44145317			Bendix 145317			Raybestos 56999
R44145339			Bendix 145339	8		Raybestos 56992
R44145345			Bendix 145345			
R44145360			Bendix 145360			
R44145283			Bendix 145283	8		Raybestos 76920
R44145357			Bendix 145357			Raybestos 780020
R44145456			Bendix 145456	8		Raybestos 780143
R44145452			Bendix 145452	8		Raybestos 780139
R44145028	L	13 37/64"	Bendix 145028	10	7 1/4"	Raybestos 56493
R44145309			Bendix 145309			Raybestos 66924
R44145279			Bendix 145279	8		Raybestos 66789
R4412432	H	288.0mm	Mitsubishi Fuso	5	136.0mm	Centric 120.46055
R4412438	H	293.0mm	Mitsubishi Fuso	12	124.0mm	Centric 120.46059
R4412450	H	293.0mm	Mitsubishi Fuso	5	137.0mm	Centric 120.74001
R4412451	H	293.0mm	Mitsubishi Fuso	6	140.0mm	Centric 120.46056
R4412454	H	286.0mm	Mitsubishi Fuso	5	140.2mm	Centric 120.77000

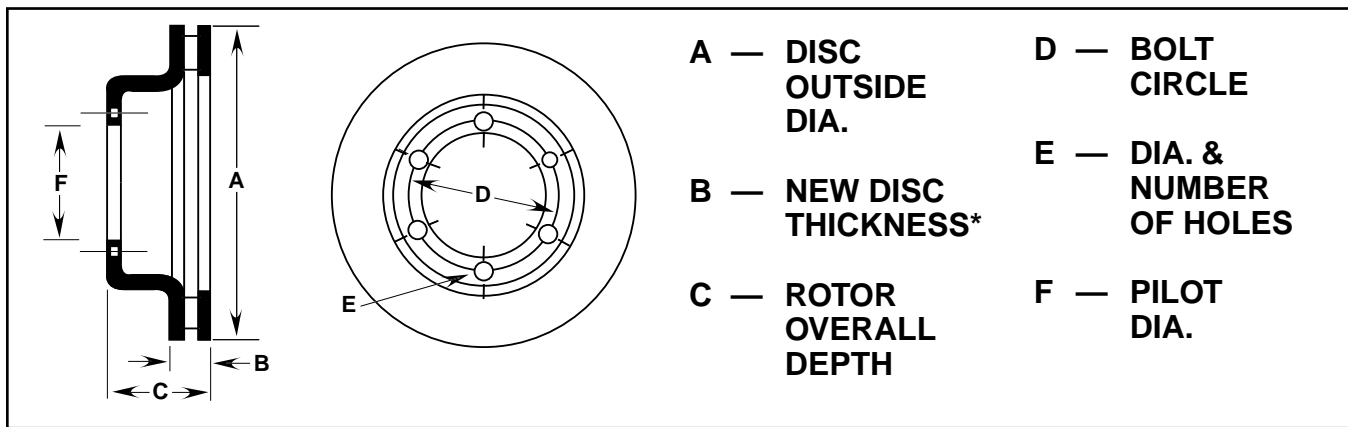
6 - DRUM, HUB & ROTOR

LIGHT-DUTY TRUCK ROTORS, HUBS AND DRUMS NUMERICAL LISTING

MERITOR NO.	MOUNTING TYPE	BRAKE SIZE	REPLACES	BOLT HOLES	BOLT CIRCLE	GENERAL INFORMATION
HUB & ROTOR/ASSEMBLY						
R44141154	J	DISC	Wagner BD60469	8	6 1/2"	
R44141219	J	DISC	Wagner BD102074	5	4 3/4"	
R44141067	J	DISC	Wagner BD60428	5	5 1/2"	
R44141216	J	DISC	Wagner BD60476	5	5"	
R44141233	J	DISC	Wagner BD60627	5	4 3/4"	
R44141043	J	DISC	Wagner BD60258	5	5"	
R44141234	J	DISC	Wagner BD60542	8	6 1/2"	
R44141264	H	DISC	Wagner BD60663	5	4 1/2"	
R44141186	J	DISC	Wagner BD60402	8	6 1/2"	
R44141235	J	DISC	Wagner BD60541	8	6 1/2"	
R44141468	L	DISC	Wagner BD60597	8	6 1/2"	
R44141265	J	DISC	Wagner BD60693	5	4 1/2"	
R44141382	J	DISC	Wagner BD60731	8	6 1/2"	
R44141452	H	DISC	Wagner BD60879	5	5 1/2"	
R44141482	J	DISC	Wagner BD61813	5	5"	
R44141487	J	DISC	Wagner BD61910	8	6 1/2"	
R44141519	J	DISC	Wagner BD61911	5	4 1/2"	
R44141130	J	DISC	Wanger BD60443	8	6 1/2"	
R44141152	J	DISC	Wagner BD60451	8	6 1/2"	
R44141197	J	DISC	Wagner BD60532	8	6 1/2"	
R44141196	J	DISC	Wagner BD60533	5	4 1/2"	
R44141480	L	DISC	Wagner BD61808	8	6 1/2"	
R44141540	J	DISC	Wagner BD61814	8	6 1/2"	
R44141498	J	DISC	Wagner BD61818	5	4 1/2"	
R44141457	J	DISC	Wagner BD61819	6	5 1/2"	
R44141153	J	DISC	Wagner BD60470	8	6 1/2"	
R44141391	J	DISC	Wagner BD60729	5	5"	
R44141415	J	DISC	Wagner BD60874	5	4 39/64"	
R44141481	J	DISC	Wagner BD60889	5	4 1/2"	
R44141508	J	12 1/2"	Wagner BD61846	8	6 1/2"	Raybestos 56022
R44141866	J	12 9/16"	Wagner BD125167	8	6 1/2"	Raybestos 56189
R44141464	J	DISC	Wagner BD125171	5	5"	
R44141488	J	11 39/64"	Wagner BD125205	5	5"	Raybestos 5973
R44141829	J	DISC	Wagner BD125206	5	5"	
R44141806	J	DISC	Wagner BD125208	6	5 1/2"	
R44141818	J	DISC	Wagner BD125212	8	6 1/2"	
R44141089	L	DISC	Wagner BD60434	8	6 1/2"	
R44141861	J	DISC	Wagner BD125331	8	6 1/2"	
R44141381	J	11 3/4"	Wagner BD60784	5	5 1/2"	Raybestos 7009
R44141927	J	12 1/2"	Bendix 141927	8	6 1/2"	Raybestos 76465
R44141923	J	12 1/2"	Bendix 141923	8	6 1/2"	Raybestos 76452
R44141924	J	12 13/16"	Bendix 141924	8	6 1/2"	Raybestos 76399
R44145049	J	13 1/32"	Bendix 145049	8	6 1/2"	Raybestos 66527
R44145057	J	13 1/32"	Bendix 145057	8	6 1/2"	Raybestos 66528
R44145071	J	13 1/32"	Bendix 145071	8	6 1/2"	Raybestos 66529
R44145068	J	13 1/32"	Bendix 145129	8	6 1/2"	Raybestos 66530
R44145054	J	13 1/32"	Bendix 145054	8	6 1/2"	Raybestos 66603
R44145071	J	13 1/32"	Bendix 145071	8	6 1/2"	Raybestos 66529
R44141862	J	12 1/2"	Bendix 141862	8	6 1/2"	Raybestos 56397
R44141867	J	12 9/16"	Bendix 141867	8	6 1/2"	Raybestos 6078
R44141903	J	10 55/64"	Bendix 141903	5	4 1/2"	Raybestos 66402
R44141906	J	11 23/32"	Bendix 141906	5	5 1/2"	Raybestos 66455
R44145134			Bendix 145134	8		Raybestos 56593
R44145141			Bendix 145141	5		Raybestos 66653
R44145192	J	13 1/32"	Bendix 145192	8	6 1/2"	Raybestos 66530
R44145255	J	13 1/64"	Bendix 145255	8	6 11/16"	Raybestos 66785
R44145256	J	13 1/64"	Bendix 145256	8	6 11/16"	Raybestos 66786
R44145267			Bendix 145267			Raybestos 66768
R44145108	J	12 1/2"	Bendix 145108	8	6 1/2"	Raybestos 76599
R44145368			Bendix 145368	8		Raybestos 56750
R44145859	J	12 1/2"	Bendix 145859	8	6 1/2"	Raybestos 56396

6 - DRUM, HUB & ROTOR

MEDIUM-DUTY TRUCK HYDRAULIC DISC BRAKE ROTORS



TYPE 1
"HAT" SHAPE



TYPE 2
"U" SHAPE

DISC BRAKE ROTOR NUMERICAL LISTING

MERITOR PART NO.	EUCLID PART NO.	ROTOR TYPE	A OUTSIDE DISC DIAMETER	B DISC THICKNESS		C OVERALL ROTOR DEPTH	D BOLT CIRCLE	E BOLT HOLES		F PILOT DIA.	COMMENTS
				NEW	MINIMUM WEAR			DIA.	NO.		
23-122527-002	E-4231	2	15.00	1.440	1.320	6.80	8.750	0.812	6	7.000	
23-122687-002	E-4229	1	14.93	1.350	1.225	3.82	6.750	0.656	5	5.220	For ABS Use 23-123486-002
23-122688-002	E-9804	1	14.75	1.350	1.225	3.81	6.750	0.656	6	5.400	For ABS Use 23-123468-002
23-122691-002	E-4228	2	15.38	1.540	1.415	4.76	11.250	0.781	6	9.251	
23-122693-002	E-4246	2	15.38	1.540	1.415	6.22	11.250	0.812	10	9.499	Gunite D6059
23-122700-002	E-4227	1	14.75	1.350	1.225	3.81	7.250	0.781	6	5.401	For ABS Use 23-123480-002
23-122701-002	E-4232	2	15.00	1.430	1.320	4.50	11.250	0.656	5	9.187	
23-122703-002	E-4233	2	15.38	1.540	1.415	6.07	11.250	0.84	10	8.688	
23-122729-002	E-4230	1	15.38	1.540	1.415	3.40	7.250	0.594	10	6.000	
23-122743-002	E-4234	2	15.38	1.540	1.415	6.03	8.750	0.844	6	6.446	Ford Part Number E4HZ1125D
23-122897-002	E-4247	1	15.00	1.435	1.320	4.44	7.250	0.578	10	6.001	For ABS Use 23-123552-004
23-123041-002	E-9807	1	14.25	1.440	1.320	2.98	6.000	5.31	5	4.600	
23-123046-002	E-9808	1	14.25	1.440	1.320	2.98	6.000	0.531	6	4.600	GM 15579754
23-123296-002	E-9809	1	14.75	1.350	1.225	3.81	7.250	0.591	10	6.000	For ABS Use 23-123495-002
23-123341-002	-	2	15.38	1.540	1.415	7.82	10.830	0.544	8	8.350	275mm Bolt Circle - Use With 19.5" Rims
23-123433-002	E-11327	2	15.38	1.435	1.320	6.21	11.250	0.812	10	9.499	GM Application
23-123434-002	E-11307	1	15.38	1.440	1.320	3.40	7.250	0.594	10	6.000	For ABS Use 23-123485-002
23-123439-002	E-11306	1	14.75	1.350	1.225	3.81	7.250	0.781	10	6.000	Ford F4HZ1125A

6 - DRUM, HUB & ROTOR

DISC BRAKE ROTOR NUMERICAL LISTING

MERITOR PART NO.	EUCLID PART NO.	ROTOR TYPE	A OUTSIDE DISC DIAMETER	B DISC THICKNESS		C OVERALL ROTOR DEPTH	D BOLT CIRCLE	E BOLT HOLES		F PILOT DIA.	COMMENTS
				NEW	MINIMUM WEAR			DIA.	NO.		
23-123440-002	E-11308	1	15.38	1.540	1.415	3.40	7.250	0.594	10	6.000	For ABS Use 23-123489-002
23-123443-002	E-11327	1	14.75	1.350	1.225	3.81	7.250	0.781	6	5.400	6 Tapped Holes For ABS Ring Mounting (8.140 Bolt Circle)
23-123458-002	E-11309	1	15.38	1.540	1.415	3.40	7.250	0.656	10	6.000	For ABS Use
23-123460-002	E-11321	1	14.75	1.350	1.225	3.81	7.250	0.781	6	5.750	6 Tapped Holes For ABS Ring Mounting
23-123461-002	-	2	15.38	1.540	1.415	7.27	11.250	0.937	10	9.120	5 Tapped Holes For ABS Ring Mounting
23-123468-002	E-11322	1	14.75	1.350	1.225	3.81	6.750	0.656	6	5.400	6 Tapped Holes For ABS Ring Mounting
23-123480-002	E-11323	1	14.75	1.350	1.225	3.81	7.250	0.781	6	5.400	6 Tapped Holes For ABS Ring Mounting
23-123485-002	E-11125	1	15.38	1.440	1.320	3.40	7.250	0.594	10	6.000	5 Tapped Holes For ABS Ring Mounting (M8x1.25-6H 6.8" B.C.)
23-123486-002	E-11310	1	14.75	1.350	1.225	3.81	6.750	0.656	5	5.400	5 Tapped Holes For ABS Ring Mounting (Metric)
23-123487-002	E-11324	1	14.75	1.350	1.225	3.81	6.750	0.656	5	5.400	5 Tapped Holes For ABS Ring Mounting (1/4"-20 5.90 B.C.)
23-123489-002	E-11311	1	15.38	1.540	1.415	3.40	7.250	0.594	10	6.000	5 Tapped Holes For ABS Ring Mounting GMC Application
23-123494-002	E-11312	1	14.75	1.350	1.225	3.81	7.250	0.781	6	5.760	New Holland 86514074
23-123495-002	E-11313	1	14.75	1.350	1.225	3.81	7.250	0.594	10	6.000	5 Tapped Holes For ABS Ring Mounting
23-123497-002	E-11328	1	14.75	1.350	1.225	3.81				4.501	
23-123498-002	-	1	15.38	1.540	1.415	3.41	7.250	0.656	10	5.964	5 Tapped Holes For ABS Ring Mounting
23-123527-002	E-11326	1	15.63	1.540	1.415	3.63	7.250	0.656	10	5.964	Ford YC3Z1125AA
23-123528-002	-										
23-123529-002	E-11325	1	14.75	1.350	1.225	3.98	7.250	0.656	5	6.001	Casting Number 23-122687-096
23-123532-002	E-11329	1	15.17	1.440	1.320	2.90	6.750	0.656	5	5.400	GM Applications
23-123550-004	E-11470	1	15.00	1.440	1.320	3.21	7.250	0.594	10	6.001	ITE 3531662C2 / ABS Exciter Teeth In Casting (100)
23-123552-004	-	1	15.00	1.440	1.320	4.44	7.250	0.594	10	6.001	ITE 3531663C2 / ABS Exciter Teeth In Casting (100)
23-123557-002	-	1	15.38	1.530	1.410	3.40	7.250	0.594	10	6.001	ABS Exciter Teeth In Casting (100)
23-123572-004	E-6115	1	15.00	1.440	1.320	3.50	6.750	0.781	6	5.401	ABS Exciter Teeth In Casting (100)
23-123573-004	E-6114	1	15.00	1.440	1.320	3.50	6.750	0.781	5	5.400	ITE 3531661C2 / ABS Exciter Teeth In Casting (100)
23-123574-004		2	15.38	1.540	1.415	7.60	11.250	0.937	10	9.120	
23-123617-004		1	15.38	1.540	1.415	3.40	7.250	0.594	8	6.001	
23-123618-002		2	11.96	1.180	1.035	6.05	7.500	.50-13 UNC	6	6.130	Hino
23-123624-002		2	12.76	1.180	1.035	6.33	7.750	.50-13 UNC	8	6.130	Hino
23-123625-002		2	12.76	1.180	1.035	4.63	8.000	.50-13 UNC	8	6.502	Hino
23-123626-002		2	11.96	1.180	1.035	4.64	7.500	.50-13 UNC	6	6.502	Hino

6 - DRUM, HUB & ROTOR

DISC BRAKE ROTOR NUMERICAL LISTING

MERITOR PART NO.	EUCLID PART NO.	ROTOR TYPE	A OUTSIDE DISC DIAMETER	B DISC THICKNESS		C OVERALL ROTOR DEPTH	D BOLT CIRCLE	E BOLT HOLES		F PILOT DIA.	COMMENTS
				NEW	MINIMUM WEAR			DIA.	NO.		
23-123648-002	-	1	15.00	1.440	1.320	3.50	6.750	0.781	5	5.400	ABS Exciter Ring (Works as a Replacement for 23-123573-004) Replaceable / 5 holes Tapped 10-24 @ 7.680 B.C.
R44141583	E-9805	-	-	-	-	-	-	-	6	-	GM 155144761 / 15500340 / 15500339
R44141627	E-4242	2	15.00	1.430	1.320	5.90	12.750	0.76	5	14.000	Gunite D6115A
R44141629	E-4240	2	15.00	1.430	1.320	5.05	12.000	0.65	5	13.000	ITE 595987C1
R44141730	E-9817	1	11.11	1.380	1.270	2.50	136mm	0.5	12	-	Isuzu 8-97015-357-0
R44141856	E-8903	2	15.62	1.750	1.630	6.36	11.250	1.28	10	9.000	TH-24 Gunite Air / Hydraulic
R44141858	E-8905	2	15.00	1.430	1.320	4.26	10.500	0.65	5	9.000	
R447184	E-7184	2	15.38	1.535	1.410	6.25	10.827	0.844	8	8.347	FORD E6HZ-1125G
R447185	E-7185	2	15.38	1.535	1.410	6.61	13.198	1.047	10	10.950	FORD E6HZ-1125F
R448904	E-8904	2	15.62	1.750	1.630	4.92	12.750	0.78	6	10.000	TH-24 Gunite Air / Hydraulic
R449873	E-9873	2	15.00	1.450	1.320	4.77	11.250	0.78	5	9.000	ITE 1660669C1
Commonly Mistaken Identified Rotors											
23-122688-002	E-9804	1	14.75	1.350	1.225	3.81	6.750	0.656	6	5.400	For ABS Use 23-123468-002
23-123468-002	E-11322	1	14.75	1.350	1.225	3.81	6.750	0.656	6	5.400	6 Tapped Holes for ABS Ring Mounting (1/4"-20 5.90 B.C.)
23-123487-002	E-11324	1	14.75	1.350	1.225	3.81	6.750	0.656	5	5.400	5 Tapped Holes for ABS Ring Mounting (1/4"-20 5.90 B.C.)
23-122687-002	E-4229	1	14.93	1.350	1.225	3.82	6.750	0.656	5	5.220	For ABS Use 23-123486-002
23-123486-002	E-11310	1	14.75	1.350	1.225	3.81	6.750	0.656	5	5.400	5 Tapped Holes for ABS Ring Mounting (Metric) (M8 x 1.25-6H 8.386 B. C.)
23-122700-002	E-4227	1	14.75	1.350	1.225	3.81	7.250	0.781	6	5.401	For ABS Use 23-123480-002
23-123443-002	E-11327	1	14.75	1.350	1.225	3.81	7.250	0.781	6	5.400	6 Tapped Holes for ABS Ring (1/4"-20 @ 8.140 B. C.)
23-123480-002	E-11323	1	14.75	1.350	1.225	3.81	7.250	0.781	6	5.400	6 Tapped Holes for ABS Ring Mounting (1/4"-20 @ 6.342 B. C.)
23-122527-002	E-4231	2	15.00	1.440	1.320	6.80	8.750	0.812	6	7.000	
23-123460-002	E-11321	1	14.75	1.350	1.225	3.81	7.250	0.781	6	5.750	6 Tapped Holes For ABS Ring Mounting (1/4"-20 @ 8.14 B.C)
23-123494-002	E-11312	1	14.75	1.350	1.225	3.81	7.250	0.781	6	5.760	New Holland 86514074

6 - DRUM, HUB & ROTOR

DISC BRAKE ROTOR NUMERICAL LISTING

MERITOR PART NO.	EUCLID PART NO.	ROTOR TYPE	A OUTSIDE DISC DIAMETER	B DISC THICKNESS		C OVERALL ROTOR DEPTH	D BOLT CIRCLE	E BOLT HOLES		F PILOT DIA.	COMMENTS
				NEW	MINIMUM WEAR			DIA.	NO.		
Commonly Mistaken Identified Rotors (Cont'd.)											
23-123296-002	E-9809	1	14.75	1.350	1.225	3.81	7.250	0.591	10	6.000	For ABS Use 23-123495-002
23-123495-002	E-11313	1	14.75	1.350	1.225	3.81	7.250	0.594	10	6.000	5 Tapped holes For ABS Ring Mounting (Metric) (M8x1.25- 6H @ 8.386 B. C.)
23-123434-002	E-11307	1	15.38	1.440	1.320	3.40	7.250	0.594	10	6.000	For ABS Use 23-123485-002
23-123485-002	E-11125	1	15.38	1.440	1.320	3.40	7.250	0.594	10	6.000	5 Tapped Holes For ABS Ring (M8x1.25- 6H @ 6.8" B.C.)
23-122729-002	E-4230	1	15.38	1.540	1.415	3.40	7.250	0.594	10	6.000	
23-123440-002	E-11308	1	15.38	1.540	1.415	3.40	7.250	0.594	10	6.000	For ABS Use 23-123489-002
23-123489-002	E-11311	1	15.38	1.540	1.415	3.40	7.250	0.594	10	6.000	5 Tapped Holes For ABS Ring Mounting (M8x1.25-6H @6.8" B.C.) GMC Appl.
23-122897-002	E-4247	1	15.00	1.435	1.320	4.44	7.250	0.578	10	6.001	For ABS Use 23-123552-004
23-123552-004	-	1	15.00	1.440	1.320	4.44	7.250	0.594	10	6.001	ITE 3531663C2 / ABS Exciter Teeth In Casting (100)
23-123498-002	-	1	15.38	1.540	1.415	3.41	7.250	0.656	10	5.964	5 Tapped Holes For ABS Ring Mounting (1/4"- 20 @ 9.125"B.C.)
23-123458-002	E-11309	1	15.38	1.540	1.415	3.40	7.250	0.656	10	6.000	
23-123440-002	E-11308	1	15.38	1.540	1.415	3.40	7.250	0.594	10	6.000	For ABS Use 23-123489-002
23-123489-002	E-11311	1	15.38	1.540	1.415	3.40	7.250	0.594	10	6.000	5 Tapped Holes For ABS Ring Mounting (M8x1.25-6H @ 6.8" B.C.) GMC Application
23-123461-002	-	2	15.38	1.540	1.415	7.27	11.250	0.937	10	9.120	5 Tapped Holes For ABS Ring Mounting (1/4" - 20 @ 9.125"B.C.)

6 - DRUM, HUB & ROTOR

MEDIUM-DUTY TRUCK HYDRAULIC DISC BRAKE ROTORS

DISC BRAKE ROTOR IDENTIFICATION CHART

SPOKE WHEEL — (Primary Application)

	MAJOR DIA.	ROTOR TYPE	VEHICLE MFR. NO.	BENDIX PART NO.	GUNITE PART NO.	WEBB PART NO.	EUCLID PART NO.	MERITOR PART NO.
5 Spoke	14.25"	1	GMC 15579020	141489	-	-	E-9807	23-123041-002
5 Spoke	15.00"	2	ITE 588126C1	141274	D6128	54255	E-4232	23-122701-002
5 Spoke	15.00"	2	ITE 589868C1	-	D6114	-	E-4240	-
5 Spoke	15.00"	2	ITE 595987C1	141628	D6115	-	E-4241	23-122728-002
5 Spoke	15.00"	2	ITE 1648518C1	141627	D6115A	-	E-4242	23-122962-002
5 Spoke	15.00"	2	ITE 1648517C1	141493	R6128A	54256	E-8902	23-122920-002
5 Spoke	15.00"	2	ITE 508526C2	141858	D6170	-	E-8905	-
5 Spoke	15.00"	2	ITE 1660669C1	141875	D6168	-	E-9873	-
6 Spoke	15.38"	2	FORD E3HZ-1102A	141270	-	54351	E-4228	23-122691-002
6 Spoke	15.62"	2	FORD D5HZ-1102B	-	R3064X	-	E-8904	-
6 Spoke	15.63"	2	-	141276	-	-	E-4234	23-122743-002

DISC WHEEL - (Primary Application)

6 Stud	-	-	GMC 15514476 / 15500340 / 15500339	141583	-	-	E-9805	-
12 Stud	11.11"	1	ISUZU 8-97015-357-0	141730	-	-	E-9817	-
5 Stud	14.75"	1	-	-	D6054A	54104	E-11310	23-123486-002
6 Stud	14.75"	1	-	-	D6128A	-	E-11312	23-123494-002
10 Stud	14.75"	1	-	-	D5054A	54106	E-11313	23-123495-002
6 Stud	14.75"	1	-	-	R6054C	54301	E-11327	23-123443-002
6 Stud	14.75"	1	-	141274	D6128	-	E-11321	23-123460-002
6 Stud	14.75"	1	-	141271	D6054	54102	E-11322	23-123468-002
6 Stud	14.75"	1	-	141276	D6054C	54352	E-11323	23-123480-002
5 Stud	14.75"	1	-	-	-	-	E-11324	23-123487-002
10 Stud	14.75"	1	-	-	-	-	E-11325	23-123529-002
10 Stud	14.75"	1	-	-	-	-	E-11328	23-123497-002
6 Stud	14.75"	1	GMC 15611098 / 15515789	141585	D6054A	54104P	E-9804	23-122688-002
6 Stud	15.00"	2	ITE 589843C1	141273	-	-	E-4231	23-122527-002
10 Stud	15.00"	2	ITE 582029C1	141608	D6145	-	E-4243	23-122945-002
10 Stud	15.00"	1	ITE 1646750C1	141494	D6151	-	E-4247	23-122897-002
6 Stud	15.00"	1	ITE 1646770C1 / 2505097C1	141475	D6194A	54770	E-6115	23-123572-004
10 Stud	15.38"	1	-	-	-	-	-	23-123557-002
10 Stud	15.38"	1	-	-	-	-	E-11125	23-123485-002
10 Stud	15.38"	1	-	145058	-	54103	E-11307	23-123434-002
10 Stud	15.38"	2	FORD E4HZ-1125C	141275	-	-	E-4233	23-122703-002
6 Stud	15.38"	2	FORD E4HZ-1125D	141276	-	-	E-4234	23-122743-002
8 Stud	15.38"	2	FORD E6HZ-1125G	-	-	-	E-7184	-
10 Stud	15.38"	2	FORD E6HZ-1125F	-	-	-	E-7185	-
8 Stud	15.38"	2	-	-	-	-	-	23-123341-002
10 Stud	15.62"	2	FORD D5HZ-1102A	141856	R3065X	-	E-8903	-

6 - DRUM, HUB & ROTOR

MEDIUM-DUTY TRUCK HYDRAULIC DISC BRAKE ROTORS DISC BRAKE ROTOR IDENTIFICATION CHART

SPOKE WHEEL or DISC WHEEL — (Primary Application)									
	MAJOR DIA.	ROTOR TYPE	VEHICLE MFR. NO.		BENDIX PART NO.	GUNITE PART NO.	WEBB PART NO.	EUCLID PART NO.	MERITOR PART NO.
6 Stud	14.25"	1	GM	15579754	141490	-	-	E-9808	23-123046-002
5 Stud	14.75"	1	FORD	YC4Z-2C026AA	-	-	-	-	23-123528-002
10 Stud	14.75"	1	FORD	F4HZ-1125A	145058	-	54351	E-11306	23-123439-002
6 Stud	14.75"	1	FORD	E4HZ-1125A	141269	D6054C	54103P	E-4227	23-122700-002
8 Stud	14.75"	1	-	-	-	-	54106	E-9809	23-123296-002
5 Stud	14.93"	1	GM	15619954 / 15515786 / 15514470 / 15500326	141271 / 141584	D6054	54102P	E-4229	23-122687-002
10 Stud	15.00"	1	-	-	-	-	-	E-11470	23-123550-004
10 Stud	15.00"	1	-	-	-	-	-	-	23-123644-002
5 Stud	15.00"	1	ITE	3531661C1 / 2509073C1/ 3531661C2	141476	-	54769P	E-6114	23-123573-004
5 Stud	15.00"	1	-	-	-	-	-	-	23-123648-002
10 Stud	15.00"	1	-	-	-	-	-	-	23-123552-004
10 Stud	15.00"	1	-	-	-	-	-	-	23-123649-002
6 Stud	15.17"	1	GM	12472473	-	-	-	-	23-123532-002
10 Stud	15.38"	1	-	-	-	D6052	54102	E-11308	23-123440-002
10 Stud	15.38"	1	-	-	-	-	54251	E-11309	23-123458-002
10 Stud	15.38"	1	-	-	-	D6183	54771	E-11311	23-123489-002
10 Stud	15.38"	2	-	-	-	D6054C	54301	E-11327	23-123433-002
10 Stud	15.38"	1	GM	156199700 / 15514406 / 15514357	141272	D6052	54301P	E-4230	23-122729-002
10 Stud	15.380"	2	-	-	141606	-	-	-	23-122693-002
10 Stud	15.380"	2	FORD	YC3Z-2C026BA	-	-	-	-	23-123461-002
10 Stud	15.380"	1	FORD	YC3Z-2C26AA	-	-	-	-	23-123498-002
6 Stud	15.630"	1	ITE FORD	589843C1 YC3Z-1125AA	141273	-	54251P	E-4231	23-123527-002

HYDRAULIC DRUM BRAKE SHOE INDEX

Listed by FMSI Shoe Number

DRUM BRAKES — UNLINED SHOES (Sold Individually)

FMSI SHOE NO.	FMSI LINING NO.	MERITOR UNLINED SHOE NO.	BRAKE SIZE	BRAKE MANUFACTURER	AXLE POSITION	ADJUSTMENT	RETURN SPRING KIT
22	2041	—	14 1/8" x 3 1/2"	Bendix	Rear	Manual	R40H500
36	2043	—	13" x 2 1/4"	Bendix	Front	Manual	R40H9210
63	224A	—	14" x 2 1/4"	Bendix	Front	Manual	R40H140
235	1245A	R700235	15" x 3"	Wagner	Front	Manual	R40H521
296	1294	—	14" x 2 1/2"	Wagner	Front	Manual	R40H9237
299	2039	—	14" x 2 1/2"	General Motors	Front	Automatic	R40H599
321	1245C	R700321	15" x 3"	Wagner	Front	Automatic	R40H521
322	1280B	—	15" x 3 1/2"	Wagner	Front	Automatic	R40H521
325	1294A	—	14" x 2 1/2"	Wagner	Front	Automatic	R40H521
346	1252	R700346	15" x 5"	Wagner	Rear	Automatic	R40H597
361	2060 or 2060T	—	14" x 2 1/2"	Gunite(K-H)	Front	Automatic	R40H596
375	4645A	—	15" x 5"	Wagner	Rear	Manual	R40H597
376	4645A	—	15" X 4"	Wagner	Rear	Automatic	R40H597
377	1252	Use R700346	15" x 5"	Wagner	Rear	Manual	R40H597
379	1252	—	15" x 5"	Wagner	Rear	Automatic	R40H597
380	4596	Use R700381	15" x 6"	Wagner	Rear	Manual	R40H597
381	4596	R700381	15" x 6"	Wagner	Rear	Automatic	R40H597
382	4597	Use R700383	15" x 7"	Wagner	Rear	Manual	R40H597
383	4597	R700383	15" x 7"	Wagner	Rear	Automatic	R40H597
385	1254	—	16" x 5"	Wagner	Rear	Manual	R40H597
385	1254	—	16" x 5"	Wagner	Rear	Automatic	R40H597
385/386	1254 or 1255	R40H9200	16" x 5" or x 6"	Wagner	Rear	Automatic	—
386	1255	—	16" x 6"	Wagner	Rear	Manual	R40H9200
386	1255	—	16" x 6"	Wagner	Rear	Automatic	R40H9200
398	2060	—	14" x 2 1/2"	Bendix	Front	Automatic	R40H140
400	4646	R700400	15" x 5"	Gunite(K-H)	Rear	Automatic	R40H595
401	4647	R700401	15" x 4"	Gunite(K-H)	Rear	Automatic	R40H595
427	4640	R700427	15" x 4"	General Motors	Rear	Automatic	R40H550
442	4639	R700442	15" x 5"	General Motors	Rear	Automatic	R40H550
463	1280	R700463	15" x 3 1/2"	Wagner	Front	Manual	R40H521
490	1345	—	15" x 5"	Wagner	Front	Manual	R40H596
491	1345A	—	15" x 5"	Wagner	Front	Automatic	R40H596
542	4528A	R40H9206	15" x 5"	Lucas	Rear	Automatic	SP7897/SP7896
543	4504A	R40H3500	15" x 6"	Lucas	Rear	Automatic	SP7897/SP7896
544	4505A	R40H3501	15" x 7"	Lucas	Rear	Automatic	SP7897/SP7896

6 - BRAKE SHOES

DRUM BRAKES — LINED SHOES (Sold 4 Per Set)

FMSI SHOE NO.	FMSI LINING NO.	MERITOR LINED SHOE SET NO.	BRAKE SIZE	VEHICLE MANUFACTURER	AXLE POSITION	ADJUSTMENT	RETURN SPRING KIT
169	2089T	—	10" x 2 1/2"	Ford	Rear	Automatic	R40H102
242	2117TT	—	9 1/2" x 2"	General Motors	Rear	Automatic	R40H367
263	2161TT	—	11 1/32" x 2 1/4"	Ford	Rear	Automatic	R40H7225
267	2012FT	—	10" x 1 3/4"	AMC/Jeep	Rear	Automatic	R40H7064
314	2140T,AT,B	Use R46358	12" x 3"	Bendix	Front & Rear	Automatic	R40H546/ R40H608/R
316	2146T,AT	Use R46357	12" x 2 1/2"	Bendix	Rear	Automatic	R40H546
357	2146AT	R46357	12" x 2 1/2"	Dodge	Rear	Automatic	R40H547
358	2140AT	R46358	12" x 3"	Dodge	Front & Rear	Automatic	R40H547
445	2089T	R46445	10" x 2 1/2"	Dodge	Rear	Automatic	R40H102
446	2025T	R46446	11" x 2 1/2"	Dodge	Rear	Automatic	R40H111
449	2159TT	—	11" x 2"	General Motors	Rear	Automatic	R407046
451	2042AT	R46451	13" x 2 1/2"	General Motors	Rear	Automatic	R40H378
452	2157T	R46452	13" x 3 1/2"	General Motors	Rear	Automatic	R40H378
473	2073T	R46473	11 11/64" x 2 3/4"	General Motors	Rear	Automatic	R40H369
481	2089AT	—	10" x 2 1/2"	Ford,Jeep	Rear	Automatic	R40H7224/ R40H7149
514	2117ATT	—	9 1/2" x 2"	General Motors	Rear	Automatic	R40H367
538	2168T	R46538	9" x 2 1/2"	Dodge	Rear	Automatic	R40H133
552	2165T	—	8 55/64" x 1 49/64"	General Motors	Rear	Automatic	R40H7281

HYDRAULIC DRUM BRAKE SHOE INDEX

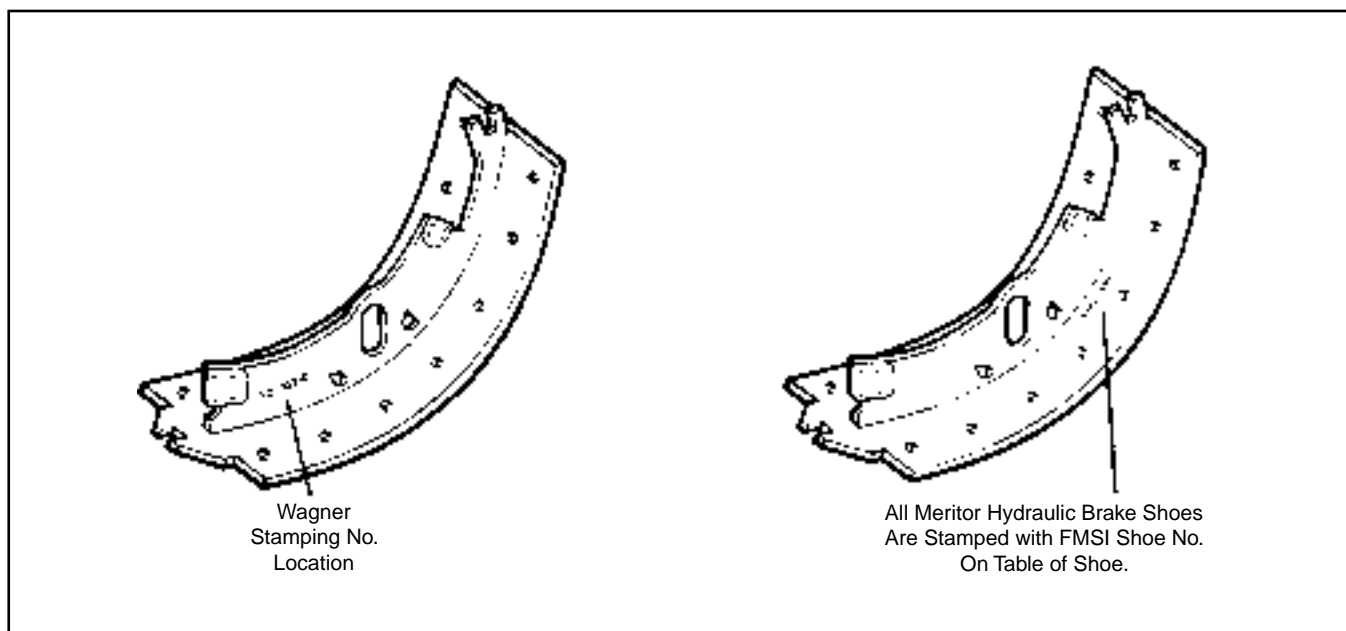
Listed by FMSI Shoe Number

DRUM BRAKES — LINED SHOES (Sold 4 Per Set) (cont'd.)

FMSI SHOE NO.	FMSI LINING NO.	MERITOR LINED SHOE SET NO.	BRAKE SIZE	VEHICLE MANUFACTURER	AXLE POSITION	ADJUSTMENT	RETURN SPRING KIT
569	2151T	R41569	9" x 1 3/4"	Ford	Rear	Automatic	R40H364 R40H357 R40H7225 R40H608 SP7897/SP7896
581	2089AT	R41581	10" x 2 1/2"	Ford	Rear	Automatic	
582	2141AT	R41582	11 1/32" x 2 1/4"	Ford	Rear	Automatic	
583	2171T	R46583	12 1/8" x 3 1/2"	Ford	Rear	Automatic	
593	1404	R46593	10" x 2 1/4"	General Motors	Rear	Automatic	
705	2089AT	R4612006	10" x 2 1/2"	Ford	Rear	Automatic	

6 - BRAKE SHOES

WAGNER BRAKE SHOE STAMPING NO. CROSS REFERENCE

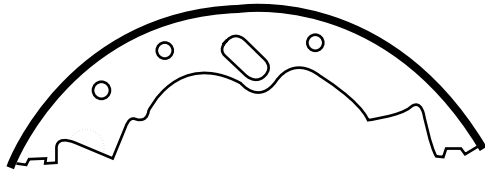


WAGNER STAMPING NO.	FMSI STAMPING NO.	MERITOR SHOE NO.	WAGNER STAMPING NO.	FMSI STAMPING NO.	MERITOR SHOE NO.
FE3340	235	R700235	FE57763	321	R700321
FE19143	377 (Use 346)	R700346	FF57771	325	Not Available
FE19297	99 (Use 385)	Not Available	FD70310	346	R700346
FE19552	96	Not Available	FD70311	381	R700381
FE25515	94 (Use 379)	Not Available	FD70312	383	R700383
FE26270	380 (Use 381)	R700381	FD70320	385	Not Available
FE31197	382 (Use 383)	R700383	FD70321	386	Not Available
FE31993	134 (Use 235)	R700235	FE70330	376	Not Available
FE32479	463	R700463	FD70331	379	Not Available
FF55411	296	Not Available	FE78029	361	Not Available
FE57513	375 (Use 376)	Not Available	FE85053	491	Not Available
			FE98140	490	Not Available

HYDRAULIC BRAKE SHOES

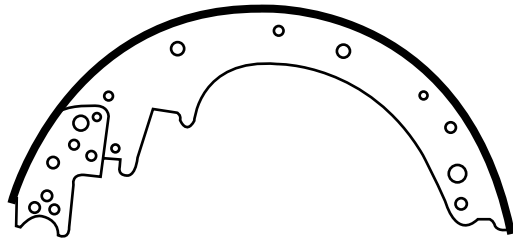
6 - BRAKE SHOES

22



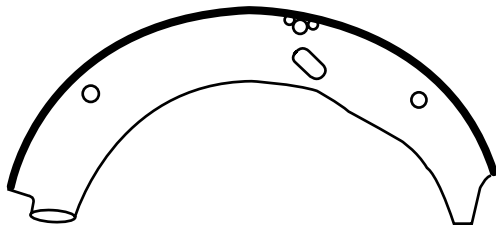
For Identification Only (Not Available)	FMSI SHOE NO.	FMSI LINING NO.	SIZE	RIVET
	22	2041	14 1/8" x 3 1/2"	7-6

63



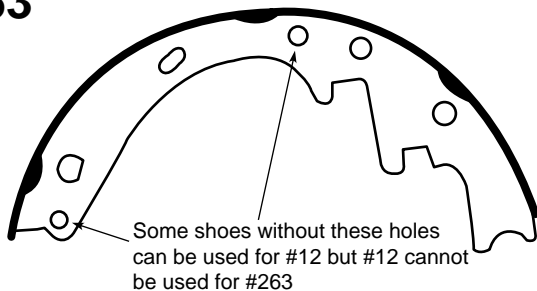
For Identification Only (Not Available)	FMSI SHOE NO.	FMSI LINING NO.	SIZE	RIVET
	63	224A	14" x 2 1/4"	4-6

235



MERITOR SHOE NO.	FMSI SHOE NO.	FMSI LINING NO.	SIZE	RIVET
R700235 (US)	235	1245A	15" x 3"	7-6

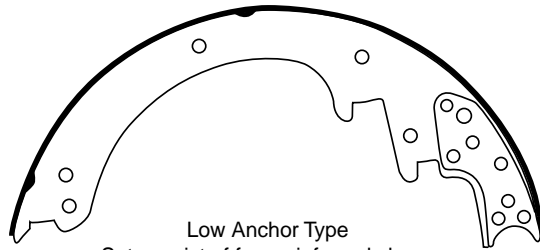
263



Sold 4 Per Set

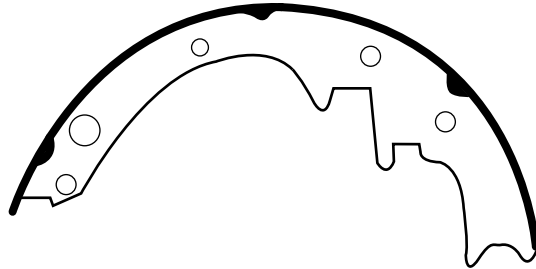
For Identification Only (Not Available)	FMSI SHOE NO.	FMSI LINING NO.	SIZE	RIVET
	263	2161TT	11 1/32" x 2 1/4"	4-4

36



For Identification Only (Not Available)	FMSI SHOE NO.	FMSI LINING NO.	SIZE	RIVET
	36	2043	13" x 2 1/4"	—

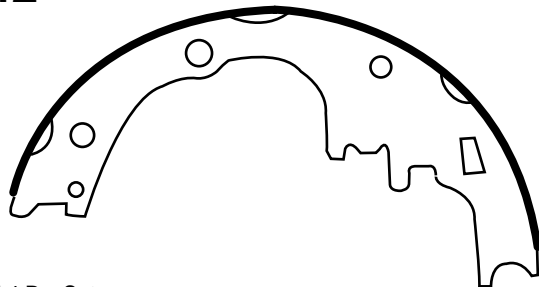
169



Sold 4 Per Set

For Identification Only (Not Available)	FMSI SHOE NO.	FMSI LINING NO.	SIZE	RIVET
	169	2089T	10" x 2 1/2"	4-4

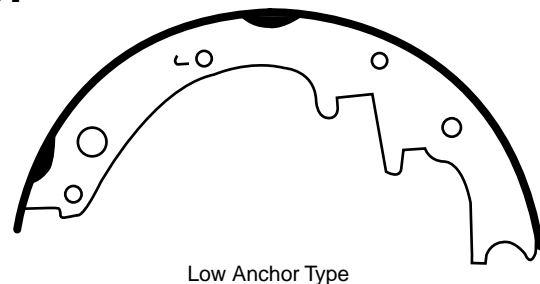
242



Sold 4 Per Set

For Identification Only (Not Available)	FMSI SHOE NO.	FMSI LINING NO.	SIZE	RIVET
	242	2117TT	9 1/2" x 2"	4-4

267



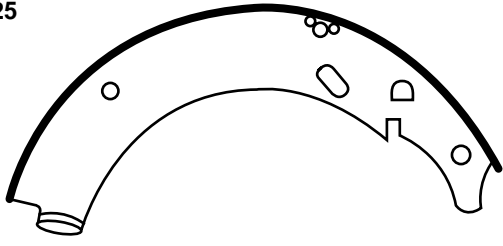
Sold 4 Per Set

For Identification Only (Not Available)	FMSI SHOE NO.	FMSI LINING NO.	SIZE	RIVET
	267	2012FT	10" x 1 3/4"	4-4

HYDRAULIC BRAKE SHOES

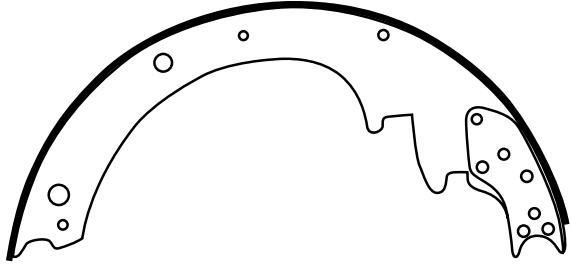
296 Wagner Stamping
FF55411

Use 325



For Identification Only (Not Available)	FMSI SHOE NO.	FMSI LINING NO.	SIZE	RIVET
	296	1294	14" x 2 1/2"	7-

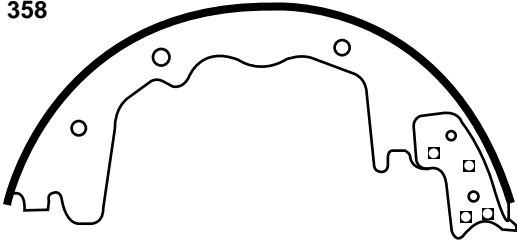
299



For Identification Only (Not Available)	FMSI SHOE NO.	FMSI LINING NO.	SIZE	RIVET
	299	2039	14" x 2 1/2"	—

314

Use 358

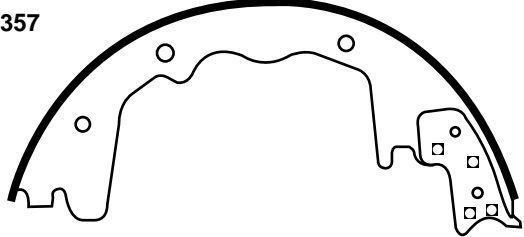


Low Anchor Type

MERITOR SHOE NO.	FMSI SHOE NO.	FMSI LINING NO.	SIZE	RIVET
R46358	314	2140T, 2140AT, 2140BT	12" x 3"	4-5

316

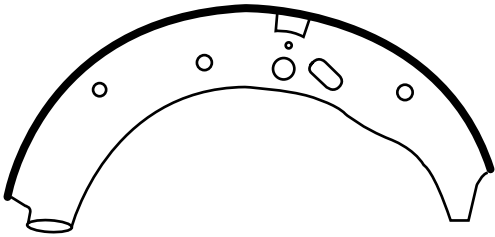
Use 357



Low Anchor Type

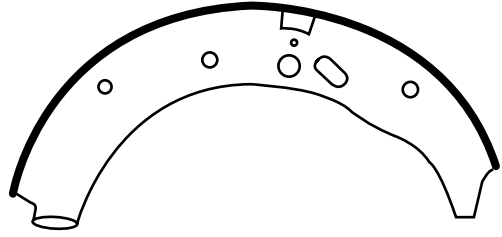
MERITOR SHOE NO.	FMSI SHOE NO.	FMSI LINING NO.	SIZE	RIVET
R46357	316	2146T, 2146AT	12" x 2 1/2"	4-5

321 Wagner Stamping
FE57763



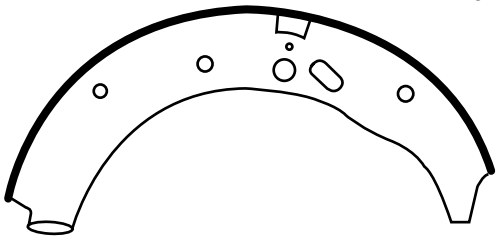
MERITOR SHOE NO.	FMSI SHOE NO.	FMSI LINING NO.	SIZE	RIVET
R700321 (US)	321	1245C	15" x 3"	7-6

322 Wagner Stamping
FE59210



For Identification Only (Not Available)	FMSI SHOE NO.	FMSI LINING NO.	SIZE	RIVET
	322	1280B	15" x 3 1/2"	7-6

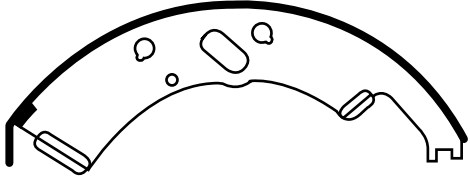
325 Wagner Stamping
FF57771



Fits 1 1/8" and 1 1/4" FWC

For Identification Only (Not Available)	FMSI SHOE NO.	FMSI LINING NO.	SIZE	RIVET
	325	1294A	14" x 2 1/2"	7-

346 Wagner Stamping
FD70310



(Re-inforced Anchors)
#346 with adjuster hold can be used for #377

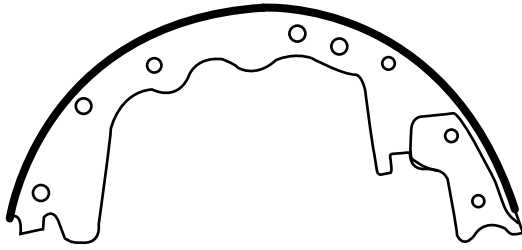
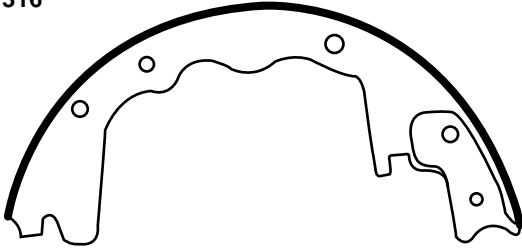
MERITOR SHOE NO.	FMSI SHOE NO.	FMSI LINING NO.	SIZE	RIVET
R700346 (US)	346	1252	15" x 5"	8-7

HYDRAULIC BRAKE SHOES

6 - BRAKE SHOES

357

Old 316

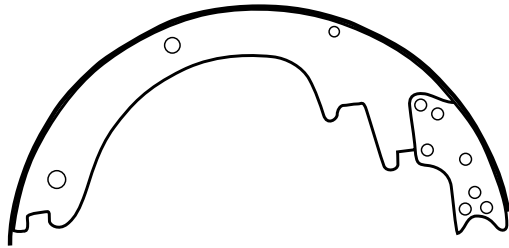


Low Anchor Type

Sold 4 Per Set

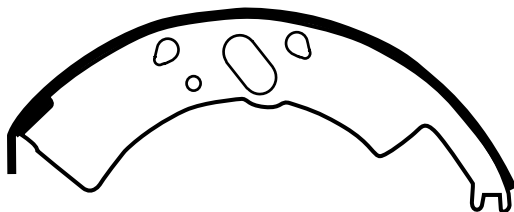
MERITOR SHOE NO.	FMSI SHOE NO.	FMSI LINING NO.	SIZE	RIVET
R46357 (LS)	357	2146AT	12" x 2 1/2"	4-5

361



For Identification Only (Not Available)	FMSI SHOE NO.	FMSI LINING NO.	SIZE	RIVET
	361	2060 2060T	14 x 2 1/2"	—

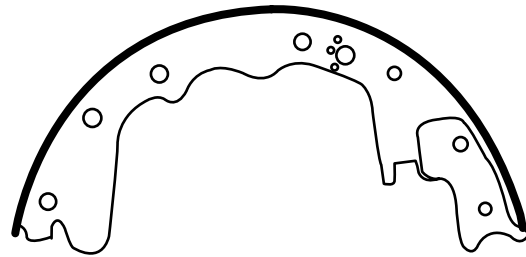
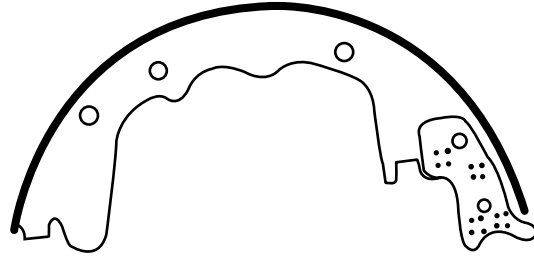
376



For Identification Only (Not Available)	FMSI SHOE NO.	FMSI LINING NO.	SIZE	RIVET
	376	4645A	15 x 4"	8-

358

Old 314



Low Anchor Type

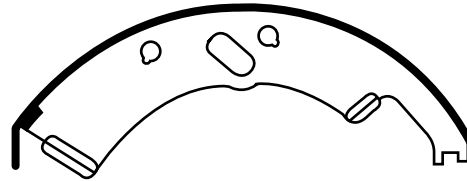
Sold 4 Per Set

MERITOR SHOE NO.	FMSI SHOE NO.	FMSI LINING NO.	SIZE	RIVET
R46358 (LS)	358	2140AT	12" x 3"	4-5

375

Wagner Stamping
FE57513

Use 376



For Identification Only (Not Available)	FMSI SHOE NO.	FMSI LINING NO.	SIZE	RIVET
	375	4645A	15" x 4"	8-

377

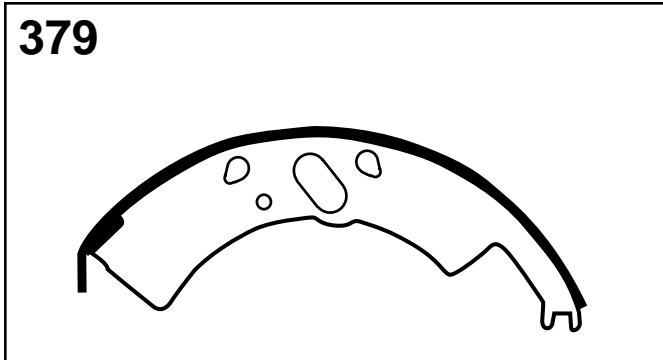
Wagner Stamping
FE19143

Use 346



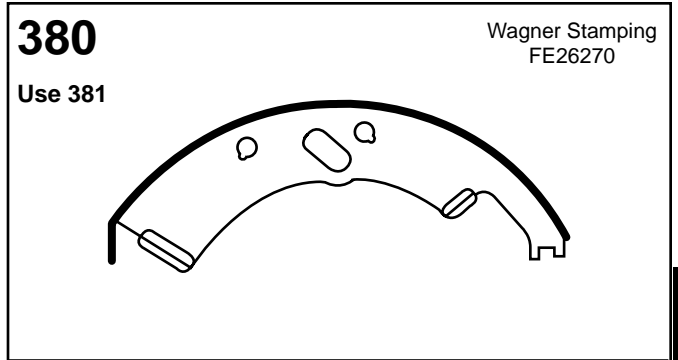
MERITOR SHOE NO.	FMSI SHOE NO.	FMSI LINING NO.	SIZE	RIVET
R700346	377	1252	15" x 5"	8-7

HYDRAULIC BRAKE SHOES



379

For Identification Only (Not Available)	FMSI SHOE NO.	FMSI LINING NO.	SIZE	RIVET
		379	1252	15" x 5"

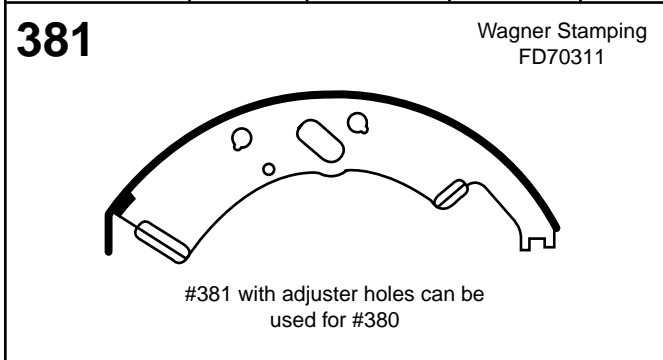


380

Wagner Stamping
FE26270

Use 381

MERITOR SHOE NO.	FMSI SHOE NO.	FMSI LINING NO.	SIZE	RIVET
R700381	380	4596	15" x 6"	8-9

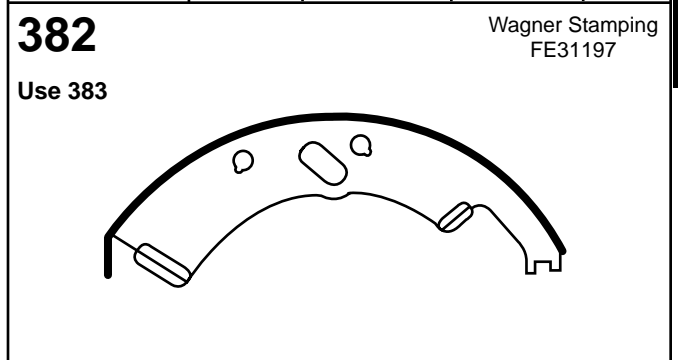


381

Wagner Stamping
FD70311

#381 with adjuster holes can be used for #380

MERITOR SHOE NO.	FMSI SHOE NO.	FMSI LINING NO.	SIZE	RIVET
R700381 (US)	381	4596	15" x 6"	8-9

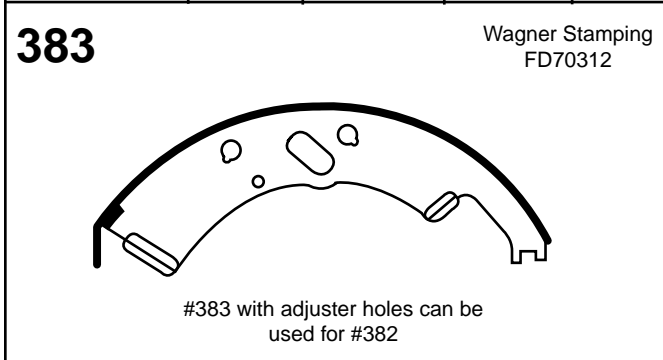


382

Wagner Stamping
FE31197

Use 383

MERITOR SHOE NO.	FMSI SHOE NO.	FMSI LINING NO.	SIZE	RIVET
R46382	382	4597	15" x 7"	8-9

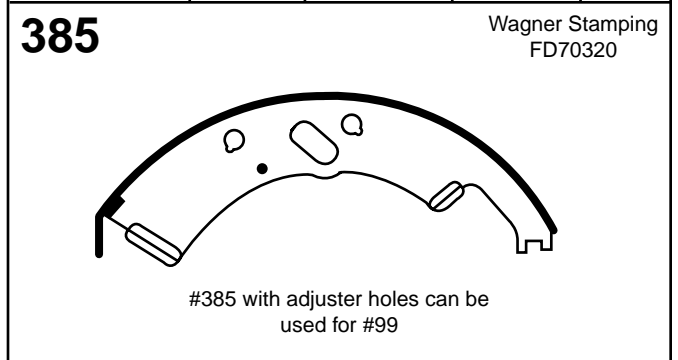


383

Wagner Stamping
FD70312

#383 with adjuster holes can be used for #382

MERITOR SHOE NO.	FMSI SHOE NO.	FMSI LINING NO.	SIZE	RIVET
R46383 (US)	383	4597	15" x 7"	8-9

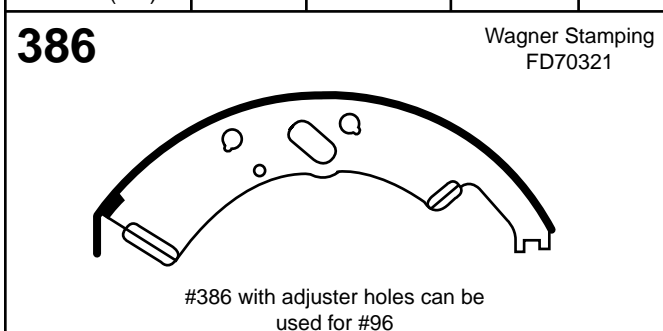


385

Wagner Stamping
FD70320

#385 with adjuster holes can be used for #99

For Identification Only (Not Available)	FMSI SHOE NO.	FMSI LINING NO.	SIZE	RIVET
		385	1254	16" x 5"

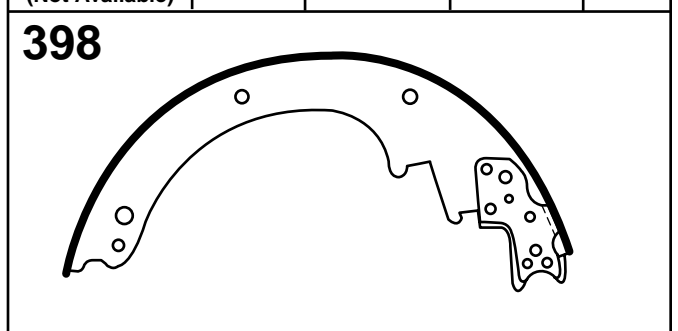


386

Wagner Stamping
FD70321

#386 with adjuster holes can be used for #96

For Identification Only (Not Available)	FMSI SHOE NO.	FMSI LINING NO.	SIZE	RIVET
		386	1225	16" x 6"



398

For Identification Only (Not Available)	FMSI SHOE NO.	FMSI LINING NO.	SIZE	RIVET
		398	2060	14" x 2 1/2"

HYDRAULIC BRAKE SHOES

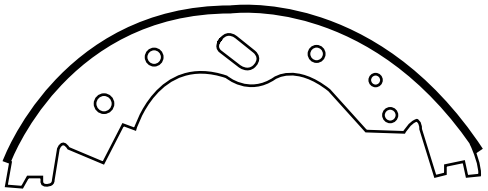
6 - BRAKE SHOES

400



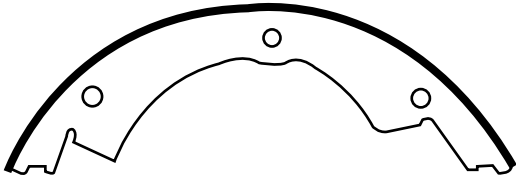
MERITOR SHOE NO.	FMSI SHOE NO.	FMSI LINING NO.	SIZE	RIVET
R700400 (US)	400	4646	15" x 5"	7-6

402



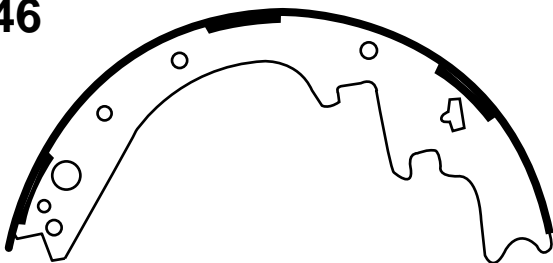
MERITOR SHOE NO.	FMSI SHOE NO.	FMSI LINING NO.	SIZE	RIVET
Discont'd. (US)	402	2032	15" x 4"	7-7

442



MERITOR SHOE NO.	FMSI SHOE NO.	FMSI LINING NO.	SIZE	RIVET
R700442 (US)	442	4639	15" x 5"	7-7

446



Sold 4 Per Set

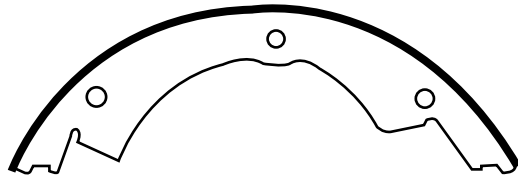
MERITOR SHOE NO.	FMSI SHOE NO.	FMSI LINING NO.	SIZE	RIVET
R46446 (LS)	446	2025T	11" x 2 1/2"	Bonded

401



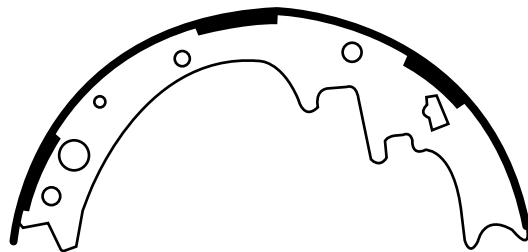
MERITOR SHOE NO.	FMSI SHOE NO.	FMSI LINING NO.	SIZE	RIVET
R700401 (US)	401	4647	15" x 4"	7-6

427



MERITOR SHOE NO.	FMSI SHOE NO.	FMSI LINING NO.	SIZE	RIVET
R700427 (US)	427	4640	15" x 4"	7-7

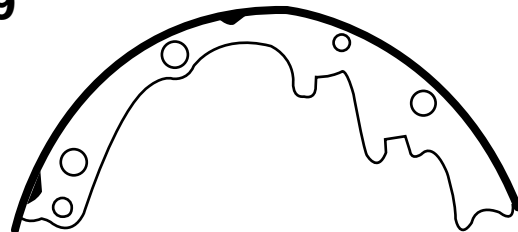
445



Sold 4 Per Set

MERITOR SHOE NO.	FMSI SHOE NO.	FMSI LINING NO.	SIZE	RIVET
R46445 (LS)	445	2089T	10" x 2 1/2"	4-4

449

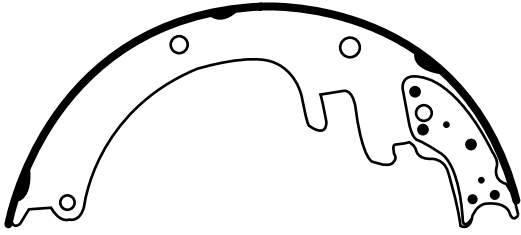


Sold 4 Per Set

MERITOR SHOE NO.	FMSI SHOE NO.	FMSI LINING NO.	SIZE	RIVET
R46449 (LS)	449	2159TT	11" x 2"	4-5

HYDRAULIC BRAKE SHOES

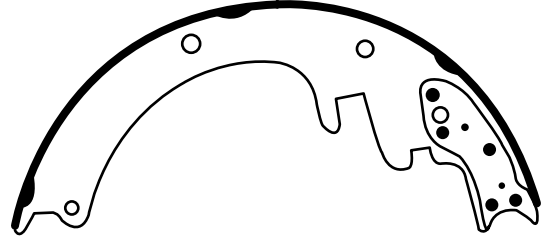
451



Sold 4 Per Set

MERITOR SHOE NO.	FMSI SHOE NO.	FMSI LINING NO.	SIZE	RIVET
R46451 (LS)	451	2042AT	13" x 2 1/2"	7-6

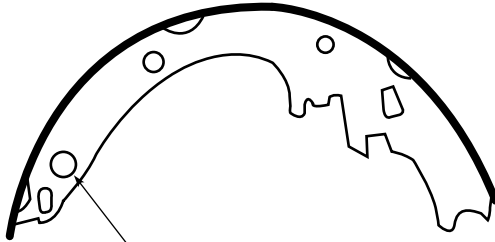
452



Sold 4 Per Set

MERITOR SHOE NO.	FMSI SHOE NO.	FMSI LINING NO.	SIZE	RIVET
R46452 (LS)	452	2157T	13" x 3 1/2"	7-6

462

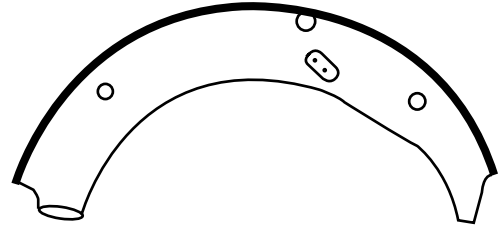


Some shoes produced without this hole
Delco-Moraine Design

Sold 4 Per Set

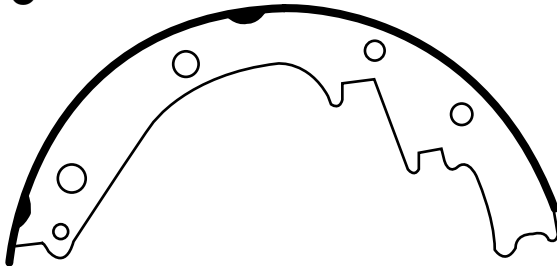
MERITOR SHOE NO.	FMSI SHOE NO.	FMSI LINING NO.	SIZE	RIVET
R46462 (LS)	462	2134ATT	11" x 2"	4-4

463



MERITOR SHOE NO.	FMSI SHOE NO.	FMSI LINING NO.	SIZE	RIVET
R700463 (US)	463	1280	15" x 3 1/2"	7-6

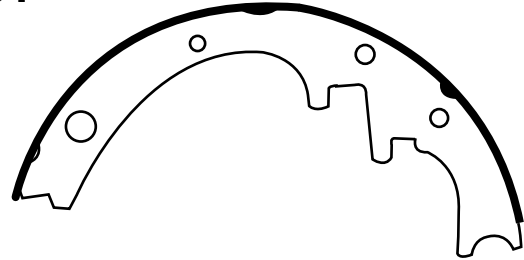
473



Sold 4 Per Set

MERITOR SHOE NO.	FMSI SHOE NO.	FMSI LINING NO.	SIZE	RIVET
R46473 (LS)	473	2073T	11 11/64" x 2 3/4"	5-

481

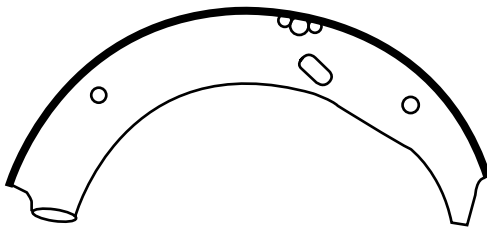


Sold 4 Per Set

MERITOR SHOE NO.	FMSI SHOE NO.	FMSI LINING NO.	SIZE	RIVET
R46481 (LS)	481	2089AT	10" x 2 1/2"	4-4

490

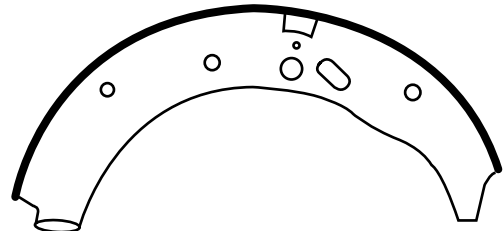
Wagner Stamping
FE98140



For Identification Only (Not Available)	FMSI SHOE NO.	FMSI LINING NO.	SIZE	RIVET
	490	1345	15" x 5"	8-6

491

Wagner Stamping
FE85053

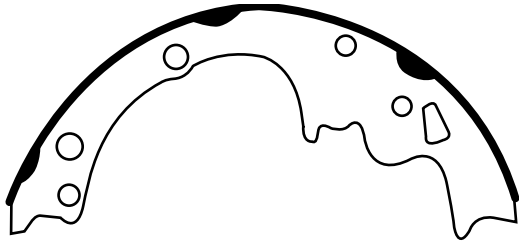


For Identification Only (Not Available)	FMSI SHOE NO.	FMSI LINING NO.	SIZE	RIVET
	491	1345A	15" x 5"	8-6

HYDRAULIC BRAKE SHOES

6 - BRAKE SHOES

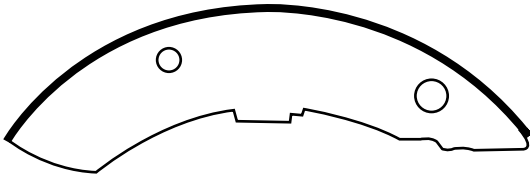
514



Sold 4 Per Set

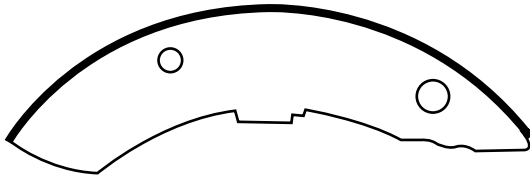
MERITOR SHOE NO.	FMSI SHOE NO.	FMSI LINING NO.	SIZE	RIVET
R46514 (LS)	514	2117ATT	9 1/2" x 2"	4-4

542



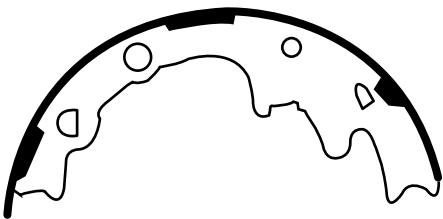
MERITOR SHOE NO.	FMSI SHOE NO.	FMSI LINING NO.	SIZE	RIVET
R40H9206 (US)	542	4528A	15" x 5"	10-8

544



MERITOR SHOE NO.	FMSI SHOE NO.	FMSI LINING NO.	SIZE	RIVET
R40H3501 (US)	544	4505A	15" x 7"	10-8

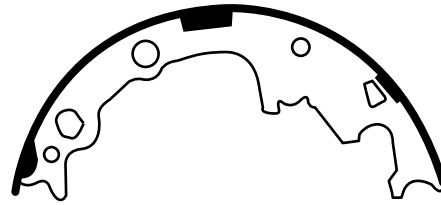
569



Sold 4 Per Set

MERITOR SHOE NO.	FMSI SHOE NO.	FMSI LINING NO.	SIZE	RIVET
R41569 (LS)	569	2151T	9" x 1 3/4"	4-4

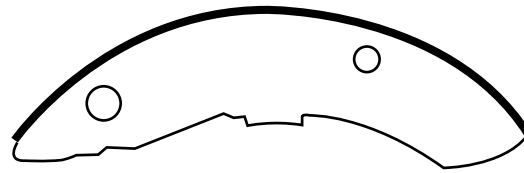
538



Sold 4 Per Set

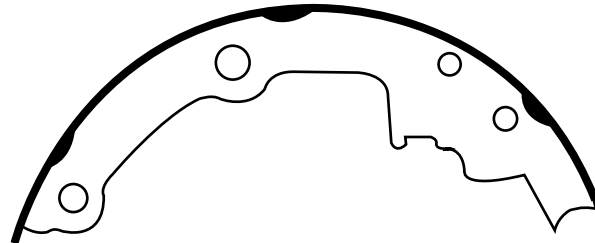
MERITOR SHOE NO.	FMSI SHOE NO.	FMSI LINING NO.	SIZE	RIVET
R46538 (LS)	538	2168T	9" x 2 1/2"	3mm

543



MERITOR SHOE NO.	FMSI SHOE NO.	FMSI LINING NO.	SIZE	RIVET
R40H3500 (US)	543	4504A	15" x 6"	10-8

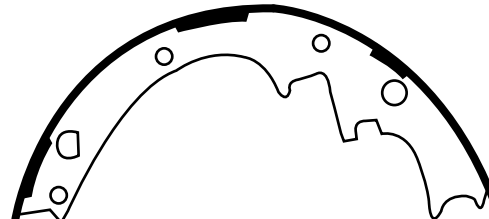
552



Sold 4 Per Set

For Identification Only (Not Available)	FMSI SHOE NO.	FMSI LINING NO.	SIZE	RIVET
	552	2165T	8 ⁵⁵ / ₆₄ " x 1 ⁴⁹ / ₆₄ "	4-4

581

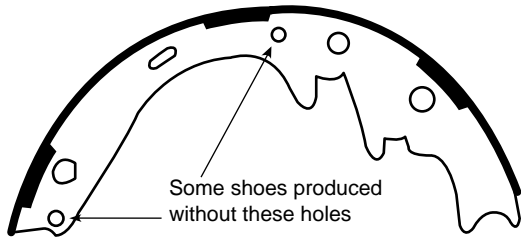


Sold 4 Per Set

MERITOR SHOE NO.	FMSI SHOE NO.	FMSI LINING NO.	SIZE	RIVET
R41581 (LS)	581	2089AT	10" x 2 1/2"	4-4

HYDRAULIC BRAKE SHOES

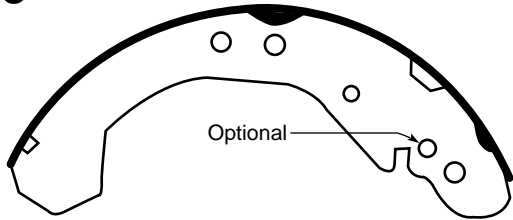
582



Sold 4 Per Set

MERITOR SHOE NO.	FMSI SHOE NO.	FMSI LINING NO.	SIZE	RIVET
R41582 (LS)	582	2141AT	11 ¹ / ₃₂ " x 2 ¹ / ₄ "	4-5

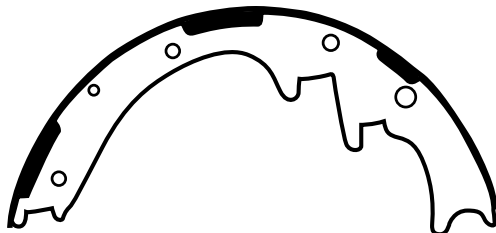
593



Sold 4 Per Set

MERITOR SHOE NO.	FMSI SHOE NO.	FMSI LINING NO.	SIZE	RIVET
R46593 (LS)	593	1404	10" x 2 1/4"	—

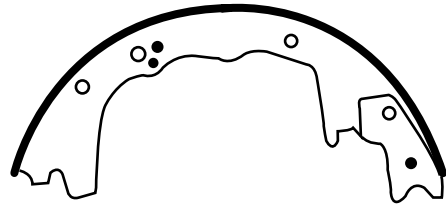
705



Sold 4 Per Set

MERITOR SHOE NO.	FMSI SHOE NO.	FMSI LINING NO.	SIZE	RIVET
R46705 (LS)	705	2089AT	10" x 2 1/2"	—

583



Sold 4 Per Set

MERITOR SHOE NO.	FMSI SHOE NO.	FMSI LINING NO.	SIZE	RIVET
R46583 (LS)	583	2171T	12 ¹ / ₈ " x 3 ¹ / ₂ "	Bonded

6 - BRAKE SHOES

NOTES

A large, empty rectangular box with a thin black border, occupying most of the page. It is intended for the user to write notes.

WHEEL CYLINDER CASTING NUMBER INDEX

WHEEL CYLINDER CASTING NO.	MERITOR WHEEL CYLINDER NO.	PAGE NO.	WHEEL CYLINDER CASTING NO.	MERITOR WHEEL CYLINDER NO.	PAGE NO.	WHEEL CYLINDER CASTING NO.	MERITOR WHEEL CYLINDER NO.	PAGE NO.	WHEEL CYLINDER CASTING NO.	MERITOR WHEEL CYLINDER NO.	PAGE NO.
0	R4133916	6-120	650	R4133946	6-124	8300	R4133206	6-123	306246	R4133279	6-113
45	R4133916	6-120	651	R4133206	6-123	8300	R4133207	6-123	306246	R4133627	6-114
65	R4133915	6-121	651	R4133207	6-123	8301	R4133206	6-123	306246	R4133628	6-114
383	R4133540	6-118	651	R4133484	6-120	8301	R4133207	6-123	616173	R4133725	6-118
519	R4133002	6-117	651	R4133484	6-120	9023	R4133230	6-115	616173	R4133726	6-118
519	R4133003	6-117	651	R4133614	6-122	9023	R4133231	6-115	616173	R4133791	6-119
519	R4133725	6-118	651	R4133915	6-121	9023	R4133278	6-112	616173	R4133792	6-119
519	R4133726	6-118	651	R4133945	6-124	9023	R4133279	6-113	616189	R4133484	6-120
520	R4133608	6-117	656	R4133366	6-115	9023	R4133627	6-114	616190	R4133485	6-120
521	R4133791	6-119	657	R4133367	6-115	9023	R4133628	6-114	616401	R4133002	6-117
521	R4133792	6-119	670	R4133376	6-124	9027	R4133627	6-114	616401	R4133003	6-117
565	R4133004	6-117	670	R4133379	6-126	9027	R4133628	6-114	617451	R4133206	6-123
565	R4133005	6-117	671	R4133377	6-124	16925	R4133256	6-127	617452	R4133207	6-123
565	R4133230	6-115	671	R4133380	6-126	16925	R4133257	6-127	617629	R4133485	6-120
565	R4133231	6-115	700	R4133447	6-114	18292	R4133206	6-123	618306	R4133315	6-126
565	R4133278	6-112	705	R4133597	6-116	18292	R4133915	6-121	618306	R4133320	6-122
565	R4133279	6-113	710	R4133469	6-116	18292	R4133945	6-124	618306	R4133714	6-121
565	R4133627	6-114	725	R4133606	6-130	18293	R4133207	6-123	618306	R4133716	6-121
565	R4133628	6-114	725	R4133607	6-127	18293	R4133916	6-120	618306	R4133718	6-121
566	R4133540	6-118	737	R4133655	6-128	18293	R4133946	6-124	618307	R4133316	6-126
566	R4133541	6-118	738	R4133656	6-128	19108	R4133338	6-129	618307	R4133321	6-122
566	R4133791	6-119	743	R4133637	6-116	20934	R4133257	6-127	618307	R4133715	6-121
566	R4133792	6-119	743	R4133638	6-116	29266	R4133316	6-126	618307	R4133717	6-121
572	R4133315	6-126	747	R4133709	6-119	29266	R4133715	6-121	618307	R4133719	6-121
572	R4133320	6-122	748	R4133708	6-124	29266	R4133717	6-121	618316	R4133338	6-129
572	R4133379	6-126	776	R4133858	6-112	29266	R4133719	6-121	618331	R4133315	6-126
572	R4133581	6-126	779	R4133891	6-112	29268	R4133315	6-126	618331	R4133714	6-121
572	R4133714	6-121	779	R4133892	6-113	29268	R4133714	6-121	618331	R4133716	6-121
572	R4133716	6-121	784	R4133930	6-113	29268	R4133716	6-121	618331	R4133718	6-121
572	R4133717	6-121	1430	R4133278	6-112	29268	R4133718	6-121	618372	R4133338	6-129
572	R4133718	6-121	3067	R4133315	6-126	29390	R4133366	6-115	618378	R4133336	6-128
572	R4133720	6-126	3067	R4133320	6-122	29391	R4133367	6-115	618383	R4133336	6-128
572	R4133722	6-126	3067	R4133714	6-121	29541	R4133606	6-130	618424	R4133002	6-117
573	R4133321	6-122	3067	R4133716	6-121	30506	R4133584	6-132	618424	R4133003	6-117
573	R4133582	6-126	3067	R4133718	6-121	30525	R4133791	6-119	618424	R4133725	6-118
573	R4133715	6-121	3068	R4133316	6-126	30525	R4133792	6-119	618424	R4133726	6-118
573	R4133716	6-121	3068	R4133321	6-122	30575	R4133893	6-112	618424	R4133791	6-119
573	R4133717	6-121	3068	R4133715	6-121	38767	R4133004	6-117	618424	R4133792	6-119
573	R4133719	6-121	3068	R4133717	6-121	38767	R4133005	6-117	618797	R4133380	6-126
573	R4133721	6-126	3068	R4133719	6-121	38767	R4133230	6-115	618826	R4133406	6-113
573	R4133723	6-126	3069	R4133315	6-126	38767	R4133231	6-115	618827	R4133407	6-113
574	R4133256	6-127	3069	R4133320	6-122	49024	R4133230	6-115	618851	R4133376	6-124
574	R4133257	6-127	3069	R4133581	6-126	49024	R4133231	6-115	618852	R4133377	6-124
598	R4133338	6-129	3069	R4133714	6-121	49024	R4133627	6-114	618878	R4133447	6-114
599	R4133336	6-128	3069	R4133716	6-121	49024	R4133628	6-114	2231032	R4133851	6-112
599	R4133580	6-127	3069	R4133718	6-121	49194	R4133627	6-114	2231365	R4133791	6-119
601	R4133420	6-132	3069	R4133720	6-126	49194	R4133628	6-114	2231365	R4133792	6-119
601	R4133584	6-112	3070	R4133316	6-126	55729	R4133607	6-127	2621301	R4133708	6-124
604	R4133400	6-131	3070	R4133321	6-122	55753	R4133606	6-130	2621301	R4133709	6-119
637	R4133851	6-112	3070	R4133582	6-126	61690	R4133485	6-120	2621302	R4133709	6-119
637	R4133904	6-113	3070	R4133715	6-121	73535	R4133315	6-126	2966341	R4133338	6-129
638	R4133407	6-113	3070	R4133717	6-121	302862	R4133256	6-127	3461777	R4134064	6-113
639	R4133406	6-113	3070	R4133719	6-121	302862	R4133257	6-127	5450470	R4133608	6-117
640	R4133390	6-127	3070	R4133721	6-126	302862	R4133540	6-118	5450646	R4133206	6-123
650	R4133206	6-123	6122	R4133608	6-117	302862	R4133607	6-127	5450646	R4133207	6-123
650	R4133485	6-120	7565	R4133002	6-117	306246	R4133004	6-117	5450649	R4133002	6-117
650	R4133485	6-120	7565	R4133003	6-117	306246	R4133005	6-117	5450649	R4133003	6-117
650	R4133615	6-122	7565	R4133725	6-118	306246	R4133231	6-115	5450649	R4133725	6-118
650	R4133916	6-120	7565	R4133726	6-118	306246	R4133278	6-112	5450649	R4133726	6-118

6 - WHEEL CYLINDERS

WHEEL CYLINDER CASTING NUMBER INDEX (Cont'd.)

6 - WHEEL CYLINDERS

WHEEL CYLINDER CASTING NO.	MERITOR WHEEL CYLINDER NO.	PAGE NO.	WHEEL CYLINDER CASTING NO.	MERITOR WHEEL CYLINDER NO.	PAGE NO.	WHEEL CYLINDER CASTING NO.	MERITOR WHEEL CYLINDER NO.	PAGE NO.	WHEEL CYLINDER CASTING NO.	MERITOR WHEEL CYLINDER NO.	PAGE NO.
5450650	R4133002	6-117	29663657	R4133206	6-123	C30A2190C			FD2751	R4133792	6-119
5450650	R4133725	6-118	29663657	R4133207	6-123		R4133946	6-124	FD28663	R4133390	6-127
5450650	R4133726	6-118	29663673	R4133207	6-123	C30A2190C			FD35436	R4133406	6-113
5450822	R4133206	6-123	29663673	R4133958	6-112		R4133916	6-120	FD35437	R4133407	6-113
5450822	R4133207	6-123	29664505	R4133004	6-117	C30A2191C			FD35438	R4133206	6-123
5453785	R4133725	6-118	68660520	201183	6-131		R4133484	6-120	FD35439	R4133207	6-123
5453785	R4133726	6-118	68660520	201185	6-130	C30A2191C			FD38767	R4133628	6-114
5453821	R4133206	6-123	68660521	201184	6-131		R4133945	6-124	FD40201	R4133278	6-112
5453822	R4133206	6-123	68660521	201186	6-130	C30A2191C			FD40201	R4133279	6-113
5453822	R4133207	6-123	68660579	201179	6-131		R4133915	6-120	FD40202	R4133279	6-113
5455478	R4133207	6-123	68660579	201181	6-130	C5	R4133715	6-121	FD40951	R4133615	6-122
5455479	R4133206	6-123	68660580	201180	6-131	C5	R4133717	6-121	FD40952	R4133615	6-122
5456994	R4133206	6-123	68660580	201182	6-130	C5	R4133719	6-121	FD41766	R4133484	6-120
5456995	R4133207	6-123	085.W	R4133891	6-112	C5	R4133720	6-126	FD41766	R4133614	6-122
5459229	R4133407	6-113	085.W	R4133892	6-114	CW908J	R4133406	6-113	FD41767	R4133485	6-120
5459230	R4133406	6-113	085W	R4133892	6-114	CW909G	R4133407	6-113	FD41767	R4133615	6-122
5459231	R4133407	6-113	19541C	R4133606	6-130	FD101605	R4133851	6-112	FD45932	R4133945	6-124
5459232	R4133406	6-113	2338C	R4133207	6-123	FD101605	R4133904	6-113	FD45968	R4133945	6-124
5459465	R4133469	6-116	29337C	R4133206	6-123	FD107134	R4133709	6-119	FD4805	R4133725	6-118
5461444	R4133230	6-115	29339C	R4133407	6-113	FD108361	R4133708	6-124	FD4805	R4133726	6-118
5461444	R4133231	6-115	29340C	R4133406	6-113	FD108361	R4133709	6-119	FD49333	R4133851	6-112
5461454	R4133004	6-117	29367C	R4133615	6-122	FD108937	R4133708	6-124	FD49333	R4133904	6-113
5461454	R4133005	6-117	29452C	R4133447	6-114	FD116367	R4133958	6-112	FD49391	R4133447	6-114
5461572	R4133627	6-114	29471C	R4133469	6-116	FD119588	R4133858	6-112	FD54381	R4133469	6-116
5461572	R4133628	6-114	29477-C	R4134064	6-113	FD120503	R4133958	6-112	FD54390	R4133469	6-116
5461581	R4133206	6-123	29538C	R4133607	6-127	FD120768	R4134047	6-118	FD54697	R4133469	6-116
5461581	R4133207	6-123	29634C	R4133709	6-119	FD120808	R4133961	6-124	FD57583	R4133004	6-117
5461582	R4133206	6-123	303889L	R4133206	6-123	FD120808	R4133962	6-123	FD57584	R4133005	6-117
5461582	R4133207	6-123	303889R	R4133207	6-123	FD122380	R4133930	6-113	FD59238	R4133004	6-117
5461734	R4133257	6-127	303890R	R4133207	6-123	FD122380	R4134028	6-114	FD59238	R4133230	6-115
5461734	R4133390	6-127	304930L	R4133206	6-123	FD13292	R4133206	6-123	FD59238	R4133231	6-115
5463023	R4133614	6-122	304931R	R4133207	6-123	FD13368	R4133540	6-118	FD59238	R4133627	6-114
5463024	R4133615	6-122	30564S	R4133892	6-114	FD13369	R4133541	6-118	FD59238	R4133628	6-114
5463082	R4133366	6-115	30564-S	R4133891	6-112	FD13370	R4133540	6-118	FD59256	R4133230	6-115
5463082	R4133367	6-115	30564-S	R4133892	6-114	FD13370	R4133541	6-118	FD6122	R4133608	6-117
5463083	R4133366	6-115	30565S	R4133892	6-114	FD13370	R4133791	6-119	FD73535	R4133581	6-126
5463083	R4133367	6-115	30565-S	R4133891	6-112	FD13370	R4133792	6-119	FD73535	R4133722	6-126
5464077	R4133447	6-114	30565-S	R4133892	6-114	FD14495	R4133206	6-123	FD73536	R4133582	6-126
5464079	R4133447	6-114	30615-C	R4134064	6-113	FD14495	R4133207	6-123	FD73536	R4133723	6-126
5465656	R4133469	6-116	3070C7	R4133582	6-126	FD16925	R4133256	6-127	FD83584	R4133655	6-128
5471641	R4133655	6-128	41-TV152656K			FD16925	R4133257	6-127	FD83585	R4133656	6-128
5471642	R4133656	6-128		R4133655	6-128	FD18292	R4133206	6-123	FD8852	R4133320	6-122
5473638	R4133655	6-128	616190R	R4133485	6-120	FD18292	R4133207	6-123	FD8853	R4133321	6-122
18002371	R4133891	6-112	616931L	R4133206	6-123	FD18293	R4133206	6-123	FD9023	R4133627	6-114
18002371	R4133891	6-112	616932R	R4133207	6-123	FD18293	R4133207	6-123	FD9023	R4133628	6-114
18002371	R4133892	6-114	618896L	R4133366	6-115	FD19106	R4133336	6-128	FD9027	R4133004	6-117
18002371	R4133892	6-114	618897R	R4133366	6-115	FD19106	R4133580	6-127	FD9028	R4133005	6-117
18002625	R4133891	6-112	618897R	R4133367	6-115	FD19108	R4133338	6-129	FD9059	R4133627	6-114
18002625	R4133891	6-112	8A2192	R4133279	6-113	FD19110	R4133400	6-131	FD9059	R4133628	6-114
18002625	R4133892	6-114	8M2192A2	R4133004	6-117	FD19112	R4133420	6-132	FD9060	R4133004	6-117
18002625	R4133892	6-114	8M2192A2	R4133005	6-117	FD19112	R4133584	6-132	FD9060	R4133005	6-117
29662656	R4133607	6-127	A22667	R4133400	6-131	FD24491	R4133338	6-129	FD9336	R4133002	6-117
29662667	R4133338	6-129	AD2180A	R4133207	6-123	FD27340	R4133206	6-123	FD9337	R4133003	6-117
29662667	R4133400	6-131	AD2181A	R4133206	6-123	FD27341	R4133207	6-123	FE101605	R4133851	6-112
29663197	R4133607	6-127	AD2181A	R4133207	6-123	FD2749	R4133002	6-117	FE122380	R4134028	6-114
29663349	R4133400	6-131	AD2190A	R4133207	6-123	FD2749	R4133003	6-117	FE3067	R4133315	6-126
29663614	R4133230	6-115	AD2191A	R4133206	6-123	FD2749	R4133725	6-118	FE3067	R4133320	6-122
29663615	R4133004	6-117	C10	R4133320	6-122	FD2749	R4133726	6-118	FE3067	R4133714	6-121
29663644	R4133708	6-124	C3	R4133721	6-126	FD2751	R4133791	6-119	FE3067	R4133716	6-121

WHEEL CYLINDER CASTING NUMBER INDEX (Cont'd.)

WHEEL CYLINDER CASTING NO.	MERITOR WHEEL CYLINDER NO.	PAGE NO.	WHEEL CYLINDER CASTING NO.	MERITOR WHEEL CYLINDER NO.	PAGE NO.	WHEEL CYLINDER CASTING NO.	MERITOR WHEEL CYLINDER NO.	PAGE NO.	WHEEL CYLINDER CASTING NO.	MERITOR WHEEL CYLINDER NO.	PAGE NO.
FE3067	R4133718	6-121	FE3070	R4133719	6-121	FE73536	R4133316	6-126	K2	R4133336	6-128
FE3068	R4133316	6-126	FE32350	R4133380	6-126	FE73536	R4133582	6-126	K-2	R4133336	6-128
FE3068	R4133321	6-122	FE32351	R4133376	6-124	FE73536	R4133721	6-126	K22	R4133930	6-113
FE3068	R4133715	6-121	FE32351	R4133379	6-126	FE73536	R4133723	6-126	K-64	R4133540	6-118
FE3068	R4133717	6-121	FE32352	R4133377	6-124	FE78976	R4133004	6-117	K8	R4133719	6-121
FE3068	R4133719	6-121	FE32352	R4133380	6-126	FE78976	R4133005	6-117	P2	R4133792	6-119
FE3069	R4133315	6-126	FE32359	R4133379	6-126	FE83666	R4133637	6-116	P3	R4133792	6-119
FE3069	R4133581	6-126	FE34074	R4133366	6-115	FE83666	R4133638	6-116	P7	R4133791	6-119
FE3069	R4133714	6-121	FE34075	R4133367	6-115	FE83712	R4133606	6-130			
FE3069	R4133716	6-121	FE54398	R4133597	6-116	FE83712	R4133607	6-127			
FE3069	R4133718	6-121	FE54697	R4133469	6-116	FE83713	R4133606	6-130			
FE3070	R4133316	6-126	FE73535	R4133315	6-126	FE86450	R4133905	6-129			
FE3070	R4133582	6-126	FE73535	R4133581	6-126	FE86451	R4133906	6-129			
FE3070	R4133715	6-121	FE73535	R4133720	6-126	K17	R4133541	6-118			
FE3070	R4133717	6-121	FE73535	R4133722	6-126	K19	R4133400	6-131			

6 - WHEEL CYLINDERS

CATALOG ILLUSTRATION DISCLAIMER

The Meritor Product Photo and Illustration Sections are to be used as a supplemental aid in identifying the configurations and specifications of many of the hydraulic brake parts found in this Catalog.

CAUTION

IN NO CASE SHOULD THESE PICTURES & ILLUSTRATIONS BE USED TO MAKE PRODUCT SUBSTITUTIONS. USE THE APPROPRIATE CATALOG APPLICATION DATA TO DETERMINE THE CORRECT PART.

These illustrations are intended to show the configurations of **Meritor parts only**. The outward appearance of these parts may or may not match OEM or competitive parts.

The Photographs and Illustrations shown in this catalog are typical and may vary slightly in detail from actual parts due to manufacturing tolerances, and/or OEM design differences. The general configuration of the part will be the same, i.e. port positions, mounting holes, etc.

Many parts may have the same external dimensions, but have different internal dimensions and/or materials. These differences make it imperative that only the application guide be used to determine the suitability of a particular part.

The Casting Number Indexes and related information shown is to identify general product configurations. Casting numbers will change with different manufacturers. Casting numbers and much of the associated information is shown when available. Although Meritor believes the information contained in the Index to be correct, errors may be present and further investigation may be needed. Meritor cannot and does not assume any responsibility or liability for such errors or harm resulting therefrom.

WARNING

MANY PARTS THAT SEEM SIMILAR ARE DIFFERENT AND SHOULD NOT BE INTERCHANGED. AGAIN, NOTE THAT THE PHOTO AND ILLUSTRATION SECTION IN THIS CATALOG IS NOT TO BE USED TO MAKE PRODUCT SUBSTITUTIONS, BUT TO IDENTIFY CONFIGURATIONS AND APPLICATIONS.

USE ONLY THE BRAKE FLUID SPECIFIED BY THE VEHICLE MANUFACTURER. DO NOT USE PETROLEUM BASED SOLVENTS OR CLEANERS.


WHEEL CYLINDERS

Listed by Bore Size

6 - WHEEL CYLINDERS

3/4"
Bore

SINGLE CYLINDER — LEFT AND RIGHT




7/16"-24 Port with tube seat For Rebuild, Use
Repair Kit R4166599

MERITOR NO.	CASTING NO.	REPLACES	APPLICATION
R4133851	2231032 637 FD101605 FD49333 FE101605	Bendix 33851 EIS EW98278 Ford E3TZ-2261B Wagner F106492	Ford

3/4"
Bore

SINGLE CYLINDER — LEFT AND RIGHT




3/8"-24 Port with tube seat For Rebuild, Use
Repair Kit R4166599

MERITOR NO.	CASTING NO.	REPLACES	APPLICATION
R4133858	776 FD119588	Bendix 33858 Chrysler 4313056 EIS EW104396 Wagner F109532	Chrysler Dodge Jeep Plymouth

3/4"
Bore

SINGLE CYLINDER — LEFT AND RIGHT




3/8"-24 Port with tube seat For Rebuild, Use
Repair Kit R4166684

MERITOR NO.	CASTING NO.	REPLACES	APPLICATION
R4133891	085.W 18002371 18002625 30564-S 30565-S 779	Bendix 33891 EIS EW104434 GM 18012303 18003743 18007980 Wagner F110260	Chevrolet GMC

3/4"
Bore

SINGLE CYLINDER — LEFT AND RIGHT




M10 x 1 Port For Rebuild, Use
Repair Kit R4166307

MERITOR NO.	CASTING NO.	REPLACES	APPLICATION
R4133958	FD120503 W	Bendix 33985 EIS EW155121 GM 18014499 Wagner F116367	Chevrolet Pontiac

13/16"
Bore

SINGLE CYLINDER — LEFT AND RIGHT




3/8"-24 Port with tube seat For Rebuild, Use
Repair Kit R4166510

MERITOR NO.	CASTING NO.	REPLACES	APPLICATION
R4133893	30575	GM 18012273 Wagner F110263	Chevrolet GMC

13/16"
Bore

SINGLE CYLINDER — LEFT AND RIGHT



3/8"-24 Port with tube seat For Rebuild, Use
Repair Kit R4166811

MERITOR NO.	CASTING NO.	REPLACES	APPLICATION
R4133278	1430 306246 565 9023 FD40201	Am. Mtr. 3229079 Bendix 33278 Chrysler J8126718 EIS EW39958 Ford E4TZ-2262C ITE 419093C91 Wagner F37782	Ford Jeep


WHEEL CYLINDERS

Listed by Bore Size

6 - WHEEL CYLINDERS

13/16"
Bore

SINGLE CYLINDER — LEFT AND RIGHT




3/8"-24 Port with tube seat

For Rebuild, Use Repair Kit R4166811

MERITOR NO.	CASTING NO.	REPLACES	APPLICATION
R4133279	306246	Am. Mtr. 3229078	Ford Jeep
	565	Bendix 33279	
	8A2192	Chrysler J8126717	
	9023	EIS EW39959	
	FD40201	Ford E4TZ-2261C	
	FD40202	ITE 419094C91 Wagner F37783	

13/16"
Bore

SINGLE CYLINDER — LEFT AND RIGHT




7/16"-24 Port with tube seat

For Rebuild, Use Repair Kit R4166766

MERITOR NO.	CASTING NO.	REPLACES	APPLICATION
R4133904	637	Bendix 33904	Ford
	FD101605	EIS EW104397	
	FD49333	Ford E4TZ-2261A	
		Wagner F110873	

13/16"
Bore

SINGLE CYLINDER — LEFT AND RIGHT




7/16"-24 Port with tube seat

For Rebuild, Use Repair Kit R4166811

MERITOR NO.	CASTING NO.	REPLACES	APPLICATION
R4133930	784	Bendix 33930	Ford Mazda
	FD122380	EIS EW155041	
	K22	Ford E69Z-2261A	
		Wagner F112409	

13/16"
Bore

SINGLE CYLINDER — LEFT AND RIGHT




3/8"-24 Port with tube seat

For Rebuild, Use Repair Kit E-8089

MERITOR NO.	CASTING NO.	REPLACES	APPLICATION
R4134064	29477-C	Chrysler 4313493	Dodge
	30615-C	EIS EW155077	
	3461777	Wagner F113704	

7/8"
Bore

SINGLE CYLINDER — LEFT




7/16"-20 Port

For Rebuild, Use Repair Kit R4166820

MERITOR NO.	CASTING NO.	REPLACES	APPLICATION
R4133406	29340C	Bendix 33406	Chev/GM with GM 14" x 2 1/2" Front Brakes
	5459230	Chev/GM 18004991	
	5459232		
	618826	5457147	
	639	Gunite(K-H) 7049	
	CW908J FD35436	Wagner F34401	

7/8"
Bore

SINGLE CYLINDER — RIGHT



7/16"-20 Port

For Rebuild, Use Repair Kit R4166820

MERITOR NO.	CASTING NO.	REPLACES	APPLICATION
R4133407	29339C	Bendix 33407	Chev/GM with GM 14" x 2 1/2" Front Brakes
	5459231	Chev/GM 18004990	
	5459229	5457146	
	618827	Gunite(K-H) 7048	
	638	Wagner F34402	
	CW909G FD35437		


WHEEL CYLINDERS

Listed by Bore Size

6 - WHEEL CYLINDERS

7/8"
Bore

SINGLE CYLINDER — LEFT




3/8"-24 Port with tube seat

For Rebuild, Use
Repair Kit R4166820

MERITOR NO.	CASTING NO.	REPLACES	APPLICATION
R4133627	306246	Bendix 33627	Dodge Ford Jeep Plymouth
	49024, 49194	Chrysler J8126715	
	5461572	EIS EW9021	
	565	Ford D3ZZ-2262A	
	9023, 9027	ITE 352786C91	
	FD59238	Wagner F17507	
	FD9023, FD9059		

7/8"
Bore

SINGLE CYLINDER — RIGHT




3/8"-24 Port with tube seat

For Rebuild, Use
Repair Kit R4166820

MERITOR NO.	CASTING NO.	REPLACES	APPLICATION
R4133628	306246	Am. Mtr. 3225196	Dodge Ford Jeep Plymouth
	49024, 49194	Bendix 33628	
	5461572	Chrysler J8126714	
	565	EIS EW9022	
	9023, 9027	Ford D3TZ-2261A	
	FD38767	ITE D3ZZ-2261A	
	FD9023, FD9059	Wagner 352787C91 F17508	

7/8"
Bore

SINGLE CYLINDER — LEFT AND RIGHT




3/8"-24 Port with tube seat

For Rebuild, Use
Repair Kit R4166880

MERITOR NO.	CASTING NO.	REPLACES	APPLICATION
R4133447	29452C	Bendix 33447	Chevrolet GMC
	5464077	EIS EW45873	
	5464079	GM 18004888	
	618878	Wagner F45873	
	700		
	FD49391		

7/8"
Bore

SINGLE CYLINDER — LEFT AND RIGHT




3/8"-24 Port with tube seat

For Rebuild, Use
Repair Kit R4166550

MERITOR NO.	CASTING NO.	REPLACES	APPLICATION
R4133892	085.W	Bendix 33892	Chevrolet GMC
	18002371	EIS EW104432	
	18002625	GM 18009377	
	30564-S	18012305	
	30565-S	Wagner F110261	
	779		

7/8"
Bore

SINGLE CYLINDER — LEFT AND RIGHT




3/8"-24 Port with tube seat

For Rebuild, Use
Repair Kit R4166820

MERITOR NO.	CASTING NO.	REPLACES	APPLICATION
R4134028	FE122380	EIS EW155194 Wagner F122406	Ford

7/8"
Bore

SINGLE CYLINDER — LEFT AND RIGHT



3/8"-24 Port

For Rebuild, Use
Repair Kit R4166550

MERITOR NO.	CASTING NO.	REPLACES	APPLICATION
R4134075	—	Bendix 34075 EIS WC14075 GM 18015812 Wagner F123199	Chevrolet GMC

WHEEL CYLINDERS

Listed by Bore Size

15/16"
Bore

SINGLE CYLINDER — LEFT



7/16"-20 Port

For Rebuild, Use
Repair Kit R4166852

MERITOR NO.	CASTING NO.	REPLACES	APPLICATION
R4133366	29390	Bendix 33366 Ford C1TT-2061C Wagner F34072	Ford with Bendix 13" x 2 1/4" Front Brakes
	5463082		
	5463083		
	618896L		
	618897R		
656			
	FE34074		

15/16"
Bore

SINGLE CYLINDER — RIGHT



7/16"-20 Port

For Rebuild, Use
Repair Kit R4166852

MERITOR NO.	CASTING NO.	REPLACES	APPLICATION
R4133367	29391	Bendix 33367 Ford C1TT-2062C Wagner F34073	Ford with Bendix 13" x 2 1/4" Front Brakes
	5463082		
	5463083		
	618897R		
	657		
	FE34075		

15/16"
Bore

SINGLE CYLINDER — LEFT




3/8"-24 Port

For Rebuild, Use
Repair Kit R4166852

MERITOR NO.	CASTING NO.	REPLACES	APPLICATION		
R4133230	29663614	Bendix 33230/33600 Ford C2SZ-2261A/C7AZ-2262A D1AZ-2262A/D20Z-2262A D3TZ-2262B/D5DZ-2262A Wagner F59240	Ford with Bendix 12" x 2 1/2" Rear Brakes		
	38767				
	49024				
	5461444				
	565				
	9023				
	FD59238				
	FD59256				

15/16"
Bore

SINGLE CYLINDER — RIGHT



3/8"-24 Port

For Rebuild, Use
Repair Kit R4166852

MERITOR NO.	CASTING NO.	REPLACES	APPLICATION		
R4133231	306246	Bendix 33231/33601 Ford C7AZ-2261A D30Z-2261C D5DZ-2261A Wagner F59241	Ford with Bendix 12" x 2 1/2" Rear Brakes		
	38767				
	49024				
	5461444				
	565				
	9023				
	FD59238				

6 - WHEEL CYLINDERS

WHEEL CYLINDERS

Listed by Bore Size

6 - WHEEL CYLINDERS

15/16"
Bore

SINGLE CYLINDER — LEFT AND RIGHT



3/8"-24 Port with tube seat

For Rebuild, Use
Repair Kit R4166852

MERITOR NO.	CASTING NO.	REPLACES	APPLICATION
R4133469	29471C	Am. Mtr. 8126742	Chevrolet GMC Jeep
	5459465	Bendix 33469	
	5465656	Chrysler J8129723	
	710	EIS EW51081	
	FD54381	GM 18004890	
	FD54390 FE54697	Wagner F51081	

15/16"
Bore

SINGLE CYLINDER — LEFT AND RIGHT



3/8"-24 Port with tube seat

For Rebuild, Use
Repair Kit R4166852

MERITOR NO.	CASTING NO.	REPLACES	APPLICATION
R4133637	743 FE83666	Bendix 33637	Ford
		EIS EW74998	
		Ford D30Z-2262A	
		E2TZ-2262D	
		Wagner F73620	

15/16"
Bore

SINGLE CYLINDER — LEFT AND RIGHT



3/8"-24 Port with tube seat

For Rebuild, Use
Repair Kit R4166852

MERITOR NO.	CASTING NO.	REPLACES	APPLICATION
R4133638	743 FE83666	Bendix 33638	Ford
		EIS EW74997	
		Ford D30Z-2261A	
		E2TZ-2261D	
		Wagner F73621	

15/16"
Bore

SINGLE CYLINDER — LEFT AND RIGHT



3/8"-24 Port

For Rebuild, Use
Repair Kit R4166852

MERITOR NO.	CASTING NO.	REPLACES	APPLICATION
R4133597	705 FE54398	Bendix 33597	Dodge
		EIS EW75880	
		Wagner F106315	

15/16"
Bore

SINGLE CYLINDER — LEFT AND RIGHT



10x1.0mm

For Rebuild, Use
Repair Kit E-9246

MERITOR NO.	CASTING NO.	REPLACES	APPLICATION
R4134054	—	Bendix 34054 EIS EW155206 Wagner F129443	Chevrolet

The Meritor Product Photo and Illustration Sections are to be used as a supplemental aid in identifying the configurations and specifications of many of the hydraulic brake parts found in this Catalog.

CAUTION


IN NO CASE SHOULD THESE PICTURES & ILLUSTRATIONS BE USED TO MAKE PRODUCT SUBSTITUTIONS. USE THE APPROPRIATE CATALOG APPLICATION DATA TO DETERMINE THE CORRECT PART.

WHEEL CYLINDERS

Listed by Bore Size

1"
Bore

SINGLE CYLINDER — LEFT




7/16"-24 Port with tube seat For Rebuild, Use
Repair Kit R4166822

MERITOR NO.	CASTING NO.	REPLACES	APPLICATION
R4133002	519	Bendix 33002	Chev/GM, Dodge with Bendix 14 x 2 1/4" Front Brakes
	5450649	Chev/GM 18008403	
	5450650	5450644	
	616401	5456587	
	618424	5465753	
	7565	F9336	
	FD2749	Wagner	
	FD9336		

1"
Bore

SINGLE CYLINDER — RIGHT



7/16"-24 Port with tube seat For Rebuild, Use
Repair Kit R4166822

MERITOR NO.	CASTING NO.	REPLACES	APPLICATION
R4133003	519	Bendix 33003	Chev/GM, Dodge with Bendix 14 x 2 1/2" Front Brakes
	5450649	Chev/GM 18008404	
	616401	5450643	
	618424	5456586	
	7565	5465752	
	FD2749	5473043	
	FD9337	Wagner	


The Meritor Product Photo and Illustration Sections are to be used as a supplemental aid in identifying the configurations and specifications of many of the hydraulic brake parts found in this Catalog.

CAUTION

IN NO CASE SHOULD THESE PICTURES & ILLUSTRATIONS BE USED TO MAKE PRODUCT SUBSTITUTIONS. USE THE APPROPRIATE CATALOG APPLICATION DATA TO DETERMINE THE CORRECT PART.

1"
Bore

SINGLE CYLINDER — LEFT AND RIGHT




3/8"-24 Port with tube seat For Rebuild, Use
Repair Kit R4166620

MERITOR NO.	CASTING NO.	REPLACES	APPLICATION
R4133608	520	Bendix 33608	Chevrolet GMC Jeep
	5450470	Eagle/Jeep J8129724	
	6122	EIS EW71119	
	FD6122	GM 18004793	
		Wagner F51088	

1"
Bore

SINGLE CYLINDER — LEFT AND RIGHT




3/8"-24 Port with tube seat For Rebuild, Use
Repair Kit R4166822

MERITOR NO.	CASTING NO.	REPLACES	APPLICATION
R4133005	306246	Bendix 33005	Dodge Ford GMC Jeep Plymouth
	38767	Chrysler 4088899	
	5461454	4088898	
	565	3633517	
	8M2192A2	EIS EW74996	
	FD57584,	Ford D3SZ-2261A	
	FD9028	D30Z-2261D	
	FD9060	Wagner F78975	
	FD9060		
	FE78976		

1"
Bore

SINGLE CYLINDER — LEFT AND RIGHT



3/8"-24 Port with tube seat For Rebuild, Use
Repair Kit R4166822

MERITOR NO.	CASTING NO.	REPLACES	APPLICATION
R4133004	29663615	Bendix 33004	Dodge Ford GMC Jeep Plymouth
	306246	Chrysler 4088898	
	38767	4088899	
	5461454	EIS EW74995	
	565	Ford D30Z-2262D	
	8M2192A2	ITE 127781R91	
	FD57583,FD9027	455652C91	
	FD9060	Wagner F78974	
	FD9060		
	FE78976		

6 - WHEEL CYLINDERS


WHEEL CYLINDERS

Listed by Bore Size

6 - WHEEL CYLINDERS

1"
Bore

SINGLE CYLINDER — LEFT



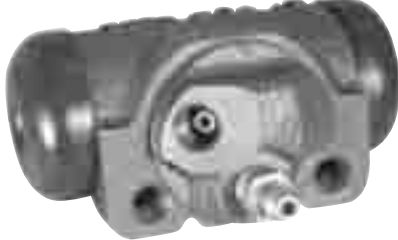
3/8"-24 Port with tube seat

For Rebuild, Use Repair Kit R4166822

MERITOR NO.	CASTING NO.	REPLACES	APPLICATION
R4133725	519	Bendix 33725	Ford Jeep
	5450649	Chrysler J937959	
	5450650	EIS EW13387	
	5453785	Ford E2TZ-2262B	
	616173,	D6TZ-2262A	
	618424	D6TZ-2262B	
	7565	GM 18005633	
	FD2749	Wagner F57146	
	FD4805		

1"
Bore

SINGLE CYLINDER — RIGHT




3/8"-24 Port with tube seat

For Rebuild, Use Repair Kit R4166822

MERITOR NO.	CASTING NO.	REPLACES	APPLICATION
R4133726	519	Bendix 33726	Ford Jeep
	5450649	Chrysler J937960	
	5450650	EIS EW13388	
	5453785	Ford D6TZ-2261A	
	616173, 618424	D6TZ-2261B	
	7565	E2TZ-2261B	
	FD2749, FD4805	Wagner F57147	

1"
Bore

SINGLE CYLINDER — LEFT AND RIGHT



3/8"-24 Port with tube seat


For Rebuild, Use Repair Kit R4166620

MERITOR NO.	CASTING NO.	REPLACES	APPLICATION
R4134047	FD120768	Bendix 34047 EIS EW155151 GM 18014081 Wagner F116359	Chevrolet GMC

These illustrations are intended to show the configurations of **Meritor parts only**. The outward appearance of these parts may or may not match OEM or competitive parts.

1 1/16"
Bore

SINGLE CYLINDER — LEFT



7/16"-20 Port

For Rebuild, Use Repair Kit R4166821

MERITOR NO.	CASTING NO.	REPLACES	APPLICATION
R4133540	302862 383 566 FD13368 FD13370 K-64	Bendix 33540 Wagner F13368	Dodge with Bendix 14 x 2 1/2" Front Brakes

1 1/16"
Bore

SINGLE CYLINDER — RIGHT



7/16"-20 Port

For Rebuild, Use Repair Kit R4166821


MERITOR NO.	CASTING NO.	REPLACES	APPLICATION
R4133541	566 FD13369 FD13370 K17	Bendix 33541 Wagner F13369	Dodge with Bendix 14" x 2 1/2" Front Brakes

WHEEL CYLINDERS

Listed by Bore Size

1 1/16"
Bore

SINGLE CYLINDER — LEFT




3/8"-24 Port with tube seat

For Rebuild, Use Repair Kit R4166821

MERITOR NO.	CASTING NO.	REPLACES	APPLICATION
R4133791	566	Bendix 33791	Dodge Ford Plymouth
	616173	Chrysler 3633321	
	618424	4088911	
	FD13370	EIS EW18984	
	FD2751	Ford D3TZ-2262D	
		Wagner F18984	

1 1/16"
Bore

SINGLE CYLINDER — RIGHT




3/8"-24 Port with tube seat

For Rebuild, Use Repair Kit R4166821

MERITOR NO.	CASTING NO.	REPLACES	APPLICATION
R4133792	566	Bendix 33792	Dodge Ford Plymouth
	616173	Chrysler 3633322	
	618424	4088910	
	FD13370	EIS EW18985	
	FD2751	Ford D3TZ-2261D	
		Wagner F18985	

1 1/16"
Bore

SINGLE CYLINDER — LEFT AND RIGHT



3/8"-24 Port with tube seat

For Rebuild, Use Repair Kit R4166872

MERITOR NO.	CASTING NO.	REPLACES	APPLICATION
R4133709	2621301	Bendix 33709	Chevrolet GMC
	2621302	EIS EW79767	
	29634C	GM 18004794	
	747	2621260	
	FD107134	Wagner F79767	

The Casting Number Indexes and related information shown is to identify general product configurations. Casting numbers will change with different manufacturers. Casting numbers and much of the associated information is shown when available. Although Meritor believes the information contained in the Index to be correct, errors may be present and further investigation may be needed. Meritor cannot and does not assume any responsibility or liability for such errors or harm resulting therefrom.

6 - WHEEL CYLINDERS


WHEEL CYLINDERS

Listed by Bore Size

6 - WHEEL CYLINDERS

1 1/16"
Bore

SINGLE CYLINDER — LEFT




3/8"-24 Port with tube seat For Rebuild, Use Repair Kit R4166821

MERITOR NO.	CASTING NO.	REPLACES	APPLICATION
R4133791	2231365 30525 521 P7	Chrysler 4219049 EIS EW98218 Wagner F106922	Dodge

1 1/16"
Bore

SINGLE CYLINDER — RIGHT




3/8"-24 Port with tube seat For Rebuild, Use Repair Kit R4166821

MERITOR NO.	CASTING NO.	REPLACES	APPLICATION
R4133792	2231365 30525 521 P2	Chrysler 4219048 EIS EW98219 Wagner F106923	Dodge

1 3/32"
Bore

SINGLE CYLINDER — LEFT




3/8"-24 Port For Rebuild, Use Repair Kit R4166819

MERITOR NO.	CASTING NO.	REPLACES	APPLICATION
R4133484	616189 651 C30A2191C FD41766	Bendix 33484 Ford C1SS-2062A C1VV-2062A C2BY-2062A C2VY-2062A C9TZ-2062B Gunite(K-H) 7040 Wagner F55890	Dodge, Ford with Gunite (K-H) 14" x 2 1/2" Front Brakes

1 3/32"
Bore

SINGLE CYLINDER — RIGHT




3/8"-24 Port For Rebuild, Use Repair Kit R4166819

MERITOR NO.	CASTING NO.	REPLACES	APPLICATION
R4133485	616190 616190R 617629 650 FD41767	Bendix 33485 Ford C1VV-2061A C2VY-2061A C9TZ-2061B Gunite (K-H) 7039 Wagner F55891	Dodge, Ford with Gunite(K-H) 14" x 2 1/2" Front Brakes

1 3/32"
Bore

SINGLE CYLINDER — LEFT




3/8"-24 Port with tube seat For Rebuild, Use Repair Kit R4166819

MERITOR NO.	CASTING NO.	REPLACES	APPLICATION
R4133915	18292 65 651 C30A2191C	EIS EW103223 Ford E0HZ-2062A Wagner F103223	Ford

1 3/32"
Bore

SINGLE CYLINDER — RIGHT



3/8"-24 Port with Tube Seat For Rebuild, Use Repair Kit R4166819


MERITOR NO.	CASTING NO.	REPLACES	APPLICATION
R4133916	0 18293 650 C30A2190C	EIS EW103224 Ford E0HZ-2061A Wagner F103224	Ford

WHEEL CYLINDERS

Listed by Bore Size

1 1/8"
Bore

**SINGLE CYLINDER
UPPER AND LOWER LEFT — DODGE, ITE
LOWER LEFT — FORD**




7/16"-24 Port with tube seat - top hole
7/16"-20 Bleeder Screw - bottom hole

For Rebuild, Use
Repair Kit R4166926

MERITOR NO.	CASTING NO.	REPLACES	APPLICATION
R4133714	572 3067	Bendix 33714	Dodge,
	3069 29268	Ford C9TZ-2062A	Ford,
	618306 618331	Gunite 7062	ITE with
	FE3067 FE3069	(K-H)	Wagner
		ITE 341037C91	15" x 3"
		Wagner F43375	Front Brakes

1 1/8"
Bore

**SINGLE CYLINDER
UPPER AND LOWER LEFT — DODGE, ITE
LOWER RIGHT — FORD**




7/16"-24 Port with tube seat - top hole
7/16"-20 Bleeder Screw - bottom hole

For Rebuild, Use
Repair Kit R4166926

MERITOR NO.	CASTING NO.	REPLACES	APPLICATION
R4133715	573 3068	Bendix 33715	Dodge,
	3070 29266	Ford C4TZ-2061D	Ford,
	618307 C5	Gunite(K-H) 7061	ITE with
	FE3068 FE3070	ITE 341038C91	Wagner
		Wagner F43376	15" x 3"
			Front Brakes

1 1/8"
Bore

SINGLE CYLINDER UPPER — LEFT




7/16"-24 Port with tube seat

For Rebuild, Use
Repair Kit R4166926

MERITOR NO.	CASTING NO.	REPLACES	APPLICATION
R4133716	572 3067	Bendix 33716	Ford
	3069 29268	Ford DOTZ-2061A	with Wagner
	618306 618331	Gunite (K-H) 7073	15" x 3"
	FE3067 FE3069	Wagner F73500	Front Brakes

1 1/8"
Bore

SINGLE CYLINDER UPPER — RIGHT




7/16"-24 Port with tube seat

For Rebuild, Use
Repair Kit R4166926

MERITOR NO.	CASTING NO.	REPLACES	APPLICATION
R4133717	573 3068	Bendix 33717	Ford
	3070 29266	Ford DOTZ-2062A	with Wagner
	618307 C5	Gunite (K-H) 7072	15" x 3"
	FE3068 FE3070	Wagner F73501	Front Brakes

1 1/8"
Bore

SINGLE CYLINDER UPPER — LEFT




7/16"-20 Bleeder Port
7/16"-24 Port with tube seat

For Rebuild, Use
Repair Kit R4166926

MERITOR NO.	CASTING NO.	REPLACES	APPLICATION
R4133718	572 3067	Bendix 33718	Ford
	3069 29268	Ford D0TZ-2062B	with Wagner
	618306 618331	Wagner F71940	15" x 3"
	FE3067 FE3069		Front Brakes

1 1/8"
Bore

SINGLE CYLINDER UPPER — RIGHT



7/16"-20 Bleeder Port
7/16"-24 Port with tube seat

For Rebuild, Use
Repair Kit R4166926

MERITOR NO.	CASTING NO.	REPLACES	APPLICATION
R4133719	573 3068	Bendix 33719	Ford
	3070 29266	Ford DOTZ-2061B	with Wagner
	618307 C5	Wagner F71941	15" x 3"
	FE3068 FE3070		Front Brakes

6 - WHEEL CYLINDERS

WHEEL CYLINDERS

Listed by Bore Size

6 - WHEEL CYLINDERS

1 1/8"
Bore

SINGLE CYLINDER UPPER AND LOWER — LEFT




7/16"-20 Port

For Rebuild, Use Repair Kit R4166926

1 1/8"
Bore

SINGLE CYLINDER UPPER AND LOWER — RIGHT



7/16"-20 Port


For Rebuild, Use Repair Kit R4166926

MERITOR NO.	CASTING NO.	REPLACES	APPLICATION
R4133320	3067	Bendix 33320	Chev/GM, ITE with Wagner 15" x 3" Front Brakes
	3069	Chev/GM 2254355	
	572	5473062	
	618306	Gunite(K-H) 7052	
	C10	ITE 73120R91	
	FD8852	Wagner F8852	

MERITOR NO.	CASTING NO.	REPLACES	APPLICATION
R4133321	3068	Bendix 33321	Chev/GM, ITE with Wagner 15" x 3" Front Brakes
	3070	Chev/GM 2254354	
	573	5473063	
	618307	Gunite(K-H) 7051	
	FD8853	ITE 73121R91	
	FE3068	Wagner F8853	

1 1/8"
Bore

SINGLE CYLINDER — LEFT




3/8"-24 Port (For Banjo Fitting)

For Rebuild, Use Repair Kit R4166935

1 1/8"
Bore

SINGLE CYLINDER — RIGHT



3/8"-24 Port (For Banjo Fitting)

For Rebuild, Use Repair Kit R4166935

MERITOR NO.	CASTING NO.	REPLACES	APPLICATION
R4133614	5463023	Bendix 33614	Ford with Bendix 12" x 3" Rear Brakes
	651	Ford C20Z-2062A	
	FD41766	C20Z-2062C	
		Wagner F40951	


MERITOR NO.	CASTING NO.	REPLACES	APPLICATION
R4133615	29367C	Bendix 33615	Ford with Bendix 12" x 3" Front or Rear Brakes
	5463024	Ford C20Z-2061C	
	650	C30Z-2061B	
	FD40951	C8TZ-2061A	
	FD40952	Wagner F40952	
	FD41767		

WHEEL CYLINDERS

Listed by Bore Size

1 1/8"
Bore

SINGLE CYLINDER — LEFT AND RIGHT




3/8"-24 Port (with Tube Seat) For Rebuild, Use
Repair Kit R4166818

MERITOR NO.	CASTING NO.	REPLACES	APPLICATION
R4133206	29337C	Bendix 33206 Chrysler 4086503	Chevrolet Dodge Ford GMC
	29663657		
	303889L		
	5450646		
	5450822		
	5453821	EIS Ford	
	5453822		
	5455479		
	5456994		
	5461581	GM	
	5461582		
	616931L		
	617451		
	650	ITE	
	651		
	8300	Wagner	
	8301		
	AD2181A	F35325	
	AD2191A		
	FD14495		
FD27340			
FD35438			

1 1/8"
Bore

SINGLE CYLINDER — LEFT AND RIGHT




3/8"-24 Port (with Tube Seat) For Rebuild, Use
Repair Kit R4166818

MERITOR NO.	CASTING NO.	REPLACES	APPLICATION
R4133207	29663657	Bendix 33207 Chrysler 4313332	Chevrolet Dodge Ford GMC
	29663673		
	303890R		
	5450646		
	5450822		
	5453822	EIS Ford	
	5455478		
	5456995		
	5461581&2		
	616932R	GM	
	617452		
	651		
	8300		
	8301	ITE	
	AD2180A		
	AD2181A	Wagner	
	AD2190A		
	FD14495		
	FD27341		
	FD35349		

1 1/8"
Bore

SINGLE CYLINDER — LEFT AND RIGHT




3/8"-24 Port with tube seat For Rebuild, Use
Repair Kit R4166298

MERITOR NO.	CASTING NO.	REPLACES	APPLICATION
R4133962	FD120808	Bendix 33962	Chevrolet GMC
		EIS EW155119	
		GM 18013954	
		Wagner F116263	

1 1/8"
Bore

SINGLE CYLINDER — LEFT




7/16"-24 Port tube seat
Bleeder Screw E-4092 For Rebuild, Use
Repair Kit R4166935

MERITOR NO.	CASTING NO.	REPLACES	APPLICATION
R4134139	—	Bendix 34139 Raybestos WC370042	—

1 1/8"
Bore

SINGLE CYLINDER — RIGHT



7/16"-24 Port tube seat
Bleeder Screw E-4092 For Rebuild, Use
Repair Kit R4166935

MERITOR NO.	CASTING NO.	REPLACES	APPLICATION
R4134140	—	Bendix 34140 Raybestos WC370043	—

6 - WHEEL CYLINDERS

WHEEL CYLINDERS

Listed by Bore Size

6 - WHEEL CYLINDERS

1 3/16"
Bore

SINGLE CYLINDER — LEFT AND RIGHT



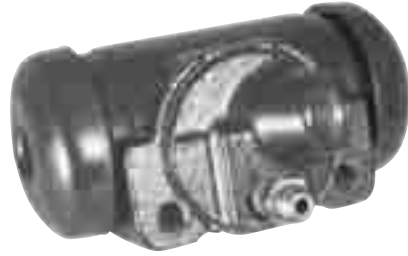
3/8"-24 Port

For Rebuild, Use
Repair Kit R4166872

MERITOR NO.	CASTING NO.	REPLACES	APPLICATION
R4133708	2621301 29663644 748 FD108361 FD108937	Chev/GM 18004609 Wagner F79768	Chev/GM, with GM 13" x 3 1/2" Rear Brakes

1 3/16"
Bore

SINGLE CYLINDER — LEFT



3/8"-24 Port with tube seat

For Rebuild, Use
Repair Kit R4166764

MERITOR NO.	CASTING NO.	REPLACES	APPLICATION
R4133945	18292 651 C30A2191C FD45932 FD45968	Bendix 33945 EIS EW155069 Ford E7TZ-2262A Wagner F113757	Ford with Bendix 12" x 3" Rear Brakes

1 3/16"
Bore

SINGLE CYLINDER — RIGHT



3/8"-24 Port with tube seat

For Rebuild, Use
Repair Kit R4166764

MERITOR NO.	CASTING NO.	REPLACES	APPLICATION
R4133946	18293 650 C30A2190C	Bendix 33946 EIS EW155068 Ford E7TZ-2261A Wagner F113758	Ford

1 3/16"
Bore

SINGLE CYLINDER — LEFT AND RIGHT



3/8"-24 Port with tube seat

For Rebuild, Use
Repair Kit R4166297

MERITOR NO.	CASTING NO.	REPLACES	APPLICATION
R4133961	FD120808	Bendix 33961 EIS EW155120 GM 18013956 Wagner F116224	Chevrolet GMC

1 1/4"
Bore

SINGLE CYLINDER UPPER AND LOWER — LEFT



7/16"-20 Port

For Rebuild, Use
Repair Kit R4166923

MERITOR NO.	CASTING NO.	REPLACES	APPLICATION
R4133376	618851 670 FE32351	Bendix 33376 Chev/GM 2404322 5473113 Wagner F32349	Chev/GM with Wagner 15" x 3 1/2" Front Brakes

1 1/4"
Bore

SINGLE CYLINDER UPPER AND LOWER — RIGHT



7/16"-20 Port

For Rebuild, Use
Repair Kit R4166923


MERITOR NO.	CASTING NO.	REPLACES	APPLICATION
R4133377	618852 671 FE32352	Bendix 33377 Chev/GM 2404321 5473114 Raybestos WC37092 Wagner F32350	Bendix Chev/GM with Wagner 15" x 3 1/2" Front Brakes EIS Raybestos

WHEEL CYLINDERS

Listed by Bore Size

1 1/4"
Bore

**SINGLE CYLINDER
UPPER AND LOWER LEFT — ITE
LOWER LEFT — FORD
UPPER AND LOWER RIGHT — DODGE**




7/16"-24 Port with tube seat For Rebuild, Use
Repair Kit R4166923

MERITOR NO.	CASTING NO.	REPLACES	APPLICATION
R4133581	3069	Bendix 33581	Dodge, Ford, ITE with Wagner 14" x 2 1/2", 15" x 3", 15" x 3 1/2" Front Brakes
	572	EIS EW43383	
	FD73535	Ford DOTZ-2062C	
	FE3069	Gunite 7069	
	FE73535	(K-H) 341035C91	
	ITE F43383		
	Wagner F73531		

1 1/4"
Bore

**SINGLE CYLINDER
UPPER AND LOWER RIGHT — ITE
LOWER RIGHT — FORD
UPPER AND LOWER LEFT — DODGE**




7/16"-24 Port with tube seat For Rebuild, Use
Repair Kit R4166923

MERITOR NO.	CASTING NO.	REPLACES	APPLICATION
R4133582	3070	Bendix 33582	Dodge, Ford, ITE with Wagner 14" x 2 1/2", 15" x 3", 15" x 3 1/2" Front Brakes
	3070C7	EIS EW43384	
	573	ITE 341036C91	
	FD73536	Ford DOTZ-2061C	
	FE3070	Gunite 7070	
	FE73536	(K-H) F43384	
		Wagner F73532	

1 1/4"
Bore

SINGLE CYLINDER UPPER — LEFT




7/16"-24 Port with tube seat For Rebuild, Use
Repair Kit R4166923

MERITOR NO.	CASTING NO.	REPLACES	APPLICATION
R4133720	3069	Bendix 33720	Ford with Wagner 15" x 3" Front Brakes
	572	Ford DOTZ-2062D	
	C5	Wagner F73543	
	FE73535		

1 1/4"
Bore

SINGLE CYLINDER UPPER — RIGHT




7/16"-24 Port with tube seat For Rebuild, Use
Repair Kit R4166923

MERITOR NO.	CASTING NO.	REPLACES	APPLICATION
R4133721	3070	Bendix 33721	Ford with Wagner 15" x 3" Front Brakes
	573	Ford DOTZ-2061D	
	C3	Wagner F73544	
	FE73536		

1 1/4"
Bore

SINGLE CYLINDER UPPER — LEFT




7/16"-24 Port with tube seat For Rebuild, Use
Repair Kit R4166923
Tube seats in both ports

MERITOR NO.	CASTING NO.	REPLACES	APPLICATION
R4133722	572	Bendix 33722	Ford
	FD73535	EIS EW75891	
	FE73535	Raybestos WC37254	
		Wagner F73537	

1 1/4"
Bore

SINGLE CYLINDER UPPER — RIGHT



7/16"-24 Port with tube seat For Rebuild, Use
Repair Kit R4166923
Tube seats in both ports

MERITOR NO.	CASTING NO.	REPLACES	APPLICATION
R4133723	573	Bendix 33723	Ford
	FD73536	EIS EW75890	
	FE73536	Raybestos WC37255	
		Wagner F73538	

6 - WHEEL CYLINDERS


WHEEL CYLINDERS

Listed by Bore Size

6 - WHEEL CYLINDERS

1 1/4"
Bore

SINGLE CYLINDER — LEFT




7/16"-20 Port (Banjo Fitting) For Rebuild, Use Repair Kit R4166923

MERITOR NO.	CASTING NO.	REPLACES	APPLICATION
R4133315	29268	EIS EW8806 ITE 73232R11 Wagner F8806	GMC Mack ITE White
	3067		
	3069		
	572		
	618306		
	618331		
	73535		
	FE3067		
	FE3069		
	FE73535		

1 1/4"
Bore

SINGLE CYLINDER — RIGHT




7/16"-20 Port (Banjo Fitting) For Rebuild, Use Repair Kit R4166923

MERITOR NO.	CASTING NO.	REPLACES	APPLICATION
R4133316	29266	EIS EW8807 ITE 73233R11 Wagner F8807	GMC Mack ITE White
	3070		
	618307		
	FE3068		
	FE3070		
	FE73536		

1 3/8"
Bore

SINGLE CYLINDER — LEFT




7/16"-20 Port For Rebuild, Use Repair Kit R4166925

MERITOR NO.	CASTING NO.	REPLACES	APPLICATION
R4133379	572	EIS EW32357 GM 2404320 Wagner F32357	Chevrolet GMC
	670		
	FE32351		
	FE32359		

1 3/8"
Bore

SINGLE CYLINDER — RIGHT




7/16"-20 Port For Rebuild, Use Repair Kit R4166925

MERITOR NO.	CASTING NO.	REPLACES	APPLICATION
R4133380	618797	EIS EW32358 GM 2404319 Wagner F32358	Chevrolet GMC
	671		
	FE32350		
	FE32352		

1 3/8"
Bore

SINGLE CYLINDER



7/16"-20 Port - Banjo For Rebuild, Use Repair Kit R4166925

MERITOR NO.	CASTING NO.	REPLACES	APPLICATION
R4133136	—	Bendix 33136 Raybestos WC15306	—

1 3/8"
Bore

SINGLE CYLINDER



7/16"-20 Port tube seat
Bleeder Screw - E-4093 For Rebuild, Use Repair Kit R4166925

MERITOR NO.	CASTING NO.	REPLACES	APPLICATION
R4133396	—	Bendix 33396 Raybestos WC4419	—

WHEEL CYLINDERS

Listed by Bore Size

1 1/2"
Bore

SINGLE CYLINDER UPPER — LEFT AND RIGHT



7/16"-20 Port with
Port for Jumper Line

For Rebuild, Use
Repair Kit R4166818

MERITOR NO.	CASTING NO.	REPLACES	APPLICATION
R4133256	16925 302862 574 FD16925	Bendix 33256 Ford B8T-2261 C8TZ-2261F C8TZ-2262F Gunite (K-H) 7065 Wagner F28850	Ford with Bendix 14 1/8" x 3 1/2" Rear Brakes

1 1/2"
Bore

SINGLE CYLINDER LOWER — LEFT AND RIGHT



7/16"-20 Port with
Port for Jumper Line

For Rebuild, Use
Repair Kit R4166818

MERITOR NO.	CASTING NO.	REPLACES	APPLICATION
R4133257	16925 302862 5461734 574 FD16925	Bendix 33257 Ford B8T-2262A Gunite (K-H) 7065 Wagner F28851	Ford with Bendix 14 1/8" x 3 1/2" Rear Brakes

1 1/2"
Bore

SINGLE CYLINDER UPPER AND LOWER — LEFT AND RIGHT



1/2"-20 Port tube seat
Bleeder Screw - E-4093

For Rebuild, Use
Repair Kit N/A

MERITOR NO.	CASTING NO.	REPLACES	APPLICATION
R4133312	—	Bendix 33312 Raybestos WC37317	—

1 1/2"
Bore

SINGLE CYLINDER UPPER AND LOWER — LEFT AND RIGHT



7/16"-24 Port

For Rebuild, Use
Repair Kit R4166818

MERITOR NO.	CASTING NO.	REPLACES	APPLICATION
R4133390	5461734 640 FD28663	Bendix 33390 Ford C0TT-2262A Gunite (K-H) 7074 Wagner F28661	Dodge, Ford with Bendix 15" x 4" Rear Brakes

1 1/2"
Bore

SINGLE CYLINDER UPPER AND LOWER — LEFT AND RIGHT



7/16"-24 Port

For Rebuild, Use
Repair Kit N/A

MERITOR NO.	CASTING NO.	REPLACES	APPLICATION
R4133580	599 FD19106	Bendix 33580 ITE 684833R91 Wagner F26159	ITE with Wagner 15" x 4", 15" x 5", 15" x 7" Rear Brakes

1 1/2"
Bore

SINGLE CYLINDER UPPER AND LOWER — LEFT AND RIGHT



7/16"-24 Port

For Rebuild, Use
Repair Kit R4166818

MERITOR NO.	CASTING NO.	REPLACES	APPLICATION
R4133607	29538C 29662656 29663197 302862 55729 725 FE83712	Bendix 33607 Ford C8TZ-2261B D1TZ-2261A Gunite (K-H) 7008 Wagner F71237 F78743	Ford with Gunite(K-H) 15" x 4", 15" x 5" Rear Brakes

6 - WHEEL CYLINDERS

WHEEL CYLINDERS

Listed by Bore Size

6 - WHEEL CYLINDERS

1 1/2"
Bore

SINGLE CYLINDER UPPER AND LOWER — LEFT



7/16"-24 Port with tube seat

For Rebuild, Use
Repair Kit R4166928

MERITOR NO.	CASTING NO.	REPLACES	APPLICATION
R4133655	41-TV152656K	Bendix 33655	Chev/GM with GM
	5471641	Chev/GM 2620632	
	737	5472820	15" x 4",
	FD83584	Gunite (K-H) 7054	15" x 5"
		Wagner F78744	Rear Brakes

1 1/2"
Bore

SINGLE CYLINDER UPPER AND LOWER — RIGHT



7/16"-24 Port with tube seat

For Rebuild, Use
Repair Kit R4166928

MERITOR NO.	CASTING NO.	REPLACES	APPLICATION
R4133656	5471642	Bendix 33656	Chev/GM with GM
	738	Chev/GM 2620633	
	FD83585	5472821	15" x 4", 15" x 5"
		Gunite(K-H) 7055	Rear Brakes
		Wagner F78745	

1 1/2"
Bore

SINGLE CYLINDER UPPER AND LOWER — LEFT AND RIGHT



7/16"-20 Port (Banjo Fitting)

For Rebuild, Use
Repair Kit R4166818

MERITOR NO.	CASTING NO.	REPLACES	APPLICATION
R4133336	599	Bendix 33336	Chev/GM, Ford, ITE with Wagner
	618378	Chev/GM 2331945	
	618383	Ford B8QH-2261A	
	FD19106	ITE 137448R91	
	K-2	Wagner F19746	
	K2		

These illustrations are intended to show the configurations of **Meritor parts only**. The outward appearance of these parts may or may not match OEM or competitive parts.

The Photographs and Illustrations shown in this catalog are typical and may vary slightly in detail from actual parts due to manufacturing tolerances, and/or OEM design differences. The general configuration of the part will be the same, i.e. port positions, mounting holes, etc.

1 1/2"
Bore

SINGLE CYLINDER



1/2"-20 Port tube seat

For Rebuild, Use
Repair Kit N/A

MERITOR NO.	CASTING NO.	REPLACES	APPLICATION
R4133312	—	Bendix 33312	Chev/GM, Ford, ITE
		Raybestos WC37317	

WHEEL CYLINDERS

Listed by Bore Size

1 1/2"
Bore

SINGLE CYLINDER — LEFT



7/16"-20 Port, 7/16"-24 Port with tube seat For Rebuild, Use Repair Kit R4166448

MERITOR NO.	CASTING NO.	REPLACES	APPLICATION
R4133905	FE86450	EIS EW155078 ITE 498216C91 Wagner F86444	ITE

1 1/2"
Bore

SINGLE CYLINDER — RIGHT




7/16"-20 Port, 7/16"-24 Port with tube seat For Rebuild, Use Repair Kit R4166448

MERITOR NO.	CASTING NO.	REPLACES	APPLICATION
R4133906	FE86451	EIS EW155079 ITE 498217C91 Wagner F86445	ITE

1 5/8"
Bore

SINGLE CYLINDER — FRONT




M12 x 1.00 Inlet Port
M8 x 1 1/4" Repair Kit Not Available

MERITOR NO.	CASTING NO.	REPLACES	APPLICATION
R413635	V-1145	Leland L2057 Mercedes-Benz 044-420-0018 344-420-7218	Magirus Volvo

1 5/8"
Bore

UPPER AND LOWER — LEFT AND RIGHT



7/16"-24 Port
NOTE: Some applications have 7/16"-20 ports. Fits 1961-1965 Fords, Intl. Wagner F19107 S.O.S. only For Rebuild, Use Repair Kit R4166689

MERITOR NO.	CASTING NO.	REPLACES	APPLICATION
R4133338	19108 29662667 2966341 598 618316 618372 FD19108 FD24491	Bendix 33338 Chev/GM 3772241 5473145 EIS EW24489 Ford C5TZ-2261B Gunite (K-H) 7057 ITE 684834R91 Wagner F24489	Chev/GM, Dodge, Ford, ITE with Wagner 15" x 5", 15" x 6", 15" x 7", 16" x 5" Rear Brakes

6 - WHEEL CYLINDERS

The Meritor Product Photo and Illustration Sections are to be used as a supplemental aid in identifying the configurations and specifications of many of the hydraulic brake parts found in this Catalog.

CAUTION

IN NO CASE SHOULD THESE PICTURES & ILLUSTRATIONS BE USED TO MAKE PRODUCT SUBSTITUTIONS. USE THE APPROPRIATE CATALOG APPLICATION DATA TO DETERMINE THE CORRECT PART.

WHEEL CYLINDERS

Listed by Bore Size

6 - WHEEL CYLINDERS

1 5/8"
Bore

SINGLE CYLINDER UPPER AND LOWER — LEFT AND RIGHT



7/16"-24 Port Repair Kit Not Available

Many parts may have the same external dimensions, but have different internal dimensions and/or materials. These differences make it imperative that only the application guide be used to determine the suitability of a particular part.

MERITOR NO.	CASTING NO.	REPLACES	APPLICATION
R4133606	19541C 29541 55753 725 FE83712 FE83713	Bendix 33606 Ford C8TZ-2261C Gunite (K-H) 7009 Wagner F71238	Ford with Gunite(K-H) 15" x 5" Rear Brakes

1 5/8"
Bore

SINGLE CYLINDER LEFT HAND



7/16"-24 Port For Rebuild, Use Repair Kit SP7895S

1 5/8"
Bore

SINGLE CYLINDER RIGHT HAND



7/16"-24 Port For Rebuild, Use Repair Kit SP7895S

MERITOR NO.	CASTING NO.	REPLACES	APPLICATION
—	68660520	Ford E4HZ-2262B/D Lucas 201185 68919016 68919065	Ford with Lucas 15" x 5" Rear Brakes

MERITOR NO.	CASTING NO.	REPLACES	APPLICATION
—	68660521	Ford E4HZ-2261B/D Lucas 201186 68919017 68919066	Ford with Lucas 15" x 5" Rear Brakes

1 5/8"
Bore

EXPANDER LEFT HAND



7/16"-24 Port For Rebuild, Use Repair Kit SP7895S

1 5/8"
Bore

EXPANDER RIGHT HAND



7/16"-24 Port For Rebuild, Use Repair Kit SP7895S

MERITOR NO.	CASTING NO.	REPLACES	APPLICATION
—	68660579	Ford E4HZ-2C198G E6HZ-2C198D/G Lucas 201181 68919061 68937161	Ford 1986-Up with Lucas 15" x 5" Rear Brakes


MERITOR NO.	CASTING NO.	REPLACES	APPLICATION
—	68660580	Ford E4HZ-2C198D/H E6HZ-2C198C/H Lucas 201182 68919062 68937162	Ford 1986-Up with Lucas 15" x 5" Rear Brakes

WHEEL CYLINDERS

Listed by Bore Size

1 3/4"
Bore

SINGLE CYLINDER UPPER AND LOWER — LEFT AND RIGHT




7/16"-20 Port tube seat
Bleeder Screw R41301198

For Rebuild, Use
Repair Kit R4166917

MERITOR NO.	CASTING NO.	REPLACES	APPLICATION
R4133335	—	Bendix 33335 Raybestos WC19109	—

1 3/4"
Bore

SINGLE CYLINDER UPPER AND LOWER — LEFT AND RIGHT




7/16"-24 Port

For Rebuild, Use
Repair Kit R4166917

MERITOR NO.	CASTING NO.	REPLACES	APPLICATION
R4133400	29662667 29663349 604 A22667 FD19110 K19	Bendix 33400 Chev/GM 3772245 473186 54731545 C5TZ-2261A Ford 7059 Gunite(K-H) 684835R91 ITE F26172 Wagner	Bendix Chev/GM Ford ITE with Wagner 15" x 7" Rear Brakes

1 3/4"
Bore

SINGLE CYLINDER LEFT HAND




7/16"-24 Port

For Rebuild, Use
Repair Kit SP7871S

MERITOR NO.	CASTING NO.	REPLACES	APPLICATION
201183	68660520	Ford E4HZ-2262A/C F2HZ-2262A Lucas 201183 68919014 68919063 68919071	Ford with Lucas 15" x 6", 15" x 7" Rear Brakes

1 3/4"
Bore

SINGLE CYLINDER RIGHT HAND




7/16"-24 Port

For Rebuild, Use
Repair Kit SP7871S

MERITOR NO.	CASTING NO.	REPLACES	APPLICATION
201184	68660521	Ford E4HZ-2261A/C F2HZ-2261A Lucas 201184 68919015 68919064 68919072	Ford with Lucas 15" x 6", 15" x 7" Rear Brakes

1 3/4"
Bore

EXPANDER LEFT HAND




7/16"-24 Port

For Rebuild, Use
Repair Kit SP7872S

MERITOR NO.	CASTING NO.	REPLACES	APPLICATION
201179	68660579	Ford E4HZ-2C198A/E E6HZ-2C198B/E F2HZ-2C198A 201179 Lucas 68919059 68937159	Ford 1986-Up with Lucas 15" x 6", 15" x 7" Rear Brakes

1 3/4"
Bore

EXPANDER RIGHT HAND



7/16"-24 Port

For Rebuild, Use
Repair Kit SP7872S

MERITOR NO.	CASTING NO.	REPLACES	APPLICATION
201180	68660580	Ford E4HZ-2C198C/F E6HZ-2C198A/F F2HZ-2C198B Lucas 201180 68919060 68937160	Ford 1986-Up with Lucas 15" x 6", 15" x 7" Rear Brakes

6 - WHEEL CYLINDERS

WHEEL CYLINDERS

Listed by Bore Size

6 - WHEEL CYLINDERS

1 3/4"
Bore

SINGLE CYLINDER — REAR



M12 x 1.00 Inlet Port
M8 x 1 1/4" Bleed Port

MERITOR NO.	CASTING NO.	REPLACES	APPLICATION
R413636	V-1122	Leland L2070 Mercedes-Benz 044-420-0118	Bendix Chevrolet GMC Isuzu

1 7/8"
Bore

SINGLE CYLINDER UPPER AND LOWER — LEFT AND RIGHT



7/16"-20 Port (Banjo Fitting)
Note: Supplied with Bleeder Seat
R41301198

For Rebuild, Use Repair Kit R4166897

MERITOR NO.	CASTING NO.	REPLACES	APPLICATION
R4133420	601 FD19112	Bendix 33420 Chev/GM 2331949 5473156 Ford B6QH-2261B Wagner F19111	Chev/GM, Ford with Wagner 16" x 6" Rear Brakes

1 7/8"
Bore

SINGLE CYLINDER UPPER AND LOWER — LEFT AND RIGHT






7/16"-24 Port with Tube
Note: Supplied w/ Bleeder Seat
R41301198

For Rebuild, Use Repair Kit R4166897

MERITOR NO.	CASTING NO.	REPLACES	APPLICATION
R4133584	30506 FD19112	Bendix 33584 EIS EW26181 Ford C8TZ-2262E ITE 260551C91 Raybestos WC37222 Wagner F26181	Bendix EIS Ford ITE with Wagner 16" x 6" Rear Brakes Raybestos
















BRAKE FITTING AND HOSE GASKETS

	MERITOR NO.	REPLACES	O.D.	I.D.	THICK
	R4533757	Wagner F602 Bendix 96002	13/16"	1/2"	1/32"
	R45616972	Wagner F5795 Bendix 96003	5/8"	25/64"	1/16"
	R45616973	Wagner F5035 Bendix 96004	13/16"	7/16"	1/16"

6 - WHEEL CYLINDERS

HYDRAULIC BRAKE CYLINDER BLEEDER SCREWS

6 - WHEEL CYLINDERS

	MERITOR NO.	REPLACES	THREAD	HEX	O.A.L.
	R4148654	Wagner F6646 Bendix 94001	1/4"-28	1/4"	59/64"
	R4194002	Wagner F57188 Bendix 94002	5/16"-24	5/16"	1"
	R41302861	Wagner F33512 Bendix 94008	3/8"-24	3/8"	1 1/2"
	R41618406	Wagner F6858 Bendix 94005	3/8"-24	3/8"	1 11/64"
	R41301198	Wagner F11596 Bendix 94009	7/16"-20	7/16"	1.27"
	R4194010	Wagner F24493 Bendix 94010	7/16"-24	7/16"	1 15/32"
	R4194012 32mm	Wagner F105400 Bendix 94012	M7 x 1.0	—	
	R4194015	Wagner F105408 Bendix 94020	M7 x 1.0	—	38.5mm
	R4194013	Wagner F105182 Bendix 94013	M8 x 1.25	—	23.5mm
	R4194014	Wagner F104509 Bendix 94014	M10 x 1.0	—	38.5mm
	R4194015	Wagner F105407 Bendix 94015	M10 x 1.5	—	25.5mm
	69540212	— —	—	—	—
	R4111753	— —	—	—	—
Photo Not Available At Time of Printing	R40152432	— —	—	—	—
 	R402513823	Haldex MQ5200	—	—	—

MASTER CYLINDER CASTING NUMBER INDEX

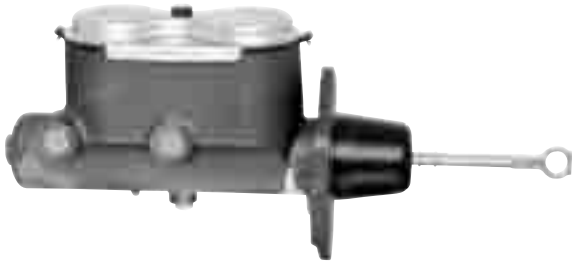
MASTER CYLINDER CASTING NO.	MERITOR MASTER CYLINDER NO.	PAGE NO.	MASTER CYLINDER CASTING NO.	MERITOR MASTER CYLINDER NO.	PAGE NO.	MASTER CYLINDER CASTING NO.	MERITOR MASTER CYLINDER NO.	PAGE NO.
32	R4111046	6-150	4570C	R4111046	6-150	6472009	R4111730	6-150
39	R4111122	6-155	23123C	R4111129	6-154	18006819	R4111905	6-140
45	R4111119	6-154	23126	R4111129	6-154	18007278	R4111989	6-150
55	R4111123	6-155	29881C	R4111732	6-148	18010023	R4111923	6-140
65	R4111129	6-154	29903-C	R4111896	6-136	18010023	R4111926	6-140
97	R4111266	6-154	29910-C	R4111395	6-148	18012622	R418233	6-138
121	R4112058	6-148	30014-C	R4110436	6-143	18012985	R418244	6-152
142	R4111944	6-147	30070	R4111454	6-152	23123-C	R4111129	6-154
144	R4111730	6-150	30087-C	R4112200	6-146	29825-C	R4111266	6-154
144	R4111730	6-152	30097-C	R4111775	6-146	30067-C	R4111123	6-155
144	R4111732	6-145	41208	R4111266	6-154	30076-C	R4111913	6-136
144	R4111732	6-147	61706	R4111129	6-154	30087-C	R4112200	6-146
146	R4111669	6-141	224000	R4111917	6-136	30097-C	R4111775	6-146
146	R4111854	6-141	300406	R4110432	6-143	4570C	R4111046	6-150
155	R4111633	6-143	300459	R4110431	6-142	777C	R4111122	6-155
162	R4111930	6-138	300459-C	R4110432	6-143	CFD11	R411905	6-140
162	R4111931	6-138	616576	R4111046	6-150	D60A2155AA	R4111669	6-141
169	R4111676	6-144	616812	R4111119	6-154	D60A2155AA	R4111854	6-141
169	R4111682	6-144	616827	R4111122	6-155	DM01	R4111801	6-136
169	R4111931	6-138	617283	R4111266	6-154	F72283	R4111630	6-157
173	R4111773	6-155	617298	R4111266	6-154	FD2347	R4111151	6-156
174	R418234	6-138	618101	R4111129	6-154	FD23477	R4111150	6-154
184	R4111982	6-153	618112	R4111119	6-154	FD2704	R4111119	6-154
187	R4111860	6-147	618127	R4111122	6-155	FD4570	R4111046	6-150
190	R4111856	6-144	618182	R4111123	6-155	FD57529	R4111451	6-156
190	R4111861	6-143	2223505	R4111995	6-159	FD57576	R4111451	6-156
190	R4112007	6-143	2223771	R4111395	6-148	FE1099	R417785	6-156
191	R4111944	6-147	2225771	R4111395	6-148	FE1575	R4111123	6-155
193	R4111989	6-150	2229071	R4111583	6-152	FE1575	R4111772	6-157
194	R4110357	6-149	2229331	R4111896	6-136	FE1645	R4111772	6-157
194	R4112058	6-148	2229581	R4111676	6-144	FE23126	R4111129	6-154
194	R4112058	6-148	2229581	R4111682	6-144	FE23127	R4111129	6-154
194	R4112219	6-149	2230600	R4111892	6-158	FE41207	R4111634	6-157
195	R4112178	6-149	2230600	R4111909	6-158	FE57570	R4111454	6-152
195	R4112218	6-143	2230600	R4111910	6-158	FE57577	R4111451	6-156
197	R4111865	6-149	2230600	R4111912	6-158	FE57579	R4111773	6-155
198	R4111896	6-136	2230600	R4111992	6-158	FE777	R4111122	6-155
200	R4111905	6-140	2230600	R4111994	6-157	FF1099	R417785	6-156
204	R4112008	6-145	2230600	R4111999	6-158	FF1575	R4111772	6-157
205	R418239	6-139	2230605	R4111898	6-160	FF1645	R4111772	6-157
205	R4111923	6-140	2230605	R4111908	6-160	FF43812	R4111122	6-155
205	R4111926	6-140	2230605	R4111994	6-159	FF43812	R4111624	6-159
234	R4112183	6-137	2231137	R4111641	6-153	FF48468	R4111119	6-154
235	R4112197	6-146	2231396	R4111865	6-149	FF48468	R4111626	6-154
235	R4112198	6-144	2259705	R4112466	6-153	FF54846	R4111455	6-159
235	R4112199	6-136	3580095	R4111633	6-143	FF6456	R4111913	6-136
235	R4112199	6-141	3766185	R4111860	6-147	FF57571	R4111456	6-155
235	R418229	6-141	5450226	R4111122	6-155	FF64506	R4111629	6-156
235	R418232	6-137	5460345	R4111944	6-147	FF64506	R4111631	6-156
236	R418233	6-138	5461282	R4111046	6-150	FF67572	R4111618	6-157
238	R4112220	6-150	5461368	R4111046	6-150	FF70533	R4111619	6-156
238	R4113022	6-150	5468115	R4111732	6-148	FF78951	R4111944	6-147
238	R418244	6-152	5470409	R4111944	6-147	FF84785	R4111732	6-148
243	R418225	6-137	5470410	R4111944	6-147	FF85573	R4111395	6-148
243	R418226	6-137	5472003	R4111730	6-150	K801	R4111801	6-136
260	R4111836	6-136	5472003	R4111732	6-145	S230	R4111119	6-154
265	R4111668	6-153	5472003	R4111732	6-147			
2704	R4111119	6-154	54720003	R4111732	6-148			

6 - MASTER CYLINDERS

MASTER CYLINDERS

Listed by Bore Size

3/4"
Bore



1/2"-20 (2) Outlets

Repair Kit
Not Available

MERITOR NO.	CASTING NO.	REPLACES	APPLICATION
R4111913	FF64506 30076-C	Ford D7HZ-2140A Bendix 11913 EIS E150288 Wagner F88856	Ford

7/8"
Bore



M10 x 1.25, M10 x 1.25 Outlets

Repair Kit
Not Available

MERITOR NO.	CASTING NO.	REPLACES	APPLICATION
R4111917	224000	Bendix 11917 12002 EIS E105931 Ford E17Z-2140A Mazda 8859 43 990 Wagner F105263	Mazda

7/8"
Bore



M10 x 1.0, M10 x 1.0 Outlets

Repair Kit
Not Available

MERITOR NO.	CASTING NO.	REPLACES	APPLICATION
R418254	—	EIS E96931 Nissan 46010 05W01 Wagner F96931	Nissan

7/8"
Bore



M10 x 1.0, M10 x 1.0 Outlets

Repair Kit
Not Available

MERITOR NO.	CASTING NO.	REPLACES	APPLICATION
R4111801	K801 DM01	Bendix 11801 12081 EIS E98028 Mitsubishi MB081621 MB081624 MB316479 Wagner F100986	Dodge, Mitsubishi, Plymouth

7/8"
Bore



M10 x 1.0, M10 x 1.0 Outlets

Repair Kit
Not Available

MERITOR NO.	CASTING NO.	REPLACES	APPLICATION
R4111937	260	Bendix 11937 EIS E98228 Nissan 46010 13W10 46010 48W00 Wagner F105252	Nissan

15/16"
Bore



9/16"-18, 1/2"-20 Outlets

Repair Kit
Not Available

MERITOR NO.	CASTING NO.	REPLACES	APPLICATION
R4111896	198 2229331 29903-C	Bendix 11896 Chrysler J3241807 Eagle/Jeep 83300113 EIS E105876 Wagner F105876	Jeep

6 - MASTER CYLINDERS

MASTER CYLINDERS

Listed by Bore Size

15/16"
Bore



7/16"-24, 3/8"-24, 9/16"-18 Outlets

Repair Kit
Not Available

MERITOR NO.	CASTING NO.	REPLACES	APPLICATION
R4112183	234	Bendix 12183 EIS E150044 Ford E69Z-2140A Wagner F112593	Ford

15/16"
Bore




7/16"-24, 9/16"-18 Outlets

Repair Kit
Not Available

MERITOR NO.	CASTING NO.	REPLACES	APPLICATION
R418225	243	Bendix 12203 EIS E150052 Ford E6TZ-2140A Wagner F113427	Ford

15/16"
Bore



3/8"-24, 1/2"-20 Outlets

For Rebuild, Use
Repair Kit R4122324

MERITOR NO.	CASTING NO.	REPLACES	APPLICATION
R418226	243	Bendix 12202 EIS E150053 Ford E6TZ-2140B Wagner F113426	Ford

15/16"
Bore



7/16"-24, 9/16"-18 Outlets

Repair Kit
Not Available

MERITOR NO.	CASTING NO.	REPLACES	APPLICATION
N/A	234	Bendix 12183 EIS E150079 Ford E79Z-2140A Wagner F114075	Ford

15/16"
Bore



7/16"-24, 9/16"-18 Outlets

Repair Kit
Not Available

MERITOR NO.	CASTING NO.	REPLACES	APPLICATION
R418232	235	Bendix 12203 EIS E150086 Ford E7TZ-2140D Wagner F120371	Ford

15/16"
Bore



M10 x 1.0, M10 x 1.0 Outlets

Repair Kit
Not Available

MERITOR NO.	CASTING NO.	REPLACES	APPLICATION
R418235	—	EIS E150102 Mitsubishi MB407753 Wagner F114605	Dodge

MASTER CYLINDERS

Listed by Bore Size

15/16"
Bore



9/16"-18, 7/16"-24 Outlets

Repair Kit
Not Available

MERITOR NO.	CASTING NO.	REPLACES	APPLICATION
R4111930	162	Bendix 11930 EIS E98271 Ford E3TZ-2140A Wagner F106433	Ford

15/16"
Bore



1/2"-20, 3/8"-24 Outlets

Repair Kit
Not Available

MERITOR NO.	CASTING NO.	REPLACES	APPLICATION
R4111931	162 169	Bendix 11931 EIS E98272 Ford D6TZ-2140L E3TZ-2140B Wagner F106431	Ford

15/16"
Bore



(2) 7/16"-24 Outlets

MERITOR NO.	CASTING NO.	REPLACES	APPLICATION
R4110375	—	Dodge 4683264 Bendix 13049 EIS E150614 Wagner F131512	Chrysler

24mm
Approx. 15/16"
Bore



M11 x 1.5, M13 x 1.5 Outlets

Repair Kit
Not Available

MERITOR NO.	CASTING NO.	REPLACES	APPLICATION
R418233	236 18012622	EIS 150090 GM 18011057 Wagner F120600	Chevrolet, Pontiac

24mm
Approx. 15/16"
Bore



1/2"-20, 9/16"-20 Outlets

Repair Kit
Not Available

MERITOR NO.	CASTING NO.	REPLACES	APPLICATION
R418234	174	Chrysler 4294312 4294721 EIS E150093 Wagner F114497	Dodge

24mm
Approx. 15/16"
Bore



1/2"-20
9/16"-18 Outlets


For Rebuild, Use
Repair Kit R4110391

MERITOR NO.	CASTING NO.	REPLACES	APPLICATION
R4111738	—	GM 1800 3755 1800 5259 1800 6633 Chevrolet Bendix 11738 EIS E77085 Wagner F101253	

MASTER CYLINDERS

Listed by Bore Size

24mm
Approx. 15/16"
Bore




1/2"-20
9/16"-18 Outlets

For Rebuild, Use
Repair Kit R4122494

MERITOR NO.	CASTING NO.	REPLACES	APPLICATION
R411739	—	GM 18005321 18005771 18006635 18010386 Bendix 11739 Wagner F101262 EIS E101262	Chevrolet

24mm
Approx. 15/16"
Bore




3/8"-24,
3/8"-24 Outlets

Repair Kit
Not Available

MERITOR NO.	CASTING NO.	REPLACES	APPLICATION
R411983	—	Dodge 4294152 4294946 4318720 4485299 Bendix 11983 EIS E105886 E98286 Wagner F108168	Chrysler

24mm
Approx. 15/16"
Bore




M12 x 1, M10 x 1,
M11 x 1.5, M13 x 1.5 Outlets

Repair Kit
Not Available

MERITOR NO.	CASTING NO.	REPLACES	APPLICATION
R4110344	—	Bendix 12451 EIS E150090 GM 18016550 18017555 Wagner F120600	Chevrolet

24mm
Approx. 15/16"
Bore

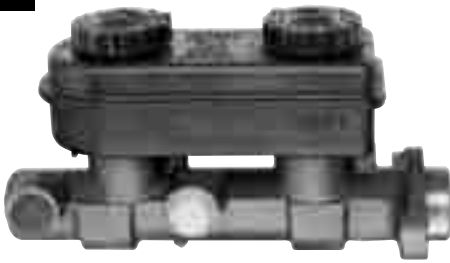


(2) M10 x 1 Outlets

Repair Kit
Not Available

MERITOR NO.	CASTING NO.	REPLACES	APPLICATION
R4110362	—	Bendix 12908 EIS E150569 GM 18018829	Chevrolet

24mm
Approx. 15/16"
Bore



9/16"-20,
1/2"-20 Outlets

Repair Kit
Not Available

MERITOR NO.	CASTING NO.	REPLACES	APPLICATION
R4110366	—	Dodge 4294312 52006828 Bendix 12837 EIS E150580 Wagner F128340 R128340	Dodge

24mm x 1 1/4"
Approx. 15/16" x 1 1/4"
Bore



1/2"-20, 9/16"-18 Outlets

Repair Kit
Not Available

MERITOR NO.	CASTING NO.	REPLACES	APPLICATION
R418239	205	EIS E150126 Wagner F116625	Chevrolet, GMC

MASTER CYLINDERS

Listed by Bore Size

24mm x 1 1/4"
Approx. 15/16" x 1 1/4"
Bore



1/2" x 20, 9/16"-18 Outlets

Repair Kit
Not Available

MERITOR NO.	CASTING NO.	REPLACES	APPLICATION
R418242	—	Bendix 12222 EIS E150192 GM 18012748 18013439 Wagner F114170	Chevrolet, GMC

24mm x 1 1/4"
Approx. 15/16" x 1 1/4"
Bore



1/2"-20, 9/16"-18 Outlets

Repair Kit
Not Available

MERITOR NO.	CASTING NO.	REPLACES	APPLICATION
R4111905	18006819 200 CFD11	Bendix 11905 EIS E77092 GM 18009371 18009811 18013432 Wagner F105801	Chevrolet, GMC

24mm x 36mm
Approx. 15/16" x 1 7/16"
Bore



1/2"-20, 9/16"-18 Outlets

Repair Kit
Not Available

MERITOR NO.	CASTING NO.	REPLACES	APPLICATION
R4111923	18010023 205	Bendix 11923 12266 EIS E98280 GM 18009879 18012322 18013433 Wagner F107747	Chevrolet, GMC

24mm x 36mm
Approx. 15/16" x 1 7/16"
Bore

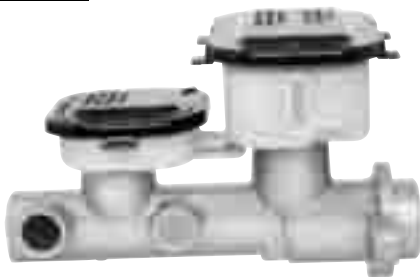


1/2"-20, 9/16"-18 Outlets

Repair Kit
Not Available

MERITOR NO.	CASTING NO.	REPLACES	APPLICATION
R4111926	18010023 205	Bendix 11926 EIS E98281 GM 18009816 18011916 18013429 Wagner F107050	Chevrolet, GMC

24mm x 36mm
Approx. 15/16" x 1 7/16"
Bore



1/2"-20,
9/16"-18 Outlets

MERITOR NO.	CASTING NO.	REPLACES	APPLICATION
R4112342	—	GM 18D1 4308 Bendix 12342 EIS E150388 Wagner F128098	Chevrolet

24mm x 36mm
Approx. 15/16" x 1 7/16"
Bore



1/2"-20,
9/16"-18 Outlets

Repair Kit
Not Available

MERITOR NO.	CASTING NO.	REPLACES	APPLICATION
R4110379	—	EIS E150618 GM 18029949	GMC

MASTER CYLINDERS

Listed by Bore Size

1"
Bore



1/2"-20,
9/16"-18 Outlets

Repair Kit
Not Available

MERITOR NO.	CASTING NO.	REPLACES	APPLICATION
R418210	—	Bendix 11889 EIS E104466 GM 10813434 18007971 Wagner F104466	Chevrolet

1"
Bore



1/2"-20,
9/16"-18 Outlets

Repair Kit
Not Available

MERITOR NO.	CASTING NO.	REPLACES	APPLICATION
R4111889	—	Bendix 11889 EIS E104466 GM 10813434 18007971 Wagner F104466	Chevrolet

1"
Bore



7/16"-24, 9/16"-18 Outlets

Repair Kit
Not Available

MERITOR NO.	CASTING NO.	REPLACES	APPLICATION
R418229	235	EIS E150078 Wagner F120370	Ford

1"
Bore



7/16"-24, 9/16"-18 Outlets

Repair Kit
Not Available

MERITOR NO.	CASTING NO.	REPLACES	APPLICATION
R4112199	235	EIS E150078 Wagner F120370	Ford

1"
Bore



1/2"-20, 7/16"-24 Outlets

Repair Kit
Not Available

MERITOR NO.	CASTING NO.	REPLACES	APPLICATION
R4111669	146 D60A2155AA	Bendix 11669 EIS E88872 Ford D6TZ-2140B D6UZ-2140A Wagner F97924	Ford

1"
Bore



9/16"-18", 7/16"-24 Outlets

Repair Kit
Not Available

MERITOR NO.	CASTING NO.	REPLACES	APPLICATION
R4111854	146 D60A2155AA	Bendix 11854 EIS E97934 Ford D7TZ-2140C Wagner F97934	Ford

MASTER CYLINDERS

Listed by Bore Size

1"
Bore



9/16"-18
1/2"-20 Outlets

Repair Kit
Not Available

MERITOR NO.	CASTING NO.	REPLACES	APPLICATION
R4111582	—	GM 14004846 Bendix 11582 EIS E77068 Wagner F84052	Chevrolet

1"
Bore



1/2"-20
7/16"-24 Outlets

Repair Kit
Not Available

MERITOR NO.	CASTING NO.	REPLACES	APPLICATION
R4111857	—	Ford E0TZ-2140C Bendix 11857 EIS E88872 Wagner F102418	Ford

1"
Bore



M12 x 1, M10 x 1

MERITOR NO.	CASTING NO.	REPLACES	APPLICATION
R4110354	—	Bendix 12575 EIS E150234 Ford FOTZ-2140A Wagner F122576 F122577	Ford

1"
Bore

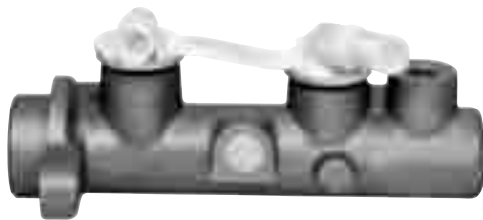


M 10 x 1
M 16 x 1 Outlets

Repair Kit
Not Available

MERITOR NO.	CASTING NO.	REPLACES	APPLICATION
R4110359	—	Ford F3XY-2140B Bendix 12579 EIS E150480 Wagner F128258 R128258	Mercury

1"
Bore

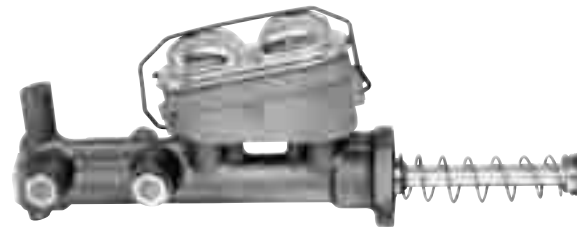


(2) 10 x 1 Outlets

Repair Kit
Not Available

MERITOR NO.	CASTING NO.	REPLACES	APPLICATION
R4110360	—	Ford F3XY-2140A Bendix 12578 EIS E150481 Wagner E128256 R128256	Mercury

1"
Bore



7/16"-24 Outlets

Repair Kit
Not Available

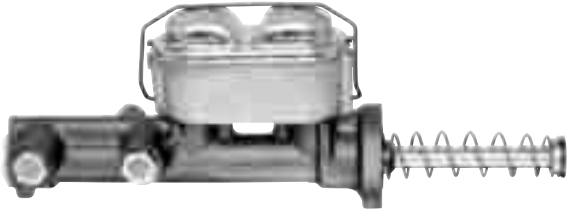
MERITOR NO.	CASTING NO.	REPLACES	APPLICATION
R4110431	300459	EIS E150241 ITE 387957C91 Midland 36436 Wagner F103252	ITE

6 - MASTER CYLINDERS

MASTER CYLINDERS

Listed by Bore Size


1"
Bore



Repair Kit
Not Available

MERITOR NO.	CASTING NO.	REPLACES	APPLICATION
R4110432	300406 300459-C	EIS E150234 Ford C9TE-2140J Midland 36437	Ford


1"
Bore



1/2"-20
7/16"-24 Outlets
Repair Kit
Not Available

MERITOR NO.	CASTING NO.	REPLACES	APPLICATION
R4110436	30014-C	EIS E150235	Ford

1" x 36mm
Approx. 1" x 1 7/16"
Bore



1/2"-20,
9/16" Outlets
Repair Kit
Not Available

MERITOR NO.	CASTING NO.	REPLACES	APPLICATION
R4112218	195	Bendix 12218 EIS E150123 GM 18013976 Wagner F116626	Chevrolet

1 1/32"
Bore



1/2"-20,
9/16"-18 Outlets
Repair Kit
Not Available

MERITOR NO.	CASTING NO.	REPLACES	APPLICATION
R4111633	155 3580095	Bendix 11633 Chrysler 3580093 3580242 3699241 EIS E88783 Wagner F88783	Dodge

1 1/16"
Bore



9/16"-18, 1/2"-20 Outlets
Repair Kit
Not Available

MERITOR NO.	CASTING NO.	REPLACES	APPLICATION
R4111861	190	Bendix 11861 EIS E102420 Ford E0TZ-2140A Wagner F102420	Ford

1 1/16"
Bore



1/2"-20, 9/16"-18 Outlets
Repair Kit
Not Available

MERITOR NO.	CASTING NO.	REPLACES	APPLICATION
R4112007	190	Bendix 12007 EIS E105888 Ford E4TZ-2140A Wagner F110917	Ford

MASTER CYLINDERS

Listed by Bore Size

1 1/16"
Bore



7/16"-24, 9/16"-18 Outlets

Repair Kit
Not Available

MERITOR NO.	CASTING NO.	REPLACES	APPLICATION
R4112198	235	Bendix 12198 EIS E150081 Ford E7TZ-2140C E7UZ-2140C Wagner F120369	Ford

1 1/16"
Bore



1/2"-20, 9/16"-18 Outlets

Repair Kit
Not Available

MERITOR NO.	CASTING NO.	REPLACES	APPLICATION
R4111676	169 2229581	Bendix 11676 EIS E77081 Ford D7TZ-2140B Wagner F97936	Ford

1 1/16"
Bore



3/8"-24, 7/16"-24 Outlets

Repair Kit
Not Available

MERITOR NO.	CASTING NO.	REPLACES	APPLICATION
R4111682	169 2229581	Bendix 11682 EIS E77082 Ford D7TZ-2140A Wagner F97938	Ford

1 1/16"
Bore



3/8"-24, 7/16"-24 Outlets

Repair Kit
Not Available

MERITOR NO.	CASTING NO.	REPLACES	APPLICATION
R4111856	190	Bendix 11856 EIS E97938 Ford E0TZ-2140B Wagner F102421	Ford

1 1/16"
Bore



9/16"-18,
1/2"-20 Outlets

For Rebuild, Use
Repair Kit R4122350

MERITOR NO.	CASTING NO.	REPLACES	APPLICATION
R4111902	—	GM 18009373 18010591 18014903 Bendix 11902 EIS E98221 Wagner F1057988	Chevrolet

1 1/16"
Bore



3/8"-24
9/16"-18 Outlets

Repair Kit
Not Available


MERITOR NO.	CASTING NO.	REPLACES	APPLICATION
R4112833	—	Ford F4TZ-2140G F3TZ-2140A F3TZ-2140B F4TZ-2140A Bendix 12833 Wagner F120368	Ford

6 - MASTER CYLINDERS

MASTER CYLINDERS

Listed by Bore Size

1 1/16"
Bore




7/16"-24
3/8"-24 Outlets

Repair Kit
Not Available

MERITOR NO.	CASTING NO.	REPLACES	APPLICATION
R4110368	—	Bendix 12313, 12314 EIS E150317, E150318 Ford F09Z-2140C F09Z-2140D Wagner F122573 F122574	Ford

1 1/16"
Bore




9/16"-18,
M 18 x 1.5-6H Outlets

Repair Kit
Not Available

MERITOR NO.	CASTING NO.	REPLACES	APPLICATION
R4110369	—	Ford F58Z-2140A Bendix 13003 Wagner F131214 R131214	Ford

1 1/16"
Bore




M 10 x 1.0,
M 12 x 1.0 Outlets

Repair Kit
Not Available

MERITOR NO.	CASTING NO.	REPLACES	APPLICATION
R4110373	—	Ford F57Z-2140B Bendix 13038 EIS E150613 Wagner F131397 R131397	Ford

1 1/16"
Bore




M 10 x 1.0,
M 12 x 1.0 Outlets

Repair Kit
Not Available

MERITOR NO.	CASTING NO.	REPLACES	APPLICATION
R4110374	—	Ford F57Z-2140A Bendix 13037 EIS E150612 Wagner F131399 R131399	Ford

1 1/8"
Bore




9/16"-18, 1/2"-20 Outlets

Repair Kit
Not Available

MERITOR NO.	CASTING NO.	REPLACES	APPLICATION
R4111732	144 5472003	Wagner F101269	Chevrolet, GMC

1 1/8"
Bore



3/8"-24, 7/16"-24 Outlets

Repair Kit
Not Available

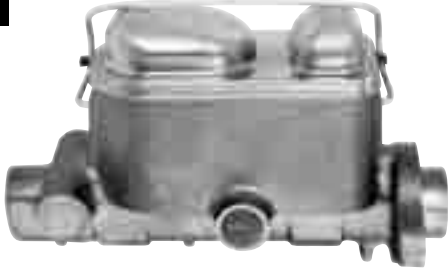
MERITOR NO.	CASTING NO.	REPLACES	APPLICATION
R4112008	204	Bendix 12008 EIS E105889 Ford E4TZ-2140B Wagner F110919	Ford

6 - MASTER CYLINDERS

MASTER CYLINDERS

Listed by Bore Size

1 1/8"
Bore



9/16"-18,
1/2"-20 Outlets

For Rebuild, Use
Repair Kit R4122705

MERITOR NO.	CASTING NO.	REPLACES	APPLICATION
R4111494	—	Dodge 3491500 4089212 Bendix 11494 EIS E71285 Wagner F73342 F79820 F80568	Dodge

1 1/8"
Bore



1/2"-20, 9/16"-18 Outlets

Repair Kit
Not Available

MERITOR NO.	CASTING NO.	REPLACES	APPLICATION
R4111775	30097-C	Chrysler 4112654 EIS E150264 Wagner F98896	Dodge

1 1/8"
Bore



7/16"-24, 9/16"-18 Outlets

Repair Kit
Not Available

MERITOR NO.	CASTING NO.	REPLACES	APPLICATION
R4112197	235	Bendix 12197 EIS E150077 Ford E7TZ-2140B Wagner F114079	Ford

1 1/8"
Bore



9/16"-18
M 18 x 1.5-6H Outlets

Repair Kit
Not Available

MERITOR NO.	CASTING NO.	REPLACES	APPLICATION
R4112200	30087-C	—	—

1 1/8"
Bore



1/2"-20,
9/16"-20 Outlets

Repair Kit
Not Available

MERITOR NO.	CASTING NO.	REPLACES	APPLICATION
R4112519	—	Dodge 52004620 Bendix 12519 EIS E150321 Wagner F123524	Dodge

1 1/8"
Bore



M 16 x 1.0-6H,
M 18 x 1.5-6H Outlets

Repair Kit
Not Available


MERITOR NO.	CASTING NO.	REPLACES	APPLICATION
R4112641	—	Ford F24Z-2140B F24Z-2140A Bendix 12641 EIS E150474 Wagner F129285	Ford

6 - MASTER CYLINDERS

MASTER CYLINDERS

Listed by Bore Size

1 1/8"
Bore




9/16"-18
M 18 x 1.5-6H Outlets

Repair Kit
Not Available

MERITOR NO.	CASTING NO.	REPLACES	APPLICATION
R4112840	—	Ford F4TZ-2140B Bendix 12840 EIS E150563 Wagner F131306 R131306	Ford

1 1/8"
Bore



1/2"-20,
9/16"-18 Outlets

Repair Kit
Not Available

MERITOR NO.	CASTING NO.	REPLACES	APPLICATION
R4113055	—	GM 18021273 18029967 Wagner F131468	Chevrolet

1 1/8"
Bore




9/16"-18, 1/2"-20 Outlets

Repair Kit
Not Available

MERITOR NO.	CASTING NO.	REPLACES	APPLICATION
R4111732	144 5472003	Wagner F101269	Chevrolet, GMC

1 1/8"
Bore




9/16"-18, 1/2"-20 Outlets

See Application
Guide for Repair Kit

MERITOR NO.	CASTING NO.	REPLACES	APPLICATION
R4111944	142 191 5460345 5470409 5470410 FF78951	American Motors 8127766 Bendix 11944 Chrysler J8126953 J8129731 EIS E76162 GM 18008884 Wagner F101254	Chevrolet, GMC, Jeep

1 1/8"
Bore

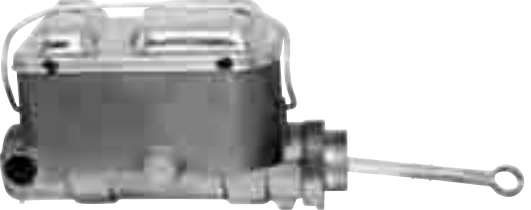


1/2"-20, 9/16"-20 Outlets

For Rebuild, Use
Repair Kit E-8289

MERITOR NO.	CASTING NO.	REPLACES	APPLICATION
R4111860	187 3766185	Bendix 11860 Chrysler 4238199 4294884 4318739 EIS E98894 Wagner F98895	Dodge

1 1/8"
Bore



1/2"-20,
9/16"-18 Outlets

Repair Kit
Not Available

MERITOR NO.	CASTING NO.	REPLACES	APPLICATION
R4111758	—	Dodge 3893589 4089222 Bendix 11758 EIS E150263 Wagner F99299 ITE 459226C91	Dodge

MASTER CYLINDERS

Listed by Bore Size

1 1/8"
Bore

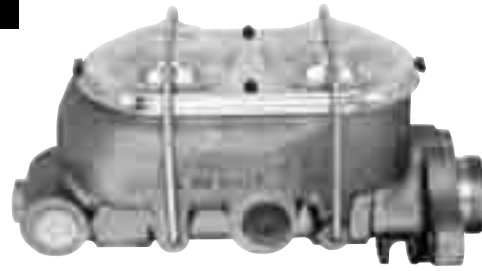


1/2"-20,
9/16"-18 Outlets

For Rebuild, Use
Repair Kit R4122505

MERITOR NO.	CASTING NO.	REPLACES	APPLICATION
R4111732	29881C 5468115 5472003 FF84785	Bendix 11732 EIS E77067 Midland 39009 Wagner F101267	Chevrolet

1 1/8"
Bore



9/16"-18,
1/2"-20 Outlets

For Rebuild, Use
Repair Kit R4122643

MERITOR NO.	CASTING NO.	REPLACES	APPLICATION
R4112121	—	GM 18001007 18002264 18009462 Bendix 12121 EIS E77046 Wagner F101268	Chevrolet

1 1/8"
Bore



3/16"-18
1/2"-20 Outlets

Repair Kit
Not Available

MERITOR NO.	CASTING NO.	REPLACES	APPLICATION
R4111395	121 2223771 2225771 29910-C FF85573	Bendix 11395 EIS E73356 GM 5472732, 5472738 ITE 356039C91 391176C91 Midland 73356 Wagner F73355	ITE

1 1/8" x 40mm
Approx. 1 1/8" x 1 9/16"
Bore

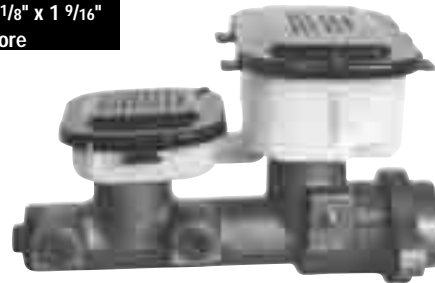


1/2"-20, 9/16"-18 Outlets

Repair Kit
Not Available

MERITOR NO.	CASTING NO.	REPLACES	APPLICATION
R4112058	194	Bendix 12011 12058 Eagle/Jeep 83502723 EIS E104468 GM 18008065 18008066 18013435 Wagner F104516	Chevrolet, GMC, Jeep

1 1/8" x 40mm
Approx. 1 1/8" x 1 9/16"
Bore



1/2"-20, 9/16"-18 Outlets

Repair Kit
Not Available

MERITOR NO.	CASTING NO.	REPLACES	APPLICATION
R4112058	194	Bendix 12058 EIS E150038 GM 18013437 18013440 Wagner F120599	Chevrolet, GMC

6 - MASTER CYLINDERS

MASTER CYLINDERS

Listed by Bore Size

1 1/8" x 40mm
Approx. 1 1/8" x 1 9/16"
Bore



1/2"-20, 9/16"-18 Outlets

MERITOR NO.	CASTING NO.	REPLACES	APPLICATION
R4112219	194	Bendix 12219 EIS E150124 GM 18013977 Wagner F116881	Chevrolet, GMC

30mm
Approx. 1 3/16"
Bore



9/16"-18,
1/2"-20 Outlets

MERITOR NO.	CASTING NO.	REPLACES	APPLICATION
R4111863	—	Bendix 11863 EIS E104456 GM 1404683 25509416 Wagner F104456	GMC

1 1/8" x 40mm
Approx. 1 1/8" x 1 9/16"
Bore



1/2"-20, 9/16"-18 Outlets

Repair Kit
Not Available

MERITOR NO.	CASTING NO.	REPLACES	APPLICATION
R4111865	197 2231396	Bendix 11865 EIS E105118 GM 14036113 14036114 Wagner F104514 F105118	Chevrolet, GMC

1 1/8" x 40mm
Approx. 1 1/8" x 1 9/16"
Bore



1/2"-20, 9/16"-18 Outlets

Repair Kit
Not Available

MERITOR NO.	CASTING NO.	REPLACES	APPLICATION
R4112178	195	Bendix 12178 EIS E150039 GM 18010555 18013438 Wagner F110886	Chevrolet, GMC

1 1/8" x 1 37/64"
Bore



1/2"-20,
9/16"-18 Outlet

For Rebuild, Use
Repair Kit R4122202

MERITOR NO.	CASTING NO.	REPLACES	APPLICATION
R4111873	—	Ford E4HZ-2140B	Chevrolet

28.6mm x 40mm
Approx. 1 1/8" x 1 9/16"
Bore



1/2"-20,
9/16"-18 Outlets

Repair Kit
Not Available

MERITOR NO.	CASTING NO.	REPLACES	APPLICATION
R4110357	194	Bendix 12493 EIS E150038 GM 18016570 Wagner F1201599	Chevrolet

MASTER CYLINDERS

Listed by Bore Size

1 1/4"
Bore



9/16"-18, 1/2"-20 Outlets

MERITOR NO.	CASTING NO.	REPLACES	APPLICATION
R4111730	144 5472003 6472009	Wagner F101266	Chevrolet, GMC

1 1/4"
Bore



9/16"-18, 1/2"-20 Outlets

MERITOR NO.	CASTING NO.	REPLACES	APPLICATION
R4111989	193 18007278	Bendix 11989 EIS E104464 GM 18008068 18010748 18014705 Wagner F104464	Chevrolet, GMC

1 1/4"
Bore



1/2"-20, 9/16"-18 Outlets

Repair Kit
Not Available

MERITOR NO.	CASTING NO.	REPLACES	APPLICATION
R4112220	238	Bendix 12220 EIS E150125 Wagner F116627	Chevrolet, GMC

1 1/4"
Bore



1/2"-20, 9/16"-18 Outlets

Repair Kit
Not Available

MERITOR NO.	CASTING NO.	REPLACES	APPLICATION
R4113022	238	EIS E150291 Wagner F120590	Chevrolet, GMC

1 1/4"
Bore



1/2"-20 Outlet

For Rebuild, Use
Repair Kit R4122964

MERITOR NO.	CASTING NO.	REPLACES	APPLICATION
R4111046	32 4570C 5461282 5461368 616576 FD4570	Bendix 11046 EIS E4572 Ford B9J-2140A Wagner F4572	Ford

1 1/4"
Bore



1/2"-20,
9/16"-18 Outlets

Repair Kit
Not Available

MERITOR NO.	CASTING NO.	REPLACES	APPLICATION
R4112834	—	Bendix 12834 Dodge 4746402	Dodge

6 - MASTER CYLINDERS

MASTER CYLINDERS

Listed by Bore Size

1 1/4"
Bore




1/2"-20,
9/16"-18 Outlets

Repair Kit
Not Available

MERITOR NO.	CASTING NO.	REPLACES	APPLICATION
R4113252	—	GM 18021277 18029969	Chevrolet

1 1/4"
Bore




9/16"-18,
M 18 x 1.5-6H Outlets

Repair Kit
Not Available

MERITOR NO.	CASTING NO.	REPLACES	APPLICATION
R4113355	—	Ford F6TZ-2140AA	Ford

1 1/4"
Bore




9/16"-18,
M 18 x 1.5-6H Outlets

Repair Kit
Not Available

MERITOR NO.	CASTING NO.	REPLACES	APPLICATION
R4113249	—	Ford F6TZ-2140BA	Ford

1 1/4"
Bore



9/16"-18
M 18 x 1.5-6H Outlets

Repair Kit
Not Available

MERITOR NO.	CASTING NO.	REPLACES	APPLICATION
R4113263	—	Ford F6TZ-2140EA	Ford

31.75mm x 40mm
Approx. 1 1/4" x 1 9/16"
Bore



1/2"-20,
9/16"-18 Outlets

Repair Kit
Not Available

MERITOR NO.	CASTING NO.	REPLACES	APPLICATION
R4112029	—	GM 18013441 18011713 Bendix 12029 EIS E105925 Wagner F10888 F110888	Chevrolet

MASTER CYLINDERS

Listed by Bore Size

1 1/4"
Bore



1/2"-20, 9/16"-18 Outlets

Repair Kit
Not Available

MERITOR NO.	CASTING NO.	REPLACES	APPLICATION
R4111730	144	Bendix 11730 EIS E105891 GM 18010746 18014707 Wagner F108148	Chevrolet, GMC

1 1/4"
Bore



1/2"-20, 9/16"-18 Outlets

Repair Kit
Not Available

MERITOR NO.	CASTING NO.	REPLACES	APPLICATION
R418244	238 18012985	EIS E150290 Wagner F120598	Chevrolet, GMC

1 1/4"
Bore



9/16"-18,
1/2"-20 Outlets

Repair Kit
Not Available

MERITOR NO.	CASTING NO.	REPLACES	APPLICATION
R4110355	—	GM 18015414 Bendix 12492 Wagner F120598	Chevrolet

1 1/4"
Bore



1/2"-20 Outlets

Repair Kit
Not Available

MERITOR NO.	CASTING NO.	REPLACES	APPLICATION
R4111454	FE57570 30070	GM 15510611 Bendix 11454 EIS E150259 Wagner F57597 R57597	Chevrolet

1 5/16"
Bore



Repair Kit
Not Available

MERITOR NO.	CASTING NO.	REPLACES	APPLICATION
R4111583	2229071	Chev/GMC 6259173 Wagner F84058	Chevrolet, Dodge, GMC

1 5/16"
Bore



1/2"-20,
9/16"-18 Outlets

For Rebuild, Use
Repair Kit R4122597

MERITOR NO.	CASTING NO.	REPLACES	APPLICATION
R4111584	—	GM 14008238 14036115 Bendix 11584 EIS E86510 Wagner F98953	Chevrolet

MASTER CYLINDERS

Listed by Bore Size

1 5/16"
Bore



1/2"-20, 9/16"-18 Outlets

Repair Kit
Not Available

MERITOR NO.	CASTING NO.	REPLACES	APPLICATION
R4111982	184	Bendix 11982 EIS E105879 GM 14066425 Wagner F108145	Chevrolet, GMC

1 5/16"
Bore



1/2"-20,
9/16"-18 Outlets

Repair Kit
Not Available

MERITOR NO.	CASTING NO.	REPLACES	APPLICATION
R4113041	—	Dodge 4294548 EIS E150094	Dodge

34mm
Approx. 1 21/64"
Bore



9/16"-18, 1/2"-20 Outlets

For Rebuild, Use
Repair Kit R4122437

MERITOR NO.	CASTING NO.	REPLACES	APPLICATION
R4111641	2231137	Bendix 11641 EIS E150064 Wagner F103238	Chevrolet, GMC

34mm
Approx. 1 21/64"
Bore

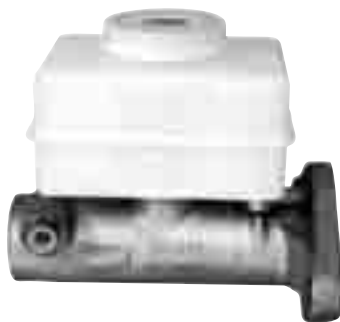


9/16"-18, 1/2"-20 Outlets

Repair Kit
Not Available

MERITOR NO.	CASTING NO.	REPLACES	APPLICATION
R4111668	265	Bendix 11668 EIS E150063 GM 14004840 14009146 465470 Wagner F103239	Chevrolet, GMC

1 3/8"
Bore



Repair Kit
Not Available

MERITOR NO.	CASTING NO.	REPLACES	APPLICATION
R4112466	2259705	Ford E6HZ-2140A	Ford

6 - MASTER CYLINDERS

MASTER CYLINDERS

Listed by Bore Size

1 1/2"
Bore



1/8"NPT, 1/2"-20 (2) Outlets

For Rebuild, Use
Repair Kit R4122937

MERITOR NO.	CASTING NO.	REPLACES	APPLICATION
R4111119	2704	Bendix 11119 EIS E661 ITE 48175-H Wagner F661	ITE
	45		
	616812		
	618112		
	S230		
	FD2704 FF48468		

1 1/2"
Bore



1/2"-20 (2)Outlets

Repair Kit
Not Available

MERITOR NO.	CASTING NO.	REPLACES	APPLICATION
R4111120	—	Bendix 1119 Wagner F661	ITE

1 1/2"
Bore



1/2"-20 Outlet

Repair Kit
Not Available

MERITOR NO.	CASTING NO.	REPLACES	APPLICATION
R4111129	23123C	Bendix 11129 EIS E22977 Ford B7Q-2140A Wagner F22977	Ford
	23126		
	61706		
	618101		
	65		
	FE23126		
	FE23127		

1 1/2"
Bore



For Rebuild, Use
Repair Kit R411150

MERITOR NO.	CASTING NO.	REPLACES	APPLICATION
R4111150	FD23477	Bendix 11150 Ford B7Q-2140A TQAS-2140 Wagner F19450	Ford

1 1/2"
Bore



1/2"-20 Outlet

Repair Kit
Not Available

MERITOR NO.	CASTING NO.	REPLACES	APPLICATION
R4111266	29825-C 41208 617283 617298 97	Bendix 11266	Ford GM
		EIS E40022	
		Ford C3TZ-2140C	
		C3TZ-2140D	
		C3TZ2140L	
		C3TA2155B	
		C9TZ-2140L	
		FE41208	
		D2TZ-2140B	
		5473012	

1 1/2"
Bore



3/4"-18 Outlet

MERITOR NO.	CASTING NO.	REPLACES	APPLICATION
R4111626	FF48468	Wagner F76151	ITE

MASTER CYLINDERS

Listed by Bore Size

1 1/2"
Bore



1/2"-20 Outlet Repair Kit
Not Available

MERITOR NO.	CASTING NO.	REPLACES	APPLICATION
R4111632	—	Ford D3TZ-2140G Bendix 11632 EIS E105937 Wagner F77763	Ford


1 1/2"
Bore



1/2"-20 Outlet Repair Kit
Not Available

MERITOR NO.	CASTING NO.	REPLACES	APPLICATION
R4111773	173 FE57579	Bendix 11773 Wagner F100560	Chevrolet, GMC

1 1/2"
Bore



1/2"-20 Outlet For Rebuild, Use
Repair Kit R4122387

MERITOR NO.	CASTING NO.	REPLACES	APPLICATION
R4111911	—	EIS E150267 Ford E0HZ-2140A E2HZ-2140A/C Wagner F103254	Ford

1 3/4"
Bore



1/2"-20 Outlet R4122935
Repair Kit

MERITOR NO.	CASTING NO.	REPLACES	APPLICATION
R4111122	39 5450226 616827 618127 777C FE777 FF43812	Bendix 11122 ITE 55070R91 Wagner F2842 WhiteGMC 436742 490390	Diamond Reo Ford ITE Mack WhiteGMC

1 3/4"
Bore



1/2" - 20 (3)Outlets Repair Kit
Not Available

MERITOR NO.	CASTING NO.	REPLACES	APPLICATION
R4111123	55 FE1575 30067-C 618182	Bendix 11123 EIS E2951 Ford C8HZ-2140A ITE 425072C91 57156R91 Wagner F2951	Diamond Reo Ford ITE

1 3/4"
Bore



1/2"-20 Outlet Repair Kit
Not Available

MERITOR NO.	CASTING NO.	REPLACES	APPLICATION
R4111456	FF57571	Bendix 11456 Wagner F100558	Chevrolet, GMC

6 - MASTER CYLINDERS

MASTER CYLINDERS

Listed by Bore Size

1 3/4"
Bore



1/2"-20 Outlet

Repair Kit
Not Available

MERITOR NO.	CASTING NO.	REPLACES	APPLICATION
R4111451	FD57529 FD57576 FE57577	Bendix 11451 Wagner F100559	Chevrolet, GMC

1 3/4"
Bore



1/2"-20 (3)Outlets

Repair Kit
Not Available

MERITOR NO.	CASTING NO.	REPLACES	APPLICATION
R417785	FE1099 FF1099	Wagner F2981	ITE

1 3/4"
Bore



1/2"-20 Outlet

MERITOR NO.	CASTING NO.	REPLACES	APPLICATION
R4111151	FD2347	Ford B7QH-2140A Wagner F19451	Ford

1 3/4"
Bore



7/16"-24 (2)Outlets

MERITOR NO.	CASTING NO.	REPLACES	APPLICATION
R4111619	FF70533	EIS E150194 ITE 450466C91 Wagner F74891	ITE

1 3/4"
Bore



7/16"-24, 1/2"-20 Outlets
Used with 14" Front Brakes

MERITOR NO.	CASTING NO.	REPLACES	APPLICATION
R4111629	FF64506	EIS E150335 Ford D0HZ-2140G D2HZ-2140C Wagner F75994	Used with 14" Brake Ford

1 3/4"
Bore



7/16"-24, 1/2"-20 Outlets
Used with 15" Front Brakes

For Rebuild, Use
Repair Kit R4122486

MERITOR NO.	CASTING NO.	REPLACES	APPLICATION
R4111631	FF64506	EIS E150269 Ford D2HZ-2140D Wagner F75995	Used with 15" Brake Ford

MASTER CYLINDERS

Listed by Bore Size

1 3/4"
Bore




7/16"-24, 1/2"-20 Outlets

Repair Kit Not Available

MERITOR NO.	CASTING NO.	REPLACES	APPLICATION
R4111630	F72283	EIS E150269 Ford D0HZ-2140D/J Wagner D2HZ-2140E F75997	Ford

1 3/4"
Bore




1/2"-20 Outlet
Comes with Push Rod that is locked into Piston.

Repair Kit Not Available

MERITOR NO.	CASTING NO.	REPLACES	APPLICATION
R4111634	FE41207	EIS E150261 Ford D2HZ-2140F Wagner F75996	Ford

1 3/4"
Bore




3/8"-24, 3/8"-24 Outlets

For Rebuild, Use Repair Kit R4122488

MERITOR NO.	CASTING NO.	REPLACES	APPLICATION
R4111772	FE1575 FF1575 FF1645	EIS E150270 Ford D2HZ-2140G Wagner F75998	Ford

1 3/4"
Bore



7/16"-20, 1/2"-20 Outlets

Repair Kit Not Available

MERITOR NO.	CASTING NO.	REPLACES	APPLICATION
R4111618	FF67572	EIS E150193 GM 685223 Wagner 3965376 F77034	Chevrolet, GMC

1 3/4"
Bore



9/16"-18, 1/2"-20 Outlets
No switch port on opposite side.
Tube seats on both ports

For Rebuild, Use Repair Kit R4122386

MERITOR NO.	CASTING NO.	REPLACES	APPLICATION
R4111994	2230600	EIS E150258 GM 15500481 Wagner F116702	Chevrolet, GMC

MASTER CYLINDERS

Listed by Bore Size

1 3/4"
Bore



3/4"-18, 11/16"-18 Outlets

For Rebuild, Use
Repair Kit R4122386

MERITOR NO.	CASTING NO.	REPLACES	APPLICATION
R4111912	2230600	EIS E150271 Wagner F119396	ITE

1 3/4"
Bore



3/4"-20, 11/16"-18 Outlets

For Rebuild, Use
Repair Kit R4122386

MERITOR NO.	CASTING NO.	REPLACES	APPLICATION
R4111910	2230600	EIS E150266 Wagner F119397	ITE

1 3/4"
Bore



3/4"-18, 11/16"-18 Outlets

For Rebuild,
Use Repair Kit R4122386

MERITOR NO.	CASTING NO.	REPLACES	APPLICATION
R4111992	2230600	EIS E150256 Wagner F119398	Ford

1 3/4"
Bore



9/16"-18, 1/2"-20 Outlets

For Rebuild, Use
Repair Kit R4122386

MERITOR NO.	CASTING NO.	REPLACES	APPLICATION
R4111892	2230600	EIS E150265 Wagner F119399	Chevrolet, GMC

1 3/4"
Bore



9/16"-18, 1/2"-20 Outlets
No Tube Seats in Ports.

For Rebuild, Use
Repair Kit R4122386

MERITOR NO.	CASTING NO.	REPLACES	APPLICATION
R4111999	2230600	EIS E150439 Wagner F119400	Ford

1 3/4"
Bore



3/4"-20, 11/16"-20 Outlets

For Rebuild, Use
Repair Kit R4122386


MERITOR NO.	CASTING NO.	REPLACES	APPLICATION
R4111909	2230600	EIS E150257 Ford E2HZ2104B Raybestos MC39462 Wagner F119401	Ford

6 - MASTER CYLINDERS

MASTER CYLINDERS

Listed by Bore Size

1 3/4"
Bore




1/2"- 20, 1/2"-20 Outlets

For Rebuild, Use
Repair Kit R4122568

MERITOR NO.	CASTING NO.	REPLACES	APPLICATION
R4111624	FF43812	Wagner F76154	ITE

1 3/4"
Bore

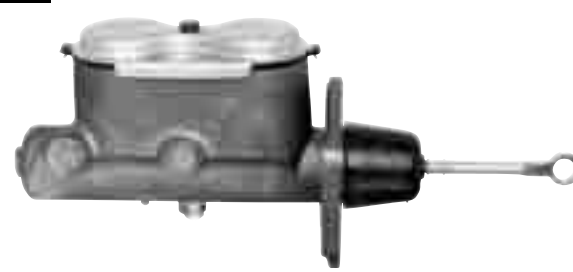


1/2"-20 Outlet

Repair Kit
Not Available

MERITOR NO.	CASTING NO.	REPLACES	APPLICATION
R4111622	—	Ford D3TZ-2140H Bendix 11622 EIS E150191 Wagner F77764	Ford

1 3/4"
Bore




1/2"-20,
7/16"-24 Outlets

Repair Kit
Not Available

MERITOR NO.	CASTING NO.	REPLACES	APPLICATION
R4111635	—	Ford D3TZ-2140K Bendix 11635 EIS E150262 Wagner F78205	Ford

**1 3/4",
1 1/8"**
Bore



1/2"-20, 1/4"-28 Outlets

Repair Kit
Not Available

MERITOR NO.	CASTING NO.	REPLACES	APPLICATION
R4111455	FF54846	EIS 150260 GM 3883081 3896695 Wagner F56789	Chevrolet, GMC

2"
Bore



9/16"-18, 1/2"-20 Outlets

For Rebuild, Use
Repair Kit R4122346

MERITOR NO.	CASTING NO.	REPLACES	APPLICATION
R4111994	2230605	EIS E150274 Wagner F113751	ITE

2"
Bore



9/16"-18, 1/2"-20 Outlets

For Rebuild, Use
Repair Kit R4122346

MERITOR NO.	CASTING NO.	REPLACES	APPLICATION
R4111995	2223505	EIS E150273 Ford E4HZ-2140B Wagner F110980	Ford

MASTER CYLINDERS

Listed by Bore Size

6 - MASTER CYLINDERS

2"
Bore



3/4"-18, 11/16"-18 Outlets

For Rebuild, Use
Repair Kit R4122346

MERITOR NO.	CASTING NO.	REPLACES	APPLICATION
R4111908	2230605	EIS E150268 Wagner F119395	ITE

2"
Bore



3/4"-20, 11/16"-20 Outlets

For Rebuild, Use
Repair Kit R4122346

MERITOR NO.	CASTING NO.	REPLACES	APPLICATION
R4111898	2230605	EIS E150394 Wagner F119402	ITE

2"
Bore



MERITOR NO.	CASTING NO.	REPLACES	APPLICATION
R4111994	—	Bendix 11994 ITE 592692C91 Wagner F11375	ITE

2"
Bore



1/2"-20, 9/16"-18 Outlets

MERITOR NO.	CASTING NO.	REPLACES	APPLICATION
R4111995	—	Bendix 11995 EIS E150273 Wagner F110980	—

2"
Bore



9/16"-18, 1/2"-20 Outlets

For Rebuild, Use
Repair Kit R4122346

MERITOR NO.	CASTING NO.	REPLACES	APPLICATION
R4113488	—	Bendix 13488	—

Bore



For Rebuild, Use
Repair Kit R4122568

MERITOR NO.	CASTING NO.	REPLACES	APPLICATION
R4113607	—	Bendix 13607 Wagner R134735	—

MASTER CYLINDERS

Listed by Bore Size

Bore



Repair Kit
Not Available

MERITOR NO.	CASTING NO.	REPLACES	APPLICATION
R4513542	—	Bendix 13542 Raybestos MC390278	Ford

Bore



For Rebuild, Use
Repair Kit R4122568

MERITOR NO.	CASTING NO.	REPLACES	APPLICATION
R4113442	—	Bendix 13442 Raybestos MC390426	—

Bore



Repair Kit
Not Available

MERITOR NO.	CASTING NO.	REPLACES	APPLICATION
R4113543	—	Bendix 13543 Wagner F139959 Raybestos MC390364	—

Bore



Repair Kit
Not Available

MERITOR NO.	CASTING NO.	REPLACES	APPLICATION
R4113648	—	Bendix 13648 Wagner R134792 Raybestos MC390531	—

Bore



Repair Kit
Not Available

MERITOR NO.	CASTING NO.	REPLACES	APPLICATION
R4113649	—	Bendix 13649 Raybestos MC390530 World Truck R134793	—

Bore



For Rebuild, Use
Repair Kit R4122346

MERITOR NO.	CASTING NO.	REPLACES	APPLICATION
R4112426	—	Raybestos MC390590	—

6 - MASTER CYLINDERS

NOTES

CLUTCH MASTER AND SLAVE CYLINDER APPLICATION GUIDE

DODGE

CLUTCH MASTER CYLINDER

Model	Beginning Year	Ending Year	Year	Clutch Master Cylinder No.	Clutch Slave Cylinder No.	Repair Kit No.	PDC
Dodge D20 0/250/300/350 W20 0/250/300/350 400, 450 Series 500, 600 Series 700 Series 800, 850, 900 Series	1961	1978	1961-1978	R414035085			CLUTCH MASTER CYLINDER
Dodge D200 /250/300/350 P30 0/350 W200/2 50/300/350 400, 450 Series 500, 600 Series 700 Series 800, 850, 900 Series	1959	1978	1959-1978	R414036066			CLUTCH MASTER CYLINDER

SLAVE CYLINDER

Model	Beginning Year	Ending Year	Year	Clutch Master Cylinder No.	Clutch Slave Cylinder No.	Repair Kit No.	PDC
Dodge D2 00/250/300/350 P2 00/300/350 W 200/250/300/350 400, 450 Series 500, 600 Series 700 Series 800, 850, 900 Series	1959	1978	1959-1978	R415033723			CLUTCH SLAVE CYLINDER
Dodge 700 Series 800, 850, 900 Series	1960	1978	1960-1978	R415036151			CLUTCH SLAVE CYLINDER
Dodge 700 Series 800, 850, 900 Series	1960	1968	1960-1968	R415037893			CLUTCH SLAVE CYLINDER

CLUTCH MASTER AND SLAVE CYLINDER APPLICATION GUIDE

FORD

CLUTCH MASTER CYLINDER

Model	Model	Beginning Year	Ending Year	Year	Clutch Master Cylinder No.	Clutch Slave Cylinder No.	Repair Kit No.	PDC
E250	Ford Truck E250 E350	1984	1989	1984-1989	R418310			CLUTCH MASTER CYLINDER
E350	Ford Truck E350	1988	2001	1988-2001	R418319			CLUTCH MASTER CYLINDER
E350	Ford Truck 450, 500, 5500 Series E350 F200/250 F300/350	1988	2004	1988-2004	R418318			CLUTCH MASTER CYLINDER
E350	Ford Truck E250 E350	1984	1989	1984-1989	R418310			CLUTCH MASTER CYLINDER
E350	Ford Truck E350 F200/250 F300/350	1983	1987	1983-1987	R418304			CLUTCH MASTER CYLINDER
F200 / 250	Ford Truck F200/250	1999	2001	1999-2001	R4113508			CLUTCH MASTER CYLINDER
F200 / 250	Ford Truck F200/250 F300/350	1992	1998	1992-1998	R4140350032			CLUTCH MASTER CYLINDER
F200 / 250	Ford Truck 450, 500, 5500 Series F200/250 F300/350	1992	1997	1992-1997	R4140350033			CLUTCH MASTER CYLINDER
F200 / 250	Ford Truck 450, 500, 5500 Series F200/250 F300/350	1992	1997	1992-1997	R4140350100			CLUTCH MASTER AND SLAVE CYLINDER ASSEMBLY
F200 / 250	Ford Truck 450, 500, 5500 Series E350 F200/250 F300/350	1988	2004	1988-2004	R418318			CLUTCH MASTER CYLINDER
F200 / 250	Ford Truck E350 F200/250 F300/350	1983	1987	1983-1987	R418304			CLUTCH MASTER CYLINDER
F250 Super Duty	Ford Truck F250 Super Duty F350 Super Duty F450 Super Duty F550 Super Duty	1998	2005	1998-2005	R4113509			CLUTCH MASTER CYLINDER
F300 / 350	Ford Truck F200/250 F300/350	1992	1998	1992-1998	R4140350032			CLUTCH MASTER CYLINDER
F300 / 350	Ford Truck 450, 500, 5500 Series F200/250 F300/350	1992	1997	1992-1997	R4140350100			CLUTCH MASTER AND SLAVE CYLINDER ASSEMBLY
F300 / 350	Ford Truck 450, 500, 5500 Series F200/250 F300/350	1992	1997	1992-1997	R4140350033			CLUTCH MASTER CYLINDER

Continued Next Page

CLUTCH MASTER AND SLAVE CYLINDER APPLICATION GUIDE

CLUTCH MASTER CYLINDER

FORD

Model	Model	Beginning Year	Ending Year	Year	Clutch Master Cylinder No.	Clutch Slave Cylinder No.	Repair Kit No.	PDC
F300 / 350	Ford Truck 450, 500, 5500 Series E350 F200/250 F300/350	1988	2004	1988-2004	R418318			CLUTCH MASTER CYLINDER
F300 / 350	Ford Truck E350 F200/250 F300/350	1983	1987	1983-1987	R418304			CLUTCH MASTER CYLINDER
F300 / 350	Ford Truck F300/350	1980	1994	1980-1994	R4140350065			CLUTCH MASTER CYLINDER
F350 Super Duty	Ford Truck F250 Super Duty F350 Super Duty F450 Super Duty F550 Super Duty	1998	2005	1998-2005	R4113509			CLUTCH MASTER CYLINDER
450	Ford Truck 450, 500, 5500 Series F200/250 F300/350	1992	1997	1992-1997	R4140350100			CLUTCH MASTER AND SLAVE CYLINDER ASSEMBLY
450	Ford Truck 450, 500, 5500 Series F200/250 F300/350	1992	1997	1992-1997	R4140350033			CLUTCH MASTER CYLINDER
450	Ford Truck 450, 500, 5500 Series	1989	2006	1989-2006	R414039891			CLUTCH MASTER CYLINDER
450	Ford Truck 450, 500, 5500 Series E350 F200/250 F300/350	1988	2004	1988-2004	R418318			CLUTCH MASTER CYLINDER
450	Ford Truck 450, 500, 5500 Series P300/350	1957	1977	1957-1977	R414024045			CLUTCH MASTER CYLINDER
F450 Super Duty	Ford Truck F250 Super Duty F350 Super Duty F450 Super Duty F550 Super Duty	1998	2005	1998-2005	R4113509			CLUTCH MASTER CYLINDER
500, 5500	Ford Truck 450, 500, 5500 Series F200/250 F300/350	1992	1997	1992-1997	R4140350100			CLUTCH MASTER AND SLAVE CYLINDER ASSEMBLY
500, 5500	Ford Truck 450, 500, 5500 Series F200/250 F300/350	1992	1997	1992-1997	R4140350033			CLUTCH MASTER CYLINDER
500, 5500	Ford Truck 450, 500, 5500 Series	1989	2006	1989-2006	R414039891			CLUTCH MASTER CYLINDER
500, 5500	Ford Truck 450, 500, 5500 Series E350 F200/250 F300/350	1988	2004	1988-2004	R418318			CLUTCH MASTER CYLINDER

Continued Next Page

CLUTCH MASTER AND SLAVE CYLINDER APPLICATION GUIDE

FORD

CLUTCH MASTER CYLINDER

Model	Model	Beginning Year	Ending Year	Year	Clutch Master Cylinder No.	Clutch Slave Cylinder No.	Repair Kit No.	PDC
500, 5500	Ford Truck 450, 500, 5500 Series P300/350	1957	1977	1957-1977	R414024045			CLUTCH MASTER CYLINDER
F550 Super Duty	Ford Truck F250 Super Duty F350 Super Duty F450 Super Duty F550 Super Duty	1998	2005	1998-2005	R4113509			CLUTCH MASTER CYLINDER
600, 6000	Ford Truck 600, 6000 Series 700, 7000 Series 750 Series 800, 850, 8000 Series 900, 1000, 1100, 9000 Series P300/350	1961	1974	1961-1974	R4111318			CLUTCH MASTER CYLINDER
700, 7000	Ford Truck 600, 6000 Series 700, 7000 Series 750 Series 800, 850, 8000 Series 900, 1000, 1100, 9000 Series P300/350	1961	1974	1961-1974	R4111318			CLUTCH MASTER CYLINDER
750 Series	Ford Truck 600, 6000 Series 700, 7000 Series 750 Series 800, 850, 8000 Series 900, 1000, 1100, 9000 Series P300/350	1961	1974	1961-1974	R4111318			CLUTCH MASTER CYLINDER
800, 850, 8000	Ford Truck 600, 6000 Series 700, 7000 Series 750 Series 800, 850, 8000 Series 900, 1000, 1100, 9000 Series P300/350	1961	1974	1961-1974	R4111318			CLUTCH MASTER CYLINDER
900, 9000	Ford Truck 900, 1000, 1100, 9000 Series	1978	1998	1978-1998	R414039737			CLUTCH MASTER CYLINDER
900, 9000	Ford Truck 600, 6000 Series 700, 7000 Series 750 Series 800, 850, 8000 Series 900, 1000, 1100, 9000 Series P300/350	1961	1974	1961-1974	R4111318			CLUTCH MASTER CYLINDER
1000, 1100	Ford Truck 900, 1000, 1100, 9000 Series	1978	1998	1978-1998	R414039737			CLUTCH MASTER CYLINDER

CLUTCH MASTER AND SLAVE CYLINDER APPLICATION GUIDE

CLUTCH MASTER CYLINDER

FORD

Model	Model	Beginning Year	Ending Year	Year	Clutch Master Cylinder No.	Clutch Slave Cylinder No.	Repair Kit No.	PDC
1000, 1100	Ford Truck 600, 6000 Series 700, 7000 Series 750 Series 800, 850, 8000 Series 900, 1000, 1100, 9000 Series P300/350	1961	1974	1961-1974	R4111318			CLUTCH MASTER CYLINDER
P300/350	Ford Truck 600, 6000 Series 700, 7000 Series 750 Series 800, 850, 8000 Series 900, 1000, 1100, 9000 Series P300/350	1961	1974	1961-1974	R4111318			CLUTCH MASTER CYLINDER
P300 / 350	Ford Truck 450, 500, 5500 Series P300/350	1957	1977	1957-1977	R414024045			CLUTCH MASTER CYLINDER

SLAVE CYLINDER

Model	Beginning Year	Ending Year	Year	Clutch Master Cylinder No.	Clutch Slave Cylinder No.	Repair Kit No.	PDC
Ford Truck 450, 500, 5500 Series 600, 6000 Series 700, 7000 Series 750 Series 800, 850, 8000 Series 900, 1000, 1100, 9000 Series F200/250 F300/350 P300/350	1957	1982	1957-1982	R4111206			CLUTCH SLAVE CYLINDER
Ford Truck 700, 7000 Series 750 Series 800, 850, 8000 Series 900, 1000, 1100, 9000 Series	1957	1983	1957-1983	R4111208			CLUTCH SLAVE CYLINDER
Ford Truck 450, 500, 5500 Series F200/250 F300/350	1993	1997	1993-1997	R4150360015			CLUTCH SLAVE CYLINDER
Ford Truck F200/250 F300/350	1993	2001	1993-2001	R4150360016			CLUTCH SLAVE CYLINDER
Ford Truck F250 Super Duty F350 Super Duty F450 Super Duty F550 Super Duty	1998	2005	1998-2005	R4113514			CLUTCH SLAVE CYLINDER
Ford Truck F250 Super Duty F350 Super Duty F450 Super Duty F550 Super Duty	1998	2005	1998-2005	R4113515			CLUTCH SLAVE CYLINDER

CLUTCH MASTER AND SLAVE CYLINDER APPLICATION GUIDE

FORD

SLAVE CYLINDER

Model	Beginning Year	Ending Year	Year	Clutch Master Cylinder No.	Clutch Slave Cylinder No.	Repair Kit No.	PDC
Ford Truck 600, 6000 Series 700, 7000 Series 750 Series 800, 850, 8000 Series 900, 1000, 1100, 9000 Series	1958	1998	1958-1998	R4111768			CLUTCH SLAVE CYLINDER
Ford Truck 450, 500, 5500 Series P300/350	1965	1974	1965-1974	R4111320			CLUTCH SLAVE CYLINDER
Ford Truck E250 E350 F200/250 F300/350	1983	2004	1983-2004	R4112120			CLUTCH SLAVE CYLINDER
Ford Truck 450, 500, 5500 Series F200/250 F300/350	1983	2006	1983-2006	R4112052			CLUTCH SLAVE CYLINDER
Ford Truck 900, 1000, 1100, 9000 Series	1978	1998	1978-1998	R415037749			CLUTCH SLAVE CYLINDER
Ford Truck 700, 7000 Series 800, 850, 8000 Series	1975	1983	1975-1983	R415037819			CLUTCH SLAVE CYLINDER
Ford Truck 900, 1000, 1100, 9000 Series	1980	1984	1980-1984	R415037820			CLUTCH SLAVE CYLINDER
Ford Truck 600, 6000 Series 700, 7000 Series 800, 850, 8000 Series	1979	1998	1979-1998	R4111916			CLUTCH SLAVE CYLINDER
Ford Truck 600, 6000 Series 700, 7000 Series 800, 850, 8000 Series	1979	1998	1979-1998	R4111915			CLUTCH SLAVE CYLINDER
Ford Truck 700, 7000 Series 800, 850, 8000 Series	1982	1998	1982-1998	R415037825			CLUTCH SLAVE CYLINDER
Ford Truck E250 E350 F200/250 F300/350	1988	1992	1988-1992	R415037897			CLUTCH SLAVE CYLINDER
Ford Truck 600, 6000 Series 700, 7000 Series 800, 850, 8000 Series	1980	1989	1980-1989	R415037899			CLUTCH SLAVE CYLINDER
Ford Truck 700, 7000 Series FRR, FSR, FTR, FVR, FXR	1988	1998	1988-1998	R415037930			CLUTCH SLAVE CYLINDER

CLUTCH MASTER AND SLAVE CYLINDER APPLICATION GUIDE

CLUTCH MASTER CYLINDER



Model	Beginning Year	Ending Year	Year	Clutch Master Cylinder No.	Clutch Slave Cylinder No.	Repair Kit No.	PDC
GM C20/25/35 K20/25/30/35 Envoy	1992	2001	1992-2001	R4113118			CLUTCH MASTER CYLINDER
GM P30/35	1992	1995	1992-1995	R4140350069			CLUTCH MASTER CYLINDER
GM C20/25/30/35 K20/25/30/35	1996	2000	1996-2000	R4113315			CLUTCH MASTER CYLINDER
GM P30	1996	1996	1996	R4140350102			CLUTCH MASTER CYLINDER
GM K30/35 Sierra 3/4 Ton Silverado 3/4 Ton	1999	2000	1999-2000	R4140350124			CLUTCH MASTER CYLINDER
GM Sierra 3/4 & 1 Ton Silverado 3/4 & 1 Ton	2001	2002	2001-2002	R4113511			CLUTCH MASTER CYLINDER
GM C20/25/30/35 K20/25/30/35	1992	1995	1992-1995	R4140350182			CLUTCH MASTER CYLINDER
GM C20/25/30/35 K20/25/30/35 R20/25/30/35 V20/25/30/35	1985	1991	1985-1991	R4112176			CLUTCH MASTER CYLINDER
GM C20/25/30/35 K20/25 V20/25	1988	1991	1988-1991	R418312			CLUTCH MASTER CYLINDER
GM 50, 500, 5000 Series 60 Series 70 Series FRR, FSR, FTR, FVR, FXR	1987	2001	1987-2001	R414039815			CLUTCH MASTER CYLINDER
GM Series 60 FRR, FSR, FTR, FVR, FXR	1990	1996	1990-1996	R419822			CLUTCH MASTER CYLINDER
GM 400, 4000, 4500 Series 50, 500, 5000, 5500 Series 60, 600, 6000 Series 70, 700, 7000 Series 80, 800, 8000 Series Others 1 Ton	1960	1966	1960-1966	R413019089			BRAKE AND CLUTCH MASTER CYLINDER
GM C20/25/30/35 K15/20/25 100, 1000 Series 40, 400, 4000, 4500 Series 50, 500, 5000 Series 60, 600, 6000, 6500 Series Others 3/4 & 1 Ton	1960	1966	1960-1966	R413034404			BRAKE AND CLUTCH MASTER CYLINDER

6 - CLUTCH MASTER & SLAVE CYLINDER

CLUTCH MASTER AND SLAVE CYLINDER APPLICATION GUIDE

GM

CLUTCH MASTER CYLINDER

Model	Beginning Year	Ending Year	Year	Clutch Master Cylinder No.	Clutch Slave Cylinder No.	Repair Kit No.	PDC
GM 40, 400, 4000, 4500 Series 50, 500, 5000 Series 60, 600, 6000, 6500 Series 70, 700, 7000, 7500 Series 80, 800, 8000 Series Others 1 Ton	1961	1973	1961-1973	R413036212			BRAKE AND CLUTCH MASTER CYLINDER
GM 400, 4000, 4500 Series 50, 500, 5000, 5500 Series 60, 600, 6000, 6500 Series 65 Series 70, 700, 7000 Series	1966	1980	1966-1980	R413036347			BRAKE AND CLUTCH MASTER CYLINDER
GM 60, 600, 6000, 6500 Series 65 Series 70, 700, 7000, 7500 Series	1966	1980	1966-1980	R4111455			BRAKE AND CLUTCH MASTER CYLINDER

GM

SLAVE CYLINDER

Model	Beginning Year	Ending Year	Year	Clutch Master Cylinder No.	Clutch Slave Cylinder No.	Repair Kit No.	PDC
GM C20/25/30/35 K20/25 100, 1000 Series 40, 400, 4000 Series 50, 500, 5000 Series 60, 600, 6000 Series 70, 700, 7000 Series 80, 800, 8000 Series Others 3/4 & 1 Ton	1960	1965	1960-1965	R415019097			CLUTCH SLAVE CYLINDER
GM C20/25/30/35 K20/25/30/35 P30/35	1992	1995	1992-1995	R4113347			CLUTCH SLAVE CYLINDER
GM P30/35	1989	1991	1989-1991	R4150360053			CLUTCH SLAVE CYLINDER
GM C20/25/30/35 K20/25/30/35 P30/35 Silverado 1/2 & 3/4 Ton	1996	2000	1996-2000	R4113207			CLUTCH SLAVE CYLINDER
GM C20 K20 Sierra 3/4 & 1 Ton Silverado 3/4 & 1 Ton	2001	2005	2001-2005	R4150360101			CLUTCH SLAVE CYLINDER
GM Sierra 3/4 & 1 Ton Silverado 3/4 & 1 Ton	2001	2002	2001-2002	R4113513			CLUTCH SLAVE CYLINDER

CLUTCH MASTER AND SLAVE CYLINDER APPLICATION GUIDE

SLAVE CYLINDER



Model	Beginning Year	Ending Year	Year	Clutch Master Cylinder No.	Clutch Slave Cylinder No.	Repair Kit No.	PDC
GM C20/25/30/35 K20/25 40, 400, 4000, 4500 Series 50, 500, 5000, 5500 Series 60, 600, 6000, 6500 Series 65 Series 70, 700, 7000 Series Others 3/4 & 1 Ton	1960	1980	1960-1980	R415036124			CLUTCH SLAVE CYLINDER
GM 700, 7000, 7500 Series 1500, 1600 Series 3000 Series 4000 Series 9000 Series	1959	1966	1959-1966	R415036158			CLUTCH SLAVE CYLINDER
GM 40, 400, 4000, 4500 Series 50, 500, 5000, 5500 Series 60, 600, 6000, 6500 Series 70, 700, 7000, 7500 Series 80, 800, 8000 Series	1961	1980	1961-1980	R415037237			CLUTCH SLAVE CYLINDER
GM C20/25/30/35 K20/25/30/35 R20/25/30/35 V20/25/30/35	1985	1991	1985-1991	R4112168			CLUTCH SLAVE CYLINDER
GM C20/25/30/35 K20/25/30/35 V20/25	1988	1991	1988-1991	R418339			CLUTCH SLAVE CYLINDER
GM 50 Series 60 Series 70 Series FRR, FSR, FTR, FVR, FXR	1987	2001	1987-2001	R415037931			CLUTCH SLAVE CYLINDER
GM 500, 5000, 5500 Series	1988	1989	1988-1989	R419821			CLUTCH SLAVE CYLINDER

CLUTCH MASTER AND SLAVE CYLINDER APPLICATION GUIDE

GM

BRAKE MASTER CYLINDER

Model	Beginning Year	Ending Year	Year	Clutch Master Cylinder No.	Clutch Slave Cylinder No.	Repair Kit No.	PDC
GM C20/25/30/35 K20/25 40, 400, 4000 Series 50, 500, 5000 Series 60, 600, 6000, 6500 Series 100, 1000 Series Others 3/4 & 1 Ton	1960	1966	1960-1966	R413034403			BRAKE MASTER CYLINDER
GM 600, 6000, 6500 Series	1967	1969	1967-1969	R413036121			BRAKE MASTER CYLINDER
GM 40, 400, 4000, 4500 Series 50, 500, 5000 Series 60, 600, 6000, 6500 Series 700, 7000, 7500 Series	1967	1973	1967-1973	R4110428			BRAKE MASTER CYLINDER

ISUZU

CLUTCH MASTER CYLINDER

Model	Beginning Year	Ending Year	Year	Clutch Master Cylinder No.	Clutch Slave Cylinder No.	Repair Kit No.	PDC
Isuzu Hombre	1998	2000	1998-2000	R4113118			CLUTCH MASTER CYLINDER
Isuzu NPR Series NRR Series W5 Series W6 Series W7H W7M	1987	2001	1987-2001	R414039815			CLUTCH MASTER CYLINDER
Isuzu NPR Series W4 Series	1986	1998	1986-1998	R419822			CLUTCH MASTER CYLINDER

SLAVE MASTER CYLINDER

Model	Beginning Year	Ending Year	Year	Clutch Master Cylinder No.	Clutch Slave Cylinder No.	Repair Kit No.	PDC
Isuzu EVR	1988	1990	1988-1990	R415037930			CLUTCH SLAVE CYLINDER
Isuzu Hombre	1996	2000	1996-2000	R4113207			CLUTCH SLAVE CYLINDER
Isuzu NRR Series W5 Series W6 Series W7H W7M	1987	2001	1987-2001	R415037931			CLUTCH SLAVE CYLINDER
Isuzu NPR Series W4 Series	1986	1998	1986-1998	R419821			CLUTCH SLAVE CYLINDER

CLUTCH MASTER AND SLAVE CYLINDER APPLICATION GUIDE

CLUTCH MASTER CYLINDER

ITE

Model	Beginning Year	Ending Year	Year	Clutch Master Cylinder No.	Clutch Slave Cylinder No.	Repair Kit No.	PDC
ITE 180, 1800 Series 190, 1900 Series	1958	1966	1958-1966	R414036148			CLUTCH MASTER CYLINDER
ITE 100, 1000 Series 110, 1100 Series 160, 1600 Series 170, 1700 Series 180, 1800 Series 185, 1850 Series 200, 2000, 3000 Series	1956	1983	1956-1983	R4111467			CLUTCH MASTER CYLINDER
ITE 160, 1600 Series 170, 1700 Series 180, 1800 Series 185, 1850 Series 190, 1900 Series	1964	1984	1964-1984	R4111468			CLUTCH MASTER CYLINDER
ITE 110, 1100 Series 120, 1200 Series 130, 1300 Series 140, 1400 Series 150, 1500 Series 160, 1600 Series 170, 1700 Series 180, 1800 Series 185, 1850 Series Diamond T Truck Divco Truck Metro Series	1950	1968	1950-1968	R41303573			BRAKE AND CLUTCH MASTER CYLINDER
ITE 120, 1200 Series 130, 1300 Series 150, 1500 Series	1958	1970	1958-1970	R413036154			BRAKE AND CLUTCH MASTER CYLINDER
ITE 100, 1000 Series 110, 1100 Series 900 Series	1961	1968	1961-1968	R413036155			BRAKE AND CLUTCH MASTER CYLINDER

SLAVE MASTER CYLINDER

ITE

Model	Beginning Year	Ending Year	Year	Clutch Master Cylinder No.	Clutch Slave Cylinder No.	Repair Kit No.	PDC
ITE 140, 1400 Series 160, 1600 Series 170, 1700 Series 180, 1800 Series 185, 1850 Series 190, 1900 Series 200, 2000, 3000 Series Metro Series	1956	1984	1956-1984	R4111466			CLUTCH SLAVE CYLINDER

6 - CLUTCH MASTER & SLAVE CYLINDER

CLUTCH MASTER AND SLAVE CYLINDER APPLICATION GUIDE

ITE

SLAVE MASTER CYLINDER

Model	Beginning Year	Ending Year	Year	Clutch Master Cylinder No.	Clutch Slave Cylinder No.	Repair Kit No.	PDC
ITE 100, 1000 Series 110, 1100 Series 120, 1200 Series 130, 1300 Series 150, 1500 Series 900 Series Metro Series	1958	1970	1958-1970	R415019097			CLUTCH SLAVE CYLINDER
ITE 140, 1400 Series 160, 1600 Series 170, 1700 Series 180, 1800 Series 185, 1850 Series 190, 1900 Series 200, 2000, 3000 Series Metro Series	1956	1984	1956-1984	R4111466			CLUTCH SLAVE CYLINDER

ITE


BRAKE MASTER CYLINDER

Model	Beginning Year	Ending Year	Year	Clutch Master Cylinder No.	Clutch Slave Cylinder No.	Repair Kit No.	PDC
ITE Scout Scout II	1961	1966	1961-1966	R413036121			BRAKE MASTER CYLINDER

CLUTCH MASTER CYLINDERS

Listed by Bore Size


11/16"
Bore



M12 x 1 Outlet Size For Rebuild, Use
Repair Kit R4122205

MERITOR NO.	CASTING NO.	REPLACES	APPLICATION
R4112169	D276C	Bendix 12169 EIS E105934 GM 15594142 Wagner F110117	Chevrolet 1984-86 S, T10, Blazer & Pickup GMC 1984-86 S, T15, Jimmy & Pickup


11/16"
Bore



M12 x 1 Outlet Size For Rebuild, Use
Repair Kit R4122204

MERITOR NO.	CASTING NO.	REPLACES	APPLICATION
R4112176	268C	Bendix 12176 EIS E150025 GM 15537761 Wagner F110273	Chevrolet 1985-91 Blazer 1985-86 C10, C20 & C30 1984-86 K10, K20 & K30 1987-91 R, V10, 20 & 30 GMC 1985-91 Jimmy 1985-86 K15, 25 & 35 1985-86 K15, 25 & 35 1987-91 R, V15, 25 & 35


11/16"
Bore



M12 x 1 Outlet Size For Rebuild, Use
Repair Kit R4122204

MERITOR NO.	CASTING NO.	REPLACES	APPLICATION
R418312	—	EIS E150294 Wagner F119584	Chevrolet 1988-90 C1500, K2500 & K3500 1988-91 K1500 GMC 1988-90 C1500, K2500, C3500 & K3500


11/16"
Bore



M12 x 1 Outlet Size For Rebuild, Use
Repair Kit R4122205

MERITOR NO.	CASTING NO.	REPLACES	APPLICATION
R418317	—	EIS E105934 GM 15576194 Wagner F116398	Chevrolet 1987-91 S, T Blazer, S10 Pickup GMC 1987-91 S, T Jimmy, S15 Pickup


11/16"
Bore



M12 x 1 Outlet Size For Rebuild, Use
Repair Kit R4122204

MERITOR NO.	CASTING NO.	REPLACES	APPLICATION
R4112348	—	EIS E150294 Wagner F119584	Chevrolet 1988-90 C1500, K2500 & K3500 1988-91 K1500 GMC 1988-90 C1500, K2500, C3500 & K3500

3/4"
Bore



Non-Rebuildable

MERITOR NO.	CASTING NO.	REPLACES	APPLICATION
R4112119	D-20147	Bendix 12119 EIS E150029 Ford E3TZ-7A543 E3TZ-7A543B E59Z-7A543 E69Z-7A543A Wagner F110270	Ford 1986-87 Aerostar 1984-87 Bronco II 1983-87 Ranger

CLUTCH MASTER CYLINDERS

Listed by Bore Size

3/4"
Bore



M12 x 1 Outlet Size

For Rebuild, Use
Repair Kit R418326

MERITOR NO.	CASTING NO.	REPLACES	APPLICATION
R418311	—	EIS E150030 GM 15537769 Wagner F119585	Chevrolet 1985-89 Astro Van GMC 1985-89 Safari Van

3/4"
Bore



Non-Rebuildable

MERITOR NO.	CASTING NO.	REPLACES	APPLICATION
R418313	D22994	EIS E150286 Wagner F117051	Ford 1988-91 Aerostar & Ranger 1988-90 Bronco II 1991 Explorer

7/8"
Bore



Non-Rebuildable

MERITOR NO.	CASTING NO.	REPLACES	APPLICATION
R4112117	D29731	Bendix 12117 EIS E150050 Ford E3TZ-7A543A Wagner F110710	Ford 1984-89 Bronco & F150 1982-87 F250 & F350

7/8"
Bore



Non-Rebuildable

MERITOR NO.	CASTING NO.	REPLACES	APPLICATION
R4112118	D2-627 Or D20627	Bendix 12118 EIS E150028 Ford E4UZ-7A543A Wagner F110269	Ford 1984-87 E150 & E350 1984-88 E250

7/8"
Bore



Non-Rebuildable

MERITOR NO.	CASTING NO.	REPLACES	APPLICATION
R418316	D2-627	EIS E150284 Wagner F117054	Ford 1988-89 E100, E150 1989-90 E2-0, E250 1989-91 E350

7/8"
Bore



Non-Rebuildable

MERITOR NO.	CASTING NO.	REPLACES	APPLICATION
R4112561	D22375	EIS E150283 Wagner F117053	Ford 1988-91 F150, F250, F350, Bronco & Super Duty 1986 F150 1990-91 E350

CLUTCH MASTER CYLINDERS

Listed by Bore Size


7/8"
Bore



Non-Rebuildable

MERITOR NO.	CASTING NO.	REPLACES	APPLICATION
R4112985	—	EIS E150285 Wagner F118415	Ford 1988-90 E300 & E350

1"
Bore



7/16"-24 Outlet Size

For Rebuild, Use
Repair Kit R4122770

MERITOR NO.	CASTING NO.	REPLACES	APPLICATION
R4111467	84 29838C FE49360 FE49370	EIS E39969 ITE 878977R92 Wagner F54699	ITE

1 1/16"
Bore



7/16"-24 Outlet Size

For Rebuild, Use
Repair Kit R4122882

MERITOR NO.	CASTING NO.	REPLACES	APPLICATION
R4111161	89 FE23482	EIS E33466 Ford C1TT-7A543G Wagner F36764	Ford

1 1/16"
Bore



7/16"-24 Outlet Size

For Rebuild, Use
Repair Kit E-7834

MERITOR NO.	CASTING NO.	REPLACES	APPLICATION
R417830	FF89193	EIS E105880 Ford E0HZ-7A543A D8HZ-7A543A Wagner F101210	Ford

1 1/8"
Bore



7/16"-24 Outlet Size

Repair Kit
Not Available

MERITOR NO.	CASTING NO.	REPLACES	APPLICATION
R4111191	29789C 3769225 616634 75	EIS E34173 GM 18008626 5467736 Wagner F34173	Chevrolet GMC

1 1/8"
Bore



1/8" NPT

Repair Kit
Not Available

MERITOR NO.	CASTING NO.	REPLACES	APPLICATION
R4111318	29780C 618637 77	EIS E37072 Ford C1TT-7A542A Wagner F35417	Ford

CLUTCH MASTER CYLINDERS

Listed by Bore Size

1 1/8"
Bore



3/4"-18 Outlet Size

For Rebuild, Use
Repair Kit R4122908


MERITOR NO.	CASTING NO.	REPLACES	APPLICATION
R4111468	110 83230 FF42-89	EIS E44466 ITE 897757R91 Wagner F42-82	ITE

6 - CLUTCH MASTER & SLAVE CYLINDER

CLUTCH SLAVE CYLINDERS

Listed by Bore Size


13/16"
Bore



M12 x 1 Inlet For Rebuild, Use
Repair Kit R4122210

MERITOR NO.	CASTING NO.	REPLACES	APPLICATION
R4112168	2M6C	Bendix 12168 EIS EW155048	Chevrolet 1985-91 Blazer 1985-86 C, K10, 20, 30 1987-91 R, V10, 20, 30
		GM 15537762 Wagner F103483	GMC 1985-91 Jimmy 1985-86 C, K15, 25, 35 1987-91 R, V15, 25, 35


13/16"
Bore



M12 x 1 Inlet For Rebuild, Use
Repair Kit R4122160

MERITOR NO.	CASTING NO.	REPLACES	APPLICATION
R4112457	—	GM 15585415 Wagner F103762	Chevrolet 1988-91 C, K1500, 2500 & 3500 GMC 1988-91 C, K1500, 2500 & 3500

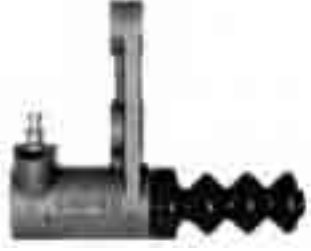
29/32"
Bore



7/16"-24 Inlet Repair Kit
Not Available

MERITOR NO.	CASTING NO.	REPLACES	APPLICATION
R4111208	618774 642	EIS EW33722 Wagner F124112	Ford 1957-83 700 thru 950
R4122893	FD25669	Ford 89TZ7A508A Wagner F33722	—


1"
Bore



For Rebuild, Use
Repair Kit R4122915

MERITOR NO.	CASTING NO.	REPLACES	APPLICATION
R4111206	FD48909 FD24288 61484 641	Chrysler J924794 EIS EW33721	Ford 1957-76 P350, 400 1957-65 100 Series 1957-60 2-0 Series 1957-83 550 thru 950
		Ford C5TZ-7A508D Wagner F124111	Jeep 1962-64 Truck


1"
Bore



Non-Rebuildable

MERITOR NO.	CASTING NO.	REPLACES	APPLICATION
R4112120	809	Bendix 1212 EIS EW155062 Ford E4TZ-7A564A E4TZ-7A564D Wagner F103485	Ford 1984-91 Bronco F150, F250, F350

1"
Bore



Non-Rebuildable

MERITOR NO.	CASTING NO.	REPLACES	APPLICATION
R4112055	DB07ML009A	Bendix 12055 EIS EW155062 Ford E3TZ-7A564D E7SZ-7A508A Wagner F103473	Ford 1984 Bronco II 1983-84 Ranger

CLUTCH SLAVE CYLINDERS

Listed by Bore Size

1"
Bore



7/16"-24 Inlet

For Rebuild, Use
Repair Kit R4122342

MERITOR NO.	CASTING NO.	REPLACES	APPLICATION
R4111768	26117C 29481C 41237 618684 689 FD36117	Ford D9HZ-7A508D Wagner F100325	Ford 1979-88 C, CT800

1"
Bore



7/16"-24 Inlet

For Rebuild, Use
Repair Kit R4122697

MERITOR NO.	CASTING NO.	REPLACES	APPLICATION
R4111466	29358C 41237C 656 FD41237 FE41237	EIS EW39973 ITE 965563R91 Wagner F43260	ITE 1961-88 1500 - 1900

1"
Bore



7/16"-24 Inlet

For Rebuild, Use
Repair Kit R4122342

MERITOR NO.	CASTING NO.	REPLACES	APPLICATION
R4111915	FD98665	EIS EW155183 Ford D9HZ-7A508B Wagner F98664	Ford 1975-88 600, 700, 800

1"
Bore



7/16"-24 Inlet

For Rebuild, Use
Repair Kit R4122342

MERITOR NO.	CASTING NO.	REPLACES	APPLICATION
R4111916	FD98665	EIS EW155170 Ford D9HZ-7A508A Wagner F98663	Ford 1975-88 600, 700, 800

1"
Bore



7/16"-24 Inlet

Repair Kit
Not Available

MERITOR NO.	CASTING NO.	REPLACES	APPLICATION
R4111320	689 FD36117	EIS EW44469 Ford C5TZ-7A508B Wagner F124110	Chevrolet 1960-66 10, 2-, 30 1966-80 40 thru 80 Series GMC 1960-66 1000, 1500, 2500 & 3500 1960-80 4000, 5500, 6000 & 6500

1 1/4"
Bore



Unthreaded Inlet

Non-Rebuildable

MERITOR NO.	CASTING NO.	REPLACES	APPLICATION
R4112052	D22231	Bendix 12-52 EIS EW155060 Ford D3TZ-7A564A E3TZ-7A564A Wagner F103476	Ford 1982-91 F250, F350 1988-91 F450 Super Duty

CLUTCH SLAVE CYLINDERS

Listed by Bore Size



MERITOR NO.	CASTING NO.	REPLACES	APPLICATION
R4113511	—	Bendix 13511 Wagner CM350172	—



MERITOR NO.	CASTING NO.	REPLACES	APPLICATION
R4113315	—	Bendix 13315 Wagner CM350038	—



MERITOR NO.	CASTING NO.	REPLACES	APPLICATION
R4113318	—	Bendix 13318 Wagner CM350080	—

Repair Kit Not Available



MERITOR NO.	CASTING NO.	REPLACES	APPLICATION
R4113207	—	Bendix 13207 Wagner CM36058	—

Repair Kit Not Available



MERITOR NO.	CASTING NO.	REPLACES	APPLICATION
R4113118	—	Bendix 13118 Wagner CM250042	Ford


Repair Kit Not Available




MERITOR NO.	CASTING NO.	REPLACES	APPLICATION
R4113347	—	Bendix 13347 Wagner CM36027	—

CLUTCH SLAVE CYLINDERS


Listed by Bore Size

Bore			
			
MERITOR NO.	CASTING NO.	REPLACES	APPLICATION
R4113505	—	Bendix 13505 Wagner CM360071	—

Bore			
			
MERITOR NO.	CASTING NO.	REPLACES	APPLICATION
R4113514	—	—	—

Bore			
			
MERITOR NO.	CASTING NO.	REPLACES	APPLICATION
R4113515	—	—	—

Bore			
			
Repair Kit Not Available			
MERITOR NO.	CASTING NO.	REPLACES	APPLICATION
R4113508	—	Bendix 13508 Wagner CM350080	Ford

Bore			
			
Repair Kit Not Available			
MERITOR NO.	CASTING NO.	REPLACES	APPLICATION
R4113509	FF54846	Bendix 13509 Wagner CM350135	Chevrolet, GMC

--	--	--	--

6 - CLUTCH MASTER & SLAVE CYLINDER

HYDRAULIC BRAKE HOSE PROGRESSIVE SIZE LISTING

Sorted By Overall Length

OVERALL LENGTH	MERITOR PART NO.	APPLICATION	POSITION	PAGE NO.
8.00	R4510462	—	—	6-190
9.25	R4578136	Dodge	F	6-234
9.38	R4510521	—	—	6-195
9.50	R4578557	—	—	6-243
9.72	R4578188	—	—	6-236
9.75	R4577024	Dodge	F	6-211
10.19	R4510498	—	—	6-192
10.25	R4510573	—	—	6-199
10.25	R4510586	—	—	6-200
10.25	R4511245	—	—	6-208
10.44	R4577388	Dodge	F	6-218
10.44	R4577387	Dodge	F	6-218
10.50	R4578135	Dodge	F	6-234
10.50	R4577857	—	—	6-229
10.63	R4577787	—	—	6-227
10.63	R4577788	—	—	6-227
10.69	R4577185	—	—	6-212
11.00	R4510588	—	—	6-200
11.00	R4510589	—	—	6-199
11.00	R4577865	GMC	R	6-229
11.13	R4578357	GMC	R	6-240
11.38	R4577330	GMC	F	6-216
11.38	R4577329	GMC	F	6-216
11.38	R4577921	Dodge	F	6-231
11.41	R4578183	Ford Truck	R	6-236
11.50	R4510637	—	—	6-204
11.50	R4577864	GMC	R	6-229
11.56	R4577596	—	—	6-225
11.56	R4577597	—	—	6-226
11.75	R4510584	—	—	6-200
11.81	R4577512	ITE	R	6-224
12.00	R4510447	—	—	6-188
12.00	R4577327	Chevrolet, GMC	F	6-216
12.13	R4578182	Ford Truck	R	6-236
12.25	R4510448	—	—	6-188
12.25	R4577565	Dodge	F	6-225
12.50	R4510638	—	—	6-204
12.50	R4578016	—	—	6-232
12.50	R4578068	—	—	6-232
12.63	R4577441	—	—	6-221
13.00	R4510563	—	—	6-197
13.00	R4578326	Ford Truck	F	6-239
13.00	R4577631	—	—	6-226
13.25	R4578210	Ford Truck	F	6-237
13.25	R4577171	Dodge	F	6-211
14.00	R4510585	—	—	6-200
14.00	R4510661	—	—	6-206
14.00	R4510662	—	—	6-207
14.25	R4577312	Ford	F	6-215
14.38	R4577169	Dodge	F	6-211
14.38	R4577309	Ford	F	6-214
14.75	R4588651	Chevrolet, GMC	R	6-247
14.88	R4510516	—	—	6-194
14.88	R4510517	—	—	6-194
14.88	R4577558	GMC	R	6-225
15.00	R4578331	Ford Truck	F	6-240
15.00	R4577235	Ford	R	6-212
15.13	R4510649	—	—	6-205
15.13	R4577248	Ford	F	6-213
15.13	R4577249	Ford	F	6-213
15.13	R4577378	—	—	6-217

OVERALL LENGTH	MERITOR PART NO.	APPLICATION	POSITION	PAGE NO.
15.25	R4578410	Dodge	F	6-242
15.25	R4578460	GMC	F	6-242
15.25	R4578333	Ford Truck	F	6-240
15.25	R4578873	—	—	6-245
15.38	R4588519	Ford Truck	F	6-247
15.38	R4577295	Chevrolet, GMC	F	6-213
15.44	R4577419	Chevrolet, GMC	F	6-219
15.44	R4577297	Chevrolet, GMC	F	6-214
15.50	R4510634	—	—	6-204
15.50	R4510654	—	—	6-206
15.50	R4577298	Chevrolet, GMC	F	6-214
15.50	R4577296	Chevrolet, GMC	F	6-214
15.50	R4578403	GMC	F	6-241
15.50	R4578327	Ford Truck	F	6-240
15.50	R4578259	GMC	F	6-238
15.63	R4512292	—	—	6-209
15.94	R458529	—	—	6-187
15.94	R4577420	Chevrolet, GMC	F	6-219
16.00	R4510618	—	—	6-202
16.00	R4578312	—	—	6-239
16.00	R4578825	—	—	6-244
16.12	R4578912	—	—	6-246
16.13	R4578145	Dodge	F	6-235
16.25	R458633	—	—	6-187
16.25	R4510664	—	—	6-207
16.25	R4577598	—	—	6-226
16.25	R4578072	—	—	6-232
16.34	R4512290	—	—	6-208
16.38	R4577845	GMC	F	6-229
16.50	R4510492	—	—	6-191
16.81	R4577765	Chevrolet, GMC	R	6-228
16.88	R4510440	—	—	6-188
16.88	R4577443	—	—	6-221
16.88	R4577444	—	—	6-221
16.94	R4577440	—	—	6-221
17.06	R4511204	—	—	6-207
17.12	R4512421	—	—	6-209
17.16	R4578824	—	—	6-244
17.24	R4512420	—	—	6-209
17.25	R4510520	—	—	6-195
17.25	R4510667	—	—	6-207
17.25	R4578166	Ford Truck	R	6-235
17.25	R4577799	Dodge	R	6-228
17.38	R4577311	Ford	F	6-215
17.38	R4577415	Chevrolet, GMC	F	6-218
17.38	R4577416	—	—	6-218
17.50	R4510567	—	—	6-198
17.75	R4510528	—	—	6-195
17.75	R4577340	—	—	6-217
17.75	R4578267	GMC	F	6-238
17.80	R4511204	—	—	6-208
18.00	R4577078	—	—	6-210
18.12	R4578899	—	—	6-246
18.13	R4510530	—	—	6-195
18.13	R4588472	—	—	6-246
18.25	R4510641	—	—	6-204
18.25	R4577010	GMC	R	6-210
18.25	R4577080	—	—	6-210
18.25	R4577083	—	—	6-211
18.25	R4577767	Chevrolet, GMC	F	6-228
18.25	R4577766	Chevrolet, GMC	F	6-228

6 - BRAKE HOSES

HYDRAULIC BRAKE HOSE PROGRESSIVE SIZE LISTING

Sorted By Overall Length (Cont'd.)

6 - BRAKE HOSES

OVERALL LENGTH	MERITOR PART NO.	APPLICATION	POSITION	PAGE NO.
18.31	R458634	—	—	6-187
18.31	R4577500	—	—	6-223
18.32	R4577328	Chevrolet, GMC	R	6-216
18.38	R4510592	—	—	6-201
18.38	R4577019	Chevrolet, GMC	R	6-210
18.38	R4578206	—	—	6-236
18.42	R4512419	—	—	6-209
18.42	R4512430	—	—	6-210
18.45	R4577482	—	—	6-223
18.50	R4510569	—	—	6-199
18.50	R4510617	—	—	6-202
18.50	R4510651	—	—	6-205
18.50	R4577316	Dodge	F	6-215
18.50	R4577317	Dodge	F	6-215
18.69	R4577479	—	—	6-223
18.69	R4588530	GMC	R	6-247
18.75	R4578258	GMC	F	6-238
18.75	R4578169	Ford Truck	F	6-235
18.75	R4578802	—	—	6-244
18.75	R4578874	—	—	6-245
18.88	R4577851	GMC	R	6-229
18.88	R4578898	—	—	6-246
19.13	R4578137	—	—	6-234
19.19	R4510446	—	—	6-188
19.25	R4510510	—	—	6-193
19.25	R4510511	—	—	6-194
19.25	R4577613	Ford Truck	R	6-226
19.25	R4577900	Chevrolet, GMC	F	6-230
19.25	R4577901	Chevrolet, GMC	F	6-230
19.25	R4577247	Ford	R	6-235
19.50	R4578144	Dodge	F	6-235
19.50	R4577769	GMC	F	6-228
19.50	R4577768	GMC	F	6-228
19.50	R4588312	—	—	6-246
19.56	R4577189	Ford	R	6-212
19.58	R4512291	—	—	6-208
19.63	4510532	—	—	6-196
19.63	R4577428	Chevrolet, GMC	F	6-220
19.63	R4577612	Ford Truck	R	6-226
19.65	R4578386	—	—	6-241
19.73	R4578897	—	—	6-246
19.81	R4510471	—	—	6-190
19.88	R4510472	—	—	6-190
19.88	R4510525	—	—	6-195
19.88	R4578129	Dodge	F	6-233
19.88	R4578130	—	—	6-233
19.88	R4577909	—	—	6-230
20.00	R4510512	—	—	6-194
20.00	R4510571	—	—	6-199
20.00	R4577277	—	—	6-213
20.12	R4577495	Chevrolet	F	6-223
20.13	R4510515	—	—	6-194
20.13	R4578666	Ford Truck	R	6-243
20.19	R458083	—	—	6-186
20.19	R4578084	—	—	6-233
20.25	R4510552	—	—	6-197
20.25	R4510553	—	—	6-197
20.25	R4511296	—	—	6-208
20.25	R4578332	Ford Truck	R	6-240
20.25	R4578134	Dodge	F	6-234
20.31	R458473	—	—	6-187

OVERALL LENGTH	MERITOR PART NO.	APPLICATION	POSITION	PAGE NO.
20.33	R4578480	—	—	6-242
20.50	R4510514	—	—	6-194
20.50	R4577321	Chevrolet, GMC	F	6-216
20.50	R4577614	Ford Truck	R	6-226
20.50	R4577927	—	—	6-231
20.53	R4578438	—	—	6-242
20.56	R4577379	—	—	6-217
20.56	R4577380	—	—	6-218
20.63	R4577299	—	—	6-214
20.63	R4577300	—	—	6-214
20.75	R4510597	—	—	6-201
20.75	R4510604	—	—	6-202
20.75	R4577418	—	—	6-219
20.75	R4577430	Chevrolet, GMC	F	6-220
20.75	R4577421	Chevrolet, GMC	F	6-219
20.75	R4577320	Chevrolet, GMC	F	6-216
20.75	R4578165	—	—	6-235
20.75	R4578305	Ford Truck	R	6-239
20.75	R4578184	Ford Truck	R	6-236
20.75	R4578187	Ford Truck	F	6-236
20.75	R4577418	Chevrolet, GMC	F	6-219
20.75	R4578219	—	—	6-237
20.88	R4510549	—	—	6-197
20.88	R4510550	—	—	6-197
21.00	R4510650	—	—	6-205
21.00	R4511204	—	—	6-207
21.00	R4578133	Dodge	F	6-234
21.00	R4577245	Ford Truck	F	6-213
21.13	R45F124053	Ford Truck	F	6-248
21.13	R4510558	—	—	6-198
21.13	R4578610	Ford Truck	R	6-243
21.13	R4577315	Dodge	R	6-215
21.13	R4578137	—	—	6-234
21.16	R4510453	—	—	6-189
21.19	R4577147	Ford Truck	R	6-211
21.25	R458458	—	—	6-186
21.25	R4510466	—	—	6-190
21.25	R4511071	—	—	6-207
21.25	R4511244	—	—	6-208
21.25	R4578392	GMC	F	6-241
21.25	R4578790	GMC	F	6-244
21.31	R4577870	Ford Truck	R	6-230
21.36	R4577928	—	—	6-232
21.38	R4577417	Chevrolet, GMC	F	6-218
21.44	R4577252	GMC	R	6-213
21.50	R4510450	—	—	6-190
21.50	R4510537	—	—	6-196
21.50	R4510594	—	—	6-201
21.50	R4577870	—	—	6-230
21.50	R4577463	Ford Truck	F	6-222
21.50	R4578618	Ford Truck	R	6-243
21.58	R4578774	—	—	6-243
21.63	R4510500	—	—	6-192
21.63	R4588561	IHC Truck	R	6-247
21.63	R4577761	Chevrolet, GMC	F	6-227
21.63	R4577760	Chevrolet, GMC	F	6-227
21.75	R4510568	—	—	6-198
21.88	R4510494	—	—	6-191
21.88	R4510495	—	—	6-191
21.88	R4510503	—	—	6-192
21.88	R4510504	—	—	6-192

HYDRAULIC BRAKE HOSE PROGRESSIVE SIZE LISTING

Sorted By Overall Length (Cont'd.)

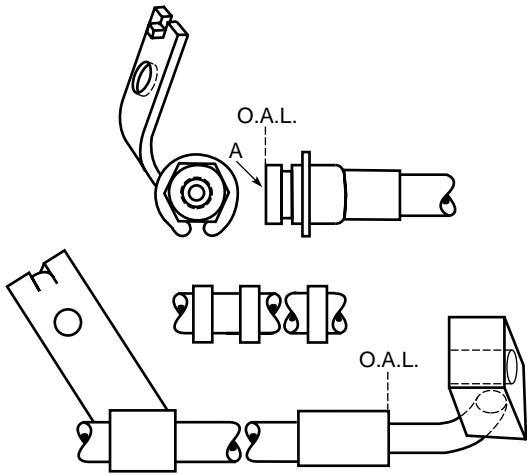
OVERALL LENGTH	MERITOR PART NO.	APPLICATION	POSITION	PAGE NO.
21.88	R4510538	—	—	6-196
21.88	R4510539	—	—	6-196
21.88	R4578085	Dodge	R	6-233
22.00	R4510457	—	—	6-189
22.00	R4510574	—	—	6-199
22.00	R4577334	—	—	6-217
22.00	R4577429	Chevrolet, GMC	F	6-220
22.13	R4510518	—	—	6-195
22.13	R4578885	—	—	6-245
22.25	R4578438	GMC	F	6-242
22.25	R4510643	GMC	R	6-205
22.25	R4510665	—	—	6-207
22.38	R4510487	—	—	6-191
22.38	R4510488	—	—	6-191
22.38	R4510641	—	—	6-205
22.38	R4578360	GMC	R	6-241
22.38	R4577564	—	—	6-225
22.50	R4510565	—	—	6-198
22.50	R4578226	GMC	F	6-238
22.50	R4578843	—	—	6-244
22.63	R4577187	Chevrolet, GMC	F	6-212
22.75	R4510596	—	—	6-201
22.75	R4578324	Ford Truck	F	6-239
22.81	R4577914	—	—	6-231
22.88	R4510458	—	—	6-189
22.88	R4577548	GMC	F	6-224
22.88	R4577537	Dodge	R	6-224
23.00	R4510459	—	—	6-189
23.00	R4510566	—	—	6-198
23.00	R4578132	Dodge	F	6-234
23.13	R4510451	—	—	6-190
23.16	R4510452	—	—	6-189
23.16	R4577241	Chevrolet, GMC	F	6-212
23.19	R4577481	GMC	F	6-223
23.22	R4578303	Ford Truck	F	6-238
23.25	R458484	—	—	6-187
23.25	R4578548	GMC	F	6-243
23.25	R4577425	GMC	F	6-219
23.25	R4577332	GMC	F	6-217
23.38	R4577240	Chevrolet, GMC	F	6-212
23.50	R458545	—	—	6-186
23.50	R4510505	—	—	6-193
23.50	R4510506	—	—	6-193
23.75	R4578001	Ford Truck	F	6-232
23.88	R4577333	GMC	F	6-217
24.00	R4510595	—	—	6-201
24.00	R4510602	—	—	6-202
24.00	R4510503	—	—	6-202
24.00	R4578325	Ford Truck	F	6-239
24.00	R4578208	Ford Truck	F	6-237
24.06	R4510491	—	—	6-191
24.13	R4577427	Chevrolet, GMC	F	6-220
24.19	R4510497	—	—	6-192
24.31	R4577560	Chevrolet, GMC	F	6-225
24.25	R4510644	GMC	R	6-205
24.25	R4578209	Ford Truck	F	6-237
24.50	R4577503	IHC Truck	F	6-224
24.63	R4578159	Ford Truck	F	6-235
24.69	R4510534	GMC	F	6-196
24.70	R4512427	—	—	6-209
24.70	R4512428	—	—	6-210

OVERALL LENGTH	MERITOR PART NO.	APPLICATION	POSITION	PAGE NO.
24.75	R4510598	—	—	6-201
24.75	R4510599	—	—	6-202
24.81	R4510454	—	—	6-189
25.00	R4577915	Dodge	R	6-231
25.03	R4577135	—	—	6-211
25.13	R4577460	Ford Truck	F	6-222
25.50	R4510652	—	—	6-206
25.50	R4510653	—	—	6-206
25.67	R4512400	—	—	6-209
25.75	R4510509	—	—	6-193
25.75	R4578787	GMC	F	6-244
25.75	R4578224	GMC	F	6-237
25.88	R4578227	GMC	F	6-238
25.88	R4578437	GMC	F	6-242
25.88	R4588558	Ford Truck	F	6-247
26.13	R4577314	Dodge	R	6-215
26.25	R4510564	—	—	6-198
26.25	R4577826	—	—	6-229
26.63	R4577457	Ford Truck	F	6-222
27.75	R4578313	—	—	6-239
28.14	R4578881	—	—	6-245
28.16	R4578880	—	—	6-245
28.19	R4588564	—	—	6-247
28.50	R4510659	—	—	6-206
28.50	R4510660	—	—	6-206
29.13	R4510582	—	—	6-199
29.13	R4577686	Ford Truck	F	6-227
29.38	R4577484	GMC	F	6-223
29.50	R4510545	—	—	6-196
29.50	R4510546	—	—	6-197
31.06	R4577453	Ford Truck	F	6-221
31.13	R4577452	Ford Truck	F	6-221
31.19	R4577454	Ford Truck	F	6-222
31.31	R4577455	Ford Truck	F	6-222
31.31	R4578218	—	—	6-237
31.50	R4577868	GMC	F	6-230
31.81	R4577461	Ford	F	6-222
32.06	R458636	—	—	6-188
32.06	R4577514	ITE	F	6-224
32.48	R4577868	—	—	6-230
34.00	R4510587	—	—	6-200
36.75	R4510583	—	—	6-200
36.75	R4577544	GMC	F	6-224
37.00	R4577559	Chevrolet, GMC	F	6-225
37.94	R458632	ITE	F	6-187
38.94	R4577860	—	—	6-230
39.25	R4578387	Dodge	F	6-241
43.50	R458635	ITE	F	6-188
47.50	R4510636	—	—	6-204
48.50	R10635	—	—	6-204
137.30	R4578876	—	—	6-245
—	R4577841	—	—	6-227
—	R4578117	—	—	6-233
—	R4578118	—	—	6-233

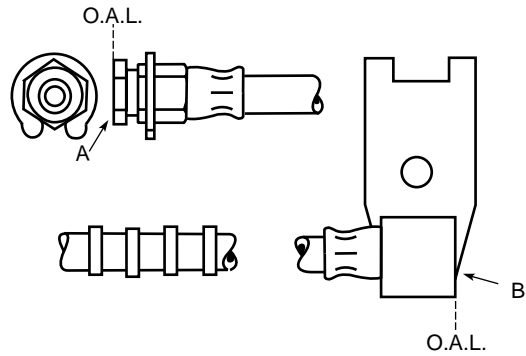
6 - BRAKE HOSES

HYDRAULIC BRAKE HOSES

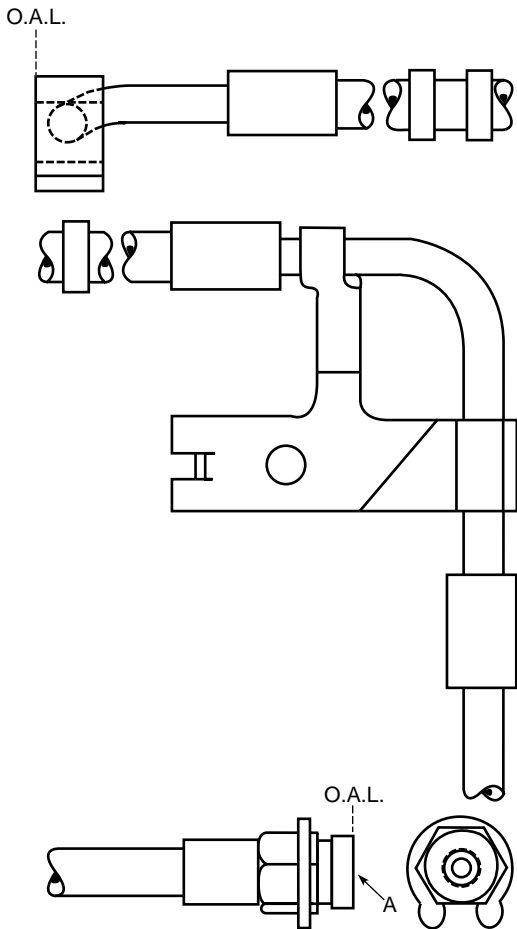
Listed in Meritor Part Number Sequence



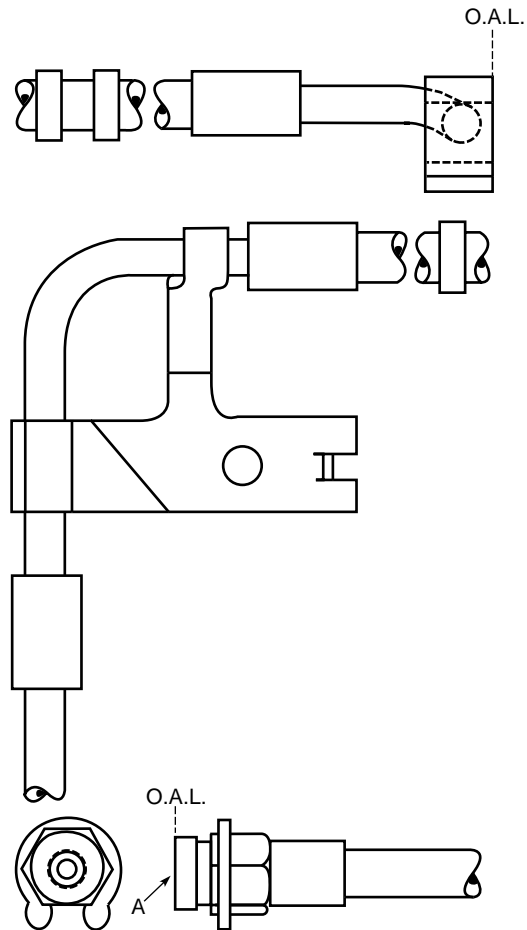
MERITOR NO.	REPLACES WAGNER NO.	FITTING SIZE			BOLT HOLE	O.A.L.
		A	B	C		
R458083	F113927	3/8"-24	—	—	7/16"	20 3/16"



MERITOR NO.	REPLACES WAGNER NO.	FITTING SIZE			BOLT HOLE	BOLT O.A.L.
		A	B	C		
R458458	F106332	3/8"-24	3/8"-24	—	—	21 1/4"



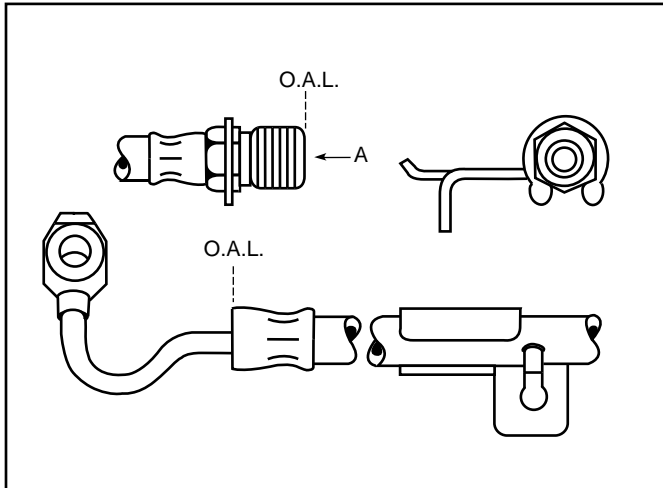
MERITOR NO.	REPLACES WAGNER NO.	FITTING SIZE			BOLT HOLE	O.A.L.
		A	B	C		
R458544	F114873	3/8"-24	—	—	7/16"	23 1/2"



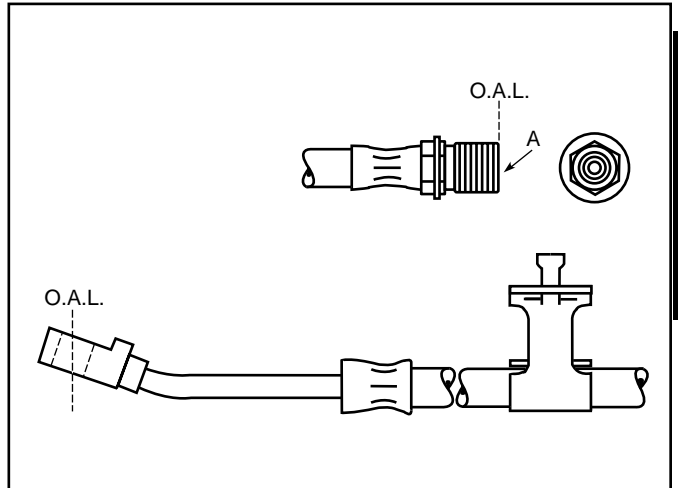
MERITOR NO.	REPLACES WAGNER NO.	FITTING SIZE			BOLT HOLE	O.A.L.
		A	B	C		
R458545	F114874	3/8"-24	—	—	7/16"	23 1/2"

HYDRAULIC BRAKE HOSES

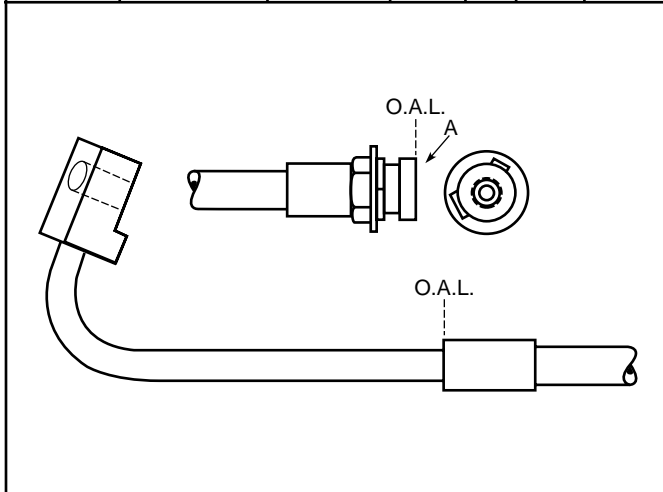
Listed in Meritor Part Number Sequence



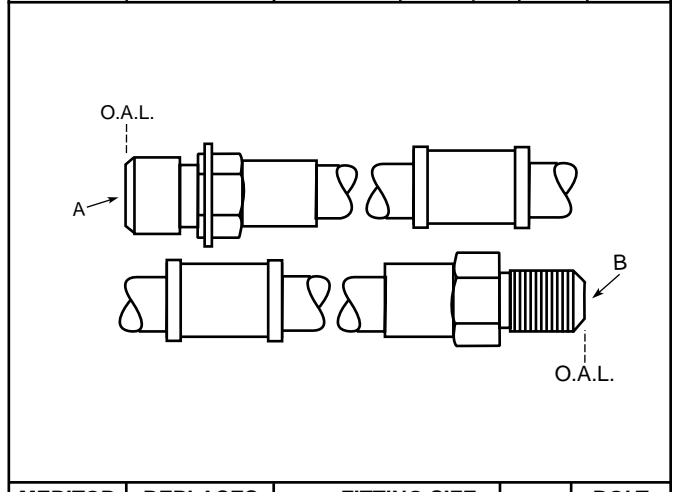
MERITOR NO.	REPLACES WAGNER NO.	FITTING SIZE			BOLT HOLE	O.A.L.
		A	B	C		
R458473	F102467	3/8"-24 Int. 5/8"-18 Ext.	—	—	3/8"	20 5/16"



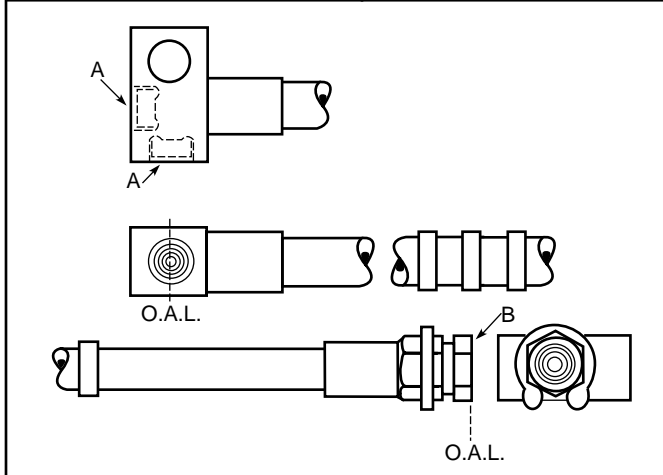
MERITOR NO.	REPLACES WAGNER NO.	FITTING SIZE			BOLT HOLE	O.A.L.
		A	B	C		
R458484	F88958	3/8"-24 Int. 5/8"-18 Ext.	—	—	7/16"	23 1/4"



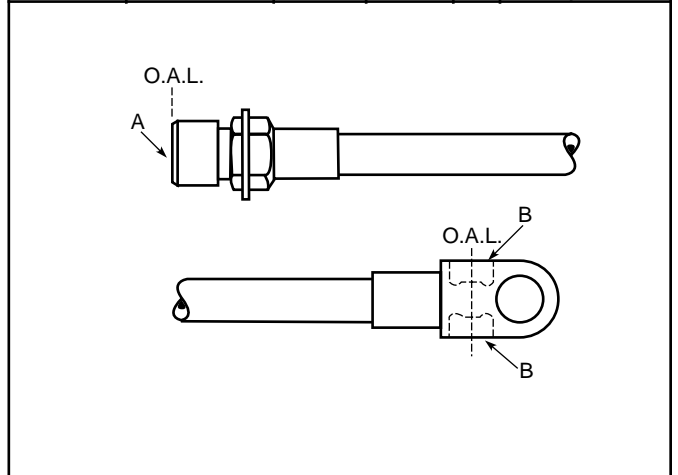
MERITOR NO.	REPLACES WAGNER NO.	FITTING SIZE			BOLT HOLE	O.A.L.
		A	B	C		
R458529	F107275	3/8"-24	—	—	3/8"	15 15/16"



MERITOR NO.	REPLACES WAGNER NO.	FITTING SIZE			BOLT HOLE	O.A.L.
		A	B	C		
R458632	F107731	7/16"-24	7/16"-24	—	—	37 15/16"



MERITOR NO.	REPLACES WAGNER NO.	FITTING SIZE			BOLT HOLE	O.A.L.
		A	B	C		
R458633	F114038	3/8"-24	3/8"-24	—	7/16"	16 1/4"

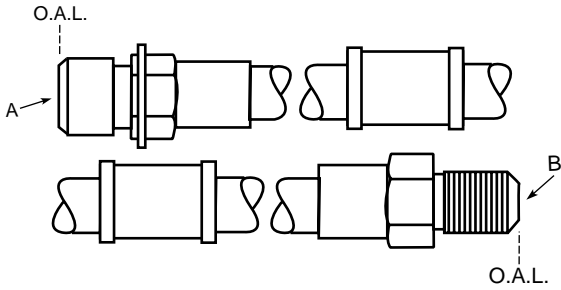


MERITOR NO.	REPLACES WAGNER NO.	FITTING SIZE			BOLT HOLE	O.A.L.
		A	B	C		
R458634	F107734	7/16"-24	7/16"-24	—	7/16"	18 5/16"

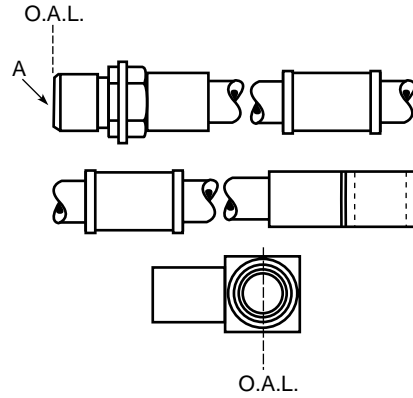
HYDRAULIC BRAKE HOSES

Listed in Meritor Part Number Sequence

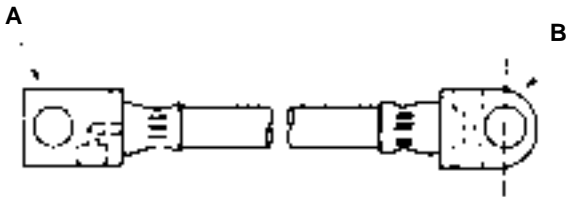
6 - BRAKE HOSES



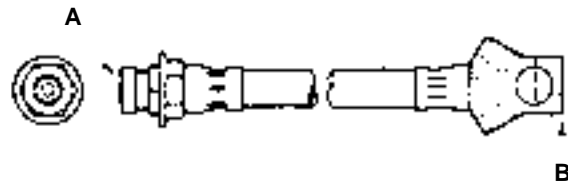
MERITOR NO.	REPLACES WAGNER NO.	FITTING SIZE			BOLT HOLE	O.A.L.
		A	B	C		
R458635	F113150	7/16"-24	7/16"-24	—	—	43 1/2"



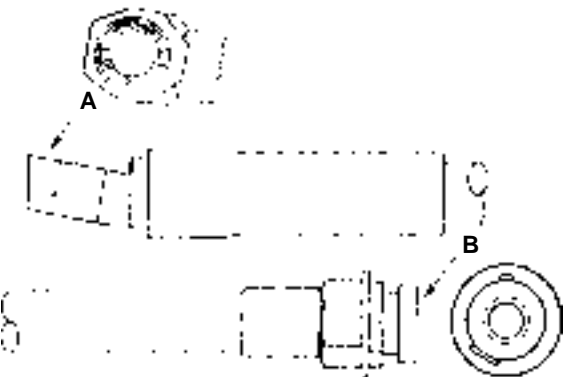
MERITOR NO.	REPLACES WAGNER NO.	FITTING SIZE			BOLT HOLE	O.A.L.
		A	B	C		
R458636	F113151	7/16"-24	—	—	3/8"	32 1/16"



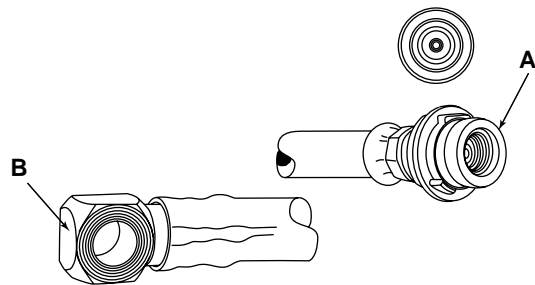
MERITOR NO.	REPLACES WAGNER NO.	FITTING SIZE			BOLT HOLE	O.A.L.
		A	B	C		
R4510440	F64846	3/8"-24	3/8"-24	—	—	16 5/8"



MERITOR NO.	REPLACES WAGNER NO.	FITTING SIZE			BOLT HOLE	O.A.L.
		A	B	C		
R4510446	F104998 F84512 F88998	3/8"-24	3/8"-24	—	—	19 3/16"



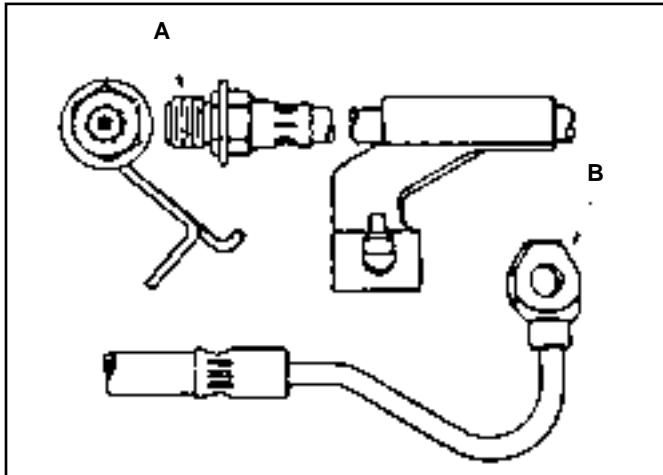
MERITOR NO.	REPLACES WAGNER NO.	FITTING SIZE			BOLT HOLE	O.A.L.
		A	B	C		
R4510447	F106887	No Thd.	3/8"-24	—	—	12"



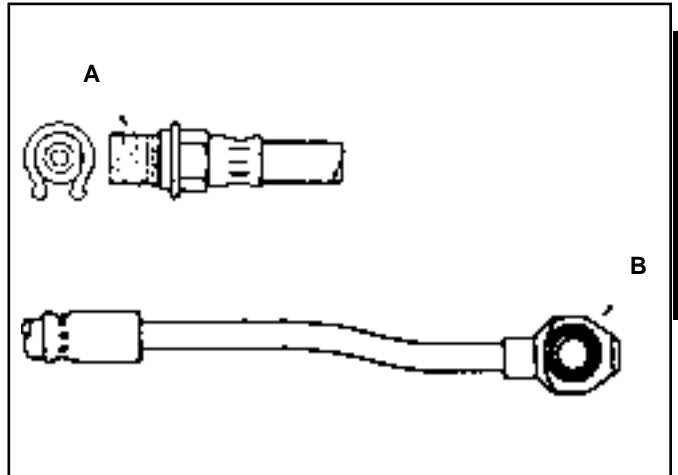
MERITOR NO.	REPLACES WAGNER NO.	FITTING SIZE			BOLT HOLE	O.A.L.
		A	B	C		
R4510448	F106886	3/8"-24	No.Thd.	—	—	12 1/4"

HYDRAULIC BRAKE HOSES

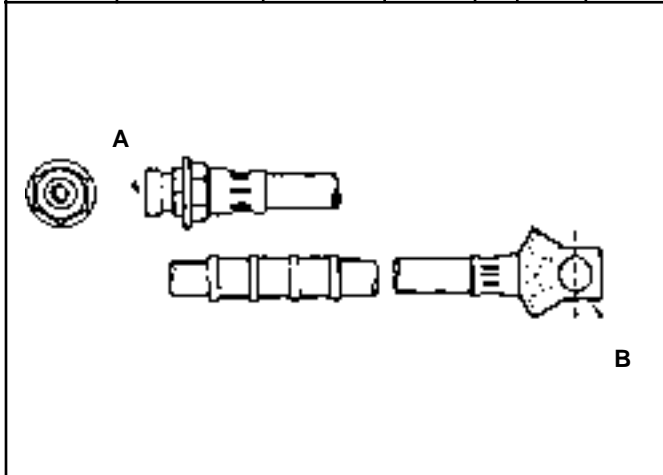
Listed in Meritor Part Number Sequence



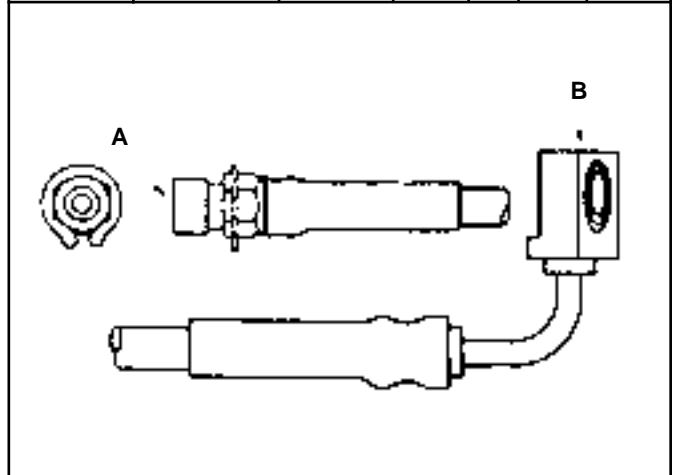
MERITOR NO.	REPLACES WAGNER NO.	FITTING SIZE			BOLT HOLE	O.A.L.
		A	B	C		
R4510452	—	3/8"-24 Int. 5/8"-18 Ent.	No Thread	—	—	23 5/32"



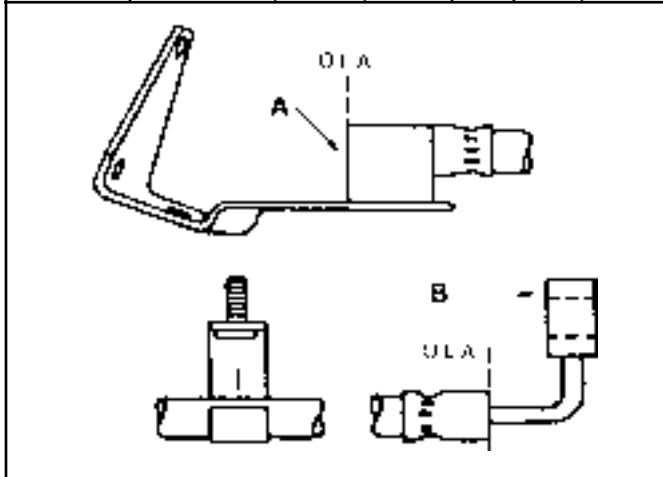
MERITOR NO.	REPLACES WAGNER NO.	FITTING SIZE			BOLT HOLE	O.A.L.
		A	B	C		
R4510453	F98926	3/8"-24 Int. 5/8"-18 Ent.	No Thread	—	—	21 5/32"



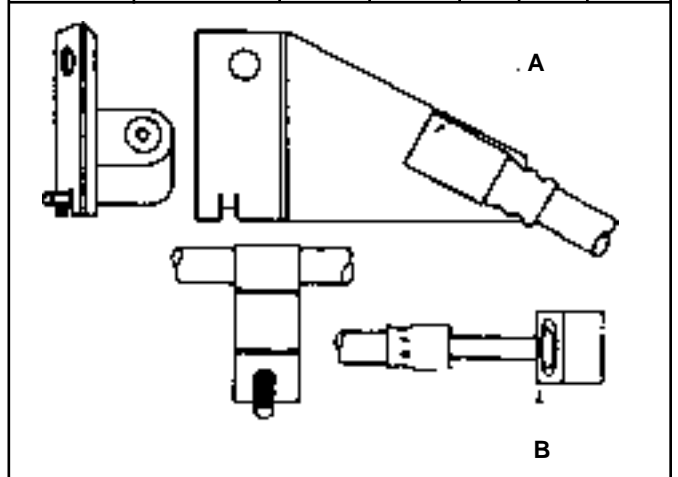
MERITOR NO.	REPLACES WAGNER NO.	FITTING SIZE			BOLT HOLE	O.A.L.
		A	B	C		
R4510454	F100771	3/8"-24	3/8"-24	—	—	24 13/16"



MERITOR NO.	REPLACES WAGNER NO.	FITTING SIZE			BOLT HOLE	O.A.L.
		A	B	C		
R4510457	F98919	3/8"-24	No. Thread	—	—	22"



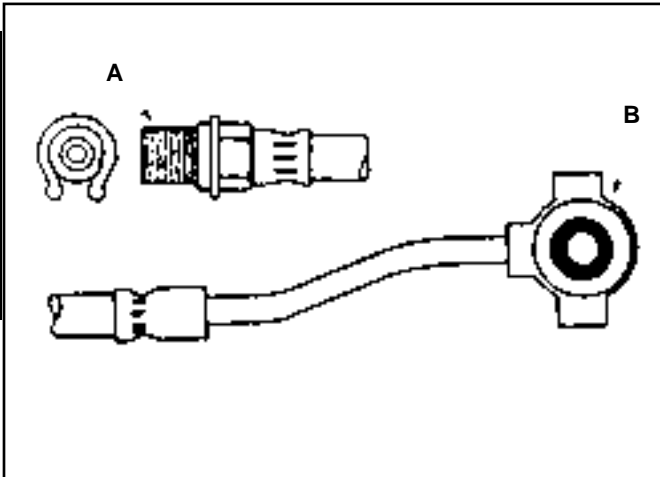
MERITOR NO.	REPLACES WAGNER NO.	FITTING SIZE			BOLT HOLE	O.A.L.
		A	B	C		
R4510458	F98932 F106625	3/8"-24	No. Thread	—	—	22 7/8"



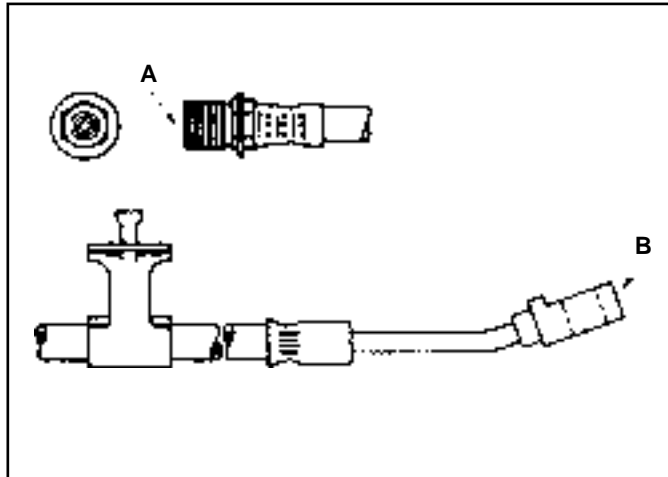
MERITOR NO.	REPLACES WAGNER NO.	FITTING SIZE			BOLT HOLE	O.A.L.
		A	B	C		
R4510459	F98931	3/8"-24	No. Thread	—	—	23"

HYDRAULIC BRAKE HOSES

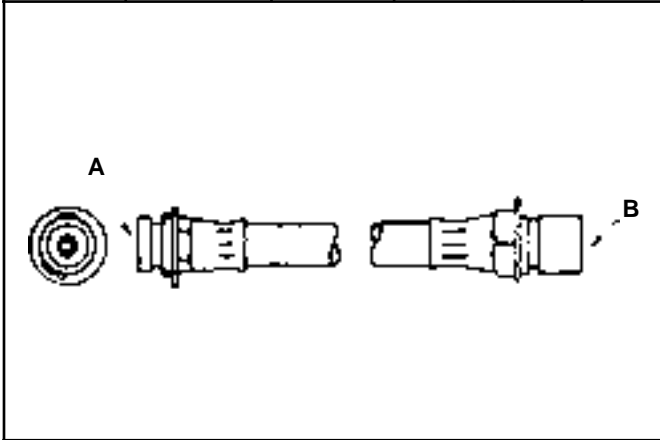
Listed in Meritor Part Number Sequence



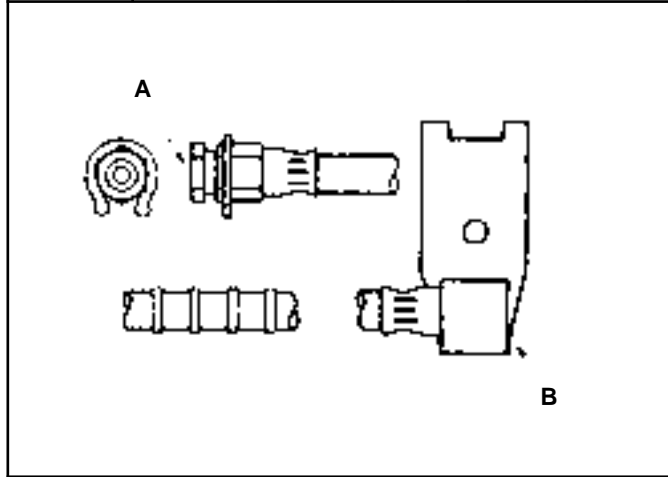
MERITOR NO.	REPLACES WAGNER NO.	FITTING SIZE			BOLT HOLE	O.A.L.
		A	B	C		
R4510450	F98925	3/8"-24 Int. 5/8"-18 Ent.	No Thread	—	—	21 1/2"



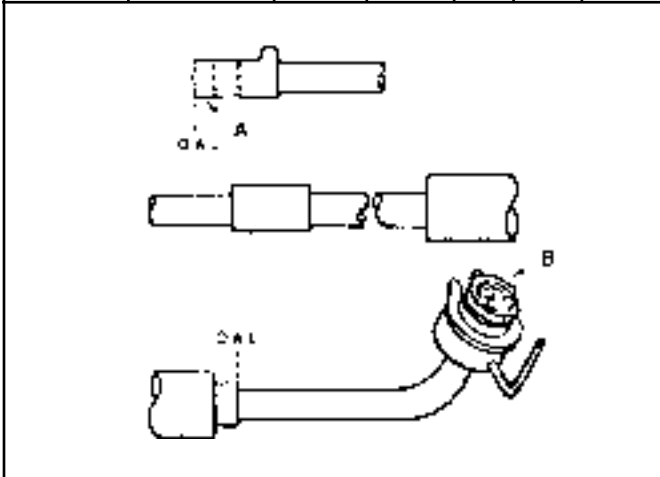
MERITOR NO.	REPLACES WAGNER NO.	FITTING SIZE			BOLT HOLE	O.A.L.
		A	B	C		
R4510451	F80018 F88957	3/8"-24 Int. 5/8"-18 Ent.	No Thread	—	—	23 1/8"



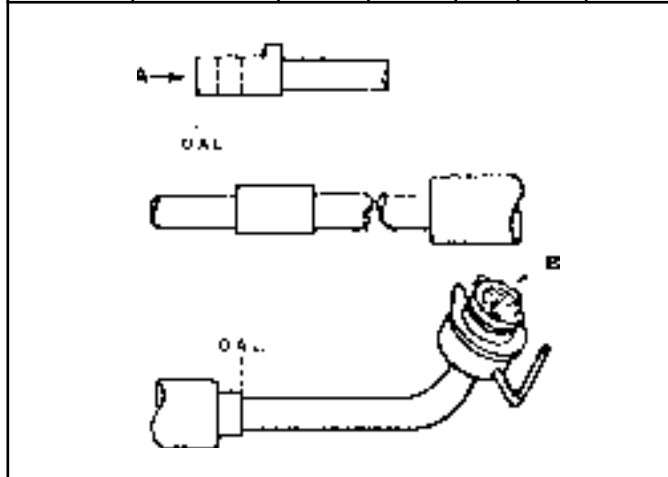
MERITOR NO.	REPLACES WAGNER NO.	FITTING SIZE			BOLT HOLE	O.A.L.
		A	B	C		
R4510462	F106345 F118426 F118427 F123285	M10x1	M10x1	—	—	8"



MERITOR NO.	REPLACES WAGNER NO.	FITTING SIZE			BOLT HOLE	O.A.L.
		A	B	C		
R4510466	F106332	3/8"-24	3/8"-24	—	—	21 1/4"



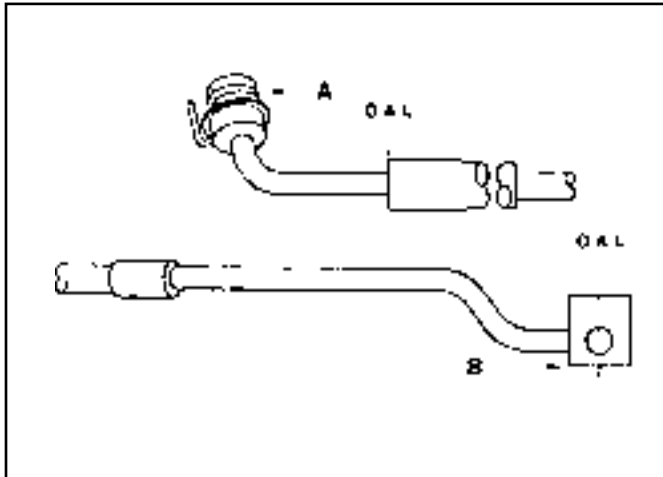
MERITOR NO.	REPLACES WAGNER NO.	FITTING SIZE			BOLT HOLE	O.A.L.
		A	B	C		
R4510471	F111132	No. Thd.	3/8"-24	—	—	19 13/16"



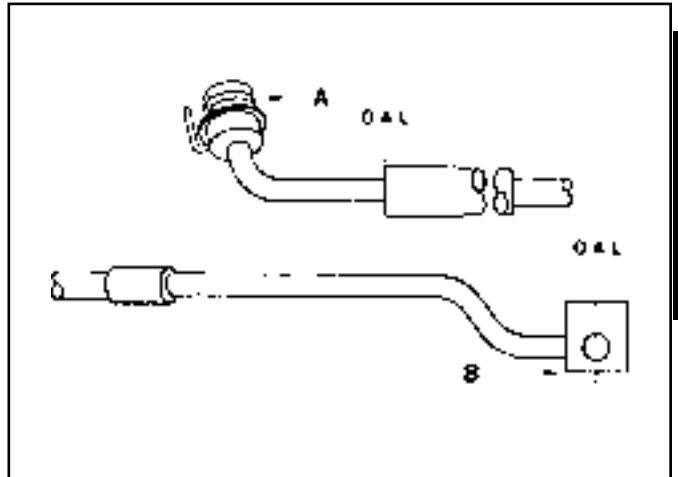
MERITOR NO.	REPLACES WAGNER NO.	FITTING SIZE			BOLT HOLE	O.A.L.
		A	B	C		
R4510472	F111133	No. Thd.	3/8"-24	—	—	19 7/8"

HYDRAULIC BRAKE HOSES

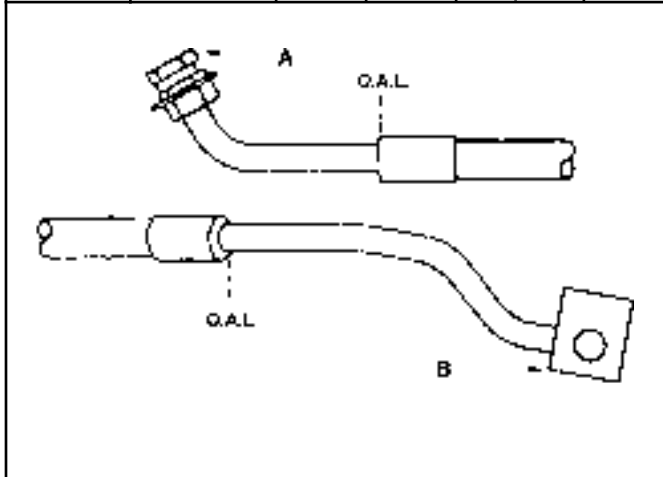
Listed in Meritor Part Number Sequence



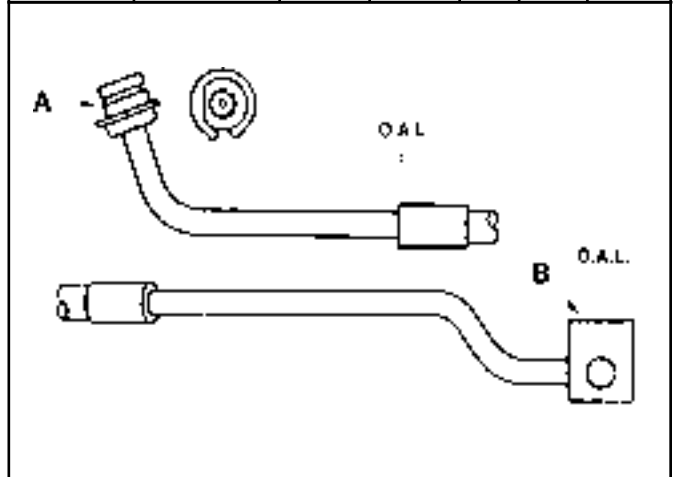
MERITOR NO.	REPLACES WAGNER NO.	FITTING SIZE			BOLT HOLE	O.A.L.
		A	B	C		
R4510487	F111953	3/8"-24	No Thd.	—	—	22 3/8"



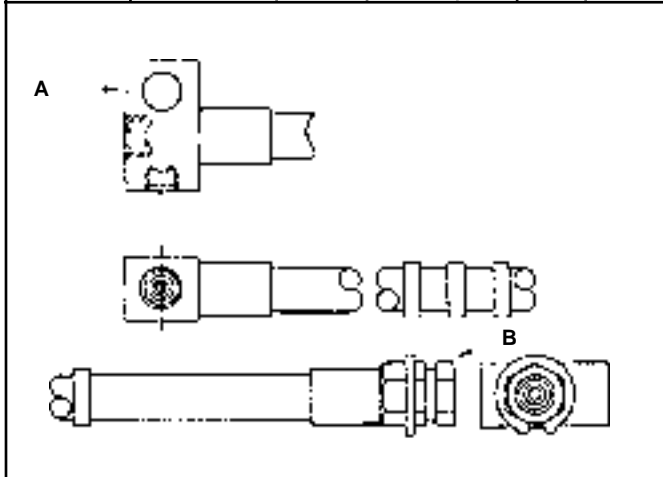
MERITOR NO.	REPLACES WAGNER NO.	FITTING SIZE			BOLT HOLE	O.A.L.
		A	B	C		
R4510488	F111952	3/8"-24	No Thd.	—	—	22 3/8"



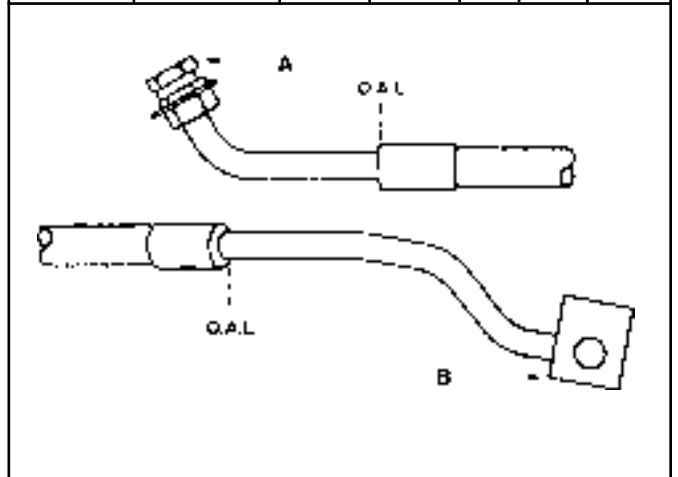
MERITOR NO.	REPLACES WAGNER NO.	FITTING SIZE			BOLT HOLE	O.A.L.
		A	B	C		
R4510494	F111955	3/8"-24	No Thd.	—	—	21 7/8"



MERITOR NO.	REPLACES WAGNER NO.	FITTING SIZE			BOLT HOLE	O.A.L.
		A	B	C		
R4510491	F111957	3/8"-24	No Thd.	—	—	24 1/16"



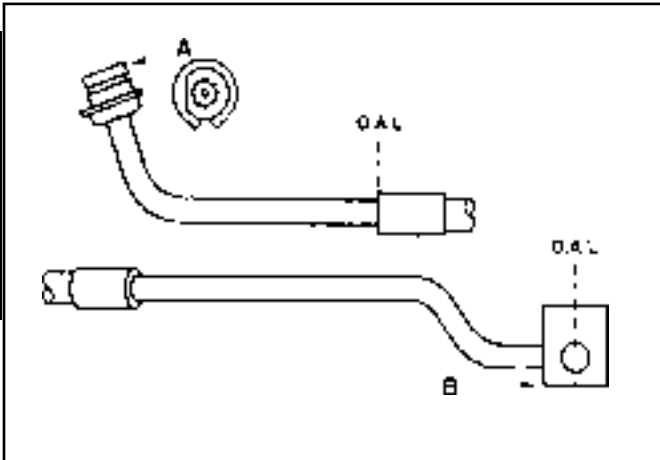
MERITOR NO.	REPLACES WAGNER NO.	FITTING SIZE			BOLT HOLE	O.A.L.
		A	B	C		
R4510492	F111951	7/16"-24	3/8"-24	—	—	16 1/2"
	F114038	3/8"-24	3/8"-24	—	—	16 1/2"



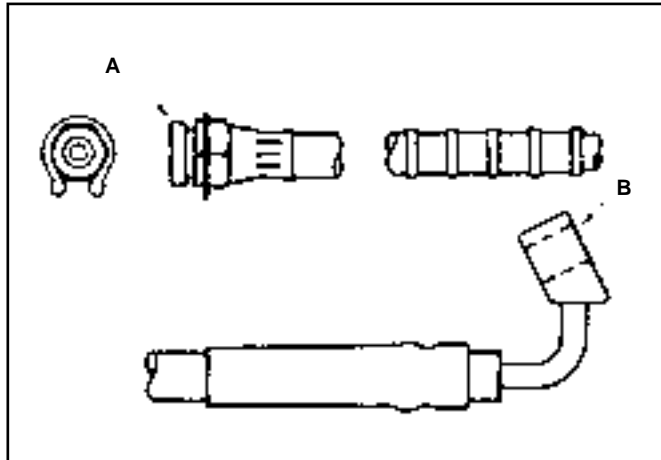
MERITOR NO.	REPLACES WAGNER NO.	FITTING SIZE			BOLT HOLE	O.A.L.
		A	B	C		
R4510495	F111954	3/8"-24	No Thd.	—	—	21 7/8"

HYDRAULIC BRAKE HOSES

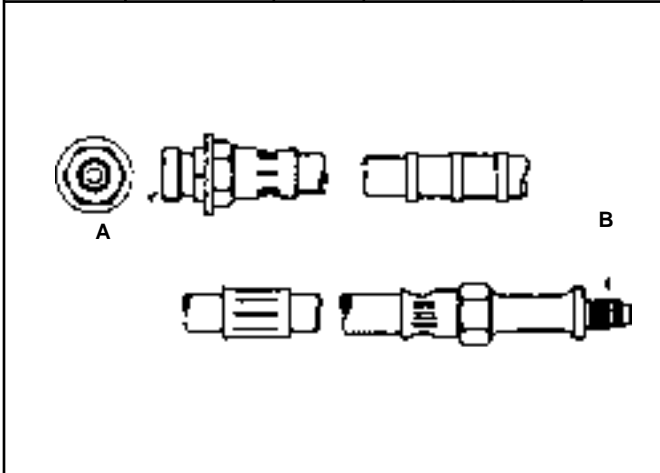
Listed in Meritor Part Number Sequence



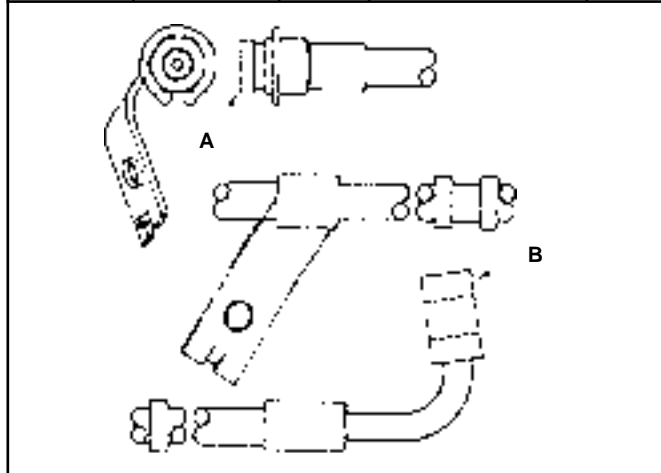
MERITOR NO.	REPLACES WAGNER NO.	FITTING SIZE			BOLT HOLE	O.A.L.
		A	B	C		
R4510497	F111956	3/8"-24	No Thd.	—	—	24 3/16"



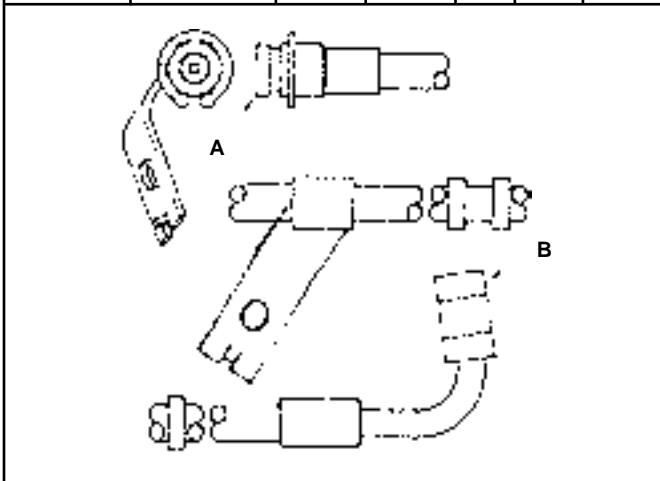
MERITOR NO.	REPLACES WAGNER NO.	FITTING SIZE			BOLT HOLE	O.A.L.
		A	B	C		
R4510498	F84529 F97661 F97662	3/8"-24	No Thd.	—	—	10 3/16"



MERITOR NO.	REPLACES WAGNER NO.	FITTING SIZE			BOLT HOLE	O.A.L.
		A	B	C		
R4510500	F102335 F102477	3/8"-24	7/16"-20	—	—	21 5/8"



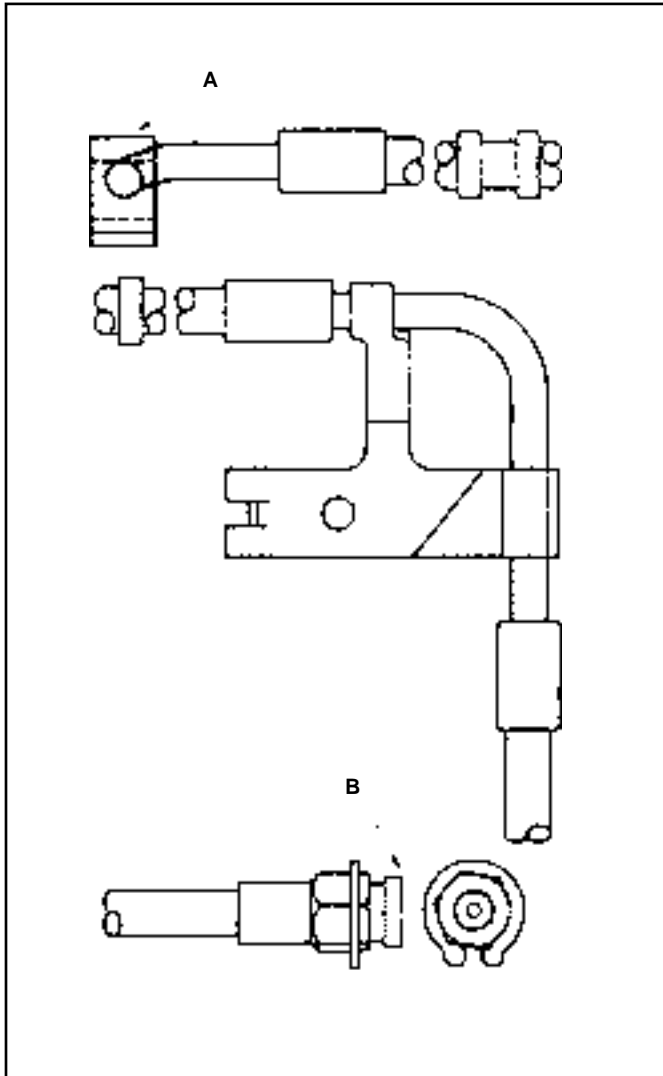
MERITOR NO.	REPLACES WAGNER NO.	FITTING SIZE			BOLT HOLE	O.A.L.
		A	B	C		
R4510503	F118081	3/8"-24	No Thd.	—	—	21 7/8"



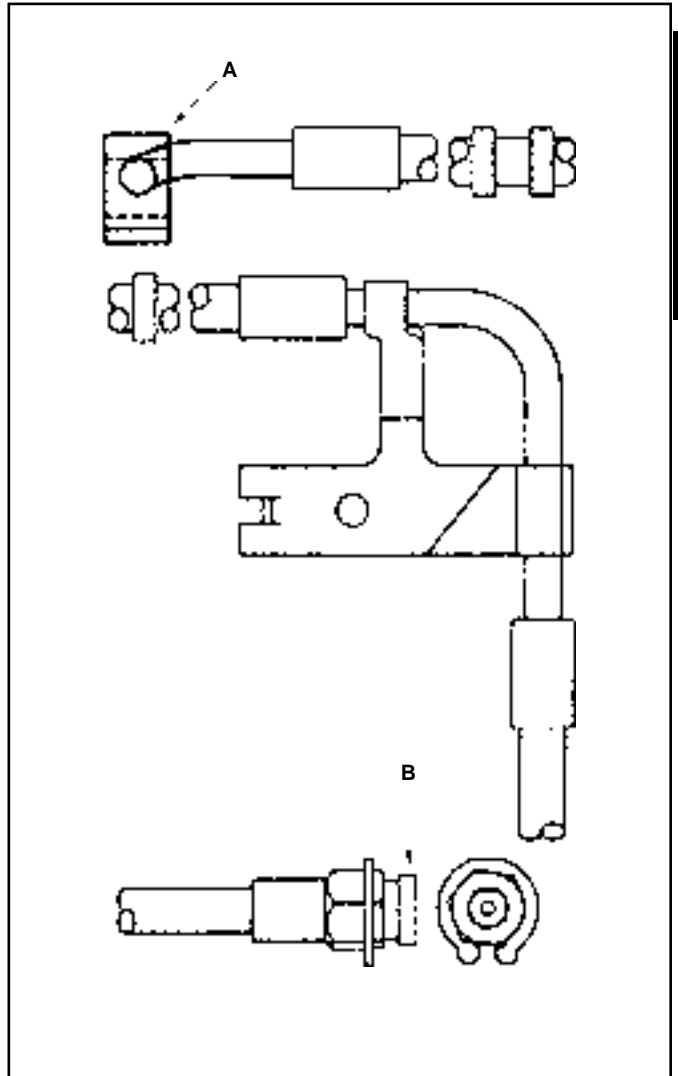
MERITOR NO.	REPLACES WAGNER NO.	FITTING SIZE			BOLT HOLE	O.A.L.
		A	B	C		
R4510504	F118082	3/8"-24	No Thd.	—	—	21 7/8"

HYDRAULIC BRAKE HOSES

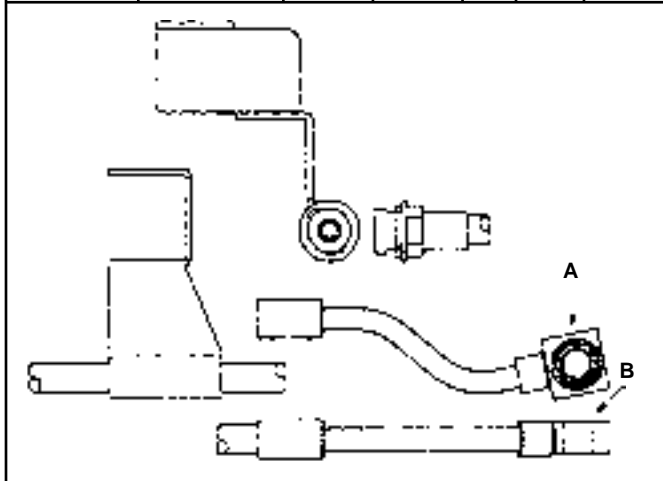
Listed in Meritor Part Number Sequence



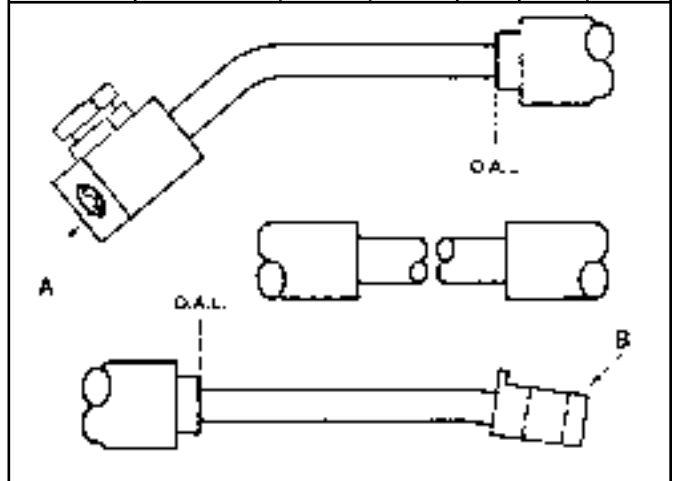
MERITOR NO.	REPLACES WAGNER NO.	FITTING SIZE			BOLT HOLE	O.A.L.
		A	B	C		
R4510505	F114874	M10x1	M10x1	—	—	23 1/2"



MERITOR NO.	REPLACES WAGNER NO.	FITTING SIZE			BOLT HOLE	O.A.L.
		A	B	C		
R4510506	F114873	No Thd.	3/8"-24	—	—	23 1/2"



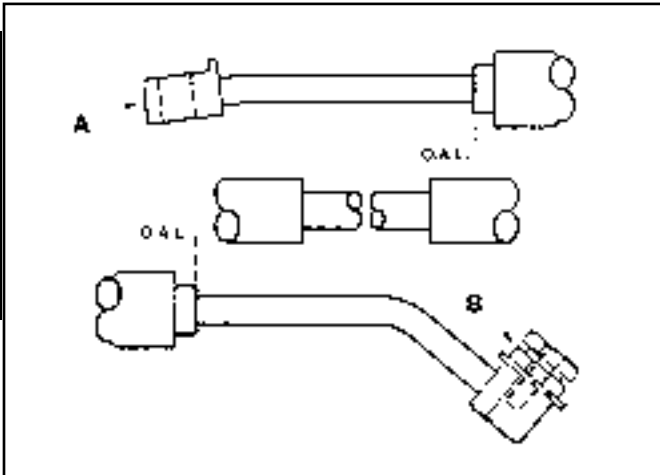
MERITOR NO.	REPLACES WAGNER NO.	FITTING SIZE			BOLT HOLE	O.A.L.
		A	B	C		
R4510509	F116851 F120542	No Thd.	3/8"-24	—	—	25 3/4"



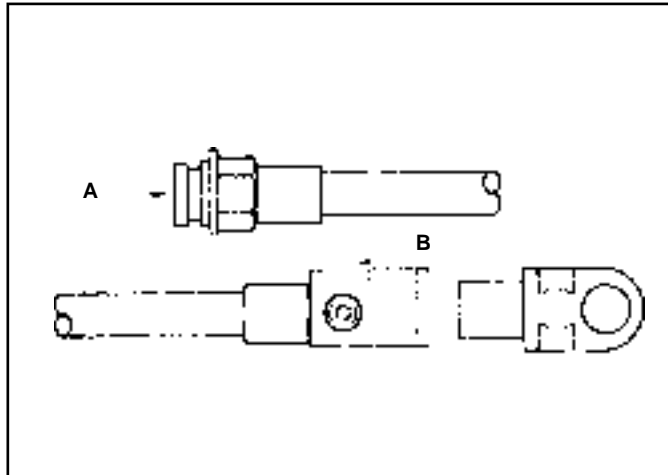
MERITOR NO.	REPLACES WAGNER NO.	FITTING SIZE			BOLT HOLE	O.A.L.
		A	B	C		
R4510510	F120538	3/8"-24	No Thd.	—	—	19 1/4"

HYDRAULIC BRAKE HOSES

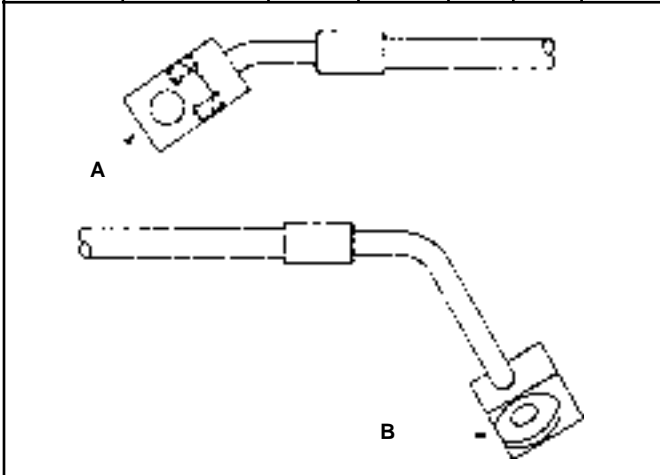
Listed in Meritor Part Number Sequence



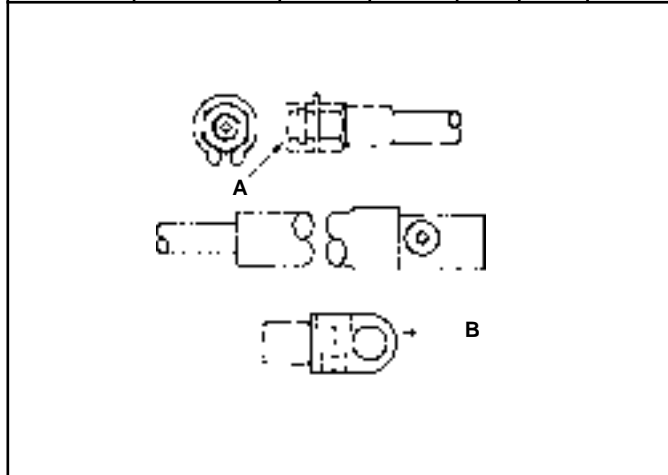
MERITOR NO.	REPLACES WAGNER NO.	FITTING SIZE			BOLT HOLE	O.A.L.
		A	B	C		
R4510511	F120539	No Thd.	3/8"-24	—	—	19 1/4"



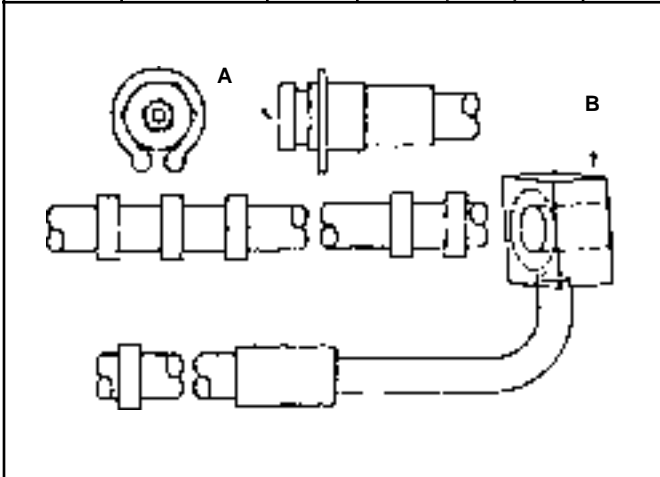
MERITOR NO.	REPLACES WAGNER NO.	FITTING SIZE			BOLT HOLE	O.A.L.
		A	B	C		
R4510512	—	3/8"-24	3/8"-24	—	—	20"



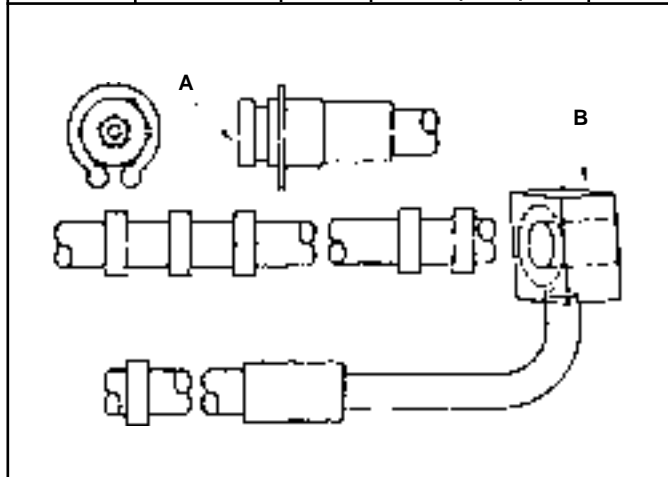
MERITOR NO.	REPLACES WAGNER NO.	FITTING SIZE			BOLT HOLE	O.A.L.
		A	B	C		
R4510514	F120872	3/8"-24	No Thd.	—	—	21 1/2"



MERITOR NO.	REPLACES WAGNER NO.	FITTING SIZE			BOLT HOLE	O.A.L.
		A	B	C		
R4510515	—	3/8"-24	3/8"-24	—	—	20 1/8"



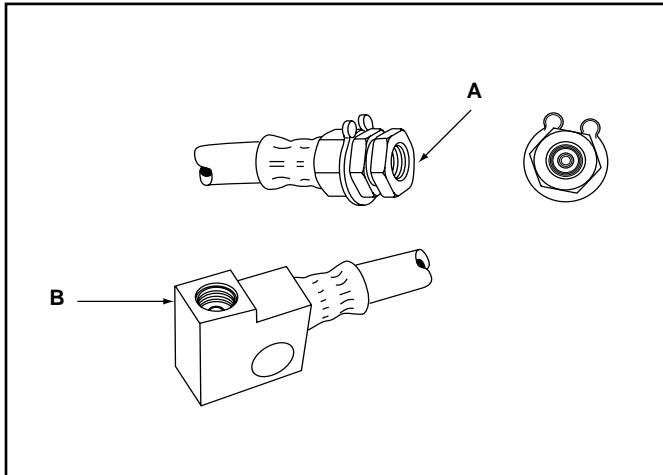
MERITOR NO.	REPLACES WAGNER NO.	FITTING SIZE			BOLT HOLE	O.A.L.
		A	B	C		
R4510516	F120518	3/8"-24	No Thd.	—	—	14 7/8"



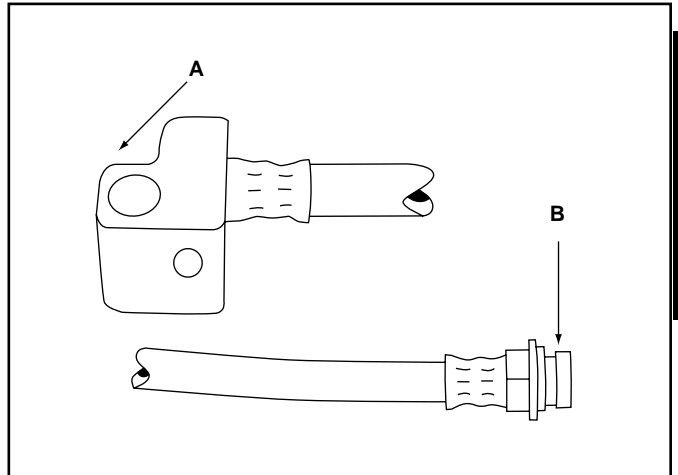
MERITOR NO.	REPLACES WAGNER NO.	FITTING SIZE			BOLT HOLE	O.A.L.
		A	B	C		
R4510517	F120519	3/8"-24	No Thd.	—	—	14 7/8"

HYDRAULIC BRAKE HOSES

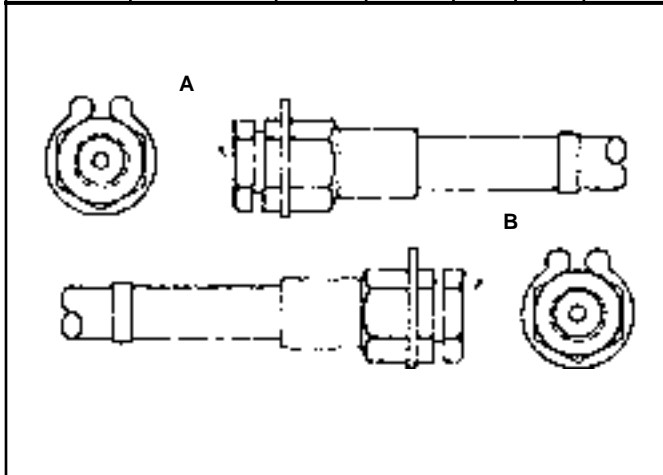
Listed in Meritor Part Number Sequence



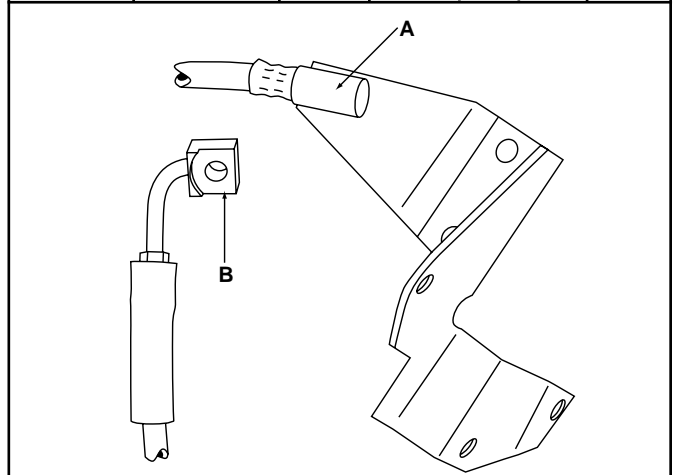
MERITOR NO.	REPLACES WAGNER NO.	FITTING SIZE			BOLT HOLE	O.A.L.
		A	B	C		
R4510518	F120520	3/8"-24	3/8"-24	—	—	22 1/8"



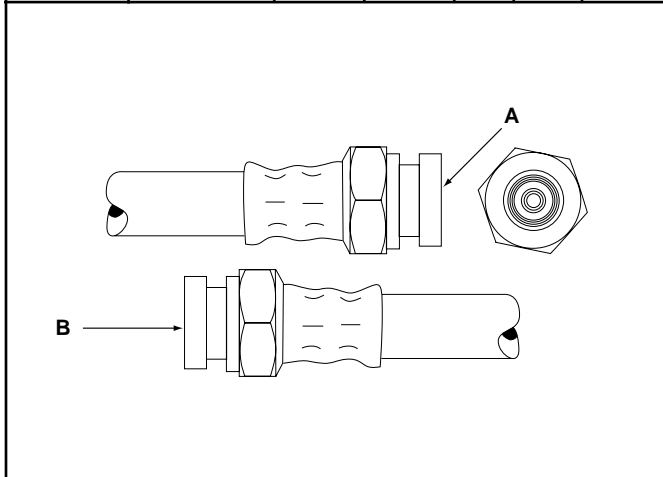
MERITOR NO.	REPLACES WAGNER NO.	FITTING SIZE			BOLT HOLE	O.A.L.
		A	B	C		
R4510520	F128683	3/8"-24	3/8"-24	—	—	17 1/4"



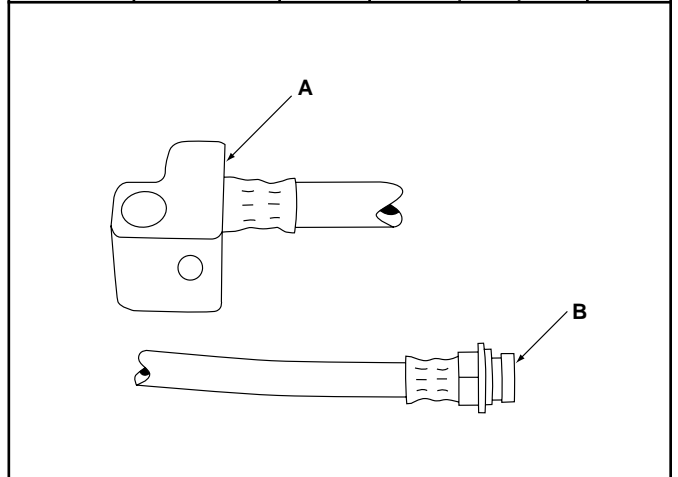
MERITOR NO.	REPLACES WAGNER NO.	FITTING SIZE			BOLT HOLE	O.A.L.
		A	B	C		
R4510521	F116804	3/8"-24	3/8"-24	—	—	9 3/8"



MERITOR NO.	REPLACES WAGNER NO.	FITTING SIZE			BOLT HOLE	O.A.L.
		A	B	C		
R4510525	F124719	3/8"-24	No Thd.	—	—	19 7/8"



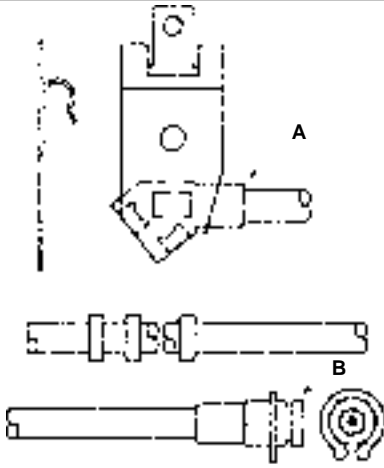
MERITOR NO.	REPLACES WAGNER NO.	FITTING SIZE			BOLT HOLE	O.A.L.
		A	B	C		
R4510528	F123791	M10x1	M10x1	—	—	17 3/4"



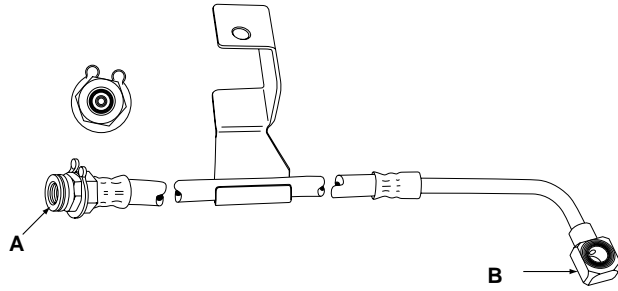
MERITOR NO.	REPLACES WAGNER NO.	FITTING SIZE			BOLT HOLE	O.A.L.
		A	B	C		
R4510530	F124814	3/8"-24	3/8"-24	—	—	18 1/8"

HYDRAULIC BRAKE HOSES

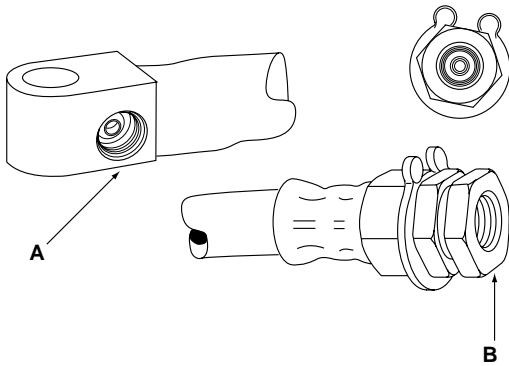
Listed in Meritor Part Number Sequence



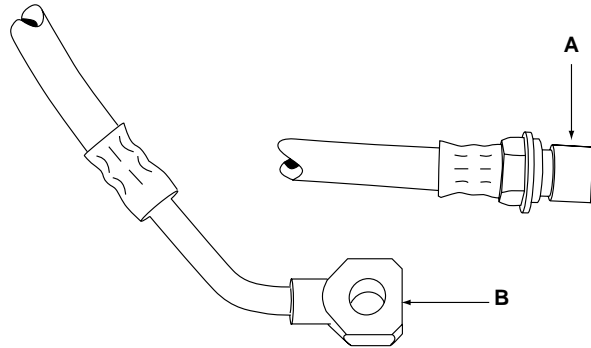
MERITOR NO.	REPLACES WAGNER NO.	FITTING SIZE			BOLT HOLE	O.A.L.
		A	B	C		
R4510532	F120537 F123292	3/8"-24	3/8"-24	—	—	19 5/8"



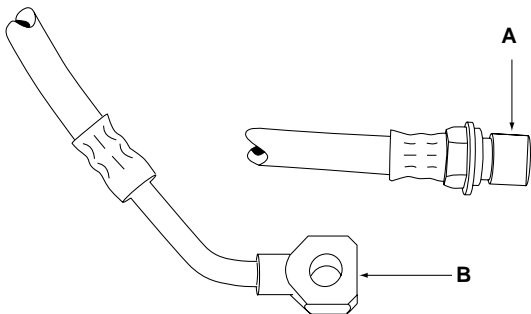
MERITOR NO.	REPLACES WAGNER NO.	FITTING SIZE			BOLT HOLE	O.A.L.
		A	B	C		
R4510534	F123306	3/8"-24	No Thd.	—	—	24 11/16"



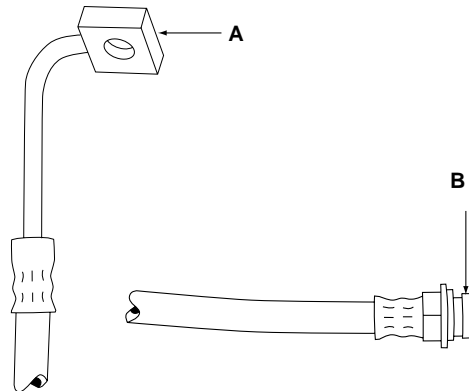
MERITOR NO.	REPLACES WAGNER NO.	FITTING SIZE			BOLT HOLE	O.A.L.
		A	B	C		
R4510537	F124595	No Thd.	3/8"-24	—	—	21 1/2"



MERITOR NO.	REPLACES WAGNER NO.	FITTING SIZE			BOLT HOLE	O.A.L.
		A	B	C		
R4510538	F124597	M12x1	No Thd.	—	—	21 7/8"



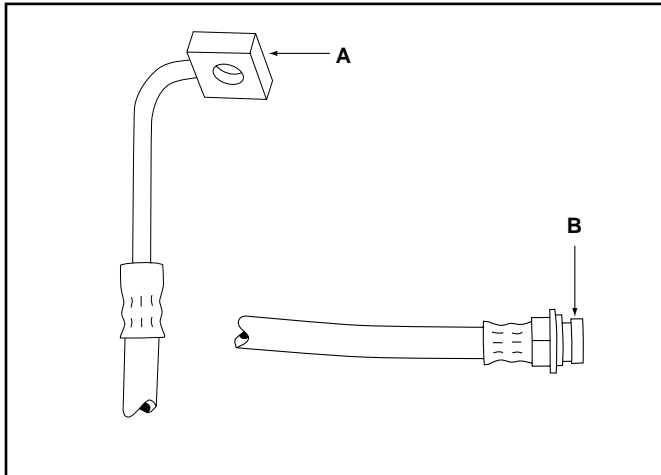
MERITOR NO.	REPLACES WAGNER NO.	FITTING SIZE			BOLT HOLE	O.A.L.
		A	B	C		
R4510539	F124598	3/8"-24	No Thd.	—	—	21 7/8"



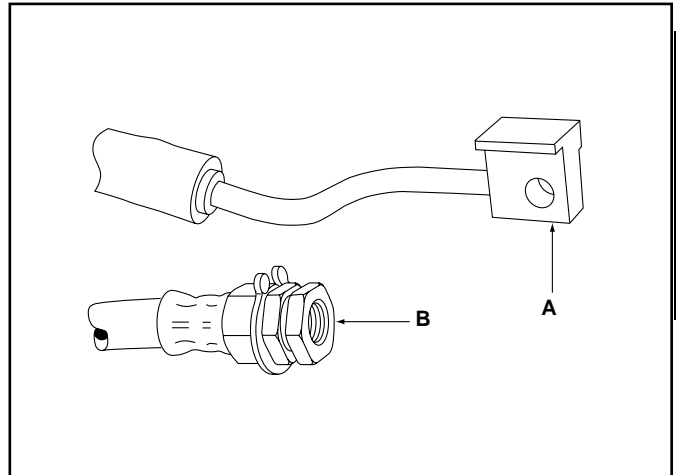
MERITOR NO.	REPLACES WAGNER NO.	FITTING SIZE			BOLT HOLE	O.A.L.
		A	B	C		
R4510545	F124759	No Thd.	3/8"-24	—	—	29 1/2"

HYDRAULIC BRAKE HOSES

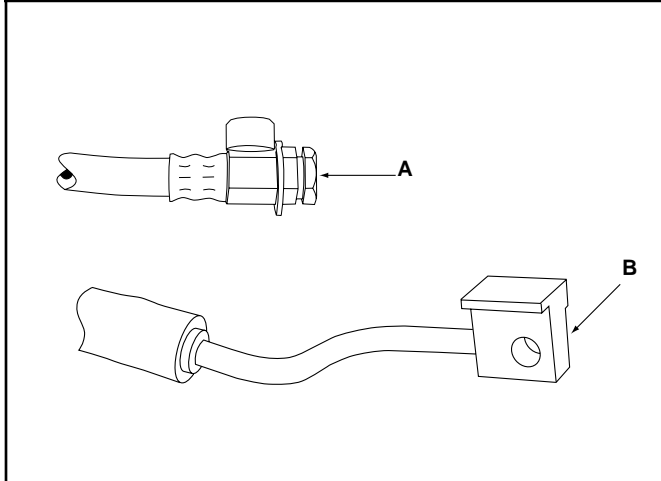
Listed in Meritor Part Number Sequence



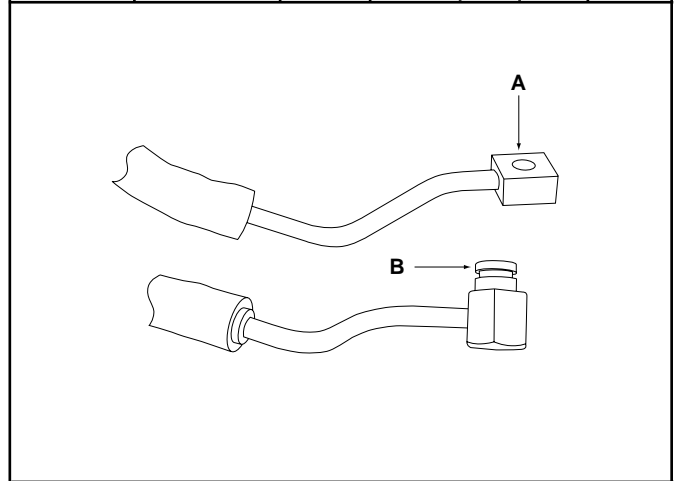
MERITOR NO.	REPLACES WAGNER NO.	FITTING SIZE			BOLT HOLE	O.A.L.
		A	B	C		
R4510546	F124758	No Thd.	3/8"-24	—	—	29 1/2"



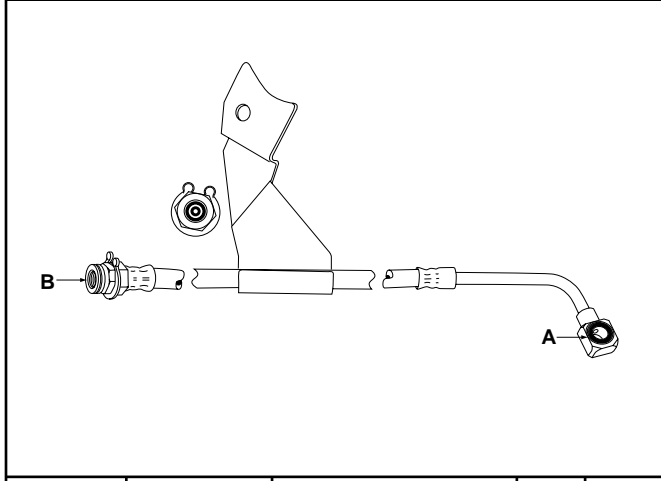
MERITOR NO.	REPLACES WAGNER NO.	FITTING SIZE			BOLT HOLE	O.A.L.
		A	B	C		
R4510549	F124725	No Thd.	3/8"-24	—	—	20 7/8"



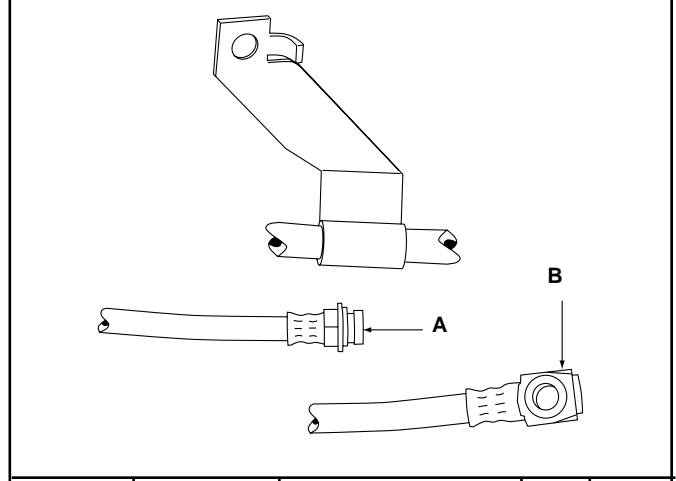
MERITOR NO.	REPLACES WAGNER NO.	FITTING SIZE			BOLT HOLE	O.A.L.
		A	B	C		
R4510550	F124724	3/8"-24	No Thd.	—	—	20 7/8"



MERITOR NO.	REPLACES WAGNER NO.	FITTING SIZE			BOLT HOLE	O.A.L.
		A	B	C		
R4510552	F124740	No Thd.	3/8"-24	—	—	20 1/4"



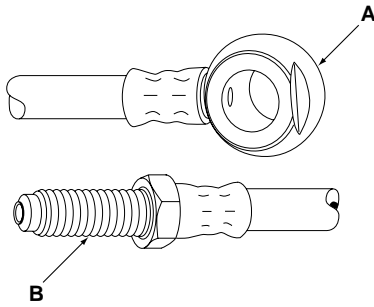
MERITOR NO.	REPLACES WAGNER NO.	FITTING SIZE			BOLT HOLE	O.A.L.
		A	B	C		
R4510553	F124739	No Thd.	3/8"-24	—	—	20 1/4"



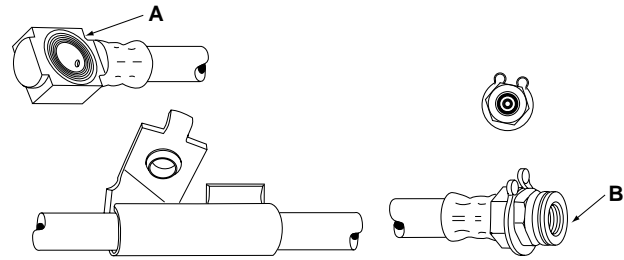
MERITOR NO.	REPLACES WAGNER NO.	FITTING SIZE			BOLT HOLE	O.A.L.
		A	B	C		
R4510563	F128695	—	—	—	—	13"

HYDRAULIC BRAKE HOSES

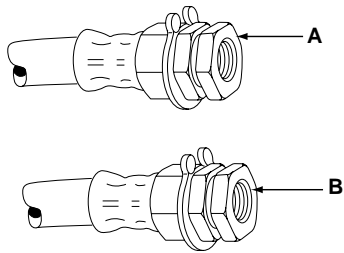
Listed in Meritor Part Number Sequence



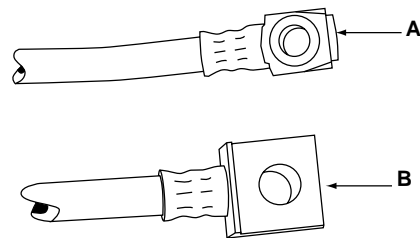
MERITOR NO.	REPLACES WAGNER NO.	FITTING SIZE			BOLT HOLE	O.A.L.
		A	B	C		
R4510558	F126758	No Thd.	12mm x 1.5	—	—	21 1/8"



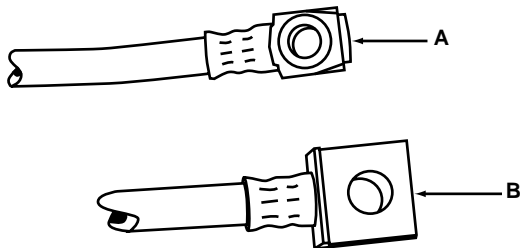
MERITOR NO.	REPLACES WAGNER NO.	FITTING SIZE			BOLT HOLE	O.A.L.
		A	B	C		
R4510564	F128694	—	—	—	—	26 1/4"



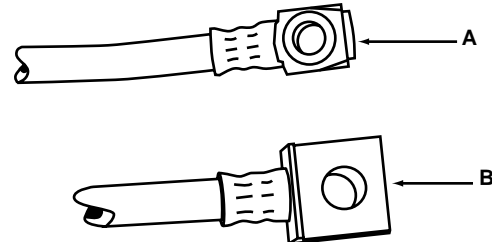
MERITOR NO.	REPLACES WAGNER NO.	FITTING SIZE			BOLT HOLE	O.A.L.
		A	B	C		
R4510565	F130685	—	—	—	—	22 1/2"



MERITOR NO.	REPLACES WAGNER NO.	FITTING SIZE			BOLT HOLE	O.A.L.
		A	B	C		
R4510566	F126775	3/8"-24	No Thd.	—	—	23"



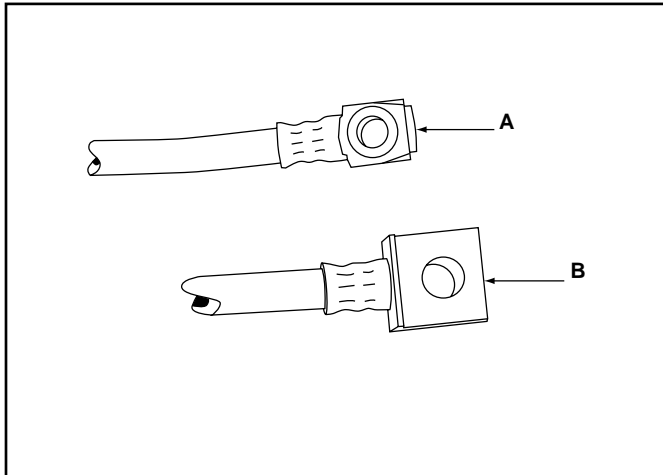
MERITOR NO.	REPLACES WAGNER NO.	FITTING SIZE			BOLT HOLE	O.A.L.
		A	B	C		
R4510567	F126774	3/8"-24	No Thd.	—	—	17 1/2"



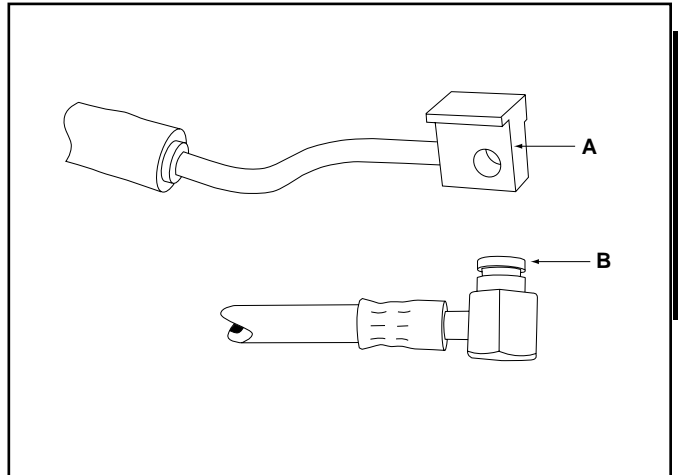
MERITOR NO.	REPLACES WAGNER NO.	FITTING SIZE			BOLT HOLE	O.A.L.
		A	B	C		
R4510568	F130315	3/8"-24	No Thd.	—	—	21 3/4"

HYDRAULIC BRAKE HOSES

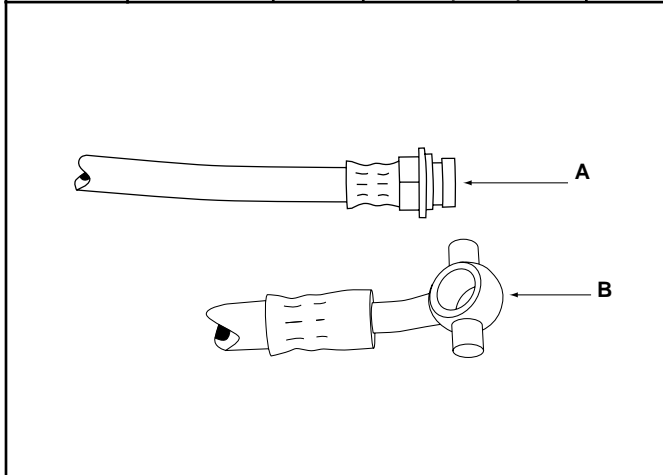
Listed in Meritor Part Number Sequence



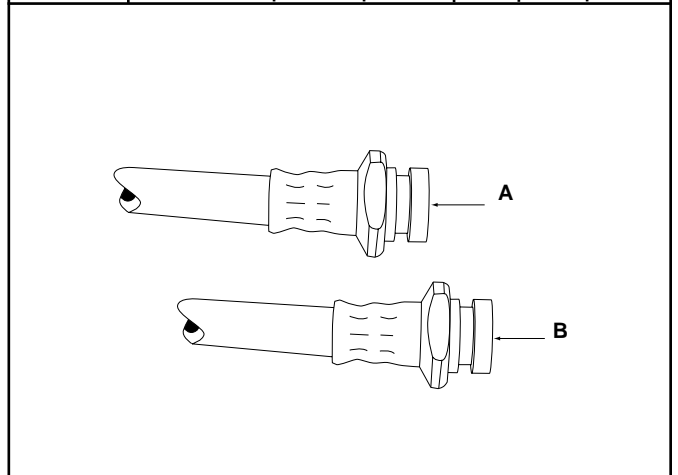
MERITOR NO.	REPLACES WAGNER NO.	FITTING SIZE			BOLT HOLE	O.A.L.
		A	B	C		
R4510569	F130314	3/8"-24	3/8"-24	—	—	18 1/2"



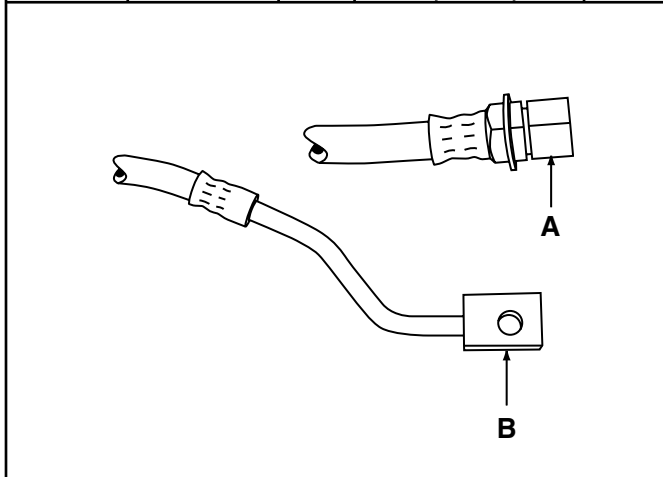
MERITOR NO.	REPLACES WAGNER NO.	FITTING SIZE			BOLT HOLE	O.A.L.
		A	B	C		
R4510571	F130428	No Thd.	3/8"-24	—	—	20"



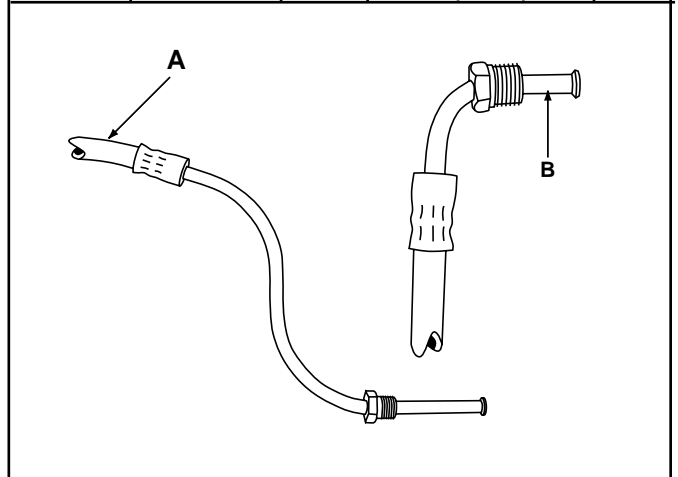
MERITOR NO.	REPLACES WAGNER NO.	FITTING SIZE			BOLT HOLE	O.A.L.
		A	B	C		
R4510573	F130326	—	—	—	—	10 1/4"



MERITOR NO.	REPLACES WAGNER NO.	FITTING SIZE			BOLT HOLE	O.A.L.
		A	B	C		
R4510574	F130327	M10 x1	M10 x1	—	—	22"



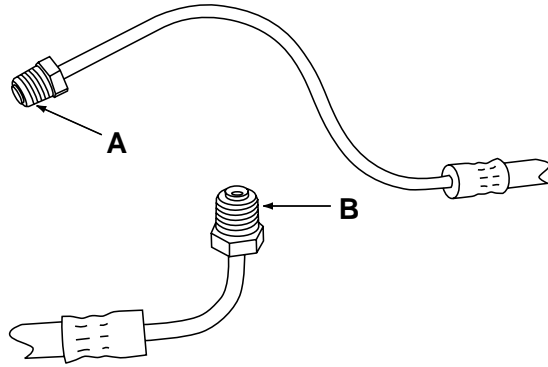
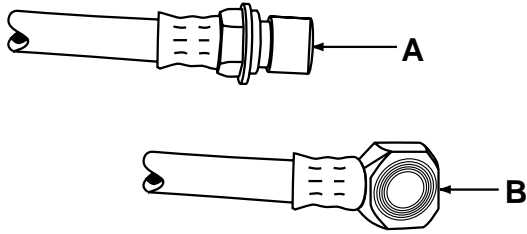
MERITOR NO.	REPLACES WAGNER NO.	FITTING SIZE			BOLT HOLE	O.A.L.
		A	B	C		
R4510582	F80962	10mm x 1	No Thd.	—	—	29 1/8"



MERITOR NO.	REPLACES WAGNER NO.	FITTING SIZE			BOLT HOLE	O.A.L.
		A	B	C		
R4510589	—	9/16"-18	7/16"-24	—	—	11"

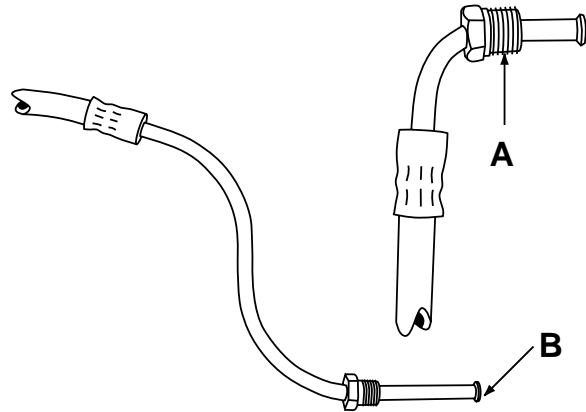
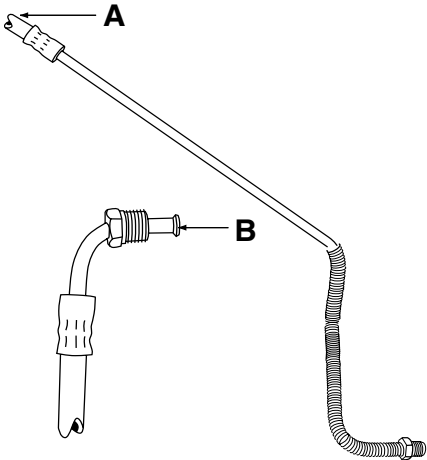
HYDRAULIC BRAKE HOSES

Listed in Meritor Part Number Sequence



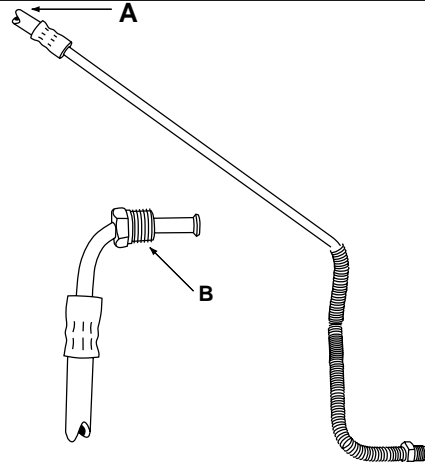
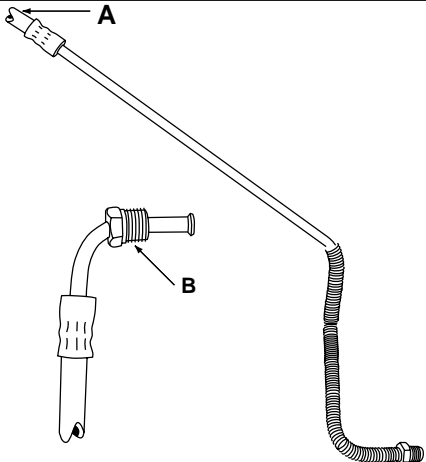
MERITOR NO.	REPLACES WAGNER NO.	FITTING SIZE			BOLT HOLE	O.A.L.
		A	B	C		
R4510583	F124596 F132325	3/8"-24	No Thd.	—	—	36 3/4"

MERITOR NO.	REPLACES WAGNER NO.	FITTING SIZE			BOLT HOLE	O.A.L.
		A	B	C		
R4510584	—	1/2"-20	1/2"-20	—	—	11 3/4"



MERITOR NO.	REPLACES WAGNER NO.	FITTING SIZE			BOLT HOLE	O.A.L.
		A	B	C		
R4510585	—	3/8"-24	1/2"-20	—	—	14"

MERITOR NO.	REPLACES WAGNER NO.	FITTING SIZE			BOLT HOLE	O.A.L.
		A	B	C		
R4510586	—	3/8"-24	1/2"-20	—	—	10 1/4"

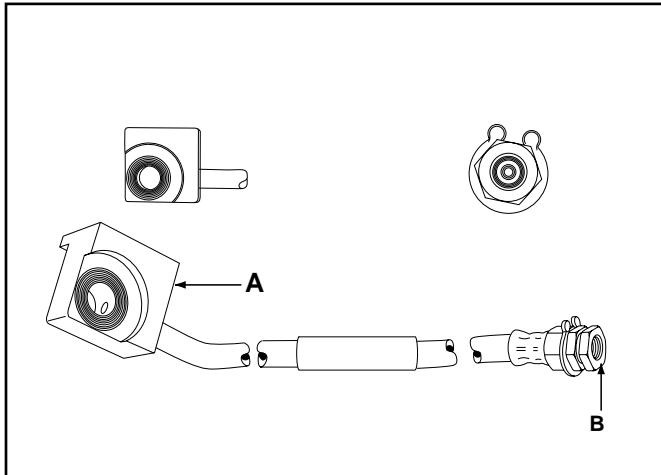


MERITOR NO.	REPLACES WAGNER NO.	FITTING SIZE			BOLT HOLE	O.A.L.
		A	B	C		
R4510587	—	1/2"-20	1/2"-20	—	—	34"

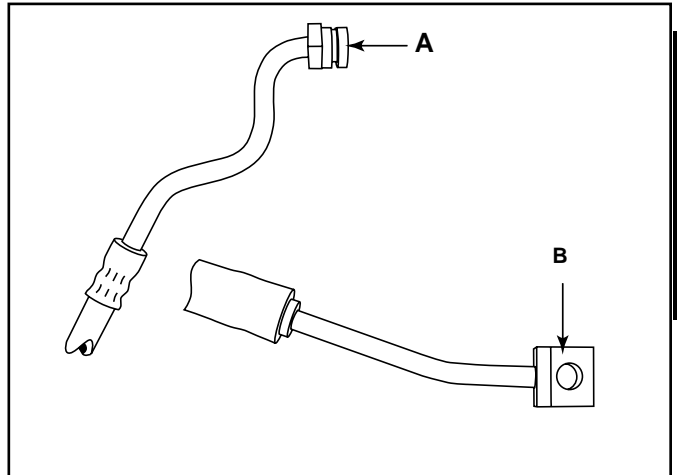
MERITOR NO.	REPLACES WAGNER NO.	FITTING SIZE			BOLT HOLE	O.A.L.
		A	B	C		
R4510588	—	9/16"-18	7/16"-24	—	—	11"

HYDRAULIC BRAKE HOSES

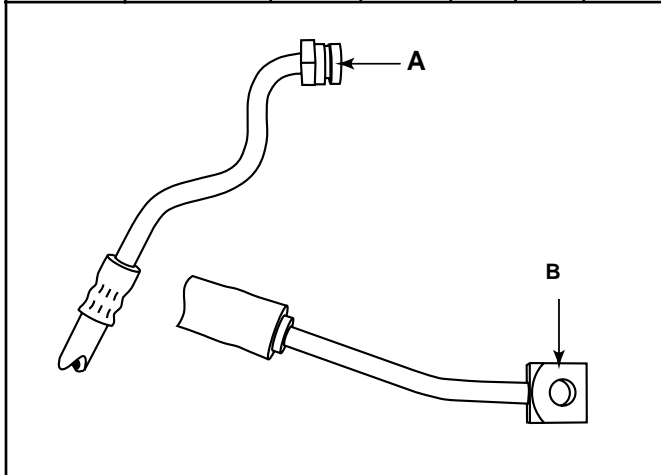
Listed in Meritor Part Number Sequence



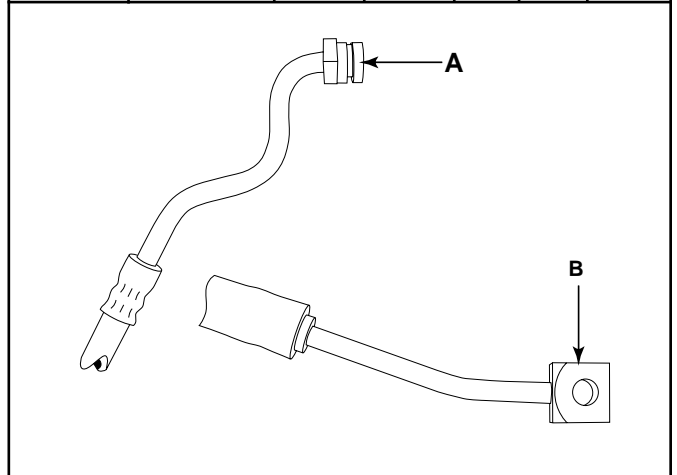
MERITOR NO.	REPLACES WAGNER NO.	FITTING SIZE			BOLT HOLE	O.A.L.
		A	B	C		
R4510592	F132318	No Thd.	3/8"-24	—	—	18 3/8"



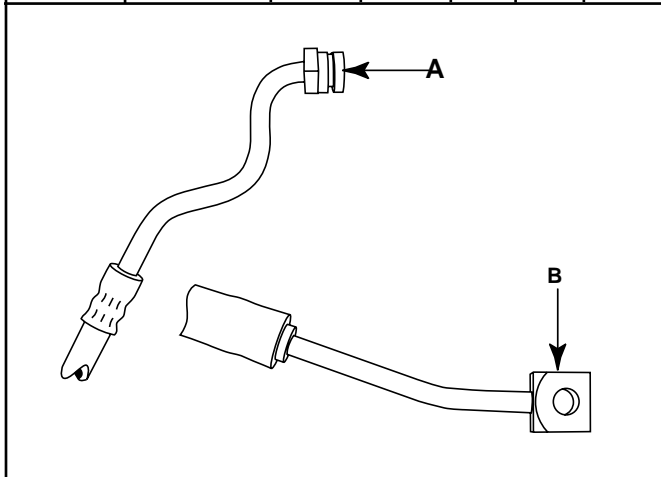
MERITOR NO.	REPLACES WAGNER NO.	FITTING SIZE			BOLT HOLE	O.A.L.
		A	B	C		
R4510594	F30433	3/8"-24	No Thd.	—	—	21 1/2"



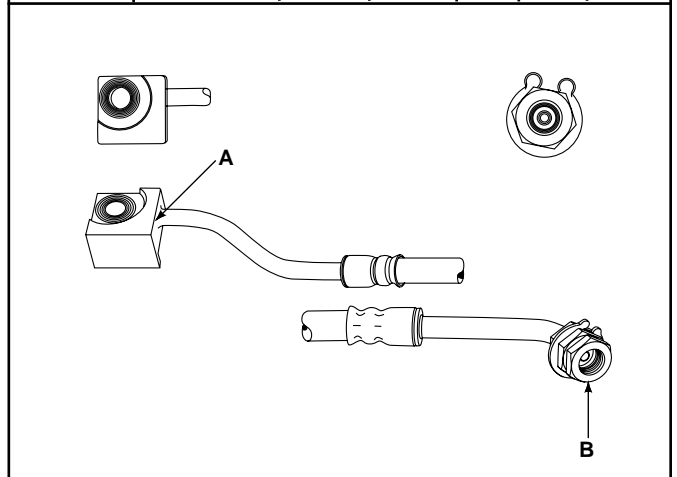
MERITOR NO.	REPLACES WAGNER NO.	FITTING SIZE			BOLT HOLE	O.A.L.
		A	B	C		
R4510595	F130434	3/8"-24	No Thd.	—	—	24"



MERITOR NO.	REPLACES WAGNER NO.	FITTING SIZE			BOLT HOLE	O.A.L.
		A	B	C		
R4510596	F130435	—	—	—	—	22 3/4"



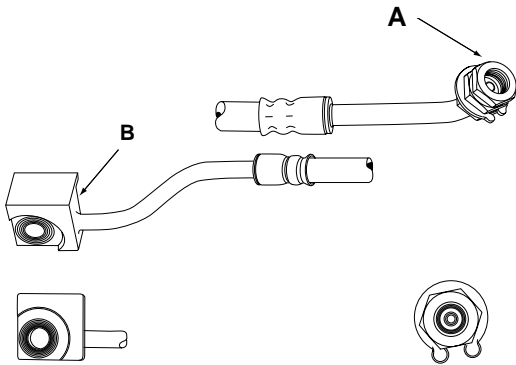
MERITOR NO.	REPLACES WAGNER NO.	FITTING SIZE			BOLT HOLE	O.A.L.
		A	B	C		
R4510597	F130436	3/8"-24	No Thd.	—	—	20 3/4"



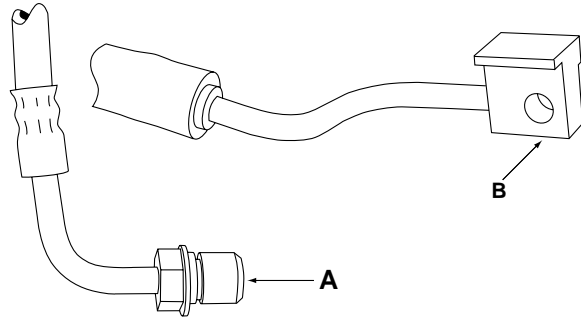
MERITOR NO.	REPLACES WAGNER NO.	FITTING SIZE			BOLT HOLE	O.A.L.
		A	B	C		
R4510598	F132468	—	—	—	—	24 3/4"

HYDRAULIC BRAKE HOSES

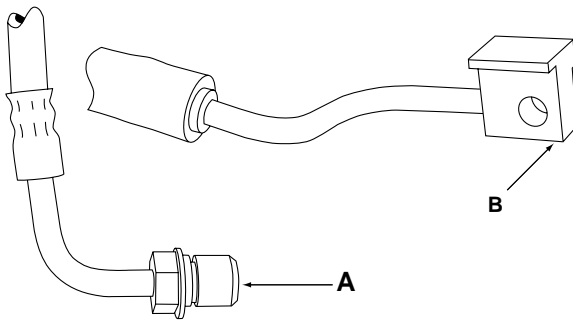
Listed in Meritor Part Number Sequence



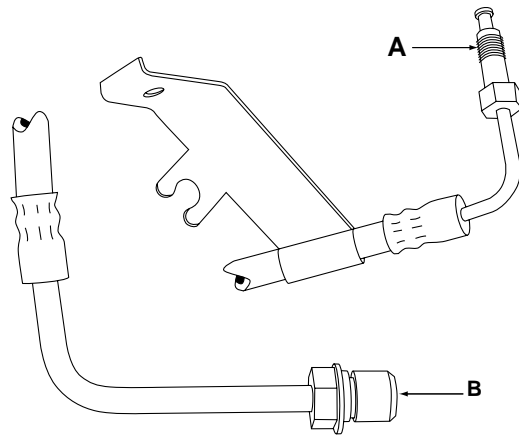
MERITOR NO.	REPLACES WAGNER NO.	FITTING SIZE			BOLT HOLE	O.A.L.
		A	B	C		
R4510599	F132467	3/8"-24	No Thd.	—	—	24 3/4"



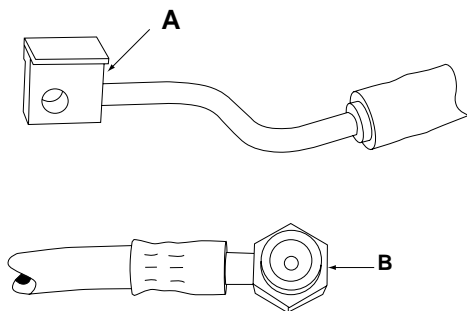
MERITOR NO.	REPLACES WAGNER NO.	FITTING SIZE			BOLT HOLE	O.A.L.
		A	B	C		
R4510602	F132192	3/8"-24	No Thd.	—	—	24"



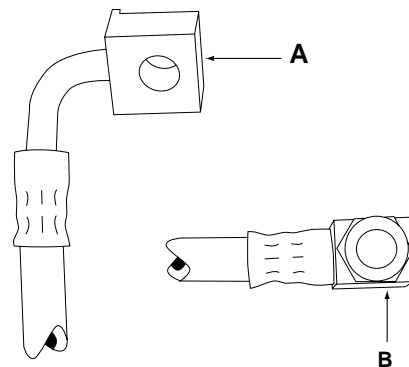
MERITOR NO.	REPLACES WAGNER NO.	FITTING SIZE			BOLT HOLE	O.A.L.
		A	B	C		
R4510603	F132194	3/8"-24	No Thd.	—	—	24"



MERITOR NO.	REPLACES WAGNER NO.	FITTING SIZE			BOLT HOLE	O.A.L.
		A	B	C		
R4510604	F132412	M10 x1	M10 x 1	—	—	20 3/4"



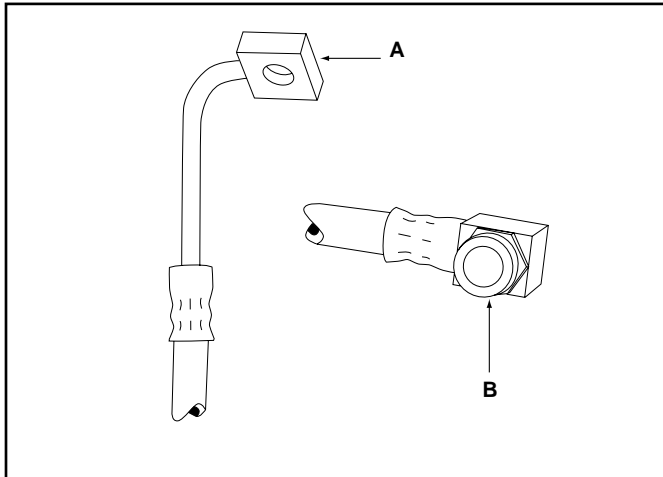
MERITOR NO.	REPLACES WAGNER NO.	FITTING SIZE			BOLT HOLE	O.A.L.
		A	B	C		
R4510617	F132193	No Thd.	3/8"-24	—	—	18 1/2"



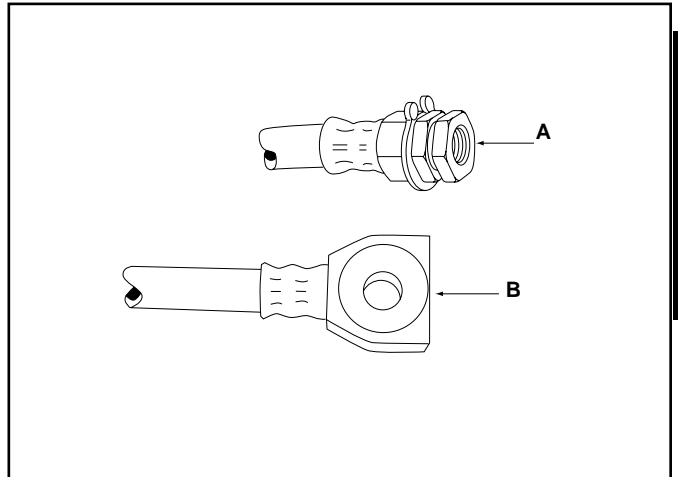
MERITOR NO.	REPLACES WAGNER NO.	FITTING SIZE			BOLT HOLE	O.A.L.
		A	B	C		
R4510618	—	No Thd.	3/8"-24	—	—	16"

HYDRAULIC BRAKE HOSES

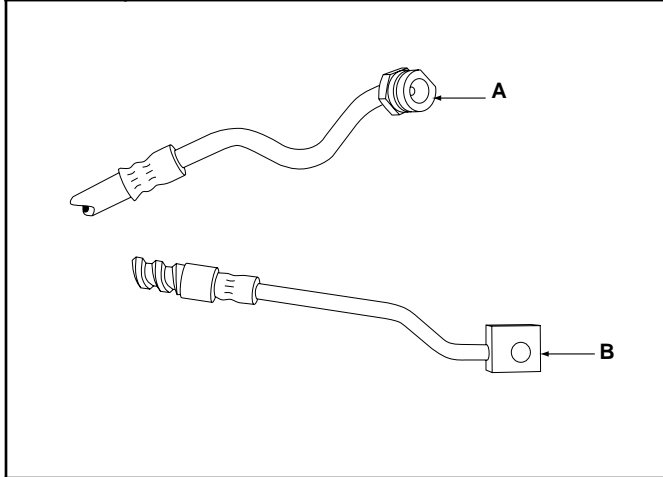
Listed in Meritor Part Number Sequence



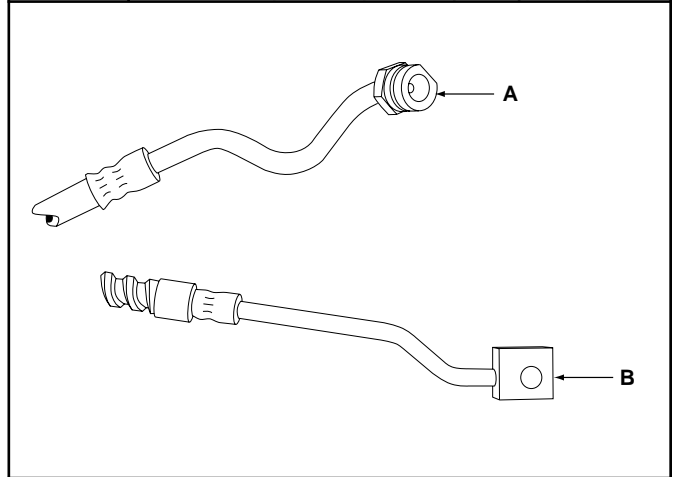
MERITOR NO.	REPLACES WAGNER NO.	FITTING SIZE			BOLT HOLE	O.A.L.
		A	B	C		
R4510619	—	No Thd.	3/8"-24	—	—	18 1/2"



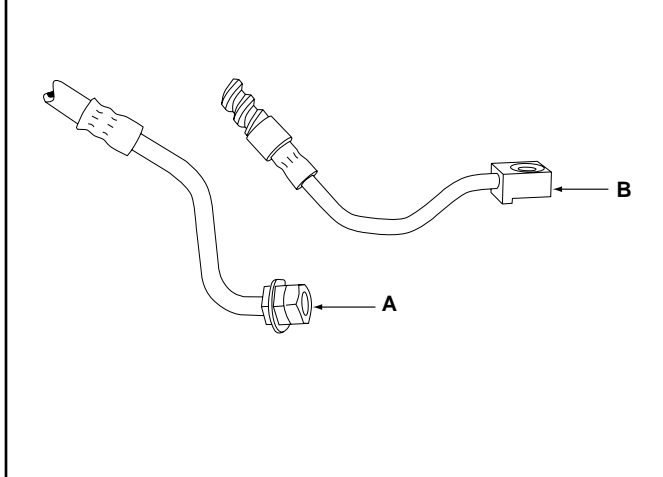
MERITOR NO.	REPLACES WAGNER NO.	FITTING SIZE			BOLT HOLE	O.A.L.
		A	B	C		
R4510623	—	3/8"-24	No Thd.	—	—	24"



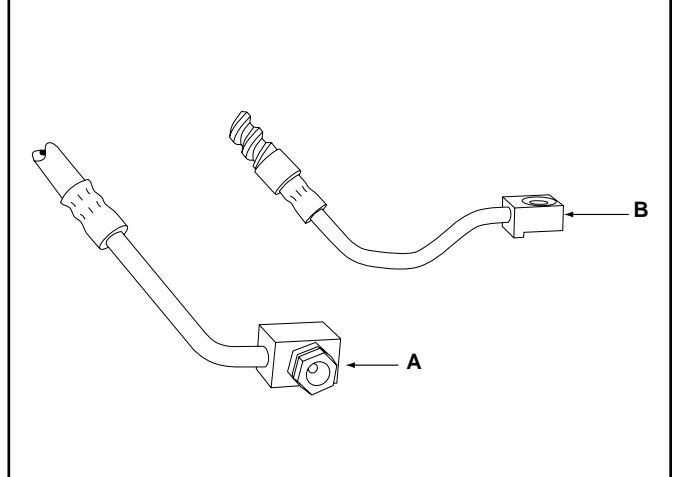
MERITOR NO.	REPLACES WAGNER NO.	FITTING SIZE			BOLT HOLE	O.A.L.
		A	B	C		
R4510630	—	3/8"-24	No Thd.	—	—	21 1/4"



MERITOR NO.	REPLACES WAGNER NO.	FITTING SIZE			BOLT HOLE	O.A.L.
		A	B	C		
R4510631	—	3/8"-24	No Thd.	—	—	22 3/4"



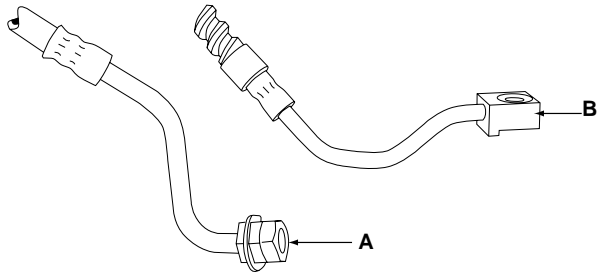
MERITOR NO.	REPLACES WAGNER NO.	FITTING SIZE			BOLT HOLE	O.A.L.
		A	B	C		
R4510632	—	3/8"-24	No Thd.	—	—	21 1/4"



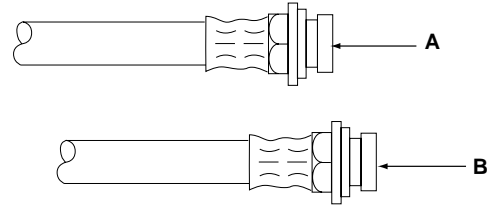
MERITOR NO.	REPLACES WAGNER NO.	FITTING SIZE			BOLT HOLE	O.A.L.
		A	B	C		
R4510633	—	3/8"-24	No Thd.	—	—	12 1/4"

HYDRAULIC BRAKE HOSES

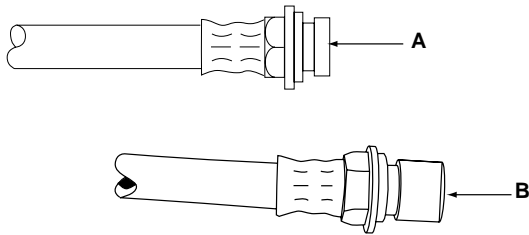
Listed in Meritor Part Number Sequence



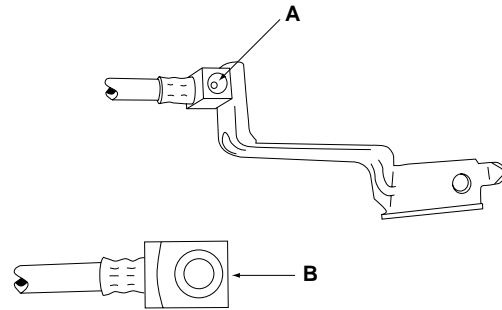
MERITOR NO.	REPLACES WAGNER NO.	FITTING SIZE			BOLT HOLE	O.A.L.
		A	B	C		
R4510634	—	3/8"-24	No Thd.	—	—	15 1/2"



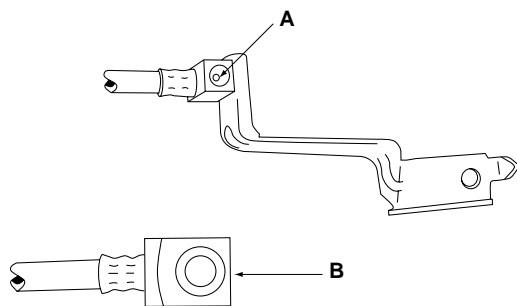
MERITOR NO.	REPLACES WAGNER NO.	FITTING SIZE			BOLT HOLE	O.A.L.
		A	B	C		
R4510635	F132360	3/8"-24	3/8"-24	—	—	48 1/2"



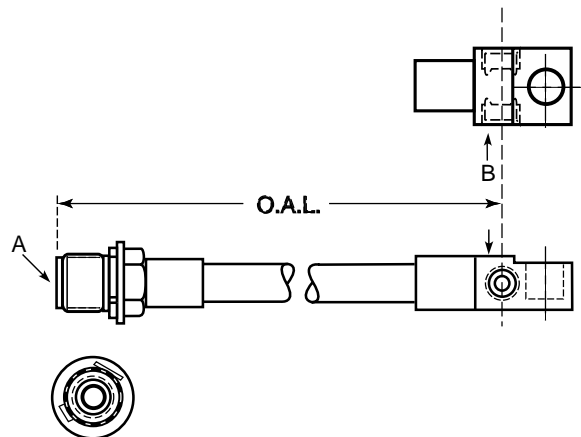
MERITOR NO.	REPLACES WAGNER NO.	FITTING SIZE			BOLT HOLE	O.A.L.
		A	B	C		
R4510636	F132359	3/8"-24	7/16"-24	—	—	47 1/2"



MERITOR NO.	REPLACES WAGNER NO.	FITTING SIZE			BOLT HOLE	O.A.L.
		A	B	C		
R4510637	F132361	3/8"-24	No Thd.	—	—	11 1/2"



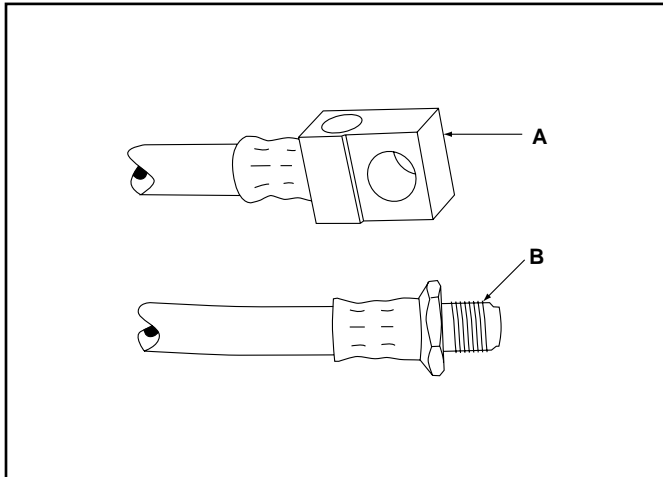
MERITOR NO.	REPLACES WAGNER NO.	FITTING SIZE			BOLT HOLE	O.A.L.
		A	B	C		
R4510638	F132362	3/8"-24	No Thd.	—	—	12 1/2"



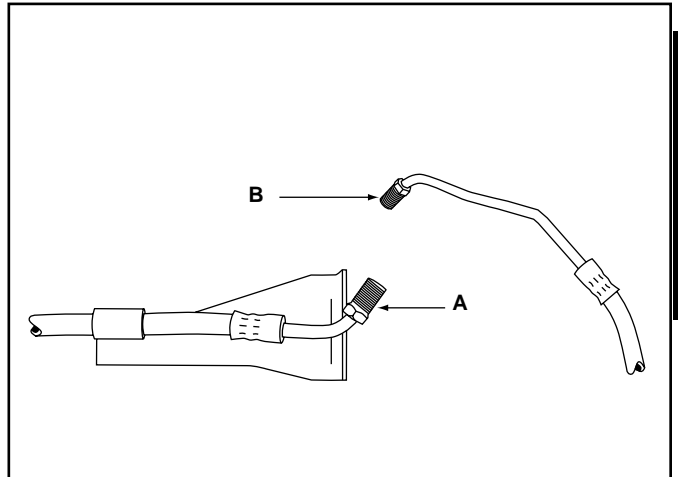
MERITOR NO.	REPLACES WAGNER NO.	FITTING SIZE			BOLT HOLE	O.A.L.
		A	B	C		
R4510641	—	7/16"-24 Int 5/8"-18 Ext.	—	—	—	18 1/4"

HYDRAULIC BRAKE HOSES

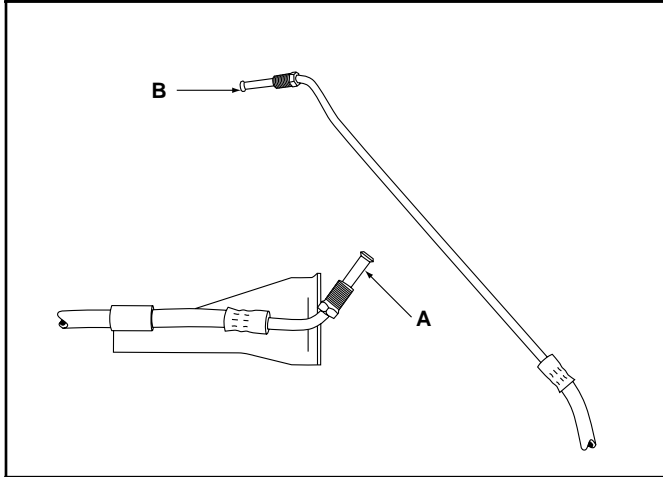
Listed in Meritor Part Number Sequence



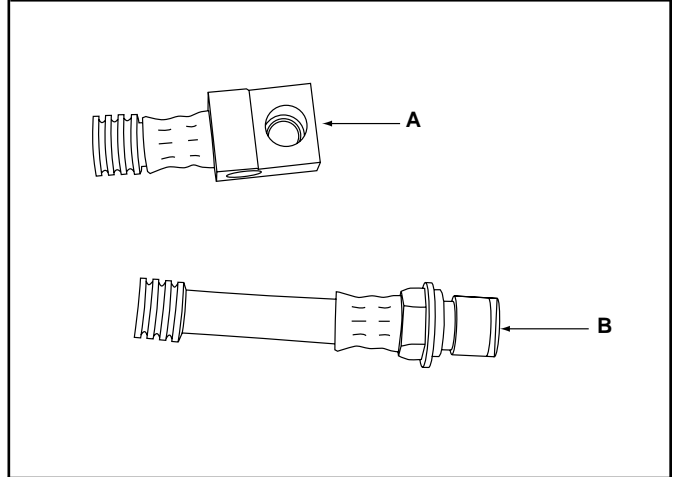
MERITOR NO.	REPLACES WAGNER NO.	FITTING SIZE			BOLT HOLE	O.A.L.
		A	B	C		
R4510641	F123303	7/16"-24 Int. 5/8"-18 Ext.	3/8"-24	—	—	22 3/8"



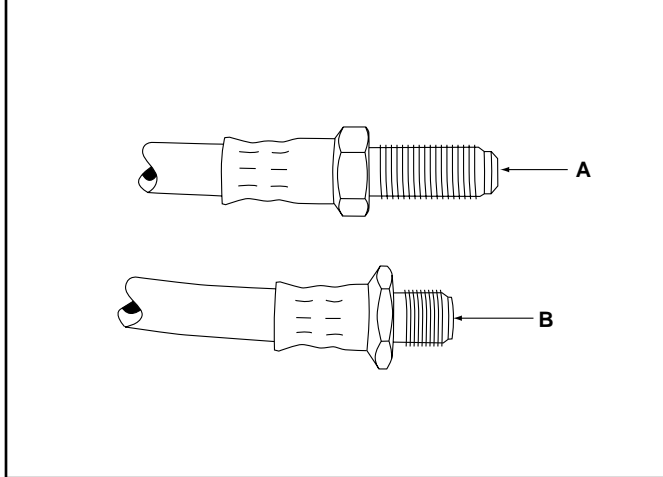
MERITOR NO.	REPLACES WAGNER NO.	FITTING SIZE			BOLT HOLE	O.A.L.
		A	B	C		
R4510643	—	7/16"-24	7/16"-24	—	—	22 1/4"



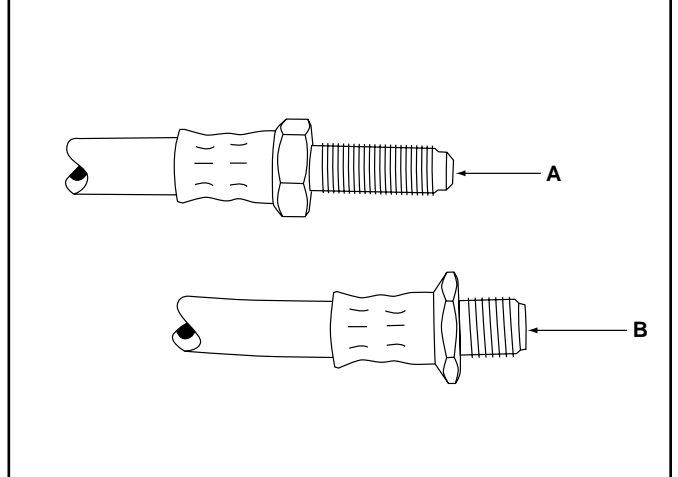
MERITOR NO.	REPLACES WAGNER NO.	FITTING SIZE			BOLT HOLE	O.A.L.
		A	B	C		
R4510644	—	7/16"-24	7/16"-24	—	—	24 1/4"



MERITOR NO.	REPLACES WAGNER NO.	FITTING SIZE			BOLT HOLE	O.A.L.
		A	B	C		
R4510649	F133953	No Thd.	3/8"-24	—	—	15 1/8"



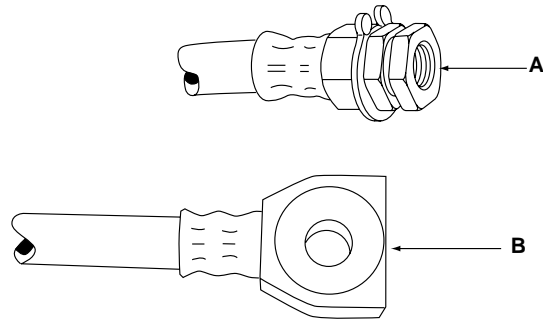
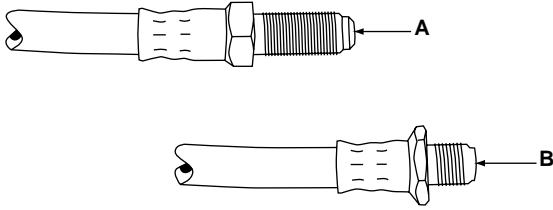
MERITOR NO.	REPLACES WAGNER NO.	FITTING SIZE			BOLT HOLE	O.A.L.
		A	B	C		
R4510650	F86592	12mm x 1	12mm x 1	—	—	21"



MERITOR NO.	REPLACES WAGNER NO.	FITTING SIZE			BOLT HOLE	O.A.L.
		A	B	C		
R4510651	F128951	M10 x 1	M12 x 1	—	—	18 1/2"

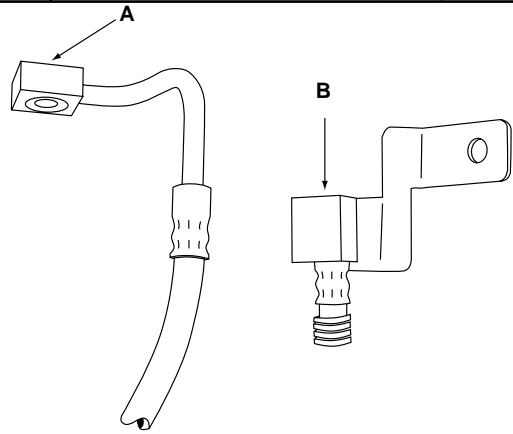
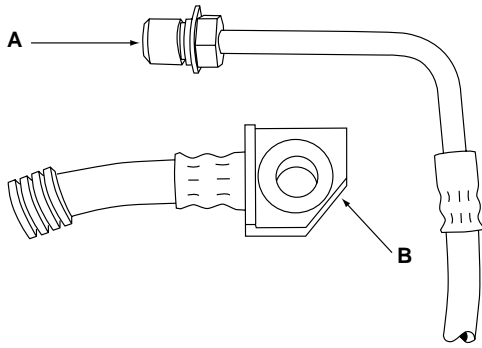
HYDRAULIC BRAKE HOSES

Listed in Meritor Part Number Sequence



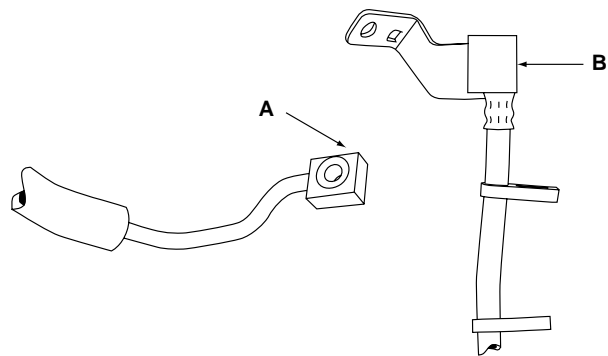
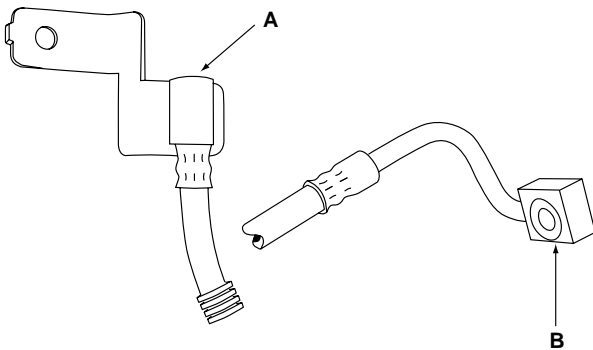
MERITOR NO.	REPLACES WAGNER NO.	FITTING SIZE			BOLT HOLE	O.A.L.
		A	B	C		
R4510652	F128952	M12 x 1	M10 x 1	—	—	25 1/2"

MERITOR NO.	REPLACES WAGNER NO.	FITTING SIZE			BOLT HOLE	O.A.L.
		A	B	C		
R4510653	—	3/8"-24	No Thd.	—	—	25 1/2"



MERITOR NO.	REPLACES WAGNER NO.	FITTING SIZE			BOLT HOLE	O.A.L.
		A	B	C		
R4510654	—	M10 x 1	No Thd.	—	—	15 1/2"

MERITOR NO.	REPLACES WAGNER NO.	FITTING SIZE			BOLT HOLE	O.A.L.
		A	B	C		
R4510659	—	3/8"-24	No Thd.	—	—	28 1/2"

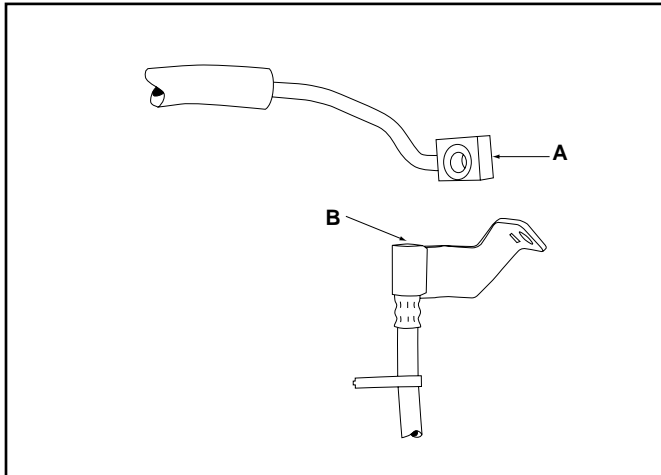


MERITOR NO.	REPLACES WAGNER NO.	FITTING SIZE			BOLT HOLE	O.A.L.
		A	B	C		
R4510660	—	No Thd.	3/8"-24	—	—	28 1/2"

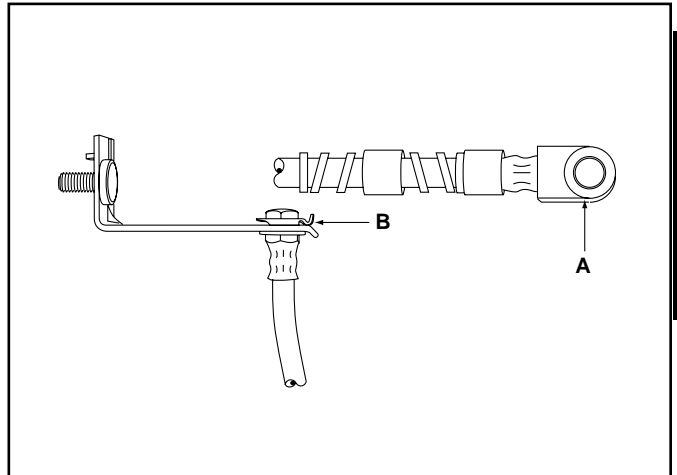
MERITOR NO.	REPLACES WAGNER NO.	FITTING SIZE			BOLT HOLE	O.A.L.
		A	B	C		
R4510661	—	No Thd.	3/8"-24	—	—	14"

HYDRAULIC BRAKE HOSES

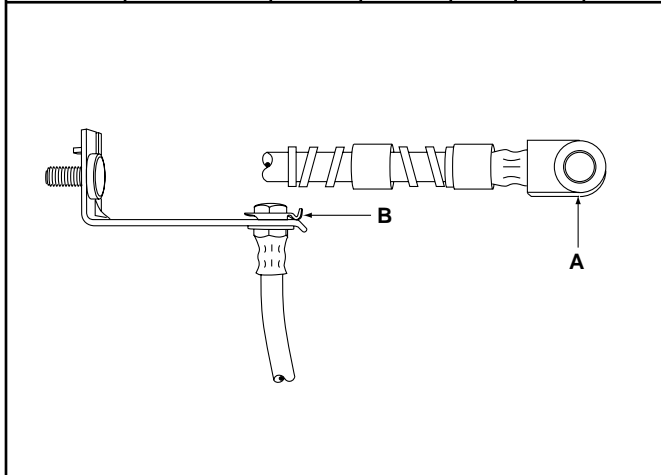
Listed in Meritor Part Number Sequence



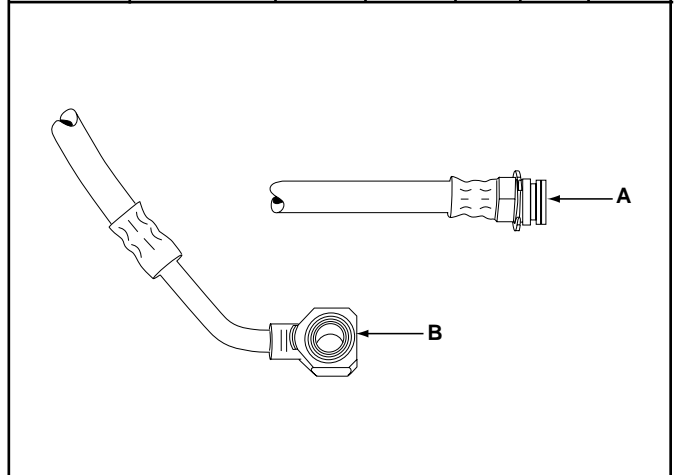
MERITOR NO.	REPLACES WAGNER NO.	FITTING SIZE			BOLT HOLE	O.A.L.
		A	B	C		
R4510662	—	No Thd.	3/8"-24	—	—	14"



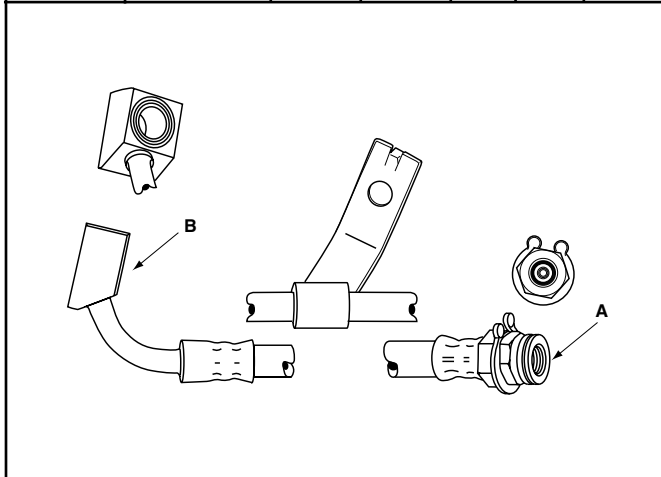
MERITOR NO.	REPLACES WAGNER NO.	FITTING SIZE			BOLT HOLE	O.A.L.
		A	B	C		
R4510664	—	No Thd.	3/8"-24	—	—	16 1/4"



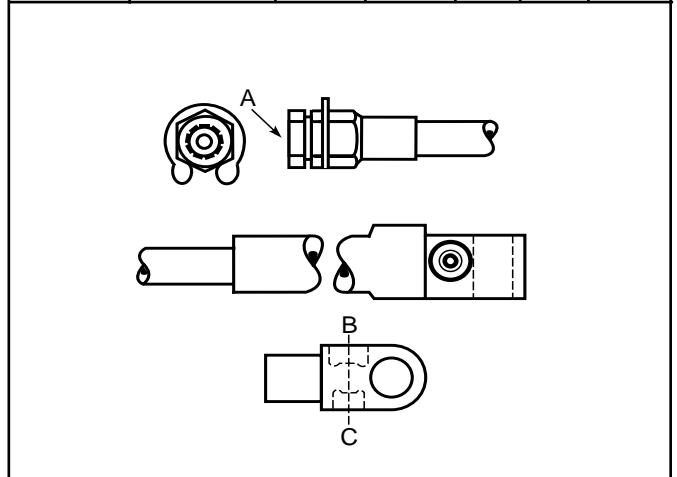
MERITOR NO.	REPLACES WAGNER NO.	FITTING SIZE			BOLT HOLE	O.A.L.
		A	B	C		
R4510665	—	No Thd.	3/8"-24	—	—	22 1/4"



MERITOR NO.	REPLACES WAGNER NO.	FITTING SIZE			BOLT HOLE	O.A.L.
		A	B	C		
R4510667	—	3/8"-24	No Thd.	—	—	17 1/4"



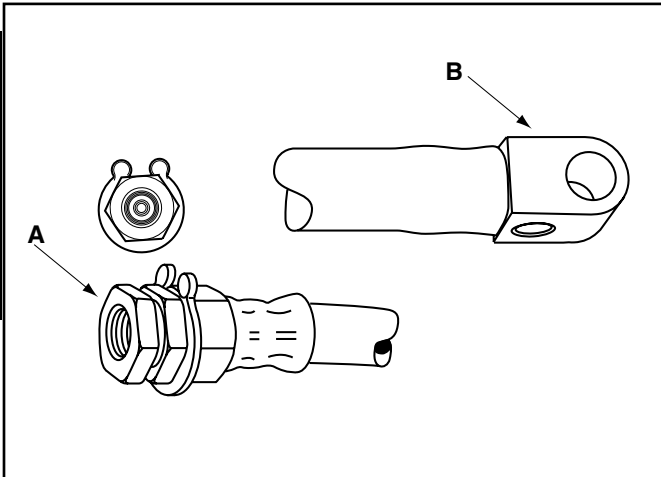
MERITOR NO.	REPLACES WAGNER NO.	FITTING SIZE			BOLT HOLE	O.A.L.
		A	B	C		
R4511071	—	3/8"-24	No Thd.	—	—	21 1/4"



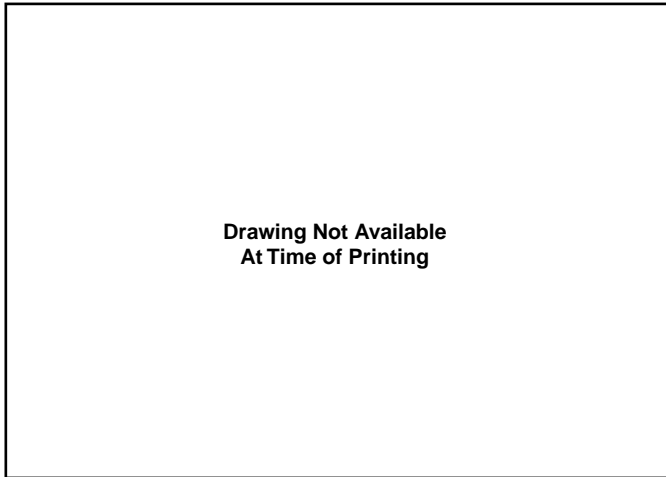
MERITOR NO.	REPLACES WAGNER NO.	FITTING SIZE			BOLT HOLE	O.A.L.
		A	B	C		
R4511204	F119387 F120859	3/8"-24 3/8"-24	7/16"-24 No Thd.	3/8"-24 —	7/16" —	17 1/16" 21"

HYDRAULIC BRAKE HOSES

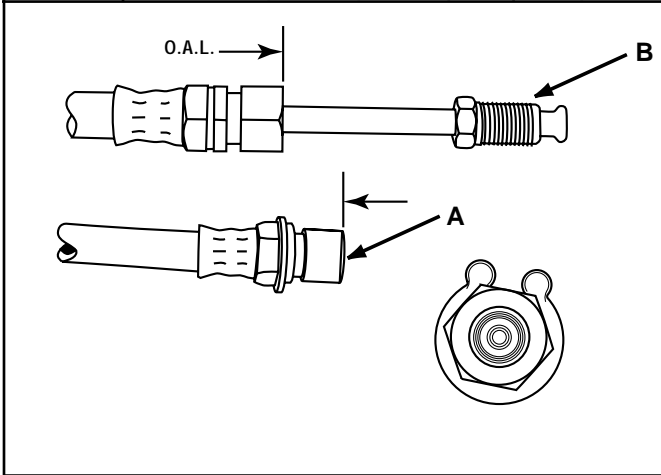
Listed in Meritor Part Number Sequence



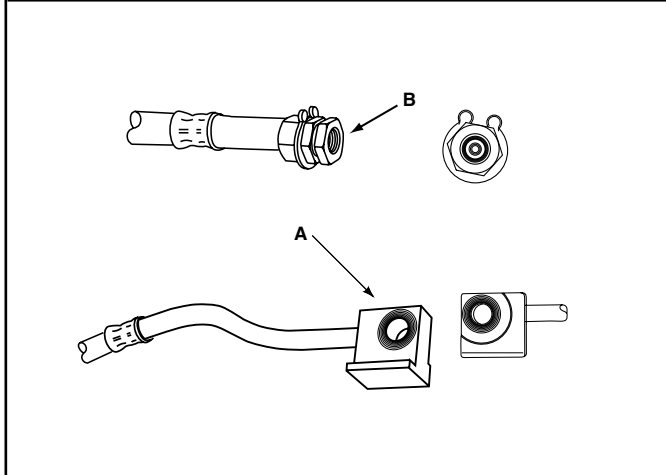
MERITOR NO.	REPLACES WAGNER NO.	FITTING SIZE			BOLT HOLE	O.A.L.
		A	B	C		
R4511204	—	3/8"-24	No Thd.	—	—	17 51/64"



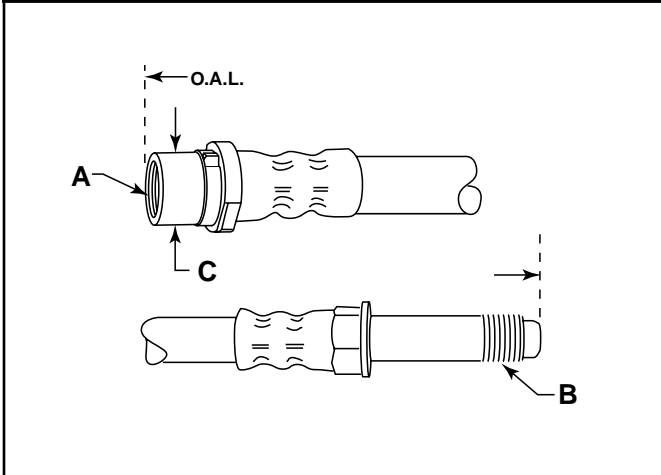
MERITOR NO.	REPLACES WAGNER NO.	FITTING SIZE			BOLT HOLE	O.A.L.
		A	B	C		
R4511244	—	—	—	—	—	21 1/4"



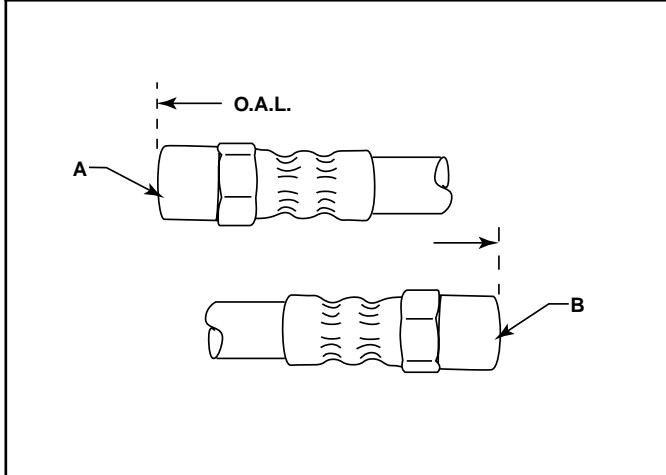
MERITOR NO.	REPLACES WAGNER NO.	FITTING SIZE			BOLT HOLE	O.A.L.
		A	B	C		
R4511245	—	M10 x1	17MM	—	—	10.25"



MERITOR NO.	REPLACES WAGNER NO.	FITTING SIZE			BOLT HOLE	O.A.L.
		A	B	C		
R4511296	—	—	—	—	—	20 1/4"



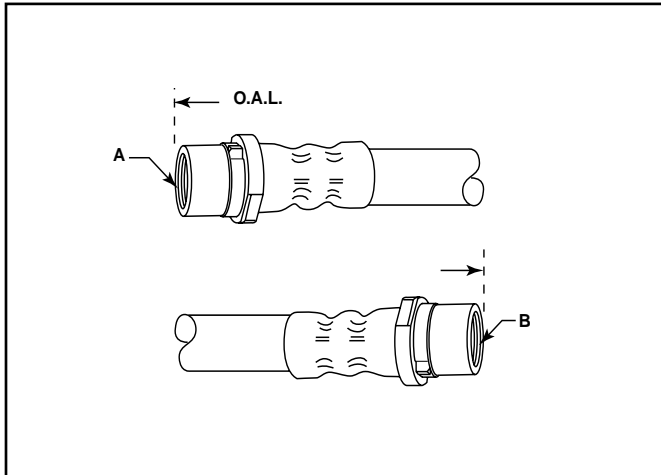
MERITOR NO.	REPLACES WAGNER NO.	FITTING SIZE			BOLT HOLE	O.A.L.
		A	B	C		
R4512290	—	M10	M10	33/64"	—	16 11/32"



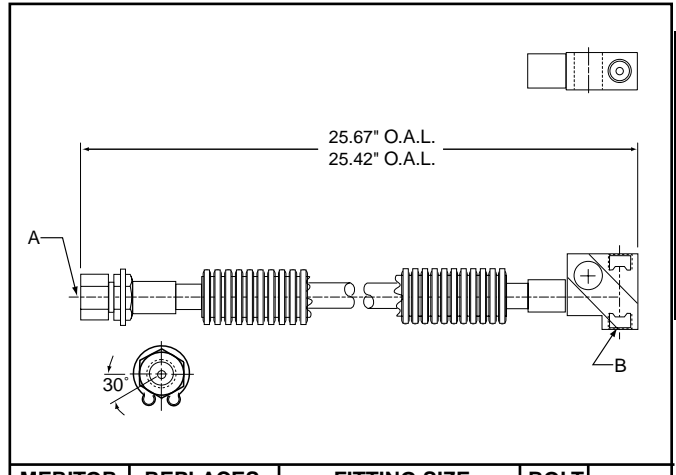
MERITOR NO.	REPLACES WAGNER NO.	FITTING SIZE			BOLT HOLE	O.A.L.
		A	B	C		
R4512291	—	M10 x 1.1 Thd.	M10 x 1.1 Thd.	—	—	19 37/64"

HYDRAULIC BRAKE HOSES

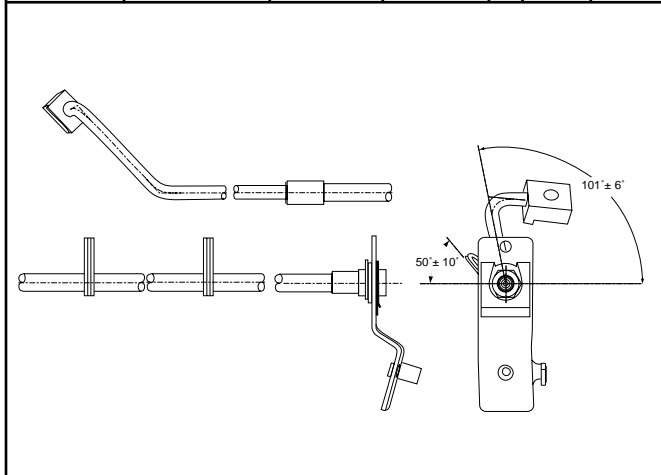
Listed in Meritor Part Number Sequence



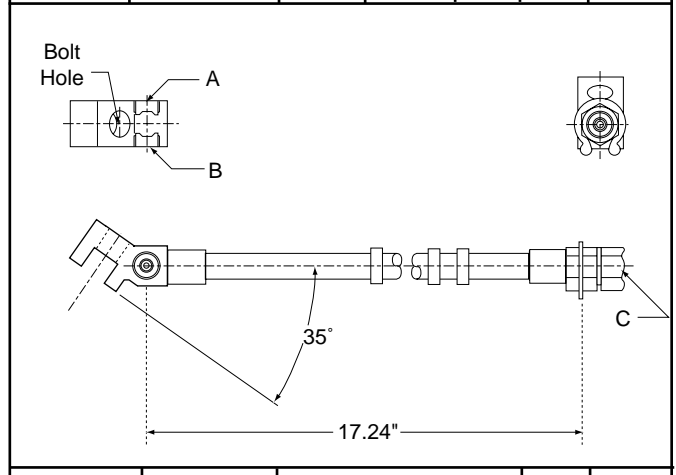
MERITOR NO.	REPLACES WAGNER NO.	FITTING SIZE			BOLT HOLE	O.A.L.
		A	B	C		
R4512292	—	M10 x 1.1 (2x)	M10 x 1.1 (2x)	—	17/32"	15 5/8"



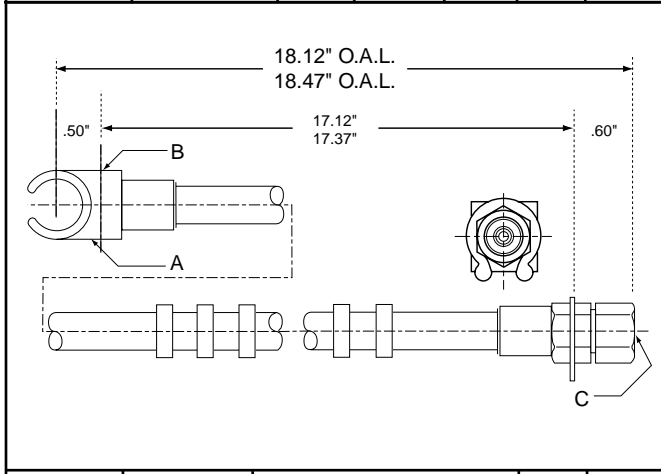
MERITOR NO.	REPLACES FEBI NO.	FITTING SIZE			BOLT HOLE	O.A.L.
		A	B	C		
R4512400	381514	M12 x 1.0 Thd.	M11 x 1.5 Thd (2 plcs)	—	—	25.67" 25.42"



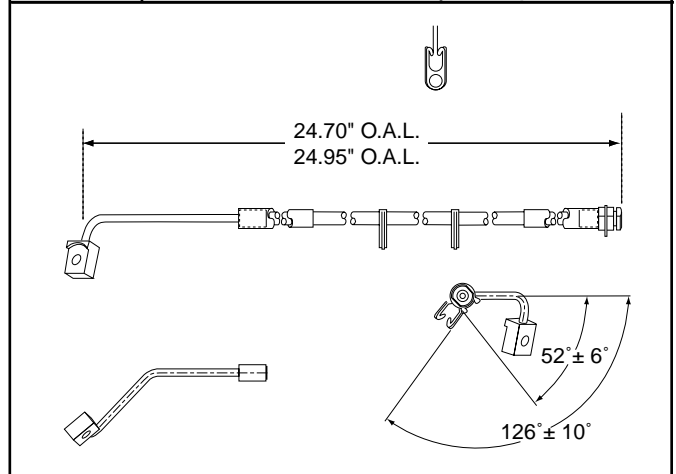
MERITOR NO.	REPLACES	FITTING SIZE			BOLT HOLE	O.A.L.
		A	B	C		
R4512419	381262A	—	3/8"-24 Thd.	—	.382 .378	18.42 ± 1.2



MERITOR NO.	REPLACES	FITTING SIZE			BOLT HOLE	O.A.L.
		A	B	C		
R4512420	381166	3/8"-24 Thd.	7/16"-24 Thd.	7/16"-24 Thd.	.614	17.24"



MERITOR NO.	REPLACES FEBI NO.	FITTING SIZE			BOLT HOLE	O.A.L.
		A	B	C		
R4512421	381168	7/16"-24 UNS-2B Thd.	3/8"-24 UNS-2B Thd.	7/16"-24 UNS-2B Thd.	.61	17.12" 17.37"

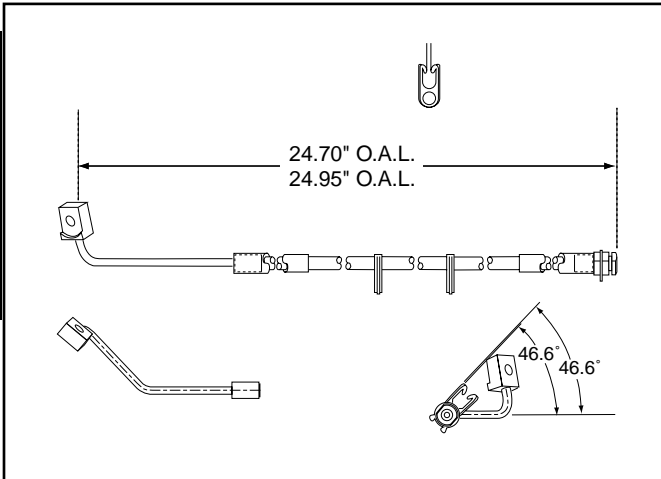


MERITOR NO.	REPLACES FEBI NO.	FITTING SIZE			BOLT HOLE	O.A.L.
		A	B	C		
R4512427	381145A	—	3/8"-24 Thd.	—	—	24.70" 24.95"

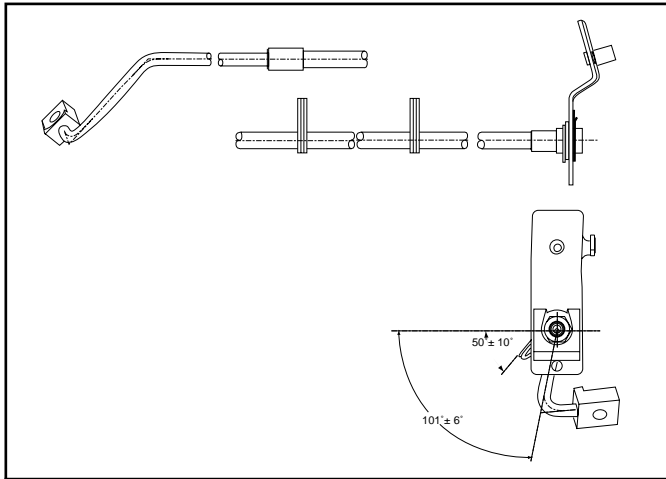
HYDRAULIC BRAKE HOSES

Listed in Meritor Part Number Sequence

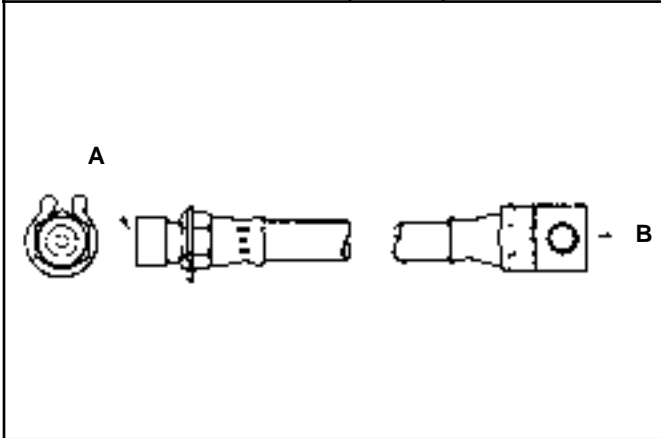
6 - BRAKE HOSES



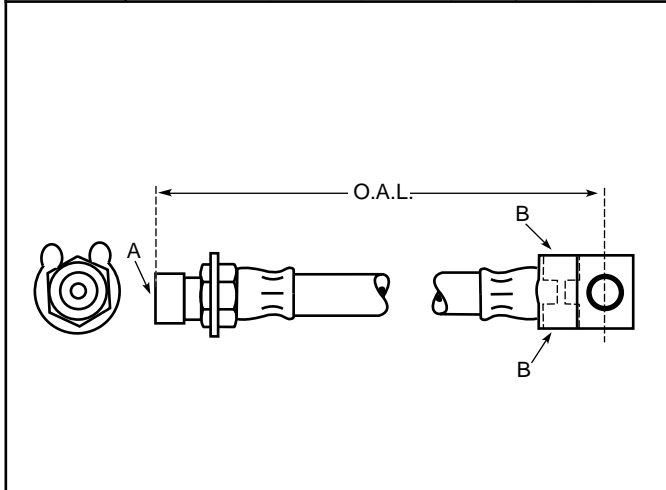
MERITOR NO.	REPLACES FEBI NO.	FITTING SIZE			BOLT HOLE	O.A.L.
		A	B	C		
R4512428	381146A	—	3/8"-24 Thd	—	—	24.70" 24.95"



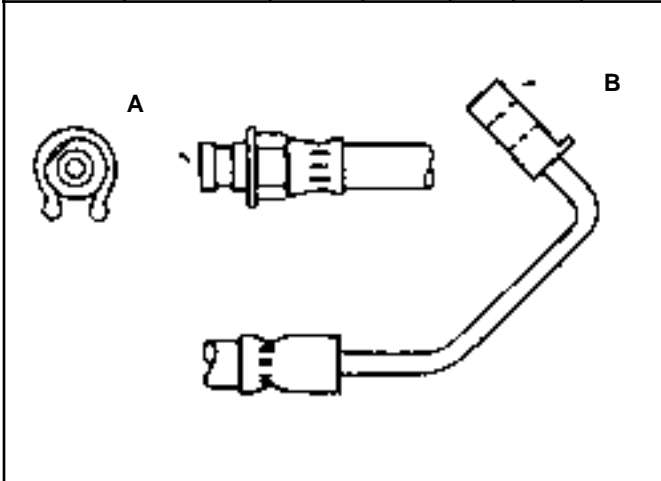
MERITOR NO.	REPLACES WAGNER NO.	FITTING SIZE			BOLT HOLE	O.A.L.
		A	B	C		
R4512430	381263A	—	3/8"-24 Thd.	—	—	18.42 ± .12



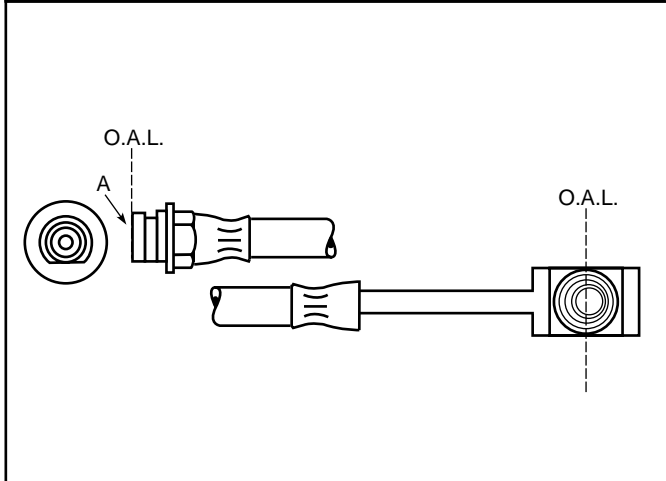
MERITOR NO.	REPLACES WAGNER NO.	FITTING SIZE			BOLT HOLE	O.A.L.
		A	B	C		
R4577010	F80020 F86560 F88960 F97651	7/16"-24	3/8"-24	—	—	18 1/4"



MERITOR NO.	REPLACES WAGNER NO.	FITTING SIZE			BOLT HOLE	O.A.L.
		A	B	C		
R4577019	F86560	7/16"-24	3/8"-24	—	5/16"	18 3/8"



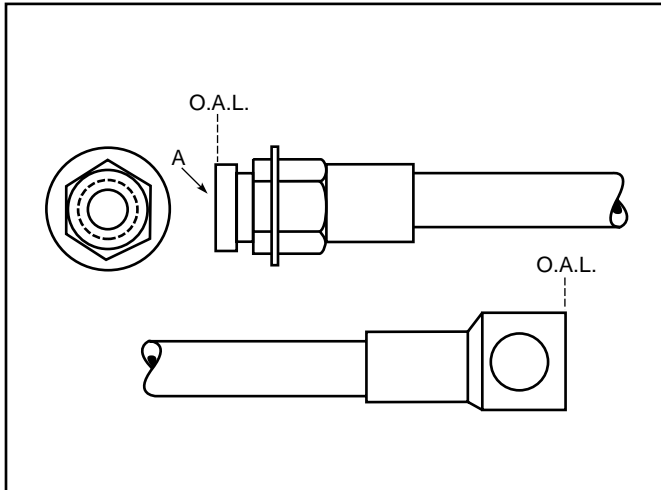
MERITOR NO.	REPLACES WAGNER NO.	FITTING SIZE			BOLT HOLE	O.A.L.
		A	B	C		
R4577078	F102474	M10x1	M10x1	—	—	18"



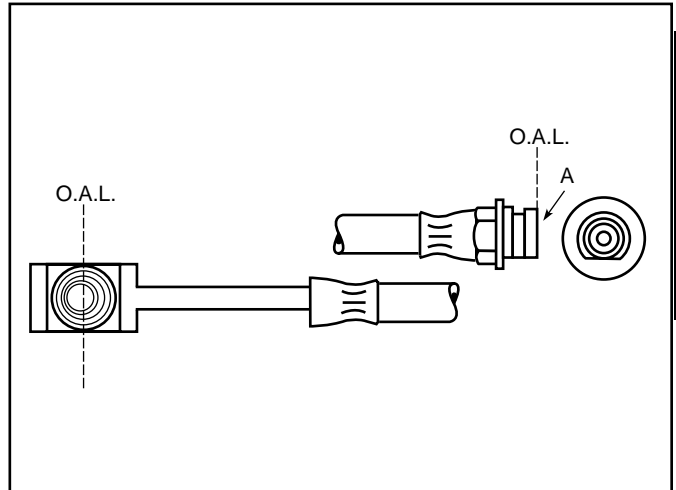
MERITOR NO.	REPLACES WAGNER NO.	FITTING SIZE			BOLT HOLE	O.A.L.
		A	B	C		
R4577080	F80977	3/8"-24	—	—	3/8"	18 1/4"

HYDRAULIC BRAKE HOSES

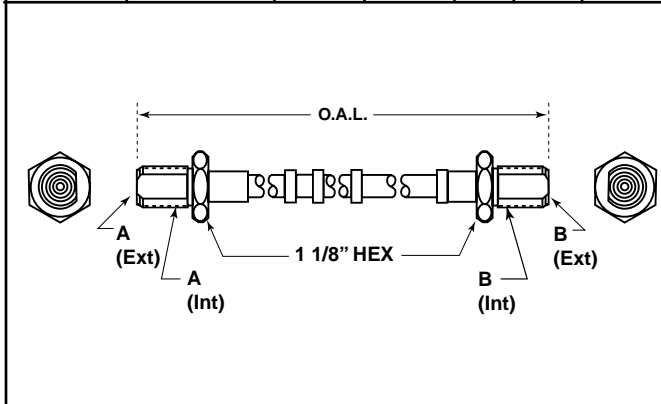
Listed in Meritor Part Number Sequence



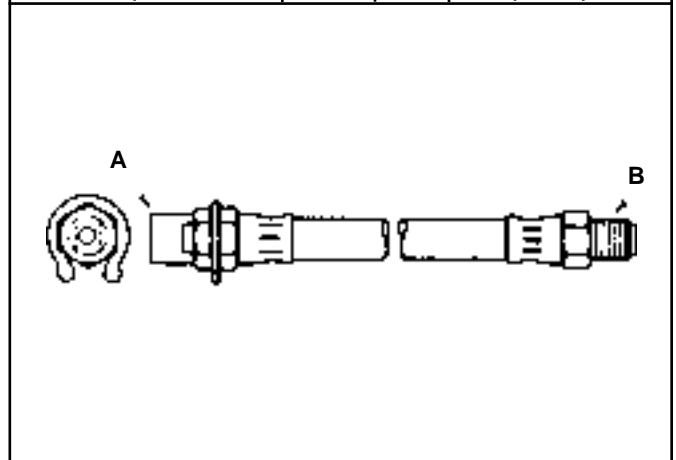
MERITOR NO.	REPLACES WAGNER NO.	FITTING SIZE			BOLT HOLE	O.A.L.
		A	B	C		
R4577024	F97661	3/8"-24	—	—	7/16"	9 3/4"



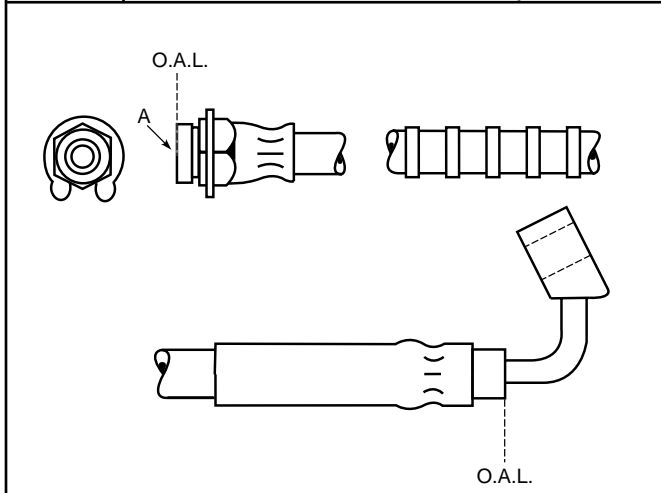
MERITOR NO.	REPLACES WAGNER NO.	FITTING SIZE			BOLT HOLE	O.A.L.
		A	B	C		
R4577083	F80976	3/8"-24	—	—	3/8"	18 1/4"



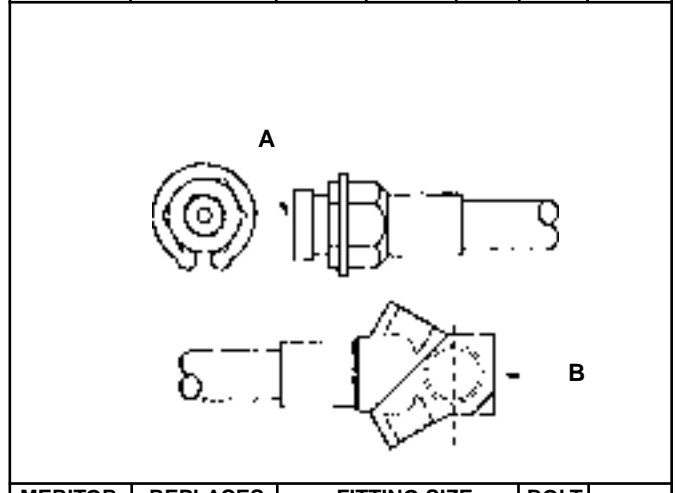
MERITOR NO.	REPLACES WAGNER NO.	FITTING SIZE		BOLT HOLE	O.A.L.
		A	B		
R4577135	—	7/16"-24 UNS-2B (Ext) 3/4"-16 UNF-2A (Int)	3/4"-24 UNS-2B (Ext) 3/4"-16 UNF-2A (Int)	—	25 1/32" 25 9/32"



MERITOR NO.	REPLACES WAGNER NO.	FITTING SIZE			BOLT HOLE	O.A.L.
		A	B	C		
R4577147	F71344 F80023 F86582	7/16"-24	7/16"-20	—	—	21 3/16"



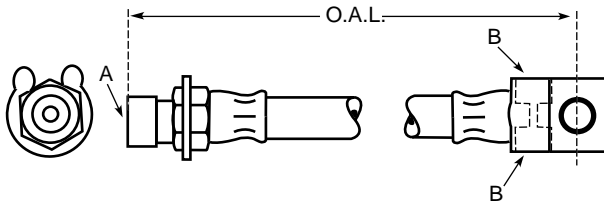
MERITOR NO.	REPLACES WAGNER NO.	FITTING SIZE			BOLT HOLE	O.A.L.
		A	B	C		
R4577169	F106669	3/8"-24	—	—	7/16"	14 3/8"



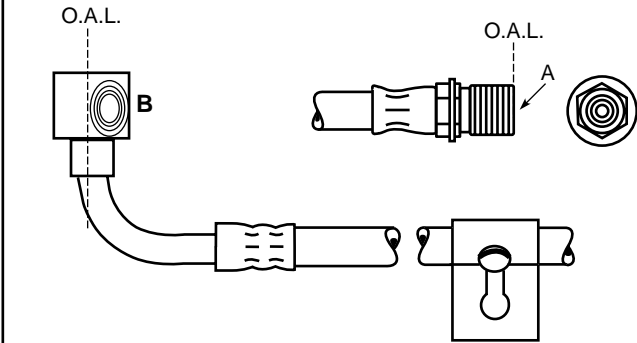
MERITOR NO.	REPLACES WAGNER NO.	FITTING SIZE			BOLT HOLE	O.A.L.
		A	B	C		
R4577171	F113877	3/8"-24	3/8"-24	—	—	13 1/4"

HYDRAULIC BRAKE HOSES

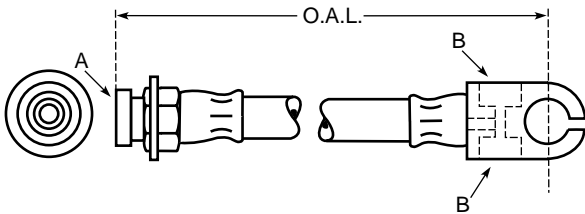
Listed in Meritor Part Number Sequence



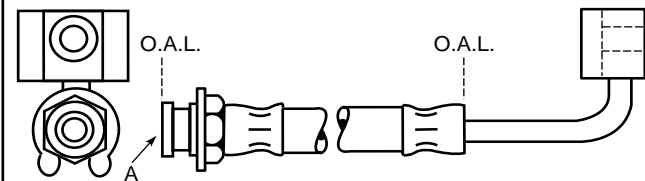
MERITOR NO.	REPLACES WAGNER NO.	FITTING SIZE			BOLT HOLE	O.A.L.
		A	B	C		
R4577185	F106342	7/16"-24	3/8"-24	—	5/16"	10 11/16"



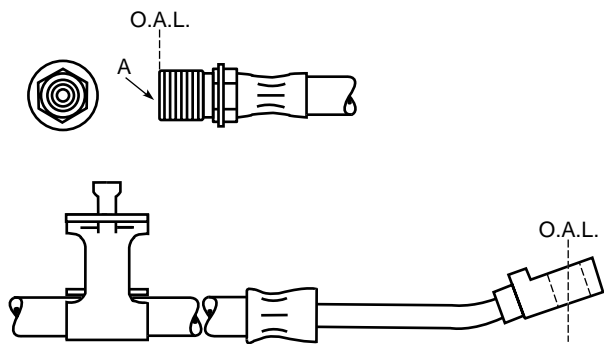
MERITOR NO.	REPLACES WAGNER NO.	FITTING SIZE			BOLT HOLE	O.A.L.
		A	B	C		
R4577187	F102465 F98922	3/8"-24 Int. 5/8"-24 Ext.	No Thread	—	—	22 5/8"



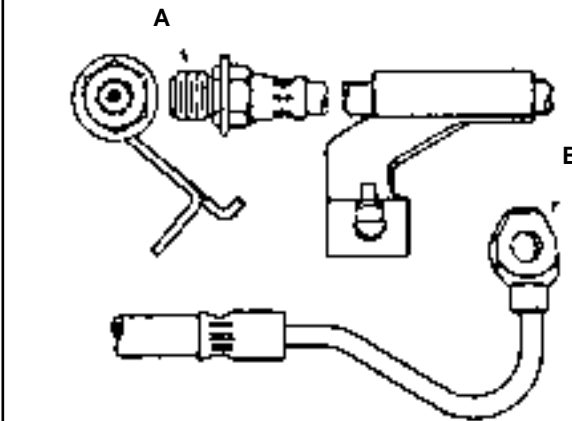
MERITOR NO.	REPLACES WAGNER NO.	FITTING SIZE			BOLT HOLE	O.A.L.
		A	B	C		
R4577189	F98946	3/8"-24	3/8"-24	—	7/16"	19 9/16"



MERITOR NO.	REPLACES WAGNER NO.	FITTING SIZE			BOLT HOLE	O.A.L.
		A	B	C		
R4577235	F103302	3/8"-24	—	—	3/8"	15"



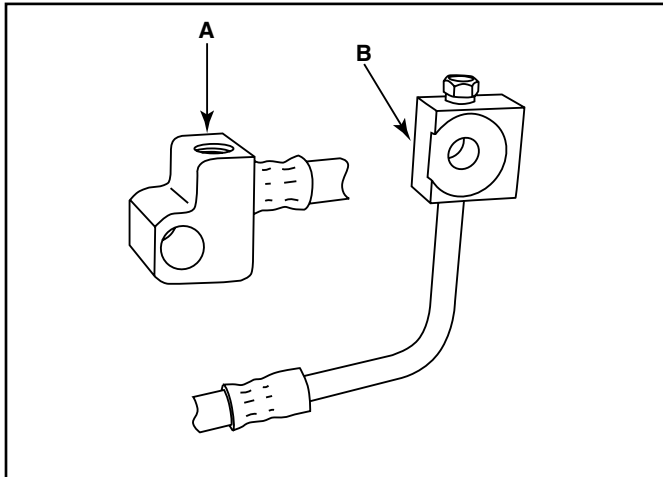
MERITOR NO.	REPLACES WAGNER NO.	FITTING SIZE			BOLT HOLE	O.A.L.
		A	B	C		
R4577240	F88957	3/8"-24 Int. 5/8"-18 Ext.	—	—	7/16"	23 3/8"



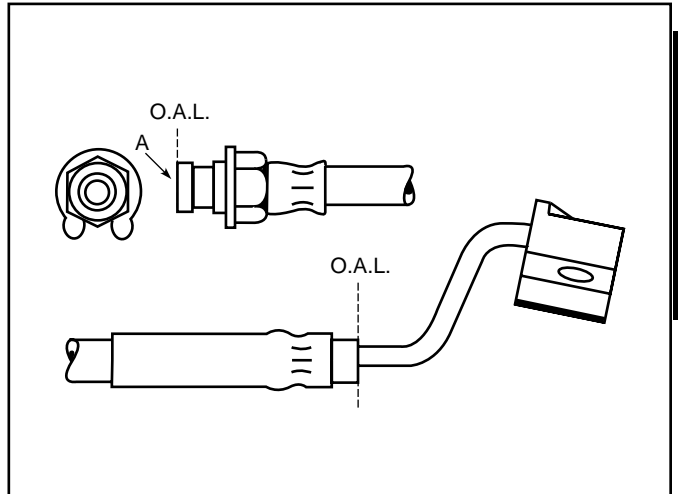
MERITOR NO.	REPLACES WAGNER NO.	FITTING SIZE			BOLT HOLE	O.A.L.
		A	B	C		
R4577241	—	3/8"-24 Int. 5/8"-18 Ext.	No Thread	—	—	23 5/32"

HYDRAULIC BRAKE HOSES

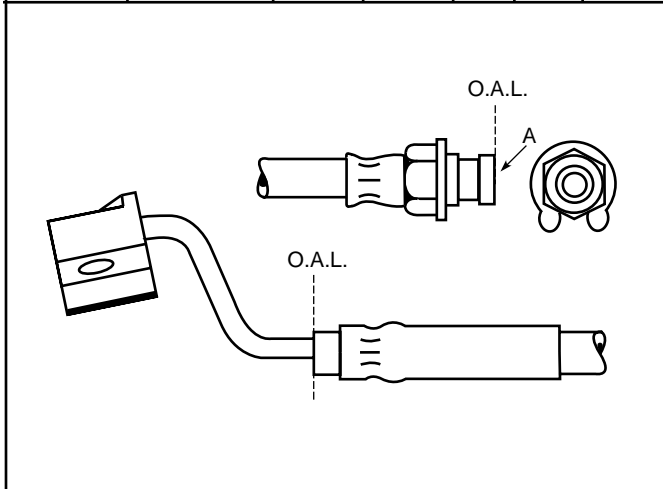
Listed in Meritor Part Number Sequence



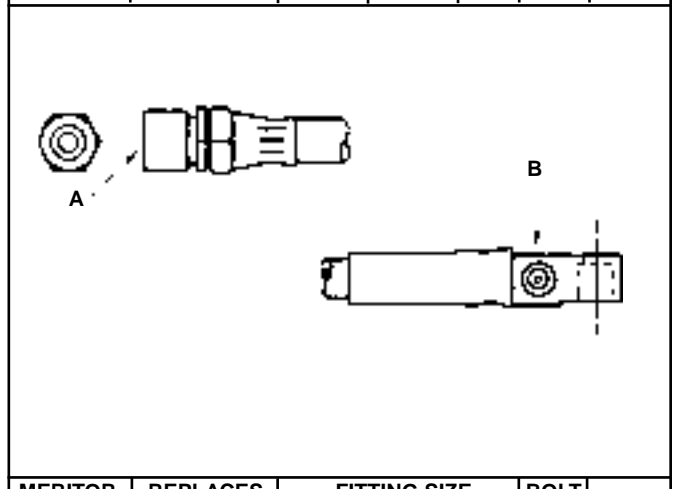
MERITOR NO.	REPLACES WAGNER NO.	FITTING SIZE			BOLT HOLE	O.A.L.
		A	B	C		
R4577245	F128671	3/8"-24	No Thd.	—	—	21"



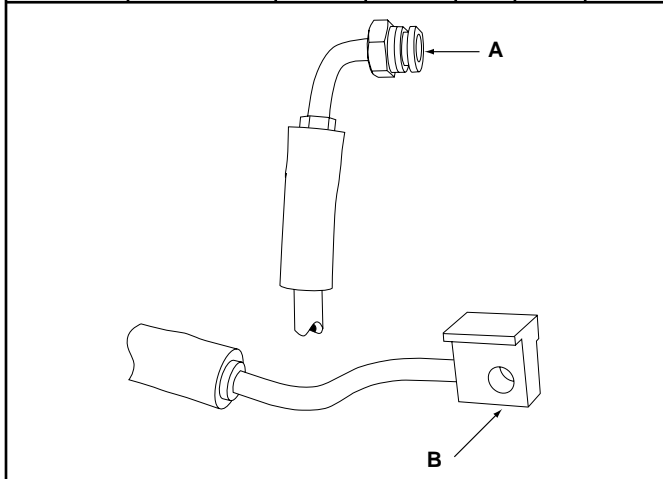
MERITOR NO.	REPLACES WAGNER NO.	FITTING SIZE			BOLT HOLE	O.A.L.
		A	B	C		
R4577248	F103201	3/8"-24	—	—	3/8"	15 1/8"



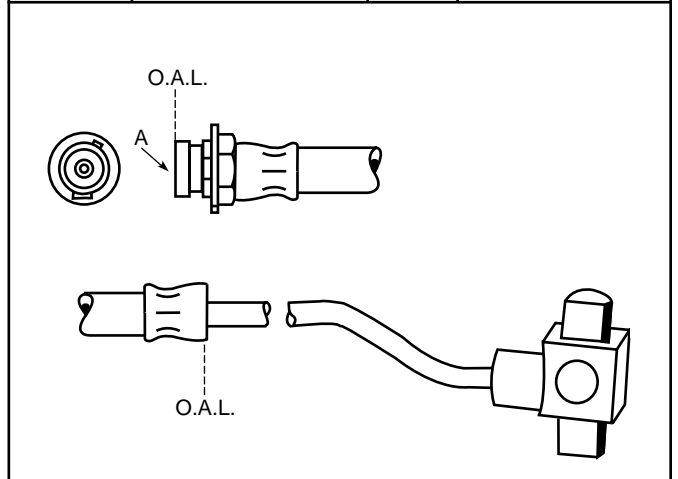
MERITOR NO.	REPLACES WAGNER NO.	FITTING SIZE			BOLT HOLE	O.A.L.
		A	B	C		
R4577249	F103200	3/8"-24	—	—	3/8"	15 1/8"



MERITOR NO.	REPLACES WAGNER NO.	FITTING SIZE			BOLT HOLE	O.A.L.
		A	B	C		
R4577252	F102597	7/16"-24	7/16"-24	—	—	21 7/16"



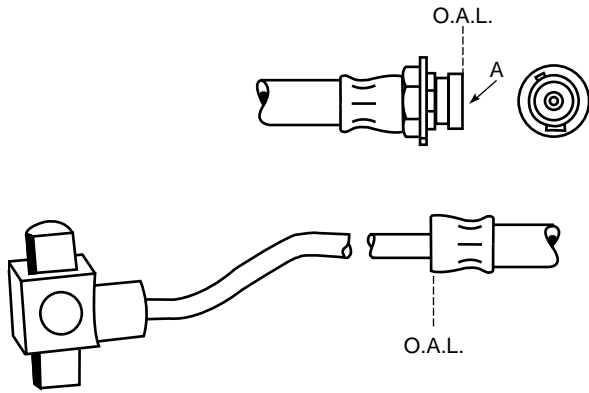
MERITOR NO.	REPLACES WAGNER NO.	FITTING SIZE			BOLT HOLE	O.A.L.
		A	B	C		
R4577277	F130429	3/8"-24	No Thd.	—	—	20"



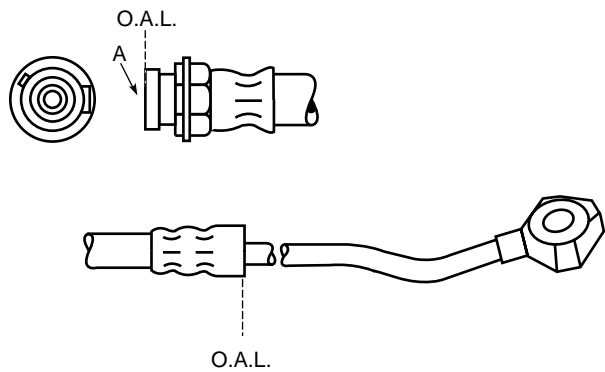
MERITOR NO.	REPLACES WAGNER NO.	FITTING SIZE			BOLT HOLE	O.A.L.
		A	B	C		
R4577295	F104345	3/8"-24	—	—	3/8"	15 3/8"

HYDRAULIC BRAKE HOSES

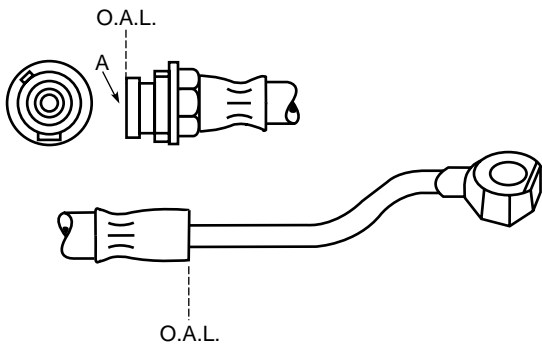
Listed in Meritor Part Number Sequence



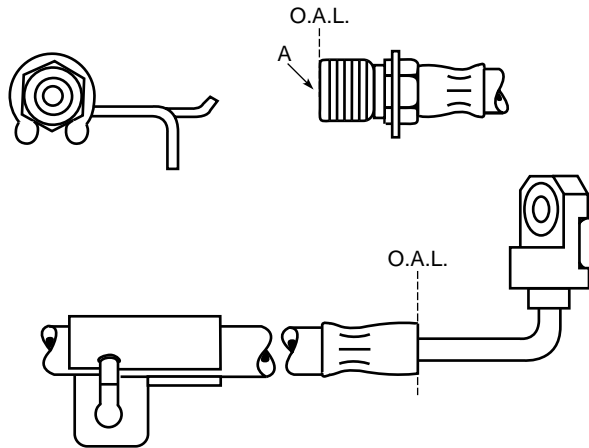
MERITOR NO.	REPLACES WAGNER NO.	FITTING SIZE			BOLT HOLE	O.A.L.
		A	B	C		
R4577296	F104347	3/8"-24	—	—	3/8"	15 1/2"



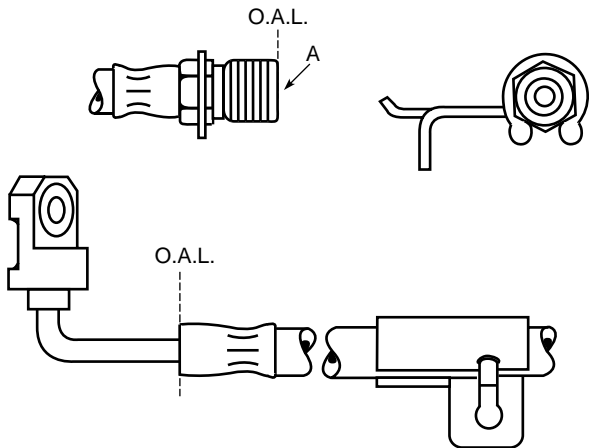
MERITOR NO.	REPLACES WAGNER NO.	FITTING SIZE			BOLT HOLE	O.A.L.
		A	B	C		
R4577297	F104346	3/8"-24	—	—	3/8"	15 7/16"



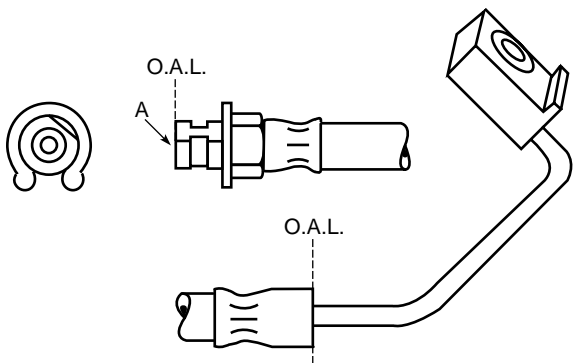
MERITOR NO.	REPLACES WAGNER NO.	FITTING SIZE			BOLT HOLE	O.A.L.
		A	B	C		
R4577298	F106359	3/8"-24	—	—	3/8"	15 1/2"



MERITOR NO.	REPLACES WAGNER NO.	FITTING SIZE			BOLT HOLE	O.A.L.
		A	B	C		
R4577299	F106357	3/8"-24 Int. 5/8"-18 Ext.	—	—	3/8"	20 5/8"



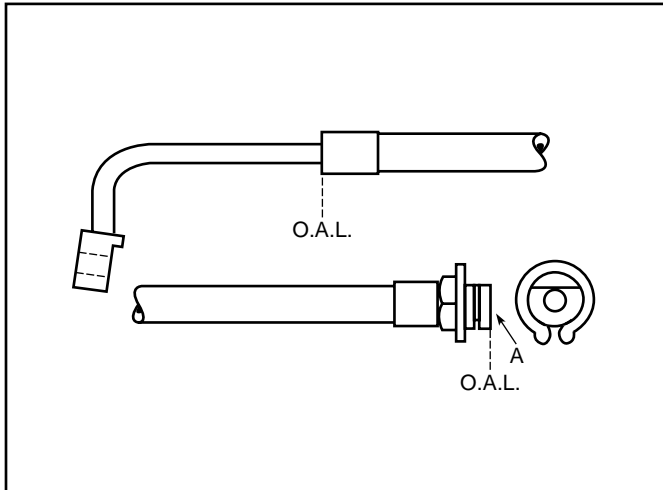
MERITOR NO.	REPLACES WAGNER NO.	FITTING SIZE			BOLT HOLE	O.A.L.
		A	B	C		
R4577300	F106358	3/8"-24 Int. 5/8"-18 Ext.	—	—	3/8"	20 5/8"



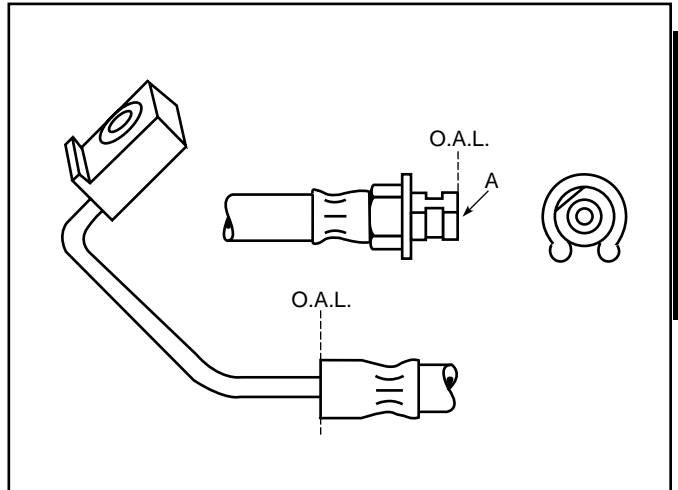
MERITOR NO.	REPLACES WAGNER NO.	FITTING SIZE			BOLT HOLE	O.A.L.
		A	B	C		
R4577309	F106365	3/8"-24	—	—	3/8"	14 3/8"

HYDRAULIC BRAKE HOSES

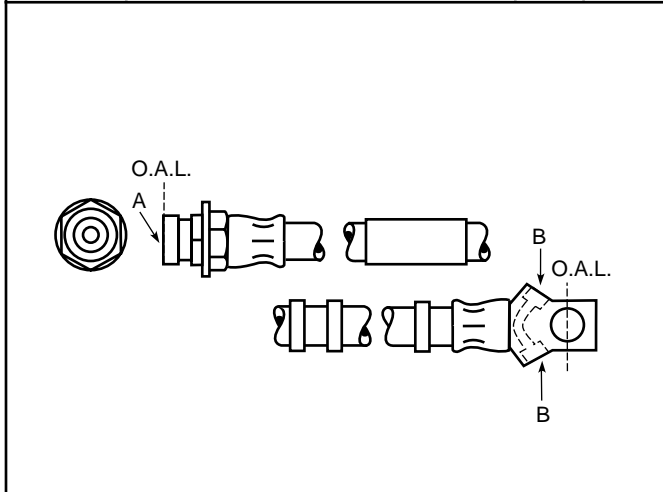
Listed in Meritor Part Number Sequence



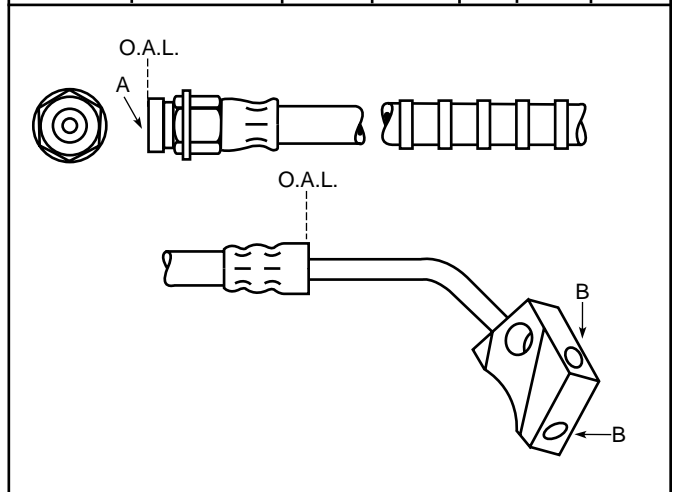
MERITOR NO.	REPLACES WAGNER NO.	FITTING SIZE			BOLT HOLE	O.A.L.
		A	B	C		
R4577311	F106367	3/8"-24	—	—	5/16"	17 3/8"



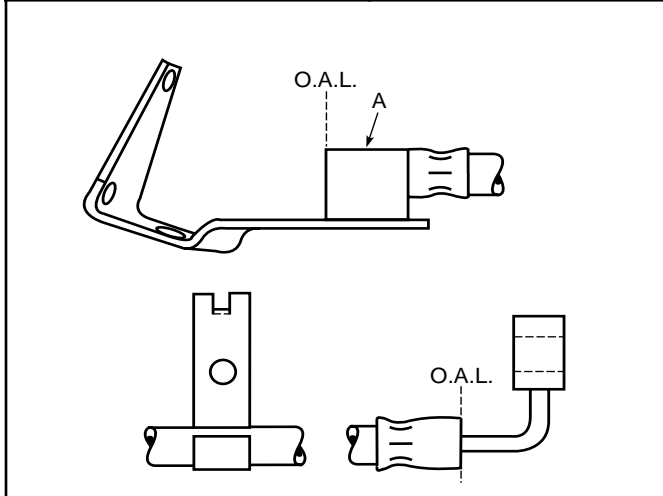
MERITOR NO.	REPLACES WAGNER NO.	FITTING SIZE			BOLT HOLE	O.A.L.
		A	B	C		
R4577312	F107255	3/8"-24	—	—	3/8"	14 1/4"



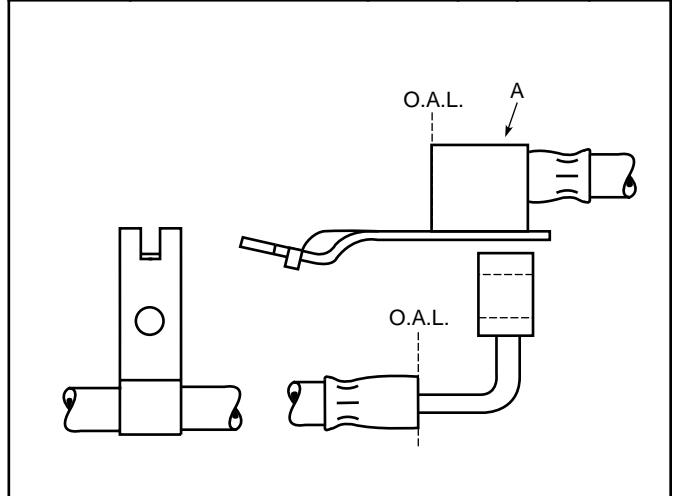
MERITOR NO.	REPLACES WAGNER NO.	FITTING SIZE			BOLT HOLE	O.A.L.
		A	B	C		
R4577314	F106330	3/8"-24	3/8"-24	—	7/16"	26 1/8"



MERITOR NO.	REPLACES WAGNER NO.	FITTING SIZE			BOLT HOLE	O.A.L.
		A	B	C		
R4577315	F106347	3/8"-24	3/8"-24	—	7/16"	21 1/8"



MERITOR NO.	REPLACES WAGNER NO.	FITTING SIZE			BOLT HOLE	O.A.L.
		A	B	C		
R4577316	F106328	3/8"-24	—	—	7/16"	18 1/2"

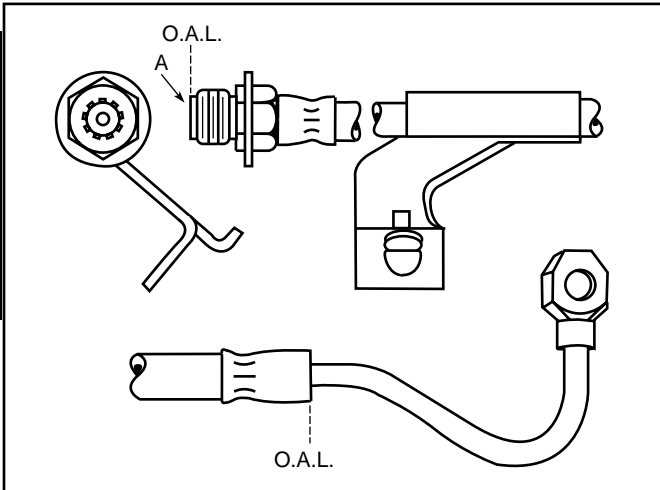


MERITOR NO.	REPLACES WAGNER NO.	FITTING SIZE			BOLT HOLE	O.A.L.
		A	B	C		
R4577317	F106329	3/8"-24	—	—	7/16"	18 1/2"

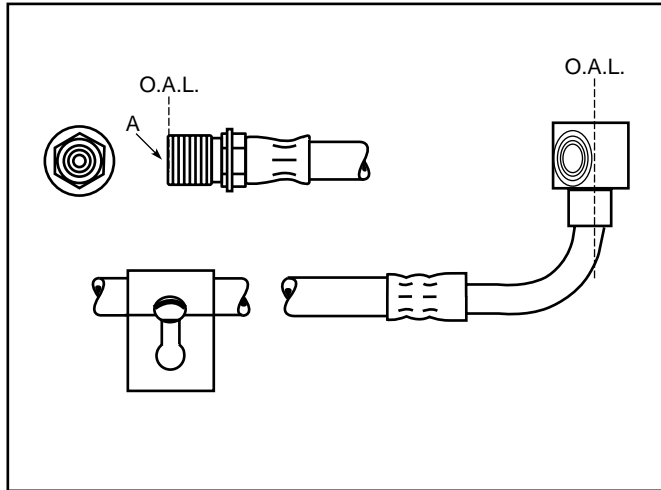
HYDRAULIC BRAKE HOSES

Listed in Meritor Part Number Sequence

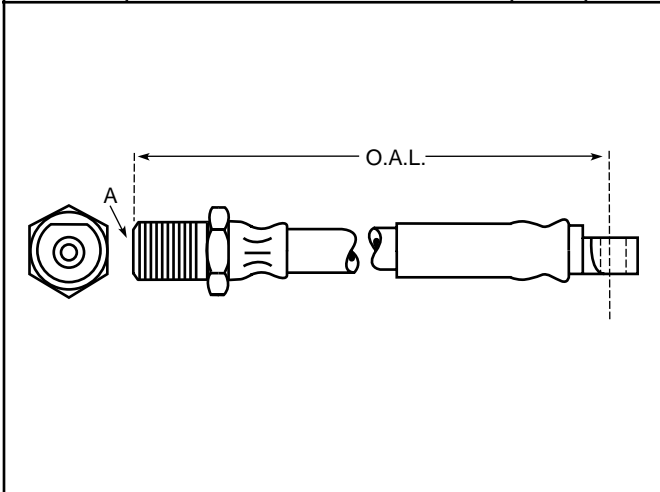
6 - BRAKE HOSES



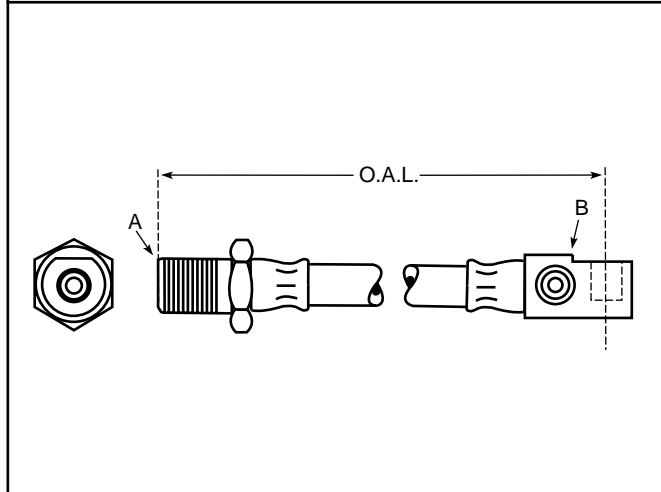
MERITOR NO.	REPLACES WAGNER NO.	FITTING SIZE			BOLT HOLE	O.A.L.
		A	B	C		
R4577320	F110424	3/8"-24	—	—	3/8"	20 3/4"



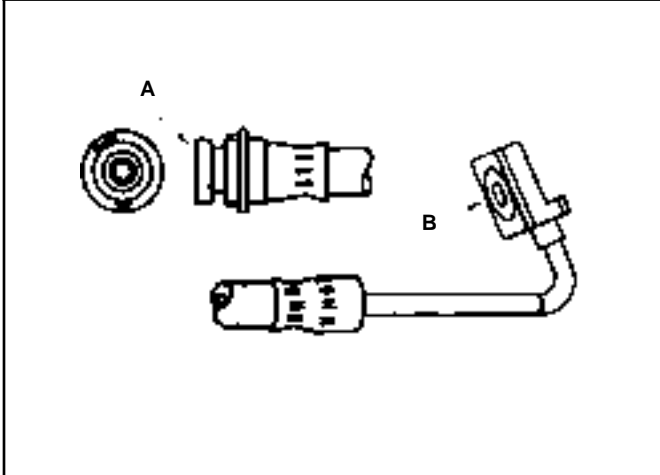
MERITOR NO.	REPLACES WAGNER NO.	FITTING SIZE			BOLT HOLE	O.A.L.
		A	B	C		
R4577321	F102464	3/8"-24 Int. 5/8"-18 Ext.	—	—	3/8"	20 1/2"



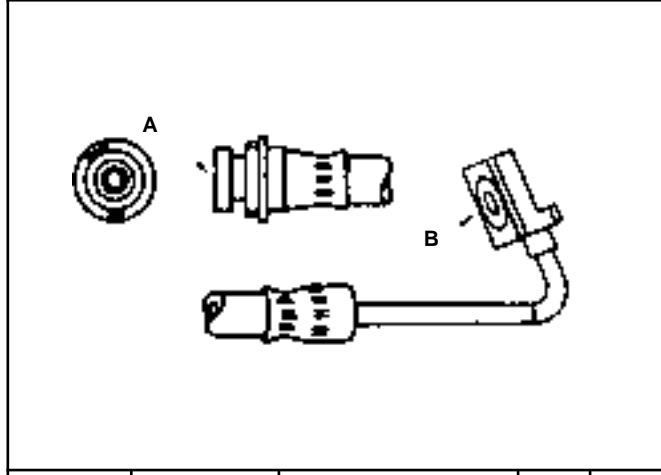
MERITOR NO.	REPLACES WAGNER NO.	FITTING SIZE			BOLT HOLE	O.A.L.
		A	B	C		
R4577327	F106348	3/8"-24 Int. 3/4"-16 Ext.	—	—	3/8"	12"



MERITOR NO.	REPLACES WAGNER NO.	FITTING SIZE			BOLT HOLE	O.A.L.
		A	B	C		
R4577328	F106349	7/16"-24 Int. 3/4"-16 Ext.	3/8"-24	—	5/16"	18 5/16"



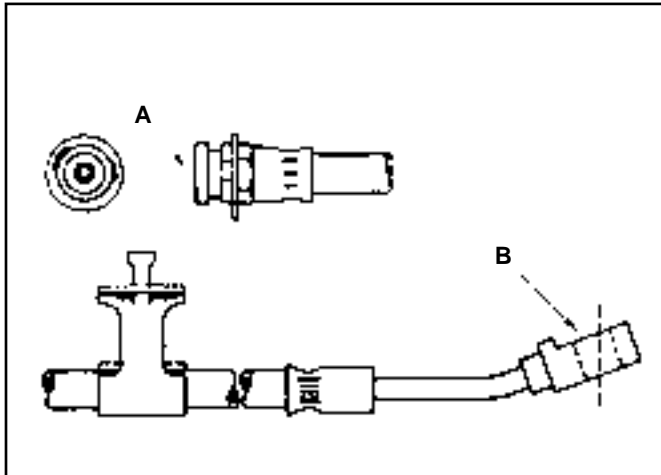
MERITOR NO.	REPLACES WAGNER NO.	FITTING SIZE			BOLT HOLE	O.A.L.
		A	B	C		
R4577329	F104341	3/8"-24	No. Thd.	—	—	11 3/8"



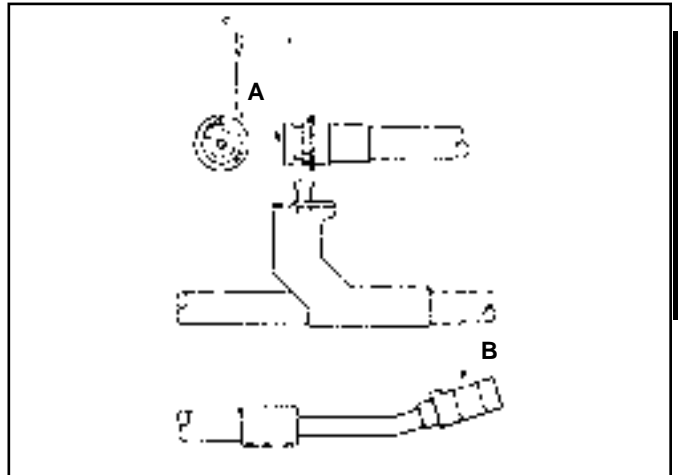
MERITOR NO.	REPLACES WAGNER NO.	FITTING SIZE			BOLT HOLE	O.A.L.
		A	B	C		
R4577330	F104342	3/8"-24	No. Thd.	—	—	11 3/8"

HYDRAULIC BRAKE HOSES

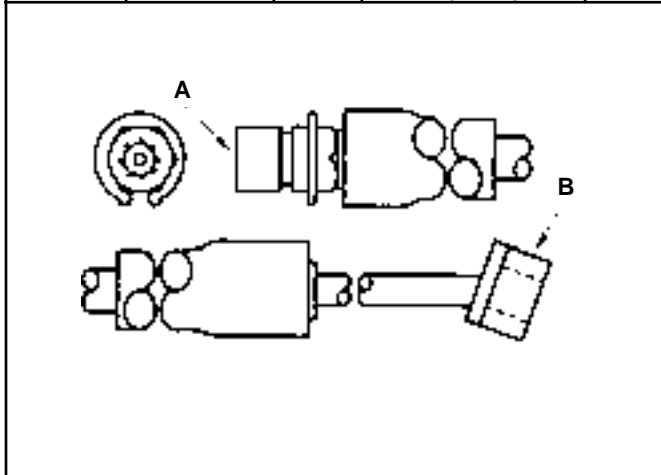
Listed in Meritor Part Number Sequence



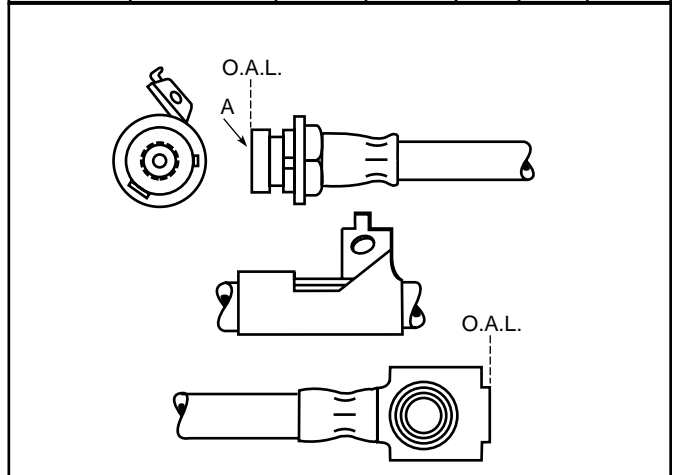
MERITOR NO.	REPLACES WAGNER NO.	FITTING SIZE			BOLT HOLE	O.A.L.
		A	B	C		
R4577332	—	3/8"-24	No Thd.	—	—	23 1/4"



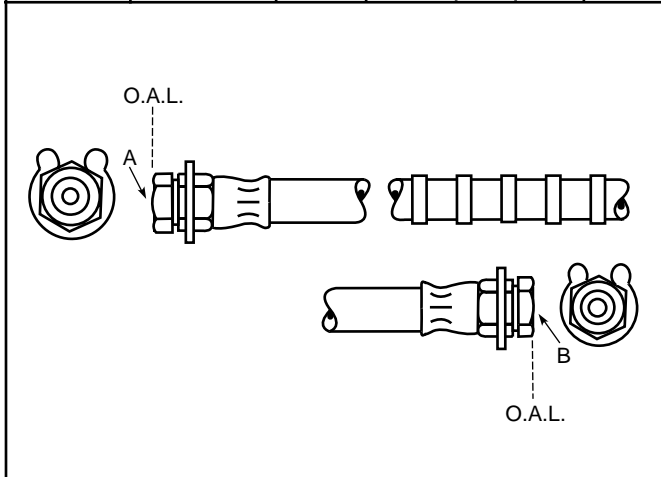
MERITOR NO.	REPLACES WAGNER NO.	FITTING SIZE			BOLT HOLE	O.A.L.
		A	B	C		
R4577333	F113296 F88951	3/8"-24	No Thd.	—	—	23 7/8"



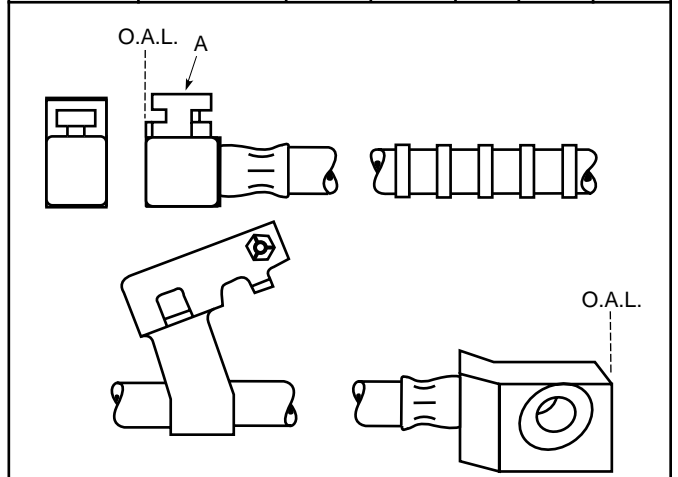
MERITOR NO.	REPLACES WAGNER NO.	FITTING SIZE			BOLT HOLE	O.A.L.
		A	B	C		
R4577334	F98918	3/8"-24	No Thread	—	—	22"



MERITOR NO.	REPLACES WAGNER NO.	FITTING SIZE			BOLT HOLE	O.A.L.
		A	B	C		
R4577340	F110420	M10x1	—	—	10mm	17 3/4"



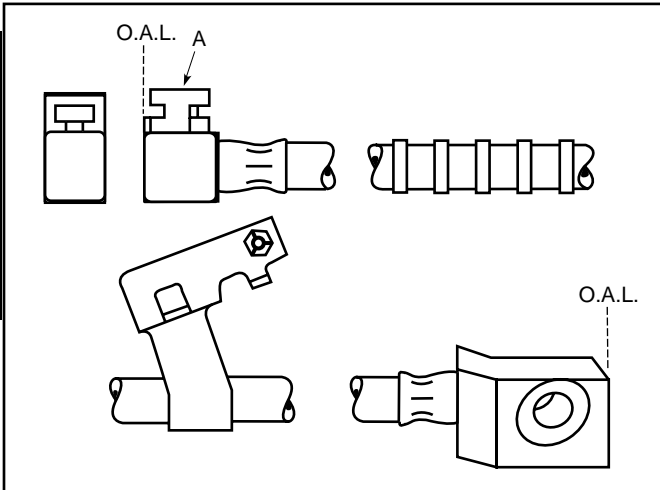
MERITOR NO.	REPLACES WAGNER NO.	FITTING SIZE			BOLT HOLE	O.A.L.
		A	B	C		
R4577378	F110131	3/8"-24	3/8"-24	—	—	15 1/8"



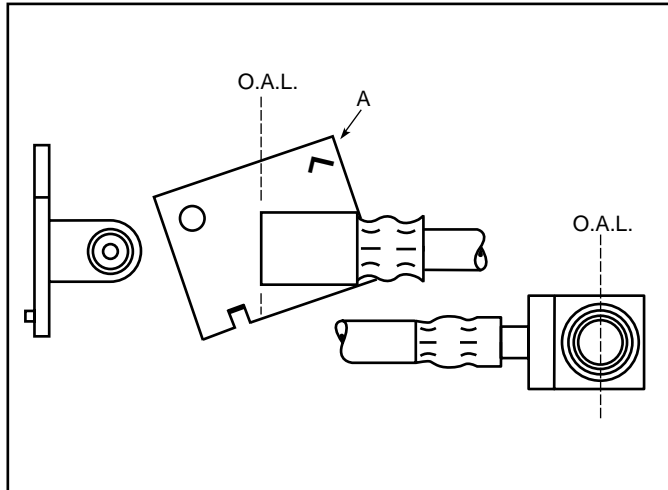
MERITOR NO.	REPLACES WAGNER NO.	FITTING SIZE			BOLT HOLE	O.A.L.
		A	B	C		
R4577379	F107280	3/8"-24	—	—	7/16"	20 9/16"

HYDRAULIC BRAKE HOSES

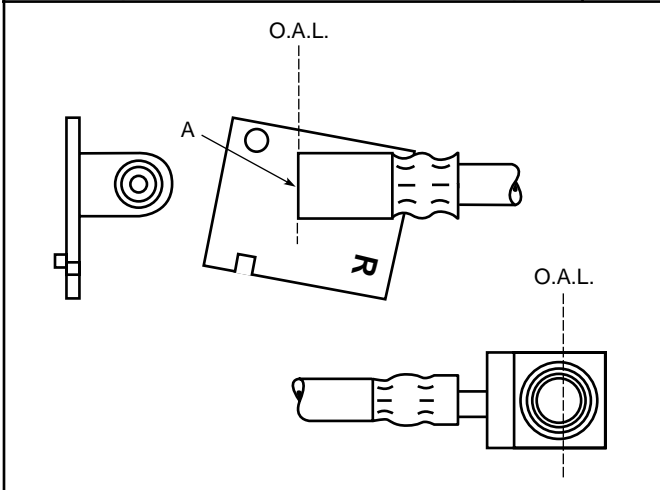
Listed in Meritor Part Number Sequence



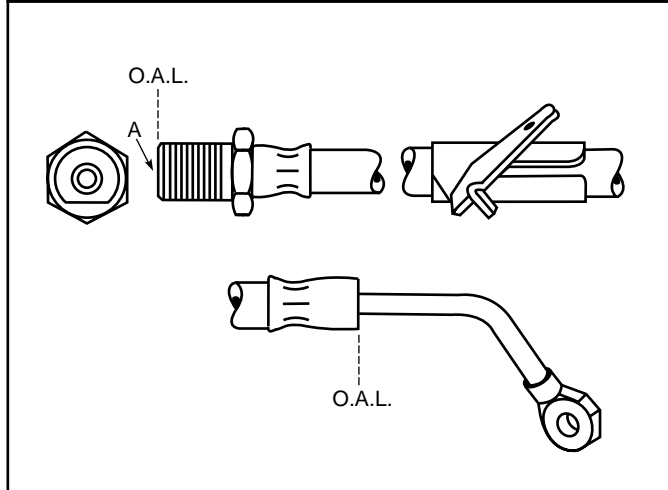
MERITOR NO.	REPLACES WAGNER NO.	FITTING SIZE			BOLT HOLE	O.A.L.
		A	B	C		
R4577380	F107279	3/8"-24	—	—	7/16"	20 9/16"



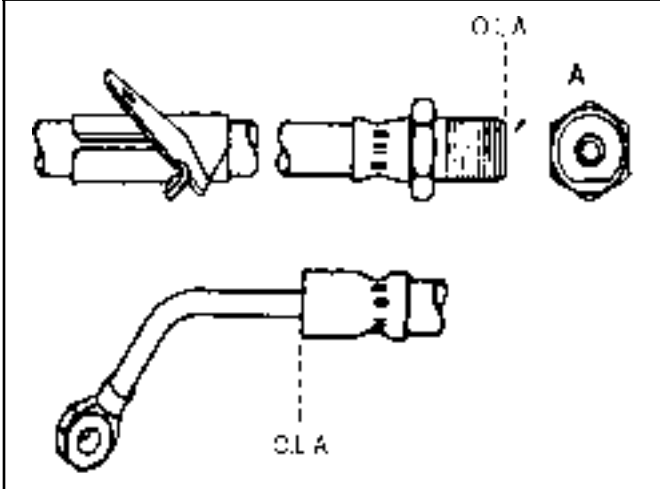
MERITOR NO.	REPLACES WAGNER NO.	FITTING SIZE			BOLT HOLE	O.A.L.
		A	B	C		
R4577387	F98937	3/8"-24	—	—	7/16"	10 7/16"



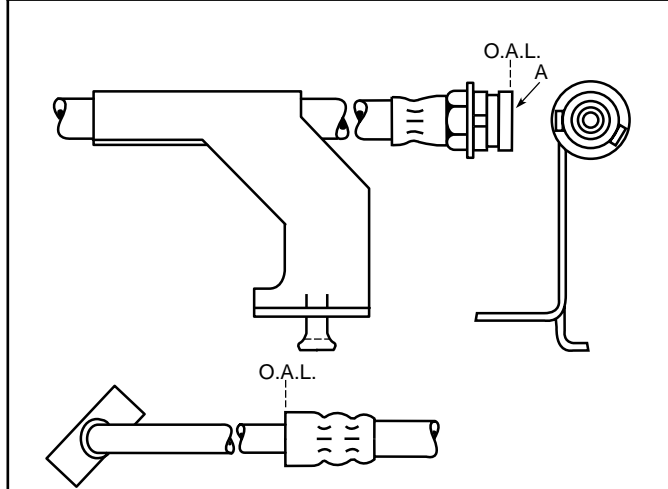
MERITOR NO.	REPLACES WAGNER NO.	FITTING SIZE			BOLT HOLE	O.A.L.
		A	B	C		
R4577388	F98938	3/8"-24	—	—	7/16"	10 7/16"



MERITOR NO.	REPLACES WAGNER NO.	FITTING SIZE			BOLT HOLE	O.A.L.
		A	B	C		
R4577415	F107284	3/8"-24	—	—	3/8"	17 3/8"



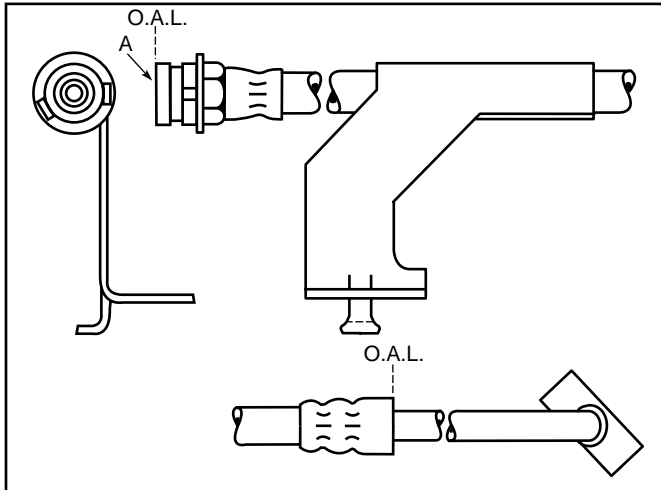
MERITOR NO.	REPLACES WAGNER NO.	FITTING SIZE			BOLT HOLE	O.A.L.
		A	B	C		
R4577416	F107285	3/8"-24	—	—	3/8"	17 3/8"



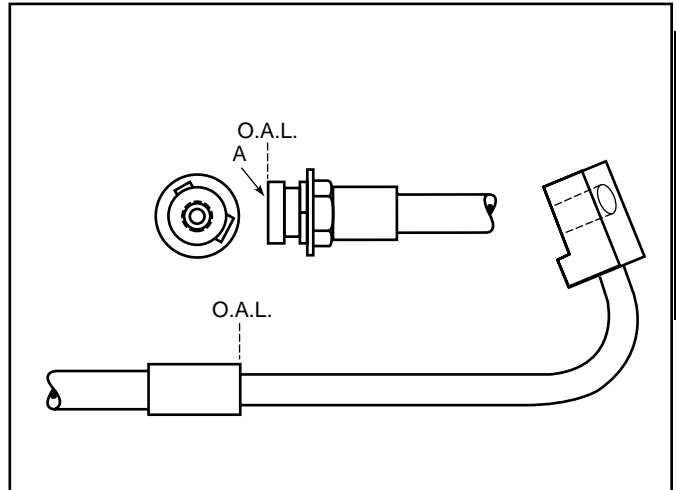
MERITOR NO.	REPLACES WAGNER NO.	FITTING SIZE			BOLT HOLE	O.A.L.
		A	B	C		
R4577417	F110159	3/8"-24	—	—	3/8"	21 3/8"

HYDRAULIC BRAKE HOSES

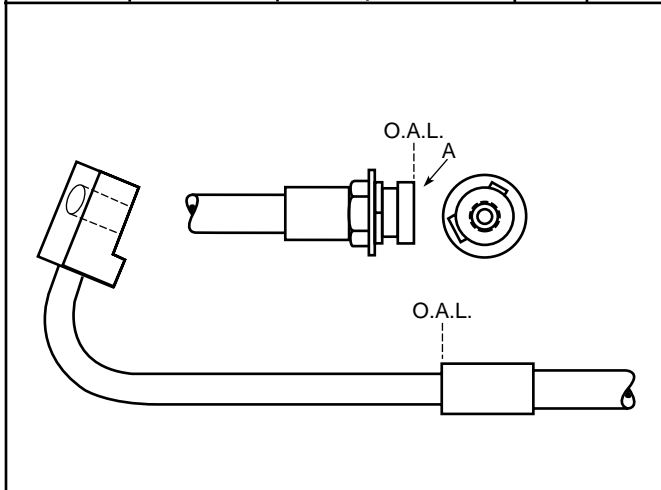
Listed in Meritor Part Number Sequence



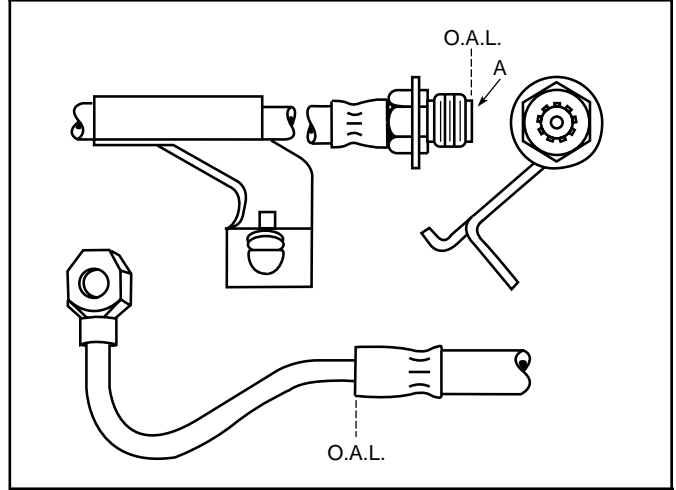
MERITOR NO.	REPLACES WAGNER NO.	FITTING SIZE			BOLT HOLE	O.A.L.
		A	B	C		
R4577418	F110158	3/8"-24	—	—	3/8"	20 3/4"



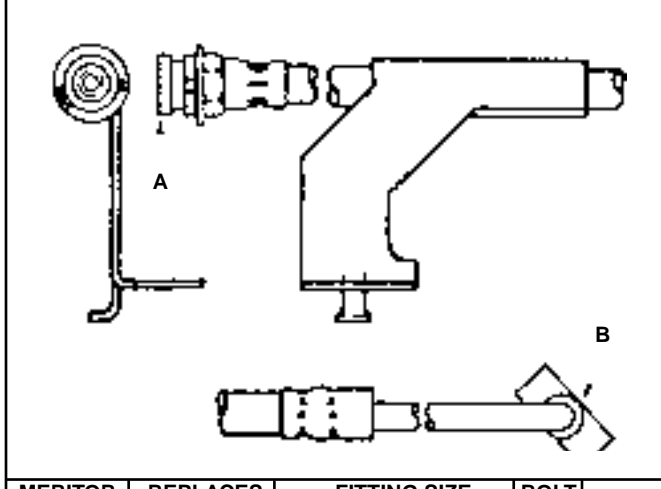
MERITOR NO.	REPLACES WAGNER NO.	FITTING SIZE			BOLT HOLE	O.A.L.
		A	B	C		
R4577419	F107274	3/8"-24	—	—	3/8"	15 7/16"



MERITOR NO.	REPLACES WAGNER NO.	FITTING SIZE			BOLT HOLE	O.A.L.
		A	B	C		
R4577420	F107275	3/8"-24	—	—	3/8"	15 15/16"



MERITOR NO.	REPLACES WAGNER NO.	FITTING SIZE			BOLT HOLE	O.A.L.
		A	B	C		
R4577421	F110425	3/8"-24 Int. 5/8"-18 Ext.	—	—	3/8"	20 3/4"

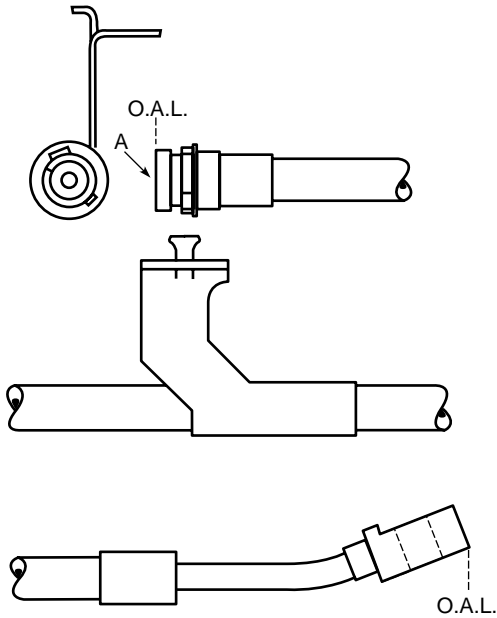


MERITOR NO.	REPLACES WAGNER NO.	FITTING SIZE			BOLT HOLE	O.A.L.
		A	B	C		
R4577425	—	3/8"-24	No Thd.	—	—	23 1/4"

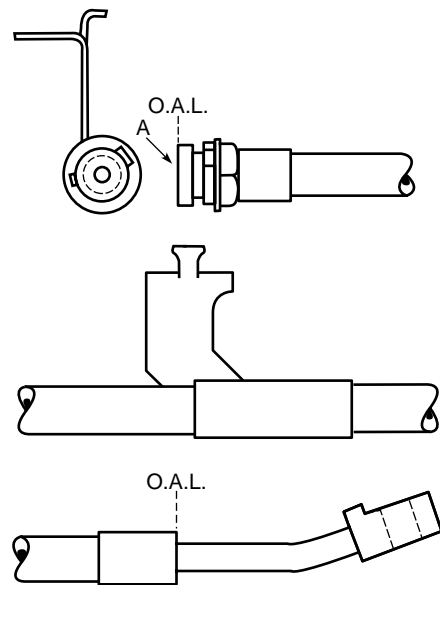
HYDRAULIC BRAKE HOSES

Listed in Meritor Part Number Sequence

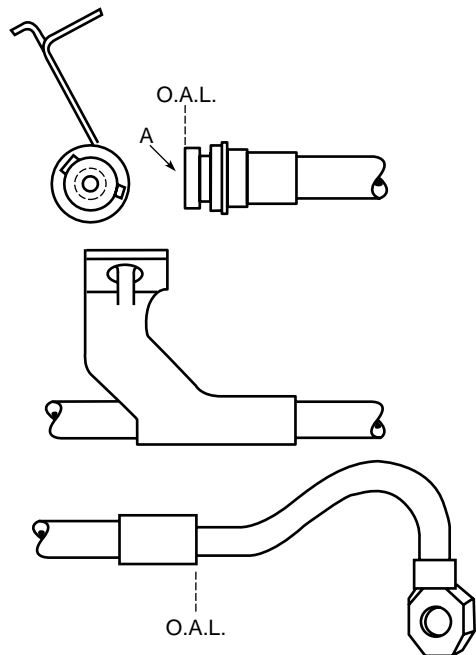
6 - BRAKE HOSES



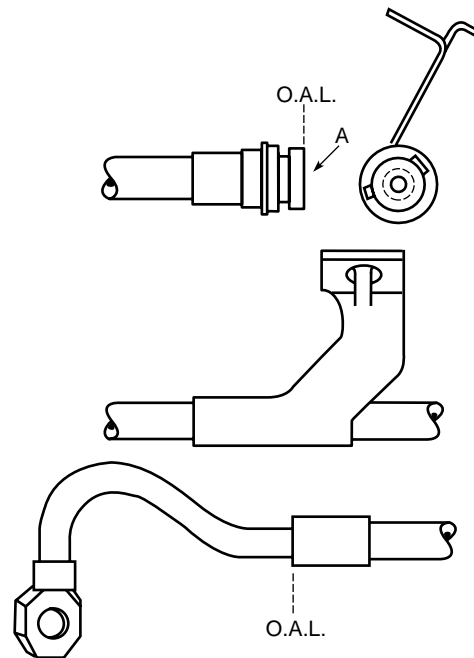
MERITOR NO.	REPLACES WAGNER NO.	FITTING SIZE			BOLT HOLE	O.A.L.
		A	B	C		
R4577427	F107272	3/8"-24	—	—	3/8"	24 1/8"



MERITOR NO.	REPLACES WAGNER NO.	FITTING SIZE			BOLT HOLE	O.A.L.
		A	B	C		
R4577428	F107273	3/8"-24	—	—	3/8"	19 5/8"



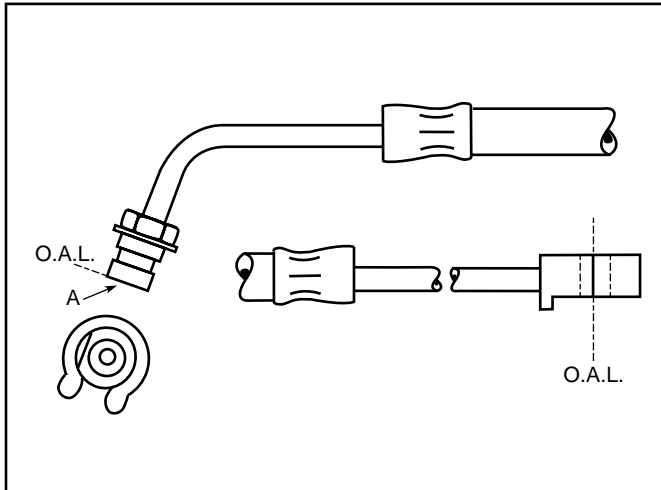
MERITOR NO.	REPLACES WAGNER NO.	FITTING SIZE			BOLT HOLE	O.A.L.
		A	B	C		
R4577429	F110426	3/8"-24	—	—	3/8"	22"



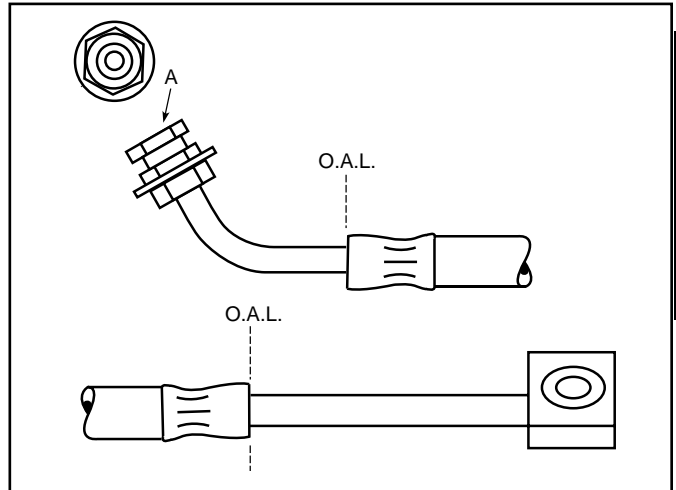
MERITOR NO.	REPLACES WAGNER NO.	FITTING SIZE			BOLT HOLE	O.A.L.
		A	B	C		
R4577430	F110427	3/8"-24	—	—	3/8"	20 3/4"

HYDRAULIC BRAKE HOSES

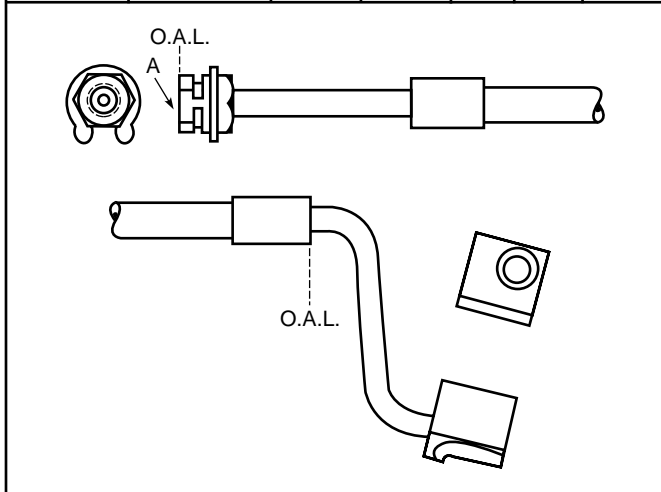
Listed in Meritor Part Number Sequence



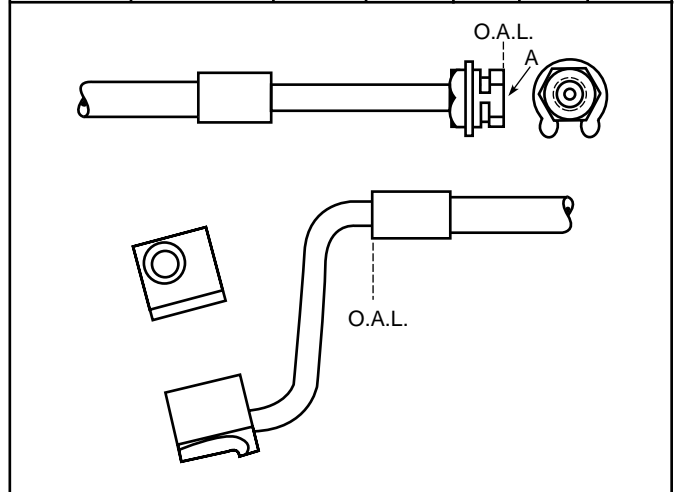
MERITOR NO.	REPLACES WAGNER NO.	FITTING SIZE			BOLT HOLE	O.A.L.
		A	B	C		
R4577440	F107300	3/8"-24	—	—	3/8"	16 15/16"



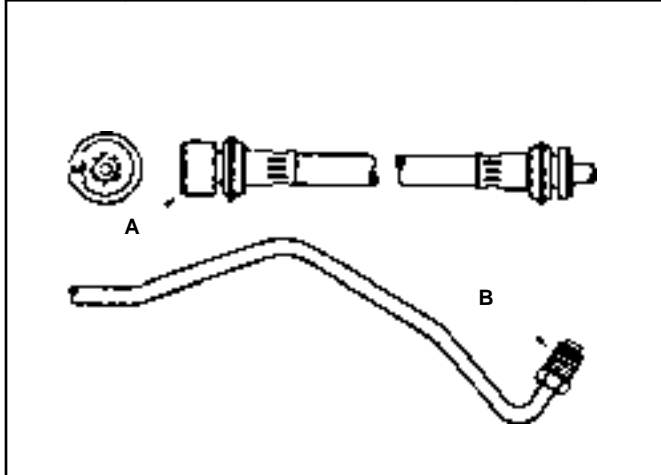
MERITOR NO.	REPLACES WAGNER NO.	FITTING SIZE			BOLT HOLE	O.A.L.
		A	B	C		
R4577441	F106331	3/8"-24	—	—	3/8"	12 5/8"



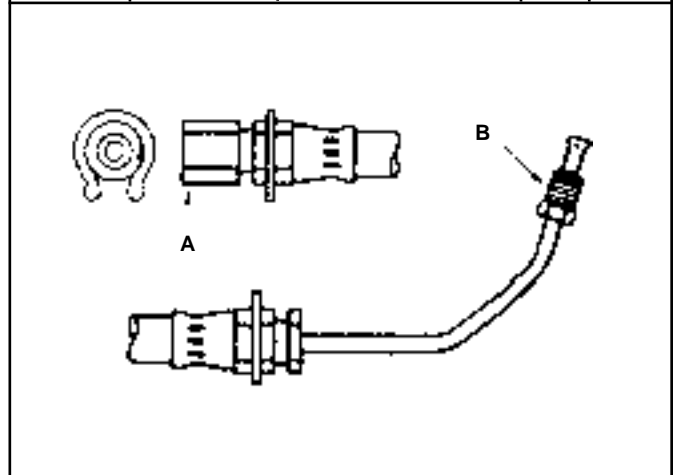
MERITOR NO.	REPLACES WAGNER NO.	FITTING SIZE			BOLT HOLE	O.A.L.
		A	B	C		
R4577443	F111134	3/8"-24	—	—	3/8"	16 7/8"



MERITOR NO.	REPLACES WAGNER NO.	FITTING SIZE			BOLT HOLE	O.A.L.
		A	B	C		
R4577444	F111135	3/8"-24	—	—	3/8"	16 7/8"



MERITOR NO.	REPLACES WAGNER NO.	FITTING SIZE			BOLT HOLE	O.A.L.
		A	B	C		
R4577452	F103307	1/2"-20	7/16"-24	—	—	31 1/8"

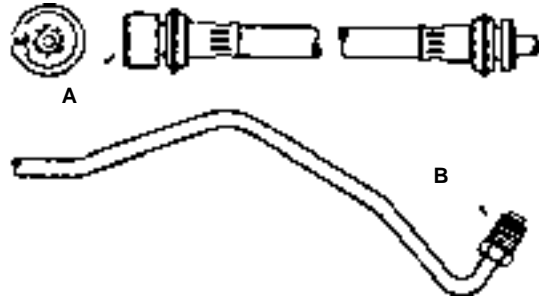
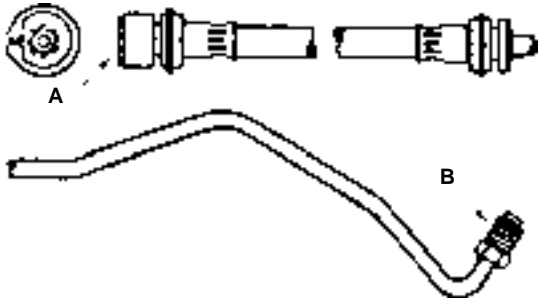


MERITOR NO.	REPLACES WAGNER NO.	FITTING SIZE			BOLT HOLE	O.A.L.
		A	B	C		
R4577453	F103311	1/2"-20	7/16"-24	—	—	31 1/16"

HYDRAULIC BRAKE HOSES

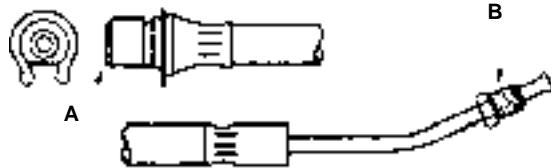
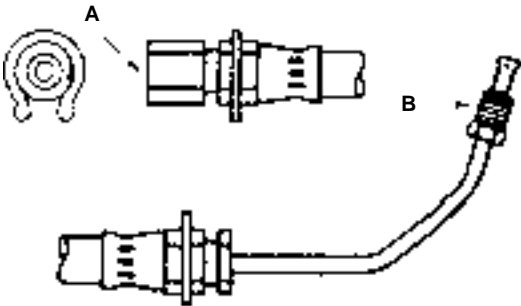
Listed in Meritor Part Number Sequence

6 - BRAKE HOSES



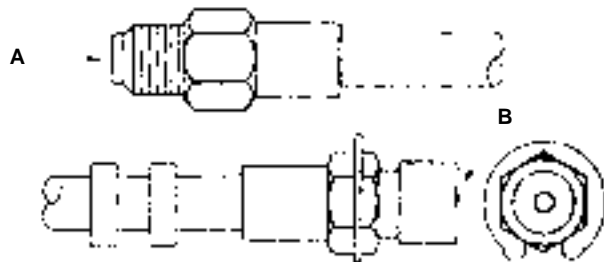
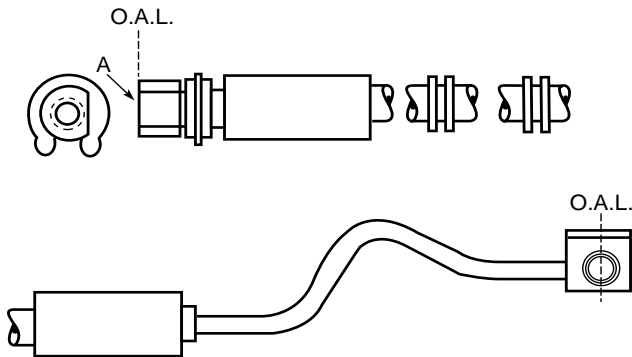
MERITOR NO.	REPLACES WAGNER NO.	FITTING SIZE			BOLT HOLE	O.A.L.
		A	B	C		
R4577454	F103312	7/16"-24	7/16"-24	—	—	31 5/16"

MERITOR NO.	REPLACES WAGNER NO.	FITTING SIZE			BOLT HOLE	O.A.L.
		A	B	C		
R4577455	F103312	7/16"-24	7/16"-24	—	—	31 5/16"



MERITOR NO.	REPLACES WAGNER NO.	FITTING SIZE			BOLT HOLE	O.A.L.
		A	B	C		
R4577457	F103314	7/16"-24	7/16"-24	—	—	26 5/8"

MERITOR NO.	REPLACES WAGNER NO.	FITTING SIZE			BOLT HOLE	O.A.L.
		A	B	C		
R4577460	F106648 F106666	3/8"-24	7/16"-24	—	—	25 1/8"

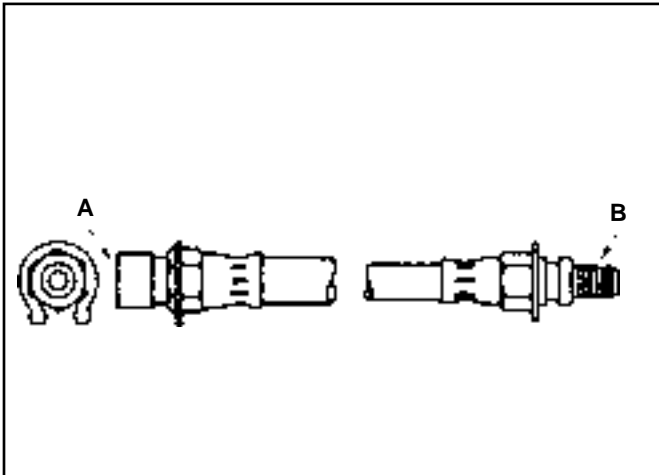


MERITOR NO.	REPLACES WAGNER NO.	FITTING SIZE			BOLT HOLE	O.A.L.
		A	B	C		
R4577461	F111945	7/16"-24	—	—	7/16"	31 13/16"

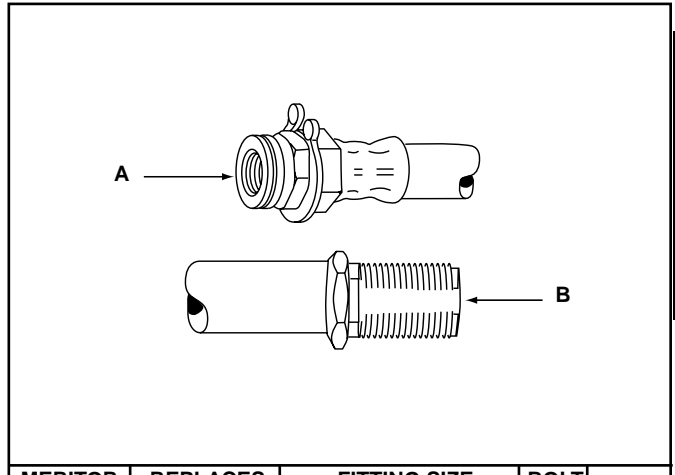
MERITOR NO.	REPLACES WAGNER NO.	FITTING SIZE			BOLT HOLE	O.A.L.
		A	B	C		
R4577463	F111946	1/2"-20	7/16"-24	—	—	21 1/2"

HYDRAULIC BRAKE HOSES

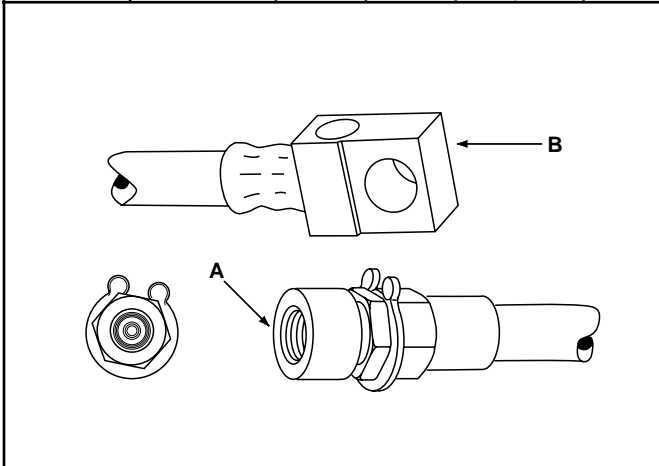
Listed in Meritor Part Number Sequence



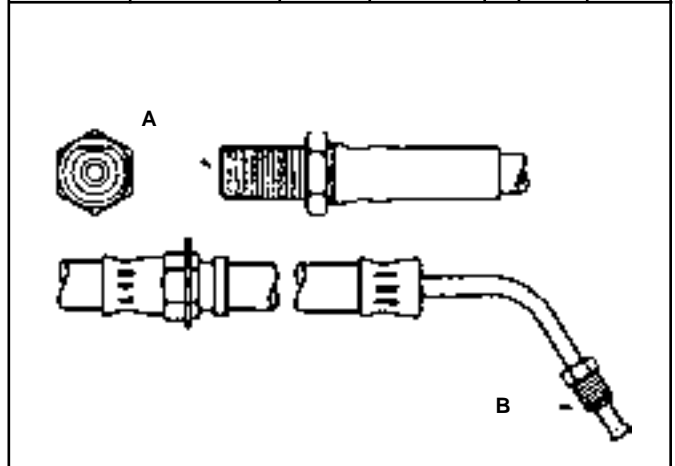
MERITOR NO.	REPLACES WAGNER NO.	FITTING SIZE			BOLT HOLE	O.A.L.
		A	B	C		
R4577479	F71305 F98281	7/16"-20	7/16"-24	—	—	18 11/16"



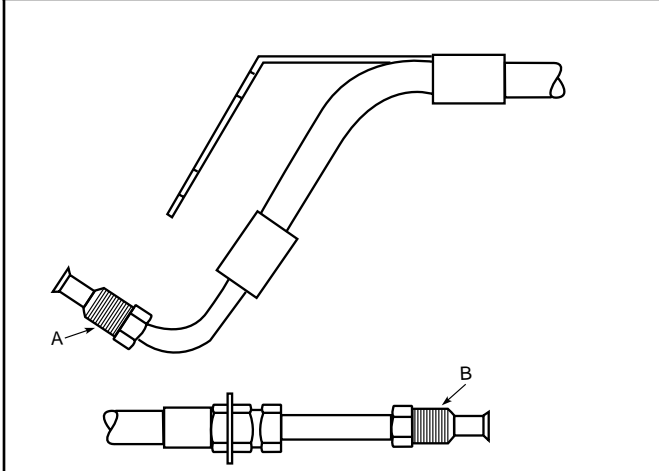
MERITOR NO.	REPLACES WAGNER NO.	FITTING SIZE			BOLT HOLE	O.A.L.
		A	B	C		
R4577481	F102130 F102327 F109138	7/16"-24	7/8"-24 Int. 7/8"-14 Ext.	—	—	23 3/16"



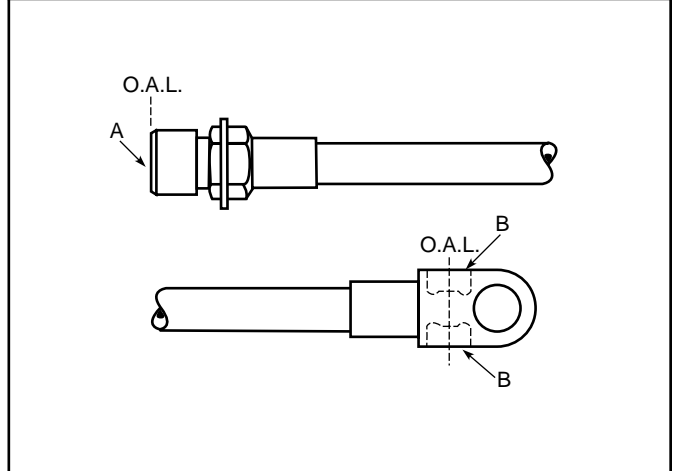
MERITOR NO.	REPLACES WAGNER NO.	FITTING SIZE			BOLT HOLE	O.A.L.
		A	B	C		
R4577482	—	7/16"-24	7/16"-24 (2 Plcs)	—	—	18 29/64" 18 45/64"



MERITOR NO.	REPLACES WAGNER NO.	FITTING SIZE			BOLT HOLE	O.A.L.
		A	B	C		
R4577484	F106647	7/16"-24 Int. 7/8"-24 Ext.	7/16"-24	—	—	29 3/8"



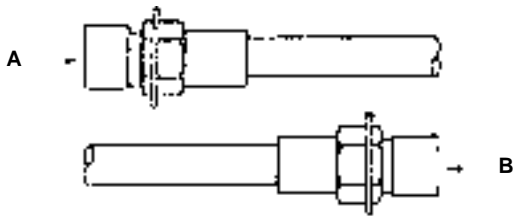
MERITOR NO.	REPLACES WAGNER NO.	FITTING SIZE			BOLT HOLE	O.A.L.
		A	B	C		
R4577495	F107739	7/16"-24	7/16"-24	—	—	20 1/8"



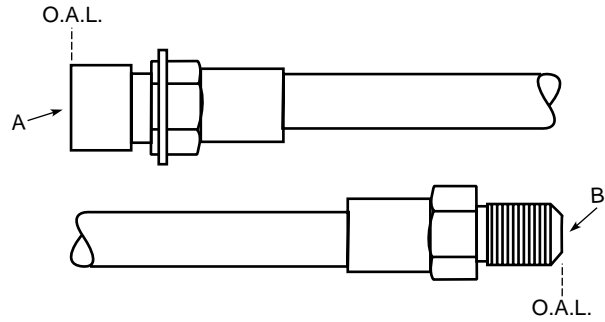
MERITOR NO.	REPLACES WAGNER NO.	FITTING SIZE			BOLT HOLE	O.A.L.
		A	B	C		
R4577500	F107734	7/16"-24	7/16"-24	—	7/16"	18 5/16"

HYDRAULIC BRAKE HOSES

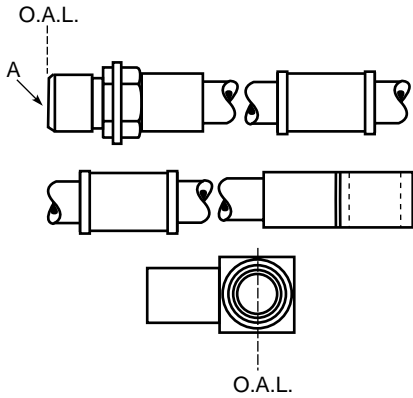
Listed in Meritor Part Number Sequence



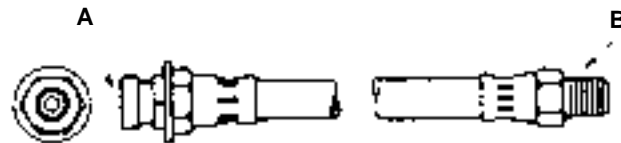
MERITOR NO.	REPLACES WAGNER NO.	FITTING SIZE			BOLT HOLE	O.A.L.
		A	B	C		
R4577503	F111137	7/16"-24	7/16"-24	—	—	24 1/2"



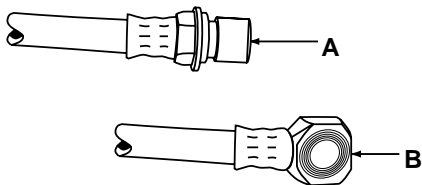
MERITOR NO.	REPLACES WAGNER NO.	FITTING SIZE			BOLT HOLE	O.A.L.
		A	B	C		
R4577512	F113154	7/16"-24	7/16"-24	—	—	11 13/16"



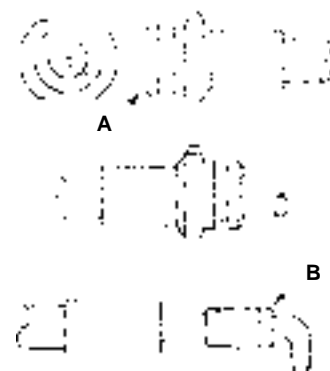
MERITOR NO.	REPLACES WAGNER NO.	FITTING SIZE			BOLT HOLE	O.A.L.
		A	B	C		
R4577514	F113151	7/16"-24	—	—	3/8"	32 1/16"



MERITOR NO.	REPLACES WAGNER NO.	FITTING SIZE			BOLT HOLE	O.A.L.
		A	B	C		
R4577537	F78079	3/8"-24	7/16"-24	—	—	22 7/8"



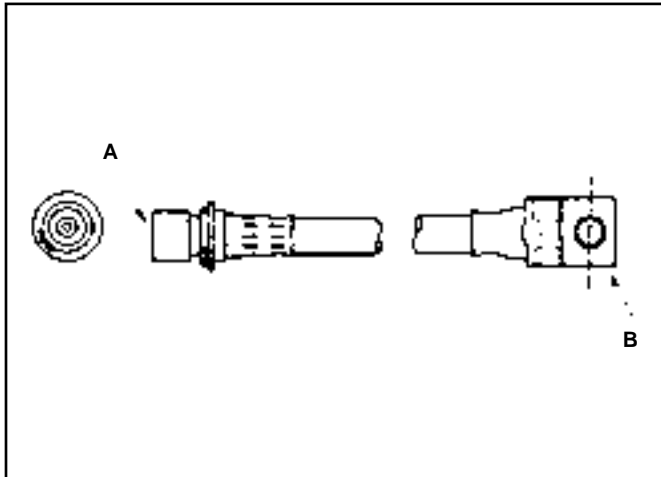
MERITOR NO.	REPLACES WAGNER NO.	FITTING SIZE			BOLT HOLE	O.A.L.
		A	B	C		
R4577544	F124596 F132325	3/8"-24	No Thd.	—	—	36 3/4"



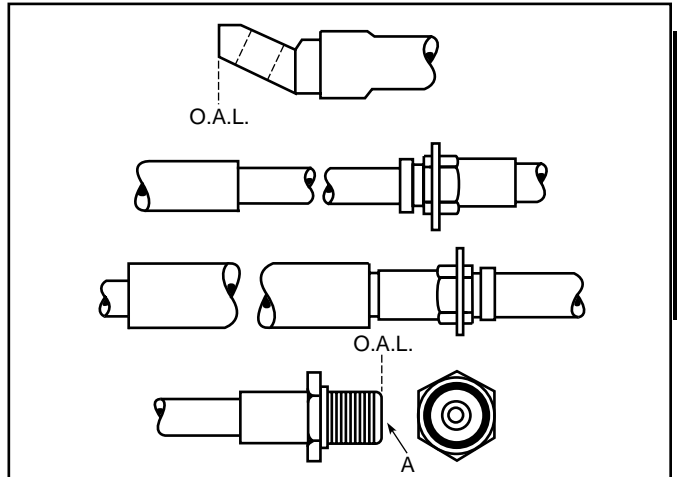
MERITOR NO.	REPLACES WAGNER NO.	FITTING SIZE			BOLT HOLE	O.A.L.
		A	B	C		
R4577548	F88950	3/8"-24	No Thd.	—	—	22 7/8"

HYDRAULIC BRAKE HOSES

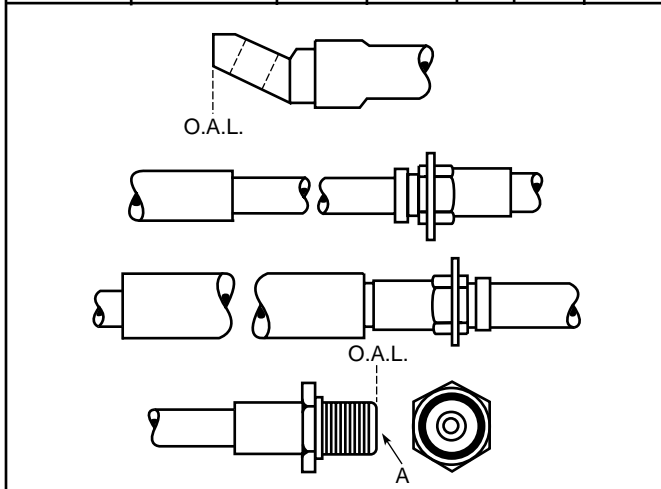
Listed in Meritor Part Number Sequence



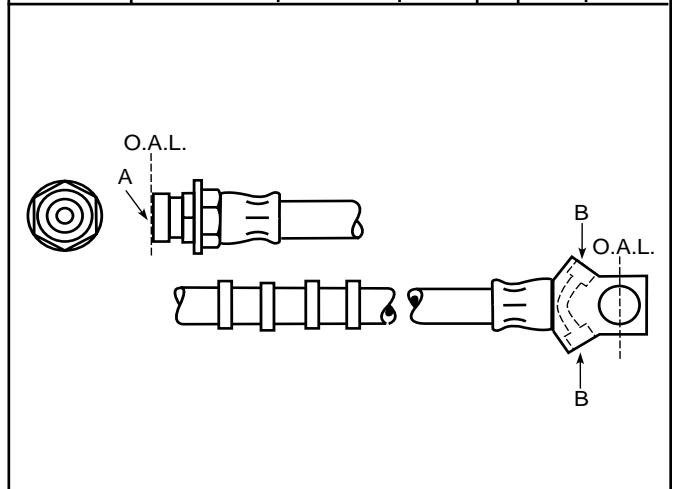
MERITOR NO.	REPLACES WAGNER NO.	FITTING SIZE			BOLT HOLE	O.A.L.
		A	B	C		
R4577558	F111141	7/16"-24	3/8"-24	—	—	14 7/8"



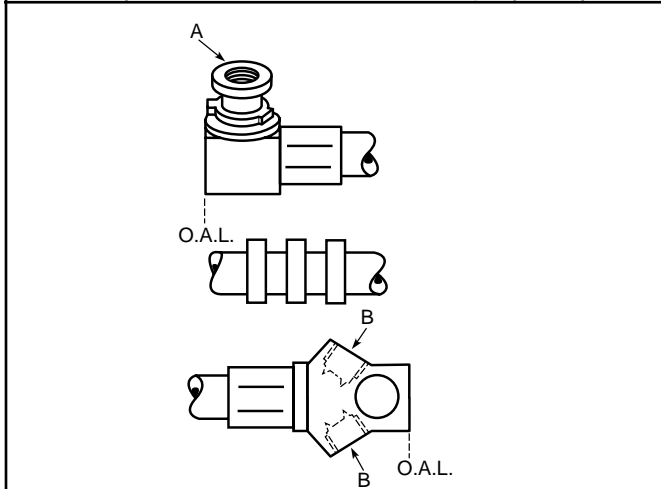
MERITOR NO.	REPLACES WAGNER NO.	FITTING SIZE			BOLT HOLE	O.A.L.
		A	B	C		
R4577559	F111397	3/8"-24 Int. 5/8"-18 Ext.	—	—	10mm	37"



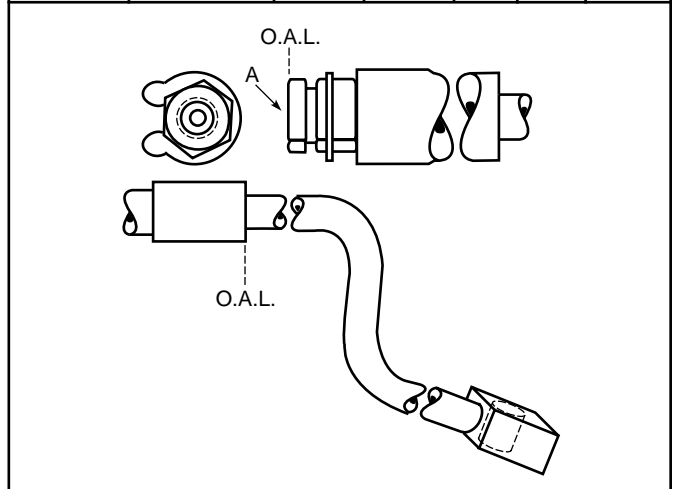
MERITOR NO.	REPLACES WAGNER NO.	FITTING SIZE			BOLT HOLE	O.A.L.
		A	B	C		
R4577560	F111398	3/8"-24 Int. 5/8"-18 Ext.	—	—	10mm	24 5/16"



MERITOR NO.	REPLACES WAGNER NO.	FITTING SIZE			BOLT HOLE	O.A.L.
		A	B	C		
R4577564	F107281	3/8"-24	3/8"-24	—	7/16"	22 3/8"



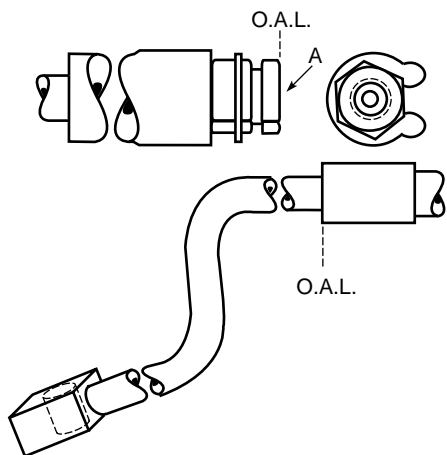
MERITOR NO.	REPLACES WAGNER NO.	FITTING SIZE			BOLT HOLE	O.A.L.
		A	B	C		
R4577565	F111396	3/8"-24	3/8"-24	—	7/16"	12 1/4"



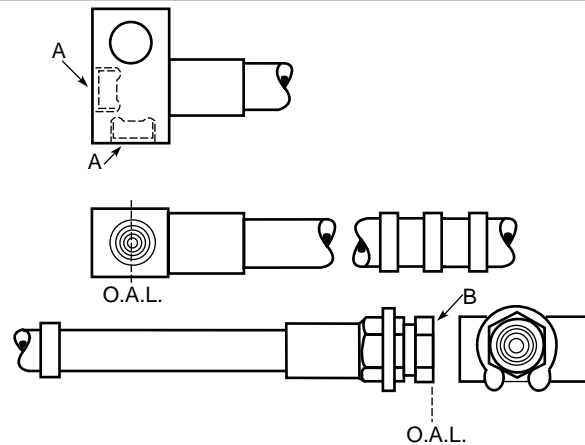
MERITOR NO.	REPLACES WAGNER NO.	FITTING SIZE			BOLT HOLE	O.A.L.
		A	B	C		
R4577596	F111949	3/8"-24	—	—	3/8"	11 9/16"

HYDRAULIC BRAKE HOSES

Listed in Meritor Part Number Sequence



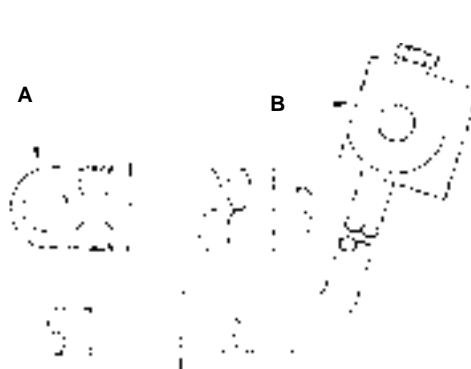
MERITOR NO.	REPLACES WAGNER NO.	FITTING SIZE			BOLT HOLE	O.A.L.
		A	B	C		
R4577597	F111950	3/8"-24	—	—	3/8"	11 9/16"



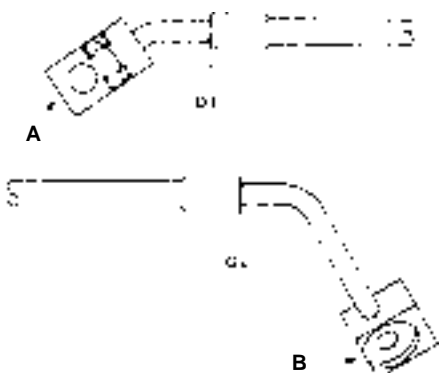
MERITOR NO.	REPLACES WAGNER NO.	FITTING SIZE			BOLT HOLE	O.A.L.
		A	B	C		
R4577598	F114038	3/8"-24	3/8"-24	—	7/16"	16 1/4"



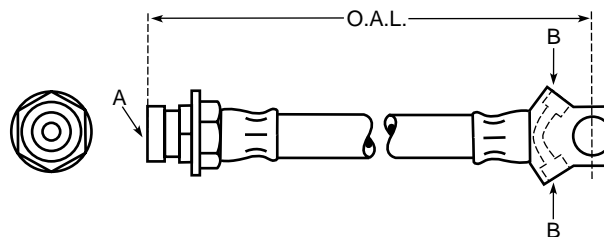
MERITOR NO.	REPLACES WAGNER NO.	FITTING SIZE			BOLT HOLE	O.A.L.
		A	B	C		
R4577612	F113379	7/16"-24	3/8"-24	No. Thd.	—	19 5/8"



MERITOR NO.	REPLACES WAGNER NO.	FITTING SIZE			BOLT HOLE	O.A.L.
		A	B	C		
R4577613	F113379 F71313 F71343	3/8"-24 7/16"-24	No Thread	—	—	19 1/4"



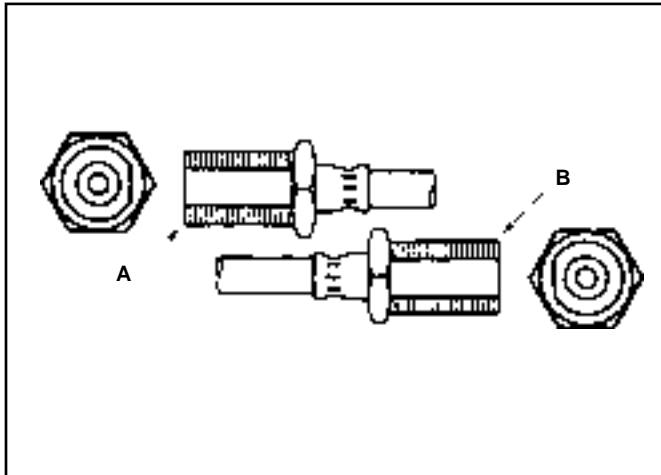
MERITOR NO.	REPLACES WAGNER NO.	FITTING SIZE			BOLT HOLE	O.A.L.
		A	B	C		
R4577614	F113377	3/8"-24	No Thd.	—	—	20 1/2"



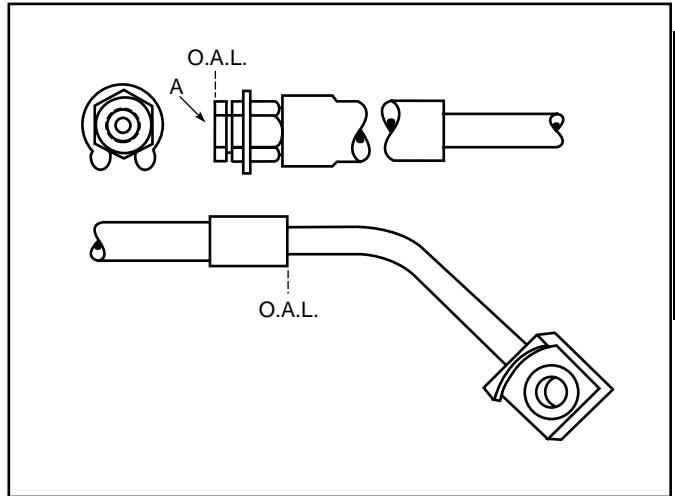
MERITOR NO.	REPLACES WAGNER NO.	FITTING SIZE			BOLT HOLE	O.A.L.
		A	B	C		
R4577631	F97660	3/8"-24	3/8"-24	—	7/16"	13"

HYDRAULIC BRAKE HOSES

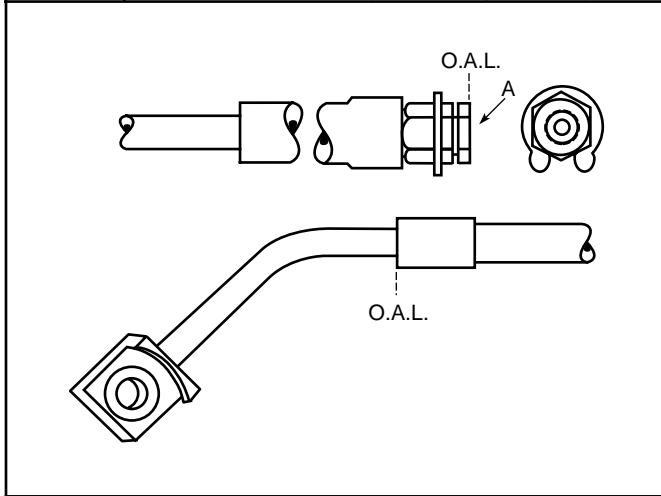
Listed in Meritor Part Number Sequence



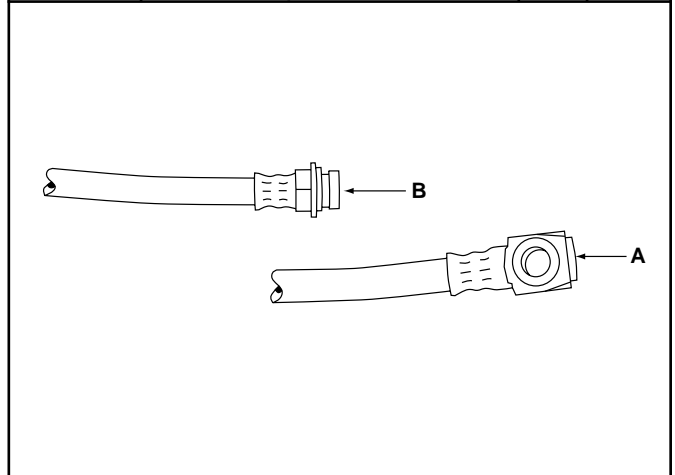
MERITOR NO.	REPLACES WAGNER NO.	FITTING SIZE			BOLT HOLE	O.A.L.
		A	B	C		
R4577686	F124052	7/16"-24 Int.	7/16"-24 Int.	—	—	29 1/8"
	F80962	3/4"-16 Ext.	3/4"-16 Ext.	—		



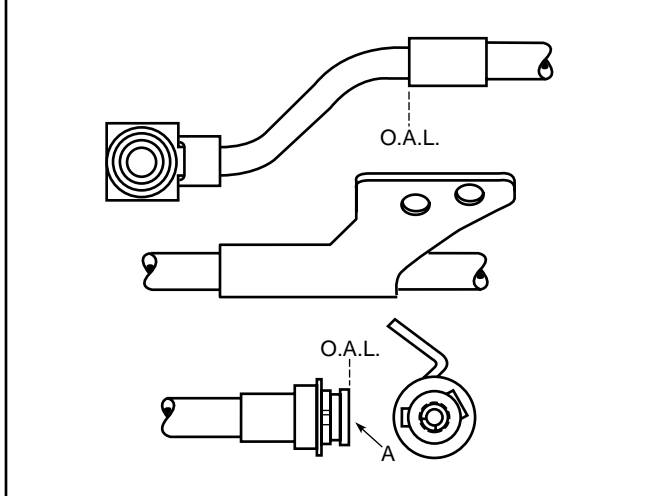
MERITOR NO.	REPLACES WAGNER NO.	FITTING SIZE			BOLT HOLE	O.A.L.
		A	B	C		
R4577787	F118172	3/8"-24	—	—	3/8"	10 5/8"



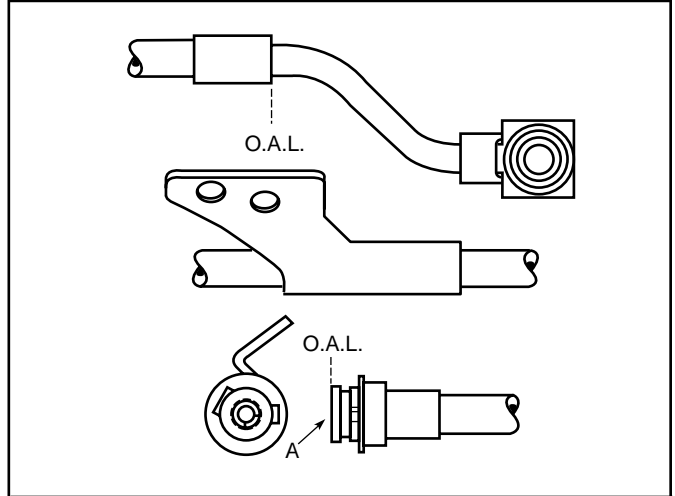
MERITOR NO.	REPLACES WAGNER NO.	FITTING SIZE			BOLT HOLE	O.A.L.
		A	B	C		
R4577788	F118173	3/8"-24	—	—	3/8"	10 5/8"



MERITOR NO.	REPLACES WAGNER NO.	FITTING SIZE			BOLT HOLE	O.A.L.
		A	B	C		
R4577841	F123294	No Thd.	7/16"-24	—	—	—



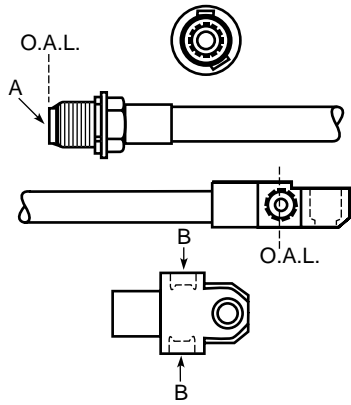
MERITOR NO.	REPLACES WAGNER NO.	FITTING SIZE			BOLT HOLE	O.A.L.
		A	B	C		
R4577760	F116846	3/8"-24	—	—	3/8"	21 5/8"



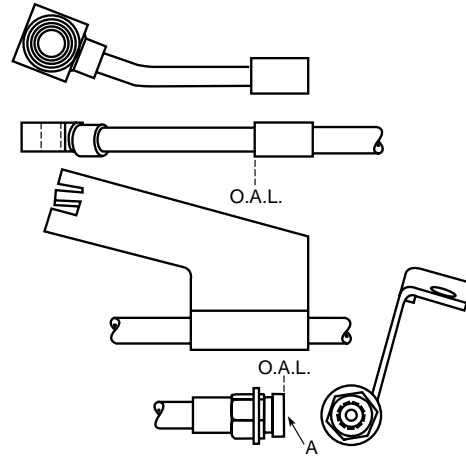
MERITOR NO.	REPLACES WAGNER NO.	FITTING SIZE			BOLT HOLE	O.A.L.
		A	B	C		
R4577761	F116847	3/8"-24	—	—	3/8"	21 5/8"

HYDRAULIC BRAKE HOSES

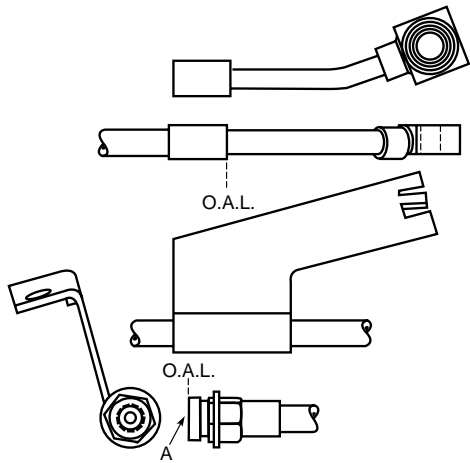
Listed in Meritor Part Number Sequence



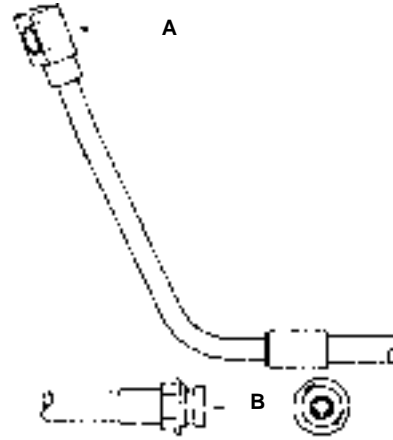
MERITOR NO.	REPLACES WAGNER NO.	FITTING SIZE			BOLT HOLE	O.A.L.
		A	B	C		
R4577765	F118117	3/8"-24 Int. 5/8"-18 Ext.	3/8"-24	—	5/16"	16 13/16"



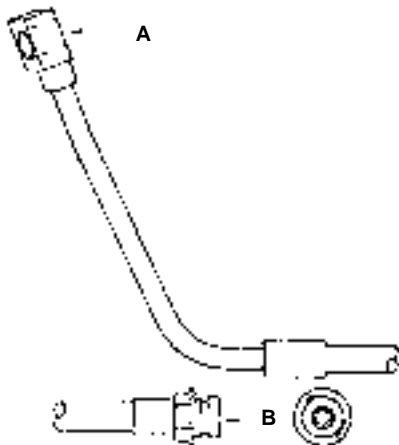
MERITOR NO.	REPLACES WAGNER NO.	FITTING SIZE			BOLT HOLE	O.A.L.
		A	B	C		
R4577766	F116848	3/8"-24	—	—	3/8"	18 1/4"



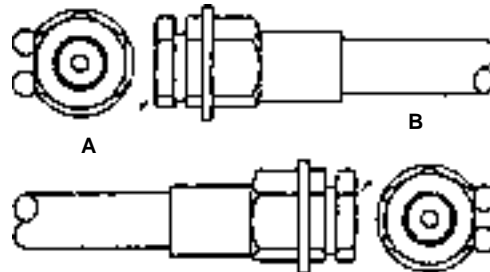
MERITOR NO.	REPLACES WAGNER NO.	FITTING SIZE			BOLT HOLE	O.A.L.
		A	B	C		
R4577767	F116849	3/8"-24	—	—	3/8"	18 1/4"



MERITOR NO.	REPLACES WAGNER NO.	FITTING SIZE			BOLT HOLE	O.A.L.
		A	B	C		
R4577768	F118083	No Thd.	3/8"-14	—	—	19.50"



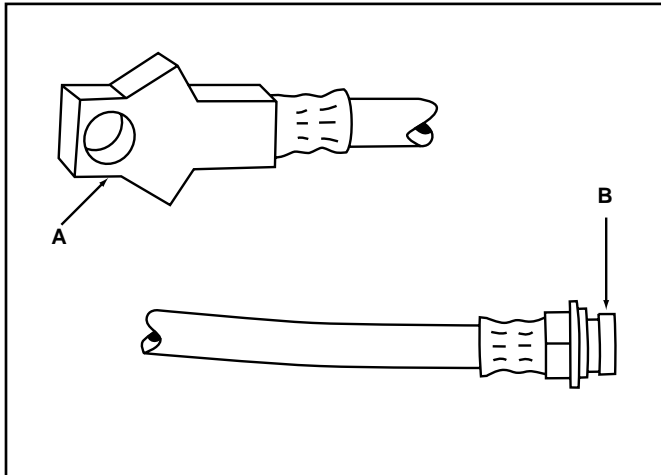
MERITOR NO.	REPLACES WAGNER NO.	FITTING SIZE			BOLT HOLE	O.A.L.
		A	B	C		
R4577769	F118084	No Thd.	3/8"-24	—	—	19 1/2"



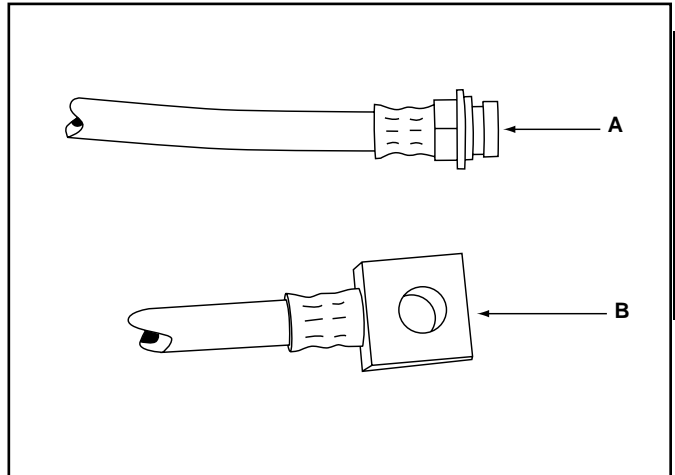
MERITOR NO.	REPLACES WAGNER NO.	FITTING SIZE			BOLT HOLE	O.A.L.
		A	B	C		
R4577799	F112775 F117138	3/8"-24	3/8"-24	—	—	17 1/4"

HYDRAULIC BRAKE HOSES

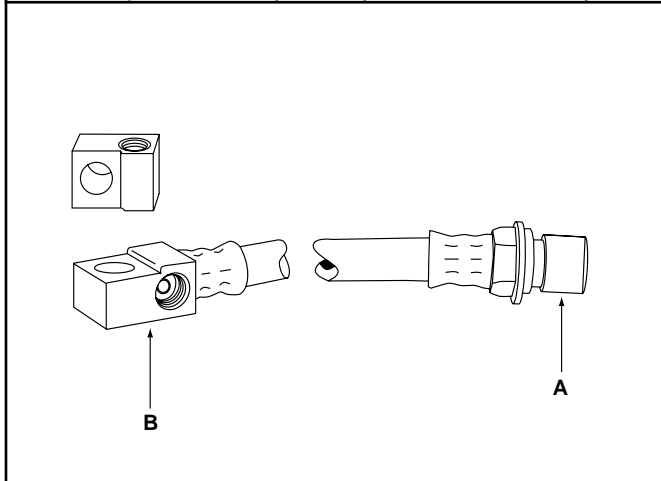
Listed in Meritor Part Number Sequence



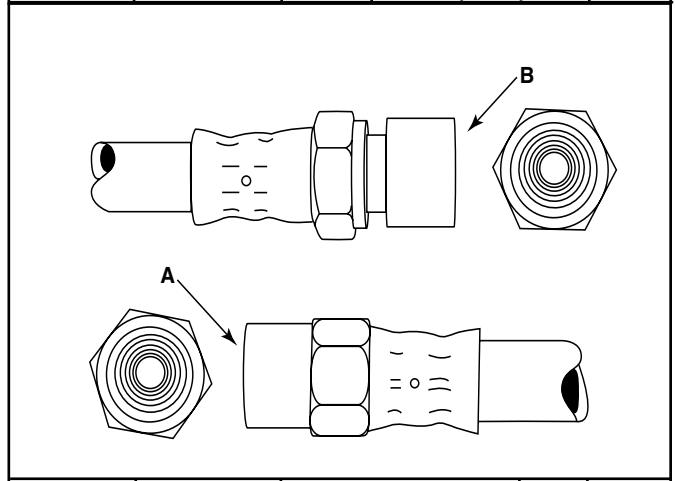
MERITOR NO.	REPLACES WAGNER NO.	FITTING SIZE			BOLT HOLE	O.A.L.
		A	B	C		
R4577826	F124718	3/8"-24	3/8"-24	—	—	26 1/4"



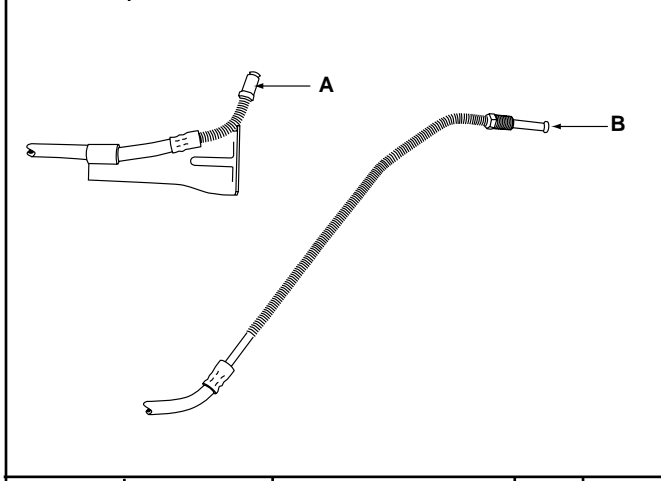
MERITOR NO.	REPLACES WAGNER NO.	FITTING SIZE			BOLT HOLE	O.A.L.
		A	B	C		
R4577845	F123284	M10x1	No Thd.	—	—	16 3/8"



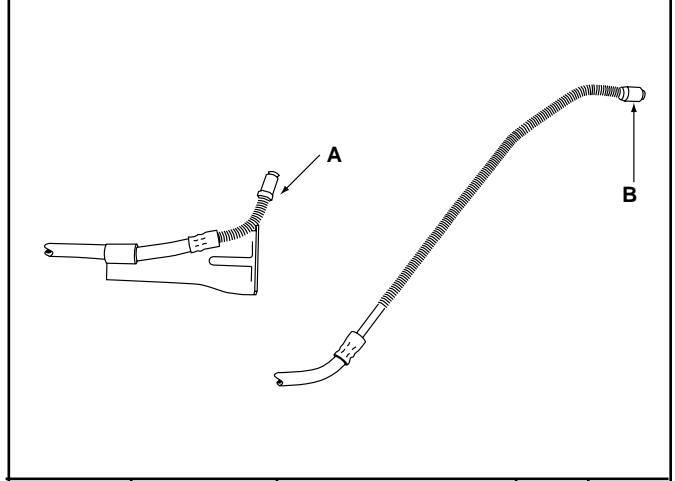
MERITOR NO.	REPLACES WAGNER NO.	FITTING SIZE			BOLT HOLE	O.A.L.
		A	B	C		
R4577851	F124599	7/16"-24	3/8"-24	—	—	18 7/8"



MERITOR NO.	REPLACES WAGNER NO.	FITTING SIZE			BOLT HOLE	O.A.L.
		A	B	C		
R4577857	—	M10x1	M10x1 6H Thd	—	—	10 1/2"



MERITOR NO.	REPLACES WAGNER NO.	FITTING SIZE			BOLT HOLE	O.A.L.
		A	B	C		
R4577864	F132934	7/16"-24	7/16"-24	—	—	11 1/2"

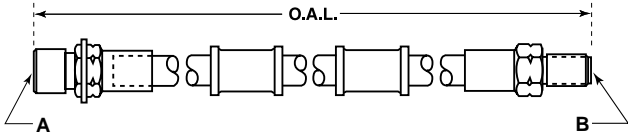


MERITOR NO.	REPLACES WAGNER NO.	FITTING SIZE			BOLT HOLE	O.A.L.
		A	B	C		
R4577865	F132933	7/16"-24	7/16"-24	—	—	11"

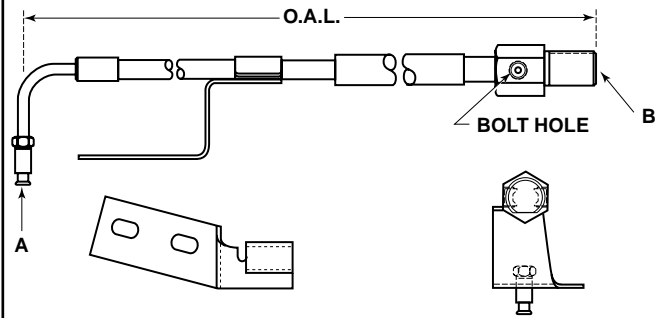
HYDRAULIC BRAKE HOSES

Listed in Meritor Part Number Sequence

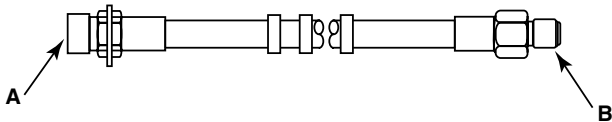
6 - BRAKE HOSES



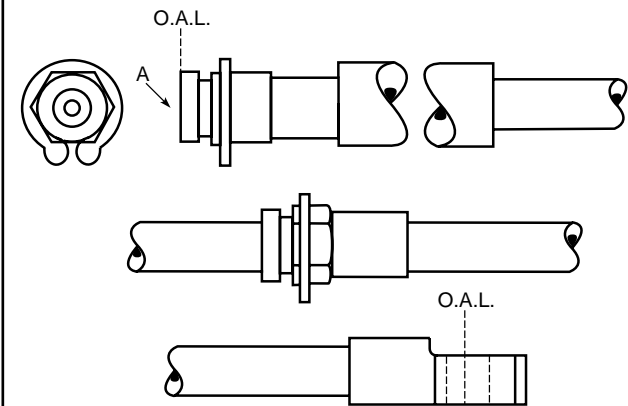
MERITOR NO.	REPLACES WAGNER NO.	FITTING SIZE			BOLT HOLE	O.A.L.
		A	B	C		
R4577860	—	7/16"-24 UNS-2B	7/16"-24 UNS-2A	—	—	38 15/16" 39 5/16"



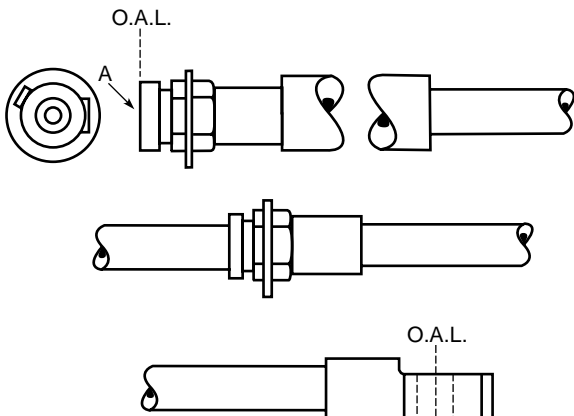
MERITOR NO.	REPLACES WAGNER NO.	FITTING SIZE			BOLT HOLE	O.A.L.
		A	B	C		
R4577868	F132925	7/16"-24	7/16"-14 UNF-2A	—	7/16"-24 UNS-2B (2 Plcs)	32 31/64" 32 47/64"



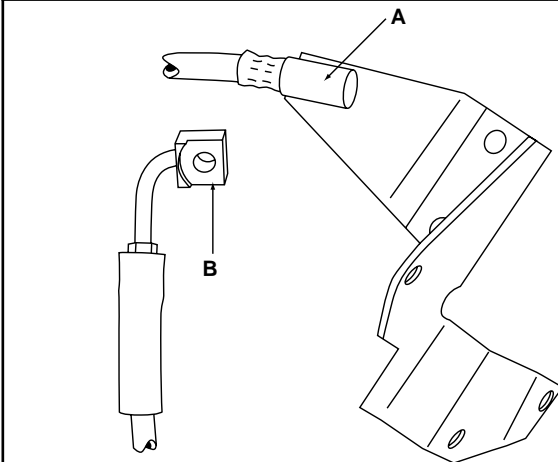
MERITOR NO.	REPLACES WAGNER NO.	FITTING SIZE			BOLT HOLE	O.A.L.
		A	B	C		
R4577870	—	1/2"-20	7/16"-20	—	—	21 5/16" 21 45/64"



MERITOR NO.	REPLACES WAGNER NO.	FITTING SIZE			BOLT HOLE	O.A.L.
		A	B	C		
R4577900	F123302	3/8"-24	—	—	3/8"	19 1/4"



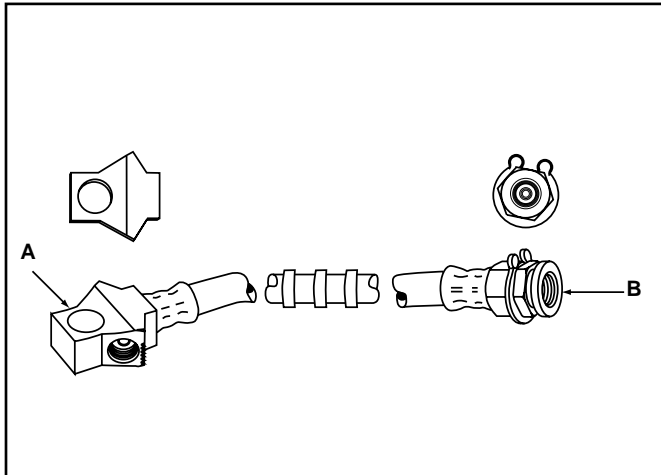
MERITOR NO.	REPLACES WAGNER NO.	FITTING SIZE			BOLT HOLE	O.A.L.
		A	B	C		
R4577901	F123301	3/8"-24	—	—	3/8"	19 1/4"



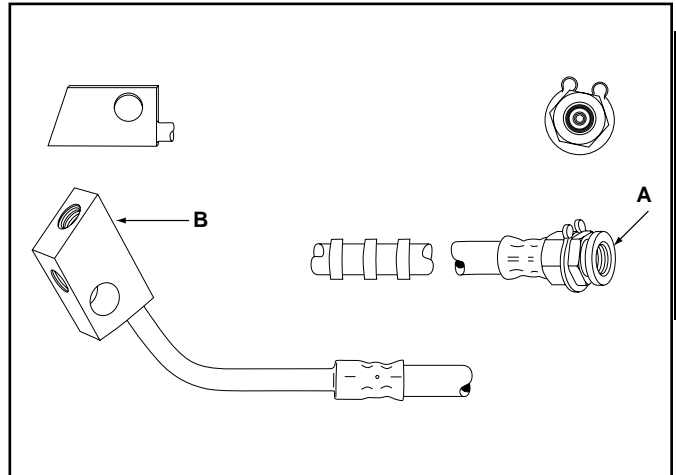
MERITOR NO.	REPLACES WAGNER NO.	FITTING SIZE			BOLT HOLE	O.A.L.
		A	B	C		
R4577909	F124719	3/8"-24	No Thd.	—	—	19 7/8"

HYDRAULIC BRAKE HOSES

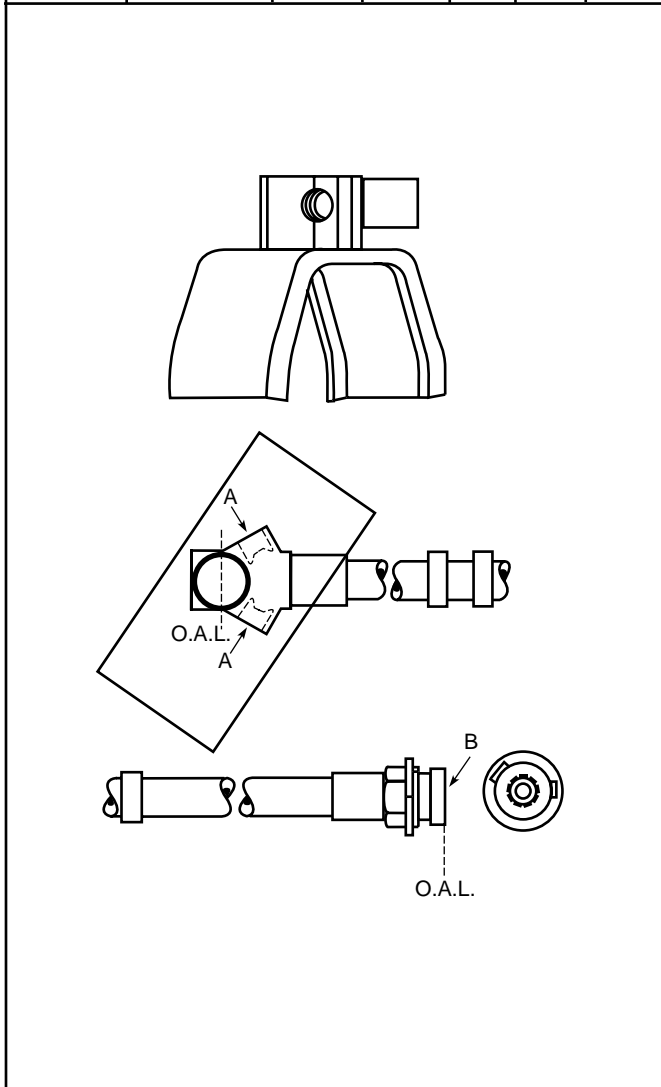
Listed in Meritor Part Number Sequence



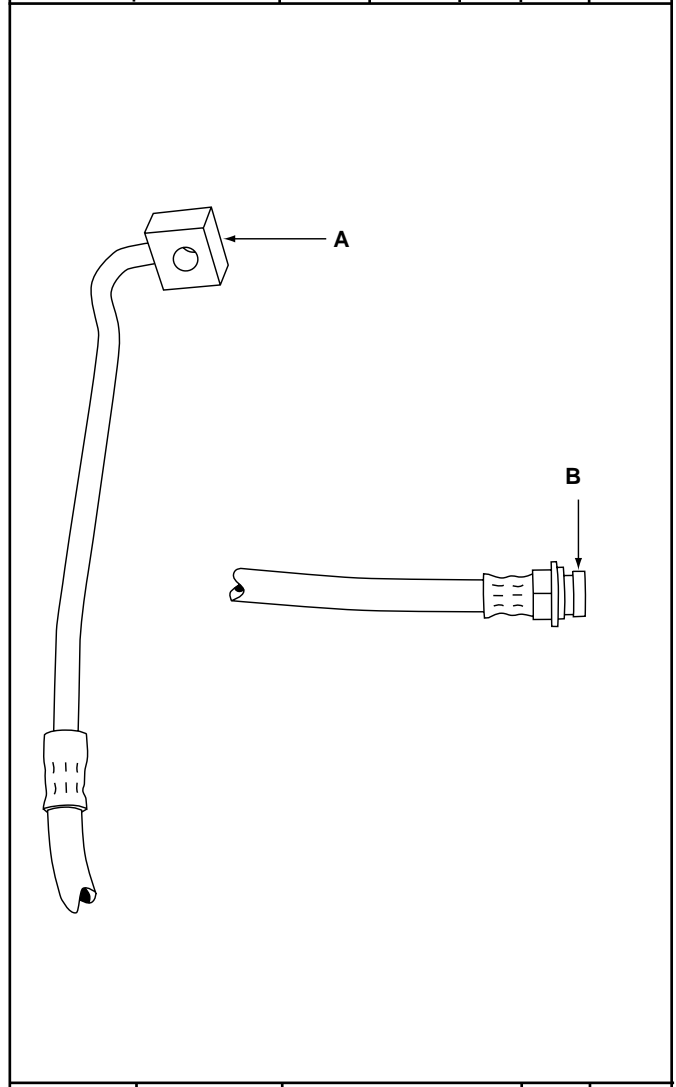
MERITOR NO.	REPLACES WAGNER NO.	FITTING SIZE			BOLT HOLE	O.A.L.
		A	B	C		
R4577914	F123296	3/8"-24	3/8"-24	—	—	22 13/16"



MERITOR NO.	REPLACES WAGNER NO.	FITTING SIZE			BOLT HOLE	O.A.L.
		A	B	C		
R4577915	F123297	3/8"-24	3/8"-24	—	—	25"



MERITOR NO.	REPLACES WAGNER NO.	FITTING SIZE			BOLT HOLE	O.A.L.
		A	B	C		
R4577921	F120521	3/8"-24	3/8"-24	—	1/2"	11 3/8"

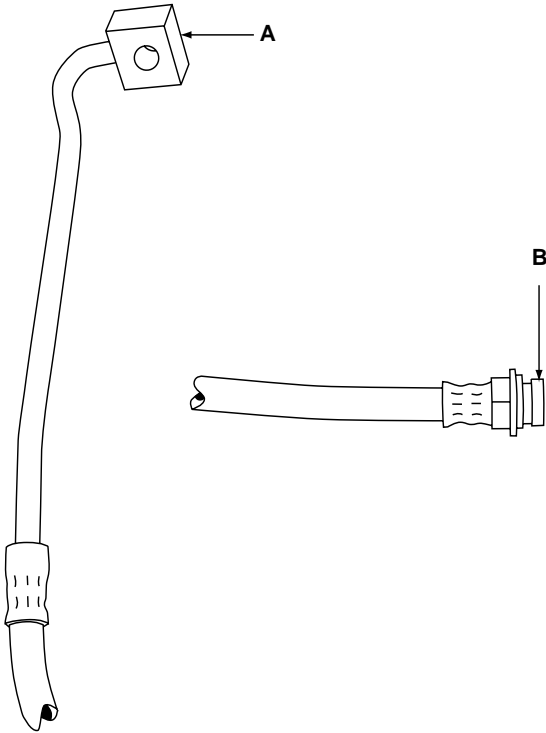


MERITOR NO.	REPLACES WAGNER NO.	FITTING SIZE			BOLT HOLE	O.A.L.
		A	B	C		
R4577927	F132230	No Thd.	3/8"-24	—	—	20 1/2"

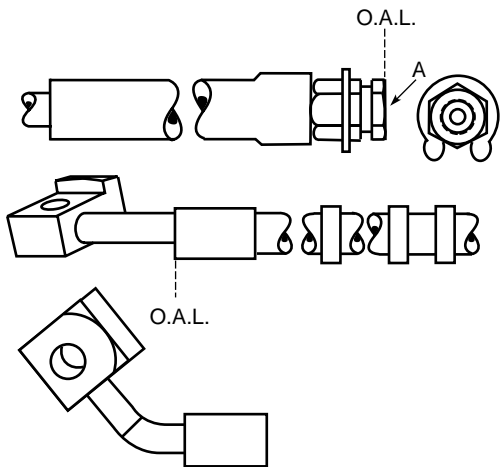
HYDRAULIC BRAKE HOSES

Listed in Meritor Part Number Sequence

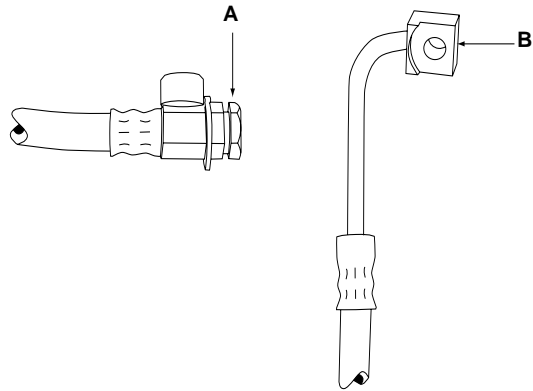
6 - BRAKE HOSES



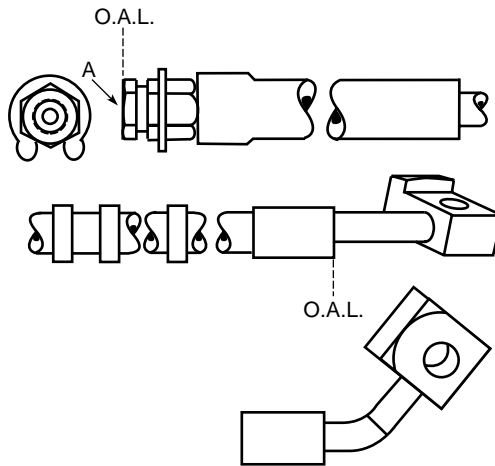
MERITOR NO.	REPLACES WAGNER NO.	FITTING SIZE			BOLT HOLE	O.A.L.
		A	B	C		
R4577928	F132349	No Thd.	3/8"-24	—	—	21 23/64"



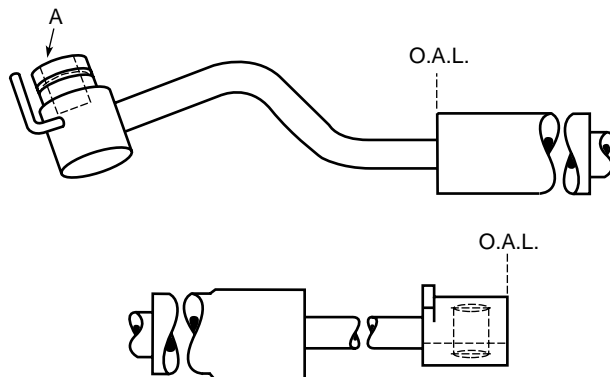
MERITOR NO.	REPLACES WAGNER NO.	FITTING SIZE			BOLT HOLE	O.A.L.
		A	B	C		
R4578068	F123291	3/8"-24	—	—	3/8"	12 1/2"



MERITOR NO.	REPLACES WAGNER NO.	FITTING SIZE			BOLT HOLE	O.A.L.
		A	B	C		
R4578001	F124727	3/8"-24	No Thd.	—	—	23 3/4"



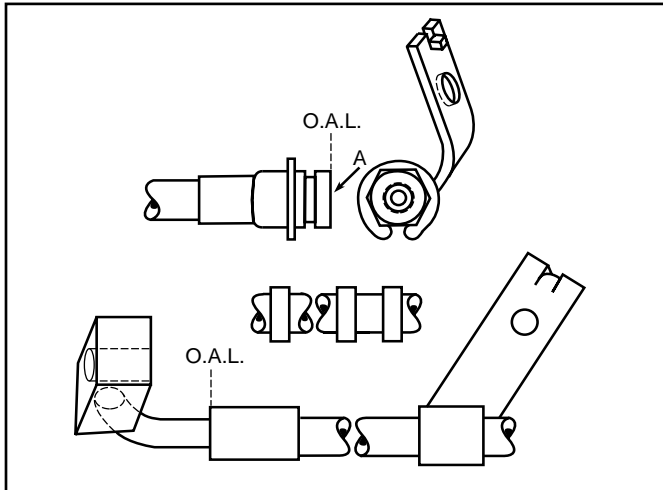
MERITOR NO.	REPLACES WAGNER NO.	FITTING SIZE			BOLT HOLE	O.A.L.
		A	B	C		
R4578016	F123290	3/8"-24	—	—	3/8"	12 1/2"



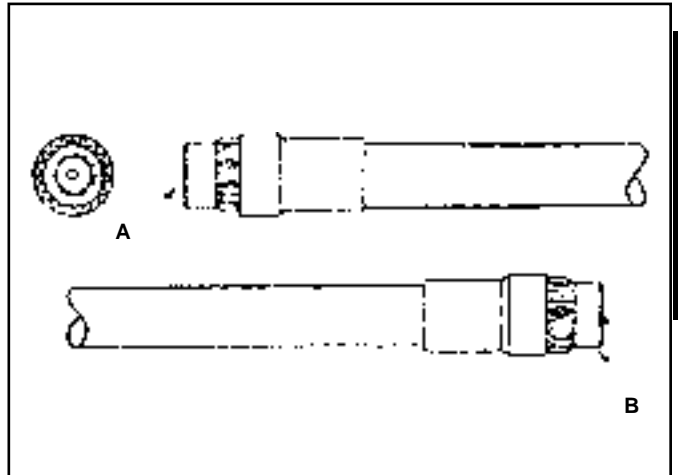
MERITOR NO.	REPLACES WAGNER NO.	FITTING SIZE			BOLT HOLE	O.A.L.
		A	B	C		
R4578072	F116472	3/8"-24	—	—	3/8"	16 1/4"

HYDRAULIC BRAKE HOSES

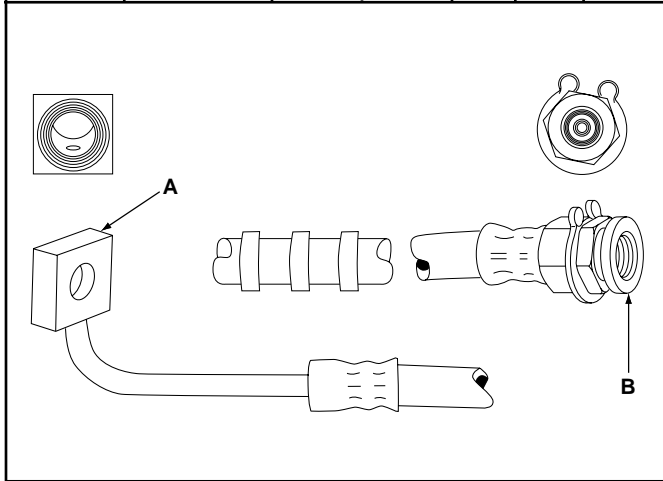
Listed in Meritor Part Number Sequence



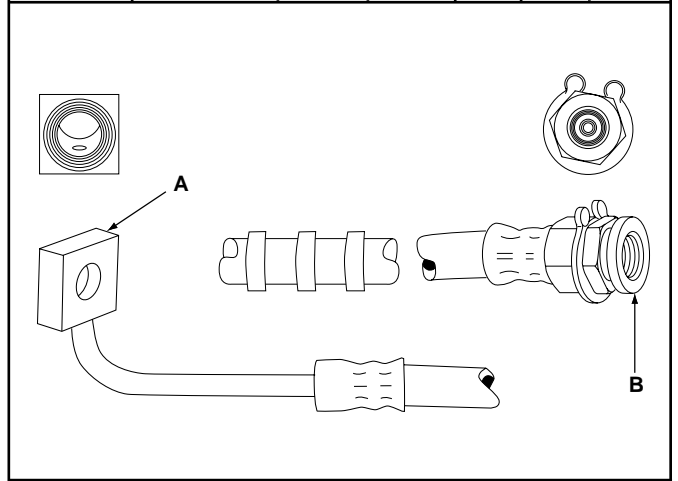
MERITOR NO.	REPLACES WAGNER NO.	FITTING SIZE			BOLT HOLE	O.A.L.
		A	B	C		
R4578084	F113928	3/8"-24	—	—	7/16"	20 3/16"



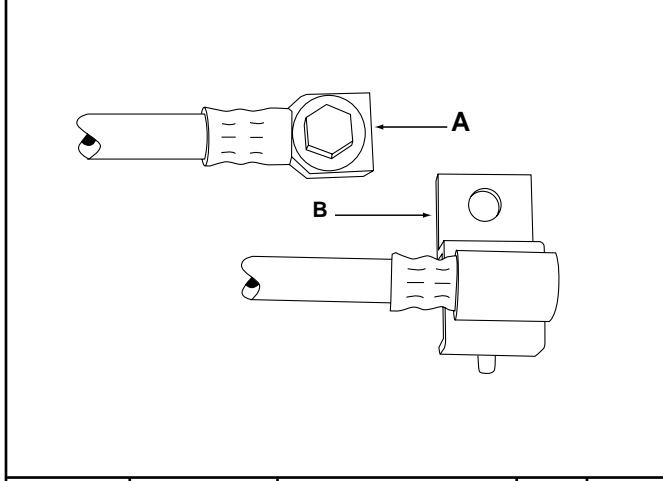
MERITOR NO.	REPLACES WAGNER NO.	FITTING SIZE			BOLT HOLE	O.A.L.
		A	B	C		
R4578085	F113980 F118546	3/8"-24	3/8"-24	—	—	21 7/8"



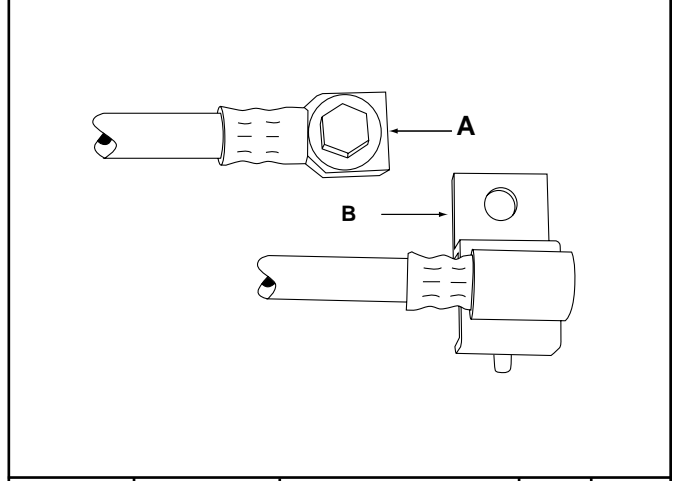
MERITOR NO.	REPLACES WAGNER NO.	FITTING SIZE			BOLT HOLE	O.A.L.
		A	B	C		
R4578117	—	—	—	—	—	—



MERITOR NO.	REPLACES WAGNER NO.	FITTING SIZE			BOLT HOLE	O.A.L.
		A	B	C		
R4578118	—	—	—	—	—	—



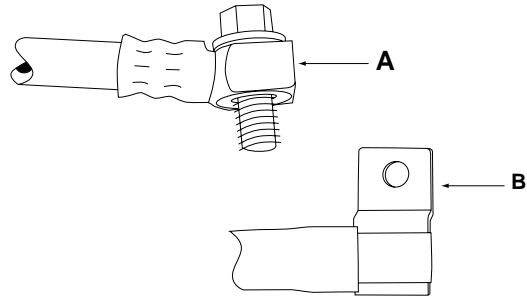
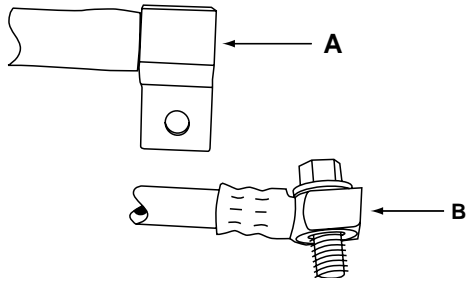
MERITOR NO.	REPLACES WAGNER NO.	FITTING SIZE			BOLT HOLE	O.A.L.
		A	B	C		
R4578129	—	No Thd.	3/8"-24	—	—	19 7/8"



MERITOR NO.	REPLACES WAGNER NO.	FITTING SIZE			BOLT HOLE	O.A.L.
		A	B	C		
R4578130	F132160	No Thd.	3/8"-24	—	—	19 7/8"

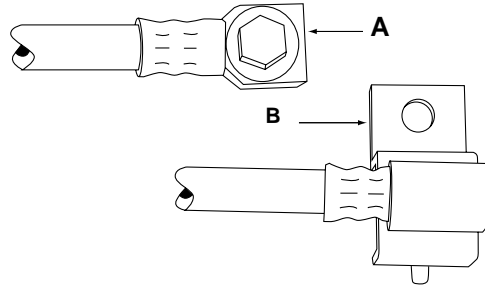
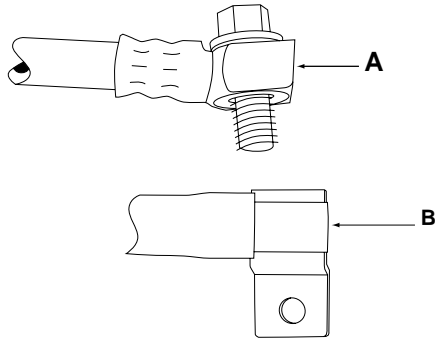
HYDRAULIC BRAKE HOSES

Listed in Meritor Part Number Sequence



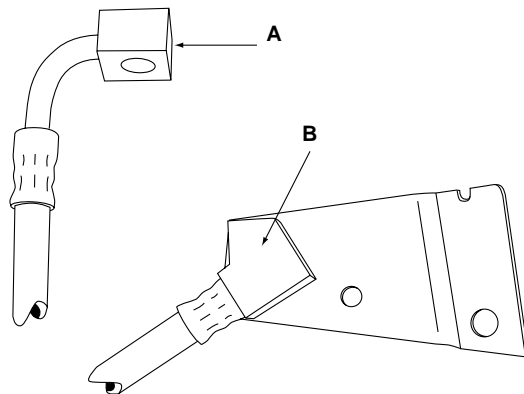
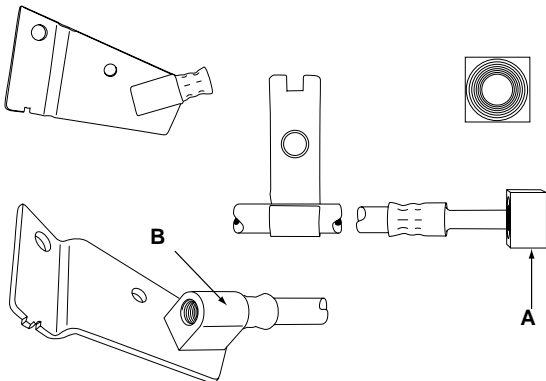
MERITOR NO.	REPLACES WAGNER NO.	FITTING SIZE			BOLT HOLE	O.A.L.
		A	B	C		
R4578132	F132148	3/8"-24	No Thd.	—	—	23"

MERITOR NO.	REPLACES WAGNER NO.	FITTING SIZE			BOLT HOLE	O.A.L.
		A	B	C		
R4578133	F132140	No Thd.	3/8"-24	—	—	21"



MERITOR NO.	REPLACES WAGNER NO.	FITTING SIZE			BOLT HOLE	O.A.L.
		A	B	C		
R4578134	—	No Thd.	3/8"-24	—	—	20 1/4"

MERITOR NO.	REPLACES WAGNER NO.	FITTING SIZE			BOLT HOLE	O.A.L.
		A	B	C		
R4578135	F132161	No Thd.	3/8"-24	—	—	10 1/2"

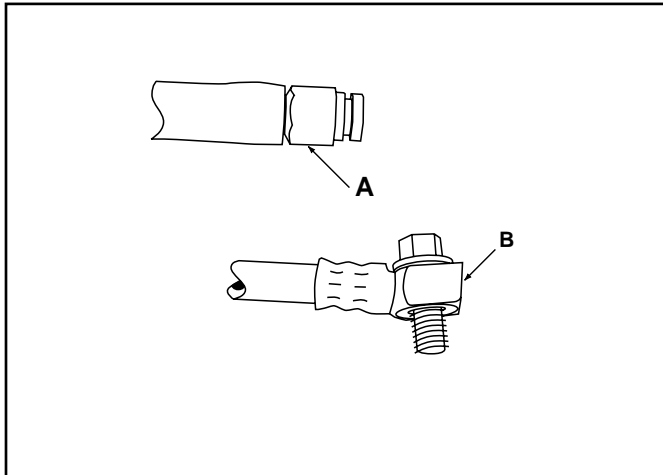


MERITOR NO.	REPLACES WAGNER NO.	FITTING SIZE			BOLT HOLE	O.A.L.
		A	B	C		
R4578136	F132034	—	—	—	—	9 1/4"

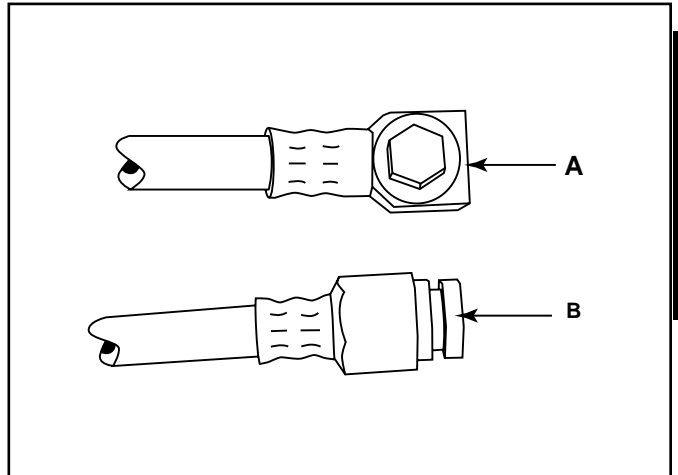
MERITOR NO.	REPLACES WAGNER NO.	FITTING SIZE			BOLT HOLE	O.A.L.
		A	B	C		
R4578137	F132033	No Thd.	3/8"-24	—	—	21 1/8"

HYDRAULIC BRAKE HOSES

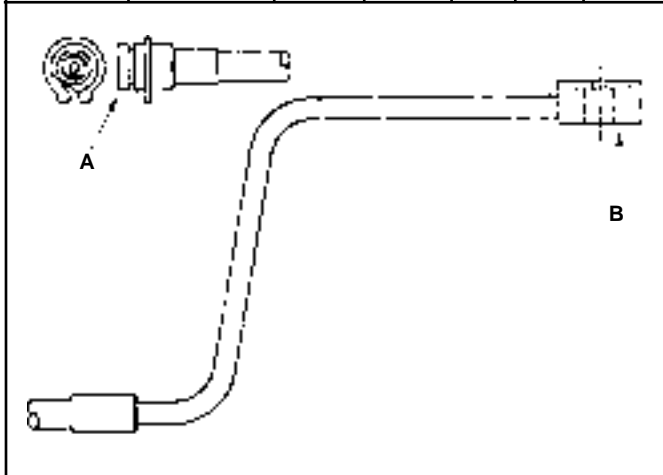
Listed in Meritor Part Number Sequence



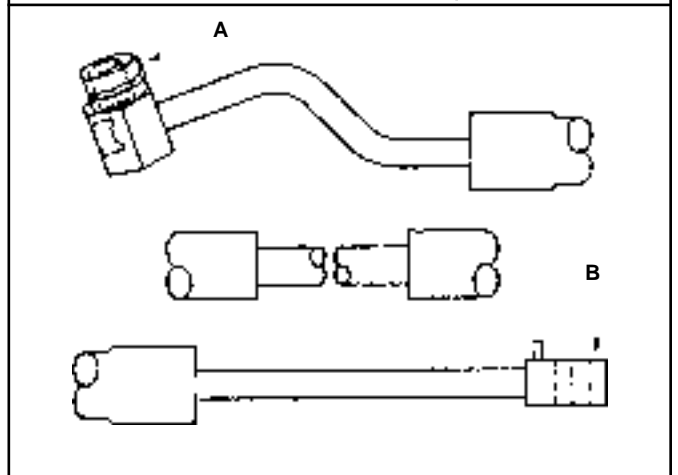
MERITOR NO.	REPLACES WAGNER NO.	FITTING SIZE			BOLT HOLE	O.A.L.
		A	B	C		
R4578144	F132296	3/8"-24	No Thd.	—	—	19 1/2"



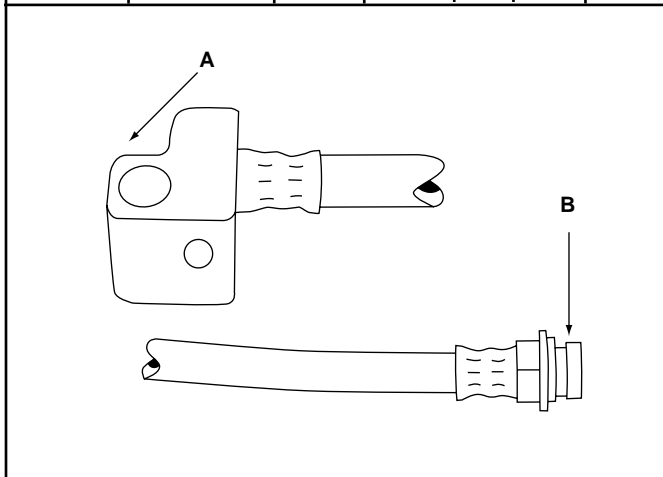
MERITOR NO.	REPLACES WAGNER NO.	FITTING SIZE			BOLT HOLE	O.A.L.
		A	B	C		
R4578145	F132295	No Thd.	3/8"-24	—	—	16 1/8"



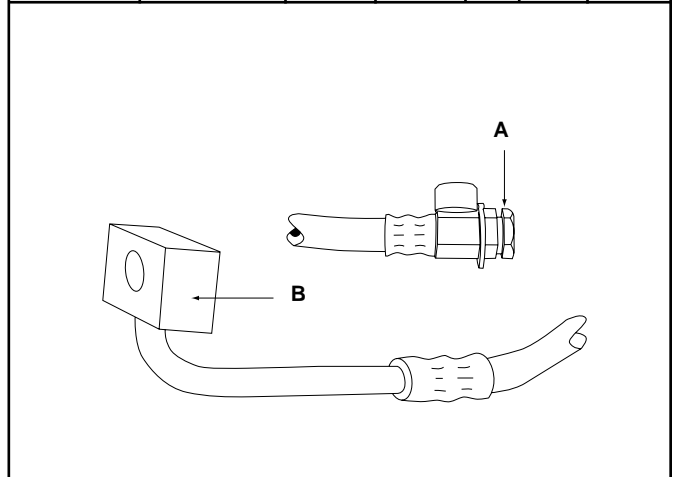
MERITOR NO.	REPLACES WAGNER NO.	FITTING SIZE			BOLT HOLE	O.A.L.
		A	B	C		
R4578159	F120859	3/8"-24	No Thd.	—	—	24 5/8"



MERITOR NO.	REPLACES WAGNER NO.	FITTING SIZE			BOLT HOLE	O.A.L.
		A	B	C		
R4578165	F120536	3/8"-24	No Thd.	—	—	20 3/4"



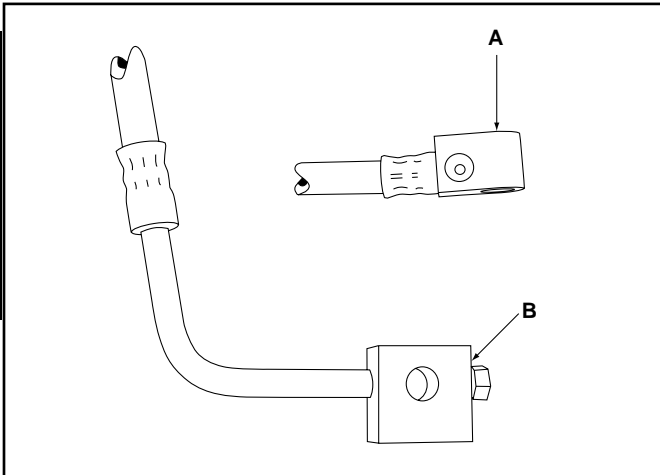
MERITOR NO.	REPLACES WAGNER NO.	FITTING SIZE			BOLT HOLE	O.A.L.
		A	B	C		
R4578166	F128683	3/8"-24	3/8"-24	—	—	17 1/4"



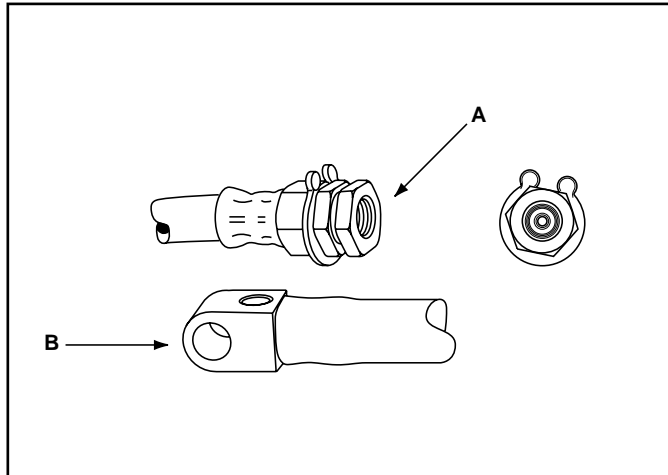
MERITOR NO.	REPLACES WAGNER NO.	FITTING SIZE			BOLT HOLE	O.A.L.
		A	B	C		
R4578169	F124726	3/8"-24	No Thd.	—	—	18 3/4"

HYDRAULIC BRAKE HOSES

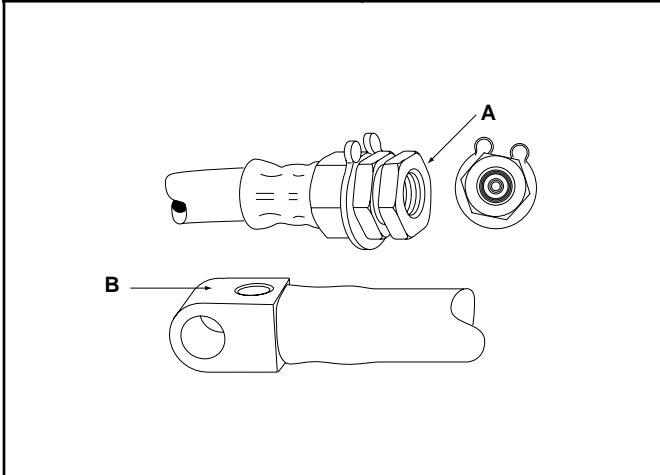
Listed in Meritor Part Number Sequence



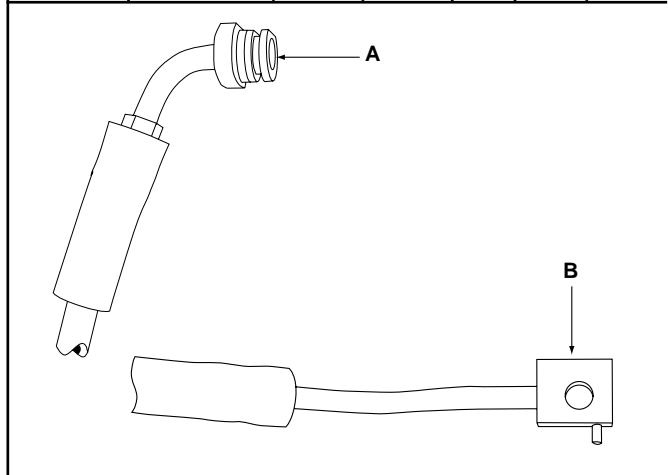
MERITOR NO.	REPLACES WAGNER NO.	FITTING SIZE			BOLT HOLE	O.A.L.
		A	B	C		
R4578182	F130432	3/8"-24	No Thd.	—	—	12 1/8"



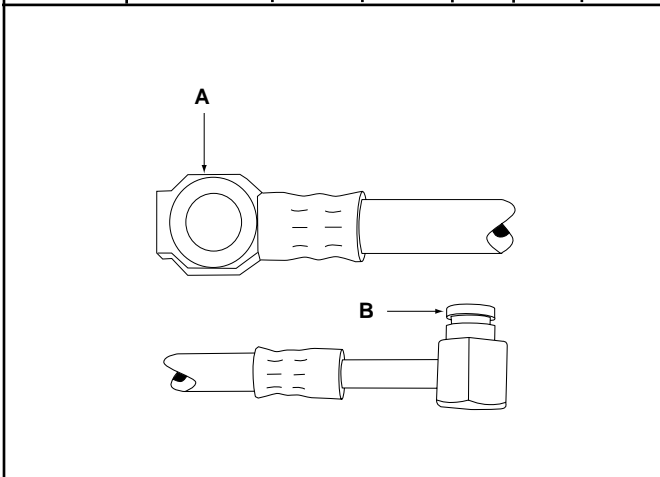
MERITOR NO.	REPLACES WAGNER NO.	FITTING SIZE			BOLT HOLE	O.A.L.
		A	B	C		
R4578183	F130426	—	—	—	—	11 13/32"



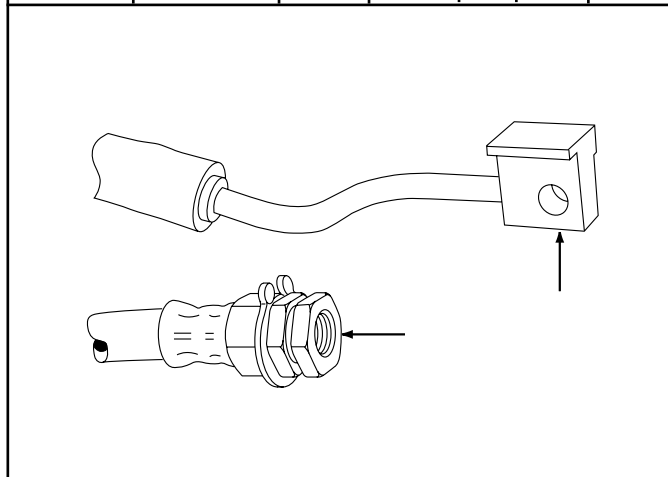
MERITOR NO.	REPLACES WAGNER NO.	FITTING SIZE			BOLT HOLE	O.A.L.
		A	B	C		
R4578184	F130434	—	—	—	—	20 3/4"



MERITOR NO.	REPLACES WAGNER NO.	FITTING SIZE			BOLT HOLE	O.A.L.
		A	B	C		
R4578187	F132298	3/8"-24	No Thd.	—	—	20 3/4"



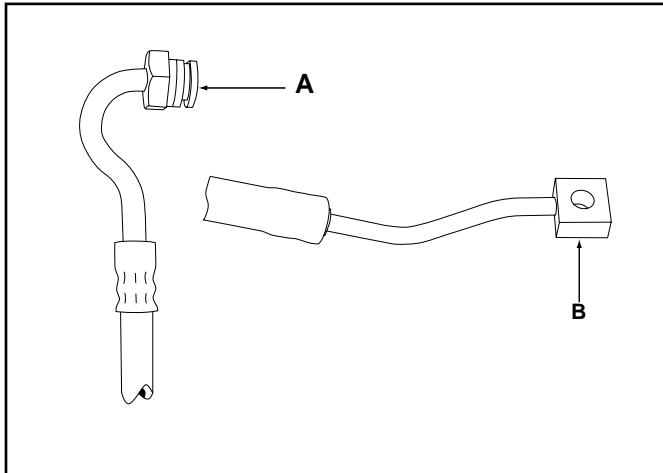
MERITOR NO.	REPLACES WAGNER NO.	FITTING SIZE			BOLT HOLE	O.A.L.
		A	B	C		
R4578188	F130420	—	—	—	—	9 23/32"



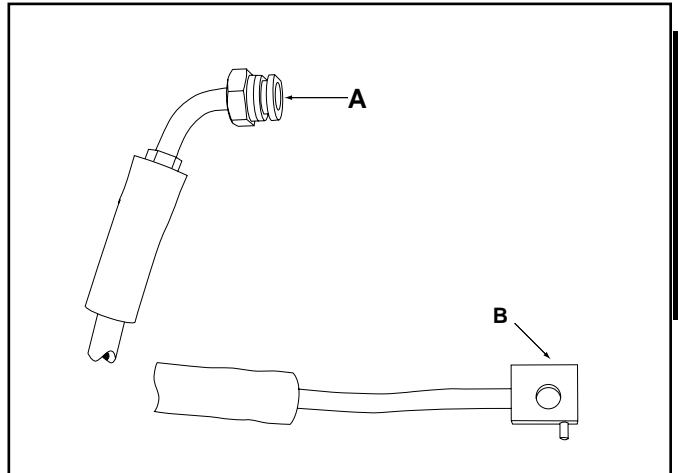
MERITOR NO.	REPLACES WAGNER NO.	FITTING SIZE			BOLT HOLE	O.A.L.
		A	B	C		
R4578206	F132318	No Thd.	3/8"-24	—	—	18 3/8"

HYDRAULIC BRAKE HOSES

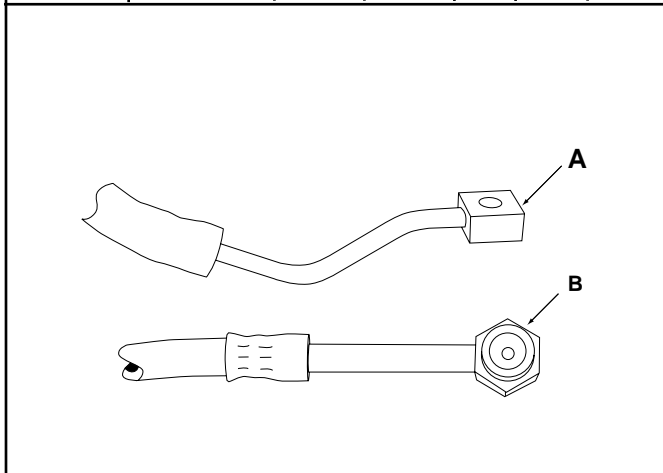
Listed in Meritor Part Number Sequence



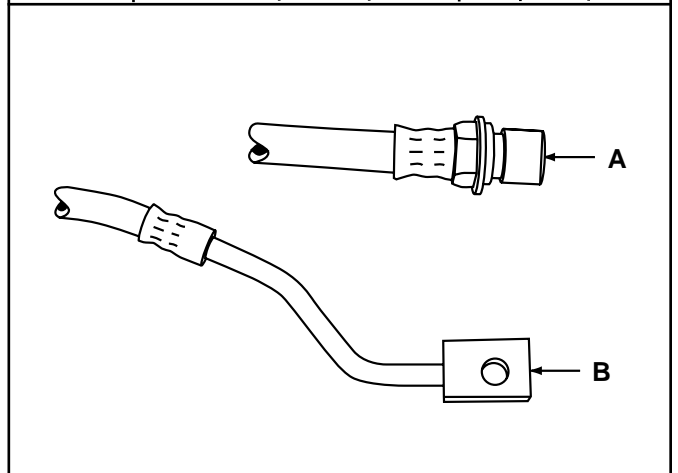
MERITOR NO.	REPLACES WAGNER NO.	FITTING SIZE			BOLT HOLE	O.A.L.
		A	B	C		
R4578208	F132195	3/8"-24	No Thd.	—	—	24"



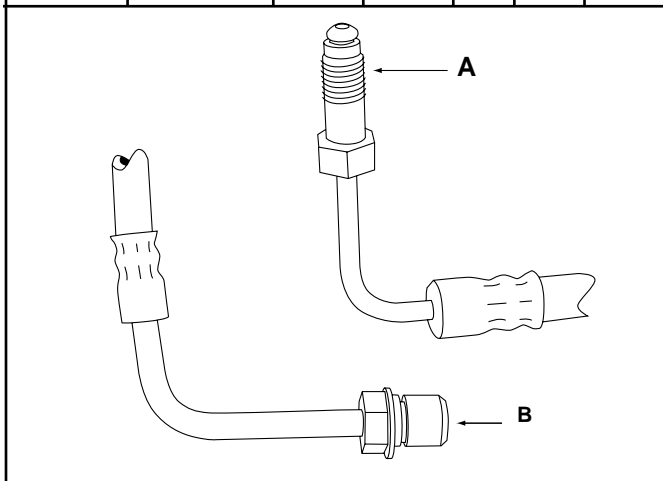
MERITOR NO.	REPLACES WAGNER NO.	FITTING SIZE			BOLT HOLE	O.A.L.
		A	B	C		
R4578209	F133813	3/8"-24	No Thd.	—	—	24 1/4"



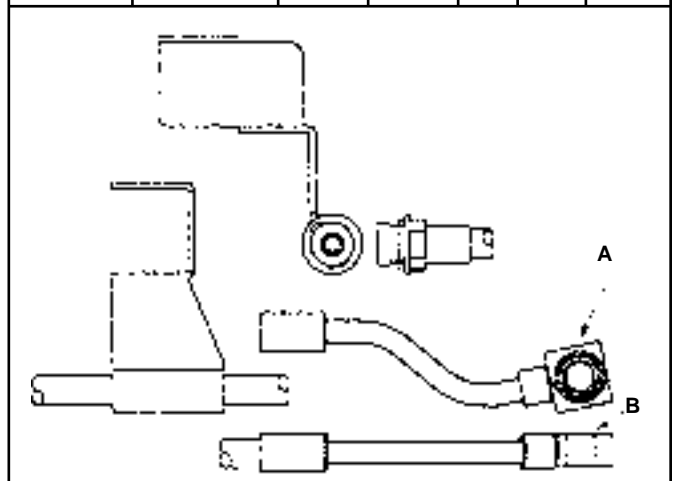
MERITOR NO.	REPLACES WAGNER NO.	FITTING SIZE			BOLT HOLE	O.A.L.
		A	B	C		
R4578210	F132196	No Thd.	3/8"-24	—	—	13 1/4"



MERITOR NO.	REPLACES WAGNER NO.	FITTING SIZE			BOLT HOLE	O.A.L.
		A	B	C		
R4578218	F103312	7/16"-24	7/16"-24	—	—	31 5/16"



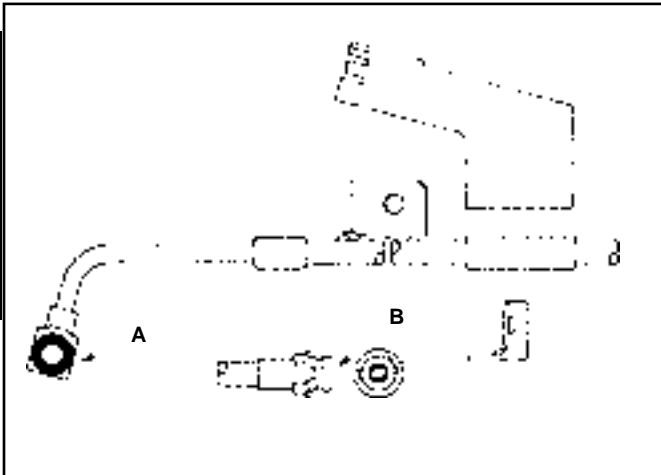
MERITOR NO.	REPLACES WAGNER NO.	FITTING SIZE			BOLT HOLE	O.A.L.
		A	B	C		
R4578219	F132413	3/8"-24	No Thd.	—	—	20 3/4"



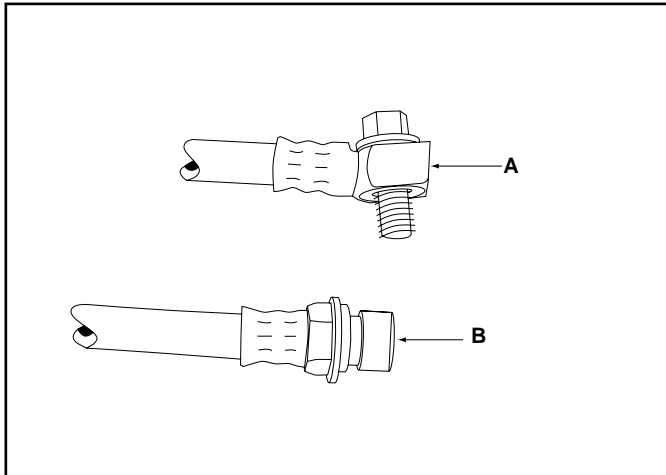
MERITOR NO.	REPLACES WAGNER NO.	FITTING SIZE			BOLT HOLE	O.A.L.
		A	B	C		
R4578224	F116850 F120541	No Thd.	3/8"-24	—	—	25 3/4"

HYDRAULIC BRAKE HOSES

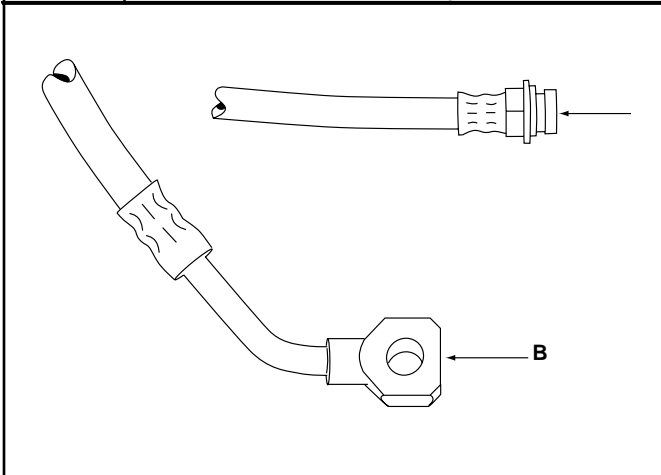
Listed in Meritor Part Number Sequence



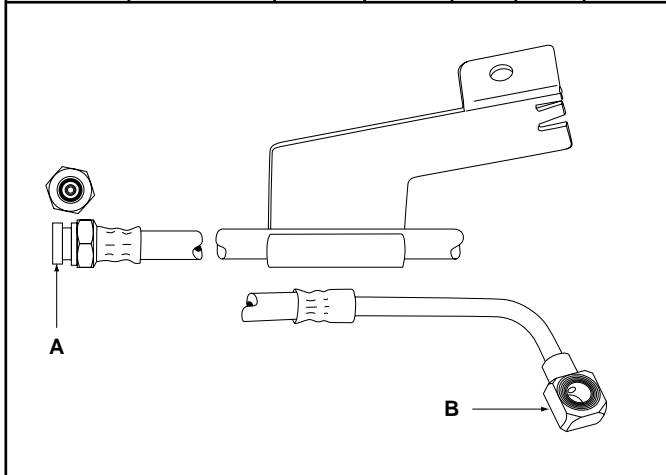
MERITOR NO.	REPLACES WAGNER NO.	FITTING SIZE			BOLT HOLE	O.A.L.
		A	B	C		
R4578226	F123305	No Thd.	3/8"-24	—	—	22 1/2"



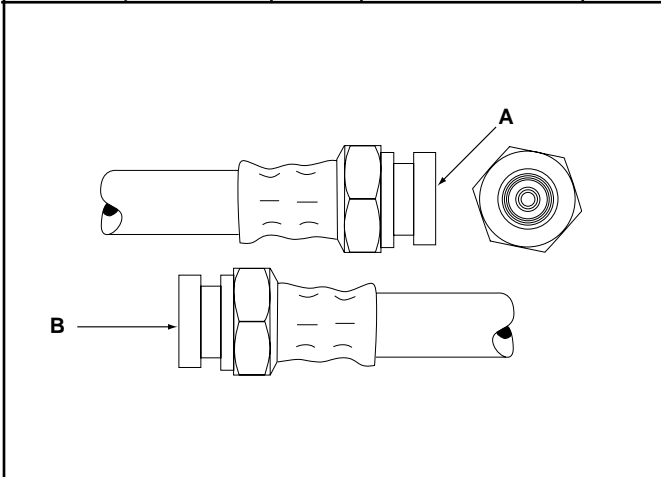
MERITOR NO.	REPLACES WAGNER NO.	FITTING SIZE			BOLT HOLE	O.A.L.
		A	B	C		
R4578227	F124600	No Thd.	3/8"-24	.400"/ .405"	—	25 7/8"



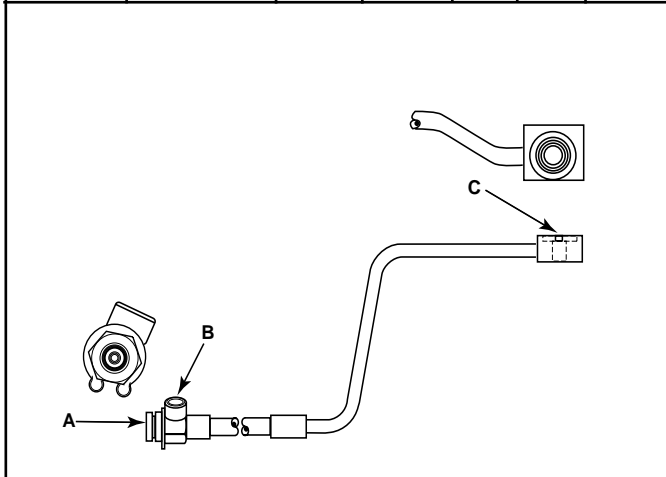
MERITOR NO.	REPLACES WAGNER NO.	FITTING SIZE			BOLT HOLE	O.A.L.
		A	B	C		
R4578258	F133852	—	—	—	—	18 3/4"



MERITOR NO.	REPLACES WAGNER NO.	FITTING SIZE			BOLT HOLE	O.A.L.
		A	B	C		
R4578259	F133851	—	—	—	—	15 1/2"



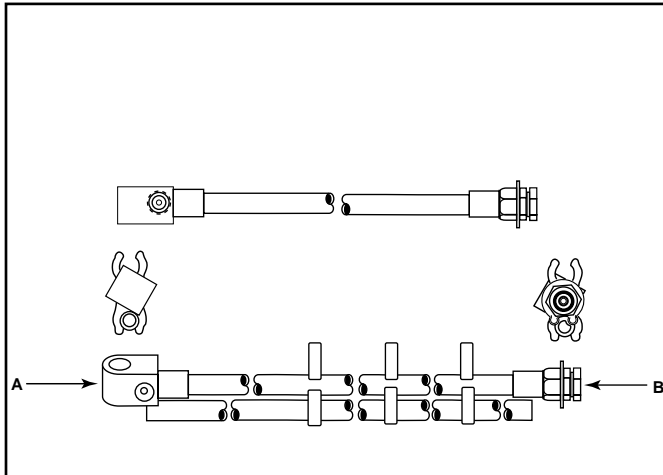
MERITOR NO.	REPLACES WAGNER NO.	FITTING SIZE			BOLT HOLE	O.A.L.
		A	B	C		
R4578267	F123791	M10x1	M10x1	—	—	17 3/4"



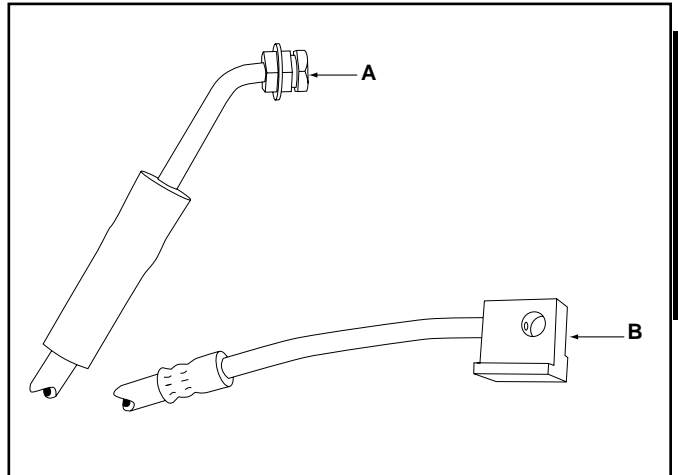
MERITOR NO.	REPLACES WAGNER NO.	FITTING SIZE			BOLT HOLE	O.A.L.
		A	B	C		
R4578303	F133396 F124728	3/8"-24	3/8"-24.	3/8" No. Thd.	—	23 7/32"

HYDRAULIC BRAKE HOSES

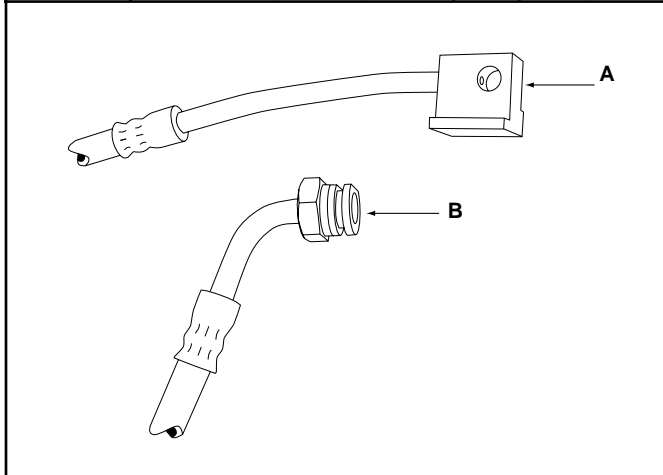
Listed in Meritor Part Number Sequence



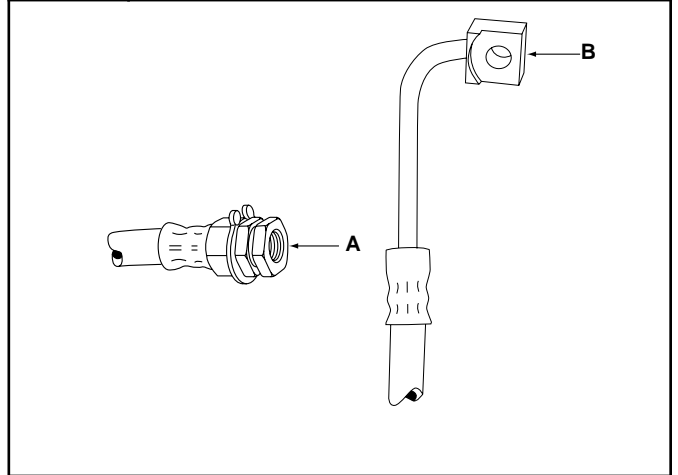
MERITOR NO.	REPLACES WAGNER NO.	FITTING SIZE			BOLT HOLE	O.A.L.
		A	B	C		
R4578305	F133837	3/8"-24	3/8"-24	—	—	20 3/4"



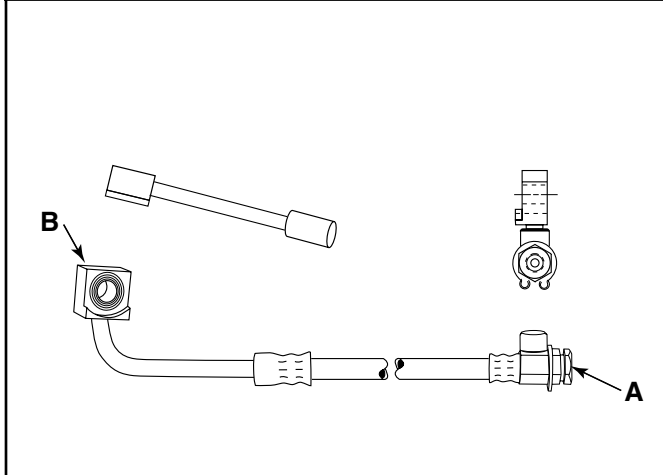
MERITOR NO.	REPLACES WAGNER NO.	FITTING SIZE			BOLT HOLE	O.A.L.
		A	B	C		
R4578312	—	3/8"-24	No Thd.	—	—	16"



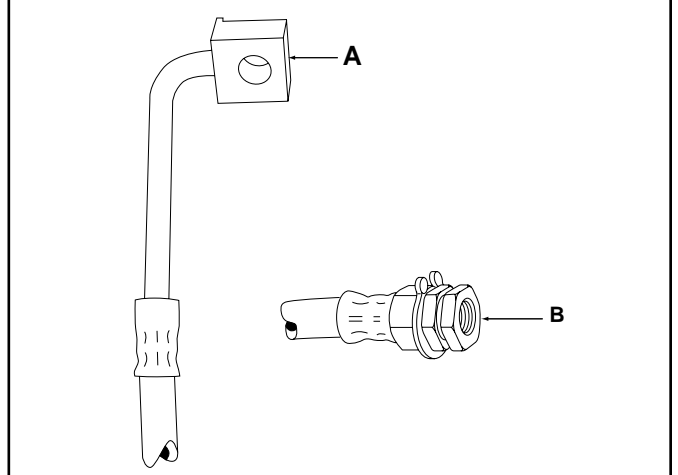
MERITOR NO.	REPLACES WAGNER NO.	FITTING SIZE			BOLT HOLE	O.A.L.
		A	B	C		
R4578313	—	No Thd.	3/8"-24	—	—	27 3/4"



MERITOR NO.	REPLACES WAGNER NO.	FITTING SIZE			BOLT HOLE	O.A.L.
		A	B	C		
R4578324	F132770	3/8"-24	No Thd.	—	—	22 3/4"



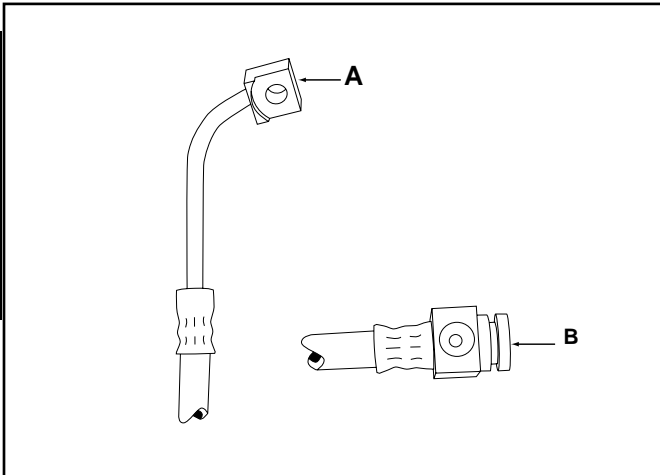
MERITOR NO.	REPLACES WAGNER NO.	FITTING SIZE			BOLT HOLE	O.A.L.
		A	B	C		
R4578325	F132771	5/8" Ext. 3/8"-24 Int.	No. Thd.	—	—	24"



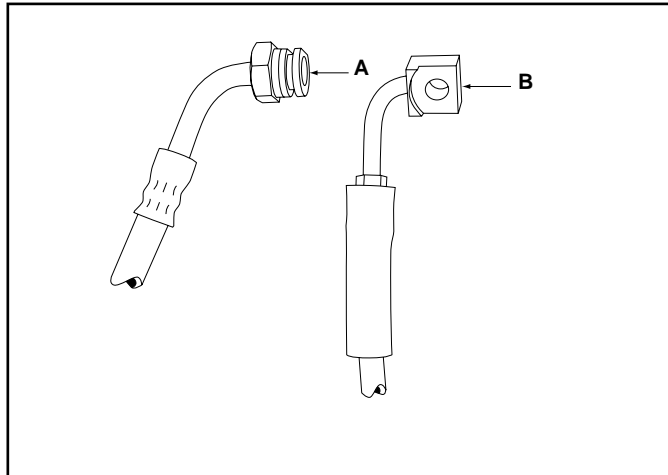
MERITOR NO.	REPLACES WAGNER NO.	FITTING SIZE			BOLT HOLE	O.A.L.
		A	B	C		
R4578326	F132753	No Thd.	3/8"-24	—	—	13"

HYDRAULIC BRAKE HOSES

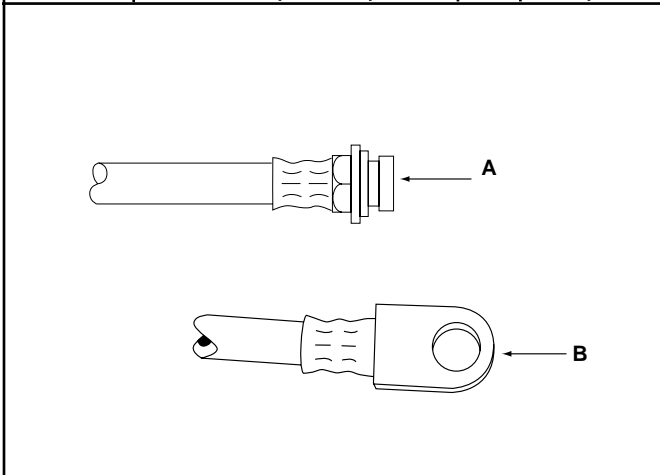
Listed in Meritor Part Number Sequence



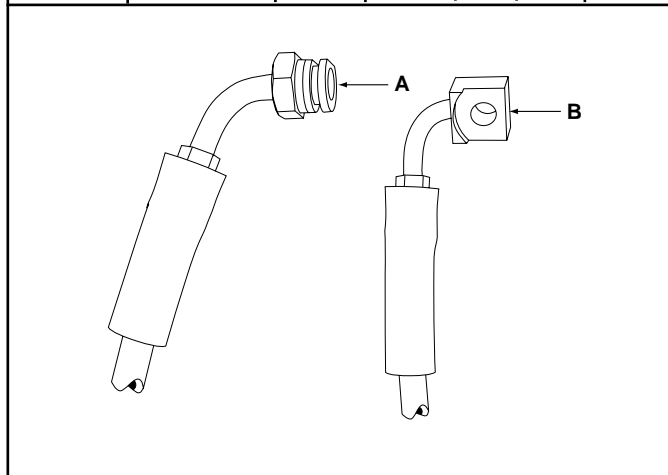
MERITOR NO.	REPLACES WAGNER NO.	FITTING SIZE			BOLT HOLE	O.A.L.
		A	B	C		
R4578327	F132752	No Thd.	3/8"-24	—	—	15 1/2"



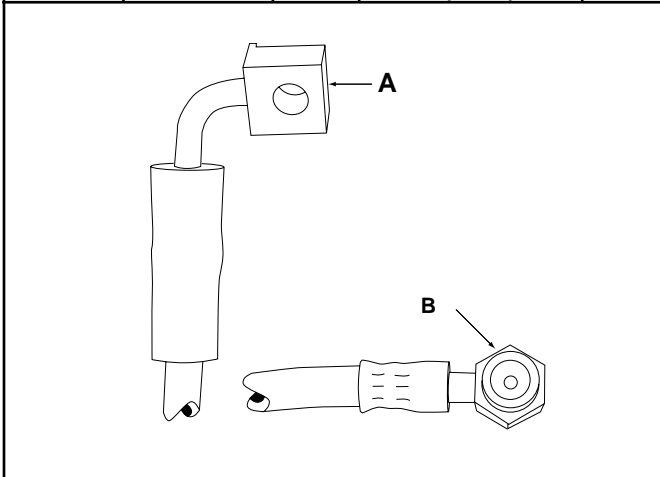
MERITOR NO.	REPLACES WAGNER NO.	FITTING SIZE			BOLT HOLE	O.A.L.
		A	B	C		
R4578331	F132773	3/8"-24	No Thd.	—	—	15"



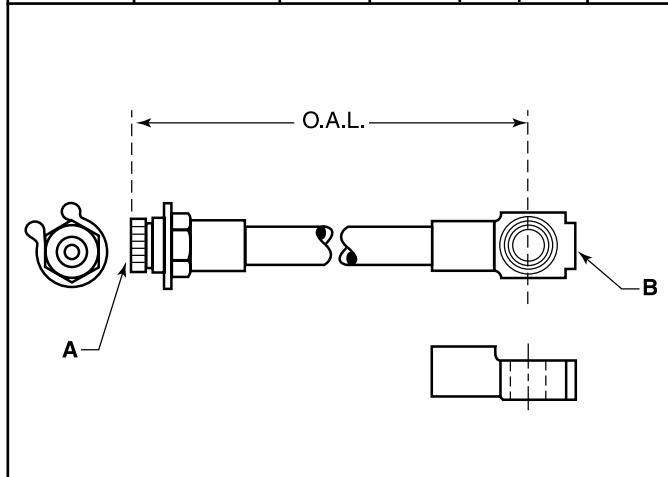
MERITOR NO.	REPLACES WAGNER NO.	FITTING SIZE			BOLT HOLE	O.A.L.
		A	B	C		
R4578332	F132772	3/8"-24	No Thd.	—	—	20 1/4"



MERITOR NO.	REPLACES WAGNER NO.	FITTING SIZE			BOLT HOLE	O.A.L.
		A	B	C		
R4578332	—	3/8"-24	No Thd.	—	—	8"



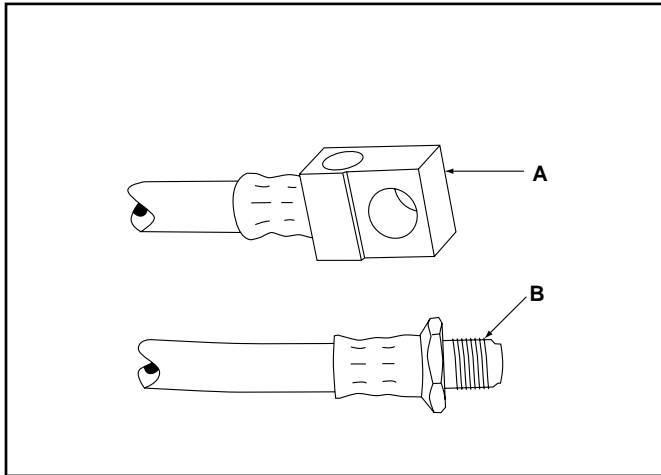
MERITOR NO.	REPLACES WAGNER NO.	FITTING SIZE			BOLT HOLE	O.A.L.
		A	B	C		
R4578333	F132754	No Thd.	3/8"-24	—	—	15 1/4"



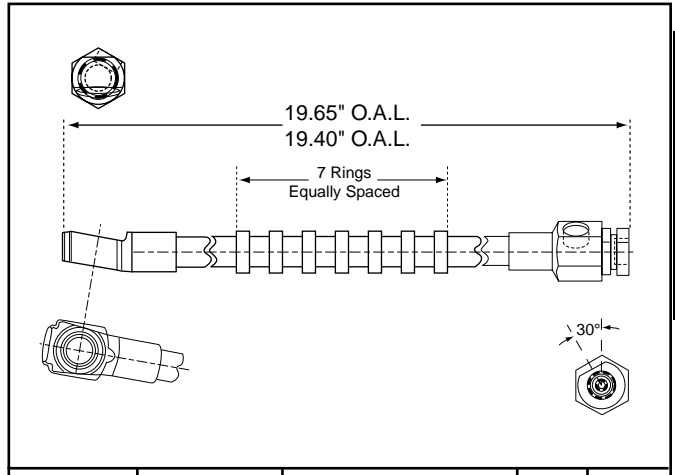
MERITOR NO.	REPLACES WAGNER NO.	FITTING SIZE			BOLT HOLE	O.A.L.
		A	B	C		
R4578357	—	3/8"-24 Int.	No Thd.	—	3/8"	11 1/8"

HYDRAULIC BRAKE HOSES

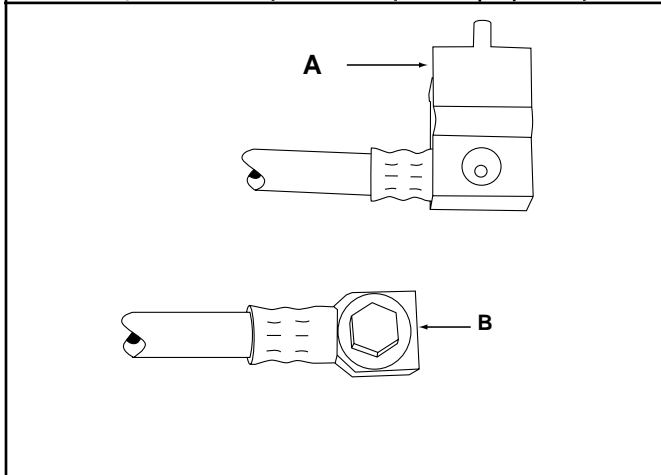
Listed in Meritor Part Number Sequence



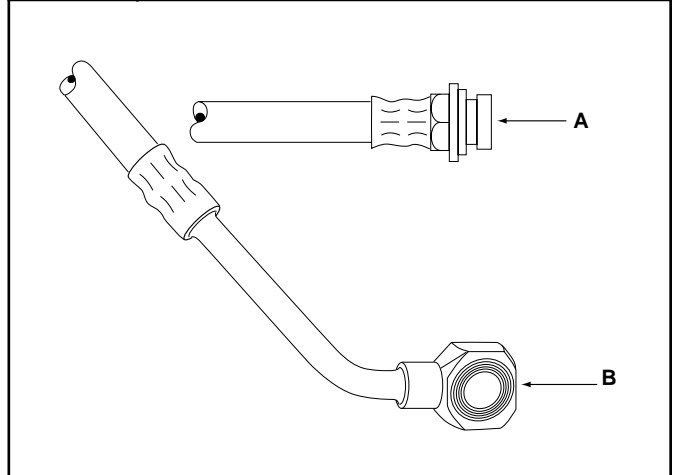
MERITOR NO.	REPLACES WAGNER NO.	FITTING SIZE			BOLT HOLE	O.A.L.
		A	B	C		
R4578360	F123303	7/16"-24 Int. 5/8"-18 Ext.	3/8"-24	—	—	22 3/8"



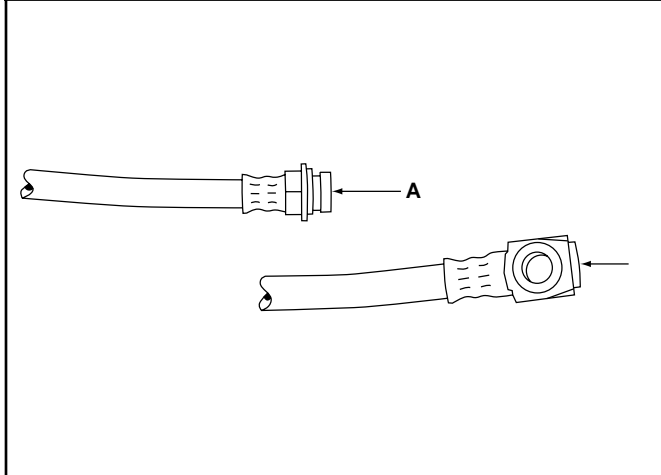
MERITOR NO.	REPLACES WAGNER NO.	FITTING SIZE			BOLT HOLE	O.A.L.
		A	B	C		
R4578386	380747	No Thd.	3/8"-24 UNF-2B Thd.	3/4" Hex	39/64"	19.65" 19.40"



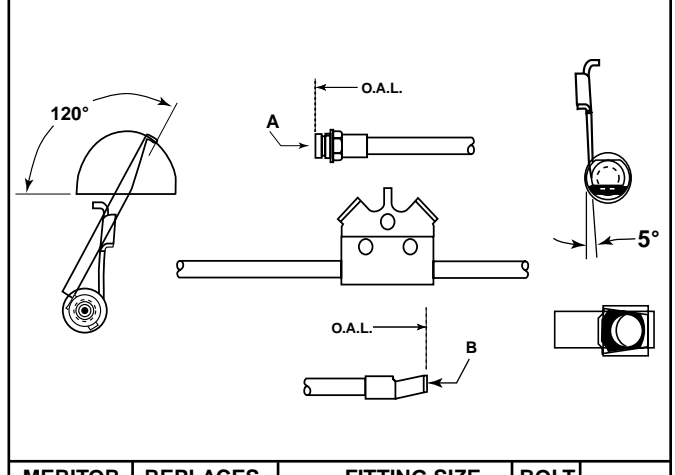
MERITOR NO.	REPLACES WAGNER NO.	FITTING SIZE			BOLT HOLE	O.A.L.
		A	B	C		
R4578387	F132146	3/8"-24	No Thd.	—	—	39 1/4"



MERITOR NO.	REPLACES WAGNER NO.	FITTING SIZE			BOLT HOLE	O.A.L.
		A	B	C		
R4578392	—	3/8"-24	No Thd.	—	—	21 1/4"



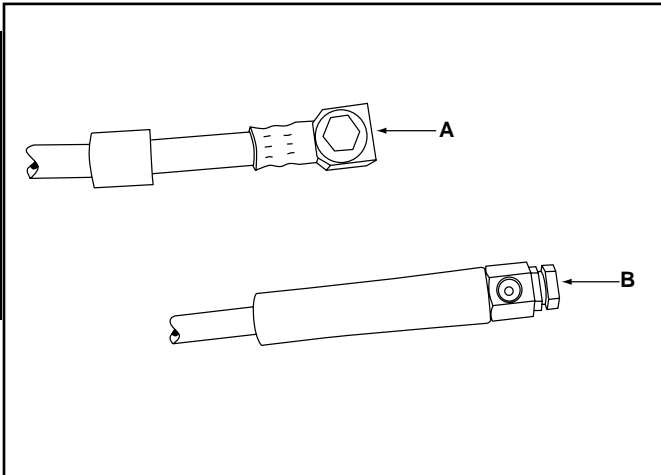
MERITOR NO.	REPLACES WAGNER NO.	FITTING SIZE			BOLT HOLE	O.A.L.
		A	B	C		
R4578403	—	3/8"-24	No Thd.	—	—	15 1/2"



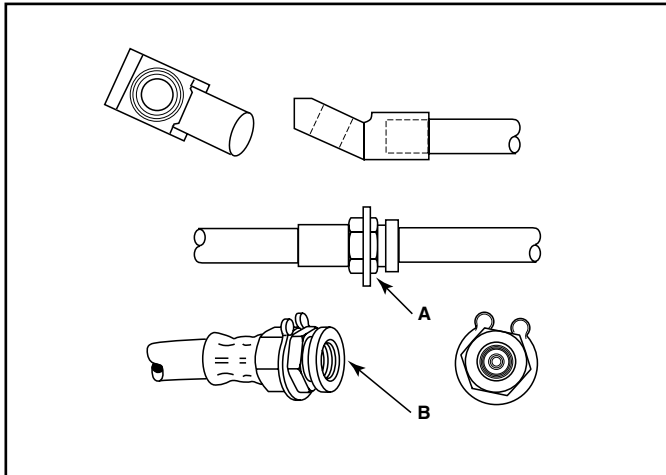
MERITOR NO.	REPLACES WAGNER NO.	FITTING SIZE			BOLT HOLE	O.A.L.
		A	B	C		
R4578403	—	3/8"-24 UNF-2B	13/32"	—	—	25 3/8" 25 5/8"

HYDRAULIC BRAKE HOSES

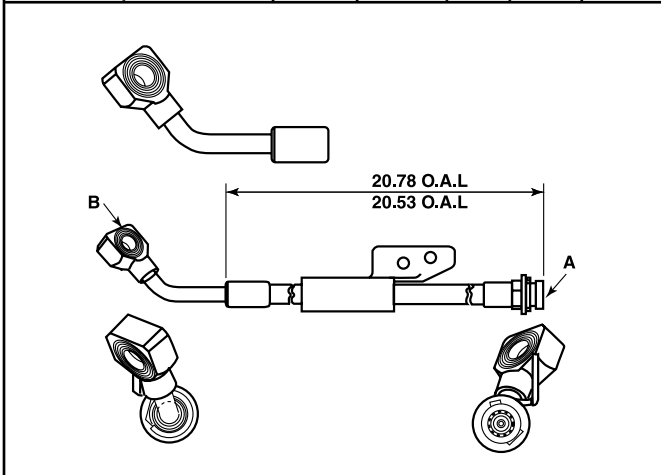
Listed in Meritor Part Number Sequence



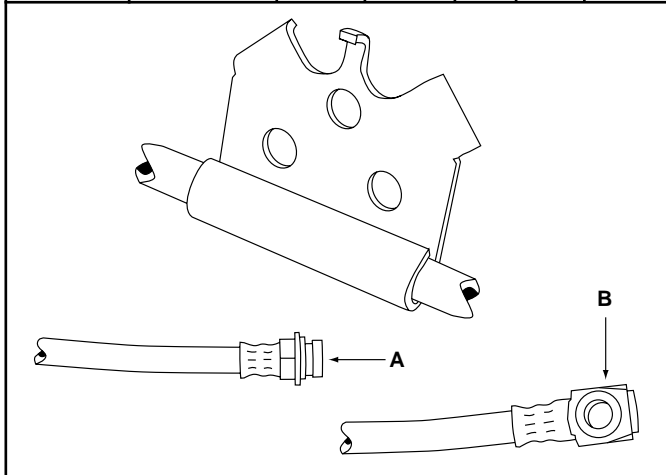
MERITOR NO.	REPLACES WAGNER NO.	FITTING SIZE			BOLT HOLE	O.A.L.
		A	B	C		
R4578410	—	No Thd.	3/8"-24	—	—	15 1/4"



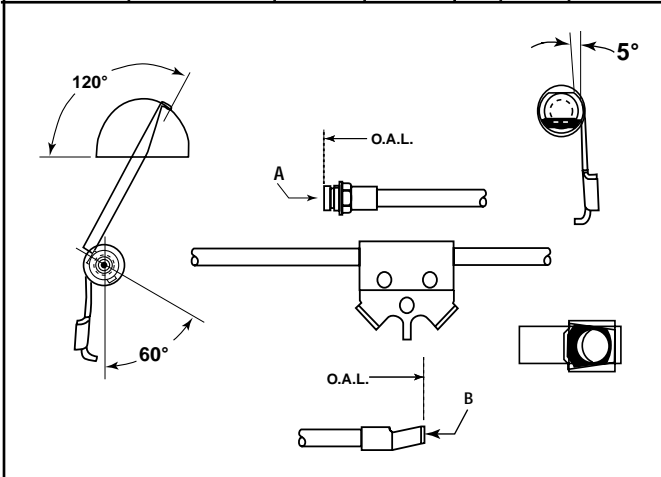
MERITOR NO.	REPLACES WAGNER NO.	FITTING SIZE			BOLT HOLE	O.A.L.
		A	B	C		
R4578437	F124601	3/8"-24	3/8"-24	—	—	25 7/8"



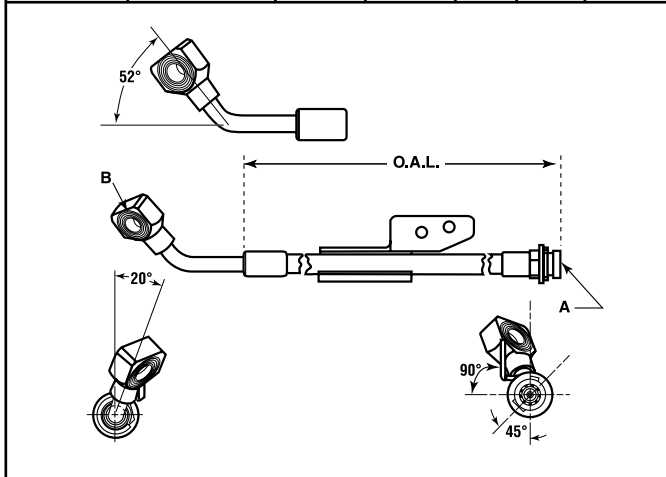
MERITOR NO.	REPLACES WAGNER NO.	FITTING SIZE			BOLT HOLE	O.A.L.
		A	B	C		
R4578438	—	3/8"-24 UNF-2B	13/32" 25/64"	—	—	20 17/32" 20 25/32"



MERITOR NO.	REPLACES WAGNER NO.	FITTING SIZE			BOLT HOLE	O.A.L.
		A	B	C		
R4578460	—	3/8"-24	No Thd.	—	—	15 1/4"



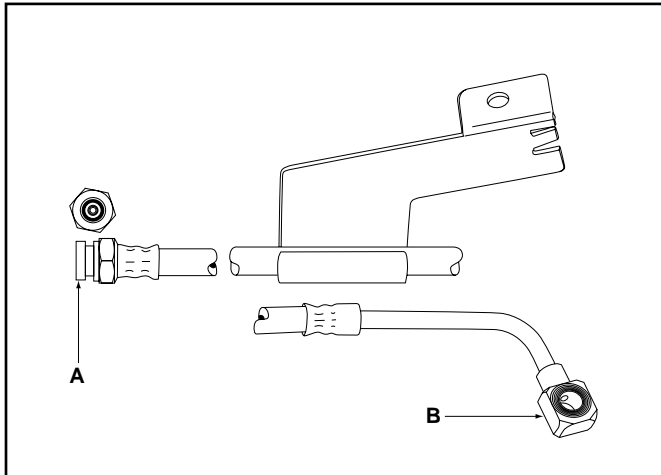
MERITOR NO.	REPLACES WAGNER NO.	FITTING SIZE			BOLT HOLE	O.A.L.
		A	B	C		
R4578460	—	3/8"-24 UNF-2B	13/32"	—	—	25 3/8" 25 5/8"



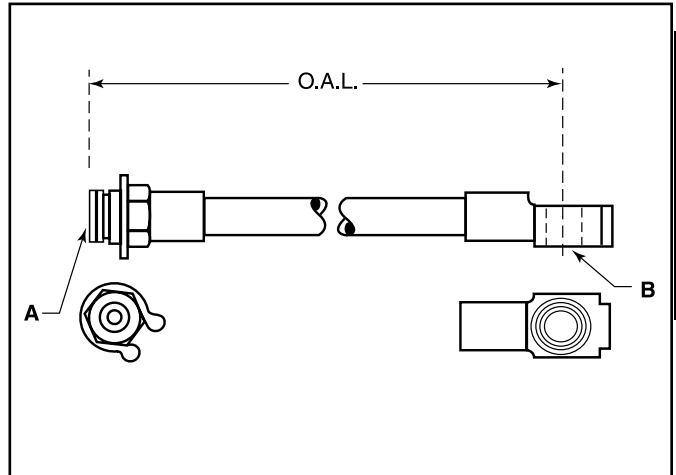
MERITOR NO.	REPLACES WAGNER NO.	FITTING SIZE			BOLT HOLE	O.A.L.
		A	B	C		
R4578480	—	3/8"-24 UNF-2B	13/32" 25/64"	—	—	20 21/64" 20 5/64"

HYDRAULIC BRAKE HOSES

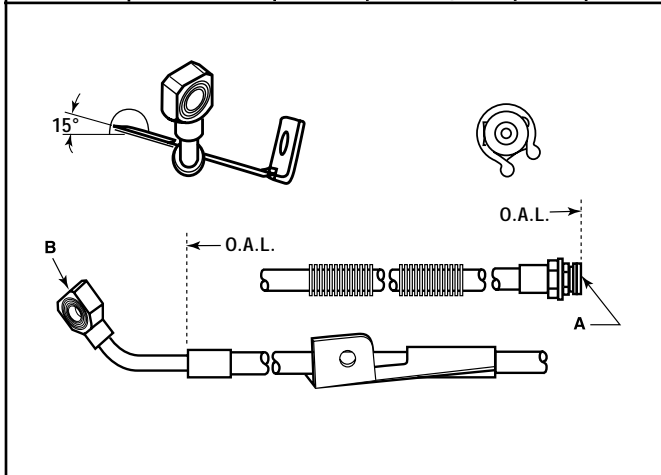
Listed in Meritor Part Number Sequence



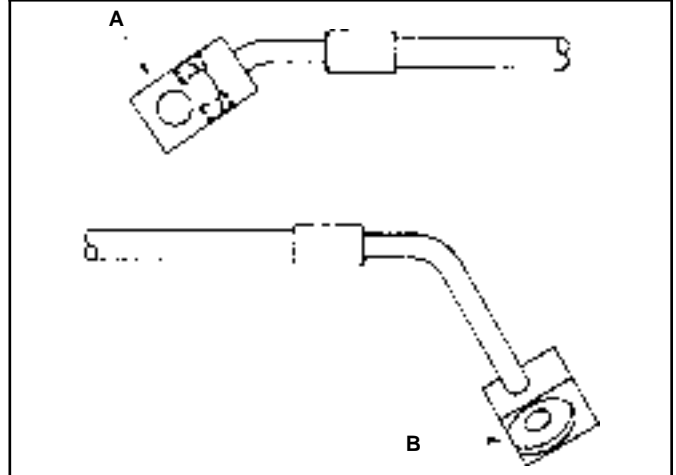
MERITOR NO.	REPLACES WAGNER NO.	FITTING SIZE			BOLT HOLE	O.A.L.
		A	B	C		
R4578548	F123304	3/8"-24	No Thd.	—	—	23 1/4"



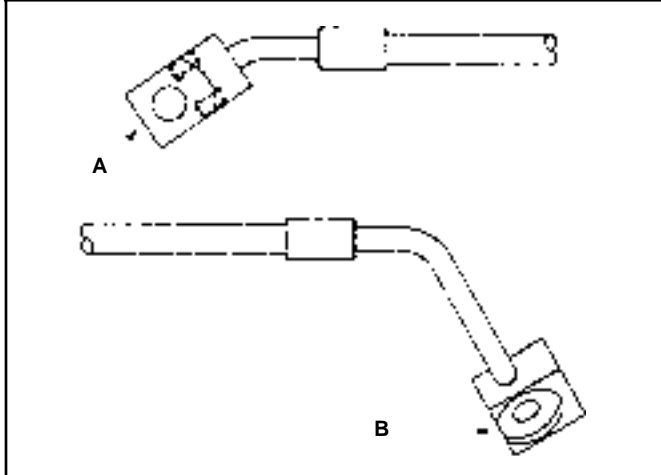
MERITOR NO.	REPLACES WAGNER NO.	FITTING SIZE			BOLT HOLE	O.A.L.
		A	B	C		
R4578557	F132988	3/8"-24 Int.	No Thd.	—	3/8"	9 1/2"



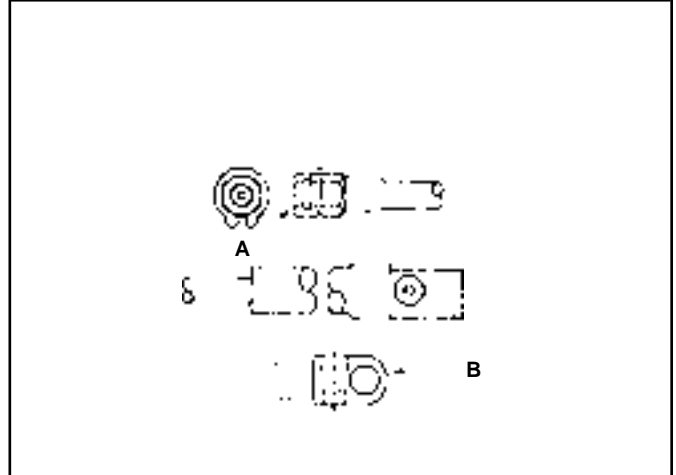
MERITOR NO.	REPLACES WAGNER NO.	FITTING SIZE			BOLT HOLE	O.A.L.
		A	B	C		
R4578774	—	3/8"-24 UNF-2B	13/32" 25/64"	—	—	21 37/64" 21 21/64"



MERITOR NO.	REPLACES WAGNER NO.	FITTING SIZE			BOLT HOLE	O.A.L.
		A	B	C		
R4578610	F128632	3/8"-24	3/8"-24	—	—	21 1/8"



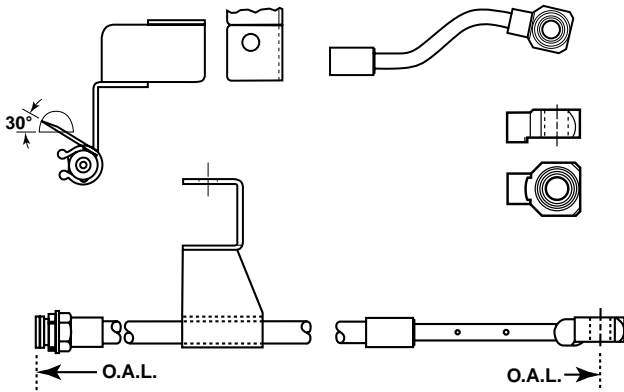
MERITOR NO.	REPLACES WAGNER NO.	FITTING SIZE			BOLT HOLE	O.A.L.
		A	B	C		
R4578618	F120872	3/8"-24	No Thd.	—	—	21 1/2"



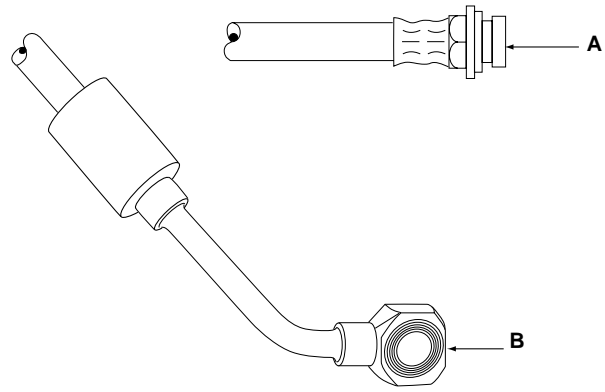
MERITOR NO.	REPLACES WAGNER NO.	FITTING SIZE			BOLT HOLE	O.A.L.
		A	B	C		
R4578666	—	3/8"-24	3/8"-24	—	—	20 1/8"

HYDRAULIC BRAKE HOSES

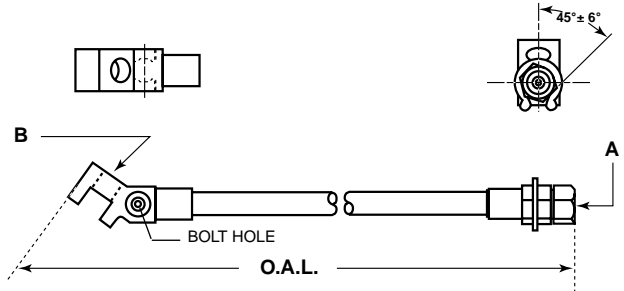
Listed in Meritor Part Number Sequence



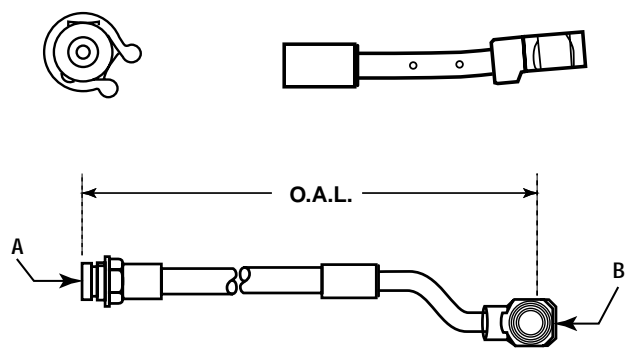
MERITOR NO.	REPLACES WAGNER NO.	FITTING SIZE			BOLT HOLE	O.A.L.
		A	B	C		
R4578787	F116851	3/8"-24	13/32"	—	—	25 5/16"
	F120542	UNF-2B	—	—		25 35/64"



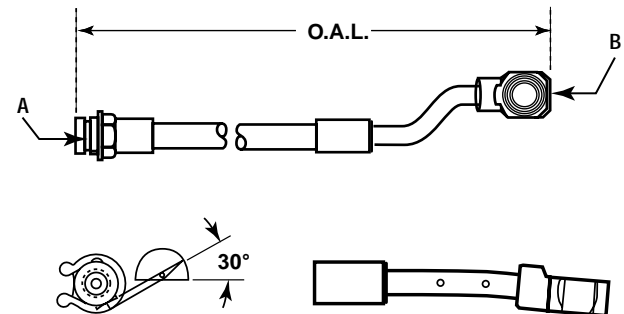
MERITOR NO.	REPLACES WAGNER NO.	FITTING SIZE			BOLT HOLE	O.A.L.
		A	B	C		
R4578790	—	3/8"-24	No Thd.	—	—	21 1/4"



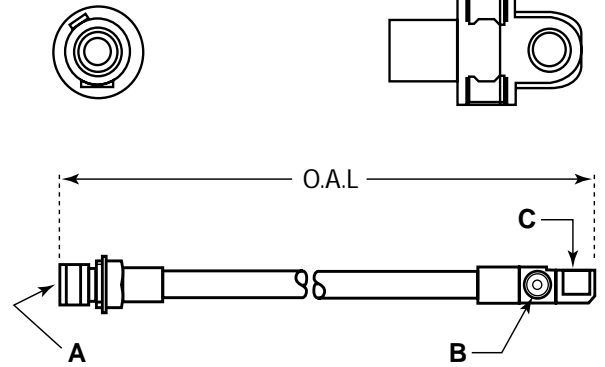
MERITOR NO.	REPLACES WAGNER NO.	FITTING SIZE			BOLT HOLE	O.A.L.
		A	B	C		
R4578802	—	7/16"-24	29/64"	—	3/8"-24	18 3/4"



MERITOR NO.	REPLACES WAGNER NO.	FITTING SIZE			BOLT HOLE	O.A.L.
		A	B	C		
R4578824	—	3/8"-24 UNF-2B	13/32" 25/64"	—	—	16 59/64" 17 5/32"



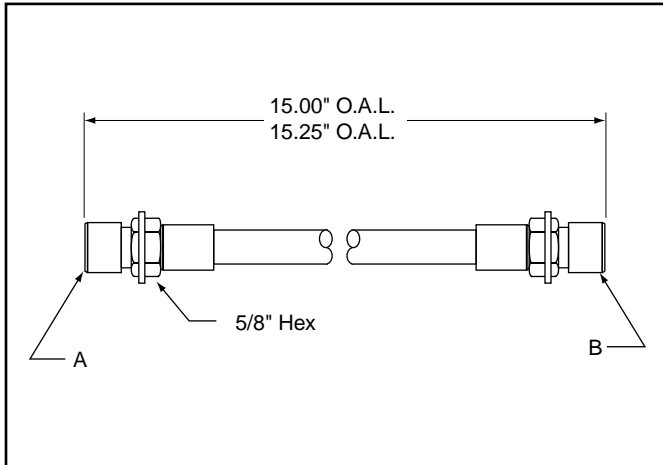
MERITOR NO.	REPLACES WAGNER NO.	FITTING SIZE			BOLT HOLE	O.A.L.
		A	B	C		
R4578825	—	3/8"-24 UNF-2B	13/32"	—	—	16" 16 1/25"



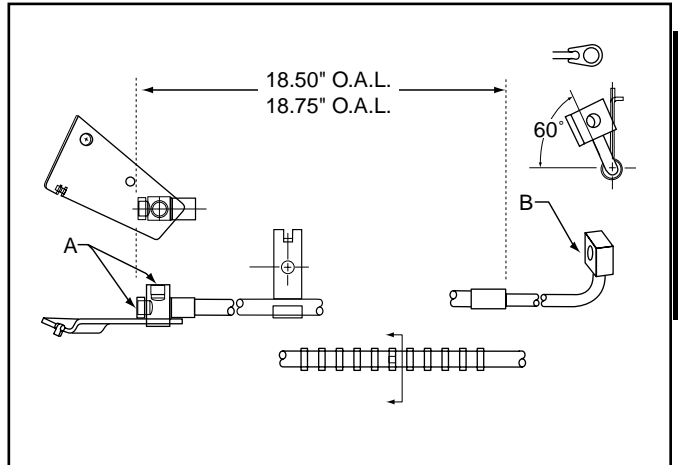
MERITOR NO.	REPLACES WAGNER NO.	FITTING SIZE			BOLT HOLE	O.A.L.
		A	B	C		
R4578843	—	7/16"-24 THD.	3/8"-24 UNF-2B	23/64"	—	22 1/4" 22 1/2"

HYDRAULIC BRAKE HOSES

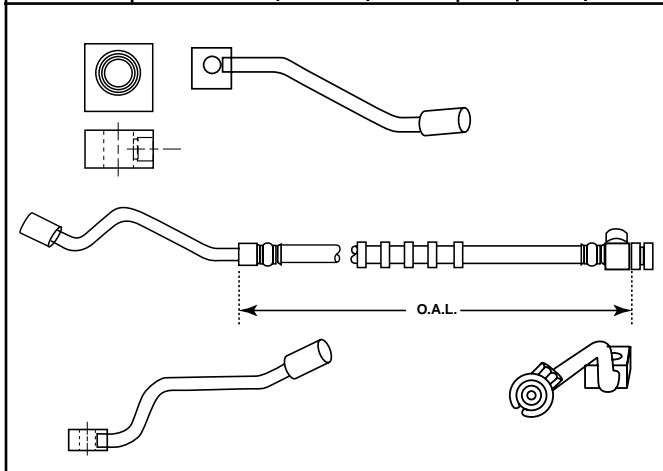
Listed in Meritor Part Number Sequence



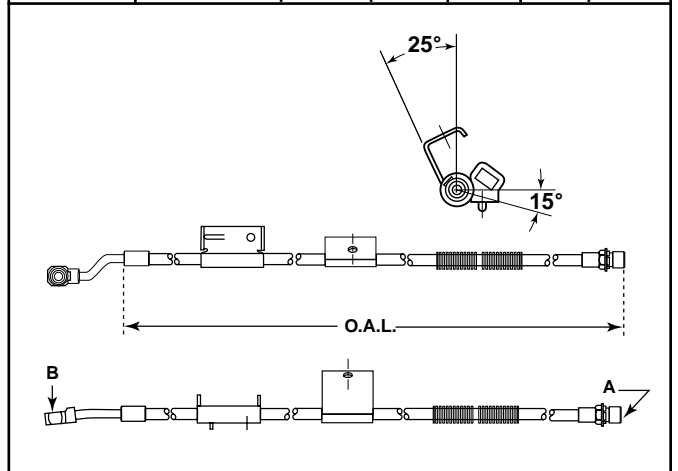
MERITOR NO.	REPLACES	FITTING SIZE			BOLT HOLE	O.A.L.
		A	B	C		
R4578873	F132034	7/16"-24 UNS-2B Thd.	7/16"-24 UNS-2B Thd.	5/8" Hex	.610"	15" 15 1/4"



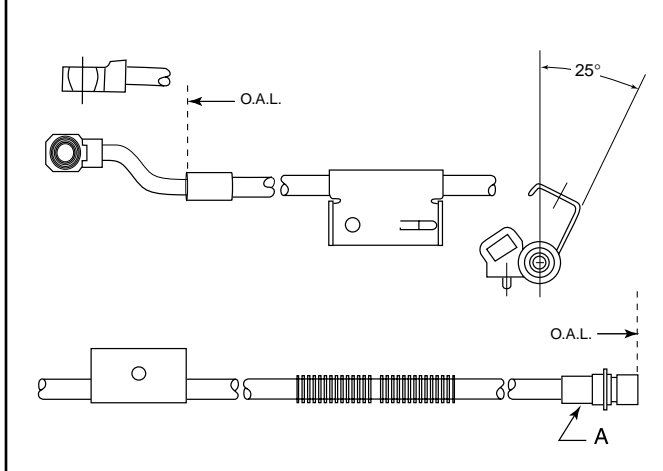
MERITOR NO.	REPLACES	FITTING SIZE			BOLT HOLE	O.A.L.
		A	B	C		
R4578874	381161A	M10 x 1 Thd.	—	—	—	18 1/2" 18 3/4"



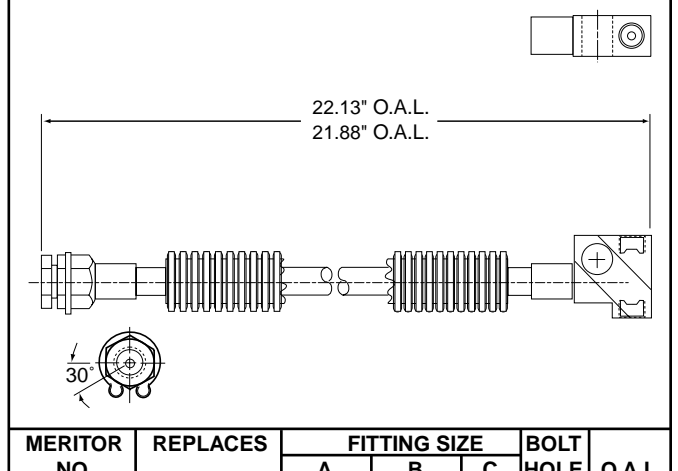
MERITOR NO.	REPLACES WAGNER NO.	FITTING SIZE			BOLT HOLE	O.A.L.
		A	B	C		
R4578876	—	—	—	—	—	137.3"



MERITOR NO.	REPLACES WAGNER NO.	FITTING SIZE			BOLT HOLE	O.A.L.
		A	B	C		
R4578880	—	7/16"-24 THD.	—	—	—	27 29/32" 28 5/32"



MERITOR NO.	REPLACES WAGNER NO.	FITTING SIZE			BOLT HOLE	O.A.L.
		A	B	C		
R4578881	—	7/16"-24	—	—	—	28 9/64"

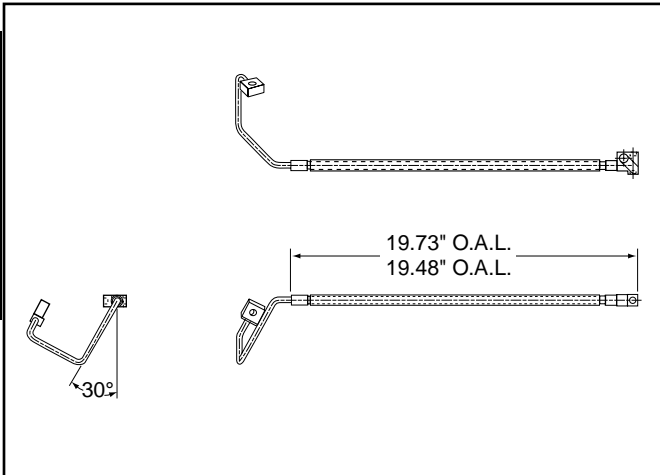


MERITOR NO.	REPLACES	FITTING SIZE			BOLT HOLE	O.A.L.
		A	B	C		
R4578885	381367A	3/8"-24 UNF-2B Thd. (2 pls)	3/8"-24 UNF-2B Thd.	—	.470"	22.13" 21.88"

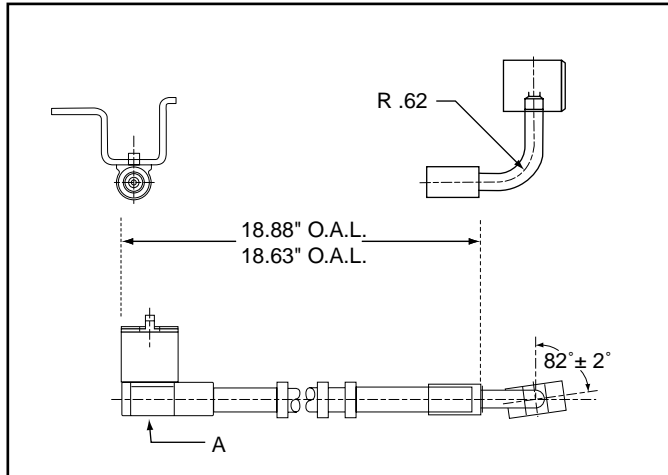
HYDRAULIC BRAKE HOSES

Listed in Meritor Part Number Sequence

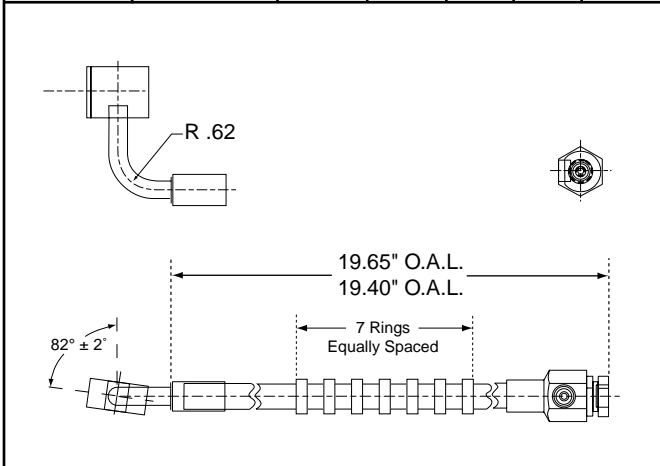
6 - BRAKE HOSES



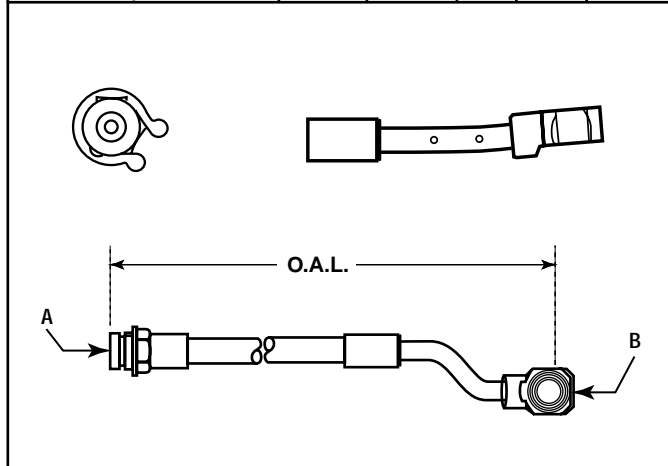
MERITOR NO.	REPLACES	FITTING SIZE			BOLT HOLE	O.A.L.
		A	B	C		
R4578897	381282	No	15/32"	—	.382	19.73"
		Thd.			.378	19.48"



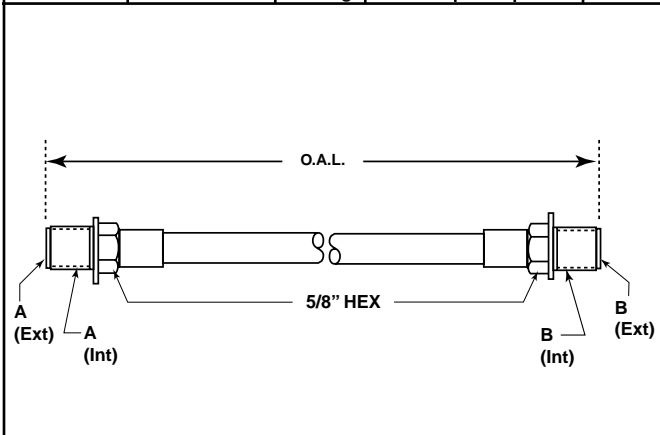
MERITOR NO.	REPLACES	FITTING SIZE			BOLT HOLE	O.A.L.
		A	B	C		
R4578898	381339A	3/8"-24	.382	—	—	18.88
		Thd.	.378			18.63



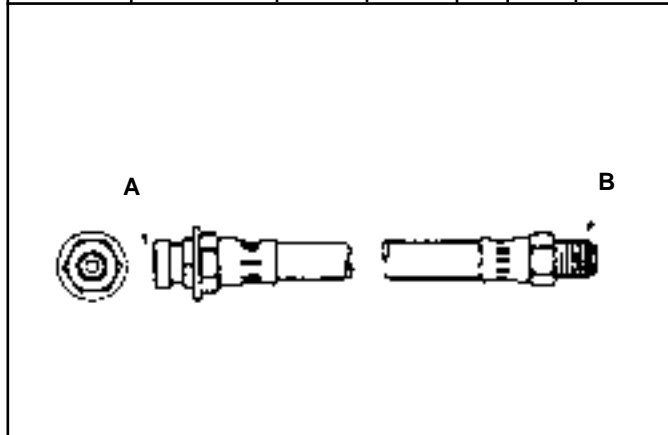
MERITOR NO.	REPLACES FEBI NO.	FITTING SIZE			BOLT HOLE	O.A.L.
		A	B	C		
R4578899	381340A	5/16" x	3/8"-24	3/4"	.678"	18.12"
		.060	UNF-2B	Hex		17.88"
		Tubing	Thd.			



MERITOR NO.	REPLACES WAGNER NO.	FITTING SIZE			BOLT HOLE	O.A.L.
		A	B	C		
R4578912	—	3/8"-24	13/32"	—	—	16 11/64"
		UNF-2B	25/64"			15 59/64"



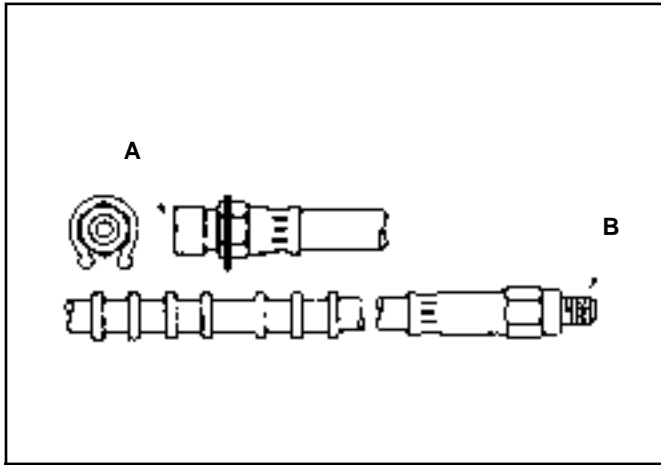
MERITOR NO.	REPLACES WAGNER NO.	FITTING SIZE		BOLT HOLE	O.A.L.
		A	B		
R4588312	—	5/8"-18	5/8"-18		19 1/4"
		NF-2A (Int)	NF-2A (Int)		19 1/2"
		7/16"-24	7/16"-24		
		UNS-2B (Ext)	UNS-2B (Ext)		



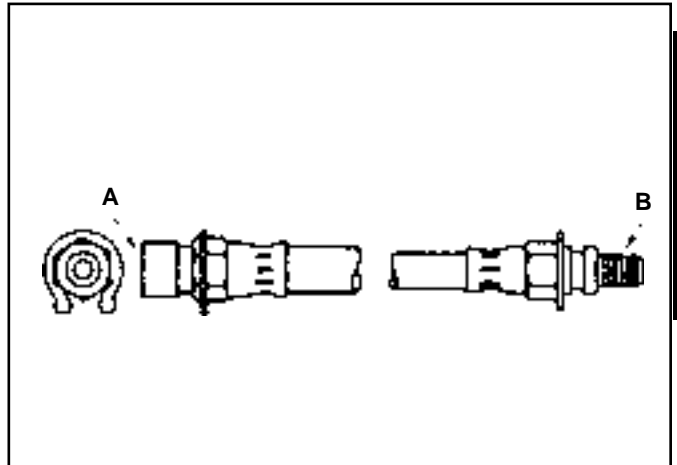
EUCLID NO.	REPLACES WAGNER NO.	FITTING SIZE			BOLT HOLE	O.A.L.
		A	B	C		
R4588472	F102478	3/8"-24	7/16"-20	—	—	18 1/8"
	F80953					
	F98939					

HYDRAULIC BRAKE HOSES

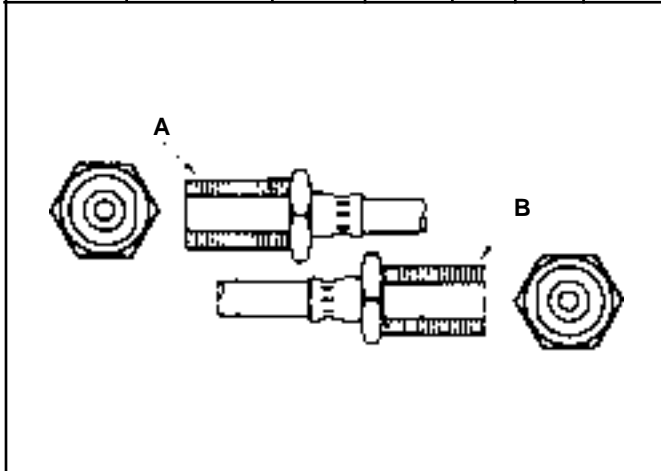
Listed in Meritor Part Number Sequence



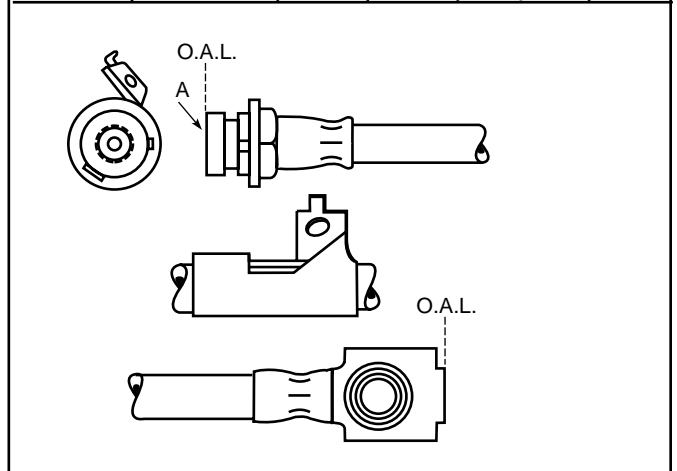
MERITOR NO.	REPLACES WAGNER NO.	FITTING SIZE			BOLT HOLE	O.A.L.
		A	B	C		
R4588519	F78092 F80957	7/16"-24	7/16"-24	—	—	15 3/8"



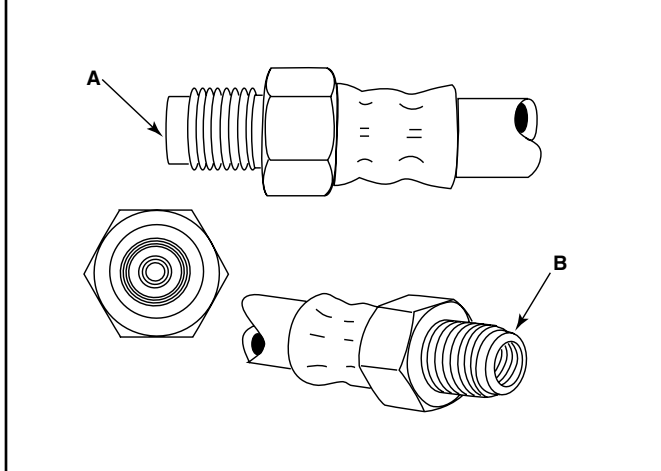
MERITOR NO.	REPLACES WAGNER NO.	FITTING SIZE			BOLT HOLE	O.A.L.
		A	B	C		
R4588530	F71305 F98281	7/16"-20	7/16"-24	—	—	18 11/16"



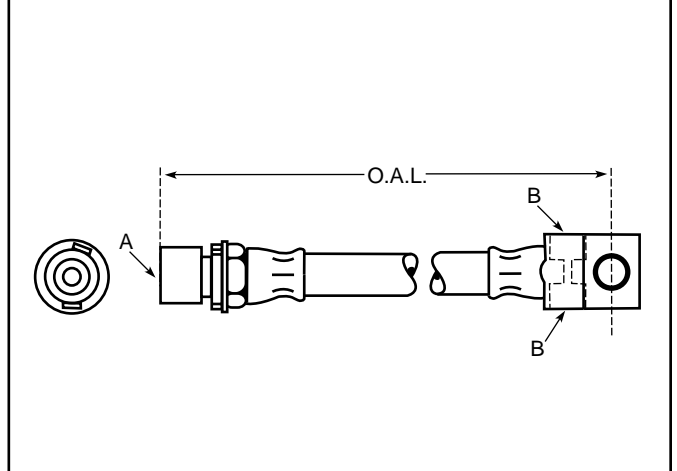
MERITOR NO.	REPLACES WAGNER NO.	FITTING SIZE			BOLT HOLE	O.A.L.
		A	B	C		
R4588558	F79347	7/16"-24 Int. 3/4"-16 Ext.	7/16"-24 Int. 3/4"-16 Ext.	—	—	25 7/8"



MERITOR NO.	REPLACES WAGNER NO.	FITTING SIZE			BOLT HOLE	O.A.L.
		A	B	C		
R4588561	F39508 F107734	7/16"-24	7/16"-20	—	—	21 5/8"



MERITOR NO.	REPLACES WAGNER NO.	FITTING SIZE			BOLT HOLE	O.A.L.
		A	B	C		
R4588564	—	7/16"-24 5/8"-18	7/16"-24 5/8"-18	—	—	28 3/16"

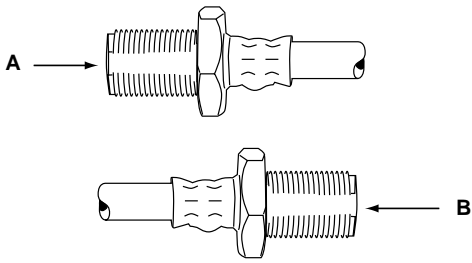


MERITOR NO.	REPLACES WAGNER NO.	FITTING SIZE			BOLT HOLE	O.A.L.
		A	B	C		
R4588651	F80967	7/16"-24	3/8"-24	—	5/16"	14 3/4"

HYDRAULIC BRAKE HOSES

Listed in Meritor Part Number Sequence

6 - BRAKE HOSES

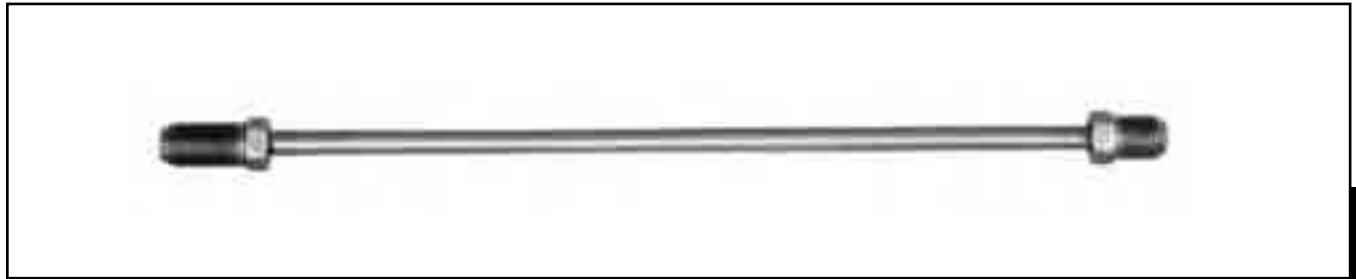


MERITOR NO.	REPLACES WAGNER NO.	FITTING SIZE			BOLT HOLE	O.A.L.
		A	B	C		
R45F124053	F124053	7/16"-24 Int.	7/16"-24 Int.	—	—	21 1/8"

STEEL BRAKE LINES AND FITTINGS

For Domestic Vehicles

STEEL BRAKE LINES



3/16" O.D.		1/4" O.D.		5/16" O.D.		3/8" O.D.	
Blue Label - 10 per Tube		Yellow Label - 10 per Tube		Orange Label - 5 per Tube		Green Label - 5 per Tube	
MERITOR NO.	LENGTH	MERITOR NO.	LENGTH	MERITOR NO.	LENGTH	MERITOR NO.	LENGTH
R45B308	8"	R45B408	8"	R45B508	8"	R45B608	8"
R45B312	12"	R45B412	12"	R45B512	12"	R45B612	12"
R45B320	20"	R45B420	20"	R45B520	20"	R45B620	20"
R45B330	30"	R45B430	30"	R45B530	30"	R45B630	30"
R45B340	40"	R45B440	40"	R45B540	40"	R45B640	40"
R45B351	51"	R45B451	51"	R45B551	51"	R45B651	51"
R45B360	60"	R45B460	60"	R45B560	60"	R45B660	60"

6 - BRAKE LINES & FITTINGS

ADAPTER LINES

- All Adapter Lines are 8" Long
- Convert 3/16" and 1/4" Brake Lines to Fit Larger than Standard Openings

MERITOR NO.	TUBE O.D.	NUT COLOR	THREAD SIZES	APPLICATION
R458564	3/16"	Red	3/8"-24, 7/16"-24	General Motors
R458565	3/16"	Black	3/8"-24, 1/2"-20	Ford
R458566	3/16"	Green	3/8"-24, 1/2"-20	General Motors
R458567	3/16"	Olive	3/8"-24, 9/16"-18	Ford
R458568	1/4"	Blue	7/16"-24, 9/16"-18	General Motors
R458569	1/4"	Brass	7/16"-24, 7/16"-24	General Motors
R458570	1/4"	Silver	7/16"-24, 1/2"-20	Ford

FITTINGS



MERITOR NO.	DESCRIPTION
R458639	For 3/16" Hydraulic Brake Line
R458640	For 1/4" Hydraulic Brake Line
R458641	For 5/16" Hydraulic Brake Line
R458642	For 3/8" Hydraulic Brake Line



MERITOR NO.	DESCRIPTION
R458643	For 3/16" Copper Air Brake Line
R458644	For 1/4" Copper Air Brake Line
R458645	For 5/16" Copper Air Brake Line
R458646	For 3/8" Copper Air Brake Line

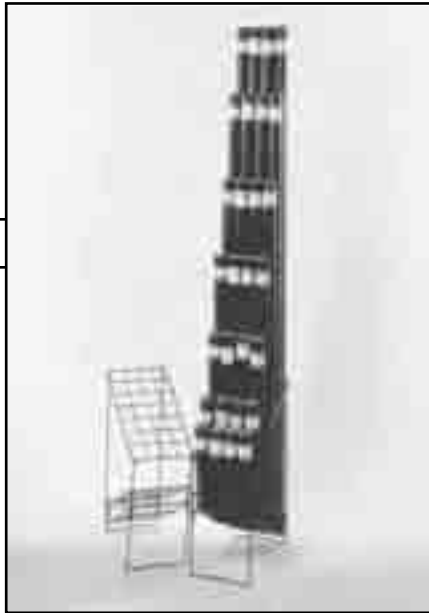
STEEL BRAKE LINES AND FITTINGS

For Import Vehicles

6 - BRAKE LINES & FITTINGS

Import Brake Lines			
Length	European (ISO & Bubble Flare)	Japanese (Double Flare)	British (ISO and Bubble Flare)
8"	R457013680	R457013687	R457013694
12"	R457013681	R457013688	R457013695
20"	R457013682	R457013689	R457013696
30"	R457013683	R457013690	R457013697
40"	R457013684	R457013691	R457013698
51"	R457013685	R457013692	R457013699
60"	R457013686	R457013693	R457013700
Import Brake Line Fittings			
Description	Tube Size	Thread Size	Part Number
European Nut	3/16"	M10 x 1.00	R457013701
Japanese Nut	3/16"	M10 x 1.00	R457013702
British Nut	3/16"	3/8" -24	R457013703

STEEL BRAKE LINE DISPLAYS



WIRE FLOOR RACK

7 1/2" Wide x 14" Long x 21" High
Holds 28 tubes of Steel Brake Line. (1 tube of each size)

MERITOR NO.	DESCRIPTION
R458692	Holds one tube of each size Steel Brake Line (Not Included).

6 - BRAKE LINES & FITTINGS

MERITOR DOT 3 PLUS AND DOT 4 SUPER HEAVY-DUTY BRAKE FLUID

- Exceeds the Requirements of DOT 3 Brake Fluid
- Recommended for Cars, Trucks and Buses
- Operating Temperature Range of -60° F. to +450° F.
- Exceeds SAE J-1703, Federal Spec. VV-B-680 and Federal Safety Standard 116 DOT 3
- Available in Three Popular Fleet Sizes
- Plastic Containers — Won't Corrode or Rust
- Quarts and Gallons available in case quantities only.



MERITOR NO.	REPLACES	SIZE
R458571	Wagner FC9313	1 Quart — 12 per Case
R458572	Wagner FC9314	1 Gallon — 4 per Case
R458932	Wagner FC9315	5 Gallon Pail
R4512472	—	1 Quart — 12 per Case

DODGE, PLYMOUTH TRUCK

VEHICLE YEAR AND MODEL	DESCRIPTION	TYPE	PART MANUFACTURER	MERITOR NO.
DODGE 1 TON				
1969-71	Drum P3-300, M300 with Midland	HV	Midland	R43MDC490X
1957-66	Drum W-WM 300	HV	Midland	R43MDCC462X
DODGE HEAVY DUTY				
1974-77	D500, 600 Optional (Fire Wall Mount, Booster Only)	HV	Midland	R43MDC4083X
	Master Cylinder (Dual M/C)	HV	Midland	R43MDC3502SBX
1968-73	Bus S500-600 Opt. D400 thru 700 (Fire Wall Mount, Booster Only)	HV	Midland	R43MDC4083X
	Master Cylinder (Dual M/C)	HV	Midland	R43MDC3502SBX
1952-77	D, P, C, W, 400, 500, 600, 700, 800	HV	Midland	R43MDC464X
1971-77	3-4 Ton Various Models WT500	HV	Midland	R43MDC448X

6 - HYDROVAC & HYDROBOOST

If You Don't See A Booster You Want
CALL our
S.O.S. Department
1-888-725-9355

FORD TRUCK

VEHICLE YEAR AND MODEL	DESCRIPTION	TYPE	PART MANUFACTURER	MERITOR NO.
FORD 1 TON				
1963-66	F350 (Fire Wall Mount, Booster Only)	HV	Midland	R43MDC4025X
	Master Cylinder	HV	Midland	R43MDC3472X
FORD HEAVY DUTY & MOTOR HOME				
1970-82	LN-500, 600, 700, 750, 600, 7000 with Fire Wall Mount (Booster Only)	HV	Midland	R43MDC4085X
	Master Cylinder (Dual M/C)	HV	Midland	R43MDC3500SFX
	Master Cylinder (Single M/C)	HV	Midland	R43MDC3507SBX
1968-77	F, N, B-500, 600, 700, 750, with Fire Wall Mount (Booster Only)	HV	Midland	R43MDC4085X
	Master Cylinder (Dual M/C)	HV	Midland	R43MDC3500SFX
	Master Cylinder (Single M/C)	HV	Midland	R43MDC3507SBX
1967	F, B-500, 600, 800 with 15,000-22,000 G.V.W. (Fire Wall Mount, 3 ¹⁹ / ₃₂ x 5" Stud Pattern Booster Only)	HV	Midland	R43MDC4044X
	Master Cylinder	HV	Midland	R43MDC3472X
1963-68	B, F, N, 500, 600, 700 (Fire Wall Mount, 9 ¹ / ₂ " Clamp Band Diameter, Booster Only)	HV	Midland	R43MDC4025X
	Master Cylinder	HV	Midland	R43MDC3472X
1963-68	B, F, N-500, 700 (Fire Wall Mount, 1 ¹¹ / ₂ " Clamp Band Diameter, Booster Only)	HV	Midland	R43MDC4029X
	Master Cylinder	HV	Midland	R43MDC3472X
1952-63	B, C, F, P500, F600	HV	Midland	R43MDC462X
1947-63	Various Models with Midland Air over Hydraulic	HV	Midland	R43MDKN35010X

6 - HYDROVAC & HYDROBOOST

GM (CHEVROLET/GMC) TRUCK

VEHICLE YEAR AND MODEL	DESCRIPTION	TYPE	PART MANUFACTURER	MERITOR NO.
1 TON 30, 3500 SERIES				
1967	C, G, Drum with 11,000 lb. Axle with Midland	HV	Midland	R43MDC4055X
1963-70	C, G, P30 Drum with Midland	HV	Midland	R43MDC468BX
GMC TRUCK-HEAVY DUTY & SCHOOL BUS				
1990-95	Top Kick & Kodiak		Delco	R43DE18014080X
1973-96	4000-6000 series with Delco Hy-power	HP	Delco	R43DE18001810X
1985-87	C7D042, C7D064 Conventional Cab Single System with 15 x 6" Rear Brake	HV	Bendix	R41R2515050
1979-87	School bus with Delco dual power system Vacuum booster	VB	Delco	R43DE18001072X
	Hydraulic Booster	HB	Delco	R43DE18001047X
1977-85	C5D042 Conventional Cab Single System	HV	Bendix	R41BN2515050
1968-69	RM7500-P, SM5500-M, SM6500-M (19,000 lb. G.V.W.)	HV	Midland	R43MDC4090X
1968-69	School Bus SM, SS, SG5500M, SM6500M (Fire Wall Mount, Booster Only)	HV	Midland	R43MDC4089X
	Master Cylinder (Dual M/C)	HV	Midland	R43MDC3503SX
1967-71	TM7003, TM, TG7500V	HV	Midland	R43MDC4058X
1967-71	TM, TG, 5500, 6500V	HV	Midland	R43MDC4056X
1967-71	TM, TG, 5500, 6500V (23,000 G.V.W.)	HV	Midland	R43MDC4055X
1967-68	EG, EM, ES5500V, 6500, EG, EM ES, 4500V (Fire Wall Mount, Booster Only)	HV	Midland	R43MDC4037X
	Master Cylinder	HV	Midland	R43MDC3492X
1966-73	HG, HM-7500V (25,000-31,000 G.V.W.)	HV	Midland	R43MDC4042X
1966-73	JG, JM-7500V (34,000-45,000 G.V.W.)	HV	Midland	R43MDC4036X
1966-70	HG, HM-5500V (18,500-24,000 G.V.W.)	HV	Midland	R43MDC4035X
1966-70	HG-HM 5500V (15,000-20,000 G.V.W.)	HV	Midland	R43MDC4034X
1960-65	SPV, BWV, LWV, 5000, LV, BV, BWV5500, BV6000 with Midland (with 3 Hydraulic Lines)	HV	Midland	R43MDC4013X
1960-64	Uses with E-MDC4013X on Tandem Axles	HV	Midland	R43MDC4007X
1960-63	1 1/2 Ton 3000, 2 Ton 3500	HV	Midland	R43MDC4003X
1960-61	Various Models with Air over Hydraulic			
1959-62	V, BV, LV, SV 4000, 5000 (with 3 Hydraulic Lines)	HV	Midland	R43MDC4012X
1952-66	1 1/2 Ton over 8,800-16,000 lb.			
1947-62	Field Installation Air over Hydraulic	HV	Midland	R43MDKN35010X

6 - HYDROVAC & HYDROBOOST

INTERNATIONAL TRUCK and ENGINE

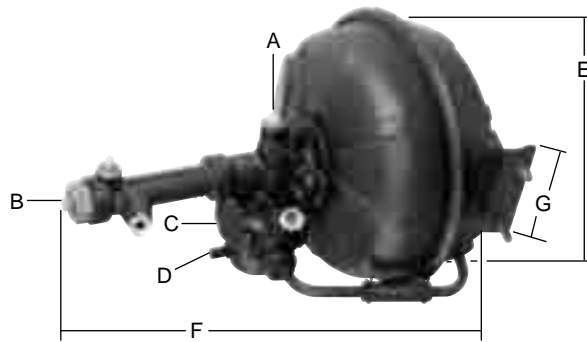
VEHICLE YEAR AND MODEL	DESCRIPTION	TYPE	PART MANUFACTURER	MERITOR NO.
HEAVY DUTY- MOTOR HOME & SCHOOL BUS				
1987-96	S-1654, S-1753, S-1754, S-1854, S-1954, F-1854, F-1954, Metro II with disc (pump & motor assembly)	HM	Bendix	R41R2771552 R41R2771494
	1985-86	C01650B Cargostar with disc (pump & motor assembly)	HM	Bendix
1984-86	C01850B Cargostar with disc (pump & motor assembly)	HM	Bendix	R41R2771494
	1965-85	C01610B, C01710B Cargostar-single System with 14 x 2 1/2" Front brake with 15 x 3" Front brake	HV HV	Bendix Bendix
1965-85	C01750B, C01850B Cargostar-single system with 15 x 7, 16 x 6 Rear brake	HV	Bendix	R41R2515029
1977-84	C01810B Cargostar-single system with 15 x 6 Rear brake with 15 x 7, 16 x 6 Rear brake	HV HV	Bendix Bendix	R41R2514917X R41R2515029
	1979-83	S-1723, S1753 School bus-dual system 2 required	HV	Bendix
1979-83	S-1724, S-1754, S-1824, S-1924, S-1854, S-1954, F-1924, F-1954-single system with 15 x 5, 15 x 6 Rear brake with 15 x 7, 16 x 6 Rear brake	HV HV	Bendix Bendix	R41R2514917 R41R2515029
	1982-83	S-1654, Metro II single system	HV	Bendix
1979-83	S-1623, S-1723 School bus-dual system	HV	Bendix	R41R2512059
1979-83	S-1624	HV	Bendix	R41R2514917
1979-81	S-1654 Metro II All	HV	Bendix	R41R2514917
1979-81	S-1854 Single System with 15 x 6 Rear brake with 15 x 7, 16 x 6 Rear brake	HV HV	Bendix Bendix	R41R2514917 R41R2515029
	1978-84	S Models with Delco dual power system 15" vacuum booster Hydraulic Booster	VB HB	Delco Delco
1973-96		Models with Delco Hy-power	HP	Delco
1977-81	C01910B Cargostar-single system with 15 x 6 Rear brake with 15 x 7, 16 x 6 Rear brake	HV HV	Bendix Bendix	R41R2514917 R41R2515029
	1977-79	1603 School bus dual system	HV	Bendix
1968-79	1610 FC School bus dual system	HV	Bendix	R41R2512059
1977-78	1650 Economizer single system 1650 Economizer dual system	HV HV	Bendix Bendix	R41R2514917 R41R2512059
	1965-78	1750, 1800, 1850 Loadstar	HV	Bendix
1968-78	F-1800, F1850 Loadstar	HV	Bendix	R41R2514917
1973-76	Drum Multistop-1210 & 1510 (Fire Wall Mount, Booster Only) Master Cylinder	HV HV	Midland Midland	R43MDC4044X R43MDC3510SAX
	1968-77	1500 Series (Fire Wall Mount, Booster Only) Master Cylinder	HV HV	Midland Midland
1969-77		1603 Series Bus, 1703 (Fire Wall Mount, Booster Only) Master Cylinder	HV HV	Midland Midland
	1968-78	1600, 1603, 1700, 1703, 1800, 1803, 1853 School Bus with 16" Rear Brakes (2 Required)	HV	Bendix
1947-62	Various Field Installation with Midland Air over Hydraulic	HV	Midland	R43MDKN35010X

6 - HYDROVAC & HYDROBOOST

REMANUFACTURED POWER BRAKE BOOSTERS

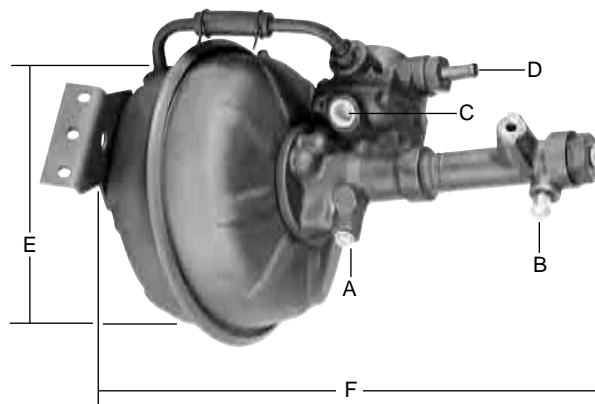
BENDIX

- Common Replacement
R41R2515050



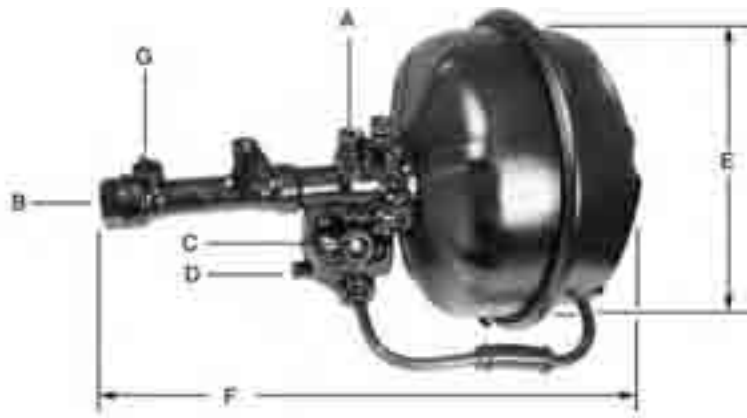
MERITOR NO.	REPLACES	A	B	C	D	E	F	G	RCV	GENERAL APPLICATION
R41R2512059	Bendix 2512059	1/4" IF	7/16"-20	1/2" PT	3/4"	12 3/4"	19"	1 3/8"	Yes	IHC

BENDIX



MERITOR NO.	REPLACES	A	B	C	D	E	F	G	RCV	GENERAL APPLICATION
R41R2514916	Bendix	1/4" IF	5/16" IF	1/2" IF	1/2"	11"	16"	—	No	GM

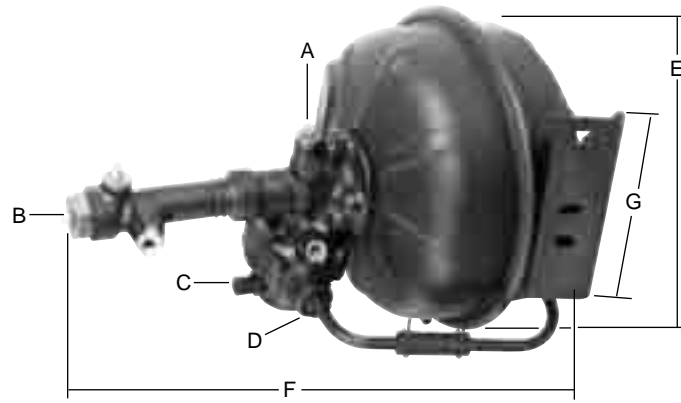
BENDIX



MERITOR NO.	REPLACES	A	B	C	D	E	F	G	RCV	GENERAL APPLICATION
R41R2514917	Bendix R2514917	1/4" IF	5/16" IF	1/2" IF	1/2"	11"	16"	—	No	GM

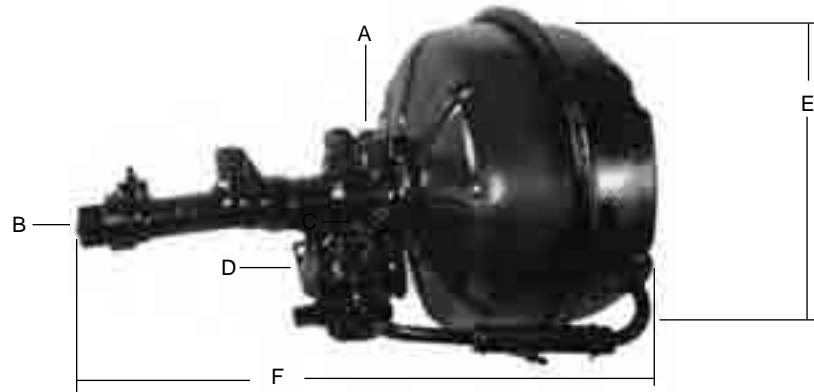
REMANUFACTURED POWER BRAKE BOOSTERS

BENDIX



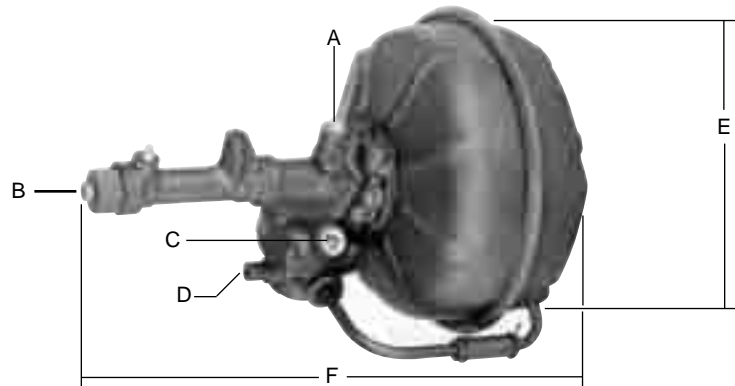
MERITOR NO.	REPLACES	A	B	C	D	E	F	G	RCV	GENERAL INFORMATION
R41R2514918	Bendix 2514918	1/4" IF	1/4" IF	3/8" PT	3/4"	12 3/4"	19"	7 3/16"	Yes	Ford

BENDIX



MERITOR NO.	REPLACES	A	B	C	D	E	F	G	RCV	GENERAL APPLICATION
R412514920	Bendix R2514920	1/4" IF	5/16" IF	1/2" IF	1/2"	11"	16"	—	No	GM

BENDIX



MERITOR NO.	REPLACES	A	B	C	D	E	F	RCV	GENERAL APPLICATION
R41R2515029	Bendix 2515029	1/4" IF	1/4" IF	1/2" IF	1/2"	12 3/4"	17 5/8"	Yes	Dodge

6 - POWER BRAKEBOOSTERS

REMANUFACTURED POWER BRAKE BOOSTERS

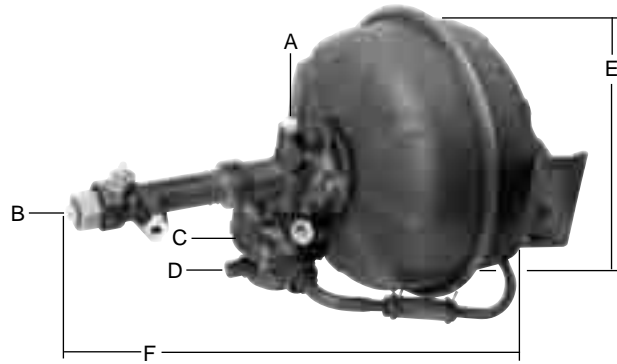
BENDIX

PHOTO NOT AVAILABLE
AT TIME OF PRINTING

MERITOR NO.	REPLACES	A	B	C	D	E	F	G	RCV	GENERAL APPLICATION
R41R2515030	Bendix R2515030	1/4" IF	5/16" IF	1/2" IF	1/2"	11"	16"	—	No	GM

6 - POWER BRAKE BOOSTERS

BENDIX



MERITOR NO.	REPLACES	A	B	C	D	E	F	RCV	GENERAL APPLICATION
R4152515050	Bendix 2515050	5/16" IF	5/16" IF	1/2" PT	3/4"	12 3/4"	19"	Yes	Ford

BENDIX

PHOTO NOT AVAILABLE
AT TIME OF PRINTING

MERITOR NO.	REPLACES	A	B	C	D	E	F	G	RCV	GENERAL APPLICATION
R41R2515074	Bendix R2515074	1/4" IF	5/16" IF	1/2" IF	1/2"	11"	16"	—	No	GM

REMANUFACTURED POWER BRAKE BOOSTERS

BENDIX



MERITOR NO.	REPLACES	A	B	C	D	E	F	G	RCV	GENERAL APPLICATION
R41R2771117	Bendix R2771117	1/4" IF	5/16" IF	1/2" IF	1/2"	11"	16"	—	No	GM

BENDIX

PHOTO NOT AVAILABLE
AT TIME OF PRINTING

MERITOR NO.	REPLACES	A	B	C	D	E	F	G	RCV	GENERAL APPLICATION
R41R2771250	Bendix R2771250	1/4" IF	5/16" IF	1/2" IF	1/2"	11"	16"	—	No	GM

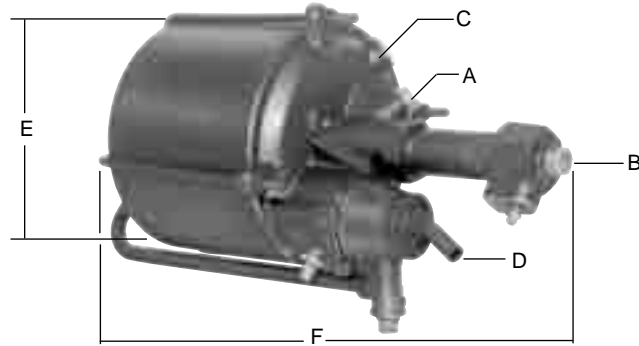
BENDIX

PHOTO NOT AVAILABLE
AT TIME OF PRINTING

MERITOR NO.	REPLACES	A	B	C	D	E	F	G	RCV	GENERAL APPLICATION
R41R2771494	Bendix R2771494	1/4" IF	5/16" IF	1/2" IF	1/2"	11"	16"	—	No	GM

REMANUFACTURED POWER BRAKE BOOSTERS

BENDIX



MERITOR NO.	REPLACES	A	B	C	D	E	F	RCV	GENERAL APPLICATION
R41R374980X	Bendix R374980	1/2"-20	1/2"-20	1/2" PT	3/4"	9 1/2"	17 1/4"	Yes	Ford, GM IHC

6 - POWER BRAKE BOOSTERS

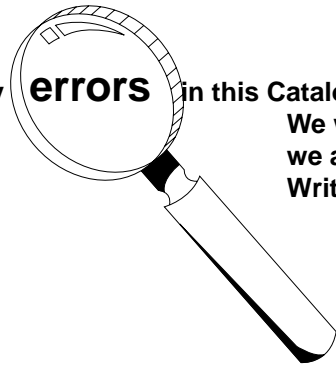
If You Don't See A Booster You Want

CALL our

S.O.S. Department

1-888-725-9355

If you detect any **errors** in this Catalog, please let us know.



We want the information to be as accurate as possible; we appreciate your help in making it so.

Write or call: Catalog Corrections
Meritor Industries, LLC
7975 Dixie Highway
Florence, KY 41042-2754
(859) 525-3500

HYDRAULIC ACTUATED UNITS

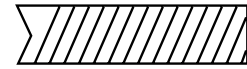
BENDIX HYDRO-MAX



MERITOR NO.	REPLACES	GENERAL APPLICATION
R41R2770433	Bendix R2770433	—
R41R2771552X	Bendix R2771552	International Truck & Engine (ITE)
R41R374980	Bendix R374980	—
R412515075	Bendix R2515075	—
R412518644	Bendix R2518644	—

SHAFT

The Shaft Helps to Identify the Unit



2771559
Threaded

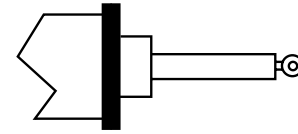


2771552
Double Clevis

FORD

Measurement

2771558 - 7-1/2"
2771558L - 9"

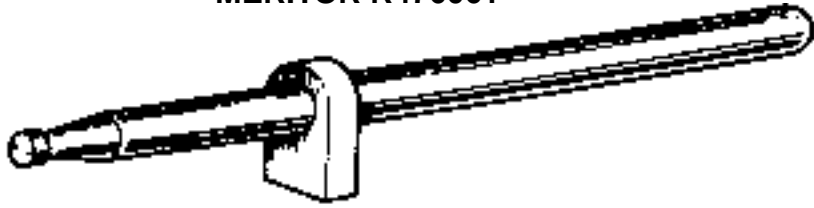


Shaft end has single clevis.
Measure length from housing to shaft end.

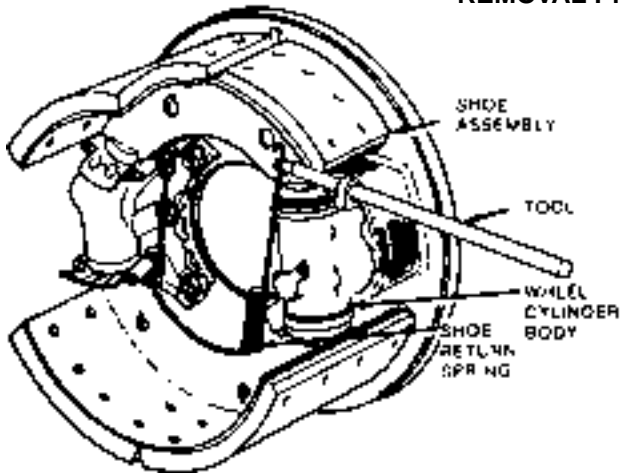
HYDRAULIC BRAKE TOOLS

BRAKE SHOE RETURN SPRING REMOVAL TOOL for LUCAS BRAKE

MERITOR R476061



BRAKE SHOE RETURN SPRING REMOVAL PROCEDURE



1. Insert the end of the bar into the loop on one of the shoe return springs.
2. Using the wheel cylinder body as a fulcrum, unhook the spring from the shoe web.
3. Support the lower shoe, unhook the second spring, and remove the shoes.

NOTE: The shoe return spring is hooked on the backside of the shoe web. Be careful not to damage the manual adjustment wheel or the rubber dust boot.

PRESSURE BLEEDER TANK

MERITOR R4745

Bleeds:

- Clutch Systems
- Tandem Safety Master Cylinders
- Dual Clutch and Brake Cylinders
- Power Brake Systems
- Any Master Cylinder — With or Without a Check Valve

INCLUDES

- | |
|---|
| 1 Quick Disconnect Male Fitting |
| 1 Ball Point Filler |
| 1 Bleeder Hose |
| 1 Adapter for Passenger Car/Light Trucks with Open Tank Tandems |
| 1 Adapter for Round Open Tanks and Plastic Reservoirs with Screw-Caps |
| 1 Adapter for Plastic Tanks |



GLOSSARY

GLOSSARY OF TERMS AND ABBREVIATIONS

2WD: 2 Wheel Drive

2WS: 2 Wheel Steer

4WD: 4 Wheel Drive

4WS: 4 Wheel Steer

A/C: Air Conditioning

A/T: Automatic Transmission

(ABS) ANTI-LOCK BRAKE SYSTEM: An electronically controlled system that regulates brake line pressure to prevent wheel lock-up on any road surface and helps to maintain directional stability when braking.

alum: aluminum

AR: Axle Ratio

Chassis Cab: An incomplete vehicle consisting of a cab on a bare frame rail chassis, needing a body or load platform in order to become complete.

COE: Cab-Over-Engine design, where the engine is located below a tiltable cab enclosure.

Conventional Cab: A cab design in which the engine is located ahead, or mostly ahead of the cowl.

Cowl: The front part of a cab or body directly below the windshield base and between the firewall and instrument panel, usually including the hood.

Curb Weight: The weight of the empty vehicle (with out a load or driver), including fuel, coolant, oil, and standard equipment.

DRW: Dual Rear Wheel

FA: Front axle

Fd: Front axle disc brake.

FMSI: Friction Materials Standard Institute

GLOSSARY

GLOSSARY OF TERMS AND ABBREVIATIONS (Cont'd.)

Forward Control (FC): Vehicle with driver controls (pedals, steering wheel, instruments) located as far forward as possible. Supplied with out body, the controls are stationary mounted as apposed to the special mounting of a tilt cab.

FWD: Front Wheel Drive

(GCW) Gross Combination Weight: Actual weight of an entire vehicle at the ground with a trailer or trailers, including vehicle, equipment, driver, passengers, fuel and payload (everything that moves with the vehicle).

(GCWR) Gross Combination Weight Rating: The value specified by the vehicle manufacture as the GCW.

(GVW) Gross Vehicle Weight: the actual weight of an entire vehicle including all equipment, fuel, body, payload, driver excreta. This is for the individual unit only, such as a truck or tractor only, not including a trailer.

(GVWR) Gross Vehicle Weight Rating: The legal load capacity of a single vehicle, calculated by adding front and rear axle capacities, including suspension, wheel, tire and brake limitations (if suspension capacity is less than axle capacity, the lower capacity is used).

GVW (CLASS): The truck classes are determined by GVWR:

Class 2 = 6,001 – 10,000 lbs.	Class 3 = 10,001 – 14,000 lbs.
Class 4 = 14,011 – 16,000 lbs.	Class 5 = 16,001 – 19,500 lbs
Class 6 = 19,501 – 26,000 lbs.	Class 7 = 26,001 – 33,000 lbs
Class 8 = 33,001 lbs. and over	

H/D: Heavy Duty

Hi-Perf.: High Performance

Hyd: Hydraulic

L/D: Light Duty

OE: Original Equipment

RWAL: Rear Wheel Antilock Brakes

RA: Rear Axle

SL: Caliper suffix denoting loaded with new Disc Pads.

GLOSSARY

GLOSSARY OF TERMS AND ABBREVIATIONS (Cont'd.)

Tilt Cab: Vehicle designed with engine beneath cab and having provisions for tilting the cab forward on a pivot point near the front bumper to provide easy access to the engine. (see COE)

w: With

w/o: Without

WB: Wheel Base

whl: Wheel

Vacuum Assist Power Brakes: Standard type hydraulic brakes with a pressure assist cylinder having a vacuum chamber which when atmospheric pressure is allowed to one side of the piston or diaphragm, drives a plunger in the hydraulic system thereby increasing the effect of the pedal pressure.

ZR: Caliper suffix denoting loaded with new Performance Friction Z type Disc Pads.

Section 7 Index

	PAGE
COMPETITIVE CROSS REFERENCE	7-2
OEM CROSS REFERENCE.....	7-37
NUMERICAL PARTS INDEX	7-56
WARRANTY.....	7-70

How to use this listing:

Look at one digit at a time until you find the part number you wish to locate. The listing is in numeric sequence and numbers have precedence over letters.

Example:

201179X would be followed by
201180
and
23123573002 would be followed by
29 1000
and
69420654 would be followed by
F7054D120

COMPETITIVE CROSS REFERENCE LISTING

BENDIX PART #	MERITOR PART #	BENDIX PART #	MERITOR PART #	BENDIX PART #	MERITOR PART #
12	R4133312	11454	R4111454	11865	R4111865
35	R4133335	11455	R4111455	11873	R4111873
96	R4133396	11455	R4111455	11885	R4111885
299	R46299	11456	R4111456	11892	R4111892
321	R700321	11466	R4111466	11896	R4111896
346	R700346	11467	R4111467	11898	R4111898
358	R46358	11468	R4111468	11902	R4111902
381	R700381	11494	R4111494	11905	R4111905
383	R700383	11576	R4111494	11908	R4111908
400	R700400	11582	R4111582	11909	R4111909
401	R700401	11583	R4111583	11910	R4111910
427	R700427	11584	R4111584	11911	R4111911
442	R700442	11618	R4111618	11912	R4111912
463	R700463	11619	R4111619	11913	R4111913
581	R41581	11622	R4111622	11915	R4111915
582	R41582	11624	R4111624	11916	R4111916
583	R468140	11626	R4111626	11917	R4111917
723	R46723	11629	R4111629	11923	R4111923
3571	R4133714	11630	R4111630	11926	R4111926
3572	R4133715	11631	R4111631	11930	R4111930
3598	R4133206	11632	R4111632	11931	R4111931
3643	R4133206	11633	R4111633	11937	R4111937
3647	R4133206	11634	R4111634	11944	R4111944
6532	R406532	11635	R4110435	11957	R4111957
6549	R402235118	11641	R4111641	11959	R4111959
6713	60050136	11668	R4111668	11982	R4111982
6780	R4066780	11669	R4111669	11983	R4111983
9021	R4090021	11676	R4111676	11989	R4111989
9055	R402238231	11682	R4111682	11992	R4111992
9070	R4090070	11730	R4111730	11993	R4111993
11046	R4111046	11730	R4111730	11994	R4111294
11119	R4111119	11732	R4111732	11994	R4111994
11120	R4111120	11732	R4111732	11995	R4111995
11122	R4111122	11738	R4111738	11995	R4111995
11123	R4111123	11739	R4111739	11999	R4111999
11129	R4111129	11758	R4111758	12002	R4111917
11150	R4111150	11768	R4111768	12007	R4112007
11151	R4111151	11772	R4111772	12008	R4112008
11161	R4111161	11773	R4111773	12026	R4111959
11191	R4111191	11775	R4111775	12029	R4112029
11206	R4111206	11801	R4111801	12052	R4112052
11208	R4111208	11854	R4111854	12054	R4112054
11266	R4111266	11856	R4111856	12055	R4112055
11318	R4111318	11860	R4111860	12058	R4112058
11320	R4111320	11861	R4111861	12058	R4112058
11395	R4111395	11863	R4111863	12066	R4112066
11451	R4111451	11864	R4111864	12073	R4112073

7 - COMPETITIVE CROSS

COMPETITIVE CROSS REFERENCE LISTING

BENDIX PART #	MERITOR PART #	BENDIX PART #	MERITOR PART #	BENDIX PART #	MERITOR PART #
12081	R4111801	13207	R4113207	22319	R44140344
12098	R4112098	13225	R4110348	22324	R4122324
12117	R4112117	13249	R4110382	22342	R4122342
12118	R4112118	13252	R4110376	22343	R4122343
12119	R4112119	13263	R4113263	22346	R4122346
12120	R4112120	13268	R4110384	22350	R4122350
12121	R4112121	13282	R4113282	22381	R4122381
12166	R4112166	13282	R4113282	22386	R4122386
12168	R4112168	13284	R4113284	22387	R4122387
12169	R4112169	13284	R4113284	22387	R4122387
12176	R4112176	13315	R4113315	22388	R4122388
12178	R4112178	13318	R4113318	22436	R4122436
12183	R4112183	13347	R4113347	22437	R4122437
12197	R148228	13355	R4113355	22482	R4122482
12197	R4112197	13442	R4113442	22484	R4122484
12198	R4112198	13488	R4113488	22486	R4122486
12200	R4112197	13505	R4113505	22488	R4122488
12200	R4112200	13508	R4113508	22489	R4122489
12219	R4112219	13509	R4113509	22494	R4122494
12220	R4112220	13511	R4113511	22505	R4122505
12266	R4111923	13513	R4113513	22568	R4122568
12313	R4110352	13514	R4113514	22596	R4122596
12314	R4110352	13514	R4113514	22597	R4122597
12342	R4112342	13515	R4113515	22598	R4122598
12343	R4112198	13515	R4113515	22599	R4122599
12357	R4112357	13542	R4513542	22643	R4122643
12466	R4112466	13543	R4113543	22679	R4122679
12492	R4112492	13607	R4113607	22681	R4122681
12493	R4112058	13648	R4113648	22682	R4122682
12519	R4112519	13649	R4113649	22688	R4122688
12575	R4112575	22141	R4122141	22688	R4122688
12641	R4112641	22151	R4122151	22697	R4122697
12833	R4112833	22160	R4122160	22705	R4122705
12834	R4112834	22187	R4122187	22706	R4122706
12840	R4112840	22202	R4122202	22770	R4122770
12842	R4112842	22203	R4122203	22809	R4122809
12843	R4112843	22204	R4122204	22872	R4122872
12845	R148228	22204	R4122204	22882	R4122882
13022	R4113022	22205	R4122205	22893	R4122893
13041	R4113041	22208	R4122160	22908	R4122908
13055	R4110372	22210	R4122210	22915	R4122915
13056	R4113056	22211	R4122211	22934	R4122934
13057	R4113057	22232	R4122232	22935	R4122935
13118	R4113118	22303	R4122303	22937	R4122937
13123	R4113123	22305	R4122305	22937	R4122937
13136	R4112073	22318	R4122318	22964	R4122964
13182	R4113182	22319	R4122319	23969	R4023969

7 - COMPETITIVE CROSS

COMPETITIVE CROSS REFERENCE LISTING

BENDIX PART #	MERITOR PART #	BENDIX PART #	MERITOR PART #	BENDIX PART #	MERITOR PART #
33002	R4133002	33601	R4133231	33900	201185
33003	R4133003	33606	R4133606	33901	201186
33004	R4133004	33607	R4033607	33904	R4133904
33005	R4133005	33608	R4133608	33905	R4133905
33136	R4133136	33614	R4133614	33906	R4133906
33206	R4133206	33615	R4133615	33907	R417372
33207	R4133207	33627	R4133627	33909	R417374
33230	R4133230	33628	R4133628	33915	R4133915
33231	R4133231	33637	R4133637	33916	R4133916
33256	R4133256	33638	R4133638	33930	R4133930
33257	R4133257	33655	R4133655	33945	R4133945
33278	R4133278	33656	R4133656	33946	R4133946
33279	R4133279	33708	R4133708	33953	201179
33312	R4133312	33709	R4133709	33954	201180
33315	R4133315	33714	R4133714	33955	201181
33316	R4133316	33715	R4133715	33956	201182
33320	R4133320	33716	R4133716	33958	R4133958
33321	R4133321	33717	R4133717	33961	R4133961
33335	R4133335	33718	R4133718	33962	R4133962
33336	R4133336	33719	R4133719	33971	R417363
33338	R4133338	33720	R4133581	33972	R417365
33366	R4133366	33720	R4133720	33973	R417364
33367	R4133367	33721	R4133721	33974	R417366
33376	R4133376	33722	R4133722	33976	R417379
33377	R4133377	33723	R4133723	33977	R417381
33379	R4133379	33725	R4133725	33985	R4133958
33380	R4133380	33726	R4133726	34002	R4111283
33390	R4133390	33753	R4133279	34003	R4111284
33396	R4133396	33757	R4533757	34004	R4111286
33400	R4133400	33791	R4133791	34005	R4111285
33406	R4133406	33792	R4133792	34007	R4111282
33407	R4133407	33792	R417365	34008	R417415
33420	R4133420	33792	R418145	34009	R417416
33447	R4133447	33792	R418162	34010	R417401
33469	R4133469	33851	R4133851	34019	R417398
33484	R4133484	33858	R4133858	34020	R417397
33485	R4133485	33885	R4133858	34021	R417420
33540	R4133540	33891	R4133891	34022	R417422
33541	R4133541	33892	R4133892	34023	R417421
33580	R4133580	33893	R4133893	34024	R417423
33581	R4133581	33894	201179	34028	R4134028
33582	R4133582	33894	201180	34037	R4134037
33584	R4133584	33895	201180	34047	R4134037
33595	R4133595	33896	201181	34054	R4134054
33596	R4133596	33897	201182	34064	R4134064
33597	R4133597	33898	201183	34075	R4134075
33600	R4133230	33899	201184	34076	R4134076

7 - COMPETITIVE CROSS

COMPETITIVE CROSS REFERENCE LISTING

BENDIX PART #	MERITOR PART #	BENDIX PART #	MERITOR PART #	BENDIX PART #	MERITOR PART #
34082	R4134082	66466	SP7888S	66889	R4166689
34102	R4134102	66467	291000	66897	R4166819
34139	R4134139	66467	SP7887S	66897	R4166897
34140	R4134140	66469	SP7895S	66900	R415181
37082	R4134082	66470	SP7895S	66917	R4166917
39975	R417375	66471	SP7873S	66923	R4166923
48654	R4148654	66472	SP7895S	66926	R415181
49624	R4049624	66473	SP7873S	66926	R4166926
55098	R4255098	66477	SP7873S	66928	R415181
55099	R4255099	66478	SP7880S	66928	R415194
55245	R424237A	66503	60050146	66929	R4166926
55250	R4255250	66504	60050266	66935	R4166935
55251	60050150	66510	R4166510	66968	R415181
55252	60050145	66517	R4066517	77010	R4577010
55252	60050145X	66530	R4066530	77019	R4577010
55313	R4255313	66532	R406532	77019	R4577019
55314	R424237A	66544	R4066544	77024	R4577024
55656	R4255656	66549	R402235118	77024	R4577024
55717	R424237A	66550	R4166550	77078	R4577078
55849	R424153263	66557	R4066557	77080	R4577080
55850	R424153216	66587	R4066587	77083	R4577083
66204	R4066204	66599	R4166599	77135	R4577135
66209	R4066209	66603	R44145054	77147	R4577147
66211	R4066211	66620	R4166620	77167	R4577167
66215	R4066215	66684	R4166684	77169	R4577169
66262	R4166262	66689	R4166689	77171	R4577171
66297	R4166297	66713	60050136	77172	R4577172
66298	R4166298	66715	R4066715	77173	R4577173
66305	R4066305	66764	R418188	77185	R4577185
66306	R4066306	66778	R4066778	77187	R4577187
66307	R4166307	66780	R4066780	77187	R4577187
66330	R4066330	66781	R4066781	77189	R4577189
66341	R417402	66818	R415181	77211	R4577169
66342	R417399	66818	R418187	77235	R4577235
66344	R417417	66819	R4166819	77237	R4577172
66345	R417424	66820	R4166820	77240	R4577240
66349	R4066306	66821	R4166821	77241	R4577241
66350	R40107771	66822	R4166822	77245	R4577245
66365	R4066365	66848	R4066848	77245	R4577245
66368	SP7873S	66851	R4066851	77245	R4577245
66369	SP7895S	66852	R4166852	77247	R4577247
66381	R4066365	66852	R4166852	77247	R4577247
66395	R4066395	66859	R4166550	77248	R4577248
66448	R4166448	66872	R4166872	77249	R4577249
66455	R417382	66880	R4166550	77252	R4577252
66456	291000	66882	R4166882	77273	R4577273
66466	291000	66886	R4166852	77277	R4577277

7 - COMPETITIVE CROSS

COMPETITIVE CROSS REFERENCE LISTING

BENDIX PART #	MERITOR PART #	BENDIX PART #	MERITOR PART #	BENDIX PART #	MERITOR PART #
77295	R4577295	77421	R4577421	77631	R4577631
77295	R4577295	77425	R4577425	77676	R4577676
77296	R4577296	77426	R4577010	77686	R4577686
77297	R4577297	77427	R4577427	77760	R4577760
77298	R4577298	77428	R4577428	77761	R4577761
77299	R4577299	77429	R4577429	77765	R4577765
77300	R4577300	77430	R4577430	77765	R4577765
77309	R4577309	77440	R4577440	77766	R4577766
77310	R4577078	77441	R4577441	77767	R4577767
77311	R4577311	77443	R4577443	77768	R4577768
77312	R4577312	77443	R4577443	77769	R4577769
77313	R4577309	77444	R4577444	77773	R4511245
77314	R4577314	77444	R4577444	77787	R4577787
77315	R4577315	77452	R4577452	77788	R4577788
77316	R4577316	77453	R4577453	77799	R4577799
77317	R4577317	77454	R4577454	77810	R4577810
77320	R4577320	77455	R4577455	77825	R4577810
77320	R4577320	77457	R4577457	77826	R4577826
77321	R4577321	77460	R4577460	77841	R4577841
77321	R4577321	77461	R4577461	77845	R4577845
77325	R4577240	77461	R4577461	77851	R4577851
77327	R4577327	77463	R4577463	77852	R4577544
77328	R4577328	77479	R4577479	77857	R4577857
77329	R4577329	77481	R4577481	77860	R4577860
77330	R4577330	77482	R4511240	77865	R4510645
77332	R4577332	77484	R4577484	77868	R4577868
77333	R4577333	77495	R4577495	77868	R4577868
77334	R4577334	77500	R458634	77870	R4577870
77335	R4577335	77503	R4577503	77870	R4577870
77340	R4577340	77512	R4577512	77900	R4577900
77349	R4133597	77513	R4577503	77901	R4577901
77351	R4133597	77514	R4577503	77909	R4577909
77364	R4577364	77537	R4577537	77914	R4577914
77366	R4577366	77544	R4577544	77915	R4577915
77373	R4577373	77548	R4577332	77921	R4577921
77378	R4577378	77548	R4577548	77922	R4577171
77379	R4577379	77549	R4577333	77923	R4577826
77380	R4577380	77558	R4577558	77926	R4577810
77387	R4577387	77559	R4577559	77927	R4577927
77388	R4577388	77560	R4577560	77928	R4577928
77415	R4577415	77564	R4577564	77937	R4577870
77416	R4577416	77565	R4577565	78001	R4578001
77417	R4577417	77596	R4577596	78016	R4578016
77418	R4577418	77597	R4577597	78068	R4578068
77419	R4577419	77612	R4577612	78071	R4578071
77420	R458529	77613	R4577613	78072	R4578072
77421	R4577421	77614	R4577614	78083	R4578083

7 - COMPETITIVE CROSS

COMPETITIVE CROSS REFERENCE LISTING

BENDIX PART #	MERITOR PART #	BENDIX PART #	MERITOR PART #	BENDIX PART #	MERITOR PART #
78084	R4578084	78331	R4578331	88558	R4588558
78085	R4578085	78332	R4578332	88561	R4588561
78117	R4578117	78332	R4578332	88564	R4588564
78118	R4578118	78333	R4578333	88651	R4588651
78129	R4578129	78357	R4578357	88651	R4588651
78130	R4578130	78360	R4578360	90021	R4090021
78132	R4578132	78386	R4578386	90029	R4090029
78133	R4578133	78387	R4578387	90055	R402238231
78134	R4578134	78392	R4578392	90070	R4090070
78135	R4578135	78403	R4578403	90070	R4090070P
78136	R4578136	78403	R4578403	90071	69270757
78137	R4578137	78410	R4578410	90096	R4090096
78142	R4578133	78437	R4578437	94008	R41302861
78143	R4578132	78438	R4578438	94009	R41301198
78144	R4578144	78460	R4578460	94010	R41301198
78145	R4578145	78460	R4578460	96002	R4533757
78158	R451554	78480	R4578480	107771	R40107771
78159	R4578159	78548	R4578548	140023	R44140023
78165	R4578165	78557	R4578557	140037	R44140037
78166	R4578166	78610	R4578610	140253	R44140253
78169	R4578169	78618	R4578618	140264	R44140264
78182	R4578182	78666	R4578666	140267	R44140267
78183	R4578183	78772	R4578772	140278	R44140278
78184	R4578184	78774	R4578774	140315	R44140315
78185	R4577277	78787	R4578787	140316	R44140316
78187	R4578187	78787	R4578787	140344	R44140278
78188	R4578188	78790	R4578790	140344	R44140344
78206	R4578206	78802	R4578802	140362	R44140362
78208	R4578208	78824	R4578824	140363	R44140363
78209	R4578209	78825	R4578825	140365	R44140365
78210	R4578210	78843	R4578843	140386	R44140386
78218	R4578218	78872	R4578872	140387	R44140387
78219	R4578219	78873	R4578873	140388	R44140388
78224	R4578224	78874	R4578874	140396	R44140386
78226	R4578226	78876	R4578876	140397	R44140397
78227	R4578227	78880	R4578880	140401	R44140401
78258	R4578258	78881	R4578881	140408	R44140408
78259	R4578259	78885	R4578885	140409	R44140409
78267	R4578267	78897	R4578897	140449	R44140449
78303	R4578303	78898	R4578898	140450	R44140450
78305	R4578305	78899	R4578899	140468	R44140468
78312	R4578312	78912	R4578912	140479	R44140479
78313	R4578313	88312	R4588312	140490	R441404090
78324	R4578324	88344	R4511250	140493	R44140493
78325	R4578325	88472	R4588472	140496	R44140496
78326	R4578326	88519	R4588519	140501	R44140316
78327	R4578327	88530	R4577479	140504	R44140504

7 - COMPETITIVE CROSS

COMPETITIVE CROSS REFERENCE LISTING

BENDIX PART #	MERITOR PART #	BENDIX PART #	MERITOR PART #	BENDIX PART #	MERITOR PART #
140510	R44140510	141197	R44141197	141507	R44141507
140520	R44140520	141219	R44141219	141508	R44141508
140536	R44140536	141233	R44141233	141540	R44141540
140540	R44140540	141234	R44141234	141547	R44141547
140541	R44140541	141235	R44141235	141583	R44141583
140542	R44140542	141237	R44141237	141584	23122687002
140543	R44140543	141247	R44141179	141585	23122688002
140545	R44140545	141251	R44141251	141586	R44141586
140547	R44140547	141261	R44141261	141599	R44141599
140550	R44140468	141269	23122700002	141599	R44141599
140583	R44140583	141270	23122691002	141606	23122693002
140600	R44140600	141271	23122687002	141607	23122729002
140604	R44140604	141272	23122729002	141608	R44141608
140613	R44140388	141272	23123489002	141621	R44141621
140619	R44140387	141273	23122527002	141627	R44141627
140619	R44140619	141274	23122701002	141628	R44141628
140619	R44140619	141275	23122703002	141629	R44141629
140620	R44140620	141276	23122743002	141630	R44141630
140620	R44140620	141375	R44141127	141663	R44141663
140622	R44140622	141381	R44141381	141664	R44141664
140624	R44140541	141382	R44141382	141730	R44141730
140657	R44140657	141389	R44141389	141741	R44141741
140657	R44140657	141391	R44141391	141770	R4411260
140658	R44140658	141397	R44141397	141770	R44141770
140675	R44140675	141414	R44141414	141798	R44141798
140679	R44140679	141450	R44141450	141806	R44141806
140682	R44140682	141453	R44141453	141808	R44141174
140685	R44140685	141454	R44141454	141808	R44141808
140686	R44140686	141455	R44141455	141818	R44141818
140712	R44140712	141457	R44141457	141829	R44141829
140716	R44140716	141468	R44141468	141856	R44141856
140722	R4578872	141469	R44141469	141858	R44141858
140724	R44140724	141475	23-123572-004	141859	R44141859
141043	R44141043	141476	23-123573-004	141860	R44141599
141049	R44141049	141477	R44141477	141860	R44141599
141067	R44141067	141480	R44141480	141861	R44141861
141088	R44141088	141481	R44141481	141862	R44141862
141089	R44141089	141482	R44141482	141866	R44141866
141127	R44141127	141483	R44141483	141874	23123296002
141130	R44141130	141487	R44141487	141877	23122687002
141152	R44141152	141488	R44141488	141903	R44141903
141153	R44141153	141489	23123041002	141906	R44141906
141154	R44141154	141490	23123046002	141917	R44141917
141174	R44141174	141493	23122920002	141922	R44141922
141179	R44141179	141494	23122897002	141923	R44141923
141186	R44141186	141495	R44141455	141924	R44141924
141193	R44141193	141505	R44141127	141927	R44141927

7 - COMPETITIVE CROSS

COMPETITIVE CROSS REFERENCE LISTING

BENDIX PART #	MERITOR PART #	BENDIX PART #	MERITOR PART #	BENDIX PART #	MERITOR PART #
141927	R449886	145339	R44145339	90068S	R4090068S
141934	R44141934	145345	R44145345	90072A	69270702
145027	R4411316	145357	R44145357	90074P	R4090074P
145028	R44145028	145360	R44145360	90085S	R4090085S
145028	R44145028	145368	R44145368	90087S	R4090087S
145049	R44145049	145452	R44145452	90088S	R4090088S
145050	R44145050	145456	R44145456	90100P	R4090100P
145054	R44145054	145574	23-123486-002	90101S	R4090101S
145055	R44145055	145575	23123495002	90126S	R4090126S
145057	R44145057	301198	R41301198	90180P	R4090180P
145058	23123439002	302861	R41302861	90186P	R4090186P
145065	R44145065	616972	R45616972	90192P	R4090192P
145068	R44145068	616973	R45616973	AF299	R46299
145071	R44145071	618406	R41618406	AF357	R46357
145075	R44145075	2235118	R402235118	AF358	R46358
145107	R44145107	2238231	R402238231	AF445	R46445
145108	R44145108	2238679	R4011758	AF446	R46446
145134	R44145134	3213580	R4011752	AF462	R46462
145139	R44145139	4150389	R402235118	AF473	R46473
145141	R44145141	4151706	R404151706	AF569	R41569
145145	R44145145	4153216	R424153216	B308	R45B308
145152	R44145152	4153217	R4011757	B312	R45B312
145162	R44145162	4153219	R4011758	B320	R45B320
145186	R44145071	4153231	R4011754	B330	R45B330
145192	R44145068	4153232	R4011754	B340	R45B340
145192	R44145192	4153235	R4011754	B351	R45B351
145202	R44145202	4153264	R4011751	B360	R45B360
145245	R44145245	4153266	R4011752	B408	R45B408
145251	R44145251	4153300	MD786	B412	R45B412
145255	R44145255	4153301	MD786A	B420	R45B420
145256	R44145256	204022606	R43204022606	B430	R45B430
145257	R44145257	21493R	R4421493R	B440	R45B440
145258	R44145258	21503R	R4421503R	B451	R45B451
145259	R44145259	21513R	R4421513R	B460	R45B460
145260	R44145260	22915S	R4122915S	B508	R45B508
145261	R44145261	90013S	R4090013S	B512	R45B512
145262	R44145262	90015S	R4090015S	B520	R45B520
145267	R44145267	90018P	R4090018P	B530	R45B530
145268	R44145268	90018S	R4090018S	B540	R45B540
145274	R44145274	90019S	R4090019S	B551	R45B551
145279	R44145279	90019S	R4090019S	B560	R45B560
145280	R44145280	90020S	R4090020S	B608	R45B608
145283	R44145357	90020S	R4090020S	B612	R45B612
145309	R4466924	90023S	R4090023S	B620	R45B620
145316	R44145316	90028S	R4090028S	B630	R45B630
145317	R44145317	90063P	R4090063P	B640	R45B640
145325	R44145325	90063S	R4090063S	B651	R45B651

7 - COMPETITIVE CROSS

COMPETITIVE CROSS REFERENCE LISTING

BENDIX PART #	MERITOR PART #	BENDIX PART #	MERITOR PART #	BENDIX PART #	MERITOR PART #
B660	R45B660	H2528	R40H2528	H378	R40H378
BD125660	R44145258	H2529	R40H2529	H385	R40H370
BH38046	R4577379	H2534	R40H2534	H4019DP	R40H4019DP
D4749	R44141508	H2535	R40H2535	H4030DP	R40H4030DP
F12478	R45F124053	H2544	R40H2544	H4030DP	R40H4030DP
H102	R40H102	H2545	R40H2545	H4049DP	R40H4049DP
H111	R40H111	H2576	R40H2576	H4072DP	R40H4072DP
H1110	R4049624	H2586	R40H2586	H4073	R40H4072DP
H1110DP	R4049624	H2587	R40H2587	H4073DP	R40H4072DP
H1132	R4023969	H2588	R40H2588	H4074	R40H4074
H1177	R40H1177	H2589	R40H2589	H4074DP	R40H4074
H130	R40H130	H2590	R40H2586	H4075DP	R40H4075DP
H133	R40H133	H2591	R40H2587	H4087	R40H4087
H140	R40H140	H2596	R40H2596	H4087DP	R40H4087
H1456	R40H1456	H2597	R40H2597	H4090DP	R40H4090DP
H15009	R40H15009	H2598	R40H2598	H4100DP	R40H4100DP
H15039	R40H15039	H2599	R40H2599	H500	R40H500
H15051	R40H15051	H2622	R40H2622	H5004DP	R40H5004DP
H15068	R40H15068	H2623	R40H2623	H5010	R40H5010
H15070	R40H15070	H2638	R40H2638	H5010DP	R40H5010
H15074	R40H15074	H2643	R40H2643	H5016	R40H5016
H15086	R40H15086	H2644	R40H2644	H5025	R40H05025
H15087	R40H15087	H330	R40H330	H5025DP	R40H05025
H15088	R40H15088	H3500	R40H3500	H5045	R40H5045
H1600	R40H1600	H3501	R40H3501	H5045DP	R40H5045
H1601	R40H1601	H3502	R40H3502	H5074	R40H5074
H1805	R40H1805	H3503	R40H3503	H5074DP	R40H5074
H1807	R40H1807	H3510	R40H3510	H5083	R40H5083
H1808	R40H1808	H3511	R40H3511	H5083DP	R40H5083
H1842	R40H1842	H3514	R40H3514	H510	R40H510
H1843	R40H1843	H3524	R40H3524	H521	R40H521
H1860	R40H1860	H3534	R404177	H5412	R40H5412
H1861	R40H1861	H3535	R404176	H5420	R40H5420
H1864	R40H1864	H3536	R40H3536	H5422	69160441
H1865	R40H1865	H3537	R40H3537	H546	R40H546
H1868	R40H1868	H3538	R40H3538	H547	R40H547
H1869	R40H1869	H3539	R40H3539	H550	R40H550
H1875	R40H1875	H3540	R40H3540	H5500	R40H5500
H1879	R40H1879	H3541	R40H3541	H5509	R407991
H1900	R40H1900	H3556	R404117A	H5516	R40H5516
H1901	R40H1901	H3557	R404116A	H5519	R40H5519
H1902	R40H1902	H357	R40H357	H5522	R40H5522
H1903	R40H1903	H364	R40H364	H5523	R40H5523
H1909	R40H1909	H366	R40H366	H5529	R40H5529
H1916	R40H1916	H367	R40H367	H5533	60050135
H1917	R40H1917	H369	R40H369	H5536	R40H5536
H2527	R40H2527	H370	R40H370	H5536DP	R40H5536

7 - COMPETITIVE CROSS

COMPETITIVE CROSS REFERENCE LISTING

BENDIX PART #	MERITOR PART #	BENDIX PART #	MERITOR PART #	BENDIX PART #	MERITOR PART #
H5539	R40H5500	H597	R40H597	L55199FM	R42L55199
H5545	R40H5545	H5974	R44145456	L55199PREM	R42LV55199
H5585	60050135	H5975	R40H5975	L55200FM	R42L55200
H5594	R40H5594	H599	R40H599	L55200PREM	R42LV55200
H5601	R40H5601	H608	R40H608	L55250PREM	R42LV55250
H5604	R40H5604	H618	R40H618	L55252PREM	60050145XV
H5605	R40H5605	H619	R40H618	L55314PREM	R42LV55717
H5606	R40H5606	H7044	R40H7044	L55604M	R4255604
H5607	R40H5607	H7046	R40H7046	L55604M	R42LV55604
H5608	R40H5608	H7055	R40H7055	L55604PREM	R42LV55604
H5610	R40H5536	H7055	R40H7055	L55605M	R4255605
H5610DP	R40H5536	H7128	R40H7128	L55605M	R42LV55605
H5634	R40H5519	H7133	R40H7133	L55605PREM	R42LV55605
H5634	R40H5634	H7145	R40H7145	L55748M	R4255748
H5635	R40H5522	H7146	R40H7146	L55749M	R4255749
H5636	60050153	H7149	R40H7149	L55794PM	R4255794
H5637	R40H5523	H7181	R40H7181	L55795PM	R4255795
H5642	60050135	H7199	R40H7199	L55845PREM	R42LV55245
H5653	R40H5653	H7225	R40H7225	L55857PM	R4255857
H5654	R40H5654	H7230	R40H7230	L55858PM	R4255858
H5663	R404151706	H7249	R40H7044	L55861PM	R4255861
H5664	R40H5664	H7276	R40H7276	L55862PM	R4255862
H5707	R40H5707	H7284	R40H7284	L55865PFM	R4255865
H5719	R40H5719	H7299	R40H7299	L55866PFM	R4255866
H5735	R40H5735	H7324	R40H7324	L55866PM	R4255865
H5788	R40H5788	H7357	R407999	L55866PM	R4255866
H5808	R40H5808	H8200	R40H8200	L55887PFM	R4255887
H5815	R40H5815	H8202	R40H8202	L55888PFM	R4255888
H5841	R40H5841	H8203	R40H8203	L55889PM	R4255889
H5858	R40H5858	H9200	R40H9200	L55890PM	R4255890
H5864	R4011132	H9201	R40H9201	L56544M	R4256544
H5864	R4011133	H9202	R40H9201	L56545M	R4256545
H5864	R40H5864	H9204	R40H9204	L56546M	R4256546
H5864	R40H5864	H9206	R40H9206	L56547M	R4256547
H5866	R40H5866	H9207	R40H9207	MK120HD	MD120
H5873	R40H5873	H9209	R404121	MK149HD	MD149
H5875	R40H5875	H9210	R404208	MK184PREM	MVD380
H5895	R4011234	H9219	R40H9219	MK224HD	MD224
H5896	R40H5896	H9220	R40H9220	MK224PREM	MVD224
H5897	R40H5897	H9223	R40H9223	MK225HD	MD225
H5928	R40H5928	H9224	R40H9224	MK225PREM	MVD225
H5929	R40H5929	H9235	R40H618	MK236HD	MD236
H5930	R40H5930	H9237	R40H597	MK236PREM	MVD236
H5931	R40H5931	H9237	R40H9237	MK379HD	MD379
H595	R40H595	H9238	R40H9238	MKD120	MVD120
H596	R40H596	L55098PREM	R42LV55098	MKD149	MVD149
H5967	R40H5967	L55099PREM	R42LV55099	MKD153	MVD392

7 - COMPETITIVE CROSS

COMPETITIVE CROSS REFERENCE LISTING

BENDIX PART #	MERITOR PART #	BENDIX PART #	MERITOR PART #	BENDIX PART #	MERITOR PART #
MKD184	MVD380	R55258	R42R55258	R55617	R42R55617
MKD184FE	MVD380	R55259	R42R55259	R55630	R42R55630
MKD224	MVD224	R55264	R42R55264	R55631	R42R55631
MKD224FE	MD224	R55265	R42R55265	R55634	R42R55634
MKD225	MVD225	R55278	R42R55278	R55635	R42R55635
MKD225FE	MD225	R55279	R42R55279	R55656	R4210685X
MKD236	MVD236	R55292	R42R55254	R55687	R4211252X
MKD236FE	MD236	R55293	R42R55255	R55688	R4211254X
MKD50	MVD50	R55304	R42R55304	R55717	R424237AX
MKD505	MVD505	R55305	R42R55305	R55736	R4211220X
MKD557	MVD557	R55313	R4211118X	R55737	R4211221X
MKD786	MVD786	R55314	R424237AX	R55748	R4255748
MKD786A	MVD786A	R55381	R42R55381	R55749	R4255749
R55060	R42R55060	R55382	R42R55382	R55827	R4255604
R55061	R42R55061	R55383	R42R55207	R55828	R4255605
R55094	R42R55094	R55384	R42R55208	R55849	R424153263
R55095	R42R55095	R55411	R42R55411	R55850	R424153216
R55098	R424235X	R55412	R42R55412	R55857	R4255857
R55099	R424236X	R55413	R42R55413	R55858	R4255858
R55116	R42R55116	R55414	R42R55413	R55865	R4255865
R55117	R42R55117	R55454	R42R55454	R55866	R4255866
R55118	R42R55118	R55455	R42R55455	R55887	R4255887
R55119	R42R55119	R55456	R42R55456	R55888	R4255888
R55193	R42R55193	R55457	R42R55456	R55889	R4255889
R55194	R42R55194	R55460	R42R55460	R55890	R4255890
R55199	R42R55199	R55460P	R42R55460P	R55915	R4255915
R55200	R42R55200	R55461	R42R55461	R55916	R4255916
R55205	R42R55205	R55461P	R42R55461P	R55972	R4255966
R55206	R42R55206	R55496	R42R55496	R55972	R4255972
R55207	R42R55207	R55497	R42R55497	R55973	R4255967
R55208	R42R55208	R55498	R42R55498	R55973	R4255973
R55209	R42R55209	R55499	R42R55499	SL55988	R4255988
R55210	R42R55210	R55500	R42R55500	SL55989	R4255989
R55215	R42R55215	R55501	R42R55501	SP8705	R4577481
R55216	R42R55216	R55506	R42R55506		
R55233	R42R55233	R55507	R42R55507		
R55234	R42R55234	R55518	R42R55518		
R55243	R42R55243	R55519	R42R55519		
R55244	R42R55244	R55520	R42R55520		
R55245	R42R55245	R55521	R42R55521		
R55248	R42R55248	R55590	R42R55590		
R55249	R42R55249	R55591	R42R55591		
R55250	R424238X	R55604	R4255604		
R55251	60050150X	R55604	R42R55604		
R55252	60050145X	R55605	R4255605		
R55254	R42R55254	R55605	R42R55605		
R55255	R42R55255	R55616	R42R55616		

COMPETITIVE CROSS REFERENCE LISTING

NEW FORMULA BLUE PART NO.	MERITOR PART NO.	NEW FORMULA BLUE PART NO.	MERITOR PART NO.	NEW FORMULA BLUE PART NO.	MERITOR PART NO.
E13984020	201179	E11102360	MD236	E10900500	MVD50
E13984020	201179	E11103680	MD368	E10905050	MVD505
E13984021	201180	E11103690	MD369	E10900520	MVD52
E13984021	201180	E11103750	MD375	E10905240	MVD521
E13984022	201181	E11104590	MD459	E10905220	MVD522
E13984023	201182	E11100520	MD52	E10905290	MVD529
E13984024	201183	E11105570	MD557	E10905570	MVD557
E13984024	201183	E11105910	MD591	E10905910	MVD591
E13984025	201184	E11106320	MD632	E10906420	MVD591
E13984025	201184	E11106520	MD652	E10906010	MVD601
E13984026	201185	E11106550	MD655	E10906320	MVD632
E13984027	201186	E11107020	MD702	E10906520	MVD652
E12270008	60050135	E11107860	MD786	E10906550	MVD655
E14870010	60050136	E11107861	MD786A	E11105460	MVD675
E146840062	60050145	E11108210	MD821	E10907020	MVD702
E146841062	60050150	E11108250	MD825	E11107021	MVD702
E12588006	23122527002	E11108260	MD826	E10907110	MVD711
E12585013	23122687002	E11108270	MD827	E11007290	MVD729
E12613013	23122687002	E10908210	MD859	E11107290	MVD729
E12685009	23122688002	E11109280	MD928	E11107690	MVD769
E12584019	23122691002	E11109490	MD949	E11107770	MVD777
E12584020	23122700002	E11109500	MD950	E11107840	MVD784
E12684020	23122700002	E10909650	MD965	E11007850	MVD785
E12588007	23122701002	E11109650	MD965	E11107850	MVD785
E12584021	23122703002	E11009741	MD974	E10907860	MVD786
E12585014	23123041002	E11109741	MD974	E10707860	MVD786A
E12585015	23123046002	E11109740	MD974	E10908020	MVD802
E12585016	23123296002	E10704500	MVD120	E10907560	MVD824
E12613016	23123296002	E11104500	MVD120	E11107560	MVD824
E12584027	23123439002	E11105430	MVD149	E11109090	MVD909
E12684027	23123439002	E10901540	MVD154	E13570008	R148228
E12585006	23123489002	E10902150	MVD215	E13670008	R148228
E12613006	23123489002	E10902240	MVD224	E12270014	R4011132
E12588019	23-123550-004	E10902250	MVD225	E12266032	R4011234
E12588018	23-123552-004	E10902360	MVD236	E13966013	R4033607
E12588020	23-123572-004	E10902590	MVD259	E12385007	R404121
E14684006	60050145X	E10903680	MVD368	E14867024	R4066715
E146840061	60050145X	E10903690	MVD369	E14867026	R4066848
E14684106	60050150X	E10903750	MVD375	E12467042	R40H2527
E146841061	60050150X	E11103790	MVD379	E12469008	R40H2544
E11101530	MD153	E10901840	MVD380	E12463006	R40H2545
E11101540	MD154	E10901530	MVD392	E12467018	R40H2586
E11107170	MD184	E10704330	MVD433	E12467019	R40H2587
E11101840	MD184	E11104330	MVD433	E12473010	R40H2588
E11102240	MD224	E10904590	MVD459	E12473011	R40H2589
E11102250	MD225	E10904770	MVD477	E12473012	R40H2598

7 - COMPETITIVE CROSS

COMPETITIVE CROSS REFERENCE LISTING

NEW FORMULA BLUE PART NO.	MERITOR PART NO.	NEW FORMULA BLUE PART NO.	MERITOR PART NO.	NEW FORMULA BLUE PART NO.	MERITOR PART NO.
E12473013	R40H2599	E12385006	R40H9206	E13672011	R4111775
E12467028	R40H2622	E12387010	R40H9219	E13570028	R4111854
E12467029	R40H2623	E12384009	R40H9220	E13670028	R4111854
E12467037	R40H2638	E12387011	R40H9223	E13585020	R4111885
E12471010	R40H2643	E12385009	R40H9238	E13585021	R4111892
E12471011	R40H2644	E13571034	R4110372	E13588015	R4111908
E12485006	R40H3500	E13671034	R4110372	E13584021	R4111909
E12485007	R40H3501	E13671036	R4110376	E13588016	R4111910
E12484008	R40H3502	E13570059	R4110382	E13584022	R4111911
E12484009	R40H3503	E13584013	R4110435	E13588017	R4111912
E12485008	R40H3510	E13584019	R4110435	E14384015	R4111916
E12485009	R40H3511	E13584006	R4111046	E13667006	R4111944
E12487006	R40H3524	E13588007	R4111119	E13571017	R4111982
E12484006	R40H3536	E13588008	R4111120	E13671017	R4111982
E12484007	R40H3537	E13588009	R4111122	E13571018	R4111989
E12484010	R40H3538	E13588010	R4111123	E13671018	R4111989
E12484011	R40H3539	E13584007	R4111129	E13584025	R4111992
E12487010	R40H3540	E13584008	R4111150	E13587007	R4111993
E12487011	R40H3541	E14184007	R4111161	E13584026	R4111995
E12267016	R40H5500	E14384006	R4111206	E13584030	R4111999
E12268008	R40H5516	E13584011	R4111266	E13570036	R4112008
E12268010	R40H5519	E13588018	R4111294	E13670036	R4112008
E12271011	R40H5519	E14184008	R4111318	E13571019	R4112029
E12245006	R40H5522	E14384012	R4111320	E13571020	R4112058
E12284007	R40H5523	E13585010	R4111451	E13671020	R4112058
E12272006	R40H5529	E13585012	R4111455	E13585019	R4112066
E12267019	R40H5536	E13585013	R4111456	E14170014	R4112117
E12266023	R40H5653	E14375006	R4111466	E14170006	R4112118
E12267027	R40H5707	E14175006	R4111467	E14370006	R4112120
E12267035	R40H5788	E14188008	R4111468	E13570006	R4112198
E12270010	R40H5808	E13572007	R4111494	E13670006	R4112198
E12270012	R40H5815	E13573006	R4111583	E13571026	R4112219
E12270013	R40H5858	E13571010	R4111584	E13671026	R4112219
E12270015	R40H5875	E13671010	R4111584	E13570039	R4112357
E12270016	R40H5896	E13588011	R4111619	E13670039	R4112357
E12271015	R40H5930	E13584028	R4111622	E13570042	R4112575
E12387007	R40H597	E13584017	R4111632	E13670042	R4112575
E12367022	R40H7046	E13571011	R4111641	E13570046	R4112840
E12370009	R40H7146	E13671011	R4111668	E13570047	R4112843
E12366027	R40H7181	E13570051	R4111682	E13670047	R4112843
E12366019	R40H7225	E13670051	R4111682	E13571035	R4113056
E12368017	R40H7276	E13571013	R4111730	E13671035	R4113056
E12366026	R40H7299	E13671013	R4111730	E13571036	R4113057
E12367032	R40H7324	E14384007	R4111768	E14371011	R4113207
E12387008	R40H9200	E13585017	R4111773	E13570098	R4113284
E12387006	R40H9201	E13572011	R4111775	E13570058	R4113355

COMPETITIVE CROSS REFERENCE LISTING

NEW FORMULA BLUE PART NO.	MERITOR PART NO.	NEW FORMULA BLUE PART NO.	MERITOR PART NO.	NEW FORMULA BLUE PART NO.	MERITOR PART NO.
E13572028	R4113442	E13987022	R4133582	E13971025	R4134037
E13969009	R4133003	E13987023	R4133584	E14071025	R4134037
E13969010	R4133004	E13975011	R4133595	E13971028	R4134082
E13969018	R4133004	E14012011	R4133595	E14071028	R4134082
E14069010	R4133004	E13975012	R4133596	E13972021	R4134102
E13969011	R4133005	E14012012	R4133596	E14072021	R4134102
E13969019	R4133005	E13984011	R4133606	E13970033	R4134139
E14069011	R4133005	E13967007	R4133608	E13970032	R4134140
E13987008	R4133136	E14067007	R4133608	E11705810	R41581
E13973011	R4133207	E13966011	R4133627	E14987020	R4166689
E14073011	R4133207	E14066011	R4133627	E14969014	R4166822
E13969006	R4133230	E13966012	R4133628	E14987021	R4166917
E14069006	R4133230	E14066012	R4133628	E13973021	R417365
E13969007	R4133231	E13971016	R4133655	E14073021	R417365
E14069007	R4133231	E13971017	R4133656	E13981014	R417379
E13984006	R4133256	E13971018	R4133708	E13981016	R417381
E13987009	R4133257	E14071018	R4133708	E14688006	R4210685X
E13973014	R4133278	E13971019	R4133709	E146880061	R4210685X
E13973015	R4133279	E14071019	R4133709	E14675008	R4211118X
E13987010	R4133312	E13987024	R4133714	E146750081	R4211118X
E13987012	R4133315	E13987025	R4133715	E146710261	R4211252X
E13987013	R4133316	E13984012	R4133716	E146710271	R4211254X
E13985006	R4133320	E13984013	R4133717	E146700361	R4211435X
E13985007	R4133321	E13984014	R4133718	E14670037	R4211436X
E13987015	R4133335	E13984015	R4133719	E146700371	R4211436X
E13985010	R4133336	E13984017	R4133721	E146710151	R424235X
E13967010	R4133338	E13984018	R4133722	E146710141	R424236X
E13984007	R4133366	E13984019	R4133723	E14671017	R424236X
E13984008	R4133367	E13970011	R4133725	E146750062	R424237A
E13985011	R4133376	E14070011	R4133725	E146750072	R424237A
E13985012	R4133377	E13970012	R4133726	E146750061	R424237AX
E13985013	R4133379	E14070012	R4133726	E146750071	R424237AX
E13985014	R4133380	E13973020	R4133791	E14685008	R424238X
E13987016	R4133390	E14073020	R4133791	E146850081	R424238X
E13988010	R4133396	E13972017	R4133858	E146710152	R4255098
E13967011	R4133400	E14072017	R4133858	E146710142	R4255099
E13985015	R4133406	E13988012	R4133905	E146850082	R4255250
E13985016	R4133407	E13988013	R4133906	E146750082	R4255313
E13987017	R4133420	E13984028	R4133915	E146880062	R4255656
E13967006	R4133469	E13984029	R4133916	E14671014	R42R55199
E14067006	R4133469	E13970018	R4133945	E14671015	R42R55200
E13969017	R4133484	E13970019	R4133946	E14667072	R42R55264
E13969016	R4133485	E13971023	R4133961	E14667057	R42R55265
E13987020	R4133580	E14071023	R4133961	E14670024	R42R55411
E13987021	R4133581	E13970020	R4134028	E146700241	R42R55411
E13984016	R4133581	E14070020	R4134028	E14670025	R42R55412

7 - COMPETITIVE CROSS

COMPETITIVE CROSS REFERENCE LISTING

NEW FORMULA BLUE PART NO.	MERITOR PART NO.	NEW FORMULA BLUE PART NO.	MERITOR PART NO.	NEW FORMULA BLUE PART NO.	MERITOR PART NO.
E146700251	R42R55412	E12771026	R44140541	E12670015	R44141234
E14670022	R42R55413	E12871026	R44140541	E12570017	R44141237
E146700281	R42R55460	E12772025	R44140542	E12670017	R44141237
E146700291	R42R55461	E12872025	R44140542	E12571011	R44141261
E146710241	R42R55496	E12771023	R44140543	E12671011	R44141261
E146710251	R42R55497	E12871023	R44140543	E12572012	R44141382
E146710061	R42R55498	E12770034	R44140545	E12672012	R44141382
E146710071	R42R55499	E12870034	R44140545	E12584023	R44141450
E146710231	R42R55501	E12772018	R44140547	E12571014	R44141453
E14670020	R42R55604	E12872018	R44140547	E12671014	R44141453
E146700201	R42R55604	E12771038	R44140600	E12570025	R44141455
E146700211	R42R55605	E12770040	R44140620	E12670025	R44141455
E14671012	R42R55853	E12870040	R44140620	E12571009	R44141468
E14671013	R42R55854	E12771036	R44140622	E12567047	R44141477
E14671008	R42R55855	E12871036	R44140622	E12667047	R44141477
E14671009	R42R55856	E12772031	R44140657	E12571020	R44141480
E146700481	R42R55861	E12872031	R44140657	E12671020	R44141480
E146700491	R42R55862	E12772032	R44140658	E12571015	R44141482
E12571036	R4411316	E12872032	R44140658	E12671015	R44141482
E12671036	R4411316	E12770041	R44140675	E12571023	R44141483
E12771005	R44140023	E12870041	R44140675	E12671023	R44141483
E12871005	R44140023	E12772035	R44140685	E12570031	R44141487
E12772009	R44140264	E12872035	R44140685	E12670031	R44141487
E12872009	R44140264	E12772036	R44140686	E12571025	R44141508
E12772007	R44140267	E12872036	R44140686	E12671025	R44141508
E12872007	R44140267	E12770044	R44140712	E12585010	R44141583
E12770019	R44140278	E12870044	R44140712	E12613010	R44141583
E12870019	R44140278	E12772040	R44140716	E12545027	R44141586
E12770017	R44140278	E12872040	R44140716	E12570032	R44141599
E12870017	R44140278	E12571005	R44141043	E12588012	R44141608
E12771015	R44140316	E12671005	R44141043	E12566034	R44141621
E12871015	R44140316	E12573006	R44141049	E12666034	R44141621
E12770020	R44140362	E12673006	R44141049	E12588013	R44141627
E12771014	R44140363	E12570006	R44141067	E12588008	R44141628
E12871014	R44140363	E12670006	R44141067	E12588014	R44141629
E12771034	R44140388	E12572008	R44141089	E12672029	R44141663
E12871034	R44140388	E12672008	R44141089	E12581006	R44141730
E12771020	R44140449	E12570011	R44141127	E12681006	R44141730
E12871020	R44140449	E12670011	R44141127	E12570042	R44141798
E12770031	R44140468	E12571006	R44141130	E12670042	R44141798
E12770030	R44140504	E12671006	R44141130	E12670013	R44141808
E12870030	R44140504	E12671007	R44141152	E12571032	R44141818
E12770032	R44140520	E12571010	R44141186	E12671032	R44141818
E12870032	R44140520	E12671010	R44141186	E12571030	R44141829
E12771025	R44140540	E12572009	R44141193	E12671030	R44141829
E12871025	R44140540	E12672009	R44141193	E12588005	R44141858

COMPETITIVE CROSS REFERENCE LISTING

NEW FORMULA BLUE PART NO.	MERITOR PART NO.	NEW FORMULA BLUE PART NO.	MERITOR PART NO.	NEW FORMULA BLUE PART NO.	MERITOR PART NO.
E12571035	R44141859	E12672045	R44145202	E15584007	R451554
E12671035	R44141859	E12570072	R44145245	E15570058	R4577135
E12571029	R44141861	E12670072	R44145245	E15584318	R4577147
E12671029	R44141861	E12570083	R44145251	E15571010	R4577187
E12571026	R44141862	E12670083	R44145251	E15570036	R4577235
E12671026	R44141862	E12570078	R44145255	E15571012	R4577240
E12571028	R44141866	E12670078	R44145255	E15571013	R4577241
E12671028	R44141866	E12570077	R44145256	E15571021	R4577321
E12566056	R44141903	E12670077	R44145256	E15571312	R4577329
E12570045	R44141906	E12570073	R44145257	E15571313	R4577330
E12670045	R44141906	E12570076	R44145258	E15571044	R4577332
E12570043	R44141917	E12670076	R44145258	E15571026	R4577333
E12670043	R44141917	E12571045	R44145259	E15572033	R4577387
E12572035	R44141923	E12671045	R44145259	E15572034	R4577388
E12672035	R44141923	E12571049	R44145260	E15571040	R4577428
E12572036	R44141927	E12671049	R44145260	E15584015	R4577453
E12571037	R44145028	E12571047	R44145261	E15584016	R4577454
E12671037	R44145028	E12671047	R44145261	E15584017	R4577455
E12570050	R44145049	E12571048	R44145262	E15584027	R4577460
E12670050	R44145049	E12671048	R44145262	E15584011	R4577461
E12566054	R44145050	E12570079	R44145267	E15571307	R4577479
E12570049	R44145054	E12670079	R44145267	E15585006	R4577481
E12670049	R44145054	E12570084	R44145268	E15585010	R4577484
E12570058	R44145055	E12670084	R44145268	E15585007	R4577495
E12670058	R44145055	E12670091	R44145274	E15588305	R4577512
E12570051	R44145057	E12570075	R44145280	E15571046	R4577559
E12670051	R44145057	E12670075	R44145280	E15571047	R4577560
E12570048	R44145068	E12571064	R44145316	E15571048	R4577760
E12570047	R44145071	E12570074	R44145325	E15571049	R4577761
E12670047	R44145071	E12670074	R44145325	E15571317	R4577765
E12570059	R44145075	E12571055	R44145339	E15571052	R4577768
E12670059	R44145075	E12671055	R44145339	E15571053	R4577769
E12571040	R44145107	E12585007	R44145345	E15588009	R4577860
E12671040	R44145107	E12572051	R44145357	E15585016	R4577868
E12572040	R44145108	E12672051	R44145357	E15584315	R4577870
E12672040	R44145108	E12572056	R44145357	E15571054	R4577901
E12571039	R44145134	E12672056	R44145357	E15572065	R4578133
E12671039	R44145134	E12571054	R44145360	E15572076	R4578145
E12570066	R44145139	E12571042	R44145368	E15570095	R4578206
E12670068	R44145141	E12572066	R44145456	E15571056	R4578224
E12570067	R44145145	E12672066	R44145456	E15571067	R4578227
E12572044	R44145152	E12570092	R4466924	E15571051	R4578258
E12672044	R44145152	E12670092	R4466924	E15571050	R4578259
E12570069	R44145162	E15585306	R4510645	E15584008	R4578303
E12670069	R44145162	E15585305	R4511240	E15570108	R4578333
E12572045	R44145202	E15573016	R4511250	E15571323	R4578357

7 - COMPETITIVE CROSS

COMPETITIVE CROSS REFERENCE LISTING

NEW FORMULA BLUE PART NO.	MERITOR PART NO.
E15571069	R4578392
E15572067	R4578410
E15571074	R4578772
E15571073	R4578774
E15571057	R4578787
E12772044	R4578872
E12872044	R4578872
E15570152	R4578876
E15588306	R458634
E15586007	R4588312
E15584022	R4588558
E15573023	R4588561
E15571309	R4588651
E11703570	R46357
E11703580	R46358
E11604450	R46445
E11704510	R46451
E11704520	R46452
E11704620	R46462
E11704730	R46473
E11705830	R468140
E11707050	R46AF705

CENTRIC PART #	MERITOR PART #
100.070	MVD646
100.073	MVD734
100.074	MVD735
106.005	MVD52
106.015	MVD392
106.015	MVD154
106.022	MVD224
106.023	MVD225
106.024	MVD236
106.037	MVD369
106.037	MVD370
106.038	MVD375
106.039	MVD387
106.041	MVD411
106.045	MVD450
106.046	MVD459
106.054	MVD149
106.055	MVD675
106.056	MVD557
106.063	MVD632
106.066	MVD655
106.070	MVD702
106.072	MVD380
106.076	MVD756
106.076	MVD757
106.077	MD769
106.078	MVD777
106.078	MVD784
106.079	MVD785
106.079	MVD786
106.079	MVD786A
106.080	MVD802
106.083	MVD825
106.083	MVD826
106.083	MVD827
106.091	MVD909
106.095	MVD949
106.101	MVD1010
106.106	MVD1064
110.036	R46357
110.045	R46451
111.036	R46358
111.045	R46452
111.047	R46473
111.058	R468140
112.036	R46357
112.036	R46358

CENTRIC PART #	MERITOR PART #
112.045	R46451
112.058	R468140
112.068	R4112444
117.620	R40H5788
117.630	R40H5516
117.650	60050135
117.650	R40H5815
117.650	R40H5735
117.660	R40H5931
117.670	R40H5529
117.760	R4112503
117.760	R4112504
118.610	R40H608
118.660	R40H378
118.740	R4612442
119.680	R40H2588
119.680	R40H2589
120.430	R4421493R
120.461	R4212432
120.461	R4212451
120.650	R44141067
120.650	R44141127
120.650	R44141237
120.650	R44141455
120.650	R44141934
120.650	R44145071
120.650	R44145071
120.650	R44145068
120.650	R44145049
120.650	R44145057
120.650	R44145057
120.651	R44145162
120.651	R44145325
120.651	R44145280
120.651	R44145267
120.651	R44145268
120.651	R44145251
120.651	R44145268
120.651	R4466924
120.660	R44141130
120.660	R44141152
120.660	R44141186
120.660	R44141480
120.660	R44141483
120.660	R44141862
120.660	R44141859
120.660	R4411316

COMPETITIVE CROSS REFERENCE LISTING

CENTRIC PART #	MERITOR PART #	CENTRIC PART #	MERITOR PART #	CENTRIC PART #	MERITOR PART #
120.660	R44145028	134.610	R4033607	141.660	R42R55496
120.660	R44145028	134.620	R4133469	141.660	R42R55497
120.660	R44145134	134.620	R4133608	141.760	R4212272X
120.660	R44145368	134.640	R4133230	141.760	R4212271X
120.660	R44145259	134.640	R4133231	141.760	R4212278X
120.660	R44145261	134.640	R4133004	141.760	R4212277X
120.660	R44145360	134.640	R4133005	141.760	R4212276
120.670	R44141193	134.640	R4133485	141.760	R4212275
120.670	R44141382	134.640	R4133484	141.760	R4212270
120.670	R44141924	134.640	R4133004	141.760	R4212269
120.740	R4212450	134.640	R4133005	141.800	R42R55805
120.760	R44141730	134.650	R4133725	141.800	R42R12067
120.790	23122703002	134.650	R4133726	141.800	R42R12068
120.790	23-123498-002	134.650	R4133945	141.800	R42R12069
120.790	23123458002	134.650	R4133946	141.830	R42R55849
120.790	23-123461-002	134.660	R4133708	141.830	R42R55850
120.790	23-123528-002	134.660	R4133709	142.650	R42LV55460
122.650	R44140278	134.670	R4134102	142.650	R42LV55461
122.650	R44140504	134.680	R4133206	142.650	R42LV55636
122.650	R44140545	134.680	R4133207	142.650	R42LV55637
122.650	R44140493	134.680	R4133207	142.650	R42LV55749
122.660	R44140363	134.740	R4112446	142.650	R42LV55748
122.660	R44140388	134.740	R4112447	142.655	R42LV55857
122.661	R44140619	134.740	R4112448	142.655	R42LV55858
122.670	R44140267	134.740	R4112449	142.660	R42LV55687
122.670	R44140547	134.830	R4133396	142.660	R42LV55688
122.670	R44140542	136.650	R4113508	142.670	R42LV55118
122.670	R44140685	136.790	R4111161	142.670	R42LV55119
122.670	R44140686	138.620	R4112168	150.065	R4578331
122.670	R44140679	138.630	R4111959	150.650	R4577312
122.740	R4612443	138.660	R4113207	150.650	R4577309
130.650	R4112198	138.700	R4111466	150.651	R4578332
130.650	R148228	138.790	R4111206	150.653	R4578610
130.650	R4112197	141.650	R4255604	150.654	R4578618
130.650	R4112357	141.650	R4255605	150.661	R4578774
130.650	R4112840	141.650	R42R55460	150.661	R4578772
130.660	R4111584	141.650	R42R55461	150.663	R4577765
130.660	R4111641	141.650	R42R55748	150.670	R4577317
130.660	R4111982	141.650	R42R55749	150.671	R4578137
130.660	R4110372	141.655	R42R55857	150.671	R4578136
130.670	R4112519	141.655	R42R55858	150.671	R4577909
130.670	R4111775	141.660	R42R55855	150.673	R4577915
130.680	R4111583	141.660	R42R55856	150.790	R4577461
130.760	R4412506	141.660	R42R55199		
130.760	R4412505	141.660	R42R55200		
134.610	R4133627	141.660	R42R55098		
134.610	R4133628	141.660	R42R55099		

7 - COMPETITIVE CROSS

COMPETITIVE CROSS REFERENCE LISTING

RAYBESTOS PART #	MERITOR PART #	RAYBESTOS PART #	MERITOR PART #	RAYBESTOS PART #	MERITOR PART #
1009	R44140408	5036	R44141261	8514	23122700002
1013	R44140450	5038	R44141219	8518	23122701002
1345	R44140267	5046	R44141468	8518	23122701002
1350	R44140542	5046	R44141469	8520	23122527002
1603	R44140493	5064	R44141233	8520	23122527002
1657	R44140468	5925	R44141483	8521	23-123573-004
1657	R44140468	5937	R44141806	8521	23-123573-004
1661	R44140278	5962	R44141453	8522	R44141629
1661	R44140278	5973	R44141457	8523	23-123572-004
1665	R44140344	5973	R44141488	8523	23-123572-004
1665	R44140344	5974	R44141540	8524	R44141628
1667	R44140362	5976	R44141482	8527	R44141627
1669	R44140397	5977	R44141454	8529	R44141608
1961	R44140264	5980	R44141480	8533	23123296002
2071	R44140253	6032	R44141067	8533	23123296002
2081	R44140315	6050	R44141127	8535	R44141858
2083	R44140316	6050	R44141127	9204	R44141179
2083	R44140316	6050	R44141127	9204	R44141179
2169	R44140543	6052	R44141154	9238	R44141251
2320	R44140504	6054	R44141153	9349	R44140401
2325	R44140520	6058	R44141174	9480	R44140583
2345	R44140386	6058	R44141174	9530	R44140622
2345	R44140386	6070	R44141197	9531	R44140619
2547	R44140536	6074	R44141235	9531	R44140619
2568	R44140604	6078	R44141234	9533	R44140620
2572	R44140540	6084	R44141237	9533	R44140620
2586	R44140541	6141	R44141599	9560	R44140682
2586	R44140541	6141	R44141599	9568	R44140658
2590	R44140387	6163	R44141487	9569	R44140657
2590	R44140387	6978	R44141808	9569	R44140657
2591	R44140388	7009	R44141381	9611	R44141586
2591	R44140388	7022	R44141193	9620	R44140675
2592	R44140600	7023	R44141089	9625	R44140685
2677	R44140479	7040	R44141382	9635	R44140679
2751	R44140545	7054	R44141397	9636	R44140686
2905	R441404090	7864	R44141664	9652	R44140712
2912	R44140510	7929	R44141389	9669	R44140716
2953	R44140365	7979	R44141414	9672	R44140724
2987	R44140496	8005	R44141630	9696	R4578872
3931	R44141481	8022	R44140409	9696	R4578872
5006	R44141043	8024	R44140449	46999	R44145317
5010	R44141186	8027	R44140363	56022	R44141508
5011	R44141391	8102	R44140547	56022	R44141508
5014	R44141049	8510	23122729002	56189	R44141866
5016	R44141152	8510	23122729002	56242	R44141477
5020	R44141088	8510	23122729002	56258	R44141829
5022	R44141130	8514	23122700002	56263	R44141818

7 - COMPETITIVE CROSS

COMPETITIVE CROSS REFERENCE LISTING

RAYBESTOS PART #	MERITOR PART #	RAYBESTOS PART #	MERITOR PART #	RAYBESTOS PART #	MERITOR PART #
56324	R4411260	66603	R44145054	BH36512	R4588561
56331	R44141861	66648	R44145145	BH36564	R4577479
56396	R44141859	66653	R44145141	BH36564	R4577479
56397	R44141862	66671	R44145139	BH36649	R4588519
56417	R44141583	66695	R44145162	BH36664	R4588472
56418	23122687002	66746	R44145245	BH36697	R4511250
56418	23122687002	66749	R44145050	BH36748	R4577080
56418	23122687002	66761	R44145325	BH36749	R4577083
56418	23122687002	66768	R44145267	BH36758	R4577537
56493	R44145028	66785	R44145255	BH36765	R4588651
56495	R44145028	66786	R44145256	BH36765	R4588651
56496	R4411316	66789	R44145279	BH36806	R4588558
56579	R44145107	66798	R44145257	BH36814	R4577147
56591	R44145065	66799	R44145251	BH36850	R4577189
56593	R44145134	66823	R44145258	BH36855	R4577187
56750	R44145368	66823	R44145258	BH36855	R4577187
56825	R44145259	66824	R44145280	BH36951	R4577235
56828	R44145260	66834	R44145268	BH36952	R4577240
56829	R44145261	66914	R44145274	BH36952	R4577240
56830	R44145262	66924	R4466924	BH36954	R4577320
56930	2312344002	76025	R44141663	BH36954	R4577320
56930	2312344002	76395	R44141922	BH36957	R4577241
56995	23123489002	76399	R44141924	BH36963	R4577167
56995	23123489002	76452	R44141923	BH36981	R4577334
56996	23123495002	76465	R44141927	BH36982	R4577078
56996	23123495002	76465	R449886	BH36982	R4577078
60814	R44141450	76599	R44145108	BH36983	R4577248
64442	R44141903	76646	R44145152	BH36984	R4577249
66204	R44141741	76808	R44145202	BH36996	R4577335
66205	R44141455	76920	R44145283	BH38	R4578410
66205	R44141455	96043	R44141507	BH380002	R4588312
66238	R44141547	96229	R44141730	BH380039	R4577927
66259	R44141798	96470	R44141856	BH380040	R4577928
66276	R44141621	580000	R44145316	BH380045	R4578182
66416	R44141599	780020	R44145357	BH380046	R4578183
66416	R44141599	780020	R44145357	BH380075	R4577277
66476	R44145055	780139	R44145452	BH380075	R4577277
66501	23123439002	780143	R44145456	BH380077	R4578188
66501	23123439002	780143	R44145456	BH380143	R458634
66527	R44145049	05104758AA	R4212490	BH380171	R4511245
66528	R44145057	05104759AA	R4212491	BH380195	R4578187
66529	R44145071	27757B	R4066306	BH380196	R4578184
66529	R44145071	383MR	R700383	BH380216	R4578136
66529	R44145071	427MR	R700427	BH380217	R4578137
66530	R44145068	442MR	R700442	BH380248	R4578258
66530	R44145068	723N	R46723	BH380249	R4578259
66530	R44145192	723N	R46723	BH380264	R4578218

7 - COMPETITIVE CROSS

COMPETITIVE CROSS REFERENCE LISTING

RAYBESTOS PART #	MERITOR PART #	RAYBESTOS PART #	MERITOR PART #	RAYBESTOS PART #	MERITOR PART #
BH380280	R4577544	BH380527	R4510652	BH381276	R4578825
BH380280	R4577544	BH380533	R4578403	BH381280	R4578876
BH380295	R4578144	BH380533	R4578403	BH381298	R4578880
BH380298	R4578206	BH380534	R4578460	BH381299	R4578881
BH380303	R4578145	BH380534	R4578460	BH381367	R4578885
BH380321	R4578208	BH380541	R4578438	BH38138	R4577415
BH380322	R4578209	BH380553	R4578514	BH38139	R4577416
BH380326	R4578219	BH380554	R4578513	BH38166	R4577332
BH380339	R4578387	BH380555	R4578516	BH38166	R4577332
BH380340	R4578129	BH380556	R4578515	BH38167	R4577333
BH380341	R4578130	BH38058	R4577297	BH38167	R4577333
BH380342	R4578135	BH380587	R4578772	BH38171	R4577169
BH380343	R4578132	BH380588	R4578774	BH38171	R4577169
BH380343	R4578132	BH38059	R4577295	BH38182	R4577417
BH380344	R4578133	BH38059	R4577295	BH38183	R4577418
BH380344	R4578133	BH38061	R4577296	BH38184	R4577429
BH380345	R4578134	BH38066	R4577298	BH38185	R4577430
BH380352	R4578210	BH38068	R4577010	BH38186	R4577321
BH380353	R4578327	BH38068	R4577010	BH38186	R4577321
BH380354	R4578326	BH38068	R4577010	BH38199	R4577316
BH380355	R4578333	BH38068	R4577019	BH38200	R4577317
BH380369	R4578312	BH380747	R4578386	BH38212	R4577503
BH380370	R4578313	BH380752	R4578438	BH38212	R4577503
BH380383	R4578324	BH380753	R451667	BH38212	R4577503
BH380384	R4578325	BH380753	R4578480	BH38244	R4577565
BH380385	R4578305	BH38082	R4577315	BH38245	R4577378
BH380386	R4578332	BH38090	R4577171	BH38256	R4577676
BH380387	R4578331	BH38090	R4577171	BH38261	R4577558
BH380387	R4578332	BH38099	R4577631	BH38264	R4577329
BH38044	R4577247	BH380995	R4577857	BH38265	R458529
BH38045	R4577380	BH38105	R4577309	BH38266	R4577419
BH38046	R4577379	BH38105	R4577309	BH38267	R4577330
BH38046	R4577379	BH38106	R4577312	BH38268	R4577427
BH380468	R4578357	BH38107	R4577327	BH38285	R4577560
BH380469	R4578557	BH38108	R4577328	BH38286	R4577559
BH38047	R4577173	BH381082	R4577860	BH38289	R4577481
BH38048	R4577172	BH381145	R4512427	BH38289	R4577481
BH38048	R4577172	BH381146	R4512428	BH38290	R4577495
BH38049	R4577388	BH381160	R4578873	BH38292	R4577484
BH380497	R4577868	BH381161	R4578874	BH38297	R4588564
BH380497	R4577868	BH381163	R4578802	BH38304	R45F124053
BH38050	R4577387	BH381166	R4512420	BH38307	R4577457
BH380500	R4510645	BH381168	R4512421	BH38311	R4577454
BH380518	R4578790	BH38121	R4577311	BH38312	R4577455
BH380519	R4578392	BH381262	R4512419	BH38313	R4577686
BH380525	R4510650	BH381272	R4578843	BH38314	R4577452
BH380526	R4510651	BH381276	R4578824	BH38315	R4577453

7 - COMPETITIVE CROSS

COMPETITIVE CROSS REFERENCE LISTING

RAYBESTOS PART #	MERITOR PART #	RAYBESTOS PART #	MERITOR PART #	RAYBESTOS PART #	MERITOR PART #
BH38316	R4577460	BH38814	R4578016	CMK433	R4122770
BH38317	R4577461	BH38815	R4578068	CSK1836	R4122211
BH38317	R4577461	BH38816	R4577870	CSK1867	R4122160
BH38320	R4577135	BH38816	R4577870	CSK1867	R4122160
BH38332	R4577613	BH38820	R451534	CSK1869	R40H1869
BH38334	R4577614	BH38823	R4578360	CSK1927	R4122342
BH38339	R4577612	BH38824	R4578548	CSK2156	R4122151
BH38421	R4577024	BH38851	R4577901	CSK259	R4122893
BH38421	R4577024	BH38852	R4577900	CSK328	R4122697
BH38453	R4577425	BH38867	R451537	CSK328	R4122915
BH38454	R4577428	BH38871	R4577851	CSK437	R4122915S
BH38510	R4577512	BH38872	R4578437	D505	MD505
BH38520	R4511240	BH38873	R4578227	D505	MD505
BH38535	R4577252	BH38890	R4578117	D557	MD557
BH38563	R4577421	BH38891	R4578118	D557	MD557
BH38576	R4578085	BH38897	R4578169	DP85019	R4090019S
BH38605	R4577799	BH38898	R4578001	DP85020	R4090018P
BH38620	R4577760	BH38901	R4578610	DP85030	R4090029
BH38621	R4577761	BH38913	R458635	DP85030	R4090180P
BH38622	R4578224	BH38947	R451554	DP85051	R4090021
BH38623	R4578787	BH38948	R4578159	DP85051	R4090021
BH38623	R4578787	BH38949	R4577245	DP85055	R4090020S
BH38624	R4577765	BH38949	R4577245	DP85072	R4090020S
BH38624	R4577765	BH38950	R4578303	DP85072	R4090063P
BH38629	R4578165	BH38960	R4577870	DP85076	R4090074P
BH38630	R4578618	CKS1939	R4122210	DP85080	R4090070
BH38631	R4578666	CMA33466	R4111161	DP85080	R4090070
BH38633	R4577921	CMA36126	R4111318	DP85080	R4090070P
BH38635	R4577548	CMA36149	R4111191	DP85081	69270757
BH38636	R4577810	CMA36153	R4111467	DP85082	R402238231
BH38636	R4577810	CMA36340	R4111468	DP85082	R402238231
BH38636	R4577810	CMA39386	R4112073	DP85082	R402238231
BH38637	R4577845	CMA39386	R4112073	DP85417	R4090096
BH38642	R4578166	CMA39560	R4112117	DP85432	R4090192P
BH38662	R4577766	CMA39569	R4112118	DPA85084	69270702
BH38663	R4577767	CMA39573	R4112119	DPS85010	R4090013S
BH38664	R4577768	CMA39723	R4111957	DPS85016	R4090015S
BH38665	R4577769	CMA39730	R4112169	DPS85019	R4090019S
BH38742	R4577914	CMA39732	R4112176	DPS85020	R4090018S
BH38743	R4577909	CMA39813	R4122204	DPS85032	R4090028S
BH38744	R4577826	CMK1513	R4122305	DPS85050	R4090068S
BH38744	R4577826	CMK1931	R4122205	DPS85072	R4090063S
BH38745	R4577915	CMK1935	R4122318	DPS85155	R4090088S
BH38747	R4577841	CMK1956	R4122204	DPS85156	R4090101S
BH38764	R4578267	CMK212	R4122882	DPS85157	R4090087S
BH38808	R4578226	CMK430	R4122908	DPS85158	R4090085S
BH38810	R4577463	CMK432	R4122872	DPS85205	R4090126S

7 - COMPETITIVE CROSS

COMPETITIVE CROSS REFERENCE LISTING

RAYBESTOS PART #	MERITOR PART #	RAYBESTOS PART #	MERITOR PART #	RAYBESTOS PART #	MERITOR PART #
DPS85392	R4090186P	H2545	R40H2545	H4018-2	R40H4072DP
FRC11171	R424153263	H2580	R40H2588	H4018-2	R40H4072DP
FRC11171	R424153263	H2581	R40H2589	H4019-2	R40H4019DP
FRC11173	R424153216	H-2584	R40H2586	H4030-2	R40H4030DP
FRC11173	R424153216	H-2584	R40H2586	H4049-2	R40H4049DP
FRC11173	R424153216	H2585	R40H2587	H4074	R40H4074
G1245	R4533757	H2585	R40H2587	H4074	R40H4074
G1245	R4533757	H2588	R40H2598	H4079-2	R40H4090DP
G3877	R45616973	H2589	R40H2599	H4087	R40H4087
H102	R40H102	H2592	R40H2596	H4087	R40H4087
H111	R40H111	H2597	R40H2597	H4099	R40H4100DP
H1132	R4023969	H2622	R40H2622	H4100	R40H4075DP
H1132	R4023969	H2623	R40H2623	H500	R40H500
H1177	R40H1177	H2640	R40H2643	H5004-2	R40H5004DP
H130	R40H130	H2641	R40H2644	H5019	R40H5010
H133	R40H133	H2644	R40H2638	H5019	R40H5010
H140	R40H140	H324	R40H369	H5031-2	R40H5045
H1456	R40H1456	H325	R40H370	H5031-2	R40H5045
H15020	R40H5016	H325	R40H370	H5044	R40H5083
H15171	R40H15074	H330	R40H330	H5044	R40H5083
H15527-2	R40H5594	H333	R40H378	H5055	R40H15039
H15792	R40H5873	H336	R40H367	H5067	R40H15068
H1805	R40H1805	H338	R40H357	H5072	R40H15087
H1807	R40H1807	H338	R40H366	H5077	R40H15088
H1808	R40H1808	H345	R40H364	H5078	R40H15086
H1842	R40H1842	H3500	R40H3500	H510	R40H510
H1843	R40H1843	H3501	R40H3501	H521	R40H521
H1860	R40H1860	H3510	R40H3510	H5420	R40H5420
H1861	R40H1861	H3511	R40H3511	H5422	69160441
H1864	R40H1864	H3514	R40H3514	H546	R40H546
H1865	R40H1865	H3524	R40H3524	H547	R40H547
H1868	R40H1868	H3534	R404177	H5500	R40H5500
H1876	R40H1875	H3535	R404176	H5500	R40H5500
H1879	R40H1879	H3536	R40H3536	H5509	R407991
H1900	R40H1900	H3537	R40H3537	H5515	R40H5545
H1901	R40H1901	H3538	R40H3538	H5516	R40H5516
H1902	R40H1902	H3539	R40H3539	H552	R40H550
H1903	R40H1903	H3540	R40H3540	H5524	R40H5536
H1909	R40H1909	H3541	R40H3541	H5524	R40H5536
H1916	R40H1916	H3556	R404117A	H5524	R40H5536
H1917	R40H1917	H3557	R404116A	H5524	R40H5536
H2527	R40H2527	H3572	R40H3502	H5529	60050135
H2528	R40H2528	H3573	R40H3503	H5529	60050135
H2529	R40H2529	H3580	291000	H5529	R40H5529
H2534	R40H2534	H3580	291000	H5541	R40H5601
H2535	R40H2535	H3580	291000	H5548	R40H5808
H2544	R40H2544	H4018-2	R40H4072DP	H5554-2	R40H5654

7 - COMPETITIVE CROSS

COMPETITIVE CROSS REFERENCE LISTING

RAYBESTOS PART #	MERITOR PART #	RAYBESTOS PART #	MERITOR PART #	RAYBESTOS PART #	MERITOR PART #
H5581	R40H5522	H7267	R40H7284	MC36465	R4111456
H5581	R40H5522	H7276-2	R40H7324	MC36467	R4111618
H5582	60050153	H7284	R407999	MC36474	R4111622
H5583	R40H5523	H8200	R40H8200	MC36492	R4111632
H5583	R40H5523	H8202	R40H8202	MC390063	R4112058
H5585	R40H5519	H8204	R40H8203	MC390063	R4112058
H5585	R40H5519	H8205	R40H5664	MC39009	R4111732
H5591A	R40H5719	H9200	R40H9200	MC39009	R4111732
H5594-2	R40H5707	H9201	R40H9201	MC39011	R4111854
H5602	R40H5735	H9201	R40H9201	MC390117	R4112641
H5609	R40H5788	H9204	R40H9204	MC39012	R4111583
H5617	R40H5815	H9206	R40H9206	MC390158	R4112843
H5622	R40H5841	H9207	R40H9207	MC39016	R4111738
H5623	R40H5858	H9210	R404208	MC39017	R4111584
H5624	R40H5866	H9210	R404208	MC390182	R4112842
H5630	R40H5875	H9219	R40H9219	MC390183	R4112833
H5634	R40H5897	H9220	R40H9220	MC390184	R4112840
H5635	R4011234	H9223	R40H9223	MC390190	R4112834
H5645	R40H5931	H9224	R40H9224	MC390216	R4110352
H5647	R40H5929	H9235	R40H618	MC390216	R4110352
H5648	R40H5928	H9235	R40H618	MC390257	R4113056
H5649	R40H5930	H9235	R40H618	MC390258	R4113057
H5676	R40H5974	H9236	R404121	MC390259	R4110372
H5677	R40H5975	H9237	R40H9237	MC390278	R4513542
H601	R40H599	HI5069	R40H15009	MC390279	R4110376
H602	R40H596	MC19450	R4111150	MC390336	R4113355
H605	R40H597	MC19451	R4111151	MC390337	R4110382
H605	R40H597	MC22977	R4111129	MC390338	R4113263
H612	R40H595	MC2657	R4111120	MC390339	R4110384
H615	R40H608	MC2842	R4111122	MC390364	R4113543
H7041	R40H7225	MC2842	R4111624	MC390388	R4111294
H7041-2	R40H4030DP	MC2951	R4111123	MC390388	R4111994
H7042	R40H7199	MC36127	R4111266	MC390389	R4113284
H7044	R40H7044	MC36229	R4111773	MC390389	R4113284
H7044	R40H7044	MC36230	R4111451	MC390394	R4113282
H7046	R40H7046	MC36289	R4111454	MC390394	R4113282
H7055	R40H7055	MC36306	R4111944	MC390426	R4113442
H7055	R40H7055	MC36344	R4111619	MC390516	R4113488
H7128	R40H7128	MC36350	R4111626	MC390530	R4113649
H7133	R40H7133	MC36351	R4111455	MC390531	R4113648
H7145	R40H7145	MC36351	R4111455	MC390590	R4112426
H7146	R40H7146	MC36358	R4111395	MC39075	R4111730
H7149	R40H7149	MC36399	R4111669	MC39077	R4112121
H7157	R40H7230	MC36460	R4111633	MC39081	R4111801
H7164	R40H7181	MC36461	R4111494	MC39081	R4111801
H7170	R40H7276	MC36461	R4111494	MC39116	R4111682
H7209-2	R40H7299	MC36463	R4111758	MC39172	R4111861

7 - COMPETITIVE CROSS

COMPETITIVE CROSS REFERENCE LISTING

RAYBESTOS PART #	MERITOR PART #	RAYBESTOS PART #	MERITOR PART #	RAYBESTOS PART #	MERITOR PART #
MC39173	R4111856	MC39574	R4111995	MK1625	R4122387
MC39177	R4111582	MC39577	R4111999	MK1699	R4122203
MC39178	R4111860	MC39579	R4111992	MK1706	R4122346
MC39210	R4111739	MC39622	R4111668	MK1710	R4122343
MC39223	R4111873	MC39630	R4112029	MK1721	R4122232
MC39223	R4112058	MC39631	R4111913	MK1736	R4122187
MC39308	R4111863	MC39634	R4112198	MK1737	R4122202
MC39309	R4111641	MC39634	R4112198	MK1746	R4122937
MC39317	R4111937	MC39635	R4112197	MK175	R4122935
MC39324	R4111989	MC39635	R4112197	MK1854	R4122596
MC39330	R4111865	MC39635	R4112200	MK1855	R4122141
MC39335	R4111629	MC39636	R148228	MK1857	R4110406
MC39337	R4111631	MC39636	R148228	MK1859	R4122303
MC39338	R4111634	MC39646	R4112219	MK1905	R4122688
MC39339	R4111630	MC39649	R4112220	MK196	R4122934
MC39340	R4111772	MC39712	R4111775	MK2062	R4110409
MC39343	R4110435	MC39767	R4113022	MK2065	R4110410
MC39344	R4111905	MC39849	R4112342	MK2895	R4110411
MC39353	R4111902	MC39860	R4112466	MK39	R4110412
MC39364	R4111917	MC39862	R4112519	MK469	R4122682
MC39364	R4111917	MC39871	R4113123	MK473	R4122681
MC39368	R4111676	MC39872	R4110348	MK478	R4122809
MC39375	R4111931	MC39875	R4113182	MK583	R4122705
MC39376	R4111926	MC39876	R4112357	MK772	R4122505
MC39381	R4111923	MC39953	R4112575	MK775	R4122679
MC39381	R4111923	MC39961	R4112492	MK836	R4122706
MC39388	R4111930	MC39964	R4113041	MK872	R4122597
MC39419	R4111896	MC4572	R4111046	MK889	R4122482
MC39434	R4111730	MC661	R4111119	MK891	R4122599
MC39435	R4111982	MK1	R4122964	MK899	R4122598
MC39441	R4111864	MK1025	R4122436	RC10183	R4211254X
MC39445	R4112008	MK1108	R4122643	RC10184	R4211252X
MC39446	R4112007	MK1141	R4122494	RC4088	R4255099
MC39457	R4111892	MK1197	R4122489	RWC-4049	R42R55456
MC39459	R4111885	MK135	R4122937	RWC-4049	R42R55456
MC39461	R4111911	MK1356	R4122350	RWC-4071	R42R55454
MC39462	R4111909	MK1418	R4122437	RWC4072	R42R55455
MC39476	R4111983	MK1423	R4122568	RWC-4215	R42R55278
MC39477	R4111910	MK1425	R4122688	RWC-4216	R42R55279
MC39522	R4111908	MK1426	R4122488	RWC-4217	R42R55304
MC39525	R4112178	MK1429	R4122486	RWC-4218	R42R55305
MC39528	R4111993	MK1430	R4122484	RWC-4245	R42R55258
MC39529	R4111898	MK1433	R4122388	RWC-4246	R42R55259
MC39530	R4111912	MK1502	R4122381	RWC-4255	R42R55254
MC39540	R4112183	MK1518	R4122324	RWC-4255	R42R55254
MC39546	R4112066	MK1624	R4122386	RWC-4256	R42R55255
MC39574	R4111995	MK1625	R4122387	RWC-4256	R42R55255

COMPETITIVE CROSS REFERENCE LISTING

RAYBESTOS PART #	MERITOR PART #	RAYBESTOS PART #	MERITOR PART #	RAYBESTOS PART #	MERITOR PART #
RWC-4287	R42R55520	RWC-5210	R42R55210	SC37728	R4112166
RWC-4288	R42R55521	RWC-5219	R42R55264	SC37745	R4112052
RWC-4413	R42R55496	RWC-5220	R42R55265	SC37791	R4112168
RWC-4414	R42R55497	RWC-5221	R42R55381	SC37793	R4111959
RWC-4415	R42R55498	RWC-5222	R42R55382	SC37793	R4111959
RWC-4416	R42R55499	RWC-5233	R42R55233	SC37823	R4111916
RWC-4417	R42R55500	RWC-5234	R42R55234	SC37824	R4111915
RWC-4418	R42R55501	RWC-5243	R42R55243	WC 37729	201184
RWC-50006	R42R55616	RWC-5244	R42R55244	WC 37762	201179
RWC-50007	R42R55617	RWC-5248	R42R55248	WC 37762	201179
RWC-50070	R42R55590	RWC-5249	R42R55249	WC 37763	201180
RWC-50071	R42R55591	RWC-5277	R42R55506	WC 37763	201180
RWC-50072	R42R55630	RWC-5278	R42R55507	WC 37763	201180
RWC-50073	R42R55631	RWC-6015	R42R55460	WC13368	R4133540
RWC-50104	R42R55636	RWC-6016	R42R55461	WC13369	R4133541
RWC-50105	R42R55637	RWC-6021	R42R55518	WC13388	R4133726
RWC-50106	R42R55460P	RWC-6022	R42R55519	WC17507	R4133627
RWC-50107	R42R55461P	RWC-7007	R42R55411	WC17508	R4133628
RWC-50124	R42R55634	RWC-7008	R42R55412	WC17509	R4133230
RWC-50125	R42R55635	RWC-7025	R42R55604	WC17509	R4133230
RWC-5038	R42R55215	RWC-7026	R42R55605	WC17510	R4133231
RWC-5039	R42R55216	RWC7700	R4255250	WC17510	R4133231
RWC-5060	R42R55060	RWC-7700	R424238X	WC19090	R4133406
RWC-5061	R42R55061	RWC-7700	R424238X	WC19091	R4133407
RWC-5094	R42R55094	RWC7800	60050150	WC19109	R4133335
RWC-5095	R42R55095	RWC-7800	60050150X	WC19109	R4133335
RWC-5098	R424235X	RWC-7800	60050150X	WC19111	R4133420
RWC-5098	R424235X	RWC-7900	60050145X	WC19746	R4133336
RWC-5098	R4255098	RWC-7900	60050145X	WC24489	R4133338
RWC-5099	R424236X	RWC-7900	60050145X	WC26172	R4133400
RWC-5099	R424236X	RWC9154	R42R55194	WC28661	R4133390
RWC-5116	R42R55116	S11410	R41301198	WC28850	R4133256
RWC-5117	R42R55117	S11410	R41301198	WC28851	R4133257
RWC-5118	R42R55118	S11410	R41301198	WC36017	R4133614
RWC-5119	R42R55119	S33512	R41302861	WC36018	R4133615
RWC-5182	R42R55413	S33512	R41302861	WC36043	R4133366
RWC-5182	R42R55413	S6324	R44141770	WC36044	R4133367
RWC-5193	R42R55193	S6446	R4148654	WC36057	R4133206
RWC-5199	R42R55199	S6858	R41618406	WC36057	R4133206
RWC-5200	R42R55200	SC33721	R4111206	WC36057	R4133206
RWC-5205	R42R55205	SC33722	R4111208	WC36057	R4133206
RWC-5206	R42R55206	SC36164	R4111768	WC36058	R4133207
RWC-5207	R42R55207	SC36169	R4111320	WC36076	R4133278
RWC-5207	R42R55207	SC36170	R4111466	WC36077	R4133279
RWC-5208	R42R55208	SC37723	R4112120	WC36077	R4133279
RWC-5208	R42R55208	SC37724	R4112055	WC370042	R4134139
RWC-5209	R42R55209	SC37725	R4112054	WC370043	R4134140

7 - COMPETITIVE CROSS

COMPETITIVE CROSS REFERENCE LISTING

RAYBESTOS PART #	MERITOR PART #	RAYBESTOS PART #	MERITOR PART #	RAYBESTOS PART #	MERITOR PART #
WC37024	R4133447	WC37400	R4133858	WC37943	R4111286
WC37033	R4133714	WC37517	R4133891	WC37967	R4134082
WC37033	R4133714	WC37537	R4133792	WC37967	R4134082
WC37034	R4133715	WC37538	R418162	WC37985	R4134102
WC37034	R4133715	WC37540	R4133892	WC4419	R4133396
WC37048	R4133469	WC37574	R4133851	WC4419	R4133396
WC37080	R4133608	WC37593	R4133915	WC7563	R4133002
WC37091	R4133376	WC37594	R4133916	WC7564	R4133003
WC37092	R4133377	WC37640	R4133904	WC8806	R4133315
WC37118	R4133484	WC37643	R4133893	WC8807	R4133316
WC37119	R4133485	WC37663	R4133930	WC8852	R4133320
WC37132	R4133725	WC37730	201183	WC8853	R4133321
WC37149	R4033607	WC37731	201186	WC9025	R4133004
WC37152	R4133606	WC37732	201185	WC9026	R4133005
WC37167	R4133581	WC37760	R4133905	WK 1908	SP7880S
WC37167	R4133581	WC37761	R4133906	WK1077	R4166599
WC37168	R4133582	WC37764	201181	WK1148	60050136
WC37180	R4133580	WC37764	201181	WK1148	60050136
WC37218	R4133791	WC37765	201182	WK129	R4166820
WC37219	R418145	WC37765	201182	WK13	R4166852
WC37222	R4133584	WC37779	R4133958	WK1314	R4066557
WC37227	R4133718	WC37779	R4133958	WK1372	R4066851
WC37228	R4133719	WC37781	R4134037	WK1455	R4166550
WC37235	R4133597	WC37781	R4134037	WK1455	R4166550
WC37235	R4133597	WC37784	R4133962	WK1455	R4166550
WC37235	R4133597	WC37785	R4133961	WK1473	R4066544
WC37240	R4133655	WC37854	R4134075	WK149	R4166926
WC37241	R4133656	WC37855	R4134054	WK149	R4166926
WC37248	R4133379	WC37855	R4134064	WK152	R4166923
WC37249	R4133380	WC37856	R4134028	WK15306	R4133136
WC37250	R4133945	WC37863	R4134076	WK1565	R4066530
WC37251	R4133946	WC37873	R417375	WK1579	R4066517
WC37252	R4133717	WC37874	R417381	WK1667	R402235118
WC37253	R4133716	WC37878	R417379	WK1667	R402235118
WC37254	R4133722	WC37879	R417401	WK1667	R402235118
WC37255	R4133723	WC37880	R417398	WK1667	R402235118
WC37256	R4133720	WC37881	R417397	WK1671	R4166510
WC37257	R4133721	WC37882	R417416	WK1680	60050146
WC37262	R4133596	WC37883	R417415	WK1681	60050266
WC37263	R4133595	WC37884	R417423	WK1708	R406532
WC37267	R4133637	WC37885	R417421	WK1708	R406532
WC37268	R4133638	WC37886	R417422	WK1708	R4066365
WC37290	R4133709	WC37887	R417420	WK1708	R4066365
WC37317	R4133312	WC37938	R4111282	WK173	R4166917
WC37317	R4133312	WC37940	R4111283	WK174	R4166689
WC37337	R4133708	WC37941	R4111284	WK174	R4166689
WC37400	R4133858	WC37942	R4111285	WK1755	R4166307

7 - COMPETITIVE CROSS

COMPETITIVE CROSS REFERENCE LISTING

RAYBESTOS PART #	MERITOR PART #	WAGNER #	MERITOR PART #	WAGNER #	MERITOR PART #
WK176	R4166897	59160	R40H3503	BD125244	23122920002
WK178	R415181	14781901	R4212490	BD125245	R44140387
WK178	R415181	14781902	R4212491	BD125246	R44140619
WK178	R415181	ANA169R	R41581	BD125324	R44141730
WK178	R415181	ANA263R	R41582	BD125331	R44141861
WK178	R415181	ANA299R	R46299	BD125339	23123296002
WK1838	R4066395	ANA357AR	R46357	BD125346	R4411260
WK1853	R4166448	ANA358AR	R46358	BD125357	R44141583
WK195	R415194	ANA445R	R46445	BD125358	23122688002
WK1951	R4166298	ANA446R	R46446	BD125361	23-123573-004
WK1952	R4166297	ANA451R	R46451	BD125362	23-123572-004
WK1966	R4066204	ANA452R	R46452	BD125379	R44141862
WK1973	R4066305	ANA462R	R46462	BD125395	R44140657
WK20	R4166821	ANA473R	R46473	BD125395	R44140657
WK2005	R4066306	ANA474R	R41569	BD125399	R44141927
WK2033	R4066211	ANA538R	R46538	BD125404	R44141906
WK21	R4166822	ANA583R	R468140	BD125407	R44140682
WK2110	R4066330	BD102074	R44141219	BD125410	R44141934
WK2131	R4166262	BD102075	R44141261	BD125411	R44141917
WK264	R4166935	BD102137	R44141397	BD125445	R44141924
WK2777	R4066209	BD102138	R44141414	BD125468	R44145049
WK35	R4166819	BD125051	R44140604	BD125474	R44145055
WK35	R4166819	BD125052	R44140600	BD125477	R44145057
WK36	R418187	BD125085	23122700002	BD125478	R4411316
WK422	R4166882	BD125086	23122743002	BD125497	R44145068
WK423	R4166852	BD125086	23122743002	BD125500	R44140675
WK423	R4166852	BD125087	23122703002	BD125529	R44145145
WK442	R4166872	BD125088	23122687002	BD125530	R44145139
WK471	R418188	BD125089	23123046002	BD125550	R44145162
WK491	R4066587	BD125090	23122729002	BD125552	R44145054
WK524	R4066848	BD125096	23122527002	BD125592	R44145107
WK535	R415193	BD125097	23122897002	BD125630	R44145071
WK629	R4166620	BD125098	23122701002	BD125649	R44145325
WK698	R4066778	BD125115	23123041002	BD125714	R4466924
WK705	R4066781	BD125160	R44141599	BD125715	R44145274
WK7933	R4066715	BD125160	R44141599	BD60187	R44140365
WK806	R4066780	BD125160	R44141599	BD60258	R44141043
WK806	R4066780	BD125167	R44141866	BD60296	R44140253
WK886	R4166684	BD125169	R44141741	BD60302	R44140267
		BD125201	R44140264	BD60330	R44140278
		BD125201	R44140542	BD60340	R44140312
		BD125206	R44141829	BD60341	R44140315
		BD125207	R44140622	BD60343	R44140316
		BD125208	R44141806	BD60351	R44140479
		BD125212	R44141818	BD60356	R44140388
		BD125214	23122691002	BD60357	R44140387
		BD125224	R44141798	BD60359	R44140363

7 - COMPETITIVE CROSS

COMPETITIVE CROSS REFERENCE LISTING

WAGNER #	MERITOR PART #	WAGNER #	MERITOR PART #	WAGNER #	MERITOR PART #
BD60393	R44140397	BD61809	R44141454	CR110414	R42R55248
BD60394	R44141237	BD61812	R44141453	CR110447	R42R55279
BD60397	R44140386	BD61813	R44141482	CR110448	R42R55278
BD60402	R44141186	BD61814	R44141540	CR112057	R424237AX
BD60413	R44141088	BD61815	R44141488	CR112480	R42R55259
BD60427	R44141049	BD61817	R44140543	CR112481	R42R55258
BD60428	R44141067	BD61819	R44141457	CR112482	R42R55255
BD60434	R44141089	BD61823	R44140540	CR112483	R42R55254
BD60451	R44141152	BD61832	R44140541	CR116290	R42R55499
BD60465	R44140344	BD61833	R44141455	CR116291	R42R55498
BD60466	R44140362	BD61846	R44141508	CR116292	R42R55501
BD60468	R44141127	BD61880	R44141630	CR116293	R42R55500
BD60469	R44141154	BD61891	R44140536	CR116294	R42R55497
BD60470	R44141153	BD61910	R44141487	CR116295	R42R55496
BD60501	R44141179	BD61915	R44141663	CR116344	R42R55519
BD60530	R44141174	BD61918	R44141477	CR116345	R42R55518
BD60532	R44141197	CM250042	R4113118	CR116742	R42R55605
BD60541	R44141235	CM350038	R4113315	CR116743	R42R55604
BD60542	R44141234	CM350080	R4113318	CR116931	R42R55461
BD60583	R44140401	CM350134	R4113508	CR116932	R42R55460
BD60584	R44141251	CM350135	R4113509	CR119052	R42R55507
BD60593	R44141483	CM350172	R4113511	CR119053	R42R55506
BD60595	R44140408	CM360058	R4113207	CR119332	R42R55521
BD60597	R44141468	CM360071	R4113505	CR119333	R42R55520
BD60610	R44141664	CM360107	R4113513	CR120313	60050150X
BD60617	R44141193	CM360108	R4113514	CR120313	60050150X
BD60622	R44141469	CM360108	R4113514	CR120549	R424238X
BD60623	R44140409	CM360109	R4113515	CR120549	R424238X
BD60625	R44140510	CM36027	R4113347	CR123141	R42R55617
BD60627	R44141233	CR102425	R42R55233	CR123142	R42R55616
BD60724	R44140450	CR102428	R42R55234	CR123606	R42R55631
BD60727	R44140449	CR102430	R42R55412	CR123607	R42R55630
BD60729	R44141391	CR102431	R42R55411	CR123608	R42R55591
BD60731	R44141382	CR102432	R42R55244	CR123609	R42R55590
BD60732	R441404090	CR102433	R42R55243	CR124108	R42R55635
BD60784	R44141381	CR104396	R42R55119	CR124109	R42R55634
BD60793	R44140493	CR104397	R42R55118	CR128780P	R42R55637
BD60818	R44140468	CR105668	R42R55456	CR128781P	R42R55636
BD60818	R44140468	CR105668	R42R55456	CR128856	R42R55461P
BD60819	R44140504	CR105669	R42R55413	CR128857	R42R55460P
BD60868	R44140520	CR105669	R42R55413	CR130210	R424236X
BD60875	R44141389	CR107084	R42R55305	CR130210	R424236X
BD60880	R44140547	CR107085	R42R55304	CR130211	R424235X
BD60883	R44140496	CR108723	60050145X	CR130211	R424235X
BD60885	R44140545	CR108723	60050145X	CR76050	R42R55216
BD60889	R44141481	CR108723	60050145X	CR76051	R42R55215
BD61808	R44141480	CR110413RM	R42R55249	CR76816	R42R55061

7 - COMPETITIVE CROSS

COMPETITIVE CROSS REFERENCE LISTING

WAGNER #	MERITOR PART #	WAGNER #	MERITOR PART #	WAGNER #	MERITOR PART #
CR76817	R42R55060	F102465	R4577187	F104352	R4577379
CR76818	R42R55095	F102465	R4577187	F104353	R4577380
CR76819	R42R55094	F102466	R4577320	F104456	R4111863
CR83262	R42R55117	F102467	R4577421	F104459	R4122202
CR83263	R42R55116	F102474	R4577078	F104464	R4111989
CR83308	R42R55455	F102474	R4577078	F104467	R4122232
CR83309	R42R55454	F102478	R4588472	F104514	R4111865
CR98670	R42R55194	F102553	R40H5545	F104516	R4112058
CR98671	R42R55193	F102597	R4577252	F104545	R4111864
CR98884	R42R55208	F103200	R4577249	F104631	R40H7230
CR98884	R42R55208	F103201	R4577248	F105252	R4111937
CR98885	R42R55207	F103202	R4577245	F105263	R4111917
CR98885	R42R55207	F103202	R4577245	F105676	R4166550
CR98886	R42R55206	F103223	R4133915	F105798	R4111902
CR98887	R42R55205	F103224	R4133916	F105801	R4111905
CR98888	R42R55265	F103238	R4111641	F105802	R4122350
CR98889	R42R55264	F103239	R4111668	F105833	R4122346
CR98906	R42R55200	F103254	R4111911	F105837	R4122381
CR98907	R42R55199	F103255	R4122387	F105838	R4122437
CR98954	R42R55382	F103255	R4122387	F105841	R40H5601
CR98955	R42R55381	F103301	R4577309	F105852	R40H4030DP
CR99022	R42R55210	F103301	R4577309	F105876	R4111896
CR99023	R42R55209	F103302	R4577235	F10602	R404132
F100325	R4111768	F103304	R4577273	F106315	R4133597
F100558	R4111456	F103307	R4577452	F106328	R4577316
F100559	R4111451	F103308	R4577454	F106329	R4577317
F100560	R4111773	F103311	R4577453	F106330	R4577314
F100771	R4577167	F103312	R4577455	F106331	R4577441
F100986	R4111801	F103314	R4577457	F106342	R4577185
F101253	R4111738	F103460	R4111959	F106347	R4577315
F101254	R4111944	F103471	R4112166	F106348	R4577327
F101262	R4111739	F103473	R4112055	F106349	R4577328
F101263	R4122494	F103474	R4112054	F106351	R4122809
F101266	R4111730	F103476	R4112052	F106353	R4122872
F101267	R4111732	F103483	R4112168	F106354	R4122882
F101268	R4112121	F103485	R4112120	F106357	R4577299
F101491	R4066587	F103538	R4122211	F106358	R4577300
F101673	R4166599	F103539	R4122319	F106359	R4577298
F101928	R4122388	F103540	R4122210	F106366	R4577247
F102130	R4577481	F103542	R4122160	F106366	R4577247
F102130	R4577481	F104341	R4577329	F106367	R4577311
F102204	R4577373	F104342	R4577330	F106374	R4577366
F102325	R4111885	F104345	R4577295	F106380	R4066544
F102336	R4511240	F104345	R4577295	F106387	R4066530
F102420	R4111861	F104346	R4577297	F106431	R4111931
F102421	R4111856	F104347	R4577296	F106432	R4122324
F102464	R4577321	F104352	R4577379	F106433	R4111930

7 - COMPETITIVE CROSS

COMPETITIVE CROSS REFERENCE LISTING

WAGNER #	MERITOR PART #	WAGNER #	MERITOR PART #	WAGNER #	MERITOR PART #
F106467	R4122908	F110117	R4112169	F111945	R4577461
F106473	R4122682	F110118	R4122205	F111946	R4577463
F106492	R4133851	F110130	R4577870	F111949	R4577596
F106625	R4577172	F110130	R4577870	F111950	R4577597
F106646	R4577484	F110131	R4577378	F112090	R40H5522
F106648	R4577460	F110134	R4577364	F112090	R40H5522
F106669	R4577169	F110158	R4577418	F112091	60050153
F106669	R4577169	F110159	R4577417	F112096	R40H618
F106922	R4133792	F110260	R4133891	F112097	291000
F106923	R418162	F110261	R4133892	F112246	R4122303
F107050	R4111926	F110262	R4166510	F112409	R4133930
F107197	R40H608	F110263	R4133893	F112461	R402235118
F107255	R4577312	F110267	R4112098	F112593	R4112183
F107272	R4577427	F110269	R4112118	F112775	R4577799
F107273	R4577428	F110270	R4112119	F112957	R40H4100DP
F107274	R4577419	F110273	R4112176	F11303	R4166820
F107281	R4577564	F110274	R4122204	F11304	R4166926
F107284	R4577415	F110403	60050266	F113148	R4588651
F107285	R4577416	F110420	R4577340	F113296	R4577333
F107300	R4577440	F110424	R4577320	F113343	R40H7276
F107533	R4090020S	F110425	R4577421	F11336	R4166923
F107734	R4588561	F110426	R4577429	F113377	R4577614
F107747	R4111923	F110427	R4577430	F113378	R4577612
F108042	R4112073	F110710	R4112117	F113379	R4577613
F108043	R4122305	F110873(L&R)	R4133904	F113704	R4134064
F108120	R4122386	F110886	R4112178	F113751	R4111294
F108145	R4111982	F110888	R4112029	F113751	R4111994
F108148	R4111730	F110889	R4122187	F113757	R4133945
F108158	R4090070	F110917	R4112007	F113758	R4133946
F108158	R4090070	F110919	R4112008	F113857	R40H5719
F108158	R4090070P	F110937	R40H2622	F113877	R4577171
F108159	R4090063P	F110938	R40H2623	F113927	R4578083
F108159	R4090063S	F110980	R4111995	F113928	R4578084
F108168	R4111983	F110980	R4111995	F113980	R4578085
F108211	R4111957	F111134	R4577443	F114079	R148228
F108212	R4122318	F111134	R4577443	F114079	R4112197
F108217	R406532	F111135	R4577444	F11410	R41301198
F108217	R406532	F111135	R4577444	F114401	R4066395
F108241	R4066517	F111137	R4577503	F114476	R40H5654
F108245	69270757	F111141	R4577558	F114477	60050135
F108817	SP7895S	F111231	R40H5045	F116224	R4133961
F108818	SP7873S	F111231	R40H5045	F116225	R4166297
F108819	69270702	F111396	R4577565	F116226	R4166298
F108820	60050146	F111397	R4577559	F116263	R4133962
F108900	R402238231	F111398	R4577560	F116321	R4066305
F109168	R4090074P	F111820	R40H7284	F116322	R4066306
F109532	R4133858	F111945	R4577461	F116323	R4066330

7 - COMPETITIVE CROSS

COMPETITIVE CROSS REFERENCE LISTING

WAGNER #	MERITOR PART #	WAGNER #	MERITOR PART #	WAGNER #	MERITOR PART #
F116324	R4090085S	F119400	R4111999	F123794	R4577868
F116325	R4090087S	F119401	R4111909	F124052	R4577686
F116326	R4090101S	F119402	R4111898	F124053	R45F124053
F116359	R4134037	F119434	R4090088S	F124054	R4577495
F116367	R4133958	F119435	R4066204	F124110	R4111320
F116370	R4166307	F120368	R4112200	F124111	R4111206
F116446	R4122204	F120368	R4112833	F124112	R4111208
F116472	R4578072	F120369	R4112198	F124483	R40H2643
F116473	R4578071	F120520	R4577810	F124484	R40H2644
F116627	R4112220	F120521	R4577921	F124501	R40H5735
F116628	R4122141	F120536	R4578165	F124595	R451537
F116680	R4577676	F120590	R4110376	F124596	R4577544
F116702	R4111993	F120590	R4113022	F124599	R4577851
F116846	R4577760	F120598	R4112492	F124600	R4578227
F116847	R4577761	F120599	R4112058	F124601	R4578437
F116848	R4577766	F120859	R4578159	F124718	R4577826
F116849	R4577767	F12086	R40H1807	F124718	R4577826
F116850	R4578224	F120860	R451554	F124719	R4577909
F116851	R4578787	F120872	R4578618	F124726	R4578169
F116881	R4112219	F122222	R4134082	F124727	R4578001
F117014	R40H595	F122226	R4113123	F124728	R4578303
F117014	R40H9220	F122227	R4110409	F124756	R4578118
F117027	R40H597	F122230	R4113182	F124757	R4578117
F117027	R40H9200	F122406	R4134028	F124997	R4510645
F117127	R40H7225	F122573	R4110352	F126896	R40H2638
F117152	R40H596	F122576	R4112575	F128098	R4112342
F117217	R40H7299	F122909	R4166262	F128443	R4110348
F117225	R40H5707	F123199	R4134075	F128671	R4577245
F117226	R40H7324	F123262	R4111282	F128682	R4578610
F118083	R4577768	F123264	R4111284	F128683	R4578166
F118084	R4577769	F123265	R4111286	F128892	R40H3511
F118100	201179	F123266	R4111283	F128923	69160441
F118101	201180	F123267	R4111285	F128951	R4510651
F118104	201183	F123284	R4577845	F128952	R4510652
F118105	201184	F123290	R4578016	F128953	R4510650
F118110	201181	F123291	R4578068	F129285	R4112641
F118111	201182	F123294	R4577841	F129443	R4134054
F118117	R4577765	F123296	R4577914	F130426	R4578183
F118117	R4577765	F123297	R4577915	F130429	R4577277
F118118	R4577857	F123301	R4577901	F130430	R4578188
F118172	R4577787	F123302	R4577900	F130431	R4578184
F118173	R4577788	F123303	R4578360	F130432	R4578182
F119395	R4111908	F123304	R4578548	F131211	R4112842
F119396	R4111912	F123305	R4578226	F131212	R4112843
F119397	R4111910	F123306	R451534	F131225	R4134102
F119398	R4111992	F123524	R4112519	F131306	R4112840
F119399	R4111892	F123791	R4578267	F131468	R4110372

7 - COMPETITIVE CROSS

COMPETITIVE CROSS REFERENCE LISTING

WAGNER #	MERITOR PART #	WAGNER #	MERITOR PART #	WAGNER #	MERITOR PART #
F131471	R4113057	F17814	R40H1456	F33512	R41302861
F131472	R4113056	F18789	R40F18789	F34072	R4133366
F132033	R4578137	F18984	R4133791	F34073	R4133367
F132034	R4578136	F18985	R418145	F34173	R4111191
F132146	R4578387	F19109	R4133335	F34401	R4133406
F132148	R4578132	F19109	R4133335	F34402	R4133407
F132149	R4578133	F19111	R4133420	F35325	R4133206
F132160	R4578130	F19146	R40H1869	F35326	R4133207
F132161	R4578135	F19293	R40H1808	F35417	R4111318
F132195	R4578208	F19309	R40H8200	F3600	R4166822
F132196	R4578210	F19341	R4166917	F3608	R4166852
F132230	R4577927	F19349	R4166689	F3609	R4166821
F132295	R4578145	F19350	R415181	F36094	R4166935
F132296	R4578144	F19350	R4166897	F3613	R4122964
F132298	R4578187	F19381	R415194	F3622	R4122937
F132318	R4578206	F19386	R4166819	F36403	R40H111
F132320	R4578218	F19408	R40H9201	F36445	R40H521
F132349	R4577928	F19436	R4111129	F36449	R40H140
F132413	R4578219	F19450	R4111150	F36454	R40H102
F132752	R4578327	F19451	R4111151	F36460	R40H133
F132753	R4578326	F19471	R40H4030DP	F36466	R40H370
F132754	R4578333	F19472	R40H4049DP	F36466	R40H370
F132762	R4578312	F19746	R4133336	F36481	R40H366
F132763	R4578313	F199931	R4578899	F36764	R4111161
F132770	R4578324	F21211	R40H1909	F37782	R4133278
F132771	R4578325	F23880	R4023969	F37783	R4133279
F132772	R4578332	F24489	R4133338	F37783	R4133279
F132773	R4578331	F26048	R40H1902	F39083	R4122697
F132773	R4578332	F26049	R40H1903	F3909	R40H3524
F132988	R4578557	F26052	R40H1900	F39148	R4122915S
F13368	R4133540	F26053	R40H1901	F40951	R4133614
F13369	R4133541	F26104	R4122893	F40952	R4133615
F133813	R4578209	F26115	R415193	F41	R4112066
F133837	R4578305	F26159	R4133580	F42082	R4111468
F133851	R4578259	F26172	R4133400	F42194	R4111266
F133852	R4578258	F26181	R4133584	F43260	R4111466
F13620	R418187	F2842	R4111122	F43375	R4133714
F139932	R4578898	F28661	R4133390	F43376	R4133715
F139933	R4512407	F28850	R4133256	F43383	R4133581
F139934	R4512408	F28851	R4133257	F43384	R4133582
F139948	R4512409	F2951	R4111123	F4572	R4111046
F139949	R4512410	F32349	R4133376	F45873	R4133447
F139950	R4512411	F32350	R4133377	F45923	R40H510
F139951	R4512412	F32357	R4133379	F45927	R40H369
F139959	R4113543	F32358	R4133380	F45941	R40H367
F17507	R4133627	F33130	R4122915	F46348	R4166852
F17508	R4133628	F33149	R418188	F46349	R4166872

COMPETITIVE CROSS REFERENCE LISTING

WAGNER #	MERITOR PART #	WAGNER #	MERITOR PART #	WAGNER #	MERITOR PART #
F46351	R4122568	F71664	R4122706	F76074	R40H5004DP
F46352	R4122937	F71668	R4166620	F76090	R4066781
F46386	R4122770	F71689	R4122486	F76151	R4111626
F5035	R45616973	F71690	R4122484	F76154	R4111624
F51081	R4133469	F71691	R4122488	F76178	R40H5516
F51088	R4133608	F71940	R4133718	F77034	R4111618
F54695	R4111455	F71941	R4133719	F77763	R4111632
F54699	R4111467	F72537	R40H330	F77764	R4111622
F55890	R4133484	F73106	R40H364	F78079	R4577537
F55891	R4133485	F73143	R40H599	F78092	R4588519
F56789	R4111455	F73207	R40H547	F78540	R40H7128
F57146	R4133725	F73231	R40H357	F78544	R40H7133
F57147	R4133726	F73247	R4511250	F78731	R4122343
F57505	R40H1917	F73355	R4111395	F78744	R4133655
F57506	R40H1916	F73399	R40H9237	F78745	R4133656
F57597	R4111454	F73500	R4133716	F78974	R4133004
F5795	R45616972	F73501	R4133717	F78975	R4133005
F59000	R4122681	F73537	R4133722	F79347	R4588558
F59013	R4122679	F73538	R4133723	F79359	R4588564
F59054	R40H4087	F73543	R4133720	F79767	R4133709
F59100	R40H378	F73544	R4133721	F79768	R4133708
F59157	R40H3540	F73614	R4133596	F79781	R4111494
F59158	R40H3541	F73615	R4133595	F79781	R4111494
F59159	R40H3502	F73620	R4133637	F80018	R4577240
F59176	R4066848	F73621	R4133638	F80018	R4577240
F59177	R4066851	F73674	R40H5500	F80020	R4577010
F59240	R4133230	F73674	R40H5500	F80569	R4122705
F59241	R4133231	F73682	R407991	F80967	R4588651
F59302	R40H1860	F746	R4133312	F80976	R4577083
F59303	R40H1861	F74891	R4111619	F80977	R4577080
F59339	R40H1868	F75775	R40H1875	F83297	R4066780
F59351	R40H1805	F75779	R40H1879	F83691	R4066778
F59531	R40H1865	F75994	R4111629	F84051	R4122599
F59532	R40H1864	F75995	R4111631	F84052	R4111582
F602	R4533757	F75996	R4111634	F84058	R4111583
F6446	R4148654	F75997	R4111630	F84059	R4122598
F6477	R40H1177	F75998	R4111772	F8449	R4122935
F661	R4111119	F76008	R4090013S	F84529	R4577024
F67412	R40H4019DP	F76019	R4090015S	F8456	R4122934
F67455	R40H546	F76021	R4090018P	F86408	R40H550
F6858	R41618406	F76021	R4090018S	F86444	R4133905
F71237	R4033607	F76024	R4090019S	F86445	R4133906
F71238	R4133606	F76024	R4090019S	F86511	R4122597
F71305	R4577479	F76027	R4090020S	F86560	R4577019
F71344	R4577147	F76028	R4090021	F86626	R4122596
F71602	R4122688	F76028	R4090021	F87354	R40H7149
F71603	R4122688	F76033	R4090028S	F8806	R4133315

7 - COMPETITIVE CROSS

COMPETITIVE CROSS REFERENCE LISTING

WAGNER #	MERITOR PART #	WAGNER #	MERITOR PART #	WAGNER #	MERITOR PART #
F8807	R4133316	F98457S	R40H7055	SX7141	MD224
F8852	R4133320	F98663	R4111916	SX7142	MD225
F8853	R4133321	F98664	R4111915	SX7142	MD225
F88652	60050136	F98895	R4111860	SX7142	MD225
F88754	R40H7199	F98896	R4111775	SX7149	MD236
F88783	R4111633	F98918	R4577334	SX7179	MD269
F88856	R4111913	F98919	R4577335	SX7259	MD368
F88950	R4577548	F98931	R4577173	SX7259A	MD369
F88958	R4577241	F98937	R4577387	SX7260	MD370
F9336	R4133002	F98938	R4577388	SX7264	MD375
F9337	R4133003	F98946	R4577189	SX728A	MD52
F97612	R4122505	F98950	R4122489	SX7299	MD411
F97660	R4577631	F98953	R4111584		
F97661	R4577024	F98956	R4066557		
F97864	R4166448	F98957	R4090068S		
F97924	R4111669	F98974	R40H4090DP		
F97934	R4111854	F99024	R4066715		
F97936	R4111676	F99032	R4122482		
F97938	R4111682	F99104	R4166684		
F98059	R4122436	F99299	R4111758		
F98103	R4122342	F99333	R40H5536		
F98300	R40H130	F99980	R4090029		
F98316	R40H500	FC004395	R40FC004395		
F98357	R40H2527	FD70310	R700346		
F98358	R40H2528	FD70311	R700381		
F98359	R40H2529	FD70312	R700383		
F98364	R40H2534	FE31993	R700235		
F98365	R40H2535	FE32479	R700463		
F98374	R40H2544	FE57763	R700321		
F98375	R40H2545	FE59210	R464004		
F98404	R40H2586	MX7224	MVD326		
F98404	R40H2586	MX728A	MVD52		
F98405	R40H2587	MX7425	MVD675		
F98405	R40H2587	PX7054R	MVD120		
F98406	R40H2588	PX7054R	MVD120		
F98407	R40H2589	PX7179R	MVD269		
F98414	R40H2596	R104516	R4111873		
F98415	R40H2597	R134735	R4113607		
F98416	R40H2598	R134792	R4113648		
F98417	R40H2599	SX7013A	MD50		
F98422	R40H4072DP	SX7054	MD120		
F98423	R40H4074	SX7054	MD120		
F98423	R40H4074	SX7081A	MD149		
F98424	R40H4075DP	SX7081A	MD149		
F98454	R40H7044	SX7136	MD215		
F98455	R40H7046	SX7141	MD224		
F98457	R40H7055	SX7141	MD224		

7 - COMPETITIVE CROSS

OEM CROSS REFERENCE LISTING

CHRYSLER PART NUMBER	MERITOR PART	DESCRIPTION
431333	R4133206	WHEEL CYLINDER
2830784	R4588472	HYDRAULIC HOSE
2881676	R40H133	SPRING KIT
2908734	R4133715	WHEEL CYLINDER
2908735	R4133714	WHEEL CYLINDER
2909476	R4133715	WHEEL CYLINDER
2954606	R40H1903	BRACKET ASM
2954607	R40H1902	BRACKET ASM
3004864	R407991	BRAKE KIT
3225198	R4133206	WHEEL CYLINDER
3491483	R4577537	HYDRAULIC HOSE
3491500	R4111494	MASTER CYLINDER
3491672	R44140312	BRAKE DRUM
3496560	R44140264	BRAKE DRUM
3496563	R44140264	BRAKE DRUM
3497366	R44140312	BRAKE DRUM
3497367	R44140312	BRAKE DRUM
3519825	R44140312	BRAKE DRUM
3549824	R44140312	BRAKE DRUM
3580093	R4111633	MASTER CYLINDER
3580242	R4111633	MASTER CYLINDER
3580795	R4090020S	PISTON
3580819	R4090018P	PISTON
3580819	R4090018S	PISTON
3633321	R4133791	WHEEL CYLINDER
3633322	R418145	WHEEL CYLINDER
3633517	R4133005	WHEEL CYLINDER
3633852	R4133207	WHEEL CYLINDER
3633853	R4133206	WHEEL CYLINDER
3637626	R44141193	ROTOR
3637776	R44140264	BRAKE DRUM
3640588	R4588472	HYDRAULIC HOSE
3699241	R4111633	MASTER CYLINDER
3766183	R4111860	MASTER CYLINDER
3766201	R4111860	MASTER CYLINDER
3821532	R44141397	ROTOR
3821533	R44141397	ROTOR
3821534	R44141414	ROTOR
3821715	R4111494	MASTER CYLINDER
3823032	R4577024	HYDRAULIC HOSE
3823032	R4577024	HYDRAULIC HOSE
3879253	R4122596	MASTER CYL KIT
3893589	R4111758	MASTER CYLINDER
3894703	R4577024	HYDRAULIC HOSE
3894703	R4577024	HYDRAULIC HOSE
3894707	R4577024	HYDRAULIC HOSE

CHRYSLER PART NUMBER	MERITOR PART	DESCRIPTION
3894751	R4588472	HYDRAULIC HOSE
3894752	R4577537	HYDRAULIC HOSE
3898996	R4577171	HYDRAULIC HOSE
4026123	R4090015S	PISTON
4030474	R4577024	HYDRAULIC HOSE
4030474	R4577024	HYDRAULIC HOSE
4037687	R44140542	BRAKE DRUM
4037711	R4577167	HYDRAULIC HOSE
4037875	R44141382	HUB/ROTOR
4086502	R4133207	WHEEL CYLINDER
4086503	R4133206	WHEEL CYLINDER
4086503	R4133207	WHEEL CYLINDER
4086748	R4577172	HYDRAULIC HOSE
4086749	R4577173	HYDRAULIC HOSE
4086830	R44141382	HUB/ROTOR
4088892	R4133628	WHEEL CYLINDER
4088893	R4133627	WHEEL CYLINDER
4088898	R4133004	WHEEL CYLINDER
4088898	R4133005	WHEEL CYLINDER
4088899	R4133004	WHEEL CYLINDER
4088899	R4133005	WHEEL CYLINDER
4088910	R418145	WHEEL CYLINDER
4088911	R4133791	WHEEL CYLINDER
4089212	R4111494	MASTER CYLINDER
4089222	R4111758	MASTER CYLINDER
4094104	R4090020S	PISTON
4112325	R4577171	HYDRAULIC HOSE
4112626	R44140542	BRAKE DRUM
4112654	R4111775	MASTER CYLINDER
4115552	R4577024	HYDRAULIC HOSE
4115552	R4577024	HYDRAULIC HOSE
4115557	R4577167	HYDRAULIC HOSE
4115563	R4588472	HYDRAULIC HOSE
4115565	R4588472	HYDRAULIC HOSE
4115566	R4577537	HYDRAULIC HOSE
4116932	R44141193	ROTOR
4126838	R4577380	HYDRAULIC HOSE
4126839	R4577379	HYDRAULIC HOSE
4164160	R44140510	BRAKE DRUM
4176773	R4122388	MASTER CYL KIT
4176774	R4122388	MASTER CYL KIT
4205975	R4122388	MASTER CYL KIT
4205976	R4122388	MASTER CYL KIT
4210866	R4577172	HYDRAULIC HOSE
4210867	R4577173	HYDRAULIC HOSE
4213241	R4111860	MASTER CYLINDER

7 - OEM CROSS REF.

OEM CROSS REFERENCE LISTING

CHRYSLER PART NUMBER	MERITOR PART	DESCRIPTION
4213242	R4111860	MASTER CYLINDER
4219048	R418162	WHEEL CYLINDER
4219049	R4133792	WHEEL CYLINDER
4238197	R4111860	MASTER CYLINDER
4238199	R4111860	MASTER CYLINDER
4238578	R4577380	HYDRAULIC HOSE
4238579	R4577379	HYDRAULIC HOSE
4238865	R441404090	BRAKE DRUM
4267347	R44140510	BRAKE DRUM
4294152	R4111983	MASTER CYLINDER
4294548	R4113041	MASTER CYLINDER
4294773	R4111860	MASTER CYLINDER
4294884	R4111860	MASTER CYLINDER
4294946	R4111983	MASTER CYLINDER
4313056	R4133858	WHEEL CYLINDER
4313080	R46538	LINED SHOE SET
4313243	R4090074P	PISTON
4313332	R4133206	WHEEL CYLINDER
4313332	R4133207	WHEEL CYLINDER
4313333	R4133206	WHEEL CYLINDER
4313333	R4133207	WHEEL CYLINDER
4313483	R44141389	ROTOR
4313493	R4134064	WHEEL CYLINDER
4313521	R4578085	HYDRAULIC HOSE
4313562	R4577380	HYDRAULIC HOSE
4313563	R4577379	HYDRAULIC HOSE
4313630	R4577380	HYDRAULIC HOSE
4313631	R4577379	HYDRAULIC HOSE
4313656	R4133206	WHEEL CYLINDER
4313656	R4133207	WHEEL CYLINDER
4313657	R4133206	WHEEL CYLINDER
4313868	R4090063P	PISTON
4313898	R4133207	WHEEL CYLINDER
4313899	R4133206	WHEEL CYLINDER
4318720	R4111983	MASTER CYLINDER
4318739	R4111860	MASTER CYLINDER
4364780	R4090074P	PISTON
4364786	R46445	LINED SHOE SET
4383067	R4577171	HYDRAULIC HOSE
4383429	R44140264	BRAKE DRUM
4383838	R4577799	HYDRAULIC HOSE
4383843	R4578085	HYDRAULIC HOSE
4383929	R4577810	HYDRAULIC HOSE
4383931	R4577826	HYDRAULIC HOSE
4485299	R4111983	MASTER CYLINDER
4636389	R4577826	HYDRAULIC HOSE

CHRYSLER PART NUMBER	MERITOR PART	DESCRIPTION
4636392	R4577810	HYDRAULIC HOSE
4636393	R4577914	HYDRAULIC HOSE
4636394	R4577915	HYDRAULIC HOSE
4746402	R4112834	MASTER CYLINDER
4761602	R4134102	WHEEL CYLINDER
4778453	R4113056	MASTER CYLINDER
4778456	R4113057	MASTER CYLINDER
4798314	R4411260	ROTOR
22113474	R4578360	HYDRAULIC HOSE
52004200	R4577914	HYDRAULIC HOSE
52004251	R4577909	HYDRAULIC HOSE
52004620	R4112519	MASTER CYLINDER
52006132	R4578117	HYDRAULIC HOSE
52006133	R4578118	HYDRAULIC HOSE
52007593	R44140264	BRAKE DRUM
52007662	R44141927	ROTOR
52007675	R4578387	HYDRAULIC HOSE
52007676	R4578129	HYDRAULIC HOSE
52007677	R4578130	HYDRAULIC HOSE
52007715	R44141924	ROTOR
52007902	R44140657	BRAKE DRUM
52007902	R44140657	DRUM
52007935	R4577927	HYDRAULIC HOSE
52007936	R4577928	HYDRAULIC HOSE
52007937	R4577927	HYDRAULIC HOSE
52008005	R4578132	HYDRAULIC HOSE
52008008	R4578133	HYDRAULIC HOSE
52008009	R4578134	HYDRAULIC HOSE
52008207	R4411260	ROTOR
52008208	R4411260	ROTOR
52008239	R4578135	HYDRAULIC HOSE
52008293	R4578137	HYDRAULIC HOSE
52008295	R4578136	HYDRAULIC HOSE
52008509	R4578137	HYDRAULIC HOSE
52008866	R4578129	HYDRAULIC HOSE
52008867	R4578387	HYDRAULIC HOSE
52008868	R4578410	HYDRAULIC HOSE
52008870	R4578133	HYDRAULIC HOSE
52008871	R4578132	HYDRAULIC HOSE
52008895	R4578410	HYDRAULIC HOSE
52008897	R4578144	HYDRAULIC HOSE
52008923	R4578145	HYDRAULIC HOSE
52009575	R4578085	HYDRAULIC HOSE
53002928	R44141481	ROTOR
53007766	R44140264	BRAKE DRUM
53007767	R44140542	BRAKE DRUM

OEM CROSS REFERENCE LISTING

CHRYSLER PART NUMBER	MERITOR PART	DESCRIPTION
3-1288	R44140312	BRAKE DRUM
52069877AA	R4411260	ROTOR
52069878AA	R4411260	ROTOR
52069879AA	R4411260	ROTOR
H-35325	R4133206	WHEEL CYLINDER
H-35326	R4133207	WHEEL CYLINDER
H-43375	R4133714	WHEEL CYLINDER
H-43376	R4133715	WHEEL CYLINDER
H-43377	R4133714	WHEEL CYLINDER
H-43378	R4133715	WHEEL CYLINDER
H-68602	R4133207	WHEEL CYLINDER
H-68603	R4133206	WHEEL CYLINDER
H-71940	R4133718	WHEEL CYLINDER
H-71941	R4133719	WHEEL CYLINDER
H-78079	R4577537	HYDRAULIC HOSE
H-80953	R4588472	HYDRAULIC HOSE
H-80957	R4588519	HYDRAULIC HOSE
H-84529	R4577024	HYDRAULIC HOSE
J3196564	R4133627	WHEEL CYLINDER
J3196565	R4133628	WHEEL CYLINDER
J3225198	R4133206	WHEEL CYLINDER
J3241807	R4111896	MASTER CYLINDER
J5352266	R44140386	BRAKE DRUM
J5352269	R44141088	ROTOR
J5352636	R44141049	ROTOR
J5357391	R44141088	ROTOR
J5359275	R44141049	ROTOR
J8124571	R4090013S	PISTON
J8126714	R4133628	WHEEL CYLINDER
J8126715	R4133627	WHEEL CYLINDER
J8126717	R4133279	WHEEL CYLINDER
J8126718	R4133278	WHEEL CYLINDER
J8126760	R4090020S	PISTON
J8126953	R4111944	MASTER CYLINDER
J8129723	R4133469	WHEEL CYLINDER
J8129724	R4133608	WHEEL CYLINDER
J8129731	R4111944	MASTER CYLINDER
J924794	R4111206	SLAVE CYLINDER
J937959	R4133725	WHEEL CYLINDER
J937960	R4133726	WHEEL CYLINDER
MB012096	R4112073	MASTER CYLINDER
MB012098	R4112073	MASTER CYLINDER
MB012542	R4112073	MASTER CYLINDER
MB555115	R4112073	MASTER CYLINDER
MB857585	R4577870	HYDRAULIC HOSE

DODGE PART NUMBER	MERITOR PART	DESCRIPTION
05003894AA	R4255915	CALIPER
05003895AA	R4255916	CALIPER
05003906AA	R4255887	CALIPER
05003906AB	R4255887	CALIPER
05003907AA	R4255888	CALIPER
05003907AB	R4255888	CALIPER
05018236AA	R4255865	CALIPER
05018237AA	R4255866	CALIPER
05093266AA	R421005093266AA	CALIPER
05093269AA	R421005093269AA	CALIPER
05102062AA	R421005102062AA	CALIPER
05102063AA	R421005102063AA	CALIPER
05103550AA	R4512290	BRAKE HOSE
05103602AA	R4421503R	ROTOR
05103602AB	R4421503R	ROTOR
05103602AC	R4421503R	ROTOR
05103603AA	R4412287	ROTOR
05103603AB	R4412287	ROTOR
05103606AA	R4412288	ROTOR
05104561AA	R4421513R	ROTOR
05104561AB	R4421513R	ROTOR
05104562AA	R4412289	ROTOR
05129204AA	R4512291	BRAKE HOSE
05129214AA	R4512292	BRAKE HOSE

OEM CROSS REFERENCE LISTING

FORD PART NUMBER	MERITOR PART	DESCRIPTION
2C4Z2001AA	6924083	DISC BRAKE PAD
2C4Z2B120CA	60450468002	CALIPER
2C4Z2B121CA	60450469002	CALIPER NEW EX-CHAN
4C4Z1125A	23-123552-004	ROTOR
4C4Z1125CA	23-123552-004	ROTOR
4C4Z1125GC	23-123573-004	ROTOR SAME AS E-61
4C4Z2007EB	MD786	STOPMATE DISC
4C4Z2007FB	MD786A	MEGA DISC PADS
5C3Z-2552-AA	R4212244	CALIPER
5C3Z-2552-BA	R4212249	CALIPER
5C3Z-2553-AA	R4212243	CALIPER
5C3Z-2553-BA	R4212248	CALIPER
5C3Z-2B120-AA	R4212083	CALIPER
5C3Z-2B120-BA	R4212253	CALIPER
5C3Z-2B120-CA	R4212077	CALIPER
5C3Z-2B121-AA	R4212084	CALIPER
5C3Z-2B121-BA	R4212254	CALIPER
5C3Z-2B121-CA	R4212078	CALIPER
6C3Z-2C150-BA	R4012268	CALIPER HARDWARE K
B6Q2218A	R700346	SHOE
B6Q2221A	R4166689	CYLINDER KIT
B6QH2221A	R4166917	CYLINDER KIT
B6QH2261B	R4133420	WHEEL CYLINDER
B7Q2140A	R4111150	MASTER CYLINDER
B7QH2140A	R4111151	MASTER CYLINDER
B7T7578A	R4122882	REPAIR KIT
B8QH2261A	R4133336	WHEEL CYLINDER
B8T2261	R4133256	WHEEL CYLINDER
B8T7578A	R4122882	REPAIR KIT
B9J2140A	R4111046	MASTER CYLINDER
B9TZ7A508A	R4111208	SLAVE CYLINDER
C0TT2262A	R4133390	WHEEL CYLINDER
C1SS2062A	R4133484	WHEEL CYLINDER
C1TT2061C	R4133366	WHEEL CYLINDER
C1TT2062C	R4133367	WHEEL CYLINDER
C1TT2261A	R4133207	WHEEL CYLINDER
C1TT2262A	R4133206	WHEEL CYLINDER
C1TT7A542A	R4111318	CLUTCH CYLINDER
C1TT7A543G	R4111161	CLUTCH CYLINDER
C1TZ7578B	R4122882	REPAIR KIT
C1VV2061A	R4133485	WHEEL CYLINDER
C1VV2062A	R4133484	WHEEL CYLINDER
C2BY2062A	R4133484	WHEEL CYLINDER
C2OZ2061C	R4133615	WHEEL CYLINDER

FORD PART NUMBER	MERITOR PART	DESCRIPTION
C2OZ2062A	R4133614	WHEEL CYLINDER
C2OZ2062C	R4133614	WHEEL CYLINDER
C2SZ2261A	R4133230	WHEEL CYLINDER
C2VY2061A	R4133485	WHEEL CYLINDER
C2VY2062A	R4133484	WHEEL CYLINDER
C3AZ2221A	R4166819	CYLINDER KIT
C3OZ2061B	R4133615	WHEEL CYLINDER
C3TZ-2140C	R4111266	MASTER CYLINDER
C3TZ-2140D	R4111266	MASTER CYLINDER
C3TZ-2140L	R4111266	MASTER CYLINDER
C3TZ7560B	R4122915	SLAVE CYL KIT
C4TZ2061D	R4133715	WHEEL CYLINDER
C4TZ2062D	R4133714	WHEEL CYLINDER
C4TZ2221C	R4166926	CYLINDER KIT
C4Z2C026AA	23-123528-002	ROTOR
C5TZ2221A	R4166821	CYLINDER KIT
C5TZ2261A	R4133400	WHEEL CYLINDER
C5TZ2261B	R4133338	WHEEL CYLINDER
C5TZ7A508B	R4111320	SLAVE CYLINDER
C5TZ7A508D	R4111206	SLAVE CYLINDER
C7AZ2261A	R4133231	WHEEL CYLINDER
C7AZ2262A	R4133230	WHEEL CYLINDER
C8AZ2221A	R4066851	SEAL KIT
C8HZ2004A	R4122934	CYLINDER KIT
C8HZ2140A	R4111123	MASTER CYLINDER
C8TZ1102H	R44140278	BRAKE DRUM
C8TZ2004L	R4122688	CYLINDER KIT
C8TZ2004M	R4122688	CYLINDER KIT
C8TZ2061A	R4133615	WHEEL CYLINDER
C8TZ2128A	R415181	CYLINDER KIT
C8TZ2218B	R700401	SHOE
C8TZ2218C	R700400	SHOE
C8TZ2218H	R700383	SHOE
C8TZ2218J	R700381	SHOE
C8TZ2261B	R4033607	WHEEL CYLINDER
C8TZ2261C	R4133606	WHEEL CYLINDER
C8TZ2261F	R4133256	WHEEL CYLINDER
C8TZ2262E	R4133584	WHEEL CYLINDER
C8TZ2262F	R4133256	WHEEL CYLINDER
C8UZ2061A	R4133206	WHEEL CYLINDER
C8UZ2062A	R4133206	WHEEL CYLINDER
C9TZ2061A	R4133715	WHEEL CYLINDER
C9TZ2061B	R4133485	WHEEL CYLINDER
C9TZ2062A	R4133714	WHEEL CYLINDER
C9TZ2062B	R4133484	WHEEL CYLINDER
C9TZ2078D	R4588558	HYDRAULIC HOSE

7 - OEM CROSS REF.

OEM CROSS REFERENCE LISTING

FORD PART NUMBER	MERITOR PART	DESCRIPTION
C9TZ-2140L	R4111266	MASTER CYLINDER
D0HZ2004B	R4122688	CYLINDER KIT
D0HZ2004G	R4122688	CYLINDER KIT
D0HZ2140D	R4111630	MASTER CYLINDER
D0HZ2140G	R4111629	MASTER CYLINDER
D0HZ2140J	R4111630	MASTER CYLINDER
D0TZ2061A	R4133716	WHEEL CYLINDER
D0TZ2061B	R4133719	WHEEL CYLINDER
D0TZ2061C	R4133582	WHEEL CYLINDER
D0TZ2061D	R4133721	WHEEL CYLINDER
D0TZ2061E	R4133723	WHEEL CYLINDER
D0TZ2062A	R4133717	WHEEL CYLINDER
D0TZ2062B	R4133718	WHEEL CYLINDER
D0TZ2062C	R4133581	WHEEL CYLINDER
D0TZ2062D	R4133720	WHEEL CYLINDER
D0TZ2062E	R4133722	WHEEL CYLINDER
D0TZ2221A	R4166923	CYLINDER KIT
D1AZ2262A	R4133230	WHEEL CYLINDER
D1FZ2296A	R40H364	SPRING KIT
D1TZ1126D	R44140278	BRAKE DRUM
D1TZ2061A	R4133207	WHEEL CYLINDER
D1TZ2062A	R4133206	WHEEL CYLINDER
D1TZ2261A	R4033607	WHEEL CYLINDER
D2OZ2078A	R4588519	HYDRAULIC HOSE
D2OZ2196A	R4090018P	PISTON
D2AZ2221A	R4166819	CYLINDER KIT
D2AZ2221B	R418187	CYLINDER KIT
D2HZ2004A	R4122484	MASTER CYL KIT
D2HZ2004B	R4122486	MASTER CYL KIT
D2HZ2004E	R4122488	MASTER CYL KIT
D2HZ2140C	R4111629	MASTER CYLINDER
D2HZ2140D	R4111631	MASTER CYLINDER
D2HZ2140E	R4111630	MASTER CYLINDER
D2HZ2140F	R4111634	MASTER CYLINDER
D2HZ2140G	R4111772	MASTER CYLINDER
D2OZ2078A	R4588519	HYDRAULIC HOSE
D2OZ2262A	R4133230	WHEEL CYLINDER
D2SZ2128A	R4166822	CYLINDER KIT
D2SZ2261A	R4133005	WHEEL CYLINDER
D2SZ2262A	R4133004	WHEEL CYLINDER
D2TZ-2140B	R4111266	MASTER CYLINDER
D2ZZ2262A	R4133627	WHEEL CYLINDER
D3OZ2261A	R4133638	WHEEL CYLINDER
D3OZ2261D	R4133005	WHEEL CYLINDER
D3OZ2262A	R4133637	WHEEL CYLINDER
D3OZ2262D	R4133004	WHEEL CYLINDER

FORD PART NUMBER	MERITOR PART	DESCRIPTION
D3AZ2078A	R4588519	HYDRAULIC HOSE
D3DZ2296A	R40H133	SPRING KIT
D3HZ2078D	R4577686	HYDRAULIC HOSE
D3OZ2261C	R4133231	WHEEL CYLINDER
D3SZ2261A	R4133005	WHEEL CYLINDER
D3SZ2262A	R4133004	WHEEL CYLINDER
D3TZ1102D	R44141067	HUB/ROTOR
D3TZ2061A	R4133207	WHEEL CYLINDER
D3TZ2062A	R4133206	WHEEL CYLINDER
D3TZ2062B	R4133206	WHEEL CYLINDER
D3TZ2078G	R4588558	HYDRAULIC HOSE
D3TZ2120A	R4066781	SEAL KIT
D3TZ2128A	R4166820	CYLINDER KIT
D3TZ2140G	R4111632	MASTER CYLINDER
D3TZ2194A	R4090019S	PISTON
D3TZ2194A	R4090019S	PISTON
D3TZ2221C	R418187	CYLINDER KIT
D3TZ2261A	R4133628	WHEEL CYLINDER
D3TZ2261C	R4133279	WHEEL CYLINDER
D3TZ2261D	R418145	WHEEL CYLINDER
D3TZ2261E	R4133279	WHEEL CYLINDER
D3TZ2262A	R4133627	WHEEL CYLINDER
D3TZ2262B	R4133230	WHEEL CYLINDER
D3TZ2262C	R4133278	WHEEL CYLINDER
D3TZ2262D	R4133791	WHEEL CYLINDER
D3TZ2262E	R4133278	WHEEL CYLINDER
D3TZ7A564A	R4112052	SLAVE CYLINDER
D3UZ2061A	R4133207	WHEEL CYLINDER
D3UZ2061B	R4133206	WHEEL CYLINDER
D3UZ2062A	R4133206	WHEEL CYLINDER
D3UZ2062B	R4133207	WHEEL CYLINDER
D3UZ2221B	R4166935	CYLINDER KIT
D3ZZ2261A	R4133628	WHEEL CYLINDER
D3ZZ2262A	R4133627	WHEEL CYLINDER
D4FZ2196A	R4090020S	PISTON
D4FZ2221A	R4066778	SEAL KIT
D4UZ1113A	R44140344	BRAKE DRUM
D4UZ1114A	R44140344	BRAKE DRUM
D5DZ2261A	R4133231	WHEEL CYLINDER
D5DZ2262A	R4133230	WHEEL CYLINDER
D5HZ1102A	R44141856	ROTOR
D5HZ2078A	R45F124053	HYDRAULIC HOSE
D5HZ2078G	R4577686	HYDRAULIC HOSE
D5MZ2B595	R4066778	SEAL KIT
D5TZ1102A	R44141067	HUB/ROTOR
D6AZ2078A	R4588519	HYDRAULIC HOSE

7 - OEM CROSS REF.

OEM CROSS REFERENCE LISTING

FORD PART NUMBER	MERITOR PART	DESCRIPTION
D6TZ1102B	R44141154	HUB/ROTOR
D6TZ1102C	R44141153	HUB/ROTOR
D6TZ1102D	R44141127	ROTOR
D6TZ1111A	R44141127	ROTOR
D6TZ1126A	R44140479	BRAKE DRUM
D6TZ2061A	R418145	WHEEL CYLINDER
D6TZ2140B	R4111669	MASTER CYLINDER
D6TZ2140L	R4111931	MASTER CYLINDER
D6TZ2261A	R4133726	WHEEL CYLINDER
D6TZ2261B	R4133726	WHEEL CYLINDER
D6TZ2262A	R4133725	WHEEL CYLINDER
D6TZ2262B	R4133725	WHEEL CYLINDER
D6UZ1113A	R44140362	BRAKE DRUM
D6UZ1114A	R44140362	BRAKE DRUM
D6UZ2140A	R4111669	MASTER CYLINDER
D7HZ-2140A	R4111913	MASTER CYLINDER
D7TZ1102A	R44141174	ROTOR
D7TZ2140A	R4111682	MASTER CYLINDER
D7TZ2140B	R4111676	MASTER CYLINDER
D7TZ2140C	R4111854	MASTER CYLINDER
D8BZ2261B	R4133279	WHEEL CYLINDER
D8BZ2262A	R4133278	WHEEL CYLINDER
D8HZ7560A	R4122342	SLAVE CYL KIT
D8TZ1102A	R44141174	ROTOR
D8TZ1113A	R44140278	BRAKE DRUM
D8TZ1113C	R44140344	BRAKE DRUM
D8TZ1114A	R44140278	BRAKE DRUM
D8TZ1114B	R44140344	BRAKE DRUM
D9AZ2221A	R4066781	SEAL KIT
D9HZ7A508A	R4111916	SLAVE CYLINDER
D9HZ7A508B	R4111915	SLAVE CYLINDER
D9HZ7A508D	R4111768	SLAVE CYLINDER
E0HT2078LB	R4577452	HYDRAULIC HOSE
E0HZ2004A	R4122387	CYLINDER KIT
E0HZ2004A	R4122387	MASTER CYL KIT
E0HZ2061A	R4133916	WHEEL CYLINDER
E0HZ2062A	R4133915	WHEEL CYLINDER
E0HZ2078A	R4577457	HYDRAULIC HOSE
E0HZ2078F	R4577454	HYDRAULIC HOSE
E0HZ2078G	R4577455	HYDRAULIC HOSE
E0HZ2078H	R4577452	HYDRAULIC HOSE
E0HZ2078J	R4577453	HYDRAULIC HOSE
E0HZ2078K	R4577686	HYDRAULIC HOSE
E0HZ2078M	R4577452	HYDRAULIC HOSE
E0HZ2078N	R4577453	HYDRAULIC HOSE
E0HZ2078P	R4577460	HYDRAULIC HOSE

FORD PART NUMBER	MERITOR PART	DESCRIPTION
E0HZ2140A	R4111911	MASTER CYLINDER
E0TZ1102B	R44141197	HUB/ROTOR
E0TZ1102C	R44141234	HUB/ROTOR
E0TZ1102D	R44141127	ROTOR
E0TZ1102E	R44141235	HUB/ROTOR
E0TZ1102F	R44141237	ROTOR
E0TZ1102G	R44141237	ROTOR
E0TZ1102H	R44141237	ROTOR
E0TZ1102J	R44141234	HUB/ROTOR
E0TZ1102L	R44141127	ROTOR
E0TZ1126B	R44140397	BRAKE DRUM
E0TZ2078E	R4577309	HYDRAULIC HOSE
E0TZ2078F	R4577078	HYDRAULIC HOSE
E0TZ2140A	R4111861	MASTER CYLINDER
E0TZ2140B	R4111856	MASTER CYLINDER
E0TZ2196A	R4090020S	PISTON
E0TZ2196B	R4090019S	PISTON
E0TZ2282B	R4577247	HYDRAULIC HOSE
E0ZZ2128A	R4166599	CYLINDER KIT
E17Z2140A	R4111917	MASTER CYLINDER
E1TZ1102B	R44141237	ROTOR
E1TZ1102D	R44141237	ROTOR
E1TZ2078A	R4577312	HYDRAULIC HOSE
E1TZ2078B	R4577309	HYDRAULIC HOSE
E2HZ2140A	R4111911	MASTER CYLINDER
E2HZ2140C	R4111911	MASTER CYLINDER
E2HZ7A508B	R4112166	SLAVE CYLINDER
E2TZ2261A	R418145	WHEEL CYLINDER
E2TZ2261B	R4133726	WHEEL CYLINDER
E2TZ2261D	R4133638	WHEEL CYLINDER
E2TZ2262A	R4133791	WHEEL CYLINDER
E2TZ2262B	R4133725	WHEEL CYLINDER
E2TZ2262D	R4133637	WHEEL CYLINDER
E3HZ1102A	23122691002	ROTOR
E3HZ2078A	R4577461	HYDRAULIC HOSE
E3HZ2078A	R4577461	HYDRAULIC HOSE
E3HZ2282A	R4577870	HYDRAULIC HOSE
E3HZ2B120A	60050145	CALIPER
E3HZ-2K395A	69270702	PISTON
E3TZ1126B	R44140493	BRAKE DRUM
E3TZ2004B	R4122324	MASTER CYL KIT
E3TZ2120A	R4066530	SEAL KIT
E3TZ2140A	R4111930	MASTER CYLINDER
E3TZ2140B	R4111931	MASTER CYLINDER
E3TZ2196A	R4090020S	PISTON
E3TZ2261B	R4133851	WHEEL CYLINDER

7 - OEM CROSS REF.

OEM CROSS REFERENCE LISTING

FORD PART NUMBER	MERITOR PART	DESCRIPTION
E3TZ7A543	R4112119	CLUTCH CYLINDER
E3TZ7A543A	R4112117	CLUTCH CYLINDER
E3TZ7A543B	R4112119	CLUTCH CYLINDER
E3TZ7A564A	R4112052	SLAVE CYLINDER
E3TZ7A564C	R4112054	SLAVE CYLINDER
E3TZ7A564D	R4112055	SLAVE CYLINDER
E43Z2196A	R4090063P	PISTON
E43Z2221A	R4066517	SEAL KIT
E4H-2B107D	SP7895S	CYLINDER KIT
E4HZ1125A	23122700002	ROTOR
E4HZ1125C	23122703002	ROTOR
E4HZ1125D	23122743002	ROTOR
E4HZ2001C	MD224	STOPMATE DISC
E4HZ2004B	R4122346	MASTER CYL KIT
E4HZ2140A	R4111999	MASTER CYLINDER
E4HZ2140B	R4111995	MASTER CYLINDER
E4HZ-2140B	R4111873	MASTER CYLINDER
E4HZ2207A	60050266	SEAL KIT
E4HZ-2211E	291003	RH BACKING PLATE
E4HZ-2211F	291005	RH BACKING PLATE
E4HZ-2212E	291002	LH BACKING PLATE
E4HZ-2212F	291004	LH BACKING PLATE
E4HZ22261C	201184	WHEEL CYLINDER
E4HZ-22610	201186	WHEEL CYLINDER
E4HZ2261A	201184	WHEEL CYLINDER
E4HZ2261B	201186	WHEEL CYLINDER
E4HZ2261C	201184	WHEEL CYLINDER
E4HZ2261D	201186	WHEEL CYLINDER
E4HZ2262A	201183	WHEEL CYLINDER
E4HZ2262B	201185	WHEEL CYLINDER
E4HZ2262C	201183	WHEEL CYLINDER
E4HZ2262D	201185	WHEEL CYLINDER
E4HZ2282E	R4577463	HYDRAULIC HOSE
E4HZ2296A	R40H618	SPRING KIT
E4HZ2296B	R40H618	SPRING KIT
E4HZ2297	R40H618	SPRING KIT
E4HZ2297A	R40H618	SPRING KIT
E4HZ2297B	R40H618	SPRING KIT
E4HZ28487A	60050153	HARDWARE KIT
E4HZ28552A	60050153	HARDWARE KIT
E4HZ2B017A	SP7873S	CYLINDER KIT
E4HZ2B107A	SP7873S	CYLINDER KIT
E4HZ2B107B	SP7895S	CYLINDER KIT
E4HZ2B107C	SP7873S	CYLINDER KIT
E4HZ2B107D	SP7895S	CYLINDER KIT
E4HZ2B120A	60050150	CALIPER

FORD PART NUMBER	MERITOR PART	DESCRIPTION
E4HZ-2C1198F	201180	EXPANDER
E4HZ2C197B	SP7880S	EXPANDER KIT
E4HZ2C198A	201179	EXPANDER
E4HZ2C198B	201181	WHEEL CYLINDER
E4HZ2C198C	201180	EXPANDER
E4HZ2C198D	201182	WHEEL CYLINDER
E4HZ2C198E	201179	EXPANDER
E4HZ2C198F	201180	EXPANDER
E4HZ-2C198G	201181	WHEEL CYLINDER
E4HZ-2C198H	201182	WHEEL CYLINDER
E4HZ2C199A	291000	ADJ ASSEMBLY
E4HZ2C200A	SP7887S	ADJ ASSEMBLY
E4HZ2C200B	291000	ADJ ASSEMBLY
E4HZ2C200B	SP7888S	ADJ ASSEMBLY
E4HZ2C200C	SP7887S	ADJ ASSEMBLY
E4HZ2C200D	SP7888S	ADJ ASSEMBLY
E4HZ-2L198A	SP7873S	CYLINDER KIT
E4HZ-2L198B	SP7895S	CYLINDER KIT
E4HZ-2S62B	201185	WHEEL CYLINDER
E4HZ-2S62D	201185	WHEEL CYLINDER
E4TZ1102A	R44141127	ROTOR
E4TZ1113A	R44140278	BRAKE DRUM
E4TZ1113B	R44140344	BRAKE DRUM
E4TZ1113C	R44140278	BRAKE DRUM
E4TZ1114A	R44140344	BRAKE DRUM
E4TZ1114B	R44140278	BRAKE DRUM
E4TZ1126B	R44140479	BRAKE DRUM
E4TZ1126D	R44140397	BRAKE DRUM
E4TZ2140A	R4112007	MASTER CYLINDER
E4TZ2140B	R4112008	MASTER CYLINDER
E4TZ2261A	R4133904	WHEEL CYLINDER
E4TZ2261B	R4133207	WHEEL CYLINDER
E4TZ2261C	R4133279	WHEEL CYLINDER
E4TZ2262B	R4133206	WHEEL CYLINDER
E4TZ2262C	R4133278	WHEEL CYLINDER
E4TZ7A564A	R4112120	SLAVE CYLINDER
E4TZ7A564D	R4112120	SLAVE CYLINDER
E4UZ2078A	R4577444	HYDRAULIC HOSE
E4UZ2078B	R4577443	HYDRAULIC HOSE
E4UZ7A543A	R4112118	CLUTCH CYLINDER
E59Z7A543	R4112119	CLUTCH CYLINDER
E5TZ1102B	R44141808	ROTOR
E5TZ1126A	R44140468	BRAKE DRUM
E5TZ1126B	R44140504	BRAKE DRUM
E5TZ2282A	R4577612	HYDRAULIC HOSE
E5TZ2282B	R4577613	HYDRAULIC HOSE

7 - OEM CROSS REF.

OEM CROSS REFERENCE LISTING

FORD PART NUMBER	MERITOR PART	DESCRIPTION
E5UZ2282A	R4577614	HYDRAULIC HOSE
E69Z2140A	R4112183	MASTER CYLINDER
E69Z2261A	R4133930	WHEEL CYLINDER
E69Z7A543A	R4112119	CLUTCH CYLINDER
E6HZ1125F	Discontinued	ROTOR
E6HZ1125G	Discontinued	ROTOR
E6HZ2001D	MD236	STOPMATE DISC
E6HZ2140A	R4112466	MASTER CYLINDER
E6HZ26198F	201180	EXPANDER
E6HZ-2B107A	SP7873S	CYLINDER KIT
E6HZ-2B107B	SP7895S	CYLINDER KIT
E6HZ-2B107C	SP7873S	CYLINDER KIT
E6HZ-2B107D	SP7895S	CYLINDER KIT
E6HZ2B120B	60050150	CALIPER
E6HZ2C150A	R407182	GUIDE PIN KIT
E6HZ2C198A	201180	EXPANDER
E6HZ2C198B	201179	EXPANDER
E6HZ2C198C	201182	WHEEL CYLINDER
E6HZ2C198D	201181	WHEEL CYLINDER
E6HZ2C198E	201179	EXPANDER
E6HZ2C198F	201180	EXPANDER
E6HZ2C198G	201181	WHEEL CYLINDER
E6HZ-2C198G	201180	EXPANDER
E6HZ2C198H	201182	WHEEL CYLINDER
E6TZ1102A	R44141067	HUB/ROTOR
E6TZ1126A	R44140520	BRAKE DRUM
E7HZ2001A	MD379	STOPMATE DISC
E7HZ2L296A	R407181	RETAINER KIT
E7SZ7A508A	R4112055	SLAVE CYLINDER
E7TZ1102C	R44141234	HUB/ROTOR
E7TZ1102D	R44141127	ROTOR
E7TZ1102E	R44141237	ROTOR
E7TZ1102F	R44141237	ROTOR
E7TZ1126A	R44140545	BRAKE DRUM
E7TZ2120A	R4066395	SEAL KIT
E7TZ2140B	R4112197	MASTER CYLINDER
E7TZ-2140B	R148228	MASTER CYLINDER
E7TZ2140C	R4112198	MASTER CYLINDER
E7TZ2140F	R4112197	MASTER CYLINDER
E7TZ-2140F	R148228	MASTER CYLINDER
E7TZ2261A	R4133946	WHEEL CYLINDER
E7TZ2262A	R4133945	WHEEL CYLINDER
E7UZ1126A	R44140504	BRAKE DRUM
E7UZ1126B	R44140545	BRAKE DRUM
E7UZ-2140B	R4112200	MASTER CYLINDER
E7UZ2140C	R4112198	MASTER CYLINDER

FORD PART NUMBER	MERITOR PART	DESCRIPTION
E8TZ1102B	R44141237	ROTOR
E8TZ1102C	R44141237	ROTOR
E8TZ1125A	R44141455	ROTOR
E8TZ2078C	R451554	HYDRAULIC HOSE
E8TZ2078D	R4578159	HYDRAULIC HOSE
E8TZ2120A	R4066204	SEAL KIT
E8TZ-2140A	R4112357	MASTER CYLINDER
E8TZ2196B	R4090088S	PISTON
E8TZ2268A	R451554	HYDRAULIC HOSE
E8TZ2282A	R4577245	HYDRAULIC HOSE
E8TZ2282B	R4577245	HYDRAULIC HOSE
E8TZ2282C	R4578666	HYDRAULIC HOSE
E8TZ2B120A	R4255604	NEW CALIPER
E8TZ-2B120A	R4255604	CALIPER
E8TZ2B121A	R4255605	NEW CALIPER
E8TZ-2B121A	R4255605	CALIPER
E8TZ2B164A	R40H5735	HARDWARE KIT
E8TZ2C150A	R40H5735	HARDWARE KIT
E8TZ4022A	R4577245	HYDRAULIC HOSE
E8UZ2282B	R4578618	HYDRAULIC HOSE
E9TZ2078C	R4578165	HYDRAULIC HOSE
E9TZ2268B	R451554	HYDRAULIC HOSE
E9TZ2282A	R4578166	HYDRAULIC HOSE
E9TZ2282C	R451537	HYDRAULIC HOSE
EHZ-2261B	201186	WHEEL CYLINDER
EOTZ2078E	R4577309	HYDRAULIC HOSE
F07Z1102A	R44141599	ROTOR
F07Z1102A	R44141599	ROTOR
F09Z-2140C	R4110352	MASTER CYLINDER
F09Z-2140D	R4110352	MASTER CYLINDER
F0HT2078CA	R4577461	HYDRAULIC HOSE
F0HT2282CA	R4577870	HYDRAULIC HOSE
F0HZ2078B	R4577461	HYDRAULIC HOSE
F0HZ2078B	R4577461	HYDRAULIC HOSE
F0HZ2282B	R4577870	HYDRAULIC HOSE
F0HZ-2282B	R4577870	HYDRAULIC HOSE
F0TZ2078A	R4578169	HYDRAULIC HOSE
F0TZ2078B	R4578303	HYDRAULIC HOSE
F0TZ2078C	R4578001	HYDRAULIC HOSE
F0TZ-2140A	R4112575	MASTER CYLINDER
F0UZ2282B	R4578610	HYDRAULIC HOSE
F19Z2140B	R4110352	MASTER CYLINDER
F1LY2A478A	R4578209	HYDRAULIC HOSE
F2HZ2261A	201184	WHEEL CYLINDER
F2HZ2262A	201183	WHEEL CYLINDER
F2HZ2B107A	SP7873S	CYLINDER KIT

7 - OEM CROSS REF.

OEM CROSS REFERENCE LISTING

FORD PART NUMBER	MERITOR PART	DESCRIPTION
F2HZ2B107B	SP7873S	CYLINDER KIT
F2HZ2C198A	201179	EXPANDER
F2HZ2C198B	201180	EXPANDER
F2HZ-2L198A	SP7873S	CYLINDER KIT
F2TZ2282A	R4578182	HYDRAULIC HOSE
F2TZ2282B	R4578183	HYDRAULIC HOSE
F2TZ2282C	R4578184	HYDRAULIC HOSE
F2TZ2282D	R4578332	HYDRAULIC HOSE
F2UZ1102A	R44141798	ROTOR
F2UZ2078B	R4577277	HYDRAULIC HOSE
F2UZ2078D	R4578187	HYDRAULIC HOSE
F2UZ2078E	R4578188	HYDRAULIC HOSE
F2UZ-2140A	R4112641	MASTER CYLINDER
F2UZ-2140B	R4112641	MASTER CYLINDER
F2UZ2261A	R4133596	WHEEL CYLINDER
F2UZ2262A	R4133595	WHEEL CYLINDER
F2UZ2282A	R4578305	HYDRAULIC HOSE
F3TZ1102C	R44141599	ROTOR
F3TZ1102C	R44141599	ROTOR
F3TZ2078A	R4578312	HYDRAULIC HOSE
F3TZ2078B	R4578313	HYDRAULIC HOSE
F3TZ2140A	R4112833	MASTER CYLINDER
F3TZ-2140A	R148228	MASTER CYLINDER
F3TZ2140B	R4112833	MASTER CYLINDER
F3TZ-2140B	R148228	MASTER CYLINDER
F4HZ-1125A	23123439002	ROTOR
F4HZ-1125C	23123458002	ROTOR
F4TZ1102B	R44141905	ROTOR
F4TZ1102BB	R44141905	ROTOR
F4TZ2078C	R4578206	HYDRAULIC HOSE
F4TZ2078E	R451554	HYDRAULIC HOSE
F4TZ2078F	R4578303	HYDRAULIC HOSE
F4TZ2140A	R4112833	MASTER CYLINDER
F4TZ-2140A	R4112200	MASTER CYLINDER
F4TZ-2140B	R4112840	MASTER CYLINDER
F4TZ2140C	R4112843	MASTER CYLINDER
F4TZ-2140D	R4112357	MASTER CYLINDER
F4TZ-2140F	R148228	MASTER CYLINDER
F4TZ-2140F	R4112833	MASTER CYLINDER
F4TZ-2140G	R4112833	MASTER CYLINDER
F4TZ-2140H	R4112842	MASTER CYLINDER
F4TZ-2B120AA	R4255604	CALIPER
F4TZ-2B121AA	R4255605	CALIPER
F4UZ1102C	R44141917	ROTOR
F4UZ1102D	R44141934	ROTOR
F4UZ1126A	R44140545	BRAKE DRUM

FORD PART NUMBER	MERITOR PART	DESCRIPTION
F4UZ2078A	R4578208	HYDRAULIC HOSE
F4UZ2078B	R4578209	HYDRAULIC HOSE
F4UZ2078C	R4578210	HYDRAULIC HOSE
F58Z2078A	R4578218	HYDRAULIC HOSE
F58Z2282B	R4578219	HYDRAULIC HOSE
F5TZ1102A	R44145055	ROTOR
F5TZ1102E	R44145049	ROTOR
F5TZ1102F	R44145054	ROTOR
F5TZ1125A	R44145075	ROTOR
F5TZ2078A	R4578324	HYDRAULIC HOSE
F5TZ2078B	R4578325	HYDRAULIC HOSE
F5TZ2078C	R4578326	HYDRAULIC HOSE
F5TZ2078D	R4578327	HYDRAULIC HOSE
F5UZ1102A	R44145057	ROTOR
F5UZ1102B	R44145071	ROTOR
F5UZ1102C	R44145068	ROTOR
F5UZ-1126A	R44140675	BRAKE DRUM
F5UZ2078A	R4578331	HYDRAULIC HOSE
F5UZ2078B	R4578332	HYDRAULIC HOSE
F5UZ2078C	R4578333	HYDRAULIC HOSE
F65Z1102AC	R44145240	ROTOR
F65Z2078AB	R4578513	HYDRAULIC HOSE
F65Z2078AC	R4578514	HYDRAULIC HOSE
F65Z2078BA	R4578515	HYDRAULIC HOSE
F65Z2078CA	R4578516	HYDRAULIC HOSE
F67Z1125BA	R44145075	ROTOR
F6TZ2140AA	R4113355	MASTER CYLINDER
F6TZ2140BA	R4110382	MASTER CYLINDER
F6TZ2140EA	R4110384	MASTER CYLINDER
F6TZ2140FA	R4113263	MASTER CYLINDER
F75Z1125AC	R44145145	ROTOR
F75Z-2120-BA	R4012266	BOOT & SEAL KIT
F75Z2140GC	R4110384	MASTER CYLINDER
F75Z2140HC	R4113263	MASTER CYLINDER
F75Z2140KA	R4110382	MASTER CYLINDER
F75Z2C026CC	R44145139	ROTOR
F7TZ-2B120-AA	R4255748	CALIPER
F7TZ-2B121-AA	R4255749	CALIPER
F7UZ1102AA	R44145071	ROTOR
F7UZ1102BA	R44145068	ROTOR
F7UZ2140DB	R4113284	MASTER CYLINDER
F7UZ2140EB	R4113282	MASTER CYLINDER
F7UZ2140PB	R4113282	MASTER CYLINDER
F7UZ2140SB	R4113284	MASTER CYLINDER
F7Z2140HC	R4113263	MASTER CYLINDER
F81AZ2B121DD	60450469002	CALIPER NEW EX-CHAN

7 - OEM CROSS REF

OEM CROSS REFERENCE LISTING

FORD PART NUMBER	MERITOR PART	DESCRIPTION
F81AZB120DD	60450468002	CALIPER
F81Z 1102 DB	R44145267	ROTOR
F81Z 1102 LA	R44145256	ROTOR
F81Z 1125 AA	R44145245	ROTOR
F81Z 2C 026 AA	R44145274	ROTOR
F81Z-2B120-AA	R4255861	CALIPER
F81Z-2B121-AA	R4255862	CALIPER
F8UZ 1102 CA	R44145071	ROTOR
F8UZ1102AA	R44145049	ROTOR
F8UZ1102CA	R44145071	ROTOR
F8UZ1126AB	R44140545	BRAKE DRUM
FO9Z-2140C	R4110352	MASTER CYLINDER
FO9Z-2140D	R4110352	MASTER CYLINDER
FOTZ2078B	R4578303	HYDRAULIC HOSE
FOUZ2282B	R4578610	HYDRAULIC HOSE
XC2Z-1126AA	R44140675	BRAKE DRUM
XC2Z-2552-AD	R4255857	CALIPER
XC2Z-2553-AD	R4255858	CALIPER
XL3Z-2B120-EA	R4255794	CALIPER
XL3Z-2B121-EA	R4255795	CALIPER
YC3Z1125AA	23-123527-002	ROTOR
YC3Z-2B120-GA	R4255861	CALIPER
YC3Z-2B121-BA	R4255862	CALIPER
YC3Z2C026AA	23-123498-002	ROTOR
YC3Z2C026BA	23-123461-002	ROTOR
YC4Z2200BB	MD786A	MEGA DISC PADS

GMC / CHEVROLET PART NUMBER	MERITOR PART	DESCRIPTION
155445	R46473	LINED SHOE SET
230251	R4122705	CYLINDER KIT
325068	R44141088	ROTOR
334303	R40H3500	ADJUSTER KIT
334304	R40H3501	ADJUSTER KIT
335075	R4111944	MASTER CYLINDER
335152	R4122643	CYLINDER KIT
341520	R40H550	SPRING KIT
344015	R44141152	HUB/ROTOR
344016	R44141152	HUB/ROTOR
345699	R4122599	CYLINDER KIT
352665	R700442	SHOE
359491	R44140316	BRAKE DRUM
359492	R44140315	BRAKE DRUM
366372	R4090028S	PISTON
366665	R4577010	HYDRAULIC HOSE
372339	R4066715	SEAL KIT
372378	R46451	LINED SHOE SET
372379	R46452	LINED SHOE SET
379821	R44141049	ROTOR
412685	R40H9206	HOLD DOWN KIT
457714	R44141152	HUB/ROTOR
458842	R44141088	ROTOR
458857	R44141049	ROTOR
464109	R4255099	CALIPER
464110	R4255098	CALIPER
465470	R4111668	MASTER CYLINDER
473186	R4133400	WHEEL CYLINDER
474004	R46473	LINED SHOE SET
474100	R4066715	SEAL KIT
475985	R44141469	ROTOR
650668	R700381	SHOE
651497	R700346	SHOE
685223	R4111618	MASTER CYLINDER
790328	23122693002	ROTOR
1154577	R46462	LINED SHOE SET
1200208	R46462	LINED SHOE SET
1237067	R44141043	HUB/ROTOR
1416653	R40H599	SPRING KIT
1567207	R4577765	HYDRAULIC HOSE
1569970	23122729002	ROTOR
1613287	R44141261	ROTOR
1799993	R4577760	HYDRAULIC HOSE
2035321	R4577481	HYDRAULIC HOSE
2035458	R4111885	MASTER CYLINDER
2038405	R4577481	HYDRAULIC HOSE

OEM CROSS REFERENCE LISTING

GMC / CHEVEROLET PART NUMBER	MERITOR PART	DESCRIPTION
2048572	R4511240	HYDRAULIC HOSE
2048574	R4511240	HYDRAULIC HOSE
2054811	R4122386	MASTER CYL KIT
2065061	R4577484	HYDRAULIC HOSE
2254354	R4133321	WHEEL CYLINDER
2254354	R4133321	WHEEL CYLINDER
2254355	R4133320	WHEEL CYLINDER
2254355	R4133320	WHEEL CYLINDER
2276166	R4166923	CYLINDER KIT
2331945	R4133336	WHEEL CYLINDER
2331949	R4133420	WHEEL CYLINDER
2331950	R4166897	CYLINDER KIT
2393941	23122693002	ROTOR
2404319	R4133380	WHEEL CYLINDER
2404320	R4133379	WHEEL CYLINDER
2404321	R4133377	WHEEL CYLINDER
2404322	R4133376	WHEEL CYLINDER
2431345	R40H1902	BRACKET ASM
2431436	R40H1903	BRACKET ASM
2494706	R4122809	CYLINDER KIT
2620632	R4133655	WHEEL CYLINDER
2620633	R4133656	WHEEL CYLINDER
2620636	R4111944	MASTER CYLINDER
2621260	R4133709	WHEEL CYLINDER
2622207	R4090013S	PISTON
2622302	R4122643	CYLINDER KIT
2622820	R4133714	WHEEL CYLINDER
2622821	R4133715	WHEEL CYLINDER
3772241	R4133338	WHEEL CYLINDER
3772245	R4133400	WHEEL CYLINDER
3838087	R4133206	WHEEL CYLINDER
3838088	R4133207	WHEEL CYLINDER
3856847	R40H3500	ADJUSTER KIT
3856848	R40H3501	ADJUSTER KIT
3873517	R40H3500	ADJUSTER KIT
3873518	R40H3501	ADJUSTER KIT
3883081	R4111455	MASTER CYLINDER
3887014	R4122682	CYLINDER KIT
3896695	R4111455	MASTER CYLINDER
3896695	R4111455	MASTER CYLINDER
3910003	R4122681	CYLINDER KIT
3910726	R4577479	HYDRAULIC HOSE
3910727	R4577479	HYDRAULIC HOSE
3910728	R4511250	HYDRAULIC HOSE
3912368	R4122679	CYLINDER KIT
3912376	R4122809	CYLINDER KIT

GMC / CHEVEROLET PART NUMBER	MERITOR PART	DESCRIPTION
3933995	R40H1902	BRACKET ASM
3933996	R40H1903	BRACKET ASM
3965376	R4111618	MASTER CYLINDER
3978936	R4577479	HYDRAULIC HOSE
3987461	R40H1842	ADJUSTER SCREW
3987461	R40H3510	ADJUSTER KIT
3987462	R40H1843	ADJUSTER SCREW
3987462	R40H3511	ADJUSTER KIT
3987475	R40H3510	ADJUSTER KIT
3987476	R40H3511	ADJUSTER KIT
3995722	R44141049	ROTOR
3995723	R44141049	ROTOR
3995887	R44140253	BRAKE DRUM
5450643	R4133003	WHEEL CYLINDER
5450644	R4133002	WHEEL CYLINDER
5456586	R4133003	WHEEL CYLINDER
5456587	R4133002	WHEEL CYLINDER
5457146	R4133367	WHEEL CYLINDER
5457147	R4133406	WHEEL CYLINDER
5457162	R4133206	WHEEL CYLINDER
5457163	R4133207	WHEEL CYLINDER
5459446	R40H9206	HOLD DOWN KIT
5460399	R404121	HOLD DOWN KIT
5462086	R4166822	CYLINDER KIT
5462090	R4166819	CYLINDER KIT
5462986	R4133206	WHEEL CYLINDER
5462987	R4133207	WHEEL CYLINDER
5463030	R4133207	WHEEL CYLINDER
5463031	R4133206	WHEEL CYLINDER
5463031	R4133207	WHEEL CYLINDER
5463361	R4166852	CYLINDER KIT
5464763	R4166852	CYLINDER KIT
5465752	R4133003	WHEEL CYLINDER
5465753	R4133002	WHEEL CYLINDER
5467736	R4111191	CLUTCH CYLINDER
5468767	R4066848	SEAL KIT
5470497	R40H5500	BRAKE KIT
5472326	R4166620	CYLINDER KIT
5472328	R4166620	CYLINDER KIT
5472347	R46462	LINED SHOE SET
5472489	R415194	CYLINDER KIT
5472732	R4111395	MASTER CYLINDER
5472738	R4111395	MASTER CYLINDER
5472820	R4133655	WHEEL CYLINDER
5472821	R4133656	WHEEL CYLINDER
5473012	R4111266	MASTER CYLINDER

OEM CROSS REFERENCE LISTING

GMC / CHEVROLET PART NUMBER	MERITOR PART	DESCRIPTION
5473043	R4133003	WHEEL CYLINDER
5473062	R4133320	WHEEL CYLINDER
5473062	R4133320	WHEEL CYLINDER
5473063	R4133321	WHEEL CYLINDER
5473077	R4133714	WHEEL CYLINDER
5473078	R4133715	WHEEL CYLINDER
5473113	R4133376	WHEEL CYLINDER
5473114	R4133377	WHEEL CYLINDER
5473145	R4133338	WHEEL CYLINDER
5473156	R4133420	WHEEL CYLINDER
5473181	R4166689	CYLINDER KIT
6259161	R4122598	CYLINDER KIT
6259173	R4111583	MASTER CYLINDER
6260588	R44140363	BRAKE DRUM
6260726	R4122597	CYLINDER KIT
6260806	R44141130	HUB/ROTOR
6260807	R44141152	HUB/ROTOR
6260830	R44140387	BRAKE DRUM
6260831	R44140388	BRAKE DRUM
6273936	R4111494	MASTER CYLINDER
6274216	R44141043	HUB/ROTOR
9754065	R4511250	HYDRAULIC HOSE
9757641	R4577479	HYDRAULIC HOSE
9759282	R4577479	HYDRAULIC HOSE
9761249	R4577481	HYDRAULIC HOSE
9762564	R4577252	HYDRAULIC HOSE
9762707	R4577321	HYDRAULIC HOSE
9762708	R4577187	HYDRAULIC HOSE
9762801	R4577240	HYDRAULIC HOSE
9762802	R4577241	HYDRAULIC HOSE
9762803	R4577332	HYDRAULIC HOSE
9762804	R4577333	HYDRAULIC HOSE
9763817	R4577321	HYDRAULIC HOSE
9763817	R4577321	HYDRAULIC HOSE
9763817	R4577321	HYDRAULIC HOSE
9763818	R4577187	HYDRAULIC HOSE
9763818	R4577187	HYDRAULIC HOSE
9763818	R4577187	HYDRAULIC HOSE
9763818	R4577187	HYDRAULIC HOSE
9764361	R4577321	HYDRAULIC HOSE
9764362	R4577187	HYDRAULIC HOSE
9764362	R4577187	HYDRAULIC HOSE
9764362	R4577187	HYDRAULIC HOSE
9764362	R4577187	HYDRAULIC HOSE
9764556	R4577187	HYDRAULIC HOSE
9764711	R4577548	HYDRAULIC HOSE
9764712	R4577333	HYDRAULIC HOSE
9766865	R4577329	HYDRAULIC HOSE
9766866	R4577330	HYDRAULIC HOSE

GMC / CHEVROLET PART NUMBER	MERITOR PART	DESCRIPTION
9768950	R4577416	HYDRAULIC HOSE
10041019	R4122160	SLAVE CYL KIT
10041019	R4122210	SLAVE CYL KIT
10373678	60450468002	CALIPER
10373679	60450469002	CALIPER NEW EX-CHANGE
10373680	60450473001	CALIPER NEW EX-CHANGE
10373681	60450474001	CALIPER NEW EX-CHANGE
12321433	R46473	LINED SHOE SET
12350920	R4133320	WHEEL CYLINDER
12350921	R4133321	WHEEL CYLINDER
12361076	2312344002	ROTOR
12386682	23-123486-002	ROTOR
12386685	23123495002	ROTOR
12386716	23123433002	ROTOR
12386718	23123485002	ROTOR
12387799	60450455	CALIPER NEW EX-CHANGE
12387800	60450454	CALIPER NEW EX-CHANGE
12387805	6924083	DISC BRAKE PAD
12388047	23123489002	ROTOR
12471685	MD370	STOPMATE DISC
12475227	MD224	STOPMATE DISC
12544299	MD225	STOPMATE DISC
12547509	R4411316	ROTOR
12547510	R44145028	ROTOR
12547785	23123434002	ROTOR
12549137	R4411260	ROTOR
12549138	R4411260	ROTOR
14002283	R46451	LINED SHOE SET
14004593	R4577321	HYDRAULIC HOSE
14004594	R4577187	HYDRAULIC HOSE
14004597	R4577334	HYDRAULIC HOSE
14004598	R4577335	HYDRAULIC HOSE
14004840	R4111668	MASTER CYLINDER
14004846	R4111582	MASTER CYLINDER
14005706	R44141049	ROTOR
14007101	R4577240	HYDRAULIC HOSE
14007102	R4577241	HYDRAULIC HOSE
14008238	R4111584	MASTER CYLINDER
14008639	R44141219	HUB/ROTOR
14008655	R44141088	ROTOR
14009146	R4111668	MASTER CYLINDER
14009807	R44141219	HUB/ROTOR

7 - OEM CROSS REF.

OEM CROSS REFERENCE LISTING

GMC / CHEVEROLET PART NUMBER	MERITOR PART	DESCRIPTION
14012758	R44140408	BRAKE DRUM
14012759	R44140409	BRAKE DRUM
14012951	R46473	LINED SHOE SET
14012952	R44141186	HUB/ROTOR
14013017	R4066557	SEAL KIT
14021061	R44140316	BRAKE DRUM
14021064	R44140315	BRAKE DRUM
14026765	R44141088	ROTOR
14026767	R44141049	ROTOR
14032431	R44141233	HUB/ROTOR
14036112	R4111864	MASTER CYLINDER
14036113	R4111865	MASTER CYLINDER
14036114	R4111865	MASTER CYLINDER
14036115	R4111584	MASTER CYLINDER
14036723	R4577295	HYDRAULIC HOSE
14036723	R4577295	HYDRAULIC HOSE
14039118	R44141469	ROTOR
14039119	R44141468	HUB/ROTOR
14047276	R44140316	BRAKE DRUM
14047299	R44140315	BRAKE DRUM
14047683	R4111863	MASTER CYLINDER
14048459	R4122381	CYLINDER KIT
14048460	R4122597	CYLINDER KIT
14050301	R44140450	BRAKE DRUM
14050302	R44140449	BRAKE DRUM
14050621	R4122437	CYLINDER KIT
14050623	R4122437	CYLINDER KIT
14054666	R4577425	HYDRAULIC HOSE
14054798	R4577010	HYDRAULIC HOSE
14054932	R44141391	HUB/ROTOR
14056179	R44141261	ROTOR
14066425	R4111982	MASTER CYLINDER
14070351	R44140316	BRAKE DRUM
14070352	R44140315	BRAKE DRUM
14079008	R44141469	ROTOR
15004608	60450468002	CALIPER
15004609	60450469002	CALIPER NEW EX-CHANGE
15005485	60450473001	CALIPER NEW EX-CHANGE
15005486	60450474001	CALIPER NEW EX-CHANGE
15500326	23122729002	ROTOR
15500481	R4111993	MASTER CYLINDER
15501010	R40H5522	HARDWARE KIT
15501013	R40H5522	HARDWARE KIT

GMC / CHEVEROLET PART NUMBER	MERITOR PART	DESCRIPTION
15501147	60050153	HARDWARE KIT
15502519	R4577495	HYDRAULIC HOSE
15508528	R4577495	HYDRAULIC HOSE
15510024	60050150	CALIPER
15510025	60050266	SEAL KIT
15510611	R4111454	MASTER CYLINDER
15510612	R4122681	CYLINDER KIT
15511254	R406532	SEAL KIT
15513991	R4122386	MASTER CYL KIT
15514357	23122729002	ROTOR
15514406	23122729002	ROTOR
15514470	23122687002	ROTOR
15514476	R44141583	ROTOR
15514492	23122693002	ROTOR
15514583	R424238X	REMAN CALIPER
15514583	R4255250	CALIPER
15514588	R4090070	PISTON
15514588	R4090070P	PISTON
15515786	23122687002	ROTOR
15515786	23122688002	ROTOR
15515789	23122688002	ROTOR
15519970	23122729002	ROTOR
15521254	R4112066	MASTER CYLINDER
15521902	R44141453	ROTOR
15521903	R44141454	ROTOR
15534074	R44141480	HUB/ROTOR
15534378	R4112166	SLAVE CYLINDER
15534379	R4122211	SLAVE CYL KIT
15537761	R4112176	CLUTCH CYLINDER
15537762	R4112168	SLAVE CYLINDER
15537767	R4122204	REPAIR KIT
15537768	R4122210	SLAVE CYL KIT
15544322	R44141483	ROTOR
15566042	R424238X	REMAN CALIPER
15566042	R4255250	CALIPER
15566042	R429218X	REMAN CALIPER
15567537	R4577766	HYDRAULIC HOSE
15567538	R4577767	HYDRAULIC HOSE
15567799	R4577768	HYDRAULIC HOSE
15567800	R4577769	HYDRAULIC HOSE
15567867	R4577760	HYDRAULIC HOSE
15567868	R4577761	HYDRAULIC HOSE
15574500	60050150	CALIPER
15574590	R4577868	HYDRAULIC HOSE
15578940	R4122386	MASTER CYL KIT
15579020	23123041002	ROTOR

7 - OEM CROSS REF.

OEM CROSS REFERENCE LISTING

GMC / CHEVEROLET PART NUMBER	MERITOR PART	DESCRIPTION
15579025	23123046002	ROTOR
15579688	R4122205	REPAIR KIT
15579754	23123046002	ROTOR
15583114	R44140536	BRAKE DRUM
15585417	R4122160	SLAVE CYL KIT
15585418	R4122204	REPAIR KIT
15588224	R44140540	BRAKE DRUM
15588225	R44140541	BRAKE DRUM
15589422	R44141482	HUB/ROTOR
15589445	R44141457	HUB/ROTOR
15589446	R44141488	ROTOR
15589447	R44141540	HUB/ROTOR
15589588	R44140543	BRAKE DRUM
15591391	R46452	LINED SHOE SET
15594142	R4112169	CLUTCH CYLINDER
15594143	R4112166	SLAVE CYLINDER
15594145	R4122205	REPAIR KIT
15596619	R46451	LINED SHOE SET
15598925	R4111864	MASTER CYLINDER
15607207	R4577765	HYDRAULIC HOSE
15611098	23122688002	ROTOR
15611099	23122688002	ROTOR
15615212	R4090096	PISTON
15615215	R4066365	SEAL KIT
15615220	R424238X	REMAN CALIPER
15615220	R4255250	CALIPER
15615549	R4122204	REPAIR KIT
15616450	23123041002	ROTOR
15618257	MD149	STOPMATE DISC
15618891	R424238X	REMAN CALIPER
15618891	R4255250	CALIPER
15618891	R429218X	REMAN CALIPER
15619099	60050150	CALIPER
15619100	MD224	STOPMATE DISC
15619578	23122693002	ROTOR
15619626	23122693002	ROTOR
15619954	23122687002	ROTOR
15619970	23122729002	ROTOR
15622360	R44140604	BRAKE DRUM
15622381	R4411260	ROTOR
15625707	MD225	STOPMATE DISC
15629032	R451534	HYDRAULIC HOSE
15650039	R44140619	BRAKE DRUM
15661542	23123296002	ROTOR
15661543	23123296002	ROTOR
15661725	R4411260	ROTOR

GMC / CHEVEROLET PART NUMBER	MERITOR PART	DESCRIPTION
15661726	R4411260	ROTOR
15670712	R4577010	HYDRAULIC HOSE
15671784	R4577241	HYDRAULIC HOSE
15674441	R44141862	ROTOR
15691785	R4577548	HYDRAULIC HOSE
15691951	R44145107	ROTOR
15693468	R44140619	BRAKE DRUM
15693507	R44140619	BRAKE DRUM
15885417	R4122160	SLAVE CYL KIT
15958644	R44140682	BRAKE DRUM
15960224	R44140682	BRAKE DRUM
16574590	R4577868	HYDRAULIC HOSE
17980225	R4577321	HYDRAULIC HOSE
17980226	R4577187	HYDRAULIC HOSE
17982962	R4577558	HYDRAULIC HOSE
17985137	R4578224	HYDRAULIC HOSE
17985138	R4578787	HYDRAULIC HOSE
17988191	R4577768	HYDRAULIC HOSE
17988192	R4577769	HYDRAULIC HOSE
17989770	R4577544	HYDRAULIC HOSE
17989773	R4577851	HYDRAULIC HOSE
17989911	R451534	HYDRAULIC HOSE
17990533	R4578360	HYDRAULIC HOSE
17990771	R4578224	HYDRAULIC HOSE
17990772	R4578787	HYDRAULIC HOSE
17990976	R4578437	HYDRAULIC HOSE
17996161	R4578548	HYDRAULIC HOSE
17996162	R4578226	HYDRAULIC HOSE
17996405	R4577845	HYDRAULIC HOSE
17996513	R4578227	HYDRAULIC HOSE
17996753	R4577841	HYDRAULIC HOSE
17999359	R4577558	HYDRAULIC HOSE
17999621	R4578392	HYDRAULIC HOSE
17999622	R4578790	HYDRAULIC HOSE
17999935	R4578357	HYDRAULIC HOSE
17999936	R4578557	HYDRAULIC HOSE
17999994	R4577761	HYDRAULIC HOSE
18000996	R4111944	MASTER CYLINDER
18000997	R4111732	MASTER CYLINDER
18001007	R4112121	MASTER CYLINDER
18001017	R4122643	CYLINDER KIT
18001020	R4122505	CYLINDER KIT
18001032	R4111864	MASTER CYLINDER
18001060	R4111732	MASTER CYLINDER
18002264	R4112121	MASTER CYLINDER
18002380	R4122505	CYLINDER KIT

7 - OEM CROSS REF.

OEM CROSS REFERENCE LISTING

GMC / CHEVEROLET PART NUMBER	MERITOR PART	DESCRIPTION
18002389	R46462	LINED SHOE SET
18002399	R40H4019DP	HOLD DOWN KIT
18002454	R4111944	MASTER CYLINDER
18002500	R4133206	WHEEL CYLINDER
18002501	R4133207	WHEEL CYLINDER
18003155	R4090028S	PISTON
18003724	R4066715	SEAL KIT
18003743	R4133891	WHEEL CYLINDER
18003744	R4166684	CYLINDER KIT
18003755	R4111738	MASTER CYLINDER
18003756	R4122482	CYLINDER KIT
18004609	R4133708	WHEEL CYLINDER
18004793	R4133608	WHEEL CYLINDER
18004794	R4133709	WHEEL CYLINDER
18004888	R4133447	WHEEL CYLINDER
18004890	R4133469	WHEEL CYLINDER
18004990	R4133407	WHEEL CYLINDER
18004991	R4133406	WHEEL CYLINDER
18005249	R4111944	MASTER CYLINDER
18005254	R4066557	SEAL KIT
18005259	R4111738	MASTER CYLINDER
18005287	R4122436	CYLINDER KIT
18005321	R4111739	MASTER CYLINDER
18005388	R4122494	CYLINDER KIT
18005633	R4133725	WHEEL CYLINDER
18005733	R4111944	MASTER CYLINDER
18005771	R4111739	MASTER CYLINDER
18005811	R4111944	MASTER CYLINDER
18006633	R4111738	MASTER CYLINDER
18006635	R4111739	MASTER CYLINDER
18007935	R4122202	CYLINDER KIT
18007980	R4133891	WHEEL CYLINDER
18008062	R4111739	MASTER CYLINDER
18008063	R4111739	MASTER CYLINDER
18008065	R4111873	MASTER CYLINDER
18008065	R4112058	MASTER CYLINDER
18008066	R4111873	MASTER CYLINDER
18008066	R4112058	MASTER CYLINDER
18008068	R4111989	MASTER CYLINDER
18008403	R4133002	WHEEL CYLINDER
18008599	R4133206	WHEEL CYLINDER
18008626	R4111191	CLUTCH CYLINDER
18008644	R4111944	MASTER CYLINDER
18008880	R4111732	MASTER CYLINDER
18008884	R4111944	MASTER CYLINDER
18009364	R4122232	CYLINDER KIT

GMC / CHEVEROLET PART NUMBER	MERITOR PART	DESCRIPTION
18009371	R4111905	MASTER CYLINDER
18009373	R4111902	MASTER CYLINDER
18009375	R4122350	CYLINDER KIT
18009377	R4133892	WHEEL CYLINDER
18009378	R4166550	CYLINDER KIT
18009462	R4112121	MASTER CYLINDER
18009497	R4111732	MASTER CYLINDER
18009755	R4066557	SEAL KIT
18009811	R4111905	MASTER CYLINDER
18009816	R4111926	MASTER CYLINDER
18009879	R4111923	MASTER CYLINDER
18009881	R4111738	MASTER CYLINDER
18010127	R4166684	CYLINDER KIT
18010386	R4111739	MASTER CYLINDER
18010555	R4112178	MASTER CYLINDER
18010591	R4111902	MASTER CYLINDER
18010746	R4111730	MASTER CYLINDER
18010748	R4111989	MASTER CYLINDER
18011029	R4122141	CYLINDER KIT
18011141	R4166510	CYLINDER KIT
18011171	R4166510	CYLINDER KIT
18011237	R4122203	CYLINDER KIT
18011713	R4112029	MASTER CYLINDER
18011898	R4134054	WHEEL CYLINDER
18011916	R4111926	MASTER CYLINDER
18012183	R4122187	CYLINDER KIT
18012209	R4090101S	PISTON
18012235	R4090085S	PISTON
18012251	R4090087S	PISTON
18012262	R40H2622	ADJUSTER KIT
18012263	R40H2623	ADJUSTER KIT
18012274	R4166510	CYLINDER KIT
18012303	R4133891	WHEEL CYLINDER
18012305	R4133892	WHEEL CYLINDER
18012322	R4111923	MASTER CYLINDER
18012880	R4090013S	PISTON
18012881	R4090068S	PISTON
18012918	R4122202	CYLINDER KIT
18012919	R4122232	CYLINDER KIT
18013429	R4111926	MASTER CYLINDER
18013432	R4111905	MASTER CYLINDER
18013433	R4111923	MASTER CYLINDER
18013435	R4112058	MASTER CYLINDER
18013437	R4112058	MASTER CYLINDER
18013438	R4112178	MASTER CYLINDER
18013440	R4112058	MASTER CYLINDER

OEM CROSS REFERENCE LISTING

GMC / CHEVROLET PART NUMBER	MERITOR PART	DESCRIPTION
18013441	R4112029	MASTER CYLINDER
18013954	R4133962	WHEEL CYLINDER
18013956	R4133961	WHEEL CYLINDER
18013975	R4111959	SLAVE CYLINDER
18013977	R4112219	MASTER CYLINDER
18014081	R4134037	WHEEL CYLINDER
18014308	R4112342	MASTER CYLINDER
18014499	R4133958	WHEEL CYLINDER
18014694	R4166298	CYLINDER KIT
18014698	R4166297	CYLINDER KIT
18014699	R4166307	CYLINDER KIT
18014705	R4111989	MASTER CYLINDER
18014707	R4111730	MASTER CYLINDER
18014743	R4066305	SEAL KIT
18014746	R4066306	SEAL KIT
18014749	R4066330	SEAL KIT
18014750	R40H5707	BRAKE KIT
18014752	R40H7324	BRAKE KIT
18014903	R4111902	MASTER CYLINDER
18015234	R4166510	CYLINDER KIT
18015235	R4166307	CYLINDER KIT
18015414	R4112492	MASTER CYLINDER
18015812	R4134075	WHEEL CYLINDER
18016570	R4112058	MASTER CYLINDER
18017570	R4134082	WHEEL CYLINDER
18019217	R4134054	WHEEL CYLINDER
18020674	R4134102	WHEEL CYLINDER
18021273	R4110372	MASTER CYLINDER
18021275	R4113056	MASTER CYLINDER
18021277	R4110376	MASTER CYLINDER
18029766	R4134102	WHEEL CYLINDER
18029967	R4110372	MASTER CYLINDER
18029968	R4113056	MASTER CYLINDER
18029969	R4110376	MASTER CYLINDER
22111827	R4577544	HYDRAULIC HOSE
22111828	R4577851	HYDRAULIC HOSE
22111870	R4577868	HYDRAULIC HOSE
22111873	R4577864	HYDRAULIC HOSE
22111874	R4510644	HYDRAULIC HOSE
22111878	R4577010	HYDRAULIC HOSE
22112097	R4577841	HYDRAULIC HOSE
22112623	R4577240	HYDRAULIC HOSE
22112624	R4577241	HYDRAULIC HOSE
22112625	R4577548	HYDRAULIC HOSE
22112627	R4577761	HYDRAULIC HOSE
22113357	R4510645	HYDRAULIC HOSE

GMC / CHEVROLET PART NUMBER	MERITOR PART	DESCRIPTION
22113395	R4577765	HYDRAULIC HOSE
22113395	R4577765	HYDRAULIC HOSE
22113461	R4577760	HYDRAULIC HOSE
22113462	R4577761	HYDRAULIC HOSE
22113463	R4578258	HYDRAULIC HOSE
22113464	R4578259	HYDRAULIC HOSE
22113465	R4577765	HYDRAULIC HOSE
22113465	R4577765	HYDRAULIC HOSE
22113466	R4577851	HYDRAULIC HOSE
22113467	R4577768	HYDRAULIC HOSE
22113468	R4577769	HYDRAULIC HOSE
22113469	R4577768	HYDRAULIC HOSE
22113469	R4578224	HYDRAULIC HOSE
22113470	R4577769	HYDRAULIC HOSE
22113470	R4578787	HYDRAULIC HOSE
22113473	R4577544	HYDRAULIC HOSE
22113474	R4578360	HYDRAULIC HOSE
22113475	R4578548	HYDRAULIC HOSE
22113476	R4578226	HYDRAULIC HOSE
22113479	R4578227	HYDRAULIC HOSE
22113480	R4578437	HYDRAULIC HOSE
22113484	R4577558	HYDRAULIC HOSE
22113491	R4577329	HYDRAULIC HOSE
22113492	R4577330	HYDRAULIC HOSE
22163392	R4577769	HYDRAULIC HOSE
22163397	R4578438	HYDRAULIC HOSE
22163398	R451667	HYDRAULIC HOSE
22163451	R4578403	HYDRAULIC HOSE
22163452	R4578460	HYDRAULIC HOSE
22163599	R4577768	HYDRAULIC HOSE
25509416	R4111863	MASTER CYLINDER
54731545	R4133400	WHEEL CYLINDER
88936204	23-123557-004	ROTOR
88982418	MD1010	STOPMATE DISC
88982725	R4212068	CALIPER
88982726	R4212067	CALIPER
89026838	R4212067	CALIPER
89040158	R4212069	CALIPER
94020711	R40H9206	HOLD DOWN KIT
94038193	R417401	WHEEL CYLINDER
94038194	R417398	WHEEL CYLINDER
94038195	R417397	WHEEL CYLINDER
94050880	R417416	WHEEL CYLINDER
94050881	R417415	WHEEL CYLINDER
94050882	R417423	WHEEL CYLINDER
94050883	R417422	WHEEL CYLINDER

7 - OEM CROSS REF.

OEM CROSS REFERENCE LISTING

GMC / CHEVROLET PART NUMBER	MERITOR PART	DESCRIPTION
94050884	R417421	WHEEL CYLINDER
94050885	R417420	WHEEL CYLINDER
94051930	R4122151	SLAVE CYL KIT
94054926	R4110348	MASTER CYLINDER
94054929	R4111282	WHEEL CYLINDER
94054931	R4111283	WHEEL CYLINDER
94054932	R4111284	WHEEL CYLINDER
94054933	R4111285	WHEEL CYLINDER
94054934	R4111286	WHEEL CYLINDER
94131651	R417381	WHEEL CYLINDER
94131652	R417379	WHEEL CYLINDER
94154650	R417375	WHEEL CYLINDER
94154904	R417365	WHEEL CYLINDER
94154905	R417363	WHEEL CYLINDER
94154906	R417366	WHEEL CYLINDER
94154907	R417364	WHEEL CYLINDER
94159294	R4578267	HYDRAULIC HOSE
94223199	R44141251	ROTOR
94224172	R44141251	ROTOR
94312820	R4113182	MASTER CYLINDER
94406618	R4113123	MASTER CYLINDER
94415047	R4110409	CYLINDER KIT
94468350	R4012282	PISTON
94468350	R4090126S	PISTON
94479584	R4066306	SEAL KIT
97168593	R4012279	PISTON
97168635	R4012286	REPAIR KIT
97168636	R4012283	REPAIR KIT
97207147	R4212276	CALIPER
97207148	R4212275	CALIPER
97329266	MD827	DISC PAD SET
97365269	R4012281	PISTON
97365279	R4012280	PISTON
97365907	R4212270	CALIPER
97365908	R4212269	CALIPER
97365909	R4212274	CALIPER
97365910	R4212273	CALIPER
97365913	R4012285	REPAIR KIT
97365914	R4012284	REPAIR KIT
97377522	MD827	DISC PAD SET
97720206	R4212272X	CALIPER REMAN
97720216	R4212271X	CALIPER REMAN
97720217	R4212278X	CALIPER REMAN
97720218	R4212277X	CALIPER REMAN
171-809	6924083	DISC BRAKE PAD

ISUZU PART NUMBER	MERITOR PART	DESCRIPTION
1-47500-223-0	R4110348	MASTER CYLINDER
1-47500-223-1	R4110348	MASTER CYLINDER
1-47600-524-0	R417401	WHEEL CYLINDER
1-47600-524-1	R4090126S	PISTON
1-47600-534-3	R417398	WHEEL CYLINDER
1-47600-534-4	R417398	WHEEL CYLINDER
1-47600-535-3	R417397	WHEEL CYLINDER
1-47600-554-0	R417416	WHEEL CYLINDER
1-47600-554-1	R417416	WHEEL CYLINDER
1-47600-555-0	R417415	WHEEL CYLINDER
1-47600-555-1	R417415	WHEEL CYLINDER
1-47600-556-0	R417423	WHEEL CYLINDER
1-47600-556-1	R417423	WHEEL CYLINDER
1-47600-557-0	R417422	WHEEL CYLINDER
1-47600-557-1	R417422	WHEEL CYLINDER
1-47600-558-0	R417421	WHEEL CYLINDER
1-47600-558-1	R417421	WHEEL CYLINDER
1-47600-559-0	R417420	WHEEL CYLINDER
1-47600-559-1	R417420	WHEEL CYLINDER
1-47600-581-0	R4111282	WHEEL CYLINDER
1-47600-583-0	R4111283	WHEEL CYLINDER
1-47600-584-0	R4111284	WHEEL CYLINDER
1-47600-585-0	R4111285	WHEEL CYLINDER
1-47600-586-0	R4111286	WHEEL CYLINDER
1-47600-781-0	R4111283	WHEEL CYLINDER
1-47600-782-0	R4111284	WHEEL CYLINDER
1-47600-783-0	R4111285	WHEEL CYLINDER
1-47600-784-0	R4111283	WHEEL CYLINDER
1-87830-521-0	R417399	CYLINDER KIT
1-87830-527-0	R417402	CYLINDER KIT
1-87830-553-0	R417424	CYLINDER KIT
1-87830-577-0	R417417	CYLINDER KIT
1-88302-996-0	R469827	LINING/RIVET SET
1-88302-997-0	R469826	LINING/RIVET SET
5-87830-534-0	R417382	CYLINDER KIT
5-87830-795-0	R4122151	SLAVE CYL KIT
5-87870-028-0	R469867	LINING/RIVET SET
8-94131-650-2	R417375	WHEEL CYLINDER
8-94131-651-2	R417374	WHEEL CYLINDER
8-94131-652-2	R417372	WHEEL CYLINDER
8-94154-650-1	R417375	WHEEL CYLINDER
8-94154-904-1	R417365	WHEEL CYLINDER
8-94154-904-2	R417365	WHEEL CYLINDER
8-94154-905-1	R417363	WHEEL CYLINDER
8-94154-905-2	R417363	WHEEL CYLINDER
8-94154-906-1	R417366	WHEEL CYLINDER

7 - OEM CROSS REF

OEM CROSS REFERENCE LISTING

ISUZU PART NUMBER	MERITOR PART	DESCRIPTION
8-94154-906-2	R417366	WHEEL CYLINDER
8-94154-907-1	R417364	WHEEL CYLINDER
8-94154-907-2	R417364	WHEEL CYLINDER
8-94159-294-0	R4578267	HYDRAULIC HOSE
8-94223-199-0	R44141251	ROTOR
8-942233-199-0	R44141251	ROTOR
8-94224-172-0	R44141251	ROTOR
8-94224-172-1	R44141251	ROTOR
8-94230-845-0	R44141251	ROTOR
8-94230-845-1	R44141251	ROTOR
8-94312-820-0	R4113182	MASTER CYLINDER
8-94406-618-0	R4113123	MASTER CYLINDER
8-94406-618-1	R4113123	MASTER CYLINDER
8-94414-691-1	R417370	WHEEL CYLINDER
8-94414-692-1	R417368	WHEEL CYLINDER
8-94414-693-1	R417377	WHEEL CYLINDER
8-94414-695-0	R417376	WHEEL CYLINDER
8-94415-047-0	R4110409	CYLINDER KIT
8-94415-047-1	R4110409	CYLINDER KIT
8-94450-774-0	R417369	WHEEL CYLINDER
8-94450-775-0	R417367	WHEEL CYLINDER
8-94468-350-0	R4012282	PISTON
8-94468-350-0	R4090126S	PISTON
8-94468-358-1	R417381	WHEEL CYLINDER
8-94468-359-1	R417379	WHEEL CYLINDER
8-94471-386-0	R4066306	SEAL KIT
8-94479-583-0	MD546	DISC BRAKE PAD
8-94479-584-0	R4066306	SEAL KIT
8-97015-357-0	R44141730	ROTOR
8-97015-857-0	R44141730	ROTOR
8-97095-152-2	R44141730	ROTOR
8-97168-585-0	R4212272X	CALIPER REMAN
8-97168-586-0	R4212271X	CALIPER REMAN
8-97168-587-0	R4212278X	CALIPER REMAN
8-97168-588-0	R4212277X	CALIPER REMAN
8-97168-593-0	R4012279	PISTON
8-97168-633-0	MD825	DISC PAD SET
8-97168-634-0	MD826	DISC PAD SET
8-97168-635-0	R4012286	REPAIR KIT
8-97168-636-0	R4012283	REPAIR KIT
8-97182-771-0	R4421493R	ROTOR
8-97207-147-0	R4212276	CALIPER
8-97207-148-0	R4212275	CALIPER
8-97211-691-0	MD827	DISC PAD SET
8-97228-624-1	R4212272X	CALIPER REMAN
8-97228-625-1	R4212271X	CALIPER REMAN

ISUZU PART NUMBER	MERITOR PART	DESCRIPTION
8-97329-266-0	MD825	DISC PAD SET
8-97329-266-0	MD827	DISC PAD SET
8-97365-269-0	R4012281	PISTON
8-97365-279-0	R4012280	PISTON
8-97365-907-0	R4212270	CALIPER
8-97365-908-0	R4212269	CALIPER
8-97365-909-0	R4212274	CALIPER
8-97365-910-0	R4212273	CALIPER
8-97365-913-0	R4012285	REPAIR KIT
8-97365-914-0	R4012284	REPAIR KIT
8-97377-522-0	MD827	DISC PAD SET
8-97377-522-0	MD827	DISC PAD SET

7 - OEM CROSS REF.

OEM CROSS REFERENCE LISTING

INTERNATIONAL TRUCK AND ENGINE NUMBERS	MERITOR NUMBERS	DESCRIPTION
1646770C1	23-123572-004	HAT SHAPE ROTOR
1648518C1	R44141627	U SHAPE ROTOR
1658443C91	R4255250	2.88 TWIN PISTON CALIPER
1669311C91	R424237A	2.60 TWIN PISTON CALIPER
1669312C91	R4255313	2.60 TWIN PISTON CALIPER
1684473C91	R4255656	2.88 TWIN PISTON CALIPER
1694274C91	MVD225	DISC PADS
2501839C91	R4255849	BOSCH 66MM CALIPER
2501841C91	MVD786	DISC PADS
2501842C91	MVD786A	DISC PADS
2505097C1	23-123572-004	HAT SHAPE ROTOR
2509253C91	R4255849	BOSCH 66MM CALIPER
2509254C91	R4255850	BOSCH 73MM CALIPER
2593419C91	R4355850	BOSCH 73MM CALIPER
2594594C1	23-123573-004	HAT SHAPE ROTOR
2594595C1	23-123550-004	HAT SHAPE ROTOR
2594596C1	23-123552-004	HAT SHAPE ROTOR
3531661C2	23-123573-004	HAT SHAPE ROTOR
3531662C1	23-123550-004	HAT SHAPE ROTOR
3531662C2	23-123550-004	HAT SHAPE ROTOR
3531663C2	23-123552-004	HAT SHAPE ROTOR
573922C1	23-123573-004	HAT SHAPE ROTOR
582029C1	R44141608	U SHAPE ROTOR
593689C91	R4255098	CALIPER
593690C91	R4255099	CALIPER
990952C93	MVD380	DISC PADS
990953C93	MVD225	DISC PADS

NUMERICAL INDEX OF MERITOR PART NUMBERS

MERITOR NO.	PAGE	MERITOR NO.	PAGE	MERITOR NO.	PAGE	MERITOR NO.	PAGE
201179	4-29, 4-33, 5-9, 5-13, 6-110, 6-131	60050266	3-26, 3-27	69310693	3-26, 3-27, 3-28, 3-29, 5-48, 5-49	23-123341-002	6-92, 6-96
		60050312	6-2, 6-55			23-123433-002	6-92, 6-97
		60050313	3-36, 5-54, 6-2, 6-55	69310782	3-28, 6-9, 6-59	23-123434-002	6-92, 6-95, 6-96
201180	4-29, 4-33, 5-9, 5-13, 6-110, 6-131	60050315	3-34, 3-35, 3-36, 3-37, 5-52, 5-53, 5-54, 5-55	69530524	3-34, 3-36, 5-52, 5-54	23-123439-002	6-92, 6-97
				69540212	6-134	23-123440-002	6-93, 6-95, 6-97
201181	4-29, 4-33, 5-9, 5-13, 6-110, 6-130	60050320	3-34, 5-28	79919003	4-37, 5-17	23-123443-002	6-93, 6-94, 6-96
		60050321	3-34, 5-27, 5-28	79919004	4-26, 4-37, 5-17	23-123458-002	6-93, 6-95, 6-97
201182	4-29, 5-9, 6-110, 6-130	60050332	3-30, 3-32	79919005	4-37, 5-17	23-123460-002	6-93, 6-94, 6-96
201183	4-35, 5-15, 6-110, 6-131	60050334	3-32, 3-33, 3-35, 3-37, 5-25	79919006	4-37, 5-17	23-123461-002	6-93, 6-95, 6-97
201184	4-35, 5-15, 6-110, 6-131	60450454	3-34, 5-28, 5-52, 6-3, 6-55	1097320340	5-41	23-123468-002	6-93, 6-94, 6-96
201185	4-35, 5-15, 6-110, 6-130	60450455	3-34, 5-28, 5-52, 6-3, 6-55	60450468002	3-32, 5-24	23-123480-002	6-93, 6-94, 6-96
201186	6-110, 6-130			60450469002	3-32, 5-24	23-123485-002	6-93, 6-95, 6-96
291000	4-27, 4-35, 5-15	60450473	5-22	60450473001	3-30, 6-54	23-123480-002	6-93, 6-94, 6-96
		60450480	5-19, 5-22	60450474001	3-30, 6-54	23-123480-002	6-93, 6-94, 6-96
291001	4-33, 5-13	60450481	5-19, 5-22	60450480004	6-3	23-123485-002	6-93, 6-95, 6-96
291002	4-26, 4-31, 5-6, 5-11	60450482	5-19, 5-24, 6-55	60450480008	3-30	23-123486-002	6-93, 6-94, 6-96
291003	4-26, 4-31, 5-6, 5-11	60450483	5-19, 5-24, 6-55	60450481004	6-3	23-123486-002	6-93, 6-94, 6-96
				60450481008	3-30	23-123487-002	6-93, 6-94, 6-96
291004	4-26, 4-31, 5-6, 5-11	68150036	4-33, 4-35, 5-13, 5-15	60450482004	6-3	23-123487-002	6-93, 6-94, 6-96
				60450482008	3-32	23-123488-002	6-93, 6-95, 6-97
291005	4-26, 4-31, 5-6, 5-11	68191307	4-35, 5-15	60450483004	6-3	23-123489-002	6-93, 6-95, 6-97
		68660515	4-33, 5-13	60450483008	3-32	23-123494-002	6-93, 6-94, 6-96
291006	4-33, 4-35, 5-13, 5-15	68919018	4-31, 5-11	03-120553-002	4-28, 5-8	23-123495-002	6-93, 6-95, 6-96
291056	4-33, 5-13	68919019	4-31, 5-11	065060X	4-29, 5-9	23-123497-002	6-93, 6-96
291057	4-33, 5-13	68919020	4-31, 5-11	065077X	4-29, 5-9	23-123498-002	6-93, 6-95, 6-97
291058	4-35, 5-15	68919021	4-31, 5-11	201179X	4-33, 5-13	23-123527-002	6-93, 6-97
291061	4-35, 5-15	68919050	4-33, 5-13	201180X	4-33, 5-13	23-123528-002	6-93, 6-97
451003	4-26, 4-28, 4-31, 5-6, 5-8, 5-11	68919052	4-33, 5-13	201183X	4-35, 5-15	23-123529-002	6-93, 6-96
		68919053	4-33, 5-13	23-122527-002	6-92, 6-94, 6-96	23-123532-002	6-93, 6-97
451004	4-26, 4-28, 4-31, 5-6, 5-8, 5-11	68919068	4-33, 5-13	23-122687-002	6-92, 6-94, 6-97	23-123550-004	6-93, 6-97
		68919071	4-35, 5-15	23-122688-002	6-92, 6-94, 6-96	23-123552-004	6-93, 6-95, 6-97
451005	4-26, 4-28, 4-31, 5-6, 5-8, 5-11	68937200	4-31, 5-11	23-122691-002	6-92, 6-96	23-123557-002	5-19, 6-93, 6-96
		68937201	4-31, 5-11	23-122693-002	6-92, 6-97	23-123572-004	6-93, 6-96
		68937202	4-31, 5-11	23-122700-002	6-92, 6-94, 6-97	23-123573-004	6-93, 6-97
4153269	6-52	68966095	4-35, 5-15	23-122701-002	6-92, 6-96	23-123574-004	6-93
4510532	6-184	68966097	4-35, 5-15	23-122703-002	6-92, 6-96	23-123617-002	5-19, 6-93
6005032	5-27	69160383	5-48, 5-49	23-122728-002	6-96	23-123617-004	6-93
6050151	5-49	69160441	3-26, 3-27, 5-48, 5-49	23-122729-002	6-92, 6-95, 6-97	23-123618-002	5-19, 6-93
31320085	5-20, 5-21	69160445	3-28, 3-29	23-122743-002	6-92, 6-96	23-123624-002	6-93
60050145	3-28, 6-ii, 6-9, 6-39	69160457	3-26, 3-27, 5-48, 5-49	23-122897-002	6-92, 6-95, 6-96	23-123625-002	5-19, 6-93
60050146	3-28, 3-29	69270702	3-28, 3-29	23-122920-002	6-96	23-123626-002	5-19, 6-93
60050150	3-26, 5-27, 5-28, 5-48, 6-ii, 6-v, 6-2, 6-37	69270757	3-26, 3-27, 5-48, 5-49	23-122945-002	6-96	23-123644-002	6-97
		69270814	3-34, 3-36, 5-52, 5-53, 5-54, 5-55	23-122962-002	6-96	23-123648-002	6-94, 6-97
60050151	5-48, 5-49			23-123041-002	6-92, 6-96	23-123649-002	6-97
60050153	3-26, 3-27, 6-2, 6-9, 6-37, 6-59			23-123046-002	6-92, 6-97	3237D1070	2-15
				23-123296-002	6-92, 6-95, 6-97	3237G1047	2-15

7 - NUMERICAL INDEX

NUMERICAL INDEX OF MERITOR PART NUMBERS

MERITOR NO.	PAGE	MERITOR NO.	PAGE	MERITOR NO.	PAGE	MERITOR NO.	PAGE
3237H1256	2-15	68021282NPI	4-37, 5-17	MD154	6-9, 6-26, 6-59, 6-63, 6-64	MD411	3-22, 3-23, 6-4, 6-11, 6-37, 6-40, 6-51, 6-68
3237K1051	2-15	68021282X	4-37				
3237L1260	2-15	68021283NFP	4-37, 5-17	MD171	3-20, 3-21, 6-59, 6-64	MD416	6-25, 6-59, 6-68
3237P1056	2-15	68021283X	4-37				
3237Q1031	2-15	68021284NFP	4-37, 5-17	MD184	3-7, 3-9, 3-11	MD433	5-56, 5-58, 6-42, 6-43, 6-59, 6-69
3237Q1239	2-15	68021284X	4-37	MD215	6-27, 6-59, 6-64		
3237R1032	2-15	85-120516-002	4-28, 5-8				
3237T1242	2-15	85-120517-002	4-28, 5-8	MD224	3-26, 3-27, 5-48, 5-49, 6-2, 6-9, 6-37, 6-59, 6-64	MD442	6-59, 6-69
3237V1062	2-15	85-122011-002	4-28, 5-8			MD450	6-11, 6-12, 6-36, 6-60, 6-69
3237V1192	2-15	85-123203-002	4-28, 5-8				
3237W1097	2-15	85-123276-002	4-28, 5-8				
3237Y1195	2-15	85-123331-002	4-28, 5-8	MD225	3-12, 3-13, 3-14, 3-15, 5-50, 5-51, 6-2, 6-59, 6-65	MD459	6-2, 6-60, 6-69
478 407 014 0	2-4	85-123332-002	4-28, 5-8			MD477	6-60, 6-69
478 407 016 0	2-4	85-123548-002	4-28, 5-8			MD494	6-60, 6-69
478 407 033 0	2-4	KIT D769GM	3-30, 3-31, 3-32, 3-34, 3-35, 3-37	MD225HD	6-8, 6-39	MD50	6-9, 6-10, 6-29, 6-59, 6-62
478 407 061 0	2-4			MD236	3-28, 3-29, 6-9, 6-39, 6-59, 6-65	MD505	6-27, 6-60, 6-70
60040145X	6-ii, 6-9, 3-28, 6-39	KIT769AM	3-30, 3-31, 3-32, 3-33, 3-34, 3-35, 3-36, 3-37	MD259	6-24, 6-59, 6-65	MD52	6-9, 6-10, 6-11, 6-30, 6-31, 6-59, 6-62
60050145XL	6-ii, 6-9			MD269	6-9, 6-32, 6-59, 6-62, 6-63, 6-65	MD521	6-25, 6-60, 6-70
60050145XV	6-ii, 6-9	KIT769AM	5-52, 5-53, 5-54, 5-55			MD522	6-25, 6-60, 6-70
60050150X	3-26, 5-48, 6-ii, 6-v, 6-2, 6-37	KIT769AM	6-54, 6-55, 6-75	MD326	6-28, 6-59, 6-66	MD524	6-60, 6-70
60050150XL	6-ii, 6-v, 6-2	KITD769AM	3-33, 3-36	MD344	6-24, 6-59, 6-66	MD529	6-28, 6-60, 6-70
60050150XV	6-ii, 6-v, 6-2	KITD769AM	5-23, 5-24			MD557	6-12, 6-36, 6-60, 6-71
60050312X	6-2	KITD769GM	5-22, 5-23, 5-24	MD367	6-24	MD591	6-60, 6-71, 6-72
60050312XL	6-2			MD368	6-26, 6-59, 6-66	MD592	6-71
60050312XV	6-2	LG714	5-20	MD369	6-11, 6-31, 6-59, 6-67	MD601	6-60, 6-71, 6-73
60050313X	6-2	LG715	5-20	MD370	6-11, 6-33, 6-34, 6-59, 6-67	MD624	5-56, 6-42, 6-60, 6-72
60050313XL	6-2	LRG714	6-54			MD626	6-72, 6-60, 6-72
60050313XV	6-2	LRG715	6-54	MD375	6-29, 6-59, 6-66, 6-67	MD646	5-64, 6-46, 6-60, 6-73
60050320X	6-3	LRG716	6-54	MD376	6-67	MD652	6-60, 6-73
60050320XL	6-3	LRG717	6-54	MD379	5-4, 5-5	MD655	6-2, 6-3, 6-4, 6-5, 6-7, 6-12, 6-33, 6-38, 6-59, 6-64, 6-68, 6-74
60050320XV	6-3	MD1010	6-5, 6-50, 6-52, 6-53, 6-61, 6-78	MD379	6-9, 6-53, 6-59, 6-66, 6-67	MD675	6-47, 6-60, 6-71, 6-73
60050321X	6-3	MD1032	6-78			MD679	6-60, 6-73
60050321XL	6-3	MD1062	5-21	MD380	3-6, 3-7, 3-8, 3-9, 3-10, 3-11, 6-2, 6-8, 6-12, 6-33, 6-38, 6-59, 6-64, 6-68, 6-74	MD702	6-6, 6-7, 6-8, 6-41, 6-42, 6-44, 6-60, 6-73
60050321XV	6-3	MD1064	6-5, 6-61			MD711	6-60, 6-74
60450480X	6-3	MD1066	6-7, 6-52, 6-61, 6-79	MD387	6-28, 6-59, 6-60, 6-65, 6-68, 6-72, 6-73	MD715	6-60, 6-74
60450480XL	6-3	MD1067	6-79			MD716	6-60, 6-74
60450480XV	6-3	MD1068	6-79	MD392	6-10, 6-11, 6-32, 6-59, 6-63, 6-68		
60450481XL	6-3	MD1069	6-5, 6-7, 6-41, 6-46, 6-51, 6-79				
60450481XV	6-4	MD120	3-24, 3-25, 6-10, 6-11, 6-35, 6-59, 6-63				
60450482X	6-3	MD149	3-4, 3-5, 6-10, 6-33, 6-59, 6-60, 6-63, 6-71				
60450482XL	6-3						
60450482XV	6-3						
60450483X	6-3						
60450483XL	6-3						
60450483XV	6-3						
68021279NPI	4-37, 5-17						
68021279X	4-37						
68021280NPI	4-37, 5-17						
68021280X	4-37						
68021281NPI	4-37, 5-17						
68021281X	4-37						

NUMERICAL INDEX OF MERITOR PART NUMBERS

MERITOR NO.	PAGE	MERITOR NO.	PAGE	MERITOR NO.	PAGE	MERITOR NO.	PAGE
MD726	6-60, 6-74	MDV802	6-76	MVD224	3-27, 6-2, 6-9, 6-59, 6-64	MVD711	6-60, 6-74
MD729	6-60, 6-74	MDV974	6-78	MVD225	3-13, 3-15, 6-8, 6-59, 6-65	MVD716	6-60, 6-74
MD734	5-56, 5-60, 5-61, 5-62, 6-43, 6-44, 6-60	MM786A	3-17	MVD236	3-29, 6-9, 6-59, 6-65	MVD729	6-60, 6-74
MD735	5-56, 5-59, 6-60, 6-75	MMD120	3-25	MVD259	6-59, 6-65	MVD746	6-60, 6-75
MD746	6-60, 6-75	MMD120	6-59, 6-63	MVD269	6-59, 6-65	MVD756	6-60, 6-75
MD756	6-60, 6-75	MMD149	3-5	MVD326	6-59, 6-66	MVD757	6-60, 6-75
MD757	6-60, 6-75	MMD149	6-59, 6-63	MVD344	6-66	MVD758	6-6, 6-60
MD758	6-6, 6-45, 6-60	MMD154	6-59, 6-63	MVD368	6-59, 6-66	MVD769	3-35, 3-37, 5-23, 6-2, 6-3, 6-4, 6-60, 6-75
MD769	3-31, 3-33, 3-35, 3-37, 5-19, 5-22, 5-23, 5-25, 5-55, 6-2, 6-3, 6-54, 6-60, 6-61	MMD171	3-21	MVD369	6-11, 6-59, 6- 67	MVD777	6-4, 6-60, 6-76
MD777	6-4, 6-50, 6-59, 6-60, 6-76	MMD184	3-7, 3-9	MVD370	6-11, 6-59, 6-67	MVD784	6-60, 6-76
MD777M	6-60, 6-76	MMD224	3-27	MVD375	6-59	MVD785	6-8, 6-60, 6-76
MD784	6-8, 6-56, 6-57, 6-60, 6-76	MMD224	6-59, 6-64	MVD376	6-67	MVD786	3-19
MD785	6-57	MMD225	6-59	MVD379	6-67	MVD786	6-4, 6-60
MD786	3-19, 6-4, 6-53, 6-60, 6-76	MMD225	3-13, 3-15	MVD380	3-7, 3-9, 3-11, 6-2, 6-8, 6-12, 6-59, 6-68	MVD786A	3-17, 6-4, 6-60, 6-76
MD786A	3-17, 3-18, 6-4, 6-52, 6-60, 6-76	MMD236	3-29	MVD387	6-59, 6-68	MVD802	6-60
MD821	6-5, 6-48, 6-61, 6-76	MMD236	6-59, 6-65	MVD392	6-10, 6-11, 6-68	MVD804	6-61
MD825	5-44, 5-45, 6-7, 6-47, 6-61, 6-77	MMD269	6-59	MVD411	3-23, 6-4, 6-11	MVD821	6-5
MD826	5-44, 5-45, 6-8, 6-50, 6-61, 6-77	MMD369	6-59, 6-67	MVD416	6-68	MVD824	6-77
MD827	5-44, 5-45, 6-7, 6-8, 6-47, 6-49, 6-61, 6-77	MMD370	6-59, 6-67	MVD433	6-59, 6-69	MVD87	6-9
MD859	6-61, 6-77	MMD375	6-59, 6-67	MVD450	6-11, 6-12, 6-60, 6-69	MVD909	6-61, 6-77
MD87	6-9, 6-37	MMD379	6-59, 6-67	MVD450	6-11, 6-12, 6-60, 6-69	MVD91	6-59, 6-62
MD898	6-8	MMD380	6-59, 6-68	MVD459	6-2, 6-60, 6-69	MVD989	6-78
MD91	6-27, 6-59, 6-62	MMD411	3-23	MVD477	6-60, 6-69	R10635	6-185
MD928	6-61, 6-77	MMD450	6-60, 6-69	MVD494	6-60, 6-69	R307690	5-68
MD949	6-6, 6-40, 6-61, 6-78	MMD459	6-60, 6-69	MVD50	6-10, 6-59, 6-62	R4010771	3-10, 3-11
MD965	6-48, 6-61, 6-78	MMD477	6-69	MVD505	6-60	R4011079	6-45, 6-48
MD974	6-56, 6-61	MMD52	6-59, 6-62	MVD52	6-9, 6-10, 6-11, 6-59, 6-62	R4011082	5-68
MD989	6-61	MMD557	6-60, 6-71	MVD521	6-60, 6-70	R4011121	3-34, 3-35, 3-36, 3-37, 5-52, 5-53, 5-54, 5-55, 6-2, 6-3, 6-55
MDP5040	5-19, 6-8, 6-54	MMD655	6-60, 6-73	MVD522	6-60, 6-70	R4011511	3-30, 3-31, 5-22, 5-23
MDP5094	5-20, 5-21	MMD769	5-23	MVD524	6-60, 6-70	R4011729	3-30, 3-31, 3-32, 3-33, 5-22, 5-23, 5-24, 5-25, 6-3, 6-4, 6-54, 6-55
MDV786	6-76	MMD769	3-31, 3-33, 3-35, 5-25, 5-55, 6-60, 6-61, 6-75	MVD529	6-70	R4011730	3-32, 3-33, 3-35, 3-37, 5-24, 5-25
		MMD786	3-19	MVD557	6-12, 6-60, 6-71	R4011731	3-30, 3-31, 5-22, 5-23
		MMD786	6-60, 6-76	MVD591	6-60, 6-71	R4011739	5-22, 5-24
		MMD786A	6-60, 6-76	MVD601	6-60, 6-71	R4011751	3-17
		MQ5200	5-9	MVD624	6-72	R4011752	3-17
		MVD1010	6-5	MVD632	6-60, 6-72	R4011754	3-16, 3-17, 3-18, 3-19, 6-4, 6-52, 6-53
		MVD1064	6-5, 6-79	MVD646	6-73	R4011757	3-18, 3-19
		MVD1066	6-7	MVD652	6-60, 6-73	R4011758	3-19
		MVD1067	6-79	MVD655	6-2, 6-3, 6-4, 6-5, 6-60, 6-73	R4011783	5-24
		MVD1068	6-79	MVD675	6-60, 6-73		
		MVD1069	6-5, 6-6, 6-7, 6-79	MVD679	6-60, 6-73		
		MVD120	3-25, 6-10, 6-59, 6-63	MVD702	6-6, 6-7, 6-60, 6-73		
		MVD149	3-5, 6-10, 6-59, 6-63				
		MVD154	6-59, 6-63				
		MVD171	3-21, 6-64				
		MVD215	6-59, 6-64				

NUMERICAL INDEX OF MERITOR PART NUMBERS

MERITOR NO.	PAGE	MERITOR NO.	PAGE	MERITOR NO.	PAGE	MERITOR NO.	PAGE
R4012015	6-6	R404014	3-20, 3-21	R408456	6-82	R40H2599	4-4, 4-5, 4-10, 4-11
R4012072	6-5	R404015	3-20, 3-21	R408574	3-29	R40H3500	4-18, 4-19, 6-98, 6-106
R4012081	6-5, 6-7, 6-41, 6-46, 6-51	R404032	4-21	R408576	3-29	R40H3501	4-18, 4-19, 6-98, 6-106
R4012247	6-7	R404033	4-21	R4090021	3-4, 3-5, 3-6, 3-7	R40H3502	4-40, 4-41
R4012257	6-7, 6-52	R404038	4-25	R4090029	3-24, 3-25	R40H3503	4-40, 4-41
R4012262	6-2, 6-3, 6-7	R404073	5-50, 5-51	R4090070	3-12, 3-13	R40H3510	4-20, 4-21
R4012279	5-44, 5-45	R404074	5-50, 5-51	R4090070P	3-12, 3-13	R40H3511	4-20, 4-21
R4012280	5-44, 5-45	R404097	4-24, 4-25	R4090088S	3-22, 3-23	R40H3514	4-6, 4-7
R4012281	5-44, 5-45	R404101	5-50, 5-51	R4090096	3-14, 3-15	R40H3524	4-38
R4012282	5-44	R404107	5-50, 5-51	R4090100P	3-10, 3-11	R40H3536	4-22, 4-23
R4012283	5-44, 5-45, 6-8, 6-50	R404140	4-41	R40F18789	4-38, 4-48	R40H3537	4-22, 4-23
R4012284	5-44, 5-45, 6-49	R404141	4-41	R40FC004395	4-48	R40H3538	4-24, 4-25
R4012285	5-44, 5-45	R404147	4-43	R40H102	6-98	R40H3539	4-24, 4-25
R4012286	5-44	R404148	4-43	R40H111	6-98	R40H3540	4-42, 4-45
R4012469	5-44, 6-7, 6-8, 6-47	R404149	4-43	R40H1177	4-48	R40H3541	4-42, 4-45
R4012470	5-44, 6-7, 6-42, 6-43, 6-49	R404150	4-43	R40H130	4-6, 4-7	R40H3556	4-8, 4-9
R4012471	5-44, 5-45	R404151706	6-83	R40H133	6-98	R40H3557	4-8, 4-9
R401512713	5-58, 5-59, 5-60, 5-61, 5-62	R404153343	3-17, 3-18, 3-19	R40H133	5-68, 6-98	R40H357	5-68, 6-99
R401512717	5-64	R404182	4-20	R40H140	4-6, 4-7, 4-8, 4-9, 6-98	R40H364	5-68, 6-99
R40152432	6-134	R404183	4-20, 4-48	R40H1456	4-6, 4-8, 4-14, 4-38, 4-40, 4-42, 4-44, 4-48	R40H367	6-98
R401712718	5-64	R4049624	4-22, 4-48	R40H15068	6-6	R40H369	6-98
R40207361	5-33	R405707	6-41	R40H15087	6-7, 6-8, 6-44	R40H378	4-16, 4-17, 5-68, 6-98
R402212445	5-56, 5-57	R406532	3-12, 3-13	R40H15088	6-4, 6-50	R40H500	6-98
R402212708	5-57, 5-64, 5-65	R4066204	3-22, 3-23	R40H1600	4-22, 4-23	R40H5002	6-24, 6-59
R402212709	5-57, 5-64, 5-65, 5-66	R4066365	3-14, 3-15	R40H1601	4-22, 4-23	R40H5004DP	6-59
R402212711	5-57, 5-65	R4066780	3-4, 3-5, 3-6, 3-7	R40H1805	4-40, 4-41	R40H5010	3-4, 3-5, 3-6, 3-7, 3-8, 3-9, 3-10, 3-11, 3-12, 3-13, 3-14, 3-15, 6-59, 6-60
R402212712	5-57	R407046	6-98	R40H1807	4-42, 4-43, 4-44, 4-47	R40H5021DP	6-59
R402212715	5-64, 5-66	R407130	3-25	R40H1808	4-42, 4-43, 4-44, 4-47	R40H5045	6-59, 6-60
R402212716	5-64	R407180	5-4, 5-5	R40H1842	4-20, 4-49	R40H5083	6-59, 6-60
R402212720	5-64, 5-65	R407181	5-5, 6-9	R40H1843	4-20, 4-21, 4-49	R40H521	4-38, 4-40, 4-41, 6-98
R402212724	5-65, 5-66	R407182	5-4, 5-5, 6-53	R40H1860	4-43, 4-47	R40H546	4-10, 4-11, 6-98
R402212725	5-65	R407183	5-4, 5-5	R40H1861	4-43, 4-47	R40H547	4-4, 4-5, 6-98
R402235118	3-8, 3-9	R407362	5-34	R40H1864	4-43, 4-47	R40H550	4-20, 4-21, 6-98
R402238231	3-8, 3-9	R407394	5-40	R40H1865	4-43, 4-47	R40H5500	6-9, 6-10, 6-11, 6-30, 6-31, 6-32, 6-59
R40227392	5-40, 5-41	R407921	6-80	R40H1868	4-47	R40H5511	6-9, 6-29
R40227394	5-41	R407926	6-80	R40H1869	4-42, 4-47	R40H5516	6-9, 6-32, 6-37, 6-59
R40227396	5-40, 5-41	R407939	6-80	R40H1900	4-46	R40H5519	3-6, 3-7, 3-8, 3-9, 3-10, 3-11, 6-8, 6-33
R40227400	5-42, 5-43	R407945	6-80	R40H1901	4-46		
R40227401	5-42, 5-43	R407953	5-68	R40H1902	4-46		
R40227402	5-43	R407969	4-31, 5-6, 5-7, 5-11	R40H1903	4-46		
R4023969	4-6, 4-18, 4-20, 4-22, 4-48	R407975	6-80	R40H1916	4-46		
R402513823	6-134	R407980	6-80	R40H1917	4-46		
R403541	4-44	R407987	6-81	R40H2554	6-60		
R404013	3-20, 3-21	R407992	6-81	R40H2588	4-16, 4-17		
		R408016	6-81	R40H2589	4-16, 4-17		
		R408022	6-81	R40H2598	4-4, 4-5, 4-10, 4-11		
		R408024	6-82				
		R408030	6-82				
		R408044	5-68				
		R408058	6-82				
		R408076	6-82				

NUMERICAL INDEX OF MERITOR PART NUMBERS

MERITOR NO.	PAGE	MERITOR NO.	PAGE	MERITOR NO.	PAGE	MERITOR NO.	PAGE
R40H5522	3-12, 3-13, 3-14, 3-15, 6-2, 6-8, 6-12, 6-38, 6-39, 6-59	R40H608	4-10, 4-11, 5-68, 6-98, 6-99	R4111119	6-135, 6-154	R4111768	6-168, 6-180
R40H5523	3-28, 6-39	R40H618	4-26, 4-27	R4111120	6-154	R4111772	6-135, 6-157
R40H5529	3-4, 3-5, 6- 10, 6-33, 6-59, 6-60	R40H7046	5-68	R4111122	6-135, 6-155	R4111773	6-135, 6-155
R40H5533	3-24, 3-25, 6-10, 6-11, 6-12, 6-35, 6-36, 6-59	R40H7055	4-16, 4-17	R4111123	6-135, 6-155	R4111775	6-135, 6-146
R40H5536	6-9, 6-26, 6-59	R40H7064	6-98	R4111129	6-135, 6-154	R4111801	6-136
R40H5545	6-10, 6-27, 6-29, 6-59	R40H7145	4-4, 4-5	R4111150	6-135, 6-154	R4111854	6-135, 6-141
R40H5605	6-60, 6-83	R40H7146	4-10, 4-11	R4111151	6-135, 6-156	R4111856	6-135, 6-144
R40H5606	6-84	R40H7149	5-68, 6-98	R4111161	6-177	R4111857	6-142
R40H5607	6-60, 6-84	R40H7181	4-10, 4-11	R4111191	6-177	R4111860	6-147
R40H5608	6-84	R40H7224	6-98	R4111206	6-167, 6-179	R4111861	6-135, 6-143
R40H5638	6-59	R40H7225	5-68, 6-98, 6-99	R4111208	6-167, 6-179	R4111863	6-149
R40H5641	6-24, 6-59	R40H7276	5-68	R4111266	6-135, 6-154	R4111864	6-135
R40H5653	6-28, 6-59, 6-60	R40H7281	6-98	R4111318	6-166, 6-167, 6-177	R4111865	6-149
R40H5654	6-28, 6-29, 6-59	R40H8200	4-42, 4-43, 4-44, 4-45	R4111320	6-168, 6-180	R4111873	6-149
R40H5664	6-83	R40H8202	4-44, 4-46	R4111395	6-148	R4111889	6-141
R40H5707	6-6, 6-11, 6-26, 6-31, 6-33, 6-42, 6-59	R40H8203	6-83	R4111451	6-135, 6-156	R4111892	6-135, 6-158
R40H5719	6-24, 6-28, 6-59, 6-60	R40H9200	4-42, 4-43, 4-44, 4-45, 6-98	R4111454	6-152	R4111896	6-136
R40H5721	6-59, 6-60	R40H9201	4-38	R4111455	6-135, 6-159, 6-170	R4111898	6-135, 6-160
R40H5735	3-22, 3-23, 6-11, 6-37, 6-40, 6-42, 6-51, 6-59	R40H9204	4-8, 4-9	R4111456	6-135, 6-155	R4111902	6-144
R40H5770	6-59	R40H9206	4-18, 4-19, 6-98, 6-106	R4111466	6-173, 6-174, 6-180	R4111905	6-140
R40H5788	6-2, 6-27, 6-60	R40H9207	4-6, 4-7	R4111467	6-173, 6-177	R4111908	6-135, 6-160
R40H5789	6-60	R40H9210	6-98	R4111468	6-173, 6-178	R4111909	6-135, 6-158
R40H5815	6-12, 6-36, 6-60	R40H9219	4-22, 4-23	R4111494	6-146	R4111910	6-135, 6-158
R40H5864	6-4, 6-5, 6-48, 6-49	R40H9220	4-24, 4-25	R4111500	6-154	R4111911	6-155
R40H5916	6-4	R40H9223	4-14, 4-15	R4111582	6-142	R4111912	6-135, 6-158
R40H5931	6-8	R40H9224	4-12, 4-13	R4111583	6-135, 6-152	R4111913	6-135, 6-136
R40H595	4-24, 4-25, 6-98	R40H9237	6-98	R4111584	6-152	R4111915	6-168, 6-180
R40H596	4-22, 4-23, 6-98	R40H9237	4-40, 4-41	R4111618	6-135, 6-157	R4111916	6-168, 6-180
R40H597	4-42, 4-43, 4-44, 4-45, 6-98	R40H9238	5-32	R4111619	6-135, 6-156	R4111917	6-136
R40H5974	6-8, 6-41	R4110344	6-139	R4111622	6-159	R4111923	6-140
R40H5975	6-5, 6-48	R4110354	6-142	R4111624	6-135, 6-159	R4111926	6-140
R40H599	4-18, 4-19, 6-98	R4110355	6-152	R4111626	6-135, 6-154	R4111930	6-138
		R4110357	6-149	R4111629	6-135, 6-156	R4111931	6-138
		R4110359	6-142	R4111630	6-135, 6-157	R4111937	6-136
		R4110360	6-142	R4111631	6-135, 6-156	R4111944	6-147
		R4110362	6-139	R4111632	6-155	R4111982	6-135, 6-153
		R4110366	6-139	R4111633	6-143	R4111983	6-139
		R4110368	6-145	R4111634	6-135, 6-157	R4111989	6-135, 6-150
		R4110369	6-145	R4111635	6-159	R4111992	6-135, 6-158
		R4110373	6-145	R4111641	6-135, 6-153	R4111994	6-135, 6- 157, 6-159, 6- 160
		R4110374	6-145	R4111668	6-135	R4111995	6-135, 6- 159, 6-160
		R4110375	6-138	R4111669	6-135, 6-141	R4111999	6-135, 6-158
		R4110379	6-140	R4111676	6-135, 6-144	R4112007	6-135, 6-143
		R4110428	6-172	R4111682	6-135, 6-144	R4112008	6-135, 6-145
		R4110431	6-142	R4111730	6-135, 6-150, 6-152	R4112029	6-151
		R4110432	6-143	R4111732	6-135, 6-145, 6-147, 6-148	R4112052	6-168, 6-180
		R4110436	6-143	R4111738	6-138	R4112055	6-179
		R4111046	6-135, 6-150	R4111741	6-153	R4112058	6-135, 6-148
				R4111753	6-134	R4112117	6-176
				R4111758	6-147	R4112118	6-176
						R4112119	6-175

NUMERICAL INDEX OF MERITOR PART NUMBERS

MERITOR NO.	PAGE	MERITOR NO.	PAGE	MERITOR NO.	PAGE	MERITOR NO.	PAGE
R4112120	6-168, 6-179	R411739	6-139	R412012694	5-18	R412514920	6-257
R4112121	6-148	R411F2981	6-135	R412012695	5-18	R412515075	6-261
R4112168	6-171, 6-179	R4120122703	5-56	R412012701	5-56	R412518644	6-261
R4112169	6-175	R4120122704	5-56	R412012702	5-56	R412912562	5-18
R4112176	6-169, 6-175	R412012622	5-37	R41207361	5-32, 5-34, 5-36	R41301198	6-134
R4112178	6-149	R412012623	5-37	R41207363	5-32, 5-33, 5-34, 5-36	R413019089	6-169
R4112183	6-137	R412012624	5-37	R41207364	5-32, 5-33, 5-34, 5-36	R41302861	6-134
R4112197	6-135, 6-146	R412012625	5-37	R41207365	5-32, 5-33, 5-34, 5-36	R413034403	6-172
R4112198	6-135, 6-144	R412012626	5-37	R41207366	5-32, 5-33, 5-34, 5-36	R413034404	6-169
R4112199	6-135, 6-141	R412012627	5-37	R41207367	5-32, 5-33, 5-34, 5-35, 5-36	R41303573	6-173
R4112200	6-135, 6-146	R412012628	5-37	R41207368	5-32, 5-33, 5-34, 5-35, 5-36	R413036121	6-172, 6-174
R4112218	6-135, 6-143	R412012629	5-37	R41207369	5-32, 5-33, 5-34, 5-35, 5-36	R413036154	6-173
R4112219	6-135, 6-149	R412012630	5-37	R41207370	5-32, 5-33, 5-34, 5-35, 5-36	R413036155	6-173
R4112220	6-135, 6-150	R412012631	5-37	R41207372	5-37	R413036212	6-170
R4112342	6-140	R412012632	5-37	R41207374	5-37	R413036347	6-170
R4112348	6-175	R412012633	5-37	R41207375	5-37	R4133002	6-109, 6-110, 6-117
R4112426	6-161	R412012634	5-38	R41207377	5-37	R4133003	6-109, 6-110, 6-117
R4112457	6-179	R412012635	5-38	R41207379	5-37	R4133004	6-109, 6-110, 6-111, 6-117
R4112466	6-135, 6-153	R412012636	5-38	R41207380	5-37	R4133005	6-109, 6-110, 6-111, 6-117
R4112519	6-146	R412012637	5-38	R41207381	5-37	R4133206	6-109, 6-110, 6-123
R4112561	6-176	R412012638	5-38	R41207397	5-40, 5-41	R4133207	6-109, 6-110, 6-123
R4112641	6-146	R412012639	5-38	R41207398	5-40, 5-41	R4133230	6-109, 6-110, 6-115
R4112833	6-144	R412012640	5-37	R41207399	5-40, 5-41	R4133231	6-109, 6-110, 6-115
R4112834	6-150	R412012641	5-38	R412212446	5-56	R4133256	6-109, 6-110, 6-127
R4112840	6-147	R412012642	5-38	R412212447	5-56	R4133257	6-109, 6-110, 6-127
R4112985	6-177	R412012643	5-38	R412212448	5-56	R4133278	6-109, 6-110, 6-112
R4113022	6-135, 6-150	R412012644	5-38	R412212614	5-66	R4133279	6-109, 6-110, 6-113
R4113041	6-153	R412012645	5-38	R412212662	5-18	R4133312	6-127, 6-128
R4113055	6-147	R412012646	5-38	R412212663	5-18, 5-19, 5-66	R4133315	6-109, 6-110, 6-111, 6-126
R4113118	6-169, 6-172, 6-181	R412012647	5-38	R412212670	5-18, 5-19	R4133316	6-109, 6-111, 6-126
R4113207	6-170, 6-172, 6-181	R412012648	5-38	R4122346	6-159, 6-160, 6-161	R4133320	6-109, 6-110, 6-122
r4113249	6-151	R412012649	5-38	R4122350	6-144	R4133321	6-109, 6-110, 6-111, 6-122
R4113252	6-151	R412012650	5-38	R4122386	6-157, 6-158	R4133335	6-131
R4113263	6-151	R412012651	5-37	R4122387	6-155	R4133336	6-109, 6-110, 6-111, 6-128
R4113315	6-169, 6-181	R412012652	5-37	R4122486	6-156	R4133338	6-109, 6-110, 6-129
R4113318	6-181	R412012653	5-37	R4122488	6-157	R4133366	6-109, 6-110, 6-111, 6-115
R4113347	6-170, 6-181	R412012654	5-37	R4122505	6-148	R4133367	6-109, 6-110, 6-111, 6-115
R4113355	6-151	R412012671	5-18	R4122568	6-159, 6-160, 6-161		
R4113373	5-18	R412012673	5-18	R4122643	6-148		
R4113442	6-161	R412012674	5-18	R4122893	6-179		
R4113488	6-160	R412012675	5-18	R4122935	6-155		
R4113505	6-182	R412012676	5-18	R4122937	6-154		
R4113508	6-164, 6-182	R412012677	5-18				
R4113509	6-164, 6-165, 6-166, 6-182	R412012678	5-18				
R4113511	6-169, 6-181	R412012680	5-18				
R4113513	6-170	R412012681	5-18				
R4113514	6-167, 6-182	R412012682	5-18, 5-19				
R4113515	6-167, 6-182	R412012683	5-18, 5-19				
R4113543	6-161	R412012684	5-18, 5-19				
R4113607	6-160	R412012685	5-18, 5-19				
R4113648	6-161	R412012686	5-18, 5-19				
R4113649	6-161	R412012687	5-18, 5-19				
		R412012692	5-18				
		R412012693	5-18				

NUMERICAL INDEX OF MERITOR PART NUMBERS

MERITOR NO.	PAGE	MERITOR NO.	PAGE	MERITOR NO.	PAGE	MERITOR NO.	PAGE
R4133376	6-109, 6-111, 6-124	R4133655	6-109, 6-110, 6-128	R4133958	6-110, 6-112	R41582	5-68, 5-71, 6-99, 6-107
R4133377	6-109, 6-111, 6-124	R4133656	6-109, 6-110, 6-128	R4133961	6-110, 6-124	R41583	5-71
R4133379	6-109, 6-111, 6-126	R4133708	6-109, 6-110, 6-124	R4133962	6-110, 6-123	R41618406	6-134
R4133380	6-109, 6-111, 6-126	R4133709	6-109, 6-110, 6-119	R4134028	6-110, 6-114	R4166713	3-24, 3-25
R4133390	6-109, 6-110, 6-127	R4133714	6-109, 6-110, 6-111, 6-121	R4134047	6-110, 6-118	R417382	5-33
R4133396	6-126	R4133715	6-109, 6-110, 6-111, 6-121	R4134054	6-116	R417785	6-156
R4133400	6-109, 6-110, 6-111, 6-131	R4133716	6-109, 6-110, 6-111, 6-121	R4134064	6-109, 6-110, 6-113	R417830	6-177
R4133406	6-109, 6-110, 6-113	R4133717	6-109, 6-110, 6-111, 6-121	R4134075	6-114	R418140	5-68
R4133407	6-109, 6-110, 6-113	R4133718	6-109, 6-111, 6-121	R4134139	6-123	R418210	6-141
R4133420	6-109, 6-110, 6-132	R4133719	6-109, 6-110, 6-111, 6-121	R4134140	6-123	R418225	6-137
R4133447	6-109, 6-110, 6-114	R4133720	6-109, 6-110, 6-111, 6-121	R413635	6-129	R418226	6-137
R4133469	6-109, 6-110, 6-111, 6-116	R4133721	6-109, 6-110, 6-111, 6-125	R413636	6-132	R418229	6-141
R4133484	6-109, 6-110, 6-120	R4133722	6-109, 6-110, 6-111, 6-125	R414024045	6-165, 6-166, 6-167	R418232	6-137
R4133485	6-109, 6-110, 6-120	R4133723	6-109, 6-110, 6-111, 6-125	R4140350032	6-164	R418233	6-138
R4133540	6-109, 6-110, 6-111, 6-118	R4133725	6-109, 6-110, 6-118	R4140350033	6-164, 6-165	R418234	6-138
R4133541	6-109, 6-110, 6-111, 6-118	R4133726	6-109, 6-110, 6-118	R4140350065	6-165	R418235	6-137
R4133580	6-109, 6-110, 6-127	R4133791	6-109, 6-110, 6-111, 6-119	R4140350069	6-169	R418239	6-139
R4133581	6-109, 6-110, 6-111, 6-125	R4133792	6-109, 6-110, 6-111, 6-119	R4140350099	6-169	R418242	6-140
R4133582	6-109, 6-110, 6-111, 6-125	R4133851	6-109, 6-110, 6-112	R4140350100	6-164, 6-165	R418244	6-152
R4133584	6-109, 6-110, 6-132	R4133858	6-109, 6-110, 6-112	R4140350102	6-169	R418254	6-136
R4133597	6-109, 6-111, 6-116	R4133891	6-109, 6-110, 6-112	R4140350124	6-169	R418304	6-164, 6-165
R4133606	6-109, 6-110, 6-111, 6-130	R4133892	6-109, 6-110, 6-114	R4140350182	6-169	R418310	6-164
R4133607	6-109, 6-110, 6-111, 6-127	R4133893	6-109, 6-112	R414035085	6-163	R418311	6-176
R4133608	6-109, 6-110, 6-117	R4133904	6-109, 6-110, 6-113	R414036066	6-163	R418312	6-169, 6-175
R4133614	6-109, 6-110, 6-122	R4133905	6-111, 6-129	R414036148	6-173	R418313	6-176
R4133615	6-109, 6-110, 6-122	R4133906	6-111, 6-129	R414039737	6-166	R418316	6-176
R4133627	6-109, 6-110, 6-114	R4133915	6-109, 6-110, 6-120	R414039815	6-169, 6-172	R418317	6-175
R4133628	6-109, 6-110, 6-114	R4133916	6-109, 6-110, 6-120	R414039891	6-165	R418318	6-164, 6-165
R4133637	6-109, 6-111, 6-116	R4133945	6-109, 6-110, 6-124	R4148654	6-134	R418319	6-164
R4133638	6-109, 6-111, 6-116	R4133946	6-109, 6-110, 6-124	R415019097	6-170, 6-174	R418339	6-171
				R415033723	6-163	R4194002	6-134
				R4150360015	6-167	R4194010	6-134
				R4150360016	6-167	R4194012	6-134
				R4150360053	6-170	R4194013	6-134
				R4150360101	6-170	R4194014	6-134
				R415036124	6-171	R4194015	6-134
				R415036151	6-163	R419821	6-171, 6-172
				R415036158	6-171	R419822	6-169, 6-172
				R415037237	6-171	R41BN2515050	6-254
				R415037749	6-168	R41F2981	6-135
				R415037819	6-168	R41R2512059	6-255, 6-256
				R415037820	6-168	R41R2512059X	6-255
				R415037825	6-168	R41R2514916	6-256
				R415037893	6-163	R41R2514917	6-255, 6-256
				R415037897	6-168	R41R2514917X	6-255
				R415037899	6-168	R41R2514918	6-257
				R415037930	6-168, 6-172	R41R2515029	6-255, 6-257
				R415037931	6-171, 6-172	R41R2515030	6-258
				R4152515050	6-258	R41R2515050	6-254
				R41569	5-68, 5-70, 6-99, 6-106	R41R2515074	6-258
				R41581	5-68, 5-71, 6-99, 6-106	R41R2770433	6-261
						R41R2771117	6-259
						R41R2771250	6-259

NUMERICAL INDEX OF MERITOR PART NUMBERS

MERITOR NO.	PAGE	MERITOR NO.	PAGE	MERITOR NO.	PAGE	MERITOR NO.	PAGE
R41R2771494	6-255, 6-259	R4212488X	6-8	R4255973	6-iv, 6-6, 6-41, 6-42	R42L55454	6-9
R41R2771494X	6-255	R4212489X	6-8	R4255988	6-6	R42L55455	6-9
R41R2771552	6-255	R4212490	6-8, 6-41	R4255989	6-6	R42L55460	6-11
R41R374980	6-261	R4212491	6-8, 6-41	R4256544	6-6, 6-40	R42L55460P	6-12
R41R374980X	6-260	R424153216	6-iv, 3-18	R4256545	6-6, 6-40	R42L55461	6-12
R41R512059	6-255	R424153216	6-iv, 6-4, 6-53	R4256546	6-6, 6-40	R42L55461P	6-12
R421005093266AA	6-iii, 6-6, 6-48	R424153263	6-iv, 6-4, 6-52	R4256547	6-6, 6-40	R42L55496	6-ii, 6-11
R421005093269AA	6-iii, 6-6, 6-48	R424238	5-50	R427178	6-53	R42L55497	6-ii, 6-11
R421005102062AA	6-iii, 6-iv, 6-6, 6-45	R424238X	5-50	R427178X	6-53	R42L55500	6-11
R421005102063AA	6-iii, 6-iv, 6-6, 6-45	R4255098	3-6	R427179	6-53	R42L55501	6-11
R4210685	5-50	R4255098	6-v, 6-8, 6-33	R427179X	6-53	R42L55604	6-iv, 6-11
R4212067	6-iii, 6-5, 6-52	R4255098X	6-33	R429422X	4-37	R42L55605	6-iv, 6-11
R4212068	6-iii, 6-5, 6-50	R4255099	3-6	R429422X	5-6, 5-17	R42L55636	6-12
R4212069	6-iv, 6-5, 6-53	R4255099	6-v, 6-8, 6-33	R429423X	4-37	R42L55637	6-12
R4212077	6-iv, 6-iv, 6-5, 6-51	R4255250	3-14, 5-27, 5-28, 5-50,	R429423X	5-6, 5-17	R42L55656	6-iv, 6-2
R4212078	6-iv, 6-iv, 6-5, 6-51	R4255313	6-iv, 6-2, 6-38	R429424X	4-37	R42L55687	6-ii, 6-2
R4212083	6-iii, 6-5, 6-51	R4255314	3-10	R429424X	5-6, 5-17	R42L55688	6-ii, 6-2
R4212084	6-iii, 6-5, 6-51	R4255314A	6-38	R429425X	4-37	R42L55717	6-iv, 6-8
R4212086	6-6	R4255604	6-ii, 6-iv, 6-5, 6-51	R429425X	5-6, 5-17	R42L55748	6-ii, 6-iii, 6-2, 6-7
R4212095	6-6	R4255605	6-ii, 6-iv, 6-5, 6-51	R42L12067	6-iii, 6-5	R42L55749	6-ii, 6-iii, 6-3, 6-7
R4212096	6-6	R4255656	3-14	R42L12068	6-iii, 6-5	R42L55794	6-ii, 6-7
R4212243	6-iii, 6-6, 6-41	R4255656	6-iv, 6-2, 6-39	R42L12069	6-iv, 6-5	R42L55795	6-7
R4212244	6-iv, 6-41	R4255717	6-iv, 6-8	R42L12077	6-iv, 6-5	R42L55849	6-iv, 6-4
R4212248	6-iii, 6-7, 6-46	R4255748	6-ii, 6-7, 6-49	R42L12078	6-iv, 6-5	R42L55850	6-iv, 6-4
R4212249	6-iii, 6-7, 6-46	R4255749	6-ii, 6-iii, 6-7, 6-49	R42L12083	6-iii, 6-5	R42L55857	6-ii, 6-4
R4212253	6-iii, 6-7, 6-52	R4255794	6-ii, 6-7, 6-44	R42L12084	6-iii, 6-5	R42L55858	6-ii, 6-4
R4212254	6-iii, 6-7, 6-52	R4255795	6-ii, 6-7, 6-44	R42L12243	6-iii, 6-7	R42L55861	6-ii, 6-4
R4212269	5-44, 5-46, 6-7, 6-47	R4255849	6-iv, 6-4	R42L12244	6-iv, 6-7	R42L55862	6-ii, 6-4
R4212270	5-44, 5-46, 6-7, 6-47	R4255850	6-iv, 6-4	R42L12248	6-iii, 6-7	R42L55865	6-ii, 6-iii, 6-iv, 6-6
R4212271X	5-44, 5-46, 6-7, 6-47	R4255857	6-ii, 6-4, 6-40	R42L12249	6-iii, 6-7	R42L55866	6-ii, 6-iii, 6-iv, 6-6
R4212272X	5-44, 5-46, 6-7, 6-47	R4255858	6-ii, 6-4, 6-40	R42L12253	6-iii, 6-7	R42L55887	6-ii, 6-iii, 6-4
R4212273	5-44, 5-46, 6-ii, 6-v, 6-7, 6-49	R4255861	6-ii, 6-4, 6-50	R42L12254	6-iii, 6-7	R42L55888	6-ii, 6-iii, 6-5
R4212274	5-44, 5-46, 6-ii, 6-v, 6-8, 6-49	R4255862	6-ii, 6-4, 6-50	R42L55060	6-11	R42L55889	6-iii, 6-5
R4212275	5-44, 5-46, 6-ii, 6-v, 6-8, 6-49	R4255865	6-ii, 6-iii, 6-iv, 6-6, 6-45	R42L55061	6-11	R42L55890	6-iii, 6-5
R4212276	5-44, 5-46, 6-ii, 6-v, 6-8, 6-49	R4255866	6-ii, 6-iii, 6-iv, 6-6, 6-45	R42L55098	6-v, 6-8	R42L55966	6-iv, 6-v, 6-6
R4212277X	5-44, 5-46, 6-8	R4255887	6-ii, 6-iii, 6-4, 6-48	R42L55099	6-v, 6-8	R42L55967	6-v, 6-6
R4212278X	5-44, 5-46, 6-8	R4255888	6-ii, 6-iii, 6-4, 6-48	R42L55118	6-9	R42L55972	6-iv, 6-6
R4212278X	5-44, 5-46, 6-8	R4255889	6-iii, 6-5, 6-48	R42L55119	6-9	R42L55973	6-iv, 6-6
R4212278X	5-44, 5-46, 6-8	R4255890	6-iii, 6-5, 6-48	R42L55199	6-10	R42L55977	6-iv, 6-6
R4212278X	6-8, 6-50	R4255915	6-ii, 6-iii, 6-iv, 6-4, 6-45	R42L55200	6-10	R42L55978	6-iv, 6-6
R4212278X	6-8, 6-50	R4255916	6-ii, 6-iii, 6-iv, 6-4, 6-45	R42L55205	6-10	R42L55979	6-iv, 6-6
R4212298	5-19, 6-8	R4255966	6-iv, 6-v, 6-6	R42L55206	6-10	R42L56544	6-6
R4212299	5-19, 6-8	R4255967	6-iv, 6-v, 6-6	R42L55207	6-9	R42L56545	6-6
R4212300	5-19, 6-8	R4255972	6-iv, 6-6, 6-42	R42L55208	6-10	R42L56546	6-6
R4212301	5-19, 6-8			R42L55243	6-10	R42L56547	6-6
R4212416X	6-8			R42L55244	6-10	R42LV12067	6-iii, 6-5
R4212417X	6-8			R42L55245	6-iv, 6-12	R42LV12068	6-iii, 6-5
				R42L55250	6-iv, 6-8	R42LV12069	6-iv, 6-5
				R42L55313	6-iv, 6-2	R42LV12077	6-iv, 6-5
				R42L55381	6-10	R42LV12078	6-iv, 6-5
				R42L55382	6-11	R42LV12083	6-iii, 6-5
				R42L55411	6-10	R42LV12084	6-iii, 6-6
				R42L55412	6-10	R42LV12243	6-iii, 6-7
						R42LV12244	6-iv, 6-7

NUMERICAL INDEX OF MERITOR PART NUMBERS

MERITOR NO.	PAGE	MERITOR NO.	PAGE	MERITOR NO.	PAGE	MERITOR NO.	PAGE
R42LV12248	6-iii, 6-7	R42LV55858	6-ii, 6-4	R42R12078	6-iv, 6-5	R42R55279	6-24
R42LV12249	6-iii, 6-7	R42LV55861	6-ii, 6-4	R42R12083	6-iii, 6-5	R42R55304	6-27
R42LV12253	6-iii, 6-7	R42LV55862	6-ii, 6-4	R42R12084	6-iii, 6-5	R42R55305	6-27
R42LV12254	6-iii, 6-7	R42LV55865	6-ii, 6-iii, 6-iv, 6-6	R42R12243	6-iii, 6-7	R42R55313	6-iv, 6-2, 6-38
R42LV55060	6-11			R42R12244	6-iv, 6-7	R42R55314	3-10, 6-38
R42LV55061	6-11	R42LV55866	6-ii, 6-iii, 6-iv, 6-6	R42R12248	6-iii, 6-7	R42R55381	6-10, 6-32
R42LV55098	6-v, 6-8	R42LV55887	6-ii, 6-iii, 6-4	R42R12249	6-iii, 6-7	R42R55382	6-10, 6-32
R42LV55099	6-v, 6-8	R42LV55888	6-ii, 6-iii, 6-5	R42R12253	6-iii, 6-7	R42R55383	6-9
R42LV55118	6-9	R42LV55889	6-iii, 6-5	R42R12254	6-iii, 6-7	R42R55384	6-10
R42LV55119	6-9	R42LV55890	6-iii, 6-5	R42R1912436	6-43	R42R55411	3-24, 6-35
R42LV55199	6-10	R42LV55966	6-iv, 6-v, 6-6	R42R55060	6-11, 6-31	R42R55412	6-10, 6-35
R42LV55200	6-10	R42LV55967	6-v, 6-6	R42R55061	6-11, 6-31	R42R55413	3-24, 6-11, 6-35
R42LV55205	6-10	R42LV55972	6-iv, 6-6	R42R55094	6-9, 6-29		
R42LV55206	6-10	R42LV55973	6-iv, 6-6	R42R55095	6-9, 6-29	R42R55454	6-9, 6-37
R42LV55207	6-9	R42R1012433	6-42	R42R55098	3-6, 6-v, 6-8	R42R55455	6-9, 6-37
R42LV55208	6-10	R42R1012433X	5-56, 5-58, 5-59	R42R55099	3-6, 6-v, 6-8, 6-33	R42R55456	3-24, 6-35
R42LV55215	6-9			R42R55116	6-9, 6-32	R42R55460	6-11, 6-36
R42LV55216	6-9	R42R1012434	6-42	R42R55117	6-9, 6-32	R42R55460P	6-12, 6-36
R42LV55243	6-10	R42R1012434X	5-56, 5-58, 5-59	R42R55118	6-32	R42R55461	6-12, 6-36
R42LV55244	6-10			R42R55119	6-32	R42R55461P	6-12, 6-36
R42LV55245	6-iv, 6-12	R42R1012435	6-43	R42R55158	6-9	R42R55496	6-ii, 6-11, 6-33, 6-34
R42LV55250	6-iv, 6-8	R42R1012435X	5-56, 5-58, 5-59	R42R55159	6-9	R42R55497	6-ii, 6-11, 6-33, 6-34
R42LV55313X	6-iv, 6-2	R42R1012436X	5-56, 5-58, 5-59	R42R55193	6-30	R42R55498	6-26
R42LV55381	6-10			R42R55194	6-30	R42R55499	6-26
R42LV55382	6-11	R42R1012439	5-56, 6-43	R42R55199	3-4	R42R55500	6-11, 6-31
R42LV55411	6-10	R42R1012440	5-56, 6-43	R42R55199	6-10, 6-33	R42R55501	6-11, 6-31
R42LV55412	6-10	R42R1012441	5-56, 6-43	R42R55200	3-4	R42R55506	6-24
R42LV55454	6-9	R42R1012442	5-56, 6-43	R42R55200	6-10, 6-33	R42R55507	6-24
R42LV55455	6-9	R42R1012455	6-44	R42R55205	6-10, 6-31	R42R55507	6-24
R42LV55460	6-11	R42R1012455X	5-56, 5-60, 5-61	R42R55206	6-10, 6-31	R42R55512	3-24
R42LV55460P	6-12			R42R55207	6-30	R42R55518	6-24
R42LV55461	6-12	R42R1012456	6-44	R42R55208	6-30	R42R55519	6-24
R42LV55461P	6-12	R42R1012456X	5-56, 5-60, 5-61	R42R55209	6-9, 6-26	R42R55520	6-25
R42LV55496	6-ii, 6-11			R42R55210	6-9, 6-26	R42R55521	6-25
R42LV55497	6-ii, 6-11	R42R1012457	6-44	R42R55215	6-30	R42R55590	6-25
R42LV55500	6-11	R42R1012457X	5-56, 5-60, 5-61	R42R55216	6-9, 6-30	R42R55591	6-25
R42LV55501	6-11			R42R55233	6-27	R42R55604	3-22, 6-iv, 6-11, 6-37, 6-51
R42LV55604	6-iv, 6-11	R42R1012458	6-44	R42R55234	6-27		
R42LV55605	6-iv, 6-11	R42R1012458X	5-56, 5-60, 5-61	R42R55243	6-10, 6-29	R42R55605	3-22, 6-iv, 6-11, 6-37, 6-51
R42LV55636	6-12			R42R55244	6-10, 6-29		
R42LV55637	6-12	R42R1012459	5-64, 6-46	R42R55244	6-10, 6-29	R42R55616	6-27
R42LV55656	6-iv, 6-2	R42R1012460	5-64, 6-46	R42R55245	3-8, 6-iv, 6-12, 6-38	R42R55617	6-27
R42LV55687	6-ii, 6-2	R42R1012655	6-47	R42R55248	6-28	R42R55630	6-25
R42LV55688	6-ii, 6-2	R42R1012655X	5-46	R42R55249	6-28	R42R55631	6-25
R42LV55717	6-iv, 6-8	R42R1012656	6-47	R42R55250	3-14, 6-iv, 6-8, 6-39	R42R55634	6-28
R42LV55748	6-ii, 6-iii, 6-2, 6-7	R42R1012656X	5-46			R42R55635	6-28
		R42R1012698	6-42	R42R55254	6-29	R42R55636	6-12
R42LV55749	6-ii, 6-iii, 6-3, 6-7	R42R1012698X	5-56	R42R55255	6-29		
		R42R1012699	6-42	R42R55258	6-28	R42R55637	6-12
R42LV55794	6-ii, 6-7	R42R1012699X	5-56	R42R55259	6-28	R42R55656	6-iv, 6-2, 6-39
R42LV55795	6-ii, 6-7	R42R12067	6-iii, 6-5	R42R55264	6-26	R42R55677	6-11
R42LV55849	6-iv, 6-4	R42R12068	6-iii, 6-5	R42R55265	6-26	R42R55687	6-ii, 6-2
R42LV55850	6-iv, 6-4	R42R12069	6-iv, 6-5	R42R55278	6-24	R42R55688	6-ii, 6-2
R42LV55857	6-ii, 6-4	R42R12077	6-iv, 6-5				

NUMERICAL INDEX OF MERITOR PART NUMBERS

MERITOR NO.	PAGE	MERITOR NO.	PAGE	MERITOR NO.	PAGE	MERITOR NO.	PAGE
R42R55717	6-iv, 6-8	R43MDC3503SX	6-254	R44140386	6-88	R44141049	6-89
R42R55748	6-ii, 6-2, 6-7	R43MDC3507SBX	6-253	R44140387	6-88	R44141067	6-91
R42R55749	6-ii, 6-iii, 6-2, 6-7	R43MDC3510SAX	6-255	R44140388	6-88	R44141088	6-89
R42R55794	6-ii, 6-7	R43MDC4003X	6-254	R44140391	6-88	R44141089	6-91
R42R55795	6-ii, 6-7	R43MDC4007X	6-254	R44140397	6-88	R44141127	6-89
R42R55805	6-8	R43MDC4012X	6-254	R44140401	6-89	R44141130	6-91
R42R55849	6-iv, 6-4	R43MDC4013X	6-254	R44140408	6-88	R44141152	6-91
R42R55850	6-iv, 6-4	R43MDC4025X	6-253	R44140409	6-88	R44141153	6-91
R42R55853	6-8, 6-57	R43MDC4029X	6-253	R441404090	6-88	R44141154	6-91
R42R55854	6-8, 6-57	R43MDC4034X	6-254	R44140449	6-88	R44141171	6-89
R42R55855	6-8, 6-57	R43MDC4035X	6-254	R44140450	6-88	R44141174	6-89
R42R55856	6-8, 6-57	R43MDC4036X	6-254	R44140451	6-88	R44141179	6-89
R42R55857	6-ii, 6-4	R43MDC4037X	6-254	R44140452	6-88	R44141186	6-91
R42R55858	6-ii, 6-4	R43MDC4042X	6-254	R44140461	6-88	R44141193	6-89
R42R55861	6-ii, 6-4	R43MDC4044X	6-253, 6-255	R44140468	6-88	R44141194	6-89
R42R55862	6-ii, 6-4	R43MDC4055X	6-254	R44140471	6-88	R44141196	6-91
R42R55865	6-ii, 6-iii, 6-iv, 6-6	R43MDC4056X	6-254	R44140479	6-88	R44141197	6-91
R42R55866	6-ii, 6-iii, 6-iv, 6-6	R43MDC4058X	6-254	R44140484	6-88	R44141214	6-90
R42R55887	6-ii, 6-iii, 6-4	R43MDC4083X	6-252	R44140493	6-88	R44141216	6-91
R42R55888	6-ii, 6-iii, 6-4	R43MDC4085X	6-253	R44140496	6-88	R44141219	6-91
R42R55889	6-iii, 6-5	R43MDC4089X	6-254, 6-255	R44140497	6-88	R44141223	6-89
R42R55890	6-iii, 6-5	R43MDC4090X	6-254	R44140499	6-88	R44141233	6-91
R42R55915	6-ii, 6-iii, 6-iv, 6-4	R43MDC448X	6-252	R44140504	6-88	R44141234	6-91
R42R55916	6-ii, 6-iii, 6-iv, 6-4	R43MDC462X	6-253	R44140506	6-88	R44141235	6-91
R42R55943	6-56	R43MDC464X	6-252	R44140510	6-88	R44141237	6-89
R42R55944	6-56	R43MDC468BX	6-254	R44140520	6-88	R44141251	6-89
R42R55966	6-iv, 6-v, 6-6	R43MDC490X	6-252	R44140532	6-88	R44141261	6-89
R42R55967	6-iv, 6-v, 6-6	R43MDCC462X	6-252	R44140536	6-88	R44141263	6-89
R42R55972	6-iv, 6-6	R43MDKN35010X	6-253, 6-254, 6-255	R44140540	6-88	R44141264	6-91
R42R55973	6-iv, 6-6	R44104716	6-89	R44140541	6-88	R44141265	6-91
R42R55994	6-56	R4412432	6-90	R44140542	6-88	R44141289	6-90
R42R55995	6-56	R4412438	6-90	R44140543	6-88	R44141290	6-89
R42R56544	6-6	R4412443	6-89	R44140545	6-88	R44141379	6-90
R42R56545	6-6	R4412450	6-90	R44140547	6-88	R44141381	6-91
R42R56546	6-6	R4412451	6-90	R44140570	6-88	R44141382	6-91
R42R56547	6-6	R4412454	6-90	R44140574	6-88	R44141389	6-89
R42R56548	6-6	R4412455	6-90	R44140583	6-89	R44141391	6-91
R42R56549	6-6	R44140012	6-88	R44140600	6-88	R44141397	6-89
R42R56550	6-6	R44140023	6-89	R44140604	6-88	R44141414	6-89
R42R56551	6-6	R44140037	6-89	R44140619	6-88, 6-89	R44141415	6-91
R42R56552	6-41	R44140039	6-88	R44140620	6-89	R44141450	6-90
R42R56553	6-v, 6-9	R44140253	6-88	R44140622	6-88	R44141452	6-91
R42R56554	6-v, 6-9	R44140254	6-88	R44140657	6-88	R44141453	6-89
R43DE18001047X	6-254, 6-255	R44140264	6-88	R44140658	6-88	R44141454	6-89
R43DE18001072X	6-254	R44140267	6-88	R44140675	6-89	R44141455	6-89
R43DE18001810X	6-254	R44140278	6-88	R44140679	6-88	R44141457	6-91
R43DE18003144X	6-255	R44140315	6-88	R44140682	6-89	R44141464	6-91
R43DE18003998X	6-255	R44140316	6-88	R44140685	6-88	R44141468	6-91
R43DE18014080X	6-254	R44140344	6-88	R44140686	6-89	R44141469	6-89
R43MDC3472X	6-253	R44140351	6-88	R44140712	6-89	R44141477	6-90
R43MDC3492X	6-254	R44140362	6-88	R44140722	6-89	R44141480	6-91
R43MDC3500SEX	6-255	R44140363	6-88	R44140724	6-89	R44141481	6-91
R43MDC3500SFX	6-253	R44140365	6-88	R44140729	6-89	R44141482	6-91
R43MDC3502SBX	6-252	R44140374	6-88	R44141043	6-91	R44141483	6-90

NUMERICAL INDEX OF MERITOR PART NUMBERS

MERITOR NO.	PAGE	MERITOR NO.	PAGE	MERITOR NO.	PAGE	MERITOR NO.	PAGE
R44141487	6-91	R44145139	6-90	R442712669	5-18	R4510532	6-196
R44141488	6-91	R44145141	6-91	R442712679	5-18	R4510533	6-230
R44141498	6-91	R44145152	6-90	R442R1771	6-90	R4510534	6-185, 6-196
R44141507	6-90	R44145162	6-90	R447184	6-94	R4510537	6-184, 6-196
R44141508	6-91	R44145192	6-91	R447185	6-94	R4510538	6-185, 6-196
R44141519	6-91	R44145202	6-90	R448394	6-89	R4510539	6-185, 6-196
R44141529	6-89	R44145245	6-90	R448395	6-89	R4510545	6-185, 6-196
R44141540	6-91	R44145251	6-90	R448396	6-89	R4510546	6-185, 6-197
R44141547	6-90	R44145255	6-91	R448904	6-94	R4510549	6-184, 6-197
R44141583	6-94	R44145256	6-91	R449873	6-94	R4510550	6-184, 6-197
R44141586	6-90	R44145257	6-90	R4510440	6-183, 6-188	R4510552	6-184, 6-197
R44141621	6-90	R44145258	6-90	R4510446	6-184, 6-188	R4510553	6-184, 6-197
R44141627	6-94	R44145259	6-90	R4510447	6-183, 6-188	R4510558	6-184, 6-198
R44141629	6-94	R44145260	6-90	R4510448	6-183, 6-188	R4510563	6-183, 6-197
R44141663	6-89	R44145261	6-90	R4510450	6-184, 6-190	R4510564	6-185, 6-198
R44141664	6-90	R44145262	6-90	R4510451	6-185, 6-190	R4510565	6-185, 6-198
R44141730	6-94	R44145267	6-91	R4510452	6-185, 6-189	R4510566	6-185, 6-198
R44141741	6-90	R44145268	6-90	R4510453	6-184, 6-189	R4510567	6-183, 6-198
R44141745	6-89	R44145274	6-90	R4510454	6-185, 6-189	R4510568	6-184, 6-198
R44141770	6-90	R44145279	6-90	R4510457	6-185, 6-189	R4510569	6-184, 6-199
R44141806	6-91	R44145280	6-90	R4510458	6-185, 6-189	R4510571	6-184, 6-199
R44141808	6-90	R44145283	6-90	R4510459	6-185, 6-189	R4510573	6-183, 6-199
R44141818	6-91	R44145309	6-90	R4510462	6-183, 6-190	R4510574	6-185, 6-199
R44141829	6-91	R44145316	6-90	R4510466	6-184, 6-190	R4510582	6-185, 6-199
R44141856	6-94	R44145317	6-90	R4510471	6-184, 6-190	R4510583	6-185, 6-200
R44141856	3-20	R44145325	6-90	R4510472	6-184, 6-190	R4510584	6-183, 6-200
R44141858	6-94	R44145339	6-90	R4510487	6-185, 6-191	R4510585	6-183, 6-200
R44141861	6-91	R44145345	6-90	R4510488	6-185, 6-191	R4510586	6-183, 6-200
R44141862	6-91	R44145357	6-90	R4510491	6-185, 6-191	R4510587	6-185, 6-200
R44141866	6-91	R44145360	6-90	R4510492	6-183, 6-191	R4510588	6-183, 6-200
R44141867	6-91	R44145368	6-91	R4510494	6-184, 6-191	R4510589	6-183, 6-199
R44141893	6-90	R44145452	6-90	R4510495	6-184, 6-191	R4510592	6-184, 6-201
R44141903	6-91	R44145456	6-90	R4510497	6-185, 6-192	R4510594	6-184, 6-201
R44141906	6-91	R44145859	6-91	R4510498	6-183, 6-192	R4510595	6-185, 6-201
R44141922	6-90	R441712432	5-58, 5-59	R4510500	6-184, 6-192	R4510596	6-185, 6-201
R44141923	6-91	R441712450	5-61	R4510503	6-184, 6-185, 6-192	R4510597	6-184, 6-201
R44141924	6-91	R441712451	5-60, 5-62	R4510504	6-184, 6-192	R4510598	6-185, 6-201
R44141927	6-91	R441712454	5-64	R4510505	6-185, 6-193	R4510599	6-185, 6-202
R44141934	6-90	R4421483R	6-90	R4510506	6-185, 6-193	R4510602	6-185, 6-202
R44141951	6-89	R4421493R	6-90	R4510509	6-185, 6-193	R4510603	6-202
R44141953	6-89	R4421503R	6-90	R4510510	6-184, 6-193	R4510604	6-184, 6-202
R44145028	6-90	R4421513R	6-90	R4510511	6-184, 6-194	R4510617	6-184, 6-202
R44145049	6-91	R4421533R	6-90	R4510512	6-184, 6-194	R4510618	6-183, 6-202
R44145050	6-90	R442712438	5-56	R4510514	6-184, 6-194	R4510619	6-203
R44145054	6-91	R442712443	5-56, 5-57	R4510515	6-184, 6-194	R4510623	6-203
R44145055	6-90	R442712444	5-56, 5-57	R4510516	6-183, 6-194	R4510630	6-203
R44145057	6-91	R442712616	5-36, 5-39	R4510517	6-183, 6-194	R4510631	6-203
R44145065	6-90	R442712617	5-36, 5-39	R4510518	6-185, 6-195	R4510632	6-203
R44145068	6-91	R442712619	5-36, 5-39	R4510520	6-183, 6-195	R4510633	6-203
R44145071	6-91	R442712620	5-66	R4510521	6-183, 6-195	R4510634	6-183, 6-204
R44145079	6-90	R442712660	5-18	R4510525	6-184, 6-195	R4510635	6-204
R44145086	6-90	R442712661	5-18	R4510528	6-183, 6-195	R4510636	6-185, 6-204
R44145108	6-91	R442712667	5-18	R4510530	6-183, 6-195	R4510637	6-183, 6-204
R44145134	6-91	R442712668	5-18			R4510638	6-183, 6-204

NUMERICAL INDEX OF MERITOR PART NUMBERS

MERITOR NO.	PAGE	MERITOR NO.	PAGE	MERITOR NO.	PAGE	MERITOR NO.	PAGE
R4510641	6-183, 6-185, 6-204, 6-205	R457013696	6-250	R4577340	6-183, 6-217	R4577686	6-185, 6-227
		R457013697	6-250	R4577378	6-183, 6-217	R4577760	6-184, 6-227
R4510643	6-185, 6-205	R457013698	6-250	R4577379	6-184, 6-217	R4577761	6-184, 6-227
R4510644	6-185, 6-205	R457013699	6-250	R4577380	6-184, 6-218	R4577765	6-183, 6-228
R4510649	6-183, 6-205	R457013700	6-250	R4577387	6-183, 6-218	R4577766	6-183, 6-228
R4510650	6-184, 6-205	R457013701	6-250	R4577388	6-183, 6-218	R4577767	6-183, 6-228
R4510651	6-184, 6-205	R457013702	6-250	R4577415	6-183, 6-218	R4577768	6-184, 6-228
R4510652	6-185, 6-206	R457013703	6-250	R4577416	6-183, 6-218	R4577769	6-184, 6-228
R4510653	6-185, 6-206	R45707384	5-32, 5-33, 5-34, 5-36	R4577417	6-184, 6-218	R4577787	6-183, 6-227
R4510654	6-183, 6-206			R4577418	6-184, 6-219	R4577788	6-183, 6-227
R4510659	6-185, 6-206	R4577010	6-183, 6-210	R4577419	6-183, 6-219	R4577799	6-183, 6-228
R4510660	6-185, 6-206	R4577019	6-184, 6-210	R4577420	6-183, 6-219	R4577826	6-185, 6-229
R4510661	6-183, 6-206	R4577024	6-183, 6-211	R4577421	6-184, 6-219	R4577841	6-185, 6-227
R4510662	6-183, 6-207	R4577078	6-183, 6-210	R4577425	6-185, 6-219	R4577845	6-183, 6-229
R4510664	6-183, 6-207	R4577080	6-183, 6-210	R4577427	6-185, 6-220	R4577851	6-184, 6-229
R4510665	6-185, 6-207	R4577083	6-183, 6-211	R4577428	6-184, 6-220	R4577857	6-183, 6-229
R4510667	6-183, 6-207	R4577135	6-185, 6-211	R4577429	6-185, 6-220	R4577860	6-185, 6-230
R4511071	6-184, 6-207	R4577147	6-184, 6-211	R4577430	6-184, 6-220	R4577864	6-183, 6-229
R4511204	6-183, 6-184, 6-207, 6-208	R4577169	6-183, 6-211	R4577440	6-183, 6-221	R4577865	6-183, 6-229
		R4577171	6-183, 6-211	R4577441	6-183, 6-221	R4577868	6-185, 6-230
R4511244	6-184, 6-208	R4577185	6-183, 6-212	R4577443	6-183, 6-221	R4577870	6-184, 6-230
R4511245	6-183, 6-208	R4577187	6-185, 6-212	R4577444	6-183, 6-221	R4577900	6-184, 6-230
R4511296	6-184, 6-208	R4577189	6-184, 6-212	R4577452	6-185, 6-221	R4577901	6-184, 6-230
R4512290	6-183, 6-208	R4577235	6-183, 6-212	R4577453	6-185, 6-221	R4577909	6-184, 6-230
R4512291	6-184, 6-208	R4577240	6-185, 6-212	R4577454	6-185, 6-222	R4577914	6-185, 6-231
R4512292	6-183, 6-209	R4577241	6-185, 6-212	R4577455	6-185, 6-222	R4577915	6-185, 6-231
R4512400	6-185, 6-209	R4577245	6-184, 6-213	R4577457	6-185, 6-222	R4577921	6-183, 6-231
R4512419	6-184, 6-209	R4577247	6-184	R4577460	6-185, 6-222	R4577927	6-184, 6-231
R4512420	6-183, 6-209	R4577248	6-183, 6-213	R4577461	6-185, 6-222	R4577928	6-184, 6-232
R4512421	6-183, 6-209	R4577249	6-183, 6-213	R4577463	6-184, 6-222	R4578001	6-185, 6-232
R4512427	6-185, 6-209	R4577252	6-184, 6-213	R4577479	6-184, 6-223	R4578016	6-183, 6-232
R4512428	6-185, 6-210	R4577277	6-184, 6-213	R4577481	6-185, 6-223	R4578068	6-183, 6-232
R4512430	6-184, 6-210	R4577295	6-183, 6-213	R4577482	6-184, 6-223	R4578072	6-183, 6-232
R4512472	6-251	R4577296	6-183, 6-214	R4577484	6-185, 6-223	R4578084	6-184, 6-233
R4513542	6-161	R4577297	6-183, 6-214	R4577495	6-184, 6-223	R4578085	6-185, 6-233
R4533757	6-133	R4577298	6-183, 6-214	R4577500	6-184, 6-223	R4578117	6-185, 6-233
R45616972	6-133	R4577299	6-184, 6-214	R4577503	6-185, 6-224	R4578118	6-185, 6-233
R45616973	6-133	R4577300	6-184, 6-214	R4577512	6-183, 6-224	R4578129	6-184, 6-233
R457013680	6-250	R4577309	6-183, 6-214	R4577514	6-185, 6-224	R4578130	6-184, 6-233
R457013681	6-250	R4577311	6-183, 6-215	R4577537	6-185, 6-224	R4578132	6-185, 6-234
R457013682	6-250	R4577312	6-183, 6-215	R4577544	6-185, 6-224	R4578133	6-184, 6-234
R457013683	6-250	R4577314	6-185, 6-215	R4577548	6-185, 6-224	R4578134	6-184, 6-234
R457013684	6-250	R4577315	6-184, 6-215	R4577558	6-183, 6-225	R4578135	6-183, 6-234
R457013685	6-250	R4577316	6-184, 6-215	R4577559	6-185, 6-225	R4578136	6-183, 6-234
R457013686	6-250	R4577317	6-184, 6-215	R4577560	6-185, 6-225	R4578137	6-184, 6-234
R457013687	6-250	R4577320	6-184, 6-216	R4577564	6-185, 6-225	R4578144	6-184, 6-235
R457013688	6-250	R4577321	6-184, 6-216	R4577565	6-183, 6-225	R4578145	6-183, 6-235
R457013689	6-250	R4577327	6-183, 6-216	R4577596	6-183, 6-225	R4578159	6-185, 6-235
R457013690	6-250	R4577328	6-184, 6-216	R4577597	6-183, 6-226	R4578165	6-184, 6-235
R457013691	6-250	R4577329	6-183, 6-216	R4577598	6-183, 6-226	R4578166	6-183, 6-235
R457013692	6-250	R4577330	6-183, 6-216	R4577612	6-184, 6-226	R4578169	6-184, 6-235
R457013693	6-250	R4577332	6-185, 6-217	R4577613	6-184, 6-226	R4578182	6-183, 6-236
R457013694	6-250	R4577333	6-185, 6-217	R4577614	6-184, 6-226	R4578183	6-183, 6-236
R457013695	6-250	R4577334	6-185, 6-217	R4577631	6-183, 6-226	R4578184	6-184, 6-236

NUMERICAL INDEX OF MERITOR PART NUMBERS

MERITOR NO.	PAGE	MERITOR NO.	PAGE	MERITOR NO.	PAGE	MERITOR NO.	PAGE
R4578187	6-184, 6-236	R4578885	6-185, 6-245	R45B430	6-249	R46612	5-32, 5-34,
R4578188	6-183, 6-236	R4578897	6-184, 6-246	R45B440	6-249		5-36, 5-66,
R4578206	6-184, 6-236	R4578898	6-184, 6-246	R45B451	6-249		5-72
R4578208	6-185, 6-237	R4578899	6-183, 6-246	R45B460	6-249	R46613	5-41, 5-42,
R4578209	6-185, 6-237	R4578912	6-183, 6-246	R45B508	6-249		5-43, 5-67,
R4578210	6-183, 6-237	R458083	6-184, 6-186	R45B512	6-249	R46614	5-65, 5-67,
R4578218	6-185, 6-237	R458458	6-184, 6-186	R45B520	6-249		5-72
R4578219	6-184, 6-237	R458473	6-184, 6-187	R45B530	6-249	R46617	5-57, 5-65,
R4578224	6-185, 6-237	R458484	6-185, 6-187	R45B540	6-249		5-67, 5-72
R4578226	6-185, 6-238	R458529	6-183, 6-187	R45B551	6-249	R46632	5-57, 5-66,
R4578227	6-185, 6-238	R458544	6-186	R45B560	6-249		5-72
R4578258	6-184, 6-238	R458545	6-185, 6-186	R45B608	6-249	R46672	5-66, 5-73
R4578259	6-183, 6-238	R458564	6-249	R45B612	6-249	R46679	5-64, 5-65,
R4578267	6-183, 6-238	R458565	6-249	R45B620	6-249		5-66, 5-73
R4578303	6-185, 6-238	R458566	6-249	R45B630	6-249	R46680	5-66, 5-73
R4578305	6-184, 6-239	R458567	6-249	R45B640	6-249	R46681	5-64, 5-66,
R4578312	6-183, 6-239	R458568	6-249	R45B651	6-249		5-73
R4578313	6-185, 6-239	R458569	6-249	R45B660	6-249	R46682	5-66, 5-73
R4578324	6-185, 6-239	R458570	6-249	R45F124053	6-184, 6-248	R46683	5-18, 5-66,
R4578325	6-185, 6-239	R458571	6-251	R4612006	6-99		5-74
R4578326	6-183, 6-239	R458572	6-251	R46357	5-69, 6-98,	R46684	5-18, 5-19,
R4578327	6-183, 6-240	R458632	6-185, 6-187		6-101, 6-102		5-66, 5-74
R4578331	6-183, 6-240	R458633	6-183, 6-187	R46358	4-4, 4-10,	R46685	5-18, 5-19,
R4578332	6-184, 6-240	R458634	6-184, 6-187		5-69, 6-98,		5-66, 5-74
R4578333	6-183, 6-240	R458635	6-185, 6-188		6-101, 6-102	R46686	5-57, 5-67,
R4578357	6-183, 6-240	R458636	6-185, 6-188	R46382	6-103		5-74
R4578360	6-185, 6-241	R458639	6-249	R46383	6-103	R46699	5-64, 5-66,
R4578386	6-184, 6-241	R458640	6-249	R46445	5-69, 6-98,		5-74
R4578387	6-185, 6-241	R458641	6-249		6-104	R46705	5-68, 5-71,
R4578392	6-184, 6-241	R458642	6-249	R46446	5-69, 6-98,		6-107
R4578403	6-183, 6-241	R458643	6-249		6-104	R46717	5-64, 5-65,
R4578410	6-183, 6-242	R458644	6-249	R46449	5-68, 5-69,		5-67, 5-74
R4578437	6-185, 6-242	R458645	6-249		6-104	R46730	5-67, 5-75
R4578438	6-184, 6-185,	R458646	6-249	R46451	5-68, 5-69,	R46731	5-57, 5-67,
	6-242	R458692	6-251		6-98, 6-105		5-75
R4578460	6-183, 6-242	R4588312	6-184, 6-246	R46452	4-16, 5-68,	R467389	5-40, 5-41
R4578480	6-184, 6-242	R4588472	6-183, 6-246		5-70, 6-98,	R467389-31	5-40
R4578548	6-185, 6-243	R4588519	6-183, 6-247	R46462	5-68, 5-70,	R467390	5-40, 5-41
R4578557	6-183, 6-243	R4588530	6-184, 6-247		6-105	R46792	5-67, 5-75
R4578610	6-184, 6-243	R4588558	6-185, 6-247	R46473	5-68, 5-70,	R468134	5-68, 5-70
R4578618	6-184, 6-243	R4588561	6-184, 6-247		6-98, 6-105	R4745	6-262
R4578666	6-184, 6-243	R4588564	6-185, 6-247	R46481	6-105	R476061	6-262
R4578774	6-184, 6-243	R4588651	6-183, 6-247	R46514	5-68, 5-70,	R476120	4-29, 5-9
R4578787	6-185, 6-244	R458932	6-251		6-106	R476120X	4-29, 5-9
R4578790	6-184, 6-244	R45B308	6-249	R46538	5-68, 5-70,	R477208	4-29, 5-9
R4578802	6-184, 6-244	R45B312	6-249		6-98, 6-106	R477208X	4-29, 5-9
R4578824	6-183, 6-244	R45B320	6-249	R46552	5-68, 5-70,	R47830	5-57
R4578825	6-183, 6-244	R45B330	6-249		6-99, 6-107	R497181	5-4
R4578843	6-185, 6-244	R45B340	6-249	R46593	5-68, 5-71,	R507950	5-68
R4578873	6-183, 6-245	R45B351	6-249		6-99, 6-107	R6680	5-64
R4578874	6-184, 6-245	R45B360	6-249	R46602	5-57, 5-64,	R700235	4-38, 6-98,
R4578876	6-185, 6-245	R45B408	6-249		5-65, 5-66,		6-99, 6-100
R4578880	6-185, 6-245	R45B412	6-249	R46603	5-71	R700321	4-40, 6-98, 6-
R4578881	6-185, 6-245	R45B420	6-249	R46604	5-65		99, 6-101

NUMERICAL INDEX OF MERITOR PART NUMBERS

MERITOR NO.	PAGE	MERITOR NO.	PAGE	MERITOR NO.	PAGE
R700346	4-42, 4-44, 6-98, 6-99, 6- 101, 6-102	S476 901 920 2	2-9	SP7871S	4.35, 5-15
		S478 407 011 0	2-4	SP7872	4-33, 5-13
		S478 407 012 0	2-4	SP7872S	4-33, 5-13
R700381	4-42, 4-44, 6-98, 6-99, 6-103	S478 407 015 0	2-4	SP7873	4-31, 5-11
		S478 407 018 0	2-4	SP7873S	4-26, 4-31, 5-11
R700383	6-98, 6-99	S478 407 019 0	2-4	SP7879	4-33, 5-13
R700400	4-24, 6-98, 6-104	S478 407 027 0	2-4	SP7879S	4-26, 4-27, 4-33, 5-6, 5-7, 5-13
		S478 407 028 0	2-4		
R700401	4-24, 6-98, 6-104	S478 407 055 2	2-4	SP7880	4-33, 5-13
		S478 407 056 0	2-4	SP7880S	4-26, 4-27, 4-33, 5-6, 5-7, 5-13
R700427	4-20, 6-98, 6-104	S478 407 056 4	2-4		
		S478 407 058 0	2-4		
R700442	4-20, 6-98, 6-104	S478 407 060 0	2-4	SP7881S	4-33, 5-13
		S478 407 062 0	2-4	SP7887	4-35, 5-15
R700463	4-38, 6-98, 6-99, 6-105	S478 407 122 0	2-8	SP7887S	4-26, 4-29, 4-35, 5-6, 5-9, 5-15
R950054	2-11	S478 407 353 2	2-4	SP7888S	4-29, 4-35, 5-15
R950055	2-12	S478 407 356 4	2-4	SP7889	4-33, 5-13
R950056	2-12	S478 407 357 4	2-4	SP7889S	4-33, 5-13
R950057	2-13	S478 407 358 4	2-4	SP7896	4-31, 5-11, 6-98, 6-99
R955421	2-12	S478 407 921 2	2-11	SP7896S	4-31, 5-11
S446 044 047 0	2-3	S478 407 928 2	2-11	SP7897	4-31, 5-11, 6-98, 6-99
S446 044 061 0	2-3	S478 407 929 2	2-8, 2-10	SP7897S	4-31, 5-11
S446 044 062 0	2-3	S478 407 930 2	2-8, 2-10	SP7920S	4-26, 4-29, 4-33, 5-6, 5-9, 5-13
S446 044 085 0	2-3	S478 901 052 2	2-8, 2-11	SP7987S	4-31, 5-11
S446 044 086 0	2-3	S478 901 053 2	2-8, 2-11	SP8566	5-21
S446 045 007 2	2-12	S478 901 054 0	2-12	SP8597	5-20
S446 046 009 2	2-8	S478 901 057 2	2-12	XSMA2124504L	4-28, 5-8
S446 046 920 2	2-8	S478 901 352 4	2-4	XSMA2124505L	4-28, 5-8
S446 046 921 2	2-8	S478 905 152 2	2-8	XSMA2124528L	4-28, 5-8
S446 280 012 0	2-10	S949 711 065 0	2-15		
S446 280 790 4	2-10	SJ1035	5-20, 5-21		
S446 300 314 0	2-17	SJ1035	6-8, 6-54		
S449 711 015 0	2-15	SMA2124504	4-28, 4-31, 5-8, 5-11		
S449 711 031 0	2-15	SMA2124505	4-28, 4-31, 5-8, 5-11		
S449 711 050 0	2-15	SMA2124528	4-28, 4-31, 5-8, 5-11		
S449 711 080 0	2-15	SP7854	4-31, 5-11		
S449 711 100 0	2-15	SP7854S	4-31, 5-11		
S449 711 120 0	2-15	SP7860	4-31, 5-11		
S449 711 150 0	2-15	SP7860S	4-31, 5-11		
S451 900 474 2	2-12	SP7861	4-31, 5-11		
S451 900 523 2	2-8	SP7861S	4-26, 4-27, 4- 31, 5-6, 5- 7, 5-11		
S451 900 922 2	2-9	SP7862	4-31, 5-11		
S451 900 923 2	2-9	SP7862S	4-26, 4-27, 4-31, 5-6, 5-7, 5-11		
S451 900 924 2	2-13	SP7865	5-6		
S451 900 925 2	2-13	SP7868	4-35, 5-15		
S458 501 026 1	2-8	SP7868S	4.35, 5-15		
S458 501 923 2	2-9	SP7870	5-6, 5-7, 5-9		
S458 501 924 2	2-9	SP7871	4.35, 5-15		
S468 411 005 0	2-12				
S468 411 923 2	2-13				
S468 413 020 2	2-12				
S468 413 021 2	2-12				
S468 413 921 2	2-12, 2-13				
S472 879 920 2	2-9				

ARVINMERITOR AFTERMARKET PARTS WARRANTY

We warrant all new parts for one year from date of shipment to the buyer against defective material or workmanship (but not against damage caused by accident, abuse or improper installation, maintenance or repair) when such parts are used on vehicles the specifications of which have been approved by our Engineering Department.

As the exclusive remedy under this warranty, we will, at our option, repair or replace such parts free of charge, or take back the nonconforming parts and refund the monies paid by buyer for such parts, if found on examination by us to be nonconforming and if any necessary return charges are prepaid.

If it is necessary to return any parts under this warranty, buyer agrees not to make any deduction on account thereof from remittances on current accounts while claims are in the process of disposition. Any expense incurred without our consent for repairs or replacement will not be allowed.

THIS WARRANTY IS EXPRESSLY IN LIEU OF ALL OTHER WARRANTIES OR CONDITIONS, EXPRESS, IMPLIED OR STATUTORY, INCLUDING ANY IMPLIED WARRANTY OF MERCHANTABILITY OR FITNESS FOR PARTICULAR PURPOSE. IN NO EVENT SHALL SELLER BE LIABLE FOR INCIDENTAL OR CONSEQUENTIAL DAMAGES OF ANY NATURE.

Only genuine ArvinMeritor replacement parts are covered by this aftermarket parts warranty.

Information contained in this publication was in effect at the time the publication was approved for printing and is subject to change without notice or liability. ArvinMeritor reserves the right to revise the information presented or discontinue the production of parts at any time.

Distributed by:



ArvinMeritor[™]

Meritor Heavy Vehicle Systems, LLC
7975 Dixie Highway
Florence, Kentucky 41042 USA
888-725-9355

www.arvinmeritor.com
XpresswayPlus.arvinmeritor.com

Information contained in this publication was in effect at the time the publication was approved for printing and is subject to change without notice or liability. ArvinMeritor reserves the right to revise the information presented or discontinue the production of parts at any time.

Litho in USA
Revised 07/08
PB-99127 (13028/05060)
©2008 ArvinMeritor, Inc.