

# MERITOR® AFTERMARKET DRIVELINE COMPONENTS



PB-9895



# TABLE OF CONTENTS

<b>Companion Flanges and Flange Yokes</b>	<b>1</b>
<b>Slip Yokes</b>	<b>2</b>
<b>End Yokes</b>	<b>3</b>
<b>End Yokes — Easy Service</b>	<b>4</b>
<b>Weld Yokes</b>	<b>5</b>
<b>Tubing and Yoke &amp; Tube Assemblies</b>	<b>6</b>
<b>Bearing Stubs and Spline Plugs</b>	<b>7</b>
<b>Shaft Yokes</b>	<b>8</b>
<b>Small Parts</b>	<b>9</b>
<b>U-Joint Kits</b>	<b>10</b>
<b>Center Bearings</b>	<b>11</b>
<b>C.V. Components &amp; P.T.O. Assemblies</b>	<b>12</b>
<b>L6N Steering Components</b>	<b>13</b>
<b>10N Series</b>	<b>14</b>
<b>Companion Flange and End Yoke Application Guide Index</b>	<b>15</b>
<b>Tech Tips</b>	<b>16</b>
<b>Supersession Listing</b>	<b>17</b>
<b>Cross Reference</b>	<b>18</b>
<b>Numerical Parts Listing</b>	<b>19</b>

# NOTES: \_\_\_\_\_

---

---

---

---

---

---

---

---

---

---

---

---

---

---

---

---

---

---

---

---

---

---

---

---

# FEATURES AND BENEFITS OF MERITOR EXTEND LUBE

## Extended Lubrication Intervals

- Lube intervals of 100,000 miles for both slip section and u-joint reduce operating and maintenance costs.

## Advanced Sealing - Slip Section

- Field proven internally mounted advanced nitrile seal design ensures lubrication is protected from contaminants and prevents water intrusion.
- Seal shroud incorporated from RPL design improves sealing characteristics and retains seals securely in place.



## MXL - U-Joints

- Incorporates and builds upon proven RN series U-joint design with RPL premium sealing technology
- U-joints are equipped with triple-lip seals to keep lubrication in and contaminants out for longer life.
- U-joints feature proven technology including nylon thrust washers that eliminate metal-to-metal contact, preventing wear and extending life
- 2-Year / Unlimited Mileage aftermarket warranty.
- 100,000 mile lubrication intervals for linehaul applications.



## Additional Performance Advantages

- Available in both full round and easy service yoke configurations.
- Corrosion resistant seal guard protects and secures advanced slip seal improving durability over "booted" designs.
- Standard with Polyglide™ coating which minimizes axial loads by reducing friction.
- Robust easy service u-joint retention system eliminates spinning cups, through improved clamping force.
- Tighter balance specification reduces the potential for vibrations and ensures smooth operating performance.

## Self Aligning Center Bearing

- Standard on MXL
- Accommodates +/-5 degree driveline angularity
- Sealed bearing with integral deflector shield and grease barrier protects the bearing against contamination without the use of external deflectors.



# BEST LINE. BOTTOM LINE.



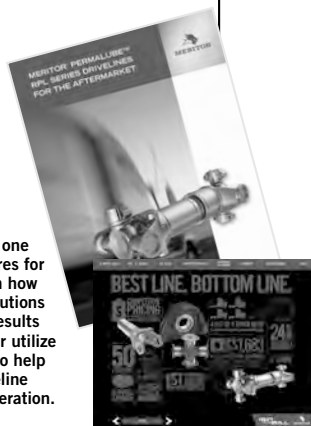
## MERITORDRIVELINES.COM

To help your customers spec the driveline components that give them the maximum payback, check out the tools and information at [meritordrivelines.com](http://meritordrivelines.com). The site features key information on our wide array of driveline assemblies and components. Plus savings and sizing calculators to help ensure your customers achieve a greater R.O.I. and the lowest cost of ownership. Visit [meritordrivelines.com](http://meritordrivelines.com) today.

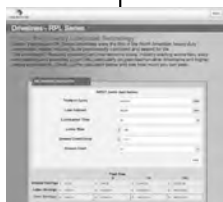


Find all the information you need on Meritor's leading driveline assembly and component replacement solutions.

Download a copy of one of our many brochures for important details on how Meritor driveline solutions can drive superior results for your business. Or utilize our interactive pdf to help make the right driveline decision for your operation.



Access our industry-leading training portal, [MeritorBullPen.com](http://MeritorBullPen.com), for all your driveline training needs. Or find out everything you need to know about downspeeding at [MeritorDownspeeding.com](http://MeritorDownspeeding.com).



Find the best driveline for your application needs and see your savings when you switch to a Meritor driveline over competitive brands.



Complete our contact request form with any driveline inquiries and we'll get right back with you.



Get the fastest access to all your driveline replacement needs by visiting [MeritorPartsXpress.com](http://MeritorPartsXpress.com).

# COMPANION FLANGES & FLANGE YOKES

## TABLE OF CONTENTS SECTION 1

MERITOR NUMBERING SYSTEM - - - - - 1-2

Companion Flanges — Round - - - - - 1-3

Flange Yokes — Outside Snap Ring - - - - - 1-4

Flange Yokes — Bearing Plate - - - - - 1-5

Brake Flange Yokes — Round Bearings - - - - - 1-6

Brake Flange Yokes — Round Bearings - - - - - 1-7

Brake Flange Yokes — Wing Bearings - - - - - 1-8

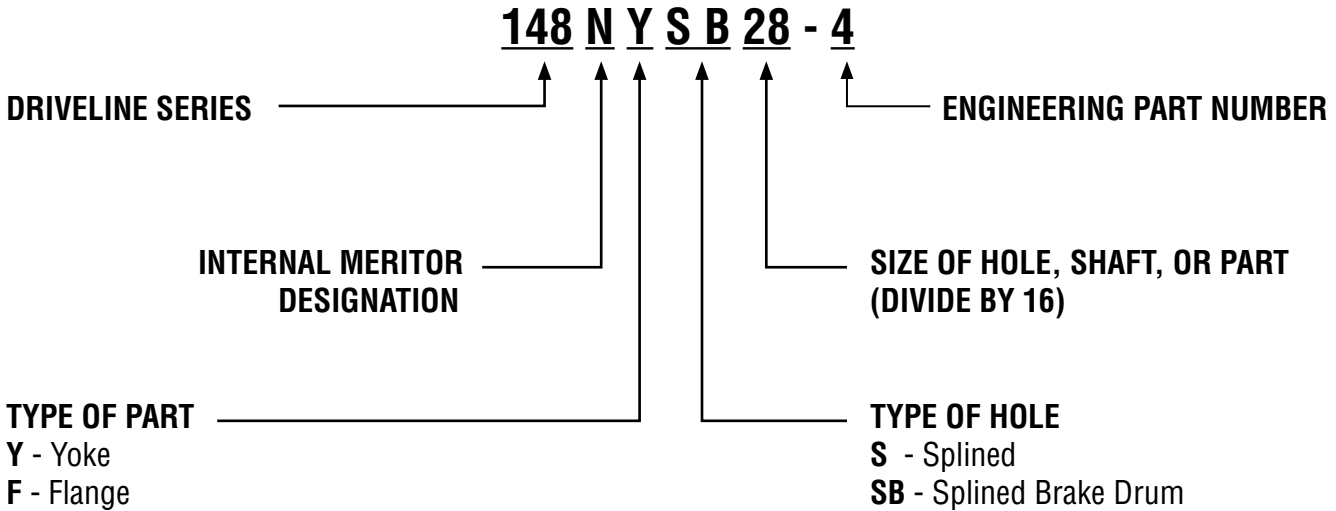
Brake Flange Yokes — R Series - - - - - 1-8

# COMPANION FLANGES & FLANGE YOKES MERITOR NUMBERING SYSTEM

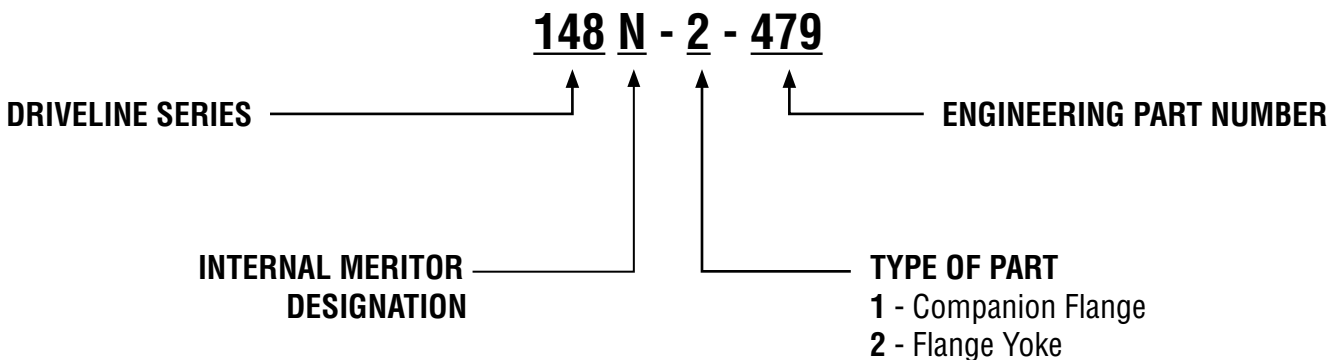
**1**

Meritor components may be identified by one of the numbering systems shown below. Aftermarket numbers are issued to make Meritor components easy to select when choosing a replacement component.

## MERITOR ENGINEERING NUMBER



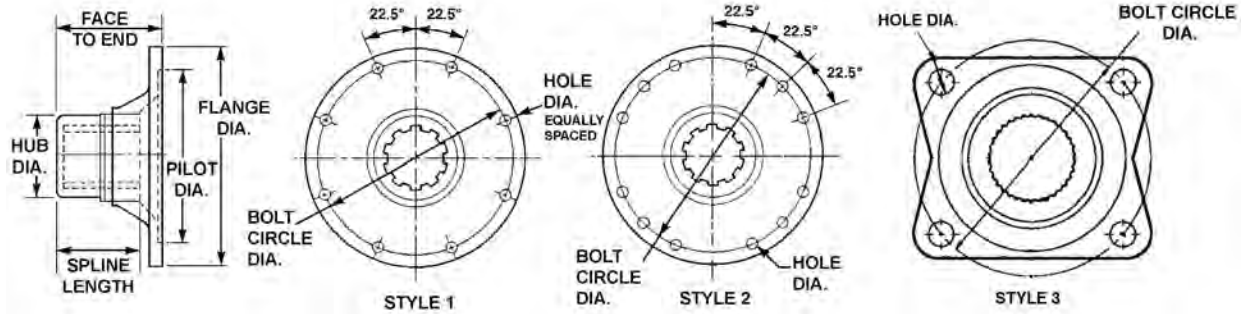
## MERITOR AFTERMARKET NUMBER





# COMPANION FLANGES & FLANGE YOKES

1



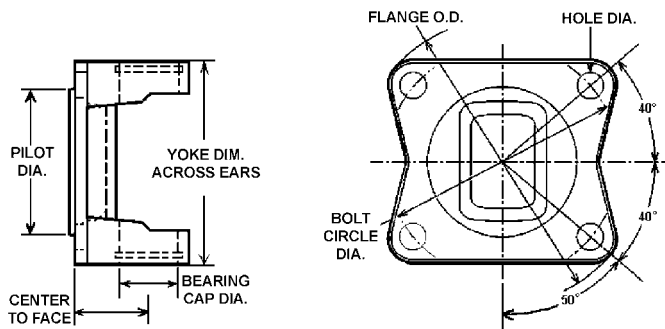
Companion Flanges — Round									
Part Number	Spline Size	Face to End	Spline Length	Hub Diameter	Pilot Diameter M=Male F=Female	Bolt Circle Diameter	Hole Diameter	Flange O.D.	Style
A-3260-D-4	1.75"	2.84"	2.50"	2.25"	3.75"	4.75"	.516", .52"	Square	3
148N-1-6081X	1.75" - 10	3.50"	2.00"	2.50"	M-3.75"	4.75"	.50"	5.75"	1
2WCS28-73	1.75" - 34	2.84"	2.50"	2.25"		4.75"	.516", .52"	Square	3
3WCS28-93A See Note 1	1.75" - 34	2.94"	2.25"	2.50"	F-6.63"	6.13"	.38"	6.88"	1
5WCS31-7A1 See Note 1	1.97" - 10	3.38"	2.62"	2.75"	F-7.75"	7.25"	.38"	8.00"	1
5WCS32-83	2.00" - 10	3.33"	2.94"	3.19"	F-7.75"	7.25"	.38"	8.00"	1
5WCS32-86	2.00" - 39	3.31"	2.31"	3.00"	F-7.75"	7.25"	.41"	8.00"	1
5WCS32-86A	2.00" - 39	3.31"	2.31"	3.00"	F-7.75"	7.25"	.41"	8.00"	1
5WCS32-86A2 See Note 1	2.00" - 39	3.31"	2.31"	3.00"	F-7.75"	7.25"	.41"	8.00"	1
5WCS32-103	2.00" - 39	3.31"	2.44"	2.75"	F-7.75"	7.25"	.38"	8.00"	1
5WCS32-103A1 See Note 1	2.00" - 39	3.31"	2.63"	2.75"	F-7.75"	7.25"	.38"	8.00"	1
3WCS32-73	2.00" - 39	3.38"	2.31"	3.00"	F-6.63"	6.13"	.38"	6.88"	1
3WCS32-75A1 See Note 1	2.00" - 39	3.38"	2.44"	2.75"	F-3.86"	5.08"	.58"	6.30"	2
5WCS38-23A2 See Note 1	2.38" - 46	3.56"	2.32"	3.25"	F-7.75"	7.25"	.44"	8.00"	2
5WCS38-24A	2.38" - 46	3.64"	2.88"	3.25"	F-7.75"	7.25"	.44"	8.00"	2
5WCS38-18A	2.38" - 46	3.88"	2.32"	3.25"	F-7.75"	7.25"	.38"	8.00"	1
5WCS40-45A See Note 2	2.53" - 16	3.50"	2.75"	3.50"	F-7.75"	7.25"	.44"	8.00"	1
5WCS40-39 See Note 3	2.53" - 16	3.68"	2.75"	3.50"	F-7.75"	7.25"	.44"	10.06"	1
5WCS40-29A1	2.53" - 16	3.75"	2.75"	3.50"	F-4.41"	5.83"	.58"	7.19"	1
5WCS45-2	2.794-54	3.93	3.14	3.67	F-4.26	5.91	0.59	7.08	1
5WCS38-45A	2.375-46	3.56	2.323	3.255	F-4.26	5.9055	0.59	7.08	2
5WCS38-45A1	2.375-46	3.56	2.323	3.255	F-4.26	5.9055	0.59	7.08	2
5WCS38-45A4	2.375-46	3.56	2.323	3.255	F-4.26	5.9055	0.59	7.08	2
5WCS38-47A	2.375-46	3.94	2.88	3.255	F-4.26	5.9055	0.59	7.08	1
5WCS38-47A1	2.375-46	3.94	2.88	3.255	F-4.26	5.9055	0.59	7.08	1
5WCS38-45A2	2.375-46	3.56	2.323	3.255	F-4.26	5.9055	0.59	7.08	2
5WCS36-119A	2.281-44	3.524	2.495	3.003	F-4.26	5.9055	0.59	7.08	1
5WCS45-1	2.281-54	3.566	2.75	2.875	F-4.45	5.9055	0.59	7.08	1

Notes:

- 1 Includes deflector/slinger.
- 2 Includes wear sleeve/wiper.
- 3 Has additional pilot and threaded holes for mounting a parking brake drum. Includes wear sleeve and deflector.

# COMPANION FLANGES & FLANGE YOKES

1



## Flange Yokes — Outside Snap Ring

Part Number	Center to Face	Yoke Dim. Across Ears	Pilot Diameter M=Male F=Female	Bolt Circle Diameter	Bearing Cap Diameter	Hole Diameter	Flange O.D.	Joint Angle
<b>1210 SERIES U-JOINT KIT: GCP443X</b>								
121N-2-899	1.48"	2.69"	M-2.25"	2.75"	1.06"	.31"	3.36"	20°
121N-2-2323	1.50"	2.69"	M-1.81"	2.16"	1.06"	.31"	3.81"	20°
121N-2-1049	1.63"	2.69"	F-2.00"	3.50"	1.06"	.50"	4.88"	20°
121N-2-1050	1.63"	2.69"	F-2.87"	3.94"	1.06"	.39"	4.88"	20°
121N-2-686	1.81"	2.69"	M-1.77"	2.39"	1.06"	.39"	4.62"	20°

<b>131N SERIES U-JOINT KIT: CP153X or CP200X</b>								
131N-2-329	1.38"	3.47"	M-2.38"	3.13"	1.06"	.38"	3.88"	20°
131-N-2-459	1.63"	3.47"	M-2.38"	3.12"	1.06"	.38"	3.88"	30°
131N-2-479	1.38"	3.47"	M-2.75"	3.75"	1.06"	.44"	4.63"	20°
131N-2-349	1.38"	3.47"	M-3.63"	2.63"	1.06"	.38"	3.63"	20°
131N-2-579	1.38"	3.47"	M-3.75"	4.75"	1.06"	.50"	5.88"	20°
131N-2-799	1.63"	3.47"	M-1.81"	2.21"/2.52"	1.06"	.31"	4.25"	15°
131N-2-799-1	1.63"	3.47"	M-1.81"	2.36"	1.06"	.39"	4.25"	15°
131N-2-939	1.63"	3.47"	F-2.00"	3.50"	1.06"	.50"	4.75"	20°
131N-2-899-1	1.63"	3.47"	M-2.25"	2.75"	1.06"	.31"	3.36"	15°

<b>133N SERIES U-JOINT KIT: CP213X</b>								
133-N-2-949	1.63"	3.88"	F-2.00"	3.50"	1.06"	0.48"	4.47"	
133-N-2-2768	1.65"	3.88"	M-1.81"	3.67"	1.06"	0.48"	5.12"	

<b>135N SERIES U-JOINT KIT: CP178X</b>								
135N-2-119	1.56"	3.88"	M-2.75"	3.75"	1.19"	.44"	4.63"	20°

<b>141N SERIES U-JOINT KIT: CP141N or CP160X</b>								
141N-2-159	1.69"	4.44"	M-2.75"	3.75"	1.19"	.44"	4.63"	22°
141-N-2-1819	1.62"	4.44"	F-2.00"	4.25"	1.19"	.50"	5.24"	
141N-2-4	2.00"	4.44"	M-3.75"	4.75"	1.19"	.50"	5.88"	30°

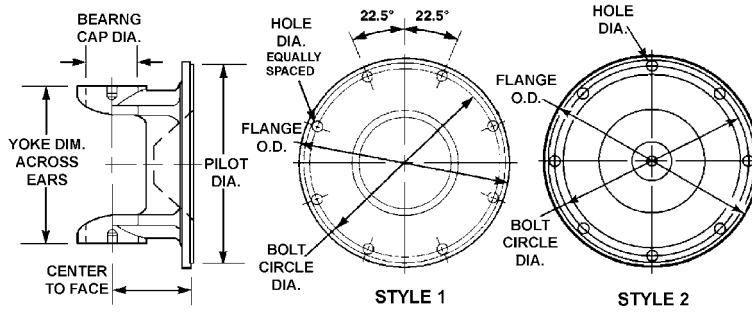
<b>148N SERIES U-JOINT KIT: CP148N or CP188X</b>								
148N-2-479	2.00"	4.19"	M-3.75"	4.75"	1.38"	.50"	5.88"	20°

<b>155N SERIES U-JOINT KIT: CP155N or CP155X</b>								
155N-2-669 See Note 9	2.00"	5.25"	M-3.75"	4.75"	1.38"	.51"	5.88"	22°

Notes:  
9 Round Flange.

# COMPANION FLANGES & FLANGE YOKES

1



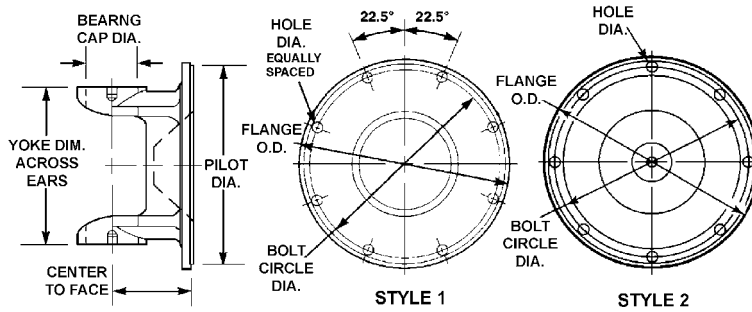
## Flange Yokes — Bearing Plate

Part Number	Center to Face	Yoke Dim. Across Ears	Pilot Diameter M=Male F=Female	Bolt Circle Diameter	Bearing Cap Diameter	Hole Diameter	Flange O.D.	Style	Joint Angle
<b>16N SERIES</b>		<b>U-JOINT KIT: CP16NS or M279X</b>							
16N-2-279	2.75"	5.31"	M-6.62"	6.13"	1.63"	.38"	6.88"	1	22°
16N-2-629	2.75"	5.31"	M-7.75"	7.25"	1.63"	.38"	8.00"	2	22°

<b>17N SERIES</b>		<b>U-JOINT KIT: CP17NS or M280X</b>							
17NF25	3.00"	6.09"	F-6.62"	7.25"	1.94"	.44"	8.00"	1	
17NF20	3.00"	6.09"	M-7.75"	7.25"	1.94"	.38"	8.00"	1	22°
17NF1	3.00"	6.09"	M-7.75"	7.25"	1.94"	.40"	8.00"	2	22°
17N-2-739	3.00"	6.09"	M-7.75"	7.25"	1.94"	.44"	8.00"	1	22°
17NF27 See Note 4	3.00"	6.09"	M-7.75"	7.25"	1.94"	.44"	8.00"	1	
17NF28 See Note 5	3.00"	6.09"	M-7.75"	7.25"	1.94"	.44"	8.00"	1	

<b>148N SERIES</b>		<b>U-JOINT KIT: CP148N or CP188X</b>							
148-N-2-499	2.00"	4.44"	M-6.63"	6.13"	1.38"	0.38"	6.88"		20°

<b>176N Series U-JOINT KIT: M407X</b>									
176-N-2-19	3.38"	7.0094"	M-7.75"	7.25"	1.94"	0.44"	8.00"		30°

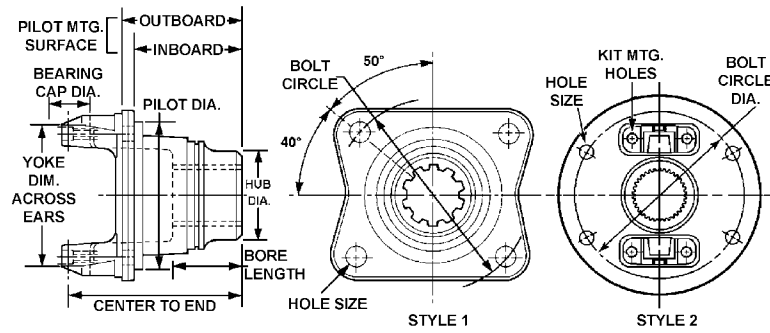


Part Number	Face to Face	Bolt Circle Diameter	Bolt Holes			Drum Pilot Diameter M=Male F=Female	Pilot Diameter	Flange Thickness	Slot Width	Kit Mtg. Holes
			Diameter	No.	Spaced					
<b>92N SERIES</b>		<b>U-JOINT KIT: CP92N-DWT, CP92N-HB, CP92N-HWD, or PERMALUBE</b>								
92NF26	2.94"	7.25"	.44"	12	Unequally	M-7.75"	8.13"	.31"	.63"	.50" - 20TH

Notes:  
 4 Flange has eight holes equally spaced, dished out for nut clearance for ZF and Voith transmissions.  
 5 Flange has eight holes equally spaced, dished out for nut clearance for Allison transmission.

# COMPANION FLANGES & FLANGE YOKES

1



## Brake Flange Yokes — Round Bearings

Part Number	Spline Size	Ctr. to End	Hub Dia.	Bore Lgth.	Yoke Dim. Across Ears	Brg. Cap Dia.	Pilot Dia.	Outbrd Pilot Mtg. Surface	Inbrd Pilot Mtg. Surface	B. C. Dia.	Bolt Hole Size	Style	Joint Angle
<b>141N SERIES U-JOINT KIT: CP141N or CP160X</b>													
141TYSB22-4A	1.38" - 32	6.65"	2.13"	2.16"	4.19"	1.19"	4.75"	5.16"	4.78"	5.75"	.50" - 13TH	2	
141TYSB24-6 See Note 6	1.50" - 35	5.06"	2.50"	2.00"	4.19"	1.19"	4.73"	3.56"		5.75"	.50" - 13TH	2	22°
141TYSB24-6A See Note 7	1.50" - 35	5.06"	2.50"	2.00"	4.19"	1.19"	4.73"	3.56"		5.75"	.50" - 13TH	2	22°
141NYSB28-4 See Note 6	1.75" - 10	5.06"	2.50"	2.00"	4.19"	1.19"	4.73"	3.56"	3.19"	5.75"	.50" - 13TH	1	

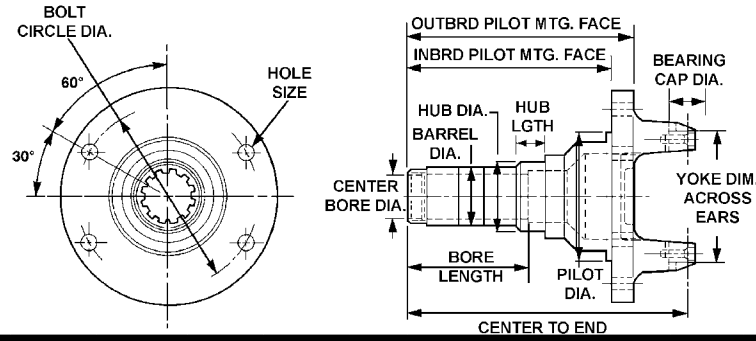
<b>148N SERIES U-JOINT KIT: CP148N or CP188X</b>													
148NYSB29A	1.78" - 34	6.19"	2.56"	2.75"	4.19"	1.38"	3.75"		3.55"	4.75"	.50" - 13TH	1	40°
148TYSB29-1	1.78" - 34	6.19"	2.56"	2.75"	4.97"	1.38"	3.75"		3.55"	4.75"	.50" - 13TH	2	
148TYSB28-11A See Note 6	1.78" - 34	6.25"	2.56"	2.75"	4.19"	1.38"	6.44"	3.55"		7.25"	.38" - 24TH	2	
148NYSB29	1.81" - 34	6.19"	2.56"	2.75"	4.19"	1.38"	3.75"	3.05"	3.55"	4.75"	.50" - 13TH	1	40°
148TYSB29-1A	1.81" - 34	6.19"	2.56"	2.75"	4.19"	1.38"	3.75"		3.52"	4.75"	.50" - 13TH	2	
148TYSB32-2A See Note 6	2.00" - 38	6.00"	2.75"	2.13"	4.19"	1.38"	6.45"	4.19"	3.69"	7.25"	.38" - 24TH	2	

<b>155N SERIES U-JOINT KIT: CP155N or CP155X</b>													
155TYSB24-5	1.50" - 10	4.70"	2.25"	2.00"	4.97"	1.38"	6.44"	3.09"	2.72"	7.25"	.41" - DR	2	
155TYSB28-22A	1.78" - 34	6.25"	2.56"	2.75"	4.97"	1.38"				7.25"	TH	2	
155TYSB28-14A See Note 8	1.78" - 34	6.25"	2.56"	2.75"	4.97"	1.38"	3.75"		3.55"	7.25"	.38" - 24TH	2	
155TYSB28-40A	1.78" - 34	6.25"	2.56"	2.75"	4.97"	1.38"	6.44"	3.80"		7.25"	.41" - DR	2	
155TYSB29-1A1	1.81" - 34	6.26"	2.56"	2.76"	4.97"	1.38"	3.75"		3.54"	4.75"	.50" - TH	2	
155TYSB32-13A	2.00" - 38	5.98"	2.75"	2.13"	4.97"	1.38"	6.44"		4.19"	7.25"	.38" - 24TH	2	

- Notes:  
 6 Pilot diameter is located on earwork side of flange.  
 7 Includes drum, capscrews and washers.  
 8 Pilot diameter is located on earwork side of flange. Flange has eight holes equally spaced.

# COMPANION FLANGES & FLANGE YOKES

1



Brake Flange Yokes — Round Bearings														
Part Number	Spline Size	Center to End	Yoke Dim Across Ears	Brg Cap Dia.	Hub Dia.	Hub Lgth	Bore Lgth	Barrel Dia.	Center Bore Dia.	Pilot Dia.	Bolt Circle Dia.	Bolt Hole Size	Outbrd Pilot Mtg Surface	Inbrd Pilot Mtg Surface
<b>141N SERIES U-JOINT KIT: CP141N or CP160X</b>														
141TYSB22-17A See Note 7, 8	1.38" - 32	8.55"	4.19"	1.19"	2.13"	1"	3.72"	1.77"	1.44" x .41"	3.38"	5.50"	.45" - DR	6.77"	6.17"
141TYSB22-18A See Note 7	1.38" - 32	8.55"	4.19"	1.19"	2.13"	1"	3.72"	1.77"	1.44" x .41"	3.38"	5.50"	.45" - DR	6.77"	6.17"
141TYSB22-11	1.39" - 32	8.72"	4.19"	1.19"	2.13"	1"	3.66"	1.69"	1.44" x .39"	3.56"	5.50"	.45" - DR		
141TYSB22-11A See Note 7	1.38" - 32	8.72"	4.19"	1.19"	2.13"	1"	3.66"	1.69"	1.44" x .39"	3.56"	5.50"	.45" - DR	6.97"	6.35"
141TYSB29-1A	1.81" - 34	9.38"	4.19"	1.19"	3.38"		2.75"			4.19"	5.50"	.45" - DR		6.97"

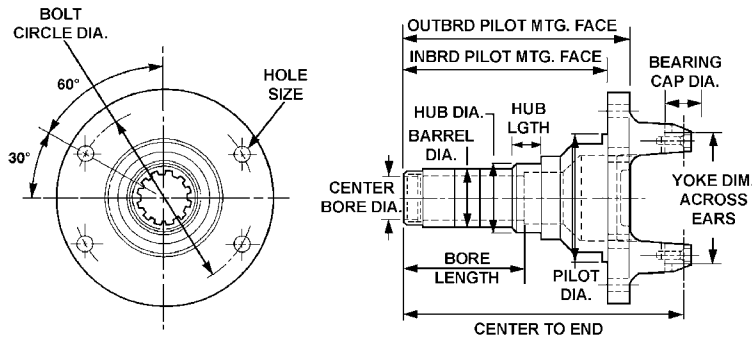
Note:

7 Includes drum, capscrews and washers.

8 Phosphate coated.

# COMPANION FLANGES & FLANGE YOKES

1



## Brake Flange Yokes — Wing Bearings

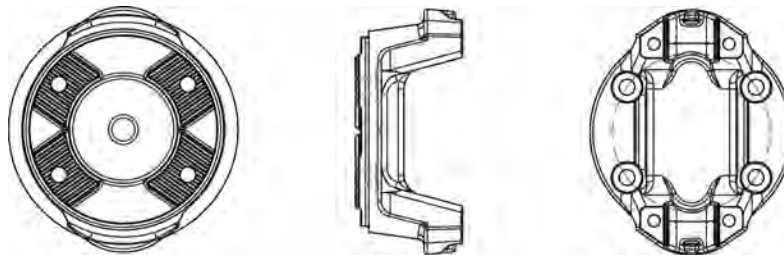
Part Number	Spline Size	Face to End	Hub Dia.	Bore Lgth	Pilot Dia.	Drum Pilot Dia.	Outbrd Pilot Mtg Surface	Inbrd Pilot Mtg Surface	Bolt Circle Dia.	Flange O.D.	Bolt Hole Size	Kit Mtg. Holes	Slot Width
<b>58WB SERIES U-JOINT KIT: CP92N-DWT, CP92N-HB, CP92N-HWD, or PERMALUBE</b>													
58WBYSB30-6	1.88" - 14	4.40"	2.56"	2.32"	5.31"	4.87"		2.88"	5.75"	6.53"		.38" - 24TH	.63"

<b>62N SERIES U-JOINT KIT: CP62N-DWT, CP62N-HB, CP62N-HWD, or PERMALUBE</b>													
62NYSB24-31	1.50" - 10	3.94"	2.25"	2.19"	5.53"	6.44"	3.09"	2.72"	7.25"	8.25"	.41" - DR	.38" - 24TH	.56"

<b>72N SERIES U-JOINT KIT: CP72N-DWT, CP72N-HB, CP72N-HWD, or PERMALUBE</b>													
72NYSB32-258	2.00" - 39	4.06"	3.00"	2.31"	5.84"	6.50"	3.15"	2.84"	7.25"	8.25"	.41" - DR	.50" - 20TH	.63"

<b>85WB SERIES U-JOINT KIT: CP85WB-DWT, CP85WB-HB, CP85WB-HWD, or PERMALUBE</b>													
85WBYSB36-30 See Note 6	2.25" - 10	4.31"	3.00"	3.00"	6.50"	6.78"	3.22"		7.81"	8.69"	.45" - DR	.50" - 20TH	.63"
85WBYSB38-16 See Note 6	2.38" - 46	4.31"	3.25"	2.88"	6.50"	6.75"	3.08"		7.81"	8.69"	.45" - DR	.50" - 20TH	.63"

<b>92N SERIES U-JOINT KIT: CP92N-DWT, CP92N-HB, CP92N-HWD, or PERMALUBE</b>													
92NYSB36-72 See Note 10	2.25" - 10	7.63"	3.25"	3.00"	8.25"	10.50"		6.00"	12.00"	13.63"	.63" - 11TH	.50" - 20TH	.63"



## Brake Flange Yokes — R Series

Part Number	Face to Center Line of U-Joint	Yoke Dia. Across Nibbs	CL to CL Bolt Holes	Bolt Circle Dia.	Mtg. Hole Size	Number of Mtg. Holes	Kit Mtg. Holes
<b>25R SERIES U-JOINT KIT: KIT-RPL-25-20</b>							
25WF3C	4.40"	8.38"	2.81"	5.91"	.59" DR	4	.50" - 20TH

<b>35 SERIES U-JOINT KIT: KIT-RPL-35</b>							
3XRF-2	3.9			5.91	.59 DR	4	

Notes:  
 vv6 Pilot diameter is located on earwork side of flange.  
 10 Flange has ten holes equally spaced.

# SLIP YOKES TABLE OF CONTENTS SECTION 2

MERITOR NUMBERING SYSTEM - - - - - 2-2

Outside Snap Rings - - - - - 2-3

Slip Yokes — Outside Snap Rings - - - - - 2-4

Slip Yokes — Inside Snap Rings - - - - - 2-5

Slip Yokes — Bearing Plate - - - - - 2-6

Slip Yokes — Wing Bearings - - - - - 2-7

Transmission Slip Yokes — Outside Snap Rings - - - - - 2-8

Transmission Slip Yokes — Inside Snap Rings - - - - - 2-8

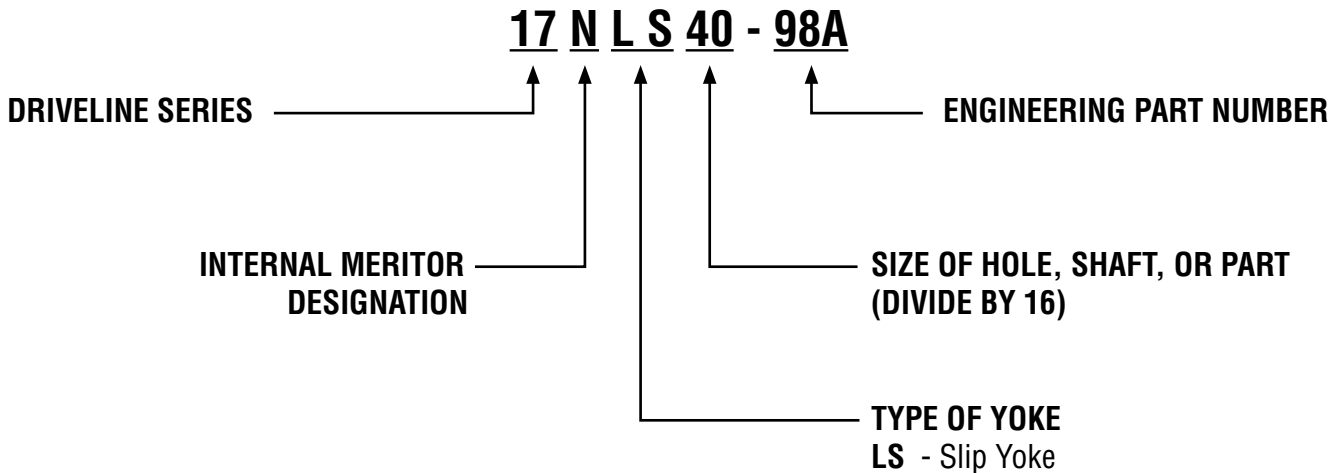
## SLIP YOKES MERITOR NUMBERING SYSTEM

Meritor components may be identified by one of the numbering systems shown below.

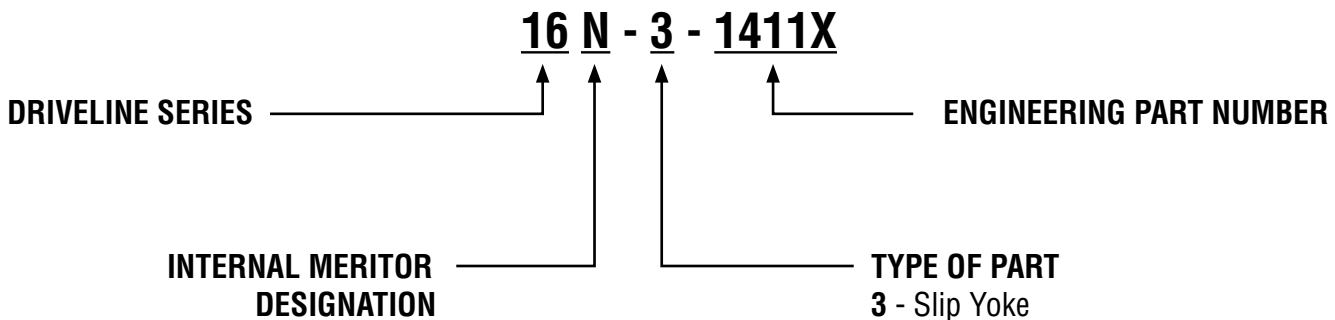
Aftermarket numbers are issued to make Meritor components easy to select when choosing a replacement component.

2

### MERITOR ENGINEERING NUMBER

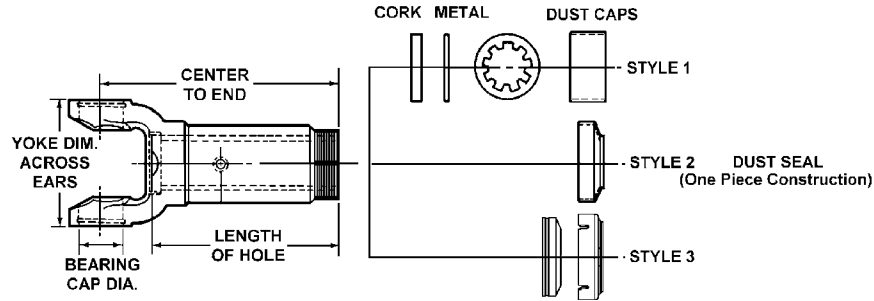


### MERITOR AFTERMARKET NUMBER





# SLIP YOKES



2

## Outside Snap Rings

Part Number	Spline Size	Center to End	Length of Hole	Yoke Dim. Across Ears	Bearing Cap Dia.	Dust Cap Style	Dust Cap	Joint Angle
<b>121N SERIES U-JOINT KIT: CP443X</b>								
121N-3-8861KX See Note 1	1.25" - 14	6.41"	5.13"	2.69"	1.06"	2 Snap-On	R280196	20°
121N-3-8961KX See Note 1	1.25" - 14	8.02"	6.75"	2.69"	1.06"	2 Snap-On	R280196	20°

<b>131N SERIES U-JOINT KIT: CP153X or CP200X</b>								
131N-3-4441KX	1.25" - 16	6.56"	6.03"	3.47"	1.06"	1	ND2K	30°
131N-3-128KX	1.38" - 16	5.38"	4.33"	3.47"	1.06"	2 Snap-On	R280194	15°
131N-3-7981KX	1.38" - 16	6.00"	4.95"	3.47"	1.06"	2 Snap-On	R280194	20°
131N-3-8001KX	1.38" - 16	6.88"	5.34"	3.47"	1.06"	2 Snap-On	R280194	30°
131N-3-8021KX	1.38" - 16	7.88"	6.34"	3.47"	1.06"	2 Snap-On	R280194	30°
131N-3-7171KX	1.38" - 31	6.63"	6.09"	3.47"	1.06"	2	ND3A	15°
131N-3-6061KX	1.50" - 16	6.88"	6.34"	3.47"	1.06"	2	ND3A	30°

<b>133N SERIES U-JOINT KIT: CP213X</b>								
133N-3-7681KX	1.38" - 15	6.63"	6.09"	3.88"	1.06"	2 Snap-On	R280194	15°
133N-3-7961KX	1.38" - 16	6.00"	4.95"	3.88"	1.06"	2 Snap-On	R280194	15°
133N-3-8041KX	1.38" - 16	7.50"	6.41"	3.88"	1.06"	2 Snap-On	R280194	19°

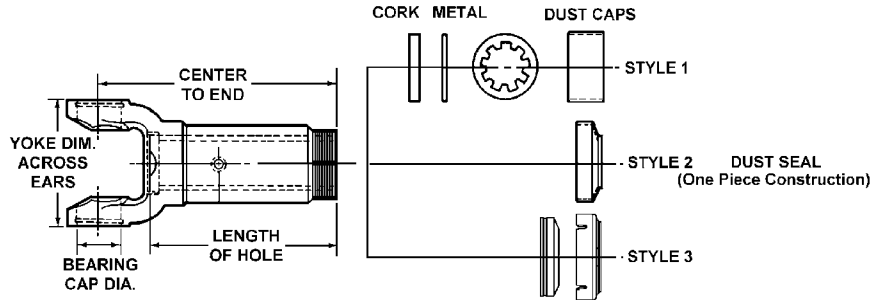
<b>135N SERIES U-JOINT KIT: CP178X</b>								
135N-3-758KX	1.38" - 16	5.25"	4.66"	3.88"	1.19"	1	ND3E	15°
135N-3-1501KX	1.38" - 16	5.25"	5.22"	3.88"	1.19"	1 Snap-On	R280195	15°
135N-3-2471KX	1.38" - 31	6.63"	6.03"	3.88"	1.19"	2	ND3A	20°
135N-3-598KX	1.50" - 16	5.81"	5.22"	3.88"	1.19"	2	ND3A	20°
135N-3-1561KX	1.50" - 16	6.72"	6.13"	3.88"	1.19"	2	ND3A	20°
135N-3-488KX	1.50" - 16	7.31"	6.72"	3.88"	1.19"	2	ND3A	20°

<b>141N SERIES U-JOINT KIT: CP141N or CP160X</b>								
141N-3-788KX	1.38" - 16	5.25"	4.66"	4.44"	1.18"	1	ND3E	20°
141N-3-1481KX	1.38" - 16	5.81"	5.22"	4.44"	1.18"	1 Snap-On	R280195	20°
141N-3-2041KX	1.50" - 16	5.25"	4.66"	4.44"	1.18"	1	ND3K	20°
141N-3-118KX	1.50" - 16	6.50"	5.91"	4.44"	1.18"	2	ND3A	20°
141N-3-508KX	1.50" - 16	7.81"	7.22"	4.44"	1.18"	2	ND3A	28°

<b>148N SERIES U-JOINT KIT: CP148N or CP188X</b>								
148N-3-1601KX	1.56" - 16	6.81"	5.45"	4.44"	1.38"	2	ND3H	21°
148N-3-1641KX	1.56" - 16	9.50"	7.50"	4.44"	1.38"	2	ND3H	35°

Note: 1 Spline is 14 based on 16 spacing.

# SLIP YOKES



2

## Slip Yokes — Outside Snap Rings

Part Number	Spline Size	Center to End	Length of Hole	Yoke Dim. Across Ears	Bearing Cap Dia.	Dust Cap Style	Dust Cap	Joint Angle
<b>155N SERIES</b>		<b>U-JOINT KIT: CP155N or CP155X</b>						
155N-3-1241X	1.75" - 16	6.88"	5.81"	4.97"	1.38"	2 Snap-On	SERUR21-3	22°

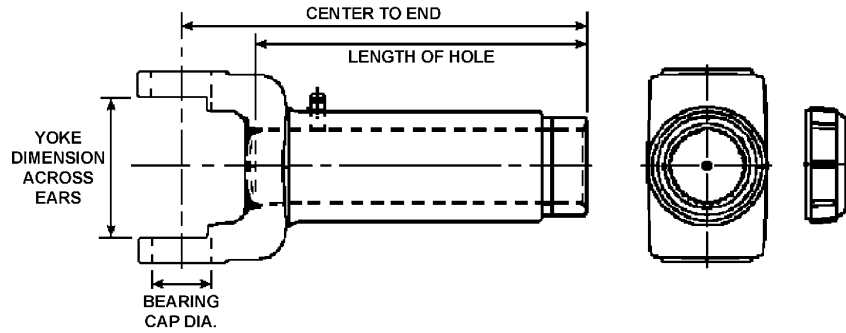
<b>20R SERIES</b>		<b>U-JOINT KIT: CP20RPLS</b>						
<b>20RLS40-2A1S</b> See Note 2	2.50" - 16	11.45"	8.53"	7.25"	2.06"	3	KIT 20RPL SEAL	32°
<b>20RLS40-3A1S</b> See Note 2	2.50" - 16	12.05"	8.53"	7.25"	2.06"	3	KIT 20RPL SEAL	44°
<b>20RLS40-11A1S</b> See Note 2	2.50" - 16	12.15"	9.23"	7.25"	2.06"	3	KIT 20RPL SEAL	27°

<b>25R SERIES</b>		<b>U-JOINT KIT: CP25RPLS</b>						
<b>25RLS48-1A1S</b> See Note 3	3.00" - 16	11.28"	8.53"	8.58"	2.06"	3	DEFR61-3 and SERUR40-21	22°
<b>25RLS489A1S</b>	3.00" - 16	12.84"	8.72"	8.33"	2.06"	3 Snap-on	SERUR57-1	47°

<b>35R SERIES</b>		<b>U JOINT KIT: CP35RPLS</b>						
<b>3XRLS481A1S</b>	3.00" - 16	11.81"	8.54"	7.23"	2.47"	3 Snap-on	SERUR40-21	27°

Notes:  
 2 Slip Yoke Assembly includes dust seal and shroud. Use RPL-Lube-50 grease supplied with slip yoke in installation.  
 3 Slip Yoke Assembly includes dust seal and shroud. Use RPL-Lube-50 grease supplied with slip yoke in installation. If using as a replacement for 25RLS40-1A2, then must replace with KIT25RPLSLIP which includes Slip Yoke and Spline Plug.

# SLIP YOKES

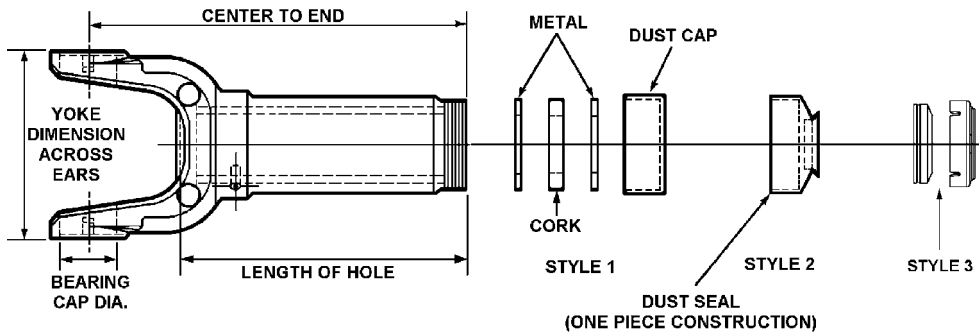


2

## Slip Yokes — Inside Snap Rings

Part Number	Center to End	Length of Hole	Yoke Dimension Across Ears	Bearing Cap Dia.	Dust Cap	Joint Angle
<b>3R SERIES</b>	<b>1.38" - 31 SPLINE (Based on 32 Involute Spline)</b>			<b>U-JOINT KIT: CP3147X</b>		
R3R-3-9165KX	7.38"	6.02"	2.56"	1.13"	ND3A	22°
<b>131N SERIES</b>	<b>1.38" - 16 SPLINE</b>			<b>U-JOINT KIT: CP1306X</b>		
131N-3-7260KX	6.88"	5.68"	2.13"	1.08"	R280194	18°

# SLIP YOKES



2

## Slip Yokes — Bearing Plate

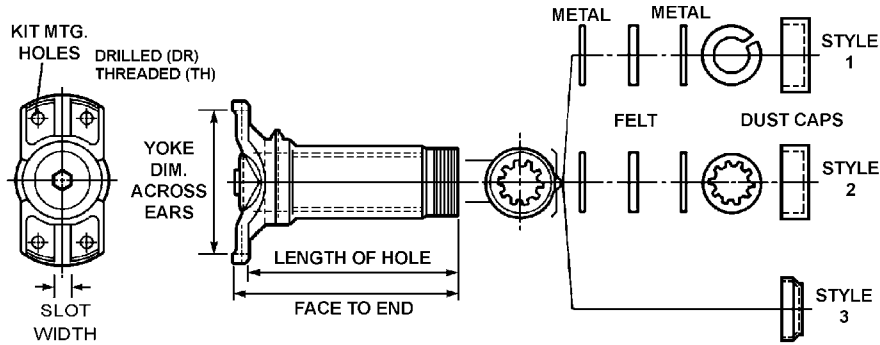
Part Number	Spline Size	Center to End	Length of Hole	Yoke Dimension Across Ears	Bearing Cap Diameter	Dust Cap Style	Dust Cap	Joint Angle
<b>16N SERIES U-JOINT KIT: M279X</b>								
16N-3-288X MXL	2.00" - 16	9.31"	7.38"	5.31"	1.88"	3	KIT 6269	30°
16N-3-1411X MXL	2.00" - 16	10.31"	8.38"	5.31"	1.88"	3	KIT 6269	27°
16N-3-2261X MXL	2.00" - 16	10.81"	8.38"	5.31"	1.88"	3	KIT 6269	35°
16NLS32-47A2 MXL	2.00" - 16	10.94"	8.60"	5.31"	1.88"	3	KIT 6269	
16NLS32-48A2 MXL	2.00" - 16	11.92"	9.10"	5.31"	1.88"	3	KIT 6269	

<b>17N SERIES U-JOINT KIT: M280X</b>								
17N-3-1461X	2.50" - 10	8.84"	7.13"	6.09"	1.94"	1	DC17N	
17N-3-2761X MXL	2.50" - 16	6.73"	5.00"	6.09"	1.94"	3	KIT 6167	
17NLS40-98CA1 MXL	2.50" - 16	7.97"	6.25"	6.09"	1.94"	3	KIT 6167	
17N-3-2631X MXL	2.50" - 16	8.84"	7.13"	6.09"	1.94"	3	KIT 6167	
17N-3-2671X MXL	2.50" - 16	9.59"	7.88"	6.09"	1.94"	3	KIT 6167	22°
17N-3-3021X MXL	2.50" - 16	10.41"	7.50"	6.09"	1.94"	3	KIT 6167	
17NLS40-124A1 MXL	2.50" - 16	11.41"	8.50"	6.09"	1.94"	3	KIT 6167	
17NLS40-82DC	2.50" - 16	11.41"	8.50"	6.09"	1.94"	3	KIT 6167	
17N-3-2651X MXL	2.50" - 16	11.69"	9.25"	6.09"	1.94"	3	KIT 6167	30°
17NLS40-121A1MXL	2.50" - 16	11.97"	9.06"	6.09"	1.94"	3	KIT 6167	
17N-3-2571X MXL	2.50" - 16	11.72"	8.50"	6.09"	1.94"	3	KIT 6167	
17N-3-2401X MXL	2.50" - 16	12.72"	9.63"	6.09"	1.94"	3	KIT 6167	45°

<b>18N SERIES U-JOINT KIT: M281X</b>								
18N-3-1431X MXL	3.00" - 16	8.94"	7.97"	7.55"	1.94"	3	KIT 6168	30°
18N-3-1351X MXL	3.00" - 16	10.25"	7.94"	7.55"	1.94"	3	KIT 6168	30°
18N-3-1371X MXL	3.00" - 16	11.88"	9.56"	7.55"	1.94"	3	KIT 6168	30°

<b>176N SERIES U-JOINT KIT: M407X</b>								
176N-3-41X MXL	2.50" - 16	9.25"	7.88"	7.00"	1.94"	3	KIT 6167	30°
176N-3-21X MXL	2.50" - 16	11.16"	9.25"	7.00"	1.94"	3	KIT 6167	30°

# SLIP YOKES



2

## Slip Yokes — Wing Bearings

Part Number	Spline Size	Face to End	Length of Hole	Pilot Diameter	Slot Width	Dust Cap Style	Related Dust Cap Group	Kit Mtg. Holes
<b>58WB SERIES U-JOINT KIT: CP58WB-DWT, CP58WB-HB, CP58WB-HWD or PERMALUBE</b>								
58WBS28-41A	1.75" - 16	6.75"	5.50"	5.31"	0.63"	3 Threaded	SERUR25-4	.47" - DR
58WBS28-42A	1.75" - 16	8.75"	7.50"	5.31"	0.63"	3 Threaded	SERUR25-4	.47" - DR

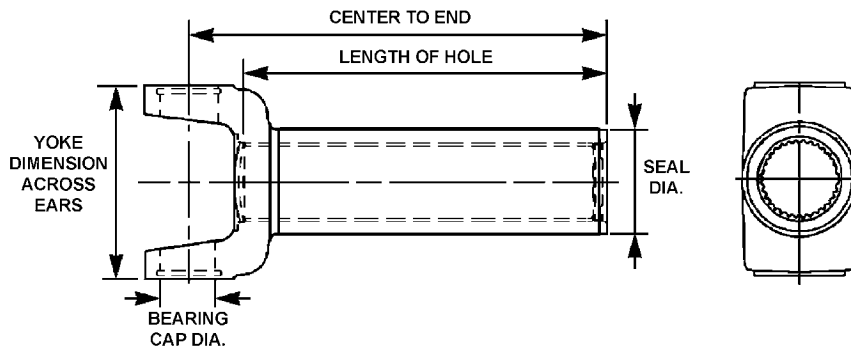
<b>62N SERIES U-JOINT KIT: CP62N-DWT, CP62N-HB, CP62N-HWD or PERMALUBE</b>								
62NLS28-43DC	1.75" - 10	5.63"	5.00"	5.53"	.56"	1	DC62N-1	.38" - 24TH
62NLS28-3DC	1.75" - 10	7.38"	6.44"	5.53"	.56"	2	DC62N	.41" - DR
62NLS28-82A	1.75" - 16	6.38"	5.50"	5.53"	.56"	3 Threaded	SERUR22-4	.41" - DR
62NLS28-2A	1.75" - 16	9.50"	8.00"	5.53"	.56"	3 Threaded	SERUR22-4	.41" - DR

<b>72N SERIES U-JOINT KIT: CP72N-DWT, CP72N-HB, CP72N-HWD or PERMALUBE</b>								
72NLS32-1DC	2.00" - 10	7.44"	6.50"	5.84"	.63"	3 Threaded	SERUR25-1	.50" - 20TH
72NLS32-142A	2.00" - 16	7.06"	6.06"	5.84"	.63"	3 Threaded	SERUR25-1	.47" - DR
72NLS32-20DC	2.00" - 16	10.88"	9.25"	5.84"	.63"	3 Threaded	SERUR25-1	.47" - DR

<b>82N SERIES U-JOINT KIT: CP82N-DWT, CP82N-HB, CP82N-HWD or PERMALUBE</b>								
82NLS40-83A	2.50" - 16	8.56"	7.56"	8.13"	.63"	3 Threaded	SERUR33-4	.47" - DR
82NLS40-85A	2.50" - 16	9.75"	8.63"	8.13"	.63"	3 Threaded	SERUR33-4	.47" - DR

<b>92N SERIES U-JOINT KIT: CP92N-DWT, CP92N-HB, CP92N-HWD or PERMALUBE</b>								
92NLS48-3DC	3.00" - 10	6.75"	5.50"	8.25"	.63"	1	DC92N	.50" - 20TH
92NLS48-47DC	3.00" - 16	9.63"	8.50"	8.25"	.63"	3 Threaded	SERUR40-3	.50" - 20TH
92NLS48-66A	3.00" - 16	10.63"	9.50"	8.25"	.63"	3 Threaded	SERUR40-3	.53" - DR

# SLIP YOKES



## Transmission Slip Yokes — Outside Snap Rings

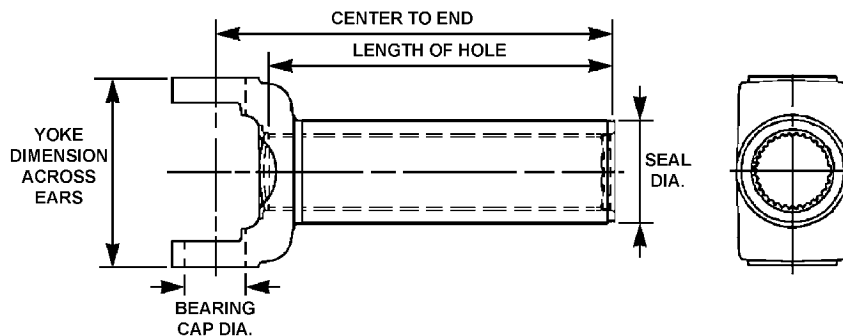
Part Number	Center to End	Length of Hole	Yoke Dimension Across Ears	Bearing Cap Diameter	Seal Diameter	Joint Angle	Spline Length
<b>121N SERIES</b>	<b>0.998" - 20 SPLINE (Based on 22 Involute Spline)</b>					<b>U-JOINT KIT: CP443X</b>	
121N-3-686X	6.00"	4.73"	2.69"	1.06"	1.38"	20°	CB

<b>121N SERIES</b>	<b>1.005" - 22 SPLINE (Based on 24 Involute Spline)</b>					<b>U-JOINT KIT: CP443X</b>	
121N-3-1224-1X	4.75"	3.48"	2.69"	1.06"	1.38"	20°	CB
121N-3-1224X	6.00"	4.73"	2.69"	1.06"	1.38"	20°	CB

<b>121N SERIES</b>	<b>1.102" - 21 SPLINE (Involute Spline)</b>					<b>U-JOINT KIT: CP443X</b>	
121N-3-2321X	6.00"	4.73"	2.69"	1.06"	1.50"	20°	FS

<b>13N SERIES</b>							
131-N-3-6081X	5.47"		3.47"	1.06"			
131-N-3-10431X	5.50"		3.47"	1.06"			

<b>135N SERIES</b>							
135-N-3-4281X	6.94"		3.88"	1.19"			



## Transmission Slip Yokes — Inside Snap Rings

Part Number	Center to End	Length of Hole	Yoke Dimension Across Ears	Bearing Cap Diameter	Seal Diameter	Spline Length
<b>3R SERIES</b>	<b>1.17" - 26 SPLINE (Based on 27 Involute Spline)</b>					<b>U-JOINT KIT: CP3147X</b>
R3R-3-6081X	5.47"	4.59"	2.56"	1.13"	1.50"	FS

<b>3R SERIES</b>	<b>1.39" - 31 SPLINE (Based on 32 Involute Spline)</b>					<b>U-JOINT KIT: CP3147X</b>
R3R-3-9131X	7.50"	6.50"	2.56"	1.13"	1.88"	CB
R3R-3-9161X	7.50"	6.50"	2.56"	1.13"	1.88"	FS
R3R-3-9101X	8.06"	6.70"	2.56"	1.13"	1.88"	FS

Note: Spline Length: CB - Counterbore in end of barrel. FS - Fully Splined

# END YOKES - FULL ROUND TABLE OF CONTENTS SECTION 3

Round Bearings — 131N Series - - - - - 3-3

Round Bearings — 16N Series- - - - - 3-3

Round Bearings — 17N Series- - - - - 3-6

Round Bearings — 176N Series - - - - - 3-13

Round Bearings — 18N Series- - - - - 3-15

Round Bearings Straight Round Hole - - - - - 3-17

Wing Bearings — 58WB Series - - - - - 3-19

Wing Bearings — 62N Series - - - - - 3-20

Wing Bearings — 72N Series - - - - - 3-21

Wing Bearings — 82N Series - - - - - 3-24

Wing Bearings — 92N Series - - - - - 3-25

Wing Bearings Straight Round Hole - - - - - 3-27

RPL — 20R Series - - - - - 3-28

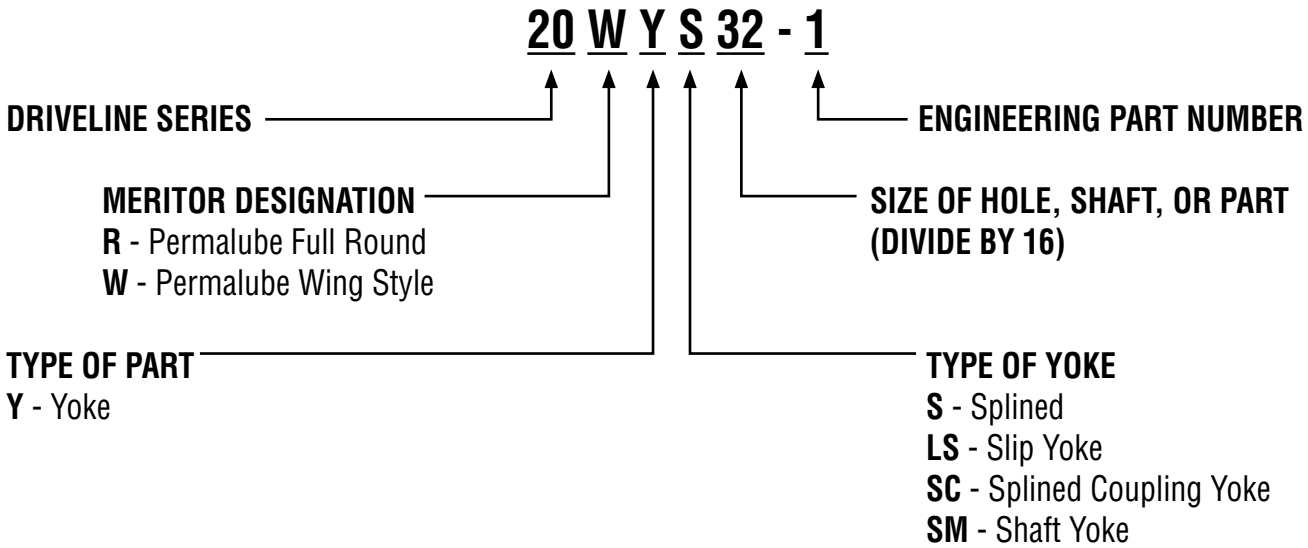
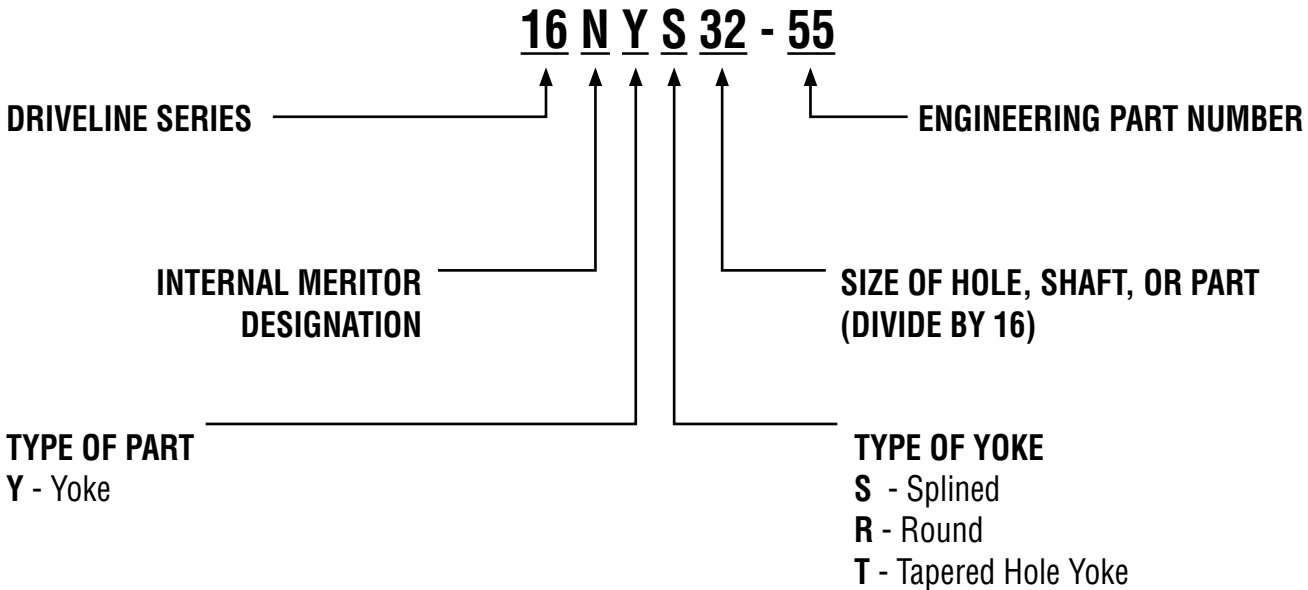
RPL — 25R Series - - - - - 3-30

# 3

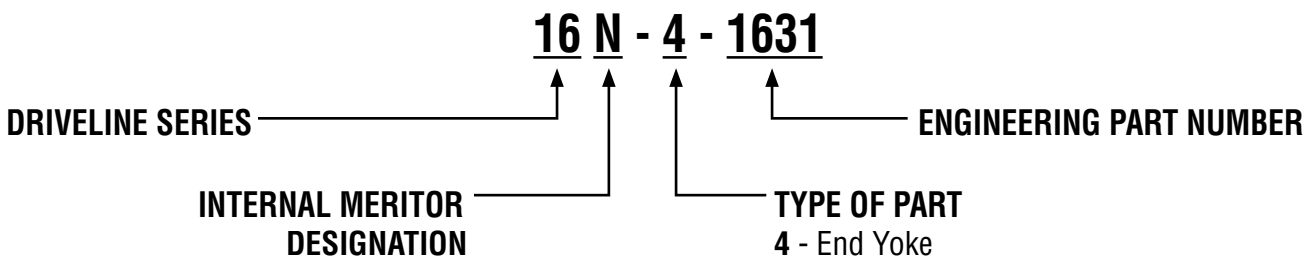
# END YOKES - FULL ROUND MERITOR NUMBERING SYSTEM

Meritor components may be identified by one of the numbering systems shown below. Aftermarket numbers are issued to make Meritor components easy to select when choosing a replacement component.

## 3 MERITOR ENGINEERING NUMBER

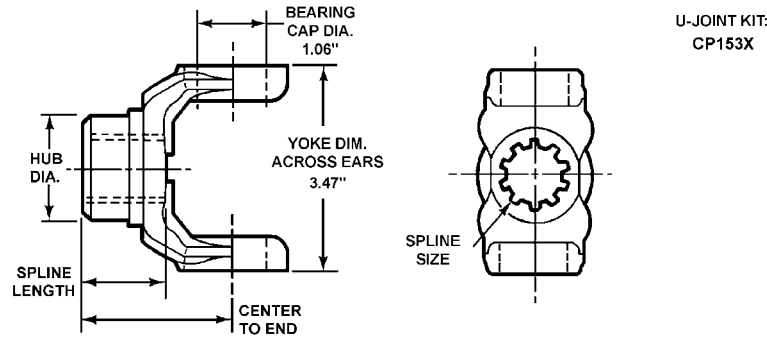


## MERITOR AFTERMARKET NUMBER



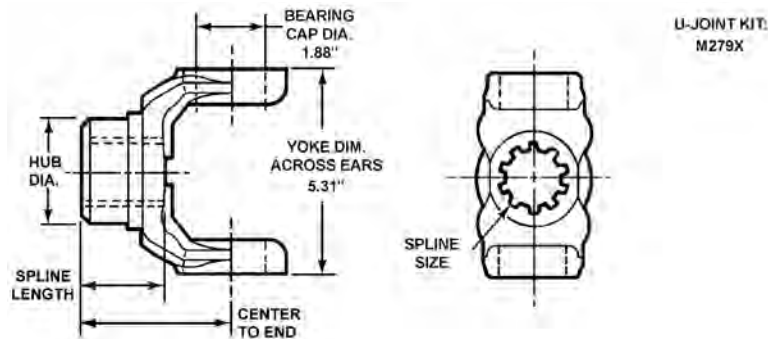


# END YOKES - FULL ROUND



## Round Bearings — 131N Series

Part Number	Center to End	Spline Length	Hub Diameter	Joint Angle	Deflector
<b>.88" - 13 SPLINE</b>					
131N-4-3331 See Note 13	2.56"	1.57"	2.00"		



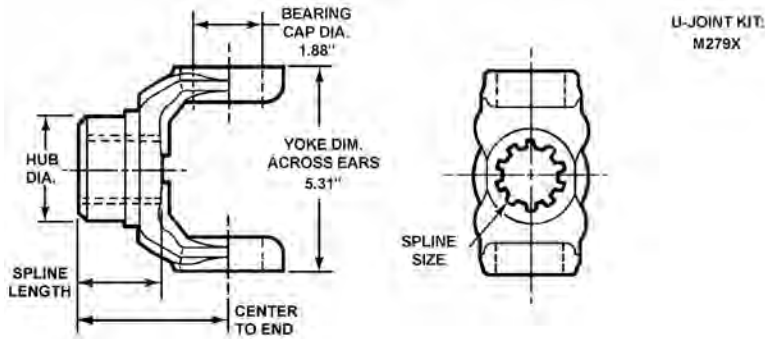
## Round Bearings — 16N Series

Part Number	Center to End	Spline Length	Hub Diameter	Joint Angle	Deflector
<b>1.75" - 10 SPLINE</b>					
16N-4-1721	4.12"	2.25"	2.19"	24°	
16N-4-1051	4.12"	2.25"	2.50"	23°	
16N-4-781	4.12"	2.25"	2.62"	24°	
16N-4-2081	4.75"	2.25"	2.62"	29.5°	
16NYS28-4A	4.75"	2.00"	2.62"	29.5°	DEFR43-2
16N-4-1931	4.75"	2.25"	2.75"	32°	
16N-4-3601X	4.75"	2.25"	2.75"	32°	DEFR47-6
16N-4-3621	5.00"	2.25"	2.75"	32°	
16N-4-4571	5.34"	2.25"	2.62"	36°	
16N-4-4481	5.41"	2.25"	2.75"	28°	
16N-4-4761X	6.00"	2.25"	2.62"	45°	DEFR42-1
16N-4-3861	6.00"	2.25"	2.75"	45°	
16N-4-4441X	6.00"	2.25"	2.75"	45°	DEFR47-6
16N-4-4451X	6.00"	2.25"	2.75"	45°	DEFR47-4

<b>1.75" - 34 SPLINE</b>					
16N-4-5621X	4.88"	2.25"	2.50"		DEFR40-4
16N-4-5571	4.88"	2.25"	2.50"	32°	
16N-4-5081X	5.44"	1.75"	2.38"	35°	DEFR47-7
16N-4-6261	5.44"	2.25"	2.50"	30°	

Note:  
13 .375" diameter set screw. Hub not ground.

# END YOKES - FULL ROUND



3

## Round Bearings — 16N Series

Part Number	Center to End	Spline Length	Hub Diameter	Joint Angle	Deflector
<b>1.75" - 34 SPLINE</b>					
16N-4-6251	6.03"	2.25"	2.50"	45°	

<b>1.77" - 45 SPLINE</b>					
16NYS28-64A	5.36"	2.25"	2.51"	43°	DEFR47-3

<b>1.78" - 34 SPLINE</b>					
16NYS28-60	4.94"	2.43"	2.62"	27°	

<b>1.88" - 10 SPLINE</b>					
16NYS30A	4.56"	2.38"	2.75"		
16N-4-2501	5.00"	2.38"	2.75"	32°	

<b>1.97" - 10 SPLINE</b>					
16N-4-3681	5.12"	2.62"	2.75"	32°	
16N-4-5281X	5.12"	2.62"	2.75"	32°	DEFR47-2
16N-4-4551	5.22"	2.00"	2.50"	35°	
16N-4-4471	5.31"	2.25"	2.62"	32°	
16N-4-4541	5.38"	2.25"	3.00"	32°	

<b>2.00" - 10 SPLINE</b>					
16N-4-1631	5.19"	2.56"	2.94"	32°	

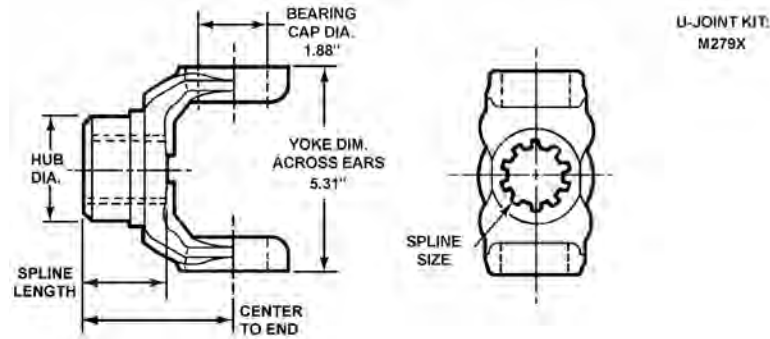
<b>2.00" - 16 SPLINE</b>					
16NYS32-47	4.94"	2.38"	3.25"	27°	

<b>2.00" - 30 SPLINE</b>					
16N-4-5721	6.00"	2.69"	3.00"	45°	

<b>2.00" - 38 SPLINE</b>					
16N-4-6321	4.00"	2.13"	2.75"		

<b>2.00" - 39 SPLINE</b>					
16NYS32-43	4.50"	2.00"	2.75"		
16NYS32-74	4.72"	2.25"	2.62"	23°	
16NYS32-74A	4.72"	2.25"	2.62"	23°	DEFR44-11
16N-4-6951X	5.12"	2.44"	2.75"		DEFR47-13
16N-4-5981	5.31"	2.25"	2.62"	35°	
16N-4-5991X	5.31"	2.25"	2.62"	35°	DEFR44-11
16NYS32-32A3	5.54"	2.31"	3.00"	27°	DEFR50-19

# END YOKES - FULL ROUND



**3**

## Round Bearings — 16N Series

Part Number	Center to End	Spline Length	Hub Diameter	Joint Angle	Deflector
16N-4-6271	5.54"	2.31"	3.00"	30°	

2.00" - 39 SPLINE					
16N-4-6281X	5.54"	2.31"	3.00"	30°	DEFR50-7
16N-4-6961X	5.94"	2.44"	2.75"		DEFR47-13
16N-4-5441	5.94"	2.44"	2.75"	45°	
16N-4-6241	6.22"	2.31"	3.00"	45°	
16N-4-6291X	6.22"	2.31"	3.00"	45°	DEFR59-1
16N-4-5461	6.25"	2.44"	2.75"	45°	

2.03" - 10 SPLINE					
16N-4-4401	4.50"	2.00"	2.75"	32°	

2.13" - 32 SPLINE					
16N-4-5751	5.38"	2.25"	3.00"	36°	
16N-4-5731	6.00"	2.25"	3.00"	33°	

2.14" - 41 SPLINE					
16NYS34-23A	2.18"	4.85"	3.00"	27°	DEFR50-7

2.16" - 16 SPLINE					
16N-4-5031	6.25"	3.00"	2.94"	29°	

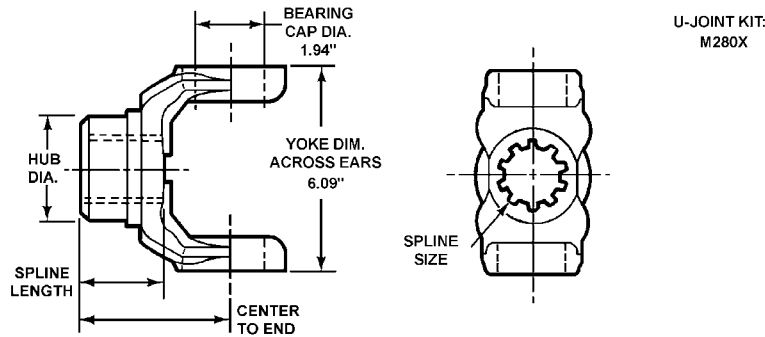
2.23" - 6 SPLINE					
16NYS36-7	5.72"	3.25"	3.00"	25°	

2.25" - 10 SPLINE					
16N-4-3321	5.50"	3.00"	3.50"	32°	
16N-4-6891X	5.63"	3.00"	3.00"		

2.38" - 36 SPLINE					
16N-4-5631	5.16"	2.69"	3.00"	27°	
16N-4-5741	6.00"	2.69"	3.00"	45°	

2.38" - 46 SPLINE					
16NYS38-8A	4.94"	2.32"	3.25"		
16NYS38-11A	5.50"	2.88"	3.25"	22°	DEFR54-5
16NYS38-12	6.19"	2.33"	3.25"	42°	
16NYS38-12A	6.19"	2.32"	3.25"	42°	DEFR56-7

## END YOKES - FULL ROUND



## Round Bearings — 17N Series

Part Number	Center to End	Spline Length	Hub Diameter	Joint Angle	Deflector
<b>1.63" - 10 SPLINE</b>					
17NYS26	4.73"	2.13"	2.38"		

<b>1.75" - 10 SPLINE</b>					
17N-4-2381	4.88"	2.25"	2.75"	30°	
17NYS28-11 See Note 1	4.88"	2.25"	2.75"	30°	
17N-4-3391	5.25"	2.25"	2.62"	30°	
17N-4-4301X	5.25"	2.25"	2.62"	30°	DEFR42-1
17N-4-4141	6.12"	2.25"	2.62"	45°	
17N-4-4861X	6.12"	2.25"	2.62"	45°	DEFR42-1
17N-4-4831X	6.25"	2.25"	2.75"		DEFR47-4
17N-4-4091	6.25"	2.25"	2.75"	45°	

<b>1.75" - 34 SPLINE</b>					
17NYS28-43A	4.88"	2.25"	2.50"		DEFR40-4
17N-4-5131X	4.88"	2.25"	2.50"	30°	DEFR47-7
17N-4-6331	4.88"	2.25"	2.50"	30°	
17NYS28-66A	5.44"	2.44"	2.62"		DEFR44-10
17N-4-5111X	5.97"	2.25"	2.50"	45°	DEFR47-7
17N-4-6321	5.97"	2.25"	2.50"	45°	

<b>1.78" - 34 SPLINE</b>					
17N-4-6481	5.44"	2.44"	2.62"	33.5°	
17N-4-6451	6.31"	2.44"	2.62"	45°	
17N-4-5031	7.19"	2.75"	2.56"	33°	
17N-4-5041X See Note 2	7.19"	2.75"	2.56"	33°	

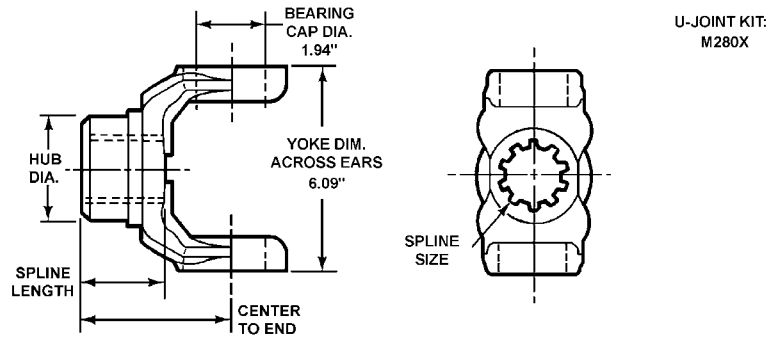
<b>1.79" - 34 SPLINE</b>					
17N-4-8521X See Note 6	6.31"	2.44"	2.63"		DEFR44-10

<b>1.88" - 10 SPLINE</b>					
17N-4-2271	4.50"	2.38"	2.75"	22°	
17NYS30	5.38"	2.38"	2.75"		
17N-4-3361	5.38"	2.38"	2.75"	30°	

## Notes:

- 1 Deflector diameter is 2.953 in.
- 2 Includes washer.
- 6 High Angle Yoke.

# END YOKES - FULL ROUND



**3**

## Round Bearings — 17N Series

Part Number	Center to End	Spline Length	Hub Diameter	Joint Angle	Deflector
<b>1.94" - 10 SPLINE</b>					
17N-4-3291	4.56"	2.25"	3.00"	22°	

<b>1.94" - 30 SPLINE</b>					
17N-4-4371	4.56"	2.25"	3.00"	20°	

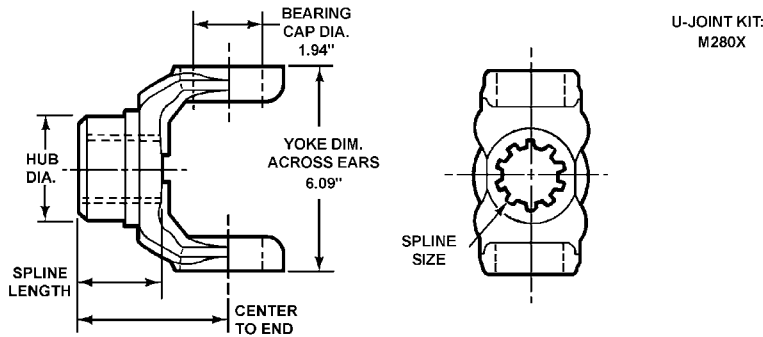
<b>1.97" - 10 SPLINE</b>					
17N-4-4721	4.50"	2.25"	2.62"	24.5°	
17N-4-4731X	4.50"	2.25"	2.62"	24.5°	DEFR56-1
17N-4-2211	4.50"	2.25"	2.62"	45°	
17N-4-2161	4.81"	2.62"	2.75"	26°	
17N-4-4181X	4.81"	2.62"	2.75"	26°	DEFR47-2
17N-4-1981 See Note 3	5.00"	3.00"	2.44", 2.81", 3.38"	26°	
17N-4-3721	5.00"	2.00"	2.50"	30°	
17N-4-2391	5.00"	2.00"	2.62"	30°	
17N-4-5141	5.25"	2.25"	2.62"	32°	
17N-4-5151X	5.25"	2.25"	2.62"	32°	DEFR42-1
17N-4-3221	5.25"	2.62"	2.75"	30°	
17N-4-4361X	5.25"	2.62"	2.75"	30°	DEFR47-2
17N-4-4151	6.12"	2.25"	2.62"	45°	
17N-4-4851X	6.12"	2.25"	2.62"	45°	DEFR42-1
17N-4-4131	6.50"	2.62"	2.75"	45°	
17N-4-4481X	6.50"	2.62"	2.75"	45°	DEFR47-2

<b>1.99" - 30 SPLINE</b>					
17N-4-7231X See Note 6	6.28"	2.70"	3.00"		DEFR48-6

<b>2.00" - 10 SPLINE</b>					
17N-4-2131	4.81"	3.00"	3.25"	26°	
17N-4-3171	4.81"	3.00"	3.25"	26°	
17N-4-2371	5.00"	2.00"	2.75"	33°	
17N-4-3271	5.19"	2.56"	2.75"	30°	
17N-4-4391X	5.19"	2.56"	2.75"	30°	DEFR47-6
17N-4-3241	5.19"	2.56"	2.94"	30°	

Notes:  
 3 Center Bearing yoke.  
 6 High Angle Yoke.

# END YOKES - FULL ROUND



3

## Round Bearings — 17N Series

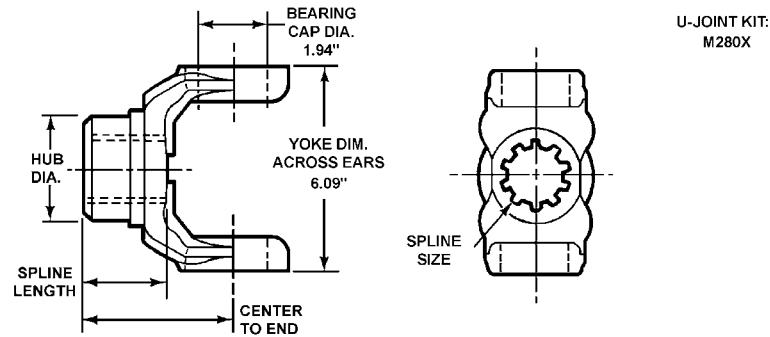
Part Number	Center to End	Spline Length	Hub Diameter	Joint Angle	Deflector
<b>2.00" - 10 SPLINE</b>					
17N-4-4291X	5.19"	2.56"	2.94"	30°	DEFR47-3
17N-4-4741X	5.19"	2.56"	2.94"	30°	DEFR47-12
17N-4-2361	5.25"	3.00"	2.75"	26°	
17N-4-2191	5.63"	3.00"	2.94"	30°	

<b>2.00" - 30 SPLINE</b>					
17N-4-5781	6.11"	2.69"	3.00"	45°	

<b>2.00" - 38 SPLINE</b>					
17N-4-7141	5.00"	3.00"	2.81"	25°	

<b>2.00" - 39 SPLINE</b>					
17N-4-5541	4.81"	2.44"	2.75"	26°	
17N-4-6941X	4.81"	2.44"	2.75"	26°	DEFR47-13
17NYS32-60	5.00"	2.00"	2.75"	30°	
17NYS32-100	5.16"	2.31"	3.00"		
17NYS32-100A	5.16"	2.31"	3.00"		DEFR59-1
17N-4-6411X	5.16"	2.31"	3.00"	30°	DEFR59-2
17N-4-6421X	5.16"	2.31"	3.00"	30°	DEFR59-1
17NYS32-100A1	5.16"	2.31"	3.00"	32°	DEFR59-2
17NYS32-100A2	5.16"	2.31"	3.00"	32°	DEFR59-5
17N-4-8531X	5.25"	2.25"	2.62"		DEFR44-11
17N-4-9041X	5.25"	2.50"	2.62"		DEFR44-13
17N-4-5991	5.25"	2.25"	2.62"	33°	
17N-4-9031X	5.25"	2.28"	3.00"	32°	DEFR50-24
17N-4-5521	5.25"	2.44"	2.75"	30°	
17N-4-6951X	5.25"	2.44"	2.75"	30°	DEFR47-13
17NYS32-41A1	5.25"	2.44"	2.75"	30°	DEFR47-5
17NYS32-41A2	5.25"	2.44"	2.75"	32°	DEFR47-4
17NYS32-91A	6.12"	2.50"	2.62"		DEFR44-13
17N-4-6011	6.12"	2.25"	2.62"	45°	
17N-4-6021X	6.12"	2.25"	2.62"	45°	DEFR44-11
17N-4-6391X	6.25"	2.31"	3.00"	45°	DEFR50-7
17NYS32-99	6.25"	2.31"	3.00"	45°	
17NYS32-99A	6.25"	2.31"	3.00"	45°	DEFR59-1
17NYS32-99A3	6.25"	2.31"	3.00"	45°	DEFR59-5

# END YOKES - FULL ROUND



**3**

## Round Bearings — 17N Series

Part Number	Center to End	Spline Length	Hub Diameter	Joint Angle	Deflector
<b>2.00" - 39 SPLINE</b>					
17N-4-5501	6.50"	2.44"	2.75"	30°	
17N-4-6871X	6.50"	2.44"	2.75"	30°	DEFR47-13
17NYS32-40A1	6.50"	2.44"	2.75"	30°	DEFR47-4

<b>2.02" - 39 SPLINE</b>					
17N-4-9041X	5.25 in	2.50"	2.63"		DEFR44-13
17N-4-9001X	6.13"	2.50"	2.63"		DEFR44-13

<b>2.03" - 10 SPLINE</b>					
17N-4-3791	5.00"	2.00"	2.75"	25°	

<b>2.11" - 32 SPLINE</b>					
17N-4-7171X See Note 6	6.25"	2.25"	3.00"		DEFR48-6

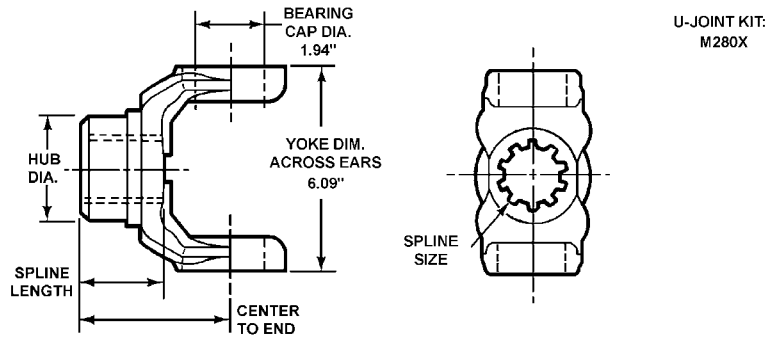
<b>2.13" - 32 SPLINE</b>					
17NYS34-15	4.56"	2.25"	3.00"		
17N-4-5821	5.00"	2.25"	3.00"	26°	
17N-4-5791	6.25"	2.25"	3.00"	45°	
17NYS34-9A	6.25"	2.25"	3.00"	45°	DEFR54-1

<b>2.13" - 41 SPLINE</b>					
17NYS34-20	5.16"	2.31"	2.94"	31°	
17NYS34-20A	5.16"	2.31"	2.94"	31°	DEFR47-16
17NYS34-29A	5.35"	2.50"	2.94"		2297-K-6303
17NYS34-29	5.35"	2.50"	2.94"	31°	
17NYS34-19	6.12"	2.50"	2.94"	42.5°	
17NYS34-19A1	6.12"	2.50"	2.94"	42.5°	DEFR48-15
17N-4-7541	6.63"	3.00"	2.94"		
17NYS34-18A1	6.63"	3.00"	2.94"		DEFR48-17
17NYS34-18	6.63"	3.00"	2.94"	42.5°	

<b>2.14" - 41 SPLINE</b>					
17N-4-7561X See Note 6	6.13"	2.50"	2.94"		DEFR48-2

Note:  
6 High Angle Yoke.

# END YOKES - FULL ROUND



3

## Round Bearings — 17N Series

Part Number	Center to End	Spline Length	Hub Diameter	Joint Angle	Deflector
<b>2.16" - 16 SPLINE</b>					
17N-4-4961	5.19"	2.50"	2.94"	26°	
17N-4-5061X	5.19"	2.50"	2.94"	26°	DEFR48-5
17N-4-4171X	5.50"	3.00"	2.94"		DEFR48-2
17N-4-2181	5.50"	3.00"	2.94"	23.5°	
17NYS34-5	6.31"	3.00"	2.94"	45°	
17N-4-4591	6.63"	3.00"	2.94"	40°	
17N-4-5481X	6.63"	3.00"	2.94"	40°	DEFR48-2

<b>2.22" - 6 SPLINE</b>					
17N-4-3031	5.31"	3.25"	3.00"	26°	
17N-4-3041X	5.31"	3.25"	3.00"	26°	DEFR49-1

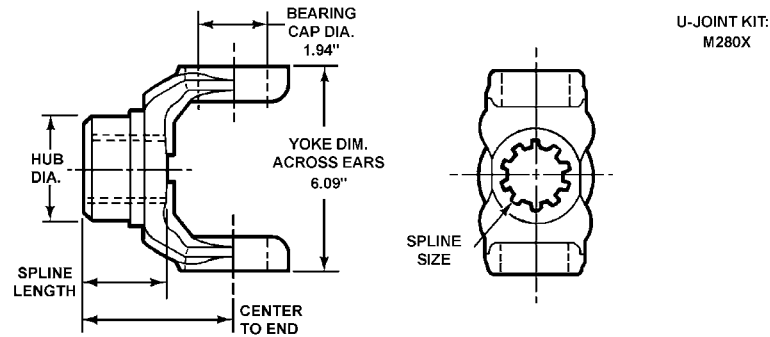
<b>2.25" - 6 SPLINE</b>					
17N-4-3501	5.25"	2.25"	3.25"	30°	

<b>2.25" - 10 SPLINE</b>					
17N-4-2511	5.25"	2.88"	3.00"	26°	
17N-4-2151	5.25"	2.94"	3.13"	26°	
17N-4-2441	5.25"	2.25"	3.13"	30°	
17N-4-2501	5.25"	3.00"	3.25"	22°	
17N-4-1971	5.25"	2.25"	3.25"	30°	
17N-4-2141	5.25"	3.00"	3.50"	22°	
17N-4-1991	6.06"	3.00"	3.00"	32°	
17N-4-4411X	6.06"	3.00"	3.00"	32°	DEFR50-2
17N-4-6891X	7.19"	3.00"	3.00"		DEFR50-2
17N-4-5061X	5.19"	2.50"	2.94"	26°	DEFR48-5
17N-4-4171X	5.50"	3.00"	2.94"		DEFR48-2
17N-4-2181	5.50"	3.00"	2.94"	23.5°	
17NYS34-5	6.31"	3.00"	2.94"	45°	
17N-4-4591	6.63"	3.00"	2.94"	40°	
17N-4-5481X	6.63"	3.00"	2.94"	40°	DEFR48-2

<b>2.28" - 44 SPLINE</b>					
17N-4-8551X	5.19"	2.50"	2.94"		DEFR48-10
17N-4-6031	5.19"	2.50"	2.94"	26°	
17N-4-6041X	5.19"	2.50"	2.94"	26°	DEFR48-10
17N-4-8461	5.19"	2.50"	2.94"	26°	
17NYS36-62A	5.19"	2.50"	3.00"		DEFR50-24



# END YOKES - FULL ROUND



**3**

## Round Bearings — 17N Series

Part Number	Center to End	Spline Length	Hub Diameter	Joint Angle	Deflector
<b>2.34" - 16 SPLINE</b>					
17N-4-4601 See Note 3	4.94"	2.75"	3.31"	26°	
17N-4-5071X	4.94"	2.75"	3.31"	26°	DEFR55-1
17N-4-5341	5.19"	2.75"	2.81"	21°	

<b>2.36" - 18 SPLINE</b>					
17N-4-4561	5.75"	3.38"	3.50"	26°	

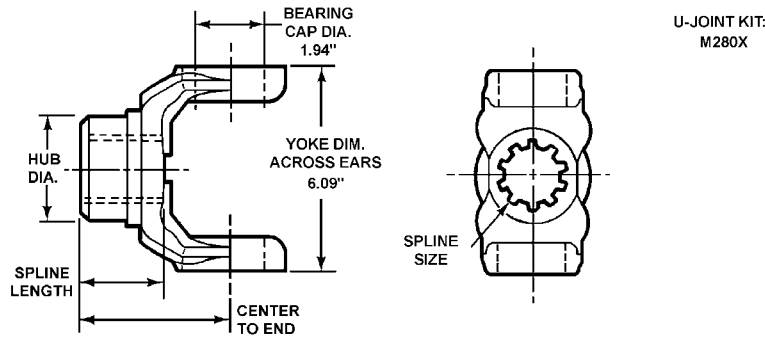
<b>2.36" - 36 SPLINE</b>					
17N-4-7241X See Note 6	6.50"	2.69"	3.00"		DEFR48-6

<b>2.38" - 46 SPLINE</b>					
17N-4-5711	5.44"	2.69"	3.00"	26°	
17N-4-5801	6.50"	2.69"	3.00"	45°	

<b>2.38" - 46 SPLINE</b>					
17NYS38-61	4.88"	2.33"	3.25"	22°	
17NYS38-61A	4.88"	2.32"	3.25"	22°	DEFR56-7
17N-4-6601 See Note 5	4.94"	2.41"	2.95", 3.75"	27°	
17NYS38-78	5.00"	1.95"	3.25"	32°	
17N-4-5841	5.16"	2.41"	3.50"	22°	
17N-4-7161	5.38"	2.33"	3.25"	31°	
17N-4-7181X	5.38"	2.32"	3.25"	31°	DEFR56-7
17NYS38-32A2	5.38"	2.32"	3.25"	34°	DEFR56-12
17N-4-5451	5.69"	2.62"	3.25"	30°	
17N-4-5461X	5.69"	2.62"	3.25"	30°	DEFR54-1
17N-4-4771	5.75"	3.38"	3.50"	26°	
17N-4-6961X	5.94"	2.88"	3.25"		DEFR54-5
17NYS38-31	5.94"	2.88"	3.25"		
17N-4-5961X	5.94"	2.88"	3.25"	45°	DEFR54-1
17NYS38-44A1	6.00"	3.20"	3.38"		DEFR55-3
17NYS38-17A2	6.19"	2.88"	3.25"		DEFR54-5
17NYS38-17	6.19"	2.88"	3.25"	45°	
17NYS38-38	6.50"	2.33"	3.25"	45°	
17N-4-7771X	6.50"	2.32"	3.25"	45°	DEFR56-7

Notes:  
 3 Center Bearing yoke.  
 6 High Angle Yoke.

# END YOKES - FULL ROUND



## Round Bearings — 17N Series

Part Number	Center to End	Spline Length	Hub Diameter	Joint Angle	Deflector
17N-4-7851X	6.93"	2.88"	3.25"	45°	DEFR54-5
17NYS38-63	6.93"	2.88"	3.25"	45°	

### 2.42" - 18 SPLINE

17N-4-4581	5.81"	3.00"	3.38"	25°	
------------	-------	-------	-------	-----	--

### 2.50" - 10 SPLINE

17N-4-4421	5.16"	2.39"	3.50"	22°	
17N-4-3611	5.63"	3.00"	3.75"	30°	
17N-4-6921X	5.63"	3.00"	3.75"	30°	DEFR62-1

### 2.53" - 16 SPLINE

17NYS40-106A	6.44"	2.75"	3.25"		
17NYS40-106	6.44"	2.75"	3.25"	40°	
17NYS40-106A1 See Note 6	6.44"	2.75"	3.25"	40°	DEFR60-1

### 2.63" - 20 SPLINE

17N-4-7071X	5.19"	2.75"	3.00"		DEFR60-2
17N-4-5351	5.19"	2.75"	3.75"	26°	

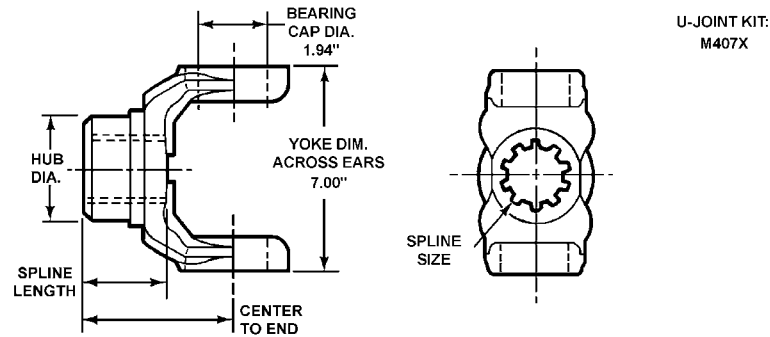
### 2.75" - 10 SPLINE

17N-4-4651 See Note 4	5.31"	2.94"	3.38"	20°	
17N-4-4551	5.75"	3.00"	3.50"	22°	
17N-4-6841X	5.75"	3.00"	3.75"	20.5°	DEFR65-1
17N-4-6821	5.75"	3.00"	3.75"	22°	
17N-4-6931X	5.75"	3.00"	3.75"	22°	DEFR62-1

Notes:

- 4 Keyway for speedometer gear on hub.
- 5 Step hub diameter is 2.95 in./3.75 in.
- 6 High Angle Yoke.

# END YOKES - FULL ROUND



**3**

## Round Bearings — 176N Series

Part Number	Center to End	Spline Length	Hub Diameter	Joint Angle	Deflector
<b>2.00" - 10 SPLINE</b>					
176N-4-181X	5.38"	2.56", 2.00"	2.94"	30°	DEFR47-9
176N-4-71	5.38"	2.56", 2.00"	2.94"	30°	

<b>2.00" - 39 SPLINE</b>					
176NYS32-3A2	5.19"	2.31", 2.00"	3.00"		
176N-4-531	5.19"	2.31", 2.00"	3.00"	29°	
176N-4-541X	5.19"	2.31", 2.00"	3.00"	29°	DEFR56-2
176NYS32-3	5.19"	2.31", 2.00"	3.00"	32°	

<b>2.03" - 10 SPLINE</b>					
176N-4-421	5.00"	2.00", 2.03"	2.75"	30°	

<b>2.13" - 16 SPLINE</b>					
176N-4-121	5.25"	2.50", 2.13"	2.94"	30°	

<b>2.25" - 10 SPLINE</b>					
176N-4-411	5.25"	2.25"	3.12", 3.13"	30°	
176N-4-731X	5.84"	3.00"	3.00"		

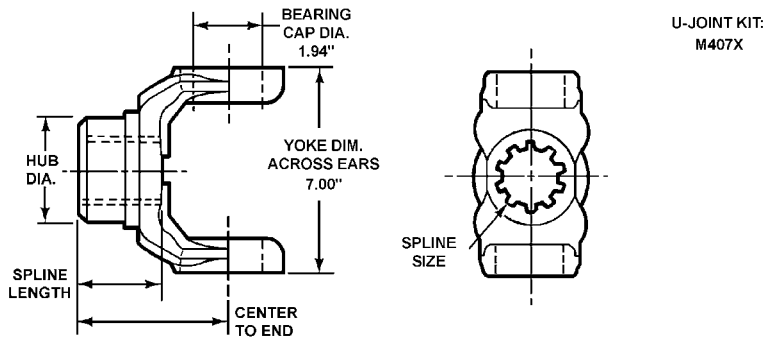
<b>2.28" - 44 SPLINE</b>					
176N-4-1421	5.25"	2.50"	3.00"	30°	
176N-4-1481X	5.25"	2.50"	3.00"		DEFR48-10
176N-4-321	5.25"	2.50"	3.00"	30°	
176N-4-5221X	5.25"	2.50"	3.00"		DEFR50-24

<b>2.34" - 16 SPLINE</b>					
176N-4-161 See Note 3	5.50"	2.75"	2.86"	30°	

<b>2.36" - 18 SPLINE</b>					
176N-4-271	6.12"	3.38"	3.50"	30°	

Notes:  
3 Center Bearing Yoke.

# END YOKES - FULL ROUND



## Round Bearings — 176N Series

Part Number	Center to End	Spline Length	Hub Diameter	Joint Angle	Deflector
<b>2.38" – 36 SPLINE</b>					
176N-4-441	5.44"	2.64"	3.00"	30°	
176N-4-851X	5.56"	2.69"	3.00"		DEFR48-7

<b>2.38" – 46 SPLINE</b>					
176N-4-821	4.53"	2.75"	2.875"*	30°	
176NYS38-14	5.06"	2.33"	3.25"	29°	
176N-4-1041X	5.06"	2.32"	3.25"	29°	DEFR56-7
176N-4-391	5.38"	2.41"	3.50"	30°	
176NYS38-10	5.41"	2.41"	2.95"	30°	
176N-4-211X	5.44"	2.62"	3.25"		DEFR54-1
176NYS38-3	5.44"	2.62"	3.25"		
176N-4-861X	5.63"	2.88"	3.25"		DEFR54-5
176NYS38-13A1	5.63"	2.88"	3.25"		DEFR54-1
176N-4-1161X	6.20"	3.20"	3.38"		DEFR55-2

<b>2.39" – 46 SPLINE</b>					
176N-4-381	6.00"	3.38"	3.50"		

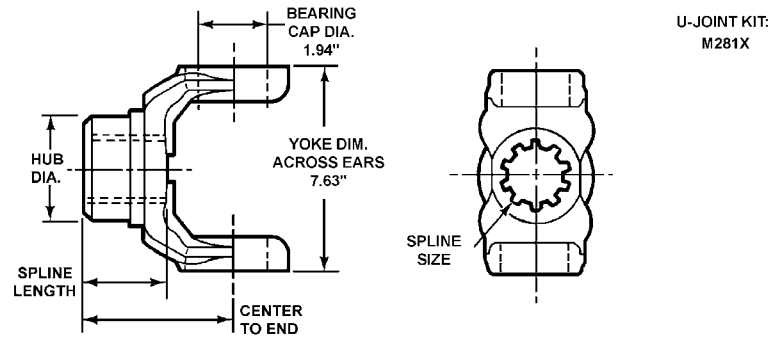
<b>2.41" – 44 SPLINE</b>					
176N-4-331X	5.25"	2.50"	3.00"	30°	DEFR48-10

<b>2.50" – 10 SPLINE</b>					
176N-4-151	5.41"	2.41"	3.50"	30°	
176N-4-651 <sup>5</sup>	6.03"	3.00"	2.95", 3.75"	32°	
176N-4-781X	6.03"	3.00"	3.75"	32°	DEFR62-1

<b>2.75" – 10 SPLINE</b>					
176N-4-11	5.97"	3.00"	3.75"	30°	
176N-4-791X	5.97"	3.00"	3.75"	30°	DEFR62-1

Notes:  
 3 Center Bearing Yoke.  
 5 Step hub diameter is 2.95 in./3.75 in.

# END YOKES - FULL ROUND



**3**

## Round Bearings — 18N Series

Part Number	Center to End	Spline Length	Hub Diameter	Joint Angle	Deflector
<b>1.94" - 30 SPLINE</b>					
18N-4-2051	5.38"	2.25"	3.00"	30°	

<b>1.97" - 10 SPLINE</b>					
18N-4-1921	5.38"	2.56"	2.94"	30°	
18N-4-2341X	5.38"	2.56"	2.94"	30°	DEFR47-3

<b>2.00" - 39 SPLINE</b>					
18NYS32-12A2*	5.19"	2.31"	3.00"		
18N-4-3371	5.19"	2.31"	3.00"	30°	
18N-4-3381X	5.19"	2.31"	3.00"	30°	DEFR56-2
18N-4-2781	5.53"	2.44"	2.75"	30°	
18N-4-3571X	5.53"	2.44"	2.75"	30°	DEFR47-13

<b>2.13" - 41 SPLINE</b>					
18N-4-3691X	5.25"	2.50"	2.94"		DEFR48-15
18N-4-4601X	5.25"	2.50"	2.94"	30°	DEFR48-15
18NYS34-3A1	5.81"	3.00"	2.94"		DEFR48-17
18NYS34-5A	5.94"	2.50"	2.94"		2297-K-6303

<b>2.16" - 16 SPLINE</b>					
18N-4-2441	5.25"	2.50"	2.94"	30°	
18N-4-2451X	5.25"	2.50"	2.94"	30°	DEFR55-1
18N-4-2291	5.81"	3.00"	2.94"	30°	

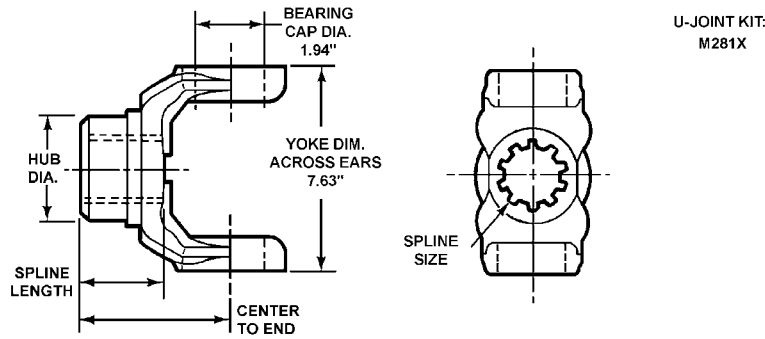
<b>2.22" - 6 SPLINE</b>					
18N-4-1971	6.00"	3.25"	3.00"	30°	
18N-4-2271X	6.00"	3.25"	3.00"	30°	DEFR49-1

<b>2.25" - 10 SPLINE</b>					
18N-4-1911	5.84"	3.00"	3.00"	30°	
18N-4-2551X	5.85"	3.00"	3.00"	30°	DEFR50-2

<b>2.27" - 44 SPLINE</b>					
18N-4-4351X	5.25"	2.50"	2.94"		DEFR48-10

Notes:  
 3 Center Bearing Yoke.  
 \* Includes washer

## END YOKES - FULL ROUND



## Round Bearings — 18N Series

Part Number	Center to End	Spline Length	Hub Diameter	Joint Angle	Deflector
<b>2.28" - 44 SPLINE</b>					
18N-4-3271	5.25"	2.50"	2.94"	30°	
18N-4-3281X	5.25"	2.50"	2.94"	30°	DEFR48-10
18NYS36-20A	5.25"	2.50"	3.00"		DEFR50-24
18NYS36-17	5.75"	2.80"	2.94"	26°	

<b>2.34" - 16 SPLINE</b>					
18N-4-1891 See Note 3	5.50"	2.75"	3.31"	30°	
18N-4-2531X	5.50"	2.75"	3.31"	30°	DEFR48-5

<b>2.34" - 16 SPLINE</b>					
18N-4-1981	5.63"	2.75"	2.81"		

<b>2.36" - 18 SPLINE</b>					
18N-4-2581	6.12"	3.38"	3.50"	30°	

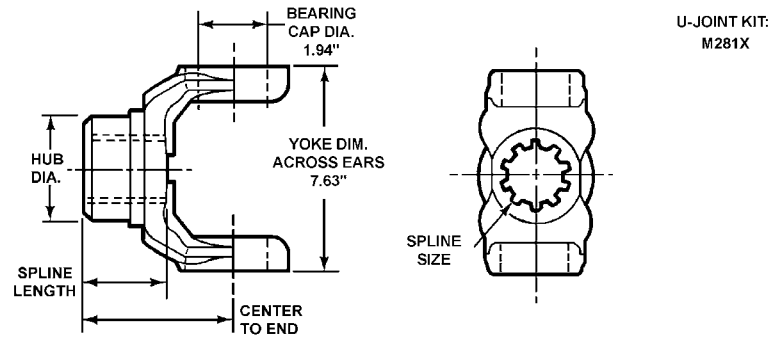
<b>2.38" - 36 SPLINE</b>					
18N-4-3161	5.44"	2.69"	3.00"	30°	
18NYS38-6A	5.44"	2.69"	3.00"	30°	DEFR54-1

<b>2.38" - 46 SPLINE</b>					
18N-4-3731X	5.16"	2.32"	3.25"	30°	DEFR56-7
18NYS38-27	5.16"	2.32"	3.25"	30°	
18NYS38-27A1	5.16"	2.32"	3.25"	30°	DEFR56-10
18NYS38-27A2	5.16"	2.32"	3.25"	30°	DEFR56-12
18NYS38-27A5	5.16"	2.32"	3.25"	30°	DEFR56-15
18NYS38-15	5.22"	2.41"	2.95"	30°	
18N-4-3251	5.41"	2.41"	3.50"	30°	
18N-4-2701	5.44"	2.62"	3.25"	30°	
18N-4-2711X	5.44"	2.62"	3.25"	30°	DEFR54-1
18N-4-3591	5.50"	2.75"	3.31"		
18N-4-3581X	5.69"	2.88"	3.25"		DEFR54-5
18N-4-3201	5.69"	2.88"	3.25"	30°	
18N-4-3221X	5.69"	2.88"	3.25"	30°	DEFR54-1
18N-4-3921X	6.00"	3.20"	3.38"	30°	DEFR55-2
18NYS38-21	6.00"	3.19"	3.38"	30°	
18N-4-4611X	6.01"	3.20"	3.38"		DEFR55-3

## Notes:

- 3 Center Bearing Yoke.  
\* Includes washer

# END YOKES - FULL ROUND



**3**

## Round Bearings — 18N Series

Part Number	Center to End	Spline Length	Hub Diameter	Joint Angle	Deflector
<b>2.42" - 18 SPLINE</b>					
18N-4-1991	5.81"	3.00"	3.38"	30°	
18N-4-2361X	5.81"	3.00"	3.38"	30°	DEFR55-2

## 2.50" - 10 SPLINE

18NYS40-5	5.41"	2.41"	3.50"	30°	
18N-4-1961	5.88"	3.00"	2.94"	30°	
18N-4-3451	5.88"	3.00"	2.94"	30°	
18N-4-3551X	5.88"	3.00"	3.75"	30°	DEFR62-1

## 2.63" - 20 SPLINE

18N-4-2011	5.50"	2.75"	3.00"	30°	
18N-4-3021	5.56"	2.75"	3.00"	30°	

## 2.75" - 10 SPLINE

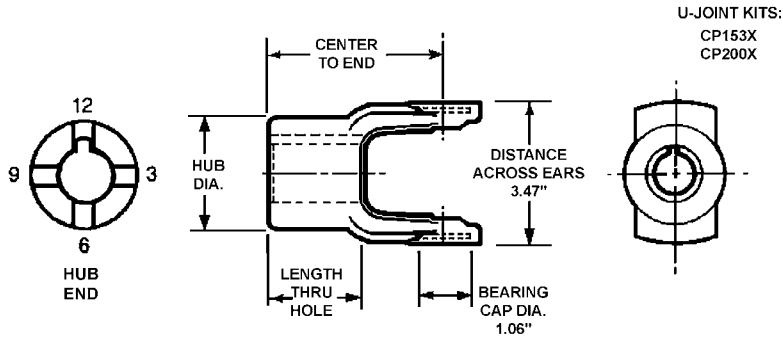
18N-4-2171 See Note 4	6.00"	2.94"	3.38"	30°	
18NYS44-3	6.06"	3.00"	3.75"	26°	

## Round Bearings Straight Round Hole

Part Number	Major Diameter	Keyway Width	Center to End	Length thru Hole	Hub Diameter	Set Screw Size - Location	Joint Angle
<b>1000 Series</b>							
10-4153	1.19"	0.31"	2.50"	1.03"	2.00"	.38" - 9	60°
10-N-4-293	1.38"	0.31"	2.50"	1.03"	2.00"	.38" - 9	60°
10-N-4-11	0.33"		2.50"		1.625"	.33" - Thru Hub	
10-N-4-373	0.63"	0.19"	2.50"		1.625"	.38" - 6	60°
10-N-4-163	1.06"	0.25"	2.50"	1.03"	2.00"	.38" - 6	60°

Note:  
4 Keyway for speedometer gear on hub.

# END YOKES - FULL ROUND

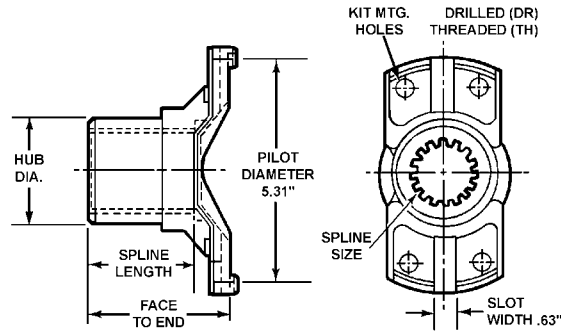


## Round Bearings Straight Round Hole

Part Number	Major Diameter	Keyway Width	Center to End	Length thru Hole	Hub Diameter	Set Screw Size -Location	Joint Angle
<b>131N SERIES</b>							
131N-4-1233	1.50"	.38"	2.56"		2.13"	.38" - 6	
131N-4-473	1.00"	0.25"	2.56"	1.63"	2.00"	.38" - 6	17°
131N-4-503	1.13"	0.25"	2.56"	1.63"	2.00"	.38" - 6	17°
131N-4-533	1.25"	0.31"	2.56"	1.63"	2.00"	.38" - 6	17°
131N-4-573	1.25"	.25"	2.56"		2.13"	.38" - 6	
131N-4-583	.88"	.25"	2.56"		2.13"	.38" - 6	
131N-4-783	1.25"	.31"	2.94"		2.12"	.38" - 6	
131N-4-803	1.38"	.38"	2.56"		2.00"	.38" - 6	



# END YOKES - FULL ROUND



U-JOINT KITS:  
 CP58WB-DWT  
 CP58WB-HB  
 CP58WB-HWD  
 PERMALUBE

**3**

## Wing Bearings — 58WB Series

Part Number	Face to End	Spline Length	Hub Diameter	Kit Mtg. Holes	Deflector
<b>1.44" - 21 SPLINE</b>					
58WBYS22-3	2.94"	2.28"	2.13"		

<b>1.59" - 18 SPLINE</b>					
58WBYS25-8	3.69"	2.06"	2.75"	TH	

<b>1.75" - 10 SPLINE</b>					
58WBYS28-6 See Note 3	3.81"	2.19"	2.90"	TH	
58WBYS28-82	3.88"	2.25"	2.50"	TH	
58WBYS28-51 See Note 8	3.88"	2.25"	2.62"	DR	
58WBYS28-1	3.88"	2.25"	2.62"	TH	
58WBYS28-14	3.88"	2.25"	2.62"	TH	

<b>1.75" - 27 SPLINE</b>					
58WBYS28-145	3.69"	2.00"	2.62"	TH	
58WBYS28-172	3.69"	2.13"	2.69"		

<b>1.75" - 34 SPLINE</b>					
58WBYS28-186A	3.88"	2.25"	2.50"	TH	DEFR40-4

<b>1.88" - 10 SPLINE</b>					
58WBYS30	4.00"	2.38"	2.75"	DR	

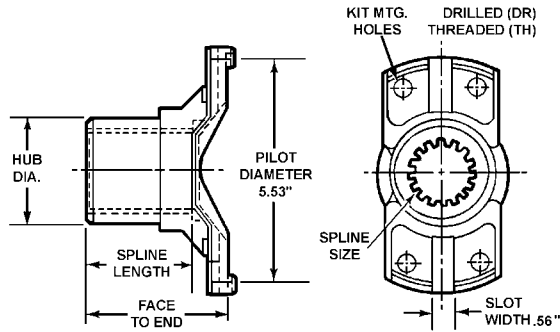
<b>1.97" - 6 SPLINE</b>					
58WBYS31-13	3.94"	3.00"	2.75"	TH	

<b>1.97" - 10 SPLINE</b>					
58WBYS31-21	3.88"	2.25"	2.62"	DR	

<b>2.16" - 16 SPLINE</b>					
58WBYS34-7	4.56"	2.88"	2.94"	DR	

Notes:  
 3 Center Bearing yoke.  
 8 Nut seat is 2.50 in.

# END YOKES - FULL ROUND



U-JOINT KITS:  
 CP62N-DWT  
 CP62N-HB  
 CP62N-HWD  
 PERMALUBE

## Wing Bearings — 62N Series

Part Number	Face to End	Spline Length	Hub Diameter	Kit Mtg. Holes	Deflector
<b>1.38" - 10 SPLINE</b>					
62NYS22-10	2.94"	1.75"	2.13"	DR	

<b>1.50" - 10 SPLINE</b>					
62NYS24-17	3.47"	2.19"	2.25"	TH	
62NYS24-17A1	3.47"	2.19"	2.25"	TH	DEFR38-3

<b>1.63" - 10 SPLINE</b>					
62NYS26-11	3.13"	2.13"	2.38"	DR	
62NYS26-11A	3.13"	2.13"	2.38"	DR	DEFR38-1
62NYS26-13	3.19"	2.13"	2.38"	TH	

<b>1.75" - 10 SPLINE</b>					
62NYS28-26	3.31"	2.25"	2.62"	DR	
62NYS28-123	3.31"	2.25"	2.75"	TH	
62NYS28-123A	3.31"	2.25"	2.75"	TH	DEFR47-4
62NYS28-21	3.34"	2.19"	2.38"	DR	
62NYS28-32	4.25"	2.25"	2.62"	DR	

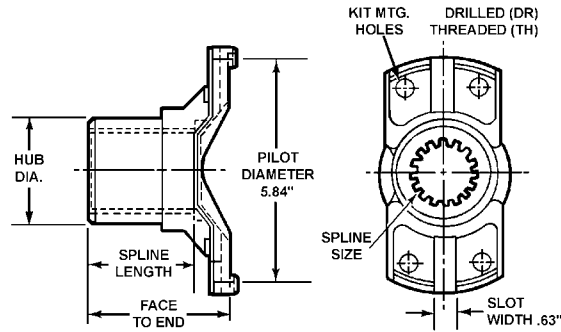
<b>1.75" - 34 SPLINE</b>					
62NYS28-160	3.31"	2.25"	2.50"	TH	
62NYS28-160A	3.31"	2.25"	2.50"	TH	DEFR40-4
62NYS28-202	3.94"	2.25"	2.50"	TH	
62NYS28-202A	3.94"	2.25"	2.50"	TH	DEFR40-4
62NYS28-155	4.25"	2.25"	2.50"	TH	
62NYS28-155A	4.25"	2.25"	2.50"	TH	DEFR40-4

<b>1.97" - 10 SPLINE</b>					
62NYS31-5	3.31"	2.25"	2.62"	DR	

<b>2.00" - 39 SPLINE</b>					
62NYS32-48A	4.00"	2.31"	3.00"	TH	DEFR50-7

<b>2.24" - 16 SPLINE</b>					
62NYS36-2	3.38"	2.13"	2.62"	DR	

# END YOKES - FULL ROUND



U-JOINT KITS:  
 CP72N-DWT  
 CP72N-HB  
 CP72N-HWD  
 PERMALUBE

**3**

## Wing Bearings — 72N Series

Part Number	Face to End	Spline Length	Hub Diameter	Kit Mtg. Holes	Deflector
<b>1.50" - 10 SPLINE</b>					
72NYS24	3.44"	2.19"	2.25"	DR	
72NYS24-22	3.50"	2.00"	2.25"	TH	

<b>1.63" - 10 SPLINE</b>					
72NYS26-3	3.38"	2.13"	2.38"	DR	
72NYS26-7	3.38"	2.13"	2.38"	TH	

<b>1.75" - 10 SPLINE</b>					
72NYS28-1	3.25"	2.25"	2.62"	DR	
72NYS28-5	3.44"	2.19"	2.38"	DR	
72NYS28-51	3.50"	2.25"	2.50"	DR	
72NYS28-2	3.50"	2.25"	2.62"	DR	
72NYS28-65 See Note 9	3.50"	2.25"	2.62"	TH	
72NYS28-6	3.50"	2.25"	2.75"	DR	
72NYS28-200	3.68"	2.18"	2.62"		
72NYS28-23	4.00"	2.13"	2.62"	DR	
72NYS28-123	4.38"	2.25"	2.62"	DR	
72NYS28-10	4.50"	2.25"	2.75"	DR	

<b>1.75" - 27 SPLINE</b>					
72NYS28-84	3.31"	2.00"	2.62"	TH	

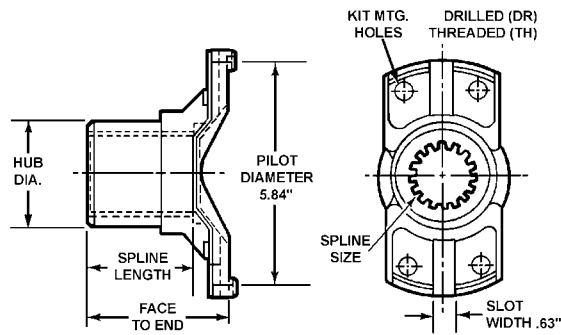
<b>1.75" - 34 SPLINE</b>					
72NYS28-166	3.75"	2.25"	2.50"	TH	
72NYS28-166A	3.75"	2.25"	2.50"	TH	DEFR40-4
72NYS28-177	4.69"	2.25"	2.50"	DR	

<b>1.78" - 34 SPLINE</b>					
72NYS28-183	4.56"	2.44"	2.62"	DR	
72NYS28-141	4.69"	2.75"	2.56"	TH	
72NYS28-141A See Note *	4.69"	2.76"	2.57"		

<b>1.88" - 10 SPLINE</b>					
72NYS30-3	3.63"	2.38"	2.75"	DR	
72NYS30-2	3.63"	2.38"	2.75"	TH	
72NYS30-2A	3.63"	2.38"	2.75"	TH	DEFR44-1

Notes:  
 9 Nut seat is 2.88 in.  
 \* Includes washer  
 U.S. 888-725-9355  
 Canada 800-387-3889

## END YOKES - FULL ROUND



U-JOINT KITS:  
 CP72N-DWT  
 CP72N-HB  
 CP72N-HWD  
 PERMALUBE

3

## Wing Bearings — 72N Series

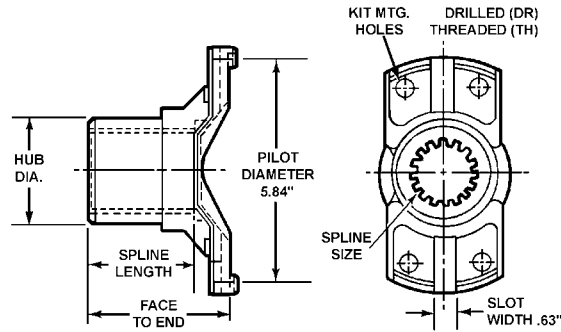
Part Number	Face to End	Spline Length	Hub Diameter	Kit Mtg. Holes	Deflector
<b>1.97" - 10 SPLINE</b>					
72NYS31-93	3.50"	2.22"	2.94"	DR	
72NYS31-2	3.50"	2.25"	2.62"	DR	
72NYS31-2A	3.50"	2.25"	2.62"	DR	DEFR43-1
72NYS31-4	3.88"	2.62"	2.75"	DR	
72NYS31-4A	3.88"	2.62"	2.75"	DR	DEFR47-2
72NYS31-3	3.88"	2.62"	2.75"	TH	
72NYS31	4.25"	2.00"	2.50"	DR	
72NYS31-8	4.33"	2.62"	2.75"	DR	
72NYS31-27	4.38"	2.25"	2.62"	DR	
72NYS31-1	4.50"	2.25"	3.00"	DR	

<b>2.00" - 10 SPLINE</b>					
72NYS32	3.13"	1.69"	2.62"	DR	
72NYS32-9	3.94"	2.56"	2.94"	TH	
72NYS32-110	4.00"	2.13"	2.75"	TH	
72NYS32-12	4.25"	2.56"	2.94"	DR	
72NYS32-104	4.25"	3.00"	2.75"	DR	
72NYS32-48	4.25"	3.00"	2.94"	DR	
72NYS32-39	4.25"	3.00"	2.94"	TH	
72NYS32-16	4.38"	3.00"	3.25"	DR	

<b>2.00" - 38 SPLINE</b>					
72NYS32-250	4.13"	2.13"	2.75"	TH	

<b>2.00" - 39 SPLINE</b>					
72NYS32-244	3.81"	2.31"	3.00"	TH	
72NYS32-244A	3.81"	2.31"	3.00"	TH	DEFR50-7
72NYS32-244A1	3.81"	2.31"	3.00"	TH	DEFR50-14
72NYS32-256	3.88"	2.00"	2.75"	DR	
72NYS32-219	3.88"	2.44"	2.75"	DR	
72NYS32-220	3.88"	2.44"	2.75"	TH	
72NYS32-220A	3.88"	2.44"	2.75"	TH	
72NYS32-222	4.31"	2.44"	2.75"	DR	
72NYS32-222A1	4.31"	2.44"	2.75"	DR	DEFR47-13
72NYS32-221	4.31"	2.44"	2.75"	TH	

# END YOKES - FULL ROUND



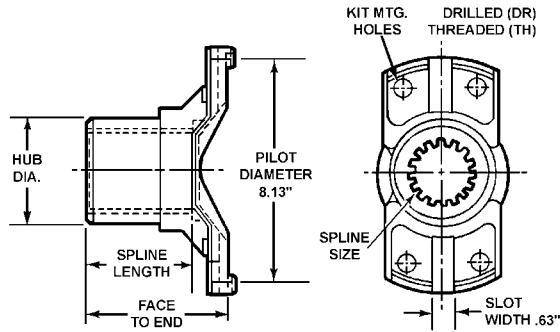
U-JOINT KITS:  
 CP72N-DWT  
 CP72N-HB  
 CP72N-HWD  
 PERMALUBE

**3**

## Wing Bearings — 72N Series

Part Number	Face to End	Spline Length	Hub Diameter	Kit Mtg. Holes	Deflector
<b>2.03" - 10 SPLINE</b>					
72NYS33	3.88"	2.00"	2.75"	DR	
<b>2.12" - 41 SPLINE</b>					
72NYS34-42	4.25"	2.50"	2.94"		
72NYS34-42A1	4.25"	2.50"	2.94"	DR	DEFR48-15
<b>2.13" - 16 SPLINE</b>					
72NYS34-28	4.69"	3.00"	2.88"	TH	
<b>2.16" - 16 SPLINE</b>					
72NYS34-24	4.25"	3.00"	2.94"	DR	
<b>2.22" - 6 SPLINE</b>					
72NYS36-22	4.69"	3.25"	3.00"	DR	
<b>2.25" - 10 SPLINE</b>					
72NYS36-40	4.25"	3.00"	3.00"	DR	
72NYS36-54	4.25"	3.00"	3.00"	TH	
72NYS36-54A2	4.25"	3.00"	3.00"	TH	DEFR50-2
72NYS36-13	4.25"	3.00"	3.50"	DR	
72NYS36-19	4.50"	3.00"	3.50"	DR	
72NYS36-38	4.50"	3.00"	3.50"	TH	
<b>2.28" - 17 SPLINE</b>					
72NYS36-1	3.50"	2.51"	3.00"	TH	
<b>2.38" - 46 SPLINE</b>					
72NYS38-26A	4.25"	2.32"	3.25"	TH	DEFR56-7
<b>2.50" - 10 SPLINE</b>					
72NYS40-99	4.44"	3.00"	2.94"	TH	

# END YOKES - FULL ROUND



U-JOINT KITS:  
 CP82N-DWT  
 CP82N-HB  
 CP82N-HWD  
 PERMALUBE

3

## Wing Bearings — 82N Series

Part Number	Face to End	Spline Length	Hub Diameter	Kit Mtg. Holes	Deflector
<b>1.94" - 30 SPLINE</b>					
82NYS31-32	3.69"	2.25"	3.00"	DR	

<b>1.97" - 10 SPLINE</b>					
82NYS31-16 See Note 10	3.88"	2.25"	2.62"	DR	

<b>2.00" - 15 SPLINE</b>					
82NYS32	3.88"	2.50"	2.88"	DR	

<b>2.00" - 39 SPLINE</b>					
82NYS32-74	3.88"	2.31"	3.00"	TH	
82NYS32-74A	3.88"	2.31"	3.00"	TH	DEFR50-4
82NYS32-74A1	3.88"	2.31"	3.00"	TH	DEFR50-6
82NYS32-70	3.88"	2.44"	2.75"	TH	

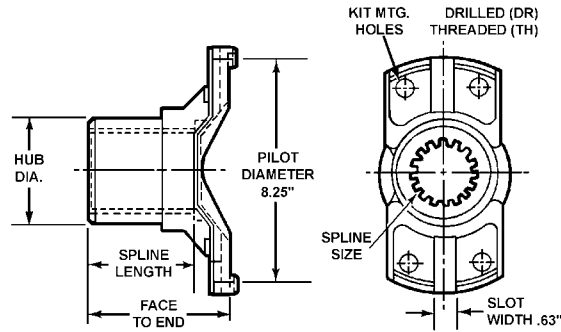
<b>2.25" - 10 SPLINE</b>					
82NYS36-26	4.75"	3.00"	3.00"	TH	

<b>2.38" - 46 SPLINE</b>					
82NYS38-31A	4.25"	2.32"	3.25"	TH	DEFR56-7
82NYS38-15	4.58"	2.62"	3.25"	TH	
82NYS38-15A	4.58"	2.62"	3.25"	TH	DEFR54-1

<b>2.50" - 10 SPLINE</b>					
82NYS40-28	4.75"	3.00"	2.94"	DR	

Note:  
 10 Counterbore is 2.25 in. at hub end.

# END YOKES - FULL ROUND



U-JOINT KITS:  
 CP92N-DWT  
 CP92N-HB  
 CP92N-HWD  
 PERMALUBE

## Wing Bearings — 92N Series

Part Number	Face to End	Spline Length	Hub Diameter	Kit Mtg. Holes	Deflector
<b>1.77" - 34 SPLINE</b>					
92NYS28-6	4.25"	2.25"	2.50"		

<b>2.00" - 39 SPLINE</b>					
92NYS32-27	3.94"	2.00"	2.75"	TH	
92NYS32-25	4.25"	2.31"	3.00"	TH	
92NYS32-25A	4.25"	2.31"	3.00"	TH	DEFR50-4
92NYS32-26	4.44"	2.31"	3.00"	DR	
92NYS32-26A	4.44"	2.31"	3.00"	DR	DEFR50-7

<b>2.03" - 10 SPLINE</b>					
92NYS33-2	3.94"	2.00"	2.75"	TH	

<b>2.22" - 6 SPLINE</b>					
92NYS36-41	5.17"	3.25"	3.00"	DR	

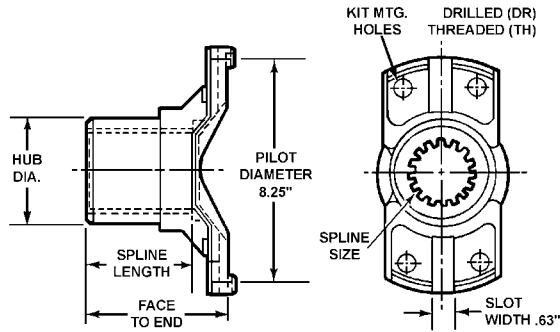
<b>2.28" - 44 SPLINE</b>					
92NYS36-74	4.03"	2.50"	2.94"	TH	
92NYS36-74A	4.03"	2.50"	2.94"	TH	DEFR48-10
92NYS36-75A	4.03"	2.50"	3.00"	TH	DEFR50-24

<b>2.36" - 18 SPLINE</b>					
92NYS38-12	5.22"	3.38"	3.50"	TH	

<b>2.38" - 46 SPLINE</b>					
92NYS38-67	3.94"	2.41"	2.95", 3.75"	TH	
92NYS38-39	3.98"	2.62"	3.25"	TH	
92NYS38-39A	3.98"	2.62"	3.25"	TH	DEFR54-1
92NYS38-106 See Note 12	4.12"	2.75"	2.88"		
92NYS38-52	4.19"	2.88"	3.25"	TH	
92NYS38-52A	4.19"	2.88"	3.25"	TH	DEFR54-1
92NYS38-73A	4.22"	2.32"	3.25"	TH	DEFR56-7
92NYS38-69	4.25"	2.41"	3.50"	TH	
92NYS38-69A	4.25"	2.41"	3.50"	TH	DEFR54-12
92NYS38-46A	4.50"	2.63"	3.12"		
92NYS38-75A1	5.01"	3.19"	3.38"	TH	DEFR55-3
92NYS38-75	5.01"	3.20"	3.38"	TH	

Note:  
 12 Coupling Assembly Yoke. Hub not ground.

# END YOKES - FULL ROUND



U-JOINT KITS:  
 CP92N-DWT  
 CP92N-HB  
 CP92N-HWD  
 PERMALUBE

3

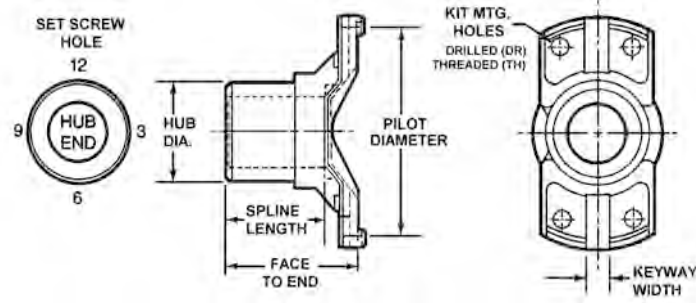
## Wing Bearings — 92N Series

Part Number	Face to End	Spline Length	Hub Diameter	Kit Mtg. Holes	Deflector
<b>2.50" - 10 SPLINE</b>					
92NYS40-17	4.25"	2.41"	3.50"	TH	
92NYS40-17A	4.25"	2.41"	3.50"	TH	DEFR54-13
<b>2.63" - 20 SPLINE</b>					
92NYS42-18	4.25"	2.75"	3.00"	TH	
<b>2.63" - 25 SPLINE</b>					
92NYS42-4	4.13"	3.00"	3.63"	TH	
<b>2.75" - 10 SPLINE</b>					
92NYS44-18	4.38"	2.94"	3.38"	TH	
92NYS44-22 See Note 11	4.84"	3.00"	3.75"	TH	
92NYS44-22A	4.84"	3.00"	3.75"	TH	DEFR62-1
<b>2.79" - 54 SPLINE</b>					
92NYS45-2	4.63"	2.75"	4.15"		
<b>2.86" - 21 SPLINE</b>					
92NYS44-19	4.19"	3.00"	4.00"	TH	
<b>3.19" - 50 SPLINE</b>					
92NYS51	4.00"	2.56"	3.71"	TH	

Note:  
 11 Hub length is .905 in.



# END YOKES - FULL ROUND

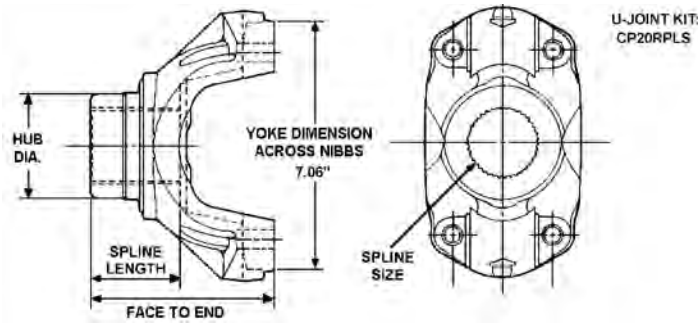


**3**

## Wing Bearings Straight Round Hole

Part Number	Major Diameter	Keyway Width & Location	Face to End	Spline Length	Hub Dia.	Kit Mtg. Holes	Set Screw Size -Location
<b>58WB SERIES</b>							
58WBXR24-6	1.50"	NONE	4.94"	3.75"	5.13" R	TH	NONE
58WBXR26	1.63"	0.38" - 12	3.81"	2.19"	2.62" R	DR	.44" - 12
58WBXR32-34	2.00"	0.50" - 12	3.81"	2.44"	3.25" R	DR	.31" - 12
<b>72N SERIES</b>							
72NYR24-2	1.50"	NONE	4.94"	3.75"	4.00" R	TH	NONE
<b>92N SERIES</b>							
92NYR28-3	1.75"	NONE	6.56"	4.89"	5.75" R	TH	NONE

## END YOKES - FULL ROUND



## RPL — 20R Series

Part Number	Face to End	Spline Length	Hub Diameter	Deflector
<b>1.79" - 34 SPLINE</b>				
20WYS28-1A	5.44"	2.43"	2.62"	DEFR44-10
20WYS28-2A	6.28"	2.43"	2.62"	DEFR44-10

<b>2.00" - 39 SPLINE</b>				
20WYS32-5A	4.85"	2.25"	3.00"	DEFR50-24
20WYS32-17	4.85"	2.31"	3.00"	
20WYS32-17A	4.85"	2.31"	3.00"	DEFR64
20WYS32-9A	4.90"	2.50"	2.62"	DEFR44-11
20WYS32-7A	5.38"	2.50"	2.62"	DEFR44-13
20WYS32-6A	5.69"	2.25"	3.00"	DEFR50-24
20WYS32-10A	5.75"	2.25"	2.62"	DEFR44-11
20WYS32-8A	5.94"	2.50"	2.62"	DEFR44-13
20WYS32-2A	5.95"	2.31"	3.00"	DEFR64
20WYS32-2	5.95"	2.31"	3.00"	

<b>2.13" - 41 SPLINE</b>				
20WYS34-1A	5.12"	2.50"	2.94"	DEFR48-15
20WYS34-3A	5.53"	3.00"	2.94"	DEFR48-17
20WYS34-2A	5.94"	2.50"	2.94"	DEFR48-15
20WYS34-4A	6.44"	3.00"	2.94"	DEFR48-17

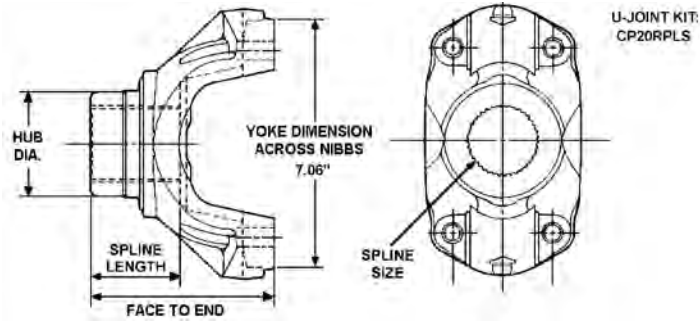
<b>2.28" - 44 SPLINE</b>				
20WYS36-3A	4.75"	2.50"	2.94"	DEFR48-10
20WYS36-2A	4.81"	2.34"	2.94"	DEFR48-15
20WYS36-1A	4.81"	2.50"	3.00"	DEFR50-24

<b>2.38" - 46 SPLINE</b>				
20WYS38-4A	4.90"	2.32"	3.25"	DEFR64-3
20WYSC38-18 See Note 12	4.90"	2.75"	2.88"	
20WYS38-10A1	5.00"	2.88"	3.25"	DEFR54-5
20WYS38-10A	5.00"	2.88"	3.25"	DEFR54-1
20WYS38-11A	5.31"	3.20"	3.38"	DEFR55-3
20WYS38-3A	5.95"	2.33"	3.25"	DEFR64-3
20WYS38-8	6.25"	2.88"	3.25"	
20WYS38-8A	6.25"	2.88"	3.25"	DEFR64-4

Note:

12 Coupling Assembly Yoke. Hub not ground.

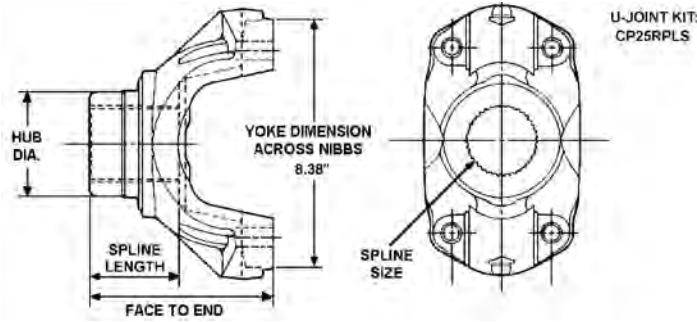
# END YOKES - FULL ROUND



**3**

<b>RPL — 20R Series</b>				
<b>Part Number</b>	<b>Face to End</b>	<b>Spline Length</b>	<b>Hub Diameter</b>	<b>Deflector</b>
<b>2.50" - 10 SPLINE</b>				
20WYS40-2A	5.15"	3.00"	3.75"	DEFR62-1
<b>2.54" - 49 SPLINE</b>				
20WYS40-4A	5.15"	3.00"	3.75"	DEFR62-1
20WYS40-3	5.63"	2.75"	3.75"	
<b>2.75" - 10 SPLINE</b>				
20WYS44-2A	5.09"	3.00"	3.75"	DEFR62-1
<b>2.79" - 54 SPLINE</b>				
20WYS45	5.25"	2.75"		
<b>3.54" - 44 SPLINE</b>				
20WYS57-1	5.90"	3.19"	3.90"	

## END YOKES - FULL ROUND



## RPL — 25R Series

Part Number	Face to End	Spline Length	Hub Diameter	Deflector
<b>2.043" - 39 Spline</b>				
25WYS32-4	4.73	2.31	3.00	
25WYS32-4A	4.73	2.31	3.00	DEFR64
25WYS32-3	6.44	2.31	3.00	
25WYS32-3A	6.44	2.31	3.00	DEFR64
25WYS32-4A2	4.73	2.31	3.00	DEFR64-5
25WYS32-3A2	6.44	2.31	3.00	DEFR64-5

<b>2.28" - 44 SPLINE</b>				
25WYS36-3A	4.75"	2.50"	2.94"	DEFR48-10
25WYS36-2A	4.81"	2.34"	2.94"	DEFR48-15
25WYS36-1A	4.81"	2.50"	3.00"	DEFR50-24

<b>2.38" - 46 SPLINE</b>				
25WYS38-13	4.73"	2.32"	3.25"	
25WYS38-13A	4.73"	2.32"	3.25"	DEFR64-3
25WYS38-13A1	4.73"	2.32"	3.25"	DEFR64-7
25WYS38-13A4	4.73"	2.32"	3.25"	DEFR64-10
25WYS38-9A1*	4.88"	2.40"	3.75"	
25WYSC38-11 See Note 12	4.90"	2.75"	2.88"	
25WYS38-8A	5.00"	2.88"	3.25"	DEFR54-1
25WYS38-8A1	5.00"	2.88"	3.25"	DEFR54-5
25WYS38-6A	5.31"	3.20"	3.38"	DEFR55-3
25WYS38-19A	6.44	2.32	3.25	DEFR64-3
25WYS38-19A1	6.44	2.32	3.25	DEFR64-7
25WYS38-20A	6.44	2.88	3.25	DEFR64-4

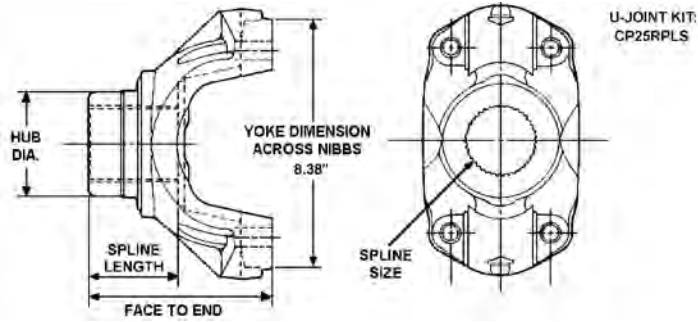
<b>2.50" - 10 SPLINE</b>				
25WYS40-2A	5.15"	3.00"	3.75"	DEFR62-1

## Notes:

12 Coupling Assembly Yoke. Hub not ground.

\* Includes Speedo Gear

# END YOKES - FULL ROUND



**3**

<b>RPL — 25R Series</b>				
Part Number	Face to End	Spline Length	Hub Diameter	Deflector
<b>2.54" - 49 SPLINE</b>				
25WYS40-4A	5.18"	3.00"	3.75"	DEFR62-1
25WYS40-3	6.25"	2.75"	3.75"	
<b>2.75" - 10 SPLINE</b>				
25WYS44-2	5.09"	3.00"	3.75"	
25WYS44-2A	5.09"	3.00"	3.75"	DEFR62-1
<b>2.79" - 54 SPLINE</b>				
25WYS45	5.88"	2.75"		
<b>3.54" - 44 SPLINE</b>				
25WYS57-1	6.10"	3.19"	3.90"	

**NOTES:** \_\_\_\_\_

\_\_\_\_\_

**3**

\_\_\_\_\_

\_\_\_\_\_

\_\_\_\_\_

\_\_\_\_\_

\_\_\_\_\_

\_\_\_\_\_

\_\_\_\_\_

\_\_\_\_\_

\_\_\_\_\_

\_\_\_\_\_

\_\_\_\_\_

\_\_\_\_\_

\_\_\_\_\_

\_\_\_\_\_

\_\_\_\_\_

\_\_\_\_\_

# END YOKES - EASY SERVICE TABLE OF CONTENTS SECTION 4

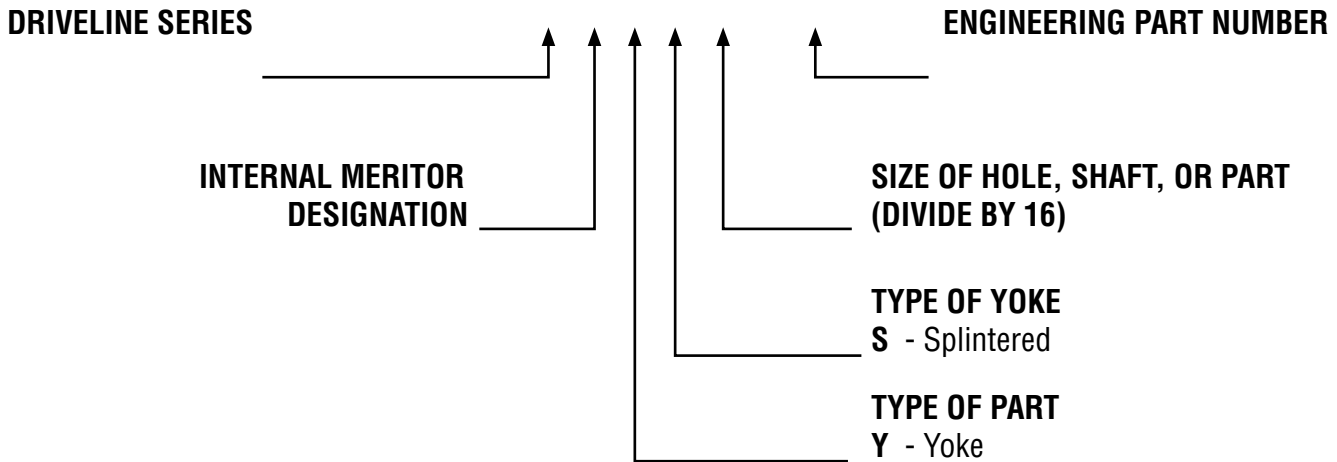
Kits For Easy Service Yokes	4-3
131N Series	4-4
133N Series	4-4
135N Series	4-4
141N Series	4-5
148N Series	4-6
155N Series	4-7
16N Series	4-9
17N Series	4-10
176N Series	4-14
18N Series	4-16
159N Series	4-18
170 Series	4-18
170 Series	4-19
250 Series	4-20

# END YOKES - EASY SERVICE MERITOR NUMBERING SYSTEM

Meritor components may be identified by one of the numbering systems shown below. Aftermarket numbers are issued to make Meritor components easy to select when choosing a replacement component.

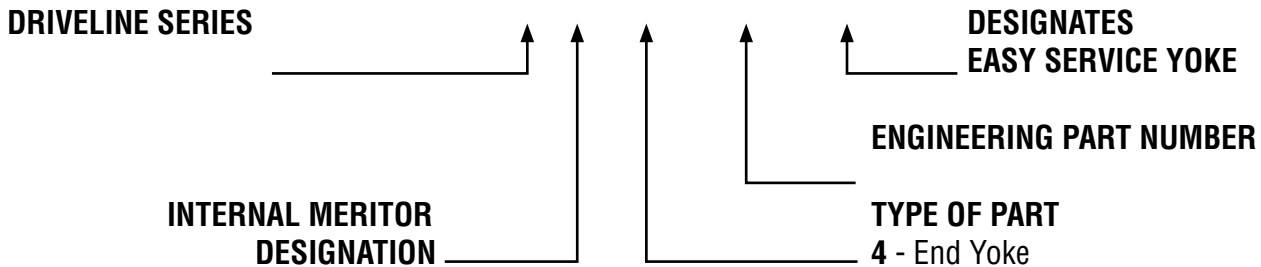
## 4 MERITOR ENGINEERING NUMBER

**16 N Y S 32 - 15**



## MERITOR AFTERMARKET NUMBER

**16 N - 4 - 4831 - 1**





# END YOKES - EASY SERVICE

## Kits For Easy Service Yokes



### U-JOINT KITS:

- M674X (Includes Strap)
- M675X (Includes Strap)
- M676X (Includes Strap)
- M677X (Includes Strap)



### U-JOINT KITS:

- CP141N
- CP148N
- CP155N



### STRAP AND BOLT KITS:

- KT16SB
- KT17SB
- KT122
- KT124
- KT125 (Includes 4 Lock Washers)
- KT126 (Includes 4 Lock Washers)



### STRAP AND BOLT KITS:

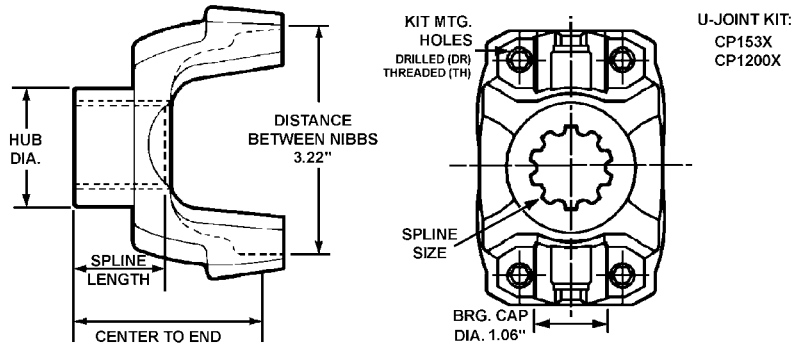
- KT121
- KT122



### U-BOLT KITS:

- KT117
- KT118

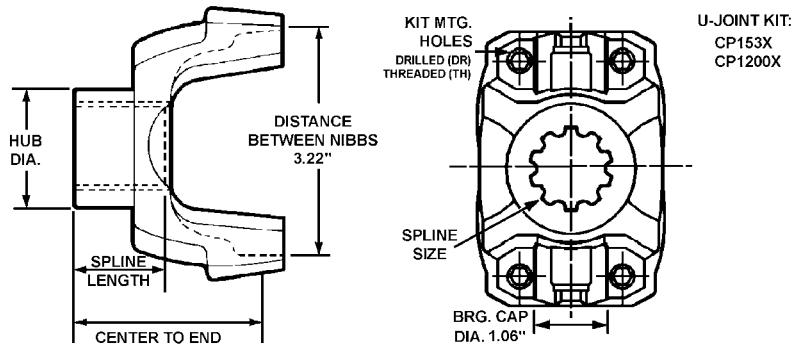
# END YOKES - EASY SERVICE



4

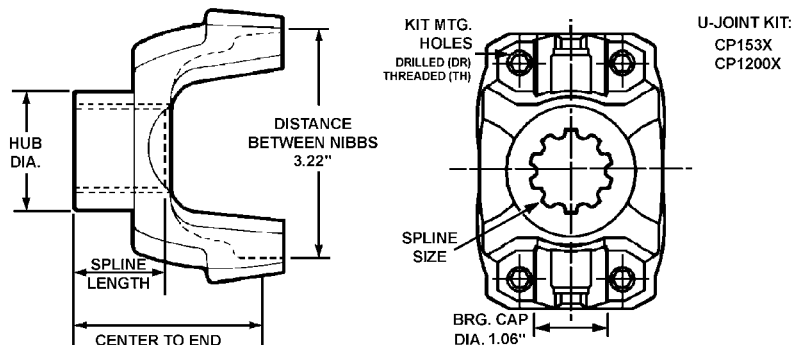
## 131N Series

Part Number	Center to End	Spline Length	Hub Diameter	Kit Mtg. Holes	Use Kit	Joint Angle	Deflector
<b>1.15" - 26 SPLINE</b>							
131N-4-4341 <sup>2</sup>	3.00"	1.50"	1.55"				
131N-4-8091X	3.00"	1.50"	1.55"	DR	KT116		



## 133N Series

Part Number	Center to End	Spline Length	Hub Diameter	Kit Mtg. Holes	Use Kit	Joint Angle	Deflector
<b>1.40" - 32 SPLINE</b>							
133N-4-5441 <sup>2</sup>	3.88"	2.00"	1.88"				

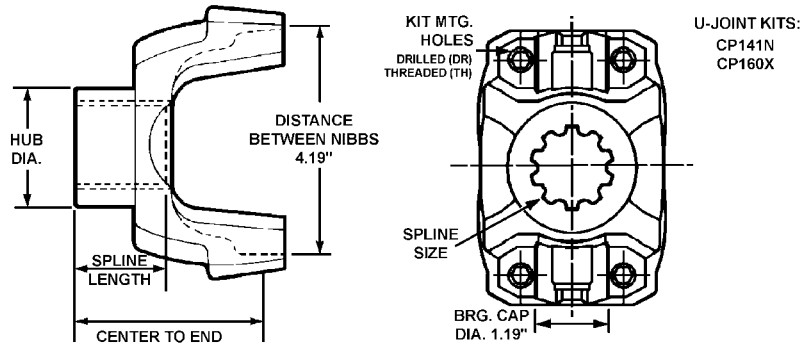


## 135N Series

Part Number	Center to End	Spline Length	Hub Diameter	Kit Mtg. Holes	Use Kit	Joint Angle	Deflector
<b>1.375" - 10 SPLINE</b>							
135-N-4-178-1X	3.28"	1.78"	1.72"			20.5°	

2 CV Centering Yoke

# END YOKES - EASY SERVICE



**4**

## 141N Series

Part Number	Center to End	Spline Length	Hub Diameter	Kit Mtg. Holes	Use Kit	Joint Angle	Deflector
<b>1.38" - 10 SPLINE</b>							
141N-4-3941	3.50"	1.75"	2.13"	DR	KT117		
141NYS22A	3.50"	1.75"	2.13"	DR	KT117		DEFR35-3

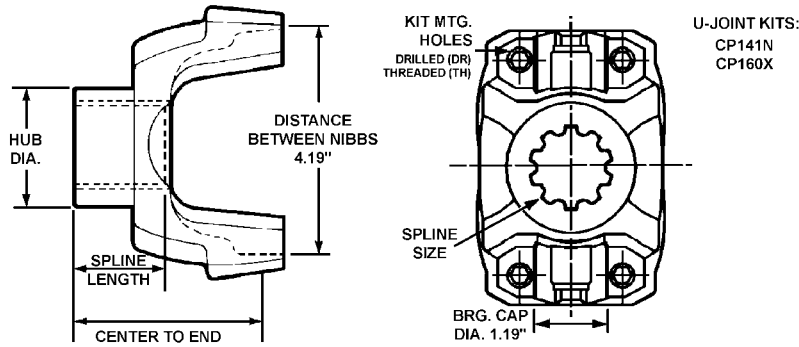
<b>1.50" - 10 SPLINE</b>							
141N-4-6561	3.69"	2.00"	1.81"	DR	KT117	30°	
141N-4-6631X	3.69"	2.00"	1.81"	DR	KT117	30°	DEFR34-1
141N-4-2241	3.88"	2.19"	2.25"	DR	KT117	22°	

<b>1.50" - 35 SPLINE</b>							
141NYS24-4	5.75"	1.94"	2.50"	TH			

<b>1.75" - 10 SPLINE</b>							
141N-4-1841	4.19"	2.19"	2.38"	DR	KT117	30°	
141N-4-2511	4.25"	2.19"	2.62"	DR	KT117	30°	

<b>1.75" - 34 SPLINE</b>							
141NYS28-19A	4.25"	2.18"	2.62"	DR	KT117		DEFR44-1

# END YOKES - EASY SERVICE



4

## 148N Series

Part Number	Center to End	Spline Length	Hub Diameter	Kit Mtg. Holes	Use Kit	Joint Angle	Deflector
<b>1.38" - 10 SPLINE</b>							
148TYS22A	3.96"	1.75"	2.13"	TH			

<b>1.50" - 10 SPLINE</b>							
148N-4-3081 See Note 12	4.03"	2.00"	2.06"	DR	KT118		DEFR40-5
148N-4-3091	4.03"	2.00"	1.94"	DR	KT118	30°	
148N-4-4421X	4.03"	2.00"	1.94"	DR	KT118	30°	DEFR37-1
148N-4-3781	4.19"	2.19"	2.25"	DR	KT118	30°	

<b>1.75" - 10 SPLINE</b>							
148N-4-3571	4.22"	2.19"	2.38"	DR	KT118	22°	
148N-4-3061 See Note 1	4.28"	2.25"	2.62"	DR	KT118	22°	

<b>1.75" - 34 SPLINE</b>							
148NYS28-36	4.27"	2.18"	2.62"	DR	KT118		
148N-4-10471-1X	4.42"	2.22"	2.62"	DR	KT118	25°	DEFR44-1
148N-4-8051-1X	4.50"	2.25"	2.50"	TH	KT124		DEFR40-4

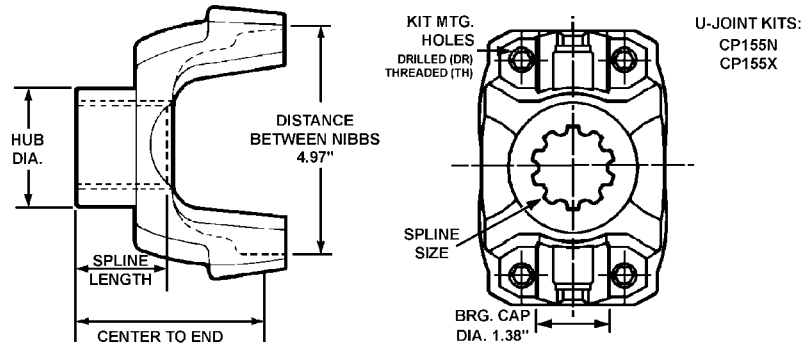
<b>1.97" - 10 SPLINE</b>							
148N-4-3861	4.04"	2.25"	2.62"	DR	KT118	22°	

<b>2.00" - 39 SPLINE</b>							
148TYS32-4	4.75"	2.31"	3.00"	TH	KT124	22°	
148TYS32-4A	4.75"	2.31"	3.00"	TH	KT124	22°	DEFR50-7

Notes:

- 1 Hub effective length 1.50 in.
- 12 Coupling Assembly Yoke. Hub not ground.

# END YOKES - EASY SERVICE



4

## 155N Series

Part Number	Center to End	Spline Length	Hub Diameter	Kit Mtg. Holes	Use Kit	Joint Angle	Deflector
<b>1.50" - 10 SPLINE</b>							
155N-4-2051	3.78"	2.00"	1.94"	DR	KT118	22°	
155N-4-4211	3.81"	2.00"	2.19"	DR	KT118	22°	
155N-4-4211-1 See Note 5	3.81"		2.56"	TH	KT124		
155NYS24-6	3.97"	2.19"	2.13"	DR			

## 1.75" - 10 SPLINE

155N-4-1891	4.31"	2.25"	2.62"	DR	KT118	20°	
155N-4-1901	4.66"	2.25"	2.62"	DR	KT118		

## 1.75" - 27 SPLINE

155TYS28-26	4.50"	2.00"	2.62"	TH	KT124		
-------------	-------	-------	-------	----	-------	--	--

## 1.75" - 34 SPLINE

155TYS28-43	4.07"	2.25"	2.44"	TH	KT124	25°	
155N-4-5551-1	4.27"	2.19"	2.62"	TH	KT124	24°	
155N-4-5611-1X	4.27"	2.19"	2.62"	TH	KT124	24°	DEFR44-1
155N-4-4101	4.66"	2.25"	2.50"	DR	KT118	20°	
155NYS28-5A	4.66"	2.25"	2.50"	DR	KT118	20°	DEFR40-4
155TYS28-1A	4.66"	2.25"	2.50"	TH	KT124	35°	DEFR40-4
155DYS28-1A	4.69"	2.25"	2.50"	DR	KT123	26°	DEFR40-4
155TYS28-1	4.69"	2.25"	2.50"	TH	KT124	26°	

## 1.79" - 34 SPLINE

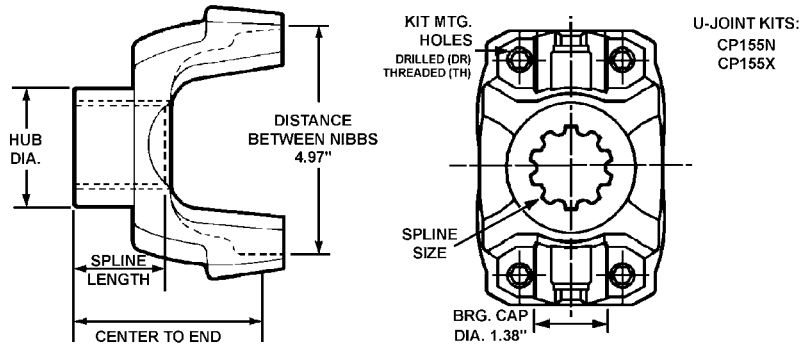
155TYS28-49	4.37"	1.97"	2.50"	TH	KT124	26°	
155TYS28-49A See Note *	4.37"	1.97"	2.50"	TH	KT124	26°	

## 1.88" - 10 SPLINE

155N-4-1941-1	4.41"	2.38"	2.75"	TH	KT124		
---------------	-------	-------	-------	----	-------	--	--

Notes:  
5 Coupling Assembly Yoke  
\* Has deflector

# END YOKES - EASY SERVICE



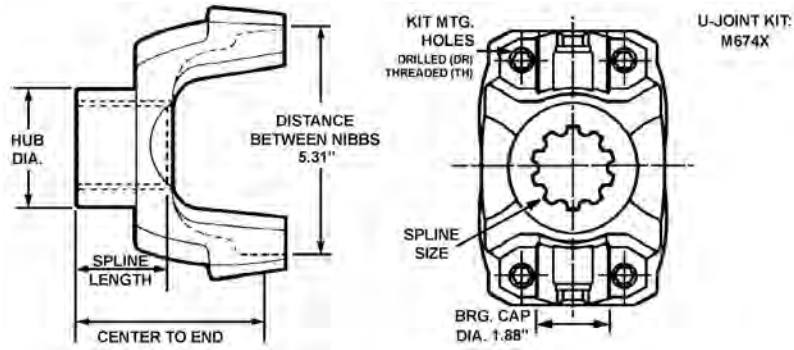
4

## 155N Series

Part Number	Center to End	Spline Length	Hub Diameter	Kit Mtg. Holes	Use Kit	Joint Angle	Deflector
<b>1.97" - 10 SPLINE</b>							
155N-4-2431	4.28"	2.25"	2.62"	DR	KT118	20°	

<b>2.00" - 39 SPLINE</b>							
155N-4-5031-1	4.27"	2.25"	2.62"	TH	KT124	22°	
155N-4-6831-1X	4.27"	2.25"	2.62"	TH	KT124	22°	DEFR44-11
155DYS32-6	4.75"	2.31"	3.00"	DR	KT123	22°	
155DYS32-6A	4.75"	2.31"	3.00"	DR	KT123	22°	DEFR50-7
155TYS32-6	4.75"	2.31"	3.00"	TH	KT124	25°	
155TYS32-6A	4.75"	2.31"	3.00"	TH	KT124	25°	DEFR50-7
155TYS32-6A3	4.75"	2.31"	3.00"	TH	KT124	25°	DEFR50-4

# END YOKES - EASY SERVICE



**4**

## 16N Series

Part Number	Center to End	Spline Length	Hub Diameter	Kit Mtg. Holes	Use Kit	Joint Angle	Deflector
<b>1.75" - 10 SPLINE</b>							
16N-4-1721-1 See Note 5	4.13"	2.25"	2.18", 2.56"	TH	KT16SB		

<b>1.75" - 34 SPLINE</b>							
16N-4-7301-1X	4.75"	2.19"	2.62"	TH	KT16SB	37.5°	
16N-4-5571-1	4.88"	2.25"	2.50"	TH	KT16SB	28°	
16TYS28-13A	4.88"	2.25"	2.50"	TH	KT16SB	28°	DEFR40-4

<b>1.79" - 34 SPLINE</b>							
16N-4-7171-1 See Note 5	4.13"	2.25"	2.19"	TH	KT16SB		
16TYS28-66 See Note 5	4.37"	2.25"	2.44"	TH	KT16SB		

<b>1.962" - 10 Spline</b>							
16-NYS-4-4541	4.94"	2.75"	2.88"			20.5°	

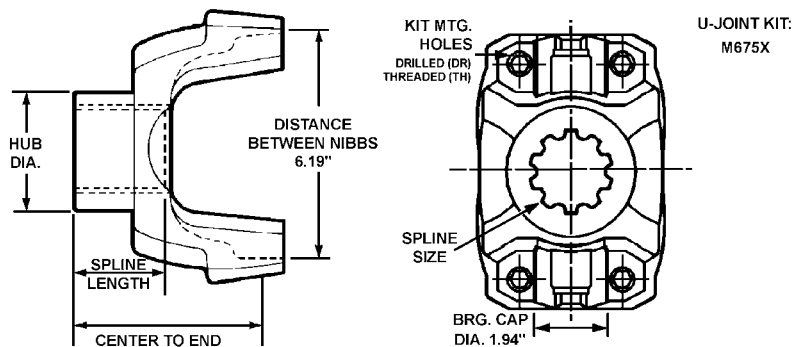
<b>2.00" - 38 SPLINE</b>							
16N-4-6321-1	4.50"	2.13"	2.75"	TH	KT16SB		
16TYS32-61	4.50"	2.13"	2.75"	TH	KT16SB		

<b>2.00" - 39 SPLINE</b>							
16TYS32-86A	4.88"	2.31"	3.00"	TH			DEFR50-7
16N-4-6421-1	4.88"	2.31"	3.00"	TH	KT16SB	21°	
16N-4-6431-1X	4.88"	2.31"	3.00"	TH	KT16SB	21°	DEFR50-4
16N-4-6951-1X	5.12"	2.44"	2.75"	TH	KT16SB		DEFR47-13
16TYS32-5	5.12"	2.44"	2.75"	TH	KT16SB	30°	
16TYS32-32A3	5.54"	2.31"	3.00"	TH	KT16SB	27°	DEFR50-19
16N-4-6271-1	5.54"	2.31"	3.00"	TH	KT16SB	32°	
16TYS32-32A	5.54"	2.31"	3.00"	TH	KT16SB	32°	DEFR50-7
16TYS32-76	6.22"	2.31"	3.00"	TH	KT16SB		
16TYS32-76A	6.22"	2.31"	3.00"	TH	KT16SB		DEFR59-1

<b>2.38" - 46 SPLINE</b>							
16N-4-7331-1	4.94"	2.33"	3.25"	TH	KT16SB	21°	
16N-4-7341-1X	4.94"	2.32"	3.25"	TH	KT16SB	21°	DEFR56-7
16TYS38-11A	5.50"	2.88"	3.25"	TH	KT16SB		DEFR54-5

Note:  
5 Coupling Assembly Yoke

## END YOKES - EASY SERVICE



## 17N Series

Part Number	Center to End	Spline Length	Hub Diameter	Kit Mtg. Holes	Use Kit	Joint Angle	Deflector
<b>1.75" - 34 SPLINE</b>							
17TYS28-57	4.88"	2.25"	2.50"	TH	KT17SB	29°	
17TYS28-57A	4.88"	2.25"	2.50"	TH	KT17SB	29°	DEFR40-4
17TYS28-63	4.88"	2.25"	2.50"	TH	KT17SB	32°	
17N-4-8511-1X	5.44"	2.44"	2.62"	TH	KT17SB	29°	DEFR44-10

<b>1.94" - 37 SPLINE</b>							
17TYS31-66A	4.92"	1.65"	3.15"	TH	KT17SB	32°	DEFR66-1

<b>1.96" - 10 SPLINE</b>							
17TYS31-54	5.00"	3.00"	2.82"	TH	KT17SB		

<b>2.00" - 38 SPLINE</b>							
17N-4-7141-1	5.00"	3.00"	2.81"	TH	KT17SB	25°	
17TYS32-73	5.25"	2.13"	2.75"	TH	KT17SB		

<b>2.00" - 39 SPLINE</b>							
17N-4-7621-1	5.16"	2.31"	3.00"	TH	KT17SB	28°	
17N-4-7631-1X	5.16"	2.31"	3.00"	TH	KT17SB	28°	DEFR50-4
17N-4-7641-1X	5.16"	2.31"	3.00"	TH	KT17SB	28°	DEFR50-7
17N-4-6951-1X	5.25"	2.44"	2.75"	TH	KT17SB	33°	DEFR47-13
17TYS32-92A	5.25"	2.28"	3.00"	TH	KT17SB		DEFR50-24
17TYS32-60	5.31"	1.96"	2.75"	TH	KT17SB	31°	
17TYS32-60A	5.31"	1.96"	2.75"	TH	KT17SB	31°	DEFR42-2
17TYS32-94A	5.44"	2.50"	2.62"	TH	KT17SB		DEFR44-13
17TYS32-91A	6.12"	2.50"	2.62"	TH	KT17SB	43°	DEFR44-13
17TYS32-99	6.25"	2.31"	3.00"	TH	KT17SB		
17N-4-6391-1X	6.25"	2.31"	3.00"	TH	KT17SB	43.5°	DEFR59-1
17TYSB32-98A See Note 8	7.30"	2.31"	3.00"	TH	KT17SB		

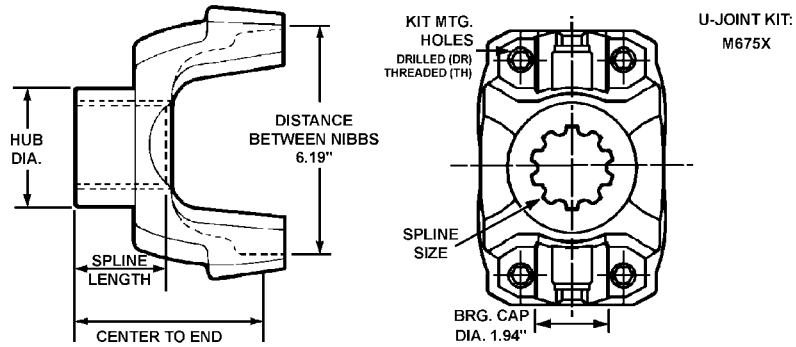
<b>2.02" - 39 SPLINE</b>							
17N-4-8991-1X	6.13"	2.28"	3.00"	TH	KT17SB		DEFR50-24
17N-4-9001-1X	6.13"	2.50"	2.63"	TH	KT17SB		DEFR44-13

## Notes:

- 6 High Angle Yoke.
- 8 With Drum.



# END YOKES - EASY SERVICE



**4**

## 17N Series

Part Number	Center to End	Spline Length	Hub Diameter	Kit Mtg. Holes	Use Kit	Joint Angle	Deflector
-------------	---------------	---------------	--------------	----------------	---------	-------------	-----------

### 2.13" - 41 SPLINE

17TYS34-14A1	5.19"	2.50"	2.94"	TH	KT17SB		DEFR48-15
17TYS34-29	5.35"	2.50"	2.94"	TH	KT17SB		

### 2.14" - 41 SPLINE

17N-4-7321-1X	5.19"	2.50"	2.94"	TH	KT17SB		DEFR48-2
17N-4-7561-1X See Note 6	6.13"	2.50"	2.94"	TH	KT17SB		DEFR48-2
17TYS34-18A1	6.63	3	2.94		KT17SB	45	DEFR48-17

### 2.25" - 10 SPLINE

17N-4-6901-1X	5.25"	3.00"	3.50"	TH	KT17SB		DEFR62-1
17N-4-6861-1	5.25"	3.00"	3.50"	TH	KT17SB	25°	
17N-4-7371-1	5.25"	3.00"	3.75"	TH	KT17SB	25°	
17TYS36-52A	6.06"	3.00"	3.00"	TH	KT17SB		DEFR50-2

### 2.27" - 44 SPLINE

17N-4-8461-1	5.19"	2.50"	2.94"	TH	KT17SB		
17N-4-8551-1X	5.19"	2.50"	2.94"	TH	KT17SB		DEFR48-10

### 2.28" - 44 SPLINE

17TYS36-58A1	5.03"	2.34"	2.94"	TH	KT17SB		DEFR48-15
17N-4-6031-1	5.19"	2.50"	2.94"	TH	KT17SB	27°	
17N-4-6041-1X	5.19"	2.50"	2.94"	TH	KT17SB	27°	DEFR48-8
17TYS36-62A	5.19"	2.50"	3.00"	TH	KT17SB		DEFR50-24

### 2.34" - 16 SPLINE

17N-4-4601-1 See Note 5	4.94"	2.75"	3.31"	TH	KT17SB	20°	
----------------------------	-------	-------	-------	----	--------	-----	--

### 2.34" - 45 SPLINE

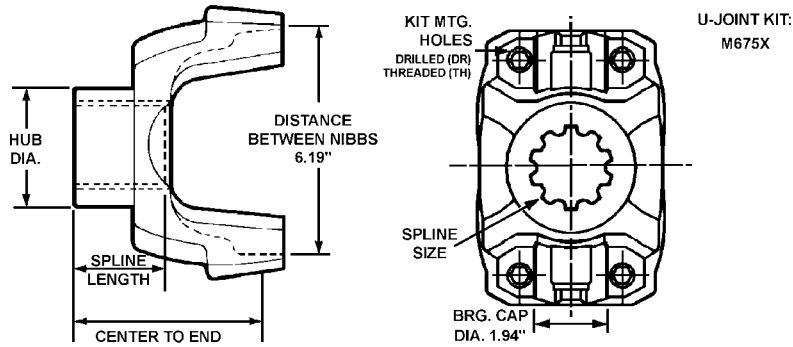
17TYS37-1A	5.00"	2.00"	2.52"	TH	KT17SB	32°	DEFR66-1
------------	-------	-------	-------	----	--------	-----	----------

### 2.36" - 18 SPLINE

17N-4-4561-1	5.75"	3.38"	3.50"	TH	KT17SB	18°	
--------------	-------	-------	-------	----	--------	-----	--

Notes:  
 5 Coupling Yoke  
 6 High Angle Yoke.

# END YOKES - EASY SERVICE



4

## 17N Series

Part Number	Center to End	Spline Length	Hub Diameter	Kit Mtg. Holes	Use Kit	Joint Angle	Deflector
<b>2.37" - 46 SPLINE</b>							
17N-4-5461-1X	5.69"	2.63"	3.25"	TH	KT17SB		DEFR54-1

<b>2.38" - 46 SPLINE</b>							
17TYS38-78A	5.00"	1.95"	3.25"	TH	KT17SB	32°	3264-Z-1274
17N-4-8341-1X	5.16"	2.40"	3.50"	TH	KT17SB	32°	DEFR54-12
17TYS38-76A	5.38"	2.32"	3.25"	TH			DEFR56-7
17TYS38-76A5	5.38"	2.32"	3.25"	TH			DEFR56-15
17N-4-7181-1X	5.38"	2.32"	3.25"	TH	KT17SB	29°	DEFR56-7
17TYS38-76	5.38"	2.32"	3.25"	TH	KT17SB	32°	
17TYS38-76A2	5.38"	2.32"	3.25"	TH	KT17SB	32°	DEFR56-12
17N-4-4771-1	5.75"	3.38"	3.50"	TH	KT17SB	16°	
17N-4-6961-1X	5.94"	2.88"	3.25"	TH	KT17SB		DEFR54-5
17N-4-7531-1X	6.01"	3.20"	3.38"	TH	KT17SB		DEFR55-2
17N-4-7771-1X	6.50"	2.31"	3.25"	TH	KT17SB		DEFR56-7
17TYS38-71	6.50"	2.31"	3.25"	TH	KT17SB		
17TYS38-75A	6.83"	2.32"	3.25"	TH	KT17SB	45°	DEFR64-3
17TYS38-70A	6.93"	2.88"	3.25"	TH	KT17SB		

<b>2.39" - 46 SPLINE</b>							
17N-4-7481-1	4.94"	2.75"	2.88"			20.5°	
17N-4-8461-1	5.19"	2.50"	2.94"	TH	KT17SB		

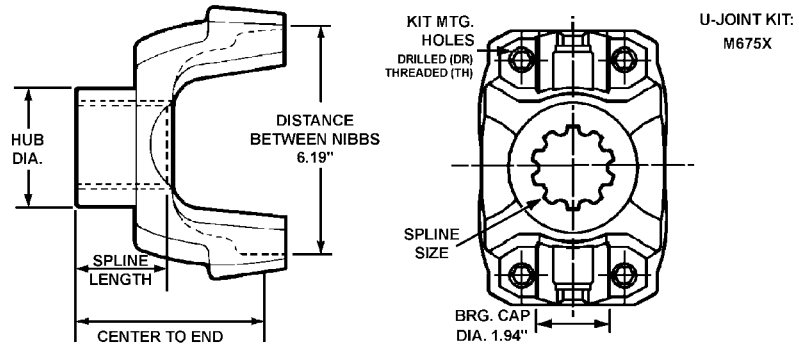
<b>2.50" - 10 SPLINE</b>							
17TYS40-152	5.16"	2.41"	3.50"	TH	KT17SB	22°	
17N-4-6611-1	5.63"	3.00"	3.75"	TH	KT17SB	30°	
17N-4-6921-1X	5.63"	3.00"	3.75"	TH	KT17SB	30°	DEFR62-1

<b>2.34" - 16 SPLINE</b>							
17N-4-4601-1 See Note 5	4.94"	2.75"	3.31"	TH	KT17SB	20°	

<b>2.50" - 49 SPLINE</b>							
17N-4-7691-1	5.19"	2.75"	3.06"	TH	KT17SB		

Notes:  
 5 Coupling Yoke  
 \* Includes deflector - not sold separately

# END YOKES - EASY SERVICE



**4**

## 17N Series

Part Number	Center to End	Spline Length	Hub Diameter	Kit Mtg. Holes	Use Kit	Joint Angle	Deflector
-------------	---------------	---------------	--------------	----------------	---------	-------------	-----------

### 2.63" - 20 SPLINE

17N-4-7071-1X See Note *	5.19"	2.75"	3.00"	TH	KT17SB	21°	
-----------------------------	-------	-------	-------	----	--------	-----	--

### 2.75" - 10 SPLINE

17TYS44-14	5.75"	3.00"	3.50"	TH	KT17SB	22°	
17N-4-6931-1X	5.75"	3.00"	3.75"	TH	KT17SB	20°	DEFR62-1

### 2.75" - 43 SPLINE

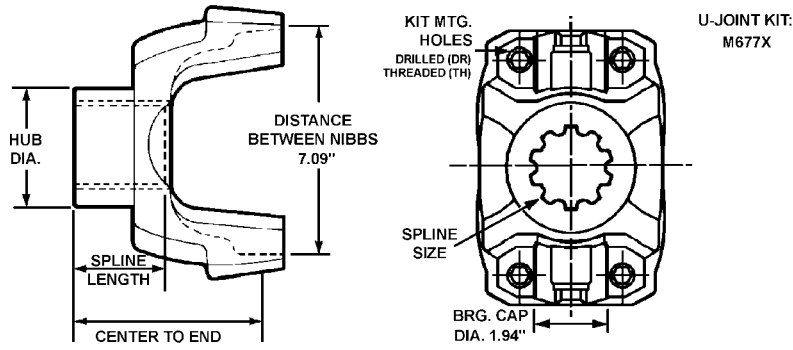
17TYS44-16A	5.93"	1.80"	3.75"	TH	KT17SB		DEFR62-2
-------------	-------	-------	-------	----	--------	--	----------

### 2.79" - 54 SPLINE

17TYS45	5.63"	2.75"		TH	KT17SB		
---------	-------	-------	--	----	--------	--	--

Notes:  
 5 Coupling Yoke  
 \* Includes deflector - not sold separately

# END YOKES - EASY SERVICE



4

## 176N Series

Part Number	Center to End	Spline Length	Hub Diameter	Kit Mtg. Holes	Use Kit	Joint Angle	Deflector
<b>2.00" - 39 SPLINE</b>							
176N-4-531-1	5.19"	2.31"	3.00"	TH	KT17SB	30°	
176N-4-541-1X	5.19"	2.31"	3.00"	TH	KT17SB	30°	DEFR56-2
176TYS32-3A1	5.19"	2.31"	3.00"	TH	KT17SB	30°	DEFR56-6

<b>2.11" - 32 SPLINE</b>							
176N-4-1521-1X	5.00"	2.25"	3.00"	TH	KT17SB		

<b>2.27" - 44 SPLINE</b>							
176N-4-1481-1X	5.25"	2.50"	2.94"	TH	KT17SB		DEFR48-10

<b>2.28" - 44 SPLINE</b>							
176TYS36-10A1	5.09"	2.34"	2.94"	TH	KT17SB		DEFR48-15
176N-4-5221-1X	5.25"	2.50"	3.00"	TH	KT17SB	31°	DEFR50-24
176N-4-1421-1	5.25"	2.50"	3"	TH	KT17SB	26°	
176N-4-331-1X	5.25"	2.50"	3"	TH	KT17SB	26°	DEFR48-5

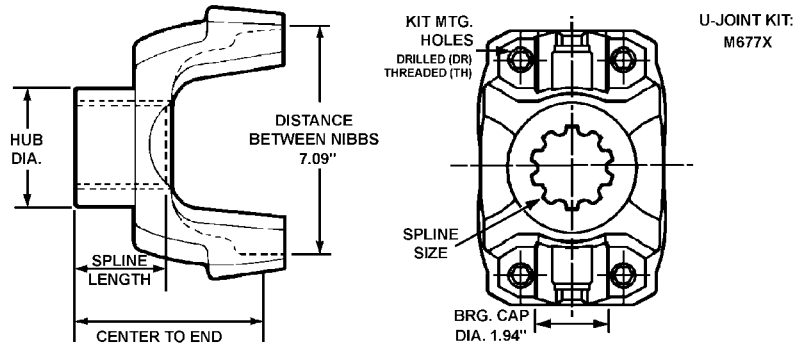
<b>2.34" - 16 SPLINE</b>							
176N-4-161-1 See Note 3	5.50"	2.75"	2.88"	TH	KT17SB	30°	

<b>2.38" - 16 SPLINE</b>							
176TYS38-4A See Note 5	5.50"	2.75	2.88		KT17SB	31°	DEFR55-1

<b>2.38" - 18 SPLINE</b>							
176N-4-271-1	6.12"	3.38"	3.50"	TH	KT17SB		

Notes:  
3 Center Bearing Yoke.  
5 Coupling Yoke.

# END YOKES - EASY SERVICE



**4**

## 176N Series

Part Number	Center to End	Spline Length	Hub Diameter	Kit Mtg. Holes	Use Kit	Joint Angle	Deflector
<b>2.38" - 46 SPLINE</b>							
176TYS38-27A	5.06"	2.32"	3.25"	TH			DEFR56-7
176N-4-1031-1	5.06"	2.33"	3.25"	TH	KT17SB	30°	
176N-4-1041-1X	5.06"	2.32"	3.25"	TH	KT17SB	30°	DEFR56-7
176TYS38-27	5.06"	2.32"	3.25"	TH	KT17SB	31°	
176TYS38-27A2	5.06"	2.32"	3.25"	TH	KT17SB	31°	DEFR56-12
176TYS38-27A5	5.06"	2.32"	3.25"	TH	KT17SB		DEFR56-15
176N-4-211-1X	5.44"	2.62"	3.25"	TH	KT17SB		DEFR54-1
176N-4-101-1	5.44"	2.63"	3.25"	TH	KT17SB	30°	
176N-4-821-1	5.50"	2.75"	3.31"	TH	KT17SB	30°	
176N-4-291-1	5.63"	2.88"	3.25"	TH	KT17SB	30°	
176N-4-861-1X	5.63"	2.88"	3.25"	TH	KT17SB	30°	DEFR54-5
176TYS38-10A1	5.71"	1.78"	3.75"	TH	KT17SB	32°	
176N-4-1161-1X	6.20"	3.00"	3.38"	TH	KT17SB	30°	DEFR55-2

<b>2.39" - 46 SPLINE</b>							
176N-4-1651-1X	6.00"	3.19"	3.38"	TH	KT17SB		DEFR55-3

<b>2.50" - 10 SPLINE</b>							
176N-4-651-1	6.00"	3.00"	2.94", 3.75"	TH	KT17SB	32°	

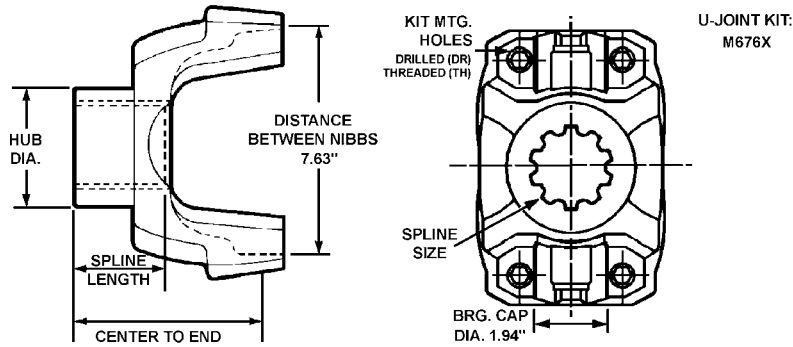
<b>2.50" - 49 SPLINE</b>							
176N-4-781-1X	6.00"	3.00"	3.75"	TH	KT17SB	32°	DEFR62-1
176N-4-771-1X	6.03"	3.00"	3.75"	TH	KT17SB		DEFR62-1

<b>2.75" - 10 SPLINE</b>							
176N-4-791-1X	5.97"	3.00"	3.75"	TH	KT17SB	30°	DEFR62-1
176TYS44-4	5.97"	3.00"	3.75"	TH	KT17SB	32°	

<b>2.79" - 54 SPLINE</b>							
176N-4-1681-1 See Note 7	5.63"	2.75"		TH	KT17SB		
176TYS45	5.63"	2.75"	3.88"	TH	KT17SB	24°	

Notes:  
 7 Hub not ground.  
 \* Includes washer.

# END YOKES - EASY SERVICE



4

## 18N Series

Part Number	Center to End	Spline Length	Hub Diameter	Kit Mtg. Holes	Use Kit	Joint Angle	Deflector
<b>1.94" - 37 SPLINE</b>							
18TYS31-5A	5.13"	1.65"	3.15"	TH	KT17SB	32°	DEFR66-1

<b>2.00" - 39 SPLINE</b>							
18TYS32-18A	5.19"	2.00"	2.75"	TH	KT17SB	32°	DEFR42-2
18N-4-3841-1	5.19"	2.31"	3.00"	TH	KT17SB		
18N-4-3371-1	5.19"	2.31"	3.00"	TH	KT17SB	30°	
18N-4-3381-1X	5.19"	2.31"	3.00"	TH	KT17SB	30°	DEFR56-2
18TYS32-12A1	5.19"	2.31"	3.00"	TH	KT17SB	30°	DEFR56-6
18TYS32-12A2 See Note *	5.19"	2.31"	3.00"	TH	KT17SB	30°	

<b>2.13" - 41 SPLINE</b>							
18TYS34-5	5.94	2.5	2.94		KT17SB	32	

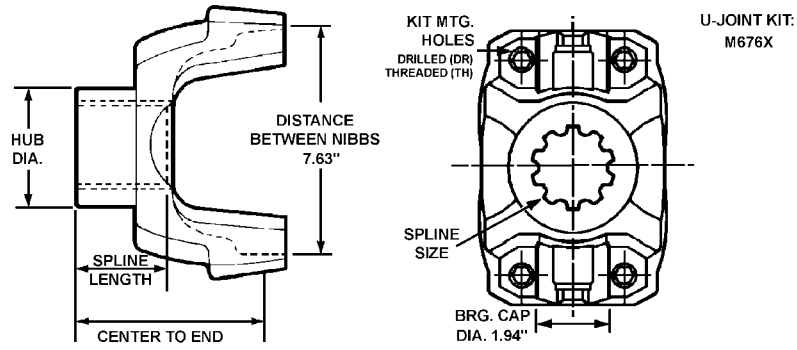
<b>2.27" - 44 SPLINE</b>							
18N-4-3281-1X	5.25"	2.50"	2.94"	TH	KT17SB		DEFR48-5
18N-4-4571-1X	5.25"	2.50"	3.00"	TH	KT17SB		DEFR50-24

<b>2.28" - 44 SPLINE</b>							
18N-4-3271-1	5.25"	2.50"	2.94"	TH	KT17SB	30°	
18TYS36-20A	5.25"	2.50"	3.00"	TH	KT17SB		DEFR50-24
18TYS36-17	5.75"	2.80"	2.96"	TH	KT17SB	32°	

<b>2.29" - 44 SPLINE</b>							
18N-4-4351-1X	5.25"	2.50"	2.94"	TH	KT17SB		DEFR48-10

<b>2.34" - 16 SPLINE</b>							
18N-4-1891-1	5.50"	2.75"	3.31"	TH	KT17SB	30°	
18N-4-3371-1			3.00"	TH	KT17SB	30°	
18TYS38-24	5.85"	2.34"	2.75"	TH	KT17SB		
18TYS32-12A1			3.00"	TH	KT17SB	30°	DEFR56-6
18TYS38-9	6.13"	3.38"	3.50"	TH	KT17SB	32°	

# END YOKES - EASY SERVICE



**4**

## 18N Series

Part Number	Center to End	Spline Length	Hub Diameter	Kit Mtg. Holes	Use Kit	Joint Angle	Deflector
<b>2.38" - 46 SPLINE</b>							
18N-4-03556-1X	5.16"	2.32"	3.25"	TH	KT17SB	28°	DEFR56-12
18N-4-3721-1	5.16"	2.31"	3.25"	TH	KT17SB	30°	
18N-4-3731-1X	5.16"	2.32"	3.25"	TH	KT17SB	30°	DEFR56-7
18TYS38-27A	5.16"	2.32"	3.25"	TH	KT17SB	28°	DEFR56-7
18TYS38-27A5	5.16"	2.32"	3.25"	TH	KT17SB	28°	DEFR56-15
18TYS38-15	5.21"	2.40"	2.95"	TH	KT17SB	32°	
18N-4-4271-1X	5.41"	2.41"	3.50"	TH	KT17SB		DEFR54-12
18N-4-2711-1X	5.44"	2.62"	3.25"	TH	KT17SB		DEFR54-1
18N-4-3591-1 See Note 5	5.50"	2.75"	3.31"	TH	KT17SB	30°	
18N-4-3221-1X	5.69"	2.88"	3.25"	TH	KT17SB		DEFR54-1
18N-4-3581-1X	5.69"	2.88"	3.25"	TH	KT17SB		DEFR54-5
18N-4-3911-1	6.02"	3.00"	3.38"	TH	KT17SB	30°	
18N-4-3921-1X	6.02"	3.00"	3.38"	TH	KT17SB	30°	DEFR55-2

<b>2.50" - 10 SPLINE</b>							
18N-4-3451-1	5.88"	3.00"	3.75"	TH	KT17SB	30°	
18N-4-3551-1X	5.88"	3.00"	3.75"	TH	KT17SB	30°	DEFR62-1

<b>2.50" - 49 SPLINE</b>							
18N-4-3621-1X	5.88"	3.00"	3.75"	TH	KT17SB		DEFR62-1

<b>2.53" - 45 SPLINE</b>							
18TYS40-9A	5.50"	2.00"	3.15"	TH	KT17SB		DEFR66-1

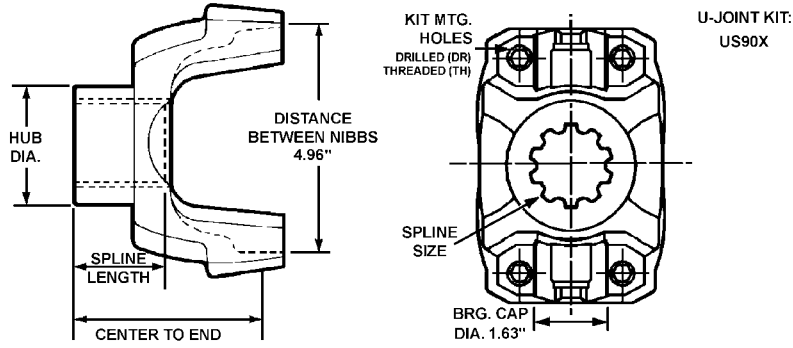
<b>2.75" - 10 SPLINE</b>							
18N-4-2171-1	6.00"	2.94"	3.38"	TH	KT17SB		
18N-4-3491-1	6.06"	3.00"	3.75"	TH	KT17SB	30°	
18N-4-3561-1X	6.06"	3.00"	3.75"	TH	KT17SB	30°	DEFR62-1

<b>2.75" - 43 SPLINE</b>							
18TYS44-12A	4.99"	1.80"	3.75"	TH	KT17SB	32°	DEFR62-2

<b>2.79" - 54 SPLINE</b>							
18TYS45	5.63"	2.75"		TH	KT17SB	32°	

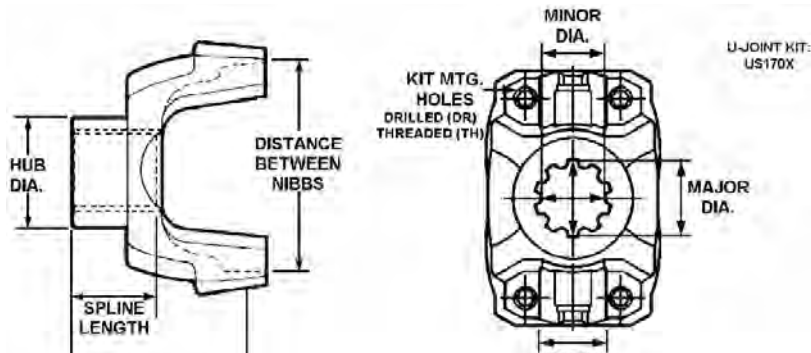
Note:  
5 Coupling Yoke.

# END YOKES - EASY SERVICE



## 159N Series

Part Number	Center to End	Spline Length	Hub Diameter	Kit Mtg. Holes	Use Kit	Joint Angle	Deflector
<b>1.77" - 34 SPLINE</b>							
159N-4-761-1X	4.11"	2.50"	2.50"	TH			DEFR40-4



## 170 Series

Part Number	Center to End	Spline Length	Hub Diameter	Kit Mtg. Hole Drilled or Threaded	Use Kit	Deflector
<b>2.00" - 39 SPLINE</b>						
170TYS32-1	6.39"	2.31"	3.00"			
170TYS32-1A	6.39"	2.31"	3.00"			DEFR50-7
170TYS32-1A2	6.39"	2.31"	3.00"			DEFR50-6
170TYS32-2	5.09"	2.31"	3.00"			
170TYS32-2A	5.09"	2.31"	3.00"			DEFR50-7
170TYS32-2A2	5.09"	2.31"	3.00"			DEFR50-4

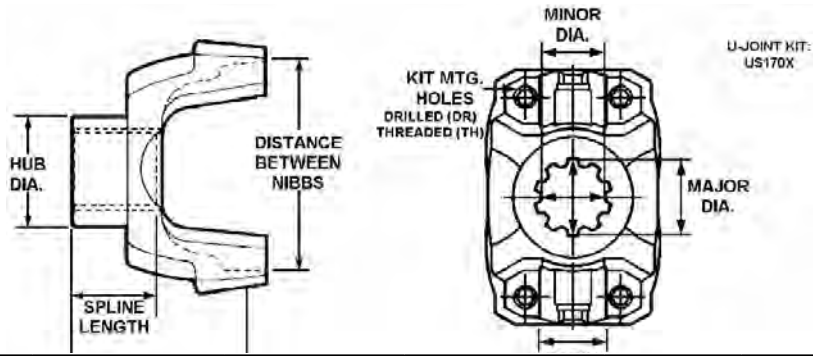
## 2.375" - 46 SPLINE

170TYS38-2A1	6.48"	2.323"	3.25"	TH		DEFR56-12
170TYS38-4A	5.10"	2.32"	3.25"			DEFR56-7
170TYS38-4A1	5.10"	2.32"	3.25"	TH		DEFR56-12

4



# END YOKES - EASY SERVICE



**4**

## 170 Series

Part Number	Center to End	Spline Length	Hub Diameter	Kit Mtg. Holes	Use Kit	Joint Angle	Deflector
<b>2.00" - 39 SPLINE</b>							
170N-4-241-1X	6.50	2.50	2.62			45	
170N-4-261-1X	5.16	2.28	3.00			25	
170N-4-281-1X	6.24	2.28	3.00			45	
170N-4-671-1X	6.39	2.31	3.00			45	

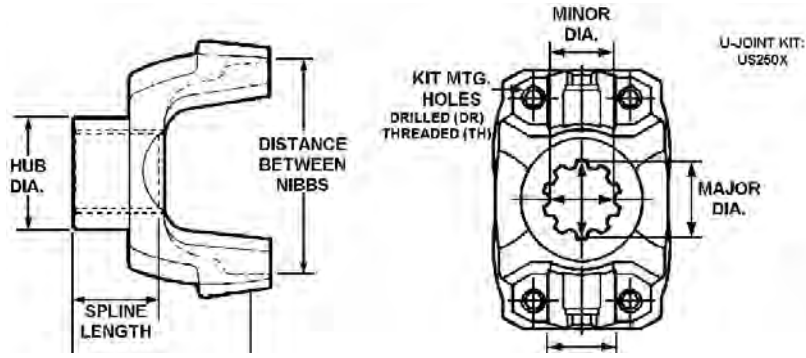
<b>2.27" - 44 SPLINE</b>							
170N-4-201-1X	5.27	2.50	3.00			25	

<b>2.39" - 46 SPLINE</b>							
170N-4-1271-1	5.59	2.75	-			25	
170N-4-721-1X	5.10	2.33	3.25			25	

<b>2.75" - 10 SPLINE</b>							
170N-4-521-1X	5.86	3.00	3.75			25	

<b>2.79" - 54 SPLINE</b>							
170N-4-561-1	5.60	2.75	-			25	

# END YOKES - EASY SERVICE



4

## 250 Series

Part Number	Center to End	Spline Length	Hub Diameter	Kit Mtg. Hole Drilled or Threaded	Use Kit	Joint Angle	Deflector
<b>2.27" - 44 Spline</b>							
250N-4-81-1X	5.49	2.50	3.00			25	

<b>2.375" - 46 SPLINE</b>							
250TYS38-1A	5.87"	2.375"	3.25"	TH			DEFR54-1
250TYS38-2A	5.32"	2.32"	3.25"				DEFR56-7
250TYS38-2A1	5.32"	2.32"					DEFR56-12

<b>2.39" - 46 Spline</b>							
250N-4-21-1	5.75	2.75	-			25	
250N-4-351-1X	5.31	2.31	3.25			25	

<b>2.75" - 10 Spline</b>							
250N-4-241-1X	6.30	3.00	3.75			25	

<b>2.79" - 54 Spline</b>							
250N-4-271-1	5.70	2.75	-			25	

# WELD YOKES

## TABLE OF CONTENTS SECTION 5

Weld Yokes — Outside Snap Rings - - - - - 5-3

Weld Yokes — Inside Snap Rings - - - - - 5-5

Weld Yokes — Bearing Plate - - - - - 5-6

Weld Yokes — Wing Bearings - - - - - 5-7

# 5

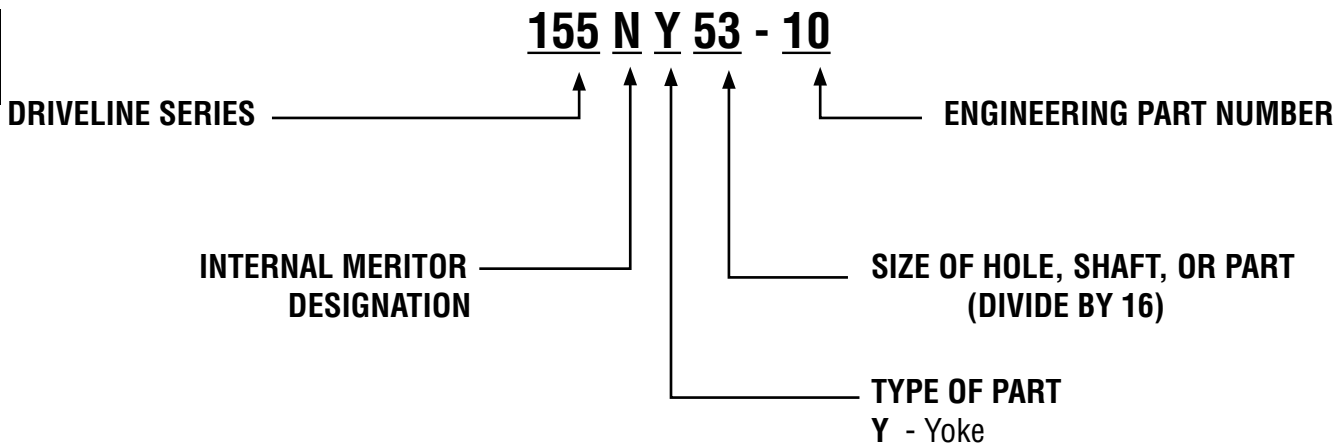
# WELD YOKES MERITOR NUMBERING SYSTEM

Meritor components may be identified by one of the numbering systems shown below.

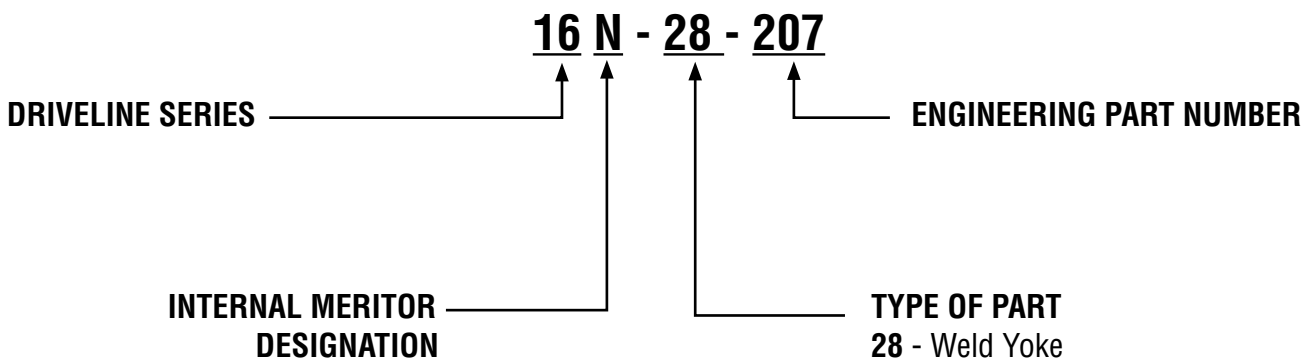
Aftermarket numbers are issued to make Meritor components easy to select when choosing a replacement component.

## MERITOR ENGINEERING NUMBER

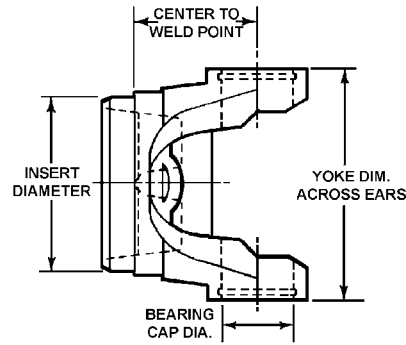
**5**



## MERITOR AFTERMARKET NUMBER



# WELD YOKES



If tubing insert diameter requires machining to fit a tube, machine it to a diameter of .007" to .010" larger than the inside diameter of the tube for proper press fit.

## Weld Yokes — Outside Snap Rings

Part Number	Yoke Dimension Across Ears	Bearing Cap Diameter	Used with Tubing O.D. and Wall	Insert Diameter	Center to Weld Point	Joint Angle
<b>121N SERIES U-JOINT KIT: CP-443X</b>						
121N-28-1947	2.688"	1.06"	2.50" x .065" (16 GA)	2.38"	1.31"	
121-N-28-2417	2.688"	1.06"	2.00" x .083" (14 GA)	1.85"	1.50"	20°

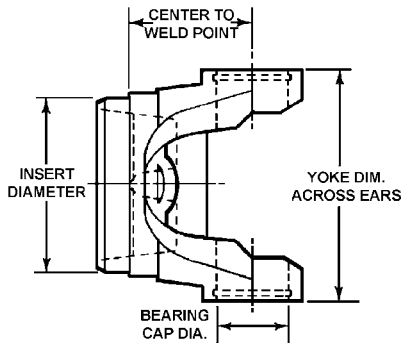
<b>131N SERIES U-JOINT KIT: CP153X or CP200X</b>						
131N-28-417	3.47"	1.06"	2.00" x .065" (16 GA)	1.88"	1.69"	22°
131N-28-357	3.47"	1.06"	2.00" x .083" (14 GA)	1.84"	1.69"	22°
131N-28-1757	3.47"	1.06"	2.00" x .120" (11 GA)	1.77"	1.69"	22°
131N-28-277	3.47"	1.06"	2.50" x .065" (16 GA)	2.38"	1.84"	30°
131N-28-367	3.47"	1.06"	2.50" x .083" (14 GA)	2.34"	1.84"	30°
131N-28-307	3.47"	1.06"	2.75" x .065" (16 GA)	2.63"	1.69"	21.5°
131N-28-1617	3.47"	1.06"	2.75" x .083" (14 GA)	2.59"	1.69"	
131N-28-327	3.47"	1.06"	3.00" x .065" (16 GA)	2.88"	1.69"	21.5°
131N-28-437	3.47"	1.06"	3.00" x .083" (14 GA)	2.84"	1.69"	21.5°
131N-28-397	3.47"	1.06"	3.50" x .065" (16 GA)	3.38"	1.69"	21.5°
131N-28-427	3.47"	1.06"	3.50" x .083" (14 GA)	3.34"	1.69"	21.5°
131-N-26-347	3.47"	1.06"	1.25" x .120" (11 GA)	1.02"	2.13"	30°

<b>133N SERIES U-JOINT KIT: CP213X</b>						
133N-28-1707	3.88"	1.06"	2.50" x .083" (14 GA)	2.34"	1.72"	25°
133N-28-1177	3.88"	1.06"	3.00" x .065" (16 GA)	2.88"	1.72"	25°
133N-28-1697	3.88"	1.06"	3.00" x .083" (14 GA)	2.84"	1.72"	25°
133N-28-1977	3.88"	1.06"	3.50" x .065" (16 GA)	3.38"	1.81"	
133N-28-1717	3.88"	1.06"	3.50" x .083" (14 GA)	3.34"	1.81"	20°

<b>135N SERIES U-JOINT KIT: CP178X</b>						
135N-28-47	3.88"	1.19"	2.50" x .083" (14 GA)	2.34"	1.94"	20°
135N-28-57-2	3.88"	1.19"	2.75" x .065" (16 GA)	2.63"	2.00"	20°
135N-28-57-1	3.88"	1.19"	2.75" x .095" (13 GA)	2.56"	2.00"	20°
135N-28-57	3.88"	1.19"	3.00" x .083" (14 GA)	2.84"	2.00"	20°
135N-28-427	3.88"	1.19"	3.50" x .083" (14 GA)	3.34"	1.81"	20°
135-N-28-137	3.88"	1.19"	3.00" x .065" (16 GA)	2.88"	2.03"	

<b>141N SERIES U-JOINT KIT: CP141N or CP160X</b>						
141N-28-97	4.44"	1.19"	3.00" x .083" (14 GA)	2.84"	2.13"	30°
141N-28-367	4.44"	1.19"	3.50" x .065" (16 GA)	3.38"	2.13"	30°
141N-28-557	4.44"	1.19"	3.50" x .083" (14 GA)	3.34"	2.13"	30°
141-N-28-457	4.44"	1.19"	4.00" x .083"	3.85"	1.88"	22°

# WELD YOKES



If tubing insert diameter requires machining to fit a tube, machine it to a diameter of .007" to .010" larger than the inside diameter of the tube for proper press fit.

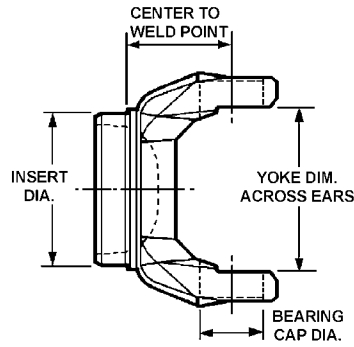
5

## Weld Yokes — Outside Snap Rings

Part Number	Yoke Dimension Across Ears	Bearing Cap Diameter	Used with Tubing O.D. and Wall	Insert Diameter	Center to Weld Point	Joint Angle
<b>148N SERIES U-JOINT KIT: CP148N or CP188X</b>						
148N-28-537	4.44"	1.38"	3.50" x .083" (14 GA)	3.34"	2.03"	22°
148N-28-547	4.44"	1.38"	3.50" x .083" (14 GA)	3.34"	2.31"	35°
148N-28-567	4.44"	1.38"	3.50" x .095" (13 GA)	3.31"	2.03"	22°
148N-28-507	4.44"	1.38"	4.00" x .083" (14 GA)	3.84"	2.03"	22.5°
<b>155N SERIES U-JOINT KIT: CP155N or CP155X</b>						
155NY53-5	5.25"	1.38"	3.50" x	3.33"	2.69"	36°
155N-28-307	5.25"	1.38"	3.50" x .095" (13 GA)	3.32"	2.19"	
155RY62	5.25"	1.38"	4.00" x .083" (14 GA)	3.86"	2.50"	19°
<b>20R SERIES U-JOINT KIT: CP20RPLS</b>						
20RY60-6 See Note 1	7.00"	2.06"	4.00" x .134" x, 4.06" x .180", 4.09" x .164" x	3.74"	3.70"	30°
20RY60-7	7.00"	2.06"	4.00" x .134" x, 4.09" x .180"	3.74"	5.25"	39°
<b>25R SERIES U-JOINT KIT: CP25RPLS</b>						
25RY68-3 <sup>1</sup>	8.33"	2.06"	4.59" x .180" (7 GA) 4.69" x .230"	4.24"	3.70"	24°
25RY68-6	8.33"	2.06"	4.59" x .180" (7 GA)	4.24"	4.90"	47°
<b>35R SERIES U-JOINT KIT: CP35RPLS</b>						
3XRY68-1	7.23"	2.45"	4.69" x .230"	4.74"	4.50"	29°
3XRY76-1	7.23"	2.45"	5.204" x .236"	4.74"	4.50"	29°
<b>170 SERIES U-JOINT KIT: US170X</b>						
170N-28-17	6.027"	2.165"	4.960" x .118"	4.75"	3.69"	25°
<b>250 SERIES U-JOINT KIT: US250X</b>						
250N-28-17	5.985"	2.362"	5.196" x .236"	4.75"	4.10"	25°

Note:  
1 Has .25 in. diameter vent hole for use with less than 9 in. of tube.

# WELD YOKES



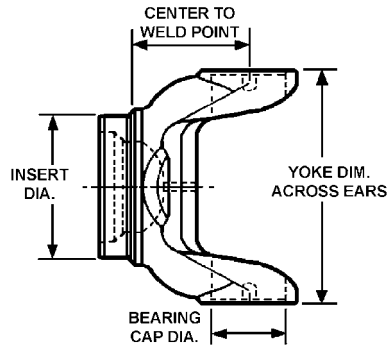
If tubing insert diameter requires machining to fit a tube, machine it to a diameter of .007" to .010" larger than the inside diameter of the tube for proper press fit.

## Weld Yokes — Inside Snap Rings

Part Number	Yoke Dimension Across Ears	Bearing Cap Diameter	Used with Tubing O.D. and Wall	Insert Diameter	Center to Weld Point	Joint Angle
<b>3R SERIES U-JOINT KIT: CP3147X</b>						
R3R-28-307	2.56"	1.13"	2.75" x .065" (16 GA)	2.63"	1.75"	20°
R3R-28-327	2.56"	1.13"	3.00" x .065" (16 GA)	2.88"	1.69"	21.5°
R3R-28-437	2.56"	1.13"	3.00" x .083" (14 GA)	2.84"	1.69"	21.5°
R3R-28-157	2.56"	1.13"	3.00" x .095" (13 GA)	2.88"	1.69"	21.5°
R3R-28-325	2.56"	1.13"	3.25" x .065" (16 GA)	3.13"	1.88"	20°
R3R-28-397	2.56"	1.13"	3.50" x .065" (16 GA)	3.38"	1.88"	20°
R3R-28-427	2.56"	1.13"	3.50" x .083" (14 GA)	3.34"	1.69"	21.5°

<b>1000 and 10N SERIES U-JOINT KIT: CP170X</b>						
R10V5	1.50"	0.94"	2.00" x .083" (14 GA)	1.84"	1.75"	

# WELD YOKES



If tubing insert diameter requires machining to fit a tube, machine it to a diameter of .007" to .010" larger than the inside diameter of the tube for proper press fit.

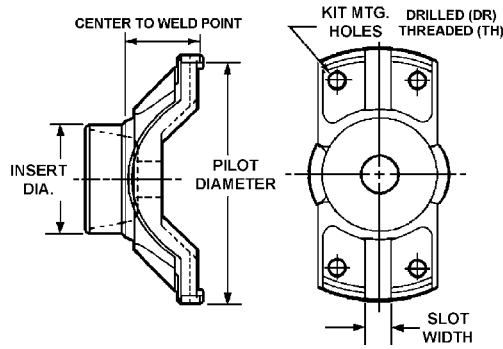
5

## Weld Yokes — Bearing Plate

Part Number	Yoke Dimension Across Ears	Bearing Cap Diameter	Used with Tubing O.D. and Wall	Insert Diameter	Center to Weld Point	Joint Angle
<b>16N SERIES U-JOINT KIT: M279X or CP279X</b>						
16N-28-207	5.31"	1.88"	3.50" x .156"	3.20"	3.00"	30°
16N-28-627	5.31"	1.88"	3.50" x .134" (10 GA)	3.24"	3.00"	30°
16N-28-887	5.31"	1.88"	3.50" x .134"	3.25"	3.81"	
16N-28-167	5.31"	1.88"	3.50" x .095" (13 GA)	3.32"	3.00"	30°
16N-28-327	5.31"	1.88"	4.00" x .134"	3.73"	3.00"	
16NY61	5.31"	1.88"	4.00" x .109" (12 GA)	3.79"	3.00"	19°
<b>176N SERIES U-JOINT KIT: M407X or CP407X</b>						
176N-28-17	7.00"	1.94"	4.00" x .134" (10 GA)	3.74"	3.03"	30°
<b>17N SERIES U-JOINT KIT: M280X or CP280X</b>						
17N-28-137	6.09"	1.94"	3.50" x .156"	3.20"	3.03"	
17N-28-347	6.09"	1.94"	4.00" x .134" (10 GA)	3.74"	3.03"	30°
17NY60-15	6.09"	1.94"	4.00" x , 4.09" x .134" (10 GA), .180" (7 GA)	3.74"	4.50"	42°
17-NYR-28-407	6.09"	1.94"	4.50" x .134" (10 GA)	4.24"	3.03"	22°
17-N-28-467	6.09"	1.94"	4.00" x .134" (10 GA)	3.74"	3.69"	45°
<b>18N SERIES U-JOINT KIT: M281X or CP281X</b>						
18N-28-127	7.55"	1.94"	4.50" x .259" (3 GA)	4.00"	3.38"	
18N-28-117	7.55"	1.94"	4.50" x .134" (10 GA)	4.24"	3.38"	30°



# WELD YOKES



If tubing insert diameter requires machining to fit a tube, machine it to a diameter of .007" to .010" larger than the inside diameter of the tube for proper press fit.

## Weld Yokes — Wing Bearings

Part Number	Pilot Diameter	Slot Width	Used with Tubing O.D. and Wall	Insert Diameter	Center to Weld Point	Kit Mounting Holes
-------------	----------------	------------	--------------------------------	-----------------	----------------------	--------------------

<b>58WB SERIES U-JOINT KIT: CP58WB-DWT, CP58WB-HB, CP58WB-HWD, or PERMALUBE</b>						
58WBY53-1	5.31"	.63"	3.50" x .095" (13 GA)	3.32"	1.81"	DR

<b>62N SERIES U-JOINT KIT: CP62N-DWT, CP62N-HB, CP62N-HWD, or PERMALUBE</b>						
---	--	--	--	--	--	--

62NY52-7	5.53"	.56"	3.50" x .120" (11 GA)	3.27"	1.75"	TH
62NY53-1	5.53"	.56"	3.50" x .095" (13 GA)	3.32"	1.88"	DR

<b>72N SERIES U-JOINT KIT: CP72N-DWT, CP72N-HB, CP72N-HWD, or PERMALUBE</b>						
---	--	--	--	--	--	--

72NY52-20	5.84"	.63"	3.50" x .134" (10 GA)	3.24"	2.13"	DR
-----------	-------	------	-----------------------	-------	-------	----

<b>82N SERIES U-JOINT KIT: CP82N-DWT, CP82N-HB, CP82N-HWD, or PERMALUBE</b>						
---	--	--	--	--	--	--

82NY58	8.13"	.63"	4.00" x .187"	3.63"	2.44"	DR
82NY58-2	8.13"	.63"	4.00" x .187"	3.63"	2.44"	TH
82NY60-19	8.13"	.63"	4.00" x .134" (10 GA)	3.74"	2.88"	DR

<b>85WB SERIES U-JOINT KIT: CP85WB-DWT, CP85WB-HB, CP85WB-HWD, or PERMALUBE</b>						
---	--	--	--	--	--	--

85WBY60-11	6.5"	.63"	4.00" x .134" (10 GA)	3.74"	2.63"	DR
------------	------	------	-----------------------	-------	-------	----

<b>92N SERIES U-JOINT KIT: CP92N-DWT, CP92N-HB, CP92N-HWD, or PERMALUBE</b>						
---	--	--	--	--	--	--

92NY64	8.25"	.63"	4.50" x .259" (3 GA)	4.00"	2.75"	TH
92NY66	8.25"	.63"	4.50" x .187"	4.14"	2.25"	DR
92NY68-2	8.25"	.63"	4.50" x .134" (10 GA)	4.23"	2.75"	DR

5

**NOTES:** \_\_\_\_\_

\_\_\_\_\_

\_\_\_\_\_

\_\_\_\_\_

**5**

\_\_\_\_\_

\_\_\_\_\_

\_\_\_\_\_

\_\_\_\_\_

\_\_\_\_\_

\_\_\_\_\_

\_\_\_\_\_

\_\_\_\_\_

\_\_\_\_\_

\_\_\_\_\_

\_\_\_\_\_

\_\_\_\_\_

\_\_\_\_\_

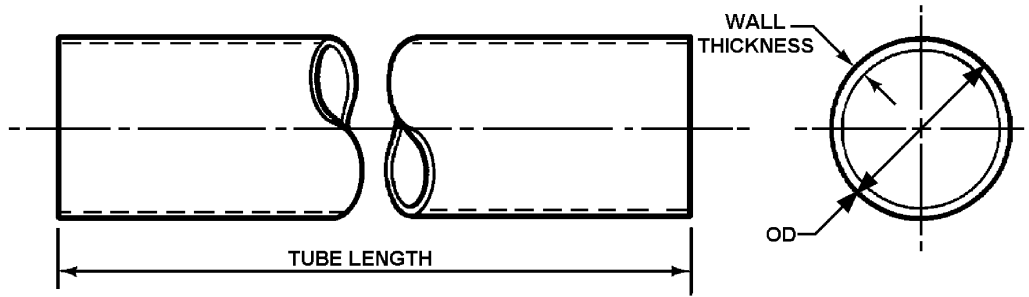
\_\_\_\_\_

# TUBING TABLE OF CONTENTS SECTION 6

Tubing an Yoke & Tube Assemblies - - - - - 6-2  
Yoke And Tube Assemblies — Bearing Plates - - - - - 6-5

**6**

# TUBING

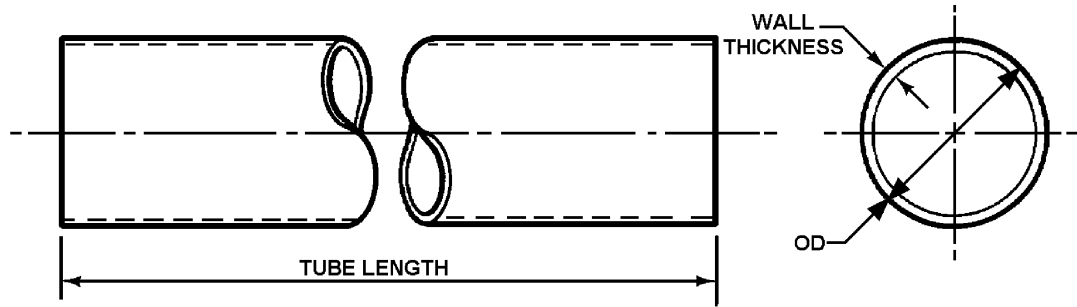


## Tubing and Yoke & Tube Assemblies

"72" Length Part Number"	"108" Length Part Number"	Outside Diameter	Wall Thickness	Current Tubing Type
<b>OD-1.25"</b>				
RT1251172	RT1251108	1.25"	.120"	DOM
<b>OD-1.50"</b>				
RT151372	RT1513108	1.50"	.095"	DOM
RT151172	RT1511108	1.50"	.120"	DOM
<b>OD-1.75"</b>				
RT1751672	RT17516108	1.75"	.065"	DOM
	RT17514108	1.75"	.083"	DOM
RT1751172		1.75"	.120"	DOM
<b>OD-2.00"</b>				
RT21472	RT214108	2.00"	.083"	DOM
RT21172		2.00"	.120"	DOM
<b>OD-2.25"</b>				
RT2251172	RT22511108	2.25"	.120"	DOM
<b>OD-2.375"</b>				
	RT237514108	2.375"	.083"	DOM
<b>OD-2.50"</b>				
RT251672	RT2516108	2.50"	.065"	DOM
RT251472	RT2514108	2.50"	.083"	DOM
<b>OD-2.75"</b>				
RT2751472	RT27514108	2.75"	.083"	DOM
RT2751372	RT27513108	2.75"	.095"	DOM
	RT27510108	2.75"	.134"	DOM
<b>OD-3.00"</b>				
RT31672	RT316108	3.00"	.065"	ERW
RT31672DOM	RT316108DOM	3.00"	.065"	DOM
RT31472	RT314108	3.00"	.083"	ERW
RT31472DOM	RT314108DOM	3.00"	.083"	DOM
RT31372	RT313108	3.00"	.095"	DOM
RT31172	RT311108	3.00"	.120"	DOM
RT318772	RT3187108	3.00"	.187"	DOM

6

# TUBING



## Tubing an Yoke & Tube Assemblies

"72" Length Part Number"	"108" Length Part Number"	Outside Diameter	Wall Thickness	Current Tubing Type
<b>OD-3.25"</b>				
RT3251372	RT32513108	3.25"	.095"	DOM
RT3251172	RT32511108	3.25"	.120"	DOM

**6**

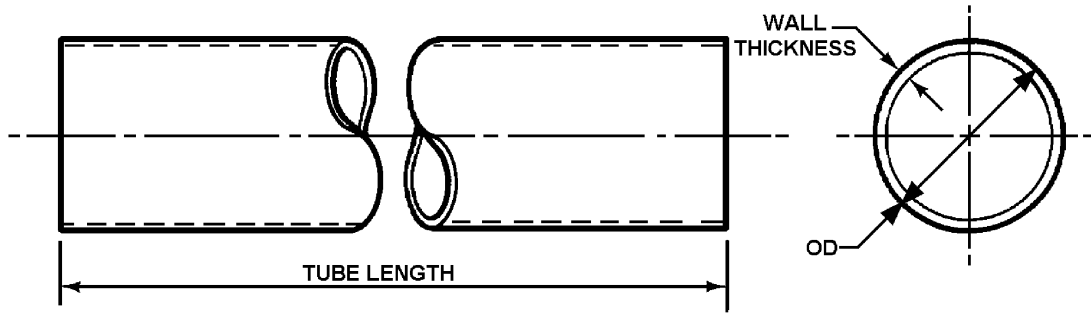
<b>OD-3.50"</b>				
RT351672	RT3516108	3.50"	.065"	ERW
RT351672DOM	RT3516108DOM	3.50"	.065"	DOM
RT351472	RT3514108	3.50"	.083"	ERW
RT351472DOM	RT3514108DOM	3.50"	.083"	DOM
RT351372	RT3513108	3.50"	.095"	ERW
RT351372DOM	RT3513108DOM	3.50"	.095"	DOM
RT351172	RT3511108	3.50"	.120"	DOM
RT351072	RT3510108	3.50"	.134"	ERW
RT351072DOM	RT3510108DOM	3.50"	.134"	DOM
RT3515672	RT35156108	3.50"	.156"	DOM

<b>OD-4.00"</b>				
RT41472	RT414108	4.00"	.083"	ERW
RT41472DOM	RT414108DOM	4.00"	.083"	DOM
RT41372	RT413108	4.00"	.095"	DOM
RT41272	RT412108	4.00"	.109"	ERW
RT41272DOM	RT412108DOM	4.00"	.109"	DOM
RT41072	RT410108	4.00"	.134"	ERW
RT41072DOM	RT410108DOM	4.00"	.134"	DOM
RT418772	RT4187108	4.00"	.187"	DOM

<b>OD-4.095"</b>				
RT4095772	RT40957108	4.095"	.180"	ERW
RT4095772DOM	RT40957108DOM	4.095"	.180"	DOM

<b>OD-4.50"</b>				
RT451372	RT4513108	4.50"	.095"	DOM
RT451072	RT4510108	4.50"	.134"	DOM
	RT45187108	4.50"	.187"	DOM
RT45372	RT453108	4.50"	.259"	DOM
RT4537572	RT45375108	4.50"	.375"	DOM

# TUBING

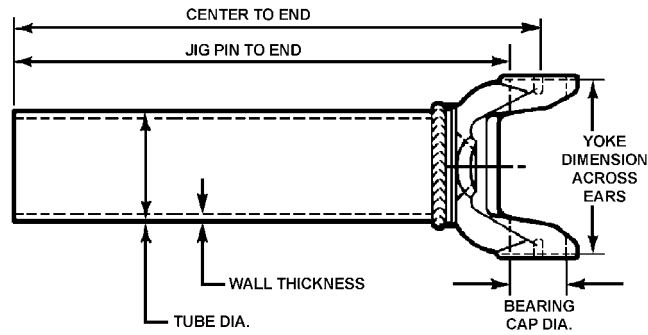


## Tubing an Yoke & Tube Assemblies

"72" Length Part Number"	"108" Length Part Number"	Outside Diameter	Wall Thickness	Current Tubing Type
<b>OD-4.59"</b>				
RT459772	RT4597108	4.59"	.180"	ERW
RT459772DOM	RT4597108DOM	4.59"	.180"	DOM
<b>OD-4.69"</b>				
RT46923072	RT469230108	4.69"	.230"	ERW
<b>OD-4.72"</b>				
RT47219772	RT472197108	4.72"	.197"	DOM
<b>OD-4.96"</b>				
RT49611872	RT496118108	4.96"	.118"	DOM
<b>OD-5.059"</b>				
RT505916772	RT5059167108	5.059"	.167"	DOM
<b>OD-5.118"</b>				
RT511819772	RT5118197108	5.118"	.197"	DOM
<b>OD-5.197"</b>				
RT519723672	RT5197236108	5.197"	0.236	DOM
<b>OD-5.204"</b>				
RT520423672		5.204	0.236	ERW

6

# TUBING



## Yoke And Tube Assemblies — Bearing Plates

Part Number	Yoke Dimension Across Ears	Bearing Cap Dia.	Tubing O.D. and Wall	Tubing Base Part No.	Jig Pin to End	Center to End	Weld Yoke
983-14-2	5.31"	1.88"	3.50" x .134" (10 GA)	RT-35-10	37.06"	38.00"	16N-28-627
983-15-2	5.31"	1.88"	3.50" x .134" (10 GA)	RT-35-10	65.06"	66.00"	16N-28-627
131-N-27-9-6017	3.47"	1.06"	2.50" X .083"		61.85"	62.38"	
131-N-27-24-6000	3.47"	1.06"	3.00" X .083"		61.16"	61.69"	
131-N-27-7-4724	3.47"	1.06"	2.00" X .083"		48.91"	49.44"	

**NOTES:** \_\_\_\_\_

\_\_\_\_\_

\_\_\_\_\_

\_\_\_\_\_

\_\_\_\_\_

**6**

\_\_\_\_\_

\_\_\_\_\_

\_\_\_\_\_

\_\_\_\_\_

\_\_\_\_\_

\_\_\_\_\_

\_\_\_\_\_

\_\_\_\_\_

\_\_\_\_\_

\_\_\_\_\_

\_\_\_\_\_

\_\_\_\_\_

\_\_\_\_\_



# BEARING STUBS & SPLINE PLUGS TABLE OF CONTENTS SECTION 7

Bearing Stubs — Non—Slip - - - - - 7-3  
Bearing Stubs — Slip - - - - - 7-5  
Spline Plugs - - - - - 7-6  
Coupling And Slip Kits - - - - - 7-9

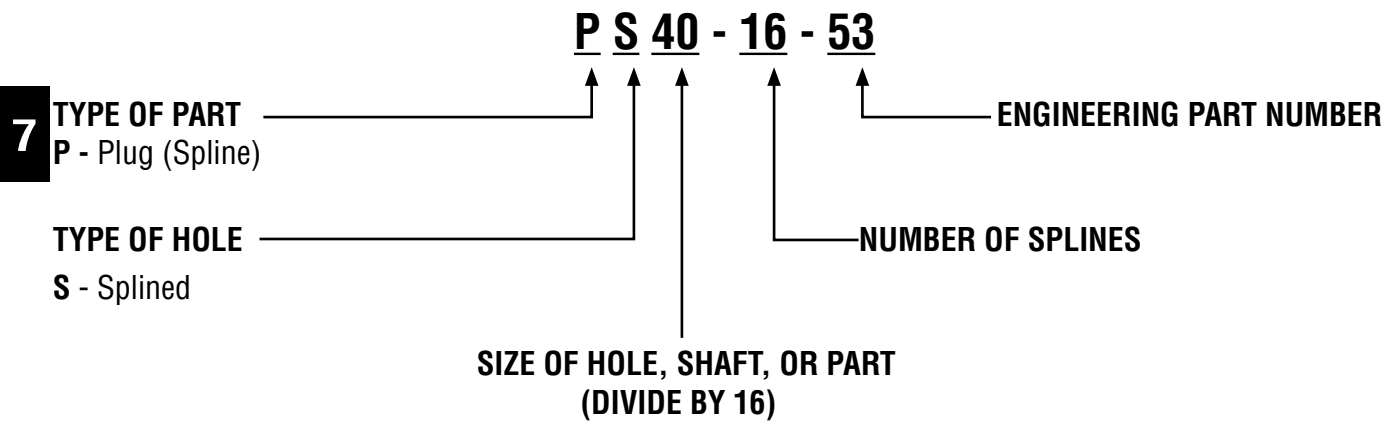


# BEARING STUBS & SPLINE PLUGS

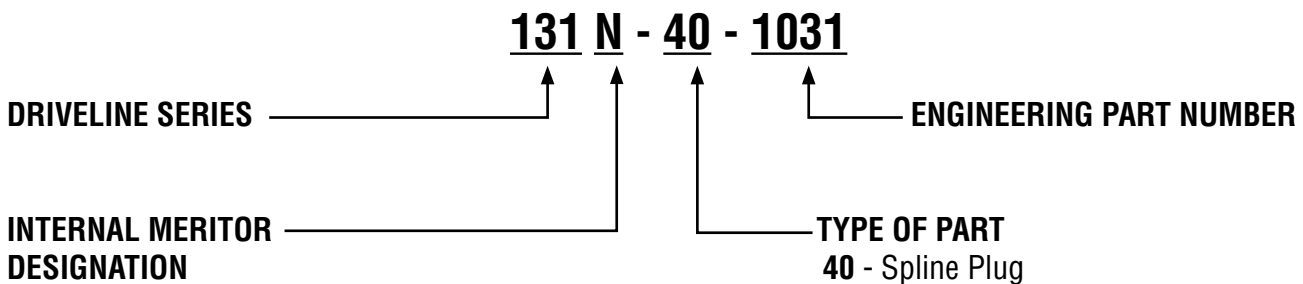
## MERITOR NUMBERING SYSTEM

Meritor components may be identified by one of the numbering systems shown below. Aftermarket numbers are issued to make Meritor components easy to select when choosing a replacement component.

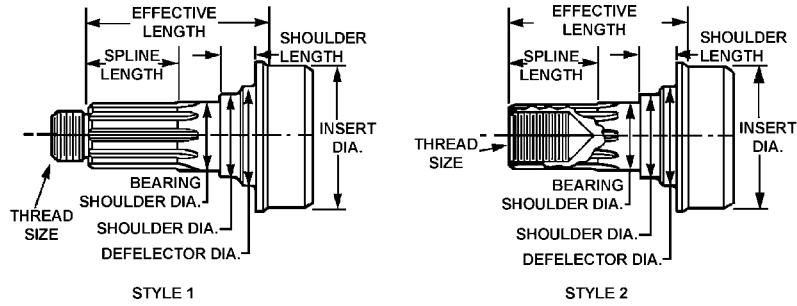
### MERITOR ENGINEERING NUMBER



### MERITOR AFTERMARKET NUMBER



# BEARING STUBS & SPLINE PLUGS



## Bearing Stubs — Non—Slip

Part Number	Bearing Shoulder Dia.	Shoulder Length	Shoulder Dia.	Deflector Dia.	Spline Length	Thread Size	Style	Effective Length	Use with Tubing O.D. and Wall	Insert Dia.
<b>1.38" - 10 SPLINE</b>										
141-N-54-611	1.38"	1.13"	1.72"		1.69"	1.00" - 20	2	4.00"	3.50" x .083" (14 GA)	2.85"
135-N-53-1991	1.38"	0.81"	1.69"		1.78"	1.00" - 20	2	3.75"	2.50" x 0.650"	2.35"

<b>1.50" - 10 SPLINE</b>										
BSS24-52A	1.57"	.81"	1.94"	2.31"	1.88"	.75" - 16	1	4.03"	3.50" x .083" (14 GA)	3.35"
BSS24-53	1.57"	.81"	1.94"	2.31"	1.88"	.75" - 16	1	4.03"	3.50" x .095" (13 GA)	3.32"
BSS24-53A	1.57"	.81"	1.94"	2.31"	1.88"	.75" - 16	1	4.03"	3.50" x .095" (13 GA)	3.32"
141N-53-1081	1.57"	.88"	1.72"		1.81"	.75" - 16	2	3.88"	3.50" x .083" (14 GA)	3.34"
BSS24-52	1.57"	.88"	1.94"	2.31"	1.88"	.75" - 16	1	4.03"	3.50" x .083" (14 GA)	3.35"
BSS24-60A	1.77"	.81"	2.19"	2.56"	1.88"	.75" - 16	1	4.06"	3.50" x .095" (13 GA)	3.32"

<b>1.75" - 10 SPLINE</b>										
16N-53-191	1.77"	.81"	2.19"		2.28"	1.25" - 18	1	4.34"	4.00" x .134" (10 GA)	
16N-53-141	1.77"	.81"	2.19"	2.56"	2.06"	1.25" - 18	1	4.34"	3.50" x .134" (10 GA)	3.24"
BSS28-92	1.77"	.81"	2.19"	2.57"	2.28"	.88" - 14	2	4.53"	3.50" x .095" (13 GA)	3.32"

<b>1.95" - 10 SPLINE</b>										
17N-53-151	1.97"	.81"	2.43"	2.81"	2.88"	1.25" - 18	1	5.16"	3.50" x .156"	3.20"
17N-53-201	1.97"	.81"	2.44"	2.81"	2.88"	1.25" - 18	1	5.16"	4.00" x .134" (10 GA)	3.74"
BSS31-18	1.97"	.81"	2.44"	2.81"	2.88"	1.25" - 18	1	5.15"	4.00" x .134" (10 GA)	3.74"

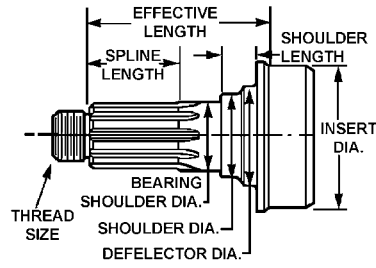
<b>1.95" - 38 SPLINE</b>										
17N-53-411	1.97"	.81"	2.44"		2.84"	1.25" - 18	1	5.15"	4.00" x .134" (10 GA)	

<b>1.96" - 10 SPLINE</b>										
17N-53-241	1.97"	.81"	2.44"		2.88"	1.25" - 18	1	5.16"	4.50" x .134" (10 GA)	

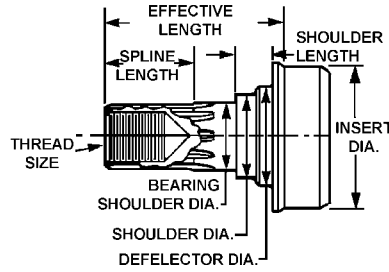
<b>2.00" - 38 SPLINE</b>										
BSS32-34	1.97"	.81"	2.44"	2.81"	2.88"	1.25" - 18	1	5.16"	4.00" x .134" (10 GA)	3.74"

<b>2.25" - 10 SPLINE</b>										
BSS36-10	2.36"	1.97"	2.88"	2.90"	2.56"	1.25" - 18	1	5.28"	4.50" x .259" (3 GA)	4.00"

# BEARING STUBS & SPLINE PLUGS



STYLE 1



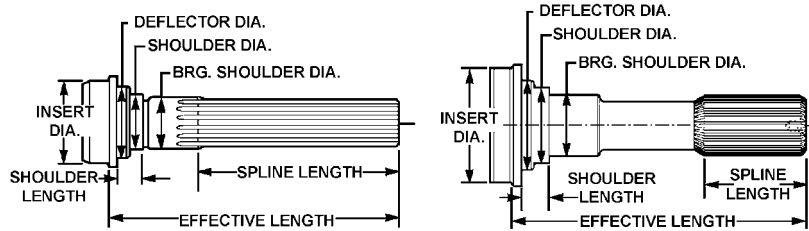
STYLE 2

## Bearing Stubs — Non—Slip

Part Number	Bearing Shoulder Dia.	Shoulder Length	Shoulder Dia.	Deflector Dia.	Spline Length	Thread Size	Style	Effective Length	Use with Tubing O.D. and Wall	Insert Dia.
<b>2.34" - 16 SPLINE</b>										
17N-53-311	2.36"	.81"	2.87"	3.32"	2.63"	1.25" - 18	1	5.31"	4.09" x .180" (7 GA)	3.74"
18N-53-51	2.36"	.81"	2.87"	3.32"	2.63"	1.25" - 18	1	5.31"	4.50" x .259" (3 GA)	4.00"
18N-53-91	2.36"	.81"	2.87"	3.32"	2.63"	1.25" - 18	1	5.31"	4.50" x .134" (10 GA)	4.24"
<b>2.75" - 54 SPLINE</b>										
BSS44-9	2.756	1.13	3.27	3.67	2.75	M45 - 1.5-6H	1	6.09	4.69" x .230"	4.24
BSS44-8	2.756	1.13	3.27	3.67	2.75	M45 - 1.5-6H	1	6.09	5.20" x .236"	4.74
<b>2.35" - 46 SPLINE</b>										
176N-53-21	2.36"	.81"	2.88"	3.32"	2.53"	1.25" - 18	1	5.31"	4.00" x .134" (10 GA) 4.06" x .165" 4.09" x .180" (7 GA)	3.74"
18N-53-171	2.36"	.81"	2.88"	3.32"	2.53"	1.25" - 18	1	5.31"	4.59" x .180" (7 GA)	4.24"
250N-53-11	2.36"	.81"	2.88"		2.72"	1.25" - 18	1	5.31"	5.196" x 2.36"	

7

# BEARING STUBS & SPLINE PLUGS



STYLE 1

STYLE 2

## Bearing Stubs — Slip

Part Number	Bearing Shoulder Dia.	Shoulder Length	Shoulder Dia.	Deflector Dia.	Spline Length	Style	Effective Length	Use with Tubing O.D. and Wall	Insert Dia.
<b>1.38" - 15 SPLINE</b>									
131N-53-711	1.38"	.81"	1.69"		2.50"	2	8.84"	3.00" x .083" (14 GA)	2.84"
131N-53-711-1	1.38"	.81"	1.69"		2.50"	2	8.84"	2.75" x .065" (16 GA)	2.63"

## 1.38" - 15 (Based on 16 Spline) SPLINE

121N-53-691	1.38"	.81"	1.69"		2.50"	2	8.88"	3.00" x .065" (16 GA)	
121N-53-471	1.38"	.81"	1.69"		5.41"	1	8.00"	2.50" x .083" (14 GA)	
121N-53-501	1.38"	.81"	1.69"		5.41"	1	8.00"	3.00" x .083" (14 GA)	
135N-53-1351	1.38"	1.13"	1.72"		4.97"	1	8.09"	2.50" x .083" (14 GA)	

## 1.38" - 16 SPLINE

141N-53-1371	1.38"	.81"	1.69"		4.44"	1	7.03"	3.00" x .083" (14 GA)	2.84"
141N-53-1361	1.38"	1.13"	1.72"		4.97"	1	8.09"	3.00" x .083" (14 GA)	2.84"

## 1.38" - 31 SPLINE

135N-53-1181	1.38"	1.13"	1.72"	1.75"	3.38"	2	8.81"	3.00" x .083" (14 GA)	2.84"
135N-53-1181-1	1.38"	1.13"	1.72"	1.75"	3.38"	2	8.81"	2.75" x .095" (13 GA)	2.59"
135N-53-1181-2	1.38"	1.13"	1.72"	1.75"	3.38"	2	8.81"	2.75" x .065" (16 GA)	2.63"

## 1.38" - 31/32 SPLINE

141-N-53-1991	1.38"	1.13"	1.72"		3.34"	2	8.81"	2.75" x .065" (16 GA)	2.63"
---------------	-------	-------	-------	--	-------	---	-------	-----------------------	-------

## 1.50" - 16 SPLINE

141N-53-1031	1.58"	.88"	1.81"	2.16"	2.00"	2	7.06"	3.00" x .083" (14 GA)	2.84"
--------------	-------	------	-------	-------	-------	---	-------	-----------------------	-------

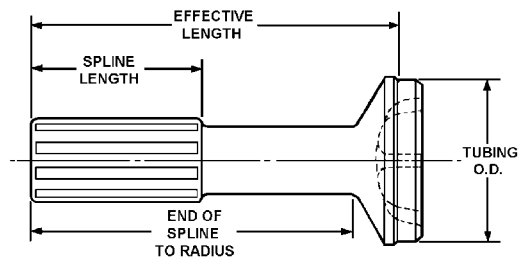
## 1.56" - 16 SPLINE

148N-53-451	1.58"	.81"	1.94"	2.31"	5.94"	2	8.53"	3.50" x .083" (14 GA)	3.35"
-------------	-------	------	-------	-------	-------	---	-------	-----------------------	-------

## 1.75" - 16 SPLINE

155N-53-61	1.77"	.81"	2.19"	2.56"	2.94"	2	8.62"	3.50" x .095" (13 GA)	3.33"
------------	-------	------	-------	-------	-------	---	-------	-----------------------	-------

# BEARING STUBS & SPLINE PLUGS



If tubing insert diameter requires machining to fit a tube, machine it to a diameter of .007" to .010" larger than the inside diameter of the tube for proper press fit.

## Spline Plugs

Part Number	Spline Length	Effective Length	Use with Tubing O.D. and Wall	Tubing Insert Diameter	End of Spline to Radius	Nylon Coated Spline
<b>1.25" - 16 SPLINE</b>						
121N-40-1741	2.00"	6.00"	2.00" x .083" (14 GA)	1.84"	5.41"	Yes
131N-40-1771	2.00"	6.13"	1.25" x .120" (11 GA)	1.03"	5.38"	Yes
121N-40-2211	2.00"	6.13"	2.50" x .065" (16 GA)	2.37"	5.41"	Yes
121N-40-2301	2.50"	7.75"	2.50" x .065" (16 GA)	2.37"	7.03"	Yes

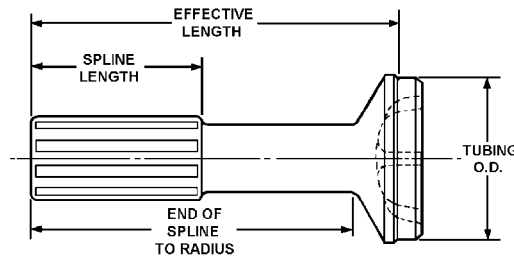
<b>1.38" - 16 SPLINE</b>						
131N-40-1031	2.25"	5.19"	2.00" x .083" (14 GA)	1.84"	4.63"	Yes
131N-40-1701	2.25"	6.19"	2.00" x .120" (11 GA)	1.76"	5.63"	Yes
131N-40-1251	2.25"	6.28"	2.50" x .065" (16 GA)	2.37"	5.56"	Yes
131N-40-1811	2.25"	6.34"	2.50" x .065" (16 GA)	2.37"	5.63"	Yes
131N-40-1711	2.25"	6.34"	2.50" x .083" (14 GA)	2.34"	5.63"	Yes
131N-40-1221	2.25"	6.44"	3.00" x .065" (16 GA)	2.87"	5.63"	Yes
131N-40-1521	2.25"	6.44"	3.00" x .083" (14 GA)	2.84"	5.63"	Yes
131N-40-1231	2.25"	6.56"	3.50" x .065" (16 GA)	3.37"	5.56"	Yes
131N-40-1291	2.25"	6.84"	2.50" x .065" (16 GA)	2.37"	6.13"	Yes
131N-40-1851	2.25"	7.53"	2.50" x .083" (14 GA)	2.34"	6.81"	Yes
131N-40-2051	2.25"	7.63"	3.00" x .065" (16 GA)	2.87"	6.81"	Yes
131N-40-1871	6.78"	8.64"	3.00" x .083" (14 GA)	2.84"	7.83"	Yes
131N-40-2091	6.97"	8.97"	3.50" x .083" (14 GA)	3.34"	7.97"	Yes
131N-40-2091	6.97"	8.97"	3.50" x .083" (14 GA)	3.34"	7.97"	Yes
141-N-40-2231	2.25"	7.63"	3.50" x .083" (14 GA)	2.84"	6.81"	Yes

<b>1.50" - 16 SPLINE</b>						
135N-40-1471	2.50"	5.63"	2.50" x .083" (14 GA)	2.34"	4.97"	Yes
135N-40-1101	2.50"	5.94"	3.00" x .083" (14 GA)	2.84"	5.13"	Yes
135N-40-1611	2.50"	7.25"	3.00" x .083" (14 GA)	2.84"	6.44"	Yes
135N-40-1561	2.50"	7.34"	3.50" x .083" (14 GA)	3.34"	6.41"	Yes
135N-40-1531	3.00"	6.56"	3.50" x .083" (14 GA)	3.34"	5.63"	Yes
135N-40-1491	3.00"	7.53"	3.50" x .083" (14 GA)	3.34"	6.59"	Yes

<b>1.56" - 16 SPLINE</b>						
148N-40-1571	3.00"	6.75"	3.50" x .083" (14 GA)	3.34"	5.81"	Yes
148N-40-1391	3.00"	8.75"	3.50" x .083" (14 GA)	3.34"	7.81"	Yes

<b>1.75" - 10 SPLINE</b>						
62NPS28	5.88"	8.00"	3.00" x .095" (13 GA)	2.81"	7.33"	No

# BEARING STUBS & SPLINE PLUGS



If tubing insert diameter requires machining to fit a tube, machine it to a diameter of .007" to .010" larger than the inside diameter of the tube for proper press fit.

## Spline Plugs

Part Number	Spline Length	Effective Length	Use with Tubing O.D. and Wall	Tubing Insert Diameter	End of Spline to Radius	Nylon Coated Spline
<b>1.75" - 16 SPLINE</b>						
155N-40-761	3.00"	6.78"	3.50" x .095" (13 GA)	3.32"	5.81"	Yes
PS28-16-13	3.00"	7.50"	3.50" x .095" (13 GA)	3.32"	6.50"	Yes
50NPS28-45	3.00"	8.72"	3.50" x .095" (13 GA)	3.32"	7.63"	No
PS28-16-8	3.00"	9.22"	3.50" x .095" (13 GA)	3.32"		Yes
155N-40-721	3.00"	9.22"	3.50" x .095" (13 GA)	3.32"	8.25"	Yes
62NPS28-4	3.00"	9.66"	3.50" x .095" (13 GA)	3.32"	8.63"	Yes
BPS28-16-1	3.80"	10.70"	4.00" x .083" (14 GA)	3.85"		Yes

<b>2.00" - 16 SPLINE</b>						
PS32-16-77	3.33"	10.26"	4.00" x .109" (12 GA)	3.79"		Yes
PS32-16-28	3.33"	9.69"	3.50" x .134" (10 GA)	3.24"	8.75"	Yes
16N-40-1011	3.34"	9.69"	3.50" x .134" (10 GA)	3.24"	8.75"	Yes
16N-40-1041	3.50"	10.19"	3.50" x .134" (10 GA)		9.28"	Yes
16N-40-1191	3.50"	7.56"	3.50" x .134" (10 GA)		6.66"	Yes
16N-40-1051	3.50"	9.84"	4.00" x .134" (10 GA)		8.78"	Yes
161-N-40-501	3.50"	9.56"	3.50" x .095" (13 GA)	3.31"	8.66"	Yes
PS32-16-30	3.66"	10.50"	3.50" x .134" (10 GA)	3.24"	9.50"	No
PS32-16-76	4.70"	9.56"	4.00" x .109" (12 GA)	3.79"		Yes

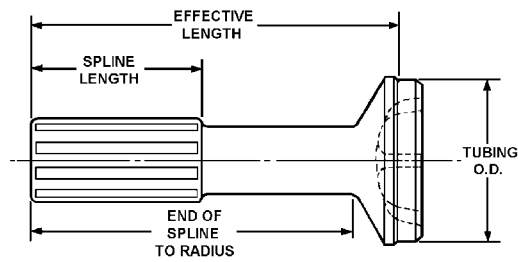
<b>2.50" - 10 SPLINE</b>						
17N-40-61	4.00"	10.34"	3.50" x .156"	3.20"	9.50"	No
82NPS40	4.50"	10.00"	4.00" x .109" (12 GA)	3.79"	8.86"	No

<b>2.50" - 16 SPLINE</b>						
PS40-16-34	3.00"	9.25"	4.00" x .180" (7 GA)	3.63"	8.25"	Yes
PS40-16-49 See Note *	3.69"	11.06"	4.00" x .134" (10 GA)	3.74"	10.00"	Yes
PS40-16-62	3.70"	10.67"	4.00" x .134" (10 GA)	3.74"		Yes
PS40-16-56	3.92"	10.56"	4.00" x .134" (10 GA)	3.74"	9.08"	Yes
17N-40-521	3.92"	10.56"	4.00" x .134" (10 GA)	3.74"	9.56"	Yes
PS40-16-15	3.92"	10.56"	4.00" x .134" (10 GA)	3.74"		Yes
17N-40-541	3.92"	9.25"	4.00" x .134" (10 GA)	3.74"	8.25"	Yes
17N-40-621	4.00"	10.66"	4.50" x .134" (10 GA)		9.47"	Yes
17N-40-631	4.00"	9.50"	4.50" x .134" (10 GA)		8.31"	Yes
17-N-40-741	4.00"	9.25"	3.50" x .156"	3.19"	8.38"	Yes
PS40-16-61	4.70"	9.92"	4.00" x .134" (10 GA)	3.74"		Yes

Notes:

\* Also can be used with 4.095" x .180" (7 GA) tubing.

# BEARING STUBS & SPLINE PLUGS



If tubing insert diameter requires machining to fit a tube, machine it to a diameter of .007" to .010" larger than the inside diameter of the tube for proper press fit.

## Spline Plugs

Part Number	Spline Length	Effective Length	Use with Tubing O.D. and Wall	Tubing Insert Diameter	End of Spline to Radius	Nylon Coated Spline
<b>3.00" - 10 SPLINE</b>						
PS48-10-1	9.00"	11.19"	4.50" x .259" (3 GA)	4.00"	10.25"	No

7

<b>3.00" - 16 SPLINE</b>						
18N-40-191	4.28"	11.25"	4.50" x .134" (10 GA)	4.24"	10.03"	Yes
PS48-16-1	4.28"	11.25"	4.50" x .259" (3 GA)	4.00"	10.03"	Yes
PS48-16-16	4.28"	11.53"	4.50" x .259" (3 GA)	4.00"	10.22"	Yes
18N-40-201	4.28"	9.47"	4.50" x .134" (10 GA)	4.24"	8.41"	Yes
PS48-16-19	4.28"	9.47"	4.50" x .259" (3 GA)	4.00"	8.41"	Yes
PS48-16-5	4.29"	11.25"	4.59" x .180" (7 GA)	4.24"		Yes
25RPL-SLIP See Note 3	4.70"	10.13"	4.59" x .180" (7 GA)	4.24"		Yes
PS48-16-38	4.70"	10.13"	4.59" x .180" (7 GA)	4.24"		Yes
35RPLSLIP See Note 4		10.13"	4.69" x .230"	4.24"		Yes
PS48-16-45		10.33"	4.59" x .180" (7 GA)	4.24"	9.2"	Yes
PS48-16-43		9.65"	5.2" x .236"	4.74"	8.94"	Yes

Notes:

- 3 Slip Yoke Assembly includes 25RSL418-1A1S slip yoke, PS48-16-38 spline plug, dust seal, shroud and RPL-Lube-50 grease.
- 4 Slip yoke assembly includes 3XRLS48-1A1 slip yoke, PS48-16-38 spline plug, dust seal, shroud, and RPL-Lube-50 grease



## BEARING STUBS &amp; SPLINE PLUGS

Coupling And Slip Kits		
Part Number	Description	Qty
<b>Kit-17N-Coup</b>	<b>Coupling Kit</b>	
17N 28 347	Weld Yoke	1
176N 53 21	Stub Shaft	1
CB210661 1XSA	Support Brkt Sa	1
1227Z 936	Nut	1
War21 1	Washer-Retainer	1

Part Number	Description	Qty
<b>Kit-20R-Coup</b>	<b>Coupling Kit</b>	
CP20 RPLS	Rpl Ujoint	3
20RLS40 11A1S	Slip Yoke	1
CB210661 1XSA	Support Brkt Sa	1
PS40 16 61	Spline Plug	1
176N 53 21	Stub Shaft	1
20WYSC38 18	End Yoke	1

Part Number	Description	Qty
<b>Kit-25R-Coup</b>	<b>Coupling Kit</b>	
CP25 RPL S	Rpl Ujoint	3
25RLS48 1A1S	Slip Yoke	1
CB210661 1XSA	Support Brkt Sa	1
Ps48 16 38	Spline Plug	1
18N 53 171	Stub Shaft	1
25WYSC38 11	End Yoke	1
1227Z 936	Nut	1
WAR21 1	Washer-Retainer	1

Coupling And Slip Kits		
Part Number	Description	Qty
<b>Kit-17N-Slip</b>	<b>17N Slip Kit</b>	
17N 28 347	Weld Yoke	1
17N 40 521	Spline Plug	1
17N 3 2651X MXL	Slip Yoke- Mxl	1

Part Number	Description	Qty
<b>25Rpl-Slip</b>	<b>25Rpl Slip Kit</b>	
25RLS48 1A1S	Slip Yoke	1
PS48 16 38	Spline Plug	1

Part Number	Description	Qty
<b>Kit-20R-Slip</b>	<b>Slip-Uj-Plug Kt</b>	
20RLS40 11A1S	Slip Yoke	1
17N 40 521	Spline Plug	1
CP20 RPLS	Rpl Ujoint	2

Part Number	Description	Qty
<b>Kit-25Slip&amp;Ujt</b>	<b>Slip &amp; Ujt Kit</b>	
25RLS48 1A1S	Slip Yoke	1
PS48 16 38	Spline Plug	1
CP25 RPL S	Rpl Ujoint	2

Part Number	Description	Qty
<b>35Rplslip</b>	<b>35Rpl Slip Kit</b>	
3XRLS48 1A1	Slip Yoke	1
PS48 16 38	Spline Plug	1

7

# BEARING STUBS & SPLINE PLUGS

**NOTES:** \_\_\_\_\_

\_\_\_\_\_

\_\_\_\_\_

\_\_\_\_\_

\_\_\_\_\_

\_\_\_\_\_

**7**

\_\_\_\_\_

\_\_\_\_\_

\_\_\_\_\_

\_\_\_\_\_

\_\_\_\_\_

\_\_\_\_\_

\_\_\_\_\_

\_\_\_\_\_

\_\_\_\_\_

\_\_\_\_\_

\_\_\_\_\_

\_\_\_\_\_

# SHAFT YOKES TABLE OF CONTENTS SECTION 8

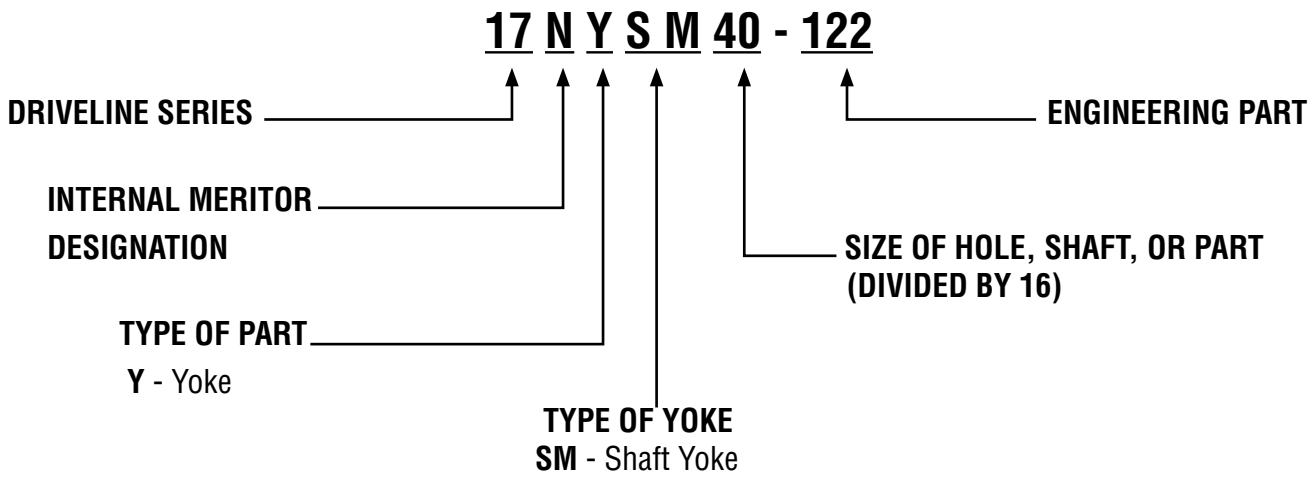
Axle Shaft Yokes — Round Bearings - - - - - 8-3  
Shaft Yokes — Round Bearings - - - - - 8-4  
Shaft Yokes — Wing Bearings - - - - - 8-5

# SHAFT YOKES

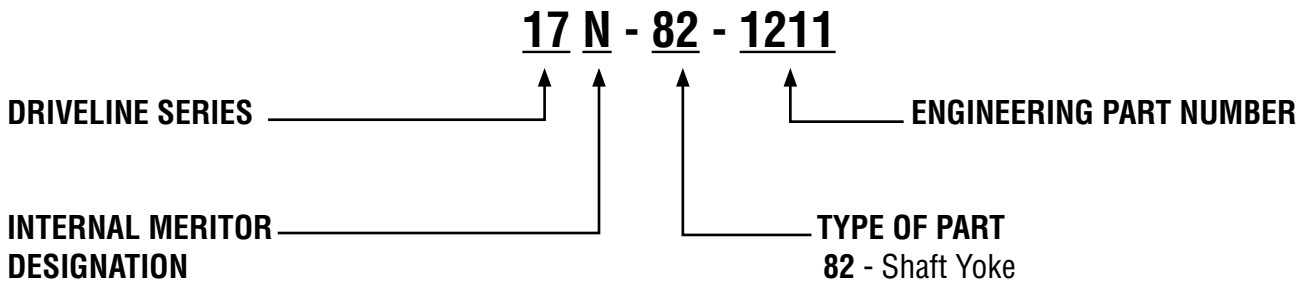
## MERITOR NUMBERING SYSTEM

Meritor components may be identified by one of the numbering systems shown below. Aftermarket numbers are issued to make Meritor components easy to select when choosing a replacement component.

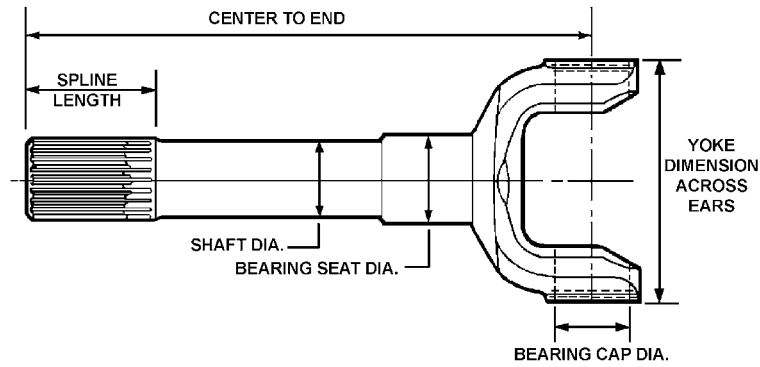
### MERITOR ENGINEERING NUMBER



### MERITOR AFTERMARKET NUMBER



# SHAFT YOKES



## Axle Shaft Yokes — Round Bearings

Part Number	Spline Size	Center to End	Spline Length	Shaft Diameter	Yoke Dimension Across Ears	Bearing Cap Diameter	Bearing Seat Diameter
<b>750N SERIES U-JOINT KIT: CP750N, CP750N-1, or CP750N-4</b>							
750NYSM27-12	1.66" - 39	13.28"	2.38"	1.64"	5.19"	1.63"	1.66"
750NYSM27-13	1.66" - 39	30.91"	2.38"	1.64"	5.19"	1.63"	1.66"
750NYSM28-112	1.75" - 34	12.73"	1.75"	1.63"	5.19"	1.63"	1.80"

<b>850N SERIES U-JOINT KIT: CP850N-4</b>							
850NYSM28-2	1.75" - 16	18.00"	2.63"	1.50"	6.06"	1.94"	2.25"
850NYSM30-20	1.88" - 16	18.00"	2.38"	1.69"	6.06"	1.94"	2.25"
850NYSM30-25	1.88" - 20	32.72"	2.38"	1.75"	6.06"	1.94"	2.25"
850NYSM32-18	2.00" - 21	14.05"	3.00"	1.94"	6.06"	1.94"	2.25"

<b>950N SERIES U-JOINT KIT: CP950N</b>							
950NYSM38-1	2.38" - 24	13.38"	3.31"	2.20"	7.89"	2.50"	2.45"
950NYSM38-15	2.38" - 24	31.63"	2.88"	2.20"	7.89"	2.50"	2.63"
950NYSM38-20	2.75" - 46	30.88"	3.03"	2.20"	7.89"	2.50"	2.63"
950NYSM38-21	2.75" - 46	32.97"	9.14"	2.20"	7.89"	2.50"	2.63"

## Axle Shaft Yokes — Round Bearings

Part Number	Spline Size & Count	Center to End	Spline Length	End Radius	Yoke Dimension Across Ears	Bearing Cap Diameter	Bottom of Crossholes to End	Joint Angle
<b>131N SERIES U-JOINT KIT: CP153X or CP200X</b>								
131-N-82-21	1.38" - 16	4.56"	1.92"	3.22"	3.47"	1.06"		16°
131-N-82-51	1.25" - 16	5.13"	1.88"	3.56"	3.47"	1.06"		16°

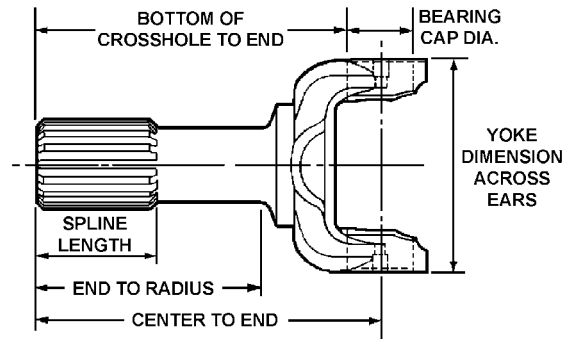
<b>135N SERIES U-JOINT KIT: CP178X</b>								
135-N-82-61	1.50" - 16	5.19"	2.00"	3.06"	3.63"	1.19"		20°
135-N-82-181	1.50" - 16	6.81"	2.50"	4.69"	3.63"	1.19"		9°

<b>141N SERIES U-JOINT KIT: CP141N or CP160X</b>								
141-N-82-1191	1.50" - 16	4.97"	2.00"	3.25"	4.97"	1.19"	4.375"	16°

<b>148N SERIES U-JOINT KIT: CP148N or CP188X</b>								
148-N-82-1121	1.562" - 16	6.75"	2.75"	4.50"	4.19"	1.38"		22°

<b>17N SERIES U-JOINT KIT: CP280X or M280X</b>								
17-N-82-1341-4	2.50" -	14.00"	4.00"					45°
17-N-82-1281-1	2.50" -	13.09"	3.50"					45°

## SHAFT YOKES



NOTE: ALL SPLINES ARE NYLON COATED.

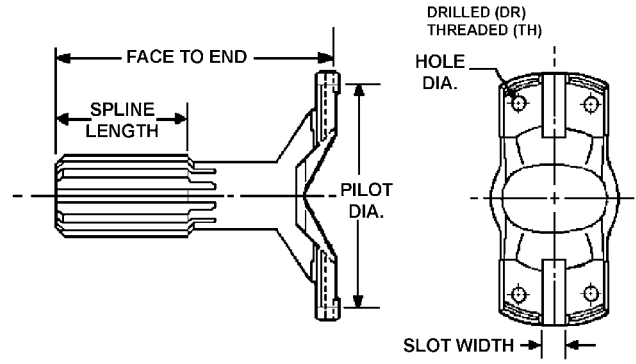
## Shaft Yokes — Round Bearings

Part Number	Spline Size	Center to End	Spline Length	End to Radius	Yoke Dimension Across Ears	Bearing Cap Diameter	Bottom of Crosshole to End	Joint Angle
<b>17N SERIES U-JOINT KIT: M280X or CP280X</b>								
17N-82-1211	2.50" - 16	8.16"	3.00"	5.22"	6.09"	1.94"	7.19"	31°
17NYSM40-122	2.50" - 16	9.50"	3.50"	6.88"	6.09"	1.94"	8.53"	
17N-82-1171-1	2.50" - 16	10.03"	3.50"	6.69"	6.09"	1.94"	9.06"	31°
17N-82-1171-12	2.50" - 16	10.66"	3.50"	7.31"	6.09"	1.94"	9.69"	31°
17N-82-1171-2	2.50" - 16	11.16"	3.50"	7.81"	6.09"	1.94"	10.19"	31°
17NYSM40-177	2.50" - 16	12.12"	2.73"	11.15"	6.09"	1.94"	11.15"	45°
17N-82-1171-5	2.50" - 16	13.00"	3.50"	9.59"	6.09"	1.94"	12.03"	31°
17NYSM40-169	2.50" - 16	13.13"	3.23"	8.88"	6.09"	1.94"	12.16"	45°
17N-82-1091-2	2.50" - 16	13.16"	4.00"	9.47"	6.09"	1.94"	12.19"	31°
17NYSM40-173	2.50" - 16	13.59"	3.23"	9.34"	6.09"	1.94"	12.62"	45°
17NYSM40-172	2.50" - 16	14.41"	3.73"	10.16"	6.09"	1.94"	13.44"	45°
17N-82-1061-8	2.50" - 16	14.75"	4.00"	9.94"	6.09"	1.94"	13.78"	45°
17N-82-1061-3	2.50" - 16	15.03"	4.00"	10.22"	6.09"	1.94"	14.06"	45°
17NYSM40-170	2.50" - 16	16.28"	3.73"	11.47"	6.09"	1.94"	15.31"	45°
17N-82-1061-4	2.50" - 16	16.88"	4.00"	12.06"	6.09"	1.94"	15.91"	45°
17N-82-1061-9	2.50" - 16	17.50"	4.00"	12.69"	6.09"	1.94"	16.53"	45°

<b>20R SERIES U-JOINT KIT: CP20RPLS</b>								
20RYSM40-47	2.50" - 16	13.45"	3.45"	9.42"	7.00"	2.06"	12.42"	42°
20RYSM40-48	2.50" - 16	13.70"	3.45"	9.42"	7.00"	2.06"	12.67"	42°
20RYSM40-49	2.50" - 16	14.20"	3.45"	9.73"	7.00"	2.06"	13.17"	42°
20RYSM40-50	2.50" - 16	14.70"	3.45"	10.23"	7.00"	2.06"	13.67"	42°
20RYSM40-51	2.50" - 16	15.20"	3.45"	10.73"	7.00"	2.06"	14.17"	42°
20RYSM40-52	2.50" - 16	15.70"	3.45"	11.23"	7.00"	2.06"	14.67"	42°
20RYSM40-53	2.50" - 16	16.20"	3.45"	11.73"	7.00"	2.06"	15.17"	42°

<b>25R Series</b>								
25RYSM48-11	3.00 - 16	14.36	3.7	9.02	8.33	2.06	13.33	47

# SHAFT YOKES



Shaft Yokes — Wing Bearings						
Part Number	Spline Size	Face to End	Pilot Diameter	Spline Length	Slot Width	Kit Mtg. Holes
<b>72N SERIES U-JOINT KIT: CP72N-DWT, CP72N-HB, CP72N-HWD or PERMALUBE</b>						
72NYSM32-58	2.00" - 10	9.13"	5.84"	2.75"	.63"	.47" - DR
72NYSM40-12	2.50" - 16	4.06"	5.84"	1.69"	.63"	.47" - DR
72NYSM40-87	2.50" - 16	6.69"	5.84"	2.75"	.63"	.50" - 20TH

8



## Meritor.com/lod

With a user-friendly approach and visually appealing format for easier, quicker surfing, Literature on Demand is your “go to” spot for all your literature needs – Parts Books, Sales Brochures and Technical Publications.

©2014 Meritor, Inc.





# SMALL PARTS

## TABLE OF CONTENTS SECTION 9

Hardware For Bearing Stubs - - - - - 9-2

Washers - - - - - 9-3

Capscrews - - - - - 9-4

Nuts- - - - - 9-5

Yoke Nuts - - - - - 9-5

Yoke Washers- - - - - 9-6

Dust Cap Groups - - - - - 9-7

Dust Seals - - - - - 9-8

Deflectors - - - - - 9-9

Strap And Bolt Kits - - - - - 9-11

U—Bolt Kits - - - - - 9-11

Bearing Clamps- - - - - 9-12

Lockplates - - - - - 9-12

Thrustplates - - - - - 9-12

Wearsleeves - - - - - 9-13

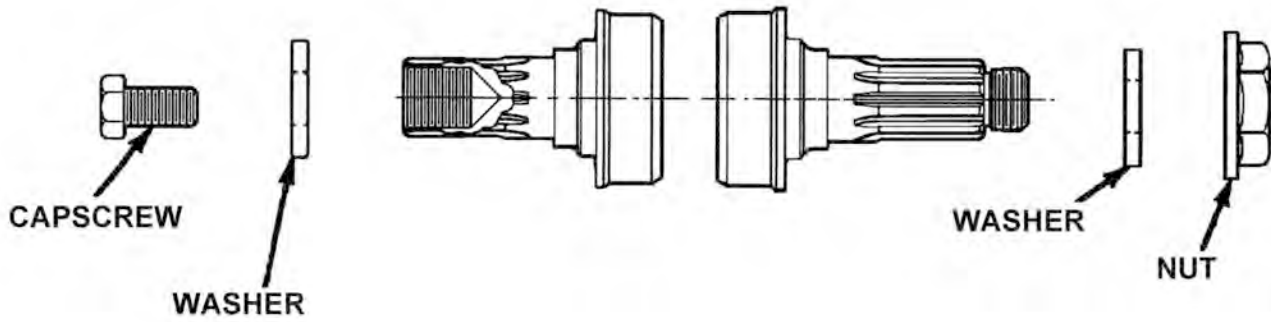
Snap Rings- - - - - 9-13

Lube Fittings - - - - - 9-13

Balance Weights - - - - - 9-14

Plugs For Slip Yokes - - - - - 9-15

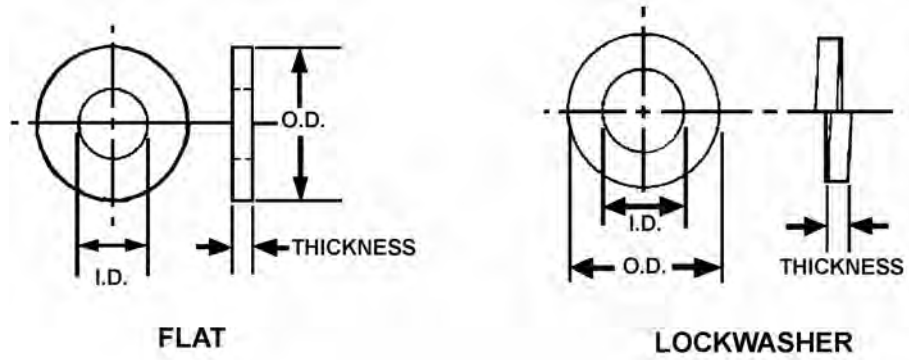
# SMALL PARTS



## Hardware For Bearing Stubs

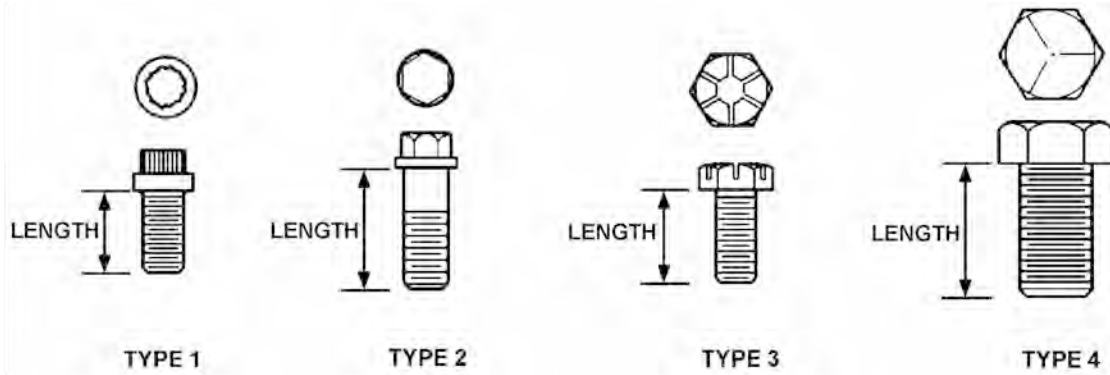
Part Number	Spline Size	Thread Size	Related Washer	Related Nut	Related Capscrew
18N-53-171	2.53" - 46	1.25" - 18			
BSS28-92	2.28" - 10	.88" - 14			
BSS31-18	2.88" - 10	1.25" - 18	WAR21-1	1227-Z-936	
BSS32-34	2.88" - 38	1.25" - 18	WAR21-1	1227-Z-936	
BSS36-10	2.56" - 10	1.25" - 18	WAR21-1	1227-Z-936	
18N-53-51	2.63" - 16	1.25" - 18	WAR21-1	1227-Z-936	
18N-53-91	2.63" - 16	1.25" - 18	WAR21-1	1227-Z-936	
BSS24-52	1.88" - 10	.75" - 16	WAR13-5	NL-112-1	
BSS24-52A	1.88" - 10	.75" - 16	WAR13-5	NL-112-1	
BSS24-53	1.88" - 10	.75" - 16	WAR13-5	NL-112-1	
BSS24-53A	1.88" - 10	.75" - 16	WAR13-5	NL-112-1	
BSS24-60A	1.88" - 10	.75" - 16	WAR13-5	NL-112-1	
141N-53-1081	1.81" - 10	.75" - 16	WAR13-5		S-11212
16N-53-141	2.06" - 10	1.25" - 18	WAR21-1	1227-Z-936	
16N-53-191	2.28" - 10	1.25" - 18			
176N-53-21	2.53" - 46	1.25" - 18			
17N-53-151	2.88" - 10	1.25" - 18	WAR21-1	1227-Z-936	
17N-53-201	2.88" - 10	1.25" - 18	WAR21-1	1227-Z-936	
17N-53-241	2.88" - 10	1.25" - 18			
17N-53-311	2.63" - 16	1.25" - 18	WAR21-1	1227-Z-936	
17N-53-411	2.84" - 38	1.25" - 18			

# SMALL PARTS



Washers				
Part Number	Type	Outside Diameter	Inside Diameter	Thickness
<b>WA-15Z</b>	Lock Washer	.58"	.32"	.08"
<b>WA-46</b>	Lock Washer	.69"	.38"	.12"
<b>WA-48</b>	Lock Washer	.69"	.52"	.15"
<b>WALM7-2</b>	Lock Washer	.77"	.44"	.11"
<b>WA-18</b>	Lock Washer	.88"	.52"	.13"
<b>WAR13-5</b>	Flat Metal	1.75"	.78"	.19"
<b>WAR20-1</b>	Flat Metal	2.13"	1.27"	.12"
<b>WAR8-14</b>	Flat Metal	2.23"	.53"	.38"
<b>WAR21-1</b>	Flat Metal	2.75"	1.31"	.162"
<b>WAR29-2</b>	Flat Metal	3.5	1.79	0.22

# SMALL PARTS



TYPE 1

TYPE 2

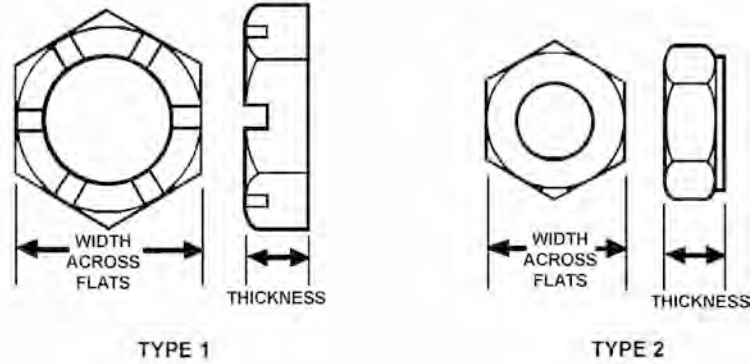
TYPE 3

TYPE 4

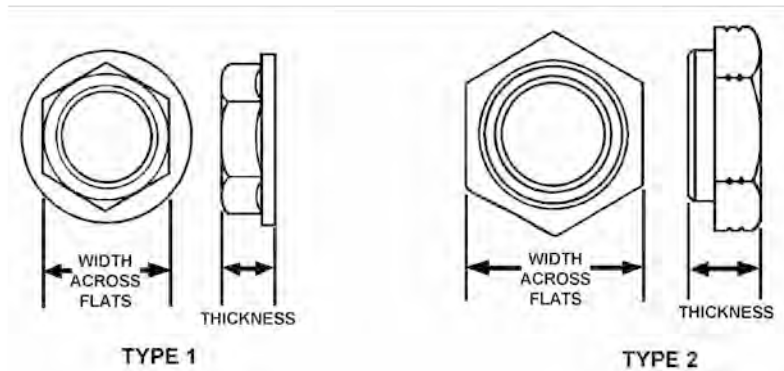
## Cap screws

Part Number	Type	Thread Size	Length	Grade
SP-1049	1	.31" - 18	1.75"	Grade 8
SP-1045	1	.38" - 16	1.75"	Grade 8
SP-1013	1	.38" - 24	.75"	Grade 8
SP-1010	1	.44" - 20	1.12"	Grade 8
SP-1012	1	.44" - 20	2.00"	Grade 8
CSC8-20-52	1	.50" - 20	1.75"	Grade 8
SP-1014	1	.50" - 20	1.00"	Grade 8
MS-212030-2	2	M12 x 1.75	30mm	Grade 10.9
MS-212060-2	2	M12 x 1.75	60mm	Grade 10.9
CSH5-24-37	2	.31" - 24	.75"	Grade 8
CSH5-24-34	2	.31" - 24	.88"	Grade 8
CSH5-24-27	2	.31" - 24	1.00"	Grade 8
CSH4-28-13	3	.25" - 28	.63"	Grade 8
CSH5-24-28	3	.31" - 24	.75"	Grade 8
S-155B-2	4	.31" - 24	.63"	Grade 8
S-165B-2 1	4	.38" - 24	.63"	Grade 8
S-168-2	4	.38" - 24	1.00"	Grade 8
S-1616-2	4	.38" - 24	2.00"	Grade 8
S-179-2	4	.44" - 20	1.13"	Grade 8
S-1716-2	4	.44" - 20	2.00"	Grade 8
S-1812-2	4	.50" - 20	1.50"	Grade 8
S-1818-2	4	.50" - 20	2.25"	Grade 8
S-1820-2	4	.50" - 20	2.50"	Grade 8
S-1822-2	4	.50" - 20	2.75"	Grade 8
S-11212	4	.75" - 16	1.50"	Grade 5

# SMALL PARTS



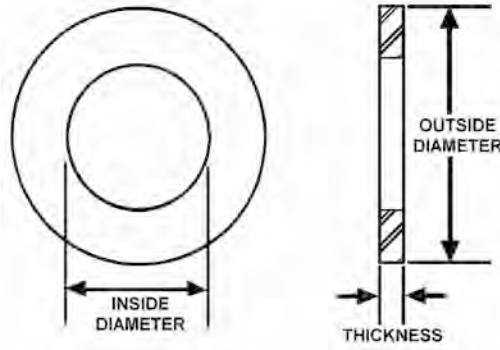
Nuts				
Part Number	Type	Width Across Flats	Thread Size	Thickness
NUEL8-20-8	1	.75"	.50" - 20	.31"
NL-25-1	2	.50"	.31" - 18	.30"
NL-26-1	2	.56"	.38" - 16	.33"
NUHX6-24-14	2	.56"	.38" - 24	.34"
R005961	2	.69"	.44" - 20	.42"
NUJA8-20-6	2	.75"	.50" - 20	.31"
NL-112-1	2	1.13"	.75" - 16	.63"



Yoke Nuts						
Part Number	Type	Width Across Flats	Thread Size	Metric Thread	Thickness	Related Washer
1227-G-943	1	1.13"	0.88" - 20		.50"	1229-S-1397
1227-C-939	1	1.32"	1.00" - 20		.57"	1229-E-1331
1227-K-1051	1	1.63"	1.25" - 12		.62"	1229-A-2653
1227-Z-936	1	1.63"	1.25" - 18		.62"	1229-A-2653
1227-J-946	1	1.88"	1.50" - 12		.75"	1229-T-1736
1227-A-937	1	1.88"	1.50" - 18		.75"	1229-E-1071
1227-D-940	1	2.25"	1.75" - 12		.69"	1229-S-1605
1227-Q-901	2	1.88"	1.25" - 12		.75"	1229-A-2653
1227-R-902	2	2.25"	1.50" - 12		.88"	1229-T-1736
1227-N-898	2	2.58"	1.75" - 12		.99"	1229-N-1730
40-X-1236 See Note 2	2	45.69mm		32mm x 1.5-6H Thd.	18mm	1229-A-2653
40-X-1237	2	54.63mm		39mm x 1.5-6H Thd.	21mm	1229-T-1736
40-X-1233	1	56.20mm		45mm x 1.5-6H Thd.	24mm	1229-W-4521

Note:  
2 Order KIT 2636 to purchase nut and washer.

# SMALL PARTS



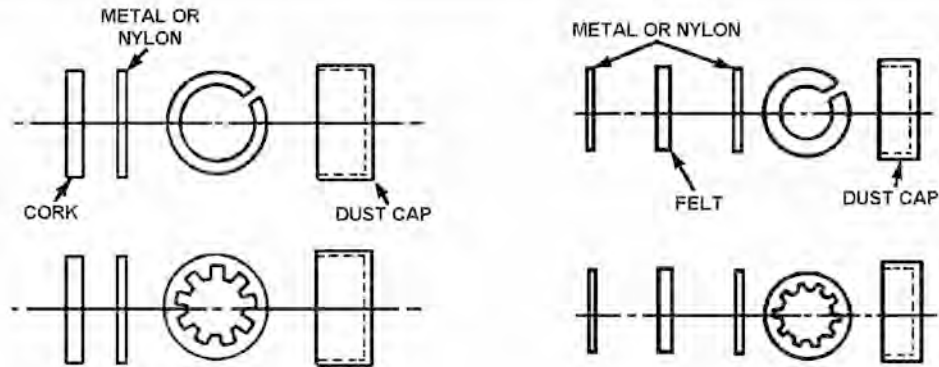
## Yoke Washers

Part Number	Outside Diameter	Inside Diameter	Thickness
1229-S-1397	1.62"	.91"	.13"
1229-N-1548	1.62"	.91"	.19"
1229-E-1331	1.81"	1.03"	.25"
1229-A-2653	2.19"	1.28"	.22"
1229-T-1736	2.38"	1.53"	.13"
1229-F-2918	2.38"	1.53"	.25"
1229-G-1281	3.00"	1.78"	.10"
1229-N-1730	3.00"	1.78"	.19"
1229-W-4521 See Note 6	3.25"	1.75"	.31"
1229-S-1605	3.25"	1.81"	.40"
1229-E-1071	3.25"	2.03"	.28"

9

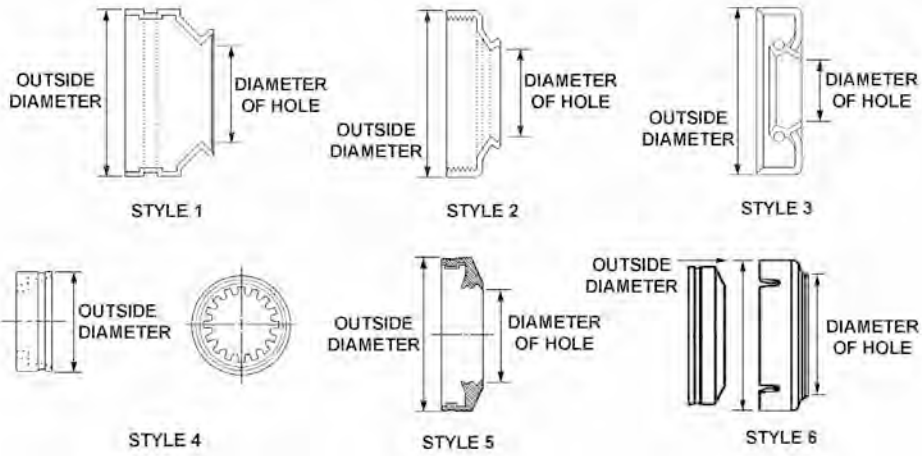
Notes:  
6 Included in KIT 2638.

# SMALL PARTS



Dust Cap Groups								
Part Number	Series	Style	Seal Size - No. of Teeth	Dust Cap	Felt Washer	Nylon Washer	Metal Washer	Cork Seal
ND2K	131N	SPL	1.25" - 16	Yes	No	Yes	No	No
ND3K	133N, 135N, 141N	SPL	1.50" - 16	Yes	No	No	Yes	Yes
ND3E	135N, 141N	SPL	1.38" - 16	Yes	No	No	No	Yes
DC148N-1	148N	RD	1.50"	Yes	No	No	Yes	Yes
DC155N	155N	SPL	1.75" - 32	Yes	Yes	No	No	No
DC17N-3	17N	RD	2.50"	Yes	No	No	Yes	Yes
DC17N	17N	RD	2.50"	Yes	No	No	Yes	Yes
DC5N-16	58WB	SPL	1.75" - 16	Yes	Yes	No	Yes	No
DC62N-1	62N	RD	1.75"	Yes	Yes	No	Yes	No
DC72N-1	72N	RD	2.00"	Yes	Yes	No	Yes	No
DC72N	72N	SPL	2.00" - 10	Yes	Yes	Yes	No	No
DC82N-1	82N	SPL	2.50" - 10	Yes	Yes	No	Yes	No
DC82N-4	82N	SPL	2.50" - 16	Yes	Yes	No	Yes	No
MD3H	14N-148N	RD	1.24"	Yes	No	Yes	Yes	No
MD4K	155N	RD	1.75"-16	Yes	No	No	Yes	Yes
MD3G	135N-14N	RD	1.38"-16	Yes	No	No	Yes	Yes
MD4J	155N	RD	1.406"	Yes	No	No	Yes	Yes

# SMALL PARTS



## Dust Seals

Part Number	Style	Series	Thread Size	Outside Diameter	Diameter of Hole	Spline Size
SERUR14-16	1	L6N		1.75"	0.79"	
R280196	1	121N		2.00"	1.00"	
R280194	1	133N, 13N, 3R, 7260		2.13"	1.16"	
SERUR21-3	1	155N		2.29"	1.33"	
ND2C	2	131N		2.00"	1.09"	
ND3A	2	131N, 135N, 141N, 3R		2.13"	1.18"	
ND3H	2	148N		2.31"	1.25"	
SERUR22-4	2	58WB, 62N	2.12" - 20	2.43"	1.32"	
SERUR25-1	2	148N, 155N, 58WB, 72N	2.50" - 20	2.62"	1.52"	
SERUR25-2	2	155N, 16N, 62N	3.00" - 24	2.62"	1.52"	
SERUR33-4	2	176N, 17N, 72N, 82N	3.00" - 24	3.25"	1.98"	
SERUR40-8	2	17N, 18N	3.62" - 16	4.00"	2.44"	
SERUR40-3	2	85WB, 92N	3.75" - 20	4.00"	2.44"	
SERUS20	4	L6N		1.75"		1.25" - 32
R280195	4	135N, 141N		2.13"		1.38" - 16
SERUS28-4	4	155N		2.30"		1.73" - 16
SERUR16-8	5	72N		1.48"	1.01"	
SERUR32-7 See Note 9	5	20RPL		3.29"	1.97"	
SERUR32-9 See Note 8	5	17N, 176N		3.36"	1.98"	
SERUR40-21 See Note 10	5	25RPL		3.77"	2.41"	
SERUR39-2 See Note 8	5	18N		3.86"	2.43"	
KIT 6269	6	16N		2.61"	1.56"	
KIT 6167	6	176N, 17N		3.11"	1.98"	
KIT 6168	6	18N		3.61"	2.43"	
M658638	2	18N		3.97"	2.52"	3.0"-16

Notes:

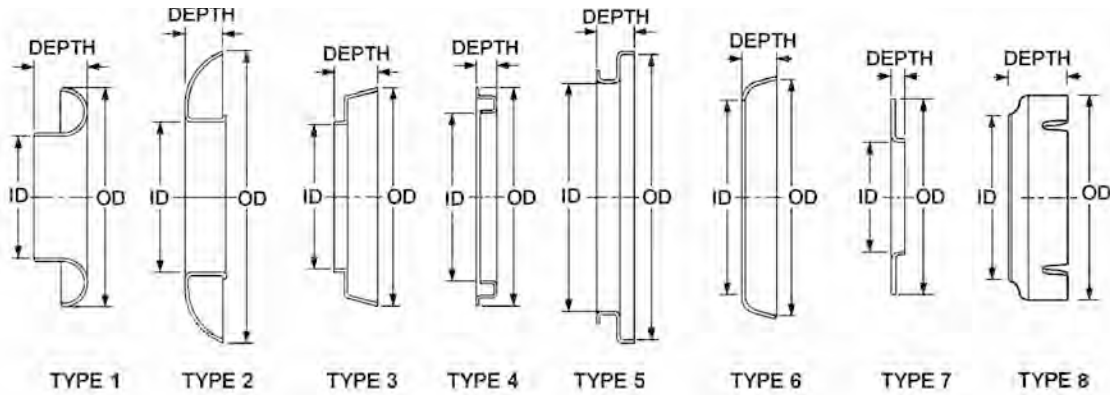
8 MXL Design. Available Fall 2009

9 Use KIT 20RPL SEAL for replacement on 20RPL. Kit contains DEFR53-4 and SERUR32-7. Replace both at same time.

10 Use KIT RPL SEAL for replacement on 25RPL. Kit contains DEFR61-1 and SERUR40-21. Replace both at same time.



# SMALL PARTS



Deflectors				
Part Number	Outside Diameter	Inside Diameter	Depth	Type
3264-P-172				
DEFR22-4	2.25"	1.75"	0.75"	1
DEFR22-5	2.43"	1.38"	0.62"	1
DEFR25-4	2.43"	1.56"	0.64"	1
RBR28-1	2.50"	1.75"	0.50"	3
DEFR25-1	2.62"	1.56"	0.59"	1
DEFR25-2	2.87"	1.56"	0.93"	1
DEFR28-3	2.87"	1.77"	0.59"	1
DEFR53-4 See Note 9	3.30"	2.56"	0.91"	3
DEFR44-10	3.45"	2.76"	0.83"	2
DEFR38-5	3.56"	2.37"	1.25"	3
DEFR48-10	3.78"	3.50"	0.65"	4
DEFR61-1 See Note 10	3.80"	3.06"	0.91"	3
DEFR35-3	3.94"	2.18"	0.57"	3
DEFR48-6	3.94"	3.02"	0.39"	4
DEFR28-4	4.00"	1.75"	0.83"	2
DEFR33-1	4.00"	2.06"	0.56"	2
DEFR34-1	4.00"	2.16"	0.56"	2
DEFR43-1	4.00"	2.68"	0.58"	3
DEFR55-3	4.17"	3.43"	1.24"	2
DEFR42-1	4.32"	2.64"	0.63"	2
DEFR47-5	4.33"	2.94"	0.31"	2
DEFR44-11	4.37"	2.76"	0.99"	2
DEFR37-1	4.38"	2.31"	0.56"	2
DEFR40-5	4.38"	2.53"	0.87"	2
DEFR49-1	4.38"	3.06"	0.81"	1
DEFR48-2	4.44"	2.99"	1.125"	2
DEFR38-3	4.50"	2.37"	1.25"	3
DEFR41-1	4.56"	2.56"	0.56"	2
DEFR48-8	4.57"	2.99"	1.18"	2
DEFR62-1	4.59"	3.85"	0.40"	4
DEFR38-1	4.63"	2.38"	0.88"	2
DEFR47-6	4.75"	2.94"	0.31"	7

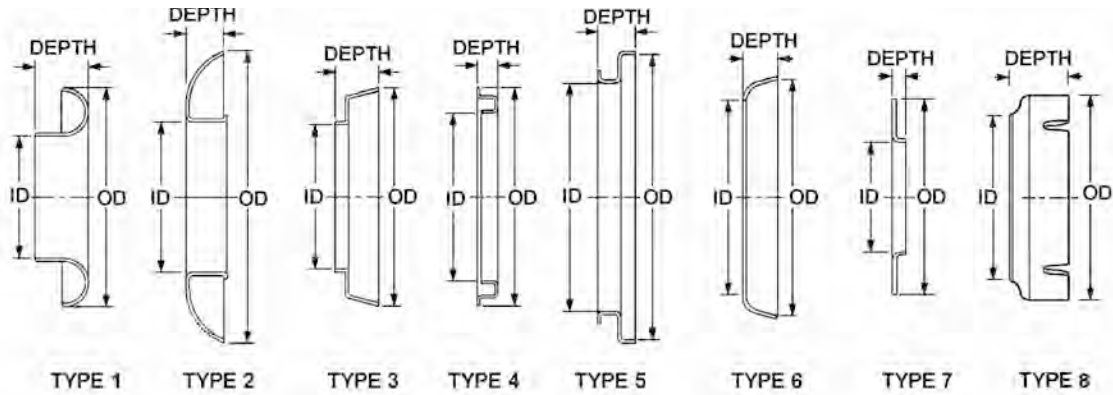
9

Notes:

9 Use KIT 20RPL SEAL for replacement on 20RPL. Kit contains DEFR53-4 and SERUR32-7. Replace both at same time.

10 Use KIT RPL SEAL for replacement on 25RPL. Kit contains DEFR61-1 and SERUR40-21. Replace both at same time.

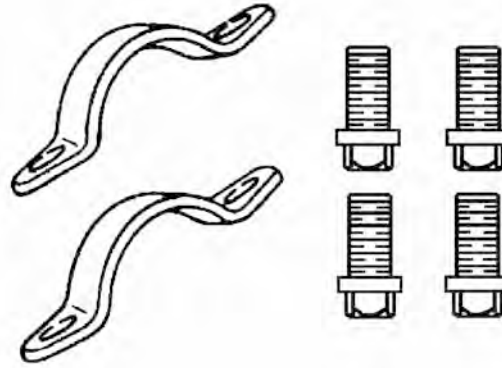
# SMALL PARTS



## Deflectors

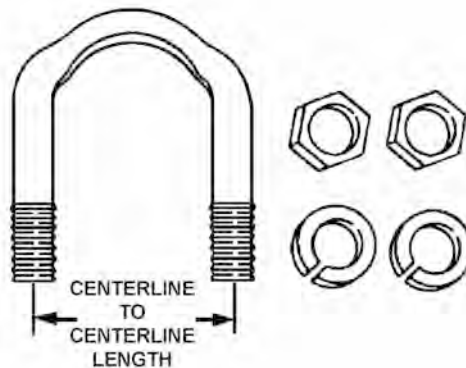
Part Number	Outside Diameter	Inside Diameter	Depth	Type
DEFR47-12	4.80"	2.97"	0.56"	3
DEFR40-4	4.81"	2.51"	1.00"	2
DEFR35-1	4.81"	2.81"	0.56"	2
DEFR50-4	4.88"	3.13"	0.94"	2
DEFR56-2	4.88"	3.51"	0.72"	6
DEFR59-2	4.88"	3.66"	1.03"	2
DEFR48-5	5.00"	2.99"	0.69"	2
DEFR47-4	5.13"	2.95"	0.69"	2
DEFR55-2	5.13"	3.43"	1.13"	6
DEFR60-3	5.14"	3.74"	0.67"	5
DEFR66-1	5.14"	4.09"	0.67"	5
DEFR43-3	5.46"	2.70"	0.28"	2
DEFR44-1	5.50"	2.76"	0.84"	2
DEFR65-1	5.50"	4.06"	0.81"	6
DEFR55-1	5.56"	3.31"	0.58"	2
DEFR47-2	5.72"	2.95"	0.88"	2
DEFR54-1	5.75"	3.38"	0.94"	2
DEFR54-12	5.80"	3.38"	0.40"	2
DEFR47-7	6.00"	2.95"	0.94"	2
DEFR50-7	6.00"	3.13"	0.81"	2
DEFR59-1	6.00"	3.66"	0.90"	2
DEFR60-1	6.25"	3.74"	1.12"	3
DEFR47-13	6.75"	2.95"	1.00"	2
DEFR50-2	7.00"	3.13"	0.81"	2
DEFR56-7	7.00"	3.49"	0.88"	2
DEFR54-5	7.37"	3.38"	1.50"	2

# SMALL PARTS



Strap And Bolt Kits					
Part Number	Retainer Strap (2 per kit)	Capscrew (4 per kit)	Lock Nut (4 per kit)	Lock Washer (4 per kit)	Series
KT16SB	REBC16S	SP-1013			16N
KT121	REBC141-1	SP-1049	NL-25-1		131N, 141N
KT122	REBC141-1	CSC5-24-37			131N, 141N
KT123	REBC148-2	SP-1045	NL-26-1		148N, 155N
KT124	REBC148-2	SP-1013			148N, 155N
KT125	REBC141	CSH5-24-27		WA-15Z	131N, 141N
KT126 See Note 5	REBC148	CSH5-24-27		WA-15Z	148N, 155N
KT17SB	REBC17S	SP-1014			176N, 17N, 18N
90N-70-28X					SPL90/100
170N-70-18X					SPL170
250N-70-18X					SPL250
M2-70-18X					121N, 131N, 133N
M2-70-48X					3R
M2-70-28X					1330

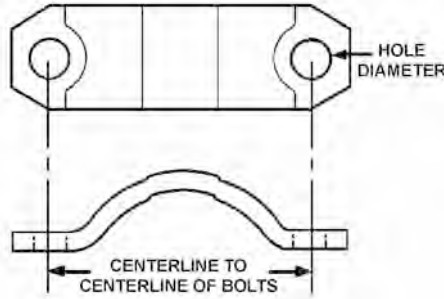
9



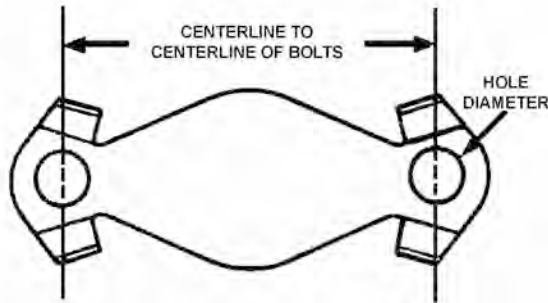
U—Bolt Kits						
Part Number	U-Bolts (in kit)	Nuts (in kit)	Lockwashers (in kit)	CL to CL Length	Thread Size	Series
KT116	2	4	4	1.41"	.31" - 24	131N, 133N
KT117	2	4	4	1.63"	.38" - 24	141N
KT118	2	4	4	1.88"	.44" - 20	148N, 155N

Note:  
5 .31 in - 24 thread

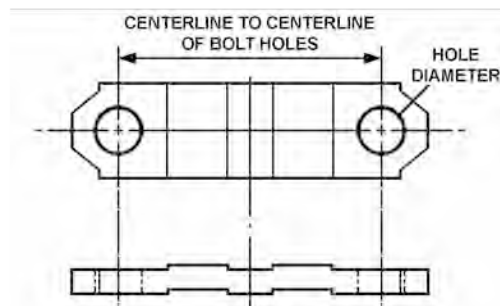
## SMALL PARTS



Bearing Clamps				
Part Number	CL to CL of Bolt Holes	Hole Diameter	Series	Use Capscrew
REBC131	1.63"	0.33"	131N	
REBC141-1	1.80"	0.33"	131N, 141N-T	CSC5-24-27
REBC141	1.88"	0.35"	131N, 141N	CSH5-24-27
REBC148	1.94"	0.33"	148N, 155N	CSH5-24-27
REBC148-2	2.12"	0.40"	148N, 155N, 155N-D	SP-1013, SP-1045
REBC16S	2.50"	0.42"	16N	CSC6-24-56
REBC17S	2.80"	0.55"	176N, 17N, 18N	SP-1014



Lockplates				
Part Number	CL to CL of Bolt Holes	Hole Diameter	Series	Use Capscrew
KIT-CP1610-HDWE See Note 1	2.31"	.34"	16N	S-155-2
LPHC39-3 See Note 2	2.44"	.39"	176N, 17N, 18N	S-165-2

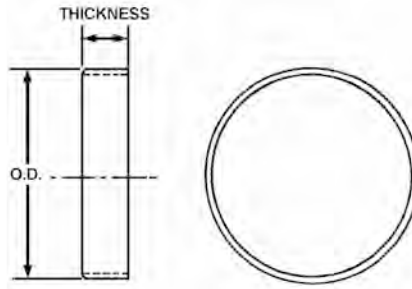


Thrustplates				
Part Number	CL to CL of Bolt Holes	Hole Diameter	Series	Use Capscrew
RECP148	1.75"	0.27"	148N, 155N	CSH4-28-13
RECP155	1.81"	0.33"	155N	CSH5-24-28

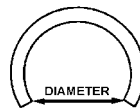
Notes:

- 1 Contains 4 lockplates, 8 capscrews and 2 zerk fittings.
- 2 Available in KIT 5504 which includes 4 lock plates and 8 capscrews.

# SMALL PARTS



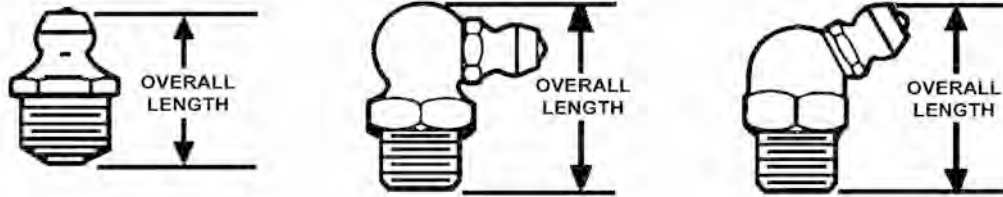
Wearsleeves			
Part Number	Outside Diameter	Thickness	Series
1199-A-3329	2.50"	1.00"	16N, 18N, 72N
WIR46-2	3.00"	0.63"	82N, 92N



External/Outside  
Type 1

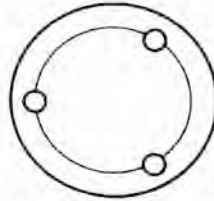
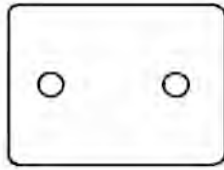
Snap Rings				
Part Number	Snap Ring Type	Outside Diameter	Thickness	Series
RRER16-2	External / Outside	.766"	.078"	L15N
RRIR24-2	Internal / Inside	1.52"	.059"	148N, 155N
RRIR36-4	Internal / Inside	2.28"	.078"	20RPL, 25RPL

9



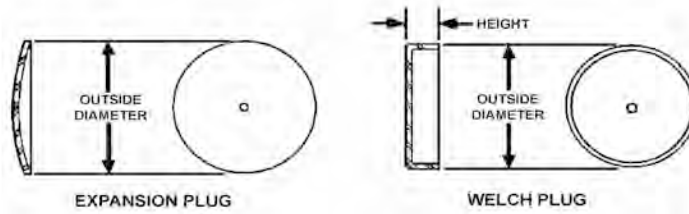
Lube Fittings				
Part Number	Overall Length	Angle	Thread Size	Thread Type
1199-H-1620	.89"	45°	.13" - 27	P.T.F.
2206-C-1121	.78"	65°	.25" - 28	TAPER
1199-X-1870	.84"	65°	.13" - 27	P.T.F.
1199-L-2118	.75"	90°	.25" - 28	TAPER
1898-R-720	.84"	90°	.13" - 27	P.T.F.
1199-T-2854	.47"	Straight	.25" - 28	U.N.F.
1898-Q-771	.47"	Straight	.13" - 27	P.T.F.
1199-B-2576	.55"	Straight	.25" - 28	TAPER
1199-A-963	.69"	Straight	.25" - 28	TAPER
1199-N-1860	.72"	Straight	.13" - 27	P.T.F.

# SMALL PARTS



Balance Weights		
Part Number	Weight	Style
BLWP33-2	.25 oz.	Rectangular
BLWR18-1	.27 oz.	Round
BLWR18-2	.33 oz.	Round
BLWP33-1	.33 oz.	Rectangular
BLWR18-3	.42 oz.	Round
BLWR18-4	.50 oz.	Round
BLWP32-3	.50 oz.	Rectangular
BLWP32-2	.56 oz.	Rectangular
BLWR18-6	.68 oz.	Round
BLWP32	.70 oz.	Rectangular
BLWP11-2	1 oz.	Rectangular
BLWP22-1	2 oz.	Rectangular

# SMALL PARTS



Plugs For Slip Yokes				
Part Number	Type	Outside Diameter	Height	Series
<b>PLEX28-1</b> See Note 5	Expansion	1.750"		58WB, 62N
<b>PLEX31-14</b>	Expansion	1.975"		148N, 155N
<b>PLEX33-1</b> See Note 5	Expansion	2.031"		16N
<b>PLEX42-2</b>	Expansion	2.625"		16N, 17N, 750N
<b>PLWE30-1</b> See Note 6	Welch	1.850"	0.50"	141N, 148N
<b>PLWE33-2</b> See Note 6	Welch	2.100"	0.69"	155N
<b>PLWE36-2</b>	Welch	2.210"	0.83"	16N, 62N, 72N
<b>PLWE36-6</b> See Note 5	Welch	2.210"	0.84"	58WB, 62N, 72N, 82N
<b>PLWE36-1</b>	Welch	2.215"	0.62"	16N, 62N, 72N
<b>PLWE36-7</b> See Note 5	Welch	2.215"	0.62"	17N, 58WB, 62N, 72N
<b>PLWE40-5</b>	Welch	2.465"	0.83"	16N
<b>PLWE43-1</b>	Welch	2.683"	0.75"	176N, 72N, 82N, 85WB
<b>PLWE43-2</b>	Welch	2.683"	1.00"	72N, 82N
<b>PLWE43-12</b>	Welch	2.938"	0.62"	176N, 17N
<b>PLEX49-2</b>	Welch	3.075"	0.161"	18N
<b>PLWE53-15</b> See Note 7	Welch	3.330"	0.69"	92N
<b>PLWE53-4</b>	Welch	3.330"	0.69"	85WB, 92N

Notes:

5 Plug does not have a hole in the center.

6 Welch plug has a .19 in. lip.

7 Welch plug has a threaded hole (.13 in. NPT) in the center for a relief valve.





# U-JOINT KITS TABLE OF CONTENTS SECTION 10

- Kits For Easy Service Yokes - - - - - 10-2
- Automotive Applications- - - - - 10-3
- Industrial Applications - - - - - 10-3
- Construction Applications - - - - - 10-3
- Wheel Axle Applications On - Off Highway - - - - - 10-3
- Measuring U—Joint Kits- - - - - 10-5
- U—Joint Kits — Inside Snap Rings - - - - - 10-7
- U—Joint Kits — Outside Snap Rings - - - - - 10-9
- U—Joint Kits — Inside And Outside Snap Ring Combinations - - - - - 10-11
- U—Joint Kits — Wing Type Combinations - - - - - 10-12
- U—Joint Kits — 2 Wing Type And 2 Round Bearings - - - - - 10-16
- U—Joint Kits — Wing Type And Cover Plate Hybrid - - - - - 10-17
- U—Joint Kits — Bearing Plate - - - - - 10-18
- U—Joint Kits — Meritor Easy Service - - - - - 10-19
- Dual Plane Retainer- - - - - 10-20
- U—Joint Kits — Rpl Series - - - - - 10-21
- U—Joint Kits — Rpl Series - - - - - 10-21
- U—Joint Sizes / Ratings/ Speeds / Tube Sizes- - - - - 10-22
- Attaching Hardware Torque Specs - - - - - 10-23

# U-JOINT KITS

## Kits For Easy Service Yokes



**U-JOINT KITS:**

- M674X (Includes Strap)
- M675X (Includes Strap)
- M676X (Includes Strap)
- M677X (Includes Strap)



**U-JOINT KITS:**

- CP141N
- CP148N
- CP155N



**STRAP AND BOLT KITS:**

- KT16SB
- KT17SB
- KT122
- KT124
- KT125 (Includes 4 Lock Washers)
- KT126 (Includes 4 Lock Washers)



**STRAP AND BOLT KITS:**

- KT121
- KT122



**U-BOLT KITS:**

- KT117
- KT118

10

# U-JOINT KITS APPLICATION GUIDE - MERITOR SERIES

Automotive Applications			
SERIES	MACHINE or VEHICLE	APPLICATION	YIELD TORQUE (Ft.Lb.)
L6	Medium and Heavy Truck	Steering	667
141N	Truck	Main & Inter-Axle Drive	3,750
62N	Truck	Main & Inter-Axle Drive	5,000
148N	Truck	Main & Inter-Axle Drive	5,000
155N	Truck	Main & Inter-Axle Drive	6,250
58WB	Truck	Main & Inter-Axle Drive	7,025
72N	Truck	Main & Inter-Axle Drive	7,080
16N	Truck	Main & Inter-Axle Drive	7,100
82N	Truck	Main & Inter-Axle Drive	11,083
17N	Truck	Main & Inter-Axle Drive	9,600
176N	Truck	Main & Inter-Axle Drive	16,000
750N	Military Truck	Wheel/Axle	5,760
850N	Truck	Wheel/Axle	16,700
18N	Truck	Main & Inter-Axle Drive	21,000
85WB	Truck	Main & Inter-Axle Drive	7,025
92N	Truck	Main & Inter-Axle Drive	23,000
950N	Truck	Wheel/Axle	39,000

Industrial Applications			
SERIES	MACHINE OR VEHICLE	APPLICATION	YIELD TORQUE (Ft.Lb.)
72N	Mill	Roll Drive	7,080
17N	Mill	Roll Drive	9,600
85WB	Mill	Roll Drive	12,500
92N	Mill	Roll Drive	23,000

Construction Applications			
SERIES	MACHINE OR VEHICLE	APPLICATION	YIELD TORQUE (Ft.Lb.)
L6	Grader	Steering	667
62N	Skidder, Loader	Main & Inter-Axle Drive	5,000
	Truck, Crane	Main & Inter-Axle Drive	
	Lift Truck	Main & Inter-Axle Drive	
72N	Grader	Main	7,080
	Truck Crane	Main	
	Crawler Loader	Main	
	Lift Truck	Main	
	Compactor	Main	
	Rough Terrain Crane	Main & Inter-Axle Drive	
17N	Loader	Main & Inter-Axle Drive	9,600
85WB	Scraper	Main	12,500
	Loader	Main	
	Truck Crane	Main	
850N	Loader	Wheel/Axle	16,700
92N	Crawler Truck	Main	23,000
950N	Loader	Wheel/Axle	39,000

Wheel Axle Applications On - Off Highway			
SERIES	MACHINE OR VEHICLE	APPLICATION	YIELD TORQUE (Ft.Lb.)
58WB	Truck	Miscellaneous	7,025
92N	Mill	Miscellaneous	23,000
	Truck		
	Crawler Truck		
750N	Military Truck	Miscellaneous	5,760
850N	Truck Loader	Miscellaneous	16,700
950N	Truck Loader	Miscellaneous	39,000

10

# U-JOINT KITS

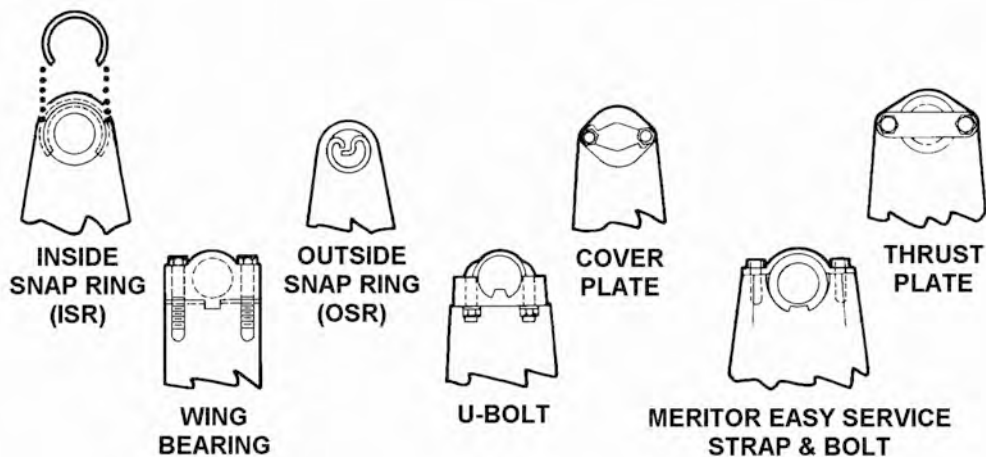
## How To Select U—Joint Kits

Meritor offers U-joints in a full range of sizes for automotive as well as On and Off-highway truck and equipment applications

All sizes and types of Meritor U-joint kits are basically the same. They consist of the following:

- A cross
- Four (4) bearing races
- Seals
- Needle bearings
- Hardware to retain the bearings in the yoke
- Lube fitting (for most kits)

### METHODS OF RETAINING U-JOINT KITS



10

Meritor U-joint Kits are catalogued by methods of retention within their basic style groups shown on the following pages. Each U-joint kit section uses specific illustrations showing primary dimensions for determining the part number.

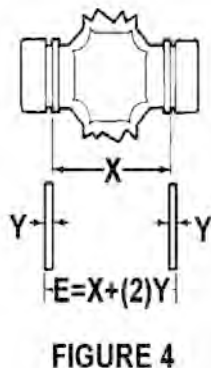
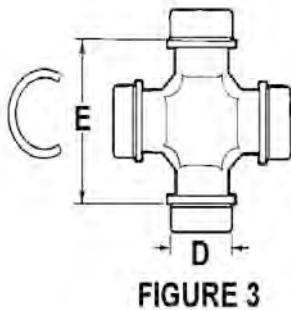
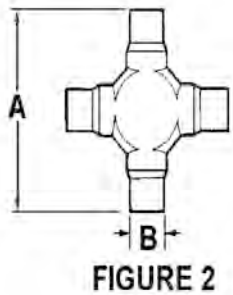
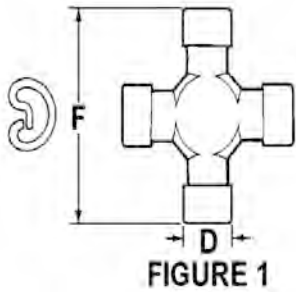
The following table shows the basic kits styles used on passenger cars and light duty trucks regardless of vehicle model:

VEHICLE MANUFACTURER	MERITOR	CLEVELAND	DETROIT	SAGINAW/MECH.
AMC/JEEP	OSR	-	ISR	-
CHRYSLER	OSR	-	ISR	-
FORD	OSR	ISR	-	-
GMC	OSR	-	-	INJECTED NLYON/ISR
IHC	OSR	ISR	-	-

For medium and heavy-duty trucks, buses and off-highway equipment, use this catalog to identify the style of U-joint kit that needs replacing and match the dimensions from these pages with the dimensions of the worn kit.

# U-JOINT KITS

## Measuring U-Joint Kits



### MEASURING U-JOINT KITS REMOVED FROM VEHICLE

1. Remove the bearing caps.
2. Remove excess grease from the bottom of the bearing caps and trunnions.
3. Remove the seals from the bearing caps or trunnion to ensure accurate measurements when parts are compressed.
4. Measure as shown, using tolerance of +.005"/-.005" for dimensions "F" and "E", and a tolerance of +.003"/-.003" for all others.

### OUTSIDE SNAP RING STYLE

- A) Measure dimension "F" (Figure 1) and write it down.
- B) Measure dimension "D" (Figure 1) and write it down.
- C) Is there a lube fitting? Is it in the cross or the cap?
- D) If more information is needed, measure dimensions "A" and "B" (Figure 2). These dimensions may vary between manufacturers.
- E) Refer to the pages showing Outside Snap Ring Kits.

### INSIDE SNAP RING STYLE

- A) Measure dimension "E" (Figure 3) and write it down. Be sure to include the thickness of the snap rings. The following method should be helpful.
  - 1) Measure from the inner edge of the snap ring groove to the inner edge of the other as shown by dimension "X". (Figure 4)
  - 2) Measure the thickness of one snap ring (Dim "Y"). Dimension "E" then equals "X" + 2 ("Y"). (Figure 4)
- B) Measure dimension "D" (Figure 3) and write it down.
- C) Is there a lube fitting? Is it in the cross or the cap?
- D) If more information is needed, measure dimensions "A" and "B" (Figure 2). These dimensions vary between manufacturers.
- E) Refer to the pages showing Inside Snap Ring Kits.

## U-JOINT KITS

### LUBRICATION OF U—JOINTS

The function of the lubricant in a U-joint is to protect the surface of the rollers and races from rust of corrosion and to reduce the friction between the rollers and races.

#### THE FOLLOWING GREASES ARE RECOMMENDED

An NLGI No. 2 grease consisting of a mineral oil and Lithium soap or equivalent base with EP additives to give long life characteristics.

Greases approved by Meritor include:

- PN-C1AZ 19590 or a grease meeting Ford Motor Company Specification M1C-75B
- Kendall L-424 Grease
- Amoco Super Chassis
- Amalie All-Purpose Grease with Moly, Li-2M
- Exxon 5160
- Shell Super Duty Special FF
- Maralube Moly Code 529
- Philube MWEP2 Grease

**10**

The center crosses of the U-joints hold a generous supply of lubricant. This stored lubricant is supplied to the bearing by the centrifugal action of the rotating cross.

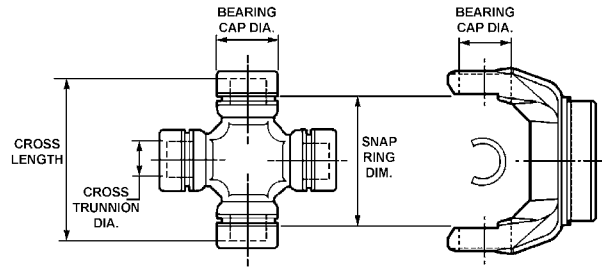
#### LUBRICANT REQUIREMENTS FOR U-JOINTS WILL VARY WITH THE APPLICATION.

Light duty, low angle service may permit “greased for life” initial lubrication only.

Conditions of high angle, high speed or extremely dirty or moist conditions may require daily greasing.

The lubrication of the slip assembly can be done with the same type lubricant and at the same time as the U-joint. For slip assemblies, an EP chassis grease with a molybdenum disulfide (MoS<sub>2</sub>) additive has shown good results in some applications.

## U-JOINT KITS



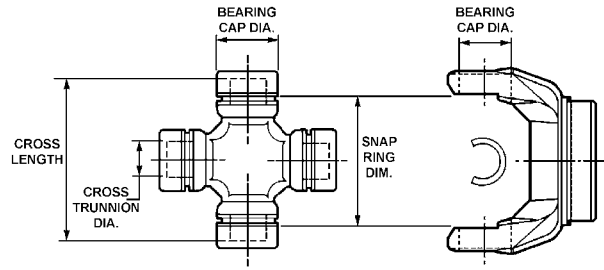
## U-Joint Kits — Inside Snap Rings

Part Number	Cross Length	Cross Trunnion Dia.	Bearing Diameter	Snap Ring Dimension	Lube Fitting	Series
<b>CPL6R-50</b> See Note 1	1.948"	0.545"	0.971"	1.493"	Y	L6
<b>CPL6R-51</b> See Note 2	1.948"	0.545"	0.971"	1.493"	Y	L6
<b>CPL6R-53</b> See Note 3	1.948"	0.545"	0.971"	1.493"	Y	L6
<b>CP103X</b>	2.060"	0.505"	0.938"	1.500"	N	1000
<b>CP170X</b>	2.080"	0.505"	0.938"	1.500"	Y	1000, 10N
<b>GCP170X</b> See Note *	2.080"	0.505"	0.938"	1.500"	Y	1000, 10N
<b>GCP242X</b> See Note *	2.244"	0.622"	1.064"	1.812"	Y	L12
<b>CP105X</b>	2.249"	0.578"	1.000"	1.711"	Y	1110
<b>GCP1510X</b> See Note *			1.143"	2.047"	Y	Toyota
<b>CP72625-4</b> See Note 4	2.875"	0.641"	1.078"	2.121"	Y	7260
<b>CP1306X</b>	2.875"	0.657"	1.078"	2.125"	Y	3R, 7260
<b>GCP1306X</b> See Note *	2.875"	0.657"	1.078"	2.125"	Y	3R, 7260
<b>CP1306-1X</b> See Note 2	2.875"	0.657"	1.078"	2.125"	Y	7260
<b>GCP1306-1X</b>	2.875"	0.657"	1.078"	2.125"	Y	7260
<b>CP527X</b>	2.969", 3.372"	0.655", 0.661"	1.078", 1.125"	2.125", 2.625"	Y	7260, 7290
<b>CPL15N-1S</b> See Note 6	3.000"	0.700"	1.078"	2.160"	Y	L15
<b>CPL15N-6</b>	3.000"	0.700"	1.078"	2.160"	N	L15
<b>CP260X</b>	2.969"	0.657"	1.063"	2.188"	Y	131N
<b>GCP260X</b> See Note *	2.969"	0.657"	1.063"	2.188"	Y	131N
<b>CP297X</b>	2.969"	0.745"	1.188"	2.188"	N	131N
<b>GCP297X</b> See Note *	2.969"	0.745"	1.188"	2.188"	N	131N
<b>CP297-1X</b> See Note 2	2.969"	0.745"	1.188"	2.188"	Y	131N

## Notes:

- 1 90 degree lube fitting.
  - 2 Lube fitting in bearing.
  - 3 Straight lube fitting.
  - 4 Includes two bearing straps and attaching hardware.
  - 5 Special for 1957-58 Oldsmobile.
  - 6 Marine high performance. Use with L15N170-4 (after 4/86) or L15N170-6.
- \* Pricepoint version U-joint

## U-JOINT KITS



## U-Joint Kits — Inside Snap Rings

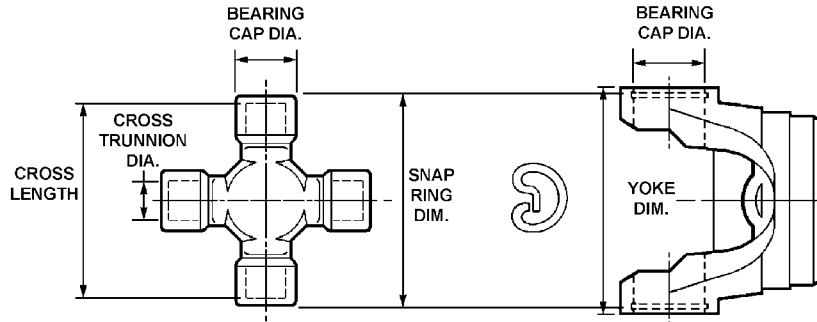
Part Number	Cross Length	Cross Trunnion Dia.	Bearing Diameter	Snap Ring Dimension	Lube Fitting	Series
<b>GCP1505X</b> See Note *			1.103"	2.205"	Y	Infiniti, Nissan, Subaru
<b>CP2011X</b>	2.874"	0.578"	1.00"	2.336"	Y	2R
<b>GCP2011X</b>	2.874"	0.578"	1.00"	2.336"	Y	2R
<b>CP3022X</b> See Note 5	2.969", 3.372"	0.657", 0.657"	1.063", 1.125"	2.390", 2.562"	Y	131N3R
<b>GCP3022X</b> See Note *	2.969", 3.372"	0.657", 0.657"	1.063", 1.125"	2.390", 2.562"	Y	131N3R
<b>CP3147X</b>	3.311"	0.657"	1.125"	2.580"	Y	3R, 3RL
<b>GCP3147X</b> See Note *	3.311"	0.657"	1.125"	2.580"	Y	3R, 3RL
<b>CP1205X</b>	3.372"	0.773"	1.188"	2.563"	Y	R55
<b>GCP1309X</b> See Note *	3.372"	0.657"	1.126"	2.636"	Y	7290
<b>CP3485</b>			1.375"	2.920"	N	AAM 1485WJ
<b>CP1301X</b>	3.750"	0.773"	1.231"	3.000"	Y	5360
<b>CP795X</b>			1.125"	2.556"	N	SPL25/S44
<b>CP06813</b>			1.375"	2.92"	N	1485WJ
<b>CP7166X</b>			1.188"	2.406"	N	1350WJ
<b>CP3242X</b>			1"	2.337"	Y	PTO 1800
<b>CP3212X</b>			1.375"	3.737"	N	AAM 155
<b>CP1501X</b>			0.984"	1.734"	N	Datsun/Nissan
<b>CP32191X</b>			1.125"	2.118"	Y	Mechanics 2.5
<b>CP430X</b>			0.938", 0.971"	1.500", 1.445"	Y	L6N
<b>CP1500X</b>			0.787"	1.496"	N	Toyota
<b>CP431X</b>			1.312"	2.781"	Y	44R
<b>CP1505X</b>			1.102"	2.208"	Y	INFINITI, NISSAN, SUBARU
<b>CP1508X</b>			1.025"	2.20"	Y	Toyota
<b>CP1515X</b>			1.142"	2.08"	Y	Chev Luv
<b>US70-4X</b>			1.375"	3.78"	Y	SPL70WJ

## Notes:

- 1 90 degree lube fitting.
  - 2 Lube fitting in bearing.
  - 3 Straight lube fitting.
  - 4 Includes two bearing straps and attaching hardware.
  - 5 Special for 1957-58 Oldsmobile.
  - 6 Marine high performance. Use with L15N170-4 (after 4/86) or L15N170-6.
- \* Pricepoint version U-joint



# U-JOINT KITS



## U-Joint Kits — Outside Snap Rings

Part Number	Cross Length	Cross Trunnion Diameter	Bearing Diameter	Yoke Dimension	Snap Ring Dimension	Lube Fitting	Series
<b>GPL10N-2</b> See Note 2	2.188"	0.516"	0.876"	2.69"	2.433"	Y	L10N
<b>GCP443X</b> See Note 2*	2.188"	0.615"	1.063"	2.69"	2.438"	Y	121N
<b>CP111X</b>	2.249"	0.578"	0.938"	2.66"	2.407"	Y	1100
<b>GCP111X</b> See Note *	2.249"	0.578"	0.938"	2.66"	2.407"	Y	1100
<b>CP101X</b>	2.249"	0.578"	0.938"	2.66"	2.407"	N	1100
<b>GCP101X</b> See Note *	2.249"	0.578"	0.938"	2.66"	2.407"	N	1100
<b>GCP129X</b> See Note *			1.126"		2.628"	Y	L14N
<b>GCP243X</b> See Note *			1.252"		3.209"	Y	L35N
<b>CP200X</b>	2.969"	0.615"	1.063"	3.47"	3.218"	Y	131N
<b>CP153X</b>	2.969"	0.657"	1.063"	3.47"	3.218"	Y	131N
<b>GCP153X</b> See Note *	2.969"	0.657"	1.063"	3.47"	3.218"	Y	131N
<b>CP134X</b>	2.969", 3.373"	0.657", 0.657"	1.063", 1.063"	3.47", 3.88"	3.218", 3.622"	Y	131N133N
<b>GCP134X</b> See Note *	2.969", 3.373"	0.657", 0.657"	1.063", 1.063"	3.47", 3.88"	3.218", 3.622"	Y	131N133N
<b>CP460X</b>	2.969", 3.373"	0.657", 0.773"	1.063", 1.188"	3.47", 3.88"	3.218", 3.622"	Y	131N135N
<b>CP213X</b>	3.371"	0.657"	1.063"	3.468"	3.622"	Y	133N
<b>GCP213X</b> See Note *	3.371"	0.657"	1.063"	3.468"	3.622"	Y	133N
<b>CP178X</b>	3.373"	0.773"	1.188"	3.86"	3.622"	Y	135N
<b>GCP178X</b> See Note *	3.373"	0.773"	1.188"	3.86"	3.622"	Y	135N
<b>CP160X</b>	3.936"	0.774"	1.188"	4.44"	4.172"	Y	141N
<b>GCP160X</b> See Note *	3.936"	0.774"	1.188"	4.44"	4.172"	Y	141N
<b>CP3415</b>			1.188"		4.178"	N	AAM 1415
<b>CP148N</b>	3.935"	0.868"	1.375"	4.44"	4.178"	Y	148N
<b>CP3486</b>			1.375"		4.178"	N	AAM 1485
<b>CP188X</b>	3.875"	0.895"	1.375"	4.44"	4.187"	Y	148N
<b>GCP188X</b> See Note *	3.875"	0.895"	1.375"	4.44"	4.187"	Y	148N
<b>US90X</b>	4.566"	1.035"	1.625"	5.38"	4.957"	Y	SPL90/100
<b>CP4555</b>			1.375"		4.960"	N	155N
<b>CP155X</b>	4.658"	0.895"	1.375"	4.97"	4.967"	Y	155N
<b>GCP155X</b> See Note *	4.658"	0.895"	1.375"	4.97"	4.967"	Y	155N

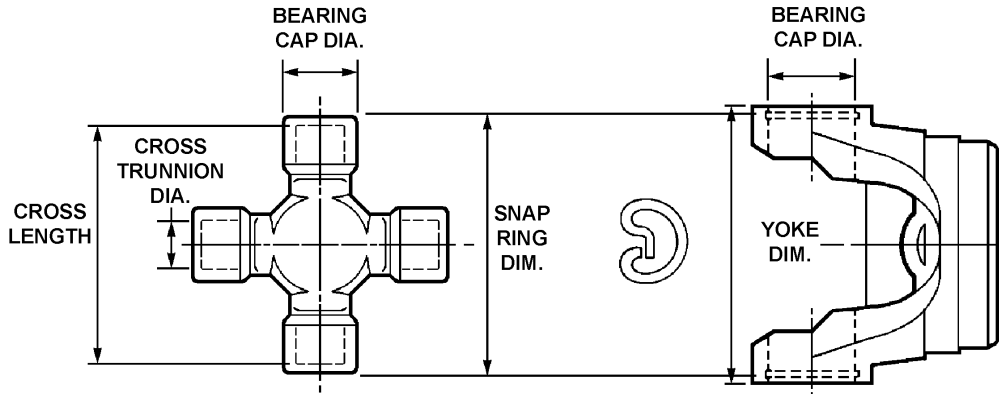
Notes:

1 Does not contain seals or lube fitting - oil bath applications only.

2 Lube fitting in bearing.

\* Pricepoint version U-joint

# U-JOINT KITS

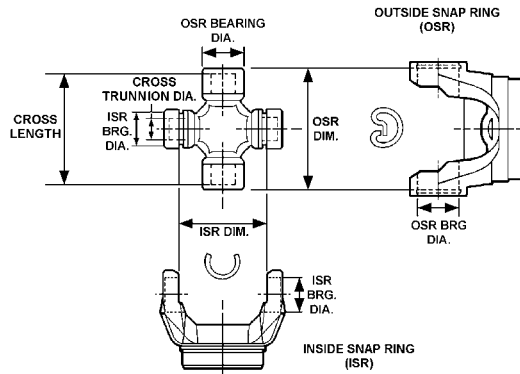


## U-Joint Kits — Outside Snap Rings

Part Number	Cross Length	Cross Trunnion Diameter	Bearing Diameter	Yoke Dimension	Snap Ring Dimension	Lube Fitting	Series
CP155N	4.716"	0.868"	1.375"	5.25"	4.968"	Y	155N
CP750N See Note 1	4.747"	1.161"	1.626"	5.19"	5.064"	N	750N
CP750N-1 See Note 3	4.747"	1.161"	1.626"	5.19"	5.064"	Y	750N
CP750N-4 See Note 4	4.747"	1.161"	1.626"	5.19"	5.064"	Y	750N
CP750N-7 See Note 5	4.747"	1.161"	1.626"	5.19"	5.064"	Y	750N
CP750N-8 See Note 2	4.747"	1.161"	1.626"	5.19"	5.064"	Y	750N
CP165X	5.195"	1.040"	1.624"	5.97"	5.578"	Y	1650
GCP165X See Note *	5.195"	1.040"	1.625"	5.97"	5.578"	Y	1650
CP850N-9	5.623"	1.348"	1.938"	6.06"	5.934"	Y	850N
CP850N-4	5.623"	1.348"	1.938"	6.06"	5.934"	Y	850N
CP950N	7.350"	1.700"	2.501"	7.89"	7.722"	Y	950N
CP950N-3	7.350"	1.700"	2.501"	7.89"	7.722"	Y	950N
GCP308X See Note *	8.094"		2.186"			Y	
CP1310X				1.063"	3.219"	N	1310/SPL22
CP1350X				1.188"	3.625"	N	1350/SPL30
CP1410X				1.188"	4.188"	N	1410/SPL36
CP1330X				1.062"	3.625"	N	1330/SPL25
CP648X				1.062", 1.188"	3.625"	Y	1330/1350
CP3256X				0.748"	1.909"	N	0400SG
CP3206X				1.375"	4.178"	N	AAM 1485
US55X				1.375"	4.188"	N	1480/SPL55
US70X				1.375"	4.964"	N	1550/SPL70
CP3207X				1.188"	4.178"	N	AAM 1415
CP3203X				1.066"	3.787"	N	Staked Replacement
CP1503X				0.984"	2.498"	Y	Dodge
CP3244X				1.078", 1.125"	2.125", 2.622"	Y	Detroit
CP3208X				1.188"	3.612"	N	AAM 1355
CP7438X				1.062", 1.125"	3.625"	N	1330SPEC/SPL25
US70-1X				1.375"	3.78"	Y	SPL70WJ

2 Permalube u-joint.  
 3 90 degree lube fitting.  
 4 45 degree lube fitting.  
 5 Lube fitting in bearing cap.  
 \*Pricepoint version U-joint

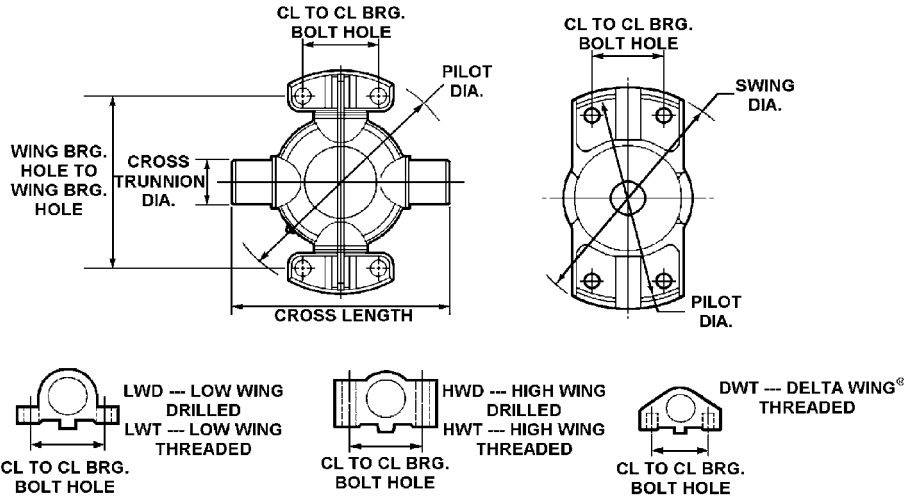
U—Joint Kits — Outside Snap Rings							
Part Number	Cross Length	Cross Trunnion Diameter	Bearing Diameter	Yoke Dimension	Snap Ring Dimension	Lube Fitting	Series
CP793X			1.125", 1.062"		2.556", 3.625"	N	1330/S44
CP212X			1.125", 1.062"		2.556", 3.625"	Y	S44
CP7437X			1.125", 1.062"		2.625", 3.625"	N	7290/1330
CP2173X			1.000", 1.125"		2.344", 3.219"	Y	2CL converts to 1260
CP3246X			1.078", 1.062"		2.116", 3.625"	Y	1330/7290
CP3255X			1.125"		2.556", 3.625"	Y	P55-55-675
CP3222X			1.126", 1.062"		2.613", 3.219"	Y	Spicer/1310



U—Joint Kits — Inside And Outside Snap Ring Combinations										
Part Number	Cross Length	Cross Trunnion Dia.	ISR Brg. Dia.	OSR Brg. Dia.	ISR Dim.	OSR Dim.	Series	ISR Qty.	OSR Qty.	
CP248X	2.205"	0.548"	1.000"	1.063"	1.719"	2.438"	1110, 2RL	2	2	
CP353X	2.874", 2.969"	0.657"	1.078"	1.063"	2.125"	3.218"	131N, 7260	2	2	
GCP353X See Note *	2.874", 2.969"	0.657"	1.078"	1.063"	2.125"	3.218"	131N, 7260	2	2	
CP2140	2.874"	0.578"	1.000"	1.063"	2.338"	3.123"	131N, 2R	2	2	
CP1200X	2.969"	0.657"	1.063"	1.063"	2.359"	3.219"	S55	4	4	
GCP1200X See Note *	2.969"	0.657"	1.063"	1.063"	2.359"	3.219"	S55	4	4	
CP354X	2.969", 3.370"	0.660"	1.125"	1.063"	2.375", 2.625"	3.218"	131N, 7290	4	2	
CP1201X See Note 12	2.970"	0.660"	1.064"	1.125"	2.390"	3.220"	131N, SPECIAL	2	2	
GCP212X See Note *	3.372"	0.658"	1.125"	1.063"	2.551"	3.622"	1330, 3RL	2	2	
CP541X See Note 8	3.373"	0.657"	1.125"	1.063"	2.561"	3.625"	1330, 3RL	2	2	
CP1203X	3.370"	0.660"	1.063"	1.063"	2.780"	3.630"	133N, SPECIAL	2	2	
GCP1204X See Note *	3.370"	0.660"	1.063"	1.125"	2.797"	3.625"	133N, SPECIAL	2	2	
CP1204X See Note 12	3.370"	0.660"	1.063"	1.125"	2.797"	3.625"	133N, SPECIAL	2	2	
CP357X	3.750", 3.936"	0.770"	1.231"	1.189"	3.000"	4.186"	141N, 5380	2	2	
CP141N	3.940"	0.770"	1.189"	1.189"	3.160"	4.180"	O55	4	4	

Notes:  
 8 Used in aluminum driveshafts. Chemically coated.  
 12 Special for Ford Motor company.  
 \* Pricepoint version U-joint

# U-JOINT KITS

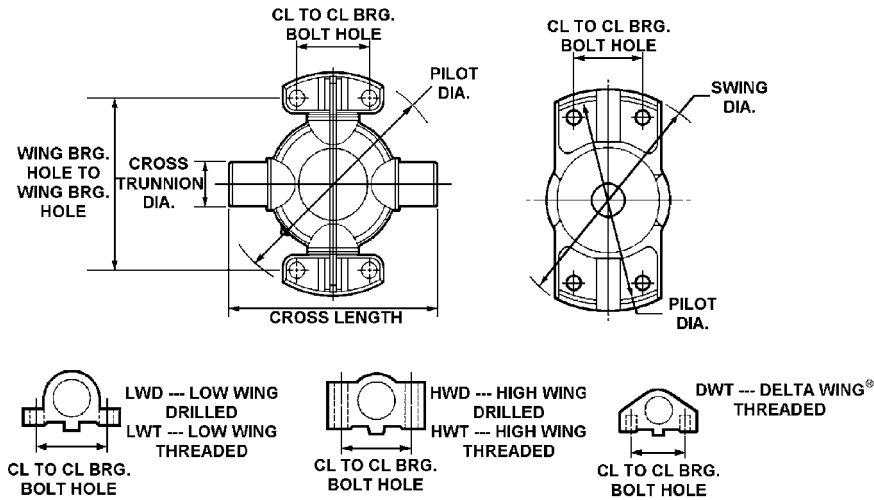


## U-Joint Kits — Wing Type Combinations

Part Number	Cross Length	Cross Trunnion Dia.	CL to CL Brg. Bolt Hole	Swing Dia.	Pilot Dia.	Wing Brg. Hole to Wing Brg. Hole	Wing & Round Brg. Type	Series
<b>GCP2116</b> See Note *	2.874"	0.615"	1.313"	3.34"	3.13"	2.38"	2LWT/2LWD	2CL
<b>CP2116</b>	2.874"	0.615"	1.313"	3.34"	3.13"	2.38"	2LWT/2LWD	2CL
<b>CP3121</b>	3.311"	0.657"	1.438"	3.81"	3.55"	2.75"	2LWT/2HWD	3CBL
<b>CP3000</b>	3.372"	0.657"	1.438"	3.81"	3.55"	2.75"	4LWT	3CL
<b>GCP3000</b> See Note *	3.372"	0.657"	1.438"	3.81"	3.55"	2.75"	4LWT	3CL
<b>CP4143X</b>	3.935"	0.773"	1.438"	4.50"	4.23"	3.44"	4HWD	4BL
<b>GCP4143X</b> See Note *	3.935"	0.773"	1.438"	4.50"	4.23"	3.44"	4HWD	4BL
<b>CP4002</b>	3.999"	0.663"	1.438"	4.50"	4.23"	3.44"	4LWT	4CL
<b>GCP4002</b> See Note *	3.999"	0.663"	1.438"	4.50"	4.23"	3.44"	4LWT	4CL
<b>CP4101</b>	3.999"	0.663"	1.438"	4.50"	4.23"	3.44"	2LWT/2LWD	4CL
<b>CP5122</b>	4.249"	0.819"	1.687"	4.75"	4.52"	3.50"	4LWT	5CL
<b>CP5177</b>	4.249"	0.819"	1.687"	4.75"	4.52"	3.50"	4HWD	5BL
<b>GCP5177X</b> See Note *	4.249"	0.819"	1.687"	4.75"	4.52"	3.50"	4HWD	5C
<b>CP5101</b>	4.249"	0.819"	1.687"	4.75"	4.52"	3.50"	2LWT/2LWD	5CL
<b>GCP5173X</b> See Note *	4.249"	0.819"	1.687"	4.75"	4.52"	3.50"	2HWD/2DWT	5C
<b>CP58WB-DWT</b>	4.824"	1.063"	1.938"	5.63"	5.31"	4.27"	4DWT	58WB
<b>CP58WB-HWD</b>	4.824"	1.063"	1.938"	5.63"	5.31"	4.27"	4HWD	58WB
<b>CP58WB-HWD-PL</b> See Note 13	4.824"	1.063"	1.938"	5.63"	5.31"	4.27"	4HWD	58WB
<b>CP58WB-HB</b>	4.824"	1.063"	1.938"	5.63"	5.31"	4.27"	2HWD/2DWT	58WB
<b>CP58WB-HB-PL</b> See Note 13	4.824"	1.063"	1.938"	5.63"	5.31"	4.27"	2HWD/2DWT	58WB
<b>CP62N-DWT</b>	5.125"	0.819"	1.688"	5.45"	5.53"	4.50"	4DWT	62N
<b>GCP62N-DWT</b> See Note *	5.248"	0.819"	1.688"	5.45"	5.53"	4.50"	4DWT	62N
<b>CP62N-HB</b>	5.125"	0.819"	1.688"	5.45"	5.53"	4.50"	2HWD/2DWT	62N

Notes:  
13 Permalube.  
\* Pricepoint version U-joint

# U-JOINT KITS



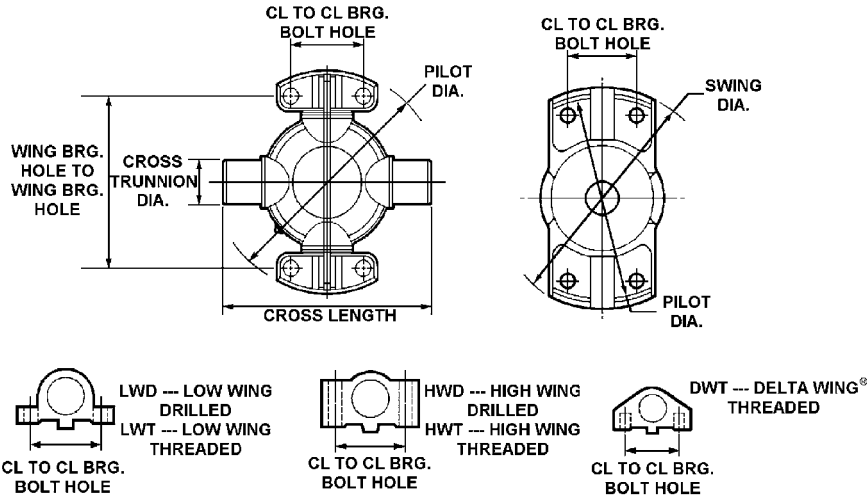
## U-Joint Kits — Wing Type Combinations

Part Number	Cross Length	Cross Trunnion Dia.	CL to CL Brg. Bolt Hole	Swing Dia.	Pilot Dia.	Wing Brg. Hole to Wing Brg. Hole	Wing & Round Brg. Type	Series
<b>GCP62N-HB</b> See Note *	5.248"	0.819"	1.688"	5.45"	5.53"	4.50"	2HWD/2DWT	62N
<b>CP62N-HB-PL</b> See Note 13	5.125"	0.819"	1.688"	5.45"	5.53"	4.50"	2HWD/2DWT	62N
<b>CP62N-HWD</b>	5.125"	0.819"	1.688"	5.45"	5.53"	4.50"	4HWD	62N
<b>GCP62N-HWD</b> See Note *	5.248"	0.819"	1.688"	5.45"	5.53"	4.50"	4HWD	62N
<b>CP62N-HWD-PL</b> See Note 13	5.125"	0.819"	1.688"	5.45"	5.53"	4.50"	4HWD	62N
<b>CP62N-50</b>	5.125", 5.125"	0.819", 0.819"	1.688", 1.938"	5.45", 5.45"	5.53", 5.84"	4.50"4.50"	2DWT2DWT	62N72N
<b>CP62N-51</b>	5.125", 5.125"	0.819", 0.819"	1.688", 1.938"	5.45", 5.45"	5.53", 5.84"	4.50"4.50"	2DWT2HWD	62N72N
<b>CP72N-DWT</b>	5.347"	1.043"	1.938"	6.22"	5.84"	4.63"	4DWT	72N
<b>GCP72N-DWT</b> See Note *	5.500"	1.000"	1.938"	6.22"	5.84"	4.63"	4DWT	72N
<b>CP72N-HWD</b>	5.347"	1.043"	1.938"	6.22"	5.84"	4.63"	4HWD	72N
<b>GCP72N-HWD</b> See Note *	5.500"	1.000"	1.938"	6.22"	5.84"	4.63"	4HWD	72N
<b>CP72N-HWD-PL</b> See Note 13	5.347"	1.043"	1.938"	6.22"	5.84"	4.63"	4HWD	72N
<b>CP72N-HB</b>	5.347"	1.043"	1.938"	6.22"	5.84"	4.63"	2HWD/2DWT	72N
<b>GCP72N-HB</b> See Note *	5.500"	1.000"	1.938"	6.22"	5.84"	4.63"	2HWD/2DWT	72N
<b>CP72N-HB-PL</b> See Note 13	5.347"	1.043"	1.938"	6.22"	5.84"	4.63"	2HWD/2DWT	72N
<b>CP72N-11815</b>	5.347"	1.043"	1.938"	6.22"	5.84"	4.63"	2HWD/2DWT	72N
<b>CP72N-17021</b>	135.83mm	26.50mm	49.28mm	157.99mm	148.49mm	117.35mm	2HWD/2DWT	72N
<b>R17014</b>	5.781"	1.379"	2.440"		6.38"	4.94"	4HWD	J170
<b>CP85WB-DWT</b>	5.844"	1.490"	2.812"	7.00"	6.50"	4.88"	4DWT	85WB
<b>GCP85WB-DWT</b> See Note *	6.000"	1.322"	2.812"	7.00"	6.50"	4.88"	4DWT	85WB

10

Notes:  
13 Permalube.  
\* Pricepoint version U-joint

# U-JOINT KITS

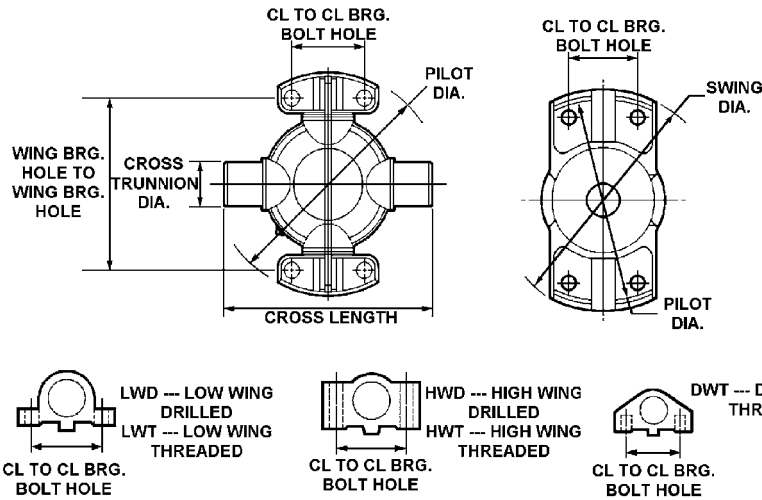


## U-Joint Kits — Wing Type Combinations

Part Number	Cross Length	Cross Trunnion Dia.	CL to CL Brg. Bolt Hole	Swing Dia.	Pilot Dia.	Wing Brg. Hole to Wing Brg. Hole	Wing & Round Brg. Type	Series
CP85WB-DWT-PL See Note 13	5.844"	1.490"	2.812"	7.00"	6.50"	4.88"	4DWT	85WB
CP85WB-HWD	5.844"	1.490"	2.812"	7.00"	6.50"	4.88"	4HWD	85WB
GCP85WB-HWD See Note *	6.000"	1.322"	2.812"	7.00"	6.50"	4.88"	4HWD	85WB
CP85WB-HWD-PL See Note 13	5.844"	1.490"	2.812"	7.00"	6.50"	4.88"	4HWD	85WB
CP85WB-HB	5.844"	1.490"	2.812"	7.00"	6.50"	4.88"	2HWD/2DWT	85WB
CP85WB-HB-PL See Note 13	5.844"	1.490"	2.812"	7.00"	6.50"	4.88"	2HWD/2DWT	85WB
CP92N-DWT	7.597"	1.490"	2.812"	8.63"	8.25"	6.63"	4DWT	92N
GCP92N-DWT See Note *	7.658"	1.340"	2.812"	8.63"	8.25"	6.63"	4DWT	92N
CP92N-DWT-PL See Note 13	7.597"	1.490"	2.812"	8.63"	8.25"	6.63"	4DWT	92N
CP92N-HWD	7.597"	1.490"	2.812"	8.63"	8.25"	6.63"	4HWD	92N
GCP92N-HWD See Note *	7.658"	1.340"	2.812"	8.63"	8.25"	6.63"	4HWD	92N
CP92N-HWD-PL See Note 13	7.597"	1.490"	2.812"	8.63"	8.25"	6.63"	4HWD	92N
CP92N-7015	7.597"	1.490"	2.812"	8.63"	8.25"	6.63"	4HWD	92N
CP92N-HB	7.597"	1.490"	2.812"	8.63"	8.25"	6.63"	2HWD/2DWT	92N
GCP92N-HB See Note *	7.600"	1.490"	2.812"	8.63"	8.25"	6.63"	2HWD/2DWT	92N
CP92N-HB-PL See Note 13	7.597"	1.490"	2.812"	8.63"	8.25"	6.63"	2HWD/2DWT	92N
CP82N-DWT	7.625"	1.043"	1.938"	8.50"	8.13"	6.88"	4DWT	82N
GCP82N-DWT See Note *	7.768"	1.000"	1.938"	8.50"	8.13"	6.88"	4DWT	82N
CP82N-HWD	7.625"	1.043"	1.938"	8.50"	8.13"	6.88"	4HWD	82N
GCP82N-HWD See Note *	7.768"	1.000"	1.938"	8.50"	8.13"	6.88"	4HWD	82N

Notes:  
 13 Permalube.  
 15 Contains hardware for drilled yokes  
 \* Pricepoint version U-joint

# U-JOINT KITS

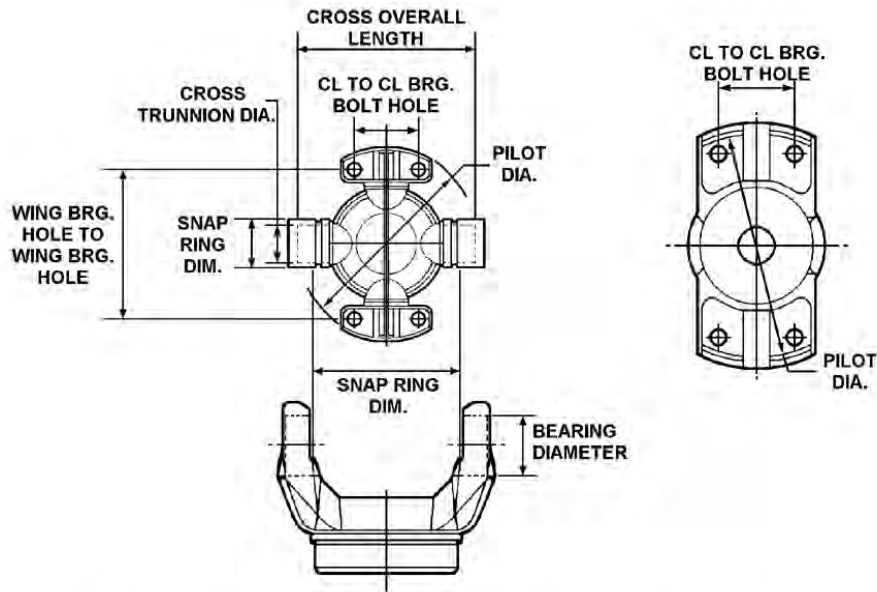


## U-Joint Kits — Wing Type Combinations

Part Number	Cross Length	Cross Trunnion Dia.	CL to CL Brg. Bolt Hole	Swing Dia.	Pilot Dia.	Wing Brg. Hole to Wing Brg. Hole	Wing & Round Brg. Type	Series
<b>CP82N-HWD-PL</b> See Note 13	7.625"	1.043"	1.938"	8.50"	8.13"	6.88"	4HWD	82N
<b>CP82N-68</b> See Note 15	7.625"	1.043"	1.938"	8.50"	8.13"	6.88"	4HWD	82N
<b>CP82N-HB</b>	7.625"	1.043"	1.938"	8.50"	8.13"	6.88"	2HWD/2DWT	82N
<b>GCP82N-HB</b> See Note *	7.768"	1.000"	1.938"	8.50"	8.13"	6.88"	2HWD/2DWT	82N
<b>CP82N-HB-PL</b> See Note 13	7.625"	1.043"	1.938"	8.50"	8.13"	6.88"	2HWD/2DWT	82N
<b>CP82N-7715</b>	7.625"	1.043"	1.938"	8.50"	8.13"	6.88"	2HWD/2DWT	82N
<b>R49014</b>	7.865"	1.665"	3.500"		8.75"	6.80"	4HWD	J490
<b>R60014</b>	8.062"	1.900"	3.500"		8.75"	6.80"	4HWD	J600

Notes:  
 13 Permalube.  
 15 Contains hardware for drilled yokes  
 \* Pricepoint version U-joint

# U-JOINT KITS



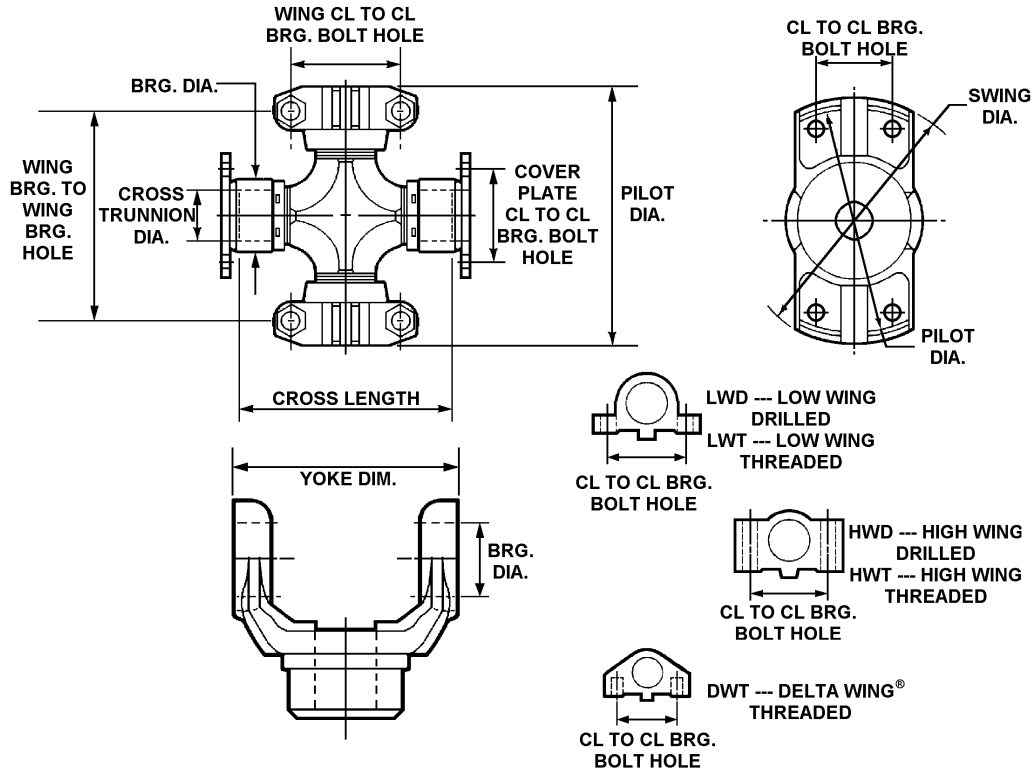
## U-Joint Kits — 2 Wing Type And 2 Round Bearings

Part Number	Cross Length	Cross Trunnion Dia.	CL to CL Brg. Bolt Hole	Pilot Dia.	Brg. Dia.	Snap Ring Dia.	Wing Brg. Hole to Wing Brg. Hole	Wing & Round Bearing Type	Series
CP2031	2.870"	0.578"	1.312"	3.11"	2.338"	1.000"	2.38"	2LWT/2RND	2CRL
CP2033 See Note 17	2.870"	0.578"	1.312"	3.11"	2.338"	1.000"	2.38"	2LWD/2RND	2CSRL
CP291X					1.062", 1.312"	3.219", 3.125"			1310/2C
CP3012	3.311"	0.657"	1.438"	3.55"	2.558"	1.125"	2.75"	2LWT/2RND	3CRL
CP4102	3.999"	0.663"	1.938"	4.23"	3.244"	1.125"	3.44"	2LWT/2RND	4CRL
CP5015	4.249"	0.819"	1.687"	4.52"	3.309"	1.313"	3.50"	2LWD/2RND	5CSRL
CP5008	4.250"	0.819"	1.687"	4.52"	3.309"	1.313"	3.50"	2LWT/2RND	5CRL

Note:  
17 Lube fitting in round bearing.



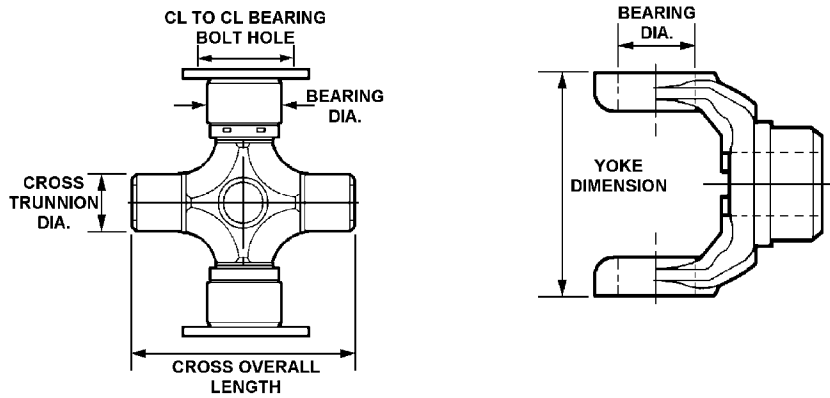
# U-JOINT KITS



## U-Joint Kits — Wing Type And Cover Plate Hybrid

Part Number	Cross Length	Cross Trunnion Dia.	Wing CL to CL Brg. Bolt Hole	Brg. Dia.	Pilot Dia.	Yoke Dim.	Cover Plate CL to CL Brg. Bolt Hole	Wing Brg. to Wing Brg. Hole	Swing Dia.	Wing & Cover Plate Type
CP18N-96	7.092"	1.363"	2.812"	1.937"	8.25"	7.55"	2.440"	6.63"	8.50"	2RND2HWD
CP326X			2.188/2.094	2.188", 2.094"						

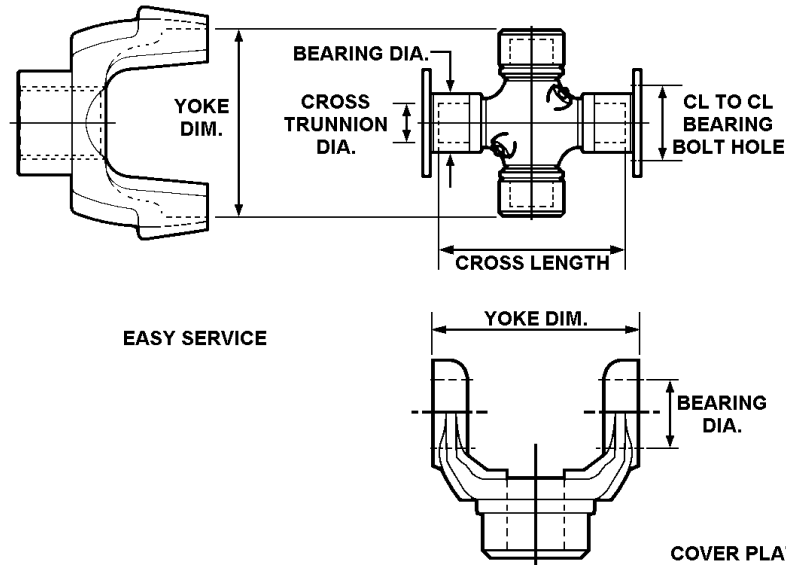
# U-JOINT KITS



## U-Joint Kits — Bearing Plate

Part Number	Cross Length	Cross Trunnion Diameter	CL to CL Bearing Bolt Hole	Bearing Diameter	Yoke Dimension	Series
GCP115X	4.250"	.996"	2.00"	1.562"	4.56"	1500, 5N
CP115X	4.250"	0.996"	2.000"	1.562"	4.56"	1500, 5N
CP279X	4.877"	1.269"	2.312"	1.875"	5.31"	16N
M279X	4.877"	1.269"	2.312"	1.875"	5.31"	16N
US279X	4.877"	1.269"	2.312"	1.875"	5.31"	16N
M280X	5.635"	1.363"	2.438"	1.937"	6.09"	17N
US280X	5.635"	1.363"	2.438"	1.937"	6.09"	17N
CP280X	5.784"	1.298"	2.432"	1.937"	6.09"	17N
CP124X	6.283"	1.681"	2.810"	3.210"	6.44"	18N
GCP124X	6.283"	1.681"	2.810"	3.210"	6.44"	18N
M407X	6.542"	1.363"	2.438"	1.937"	7.00"	176N
US407X	6.542"	1.363"	2.438"	1.937"	7.00"	176N
CP407X	6.692"	1.298"	2.432"	1.937"	7.00"	176N
US281X	7.092"	1.363"	2.438"	1.937"	7.55"	18N
M281X	7.092"	1.363"	2.438"	1.937"	7.55"	18N
CP281X	7.242"	1.298"	2.432"	1.937"	7.55"	18N
CP308X				2.188"		1880
GP3252X				1.562"		1500

# U-JOINT KITS



## U—Joint Kits — Meritor Easy Service

Part Number	Cross Length	Cross Trunnion Diameter	Cap Hole Center to Center	Bearing Diameter	Yoke Dimension Between Nibbs	Yoke Dimension Across Ears	Series
<b>US674X</b> See Note 21	5.001"	1.272"	2.308"	1.875"	5.31"	5.31"	16N
<b>M674X18</b>	5.001"	1.272"	2.308"	1.875"	5.31"	5.31"	16N
<b>CP674X</b> See Note 21	5.001"	1.272"	2.308"	1.875"	5.31"	5.31"	16N
<b>M675X</b> See Note 19	5.784"	1.298"	2.432"	1.937"		6.09"	17N
<b>US675X</b> See Note 21	5.784"	1.298"	2.432"	1.937"	6.19"	6.09"	17N
<b>CP675X</b> See Note 21	5.784"	1.298"	2.432"	1.937"	6.19"	6.09"	17N
<b>CP677X</b> See Note 21	6.541"	1.298"	2.432"	1.937"	7.09"	7.00"	176N
<b>US677X</b> See Note 21	6.541"	1.298"	2.432"	1.937"	7.09"	7.00"	176N
<b>M677X</b> See Note 19	6.541"	1.298"	2.432"	1.937"	7.09"	7.00"	176N
<b>M676X</b> See Note 19	7.242"	1.298"	2.432"	1.937"		7.55"	18N
<b>US676X</b> See Note 21	7.242"	1.298"	2.432"	1.937"	7.63"	7.55"	18N
<b>CP676X</b> See Note 21	7.242"	1.298"	2.432"	1.937"	7.63"	7.55"	18N

10

Notes:

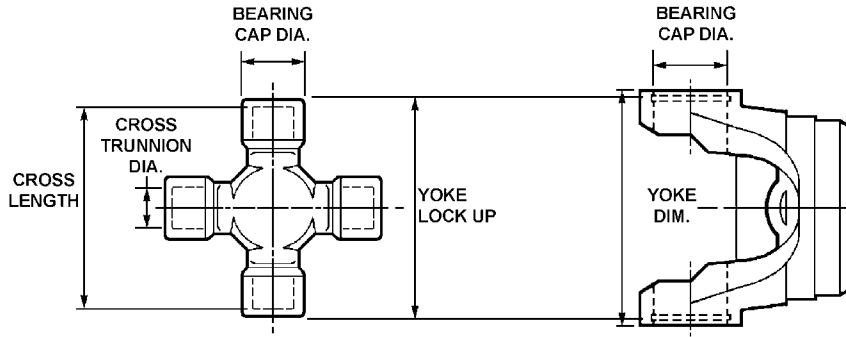
18 Includes two REBC16S retainer straps.

19 Includes two REBC17S retainer straps.

21 Attaching hardware included

22 Inboard attaching hardware included for use with these construction u-joints only. Not interchangeable with OEM retention hardware or u-joint. Outboard bearing retainers by OEM only.

# U-JOINT KITS

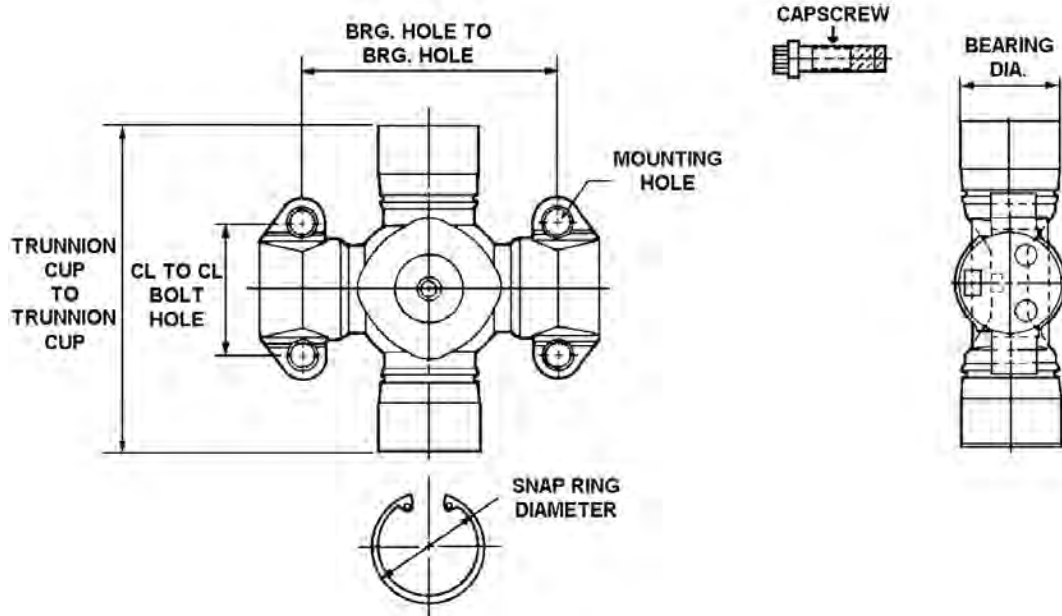


## Dual Plane Retainer

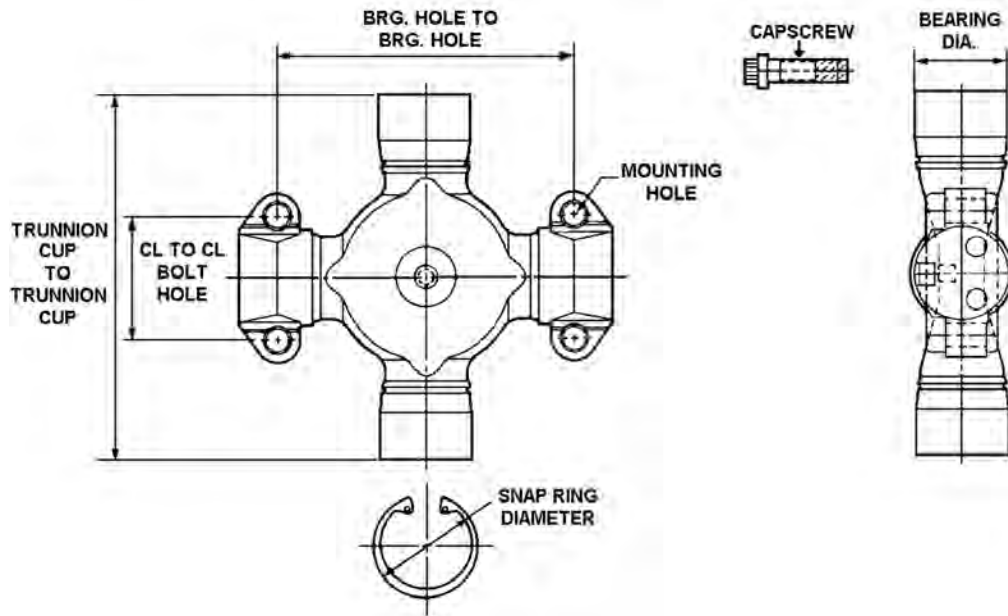
Part Number	Bearing Diameter	Yoke Lock Up	Hardware Kit	Lube Fitting	Series
<b>US170X</b> See Note 22	2.165"	6.024" (2) 6.457" (2) 2 Round Bearings w/plate 2 Round	KIT-US250-170X	Y	SPL170
<b>US250X</b> See Note 22	2.361"	5.984" (2) 6.413" (2) 2 Round Bearings w/plate 2 Round	KIT-US250-170X	Y	SPL250

Notes:  
22 Inboard attaching hardware included for use with these construction u-joints only. Not interchangeable with OEM retention hardware or u-joint. Outboard bearing retainers by OEM only.

# U-JOINT KITS



U-Joint Kits — Rpl Series								
Part Number	Snap Ring Dia. /Part Number	Bearing Diameter	CL to CL Bolt Holes	Brg. Hole to Brg. Hole	Mounting Hole Size	Capscrew Size / Part Number	Hardware Kit	Trunnion Cup to Trunnion Cup
CP20 RPL S	2.29" RRIR36-4	2.06"	2.81"	5.30"	.53"	.50" - 20 CSC8-20-52	KIT RPL25-20	6.88"



10

U-Joint Kits — Rpl Series								
Part Number	Snap Ring Dia. /Part Number	Bearing Diameter	CL to CL Bolt Holes	Brg. Hole to Brg. Hole	Mounting Hole Size	Capscrew Size / Part Number	Hardware Kit	Trunnion Cup to Trunnion Cup
CP25 RPL S	2.29" RRIR36-4	2.06"	2.81"	6.63"	.53"	.50" - 20 CSC8-20-52	KIT RPL25-20	8.20"
CP35 RPLS	"2.61" RRIR42-3"	2.06"	-	-	-	-	RRIR42-3	7.08"

## U-JOINT KITS

## U—Joint Sizes / Ratings/ Speeds / Tube Sizes

U-JOINT SERIES	ELECTRIC MOTOR TORQUE		GAS or DIESEL TORQUE		DYNAMIC CAPACITY		SWING DIAMETER		MAX. LENGTH JOINT YIELD TORQUE		MAX. RPM (3)	STANDARD TUBE SIZE	MAX. LENGTH (CL - CL) INSTALLED @ MAX. RATED RPM	
	lb-ft	N.m	lb-ft	N.m	lb-ft	N.m	in.	mm	lb-ft	N.m			in.	in.
L6	84	114	61	83	170	231	2.47"	60	667	905	1000	1.5 x .120	60	1524
L15 (1)	172	234	126	170	349	473	3.25"	82	-	-	5000	N/A	N/A	N/A
L15 (2)	257	348	187	254	520	705	3.38"	86	-	-	5000	N/A	N/A	N/A
131N	195	265	130	175	410	555	3.50"	89	1950	2640	6000	3.0 x .083	47	1194
133N	220	300	150	205	475	640	4.00"	102	2330	3160	5000	3.5 x .083	51	1283
135N	310	420	210	285	607	820	4.13"	105	3080	4175	5000	3.0 x .083	51	1295
141N	291	394	212	288	589	798	4.63"	117	3750	5080	4000	3.0 x .083	51	1295
148N	413	560	301	409	836	1134	5.13"	130	5000	6780	4000	3.5 x .083	55	1397
155N	515	698	376	510	1043	1414	6.00"	152	6250	8470	4000	3.5 x .095	55	1397
16N	921	1248	672	911	1864	2527	7.00"	178	7100	9630	4000	3.5 x .134	61	1549
17N	1364	1849	995	1350	2762	3744	7.75"	197	9600	13010	4000	4.06 x .165	62	1575
176N	1629	2208	1189	1612	3298	4471	8.44"	214	16000	21700	4000	4.09 x .180	62	1676
18N	1790	2426	1306	1771	3623	4913	9.13"	232	21000	28500	4000	4.59 x .180	66	1676
62N	611	828	446	604	1236	1676	5.84"	148	5000	6780	4000	3.5 x .095	55	1397
58WB	754	1023	551	747	1528	2071	5.63"	143	7025	9525	4000	3.5 x .095	55	1397
72N	804	1090	587	795	1627	2206	6.29"	160	7080	9600	4000	3.5 x .134	61	1549
82N	1203	1631	878	1190	2436	3303	8.50"	216	11080	15025	4000	4.06 x .165	62	1575
85WB	1304	1768	952	1290	2640	3580	7.00"	178	12500	16950	4000	4.09 x .180	62	1676
92N	1768	2397	1291	1750	3580	4854	8.63"	219	23000	31190	4000	4.59 x .150	66	1676

- (1) Standard  
(2) High performance  
(3) Rating applies to u-joint

# U-JOINT KITS

## Attaching Hardware Torque Specs

### MERITOR EASY SERVICE KITS U-BOLT AND STRAP & BOLT KITS

SERIES	BRG. DIAMETER	U-JOINT KIT	U-BOLT KIT	THREAD SIZE	TORQUE SPECS. LB. FT.		STRAP & BOLT KIT	THREAD SIZE	TORQUE SPECS. LB. FT.
131N	1.063"	CP153X	KT116	.31" - 24	14-17		-	-	-
133N	1.063"	CP213X	KT116	.31" - 24	14-17		-	-	-
135N	1.188"	CP178X	KT117	.38" - 24	20-24		KT122 1	.31" - 24	30-35
141N	1.188"	CP160X	KT117	.38" - 24	20-24	or	KT122 1	.31" - 24	30-35
148N	1.375"	CP188X	KT118	.44" - 20	32-37	or	KT124 2	.38" - 24	55-60
155N	1.375"	CP155X	KT118	.44" - 20	32-37	or	KT124 2	.38" - 24	55-60

16N	1.875"	M674X	-	-	-
17N	1.937"	M675X	-	-	-
176N	1.937"	M677X	-	-	-
18N	1.937"	M676X	-	-	-

KT16SB	.38" - 24	55-60
KT17SB	.50" - 20	130-135
KT17SB	.50" - 20	130-135
KT17SB	.50" - 20	130-135

### LOCKPATCH BOLT STYLE

SERIES	MERITOR MXL U-JOINT KITS	LOCKPATCH (8) BOLTS	THREAD SIZE	TORQUE SPECS LB. FT.
16N	M279X	S-165B-2	.38" - 24	38-48
17N	M280X	S-165B-2	.38" - 24	38-48
176N	M407X	S-165B-2	.38" - 24	38-48
18N	M281X	S-165B-2	.38" - 24	38-48

### WING STYLE

SERIES	THREAD SIZE	TORQUE SPECS LB. FT.
62N	.38" - 24	40-50
58WB	.44" - 20	63-83
72N	.50" - 20	90-110
72N	.44" - 20	63-83
82N	.44" - 20	63-83
82N	.50" - 20	90-110
92N	.50" - 20	90-110

### DUAL-PLANE RETAINER

SERIES	MERITOR U-JOINT KITS	RETAINER		TORQUE SPECS LB. FT.
SPL*170	US170X	(4) Bolts	(2) Retainers	25-30 3
SPL*250	US250X	(4) Bolts	(2) Retainers	25-30 3

1 Kit KT125 is used with a threaded yoke and includes four lockwashers. For a drilled yoke use Kit KT121  
 2 Kit KT126 is used with a threaded yoke and includes four lockwashers. For a drilled yoke use Kit KT123.  
 3 Torque specs for inboard side dual-plane retainers. Torque specs for outboard side bearing retainers 115-125 ft.lbs. (OEM only).  
 \* SPL® is a registered trademark of Dana Corporation.





# CENTER BEARINGS

## TABLE OF CONTENTS SECTION 11

Center Bearing Assemblies For Midship Bearing Stubs - . . . . . 11-3

Center Bearings — Type 1 — Round With No Mounting Bracket - . . . . . 11-6

Center Bearings — Type 2 — Solid Cushion- . . . . . 11-6

Center Bearings — Type 2 — Slotted Rubber Cushion - . . . . . 11-8

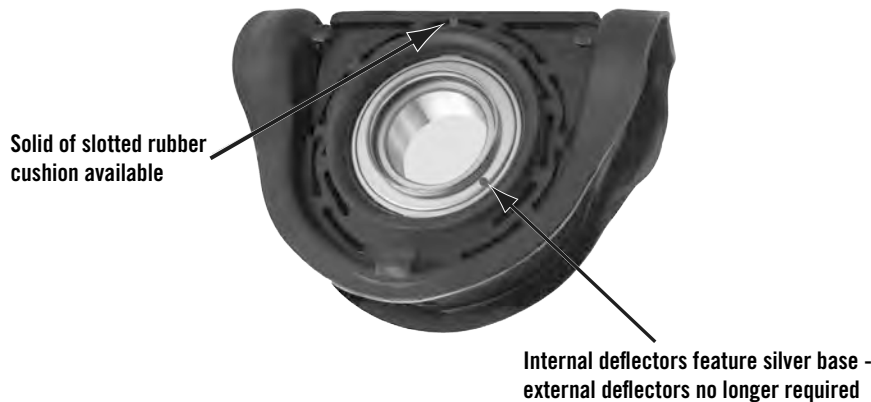
Center Bearings — Type 3—Round With Mounting Bracket- . . . . . 11-10

# CENTER BEARINGS

## MERITOR® SELF-ALIGNING CENTER BEARINGS

### Performance Advantages:

- Meritor industry-leading driveline design and technology.
- Patent pending design assures optimum alignment of the center bearing to the driveshaft under all operating conditions.
- Provides OEM production customers design and assembly benefits, and aftermarket customers competitive and technical advantages.
- Ideal for the most popular heavy-duty truck and tractor applications.

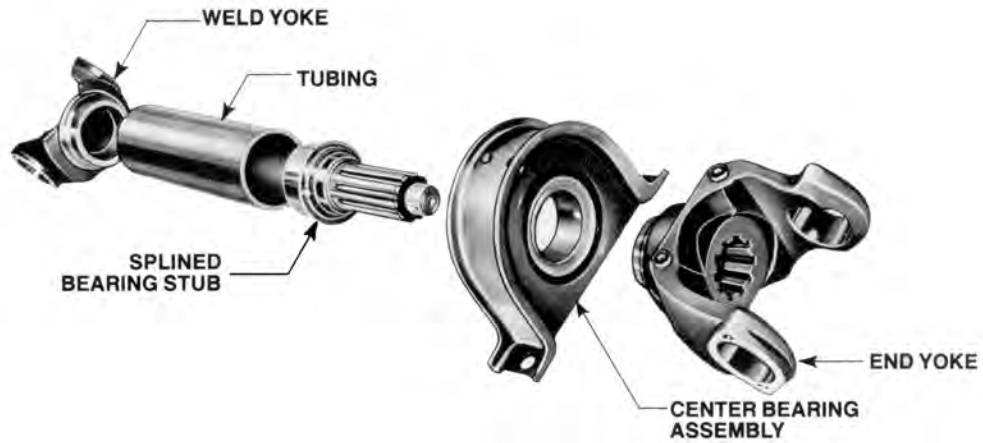


MERITOR PART NUMBER	DRIVELINE SERIES	CUSHION TYPE	BEARING DIAMETER	HEIGHT	MOUNTING HOLES (CENTER TO CENTER)	COMPETITIVE PART NUMBER
CB210875-1XSA	176N, 17N (Heavy-Duty), 18N	Solid	2.36"	3.38"	8.62"	210875-1X
CB210661-1XSA	176N, 17N (Heavy-Duty), 18N, 86WB, 92N	Slotted	2.36	3.38"	8.62"	210661-1X
CB210121-1XSA	17N, 58WB, 72N, 82N	Slotted	1.968"	2.81"	7.62"	210121-1X

### Features and Benefits

- Rubber cushion pivots in the bracket, allowing +/-5 degrees of drive line angularity.
- Reduced risk of premature bearing wear due to misalignment.
- Provides a common mounting platform on the crossmember or mounting bracket. No shimming or bracket changes are necessary to achieve desired alignment
- Unique design protects the bearing against contamination without the use of external deflectors.
- Backward compatibility with previous Meritor or current competitive designs.
- Meritor self-aligning center bearings should not be replaced with traditional, non-self-aligning center bearings, due to possible angularity issues.

# CENTER BEARINGS



**Center Bearing Assemblies For Midship Bearing Stubs**

JOINT SERIES	WELD YOKE	TUBING	BEARING STUB & (NUT)	CENTER BEARING/ (Cushion Type)	END YOKE
16N	16N-28-627	RT-35-10	16N-53-141 See Note 1	CB210084-2X (Slotted) (5)	16N-4-1721 See Note (FR)
					16N-4-1721-1 See Note (HR)
17N	17N-28-137	RT-35-156	17N-53-151 See Note 3	CB210121-1XSA (Slotted)	
				CB310012-1XSA (Solid)	17N-4-1981 See Note (FR)
	17N-28-347	RT-4-10	17N-53-201 See Note 3	CB210121-1XSA (Slotted)	17TYSC31-54 See Note (HR)
		RT-406-165		CB310012-1XSA (Solid)	
		RT-4095-7			
	17N-28-347	RT-4-10	BSS32-34 See Note 2, 4	CB210121-1XSA (Slotted)	17N-4-7141 See Note See Note (FR) <sup>4</sup>
		RT-406-165		CB310012-1XSA (Solid)	17N-4-7141-1 See Note (HR)
		RT-4095-7			
17N HEAVY DUTY	17N-28-347	RT-406-165	17N-53-311 See Note 2	CB210661-1XSA (Slotted)	17N-4-4601 See Note (FR)
		RT-4095-7		CB210875-1XSA (Solid)	17N-4-4601-1 See Note (HR)
176N	176N-28-17	RT-4-10	17N-53-311 See Note 2	CB210661-1XSA (Slotted)	176N-4-161 See Note (FR)
		RT-406-165		CB210875-1XSA (Solid)	176N-4-161-1 See Note (HR)
		RT-4095-7			

**11**

**Notes:**

FR-Full Round bearing yoke  
HR-Easy Service "Half Round" yoke

1 Use 1227-Z-936 & WAR21-3.

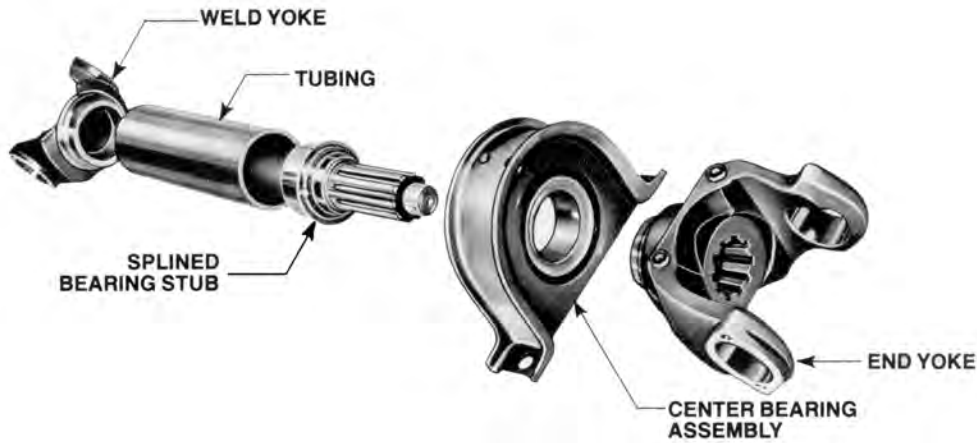
2 Use 1227-Z-936 & WAR21-1.

3 Use 1227-Z-936 & WAR20-1.

4 New 2" involute design.

5 Generic equivalent also available. (GCB210084-2X).

# CENTER BEARINGS



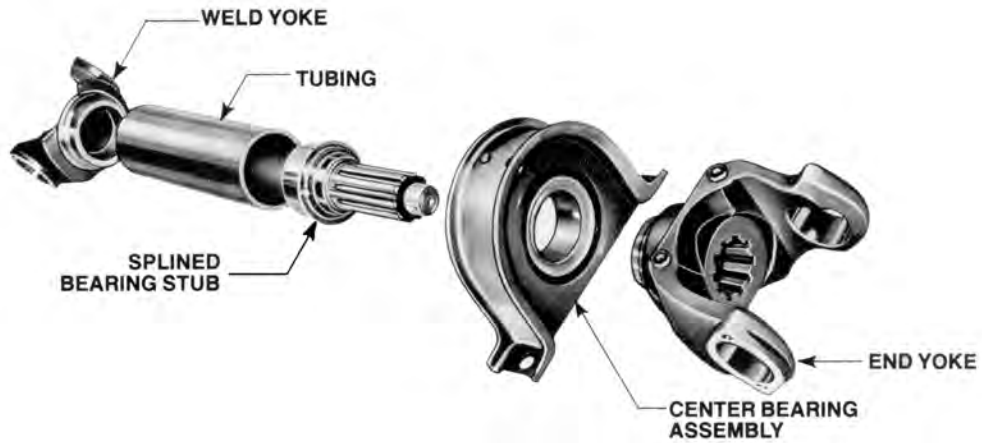
**Center Bearing Assemblies For Midship Bearing Stubs**

JOINT SERIES	WELD YOKE	TUBING	BEARING STUB & (NUT)	CENTER BEARING/ (Cushion Type)	END YOKE
18N	18N-28-117	RT-45-10	18N-53-91 See Note 2	CB210661-1XSA (Slotted)	
		RT-459-7		CB210875-1XSA (Solid)	18N-4-1891 See Note (FR)
	18N-28-127	RT-45-3	18N-53-51 See Note 2	CB210661-1XSA (Slotted)	18N-4-1891-1 See Note (HR)
				CB210875-1XSA (Solid)	
58WB	58WBY52-8 (DR)	RT-35-10	BSS31-23 See Note 3	CB210121-1XSA (Slotted)	58WBYS31-29 See Note (TH)
				CB310012-1XSA (Solid)	
72N	72NY51-4 (DR)	RT-35-156	17N-53-151 See Note 3	CB210121-1XSA (Slotted)	
				CB310012-1XSA (Solid)	
	72NYS52-20 (DR)	RT-35-10	BSS31-23 See Note 6	CB210121-1XSA (Slotted)	72NYS31-60 See Note (DR)
				CB310012-1XSA (Solid)	
	72NY60-3 (TH)	RT-4-10	17N-53-201 See Note 3	CB210121-1XSA (Slotted)	
				CB310012-1XSA (Solid)	

11

- Notes:
- FR-Full Round bearing yoke
  - HR-Easy Service "Half Round" yoke
  - TH Threaded Holes
  - 1 Use 1227-Z-936 & WAR21-3.
  - 2 Use 1227-Z-936 & WAR21-1.
  - 3 Use 1227-Z-936 & WAR20-1.
  - 4 New 2" involute design.
  - 5 Generic equivalent also available. (GCB210084-2X).
  - 6 Use 1226-Z936 & 1229-A-265.

# CENTER BEARINGS



**Center Bearing Assemblies For Midship Bearing Stubs**

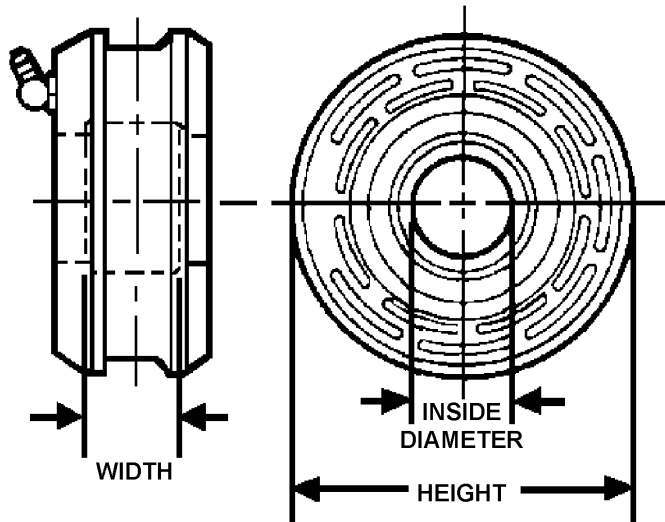
JOINT SERIES	WELD YOKE	TUBING	BEARING STUB & (NUT)	CENTER BEARING/ (Cushion Type)	END YOKE
82N	82NY60-16 (TH)	RT-4-10	17N-53-201 See Note 3	CB210121-1XSA (Slotted)	
	82NY60-19 (DR)	RT-4095-7		CB310012-1XSA (Solid)	
85WB	85WBY60-11 (DR)	RT-4-10	17N-53-201 See Note 3	CB210121-1XSA (Slotted)	85WBYS31-6 See Note (TH)
	85WBY60-3 (TH)	RT-4095-7		CB310012-1XSA (Solid)	
	85WBY60-3 (TH)	RT-4-10	17N-53-311 See Note 2	CB210661-1XSA (Slotted)	85WBYS38-17 See Note (TH)
	85WBY60-11 (DR)	RT-4095-7		CB210875-1XSA (Solid)	
92N	92NY64 (TH)	RT-45-3	18N-53-51 See Note 2	CB210661-1XSA (Slotted)	
				CB210875-1XSA (Solid)	92NYS38-33 See Note (TH)
	92NY68-1 (TH)	RT-459-180	18N-53-91 See Note 2	CB210661-1XSA (Slotted)	
	92NY68-2 (DR)			CB210875-1XSA (Solid)	
	18N-28-127	RT-45-3	18N-53-51 See Note 2	CB210661-1XSA (Slotted)	18N-4-1891-1 See Note (HR)
				CB210875-1XSA (Solid)	

**11**

**Notes:**

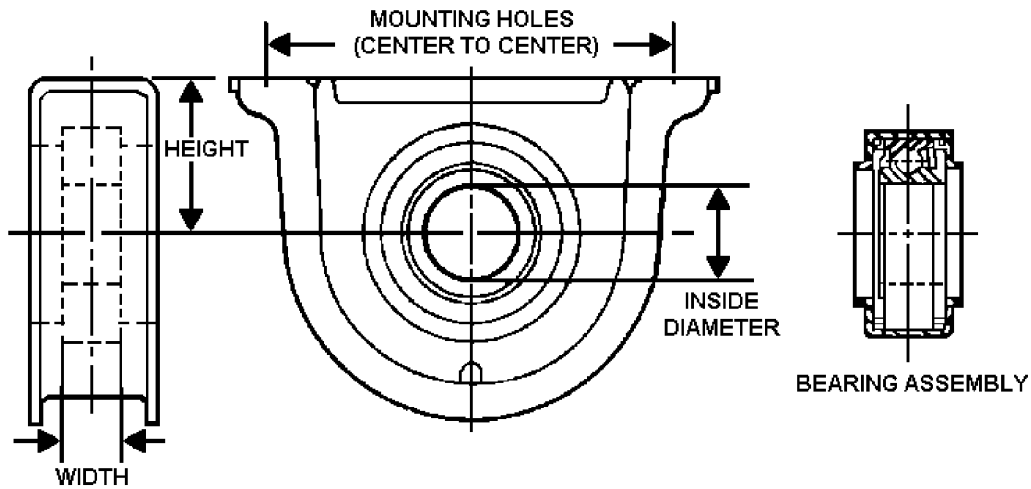
- FR Full Round bearing yoke
- HR Easy Service "Half Round" yoke
- TH Threaded Holes
- 1 Use 1227-Z-936 & WAR21-3.
- 2 Use 1227-Z-936 & WAR21-1.
- 3 Use 1227-Z-936 & WAR20-1.
- 4 New 2" involute design.
- 5 Generic equivalent also available. (GCB210084-2X).
- 6 Use 1226-Z936 & 1229-A-265.

# CENTER BEARINGS



## Center Bearings — Type 1 — Round With No Mounting Bracket

Part Number	Bearing I.D. Max./Min.	Bearing Width	Height
	1280 and 131N and 133N SERIES		
CB310008-1X	1.3750"/1.3745"	.75"	3.50"
CB310011-1X	1.3780"/1.3775"	.98"	3.50"



11

## Center Bearings — Type 2 — Solid Cushion

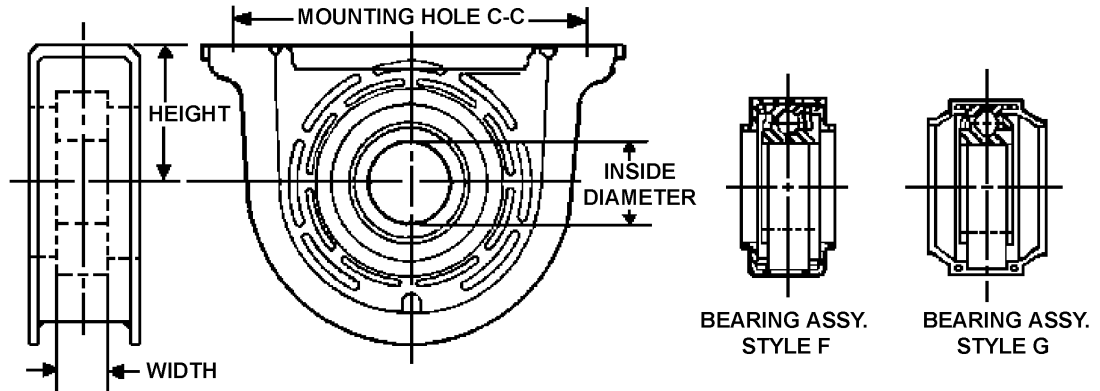
Part Number	Bearing Inside Diameter Maximum/Minimum	Height	Bearing Width	Mounting Holes (Center to Center)	Front Deflector	Rear Deflector
<b>17N and 58WB and 72N and 82N and 85WB SERIES</b>						
CB310012-1XSA	1.9685"/1.9680"	2.81"	1.19"	7.63"		

<b>176N and 17N (HEAVY DUTY) and 18N and 85WB and 92N SERIES</b>						
CB210875-1XSA See Note 1	2.3622"/2.3616"	3.38"	1.41"	8.63"		

<b>176N and 17N (HEAVY DUTY) and 18N SERIES</b>						
CB310013-1X	2.3622"/2.3616"	3.38"	1.41"	8.63"		
GCB210875-1X	2.3622"/2.3616"	3.38"	1.41"	8.63"	DEFR55-1	

Note:  
1 Self aligning center bearing. Deflectors not needed.

# CENTER BEARINGS



## Center Bearings — Type 2 — Slotted Rubber Cushion

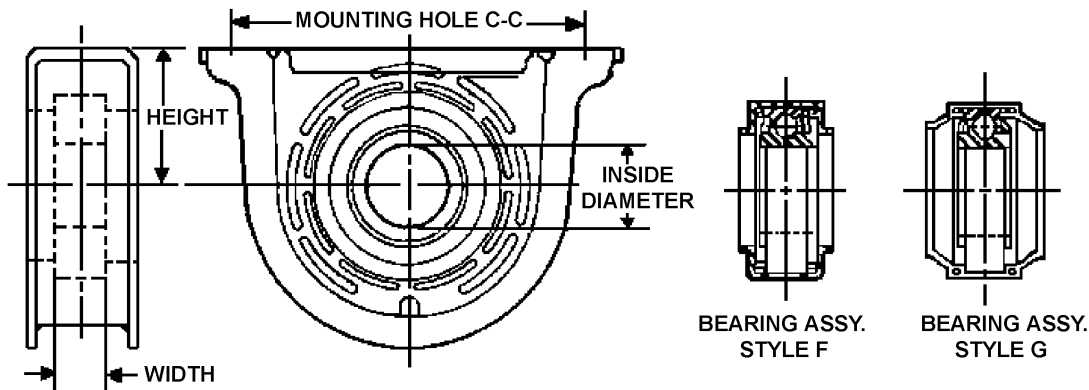
Part Number	Bearing I.D. Max./Min.	Height	Bearing Width	Mtg. Holes (Ctr to Ctr)	Style	Front Deflector	Rear Deflector	Bearing Retainer Deflector
<b>1280 and 1310 and 1330 and 1350 and 1410 SERIES</b>								
CB211187X See Note 2	1.3750"/1.3745"	2.25"		6.63"	F			
GCB211187X See Note 2	1.3750"/1.3745"	2.25"		6.63"	F			
CB210088-1X	1.3780"/1.3775"	2.25"	.98"	6.63"	F	DEFR33-1		DEFR22-5
CB210090-1X	1.3780"/1.3775"	2.25"	.98"	6.63"	F	DEFR33-1	DEFR33-1	
CB210367-1X	1.3780"/1.3775"	2.25"	.98"	6.63"	G	DEFR28-4	RBR28-1	
CB210370-1X	1.3780"/1.3775"	2.25"	.98"	6.63"	G	DEFR28-4		DEFR22-4
CB310006-1X	1.3780"/1.3775"	2.25"	.98"	6.63"	F			
CB310006-2X	1.3780"/1.3775"	2.25"	.98"	6.63"	F	DEFR33-1	DEFR33-1	DEFR22-5
CB310006-3X	1.3780"/1.3775"	2.25"	.98"	6.63"	F			
GCB210088-1X	1.3780"/1.3775"	2.25"	.98"	6.63"	F	DEFR33-1		DEFR22-5
GCB210090-1X	1.3780"/1.3775"	2.25"	.98"	6.63"	F	DEFR33-1	DEFR33-1	
GCB210367-1X	1.3780"/1.3775"	2.25"	.98"	6.63"	G	DEFR28-4, RBR28-1	RBR28-1	
GCB210370-1X	1.3780"/1.3775"	2.25"	.98"	6.63"	G	DEFR28-4	RBR28-1	DEFR22-4

<b>1280 and 1310 and 1330 and 1410 SERIES</b>								
GCB310005-1X	1.3780"/1.3775"	2.25"	.98"	6.63"	G			
GCB310006-1X	1.3780"/1.3775"	2.25"	.98"	6.63"	F			

<b>131N and 135N and 141N and 148N and 155N SERIES</b>								
CB210140-1X	1.5748"/1.5743"	2.44"	1.06"	6.63"	G	DEFR40-5		DEFR25-2
CB211590-1X	1.181"	1.91"		5.79"	F			
GBA212028-1X	1.575"	2.23"		6.62"	F			
CBA211848-1X	1.575"	3.25"		3.39"	F			
CB211359X	1.575"	2.25"		6.62"	F			
CB211499X	1.575"	2.25"		6.62"	F			
CB212032-1X	1.575"	2.60"		6.62"	F			
CB212030-1X	1.575"	2.24"		6.62"	F			
CB212053-1X	1.575"	2.25"		6.62"	F			

Notes:  
2 Deflectors are not sold separately.

# CENTER BEARINGS



## Center Bearings — Type 2 — Slotted Rubber Cushion

Part Number	Bearing I.D. Max./Min.	Height	Bearing Width	Mtg. Holes (Ctr to Ctr)	Style	Front Deflector	Rear Deflector	Bearing Retainer Deflector
<b>135N and 141N and 148N SERIES</b>								
CB210866-1X	1.5748"/1.5743"	2.25"	.86"	6.63"	F	DEFR34-1		DEFR25-4
CB210873-1X	1.5748"/1.5743"	2.25"	.86"	6.63"	F	DEFR34-1	DEFR34-1	
CB211016X	1.5748"/1.5743"	2.25"	.86"	6.63"	F			
CB310003-1X	1.5748"/1.5743"	2.25"	.86"	6.63"	F	DEFR37-1	DEFR37-1	DEFR25-4
GCB210866-1X	1.5748"/1.5743"	2.25"	.86"	6.63"	F	DEFR34-1		DEFR25-4
GCB210873-1X	1.5748"/1.5743"	2.25"	.86"	6.63"	F	DEFR34-1	DEFR34-1	
GCB211016X	1.5748"/1.5743"	2.25"	.86"	6.63"	F			
CB210144-1X	1.5748"/1.5743"	2.44"	1.06"	6.63"	G	DEFR40-5	DEFR40-5	DEFR25-2
CB310002-1X	1.5748"/1.5743"	2.44"	1.06"	6.63"	G			
GCB210140-1X	1.5748"/1.5743"	2.44"	1.06"	6.63"	G	DEFR40-5		DEFR25-2
GCB210144-1X	1.5748"/1.5743"	2.44"	1.06"	6.63"	G	DEFR40-5	DEFR40-5	DEFR25-2
GCB310002-1X	1.5748"/1.5743"	2.44"	1.06"	6.63"	G			
CB210433-1X	1.5748"/1.5743"	2.47"	1.06"	6.63"	F	DEFR37-1		DEFR25-1
CB310001-1X	1.5748"/1.5743"	2.47"	1.06"	6.63"	F			
GCB210391-1X	1.5748"/1.5743"	2.47"	1.06"	6.63"	F	DEFR37-1	DEFR37-1	
GCB210433-1X	1.5748"/1.5743"	2.47"	1.06"	6.63"	F	DEFR37-1		DEFR25-1
GCB310001-1X	1.5748"/1.5743"	2.47"	1.06"	6.63"	F			

## 141N and 148N and 155N and 1650 and 16N SERIES

CB210084-2X	1.7717"/1.7712"	2.69"	1.06"	7.63"	F	DEFR41-1	DEFR41-1	
CB212134-1X	1.7717"/1.7712"	2.77"		7.62"	F			
CB211172-1X	1.7717"/1.7712"	2.72"		7.62"	F			

## 155N and 16N SERIES

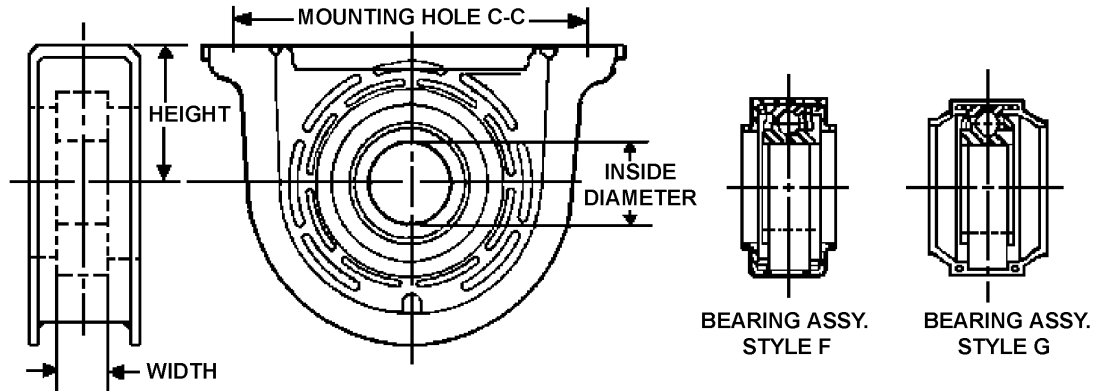
CB210207-1X	1.7717"/1.7712"	2.69"	1.06"	7.63"	F	DEFR41-1	DEFR28-3	
CB310007-1X	1.7717"/1.7712"	2.69"	1.06"	7.63"	F			
GCB210084-2X	1.7717"/1.7712"	2.69"	1.06"	7.63"	F	DEFR41-1	DEFR41-1	
GCB210130-1X	1.7717"/1.7712"	2.69"	1.06"	7.63"	G			
GCB210207-1X	1.7717"/1.7712"	2.69"	1.06"	7.63"	F	DEFR41-1		DEFR28-3
GCB310007-1X	1.7717"/1.7712"	2.69"	1.06"	7.63"	F			

Notes:

1 Self aligning center bearing. Deflectors not needed.



# CENTER BEARINGS



## Center Bearings — Type 2 — Slotted Rubber Cushion

Part Number	Bearing I.D. Max./Min.	Height	Bearing Width	Mtg. Holes (Ctr to Ctr)	Style	Front Deflector	Rear Deflector	Bearing Retainer Deflector
<b>17N SERIES</b>								
<b>CB210121-1XSA</b> See Note 1	1.9685"/1.9680"	2.81"	1.19"	7.63"	F			
<b>GCB210121-1X</b>	1.9685"/1.9680"	2.81"	1.19"	7.63"	F	DEFR35-1	DEFR35-1	
<b>GCB310014-1X</b>	1.9685"/1.9680"	2.81"	1.19"	7.63"	F			

## 176N and 17N (HEAVY DUTY) and 18N SERIES

<b>CB210661-1XSA</b> See Note 1	2.3622"/2.3616"	3.38"	1.41"	8.63"	F			
<b>CB310015-1X</b>	2.3622"/2.3616"	3.38"	1.41"	8.63"	F			
<b>GCB210661-1X</b>	2.3622"/2.3616"	3.38"	1.41"	8.63"	F	DEFR55-1	DEFR55-1	
<b>GCB310013-1X</b>	2.3622"/2.3616"	3.38"	1.41"	8.63"				
<b>GCB310015-1X</b>	2.3622"/2.3616"	3.38"	1.41"	8.63"	F			

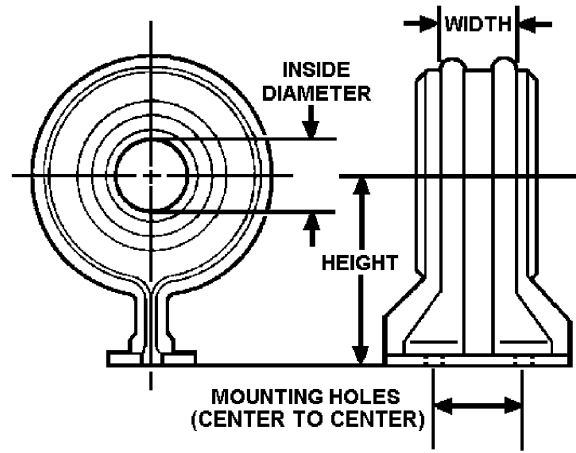
## 131N and 135N and 141N and 148N and 155N and 62N SERIES

<b>CB210391-1X</b>	1.5748"/1.5743"	2.47"	1.06"	6.63"	F	DEFR37-1	DEFR37-1	
--------------------	-----------------	-------	-------	-------	---	----------	----------	--

## 35 RPL Series

<b>MCB203</b>	2.7559 / 2.7554	3.38	1.41	7.62	F			
---------------	-----------------	------	------	------	---	--	--	--

# CENTER BEARINGS



## Center Bearings — Type 3—Round With Mounting Bracket

Part Number	Bearing I.D. Max./Min.	Height	Width	Mounting Holes (Center to Center)
<b>1280 and 131N SERIES</b>				
CB210527X	1.1811"/1.1807"	3.56"	.63"	1.50"
CB5009385-1	1.1811"/1.1807"	1.44"		6.91"
<b>131N SERIES</b>				
GCB210527X	1.1811"/1.1807"	3.56"	.63"	1.50"

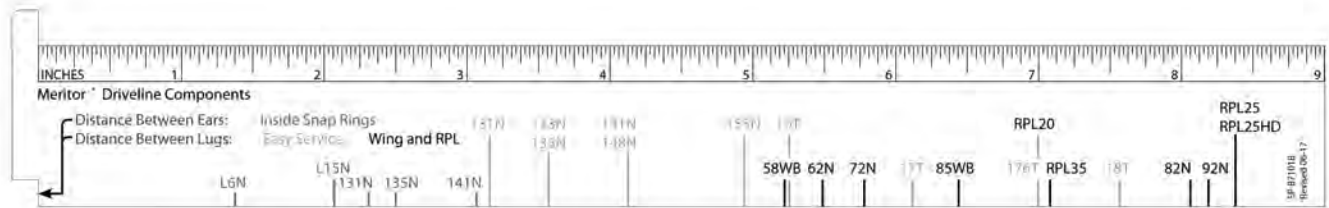
# C.V. COMPONENTS & P.T.O. ASSEMBLIES

## TABLE OF CONTENTS SECTION 12

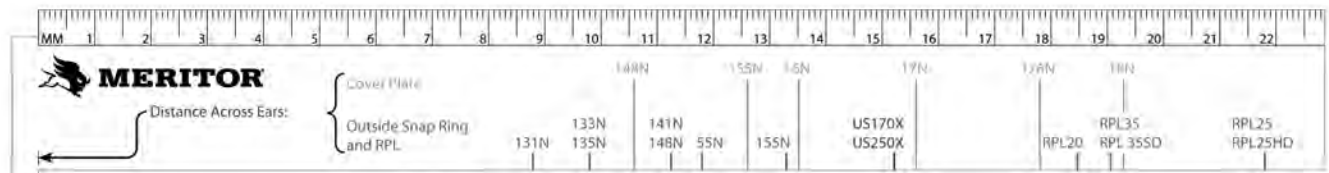
Unwelded C.V. Shaft Assemblies - . . . . .	12-3
Unwelded C.V. Shaft Assemblies Component Part Numbers . . . . .	12-4
Welded And Balanced C.V. Shaft Assemblies . . . . .	12-5
Component Part Numbers . . . . .	12-5
C.V. Head Assemblies - . . . . .	12-6
C.V. Head Assemblies Component Part Numbers . . . . .	12-6
C.V. Centering Yokes . . . . .	12-6
Double Center Yokes — Inside Snap Ring- . . . . .	12-7
Double Center Yokes — Outside Snap Ring . . . . .	12-7
Flange Yokes — Double Cardan C.v. Head — Style 1 And 1 . . . . .	12-8
Flange Yokes — Double Cardan C.v. Head — Style 1 And 2 . . . . .	12-8
Flange Yokes — Double Cardan C.v. Head — Style 3 . . . . .	12-8
PTO Companion Flange . . . . .	12-9
Ball Stud Weld Yokes — Inside Snap Ring . . . . .	12-10
Ball Stud Weld Yokes — Outside Snap Ring- . . . . .	12-10
Spline Plug Shaft For Auxiliary Power Take—Off- . . . . .	12-11
131N Series Auxiliary Power Take—Off Kitf . . . . .	12-11
131N Series Auxiliary Power Take—Off- . . . . .	12-11
Unwelded Driveshaft Assembly- . . . . .	12-11

Need help measuring for the right yoke?  
 Visit [www.meritor.com/lod](http://www.meritor.com/lod) and request  
 SP-87101B.

(image in black and white - gauges comes in 4-color)  
 (image not to scale - please request actual ruler)



Side 1

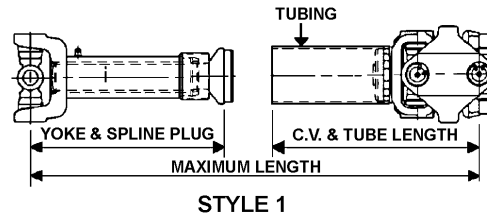


Side 2

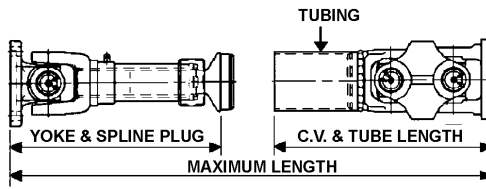
12

**DRIVELINE I.D. GAUGE (I.D. KITS) YOKE RULER**

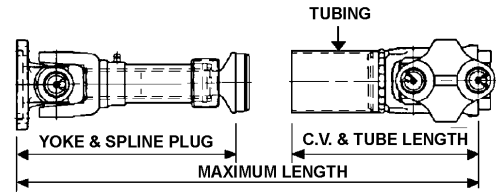




STYLE 1



STYLE 6

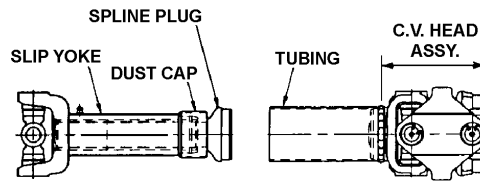


STYLE 7

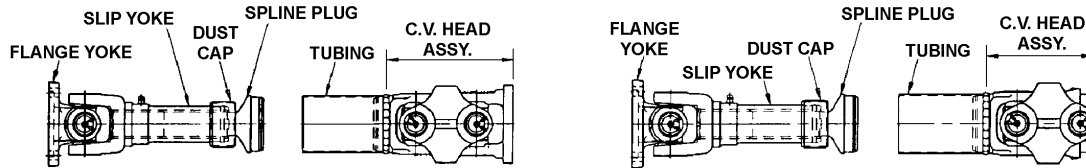
## Unwelded C.V. Shaft Assemblies

C.V. Shaft Assembly	Maximum Length Extended	Maximum Length Compressed	Tubing	C.V. and Tube Length	Yoke & Spline Plug Shaft Assy.		Style
					Maximum Length	Minimum Length	
<b>121N SERIES</b>							
R919990-3400	52.91"	48.66"	2.50" x .065"	38.00"	14.91"	10.66"	7
R919976-3400	54.53"	50.28"	2.50" x .065"	39.63"	14.91"	10.66"	6
<b>131N SERIES</b>							
R909365-2600	40.94"	37.84"	2.00" x .120"	30.13"	10.81"	7.72"	1
R909363-2600	42.28"	39.19"	2.50" x .083"	30.13"	12.16"	9.06"	1
<b>133N SERIES</b>							
R911818-2600	42.91"	38.75"	2.50" x .083"	30.13"	12.78"	8.63"	1

# C.V. COMPONENTS & P.T.O. ASSEMBLIES



STYLE 1



STYLE 6

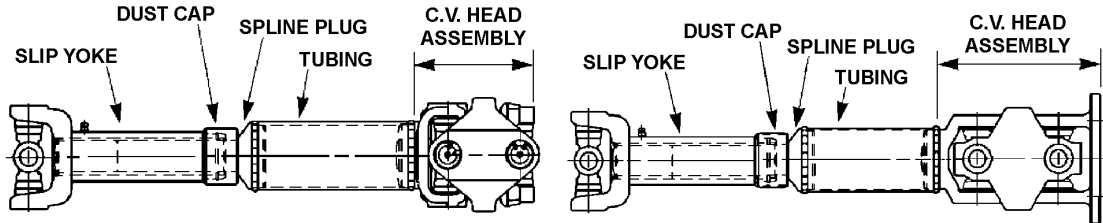
STYLE 7

## Unwelded C.V. Shaft Assemblies Component Part Numbers

C.V. Shaft Assembly	Flange Yoke	Slip Yoke <sup>1</sup>	Dust Cap	Spline Plug	C.V. Head Assy.	Tubing	Style
<b>121N SERIES</b>							
R919976-3400	121N-2-1049	121N-3-8961KX	R280196	121N-40-2301		2.50" x .065"	6
R919990-3400	121N-2-1049	121N-3-8961KX	R280196	121N-40-2301		2.50" x .065"	7
<b>131N SERIES</b>							
R909365-2600		131N-3-8001KX	R280194	131N-40-1701	R912777	2.00" x .120"	1
R909363-2600		131N-3-8021KX	R280194	131N-40-1851	R912747	2.50" x .083"	1
<b>133N SERIES</b>							
R911818-2600		133N-3-8041KX	R280194	131N-40-1851		2.50" x .083"	1

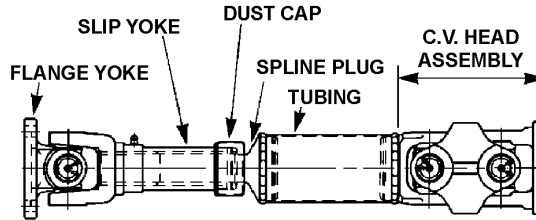
<sup>1</sup> Includes dust cap.

# C.V. COMPONENTS & P.T.O. ASSEMBLIES



STYLE 3

STYLE 4



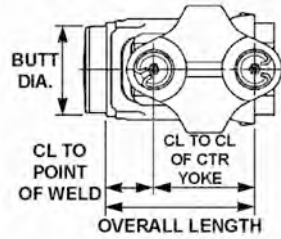
STYLE 5

## Welded And Balanced C.V. Shaft Assemblies Component Part Numbers

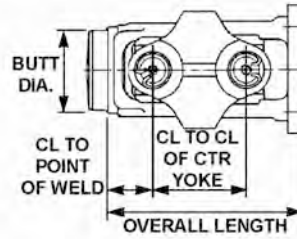
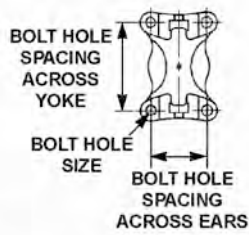
C.V. Shaft Assembly	Flange Yoke	Slip Yoke	Dust Cap	Spline Plug	C.V. Head Assy.	Tubing	Style
<b>121N SERIES</b>							
R914156-1324W	121N-2-1050	121N-3-8961KX	R280196	121N-40-2301		2.50" x .065"	5

<b>131N SERIES</b>							
R903862-1409W		131N-3-8001KX	R280194	131N-40-1701	R912777	2.00" x .120"	3
R903862-1602W		131N-3-8001KX	R280194	131N-40-1701	R912777	2.00" x .120"	3
R912170-1511W		131N-3-8001KX	R280194	131N-40-1701	R912286	2.00" x .120"	4

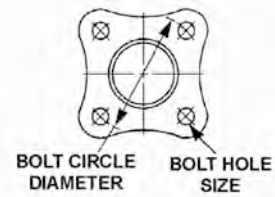
# C.V. COMPONENTS & P.T.O. ASSEMBLIES



STYLE 1



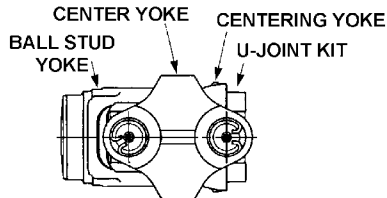
STYLE 2



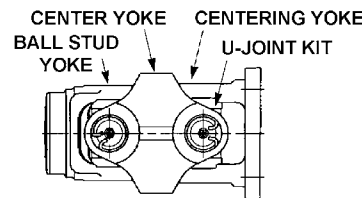
## C.V. Head Assemblies

C.V. Head Assembly	Overall Length	CL to Point of Weld	CL to CL of Center Yoke	Butt Dia.	Bolt Circle Dia.	Bolt Hole Spacing Across Yoke	Bolt Hole Spacing Across Ears	Bolt Hole Size	Style
<b>3R SERIES U-JOINT KIT: CP3147X</b>									
4137268	6.563"	1.625"	3.250"	1.766"	4.25"			.453"	2

<b>131N SERIES U-JOINT KIT: CP153X</b>									
R912777	4.094"	1.438"	2.688"	1.766"		2.344"	1.50"	.313" - 24	1
R912747	4.125"	1.438"	2.688"	2.344"		2.344"	1.50"	.313" - 24	1



STYLE 1

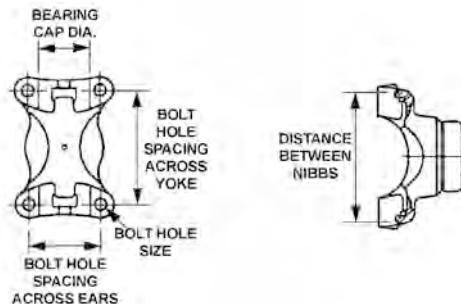


STYLE 2

## C.V. Head Assemblies Component Part Numbers

C.V. Head Assembly	Ball Stud Yoke	Center Yoke "H" Type	Centering Yoke	Flange Socket	Tubing	Style
<b>3R SERIES U-JOINT KIT: CP3147X (2 Req'd.)</b>						
4137268	R3R-28-869	R3R-26-57		R3R-83-482	2.00" x .120" (11 GA)	2

<b>131N SERIES U-JOINT KIT: CP153X (2 Req'd.)</b>						
R912747	131N-28-2957X	131N-26-497	131N-CV82-HD		2.00" x .120" (11 GA)	1
R912777	131N-28-2947X	131N-26-497	131N-CV82-HD		2.00" x .120" (11 GA)	1

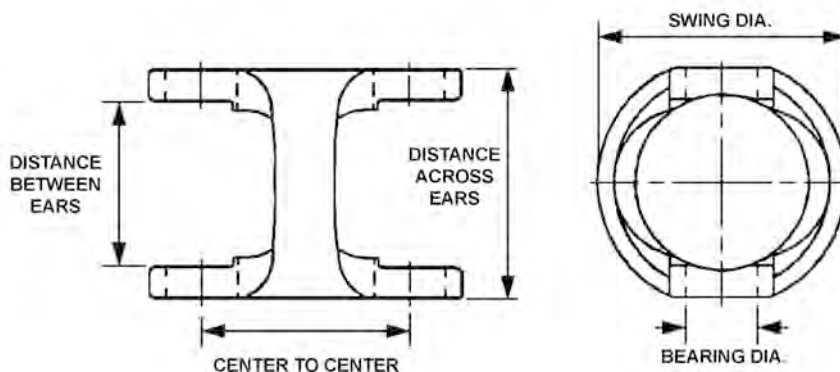


## C.V. Centering Yokes

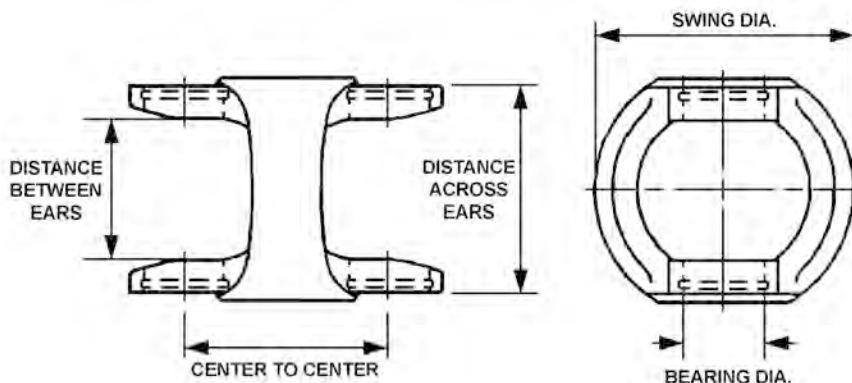
Part Number	Distance Between Nibbs	Bearing Cap Diameter	Swing Diameter	Bolt Hole Size	Bolt Hole Spacing Across Yoke	Bolt Hole Spacing Ears	Stud Socket Dimension
<b>1210 SERIES U-JOINT KIT: GCP443X</b>							
121-N-11342X	2.437			.250-28	2.343	1.5	0.5



C.V. Centering Yokes							
Part Number	Distance Between Nibbs	Bearing Cap Diameter	Swing Diameter	Bolt Hole Size	Bolt Hole Spacing Across Yoke	Bolt Hole Spacing Ears	Stud Socket Dimension
<b>131N SERIES U-JOINT KIT: CP153X</b>							
131N-CV82-HD	3.47"	1.06"	3.50"	.313" - 24 UNF	2.34"	1.50"	.50"
131-N-11544X	3.22"			.312" - 24 UNF	2.34"	1.50"	.50"
<b>133N SERIES U-JOINT KIT: CP153X</b>							
133-N-11179X	3.63"			.312" - 24 UNF	2.88"	1.50"	.50"
133-N-11996X	3.63"			.312" - 24 UNF	2.88"	1.50"	.50"
<b>135N SERIES U-JOINT KIT: CP153X</b>							
135-N-12019X	3.63"			.312" - 24 UNF	2.75"	1.63"	.50"

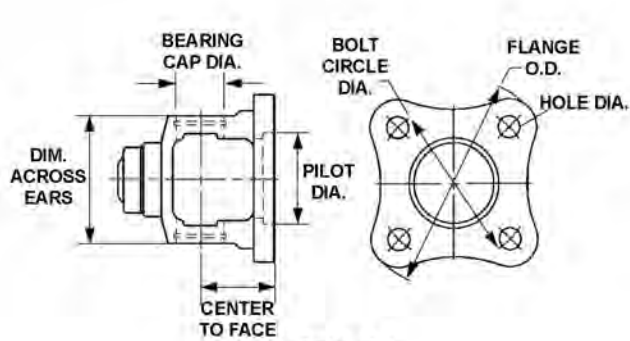


Double Center Yokes — Inside Snap Ring						
Part Number	Center to Center	Distance Between Ears	Swing Diameter	Bearing Diameter	Distance Across Ears	Maximum Joint Angle
<b>3R SERIES U-JOINT KIT: CP3147X</b>						
R3R-26-57	3.25"	2.56"	4.06"	1.13"	3.56"	17°

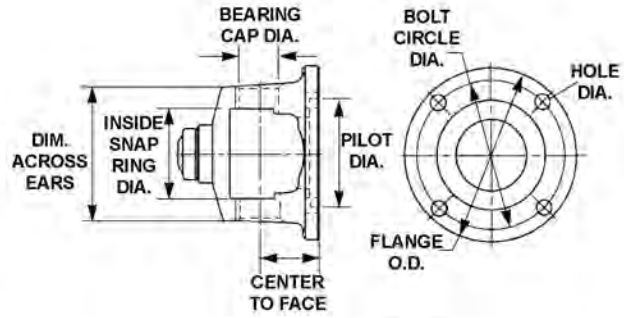


Double Center Yokes — Outside Snap Ring						
Part Number	Center to Center	Distance Between Ears	Swing Diameter	Bearing Diameter	Distance Across Ears	Maximum Joint Angle
<b>131N SERIES U-JOINT KIT: CP153X</b>						
131N-26-367	2.69"	2.22"	3.88"	1.06"	3.47"	26°
131N-26-497	2.69"	2.22"	3.88"	1.06"	3.47"	26°
133-N-26-527	2.75"	2.75"	4.25"	1.06"	3.88"	18°

# C.V. COMPONENTS & P.T.O. ASSEMBLIES



STYLE 1



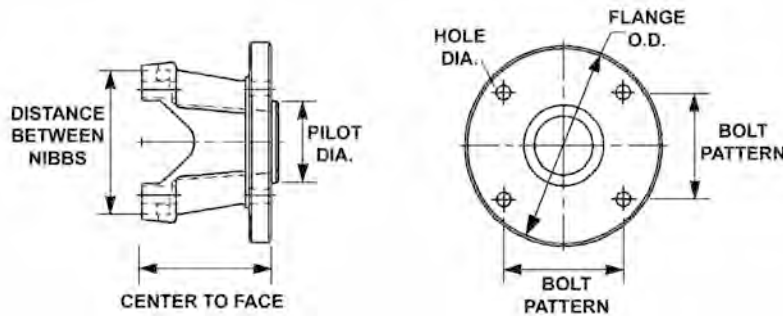
STYLE 2

## Flange Yokes — Double Cardan C.v. Head — Style 1 And 1

Part Number	Center to Face	Pilot Dia. M=Male F=Female	Bolt Circle Dia.	Yoke Dim. Across Ears	Brg. Cap Dia.	Bolt Hole Dia.	No. of Bolt Holes	Inside Snap Ring Dim.	Flange O.D.	Stud Socket Dim.	Style
<b>131N SERIES U-JOINT KIT: CP153X</b>											
131N-11543X	1.62"	F-2.00"	3.50"			0.49"	4			.500"	1
<b>133N SERIES U-JOINT KIT: CP153X</b>											
133N-11913X	1.62"	F-3.12"	4.25"			0.46"	4			.500"	1
133N-11631X	1.62"	F-2.00"	4.25"			M12x1.75"	4			.500"	1
<b>135N SERIES U-JOINT KIT: CP153X</b>											
135N-12024X	1.62"	F-2.00"	4.25"			M12x1.75"	4			.500"	1

## Flange Yokes — Double Cardan C.v. Head — Style 1 And 2

Part Number	Center to Face	Pilot Dia. M=Male F=Female	Bolt Circle Dia.	Yoke Dim. Across Ears	Brg. Cap Dia.	Bolt Hole Dia.	No. of Bolt Holes	Inside Snap Ring Dim.	Flange O.D.	Stud Socket Dim.	Style
<b>3R SERIES U-JOINT KIT: CP3147X</b>											
R3R-83-482	1.69"	F-3.13"	4.25"	3.56"	1.13"	.453"	4	2.56"	5.13"	.906"	2
<b>121N SERIES U-JOINT KIT: CP443X</b>											
121N-83-489X	1.63"	F-2.00"	3.50"	2.69"	1.06"	.500"	4		4.38"	.500"	1



STYLE 3

## Flange Yokes — Double Cardan C.v. Head — Style 3

Part Number	Center to Face	Pilot Dia. M=Male F=Female	Bolt Circle Dia.	Yoke Dim. Across Ears	Brg. Cap Dia.	Bolt Hole Dia.	No. of Bolt Holes	Inside Snap Ring Dim.	Flange O.D.	Stud Socket Dim.	Style
<b>131N SERIES U-JOINT KIT: CP153X</b>											
131N-83-288X	2.91"	M-1.81", 46mm			1.06"	.315", 8mm	4		4.44"		3
131N-83-388X	1.63"	F-2.00"	3.50"	3.47"	1.06"	.500"	4		4.38"	.500"	1

12

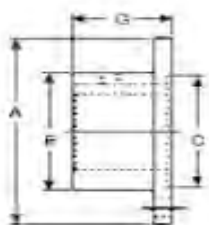


Figure 1

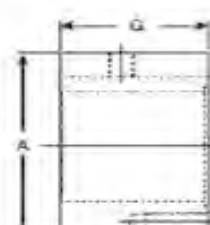
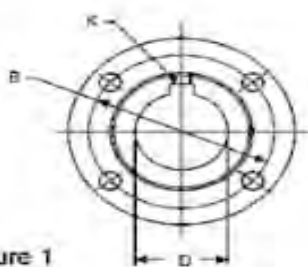
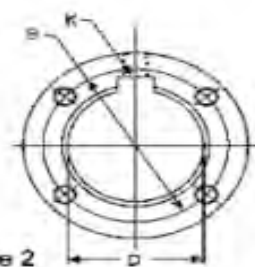


Figure 2



PTO Companion Flange											
Part Number	Bolt Circle	Bore Diameter (A)	Bore Diameter Max	Hole/Thread Size €	Keyway (B)	Keyway Max	Holes/Bolts	Outside Diameter (H)	Overall Length (G)	Pilot Diameter ©	Set Screw Hole Size (F)
<b>131N SERIES</b>											
131-N-1-1313	3.12"	0.750"	1.688"	0.39"		0.38"	4	3.88"	2.00"	2.38"	0.38-16
131-N-1-1313-1	3.12"	1.000"		0.39"	0.25		4	3.88"	2.00"	2.38"	0.38-16
131-N-1-1313-3	3.12"	1.250"		0.39"	0.25		4	3.88"	2.00"	2.38"	0.38-16
131-N-1-1313-4	3.12"	1.250"		0.39"	0.31		4	3.88"	2.00"	2.38"	0.38-16
131-N-1-1313-8	3.12"	1.500"		0.39"	0.38		4	3.88"	2.00"	2.38"	0.38-16
131-N-1-1313-9	3.12"	1.625"		0.39"	0.38		4	3.88"	2.00"	2.38"	0.38-16
131-N-1-1323-1	3.12"	1.750"		0.38-24"	0.38		4	3.88"	2.50"	2.38"	0.38-16

135N - 141N SERIES											
135-N-1-1013	3.75"	1.000"	1.880"	0.45"		0.50"	4	4.56"	2.00"	2.75"	0.38-16
135-N-1-1013-1	3.75"	1.000"		0.45"	0.25		4	4.56"	2.00"	2.75"	0.38-16
135-N-1-1013-10	3.75"	1.750"		0.45"	0.38		4	4.56"	2.00"	2.75"	0.38-16
135-N-1-1013-12	3.75"	1.875"		0.45"	0.50		4	4.56"	2.00"	2.75"	0.38-16
135-N-1-1013-3	3.75"	1.250"		0.45"	0.25		4	4.56"	2.00"	2.75"	0.38-16
135-N-1-1013-4	3.75"	1.250"		0.45"	0.31		4	4.56"	2.00"	2.75"	0.38-16
135-N-1-1013-5	3.75"	1.375"		0.45"	0.31		4	4.56"	2.00"	2.75"	0.38-16
135-N-1-1013-6	3.75"	1.375"		0.45"	0.38		4	4.56"	2.00"	2.75"	0.38-16
135-N-1-1013-8	3.75"	1.500"		0.45"	0.38		4	4.56"	2.00"	2.75"	0.38-16
135-N-1-1013-9	3.75"	1.625"		0.45"	0.38		4	4.56"	2.00"	2.75"	0.38-16

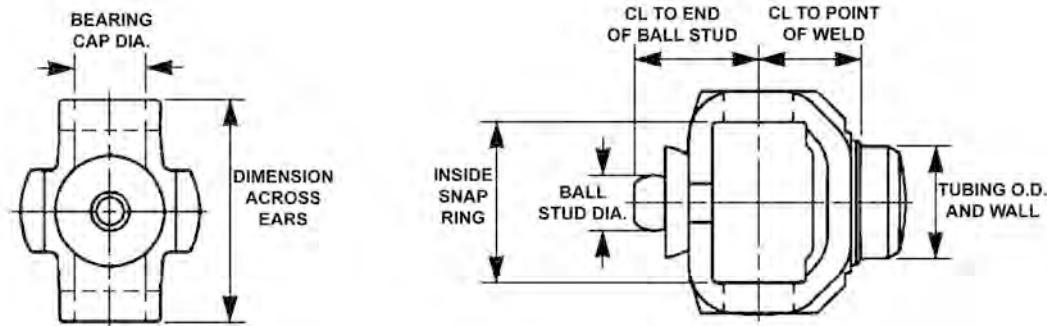
148N - 155N SERIES											
148-N-1-1133	4.75"	1.250"	2.438"	0.51"		0.62"	4	5.88"	2.50"	3.75"	0.50-13
148-N-1-1133-1	4.75"	1.500"		0.51"	0.38		4	5.88"	2.50"	3.75"	0.50-13
148-N-1-1133-6	4.75"	2.000"		0.51"	0.5		4	5.88"	2.50"	3.75"	0.50-13
148-N-1-1133-8	4.75"	2.250"		0.51"	0.62		4	5.88"	2.50"	3.75"	0.50-13

16N SERIES											
16-N-1-873	6.12"	1.250"	3.000"	0.39"		0.75"	8	6.88"	3.50"	6.62"	0.50-13
16-N-1-873-1	6.12"	2.000"		0.39"	0.5		8	6.88"	3.50"	6.62"	0.50-13

17N SERIES											
17-N-1-1253	7.25"	1.250"	4.000"	0.39"		1.00"	8	8"	4.00"	7.75"	
17-N-1-1253-3	7.25"	2.750"		0.39"	0.62		8	8"	4.00"	7.75"	0.50-13
17-N-1-1253-6	7.25"	3.500"		0.39"	0.88		8	8"	4.00"	7.75"	0.50-13

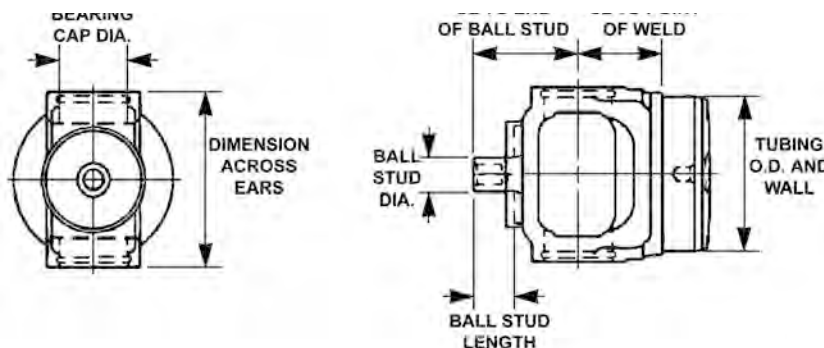
18N SERIES											
18-N-1-533	7.25"	1.250"	4.000"	0.45"		1"	12	8"	4.00"	7.75"	0.50-13

# C.V. COMPONENTS & P.T.O. ASSEMBLIES



## Ball Stud Weld Yokes — Inside Snap Ring

Weld Yoke Part Number	Use with Tubing O.D. and Wall	Butt Dia.	CL to Weld Point	CL to End of Ball Stud	Ball Stud Dia.	Yoke Dim. Across Ears	Brg. Cap Dia.	ISR Dim.	Maximum Operating Angle
<b>3R SERIES</b>		<b>U-JOINT KIT: CP3147X</b>							
R3R-28-869	2.00" x .120" (11 GA)	1.77"	1.63"	2.00"	.91"	3.56"	1.13"	2.56"	17°



## Ball Stud Weld Yokes — Outside Snap Ring

Weld Yoke Part Number	Use with Tubing O.D. and Wall	Butt Dia.	Center Line to Weld Point	Center Line to End of Ball Stud	Length	Dia.	Yoke Dim. Across Ears	Brg. Cap Dia.	Maximum Operating Angle
<b>131N SERIES</b>		<b>U-JOINT KIT: CP153X</b>							
131N-28-1747X	2.50" x .083" (14 GA)	2.34"	1.44"	1.64"	.59"	.50"	3.47"	1.06"	13°

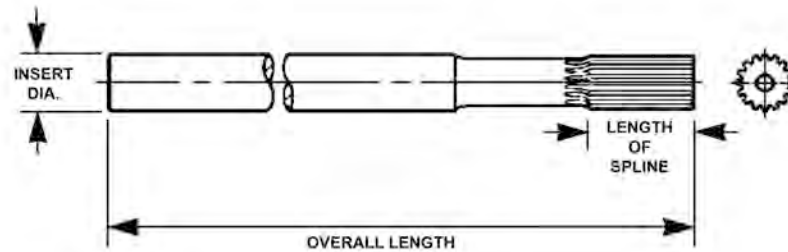
<b>1280 and 131N SERIES</b>		<b>U-JOINT KIT: CP153X</b>							
131N-28-1777X	2.00" x .120" (11 GA)	1.77"	1.44"	1.64"	.59"	.50"	3.47"	1.06"	13°
131N-28-2947X	2.00" x .120" (11 GA)	1.77"	1.44"	1.64"	.59"	.50"	3.47"	1.06"	13°

<b>131N SERIES</b>		<b>U-JOINT KIT: CP153X</b>							
131N-28-2957X	2.50" x .083" (14 GA)	2.34"	1.44"	1.64"	.59"	.50"	3.47"	1.06"	13°

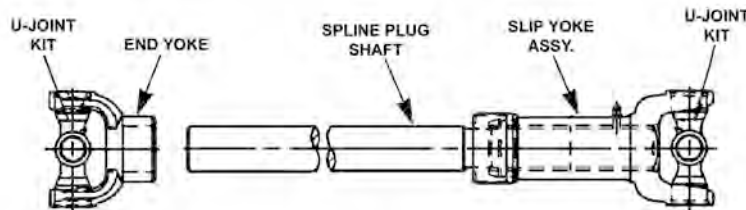
<b>133N SERIES</b>		<b>U-JOINT KIT: CP153X</b>							
133-N-28-2157X	2.00" x .120" (11 GA)	1.77"	1.38"	1.67"	.59"	.50"	3.79"	1.06"	13°
133-N-28-2117X	3.00" x .065"	2.88"	1.50"	1.67"	.59"	.50"	3.79"	1.06"	13°
133N-28-3067X	2.50" x .083" (14 GA)	2.34"	1.38"	1.67"	.59"	.50"	3.88"	1.06"	

<b>135N SERIES</b>		<b>U-JOINT KIT: CP153X</b>							
135N-28-1327X	3.00" x .083" (14 GA)	2.84"	1.44"	1.73"	.59"	.50"	3.875"	1.19"	

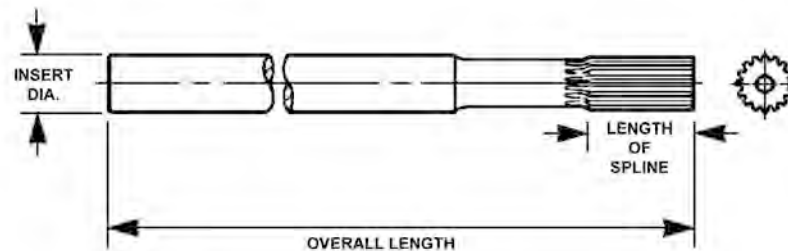
12



Spline Plug Shaft For Auxiliary Power Take—Off						
Part Number	Spline Size	Overall Length	Length of Spline	Dust Cap	Insert Diameter	End Yoke
<b>WELDED APPLICATION</b>						
131N-40-138-2	1.38" - 16	24"	2.50"	R280194	1.25"	131N-4-533



131N Series Auxiliary Power Take—Off Kit <sup>1</sup>					
Driveshaft Kit Part Number	Series	Slip Yoke	Spline Plug Shaft	U-Joint Kit	End Yoke
<b>DRIVESHAFT COMPONENT PART NUMBERS</b>					
R91382SF See Note 1	131N	131N-3-7981KX	131N-40-138-2	CP153X	131N-4-533



131N Series Auxiliary Power Take—Off Unwelded Driveshaft Assembly							
Complete Driveshaft Part Number	Series	Maximum Assembly Length	Minimum Assembly Length	Tubing	Yoke and Tube Length	Maximum Length	Minimum Length
<b>DRIVESHAFT SPECIFICATIONS</b>							
R9553-SF	1280, 131N	55.75"	9.50"	2.00" x .083" (14 GA)	49.44"	8.25"	6.25"
R10270-SF	1000, 10N	69.39"	10.00"	2.00" x .083" (14 GA)	59.91"	9.48"	7.48"

DRIVESHAFT COMPONENT PART NUMBERS						
Complete Driveshaft Part Number	Series	Slip Yoke	Spline Plug	Weld Yoke	U-Joint Kit	Tubing
R10270-SF	1000, 10N	10N-3-18KX	121N-40-1741	R10V5	CP170X	2.00" x .083" (14 GA)
R9553-SF	1280, 131N	131N-3-128KX	131N-40-1031	131N-28-357	CP153X	2.00" x .083" (14 GA)

Note:  
<sup>1</sup> Used primarily in crank driven front mount hydraulic pump applications. Also suitable for clutch connection drives. Maximum operating speed 2800 rpm.  
 (Not recommended for vehicular propeller shaft applications.)



# L6N Steering Components

## TABLE OF CONTENTS SECTION 13

Clamp Yokes — Standard Serrated Type - - - - - 13-3

Clamp Yokes — "D—Flat" Serrated Type - - - - - 13-3

Slip Yokes - - - - - 13-4

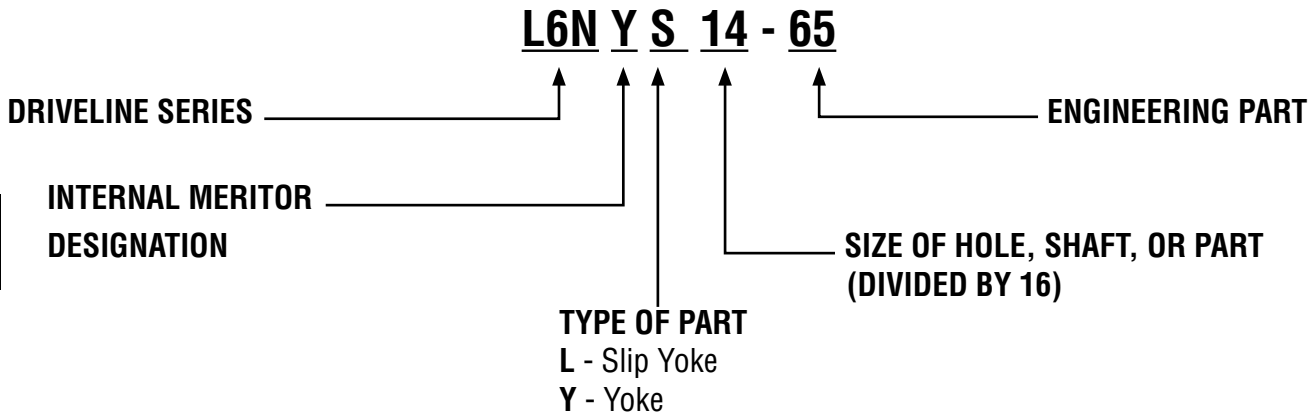
# L6N Steering Components

- **This catalog is not to be used for the design of custom steering assemblies. Any use of this catalog other than identifying genuine replacement parts is strictly prohibited.**
- Due to the safety related nature of this product, we implore you to pay special attention to the way your original steering shaft was assembled, noting the phasing of the yokes. On some steering assemblies the yokes are purposely out of phase due to vehicle/application specific requirements.
- If after reviewing the information in this catalog you are unable to positively identify the replacement part you need to repair your steering assembly, please obtain the OEM part number for the assembly and call our Information Services Department at 1-888-725-9355.

## MERITOR NUMBERING SYSTEM

Meritor components may be identified by one of the numbering systems shown below. Aftermarket numbers are issued to make Meritor components easy to select when choosing a replacement component.

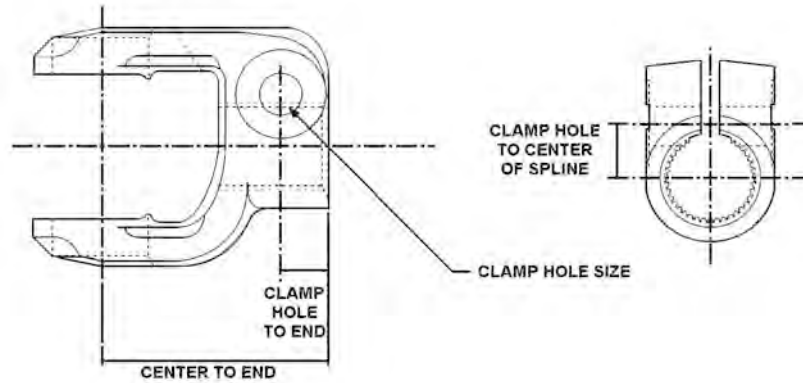
### MERITOR ENGINEERING NUMBER



**13**



# L6N Steering Components



## Clamp Yokes — Standard Serrated Type

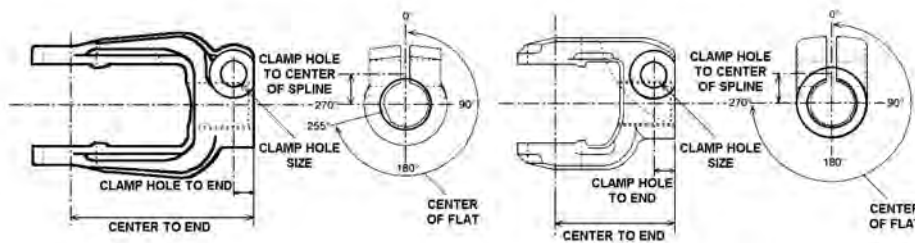
Part Number	Major Dia.Max./Min.	Minor Dia. Max./Min.	Center to End	Clamp Hole to End	Clamp Hole Size	Clamp Hole to Center of Spline
<b>.75" - 26 SPLINE Based on 36 spacing</b>						
L6NYS12-39	.739" / .735"	.698" / .694"	2.25"	.47"	.47"	.45"

<b>.88" - 30 SPLINE Based on 36 spacing</b>						
L6NYS14-65	.883" / .881"	.802" / .800"	2.50"	.47"	.41"	.53"

<b>.88" - 36 SPLINE</b>						
L6NYS14-100	.883" / .881"	.802" / .800"	2.25"	.47"	.41"	.56"

<b>1.00" - 30 SPLINE Based on 36 spacing</b>						
L6NYS16-16	.994" / .989"	.949" / .944"	2.25"	.47"	.41"	.61"
L6NYS16-34	.994" / .989"	.949" / .944"	2.50"	.47"	.38"	.61"

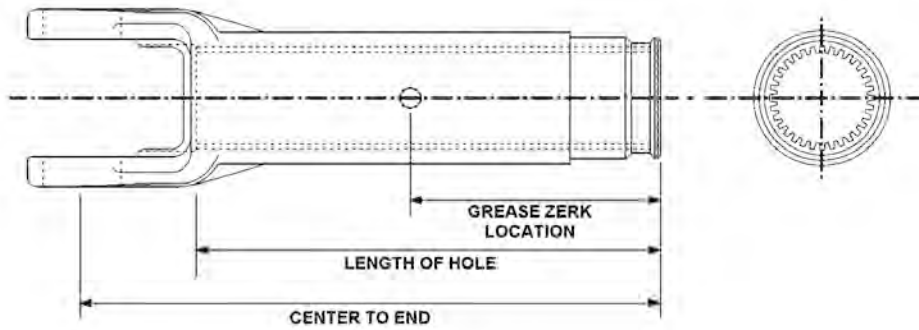
<b>1.00" - 36 SPLINE</b>						
L6NYS16-12	.988" / .986"	.915" / .913"	2.25"	.75"	.41"	.58"
L6NYS16-18	1.013" / 1.011"	.949" / .944"	2.25"	.47"	.41"	.61"



## Clamp Yokes — "D—Flat" Serrated Type

Part Number	Major Dia.Max./Min.	Minor Dia. Max./Min.	Center to End	Clamp Hole to End	Clamp Hole Size	Clamp Hole to Center of Spline	Center of Flat
<b>.81" - 18 SPLINE Based on 36 spacing</b>							
L6NYS13-31	.811" / .809"	.766" / .762"	2.16"	.36"	.47"	.53"	255°
L6NYS13-34	.811" / .809"	.766" / .762"	3.30"	.36"	.47"	.53"	255°

# L6N Steering Components



Slip Yokes					
Part Number	Center to End	Length of Hole	Grease Zerk Location	Dust Cap Style	Dust Cap/Seal Part Number
<b>1.25" - 32 SPLINE</b>					
L6NLS20-65DC	7.25"	5.75"		Splined	DCL6N4
L6NLS20-127	7.25"	5.81"	1.41"		
L6NLS20-133A	7.25"	5.81"	1.50" and 5.25"	Splined	SERUS20
L6NLS20-55DC	9.13"	6.13"		Splined	SERUS20
L6NLS20-63DC1	9.81"	8.88"	1.50"	Round	DCL6N3

# 10N SERIES

## TABLE OF CONTENTS SECTION 14

Flange Yokes - - - - - 14-2

Slip Yokes — Inside Snap Ring - - - - - 14-2

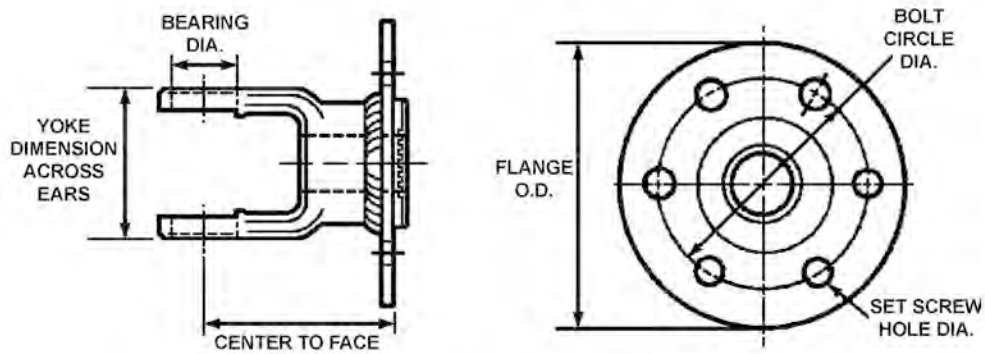
Slip Yokes - - - - - 14-3

End Yokes - - - - - 14-4

10N/1000 Series Auxiliary Power Take—Off - - - - - 14-5

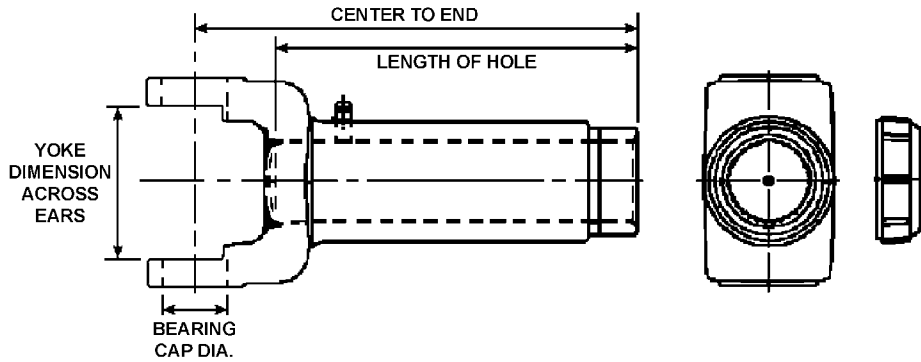
Unwelded Driveshaft Assembly- - - - - 14-5

# 10N SERIES



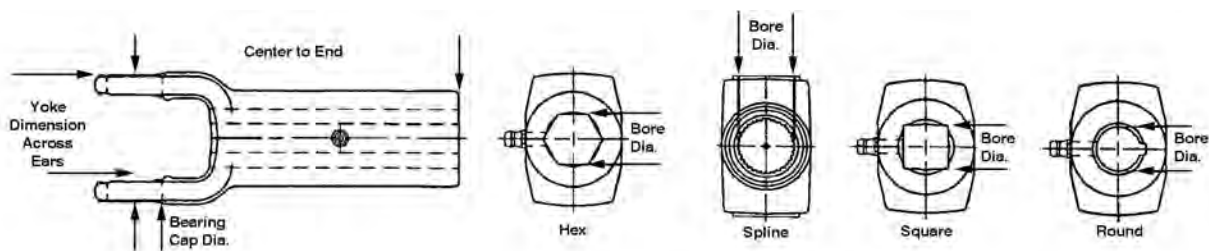
## Flange Yokes

Part Number	Center to Face	Bolt Circle Dia.	Flange O.D.	Yoke Dim. Across Ears	Bearing Dia.	Set Screw Hole Dia.	Number of Holes	Use U-Joint Kit
10N-2-29	1.67"	2.75"	3.50"	2.19"	.94"	.34"	4	CP170X



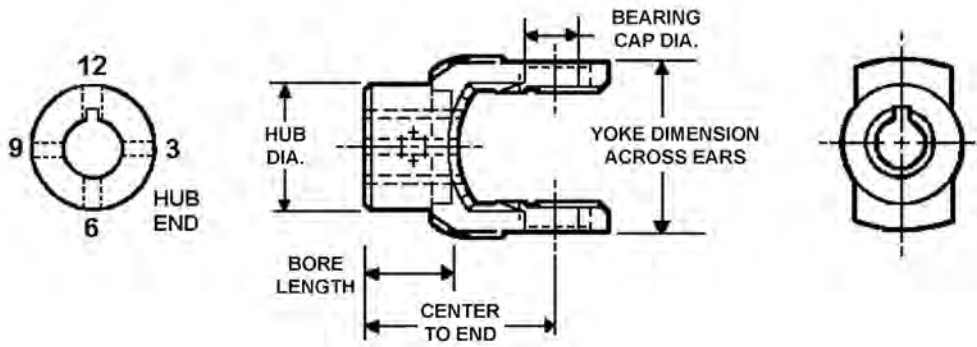
## Slip Yokes — Inside Snap Ring

Part Number	Center to End	Length of Hole	Yoke Dimension Across Ears	Bearing Cap Diameter	Dust Cap
<b>1.25" - 16 SPLINE U-JOINT KIT: CP170X</b>					
10N-3-18KX	5.50"	4.03"	1.50"	.94"	R280196



Slip Yokes										
Part Number	Bore Type	Bore Dia.	Center to End	Bore Lgth.	Hub Dia.	Keyway		Set Screw or Pin Hole		
						Width	Location	Hole Size	Loc. Viewed From Hub End	Distance from End of Hub
<b>YOKE DIMENSION ACROSS EARS: 2.19"</b>						<b>BEARING CAP DIAMETER: 1.31"</b>				
10N-3-162X	Hex	.88"	5.50"	4.19"	1.63"			.25" - 28 TH	9-GAP	1.75"
10N-3-32X	Hex	1.13"	5.50"	4.19"	1.63"			.25" - 28 TH	9-GAP	1.75"
10N-3-23X	Round	.81"	5.50"	4.19"	1.63"	.25"	3-GAP	.25" - 28 TH	9-GAP	1.75"
10N-3-33X	Round	.88"	5.50"	4.19"	1.63"	.25"	3-GAP	.25" - 28 TH	9-GAP	1.75"
10N-3-83X	Round	1.00"	5.50"	4.19"	1.63"	.25"	9-GAP	.25" - 28 TH	9-GAP	1.75"
10N-3-183X	Round	1.13"	5.50"	4.19"	2.00"	.31"	3-GAP	.25" - 28 TH	9-GAP	1.75"
10N-3-163X	Round	1.25"	5.50"	4.19"	2.00"	.31"	3-GAP	.25" - 28 TH	9-GAP	1.75"
10N-3-81X	SPL-10	1.13"	5.50"	4.19"	1.63"			.25" - 28 TH	9-GAP	1.75"
10N-3-12X	Square	.75"	5.50"	4.19"	1.63"			.25" - 28 TH	9-GAP	1.75"
10N-3-22X	Square	.88"	5.50"	4.19"	1.63"			.25" - 28 TH	9-GAP	1.75"
10N-3-122X	Square	1.00"	5.50"	4.19"	2.00"			.25" - 28 TH	9-GAP	1.75"

# 10N SERIES

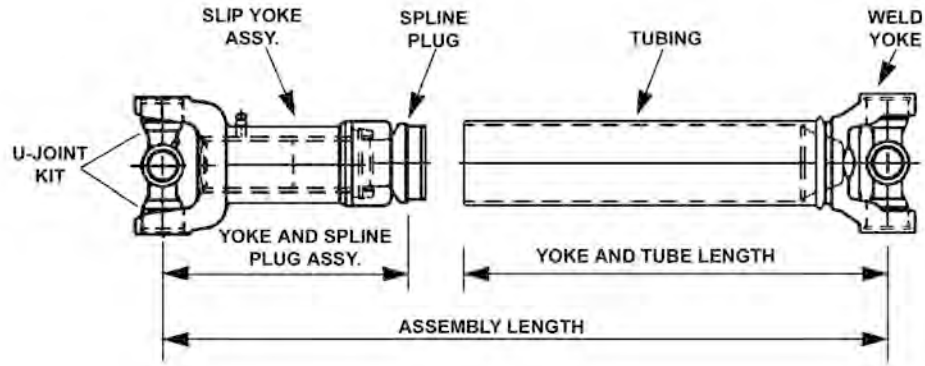


## End Yokes

Part Number	Bore Type	Bore Dia.	Center to End	Bore Lgth.	Hub Dia.	Keyway			Set Screw or Pin Hole		
						Width	Location	Hole Size	No. of Holes	Loc. Viewed From Hub End	Distance from End of Hub
<b>YOKE DIMENSION ACROSS EARS: 2.19"</b>						<b>BEARING CAP DIAMETER: .94"</b>					
10N-4-282	Hex	0.88"	2.50"	1.13"	2.00"			.38" - 16TH	1	9-GAP	.63"
10N-4-32	Hex	1.13"	2.50"	1.13"	2.00"			.38" - 16TH	1	9-GAP	.63"
10N-4-13	Round	0.75"	2.50"	1.13"	1.63"	.19"	3-GAP	.38" - 16TH	1	9-GAP	.63"
10N-4-133	Round	0.75"	2.50"	1.13"	1.63"	.19"	9-GAP	.38" - 16TH	2	12/6-EAR	.63"
10N-4-23	Round	0.75"	2.50"	1.13"	1.63"	.25"	3-GAP	.38" - 16TH	1	9-GAP	.63"
10N-4-173	Round	0.81"	2.50"	1.13"	1.63"	.25"	9-GAP	.38" - 16TH	1	6-EAR	.63"
10N-4-33	Round	0.81"	2.50"	1.13"	1.63"	.19"	3-GAP	.38" - 16TH	1	9-GAP	.63"
10N-4-43	Round	0.81"	2.50"	1.13"	1.63"	.25"	3-GAP	.38" - 16TH	1	9-GAP	.63"
10N-4-703	Round	0.88"	1.69"	1.13"	1.63"	.25"	12-EAR	.38" - 16TH	1	9-GAP	.44"
10N-4-453	Round	0.88"	2.50"	1.13"	1.63"	.25"	9-GAP	.38" - 16TH	1	6-EAR	.63"
10N-4-53	Round	0.88"	2.50"	1.13"	1.63"	.19"	3-GAP	.38" - 16TH	1	9-GAP	.63"
10N-4-63	Round	0.88"	2.50"	1.13"	1.63"	.25"	3-GAP	.38" - 16TH	1	9-GAP	.63"
10N-4-73	Round	0.94"	2.50"	1.13"	1.63"	.25"	12-EAR	.38" - 16TH	1	6-EAR	.63"
10N-4-83	Round	1.00"	2.50"	1.13"	1.63"	.19"	3-GAP	.38" - 16TH	1	9-GAP	.63"
10N-4-93	Round	1.00"	2.50"	1.13"	1.63"	.25"	3-GAP	.38" - 16TH	1	9-GAP	.63"
10N-4-443	Round	1.00"	2.50"	1.13"	1.63"			.38" - 16TH	2	12/6-EAR	.63"
10N-4-573	Round	1.00"	2.50"	1.13"	1.63"	.25"	9-GAP	.38" - 16TH	1	6-EAR	.63"
10N-4-143	Round	1.13"	2.50"	1.13"	2.00"	.25"	9-GAP	.38" - 16TH	1	6-EAR	.63"
10N-4-103	Round	1.13"	2.50"	1.13"	2.00"	.25"	3-GAP	.38" - 16TH	1	9-GAP	.63"
10N-4-113	Round	1.13"	2.50"	1.13"	2.00"	.31"	3-GAP	.38" - 16TH	1	9-GAP	.63"
10N-4-473	Round	1.13"	2.50"	1.13"	2.00"	.31"	9-GAP	.38" - 16TH	1	6-EAR	.63"
10N-4-123	Round	1.25"	2.50"	1.13"	2.00"	.31"	3-GAP	.38" - 16TH	1	9-GAP	.63"
10N-4-183	Round	1.25"	2.50"	1.13"	2.00"	.25"	9-GAP	.38" - 16TH	1	6-EAR	.63"
10N-4-193	Round	1.25"	2.50"	1.13"	2.00"	.31"	9-GAP	.38" - 16TH	1	6-EAR	.63"
10N-4-481	SPL-13	0.88"	2.50"	1.19"	1.63"			.38" - 16TH	1	6-EAR	.63"
10N-4-611 See Note 1	SPL-16	0.73"	2.25"	0.94"	1.63"			.47" - DR	1	3/9-GAP	.47"
10N-4-139 See Note 2	SPL-6	1.38"	3.25"	2.25"				DR	2		.38"
10N-4-22	Square	0.75"	2.50"	1.13"	1.63"			.38" - 16TH	1	9-GAP	.63"
10N-4-12	Square	0.88"	2.50"	1.13"	1.63"			.38" - 16TH	1	9-GAP	.63"
10N-4-52	Square	1.00"	2.50"	1.13"	2.00"			.38" - 16TH	1	9-GAP	.63"

Notes:  
 1 Clamp yoke.  
 2 Quick disconnect trailing pin yoke - tractor end.

# 10N SERIES



## 10N/1000 Series Auxiliary Power Take—Off Unwelded Driveshaft Assembly

Complete Driveshaft Part Number	Maximum Assembly Length	Minimum Assembly Length	Tubing	Yoke and Tube Length	Yoke & Spline Plug Assy.	
					Maximum Length	Minimum Length
<b>DRIVESHAFT SPECIFICATIONS</b>						
<b>R9553-SF</b>	55.75"	9.50"	2.00" x .083" (14 GA)	49.44"	8.25"	6.25"
<b>R10270-SF</b>	69.39"	10.00"	2.00" x .083" (14 GA)	59.91"	9.48"	7.48"

Complete Driveshaft Part Number	Slip Yoke	Spline Plug	Weld Yoke	U-Joint Kit	Tubing
<b>R10270-SF</b>	10N-3-18KX	121N-40-1741	R10V5	CP170X	2.00" x .083" (14 GA)
<b>R9553-SF</b>	131N-3-128KX	131N-40-1031	131N-28-357	CP153X	2.00" x .083" (14 GA)

**NOTES:** \_\_\_\_\_

\_\_\_\_\_

\_\_\_\_\_

\_\_\_\_\_

\_\_\_\_\_

\_\_\_\_\_

\_\_\_\_\_

\_\_\_\_\_

\_\_\_\_\_

\_\_\_\_\_

\_\_\_\_\_

\_\_\_\_\_

\_\_\_\_\_

\_\_\_\_\_

\_\_\_\_\_

\_\_\_\_\_

\_\_\_\_\_

\_\_\_\_\_

**14**



## TABLE OF CONTENTS SECTION 15

Attachment Hardware - . . . . .	15-3
Dana Axles - . . . . .	15-5
Eaton Axles - . . . . .	15-11
Meritor Axles And Transfer Cases- . . . . .	15-26
Allison Transmissions - . . . . .	15-48
Clark Transmissions - . . . . .	15-51
Fuller Transmissions - . . . . .	15-55
Meritor Transmissions - . . . . .	15-64
New Process Transmissions - . . . . .	15-65
Spicer Transmissions - . . . . .	15-68

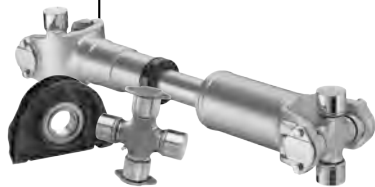
Notes:  
(C) Cast Version  
(FUI) Forward Unit Input  
(FUO) Forward Unit Output  
(RUI) Rear Unit Input  
  
U.S. 888-725-9355  
Canada 800-387-3889

# BEST LINE. BOTTOM LINE.



## MERITORDRIVELINES.COM

To help your customers spec the driveline components that give them the maximum payback, check out the tools and information at [meritordrivelines.com](http://meritordrivelines.com). The site features key information on our wide array of driveline assemblies and components. Plus savings and sizing calculators to help ensure your customers achieve a greater R.O.I. and the lowest cost of ownership. Visit [meritordrivelines.com](http://meritordrivelines.com) today.



Find all the information you need on Meritor's leading driveline assembly and component replacement solutions.



Access our industry-leading training portal, [MeritorBullPen.com](http://MeritorBullPen.com), for all your driveline training needs. Or find out everything you need to know about downspeeding at [MeritorDownspeeding.com](http://MeritorDownspeeding.com).



Complete our contact request form with any driveline inquiries and we'll get right back with you.



Download a copy of one of our many brochures for important details on how Meritor driveline solutions can drive superior results for your business. Or utilize our interactive pdf to help make the right driveline decision for your operation.



Find the best driveline for your application needs and see your savings when you switch to a Meritor driveline over competitive brands.



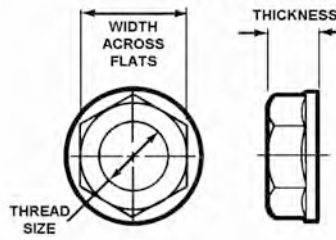
Get the fastest access to all your driveline replacement needs by visiting [MeritorPartsXpress.com](http://MeritorPartsXpress.com).

©2017 Meritor, Inc.

15

# COMPANION FLANGE & END YOKE APPLICATION

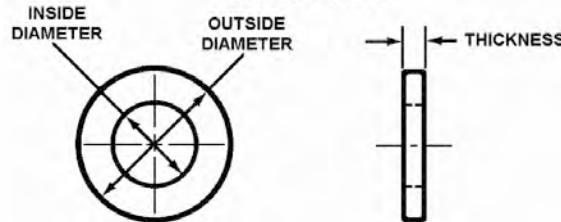
## NUT



### Attachment Hardware

Part Number	Thread Size	Metric Thread Size	Width Across Flats	Thickness
1227-G-943	0.88" - 20 3 UNEF-2B		1.13"	.50"
1227-C-939	1.00" - 20 3 UNEF-2B		1.32"	.57"
1227-K-1051	1.25" - 12 3 UNF-2B		1.63"	.62"
1227-Q-901	1.25" - 12 3 UNF-2B		1.88"	.75"
1227-Z-936	1.25" - 18 3 UNEF-2B		1.63"	.62"
1227-J-946	1.50" - 12 3 UNF-2B		1.88"	.75"
1227-R-902	1.50" - 12 3 UNF-2B		2.25"	.88"
1227-A-937	1.50" - 18 3 UNEF-2B		1.88"	.75"
1227-D-940	1.75" - 12 3 UN-2B		2.25"	.69"
1227-N-898	1.75" - 12 3 UN-2B		2.58"	.99"
40-X-1236		32mm x 1.5-6H Thd.	45.69mm	18mm
40-X-1237		39mm x 1.5-6H Thd.	54.63mm	21mm
40-X-1233		45mm x 1.5-6H Thd.	56.20mm	24mm

## WASHER



Part Number	Inside Diameter	Outside Diameter	Thickness
1229-N-1548	0.91"	1.62"	0.19"
1229-S-1397	0.91"	1.62"	0.13"
1229-E-1331	1.03"	1.81"	0.25"
1229-A-2653	1.28"	2.19"	0.22"
1229-F-2918	1.53"	2.38"	0.25"
1229-T-1736	1.53"	2.38"	0.13"
1229-W-4521	1.75"	3.25"	0.31"
1229-G-1281	1.78"	3.00"	0.10"
1229-N-1730	1.78"	3.00"	0.19"
1229-S-1605	1.81"	3.25"	0.40"
1229-E-1071	2.03"	3.25"	0.28"

# COMPANION FLANGE & END YOKE APPLICATION DANA AXLES

## INDEX

	<b>Page</b>		
F155-S .....	15-3	J380-S (FUI) .....	15-5
F170-S .....	15-3	J380-S (FUO) .....	15-3
G175-S .....	15-3, 15-4	J380-S (RUI) .....	15-4
G175-T .....	15-3, 15-4	J400-S (FUI) .....	15-5
G190-S .....	15-3, 15-4	J400-S (FUO) .....	15-3
G190-T .....	15-3, 15-4	J400-S (RUI) .....	15-4
G340-S (FUI) .....	15-3, 15-4	M190-S .....	15-3, 15-4
G340-S (FUO) .....	15-3	M190-T .....	15-3, 15-4
G340-S (RUI) .....	15-3, 15-4	M210-S .....	15-3, 15-4
G380-S (FUI) .....	15-3, 15-4	M210-T .....	15-3, 15-4
G380-S (FUO) .....	15-3	M220-S .....	15-3, 15-4
G380-S (RUI) .....	15-3, 15-4	M220-T .....	15-3, 15-4
G400-S (FUI) .....	15-5	M460-S (FUI) .....	15-3, 15-5
G400-S (FUO) .....	15-3	M460-S (FUO) .....	15-3
G400-S (RUI) .....	15-3, 15-5	M460-S (RUI) .....	15-4, 15-5
J175-S .....	15-4	S185 .....	15-3, 15-4
J190-S .....	15-4	W230-S .....	15-4, 15-5
J210-S .....	15-3	W460-S (FUI) .....	15-4
J220-S .....	15-4		<b>Page</b>
J340-S (FUI) .....	15-5	W460-S (FUO) .....	15-3
J340-S (FUO) .....	15-3	W460-S (RUI) .....	15-5
J340-S (RUI) .....	15-4		

Notes:  
 (C) Cast Version  
 (FUI) Forward Unit Input  
 (FUO) Forward Unit Output  
 (RUI) Rear Unit Input

# COMPANION FLANGE & END YOKE APPLICATION

Dana Axles							
Part Number	Model	Spline Size Dia. - Tooth Count	Spline Length	Hub Dia.	Center to End	Yoke Type	Comments
148DYS28-18A 155DYS28-21A 155N-4-5671X 16N-4-7291X 16TYS28-44A	F155-S F170-S J210-S	1.78" - 34	2.19"	2.38"	4.21" 3.99" 3.99" 4.12" 4.13"	Easy Service Easy Service Easy Service Full Round Easy Service	
16N-4-4391 17N-4-4371 17TYS31-19 See Note (C) 17TYS31-55 18N-4-2051	G340-S (FUI) G380-S (FUI)	1.94" - 30	2.25"	3.00"	4.75" 4.56" 4.56" 4.56" 5.38"	Full Round Full Round Easy Service Easy Service Full Round	
148NYS31-3 16N-4-4551 16NYS28-28A 17N-4-3721 17NYS28-5	G340-S (FUO) G380-S (FUO)	1.97" - 10	2.00"	2.50"	4.69" 5.22" 5.31" 5.00" 4.44"	Easy Service Full Round Full Round Full Round Full Round	
16N-4-5721 17N-4-5781	G400-S (FUO) M460-S (FUO)	2.00" - 30	2.69"	3.00"	6.00" 6.11"	Full Round Full Round	
16NYS32-55 16TYS32-55 17NYS32-65 17TYS32-65	G400-S (FUO) J340-S (FUO) J380-S (FUO) J400-S (FUO) M460-S (FUO) W460-S (FUO)	2.00" - 30	2.69"	3.00"	6.00" 6.00" 6.10" 6.10"	Full Round Easy Service Full Round Easy Service	Hardened Hub
148NYS32-7A 148TYS32-3 148TYS32-3A 16N-4-6131-1 17N-4-6201 17TYS32-59 See Note (C) 17TYS32-76	G175-S G175-T G190-S G190-T G400-S (RUI) M190-S M190-T M210-S M210-T M220-S M220-T M460-S (FUI) S185	2.00" - 38	2.13"	3.00"	4.28" 4.28" 4.28" 4.84" 4.84" 4.84" 4.84"	Easy Service Easy Service Easy Service Easy Service Full Round Easy Service Easy Service	
16N-4-5731 17N-4-5821 17NYS34-9A	G340-S (RUI) G380-S (RUI)	2.13" - 32	2.25"	3.00"	6.00" 5.00" 6.25"	Full Round Full Round Full Round	
148NYS34 148NYS34-1 148TYS34-2 16N-4-5751 17NYS34-10	Model	Spline Size Dia. - Tooth Count	Spline Length	Hub Dia.	Center to End	Yoke Type	Comments

Notes:  
 (C) Cast Version  
 (FUI) Forward Unit Input  
 (FUO) Forward Unit Output  
 (RUI) Rear Unit Input

# COMPANION FLANGE & END YOKE APPLICATION

Dana Axles							
Part Number	Model	Spline Size Dia. - Tooth Count	Spline Length	Hub Dia.	Center to End	Yoke Type	Comments
16NYS34-10A 16TYS34-10A 17NYS34-16A 17TYS34-16A	J175-S J190-S J220-S	2.13" - 32	2.25"	3.00"	4.28" 4.94" 4.28" 5.38" 4.56"	Easy Service Easy Service Easy Service Full Round Full Round	
148TYS34-1 155TYS34-1 16NYS34-11A 16TYS34-11A 17NYS34-15A 17TYS34-15A See Note (C) 17TYS34-22A	G340-S (RUI) G380-S (RUI) J340-S (RUI) J380-S (RUI) J400-S (RUI)	2.13" - 32	2.25"	3.00"	6.00" 6.00" 6.25" 6.25"	Full Round Easy Service Full Round Easy Service	Hardened Hub
17N-4-5801	J175-S J190-S J220-S	2.13" - 32	2.25"	3.00"	4.28" 4.31" 5.38" 5.38" 4.56" 4.56" 4.56"	Easy Service Easy Service Full Round Easy Service Full Round Easy Service Easy Service	Hardened Hub
16N-4-5741	G340-S (FUI) G380-S (FUI)	2.38" - 36	2.69"	3.00"	6.50"	Full Round	
155NYS38 16N-4-5631 17N-4-5711 17N-4-5711-1 18N-4-3161	M460-S (RUI)	2.38" - 36	2.69"	3.00"	6.00"	Full Round	
155TYS38-2 16NYS38-15A 16TYS38-15A 176N-4-851X 176TYS38-16A 17NYS38-41A 17TYS38-41A See Note (C) 17TYS38-58A 18N-4-3641X 18TYS38-20A	W230-S	2.38" - 36	2.69"	3.00"	5.07" 5.16" 5.44" 5.44" 5.44"	Easy Service Full Round Full Round Easy Service Full Round	

Notes:  
 (C) Cast Version  
 (FUI) Forward Unit Input  
 (FUO) Forward Unit Output  
 (RUI) Rear Unit Input

# COMPANION FLANGE & END YOKE APPLICATION

Dana Axles							
Part Number	Model	Spline Size Dia. - Tooth Count	Spline Length	Hub Dia.	Center to End	Yoke Type	Comments
<b>16NYS38-13A</b> <b>16TYS38-13A</b> <b>17NYS48-43A</b> <b>17TYS38-43</b> <b>17TYS38-43A</b>	G175-S G175-T G190-S G190-T G400-S (FUI) J340-S (FUI) J380-S (FUI) J400-S (FUI) M190-S M190-T M210-S M210-T M220-S M220-T M460-S (FUI) S185 W460-S (FUI)	2.38" - 36	2.69"	3.00"	5.07" 5.16" 5.16" 5.56" 5.44" 5.44" 5.44" 5.44" 5.44" 5.44"	Easy Service Full Round Easy Service Full Round Easy Service Full Round Easy Service Easy Service Full Round Easy Service	Hardened Hub
<b>155TYS38-3</b> <b>16NYS38-14A</b> <b>16TYS38-14A</b> <b>176NYS38-15A</b> <b>176TYS38-15A</b> <b>17NYS38-42A</b> <b>17TYS38-42A</b> See Note (C) <b>17TYS38-59A</b> <b>18NYS38-19A</b> <b>18TYS38-19A</b>	G400-S (RUI) M460-S (RUI) W460-S (RUI)	2.38" - 36	2.69"	3.00"	6.00" 6.00" 6.50" 6.50" 6.50"	Full Round Easy Service Full Round Easy Service Easy Service	Hardened Hub
	W230-S	2.38" - 36	2.69"	3.00"	5.07" 5.16" 5.16" 5.56" 5.56" 5.44" 5.44" 5.44" 5.44" 5.44"	Easy Service Full Round Easy Service Full Round Easy Service Full Round Easy Service Easy Service Full Round Easy Service	Hardened Hub

Notes:  
 (C) Cast Version  
 (FUI) Forward Unit Input  
 (FUO) Forward Unit Output  
 (RUI) Rear Unit Input

# COMPANION FLANGE & END YOKE APPLICATION EATON AXLES

## INDEX

Page	15-9	Page
15040.....	15-9	
15101.....	15-9	340D (RUI) .....
15201.....	15-9	35327.....
15301.....	15-9	38D (FUI) .....
16121.....	15-9	38D (FUO).....
17121 (4.33, 7.60 ratios only) .....	15-9	38D (RUI) (3.70, 4.11 ratios only) .....
17121 (exc. 4.33, 7.60 ratios).....	15-10	38D (RUI) (exc. 3.70, 4.11 ratios).....
18121 (4.33, 7.60 ratios only) .....	15-9	380D (FUI) .....
18121 (exc. 4.33, 7.60 ratios).....	15-10	380D (FUO).....
19050.....	15-9	380D (RUI) .....
19100.....	15-10	400D (FUI) .....
19121.....	15-14, 15-15	400D (FUO).....
19200.....	15-10	400D (RUI) .....
19221.....	15-14, 15-15	42D (FUI) .....
19300.....	15-10	42D (FUO).....
19321.....	15-14, 15-15	42D (RUI) (3.70, 4.11 ratios only) .....
19421.....	15-14, 15-15	42D (RUI) (exc. 3.70, 4.11 ratios).....
19426.....	15-14, 15-15	44D (FUI) .....
20100.....	15-10	44D (FUO).....
20120.....	15-14, 15-15	44D (RUI) .....
20200.....	15-10	44D (RUI) .....
20300.....	15-10	50D (FUI) .....
21065.....	15-11	50D (FUO).....
22000.....	15-10	50D (RUI) .....
23070.....	15-13	D341 (FUI) .....
23085.....	15-16	D341 (FUO).....
23105.....	15-16	D341 (RUI) .....
23121.....	15-14, 15-15	D381 (FUI) .....
23221.....	15-14, 15-15	D381 (FUO).....
23321.....	15-14, 15-15	D381 (RUI) .....
23427.....	15-14, 15-15	D401 (FUI) .....
26085.....	15-13	D401 (FUO).....
26121.....	15-14, 15-15	D401 (RUI) .....
26221.....	15-14, 15-15	D402 (RUI) .....
26321.....	15-14, 15-15	D404 (FUI) .....
26421.....	15-14, 15-15	15-16
30105.....	15-16	D404 (FUO).....
34D (FUI) .....	15-11	D404 (RUI) .....
34D (FUO).....	15-9	D451 (RUI) .....
34D (RUI) (3.70, 4.11 ratios only) .....	15-10	D461 (FUI) .....
34D (RUI) (exc. 3.70, 4.11 ratios).....	15-9	D461 (FUO).....
340D (FUI) .....	15-14	D461 (RUI) .....
340D (FUO) .....		D501 (FUI) .....

Notes:  
 (C) Cast Version  
 (FUI) Forward Unit Input  
 (FUO) Forward Unit Output  
 (RUI) Rear Unit Input



# COMPANION FLANGE & END YOKE APPLICATION EATON AXLES

## INDEX

D501 (FUO).....	15-10	DP550 (FUI).....	15-18
D501 (RUI) .....	15-11, 15-12	DP550 (FUO).....	15-15
	<b>Page</b>		<b>Page</b>
DC461 (FUI).....	15-17	DP550 (RUI) .....	15-14, 15-15
DC461 (FUO).....	15-13	DP580 (FUI).....	15-18
DC461 (RUI) .....	15-13	DP580 (FUO).....	15-15
DC521 (FUI).....	15-17	DP580 (RUI) .....	15-14, 15-15
DC521 (FUO).....	15-13	DP601 (FUI).....	15-17
DC521 (RUI) .....	15-13	DP601 (FUO).....	15-13, 15-14
DC601 (FUI).....	15-17	DP601 (RUI) .....	15-13
DC601 (FUO).....	15-13	DP650 (FUI).....	15-18
DC601 (RUI) .....	15-13	DP650 (FUO).....	15-15
DC621 (RUI) .....	15-13	DP650 (RUI) .....	15-14, 15-15
DC651 (FUI).....	15-17	DP651 (FUI).....	15-17
DC651 (FUO).....	15-13	DP651 (FUO).....	15-13, 15-14
DC651 (RUI) .....	15-13	DP651 (RUI) .....	15-13
DP341 (FUI).....	15-16	DS341 (FUI).....	15-16
DP341 (FUO).....	15-10	DS341 (FUO).....	15-10
DP341 (RUI) .....	15-11, 15-12	DS341 (RUI) .....	15-11, 15-12
DP381 (FUI).....	15-16	DS381 (FUI).....	15-16
DP381 (FUO).....	15-10	DS381 (FUO).....	15-10
DP381 (RUI) .....	15-11, 15-12	DS381 (RUI) .....	15-11, 15-12
DP401 (FUI).....	15-16	DS401 (FUI).....	15-16
DP401 (FUO).....	15-10	DS401 (FUO).....	15-10
DP401 (RUI) .....	15-11, 15-12	DS401P (FUI).....	15-16
DP402 (RUI) .....	15-11, 15-12	DS401P (FUO) .....	15-10
DP440 (FUI).....	15-18	DS401P (RUI).....	15-11
DP440 (FUO).....	15-15	DS401 (RUI) .....	15-11, 15-12
DP440 (RUI) .....	15-14, 15-15	DS402 (FUI).....	15-16
DP451 (FUI).....	15-16	DS402 (FUO).....	15-10
DDP451 (FUO) .....	15-10	DS402 (RUI) .....	15-11, 15-12
DP451 (RUI) .....	15-11, 15-12	DS451 (RUI) .....	15-11, 15-12
DP461 (FUI).....	15-17	DS461 (FUI).....	15-17
DP461 (FUO).....	15-13, 15-14	DS461 (FUO).....	15-13, 15-14
DP461 (RUI) .....	15-13	DS461 (RUI) .....	15-13
DP480 (FUI).....	15-18	DS501 (FUI).....	15-16
DP480 (FUO).....	15-15	DS501 (FUO).....	15-10
DP480 (RUI) .....	15-14, 15-15	DS501 (RUI) .....	15-11, 15-12
DP501 (FUI).....	15-16	DS521 (FUI).....	15-17
DP501 (FUO).....	15-10	DS521 (FUO).....	15-13, 15-14
DP501 (RUI) .....	15-11, 15-12	DS521 (RUI) .....	15-13
DP521 (FUI).....	15-17	DS601 (FUI).....	15-17
DP521 (FUO).....	15-13, 15-14	DS601 (FUO).....	15-13,, 15-14
DP521 (RUI) .....	15-13	DS601 (RUI) .....	15-13

Notes:  
 (C) Cast Version  
 (FUI) Forward Unit Input  
 (FUO) Forward Unit Output  
 (RUI) Rear Unit Input

U.S. 888-725-9355  
 Canada 800-387-3889

www.MeritorPartsXpress.com  
**PB-9895 (06-18)**

# COMPANION FLANGE & END YOKE APPLICATION EATON AXLES

## INDEX

DS651 (FUI).....	15-17	DT650 (FUO).....	15-15
DS651 (FUO).....	15-13, 15-14		<b>Page</b>
	<b>Page</b>	DT650 (RUI) .....	15-15
DS651 (RUI) .....	15-13	DT651 (FUI) .....	15-17
DT341 (FUI) .....	15-16	DT651 (FUO).....	15-13, 15-14
DT341 (FUO).....	15-10	DT651 (RUI) .....	15-13
DT341 (RUI) .....	15-11, 15-12	SUPER 23 .....	15-16
DT381 (FUI).....	15-16		
DT381 (FUO).....	15-10		
DT381 (RUI) .....	15-11,, 15-12		
DT401 (FUI).....	15-16		
DT401 (FUO).....	15-10		
DT401 (RUI) .....	15-11, 15-12		
DT402 (FUI).....	15-16		
DT402 (FUO).....	15-10		
DT402 (RUI) .....	15-11, 15-12		
DT440 (FUI).....	15-18		
DT440 (FUO).....	15-15		
DT440 (RUI) .....	15-14, 15-15		
DT451 (FUI).....	15-16		
DT451 (FUO).....	15-10		
DT451 (RUI) .....	15-11, 15-12		
DT461 (FUI).....	15-17		
DT461 (FUO).....	15-13, 15-14		
DT461 (RUI) .....	15-13		
DT480 (FUI).....	15-18		
DT480 (FUO).....	15-15		
DT480 (RUI) .....	15-14, 15-15		
DT501 (FUI).....	15-16		
DT501 (FUO).....	15-10		
DT501 (RUI) .....	15-11, 15-12		
DT521 (FUI).....	15-17		
DT521 (FUO).....	15-13, 15-14		
DT521 (RUI) .....	15-13		
DT550 (FUI).....	15-18		
DT550 (FUO).....	15-15		
DT550 (RUI) .....	15-14, 15-15		
DT580 (FUI).....	15-18		
DT580 (FUO).....	15-15		
DT580 (RUI) .....	15-14, 15-15		
DT601 (FUI).....	15-17		
DT601 (FUO).....	15-13, 15-14		
DT601 (RUI) .....	15-13		
DT650 (FUI).....	15-18		

## Notes:

(C) Cast Version  
(FUI) Forward Unit Input  
(FUO) Forward Unit Output  
(RUI) Rear Unit Input

# COMPANION FLANGE & END YOKE APPLICATION

Eaton Axles						
Part Number	Model	Spline Size Dia. - Tooth Count	Spline Length	Hub Dia.	Center to End	Yoke Type
141NYS24A 141TYS24-2A1 148N-4-3781 148N-4-6051X 148TYS24-2A1 155NYS24-3A	15101 15201 15301	1.50" - 10	2.19"	2.25"	3.88" 3.88" 4.19" 4.19" 4.19" 4.00"	Easy Service Easy Service Easy Service Easy Service Easy Service Easy Service
148N-4-3571	17121 (4.33, 7.60 ratios only) 18121 (4.33, 7.60 ratios only) 340D (FUO) 34D (FUO) 380D (FUO) 38D (FUO) 400D (FUO) 42D (FUO) 50D (FUO)	1.75" - 10	2.19"	2.38"	4.22"	Easy Service
141N-4-5581-1X 141N-4-5581X 16N-4-2081 16N-4-5111X 17N-4-4141 17N-4-4301X	16121 34D (RUI) (exc. 3.70, 4.11 ratios) 38D (RUI) (exc. 3.70, 4.11 ratios) 42D (RUI) (exc. 3.70, 4.11 ratios)	1.75" - 10	2.25"	2.62"	4.00" 4.19" 4.75" 4.75" 6.12" 5.25"	Easy Service Easy Service Full Round Full Round Full Round Full Round
155N-4-1891 16N-4-3901 16N-4-4571 16N-4-4571-1 16N-4-781 17N-4-2081 17N-4-3391 17TYS28-60 17TYS28-64 17TYS28-7 See Note (C)	17121 (4.33, 7.60 ratios only) 18121 (4.33, 7.60 ratios only) 340D (FUO) 34D (FUO) 380D (FUO) 38D (FUO) 400D (FUO) 42D (FUO) 50D (FUO)	1.75" - 10	2.25"	2.62"	4.31" 6.00" 5.34" 5.34" 4.12" 4.50" 5.25" 4.50" 5.25" 4.50"	Easy Service Full Round Full Round Easy Service Full Round Full Round Full Round Easy Service Easy Service Easy Service
141TYS28-17 141TYS28-17A 148TYS28-19A 155TYS28-15A 16N-4-7301X 16N-4-7301-1X 17NYS28-55A 17TYS28-58A	15040 19050	1.75" - 34	2.18"	2.62"	3.81" 3.81" 4.27" 4.27" 4.75" 4.75" 5.26" 5.26"	Easy Service Easy Service Easy Service Easy Service Full Round Easy Service Full Round Easy Service

Notes:  
(C) Cast Version  
(FUI) Forward Unit Input  
(FUO) Forward Unit Output  
(RUI) Rear Unit Input

# COMPANION FLANGE & END YOKE APPLICATION

Eaton Axles						
Part Number	Model	Spline Size Dia. - Tooth Count	Spline Length	Hub Dia.	Center to End	Yoke Type
<b>148NYS28-30A</b> <b>148TYS28-23A</b> <b>148TYS28-25</b> <b>155TYS28-23</b> <b>16NYS28-59A</b> <b>16NYS28-60A</b> <b>16TYS28-39</b> <b>17NYS28-65A</b> <b>17NYS28-66A</b> <b>17TYS28-51</b> See Note (C) <b>17TYS28-59A</b>	D341 (FUO) D381 (FUO) D401 (FUO) D501 (FUO) DP341 (FUO) DP381 (FUO) DP401 (FUO) DP501 (FUO) DS341 (FUO) DS381 (FUO) DS401 (FUO) DS401P (FUO) DS402 (FUO) DS501 (FUO) DT341 (FUO) DT381 (FUO) DT401 (FUO) DT402 (FUO) DT501 (FUO)	1.75" - 34	2.44"	2.62"	4.41" 4.88" 4.41" 4.75" 6.19" 4.94" 4.94" 6.31" 5.44" 5.44"	Easy Service Easy Service Easy Service Easy Service Full Round Full Round Easy Service Full Round Full Round Easy Service Easy Service
<b>20WYS28-1A</b> <b>20WYS28-2A</b>	DP451 (FUO) DT402 (FUO) DT451 (FUO)	1.79" - 34	2.43"	2.62"	5.44" 6.28"	RPL RPL
<b>155N-4-2431</b> <b>16N-4-3911</b> <b>16N-4-4471</b> <b>16N-4-4471-1</b> <b>17N-4-4151</b> <b>17N-4-4721-1</b> <b>17N-4-5141</b> <b>17TYS31-49A</b> See Note (C) <b>17TYS31-58A</b>	17121 (exc. 4.33, 7.60 ratios) 18121 (exc. 4.33, 7.60 ratios) 340D (RUI) 34D (RUI) (3.70, 4.11 ratios only) 380D (RUI) 38D (RUI) (3.70, 4.11 ratios only) 400D (RUI) 42D (RUI) (3.70, 4.11 ratios only) 50D (RUI)	1.97" - 10	2.25"	2.62"	4.28" 6.00" 5.31" 5.31" 6.12" 4.50" 5.25" 5.25"	Easy Service Full Round Full Round Easy Service Full Round Easy Service Full Round Easy Service Easy Service
<b>148N-4-5821X</b> <b>72NYS31-2A</b>	19100 19200 19300 20100 20200 20300 22000	1.97" - 10	2.25"	2.62"	4.04" 3.50"	Easy Service Wing Bearing
<b>17N-4-2211</b> <b>17N-4-4731X</b> <b>17NYS31-13A</b> <b>17TYS31-36A</b> See Note (C) <b>17TYS31-57A</b> <b>18N-4-2351X</b> <b>18TYS31-1A</b> <b>92NYS31-2</b>	34D (FUI) 38D (FUI) 42D (FUI)	1.97" - 10	2.25"	2.62"	4.50" 4.50" 5.25" 4.50" 4.50" 5.63" 5.63" 3.94"	Full Round Full Round Full Round Easy Service Easy Service Full Round Easy Service Wing Bearing

## Notes:

(C) Cast Version  
 (FUI) Forward Unit Input  
 (FUO) Forward Unit Output  
 (RUI) Rear Unit Input

# COMPANION FLANGE & END YOKE APPLICATION

Driveline

Eaton Axles						
Part Number	Model	Spline Size Dia. - Tooth Count	Spline Length	Hub Dia.	Center to End	Yoke Type
<b>148NYS32-10A</b> <b>148NYS32-9A</b> <b>148TYS32-14A</b> <b>148TYS32-15A</b> <b>148TYS32-7A</b> <b>155TYS32-27A</b> <b>155TYS32-31A</b> <b>16NYS32-68A1</b> <b>16NYS32-73A</b> <b>16NYS32-74A</b> <b>16TYS32-75A</b> <b>17NYS32-85A</b> <b>17NYS32-86A</b> <b>17TYS32-89A</b> <b>20WYS32-10A</b>	21065 D341 (RUI) D381 (RUI) D401 (RUI) D501 (RUI) DP341 (RUI) DP381 (RUI) DP401 (RUI) DP501 (RUI) DS341 (RUI) DS381 (RUI) DS401 (RUI) DS401P (RUI) DS402 (RUI) DS501 (RUI) DT341 (RUI) DT381 (RUI) DT401 (RUI) DT402 (RUI) DT501 (RUI) D402 (RUI) D451 (RUI) DP402 (RUI) DP451 (RUI) DS451 (RUI) DT451 (RUI)	2.00" - 39	2.25"	2.62"	4.42" 4.31" 4.31" 4.70" 4.31" 4.27" 4.56" 6.00" 5.31" 4.72" 4.72" 5.25" 6.12" 6.12" 5.25" 5.75"	Easy Service Easy Service Easy Service Easy Service Easy Service Easy Service Easy Service Full Round Full Round Full Round Easy Service Full Round Full Round Full Round Easy Service RPL
<b>16NYS32-79A</b> <b>16NYS32-80A</b> <b>16TYS32-79A</b> <b>16TYS32-81A</b> <b>17NYS32-93A</b> <b>17TYS32-92A</b> <b>17N-4-9031X</b>	D404 (FUI) D404 (RUI)	2.00" - 39	2.28"	3.00"	5.31" 6.00" 6.12" 4.72" 6.12" 5.25" 5.25"	Full Round Full Round Easy Service Easy Service Full Round Easy Service Full Round

Notes:  
 (C) Cast Version  
 (FUI) Forward Unit Input  
 (FUO) Forward Unit Output  
 (RUI) Rear Unit Input

U.S. 888-725-9355  
 Canada 800-387-3889

www.MeritorPartsXpress.com  
**PB-9895 (06-18)**

# COMPANION FLANGE & END YOKE APPLICATION

Eaton Axles						
Part Number	Model	Spline Size Dia. - Tooth Count	Spline Length	Hub Dia.	Center to End	Yoke Type
20WYS32-9A	D341 (RUI) D381 (RUI) D401 (RUI) D402 (RUI) D451 (RUI) D501 (RUI) DP341 (RUI) DP381 (RUI) DP401 (RUI) DP402 (RUI) DP451 (RUI) DP501 (RUI) DS341 (RUI) DS381 (RUI) DS401 (RUI) DS402 (RUI) DS451 (RUI) DS501 (RUI) DT341 (RUI) DT381 (RUI) DT401 (RUI) DT402 (RUI) DT451 (RUI) DT501 (RUI)	2.00" - 39	2.50"	2.62"	4.90"	RPL
17NYS32-90A 16NYS32-77A 16NYS32-78A 16TYS32-78A 17NYS32-91A 17TYS32-94A 20WYS32-7A 20WYS32-8A 17TYS32-91A	D404 (FUI) D404 (FUO) D404 (RUI)	2.00" - 39	2.50"	2.62"	5.25" 6.00" 4.94" 4.94" 6.12" 5.44" 5.38" 5.94" 6.12"	Full Round Full Round Full Round Easy Service Full Round Easy Service RPL RPL Easy Service

Notes:  
(C) Cast Version  
(FUI) Forward Unit Input  
(FUO) Forward Unit Output  
(RUI) Rear Unit Input

# COMPANION FLANGE & END YOKE APPLICATION

Driveline

Eaton Axles						
Part Number	Model	Spline Size Dia. - Tooth Count	Spline Length	Hub Dia.	Center to End	Yoke Type
155N-4-5581					4.50"	Easy Service
16N-4-7311X					5.25"	Full Round
16NYS34-14A					6.00"	Full Round
16NYS34-14A1	23070				6.00"	Full Round
16NYS34-9A1	26085				5.25"	Full Round
16TYS34-9A	D461 (RUI)				5.25"	Easy Service
16TYS34-9A1	DC461 (RUI)				5.25"	Easy Service
176N-4-1071X	DC521 (RUI)				5.25"	Full Round
176NYS34-3A1	DC601 (RUI)				5.25"	Full Round
176TYS34-3A	DC621 (RUI)				5.25"	Easy Service
176TYS38-3A1	DC651 (RUI)				5.25"	Easy Service
17N-4-7321X	DP461 (RUI)				5.19"	Full Round
17NYS34-14A1	DP521 (RUI)	2.13" - 41	2.50"	2.94"	5.19"	Full Round
17NYS34-19A	DP601 (RUI)				6.12"	Full Round
17NYS34-19A1	DP651 (RUI)				6.12"	Full Round
17TYS34-14A	DS461 (RUI)				5.19"	Easy Service
See Note (C)	DS521 (RUI)				5.19"	Easy Service
17TYS34-14A1	DS601 (RUI)				5.19"	Easy Service
17TYS34-21A	DS651 (RUI)				5.25"	Full Round
18N-4-3691X	DT461 (RUI)				5.25"	Full Round
18N-4-4601X	DT521 (RUI)				5.25"	Easy Service
18TYS34-2A1	DT601 (RUI)				4.25"	Wing Bearing
72NYS34-42A	DT651 (RUI)				4.25"	Wing Bearing
72NYS34-42A1					5.12"	RPL
20WYS34-1A					5.94"	RPL
20WYS34-2A						
16N-4-7551	D461 (FUO)				6.50"	Full Round
16NYS34-12	DC461 (FUO)				5.50"	Full Round
16NYS34-13A1	DC521 (FUO)				5.50"	Full Round
176N-4-1171	DC601 (FUO)				5.81"	Full Round
176NYS38-4A1	DC651 (FUO)				5.81"	Full Round
17N-4-7541	DP461 (FUO)				5.81"	Full Round
17NYS34-17	DP521 (FUO)	2.13" - 41	3.00"	2.94"	6.63"	Full Round
17NYS34-18A1	DP601 (FUO)				5.50"	Full Round
18N-4-3931	DP651 (FUO)				6.63"	Full Round
18NYS34-3A1	DS461 (FUO)				5.81"	Full Round
72NYS34-41	DS521 (FUO)				5.81"	Full Round
72NYS34-41A	DS601 (FUO)				5.81"	Full Round
	DS651 (FUO)				4.25"	Wing Bearing
	DT461 (FUO)				4.25"	Wing Bearing
	DT521 (FUO)					
	DT601 (FUO)					
	DT651 (FUO)					
20WYS34-3A	DP461 (FUO)				5.53"	RPL
20WYS34-4A	DP521 (FUO)	2.13" - 41	3.00"	2.94"	6.44"	RPL
	DP601 (FUO)					
	DP651 (FUO)					
	DS461 (FUO)					
	DS521 (FUO)					
	DS601 (FUO)					
	DS651 (FUO)					
	DT461 (FUO)					
	DT521 (FUO)					
	DT601 (FUO)					
	DT651 (FUO)					

**15**

Notes:  
 (C) Cast Version  
 (FUI) Forward Unit Input  
 (FUO) Forward Unit Output  
 (RUI) Rear Unit Input

U.S. 888-725-9355  
 Canada 800-387-3889

www.MeritorPartsXpress.com  
**PB-9895 (06-18)**

# COMPANION FLANGE & END YOKE APPLICATION

Eaton Axles						
Part Number	Model	Spline Size Dia. - Tooth Count	Spline Length	Hub Dia.	Center to End	Yoke Type
176N-4-231X 17N-4-4961 17N-4-4961-1 17N-4-5061X 18N-4-2441 92NYS34-6A	340D (FUI) 380D (FUI) 400D (FUI) 50D (FUI)	2.16" - 16	2.50"	2.94"	5.25" 5.19" 5.19" 5.19" 5.25" 4.25"	Full Round Full Round Easy Service Full Round Full Round Wing Bearing
58WBYS34-7	19121 19221 19321 19421 19426 20120 23121 23221 23321 23427 26121 26221 26321 26421 35327 44D (RUI) DP440 (RUI) DP480 (RUI) DP550 (RUI) DP580 (RUI) DP650 (RUI) DT440 (RUI) DT480 (RUI) DT550 (RUI) DT580 (RUI)	2.16" - 16	2.88"	2.94"	4.56"	Wing Bearing

Notes:  
 (C) Cast Version  
 (FUI) Forward Unit Input  
 (FUO) Forward Unit Output  
 (RUI) Rear Unit Input



# COMPANION FLANGE & END YOKE APPLICATION

Driveline

Eaton Axles													
Part Number	Model	Spline Size Dia. - Tooth Count	Spline Length	Hub Dia.	Center to End	Yoke Type							
<b>155N-4-5431-1X</b> <b>16N-4-5031-1X</b> <b>16N-4-5161X</b> <b>16N-4-5511X</b> <b>176N-4-141-1</b> <b>176N-4-251X</b> <b>17N-4-4171X</b> <b>17N-4-5481X</b> <b>17NYS34-5A</b> <b>17TYS34-23A</b> <b>17TYS34-3A</b> See Note (C) <b>18N-4-2401-1X</b> <b>18N-4-2401X</b> <b>72NYS34-24A</b>	19121 19221 19321 19421 19426 20120 23121 23221 23321 23427 26121 26221 26321 26421 35327 44D (RUI) DP440 (RUI) DP480 (RUI) DP550 (RUI) DP580 (RUI) DP650 (RUI) DT440 (RUI) DT480 (RUI) DT550 (RUI) DT580 (RUI) DT650 (RUI)	2.16" - 16	3.00"	2.94"	5.06" 6.25" 6.25" 6.72" 5.81" 5.81" 5.50" 6.63" 6.31" 5.50" 5.50" 5.81" 5.81" 4.25"	Easy Service Easy Service Full Round Full Round Easy Service Full Round Full Round Full Round Full Round Easy Service Easy Service Easy Service Full Round Wing Bearing							
	<b>155TYS34</b> <b>16N-4-5031</b> <b>16N-4-5031-1</b> <b>16N-4-5501</b> <b>176N-4-141</b> <b>17N-4-2181</b> <b>17N-4-4161</b> <b>17N-4-4591</b> <b>17TYS34-23</b> <b>18N-4-2291</b>				-44D (FUO) DP440 (FUO) DP480 (FUO) DP550 (FUO) DP580 (FUO) DP650 (FUO) DT440 (FUO) DT480 (FUO) DT550 (FUO) DT580 (FUO) DT650 (FUO)	2.28" - 44	2.34"	2.94"	5.06" 6.25" 6.25" 6.72" 5.81" 5.50" 6.31" 6.63" 5.50" 5.81"	Easy Service Full Round Easy Service Full Round Full Round Full Round Full Round Full Round Easy Service Full Round			
	<b>155TYS36-1A1</b> <b>16NYS36-14A1</b> <b>16TYS36-14A1</b> <b>176NYS36-10A1</b> <b>176TYS36-10A1</b> <b>17NYS36-57A1</b> <b>17TYS36-58A1</b> <b>18NYS36-16A1</b> <b>18TYS36-16A1</b> <b>92NYS36-73A1</b>				23085 23105				2.28" - 44	2.34"	2.94"	4.34" 4.84" 4.84" 5.09" 5.09" 5.03" 5.03" 5.09" 5.09" 4.03"	Easy Service Full Round Easy Service Full Round Easy Service Full Round Easy Service Full Round Easy Service Wing Bearing

Notes:  
 (C) Cast Version  
 (FUI) Forward Unit Input  
 (FUO) Forward Unit Output  
 (RUI) Rear Unit Input

# COMPANION FLANGE & END YOKE APPLICATION

## Eaton Axles

Part Number	Model	Spline Size Dia. - Tooth Count	Spline Length	Hub Dia.	Center to End	Yoke Type
<b>155TYS36A</b> <b>16NYS36-8A</b> <b>16TYS36-15A</b> <b>176N4-1481X</b> <b>176TYS36-11A</b> <b>17NYS36-60A</b> <b>17TYS36-61A</b> <b>18NYS36-19A</b> <b>18N4-43511X</b> <b>92NYS36-74</b> <b>92NYS36-74A</b>	30105 D341 (FUI) D381 (FUI) D401 (FUI) D501 (FUI) DP341 (FUI) DP381 (FUI) DP401 (FUI) DP501 (FUI) DS341 (FUI) DS381 (FUI) DS401 (FUI) DS401P (FUI) DS402 (FUI) DS501 (FUI) DT341 (FUI) DT381 (FUI) DT401 (FUI) DT402 (FUI) DT501 (FUI) SUPER 23	2.28" - 44	2.50"	2.94"	4.50" 5.00" 5.00" 5.25" 5.25" 5.19" 5.19" 5.25" 5.25" 4.03" 4.03"	Easy Service Full Round Easy Service Full Round Easy Service Full Round Easy Service Full Round Easy Service Wing Bearing Wing Bearing
<b>20WYS36-3A</b> <b>25WYS36-3A</b>	DP451 (FUI) DT402 (FUI) DT451 (FUI)	2.28" - 44	2.50"	2.94"	4.75" 4.75"	RPL RPL
<b>5WCS36-119A</b>	D404 (FUI)	2.293 - 44	2.5	3	3.524	Comp. Flange
<b>16TYS36-16A</b> <b>176N4-5221X</b> <b>176N4-52211X</b> <b>17NYS36-62A</b> <b>17TYS36-62A</b> <b>18NYS36-20A</b> <b>18TYS36-20A</b> <b>20WYS36-1A</b> <b>25WYS36-1A</b>	D404 (FUI)	2.28" - 44	2.50"	3.00"	5.00" 5.25" 5.25" 5.19" 5.19" 5.25" 5.25" 4.81" 4.81"	Easy Service Full Round Easy Service Full Round Easy Service Full Round Easy Service RPL RPL

Notes:  
 (C) Cast Version  
 (FUI) Forward Unit Input  
 (FUO) Forward Unit Output  
 (RUI) Rear Unit Input

# COMPANION FLANGE & END YOKE APPLICATION

Eaton Axles						
Part Number	Model	Spline Size Dia. - Tooth Count	Spline Length	Hub Dia.	Center to End	Yoke Type
<b>18N-4-4611X</b> <b>82NYS38-33A</b> <b>82NYS38-33A1</b> <b>92NYS38-75A</b>	D461 (FUI) DC461 (FUI) DC521 (FUI) DC601 (FUI) DC651 (FUI) DP461 (FUI) DP521 (FUI) DP601 (FUI) DP651 (FUI) DS461 (FUI) DS521 (FUI) DS601 (FUI) DS651 (FUI) DT461 (FUI) DT521 (FUI) DT601 (FUI) DT651 (FUI)	2.38" - 46	3.20"	3.38"	6.01" 4.75" 4.75" 5.01"	Full Round Wing Bearing Wing Bearing Wing Bearing
<b>176N-4-1161X</b> <b>176NYS38-20A1</b> <b>176TYS38-20A</b> <b>176TYS38-20A1</b> <b>17NYS38-44A</b> <b>17NYS38-44A1</b> <b>17TYS38-44A</b> See Note (C) <b>17TYS38-44A1</b> <b>17N-4-7531-1X</b> <b>18N-4-3921X</b> <b>18TYS38-21A</b> <b>18TYS38-21A1</b> <b>20WYS38-11A</b> <b>25WYS38-6A</b>	D461 (FUI) DC461 (FUI) DC521 (FUI) DC601 (FUI) DC651 (FUI) DP461 (FUI) DP521 (FUI) DP601 (FUI) DP651 (FUI) DS461 (FUI) DS521 (FUI) DS601 (FUI) DS651 (FUI) DT461 (FUI) DT521 (FUI) DT601 (FUI) DT651 (FUI)	2.38" - 46	3.20"	3.38"	6.20" 6.20" 6.20" 6.20" 6.00" 6.00" 6.01" 6.01" 6.01" 6.01" 6.00" 6.01" 6.01" 5.31" 5.31"	Full Round Full Round Easy Service Easy Service Full Round Full Round Full Round Easy Service Easy Service Easy Service Full Round Easy Service Easy Service Full Round RPL RPL
<b>176N-4-131-1X</b> <b>176N-4-241X</b> <b>17N-4-4751X</b> <b>17NYS39-1A</b> <b>17NYS39-2A</b> <b>17TYS39-2A</b> <b>17TYS39-3A</b> See Note (C) <b>17TYS39-4A</b> <b>18N-4-2361X</b> <b>18TYS39A</b> <b>92NYS39A</b>	44D (FUI) DP440 (FUI) DP480 (FUI) DP550 (FUI) DP580 (FUI) DP650 (FUI) DT440 (FUI) DT480 (FUI) DT550 (FUI) DT580 (FUI) DT650 (FUI)	2.42" - 18	3.00"	3.38"	6.00" 6.00" 5.81" 5.25" 6.97" 6.97" 5.81" 5.81" 5.81" 5.81" 5.81" 4.25"	Easy Service Full Round Full Round Full Round Full Round Easy Service Easy Service Easy Service Full Round Easy Service Wing Bearing

Notes:  
 (C) Cast Version  
 (FUI) Forward Unit Input  
 (FUO) Forward Unit Output  
 (RUI) Rear Unit Input

# COMPANION FLANGE & END YOKE APPLICATION MERITOR AXLES AND TRANSFER CASES

## INDEX

	<b>Page</b>		<b>Page</b>
59000 Series.....	15-42	PRC1044.....	15-28, 15-31
59732.....	15-42	PRC1103.....	15-25
59733.....	15-42	PRC1104.....	15-24, 15-27
61142.....	15-40	PRC1105.....	15-28
61143.....	15-40	PRC1313 (FUO) .....	15-26
C100 .....	15-24	PRC1313 (RUI).....	15-26
C102 .....	15-24	PRC1314.....	15-28, 15-31
C103 .....	15-24	PRC1315.....	15-28, 15-36
D140 .....	15-24		15-37
F106.....	15-25	PRC1318.....	15-36
F140.....	15-25	PRC1925.....	15-36, 15-37
FDS75 .....	15-25	PRC1927.....	15-39
FDS90 .....	15-25	PRC3795.....	15-36, 15-37
FDS1600.....	15-25	PRC3796.....	15-39
FDS1800.....	15-36	PRC3805.....	15-36, 15-37
FDS2100.....	15-36	PRC4264.....	15-39
H172 .....	15-24, 15-27	PRC4364.....	15-36, 15-37
L172.....	15-24, 15-27	PRC4805.....	15-36, 15-37
L600.....	15-24, 15-27	PRC4806 (FUI).....	15-41
M172 .....	15-24, 15-27	PRC4806 (FUO) .....	15-32
PR300.....	15-28	PRC4807.....	15-39
PR400.....	15-28	PRC4824.....	15-39
PR401 (FUO).....	15-26	PRC5225.....	15-39, 15-41
PR401 (RUI) .....	15-26	PRC5324.....	15-39
PR500 .....	15-28	PRLC415.....	15-31
PRC264.....	15-24	PRLC614.....	15-24, 15-25
PRC265.....	15-31		15-27
PRC671 (FUI).....	15-25	PRLC615.....	15-24, 15-27
PRC671 (FUO) .....	15-28	PRLC615 (FUO) .....	15-26
PRC672.....	15-24, 15-25	PRLC755.....	15-31
	15-27	PRLC756.....	15-28
PRC672.....	15-28	PRLC1753 (FUI).....	15-25
PRC673.....	15-24, 15-27	PRLC1753 (FUO) .....	15-28
	15-28	PRLC1754.....	15-24, 15-27
PRC673 (FUO) .....	15-26	PRLC1756.....	15-28, 15-31
PRC673 (RUI).....	15-26	PRLC1757.....	15-36, 15-37
PRC674.....	15-28	PRM672.....	15-24, 15-25
PRC675.....	15-28		15-27, 15-28
PRC676.....	15-28, 15-31	PRM673.....	15-24, 15-27
PRC677.....	15-36, 15-37		15-28
PRC863.....	15-25	PRM673 (FUO) .....	15-26
PRC864.....	15-24, 15-27	PRM673 (RUI) .....	15-26
PRC867.....	15-36, 15-37	PRM674.....	15-28

## Notes:

(C) Cast Version  
(FUI) Forward Unit Input  
(FUO) Forward Unit Output  
(RUI) Rear Unit Input

# COMPANION FLANGE & END YOKE APPLICATION MERITOR AXLES AND TRANSFER CASES

## INDEX

	Page		Page
PRM675.....	15-28	PSM596.....	15-24, 15-27
PRM676.....	15-28, 15-31	PSM823.....	15-25
PRM677.....	15-36, 15-37	PSM824.....	15-24, 15-25 15-27
PRS264.....	15-24	PSM825.....	15-24, 15-27
PRS265.....	15-31	PSM826.....	15-28, 15-31
PS300.....	15-28	PSM827.....	15-36, 15-37
PSC204.....	15-24	PSM1044.....	15-28, 15-31
PSC205.....	15-24	PSM1045.....	15-28
PSC205.....	15-31	PSM1485.....	15-36, 15-37
PSC353.....	15-24	PSM1614.....	15-28, 15-31
PSC354.....	15-24	PSM1615.....	15-28, 15-36 15-37
PSC592.....	15-25	PSM1616.....	15-34
PSC593.....	15-24	PSM1617.....	15-28
PSC594.....	15-24	PSM1618.....	15-28, 15-36
PSC595 (FUI).....	15-25	Q100.....	15-28, 15-31
PSC595 (FUO).....	15-28	R100.....	15-28
PSC596.....	15-24, 15-25	R125.....	15-31
PSC596.....	15-27	R128.....	15-31
PSC597 (FUO).....	15-26	R140.....	15-28
PSC597 (RUI).....	15-26	R155.....	15-36, 15-37
PSC723.....	15-25	R160.....	15-28
PSC724.....	15-25	R170.....	15-39
PSC726.....	15-24, 15-25	R180.....	15-39, 15-41
PSC726.....	15-27	R200.....	15-29
PSC823.....	15-25	R220.....	15-29
PSC824.....	15-24, 15-25 15-27	R230.....	15-29
PSC825.....	15-24, 15-27	R240.....	15-29
PSC826.....	15-28, 15-31	R255.....	15-36
PSC827.....	15-36, 15-37	R270.....	15-31, 15-32 15-34
PSC1044.....	15-31	R300.....	15-29
PSC1045.....	15-28	R330.....	15-29
PSC1485.....	15-36, 15-37	R340.....	15-29
PSC1614.....	15-28, 15-31	R360.....	15-29
PSC1615.....	15-28, 15-36 15-37	R611.....	15-31
PSC1616.....	15-34	RC-XX-160.....	15-40
PSC1617.....	15-28	RF-XX-145.....	15-31
PSC1618.....	15-28, 15-36	RF-XX-155.....	15-36, 15-37
PSC1794.....	15-28	RF-XX-156.....	15-36, 15-37
PSC1875.....	15-36, 15-37	RF-XX-160.....	15-40
PSM593.....	15-24	RF-XX-180.....	15-42
PSM594.....	15-24		

Notes:

(C) Cast Version  
(FUI) Forward Unit Input  
(FUO) Forward Unit Output  
(RUI) Rear Unit Input

U.S. 888-725-9355  
Canada 800-387-3889

www.MeritorPartsXpress.com  
**PB-9895 (06-18)**

# COMPANION FLANGE & END YOKE APPLICATION MERITOR AXLES AND TRANSFER CASES

## INDEX

	<b>Page</b>		<b>Page</b>
RL170 .....	15-39	SHDD (FUO) .....	15-29, 15-38
RP611 (FUI) .....	15-34	SHDD (RUI) .....	15-29, 15-36
RP611 (FUO) .....	15-27	SHD (FUI) .....	15-41
RP611 (RUI) .....	15-31	SHD (FUO) .....	15-29, 15-38
RS-XX-120 .....	15-24, 15-27	SHD (RUI) .....	15-29, 15-36
RS-XX-125 .....	15-24, 15-27		15-37
RS-XX-140 .....	15-24, 15-27	SL100 (FUI) .....	15-34
RS-XX-145 .....	15-31, 15-35	SL100 (FUO) .....	15-27
RS-XX-160 .....	15-40	SL100 (RUI) .....	15-31
RS-XX-180 .....	15-42	SLHD (FUI) .....	15-30
RS-XX-181 .....	15-41, 15-42	SLHD (FUO) .....	15-26
RS-XX-210 .....	15-24, 15-27	SLHD (RUI) .....	15-26
RS-XX-220 .....	15-24, 15-27	SPRC135-6 .....	15-29
RS-XX-230 .....	15-24, 15-27	SPRC1353 (FUI) .....	15-30
RS-XX-240 .....	15-31, 15-35	SPRC1353 (FUO) .....	15-26
RS-XX-380 .....	15-31, 15-32	SPRC1353 (RUI) .....	15-26
	15-34	SPRC1355 .....	15-28
RT140 .....	15-29	SPRC1356 .....	15-29, 15-34
RT240 .....	15-29	SPRC1357 (FUI) .....	15-34
RT340 .....	15-29	SPRC1357 (FUO) .....	15-27
RT-XX-140 (FUI) .....	15-34	SPRC1357 (RUI) .....	15-31
RT-XX-140 (FUO) .....	15-27	SPRC1734 (FUI) .....	15-30
RT-XX-140 (RUI) .....	15-31	SPRC1734 (FUO) .....	15-26
RT-XX-145 (FUI) .....	15-34, 15-40	SPRC1734 (RUI) .....	15-26
RT-XX-145 (FUO) .....	15-32, 15-35	SPRC1735 .....	15-34
RT-XX-145 (RUI) .....	15-31, 15-35	SPRC1736 .....	15-28
RT-XX-160 (FUI) .....	15-40	SPRC1736 (FUI) .....	15-34
RT-XX-160 (FUO) .....	15-32, 15-35	SPRC1736 (FUO) .....	15-27
RT-XX-160 (RUI) .....	15-40	SPRC1736 (RUI) .....	15-31
RT-XX-180 (FUI) .....	15-41, 15-42	SPRC1737 .....	15-36, 15-37
RT-XX-180 (FUO) .....	15-32, 15-35	SPRC1925 .....	15-36, 15-37
RT-XX-180 (RUI) .....	15-42	SPRC1926 (FUI) .....	15-41
RT-XX-380 (FUI) .....	15-41, 15-42	SPRC1926 (FUO) .....	15-29, 15-38
RT-XX-380 (FUO) .....	15-32, 15-35	SPRC1926 (RUI) .....	15-29, 15-36
RT-XX-380 (RUI) .....	15-31, 15-32	SPRC1927 .....	15-39
	15-34, 15-42	SQ100 (FUI) .....	15-34
S162 .....	15-29	SQ100 (FUO) .....	15-27
S163 .....	15-29	SQ100 (RUI) .....	15-31, 15-35
S170 .....	15-39	SQHD (FUI) .....	15-30
SFDD4640 (FUI) .....	15-39	SQHD (FUO) .....	15-26
SFDD4640 (FUO) .....	15-39	SQHD (RUI) .....	15-26
SFDD4640 (RUI) .....	15-39	SQHP (FUI) .....	15-34
SHDD (FUI) .....	15-41	SQHP (FUO) .....	15-27

## Notes:

(C) Cast Version  
(FUI) Forward Unit Input  
(FUO) Forward Unit Output  
(RUI) Rear Unit Input

# COMPANION FLANGE & END YOKE APPLICATION MERITOR AXLES AND TRANSFER CASES

## INDEX

	<b>Page</b>		<b>Page</b>
SQHP (RUI).....	15-31	STHD (FUO).....	15-29, 15-38
SR170 (FUI).....	15-41	STHD (RUI).....	15-29, 15-36
SR170 (FUO).....	15-32		15-37
SR170 (RUI).....	15-39	SU170 (FUI).....	15-41
SR270 (FUI).....	15-31, 15-32	SU170 (FUO).....	15-32
	15-34	SU170 (RUI).....	15-39
SR270 (FUI).....	15-41	SU270 (FUI).....	15-32
SR270 (FUO).....	15-32	SU270 (RUI).....	15-34, 15-41
SR270 (RUI).....	15-31, 15-32	SU270 (FUO).....	15-32
	15-34	SU270 (RUI).....	15-32, 15-34
SR280 (FUI).....	15-31, 15-32	SU280 (FUI).....	15-32, 15-34
SR280 (RUI).....	15-34, 15-41	SU280 (RUI).....	15-41
SR280 (FUO).....	15-32	SU280 (FUO).....	15-32
SR280 (RUI).....	15-31, 15-32	SU280 (RUI).....	15-32, 15-34
	15-34	SUDD (FUI).....	15-39, 15-41
SRDD (FUI).....	15-39	SUDD (FUO).....	15-29, 15-38
SRDD (FUO).....	15-39	SUDD (RUI).....	15-29, 15-36
SRDD (RUI).....	15-39	SUDD (RUI).....	15-37
SRTD (FUI).....	15-39	SUHD (FUI).....	15-39, 15-41
SRTD (FUO).....	15-39	SUHD (FUO).....	15-29, 15-38
SRTD (RUI).....	15-39	SUHD (RUI).....	15-29, 15-36
SSHD (FUI).....	15-41		15-37
SSHD (FUO).....	15-29, 15-38	SW170 (FUI).....	15-41
SSHD (RUI).....	15-29, 15-36	SW170 (FUO).....	15-32
	15-37	SW170 (RUI).....	15-39
SSHD (RUI).....	15-39	SW270 (FUI).....	15-32
ST170 (FUI).....	15-41	SW270 (RUI).....	15-34, 15-41
ST170 (FUO).....	15-32	SW270 (FUO).....	15-32
ST170 (RUI).....	15-39, 15-31	SW270 (RUI).....	15-32, 15-34
ST270 (FUI).....	15-32, 15-34	SW280 (FUI).....	15-32, 15-34
	15-41		15-41
ST270 (FUO).....	15-32	SW280 (FUO).....	15-33
ST270 (RUI).....	15-31, 15-32	SW280 (RUI).....	15-32, 15-33
	15-34		15-35
ST280 (FUI).....	15-31, 15-32	T77-3.....	15-30
	15-34, 15-41	T182A.....	15-26
ST280 (FUO).....	15-32	T182B.....	15-26
ST280 (RUI).....	15-31, 15-32	T215.....	15-26, 15-29
	15-34		15-30, 15-38
STDD (FUI).....	15-39	T218.....	15-38, 15-39
STDD (FUO).....	15-39	T218PD.....	15-30
STDD (RUI).....	15-39	T219.....	15-26, 15-29
STHD (FUI).....	15-39, 15-41		15-30, 15-38

Notes:  
 (C) Cast Version  
 (FUI) Forward Unit Input  
 (FUO) Forward Unit Output  
 (RUI) Rear Unit Input

U.S. 888-725-9355  
 Canada 800-387-3889

www.MeritorPartsXpress.com  
**PB-9895 (06-18)**

# COMPANION FLANGE & END YOKE APPLICATION MERITOR AXLES AND TRANSFER CASES

## INDEX

	<b>Page</b>		
T223.....	15-25	U200 .....	15-29
T223H .....	15-25	U240 .....	15-29, 15-36
T226.....	15-30	U270 .....	15-33
T228.....	15-30, 15-39	U300 .....	15-29
	15-41, 15-42	W170 .....	15-39
T270.....	15-33	W270 .....	15-33
T2111.....	15-38, 15-39		
T-2120 .....	15-38, 15-42		
T2120RS.....	15-38, 15-42		
TR403 .....	15-26		
U170 .....	15-39		
U180 .....	15-39, 15-41		



# COMPANION FLANGE & END YOKE APPLICATION

Driveline

Meritor Axles And Transfer Cases						
Part Number	Model	Spline Size Dia. - Tooth Count	Spline Length	Hub Dia.	Center to End	Yoke Type
<b>141DYS28A</b>	H172 L172 L600 M172 PRC1104 PRC672 PRC673 PRC864 PRLC1754 PRLC614 PRLC615 PRM672 PRM673 PSC596 PSC726 PSC824 PSC825 PSM596 PSM824 PSM825 RS-XX-120 RS-XX-125 RS-XX-140 RS-XX-210 RS-XX-220 RS-XX-230	1.75" - 34	2.25"	2.25"	4.19"	Easy Service
<b>141NYS22A</b> <b>141TYS22A</b> <b>148DYS22-4A</b> <b>148NYS22-1A</b> <b>155DYS22-2A</b>	C100 C102 C103	1.38" - 10	1.75"	2.13"	3.50" 3.50" 4.00" 3.96" 4.00"	Easy Service Easy Service Easy Service Easy Service Easy Service
<b>141DYS22A</b> <b>141NYS22A4</b> <b>148DYS22A</b> <b>148N-4-8961X</b> <b>148TYS22A</b> <b>2WCS22-51A1</b> <b>62NYS22-9A</b>	D140 PRC264 PRS264 PSC204 PSC205 PSC353 PSC354 PSC593 PSC594 PSM593 PSM594	1.38" - 10	1.75"	2.13"	3.50" 3.50" 3.96" 3.96" 3.96" 2.31" 2.94"	Easy Service Easy Service Easy Service Easy Service Easy Service Comp.Flange Wing Bearing
<b>141TYS22-8A</b>	C100 C102 C103	1.38" - 26	1.75"	2.13"	3.50"	Easy Service
<b>62NYS24-36</b>	PSC723	1.50" - 10	1.75"	2.25"	2.94"	Wing Bearing
<b>148N-4-3731</b> <b>155NYS24-6</b> <b>2WCS24-42</b> <b>2WCS24-43</b>	T223	1.50" - 10	2.19"	2.13"	4.25" 3.97" 2.81" 2.94"	Easy Service Easy Service Comp.Flange Comp.Flange

**15**

Notes:  
(C) Cast Version  
(FUI) Forward Unit Input  
(FUO) Forward Unit Output  
(RUI) Rear Unit Input

U.S. 888-725-9355  
Canada 800-387-3889

www.MeritorPartsXpress.com  
**PB-9895 (06-18)**

# COMPANION FLANGE & END YOKE APPLICATION

## Meritor Axles And Transfer Cases

Part Number	Model	Spline Size Dia. - Tooth Count	Spline Length	Hub Dia.	Center to End	Yoke Type
141N-4-2241X 141NYS24A4 148DYS24-2A 148NYS24A2 155DYS24-2A 155NYS24-3A1 155TYSB24-5 58WBYS24-1A 62NYS24-17A1 62NYSB24-31 72NYS24-25A 72NYS24A1	F106 F140 FDS75 FDS90 PSC724 PSC823 PSM823	1.50" - 10	2.19"	2.25"	4.00" 3.88" 4.19" 4.19" 4.00" 4.00" 4.70" 3.88" 3.47" 3.94" 3.44" 3.44"	Easy Service Easy Service Easy Service Easy Service Easy Service Easy Service Round Bearing Wing Bearing Wing Bearing Wing Bearing Wing Bearing Wing Bearing
17NYS26 17TYS26-3 62NYS26-13	FDS1600 PRC1103 PRC671 (FUI) PRC672 PRC863 PRLC1753 (FUI) PRLC614 PRM672 PSC592 PSC595 (FUI) PSC596 PSC726 PSC824 PSM824	1.63" - 10	2.13"	2.38"	4.73" 4.75" 3.19"	Full Round Easy Service Wing Bearing
2WCS28-33	T223H	1.75" - 10	2.19"	2.25"	2.75"	Comp.Flange
16N-4-1931 16N-4-3621 16N-4-3861 16N-4-4481 16NYS28-11 17N-4-2381 17N-4-4091 58WBYS28-3 62NYS28-111 62NYS28-123 62NYS28-195 72NYS28-42	PR401 (FUO) PRC1313 (FUO) PRC673 (FUO) PRLC615 (FUO) PRM673 (FUO) PSC597 (FUO) SLHD (FUO) SPRC1353 (FUO) SPRC1734 (FUO) SQHD (FUO) T182A T182B T215 T219 TR403	1.75" - 10	2.25"	2.75"	4.75" 5.00" 6.00" 5.41" 6.00" 4.88" 6.25" 3.88" 4.00" 3.31" 3.31" 3.50"	Full Round Full Round Full Round Full Round Full Round Full Round Full Round Wing Bearing Wing Bearing Wing Bearing Wing Bearing Wing Bearing

Notes:  
(C) Cast Version  
(FUI) Forward Unit Input  
(FUO) Forward Unit Output  
(RUI) Rear Unit Input

# COMPANION FLANGE & END YOKE APPLICATION

Driveline

Meritor Axles And Transfer Cases						
Part Number	Model	Spline Size Dia. - Tooth Count	Spline Length	Hub Dia.	Center to End	Yoke Type
16N-4-3611X	PR401 (RUI)	1.75" - 10	2.25"	2.75"	4.75"	Full Round
16N-4-4451X	PRC1313 (RUI)				6.00"	Full Round
16NYS28-5A	PRC673 (RUI)				5.00"	Full Round
17N-4-4831X	PRM673 (RUI)				6.25"	Full Round
58WBYS28-3A	PSC597 (RUI)				3.88"	Wing Bearing
62NYS28-111A	SLHD (RUI)				4.00"	Wing Bearing
62NYS28-123A	SPRC1353 (RUI)				3.31"	Wing Bearing
62NYS28-195A	SPRC1734 (RUI)				3.31"	Wing Bearing
72NYS28-174A	SQHD (RUI)				3.50"	Wing Bearing
72NYS28-42A	T182A				3.50"	Wing Bearing
	T182B					
	TR403					
141N-4-8061X	H172 L172 L600 M172 PRC1104 PRC672 PRC673 PRC864 PRLC1754 PRLC614 PRLC615 PRM672 PRM673 PSC596 PSC726 PSC824 PSC825 PSM596 PSM824 PSM825 RS-XX-120 RS-XX-125 RS-XX-140 RS-XX-210 RS-XX-220 RS-XX-230				1.75" - 34	2.25"
148DYS28A		4.47"	Easy Service			
148N-4-8051X		4.46"	Easy Service			
148N-4-8051-1X		4.47"	Easy Service			
155DYS28-1A		4.69"	Easy Service			
155N-4-4111-1X		4.69"	Easy Service			
155NYS28-5A		4.66"	Easy Service			
16N-4-5621X		4.88"	Full Round			
16TYS28-13A		4.88"	Easy Service			
16TYSB28-53		5.04"	Round Bearing			
17NYS28-43A		4.88"	Full Round			
17TYS28-43A		4.88"	Easy Service			
See Note (C)		4.88"	Easy Service			
17TYS28-57A		3.16"	Comp.Flange			
2WCS28-72A		2.84"	Comp.Flange			
2WCS28-73A		3.76"	Comp.Flange			
2WCS28-80A		2.84"	Comp.Flange			
2WCS28-84A		3.88"	Wing Bearing			
58WBYS28-182A		3.88"	Wing Bearing			
58WBYS28-186A		2.94"	Comp.Flange			
5WCS28-54A		4.25"	Wing Bearing			
62NYS28-154A		4.25"	Wing Bearing			
62NYS28-155A		3.31"	Wing Bearing			
62NYS28-160A		3.94"	Wing Bearing			
62NYS28-201A		3.94"	Wing Bearing			
62NYS28-202A		3.75"	Wing Bearing			
72NYS28-162A		3.75"	Wing Bearing			
72NYS28-166A		4.63"	Wing Bearing			
92NYS36-62A						

Notes:  
 (C) Cast Version  
 (FUI) Forward Unit Input  
 (FUO) Forward Unit Output  
 (RUI) Rear Unit Input

**COMPANION FLANGE & END YOKE APPLICATION****Meritor Axles And Transfer Cases**

Part Number	Model	Spline Size Dia. - Tooth Count	Spline Length	Hub Dia.	Center to End	Yoke Type
16N-1-6121					2.94"	Comp.Flange
16N-4-6251					6.03"	Full Round
16N-4-6261					5.44"	Full Round
176NYS28	RP611 (FUO)				5.19"	Full Round
17N-4-6321	RT-XX-140 (FUO)				5.97"	Full Round
17N-4-6331	SL100 (FUO)				4.88"	Full Round
17N-4-6331-1	SPRC1357 (FUO)	1.75" - 34	2.25"	2.50"	4.88"	Easy Service
72NYS28-165	SPRC1736 (FUO)				4.00"	Wing Bearing
72NYS28-176	SQ100 (FUO)				3.63"	Wing Bearing
72NYS28-177	SQHP (FUO)				4.69"	Wing Bearing
72NYS28-179					4.25"	Wing Bearing
82NYS28-36					3.88"	Wing Bearing
92NYS28-5					4.25"	Wing Bearing
16N-4-2501	PRC1044					
16NYS30A	PRC1105					
17N-4-2271	PRC1314					
17NYS30	PRC671 (FUO)					
72NYS30-2	PRC675					
	PRC676					
	PRLC1753 (FUO)					
	PRLC1756					
	PRM675				5.00"	Full Round
	PRM676				4.56"	Full Round
	PSC1614	1.88" - 10	2.38"	2.75"	4.50"	Full Round
	PSC1617				5.38"	Full Round
	PSC1794				3.63"	Wing Bearing
	PSC595 (FUO)					
	PSC826					
	PSM1044					
	PSM1614					
	PSM1617					
	PSM826					
	Q100					
	SPRC1355					
	SPRC1736					

# COMPANION FLANGE & END YOKE APPLICATION

Driveline

Meritor Axles And Transfer Cases							
Part Number	Model	Spline Size Dia. - Tooth Count	Spline Length	Hub Dia.	Center to End	Yoke Type	
<b>16N-4-5281X</b> <b>17N-4-4181X</b> <b>17N-4-4361X</b> <b>17N-4-4481X</b> <b>17TYS31-59A</b> <b>18NYS31A</b> <b>3WCS31-15A</b> <b>5WCS31-7A</b> <b>72NYS31-3A</b> <b>72NYS31-4A</b> <b>72NYS31-8A</b> <b>82NYS31-5A</b> <b>82NYS31-6A</b>	PR300 PR400 PR500 PRC1315 PRC672 PRC673 PRC674 PRLC756 PRM672 PRM673 PRM674 PS300 PSC1045 PSC1615 PSC1618 PSM1045 PSM1615 PSM1618 R100 R140 R160	1.97" - 10	2.62"	2.75"	5.12" 4.81" 5.25" 6.50" 5.25" 5.53" 3.44" 3.38" 3.88" 3.88" 4.33" 3.88" 3.88"	Full Round Full Round Full Round Full Round Easy Service Full Round Comp.Flange Comp.Flange Wing Bearing Wing Bearing Wing Bearing Wing Bearing Wing Bearing Wing Bearing	
	<b>16N-4-5281X</b> <b>17N-4-4181X</b> <b>17N-4-4361X</b> <b>17N-4-4481X</b> <b>17TYS31-59A</b> <b>18NYS31A</b> <b>3WCS31-15A</b> <b>5WCS31-7A</b> <b>72NYS31-3A</b> <b>72NYS31-4A</b> <b>72NYS31-8A</b> <b>82NYS31-5A</b> <b>82NYS31-6A</b>	R200 R220 R230 R240 R300 R330 R340 R360 RT140 RT240 RT340 SHD (RUI) SHDD (RUI) SPRC135-6 SPRC1356 SPRC1926 (RUI) SSHD (RUI) STHD (RUI) SUDD (RUI) SUHD (RUI) U200 U240 U300	1.97" - 10	2.62"	2.75"	5.12" 4.81" 5.25" 6.50" 5.25" 5.53" 3.44" 3.38" 3.88" 3.88" 4.33" 3.88" 3.88"	Full Round Full Round Full Round Full Round Easy Service Full Round Comp.Flange Comp.Flange Wing Bearing Wing Bearing Wing Bearing Wing Bearing Wing Bearing Wing Bearing

Notes:  
 (C) Cast Version  
 (FUI) Forward Unit Input  
 (FUO) Forward Unit Output  
 (RUI) Rear Unit Input

# COMPANION FLANGE & END YOKE APPLICATION

## Meritor Axles And Transfer Cases

Part Number	Model	Spline Size Dia. - Tooth Count	Spline Length	Hub Dia.	Center to End	Yoke Type
16N-1-2121 16N-4-3681 17N-1-1461 17N-4-3221 17N-4-4131 18N-4-2251 72NYS31-3 72NYS31-4 72NYS31-8 82NYS31-5 82NYS31-6 85WBYS31-4	S162 S163 SHD (FUO) SHDD (FUO) SPRC1926 (FUO) SSHD (FUO) STHD (FUO) SUDD (FUO) SUHD (FUO)	1.97" - 10	2.62"	2.75"	3.44" 5.12" 3.38" 5.25" 6.50" 5.53" 3.88" 3.88" 4.33" 3.88" 3.88" 4.13"	Comp.Flange Full Round Comp.Flange Full Round Full Round Full Round Wing Bearing Wing Bearing Wing Bearing Wing Bearing Wing Bearing Wing Bearing
3WCS32-79	T215 T219	2.00" - 10	2.25"	2.62"	4.34"	Comp.Flange
16N-4-5131X 176N-4-181X 17N-4-3241-1 17N-4-4291X 18N-4-1921-1 18N-4-2341X 3WCS32-43A 92NYS32-2A	SLHD (FUI) SPRC1353 (FUI) SPRC1734 (FUI) SQHD (FUI)	2.00" - 10	2.56"	2.94"	5.19" 5.38" 5.19" 5.19" 5.38" 5.38" 3.31" 3.88"	Full Round Full Round Easy Service Full Round Easy Service Full Round Comp.Flange Wing Bearing
155TYS32-23A 16NYS32-26A 16TYS32-26A 176NYS32-7A 17N-4-2191-1 17NYS32-10A 17NYS32-10A1 17NYS32-63A 17NYS32-63A1 17TYS32-83A 18NYS32-1A 58WBYS32-41A 62NYS32-16A 72NYS32-302 82NYS32-56A 92NYS32-5A 72NYS32-48	T215 T219 T226 T228 T77-3	2.00" - 10	3.00"	2.94"	5.03" 5.00" 5.00" 5.81" 5.63" 5.63" 5.63" 4.81" 4.81" 5.06" 5.81" 4.31" 4.25" 4.25" 4.75" 4.25" 4.25"	Easy Service Full Round Easy Service Full Round Easy Service Full Round Full Round Full Round Full Round Easy Service Full Round Wing Bearing Wing Bearing Wing Bearing Wing Bearing Wing Bearing Wing Bearing
16TYS32-65A	T218PD	2.00" - 39	2.17"	3.00"	4.26"	Easy Service

Notes:  
(C) Cast Version  
(FUI) Forward Unit Input  
(FUO) Forward Unit Output  
(RUI) Rear Unit Input

# COMPANION FLANGE & END YOKE APPLICATION

Driveline

Meritor Axles And Transfer Cases							
Part Number	Model	Spline Size Dia. - Tooth Count	Spline Length	Hub Dia.	Center to End	Yoke Type	
148TYS32-4A 155DYS32-6A 155TYS32-2A1 155TYS32-6A 16N-4-6281X 16N-4-6291X 16TYS32-32A 16TYS32-33A 16TYS32-60A 176NYS32-3A2 176NYS32-3A3 176TYS32-3A1 17N-4-6391X 17N-4-6421X 17N-4-7631-1X 17TYS32-55A See Note (C) 17N-4-6391-1X 17TYS32-96A 18NYS32-12A3 18NYS32-17A2 18TYS32-12A1 2WCS32-13A 2WCS32-15AX 3WCS32-73A1 3WCS32-81A 58WBYS32-47A 5WCS32-86A2 5WCS32-89A1 5WCS32-94A1 62NYS32-48A 72NYS32-244A 72NYS32-245A 72NYSB32-258 82NYS32-74A1 85WBYS32-20A 92NYS32-26A	PRC1044 PRC1314 PRC265 PRC676 PRLC1756 PRLC415 PRLC755 PRM676 PRS265 PSC1044 PSC1614 PSC205 PSC826 PSM1044 PSM1614 PSM826 Q100 R125 R128 R270 R611 RF-XX-145 RP611 (RUI) RS-XX-145 RS-XX-240 RS-XX-380 RT-XX-140 (RUI) RT-XX-145 (RUI) RT-XX-380 (RUI) SL100 (RUI) SPRC1357 (RUI) SPRC1736 (RUI) SQ100 (RUI) SQHP (RUI) SR270 (FUI) SR270 (RUI) SR280 (FUI) SR280 (RUI) ST270 (FUI) ST270 (RUI) ST280 (FUI) ST280 (RUI)	2.00" - 39	2.31"	3.00"	4.75" 4.75" 4.38" 4.75" 5.54" 6.22" 5.54" 6.22" 4.88" 5.19" 5.19" 5.19" 6.25" 5.16" 5.16" 6.25" 5.16" 5.19" 5.75" 5.19" 3.25" 4.06" 3.38" 4.41" 3.81" 3.31" 2.62" 3.27" 4.00" 3.81" 4.88" 4.06" 3.88" 4.13" 4.44"	Easy Service Easy Service Easy Service Easy Service Full Round Full Round Easy Service Easy Service Easy Service Full Round Full Round Easy Service Full Round Full Round Full Round Easy Service Easy Service Easy Service Easy Service Full Round Full Round Easy Service Comp.Flange Comp.Flange Comp.Flange Comp.Flange Wing Bearing Comp.Flange Comp.Flange Comp.Flange Wing Bearing Wing Bearing Wing Bearing Wing Bearing Wing Bearing Wing Bearing Wing Bearing Wing Bearing Wing Bearing	
	176NYS32-3A3	SU270 (FUI) SU270 (RUI) SU280 (FUI) SU280 (RUI) SW270 (FUI) SW270 (RUI) SW280 (FUI) SW280 (RUI)	2.00" - 39	2.31"	3.00"	5.19"	Full Round

Notes:  
 (C) Cast Version  
 (FUI) Forward Unit Input  
 (FUO) Forward Unit Output  
 (RUI) Rear Unit Input

# COMPANION FLANGE & END YOKE APPLICATION

## Meritor Axles And Transfer Cases

Part Number	Model	Spline Size Dia. - Tooth Count	Spline Length	Hub Dia.	Center to End	Yoke Type
148TYS32-4	PRC4806 (FUO) R270					
155DYS32-6	RS-XX-380				4.75"	Easy Service
155TYS32-2	RT-XX-145 (FUO)				4.75"	Easy Service
155TYS32-6	RT-XX-160 (FUO)				4.38"	Easy Service
16N-4-6241	RT-XX-180 (FUO)				4.75"	Easy Service
16N-4-6271	RT-XX-380 (FUO)				6.22"	Full Round
16N-4-6271-1	RT-XX-380 (RUI)				5.54"	Full Round
16TYS32-60	SR170 (FUO)				5.54"	Easy Service
176N-4-531	SR270 (FUI)				5.54"	Easy Service
176TYS32-3	SR270 (FUO)				5.19"	Full Round
17N-4-6371	SR270 (RUI)				5.19"	Easy Service
17N-4-6401	SR280 (FUI)				6.25"	Full Round
17TYS32-55	SR280 (FUO)				5.16"	Full Round
	SR280 (RUI)				5.16"	Easy Service
See Note (C)	ST170 (FUO)				6.25"	Easy Service
17TYS32-56	ST270 (FUI)				5.16"	Easy Service
17TYS32-68	ST270 (FUO)	2.00" - 39	2.31"	3.00"	5.16"	Easy Service
17TYS32-96	ST270 (RUI)				5.16"	Easy Service
18N-4-3371	ST280 (FUI)				5.19"	Full Round
18TYS32-12	ST280 (FUO)				5.19"	Easy Service
2WCS32-13	ST280 (RUI)				3.25"	Comp.Flange
3WCS32-73	SU170 (FUO)				3.38"	Comp.Flange
58WBYS32-47	SU270 (FUI)				3.81"	Wing Bearing
5WCS32-89	SU270 (FUO)				2.62"	Comp.Flange
5WCS32-94	SU270 (RUI)				3.27"	Comp.Flange
62NYS32-48	SU280 (FUI)				4.00"	Wing Bearing
72NYS32-244	SU280 (FUO)				3.81"	Wing Bearing
72NYS32-245	SU280 (RUI)				4.88"	Wing Bearing
82NYS32-74	SU280 (RUI)				3.88"	Wing Bearing
85WBYS32-20	SW170 (FUO)				4.13"	Wing Bearing
92NYS32-25	SW270 (FUI)				4.25"	Wing Bearing
92NYS32-26	SW270 (FUO)				4.44"	Wing Bearing
	SW270 (RUI)					
	SW280 (FUI)					

Notes:  
 (C) Cast Version  
 (FUI) Forward Unit Input  
 (FUO) Forward Unit Output  
 (RUI) Rear Unit Input



Meritor Axles And Transfer Cases						
Part Number	Model	Spline Size Dia. - Tooth Count	Spline Length	Hub Dia.	Center to End	Yoke Type
148TYS32-4					4.75"	Easy Service
155DYS32-6					4.75"	Easy Service
155TYS32-2					4.38"	Easy Service
155TYS32-6					4.75"	Easy Service
16N-4-6241					6.22"	Full Round
16N-4-6271					5.54"	Full Round
16N-4-6271-1					5.54"	Easy Service
16TYS32-60					5.54"	Easy Service
176N-4-531					5.19"	Full Round
176TYS32-3					5.19"	Easy Service
17N-4-6371					6.25"	Full Round
17N-4-6401					5.16"	Full Round
17TYS32-55					5.16"	Easy Service
See Note (C)	SW280 (FUO)				6.25"	Easy Service
17TYS32-56	SW280 (RUI)				5.16"	Easy Service
17TYS32-68	T270	2.00" - 39	2.31"	3.00"	5.16"	Easy Service
17TYS32-96	U270				5.16"	Easy Service
18N-4-3371	W270				5.19"	Full Round
18TYS32-12					5.19"	Easy Service
2WCS32-13					3.25"	Comp.Flange
3WCS32-73					3.38"	Comp.Flange
58WBYS32-47					3.81"	Wing Bearing
5WCS32-89					2.62"	Comp.Flange
5WCS32-94					3.27"	Comp.Flange
62NYS32-48					4.00"	Wing Bearing
72NYS32-244					3.81"	Wing Bearing
72NYS32-245					4.88"	Wing Bearing
82NYS32-74					3.88"	Wing Bearing
85WBYS32-20					4.13"	Wing Bearing
92NYS32-25					4.25"	Wing Bearing
92NYS32-26					4.44"	Wing Bearing

Notes:  
 (C) Cast Version  
 (FUI) Forward Unit Input  
 (FUO) Forward Unit Output  
 (RUI) Rear Unit Input

U.S. 888-725-9355  
 Canada 800-387-3889

www.MeritorPartsXpress.com  
**PB-9895 (06-18)**

# COMPANION FLANGE & END YOKE APPLICATION

## Meritor Axles And Transfer Cases

Part Number	Model	Spline Size Dia. - Tooth Count	Spline Length	Hub Dia.	Center to End	Yoke Type
155TYS32-2A					4.38"	Easy Service
155TYS32-6A3					4.75"	Easy Service
16NYS32-32A1					5.54"	Full Round
16NYS32-33A1					6.22"	Full Round
16TYS32-32A1					5.54"	Easy Service
16TYS32-60A1					4.88"	Easy Service
176N-4-541X					5.19"	Full Round
17N-4-6381X	PSC1616				6.25"	Full Round
17N-4-6411X	PSM1616				5.16"	Full Round
17TYS32-56A1	RP611 (FUI)				6.25"	Easy Service
17TYS32-96A1	RT-XX-140 (FUI)				5.16"	Easy Service
18N-4-3381X	RT-XX-145 (FUI)				5.19"	Full Round
18N-4-3841-1	SL100 (FUI)	2.00" - 39	2.31"	3.00"	5.19"	Easy Service
18NYS32-17A	SPRC1356				5.75"	Full Round
2WCS32-13A2	SPRC1357 (FUI)				3.25"	Comp.Flange
3WCS32-73A	SPRC1735				3.38"	Comp.Flange
58WBYS32-47A2	SPRC1736 (FUI)				3.81"	Wing Bearing
5WCS32-86A	SQ100 (FUI)				3.31"	Comp.Flange
5WCS32-89A	SQHP (FUI)				2.62"	Comp.Flange
5WCS32-94A					3.27"	Comp.Flange
72NYS32-244A1					3.81"	Wing Bearing
72NYS32-245A1					4.88"	Wing Bearing
82NYS32-74A					3.88"	Wing Bearing
85WBYS32-20A1					4.13"	Wing Bearing
92NYS32-25A					4.25"	Wing Bearing
16NYS32-32	R270				5.54"	Full Round
16NYS32-33	RS-XX-380				6.22"	Full Round
16TYS32-32	RT-XX-380 (RUI)				5.54"	Easy Service
176TYS32-3A2	SR270 (FUI)				5.19"	Easy Service
17NYS32-55A3	SR270 (RUI)				5.16"	Full Round
17NYS32-56A3	SR280 (FUI)				6.25"	Full Round
17TYS32-68A2	SR280 (RUI)				5.16"	Easy Service
18NYS32-12A2	ST270 (FUI)	2.00" - 39	2.31"	3.00"	5.19"	Full Round
18NYS32-17A1	ST270 (RUI)				5.75"	Full Round
18TYS32-12A2	ST280 (FUI)				5.19"	Easy Service
5WCS32-86A3	ST280 (RUI)				3.31"	Comp.Flange
5WCS32-89A2	SU270 (FUI)				2.62"	Comp.Flange
5WCS32-94A2	SU270 (RUI)				3.27"	Comp.Flange
82NYS32-74A2	SU280 (FUI)				3.88"	Wing Bearing
85WBYS32-20A2	SU280 (RUI)				4.13"	Wing Bearing
	SW270 (FUI)					
	SW270 (RUI)					
	SW280 (FUI)					

Notes:  
 (C) Cast Version  
 (FUI) Forward Unit Input  
 (FUO) Forward Unit Output  
 (RUI) Rear Unit Input

# COMPANION FLANGE & END YOKE APPLICATION

Meritor Axles And Transfer Cases						
Part Number	Model	Spline Size Dia. - Tooth Count	Spline Length	Hub Dia.	Center to End	Yoke Type
16NYS32-32 16NYS32-33 16TYS32-32 176TYS32-3A2 17NYS32-55A3 17NYS32-56A3 17TYS32-68A2 18NYS32-12A2 18NYS32-17A1 18TYS32-12A2 5WCS32-86A3 5WCS32-89A2 5WCS32-94A2 82NYS32-74A2 85WBYS32-20A2	SW280 (RUI)	2.00" - 39	2.31"	3.00"	5.54" 6.22" 5.54" 5.19" 5.16" 6.25" 5.16" 5.19" 5.75" 5.19" 3.31" 2.62" 3.27" 3.88" 4.13"	Full Round Full Round Easy Service Easy Service Full Round Full Round Easy Service Full Round Full Round Easy Service Comp.Flange Comp.Flange Comp.Flange Wing Bearing Wing Bearing
20WYS32-1A 20WYS32-2A	RS-XX-145 RS-XX-240 RT-XX-145 (RUI) SQ100 (RUI)	2.00" - 39	2.31"	3.00"	4.85" 5.95"	RPL RPL
20WYS32-1 20WYS32-2	RT-XX-145 (FUO) RT-XX-160 (FUO) RT-XX-180 (FUO) RT-XX-380 (FUO)	2.00" - 39	2.31"	3.00"	4.85" 5.95"	RPL RPL

Notes:  
 (C) Cast Version  
 (FUI) Forward Unit Input  
 (FUO) Forward Unit Output  
 (RUI) Rear Unit Input

U.S. 888-725-9355  
 Canada 800-387-3889

# COMPANION FLANGE & END YOKE APPLICATION

## Meritor Axles And Transfer Cases

Part Number	Model	Spline Size Dia. - Tooth Count	Spline Length	Hub Dia.	Center to End	Yoke Type
	FDS1800					
	FDS2100					
	PRC1315					
	PRC1318					
16N-4-5431X	PRC1925				5.12"	Full Round
16N-4-6961X	PRC3795				5.94"	Full Round
16NYS32-13A	PRC3805				6.25"	Full Round
176NYS32-4A	PRC4364				5.19"	Full Round
176TYS32-4A	PRC4805				5.19"	Easy Service
17N-4-5531X	PRC677				5.25"	Full Round
17N-4-5551X	PRC867				4.81"	Full Round
17NYS32-40A	PRCL1757				6.50"	Full Round
17TYS32-69A	PRM677				4.81"	Easy Service
17TYS32-70A	PSC1485				5.25"	Easy Service
18N-4-3171X	PSC1615				5.53"	Full Round
18TYS32-3A	PSC1618				5.53"	Easy Service
2WCS32-12A	PSC1875				3.38"	Comp.Flange
3WCS32-68A	PSC827				3.38"	Comp.Flange
3WCS32-75A1	PSM1485	2.00" - 39	2.44"	2.75"	3.38"	Comp.Flange
5WCS32-75A	PSM1615				3.31"	Comp.Flange
5WCS32-76A	PSM1618				3.31"	Comp.Flange
72NYS32-219A1	PSM827				3.88"	Wing Bearing
72NYS32-220A1	R155				3.88"	Wing Bearing
72NYS32-221A2	R255				4.31"	Wing Bearing
72NYS32-222A	RF-XX-155				4.31"	Wing Bearing
82NYS32-69A1	RF-XX-156				3.88"	Wing Bearing
82NYS32-70A1	SHD (RUI)				3.88"	Wing Bearing
16N-4-6871X	SHDD (RUI)				6.25"	Full Round
16N-4-6951-1X	SPRC1737				5.12"	Easy Service
16N-4-6951X	SPRC1925				5.12"	Full Round
176NYS32-4A1	SPRC1926 (RUI)				5.19"	Full Round
17N-4-6871X	SSHD (RUI)				6.50"	Full Round
17N-4-6941X	STHD (RUI)				4.81"	Full Round
	SUDD (RUI)					
	SUHD (RUI)					
	U240					
17N-4-6951X					5.25"	Full Round
17TYS32-70A1					5.25"	Easy Service
18N-4-3571X					5.53"	Full Round
18TYS32-3A1					5.53"	Easy Service
3WCS32-68A2					3.38"	Comp.Flange
5WCS32-75A2					3.31"	Comp.Flange
5WCS32-76A2	PRC1315	2.00" - 39	2.44"	2.75"	3.31"	Comp.Flange
72NYS32-219A					3.88"	Wing Bearing
72NYS32-220A					3.88"	Wing Bearing
72NYS32-221A					4.31"	Wing Bearing
72NYS32-222A1					4.31"	Wing Bearing
82NYS32-70A					3.88"	Wing Bearing

## Notes:

(C) Cast Version  
 (FUI) Forward Unit Input  
 (FUO) Forward Unit Output  
 (RUI) Rear Unit Input



# COMPANION FLANGE & END YOKE APPLICATION

## Meritor Axles And Transfer Cases

Part Number	Model	Spline Size Dia. - Tooth Count	Spline Length	Hub Dia.	Center to End	Yoke Type
148TYS34-3 155TYS34-6A 16TYS34-21A 17TYS34-38AX 18NYS34-4A 18TYS34-4AX 5WCS34-7 5WCS34-8 5WCS34-9 85WBYS34-4	T2111 T215 T219	2.13" - 41	2.31"	2.94"	4.75" 4.31" 4.63" 5.16" 5.75" 5.75" 3.00" 3.00" 3.19" 3.69"	Easy Service Easy Service Easy Service Easy Service Full Round Easy Service Comp.Flange Comp.Flange Comp.Flange Wing Bearing
17NYS34-29A 17TYS34-29A 18NYS34-5A 18TYS34-5A	T-2120 T2111 T2120RS	2.13" - 41	2.50"	2.94"	5.35" 5.35" 5.94" 5.94"	Full Round Easy Service Full Round Easy Service
16N-1-6341X 16N-4-6891X 176N-4-731X 17N-1-5631X 17N-4-4411X 17N-4-6891X 17TYS36-52A 18N-1-2341X 18N-4-2551-1X 18N-4-2551X 72NYS36-40A1 72NYS36-54A2 82NYS36-26A1 82NYS36-30A1	PRC1927 PRC3796 PRC4264 PRC4807 PRC4824 PRC5225 PRC5324 R170 R180 RL170 S170 SFDD4640 (FUI) SPRC1927 SR170 (RUI) SRDD (FUI) ST170 (RUI) SU170 (RUI) SW170 (RUI) T228 U170 U180 W170	2.25" - 10	3.00"	3.00"	3.84" 5.63" 5.84" 3.75" 6.06" 7.19" 6.06" 3.75" 5.85" 5.85" 4.25" 4.25" 4.75" 4.75"	Comp.Flange Full Round Full Round Comp.Flange Full Round Full Round Easy Service Comp.Flange Easy Service Full Round Wing Bearing Wing Bearing Wing Bearing Wing Bearing
16NYS36A1 176N-4-201X 17NYS36-19A 17NYS36A 18NYS36A 5WCS36-76A2 72NYS36-54A 82NYS36-26A 82NYS36-30A 92NYS36-6A1	SFDD4640 (FUO) SFDD4640 (RUI) SRDD (FUO) SRDD (RUI) SRTD (FUI) SRTD (FUO) SRTD (RUI) SSHD (RUI) STDD (FUI) STDD (FUO) STDD (RUI) STHD (FUI) SUDD (FUI) SUHD (FUI)	2.25" - 10	3.00"	3.00"	5.63" 5.84" 7.19" 6.06" 5.85" 3.75" 4.25" 4.75" 4.75" 4.19"	Full Round Full Round Full Round Full Round Full Round Comp.Flange Wing Bearing Wing Bearing Wing Bearing Wing Bearing

Notes:  
(C) Cast Version  
(FUI) Forward Unit Input  
(FUO) Forward Unit Output  
(RUI) Rear Unit Input

# COMPANION FLANGE & END YOKE APPLICATION

Meritor Axles And Transfer Cases						
Part Number	Model	Spline Size Dia. - Tooth Count	Spline Length	Hub Dia.	Center to End	Yoke Type
16TYS34-16A	T218	2.25" - 41	2.22"	3.00"	4.25"	Easy Service
17TYS36-59A 18NYS36-17A 18TYS36-17A 72NYS36-97A	T2111	2.28" - 44	2.80"	2.94"	5.66" 5.75" 5.75" 4.38"	Easy Service Full Round Easy Service Wing Bearing
16NYS38-12A 16NYS38-8A 16TYS38-12A 176N-4-1041X 17N-4-7181-1X 17N-4-7181X 17TYS38-32A See Note (C) 17TYS38-71A 18N-4-3731X 18N-4-3731-1X 18NYSB38-1 3WCS38-8A1 5WCS38-18A 5WCS38-23A2 72NYS38-24A 72NYS38-26A 72NYS38-31A 82NYS38-31A 82NYS38-32A 85WBYS38-14A 92NYS38-73A 20WYS38-1A 20WYS38-4A 25WYS38-13A 17NYS38-61A 18N-4-03556-1X 17TYS38-76A2 20WYS38-3A 17N-4-7771X	61142 61143 RC-XX-160 RF-XX-160 RS-XX-160 RT-XX-145 (FUI) RT-XX-160 (FUI) RT-XX-160 (RUI)	2.38" - 46	2.32"	3.25"	6.19" 4.94" 6.19" 5.06" 5.38" 5.38" 5.38" 6.50" 5.16" 5.16" 5.16" 3.31" 3.88" 3.56" 4.25" 4.25" 3.80" 4.25" 4.25" 4.06" 4.22" 4.90" 4.90" 4.73" 4.88" 5.16" 5.38" 5.95" 6.51"	Full Round Full Round Easy Service Full Round Easy Service Full Round Easy Service Easy Service Full Round Easy Service Round Bearing Comp.Flange Comp.Flange Comp.Flange Wing Bearing Wing Bearing Wing Bearing Wing Bearing Wing Bearing Wing Bearing Wing Bearing Wing Bearing RPL RPL RPL Full Round Easy Service Easy Service RPL Full Round
25WYS38-13A4 176NYS38-14A4 176TYS38-27A5 18NYS38-27A5 18TYS38-27A5 17NYS38-32A3 17TYS38-76A5	MT-XX-14X-FUI	2-3/8" - 46	2.32"	3.25"	4.73" 5.06" 5.06" 5.16" 5.16" 5.38" 5.38"	RPL Full Round Easy Service Full Round Easy Service Full Round Easy Service

Notes:  
(C) Cast Version  
(FUI) Forward Unit Input  
(FUO) Forward Unit Output  
(RUI) Rear Unit Input

# COMPANION FLANGE & END YOKE APPLICATION

## Meritor Axles And Transfer Cases

Part Number	Model	Spline Size Dia. - Tooth Count	Spline Length	Hub Dia.	Center to End	Yoke Type
5WCS32-86	MT-XX-14X-FUO	2" - 39	2.31"	3.00"	3.31"	Comp. Flange
3WCS32-73					3.38"	Comp. Flange
72NYS32-244					3.81"	Wing Bearing
82NYS32-74					3.88"	Wing Bearing
85WBYS32-20					4.12"	Wing Bearing
92NYS32-25					4.25"	Wing Bearing
92NYS32-26					4.44"	Wing Bearing
155DYS32-6					4.75"	
155TYS32-6					4.75"	Easy Service
148TYS32-4					4.75"	Easy Service
20WYS32-17					4.85"	RPL
16N-4-6421-1					4.88"	Easy Service
17NYS32-100					5.16"	Full Round
17N-4-7621-1					5.16"	Easy Service
176N-4-531					5.19"	Full Round
18N-4-3371					5.19"	Full Round
18N-4-3371-1					5.19"	Easy Service
176N-4-531-1					5.19"	Easy Service
16NYS32-32					5.54"	Full Round
16TYS32-32					5.54"	Easy Service
20WYS32-2					5.95"	RPL
16N-4-6241					6.22"	Full Round
16TYS32-76					6.22"	Easy Service
17NYS32-99					6.25"	Full Round
17TYS32-99					6.25"	Easy Service
5WCS38-45A					"61142 61143 RC-XX-160 RF-XX-160 RS-XX-160 RT-XX-145 (FUI) RT-XX-160 (FUI) RT-XX-160 (RUI)"	2.390 - 46

Notes:  
 (C) Cast Version  
 (FUI) Forward Unit Input  
 (FUO) Forward Unit Output  
 (RUI) Rear Unit Input



# COMPANION FLANGE & END YOKE APPLICATION

Driveline

Meritor Axles And Transfer Cases						
Part Number	Model	Spline Size Dia. - Tooth Count	Spline Length	Hub Dia.	Center to End	Yoke Type
5WCS32-86A2 3WCS32-73A1 72NYS32-244A 82NYS32-74A1 62NYS32-48A 72NYSB32-258 85WBYS32-20A 72NYSB32-323 92NYS32-26A 155DYS32-6A 155TYS32-6A 148TYS32-4A 20WYS32-17A 16TYS32-86A 17N-4-6421X 17N-4-7641-1X 176NYS32-3A2 176TYS32-3A1 18TYS32-12A1 16N-4-6281X 16TYS32-32A 20WYS32-2A 16N-4-6291X 16TYS32-76A 17NYS32-99A 17N-4-6391-1X 17TYSB32-98A 16TYSB32-92A1	MT-XX-142-RUI	2" - 39	2.31"	3.00"	3.31" 3.38" 3.81" 3.88" 4.00" 4.06" 4.12" 4.44" 4.44" 4.75" 4.75" 4.75" 4.85" 4.88" 5.16" 5.16" 5.19" 5.19" 5.19" 5.54" 5.54" 5.95" 6.22" 6.22" 6.25" 6.25" 7.30" 8.21"	Comp. Flange Comp. Flange Wing Bearing Wing Bearing Wing Bearing Brake Flange Wing Bearing Brake Flange Wing Bearing Easy Service Easy Service Easy Service RPL Easy Service Full Round Easy Service Full Round Easy Service Easy Service Full Round Easy Service RPL Full Round Easy Service Full Round Easy Service Easy Service Easy Service
5WCS45-2	MT-XX-14X-FUO	2.794 - 54	3.14	3.67	3.93	Comp. Flange
176N-4-211-1X 176N-4-211X 17N-4-5461X 17TYS38-52A 18N-4-2711X 18N-4-2711-1X 5WCS38-4 5WCS38-5A 5WCS38-6A 72NYS38-15A 82NYS38-14A 82NYS38-15A 92NYS38-39A 92NYS38-46A1	SHD (FUI) SHDD (FUI) SPRC1926 (FUI) SSHD (FUI) STHD (FUI) SUDD (FUI) SUHD (FUI)	2.38" - 46	2.62"	3.25"	5.44" 5.44" 5.69" 5.69" 5.44" 5.44" 3.50" 3.50" 3.50" 4.38" 4.58" 4.58" 3.98" 4.50"	Easy Service Full Round Full Round Easy Service Full Round Easy Service Comp.Flange Comp.Flange Comp.Flange Wing Bearing Wing Bearing Wing Bearing Wing Bearing Wing Bearing
176NYS38-25A 17NYS38-69A 18NYS38-25A 3WCS38-13A 5WCS38-31A 5WCS38-32A 82NYS38-34A	T228	2.38" - 46	2.88"	3.00"	5.63" 6.06" 5.85" 3.75" 3.75" 3.75" 4.75"	Full Round Full Round Full Round Comp.Flange Comp.Flange Comp.Flange Wing Bearing

15

Notes:  
(C) Cast Version  
(FUI) Forward Unit Input  
(FUO) Forward Unit Output  
(RUI) Rear Unit Input

U.S. 888-725-9355  
Canada 800-387-3889

www.MeritorPartsXpress.com  
**PB-9895 (06-18)**

# COMPANION FLANGE & END YOKE APPLICATION

## Meritor Axles And Transfer Cases

Part Number	Model	Spline Size Dia. - Tooth Count	Spline Length	Hub Dia.	Center to End	Yoke Type
176NYS38-13A1 176TYS38-13A1 17N-4-5961X 17NYS38-17A 17NYS38-63 17TYS38-53A1 17TYS38-70A1 18N-4-3221-1X 18N-4-3221X 3WCS38-9 5WCS38-12A 5WCS38-34A 85WBYS38-19A 92NYS38-52A	PRC4806 (FUI) PRC5225 R180 RS-XX-181 RT-XX-180 (FUI) RT-XX-380 (FUI) SR170 (FUI) SR270 (FUI) SR280 (FUI) ST170 (FUI) ST270 (FUI) ST280 (FUI) SU170 (FUI) SU270 (FUI) SU280 (FUI) SW170 (FUI) SW270 (FUI) SW280 (FUI) U180	2.38" - 46	2.88"	3.25"	5.63" 5.63" 5.94" 6.19" 6.93" 5.94" 6.93" 5.69" 5.69" 3.63" 3.56" 3.95" 4.31" 4.19"	Full Round Easy Service Full Round Full Round Full Round Easy Service Easy Service Easy Service Full Round Comp.Flange Comp.Flange Comp.Flange Wing Bearing Wing Bearing
16NYS38-11A 16TYS38-11A 176N-4-861-1X 176N-4-861X 17N-4-6961X 17N-4-7851X 17NYS38-17A2 17TYS38-53A 17TYS38-70A 18N-4-3581-1X 18N-4-3581X 3WCS38-11A 5WCS38-12A2 5WCS38-20A 5WCS38-24A 5WCS38-34A2 72NYS38-20A 72NYS38-22A 82NYS38-28A 92NYS38-52A2 20WYS38-8A	RF-XX-180 RS-XX-180 RT-XX-180 (RUI) RS-XX-181	2.38" - 46	2.88"	3.25"	5.50" 5.50" 5.63" 5.63" 5.94" 6.93" 6.19" 5.94" 6.93" 5.69" 5.69" 3.13" 3.56" 3.63" 3.63" 3.95" 4.69" 4.69" 4.63" 4.19" 6.25"	Full Round Easy Service Easy Service Full Round Full Round Full Round Full Round Easy Service Easy Service Easy Service Full Round Comp.Flange Comp.Flange Comp.Flange Comp.Flange Comp.Flange Wing Bearing Wing Bearing Wing Bearing Wing Bearing RPL
20WYS38-10A 25WYS38-8A	RT-XX-180 (FUI) RT-XX-380 (FUI) RT-XX-380 (RUI)	2.38" - 46	2.88"	3.25"	5.00" 5.00"	RPL RPL
18NYS38-8A3	T228	2.38" - 46	2.88"	3.25"	5.69"	Full Round
82NYS40-30A	T228	2.50" - 16	3.25"	3.00"	4.75"	Wing Bearing
17NYS40-106A 3WCS40-1A 3WCS40-1A1	59000 Series 59732 59733	2.53" - 16	2.75"	3.25"	6.44" 3.48" 3.48"	Full Round Comp.Flange Comp.Flange
5WCS40-29A1 5WCS40-39	59000 Series 59732 59733	2.53" - 16	2.75"	3.50"	3.75" 3.68"	Comp.Flange Comp.Flange

Notes:  
(C) Cast Version  
(FUI) Forward Unit Input  
(FUO) Forward Unit Output  
(RUI) Rear Unit Input

# COMPANION FLANGE & END YOKE APPLICATION

Driveline

Meritor Axles And Transfer Cases						
Part Number	Model	Spline Size Dia. - Tooth Count	Spline Length	Hub Dia.	Center to End	Yoke Type
176NYS40-21A 17NYS40-37A 17TYS40-151A 18NYS40A	T228	2.53" - 16	3.25"	3.25"	6.06" 5.81" 6.06" 6.06"	Full Round Full Round Easy Service Full Round
18NYS48-1A 92NYS48-72A	T-2120 T2120RS	2.99" - 22	2.75"	3.75"	5.56" 4.25"	Full Round Wing Bearing
5WCS38-47A	"RT-XX-180 (FUI) RT-XX-380 (FUI) RT-XX-380 (RUI)"	2.390 - 46	2.88	3.25	3.94	Comp. Flange

Notes:  
 (C) Cast Version  
 (FUI) Forward Unit Input  
 (FUO) Forward Unit Output  
 (RUI) Rear Unit Input

# COMPANION FLANGE & END YOKE APPLICATION ALLISON TRANSMISSIONS

## INDEX

	<b>Page</b>		
4460.....	15-44, 15-45	MD6.....	15-45
AD6.....	15-44	MT40.....	15-44
AT540.....	15-44	MT640.....	15-44
AT543.....	15-44	MT643.....	15-44
AT545.....	15-44	MT644.....	15-44
CBT5640.....	15-46	MT650.....	15-46
CLBT5840 (IN).....	15-46	MT653.....	15-46
CLBT5860.....	15-46	MT654CR.....	15-46
CLBT750 (IN).....	15-45	R2.....	15-44
CLBT750 (OUT).....	15-45	TC.....	15-45
CLBT750 (OUT).....	15-46	TG602.....	15-44
CRT5633.....	15-46	TT2000 Series.....	15-44
CRT5643.....	15-46		
CRT6030.....	15-45		
CRT7033 (IN).....	15-45		
CT5640.....	15-46		
HT70.....	15-45		
HT740.....	15-45, 15-46		
HT750.....	15-45, 15-46		
HTB741.....	15-45		
HTB755BR.....	15-45		

# COMPANION FLANGE & END YOKE APPLICATION

Driveline

Allison Transmissions							
Part Number	Model	Spline Size Dia. - Tooth Count	Spline Length	Hub Dia.	Center to End	Yoke Type	Comments
141TYSB22-4 141TYSB22-4A	R2	1.38" - 32	3.66"	2.13"	6.65" 6.65"	Round Bearing Round Bearing	GMT 455
5WCS28-64	AD6	1.63" - 31	2.56"	2.44"	3.44"	Comp.Flange	With 9"x 3"brake
141TYS28-19 148TYS28-17 155TYS28-20	AD6	1.63" - 31	2.56"	2.44"	4.19" 4.63" 4.24"	Easy Service Easy Service Easy Service	Without brake
72NYS28-66	MT40	1.78" - 27	1.91"	2.17"	2.88"	Wing Bearing	
17N-1-5371X 58WBYS28-162A	MT640 MT643 MT644	1.78" - 34	2.75"	2.56"	3.70" 4.56"	Comp.Flange Wing Bearing	With 12"x 4"brake
148NYSB29A 148TYSB28-11A 148TYSB29-1 155TYSB28-14A	AT540 AT543 AT545	1.78" - 34	2.75"	2.56"	6.19" 6.25" 6.19" 6.25"	Round Bearing Round Bearing Round Bearing Round Bearing	With Bendix 9"x 3"or 10"x 3"brake
58WBYS28-144	MT640 MT643 MT644	1.78" - 34	2.75"	2.56"	4.38"	Wing Bearing	Without brake, threaded
148N-1-4481X 148TYSB28-20A 155N-4-4801-1X 155N-4-4801-2X 155TYSB28-22A 16TYS28-51A 17N-4-5041-1 5WCS28-66 5WCS28-66A	AT540 AT543 AT545	1.78" - 34	2.75"	2.56"	3.42" 6.25" 5.17" 5.17" 6.25" 5.31" 6.00" 3.70" 3.70"	Comp.Flange Round Bearing Easy Service Easy Service Round Bearing Easy Service Easy Service Comp.Flange Comp.Flange	Without brake
16N-4-4841X 16TYS28-8A 17N-4-5041X 17TYS28-62A 58WBYS28-163 72NYS28-141	MT640 MT643 MT644	1.78" - 34	2.75"	2.56"	5.31" 5.31" 7.19" 6.00" 4.56" 4.69"	Full Round Easy Service Full Round Easy Service Wing Bearing Wing Bearing	Without brake
141NYSB29A1	AT540 AT543 AT545	1.81" - 34	2.75"	2.56"	6.19"	Round Bearing	
58WBYS30-7	TT2000 Series	1.88" - 14	2.02"	2.56"	3.34"	Wing Bearing	With brake
58WBYSB30-6 62NYS30-22	TT2000 Series	1.88" - 14	2.32"	2.56"	4.40" 4.63"	Wing Bearing Wing Bearing	Without brake
72NYS30-1	4460 TG602	1.91" - 14	2.79"	2.62"	3.77"	Wing Bearing	
5WCS32-96	MD6	2.13" - 41	2.05"	3.54"	3.08"	Comp.Flange	With 12"x 3"brake
16TYS32-59 17TYS32-67 See Note (C)	MD6	2.13" - 41	2.05"	3.54"	5.00" 4.88"	Easy Service Easy Service	Without brake

Notes:  
(C) Cast Version  
(FUI) Forward Unit Input  
(FUO) Forward Unit Output  
(RUI) Rear Unit Input

U.S. 888-725-9355  
Canada 800-387-3889

www.MeritorPartsXpress.com  
**PB-9895 (06-18)**

# COMPANION FLANGE & END YOKE APPLICATION

Allison Transmissions							
Part Number	Model	Spline Size Dia. - Tooth Count	Spline Length	Hub Dia.	Center to End	Yoke Type	Comments
17TYS32-77					4.88"	Easy Service	
72NYS38-4	4460 HT70	2.36" - 18	2.31"	3.00"	3.00"	Wing Bearing	
176NYS38-21 176TYS38-23 17NYS38-62 17TYS38-62 18NYS38-23 18TYS38-24 92NYS38-76	HTB741 HTB755BR	2.36" - 18	2.34"	2.75"	5.12" 5.50" 5.31" 5.31" 5.63" 5.85" 3.81"	Full Round Easy Service Full Round Easy Service Full Round Easy Service Wing Bearing	
5WCS38-25 5WCS38-26	HTB741 HTB755BR	2.36" - 18	2.34"	3.75"	3.00" 3.00"	Comp.Flange Comp.Flange	
72NYS38-1 72NYS38-2 85WBYS38-2	CLBT750 (IN) CRT6030 CRT7033 (IN)	2.36" - 18	2.76"	3.00"	3.50" 4.09" 4.28"	Wing Bearing Wing Bearing Wing Bearing	
72NYS38	TC	2.36" - 18	3.19"	3.00"	4.00"	Wing Bearing	
176N-4-271 176N-4-271-1 17N-4-4561 17N-4-4561-1 17TYS38-22 See Note (C) 18N-4-2581 18N-4-2581-1 92NYS38-12	CLBT750 (OUT) HT740 HT750	2.36" - 18	3.38"	3.50"	6.12" 6.12" 5.75" 5.75" 5.75" 6.12" 6.12" 5.22"	Full Round Easy Service Full Round Easy Service Easy Service Full Round Easy Service Wing Bearing	
72NYS38-10	MT650 MT653 MT654CR	2.38" - 46	3.38"	3.50"	5.22"	Wing Bearing	With 12"x 4"brake
17N-4-4771	MT650 MT653 MT654CR	2.38" - 46	3.38"	3.50"	5.75"	Full Round	Without brake
17N-1-4631X	MT650 MT653 MT654CR	2.39" - 46	3.38"	3.50"	3.86"	Comp.Flange	With 12"x 4"brake

Notes:  
 (C) Cast Version  
 (FUI) Forward Unit Input  
 (FUO) Forward Unit Output  
 (RUI) Rear Unit Input

# COMPANION FLANGE & END YOKE APPLICATION

Allison Transmissions							
Part Number	Model	Spline Size Dia. - Tooth Count	Spline Length	Hub Dia.	Center to End	Yoke Type	Comments
<b>16N-4-4861</b> <b>16N-4-4861-1</b> <b>176N-4-381</b> <b>17TYS38-55</b> <b>17TYS38-7</b> See Note (C) <b>18N-4-2541</b> <b>18N-4-2541-1</b> <b>82NYS38-12</b> <b>92NYS38-68</b>	MT650 MT653 MT654CR	2.39" - 46	3.38"	3.50"	6.12" 6.12" 6.00" 5.75" 5.75" 6.16" 6.15" 4.75" 4.75"	Full Round Easy Service Full Round Easy Service Easy Service Full Round Easy Service Wing Bearing Wing Bearing	Without brake
<b>92NYS40</b> <b>92NYS40-3</b>	CRT5633	2.50" - 19	3.00"	3.50"	5.00" 5.00"	Wing Bearing Wing Bearing	
<b>92NYS40-35</b>	CRT5643	2.50" - 19	3.13"	3.50"	3.98"	Wing Bearing	
<b>92NYS42-16</b>	CLBT750 (OUT)	2.56" - 20	3.34"	3.50"	5.17"	Wing Bearing	
<b>17N-1-4541</b>	CLBT750 (OUT) HT740 HT750	2.72" - 18	3.38"	3.50"	4.09"	Comp.Flange	
<b>85WBYS48-14</b>	CBT5640 CLBT5840 (IN) CLBT5860 CT5640	3.00" - 23	3.00"	4.00"	4.50"	Wing Bearing	

Notes:  
 (C) Cast Version  
 (FUI) Forward Unit Input  
 (FUO) Forward Unit Output  
 (RUI) Rear Unit Input

# COMPANION FLANGE & END YOKE APPLICATION

## Clark Transmissions

Part Number	Model	Spline Size Dia. - Tooth Count	Spline Length	Hub Dia.	Center to End	Yoke Type	Comments
141TYSB28-20X 148N-1-6081X 148TYSB28-7 148TYSB28-9A 155TYSB28-13A 155TYSB28-38A 16TYSB28-58A 58WBYS28-154	CL450	1.75" - 10	2.00"	2.50"	5.06" 3.50" 5.06" 6.00" 5.98" 6.42" 6.73" 5.30"	Round Bearing Comp.Flange Round Bearing Round Bearing Round Bearing Round Bearing Round Bearing Wing Bearing	With 9"x 3"brake
141TYS28-18 148DYS28-16 148TYS28-16 16NYS28-45 58WBYS28-218	CL450	1.75" - 10	2.00"	2.50"	3.63" 4.00" 4.00" 4.57" 3.81"	Easy Service Easy Service Easy Service Full Round Wing Bearing	Without brake
155N-4-2511 155TYS28-8 155TYSB31-7 155TYSB31-7A 16N-4-1051 16TYS28-20 16TYSB31-20 16TYSB31-20A 58WBYS28-54 5WCS28-67 72NYS28-18	CL550	1.75" - 10	2.25"	2.50"	4.19" 4.28" 7.69" 7.69" 4.12" 4.13" 8.00" 8.00" 4.25" 4.81" 3.50"	Easy Service Easy Service Round Bearing Round Bearing Full Round Easy Service Round Bearing Round Bearing Wing Bearing Comp.Flange Wing Bearing	
155TYS31-6 16TYS31-16 17TYS31-62 5WCS31-24 5WCS31-26	CL550	1.97" - 10	2.80"	2.75"	5.00" 5.28" 5.75" 4.81" 4.81"	Easy Service Easy Service Easy Service Comp.Flange Comp.Flange	

Notes:  
(C) Cast Version  
(FUI) Forward Unit Input  
(FUO) Forward Unit Output  
(RUI) Rear Unit Input



# COMPANION FLANGE & END YOKE APPLICATION FULLER TRANSMISSIONS

## INDEX

	<b>Page</b>		<b>Page</b>
2 Speed 62 (OUT) .....	15-51	FS8206.....	15-53
2 Speed 92.....	15-52	MRT11609 (OUT).....	15-53, 15-55
3 Speed 62 (IN).....	15-51	MRT11610 (OUT).....	15-53, 15-55
3 Speed 65 (IN).....	15-51	MRT11613 (OUT).....	15-53, 15-55
3 Speed 65 (OUT) .....	15-52	MRT11615 (OUT).....	15-53, 15-55
3 Speed 92.....	15-52	MT905 (OUT).....	15-52
4-A-86.....	15-52	MT11605 (OUT).....	15-52, 15-53
4-A-112.....	15-52	R96 .....	15-52
4-A-860.....	15-52	R960 .....	15-52
4-F-1440 .....	15-57	R1150 .....	15-52
4-FS-1440 .....	15-57	R1160 .....	15-52
4-MB-1440 (OUT) .....	15-57	R1550 .....	15-57
4-MS-1440 (OUT) .....	15-57	RT510 .....	15-52
4 Speed 75.....	15-52	RT610 .....	15-52
5-C-72.....	15-51	RT613 .....	15-54, 15-55
5-C-720.....	15-51	RT906 .....	15-54, 15-55
5 Speed 65.....	15-51	RT909 .....	15-54, 15-55
5 Speed 74.....	15-51	RT910 .....	15-54, 15-55
5 Speed 75.....	15-51	RT913 .....	15-54, 15-56
5 Speed 650.....	15-51	RT915 .....	15-54, 15-56
5 Speed 740.....	15-51	RT1110 .....	15-53, 15-55
5 Speed 1120.....	15-52	RT1213 .....	15-57
5 Speed 1220.....	15-52	RT6609 .....	15-52, 15-53
10 Speed 65.....	15-52	RT6610 .....	15-52, 15-53
10 Speed 650.....	15-52	RT6613 .....	15-54, 15-55
10 Speed 1120.....	15-52	RT7608LL .....	15-54, 15-55
15 Speed 1120.....	15-52	RT8608L .....	15-54, 15-55
11600.....	15-55	RT8609 .....	15-52, 15-53
AT1202 (IN) .....	15-58	RT8908LL .....	15-58
AT1202 (OUT) .....	15-57	RT9109 .....	15-54, 15-55
CL450 .....	15-51	RT9508 .....	15-54, 15-56
CL550 .....	15-51	RT9509 .....	15-54, 15-56
FS3005.....	15-51	RT9513 .....	15-54, 15-56
FS4005.....	15-51	RT11109-ATR .....	15-53, 15-55
FS5005.....	15-51	RT11109-ATS.....	15-57
FS5106.....	15-53	RT11209 .....	15-57
FS5106A .....	15-52	RT11210 .....	15-57
FS6005.....	15-52	RT11509 .....	15-53, 15-55
FS6105.....	15-52, 15-53	RT11608 .....	15-53, 15-55
FS6106.....	15-52	RT11609 .....	15-53, 15-55
FS6206A .....	15-52	RT11610 .....	15-53, 15-55
FS7206A .....	15-52	RT11613 .....	15-53, 15-55
FS8109A .....	15-52, 15-53	RT11615 .....	15-53, 15-55

Notes:

- (C) Cast Version
- (FUI) Forward Unit Input
- (FUO) Forward Unit Output
- (RUI) Rear Unit Input

# COMPANION FLANGE & END YOKE APPLICATION FULLER TRANSMISSIONS

## INDEX

	<b>Page</b>		<b>Page</b>
RT11709 .....	15-53, 15-55	RTL012610B.....	15-54, 15-56
RT11710 .....	15-53, 15-55	RTL012613B.....	15-54, 15-56
RT11715 .....	15-53, 15-55	RTL013610B.....	15-54, 15-56
RT12109 .....	15-54, 15-55	RTL014613B.....	15-58
RT12209 .....	15-57		
RT12210 .....	15-57	RTL014618A.....	15-58
RT12509 .....	15-57, 15-58	RTL016618A.....	15-58
RT12510 .....	15-57	RTLX12713A.....	15-54, 15-56
RT12513 .....	15-57	RTLX14713A.....	15-58
RT12609 .....	15-54, 15-55	RTLX14718B.....	15-58
RT12610 .....	15-54, 15-55	RTLX16718B.....	15-58
RT12709 .....	15-54, 15-55	RT0958LL.....	15-54, 15-56
RT12710 .....	15-54, 15-55	RT01157.....	15-58
RT13209 .....	15-57	RT01258LL.....	15-58
RT13210 .....	15-57	RT02008.....	15-58
RT13609 .....	15-54, 15-55	RT011209.....	15-57
RT13709 .....	15-54, 15-55	RT011210.....	15-57
RT13710 .....	15-54, 15-55	RT011607.....	15-58
RT14109 .....	15-57	RT011607L.....	15-58
RT14209 .....	15-58	RT011607LL.....	15-58
RT14210 .....	15-58	RT011608LL.....	15-54, 15-56
RT14608 .....	15-57, 15-58	RT011618.....	15-54, 15-56
RT14609 .....	15-57	RT011707LL.....	15-58
RT14610 .....	15-57	RT011708LL.....	15-54, 15-56
RT14610B.....	15-57	RT011908LL.....	15-58
RT14613 .....	15-57	RT011909MLL.....	15-58
RT14615 .....	15-57	RT012209.....	15-57
RT14709 .....	15-57	RT012210.....	15-57
RT14710 .....	15-57	RT013209.....	15-57
RT14715 .....	15-57	RT013210.....	15-57
RT14915 .....	15-58	RT014209.....	15-58
RT15610B.....	15-57	RT014210.....	15-58
RT15613 .....	15-57, 15-58	RT014608LL.....	15-58
RT15615 .....	15-57	RT014708LL.....	15-58
RT15715 .....	15-57	RT014908LL.....	15-58
RT16610B.....	15-57	RT014909MLL.....	15-58
RTAO14710B .....	15-57	RRT014915 .....	15-58
RTE12609 .....	15-54, 15-56	RT015210.....	15-58
RTL01210A.....	15-54, 15-56	RT015618.....	15-58
RTL01410A.....	15-57	RT016210.....	15-58
		RT016908LL.....	15-59
		RT016915.....	15-59

Notes:  
 (C) Cast Version  
 (FUI) Forward Unit Input  
 (FUO) Forward Unit Output  
 (RUI) Rear Unit Input

# COMPANION FLANGE & END YOKE APPLICATION FULLER TRANSMISSIONS

## INDEX

RTT12609 .....	15-54, 15-56
T905.....	15-53
T955.....	15-54, 15-55, 15-56
T1056AA .....	15-54, 15-56
T1106.....	15-54, 15-56
T-8607 .....	15-53
	<b>Page</b>
T11605.....	15-52, 15-53
T11606.....	15-54, 15-56
T11607.....	15-54, 15-56
T14607.....	15-56, 15-57
TA4510.....	15-54, 15-56

Notes:  
(C) Cast Version  
(FUI) Forward Unit Input  
(FUO) Forward Unit Output  
(RUI) Rear Unit Input

# COMPANION FLANGE & END YOKE APPLICATION

## Fuller Transmissions

Part Number	Model	Spline Size Dia. - Tooth Count	Spline Length	Hub Dia.	Center to End	Yoke Type	Comments
141TYSB28-20X 148N-1-6081X 148TYSB28-7 148TYSB28-9A 155TYSB28-13A 155TYSB28-38A 16TYSB28-58A 58WBYS28-154	CL450 FS3005 FS4005	1.75" - 10	2.00"	2.50"	5.06" 3.50" 5.06" 6.00" 5.98" 6.42" 6.73" 5.30"	Round Bearing Comp.Flange Round Bearing Round Bearing Round Bearing Round Bearing Round Bearing Wing Bearing	With 9"x 3"brake
141TYS28-18 148DYS28-16 148TYS28-16 16NYS28-45 58WBYS28-218	CL450 FS3005 FS4005	1.75" - 10	2.00"	2.50"	3.63" 4.00" 4.00" 4.57" 3.81"	Easy Service Easy Service Easy Service Full Round Wing Bearing	Without brake
155N-4-2511 155TYS28-8 155TYSB31-7 155TYSB31-7A 16N-4-1051 16TYS28-20 16TYSB31-20 16TYSB31-20A 58WBYS28-54 5WCS28-67 72NYS28-18	CL550 FS5005	1.75" - 10	2.25"	2.50"	4.19" 4.28" 7.69" 7.69" 4.12" 4.13" 8.00" 8.00" 4.25" 4.81" 3.50"	Easy Service Easy Service Round Bearing Round Bearing Full Round Easy Service Round Bearing Round Bearing Wing Bearing Comp.Flange Wing Bearing	
155TYS31-6 16TYS31-16 17TYS31-62 5WCS31-24 5WCS31-26	CL550 FS5005	1.97" - 10	2.80"	2.75"	5.00" 5.28" 5.75" 4.81" 4.81"	Easy Service Easy Service Easy Service Comp.Flange Comp.Flange	
17N-4-2131	2 Speed 62 (OUT) 3 Speed 62 (IN) 3 Speed 65 (IN) 5 Speed 65 5 Speed 650 5 Speed 74 5 Speed 740 5 Speed 75 5-C-72 5-C-720	2.00" - 10	3.00"	3.25"	4.81"	Full Round	

Notes:  
(C) Cast Version  
(FUI) Forward Unit Input  
(FUO) Forward Unit Output  
(RUI) Rear Unit Input

# COMPANION FLANGE & END YOKE APPLICATION

Fuller Transmissions							
Part Number	Model	Spline Size Dia. - Tooth Count	Spline Length	Hub Dia.	Center to End	Yoke Type	Comments
148TYS32-5 155DYS32-7 155TYSB32-26 155TYSB32-26A 16N-4-6321 16TYS32-61 16TYSB32-72 16TYSB32-72A 176NYS32-6 17N-4-7301 17TYS32-66 See Note (C) 17TYS32-73 17TYSB32-84 17TYSB32-84A 58WBYS32-44 72NYS32-250	FS5106A FS6005 FS6105 FS6106 FS6206A FS7206A	2.00" - 38	2.13"	2.75"	4.03" 4.03" 7.56" 7.56" 4.00" 4.50" 7.87" 7.87" 5.63" 5.25" 5.25" 5.25" 7.97" 7.97" 3.94" 4.13"	Easy Service Easy Service Round Bearing Round Bearing Full Round Easy Service Round Bearing Round Bearing Full Round Full Round Easy Service Easy Service Round Bearing Round Bearing Wing Bearing Wing Bearing	
16N-4-3321 16N-4-3321-1 16N-4-4961 176N-4-701 176N-4-761-1X 17N-4-2141 17N-4-6861 17N-4-6901-1X 18N-4-2021-1 3WCS36-25 3WCS36-3 5WCS36-112	10 Speed 1120 10 Speed 65 10 Speed 650 15 Speed 1120 2 Speed 92 3 Speed 65 (OUT) 3 Speed 92 4 Speed 75 4-A-112 4-A-86 4-A-860 5 Speed 1120 5 Speed 1220 FS8109A MT11605 (OUT) MT905 (OUT) R1150 R1160 R96 R960 RT510 RT610 RT6609 RT6610 RT8609 T11605	2.25" - 10	3.00"	3.50"	5.50" 5.50" 5.75" 5.65" 5.65" 5.25" 5.25" 5.25" 5.84" 3.63" 3.63" 3.69"	Full Round Easy Service Full Round Full Round Easy Service Full Round Full Round Easy Service Easy Service Comp.Flange Comp.Flange Comp.Flange	

Notes:  
(C) Cast Version  
(FUI) Forward Unit Input  
(FUO) Forward Unit Output  
(RUI) Rear Unit Input

# COMPANION FLANGE & END YOKE APPLICATION

## Fuller Transmissions

Part Number	Model	Spline Size Dia. - Tooth Count	Spline Length	Hub Dia.	Center to End	Yoke Type	Comments
16N-4-3321 16N-4-3321-1 16N-4-4961 176N-4-701 176N-4-761-1X 17N-4-2141 17N-4-6861 17N-4-6901-1X 18N-4-2021-1 3WCS36-25 3WCS36-3 5WCS36-112	T905	2.25" - 10	3.00"	3.50"	5.50" 5.50" 5.75" 5.65" 5.65" 5.25" 5.25" 5.25" 5.84" 3.63" 3.63" 3.69"	Full Round Easy Service Full Round Full Round Easy Service Full Round Full Round Easy Service Easy Service Comp.Flange Comp.Flange Comp.Flange	
16TYS36-11A 176N-4-1101-1X 17NYS36-48A 17TYS36-48A See Note (C) 17TYS36-55A 18TYS36-15A 92NYS36-68A	FS8109A MT11605 (OUT) RT6609 RT6610 RT8609 T11605	2.25" - 10	3.00"	3.75"	5.75" 5.65" 5.25" 5.25" 5.25" 5.84" 4.84"	Easy Service Easy Service Full Round Easy Service Easy Service Easy Service Wing Bearing	
16TYS38-22A 176N-4-901-1X 176N-4-901X 17N-4-7271X 17TYS38-50A See Note (C) 17TYS38-64A 5WCS38-28A 5WCS38-29A	FS5106 FS6105 FS8206 T-8607	2.34" - 45	3.00"	3.75"	5.75" 5.65" 5.65" 5.75" 5.75" 5.75" 3.69" 3.69"	Easy Service Easy Service Full Round Full Round Easy Service Easy Service Comp.Flange Comp.Flange	
18N-4-1961 72NYS40-99 72NYS40-99A 82NYS40-28	MRT11609 (OUT) MRT11610 (OUT) MRT11613 (OUT) MRT11615 (OUT) RT1110 RT11109-ATR RT11509 RT11608 RT11609 RT11610 RT11613 RT11615 RT11709 RT11710 RT11715	2.50" - 10	3.00"	2.94"	5.88" 4.44" 4.44" 4.75"	Full Round Wing Bearing Wing Bearing Wing Bearing	

Notes:  
(C) Cast Version  
(FUI) Forward Unit Input  
(FUO) Forward Unit Output  
(RUI) Rear Unit Input

# COMPANION FLANGE & END YOKE APPLICATION

Driveline

Fuller Transmissions							
Part Number	Model	Spline Size Dia. - Tooth Count	Spline Length	Hub Dia.	Center to End	Yoke Type	Comments
<b>18N-4-1961</b> <b>72NYS40-99</b> <b>72NYS40-99A</b> <b>82NYS40-28</b>	RT12109	2.50" - 10	3.00"	2.94"	5.88" 4.44" 4.44" 4.75"	Full Round Wing Bearing Wing Bearing Wing Bearing	
	RT12609						
	RT12610						
	RT12709						
	RT12710						
	RT13609						
	RT13709						
	RT13710						
	RT613						
	RT6613						
	RT7608LL						
	RT8608L						
	RT906						
	RT909						
	RT910						
	RT9109						
	RT913						
	RT915						
	RT9508						
	RT9509						
	RT9513						
	RTE12609						
	RTL01210A						
	RTL012610B						
	RTL012613B						
	RTL013610B						
	RTLX12713A						
	RTO11608LL						
	RTO11618						
	RTO11708LL						
	RT0958LL						
RTT12609							
T1056AA							
T1106							
T11606							
T11607							
T955							
TA4510							
<b>20WYS40-2A</b> <b>25WYS40-2A</b>	11600	2.50" - 10	3.00"	3.75"	5.15" 5.15"	RPL RPL	
	RT11608						
	RT11610						
	RT11613						
	RT11615						
	RT11709						
	RT11710						
	RT11715						
	RT6613						
	RT909						
T955							

Notes:  
 (C) Cast Version  
 (FUI) Forward Unit Input  
 (FUO) Forward Unit Output  
 (RUI) Rear Unit Input

# COMPANION FLANGE & END YOKE APPLICATION

## Fuller Transmissions

Part Number	Model	Spline Size Dia. - Tooth Count	Spline Length	Hub Dia.	Center to End	Yoke Type	Comments
	MRT11609 (OUT)						
	MRT11610 (OUT)						
	MRT11613 (OUT)						
	MRT11615 (OUT)						
	RT1110						
<b>16N-4-4971</b>	RT11109-ATR						
<b>16N-4-4971-1</b>	RT11509				6.12"	Full Round	
<b>176N-4-781X</b>	RT11608				6.12"	Easy Service	
<b>176TYS40-14A</b>	RT11609				6.03"	Full Round	
<b>17N-4-3611</b>	RT11610				6.03"	Easy Service	
<b>17N-4-3611-1</b>	RT11613				5.63"	Full Round	
<b>17N-4-6921X</b>	RT11615				5.63"	Easy Service	
<b>17TYS40-125A</b>	RT11709				5.63"	Full Round	
See Note (C)	RT11710				5.63"	Easy Service	
<b>17TYS40-144A</b>	RT11715				5.63"	Easy Service	
<b>17TYS40-9</b>	RT12109	2.50" - 10	3.00"	3.75"	5.63"	Easy Service	
See Note (C)	RT12609				5.88"	Easy Service	
<b>18N-4-3551-1X</b>	RT12610				5.88"	Full Round	
<b>18N-4-3551X</b>	RT12709				3.63"	Comp.Flange	
<b>5WCS40-40</b>	RT12710				3.63"	Comp.Flange	
<b>5WCS40-40A</b>	RT13609				3.63"	Comp.Flange	
<b>5WCS40-41</b>	RT13709				3.63"	Comp.Flange	
<b>5WCS40-41A</b>	RT13710				4.31"	Wing Bearing	
<b>85WBYS40-34</b>	RT613				4.31"	Wing Bearing	
<b>85WBYS40-34A</b>	RT6613				4.25"	Wing Bearing	
<b>92NYS40-40A</b>	RT7608LL						
	RT8608L						
	RT906						
	RT909						
	RT910						
	RT9109						



# COMPANION FLANGE & END YOKE APPLICATION

Fuller Transmissions							
Part Number	Model	Spline Size Dia. - Tooth Count	Spline Length	Hub Dia.	Center to End	Yoke Type	Comments
16N-4-4971 16N-4-4971-1 176N-4-781X 176TYS40-14A 17N-4-3611 17N-4-3611-1 17N-4-6921X 17TYS40-125A See Note (C) 17TYS40-144A 17TYS40-9 See Note (C) 18N-4-3551-1X 18N-4-3551X 5WCS40-40 5WCS40-40A 5WCS40-41 5WCS40-41A 85WBYS40-34 85WBYS40-34A 92NYS40-40A	RT913 RT915 RT9508 RT9509 RT9513 RTE12609 RTL01210A RTL012610B RTL012613B RTL013610B RTLX12713A RTO11608LL RTO11618 RTO11708LL RTO958LL RTT12609 T1056AA T1106 T11606 T11607 T955 TA4510	2.50" - 10	3.00"	3.75"	6.12" 6.12" 6.03" 6.03" 5.63" 5.63" 5.63" 5.63" 5.63" 5.63" 5.63" 5.88" 5.88" 3.63" 3.63" 3.63" 3.63" 4.31" 4.31" 4.25"	Full Round Easy Service Full Round Easy Service Full Round Easy Service Full Round Easy Service Easy Service Easy Service Easy Service Easy Service Full Round Comp.Flange Comp.Flange Comp.Flange Comp.Flange Wing Bearing Wing Bearing Wing Bearing	
176N-4-771-1X 176N-4-771X 17N-4-7041X 17TYS40-131A (C) 17TYS40-143A 18N-4-3621-1X 18N-4-3621X 5WCS40-42A 5WCS40-43A 92NYS40-39A	T14607	2.50" - 49	3.00"	3.75"	6.03" 6.03" 5.63" 5.63" 5.63" 5.88" 5.88" 3.63" 3.63" 4.63"	Easy Service Full Round Full Round Easy Service Easy Service Easy Service Full Round Comp.Flange Comp.Flange Wing Bearing	
20WYS40-3 25WYS40-3	RT11209 RT11210 RT12209 RT12210 RT13209 RT13210 RTO11209 RTO11210 RTO12209 RTO12210 RTO13209 RTO13210	2.54" - 49	2.75"	3.75"	5.63" 6.25"	RPL RPL	
20WYS40-4A 25WYS40-4A	T14607	2.54" - 49	3.00"	3.75"	5.15" 5.18"	RPL RPL	

Notes:  
(C) Cast Version  
(FUI) Forward Unit Input  
(FUO) Forward Unit Output  
(RUI) Rear Unit Input

# COMPANION FLANGE & END YOKE APPLICATION

## Fuller Transmissions

Part Number	Model	Spline Size Dia. - Tooth Count	Spline Length	Hub Dia.	Center to End	Yoke Type	Comments
176N-4-711 176N-4-711-1 176N-4-791-1X 176N-4-791X 17N-4-6821 17N-4-6821-1 17N-4-6931-1X 17N-4-6931X 17TYS44-7A See Note (C) 18N-4-3491 18N-4-3491-1 18N-4-3561-1X 18N-4-3561X 5WCS44-3 5WCS44-3A 85WBYS44-1 85WBYS44-1A 92NYS44-22A	4-F-1440 4-FS-1440 4-MB-1440 (OUT) 4-MS-1440 (OUT) AT1202 (OUT) R1550 RT11109-ATS RT1213 RT12509 RT12510 RT12513 RT14109 RT14608 RT14609 RT14610 RT14610B RT14613 RT14615 RT14709 RT14710 RT14715 RT15610B RT15613 RT15615 RT15715 RT16610B RTA014710B RTL01410A	2.75" - 10	3.00"	3.75"	5.97" 5.97" 5.97" 5.97" 5.75" 5.75" 5.75" 5.75" 5.75" 5.75" 6.06" 6.06" 6.06" 6.06" 4.06" 4.06" 4.50" 4.50" 4.84"	Full Round Easy Service Easy Service Full Round Full Round Easy Service Easy Service Full Round Easy Service Full Round Full Round Easy Service Easy Service Full Round Comp.Flange Comp.Flange Wing Bearing Wing Bearing Wing Bearing Wing Bearing	
176N-4-711 176N-4-711-1 176N-4-791-1X 176N-4-791X 17N-4-6821 17N-4-6821-1 17N-4-6931-1X 17N-4-6931X 17TYS44-7A See Note (C) 18N-4-3491 18N-4-3491-1 18N-4-3561-1X 18N-4-3561X 5WCS44-3 5WCS44-3A 85WBYS44-1 85WBYS44-1A 92NYS44-22A	RTL014613B RTL014618A RTL016618A RTLX14713A RTLX14718B RTLX16718B RT01157 RT011607L RT011607LL RT011707LL RT01258LL RT014608LL RT014708LL RT015618 RT02008	2.75" - 10	3.00"	3.75"	5.97" 5.97" 5.97" 5.97" 5.75" 5.75" 5.75" 5.75" 5.75" 5.75" 6.06" 6.06" 6.06" 6.06" 6.06" 4.06" 4.06" 4.50" 4.50" 4.84"	Full Round Easy Service Easy Service Full Round Full Round Easy Service Easy Service Full Round Easy Service Full Round Full Round Easy Service Easy Service Full Round Comp.Flange Comp.Flange Wing Bearing Wing Bearing Wing Bearing Wing Bearing	

Notes:  
(C) Cast Version  
(FUI) Forward Unit Input  
(FUO) Forward Unit Output  
(RUI) Rear Unit Input

# COMPANION FLANGE & END YOKE APPLICATION

Fuller Transmissions							
Part Number	Model	Spline Size Dia. - Tooth Count	Spline Length	Hub Dia.	Center to End	Yoke Type	Comments
176N-4-721-1X 176N-4-721X 17N-4-6841X 17TYS44-12A 18N-4-3501X 18TYS44-3A 92NYS44-23A	AT1202 (IN)	2.75" - 10	3.00"	3.75"	5.97" 5.97" 5.75" 5.75" 6.06" 6.06" 4.84"	Easy Service Full Round Full Round Easy Service Full Round Easy Service Wing Bearing	
20WYS44-2A 25WYS44-2A	RT12509 RT14608 RT15613 RT011607	2.75" - 10	3.00"	3.75"	5.09" 5.09"	RPL RPL	
17TYS45 18NYS45 18TYS45 20WYS45 25WYS45	RT14209 RT14210 RT14915 RT8908LL RT011908LL RT011909MLL RT014209 RT014210 RT014908LL RT014909MLL RT014915 RT015210 RT016210	2.79" - 54	2.75"		5.63" 5.63" 5.63" 5.25" 5.88"	Easy Service Full Round Easy Service RPL RPL	
17TYS45 18NYS45 20WYS45 25WYS45	RT016908LL RT016915	2.79" - 54	2.75"		5.63" 5.63" 5.25" 5.88"	RPL RPL	
5WCS45-1	"RT14209 RT14210 RT14915 RT8908LL TRO11908LL RT011909MLL TRO14209 RT014210 RT14908LL TRO14909MLL TRO14915 RT015210 TRO16210"	2.794 - 54	2.75	3.75	3.566	Comp. Flange	

Notes:  
(C) Cast Version  
(FUI) Forward Unit Input  
(FUO) Forward Unit Output  
(RUI) Rear Unit Input

# COMPANION FLANGE & END YOKE APPLICATION

## Meritor Transmissions

Part Number	Model	Spline Size Dia. - Tooth Count	Spline Length	Hub Dia.	Center to End	Yoke Type
<b>176N-4-781X</b> <b>176TYS40-14A</b> <b>18N-4-3551-1X</b> <b>18N-4-3551X</b> <b>20WYS40-2A</b> <b>25WYS40-2A</b>	RM-10-115 RM-10-125 RMO-10-115 RMO-10-125 RMO-10-135 RMO-9-115 RMO-9-125 RMX-10-115 RMX-9-115 RMX-9-125	2.50" - 10	3.00"	3.75"	6.03" 6.03" 5.88" 5.88" 5.15" 5.15"	Full Round Easy Service Easy Service Full Round RPL RPL
<b>176N-4-791-1X</b> <b>176N-4-791X</b> <b>17N-4-6931-1X</b> <b>17N-4-6931X</b> <b>18N-4-3561-1X</b> <b>18N-4-3561X</b> <b>20WYS44-2A</b> <b>25WYS44-2A</b> <b>92NYS44-22A</b>	RM-10-135 RM-10-145 RM-13-145 RM-9-135 RM-9-145 RM-9-155 RMO-10-135 RMO-10-145 RMO-10-155 RMO-10-165 RMO-13-145 RMO-9-135 RMO-9-145 RMO-9-155 RMO-9-165 RMX-10-135 RMX-10-145 RMX-10-155 RMX-10-165 RMX-13-145 RMX-9-135 RMX-9-145 RMX-9-155 RMX-9-165	2.75" - 10	3.00"	3.75"	5.97" 5.97" 5.75" 5.75" 6.06" 6.06" 5.09" 5.09" 4.84"	Easy Service Full Round Easy Service Full Round Easy Service Full Round RPL RPL Wing Bearing

Notes:  
 (C) Cast Version  
 (FUI) Forward Unit Input  
 (FUO) Forward Unit Output  
 (RUI) Rear Unit Input

# COMPANION FLANGE & END YOKE APPLICATION

New Process Transmissions							
Part Number	Model	Spline Size Dia. - Tooth Count	Spline Length	Hub Dia.	Center to End	Yoke Type	Comments
<b>58WBYS24-7</b>	NP435 NP540 NP542	1.50" - 10	2.00"	2.13"	3.70"	Wing Bearing	Drilled
<b>58WBYS24</b>	NP435 NP540 NP542	1.50" - 10	2.00"	2.13"	3.75"	Wing Bearing	Threaded
<b>141TYS24-6</b> <b>155N-4-5381-1</b>	NP435 NP540 NP542	1.50" - 35	2.00"	2.13"	5.06" 4.13"	Easy Service Easy Service	
<b>141TYSB24-6A</b> <b>148NYS24-7A</b> <b>148NYSB24-7A</b> <b>148TYSB24-4A</b>	D SPEC NP435 NP540 NP542	1.50" - 35	2.00"	2.50"	5.06" 5.06" 5.06" 5.06"	Round Bearing Easy Service Round Bearing Round Bearing	For GMC, GMT 455
<b>141TYS28-18</b> <b>148DYS28-16</b> <b>148TYS28-16</b> <b>16NYS28-45</b> <b>58WBYS28-218</b>	NP541	1.75" - 10	2.00"	2.50"	3.63" 4.00" 4.00" 4.57" 3.81"	Easy Service Easy Service Easy Service Full Round Wing Bearing	Without brake

Notes:  
 (C) Cast Version  
 (FUI) Forward Unit Input  
 (FUO) Forward Unit Output  
 (RUI) Rear Unit Input

# COMPANION FLANGE & END YOKE APPLICATION SPICER TRANSMISSIONS

## INDEX

	<b>Page</b>		<b>Page</b>
1241 (IN) .....	15-65, 15-67	8553.....	15-66
1241C (OUT).....	15-68	8554.....	15-66
1241D (OUT).....	15-68	8555.....	15-66
5105B .....	15-65	8716.....	15-66
5106.....	15-65	8742.....	15-66
6041 (IN and OUT).....	15-64	8744.....	15-66
6105A .....	15-65	8753.....	15-66
6105B .....	15-65	8755.....	15-66
6231 (IN and OUT).....	15-64	CL550 .....	15-64
6241.....	15-64	CM50 .....	15-64
6440.....	15-64	CM55 .....	15-65
7016.....	15-65	CM5552C.....	15-65
7041 (IN) .....	15-64	CM5552D.....	15-65
7041 (OUT) .....	15-65	CM5852A.....	15-65
7216.....	15-65	CM60 .....	15-64
7231 (IN and OUT).....	15-64	FS5005.....	15-64
738 (IN and OUT).....	15-65	FS5106A .....	15-65
8012.....	15-65	FS6005.....	15-65
8016.....	15-65	FS6105.....	15-65
8031 (IN and OUT).....	15-65	FS6106.....	15-65
8035.....	15-65	FS6206A .....	15-65
8041.....	15-65	FS7206A .....	15-65
8045.....	15-65	P1241C (OUT).....	15-68
8051.....	15-65	P1241D (OUT) .....	15-68
8052.....	15-65	PS125-7B.....	15-67
8054.....	15-65	PS140-7A.....	15-67
8055.....	15-65	PS97-7A.....	15-67
8212.....	15-65	SP5000 .....	15-64
8216.....	15-65	SP5052 .....	15-64
8245.....	15-65	SP5252 .....	15-64
8251.....	15-65	SP5652 .....	15-64
8252.....	15-65	SP5662 .....	15-64
8255.....	15-65	SP5752 .....	15-64
8341 (IN) .....	15-66	SP5753 .....	15-64
8341 (OUT) .....	15-65	SP5756 .....	15-64
8345 (IN) .....	15-66	SP5852 .....	15-64
8345 (OUT).....	15-65	SP5853 .....	15-64
8440.....	15-65	SP6000 .....	15-64
8445.....	15-65	SP6052 .....	15-64
8512.....	15-65	SP6252 .....	15-64
8516.....	15-65	SP6253 .....	15-64
8542.....	15-66	SP6352 .....	15-64
8545.....	15-66	SP6452 .....	15-64

## Notes:

(C) Cast Version  
(FUI) Forward Unit Input  
(FUO) Forward Unit Output  
(RUI) Rear Unit Input

# COMPANION FLANGE & END YOKE APPLICATION SPICER TRANSMISSIONS

## INDEX

	<b>Page</b>		
SP6453 .....	15-64	SST1254 .....	15-67
SP6852 .....	15-64	SST1262 .....	15-67
SP6853 .....	15-64	SST1263 .....	15-67
SP7000 .....	15-64	SST1264 .....	15-67
SP7352 .....	15-64	SST1265 .....	15-67
SP7452 .....	15-64	SST1272 .....	15-66, 15-67
SP7453 .....	15-64		15-68
SP8000 .....	15-66	SST1274-A.....	15-66, 15-67
SST1006 .....	15-66, 15-67		15-68
	15-68	SST1310 .....	15-66, 15-67
SST1007 .....	15-66, 15-67		15-68
	15-68	SST1352 .....	15-66, 15-67
SST1010 .....	15-67		15-68
SST1020 .....	15-66, 15-67	SST1362 .....	15-66, 15-67
	15-68		15-68
SST1052 .....	15-67		<b>Page</b>
SST1062 .....	15-67	SST1372 .....	15-66, 15-67
SST1064 .....	15-67		15-68
SST1207 .....	15-66, 15-67	SST1412 .....	15-66, 15-67
	15-68		15-68
SST1211 .....	15-66, 15-67	SST1414 .....	15-66, 15-67
SST1211 .....	15-68		15-68
SST1212 .....	15-66, 15-67	SST1420-3A.....	15-66, 15-67
	15-68		15-68
SST1214 .....	15-66, 15-67	SST1452 .....	15-66, 15-67
	15-68		15-68
SST1252 .....	15-67	SST1453 .....	15-66, 15-68
SST1253 .....	15-67	SST1463 .....	15-66, 15-68
		SST9072 .....	15-66, 15-68

Notes:  
 (C) Cast Version  
 (FUI) Forward Unit Input  
 (FUO) Forward Unit Output  
 (RUI) Rear Unit Input

# COMPANION FLANGE & END YOKE APPLICATION

## Spicer Transmissions

Part Number	Model	Spline Size Dia. - Tooth Count	Spline Length	Hub Dia.	Center to End	Yoke Type
<b>155N-4-2511</b> <b>155TYS28-8</b> <b>155TYSB31-7</b> <b>155TYSB31-7A</b> <b>16N-4-1051</b> <b>16TYS28-20</b> <b>16TYSB31-20</b> <b>16TYSB31-20A</b> <b>58WBYS28-54</b> <b>5WCS28-67</b> <b>72NYS28-18</b>	CL550 CM50 FS5005 SP5000 SP5052 SP5252 SP5652 SP5662 SP5752 SP5753 SP5756 SP5852 SP5853	1.75" - 10	2.25"	2.50"	4.19" 4.28" 7.69" 7.69" 4.12" 4.13" 8.00" 8.00" 4.25" 4.81" 3.50"	Easy Service Easy Service Round Bearing Round Bearing Full Round Easy Service Round Bearing Round Bearing Wing Bearing Comp.Flange Wing Bearing
<b>16N-4-1431</b> <b>17N-4-3191</b>	6041 (IN and OUT) 6231 (IN and OUT) 6241 6440 7041 (IN) 7231 (IN and OUT)	1.97" - 6	3.00"	2.75"	5.00" 5.19"	Full Round Full Round
<b>16NYS32-49</b> <b>16TYS32-49</b> <b>17NYS32-21</b> <b>17TYS32-21</b> See Note (C) <b>17TYS32-75</b> <b>58WBYS32-39</b> <b>72NYS32-157</b> <b>72NYS32-172</b>	CM60 SP6000 SP6052 SP6252 SP6253 SP6352 SP6452 SP6453 SP6852 SP6853 SP7000 SP7352 SP7452 SP7453	2.00" - 10	3.00"	2.75"	5.19" 5.19" 5.25" 5.25" 5.25" 4.63" 4.63" 4.25"	Full Round Easy Service Full Round Easy Service Easy Service Wing Bearing Wing Bearing Wing Bearing



# COMPANION FLANGE & END YOKE APPLICATION

Driveline

Spicer Transmissions						
Part Number	Model	Spline Size Dia. - Tooth Count	Spline Length	Hub Dia.	Center to End	Yoke Type
148TYS32-5						
155DYS32-7						
155TYSB32-26					4.03"	Easy Service
155TYSB32-26A	5105B				4.03"	Easy Service
16N-4-6321	5106				7.56"	Round Bearing
16TYS32-61	6105A				7.56"	Round Bearing
16TYSB32-72	6105B				4.00"	Full Round
16TYSB32-72A	CM55				4.50"	Easy Service
176NYS32-6	CM5552C				7.87"	Round Bearing
17N-4-7301	CM5552D				7.87"	Round Bearing
17TYS32-66	CM5852A	2.00" - 38	2.13"	2.75"	5.63"	Full Round
See Note (C)	FS5106A				5.25"	Full Round
17TYS32-73	FS6005				5.25"	Easy Service
17TYSB32-84	FS6105				5.25"	Easy Service
17TYSB32-84A	FS6106				7.97"	Round Bearing
58WBYS32-44	FS6206A				7.97"	Round Bearing
72NYS32-250	FS7206A				3.94"	Wing Bearing
					4.13"	Wing Bearing
	1241 (IN)					
	7016					
	7041 (OUT)					
	7216					
	738 (IN and OUT)					
	8012					
	8016					
	8031 (IN and OUT)					
16N-4-4741	8035				5.72"	Full Round
176TYS36-2	8041				6.00"	Easy Service
17N-4-3031	8045				5.31"	Full Round
17N-4-3031-1	8051				5.31"	Easy Service
17TYS36-4	8052				5.31"	Easy Service
See Note (C)	8054	2.22" - 6	3.25"	3.00"	6.00"	Full Round
18N-4-1971	8055				6.00"	Easy Service
18N-4-1971-1	8212				6.00"	Easy Service
72NYS36-51	8216				4.69"	Wing Bearing
82NYS36-63	8245				4.50"	Wing Bearing
92NYS36-41	8251				5.17"	Wing Bearing
	8252					
	8255					
	8341 (OUT)					
	8345 (OUT)					
	8440					
	8445					
	8512					
	8516					

Notes:  
 (C) Cast Version  
 (FUI) Forward Unit Input  
 (FUO) Forward Unit Output  
 (RUI) Rear Unit Input

# COMPANION FLANGE & END YOKE APPLICATION

## Spicer Transmissions

Part Number	Model	Spline Size Dia. - Tooth Count	Spline Length	Hub Dia.	Center to End	Yoke Type
16N-4-4741 176TYS36-2 17N-4-3031 17N-4-3031-1 17TYS36-4 See Note (C) 18N-4-1971 18N-4-1971-1 72NYS36-51 82NYS36-63 92NYS36-41	8542 8545 8553 8554 8555 8716 8742 8744 8753 8755 SP8000	2.22" - 6	3.25"	3.00"	5.72" 6.00" 5.31" 5.31" 5.31" 6.00" 6.00" 4.69" 4.50" 5.17"	Full Round Easy Service Full Round Easy Service Easy Service Full Round Easy Service Wing Bearing Wing Bearing Wing Bearing
176N-4-171X 176TYS36-2A 17N-4-3041X 17TYS36-54A	8341 (IN) 8345 (IN)	2.22" - 6	3.25"	3.00"	6.00" 6.00" 5.31" 5.31"	Full Round Easy Service Full Round Easy Service
176N-4-41-1	SST1006 SST1007 SST1020 SST1207 SST1211 SST1212 SST1214 SST1272 SST1274-A SST1310 SST1352 SST1362 SST1372 SST1412 SST1414 SST1420-3A SST1452 SST1453 SST1463 SST9072	2.25" - 10	2.25"	3.12"	5.25"	Easy Service
17N-4-5341 18N-4-3011 92NYS38-45	SST1010 SST1052 SST1062 SST1064 SST1252 SST1253 SST1254 SST1262 SST1263 SST1264 SST1265	2.34" - 16	2.75"	2.81"	5.19" 5.56" 4.19"	Full Round Full Round Wing Bearing

Notes:  
(C) Cast Version  
(FUI) Forward Unit Input  
(FUO) Forward Unit Output  
(RUI) Rear Unit Input

# COMPANION FLANGE & END YOKE APPLICATION

Driveline

Spicer Transmissions						
Part Number	Model	Spline Size Dia. - Tooth Count	Spline Length	Hub Dia.	Center to End	Yoke Type
176N-4-1251 176N-4-1251-1 17N-4-7691 17N-4-7691-1 18N-4-3821 18N-4-3821-1 92NYS40-41	PS125-7B PS140-7A PS97-7A	2.50" - 49	2.75"	3.06"	5.56" 5.56" 5.19" 5.19" 5.56" 5.56" 4.25"	Full Round Easy Service Full Round Easy Service Full Round Easy Service Wing Bearing
176N-4-871-1X 176N-4-871X 17N-4-7071X 17TYS42-5A 18N-4-3541 18N-4-3541-1X 92NYS42-18 92NYS42-18A	1241 (IN)	2.63" - 20	2.75"	3.00"	5.56" 5.56" 5.19" 5.19" 5.56" 5.56" 4.25" 4.25"	Easy Service Full Round Full Round Easy Service Full Round Easy Service Wing Bearing Wing Bearing
176N-4-41 18N-4-3021	SST1006 SST1007 SST1020 SST1207 SST1211 SST1212 SST1214 SST1272 SST1274-A SST1310 SST1352 SST1362 SST1372 SST1412 SST1414 SST1420-3A SST1452	2.63" - 20	2.75"	3.00"	5.56" 5.56"	Full Round Full Round
176N-4-41 18N-4-3021	SST1453 SST1463 SST9072	2.63" - 20	2.75"	3.00"	5.56" 5.56"	Full Round Full Round

Notes:  
 (C) Cast Version  
 (FUI) Forward Unit Input  
 (FOU) Forward Unit Output  
 (RUI) Rear Unit Input

U.S. 888-725-9355  
 Canada 800-387-3889

# COMPANION FLANGE & END YOKE APPLICATION

## Spicer Transmissions

Part Number	Model	Spline Size Dia. - Tooth Count	Spline Length	Hub Dia.	Center to End	Yoke Type
<b>16TYS42</b> <b>17N-4-5351</b> <b>17TYS42-1</b> See Note (C) <b>17TYS42-4</b> <b>18N-4-3031-1</b> <b>92NYS42-14</b>	SST1006 SST1007 SST1020 SST1207 SST1211 SST1212 SST1214 SST1272 SST1274-A SST1310 SST1352 SST1362 SST1372 SST1412 SST1414 SST1420-3A SST1452 SST1453 SST1463 SST9072	2.63" - 20	2.75"	3.75"	5.56" 5.19" 5.19" 5.19" 5.56" 4.25"	Easy Service Full Round Easy Service Easy Service Easy Service Wing Bearing
<b>176N-4-61</b> <b>176N-4-61-1</b> <b>17N-4-4651</b> <b>17TYS44-11</b> <b>17TYS44-5</b> See Note (C) <b>18N-4-2171</b> <b>18N-4-2171-1</b> <b>92NYS44-18</b>	1241C (OUT) 1241D (OUT) P1241C (OUT) P1241D (OUT)	2.75" - 10	2.94"	3.38"	6.00" 6.00" 5.31" 5.31" 5.31" 6.00" 6.00" 4.38"	Full Round Easy Service Full Round Easy Service Easy Service Full Round Easy Service Wing Bearing

# TECH TIPS

## TABLE OF CONTENTS SECTION 16

Decimal And Millimeter Equivalents - - - - - 16-3  
Driveline Series Information Chart - - - - - 16-4  
Yoke Identification - - - - - 16-5



# MERITOR® ONLINE TRAINING

## Courses Specifically for the Busy Professional

- **Component Identification**
- **Diagnostics**
- **Repair Procedures**
- **and more!**

16

[MeritorBullPen.com](http://MeritorBullPen.com)



# TECH TIPS

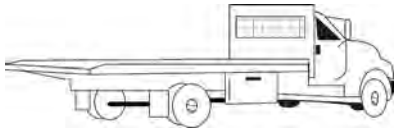
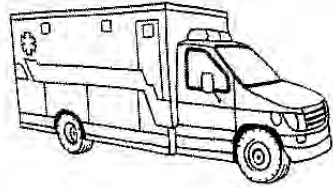
## Decimal And Millimeter Equivalents

INCH		INCH		MM		INCH		INCH		MM
1/64	.....	.0156	.....	.397		33/64	.....	.5156	.....	13.097
1/32	.....	.0313	.....	.794		17/32	.....	.5313	.....	13.494
3/64	.....	.0469	.....	1.191		35/64	.....	.5469	.....	13.890
1/16	.....	.0625	.....	1.587		9/16	.....	.5625	.....	14.287
5/64	.....	.0781	.....	1.984		37/64	.....	.5781	.....	14.684
3/32	.....	.0938	.....	2.381		19/32	.....	.5938	.....	15.081
7/64	.....	.1094	.....	2.778		39/64	.....	.6094	.....	15.478
<b>1/8</b>	.....	.125	.....	3.175		5/8	.....	.625	.....	15.875
9/64	.....	.1406	.....	3.572		41/64	.....	.6406	.....	16.272
5/32	.....	.1563	.....	3.969		21/32	.....	.6563	.....	16.669
11/64	.....	.1719	.....	4.366		43/64	.....	.6719	.....	17.065
3/16	.....	.1875	.....	4.762		11/16	.....	.6875	.....	17.462
13/64	.....	.2031	.....	5.159		45/64	.....	.7031	.....	17.859
7/32	.....	.2188	.....	5.556		23/32	.....	.7188	.....	18.265
15/64	.....	.2344	.....	5.953		47/64	.....	.7344	.....	18.653
<b>1/4</b>	.....	.25	.....	6.350		3/4	.....	.75	.....	19.050
17/64	.....	.2656	.....	6.747		49/64	.....	.7656	.....	19.447
9/32	.....	.2813	.....	7.144		25/32	.....	.7813	.....	19.884
19/64	.....	.2969	.....	7.541		51/64	.....	.7969	.....	20.240
5/16	.....	.3125	.....	7.937		13/16	.....	.8125	.....	20.637
21/64	.....	.3281	.....	8.334		53/64	.....	.8281	.....	21.034
11/32	.....	.3438	.....	8.731		27/32	.....	.8438	.....	21.431
23/64	.....	.3594	.....	9.128		55/64	.....	.8594	.....	21.828
<b>3/8</b>	.....	.375	.....	9.525		7/8	.....	.875	.....	22.225
25/64	.....	.3906	.....	9.922		57/64	.....	.8906	.....	22.622
13/32	.....	.4063	.....	10.319		29/32	.....	.9063	.....	23.019
27/64	.....	.4219	.....	10.716		59/64	.....	.9219	.....	23.415
7/16	.....	.4375	.....	11.113		15/16	.....	.9375	.....	23.812
29/64	.....	.4531	.....	11.509		61/64	.....	.9531	.....	24.209
15/32	.....	.4688	.....	11.906		31/32	.....	.9688	.....	24.606
31/64	.....	.4844	.....	12.303		63/64	.....	.9844	.....	25.003
<b>1/2</b>	.....	.5	.....	12.700		1	.....	1.000	.....	25.400

# TECH TIPS

## Driveline Series Information Chart

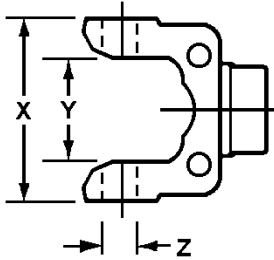
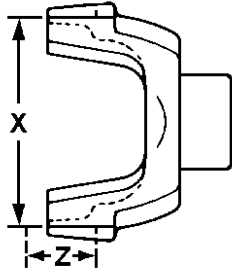
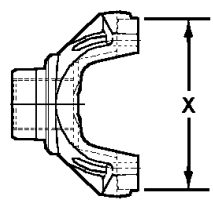
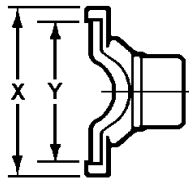
SERIES	PRODUCT LINE	APPLICATION
L6	Steering	- Medium/Heavy Truck - Off-Highway
L15	Marine	- Inboard/Outboard Drives
121N	Light/Medium Truck	- Components - Assemblies
131N		
133N		
135N		
141N	Medium Truck	- Class 5 & 6 - Off-Highway - Flange/Drum Components - Components - Assemblies
148N		
155N		
10N	Heavy Truck	- Components - Assemblies
16N	Heavy Truck	- Class 7 & 8 - Off-Highway - Easy Service and Round - Components - Assemblies
17N		
176N		
18N		
58WB	Wing Style	- Off-Highway - Construction - Heavy Truck - Components - Assemblies
85WB		
62N		
72N		
82N		
92N		
750N	Axle Shafts	- Military - Off-Highway - Construction
850N		
950N		
WCS	Companion Flange	- Military - Off-Highway - Construction
CB	Center Bearings Center Parts Kits	- Medium Truck thru Off-Highway - All Above Series
CP		
RPL	Heavy Truck	- Components - Assemblies





# TECH TIPS

## Yoke Identification

ROUND BEARING	ACROSS EARWORK (X)	BETWEEN EARWORK (Y)	BEARING DIAMETER (Z)	SERIES	TYPE	
		1.44"	.97"	L6N		
	2.19"		.94"	10N		
		2.38"	1.06"	131N	ISR	
	3.47"		1.06"	131N	OSR	
		2.56"	1.19"	135N	ISR	
	3.88"		1.19"	135N	OSR	
	3.13"	1.19"	1.41N	ISR		
	4.44"		1.19"	141N	OSR	
		3.13"	1.38"	148N	ISR	
	4.44"		1.38"	148N	OSR	
	4.19"		1.38"	148N	BRG. ST.	
	5.25"		1.38"	155N	OSR	
	4.97"		1.38"	155N	BRG. ST.	
	5.31"		1.88"	16N		
	6.09"		1.94"	17N		
	7.00"		1.94"	176N		
	7.55"		1.94"	18N		
	5.19"		1.63"	750N		
	6.06"		1.94"	850N		
	7.89"		2.50"	950N		
7.00"		2.06"	20RPL			
8.33"		2.06"	25RPL			
U-BOLT AND STRAP & BOLT	BETWEEN LUGS (X)	BEARING DIM. (Z)	SERIES	RPL DRIVELINE		
	3.22"	1.06"	131N			
	3.63"	1.06"	133N			
	3.63"	1.19"	135N			
	4.19"	1.19"	141N			
	4.19"	1.38"	148N			
	4.97"	1.38"	155N			
	5.31"	1.88"	16N			
	6.19"	1.94"	17N			
	7.09"	1.94"	176N		7.06"	20WYS
	7.63"	1.94"	18N		8.38"	25WYS
WING BEARING	SWING DIA. (X)	PILOT DIA. (Y)	SERIES			
	5.63"	5.31"	58WB			
	5.84"	5.53"	62N			
	6.22"	5.84"	72N			
	6.88"	6.50"	85WB			
	8.50"	8.13"	82N			
	8.63"	8.25"	92N			

ISR - Inside Snap Ring

OSR - Outside Snap Ring

BRG. ST. - Bearing Strap



## DRIVELINE TIPS I

### TOLERANCES

1. Check for excess tolerances before lubing application. Lube may mask, or hide excessive play and tolerances.
2. U-Joint maximum end play is .006. More than that will result in failure.
3. Slip movement, up and down, maximum allowance is .017. More than that will result in failure.
4. Dents, missing weights, dirt and foreign material buildup on shaft, can cause vibration and balance issues, resulting in failure that can also cause damage to transmission and axle.
5. Center Bearings, new self aligning style, without deflectors. Self align style became available in 2002 and will allow + / -5° angle deflection.
6. Driveshaft standard slip application has splines that face the power source and end yoke.
7. Driveshaft outboard slip assembly has splines that face toward rear of application.
8. Phasing - mark slip position with paint stripe during disassembly to make sure that you reassemble in same position and phasing to avoid timing and vibration issues.
9. Lubrication Basic Procedures:
  - U-joints - make sure that grease purges at all four seals to ensure that old grease does not contaminate new grease resulting in potential chemical incompatibility.
  - Slip Splines - 6 to 8 pumps from grease gun is acceptable.
10. Refer to Maintenance Manual MM-96147 on Literature on Demand at [meritor.com](http://meritor.com) for additional information regarding torque specifications and troubleshooting information.



## TECH TIPS



## DRIVELINE TIPS II

## TORQUE

1. Universal joints have a torque rotation direction. Installing joints in reverse rotation to zerk fitting will result in premature failure. Proper rotation should be with zerk and rotation to the right.
2. End Yoke Torque Value - Nut holding end yoke to application should have torque value of 600 Ft Lbs. A torque multiplier may be necessary to achieve specified setting.
3. Bearing Straps - Torque settings should be between 30 to 40 Ft Lbs.
4. Yokes are directional and have arrows indicating side away from transmission and power source.
5. Go - No Go Gauges - Tools available to pre-determine if yoke ears may be sprung. If bar, gauge will not fit through ears, yoke is probably damaged.
6. Yoke Throat - Center area of yoke where material is machined down to narrowest point. Seam of welded tubing should be towards one ear or the other, but never in center of throat area.
7. Critical Speed - Maximum speed at which shaft may safely operate, based on length vs. RPM vs. diameter. Exceeding critical speed value may result in spontaneous disassembly.
8. Shaft Length - 60" to 80" is safe margin. Consider using a 2 piece system for shafts in excess of 80".
9. Balance Weights - Recommended number of weights per shaft is 7 for a single shaft and 9 for a two shaft configuration.
10. Inclinometer - Tool available to help determine driveline angles and slope. Provides a digital readout of degrees.

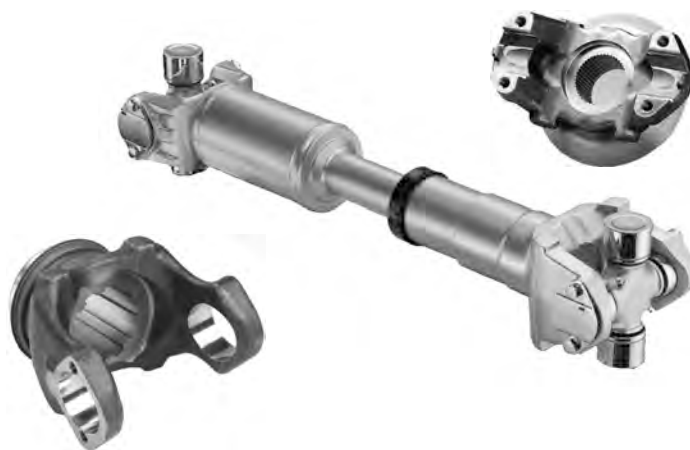




## DRIVELINE TIPS III

### ANGLES AND VIBRATIONS

1. Driveline vibrations can occur as five various types, transverse, torsional, inertial excitation, critical speed, and secondary coupling vibrations.
2. Transverse vibrations are simplest to repair and usually involve balance issues on driveshaft.
3. Torsional vibrations are more serious vibration issues that are usually related to driveline working angles, and bending and twisting motion experienced by driveshaft.
4. Large working angles will usually introduce torsional vibrations. Keeping driveline slope 3° to 6° is preferred. The smaller the angles, the less chance of torsionals.
5. Cancellation angles is the process where you keep the front and rear working angles to a + / - 1° of each other. Keeping angles small and + / -1° of each other will help cancel out torsionals.
6. Ride height will affect angles and relate to vibration issues. When checking into a vibration issue the truck should be loaded.
7. There are two types of angles to be aware of simple 1 plane angles and compound angles.
8. Simple 1 plane angles are where the driveshaft connects to the rear axle and is in a straight line plane.
9. Compound angle is where the driveshaft is offset in relation to the transmission and rear axle, not in a straight line plane.
10. Driveline slop is the direction, up, or down, of the driveshaft and the slope should not exceed 3° to 6° to avoid torsional vibrations.



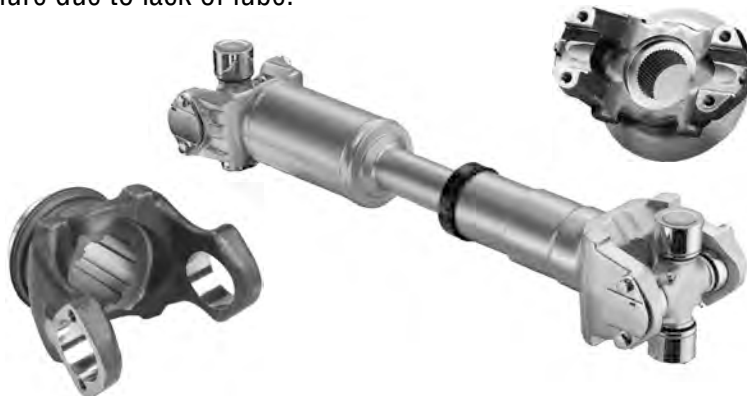
## TECH TIPS



## DRIVELINE TIPS IV

## FAILURE ANALYSIS

1. Shock Load is failure where engineered values are exceeded and sudden sharp spike in load value will shear related parts. Clean break in appearance.
2. Brinneling is where the needle bearings will embed themselves into the trunnion surface, due to lack of movement (rotation) and lube. Appearance will be multiple ridges around the trunnion surface.
3. Galling is the condition where due to lack of lube and the presence of heat, two metal surfaces will weld, fusing together. The bearing cap will become permanently attached to end of trunnion.
4. Spalling is where due to foreign presence of material (moisture) lube will be diluted and no longer protect against heat resulting in eventual failure.
5. Fatigue is where due to time, heat, stress loads and various chemical exposures to materials, the surface will began to deteriorate and break down. A surface pitting or flaking will occur resulting in structural weakening and eventual failure.
6. Beach Marks are visual markings on failed surface related to shock load. You can see cracks, fissure marks on surface that increased over time prior to ultimate failure.
7. Critical Speed/Tube Failure is where tubing collapsed, crimped, separated due to shock load / critical speed.
8. Imbalance issue is when weights are missing or placed too close to tube weld seam. Can cause static vibrations as a jump rope, resulting in ultimate failure.
9. Lube recommended is NLGI EP 2. Lack of proper lubrication will result in premature failure.
10. Driveline slope should have a minimum of  $1/2^\circ$  to spread lube in the U-joint bearing caps, and avoid failure due to lack of lube.





## DRIVELINE TIPS V

### HINTS ON DRIVELINE SETUP

1. Determine the length of a driveline by measuring from U-joint center to U-joint center.
2. Meritor Maintenance Manual MM-96147 (available at [meritor.com/lod](http://meritor.com/lod)) contains helpful information on driveline specifications and service.
3. Meritor Driveline Angle Analysis tool is available at Meritor.com in the North American Customer Center section under Calculators in left nav.
4. Various tools used to measure and setup drivelines include the following: Spirit Level Protractor, Electronic Protractor, Inclinator, and Anglemaster.
5. Vehicle data important to driveline setup is as follows: Maximum Engine HP, Maximum Engine RPM, Trans Top Gear Ration, Trans Angle, Phasing Type, and Rear Suspension Height.
6. Make sure that vehicle ride height is within normal specification.
7. Measurements over weld seams and balance weights will invalidate angle measurements.
8. Typically the Hypoid Forward Rear Axle Plane is the same as the Engine/Transmission Plane (usually 3° to 3.5°) in relation to measuring drivelines and angles.
9. Typically the Hypoid Rear - Rear Axle Plane is 10.5° to 11.5° in relation to measuring drivelines and angles.
10. Safest driveline operating angles are below 5°.



# SUPERSESSION LISTING

Old#	New#	Old#	New#	Old#	New#
10N1075XS	R1075XS	155NF2	155N 2 669	16NYS3234	16NYS32 43
10N10V5	R10V5	155NLS28	155N 3 1241X	16NYS3237	16N 4 5981
10N2701SF	R10270 SF	155NLS2815A	155N 3 1241X	16NYS3238A	16NYS32 74A
10N2702SF	R10270 SF	155NLS28DC	155N 3 1241X	16NYS3248	16N 4 6321
10NUTP1753	RUTP1753	155NYS34	155N 28 307	16NYS3276A	16N 4 6291X
10X1628	CS C8 20 52	155NYSB3213A	155TYSB32 13A	16NYS34	16N 4 5731
131N26367	131N 26 497	155NYSB324	155TYSB32 13	16NYS343	16N 4 5751
131N26427	131N 26 497	155RLS281	155RLS28 1A1S	16NYS364	16N 4 3321
131N281747X	131N 28 2957X	155TYS24	155N 4 4211 1	16NYS36A	16N 4 6891X
131N281777X	131N 28 2947X	155TYS2815A	155N 4 5611 1X	16TYS2813	16N 4 5571 1
131N281937X	131N 28 2977X	155TYS3214A	155N 4 5691 1X	16TYS2821	16N 4 1721 1
131N28357B25	131N 28 357	155TYSB2814	155TYSB28 14A	16TYS2843A	16N 4 7301 1X
131N34951	131N 3 7981KX	155TYSB2840	155TYSB28 40A	16TYS288A	16N 4 4841 1X
131N34951KX	131N 3 7981KX	155TYS24	155N 4 4211 1	16TYS3233	16TYS32 76
131N34951X	131N 3 7981KX	159TYS321A	A 3260S1657	16TYS3233A	16TYS32 76A
131N35221	131N 3 8001KX	1610BL	1199N1860	16TYS3260A	16TYS32 86A
131N35221KX	131N 3 8001KX	1612B	1199X1870	16TYS3260A1	16N 4 6431 1X
131N35821	131N 3 8021KX	1641B	1199B2576	16TYS388	16N 4 7331 1
131N35821KX	131N 3 8021KX	16N2279BULK	16N2 279	16TYS388A	16N 4 7341 1X
131N40138	131N 40 138 2	16N28167BULK	16N 28 167	16TYS388B	16N 4 7171 1
131N401701BULK	131N 40 1701	16N28627BULK	16N 28 627	170N46511X	170TYS32 2A
133N34681	133N 3 7961KX	16N28667	16N 28 887	176N2817BULK	176N 28 17
133N34681KX	133N 3 7961KX	16N3128X	16N-3-128X-MXL	176N321X	176N 3 21X MXL
133N37481	133N 3 8041KX	16N31411X	16N-3-1411X-MXL	176N321XBULK	176N 3 21X MXL
133N37481KX	133N 3 8041KX	16N32261X	16N-3-2261X-MXL	176N341X	176N 3 41X MXL
135N401011	135N 40 1101	16N32261XBULK	16N-3-2261X-MXL	176N341XBULK	176N 3 41X MXL
135N401531BULK	135N 40 1531	16N3288X	16N-3-288X-MXL	176N4101	176N 4 211X
135N53151	135N 53 1351	16N3288XBULK	16N-3-288X-MXL	176N411	176N 4 791X
141NF1	141N 2 159	16N401011BULK	16N 40 1011	176N4161BULK	176N 4 161
141NLS243DC	141N 3 2041KX	16N40741	16N 40 1011	176N4321	176N 4 1421
141NLS249DC	141N 3 118KX	16N41721BULK	16N 4 1721	176N43211	176N 4 1421 1
141NY453	141N 28 97	16N41931BULK	16N 4 1931	176N47111	176TYS44 4
141NYS241	141N 4 6561	16N43621BULK	16N 4 3621	176NLS402	176N 3 21X MXL
141NYS242	141TYSB24 6	16N44401BULK	16N 4 4401	176NLS404DC	176N 3 41X MXL
141NYS2819A	141N 4 10461 1X	16N44481BULK	16N 4 4481	176NLS407A	176N 3 21X MXL
141NYS284	141NYSB28 4	16N44551BULK	16N 4 4551	176NLS409	176N 3 41X MXL
141NYSB228	141TYSB22 11	16N44741	16NYS36 7	176NLS409A	176N 3 41X MXL
141NYSB242	141TYSB24 6	16N44761	16N 4 4761X	176NYS321A	176N 4 181X
141TYSB2213A	141TYSB22 18A	16N44891X	16N 4 6251	176NYS323A	176N 4 541X
141TYSB2215A	141TYSB22 11A	16N45451X	16N 4 6961X	176NYS3611A	176N 4 1481X
141TYSB2218	141TYSB22 18A	16N45751BULK	16N 4 5751	176NYS3612A	176N 4 5221X
141TYSB2219	141TYSB22 11	16N53141BULK	16N 53 141	176NYS365	176N 4 1421
141TYSB2219A	141TYSB22 11A	16NF1	16N2 279	176NYS365A	176N 4 331X
148DYS242	148N 4 3781	16NF3	16N 2 629	176NYS3813A	176N 4 861X
148N40971	148N 40 1571	16NFE	16N 2 629	176NYS3814A	176N 4 1041X
148N47541	148N 4 8051 1X	16NLS3228CA	16N-3-2261X-MXL	176NYS3816A	176N 4 851X
148NF2	148N 2 479	16NLS322DC	16N-3-288X-MXL	176NYS3820A	176N 4 1161X
148NF3	148N 2 479	16NLS3247	16NLS32 47A2MXL	176NYS3820A1	176N 4 1161X
148NY54	148N 28 547	16NLS3247A1	16NLS32 47A2 MXL	176NYS383A	176N 4 211X
148NY542	148N 28 537	16NLS3247CA	16NLS32 47A2 MXL	176NYS384	176N 4 161
148NY547	148N 28 537	16NLS3248	16NLS32-48A2 MXL	176NYS384A	176N 4 161
148NYS244	148N 4 3091	16NLS3248A1	16NLS32 48A2 MXL	176NYS386	176N 4 441
148NYS2836A	148N 4 10471 1X	16NLS328	16N-3-2261X-MXL	176NYS4014A	176N 4 781X
148NYS29A	148NYSB29	16NYS2813A	16N 4 5621X	176NYS4016	176N 4 151
148NYS317	148N 4 3861	16NYS282	16N 4 1931	176NYS444A	176N 4 791X
148NYSB325A	148TYSB32 2A	16NYS2820	16N 4 1051	176NYS384	176N 4 161
148TYS28A	148N 4 8051 1X	16NYS2821	16N 4 1721	176TYS323A	176N 4 541 1X
155N28207	155N 28 307	16NYS2826	16N 4 4481	176TYS3612A	176N 4 5221 1X
155N40461	155N 40 761	16NYS2834	16N 4 6251	176TYS365A	176N 4 331 1X
155N40721BULK	155N 40 721	16NYS2838	16N 4 8441X	176TYS3813A	176N 4 861 1X
155N441111X	155TYS28 1A	16NYS2854	16N 4 8441X	176TYS3814A	176N 4 1041 1X
155N455511	155TYS28 15	16NYS319	16N 4 4551	176TYS3820A	176N 4 1161 1X
155N45691X	155N 4 5691 1X	16NYS3232A	16N 4 6281X	176TYS3827A	176N 4 1041 1X
155N468311X	155N 4 5691 1X	16NYS3233	16N 4 6241	176TYS383	176N 4 101 1
155N53261	BS S24 60A	16NYS3233A	16N 4 6291X	176TYS383A	176N 4 211 1X

# SUPERSESSION LISTING

Old#	New#	Old#	New#	Old#	New#
176TYS384	176N 4 161 1	17N46381X	17NYS32 99A	17NYS3240	17N 4 5501
176TYS384A	176TYS38 4A	17N46401	17NYS32 100	17NYS3241A3	17N 4 6951X
176TYS385	176N 4 271 1	17N464011	17N 4 7621 1	17NYS3244	17N 4 7141
176TYS4014A	176N4 781 1X	17N46401BULK	17NYS32 100	17NYS3252	17NYS32 60
176TYS4017A	176N 4 771 1X	17N46411XBULK	17N 4 6411X	17NYS3255A	17N 4 6411X
176TYS444A	176N 4 791 1X	17N46481BULK	17N 4 6481	17NYS3255A1	17N 4 6421X
176TYS45	176N 4 1681 1	17N46921XBULK	17N 4 6921X	17NYS3255A3	17NYS32 100A2
1792B	1199T2854	17N46931XBULK	17N 4 6931X	17NYS3256	17NYS32 99
17N2749	17NF20	17N46951XBULK	17N 4 6951X	17NYS3256A	17NYS32 99A
17N28137BULK	17N 28 137	17N471611	17TYS38 76	17NYS3256A3	17NYS32 99A3
17N28347BULK	17N 28 347	17N473011	17TYS32 73	17NYS3257	17N 4 5991
17N28367	17NY60 15	17N49181X	17NYS34 19A1	17NYS3257A	17N 4 8531X
17N32241X	17N 3 2631X MXL	17N53151BULK	17N 53 151	17NYS3258A	17N 4 6021X
17N32261X	17N 3 2651X MXL	17N53201BULK	17N 53 201	17NYS3285A	17N 4 8531X
17N32341X	17N 3 2671X MXL	17N53311BULK	17N 53 311	17NYS3286A	17N 4 6021X
17N32401X	17N 3 2401X MXL	17N82106113	17NYSM40 162	17NYS3292A	17N 4 9031X
17N32551X	17N 3 2401X MXL	17N8210613	17NYSM40-202	17NYS3295	17NYS32 99
17N32571X	17N 3 2571X MXL	17N8210911	17N 82 1091 13	17NYS3296A	17N 4 6421X
17N32631X	17N 3 2631X MXL	17N82109112	17N 82 1171 2	17NYS3296A1	17NYS32 100A1
17N32651X	17N 3 2651X MXL	17N8210911BULK	17N 82 1091 13	17NYS3296A2	17NYS32 100A2
17N32651XBULK	17N 3 2651X MXL	17N8210913	17NYSM40-201	17NYS3411	17N 4 5821
17N32671X	17N 3 2671X MXL	17N8210914	17N 82 1171 5	17NYS3418A	17NYS34 18A1
17N32671XBULK	17N 3 2671X MXL	17N8211911	17NYSM40 169	17NYS3419A	17NYS34 19A1
17N32761X	17N 3 2761X MXL	17N829711X	17NYSM40-202	17NYS3640	17N 4 8461
17N33021X	17N 3 3021X MXL	17NF20BULK	17NF20	17NYS3640A	17N 4 8551X
17N40401	17N 40 541	17NF23	17NF28	17NYS365	17N 4 1971
17N40451	17N 40 521	17NF25BULK	17NF25	17NYS3660A	17N 4 8551X
17N40521BULK	17N 40 521	17NLS40103A	17NLS40 121A1 MXL	17NYS3817A	17N 4 5961X
17N40541BULK	17N 40 541	17NLS40109A	17N 3 2651X MXL	17NYS3818	17NYS38 63
17N419811	17TYS31 54	17NLS40120A	17N 3 2401X MXL	17NYS3818A	17N 4 7851X
17N41981BULK	17N 4 1981	17NLS40121A	17NLS40 121A1 MXL	17NYS3822	17N 4 4561
17N41991BULK	17N 4 1991	17NLS40124A	17NLS40 124A1 MXL	17NYS3824	17N 4 5841
17N42141BULK	17N 4 2141	17NLS4042	17N 3 2671X MXL	17NYS3831A	17N 4 6961X
17N43031BULK	17N 4 3031	17NLS4043	17N 3 2651X MXL	17NYS3832A	17N 4 7181X
17N43121	17N 4 3291	17NLS4043DC	17N 3 2651X MXL	17NYS3835A	17NYS38 61A
17N43241BULK	17N 4 3241	17NLS4047	17NLS40 47CA	17NYS3863A	17N 4 7851X
17N43791BULK	17N 4 3791	17NLS4047DC	17NLS40 47CA	17NYS387	17N 4 4771
17N44091BULK	17N 4 4091	17NLS4050	17NLS40 98CA1 MXL	17NYS3878X	17NYS38 78
17N44121	17NYS36 19	17NLS4050DC	17NLS40 98CA1 MXL	17NYS388	17N 4 4601
17N44191X	17N 4 4411X	17NLS4056DC	17NLS40 121A1 MXL	17NYS388A	17N 4 5071X
17N44411XBULK	17N 4 4411X	17NLS4072DC	17N 3 2401X MXL	17NYS40125A	17N 4 6921X
17N44421BULK	17N 4 4421	17NLS4086DC	17N 3 2571X MXL	17NYS4013	17N 4 4421
17N44551BULK	17N 4 4551	17NLS4097A	17N 3 2671X MXL	17NYS446A	17N 4 6841X
17N44881	17N 4 6321	17NLS4098A	17NLS40 98CA1 MXL	17NYS447A	17N 4 6931X
17N44911X	17N 4 6321	17NLS4098CA	17NLS40 98CA1 MXL	17NYSM40104	17NYSM40-201
17N44961BULK	17N 4 4961	17NLS4099A	17N 3 2761X MXL	17NYSM40116	17NYSM40 169
17N44981X	17NYS32 99	17NY60	17N 28 347	17NYSM40120	17NYSM40-203
17N45041	17N 4 5041X	17NY6012	17N 28 347	17NYSM40123	17NYSM40-201
17N45041BULK	17N 4 5041X	17NY6013	17N 28 347	17NYSM40158	17NYSM40 169
17N45041XBULK	17N 4 5041X	17NY6013BULK	17N 28 347	17NYSM40165	17NYSM40-203
17N45051X	17NYS32 100	17NY6014	17NY60 15	17NYSM40170	17NYSM40-203
17N45071XBULK	17N 4 5071X	17NY603	17N 28 347	17NYSM40171	17NYSM40-201
17N45101X	17N 4 6411X	17NY607	17N 28 347	17NYSM40172	17NYSM40-201
17N45101XBULK	17N 4 6411X	17NYS282	17N 4 4091	17NYSM40173	17NYSM40-201
17N45121X	17N 4 6331	17NYS282A1	17N 4 4831X	17NYSM4050	17N 82 1171 1
17N45151XBULK	17N 4 5151X	17NYS2846A	17N 4 5041X	17NYSM4056	17NYSM40-202
17N453511	17N-4-7071-1X	17NYS2849	17N 4 6321	17NYSM4058	17N 82 1171 2
17N45511X	17N 4 6871X	17NYS2849A	17N 4 5111X	17NYSM4071	17NYSM40 169
17N45531X	17N 4 6951X	17NYS2850A	17N 4 5131X	17NYSM4079	17N 82 1171 5
17N45551X	17N 4 6941X	17NYS2851	17N 4 6481	17NYSM4084	17N 82 1091 13
17N45591	17N 4 6841X	17NYS2852	17N 4 6451	17NYSM4086	17NYSM40 169
17N46001X	17N 4 8531X	17NYS2865A	17N 4 8521X	17NYSM4091	17N 82 1061 4
17N46031	17N 4 8461	17NYS3119	17N 4 4371	17NYSM4094	17N 82 1061 9
17N46321BULK	17N 4 6321	17NYS31A	17N 4 4361X	17NYSM4095	17N 82 1061 8
17N46371	17NYS32 99	17NYS32100A	17N 4 6421X	17TYS2859A	17N 4 8511 1X

17



# SUPERSESSION LISTING

Old#	New#	Old#	New#	Old#	New#
17TYS3154	17TYS31 54	18NYS32	18N 4 1921	20WYSC389	20WYSC38 18
17TYS3161A	17TYS31 66A	18NYS3212A	18N 4 3381X	2264L12	DEFR47 13
17TYS32100A	17N 4 7641 1X	18NYS324	18N 4 3371	2264R1006	DEFR62 1
17TYS3256	17TYS32 99	18NYS324A	18N 4 3371	2297D2292	DEFR50 4
17TYS3256A1	17N 4 6391 1X	18NYS342A1	18N 4 4601X	2297D2708	DEFR54 1
17TYS3266	17TYS32 73	18NYS3611A	18N 4 3281X	2297D3410	DEFR40 4
17TYS3268	17N 4 7621 1	18NYS3619A	18N 4 3281X	2297G2399	DEFR47 7
17TYS3268A	17N 4 7641 1X	18NYS3816	18NYS38 27	2297J3026	DEFR38 3
17TYS3268A1	17N 4 7631 1X	18NYS3816A	18N 4 3731X	2297M3029	DEFR56 2
17TYS3270A1	17N 4 6951 1X	18NYS3821A	18N 4 3921X	2297N560	DEFR44 1
17TYS3271	17N 4 7141 1	18NYS3821A1	18N 4 4611X	2297N716	DEFR47 5
17TYS3293A	17N 4 8991 1X	18NYS3826	18N 4 3591	2297P562	DEFR38 1
17TYS3295	17TYS32 99	18NYS3827A	18N 4 3731X	2297R3970	DEFR60 1
17TYS3295A	17N 4 6391 1X	18NYS3827A4	18N 4 3731X	2297S6727	DEFR59 1
17TYS3299A	17N 4 6391 1X	18NYS383	18N 4 1891	250TYS382A3	A2 3260H1828
17TYS3651A	17N 4 6041 1X	18NYS388A	18N 4 3221X	25RLS401A	25RPL SLIP
17TYS3653	17N 4 6861 1	18NYS388A2	18N 4 3581X	25RLS401A1	25RPL SLIP
17TYS3656A	17N 4 6901 1X	18NYS388A5	18N 4 3221X	25RLS401A1S	25RPL SLIP
17TYS3829A	17N 4 8341 1X	18NYS388X	18N 4 3201	25RLS401A2	25RPL SLIP
17TYS3831A	17N 4 6961 1X	18NYS388A	18N 4 2711X	25RLS48A	25RLS48 1A1S
17TYS3852A	17N 4 5461 1X	18NYS401	18N 4 1961	25RLS48A1	25RLS48 1A1S
17TYS3853A	17N 4 6961 1X	18NYS404A	18N 4 3551X	25RLS48A1S	25RLS48 1A1S
17TYS3854A	17N 4 7181 1X	18NYS406	18N 4 3611	25RLS48A2	25RLS48 1A1S
17TYS3857	17N 4 4561 1	18NYS442A	18N 4 3501X	25RPL146A	CP25 RPL S
17TYS3860A	17N 4 7531 1X	18NYS444A	18N 4 3561X	25RY681	25RY68 3
17TYS3872A	17TYS38 75A	18TYS3212A	18N 4 3381 1X	25WF3	25WF3C
17TYS3876A	17N 4 7181 1X	18TYS3611A	18N 4 4351 1X	25WPL143A	CP25 RPL S
17TYS40144A	17N 4 6921 1X	18TYS3619A	18N 4 4351 1X	25WYS381A	25WYS38 13A
17TYS40149	17N 4 7691 1	18TYS3816A	18N 4 3731 1X	25WYS383A	25WYS38 13A
17TYS424	17N-4-7071-1X	18TYS3821A	18N 4 3921 1X	25WYS384	25WYS38 11
17TYS4410A	17N 4 6931 1X	18TYS3826	18N 4 3591 1	25WYSC384	25WYSC38 11
17TYS3271	17N 4 7141 1	18TYS3827A	18N 4 3731 1X	2847H528	DEFR47 6
18N28117BULK	18N 28 117	18TYS383	18N 4 1891 1	2847J504	DEFR50 2
18N28127BULK	18N 28 127	18TYS38A	18N 4 2711 1X	2847V308	DEFR47 2
18N31351X	18N 3 1351X MXL	18TYS404A	18N 4 3551 1X	28CV82HD	131N CV82 HD
18N31351XBULK	18N 3 1351X MXL	18TYS444A	18N 4 3561 1X	3202D7206	750NYSM28 112
18N31371X	18N 3 1371X MXL	20RLS4011A1	20RLS40 11A1S	3202J7914	850NYSM30 25
18N31371XBULK	18N 3 1371X MXL	20RLS401A	20RLS40 2A1S	3202M9035	750NYSM28 112
18N31431XBULK	18N 3 1431X	20RLS401A1	20RLS40 2A1S	3260A1535	17TYS32 99
18N31431XMXL	18N 3 1431X	20RLS401A1S	20RLS40 2A1S	3260A313	72NYSB32 258
18N40151	18N 40 201	20RLS401A2	20RLS40 2A1S	3260B132	92NYS32 26
18N40161	18N 40 191	20RLS402A2	20RLS40 2A1S	3260B1536	17TYS34 29
18N40191BULK	18N 40 191	20RLS403A2	20RLS40 3A1S	3260B2	155N 4 4101
18N40201BULK	18N 40 201	20RPL146A	CP20RPLS	3260C29	72NYSB28 163
18N41891BULK	18N 4 1891	20RY601	20RY60 7	3260D1668	16TYS32 76
18N42101	18NYS40 5	20RY602	20RY60 6	3260F1280	16N 4 6271 1
18N42481X	18N 4 3371	20RY605	20RY60 7	3260F318	155DYS32 6
18N42491X	18N 4 3381X	20RYSM4018	20RYSM40-47	3260F84	62NYSB24 31
18N42651	18N 4 3201	20RYSM4024	20RYSM40-47	3260G111	16N 4 6271
18N42751	18NYS44 3	20RYSM4025	20RYSM40-48	3260G1125	16NYS38 12
18N43171X	18N 4 3571X	20RYSM4026	20RYSM40-48	3260G1229	17TYS38 76
18N43721	18NYS38 27	20RYSM4027	20RYSM40-49	3260G137	176NYS38 3
18N5391BULK	18N 53 91	20RYSM4028	20RYSM40-49	3260H112	16N 4 6241
18NLS4810	18N 3 1431X	20RYSM4029	20RYSM40-50	3260J1154	155TYS28 1
18NLS4810DC	18N 3 1431X	20RYSM4030	20RYSM40-50	3260J1310	17NYS38 61
18NLS4816C	18N 3 1371X MXL	20RYSM4031	20RYSM40-51	3260K1311	16TYS32 5
18NLS4817CA	18N 3 1351X MXL	20RYSM4032	20RYSM40-51	3260L116	18N 4 3371
18NLS4821C	18N 3 1351X MXL	20RYSM4033	20RYSM40-52	3260L1260	18N 4 3721 1
18NLS4828CA1	18N 3 1371X MXL	20RYSM4034	20RYSM40-52	3260M117	82NYS32 74
18NLS4829CA1	18N 3 1351X MXL	20RYSM4035	20RYSM40-53	3260M39	62NYS28 155
18NLS485DC	18N 3 1371X MXL	20RYSM4036	20RYSM40-53	3260N118	92NYS32 25
18NLS487DC	18N 3 1431X	20WPL143A	CP20RPLS	3260N248	155DYS28 1
18NY64	18N 28 127	20WYS321	20WYS32 17	3260P120	17NYS32 99
18NY641	18N 28 127	20WYS321A	20WYS32 17A	3260P94	5WCS32 83
18NY68	18N 28 117	20WYS381A	20WYS38 4A	3260Q121	17NYS32 100

# SUPERSESSION LISTING

Old#	New#	Old#	New#	Old#	New#
3260Q1395	17N 4 2191	62N1421A	62N14 45A	85WBYS316	85WBYS316
3260R1058	17NYS38 38	62NLS282DC	62NLS28 2A	85WBYSB316	85WBYS316
3260R1292	17N 4 7621 1	62NLS283DCBULK	62NLS28 3DC	9023048662	L6NYSM20 61
3260R1630	17NYS32 99	62NY531BULK	62NY53 1	92N1412A	CP92N HWD
3260S123	72NYS32 244	62NYS2617	62NYS26 13	92N1413A	CP92N DWT
3260S1813	17TYS38 76	72N1422A	CP72N HWD	92N1415A	CP92N HB
3260T1294	17NYS34 20	72N1428A	CP72N DWT	92NLS4847	92NLS48 47DC
3260U125	16N 4 6251	72N1429A	CP72N HB	92NLS4847DCBULK	92NLS48 47DC
3260U359	17N 4 7161	72N1434A	72N14 71A	92NLS4855DCBULK	92NLS48 47DC
3260V126	17N 4 6331	72N1442A	CP72N HWD PL	92NLS4866DC	92NLS48 66A
3260W127	17N 4 6321	72N1443A	CP72N HWD	92NY64BULK	92NY64
3260W1687	2WCS22 79	72N1444A	CP72N HB PL	92NYS3216A1	92NYS32 25A
3260Y129	72NYS28 177	72N1445A	CP72N HB	92NYS33	92NYS33 2
3264T1398	DEFR56 10	72N1447A	CP72N DWT	92NYS3833	92NYS38 33
3280A2185	72NYS30 2	72N1449A	72N14 71A	92NYS3855	92NYS38 69
3280B1848	141N 4 2241	72NLS321	72NLS32 1DC	92NYS3875A	92NYS38 75A1
3280B2186	16N 4 3681	72NLS3210DC	72NLS32 1DC	92NYS4017BULK	92NYS40 17
3280C6321	62NYS26 13	72NLS32129	72NLS32 20DC	92NYS4420	92NYS44 22
3280D6764	5WCS32 103	72NLS32129DC	72NLS32 20DC	950NYSM38	950NYSM38 15S
3280E1643	17N 4 1991	72NLS32137DC	72NLS32 1DC	950NYSM3810	950NYSM38 20
3280F1982	17N 4 3221	72NLS32142DC	72NLS32 142A	950NYSM3811	950NYSM38 21
3280F6766	72NYS32 219	72NLS321DCBULK	72NLS32 1DC	95405101443	72WDS007B443
3280G2269	16N 4 1931	72NLS3220	72NLS32 20DC	98405018025	17XNS077B026
3280H2400	72NYS31 3	72NLS3220DCBULK	72NLS32 20DC	9845844409	17NS40 120AK
3280M2223	17N 4 2381	72NLS3280DC	72NLS32 1DC	9849247594	17XNS075B253
3280P2096	16N 4 1631	72NPS3296	PS32 16 30	A13260A1535	17N 4 6391 1X
3280Q4047	16N 4 3861	72NY5220BULK	72NY52 20	A13260F1228	17N 4 7641 1X
3280R7896	155NYS24 6	72NYS28157A	72NYS28 177	A13260G1229	17N 4 7181 1X
3280S1761	17N 2 739	72NYS28163	72NYSB28 163	A13260K1233	16N 4 6431 1X
3280T6754	17N 4 5521	72NYS2842	72NYS28 6	A13260K1259	18N 4 3221 1X
3280T7118	18N 4 2781	72NYS302BULK	72NYS30 2	A13260K1298	17N 4 6951 1X
3280U6729	17N 4 5451	72NYS3141	72NYS31	A13260M117	82NYS32 74A1
3280V6756	72NYS32 222	72NYS3170	72NYS31 2	A13260P120	17N 4 6391X
3280W2753	72NYS32 9	72NYS3172	72NYS31 72	A13260Q121	17N 4 6421X
3280W6757	72NYS32 221	72NYS3178	72NYS31 4	A13260R1292	17N 4 7641 1X
3280X1974	17N 4 2271	72NYS3185	72NYS31 2	A13260R18	16N 4 6961X
3280X2546	72NYS28 10	72NYS32218	72NYS32 219	A13260R96	17NYS40 106A1
3280X6758	17N 4 5501	72NYS32239	72NYS32 256	A13260S123	72NYS32 244A1
3280Z6734	18N 4 2701	72NYS3431	72NYS34 24	A13260X1298	17N 4 6951 1X
3897L1000	17N 4 3241	72NYS3614	72NYS36 38	A13260Z208	176N 4 731X
3897L2274	72NYS26 3	72NYS3645	72NYS36 95	A13280A2185	72NYS30 2A
3897R512	72NYS31 4	72NYS4080	72NYS40 99	A13280B6762	72NYS32 220A
50NPS2838	PS 28 16 13	750NYSM274	750NYSM27 12	A13280C2265	62NYS24 17A1
50NPS2844	155N 40 761	750NYSM275	750NYSM27 13	A13280E6765	17N 4 6941X
58WB1413A	CP58WB HWD	750NYSM28178	750NYSM28 112	A13280F5466	17N 4 5131X
58WB1414A	CP58WB DWT	82N1420A	CP82N HWD	A13280H2400	72NYS31 3
58WB1415A	CP58WB HB	82N1421A	CP82N DWT	A13280H4246	17N 4 6891X
58WB1425A	CP58WB HWD PL	82N1422A	CP82N HB	A13280H5520	17N 4 6411X
58WB1426A	CP58WB HWD	82N1425A	CP82N HWD PL	A13280H6768	17N 4 6941X
58WB1427A	CP58WB HB PL	82N1426A	CP82N HWD	A13280J4248	17N 4 4481X
58WB1428A	CP58WB HB	82N1427A	CP82N HB PL	A13280R5452	18N 4 2551X
58WB1430A	CP58WB DWT	82N1428A	CP82N HB	A13280S4101	17N 4 4831X
58WBLS281	58WBLS28 41A	82N1430A	CP82N DWT	A13280T6754	17NYS32 41A1
58WBLS282	58WBLS28 42A	82N1438A	CP82N HWD	A13280U6755	16N 4 6951X
58WBLS2841DC	58WBLS28 41A	82NLS4083	82NLS40 83A	A13280X3274	16N 4 6891X
58WBLS2841DC3	58WBLS28 41A	82NLS4083DC	82NLS40 83A	A13897L1000	17N 4 4291X
58WBLS2842DC	58WBLS28 42A	82NLS4083DCBULK	82NLS40 83A	A23260G1229	17TYS38 76A2
58WBLS2842DCBULK	58WBLS28 42A	82NLS4085DC	82NLS40 85A	A23260K1311	16N 4 6951 1X
58WBYS31BULK	58WBYS31	82NY6019BULK	82NY60 19	A23260L116	18NYS32 12A2
58WBYS306	58WBYSB30 6	82NYS3137	82NYS31 37	A23260R1240	5WCS38 23A2
5RLS401A	25RPL SLIP	82NYS317	82NYS31 16	A23260U73	18N 4 3581X
5WCS3276	5WCS32 103	850NYSM303	850NYSM30 25	A23260W75	17NYS38 17A2
5WCS349	3260C1511	85WB1413A	CP85WB HWD	A23280D5672	18N 4 3381X
62N1419A	62N14 43A	85WB1414A	CP85WB DWT	A23280D6764	5WCS32 103A1
62N1420A	62N14 47A	85WB1415A	CP85WB HB	A23280S3581	72NYS36 54A2

17

# SUPERSESSION LISTING

Old#	New#	Old#	New#	Old#	New#
A23280T6754	17NYS32 41A2	A3260S1241	148TYS32 4A	BSS2430	BS S24 52A
A23280V6756	72NYS32 222A1	A3260S1267	176N 4 541 1X	BSS2432	BS S24 53A
A23280X6758	17N 4 6871X	A3260S1371	18N 4 3561X	BSS248	BS S24 52
A3260A1353	155TYS32 6A	A3260S357	17N 4 6961X	BSS2510	148N 53 451
A3260B1146	72NYS38 26A	A3260T1034	16NYS38 8A	BSS2514	148N 53 451
A3260B1302	17N 4 6961 1X	A3260T1268	17TYS36 52A	BSS252	148N 53 451
A3260B132	92NYS32 26A	A3260T1294	17NYS34 20A	BSS253	148N 53 451
A3260B2	155NYS28 5A	A3260T1372	18N 4 3561 1X	BSS2840	16N 53 141
A3260C1147	18N 4 3731X	A3260T1502	5WCS40 45A	BSS2861	155N 53 61
A3260D1252	5WCS38 24A	A3260U359	17N 4 7181X	BSS2879	155N 53 61
A3260D1512	18NYS34 5A	A3260U73	18N 4 3221X	BSS2888	155N 53 61
A3260E1669	159N 4 761 1X	A3260V126	17N 4 5131X	BSS3810A	17N 53 311
A3260F1280	16TYS32 32A	A3260V1634	17TYS38 75A	BSS385	18N 53 91
A3260F136	5WCS32 86A	A3260V360	176N 4 1041X	BSS386	18N 53 51
A3260F318	155DYS32 6A	A3260W127	17N 4 5111X	CB2100842XBULK	CB210084 2X
A3260F32	72NYS28 166A	A3260W1869	140TYS28 1A	CB2101211X	CB210121 1XSA
A3260G111	16N 4 6281X	A3260W75	17N 4 5961X	CB2101211XBULK	CB210121 1XSA
A3260G1125	16NYS38 12A	A3260X128	72NYS28 176A	CB2101301X	CB210207 1X
A3260G1229	17N 4 7181 1X	A3260X1870	140TYS38A	CB2106611X	CB210661 1XSA
A3260G137	176N 4 211X	A3260Y1143	16NYS38 11A	CB2106611XBULK	CB210661 1XSA
A3260G1645	17N 4 6421X	A3260Z1300	17TYS36 52A	CB2108751X	CB210875 1XSA
A3260H112	16N 4 6291X	A3260Z1534	62NYS32 48A	CB2108751XBULK	CB210875 1XSA
A3260H1230	17N 4 6961 1X	A3260Z52	62NYS28 160A	CB2108811X	CB310012 1XSA
A3260H1308	82NYS38 31A	A3280A6735	82NYS38 15A	CB2108811XSA	CB310012 1XSA
A3260H1360	176N 4 781X	A3280B6736	92NYS38 39A	CB3100011XBULK	CB310001 1X
A3260H8	17NYS28 43A	A3280B6762	72NYS32 220A	CB3100051X	CB210367 1X
A3260J10	3WCS28 93A	A3280C2265	62NYS24 17	CB3100121X	CB310012 1XSA
A3260J1154	155TYS28 1A	A3280D2084	62NYS26 11A	CB3100131X	CB210875 1XSA
A3260J1232	16TYS28 13A	A3280D2266	62NYS26 13A	CBRR381	CB210661 1XSA
A3260J1284	85WBYS32 20A	A3280D5646	17NYS32 99	CCB206	CB210121 1XSA
A3260J1310	17NYS38 61A	A3280D6764	5WCS32 103A1	CCB207	CB310012 1XSA
A3260J1362	176N4 781 1X	A3280E6765	17N 4 6941X	CP115XBULK	CP115X
A3260J1830	170TYS32 1A	A3280E7727	CP950N	CP1206X	CP141N
A3260K1129	92NYS38 73A	A3280F1982	17N 4 4361X	CP1209X	CP1200X
A3260K115	176N 4 541X	A3280F5466	17N 4 6331	CP1210X	CP155N
A3260K1233	16TYS32 86A	A3280G2269	16N 4 3601X	CP121X	CP200X
A3260K1259	18N 4 3581 1X	A3280H1750	16NYS30A	CP1306XBULK	CP1306X
A3260K1415	18TYS40 9A	A3280H2270	62NYS28 123A	CP131N	CP1200X
A3260K63	58WBYS28 186A	A3280H4246	17N 4 6891X	CP131N1	CP1201X
A3260L116	18N 4 3381X	A3280H5520	17NYS32 100	CP133N	CP1203X
A3260L1234	16N 4 7341 1X	A3280H6768	17N 4 6941X	CP133N1	CP1204X
A3260L1260	18N 4 3731 1X	A3280Q6075	17N 4 5961X	CP135N	CP1205X
A3260M117	82NYS32 74A	A3280Q7115	16N 4 5621X	CP141N21	CP141N
A3260M1235	16TYS38 11A	A3280R5452	18N 4 2551X	CP148N1	CP148N
A3260M1365	17N 4 6931X	A3280S5843	18N 4 3221X	CP153XBULK	CP153X
A3260M39	62NYS28 155A	A3280T6754	17N 4 6951X	CP155N23	CP155N
A3260N118	92NYS32 25A	A3280T7118	18N 4 3571X	CP160XBULK	CP160X
A3260N1236	17TYS28 57A	A3280U6729	17N 4 5461X	CP16N13	M279X
A3260N1262	18N 4 3381 1X	A3280W8265	5WCS38 18A	CP16N3	M279X
A3260N1288	16TYS32 86A	A3280X6758	17N 4 6871X	CP16N9	M279X
A3260N1314	17N 4 7851X	A3280X6888	92NYS32 25A	CP16NS	M279X
A3260N248	155DYS28 1A	A3280Z6734	18N 4 2711X	CP16NSBULK	M279X
A3260P120	17NYS32 99A	A33260F1280	16TYS32 32A3	CP16S	M674X
A3260P1264	176N 4 1041 1X	A33260P120	17NYS32 99A3	CP16S1	M674X
A3260Q121	17N 4 6411X	A33260Q121	17NYS32 100A2	CP16S2	M674X
A3260Q1265	176N 4 861 1X	A33280E1643	17N 4 4411X	CP170XBULK	CP170X
A3260Q1395	17N 4 2191	A33280T6754	17N 4 6951X	CP176N2	M407X
A3260Q95	92NYS38 52A	A33280T7118	18N 4 3571X	CP176N4	M407X
A3260R1058	17N 4 7771X	A33280U6755	16N 4 6951X	CP176NS	M407X
A3260R1292	17N 4 7641 1X	A3897D2266	72NYS31 4	CP176NSBULK	M407X
A3260R1370	176N 4 791 1X	A3897K427	17N 4 4181X	CP176S1	M677X
A3260R1682	17TYS38 70A	A3897R512	72NYS31 4A	CP176S2	M677X
A3260R356	176N 4 861X	A3897Y675	17N 4 2191	CP176S4	M677X
A3260S1137	62NYS28 202A	A43280E1643	17N 4 4411X	CP178XBULK	CP178X
A3260S123	72NYS32 244A	BPS28162	155N 53 61	CP17N20	M280X

# SUPERSESSION LISTING

Old#	New#	Old#	New#	Old#	New#
CP17N22.....	M280X	CP82N75BULK.....	CP82N HB	CSH61658.....	SP 1045
CP17N35.....	M280X	CP82N76BULK.....	CP82N DWT	CSH62423.....	S 168 2
CP17N37.....	M280X	CP82NDWTBULK.....	CP82N DWT	CSH62424.....	S 1616 2
CP17N38.....	M675X	CP82NHBBULK.....	CP82N HB	CSH62449.....	S 165 B 2
CP17N39.....	M280X	CP82NHWDBULK.....	CP82N HWD	CSH62462.....	S 168A 2
CP17NS.....	M280X	CP850N4BULK.....	CP850N 4	CSH62466.....	S 165 B 2
CP17NSBULK.....	M280X	CP85WB42.....	CP85WB HWD	CSH72014.....	S 179 2
CP17S.....	M675X	CP85WB46.....	CP85WB HWD	CSH82014.....	S 1818 2
CP17S1.....	M675X	CP85WB46BULK.....	CP85WB HWD	CSH82015.....	S 1820 2
CP17S2.....	M675X	CP85WB47.....	CP85WB DWT	CSH82016.....	S 1820 2
CP17S5.....	M675X	CP85WB47BULK.....	CP85WB DWT	CSH82020.....	S 1822 2
CP18N12.....	M281X	CP85WB48.....	CP85WB HB	CSH82023.....	S 1812 2
CP18N15.....	M281X	CP85WB48BULK.....	CP85WB HB	DC16N.....	SE RUR25 2
CP18N17.....	M281X	CP85WBDWTBULK.....	CP85WB DWT	DC17N2.....	DC17N
CP18N3.....	M281X	CP85WBHBBULK.....	CP85WB HB	DC72N4.....	SE RUR25 1
CP18N8.....	M281X	CP85WBHWDBULK.....	CP85WB HWD	DC72NBULK.....	DC72N
CP18N95.....	CP18N 96	CP92N102.....	CP92N 70	DCR221BULK.....	DCR22 1
CP18NS.....	M281X	CP92N17.....	CP92N HWD	DEFR252BULK.....	DEFR25 2
CP18S1.....	M676X	CP92N49.....	CP92N DWT	DEFR341BULK.....	DEFR34 1
CP18S1BULK.....	M676X	CP92N50.....	CP92N HB	DEFR383BULK.....	DEFR38 3
CP18S2.....	M676X	CP92N58.....	CP92N HWD	DEFR405BULK.....	DEFR40 5
CP2011.....	CP2011X	CP92N71.....	CP92N DWT	DEFR441BULK.....	DEFR44 1
CP20RPL.....	CP20 RPLS	CP92N71BULK.....	CP92N DWT	DEFR4716.....	2297K6303
CP20RPL1.....	CP20 RPLS	CP92N72.....	CP92N HB	DEFR535.....	DEFR53 4
CP25RPL.....	CP25 RPL S	CP92N72BULK.....	CP92N HB	DEFR613.....	DEFR61 1
CP25RPL1.....	CP25 RPL S	CP92N73.....	CP92N HWD	GCP279X.....	CP279X
CP3008.....	CP3147X	CP92N73BULK.....	CP92N HWD	GCP280X.....	CP280X
CP4113.....	CP4143X	CP92NDWTBULK.....	CP92N DWT	GCP281X.....	CP281X
CP438X.....	CP 674X	CP92NHBBULK.....	CP92N HB	GCP407X.....	CP407X
CP469X.....	CP 677X	CP92NHWDBULK.....	CP92N HWD	GCPL6R30.....	CPL6R 50
CP5000.....	CP5122	CPL10N4.....	CPL10N 2	GCPL6R50.....	CPL6R 50
CP510X.....	CP 676X	CPL10S.....	CPL10N 2	HCB101.....	CB210661 1XSA
CP515X.....	CP 675X	CPL10S1.....	CPL10N 2	HCB2.....	DEFR55 1
CP58WB29.....	CP58WB DWT	CPL10SBULK.....	CPL10N 2	HCB205.....	CB210661 1XSA
CP58WB30.....	CP58WB HWD	CPL15N.....	CPL15N 1S	KIT2025RPL.....	KIT RPL 25 20
CP58WB31.....	CP58WB HWD	CPL15N1.....	CPL15N 1S	KT16ES.....	KT16SB
CP58WB35.....	CP58WB DWT	CPL15N1BULK.....	CPL15N 1S	KT16SBBULK.....	KT16SB
CP58WB37.....	CP58WB HB	CPL15N1SBULK.....	CPL15N 1S	KT17ES.....	KT17SB
CP58WB37BULK.....	CP58WB HB	CPL15NBULK.....	CPL15N 1S	KT17SBBULK.....	KT17SB
CP58WB38.....	CP58WB HWD	CPL6R30.....	CPL6R 50	L6NLS2065.....	L6NLS20 65DC
CP58WBHBBULK.....	CP58WB HB	CPL6R30BULK.....	CPL6R 50	L6NYS1239BULK.....	L6NYS12 39
CP62N47.....	CP62N DWT	CPL6R34.....	CPL6R 51	L6NYS1618BULK.....	L6NYS16 18
CP62N48.....	CP62N HB	CPL6R40.....	CPL6R 50	L6R211A.....	CPL6R 50
CP62N49.....	CP62N HWD	CPL6R40BULK.....	CPL6R 50	M1475X3.....	CPL6R 50
CP62NDWTBULK.....	CP62N DWT	CPL6R47.....	CPL6R 53	N28613.....	ND2C
CP62NHBBULK.....	CP62N HB	CPL6R50BULK.....	CPL6R 50	NUHX62414.....	N 16 1
CP62NHWDBULK.....	CP62N HWD	CPL6S22.....	CPL6R 50	NUHX7201.....	R005961
CP7262512.....	CP1306 1X	CPL6S26.....	CPL6R 51	NUPT121611.....	NL 112 1
CP726253.....	CP1306X	CPL6S36.....	CPL6R 53	NUPT16204.....	1227C 939
CP72N103.....	CP72N HWD	CSC51835.....	SP 1049	NUPT20186.....	1227Z 936
CP72N113.....	CP72N DWT	CSC52436.....	CS H5 24 37	NUPT20186BULK.....	1227Z 936
CP72N121.....	CP72N HWD	CSC61658.....	SP 1045	NUPT5186.....	NL 25 1
CP72N121BULK.....	CP72N HWD	CSC62456.....	SP 1013	NUPT61616.....	NL 26 1
CP72N34.....	CP72N HB	CSC72010.....	SP 1012	NUSL16201.....	1227C 939
CP72N89.....	CP72N DWT	CSC72011.....	SP 1010	NUSL16202.....	1227C 939
CP72N90.....	CP72N HB	CSC72046.....	SP 1010	NUSL20181.....	1227Z 936
CP72N90BULK.....	CP72N HB	CSC82047.....	SP 1014	OCB21.....	DEFR25 4
CP72NDWTBULK.....	CP72N DWT	CSH12166.....	S 11212	PLD6271.....	P 42
CP72NHBBULK.....	CP72N HB	CSH42013.....	CS H4 28 13	PLEX421.....	PLEX42 2
CP72NHWDBULK.....	CP72N HWD	CSH51827.....	CS H5 24 27	PS25161.....	148N 40 1571
CP750N1BULK.....	CP750N 1	CSH51828.....	CS H5 24 28	PS281619.....	155N 40 761
CP750NBULK.....	CP750N	CSH51835.....	SP 1049	PS28167.....	155N 40 761
CP82N72.....	CP82N HWD	CSH52427BULK.....	CS H5 24 27	PS321630BULK.....	PS32 16 30
CP82N72BULK.....	CP82N HWD	CSH52430.....	CS H5 24 37	PS40161.....	17N 40 521
CP82N75.....	CP82N HB	CSH52438.....	S 155B 2	PS401615.....	17N 40 521

17

# SUPERSESSION LISTING

Old#	New#	Old#	New#	Old#	New#
PS401623	PS40 16 49				
PS401625	17N 40 541				
PS401634BULK	PS40 16 34				
PS401644	PS40 16 61				
PS401645	25RPL SLIP				
PS401653	PS40 16 61				
PS401655	25RPL SLIP				
PS481610	PS48 16 1				
PS48165	18N 40 191				
PS48166	18N 40 201				
R102701SF	R10270 SF				
R102702SF	R10270 SF				
R279X	M279X				
R279XBULK	M279X				
R280X	M280X				
R280XBULK	M280X				
R281XBULK	M281X				
R3R26057	R3R 26 57				
R407X	M407X				
R407XBULK	M407X				
R674X	M674X				
R675X	M675X				
R676XBULK	M676X				
R677X	M677X				
R912286	4137268				
R985001	3260H1984				
REBC148BULK	REBC148				
RPLLUBE48	RPL LUBE 65				
RT314108DOM	RT 3 14 108				
RT31472DOM	RT 3 14 72				
S1652	S 165 B 2				
SERUR251BULK	SE RUR25 1				
SERUR254	KIT 6269				
SERUR335	KIT 6167				
SERUR409	KIT 6168				
WALH57	WA 15K				
WALH63	WA 46				
WALH83	WA 48				
WAR203	WAR20 12				
WAR211BULK	WAR21 1				
WAR74	1229K1597				
WIR381	1199A3329				

**HOW TO USE THIS LISTING:**

Look for one digit at a time until you find the part number you wish to interchange. The listing is in alphanumeric sequence and numbers have precedence over letters. Dashes and spaces should be ignored.

**EXAMPLES:**

1-6301	would be followed by
16-74-101	would be followed by
5-7000X	would be followed by
D2C	would be followed by
N10270-SF	

**NOTE:**

This cross reference has been carefully researched to make it as accurate as possible. However, we cannot guarantee that it is completely and perfectly accurate. To be certain, compare the information in this cross reference to the appropriate catalog pages and double check for part dimensions and application information. Use this cross reference as a guide only. If you are not sure which part to use, always follow the vehicle manufacturer's specifications.

## CROSS REFERENCE LISTING

PART#	COMPETITOR	MERITOR#	PART#	COMPETITOR	MERITOR#
10-2-29	Dana/Spicer	10N-2-29	15-279X	Dana/Spicer	CP279X
10270-1SF	Dana/Spicer	R10270-SF	15-280X	Dana/Spicer	CP280X
10270-2SF	Dana/Spicer	R10270-SF	15-281X	Dana/Spicer	CP281X
10270-5729	Dana/Spicer	R10270-SF	15-407X	Dana/Spicer	CP407X
10-3-122X	Dana/Spicer	10N-3-122X	15-674X	Dana/Spicer	CP674X
10-3-12X	Dana/Spicer	10N-3-12X	15-675X	Dana/Spicer	CP675X
10-3-13X	Dana/Spicer	10-N-3-13X	15-676X	Dana/Spicer	CP676X
10-3-162X	Dana/Spicer	10N-3-162X	15-677X	Dana/Spicer	CP677X
10-3-163X	Dana/Spicer	10N-3-163X	16-30-62-10800	Dana/Spicer	RT-2-14-108
10-3-183X	Dana/Spicer	10N-3-183X	16-30-62-74	Dana/Spicer	RT-2-14-72
10-3-18KX	Dana/Spicer	10N-3-18KX	16-30-62-7400	Dana/Spicer	RT-2-14-72
10-3-22X	Dana/Spicer	10N-3-22X	170-4-2411X	Dana/Spicer	170N-4-241-1X
10-3-23X	Dana/Spicer	10N-3-23X	170-4-2611X	Dana/Spicer	170N-4-261-1X
10-32-92-108	Dana/Spicer	RT-125-11-108	170-4-521-1X	Dana/Spicer	170TYS44-1A
10-32-92-10800	Dana/Spicer	RT-125-11-108	170-4-5611	Dana/Spicer	170N-4-561-1
10-32-92-5400	Dana/Spicer	RT-125-11-72	170-4-581-1X	Dana/Spicer	170TYS38-3A
10-3-32X	Dana/Spicer	10N-3-32X	170-4-591-1X	Dana/Spicer	170TYS38-3A1
10-3-33X	Dana/Spicer	10N-3-33X	170-4-611-1X	Dana/Spicer	170TYS38-1A
10-3-81X	Dana/Spicer	10N-3-81X	170-4-6411	Dana/Spicer	170TYS32-2
10-3-83X	Dana/Spicer	10N-3-83X	170-4-661-1	Dana/Spicer	170TYS32-1
10-4-103	Dana/Spicer	10N-4-103	170-4-671-1X	Dana/Spicer	170TYS32-1A
10-4-11	Dana/Spicer	10-N-4-11	170-4-691-1X	Dana/Spicer	170TYS32-1A2
10-4-113	Dana/Spicer	10N-4-113	170-4-711-1X	Dana/Spicer	170TYS38-4A
10-4-12	Dana/Spicer	10N-4-12	170-4-721-1X	Dana/Spicer	170TYS38-4A
10-4-123	Dana/Spicer	10N-4-123	170-4-741-1X	Dana/Spicer	170TYS38-2A
10-4-13	Dana/Spicer	10N-4-13	170-70-18X	Dana/Spicer	170N-70-18X
10-4-133	Dana/Spicer	10N-4-133	20-30-12-108	Dana/Spicer	RT-25-16-108
10-4-139	Dana/Spicer	10N-4-139	20-30-12-10800	Dana/Spicer	RT-25-16-108
10-4-143	Dana/Spicer	10N-4-143	20-30-12-74	Dana/Spicer	RT-25-16-72
10-4-153	Dana/Spicer	10-4153	20-30-12-7400	Dana/Spicer	RT-25-16-72
10-4-163	Dana/Spicer	10-N-4-163	20-30-22-108	Dana/Spicer	RT-25-14-108
10-4-173	Dana/Spicer	10N-4-173	20-30-22-10800	Dana/Spicer	RT-25-14-108
10-4-183	Dana/Spicer	10N-4-183	20-30-22-74	Dana/Spicer	RT-25-14-72
10-4-193	Dana/Spicer	10N-4-193	20-30-22-7400	Dana/Spicer	RT-25-14-72
10-4-22	Dana/Spicer	10N-4-22	210084-2X	Dana/Spicer	CB210084-2X
10-4-23	Dana/Spicer	10N-4-23	210088-1X	Dana/Spicer	CB210088-1X
10-4-282	Dana/Spicer	10N-4-282	210090-1X	Dana/Spicer	CB210090-1X
10-4-293	Dana/Spicer	10-N-4-293	210121-1X	Dana/Spicer	CB210121-1XSA
10-4-32	Dana/Spicer	10N-4-32	210130-1X	Dana/Spicer	CB210207-1X
10-4-373	Dana/Spicer	10-N-4-373	210140-1X	Dana/Spicer	CB210140-1X
10-4-43	Dana/Spicer	10N-4-43	210144-1X	Dana/Spicer	CB210144-1X
10-4-481	Dana/Spicer	10N-4-481	210207-1X	Dana/Spicer	CB210207-1X
10-4-52	Dana/Spicer	10N-4-52	210367-1X	Dana/Spicer	CB210367-1X
10-4-53	Dana/Spicer	10N-4-53	210370-1X	Dana/Spicer	CB210370-1X
10-4-573	Dana/Spicer	10N-4-573	210391-1X	Dana/Spicer	CB210391-1X
10-4-63	Dana/Spicer	10N-4-63	210391-1X	Dana/Spicer	GCB210391-1X
10-4-73	Dana/Spicer	10N-4-73	210433-1X	Dana/Spicer	CB210433-1X
10-4-83	Dana/Spicer	10N-4-83	210527X	Dana/Spicer	CB210527X
10-4-911SX	Dana/Spicer	10N-4-961SX	210660-1X	Dana/Spicer	CB210661-1XSA
10-4-93	Dana/Spicer	10N-4-93	210661-1X	Dana/Spicer	CB210661-1XSA
10-4-961SX	Dana/Spicer	10N-4-961SX	210866-1X	Dana/Spicer	CB210866-1X
10-4-971SX	Dana/Spicer	10N-4-961SX	210873-1X	Dana/Spicer	CB210873-1X
110-30-5-10000	Dana/Spicer	RT-472-197-108	210875-1X	Dana/Spicer	CB210875-1XSA
110-30-5-7300	Dana/Spicer	RT-472-197-72	210881-1X	Dana/Spicer	CB310012-1XSA
120-30-3-7300	Dana/Spicer	RT-496-118-72	211011X	Dana/Spicer	M211011X
120-30-4-10000	Dana/Spicer	RT-5059-167-108	211016X	Dana/Spicer	CB211016X
120-30-4-7300	Dana/Spicer	RT-5059-167-72	211172-1X	Dana/Spicer	CB211172-1X
120-30-5-7300	Dana/Spicer	RT-5118-197-72	211179X	Dana/Spicer	133-N-11179X
120-30-6-10000	Dana/Spicer	RT-5197-236-108	211187X	Dana/Spicer	CB211187X
120-30-6-7300	Dana/Spicer	RT-5197-236-72	211355X	Dana/Spicer	131N-CV82-HD
140-4-2311X	Dana/Spicer	A-3260B1874	2-1-1313	Dana/Spicer	131-N-1-1313
14-30-12-108	Dana/Spicer	RT-175-16-108	2-1-1313-1	Dana/Spicer	131-N-1-1313-1
14-30-12-10800	Dana/Spicer	RT-175-16-108	2-1-1313-3	Dana/Spicer	131-N-1-1313-3
14-30-52-108	Dana/Spicer	RT-175-14-108	2-1-1313-4	Dana/Spicer	131-N-1-1313-4
14-30-52-10800	Dana/Spicer	RT-175-14-108	2-1-1313-8	Dana/Spicer	131-N-1-1313-8

## CROSS REFERENCE LISTING

PART#	COMPETITOR	MERITOR#	PART#	COMPETITOR	MERITOR#
2-1-1313-9	Dana/Spicer	131-N-1-1313-9	230123-6	Dana/Spicer	WAR21-1
2-1-1323-1	Dana/Spicer	131-N-1-1323-1	230124	Dana/Spicer	DEFR37-1
211342X	Dana/Spicer	121-N-11342X	230141	Dana/Spicer	DEFR28-4
211359X	Dana/Spicer	CB211359X	230151	Dana/Spicer	DEFR41-1
211499X	Dana/Spicer	CB211499X	230166	Dana/Spicer	DEFR35-1
211543X	Dana/Spicer	131-N-11543X	230207	Dana/Spicer	DEFR40-5
211544X	Dana/Spicer	131-N-11544X	230208	Dana/Spicer	DEFR25-2
211590-1X	Dana/Spicer	CB211590-1X	230209	Dana/Spicer	DEFR25-1
211631X	Dana/Spicer	133-N-11631X	230363	Dana/Spicer	DEFR28-3
211848-1X	Dana/Spicer	CBA211848-1X	230386	Dana/Spicer	DEFR38-3
211913X	Dana/Spicer	133-N-11913X	230746	Dana/Spicer	DEFR55-1
211959X	Dana/Spicer	M211959X	230794	Dana/Spicer	DEFR47-6
211996X	Dana/Spicer	133-N-11996X	230795	Dana/Spicer	DEFR47-4
212019X	Dana/Spicer	135-N-12019X	230897	Dana/Spicer	DEFR43-1
212024X	Dana/Spicer	135-N-12024X	230900	Dana/Spicer	DEFR44-1
212028-1X	Dana/Spicer	CBA212028-1X	230902	Dana/Spicer	DEFR65-1
212030-1X	Dana/Spicer	CB212030-1X	230909	Dana/Spicer	DEFR42-1
212032-1X	Dana/Spicer	CB212032-1X	230910	Dana/Spicer	DEFR47-5
212053-1X	Dana/Spicer	CB212053-1X	230921	Dana/Spicer	DEFR50-2
212134-1X	Dana/Spicer	CB212134-1X	231000	Dana/Spicer	DEFR25-4
212214X	Dana/Spicer	KT17SB	231004	Dana/Spicer	DEFR34-1
2-20-1701	Dana/Spicer	131N-40-1701	231013	Dana/Spicer	DEFR55-2
2-2-02768	Dana/Spicer	133-N-2-2768	231022	Dana/Spicer	DEFR48-5
2-2-1049	Dana/Spicer	121N-2-1049	231028	Dana/Spicer	DEFR48-2
22-30-22-108	Dana/Spicer	RT-275-14-108	231047	Dana/Spicer	DEFR56-2
22-30-22-10800	Dana/Spicer	RT-275-14-108	2-3-10621KX	Dana/Spicer	131N-3-7260KX
2-2-329	Dana/Spicer	131N-2-329	231101	Dana/Spicer	DEFR47-7
2-2-349	Dana/Spicer	131N-2-349	231102	Dana/Spicer	DEFR50-4
2-2-459	Dana/Spicer	131-N-2-459	231179	Dana/Spicer	DEFR54-1
2-2-479	Dana/Spicer	131N-2-479	231206	Dana/Spicer	DEFR40-4
2-2-579	Dana/Spicer	131N-2-579	2-3-128KX	Dana/Spicer	131N-3-128KX
2-26-347	Dana/Spicer	131-N-26-347	231359	Dana/Spicer	DEFR50-7
2-26-527	Dana/Spicer	133-N-26-527	231599	Dana/Spicer	DEFR47-13
2-27-24-6000	Dana/Spicer		231616	Dana/Spicer	DEFR62-1
2-27-7-4724	Dana/Spicer		231750	Dana/Spicer	DEFR48-6
2-27-9-6017	Dana/Spicer		231803	Dana/Spicer	DEFR56-7
2-28-2117X	Dana/Spicer	133-N-28-2117X	2-3-10431X	Dana/Spicer	131-N-3-10431X
2-28-2157X	Dana/Spicer	133-N-28-2157X	2-3-4441KX	Dana/Spicer	131N-3-4441KX
2-28-2417	Dana/Spicer	121-N-28-2417	2-3-4681KX	Dana/Spicer	133N-3-7961KX
2-26-367	Dana/Spicer	131N-26-497	2-3-4951KX	Dana/Spicer	131N-3-7981KX
2-26-427	Dana/Spicer	131N-26-497	2-3-5221KX	Dana/Spicer	131N-3-8001KX
2-28-1177	Dana/Spicer	133N-28-1177	2-3-5221X	Dana/Spicer	131N-3-8001KX
2-28-1697	Dana/Spicer	133N-28-1697	2-3-5821X	Dana/Spicer	131N-3-8021KX
2-28-1707	Dana/Spicer	133N-28-1707	2-3-6061KX	Dana/Spicer	131N-3-6061KX
2-28-1717	Dana/Spicer	133N-28-1717	2-3-6081X	Dana/Spicer	131-N-3-6081X
2-28-1747X	Dana/Spicer	131N-28-2957X	2-3-7171KX	Dana/Spicer	131N-3-7171KX
2-28-1757	Dana/Spicer	131N-28-1757	2-3-7481KX	Dana/Spicer	133N-3-8041KX
2-28-1777X	Dana/Spicer	131N-28-2947X	2-3-7481X	Dana/Spicer	133N-3-8041KX
2-28-277	Dana/Spicer	131N-28-277	2-3-7681KX	Dana/Spicer	133N-3-7681KX
2-28-2947X	Dana/Spicer	131N-28-2947X	2-3-7961KX	Dana/Spicer	133N-3-7961KX
2-28-2957X	Dana/Spicer	131N-28-2957X	2-3-7981KX	Dana/Spicer	131N-3-7981KX
2-28-307	Dana/Spicer	131N-28-307	2-3-8001KX	Dana/Spicer	131N-3-8001KX
2-28-327	Dana/Spicer	131N-28-327	2-3-8021KX	Dana/Spicer	131N-3-8021KX
2-28-357	Dana/Spicer	131N-28-357	2-3-8041KX	Dana/Spicer	133N-3-8041KX
2-28-367	Dana/Spicer	131N-28-367	2-3-8861X	Dana/Spicer	121N-3-8861KX
2-28-397	Dana/Spicer	131N-28-397	2-3-8961X	Dana/Spicer	121N-3-8961KX
2-28-417	Dana/Spicer	131N-28-417	2-40-1031	Dana/Spicer	131N-40-1031
2-28-427	Dana/Spicer	131N-28-427	2-40-1221	Dana/Spicer	131N-40-1221
2-28-437	Dana/Spicer	131N-28-437	2-40-1231	Dana/Spicer	131N-40-1231
2-2-899	Dana/Spicer	121N-2-899	2-40-1291	Dana/Spicer	131N-40-1291
2-2-939	Dana/Spicer	131N2-939	2-40-1521	Dana/Spicer	131N-40-1521
2-2-949	Dana/Spicer	133-N-2-949	2-40-1701	Dana/Spicer	131N-40-1701
230104	Dana/Spicer	DEFR22-4	2-40-1711	Dana/Spicer	131N-40-1711
230118	Dana/Spicer	DEFR33-1	2-40-1741	Dana/Spicer	121N-40-1741
230121	Dana/Spicer	DEFR22-5	2-40-1771	Dana/Spicer	131N-40-1771



## CROSS REFERENCE LISTING

PART#	COMPETITOR	MERITOR#	PART#	COMPETITOR	MERITOR#
2-40-1811	Dana/Spicer	131N-40-1811	3-1-1013-6	Dana/Spicer	135-N-1-1013-6
2-40-1851	Dana/Spicer	131N-40-1851	3-1-1013-8	Dana/Spicer	135-N-1-1013-8
2-40-1871	Dana/Spicer	131N-40-1871	3-1-1013-9	Dana/Spicer	135-N-1-1013-9
2-40-2051	Dana/Spicer	131N-40-2051	3-2-119	Dana/Spicer	135N-2-119
2-40-2211	Dana/Spicer	121N-40-2211	3-2-159	Dana/Spicer	141N-2-159
2-40-2301	Dana/Spicer	121N-40-2301	3-2-1819	Dana/Spicer	141-N-2-1819
24-30-12-108	Dana/Spicer	RT-3-13-108	32-20-22-74	Dana/Spicer	RT-4-14-72
24-30-12-10800	Dana/Spicer	RT-3-13-108	32-20-22-7400	Dana/Spicer	RT-4-14-72
24-30-12-74	Dana/Spicer	RT-3-13-72	32-30-12-10000	Dana/Spicer	RT4-13-108
24-30-12-7400	Dana/Spicer	RT-3-13-72	32-30-12-7400	Dana/Spicer	RT-4-13-72
24-30-32-10800	Dana/Spicer	RT-3-16-108	32-30-22-108	Dana/Spicer	RT-4-14-108
24-30-32-74	Dana/Spicer	RT-3-16-72	32-30-22-10800	Dana/Spicer	RT-4-14-108
24-30-32-7400	Dana/Spicer	RT-3-16-72	32-30-22-7400	Dana/Spicer	RT-4-14-72
24-30-42-108	Dana/Spicer	RT-3-14-108	32-30-52-108	Dana/Spicer	RT-4-10-108
24-30-42-10800	Dana/Spicer	RT-3-14-108	32-30-52-10800	Dana/Spicer	RT-4-10-108
24-30-42-74	Dana/Spicer	RT-3-14-72	32-30-52-74	Dana/Spicer	RT-4-10-72
24-30-42-7400	Dana/Spicer	RT-3-14-72	32-30-52-7400	Dana/Spicer	RT-4-10-72
24-32-142-108	Dana/Spicer	RT-3-11-108	32-30-72-10000	Dana/Spicer	RT-4095-7-108
24-32-142-10800	Dana/Spicer	RT-3-11-108	32-30-72-108	Dana/Spicer	RT-4095-7-108
24-32-142-74	Dana/Spicer	RT-3-11-72	32-30-72-10800	Dana/Spicer	RT-4095-7-108
24-32-142-7400	Dana/Spicer	RT-3-11-72	32-30-72-7300	Dana/Spicer	RT-4095-7-72
2-4-473	Dana/Spicer	131N-4-473	32-30-72-74	Dana/Spicer	RT-4095-7-72
2-4-503	Dana/Spicer	131N-4-503	32-30-72-7400	Dana/Spicer	RT-4095-7-72
2-4-533	Dana/Spicer	131N-4-533	3-2-429	Dana/Spicer	141N-2-429
2-4-783	Dana/Spicer	131N-4-783	3-2-479	Dana/Spicer	148N-2-479
2-40-2231	Dana/Spicer	141-N-40-2231	3-2-499	Dana/Spicer	148-N-2-499
250-4-291-1X	Dana/Spicer	250TYS38-1A	3-28-137	Dana/Spicer	135-N-28-137
250-70-18X	Dana/Spicer	250N-70-18X	3-28-367	Dana/Spicer	141N-28-367
2-53-491	Dana/Spicer	131N-53-491	3-28-427	Dana/Spicer	135N-28-427
2-53-711	Dana/Spicer	131N-53-711	3-28-457	Dana/Spicer	141-N-28-457
2-53-1191	Dana/Spicer	135-N-53-1991	3-28-47	Dana/Spicer	135N-28-47
26-30-22-108	Dana/Spicer	RT-45-3-108	3-28-507	Dana/Spicer	148N-28-507
26-30-22-10800	Dana/Spicer	RT-45-3-108	3-28-537	Dana/Spicer	148N-28-537
2-70-18X	Dana/Spicer	M2-70-18X	3-28-547	Dana/Spicer	148N-28-547
2-70-28X	Dana/Spicer	M2-70-28X	3-28-557	Dana/Spicer	141N-28-557
2-70-48X	Dana/Spicer	M2-70-48X	3-28-567	Dana/Spicer	148N-28-567
2-82-21	Dana/Spicer	131-N-82-21	3-28-57	Dana/Spicer	135N-28-57
2-82-51	Dana/Spicer	131-N-82-51	3-28-572	Dana/Spicer	135N-28-57-2
28-30-22-108	Dana/Spicer	RT-35-13-108	3-28-647	Dana/Spicer	148N-28-547
28-30-22-10800	Dana/Spicer	RT-35-13-108	3-28-97	Dana/Spicer	141N-28-97
28-30-22-74	Dana/Spicer	RT-35-13-72	3-3-118KX	Dana/Spicer	141N-3-118KX
28-30-22-7400	Dana/Spicer	RT-35-13-72	3-3-1481KX	Dana/Spicer	141N-3-1481KX
28-30-42-108	Dana/Spicer	RT-35-16-108	3-3-1501KX	Dana/Spicer	135N-3-1501KX
28-30-42-10800	Dana/Spicer	RT-35-16-108	3-3-1561KX	Dana/Spicer	135N-3-1561KX
28-30-42-72	Dana/Spicer	RT-35-16-72	3-3-1601KX	Dana/Spicer	148N-3-1601KX
28-30-42-7200	Dana/Spicer	RT-35-16-72	3-3-1641KX	Dana/Spicer	148N-3-1641KX
28-30-52-108	Dana/Spicer	RT-35-156-108	3-3-2041KX	Dana/Spicer	141N-3-2041KX
28-30-52-10800	Dana/Spicer	RT-35-156-108	3-3-2471KX	Dana/Spicer	135N-3-2471KX
28-30-52-74	Dana/Spicer	RT-35-156-72	3-3-4281X	Dana/Spicer	135-N-3-4281X
28-30-52-7400	Dana/Spicer	RT-35-156-72	3-3-488KX	Dana/Spicer	135N-3-488KX
28-30-62-108	Dana/Spicer	RT-35-14-108	3-3-508KX	Dana/Spicer	141N-3-508KX
28-30-62-10800	Dana/Spicer	RT-35-14-108	3-3-598KX	Dana/Spicer	135N-3-598KX
28-30-62-74	Dana/Spicer	RT-35-14-72	3-3-758KX	Dana/Spicer	135N-3-758KX
28-30-62-7400	Dana/Spicer	RT-35-14-72	3-3-788KX	Dana/Spicer	141N-3-788KX
28-30-92-10800	Dana/Spicer	RT-35-10-108	3-40-1561	Dana/Spicer	135N-40-1561
28-30-92-74	Dana/Spicer	RT-35-10-72	3-401571	Dana/Spicer	148N-40-1571
28-30-92-7400	Dana/Spicer	RT-35-10-72	3-40-971	Dana/Spicer	148N-40-1571
2-94-28X	Dana/Spicer	KT116	3-4-10461-1X	Dana/Spicer	141N-4-10461-1X
3-1-1013	Dana/Spicer	135-N-1-1013	3-4-10471-1X	Dana/Spicer	148N-4-10471-1X
3-1-1013-1	Dana/Spicer	135-N-1-1013-1	3-4-10471X	Dana/Spicer	148N-4-10471-1X
3-1-1013-10	Dana/Spicer	135-N-1-1013-10	3-4-178-1X	Dana/Spicer	135-N-4-178-1X
3-1-1013-12	Dana/Spicer	135-N-1-1013-12	3-4-1841	Dana/Spicer	141N-4-1841
3-1-1013-3	Dana/Spicer	135-N-1-1013-3	3-4-283-1	Dana/Spicer	135-N-4-283-1
3-1-1013-4	Dana/Spicer	135-N-1-1013-4	3-4-3061	Dana/Spicer	148N-4-3061
3-1-1013-5	Dana/Spicer	135-N-1-1013-5	3-4-3091	Dana/Spicer	148N-4-3091

## CROSS REFERENCE LISTING

PART#	COMPETITOR	MERITOR#	PART#	COMPETITOR	MERITOR#
3-4-3191	Dana/Spicer	148N-4-3571	4-4-4071-1X	Dana/Spicer	155TYS31A
3-4-3781	Dana/Spicer	148N-4-3781	4-4-4101	Dana/Spicer	155N-4-4101
3-4-3861	Dana/Spicer	148N-4-3861	4-4-4101-2	Dana/Spicer	155DYS28-1A
3-4-4421X	Dana/Spicer	148N-4-4421X	4-4-4111X	Dana/Spicer	155NYS28-5A
3-4-6221X	Dana/Spicer	148N-4-3781	4-4-4211	Dana/Spicer	155N-4-4211
3-4-6561	Dana/Spicer	141N-4-6561	4-4-5551-1	Dana/Spicer	155TYS28-15
3-4-6631X	Dana/Spicer	141N-4-6631X	4-4-5611-1X	Dana/Spicer	155N-4-5611-1X
3-4-7151	Dana/Spicer	141NYS24-4	4-4-5691-1X	Dana/Spicer	155N-4-5691-1X
3-4-7541	Dana/Spicer	148N-4-8051-1X	4-4-6831-1X	Dana/Spicer	155N-4-5691-1X
3-4-8051-1X	Dana/Spicer	148N-4-8051-1X	4-53-261	Dana/Spicer	BS-S24-60A
35-30-22-74	Dana/Spicer	RT-45-3-72	4-53-61	Dana/Spicer	155N-53-61
35-30-22-7400	Dana/Spicer	RT-45-3-72	4-53-71	Dana/Spicer	BS-S24-53A
3-53-1031	Dana/Spicer	141N-53-1031	5003323	Dana/Spicer	CB210661-1XSA
3-53-1081	Dana/Spicer	141N-53-1081	5003323XB	Dana/Spicer	CB210661-1XSA
3-53-1181	Dana/Spicer	135N-53-1181	5003326	Dana/Spicer	CB210875-1XSA
3-53-1181-1	Dana/Spicer	135N-53-1181-1	5003553	Dana/Spicer	17TYS38-76A2
3-53-1181-2	Dana/Spicer	135N-53-1181-2	5003560	Dana/Spicer	140TYS38A
3-53-1351	Dana/Spicer	135N-53-1351	5003560	Dana/Spicer	250TYS38-2A
3-53-1361	Dana/Spicer	141N-53-1361	5006813	Dana/Spicer	CP06813
3-53-1371	Dana/Spicer	141N-53-1371	5006852-3	Dana/Spicer	BLWP22-1
3-53-151	Dana/Spicer	135N-53-1351	5009385-1	Dana/Spicer	CB5009385-1
3-53-1991	Dana/Spicer	141-N-53-1991	5-100X	Dana/Spicer	CP105X
3-53-341	Dana/Spicer	148N-53-451	5-101X	Dana/Spicer	CP101X
3-53-431	Dana/Spicer	148N-53-431	5-103X	Dana/Spicer	CP103X
3-53-451	Dana/Spicer	148N-53-451	5-105X	Dana/Spicer	CP105X
3-54-611	Dana/Spicer	141-N-54-611	5-111X	Dana/Spicer	CP111X
36-20-22-10800	Dana/Spicer	RT-45-3-108	5-115X	Dana/Spicer	CP115X
36-30-102-10000	Dana/Spicer	RT-459-7-108	5-1200X	Dana/Spicer	CP1200X
36-30-12-108	Dana/Spicer	RT-45-13-108	5-1201X	Dana/Spicer	CP1201X
36-30-12-10800	Dana/Spicer	RT-45-13-108	5-1203	Dana/Spicer	CP1203X
36-30-12-74	Dana/Spicer	RT-45-13-72	5-1204X	Dana/Spicer	CP1204X
36-30-12-7400	Dana/Spicer	RT-45-13-72	5-1205X	Dana/Spicer	CP1205X
36-30-22-10800	Dana/Spicer	RT-45-3-108	5-1206X	Dana/Spicer	CP141N
36-30-22-74	Dana/Spicer	RT-45-3-72	5-124X	Dana/Spicer	CP124X
36-30-22-7400	Dana/Spicer	RT-45-3-72	5-129X	Dana/Spicer	CP279X
36-30-62-10800	Dana/Spicer	RT-45-10-108	5-1301X	Dana/Spicer	CP1301X
36-30-62-7400	Dana/Spicer	RT-45-10-72	5-1306-1X	Dana/Spicer	CP1306-1X
36-32-12-10800	Dana/Spicer	RT-45-187-108	5-1306X	Dana/Spicer	CP1306X
36-32-12-7400	Dana/Spicer	RT-45-187-72	5-1310X	Dana/Spicer	CP1310X
3-70-28X	Dana/Spicer	KT122	5-1330X	Dana/Spicer	CP1330X
3-70-38X	Dana/Spicer	KT124	5-1350X	Dana/Spicer	CP1350X
3-70-99	Dana/Spicer	REBC148-2	5-134X	Dana/Spicer	CP134X
3-7-89	Dana/Spicer	RR-IR24-2	5-1410X	Dana/Spicer	CP1410X
3-82-1121	Dana/Spicer	148-N-82-1121	5-1500X	Dana/Spicer	CP1500X
3-82-1191	Dana/Spicer	141-N-82-1191	5-1501X	Dana/Spicer	CP1501X
3-82-181	Dana/Spicer	135-N-82-181	5-1503X	Dana/Spicer	CP1503X
3-82-61	Dana/Spicer	135-N-82-61	5-1505X	Dana/Spicer	CP1505X
3-94-18X	Dana/Spicer	KT117	5-1508X	Dana/Spicer	CP1508X
3-94-28X	Dana/Spicer	KT118	5-1515X	Dana/Spicer	CP1515X
4-1-1133	Dana/Spicer	148-N-1-1133	5-153X	Dana/Spicer	CP153X
4-1-1133-1	Dana/Spicer	148-N-1-1133-1	5-155X	Dana/Spicer	CP155N
4-1-1133-6	Dana/Spicer	148-N-1-1133-6	5-155X	Dana/Spicer	CP155X
4-1-1133-8	Dana/Spicer	148-N-1-1133-8	5-158X	Dana/Spicer	CP155N
4-2-669	Dana/Spicer	155N-2-669	5-160X	Dana/Spicer	CP160X
4-28-307	Dana/Spicer	155N-28-307	5-160XU	Dana/Spicer	CP160X
4-28-417	Dana/Spicer	155NY53-5	5-165X	Dana/Spicer	CP165X
4-3-1241KX	Dana/Spicer	155N-3-1241X	5-170X	Dana/Spicer	CP170X
4-40-461	Dana/Spicer	155N-40-761	5-177X	Dana/Spicer	CP280X
4-40-481	Dana/Spicer	50NPS28-45	5-177X	Dana/Spicer	M280X
4-40-591	Dana/Spicer	155N-40-721	5-178X	Dana/Spicer	CP178X
4-40-721	Dana/Spicer	155N-40-721	5-178XU	Dana/Spicer	CP178X
4-4-1891	Dana/Spicer	155N-4-1891	5-1-873	Dana/Spicer	16-N-1-873
4-4-1901	Dana/Spicer	155N-4-1901	5-1-873-1	Dana/Spicer	16-N-1-873-1
4-4-2051	Dana/Spicer	155N-4-2051	5-188X	Dana/Spicer	CP188X
4-4-3581X	Dana/Spicer	155N-4-1901	5-200X	Dana/Spicer	CP153X

## CROSS REFERENCE LISTING

PART#	COMPETITOR	MERITOR#	PART#	COMPETITOR	MERITOR#
5-2011X	Dana/Spicer	CP2011X	5-40-501	Dana/Spicer	161-N-40-501
5-2031X	Dana/Spicer	CP2031	5-40-741	Dana/Spicer	16N-40-1011
5-2033X	Dana/Spicer	CP2033	5-407X	Dana/Spicer	CP407X
5-212X	Dana/Spicer	CP212X	5-407X	Dana/Spicer	M407X
5-2116X	Dana/Spicer	CP2116	5-40-501	Dana/Spicer	161-N-40-501
5-213X	Dana/Spicer	CP213X	5-4-1051	Dana/Spicer	16N-4-1051
5-2140X	Dana/Spicer	CP2140	5-4123X	Dana/Spicer	CP4101
5-2173X	Dana/Spicer	CP2173X	5-4138X	Dana/Spicer	CP4002
5-2-279	Dana/Spicer	16N2-279	5-4143X	Dana/Spicer	CP4143X
5-242X	Dana/Spicer	GCP242X	5-4-1631	Dana/Spicer	16N-4-1631
5-243X	Dana/Spicer	GCP243X	5-4-1721	Dana/Spicer	16N-4-1721
5-248X	Dana/Spicer	CP248X	5-4-1721-1	Dana/Spicer	16N-4-1721-1
5-252	Dana/Spicer	CP153X	5-4-1931	Dana/Spicer	16N-4-1931
5-260X	Dana/Spicer	CP260X	5-4-2051	Dana/Spicer	16N-4-1051
5-2-629	Dana/Spicer	16N-2-629	5-4-2081	Dana/Spicer	16N-4-2081
5-279X	Dana/Spicer	CP279X	5-4-2411	Dana/Spicer	16N-4-3681
5-279X	Dana/Spicer	M279X	5-430X	Dana/Spicer	CP430X
5-280X	Dana/Spicer	CP280X	5-4-31	Dana/Spicer	16N-4-1931
5-280X	Dana/Spicer	M280X	5-431X	Dana/Spicer	CP431X
5-280Y	Dana/Spicer	M280X	5-4-3311	Dana/Spicer	16N-4-3321
5-28-167	Dana/Spicer	16N-28-167	5-4-3321	Dana/Spicer	16N-4-3321
5-281X	Dana/Spicer	CP281X	5-4-3601X	Dana/Spicer	16N-4-3601X
5-281X	Dana/Spicer	M281X	5-4-3621	Dana/Spicer	16N-4-3621
5-28-207	Dana/Spicer	16N-28-207	5-4-3681	Dana/Spicer	16N-4-3681
5-28-217	Dana/Spicer	16N-28-167	5-4-3861	Dana/Spicer	16N-4-3861
5-28-407	Dana/Spicer	16N-28-207	5-438X	Dana/Spicer	R674X
5-28-627	Dana/Spicer	16N-28-627	5-4-4401	Dana/Spicer	16N-4-4401
5-28-667	Dana/Spicer	16N-28-887	5-4-4441X	Dana/Spicer	16N-4-4441X
5-291X	Dana/Spicer	CP291X	5-4-4541	Dana/Spicer	16-NYS-4-4541
5-297-1X	Dana/Spicer	CP297-1X	5-4-4451X	Dana/Spicer	16N-4-4451X
5-297X	Dana/Spicer	CP297X	5-4-4471	Dana/Spicer	16N-4-4471
5-3000X	Dana/Spicer	CP3000	5-4-4481	Dana/Spicer	16N-4-4481
5-3008X	Dana/Spicer	CP3147X	5-4-4551	Dana/Spicer	16N-4-4551
5-3009X	Dana/Spicer	CP3147X	5-4-4741	Dana/Spicer	16NYS36-7
5-3012X	Dana/Spicer	CP3012	5-4-4761X	Dana/Spicer	16N-4-4761X
5-3022X	Dana/Spicer	CP3022X	5-4-4841-1X	Dana/Spicer	16N-4-4841-1X
5-306X	Dana/Spicer	M280X	5-4-4891X	Dana/Spicer	16N-4-6251
5-308X	Dana/Spicer	CP308X	5-4-4961-1	Dana/Spicer	16N-4-3321
5-3-128KX	Dana/Spicer	16N-3-128X-MXL	5-4-5081X	Dana/Spicer	16N-4-5081X
5-3-1411KX	Dana/Spicer	16N-3-1411X-MXL	5-4-5111X	Dana/Spicer	16N-4-2081
5-3147X	Dana/Spicer	CP3147X	5-4-5441	Dana/Spicer	16N-4-5441
5-3203X	Dana/Spicer	CP3203X	5-4-5451X	Dana/Spicer	16N-4-6961X
5-3206X	Dana/Spicer	CP3206X	5-4-5571	Dana/Spicer	16N-4-5571
5-3207X	Dana/Spicer	CP3207X	5-4-5571-1	Dana/Spicer	16N-4-5571-1
5-3208X	Dana/Spicer	CP3208X	5-4-5621-1X	Dana/Spicer	16TYS28-13A
5-3212X	Dana/Spicer	CP3212X	5-4-5621X	Dana/Spicer	16N-4-5621X
5-3219-1X	Dana/Spicer	CP32191X	5-4-5721	Dana/Spicer	16N-4-5721
5-3222X	Dana/Spicer	CP3222X	5-4-5731	Dana/Spicer	16N-4-5731
5-3-2261KX	Dana/Spicer	16N-3-2261X-MXL	5-4-5741	Dana/Spicer	16N-4-5741
5-324X	Dana/Spicer	CP18N-96	5-4-5751	Dana/Spicer	16N-4-5751
5-3242X	Dana/Spicer	CP3242X	5-4-5881	Dana/Spicer	16NYS32-43
5-3244X	Dana/Spicer	CP3244X	5-4-5981	Dana/Spicer	16N-4-5981
5-3246X	Dana/Spicer	CP3246X	5-4-5991X	Dana/Spicer	16N-4-5991X
5-3252X	Dana/Spicer	CP3252X	5-4-6241	Dana/Spicer	16N-4-6241
5-3255X	Dana/Spicer	CP3255X	5-4-6251	Dana/Spicer	16N-4-6251
5-3256X	Dana/Spicer	CP3256X	5-4-6271	Dana/Spicer	16N-4-6271
5-326X	Dana/Spicer	CP326X	5-4-6271-1	Dana/Spicer	16N-4-6271-1
5-3-288KX	Dana/Spicer	16N-3-288X-MXL	5-4-6281X	Dana/Spicer	16N-4-6281X
5-332X	Dana/Spicer	CP332X	5-4-6291-1X	Dana/Spicer	16TYS32-76A
5-353X	Dana/Spicer	CP353X	5-4-6291X	Dana/Spicer	16N-4-6291X
5-354X	Dana/Spicer	CP354X	5-4-6321	Dana/Spicer	16N-4-6321
5-357X	Dana/Spicer	CP357X	5-4-6321-1	Dana/Spicer	16N-4-6321-1
5-4002X	Dana/Spicer	CP4002	5-4-6421-1	Dana/Spicer	16N-4-6421-1
5-40-1011	Dana/Spicer	16N-40-1011	5-4-6431-1X	Dana/Spicer	16N-4-6431-1X
5-4014X	Dana/Spicer	CP4102	5-4-6441-1X	Dana/Spicer	16TYS32-86A

## CROSS REFERENCE LISTING

PART#	COMPETITOR	MERITOR#	PART#	COMPETITOR	MERITOR#
5-4-6891X	Dana/Spicer	16N-4-6891X	6.3-4-1041X	Dana/Spicer	176N-4-1041X
5-4-6951X	Dana/Spicer	16N-4-6951X	6.3-4-11	Dana/Spicer	176N-4-791X
5-4-6961X	Dana/Spicer	16N-4-6961X	6.3-4-1161-1X	Dana/Spicer	176N-4-1161-1X
5-469X	Dana/Spicer	CP677X	6.3-4-1161X	Dana/Spicer	176N-4-1161X
5-469X	Dana/Spicer	M677X	6.3-4-121	Dana/Spicer	176N-4-121
5-4-7171-1	Dana/Spicer	16TYS38-63	6.3-4-1281-1X	Dana/Spicer	176TYS38-10A1
5-4-7331-1	Dana/Spicer	16N-4-7331-1	6.3-4-1391-1X	Dana/Spicer	176TYS38-11A
5-4-7341-1X	Dana/Spicer	16N-4-7341-1X	6.3-4-1481-1X	Dana/Spicer	176N-4-1481-1X
5-5000X	Dana/Spicer	CP5122	6.3-4-151	Dana/Spicer	176N-4-151
5-5008X	Dana/Spicer	CP5008	6.3-4-161	Dana/Spicer	176N-4-161
5-5015X	Dana/Spicer	CP5015	6.3-4-161	Dana/Spicer	176NYSC38-4
5-510X	Dana/Spicer	CP676X	6.3-4-161-1	Dana/Spicer	176N-4-161-1
5-5121X	Dana/Spicer	CP5101	6.3-4-161B	Dana/Spicer	176N-4-161
5-515X	Dana/Spicer	CP675X	6.3-4-1681-1	Dana/Spicer	176N-4-1681-1
5-5177X	Dana/Spicer	CP5177	6.3-4-181X	Dana/Spicer	176N-4-181X
5-527X	Dana/Spicer	CP527X	6.3-4-211-1X	Dana/Spicer	176N-4-211-1X
5-53-141	Dana/Spicer	16N-53-141	6.3-4-211X	Dana/Spicer	176N-4-211X
5-541	Dana/Spicer	CP541X	6.3-4-271	Dana/Spicer	176N-4-271
5-5800X	Dana/Spicer	CP58WB-HWD	6.3-4-291-1	Dana/Spicer	176N-4-291-1
5-5801X	Dana/Spicer	CP58WB-DWT	6.3-4-321	Dana/Spicer	176N-4-1421
5-5802X	Dana/Spicer	CP58WB-HB	6.3-4-321-1	Dana/Spicer	176N-4-1421-1
5-6000X	Dana/Spicer	CP62N-DWT	6.3-4-331-1X	Dana/Spicer	176N-4-331-1X
5-6102X	Dana/Spicer	CP62N-HB	6.3-4-331X	Dana/Spicer	176N-4-331X
5-6106X	Dana/Spicer	CP62N-HWD	6.3-4-381	Dana/Spicer	176N-4-381
5-6108X	Dana/Spicer	CP62N-50	6.3-4-391	Dana/Spicer	176N-4-391
5-6109X	Dana/Spicer	CP62N-51	6.3-4-411	Dana/Spicer	176N-4-411
5-648X	Dana/Spicer	CP648X	6.3-4-441	Dana/Spicer	176N-4-441
5-674X	Dana/Spicer	M674X	6.3-4-5221-1X	Dana/Spicer	176N-4-5221-1X
5-674X	Dana/Spicer	R674X	6.3-4-5221X	Dana/Spicer	176N-4-5221X
5-675X	Dana/Spicer	M675X	6.3-4-531	Dana/Spicer	176N-4-531
5-676X	Dana/Spicer	M676X	6.3-4-531-1	Dana/Spicer	176N-4-531-1
5-677X	Dana/Spicer	M677X	6.3-4-541	Dana/Spicer	176N-4-541X
5-7000X	Dana/Spicer	CP72N-DWT	6.3-4-541-1X	Dana/Spicer	176N-4-541-1X
5-70-28X	Dana/Spicer	KT16SB	6.3-4-541X	Dana/Spicer	176N-4-541X
5-7105X	Dana/Spicer	CP72N-HWD	6.3-4-641	Dana/Spicer	176NYS38-10
5-7166X	Dana/Spicer	CP7166X	6.3-4-651	Dana/Spicer	176N-4-651
5-7202X	Dana/Spicer	CP72N-HB	6.3-4-651-1	Dana/Spicer	176N-4-651-1
5-73-109	Dana/Spicer	S-155B-2	6.3-4-711-1	Dana/Spicer	176TYS44-4
5-7437X	Dana/Spicer	CP7437X	6.3-4-731X	Dana/Spicer	176N-4-731X
5-7438X	Dana/Spicer	CP7438X	6.3-4-771-1X	Dana/Spicer	176N-4-771-1X
5-793X	Dana/Spicer	CP793X	6.3-4-781-1X	Dana/Spicer	176N4-781-1X
5-795X	Dana/Spicer	CP795X	6.3-4-781X	Dana/Spicer	176N-4-781X
5-8105X	Dana/Spicer	CP82N-HWD	6.3-4-791-1X	Dana/Spicer	176N-4-791-1X
5-8200X	Dana/Spicer	CP82N-DWT	6.3-4-791X	Dana/Spicer	176N-4-791X
5-8200X	Dana/Spicer	CP85WB-DWT	6.3-4-861-1X	Dana/Spicer	176N-4-861-1X
5-8202X	Dana/Spicer	CP82N-HB	6.3-4-861X	Dana/Spicer	176N-4-861X
5-9000X	Dana/Spicer	CP92N-DWT	6.3-86-18	Dana/Spicer	SE-RUR33-4
5-9001X	Dana/Spicer	CP92N-HWD	6-40-741	Dana/Spicer	17-N-40-741
5-9002X	Dana/Spicer	CP92N-HB	6-4-7481-1	Dana/Spicer	17-N-4-7481-1
5-92X	Dana/Spicer	CPL6R-50	6.5-1-533	Dana/Spicer	18-N-1-533
6-1-1253	Dana/Spicer	17-N-1-1253	6.5-27-9-3813X	Dana/Spicer	18N-27-9-3813X
6-1-1253-3	Dana/Spicer	17-N-1-1253-3	6.5-28-117	Dana/Spicer	18N-28-117
6-1-1253-6	Dana/Spicer	17-N-1-1253-6	6.5-28-127	Dana/Spicer	18N-28-127
6-28-407	Dana/Spicer	17-NYR-28-407	6.5-3-1351KX	Dana/Spicer	18N-3-1351X-MXL
6-28-467	Dana/Spicer	17-N-28-467	6.5-3-1351X	Dana/Spicer	18N-3-1351X-MXL
6.3-2-19	Dana/Spicer	176-N-2-19	6.5-3-1371KX	Dana/Spicer	18N-3-1371X-MXL
6.3-28-17	Dana/Spicer	176N-28-17	6.5-3-1371X	Dana/Spicer	18N-3-1371X-MXL
6.3-3-11	Dana/Spicer	176N-3-21X-MXL	6.5-3-1431KX	Dana/Spicer	18N-3-1431X
6.3-3-21KX	Dana/Spicer	176N-3-21X-MXL	6.5-40-151	Dana/Spicer	18N-40-201
6.3-3-41KX	Dana/Spicer	176N-3-41X-MXL	6.5-40-161	Dana/Spicer	18N-40-191
6.3-4-101-1	Dana/Spicer	176N-4-211-1X	6.5-40-191	Dana/Spicer	18N-40-191
6.3-4-1031	Dana/Spicer	176NYS38-14	6.5-40-201	Dana/Spicer	18N-40-201
6.3-4-1041-1X	Dana/Spicer	176N-4-1041-1X	6.5-4-1891	Dana/Spicer	18N-4-1891
6.3-4-1041-1X	Dana/Spicer	176TYS38-27A	6.5-4-1891-1	Dana/Spicer	18N-4-1891-1
6.3-4-1041-1X	Dana/Spicer	176TYS38-27A2	6.5-4-1901	Dana/Spicer	18N-4-3491

## CROSS REFERENCE LISTING

PART#	COMPETITOR	MERITOR#	PART#	COMPETITOR	MERITOR#
6.5-4-1911	Dana/Spicer	18N-4-1911	6.5-4-3731X	Dana/Spicer	18N-4-3731X
6.5-4-1921	Dana/Spicer	18N-4-1921	6.5-4-3911	Dana/Spicer	18NYS38-21
6.5-4-1961	Dana/Spicer	18N-4-1961	6.5-4-3911-1	Dana/Spicer	18N-4-3911-1
6.5-4-1971	Dana/Spicer	18N-4-1971	6.5-4-3921-1X	Dana/Spicer	18N-4-3921-1X
6.5-4-1981	Dana/Spicer	18N-4-1981	6.5-4-3921X	Dana/Spicer	18N-4-3921X
6.5-4-1991	Dana/Spicer	18N-4-1991	6.5-4-40111X	Dana/Spicer	18TYS38-15A1
6.5-4-2011	Dana/Spicer	18N-4-2011	6.5-4-4271-1X	Dana/Spicer	18N-4-4271-1X
6.5-4-2021	Dana/Spicer	18N-4-2021	6.5-4-4271X	Dana/Spicer	18N-4-4271X
6.5-4-2051	Dana/Spicer	18N-4-2051	6.5-4-4571-1X	Dana/Spicer	18N-4-4571-1X
6.5-4-2101	Dana/Spicer	18NYS40-5	6.5-4-4611X	Dana/Spicer	18N-4-4611X
6.5-4-2171	Dana/Spicer	18N-4-2171	6.5-4-4631	Dana/Spicer	18NYS45
6.5-4-2171-1	Dana/Spicer	18N-4-2171-1	6.5-4-4631-1	Dana/Spicer	18TYS45
6.5-4-2271X	Dana/Spicer	18N-4-2271X	6.5-53-171	Dana/Spicer	18N-53-171
6.5-4-2291	Dana/Spicer	18N-4-2291	6.5-53-51	Dana/Spicer	18N-53-51
6.5-4-2341X	Dana/Spicer	18N-4-2341X	6.5-53-91	Dana/Spicer	18N-53-91
6.5-4-2361X	Dana/Spicer	18N-4-2361X	6.5-70-18X	Dana/Spicer	KT17SB
6.5-4-2401X	Dana/Spicer	18N-4-2291	6.5-82-461-10	Dana/Spicer	18N-82-461-10
6.5-4-2451X	Dana/Spicer	18N-4-2451X	6.5-86-38	Dana/Spicer	M658638
6.5-4-2471	Dana/Spicer	18N-4-3371	6-1-3881	Dana/Spicer	5WCS40-39
6.5-4-2471	Dana/Spicer	18N-4-3381X	6-27-17-5002X	Dana/Spicer	17NY01TA480
6.5-4-2481X	Dana/Spicer	18N-4-3371	6-27-17-7401X	Dana/Spicer	984-25-2
6.5-4-2491X	Dana/Spicer	18N-4-3381X	6-2-739	Dana/Spicer	17N-2-739
6.5-4-2531X	Dana/Spicer	18N-4-2531X	6-2-749	Dana/Spicer	17NF20
6.5-4-2551X	Dana/Spicer	18N-4-2551X	6-28-137	Dana/Spicer	17N-28-137
6.5-4-2581	Dana/Spicer	18N-4-2581	6-28-17	Dana/Spicer	17N-28-137
6.5-4-2651	Dana/Spicer	18N-4-3201	6-28-347	Dana/Spicer	17N-28-347
6.5-4-2701	Dana/Spicer	18N-4-2701	6-28-367	Dana/Spicer	17NY60-15
6.5-4-2711X	Dana/Spicer	18N-4-2711X	6-28-87	Dana/Spicer	17N-28-137
6.5-4-2751	Dana/Spicer	18NYS44-3	6-3-1461KX	Dana/Spicer	17N-3-1461X
6.5-4-2761X	Dana/Spicer	18N-4-3501X	6-3-158X	Dana/Spicer	17N-3-1461X
6.5-4-2781	Dana/Spicer	18N-4-2781	6-3-2241KX	Dana/Spicer	17N-3-2631X-MXL
6.5-4-2851X	Dana/Spicer	18N-4-1921	6-3-2261KX	Dana/Spicer	17N-3-2651X-MXL
6.5-4-2931X	Dana/Spicer	18N-4-3491	6-3-2341KX	Dana/Spicer	17N-3-2671X-MXL
6.5-4-3021	Dana/Spicer	18N-4-3021	6-3-2401KX	Dana/Spicer	17N-3-2401X-MXL
6.5-4-3161	Dana/Spicer	18N-4-3161	6-3-2551KX	Dana/Spicer	17N-3-2401X-MXL
6.5-4-3171X	Dana/Spicer	18N-4-3571X	6-3-2571KX	Dana/Spicer	17N-3-2571X-MXL
6.5-4-3201	Dana/Spicer	18N-4-3201	6-3-2571X	Dana/Spicer	17N-3-2571X-MXL
6.5-4-3221-1X	Dana/Spicer	18N-4-3221-1X	6-3-2591KX	Dana/Spicer	17NLS40-121A1-
6.5-4-3221X	Dana/Spicer	18N-4-3221X	MXL		
6.5-4-3251	Dana/Spicer	18N-4-3251	6-3-2631KX	Dana/Spicer	17N-3-2631X-MXL
6.5-4-3261-1	Dana/Spicer	18TYS32-18	6-3-2651KX	Dana/Spicer	17N-3-2651X-MXL
6.5-4-3281-1X	Dana/Spicer	18N-4-4351-1X	6-3-2671KX	Dana/Spicer	17N-3-2671X-MXL
6.5-4-3281X	Dana/Spicer	18N-4-3281X	6-3-2761KX	Dana/Spicer	17N-3-2761X-MXL
6.5-4-3371	Dana/Spicer	18N-4-3371	6-3-3021KX	Dana/Spicer	17N-3-3021X-MXL
6.5-4-3371-1	Dana/Spicer	18N-4-3371-1	6-3-3061KX	Dana/Spicer	17NLS40-124A1-
6.5-4-3381-1X	Dana/Spicer	18N-4-3381-1X	MXL		
6.5-4-3381-1X	Dana/Spicer	18N-4-4351-1X	6-3-3441KX	Dana/Spicer	17N-3-2401X-MXL
6.5-4-3381X	Dana/Spicer	18N-4-3381X	6-40-101	Dana/Spicer	17N-40-61
6.5-4-3441	Dana/Spicer	18NYS38-15	6-40-401	Dana/Spicer	17N-40-541
6.5-4-3451-1	Dana/Spicer	18N-4-3451-1	6-40-451	Dana/Spicer	17N-40-521
6.5-4-3461	Dana/Spicer	18NYS44-3	6-40-461	Dana/Spicer	17N-40-541
6.5-4-3491	Dana/Spicer	18N-4-3491	6-40-521	Dana/Spicer	17N-40-521
6.5-4-3501X	Dana/Spicer	18N-4-3501X	6-40-541	Dana/Spicer	17N-40-541
6.5-4-3551-1X	Dana/Spicer	18N-4-3551-1X	6-40-61	Dana/Spicer	17N-40-61
6.5-4-3551X	Dana/Spicer	18N-4-3551X	6-4-1081	Dana/Spicer	17N-4-2141
6.5-4-3561-1X	Dana/Spicer	18N-4-3561-1X	6-4-1151	Dana/Spicer	17N-4-2151
6.5-4-3561X	Dana/Spicer	18N-4-3561X	6-4-1211	Dana/Spicer	17N-4-1991
6.5-4-3571X	Dana/Spicer	18N-4-3571X	6-4-1411	Dana/Spicer	17N-4-3221
6.5-4-3581-1X	Dana/Spicer	18N-4-3581-1X	6-4-1471	Dana/Spicer	17N-4-2271
6.5-4-3581X	Dana/Spicer	18N-4-3581X	6-4-1551	Dana/Spicer	17N-4-3241
6.5-4-3591	Dana/Spicer	18N-4-3591	6-4-1611	Dana/Spicer	17N-4-3361
6.5-4-3651X	Dana/Spicer	18NYS38-6A	6-4-1741	Dana/Spicer	17N-4-1981
6.5-4-3721	Dana/Spicer	18NYS38-27	6-4-1751	Dana/Spicer	17N-4-2381
6.5-4-3731-1X	Dana/Spicer	18N-4-3731-1X	6-4-1771	Dana/Spicer	17N-4-2391
6.5-4-3731-1X	Dana/Spicer	18TYS38-27A	6-4-1911	Dana/Spicer	17N-4-2501

## CROSS REFERENCE LISTING

PART#	COMPETITOR	MERITOR#	PART#	COMPETITOR	MERITOR#
6-4-1971	Dana/Spicer	17N-4-1971	6-4-4831X	Dana/Spicer	17N-4-4831X
6-4-1981	Dana/Spicer	17N-4-1981	6-4-4851X	Dana/Spicer	17N-4-4851X
6-4-1981-1	Dana/Spicer	17TYSC31-54	6-4-4861X	Dana/Spicer	17N-4-4861X
6-4-1991	Dana/Spicer	17N-4-1991	6-4-4911X	Dana/Spicer	17N-4-6321
6-4-2141	Dana/Spicer	17N-4-2141	6-4-4961	Dana/Spicer	17N-4-4961
6-4-2151	Dana/Spicer	17N-4-2151	6-4-4971	Dana/Spicer	17NYS32-99
6-4-2171	Dana/Spicer	17N-4-3031	6-4-4981X	Dana/Spicer	17NYS32-99
6-4-2181	Dana/Spicer	17N-4-2181	6-4-5001	Dana/Spicer	17NYS38-17
6-4-2191	Dana/Spicer	17N-4-2191	6-4-5031	Dana/Spicer	17N-4-5031
6-4-2231	Dana/Spicer	17N-4-3221	6-4-5041X	Dana/Spicer	17N-4-5041X
6-4-2271	Dana/Spicer	17N-4-2271	6-4-5051X	Dana/Spicer	17NYS32-100
6-4-2291	Dana/Spicer	17N-4-3241	6-4-5061X	Dana/Spicer	17N-4-5061X
6-4-2311	Dana/Spicer	17N-4-3361	6-4-5071X	Dana/Spicer	17N-4-5071X
6-4-2361	Dana/Spicer	17N-4-2361	6-4-5101X	Dana/Spicer	17N-4-6411X
6-4-2371	Dana/Spicer	17N-4-2371	6-4-5111X	Dana/Spicer	17N-4-5111X
6-4-238	Dana/Spicer	17NYS28-11	6-4-5121X	Dana/Spicer	17N-4-6331
6-4-2381	Dana/Spicer	17N-4-2381	6-4-5131X	Dana/Spicer	17N-4-5131X
6-4-2391	Dana/Spicer	17N-4-2391	6-4-5141	Dana/Spicer	17N-4-5141
6-4-2441	Dana/Spicer	17N-4-2441	6-4-5151X	Dana/Spicer	17N-4-5151X
6-4-2501	Dana/Spicer	17N-4-2501	6-4-5311X	Dana/Spicer	17N-4-6891X
6-4-2511	Dana/Spicer	17N-4-2511	6-4-5341	Dana/Spicer	17N-4-5341
6-4-3031	Dana/Spicer	17N-4-3031	6-4-5351	Dana/Spicer	17N-4-5351
6-4-3041X	Dana/Spicer	17N-4-3041X	6-4-5351-1	Dana/Spicer	17N-4-7071-1X
6-4-3121	Dana/Spicer	17N-4-3291	6-4-5451	Dana/Spicer	17N-4-5451
6-4-3221	Dana/Spicer	17N-4-3221	6-4-5461-1X	Dana/Spicer	17N-4-5461-1X
6-4-3221-1X	Dana/Spicer	18N-4-3221-1X	6-4-5461X	Dana/Spicer	17N-4-5461X
6-4-3231	Dana/Spicer	17N-4-1991	6-4-5481X	Dana/Spicer	17N-4-5481X
6-4-3241	Dana/Spicer	17N-4-3241	6-4-5501	Dana/Spicer	17N-4-5501
6-4-3291	Dana/Spicer	17N-4-3291	6-4-5511X	Dana/Spicer	17N-4-6871X
6-4-3361	Dana/Spicer	17N-4-3361	6-4-5521	Dana/Spicer	17N-4-5521
6-4-3391	Dana/Spicer	17N-4-3391	6-4-5531X	Dana/Spicer	17N-4-6951X
6-4-3561X	Dana/Spicer	17N-4-4411X	6-4-5541	Dana/Spicer	17N-4-5541
6-4-3611	Dana/Spicer	17N-4-3611	6-4-5551X	Dana/Spicer	17N-4-6941X
6-4-3721	Dana/Spicer	17N-4-3721	6-4-5591	Dana/Spicer	17N-4-6841X
6-4-3791	Dana/Spicer	17N-4-3791	6-4-5601X	Dana/Spicer	17N-4-6841X
6-4-4091	Dana/Spicer	17N-4-4091	6-4-5711	Dana/Spicer	17N-4-5711
6-4-4121	Dana/Spicer	17NYS36-19	6-4-5781	Dana/Spicer	17N-4-5781
6-4-4131	Dana/Spicer	17N-4-4131	6-4-5791	Dana/Spicer	17N-4-5791
6-4-4141	Dana/Spicer	17N-4-4141	6-4-5801	Dana/Spicer	17N-4-5801
6-4-4151	Dana/Spicer	17N-4-4151	6-4-5821	Dana/Spicer	17N-4-5821
6-4-4161	Dana/Spicer	17NYS34-5	6-4-5841	Dana/Spicer	17N-4-5841
6-4-4171X	Dana/Spicer	17N-4-2181	6-4-5851	Dana/Spicer	17NYS32-60
6-4-4181X	Dana/Spicer	17N-4-4181X	6-4-5851-1	Dana/Spicer	17TYSC32-60A
6-4-4191X	Dana/Spicer	17N-4-4411X	6-4-5921	Dana/Spicer	17NYS38-63
6-4-4291X	Dana/Spicer	17N-4-4291X	6-4-5931	Dana/Spicer	17NYS38-17
6-4-4301X	Dana/Spicer	17N-4-4301X	6-4-5951	Dana/Spicer	17N-4-7851X
6-4-4361X	Dana/Spicer	17N-4-4361X	6-4-5961X	Dana/Spicer	17N-4-5961X
6-4-4371	Dana/Spicer	17N-4-4371	6-4-5991	Dana/Spicer	17N-4-5991
6-4-4411X	Dana/Spicer	17N-4-4411X	6-4-6001X	Dana/Spicer	17N-4-8531X
6-4-4421	Dana/Spicer	17N-4-4421	6-4-6021X	Dana/Spicer	17N-4-6021X
6-4-4481X	Dana/Spicer	17N-4-4481X	6-4-6031	Dana/Spicer	17N-4-8461
6-4-4541	Dana/Spicer	17N-4-5351	6-4-6031-1	Dana/Spicer	17N-4-6031-1
6-4-4551	Dana/Spicer	17N-4-4551	6-4-6041-1X	Dana/Spicer	17N-4-6041-1X
6-4-4551-1	Dana/Spicer	17TYS44-14	6-4-6041X	Dana/Spicer	17N-4-6041X
6-4-4561	Dana/Spicer	17N-4-4561	6-4-6041X	Dana/Spicer	17N-4-8551X
6-4-4561-1	Dana/Spicer	17N-4-4561-1	6-4-6321	Dana/Spicer	17N-4-6321
6-4-4581	Dana/Spicer	17N-4-4581	6-4-6331	Dana/Spicer	17N-4-6331
6-4-4591	Dana/Spicer	17N-4-4591	6-4-6371	Dana/Spicer	17NYS32-99
6-4-4601	Dana/Spicer	17N-4-4601	6-4-6371-1	Dana/Spicer	17TYS32-99
6-4-4601-1	Dana/Spicer	17N-4-4601-1	6-4-6381X	Dana/Spicer	17NYS32-99A
6-4-4651	Dana/Spicer	17N-4-4651	6-4-6391-1X	Dana/Spicer	17N-4-6391-1X
6-4-4681X	Dana/Spicer	17N-4-2501	6-4-6391X	Dana/Spicer	17N-4-6391X
6-4-4741X	Dana/Spicer	17N-4-4741X	6-4-6401	Dana/Spicer	17NYS32-100
6-4-4771	Dana/Spicer	17N-4-4771	6-4-6401-1	Dana/Spicer	17N-4-7621-1
6-4-4771-1	Dana/Spicer	17N-4-4771-1	6-4-6411X	Dana/Spicer	17N-4-6411X

## CROSS REFERENCE LISTING

PART#	COMPETITOR	MERITOR#	PART#	COMPETITOR	MERITOR#
6-4-6421X	Dana/Spicer	17N-4-6421X	6-82-1171-1	Dana/Spicer	17N-82-1171-1
6-4-6451	Dana/Spicer	17N-4-6451	6-82-1171-12	Dana/Spicer	17N-82-1171-12
6-4-6481	Dana/Spicer	17N-4-6481	6-82-1171-2	Dana/Spicer	17N-82-1171-2
6-4-6601	Dana/Spicer	17N-4-6601	6-82-1171-5	Dana/Spicer	17N-82-1171-5
6-4-6611-1	Dana/Spicer	17N-4-6611-1	6-82-1191-1	Dana/Spicer	17NYSM40-169
6-4-6821	Dana/Spicer	17N-4-6821	6-82-1281	Dana/Spicer	17NYSM40-169
6-4-6841X	Dana/Spicer	17N-4-6841X	6-82-1281-1	Dana/Spicer	17-N-82-1281-1
6-4-6861-1	Dana/Spicer	17N-4-6861-1	6-82-1341-4	Dana/Spicer	17-N-82-1341-4
6-4-6871X	Dana/Spicer	17N-4-6871X	6-82-641	Dana/Spicer	17N-82-1171-5
6-4-6891X	Dana/Spicer	17N-4-6891X	6-82-971-1X	Dana/Spicer	17N-82-1061-3
6-4-6921-1X	Dana/Spicer	17N-4-6921-1X	8-40-101	Dana/Spicer	PS48-16-16
6-4-6921X	Dana/Spicer	17N-4-6921X	8-40-91	Dana/Spicer	PS48-16-19
6-4-6931-1X	Dana/Spicer	17N-4-6931-1X	85341	Dana/Spicer	BS-S36-10
6-4-6931X	Dana/Spicer	17N-4-6931X	90-4-5911X	Dana/Spicer	90N-4-591-1X
6-4-6941X	Dana/Spicer	17N-4-6941X	90-70-28X	Dana/Spicer	90N-70-28X
6-4-6951X	Dana/Spicer	17N-4-6951X	913971-2600	Dana/Spicer	R91397-2000
6-4-6961-1X	Dana/Spicer	17N-4-6961-1X	92V	Dana/Spicer	CPL6R-50
6-4-6961X	Dana/Spicer	17N-4-6961X	9553-4724	Dana/Spicer	R9553SF
6-4-7141-1	Dana/Spicer	17N-4-7141-1	98-1361	Dana/Spicer	2847Z-312
6-4-7161	Dana/Spicer	17N-4-7161	98-1362	Dana/Spicer	DEFR47-2
6-4-7161-1	Dana/Spicer	17TYS38-76	98-1368	Dana/Spicer	DEFR47-2
6-4-7171X	Dana/Spicer	17NYS34-9A	D2C	Dana/Spicer	ND2C
6-4-7181-1X	Dana/Spicer	17N-4-7181-1X	D3A	Dana/Spicer	ND3A
6-4-7181-1X	Dana/Spicer	17TYS38-76A5	D3G	Dana/Spicer	MD3G
6-4-7181X	Dana/Spicer	17N-4-7181X	D3H	Dana/Spicer	DC148N-1
6-4-7301-1	Dana/Spicer	17TYS32-73	D3H	Dana/Spicer	MD3H
6-4-7371-1	Dana/Spicer	17N-4-7371-1	D3K	Dana/Spicer	MD3K
6-4-7381-1X	Dana/Spicer	17N-4-7381-1X	D5A	Dana/Spicer	SE-RUR25-2
6-4-7531-1X	Dana/Spicer	17N-4-7531-1X	D6A	Dana/Spicer	DC17N
6-4-7541	Dana/Spicer	17N-4-7541	D6B	Dana/Spicer	DC17N
6-4-7561-1X	Dana/Spicer	17N-4-7561-1X	D6F	Dana/Spicer	DC17N
6-4-7561X	Dana/Spicer	17NYS34-19A1	D4J	Dana/Spicer	MD4J
6-4-7621-1	Dana/Spicer	17N-4-7621-1	D4K	Dana/Spicer	MD4K
6-4-7631-1X	Dana/Spicer	17N-4-7631-1X	DT101X	Dana/Spicer	CP101X
6-4-7641-1X	Dana/Spicer	17N-4-7641-1X	DT1200	Dana/Spicer	CP1200X
6-4-7651X	Dana/Spicer	17NYS34-18A1	DT1201	Dana/Spicer	CP1201X
6-4-7761	Dana/Spicer	17NYS38-38	DT1204	Dana/Spicer	CP1204X
6-4-7771-1X	Dana/Spicer	17-N4-7771-1X	DT1206	Dana/Spicer	CP141N
6-4-7771-1X	Dana/Spicer	17TYS38-75A	DT1306	Dana/Spicer	CP1306X
6-4-7771X	Dana/Spicer	17N-4-7771X	DT134	Dana/Spicer	CP134X
6-4-7851X	Dana/Spicer	17N-4-7851X	DT153	Dana/Spicer	CP153X
6-4-8331-1X	Dana/Spicer	17TYS32-60A	DT155	Dana/Spicer	CP155X
6-4-8341-1X	Dana/Spicer	17N-4-8341-1X	DT160	Dana/Spicer	CP160X
6-4-8981X	Dana/Spicer	17NYS36-62A	DT170	Dana/Spicer	CP170X
6-4-8991-1X	Dana/Spicer	17N-4-8991-1X	DT178	Dana/Spicer	CP178X
6-4-8991X	Dana/Spicer	17NYS32-99A	DT188	Dana/Spicer	CP188X
6-4-9001-1X	Dana/Spicer	17N-4-9001-1X	DT200	Dana/Spicer	CP200X
6-4-9001-1X	Dana/Spicer	17TYS32-91A	DT213	Dana/Spicer	CP213X
6-4-90311X	Dana/Spicer	17TYS32-92A	DT279	Dana/Spicer	CP279X
6-4-9031X	Dana/Spicer	17N-4-9031X	DT280	Dana/Spicer	CP280X
6-4-9041X	Dana/Spicer	17N-4-9041X	DT281	Dana/Spicer	CP281X
6-53-151	Dana/Spicer	17N-53-151	DT28-30-62	Dana/Spicer	RT28-30-62-108
6-53-201	Dana/Spicer	17N-53-201	DT297	Dana/Spicer	CP297X
6-53-311	Dana/Spicer	17N-53-311	DT3022	Dana/Spicer	CP3022X
6-5-4-3491-1	Dana/Spicer	18N-4-3491-1	DT3147	Dana/Spicer	CP3147X
6-73-209	Dana/Spicer	S-165-B2	DT4137268	Dana/Spicer	4137268
6-73-316	Dana/Spicer	S-168-2	DT6000X	Dana/Spicer	CP62N-DWT
6-82-1061-3	Dana/Spicer	17N-82-1061-3	DT7000	Dana/Spicer	CP72N-DWT
6-82-1061-4	Dana/Spicer	17N-82-1061-4	DT7000X	Dana/Spicer	CP72N-DWT
6-82-1061-8	Dana/Spicer	17N-82-1061-8	DT8200	Dana/Spicer	CP82N-DWT
6-82-1061-9	Dana/Spicer	17N-82-1061-9	DT8200X	Dana/Spicer	CP82N-DWT
6-82-1091-1	Dana/Spicer	17N-82-1091-13	MM6035	Dana/Spicer	CB210527X
6-82-1091-12	Dana/Spicer	17N-82-1171-2	MM6041	Dana/Spicer	CB210207-1X
6-82-1091-2	Dana/Spicer	17N-82-1091-2	MM6051	Dana/Spicer	CB210661-1XSA
6-82-1091-4	Dana/Spicer	17N-82-1171-5	SPL100-1X	Dana/Spicer	US90X

## CROSS REFERENCE LISTING

PART#	COMPETITOR	MERITOR#	PART#	COMPETITOR	MERITOR#
SPL170-3X	Dana/Spicer	US170X	1-0200	Neapco	CP153X
SPL170X-1X	Dana/Spicer	US170X	1-0200	Neapco	CP200X
SPL250-3X	Dana/Spicer	US250X	1-0248	Neapco	CP248X
SPL250X	Dana/Spicer	US250X	1-0297	Neapco	CP297X
SPL250X-3X	Dana/Spicer	US250X	1-0298	Neapco	CP297-1X
SPL55X	Dana/Spicer	US55X	1-0300	Neapco	CP101X
SPL70-4X	Dana/Spicer	US70-4X	1-0300	Neapco	CP111X
SPL70-4X	Dana/Spicer	US70-1X	1-0301	Neapco	CP101X
SPL70X	Dana/Spicer	US70X	10-3122	Neapco	10N-3-122X
SPL90X	Dana/Spicer	US90X	10-3162	Neapco	10N-3-162X
5505553	Fuller	25WYS45	10-3163	Neapco	10N-3-163X
5505547	Fuller	18TYS45	10-3183	Neapco	10N-3-183X
5505581	Fuller	20WYS45	1-0350	Neapco	CP350X
86717	Fuller	17N-4-3611	10-4103	Neapco	10N-4-103
86719	Fuller	17N-4-6821	10-4123	Neapco	10N-4-123
86721	Fuller	18NYS44-3	10-4143	Neapco	10N-4-143
86733	Fuller	17N-4-2141	10-4193	Neapco	10N-4-193
86748	Fuller	17N-4-7371-1	1-050	Neapco	CP3022X
86749	Fuller	17N-4-6611-1	1-0505	Neapco	CP170X
86757	Fuller	16N-4-3321	1-0506	Neapco	CP170X
86762	Fuller	176N-4-651-1	1-0675	Neapco	CP170X
86769	Fuller	18N-4-3451-1	1-0676	Neapco	CP170X
86770	Fuller	18N-4-3491-1	1-103	Neapco	CP103X
A-5064	Fuller	17N-4-6921X	1-1153	Neapco	CP153X
A-5079	Fuller	18N-4-3551X	1-1200	Neapco	CP153X
A-5190	Fuller	17N-4-6921-1X	1-1475	Neapco	CPL6R-50
A-5291	Fuller	17N-4-6931-1X	1-1554	Neapco	CP2031
A-5412	Fuller	18N-4-3551-1X	1-1555	Neapco	CP105X
A-5413	Fuller	18N-4-3561-1X	1-1612	Neapco	CP1510X
A-5416	Fuller	176N-4-791-1X	1-1875	Neapco	CP2011X
0505X	Neapco	CP170X	1-2075	Neapco	CP129X
0505X-1	Neapco	CP170X	1-2185	Neapco	CP2116
0605X	Neapco	CP170X	1-3600	Neapco	CP2011X
0675X	Neapco	CP170X	1-3650	Neapco	CP2140
10-0312	Neapco	10N-3-12X	1-4475	Neapco	CPL6R-50
10-0322	Neapco	10N-3-22X	1-4635	Neapco	CP1201X
10-0323	Neapco	10N-3-23X	1-475X	Neapco	CPL6R-50
10-0332	Neapco	10N-3-32X	1-5900	Neapco	CP1200X
10-0333	Neapco	10N-3-33X	1-605X	Neapco	CP170X
10-0381	Neapco	10N-3-81X	1-6300	Neapco	CP1306-1X
10-0412	Neapco	10N-4-12	1-6301	Neapco	CP1306X
10-0413	Neapco	10N-4-13	1-6301	Neapco	CP72625-4
10-0422	Neapco	10N-4-22	1875X	Neapco	CP2011X
10-0423	Neapco	10N-4-23	2-0053	Neapco	CP178X
10-0432	Neapco	10N-4-32	2-0054	Neapco	CP160X
10-0443	Neapco	10N-4-43	2-0456	Neapco	CP456X
1-0045	Neapco	KT16SB	2-0527	Neapco	CP527X
10-0452	Neapco	10N-4-52	2-075X	Neapco	CP279X
10-0453	Neapco	10N-4-53	2-075X-1A	Neapco	CP279X
1-0046	Neapco	KT17SB	2-075X-1A	Neapco	M279X
10-0463	Neapco	10N-4-63	2-1033J	Neapco	72NYS31-2
10-0473	Neapco	10N-4-73	2-1175	Neapco	CP1309X
10-0483	Neapco	10N-4-83	2-1203	Neapco	CP1203X
10-0493	Neapco	10N-4-93	2-1569	Neapco	CP1204X
1-0070B	Neapco	KIT-US250-170X	2-2700	Neapco	CP2033
1-0089	Neapco	KT116	2-3011	Neapco	CP3147X
1-0099	Neapco	KT117	2-3100	Neapco	CP353X
10-1005	Neapco	R10V5	2-3190	Neapco	CP357X
1-0103	Neapco	CP103X	2-4800	Neapco	CP213X
1-0105	Neapco	CP105X	2-4900	Neapco	CP1204X
1-0109	Neapco	KT118	2-6200	Neapco	CP1205X
1-0134	Neapco	CP134X	2-6302	Neapco	CP1306X
1-0153	Neapco	CP153X	2-6600	Neapco	CP141N
1-0170	Neapco	CP170X	2-675X	Neapco	CP188X
1-0174	Neapco	CP260X	280194	Neapco	R280194



## CROSS REFERENCE LISTING

PART#	COMPETITOR	MERITOR#	PART#	COMPETITOR	MERITOR#
280196	Neapco	R280196	6-2811	Neapco	M676X
3-0055	Neapco	CP115X	6-4071	Neapco	M677X
3-0056	Neapco	CP1301X	6-8113	Neapco	CP82N-HWD
3-0155	Neapco	CP155N	6-8205	Neapco	CP82N-DWT
3-0155	Neapco	CP155X	6-8207	Neapco	CP82N-HB
3-0188	Neapco	CP188X	6-8208	Neapco	CP82N-HWD
3-0332	Neapco	CP332X	6-9014	Neapco	CP92N-70
3-1053	Neapco	CP178X	6-9014	Neapco	CP92N-DWT
3-1054	Neapco	CP160X	6-9016	Neapco	CP92N-HWD
3-3125	Neapco	CP3000	6-9017	Neapco	CP92N-HB
3-3130	Neapco	CP3022X	7-0082	Neapco	131N-CV82-HD
3-3131	Neapco	CP354X	7-2051	Neapco	CP72N-DWT
3-3140	Neapco	CP460X	81-1020	Neapco	CB210527X
3-3152	Neapco	CP3000	81-1022	Neapco	CB210527X
3-3158	Neapco	CP3121	81-2011	Neapco	CB210088-1X
3-4123	Neapco	CP4101	81-2012	Neapco	CB210088-1X
3-4138	Neapco	CP4002	81-2013	Neapco	CB210090-1X
3-4152	Neapco	CP4102	81-2020	Neapco	CB210088-1X
3-5132	Neapco	CP5008	81-2040	Neapco	CB210866-1X
3-6700	Neapco	CP148N	81-2041	Neapco	CB210866-1X
4-0058	Neapco	CP279X	81-2042	Neapco	CB210873-1X
4-0058	Neapco	M279X	81-2121	Neapco	CB210367-1X
4-0165	Neapco	CP165X	81-2122	Neapco	CB210370-1X
4-0614	Neapco	CP62N-HB	81-3011	Neapco	CB210391-1X
4-0628	Neapco	CP62N-HWD	81-3012	Neapco	CB210433-1X
4-0643	Neapco	CP62N-DWT	81-3020	Neapco	CB210144-1X
4-1090	Neapco	US90X	81-3021	Neapco	CB210140-1X
4137268	Neapco	4137268	81-3022	Neapco	CB210144-1X
4-2791	Neapco	US674X	81-4010	Neapco	CB210084-2X
4-5122	Neapco	CP5122	81-4011	Neapco	CB210084-2X
4-5177	Neapco	CP5177	81-4012	Neapco	CB210207-1X
4-5800	Neapco	CP58WB-HWD	81-4020	Neapco	CB210207-1X
4-5801	Neapco	CP58WB-DWT	81-5010	Neapco	CB210121-1XSA
4-5802	Neapco	CP58WB-HB	81-6010	Neapco	CB210661-1XSA
4-6062	Neapco	CP62N-50	90161	Neapco	CP92N-HWD
4-6103	Neapco	CP62N-HB	90171	Neapco	CP92N-HB
4-6107	Neapco	CP5008	CN210661-1X	Neapco	GCB210661-1X
4-6114	Neapco	CP62N-HB	DS101K	Neapco	CB210527X
4-6128	Neapco	CP62N-HWD	DS201KF	Neapco	CB210088-1X
4-6143	Neapco	CP62N-DWT	DS202KD	Neapco	CB210088-1X
4-6162	Neapco	CP62N-50	DS204KF	Neapco	CB210866-1X
4-6163	Neapco	CP62N-51	DS301KG	Neapco	CB210144-1X
5-0069	Neapco	CP280X	DS401KF	Neapco	CB210084-2X
5-0069	Neapco	M280X	DS401KG	Neapco	CB210207-1X
5-0725	Neapco	CP72N-DWT	DS501KF	Neapco	CB210090-1X
5-121	Neapco	CP153X	DS601KF	Neapco	CB210661-1XSA
5-2801	Neapco	M675X	N10229	Neapco	10N-2-29
5-7126	Neapco	CP72N-100	N102701SF	Neapco	R10270-SF
5-7126	Neapco	CP72N-HWD	N10270SF	Neapco	R10270-SF
5-7205	Neapco	CP72N-DWT	N10-3-12	Neapco	10N-3-12X
5-7206	Neapco	CP72N-HB	N10-3-122	Neapco	10N-3-122X
5-7207	Neapco	CP72N-HB	N10-3-162	Neapco	10N-3-162X
5-7208	Neapco	CP72N-DWT	N10-3-163	Neapco	10N-3-163X
6-0124	Neapco	CP124X	N10-3-18KX	Neapco	10N-3-18KX
6-0226	Neapco	CP124X	N10-3-22	Neapco	10N-3-22X
6-0324	Neapco	CP18N-96	N10-3-32	Neapco	10N-3-32X
6-0407	Neapco	CP407X	N10-3-33	Neapco	10N-3-33X
6-0407	Neapco	M407X	N10-3-81	Neapco	10N-3-81X
6-0916	Neapco	CP92N-HWD	N10-3-83	Neapco	10N-3-83X
6-0917	Neapco	CP92N-HB	N10-4-103	Neapco	10N-4-103
6-1141	Neapco	CP62N-HB	N10-4-113	Neapco	10N-4-113
6-1170	Neapco	US170X	N10-4-12	Neapco	10N-4-12
6-1250	Neapco	US250X	N10-4-123	Neapco	10N-4-123
6-1281	Neapco	CP62N-HWD	N10-4-13	Neapco	10N-4-13
6-1431	Neapco	CP62N-DWT	N10-4-133	Neapco	10N-4-133

## CROSS REFERENCE LISTING

PART#	COMPETITOR	MERITOR#	PART#	COMPETITOR	MERITOR#
N10-4-143	Neapco	10N-4-143	N2-28-1777X	Neapco	131N-28-2947X
N10-4-173	Neapco	10N-4-173	N2-28-277	Neapco	131N-28-277
N10-4-183	Neapco	10N-4-183	N2-28-2947X	Neapco	131N-28-2947X
N10-4-193	Neapco	10N-4-193	N2-28-2957X	Neapco	131N-28-2957X
N10-4-22	Neapco	10N-4-22	N2-28-307	Neapco	131N-28-307
N10-4-282	Neapco	10N-4-282	N2-28-327	Neapco	131N-28-327
N10-4-32	Neapco	10N-4-32	N2-28-357	Neapco	131N-28-357
N10-4-43	Neapco	10N-4-43	N2-28-367	Neapco	131N-28-367
N10-4-481	Neapco	10N-4-481	N2-28-397	Neapco	131N-28-397
N10-4-573	Neapco	10N-4-573	N2-28-417	Neapco	131N-28-417
N10-4-63	Neapco	10N-4-63	N2-28-427	Neapco	131N-28-427
N10-4-93	Neapco	10N-4-93	N2-28-437	Neapco	131N-28-437
N1075XS	Neapco	R1075XS	N2-2-899	Neapco	121N-2-899
N10V5	Neapco	R10V5	N2-2-899-1	Neapco	131N-2-899-1
N16-30-62-108	Neapco	RT-2-14-108	N2-2-939	Neapco	131N2-939
N16-30-62-72	Neapco	RT-2-14-72	N230123-6	Neapco	WAR21-1
N20-30-12-108	Neapco	RT-25-16-108	N230129	Neapco	WAR13-5
N20-30-12-72	Neapco	RT-25-16-72	N230794	Neapco	DEFR47-6
N20-30-22-108	Neapco	RT-25-14-108	N230795	Neapco	DEFR47-4
N20-30-22-72	Neapco	RT-25-14-72	N2-3-128KX	Neapco	131N-3-128KX
N210084-2X	Neapco	CB210084-2X	N2-3-4441KX	Neapco	131N-3-4441KX
N210088-1X	Neapco	CB210088-1X	N2-3-5821 KX	Neapco	131N-3-8021KX
N210088-1X	Neapco	CB210090-1X	N2-3-5821X	Neapco	131N-3-8021KX
N210090-1X	Neapco	CB210090-1X	N2-3-6061KX	Neapco	131N-3-6061KX
N210121-1X	Neapco	CB210121-1XSA	N2-3-7171KX	Neapco	131N-3-7171KX
N210130-1X	Neapco	CB210207-1X	N2-3-7260KX	Neapco	131N-3-7260KX
N210140-1X	Neapco	CB210140-1X	N2-3-7681KX	Neapco	133N-3-7681KX
N210140-1X	Neapco	CB310002-1X	N2-3-7961KX	Neapco	133N-3-7961KX
N210144-1X	Neapco	CB210144-1X	N2-3-7981KX	Neapco	131N-3-7981KX
N210207-1X	Neapco	CB210088-1X	N2-3-8001KX	Neapco	131N-3-8001KX
N210207-1X	Neapco	CB210207-1X	N2-3-8021KX	Neapco	131N-3-8021KX
N210367-1X	Neapco	CB210367-1X	N2-3-8041KX	Neapco	133N-3-8041KX
N210370-1X	Neapco	CB210370-1X	N2-3-8861KX	Neapco	121N-3-8861KX
N210391-1X	Neapco	CB210391-1X	N2-3-8961KX	Neapco	121N-3-8961KX
N210391-1X	Neapco	GCB210391-1X	N2-40-1031	Neapco	131N-40-1031
N210391-1Z	Neapco	CB210391-1X	N2-40-1221	Neapco	131N-40-1221
N210433-1X	Neapco	CB210433-1X	N2-40-1231	Neapco	131N-40-1231
N210527X	Neapco	CB210527X	N2-40-1251	Neapco	131N-40-1251
N210661-1X	Neapco	CB210661-1XSA	N2-40-1291	Neapco	131N-40-1291
N210866-1X	Neapco	CB210866-1X	N2-40-1382	Neapco	131N-40-138-2
N210873-1X	Neapco	CB210873-1X	N2-40-1521	Neapco	131N-40-1521
N210875-1X	Neapco	CB210875-1XSA	N2-40-1701	Neapco	131N-40-1701
N210881-1X	Neapco	CB310012-1XSA	N2-40-1701-1	Neapco	131N-40-1701-1
N210969X	Neapco	CB310007-1X	N2-40-1711	Neapco	131N-40-1711
N211016X	Neapco	CB211016X	N2-40-1741	Neapco	121N-40-1741
N211098-1X	Neapco	CB310001-1X	N2-40-1771	Neapco	131N-40-1771
N211187X	Neapco	CB211187X	N2-40-1811	Neapco	131N-40-1811
N2-2-1049	Neapco	121N-2-1049	N2-40-1851	Neapco	131N-40-1851
N2-2-1050	Neapco	121N-2-1050	N2-40-1871	Neapco	131N-40-1871
N22-30-12-108	Neapco	RT-275-14-108	N2-40-2051	Neapco	131N-40-2051
N2-2-329	Neapco	131N-2-329	N2-40-2091	Neapco	131N-40-2091
N2-2-349	Neapco	131N-2-349	N2-40-2211	Neapco	121N-40-2211
N2-2-479	Neapco	131N-2-479	N2-40-2301	Neapco	121N-40-2301
N2-2-579	Neapco	131N-2-579	N24-30-12-108	Neapco	RT-3-13-108
N2-26-367	Neapco	131N-26-497	N24-30-12-72	Neapco	RT-3-13-72
N2-26-427	Neapco	131N-26-497	N24-30-32-108	Neapco	RT-3-16-108
N2-2-799	Neapco	131N-2-799	N24-30-32-72	Neapco	RT-3-16-72
N2-2-799-1	Neapco	131N-2-799-1	N24-30-42-108	Neapco	RT-3-14-108
N2-28-1177	Neapco	133N-28-1177	N24-30-42-72	Neapco	RT-3-14-72
N2-28-1617	Neapco	131N-28-1617	N2-4-473	Neapco	131N-4-473
N2-28-1697	Neapco	133N-28-1697	N2-4-503	Neapco	131N-4-503
N2-28-1707	Neapco	133N-28-1707	N2-4-533	Neapco	131N-4-533
N2-28-1717	Neapco	133N-28-1717	N2-53-491	Neapco	131N-53-491
N2-28-1747X	Neapco	131N-28-2957X	N2-53-711	Neapco	131N-53-711
N2-28-1757	Neapco	131N-28-1757	N28-30-22-108	Neapco	RT-35-13-108

## CROSS REFERENCE LISTING

PART#	COMPETITOR	MERITOR#	PART#	COMPETITOR	MERITOR#
N28-30-22-72	Neapco	RT-35-13-72	N3-53-451	Neapco	148N-53-451
N28-30-42-108	Neapco	RT-35-16-108	N36-30-62-108	Neapco	RT-45-10-108
N28-30-42-72	Neapco	RT-35-16-72	N36-30-62-72	Neapco	RT-45-10-72
N28-30-52-108	Neapco	RT-35-156-108	N3R-26-057	Neapco	R3R-26-57
N28-30-52-72	Neapco	RT-35-156-72	N3R-28-307	Neapco	R3R-28-307
N28-30-62-108	Neapco	RT-35-14-108	N3R-28-325	Neapco	R3R-28-325
N28-30-62-72	Neapco	RT-35-14-72	N3R-28-327	Neapco	R3R-28-327
N28-30-92-108	Neapco	RT-35-10-108	N3R-28-397	Neapco	R3R-28-397
N28-30-92-72	Neapco	RT-35-10-72	N3R-28-427	Neapco	R3R-28-427
N2-83-388X	Neapco	131N-83-388X	N3R-28-437	Neapco	R3R-28-437
N2-83-489X	Neapco	121N-83-489X	N3R-28-869	Neapco	R3R-28-869
N3-2-119	Neapco	135N-2-119	N3R-3-6081X	Neapco	R3R-3-6081X
N3-2-159	Neapco	141N-2-159	N3R-3-9101X	Neapco	R3R-3-9101X
N32-30-22-108	Neapco	RT-4-14-108	N3R-3-9131X	Neapco	R3R-3-9131X
N32-30-22-72	Neapco	RT-4-14-72	N3R-3-9161X	Neapco	R3R-3-9161X
N32-30-52-108	Neapco	RT-4-10-108	N3R-3-9165KX	Neapco	R3R-3-9165KX
N32-30-52-72	Neapco	RT-4-10-72	N3R-83-482	Neapco	R3R-83-482
N32-30-72-108	Neapco	RT-4095-7-108	N4-2-669	Neapco	155N-2-669
N32-30-72-72	Neapco	RT-4095-7-72	N4-3-1241KX	Neapco	155N-3-1241X
N3-2-429	Neapco	141N-2-429	N4-40-721	Neapco	155N-40-721
N3-2-479	Neapco	148N-2-479	N4-40-761	Neapco	155N-40-761
N3-28-257	Neapco	135N-28-257	N4-4-2051	Neapco	155N-4-2051
N3-28-367	Neapco	141N-28-367	N4-53-61	Neapco	155N-53-61
N3-28-427	Neapco	135N-28-427	N5-28-167	Neapco	16N-28-167
N3-28-47	Neapco	135N-28-47	N5-28-207	Neapco	16N-28-207
N3-28-507	Neapco	148N-28-507	N5-28-327	Neapco	16N-28-327
N3-28-537	Neapco	148N-28-537	N5-28-627	Neapco	16N-28-627
N3-28-547	Neapco	148N-28-547	N5-3-1411KX	Neapco	16N-3-1411X-MXL
N3-28-557	Neapco	141N-28-557	N5-3-2261KX	Neapco	16N-3-2261X-MXL
N3-28-567	Neapco	148N-28-567	N5-3-288KX	Neapco	16N-3-288X-MXL
N3-28-57	Neapco	135N-28-57	N5-40-1011	Neapco	16N-40-1011
N3-28-57-1	Neapco	135N-28-57-1	N5-4-1721	Neapco	16N-4-1721
N3-28-57-2	Neapco	135N-28-57-2	N5-4-1721-1X	Neapco	16N-4-1721-1
N3-28-97	Neapco	141N-28-97	N5-4-1931	Neapco	16N-4-1931
N3-3-118KX	Neapco	141N-3-118KX	N5-4-3601X	Neapco	16N-4-3601X
N3-3-1481KX	Neapco	141N-3-1481KX	N5-4-3621	Neapco	16N-4-3621
N3-3-1501KX	Neapco	135N-3-1501KX	N5-4-4401	Neapco	16N-4-4401
N3-3-1561KX	Neapco	135N-3-1561KX	N5-4-4551	Neapco	16N-4-4551
N3-3-1601KX	Neapco	148N-3-1601KX	N5-4-5721	Neapco	16N-4-5721
N3-3-1641KX	Neapco	148N-3-1641KX	N5-4-5751	Neapco	16N-4-5751
N3-3-2041KX	Neapco	141N-3-2041KX	N5-4-6241	Neapco	16N-4-6241
N3-3-2471KX	Neapco	135N-3-2471KX	N5-4-6291X	Neapco	16N-4-6291X
N3-3-488KX	Neapco	135N-3-488KX	N5-4-6441-1 X	Neapco	16TYS32-86A
N3-3-508KX	Neapco	141N-3-508KX	N6.3-28-17	Neapco	176N-28-17
N3-3-598KX	Neapco	135N-3-598KX	N6.3-3-21KX	Neapco	176N-3-21X-MXL
N3-3-758KX	Neapco	135N-3-758KX	N6.3-3-41KX	Neapco	176N-3-41X-MXL
N3-3-788KX	Neapco	141N-3-788KX	N6.3-4-1 041 X	Neapco	176N-4-1041X
N3-40-1101	Neapco	135N-40-1101	N6.3-4-1041-1X	Neapco	176TYS38-27A
N3-40-1391	Neapco	148N-40-1391	N6.3-4-161	Neapco	176N-4-161
N3-40-1471	Neapco	135N-40-1471	N6.3-4-161-1	Neapco	176N-4-161-1
N3-40-1491	Neapco	135N-40-1491	N6.3-4-331 X	Neapco	176N-4-331X
N3-40-1531	Neapco	135N-40-1531	N6.3-4-331-1 X	Neapco	176N-4-331-1X
N3-40-1561	Neapco	135N-40-1561	N6.3-4-391	Neapco	176N-4-391
N3-40-1571	Neapco	148N-40-1571	N6.3-4-531	Neapco	176N-4-531
N3-40-1611	Neapco	135N-40-1611	N6.3-4-541-1 X	Neapco	176N-4-541-1X
N3-40-1871	Neapco	148N-40-1391	N6.3-4-541X	Neapco	176N-4-541X
N3-4-6631X	Neapco	141N-4-6631X	N6.3-4-641	Neapco	176NYS38-10
N3-53-1031	Neapco	141N-53-1031	N6.3-4-781 X	Neapco	176N-4-781X
N3-53-1081	Neapco	141N-53-1081	N6.3-4-781-1 X	Neapco	176N4-781-1X
N3-53-1181	Neapco	135N-53-1181	N6.3-4-791-1X	Neapco	176N-4-791-1X
N3-53-11811	Neapco	135N-53-1181-1	N6.3-4-791X	Neapco	176N-4-791X
N3-53-1361	Neapco	141N-53-1361	N6.3-4-821-1	Neapco	176N-4-821-1
N3-53-1371	Neapco	141N-53-1371	N6.3-86-18	Neapco	SE-RUR33-4
N3-53-151	Neapco	135N-53-1351	N6.5-28-117	Neapco	18N-28-117
N3-53-431	Neapco	148N-53-431	N6.5-28-127	Neapco	18N-28-127

## CROSS REFERENCE LISTING

PART#	COMPETITOR	MERITOR#	PART#	COMPETITOR	MERITOR#
N6.5-3-1351KX	Neapco	18N-3-1351X-MXL	N6-4-6041 X	Neapco	17N-4-6041X
N6.5-3-1371KX	Neapco	18N-3-1371X-MXL	N6-4-6041-1 X	Neapco	17N-4-6041-1X
N6.5-40-191	Neapco	18N-40-191	N6-4-6331	Neapco	17N-4-6331
N6.5-40-201	Neapco	18N-40-201	N6-4-6371	Neapco	17NYS32-99
N6.5-4-1891	Neapco	18N-4-1891	N6-4-6371	Neapco	17TYS32-99
N6.5-4-1891-1	Neapco	18N-4-1891-1	N6-4-6391X	Neapco	17N-4-6391X
N6.5-4-2171	Neapco	18N-4-2171	N6-4-6401	Neapco	17NYS32-100
N6.5-4-2271 X	Neapco	18N-4-2271X	N6-4-6411X	Neapco	17N-4-6411X
N6.5-4-2531X	Neapco	18N-4-2531X	N6-4-6421X	Neapco	17N-4-6421X
N6.5-4-2701	Neapco	18N-4-2701	N6-4-6451	Neapco	17N-4-6451
N6.5-4-2711 X	Neapco	18N-4-2711X	N6-4-6481	Neapco	17N-4-6481
N6.5-4-3161	Neapco	18N-4-3161	N6-4-6841X	Neapco	17N-4-6841X
N6.5-4-3221X	Neapco	18N-4-3221X	N6-4-6871X	Neapco	17N-4-6871X
N6.5-4-3251	Neapco	18N-4-3251	N6-4-6921-1 X	Neapco	17N-4-6921-1X
N6.5-4-3281 X	Neapco	18N-4-3281X	N6-4-6921X	Neapco	17N-4-6921X
N6.5-4-3381 X	Neapco	18N-4-3381X	N6-4-6931-1 X	Neapco	17N-4-6931-1X
N6.5-4-3381-1X	Neapco	18N-4-3381-1X	N6-4-6931X	Neapco	17N-4-6931X
N6.5-4-3441	Neapco	18NYS38-15	N6-4-6941X	Neapco	17N-4-6941X
N6.5-4-3551-1 X	Neapco	18N-4-3551-1X	N6-4-6951X	Neapco	17N-4-6951X
N6.5-4-3551X	Neapco	18N-4-3551X	N6-4-7141-1	Neapco	17N-4-7141-1
N6.5-4-3561 X	Neapco	18N-4-3561X	N6-4-7181X	Neapco	17N-4-7181X
N6.5-4-3561-1 X	Neapco	18N-4-3561-1X	N6-4-7541	Neapco	17N-4-7541
N6.5-4-3591-1	Neapco	18N-4-3591	N6-4-7561X	Neapco	17NYS34-19A1
N6.5-4-3591-1	Neapco	18N-4-3591-1	N6-4-7631-1X	Neapco	17N-4-7631-1X
N6.5-4-3731-1 X	Neapco	18TYS38-27A	N6-4-7641-1 X	Neapco	17N-4-7641-1X
N6.5-4-3731X	Neapco	18N-4-3731X	N6-4-8531X	Neapco	17N-4-8531X
N6.5-4-3921-1 X	Neapco	18N-4-3921-1X	N6-4-8551X	Neapco	17N-4-8551X
N6.5-4-3921X	Neapco	18N-4-3921X	N6-53-151	Neapco	17N-53-151
N6.5-53-91	Neapco	18N-53-91	N6-53-201	Neapco	17N-53-201
N6-28-137	Neapco	17N-28-137	N6-53-311	Neapco	17N-53-311
N6-28-347	Neapco	17N-28-347	N909363-2600	Neapco	R909363-2600
N6-3-2651KX	Neapco	17N-3-2651X-MXL	N9093652600	Neapco	R909365-2600
N6-3-2671KX	Neapco	17N-3-2671X-MXL	N911818-2600	Neapco	R911818-2600
N6-40-521	Neapco	17N-40-521	N912286	Neapco	4137268
N6-40-541	Neapco	17N-40-541	N912747	Neapco	R912747
N6-4-1981	Neapco	17N-4-1981	N912777	Neapco	R912777
N6-4-1981-1	Neapco	17TYSC31-54	N913797-3400	Neapco	R919976-3400
N6-4-1991	Neapco	17N-4-1991	N91382-SF	Neapco	R91382SF
N6-4-2141	Neapco	17N-4-2141	N91397-2000	Neapco	R91397-2000
N6-4-2381	Neapco	17N-4-2381	N9553SF	Neapco	R9553SF
N6-4-2391	Neapco	17N-4-2391	N98-1361	Neapco	2847Z-312
N6-4-2441	Neapco	17N-4-2441	ND3H	Neapco	DC148N-1
N6-4-3031	Neapco	17N-4-3031	S91397-2000	Neapco	R91397-2000
N6-4-3041X	Neapco	17N-4-3041X	UTP1753	Neapco	RUTP1753
N6-4-3221	Neapco	17N-4-3221			
N6-4-3241	Neapco	17N-4-3241			
N6-4-3611	Neapco	17N-4-3611			
N6-4-3611	Neapco	17N-4-6921X			
N6-4-3791	Neapco	17N-4-3791			
N6-4-4091	Neapco	17N-4-4091			
N6-4-4411X	Neapco	17N-4-4411X			
N6-4-4551	Neapco	17N-4-4551			
N6-4-4561	Neapco	17N-4-4561			
N6-4-4601	Neapco	17N-4-4601			
N6-4-4601-1	Neapco	17N-4-4601-1			
N6-4-4741X	Neapco	17N-4-4741X			
N6-4-5071X	Neapco	17N-4-5071X			
N6-4-5131X	Neapco	17N-4-5131X			
N6-4-5151X	Neapco	17N-4-5151X			
N6-4-5461X	Neapco	17N-4-5461X			
N6-4-5501	Neapco	17N-4-5501			
N6-4-5711	Neapco	17N-4-5711			
N6-4-5781	Neapco	17N-4-5781			
N6-4-5791	Neapco	17N-4-5791			
N6-4-6021X	Neapco	17N-4-6021X			

# NUMERICAL PARTS LISTING

PART NUMBER	PAGE	PART NUMBER	PAGE	PART NUMBER	PAGE
2WCS22-51A1	15-25	5WCS32-103	1-3	10N-4-43	14-4
2WCS24-42	15-25	5WCS32-103A1	1-3	10N-4-52	14-4
2WCS24-43	15-25	5WCS34-7	15-38	10N-4-53	14-4
2WCS28-33	15-26	5WCS34-8	15-38	10N-4-63	14-4
2WCS28-72A	15-27	5WCS34-9	15-38	10N-4-73	14-4
2WCS28-73	1-3-19-17, 19-1-19-17	5WCS36-76A2	15-38	10N-4-83	14-4
2WCS28-73A	15-27	5WCS36-112	15-53, 15-54	10N-4-93	14-4
2WCS28-80A	15-27	5WCS36-119A	1-3, 15-18	10N-4-103	14-4
2WCS28-84A	15-27	5WCS38-4	15-41	10N-4-113	14-4
2WCS32-12A	15-36	5WCS38-5A	15-41	10N-4-123	14-4
2WCS32-13	15-32, 15-33	5WCS38-6A	15-41	10N-4-133	14-4
2WCS32-13A	15-31	5WCS38-12A	15-42	10N-4-139	14-4
2WCS32-13A2	15-34	5WCS38-12A2	15-42	10N-4-143	14-4
2WCS32-15AX	15-31	5WCS38-18A	1-3, 15-39	10-N-4-163	3-17
3WCS28-93A	1-3-19-17, 19-1-19-17	5WCS38-20A	15-42	10N-4-173	14-4
3WCS31-15A	15-29	5WCS38-23A2	1-3, 15-39	10N-4-183	14-4
3WCS32-43A	15-30	5WCS38-24A	1-3, 15-42	10N-4-193	14-4
3WCS32-68	15-37	5WCS38-25	15-46	10N-4-282	14-4
3WCS32-68A	15-36	5WCS38-26	15-46	10-N-4-293	3-17
3WCS32-68A2	15-36, 15-37	5WCS38-28A	15-54	10-N-4-373	3-17
3WCS32-73	1-3, 15-32, 15-33, 15-40	5WCS38-29A	15-54	10N-4-443	14-4
3WCS32-73A	15-34	5WCS38-31A	15-41	10N-4-453	14-4
3WCS32-73A1	15-31, 15-41	5WCS38-32A	15-41	10N-4-473	14-4
3WCS32-75A1	1-3, 15-36	5WCS38-34A	15-42	10N-4-481	14-4
3WCS32-79	15-30	5WCS38-34A2	15-42	10N-4-573	14-4
3WCS32-81A	15-31	5WCS38-45A	1-3, 15-40	10N-4-611	14-4
3WCS36-3	15-53, 15-54	5WCS38-45A1	1-3	10N-4-703	14-4
3WCS36-25	15-53, 15-54	5WCS38-45A2	1-3	16-N-1-873	12-9
3WCS38-8A1	15-39	5WCS38-45A4	1-3	16-N-1-873-1	12-9
3WCS38-9	15-42	5WCS38-47A	1-3, 15-43	16N-1-2121	15-30
3WCS38-11A	15-42	5WCS38-47A1	1-3	16N-1-6121	15-28
3WCS38-13A	15-41	5WCS40-29A1	1-3, 15-42	16N-1-6341X	15-38
3WCS40-1A	15-42	5WCS40-39	1-3, 15-42	16N-2-279	1-5
3WCS40-1A1	15-42	5WCS40-40	15-56, 15-57	16N-2-629	1-5
3XRIs48 1A1	7-9	5WCS40-40A	15-56, 15-57	16N-3-288X MXL	2-6
3XRIs48 1A1S	2-4	5WCS40-41	15-56, 15-57	16N-3-1411X MXL	2-6
3XRY68-1	5-4	5WCS40-41A	15-56, 15-57	16N-3-2261X MXL	2-6
3XRY76-1	5-4	5WCS40-42A	15-57	16N-4-781	3-3, 15-11
5WCS28-54A	15-27	5WCS40-43A	15-57	16N-4-1051	3-3, 15-48, 15-52, 15-64
5WCS28-64	15-45	5WCS40-45A	1-3	16N-4-1431	15-64
5WCS28-66	15-45	5WCS44-3	15-58	16N-4-1721	3-3, 11-3
5WCS28-66A	15-45	5WCS44-3A	15-58	16N-4-1721-1	4-9, 11-3
5WCS28-67	15-48, 15-52, 15-64	5WCS45-1	1-3, 15-59	16N-4-1931	3-3, 15-26
5WCS31-7A	15-29	5WCS45-2	15-41	16N-4-2081	3-3, 15-11
5WCS31-7A1	1-3-19-17, 19-1-19-17	5WCS45-2	1-3	16N-4-2501	3-4, 15-28
5WCS31-24	15-48, 15-52	10-4153	3-17	16N-4-3321	3-5, 15-53, 15-54
5WCS31-26	15-48, 15-52	10N-2-29	14-2	16N-4-3321-1	15-53, 15-54
5WCS32-75	15-37	10N-3-12X	14-3	16N-4-3601X	3-3
5WCS32-75A	15-36	10N-3-18KX	14-2, 14-5	16N-4-3611X	15-27
5WCS32-75A2	15-36, 15-37	10N-3-22X	14-3	16N-4-3621	3-3, 15-26
5WCS32-76A	15-36	10N-3-23X	14-3	16N-4-3681	3-4, 15-30
5WCS32-76A2	15-36, 15-37	10N-3-32X	14-3	16N-4-3861	3-3, 15-26
5WCS32-83	1-3	10N-3-33X	14-3	16N-4-3901	15-11
5WCS32-86	1-3, 15-40	10N-3-81X	14-3	16N-4-3911	15-12
5WCS32-86A	1-3, 15-34	10N-3-83X	14-3	16N-4-4391	15-5
5WCS32-86A2	1-3, 15-31, 15-41	10N-3-122X	14-3	16N-4-4401	3-5
5WCS32-86A3	15-34, 15-35	10N-3-162X	14-3	16N-4-4441X	3-3
5WCS32-89	15-32, 15-33	10N-3-163X	14-3	16N-4-4451X	3-3, 15-27
5WCS32-89A	15-34	10N-3-183X	14-3	16N-4-4471	3-4, 15-12
5WCS32-89A1	15-31	10-N-4-11	3-17	16N-4-4471-1	15-12
5WCS32-89A2	15-34, 15-35	10N-4-12	14-4	16N-4-4481	3-3, 15-26
5WCS32-94	15-32, 15-33	10N-4-13	14-4	16N-4-4541	3-4
5WCS32-94A	15-34	10N-4-22	14-4	16N-4-4551	3-4, 15-5
5WCS32-94A1	15-31	10N-4-23	14-4	16N-4-4571	3-3, 15-11
5WCS32-94A2	15-34, 15-35	10N-4-32	14-4	16N-4-4571-1	15-11
5WCS32-96	15-45	10N-4-33	14-4	16N-4-4741	15-65, 15-66

# NUMERICAL PARTS LISTING

PART NUMBER	PAGE	PART NUMBER	PAGE	PART NUMBER	PAGE
16N-4-4761X	3-3	16N-53-141	7-3, 9-2, 11-3	16TYS32-32A3	4-9
16N-4-4841X	15-45	16N-53-191	7-3, 9-2	16TYS32-33A	15-31
16N-4-4861	15-47	16NLS32-47A2 MXL	2-6	16TYS32-49	15-64
16N-4-4861-1	15-47	16NLS32-48A2 MXL	2-6	16TYS32-55	15-5
16N-4-4961	15-53, 15-54	16NY61	5-6	16TYS32-59	15-45
16N-4-4971	15-56, 15-57	16-NYS-4-4541	4-9	16TYS32-60	15-32, 15-33
16N-4-4971-1	15-56, 15-57	16NYS28-4A	3-3	16TYS32-60A	15-31
16N-4-5031	3-5, 15-17	16NYS28-5A	15-27	16TYS32-60A1	15-34
16N-4-5031-1	15-17	16NYS28-11	15-26	16TYS32-61	4-9, 15-53, 15-65
16N-4-5031-1X	15-17	16NYS28-28A	15-5	16TYS32-65A	15-30
16N-4-5081X	3-3	16NYS28-45	15-48, 15-52, 15-61	16TYS32-75A	15-13
16N-4-5111X	15-11	16NYS28-59A	15-12	16TYS32-76	4-9, 15-40
16N-4-5131X	15-30	16NYS28-60	3-4	16TYS32-76A	4-9, 15-41
16N-4-5161X	15-17	16NYS28-60A	15-12	16TYS32-78A	15-14
16N-4-5281X	3-4, 15-29	16NYS28-64A	3-4	16TYS32-79A	15-13
16N-4-5421	15-37	16NYS30A	3-4, 15-28	16TYS32-81A	15-13
16N-4-5421-1	15-37	16NYS32-13A	15-36	16TYS32-86A	4-9, 15-41
16N-4-5431X	15-36	16NYS32-26A	15-30	16TYS34-9A	15-15
16N-4-5441	3-5, 15-37	16NYS32-32	15-34, 15-35, 15-40	16TYS34-9A1	15-15
16N-4-5461	3-5, 15-37	16NYS32-32A1	15-34	16TYS34-10A	15-6
16N-4-5501	15-17	16NYS32-32A3	3-4	16TYS34-11A	15-6
16N-4-5511X	15-17	16NYS32-33	15-34, 15-35	16TYS34-16A	15-39
16N-4-5571	3-3	16NYS32-33A1	15-34	16TYS34-21A	15-38
16N-4-5571-1	4-9	16NYS32-43	3-4	16TYS36-11A	15-54
16N-4-5621X	3-3, 15-27	16NYS32-47	3-4	16TYS36-14A1	15-17
16N-4-5631	3-5, 15-6	16NYS32-49	15-64	16TYS36-15A	15-18
16N-4-5721	15-5	16NYS32-55	15-5	16TYS36-16A	15-18
16N-4-5731	3-5, 15-5	16NYS32-68A1	15-13	16TYS38-11A	4-9, 15-42
16N-4-5741	3-5, 15-6	16NYS32-73A	15-13	16TYS38-12A	15-39
16N-4-5751	3-5, 15-5	16NYS32-74	3-4	16TYS38-13A	15-7
16N-4-5981	3-4	16NYS32-74A	3-4, 15-13	16TYS38-14A	15-7
16N-4-5991X	3-4	16NYS32-77A	15-14	16TYS38-15A	15-6
16N-4-6131-1	15-5	16NYS32-78A	15-14	16TYS38-22A	15-54
16N-4-6241	3-5, 15-32, 15-33, 15-40	16NYS32-79A	15-13	16TYS42	15-68
16N-4-6251	3-4, 15-28	16NYS32-80A	15-13	16TYSB28-53	15-27
16N-4-6261	3-3, 15-28	16NYS34-9A1	15-15	16TYSB28-58A	15-48, 15-52
16N-4-6271	3-5, 15-32, 15-33	16NYS34-10A	15-6	16TYSB31-20	15-48, 15-52, 15-64
16N-4-6271-1	4-9, 15-32, 15-33	16NYS34-11A	15-6	16TYSB31-20A	15-48, 15-52, 15-64
16N-4-6281X	3-5, 15-31, 15-41	16NYS34-12	15-15	16TYSB32-72	15-53, 15-65
16N-4-6291X	3-5, 15-31, 15-41	16NYS34-13A1	15-15	16TYSB32-72A	15-53, 15-65
16N-4-6321	3-4, 15-53, 15-65	16NYS34-14A	15-15	16TYSB32-92A1	15-41
16N-4-6321-1	4-9	16NYS34-14A1	15-15	16TYSB32-92A1	15-41
16N-4-6421-1	4-9, 15-40	16NYS34-23A	3-5	16TYSB32-92A1	15-41
16N-4-6431-1X	4-9	16NYS36-7	3-5	16TYSB32-92A1	15-41
16N-4-6871X	15-36, 15-37	16NYS36-8A	15-18	16TYSB32-92A1	15-41
16N-4-6891X	3-5, 15-38	16NYS36-14A1	15-17	16TYSB32-92A1	15-41
16N-4-6951-1X	4-9, 15-36, 15-37	16NYS36A1	15-38	16TYSB32-92A1	15-41
16N-4-6951X	3-4, 15-36, 15-37	16NYS38-8A	3-5, 15-39	16TYSB32-92A1	15-41
16N-4-6961X	3-5, 15-36	16NYS38-11A	3-5, 15-42	16TYSB32-92A1	15-41
16N-4-7171-1	4-9	16NYS38-12	3-5	16TYSB32-92A1	15-41
16N-4-7291X	15-5	16NYS38-12A	3-5, 15-39	16TYSB32-92A1	15-41
16N-4-7301-1X	4-9, 15-11	16NYS38-13A	15-7	16TYSB32-92A1	15-41
16N-4-7301X	15-11	16NYS38-14A	15-7	16TYSB32-92A1	15-41
16N-4-7311X	15-15	16NYS38-15A	15-6	16TYSB32-92A1	15-41
16N-4-7331-1	4-9	16TYS28-8A	15-45	16TYSB32-92A1	15-41
16N-4-7341-1X	4-9	16TYS28-13A	4-9, 15-27	16TYSB32-92A1	15-41
16N-4-7551	15-15	16TYS28-20	15-48, 15-52, 15-64	16TYSB32-92A1	15-41
16N-28-167	5-6	16TYS28-39	15-12	16TYSB32-92A1	15-41
16N-28-207	5-6	16TYS28-44A	15-5	16TYSB32-92A1	15-41
16N-28-327	5-6	16TYS28-51A	15-45	16TYSB32-92A1	15-41
16N-28-627	5-6, 11-3	16TYS31-16	15-48, 15-52	16TYSB32-92A1	15-41
16N-28-887	5-6	16TYS32-5	4-9	16TYSB32-92A1	15-41
16N-40-1011	7-7	16TYS32-26A	15-30	16TYSB32-92A1	15-41
16N-40-1041	7-7	16TYS32-32	15-34, 15-35, 15-40	16TYSB32-92A1	15-41
16N-40-1051	7-7	16TYS32-32A	4-9, 15-31, 15-41	16TYSB32-92A1	15-41
16N-40-1191	7-7	16TYS32-32A1	15-34	16TYSB32-92A1	15-41

# NUMERICAL PARTS LISTING

PART NUMBER	PAGE	PART NUMBER	PAGE	PART NUMBER	PAGE
17N-4-2151	3-10	17N-4-5031	3-6	17N-4-6961-1X	4-12
17N-4-2161	3-7	17N-4-5041-1	15-45	17N-4-6961X	3-11, 15-42
17N-4-2181	3-10, 15-17	17N-4-5041X	3-6, 15-45	17N-4-7041X	15-57
17N-4-2191	3-8	17N-4-5061X	3-10, 15-16	17N-4-7071-1X	4-13
17N-4-2191-1	15-30	17N-4-5071X	3-11	17N-4-7071X	3-12, 15-67
17N-4-2211	3-7, 15-12	17N-4-5111X	3-6	17N-4-7141	3-8, 11-3
17N-4-2271	3-6, 15-28	17N-4-5131X	3-6	17N-4-7141-1	4-10, 11-3
17N-4-2361	3-8	17N-4-5141	3-7, 15-12	17N-4-7161	3-11
17N-4-2371	3-7	17N-4-5151X	3-7	17N-4-7171X	3-9
17N-4-2381	3-6, 15-26	17N-4-5341	3-11, 15-66	17N-4-7181-1X	4-12, 15-39
17N-4-2391	3-7	17N-4-5351	3-12, 15-68	17N-4-7181X	3-11, 15-39
17N-4-2441	3-10	17N-4-5451	3-11	17N-4-7231X	3-7
17N-4-2501	3-10	17N-4-5461-1X	4-12	17N-4-7241X	3-11
17N-4-2511	3-10	17N-4-5461X	3-11, 15-41	17N-4-7271X	15-54
17N-4-3031	3-10, 15-65, 15-66	17N-4-5481X	3-10, 15-17	17N-4-7301	15-53, 15-65
17N-4-3031-1	15-65, 15-66	17N-4-5501	3-9, 15-37	17N-4-7321-1X	4-11
17N-4-3041X	3-10, 15-66	17N-4-5521	3-8, 15-37	17N-4-7321X	15-15
17N-4-3171	3-7	17N-4-5531X	15-36	17N-4-7371-1	4-11
17N-4-3191	15-64	17N-4-5541	3-8, 15-37	17-N-4-7481-1	4-12
17N-4-3221	3-7, 15-30	17N-4-5551X	15-36	17N-4-7531-1X	4-12, 15-19
17N-4-3241	3-7	17N-4-5711	3-11, 15-6	17N-4-7541	3-9, 15-15
17N-4-3241-1	15-30	17N-4-5711-1	15-6	17N-4-7561-1X	4-11
17N-4-3271	3-7	17N-4-5781	3-8, 15-5	17N-4-7561X	3-9
17N-4-3291	3-7	17N-4-5791	3-9	17N-4-7621-1	4-10, 15-40
17N-4-3361	3-6	17N-4-5801	3-11, 15-6	17N-4-7631-1X	4-10, 15-31
17N-4-3391	3-6, 15-11	17N-4-5821	3-9, 15-5	17N-4-7641-1X	4-10, 15-41
17N-4-3501	3-10	17N-4-5841	3-11	17N-4-7691	15-67
17N-4-3611	3-12, 15-56, 15-57	17N-4-5961X	3-11, 15-42	17N-4-7691-1	4-12, 15-67
17N-4-3611-1	15-56, 15-57	17N-4-5991	3-8	17N-4-7771-1X	4-12
17N-4-3721	3-7, 15-5	17N-4-6011	3-8	17N-4-7771X	3-11, 15-39
17N-4-3791	3-9	17N-4-6021X	3-8	17N-4-7851X	3-12, 15-42
17N-4-4091	3-6, 15-26	17N-4-6031	3-10	17N-4-8341-1X	4-12
17N-4-4131	3-7, 15-30	17N-4-6031-1	4-11	17N-4-8461	3-10
17N-4-4141	3-6, 15-11	17N-4-6041-1X	4-11	17N-4-8461-1	4-11, 4-12
17N-4-4151	3-7, 15-12	17N-4-6041X	3-10	17N-4-8511-1X	4-10
17N-4-4161	15-17	17N-4-6201	15-5	17N-4-8521X	3-6
17N-4-4171X	3-10, 15-17	17N-4-6321	3-6, 15-28	17N-4-8531X	3-8
17N-4-4181X	3-7, 15-29	17N-4-6331	3-6, 15-28	17N-4-8551-1X	4-11
17N-4-4291X	3-8, 15-30	17N-4-6331-1	15-28	17N-4-8551X	3-10
17N-4-4301X	3-6, 15-11	17N-4-6371	15-32, 15-33	17N-4-8991-1X	4-10
17N-4-4361X	3-7, 15-29	17N-4-6381X	15-34	17N-4-9001-1X	4-10
17N-4-4371	3-7, 15-5	17N-4-6391-1X	4-10, 15-31, 15-41	17N-4-9001X	3-9
17N-4-4391X	3-7	17N-4-6391X	3-8, 15-31	17N-4-9031X	3-8, 15-13
17N-4-4411X	3-10, 15-38	17N-4-6401	15-32, 15-33	17N-4-9041X	3-8, 3-9
17N-4-4421	3-12	17N-4-6411X	3-8, 15-34	17N-28-137	11-3
17N-4-4481X	3-7, 15-29	17N-4-6421X	3-8, 15-31, 15-41	17N-28-347	7-9
17N-4-4551	3-12	17N-4-6451	3-6	17N-28-347	5-6, 11-3
17N-4-4561	3-11, 15-46	17N-4-6481	3-6	17-N-28-467	5-6
17N-4-4561-1	4-11, 15-46	17N-4-6601	3-11	17N-40-61	7-7
17N-4-4581	3-12	17N-4-6611-1	4-12	17N-40-521	7-9
17N-4-4591	3-10, 15-17	17N-4-6821	3-12, 15-58	17N-40-521	7-7
17N-4-4601	3-11, 11-3	17N-4-6821-1	15-58	17N-40-541	7-7
17N-4-4601-1	4-11, 4-12, 11-3	17N-4-6841X	3-12, 15-59	17N-40-621	7-7
17N-4-4651	3-12, 15-68	17N-4-6861	15-53, 15-54	17N-40-631	7-7
17N-4-4721	3-7	17N-4-6861-1	4-11	17-N-40-741	7-7
17N-4-4721-1	15-12	17N-4-6871X	3-9, 15-36, 15-37	17N-53-151	7-3, 9-2, 11-3, 11-4
17N-4-4731X	3-7, 15-12	17N-4-6891X	3-10, 15-38	17N-53-201	7-3, 9-2, 11-3, 11-4, 11-5
17N-4-4741X	3-8	17N-4-6901-1X	4-11, 15-53, 15-54	17N-53-241	7-3, 9-2
17N-4-4751X	15-19	17N-4-6921-1X	4-12	17N-53-311	7-4, 9-2, 11-3, 11-5
17N-4-4771	3-11, 15-46	17N-4-6921X	3-12, 15-56, 15-57	17N-53-411	7-3, 9-2
17N-4-4771-1	4-12	17N-4-6931-1X	4-13, 15-58, 15-60	17N-82-1061-3	8-4
17N-4-4831X	3-6, 15-27	17N-4-6931X	3-12, 15-58, 15-60	17N-82-1061-4	8-4
17N-4-4851X	3-7	17N-4-6941X	3-8, 15-36, 15-37	17N-82-1061-8	8-4
17N-4-4861X	3-6	17N-4-6951-1	15-37	17N-82-1061-9	8-4
17N-4-4961	3-10, 15-16	17N-4-6951-1X	4-10, 15-37	17N-82-1091-2	8-4
17N-4-4961-1	15-16	17N-4-6951X	3-8, 15-36, 15-37	17N-82-1171-1	8-4

# NUMERICAL PARTS LISTING

PART NUMBER	PAGE	PART NUMBER	PAGE	PART NUMBER	PAGE
17N-82-1171-2	8-4	17NYS34-20A	3-9	17TYS32-60	4-10
17N-82-1171-5	8-4	17NYS34-29	3-9	17TYS32-60A	4-10
17N-82-1171-12	8-4	17NYS34-29A	3-9, 15-38	17TYS32-65	15-5
17N-82-1211	8-4	17NYS36-19A	15-38	17TYS32-66	15-53, 15-65
17-N-82-1281-1	8-3	17NYS36-48A	15-54	17TYS32-67	15-45
17-N-82-1341-4	8-3	17NYS36-57A1	15-17	17TYS32-68	15-32, 15-33
17NF1	1-5	17NYS36-60A	15-18	17TYS32-68A2	15-34, 15-35
17NF20	1-5	17NYS36-62A	3-10, 15-18	17TYS32-69	15-37
17NF25	1-5	17NYS36A	15-38	17TYS32-69A	15-36
17NF27	1-5	17NYS38-17	3-11	17TYS32-70A	15-36
17NF28	1-5	17NYS38-17A	15-42	17TYS32-70A1	15-36, 15-37
17NLS40-82DC	2-6	17NYS38-17A2	3-11, 15-42	17TYS32-73	4-10, 15-53, 15-65
17NLS40-98CA1 MXL	2-6	17NYS38-31	3-11	17TYS32-75	15-64
17NLS40-121A1MXL	2-6	17NYS38-32A2	3-11	17TYS32-76	15-5
17NLS40-124A1 MXL	2-6	17NYS38-32A3	15-39	17TYS32-77	15-46
17NY60-15	5-6	17NYS38-38	3-11	17TYS32-83A	15-30
17-NYR-28-407	5-6	17NYS38-41A	15-6	17TYS32-89A	15-13
17NYS26	3-6, 15-26	17NYS38-42A	15-7	17TYS32-91A	4-10, 15-14
17NYS28-5	15-5	17NYS38-44A	15-19	17TYS32-92A	4-10, 15-13
17NYS28-11	3-6	17NYS38-44A1	3-11, 15-19	17TYS32-94A	4-10, 15-14
17NYS28-43A	3-6, 15-27	17NYS38-61	3-11	17TYS32-96	15-32, 15-33
17NYS28-55A	15-11	17NYS38-61A	3-11, 15-39	17TYS32-96A	15-31
17NYS28-65A	15-12	17NYS38-62	15-46	17TYS32-96A1	15-34
17NYS28-66A	3-6, 15-12	17NYS38-63	3-12, 15-42	17TYS32-99	4-10, 15-40
17NYS30	3-6, 15-28	17NYS38-69A	15-41	17TYS34-3A	15-17
17NYS31-13A	15-12	17NYS38-78	3-11	17TYS34-14A	15-15
17NYS32-10A	15-30	17NYS39-1A	15-19	17TYS34-14A1	4-11, 15-15
17NYS32-10A1	15-30	17NYS39-2A	15-19	17TYS34-15A	15-6
17NYS32-21	15-64	17NYS40-37A	15-43	17TYS34-16A	15-6
17NYS32-40A	15-36	17NYS40-106	3-12	17TYS34-18A1	4-11
17NYS32-40A1	3-9	17NYS40-106A	3-12, 15-42	17TYS34-21A	15-15
17NYS32-41A1	3-8	17NYS40-106A1	3-12	17TYS34-22A	15-6
17NYS32-41A2	3-8	17NYS48-43A	15-7	17TYS34-23	15-17
17NYS32-55A3	15-34, 15-35	17NYSM40-122	8-4	17TYS34-23A	15-17
17NYS32-56A3	15-34, 15-35	17NYSM40-169	8-4	17TYS34-26A	15-37
17NYS32-60	3-8	17NYSM40-170	8-4	17TYS34-29	4-11
17NYS32-63A	15-30	17NYSM40-172	8-4	17TYS34-29A	15-38
17NYS32-63A1	15-30	17NYSM40-173	8-4	17TYS34-38AX	15-38
17NYS32-65	15-5	17NYSM40-177	8-4	17TYS36-4	15-65, 15-66
17NYS32-85A	15-13	17TYS26-3	15-26	17TYS36-48A	15-54
17NYS32-86A	15-13	17TYS28-7	15-11	17TYS36-52A	4-11, 15-38
17NYS32-90A	15-14	17TYS28-43A	15-27	17TYS36-54A	15-66
17NYS32-91A	3-8, 15-14	17TYS28-51	15-12	17TYS36-55A	15-54
17NYS32-93A	15-13	17TYS28-57	4-10	17TYS36-58A1	4-11, 15-17
17NYS32-99	3-8, 15-40	17TYS28-57A	4-10, 15-27	17TYS36-59A	15-39
17NYS32-99A	3-8, 15-41	17TYS28-58A	15-11	17TYS36-61A	15-18
17NYS32-99A3	3-8	17TYS28-59A	15-12	17TYS36-62A	4-11, 15-18
17NYS32-100	3-8, 15-40	17TYS28-60	15-11	17TYS37-1A	4-11
17NYS32-100A	3-8	17TYS28-62A	15-45	17TYS38-7	15-47
17NYS32-100A1	3-8	17TYS28-63	4-10	17TYS38-22	15-46
17NYS32-100A2	3-8	17TYS28-64	15-11	17TYS38-32A	15-39
17NYS34-5	3-10	17TYS31-19	15-5	17TYS38-41A	15-6
17NYS34-5A	15-17	17TYS31-36A	15-12	17TYS38-42A	15-7
17NYS34-9A	3-9, 15-5	17TYS31-49A	15-12	17TYS38-43	15-7
17NYS34-10	15-5	17TYS31-55	15-5	17TYS38-43A	15-7
17NYS34-14A1	15-15	17TYS31-57A	15-12	17TYS38-44A	15-19
17NYS34-15	3-9	17TYS31-58A	15-12	17TYS38-44A1	15-19
17NYS34-15A	15-6	17TYS31-59A	15-29	17TYS38-50A	15-54
17NYS34-16A	15-6	17TYS31-62	15-48, 15-52	17TYS38-52A	15-41
17NYS34-17	15-15	17TYS31-66A	4-10	17TYS38-53A	15-42
17NYS34-18	3-9	17TYS32-21	15-64	17TYS38-53A1	15-42
17NYS34-18A1	3-9, 15-15	17TYS32-55	15-32, 15-33	17TYS38-55	15-47
17NYS34-19	3-9	17TYS32-55A	15-31	17TYS38-58A	15-6
17NYS34-19A	15-15	17TYS32-56	15-32, 15-33	17TYS38-59A	15-7
17NYS34-19A1	3-9, 15-15	17TYS32-56A1	15-34	17TYS38-62	15-46
17NYS34-20	3-9	17TYS32-59	15-5	17TYS38-64A	15-54



# NUMERICAL PARTS LISTING

PART NUMBER	PAGE	PART NUMBER	PAGE	PART NUMBER	PAGE
17TYS38-70A	4-12, 15-42	18N-4-2541-1	15-47	18N-28-127	5-6, 11-4, 11-5
17TYS38-70A1	15-42	18N-4-2551-1X	15-38	18N-40-191	7-8
17TYS38-71	4-12	18N-4-2551X	3-15, 15-38	18N-40-201	7-8
17TYS38-71A	15-39	18N-4-2581	3-16, 15-46	18N-53-51	7-4, 9-2, 11-4, 11-5
17TYS38-75A	4-12	18N-4-2581-1	15-46	18N-53-91	7-4, 9-2, 11-4, 11-5
17TYS38-76	4-12	18N-4-2701	3-16	18N 53 171	7-9
17TYS38-76A	4-12	18N-4-2711-1X	4-17, 15-41	18N-53-171	7-4, 9-2
17TYS38-76A2	4-12, 15-39	18N-4-2711X	3-16, 15-41	18NYS31A	15-29
17TYS38-76A5	4-12, 15-39	18N-4-2781	3-15	18NYS32-1A	15-30
17TYS38-78A	4-12	18N-4-2781-1	15-37	18NYS32-3	15-37
17TYS39-2A	15-19	18N-4-3011	15-66	18NYS32-12A2	3-15, 15-34, 15-35
17TYS39-3A	15-19	18N-4-3021	3-17, 15-67	18NYS32-12A3	15-31
17TYS39-4A	15-19	18N-4-3031-1	15-68	18NYS32-17A	15-34
17TYS40-9	15-56, 15-57	18N-4-3161	3-16, 15-6	18NYS32-17A1	15-34, 15-35
17TYS40-125A	15-56, 15-57	18N-4-3171X	15-36	18NYS32-17A2	15-31
17TYS40-131A (C)	15-57	18N-4-3201	3-16	18NYS34-3A1	3-15, 15-15
17TYS40-143A	15-57	18N-4-3221-1X	4-17, 15-42	18NYS34-4A	15-38
17TYS40-144A	15-56, 15-57	18N-4-3221X	3-16, 15-42	18NYS34-5A	3-15, 15-38
17TYS40-151A	15-43	18N-4-3251	3-16	18NYS36-16A1	15-17
17TYS40-152	4-12	18N-4-3271	3-16	18NYS36-17	3-16
17TYS42-1	15-68	18N-4-3271-1	4-16	18NYS36-17A	15-39
17TYS42-4	15-68	18N-4-3281-1X	4-16	18NYS36-19A	15-18
17TYS42-5A	15-67	18N-4-3281X	3-16	18NYS36-20A	3-16, 15-18
17TYS44-5	15-68	18N-4-3371	3-15, 15-32, 15-33, 15-40	18NYS36A	15-38
17TYS44-7A	15-58	18N-4-3371-1	4-16, 15-40	18NYS38-6A	3-16
17TYS44-11	15-68	18N-4-3381-1X	4-16	18NYS38-8A3	15-42
17TYS44-12A	15-59	18N-4-3381X	3-15, 15-34	18NYS38-15	3-16
17TYS44-14	4-13	18N-4-3451	3-17	18NYS38-19A	15-7
17TYS44-16A	4-13	18N-4-3451-1	4-17	18NYS38-21	3-16
17TYS45	4-13, 15-59	18N-4-3491	15-58	18NYS38-23	15-46
17TYSB32-84	15-53, 15-65	18N-4-3491-1	4-17, 15-58	18NYS38-25A	15-41
17TYSB32-84A	15-53, 15-65	18N-4-3501X	15-59	18NYS38-27	3-16
17TYSB32-98A	4-10, 15-41	18N-4-3541	15-67	18NYS38-27A1	3-16
17TYS31-54	4-10, 11-3	18N-4-3541-1X	15-67	18NYS38-27A2	3-16
18-N-1-533	12-9	18N-4-3551-1X	4-17, 15-56, 15-57, 15-60	18NYS38-27A5	3-16, 15-39
18N-1-2341X	15-38	18N-4-3551X	3-17, 15-56, 15-57, 15-60	18NYS40-5	3-17
18N-3-1351X MXL	2-6	18N-4-03556-1X	4-17, 15-39	18NYS40A	15-43
18N-3-1371X MXL	2-6	18N-4-3561-1X	4-17, 15-58, 15-60	18NYS44-3	3-17
18N-3-1431X MXL	2-6	18N-4-3561X	15-58, 15-60	18NYS45	15-59
18N-4-1891	3-16, 11-4	18N-4-3571X	3-15, 15-36, 15-37	18NYS48-1A	15-43
18N-4-1891-1	4-16, 11-4, 11-5	18N-4-3581-1X	4-17, 15-42	18NYSB38-1	15-39
18N-4-1911	3-15	18N-4-3581X	3-16, 15-42	18TYS31-1A	15-12
18N-4-1921	3-15	18N-4-3591	3-16	18TYS31-5A	4-16
18N-4-1921-1	15-30	18N-4-3591-1	4-17	18TYS32-3A	15-36
18N-4-1961	3-17, 15-54, 15-55	18N-4-3621-1X	4-17, 15-57	18TYS32-3A1	15-36, 15-37
18N-4-1971	3-15, 15-65, 15-66	18N-4-3621X	15-57	18TYS32-12	15-32, 15-33
18N-4-1971-1	15-65, 15-66	18N-4-3641X	15-6	18TYS32-12A1	4-16, 15-31, 15-41
18N-4-1981	3-16	18N-4-3691X	3-15, 15-15	18TYS32-12A2	4-16, 15-34, 15-35
18N-4-1991	3-17	18N-4-3721-1	4-17	18TYS32-18A	4-16
18N-4-2011	3-17	18N-4-3731-1X	4-17, 15-39	18TYS34-2A1	15-15
18N-4-2021-1	15-53, 15-54	18N-4-3731X	3-16, 15-39	18TYS34-4AX	15-38
18N-4-2051	3-15, 15-5	18N-4-3821	15-67	18TYS34-5	4-16
18N-4-2171	3-17, 15-68	18N-4-3821-1	15-67	18TYS34-5A	15-38
18N-4-2171-1	4-17, 15-68	18N-4-3841-1	4-16, 15-34	18TYS36-15A	15-54
18N-4-2251	15-30	18N-4-3911-1	4-17	18TYS36-16A1	15-17
18N-4-2271X	3-15	18N-4-3921-1X	4-17	18TYS36-17	4-16
18N-4-2291	3-15, 15-17	18N-4-3921X	3-16, 15-19	18TYS36-17A	15-39
18N-4-2341X	3-15, 15-30	18N-4-3931	15-15	18TYS36-20A	4-16, 15-18
18N-4-2351X	15-12	18N-4-4271-1X	4-17	18TYS38-9	4-16
18N-4-2361X	3-17, 15-19	18N-4-4351-1X	4-16	18TYS38-15	4-17
18N-4-2401-1X	15-17	18N-4-4351X	3-15	18TYS38-19A	15-7
18N-4-2401X	15-17	18N-4-4571-1X	4-16	18TYS38-20A	15-6
18N-4-2441	3-15, 15-16	18N-4-4601X	3-15, 15-15	18TYS38-21A	15-19
18N-4-2451X	3-15	18N-4-4611X	3-16, 15-19	18TYS38-21A1	15-19
18N-4-2531X	3-16	18N-4-43511X	15-18	18TYS38-24	4-16, 15-46
18N-4-2541	15-47	18N-28-117	5-6, 11-4	18TYS38-27A	4-17

# NUMERICAL PARTS LISTING

PART NUMBER	PAGE	PART NUMBER	PAGE	PART NUMBER	PAGE
18TYS38-27A5	4-17, 15-39	25WYS32-3A2	3-30	58WBYS32-39	15-64
18TYS39A	15-19	25WYS32-4	3-30	58WBYS32-41A	15-30
18TYS40-9A	4-17	25WYS32-4A	3-30	58WBYS32-44	15-53, 15-65
18TYS44-3A	15-59	25WYS32-4A2	3-30	58WBYS32-47	15-32, 15-33
18TYS44-12A	4-17	25WYS36-1A	3-30, 15-18	58WBYS32-47A	15-31
18TYS45	4-17, 15-59	25WYS36-2A	3-30	58WBYS32-47A2	15-34
20RLS40-2A1S	2-4	25WYS36-3A	3-30, 15-18	58WBYS34-7	3-19, 15-16
20RLS40-3A1S	2-4	25WYS38-6A	3-30, 15-19	58WBYSB30-6	1-8, 15-45
20RLS40 11A1S	7-9	25WYS38-8A	3-30, 15-42	62NLS28-2A	2-7
20RLS40-11A1S	2-4	25WYS38-8A1	3-30	62NLS28-3DC	2-7
20RY60-6	5-4	25WYS38-9A1	3-30	62NLS28-43DC	2-7
20RY60-7	5-4	25WYS38-13	3-30	62NLS28-82A	2-7
20RYSM40-47	8-4	25WYS38-13A	3-30, 15-39	62NPS28	7-6
20RYSM40-48	8-4	25WYS38-13A1	3-30	62NPS28-4	7-7
20RYSM40-49	8-4	25WYS38-13A4	3-30, 15-39	62NYS2-7	5-7
20RYSM40-50	8-4	25WYS38-19A	3-30	62NYS3-1	5-7
20RYSM40-51	8-4	25WYS38-19A1	3-30	62NYS22-9A	15-25
20RYSM40-52	8-4	25WYS38-20A	3-30	62NYS22-10	3-20
20RYSM40-53	8-4	25WYS40-2A	3-30, 15-55, 15-60	62NYS24-17	3-20
20WYS28-1A	3-28, 15-12	25WYS40-3	3-31, 15-57	62NYS24-17A1	3-20, 15-26
20WYS28-2A	3-28, 15-12	25WYS40-4A	3-31, 15-57	62NYS24-36	15-25
20WYS32-1	15-35	25WYS44-2	3-31	62NYS26-11	3-20
20WYS32-1A	15-35	25WYS44-2A	3-31, 15-59, 15-60	62NYS26-11A	3-20
20WYS32-2	3-28, 15-35, 15-40	25WYS45	3-31, 15-59	62NYS26-13	3-20, 15-26
20WYS32-2A	15-35, 15-41	25WYS57-1	3-31	62NYS28-21	3-20
20WYS32-5A	3-28	25Wysc38 11	7-9	62NYS28-26	3-20
20WYS32-6A	3-28	25WYSC38-11	3-30	62NYS28-32	3-20
20WYS32-7A	3-28, 15-14	35RPLSLIP	7-8	62NYS28-111	15-26
20WYS32-8A	3-28, 15-14	40-X-1233	9-5, 15-3	62NYS28-111A	15-27
20WYS32-9A	3-28, 15-14	40-X-1236	9-5, 15-3	62NYS28-123	3-20, 15-26
20WYS32-10A	3-28, 15-13	40-X-1237	9-5, 15-3	62NYS28-123A	3-20, 15-27
20WYS32-17	3-28, 15-40	50NPS28-45	7-7	62NYS28-154A	15-27
20WYS32-17A	3-28, 15-41	58WBLS28-41A	2-7	62NYS28-155	3-20
20WYS34-1A	3-28, 15-15	58WBLS28-42A	2-7	62NYS28-155A	3-20, 15-27
20WYS34-2A	3-28, 15-15	58WBYS2-8 (DR)	11-4	62NYS28-160	3-20
20WYS34-3A	3-28, 15-15	58WBYS3-1	5-7	62NYS28-160A	3-20, 15-27
20WYS34-4A	3-28, 15-15	58WBYS4-6	3-27	62NYS28-195	15-26
20WYS36-1A	3-28, 15-18	58WBYSR26	3-27	62NYS28-195A	15-27
20WYS36-2A	3-28	58WBYSR32-34	3-27	62NYS28-201A	15-27
20WYS36-3A	3-28, 15-18	58WBYS22-3	3-19	62NYS28-202	3-20
20WYS38-1A	15-39	58WBYS24	15-61	62NYS28-202A	3-20, 15-27
20WYS38-3A	3-28, 15-39	58WBYS24-1A	15-26	62NYS30-22	15-45
20WYS38-4A	3-28, 15-39	58WBYS24-7	15-61	62NYS31-5	3-20
20WYS38-8	3-28	58WBYS25-8	3-19	62NYS32-16A	15-30
20WYS38-8A	3-28, 15-42	58WBYS28-1	3-19	62NYS32-48	15-32, 15-33
20WYS38-10A	3-28, 15-42	58WBYS28-3	15-26	62NYS32-48A	3-20, 15-31, 15-41
20WYS38-10A1	3-28	58WBYS28-3A	15-27	62NYS36-2	3-20
20WYS38-11A	3-28, 15-19	58WBYS28-6	3-19	62NYSB24-31	1-8, 15-26
20WYS40-2A	3-29, 15-55, 15-60	58WBYS28-14	3-19	72NLS32-1DC	2-7
20WYS40-3	3-29, 15-57	58WBYS28-51	3-19	72NLS32-20DC	2-7
20WYS40-4A	3-29, 15-57	58WBYS28-54	15-48, 15-52, 15-64	72NLS32-142A	2-7
20WYS44-2A	3-29, 15-59, 15-60	58WBYS28-82	3-19	72NYS1-4 (DR)	11-4
20WYS45	3-29, 15-59	58WBYS28-144	15-45	72NYS2-20	5-7
20WYS57-1	3-29	58WBYS28-145	3-19	72NYS60-3 (TH)	11-4
20WYSC38 18	7-9	58WBYS28-154	15-48, 15-52	72NYR24-2	3-27
20WYSC38-18	3-28	58WBYS28-162A	15-45	72NYS24	3-21
25RLs48 1A1s	7-9	58WBYS28-163	15-45	72NYS24-22	3-21
25RLS48 1A1S	7-9	58WBYS28-172	3-19	72NYS24-25A	15-26
25RLS48-1A1S	2-4	58WBYS28-182A	15-27	72NYS24A1	15-26
25RLS489A1S	2-4	58WBYS28-186A	3-19, 15-27	72NYS26-3	3-21
25RPL-SLIP	7-8	58WBYS28-218	15-48, 15-52, 15-61	72NYS26-7	3-21
25RY68-3	5-4	58WBYS30	3-19	72NYS28-1	3-21
25RY68-6	5-4	58WBYS30-7	15-45	72NYS28-2	3-21
25RYSM48-11	8-4	58WBYS31-13	3-19	72NYS28-5	3-21
25WYS32-3	3-30	58WBYS31-21	3-19	72NYS28-6	3-21
25WYS32-3A	3-30	58WBYS31-29	11-4	72NYS28-10	3-21

# NUMERICAL PARTS LISTING

PART NUMBER	PAGE	PART NUMBER	PAGE	PART NUMBER	PAGE
72NYS28-18	15-48, 15-52, 15-64	72NYS32-250	3-22, 15-53, 15-65	82NYS32-74A	3-24, 15-34
72NYS28-23	3-21	72NYS32-256	3-22	82NYS32-74A1	3-24, 15-31, 15-41
72NYS28-42	15-26	72NYS32-302	15-30	82NYS32-74A2	15-34, 15-35
72NYS28-42A	15-27	72NYS33	3-23	82NYS36-26	3-24
72NYS28-51	3-21	72NYS34-24	3-23	82NYS36-26A	15-38
72NYS28-65	3-21	72NYS34-24A	15-17	82NYS36-26A1	15-38
72NYS28-66	15-45	72NYS34-28	3-23	82NYS36-30A	15-38
72NYS28-84	3-21	72NYS34-41	15-15	82NYS36-30A1	15-38
72NYS28-123	3-21	72NYS34-41A	15-15	82NYS36-63	15-65, 15-66
72NYS28-141	3-21, 15-45	72NYS34-42	3-23	82NYS38-12	15-47
72NYS28-141A	3-21	72NYS34-42A	15-15	82NYS38-14A	15-41
72NYS28-162A	15-27	72NYS34-42A1	3-23, 15-15	82NYS38-15	3-24
72NYS28-165	15-28	72NYS36-1	3-23	82NYS38-15A	3-24, 15-41
72NYS28-166	3-21	72NYS36-13	3-23	82NYS38-28A	15-42
72NYS28-166A	3-21, 15-27	72NYS36-19	3-23	82NYS38-31A	3-24, 15-39
72NYS28-174A	15-27	72NYS36-22	3-23	82NYS38-32A	15-39
72NYS28-176	15-28	72NYS36-38	3-23	82NYS38-33A	15-19
72NYS28-177	3-21, 15-28	72NYS36-40	3-23	82NYS38-33A1	15-19
72NYS28-179	15-28	72NYS36-40A1	15-38	82NYS38-34A	15-41
72NYS28-183	3-21	72NYS36-51	15-65, 15-66	82NYS40-28	3-24, 15-54, 15-55
72NYS28-200	3-21	72NYS36-54	3-23	82NYS40-30A	15-42
72NYS30-1	15-45	72NYS36-54A	15-38	85WB60-3 (TH)	11-5
72NYS30-2	3-21, 15-28	72NYS36-54A2	3-23, 15-38	85WB60-11	5-7
72NYS30-2A	3-21	72NYS36-97A	15-39	85WB60-11 (DR)	11-5
72NYS30-3	3-21	72NYS38	15-46	85WBYS31-4	15-30
72NYS31	3-22	72NYS38-1	15-46	85WBYS31-6	11-5
72NYS31-1	3-22	72NYS38-2	15-46	85WBYS32-11	15-37
72NYS31-2	3-22	72NYS38-4	15-46	85WBYS32-20	15-32, 15-33, 15-40
72NYS31-2A	3-22, 15-12	72NYS38-10	15-46	85WBYS32-20A	15-31, 15-41
72NYS31-3	3-22, 15-30	72NYS38-15A	15-41	85WBYS32-20A1	15-34
72NYS31-3A	15-29	72NYS38-20A	15-42	85WBYS32-20A2	15-34, 15-35
72NYS31-4	3-22, 15-30	72NYS38-22A	15-42	85WBYS34-4	15-38
72NYS31-4A	3-22, 15-29	72NYS38-24A	15-39	85WBYS38-2	15-46
72NYS31-8	3-22, 15-30	72NYS38-26A	3-23, 15-39	85WBYS38-14A	15-39
72NYS31-8A	15-29	72NYS38-31A	15-39	85WBYS38-17	11-5
72NYS31-27	3-22	72NYS40-99	3-23, 15-54, 15-55	85WBYS38-19A	15-42
72NYS31-60	11-4	72NYS40-99A	15-54, 15-55	85WBYS40-34	15-56, 15-57
72NYS31-93	3-22	72NYS52-20 (DR)	11-4	85WBYS40-34A	15-56, 15-57
72NYS32	3-22	72NYSB32-258	1-8, 15-31, 15-41	85WBYS44-1	15-58
72NYS32-9	3-22	72NYSB32-323	15-41	85WBYS44-1A	15-58
72NYS32-12	3-22	72NYSM32-58	8-5	85WBYS48-14	15-47
72NYS32-16	3-22	72NYSM40-12	8-5	85WBYSB36-30	1-8
72NYS32-39	3-22	72NYSM40-87	8-5	85WBYSB38-16	1-8
72NYS32-48	3-22, 15-30	82NLS40-83A	2-7	90N-70-28X	9-11
72NYS32-104	3-22	82NLS40-85A	2-7	92NF26	1-5
72NYS32-110	3-22	82NPS40	7-7	92NLS48-3DC	2-7
72NYS32-157	15-64	82NY58	5-7	92NLS48-47DC	2-7
72NYS32-172	15-64	82NY58-2	5-7	92NLS48-66A	2-7
72NYS32-219	3-22, 15-37	82NY60-16 (TH)	11-5	92NY64	5-7
72NYS32-219A	15-36, 15-37	82NY60-19	5-7	92NY64 (TH)	11-5
72NYS32-219A1	15-36	82NY60-19 (DR)	11-5	92NY66	5-7
72NYS32-220	3-22, 15-37	82NYS28-36	15-28	92NY68-1 (TH)	11-5
72NYS32-220A	3-22, 15-36, 15-37	82NYS31-5	15-30	92NY68-2	5-7
72NYS32-220A1	15-36	82NYS31-5A	15-29	92NY68-2 (DR)	11-5
72NYS32-221	3-22, 15-37	82NYS31-6	15-30	92NYR28-3	3-27
72NYS32-221A	15-36, 15-37	82NYS31-6A	15-29	92NYS28-5	15-28
72NYS32-221A2	15-36	82NYS31-16	3-24	92NYS28-6	3-25
72NYS32-222	3-22, 15-37	82NYS31-32	3-24	92NYS31-2	15-12
72NYS32-222A	15-36	82NYS32	3-24	92NYS32-2A	15-30
72NYS32-222A1	3-22, 15-36, 15-37	82NYS32-56A	15-30	92NYS32-5A	15-30
72NYS32-244	3-22, 15-32, 15-33, 15-40	82NYS32-69	15-37	92NYS32-15	15-37
72NYS32-244A	3-22, 15-31, 15-41	82NYS32-69A1	15-36	92NYS32-25	3-25, 15-32, 15-33, 15-40
72NYS32-244A1	3-22, 15-34	82NYS32-70	3-24, 15-37	92NYS32-25A	3-25, 15-34
72NYS32-245	15-32, 15-33	82NYS32-70A	15-36, 15-37	92NYS32-26	3-25, 15-32, 15-33, 15-40
72NYS32-245A	15-31	82NYS32-70A1	15-36	92NYS32-26A	3-25, 15-31, 15-41
72NYS32-245A1	15-34	82NYS32-74	3-24, 15-32, 15-33, 15-40	92NYS32-27	3-25

# NUMERICAL PARTS LISTING

PART NUMBER	PAGE	PART NUMBER	PAGE	PART NUMBER	PAGE
92NYS33-2	3-25	121N-40-1741	7-6, 14-5	131N-40-138-2	12-11
92NYS34-6A	15-16	121N-40-2211	7-6	131N-40-1031	7-6, 14-5
92NYS36-6A1	15-38	121N-40-2301	7-6, 12-5	131N-40-1221	7-6
92NYS36-41	3-25, 15-65, 15-66	121N-53-471	7-5	131N-40-1231	7-6
92NYS36-62A	15-27	121N-53-501	7-5	131N-40-1251	7-6
92NYS36-68A	15-54	121N-53-691	7-5	131N-40-1291	7-6
92NYS36-73A1	15-17	121N-83-489X	12-8	131N-40-1521	7-6
92NYS36-74	3-25, 15-18	121-N-11342X	12-6	131N-40-1701	7-6, 12-5
92NYS36-74A	3-25, 15-18	131-N-1-1313	12-9	131N-40-1711	7-6
92NYS36-75A	3-25	131-N-1-1313-1	12-9	131N-40-1771	7-6
92NYS38-12	3-25, 15-46	131-N-1-1313-3	12-9	131N-40-1811	7-6
92NYS38-33	11-5	131-N-1-1313-4	12-9	131N-40-1851	7-6
92NYS38-39	3-25	131-N-1-1313-8	12-9	131N-40-1871	7-6
92NYS38-39A	3-25, 15-41	131-N-1-1313-9	12-9	131N-40-2051	7-6
92NYS38-45	15-66	131-N-1-1323-1	12-9	131N-40-2091	7-6
92NYS38-46A	3-25	131N-2-329	1-4	131N-53-711	7-5
92NYS38-46A1	15-41	131N-2-349	1-4	131N-53-711-1	7-5
92NYS38-52	3-25	131-N-2-459	1-4	131-N-82-21	8-3
92NYS38-52A	3-25, 15-42	131N-2-479	1-4	131-N-82-51	8-3
92NYS38-52A2	15-42	131N-2-579	1-4	131N-83-288X	12-8
92NYS38-67	3-25	131N-2-799	1-4	131N-83-388X	12-8
92NYS38-68	15-47	131N-2-799-1	1-4	131-N-11543X	12-8
92NYS38-69	3-25	131N-2-899-1	1-4	131-N-11544X	12-7
92NYS38-69A	3-25	131N-2-939	1-4	131N-CV82-HD	12-6, 12-7
92NYS38-73A	3-25, 15-39	131N-3-128KX	2-3, 14-5	133-N-2-949	1-4
92NYS38-75	3-25	131N-3-4441KX	2-3	133-N-2-2768	1-4
92NYS38-75A	15-19	131N-3-6061KX	2-3	133N-3-7681KX	2-3
92NYS38-75A1	3-25	131-N-3-6081X	2-8	133N-3-7961KX	2-3
92NYS38-76	15-46	131N-3-7171KX	2-3	133N-3-8041KX	2-3
92NYS39A	15-19	131N-3-7260KX	2-5	133N-4-5441	4-4
92NYS40	15-47	131N-3-7981KX	2-3, 12-11	133-N-26-527	12-7
92NYS40-3	15-47	131N-3-8001KX	2-3, 12-5	133N-28-1177	5-3
92NYS40-17	3-26	131N-3-8021KX	2-3	133N-28-1697	5-3
92NYS40-17A	3-26	131-N-3-10431X	2-8	133N-28-1707	5-3
92NYS40-35	15-47	131N-4-473	3-18	133N-28-1717	5-3
92NYS40-39A	15-57	131N-4-503	3-18	133N-28-1977	5-3
92NYS40-40A	15-56, 15-57	131N-4-533	3-18, 12-11	133-N-28-2117X	12-10
92NYS40-41	15-67	131N-4-573	3-18	133-N-28-2157X	12-10
92NYS42-4	3-26	131N-4-583	3-18	133N-28-3067X	12-10
92NYS42-14	15-68	131N-4-783	3-18	133-N-11179X	12-7
92NYS42-16	15-47	131N-4-803	3-18	133-N-11631X	12-8
92NYS42-18	3-26, 15-67	131N-4-1233	3-18	133-N-11913X	12-8
92NYS42-18A	15-67	131N-4-3331	3-3	133-N-11996X	12-7
92NYS44-18	3-26, 15-68	131N-4-4341	4-4	135-N-1-1013	12-9
92NYS44-19	3-26	131N-4-8091X	4-4	135-N-1-1013-1	12-9
92NYS44-22	3-26	131-N-26-347	5-3	135-N-1-1013-3	12-9
92NYS44-22A	3-26, 15-58, 15-60	131N-26-367	12-7	135-N-1-1013-4	12-9
92NYS44-23A	15-59	131N-26-497	12-6, 12-7	135-N-1-1013-5	12-9
92NYS45-2	3-26	131-N-27-7-4724	6-5	135-N-1-1013-6	12-9
92NYS48-72A	15-43	131-N-27-9-6017	6-5	135-N-1-1013-8	12-9
92NYS51	3-26	131-N-27-24-6000	6-5	135-N-1-1013-9	12-9
92NYSB36-72	1-8	131N-28-277	5-3	135-N-1-1013-10	12-9
92NYS38-106	3-25	131N-28-307	5-3	135-N-1-1013-12	12-9
121N-2-686	1-4	131N-28-327	5-3	135N-2-119	1-4
121N-2-899	1-4	131N-28-357	5-3, 14-5	135N-3-488KX	2-3
121N-2-1049	1-4	131N-28-367	5-3	135N-3-598KX	2-3
121N-2-1050	1-4, 12-5	131N-28-397	5-3	135N-3-758KX	2-3
121N-2-2323	1-4	131N-28-417	5-3	135N-3-1501KX	2-3
121N-3-686X	2-8	131N-28-427	5-3	135N-3-1561KX	2-3
121N-3-1224-1X	2-8	131N-28-437	5-3	135N-3-2471KX	2-3
121N-3-1224X	2-8	131N-28-1617	5-3	135-N-3-4281X	2-8
121N-3-2321X	2-8	131N-28-1747X	12-10	135-N-4-178-1X	4-4
121N-3-8861KX	2-3	131N-28-1757	5-3	135N-28-47	5-3
121N-3-8961KX	2-3, 12-5	131N-28-1777X	12-10	135N-28-57	5-3
121N-28-1947	5-3	131N-28-2947X	12-6, 12-10	135N-28-57-1	5-3
121-N-28-2417	5-3	131N-28-2957X	12-6, 12-10	135N-28-57-2	5-3

# NUMERICAL PARTS LISTING

PART NUMBER	PAGE	PART NUMBER	PAGE	PART NUMBER	PAGE
135-N-28-137	5-3	141TYSB22-4A	1-6, 15-45	148TYS28-19A	15-11
135N-28-427	5-3	141TYSB22-11	1-7	148TYS28-23A	15-12
135N-28-1327X	12-10	141TYSB22-11A	1-7	148TYS28-25	15-12
135N-40-1101	7-6	141TYSB22-17A	1-7	148TYS32-3	15-5
135N-40-1471	7-6	141TYSB22-18A	1-7	148TYS32-3A	15-5
135N-40-1491	7-6	141TYSB24-6	1-6	148TYS32-4	4-6, 15-32, 15-33, 15-40
135N-40-1531	7-6	141TYSB24-6A	1-6, 15-61	148TYS32-4A	4-6, 15-31, 15-41
135N-40-1561	7-6	141TYSB28-20X	15-48, 15-52	148TYS32-5	15-53, 15-65
135N-40-1611	7-6	141TYSB29-1A	1-7	148TYS32-7A	15-13
135N-53-1181	7-5	148DYS22-4A	15-25	148TYS32-14A	15-13
135N-53-1181-1	7-5	148DYS22A	15-25	148TYS32-15A	15-13
135N-53-1181-2	7-5	148DYS24-2A	15-26	148TYS34-1	15-6
135N-53-1351	7-5	148DYS28-16	15-48, 15-52, 15-61	148TYS34-2	15-5
135-N-53-1991	7-3	148DYS28-18A	15-5	148TYS34-3	15-38
135-N-82-61	8-3	148DYS28A	15-27	148TYSB24-4A	15-61
135-N-82-181	8-3	148-N-1-1133	12-9	148TYSB28-7	15-48, 15-52
135-N-12019X	12-7	148-N-1-1133-1	12-9	148TYSB28-9A	15-48, 15-52
135-N-12024X	12-8	148-N-1-1133-6	12-9	148TYSB28-11A	1-6, 15-45
141DYS22A	15-25	148-N-1-1133-8	12-9	148TYSB28-20A	15-45
141N-2-4	1-4	148N-1-4481X	15-45	148TYSB29-1	1-6, 15-45
141N-2-159	1-4	148N-1-6081X	1-3-19-17, 15-48, 15-48-19-17, 15-52, 15-52-19-17, 19-8-19-17	148TYSB29-1A	1-6
141-N-2-1819	1-4	148N-2-479	1-4	148TYSB32-2A	1-6
141N-3-118KX	2-3	148-N-2-499	1-5	155DYS22-2A	15-25
141N-3-508KX	2-3	148N-3-1601KX	2-3	155DYS24-2A	15-26
141N-3-788KX	2-3	148N-3-1641KX	2-3	155DYS28-1A	4-7, 15-27
141N-3-1481KX	2-3	148N-4-3061	4-6	155DYS28-21A	15-5
141N-3-2041KX	2-3	148N-4-3081	4-6	155DYS32-6	4-8, 15-32, 15-33, 15-40
141N-4-1841	4-5	148N-4-3091	4-6	155DYS32-6A	4-8, 15-31, 15-41
141N-4-2241	4-5	148N-4-3571	4-6, 15-11	155DYS32-7	15-53, 15-65
141N-4-2241X	15-26	148N-4-3731	15-25	155N-2-669	1-4
141N-4-2511	4-5	148N-4-3781	4-6, 15-11	155N-3-1241X	2-4
141N-4-3941	4-5	148N-4-3861	4-6	155N-4-1891	4-7, 15-11
141N-4-5581-1X	15-11	148N-4-4421X	4-6	155N-4-1901	4-7
141N-4-5581X	15-11	148N-4-5821X	15-12	155N-4-1941-1	4-7
141N-4-6561	4-5	148N-4-6051X	15-11	155N-4-2051	4-7
141N-4-6631X	4-5	148N-4-8051-1X	4-6, 15-27	155N-4-2431	4-8, 15-12
141N-4-8061X	15-27	148N-4-8051X	15-27	155N-4-2511	15-48, 15-52, 15-64
141N-28-97	5-3	148N-4-8961X	15-25	155N-4-4101	4-7
141N-28-367	5-3	148N-4-10471-1X	4-6	155N-4-4111-1X	15-27
141-N-28-457	5-3	148N-28-507	5-4	155N-4-4211	4-7
141N-28-557	5-3	148N-28-537	5-4	155N-4-4211-1	4-7
141-N-40-2231	7-6	148N-28-547	5-4	155N-4-4801-1X	15-45
141N-53-1031	7-5	148N-28-567	5-4	155N-4-4801-2X	15-45
141N-53-1081	7-3, 9-2	148N-40-1391	7-6	155N-4-5031-1	4-8
141N-53-1361	7-5	148N-40-1571	7-6	155N-4-5381-1	15-61
141N-53-1371	7-5	148N-53-451	7-5	155N-4-5431-1X	15-17
141-N-53-1991	7-5	148-N-82-1121	8-3	155N-4-5551-1	4-7
141-N-54-611	7-3	148NYS22-1A	15-25	155N-4-5581	15-15
141-N-82-1191	8-3	148NYS24-7A	15-61	155N-4-5611-1X	4-7
141NYS22A	4-5, 15-25	148NYS24A2	15-26	155N-4-5671X	15-5
141NYS22A4	15-25	148NYS28-30A	15-12	155N-4-6831-1X	4-8
141NYS24-4	4-5	148NYS28-36	4-6	155N-28-307	5-4
141NYS24A	15-11	148NYS31-3	15-5	155N-40-721	7-7
141NYS24A4	15-26	148NYS32-7A	15-5	155N-40-761	7-7
141NYS28-19A	4-5	148NYS32-9A	15-13	155N-53-61	7-5
141NYSB28-4	1-6	148NYS32-10A	15-13	155NY53-5	5-4
141NYSB29A1	15-45	148NYS34	15-5	155NYS24-3A	15-11
141TYS22-8A	15-25	148NYS34-1	15-5	155NYS24-3A1	15-26
141TYS22A	15-25	148NYSB24-7A	15-61	155NYS24-6	4-7, 15-25
141TYS24-2A1	15-11	148NYSB29	1-6	155NYS28-5A	4-7, 15-27
141TYS24-6	15-61	148NYSB29A	1-6, 15-45	155NYS38	15-6
141TYS28-17	15-11	148TYS22A	4-6, 15-25	155RY62	5-4
141TYS28-17A	15-11	148TYS24-2A1	15-11	155TYS28-1	4-7
141TYS28-18	15-48, 15-52, 15-61	148TYS28-16	15-48, 15-52, 15-61	155TYS28-1A	4-7
141TYS28-19	15-45	148TYS28-17	15-45	155TYS28-8	15-48, 15-52, 15-64
141TYSB22-4	15-45			155TYS28-15A	15-11

# NUMERICAL PARTS LISTING

PART NUMBER	PAGE	PART NUMBER	PAGE	PART NUMBER	PAGE
155TYS28-20	15-45	176N-4-101-1	4-15	176N-4-1421-1	4-14
155TYS28-23	15-12	176N-4-121	3-13	176N-4-1481-1X	4-14
155TYS28-26	4-7	176N-4-131-1X	15-19	176N-4-1481X	3-13
155TYS28-49	4-7	176N-4-141	15-17	176N4-1481X	15-18
155TYS28-49A	4-7	176N-4-141-1	15-17	176N-4-1521-1X	4-14
155TYS31-6	15-48, 15-52	176N-4-151	3-14	176N-4-1651-1X	4-15
155TYS32-2	15-32, 15-33	176N-4-161	3-13, 11-3	176N-4-1681-1	4-15
155TYS32-2A	15-34	176N-4-161-1	4-14, 11-3	176N-4-5221-1X	4-14
155TYS32-2A1	15-31	176N-4-171X	15-66	176N-4-5221X	3-13
155TYS32-6	4-8, 15-32, 15-33, 15-40	176N-4-181X	3-13, 15-30	176N4-5221X	15-18
155TYS32-6A	4-8, 15-31, 15-41	176N-4-201X	15-38	176N4-52211X	15-18
155TYS32-6A3	4-8, 15-34	176N-4-211-1X	4-15, 15-41	176N-28-17	5-6, 11-3
155TYS32-23A	15-30	176N-4-211X	3-14, 15-41	176N 53 21	7-9
155TYS32-27A	15-13	176N-4-231X	15-16	176N-53-21	7-4, 9-2
155TYS32-31A	15-13	176N-4-241X	15-19	176NYS28	15-28
155TYS34	15-17	176N-4-251X	15-17	176NYS32-3	3-13
155TYS34-1	15-6	176N-4-271	3-13, 15-46	176NYS32-3A2	3-13, 15-31, 15-41
155TYS34-6A	15-38	176N-4-271-1	4-14, 15-46	176NYS32-3A3	15-31
155TYS36-1A1	15-17	176N-4-291-1	4-15	176NYS32-4	15-37
155TYS36A	15-18	176N-4-321	3-13	176NYS32-4A	15-36
155TYS38-2	15-6	176N-4-331-1X	4-14	176NYS32-4A1	15-36, 15-37
155TYS38-3	15-7	176N-4-331X	3-14	176NYS32-6	15-53, 15-65
155TYSB24-5	1-6, 15-26	176N-4-381	3-14, 15-47	176NYS32-7A	15-30
155TYSB28-13A	15-48, 15-52	176N-4-391	3-14	176NYS34-3A1	15-15
155TYSB28-14A	1-6, 15-45	176N-4-411	3-13	176NYS36-10A1	15-17
155TYSB28-22A	1-6, 15-45	176N-4-421	3-13	176NYS38-3	3-14
155TYSB28-38A	15-48, 15-52	176N-4-441	3-14	176NYS38-4A1	15-15
155TYSB28-40A	1-6	176N-4-531	3-13, 15-32, 15-33, 15-40	176NYS38-10	3-14
155TYSB29-1A1	1-6	176N-4-531-1	4-14, 15-40	176NYS38-13A1	3-14, 15-42
155TYSB31-7	15-48, 15-52, 15-64	176N-4-541-1X	4-14	176NYS38-14	3-14
155TYSB31-7A	15-48, 15-52, 15-64	176N-4-541X	3-13, 15-34	176NYS38-14A4	15-39
155TYSB32-13A	1-6	176N-4-651	3-14	176NYS38-15A	15-7
155TYSB32-26	15-53, 15-65	176N-4-651-1	4-15	176NYS38-20A1	15-19
155TYSB32-26A	15-53, 15-65	176N-4-701	15-53, 15-54	176NYS38-21	15-46
155TYS32-43	4-7	176N-4-711	15-58	176NYS38-25A	15-41
159N-4-761-1X	4-18	176N-4-711-1	15-58	176NYS40-21A	15-43
161-N-40-501	7-7	176N-4-721-1X	15-59	176TYS32-3	15-32, 15-33
170N-4-201-1X	4-19	176N-4-721X	15-59	176TYS32-3A1	4-14, 15-31, 15-41
170N-4-241-1X	4-19	176N-4-731X	3-13, 15-38	176TYS32-3A2	15-34, 15-35
170N-4-261-1X	4-19	176N-4-761-1X	15-53, 15-54	176TYS32-4A	15-36
170N-4-281-1X	4-19	176N-4-771-1X	4-15, 15-57	176TYS34-3A	15-15
170N-4-521-1X	4-19	176N-4-771X	15-57	176TYS36-2	15-65, 15-66
170N-4-561-1	4-19	176N-4-781-1X	4-15	176TYS36-2A	15-66
170N-4-671-1X	4-19	176N-4-781X	3-14, 15-56, 15-57, 15-60	176TYS36-10A1	4-14, 15-17
170N-4-721-1X	4-19	176N-4-791-1X	4-15, 15-58, 15-60	176TYS36-11A	15-18
170N-4-1271-1	4-19	176N-4-791X	3-14, 15-58, 15-60	176TYS38-3A1	15-15
170N-28-17	5-4	176N-4-821	3-14	176TYS38-10A1	4-15
170N-70-18X	9-11	176N-4-821-1	4-15	176TYS38-13A1	15-42
170TYS32-1	4-18	176N-4-851X	3-14, 15-6	176TYS38-15A	15-7
170TYS32-1A	4-18	176N-4-861-1X	4-15, 15-42	176TYS38-16A	15-6
170TYS32-1A2	4-18	176N-4-861X	3-14, 15-42	176TYS38-20A	15-19
170TYS32-2	4-18	176N-4-871-1X	15-67	176TYS38-20A1	15-19
170TYS32-2A	4-18	176N-4-871X	15-67	176TYS38-23	15-46
170TYS32-2A2	4-18	176N-4-901-1X	15-54	176TYS38-27	4-15
170TYS38-2A1	4-18	176N-4-901X	15-54	176TYS38-27A	4-15
170TYS38-4A	4-18	176N-4-1031-1	4-15	176TYS38-27A2	4-15
170TYS38-4A1	4-18	176N-4-1041-1X	4-15	176TYS38-27A5	4-15, 15-39
176-N-2-19	1-5	176N-4-1041X	3-14, 15-39	176TYS40-14A	15-56, 15-57, 15-60
176N-3-21X MXL	2-6	176N-4-1071X	15-15	176TYS44-4	4-15
176N-3-41X MXL	2-6	176N-4-1101-1X	15-54	176TYS45	4-15
176N-4-11	3-14	176N-4-1161-1X	4-15	176TYSC38-4A	4-14
176N-4-41	15-67	176N-4-1161X	3-14, 15-19	250N-4-21-1	4-20
176N-4-41-1	15-66	176N-4-1171	15-15	250N-4-81-1X	4-20
176N-4-61	15-68	176N-4-1251	15-67	250N-4-241-1X	4-20
176N-4-61-1	15-68	176N-4-1251-1	15-67	250N-4-271-1	4-20
176N-4-71	3-13	176N-4-1421	3-13	250N-4-351-1X	4-20

# NUMERICAL PARTS LISTING

PART NUMBER	PAGE	PART NUMBER	PAGE	PART NUMBER	PAGE
250N-28-17	5-4	BSS36-10	7-3, 9-2	CP72N-17021	10-13
250N-53-11	7-4	BSS44-8	7-4	CP72N-DWT	10-13
250N-70-18X	9-11	BSS44-9	7-4	CP72N-HB	10-13
250TYS38-1A	4-20	CB210084-2X	11-3, 11-8	CP72N-HB-PL	10-13
250TYS38-2A	4-20	CB210088-1X	11-7	CP72N-HWD	10-13
250TYS38-2A1	4-20	CB210090-1X	11-7	CP72N-HWD-PL	10-13
983-14-2	6-5	CB210121-1XSA	11-2, 11-3, 11-4, 11-5, 11-9	CP82N-68	10-15
983-15-2	6-5	CB210140-1X	11-7	CP82N-7715	10-15
1199-A-963	9-13	CB210144-1X	11-8	CP82N-DWT	10-14
1199-A-3329	9-13	CB210207-1X	11-8	CP82N-HB	10-15
1199-B-2576	9-13	CB210367-1X	11-7	CP82N-HB-PL	10-15
1199-H-1620	9-13	CB210370-1X	11-7	CP82N-HWD	10-14
1199-L-2118	9-13	CB210391-1X	11-9	CP82N-HWD-PL	10-15
1199-N-1860	9-13	CB210433-1X	11-8	CP85WB-DWT	10-13
1199-T-2854	9-13	CB210527X	11-10	CP85WB-DWT-PL	10-14
1199-X-1870	9-13	Cb210661 1Xsa	7-9	CP85WB-HB	10-14
1227-A-937	9-5, 15-3	CB210661 1XSA	7-9	CP85WB-HB-PL	10-14
1227-C-939	9-5, 15-3	CB210661 1XSA	7-9	CP85WB-HWD	10-14
1227-D-940	9-5, 15-3	CB210661-1XSA	11-2, 11-3, 11-4, 11-5, 11-9	CP85WB-HWD-PL	10-14
1227-G-943	9-5, 15-3	CB210866-1X	11-8	CP92N-7015	10-14
1227-J-946	9-5, 15-3	CB210873-1X	11-8	CP92N-DWT	10-14
1227-K-1051	9-5, 15-3	CB210875-1XSA	11-2, 11-3, 11-4, 11-5, 11-6	CP92N-DWT-PL	10-14
1227-N-898	9-5, 15-3	CB211016X	11-8	CP92N-HB	10-14
1227-Q-901	9-5, 15-3	CB211172-1X	11-8	CP92N-HB-PL	10-14
1227-R-902	9-5, 15-3	CB211187X	11-7	CP92N-HWD	10-14
1227-Z-936	9-5, 15-3	CB211359X	11-7	CP92N-HWD-PL	10-14
1227Z 936	7-9	CB211499X	11-7	CP101X	10-9
1229-A-2653	9-6, 15-3	CB211590-1X	11-7	CP103X	10-7
1229-E-1071	9-6, 15-3	CB212030-1X	11-7	CP105X	10-7
1229-E-1331	9-6, 15-3	CB212032-1X	11-7	CP111X	10-9
1229-F-2918	9-6, 15-3	CB212053-1X	11-7	CP115X	10-18
1229-G-1281	9-6, 15-3	CB212134-1X	11-8	CP124X	10-18
1229-N-1548	9-6, 15-3	CB310001-1X	11-8	CP134X	10-9
1229-N-1730	9-6, 15-3	CB310002-1X	11-8	CP141N	10-2, 10-11
1229-S-1397	9-6, 15-3	CB310003-1X	11-8	CP148N	10-2, 10-9
1229-S-1605	9-6, 15-3	CB310006-1X	11-7	CP153X	10-9, 12-11, 14-5
1229-T-1736	9-6, 15-3	CB310006-2X	11-7	CP155N	10-2, 10-10
1229-W-4521	9-6, 15-3	CB310006-3X	11-7	CP155X	10-9
1898-Q-771	9-13	CB310007-1X	11-8	CP160X	10-9
1898-R-720	9-13	CB310008-1X	11-6	CP165X	10-10
2206-C-1121	9-13	CB310011-1X	11-6	CP170X	10-7, 14-5
3264-P-172	9-9	CB310012-1XSA	11-3, 11-4, 11-5, 11-6	CP178X	10-9
4137268	12-6	CB310013-1X	11-6	CP188X	10-9
A-3260-D-4	1-3-19-17, 19-9-19-17	CB310015-1X	11-9	CP200X	10-9
BLWP11-2	9-14	CB5009385-1	11-10	CP212X	10-11
BLWP22-1	9-14	CBA211848-1X	11-7	CP213X	10-9
BLWP32	9-14	CBA212028-1X	11-7	CP248X	10-11
BLWP32-2	9-14	CP18N-96	10-17	CP260X	10-7
BLWP32-3	9-14	CP20 RPL S	10-21	CP279X	10-18
BLWP33-1	9-14	CP20 RPLS	7-9	CP280X	10-18
BLWP33-2	9-14	Cp25 Rpl S	7-9	CP281X	10-18
BLWR18-1	9-14	CP25 RPL S	10-21	CP291X	10-16
BLWR18-2	9-14	CP35 RPLS	10-21	CP297-1X	10-7
BLWR18-3	9-14	CP58WB-DWT	10-12	CP297X	10-7
BLWR18-4	9-14	CP58WB-HB	10-12	CP308X	10-18
BLWR18-6	9-14	CP58WB-HB-PL	10-12	CP326X	10-17
BPS28-16-1	7-7	CP58WB-HWD	10-12	CP353X	10-11
BSS24-52	7-3, 9-2	CP58WB-HWD-PL	10-12	CP354X	10-11
BSS24-52A	7-3, 9-2	CP62N-50	10-13	CP357X	10-11
BSS24-53	7-3, 9-2	CP62N-51	10-13	CP407X	10-18
BSS24-53A	7-3, 9-2	CP62N-DWT	10-12	CP430X	10-8
BSS24-60A	7-3, 9-2	CP62N-HB	10-12	CP431X	10-8
BSS28-92	7-3, 9-2	CP62N-HB-PL	10-13	CP460X	10-9
BSS31-18	7-3, 9-2	CP62N-HWD	10-13	CP527X	10-7
BSS31-23	11-4	CP62N-HWD-PL	10-13	CP541X	10-11
BSS32-34	7-3, 9-2, 11-3	CP72N-11815	10-13	CP648X	10-10

# NUMERICAL PARTS LISTING

PART NUMBER	PAGE	PART NUMBER	PAGE	PART NUMBER	PAGE
CP674X	10-19	CP5101	10-12	DEFR48-10	9-9
CP675X	10-19	CP5122	10-12	DEFR49-1	9-9
CP676X	10-19	CP5177	10-12	DEFR50-2	9-10
CP677X	10-19	CP06813	10-8	DEFR50-4	9-10
CP750N	10-10	CP7166X	10-8	DEFR50-7	9-10
CP750N-1	10-10	CP7437X	10-11	DEFR53-4	9-9
CP750N-4	10-10	CP7438X	10-10	DEFR54-1	9-10
CP750N-7	10-10	CP32191X	10-8	DEFR54-5	9-10
CP750N-8	10-10	CP72625-4	10-7	DEFR54-12	9-10
CP793X	10-11	CPL6R-50	10-7	DEFR55-1	9-10
CP795X	10-8	CPL6R-51	10-7	DEFR55-2	9-10
CP850N-4	10-10	CPL6R-53	10-7	DEFR55-3	9-9
CP850N-9	10-10	CPL10N-2	10-9	DEFR56-2	9-10
CP950N	10-10	CPL15N-1S	10-7	DEFR56-7	9-10
CP950N-3	10-10	CPL15N-6	10-7	DEFR59-1	9-10
CP1200X	10-11	CSC8-20-52	9-4	DEFR59-2	9-10
CP1201X	10-11	CSH4-28-13	9-4	DEFR60-1	9-10
CP1203X	10-11	CSH5-24-27	9-4	DEFR60-3	9-10
CP1204X	10-11	CSH5-24-28	9-4	DEFR61-1	9-9
CP1205X	10-8	CSH5-24-34	9-4	DEFR62-1	9-9
CP1301X	10-8	CSH5-24-37	9-4	DEFR65-1	9-10
CP1306-1X	10-7	DC5N-16	9-7	DEFR66-1	9-10
CP1306X	10-7	DC17N	9-7	GCB210084-2X	11-8
CP1310X	10-10	DC17N-3	9-7	GCB210088-1X	11-7
CP1330X	10-10	DC62N-1	9-7	GCB210090-1X	11-7
CP1350X	10-10	DC72N	9-7	GCB210121-1X	11-9
CP1410X	10-10	DC72N-1	9-7	GCB210130-1X	11-8
CP1500X	10-8	DC82N-1	9-7	GCB210140-1X	11-8
CP1501X	10-8	DC82N-4	9-7	GCB210144-1X	11-8
CP1503X	10-10	DC148N-1	9-7	GCB210207-1X	11-8
CP1505X	10-8	DC155N	9-7	GCB210367-1X	11-7
CP1508X	10-8	DEFR22-4	9-9	GCB210370-1X	11-7
CP1515X	10-8	DEFR22-5	9-9	GCB210391-1X	11-8
CP2011X	10-8	DEFR25-1	9-9	GCB210433-1X	11-8
CP2031	10-16	DEFR25-2	9-9	GCB210527X	11-10
CP2033	10-16	DEFR25-4	9-9	GCB210661-1X	11-9
CP2116	10-12	DEFR28-3	9-9	GCB210866-1X	11-8
CP2140	10-11	DEFR28-4	9-9	GCB210873-1X	11-8
CP2173X	10-11	DEFR33-1	9-9	GCB210875-1X	11-6
CP3000	10-12	DEFR34-1	9-9	GCB211016X	11-8
CP3012	10-16	DEFR35-1	9-10	GCB211187X	11-7
CP3022X	10-8	DEFR35-3	9-9	GCB310001-1X	11-8
CP3121	10-12	DEFR37-1	9-9	GCB310002-1X	11-8
CP3147X	10-8	DEFR38-1	9-9	GCB310005-1X	11-7
CP3203X	10-10	DEFR38-3	9-9	GCB310006-1X	11-7
CP3206X	10-10	DEFR38-5	9-9	GCB310007-1X	11-8
CP3207X	10-10	DEFR40-4	9-10	GCB310013-1X	11-9
CP3208X	10-10	DEFR40-5	9-9	GCB310014-1X	11-9
CP3212X	10-8	DEFR41-1	9-9	GCB310015-1X	11-9
CP3222X	10-11	DEFR42-1	9-9	GCP62N-DWT	10-12
CP3242X	10-8	DEFR43-1	9-9	GCP62N-HB	10-13
CP3244X	10-10	DEFR43-3	9-10	GCP62N-HWD	10-13
CP3246X	10-11	DEFR44-1	9-10	GCP72N-HB	10-13
CP3252X	10-18	DEFR44-10	9-9	GCP72N-HWD	10-13
CP3255X	10-11	DEFR44-11	9-9	GCP82N-DWT	10-14
CP3256X	10-10	DEFR47-2	9-10	GCP82N-HB	10-15
CP3415	10-9	DEFR47-4	9-10	GCP82N-HWD	10-14
CP3485	10-8	DEFR47-5	9-9	GCP85WB-DWT	10-13
CP3486	10-9	DEFR47-6	9-9	GCP85WB-HWD	10-14
CP4002	10-12	DEFR47-7	9-10	GCP92N-DWT	10-14
CP4101	10-12	DEFR47-12	9-10	GCP92N-HB	10-14
CP4102	10-16	DEFR47-13	9-10	GCP92N-HWD	10-14
CP4143X	10-12	DEFR48-2	9-9	GCP101X	10-9
CP4555	10-9	DEFR48-5	9-10	GCP111X	10-9
CP5008	10-16	DEFR48-6	9-9	GCP115X	10-18
CP5015	10-16	DEFR48-8	9-9	GCP124X	10-18



# NUMERICAL PARTS LISTING

PART NUMBER	PAGE	PART NUMBER	PAGE	PART NUMBER	PAGE
GCP129X	10-9	M279X	10-18	PS48-16-38	7-8
GCP134X	10-9	M280X	10-18	PS48-16-43	7-8
GCP153X	10-9	M281X	10-18	PS48-16-45	7-8
GCP155X	10-9	M407X	10-18	R3R-3-6081X	2-8
GCP160X	10-9	M674X	10-2	R3R-3-9101X	2-8
GCP165X	10-10	M674X18	10-19	R3R-3-9131X	2-8
GCP170X	10-7	M675X	10-2, 10-19	R3R-3-9161X	2-8
GCP178X	10-9	M676X	10-2, 10-19	R3R-3-9165KX	2-5
GCP188X	10-9	M677X	10-2, 10-19	R3R-26-57	12-6, 12-7
GCP212X	10-11	M658638	9-8	R3R-28-157	5-5
GCP213X	10-9	MCB203	11-9	R3R-28-307	5-5
GCP242X	10-7	MD3G	9-7	R3R-28-325	5-5
GCP243X	10-9	MD3H	9-7	R3R-28-327	5-5
GCP297X	10-7	MD4J	9-7	R3R-28-397	5-5
GCP308X	10-10	MD4K	9-7	R3R-28-427	5-5
GCP353X	10-11	MS-212030-2	9-4	R3R-28-437	5-5
GCP443X	10-9	MS-212060-2	9-4	R3R-28-869	12-6, 12-10
GCP1200X	10-11	ND2C	9-8	R3R-83-482	12-6, 12-8
GCP1204X	10-11	ND2K	9-7	R10V5	5-5, 14-5
GCP1306-1X	10-7	ND3A	9-8	R005961	9-5
GCP1306X	10-7	ND3E	9-7	R9553-SF	12-11, 14-5
GCP1309X	10-8	ND3H	9-8	R10270-SF	12-11, 14-5
GCP1505X	10-8	ND3K	9-7	R17014	10-13
GCP1510X	10-7	NL-25-1	9-5	R49014	10-15
GCP2011X	10-8	NL-26-1	9-5	R60014	10-15
GCP2116	10-12	NL-112-1	9-5	R91382SF	12-11
GCP3000	10-12	NUEL8-20-8	9-5	R280194	9-8, 12-5
GCP3022X	10-8	NUHX6-24-14	9-5	R280195	9-8
GCP3147X	10-8	NUJA8-20-6	9-5	R280196	9-8, 12-5
GCP4002	10-12	PLEX28-1	9-15	R903862-1409W	12-5
GCP4143X	10-12	PLEX31-14	9-15	R903862-1602W	12-5
GCP5173X	10-12	PLEX33-1	9-15	R909363-2600	12-3, 12-4
GCP5177X	10-12	PLEX42-2	9-15	R909365-2600	12-3, 12-4
KIT 6167	9-8	PLEX49-2	9-15	R911818-2600	12-3, 12-4
KIT 6168	9-8	PLWE30-1	9-15	R912170-1511W	12-5
KIT 6269	9-8	PLWE33-2	9-15	R912286	12-5
KIT-CP1610-HDWE	9-12	PLWE36-1	9-15	R912747	12-6
KT16SB	9-11, 10-2	PLWE36-2	9-15	R912777	12-5, 12-6
KT17SB	9-11, 10-2	PLWE36-6	9-15	R914156-1324W	12-5
KT116	9-11	PLWE36-7	9-15	R919976-3400	12-3, 12-4
KT117	9-11, 10-2	PLWE40-5	9-15	R919990-3400	12-3, 12-4
KT118	9-11, 10-2	PLWE43-1	9-15	RBR28-1	9-9
KT121	9-11, 10-2	PLWE43-2	9-15	REBC16S	9-12
KT122	9-11, 10-2	PLWE43-12	9-15	REBC17S	9-12
KT123	9-11	PLWE53-4	9-15	REBC131	9-12
KT124	9-11, 10-2	PLWE53-15	9-15	REBC141	9-12
KT125	9-11, 10-2	PS28-16-8	7-7	REBC141-1	9-12
KT126	9-11, 10-2	PS28-16-13	7-7	REBC148	9-12
L6NLS20-55DC	13-4	PS32-16-28	7-7	REBC148-2	9-12
L6NLS20-63DC1	13-4	PS32-16-30	7-7	RECP148	9-12
L6NLS20-65DC	13-4	PS32-16-76	7-7	RECP155	9-12
L6NLS20-127	13-4	PS32-16-77	7-7	RRER16-2	9-13
L6NLS20-133A	13-4	PS40-16-15	7-7	RRIR24-2	9-13
L6NYS12-39	13-3	PS40-16-34	7-7	RRIR36-4	9-13
L6NYS13-31	13-3	PS40-16-49	7-7	RT-4-10	11-3, 11-4, 11-5
L6NYS13-34	13-3	PS40-16-56	7-7	RT-35-10	11-3, 11-4
L6NYS14-65	13-3	PS40 16 61	7-9	RT-35-156	11-3, 11-4
L6NYS14-100	13-3	PS40-16-61	7-7	RT-45-3	11-4, 11-5
L6NYS16-12	13-3	PS40-16-62	7-7	RT-45-10	11-4
L6NYS16-16	13-3	PS48-10-1	7-8	RT-406-165	11-3
L6NYS16-18	13-3	PS48-16-1	7-8	RT-459-7	11-4
L6NYS16-34	13-3	PS48-16-5	7-8	RT-459-180	11-5
LPHC39-3	9-12	PS48-16-16	7-8	RT-4095-7	11-3, 11-5
M2-70-18X	9-11	PS48-16-19	7-8	RT21172	6-2
M2-70-28X	9-11	PS48 16 38	7-9	RT21472	6-2
M2-70-48X	9-11	PS48 16 38	7-9	RT31172	6-2

# NUMERICAL PARTS LISTING

PART NUMBER	PAGE	PART NUMBER	PAGE	PART NUMBER	PAGE
RT31372.....	6-2	RT3514108DOM .....	6-3	SP-1010 .....	9-4
RT31472.....	6-2	RT3515672.....	6-3	SP-1012.....	9-4
RT31472DOM .....	6-2	RT3516108.....	6-3	SP-1013.....	9-4
RT31672.....	6-2	RT3516108DOM .....	6-3	SP-1014.....	9-4
RT31672DOM .....	6-2	RT4095772.....	6-3	SP-1045.....	9-4
RT41072.....	6-3	RT4095772DOM .....	6-3	SP-1049.....	9-4
RT41072DOM .....	6-3	RT4187108.....	6-3	US55X.....	10-10
RT41272.....	6-3	RT4510108.....	6-3	US70-1X.....	10-10
RT41272DOM .....	6-3	RT4513108.....	6-3	US70-4X.....	10-8
RT41372.....	6-3	RT4537572.....	6-3	US70X.....	10-10
RT41472.....	6-3	RT4597108.....	6-4	US90X.....	10-9
RT41472DOM .....	6-3	RT4597108DOM .....	6-4	US170X.....	10-20
RT45372.....	6-3	RT12511108.....	6-2	US250X.....	10-20
RT151172.....	6-2	RT17514108.....	6-2	US279X.....	10-18
RT151372.....	6-2	RT17516108.....	6-2	US280X.....	10-18
RT214108.....	6-2	RT22511108.....	6-2	US281X.....	10-18
RT251472.....	6-2	RT27510108.....	6-2	US407X.....	10-18
RT251672.....	6-2	RT27513108.....	6-2	US674X.....	10-19
RT311108.....	6-2	RT27514108.....	6-2	US675X.....	10-19
RT313108.....	6-2	RT32511108.....	6-3	US676X.....	10-19
RT314108.....	6-2	RT32513108.....	6-3	US677X.....	10-19
RT314108DOM .....	6-2	RT35156108.....	6-3	WA-15Z.....	9-3
RT316108.....	6-2	RT40957108.....	6-3	WA-18.....	9-3
RT316108DOM .....	6-2	RT40957108DOM .....	6-3	WA-46.....	9-3
RT318772.....	6-2	RT45187108.....	6-3	WA-48.....	9-3
RT351072.....	6-3	RT45375108.....	6-3	WALM7-2.....	9-3
RT351072DOM .....	6-3	RT46923072.....	6-4	WAR8-14.....	9-3
RT351172.....	6-3	RT47219772.....	6-4	WAR13-5.....	9-3
RT351372.....	6-3	RT49611872.....	6-4	WAR20-1.....	9-3
RT351372DOM .....	6-3	RT237514108.....	6-2	War21 1.....	7-9
RT351472.....	6-3	RT469230108.....	6-4	WAR21-1.....	9-3
RT351472DOM .....	6-3	RT472197108.....	6-4	WAR29-2.....	9-3
RT351672.....	6-3	RT496118108.....	6-4	WIR46-2.....	9-13
RT351672DOM .....	6-3	RT505916772.....	6-4		
RT410108.....	6-3	RT511819772.....	6-4		
RT410108DOM .....	6-3	RT519723672.....	6-4		
RT412108.....	6-3	RT520423672.....	6-4		
RT412108DOM .....	6-3	RT5059167108.....	6-4		
RT413108.....	6-3	RT5118197108.....	6-4		
RT414108.....	6-3	RT5197236108.....	6-4		
RT414108DOM .....	6-3	S-155B-2.....	9-4		
RT418772.....	6-3	S-165B-2 1.....	9-4		
RT451072.....	6-3	S-168-2.....	9-4		
RT451372.....	6-3	S-179-2.....	9-4		
RT453108.....	6-3	S-1616-2.....	9-4		
RT459772.....	6-4	S-1716-2.....	9-4		
RT459772DOM .....	6-4	S-1812-2.....	9-4		
RT1251172.....	6-2	S-1818-2.....	9-4		
RT1511108.....	6-2	S-1820-2.....	9-4		
RT1513108.....	6-2	S-1822-2.....	9-4		
RT1751172.....	6-2	S-11212.....	9-4		
RT1751672.....	6-2	SERUR14-16.....	9-8		
RT2251172.....	6-2	SERUR16-8.....	9-8		
RT2514108.....	6-2	SERUR21-3.....	9-8		
RT2516108.....	6-2	SERUR22-4.....	9-8		
RT2751372.....	6-2	SERUR25-1.....	9-8		
RT2751472.....	6-2	SERUR25-2.....	9-8		
RT3187108.....	6-2	SERUR32-7.....	9-8		
RT3251172.....	6-3	SERUR32-9.....	9-8		
RT3251372.....	6-3	SERUR33-4.....	9-8		
RT3510108.....	6-3	SERUR39-2.....	9-8		
RT3510108DOM .....	6-3	SERUR40-3.....	9-8		
RT3511108.....	6-3	SERUR40-8.....	9-8		
RT3513108.....	6-3	SERUR40-21.....	9-8		
RT3513108DOM .....	6-3	SERUS20.....	9-8		
RT3514108.....	6-3	SERUS28-4.....	9-8		

**STANDARD MERITOR AFTERMARKET WARRANTY.**

Only Meritor-branded products, including genuine Meritor and its affiliated brands, are covered by this aftermarket parts warranty.

Meritor warrants all new parts for one year from date of shipment to the buyer against defective material or workmanship (but not against damage caused by accident, abuse or improper installation, maintenance or repair) when such parts are used on vehicles the specifications of which have been approved by Meritor's Engineering Department.

As the exclusive remedy under this warranty, Meritor will, at its option, repair or replace such defective parts free of charge, or take back the nonconforming parts and refund the money paid by buyer for such parts, if found on examination by Meritor to be non-conforming and if any necessary return charges are prepaid.

If it is necessary to return any parts under this warranty, buyer agrees not to make any deduction on account thereof from remittances on current accounts while claims are in the process of disposition. Any expense incurred without Meritor's consent for repairs or replacement will not be allowed.

**THIS WARRANTY IS EXPRESSLY IN LIEU OF ALL OTHER WARRANTIES OR CONDITIONS, EXPRESS, IMPLIED OR STATUTORY, INCLUDING ANY IMPLIED WARRANTY OF MERCHANTABILITY OR FITNESS FOR PARTICULAR PURPOSE. IN NO EVENT SHALL MERITOR BE LIABLE FOR INCIDENTAL OR CONSEQUENTIAL DAMAGES OF ANY NATURE.**

**WARRANTY FOR SELECT RPL AND MXL COMPONENTS**

Aftermarket is now offering a 2-YEAR/UNLIMITED MILE WARRANTY on select RPL and MXL components.

As a leader in driveline technology, Meritor offers an extensive line of replacement assemblies and components for light-, medium- and heavy-duty applications. The Meritor Permalube (RPL)<sup>™</sup> was the first permanently lubricated driveline in North America while our MXL<sup>™</sup> is the only 100,000-mile lube interval replacement product for 10-Series1 drivelines.

1 Spicer and 10-Series are registered trademarks of Dana Corporation.

Meritor warrants all genuine Meritor replacement RPL and MXL driveline components listed below for two years from date of shipment to the buyer against defective material or workmanship (but not against damage caused by accident, abuse or improper installation, maintenance or repair) when such parts are used on vehicles the specifications of which have been approved by Meritor's Engineering Department.

**RPL DRIVELINE COMPONENTS**

**NOTE: New Meritor spline plugs must be used with these slip yokes for warranty to be valid**

Complete RPL20 and RPL25 driveshaft assemblies

CP20RPLS	CP35RPLS	20RLS40-3A1S	25RLS48-1A1S	3XRLS48-1A1S
CP25RPLS	20RLS40-2A1S	20RLS40-11A1S	25RPL-SLIP	

**MXL DRIVELINE COMPONENTS**

**NOTE: New Meritor spline plugs must be used with these slip yokes for warranty to be valid**

Complete MXL driveshaft assemblies

M279X	M675X	176N 3 21X MXL	17N 3 2651X MXL	17NLS40 98CA1 MXL
M280X	M676X	176N 3 41X MXL	17N 3 2671X MXL	18N 3 1351X MXL
M281X	M677X	17N 3 2401X MXL	17N 3 2761X MXL	18N 3 1371X MXL
M407X	16NLS32-47A2 MXL	17N 3 2571X MXL	17N 3 3021X MXL	18N 3 1431X MXL
M674X	16NLS32-48A2 MXL	17N 3 2631X MXL	17NLS40 124A1 MXL	

As the exclusive remedy under this warranty, Meritor will, at its option, repair or replace such defective parts free of charge, or take back the nonconforming parts and refund the money paid by buyer for such parts, if found on examination by Meritor to be non-conforming and if any necessary return charges are prepaid.

If it is necessary to return any parts under this warranty, buyer agrees not to make any deduction on account thereof from remittances on current accounts while claims are in the process of disposition. Any expense incurred without Meritor's consent for repairs or replacement will not be allowed.

**THIS WARRANTY IS EXPRESSLY IN LIEU OF ALL OTHER WARRANTIES OR CONDITIONS, EXPRESS, IMPLIED OR STATUTORY, INCLUDING ANY IMPLIED WARRANTY OF MERCHANTABILITY OR FITNESS FOR PARTICULAR PURPOSE. IN NO EVENT SHALL MERITOR BE LIABLE FOR INCIDENTAL OR CONSEQUENTIAL DAMAGES OF ANY NATURE.**



















Vehicle models, trademarks, brands, and names depicted herein are the property of their respective owners, and may not be associated with Meritor, Inc. or its affiliates.



Meritor Heavy Vehicle Systems, LLC  
7975 Dixie Highway  
Florence, Kentucky 41042 USA

888-725-9355 U.S.  
800-387-3889 Canada  
MeritorPartsXpress.com  
meritor.com

©2018 Meritor, Inc.  
Litho in USA, PB-9895  
Issued 07-18 (47865/67147)