

Rev. Jan. 2003

Cdn. - \$35.00

U.S. - \$25.00



# PARTS CATALOGUE

IMT Corporation  
347 King Street West  
Ingersoll, Ontario, Canada  
N5C 3K6

Phone: (519) 485-2210

1-800-663-AXLE

Fax: (519) 485-6336

(519) 485-4808

E-mail: [axleparts@imtpcdf.com](mailto:axleparts@imtpcdf.com)

Website: [www.imtpcdf.com](http://www.imtpcdf.com)

# Table of Contents

## SECTION 1: GENERAL

General Information .....	1-1
Parts Order Form .....	1-2
Axle Information Form .....	1-3
Axle Weight Chart .....	1-5
Parts Weight Chart .....	1-6
Part Number Description .....	1-8
SHOULDER TO SHOULDER LENGTHS:	
F-series Axles .....	1-9
A-series Axles .....	1-10
F12 Axles .....	1-11
F30 Axles .....	1-12
Air Chamber Rod Lengths .....	1-13

## SECTION 2: AXLE OPTIONS

Bearing Combinations .....	2-1
A.T.L.A.S. Axle .....	2-2
Standard Axle .....	2-3
Disc Brake Axle .....	2-4
F30 Lunar Axle .....	2-5
Drop-Centre Axle .....	2-6
Manufactured Drop Axle .....	2-7
Stubby Axle .....	2-8
Self-Steering Axle .....	2-9
SSA Information Sheet .....	2-10

## SECTION 3: SPINDLE OPTIONS

F22, DC22 (HM218248 Inner/HM212049 Outer) .....	3-1
F23, DC23 (HM218248 Inner/X33213 Outer) .....	3-2
F24, DC24 (HM518445 Inner/Outer) .....	3-3
F19, DC19 (663 Inner/HM212049 Outer) .....	3-4
A21 (749 Inner/643 Outer) .....	3-5
A26 (759 Inner/740 Outer) .....	3-6
F30 (SKF Lunar Hub) .....	3-7

# Table of Contents

## SECTION 4: BRAKE OPTIONS

16-1/2" x 7" TIME (Quick-Change) Weld-on	4-1
16-1/2" x 7" TIME (Quick-Change) A.T.L.A.S.	4-2
16-1/2" x 7" Superlife Weld-on	4-3
16-1/2" x 5" TIME (Quick-Change) Weld-on	4-4
16-1/2" x 5" Superlife Weld-on	4-5
16-1/2" x 8-5/8" TIME (Quick-Change) Weld-on	4-6
16-1/2" x 8-5/8" Superlife Weld-on	4-7
15" x 7" TIME (Quick-Change) Weld-on	4-8
15" x 8-5/8" TIME (Quick-Change) Weld-on	4-9
12-1/4" x 7-1/2" TIME (Quick-Change) Weld-on (U-Brake)	4-10
12-1/4" x 5-1/2" TIME (Quick-Change) Weld-on (U-Brake)	4-11
16-1/2" x 7" "P" Weld-on	4-12
16-1/2" x 5" "P" Weld-on	4-13
12-1/4" x 7-1/2" "P" Weld-on	4-14
16-1/2" x 7" TIME (Quick-Change) Bolt-on	4-15
16-1/2" x 7" Superlife Bolt-on	4-16
16-1/2" x 5" TIME (Quick-Change) Bolt-on	4-17
16-1/2" x 5" Superlife Bolt-on	4-18
16-1/2" x 8-5/8" TIME (Quick-Change) Bolt-on	4-19
16-1/2" x 8-5/8" Superlife Bolt-on	4-20

## SECTION 5: BRAKE PARTS

### SHOE & LINING ASSEMBLIES:

TIME Shoe & Lining	5-1
Superlife Shoe & Lining	5-2
"P" Shoe & Lining	5-3

### CAMSHAFTS:

10-Spline - 16-1/2" Brakes	5-4
28-Spline - 16-1/2" Brakes	5-6
10-Spline - 16-1/2" Superlife Brakes	5-8
28-Spline - 16-1/2" Superlife Brakes	5-9
10-spline & 28-Spline - 15" Brakes	5-10
10-Spline - 12-1/4" Brakes	5-11
28-Spline - 12-1/4" Brakes	5-12
10-Spline - 16-1/2" Brakes - SSA	5-13
10-Spline - 15" Brakes - SSA	5-14
28-Spline - 16-1/2" Brakes - SSA	5-14
Camshaft Repair Kits	5-15

# Table of Contents

## SECTION 5: BRAKE PARTS (CONT'D)

Camshaft Brackets .....	5-16
Camshaft Bracket Assemblies .....	5-17
Combination Air Chamber & Camshaft Bracket Assemblies .....	5-18
Camshaft Enclosures .....	5-19
Brake Flanges & Torque Plates .....	5-20
Spiders .....	5-21
Air Chamber Brackets .....	5-22
Air Chambers & Spring Brakes .....	5-23
Manual Slack Adjusters .....	5-24
Crewson Industries Automatic Slack Adjusters .....	5-24
Haldex Automatic Slack Adjusters .....	5-25
Other Manufacturers Slack Adjusters .....	5-25
Anti-Locking Brake Systems .....	5-26
Anchor Pins & Rollers .....	5-27
Bushings .....	5-28
Brake Retainers & Seals .....	5-29
Springs .....	5-30
Dustshields .....	5-31
Bolts, Nuts & Washers .....	5-32

## SECTION 6: WHEEL END PARTS

Bearings .....	6-1
Spindle Nuts .....	6-2
Seals & Hubcaps .....	6-3
Hubs & Drums .....	6-6

## SECTION 7: SELF-STEERING AXLE PARTS

Standard Options .....	7-1
Spiders & Knuckles .....	7-2
Air Chamber Brackets .....	7-3
Camshafts .....	7-4
King Pins .....	7-6
King Pin Kit .....	7-7
Torpress Assembly .....	7-8
Torpress & Steering Dampers .....	7-9
Tie Rods .....	7-10
Reverse Locking Cylinders .....	7-11
Steering Arms .....	7-12



# Table of Contents

## **SECTION 8: CROSS-REFERENCE**

General Information .....	8-1
Cross-Reference by Supplier Name .....	8-2
Cross-Reference by Supplier Part Number .....	8-11

## **SECTION 9: INDEX**



# General Information

Ingersoll Axles by IMT Corporation have implemented the IMT Parts Program to offer you, our customers, a dedicated Parts Department that is committed to on-time delivery, quality service, and Customer Excellence. This updated Parts Catalogue is a continuation of this commitment.

We are committed to providing to the industry a Parts Catalogue which meets your needs. This catalogue is complete and accurate to the best of our knowledge and ability. As you use this catalogue, we invite your comments and ideas for improvements and updates; as well, we encourage you to let us know if you find any errors or omissions. You can reach us by phone, fax, or e-mail; see the numbers at the bottom of this page.

## **ORDERING PROCEDURE:**

Parts orders can be placed by phone, fax, or e-mail; see the numbers at the bottom of this page. We have included a Parts and an Axle Order Form; please copy for future use.

Additional copies of this Parts Catalogue can be purchased by phone, fax, or e-mail; see the numbers at the bottom of this page. Technical assistance is available from 8:00 am to 4:30 pm EST to help answer any questions you may have.

## **TERMS & CONDITIONS:**

Minimum value for parts orders is \$25.00; minimum quantities may apply on certain special order items, please contact the IMT Parts Co-ordinator for information. All new orders are subject to Credit Approval.

Dependent on inventory, "Truck Down" orders will be shipped within 24 hours; stock Parts Orders will ship within five (5) working days from receipt of order. Special Orders will be shipped within five days after receipt of product.

Special Orders can be placed for most products; if you do not see what you need in this catalogue, please call the IMT Parts Co-ordinator to verify availability and to place your order.

## **CONTACT INFORMATION:**

Phone: 1-800-663-2953 (Canada & USA) or (519) 485-2210  
Fax: (519) 485-6336 or (519) 485-4808  
E-mail: [axleparts@imtpcdf.com](mailto:axleparts@imtpcdf.com)  
Web Site: [www.imtpcdf.com](http://www.imtpcdf.com)





**PARTS ORDER FORM**

To: Parts Co-ordinator  
IMT Corporation

Fax: (519) 485-6336  
(519) 485-4808

Date: \_\_\_\_\_

From: \_\_\_\_\_

Company: \_\_\_\_\_

Address: \_\_\_\_\_

Phone: \_\_\_\_\_

Fax: \_\_\_\_\_

Ship Via:	P.O. #:
Ship to:	Requested Ship Date:

Special Instructions:

Part Number	Description	Qty.	Unit Price

Signature: \_\_\_\_\_



# Axle Information Form

Purchase Order       Quote Request      DATE: \_\_\_\_\_

<b>COMPANY INFORMATION:</b> Bill to: _____ _____ _____ Contact: _____ Phone: _____ Fax: _____	Ship to: (specify if different from bill to) _____ _____ _____ P.O. #: _____ Ship Date: _____ Ship Via: _____
-----------------------------------------------------------------------------------------------------------------	---------------------------------------------------------------------------------------------------------------------------------

## AXLE INFORMATION:

### STRAIGHT AXLE:

Spindle:  F22 (HM218248/212049)     F24 (HM518445 Parrallel)     A26 (759/740)     A21 (749-643)  
 F19 (633/HM212049)     F23 (HM218248/X33213)     F12 (With flange only)     F30 Lunar Hub(hm518445)

Wall:  1/2"     5/8"     3/4"    Track:  71"     71.5"     77"     77.5"     Other \_\_\_\_\_

NOTE: IMT Axles are available in tracks from 28" to 120" in half-inch increments; Standard lengths are listed here for convenience.

### DROP-CENTRE AXLE:

Spindle:  F22 (HM218248/212049)     F24 (HM518445 Parrallel)     F12 (With flange only)  
 F19 (633/HM212049)     F23 (HM218248/X33213)     F30 Lunar Hub(HM518445)

Drop:  6"     8"     9"      Wall:  1/2"     5/8"     3/4"

Track:  71.5"     77"     Other \_\_\_\_\_

### MANUFACTURED DROPS (6"):

Spindle:  F22 (HM218248/212049)     F24 (HM518445 Parrallel)     F12 (With flange only)  
 F19 (633/HM212049)     F23 (HM218248/X33213)     F30 Lunar Hub(HM518445)

Wall:  1/2"     5/8"     3/4"      Track:  71.5"     77"     Other \_\_\_\_\_

### SELF-STEER AXLE:

Please complete the Information Sheet located on Page 2-7 of your IMT Parts Catalogue or the first page of the S.S.A. Info section of your IMT Engineering Catalogue and fax with pages 2 & 3 of this form.  
 NOTE: If you do not have a Catalogue, please call IMT Corporation at 1-800-663-2953

### BRAKE OPTIONS:

Quick-Change     "P"-Type     None

Brake Size:  16.5 x 7"     16.5 x 7" Superlife     16.5 x 8-5/8"     16.5 x 5"

Spider Type:  Weld-on     Bolt-on     Two-piece light-weight A.T.L.A.S.

The following brakes are offered with weld-on spiders:  
 12-1/4 x 7-1/2"     12-1/4 x 5-1/2"     15 x 7"     15 x 8-5/8"

### BRAKE LINING OPTIONS: (please specify if your lining is not listed)

All brake sizes:  None     CM18     2015     2020     Other: \_\_\_\_\_

### CAMSHAFT OPTIONS:

10-spline     28-spline     None     Cam Enclosures

IMT Corporation offers a wide variety of camshafts to suit your needs; please specify if your length is not listed.

16-1/2" brakes:  23-3/4"     20-5/8"     26-5/8"     Other: \_\_\_\_\_

12-1/4" brakes:  23-3/8"     21-3/8"     Other: \_\_\_\_\_

15" brakes:  23-3/4"     20-5/8"     26-5/8"     Other: \_\_\_\_\_



# Axle Information Form

**SLACK ADJUSTER AND AIR CHAMBER OPTIONS:**  
 Adjuster:  Manual  Automatic  None  
 Manufacturer:  Crewson  Haldex  Other: \_\_\_\_\_  
 Arm Length:  6"  5.5"  Curved  Other: \_\_\_\_\_  
 Air Chamber Manufacturer:  None  Crewson  Haldex  Other: \_\_\_\_\_  
 Air Chamber Size:  Type 30  Type 24  Other: \_\_\_\_\_  
 Spring Brake Size:  Type 3030  Type 2430  Type 2424

**DUSTSHIELD:**  Cone  Flat  None

**ABS:**  None  Block only  Block & Sensor:  Haldex  Bendix  Other: \_\_\_\_\_

**BEARINGS, SEALS, HUBCAPS & SPINDLE NUTS:**  
 Bearing Lubrication:  Oil  Grease  Synthetic Grease (specify): \_\_\_\_\_  
 Bearing Manufacturer:  IMT Standard  Koyo  Other: \_\_\_\_\_  
 Seal/Hubcap Manufacturer:  Stemco  Stemco Advantage  CR (Chicago Rawhide)  
 Spindle Nuts:  Standard  Stemco Pro-Torq  Standard with Star Washer

**HUB & DRUM:**  Spoke  Hub-Pilot  Stud-Pilot  None  Hub & Drum P/N  
 Manufacturer:  Webb  Gunite  Walther  Other: \_\_\_\_\_  
 Spoke:  15" 3-spoke  20" 5-spoke  20" 6-spoke  Other: \_\_\_\_\_  
 Hub or Stud-Pilot:  10-stud  8-stud  6-stud  Other: \_\_\_\_\_  
 Drum Information:  Cast  Centrifuse  Webb Premium  Other: \_\_\_\_\_  
 Wheel Information:  Steel Duals  Aluminum Duals  Other: \_\_\_\_\_

This form has been provided for your convenience; we have attempted to cover all eventualities; if you have more information which you feel is pertinent to the ordering or quoting procedure, please use the space below:

\_\_\_\_\_

\_\_\_\_\_

\_\_\_\_\_

\_\_\_\_\_

**OFFICE USE ONLY - DO NOT WRITE BELOW THIS LINE**

CSR: _____	TM: _____
CUSTOMER NO.: _____	ORDER/QUOTE #: _____
VARIANT NO: _____	BUDGET NO: _____
PVQM: _____	PRICE: _____

IMT Corporation, 347 King St. W., Box 250, Ingersoll, ON N5C 3K6

PH: 1-800-663-2953 of (519) 485-2110

FAX: (519) 485-4808



# Axle Weight Chart

MODEL	AXLE WALL	CAM LENGTH	WEIGHT		
			STD	ATLAS (Spider & A/C Brkts)	
F19S	0.46	205	280	270	
F19H	0.58	"	305	295	
DC19	0.58	"	388	382	
A21S	0.75	"	392	382	
F22S	0.46	"	282	272	
F22H	0.58	"	307	297	
F22T	0.75	"	340	330	
DC22	0.58	"	322	316	(Spider Only)
F23S	0.46	"	282	272	
F23H	0.58	"	307	297	
F24S	0.46	"	284	274	
F24H	0.58	"	309	299	
F24T	0.75	"	378	368	
DC24	0.58	"	326	320	(Spider Only)
A26S	0.625	"	397	Not Available	

Axle weight based on 71½ track c/w 16½ x 7 brakes, A/C brackets, cams, & hardware. 205 Camshaft is 20 5/8" long under head to end of camshaft.

## ADDITIONAL WEIGHT

Axle Nuts:	Typical	2.6 Lbs./axle
	F24	5.2 Lbs./axle
Air Chamber:	30 in <sup>2</sup>	7 Lbs. ea.
	24 in <sup>2</sup>	6 Lbs. ea.
Slack Adjuster:	6" (std)	5 Lbs. ea.
Long Cams:		3 Lbs./axle
Bearings:		13 Lbs./axle
Dust Shields:	Cone (std)	6.6 Lbs./axle
	Flat	4.8 Lbs./axle
77½" Track:	.460 wall	11 Lbs./axle
	.580 wall	13.5 Lbs./axle
	.750 wall	17 Lbs./axle



# Parts Weight Chart

Part #	Weight
0076	0.840
01101-A	0.210
10113	0.010
102102-002	3.370
103102-001	0.320
103103-002	0.670
103107-001	2.000
103111	0.695
103112	0.350
104108	2.760
104109	5.500
104115	3.635
104116	5.065
104122	4.595
105105-001	0.555
105106	0.080
105107	0.305
105107-001	0.295
13101	0.120
16101	0.010
17103	0.015
17104	0.001
1720	1.870
1743	1.380
20001	0.030
20003	0.015
20004	0.040
20005	0.085
2001	0.800
2001-BZ	1.480
2001-SSA	1.685
200999-007	3.945
200999-009	12.230
200999-010	10.485
200999-021	11.005
200999-023	8.200
201149	7.505
201501	11.775
201508	11.470
201509	10.515
202100-066-LH	5.390
202100-075-LH	5.830
202100-205-LH	11.335
202100-215-LH	12.485
202100-225-LH	12.980
202100-241-LH	13.660
202100-245-LH	13.795
202100-265-LH	14.660
202102-205-LH	11.805
202103-233-LH	12.110
202105-074-LH	5.665
202105-084-LH	6.080
202105-091-LH	6.420

Part #	Weight
202108-091-LH	6.095
202109-205-LH	11.335
202109-236-LH	12.840
202127-236-RH	13.265
202128-084-LH	6.285
202128-173-LH	10.465
202128-205-RH	11.985
202128-215-LH	12.565
202128-225-LH	13.005
202128-236-LH	13.335
202128-241-LH	13.700
202128-245-LH	13.905
202128-265-LH	14.725
202128-290-LH	16.020
202129-213-LH	11.410
202129-245-LH	12.720
202129-265-LH	13.730
202129-265-LH	13.730
202129-265-LH	13.645
202132-236-RH	12.830
2028	0.770
2028-BZ	1.370
203108-001	0.615
203108-011	0.625
203109-001	0.940
203501	0.660
204101-001	0.565
204108-001	0.500
206000	0.610
207100	0.035
208104	0.590
208106	0.260
208502	0.190
209108-001	0.385
209109-001	1.165
209115-001	0.515
209999-018	2.095
209999-019	1.750
209999-025	13.735
209999-070	1.660
210177	4.105
210180	1.015
210187	4.455
210191	10.635
211102-001	2.940
211102-002	4.455
211102-003	1.060
211102-004	4.145
211106	1.890
211107	2.310
212116	5.315
214104	0.010
214107	0.005

Part #	Weight
214108	0.005
214112	0.120
214702	0.025
217009-016	3.755
217009-045	3.820
217009-100	4.295
217016-064	5.675
217024-036	8.520
217024-060	8.595
217030-030	9.230
217030-060	9.985
217530-060	19.985
217630-060	19.500
218124-060	8.490
302000	0.050
302001	0.120
304111	0.750
307-0743	0.710
308106	1.675
310-1023	0.125
310-1043	0.480
310-1048	0.125
315-1504	0.390
320-2041	0.990
320-2110	0.710
330-3009	0.015
340-4975	0.655
343-4009	0.875
343-4064	1.430
343-4075	1.485
343-4195	1.450
376590A	0.890
400-10216	7.880
400-10216	7.880
400128	0.020
400130	0.025
401101	0.165
401102	0.050
401113	0.120
402106	0.035
402200	0.010
403105	0.090
403107	0.020
403115	0.005
403117	0.010
403120	0.010
403121	0.045
403145	0.010
403147	0.010
405120	0.310
405122	0.025
405128	0.130
405129	0.055



# Parts Weight Chart

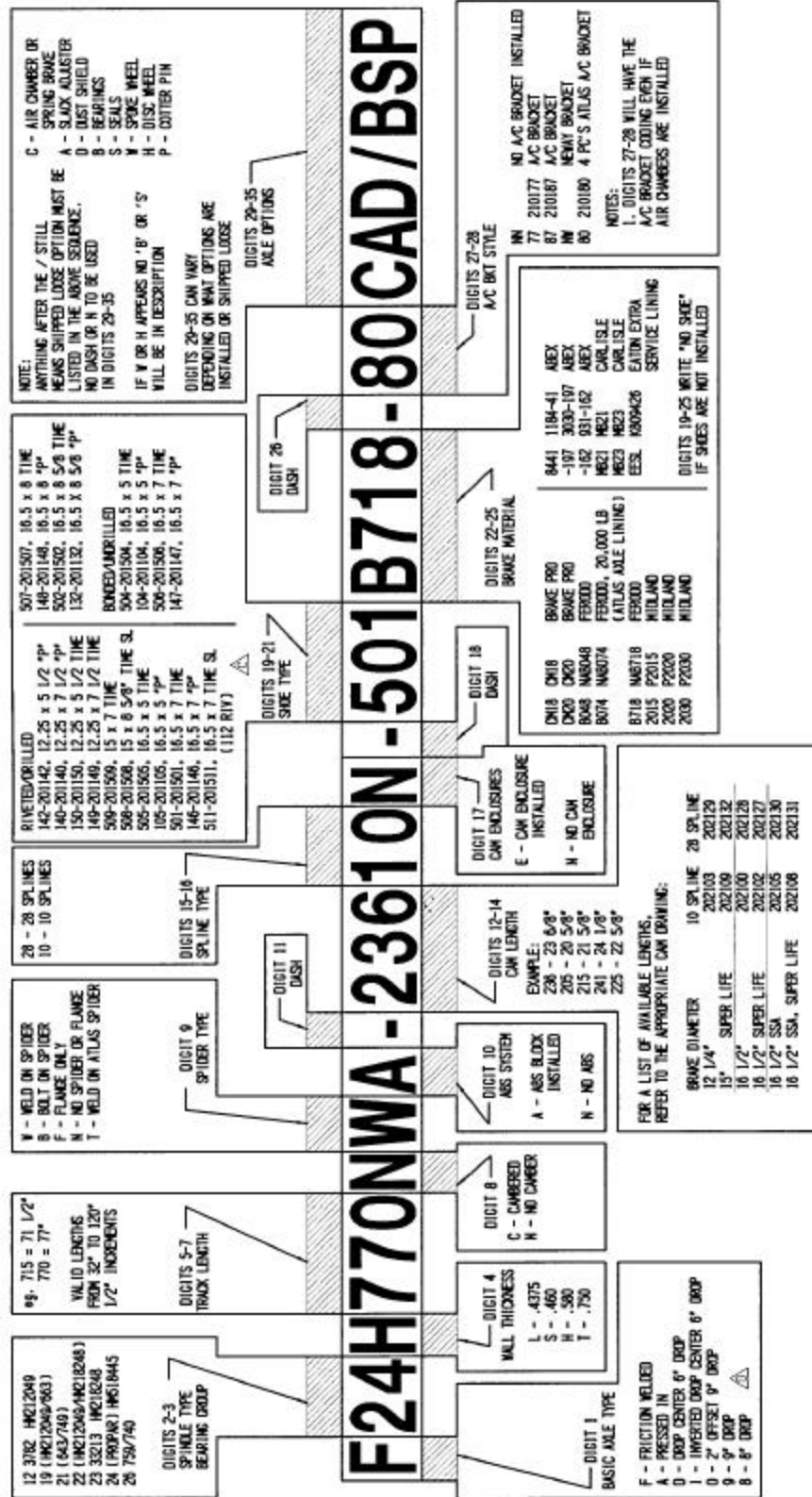
Part #	Weight
405134	0.145
406201	0.220
406202	0.145
407100	0.015
407101	0.025
408101	0.010
408107	0.005
409-10673	6.825
42623	0.805
4410-328-090	0.145
447-4723	2.695
447-4743	1.440
4515CD-CM18	19.680
45162	0.760
46285	0.455
46304	0.615
501134	30.690
501210	0.790
50133	0.010
50134	1.970
50135	0.255
50136	0.620
50137	1.035
50138	1.285
50139	1.745
50152	2.260
50165	0.010
50205	8.670
50221	0.125
50297	1.360
50336	0.780
50339	0.930
50341	2.705
50342	2.270
50343	19.125
50439	0.480
50470	0.400
50527	1.355
50938	0.925
51005	15.315
51028	7.570
51099	6.010
51100	6.010
51101	9.650
51104	4.880
51105	0.565
51129	0.410
51130	0.430
51241	28.805
51512	3.790
5163400025	0.025
52171	0.190
52172	0.120

Part #	Weight
52527	4.220
52665	10.875
601105-CM18	14.285
601140-NAB718	12.360
601143-NAB048	11.925
601149CM18	12.330
601501-2020	18.000
601501-3030-197	17.175
601501-3658F	17.345
601501-931-162	18.000
601501-CM18	17.400
601501-NAB718	17.615
601505-NAB718	14.400
601508-MB23	18.170
601509-2015	16.015
601511-1184-41	17.695
601511-CM18	12.085
632155	7.620
665472	6.805
700003	6.425
700005	9.050
700029	6.935
700040	12.640
700040-KIT	30.875
700041	0.795
700042	5.115
700046	76.000
700047	84.500
700057	15.435
700058	19.905
700064	1.175
700065	0.985
700066	0.795
700068	0.860
700073	5.445
700075	0.010
700076	0.175
700078	0.050
700085	4.950
700088	0.950
700090	5.405
700091	0.120
700092	0.550
700094	0.030
700095	0.140
700096	0.100
700097	0.005
700101	0.200
700115	6.395
700177	8.480
700178	2.445
700179	2.445
700182	0.340

Part #	Weight
700189	5.845
700190	1.280
700191	1.280
700192	1.485
700199	7.510
700204	0.085
700205	0.970
700207	0.200
700208	0.390
700209	0.050
700210	0.080
700212	2.170
700232	15.480
700292	4.565
700300	5.555
700337	10.605
700346	3.230
700377	0.130
700409	10.535
700422	1.815
700445	15.885
700486	0.860
700526	7.500
700531	0.500
700533	7.240
700539	0.350
700561	0.365
700677L	124.000
700754	1.420
700755	0.270
8110	0.595
8120	0.555
8997-605-104	0.001
999195-205	4.055
999195-225	4.315
999195-236	4.555
999195-245	4.690
999195-265	5.220
C910005	11.130
CB21106	7.360
K30HH100	0.420
SN1004	16.685
W01-358-7504	5.485
W01-358-6910	7.030



# Part Number Description





# Shoulder to Shoulder Lengths

## F-Series Axles

"A"		"B"		"A"		"B"		"A"		"B"	
F19	F22 / F23	F19	F22 / F23	F10	F22 / F23	F10	F22 / F23	F10	F22 / F23	F10	F22 / F23
70	63 3/8	57 7/16	62 3/8	73 3/8	74 7/16	83 3/8	84 7/16	83 3/8	84 7/16	93 3/8	94 7/16
70 1/2	63 1/8	54 15/16	62 7/8	73 7/8	74 15/16	83 7/8	84 15/16	83 7/8	84 15/16	93 7/8	94 15/16
71	64 3/8	55 7/16	63 3/8	74 3/8	75 7/16	84 3/8	85 7/16	84 3/8	85 7/16	94 3/8	95 7/16
71 1/2	64 1/8	55 15/16	63 7/8	74 7/8	75 15/16	84 7/8	85 15/16	84 7/8	85 15/16	94 7/8	95 15/16
72	65 3/8	56 1/16	64 3/8	75 3/8	76 1/16	85 3/8	86 1/16	85 3/8	86 1/16	95 3/8	96 1/16
72 1/2	65 1/8	56 15/16	64 7/8	75 7/8	76 15/16	85 7/8	86 15/16	85 7/8	86 15/16	95 7/8	96 15/16
73	66 3/8	57 7/16	65 3/8	76 3/8	77 1/16	86 3/8	87 1/16	86 3/8	87 1/16	96 3/8	97 1/16
73 1/2	66 1/8	57 15/16	65 7/8	76 7/8	77 15/16	86 7/8	87 15/16	86 7/8	87 15/16	96 7/8	97 15/16
74	67 3/8	58 7/16	66 3/8	77 3/8	78 7/16	87 3/8	88 7/16	87 3/8	88 7/16	97 3/8	98 7/16
74 1/2	67 1/8	58 15/16	66 7/8	77 7/8	78 15/16	87 7/8	88 15/16	87 7/8	88 15/16	97 7/8	98 15/16
75	68 3/8	59 7/16	67 3/8	78 3/8	79 7/16	88 3/8	89 7/16	88 3/8	89 7/16	98 3/8	99 7/16
75 1/2	68 1/8	59 15/16	67 7/8	78 7/8	79 15/16	88 7/8	89 15/16	88 7/8	89 15/16	98 7/8	99 15/16
76	69 3/8	70 7/16	68 3/8	79 3/8	80 7/16	89 3/8	90 7/16	89 3/8	90 7/16	99 3/8	100 7/16
76 1/2	69 1/8	70 15/16	68 7/8	79 7/8	80 15/16	89 7/8	90 15/16	89 7/8	90 15/16	99 7/8	100 15/16
77	70 3/8	71 7/16	69 3/8	80 3/8	81 7/16	90 3/8	91 7/16	90 3/8	91 7/16	100 3/8	101 7/16
77 1/2	70 1/8	71 15/16	69 7/8	80 7/8	81 15/16	90 7/8	91 15/16	90 7/8	91 15/16	100 7/8	101 15/16
78	71 3/8	72 7/16	70 3/8	81 3/8	82 7/16	91 3/8	92 7/16	91 3/8	92 7/16	101 3/8	102 7/16
78 1/2	71 1/8	72 15/16	70 7/8	81 7/8	82 15/16	91 7/8	92 15/16	91 7/8	92 15/16	101 7/8	102 15/16
79	72 3/8	73 7/16	71 3/8	82 3/8	83 7/16	92 3/8	93 7/16	92 3/8	93 7/16	102 3/8	103 7/16
79 1/2	72 1/8	73 15/16	71 7/8	82 7/8	83 15/16	92 7/8	93 15/16	92 7/8	93 15/16	102 7/8	103 15/16

"A"		"B"		"A"		"B"	
F18	F22 / F23	F18	F22 / F23	F18	F22 / F23	F18	F22 / F23
110	103 3/8	104 7/16	102 3/8	103 3/8	104 7/16	102 3/8	103 3/8
110 1/2	103 1/8	104 15/16	102 7/8	103 1/8	104 15/16	102 7/8	103 1/8
111	104 3/8	105 7/16	103 3/8	104 3/8	105 7/16	103 3/8	104 3/8
111 1/2	104 1/8	105 15/16	103 7/8	104 1/8	105 15/16	103 7/8	104 1/8
112	105 3/8	106 7/16	104 3/8	105 3/8	106 7/16	104 3/8	105 3/8
112 1/2	105 1/8	106 15/16	104 7/8	105 1/8	106 15/16	104 7/8	105 1/8
113	106 3/8	107 7/16	105 3/8	106 3/8	107 7/16	105 3/8	106 3/8
113 1/2	106 1/8	107 15/16	105 7/8	106 1/8	107 15/16	105 7/8	106 1/8
114	107 3/8	108 7/16	106 3/8	107 3/8	108 7/16	106 3/8	107 3/8
114 1/2	107 1/8	108 15/16	106 7/8	107 1/8	108 15/16	106 7/8	107 1/8
115	108 3/8	109 7/16	107 3/8	108 3/8	109 7/16	107 3/8	108 3/8
115 1/2	108 1/8	109 15/16	107 7/8	108 1/8	109 15/16	107 7/8	108 1/8
116	109 3/8	110 7/16	108 3/8	109 3/8	110 7/16	108 3/8	109 3/8
116 1/2	109 1/8	110 15/16	108 7/8	109 1/8	110 15/16	108 7/8	109 1/8
117	110 3/8	111 7/16	109 3/8	110 3/8	111 7/16	109 3/8	110 3/8
117 1/2	110 1/8	111 15/16	109 7/8	110 1/8	111 15/16	109 7/8	110 1/8
118	111 3/8	112 7/16	110 3/8	111 3/8	112 7/16	110 3/8	111 3/8
118 1/2	111 1/8	112 15/16	110 7/8	111 1/8	112 15/16	110 7/8	111 1/8
119	112 3/8	113 7/16	111 3/8	112 3/8	113 7/16	111 3/8	112 3/8
119 1/2	112 1/8	113 15/16	111 7/8	112 1/8	113 15/16	111 7/8	112 1/8
120	113 3/8	114 7/16	112 3/8	113 3/8	114 7/16	112 3/8	113 3/8



SHOULDER TO SHOULDER LENGTHS  
 F19 = TRACK LENGTH - 6 5/8"  
 F22 = TRACK LENGTH - 5 9/16"  
 F23 = TRACK LENGTH - 5 9/16"  
 F24 = TRACK LENGTH - 7 5/8"

"A"		"B"	
F19	F22 / F23	F19	F22 / F23
26	21 3/8	22 7/16	20 3/8
30	23 3/8	24 7/16	22 3/8
34	27 3/8	28 7/16	26 3/8
34.5	28.28	29.34	27.28
36	31 3/8	32 7/16	30 3/8
36 1/2	31 7/8	32 15/16	30 7/8
43 1/2	33 7/8	39 15/16	37 7/8



# Shoulder to Shoulder Lengths

## A-Series Axles

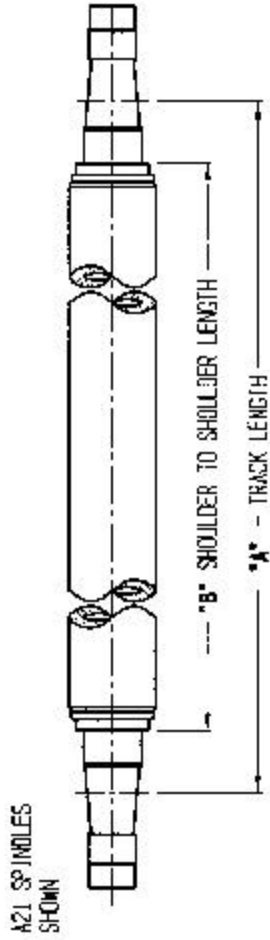
"A"	"B"	A21	A26
100	92 7/8	92 7/8	92 1/4
100 1/2	93 3/8	93 3/8	92 3/4
101	93 7/8	93 7/8	93 1/4
101 1/2	94 3/8	94 3/8	93 3/4
102	94 7/8	94 7/8	94 1/4
102 1/2	95 3/8	95 3/8	94 3/4
103	95 7/8	95 7/8	95 1/4
103 1/2	96 3/8	96 3/8	95 3/4
104	96 7/8	96 7/8	96 1/4
104 1/2	97 3/8	97 3/8	96 3/4
105	97 7/8	97 7/8	97 1/4
105 1/2	98 3/8	98 3/8	97 3/4
106	98 7/8	98 7/8	98 1/4
106 1/2	99 3/8	99 3/8	98 3/4
107	99 7/8	99 7/8	99 1/4
107 1/2	100 3/8	100 3/8	99 3/4
108	100 7/8	100 7/8	100 1/4
108 1/2	101 3/8	101 3/8	100 3/4
109	101 7/8	101 7/8	101 1/4
109 1/2	102 3/8	102 3/8	101 3/4

"A"	"B"	A21	A26
90	82 7/8	82 7/8	82 1/4
90 1/2	83 3/8	83 3/8	82 3/4
91	83 7/8	83 7/8	83 1/4
91 1/2	84 3/8	84 3/8	83 3/4
92	84 7/8	84 7/8	84 1/4
92 1/2	85 3/8	85 3/8	84 3/4
93	85 7/8	85 7/8	85 1/4
93 1/2	86 3/8	86 3/8	85 3/4
94	86 7/8	86 7/8	86 1/4
94 1/2	87 3/8	87 3/8	86 3/4
95	87 7/8	87 7/8	87 1/4
95 1/2	88 3/8	88 3/8	87 3/4
96	88 7/8	88 7/8	88 1/4
96 1/2	89 3/8	89 3/8	88 3/4
97	89 7/8	89 7/8	89 1/4
97 1/2	90 3/8	90 3/8	89 3/4
98	90 7/8	90 7/8	90 1/4
98 1/2	91 3/8	91 3/8	90 3/4
99	91 7/8	91 7/8	91 1/4
99 1/2	92 3/8	92 3/8	91 3/4

"A"	"B"	A21	A26
80	72 7/8	72 7/8	72 1/4
80 1/2	73 3/8	73 3/8	72 3/4
81	73 7/8	73 7/8	73 1/4
81 1/2	74 3/8	74 3/8	73 3/4
82	74 7/8	74 7/8	74 1/4
82 1/2	75 3/8	75 3/8	74 3/4
83	75 7/8	75 7/8	75 1/4
83 1/2	76 3/8	76 3/8	75 3/4
84	76 7/8	76 7/8	76 1/4
84 1/2	77 3/8	77 3/8	76 3/4
85	77 7/8	77 7/8	77 1/4
85 1/2	78 3/8	78 3/8	77 3/4
86	78 7/8	78 7/8	78 1/4
86 1/2	79 3/8	79 3/8	78 3/4
87	79 7/8	79 7/8	79 1/4
87 1/2	80 3/8	80 3/8	79 3/4
88	80 7/8	80 7/8	80 1/4
88 1/2	81 3/8	81 3/8	80 3/4
89	81 7/8	81 7/8	81 1/4
89 1/2	82 3/8	82 3/8	81 3/4

"A"	"B"	A21	A26
70	62 7/8	62 7/8	62 1/4
70 1/2	63 3/8	63 3/8	62 3/4
71	63 7/8	63 7/8	63 1/4
71 1/2	64 3/8	64 3/8	63 3/4
72	64 7/8	64 7/8	64 1/4
72 1/2	65 3/8	65 3/8	64 3/4
73	65 7/8	65 7/8	65 1/4
73 1/2	66 3/8	66 3/8	65 3/4
74	66 7/8	66 7/8	66 1/4
74 1/2	67 3/8	67 3/8	66 3/4
75	67 7/8	67 7/8	67 1/4
75 1/2	68 3/8	68 3/8	67 3/4
76	68 7/8	68 7/8	68 1/4
76 1/2	69 3/8	69 3/8	68 3/4
77	69 7/8	69 7/8	69 1/4
77 1/2	70 3/8	70 3/8	69 3/4
78	70 7/8	70 7/8	70 1/4
78 1/2	71 3/8	71 3/8	70 3/4
79	71 7/8	71 7/8	71 1/4
79 1/2	72 3/8	72 3/8	71 3/4

"A"	"B"	A21	A26
102	102 7/8	102 7/8	102 1/4
102 1/2	103 3/8	103 3/8	102 3/4
103	103 7/8	103 7/8	103 1/4
103 1/2	104 3/8	104 3/8	103 3/4
104	104 7/8	104 7/8	104 1/4
104 1/2	105 3/8	105 3/8	104 3/4
105	105 7/8	105 7/8	105 1/4
105 1/2	106 3/8	106 3/8	105 3/4
106	106 7/8	106 7/8	106 1/4
106 1/2	107 3/8	107 3/8	106 3/4
107	107 7/8	107 7/8	107 1/4
107 1/2	108 3/8	108 3/8	107 3/4
108	108 7/8	108 7/8	108 1/4
108 1/2	109 3/8	109 3/8	108 3/4
109	109 7/8	109 7/8	109 1/4
109 1/2	110 3/8	110 3/8	109 3/4
110	110 7/8	110 7/8	110 1/4
110 1/2	111 3/8	111 3/8	110 3/4
111	111 7/8	111 7/8	111 1/4
111 1/2	112 3/8	112 3/8	111 3/4
112	112 7/8	112 7/8	112 1/4



SHOULDER TO SHOULDER LENGTHS  
 A21 = TRACK LENGTH - 7 1/8"  
 A26 = TRACK LENGTH - 7 3/4"

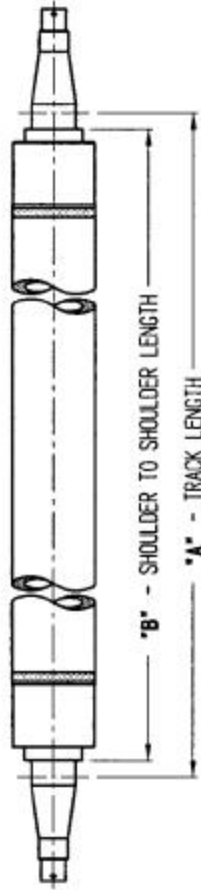
"A"	"B"	
	A21	A26
28	20 1/8	20 1/4
30	22 1/8	22 1/4
34	26 1/8	26 1/4
34.9	28.18	27.15
38	30 1/8	30 1/4
38 1/2	31 3/8	30 3/4
45 1/2	38 3/8	37 3/4



# Shoulder to Shoulder Lengths

## F12 Axles

*A*	*B*	*A*	*B*	*A*	*B*	*A*	*B*	*A*	*B*
70	68	80	78	90	88	100	98	110	108
70 1/2	68 1/2	80 1/2	78 1/2	90 1/2	88 1/2	100 1/2	98 1/2	110 1/2	108 1/2
71	69	81	79	91	89	101	99	111	109
71 1/2	69 1/2	81 1/2	79 1/2	91 1/2	89 1/2	101 1/2	99 1/2	111 1/2	109 1/2
72	70	82	80	92	90	102	100	112	110
72 1/2	70 1/2	82 1/2	80 1/2	92 1/2	90 1/2	102 1/2	100 1/2	112 1/2	110 1/2
73	71	83	81	93	91	103	101	113	111
73 1/2	71 1/2	83 1/2	81 1/2	93 1/2	91 1/2	103 1/2	101 1/2	113 1/2	111 1/2
74	72	84	82	94	92	104	102	114	112
74 1/2	72 1/2	84 1/2	82 1/2	94 1/2	92 1/2	104 1/2	102 1/2	114 1/2	112 1/2
75	73	85	83	95	93	105	103	115	113
75 1/2	73 1/2	85 1/2	83 1/2	95 1/2	93 1/2	105 1/2	103 1/2	115 1/2	113 1/2
76	74	86	84	96	94	106	104	116	114
76 1/2	74 1/2	86 1/2	84 1/2	96 1/2	94 1/2	106 1/2	104 1/2	116 1/2	114 1/2
77	75	87	85	97	95	107	105	117	115
77 1/2	75 1/2	87 1/2	85 1/2	97 1/2	95 1/2	107 1/2	105 1/2	117 1/2	115 1/2
78	76	88	86	98	96	108	106	118	116
78 1/2	76 1/2	88 1/2	86 1/2	98 1/2	96 1/2	108 1/2	106 1/2	118 1/2	116 1/2
79	77	89	87	99	97	109	107	119	117
79 1/2	77 1/2	89 1/2	87 1/2	99 1/2	97 1/2	109 1/2	107 1/2	119 1/2	117 1/2
								120	118



SHOULDER TO SHOULDER LENGTHS  
F12 = TRACK LENGTH - 2"

SHOULDER TO SHOULDER LENGTHS  
F12 = TRACK LENGTH - 2"

SHORT TRACK LENGTHS

*A*	*B*
28	24 1/8
30	26 1/8
34	30 1/8
34.9	31.03
38	34 1/8
38 1/2	34 5/8
45 1/2	41 5/8

ADDITIONAL TRACK LENGTHS

*A*	*B*
59 3/8	57 3/8
71 7/8	69 7/8
73 3/8	71 3/8
79 3/8	77 3/8
83 3/8	81 3/8



# Shoulder to Shoulder Lengths

## F30 Axles

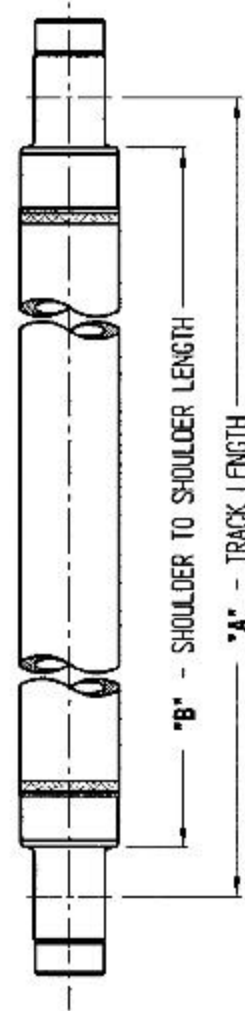
"A"	"B"
110	105 1/16
110 1/2	105 9/16
111	106 1/16
111 1/2	106 9/16
112	107 1/16
112 1/2	107 9/16
113	108 1/16
113 1/2	108 9/16
114	109 1/16
114 1/2	109 9/16
115	110 1/16
115 1/2	110 9/16
116	111 1/16
116 1/2	111 9/16
117	112 1/16
117 1/2	112 9/16
118	113 1/16
118 1/2	113 9/16
119	114 1/16
119 1/2	114 9/16
120	115 1/16

"A"	"B"
100	95 1/16
100 1/2	95 9/16
101	96 1/16
101 1/2	96 9/16
102	97 1/16
102 1/2	97 9/16
103	98 1/16
103 1/2	98 9/16
104	99 1/16
104 1/2	99 9/16
105	100 1/16
105 1/2	100 9/16
106	101 1/16
106 1/2	101 9/16
107	102 1/16
107 1/2	102 9/16
108	103 1/16
108 1/2	103 9/16
109	104 1/16
109 1/2	104 9/16

"A"	"B"
90	85 1/16
90 1/2	85 9/16
91	86 1/16
91 1/2	86 9/16
92	87 1/16
92 1/2	87 9/16
93	88 1/16
93 1/2	88 9/16
94	89 1/16
94 1/2	89 9/16
95	90 1/16
95 1/2	90 9/16
96	91 1/16
96 1/2	91 9/16
97	92 1/16
97 1/2	92 9/16
98	93 1/16
98 1/2	93 9/16
99	94 1/16
99 1/2	94 9/16

"A"	"B"
80	75 1/16
80 1/2	75 9/16
81	76 1/16
81 1/2	76 9/16
82	77 1/16
82 1/2	77 9/16
83	78 1/16
83 1/2	78 9/16
84	79 1/16
84 1/2	79 9/16
85	80 1/16
85 1/2	80 9/16
86	81 1/16
86 1/2	81 9/16
87	82 1/16
87 1/2	82 9/16
88	83 1/16
88 1/2	83 9/16
89	84 1/16
89 1/2	84 9/16

"A"	"B"
70	65 1/16
70 1/2	65 9/16
71	66 1/16
71 1/2	66 9/16
72	67 1/16
72 1/2	67 9/16
73	68 1/16
73 1/2	68 9/16
74	69 1/16
74 1/2	69 9/16
75	70 1/16
75 1/2	70 9/16
76	71 1/16
76 1/2	71 9/16
77	72 1/16
77 1/2	72 9/16
78	73 1/16
78 1/2	73 9/16
79	74 1/16
79 1/2	74 9/16



SHOULDER TO SHOULDER LENGTHS  
 F30 = TRACK LENGTH - 4 15/16"

### SHORT TRACK LENGTHS

"A"	"B"
28	23 1/16
30	25 1/16
34	29 1/16
34.9	29.96
38	33 1/16
38 1/2	33 9/16
45 1/2	40 9/16



# Air Chamber Rod Lengths

AIR CHAMBER - TYPE 09		"A"
IMT P/N		
217009-010		1'
217009-015		1 3/4"
217009-026		2 3/4"
217009-045		4 5/8"
217009-050		5'
217009-100		10'

AIR CHAMBER - TYPE 16		"A"
IMT P/N		
217016-005		5/8"
217016-006		3/4"
217016-016		1 3/4"
217016-017		1 7/8"
217016-045		4 5/8"
217016-064		6 1/2"
217016-065		6 5/8"
217016-090		9'
217016-091		9 1/8"

AIR CHAMBER - TYPE 20		"A"
IMT P/N		
217020-016		1 3/4"
217020-017		1 7/8"
217020-024		2 1/2"
217020-025		2 5/8"
217020-026		2 3/4"
217020-060		6'
217020-061		6 1/8"
217020-080		8'
217020-081		8 1/8"

AIR CHAMBER - TYPE 24		"A"
IMT P/N		
217024-010		1'
217024-016		1 3/4"
217024-017		1 7/8"
217024-024		2 1/2"
217024-025		2 5/8"
217024-026		2 3/4"
217024-027		2 7/8"
217024-030		3'
217024-031		3 1/8"
217024-036		3 3/4"
217024-037		3 7/8"
217024-040		4'
217024-041		4 1/8"
217024-044		4 1/2"
217024-045		4 5/8"
217024-050		5'
217024-060		6'
217024-061		6 1/8"
217024-064		6 1/2"
217024-065		6 5/8"
217024-070		7'
217024-071		7 1/8"
217024-080		8'
217024-081		8 1/8"
217024-100		10'
217024-101		10 1/8"

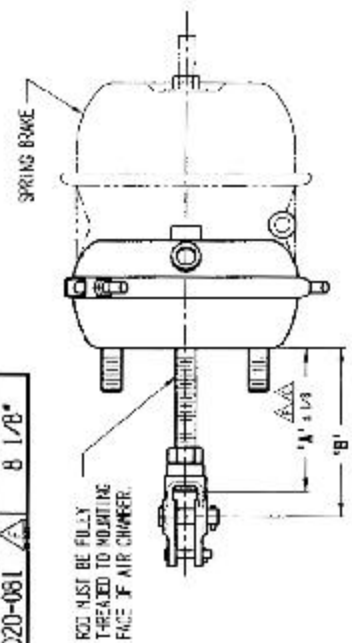
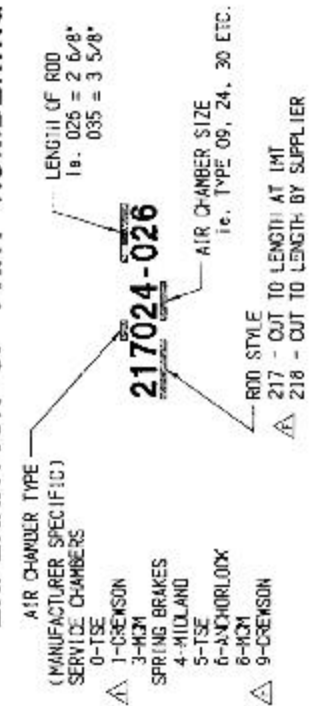
AIR CHAMBER - TYPE 30		"A"
IMT P/N		
217030-010		1'
217030-016		1 3/4"
217030-017		1 7/8"
217030-022		2 1/4"
217030-024		2 1/2"
217030-025		2 5/8"
217030-026		2 3/4"
217030-027		2 7/8"
217030-030		3'
217030-031		3 1/8"
217030-035		3 5/8"
217030-036		3 3/4"
217030-037		3 7/8"
217030-040		4'
217030-044		4 1/2"
217030-045		4 5/8"
217030-060		6'
217030-061		6 1/8"
217030-070		7'
217030-071		7 1/8"
217030-080		8'
217030-081		8 1/8"

AIR CHAMBER - TYPE 36		"A"
IMT P/N		
217036-060		6'

SPRING BRAKE - TYPE 2424		"A"
IMT P/N		
217524-016		1 3/4"
217524-018		1 7/8"
217524-024		2 1/2"
217524-025		2 5/2"
217524-044		4 1/2"
217524-045		4 5/8"
217524-055		5 5/8"
217524-060		6'
217524-061		6 1/8"

SPRING BRAKE - TYPE 3030		"A"
IMT P/N		
217530-016		1 3/4"
217530-017		1 7/8"
217530-024		2 1/2"
217530-025		2 5/8"
217530-040		4'
217530-044		4 1/2"
217530-045		4 5/8"
217530-054		5 1/2"
217530-055		5 5/8"
217530-060		6'
217530-061		6 1/8"
217530-064		6 1/2"
217530-065		6 5/8"
217530-071		7 1/8"
217530-073		7 3/8"
217530-080		8'
217530-081		8 1/8"

## EXPLANATION OF PART NUMBERING



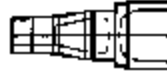
# Bearing Combinations

## F22 Bearing Group:

**HM218248 Inner**

**HM212049 Outer**

The F22 tapered spindle configuration is accepted as the most used axle in North America. The IMT F22 spindle has durability which is unsurpassed. Also, IMT has the widest range of certified brake linings in North America (FMVSS121, CMVSS121). All components are off-the-shelf, available throughout the world.



## F19 Bearing Group:

**663 Inner**

**HM212049 Outer**

A world standard for both on-highway and off-highway applications. The IMT F19 axle series has been used in the desert outback of Australia, the jungles of South America, the Canadian Rockies as well as super highways throughout North America. The service components are off the shelf and available world-wide.

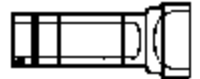


## F24 Bearing Group:

**HM518445 Inner**

**HM518445 Outer**

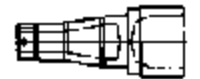
The F24 parallel spindle is recognized world-wide and the IMT F24 finds service in the African bushlands, throughout North and South America, and Europe. This axle has a wide range of applications and is the preferred axle for heavy duty bulk tanker carriers.



## F23 Bearing Group:

**HM218248 Inner; X33213 Outer**

Developed for overseas markets, especially Europe. Certified to EC-13 brake code. Available with cast steel or aluminum, regular, and Pre-Set™ hubs.

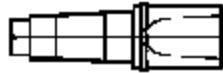


## A26 Bearing Group:

**759 Inner**

**740 Outer**

The IMT A26 axles are first choice for both on-highway and off-highway "extra heavy duty" use. The durability of the IMT A26 series sets the standard throughout the North American logging industry, as well as South America and Africa.



## A21 Bearing Group:

**749 Inner**

**643 Outer**

The certified axle series of the North American Defence Industry. Designated by TACOMM (USA) and DND (Canada) as the axle system for support trailers of various configurations. For defence applications, reference Ordnance No. 12275487, Vendor No. 37558.

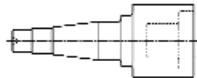


## F12 Bearing Group:

**HM212049 Inner**

**3782 Outer**

The F12 uses the same bearings, hubs and brake components as the most popular North American truck front steering axles. The brakes are 15" x 4". This rugged axle is a friction welded product, and, like all IMT axles, is manufactured with a seamless 5" round tube.



## F30 Fully Unitized Trailer Axle Hub

This assembly includes the SKF Lunar Hub; a fully unitized assembly which includes hub, bearings, seals, lubricant and studs. These hubs are filled with premium lubricant, the bearing clearances factory preset and everything factory sealed. A full 5-year/500,000 mile warranty applies.





# A.T.L.A.S. Axle Options



Spindle	Track Length	Brake Option
F22 HM218248 Inner HM212049 Outer	From 28" to 149-1/2" in half inch increments	16-1/2" A.T.L.A.S. two-piece spider and two-piece air chamber bracket
F23 HM218248 Inner X33213 Outer		16-1/2" A.T.L.A.S. two-piece spider and two-piece air chamber bracket
F24 HM518445 Inner HM518445 Outer		16-1/2" A.T.L.A.S. two-piece spider and two-piece air chamber bracket
DC22 HM218248 Inner HM212049 Outer	71-1/2", 73", 76" & 77" track 6", 8" & 9" drop	16-1/2" A.T.L.A.S. two-piece spider only available
DC23 HM218248 Inner X33213 Outer		16-1/2" A.T.L.A.S. two-piece spider only available
DC24 HM518445 Inner HM518445 Outer		16-1/2" A.T.L.A.S. two-piece spider only available

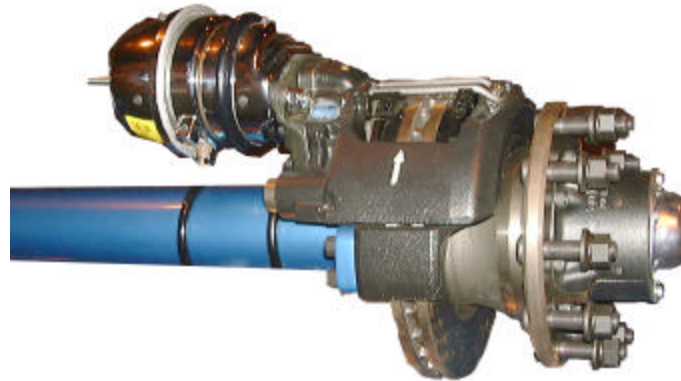
Standard drop lengths are listed; if other lengths are required, please consult the IMT Engineering Department.

# Standard Axle Options



Spindle	Track Length	Brake Option
F22 HM218248 Inner HM212049 Outer	From 28" to 149-1/2" in half inch increments	16-1/2" (weld-on & bolt-on), 15", and 12-1/4"
F23 HM218248 Inner X33213 Outer		16-1/2" (weld-on & bolt-on), 15", and 12-1/4"
F24 HM518445 Inner HM518445 Outer		16-1/2" (weld-on & bolt-on), and 15"
F19 663 Inner HM212049 Outer		16-1/2" (weld-on & bolt-on), 15", and 12-1/4"
A21 749 Inner 643 Outer	From 28" to 120" in half inch increments	16-1/2" (weld-on & bolt-on), 15", and 12-1/4"
A26 759 Inner 740 Outer		16-1/2" (weld-on & bolt-on)

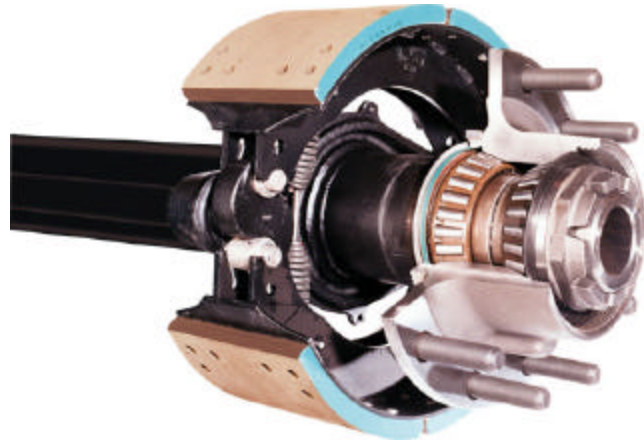
# Disc Brake Axle Options



Spindle	Track Length	Brake Option
F22 HM218248 Inner HM212049 Outer	From 28" to 149-1/2" in half inch increments	Torque Plate
F24 HM518445 Inner HM518445 Outer		
DC22 HM218248 Inner HM212049 Outer	71-1/2", 73", 76" & 77" track 6", 8" & 9" drop	
DC24 HM518445 Inner HM518445 Outer		

Standard drop lengths are listed; if other lengths are required, please consult the IMT Engineering Department.

# F30 Lunar Axle Options



Spindle	Track Length	Brake Option
F30 Lunar hub (unitized w/bearings, seals, lubricant & studs)	From 28" to 149-1/2" in half inch increments	16-1/2" x 7" (weld-on & bolt- on) & 15" x 7"

# Drop-Centre Axle Options



Spindle	Track Length	Brake Option
DC22 HM218248 Inner HM212049 Outer	71-1/2", 73", 76" & 77" track 6", 8" & 9" drop	16-1/2" (weld-on & bolt-on), 15", and 12-1/4"
DC23 HM218248 Inner X33213 Outer		16-1/2" (weld-on & bolt-on), 15", and 12-1/4"
DC24 HM518445 Inner HM518445 Outer		16-1/2" (weld-on & bolt-on), and 15"
DC19 663 Inner HM212049 Outer		16-1/2" (weld-on & bolt-on), 15", and 12-1/4"
DC12 HM212049 Inner 3782 Outer	71-.5", 71.7", 72.5", 73", 76", 77", 79.4", 80.1", 88" & 90" track - 6" drop	Bolt-on flange only No other options available

Standard drop lengths are listed; if other lengths are required, please consult the IMT Engineering Department.



# Manufactured Drop Axle Options



Spindle	Track Length	Brake Option
F22 HM218248 Inner HM212049 Outer	From 60" to 120" in half inch increments	16-1/2" x 7" bolt-on
F12 HM212049 Inner 3782 Outer		Bolt-on flange only No other options available

# Stubby Axle Options



This axle shows 12-1/4" brakes on the left and 16-1/2" brakes on the right.  
This axle is for display purposes only.

Spindle	Track Length	Brake Option
F22 HM218248 Inner HM212049 Outer	From 28" in half inch increments	16-1/2" (weld-on & bolt-on), 15", and 12-1/4"
F23 HM218248 Inner X33213 Outer		16-1/2" (weld-on & bolt-on), 15", and 12-1/4"
F24 HM518445 Inner HM518445 Outer		16-1/2" (weld-on & bolt-on), and 15"
F19 663 Inner HM212049 Outer		16-1/2" (weld-on & bolt-on), 15", and 12-1/4"
A21 749 Inner 643 Outer		16-1/2" (weld-on & bolt-on), 15", and 12-1/4"
A26 759 Inner 740 Outer		16-1/2" (weld-on & bolt-on)

# Self-Steering Axle Options



Spindle	Track Length	Brake Option
F22 HM218248 Inner HM212049 Outer	See note below	16-1/2" x 7", 16-1/2" x 5" (weld-on & bolt-on) & 15" x 7"
F23 HM218248 Inner X33213 Outer		
F24 HM518445 Inner HM518445 Outer		

Due to the variations available, we request that you complete the Information Sheet on the following page and fax it to our Engineering Department. Based on this information, our Engineering Department will determine which of our self-steering models will best suit your particular application. Our self-steering axles are available in standard as well as non-standard track lengths in both straight and drop-centre models.

# SSA Information Sheet

\* PLEASE FILL-IN ALL SQUARES AND BLANKS WHERE INFO IS AVAILABLE \*\*



**SSA MODEL:** \_\_\_\_\_

**COMPANY:** \_\_\_\_\_

**ADDRESS:** \_\_\_\_\_

**CONTACT PERSON:** \_\_\_\_\_

**TEL:** \_\_\_\_\_ **FAX:** \_\_\_\_\_

**DATE:** \_\_\_\_\_ **e-mail:** \_\_\_\_\_

**SSA CAPACITY REQ'D:** \_\_\_\_\_

**TRACK:** \_\_\_\_\_ **O'ALL WIDTH:** \_\_\_\_\_

**WHEEL SIZE:** \_\_\_\_\_ **P/N:** \_\_\_\_\_ **OUT:** \_\_\_\_\_

**WHEEL OFFSET- IN:** \_\_\_\_\_ **P/N:** \_\_\_\_\_

**HUB & DRUM TYPE:** \_\_\_\_\_ **SPRING**

**SUSPENSION TYPE:** AIR-RIDE \_\_\_\_\_ **MANUF:** \_\_\_\_\_

**SUSPENSION MODEL:** \_\_\_\_\_

**BRAKE DIA. & WIDTH:** \_\_\_\_\_

**AIR CHAMBER SIZE:** \_\_\_\_\_

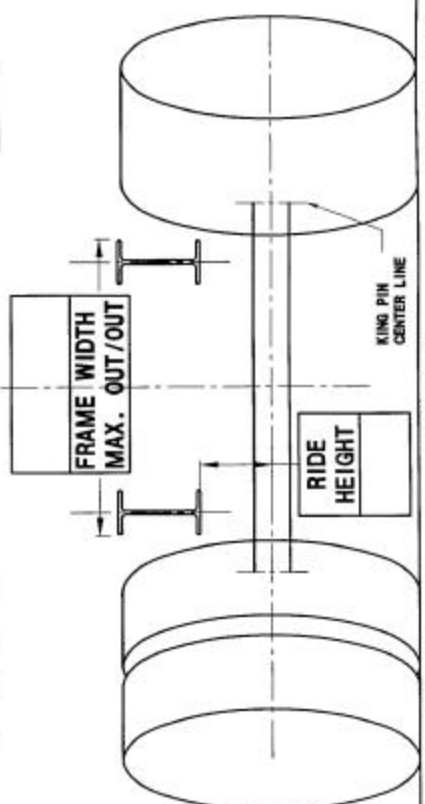
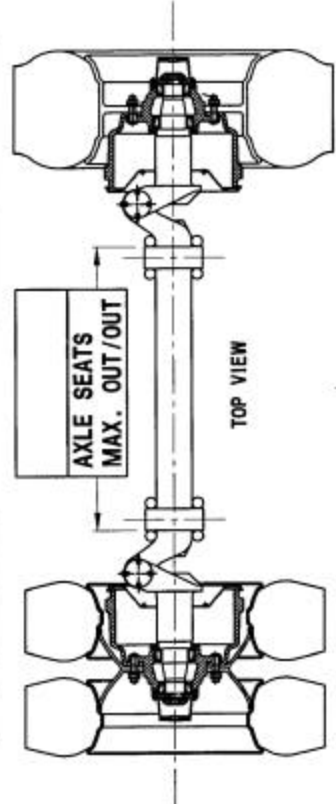
**SPINDLE TYPE:** \_\_\_\_\_

**PLEASE ATTACH A SKETCH OF VEHICLE INDICATING:  
TYPE OF VEHICLE, No. OF AXLES, SPACING,  
AND LOCATION OF SSA.**

**COMMENTS:**

<b>SINGLE</b>
<b>SUPER SINGLE</b>
<b>TIRE SIZE</b>

<b>DUALS</b>
<b>TIRE SIZE</b>

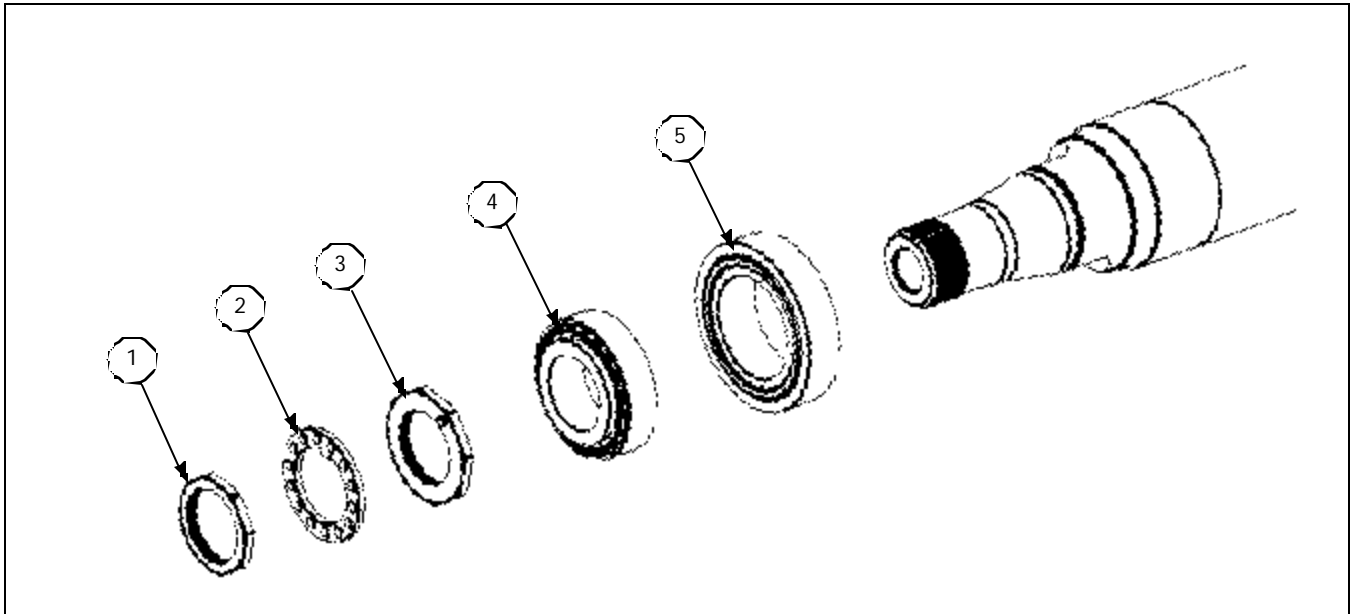


**TEL: 519-485-2210**  
**FAX: 519-485-2163**  
**e-mail: jguilleme@mtpdf.com**

JAN. 27, 2000

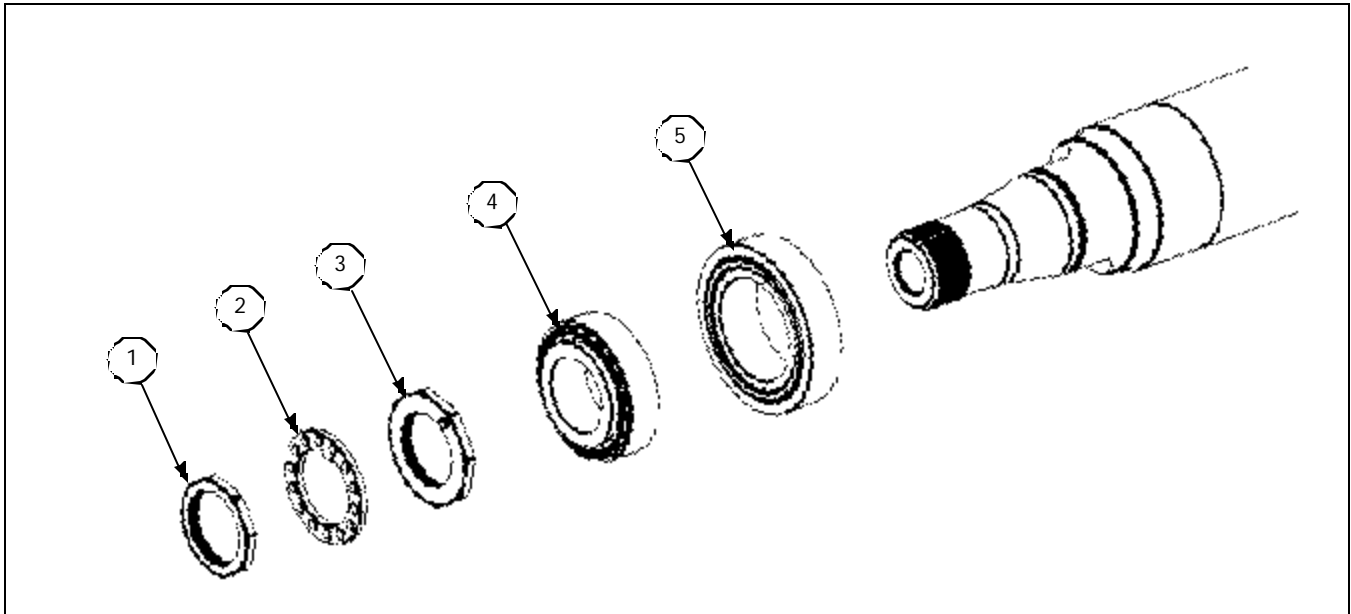
# F22, DC22, SSA22 Spindle Options

## HM218248 Inner/HM212049 Outer Bearing



	Part #	Description	O.D.	I.D.	Replaces
1	103102-001	Spindle Nut Outer	3-1/4"	2-5/8"	06-201, M-684, 820395, F-1530, F-941, E-572, L-178, 203-911, 1227-B-756, 1227-B-7596, R000572, 10408, M103102-001, M10HN102, 6-4-2, TP-490, 12-393
2	105107	Spindle Washer	3-15/16"	2-5/8"	06-202, M-683, 820396, F-942, E-573, 7EQ-1124, L-177, 203-904, 1129-V-1660, A1129-W-2545, M10HN100, TP-473, 12-392
3	103103-002	Spindle Nut Inner	3-13/16"	2-5/8"	06-203, M-682, 820394, F-1529, F-940, 2408341, L-176, 203-912, 870813R1, R000540, 10406, 12-391 M10HN101, M10HN158, 6-3-7, TP489
	105106	Star Washer (Optional)	See Spindle Nuts in Section 6 for information		
	447-4743	Pro-Torq Nut (Optional)	See Spindle Nuts in Section 6 for information		
4	104108	HM212049	Bearing - Outer (CMC, Koyo, General, SKF or Timken available)		
5	104115	HM218248	Bearing - Inner (CMC, Koyo, General, SKF or Timken available)		
See Seals & Hubcaps in Section 6 for available options					

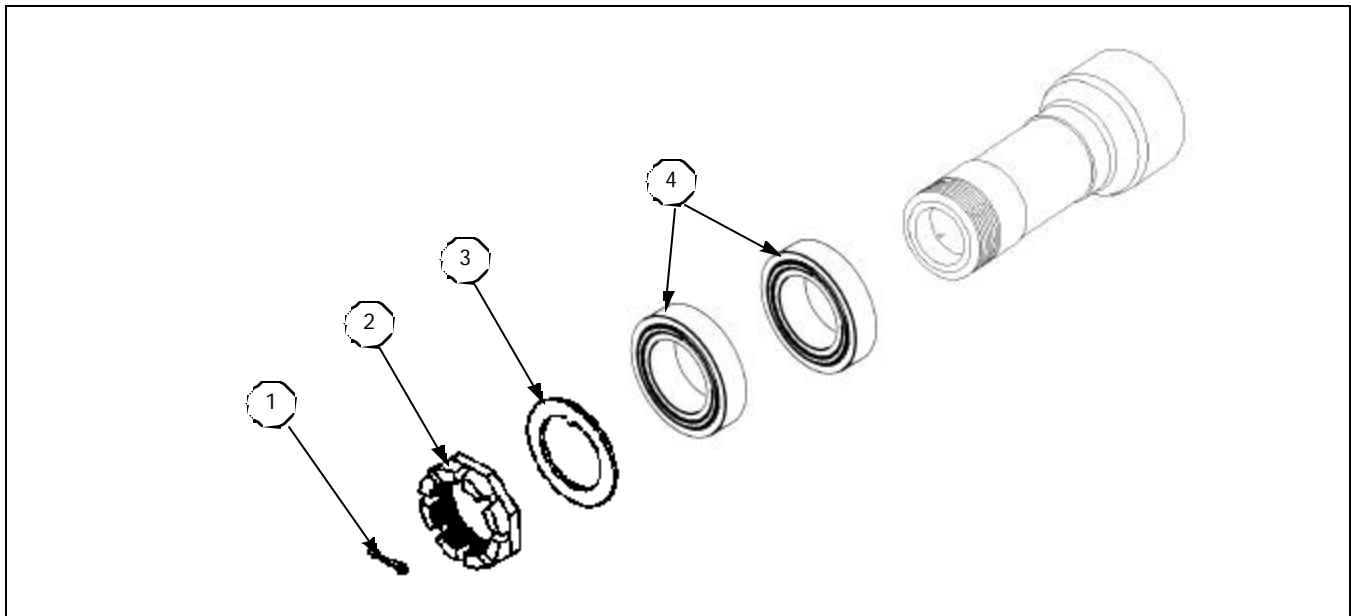
# F23, DC23, SSA23 Spindle Options HM218248 Inner/X33213 Outer Bearing



	Part #	Description	O.D.	I.D.	Replaces
1	103112	Spindle Nut Outer	3-1/4"	65 mm	
2	105107	Spindle Washer	3-15/16"	2-5/8"	06-202, M-683, 820396, F-942, E-573, 7EQ-1124, L-177, 203-904, 1129-V-1660, A1129-W-2545, M10HN100, TP-473, 12-392
3	103111	Spindle Nut Inner	3-13/16"	65 mm	
	105106	Star Washer (Optional)	See Spindle Nuts in Section 6 for information		
4	104114	X33213	Bearing - Outer (Koyo only available)		
5	104115	HM218248	Bearing - Inner (CMC, Koyo, General, SKF or Timken available)		
See Seals & Hubcaps in Section 6 for available options					

# F24, DC24, SSA24 Spindle Options

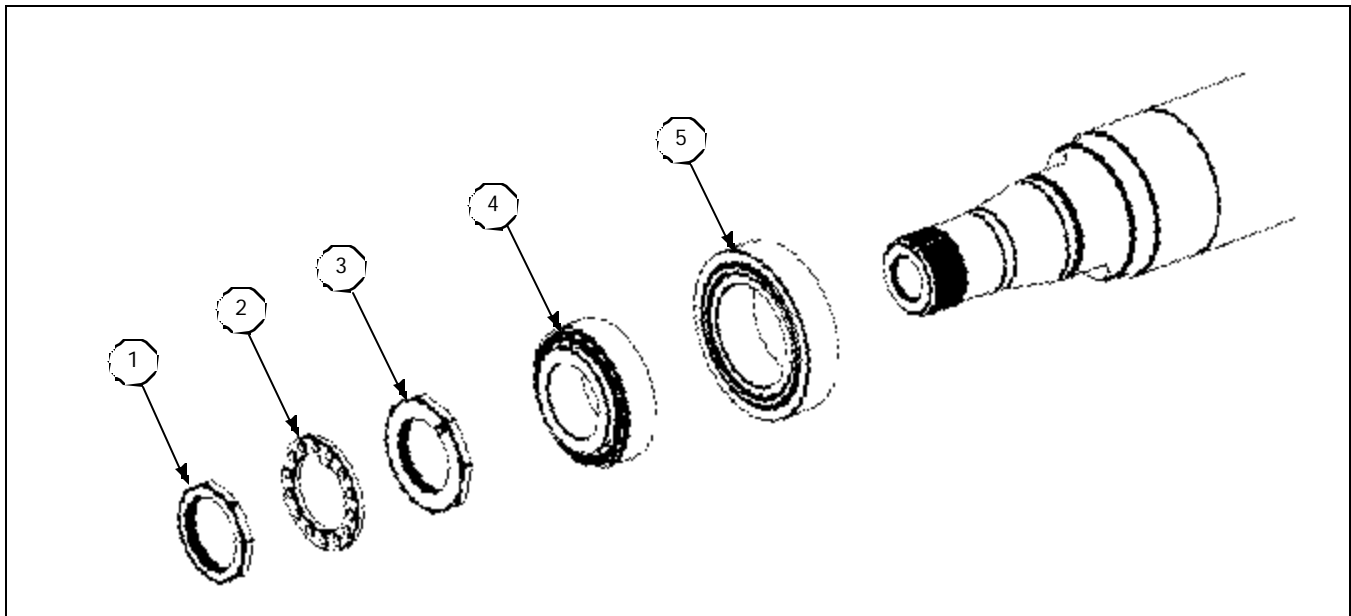
## HM518445 Inner/Outer Bearing



	Part #	Description	O.D.	I.D.	Replaces
1	214702	Cotter Pin			06-229, 06-354, M-1069, M-1956, E-1559, AXA-0409-1, L-1331, L-1762, R001559, TP-1970, 12-403, TP-3077
2	103107-001	Spindle Nut	4-3/4"	3-1/2"	06-226, 0-1996, E-2550, ACE-008510-001, L-1395, R002550, 12-400, M-1996, TP-3076, M-1050, M10HN172, 46-5-045
3	105105-001	Spindle Washer	5-1/16"	3-1/2"	AXA-0408-1, E-1561, R001561, 6-228, L-893, M-1051, TP-1193, 12-402, 46-5-044, M10HS121
	447-4723	Pro-Torq Nut (Optional)	See Spindle Nuts in Section 6 for information		
4	104122	HM518445	Bearing - Outer (CMC, Koyo, General, SKF or Timken available)		
See Seals & Hubcaps in Section 6 for available options					

# F19, DC19 Spindle Options

## 663 Inner/HM212049 Outer Bearing

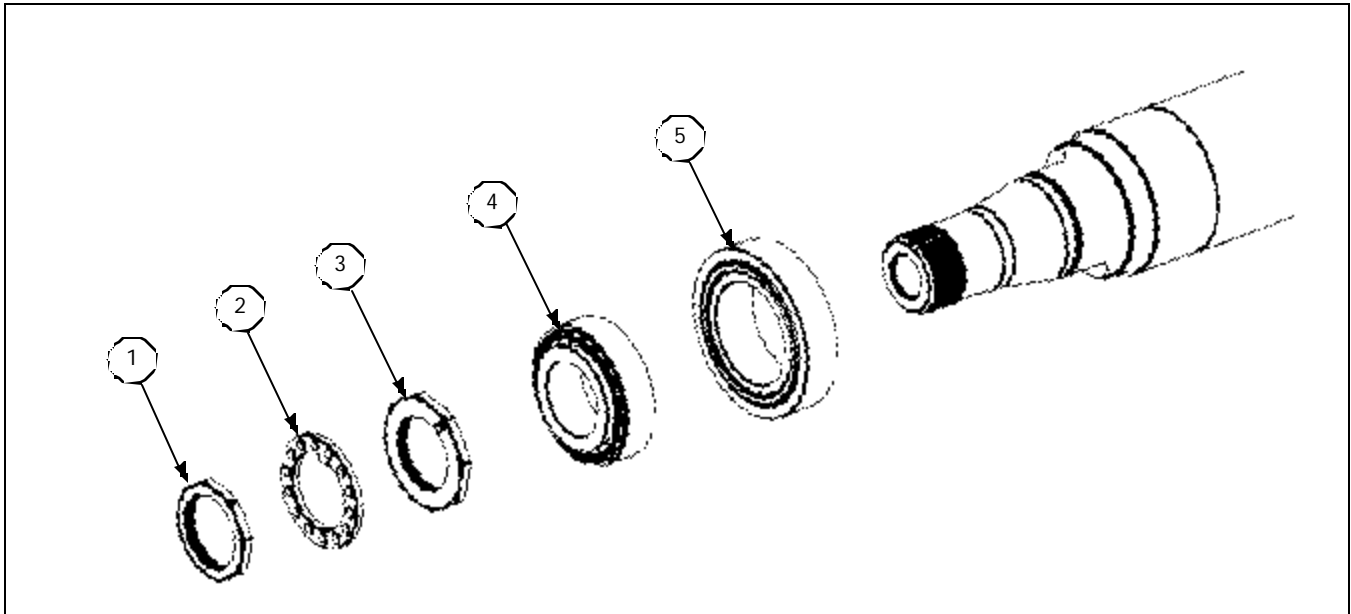


	Part #	Description	O.D.	I.D.	Replaces
1	103102-001	Spindle Nut Outer	3-1/4"	2-5/8"	06-201, M-684M 820395, F-1530, F-941, E-572, L-178, 203-911, 1227-B-756, 1227-B-7596, R000572, 10408, M103102-001, M10HN102, 6-4-2, TP-490, 12-393
2	105107	Spindle Washer	3-15/16"	2-5/8"	06-202, M-683, 820396, F-942, E-573, 7EQ-1124, L-177, 203-904, 1129-V-1660, A1129-W-2545, M10HN100, TP-473, 12-392, R000573
3	103103-002	Spindle Nut Inner	3-13/16"	2-5/8"	06-203, M-682, 820394, F-1529, F-940, 2408341, L-176, 203-912, 870813R1, R000540, 10406, 12-391 M10HN101, M10HN158, 6-3-7, TP489
	105106	Star Washer (Optional)	See Spindle Nuts in Section 6 for information		
	447-4743	Pro-Torq Nut (optional)	See Spindle Nuts in Section 6 for information		
4	104108	HM212049	Bearing - Outer (CMC, Koyo, General, SKF or Timken available)		
5	104107	663	Bearing - Inner (Koyo only available)		
See Seals & Hubcaps in Section 6 for available options					



# A21 Spindle Options

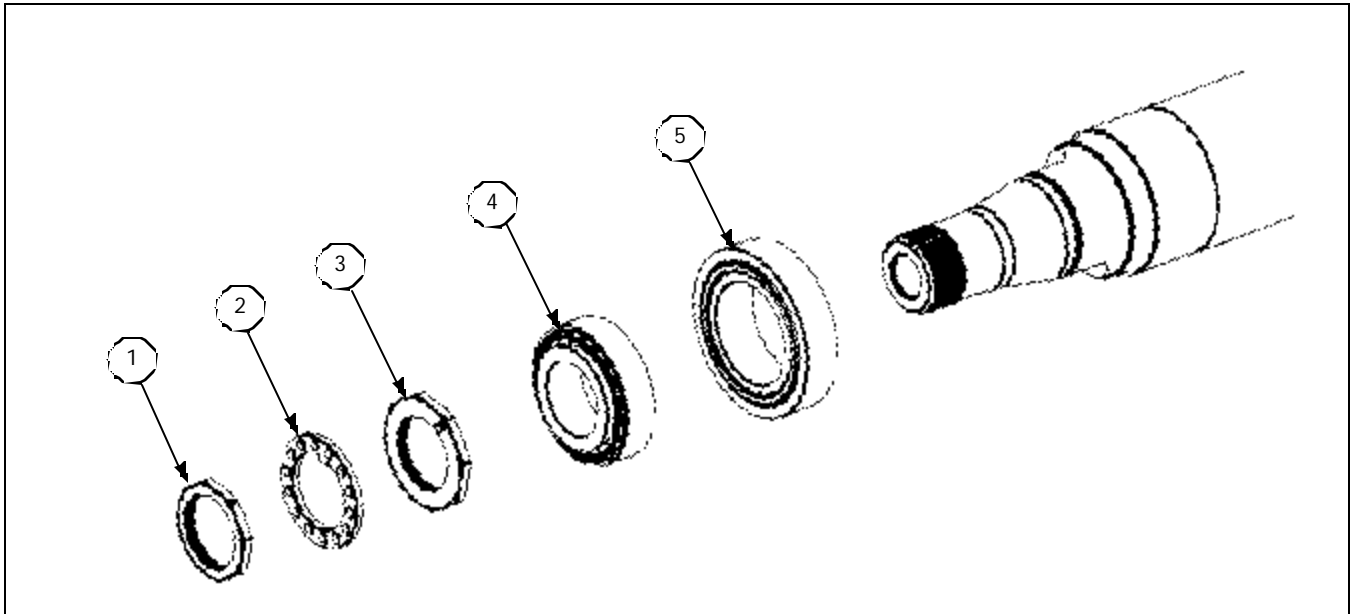
## 749 Inner/643 Outer Bearing



	Part #	Description	O.D.	I.D.	Replaces
1	103102-001	Spindle Nut Outer	3-1/4"	2-5/8"	06-201, M-684, 820395, F-1530, F-941, E-572, L-178, 203-911, 1227-B-756, 1227-B-7596, R000572, 10408, M103102-001, M10HN102, 6-4-2, TP-490, 12-393
2	105107	Spindle Washer	3-15/16"	2-5/8"	06-202, M-683, 820396, F-942, E-573, 7EQ-1124, L-177, 203-904, 1129-V-1660, A1129-W-2545, M10HN100, TP-473, 12-392
3	103103-002	Spindle Nut Inner	3-13/16"	2-5/8"	06-203, M-682, 820394, F-1529, F-940, 2408341, L-176, 203-912, 870813R1, R000540, 10406, 12-391 M10HN101, M10HN158, 6-3-7, TP489
	105106	Star Washer (Optional)	See Spindle Nuts in Section 6 for information		
	447-4743	Pro-Torq Nut (optional)	See Spindle Nuts in Section 6 for information		
4	104111	643	Bearing - Outer (Koyo only available)		
5	104110	749	Bearing - Inner (Koyo only available)		
See Seals & Hubcaps in Section 6 for available options					

# A26 Spindle Options

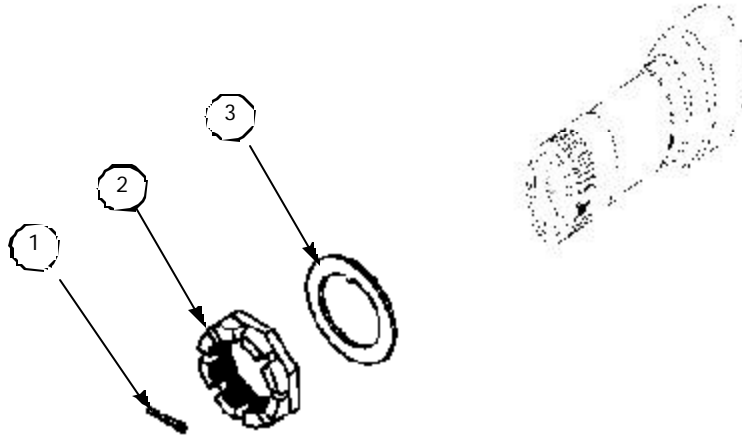
## 659 Inner/740 Outer Bearing



	Part #	Description	O.D.	I.D.	Replaces
1	103102-001	Spindle Nut Outer	3-1/4"	2-5/8"	06-201, M-684, 820395, F-1530, F-941, E-572, L-178, 203-911, 1227-B-756, 1227-B-7596, R000572, 10408, M103102-001, M10HN102, 6-4-2, TP-490, 12-393
2	105107	Spindle Washer	3-15/16"	2-5/8"	06-202, M-683, 820396, F-942, E-573, 7EQ-1124, L-177, 203-904, 1129-V-1660, A1129-W-2545, M10HN100, TP-473, 12-392
3	103103-002	Spindle Nut Inner	3-13/16"	2-5/8"	06-203, M-682, 820394, F-1529, F-940, 2408341, L-176, 203-912, 870813R1, R000540, 10406, 12-391 M10HN101, M10HN158, 6-3-7, TP489
	105106	Star Washer (Optional)	See Spindle Nuts in Section 6 for information		
	447-4743	Pro-Torq Nut (Optional)	See Spindle Nuts in Section 6 for information		
4	104116	740	Bearing - Outer (Koyo only available)		
5	104109	759	Bearing - Inner (Koyo only available)		
See Seals & Hubcaps in Section 6 for available options					

# F30 Spindle Options

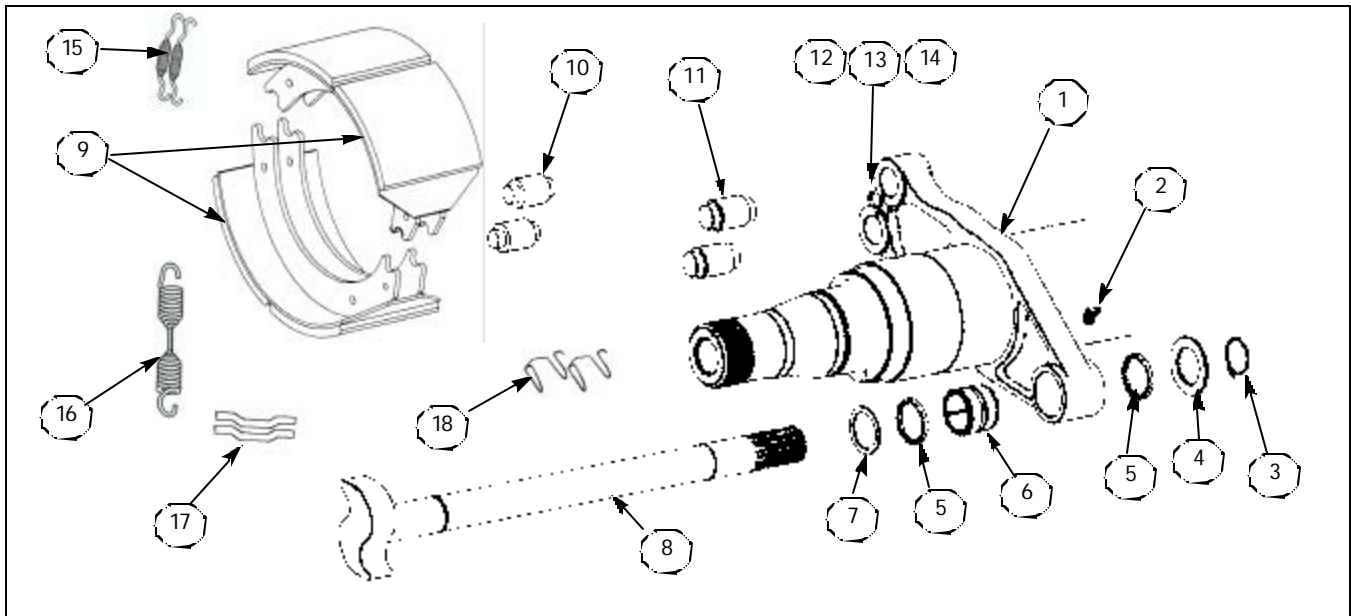
## SKF Lunar Hub



	Part #	Description	O.D.	I.D.	Replaces
1	214702	Cotter Pin			06-229, 06-354, M-1069, M-1956, E-1559, AXA-0409-1, L-1331, L-1762, R001559, TP-1970, 12-403, TP-3077
2	103107-001	Spindle Nut	4-3/4"	3-1/2"	06-226, 0-1996, E-2550, ACE-008510-001, L-1395, R002550, 12-400, M-1996, TP-3076, M-1050, M10HN172, 46-5-045
3	105105-001	Spindle Washer	5-1/16"	3-1/2"	AXA-0408-1, E-1561, R001561, 6-228, L-893, M-1051, P-1193, 12-402, 46-5-044, M10HS121
	447-4723	Pro-Torq Nut (Optional)	See Spindle Nuts in Section 6 for information		

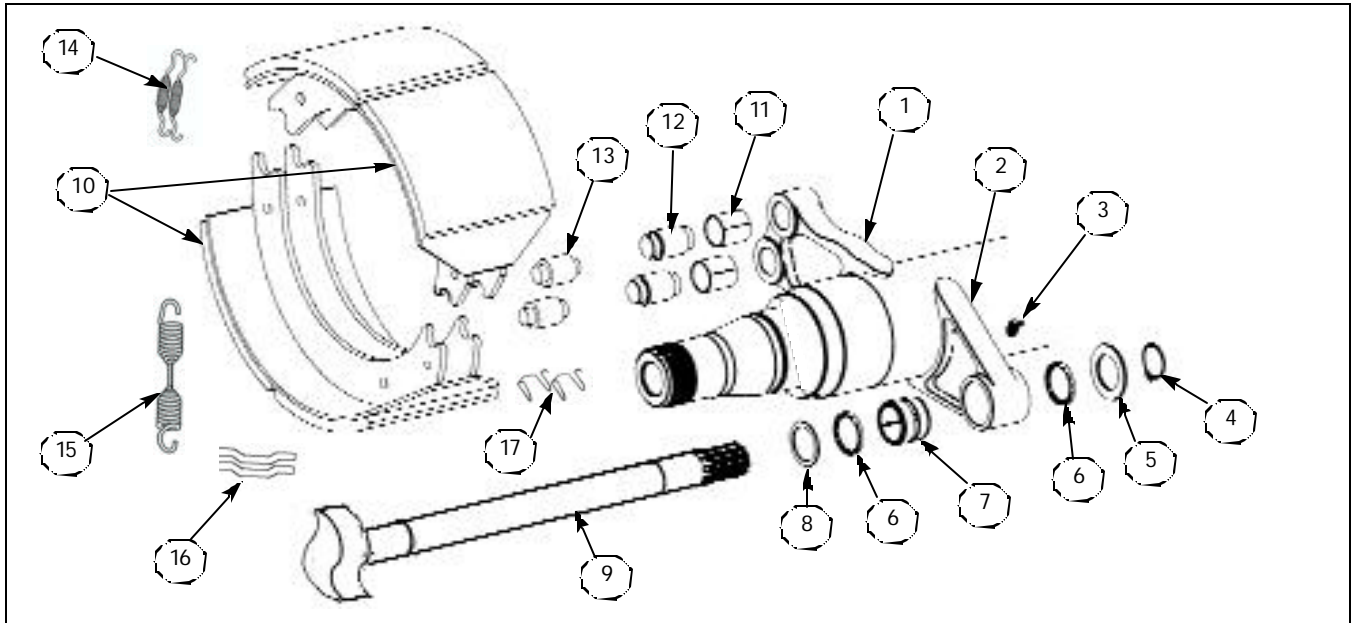
Available with SKF Lunar Hub which includes bearings, seals, and lubricant

# 16-1/2" x 7" TIME (Quick-Change) Weld-on Brake Options



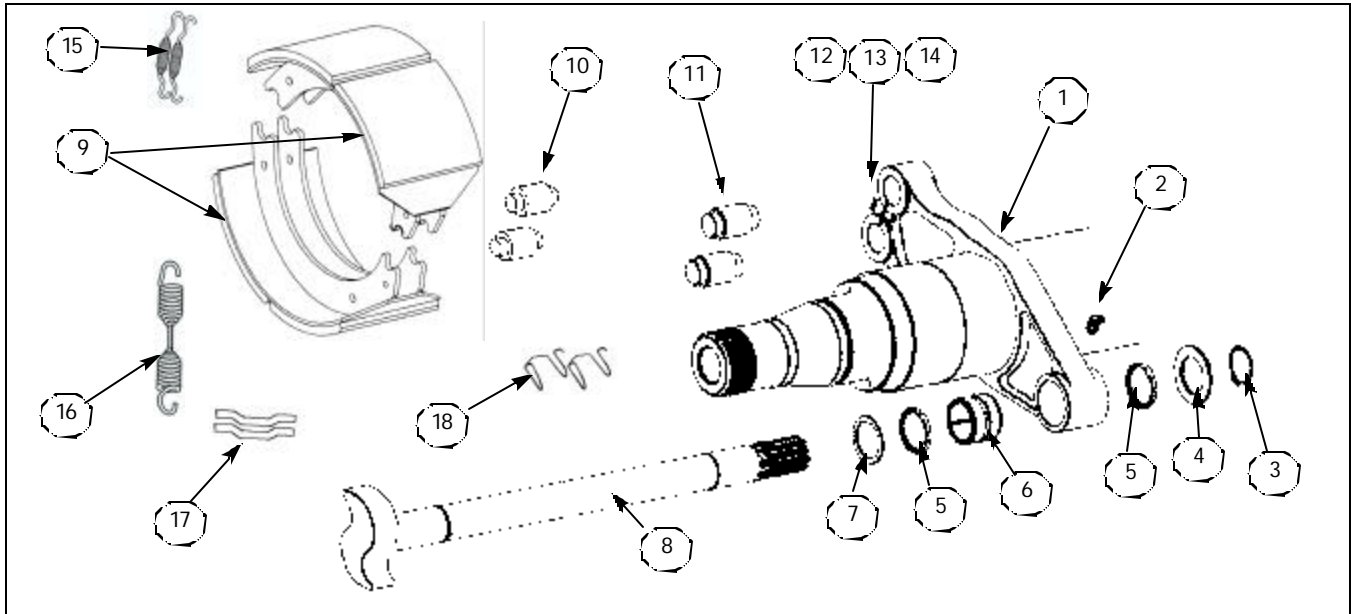
	Part #	Description	
1	200114-001 200999-009	Weld-on spider only Spider Assembly c/w #2, 5, 6, 12, 13 & 14	For all 5" round axles
1	200114-002 200999-021	Weld-on spider only Spider Assembly c/w #2, 5, 6, 12, 13 & 14	For 5-3/4" - A26 axle
2	407102	Grease Nipple - 45 degree	
3	214104	Retainer - Snap Ring - 1-1/2" (for 28-spline, 214108 also required)	
4	403105	Washer - Cam Retainer (for 28-spline, 403121 also required)	
5	408101	Spider Seal	
6	405129 405120	Spider Bushing - Nylon (standard) Spider Bushing - Bronze	
7	403107	Washer - Cam Spacer	
8	202100-xxx 202128-xxx	10-spline Camshaft 28-spline Camshaft	See Camshafts in Section 5 for details
9	601501-xxxxxx	16-1/2" x 7" TIME Shoe & Lining Assembly	See Brake Shoes in Section 5 for details (includes #10 & #18)
10	204101-001	Roller	
11	203501	Anchor Pin	
12	401101	Spider Clamp Bolt	
13	402106	Spider Clamp Nut	
14	403117	Spider Clamp Washer	
15	208502	Retainer Spring	
16	208104	Return Spring	
17	207100	Return Spring Retainer	
18	214103	Roller Retainer	

# 16-1/2" x 7" TIME (Quick-Change) A.T.L.A.S. Brake Options



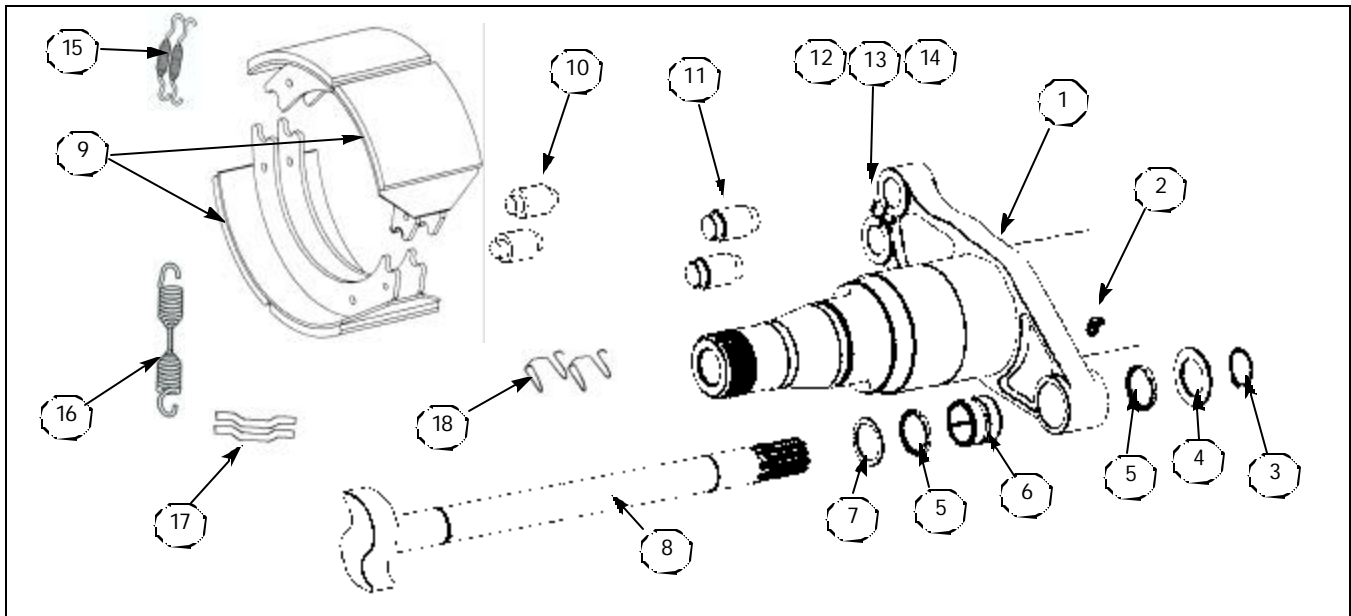
	Part #	Description	
1	200118	A.T.L.A.S. Spider - Anchor End (includes #11)	
2	200117 200999-007	A.T.L.A.S. Spider - Cam End Spider Assembly c/w #3, 6 & 7	
3	407102	Grease Nipple - 45 degree	
4	214104	Retainer - Snap Ring - 1-1/2" (for 28-spline, 214108 also required)	
5	403105	Washer - Cam Retainer (for 28-spline, 403121 also required)	
6	408101	Spider Seal	
7	405129 405120	Spider Bushing - Nylon (Standard) Spider Bushing - Bronze	
8	403107	Washer - Cam Spacer	
9	202100-xxx 202128-xxx	10-spline Camshaft 28-spline Camshaft	See Camshafts in Section 5 for details
10	601501-xxxxxx	16-1/2" x 7" TIME Shoe & Lining Assembly	See Brake Shoes in Section 5 for details (includes #13 & #17)
11	405102	Anchor Pin Bushing, Steel	
12	203501	Anchor Pin	
13	204101-001	Roller	
14	208502	Retainer Spring	
15	208104	Return Spring	
16	207100	Return Spring Retainer	
17	214103	Roller Retainer	

# 16-1/2" x 7" Superlife Weld-on Brake Options



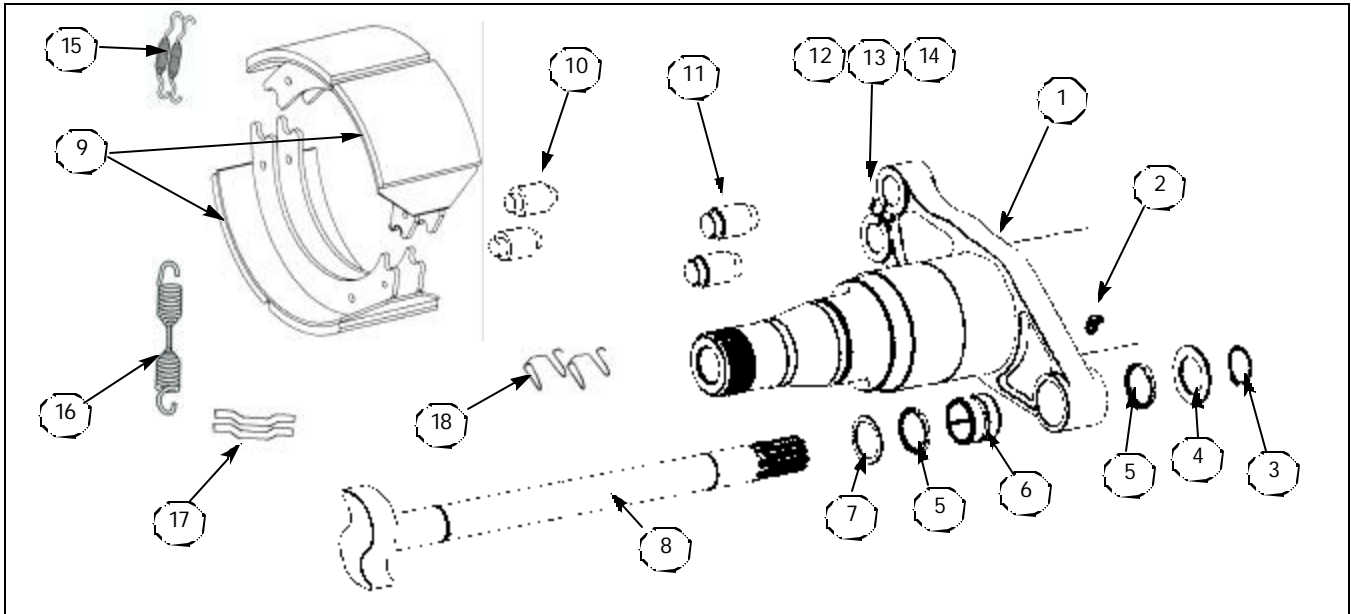
	Part #	Description	
1	200114-001 200999-009	Weld-on spider only Spider Assembly c/w #2, 5, 6, 12, 13 & 14	For all 5" round axles
1	200114-002 200999-021	Weld-on spider only Spider Assembly c/w #2, 5, 6, 12, 13 & 14	For 5-3/4" - A26 axle
2	407102	Grease Nipple - 45 degree	
3	214104	Retainer - Snap Ring - 1-1/2" (for 28-spline, 214108 also required)	
4	403105	Washer - Cam Retainer (for 28-spline, 403121 also required)	
5	408101	Spider Seal	
6	405129 405120	Spider Bushing - Nylon (Standard) Spider Bushing - Bronze	
7	403107	Washer - Cam Spacer	
8	202102-xxx 202127-xxx	10-spline Camshaft 28-spline Camshaft	See Camshafts in Section 5 for details
9	601511-xxxxxx	16-1/2" x 7" Superlife Shoe & Lining Assembly	See Brake Shoes in Section 5 for details (includes #10 & #18)
10	204101-001	Roller	
11	203501	Anchor Pin	
12	401101	Spider Clamp Bolt	
13	402106	Spider Clamp Nut	
14	403117	Spider Clamp Washer	
15	208502	Retainer Spring	
16	208104	Return Spring	
17	207100	Return Spring Retainer	
18	214103	Roller Retainer	

# 16-1/2" x 5" TIME (Quick-Change) Weld-on Brake Options



	Part #	Description	
1	200114-001 200999-009	Weld-on spider only Spider Assembly c/w #2, 5, 6, 12, 13 & 14	For all 5" round axles
1	200114-002 200999-021	Weld-on spider only Spider Assembly c/w #2, 5, 6, 12, 13 & 14	For 5-3/4" - A26 axle
2	407102	Grease Nipple - 45 degree	
3	214104	Retainer - Snap Ring - 1-1/2" (for 28-spline, 214108 also required)	
4	403105	Washer - Cam Retainer (for 28-spline, 403121 also required)	
5	408101	Spider Seal	
6	405129 405120	Spider Bushing - Nylon (Standard) Spider Bushing - Bronze	
7	403107	Washer - Cam Spacer	
8	202100-xxx 202128-xxx	10-spline Camshaft 28-spline Camshaft	See Camshafts in Section 5 for details
9	601505-xxxxxx	16-1/2" x 5" TIME Shoe & Lining Assembly	See Brake Shoes in Section 5 for details (includes #10 & #18)
10	204101-001	Roller	
11	203501	Anchor Pin	
12	401101	Spider Clamp Bolt	
13	402106	Spider Clamp Nut	
14	403117	Spider Clamp Washer	
15	208502	Retainer Spring	
16	208104	Return Spring	
17	207100	Return Spring Retainer	
18	214103	Roller Retainer	

# 16-1/2" x 5" Superlife Weld-on Brake Options

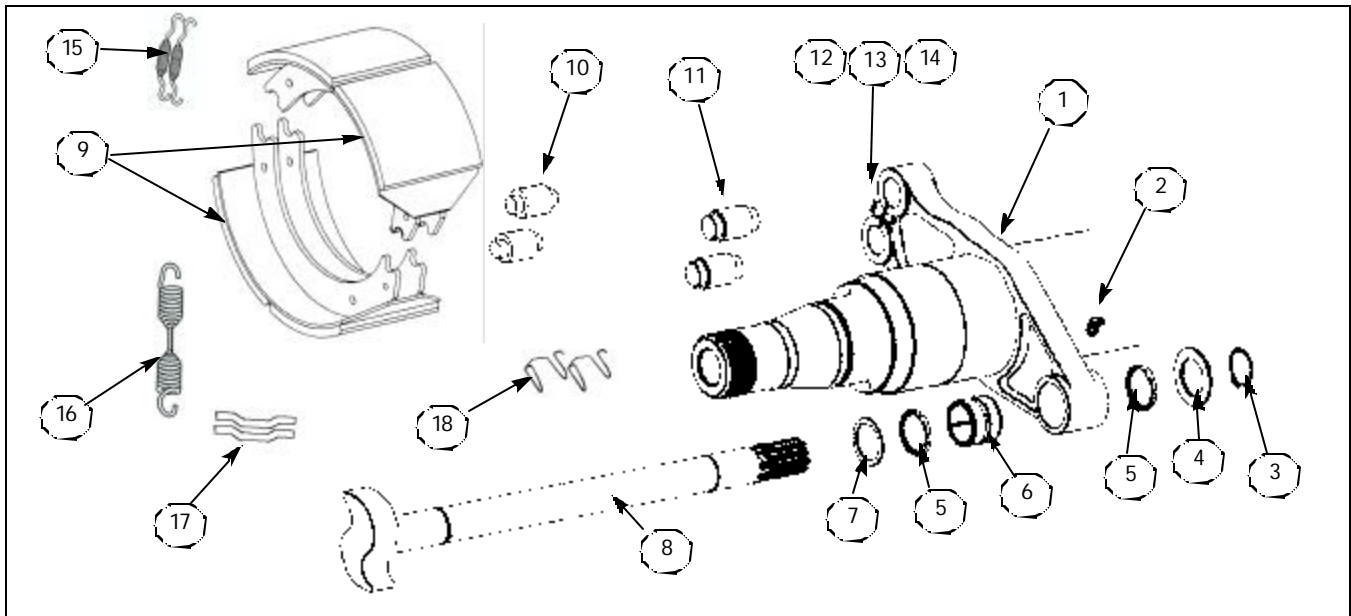


	Part #	Description	
1	200114-001 200999-009	Weld-on spider only Spider Assembly c/w #2, 5, 6, 12, 13 & 14	For all 5" round axles
1	200114-002 200999-021	Weld-on spider only Spider Assembly c/w #2, 5, 6, 12, 13 & 14	For 5-3/4" - A26 axle
2	407102	Grease Nipple - 45 degree	
3	214104	Retainer - Snap Ring - 1-1/2"	(for 28-spline, 214108 also required)
4	403105	Washer - Cam Retainer	(for 28-spline, 403121 also required)
5	408101	Spider Seal	
6	405129 405120	Spider Bushing - Nylon (Standard) Spider Bushing - Bronze	
7	403107	Washer - Cam Spacer	
8	202102-xxx 202127-xxx	10-spline Camshaft 28-spline Camshaft	See Camshafts in Section 5 for details
9	601513-xxxxxx	16-1/2" x 5" Superlife Shoe & Lining Assembly	See Brake Shoes in Section 5 for details (includes #10 & #18)
10	204101-001	Roller	
11	203501	Anchor Pin	
12	401101	Spider Clamp Bolt	
13	402106	Spider Clamp Nut	
14	403117	Spider Clamp Washer	
15	208502	Retainer Spring	
16	208104	Return Spring	
17	207100	Return Spring Retainer	
18	214103	Roller Retainer	



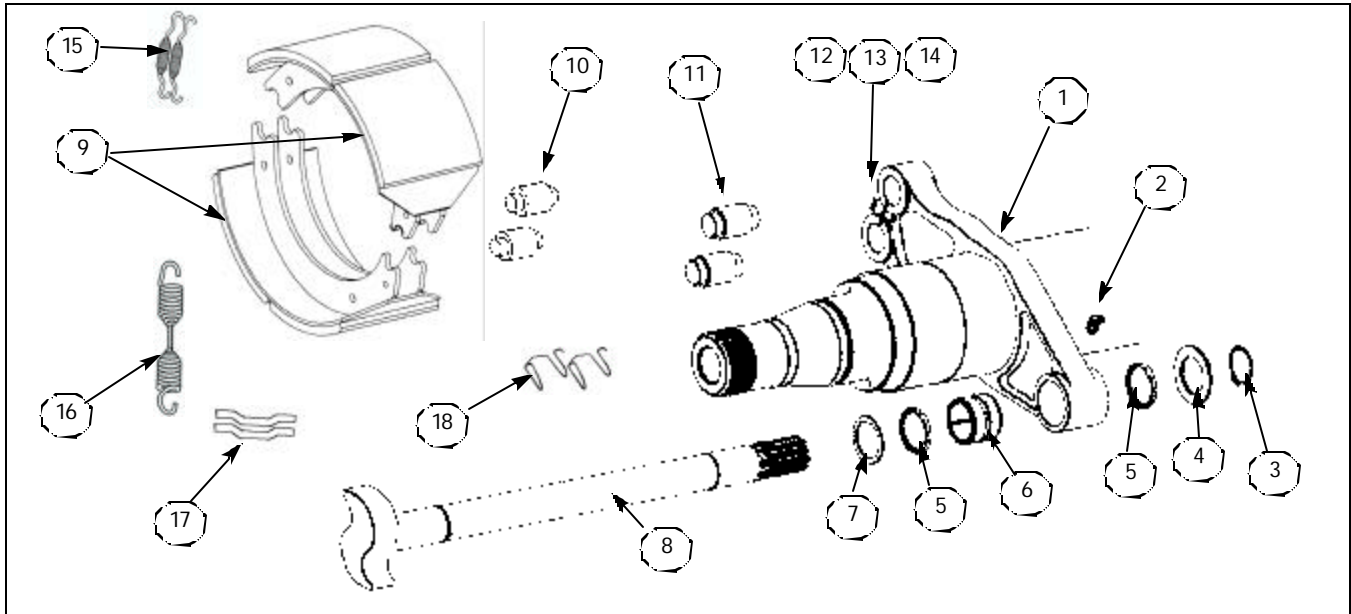


# 16-1/2" x 8-5/8" TIME (Quick-Change) Weld-on Brake Options



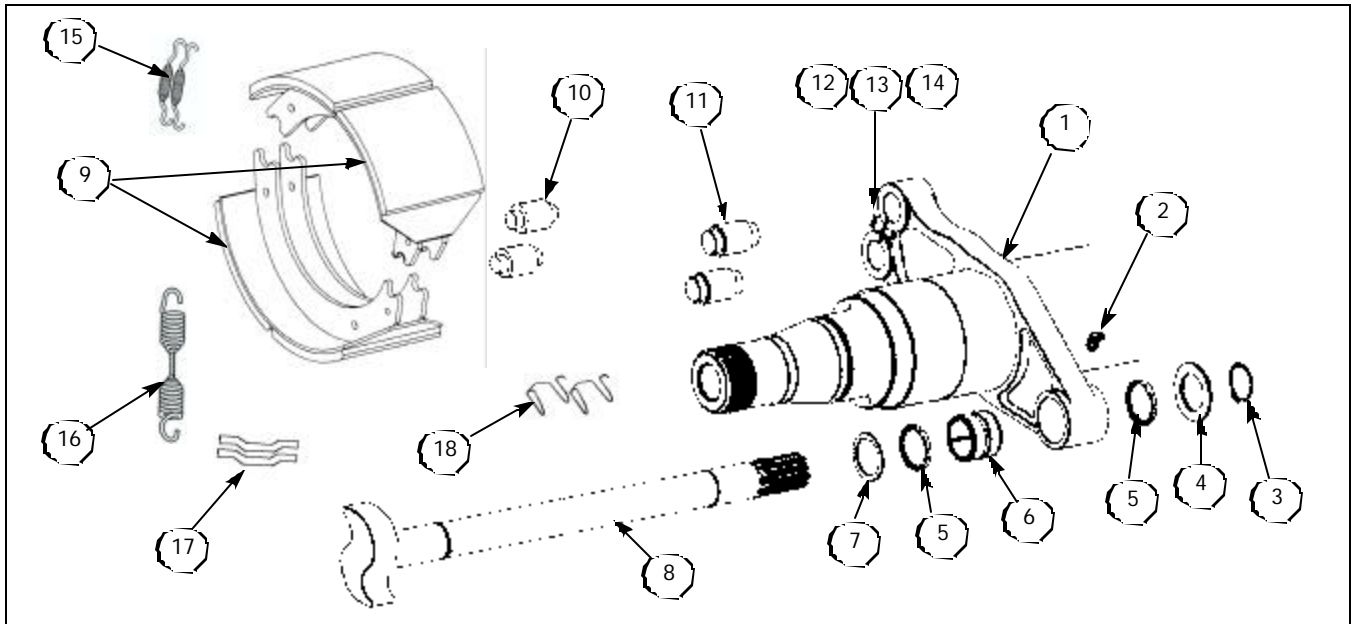
	Part #	Description	
1	200114-001 200999-009	Weld-on spider only Spider Assembly c/w #2, 5, 6, 12, 13 & 14	For all 5" round axles
1	200114-002 200999-021	Weld-on spider only Spider Assembly c/w #2, 5, 6, 12, 13 & 14	For 5-3/4" - A26 axle
2	407102	Grease Nipple - 45 degree	
3	214104	Retainer - Snap Ring - 1-1/2" (for 28-spline, 214108 also required)	
4	403105	Washer - Cam Retainer (for 28-spline, 403121 also required)	
5	408101	Spider Seal	
6	405129 405120	Spider Bushing - Nylon (Standard) Spider Bushing - Bronze	
7	403107	Washer - Cam Spacer	
8	202100-xxx 202128-xxx	10-spline Camshaft 28-spline Camshaft	See Camshafts in Section 5 for details
9	601502-xxxxxx	16-1/2" x 8-5/8" TIME Shoe & Lining Assembly	See Brake Shoes in Section 5 for details (includes #10 & #18)
10	204101-001	Roller	
11	203501	Anchor Pin	
12	401101	Spider Clamp Bolt	
13	402106	Spider Clamp Nut	
14	403117	Spider Clamp Washer	
15	208502	Retainer Spring	
16	208104	Return Spring	
17	207100	Return Spring Retainer	
18	214103	Roller Retainer	

# 16-1/2" x 8-5/8" Superlife Weld-on Brake Options



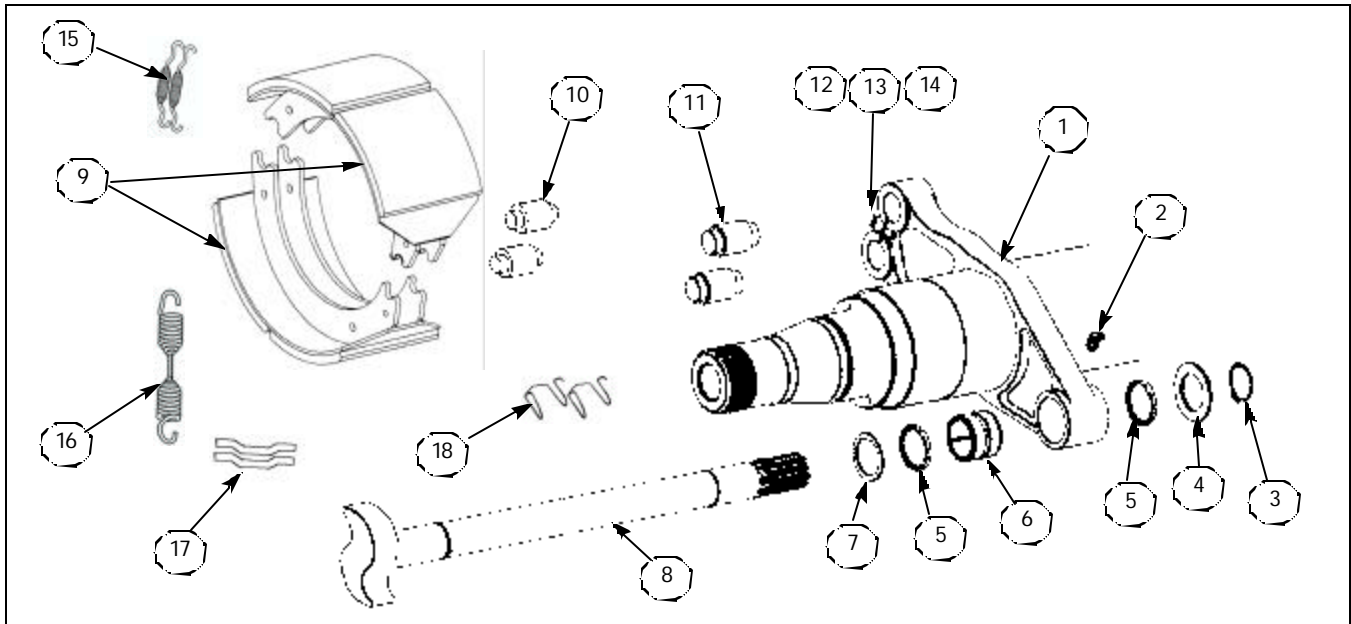
	Part #	Description	
1	200114-001 200999-009	Weld-on spider only Spider Assembly c/w #2, 5, 6, 12, 13 & 14	For all 5" round axles
1	200114-002 200999-021	Weld-on spider only Spider Assembly c/w #2, 5, 6, 12, 13 & 14	For 5-3/4" - A26 axle
2	407102	Grease Nipple - 45 degree	
3	214104	Retainer - Snap Ring - 1-1/2" (for 28-spline, 214108 also required)	
4	403105	Washer - Cam Retainer (for 28-spline, 403121 also required)	
5	408101	Spider Seal	
6	405129 405120	Spider Bushing - Nylon (Standard) Spider Bushing - Bronze	
7	403107	Washer - Cam Spacer	
8	202102-xxx 202127-xxx	10-spline Camshaft 28-spline Camshaft	See Camshafts in Section 5 for details
9	601512-xxxxxx	16-1/2" x 8-5/8" Superlife Shoe & Lining Assembly	See Brake Shoes in Section 5 for details (includes #10 & #18)
10	204101-001	Roller	
11	203501	Anchor Pin	
12	401101	Spider Clamp Bolt	
13	402106	Spider Clamp Nut	
14	403117	Spider Clamp Washer	
15	208502	Retainer Spring	
16	208104	Return Spring	
17	207100	Return Spring Retainer	
18	214103	Roller Retainer	

# 15" x 7" TIME (Quick-Change) Weld-on Brake Options



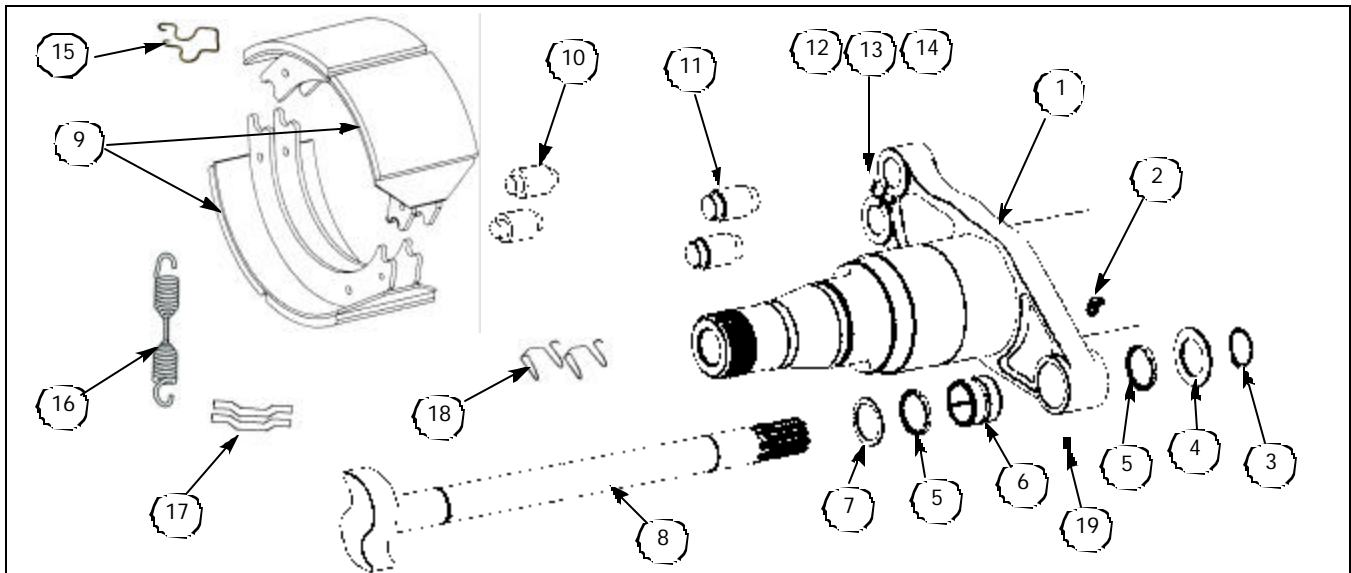
	Part #	Description	
1	200116-001 200999-006	Weld-on spider only Spider Assembly c/w #2, 5, 6, 12, 13 & 14	
2	407102	Grease Nipple - 45 degree	
3	214104	Retainer - Snap Ring - 1-1/2" (for 28-spline, 214108 also required)	
4	403105	Washer - Cam Retainer (for 28-spline, 403121 also required)	
5	408101	Spider Seal	
6	405129	Spider Bushing - Nylon (Standard)	
	405120	Spider Bushing - Bronze	
7	403107	Washer - Cam Spacer	
8	202109-xxx	10-spline Camshaft	See Camshafts in Section 5 for details
	202132-xxx	28-spline Camshaft	
9	601509-xxxxxx	15" x 7" TIME Shoe & Lining Assembly	See Brake Shoes in Section 5 for details (includes #10 & #18)
10	204101-001	Roller	
11	203501	Anchor Pin	
12	401101	Spider Clamp Bolt	
13	402106	Spider Clamp Nut	
14	403117	Spider Clamp Washer	
15	208502	Retainer Spring	
16	208115	Return Spring	
17	207100	Return Spring Retainer	
18	214103	Roller Retainer	

# 15" x 8-5/8" TIME (Quick-Change) Weld-on Brake Options



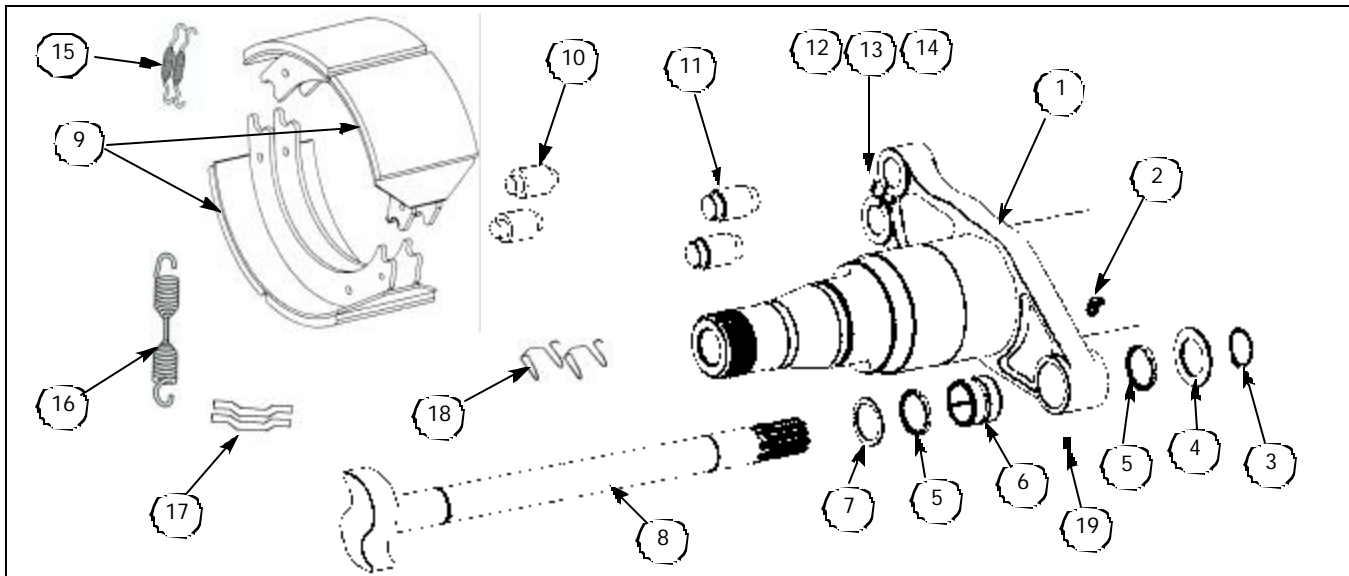
	Part #	Description	
1	200116-001 200999-006	Weld-on spider only Spider Assembly c/w #2, 5, 6, 12, 13 & 14	
2	407102	Grease Nipple - 45 degree	
3	214104	Retainer - Snap Ring - 1-1/2" (for 28-spline, 214108 also required)	
4	403105	Washer - Cam Retainer (for 28-spline, 403121 also required)	
5	408101	Spider Seal	
6	405129	Spider Bushing - Nylon (Standard)	
	405120	Spider Bushing - Bronze	
7	403107	Washer - Cam Spacer	
8	202109-xxx	10-spline Camshaft	See Camshafts in Section 5 for details
	202132-xxx	28-spline Camshaft	
9	601508-xxxxxx	15" x 8-5/8" TIME Shoe & Lining Assembly	See Brake Shoes in Section 5 for details (includes #10 & #18)
10	204101-001	Roller	
11	203501	Anchor Pin	
12	401101	Spider Clamp Bolt	
13	402106	Spider Clamp Nut	
14	403117	Spider Clamp Washer	
15	208502	Retainer Spring	
16	208115	Return Spring	
17	207100	Return Spring Retainer	
18	214103	Roller Retainer	

# 12-1/4" x 7-1/2" TIME (Quick-Change) Weld-on Brake Options (U-Brake)



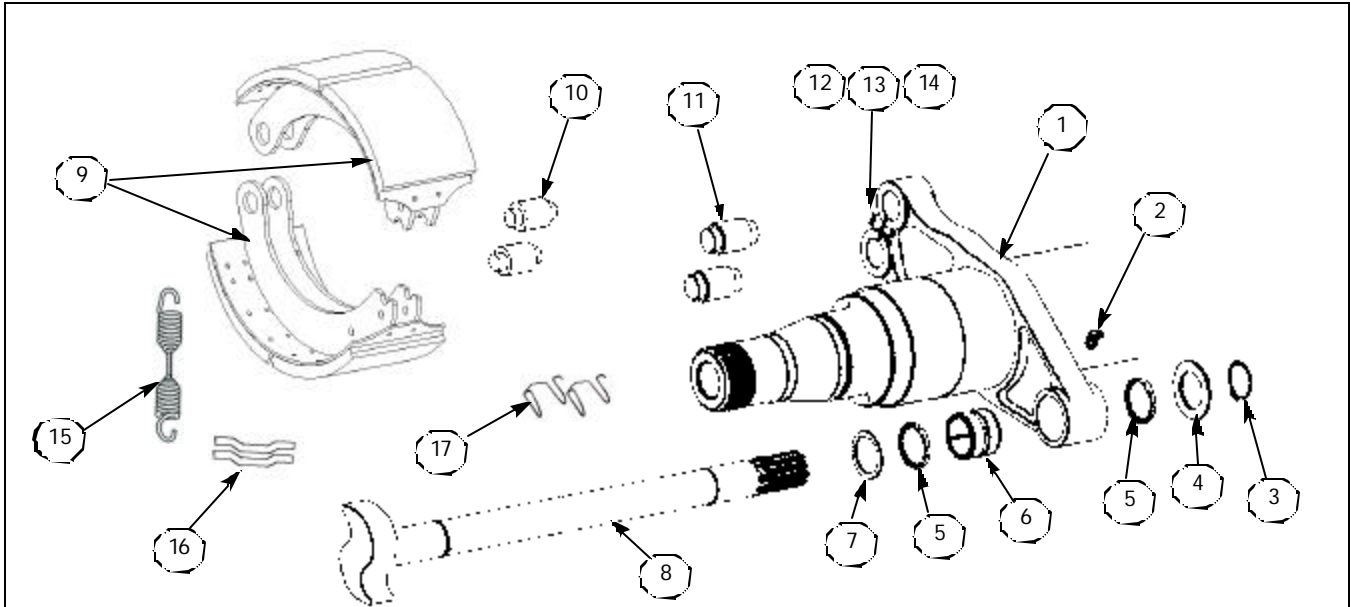
	Part #	Description
1	200115-002 200999-023	Weld-on spider only Spider Assembly c/w #2, 5, 6, 12, 13, 14 & 19
2	407101	Grease Nipple - 90 degree
3	214104	Retainer - Snap Ring - 1-1/2" (for 28-spline, 214108 also required)
4	403105	Washer - Cam Retainer (for 28-spline, 403121 also required)
5	408101	Spider Seal
6	405129 405120	Spider Bushing - Nylon (Standard) Spider Bushing - Bronze
7	403107	Washer - Cam Spacer
8	202103-xxx 202129-xxx	10-spline Camshaft 28-spline Camshaft See Camshafts in Section 5 for details
9	601149-xxxxxx	12-1/4" x 7-1/2" TIME Shoe & Lining Assembly See Brake Shoes in Section 5 for details (includes #10 & #18)
10	204102-001	Roller
11	203113-001	Anchor Pin
12	401160	Spider Clamp Bolt
13	402140	Spider Clamp Nut
14	403113	Spider Clamp Washer
15	208109	Retainer Clip
16	208107	Return Spring
17	207100	Return Spring Retainer
18	214103	Roller Retainer
19	406101	Plug - 1/8" - 27 NPT

# 12-1/4" x 5-1/2" TIME (Quick-Change) Weld-on Brake Options (U-Brake)



	Part #	Description	
1	200115-002 200999-023	Weld-on spider only Spider Assembly c/w #2, 5, 6, 12, 13, 14 & 19	
2	407101	Grease Nipple - 90 degree	
3	214104	Retainer - Snap Ring - 1-1/2" (for 28-spline, 214108 also required)	
4	403105	Washer - Cam Retainer (for 28-spline, 403121 also required)	
5	408101	Spider Seal	
6	405129 405120	Spider Bushing - Nylon (Standard) Spider Bushing - Bronze	
7	403107	Washer - Cam Spacer	
8	202103-xxx 202129-xxx	10-spline Camshaft 28-spline Camshaft	See Camshafts in Section 5 for details
9	601150-xxxxxx	12-1/4" x 5-1/2" TIME Shoe & Lining Assembly	See Brake Shoes in Section 5 for details (includes #10 & #18)
10	204102-001	Roller	
11	203113-001	Anchor Pin	
12	401160	Spider Clamp Bolt	
13	402140	Spider Clamp Nut	
14	403113	Spider Clamp Washer	
15	208502	Retainer Spring	
16	208107	Return Spring	
17	207100	Return Spring Retainer	
18	214103	Roller Retainer	
19	406101	Plug - 1/8" - 27 NPT	

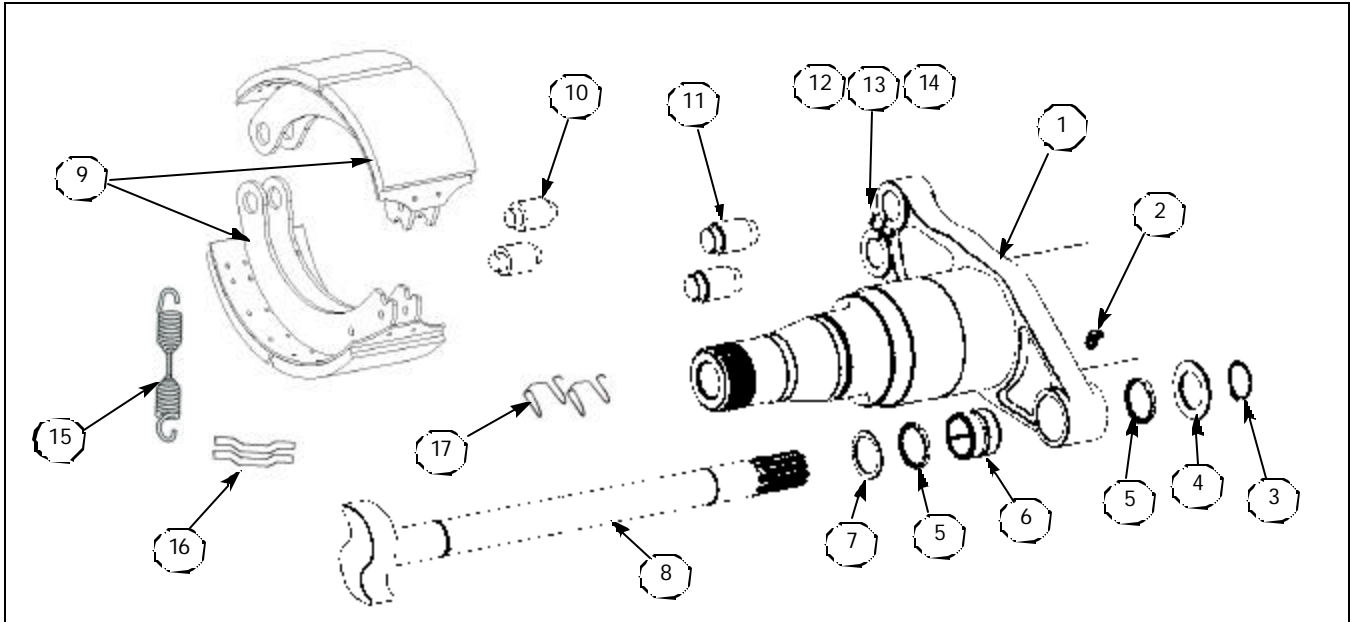
# 16-1/2" x 7" "P" Weld-on Brake Options



	Part #	Description	
1	200114-001 200999-009	Weld-on spider only Spider Assembly c/w #2, 5, 6, 12, 13 & 14	For all 5" round axles
1	200114-002 200999-021	Weld-on spider only Spider Assembly c/w #2, 5, 6, 12, 13 & 14	For 5-3/4" - A26 axle
2	407102	Grease Nipple - 45 degree	
3	214104	Retainer - Snap Ring - 1-1/2" (for 28-spline, 214108 also required)	
4	403105	Washer - Cam Retainer (for 28-spline, 403121 also required)	
5	408101	Spider Seal	
6	405129 405120	Spider Bushing - Nylon (Standard) Spider Bushing - Bronze	
7	403107	Washer - Cam Spacer	
8	202100-xxx 202128-xxx	10-spline Camshaft 28-spline Camshaft	See Camshafts in Section 5 for details
9	601146-xxxxxx	16-1/2" x 7" "P" Shoe & Lining Assembly	See Brake Shoes in Section 5 for details (includes #10 & #17)
10	204101-001	Roller	
11	203109-011	Anchor Pin	
12	401101	Spider Clamp Bolt	
13	402106	Spider Clamp Nut	
14	403117	Spider Clamp Washer	
15	208104	Return Spring	
16	207100	Return Spring Retainer	
17	214103	Roller Retainer	



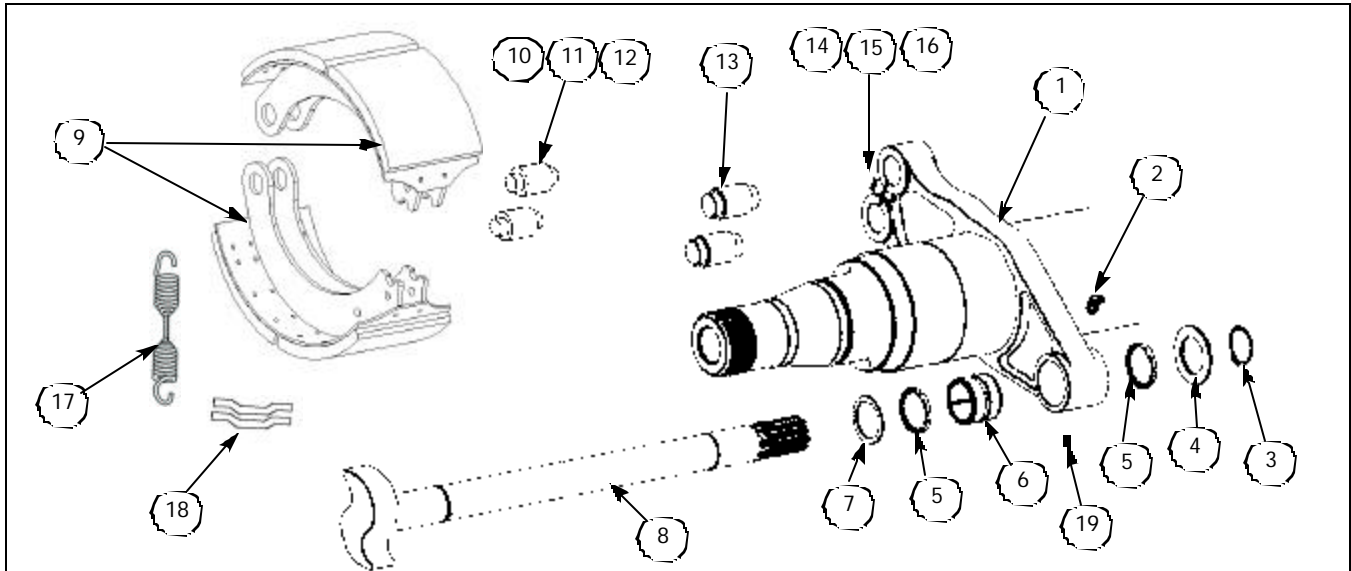
# 16-1/2" x 5" "P" Weld-on Brake Options



	Part #	Description	
1	200114-001 200999-009	Weld-on spider only Spider Assembly c/w #2, 5, 6, 12, 13 & 14	For all 5" round axles
1	200114-002 200999-021	Weld-on spider only Spider Assembly c/w #2, 5, 6, 12, 13 & 14	For 5-3/4" - A26 axle
2	407102	Grease Nipple - 45 degree	
3	214104	Retainer - Snap Ring - 1-1/2" (for 28-spline, 214108 also required)	
4	403105	Washer - Cam Retainer (for 28-spline, 403121 also required)	
5	408101	Spider Seal	
6	405129 405120	Spider Bushing - Nylon (Standard) Spider Bushing - Bronze	
7	403107	Washer - Cam Spacer	
8	202100-xxx 202128-xxx	10-spline Camshaft 28-spline Camshaft	See Camshafts in Section 5 for details
9	601105-xxxxxx	16-1/2" x 5" "P" Shoe & Lining Assembly	See Brake Shoes in Section 5 for details (includes #10 & #17)
10	204101-001	Roller	
11	203109-011	Anchor Pin	
12	401101	Spider Clamp Bolt	
13	402106	Spider Clamp Nut	
14	403117	Spider Clamp Washer	
15	208104	Return Spring	
16	207100	Return Spring Retainer	
17	214103	Roller Retainer	

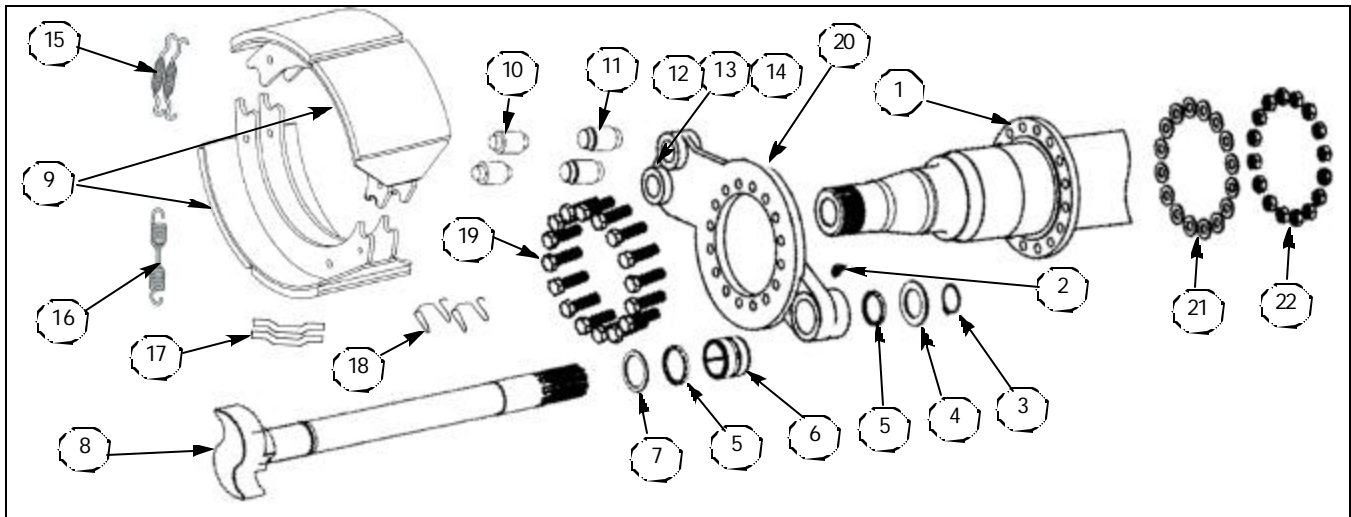


# 12-1/4" x 7-1/2" "P" Weld-on Brake Options



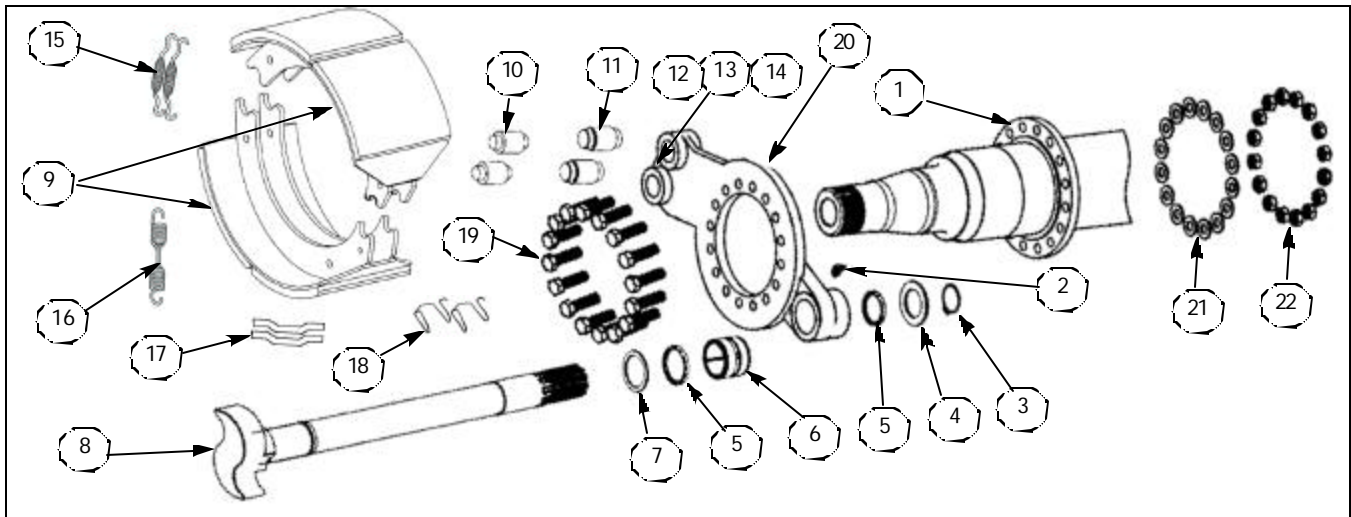
	Part #	Description	
1	200115-002 200999-023	Weld-on spider only Spider Assembly c/w #2, 5, 6, 14, 15, 16 & 19	
2	407101	Grease Nipple - 45 degree	
3	214104	Retainer - Snap Ring - 1-1/2" (for 28-spline, 214108 also required)	
4	403105	Washer - Cam Retainer (for 28-spline, 403121 also required)	
5	408101	Spider Seal	
6	405129 405120	Spider Bushing - Nylon (Standard) Spider Bushing - Bronze	
7	403107	Washer - Cam Spacer	
8	202103-xxx 202129-xxx	10-spline Camshaft 28-spline Camshaft	See Camshafts in Section 5 for details
9	601140-xxxxxx	12-1/4" x 7-1/2" "P" Shoe & Lining Assembly	See Brake Shoes in Section 5 for details (includes #10, 11 & #12)
10	204108-001	Roller	
11	205107-001	Roller Shaft	
12	214102	Roller Retainer	
13	203108-001	Anchor Pin Assembly	
14	401160	Spider Clamp Bolt	
15	402140	Spider Clamp Nut	
16	403113	Spider Clamp Washer	
17	208106	Return Spring	
18	207100	Return Spring Retainer	
19	406101	Plug - 1/8" - 27 NPT	

# 16-1/2" x 7" TIME (Quick-Change) Bolt-on Brake Options



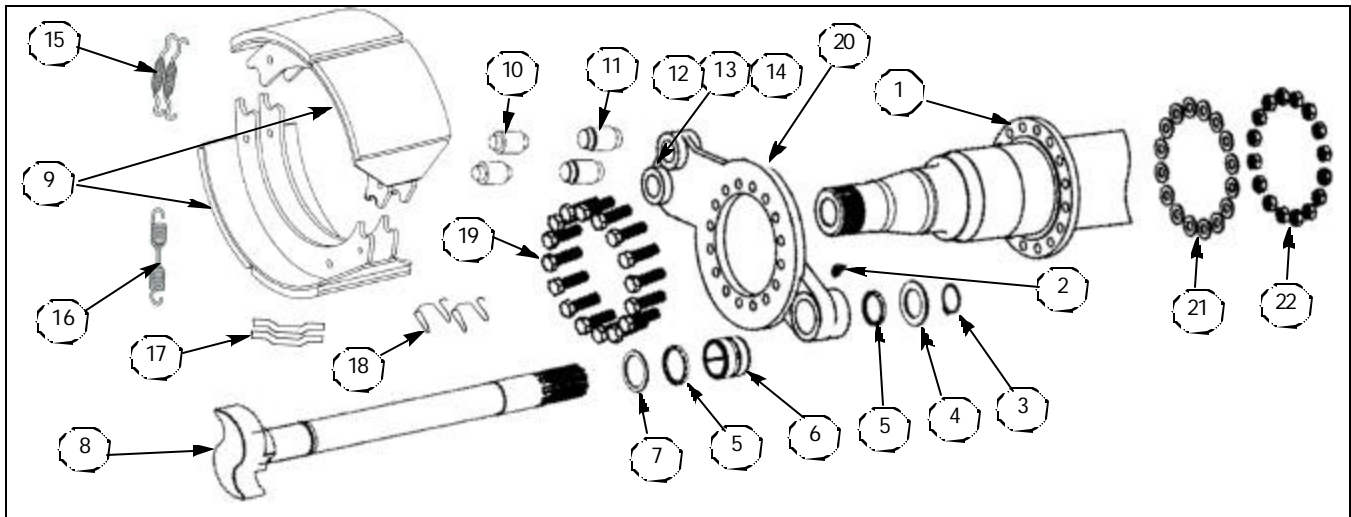
	Part #	Description	
1	102102-002 102102-003	Flange - 6-5/8" B.C. Flange - 6-5/8" B.C.	For all 5" round axles For all 5-3/4" round axles
2	407102	Grease Nipple - 45 degree	
3	214104	Retainer - Snap Ring - 1-1/2"	(for 28-spline, 214108 also required)
4	403105	Washer - Cam Retainer	(for 28-spline, 403121 also required)
5	408101	Spider Seal	
6	405129	Spider Bushing - Nylon (Standard)	
	405120	Spider Bushing - Bronze	
7	403107	Washer - Cam Spacer	
8	202100-xxx	10-spline Camshaft	See Camshafts in Section 5 for details
	202128-xxx	28-spline Camshaft	
9	601501-xxxxxx	16-1/2" x 7" TIME Shoe & Lining Assembly	See Brake Shoes in Section 5 for details (includes #10 & #18)
10	204101-001	Roller	
11	203501	Anchor Pin	
12	401101	Spider Clamp Bolt	
13	402106	Spider Clamp Nut	
14	403117	Spider Clamp Washer	
15	208502	Retainer Spring	
16	208104	Return Spring	
17	207100	Return Spring Retainer	
18	214103	Roller Retainer	
19	401113	Brake Assembly Bolt	
20	200100-001	Bolt-on Spider only	
	200999-010	Bolt-on Spider Assembly c/w #2, 5, 6, 12, 13 & 14	
21	403117	Brake Assembly Washer	
22	402106	Brake Assembly Nut	

# 16-1/2" x 7" Superlife Bolt-on Brake Options



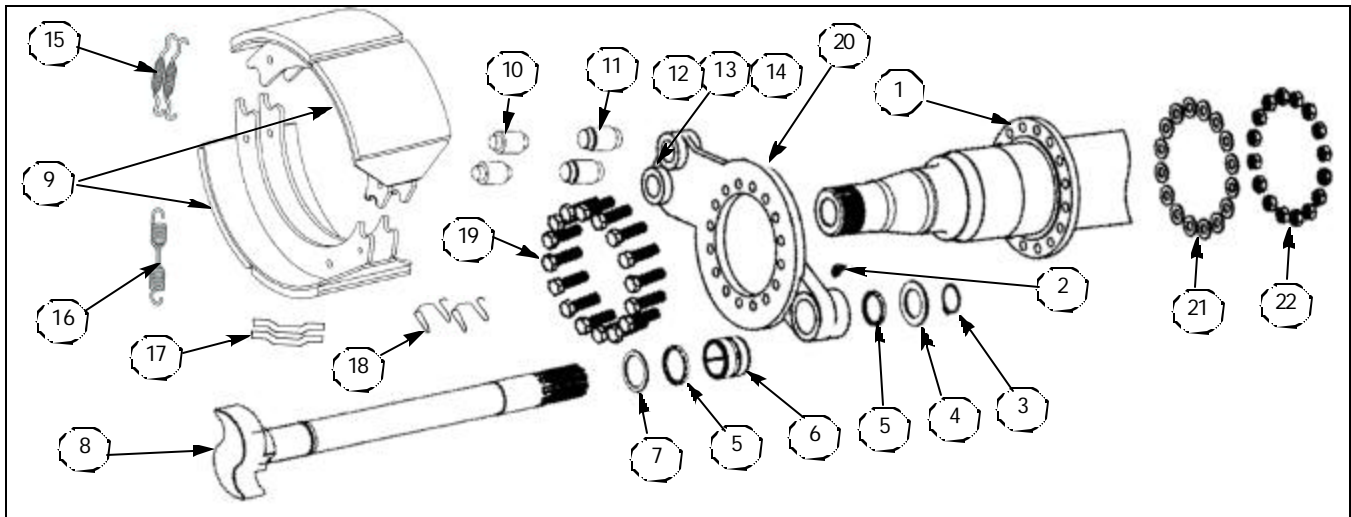
	Part #	Description	
1	102102-002 102102-003	Flange - 6-5/8" B.C. Flange - 6-5/8" B.C.	For all 5" round axles For all 5-3/4" round axles
2	407102	Grease Nipple - 45 degree	
3	214104	Retainer - Snap Ring - 1-1/2"	(for 28-spline, 214108 also required)
4	403105	Washer - Cam Retainer	(for 28-spline, 403121 also required)
5	408101	Spider Seal	
6	405129	Spider Bushing - Nylon (Standard)	
	405120	Spider Bushing - Bronze	
7	403107	Washer - Cam Spacer	
8	202102-xxx	10-spline Camshaft	See Camshafts in Section 5 for details
	202127-xxx	28-spline Camshaft	
9	601511-xxxxxx	16-1/2" x 7" Superlife Shoe & Lining Assembly	See Brake Shoes in Section 5 for details (includes #10 & #18)
10	204101-001	Roller	
11	203501	Anchor Pin	
12	401101	Spider Clamp Bolt	
13	402106	Spider Clamp Nut	
14	403117	Spider Clamp Washer	
15	208502	Retainer Spring	
16	208104	Return Spring	
17	207100	Return Spring Retainer	
18	214103	Roller Retainer	
19	401113	Brake Assembly Bolt	
20	200100-001	Bolt-on Spider only	
	200999-010	Bolt-on Spider Assembly c/w #2, 5, 6, 12, 13 & 14	
21	403117	Brake Assembly Washer	
22	402106	Brake Assembly Nut	

# 16-1/2" x 5" TIME (Quick-Change) Bolt-on Brake Options



	Part #	Description	
1	102102-002 102102-003	Flange - 6-5/8" B.C. Flange - 6-5/8" B.C.	For all 5" round axles For all 5-3/4" round axles
2	407102	Grease Nipple - 45 degree	
3	214104	Retainer - Snap Ring - 1-1/2"	(for 28-spline, 214108 also required)
4	403105	Washer - Cam Retainer	(for 28-spline, 403121 also required)
5	408101	Spider Seal	
6	405129	Spider Bushing - Nylon (Standard)	
	405120	Spider Bushing - Bronze	
7	403107	Washer - Cam Spacer	
8	202100-xxx	10-spline Camshaft	See Camshafts in Section 5 for details
	202128-xxx	28-spline Camshaft	
9	601505-xxxxxx	16-1/2" x 5" TIME Shoe & Lining Assembly	See Brake Shoes in Section 5 for details (includes #10 & #18)
10	204101-001	Roller	
11	203501	Anchor Pin	
12	401101	Spider Clamp Bolt	
13	402106	Spider Clamp Nut	
14	403117	Spider Clamp Washer	
15	208502	Retainer Spring	
16	208104	Return Spring	
17	207100	Return Spring Retainer	
18	214103	Roller Retainer	
19	401113	Brake Assembly Bolt	
20	200100-001	Bolt-on Spider only	
	200999-010	Bolt-on Spider Assembly c/w #2, 5, 6, 12, 13 & 14	
21	403117	Brake Assembly Washer	
22	402106	Brake Assembly Nut	

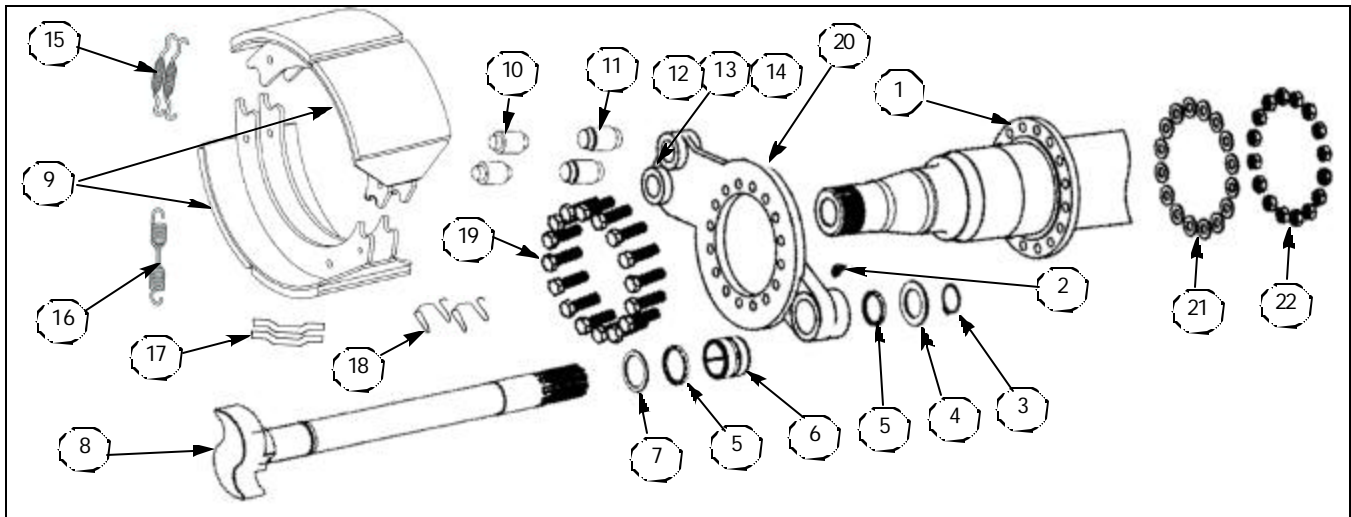
# 16-1/2" x 5" Superlife Bolt-on Brake Options



	Part #	Description	
1	102102-002 102102-003	Flange - 6-5/8" B.C. Flange - 6-5/8" B.C.	For all 5" round axles For all 5-3/4" round axles
2	407102	Grease Nipple - 45 degree	
3	214104	Retainer - Snap Ring - 1-1/2"	(for 28-spline, 214108 also required)
4	403105	Washer - Cam Retainer	(for 28-spline, 403121 also required)
5	408101	Spider Seal	
6	405129 405120	Spider Bushing - Nylon (Standard) Spider Bushing - Bronze	
7	403107	Washer - Cam Spacer	
8	202102-xxx 202127-xxx	10-spline Camshaft 28-spline Camshaft	See Camshafts in Section 5 for details
9	601513-xxxxxx	16-1/2" x 5" Superlife Shoe & Lining Assembly	See Brake Shoes in Section 5 for details (includes #10 & #18)
10	204101-001	Roller	
11	203501	Anchor Pin	
12	401101	Spider Clamp Bolt	
13	402106	Spider Clamp Nut	
14	403117	Spider Clamp Washer	
15	208502	Retainer Spring	
16	208104	Return Spring	
17	207100	Return Spring Retainer	
18	214103	Roller Retainer	
19	401113	Brake Assembly Bolt	
20	200100-001 200999-010	Bolt-on Spider only Bolt-on Spider Assembly c/w #2, 5, 6, 12, 13 & 14	
21	403117	Brake Assembly Washer	
22	402106	Brake Assembly Nut	

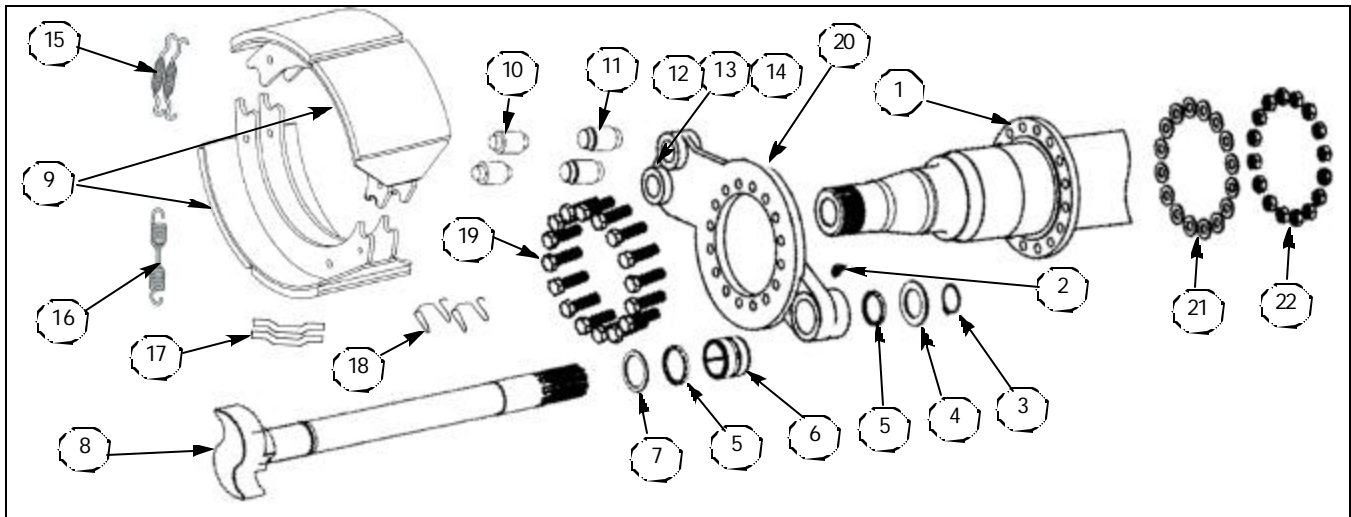


# 16-1/2" x 8-5/8" TIME (Quick-Change) Bolt-on Brake Options



	Part #	Description	
1	102102-002 102102-003	Flange - 6-5/8" B.C. Flange - 6-5/8" B.C.	For all 5" round axles For all 5-3/4" round axles
2	407102	Grease Nipple - 45 degree	
3	214104	Retainer - Snap Ring - 1-1/2"	(for 28-spline, 214108 also required)
4	403105	Washer - Cam Retainer	(for 28-spline, 403121 also required)
5	408101	Spider Seal	
6	405129	Spider Bushing - Nylon (Standard)	
	405120	Spider Bushing - Bronze	
7	403107	Washer - Cam Spacer	
8	202100-xxx	10-spline Camshaft	See Camshafts in Section 5 for details
	202128-xxx	28-spline Camshaft	
9	601502-xxxxxx	16-1/2" x 8-5/8" TIME Shoe & Lining Assembly	See Brake Shoes in Section 5 for details (includes #10 & #18)
10	204101-001	Roller	
11	203501	Anchor Pin	
12	401101	Spider Clamp Bolt	
13	402106	Spider Clamp Nut	
14	403117	Spider Clamp Washer	
15	208502	Retainer Spring	
16	208104	Return Spring	
17	207100	Return Spring Retainer	
18	214103	Roller Retainer	
19	401113	Brake Assembly Bolt	
20	200100-001	Bolt-on Spider only	
	200999-010	Bolt-on Spider Assembly c/w #2, 5, 6, 12, 13 & 14	
21	403117	Brake Assembly Washer	
22	402106	Brake Assembly Nut	

# 16-1/2" x 8-5/8" Superlife Bolt-on Brake Options



	Part #	Description	
1	102102-002 102102-003	Flange - 6-5/8" B.C. Flange - 6-5/8" B.C.	For all 5" round axles For all 5-3/4" round axles
2	407102	Grease Nipple - 45 degree	
3	214104	Retainer - Snap Ring - 1-1/2"	(for 28-spline, 214108 also required)
4	403105	Washer - Cam Retainer	(for 28-spline, 403121 also required)
5	408101	Spider Seal	
6	405129	Spider Bushing - Nylon (Standard)	
	405120	Spider Bushing - Bronze	
7	403107	Washer - Cam Spacer	
8	202102-xxx	10-spline Camshaft	See Camshafts in Section 5 for details
	202127-xxx	28-spline Camshaft	
9	601512-xxxxxx	16-1/2" x 8-5/8" Superlife Shoe & Lining Assembly	See Brake Shoes in Section 5 for details (includes #10 & #18)
10	204101-001	Roller	
11	203501	Anchor Pin	
12	401101	Spider Clamp Bolt	
13	402106	Spider Clamp Nut	
14	403117	Spider Clamp Washer	
15	208502	Retainer Spring	
16	208104	Return Spring	
17	207100	Return Spring Retainer	
18	214103	Roller Retainer	
19	401113	Brake Assembly Bolt	
20	200100-001	Bolt-on Spider only	
	200999-010	Bolt-on Spider Assembly c/w #2, 5, 6, 12, 13 & 14	
21	403117	Brake Assembly Washer	
22	402106	Brake Assembly Nut	



# TIME Shoe & Lining



**NOTE:** All shoe & lining assemblies are complete with rollers & roller retainers (not shown)

Part #	Brake Size & Common Name	Replaces
601501-CM18	16-1/2" x 7" - Brake Pro	202-600
601501-CM20	16-1/2" x 7" - Brake Pro	
601501-CM29	16-1/2" x 7" - Brake Pro	
601501-2015	16-1/2" x 7" - Haldex Greyrock	
601501-2020	16-1/2" x 7" - Haldex Greyrock	
601501-2030	16-1/2" x 7" - Haldex Greyrock	
601501-3658F	16-1/2" x 7" - European Certified	
601501-MB21	16-1/2" x 7" - Carlisle	
601501-MB23	16-1/2" x 7" - Carlisle	
601501-NA100	16-1/2" x 7" - Carlisle	
601505-CM18	16-1/2" x 5" - Brake Pro	
601505-2020	16-1/2" x 5" - Haldex Greyrock	
601502-CM18	16-1/2" x 8-5/8" - Brake Pro	
601502-CM20	16-1/2" x 8-5/8" - Brake Pro	
601502-2020	16-1/2" x 8-5/8" - Haldex Greyrock	
601509-2015	15" x 7" - Haldex Greyrock	
601508-CM18	15" x 8-5/8" - Brake Pro	
601508-MB21	15" x 8-5/8" - Carlisle	
601143-2015	12-1/4" x 7-1/2" Hybrid - Haldex Greyrock	
601149-CM18	12-1/4" x 7-1/2" - Brake Pro	
601149-2015	12-1/4" x 7-1/2" - Haldex Greyrock	
601149-MB21	12-1/4" x 7-1/2" - Carlisle	
601150-CM18	12-1/4" x 5-1/2" - Brake Pro	
601150-MB23	12-1/4" x 5-1/2" - Carlisle	

# Superlife Shoe & Lining



**NOTE:** All shoe & lining assemblies are complete with rollers & roller retainers (not shown)

Part #	Brake Size & Common Name	Replaces
601511-CM18	16-1/2" x 7" - Brake Pro Superlife	
601511-CM20	16-1/2" x 7" - Brake Pro Superlife	
601513-CM18	16-1/2" x 5" - Brake Pro Superlife	
601513-2020	16-1/2" x 5" - Haldex Greyrock Superlife	
601512-CM18	16-1/2" x 8-5/8" - Brake Pro Superlife	

# "P" Shoe & Lining



**NOTE:** All shoe & lining assemblies are complete with rollers & roller retainers (as shown)

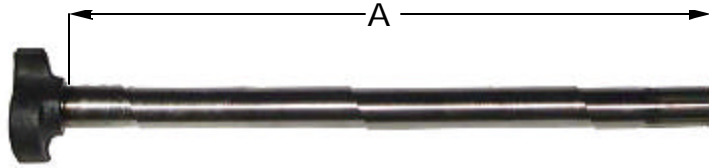
Part #	Brake Size & Common Name	Replaces
601146-CM18	16-1/2" x 7" - Brake Pro	
601146-CM20	16-1/2" x 7" - Brake Pro	
601146-2020	16-1/2" x 7" - Haldex Greyrock	
601105-CM18	16-1/2" x 5" - Brake Pro	
601140-CM18	12-1/4" x 7-1/2" - Brake Pro	
601140-2015	12-1/4" x 7-1/2" - Haldex Greyrock	

# Camshafts

## 10-Spline Camshafts - 16-1/2" Brakes



Left-hand  
Cam



Right-hand  
Cam

Use Camshaft Repair Kit #2001 (Nylon Bushings) or #2001-BZ (Bronze Bushings)

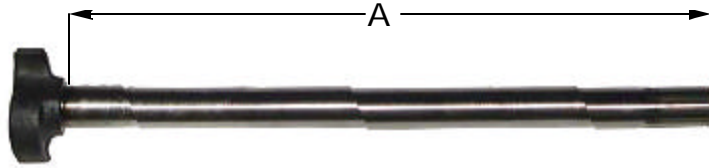
Part #	A	O.D.	Replaces
202100-066-LH	6-3/4"	1-1/2"	
202100-066-RH			
202100-075-LH	7-5/8"	1-1/2"	
202100-075-RH			
202100-084-LH	8-1/2"	1-1/2"	
202100-084-RH			
202100-087-LH	8-7/8"	1-1/2"	
202100-087-RH			
202100-097-LH	9-7/8"	1-1/2"	
202100-097-RH			
202100-115-LH	11-5/8"	1-1/2"	
202100-115-RH			
202100-165-LH	16-5/8"	1-1/2"	B-1691-47, E-687, CS41264, 2210-S-2489, M16WK103-9, 17-577
202100-165-RH			B-1691-48, E-686, CS41265, 2210-R-2488, M16WK102-9, 17-576
202100-185-LH	18-5/8"	1-1/2"	
202100-185-RH			
202100-187-LH	18-7/8"	1-1/2"	E-2413, CS41162, 2210-V-5534, M16WK111-4, 17-579
202100-187-RH			E-2412, CS41163, 2210-U-5533, M16WK110-4, 17-578
202100-205-LH	20-5/8"	1-1/2"	04-572042, M-562L, 17-581, 7-2412, E-1425, E-557, 219316, 580443, L-174, CS41506, 2210-F-5414, 2210-G-3595, 17-597, 2210-N-2484, R607082, M16WK103-17, 7-5-64L, TP-508
202100-205-RH			04-572041, M-562R, 17-580, 7-2411, E-1424, E-556, 219317, 580444, L-173, CS41507, 2210-E-5413, 2210-F-3594, 17-596, 2210-M-2483, R607081, M16WK102-17, 7-5-64R, TP-507
202100-215-LH	21-5/8"	1-1/2"	04-572112, M-567L, 17-583, 7-2418, B-1691-17, E-685, L-225, CS41514, 2210-A-6319, 2210-U-2491, M16WK102-19, TP-549
202100-215-RH			04-572111, M-567R, 17-582, 7-2417, B-1691-18, E-684, L-224, CS41515, 2210-T-2490, 2210-Z-6318, M16WK103-19, TP-548

# Camshafts

## 10-Spline Camshafts - 16-1/2" Brakes



Left-hand  
Cam



Right-hand  
Cam

Use Camshaft Repair Kit #2001 (Nylon Bushings) or #2001-BZ (Bronze Bushings)

Part #	A	O.D.	Replaces
202100-225-LH	22-5/8"	1-1/2"	04-572242, M-560L, E-4884, L-2357, CS41518, 2210-J-2948, M16WK102-76, TP-178, 17-585
202100-225-RH			04-572241, M-560R, E-4885, L-2356, CS41519, 2210-H-2946, M16WK103-76, TP-177, 17-584
202100-236-LH	23-3/4"	1-1/2"	B-1691-25, E-1095, CS41522, R607001, M16WK102-25, B-1116L, 17-575, 7-2426, TP-303, M-744L, L-580, 04-572352, 202100-236L, 17-587
202100-236-RH			B-1691-26, E-1094, CS41523, R607002, M16WK103-25, B-1116R, 17-574, 7-2425, TP-302, M-744R, L-581, 04-572351, 202100-236R, 17-586
202100-241-LH	24-1/8"	1-1/2"	
202100-241-RH			
202100-245-LH	24-5/8"	1-1/2"	04-572442, M-2601L, 7-2432, E-2797, B-1120L, L-2090, CS41754, 2210-B-6398, R607034, 17-589, M16WK111-12, TP-1167
202100-245-RH			04-572441, M-2601R, 7-2431, E-2796, B-1120R, L-2089, CS41755, 2210-A-6397, R607033, 17-588, M16WK110-12, TP-1166
202100-265-LH	26-5/8"	1-1/2"	04-572652, E-7219, 17-593, 984-0952, CS41168, R607193, 17-593
202100-265-RH			04-572651, E-7220, 17-592, 984-0951, CS41169, R607194, 17-592
202100-283-LH	28-3/8"	1-1/2"	
202100-283-RH			
202100-290-LH	29"	1-1/2"	
202100-290-RH			

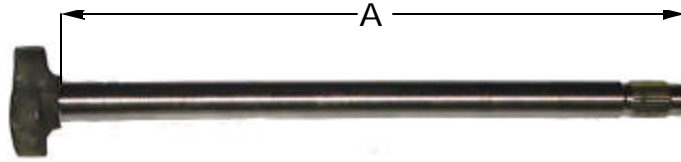
**NOTE:** During 2003, IMT Corporation will begin phasing out the 10-spline (202100-xxx) and 28-spline (202128-xxx) standard camshafts. These will be replaced by the 10-spline (202102-xxx) and 28-spline (202127-xxx) Superlife camshafts. The pricing will remain the same.

# Camshafts

## 28-Spline Camshafts - 16-1/2" Brakes



Left-hand  
Cam



Right-hand  
Cam

Use Camshaft Repair Kit #2028 (Nylon Bushings) or #2028-BZ (Bronze Bushings)

Part #	A	O.D.	Replaces
202128-066-LH	6-3/4"	1-1/2"	
202128-066-RH			
202128-084-LH	8-1/2"	1-1/2"	
202128-084-RH			
202128-087-LH	8-7/8"	1-1/2"	
202128-087-RH			
202128-097-LH	9-7/8"	1-1/2"	
202128-097-RH			
202128-112-LH	11-1/4"	1-1/2"	
202128-112-RH			
202128-143-LH	14-3/8"	1-1/2"	
202128-143-RH			
202128-165-LH	16-5/8"	1-1/2"	
202128-165-RH			
202128-173-LH	17-3/8"	1-1/2"	
202128-173-RH			
202128-195-LH	19-5/8"	1-1/2"	
202128-195-RH			
202128-205-LH	20-5/8"	1-1/2"	04-582042, E-3854, L-2898, CS41053, R607169, M16WK105-17
202128-205-RH			04-582041, E-5855, L-2897, CS41052, R607170, M16WK104-17
202128-213-LH	21-3/8"	1-1/2"	
202128-213-RH			
202128-215-LH	21-5/8"	1-1/2"	
202128-215-RH			
202128-225-LH	22-5/8"	1-1/2"	
202128-225-RH			

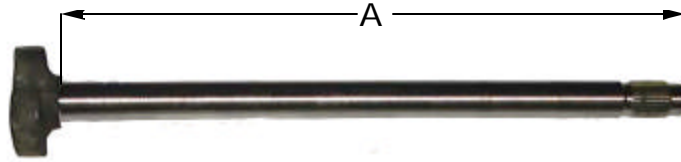


# Camshafts

## 28-Spline Camshafts - 16-1/2" Brakes



Left-hand  
Cam



Right-hand  
Cam

Use Camshaft Repair Kit #2028 (Nylon Bushings) or #2028-BZ (Bronze Bushings)

Part #	A	O.D.	Replaces
202128-236-LH	23-3/4"	1-1/2"	04-582352, E-3856, 203-2068, CS41164, R607171, M16WK104-25
202128-236-RH			04-582351, E-3857, 203-2078, CS41165, R607172, M16WK105-25
202128-241-LH	24-1/8"	1-1/2"	
202128-241-RH			
202128-245-LH	24-5/8"	1-1/2"	
202128-245-RH			
202128-265-LH	26-5/8"	1-1/2"	
202128-265-RH			
202128-283-LH	28-3/8"	1-1/2"	
202128-283-RH			
202128-290-LH	29"	1-1/2"	
202128-290-RH			

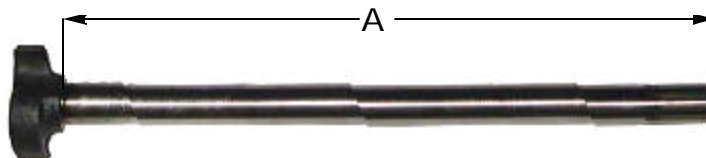
**NOTE:** During 2003, IMT Corporation will begin phasing out the 10-spline (202100-xxx) and 28-spline (202128-xxx) standard camshafts. These will be replaced by the 10-spline (202102-xxx) and 28-spline (202127-xxx) Superlife camshafts. The pricing will remain the same.

# Camshafts

## 10-Spline Camshafts - 16-1/2" Superlife Brakes



Left-hand  
Cam



Right-hand  
Cam

Use Camshaft Repair Kit #2001 (Nylon Bushings) or #2001-BZ (Bronze Bushings)

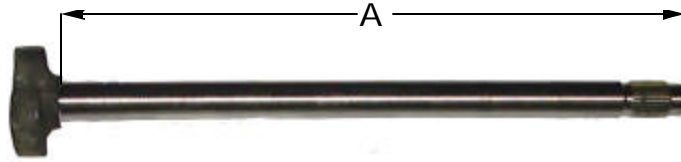
Part #	A	O.D.	Replaces
202102-087-LH	8-7/8"	1-1/2"	
202102-087-RH			
202102-097-LH	9-7/8"	1-1/2"	
202102-097-RH			
202102-205-LH	20-5/8"	1-1/2"	
202102-205-RH			
202102-225-LH	22-5/8"	1-1/2"	
202102-225-RH			
202102-236-LH	23-3/4"	1-1/2"	
202102-236-RH			

# Camshafts

## 28-Spline Camshafts - 16-1/2" Superlife Brakes



Left-hand  
Cam



Right-hand  
Cam

Use Camshaft Repair Kit #2028 (Nylon Bushings) or #2028-BZ (Bronze Bushings)

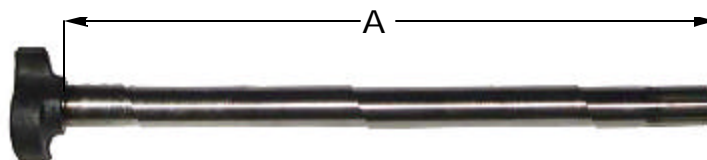
Part #	A	O.D.	Replaces
202127-072-LH	7-1/4"	1-1/2"	
202127-072-RH			
202127-087-LH	8-7/8"	1-1/2"	
202127-087-RH			
202127-090-LH	9"	1-1/2"	
202127-090-RH			
202127-097-LH	9-7/8"	1-1/2"	
202127-097-RH			
202127-104-LH	10-1/2"	1-1/2"	
202127-104-RH			
202127-112-LH	11-1/4"	1-1/2"	
202127-112-RH			
202127-173-LH	17-3/8"	1-1/2"	
202127-173-RH			
202127-205-LH	20-5/8"	1-1/2"	
202127-205-RH			
202127-236-LH	23-3/4"	1-1/2"	
202127-236-RH			
202127-241-LH	24-1/8"	1-1/2"	
202127-241-RH			
202127-265-LH	26-5/8"	1-1/2"	
202127-265-RH			

# Camshafts

## 10-Spline Camshafts - 15" Brakes



Left-hand  
Cam



Right-hand  
Cam

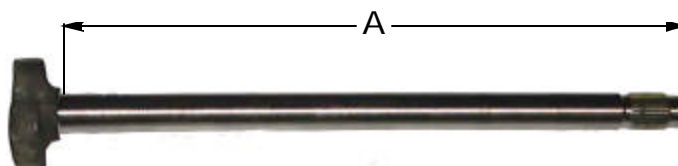
Use Camshaft Repair Kit #2001 (Nylon Bushings) or #2001-BZ (Bronze Bushings)

Part #	A	O.D.	Replaces
202109-074-LH	7-1/2"	1-1/2"	
202109-074-RH			
202109-165-LH	16-5/8"	1-1/2"	
202109-165-RH			
202109-205-LH	20-5/8"	1-1/2"	
202109-205-RH			
202109-236-LH	23-3/4"	1-1/2"	
202109-236-RH			

## 28-Spline Camshafts - 15" Brakes



Left-hand  
Cam



Right-hand  
Cam

Use Camshaft Repair Kit #2028 (Nylon Bushings) or #2028-BZ (Bronze Bushings)

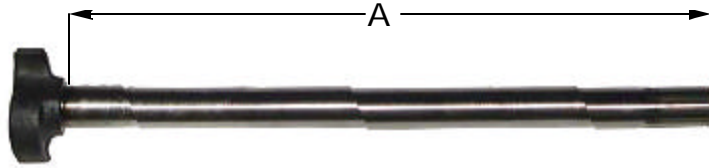
Part #	A	O.D.	Replaces
202132-205-LH	20-5/8"	1-1/2"	
202132-205-RH			
202132-236-LH	23-3/4"	1-1/2"	
202132-236-RH			
202132-241-LH	24-1/8"	1-1/2"	
202132-241-RH			

# Camshafts

## 10-Spline Camshafts - 12-1/4" Brakes



Left-hand  
Cam



Right-hand  
Cam

Use Camshaft Repair Kit #2001 (Nylon Bushings) or #2001-BZ (Bronze Bushings)

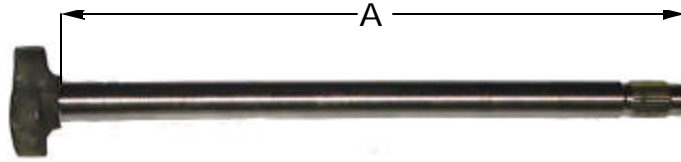
Part #	A	O.D.	Replaces
202103-075-LH	7-5/8"	1-1/2"	
202103-075-RH			
202103-165-LH	16-5/8"	1-1/2"	
202103-165-RH			
202103-196-LH	19-3/4"	1-1/2"	
202103-196-RH			
202103-206-LH	20-3/4"	1-1/2"	CS41332, E-5096, M12WK107-3, R607165, 17-681
202103-206-RH			CS41333, E-5097, M12WK106-3, R607166, 17-680
202103-213-LH	21-3/8"	1-1/2"	04-612122, 17-685, 203-203, B-1154L, CS41762, E-1411, L-1075, M12WK107-6, M-477L, R607006, TP-1461, UB22-64L
202103-213-RH			04-612121, 17-684, 203-202, B-1154R, CS41763, E-1410, L-1074, M12WK106-6, M-477R, R607005, TP-1460, UB22-64R
202103-233-LH	23-3/8"	1-1/2"	04-612322, 17-691, 203-221, B-1158L, CS41718, E-1423, L-734, M12WK101-17, M-478L, R607010, TP-1465, UB24-15L
202103-233-RH			04-612321, 17-690, 203-220, B-1158R, CS41719, E-1422, L-733, M12WK100-17, M-478R, R607009, TP-1464, UB24-15R
202103-265-LH	26-5/8"	1-1/2"	CS41336, E-9747, L-2477, M12WK101-22, M12WK107-13, R607243
202103-265-RH			CS41337, E-9748, L-2476, M12WK100-22, M12WK106-13, R607244

# Camshafts

## 28-Spline Camshafts - 12-1/4" Brakes



Left-hand  
Cam



Right-hand  
Cam

Use Camshaft Repair Kit #2028 (Nylon Bushings) or #2028-BZ (Bronze Bushings)

Part #	A	O.D.	Replaces
202129-077-LH	7-7/8"	1-1/2"	
202129-077-RH			
202129-115-LH	11-5/8"	1-1/2"	
202129-115-RH			
202129-156-LH	15-3/4"	1-1/2"	
202129-156-RH			
202129-181-LH	18-1/8"	1-1/2"	
202129-181-RH			
202129-196-LH	19-3/4"	1-1/2"	
202129-196-RH			
202129-206-LH	20-3/4"	1-1/2"	
202129-206-RH			
202129-213-LH	21-3/8"	1-1/2"	
202129-213-RH			
202129-233-LH	23-3/8"	1-1/2"	
202129-233-RH			
202129-245-LH	24-5/8"	1-1/2"	
202129-245-RH			
202129-265-LH	26-5/8"	1-1/2"	
202129-265-RH			
202129-290-LH	29"	1-1/2"	
202129-290-RH			

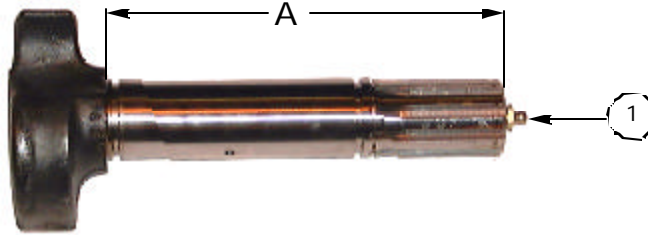


# Camshafts

## 10-Spline Camshafts - 16-1/2" Brakes - SSA



Left-hand  
Cam



Right-hand  
Cam

Use Camshaft Repair Kit #2001-SSA

Part #	A	O.D.	Application & General Information
202105-074-LH	7-1/2"	1-1/2"	IMT & Ceschi Self-Steer Axles - 16-1/2" Brakes
202105-074-RH			
202105-084-LH	8-1/2"	1-1/2"	
202105-084-RH			
202105-091-LH	9-1/8"	1-1/2"	
202105-091-RH			
202105-096-LH	9-3/4"	1-1/2"	
202105-096-RH			

**NOTE:** During 2003, IMT Corporation will begin phasing out the 10-spline (202105-xxx) standard camshafts. These will be replaced by the 10-spline (202108-xxx) Superlife camshafts listed below. The pricing will remain the same.

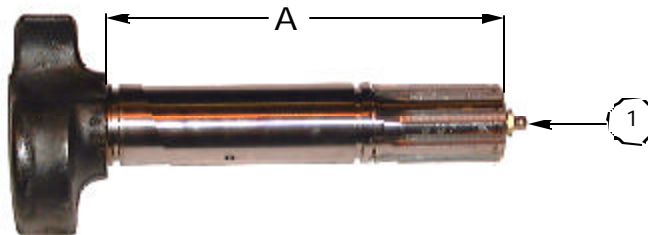
Part #	A	O.D.	Application & General Information
202108-074-LH	7-1/2"	1-1/2"	IMT & Ceschi Self-Steer Axles - 16-1/2" Brakes
202108-074-RH			
202108-084-LH	8-1/2"	1-1/2"	
202108-084-RH			
202108-091-LH	9-1/8"	1-1/2"	
202108-091-RH			
202108-096-LH	9-3/4"	1-1/2"	
202108-096-RH			
202108-104-LH	10-1/2"	1-1/2"	
202108-104-RH			
① 407100	Grease Nipple - required for all above camshafts (not included)		

# Camshafts

## 28-Spline Camshafts - 16-1/2" Brakes - SSA



Left-hand  
Cam



Right-hand  
Cam

Use Camshaft Repair Kit #2001-SSA

Part #	A	O.D.	Application & General Information
202131-074-LH	7-1/2"	1-1/2"	IMT & Ceschi Self-Steer Axles - 16-1/2" Brakes
202131-074-RH			
202131-084-LH	8-1/2"	1-1/2"	
202131-084-RH			
202131-091-LH	9-1/8"	1-1/2"	
202131-091-RH			
202131-096-LH	9-3/4"	1-1/2"	
202131-096-RH			

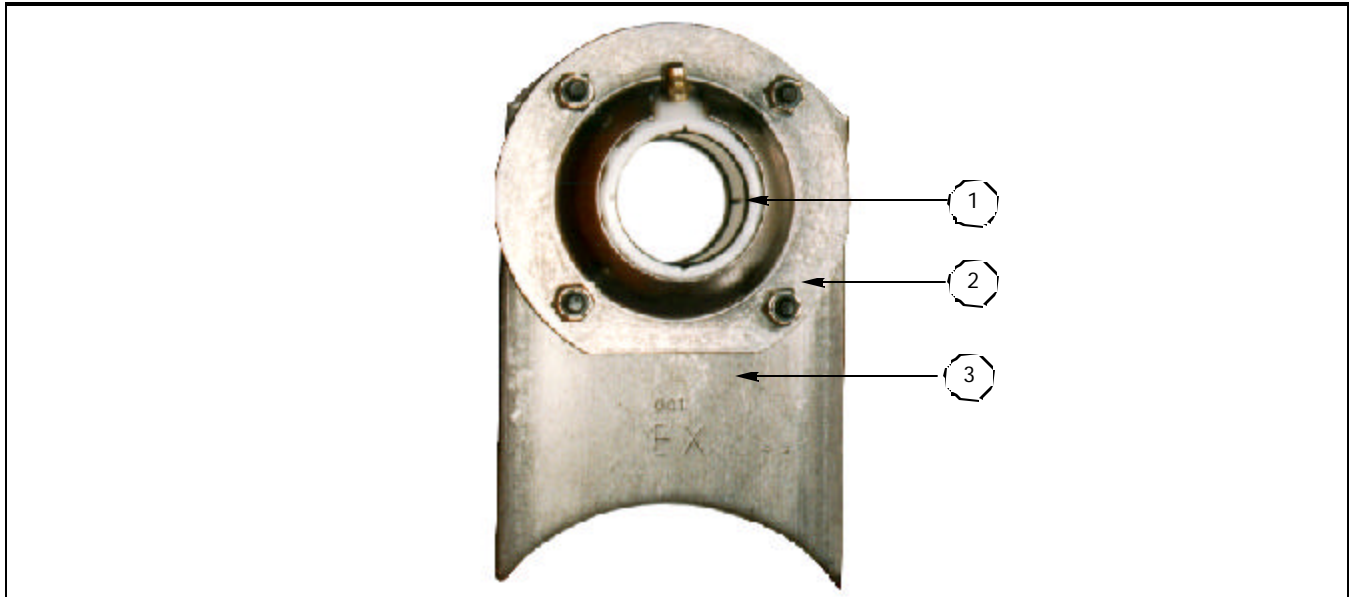
## 10-Spline Camshafts - 15" Brakes - SSA

Part #	A	O.D.	Application & General Information
202106-091-LH	9-1/8"	1-1/2"	IMT & Ceschi Self-Steer Axles - 15" Brakes
202106-091-RH			
① 407100	Grease Nipple - required for all above camshafts (not included)		

# Camshaft Repair Kits

	Kit #	Includes			Application
		#	Qty	Part #	
	2001	1	4	403105	All 10-spline camshafts with nylon spider bushings
2	2	4	214104		
3	3	2	403107		
4	4	4	408101		
	5	2	405128		
	6	2	405129		
	2001-BZ	1	4	403105	All 10-spline camshafts with bronze spider bushings
2	2	4	214104		
3	3	2	403107		
4	4	4	408101		
	5	2	405128		
	6	2	405120		
	2028	1	4	408101	All 28-spline camshafts with nylon spider bushings
	2	2	214108		
	3	2	214104		
	4	2	403105		
	5	2	403121		
	6	2	403107		
	7	2	405128		
	8	2	405129		
	2028-BZ	1	4	408101	All 28-spline camshafts with bronze spider bushings
	2	2	214108		
	3	2	214104		
	4	2	403105		
	5	2	403121		
	6	2	403107		
	7	2	405128		
	8	2	405120		
	2001-SSA	1	4	50470	All axles which use IMT & Ceschi Self-Steer Spiders
	2	4	20109		

# Camshaft Brackets



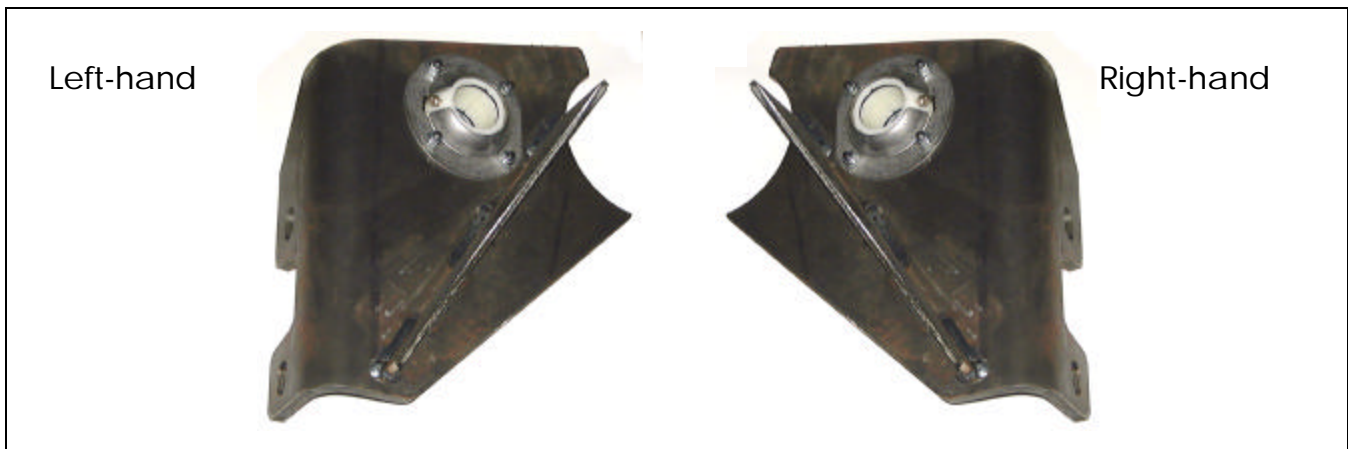
#	Part #	Description & Application	Replaces
1	405128	Bushing - All Camshaft Brackets	02-203, C65384, E-759, L-1356, 28-1232, M10WJ118, M571B, R617003, TP-596
2	209108-001	Cover - All Camshaft Brackets	E-2356, 30-1385
	209115-001	Cover - All Brackets w/Cam Enclosures	203-270
3	209109-001	Plate - 16-1/2" Brakes	203-268
	209109-002	Plate - 12-1/4" Brakes	
	209109-005	Plate - 15" Brakes	
	209109-006	Plate - 16-1/2" Brakes, 5-3/4" O.D. Axles	
	209109-007	Plate - 16-1/2" Brakes, Cam Enclosures	
	209111	Plate - Drop-Centre Axles	

# Camshaft Bracket Assemblies



Part #	Brake	Description & Application	Replaces
209999-018	16-1/2"	Standard	E-2104, 30-1357, M16WH113X
209999-029		Drop-Centre Axle	
209999-048		Haldex slack w/long cam - LH	
209999-049		Haldex slack w/long cam - RH	
209999-054		Drop-Centre Axle w/Haldex slack - LH	
209999-055		Drop-Centre Axle w/Haldex slack - RH	
209999-056		Haldex slack w/short cam - RH	
209999-057		Haldex slack w/short cam - LH	
209999-058		5-3/4" O.D. Axle - Haldex slack w/short cam - RH	
209999-059		5-3/4" O.D. Axle - Haldex slack w/short cam - LH	
209999-070		Standard w/Cam Enclosure	
209999-071		5-3/4" O.D. Axle w/Cam Enclosure	
209999-072		Drop-Centre w/Cam Enclosure	
209999-075		5-3/4" O.D. Axle & 9" Drop-Centre Axle	
209999-078		5-3/4" O.D. Axle - Haldex slack w/long cam - LH	
209999-079	5-3/4" O.D. Axle - Haldex slack w/long cam - RH		
209999-019	12-1/4"	Standard	E-2103, M12WH112X
209999-073		Standard w/Cam Enclosure	
209999-076		Haldex slack w/long cam - LH	
209999-077		Haldex slack w/long cam - RH	
209999-086		Haldex slack w/short cam - RH	
209999-087		Haldex slack w/short cam - LH	
209999-088		3/4" Trunnion Camshaft	
209999-035	15"	Standard	
209999-060		Haldex slack w/short cam - RH	
209999-061		Haldex slack w/short cam - LH	
209999-062		Haldex slack w/long cam - RH	
209999-063		Haldex slack w/long cam - LH	
209999-074		Standard w/Cam Enclosure	

# Combination Air Chamber & Camshaft Bracket Assemblies



Part #	Brake	Description & Application
209999-025		Neway Suspension - right-hand
209999-026		Neway Suspension - left-hand
209999-027		Neway Suspension w/ Cam Enclosure - right-hand
209999-028		Neway Suspension w/ Cam Enclosure - left-hand
209999-038		Drop-Centre Axle - right-hand
209999-039		Drop-Centre Axle - left-hand
209999-040		Neway Suspension & Drop-Centre Axle - left-hand
209999-041	16-1/2"	Neway Suspension & Drop-Centre Axle - right-hand
209999-044		Drop-Centre Axle - left-hand
209999-045		Drop-Centre Axle - right-hand
209999-050		Drop-Centre Axle - left-hand
209999-051		Drop-Centre Axle - right-hand
209999-052		8" Drop-Centre Axle - right-hand
209999-053		8" Drop-Centre Axle - left-hand
501335		Manufactured Drop Axle - left-hand
501336		Manufactured Drop Axle - right-hand

Check your axle drawing to ensure that you have the correct part number for your application. If in doubt, please call the IMT Engineering Department for assistance.

# Camshaft Enclosures



Part #	Use With	Replaces
999195-090	9" camshaft	
999195-112	11-1/4" camshaft	
999195-165	16-5/8" camshaft	
999195-173	17-3/8" camshaft	
999195-185	18-5/8" camshaft	
999195-205	20-5/8" camshaft	
999195-213	21-3/8" camshaft	
999195-225	22-5/8" camshaft	
999195-233	23-3/8" camshaft	
999195-236	23-3/4" camshaft	E-4738A
999195-245	24-5/8" camshaft	
999195-265	26-5/8" camshaft	E9590, 984-0950

**NOTE:** If the Camshaft Enclosures are installed on an axle which did not previously have enclosures, you will require one (1) Cam Enclosure Plate (Part #209115-001) per enclosure.



# Brake Flanges & Torque Plates



Part #	Description	Replaces
102102-002	6-5/8" B.C. for 5" O.D. axles	203-914, B1232-1, E864, 6-261
102102-003	6-5/8" B.C. for 5-3/4" O.D. axles	6-262
102102-005	6-5/8" B.C. for 5" O.D. axles with 1/4" lip	
102102-006	6-5/8" B.C. for 5" O.D. axles with ABS block installed	



102700-002	For F12 axles	
102700-003L	For F12 axles with ABS block installed - LH	
102700-003R	For F12 axles with ABS block installed - RH	







202120	Torque plate for Disc Brake axle	
--------	----------------------------------	--








## Brake Spider Mounting Hardware

401113	Bolt - 1/2-20 x 1-3/4" Grade 8	10206
402106	Nut - 1/2-20 hex - Grade 5	10150
403117	Washer - Lock, 1/2" split	

# Spiders

	Part #	Includes	Application
	200999-009 200999-009-BZ (Bronze) 200999-021 (5-3/4" O.D.)	Spider, bushings, seals, bolt, nut & washer	16-1/2" weld-on brakes
	200114-001 200114-002 (5-3/4" O.D.)	Spider only	
	200118 - Anchor End 200999-007 - Cam End 200999-007-BZ (Bronze)	Spider, bushings & seals	16-1/2" A.T.L.A.S. weld-on brakes
	200118 - Anchor End 200117 - Cam End	Spider only	
	200999-010 200999-011 (Bronze)	Spider, bushings, seals, bolt, nut & washer	16-1/2" bolt-on brakes
	200100-001	Spider only	
	200999-006 200999-006-BZ (Bronze)	Spider, bushings, seals, bolt, nut & washer	15" weld-on brakes
	200116-001	Spider only	
	200999-023 200999-023-BZ (Bronze)	Spider, bushings, seals, bolt, nut & washer	12-1/4" weld-on brakes
	200115-002	Spider only	
	51005-ABS	Spider, bushings, seals, bolt, nut, washer & ABS block	IMT & Ceschi Self-Steering Axles 16-1/2" weld-on brakes
	51005	Spider, bushings, seals, bolt, nut & washer	
	200100-005	Spider, bushings, seals, bolt, nut, washer & ABS block	IMT & Ceschi Self-Steering Axles 16-1/2" bolt-on brakes
	200100-004	Spider, bushings, seals, bolt, nut & washer	
	200116-002	Spider, bushings, seals, bolt, nut & washer	IMT Self-Steering Axles 15" weld-on brakes


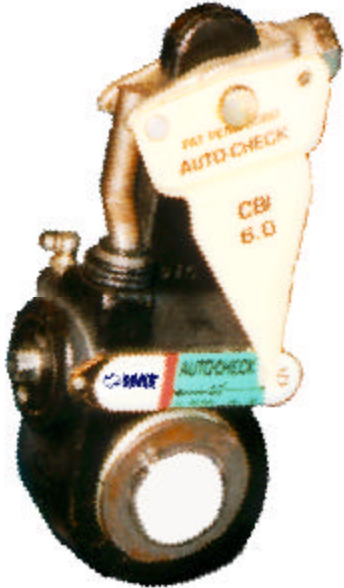
# Air Chamber Brackets

	Part #	Application	Replaces
	210177	Standard axles All brake sizes	203-901, 2-139, E-2518A, M10WJ144
	210187	Standard axles Generally used with 12-1/4" brakes	2-132
	210180	A.T.L.A.S. brackets Standard axles All brake sizes	
	210191	Drop-Centre Axle air chamber brackets - Left-hand; verify on your drawing which bracket fits your axle.	
	210193		
	210196		
	210197		
	210199		
	210192	Drop-Centre Axle air chamber brackets - Right-hand; verify on your drawing which bracket fits your axle.	
	210194		
	210195		
	210198		
	210200		
	700xxx	Self-Steering Axle air chamber brackets - Specifically designed for each application; see Air Chamber Brackets in Section 7 for standard bracket numbers. Check your Self- Steering Axle drawing, or call IMT Engineering Department for assistance.	
			


# Air Chambers & Spring Brakes

	Description	Manufacturer	Part #
	Type 16 Air Chamber	TSE Brakes	217016-090
	Type 20 Air Chamber		217020-060
	Type 24 Air Chamber	Crewson Industries	218124-xxx
		TSE Brakes	217024-060
	Type 30 Air Chamber	Crewson Industries	218130-xxx
		TSE Brakes	217030-060
MGM Brakes		217330-060	
	Type 2424 Spring Brake	Crewson Industries	218924-xxx
		TSE Brakes	217524-060
	Type 3030 Spring Brake	Crewson Industries	218930-xxx
		TSE Brakes	217530-060
		Neway Goldseal	217630-060
		Neway Lifeseal	217730-060
MGM Brakes	217830-060		
	Type 9 Air Chamber Used with IMT & Ceschi Self-Steering Axles	Haldex	217009-010

# Slack Adjusters

<b>Manual</b>				
	<b>Part #</b>	<b>Spline</b>	<b>Description</b>	<b>Replaces</b>
	212116	10	6"	18502, 2010, 278045, 278323, 6500, A-7076, E-612HD, KN47001, M10WR119, R822000, R823000
	N21154A	28	6"	
<b>Crewson Industries Automatic</b>				
	CB21100	10	5.5"	
	CB21106		6"	
	CB21123		6" for 12-1/4" brakes	
	CB21206		6" - 0.5" rod diameter	
	CB21503		5/6" - metric	
	CB41100		5.5" - Autocheck	
	CB41106		6" - Autocheck	
	CB22100	28	5.5"	
	CB22103		5/6"	
	CB22106		6"	
	CB22123		6" for 12-1/4" brakes	
	CB22153		6" curved for 12-1/4" brakes	
	CB22206		6" - 0.5" rod diameter	
	CB42100		5.5" - Autocheck	
	CB42106		6" - Autocheck	



# Slack Adjusters

Haldex Automatic				
	Part #	Spline	Description	Replaces
	400-10142	10	5/6"	E6923A
	409-10323		6" - 1-1/2" offset	
	409-10324		6" - 1-1/2" offset	
	409-10656		6" curved	E6928
	409-10675		6"	E6936
	400-10304	28	5.5" curved	E6932
	409-10655		6" curved	E6933
	409-10673		6"	E6942
	409-10683		5.5"	
	409-10888		6" - 1-1/2" offset	
	409-10889		6" - 1-1/2" offset	

Other Manufacturers				
Manufacturer	Part #	Spline	Description	
Gunite	SA10803	28	6"	
	AS1000	10	6" (SA10603)	
Bendix	813653		6"	



# Anti-Locking Brake Systems

ABS Blocks			
	Part #	Description	Replaces/Manufacturer
	206000	Standard	203-9710
	206005	For 5-3/4" O.D. axles	
	206006	Spider-mounted	
	206007	Disc Brake axles	
	206008	Bolt-on spider	
ABS Sensors			
	059-512-309	Sensor clip	Haldex
	364-094-001	90 degree	
	364-208-001	Straight	
	4410-328-090	90 degree	Wabco (ArvinMeritor)
	5006810	90 degree Bosch	Bendix
	5001243	90 degree	







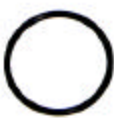

# Anchor Pins & Rollers

						Anchor Pins				
						Part #	O.D.	Length	Description & Application	Replaces
	203108-011	1"	2-3/4"	12-1/4" "P" brakes	203-002, C67473, E-2390, M10WJ108, R537001, 15-537					
	203109-001	1-1/4"	2-3/4"	16-1/2" "P" brakes	1259-M-1131, 820196, B-2076, C65396, E-1112, M10HP102, 15-527, 1259-J-218					
	203113-001	1"	2-1/4"	12-1/4" TIME brakes	C67489, E-5304, M10WJ151					
	203501	1-1/4"	2-1/4"	16-1/2" & 15" TIME brakes	01-434, 1259-N-274, 15-542, 2-2130, 989-1062, C66866, C66915, E-2766, L-1416, M-1422, TP-1532					
	203802-005	1-1/4"	2-1/4"	16-1/2" & 15" TIME brakes (as above, only zinc-plated)						
						Rollers				
	204101-001	1-1/4"	2-3/16"	16-1/2" & 15" brakes (TIME & "P")	1779-R-18, 2295551, 26282, 330733, 7-23-7, 827702, C66901, C66911, E-2177, E-523, M16WJ104, 32-1428, 32-1425					
	204101-005	1-1/4"	2-1/4"	16-1/2" & 15" TIME & "P" brakes (as above zinc-plated)						
	204102-001	1-1/2"	2-3/16"	12-1/4" TIME brakes	E-586, 1779-D-82, 2356111, M16WJ114, 32-1427, 1-202, E-781, M-597, L-158, 32-1427, TP-403-1/4", 65470					
	204108-001	1-1/2"	1-3/8"	Roller bushing - 12-1/4" "P" brakes	203-504, C67490, E-2395, M10HD101, R517003, 32-1445					
	205107-001	3/4"	2-13/32"	Roller Pin - 12-1/4" "P" brakes	C67487, E-2396, 32-1446, M10WJ116, R517506					
	214102	3/4"		Roller Snap Ring Retainer - 12-1/4" "P" brakes	01-301, 1229-M-1105, 1129-T-3166, 2-2136, 253395, 820063, B-1661, C65311, E-527, L-118, 34-1526					

# Bushings

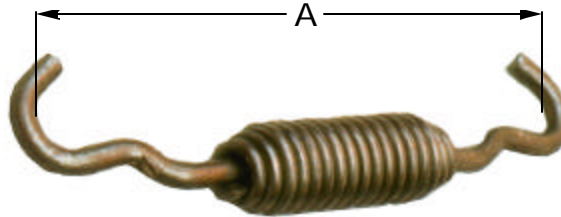
	Part #	O.D.	I.D.	Description & Application	Replaces
	405102		1-1/4"	Steel Anchor Pin Bushing A.T.L.A.S. Spider	80AX395, B-1713-1, C63083, E-530, M16HD102, 23-1029
	405120	1-7/8"	1-1/2"	Bronze Bushing All spiders	E-807, 998-1016, C65359, R657001, M16HD100, 28-1231
	405128	2-1/2"	1-1/2"	Nylon Bushing All camshaft brackets	03-208, M-582, E-2102, L-1199, 203-651, C65476, R617002, M10WJ107, TP-1844, 27-1195
	405129	1-7/8"	1-1/2"	Nylon Bushing All spiders	02-203, M-571B, E-759, L-1356, C65384, R617003, M10WJ118, TP-596
	405134		1-1/2"	Bronze Bushing All camshaft enclosures	
	50470		1-1/2"	Bronze Bushing Self-Steering Axle - All spiders	

# Brake Retainers & Seals

	Part #	O.D.	Length	Description & Application	Replaces
	207100	1/4"	2-3/4"	Return Spring Retainer All brakes	02-209, 06-324, 11228, 1218-G-85, 203-803, 20-881, 2-2115, 583015, 989-1064, C65351, E-747, M-1500, M16WJ102, TP-645
	208109			Retainer Clip 12-1/4" TIME brake	C67488, E-5305, M10WJ150
	214103			Roller Retainer All brakes, except 12-1/4" "P"	01-300, 11229, 1718-Y-103, 2-2111, 330734, 34-1529, 341SM18, C65327, E-539, L-151, M16WJ103, M-644, TP-422
	408101	1-7/8"	3/16'	Spider Seal All brakes	1205-M-1105, 988-1018, C65383, E-1416, M16HH100, 29-1269
	20109			O-Ring All IMT & Ceschi Self-Steering Axles	
<b>Snap-Ring Retainers</b>					
		<b>I.D.</b>			
	214102	3/4"		Roller 12-1/4" "P" brakes	01-301, 1229-M-1105, 1229-T-3166, 2-2136, 253395, 820063, B-1661, C65311, E-527, L-118
	214104	1-1/2"		Camshaft All brakes	04-315, 1229-A-1119, 29-1302, 3-2187, C65379, E-1569, L-897, M-1046, R627017, TP-1191, 29-1262
	214107	1"		Anchor Pin 12-1/4" "P" brakes	C67475, E-2392, M10HR104, R547004, 34-1527
	214108	1-1/4"		Camshaft 28-spline Anchor Pin 16-1/2" "P" brakes	203-2806, 34-1525

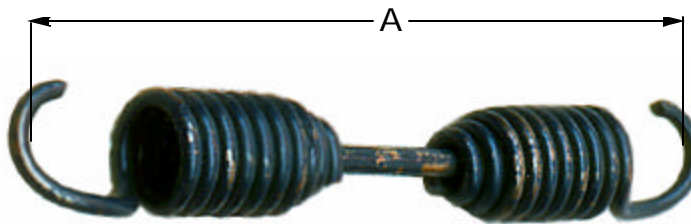
# Springs

## Retainer Springs





Part #	O.D.	A	Application	Replaces
208502	3/4"	5-1/2"	16-1/2" & 15" TIME brakes	989-1063, E-2767, ACF-003079-PK1, 2258-Q-615, M16WJ101, 19-860, 2-2124, 1-370, M-1423, L-1417, 66863, TP-1534

## Return Springs








Part #	O.D.	A	Application	Replaces
208104	1-1/4"	8"	16-1/2" brakes	01-321, 01-322, M-548, M-792, 19-853, 2-2117, 2-2118, E-1880A, E-544, E-545A, L-179, L-827, 2258-P-354, 153-042, 203-802, 11227, 219320, C65310, C65337, C65449, 2258-Z-416, 2758-H-138, 388897, 62322R1, 62333R1, M10WJ135, M10WJ154
208106	1"	6-1/4"	12-1/4" brakes	01-339, M-1508, 19-862, E-2398, E-757, M10WJ118, L-385, C66849, 2258-V-256, TP-629
208107	1"	6-9/16"	12-1/4" brakes (Heavy-duty)	E-2398, C67492, R567005, M10WJ118, 19-880
208115	1-1/8"	8-1/4"	15" brakes	

# Dustshields

	Part #	Material	Description & Brake Size	Replaces
	211102-001	Metal - Red Primer Paint	19 gauge - 16-1/2" x 7"	202-9050, 02-507, 02-508, 3236-A-1249LH, 3236-B-1250RH, 33-1476, 33-1477, 866691LH, 866692RH, 966691, 966692, A1-3236-A-1249, B-1688A, E-886, M-1583, M16WB101, TP-650, 33-1478, 33-1647
	211102-002		16 gauge - 16-1/2" x 7"	
	211102-004		16 gauge - 16-1/2" x 5"	
	21102-003	Plastic	16-1/2" x 7"	203-902, 02-507, 02-508, 3236-A-1249LH, 3236-B-1250RH, 33-1476, 33-1477, 866691LH, 866692RH, 966691, 966692, A1-3236-A-1249, B-1688A, E-886, M-1583, M16WB101, TP-650, 33-1478, 33-1647
	400128	Bolt - 5/16-NC x 3/4" - Grade 5, zinc plated		
	403115	Washer - 5/16" - zinc plated		
	211106	Flat Metal - Red Primer Paint	15"	
	211107		16-1/2" x 7" & 16-1/2" x 8-5/8"	
	211108		16-1/2" x 7" & 16-1/2" x 8-5/8" with cam enclosures	
	211109		16-1/2" x 5"	
	211110		15" with cam enclosures	
	406202	5" clamp for flat dustshield		
	408107	ABS grommet for flat dustshield		

# Bolts, Nuts & Washers

	Part #	I.D.	Length	Description & Application	Replaces
	403105	1-1/2"	1/8"	Camshaft Retainer All camshafts	C65374, E-719, M10HS117, R627011, 29-1311
	403107	1-1/2"	3/64"	Camshaft Spacer All camshafts	02-350, 1229-J-868, 2101126, 219179, 29-1309, 7-27-3, B-1221, C65313, E-564, L-120, M10HN139, M-588, TP-479
	403121	1-1/4"	1/16"	Camshaft Spacer 28-spline camshafts	203-250
	403145	1-1/4"	1/32"	Anchor Pin 16-1/2" "P" brakes	35-1580
	403147	1"	1/32"	Anchor Pin 12-1/4" "P" brakes	C67474, E-2391, M10HM136, R547003, 35-158

## Bolts, Nuts, Washers & Lockwashers

	Part #	O.D.	Length	Grade		Application
Bolt	400128	5/16"	3/4"	5	zinc plated	Hubcaps & dustshields
	400130	8mm	16mm	8	zinc plated	Metric hubcaps
	400148	1/4"	1-1/4"	5	bare	Camshaft brackets
	401101	1/2"	2-1/2"	5	bare	16-1/2" & 15" spider clamp bolt
	401110	7/16"	3/4"	5	zinc plated	A26 hubcaps
	401113	1/2"	1-3/4"	8	yellow	Bolt-on spider & flange
	401114	5/8"	1-1/2"	8	bare	Bolt-on spider & flange
	401160	1/2"	2-1/2"	8	yellow	12-1/4" spider clamp bolt
Nut	401116	5/8"		8	bare	Bolt-on spider & flange
	402106	1/2"		5	hex	16-1/2" & 15" spider clamp nut
	402138	1/4"		5	nylon	Camshaft brackets
	402140	1/2"		8	yellow	12-1/4" spider clamp nut
Washer	403113	1/2"			internal tooth	12-1/4" spider clamp washer
	403115	5/16"			zinc plated	Hubcaps & dustshields
	403116	1/4"			bare	Camshaft brackets
	403117	1/2"			split, bare	16-1/2" & 15" spider clamp washer & Bolt-on spider & flange
	403152	7/16"			zinc plated	A26 hubcaps











# Bearings



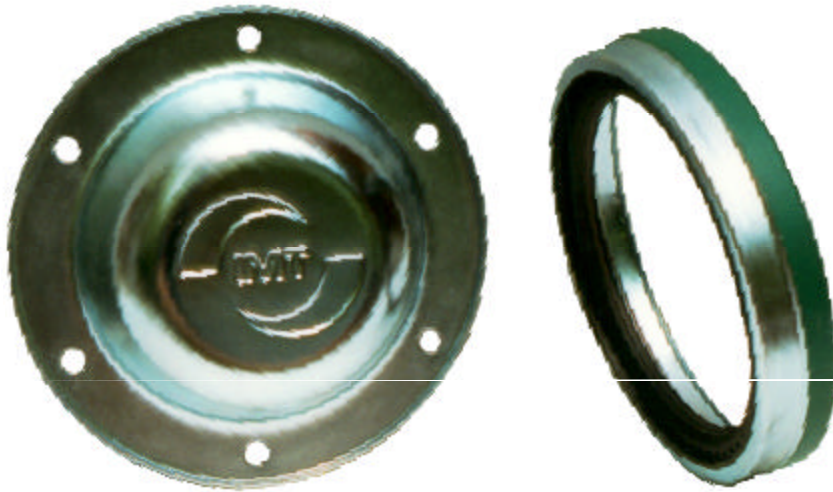
Bearing	IMT Part #	Manufacturer	Application
643 Outer	104111	Koyo	A21
663 Inner	104107		F19, DC19
740 Outer	104116		A26
749 Inner	104110		A21
759 Inner	104109		A26
HM212049 Outer	104108	Koyo	F12, F19, DC19, F22, DC22, SSA22
	104108-C	CMC	
	104108-G	General	
	104108-S	SKF	
	104108-T	Timken	
HM218248 Inner	104115	Koyo	F22, DC22, SSA22, F23, DC23, SSA23
	104115-C	CMC	
	104115-G	General	
	104115-S	SKF	
	104115-T	Timken	
HM518445 Inner/Outer	104122	Koyo	F24, DC24, SSA24
	104122-C	CMC	
	104122-G	General	
	104122-S	SKF	
	104122-T	Timken	
X33213 Outer	104114	Koyo	F23, DC23, SSA23



# Spindle Nuts

	Part #	O.D. (across flats)	I.D.	Description & Application	Replaces
	103102-001	3-1/4"	2-5/8"	Outer Nut - F22, DC22, SSA22, F19, DC19, A21 & A26	06-201, 10408, 1227-B-756, 1227-B-7596, 203-911, 6-4-2, 820395, E-572, F-1530, F- 941, L-178, M103102-001, M-684, M10HN102, R000572, TP-490, 12-393
	103103-002	3-13/16	2-5/8"	Inner Nut - F22, DC22, SSA22, F19, DC19, A21 & A26	06-203, 10406, 203-912, 2408341, 6-3-7, 820394, 870813R1, F-1529, F-940, L-176, M10HN101, M10HN158, M-682, R000540, TP-489, 12-391
	105107	3-7/8"	2-5/8"	Washer - F22, DC22, SSA22, F23, DC23, SSA23, F19, DC19, A21 & A26	06-202, 1229-V-1660, 203-904, 7EQ-1124, 820396, A1129-W-2545, E-573, F-942, L-177, M10HN100, M-683, TP-473, 12-392
	105106		2-5/8"	Star Washer - F22, DC22, SSA22, F23, DC23, SSA23, F19, DC19, A21 & A26	06-230, E-2237, L-1327, M-1068, M10HN151, R002237, TP-1783
	103111	3-13/16"	65mm	Inner Nut - F23, DC23, SSA23	
	103112	3-1/4"	65mm	Outer Nut - F23, DC23, SSA23	
	103107-001	4-3/4"	3-1/2"	Spindle Nut - F24, DC24, SSA24	06-226, ACE-008510-001, E-2550, L-1395, M-1996, R002550, 12-400, TP-3076, M-1050, M10HN172, 46-5-045
	105105-001	5"	3-1/2"	Washer - F24, DC24, SSA24	AXA-0408-1, 6-228, E-1561, L-893, M-1051, R001561, TP-1193, 12-402, 46-5-044, M10HS121
	214702			Cotter Pin - F24, DC24, SSA24	06-229, 06-354, AXA-0409-1, E-1559, L-1331, L-1762, M-1069, M-1956, R001559, TP-1970, 12-403, TP-3077
	447-4743		2-5/8"	Pro-Torq Nut F22, DC22, SSA22, F19, DC19, A21 & A26	
	447-4723		3-1/2"	Pro-Torq Nut F24, DC24, SSA24	

# Seals & Hubcaps



**NOTE:** IMT can supply all major manufacturers' products. The following list includes the parts commonly stocked at IMT; others are available on request. Products are listed numerically. Gaskets are 6-hole; hubcaps are 6-hole, bont-on, metal unless otherwise specified.

Manufacturer	IMT Part #	Description	Application
CR - Chicago Rawhide	1282	Hubcap - Oil	F24, DC24, SSA24 (screw-on)
	1643		F22, DC22, SSA22, F23, DC23, SSA23, F19, DC19
	1720		A26
	1743		F22, DC22, SSA22, F23, DC23, SSA23, F19, DC19
IMT	304111 (shown above)	Hubcap - Grease	F22, DC22, SSA22, F23, DC23, SSA23, F19, DC19 <b>REPLACES:</b> 3262-S-45, E-975, 8-293, L-454, M10K129, M-767, TP-166
Stemco	307-0723	Guardian Seal	F24, DC24, SSA24
	307-0743		F22, DC22, SSA22, F23, DC23, SSA23
	310-1043	Seal Ring	A26
	310-1048		F22, DC22, SSA22, F23, DC23, SSA23
	315-1503		A21, F24, DC24, SSA24
	315-1504		F22, DC22, SSA22, F23, DC23, SSA23
	315-1507		F19, DC19
	320-2023		F24, DC24, SSA24
	320-2041	Oil Seal	A26
	320-2109		F19, DC19
	320-2110		F22, DC22, SSA22, F23, DC23, SSA23
	320-2173		A21

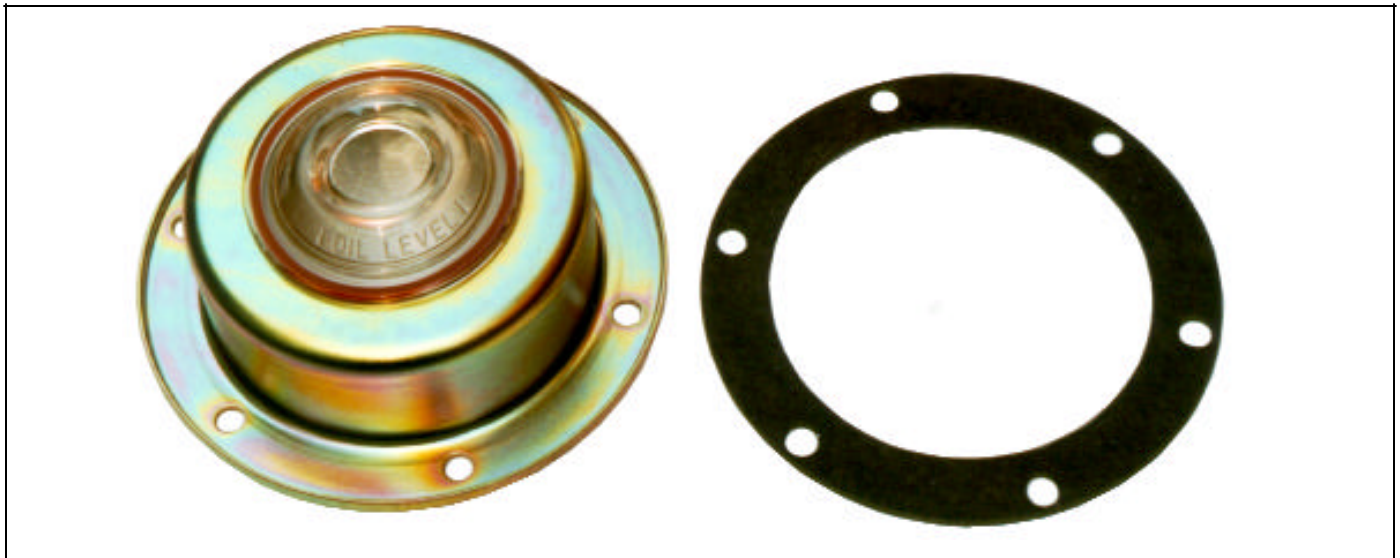
# Seals & Hubcaps



**NOTE:** IMT can supply all major manufacturers' products. The following list includes the parts commonly stocked at IMT; others are available on request. Products are listed numerically. Gaskets are 6-hole; hubcaps are 6-hole, bont-on, metal unless otherwise specified.

Manufacturer	IMT Part #	Description	Application
Stemco	330-3009	Hubcap Gasket	F22, DC22, SSA22, F23, DC23, SSA23, F19, DC19
	330-3056		A21
	330-3062		A26 (7 holes)
	330-3067		F22, DC22, SSA22, F23, DC23, SSA23, F19, DC19 (Guardian)
	330-3079		A26
	330-3118		F24, DC24, SSA24
	340-4975	Hubcap - Oil	F24, DC24, SSA24 (screw-on - plastic)
	342-4009	Hubcap - Grease (vented)	F22, DC22, SSA22, F23, DC23, SSA23, F19, DC19
	342-4195		F24, DC24, SSA24
	343-4009	Hubcap - Oil	F22, DC22, SSA22, F23, DC23, SSA23, F19, DC19
	343-4059		A21
	343-4064		A26
	343-4075		F24, DC24, SSA24 (screw-on)
	343-4082		A26 (7 holes)
	343-4195		F24, DC24, SSA24
	348-4009	Sentinel Hubcap - Oil	F22, DC22, SSA22, F23, DC23, SSA23, F19, DC19
	348-4075		F24, DC24, SSA24 (screw-on)
	348-4195		F24, DC24, SSA24
	349-4009	Sentinel Hubcap - Synthetic Grease	F22, DC22, SSA22, F23, DC23, SSA23, F19, DC19
	349-4195		F24, DC24, SSA24

# Seals & Hubcaps



**NOTE:** IMT can supply all major manufacturers' products. The following list includes the parts commonly stocked at IMT; others are available on request. Products are listed numerically. Gaskets are 6-hole; hubcaps are 6-hole, bont-on, metal unless otherwise specified.

Manufacturer	IMT Part #	Description	Application
Federal Mogul (National)	370025A	Oil Seal	F22, DC22, SSA22, F23, DC23, SSA23
	376590A		F24, DC24, SSA24
	380025A		F22, DC22, SSA22, F23, DC23, SSA23
	380065A		F24, DC24, SSA24 (gold)
CR - Chicago Rawhide	46285	Grease Seal	F22, DC22, SSA22, F23, DC23, SSA23
	46300	Duratemp Oil Seal	
	46305	Oil Seal	
<b>Hubcap Mounting Hardware</b>			
	400128	Bolt	All axles except A26
	403115	Lockwasher	
	401110	Bolt	A26 axles
	403152	Lockwasher	

# Hubs & Drums



**NOTE:** IMT stocks and installs all major manufacturers' products including:

ConMet™

Gunite™

KIC™

Toowoomba™

Walther™

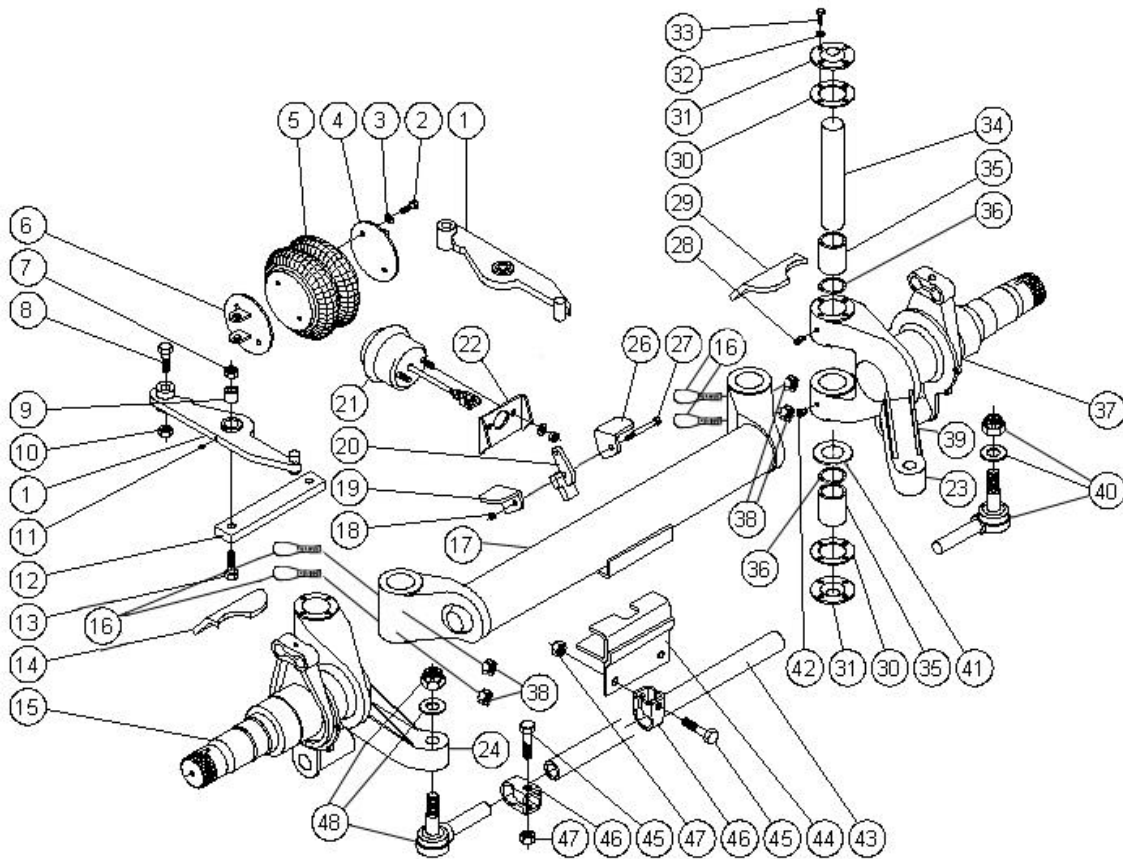
Webb™

Most standard assemblies are available; please contact the IMT Parts Department to verify the availability of the model you need.






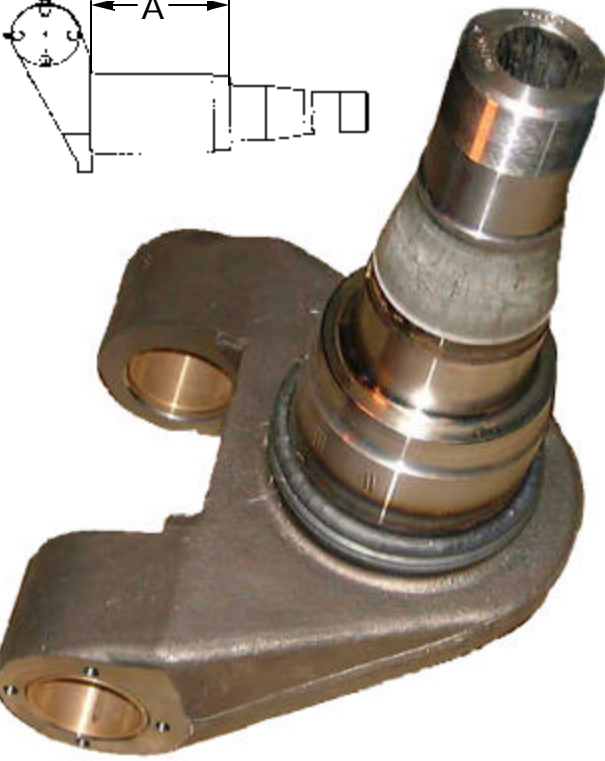
# Self-Steering Axle - Standard Options

This drawing of Model #700214-1 shows the parts that are common to most SSA's; please refer to your SSA drawing or contact IMT's Engineering or Parts Department for assistance.





#1 to 13 See Torpress Page 7-8 for parts break- down	14	700346	L.H. Air Chamber Bracket	33	700094	Bolt, 3/8-16 UNC-2A x 5/8, Gr. 5
	15	700047	Steering Knuckle	34	700040L	King Pin - Left-hand
	16	700660	Draw Key (post-2002 models)		700040R	King Pin - Right-hand
	17	700153	Straight Axle Beam - 77-1/2"	35	700041	Bushing (Steering Knuckle)
	18	700204	Nut, 5/8-11 UNC-28 Nylock	36	700719	O-Ring
	19	700191	L.H. Lock Bracket	37	51005	16-1/2" Weld-on Spider
	20	700212	Tie Rod Lock Machined	38	700661	Hex Nut (post-2002 models)
	21	217009-050	Type 9 Air Chamber - 5" Rod	39	700561	Reinforcing Gusset Steering Arm
	22	700192	Type 9 Air Chamber Bracket	40	700043	Tie Rod End - Right-hand
	23	700526	Steering Arm - Right-hand	41	700068	Thrust Bearing
	24	700525	Steering Arm - Left-hand	42	407102	Grease Fitting, 45 degree
	26	700190	R.H. Lock Bracket	43	700057	Tie-Rod, 40" length
	27	700208	Bolt, 5/8-11 UNC-2A x 4", Gr. 5	44	700409	Push/Lock Plate
	28	407100	Grease Fitting, Straight	45	700092	Bolt, 3/4-10 UNC-2A x 3-3/4, Gr. 5
	29	700347	R.H. Air Chamber Bracket	46	700065	Locking Clamp
	30	700075	King Pin Cap Gasket	47	700091	Nut, 3/4-10 UNC-24, Nylock
	31	700076	King Pin Cap	48	700042	Tie Rod End - Left-hand
	32	700097	Washer, Lock, 3/8 NOM			

# Spiders & Knuckles

	Part #	Includes	Application	
	51005-ABS	Spider, bushings, seals, bolt, nut, washer & ABS block	IMT & Ceschi Self-Steering Axles 16-1/2" weld-on brakes	
	51005	Spider, bushings, seals, bolt, nut & washer		
	200100-005	Spider, bushings, seals, bolt, nut, washer & ABS block	IMT & Ceschi Self-Steering Axles 16-1/2" bolt-on brakes	
	200100-004	Spider, bushings, seals, bolt, nut & washer		
	200116-002	Spider, bushings, seals, bolt, nut & washer	IMT Self-Steering Axles 15" weld-on brakes	
Knuckles		Spindle	Part Number	A
		F22	700046	7"
			700047	10-3/8"
		Brazil Spindle	700759	12-1/2"
		F23	700436	11-3/8"
		F24	700264	9-3/8"
<p><b>NOTE:</b> IMT recommends that you replace these parts as an assembled unit. Please contact IMT's Engineering or Parts Department; the information required to properly replace this assembly is the SSA Model Number and which side you are replacing.</p>				



# Air Chamber Brackets

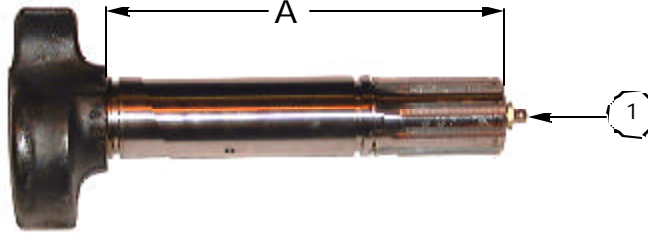
			
Left-Hand	Right-Hand	Left-Hand	Right-Hand
700116	700115	700346	700347
700026	700025	700566	700567
700028	700029	700386	700387
<p>Listed above are the most common self-steering axle air chamber bracket numbers; please verify the correct part number from your Self-Steering Axle drawing or call IMT's Engineering or Parts Department to determine which brackets you require.</p>			

# Camshafts

## 10-Spline Camshafts - 16-1/2" Brakes - SSA



Left-hand  
Cam



Right-hand  
Cam

Use Camshaft Repair Kit #2001-SSA

Part #	A	O.D.	Application & General Information
202105-074-LH	7-1/2"	1-1/2"	IMT & Ceschi Self-Steer Axles - 16-1/2" Brakes
202105-074-RH			
202105-084-LH	8-1/2"	1-1/2"	
202105-084-RH			
202105-091-LH	9-1/8"	1-1/2"	
202105-091-RH			
202105-096-LH	9-3/4"	1-1/2"	
202105-096-RH			

**NOTE:** During 2003, IMT Corporation will begin phasing out the 10-spline (202105-xxx) standard camshafts. These will be replaced by the 10-spline (202108-xxx) Superlife camshafts listed below. The pricing will remain the same.

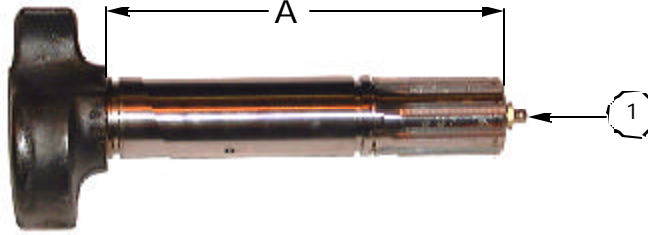
Part #	A	O.D.	Application & General Information
202108-074-LH	7-1/2"	1-1/2"	IMT & Ceschi Self-Steer Axles - 16-1/2" Brakes
202108-074-RH			
202108-084-LH	8-1/2"	1-1/2"	
202108-084-RH			
202108-091-LH	9-1/8"	1-1/2"	
202108-091-RH			
202108-096-LH	9-3/4"	1-1/2"	
202108-096-RH			
202108-104-LH	10-1/2"	1-1/2"	
202108-104-RH			
① 407100	Grease Nipple - required for all above camshafts (not included)		

# Camshafts

## 28-Spline Camshafts - 16-1/2" Brakes - SSA



Left-hand  
Cam



Right-hand  
Cam

Use Camshaft Repair Kit #2001-SSA

Part #	A	O.D.	Application & General Information
202131-074-LH	7-1/2"	1-1/2"	IMT & Ceschi Self-Steer Axles - 16-1/2" Brakes
202131-074-RH			
202131-084-LH	8-1/2"	1-1/2"	
202131-084-RH			
202131-091-LH	9-1/8"	1-1/2"	
202131-091-RH			
202131-096-LH	9-3/4"	1-1/2"	
202131-096-RH			

## 10-Spline Camshafts - 15" Brakes - SSA

Part #	A	O.D.	Application & General Information
202106-091-LH	9-1/8"	1-1/2"	IMT & Ceschi Self-Steer Axles - 15" Brakes
202106-091-RH			
① 407100	Grease Nipple - required for all above camshafts (not included)		

## Camshaft Repair Kit

		#	Quantity	Part #
	2001-SSA	1	4	50470
		2	4	20109

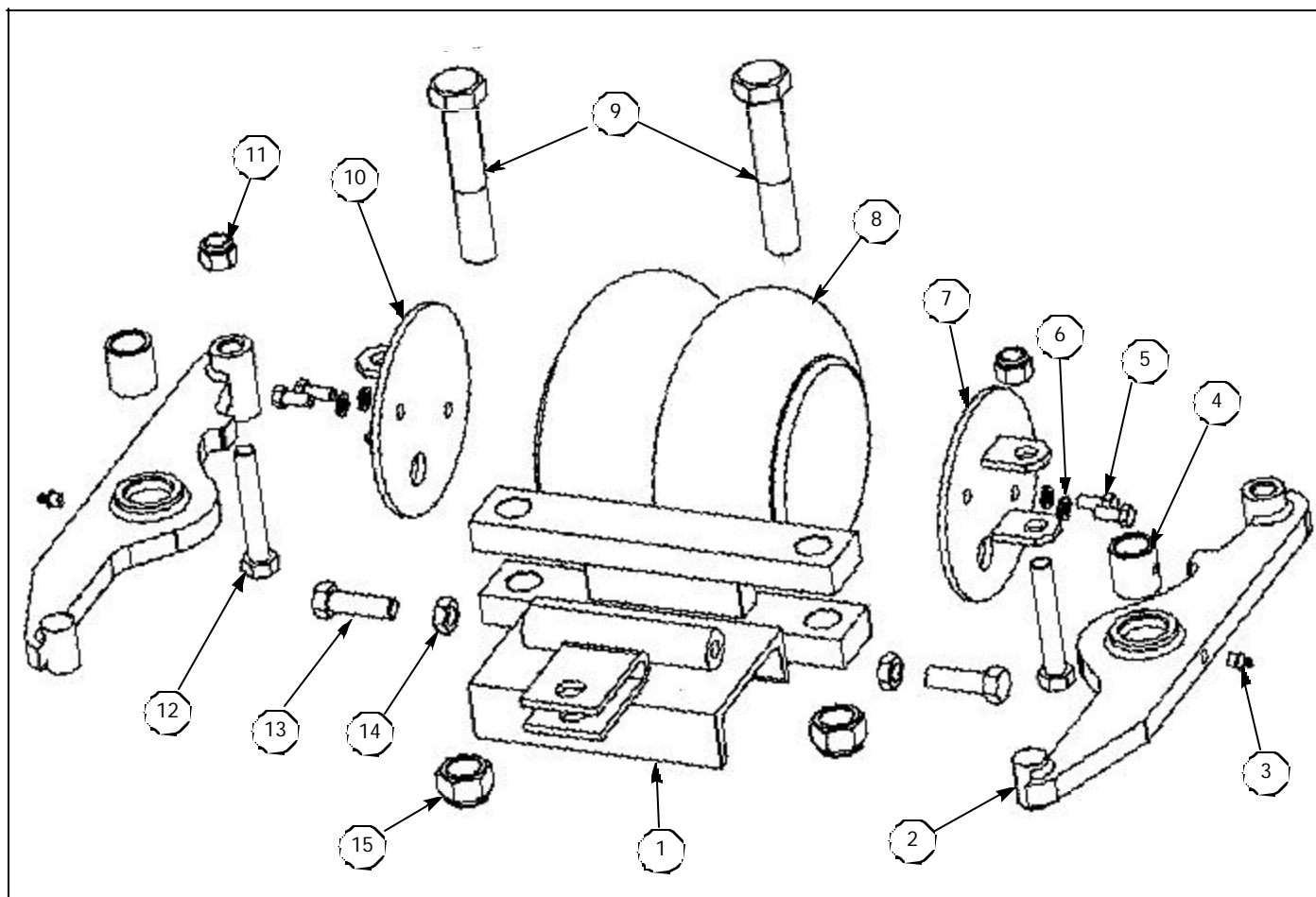
# King Pins

	Part #	Description
	700040L	King Pin - LH 2-1/4" O.D. x 11-3/8" long
	700040R	King Pin - RH 2-1/4" O.D. x 11-3/8" long
	700041	King Pin Bushing
	700068	Thrust Bearing
	700078	Locking Bolt (pre-2003)
	700075	King Pin Gasket
	700076	King Pin Cap
	700660	Draw Key (post-2002)
	700661	Hex Flange Nut - 7/16"-20UNF-2B (post-2002)
	700719	O-ring (post-2002)
	700094	King Pin Cap Bolt - 3/8-16 UNC-2A x 5-8, Gr. 5
	700097	King Pin Cap Washer - 3/8" Lockwasher

# 700040-KIT - King Pin Kit

	Part #	Qty./Kit	Description
	700040L	1	King Pin - LH 2-1/4" O.D. x 11-3/8" long
	700040R	1	King Pin - RH 2-1/4" O.D. x 11-3/8" long
	700041	4	King Pin Bushing
	700068	2	Thrust Bearing
	700078	2	Locking Bolt (pre-2003)
	700075	4	King Pin Gasket
	700660	4	Draw Key (post-2002)
	700661	4	Hex Flange Nut - 7/16"-20UNF-2B (post-2002)
	700719	4	O-ring (post-2002)

# Torpress Assembly



1	700232	Torpress Mounting Assembly	9	700754	Bolt, 1-8 UNC-2A x 5-1/2", Gr. 8
2	700177	Lever Arm Machined	10	700178	Actuator Pad Weldment - R.H.
3	407100	Grease Fitting, Straight	11	700204	Nut, 5/8-11 UNC-2B, Nylock
4	700182	Pivot Bushing	12	700208	Bolt, 5/8-11 UNC-2A x 4", Gr. 5
5	700206	Bolt, 3/8-16 UNC-2A x 7/8, Gr. 5	13	700207	Bolt, 5/8-11 UNC-2A x 2", Gr. 5
6	700097	Washer, Lock, 3/8"	14	700209	Nut, 5/8-11 UNC-2B, hex jam, Gr. 5
7	700179	Actuator Pad Weldment - L.H.	15	700755	Nut, 1-8 UNC-2B, nylock, Gr. 8
8	W01-358-6910	Style 20 Airstrock Actuator			

# Torpress & Steering Dampers

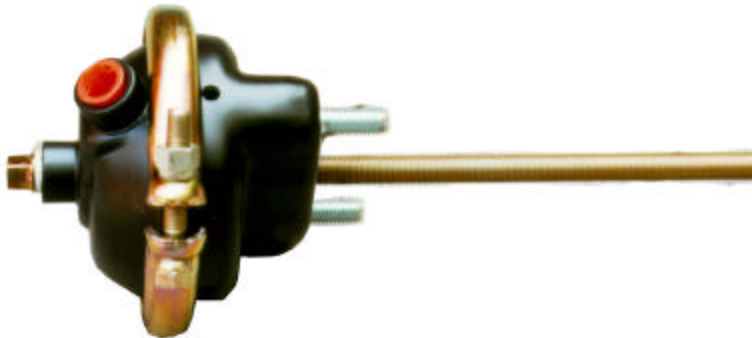

	Part #	Description
	700205	Torpress Pivot Bolt (pre-1999)
	700091	Torpress Nut (pre-1999) 3/4"-10UNC-2A, Nylock
	700754	Torpress Pivot Bolt (post-1998) 1"-8UNC x 5-1/2", Grade 8, zinc-plated
	700755	Torpress Nut (post-1998) 1"-8UNC, Gr. 8, Nylock, zinc-plated
	700182	Torpress Pivot Bushing
	700210	Torpress Washer 1", Gr. 8, zinc-plated
	W01-358-7504	Actuator - Style 26 16,000 lb. capacity Self-Steering Axles
	W01-358-6910	Actuator - Style 20 25,000 lb. capacity Self-Steering Axles
	632155	Steering Damper (Gabriel #4-632155) IMT Self-Steering Axles with dual (2) shocks
	665472	Steering Damper (Gabriel No. 665472 & 665904-40E) IMT Self-Steering Axles with single (1) shock



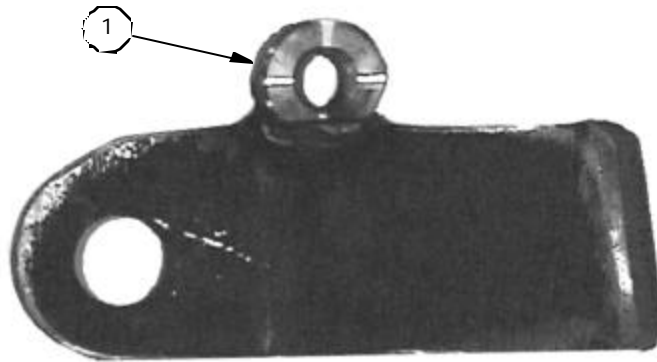
# Tie Rods

	Part #	Description
	700042	Tie Rod End - Left-hand
	700043	Tie Rod End - Right-hand
	700065	Locking Clamp - Tie Rod & Push/Lock Plate
	700091	Locking Clamp Nut 3/4"-10UNC-2A, Nylock
	700092	Locking Clamp Bolt 3/4-10 UNC-2A x 3-3/4", Gr. 5
	700057	Tie Rod - 40" length
	700058	Tie Rod - 51.13" length
	700141	Tie Rod - 33.25" length
	700254	Tie Rod - 46" length
	700289	Tie Rod - 38" length
	700369	Tie Rod - 54" length
	700390	Tie Rod - 43.13" length
	700441	Tie Rod - 58" length
	700445	Tie Rod - 41.75" length
	700455	Tie Rod - 34.75" length
	700479	Tie Rod - 52" length
	700681	Tie Rod - 76.5" length
	700683	Tie Rod - 51" length
700708	Tie Rod - 111.37" length	
700724	Tie Rod - 60.5" length	

# Reverse Locking Cylinders

	Part #	Description
 A side view of a black air chamber with a long, thin brass rod extending from the front. The rod has a loop at the end. There is a red cap on top and a small brass fitting on the side.	217009-050	Type 9 Air Chamber - 5" rod length
 A front view of a black air chamber with a horizontal brass rod welded across the front. The rod has a loop at the end. There is a red cap on top and a small brass fitting on the side.	700090	Type 9 Air Chamber - No external rod Locking Cylinder Bracket is welded directly to the Air Chamber

# Steering Arms



**NOTE:** The steering arm shown above is for SSA's where the shocks are mounted on the steering arm. SSA's equipped with a torpress assembly, or with the shocks clamped to the tie-rod, do not have the shock mount (#1 above) attached. Please check your SSA drawing to determine which Steering Arms are required.

Left-hand	Right-hand
<b>With shock mounts attached</b>	
700523	700524
700527	700528
700537	700538
700545	700546
<b>No shock mounts</b>	
700525	700526
700533	700534
700543	700544

# Cross-Reference

## HOW TO USE THIS CROSS REFERENCE:

On the following pages, you will find the IMT Cross-Reference.

The first section (8-2 to 8-10) is sorted by Supplier's Name, then by Supplier's Part Number.

The second section (8-11 to 8-19) is sorted by Supplier's Part Number, then by Supplier's Name. The listing is in alphanumeric sequence and numbers have precedence over letters.

**NOTE:** This Cross-Reference Section is supplied for your convenience. We have attempted to be as accurate as possible, but we cannot guarantee that all parts are interchangeable; please verify measurements and applications for any parts that you are replacing. If you have any questions or concerns, please feel free to call IMT's Engineering or Parts Department for clarification. Please notify IMT's Parts Co-ordinator of any errors or omissions that you encounter in using this Cross-Reference.



# Cross-Reference

## by Supplier Name

Part #	Supplier	IMT #
01-300	Batco	214103
01-301	Batco	214102
01-321	Batco	208104
01-322	Batco	208104
01-339	Batco	208106
01-434	Batco	203501
02-203	Batco	405129
02-209	Batco	207100
02-350	Batco	403107
02-507	Batco	211102-001 (Metal)
02-507	Batco	211102-003 (Plastic)
02-508	Batco	211102-001 (Metal)
02-508	Batco	211102-003 (Plastic)
03-208	Batco	405128
04-315	Batco	214104
04-572041	Batco	202100-205-RH
04-572042	Batco	202100-205-LH
04-572111	Batco	202100-215-RH
04-572112	Batco	202100-215-LH
04-572241	Batco	202100-225-RH
04-572242	Batco	202100-225-LH
04-572351	Batco	202100-236-RH
04-572352	Batco	202100-236-LH
04-572441	Batco	202100-245-RH
04-572442	Batco	202100-245-LH
04-572651	Batco	202100-265-RH
04-572652	Batco	202100-265-LH
04-582041	Batco	202128-205-RH
04-582042	Batco	202128-205-LH
04-582351	Batco	202128-236-RH
04-582352	Batco	202128-236-LH
04-592041	Batco	202102-205-RH
04-592042	Batco	202102-205-LH
04-592351	Batco	202102-236-RH
04-592352	Batco	202102-236-LH
04-602041	Batco	202127-205-RH
04-602042	Batco	202127-205-LH
04-602351	Batco	202127-236-RH
04-602352	Batco	202127-236-LH
04-612121	Batco	202103-213-RH
04-612122	Batco	202103-213-LH
04-612321	Batco	202103-233-RH

Part #	Supplier	IMT #
04-612322	Batco	202103-233-LH
06-201	Batco	103102-001
06-202	Batco	105107
06-203	Batco	103103-002
06-226	Batco	103107-001
06-228	Batco	105105-001
06-229	Batco	214702
06-230	Batco	105106
06-324	Batco	207100
06-354	Batco	214702
278045	Bendix	212116
278323	Bendix	212116
6500	Berg	212116
M-1046	BWP	214104
M-1050	BWP	103107-001
M-1051	BWP	105105-001
M-1068	BWP	105106
M-1069	BWP	214702
M-1422	BWP	203501
M-1423	BWP	208502
M-1500	BWP	207100
M-1508	BWP	208106
M-1583	BWP	211102-001 (Metal)
M-1583	BWP	211102-003 (Plastic)
M-1956	BWP	214702
M-1996	BWP	103107-001
M-2601L	BWP	202100-245-LH
M-2601R	BWP	202100-245-RH
M-477L	BWP	202103-213-LH
M-477R	BWP	202103-213-RH
M-478L	BWP	202103-233-LH
M-478R	BWP	202103-233-RH.
M-548	BWP	208104
M-560L	BWP	202100-225-LH
M-560R	BWP	202100-225-RH
M-562L	BWP	202100-205-LH
M-562R	BWP	202100-205-RH
M-567L	BWP	202100-215-LH
M-567R	BWP	202100-215-RH
M-571B	BWP	405129
M-582	BWP	405128
M-588	BWP	403107



# Cross-Reference

## by Supplier Name

Part #	Supplier	IMT #
M-644	BWP	214103
M-645	BWP	214102
M-682	BWP	103103-002
M-683	BWP	105107
M-684	BWP	103102-001
M-744L	BWP	202100-236-LH
M-744R	BWP	202100-236-RH
M-767	BWP	304111
M-792	BWP	208104
40-175	Dexter	201140
26282	Diamond T	204101-001
A-7076	Eagle	212116
2-2111	Eaton	214103
2-2115	Eaton	207100
2-2117	Eaton	208104
2-2118	Eaton	208104
2-2124	Eaton	208502
2-2130	Eaton	203501
2-2136	Eaton	214102
3-2187	Eaton	214104
7-2411	Eaton	202100-205-RH
7-2412	Eaton	202100-205-LH
7-2417	Eaton	202100-215-RH
7-2418	Eaton	202100-215-LH
7-2425	Eaton	202100-236-RH
7-2426	Eaton	202100-236-LH
7-243	Eaton	202100-245-LH
7-2431	Eaton	202100-245-RH
820063	Eaton	214102
820196	Eaton	203109-001
820394	Eaton	103103-002
820395	Eaton	103102-001
820396	Eaton	105107
B-1221	Eaton	403107
B-1323-1	Eaton	102102-002
B-1593-1	Eaton	200999-010
B-1661	Eaton	214102
B-1688A	Eaton	211102-001 (Metal)
B-1688A	Eaton	211102-003 (Plastic)
B-1691-17	Eaton	202100-215-LH
B-1691-18	Eaton	202100-215-RH
B-1691-25	Eaton	202100-236-LH

Part #	Supplier	IMT #
B-1691-26	Eaton	202100-236-RH
B-1691-47	Eaton	202100-165-LH
B-1691-48	Eaton	202100-165-RH
B-1713-1	Eaton	405102
B-2076	Eaton	203109-001
F-1529	Eaton	103103-002
F-1530	Eaton	103102-001
F-940	Eaton	103103-002
F-941	Eaton	103102-001
F-942	Eaton	105107
E-1094	Euclid	202100-236-RH
E-1095	Euclid	202100-236-LH
E-1112	Euclid	203109-001
E-1180A	Euclid	208104
E-1410	Euclid	202103-213-RH
E-1411	Euclid	202103-213-LH
E-1416	Euclid	408101
E-1422	Euclid	202103-233-RH.
E-1423	Euclid	202103-233-LH
E-1424	Euclid	202100-205-RH
E-1425	Euclid	202100-205-LH
E-1559	Euclid	214702
E-1561	Euclid	105105-001
E-1569	Euclid	214104
E-2102	Euclid	405128
E-2103	Euclid	209999-019
E-2104	Euclid	209999-018
E-2177	Euclid	204101-001
E-2237	Euclid	105106
E-2365	Euclid	209108-001
E-2390	Euclid	203108-001
E-2391	Euclid	403147
E-2392	Euclid	214107
E-2394	Euclid	201140
E-2395	Euclid	204108-001
E-2396	Euclid	205107-001
E-2398	Euclid	208107
E-2412	Euclid	202100-187-RH
E-2413	Euclid	202100-187-LH
E2518A	Euclid	210177
E-2550	Euclid	103107-001
E-2766	Euclid	203501



# Cross-Reference

## by Supplier Name

Part #	Supplier	IMT #
E-2767	Euclid	208502
E-2796	Euclid	202100-245-RH
E-2797	Euclid	202100-245-LH
E-3854	Euclid	202128-205-LH
E-3855	Euclid	202128-205-RH
E-3856	Euclid	202128-236-LH
E-3857	Euclid	202128-236-RH
E-4738A	Euclid	999195-236
E-4884	Euclid	202100-225-LH
E-4885	Euclid	202100-225-RH
E-5096	Euclid	202103-206-LH
E-5097	Euclid	202103-206-RH
E-523	Euclid	204101-001
E-527	Euclid	214102
E-530	Euclid	405102
E-5304	Euclid	203113-001
E-5305	Euclid	208109
E-539	Euclid	214103
E-544	Euclid	208104
E-545A	Euclid	208104
E-5518	Euclid	202102-205-LH
E-5519	Euclid	202102-205-RH
E-5520	Euclid	202102-236-LH
E-5521	Euclid	202102-236-RH
E-5524	Euclid	202127-205-LH
E-5525	Euclid	202127-205-RH
E-5526	Euclid	202127-236-LH
E-5527	Euclid	202127-236-RH
E-556	Euclid	202100-205-RH
E-557	Euclid	202100-205-LH
E-564	Euclid	403107
E-572	Euclid	103102-001
E-573	Euclid	105107
E-586	Euclid	204102-001
E-5950	Euclid	999195-265
E-612HD	Euclid	212116
E-684	Euclid	202100-215-RH
E-685	Euclid	202100-215-LH
E-686	Euclid	202100-165-RH
E-687	Euclid	202100-165-LH
E-719	Euclid	403105
E-7219	Euclid	202100-265-LH

Part #	Supplier	IMT #
E-7220	Euclid	202100-265-RH
E-747	Euclid	207100
E-757	Euclid	208106
E-759	Euclid	405129
E-807	Euclid	405120
E-864	Euclid	102102-002
E-886	Euclid	211102-001 (Metal)
E-886	Euclid	211102-003 (Plastic)
E-957	Euclid	200999-010
E-9747	Euclid	202103-265-LH
E-9748	Euclid	202103-265-RH
E-975	Euclid	304111
7EQ-1124	Fort	105107
219179	Fruehauf	403107
219316	Fruehauf	202100-205-LH
219317	Fruehauf	202100-205-RH
219320	Fruehauf	208104
253395	Fruehauf	214102
330733	Fruehauf	204101-001
330734	Fruehauf	214103
580443	Fruehauf	202100-205-LH
580444	Fruehauf	202100-205-RH
583015	Fruehauf	207100
866691LH	Fruehauf	211102-001 (Metal)
866691LH	Fruehauf	211102-003 (Plastic)
866692RH	Fruehauf	211102-001 (Metal)
866692RH	Fruehauf	211102-003 (Plastic)
966691	Fruehauf	211102-001 (Metal)
966691	Fruehauf	211102-003 (Plastic)
966692	Fruehauf	211102-001 (Metal)
966692	Fruehauf	211102-003 (Plastic)
ACE-008510-001	Fruehauf	103107-001
ACF-003079-PK1	Fruehauf	208502
AXA-0408-1	Fruehauf	105105-001
AXA-0409-1	Fruehauf	214702
2101126	GM	403107
2295551	GM	204101-001
2408341	GMC	103103-002
17-592	Hayes-Dana	202100-265-RH
17-593	Hayes-Dana	202100-265-LH
B-1116L	HDA	202100-236-LH
B-1116R	HDA	202100-236-RH





# Cross-Reference

## by Supplier Name

Part #	Supplier	IMT #
B-1120L	HDA	202100-245-LH
B-1120R	HDA	202100-245-RH
B-1154L	HDA	202103-213-LH
B-1154R	HDA	202103-213-RH
B-1158L	HDA	202103-233-LH
B-1158R	HDA	202103-233-RH.
11227	Kershaw	208104
11228	Kershaw	207100
11229	Kershaw	214103
L-1074	Leland	202103-213-RH
L-1075	Leland	202103-213-LH
L-118	Leland	214102
L-1199	Leland	405128
L-120	Leland	403107
L-1327	Leland	105106
L-1331	Leland	214702
L-1356	Leland	405129
L-1395	Leland	103107-001
L-1416	Leland	203501
L-1417	Leland	208502
L-151	Leland	214103
L-173	Leland	202100-205-RH
L-174	Leland	202100-205-LH
L-176	Leland	103103-002
L-1762	Leland	214702
L-177	Leland	105107
L-178	Leland	103102-001
L-179	Leland	208104
L-2089	Leland	202100-245-RH
L-2090	Leland	202100-245-LH
L-224	Leland	202100-215-RH
L-225	Leland	202100-215-LH
L-2356	Leland	202100-225-RH
L-2357	Leland	202100-225-LH
L-2476	Leland	202103-265-RH
L-2477	Leland	202103-265-LH
L-2897	Leland	202128-205-RH
L-2898	Leland	202128-205-LH
L-3044	Leland	202127-236-RH
L-3045	Leland	202127-236-LH
L-3072	Leland	202127-205-RH
L-3073	Leland	202127-205-LH

Part #	Supplier	IMT #
L-385	Leland	208106
L-454	Leland	304111
L-580	Leland	202100-236-LH
L-581	Leland	202100-236-RH
L-733	Leland	202103-233-RH.
L-734	Leland	202103-233-LH
L-827	Leland	208104
L-893	Leland	105105-001
L-897	Leland	214104
341SM18	Mack	214103
80AX395	Mack	405102
153-042	Manac	208104
202-592	Manac	601511-1184-41
202-593	Manac	601501-NAB718
202-594	Manac	601501-2020
202-600	Manac	601501-CM18
202-9050	Manac	211102-001 (Metal)
203-002	Manac	203108-001
203-202	Manac	202103-213-RH
203-203	Manac	202103-213-LH
203-2068	Manac	202128-236-LH
203-20780	Manac	202128-236-RH
203-2121	Manac	202103-165-LH
203-2131	Manac	202103-165-RH
203-220	Manac	202103-233-RH.
203-221	Manac	202103-233-LH
203-250	Manac	403121
203-268	Manac	209109-001
203-270	Manac	209115-001
203-2806	Manac	214108
203-504	Manac	204108-001
203-651	Manac	405128
203-802	Manac	208104
203-803	Manac	207100
203-901	Manac	210177
203-902	Manac	211102-003
203-904	Manac	105107
203-911	Manac	103102-001
203-912	Manac	103103-002
203-914	Manac	102102-002
203-9710	Manac	206000
252-1762	Manac	66112



# Cross-Reference

Part #	Supplier	IMT #
984-0950	Manac	999195-265
984-0951	Manac	202100-265-RH
984-0952	Manac	202100-265-LH
984-1143	Manac	50152
987-0503	Manac	302000
988-0234	Manac	408107
988-0523	Manac	601501-NAB718
988-1016	Manac	405120
988-1018	Manac	408101
988-1030	Manac	601502-CM18
989-1034	Manac	601511-1184-41
989-1062	Manac	203501
989-1063	Manac	208502
989-1064	Manac	207100
989-2044	Manac	601149-MB21
1-370	Midland	208502
18502	Midland	212116
C63083	Midland	405102
C65310	Midland	208104
C65311	Midland	214102
C65313	Midland	403107
C65327	Midland	214103
C65337	Midland	208104
C65351	Midland	207100
C65369	Midland	203109-001
C65374	Midland	403105
C65379	Midland	214104
C65383	Midland	408101
C65384	Midland	405129
C65449	Midland	208104
C65476	Midland	405120
C65476	Midland	405128
C66849	Midland	208106
C66866	Midland	203501
C66901	Midland	204101-001
C66911	Midland	204101-001
C66915	Midland	203501
C67473	Midland	203108-001
C67474	Midland	403147
C67475	Midland	214107
C67487	Midland	205107-001
C67488	Midland	208109

Part #	Supplier	IMT #
C67489	Midland	203113-001
C67490	Midland	204108-001
C67492	Midland	208107
CS41052	Midland	202128-205-RH
CS41053	Midland	202128-205-LH
CS41162	Midland	202100-187-LH
CS41163	Midland	202100-187-RH
CS41164	Midland	202128-236-LH
CS41165	Midland	202128-236-RH
CS41168	Midland	202100-265-LH
CS41169	Midland	202100-265-RH
CS41264	Midland	202100-165-LH
CS41265	Midland	202100-165-RH
CS41332	Midland	202103-206-LH
CS41333	Midland	202103-206-RH
CS41336	Midland	202103-265-LH
CS41337	Midland	202103-265-RH
CS41400	Midland	202127-205-LH
CS41401	Midland	202127-205-RH
CS41404	Midland	202127-236-LH
CS41405	Midland	202127-236-RH
CS41506	Midland	202100-205-LH
CS41507	Midland	202100-205-RH
CS41514	Midland	202100-215-LH
CS41515	Midland	202100-215-RH
CS41518	Midland	202100-225-LH
CS41519	Midland	202100-225-RH
CS41522	Midland	202100-236-LH
CS41523	Midland	202100-236-RH
CS41718	Midland	202103-233-LH
CS41719	Midland	202103-233-RH
CS41754	Midland	202100-245-LH
CS41755	Midland	202100-245-RH
CS41762	Midland	202103-213-LH
CS41763	Midland	202103-213-RH
KN44071	Midland	N21154A
KN47001	Midland	212116
62322R1	Navistar	208104
62333R1	Navistar	208104
870813R1	Navistar	103103-002
1205-M-1105	Rockwell	408101
1218-G-85	Rockwell	207100



# Cross-Reference

## by Supplier Name

Part #	Supplier	IMT #
1227-B-756	Rockwell	103102-001
1227-B-7596	Rockwell	103102-001
1229-A-1119	Rockwell	214104
1229-J-218	Rockwell	203109-001
1229-J-868	Rockwell	403107
1229-M-1105	Rockwell	214102
1229-T-3166	Rockwell	214102
1229-V-1660	Rockwell	105107
1259-N-1131	Rockwell	203109-001
1259-N-274	Rockwell	203501
1718-Y-103	Rockwell	214103
1779-D-82	Rockwell	204102-001
1779-R-18	Rockwell	204101-001
2210-A-6319	Rockwell	202100-215-LH
2210-A-6397	Rockwell	202100-245-RH
2210-B-6398	Rockwell	202100-245-LH
2210-E-5413	Rockwell	202100-205-RH
2210-F-3594	Rockwell	202100-205-RH
2210-F-5414	Rockwell	202100-205-LH
2210-G-3595	Rockwell	202100-205-LH
2210-H-2946	Rockwell	202100-225-RH
2210-J-2948	Rockwell	202100-225-LH
2210-M-2483	Rockwell	202100-205-RH
2210-N-2484	Rockwell	202100-205-LH
2210-R-2488	Rockwell	202100-165-RH
2210-S-2489	Rockwell	202100-165-LH
2210-T-2490	Rockwell	202100-215-RH
2210-U-2491	Rockwell	202100-215-LH
2210-U-5533	Rockwell	202100-187-RH
2210-V-5534	Rockwell	202100-187-LH
2210-X-6316	Rockwell	202100-165-RH
2210-Z-6318	Rockwell	202100-215-RH
2258-P-354	Rockwell	208104
2258-Q-615	Rockwell	208502
2258-V-256	Rockwell	208106
2258-Z-416	Rockwell	208104
2758-H-138	Rockwell	208104
3236-A-1249LH	Rockwell	211102-001 (Metal)
3236-A-1249RH	Rockwell	211102-003 (Plastic)
3236-B-1250RH	Rockwell	211102-001 (Metal)
3236-B-1250RH	Rockwell	211102-003 (Plastic)
3262-S-45	Rockwell	304111

Part #	Supplier	IMT #
A1129-W-2545	Rockwell	Rockwell
105107		
A1-3236-A-1249	Rockwell	Rockwell
211102-001 (Metal)		
A1-3236-A-1249	Rockwell	Rockwell
211102-003 (Plastic)		
A-321-A833	Rockwell	200999-010
R000540	Rockwell	103103-002
R000572	Rockwell	103102-001
R000573	Rockwell	105107
R001559	Rockwell	214702
R001561	Rockwell	105105-001
R002237	Rockwell	105106
R002550	Rockwell	103107-001
R517003	Rockwell	204108-001
R517506	Rockwell	205107-001
R537001	Rockwell	203108-001
R547003	Rockwell	403147
R547004	Rockwell	214107
R567005	Rockwell	208107
R607001	Rockwell	202100-236-LH
R607002	Rockwell	202100-236-RH
R607005	Rockwell	202103-213-RH
R607006	Rockwell	202103-213-LH
R607009	Rockwell	202103-233-RH
R607010	Rockwell	202103-233-LH
R607033	Rockwell	202100-245-RH
R607034	Rockwell	202100-245-LH
R607081	Rockwell	202100-205-RH
R607082	Rockwell	202100-205-LH
R607165	Rockwell	202103-206-LH
R607166	Rockwell	202103-206-RH
R607169	Rockwell	202128-205-LH
R607170	Rockwell	202128-205-RH
R607171	Rockwell	202128-236-LH
R607172	Rockwell	202128-236-RH
R607175	Rockwell	202102-205-LH
R607176	Rockwell	202102-205-RH
R607177	Rockwell	202102-236-LH
R607178	Rockwell	202102-236-RH
R607181	Rockwell	202127-205-LH
R607182	Rockwell	202127-205-RH



# Cross-Reference

## by Supplier Name

Part #	Supplier	IMT #
R607183	Rockwell	202127-236-LH
R607184	Rockwell	202127-236-RH
R607193	Rockwell	202100-265-LH
R607194	Rockwell	202100-265-RH
R607243	Rockwell	202103-265-LH
R607244	Rockwell	202103-265-RH
R617002	Rockwell	405128
R617003	Rockwell	405129
R627011	Rockwell	403105
R627017	Rockwell	214104
R627018	Rockwell	408101
R657001	Rockwell	405120
R704591	Rockwell	201140
R822000	Rockwell	212116
R823000	Rockwell	212116
2010	Sloan	212116
10406	Spicer	103103-002
10408	Spicer	103102-001
12-391	Spicer	103103-002
12-392	Spicer	105107
12-393	Spicer	103102-001
12-393	Spicer	103102-001
12-394	Spicer	105106
12-400	Spicer	103107-001
12-402	Spicer	105105-001
12-403	Spicer	214702
15-527	Spicer	203109-001
15-537	Spicer	203108-001
15-542	Spicer	203501
17-574	Spicer	202100-236-RH
17-575	Spicer	202100-236-LH
17-576	Spicer	202100-165-RH
17-577	Spicer	202100-165-LH
17-578	Spicer	202100-187-RH
17-579	Spicer	202100-187-LH
17-580	Spicer	202100-205-RH
17-580	Spicer	202100-205-RH
17-581	Spicer	202100-205-LH
17-581	Spicer	202100-205-LH
17-582	Spicer	202100-215-RH
17-583	Spicer	202100-215-LH
17-584	Spicer	202100-225-RH

Part #	Supplier	IMT #
17-585	Spicer	202100-225-LH
17-586	Spicer	202100-236-RH
17-587	Spicer	202100-236-LH
17-588	Spicer	202100-245-RH
17-588	Spicer	202100-245-RH
17-589	Spicer	202100-245-LH
17-589	Spicer	202100-245-LH
17-592	Spicer	202100-265-RH
17-593	Spicer	202100-265-LH
17-596	Spicer	202100-205-RH
17-597	Spicer	202100-205-LH
17-680	Spicer	202103-206-RH
17-681	Spicer	202103-206-LH
17-684	Spicer	202103-213-RH
17-685	Spicer	202103-213-LH
17-690	Spicer	202103-233-RH.
17-691	Spicer	202103-233-LH
19-853	Spicer	208104
19-860	Spicer	208502
19-862	Spicer	208106
19-880	Spicer	208107
20-881	Spicer	207100
20-882	Spicer	207100
2-132	Spicer	210187
2-139	Spicer	210177
21-932	Spicer	201140
23-1029	Spicer	405102
27-1195	Spicer	405128
28-1231	Spicer	405120
28-1232	Spicer	405129
29-1262	Spicer	214104
29-1269	Spicer	408101
29-1302	Spicer	214104
29-1309	Spicer	403107
29-1311	Spicer	403105
30-1357	Spicer	209999-018
30-1385	Spicer	209108-001
32-1425	Spicer	204101-001
32-1427	Spicer	204102-001
32-1428	Spicer	204101-001
32-1445	Spicer	204108-001
32-1446	Spicer	205107-001



# Cross-Reference

## by Supplier Name

Part #	Supplier	IMT #
33-1476	Spicer	211102-001 (Metal)
33-1476	Spicer	211102-003 (Plastic)
33-1477	Spicer	211102-001 (Metal)
33-1477	Spicer	211102-003 (Plastic)
33-1478	Spicer	211102-001 (Metal)
33-1647	Spicer	211102-003 (Plastic)
34-1525	Spicer	214108
34-1526	Spicer	214102
34-1527	Spicer	214107
34-1529	Spicer	214103
34-1541	Spicer	407100
35-1580	Spicer	403145
35-1581	Spicer	403147
36-1647	Spicer	200999-010
36-1657	Spicer	401113
36-1657	Spicer	402106
36-1657	Spicer	403113
36-1658	Spicer	401101
6-261	Spicer	102102-002
6-262	Spicer	102102-003
66863	Spicer	208502
8-293	Spicer	304111
M103102-001	Spicer	103102-001
M10HD101	Spicer	204108-001
M10HK129	Spicer	304111
M10HM136	Spicer	403147
M10HN100	Spicer	105107
M10HN101	Spicer	103103-002
M10HN102	Spicer	103102-001
M10HN139	Spicer	403107
M10HN151	Spicer	105106
M10HN158	Spicer	103103-002
M10HN172	Spicer	103107-001
M10HP102	Spicer	203109-001
M10HR102	Spicer	214102
M10HR104	Spicer	214107
M10HS117	Spicer	403105
M10HS121	Spicer	105105-001
M10WJ107	Spicer	405128
M10WJ108	Spicer	203108-001
M10WJ116	Spicer	205107-001
M10WJ118	Spicer	208107

Part #	Supplier	IMT #
M10WJ118	Spicer	405129
M10WJ135	Spicer	208104
M10WJ144	Spicer	211102-001
M10WJ150	Spicer	208109
M10WJ151	Spicer	203113-001
M10WJ154	Spicer	208104
M10WR119	Spicer	212116
M12WH112X	Spicer	209999-019
M12WK100-17	Spicer	202103-233-RH.
M12WK100-22	Spicer	202103-265-RH
M12WK101-17	Spicer	202103-233-LH
M12WK101-22	Spicer	202103-265-LH
M12WK106-13	Spicer	202103-265-RH
M12WK106-3	Spicer	202103-206-RH
M12WK106-6	Spicer	202103-213-RH
M12WK107-13	Spicer	202103-265-LH
M12WK107-3	Spicer	202103-206-LH
M12WK107-6	Spicer	202103-213-LH
M12WS127	Spicer	201140
M16HD100	Spicer	405120
M16HD102	Spicer	405102
M16HH100	Spicer	408101
M16WB101	Spicer	211102-001 (Metal)
M16WB101	Spicer	211102-003 (Plastic)
M16WH113X	Spicer	209999-018
M16WJ101	Spicer	208502
M16WJ102	Spicer	207100
M16WJ103	Spicer	214103
M16WJ104	Spicer	204101-001
M16WK102-17	Spicer	202100-205-RH
M16WK102-19	Spicer	202100-215-LH
M16WK102-25	Spicer	202100-236-RH
M16WK102-76	Spicer	202100-225-LH
M16WK102-9	Spicer	202100-165-RH
M16WK103-17	Spicer	202100-205-LH
M16WK103-19	Spicer	202100-215-RH
M16WK103-25	Spicer	202100-236-LH
M16WK103-76	Spicer	202100-225-RH
M16WK103-9	Spicer	202100-165-LH
M16WK104-17	Spicer	202128-205-RH
M16WK104-25	Spicer	202128-236-LH
M16WK105-17	Spicer	202128-205-LH

# Cross-Reference

## by Supplier Name

Part #	Supplier	IMT #
M16WK105-25	Spicer	202128-236-RH
M16WK110-12	Spicer	202100-245-RH
M16WK110-4	Spicer	202100-187-RH
M16WK111-12	Spicer	202100-245-LH
M16WK111-4	Spicer	202100-187-LH
M16WKL10-205	Spicer	202102-205-LH
M16WKL10-236	Spicer	202102-236-LH
M16WKL20-205	Spicer	202127-205-LH
M16WKL20-236	Spicer	202127-236-LH
M16WKR10-205	Spicer	202102-205-RH
M16WKR10-236	Spicer	202102-236-RH
M16WKR20-205	Spicer	202127-205-RH
M16WKR20-236	Spicer	202127-236-RH
M16WS135X	Spicer	200999-010
202100-236L	Standard Forge	202100-236-LH
202100-236R	Standard Forge	202100-236-RH
UB22-64L	Standard Forge	202103-213-LH
UB22-64R	Standard Forge	202103-213-RH
UB24-15L	Standard Forge	202103-233-LH
UB24-15R	Standard Forge	202103-233-RH.
46-5-044	Trailmobile	105105-001
46-5-045	Trailmobile	103107-001
6-3-7	Trailmobile	103103-002
6-4-2	Trailmobile	103102-001
7-23-7	Trailmobile	204101-001
7-27-3	Trailmobile	403107
7-5-64L	Trailmobile	202100-205-LH
7-5-64R	Trailmobile	202100-205-RH
TP-1166	Transit	202100-245-RH
TP-1167	Transit	202100-245-LH
TP-1191	Transit	214104
TP-1193	Transit	105105-001
TP-1460	Transit	202103-213-RH
TP-1461	Transit	202103-213-LH
TP-1464	Transit	202103-233-RH.
TP-1465	Transit	202103-233-LH
TP-1532	Transit	203501
TP-1534	Transit	208502
TP-166	Transit	304111
TP-177	Transit	202100-225-RH
TP-1778	Transit	208104
TP-178	Transit	202100-225-RH

Part #	Supplier	IMT #
TP-1783	Transit	105106
TP-1844	Transit	405128
TP-1970	Transit	214702
TP-302	Transit	202100-236-RH
TP-303	Transit	202100-236-LH
TP-3076	Transit	103107-001
TP-3077	Transit	214702
TP-422	Transit	214103
TP-423	Transit	214102
TP-473	Transit	105107
TP-479	Transit	403107
TP-489	Transit	103103-002
TP-490	Transit	103102-001
TP-507	Transit	202100-205-RH
TP-508	Transit	202100-205-LH
TP-548	Transit	202100-215-RH
TP-549	Transit	202100-215-LH
TP-596	Transit	405129
TP-629	Transit	208106
TP-645	Transit	207100
TP-650	Transit	211102-001 (Metal)
TP-650	Transit	211102-003 (Plastic)
388897	White GMC	208104
827702	White GMC	204101-001





# Cross-Reference

## by Supplier Part Number

Part #	Supplier	IMT #
01-300	Batco	214103
01-301	Batco	214102
01-321	Batco	208104
01-322	Batco	208104
01-339	Batco	208106
01-434	Batco	203501
02-203	Batco	405129
02-209	Batco	207100
02-350	Batco	403107
02-507	Batco	211102-001 (Metal)
02-507	Batco	211102-003 (Plastic)
02-508	Batco	211102-001 (Metal)
02-508	Batco	211102-003 (Plastic)
03-208	Batco	405128
04-315	Batco	214104
04-572041	Batco	202100-205-RH
04-572042	Batco	202100-205-LH
04-572111	Batco	202100-215-RH
04-572112	Batco	202100-215-LH
04-572241	Batco	202100-225-RH
04-572242	Batco	202100-225-LH
04-572351	Batco	202100-236-RH
04-572352	Batco	202100-236-LH
04-572441	Batco	202100-245-RH
04-572442	Batco	202100-245-LH
04-572651	Batco	202100-265-RH
04-572652	Batco	202100-265-LH
04-582041	Batco	202128-205-RH
04-582042	Batco	202128-205-LH
04-582351	Batco	202128-236-RH
04-582352	Batco	202128-236-LH
04-592041	Batco	202102-205-RH
04-592042	Batco	202102-205-LH
04-592351	Batco	202102-236-RH
04-592352	Batco	202102-236-LH
04-602041	Batco	202127-205-RH
04-602042	Batco	202127-205-LH
04-602351	Batco	202127-236-RH
04-602352	Batco	202127-236-LH
04-612121	Batco	202103-213-RH
04-612122	Batco	202103-213-LH
04-612321	Batco	202103-233-RH

Part #	Supplier	IMT #
04-612322	Batco	202103-233-LH
06-201	Batco	103102-001
06-202	Batco	105107
06-203	Batco	103103-002
06-226	Batco	103107-001
06-228	Batco	105105-001
06-229	Batco	214702
06-230	Batco	105106
06-324	Batco	207100
06-354	Batco	214702
10406	Spicer	103103-002
10408	Spicer	103102-001
11227	Kershaw	208104
11228	Kershaw	207100
11229	Kershaw	214103
1205-M-1105	Rockwell	408101
1218-G-85	Rockwell	207100
1227-B-756	Rockwell	103102-001
1227-B-7596	Rockwell	103102-001
1229-A-1119	Rockwell	214104
1229-J-218	Rockwell	203109-001
1229-J-868	Rockwell	403107
1229-M-1105	Rockwell	214102
1229-T-3166	Rockwell	214102
1229-V-1660	Rockwell	105107
12-391	Spicer	103103-002
12-392	Spicer	105107
12-393	Spicer	103102-001
12-393	Spicer	103102-001
12-394	Spicer	105106
12-400	Spicer	103107-001
12-402	Spicer	105105-001
12-403	Spicer	214702
1259-N-1131	Rockwell	203109-001
1259-N-274	Rockwell	203501
1-370	Midland	208502
153-042	Manac	208104
15-527	Spicer	203109-001
15-537	Spicer	203108-001
15-542	Spicer	203501
1718-Y-103	Rockwell	214103
17-574	Spicer	202100-236-RH





# Cross-Reference

## by Supplier Part Number

Part #	Supplier	IMT #	Part #	Supplier	IMT #
17-575	Spicer	202100-236-LH	202-593	Manac	601501-NAB718
17-576	Spicer	202100-165-RH	202-594	Manac	601501-2020
17-577	Spicer	202100-165-LH	202-600	Manac	601501-CM18
17-578	Spicer	202100-187-RH	202-9050	Manac	211102-001 (Metal)
17-579	Spicer	202100-187-LH	203-002	Manac	203108-001
17-580	Spicer	202100-205-RH	203-202	Manac	202103-213-RH
17-580	Spicer	202100-205-RH	203-203	Manac	202103-213-LH
17-581	Spicer	202100-205-LH	203-2068	Manac	202128-236-LH
17-581	Spicer	202100-205-LH	203-20780	Manac	202128-236-RH
17-582	Spicer	202100-215-RH	203-2121	Manac	202103-165-LH
17-583	Spicer	202100-215-LH	203-2131	Manac	202103-165-RH
17-584	Spicer	202100-225-RH	203-220	Manac	202103-233-RH.
17-585	Spicer	202100-225-LH	203-221	Manac	202103-233-LH
17-586	Spicer	202100-236-RH	203-250	Manac	403121
17-587	Spicer	202100-236-LH	203-268	Manac	209109-001
17-588	Spicer	202100-245-RH	203-270	Manac	209115-001
17-588	Spicer	202100-245-RH	203-2806	Manac	214108
17-589	Spicer	202100-245-LH	203-504	Manac	204108-001
17-589	Spicer	202100-245-LH	203-651	Manac	405128
17-592	Hayes-Dana	202100-265-RH	203-802	Manac	208104
17-592	Spicer	202100-265-RH	203-803	Manac	207100
17-593	Hayes-Dana	202100-265-LH	203-901	Manac	210177
17-593	Spicer	202100-265-LH	203-902	Manac	211102-003
17-596	Spicer	202100-205-RH	203-904	Manac	105107
17-597	Spicer	202100-205-LH	203-911	Manac	103102-001
17-680	Spicer	202103-206-RH	203-912	Manac	103103-002
17-681	Spicer	202103-206-LH	203-914	Manac	102102-002
17-684	Spicer	202103-213-RH	203-9710	Manac	206000
17-685	Spicer	202103-213-LH	20-881	Spicer	207100
17-690	Spicer	202103-233-RH.	20-882	Spicer	207100
17-691	Spicer	202103-233-LH	2101126	GM	403107
1779-D-82	Rockwell	204102-001	2-132	Spicer	210187
1779-R-18	Rockwell	204101-001	2-139	Spicer	210177
18502	Midland	212116	219179	Fruehauf	403107
19-853	Spicer	208104	219316	Fruehauf	202100-205-LH
19-860	Spicer	208502	219317	Fruehauf	202100-205-RH
19-862	Spicer	208106	21-932	Spicer	201140
19-880	Spicer	208107	219320	Fruehauf	208104
2010	Sloan	212116	2210-A-6319	Rockwell	202100-215-LH
202100-236L	Standard Forge	202100-236-LH	2210-A-6397	Rockwell	202100-245-RH
202100-236R	Standard Forge	202100-236-RH	2210-B-6398	Rockwell	202100-245-LH
202-592	Manac	601511-1184-41	2210-E-5413	Rockwell	202100-205-RH



# Cross-Reference

## by Supplier Part Number

Part #	Supplier	IMT #
2210-F-3594	Rockwell	202100-205-RH
2210-F-5414	Rockwell	202100-205-LH
2210-G-3595	Rockwell	202100-205-LH
2210-H-2946	Rockwell	202100-225-RH
2210-J-2948	Rockwell	202100-225-LH
2210-M-2483	Rockwell	202100-205-RH
2210-N-2484	Rockwell	202100-205-LH
2210-R-2488	Rockwell	202100-165-RH
2210-S-2489	Rockwell	202100-165-LH
2210-T-2490	Rockwell	202100-215-RH
2210-U-2491	Rockwell	202100-215-LH
2210-U-5533	Rockwell	202100-187-RH
2210-V-5534	Rockwell	202100-187-LH
2210-X-6316	Rockwell	202100-165-RH
2210-Z-6318	Rockwell	202100-215-RH
2-2111	Eaton	214103
2-2115	Eaton	207100
2-2117	Eaton	208104
2-2118	Eaton	208104
2-2124	Eaton	208502
2-2130	Eaton	203501
2-2136	Eaton	214102
2258-P-354	Rockwell	208104
2258-Q-615	Rockwell	208502
2258-V-256	Rockwell	208106
2258-Z-416	Rockwell	208104
2295551	GM	204101-001
23-1029	Spicer	405102
2408341	GMC	103103-002
252-1762	Manac	66112
253395	Fruehauf	214102
26282	Diamond T	204101-001
27-1195	Spicer	405128
2758-H-138	Rockwell	208104
278045	Bendix	212116
278323	Bendix	212116
28-1231	Spicer	405120
28-1232	Spicer	405129
29-1262	Spicer	214104
29-1269	Spicer	408101
29-1302	Spicer	214104
29-1309	Spicer	403107

Part #	Supplier	IMT #
29-1311	Spicer	403105
30-1357	Spicer	209999-018
30-1385	Spicer	209108-001
32-1425	Spicer	204101-001
32-1427	Spicer	204102-001
32-1428	Spicer	204101-001
32-1445	Spicer	204108-001
32-1446	Spicer	205107-001
3-2187	Eaton	214104
3236-A-1249LH	Rockwell	Rockwell
211102-001 (Metal)		Rockwell
3236-A-1249LH		Rockwell
211102-003 (Plastic)		Rockwell
3236-B-1250RH		Rockwell
211102-001 (Metal)		Rockwell
3236-B-1250RH		Rockwell
211102-003 (Plastic)		Rockwell
3262-S-45	Rockwell	304111
330733	Fruehauf	204101-001
330734	Fruehauf	214103
33-1476	Spicer	211102-001 (Metal)
33-1476	Spicer	211102-003 (Plastic)
33-1477	Spicer	211102-001 (Metal)
33-1477	Spicer	211102-003 (Plastic)
33-1478	Spicer	211102-001 (Metal)
33-1647	Spicer	211102-003 (Plastic)
34-1525	Spicer	214108
34-1526	Spicer	214102
34-1527	Spicer	214107
34-1529	Spicer	214103
34-1541	Spicer	407100
341SM18	Mack	214103
35-1580	Spicer	403145
35-1581	Spicer	403147
36-1647	Spicer	200999-010
36-1657	Spicer	401113
36-1657	Spicer	402106
36-1657	Spicer	403113
36-1658	Spicer	401101
388897	White GMC	208104
40-175	Dexter	201140
46-5-044	Trailmobile	105105-001



# Cross-Reference

## by Supplier Part Number

Part #	Supplier	IMT #
46-5-045	Trailmobile	103107-001
580443	Fruehauf	202100-205-LH
580444	Fruehauf	202100-205-RH
583015	Fruehauf	207100
62322R1	Navistar	208104
62333R1	Navistar	208104
6-261	Spicer	102102-002
6-262	Spicer	102102-003
6-3-7	Trailmobile	103103-002
6-4-2	Trailmobile	103102-001
6500	Berg	212116
66863	Spicer	208502
7-23-7	Trailmobile	204101-001
7-2411	Eaton	202100-205-RH
7-2412	Eaton	202100-205-LH
7-2417	Eaton	202100-215-RH
7-2418	Eaton	202100-215-LH
7-2425	Eaton	202100-236-RH
7-2426	Eaton	202100-236-LH
7-243	Eaton	202100-245-LH
7-2431	Eaton	202100-245-RH
7-27-3	Trailmobile	403107
7-5-64L	Trailmobile	202100-205-LH
7-5-64R	Trailmobile	202100-205-RH
7EQ-1124	Fort	105107
80AX395	Mack	405102
820063	Eaton	214102
820196	Eaton	203109-001
820394	Eaton	103103-002
820395	Eaton	103102-001
820396	Eaton	105107
827702	White GMC	204101-001
8-293	Spicer	304111
866691LH	Fruehauf	211102-001 (Metal)
866691LH	Fruehauf	211102-003 (Plastic)
866692RH	Fruehauf	211102-001 (Metal)
866692RH	Fruehauf	211102-003 (Plastic)
870813R1	Navistar	103103-002
966691	Fruehauf	211102-001 (Metal)
966691	Fruehauf	211102-003 (Plastic)
966692	Fruehauf	211102-001 (Metal)
966692	Fruehauf	211102-003 (Plastic)

Part #	Supplier	IMT #
984-0950	Manac	999195-265
984-0951	Manac	202100-265-RH
984-0952	Manac	202100-265-LH
984-1143	Manac	50152
987-0503	Manac	302000
988-0234	Manac	408107
988-0523	Manac	601501-NAB718
988-1016	Manac	405120
988-1018	Manac	408101
988-1030	Manac	601502-CM18
989-1034	Manac	601511-1184-41
989-1062	Manac	203501
989-1063	Manac	208502
989-1064	Manac	207100
989-2044	Manac	601149-MB21
A1129-W-2545	Rockwell	105107
A1-3236-A-1249	Rockwell	211102-001 (Metal)
A1-3236-A-1249	Rockwell	211102-003 (Plastic)
A-321-A833	Rockwell	200999-010
A-7076	Eagle	212116
ACE-008510-001	Fruehauf	103107-001
ACF-003079-PK1	Fruehauf	208502
AXA-0408-1	Fruehauf	105105-001
AXA-0409-1	Fruehauf	214702
B-1116L	HDA	202100-236-LH
B-1116R	HDA	202100-236-RH
B-1120L	HDA	202100-245-LH
B-1120R	HDA	202100-245-RH
B-1154L	HDA	202103-213-LH
B-1154R	HDA	202103-213-RH
B-1158L	HDA	202103-233-LH
B-1158R	HDA	202103-233-RH.
B-1221	Eaton	403107
B-1323-1	Eaton	102102-002
B-1593-1	Eaton	200999-010
B-1661	Eaton	214102
B-1688A	Eaton	211102-001 (Metal)
B-1688A	Eaton	211102-003 (Plastic)
B-1691-17	Eaton	202100-215-LH
B-1691-18	Eaton	202100-215-RH
B-1691-25	Eaton	202100-236-LH
B-1691-26	Eaton	202100-236-RH



# Cross-Reference

## by Supplier Part Number

Part #	Supplier	IMT #
B-1691-47	Eaton	202100-165-LH
B-1691-48	Eaton	202100-165-RH
B-1713-1	Eaton	405102
B-2076	Eaton	203109-001
C63083	Midland	405102
C65310	Midland	208104
C65311	Midland	214102
C65313	Midland	403107
C65327	Midland	214103
C65337	Midland	208104
C65351	Midland	207100
C65369	Midland	203109-001
C65374	Midland	403105
C65379	Midland	214104
C65383	Midland	408101
C65384	Midland	405129
C65449	Midland	208104
C65476	Midland	405120
C65476	Midland	405128
C66849	Midland	208106
C66866	Midland	203501
C66901	Midland	204101-001
C66911	Midland	204101-001
C66915	Midland	203501
C67473	Midland	203108-001
C67474	Midland	403147
C67475	Midland	214107
C67487	Midland	205107-001
C67488	Midland	208109
C67489	Midland	203113-001
C67490	Midland	204108-001
C67492	Midland	208107
CS41052	Midland	202128-205-RH
CS41053	Midland	202128-205-LH
CS41162	Midland	202100-187-LH
CS41163	Midland	202100-187-RH
CS41164	Midland	202128-236-LH
CS41165	Midland	202128-236-RH
CS41168	Midland	202100-265-LH
CS41169	Midland	202100-265-RH
CS41264	Midland	202100-165-LH
CS41265	Midland	202100-165-RH

Part #	Supplier	IMT #
CS41332	Midland	202103-206-LH
CS41333	Midland	202103-206-RH
CS41336	Midland	202103-265-LH
CS41337	Midland	202103-265-RH
CS41400	Midland	202127-205-LH
CS41401	Midland	202127-205-RH
CS41404	Midland	202127-236-LH
CS41405	Midland	202127-236-RH
CS41506	Midland	202100-205-LH
CS41507	Midland	202100-205-RH
CS41514	Midland	202100-215-LH
CS41515	Midland	202100-215-RH
CS41518	Midland	202100-225-LH
CS41519	Midland	202100-225-RH
CS41522	Midland	202100-236-LH
CS41523	Midland	202100-236-RH
CS41718	Midland	202103-233-LH
CS41719	Midland	202103-233-RH
CS41754	Midland	202100-245-LH
CS41755	Midland	202100-245-RH
CS41762	Midland	202103-213-LH
CS41763	Midland	202103-213-RH
E-1094	Euclid	202100-236-RH
E-1095	Euclid	202100-236-LH
E-1112	Euclid	203109-001
E-1180A	Euclid	208104
E-1410	Euclid	202103-213-RH
E-1411	Euclid	202103-213-LH
E-1416	Euclid	408101
E-1422	Euclid	202103-233-RH
E-1423	Euclid	202103-233-LH
E-1424	Euclid	202100-205-RH
E-1425	Euclid	202100-205-LH
E-1559	Euclid	214702
E-1561	Euclid	105105-001
E-1569	Euclid	214104
E-2102	Euclid	405128
E-2103	Euclid	209999-019
E-2104	Euclid	209999-018
E-2177	Euclid	204101-001
E-2237	Euclid	105106
E-2365	Euclid	209108-001



# Cross-Reference

## by Supplier Part Number

Part #	Supplier	IMT #
E-2390	Euclid	203108-001
E-2391	Euclid	403147
E-2392	Euclid	214107
E-2394	Euclid	201140
E-2395	Euclid	204108-001
E-2396	Euclid	205107-001
E-2398	Euclid	208107
E-2412	Euclid	202100-187-RH
E-2413	Euclid	202100-187-LH
E2518A	Euclid	210177
E-2550	Euclid	103107-001
E-2766	Euclid	203501
E-2767	Euclid	208502
E-2796	Euclid	202100-245-RH
E-2797	Euclid	202100-245-LH
E-3854	Euclid	202128-205-LH
E-3855	Euclid	202128-205-RH
E-3856	Euclid	202128-236-LH
E-3857	Euclid	202128-236-RH
E-4738A	Euclid	999195-236
E-4884	Euclid	202100-225-LH
E-4885	Euclid	202100-225-RH
E-5096	Euclid	202103-206-LH
E-5097	Euclid	202103-206-RH
E-523	Euclid	204101-001
E-527	Euclid	214102
E-530	Euclid	405102
E-5304	Euclid	203113-001
E-5305	Euclid	208109
E-539	Euclid	214103
E-544	Euclid	208104
E-545A	Euclid	208104
E-5518	Euclid	202102-205-LH
E-5519	Euclid	202102-205-RH
E-5520	Euclid	202102-236-LH
E-5521	Euclid	202102-236-RH
E-5524	Euclid	202127-205-LH
E-5525	Euclid	202127-205-RH
E-5526	Euclid	202127-236-LH
E-5527	Euclid	202127-236-RH
E-556	Euclid	202100-205-RH
E-557	Euclid	202100-205-LH

Part #	Supplier	IMT #
E-564	Euclid	403107
E-572	Euclid	103102-001
E-573	Euclid	105107
E-586	Euclid	204102-001
E-5950	Euclid	999195-265
E-612HD	Euclid	212116
E-684	Euclid	202100-215-RH
E-685	Euclid	202100-215-LH
E-686	Euclid	202100-165-RH
E-687	Euclid	202100-165-LH
E-719	Euclid	403105
E-7219	Euclid	202100-265-LH
E-7220	Euclid	202100-265-RH
E-747	Euclid	207100
E-757	Euclid	208106
E-759	Euclid	405129
E-807	Euclid	405120
E-864	Euclid	102102-002
E-886	Euclid	211102-001 (Metal)
E-886	Euclid	211102-003 (Plastic)
E-957	Euclid	200999-010
E-9747	Euclid	202103-265-LH
E-9748	Euclid	202103-265-RH
E-975	Euclid	304111
F-1529	Eaton	103103-002
F-1530	Eaton	103102-001
F-940	Eaton	103103-002
F-941	Eaton	103102-001
F-942	Eaton	105107
KN44071	Midland	N21154A
KN47001	Midland	212116
L-1074	Leland	202103-213-RH
L-1075	Leland	202103-213-LH
L-118	Leland	214102
L-1199	Leland	405128
L-120	Leland	403107
L-1327	Leland	105106
L-1331	Leland	214702
L-1356	Leland	405129
L-1395	Leland	103107-001
L-1416	Leland	203501
L-1417	Leland	208502



# Cross-Reference

## by Supplier Part Number

Part #	Supplier	IMT #
L-151	Leland	214103
L-173	Leland	202100-205-RH
L-174	Leland	202100-205-LH
L-176	Leland	103103-002
L-1762	Leland	214702
L-177	Leland	105107
L-178	Leland	103102-001
L-179	Leland	208104
L-2089	Leland	202100-245-RH
L-2090	Leland	202100-245-LH
L-224	Leland	202100-215-RH
L-225	Leland	202100-215-LH
L-2356	Leland	202100-225-RH
L-2357	Leland	202100-225-LH
L-2476	Leland	202103-265-RH
L-2477	Leland	202103-265-LH
L-2897	Leland	202128-205-RH
L-2898	Leland	202128-205-LH
L-3044	Leland	202127-236-RH
L-3045	Leland	202127-236-LH
L-3072	Leland	202127-205-RH
L-3073	Leland	202127-205-LH
L-385	Leland	208106
L-454	Leland	304111
L-580	Leland	202100-236-LH
L-581	Leland	202100-236-RH
L-733	Leland	202103-233-RH.
L-734	Leland	202103-233-LH
L-827	Leland	208104
L-893	Leland	105105-001
L-897	Leland	214104
M103102-001	Spicer	103102-001
M-1046	BWP	214104
M-1050	BWP	103107-001
M-1051	BWP	105105-001
M-1068	BWP	105106
M-1069	BWP	214702
M10HD101	Spicer	204108-001
M10HK129	Spicer	304111
M10HM136	Spicer	403147
M10HN100	Spicer	105107
M10HN101	Spicer	103103-002

Part #	Supplier	IMT #
M10HN102	Spicer	103102-001
M10HN139	Spicer	403107
M10HN151	Spicer	105106
M10HN158	Spicer	103103-002
M10HN172	Spicer	103107-001
M10HP102	Spicer	203109-001
M10HR102	Spicer	214102
M10HR104	Spicer	214107
M10HS117	Spicer	403105
M10HS121	Spicer	105105-001
M10WJ107	Spicer	405128
M10WJ108	Spicer	203108-001
M10WJ116	Spicer	205107-001
M10WJ118	Spicer	208107
M10WJ118	Spicer	405129
M10WJ135	Spicer	208104
M10WJ144	Spicer	211102-001
M10WJ150	Spicer	208109
M10WJ151	Spicer	203113-001
M10WJ154	Spicer	208104
M10WR119	Spicer	212116
M12WH112X	Spicer	209999-019
M12WK100-17	Spicer	202103-233-RH.
M12WK100-22	Spicer	202103-265-RH
M12WK101-17	Spicer	202103-233-LH
M12WK101-22	Spicer	202103-265-LH
M12WK106-13	Spicer	202103-265-RH
M12WK106-3	Spicer	202103-206-RH
M12WK106-6	Spicer	202103-213-RH
M12WK107-13	Spicer	202103-265-LH
M12WK107-3	Spicer	202103-206-LH
M12WK107-6	Spicer	202103-213-LH
M12WS127	Spicer	201140
M-1422	BWP	203501
M-1423	BWP	208502
M-1500	BWP	207100
M-1508	BWP	208106
M-1583	BWP	211102-001 (Metal)
M-1583	BWP	211102-003 (Plastic)
M16HD100	Spicer	405120
M16HD102	Spicer	405102
M16HH100	Spicer	408101



# Cross-Reference

## by Supplier Part Number

Part #	Supplier	IMT #
M16WB101	Spicer	211102-001 (Metal)
M16WB101	Spicer	211102-003 (Plastic)
M16WH113X	Spicer	209999-018
M16WJ101	Spicer	208502
M16WJ102	Spicer	207100
M16WJ103	Spicer	214103
M16WJ104	Spicer	204101-001
M16WK102-17	Spicer	202100-205-RH
M16WK102-19	Spicer	202100-215-LH
M16WK102-25	Spicer	202100-236-RH
M16WK102-76	Spicer	202100-225-LH
M16WK102-9	Spicer	202100-165-RH
M16WK103-17	Spicer	202100-205-LH
M16WK103-19	Spicer	202100-215-RH
M16WK103-25	Spicer	202100-236-LH
M16WK103-76	Spicer	202100-225-RH
M16WK103-9	Spicer	202100-165-LH
M16WK104-17	Spicer	202128-205-RH
M16WK104-25	Spicer	202128-236-LH
M16WK105-17	Spicer	202128-205-LH
M16WK105-25	Spicer	202128-236-RH
M16WK110-12	Spicer	202100-245-RH
M16WK110-4	Spicer	202100-187-RH
M16WK111-12	Spicer	202100-245-LH
M16WK111-4	Spicer	202100-187-LH
M16WKL10-205	Spicer	202102-205-LH
M16WKL10-236	Spicer	202102-236-LH
M16WKL20-205	Spicer	202127-205-LH
M16WKL20-236	Spicer	202127-236-LH
M16WKR10-205	Spicer	202102-205-RH
M16WKR10-236	Spicer	202102-236-RH
M16WKR20-205	Spicer	202127-205-RH
M16WKR20-236	Spicer	202127-236-RH
M16WS135X	Spicer	200999-010
M-1956	BWP	214702
M-1996	BWP	103107-001
M-2601L	BWP	202100-245-LH
M-2601R	BWP	202100-245-RH
M-477L	BWP	202103-213-LH
M-477R	BWP	202103-213-RH
M-478L	BWP	202103-233-LH
M-478R	BWP	202103-233-RH

Part #	Supplier	IMT #
M-548	BWP	208104
M-560L	BWP	202100-225-LH
M-560R	BWP	202100-225-RH
M-562L	BWP	202100-205-LH
M-562R	BWP	202100-205-RH
M-567L	BWP	202100-215-LH
M-567R	BWP	202100-215-RH
M-571B	BWP	405129
M-582	BWP	405128
M-588	BWP	403107
M-644	BWP	214103
M-645	BWP	214102
M-682	BWP	103103-002
M-683	BWP	105107
M-684	BWP	103102-001
M-744L	BWP	202100-236-LH
M-744R	BWP	202100-236-RH
M-767	BWP	304111
M-792	BWP	208104
R000540	Rockwell	103103-002
R000572	Rockwell	103102-001
R000573	Rockwell	105107
R001559	Rockwell	214702
R001561	Rockwell	105105-001
R002237	Rockwell	105106
R002550	Rockwell	103107-001
R517003	Rockwell	204108-001
R517506	Rockwell	205107-001
R537001	Rockwell	203108-001
R547003	Rockwell	403147
R547004	Rockwell	214107
R567005	Rockwell	208107
R607001	Rockwell	202100-236-LH
R607002	Rockwell	202100-236-RH
R607005	Rockwell	202103-213-RH
R607006	Rockwell	202103-213-LH
R607009	Rockwell	202103-233-RH.
R607010	Rockwell	202103-233-LH
R607033	Rockwell	202100-245-RH
R607034	Rockwell	202100-245-LH
R607081	Rockwell	202100-205-RH
R607082	Rockwell	202100-205-LH





# Cross-Reference

## by Supplier Part Number

Part #	Supplier	IMT #
R607165	Rockwell	202103-206-LH
R607166	Rockwell	202103-206-RH
R607169	Rockwell	202128-205-LH
R607170	Rockwell	202128-205-RH
R607171	Rockwell	202128-236-LH
R607172	Rockwell	202128-236-RH
R607175	Rockwell	202102-205-LH
R607176	Rockwell	202102-205-RH
R607177	Rockwell	202102-236-LH
R607178	Rockwell	202102-236-RH
R607181	Rockwell	202127-205-LH
R607182	Rockwell	202127-205-RH
R607183	Rockwell	202127-236-LH
R607184	Rockwell	202127-236-RH
R607193	Rockwell	202100-265-LH
R607194	Rockwell	202100-265-RH
R607243	Rockwell	202103-265-LH
R607244	Rockwell	202103-265-RH
R617002	Rockwell	405128
R617003	Rockwell	405129
R627011	Rockwell	403105
R627017	Rockwell	214104
R627018	Rockwell	408101
R657001	Rockwell	405120
R704591	Rockwell	201140
R822000	Rockwell	212116
R823000	Rockwell	212116
TP-1166	Transit	202100-245-RH
TP-1167	Transit	202100-245-LH
TP-1191	Transit	214104
TP-1193	Transit	105105-001
TP-1460	Transit	202103-213-RH
TP-1461	Transit	202103-213-LH
TP-1464	Transit	202103-233-RH.
TP-1465	Transit	202103-233-LH
TP-1532	Transit	203501
TP-1534	Transit	208502
TP-166	Transit	304111
TP-177	Transit	202100-225-RH
TP-1778	Transit	208104
TP-178	Transit	202100-225-RH
TP-1783	Transit	105106

Part #	Supplier	IMT #
TP-1844	Transit	405128
TP-1970	Transit	214702
TP-302	Transit	202100-236-RH
TP-303	Transit	202100-236-LH
TP-3076	Transit	103107-001
TP-3077	Transit	214702
TP-422	Transit	214103
TP-423	Transit	214102
TP-473	Transit	105107
TP-479	Transit	403107
TP-489	Transit	103103-002
TP-490	Transit	103102-001
TP-507	Transit	202100-205-RH
TP-508	Transit	202100-205-LH
TP-548	Transit	202100-215-RH
TP-549	Transit	202100-215-LH
TP-596	Transit	405129
TP-629	Transit	208106
TP-645	Transit	207100
TP-650	Transit	211102-001 (Metal)
TP-650	Transit	211102-003 (Plastic)
UB22-64L	Standard Forge	202103-213-LH
UB22-64R	Standard Forge	202103-213-RH
UB24-15L	Standard Forge	202103-233-LH
UB24-15R	Standard Forge	202103-233-RH.



# Index

Part Number	Page
059-512-309	5-26
102102-002	4-15; 4-16; 4-17; 4-18; 4-19; 4-20; 5-20
102102-003	4-15; 4-16; 4-17; 4-18; 4-19; 4-20; 5-20
102102-005	5-20
102102-006	5-20
102700-002	5-20
102700-003L	5-20
102700-003R	5-20
103102-001	3-1; 3-4; 3-5; 3-6; 6-2
103103-002	3-1; 3-4; 3-5; 3-6; 6-2
103107-001	3-3; 3-7; 6-2
103111	3-2; 6-2
103112	3-2; 6-2
104107	3-4; 6-1
104108	1-6; 3-1; 3-4; 6-1
104108-C	6-1
104108-G	6-1
104108-S	6-1
104108-T	6-1
104109	3-6; 6-1
104110	3-5; 6-1
104111	3-5; 6-1
104114	3-2; 6-1
104115	3-1; 3-2; 6-1
104115-C	6-1
104115-G	6-1
104115-S	6-1
104115-T	6-1
104116	3-6; 6-1
104122	3-3; 6-1
104122-C	6-1
104122-G	6-1
104122-S	6-1
104122-T	6-1
105105-001	3-3; 3-7; 6-2
105106	3-1; 3-2; 3-4; 3-5; 3-6; 6-2
105107	3-1; 3-2; 3-4; 3-5; 3-6; 6-2
1282	6-3
1643	6-3

Part Number	Page
1720	1-6; 6-3
1743	1-6; 6-3
2001	5-4; 5-5; 5-8; 5-10; 5-11; 5-13; 5-14; 5-15
200100-001	4-15; 4-16; 4-17; 4-18; 4-19; 4-20; 5-21
200100-004	5-21; 7-2
200100-005	5-21; 7-2
200114-001	4-1; 4-3; 4-4; 4-5; 4-6; 4-7; 4-12; 4-13; 5-21
200114-002	4-1; 4-3; 4-4; 4-5; 4-6; 4-7; 4-12; 4-13; 5-21
200115-002	4-10; 4-11; 4-14; 5-21
200116-001	4-8; 4-9; 5-21
200116-002	5-21; 7-2
200116-003	5-21; 7-2
200117	4-2; 5-21
200118	4-2; 5-21
2001-BZ	5-4; 5-5; 5-8; 5-10; 5-11; 5-15
2001-SSA	5-13; 5-14; 5-15; 7-4; 7-5
200999-006	4-8; 4-9; 5-21
200999-007	4-2; 5-21
200999-009	4-1; 4-3; 4-4; 4-5; 4-6; 4-7; 4-12; 4-13; 5-21
200999-010	4-15; 4-16; 4-17; 4-18; 4-19; 4-20; 5-21
200999-021	4-1; 4-3; 4-4; 4-5; 4-6; 4-7; 4-12; 4-13; 5-21
200999-023	4-10; 4-11; 4-14; 5-21
20109	5-15; 5-29; 7-5
202100	5-20
202100-066-LH	5-4
202100-066-RH	5-4
202100-075-LH	5-4
202100-075-LH	5-4
202100-075-RH	5-4
202100-084-LH	5-4
202100-084-RH	5-4
202100-087-LH	5-4
202100-087-RH	5-4
202100-097-LH	5-4



# Index

Part Number	Page
202100-097-RH	5-4
202100-115-LH	5-4
202100-115-RH	5-4
202100-165-LH	5-4
202100-185-LH	5-4
202100-185-RH	5-4
202100-187-LH	5-4
202100-187-RH	5-4
202100-205-LH	5-4
202100-205-RH	5-4
202100-215-LH	5-4
202100-215-RH	5-4
202100-225-LH	5-5
202100-225-RH	5-5
202100-236-LH	5-5
202100-236-RH	5-5
202100-241-LH	5-5
202100-241-RH	5-5
202100-245-LH	5-5
202100-245-RH	5-5
202100-265-LH	5-5
202100-265-RH	5-5
202100-283-LH	5-5
202100-283-RH	5-5
202100-290-LH	5-5
202100-290-RH	5-5
202102-087-LH	5-8
202102-087-RH	5-8
202102-097-LH	5-8
202102-097-RH	5-8
202102-205-LH	5-8
202102-205-RH	5-8
202102-225-LH	5-8
202102-225-RH	5-8
202102-236-LH	5-8
202102-236-RH	5-8
202103-075-LH	5-11
202103-075-RH	5-11
202103-165-LH	5-11
202103-165-RH	5-11
202103-196-LH	5-11

Part Number	Page
202103-196-RH	5-11
202103-206-LH	5-11
202103-206-RH	5-11
202103-213-LH	5-11
202103-213-RH	5-11
202103-233-LH	5-11
202103-233-RH	5-11
202103-265-LH	5-11
202103-265-RH	5-11
202105-074-LH	5-13; 7-4
202105-074-RH	5-13; 7-4
202105-084-LH	5-13; 7-4
202105-084-RH	5-13; 7-4
202105-091-LH	5-13; 7-4
202105-091-RH	5-13; 7-4
202105-096-LH	5-13; 7-4
202105-096-RH	5-13; 7-4
202106-091-LH	5-14; 7-5
202106-091-RH	5-14; 7-5
202108-074-LH	5-13; 7-4
202108-074-RH	5-13; 7-4
202108-084-LH	5-13; 7-4
202108-084-RH	5-13; 7-4
202108-091-LH	5-13; 7-4
202108-091-RH	5-13; 7-4
202108-096-LH	5-13; 7-4
202108-096-RH	5-13; 7-4
202108-104-LH	5-13; 7-4
202108-104-RH	5-13; 7-4
202109-074-LH	5-10
202109-074-RH	5-10
202109-165-LH	5-10
202109-165-RH	5-10
202109-205-LH	5-10
202109-205-RH	5-10
202109-236-LH	5-10
202109-236-RH	5-10
202127-090-LH	5-9
202127-090-RH	5-9
202127-097-LH	5-9
202127-097-RH	5-9



# Index

Part Number	Page
202127-104-LH	5-9
202127-104-RH	5-9
202127-112-LH	5-9
202127-112-RH	5-9
202127-173-LH	5-9
202127-173-RH	5-9
202127-205-LH	5-9
202127-205-RH	5-9
202127-236-LH	5-9
202127-236-RH	5-9
202127-241-LH	5-9
202127-241-RH	5-9
202127-265-LH	5-9
202127-265-RH	5-9
202128-066-LH	5-6
202128-066-RH	5-6
202128-084-LH	5-6
202128-084-RH	5-6
202128-087-LH	5-6
202128-087-RH	5-6
202128-097-LH	5-6
202128-097-RH	5-6
202128-112-LH	5-6
202128-112-RH	5-6
202128-143-LH	5-6
202128-143-RH	5-6
202128-165-LH	5-6
202128-165-RH	5-6
202128-173-LH	5-6
202128-173-RH	5-6
202128-195-LH	5-6
202128-195-RH	5-6
202128-205-LH	5-6
202128-205-RH	5-6
202128-213-LH	5-6
202128-213-RH	5-6
202128-215-LH	5-6
202128-215-RH	5-6
202128-225-LH	5-6
202128-225-RH	5-6
202128-236-LH	5-7

Part Number	Page
202128-236-RH	5-7
202128-241-LH	5-7
202128-241-RH	5-7
202128-245-LH	5-7
202128-245-RH	5-7
202128-265-LH	5-7
202128-265-RH	5-7
202128-283-LH	5-7
202128-283-RH	5-7
202128-290-LH	5-7
202128-290-RH	5-7
202129-077-LH	5-12
202129-077-RH	5-12
202129-115-LH	5-12
202129-115-RH	5-12
202129-156-LH	5-12
202129-156-RH	5-12
202129-181-LH	5-12
202129-181-RH	5-12
202129-196-LH	5-12
202129-196-RH	5-12
202129-206-LH	5-12
202129-206-RH	5-12
202129-213-LH	5-12
202129-213-RH	5-12
202129-233-LH	5-12
202129-233-RH	5-12
202129-245-LH	5-12
202129-245-RH	5-12
202129-265-LH	5-12
202129-265-RH	5-12
202129-290-LH	5-12
202129-290-RH	5-12
202131-074-LH	5-14; 7-5
202131-074-RH	5-14; 7-5
202131-084-LH	5-14; 7-5
202131-084-RH	5-14; 7-5
202131-091-LH	5-14; 7-5
202131-091-RH	5-14; 7-5
202131-096-LH	5-14; 7-5
202131-096-RH	5-14; 7-5



# Index

Part Number	Page
202132-205-LH	5-10
202132-205-RH	5-10
202132-236-LH	5-10
202132-236-RH	5-10
202132-241-LH	5-10
202132-241-RH	5-10
2028	5-6; 5-7; 5-9; 5-10; 5-12; 5-15
2028-BZ	5-6; 5-7; 5-9; 5-10; 5-12; 5-15
203108-001	4-14
203108-011	5-27
203109-001	5-27
203109-011	4-12; 4-13
203113-001	4-10; 4-11; 5-27
203501	4-1; 4-2; 4-3; 4-4; 4-5; 4-6; 4-7; 4-8; 4-9; 4-15; 4-16; 4-17; 4-18; 4-19; 4-20; 5-27
203802-005	5-27
204101-001	4-1; 4-2; 4-3; 4-4; 4-5; 4-6; 4-7; 4-8; 4-9; 4-12; 4-13; 4-15; 4-16; 4-17; 4-18; 4-19; 4-20; 5-27
204101-005	5-27
204102-001	4-10; 4-11; 5-27
204108-001	4-14; 5-27
205107-001	4-14; 5-27
206000	5-26
206005	5-26
206006	5-26
206007	5-26
206008	5-26
207100	4-1; 4-2; 4-3; 4-4; 4-5; 4-6; 4-7; 4-8; 4-9; 4-10; 4-11; 4-12; 4-13; 4-14; 4-15; 4-16; 4-17; 4-18; 4-19; 4-20; 5-29
208104	4-1; 4-2; 4-3; 4-4; 4-5; 4-6; 4-7; 4-12; 4-13; 4-15; 4-16; 4-17; 4-18; 4-19; 4-20; 5-30
208106	4-14; 5-30
208107	4-10; 4-11; 5-30
208109	4-10; 4-11; 5-29
208115	4-8; 4-9; 5-30

Part Number	Page
208502	4-1; 4-2; 4-3; 4-4; 4-5; 4-6; 4-7; 4-8; 4-9; 4-15; 4-16; 4-17; 4-18; 4-19; 4-20; 5-30
209108-001	5-16
209109-001	5-16
209109-002	5-16
209109-005	5-16
209109-006	5-16
209109-007	5-16
209111	5-16
209115-001	5-16; 5-19
209999-018	5-17
209999-019	5-17
209999-025	5-18
209999-026	5-18
209999-027	5-18
209999-028	5-18
209999-029	5-17
209999-035	5-17
209999-038	5-18
209999-039	5-18
209999-040	5-18
209999-041	5-18
209999-044	5-18
209999-045	5-18
209999-048	5-17
209999-049	5-17
209999-050	5-18
209999-051	5-18
209999-052	5-18
209999-053	5-18
209999-054	5-17
209999-055	5-17
209999-056	5-17
209999-057	5-17
209999-058	5-17
209999-059	5-17
209999-060	5-17
209999-061	5-17
209999-062	5-17
209999-063	5-17

# Index

Part Number	Page
209999-070	5-17
209999-071	5-17
209999-072	5-17
209999-073	5-17
209999-074	5-17
209999-075	5-17
209999-076	5-17
209999-077	5-17
209999-078	5-17
209999-079	5-17
209999-086	5-17
209999-087	5-17
209999-088	5-17
210177	5-22
210180	5-22
210187	5-22
210191	5-22
210192	5-22
210193	5-22
210194	5-22
210195	5-22
210196	5-22
210197	5-22
210198	5-22
210199	5-22
210200	5-22
21102-003	5-31
211102-001	5-31
211102-002	5-31
211102-004	5-31
211106	5-31
211107	5-31
211108	5-31
211109	5-31
211110	5-31
212116	5-24
214102	4-14; 5-27
214103	4-1; 4-2; 4-3; 4-4; 4-5; 4-6; 4-7; 4-8; 4-9; 4-10; 4-11; 4-12; 4-13; 4-15; 4-16; 4-17; 4-18; 4-19; 4-20; 5-29

Part Number	Page
214104	4-1; 4-2; 4-3; 4-4; 4-5; 4-6; 4-7; 4-8; 4-9; 4-10; 4-11; 4-12; 4-13; 4-14; 4-15; 4-16; 4-17; 4-18; 4-19; 4-20; 5-15; 5-29
214107	5-29
214108	4-1; 4-2; 4-3; 4-4; 4-5; 4-6; 4-7; 4-8; 4-9; 4-10; 4-11; 4-12; 4-13; 4-14; 4-15; 4-16; 4-17; 4-18; 4-19; 4-20; 5-15; 5-29
214702	3-3; 3-7; 6-2
217009-010	5-23
217009-050	7-1; 7-11
217016-090	5-23
217020-060	5-23
217024-060	5-23
217030-060	5-23
217330-060	5-23
217524-060	5-23
217530-060	5-23
217630-060	5-23
217730-060	5-23
217830-060	5-23
218124-xxx	5-23
218130-xxx	5-23
218924-xxx	5-23
218930-xxx	5-23
304111	6-3
307-0723	6-3
307-0743	6-3
310-1043	6-3
310-1048	6-3
315-1503	6-3
315-1504	6-3
315-1507	6-3
320-2023	6-3
320-2041	6-3
320-2109	6-3
320-2110	6-3
320-2173	6-3
330-3009	6-4
330-3056	6-4



# Index

Part Number	Page
330-3062	6-4
330-3067	6-4
330-3079	6-4
330-3118	6-4
340-4975	6-4
342-4009	6-4
342-4195	6-4
343-4009	6-4
343-4059	6-4
343-4064	6-4
343-4075	6-4
343-4082	6-4
343-4195	6-4
348-4009	6-4
348-4075	6-4
348-4195	6-4
349-4009	6-4
349-4195	6-4
364-094-001	5-26
364-208-001	5-26
370025A	6-5
376590A	6-5
380025A	6-5
380065A	6-5
400-10142	5-25
400-10304	5-25
400128	5-31; 5-32; 6-5
400130	5-32
400148	5-32
401101	4-1; 4-3; 4-4; 4-5; 4-6; 4-7; 4-8; 4-9; 4-12; 4-13; 4-15; 4-16; 4-17; 4-18; 4-19; 4-20; 5-32
401110	5-32; 6-5
401113	4-15; 4-16; 4-17; 4-18; 4-19; 4-20; 5-20; 5-32
401114	5-32
401116	5-32
401160	4-10; 4-11; 4-14; 5-32
402106	4-1; 4-3; 4-4; 4-5; 4-6; 4-7; 4-8; 4-9; 4-12; 4-13; 4-15;

Part Number	Page
402106	4-16; 4-17; 4-18; 4-19; 4-20; 5-20; 5-32
402138	5-32
402140	4-10; 4-11; 4-14; 5-32
403105	4-1; 4-2; 4-3; 4-4; 4-5; 4-6; 4-7; 4-8; 4-9; 4-10; 4-11; 4-12; 4-13; 4-14; 4-15; 4-16; 4-17; 4-18; 4-19; 4-20; 5-15; 5-32
403107	4-1; 4-2; 4-3; 4-4; 4-5; 4-6; 4-7; 4-8; 4-9; 4-10; 4-11; 4-12; 4-13; 4-14; 4-15; 4-16; 4-17; 4-18; 4-19; 4-20; 5-15; 5-32
403113	4-10; 4-11; 4-14; 5-32
403115	5-31; 5-32; 6-5
403116	5-32
403117	4-1; 4-3; 4-4; 4-5; 4-6; 4-7; 4-8; 4-9; 4-12; 4-13; 4-15; 4-16; 4-17; 4-18; 4-19; 4-20; 5-20; 5-32
403121	4-1; 4-2; 4-3; 4-4; 4-5; 4-6; 4-7; 4-8; 4-9; 4-10; 4-11; 4-12; 4-13; 4-14; 4-15; 4-16; 4-17; 4-18; 4-19; 4-20; 5-15; 5-32
403145	5-32
403147	5-32
403152	5-32; 6-5
405102	4-2; 5-28
405120	4-1; 4-2; 4-3; 4-4; 4-5; 4-6; 4-7; 4-8; 4-9; 4-10; 4-11; 4-12; 4-13; 4-14; 4-15; 4-16; 4-17; 4-18; 4-19; 4-20; 5-15; 5-28
405128	5-15; 5-16; 5-28
405129	4-1; 4-2; 4-3; 4-4; 4-5; 4-6; 4-7; 4-8; 4-9; 4-10; 4-11; 4-12; 4-13; 4-14; 4-15; 4-16; 4-17; 4-18; 4-19; 4-20; 5-15; 5-28
405134	5-28
406101	4-10; 4-11; 4-14
406202	5-31
407100	5-13; 5-14; 7-1; 7-4; 7-8
407101	4-10; 4-11; 4-14

# Index

Part Number	Page
407102	4-1; 4-2; 4-3; 4-4; 4-5; 4-6; 4-7; 4-8; 4-9; 4-12; 4-13; 4-15; 4-16; 4-17; 4-18; 4-19; 4-20; 7-1
408101	4-1; 4-2; 4-3; 4-4; 4-5; 4-6; 4-7; 4-8; 4-9; 4-10; 4-11; 4-12; 4-13; 4-14; 4-15; 4-16; 4-17; 4-18; 4-19; 4-20; 5-15; 5-29
408107	5-31
409-10323	5-25
409-10324	5-25
409-10655	5-25
409-10656	5-25
409-10673	5-25
409-10675	5-25
409-10683	5-25
409-10888	5-25
409-10889	5-25
4410-328-090	5-26
447-4723	3-3; 3-7; 6-2
447-4743	3-1; 3-6; 6-2
46285	6-5
46300	6-5
46305	6-5
5001243	5-26
5006810	5-26
501335	5-18
501336	5-18
50470	5-15; 5-28; 7-5
51005	5-21; 7-1; 7-2
51005-ABS	5-21; 7-2
601105-CM18	5-3
601140-2015	5-3
601140-CM18	5-3
601143-2015	5-1
601146-2020	5-3
601146-CM18	5-3
601146-CM20	5-3
601149-2015	5-1
601149-CM18	5-1
601149-MB21	5-1

Part Number	Page
601150-CM18	5-1
601150-MB23	5-1
601501-2015	5-1
601501-2020	5-1
601501-2030	5-1
601501-3658F	5-1
601501-CM18	5-1
601501-CM20	5-1
601501-CM29	5-1
601501-MB21	5-1
601501-MB23	5-1
601501-NA100	5-1
601502-2020	5-1
601502-CM18	5-1
601502-CM20	5-1
601505-2020	5-1
601505-CM18	5-1
601508-CM18	5-1
601508-MB21	5-1
601509-2015	5-1
601511-CM18	5-2
601511-CM20	5-2
601512-CM18	5-2
601513-2020	5-2
601513-CM18	5-2
632155	7-9
665472	7-9
700025	7-3
700026	7-3
700028	7-3
700029	7-3
700040L	7-1; 7-6; 7-7
700040R	7-1; 7-6; 7-7
700041	7-1; 7-6; 7-7
700042	7-1; 7-10
700043	7-1; 7-10
700046	7-2
700047	7-1; 7-2
700057	7-1; 7-10
700058	7-10
700065	7-1; 7-10

# Index

Part Number	Page
700068	7-1; 7-6; 7-7
700075	7-1; 7-6; 7-7
700076	7-1; 7-6
700078	7-6; 7-7
700090	7-11
700091	7-1; 7-9; 7-10
700092	7-1; 7-10
700094	7-1; 7-6
700097	7-1; 7-6; 7-8
700115	7-3
700116	7-3
700141	7-10
700153	7-1
700177	7-8
700178	7-8
700179	7-8
700182	7-8; 7-9
700190	7-1
700191	7-1
700192	7-1
700204	7-1; 7-8
700205	7-9
700206	7-8
700207	7-8
700208	7-1; 7-8
700209	7-8
700210	7-9
700212	7-1
700232	7-8
700254	7-10
700264	7-2
700289	7-10
700346	7-1; 7-3
700347	7-1; 7-3
700369	7-10
700386	7-3
700387	7-3
700390	7-10
700409	7-1
700436	7-2
700441	7-10

Part Number	Page
700445	7-10
700455	7-10
700479	7-10
700523	7-12
700524	7-12
700525	7-1; 7-12
700526	7-1; 7-12
700527	7-12
700528	7-12
700533	7-12
700534	7-12
700537	7-12
700538	7-12
700543	7-12
700544	7-12
700545	7-12
700546	7-12
700561	7-1
700566	7-3
700567	7-3
700660	7-1; 7-6; 7-7
700661	7-1; 7-6; 7-7
700681	7-10
700683	7-10
700708	7-10
700719	7-1; 7-6; 7-7
700724	7-10
700754	7-8; 7-9
700755	7-8; 7-9
700759	7-2
813653	5-25
999195-090	5-19
999195-112	5-19
999195-165	5-19
999195-173	5-19
999195-185	5-19
999195-205	5-19
999195-213	5-19
999195-225	5-19
999195-233	5-19
999195-236	5-19



# Index

<b>Part Number</b>	<b>Page</b>
999195-245	5-19
999195-265	5-19
AS1000	5-25
CB21100	5-24
CB21106	5-24
CB21123	5-24
CB21206	5-24
CB21503	5-24
CB22100	5-24
CB22103	5-24
CB22106	5-24
CB22123	5-24
CB22153	5-24
CB22206	5-24
CB41100	5-24
CB41106	5-24
CB42100	5-24
CB42106	5-24
N21154A	5-24
SA10603	5-25
SA10803	5-25
W01-358-6910	7-8, 7-9
W01-358-7504	7-9