

SUSPENSION CATALOG



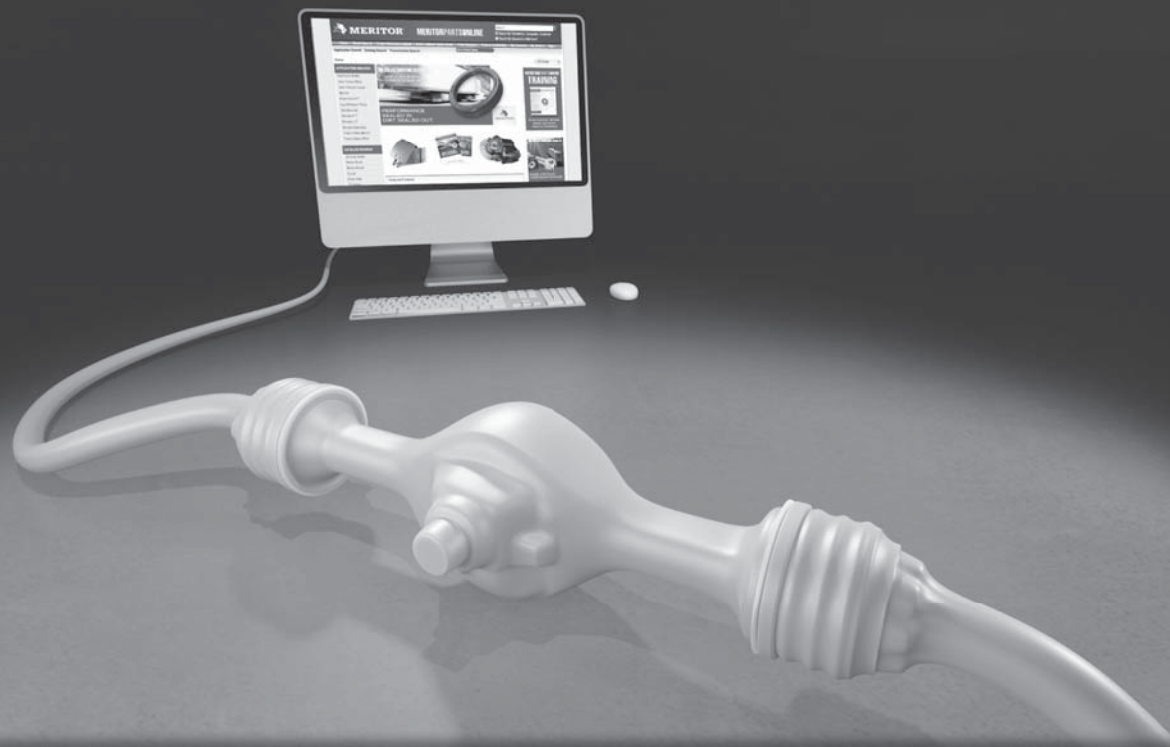
TRUST MATTERS.



Section 1: Suspensions with Exploded Views and Parts

Chalmers	5
Dayton	17
Freightliner	22
Fruehauf	30
Hendrickson	51
Hutchens	161
Kenworth	196
Mack.....	198
Meritor	206
Navistar	209
Neway.....	213
Page	330
Peterbilt.....	337
Reyco/Graning.....	347
Ridewell.....	397
Spicer	400
Trailmobile.....	404
Volvo	407

Section 2: Components**Section 3: Air Springs****Section 4: Shocks****Part Number Index**



MERITORPARTSONLINE.com

Your 24/7/365 access to genuine Euclid® parts ordering, plus real-time pricing, parts comparisons and in-depth technical information.



TRUST MATTERS.

©2014 Meritor, Inc.

Special Order Services (S.O.S.) Portfolio

Aerodynamics and Spray Suppression

- Fleetline genuine
- Aerodynamics side fairings, gap fairings
- Deck plates and steps
- Fenders: quarter, single axle, half tandem, full tandem
- Light bars
- Mounting components
- Mud flap hangers

Air Brake Parts

- Gunite, Haldex genuine automatic slack adjusters
- Bendix-Spicer replacement components
- Eaton replacement components
- Miscellaneous brackets



Air Springs

- Firestone genuine



Air Systems

- New and remanufactured air compressors, air dryers and air valves
- Bendix replacement components
- Cummins replacement components
- Haldex replacement components



Cargo Restraints

- S-Line genuine

Driveline

- Spicer genuine



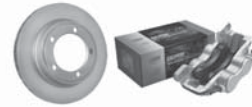
Front End Components

- Cross tubes
- Drag links
- Kingpin kits
- Power steering gears
- Power steering pumps
- Steering arms
- Tie rod ends



Hydraulic Brake Parts

- Calipers
- Master and slave cylinders
- Pad and hardware kits
- Rotors



Rotating Electric

- New alternators
- New starters



Shock Absorbers

- Premium heavy-duty adjustable shocks
- Standard heavy-duty shocks
- Heavy-duty cab shocks



Suspension

- Full suspensions and suspension components available
- Chalmers genuine
- Fruehauf genuine
- Hendrickson genuine
- Hutchens genuine
- Neway genuine
- Reyco/Transpro/Granning/genuine
- Ridewell genuine



Tools and Shop Equipment

- Fraser Gauge Company
- Hendrickson
- OTC
- SPX

Wheel and Hub Parts

- Conmet genuine
- Gunite genuine
- Webb Wheel genuine



Tough customer part requests?

We can help. With the Meritor S.O.S. program, we can source and ship practically any product on the market. S.O.S. covers a wide variety of applications including light-, medium-, and heavy-duty truck, specialty truck and trailer, and transit applications. Our team is ready to help find those tough parts requirements so you can secure that new business opportunity or build an existing relationship. Call our Customer Care team at 888.725.9355 (options #3, #2). In Canada, call 800.387.3889.

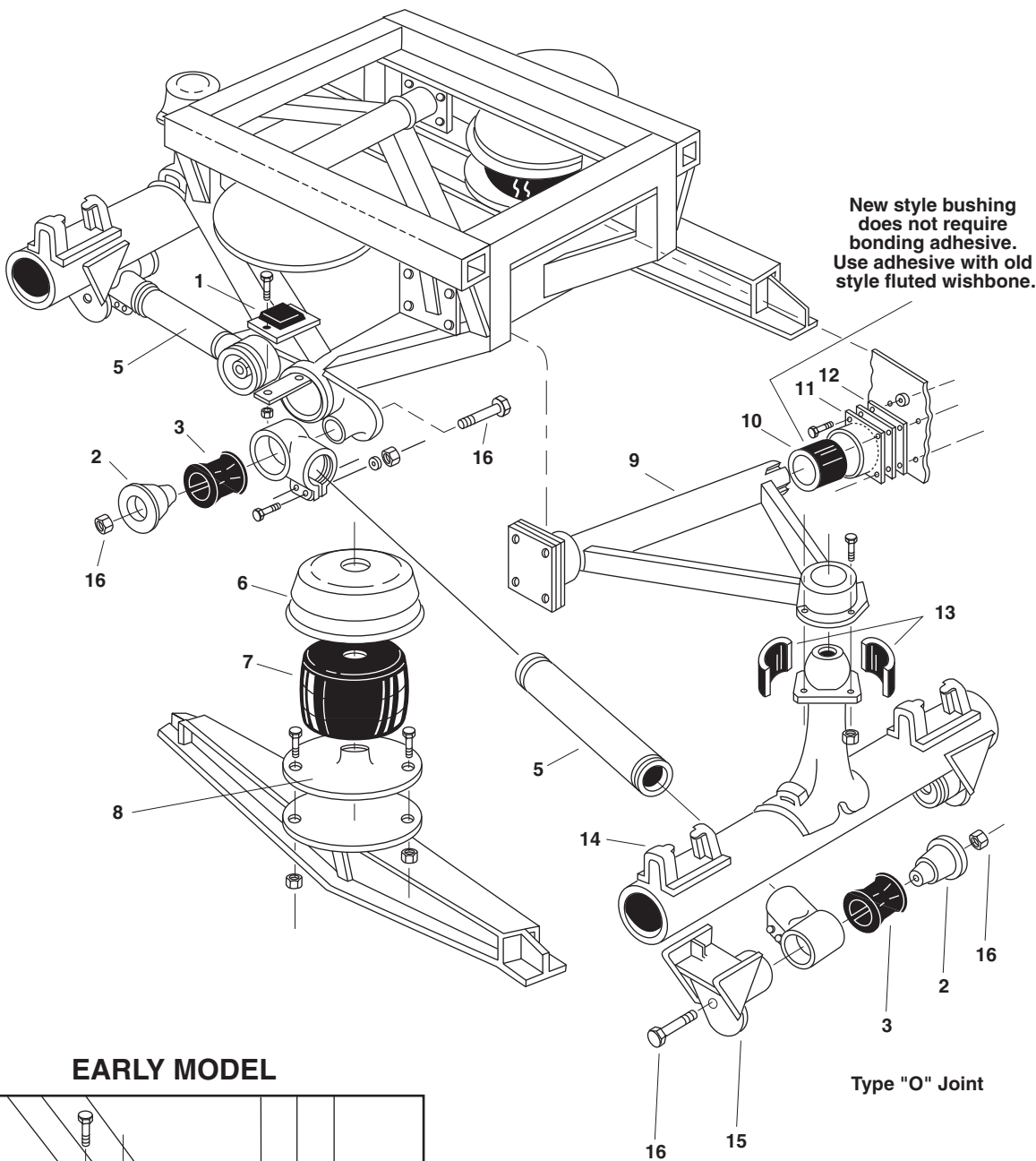
©2014 Meritor, Inc.



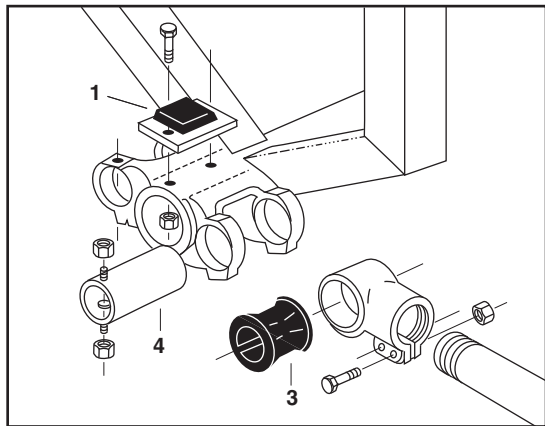
CHALMERS 300 SERIES

Trailer

CHALMERS



EARLY MODEL



CHALMERS 300 SERIES

Trailer

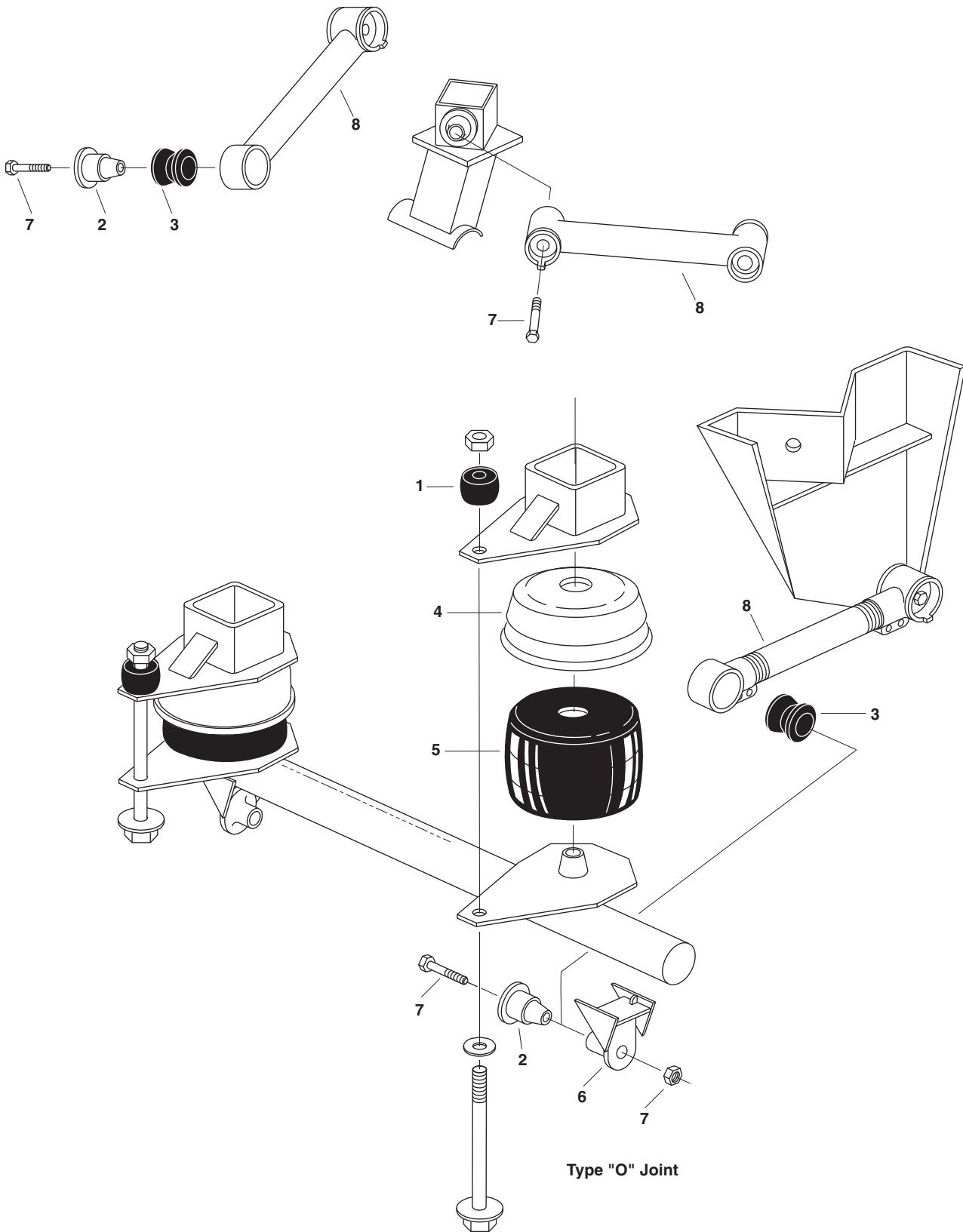
KEY NO.	EUCLID NO.	REPLACES NO.	DESCRIPTION	QTY PER SUSPENSION
1	E-4675	48045	Rebound Stop	2
2	E-4680	260002	Spigot Cap	16
3	E-4677A (Rubber)	22128	Torque Arm Bushing, OE Version	8
	E-8701 (Rubber)	22128	Torque Arm Bushing, Aftermarket Version	
	E-7427 (Poly)	22128	Torque Arm Bushing	16
3a	E-4678A (Rubber)	22129	Torque Arm Bushing, Oversized OE	As Required
	E-8702 (Rubber)	22129	Torque Arm Bushing, Oversized Aftermarket	
4	N/A	22037	Wrist Pin	16
5	E-4789	216214	Adjustable Torque Arm, 21 1/2" Center-to-Center	2
	E-4790	216240	Adjustable Torque Arm, 24" Center-to-Center	6
	E-4791	223214	Rigid Torque Arm, 21 1/2" Center-to-Center	
	E-4792	223240	Rigid Torque Arm, 24" Center-to-Center	
6	E-4688A	373028 373020 (Old)	Restrictor Can #28 (Replace Restrictor Can #20)	2
7	E-4685	15002	Load Spring #20	2
8	E-4786	22116	Spring Plate	2
9	E-7764	68017	Wishbone	2
10	E-4683	22115	Wishbone End Bushing	4
11	E-4682	22107	Wishbone End	4
12	E-4681	22105	Shim, 16 Gauge	As Required
	S.O.S.	22099	Shim, 25 Gauge	—
13	E-4674	22036	Wishbone Apex Bushing, 2-Piece	2
14	E-7756	222083	Saddle, 5" Round or 4" x 6" Rectangular Axle	4
	S.O.S.	231026	Saddle, 5" Square Axle	
	E-7757	222139	Axle Bracket, 5" Round Spigot Type	4
S.O.S.	231000	Axle Bracket, 5" Square Spigot Type		
S.O.S.	228006	Axle Bracket, 4" x 6" Rectangular Spigot Type		
16	E-7772	K880230	Hardware Kit for #0 Spigot Joint	2
—	E-4684	Devcon "A"	Plastic Steel Adhesive Cartridge	As Required

CHALMERS

CHALMERS 500 SERIES

Trailer

CHALMERS



Type "O" Joint

CHALMERS 500 SERIES

Trailer

KEY NO.	EUCLID NO.	REPLACES NO.	DESCRIPTION	QTY PER SUSPENSION
1	S.O.S.	22096	Rebound Stop	2
2	E-4680	260002	Spigot Cap	16
3	E-4677A (Rubber)	22128	Torque Arm Bushing, OE Version	8
	E-8701 (Rubber)	22128	Torque Arm Bushing, Aftermarket Version	
	E-7427 (Poly)	22128	Torque Arm Bushing	16
3a	E-4678A (Rubber)	22129	Torque Arm Bushing, Oversized OE	As Required
	E-8702 (Rubber)	22129	Torque Arm Bushing, Oversized Aftermarket	
4	E-4688A	373028 373020 (Old)	Restrictor Can #28 (Replaces Restrictor Can #20)	2
5	E-4685	15002	Load Spring #20	2
6	E-7757	222139	Axle Bracket, 5" Round Spigot Type	4
	S.O.S.	231000	Axle Bracket, 5" Square Spigot Type	—
	S.O.S.	228006	Axle Bracket, 4" x 6" Rectangular Spigot Type	—
7	E-7772	K880230	Hardware Kit for #0 Spigot Joint	2
8	S.O.S.	223220	Rigid Torque Arm, Lower, 22" Center-to-Center	
	S.O.S.	216220	Adjustable Torque Arm, Lower, 22" Center-to-Center	4
	S.O.S.	223200	Rigid Torque Arm, Upper, 20" Center-to-Center	

CHALMERS

CHALMERS 600 SERIES

Truck

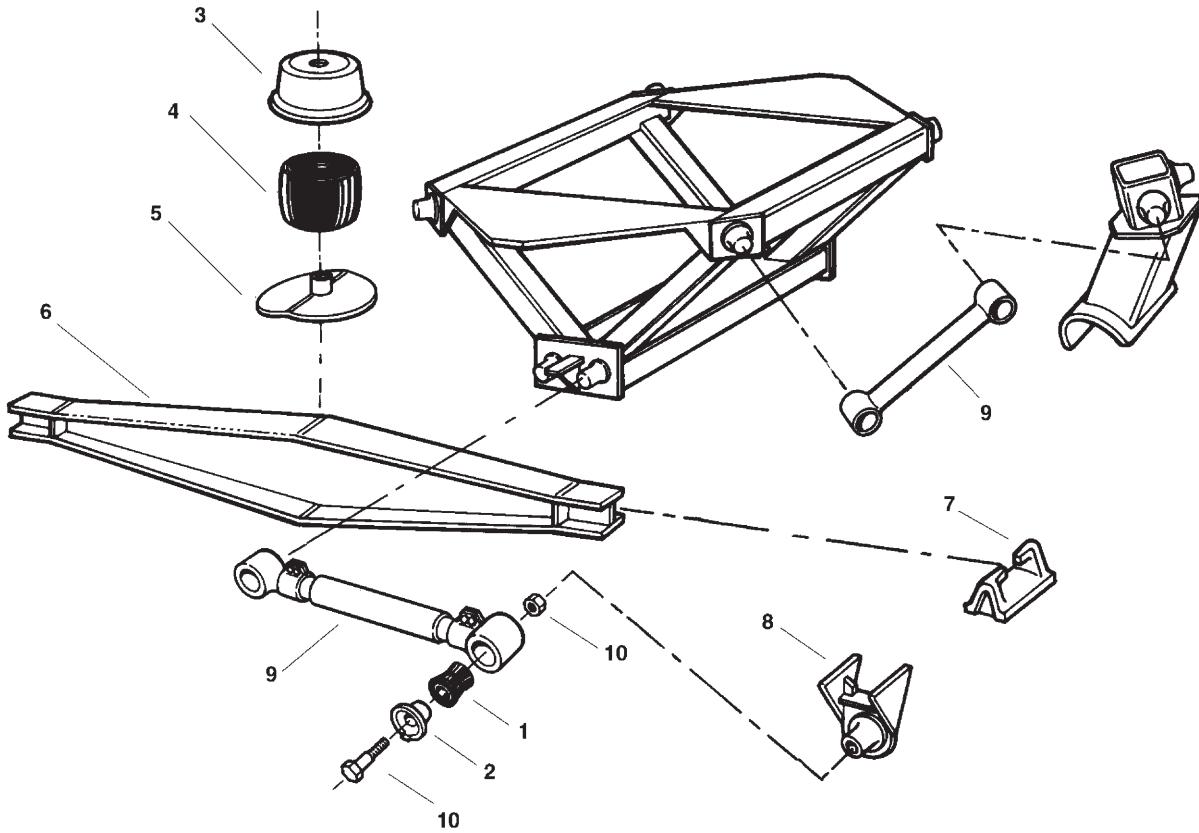
KEY NO.	EUCLID NO.	REPLACES NO.	DESCRIPTION	QTY PER SUSPENSION	1023	1030
1	E-4677A (Rubber)	22128	Torque Arm bushing, OE Version	16 (Rubber) 32 (Poly)	X	
	E-8701 (Rubber)	22128	Torque Arm bushing, Aftermarket Version		X	
	E-7427 (Poly)	22128	Torque Arm bushing		X	
	E-7766 (Rubber)	800010	Torque Arm bushing, OE Version			X
	E-7426 (Poly)	800010	Torque Arm bushing		X	
1a	E-4678A (Rubber)	22129	Torque Arm bushing, Oversized OE	As Required	X	
	E-8702 (Rubber)	22129	Torque Arm bushing, Oversized Aftermarket		X	
	E-7767 (Rubber)	800009	Torque Arm bushing, Oversized OE			X
	E-8917 (Poly)	800009	Torque Arm bushing, Oversized			X
2	E-9571	800201	Spigot cap	16	X	
	E-7768	800055				
3	N/A	373010	Restrictor can #10	2	X	
	N/A	373014	Restrictor can #10, 1 1/8" Top Hole		X	
	N/A	373016	Restrictor can #15, 1 1/8" Top Hole			X
	E-4687	373015	Restrictor can #15		2	X
4	E-7755	15010	Load spring #10	2	X	
	E-4686	15015	Load spring #15			X
5	E-7771	K403017	Rebound bolt assembly	1	X	X
6	M85060	665174	Shock absorber	2	X	X
7	E-7774	K880460	Hardware kit	2	X	
	E-7773	K880231				

CHALMERS

CHALMERS 700 SERIES

Trailer

CHALMERS



Type "0" Joint, 46,000 lbs., Prior to January 1991
Type "1" Joint, 46,000 lbs., After January 1991
Type "2" Joint, 60,000 lbs.

CHALMERS 700 SERIES

Trailer

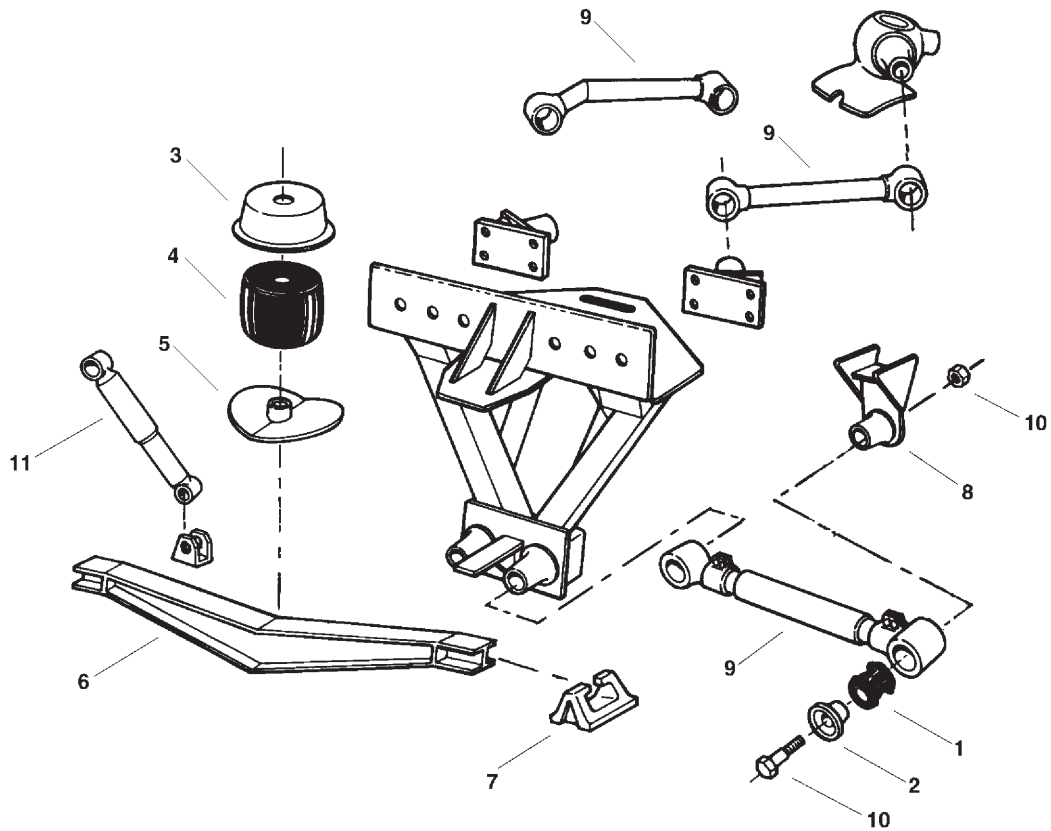
KEY NO.	EUCLID NO.	REPLACES NO.	DESCRIPTION	QTY. PER TANDEM	JOINT		
					TYPE "0"	TYPE "1"	TYPE "2"
1	E-4677A (Rubber)	22128	Torque Arm Bushing, OE Version	16 (Rubber) 32 (Poly)	X	X	
	E-8701 (Rubber)	22128	Torque Arm Bushing, Aftermarket Version		X	X	
	E-7427 (Poly)	22128	Torque Arm Bushing		X	X	
	E-7766 (Rubber)	800010	Torque Arm Bushing, OE Version				X
	E-7426 (Poly)	800010	Torque Arm Bushing				X
1a	E-4678A (Rubber)	22129	Torque Arm Bushing, Oversized OE	As Req	X	X	
	E-8702 (Rubber)	22129	Torque Arm Bushing, Oversized Aftermarket		X	X	
	E-7767 (Rubber)	800009	Torque Arm Bushing, Oversized OE				X
	E-8917 (Poly)	800009	Torque Arm Bushing, Oversized				X
2	E-4680	260002	Spigot Cap	16	X		
	E-9571	800201				X	
	E-7768	800055					X
3	E-4688A	373020 (Old) 373028 (New)	Restrictor Can #28 (Replaces Restrictor Can #20)	2			
	E-7758	373029	Restrictor Can #29, High Center of Gravity				
4	E-4685	15002	Load Spring #20	2			
5	E-4788A	700021 700520	Spring Plate	2			
6	E-4793	700083	Walking Beam, 54" Axle Spread	2			
7	E-7756	222083	Saddle, 5" Round or 4" x 6" Rectangular Axle	4			
	S.O.S.	231026	Saddle, 5" Square Axle				
8	E-7757	222139	Axle Bracket, 5" Round Axle, Spigot Type	4	X	X	X
	S.O.S.	231000	Axle Bracket, 5" Square Axle, Spigot Type		X	X	X
	s.o.s	228006	Axle Bracket, 4" x 6" Rectangular Axle, Spigot Type		X	X	X
9	E-4789	216214	Adjustable Torque Arm, 21 1/2" Center-to-Center	2			
	E-4790	216240	Adjustable Torque Arm, 24" Center-to-Center				
	E-4791	223214	Rigid Torque Arm, 21 1/2" Center-to-Center	6			
	E-4792	223240	Rigid Torque Arm, 24" Center-to-Center				
10	E-7772	K880230	Hardware Kit	4	X		
	E-7774	K880460				X	
	E-7773	K880231					X

CHALMERS

CHALMERS 800 SERIES

Truck/Tractor

CHALMERS



Type "0" Joint, 40,000 lbs., Prior to January 1993

Type "1" Joint, 40,000 lbs., After January 1993

Type "2" Joint, 46,000 lbs.

CHALMERS 800 SERIES

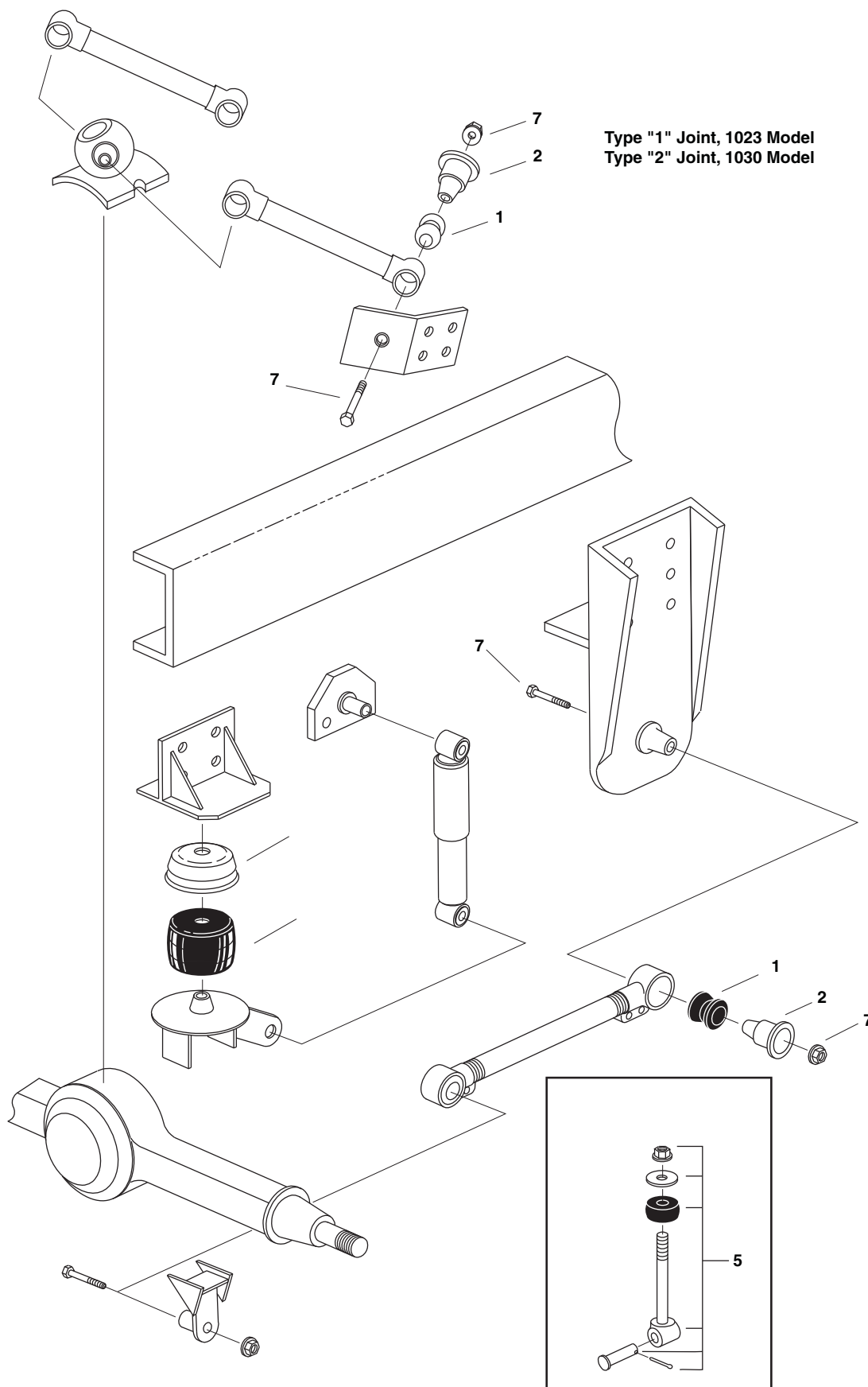
Truck/Tractor

KEY NO.	EUCLID NO.	REPLACES NO.	DESCRIPTION	QTY. PER TANDEM	JOINT		
					TYPE "0"	TYPE "1"	TYPE "2"
1	E-4677A (Rubber)	22128	Torque Arm Bushing, OE Version	16 (Rubber) 32 (Poly)	X	X	
	E-8701 (Rubber)	22128	Torque Arm Bushing, Aftermarket Version		X	X	
	E-7427 (Poly)	22128	Torque Arm Bushing		X	X	
	E-7766 (Rubber)	800010	Torque Arm Bushing, OE Version				X
	E-7426 (Poly)	800010	Torque Arm Bushing				
1a	E-4678A (Rubber)	22129	Torque Arm Bushing, Oversized OE	As Req	X	X	
	E-8702 (Rubber)	22129	Torque Arm Bushing, Oversized Aftermarket		X	X	
	E-7767 (Rubber)	800009	Torque Arm Bushing, Oversized OE				X
	E-8917 (Poly)	800009	Torque Arm Bushing, Oversized				X
2	E-4680	260002		16	X		
	E-9571	800201	Spigot Cap			X	
	E-7768	800055					X
3	E-4688A	373028 373020 (old)	Restrictor Can #28 (Replaces #20 Restrictor Can)	2			
	E-7758	373029	Restrictor Can #29, High Center of Gravity				
4	E-4685	15002	Load Spring #20	2	X	X	X
5	E-7769	800117	Spring Plate, High Mount for 54" Axle Spread	2			
	E-7770	800125	Spring Plate, Low Mount for 54" Axle Spread				
6	E-14767	800061	Walking Beam, 54" Spread, 46K High Mount	2			
	E-14768	800688	Walking Beam, 54" Spread, 50-52K High Mount				
	E-14769	800087	Walking Beam, 54" Spread, 46K Low Mount				
	E-14770	800690	Walking Beam, 54" Spread, 50-52K Low Mount				
7	S.O.S.	Various	Saddle (for 5" Round use E-7756)	4			
8	S.O.S.	Various	Axle Bracket	4	X		
9	E-14773	807250	Adjustable Torque Arm , 46K 21 3/4"	4			
	E-14774	807216	Adjustable Torque Arm , 46K 25"				
10	E-7772	K880230		4	X		
	E-7774	K880460	Hardware Kit				X
	E-7773	K880231					X
11	M85301	800670	Shock Absorber, High Mount	4			
	M85305	85305	Shock Absorber, Low Mount				

CHALMERS

CHALMERS 1023 AND 1030 SINGLE AXLE

Truck/Tractor



CHALMERS 1023 AND 1030 SINGLE AXLE

Truck/Tractor

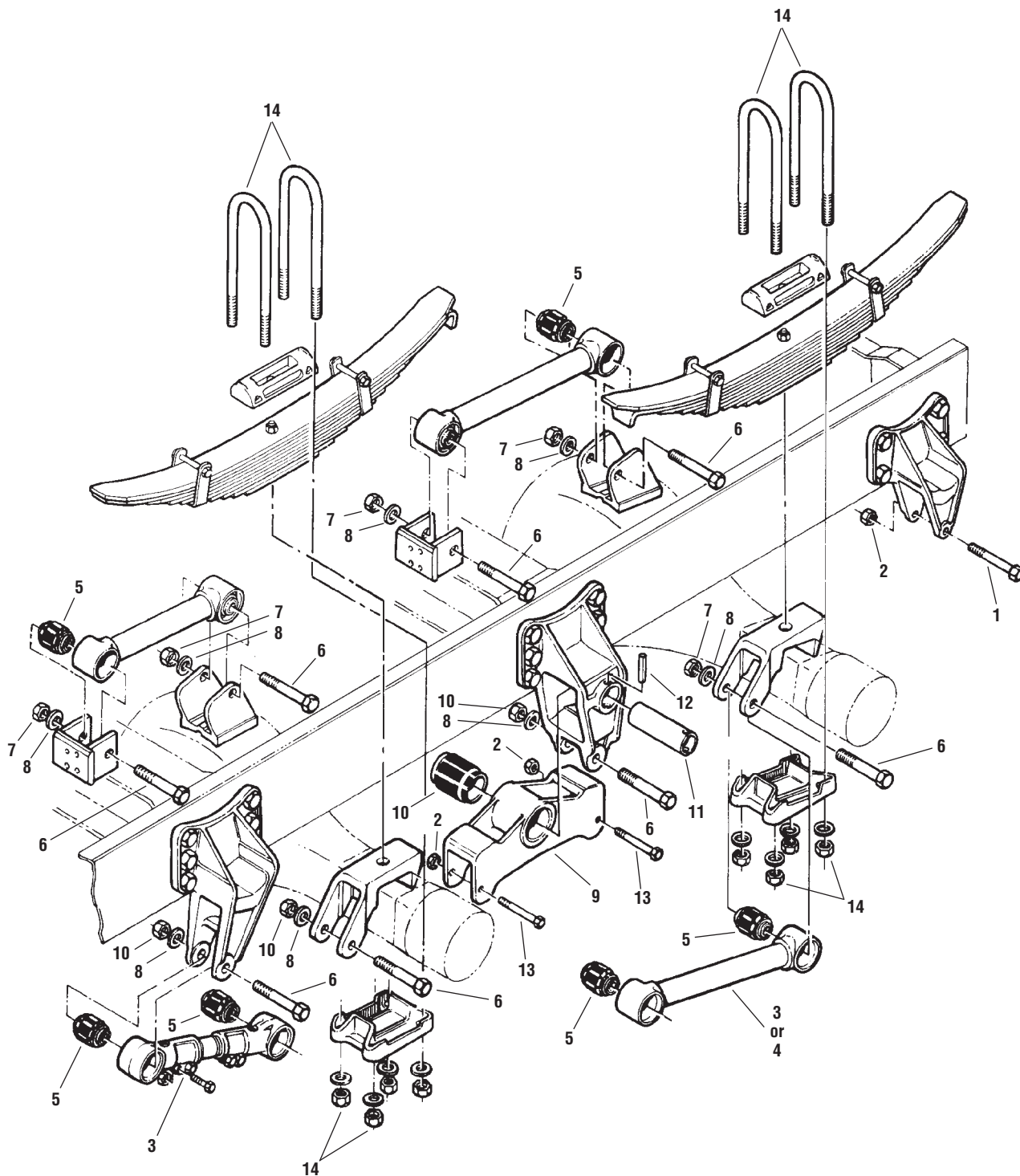
KEY NO.	EUCLID NO.	REPLACES NO.	DESCRIPTION	QTY PER SUSPENSION	1023	1030
1	E-4677A (Rubber)	22128	Torque Arm Bushing, OE Version	16 (Rubber) 32 (Poly)	X	
	E-8701 (Rubber)	22128	Torque Arm Bushing, Aftermarket Version		X	
	E-7427 (Poly)	22128	Torque Arm Bushing		X	
	E-7766 (Rubber)	800010	Torque Arm Bushing, OE Version			X
	E-7426 (Poly)	800010	Torque Arm Bushing		X	
1a	E-4678A (Rubber)	22129	Torque Arm Bushing, Oversized OE	As Required	X	
	E-8702 (Rubber)	22129	Torque Arm Bushing, Oversized Aftermarket		X	
	E-7767 (Rubber)	800009	Torque Arm Bushing, Oversized OE			X
	E-8917 (Poly)	800009	Torque Arm Bushing, Oversized			X
2	E-9571	800201	Spigot Cap	16	X	
	E-7768	800055				
3	N/A	373010	Restrictor Can #10	2	X	
	N/A	373014	Restrictor Can #10, 1 1/8" Top Hole		X	
	N/A	373016	Restrictor Can #15, 1 1/8" Top Hole			X
	E-4687	373015	Restrictor Can #15			X
4	E-7755	15010	Load Spring #10	2	X	
	E-4686	15015	Load Spring #15			X
5	E-7771	K403017	Rebound Bolt Assembly	1	X	X
6	M85060	665174	Shock Absorber	2	X	X
7	E-7774	K880460	Hardware Kit	2	X	
	E-7773	K880231	Hardware Kit			

CHALMERS

DAYTON "TRUCKMASTER"

Truck/Tractor

DAYTON



Note: Rigid Torque Arms and OEM Adjustable Torque Arms are no longer available. Use Euclid E-2512 and E-2513 Adjustable Torque Arms.

LEAF SPRING REFERENCES

SRI No.	
55-883	7 Leaf
55-993	10 Leaf

DAYTON "TRUCKMASTER"

Truck/Tractor

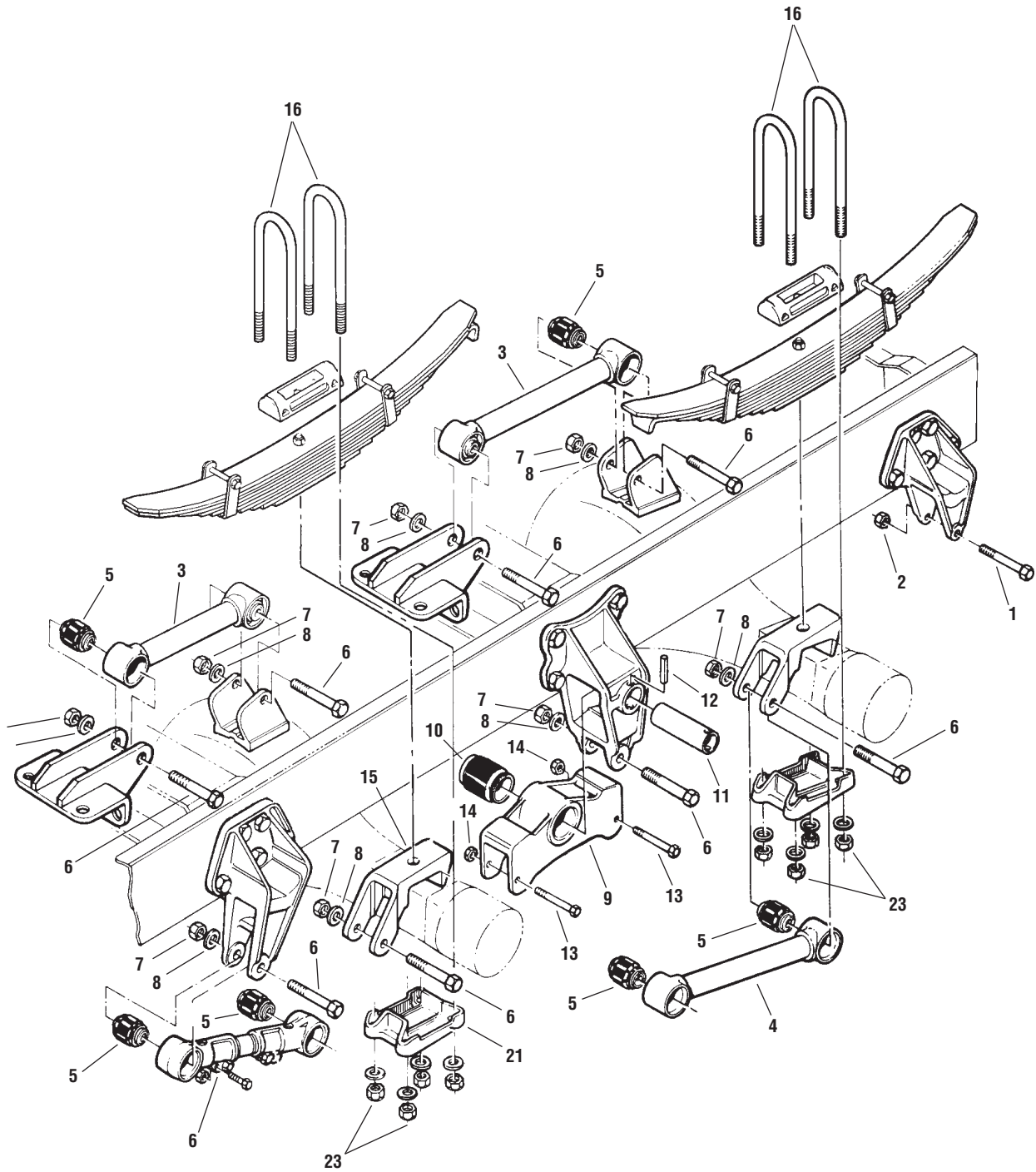
KEY NO.	EUCLID NO.	REPLACES NO.	DESCRIPTION	QTY PER TANDEM	DODGE		
					MACK WHITE	FORD	GMC
1	E-3224	08-203551	Spring rebound bolt, rear hanger	2	X	X	X
2	E-2988	08-203440	Spring rebound nut, rear hanger	3	X	X	X
3	E-2512	39090035	Adjustable torque arm	3	X	X	X
		39090029	Adjustable torque arm		X	X	X
4	E-2513	39090036	Adjustable torque arm	3	X	X	X
		39090030	Adjustable torque arm		X	X	
—	E-3087	—	Torque arm bushing assembly, for 39090035 / 39090036. Includes key nos. 8, 9, 10, 11	12	X	X	X
—	E-1981	—	Torque arm bushing assembly, for E-2512 / E-2513 Includes key nos. 8, 9, 10	12	X	X	X
5	E-3086 (Rubber)	39400013	Torque Arm bushing, for 39090035 / 39090036	12	X	X	X
	E-1980 (Rubber)	39400016	Torque Arm Bushing, for E-2512 / E-2513		X	X	X
	E-7520 (Poly)	39400016	Torque Arm Bushing, for E-2512 / E-2513		X	X	X
6	E-901	08-203488	Torque arm bolt, all	12	X	X	X
7	E-2983	08-204568	Torque arm nut, all	12	X	X	X
8	E-2546	08-204565	Torque arm washer, for 39090035 / 39090036	12	X	X	X
9	E-3080	39240007	Equalizer assembly, includes bushing	2	X	X	X
—	E-3085A	—	Equalizer bushing assembly, includes key nos. 13, 14, 15	2	X	X	X
10	E-3082	39400014	Equalizer bushing	2	X	X	X
11	E-3083A	39400089	Equalizer shaft	2	X	X	X
12	E-1279	08-204569	Groove pin	2	X	X	X
13	N/A	08-203531	Spring rebound bolt, equalizer	4	X	X	X
14	E-UB8161-12	—	U-bolt assembly, rd. bend, 7/8"-14 Thd. x 3" Wide x 12" Long	8	X	X	X
	E-UB8161-14	—	U-bolt assembly, rd. bend, 7/8"-14 Thd. x 3" Wide x 14" Long		X	X	X
	E-UB8161-16	—	U-bolt assembly, rd. bend, 7/8"-14 Thd. x 3" Wide x 16" Long		X	X	X
	E-UB8161-18	—	U-bolt assembly, rd. bend, 7/8"-14 Thd. x 3" Wide x 18" Long,		X	X	X
	E-UB8165-12	—	U-bolt assembly, rd. bend, 7/8"-14 Thd. x 5" Wide x 12" Long,		X	X	X
	E-UB8165-14	—	U-bolt assembly, rd. bend, 7/8"-14 Thd. x 5" Wide x 14" Long,		X	X	X

DAYTON

DAYTON/NAVISTAR

Truck/Tractor

DAYTON



Note: Rigid Torque Arms and OEM Adjustable Torque Arms are no longer available. Use Euclid E-2512 and E-2513 Adjustable Torque Arms.

LEAF SPRING REFERENCES

SRI No.	
55-883	7 Leaf (I.H.)

DAYTON/NAVISTAR

Truck/Tractor

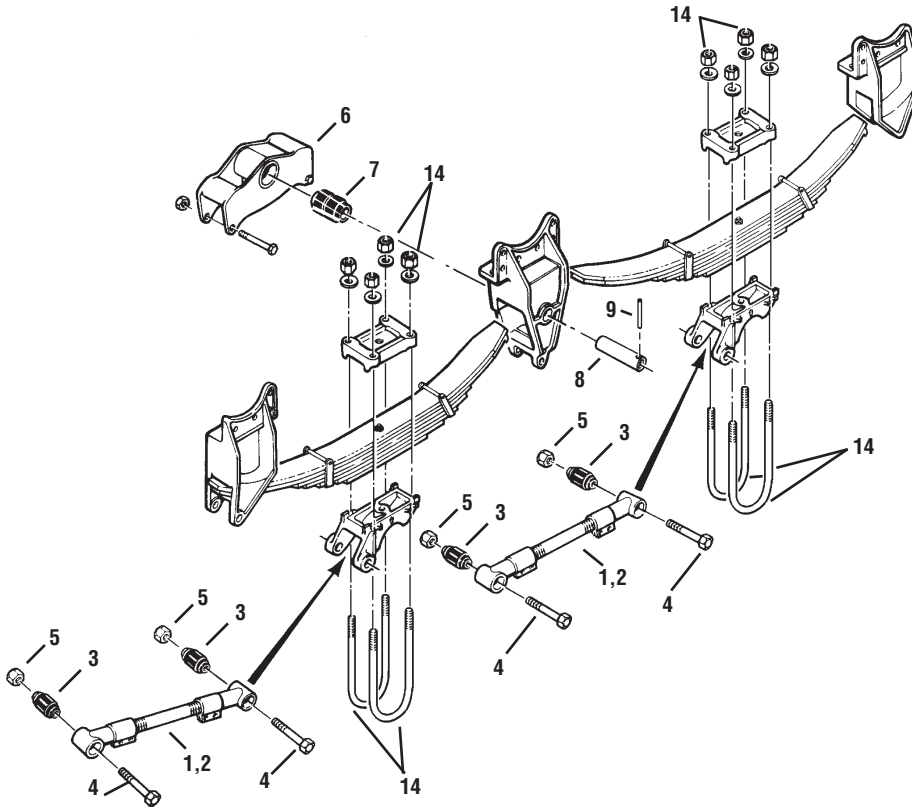
KEY NO.	EUCLID NO.	REPLACES NO.	DESCRIPTION	QUANTITY PER TANDEM
1	E-3224	08-203551	Spring Rebound Bolt, Rear Hanger	3
2	E-2988	08-203440	Spring Rebound Nut, Rear Hanger	3
3	E-2512	412594C93	Adjustable Torque Arm, Curbside, Upper and Lower Front	2
	E-2513	412595C93	Adjustable Torque Arm, Curbside, Upper and Lower Rear	
4	E-2512	412592C91	Rigid Torque Arm, Roadside, Lower Front	1
	E-2513	412593C91	Rigid Torque Arm, Roadside, Lower Rear	
—	E-3087	—	Torque Arm Bushing Assembly, for Original OEM Torque Arms Includes Key Nos. 8, 9, 10, 11	12
—	E-1981	—	Torque Arm Bushing Assembly, for E-2512 or E-2513 Torque Arms Includes Key Nos. 8, 9, 10	12
	E-3086 (Rubber)	412587C1	Torque Arm Bushing, for Original OEM Torque Arms	
5	E-1980 (Rubber)	39400016	Torque Arm Bushing, for E-2512 or E-2513 Torque Arms	12
	E-7520 (Poly)			
6	E-901	346951C1	Torque Arm Bolt, All	12
7	E-2983	414001	Torque Arm Nut, All	12
8	E-2546	08-204568	Torque Arm Washer, for Original OEM Torque Arms	12
9	E-3081	377202C11	Equalizer Assembly, Includes Bushing	2
—	E-3085A	— Equalizer Bush	ing Assembly, Includes Key Nos. 13, 14, 15	2
10	E-3082	377203C11	Equalizer Bushing	2
11	E-3083A	A365350C1	Equalizer Shaft	2
12	E-1279	08-204569	Groove Pin	2
13	N/A	08-203531	Spring Rebound Bolt, Equalizer	4
14	E-3560	334-490	Spring Rebound Nut, Equalizer	4
15	E-3214	39060087	Axle Seat, Front Axle, Rockwell SQHD, SLHD, 3 3/4" High	2
16	E-UB8161-12		U-Bolt Assembly, Rd. Bend, 7/8"-14 Thd. x 3" Wide x 12" Long	8
	E-UB8161-14		U-Bolt Assembly, Rd. Bend, 7/8"-14 Thd. x 3" Wide x 14" Long	
	E-UB8161-16		U-Bolt Assembly, Rd. Bend, 7/8"-14 Thd. x 3" Wide x 16" Long	
	E-UB8161-18		U-Bolt Assembly, Rd. Bend, 7/8"-14 Thd. x 3" Wide x 18" Long	
	E-UB8165-12		U-Bolt Assembly, Rd. Bend, 7/8"-14 Thd. x 5" Wide x 12" Long	
	E-UB8165-14		U-Bolt Assembly, Rd. Bend, 7/8"-14 Thd. x 5" Wide x 14" Long	

DAYTON

DAYTON "TRI-LITE"

Trailer

Note: Rigid Torque Arms and OEM Adjustable Torque Arms are no longer available. Use Euclid E-2512 and E-2513 Adjustable Torque Arms.



LEAF SPRING REFERENCES

SRI No.

TRA 001	Single Leaf
TRA 003	Single Leaf
TRA 041	Single Leaf
TRA 344	3 Leaf
TRA 3113	3 Leaf
TRA 337	7 Leaf
TRA 3112	8 Leaf

DAYTON "TRI-LITE"

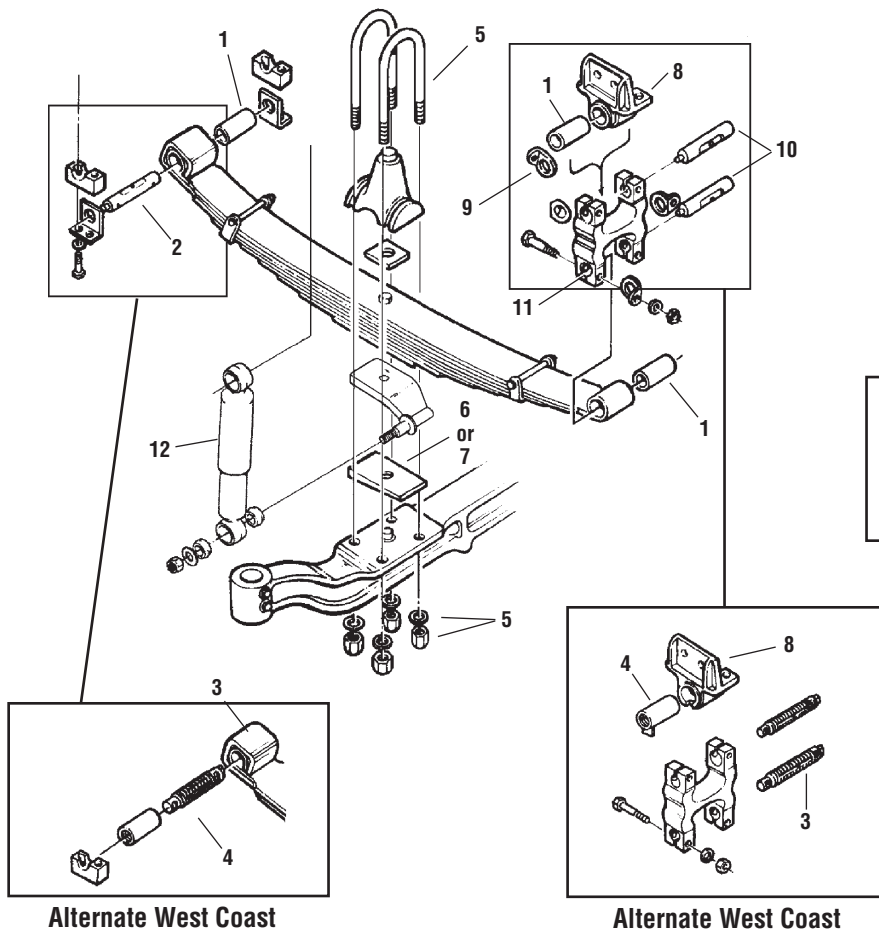
Trailer

KEY NO.	EUCLID NO.	REPLACES NO.	DESCRIPTION	QUANTITY PER TANDEM
1	E-2512	39090029	Adjustable Torque Arm, Front Axle, Roadside	1
	E-2513	39090030	Adjustable Torque Arm, Rear Axle, Roadside	
2	E-2512	39080011	Rigid Torque Arm, Front Axle, Curbside, 16 1/2" Center-to-Center	1
	E-2512	39080063	Rigid Torque Arm, Front Axle, Curbside, 17 1/2" Center-to-Center	
	E-2513	39080089	Rigid Torque Arm, Rear Axle, Curbside, 19 1/2" Center-to-Center	1
	E-2513	39080092	Rigid Torque Arm, Rear Axle, Curbside, 20" Center-to-Center	
—	E-1981	—	Torque Arm Bushing Assembly, Includes Key Nos. 6, 7, 8	8
3	E-1980 (Rubber)	39400016	Torque Arm Bushing	8
	E-7520 (Poly)			
4	E-901	08-203488	Torque Arm Bolt	8
5	E-2983	08-204568	Torque Arm Nut	8
6	E-3080	39240007	Equalizer Assembly - Includes Bushing 2	2
—	E-3085A	—	Equalizer Bushing Assembly, Includes Key Nos. 10, 11, 12	2
7	E-3082	39400014	Equalizer Bushing	2
8	E-3083A	39400089	Equalizer Shaft, 2" O.D. x 6 7/8" Lg.	2
9	E-1279	08-204569	Groove Pin	2
10	N/A	08-203531	Spring Rebound Bolt, Equalizer	4
11	E-3560	08-203440	Spring Rebound Nut, Equalizer	4
12	E-2840	39050021	Top Plate, 5" Rd. and 5" Sq. Axles, with U-Bolts Down	As Required
13	E-2842	—	Delrin Spring Liner	As Required
14	E-UB8161-12	—	U-Bolt Assembly, Rd. Bend, 7/8"-14 Thd. x 3" Wide x 12" Long	8
	E-UB8161-14		U-Bolt Assembly, Rd. Bend, 7/8"-14 Thd. x 3" Wide x 14" Long	
	E-UB8161-16		U-Bolt Assembly, Rd. Bend, 7/8"-14 Thd. x 3" Wide x 16" Long	
	E-UB8161-18		U-Bolt Assembly, Rd. Bend, 7/8"-14 Thd. x 3" Wide x 18" Long	
	E-UB8165-12		U-Bolt Assembly, Rd. Bend, 7/8"-14 Thd. x 5" Wide x 12" Long	
	E-UB8165-14		U-Bolt Assembly, Rd. Bend, 7/8"-14 Thd. x 5" Wide x 14" Long	

DAYTON

FREIGHTLINER FRONT

For 3 1/2" Wide Springs or
4" Wide with Cutdown Eyes To 1993
Truck/Tractor



POPULAR LEAF SPRING REFERENCES

SRI No.	
46-788	7 Leaf
46-790	8 Leaf
46-860	7 Leaf
46-862	7 Leaf

Alternate West Coast

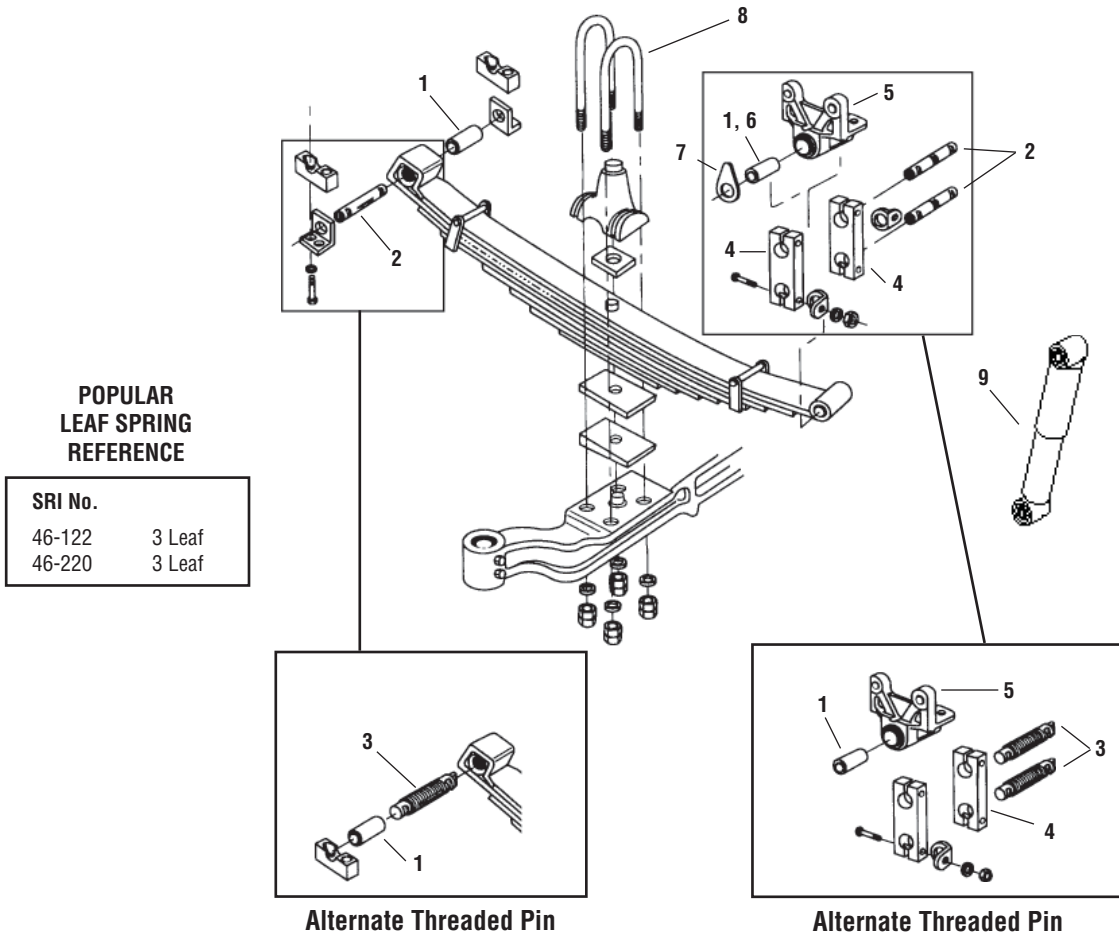
Alternate West Coast

FREIGHTLINER

KEY NO.	EUCLID NO.	REPLACES NO.	DESCRIPTION	QUANTITY PER AXLE
1	E-3533	16-1005-000	Front and Rear Spring Eye Bushing, Non-Threaded	6
2	E-3531	16-10509	Front Spring Pin, Non-Threaded	2
3	E-3532	16-9597	Front and Rear Spring Pin, Threaded	6
4	E-3534	16-9926	Front and Rear Spring Eye Bushing, Threaded 1 1/4" - 8	6
4a	E-8799	16-12301-000	Front and Rear Spring Eye Bushing, Threaded 1 1/4" - 7	6
5	E-UB8153-10	—	U-Bolt Assembly, Rd. Bend, 3/4"-16 Thd. x 3 1/2" Wide x 10" Long	4
6	N/A	11-7007-2	Axle Shim, 2°	4
7	N/A	11-7007-4	Axle Shim, 4°	4
8	E-3536	16-9906 16-1003-1	Spring Hanger	2
9	E-3537A	16-9040-2	Shim	4
10	E-3530	16-10510	Rear Spring Pin, Non-Threaded	2
11	N/A	16-2304 16-10241	Spring Shackle	2
12	M85302	70042	Shock Absorber	2
	M85320	10-12032-2	Shock Absorber	

FREIGHTLINER FRONT

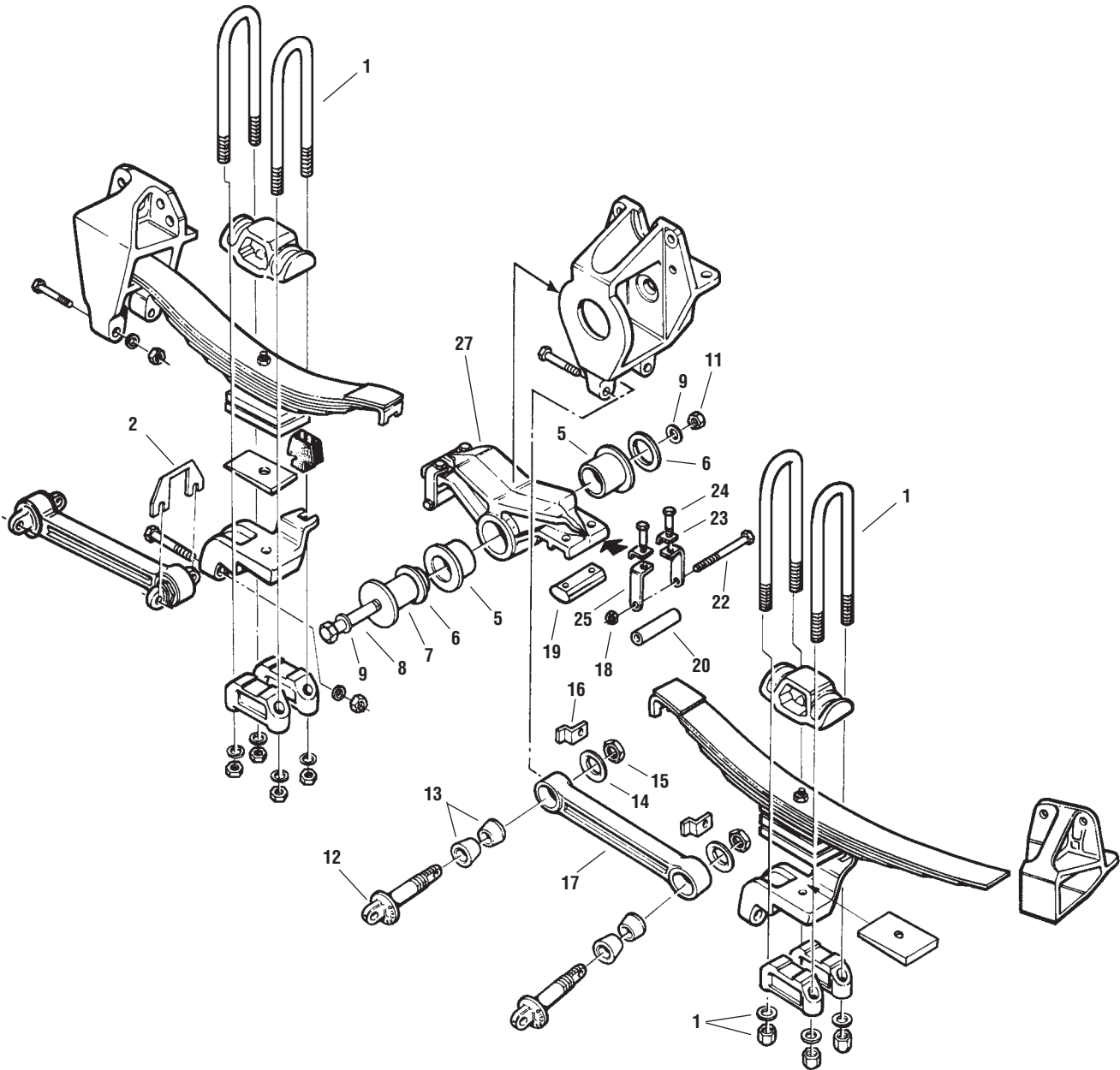
For 4" Wide Springs
FLD112, 120 Conventional, COE



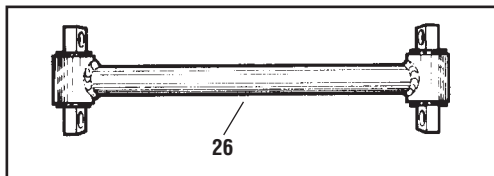
KEY NO.	EUCLID NO.	REPLACES NO.	DESCRIPTION	QUANTITY PER AXLE
1	E-1876	16-12399-001	Bronze Bushing, 1 1/2" OD x 1 1/4" ID x 4"	4 or 6
	E-8799	16-12301-000	Spring Eye Bushing, Threaded 1 1/4"-7 OD x 1 1/2"	6
2	E-8796	16-13470-000	Spring Pin, 1 1/4" OD x 6 7/8" OAL	6
3	E-8800	16-12302-000	Spring Pin, Threaded	6
4	E-8795	16-11890-000 (Aluminum) 16-11890-001 (Steel)	Shackle Side Bar	4
	E-8854	A16-12358-000	Rear Shackle Hanger-Bronze Bushing	2
5	E-8855	A16-12358-001	Rear Shackle Hanger-Threaded Bushing	
6	E-8797	16-01005-002	Bronze Bushing, 1 5/8" OD x 1 1/4" ID x 4"	2
7	E-8798	16-12265-000	Shim	4
8	E-UB8154-10	11-09363-110	U-Bolt Assembly, Rd. Bend 3/4"-16 Thd. x 4" Wide x 10" Long	4
	E-UB8154-12		U-Bolt Assembly, Rd. Bend 3/4"-16 Thd. x 4" Wide x 12" Long	
	E-UB8164-10	11-09624-120	U-Bolt Assembly, Rd. Bend 7/8"-14 Thd. x 4" Wide x 10" Long	
	E-UB8164-12		U-Bolt Assembly, Rd. Bend 7/8"-14 Thd. x 4" Wide x 12 Long	
9	M85302	70042	Shock, FLD112	2
	M89420		Shock, FLD112	
	M85320	10-12302-000,1	Shock, FLD112,120	
	M89429		Shock, FLD112,120	

FREIGHTLINER FH34

Truck/Tractor



LIGHTWEIGHT STEEL TUBULAR ROD



Alternate for O.E.M. Rod

LEAF SPRING REFERENCES

SRI No.	
A16-11820	3 Leaf
46-705	6/1 Leaf
46-901	6/2 Leaf
46-177	7/1 Leaf Interchangeable
46-897	7/1 Leaf Interchangeable
46-173	8 Leaf Interchangeable
46-179	8 Leaf Interchangeable
46-909	8 Leaf Interchangeable

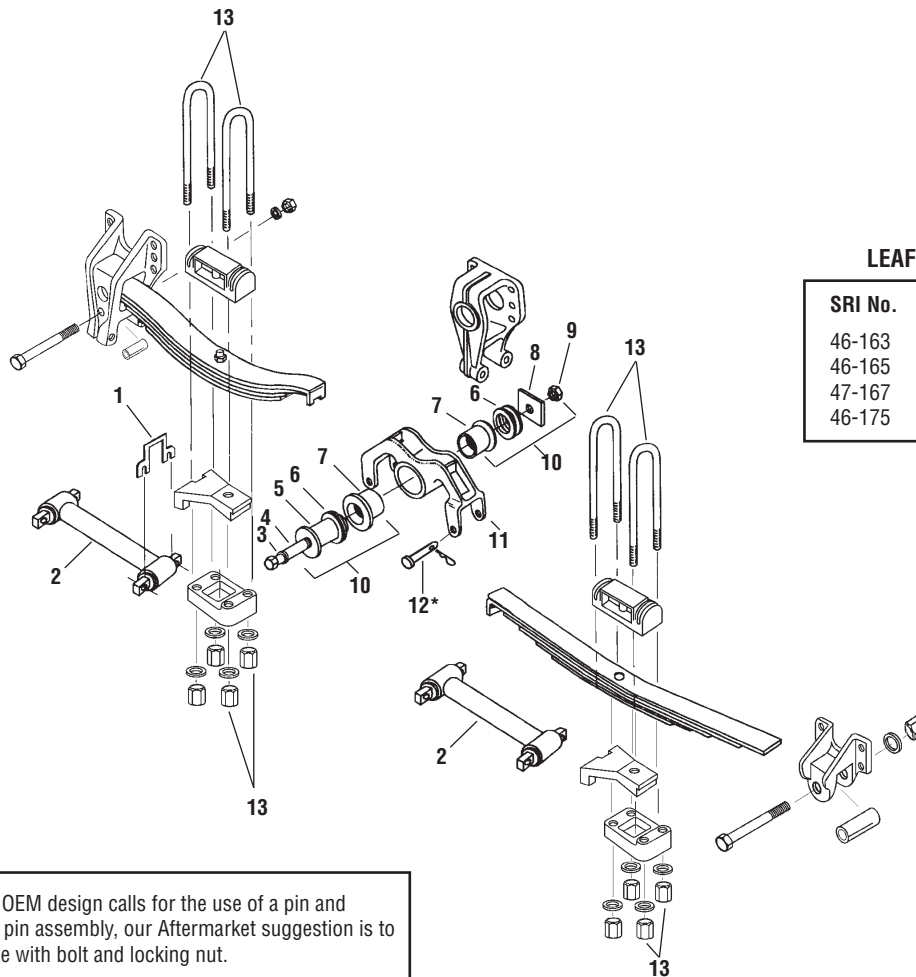
FREIGHTLINER FH34

Truck/Tractor

KEY NO.	EUCLID NO.	REPLACES NO.	DESCRIPTION	QUANTITY PER TANDEM
1	E-UB8154-18	—	U-Bolt Assembly, Rd. Bend, 3/4"-16 Thd. x 4" Wide x 18" Long	8
2	E-3790	11-9588-1	Torque Arm Shim	As Required
3	N/A	11-7007-4	Axle Shim, 4°	As Required
4	N/A	11-7007-2	Axle Shim, 2°	As Required
—	E-3538	—	Equalizer Bushing Assembly Includes Key Nos. 5, 6, 7, 8, 9, 10, 11	2
5	E-3540A	A16-10549	Poly Equalizer Bushing	4
6	E-3541	A16-10177	Washer	4
7	E-3539	A16-10550	Cap & Tube Assembly	2
8	E-3542	23-10757-900	Bolt	2
9	E-2545	23-9114-4	Washer	4
—	E-3294	—	Torque Arm Bushing Assembly Includes Key Nos. 12, 13, 14, 15, 16	8
11	E-4961A	23-461-6	Nut	2
12	E-3295	R16-9848	Torque Arm Pin	8
13	E-3296	R16-11351	Poly Torque Arm Bushing	16
14	E-3297	16-10431-C	Washer	16
15	E-3298	16-10429	Nut	8
16	E-3299	16-10429	Tab Lock	8
17	E-3546	16-9864-J	Rigid Torque Arm, Steel, Cast, 18 3/16" Center-to-Center	4
	E-8941	16-13053	Rigid Torque Arm, Steel, Cast, 16 5/8" Center-to-Center	
—	E-3561A	—	Equalizer Bracket Kit Includes Key Nos. 18-25	4
18	E-3560	23-9900-208	Lock Nut	4
19	E-3557	16-9895	Wear Pad	4
20	E-3558	16-9943	Spacer	4
22	E-2022	23-10751-550	Bolt	4
23	E-3556	16-10414	Bolt Lock	8
24	E-3555	23-9441-175	Cap Screw	8
25	E-3677	16-09893	Restraint Bracket	8
26	E-3546	B16-10420-1	Rigid Torque Arm, Steel, Tubular	4
	E-8941	16-13053	Rigid Torque Arm, Steel, Cast, 16 5/8" Center-to-Center	
	E-9869	16-13054-000	Rigid Torque Arm, 16 5/8" Center-to-Center	
27	E-3917A	16-10175-0	Equalizer, Cast Steel	2
		16-10175-1		
	E-3917	681-325-04-27	Equalizer Assembly Includes Key Nos. 18, 19, 20, 22, 23, 24, 25	

FREIGHTLINER FH34A LEAF SPRING

Truck/Tractor



LEAF SPRING REFERENCES

SRI No.

46-163	3 Leaf, 36K#
46-165	3 Leaf, 40K#
47-167	7 Leaf, 36K#
46-175	8 Leaf, 40K#

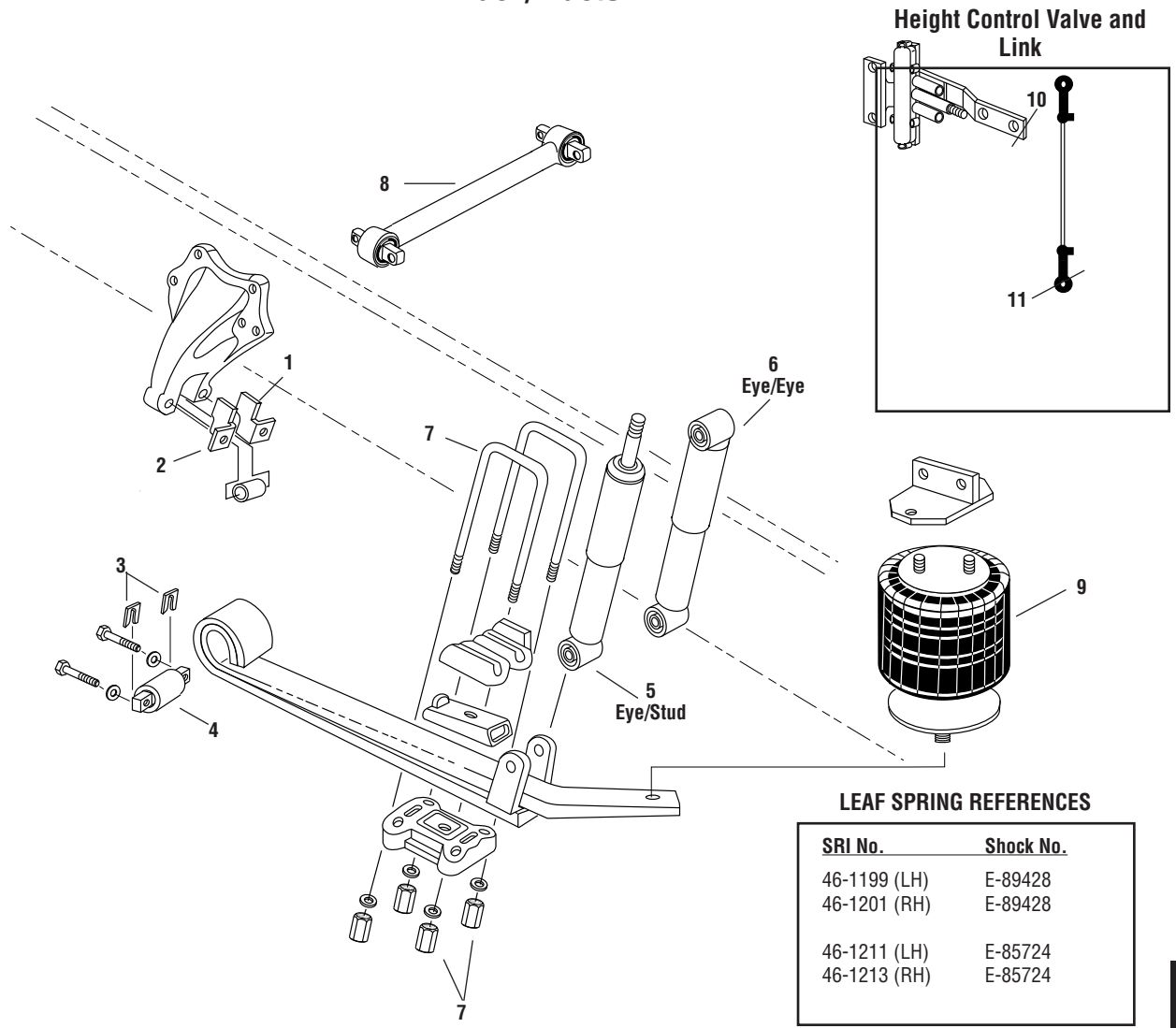
* The OEM design calls for the use of a pin and cotter pin assembly, our Aftermarket suggestion is to replace with bolt and locking nut.

FREIGHTLINER

KEY NO.	EUCLID NO.	REPLACES NO.	DESCRIPTION	QUANTITY PER TANDEM
1	E-3790	11-9588-1	Torque Arm Shim	As Required
2	E-8941	16-13053-000	Rigid Torque Arm, 1 9/16" Tube Diameter	4
	E-9869	16-13054-000	Heavy-Duty Torque Arm; 1 15/16" Tube Diameter	4
3	E-2545	29-9114-4	Washer	8
4	E-7703	23-9447-900	Bolt	2
5	E-7702	A16-12591-000	Cap & Tube Assembly	2
6	E-3541	A16-10177	Washer	4
7	E-7701	16-13568-000	Poly Equalizer Bushing	4
8	E-7704	16-12590-000	Retainer Plate	2
9	E-4961A	23-11480-144	Lock Nut	4
10	E-7706	—	Equalizer Bushing Assembly Includes Key Nos. 3, 4, 5, 6, 7, 8, 9	2
11	E-7700	681-325-01-27	Equalizer	2
12	E-3794	681-325-0174	Rebound Pin	1
13	E-UB8162-18	681-322-01-25	U-Bolt Assembly, Rd. Bend, 7/8"-14 Thd. x 3 1/8" Wide x 18" Long	8
		681-322-09-25		
		681-322-12-25		
		681-322-03-25		
	E-UB8162-22	681-322-13-25	U-Bolt Assembly, Rd. Bend, 7/8"-14 Thd. x 3 1/8" Wide x 22" Long	

FREIGHTLINER FAS II AIR RIDE

Truck/Tractor



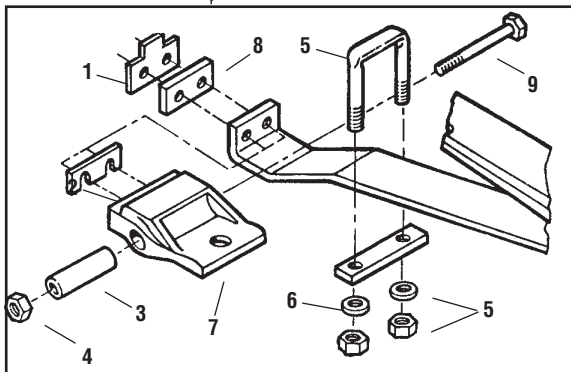
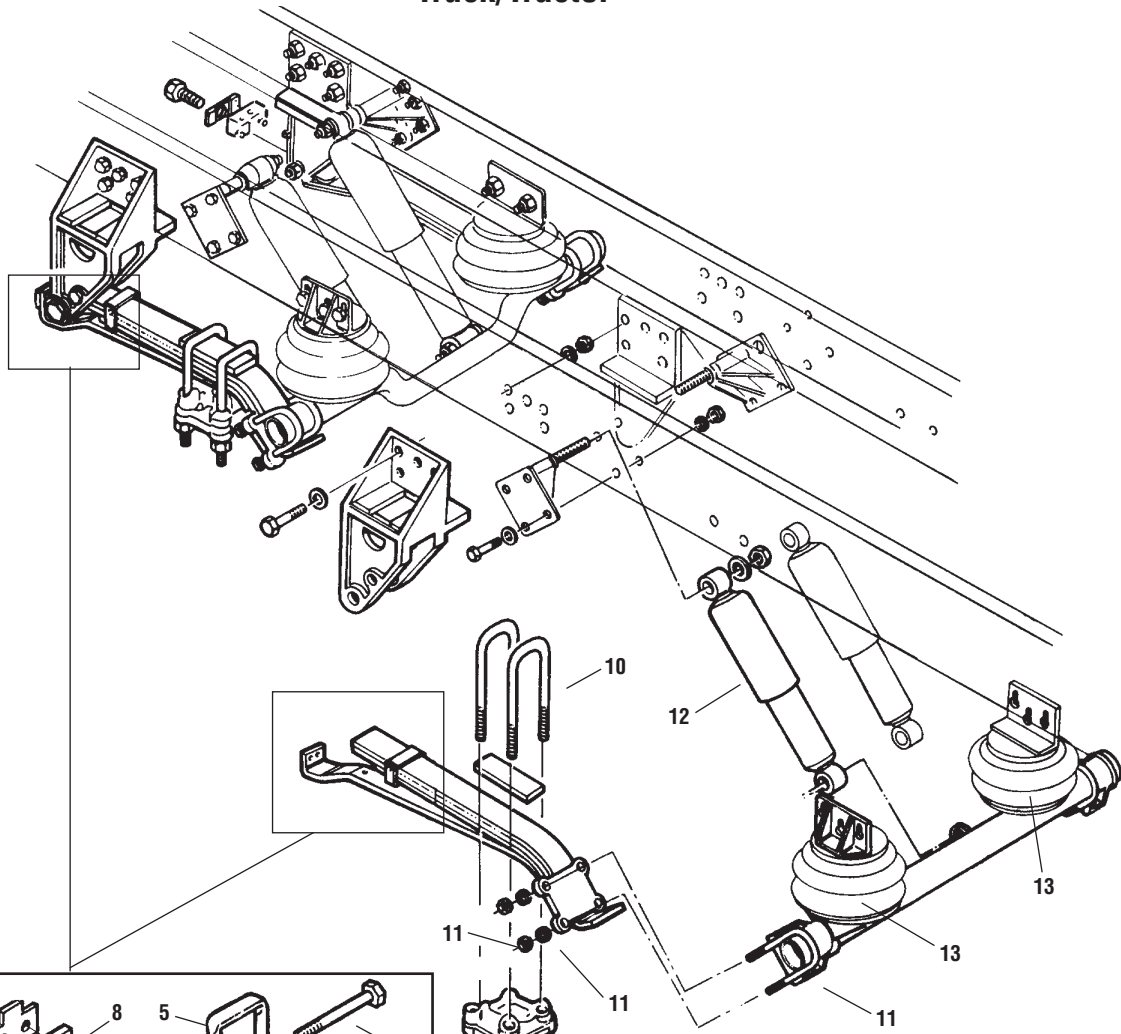
LEAF SPRING REFERENCES

SRI No.	Shock No.
46-1199 (LH)	E-89428
46-1201 (RH)	E-89428
46-1211 (LH)	E-85724
46-1213 (RH)	E-85724

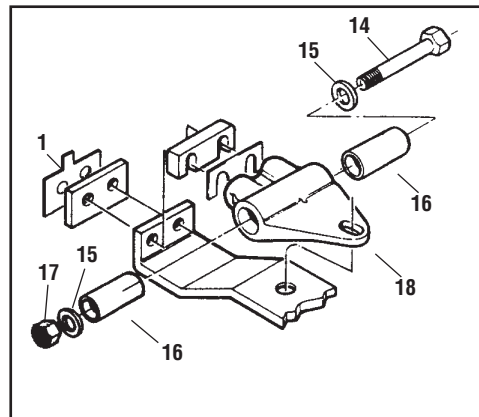
KEY NO.	EUCLID NO.	REPLACES NO.	DESCRIPTION	QUANTITY PER AXLE
1	E-8803	681-325-22-09	Hanger Wear Pad, Right Hand	2
2	E-8802	681-325-21-09	Hanger Wear Pad, Left Hand	2
3	E-8805	681-328-13-84	Alignment Shim, 1/8"	As Required
	E-8806	681-328-21-84	Alignment Shim, 1/16"	
	E-8809	681-328-16-84	Alignment Shim, 1/16" Thick x 4 3/8" L.	
	E-8810	681-328-19-84	Alignment Shim, 1/8" Thick x 4 3/8" L.	
4	E-8804	681-325-01-50	Spring Eye Bushing	2
5	M85319	681-326-04-00	Shock, FLC112	2
	M89428	681-326-04-00	Shock, FLC112	
6	M85724	16-13957-000	Shock, FLC112	2
7	E-UB8267-153	681-325-03-25	U-Bolt Assembly, Sq. Bend, 7/8"-14 Thd. x 5 3/16" W. x 15 3/8" L.	4
8	E-8808	681-326-63-16	Rigid Torque Arm	2
9	FS9780	681-320-00-17	Air Spring	2
10	E-4323	—	Height Control Valve	1
11	E-7852	1317	Leveling Valve Link Kit	1

FREIGHTLINER FAS I AIR RIDE

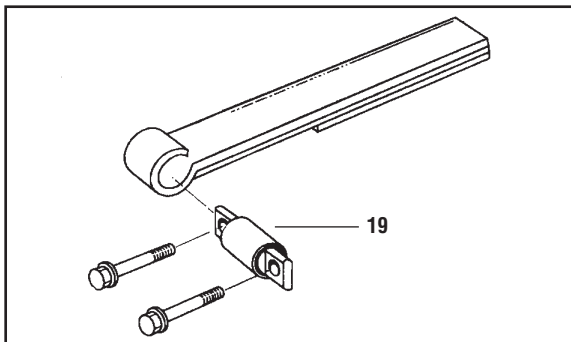
Truck/Tractor



Late Model



Early Model



Late Model

LEAF SPRING REFERENCES

SRI No.	
46-151	2/1 Leaf
46-155	2/1 Leaf
46-933	3/1 Leaf
A16-11687	3 Leaf
46-993	4 Leaf
46-951	6/1 Leaf

FREIGHTLINER FAS I AIR RIDE

Truck/Tractor

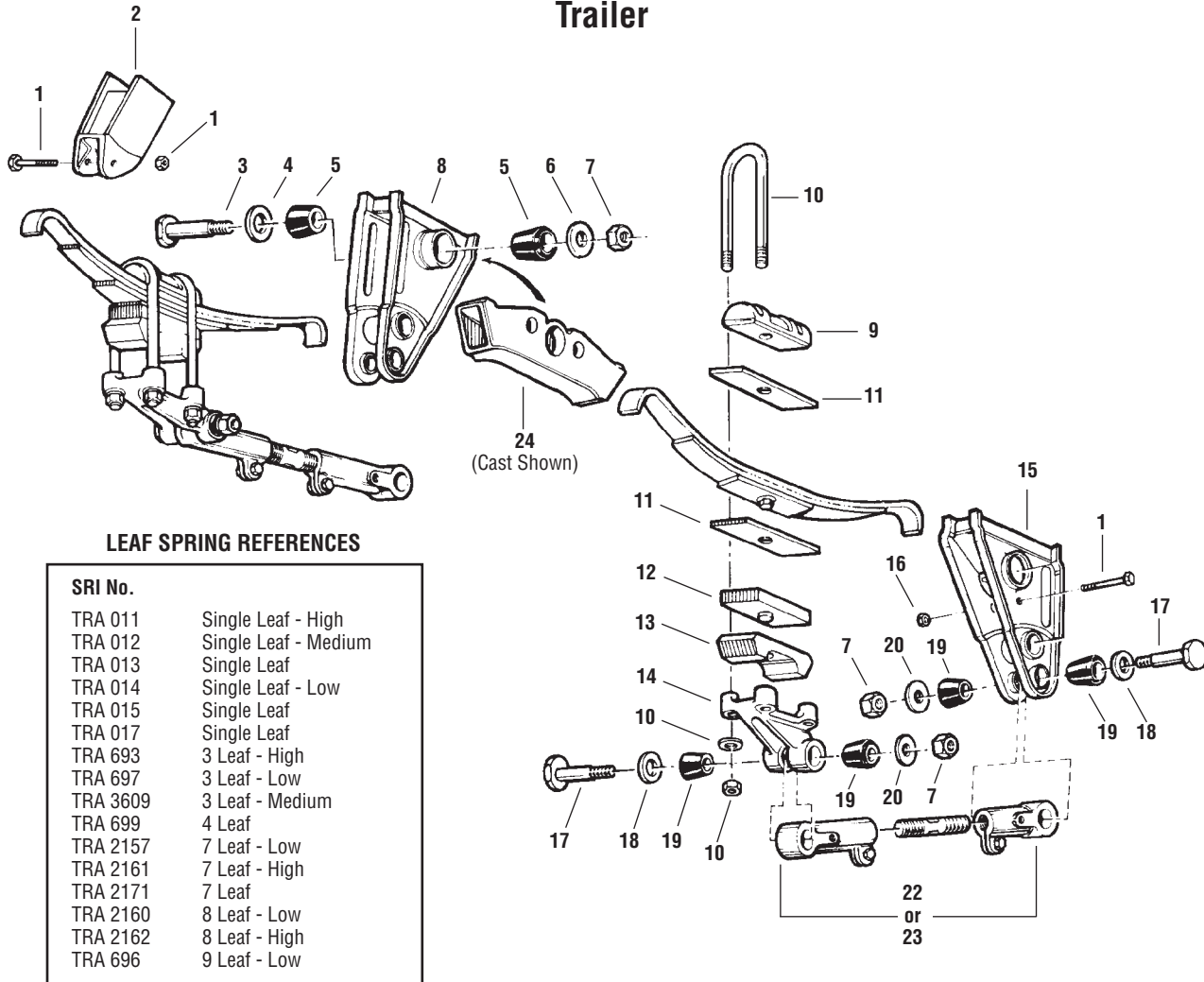
KEY NO.	EUCLID NO.	REPLACES NO.	DESCRIPTION	QUANTITY PER AXLE
1	E-3568	16-10790-1	Shim Lock	4
2	E-3567	16-10790	Shim	As Required
3	E-3817	IPC236840	Spring Eye Bushing	4
4	E-1835	23-09598-14	Nut	4
5	E-UB8554-033	16-11934	U-Bolt Assembly, Flat Sq. Bend, 3/4"-16 Thd. x 4" Wide x 3 3/8" Long	4
6	E-3819	16-11935	U-Bolt Bottom Pad	4
7	E-3816	16-12314-000	Spring Hanger Bracket	4
8	E-3821A	16-11941-002	Spacer Block	4
9	E-3818	A6-11908-01	Spring Eye Bolt	4
10	E-UB8164-16	11-09624-160	U-Bolt Assembly, Rd. Bend, 7/8"-14 Thd. x 4" Wide x 16" Long	4
11	E-UB8143-074	16-10794	U-Bolt Assembly, Rd. Bend, 5/8"-18 Thd. x 3 1/2" Wide x 7 1/2" Long	4
12	M85007	16-11133	Shock	2
		16-12117-000		
	M89412	16-12117-000		
	665236			
13	FS7410	16-11378	Air Spring	2
	FS7400	16-10796		
—	E-3562	—	Spring Hanger Bracket Bushing Assembly, Early Model Includes Key Nos. 14, 15, 16, 17	4
14	E-3564	16-10782	Bolt	4
15	E-3565	16-10784	Washer	8
16	E-3563	16-11376-0	Spring Hanger Bushing	8
17	E-1828	23-9901-216	Nut	4
18	E-3569	16-10795	Spring Hanger Bracket	2
19	E-9874	HRI-HBUS41	Torque Leaf Bushing	2

FREIGHTLINER

FRUEHAUF F-2

Standard Hangers

Trailer



KEY NO.	EUCLID NO.	REPLACES NO.	DESCRIPTION	QTY PER TANDEM
1	E-2829	UXA-000020-001 FSP-005-03-012 FSP-006-02-PK6	Spacer Assembly	2
2	E-2828	UCF-002470-001	Rear Hanger, Under Mount	2
	S.O.S.	UCF-002471-001	Rear Hanger, Straddle Mount	2
	S.O.S.	UXA-00065	Rear Hanger, Cast Left Hand	1
	S.O.S.	UXA-00065-001	Rear Hanger, Cast Right Hand	1
—	E-1024 (Rubber) E-9361 (Poly)	UXA-000004-900	Equalizer Bushing Assembly Includes Key Nos. 3, 4, 5, 6, 7	2

FRUEHAUF F-2

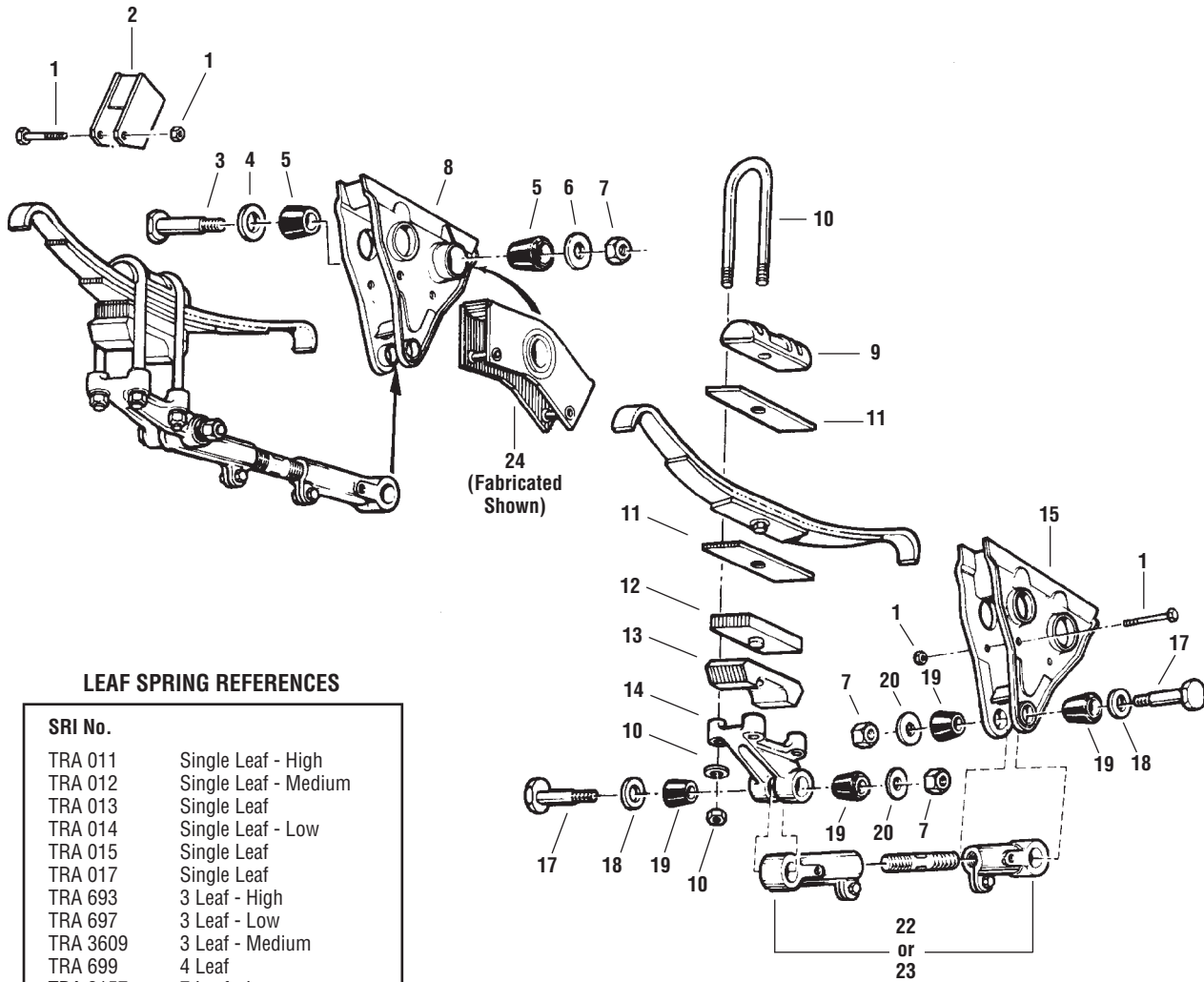
Standard Hangers Trailer

KEY NO.	EUCLID NO.	REPLACES NO.	DESCRIPTION	QTY PER TANDEM
3	E-1019	UXA-000015-001	Equalizer Bolt (Solid)	2
4	E-2832	UXA-000356-002	Outer Washer	2
5	E-1020 (Rubber) E-7432 (Poly)	UXA-000004	Equalizer Bushing	4
6	E-1021	E-7433 (Poly)	Compression Washer	2
7	E-937	FSP-006-02-PK9	Equalizer Nut	10
8	E-2827	UXA-000034	Equalizer Hanger, Under Mount, Center	2
	S.O.S.	UXA-000021	Equalizer Hanger, Straddle Mount	2
	N/A	UXA-000067	Equalizer Hanger, Cast, Left Hand	1
	N/A	UXA-000067-001	Equalizer Hanger, Cast, Right Hand	1
9	E-2839	UCC-005998-001	Spring Saddle, Single Leaf Springs	4
	E-2840	UCE-008801-001 (New)	Spring Saddle, Multi-Leaf Springs	4
		UCD-007601-007 (Old)		
10	E-UB8161-10	UXA-000046-915	U-Bolt Assembly, Rd. Bend, 7/8"-14 Thd. x 3" Wide x 10" Long	8
	E-UB8161-12	UXA-000046-916	U-Bolt Assembly, Rd. Bend, 7/8"-14 Thd. x 3" Wide x 12" Long	
	E-UB8161-16	UXA-000046-917	U-Bolt Assembly, Rd. Bend, 7/8"-14 Thd. x 3" Wide x 16" Long	2
	S.O.S.	UCF-002473-001	Front Hanger, Straddle Mount	
	S.O.S.	UXA-000066	Front Hanger, Cast, Left Hand	
	S.O.S.	UXA-000066-001	Front Hanger, Cast, Right Hand	
—	E-1023 (Rubber) E-9362 (Poly)	UXA-000011-900 (1/2)	Torque Arm Bushing Assembly Includes Key Nos. 17,18,19, 20, 21	8
17	E-1018	UXA-000016	Torque Arm Bolt	8
18	E-2833	UXA-000356-001	Outer Washer	8
19	E-927 (Rubber) E-7433 (Poly)	UXA-000011	Torque Arm Bushing	16
20	E-1074	UXA-000002	Compression Washer	8
22	E-2515	UCF-002640-001	Adjustable Torque Arm, 15 7/16" Center-to-Center	2
23	E-2514	UXA-000026-001	Rigid Torque Arm, 15 7/16" Center-to-Center	2
24	E-2830	UXA-000017	Equalizer, Cast Steel	2
	E-2831	UCF-001463-001	Equalizer, Fabricated Steel	
	E-8931	UCF-006963-001	Equalizer, Ductile Iron (Replaces Fabricated Steel Version)	
	E-9366	UCF-008317-001	Equalizer	
—	S.O.S.	UXA-000063	Hanger Reinforcement	As Req
—	S.O.S.	BCB-008841-900	Hanger Wear Plate (Front Spring)	As Req
—	S.O.S.	FCA-000759-001	Equalizer Hanger Cross Brace 1	—

FRUEHAUF F-2

Wide-Base Hangers

Trailer



LEAF SPRING REFERENCES

SRI No.	
TRA 011	Single Leaf - High
TRA 012	Single Leaf - Medium
TRA 013	Single Leaf
TRA 014	Single Leaf - Low
TRA 015	Single Leaf
TRA 017	Single Leaf
TRA 693	3 Leaf - High
TRA 697	3 Leaf - Low
TRA 3609	3 Leaf - Medium
TRA 699	4 Leaf
TRA 2157	7 Leaf - Low
TRA 2161	7 Leaf - High
TRA 2171	7 Leaf
TRA 2160	8 Leaf - Low
TRA 2162	8 Leaf - High
TRA 696	9 Leaf - Low

NOTE: To double the life of new bushings re-torque one week after installing. Then re-torque three months after installing.

KEY NO.	EUCLID NO.	REPLACES NO.	DESCRIPTION	QTY PER TANDEM
1	E-2829	UXA-000020-001 FSP-005-03-012 FSP-006-02-PK6	Spacer Assembly	4
2	E-2824	UCF-005858-001	Rear Hanger, Under Mount; 1, 3 or 4 Leaf Springs	2
	S.O.S.	UCE-007745-001	Rear Hanger, Under Mount; 7, 8 or 9 Leaf Springs	
—	E-1024 (Rubber)	UXA-000004-900	Equalizer Bushing Assembly Includes Key Nos. 3, 4, 5, 6, 7	2
	E-9361 (Poly)			
3	E-1019	UXA-000015-001	Equalizer Bolt	2
4	E-2832	UXA-000356-002	Outer Washer	2

FRUEHAUF F-2

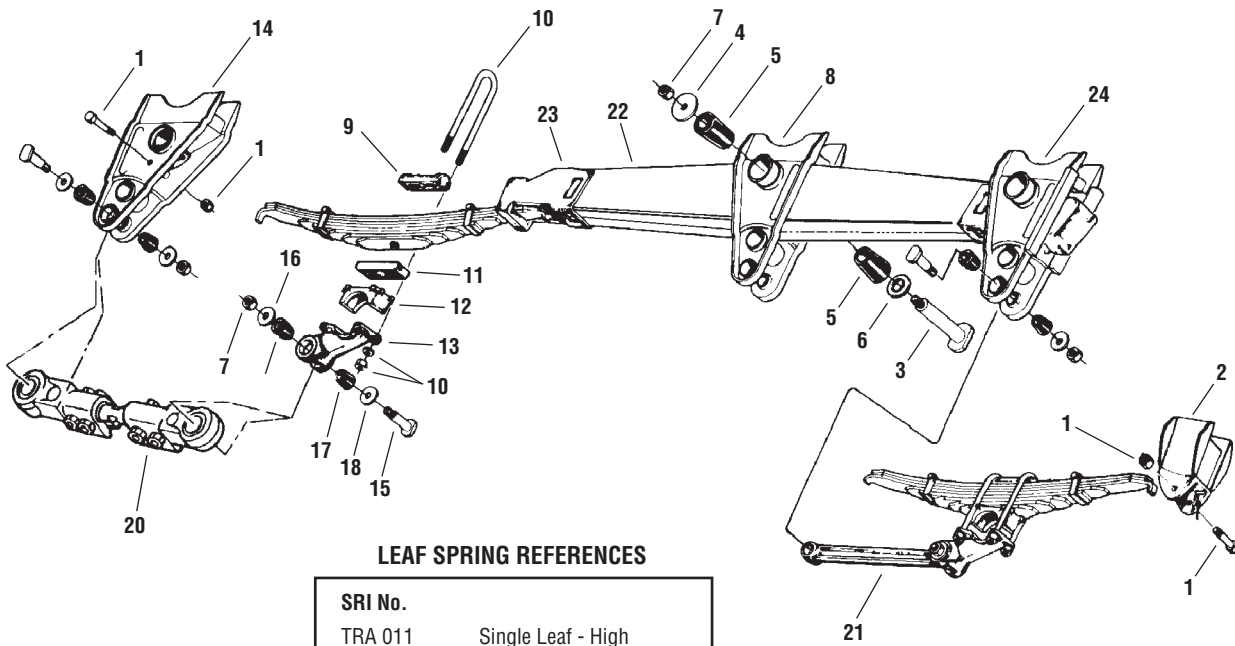
Wide-Base Hangers Trailer

KEY NO.	EUCLID NO.	REPLACES NO.	DESCRIPTION	QTY PER TANDEM
5	E-1020 (Rubber)	UXA-000004	Equalizer Bushing	4
	E-7432 (Poly)			
6	E-1021	E-7433 (Poly)	Compression Washer	2
7	E-937	FSP-006-02-PK9	Equalizer Nut	10
8	E-2823	UCE-007746-001	Equalizer Hanger, Under Mount	2
9	E-2839	UCC-005998-001	Spring Saddle, Single Leaf Springs	4
	E-2840	UCE-008801-001 (New) UCD-007601-007 (Old)	Spring Saddle, Multi-Leaf Springs	
10	E-UB8161-10	UXA-000046-915	U-Bolt Assembly, Rd. Bend, 7/8"-14 Thd. x 3" Wide x 10" Long	8
	E-UB8161-12	UXA-000046-916	U-Bolt Assembly, Rd. Bend, 7/8"-14 Thd. x 3" Wide x 12" Long	
	E-UB8161-16	UXA-000046-917	U-Bolt Assembly, Rd. Bend, 7/8"-14 Thd. x 3" Wide x 16" Long	
	E-UB8161-18	UXA-000046-918	U-Bolt Assembly, Rd. Bend, 7/8"-14 Thd. x 3" Wide x 18" Long	
11	E-2842	UCE-006632-002 UCE-006632-001	Delrin Spring Liner Pad	8
12	E-2838	UXA-000048	Spring Spacer	4
13	E-2837	AXA-000512-001	Spring Seat	4
14	E-2836	AXA-000495-001	Axle Bracket	4
15	E-2822	UCF-001466-001	Front Hanger, Under Mount	2
—	E-1023 (Rubber) E-9362 (Poly)	UXA-000011-900 (1/2)	Torque Arm Bushing Assembly Incl. Key Nos. 17,18,19, 20, 21	8
17	E-1018			
18	E-2833	UXA-000356-001	Outer Washer	8
19	E-927 (Rubber) E-7433 (Poly)	UXA-000011	Torque Arm Bushing	16
20	E-1074	UXA-000002	Compression Washer	8
22	E-2515	UCF-002640-001	Adjustable Torque Arm, 15 7/16" Center-to-Center	2
23	E-2514	UXA-000026-001	Rigid Torque Arm , 15 7/16" Center-to-Center	2
24	E-2830	UXA-000017	Equalizer, Cast Steel	2
	E-2831	UCF-001463-001	Equalizer, Fabricated Steel	2
	E-8931	UCF-006963-001	Equalizer, Ductile Iron (Replaces Fabricated)	2
	E-9366	UCF-008317-001	Equalizer	2
—	S.O.S.	UXA-000063	Hanger Reinforcement	As Req
—	S.O.S.	BCB-008841-900	Hanger Wear Plate	As Req
—	S.O.S.	FCA-000759-001	Equalizer Hanger Cross Brace 1	—

FRUEHAUF F-2W

Standard Hangers

Trailer



LEAF SPRING REFERENCES

SRI No.	
TRA 011	Single Leaf - High
TRA 012	Single Leaf - Medium
TRA 013	Single Leaf
TRA 014	Single Leaf - Low
TRA 015	Single Leaf
TRA 017	Single Leaf
TRA 693	3 Leaf - High
TRA 697	3 Leaf - Low
TRA 3609	3 Leaf - Medium
TRA 699	4 Leaf
TRA 2157	7 Leaf - Low
TRA 2161	7 Leaf - High
TRA 2171	7 Leaf
TRA 2160	8 Leaf - Low
TRA 2162	8 Leaf - High
TRA 696	9 Leaf - Low

KEY NO.	EUCLID NO.	REPLACES NO.	DESCRIPTION	QTY PER TANDEM
1	E-2829	UXA-000020-001 FSP-005-03-012 FSP-006-02-PK6	Spacer Assembly	4
2	E-2828	UCF-002470-001	Rear Hanger, Under Mount	2
	S.O.S.	UCF-002471-001	Rear Hanger, Straddle Mount	2
	S.O.S.	UXA-00065	Rear Hanger, Cast, Left Hand	1
	S.O.S.	UXA-00065-001	Rear Hanger, Cast, Right Hand	1
—	E-1024 (Rubber) E-9361 (Poly)	UXA-000004-900	Equalizer Bushing Assembly Includes Key Nos. 3, 4, 5, 6, 7	2
3	E-1019	UXA-000015-001	Equalizer Bolt	2
4	E-2832	UXA-000356-002	Outer Washer	2
5	E-1020 (Rubber) E-7432 (Poly)	UXA-000004	Equalizer Bushing	4

FRUEHAUF F-2W

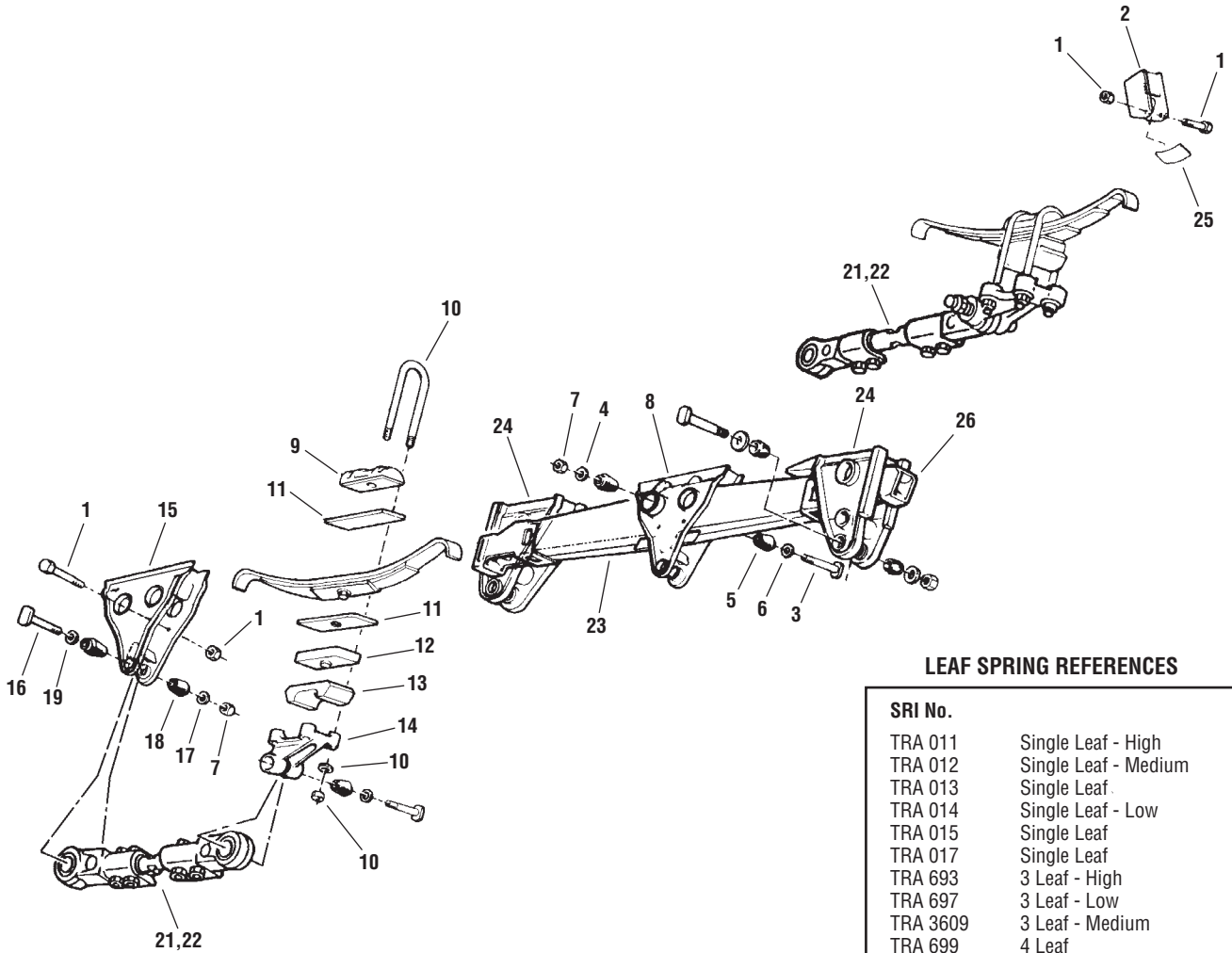
Standard Hangers Trailer

KEY NO.	EUCLID NO.	REPLACES NO.	DESCRIPTION	QTY PER TANDEM
6	E-1021	UXA-000003	Compression Washer	2
7	E-937	FSP-006-02-PK9	Equalizer Nut	10
8	E-2827	UXA-000034	Equalizer Hanger, Under Mount	2
	S.O.S.	UXA-000021	Equalizer Hanger, Straddle Mount	2
	S.O.S.	UXA-000067	Equalizer Hanger, Cast, Left Hand	1
	S.O.S.	UXA-000067-001	Equalizer Hanger, Cast, Right Hand	1
9	E-2839	UCC-005998-001	Spring Saddle, Single Leaf Springs	4
	E-2840	UCE-008801-001 (New) UCD-007601-007 (Old)	Spring Saddle, Multi-Leaf Springs	
10	E-UB8161-10	UXA-000046-915	U-Bolt Assembly, Rd. Bend, 7/8"-14 Thd. x 3" Wide x 10" Long	8
	E-UB8161-12	UXA-000046-916	U-Bolt Assembly, Rd. Bend, 7/8"-14 Thd. x 3" Wide x 12" Long	
	E-UB8161-16	UXA-000046-917	U-Bolt Assembly, Rd. Bend, 7/8"-14 Thd. x 3" Wide x 16" Long	
	E-UB8161-18	UXA-000046-918	U-Bolt Assembly, Rd. Bend, 7/8"-14 Thd. x 3" Wide x 18" Long	
11	E-2838	UXA-000048	Spring Spacer	4
12	N/A	UXA-000047	Spring Seat	4
13	S.O.S.	UXA-000028	Axle Bracket	4
14	E-2826	UCF-002467-001	Front Hanger, Under Mount	2
	S.O.S.	UCF-002473-001	Front Hanger, Straddle Mount	2
	S.O.S.	UXA-000066	Front Hanger, Cast, Left Hand	1
	S.O.S.	UXA-000066-001	Front Hanger, Cast, Right Hand	1
—	E-1023 (Rubber) E-9362 (Poly)	UXA-000011-900 (1/2)	Torque Arm Bushing Assembly Includes Key Nos. 17,18,19, 20, 21	8
15	E-1018	UXA-000016	Torque Arm Bolt	8
16	E-2833	UXA-000356-001	Outer Washer	8
17	E-927 (Rubber) E-7433 (Poly)	UXA-000011	Torque Arm Bushing	16
18	E-1074	UXA-000002	Compression Washer	8
20	E-2515	UCF-002640-001	Adjustable Torque Arm, 15 7/16" Center-to-Center	2
21	E-2514	UXA-000026-001	Rigid Torque Arm , 15 7/16" Center-to-Center	2
	s.o.s	UCC-000364-001	Equalizer, 73" Spread	
22	s.o.s	UXA-000049	Equalizer, 109" Spread	2
	S.O.S.	UXA-000263	Equalizer, 121" Spread	
23	N/A	UXA-000051	Equalizer Replaceable End	4
24	S.O.S.	UXA-000054	Guide Hanger, Under Mount	2
	S.O.S.	UXA-000057	Guide Hanger, Straddle Mount	
—	S.O.S.	UXA-000063	Hanger Reinforcement	As Req
—	S.O.S.	BCB-008841-900	Hanger Wear Plate	As Req
—	S.O.S.	FCA-000759-001	Equalizer Hanger Cross Brace 1	—

FRUEHAUF F-2W

Wide-Base Hangers

Trailer



LEAF SPRING REFERENCES

SRI No.	
TRA 011	Single Leaf - High
TRA 012	Single Leaf - Medium
TRA 013	Single Leaf
TRA 014	Single Leaf - Low
TRA 015	Single Leaf
TRA 017	Single Leaf
TRA 693	3 Leaf - High
TRA 697	3 Leaf - Low
TRA 3609	3 Leaf - Medium
TRA 699	4 Leaf
TRA 2157	7 Leaf - Low
TRA 2161	7 Leaf - High
TRA 2171	7 Leaf
TRA 2160	8 Leaf - Low
TRA 2162	8 Leaf - High
TRA 696	9 Leaf - Low

KEY NO.	EUCLID NO.	REPLACES NO.	DESCRIPTION	QTY PER TANDEM
1	E-2829	UXA-000020-001 FSP-005-03-012 FSP-006-02-PK6	Spacer Assembly	4
2	S.O.S.	UCE-007745-001	Rear Hanger, Under Mount	2
—	E-1024 (Rubber) E-9361 (Poly)	UXA-000004-900	Equalizer Bushing Assembly Includes Key Nos. 3, 4, 5, 6, 7	2
3	E-1019	UXA-000015-001	Equalizer Bolt	2

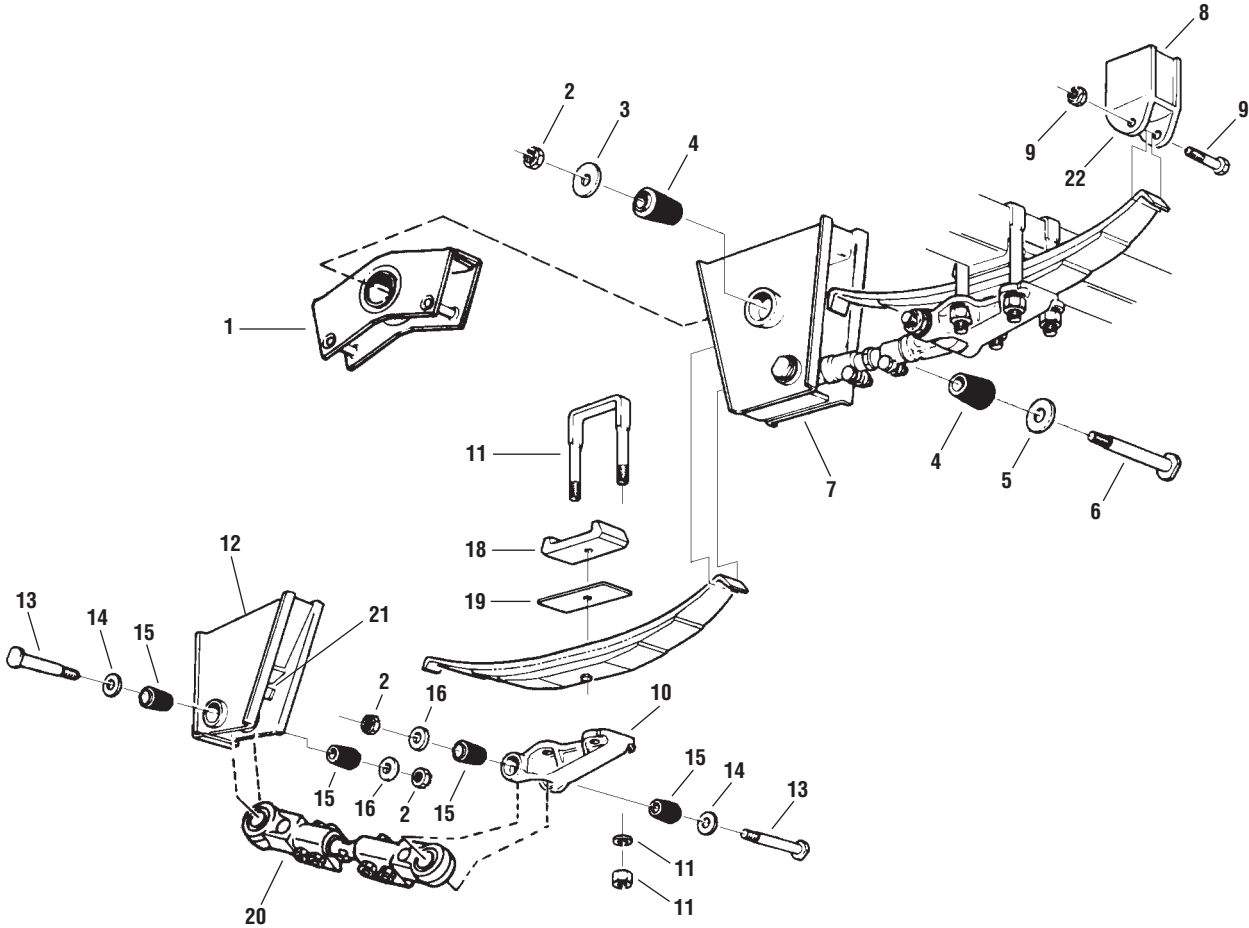
FRUEHAUF F-2W

Wide-Base Hangers Trailer

KEY NO.	EUCLID NO.	REPLACES NO.	DESCRIPTION	QTY PER TANDEM
4	E-2832	UXA-000356-002	Outer Washer	2
5	E-1020 (Rubber)	UXA-000004	Equalizer Bushing	4
	E-7432 (Poly)			
6	E-1021	UXA-000003	Compression Washer	2
7	E-937	FSP-006-02-PK9	Equalizer Nut	10
8	E-2823	UCE-007746-001	Equalizer Hanger, Under Mount	2
9	E-2839	UCC-005998-001	Spring Saddle, Single Leaf Springs	4
	E-2840	UCE-008801-001 (New) UCD-007601-007 (Old)	Spring Saddle, Multi-Leaf Springs	
10	E-UB8161-10	UXA-000046-915	U-Bolt Assembly, Rd. Bend, 7/8"-14 Thd. x 3" Wide x 10" Long	8
	E-UB8161-12	UXA-000046-916	U-Bolt Assembly, Rd. Bend, 7/8"-14 Thd. x 3" Wide x 12" Long	
	E-UB8161-16	UXA-000046-917	U-Bolt Assembly, Rd. Bend, 7/8"-14 Thd. x 3" Wide x 16" Long	
	E-UB8161-18	UXA-000046-918	U-Bolt Assembly, Rd. Bend, 7/8"-14 Thd. x 3" Wide x 18" Long	
11	E-2842	UCE-006632-002 UCE-006632-001	Delrin Spring Liner Pad	8
12	E-2838	UXA-000048	Spring Spacer	4
13	E-2837	AXA-000512-001	Spring Seat	4
14	E-2836	AXA-000495-001	Axle Bracket	4
15	E-2822	UCF-001466-001	Front Hanger, Under Mount	2
—	E-1023 (Rubber) E-9362 (Poly)	UXA-000011-900 (1/2)	Torque Arm Bushing Assembly Includes Key Nos. 17,18,19, 20, 21	8
16	E-1018	UXA-000016	Torque Arm Bolt	8
17	E-2833	UXA-000356-001	Outer Washer	8
18	E-927 (Rubber)	UXA-000011	Torque Arm Bushing	16
	E-7433 (Poly)			
19	E-1074	UXA-000002	Compression Washer	8
21	E-2515	UCF-002640-001	Adjustable Torque Arm, 15 7/16", Center-to-Center	2
22	E-2514	UXA-000026-001	Rigid Torque Arm , 15 7/16", Center-to-Center	2
23	S.O.S.	UCC-000364-001	Equalizer, 73" Spread	2
	N/A	UXA-000049	Equalizer, 109" Spread	
	N/A	UXA-000263	Equalizer, 121" Spread	
24	S.O.S.	UXA-000054	Guide Hanger, Under Mount	2
25	S.O.S.	UCE-007740-001	Rear Hanger Wear Pad	As Req
26	N/A	UXA-000051	Equalizer Replaceable End	4
—	S.O.S.	UXA-000063	Hanger Reinforcement	As Req
—	S.O.S.	BCB-008841-900	Hanger Wear Plate	As Req
—	S.O.S.	FCA-000759-001	Equalizer Hanger Cross Brace 1	—

FRUEHAUF J-2

Trailer



LEAF SPRING REFERENCES

SRI No.

TRA 011	Single Leaf - High
TRA 012	Single Leaf - Medium
TRA 013	Single Leaf
TRA 014	Single Leaf - Low
TRA 015	Single Leaf
TRA 017	Single Leaf
TRA 693	3 Leaf - High
TRA 697	3 Leaf - Low
TRA 3609	3 Leaf - Medium
TRA 699	4 Leaf
TRA 2157	7 Leaf - Low
TRA 2161	7 Leaf - High
TRA 2171	7 Leaf
TRA 2160	8 Leaf - Low
TRA 2162	8 Leaf - High
TRA 696	9 Leaf - Low

FRUEHAUF J-2

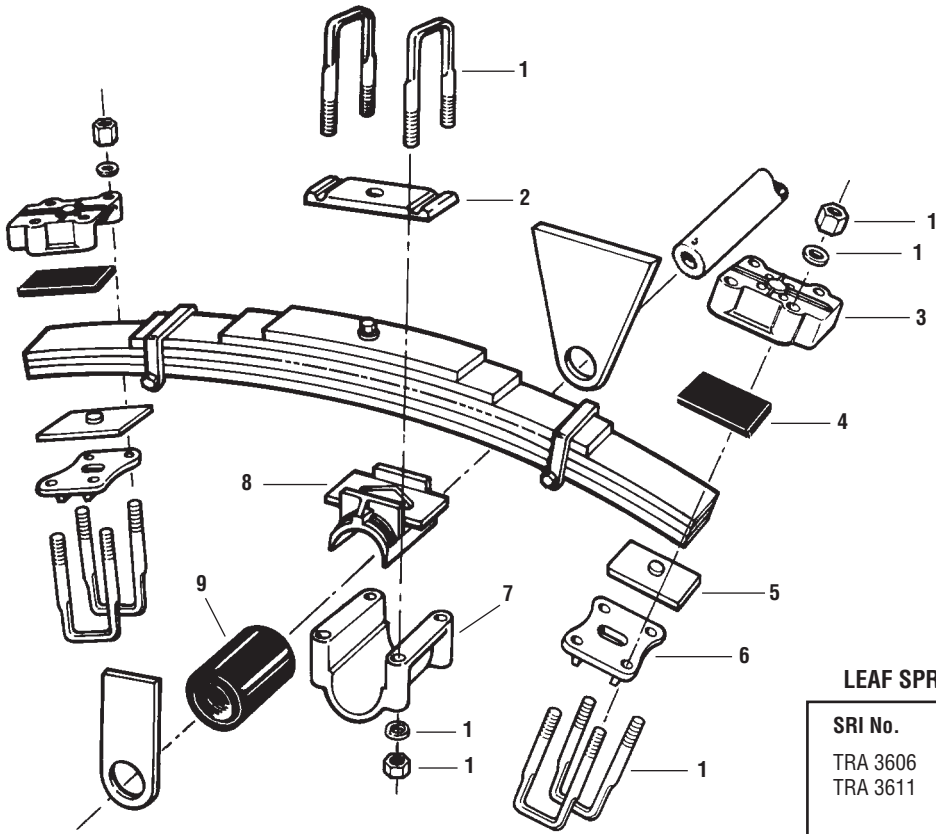
Trailer

KEY NO.	EUCLID NO.	REPLACES NO.	DESCRIPTION	QTY PER TANDEM
1	E-2831	UCF-001463-900	Equalizer, Fabricated	2
	E-8931	UCF-006963-001	Equalizer, Ductile Iron (Replaces Fabricated Steel Version)	
	E-9366	UCF-008317-001	Equalizer	
—	E-1024 (Rubber) E-9361 (Poly)	UXA-000004-900	Equalizer Bushing Assembly Includes Key Nos. 2, 3, 4, 5, 6	2
2	E-937	FSP-006-02-PK9	Nut	4
3	E-1021	UXA-000003	Equalizer Washer	2
4	E-1020 (Rubber) E-7432 (Poly)	UXA-000004	Equalizer Bushing	4
5	E-2832	UXA-000356-002	Equalizer Washer	2
6	E-1019	UXA-000015-001	Equalizer Bolt	2
7	S.O.S.	UCE-004177-002	Equalizer Hanger	2
8	S.O.S.	UCE-007745-002	Rear Hanger	2
9	E-2829	UXA-000020-001 FSP-005-03-012 FSP-006-02-PK6	Spacer Assembly	2
10	S.O.S.	UXA-000075-002	Axle Bracket	4
11	E-UB8575-126	BXE-000460-900	U-Bolt Assembly, Flat Sq. Bend, 1"-14 Thd. x 5" Wide x 12 3/4" Long	8
12	S.O.S.	UCE-004169-002	Front Hanger, Straight Frame 12°	2
—	E-1023 (Rubber) E-9362 (Poly)	UXA-000011-900	Torque Arm Bushing Assembly Includes Key Nos. 13, 14, 15, 16, 17	8
13	E-1018	UXA-000016	Radius Rod Bolt	8
14	E-2833	UXA-000356-001	Outer Washer	8
15	E-927 (Rubber) E-7433 (Poly)	UXA-000011	Radius Rod Bushing	16
16	E-1074	UXA-000002	Compression Washer	8
18	E-2837	AXA-000512-001	Spring Chair	4
19	E-2842	UCD-006632-002	Delrin Liner	4
20	E-2515 E-2514	UCF-002640-001 UXA-000026-001	Adjustable Torque Arm, 15 7/16" Center-to-Center Rigid Torque Arm, 15 7/16" Center-to-Center	2
21	N/A	UCC-008922-001	Wear Plate	As Req
22	N/A	UXA-000008	Wear Plate	As Req

FRUEHAUF M2

Overslung/Underslung

Trailer

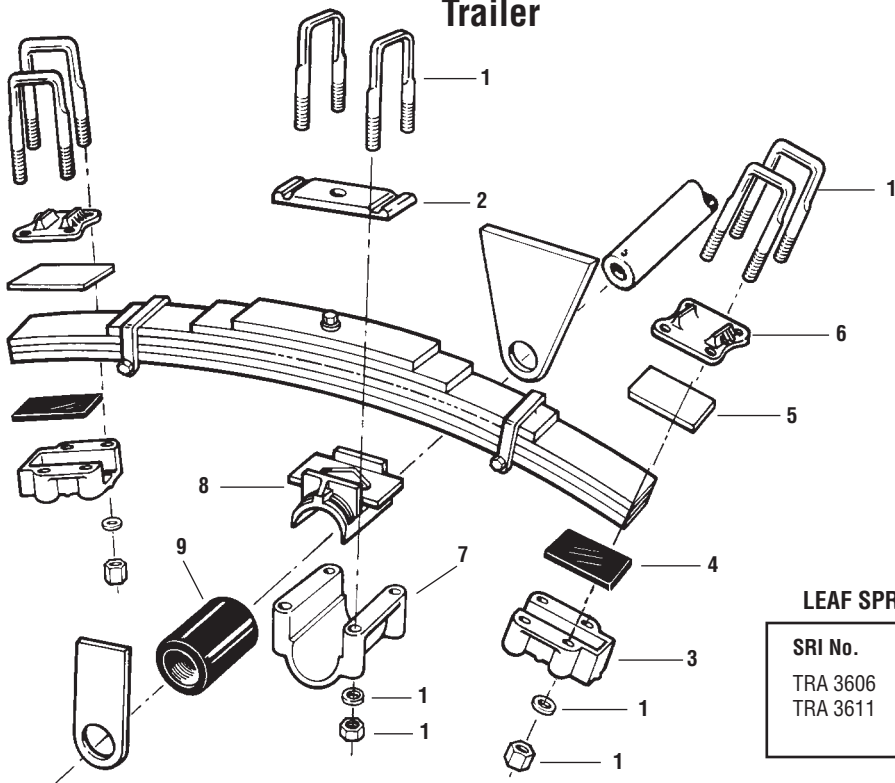


LEAF SPRING REFERENCES

SRI No.	
TRA 3606	6 Leaf
TRA 3611	7 Leaf

Underslung

Trailer



LEAF SPRING REFERENCES

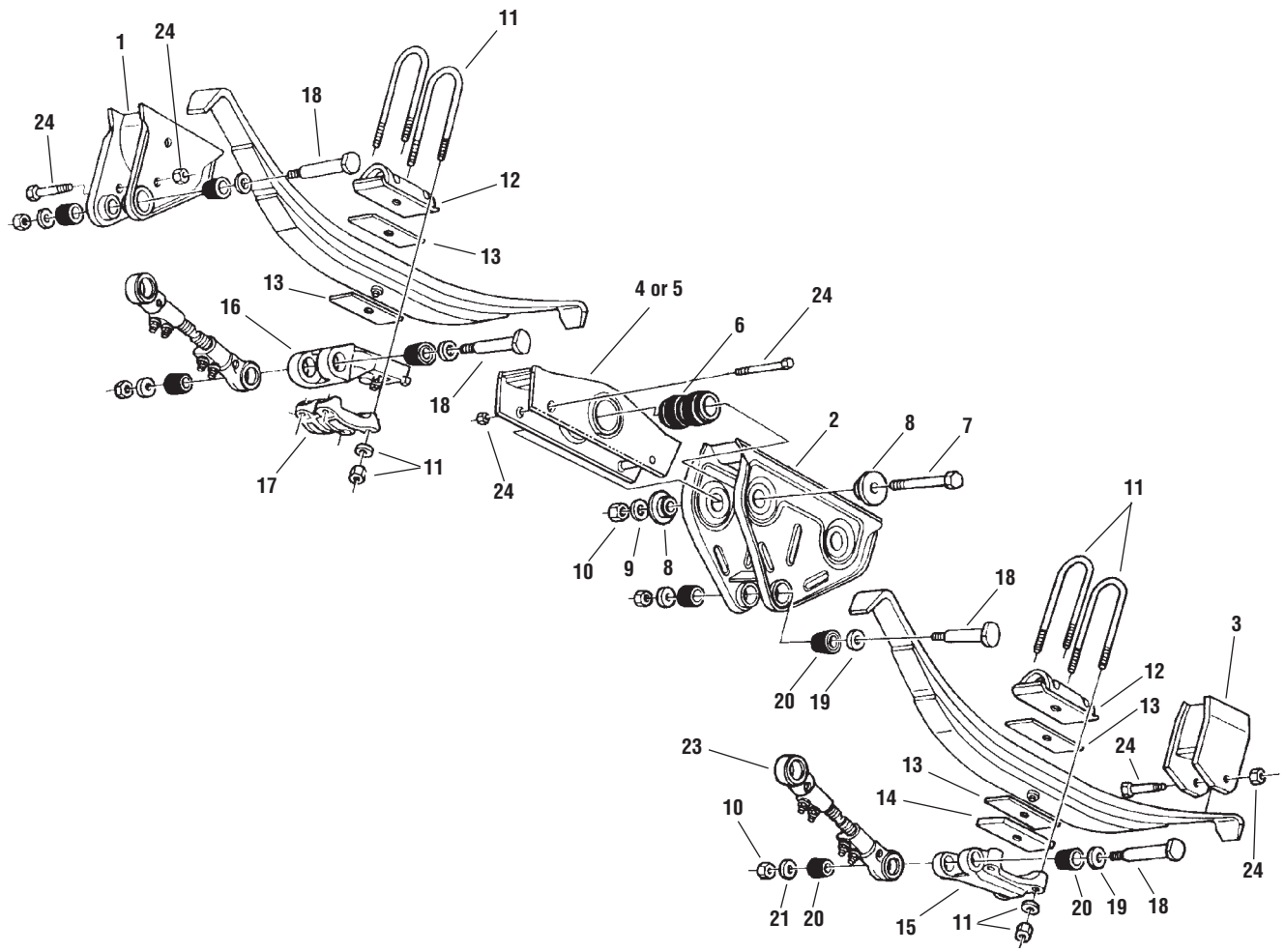
SRI No.	
TRA 3606	6 Leaf
TRA 3611	7 Leaf

FRUEHAUF M2

Overslung/Underslung Trailer

KEY NO.	EUCLID NO.	REPLACES NO.	DESCRIPTION	QTY PER TANDEM
1	E-UB8585-132	UCD-008680-901	U-Bolt Assembly, Flat Sq. Bend, 1 1/8"-12 Thd. x 5" Wide x 13 1/4" Long	12
2	E-3576	UCD-005641-001	Spring Top Pad	2
3	E-3583	ACD-006849-001	Spring End Cap	4
4	E-3582 (Rubber)	UCD-005635-001	Spring End Pad	4
	E-8664 (Poly)	UCD-005635-001		
5	E-3581	UCE-001350-001	Plate Assembly	4
6	E-3580	ACD-006850-001	Axle Bracket	4
7	E-3578	UCD-005631-001	Lower Trunnion Casting	2
8	E-3577	UCD-005755-001	Upper Trunnion Casting	2
9	E-3579 (Rubber)	UXA-000160	Trunnion Bushing	2
	E-8663 (Poly)	UXA-000160-SPX		
—	S.O.S.	UCF-000036-001	Trunnion Assembly, 71" Track	2
—	S.O.S.	UCF-000036-002	Trunnion Assembly, 77" Track	2





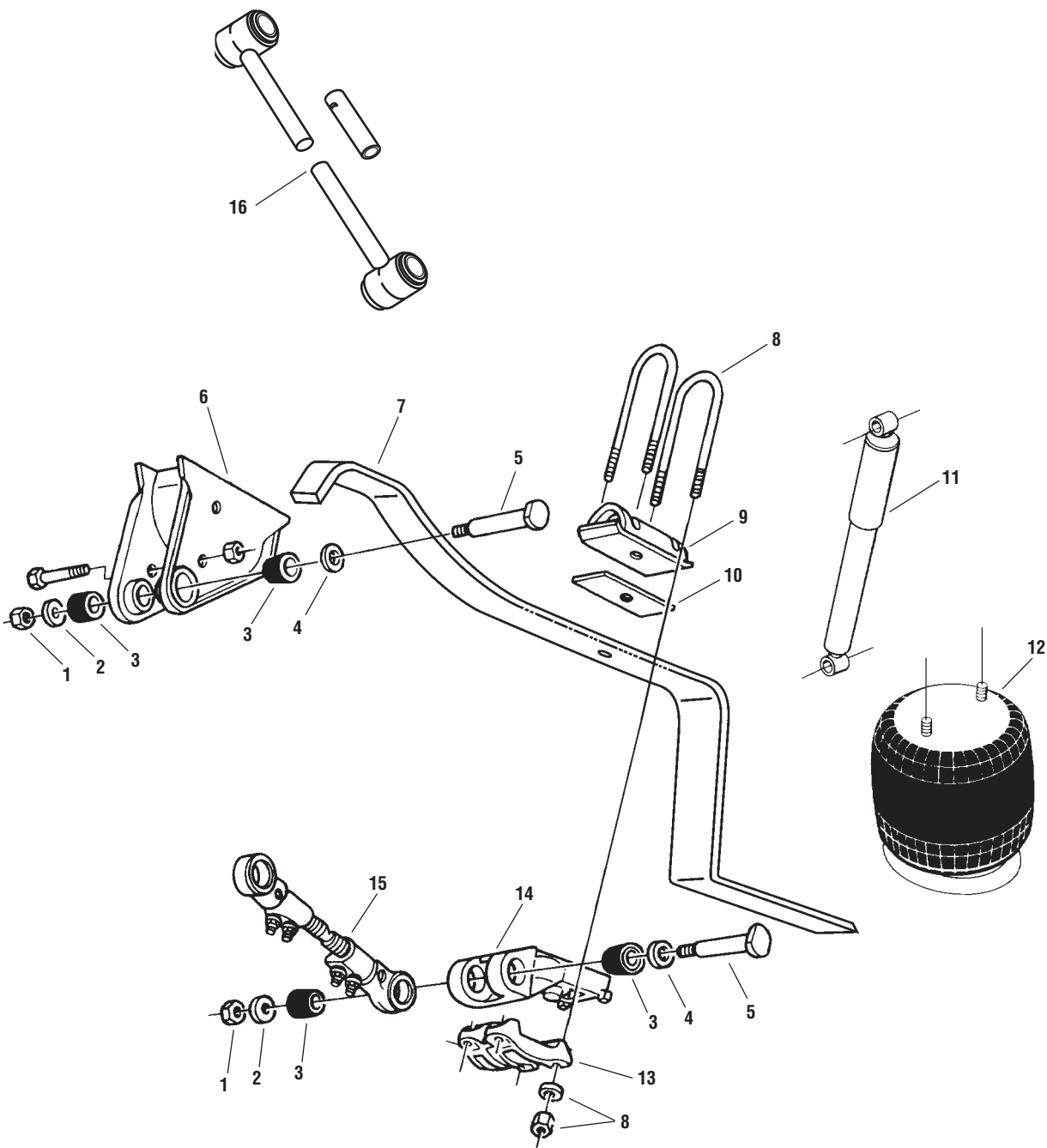
FRUEHAUF NF-2

Trailer

KEY NO.	EUCLID NO.	REPLACES NO.	DESCRIPTION	QTY PER TANDEM
1	E-9363	UCF-006668-001	Front Hanger	2
2	E-9364	UCF-006672-001	Center Hanger	2
3	E-9365	UCF-005858-002	Rear Hanger; 1, 3, and 4 Leaf Springs	2
4	E-9366	UCF-008317-001	Equalizer, Bushing Included	2
5	S.O.S.	UCF-008317-002	Hardened Equalizer	2
—	E-9367	—	Equalizer Bushing Assembly 2 Includes Key Nos. 6, 7, 8, 9, 10	
6	E-9368	UCF-006699-001	Equalizer Bushing	2
7	E-1166	FSP-005-03-028	Bolt	2
8	E-9370	UCF-006703-001	Bushing	4
9	E-2275	FSP-007-02-010	Washer	2
10	E-937	FSP-006-02-PK9	Nut	10
11	E-UB8161-10	UXA-000046-915	U-Bolt Assembly, Rd. Bend, 7/8"-14 Thd. x 3" Wide x 10" Long	8
	E-UB8161-12	UXA-000046-916	U-Bolt Assembly, Rd. Bend, 7/8"-14 Thd. x 3" Wide x 12" Long	
	E-UB8161-16	UXA-000046-917	U-Bolt Assembly, Rd. Bend, 7/8"-14 Thd. x 3" Wide x 16" Long	
	E-UB8161-18	UXA-000046-918	U-Bolt Assembly, Rd. Bend, 7/8"-14 Thd. x 3" Wide x 18" Long	
12	E-2839	UCC-005998-001	Saddle, Single Leaf Spring	4
		UCE-008801-001 (New) UCD-007601-007 (Old)	Saddle, Multi-Leaf Spring	
13	E-2842	UCD-006632-002	Delrin Spring Liner	As Req
14	E-2838	UXA-000048	Spring Spacer	As Req
15	S.O.S.	UCC-004920-001	Axle Bracket, Rear	2
16	E-10778	UCF-006696-001	Axle Seat, High Ride	2
17	E-7636	UCF-002610-001	Bottom Plate, High Ride	2
—	E-1023 (Rubber) E-9362 (Poly)	UXA-000011-900 (1/2)	Torque Arm Bushing Assembly Includes Key Nos. 18, 19, 20, 21, 22	8
18	E-1018	UXA-000016	Torque Arm Bolt	8
19	E-2833	UXA-000356-001	Washer	8
20	E-927 (Rubber)	UXA-000011	Torque Arm Bushing	16
	E-7433 (Poly)			
21	E-1074	UXA-000002	Washer	8
23	E-2514	UXA-000026-001	Rigid Torque Arm, 15 7/16" Center-To-Center	2
	E-2515	UCF-002640-001	Adjustable Torque Arm, 15 7/16" Center-To-Center	2
24	E-9372	FSP-005-03-054 FSP-006-02-006	Rebound Bolt and Nut	4
—	E-2837	AXA-000512-001	Spring Chair, Rear	4

FRUEHAUF NT

(High Ride Version Shown)
Trailer



FRUEHAUF NT

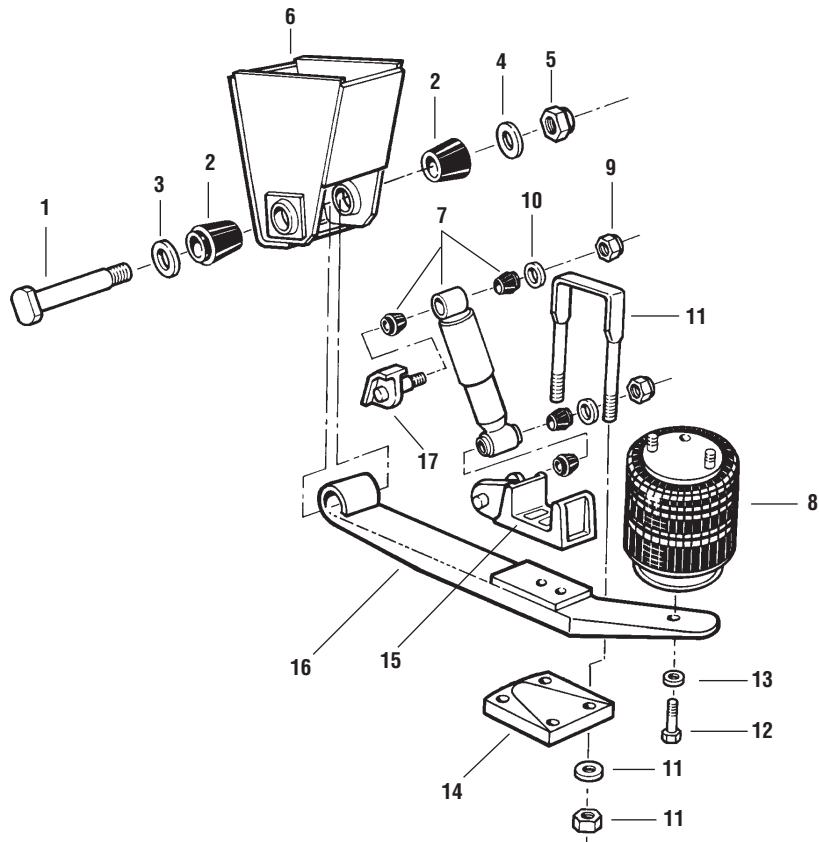
(High Ride Version Shown)

Trailer

KEY NO.	EUCLID NO.	REPLACES NO.	DESCRIPTION	QTY PER TANDEM
—	E-1023 (Rubber) E-9362 (Poly)	UXA-000011-900 (1/2)	Torque Arm Bushing Assembly Includes Key Nos. 1, 2, 3, 4, 5	4
1	E-937	FSP-006-02-009	Nut	4
2	E-1074	UXA-000002	Washer	4
3	E-927 (Rubber) E-7433 (Poly)	UXA-000011	Bushing	8
4	E-2833	UXA-000356-001	Washer	4
5	E-1018 E-7637	UXA-000016 UXA-000016-000	Torque Arm Bolt, 6" Length Torque Arm Bolt, 7" Length	4
6	E-9363	UCF-006668-001	Front Hanger	2
7	S.O.S.	UCF-008314-001	Arm Spring	2
8	E-UB8161-10	UXA-000046-915	U-Bolt Assembly, Rd. Bend, 7/8"-14 Thd. x 3" Wide x 10" Long	4
	E-UB8161-12	UXA-000046-916	U-Bolt Assembly, Rd. Bend, 7/8"-14 Thd. x 3" Wide x 12" Long	
	E-UB8161-16	UXA-000046-917	U-Bolt Assembly, Rd. Bend, 7/8"-14 Thd. x 3" Wide x 16" Long	
	E-UB8161-18	UXA-000046-918	U-Bolt Assembly, Rd. Bend, 7/8"-14 Thd. x 3" Wide x 18" Long	
9	E-2840	UCE-008801-001(New) UCD-007601-007 (Old)	Saddle	2
	S.O.S.	UVA-000056-001	Saddle with Stabilizer Bracket	
10	S.O.S.	UCF-006972-003	Spacer Plate	2
11	M85321	UCF-008339-001	Shock	2
		UCF-008339-002		
		680298		
12	FS9394	UCE-09393-002	Air Spring	2
13	E-7636	UCF-002610-001	Bottom Plate, High Ride	2
14	E-10778	UCF-006696-001	Axle Seat, on Top of Axle High Ride Height 14 3/4" x 15 1/2"	4
	N/A	UCF-006702-001	Axle Bracket, Below Axle Low Ride Height 14 1/2 x 14"	As Req
15	E-2514	UXA-000026-001	Rigid Torque Arm, 15 7/16" Center-To-Center	2
	E-2515	UCF-002640-001	Adjustable Torque Arm, 15 7/16" Center-To-Center	
16	E-10758	FCF-008248-902	Uni-Rod Kit, 20"- 30" Long, 7/8" I.D. (use w/ E-3173 Uni-Dapter)	1
—	S.O.S.	UVA-000008-001	Air Spring Base Plate Assembly	2
—	S.O.S.	UCF-009172-001	Air Spring Top Mount, 38" Spring Center	2
—	S.O.S.	UCF-009172-003	Air Spring Top Mount, 44" Spring Center	

FRUEHAUF T

Trailer



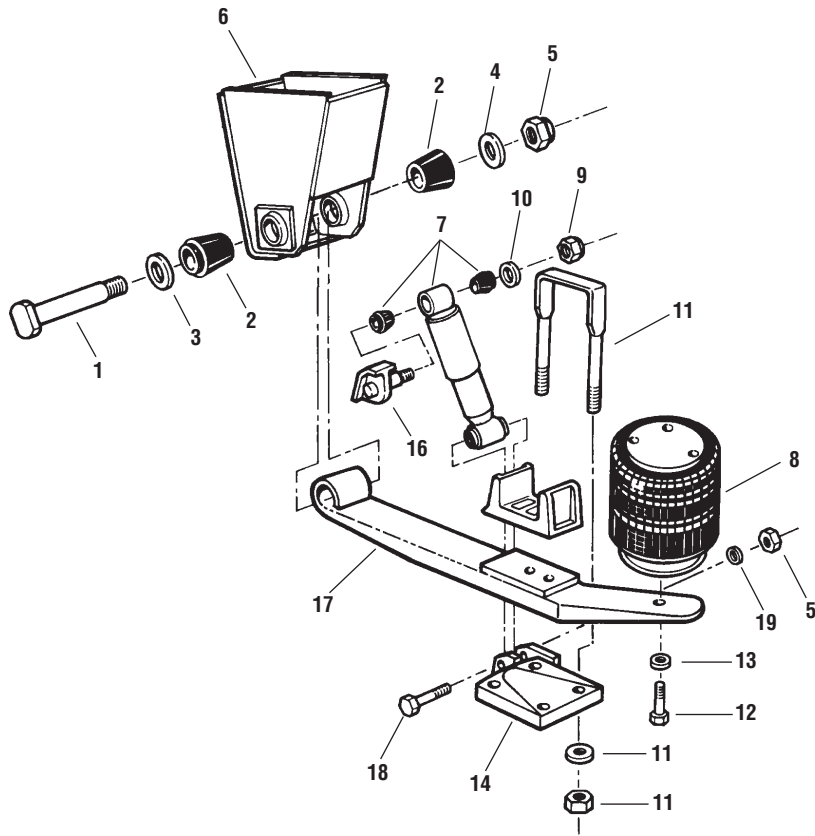
FRUEHAUF T

Trailer

KEY NO.	EUCLID NO.	REPLACES NO.	DESCRIPTION	QTY PER AXLE
—	E-1024 (Rubber) E-9361 (Poly)	UXA-000004-900	Trailing Arm Bushing Assembly Includes Key Nos. 1, 2, 3, 4, 5	2
1	E-1019	UXA-000015-001	Trailing Arm Bolt	2
2	E-1020 (Rubber) E-7432 (Poly)	UXA-000004	Trailing Arm Bushing	4
3	E-1021	UXA-000003	Compression Washer	2
4	E-2832	UXA-000356-002	Outer Washer	2
5	E-937	FSP-006-02-PK9	Nut	2
6	E-3586 E-3587	UCE-001177-001 UCE-001177-002	Hanger, Roadside Hanger, Curbside	1 1
7	M85300 M89419	UCE-001295-901	Shock Absorber, Includes Bushings	2
8	FS9394	UCE-009393-002 UCE-009393-001	Air Spring, Current Style Air Spring, Old Style (SS to FS9394)	2
9	E-1835	FSP-006-02-013	Nut	4
10	E-2546	FSP-007-02-008	Washer	4
11	E-UB8575-126	BXE-000460-900	U-Bolt Assy, Flat Sq. Bend, 1"-14 Thd. x 5" Wide x 12 3/4" Long	4
12	S.O.S.	UCE-009460-001	Bolt	2
13	S.O.S.	FSP-007-03-004	Lock Washer	2
14	E-3590	UCE-004461-001	Bottom Plate	2
15	E-3588 E-3589	UCE-001660-001 UCE-001660-002	Axle Seat, Curbside Axle Seat, Roadside	1 1
16	N/A N/A	UCE-000176-001 UCE-000176-002	Trailing Arm Sub Assembly, Left Hand Trailing Arm Sub Assembly, Right Hand	1 1
17	E-3596	UCE-001656-001	Upper Shock Bracket	2
—	S.O.S.	UCF-000051-001	Upper Air Spring Mounting Beam 1	—

FRUEHAUF W24T1

Trailer



FRUEHAUF W24T1

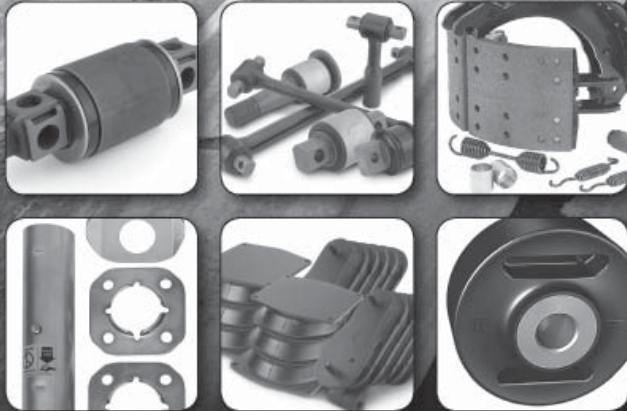
Trailer

KEY NO.	EUCLID NO.	REPLACES NO.	DESCRIPTION	QTY PER AXLE
—	E-1024 (Rubber) E-9361 (Poly)	UXA-000004-900	Trailing Arm Bushing Assembly	2
1	E-1019	UXA-000015-001	Trailing Arm Bolt	2
2	E-1020 (Rubber) E-7432 (Poly)	UXA-000004	Trailing Arm Bushing	4
3	E-1021	UXA-000003	Compression Washer	4
4	E-2832	UXA-000356-002	Outer Washer	4
5	E-937	FSP-006-02-PK9	Nut	6
6	E-3586 E-3587	UCE-001177-001 UCE-001177-002	Hanger Assembly, Roadside Hanger Assembly, Curbside	1 1
7	M85322	UCE-002983-001	Shock Absorber, Includes Bushings	2
8	FS9053	UCE-001304-002	Air Spring	2
9	E-1835	FSP-006-02-013	Nut	2
10	E-2546	FSP-007-02-008	Washer	2
11	E-UB8575-126	BXE-000460-900	U-Bolt Assembly, Flat Sq. Bend, 1"-14 Thd. x 5" Wide x 12 3/4" Long	4
12	N/A	FSP-005-03-018	Hex Bolt, 1/2"-13 Thd. x 5 1/2", Grade 5	2
13	S.O.S.	FSP-007-03-004	Lock Washer, 1/2"	2
14	E-3594 E-3595	UCE-001874-001 UCE-001874-002	Bottom Plate Assembly, Roadside Bottom Plate Assembly, Curbside	1 1
16	E-3596	UCE-001656-001	Shock Mounting Bracket Assembly	2
17	N/A N/A	UCE-000176-001 UCE-000176-002	Trailing Arm Sub Assembly, Left Hand Trailing Arm Sub Assembly, Right Hand	1 1
18	N/A	FSP-005-05-008	Hex Bolt	2
19	S.O.S.	FSP-007-02-010	Washer	2
—	N/A	UCE-001281-001	Upper Air Spring Mounting Beam	1

GENUINE PARTS

MAKING DOWN TIME UPTIME.

Original parts. Original fit. Original performance.



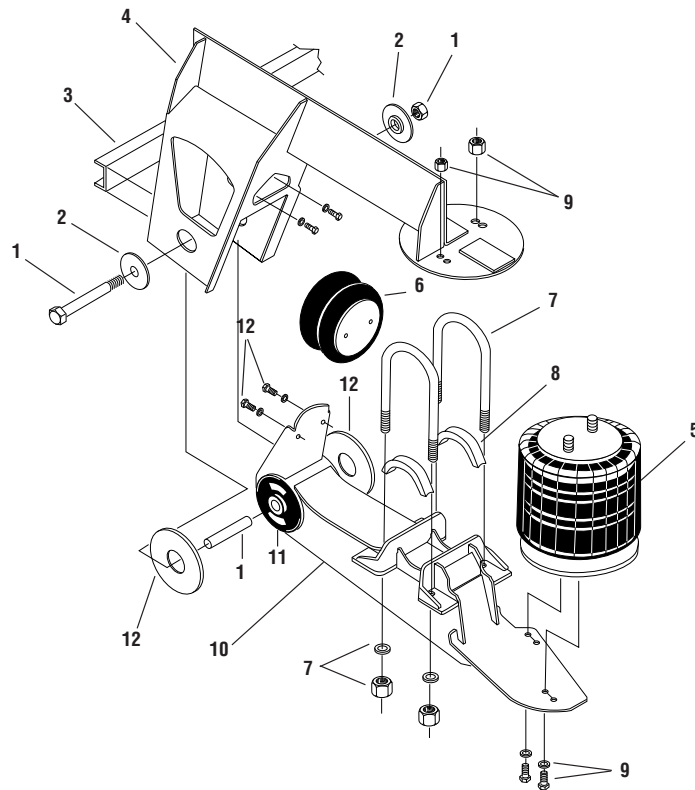
 **HENDRICKSON**

1-866-755-5968
www.hendrickson-intl.com

Demand Hendrickson Genuine Parts. Whether it's bushings, torque rods, air springs, shock absorbers, steel springs or aftermarket kits, Hendrickson Genuine Parts deliver the same quality and durability as those installed in OEM production models. Fleets and owner operators rely on Hendrickson Genuine Parts for quality, ride and stability, weight savings and dependability. Hendrickson Genuine Parts — Original parts, Original fit, Original performance.

HENDRICKSON AUXILIARY HLM, HLM-1, HLM-1-TR

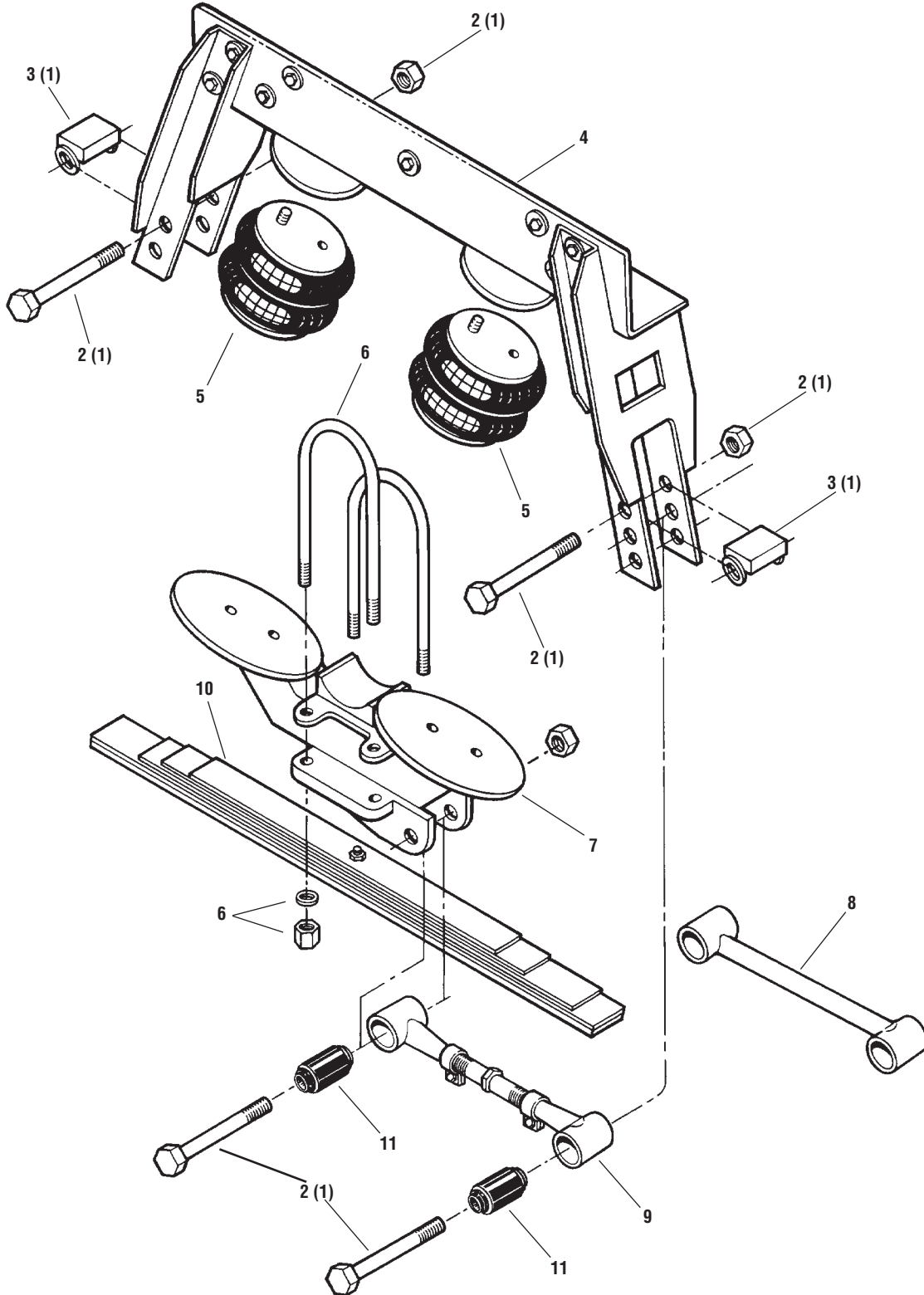
Lift-Truck/Tractor



Key No.	Euclid No.	Replaces No.	Description	Quantity Per Axle	HLM	HLM-1	HLM-1-TR
1	E-3768	S3646	Pivot Bolt Kit	2	X	X	X
2	E-3771	S2770	Alignment Collar	4	X	X	X
3	E-15091	A163119	Side Rail Cross Channel	1	X	X	X
4	S.O.S.	C130911	Side Rail Assembly, Roadside	1	X		
		C130912	Side Rail Assembly, Curbside	1	X		
		C142001	Side Rail Assembly, Roadside	1			X
		C142002	Side Rail Assembly, Curbside	1			X
		C142081	Side Rail Assembly, Roadside	1		X	
		C142082	Side Rail Assembly, Curbside	1		X	
5	FS9367	S14249	Air Spring (Ride)	2	X	X	X
6	FS6935	S14318	Air Spring (Lift)	2	X	X	X
7	E-UB8168-082	S20032/4	U-Bolt Assembly, Rd. Bend, 7/8"-14 Thd. x 6" Wide x 8 1/4" Long	4	X	X	X
8	E-6124	S20701	Axle Spacer	4	X	X	X
9	E-15092	S1981/2	Air Spring Bolt Kit	2	X	X	X
10	S.O.S.	D131031	Beam Assembly, Roadside	1	X		
		D131032	Beam Assembly, Curbside	1	X		
		D0019071	Beam Assembly, Roadside	1		X	X
		D0019072	Beam Assembly, Curbside	1		X	X
11	E-6121	A6914	Tri-Functional Bushing Kit, includes Key Nos. 1, 11, 12	2	X	X	X
12	E-6122	S21099	Bushing Wear Pad	4	X	X	X

HENDRICKSON AUXILIARY HLQ, Q SERIES

Lift-Truck/Tractor



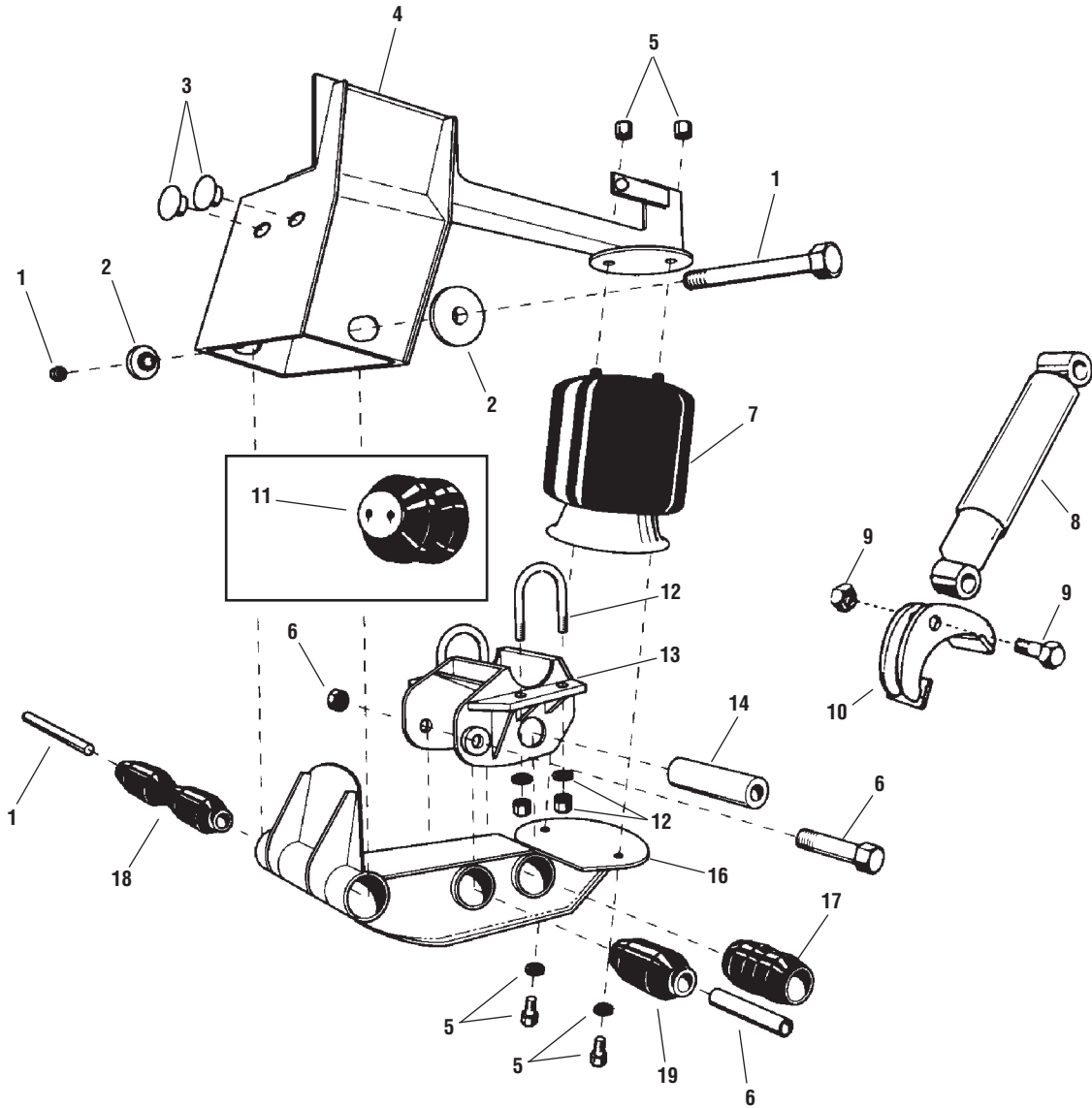
HENDRICKSON AUXILIARY HLQ, Q SERIES

Lift-Truck/Tractor

Key No.	Euclid No.	Replaces No.	Description	Quantity Per Axle	Q-AH, HLQ-AH	Q-LF, HLQ-L	Q-SR, HLQ-SR
1	E-3779	S1156	Slider Block Assembly includes Key Nos. 2, 3	4	X	X	
2	Part of E-1981	S1126	Radius Rod Bolt Kit	2	X	X	X
3	E-3779	S1156	Slider Block Assembly	2	X	X	
	E-3777	S1367	Slider Block Assembly				X
		D11521	SideRail Assembly, Curbside	1			X
		D11522	SideRail Assembly, Roadside	1			X
4	S.O.S.	D12571	SideRail Assembly, Curbside	1		X	
		D12572	SideRail Assembly, Roadside	1		X	
		D12681	SideRail Assembly, Curbside	1	X		
		D12682	SideRail Assembly, Roadside	1	X		
5	FS7403	S1159	Air Spring	4	X	X	X
6	N/A	—	U-Bolt Assembly, Rd. Bend, 7/8"-14Thd. x 6" Wide x 9 1/2" Long	4		X	
	E-UB8165-12	S1135	U-Bolt Assembly, Rd. Bend, 7/8"-14Thd. x 5" Wide x 12" Long		x		x
7	S.O.S.	C3334	Lower Arm Assembly	2	X		
		C7565				X	
		C3419					X
8	E-3773	S1031	Nonadjustable Radius Rod, 15 1/2"*	1			X
	E-3774A-2	S10311	Nonadjustable Radius Rod, 19"*		X		
9	E-2513	S10321	Adjustable Radius Rod, 18 1/2" - 21 3/8"*	1	X		
	E-2512	S10322	Adjustable Radius Rod, 14" - 18 1/2"*				X
10	S.O.S.	C1733	Return Spring Assembly	2	X		
		C1012				X	
		B1152					X
11	E-1980 (Rubber)	S1712	Torque Rod Bushing	4	X	X	X
—	E-1981	—	Torque Rod Bushing Assembly includes Key Nos. 2, 11	4	X	X	X
—	S.O.S.	A1276	Air Spring Bolt Kit	4	X	X	X
—	S.O.S.	A1631	C-Channel, 3" x 30"	1	X	X	X
—	S.O.S.	A1633	Frame Bracket Brace	2	X	X	X
—	S.O.S.	A7568	Axle Seat	2		X	
—	S.O.S.	C11253	Radius Rod Bracket (Casting)	2	X		X
—	S.O.S.	C7557	Fabricated Drop Axle Assembly	1		X	
—	S.O.S.	S1132	Shackle Bolt Kit	2		X	

HENDRICKSON AUXILIARY MT45, MTL45, MTL50

Lift-Trailer



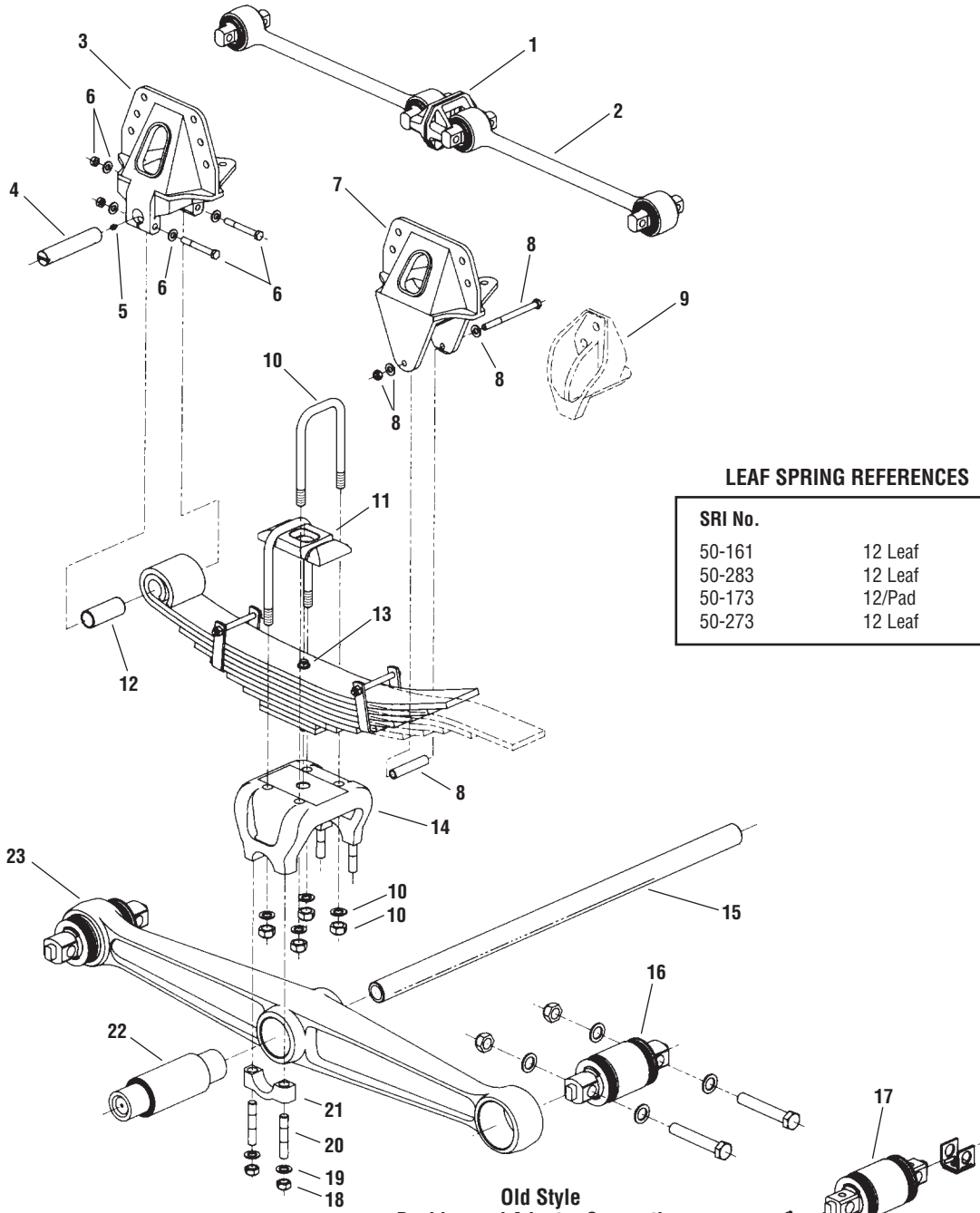
HENDRICKSON AUXILIARY MT45, MTL45, MTL50

Lift-Trailer

Key No.	Euclid No.	Replaces No.	Description	Quantity Per Axle	MT-45	MTL-45	MTL-50
1	E-6129	S3142	Pivot Bolt Kit	2	X	X	X
2	E-3771	S2770	Alignment Collar	4	X	X	
	E-6131	B2848					X
3	S.O.S.	A4710	Plastic Bolt Hole Plug	4	X	X	X
		C123501	Side Rail Assembly, Roadside	1	X		
		C123502	Side Rail Assembly, Curbside	1	X		
		C117281	Side Rail Assembly, Roadside	1		X	
4	S.O.S.	C117282	Side Rail Assembly, Curbside	1		X	
		C117281 (New) C60151 (Old)	Side Rail Assembly, Roadside	1			X
		C117282 (New) C60152 (Old)	Side Rail Assembly, Curbside	1			X
5	S.O.S.	S1981	Air Spring Bolt Kit (Ride)	2	X	X	X
6	E-6130	A3141	Alignment Bolt Kit	2	X	X	X
7	FS9321	S4375	Air Spring	2	X	X	X
8	M85000	S1667	Shock Absorber	2	X	X	X
	M89436	S1667	Shock Absorber				
9	S.O.S.	A12355	Shock Bolt Kit	1	X		
10	S.O.S.	B3896	Lower Shock Bracket Assembly	2	X		
11	FS6902	S2630	Air Spring (Lift)	2		X	X
12	E-UB8165-076	S3139	U-Bolt Assembly, Rd. Bend, 7/8"-14 Thd. x 5" Wide x 7 3/4" Long	4	X	X	X
13	S.O.S.	C6042	Axle Seat Assembly	2	X	X	X
14	N/A	A60413	Shaft		X	X	
	S.O.S.	B31112	Shaft	2			X
		D116791	Beam with Bushings, Roadside	1	X	X	
		D116792	Beam with Bushings, Curbside	1	X	X	
16	S.O.S.	D62001	Beam with Bushings, Roadside	1			X
		D62002	Beam with Bushings, Curbside	1			X
17	E-6128	S21591	Bushing	2	X	X	X
18	E-6126	S2841	Pivot Bushing	2	X	X	X
19	E-6127	S28411	Bushing	2	X	X	X
—	S.O.S.	A16311	C-Channel 3" x 20"	1			X
—	S.O.S.	A16331	Frame Bracket Brace	2			X
—	S.O.S.	A2849	Air Spring Bolt Kit (Lift)	2		X	X

HENDRICKSON U2/UE2-340

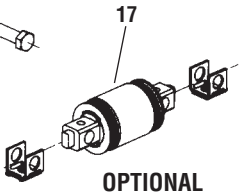
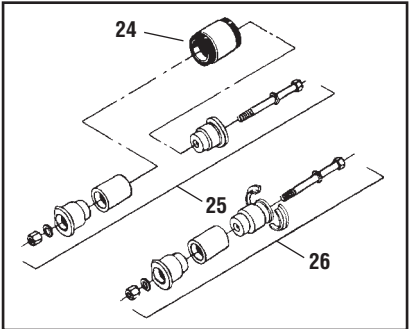
Truck/Tractor



LEAF SPRING REFERENCES

SRI No.	
50-161	12 Leaf
50-283	12 Leaf
50-173	12/Pad
50-273	12 Leaf

Old Style Bushing and Adapter Connection



HENDRICKSON U2/UE2-340

Truck/Tractor

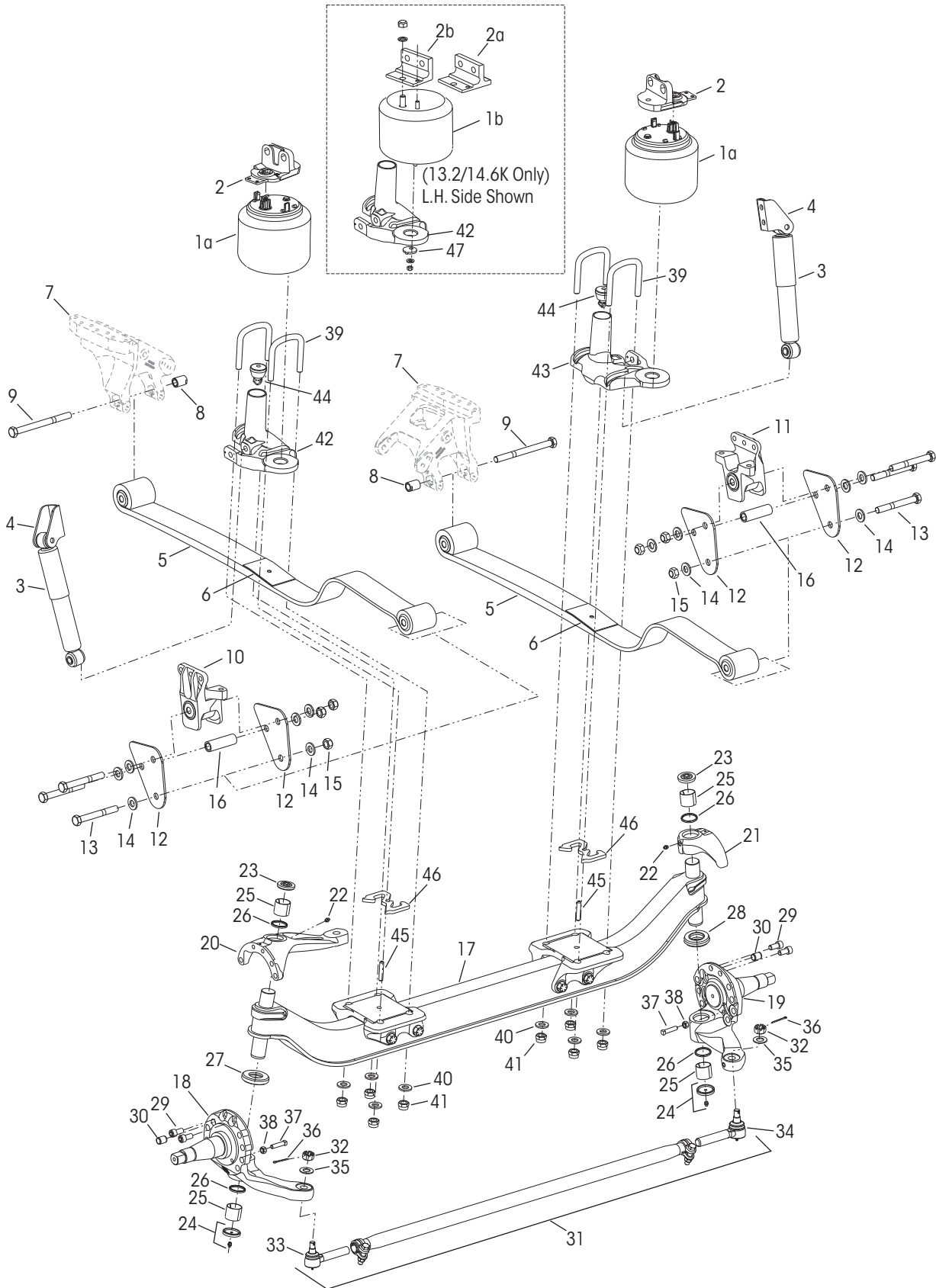
Key No.	Euclid No.	Replaces No.	CASTING NO.	Description	Quantity		
					Per Tandem	U2-340	UE2-340
1	E-2634	22186000		Torque Rod Frame Bracket	2	X	X
2	See Components Section			Torque Rod Assembly	2	X	X
3	See Components Section			#1 Front Spring Hanger, Double Lock Bolt	2	X	X
4	E-3761	43146000L		Lock Pin, Double Groove	2	X	X
5	E-1307	33117000		Lube Fitting	2	X	X
6	E-9427	29828035		Lock Bolt Assembly	2	X	X
7	See Components Section			#2 Rear Spring Hanger	2	X	X
8	E-9428	29828023		Rebound Bolt & Spacer Assembly	2	X	X
9	See Components Section			#3 Spring Hanger, Extended Leaf Spring	2	X	X
10	E-UB8264-083	22303002		U-Bolt Assembly, Sq. Bend, 7/8"-14 Thd. x 4" Wide x 8 3/8" Long	4	X	X
11	E-15093	19281001		Top Pad	2	X	X
12	E-1877	30057008L		Spring Eye Bushing	2	X	X
13	S.O.S.	5069000		Spring Center Bolt	2	X	X
14	E-1851	31017075	43184	Saddle Assembly, 6 3/16" Height	2	X	X
	E-1852	31017076	43145	Saddle Assembly, 7 5/16" Height includes Key Nos. 22, 23, 24, 25		X	X
15	E-1840	44642008		Cross Tube	1	X	X
16	E-9325	34013087		Bar Pin Bushing Kit	4	X	X
17	E-9326	34013088L		Bar Pin Bushing Kit, Shim Type	As Required	X	X
18	E-4961A	30191000		Nut	8	X	X
19	E-2545	22962001		Washer	8	X	X
20	E-2229	23441004		Stud	8	X	X
21	E-1832	19283002		Cap	4	X	X
22	E-1338	6664000		Center Bushing	2	X	X
—	E-1594	22279000		Center Bushing with Loose End Plug	2	X	X
23	S.O.S.	Various		Walking Beam Assembly	2	X	X
24	E-1340	06969000L		End Beam Bushing, Old Style	4	X	X
25	E-2372	45000013L		End Beam Adapter, Old Style	4	X	X
26	E-2373	45000014		End Beam Adapter, Split Flange	4	X	X
—	E-5308	34013048L		End Beam Bushing Kit	4	X	X

HENDRICKSON AIRTEK® FOR INTERNATIONAL VEHICLES

NEW ENGINE CONFIGURATION (PEC)

VEHICLES BUILT PRIOR 9/06 — INTERNATIONAL MODELS 9200/9400

Truck/Tractor



HENDRICKSON AIRTEK® FOR INTERNATIONAL VEHICLES

NEW ENGINE CONFIGURATION (PEC)

VEHICLES BUILT PRIOR 9/06 — INTERNATIONAL MODELS 9200/9400

Truck/Tractor

HENDRICKSON

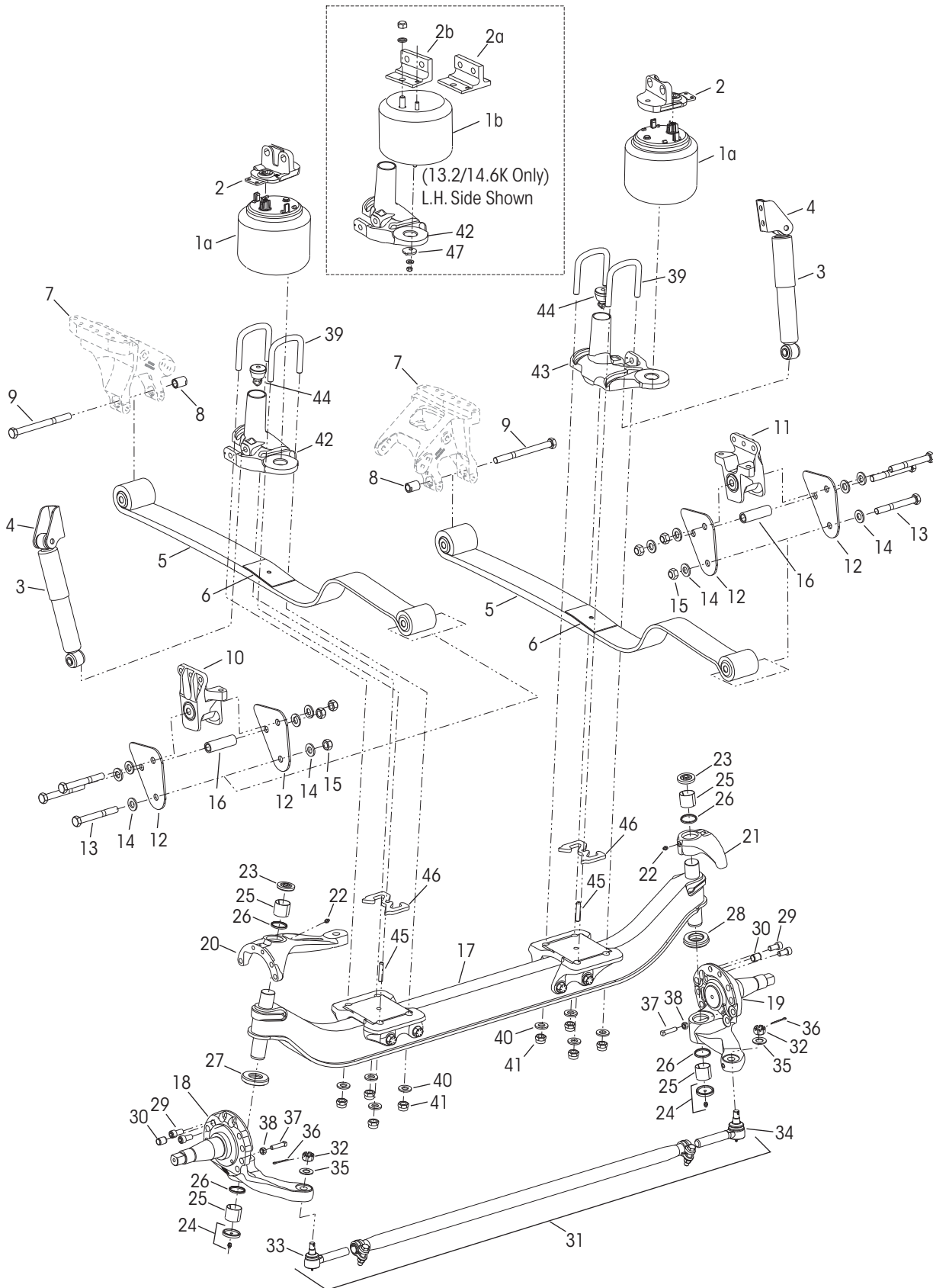
Key No.	Euclid No.	Replaces No.	Description	Quantity Per Axle
1	FS8597	65790002L	Air Spring	2
2	S.O.S.	64583000	Air Spring Bracket LH	1
		64586000	Air Spring Bracket RH	1
3	E-2545	22962001	3/4" Flat Washer	2
4	E-15094	17700033	3/4" - 16 UNC Nylon Locknut	2
5	E-9603	22962011	1/2" Hardened Washer	2
6	E-15116	17700010	1/2" - 13 UNC Nylon Locknut	2
—	E-15095	59427013	HCV & Linkage Assembly LH (if equipped, includes Key No. 7-14)	1
—	S.O.S.	59427014	HCV & Linkage Assembly RH (includes Key No. 7-14)	—
7a	E-13996	59935011	Height Control Valve (if equipped)	1
	E-13997	59935018 (New)	Height Control Valve RH (Replaces 59935-010) (Old)	1
8	E-15096	59428004	HCV Linkage	2
9	E-15117	59169000	5/16" - 18 UNC Stud	2
10	E-15184	17491011	5/16" - 18 UNC Nut	2
11	S.O.S.	22962029	5/16" Hardened Washer	2
12	S.O.S.	59016000	5/16" - 18 UNC Locknut	2
13	S.O.S.	22962028	1/4" Hardened Washer	4
14	S.O.S.	49983000	1/4" - 20 UNC Locknut	4
—	E-15097	60961071	Lower Link Mount Service Kit, One Side (includes Key No. 15-17)	—
15	E-15098	59429002	Lower Link Mount	2
16	E-15099	58035006	3/8" - 16 UNC Hex Bolt - 3.5"	2
17	S.O.S.	22962015	3/8" Flat washer	2
—	S.O.S.	60961094	Shock Absorber Service Kit, One Side (includes Key No. 18-25)	—
		60961095	Day Cab Shock Absorber Service Kit, One Side (Incl. Key No. 18-25)	—
18	E-14021	65992001L	Sleeper Shock Absorber	2
	E-14022	65992002L	Day Cab Shock Absorber	2
19	S.O.S.	32043008	5/8" - 11 UNC Upper Shock Bolt - 4.0"	2
20	S.O.S.	22962004	5/8" Upper Shock Washer	4
21	E-15201	47764000	5/8" - 11 UNC Upper Shock Locknut	2
22	S.O.S.	59946001	Shock Spacer	2
23	S.O.S.	58917014	3/4" - 10 UNC Lower Shock Bolt - 8.0"	2
24	E-2545	22962001	3/4" Lower Shock Hardened Washer	4
25	S.O.S.	49842000	3/4" - 10 UNC Lower Shock Hex Locknut	2
26	S.O.S.	—	Shock Bracket	2
27	S.O.S.	—	Caster Wedge	2
29	E-15118	58920000	Spring End Plate	2
30	S.O.S.	58918000(Old)	Rear Spring Mount	2
31	E-15100	65772000	Rear Mount Spacer	2
32	S.O.S.	30970001	1/2" - 20 UNF Bolt - 2.5"	4
33	S.O.S.	22962014	1/2" Hardened Washer	4

HENDRICKSON AIRTEK® FOR INTERNATIONAL VEHICLES

NEW ENGINE CONFIGURATION (PEC)

VEHICLES BUILT PRIOR 9/06 — INTERNATIONAL MODELS 9200/9400

Truck/Tractor



HENDRICKSON AIRTEK® FOR INTERNATIONAL VEHICLES

NEW ENGINE CONFIGURATION (PEC)

VEHICLES BUILT PRIOR 9/06 — INTERNATIONAL MODELS 9200/9400

Truck/Tractor

HENDRICKSON

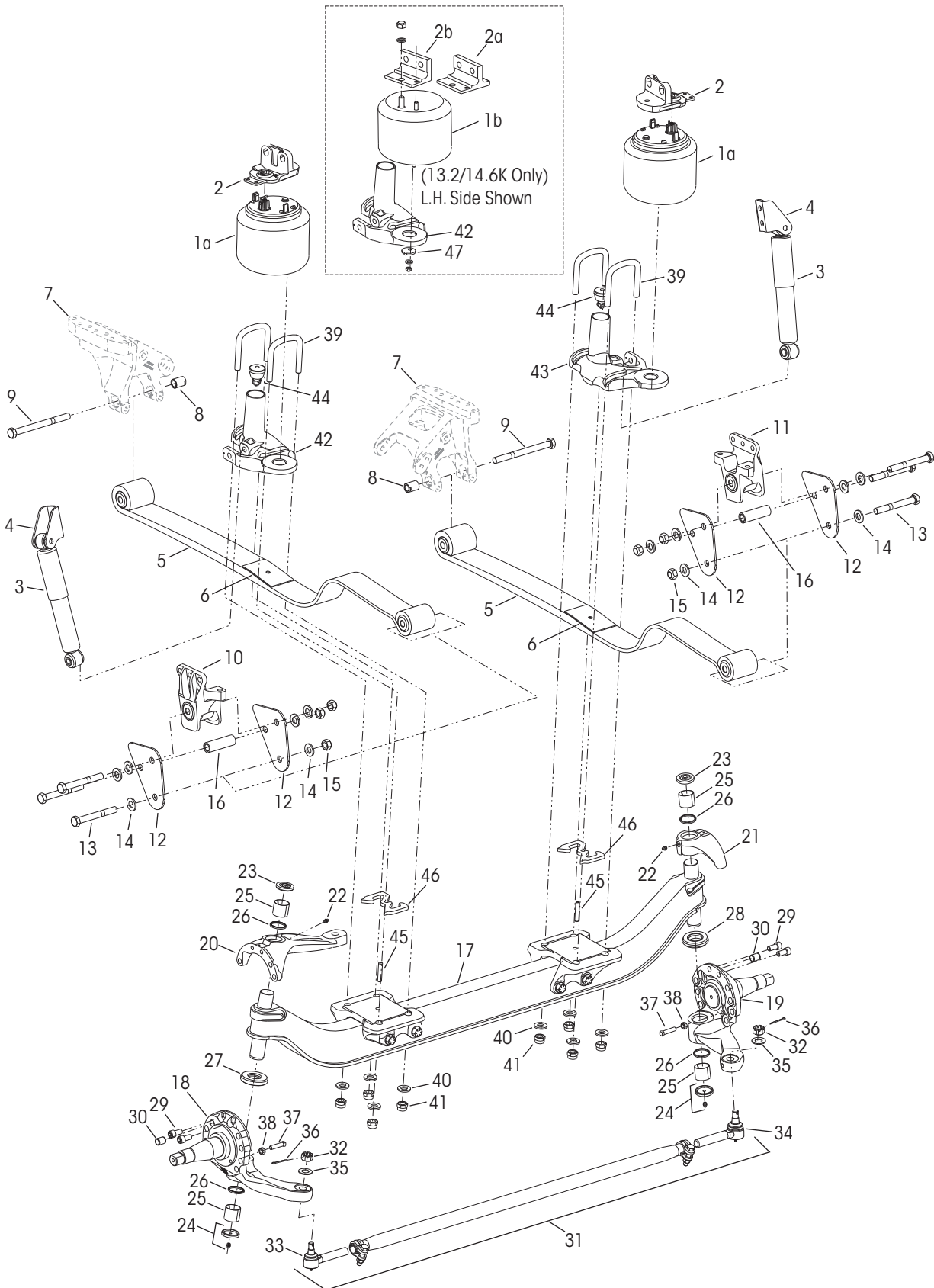
Key No.	Euclid No.	Replaces No.	Description	Quantity Per Axle
34	E-15186	17700034	1/2" - 20 UNF Nylon Locknut	4
35	S.O.S.	65856000(Old)	Thrust Washer	4
36	E-15101	58917008	3/4" - UNC Hex Bolt - 6.0"	2
37	S.O.S.	22962033	3/4" Flat Washer	4
38	S.O.S.	49842000	3/4" - 10 UNC Locknut	2
39	S.O.S.	—	Front Hanger	2
40	E-15102	58917016	3/4" - 10 UNC Hex Bolt - 8.5"	2
41	E-2545	22962001	3/4" Flat Washer	4
42	E-15094	17700033	3/4" - 10 UNC Locknut	2
43	E-15103	68317001	Rear Hanger LH	As Required
	E-15104	68317002	Rear Hanger RH	—
	N/A	65794000	Rear Hanger (Day Cab) Without Belly Band Attach. - Obsolete	—
44	S.O.S.	66019000	Belly Band	1
45	S.O.S.	32043006	5/8" - 11 UNC Hex Bolt - 2.0"	4
46	E-15105	22962004	5/8" Hardened Washer - O.D. 1.3"	4
47	E-15106	22962003	5/8" Hardened Washer - O.D. 1.75"	4
48	E-15201	47764000	5/8" - 11 UNC Hex Locknut	4
49	S.O.S.	64580000	Top Pad	2
—	S.O.S.	709520XX	Axle Assembly (includes Key No. 50-74)	1
71	E-15107	59952023	Top Axle Wrap	2
72	E-15108	64722003	Bottom Axle Wrap	2
—	E-15119	60961110	Top/Bottom Axle Wrap Liner Service Kit, (includes Key No 73-77)	As Required
73	E-15109	65757000	Top Axle Wrap Liner	2
74	E-15110	59845000	Bottom Axle Wrap Liner	2
75	E-15102	58917016	3/4" - 10 UNC Hex Bolt - 8.5"	8
76	E-2545	22962001	3/4" Flat Washer	8
77	E-15094	17700033	3/4" - 10 UNC-2B Nylon Locknut	8
78	E-15112	64246000	ABS Sensor Sleeve	2

HENDRICKSON AIRTEK® FOR INTERNATIONAL VEHICLES

NEW ENGINE CONFIGURATION (NEC)

VEHICLES BUILT AFTER 9/06 — INTERNATIONAL MODELS 9200/9400

Truck/Tractor



HENDRICKSON AIRTEK® FOR INTERNATIONAL VEHICLES

NEW ENGINE CONFIGURATION (NEC)

VEHICLES BUILT AFTER 9/06 — INTERNATIONAL MODELS 9200/9400

Truck/Tractor

HENDRICKSON

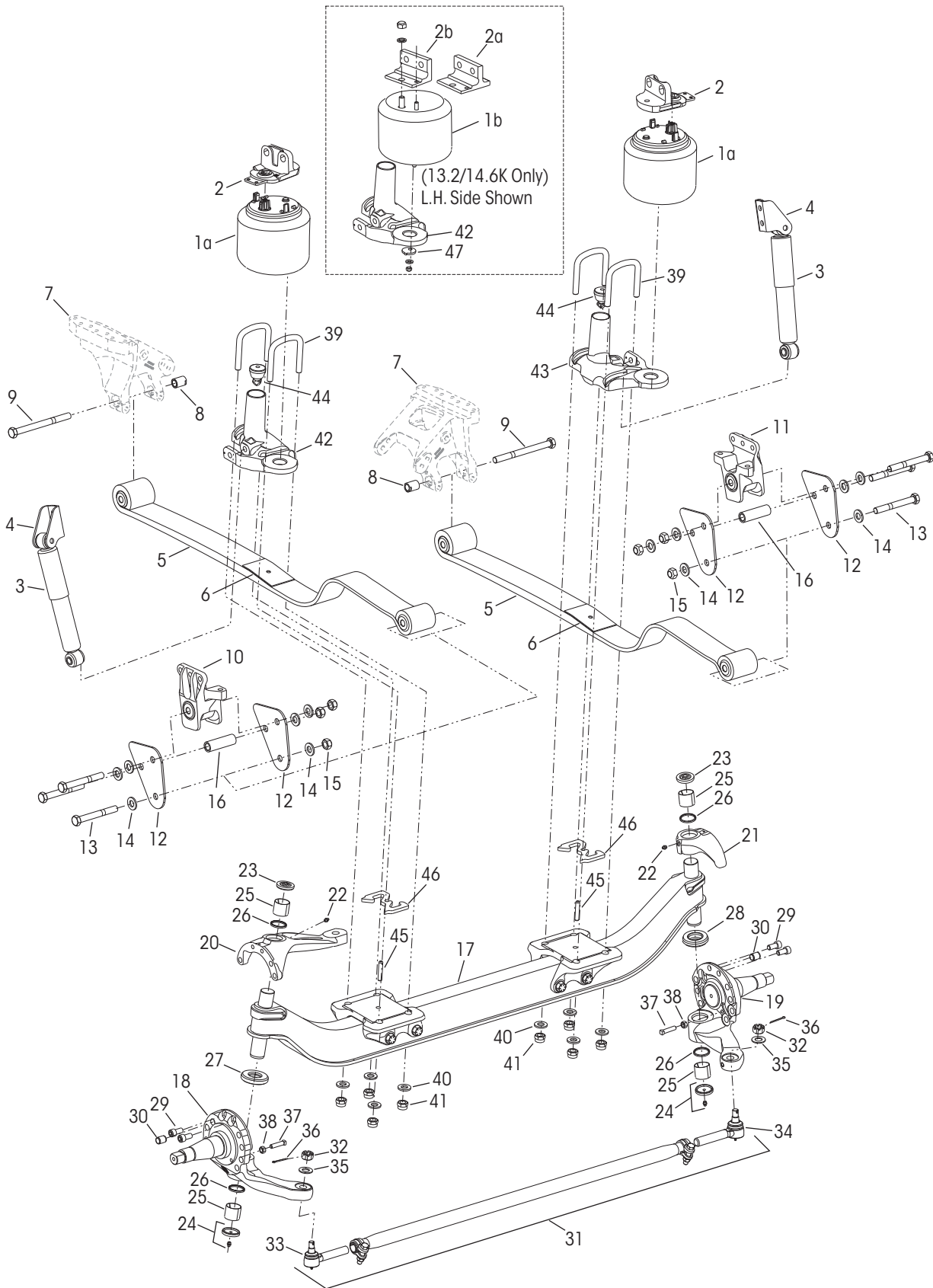
Key No.	Euclid No.	Replaces No.	Description	Quantity Per Axle
1	S.O.S.	65790002L	Air Spring	2
2	E-15113	66775000	LH Air Spring Bracket	1
	E-15114	66776000	RH Air Spring Bracket	1
3	E-2545	22962001	3/4" Flat Washer	2
4	E-15115	17700015	3/4" - 16 UNF Nylon Locknut	2
5	E-9603	22962011	1/2" Hardened Washer	2
6	E-15116	17700010	1/2" - 13 UNC Nylon Locknut	2
	E-15095	59427013	LH HCV & Linkage Assembly (includes Key No. 7-14)	2
	S.O.S.	59427014	RH HCV & Linkage Assembly (includes Key No. 7-14)	—
7	E-13996	59935011	LH Height Control Valve	1
	E-13997	59935018	RH Height Control Valve	1
8	E-15096	59428004	HCV Linkage	2
9	E-15117	59169000	5/16" - 18 UNC Stud	2
10	E-15184	17491011	5/16" - 18 UNC Nut	2
11	S.O.S.	22962029	5/16" Hardened Washer	2
12	S.O.S.	59016000	5/16" - 18 UNC Locknut	2
13	S.O.S.	22962028	1/4" Hardened Washer	4
14	S.O.S.	49983000	1/4" 20 UNC Locknut	4
—	S.O.S.	60961154	Lower Link Mount Service Kit, One Side (includes Key No. 15-17)	2
15	E-15121	59429003	Lower Link Mount	2
16	S.O.S.	58035002	3/8" - 16 UNC Hex Bolt - 1.38"	2
17	S.O.S.	22962015	3/8" Flat Washer	2
—	S.O.S.	60961156	Sleeper Shock Absorber Service Kit, (includes Key No. 18-24)	2
		60961157	Day Cab Shock Absorber Service Kit, (includes Key No. 18-24)	2
18	E-14021	65992001L	Sleeper Shock Absorber	2
	E-14022	65992002L	Day Cab Shock Absorber	2
19	S.O.S.	32043008	5/8" - 11 UNC Upper Shock Bolt - 4.0"	2
20	E-15105	22962004	5/8" Upper Shock Washer	4
21	E-15201	47764000	5/8" - 11 UNC Upper Shock Locknut	2
22	S.O.S.	58917002	3/4" - 10 UNC Lower Shock Bolt - 5.0"	2
23	E-2545	22962001	3/4" Lower Shock Hardened Washer	4
24	S.O.S.	49842000	3/4" - 10 UNC Lower Shock Hex Locknut	2
25	S.O.S.	—	Shock Bracket	2
—	E-15120	60961158	Rear Spring Mount Service Kit, (includes Key No. 27-31)	2
27	E-15118	58920000	Spring End Plate	2
28	E-15121	66774000	Rear Spring Mount Service Kit, One side	2
29	S.O.S.	30970001	1/2" - 20 UNF Bolt - 2.5"	4
30	S.O.S.	22962014	1/2" Hardened Washer	4
31	E-15186	17700034	1/2" - 20 UNF Nylon Locknut	4
—	E-15122	60961159	Rear Spring Hardware Service Kit, (includes Key No. 32-35)	4

HENDRICKSON AIRTEK® FOR INTERNATIONAL VEHICLES

NEW ENGINE CONFIGURATION (NEC)

VEHICLES BUILT AFTER 9/06 — INTERNATIONAL MODELS 9200/9400

Truck/Tractor



HENDRICKSON AIRTEK® FOR INTERNATIONAL VEHICLES

NEW ENGINE CONFIGURATION (NEC)

VEHICLES BUILT AFTER 9/06 — INTERNATIONAL MODELS 9200/9400

Truck/Tractor

HENDRICKSON

Key No.	Euclid No.	Replaces No.	Description	Quantity Per Axle
32	E-15123	66779000	Thrust Washer	4
33	S.O.S.	58917008	3/4" - 10 UNC Hex Bolt - 6.0"	2
34	S.O.S.	22962033	3/4" Flat Washer	4
35	S.O.S.	49842000	3/4" - 10 UNC Locknut	2
36	S.O.S.	—	Front Hanger	2
37	E-15102	58917016	3/4" - 10 UNC Hex Bolt - 8.5"	2
38	E-2545	22962001	3/4" Flat Washer	4
39	E-15094	17700033	3/4" - 10 UNC Locknut	2
40	E-15124	66382001	LH Rear Hanger	1
	E-15125	66382002	RH Rear Hanger	1
41	E-15126	66419000	Belly Band	1
42	S.O.S.	32043006	5/8" - 11 UNC Hex Bolt - 2.0"	4
43	E-15106	22962003	5/8" Hardened Washer - O.D. 1.75"	8
44	E-15201	47764000	5/8" - 11 UNC Hex Locknut	4
45	E-15127	68318001	LH Top Pad	1
	E-15128	68318002	RH Top Pad	1
46	E-9603	22962011	1/2" Hardened Washer	2
47	E-15116	17700010	1/2" - 13 UNC Nylon Locknut	2
—	—	709520XX	Axle Assembly (includes Key No. 48-72)	1
48	E-15131	64905001	Axle & Kingpin Assembly	1
69	E-15107	59952023	Top Axle Wrap	2
70	E-15108	64722003	Bottom Axle Wrap	2
—	E-15119	60961110	Top/Bottom Axle Wrap Liner Service Kit, (includes Key No 71-75)	2
71	E-15109	65757000	Top Axle Wrap Liner	2
72	E-15110	59845000	Bottom Axle Wrap Liner	2
73	E-15102	58917016	3/4" - 10 UNC Hex Bolt - 8.5"	8
74	E-2545	22962001	3/4" Flat Washer	8
75	E-15094	17700033	3/4" - 10 UNC-2B Nylon Locknut	8

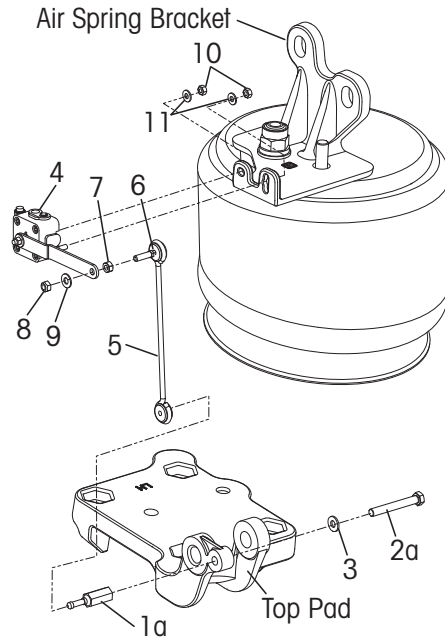
HENDRICKSON AIRTEK® (PEC) REPLACEMENT SERVICE KITS

HENDRICKSON

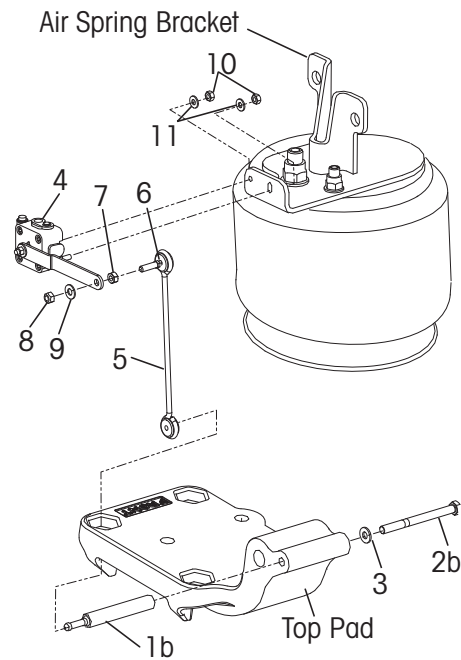
Key No.	Euclid No.	Replaces No.	Description	Quantity Per Axle
—	S.O.S.	60961131	LH & RH Rear Hanger Replacement Kit, (includes Key No. 1-6)	1
1	S.O.S.	66627001	LH Rear Hanger	1
2	S.O.S.	66627002	RH Rear Hanger	1
3	E-15126	66419000	Belly Band	1
4	S.O.S.	32043006	5/8" -11 UNC Hex Bolt - 2.0"	4
5	E-15106	22962003	5/8" Hardened Washer -O.D. 1.75"	8
6	E-15201	47764000	5/8" -11 UNC Hex Locknut	4
—	S.O.S.	60961132	Air Spring Bracket and Top Pad Replacement Kit (Incl. Key No. 7-19)	1
7	E-15113	66775000	LH Air Spring Bracket	1
8	E-15114	66776000	RH Air Spring Bracket	1
9	E-15127	68318001	LH Top Pad	1
10	E-15128	68318002	RH Top Pad	1
11	E-15121	59429003	Link Mount	2
12	S.O.S.	58026002	3/8" -16 UNC Hex Bolt - 1.38" (Link Mount)	2
13	S.O.S.	22962015	3/8" Flat Washer	2
14	S.O.S.	58917020	3/4" -10 UNC Bolt - 4.5" (Lower Shock)	2
15	E-2545	22962001	3/4" Hardened Washer	4
16	S.O.S.	49842000	3/4" -10 UNC Hex Locknut	2
17	E-15102	58917016	3/4" -10 UNC Hex Bolt - 8.5" (Clamp Group)	8
18	E-2545	22962001	3/4" Flat Washer	8
19	E-15094	17700033	3/4" -10 UNC-2B Nylon Locknut	8
—	S.O.S.	60961134	Leaf Spring Assembly Replacement Kit Axle Set (Incl. Key No. 20-26)	1
20	S.O.S.	66420000	Leaf Spring Assembly	2
21	E-15102	58917016	3/4" -10 UNC Hex Bolt - 8.5"	10
22	E-2545	22962001	3/4" Flat Washer	8
23	E-15094	17700033	3/4" -10 UNC-2B Nylon Locknut	8
24	S.O.S.	58917002	3/4" -10 UNC Hex Bolt - 5.0"	2
25	S.O.S.	22962033	3/4" Flat Washer	8
26	S.O.S.	49842000	3/4" -10 UNC-2B Nylon Locknut	4
—	E-15129	60961135	Rear Spring Mount & Thrust Washer Replacement Kit (includes Key No. 27-31)	1
27	E-15121	66774000	Rear Spring Mount	1
28	E-15123	66779000	Thrust Washer	1
29	S.O.S.	30970001	1/2" -20 UNF Bolt - 2.5"	2
30	S.O.S.	22962014	1/2" Hardened Washer	4
31	S.O.S.	17700034	1/2" -20 UNF Nylon Locknut	2

HENDRICKSON DUAL HEIGHT CONTROL VALVE CONVERSION SERVICE KIT

**NEC DUAL HCV & LINKAGE
CONVERSION KIT
NO. 60961-155**



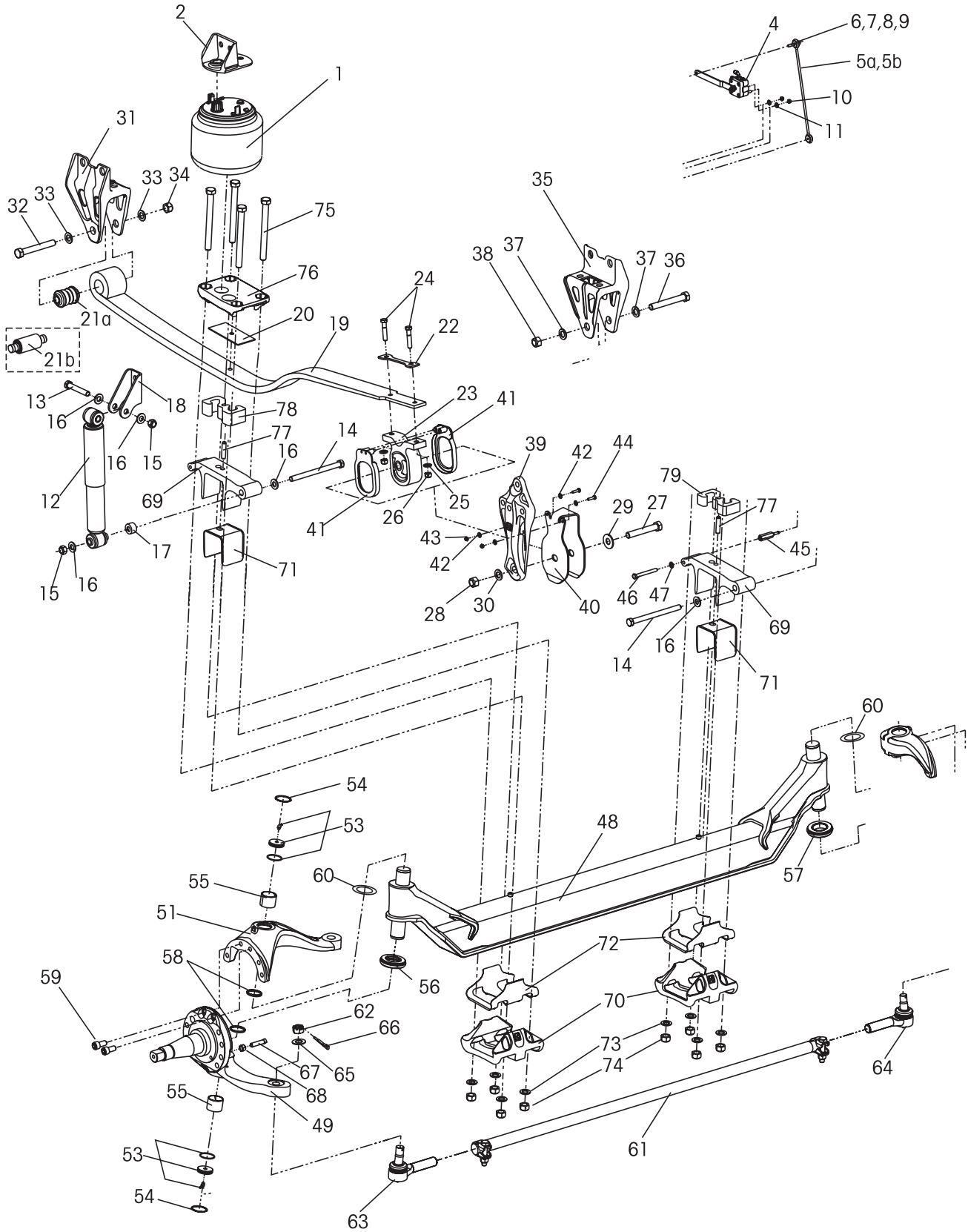
**PEC DUAL HCV & LINKAGE
CONVERSION KIT
NO. 60961-116**



Key No.	Euclid No.	Replaces No.	Description	No. Required
—	E-15130	60961155	Dual Height Control Valve Conversion Service Kit For NEC (includes Key No. 1a-2a, 3-11)	1
—	E-15131	60961116	Dual Height Control Valve Conversion Service Kit For PEC (includes Key No. 1b-2b, 3-11)	1
1a	E-15121	59429003	Lower Link Mount For NEC	1
1b	E-15098	59429002	Lower Link Mount For PEC	1
2a	S.O.S.	59429002	3/8" - 16 UNC Hex Bolt NEC	1
2b	S.O.S.	59429006	3/8" - 16 UNC Hex Bolt PEC	1
3	S.O.S.	22962015	3/8" Flat Washer	1
—	E-15095	59427013	LH HCV & Linkage Assembly, (includes Key No. 4-11)	1
4	E-13996	59935011	LH Height Control Valve	1
5	E-15096	59428004	HCV Linkage	1
6	E-15117	59169000	5/16" - 18 UNC Stud	1
7	E-15184	17491011	5/16" - 18 UNC Nut	1
8	S.O.S.	22962029	5/16" Hardened Washer	1
9	S.O.S.	59016000	5/16" - 18 UNC Locknut	1
10	S.O.S.	22962028	1/4" Hardened Washer	2
11	S.O.S.	49983000	1/4" - 20 UNC Locknut	2

HENDRICKSON AIRTEK® FOR FREIGHTLINER/ WESTERN STAR/STERLING VEHICLES

Truck/Tractor



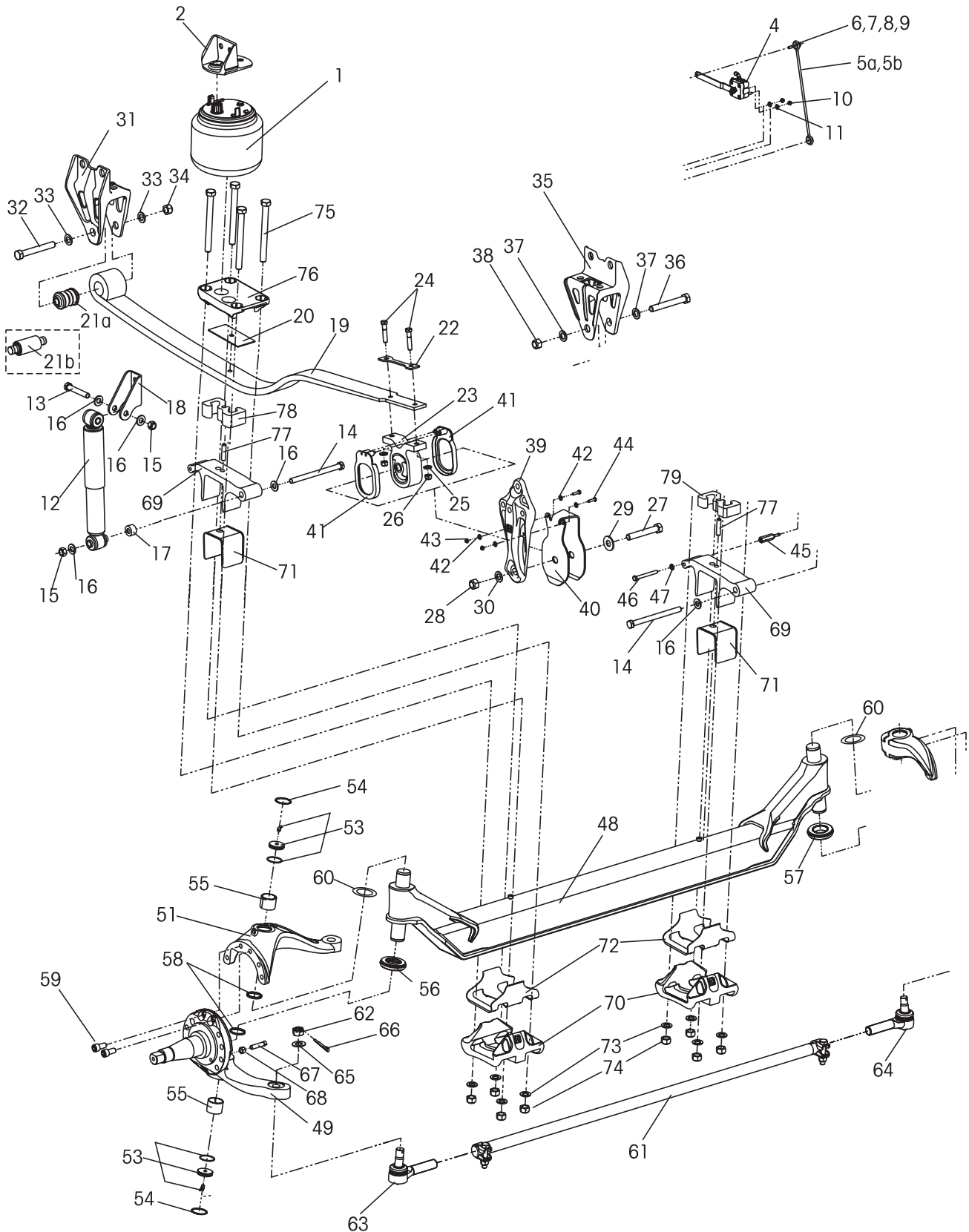
HENDRICKSON AIRTEK® FOR FREIGHTLINER/ WESTERN STAR/STERLING VEHICLES

Truck/Tractor

Key No.	Euclid No.	Replaces No.	Description	QTY PER AXLE
1	E-14003 FS9911	59823002L	Air Spring	2
2	E-15131	60850001	Air Spring Bracket LH	1
3	E-15132	60850002	Air Spring Bracket RH	1
—	E-13994	59427005 (New) 59427001 (Old)	HCV & Linkage Assembly (includes Key Nos. 4, 5a, 6-11)	1
—	S.O.S.	59427009 (New) 59427002 (Old)	HCV & Linkage Assembly (includes Key nos. 4, 5b, 6-11) Western Start (Set Forward) 8.5" & 10" Ride Height, Western Start (Set Back) 10" Ride Ht.	1
4	E-13995	59935002 (New) 59935000 (Old)	Height Control Valve	1
5a	E-15133	59428001	HCV Linkage for CST/Columbia, Coronado, Constellation 8.5" Ride Ht.	1
5b	E-15134	59428002	HCV Linkage for Constellation (Western Star) 10.0" Ride Ht.	1
6	E-15117	59169000	5/16" - 18 UNC Stud	1
7	S.O.S.	59016000	5/16" - 18 UNC Locknut	1
8	E-15184	17491011	5/16" - 18 UNC Nut	1
9	S.O.S.	22962029	5/16" Hardened Washer	1
10	S.O.S.	49983000	1/4" - 20 UNC Locknut	2
11	S.O.S.	22962028	1/4" - Hardened Washer	2
—	S.O.S.	60961001	Shock Absorber Service Kit includes Key nos. 12-17)	2
12	E-13998 83111	58913003L	Shock Absorber	1
13	S.O.S.	50764004	3/4" - 10 UNC 3.75" Upper Shock Bolt	1
14	S.O.S.	58917009	3/4" - 10 UNC 7.0" Lower Shock Bolt	1
15	S.O.S.	49842000	3/4" - 10 UNC Hex Locknut	2
16	E-2545	22962001	3/4" Hardened Washer	4
17	S.O.S.	59946001	Shock Spacer	1
18	S.O.S.	59423001	Shock Bracket	2
20	S.O.S.	59937001	Galvanized Liner	1
21a	E-14632	59259002	Spring Eye Bushing for CST/Columbia & Constellation	1
21b	S.O.S.	—	Coronado Spring Eye Bushing (included in assy only)	1
—	E-15135	60961002	Rear Spring Mount Service Kit (includes Key Nos. 22-26)	2
22	E-15118	58920000	Spring End plate	1
23	E-14633	58918000	Rear Spring Mount	1
24	S.O.S.	30970011 (New) 24631004 (Old)	1/2"-20 UNF 2A 2.25" Hex Bolt	2
25	S.O.S.	22962014	1/2" Flat Washer	4
26	S.O.S.	17700034 (New) 49846000 (Old)	1/2"-20 UNF-2B Hex Nylon Locknut	2
—	E-15136	60961003	Rear Spring Eye Hardware Service Kit (includes Key Nos. 27-30 & 41)	2

HENDRICKSON AIRTEK® FOR FREIGHTLINER/ WESTERN STAR/STERLING VEHICLES

Truck/Tractor



HENDRICKSON AIRTEK® FOR FREIGHTLINER/ WESTERN STAR/STERLING VEHICLES

Truck/Tractor

Key No.	E-ucld No.	Replaces No.	Description	QTY PER AXLE
27	S.O.S.	50764008	3/4" - 10 UNC 5" Hex Bolt	1
28	S.O.S.	49842000	3/4" - 10 UNC Locknut	1
29	S.O.S.	22962033	3/4" Wide Washer	1
30	E-2545	22962001	1/4" Flat Washer	1
31	E-15137	59832001	Left Hand Front Hanger for CST/Columbia, Constellation (Western Star), Sterling 1400 Rod. & Western Start (Set Forward)	1
	S.O.S.	60573001	Left Hand Front Hanger for CST/Columbia 1350	1
32	E-15140	58917003 (New) 50764012 (Old)	3/4" - 10 UNC 5 1/2" Hex Bolt	1
33	E-2545	22962001	3/4" Flat Washer	2
34	S.O.S.	49842000	3/4" - 10 UNC-2B Hex Locknut	1
35	E-15138	59832002	Right Hand Front Hanger for CST/Columbia	1
	E-15139	60573002	Right Hand Front Hanger for CST/Columbia 1350	1
36	E-15140	50764012	3/4" - 10 UNC 5 1/2" Hex Bolt	1
37	E-2545	22962001	3/4" Flat Washer	2
38	S.O.S.	49842000	3/4"-10 UNC-2B Hex Locknut	2
39	S.O.S.	59829001 (New) 59829000 (Old)	Rear Hanger - Casting Number 59825-000	2
40	S.O.S.	59830001 (New) 59830000 (Old)	Rear Hanger Clamp	1
41	S.O.S.	59346001 (New) 59346000 (Old)	Thrust Washer	2
42	S.O.S.	22962028	1/4" Hardened Washer	4
43	S.O.S.	49983000	1/4"-20 UNC Locknut	2
44	S.O.S.	56935001	1/4" - 20 UNC 11/4" Hex Bolt	2
45	E-15098	59429002 (New) 59310001 (Old)	Link Mount	1
46	S.O.S.	58035006	3/8" - 16 UNC 3 1/2" Hex Bolt	1
47	S.O.S.	22962015	3/8" Flat Washer	1
48	S.O.S.	—	Axle Assembly (includes Key Nos. 49-73) - Contact Information Services for Part Number	1
51	S.O.S.	—	LH Upper Steering Arm Assembly	1
52	S.O.S.	—	RH Upper Steering Knuckle Assembly	1
53	E-15203	59156000	Grease Cap Assembly	2
54	S.O.S.	58937000	Retaining Ring	2
55	E-25142	58909000	King Pin Bushing	2
56	E-15143	59828000	LH Thrust Bearing - Composite	1
57	E-15144	64256000	RH Thrust Bearing - Roller	1
58	S.O.S.	58910000	King Pin Seal	2

HENDRICKSON AIRTEK® FOR FREIGHTLINER/ WESTERN STAR/STERLING VEHICLES

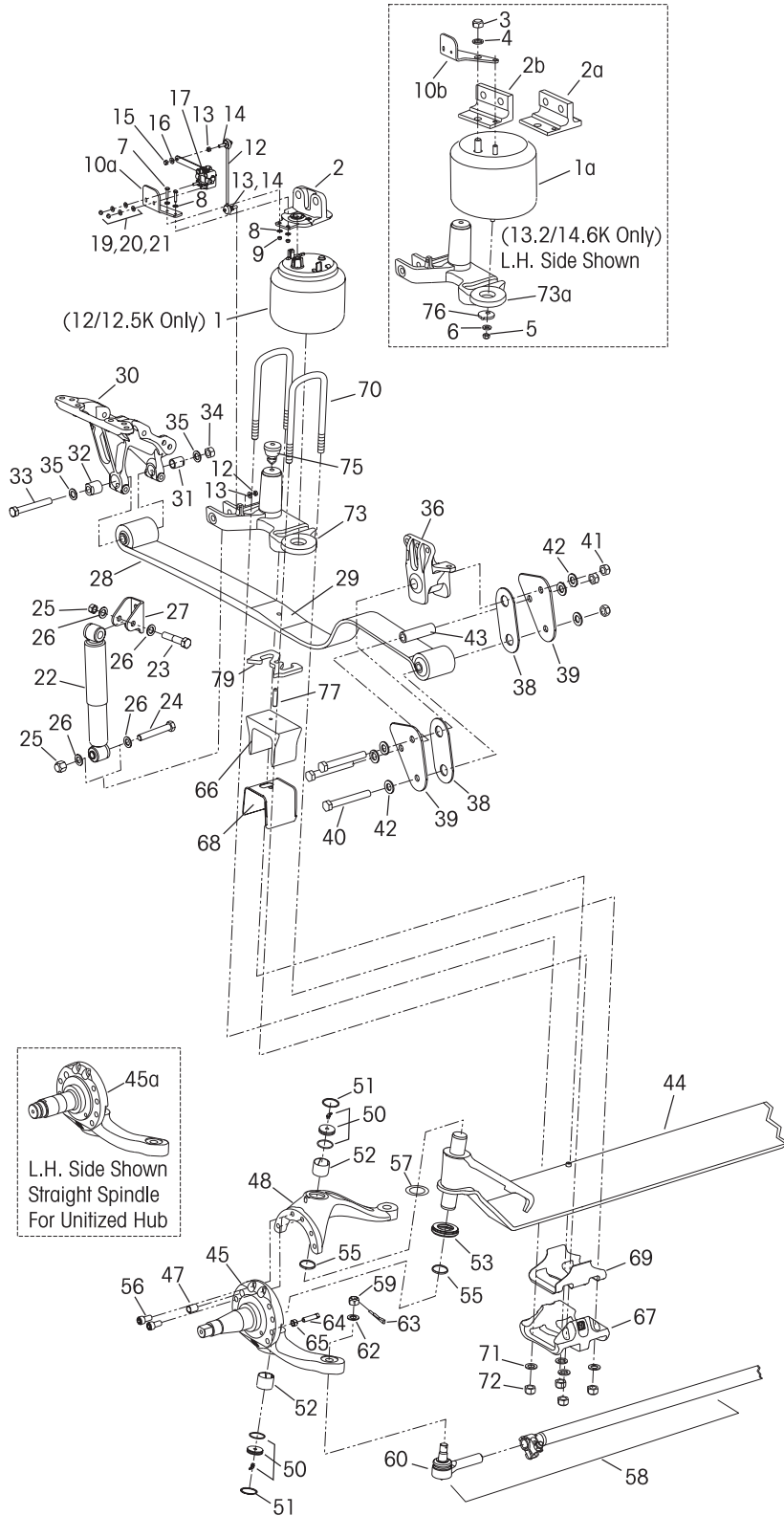
Truck/Tractor

HENDRICKSON

Key No.	E-ucldid No.	Replaces No.	Description	QTY PER AXLE
59	S.O.S.	60236001	5/8" Socket head cap screw	2
60	S.O.S.	60259002	King Pin Shim	1
61	S.O.S.	—	Tie Rod Assembly	1
62	S.O.S.	—	3/4" Castle Nut	2
63	S.O.S.	—	LH Tie Rod End	1
64	S.O.S.	—	RH Tie Rod End	1
65	S.O.S.	22962007	7/8" Flat Washer	2
66	E-15187	17800004	Tie Rod Nut Cotter Pin	2
67	S.O.S.	60238001	1/2" - 13 UNC Square Head Bolt	2
68	S.O.S.	60240000	1/2" - 13 UNC Hex Jam Nut	2
69	S.O.S.	—	Top Wrap	2
70	S.O.S.	59952016(New) 59440001(Old)	Bottom Wrap	2
71	E-15145	59449000	Top Axle Wrap Liner	1
72	E-15110	59845000	Bottom Axle Wrap Liner	1
73	E-2545	22962001	3/4" Flat Washer	4
74	E-15094	17700033	3/4" - 10 UNC-2B Nylon Locknut	4
75	E-15102	58917016 589717017 58917018	3/4" - 10 UNC Hex Bolt	4
76	E-15146	59826000	Top Pad	2
77	S.O.S.	57159004 57159005 57159006 57159012	Dowel Pin, 1/2" Diameter	2
78	S.O.S.	60244010 60244030 60244045 60244080	LH Front Axle Spacer	1
79	S.O.S.	60244020 60244035 60244070	RH Front Axle Spacer	1

HENDRICKSON AIRTEK® FOR VOLVO VEHICLES

Truck/Tractor



HENDRICKSON AIRTEK® FOR VOLVO VEHICLES

Truck/Tractor

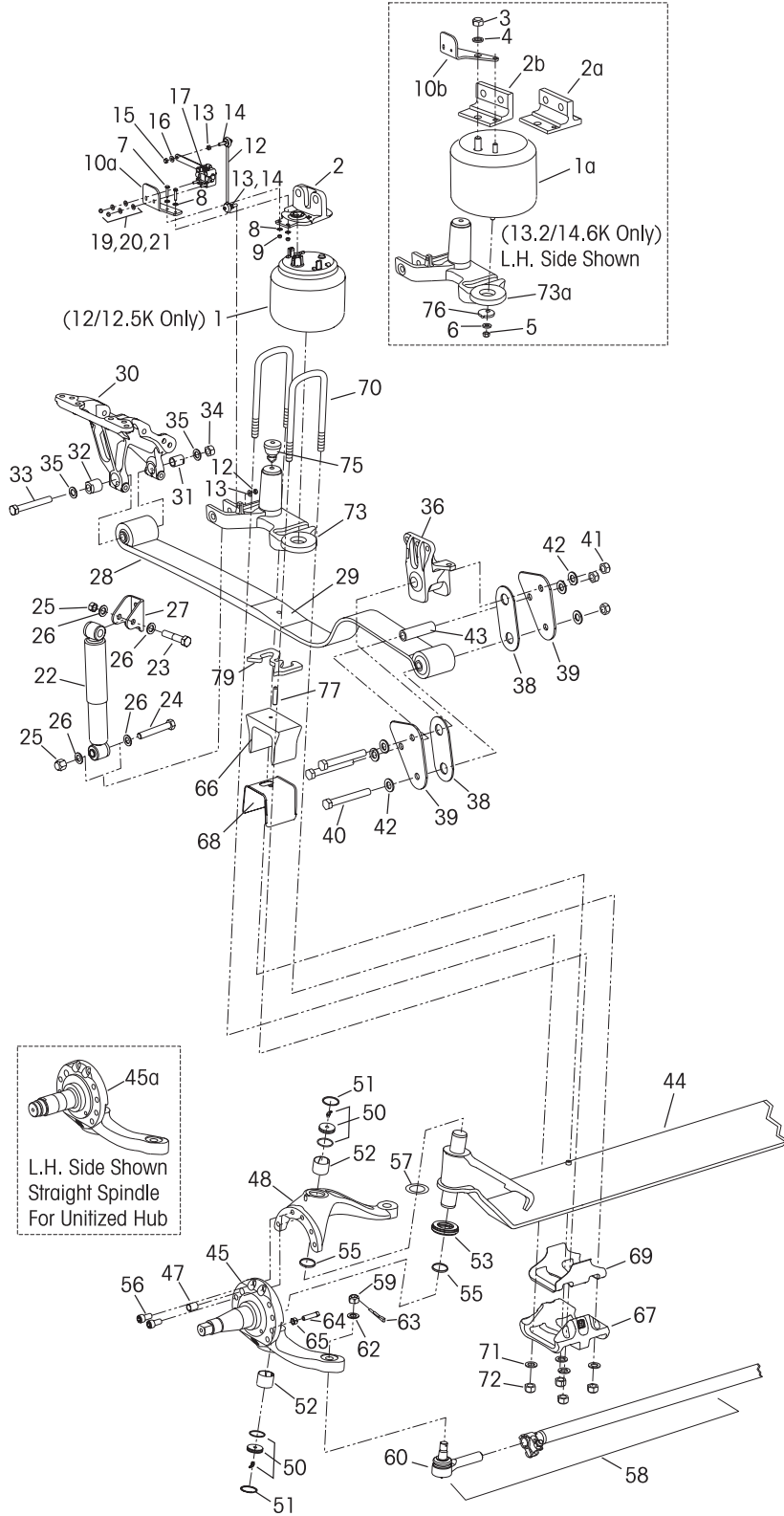
HENDRICKSON

Key No.	Euclid No.	Replaces Hendrickson No.	REPLACES VOLVO/ MACK NO.	Description	Qty Per Axle
1	FS9913	66349002L(New) 60750002L(Old)	20897204 (Volvo) 057QL-0520-M (Mack)	Air Spring for 12/12.5K	2
1a	FS9554	60716002	20462941 (Volvo) 057QL-0059-M (Mack)	Air Spring for 13.2/14.6K	As Required
2	S.O.S.	60757000		Air Spring Bracket for 12/12.5K 266 Rail	As Required
		60976000		Air Spring Bracket for 12/12.5K 300 Rail	As Required
2a	S.O.S.	60738001		Air Spring Bracket for 13.2/14.6K 266 Rail	As Required
2b	S.O.S.	60738002		Air Spring Bracket for 13.2/14.6K 300 Rail	As Required
	S.O.S.	—		Dual HCV, Link Mount & Linkage Assembly	2
	E-14015	65601006(New) 65601001(Old)	20717145 (Volvo) 020QE-4220-M (Mack)	Dual HCV for LH 12/12.5K	
	E-14016	65601007(New) 65601002(Old)	20717147 (Volvo) 020QE-4221-M (Mack)	Dual HCV for RH 12/12.5K	
	E-14017	65602006(New) 65602001(Old)	20717149 (Volvo) 020QE-4222-M (Mack)	Dual HCV for LH 13.2/14.6K	
	E-14018	65602007(New) 65602002(Old)	20717151 (Volvo) 020QE-4223-M (Mack)	Dual HCV for RH 13.2/14.6K	
10a	S.O.S.	64480005(New) 64480000(Old)		LH Dual Height Control Valve Bracket for 12/12.5K	1
10b	S.O.S.	64481005(New) 64481000(Old)		LH Dual Height Control Valve Bracket for 13.2/14.6K	
11	S.O.S.	64480004(New) 64480002(Old)		RH Dual Height Control Valve Bracket for 12/12.5K	
	S.O.S.	64481004(New) 64481002(Old)		RH Dual Height Control Valve Bracket for 13.2/14.6K	
	S.O.S.	59427025(New) 59427010(Old)		Dual HCV & Linkage Assy for LH	1
	S.O.S.	59427026(New) 59427012(Old)		Dual HCV & Linkage Assy for RH	
12	E-15096	59428004		Height Control Valve Linkage	1
13	S.O.S.	64298000		M8 x 1.25-6H Hexnut	2
14	S.O.S.	59169002		M8 Link Stud	2
15	S.O.S.	64297000		M8 x 1.25-6H Locknut	2
16	S.O.S.	58246012		M8 Flat Washer	2
17	S.O.S.	59935017(New) 59935006(Old)		LH HCV	1
18	S.O.S.	59935016(New) 59935009(Old)		RH HCV	1
19	S.O.S.	58246014(New) 22962028(Old)		M6 Flat Washer	2
20	S.O.S.	17497001		1/4 Lockwasher	2

HENDRICKSON AIRTEK® FOR VOLVO VEHICLES

HENDRICKSON

Truck/Tractor



HENDRICKSON AIRTEK® FOR VOLVO VEHICLES

Truck/Tractor

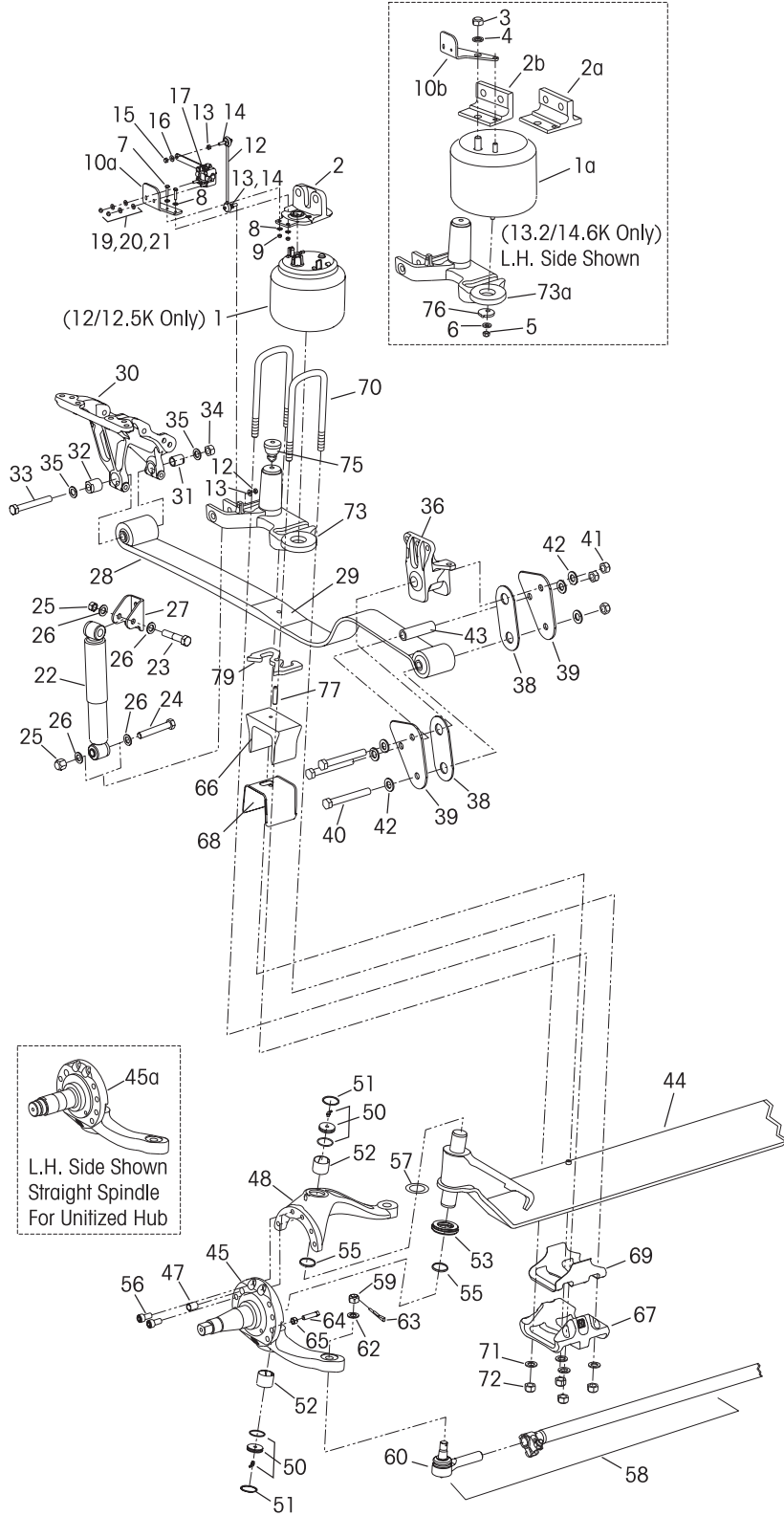
HENDRICKSON

Key No.	Euclid No.	Replaces Hendrickson No.	REPLACES VOLVO/ MACK NO.	Description	Qty Per Axle
21	S.O.S.	66388000(New) 65092000(Old)		M6 x 1.0-6H Locknut	2
22	E-14009	64838003L(New) 64838001L(Old) 64838002L(Old)	20485633 (Volvo) 014QK-0422-M (Mack)	Shock Absorber	2
27	S.O.S.	64241001		Upper Shock Bracket	2
28	S.O.S.	64772000(New) 64485000(Old) 65215000(Old)	20551557 (Volvo) 002QK-0515-M (Mack)	Leaf Spring Assy with Bushings	2
30	S.O.S.	—	—	Front Spring Hanger	2
31	S.O.S.	64486000(New) 64162000(Old)	—	Inboard Spring Adapter	2
32	S.O.S.	64487000(New) 64163000(Old)	—	Outboard Spring Adapter	2
33	S.O.S.	58258009	—	M20 x 2.56G 230 mm Hex Bolt	2
36	S.O.S.	64175001	Cast Part No. 64153-001	LH Rear Shackle Bracket w/ Bushing (266 Frame Rail)	As Required
		64176001		LH Rear Shackle Bracket w/ Bushing (300 Frame Rail)	—
37	S.O.S.	64175002	Cast Part No. 64153-002	RH Rear Shackle Bracket w/ Bushing (266 Frame Rail)	As Required
		64176002		RH Rear Shackle Bracket w/ Bushing (300 Frame Rail)	—
38	S.O.S.	64159000		Thrust Washer	4
39	S.O.S.	64794000(New) 64158000(Old)		Shackle Plate	4
40	S.O.S.	58258008		M20 x 2.5-6G 160 mm Hex Bolt	6
41	S.O.S.	58259001		M20 x 2.5-6H Locknut	6
42	S.O.S.	58246009		M20 Flat Washer	12
43	S.O.S.	60631000		Shackle Stop Spacer	2
44	S.O.S.	Various		Axle & King Pin Assy	1
45	S.O.S.	Various		LH Lower Steering Knuckle Assy	1
46	S.O.S.	Various		RH Lower Steering Knuckle Assy	1
47	S.O.S.	64246000		ABS Sensor Sleeve	2
48	S.O.S.	60903011		LH Upper Steering Knuckle Assy (338 mm Ride Ht)	1
		60903013		LH Upper Steering Knuckle Assy (366 mm Ride Ht)	
49	S.O.S.	60904002		RH Upper Steering Knuckle Assy	1
—	E-13999	60961040	851104370 (Volvo)	King Pin Bushing and Bearing Service Kit	As Required
—	E-14000	60961009		LH King Pin Bushing w/ Composite Thrust Bearing Service Kit	As Required

HENDRICKSON AIRTEK® FOR VOLVO VEHICLES

HENDRICKSON

Truck/Tractor



HENDRICKSON AIRTEK® FOR VOLVO VEHICLES

Truck/Tractor

HENDRICKSON

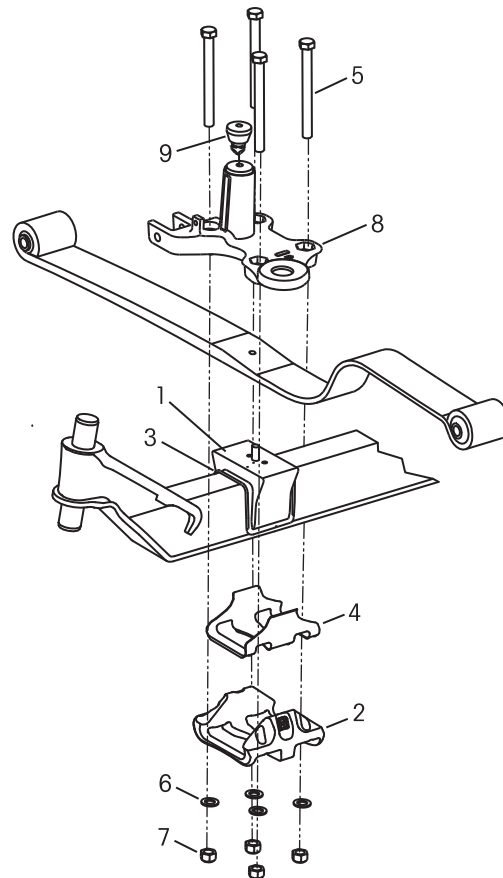
Key No.	Euclid No.	Replaces Hendrickson No.	REPLACES VOLVO/ MACK NO.	Description	Qty Per Axle
—	E-14001	60961039		RH King Pin Bushing w/ Roller Thrust Bearing Service Kit	As Required
50	E-15203	59156000		Grease Cap Assy	4
51	S.O.S.	58937000		Retaining Ring	4
52	E-25142	58909000		King Pin Bushing	4
—	E-14002	60961043	85104371 (Volvo)	Thrust Bearing Service Kit	As Required
53	E-15143	59828000		LH Composite Thrust Bearing	1
54	E-15144	64256000		RH Roller Thrust Bearing	1
55	S.O.S.	58910000		Kingpin Seal	4
56	S.O.S.	60236001		5/8 Socket Head Cap Screw	4
57	S.O.S.	60259002		King Pin Shim	2
58	S.O.S.	Various		Tie Rod Assy	1
—	E-14007	60961010 (New) 60961081 (Old)	85108869 (Volvo)	Tie Rod End Service Kit	As Required
62	S.O.S.	22962007		7/8 Flat Washer	2
63	E-15187	17800004		Tie Rod Nut Cotter Pin	2
64	S.O.S.	60238001		1/2-13 UNC Square Head Bolt	2
65	S.O.S.	60240000		1/2-13 UNC Hex Jam Nut	2
66	S.O.S.	59952017 (New) 59952013 (Old) 59952014 (Old)		Top Axle Wrap	2
67	E-15108	64722003 (New) 64014003 (Old) 60622003 (Old)		Bottom Axle Wrap	2
68	E-15147	60508000		Top Axle Wrap Liner	2
69	E-15110	59845000		Bottom Axle Wrap Liner	2
70	S.O.S.	Various		M20 x 2.56-6G U-Bolt	4
71	S.O.S.	58246009		M20 Flat Washer	8
72	S.O.S.	65072001		M20 x 2.5-6H Locknut	8
73	S.O.S.	67266001L		LH Top Pad (266 Frame Rail)	1
		67300001L		LH Top Pad (300 Frame Rail)	
74	S.O.S.	67266002L		RH Top Pad (266 Frame Rail)	1
		67300002L		RH Top Pad (300 Frame Rail)	
75	S.O.S.	64080000		Rubber Axle Stop	2
76	S.O.S.	64166000		Air Spring Adapter for Top Pad for 13.2K/14.6K Only	2
77	S.O.S.	Various		LH Dowel Pin	1
78	S.O.S.	Various		RH Dowel Pin	1
79	S.O.S.	Various		LH Front Axle Spacer	1
80	S.O.S.	Various		RH Front Axle Spacer	1

HENDRICKSON AIRTEK® FOR VOLVO VEHICLES

HENDRICKSON

Truck/Tractor

Top Pad with Hex Bolt For Vehicles with Pre'07 Engine (L.H. Side Shown)

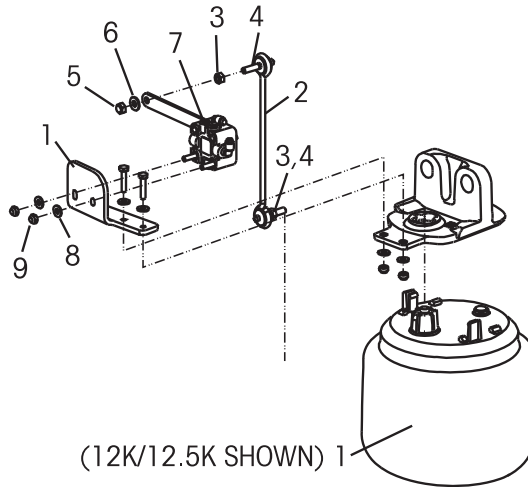


Key No.	Euclid No.	Replaces No.	Description	Quantity Per Axle
1	S.O.S.	159952017	Top Axle Wrap	2
2	E-15108	264722003	Bottom Axle Wrap	2
—	S.O.S.	Various	Clamp Group Service Kit	As Required
3	E-15147	60508000	Top Axle Wrap Liner	2
4	E-15110	59845000	Bottom Axle Wrap Liner	2
5	S.O.S.	Various	M20 x 2.5-6G Hex Bolt	8
6	S.O.S.	58246009	M20 Flat Washer	8
7	S.O.S.	65072001	M20 x 2.5-6H Locknut	8
8	S.O.S.	—	Top Pad Assembly	As Required
9	E-15148	64080000	Rubber Axle Stop	2

HENDRICKSON AIRTEK® FOR VOLVO VEHICLES

Truck/Tractor

Single Height Control Valve For vehicles built prior to 03/05



Key No.	Euclid No.	Replaces No.	Description	Quantity Per Axle
—	E-14013	64089000	Single HCV, Link Mount & Linkage Assembly, includes Key Nos. 1-9 (For 12K/12.5K) Single HCV, Link Mount & Linkage Assembly, includes Key Nos. 1-9 (For 13.2K/14.6K) Single Height Control	1
1	E-15149	64480000	Valve Bracket for 12K/12.5K Single Height Control	1
—	E-15150	64481000	Valve Bracket for 13.2K/14.6K Single Height Control	1
—	E-15150	59427006	Valve & Linkage 1 Assembly, includes Key Nos. 2-9	1
2	E-15096	59428004	Height Control Valve Linkage	1
3	S.O.S.	64298000	M8 x 1.25-6H Hexnut	2
4	S.O.S.	59169002	M8 Link Stud	2
5	S.O.S.	64297000	M8 x 1.25-6H Locknut	2
6	S.O.S.	58246012	M8 Flat Washer	2
7	E-15151	59935003	Height Control Valve	1
8	S.O.S.	22962028	1/4" Flat Washer	2
9	S.O.S.	49983000	1/4" 20 UNC Locknut	2

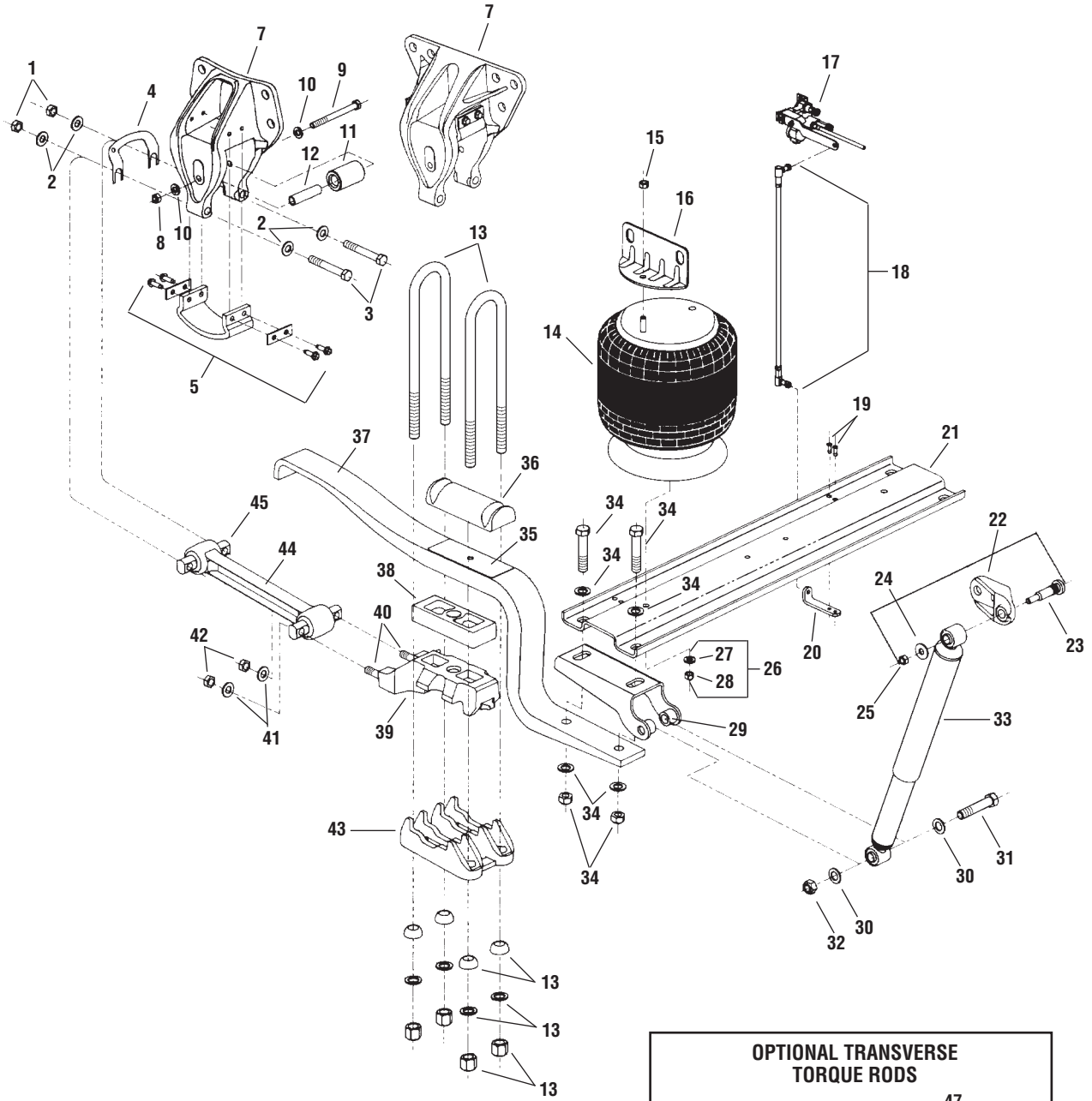
Obtain a Hendrickson Dual Height Control Valve Conversion Kit to convert a single height control valve to dual height control valves configuration.

—	E-14019	60961101	Dual Height Control Valve and Linkage Kit for 12K/12.5K Capacity	As Required
—	E-14020	60961102	Dual Height Control Valve and Linkage Kit for 13.2K/14.6K Capacity	As Required

HENDRICKSON HAS 360/400/402/460

HENDRICKSON

Truck/Tractor



LEAF SPRING REFERENCES

SRI No.
50-323
50-325

HENDRICKSON HAS 360/400/402/460

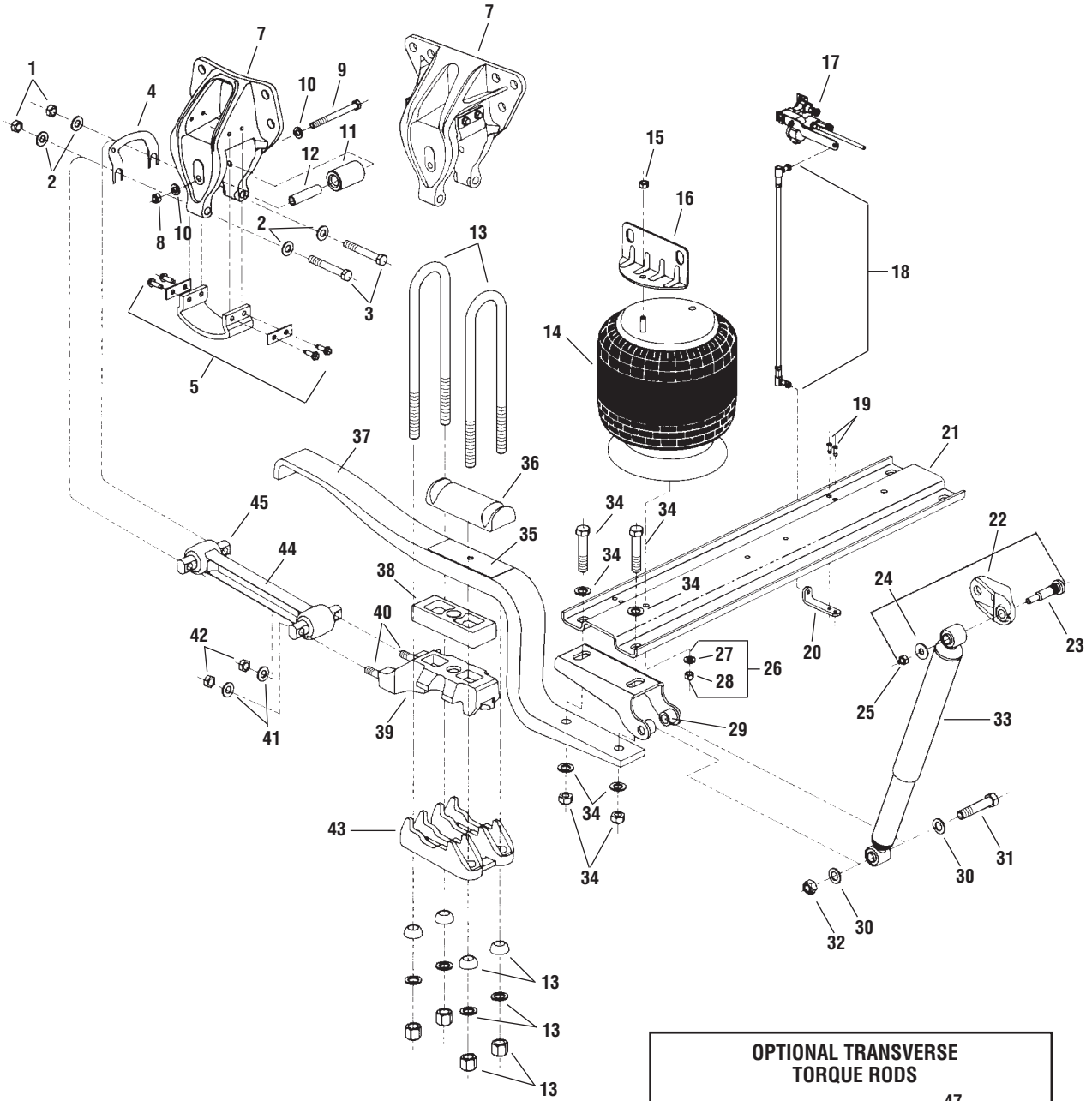
Truck/Tractor

Key No.	Euclid No.	Replaces No.	Description	Quantity Per Tandem	HAS-360	HAS-400	HAS-402	HAS-460
—		49176001	Torque Rod Fastener Kit Incl. Key Nos. 1-3	8	X	X	X	X
1	E-5277	47764000	Torque Rod Nut	8	X	X	X	X
2		29262004	Flat Washer, 5/8" Hardened	16	X	X	X	X
3		32043005	Torque Rod Bolt	8	X	X	X	X
4	E-5281	49689000	Torque Rod Shim	As Required	X	X	X	X
5	E-9391	56557002	Slipper Pad Kit	4	X	X	X	X
7	E-9387	50753001	Front Spring Hanger Assembly	4	X			
	E-9386	58425001		4		X	X	X
—		49175005	Rebound Roller Assembly includes Key Nos. 8,9,10,11,12	4	X	X	X	X
8	E-9432A	49846000	Rebound Bolt Nut	4	X	X	X	X
9		24531015	Rebound Bolt	4	X	X	X	X
10		22962014	Flat Washer, 1/2" Hardened	8	X	X	X	X
11		48883000 (Old)	Rebound Roller	4	X	X	X	X
		57989000 (New)						
12		47458000 (Old)	Rebound Bolt Spacer	4	X	X	X	X
	57988000 (New)							
13	E-UB8161-18S1	48718050	U-Bolt Assembly, Rd. Bend 7/8"-14 Thd. x 3" Wide x 18" Long	8	X	X	X	X
14	FS9373	57122002L	Air Spring, includes Key Nos. 15,16	4	X	X	X	X
	FS9373AG	57122002L	Airogear Air Spring By Firestone					
15	E-15116	17700010	Air Spring Lock Nut	4	X	X	X	X
16	E-9392	50804002	Air Spring Frame Hanger	4	X	X	X	X
17	E-11494	60826000	Leveling Valve, Barksdale Type	1	X	X	X	X
18	E-3760A	58994021	Leveling Valve Arm Assembly	1	X	X	X	X
19	S.O.S.	57430000	Arm Bracket Fastener Kit Incl. Key No. 20	2	X	X	X	X
20	S.O.S.	56789000	Control Valve Arm Bracket	1	X	X	X	X
21	S.O.S.	57318001	Cross Channel	2	X	X	X	X
22		57322001	Shock Frame Hanger Assembly includes Key Nos. 23, 24, 25.	4	X	X	X	X
23	E-9390	50368000	Shank Bolt, 1/2" Serrated	4	X	X	X	X
24		22962031	Flat Washer, 1/2" Hardened	4	X	X	X	X
25		49846000	Lock Nut	4	X	X	X	X
26	S.O.S.	49177005	Air Spring Fastener Kit includes Key No. 27, 28	1	X	X	X	X
27	S.O.S.	22962014	Flat Washer, 1/2" Hardened	4	X	X	X	X
28	E-15116	17700010	Lock Nut	4	X	X	X	X
29	S.O.S.	57356000	Lower Shock Bracket Assembly includes Key Nos. 30, 31, 32	4	X	X	X	X
30	E-2545	22962001	Flat Washer, 3/4" Hardened	8	X	X	X	X

HENDRICKSON HAS 360/400/402/460

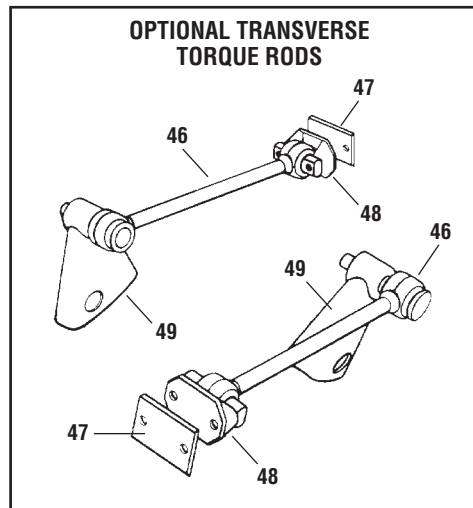
HENDRICKSON

Truck/Tractor



LEAF SPRING REFERENCES

SRI No.
50-323
50-325



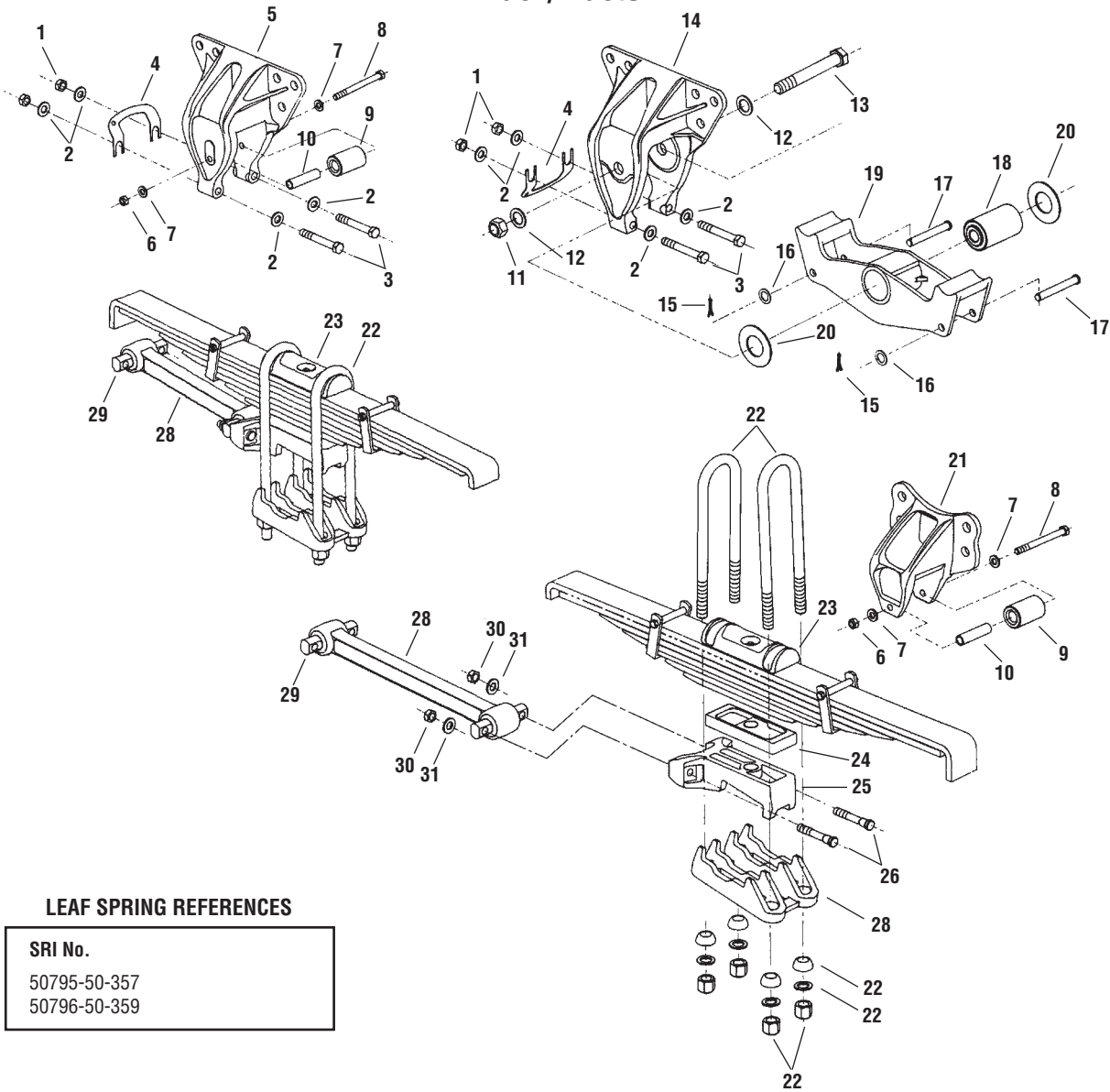
HENDRICKSON HAS 360/400/402/460

Truck/Tractor

Key No.	Euclid No.	Replaces No.	Description	Quantity Per Tandem	HAS-360	HAS-400	HAS-402	HAS-460
31		50764002	Bolt, 5 1/2"	4	X	X	X	X
32	E-4347	49842000	Lock Nut	4	X	X	X	X
	M83121	4790224	Shock Absorber, standard					
	M85013	4790228	Shock Absorber, standard	4	X	X	X	X
	M89414		Shock Absorber, premium					
	M83123	47,902,019,009	Shock Absorber, standard	—	—	—	—	—
33	M89405		Shock Absorber, premium					
	M83111	57,241,001,002	Shock Absorber, standard	4	—	—	—	—
	M83109		Shock Absorber, standard					
	M85072	60675003	High Torque Outboard Mounting	4	X	X	X	X
	S.O.S.	57905004	High Torque Inboard Mounting	4	X	X	X	X
34	E-9384	50763001	Cross Channel Fastener Kit	1	X	X		
	E-9385	50763003					X	X
35	E-9393	47905000	Spring Liner	4	X	X	X	X
36	E-9397	56805000	Top Pad	4	X	X	X	X
	S.O.S.	56940000	Main Support Member, 1 3/4"	4	X			
37	S.O.S.	56943000	Main Support Member, 1 7/8"		X			
	S.O.S.	56946000	Main Support Member, 2"			X	X	
	E-3740	48902000	Spring Spacer, 1"	As Required	X	X	X	X
38	E-3741	48903000	Spring Spacer, 1 1/2"	As Required	X	X	X	X
39	S.O.S.	Various	Spring Seat Assembly Incl. Key Nos. 40-42	4	X	X	X	X
40	E-15200	50918000	Spring Seat Stud	8	X	X	X	X
41	E-15105	22962004	Flat Washer, 5/8" Hardened	8	X	X	X	X
42	E-15201	47764000	Spring Seat Nut	8	X	X	X	X
43	S.O.S.	Various	Axle Bottom Cap	4	X	X	X	X
	E-9409	48411006	Torque Rod, 14.41" Long	4	X	X	X	
44	E-9394	50376001	Torque Rod, 14.41" Long					X
	E-5275	47691000L	Torque Rod Bushing	8	X	X	X	
45	E-9395	57256000	Torque Rod Bushing					X
46	See Components Section		Transverse Rod Assembly	2	X	X	X	X
47	E-15153	45045003	Torque Rod Bracket Back Up Plate	2	X	X	X	X
48	E-2634	22186000	Transverse Rod Frame Bracket	2	X	X	X	X
49	S.O.S.	Various	Transverse Rod Axle Bracket	2	X	X	X	X
—		48689001	Quick Release Kit includes 49193-001, 48940-000, and 48940-000	1	X	X	X	X
—	E-9389	49193001	Synchro Relay Valve	1	X	X	X	X
—		48914000	Air Dump Switch (in Cab)	1	X	X	X	X
—		48940000	Air Switch Name Plate (in Cab)	1	X	X	X	X
—	E-3762	30272000	Pressure Protection Valve	1	X	X	X	X

HENDRICKSON HFS-360/400

Truck/Tractor



LEAF SPRING REFERENCES

SRI No.

50795-50-357
50796-50-359

Key No.	Euclid No.	Replaces No.	Casting No.	Description	Quantity Per Tandem	HFS-360	HFS-400
—		49176001		Torque Rod Fastener Kit	8	X	X
1	E-5277	47764000		Torque Rod Nut	8	X	X
2		22962004		Flat Washer, 5/8" Hardened	16	X	X
3		32043005		Torque Rod Bolt	8	X	X
4	E-5281	49689000		Torque Rod Shim	As Required	X	X
5	E-9404	56667001 (New)	56666-000	Front Spring Hanger	2	X	
		50027001 (Old)	49848-000				
	E-9405	56670001 (New)	56669-000	Front Spring Hanger	2		X
		S.O.S.	50292001 (Old) 49175005 (Old)	50291-000			

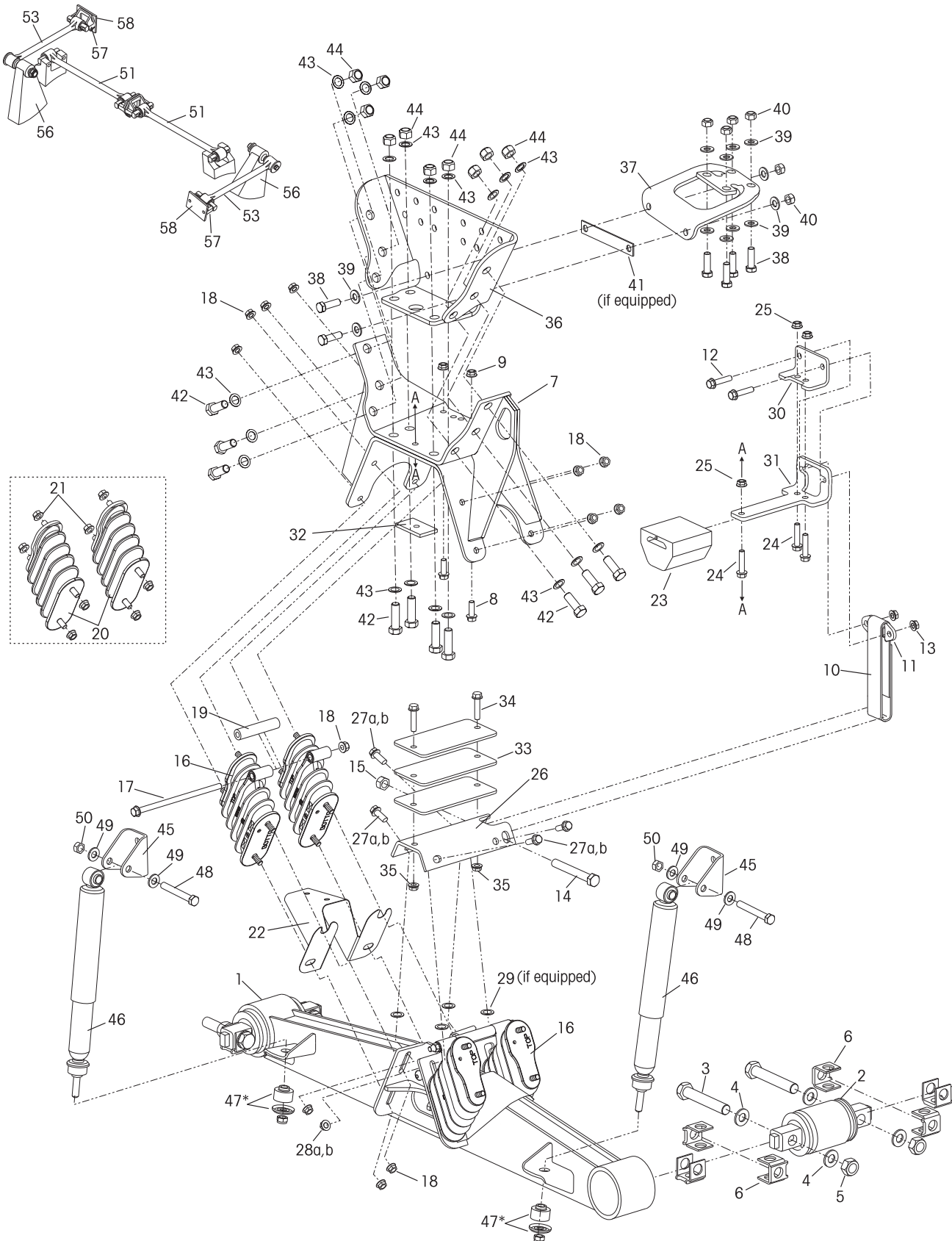
HENDRICKSON HFS-360/400

Truck/Tractor

Key No.	Euclid No.	Replaces No.	Casting No.	Description	Quantity Per Tandem	HFS-360	HFS-400
—		49175013 (New) 48883000 (Old)		Rebound Roller Assembly includes Key Nos. 6,7,8,9,10	4	X	X
6				Rebound Bolt Nut	4	X	X
7				Flat Washer, 1/2" Hardened	8	X	X
8	E-9432A			Rebound Bolt	4	X	X
9		4883-000 (Old) 57989000 (New)		Rebound Roller	4	X	X
10		47458000 (Old) 57988000 (New)		Rebound Spacer	4	X	X
11	E-1828	8017000		Center Bushing Nut, 1"	2	X	X
12	E-2573	22962006		Flat Washer, 1" Hardened	4	X	X
13	E-5271	30550035		Center Bushing Bolt, 1"	2	X	X
14	E-9400	56676001 (New) 50290001 (Old)	56675-000 50289-000	Center Spring Hanger	2	X	X
15	N/A	17800013		Cotter Pin	4	X	X
16	N/A	50924000		Washer, 5/8" Hardened	4	X	X
17	N/A	50432000		Clevis Pin	4	X	X
18	E-5269	47420000		Center Bushing	2	X	X
19	E-9402	49803002	49801-002	Equalizing Beam Assembly includes Key Nos. 15, 16, 17, 18	2	X	X
20	E-5273	47416000		Thrust Washer	4	X	X
21	E-9406	50028001	49954-000	Rear Hanger	2	X	X
22	E-UB8161-18S1	48718050		U-Bolt Assembly	16	X	X
23	E-9408	50788000		Top Pad	4	X	X
24	E-3740	48902000		Spring Spacer, 1"	As Required	X	X
	E-3741	48903000		Spring Spacer, 1 1/2"	X	X	X
25	S.O.S.	Various		Spring Seat Assembly	2	X	X
26	E-3755	49063000		Spring Seat Bolt	8	X	X
27	S.O.S.	Various		Axle Bottom Cap	2	X	X
28	E-9409	48411006		Front Torque Rod, 14.41"	2	X	X
	E-9407	48411007		Rear Torque Rod, 20.31"	2	X	X
29	E-5275	47691000L		Torque Rod Bushing	8	X	X
30	E-5277	47764000		Axle Cap Stud Nut (kit E-5277)	8	X	X
31		22962004		Axle Cap Stud Washer (kit E-5277)	8	X	X
—	S.O.S.	50681001 (Old) 50681002 (New)		Hanger and Equalizer Assembly includes Key Nos. 11-14, 19, 20	2	X	

HENDRICKSON HAULMAAX® HEAVY DUTY

Truck/Tractor



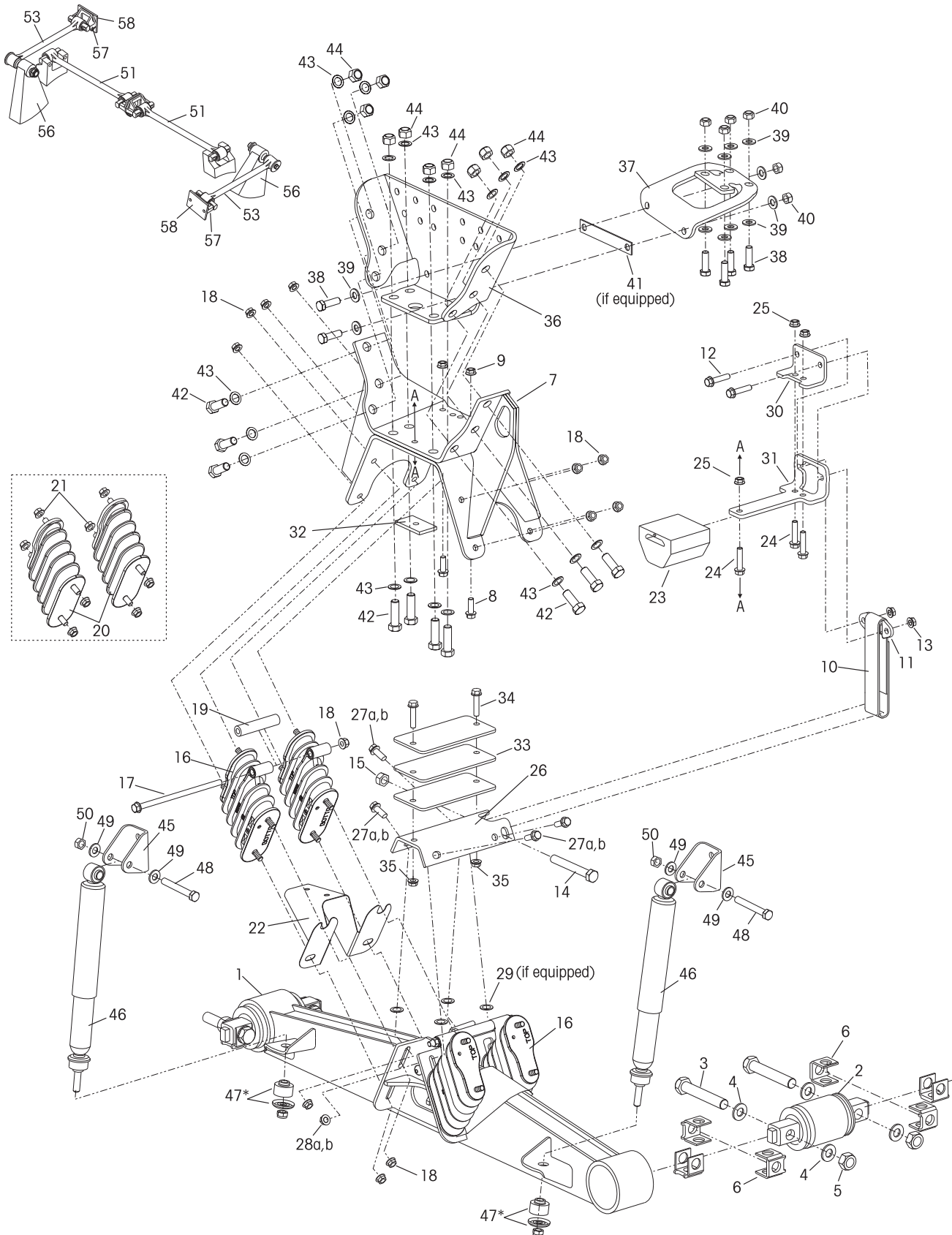
HENDRICKSON HAULMAAX® HEAVY DUTY

Truck/Tractor

Key No.	Euclid No.	Replaces No.	Description	Quantity Per Tandem
1	S.O.S.	Various	Equalizing Beam Assembly 400/460	2
—	E-9326	34013088L	Bar Pin Bushing Service Kit (includes Key Nos 2-6)	4
2	S.O.S.	—	Bar Pin Bushing	4
3	E-15192	48941000	1"-8 UNC Hex 6.0" Bolt	8
4	S.O.S.	22962008	1" Hardened Washer	16
5	S.O.S.	48942000	1"-8 UNC Locknut	8
6	E-9327	50130000	Bar Pin Shim 0.19/0.19	8
	E-9328	50131000	Bar Pin Shim 0.25/0.12	
7	S.O.S.	Various	Saddle Assembly	2
8	S.O.S.	60818001	1/2"-13 UNC 1.5" Flange Bolt	4
9	S.O.S.	60819000	1/2"-13 UNC Flange Nut	4
—	E-15168	64179028	Rebound Strap Service Kit (includes Key Nos 10-15)	As Required
10	E-13986	57878003	Rebound Strap	2
11	E-15167	60612000	Rebound Clip	2
12	E-15189	60818002	1/2"-13 UNC 2.25" Flange Bolt	4
13	S.O.S.	60819000	1/2"-13 UNC Flange Nut	4
14	E-15188	21867007	3/4"-16 UNF 6.0" Hex Bolt	2
15	S.O.S.	30191000	3/4"-16 UNF Locknut	2
—	E-14044	64179037	Tie-Bar Bolster Spring Service Kit (includes Key Nos 16-19)	4
16	E-14373	65743000	Tie-Bar Bolster Spring	8
17	E-15190	60818003	1/2"-13 UNC 10.0" Flange Bolt	4
18	S.O.S.	60819000	1/2"-13 UNC Flange Nut	36
19	E-15163	65742000	Bolster Spring Spacer	4
—	E-14374	64179002	Bolster Spring w/o Tie-Bar Service Kit (includes Key Nos 20-21)	4
20	E-14375	59257000	Bolster Spring	8
21	S.O.S.	60819000	1/2"-13 UNC Flange Nut	32
22	E-14535	64890000	Wear Plate	4
—	S.O.S.	64179004	Auxiliary Spring Service Kit (includes Key Nos 23-25)	As Required
23	E-14047	60314000	Auxiliary Spring	4
24	E-15189	60818002	1/2"-13 UNC 2.25" Flange Bolt	6
25	S.O.S.	60819000	1/2"-13 UNC Flange Nut	6
—	S.O.S.	57974046	HMX Contact Plate Kit w/Fasteners (includes Key Nos 26, 27a, 28a)	As Required
26	S.O.S.	—	Auxiliary Spring Contact Plate	2
27a	S.O.S.	67290001	5/8"-11 UNC 1.5" Dacromet XL Flange Bolt	8
27b	S.O.S.	60818001	1/2"-13 UNC 1.5" Flange Bolt	—
28a	S.O.S.	67291000	5/8"-11 UNC Dacromet XL Flange Nut	—
28b	S.O.S.	60819000	1/2"-13 UNC Flange Nut	—
29	S.O.S.	22962014	Auxiliary Spring Contact Plate Spacer - Vehicles Built Prior to 11/07	8
30	S.O.S.	60613000	Rebound Support Angle	2
31	E-5272	59384000	Auxiliary Spring Bracket	2
32	S.O.S.	60874000	Auxiliary Spring Spacer	2

HENDRICKSON HAULMAAX® HEAVY DUTY

Truck/Tractor



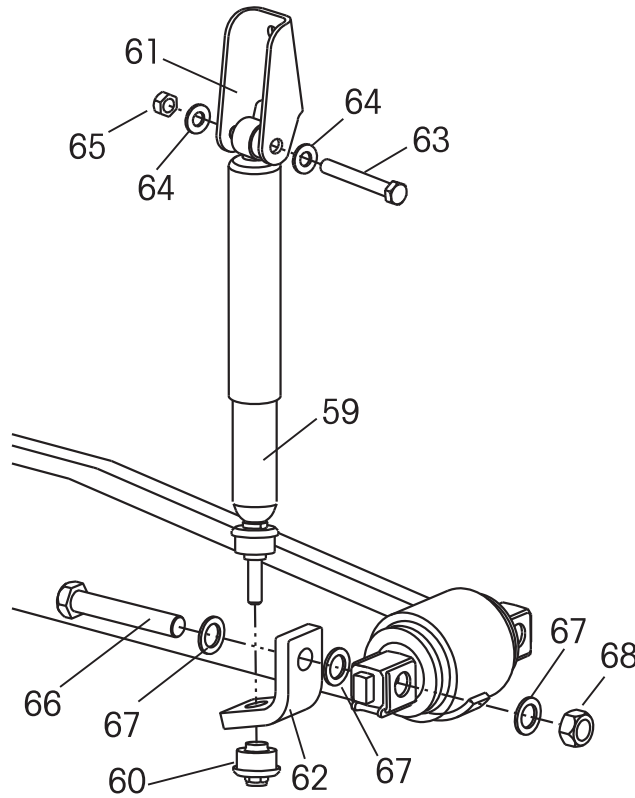
HENDRICKSON HAULMAAX® HEAVY DUTY

Truck/Tractor

Key No.	Euclid No.	Replaces No.	Description	Quantity Per Tandem
33	E-15155	60791000	Auxiliary Spring Shim - 0.25"	6
34	S.O.S.	60818001	1/2"-13 UNC Flange Bolt 1.5"	4
	E-15189	60818002	1/2"-13 UNC Flange Bolt 2.25"	—
35	S.O.S.	60819000	1/2"-13 UNC Flange Nut	4
36	S.O.S.	—	Outboard Frame Bracket	2
37	S.O.S.	—	Inboard Frame Bracket	2
38	S.O.S.	32043004	5/8"-11 UNC 2.25" Hex Bolt	12
39	E-15105	22962004	5/8" Hardened Washer	24
40	E-15201	47764000	5/8"-11 UNC Locknut	12
41	S.O.S.	Various	Inboard Spacer (If Equipped)	2
—	S.O.S.	64179038	Outboard Frame Bracket to Saddle Assembly Fastener Kit (includes Key Nos 42-44)	As Required
		64179039	Outboard Frame Bracket to Saddle Assembly Fastener Kit (includes Key Nos 42-44)	As Required
42	S.O.S.	58258014	M20 x 2.5-6G 65 mm Hex Bolt	20
43	S.O.S.	58246018	M20 Hardened Washer	40
44	S.O.S.	58259001	M20 x 2.5-6H Locknut	20
45	S.O.S.	60304000	Upper Shock Bracket (if equipped)	4
—	S.O.S.	Various	Shock Absorber Service Kit (includes Key Nos 46-50)	4
46	S.O.S.	Various	Shock Absorber Assembly (includes Key No 47)	4
47	S.O.S.	—	Retaining Washer and Bushing	8
48	S.O.S.	32043003	5/8"-11 UNC 3.25" Hex Bolt	4
49	E-15105	22962004	5/8" Hardened Washer	8
50	E-15201	47764000	5/8"-11 UNC Locknut	4
51	S.O.S.	Various	Ultra Rod Longitudinal Torque Rod Straddle/Straddle Assembly (includes Key No 52)	
52	E-5275	47691000L	Ultra Rod Straddle Bushing (Not Shown)	4
53	S.O.S.	62350	Ultra Rod Transverse Torque Rod Straddle/Taper Assembly (includes Key Nos 54-55)	2
54	E-5275	47691000L	Ultra Rod Straddle Bushing (Not Shown)	2
55	E-10309	64697000H	Ultra Rod Taper Bushing (Not Shown)	2
56	S.O.S.	—	Transverse Rod Axle Bracket	2
57	E-2634	22186000	Transverse Rod Frame Bracket	2
58	E-15153	45045003	Back-up Plate (for Torque Rod)	2

HENDRICKSON HAULMAAX® AFTERMARKET SHOCK KIT

Truck/Tractor



Key No.	Euclid No.	Replaces No.	Description	Quantity Per Tandem
—	S.O.S.	Various	Shock Absorber Service Kit (includes Key Nos. 59-68)	As Required
59	E-14045	60680004L	Shock Absorber Assembly - 16.5" Saddle Ht. (Incl. Key No. 60)	4
	E-14046	60680005L	Shock Absorber Assembly - 17.5"/18.5" Saddle Ht. (includes Key No. 60)	
60	S.O.S.	—	Retaining Washer and Bushing	2
61	S.O.S.	64146000	Upper Shock Bracket	4
62	S.O.S.	Various	Lower Shock Bracket	2
63	S.O.S.	32043005	5/8"-1 UNC 4.5" Hex Bolt	4
64	E-15105	22962004	5/8" Hardened Washer	8
65	E-15201	47764000	5/8"-1 UNC Locknut	4
66	S.O.S.	48941001	1"-8 UNC 6.75" Hex Bolt	4
67	S.O.S.	22962008	1" Hardened Washer	12
68	S.O.S.	48942000	1"-8 UNC Locknut	4



Meritor.com/lod

With a user-friendly approach and visually appealing format for easier, quicker surfing, Literature on Demand is your “go to” spot for all your literature needs – Parts Books, Sales Brochures and Technical Publications.

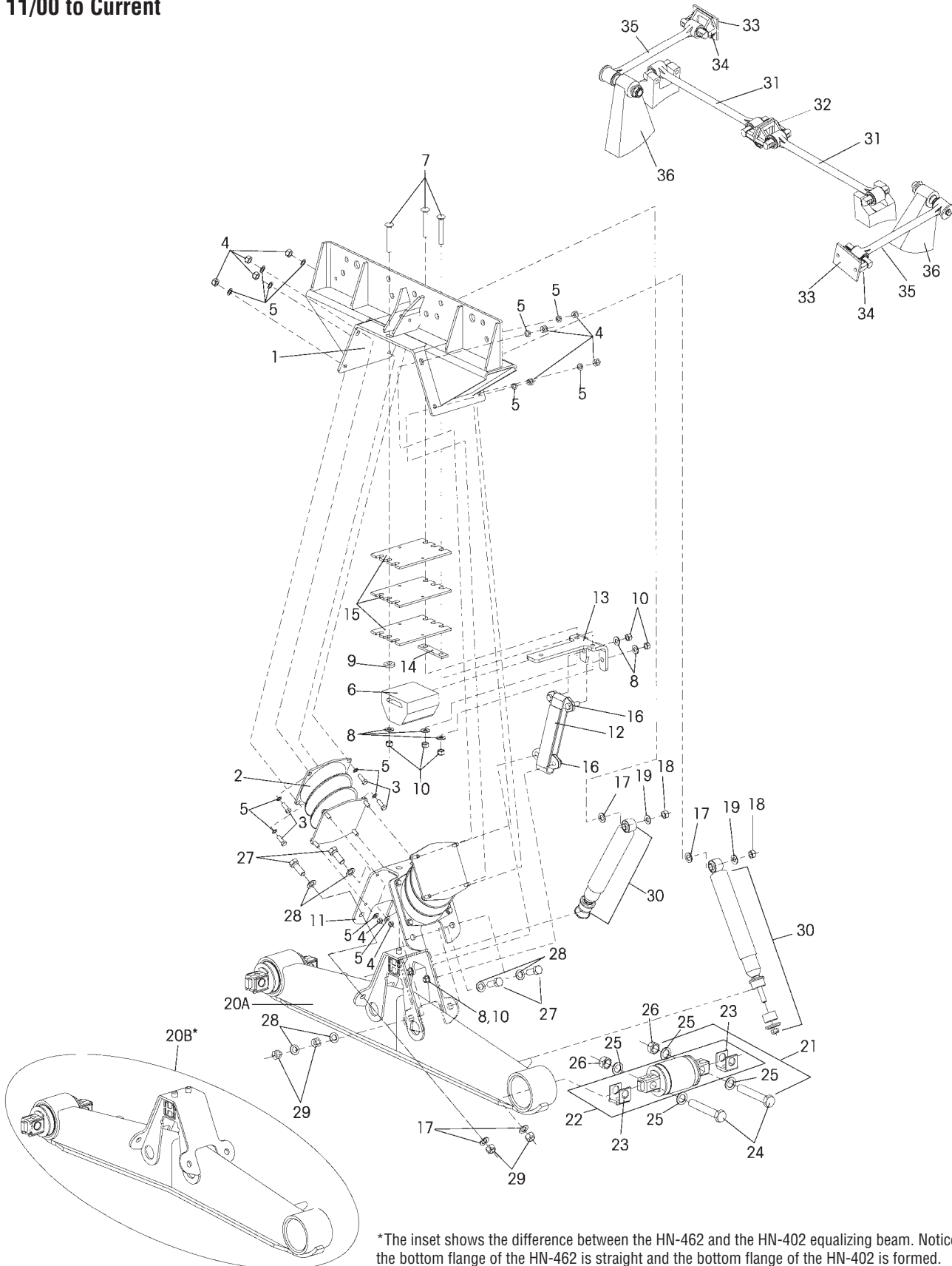


©2014 Meritor, Inc.

HENDRICKSON HN-402/462/522

Truck/Tractor

11/00 to Current

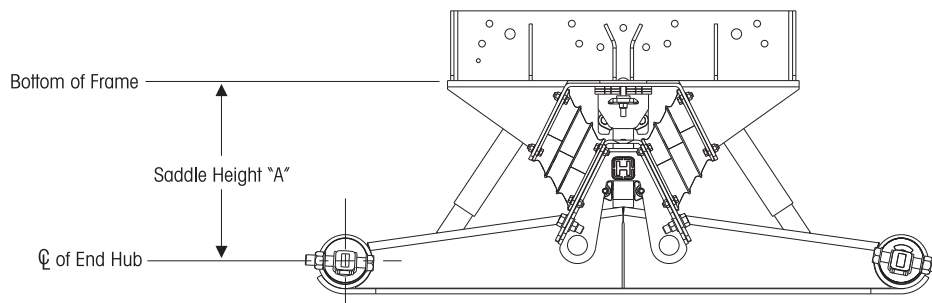


*The inset shows the difference between the HN-462 and the HN-402 equalizing beam. Notice the bottom flange of the HN-462 is straight and the bottom flange of the HN-402 is formed.

HENDRICKSON HN-402/462/522

Truck/Tractor

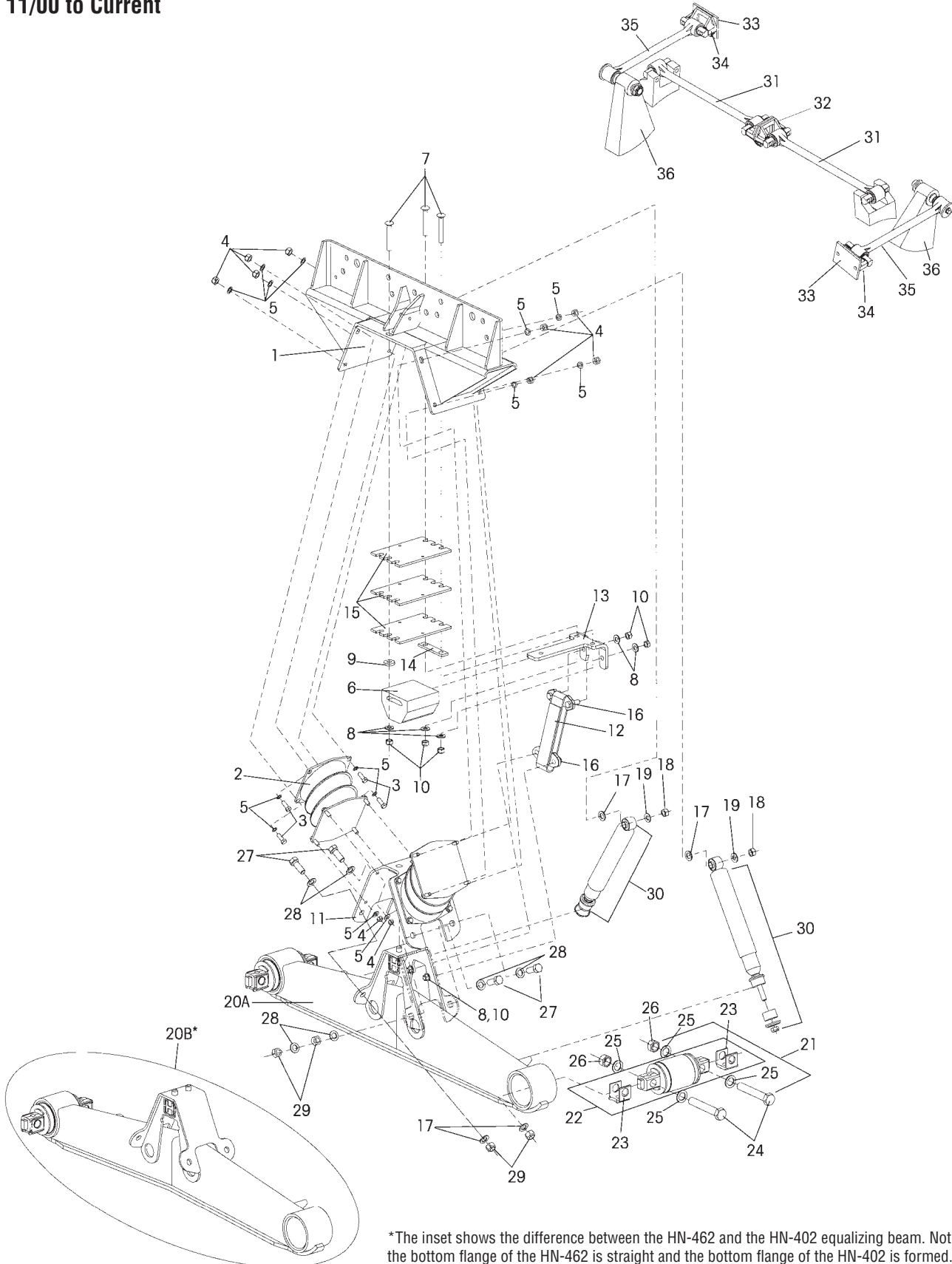
Key No.	Euclid No.	Replaces No.	Description	Quantity Per Tandem
1	S.O.S.	60686	HN-402/462 Saddle Assembly (includes Key Nos 2-19) Specify Truck Manufacturer and Saddle Height "A" as shown in the illustration below - 16.5", 17.5" or 18.5"	2
		58650	Specify Truck Manufacturer and Saddle Height "A" as shown in the illustration below - 20.25" or 22.50"	
2	E-11496	60879000L	Bolster Spring Service Kit (Must be replaced in pairs)	2
3	E-15191	25114011	7/16"-20-1.25" Bolt	32
4	S.O.S.	48949000	7/16"-20 UNF-2B Locknut	32
5	S.O.S.	22962027	7/16" Washer	64
6	E-14047	60314000	Auxiliary Spring Assembly	2
7	S.O.S.	58196005	1/2"-13 UNC-2A Round Head Square Neck Bolt 3.25	6
8	E-9603	22962011	1/2" Washer	6
9	S.O.S.	22962020	1/2" Washer	2
10	S.O.S.	49846000	1/2"-13 UNC-2A Locknut	6
11	E-15176	58343001	Saddle Vee Bracket	2
12	E-13986	57878003	Rebound Strap	2
13	E-15171	58948001	Rebound Strap Mounting Plate	2
14	E-15172	58949000	Auxiliary Spring Mounting Plate Shim	2
15	E-15173	58960003	Auxiliary Spring Mounting Shim	2
16	S.O.S.	60639000	Anchor Plate Assembly	4
17	E-2545	22962001	3/4" Washer	4
18	S.O.S.	30585000	5/8" Locknut	4
19	E-15105	22962004	5/8" Washer	4
20a	S.O.S.	58494001	Equalizing Beam Assembly HN-462, 54" Non-Shim Type	2
		58494002	Equalizing Beam Assembly HN-464, 54" Shim Type	
		58494005	Equalizing Beam Assembly HN-402/462, 60" Non-Shim Type	
		58494006	Equalizing Beam Assembly HN-402/462, 60" Shim Type	
		58494009	Equalizing Beam Assembly HN-402/462, 72.5" Non-Shim Type	
		58494010	Equalizing Beam Assembly HN-402/462, 72.5" Shim Type	
		59973003	Equalizing Beam Assembly HN-522, 54" Shim Type	



HENDRICKSON HN-402/462/522

Truck/Tractor

11/00 to Current

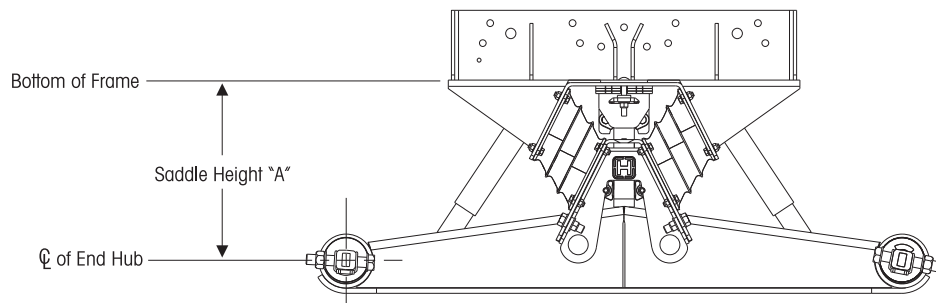


*The inset shows the difference between the HN-462 and the HN-402 equalizing beam. Notice the bottom flange of the HN-462 is straight and the bottom flange of the HN-402 is formed.

HENDRICKSON HN-402/462/522

Truck/Tractor

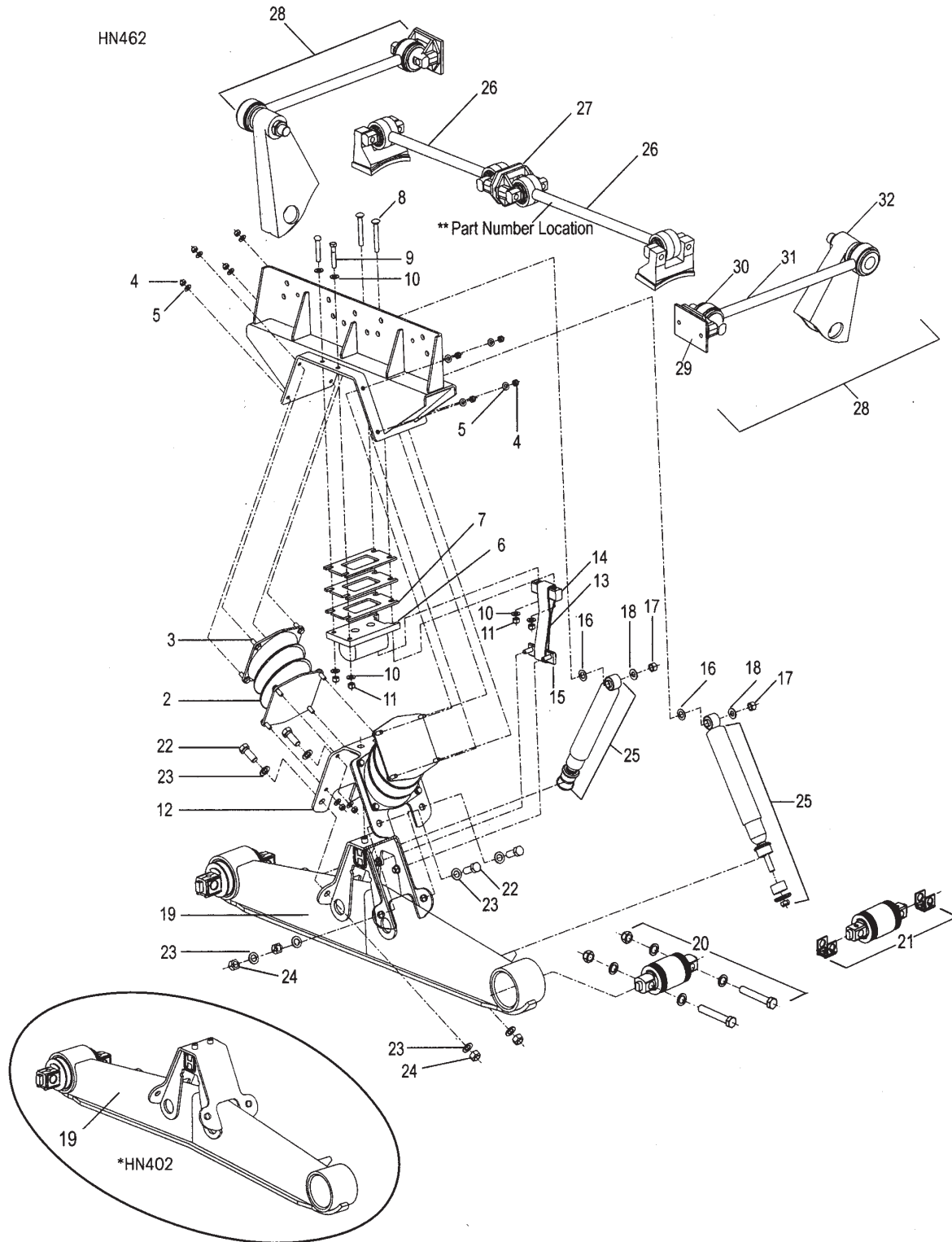
Key No.	Euclid No.	Replaces No.	Description	Quantity Per Tandem
20b	S.O.S.	57889004	Equalizing Beam Assembly, HN-402, 52" Non-Shim Type	2
		57889005	Equalizing Beam Assembly, HN-402, 52" Shim Type	2
		57889001	Equalizing Beam Assembly, HN-402, 54" Non-Shim Type	2
		57889002	Equalizing Beam Assembly, HN-402, 54" Shim Type	2
21	E-9326	34013088L	Bar Pin Bushing Service Kit, Shim Type (includes Key Nos 22-26)	4
22		—	Bar Pin End Bushing	—
23	E-9327	50130000	Bar Pin Shim .19/.19	8
	E-9328	50131000	Bar Pin Shim.25/.12	
24	E-15192	48941000	1"-8 UNC 6" Hexbolt	4
25	S.O.S.	22962008	1" Hardened Washer	8
26	S.O.S.	48942000	1"-8 UNC Locknut	4
		58440001	Vee Plate Fastener Service Kit (includes Key Nos 27-29)	—
27	S.O.S.	50764006	3/4"-10 UNC-2A Hex Head Bolt	8
28	E-2545	22962001	3/4" Washer	16
29	S.O.S.	49842000	3/4"-10 UNC-2B Locknut	8
30	M83112	60680003	Shock Absorber, standard	4
31	E-13989	60218000	Torque Rod Assembly	2
32	E-2634	22186000	Torque Rod Frame Bracket	2
	S.O.S.	42518	Transverse Rod Assembly Service Kit (includes Key Nos 33-36)	1
33	E-15153	45045003	Backup Plate	2
34	E-2634	22186000	Transverse Rod Frame Bracket	2
35	E-13988	60215000	Transverse Torque Rod	2
36	S.O.S.	—	Transverse Rod Axle Bracket	2



HENDRICKSON HN-402/462

Truck/Tractor

For 4/96 - 8/98



HENDRICKSON HN-402/462

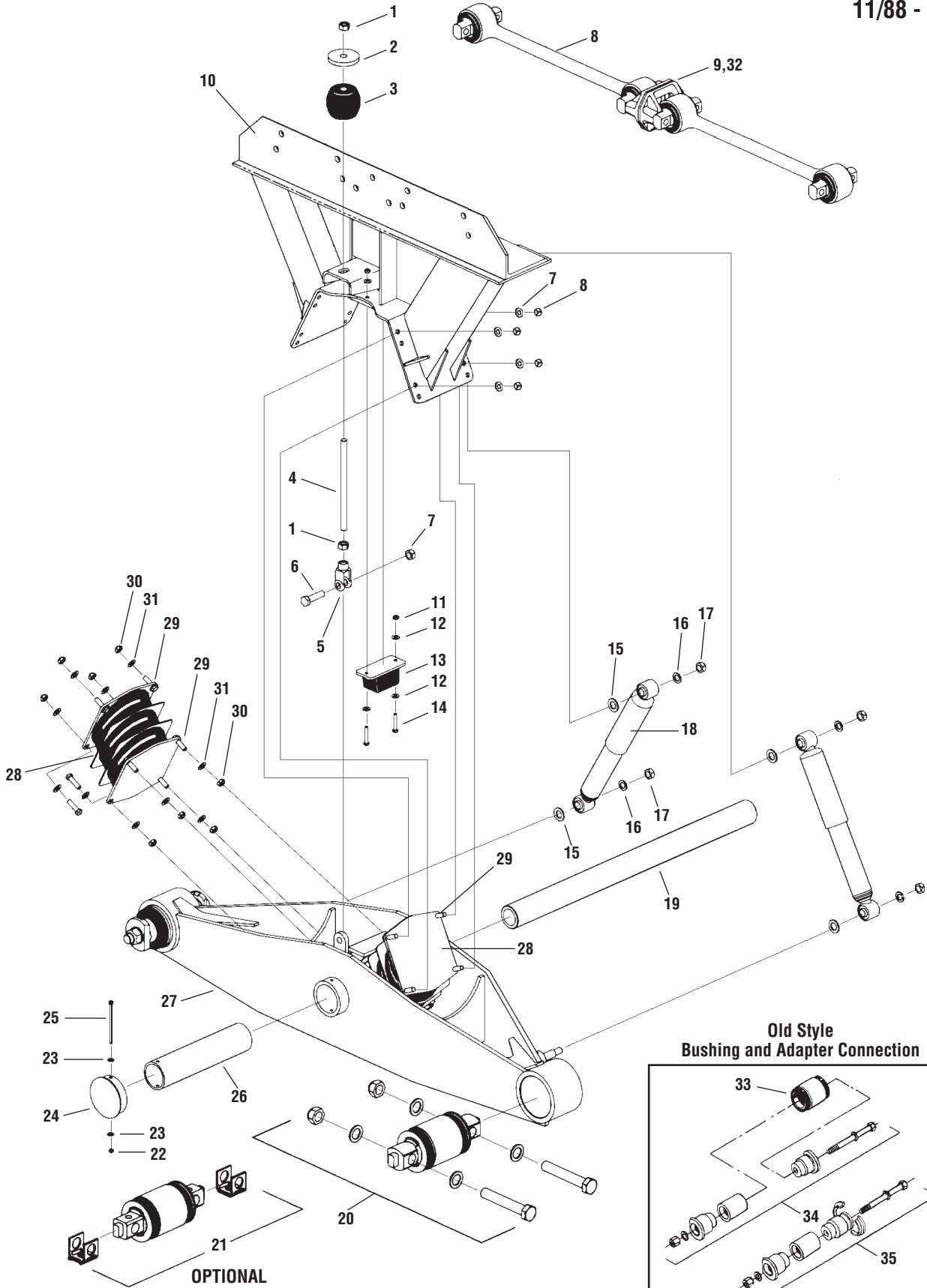
Truck/Tractor

Key No.	Euclid No.	Replaces No.	Description	Quantity Per Tandem
1	S.O.S.	60686000 58650000	HN402/462 Saddle Assembly, includes Key Nos. 2 thru 18 Specify Truck Manufacturer and Saddle Height	2
2	E-11496	60879000L	Bolster Spring (Must be replaced in pairs)	2
3	E-15191	25114011	7/16"-20 Thd., 1.25" Bolt	32
4	S.O.S.	48949000	7/16" 1-20 UNF-2B Locknut	32
5	S.O.S.	22962027	7/16" Washer	64
6	E-15164	57974011	Auxiliary Spring Assembly	2
7	E-15165	57993002	Spacer Plate	6
8	E-15192	58196002	1/2"-13 UNC-2A Round Head Square Neck Bolt	4
9	S.O.S.	24531019	1/2"-13 UNC-2A Hex Head Bolt	4
10	E-9603	22962011	1/2" Washer	16
11	S.O.S.	49846000	1/2"- 13 UNC-2A Locknut	12
12	E-15176	58343001	HN Saddle Vee Bracket	2
13	E-13986	57878003	Rebound Strap	2
14	E-15166	58524000	Rebound Strap Mounting Plate	2
15	S.O.S.	58376000	Anchor Plate Assembly	2
16	E-2545	22962001	3/4" Washer	4
17	S.O.S.	30585000	5/8" Locknut	4
18	E-15105	22962004	5/8" Washer	4
19	S.O.S.	57889004	Equalizing Beam Assembly, HN402 52", Non-Shim Type	2
		57889005	Equalizing Beam Assembly, HN402 52", Shim Type	
		57889001	Equalizing Beam Assembly, HN402/462 54", Non-Shim Type	
		57889002	Equalizing Beam Assembly, HN402/462 54", Shim Type	
		58494001	Equalizing Beam Assembly, HN462 54", Non-Shim Type	
		58494002	Equalizing Beam Assembly, HN462 54", Shim Type	
		58494005	Equalizing Beam Assembly, HN402/462, 601' Non- Shim Type	
		58494006	Equalizing Beam Assembly, HN402/462, 60" Shim Type	
20	E-9325	34013087	Bar Pin Bushing Kit, Non-Shim Type	4
		34013088L	Bar Pin Bushing Kit, Shim Type	
21	E-9326	58440001	Vee Plate Fastener Kit, includes Key Nos. 22 ,23, 24	1
22	S.O.S.	50764006	3/4"-10 UNC-2A Hex Head Bolt	8
23	E-2545	22962001	3/4" Washer	16
24	E-4347	49842000	3/4" -10 UNC-2B Locknut	8
25	M83112	57241003 (Old) 60680003L (New)	Shock Absorber, standard	4
26	See Components Section		Torque Rod Assembly	2
27	E-2634	22186000	Torque Rod Frame Bracket	2
28	E-15153	45045003	Backup Plate	2
29	E-2634	22186000	Transverse Rod Frame Bracket	2
30	See Components Section		Torque Rod Assembly	

HENDRICKSON HN 460

Truck/Tractor

11/88 - 2/96



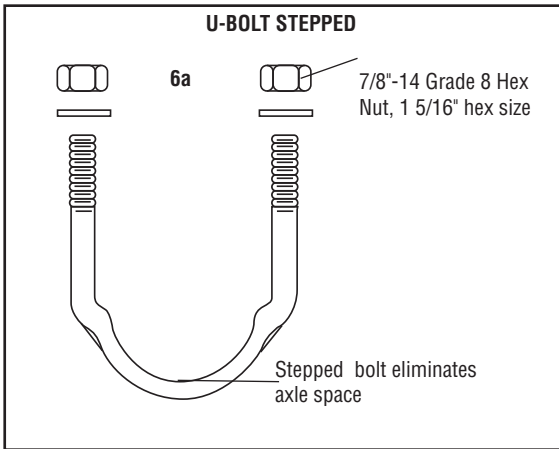
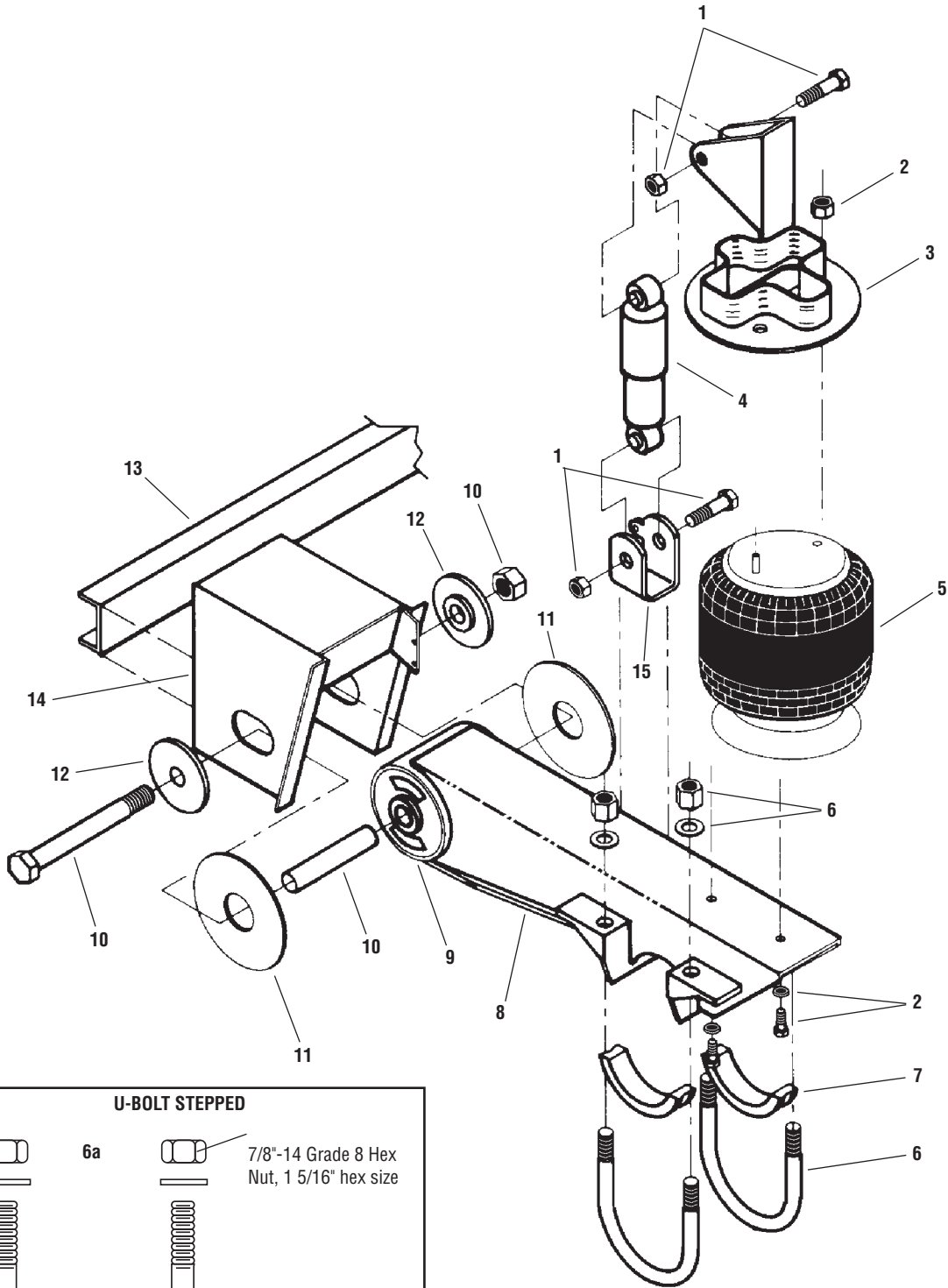
HENDRICKSON HN 460

Truck/Tractor

Key No.	Euclid No.	Replaces No.	Description	Quantity Per Tandem
—		49768000	Rebound Control Kit includes Key Nos. 1, 2, 3, 4, 5, 6, 7	2
1	E-9414	49778000	Nut	4
2		49770000	Threaded Washer	2
3	E-9415	48570000	Hollow Rubber Spring	2
4		49769000	Anti-Roll Rod	2
5	E-9414	49771000	Clevis	2
6		32043004	Bolt	2
7		47764000	Lock Nut	2
8	See Components Section		Torque Rod Assembly	2
9	E-2634	22186000	Torque Rod Frame Bracket	2
10	N/A	50787000	Saddle Assembly	—
—		49399000	Rebound Rubber Stop Kit includes Key Nos. 11,12,13,14	2
11	E-9417	48948000	Lock Nut	4
12		22962029	Washer	8
13	E-9416	49395000	Rebound Rubber Stop	2
14	E-9417	18160011	Bolt	4
15	E-2545	22962001	Washer, Inner, 3/4"	4
16	S.O.S.	22962004	Washer, Outer, 5/8"	4
17	S.O.S.	30585000	Lock Nut, 5/8"	4
18	M83207	47902011 (Old)	Shock Absorber, standard, HN460	4
		60670002 (New)		
	M89407	47902011 (Old)	Shock Absorber, premium, HN402, HN462	
	M83112	57241003	Shock Absorber, HN402, HN462	
19	E-9412	44643011	Cross Tube Transverse Torque Rod Assembly	1
20	E-9325	34013087	Bar Pin Bushing Kit, Non-Shim Type	4
21	E-9326	34013088L	Bar Pin Bushing Kit, Shim Type	4
22	S.O.S.	49983000	Lock Nut, 1/4"	2
23	S.O.S.	22962028	Washer, 1/4"	4
24	E-9413	56910000	End Cap	2
25	S.O.S.	50698000	Bolt, 1/4"	2
26	E-9411	49972000	Center Bushing	2
27	S.O.S.	4997600	Equalizing Beam Assembly (Specify Length)	—
28	E-11496	60879000L(Old)	Bolster Spring (Must be replaced in pairs)	2
	S.O.S.	64718000(New)		
29	E-15191	25114011	Bolt, 7/16"	32
30	S.O.S.	48949000	Lock Nut, 7/16"	32
31	S.O.S.	22962027	Washer, 7/16"	64
32	E-15153	45045003	Backup Plate	2
33	E-1341A	45900000L	End Beam Bushing, Old Style	4
34	E-9420	21140034L	End Beam Adapter, Old Style	4
35	S.O.S.	21140033	End Beam Adapter, Split Flange, Old Style	4

HENDRICKSON HT190T, HT190U, HT230T

Trailer



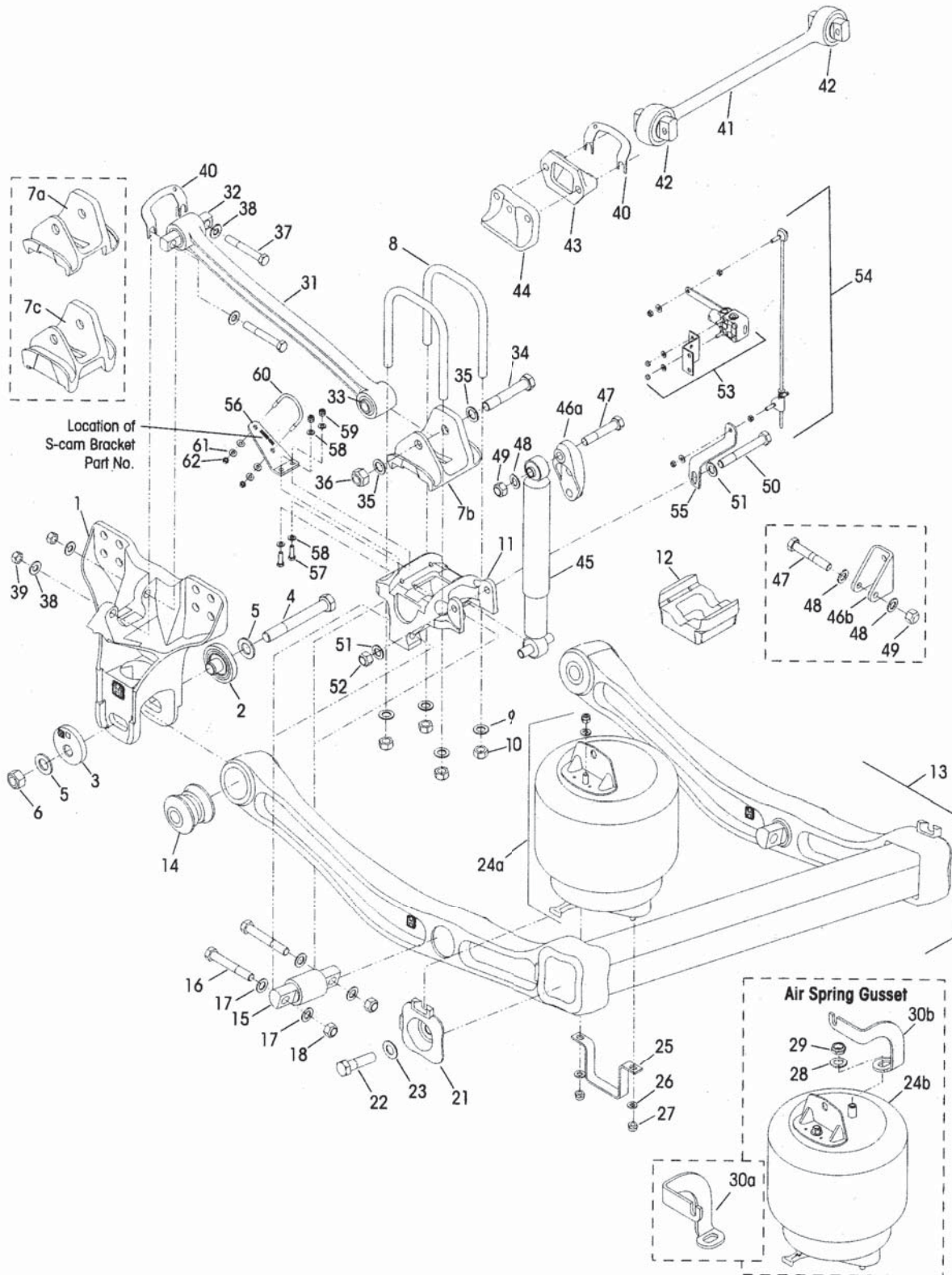
HENDRICKSON HT190T, HT190U, HT230T

Trailer

Key No.	Euclid No.	Replaces No.	Description	Quantity Per Axle	Quantity		
					HT190T	HT190U	HT230T
1	S.O.S.	S20031/2	Shock Bolt Kit, (2) 3 1/4" Long Bolt	2	X		X
		S20218/2	Shock Bolt Kit, (1) 3 1/4" Long, (1) 3 1/2" Long Bolt	2		X	
2	S.O.S.	S20033/2	Air Spring Bolt Kit	2	X	X	X
3	S.O.S.	Various	Air Spring/Shock Mounting Assembly includes Air Spring Plate and Shock Bracket	2	X	X	X
4		M85000 S20001	Shock Absorber	2	X	X	X
		M89436 S20002	Shock Absorber, Intraax®	2	X	X	X
5		FS9640 S20223	Air Spring	2	X	X	X
		FS8944 S20217		X		—	
		FS9270 S20010			X	—	
6		E-UB8168-082 S20032/4 (Old) S21140/4 (New)	U-Bolt Assembly, Rd. Bend, 7/8"-14 Thd. x 6" Wide x 8 1/4" Long	4	X	X	X
7		E-6124 S20701	Axle Spacer	4	X	X	
8	S.O.S.	S200001	Beam Assembly, Roadside	1	X		X
		S200002	Beam Assembly, Curbside	1	X		X
		S202001	Beam Assembly, Roadside	1		X	
		S202002	Beam Assembly, Curbside	1		X	
9		E-6121 S6914	Tri-Functional Bushing Kit - Weld Alignment, includes Key Nos. 9, 10, 11	2	X	X	X
		E-10729A S24691	Tri-Function Bushing Kit - QUIK-ALIGN™	X	X	X	
10		E-3768 S3646	Pivot Bolt Kit - Weld Aignment	2	X	X	X
		E-10730A S24679	Pivot Bolt Kit - QUIK-ALIGN™		X	X	X
11		E-6122 S21099	Bushing Wear Pad	2	X	X	X
12		E-3771 S2770	Alignment Collar	4	X	X	X
13	S.O.S.	A163119	Frame Bracket Channel	1	X	X	X
14	S.O.S.	Various	Frame Bracket	2	X	X	X
15	S.O.S.	S20069	Lower Shock Clevis	2	X	X	X
16		E-11831 —	Spacer	—			
—	S.O.S.	S20113	Upper Shock Clevis	2	X	X	X

*When using the new stepped u-bolt design, the axle spacer (S-20701) is not required.

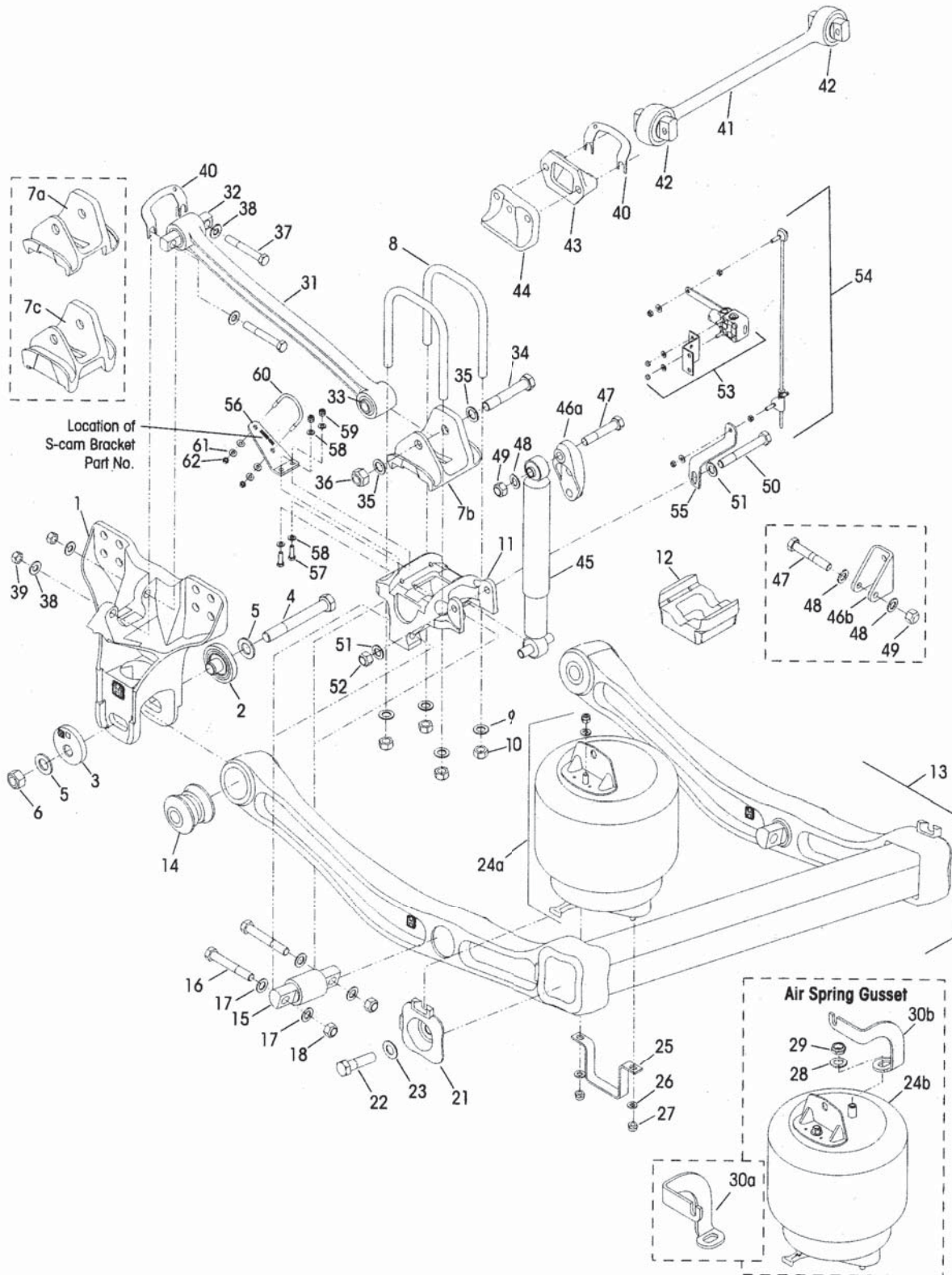
HENDRICKSON PRIMAAAX[®] 230/460/690 - FIREMAAX[™] 240/480 8 1/2" - 10" RIDE HEIGHT Truck/Tractor



HENDRICKSON PRIMAAX® 230/460/690 - FIREMAAX™ 240/480 8 1/2" - 10" RIDE HEIGHT Truck/Tractor

Key No.	Euclid No.	Replaces No.	Description	Quantity Per Tandem
1	E-15169SC	60821001	Frame Hanger	4
—	E-14025	60632020	QUIK-ALIGN™ Pivot Bushing Service Kit, includes Key Nos. 2-6, 14)	4
	E-14673	60632019	QUIK-ALIGN™ Collar Service Kit (includes Key Nos. 2-6)	
	S.O.S.	60632018	QUIK-ALIGN™ Pivot Bolt Service Kit, (includes Key Nos. 4-6)	
2	S.O.S.	64633000	QUIK-ALIGN™ Concentric Base	4
3	E-15162	64632000	QUIK-ALIGN™ Eccentric Base	4
4	S.O.S.	64107000	1.0"-8 UNC-2A Dacromet Hex Bolt - 7.5"	4
5	S.O.S.	68232000	1.0" Flat Washer	8
6	S.O.S.	68218000	1.0"-8 Locknut UNC-2B	4
7a	S.O.S.	60877000	Top Pad For Meritor Axle	4
7b	E-15171	60877001	Top Pad For Dana Axle	
7c	E-15193	65641000	Top Pad For Disc Brake Application	
—	S.O.S.	48718108	U-Bolt Service Kit (includes Key Nos. 8a-10)	4
		48718125	U-Bolt Service Kit (includes Key Nos. 8b-10)	
		48718126	U-Bolt Service Kit (includes Key Nos. 8c-10)	
		48718132	U-Bolt Service Kit (includes Key Nos. 8d-10)	
8a	S.O.S.	59367002	3/4" Square U-Bolt - 10" Ride Ht, For use with Key No. 7a, 7b	8
8b	S.O.S.	59367004	3/4" Square U-Bolt - 8 1/2" Ride Ht, For use with Key No. 7a, 7b, 12	
8c	S.O.S.	59367009	3/4" Square U-Bolt - 10" Ride Ht, For use with Key No. 7c	
8d	S.O.S.	59367012	3/4" Square U-Bolt - 8 1/2" Ride Ht, For use with Key No. 7c, 12	
9	E-2545	22962001	3/4" Flat Washer	16
10	S.O.S.	49685000	3/4"-16 UNF U-bolt Locknut	16
11	S.O.S.	60556	Bottom Cap - Front and Rear	4
12	E-15178	65139003	Axle Spacer - 8 1/2" Ride Height	4
13	S.O.S.		Options vary by U-Beam Assembly (includes Key Nos. 14-15)	1
14	E-13992	58648000	QUIK-ALIGN™ Pivot Bushing	4
—	S.O.S.	34013107	D-Pin Service Kit, 5.0" Bolt (includes Key Nos. 15, 16a, 17, 18)	As Required
		34013116	D-Pin Service Kit, 5.5" Bolt (includes Key Nos. 15, 16b, 17, 18)	As Required
		34013117	D-Pin Service Kit, 4.75" Bolt (includes Key Nos. 15, 16c, 17, 18)	As Required
15	E-14026	60383000	D-Pin Bushing	4
16a	E-15160	21867036	3/4"-16 UNF Bolt - 5.0"	8
16b	E-15194	21867026	3/4"-16 UNF Bolt - 5.5"	
16c	E-15195	21867043	3/4"-16 UNF Bolt - 4.75"	
17	E-2545	22962001	3/4" Flat Washer	16
18	S.O.S.	30191000	3/4"-16 UNF Locknut	8
—	E-14027	60961062	Air Spring Assy Service Kit, PRIMAAX (Incl. Key Nos. 24a, -25-27)	As Required
	S.O.S.	60961126	Air Spring Assy Service Kit, FIREMAAX (Incl. Key Nos. 24b, 25-27)	As Required
21	E-15170	60822000	End Cap	4
22	E-15196	50104003	7/8"-9 UNC Hex Bolt - 3.5"	4

HENDRICKSON PRIMAAAX[®] 230/460/690 - FIREMAAX[™] 240/480 8 1/2" - 10" RIDE HEIGHT Truck/Tractor

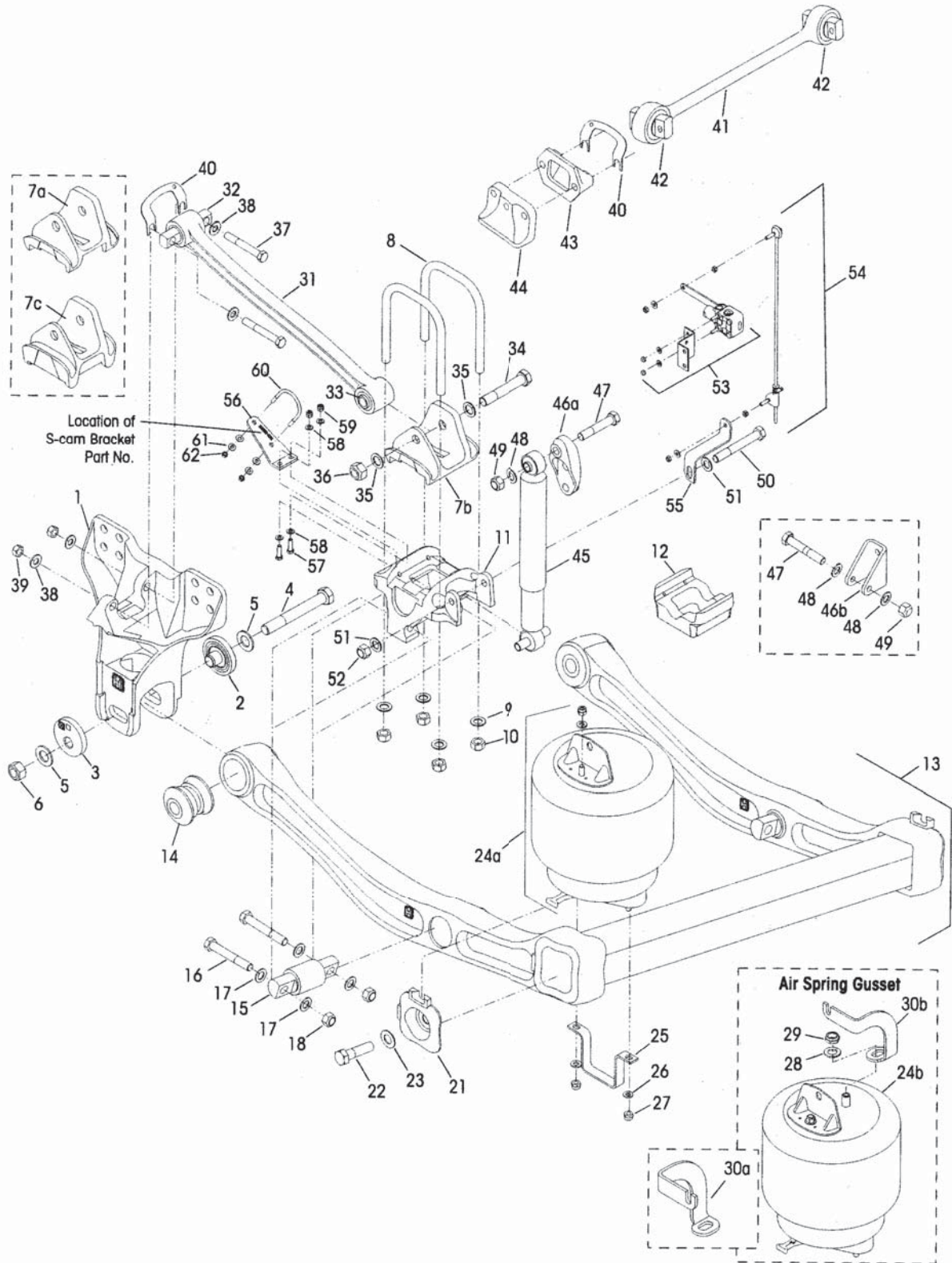


HENDRICKSON PRIMAAX® 230/460/690 - FIREMAAX™ 240/480 8 1/2" - 10" RIDE HEIGHT Truck/Tractor

HENDRICKSON

Key No.	Euclid No.	Replaces No.	Description	Quantity Per Tandem
23	S.O.S.	22962034	7/8" Dacromet Flat Washer	4
24a	FS9663	60271002L	Air Spring Assembly, PRIMAAX	4
24b	S.O.S.	65183002L	Air Spring Assembly, FIREMAAX	4
25	E-15174	60911000	Lower Air Spring Mounting Bracket	4
26	S.O.S.	22962014	1/2" Flat Washer	8
27	E-15116	17700010	1/2"-13 UNC Locknut	8
28	E-2545	22962001	3/4" Flat Washer	4
29	E-15202	17700031	3/4"-16 UNF Locknut	4
30a	S.O.S.	59479003	Air Spring Gusset	2
30b	S.O.S.	59479004	Air Spring Gusset	2
31	S.O.S.	—	Longitudinal Torque Rod Assembly (includes Key Nos. 32-33)	As Required
32	E-10322	69210000H	Bushing, Straddle Bar Pin, 3/4" Holes	4
33	E-5276	47692000L	Torque Rod Bushing, Thru Holes	4
—	S.O.S.	58821012	Longitudinal Torque Rod Rear Bolt Service Kit (Incl. Key Nos. 34-36)	As Required
34	E-15182	30418009	7/8"-14 UNC-2A Hex Bolt, 5.5"	4
35	S.O.S.	22962034	7/8" Dacromet Flat Washer	8
36	E-1835	29248000	7/8"-14 UNF-2B Locknut	4
37	S.O.S.	21867018	3/4"-16 UNF-2A Hex Bolt, 3.75"	8
38	E-2545	22962001	3/4" Flat Washer	16
39	S.O.S.	30191000	3/4"-16 UNF-2B Locknut	8
40	E-5281	49689000	Shim	As Required
41	S.O.S.	72000XXXS	Ultra Rod Plus Transverse Torque Rod in MM	2
42	S.O.S.	64400002L	Bushing, Straddle Bar Pin, 5/8" Holes	4
43	E-2634	22186000	Transverse Rod Frame Bracket	2
44	S.O.S.	60593000	Frame Mounted Axle Stop	4
—	S.O.S.	50754030	Shock Fastener Service Kit (includes Key Nos. 47-52)	4
	M85072	60657003	Shock Absorber, standard	4
45	M85962	60665014	Shock Absorber - FIREMAAX® Disc Brake Applications, standard	—
	M89961	60665018	Shock Absorber - FIREMAAX® Drum Brake Applications, premium	—
46a	E-15177	67463002	Upper Shock Frame Bracket Standard	4
46b	S.O.S.	59423001	FIREMAAX® Upper Shock Frame Bracket	—
47	S.O.S.	50764010	3/4"-10 UNC Bolt, 4.25"	4
48	E-2545	22962001	3/4" Flat Washer	4
49	S.O.S.	49842000	3/4"-10 UNC Locknut	4
50	S.O.S.	32043017	5/8"-11 UNC Bolt, 6.0"	4
51	S.O.S.	22962004	5/8" Flat Washer	8
52	E-15201	47764000	5/8"-11 UNC-2B Locknut	4
53	E-11870	57977000	Height Control Valve Assembly (includes Key Nos. 53-55)	1

HENDRICKSON PRIMAAAX[®] 230/460/690 - FIREMAAX[™] 240/480 8 1/2" - 10" RIDE HEIGHT Truck/Tractor



HENDRICKSON PRIMAAX® 230/460/690 - **FIREMAAX™ 240/480** **8 1/2" - 10" RIDE HEIGHT** **Truck/Tractor**

Key No.	Euclid No.	Replaces No.	Description	Quantity Per Tandem
54	S.O.S.	58994005	HCV Linkage Assembly (includes Key Nos. 57-63)	1
55	E-15154	60921000	Height Control Valve Linkage Bracket	1
56	S.O.S.	64508XXX	S-cam Support Bracket (see part number on component)	4
57	E-15197	58035004	3/8"-16 UNC Hex Bolt, 1.25"	8
58	S.O.S.	22962015	3/8" Hardened Washer	16
59	E-15185	17700006	3/8"-16 UNC Locknut	8
60	E-15198	64202000	5/16" S-Cam U-bolt	4
61	S.O.S.	22962029	5/16" Hardened Washer	8
62	S.O.S.	59016000	5/16"-18 UNC Locknut	8
68	S.O.S.	22962015	3/8" Hardened Washer	16
69	E-15185	17700006	3/8"-16 UNC Locknut	8
70	E-15198	64202000	5/16" S-Cam U-Bolt	4
71	S.O.S.	22962029	5/16" Hardened Washer	8
72	S.O.S.	59016000	5/16"-18 UNC Locknut	8
73	E-15178	65139003	Axle Spacer - 12-1/2" Ride Height	4
74	S.O.S.	Various	U-Beam Assembly (includes Key Nos 15, 18, 31-33)	2

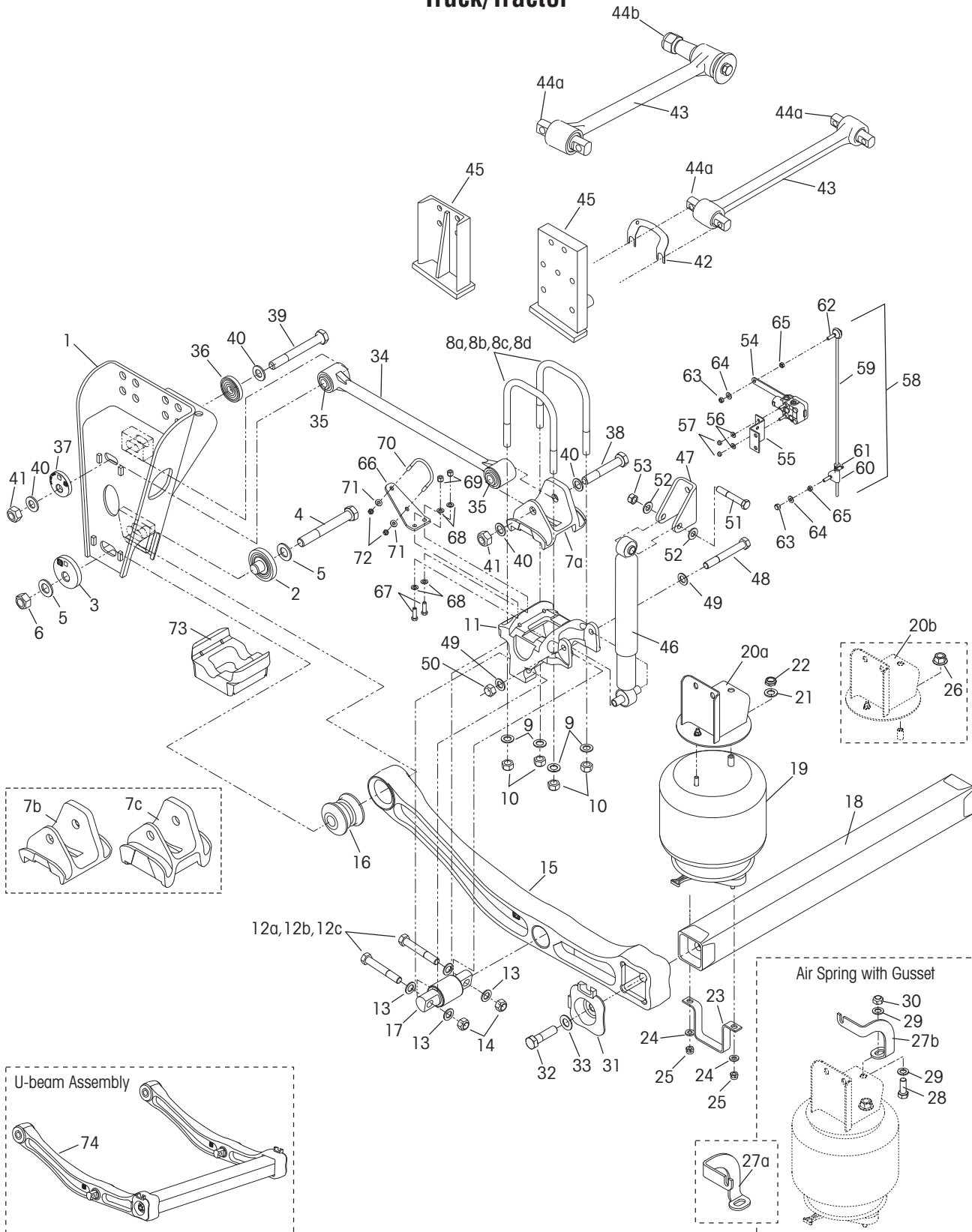
HENDRICKSON PRIMAAAX[®] 230/460/690

FIREMAAX[™] 240/480

12 1/2" - 14 3/8" - 15 1/2" RIDE HEIGHT

HEAVY DUTY AIR

Truck/Tractor



HENDRICKSON PRIMAAX® 230/460/690

FIREMAAX™ 240/480

12 1/2" - 14 3/8" - 15 1/2" RIDE HEIGHT

HEAVY DUTY AIR

Truck/Tractor

HENDRICKSON

Key No.	Euclid No.	Replaces No.	Description	Qty Per Tandem
1	E-15169SC	60821001	Frame Hanger	4
	E-14025	60632020	QUIK-ALIGN™ Pivot Bushing Service Kit, Includes Key Nos. 2-6, 14)	4
—	E-14673	60632019	QUIK-ALIGN™ Collar Service Kit (Includes Key Nos. 2-6)	—
	S.O.S.	60632018	QUIK-ALIGN™ Pivot Bolt Service Kit, (Includes Key Nos. 4-6)	
2	S.O.S.	64633000	QUIK-ALIGN™ Concentric Base	4
3	E-15162	64632000	QUIK-ALIGN™ Eccentric Base	4
4	S.O.S.	64107000	1.0"-8 UNC-2A Dacromet Hex Bolt - 7.5"	4
5	S.O.S.	68232000	1.0" Flat Washer	8
6	S.O.S.	68218000	1.0"-8 Locknut UNC-2B	4
7a	S.O.S.	60877000	Top Pad For Meritor Axle	4
7b	E-15171	60877001	Top Pad For Dana Axle	
7c	E-15193	65641000	Top Pad For Disc Brake Application	
		48718108	U-Bolt Service Kit (Includes Key Nos. 8a-10)	4
—	S.O.S.	48718125	U-Bolt Service Kit (Includes Key Nos. 8b-10)	
		48718126	U-Bolt Service Kit (Includes Key Nos. 8c-10)	
		48718132	U-Bolt Service Kit (Includes Key Nos. 8d-10)	
8a	S.O.S.	59367002	3/4" Square U-Bolt - 10" Ride Ht, For use with Key No. 7a, 7b	8
8b	S.O.S.	59367004	3/4" Square U-Bolt - 8 1/2" Ride Ht, For use with Key No. 7a, 7b, 12	
8c	S.O.S.	59367009	3/4" Square U-Bolt - 10" Ride Ht, For use with Key No. 7c	
8d	S.O.S.	59367012	3/4" Square U-Bolt - 8 1/2" Ride Ht, For use with Key No. 7c, 12	
9	E-2545	22962001	3/4" Flat Washer	16
10	S.O.S.	49685000	3/4"-16 UNF U-bolt Locknut	16
11	S.O.S.	60556	Bottom Cap - Front and Rear	4
12	E-15178	65139003	Axle Spacer - 8 1/2" Ride Height	4
13			Options vary by U-Beam Assembly (Includes Key Nos. 14-15)	1
14	E-13992	58648000	QUIK-ALIGN™ Pivot Bushing	4
		34013107	D-Pin Service Kit, 5.0" Bolt (Includes Key Nos. 15, 16a, 17, 18)	As Req
—	S.O.S.	34013116	D-Pin Service Kit, 5.5" Bolt (Includes Key Nos. 15, 16b, 17, 18)	As Req
		34013117	D-Pin Service Kit, 4.75" Bolt (Includes Key Nos. 15, 16c, 17, 18)	As Req
15	E-14026	60383000	D-Pin Bushing	4
16a	E-15160	21867036	3/4"-16 UNF Bolt - 5.0"	8
16b	E-15194	21867026	3/4"-16 UNF Bolt - 5.5"	
16c	E-15195	21867043	3/4"-16 UNF Bolt - 4.75"	
17	E-2545	22962001	3/4" Flat Washer	16
18	S.O.S.	30191000	3/4"-16 UNF Locknut	8
	E-14027	60961062	Air Spring Assy Service Kit, PRIMAAX (Includes Key Nos. 24a, -25-27)	As Req
—	S.O.S.	60961126	Air Spring Assy Service Kit, FIREMAAX (Includes Key Nos. 24b, 25-27)	As Req
21	E-15170	60822000	End Cap	4

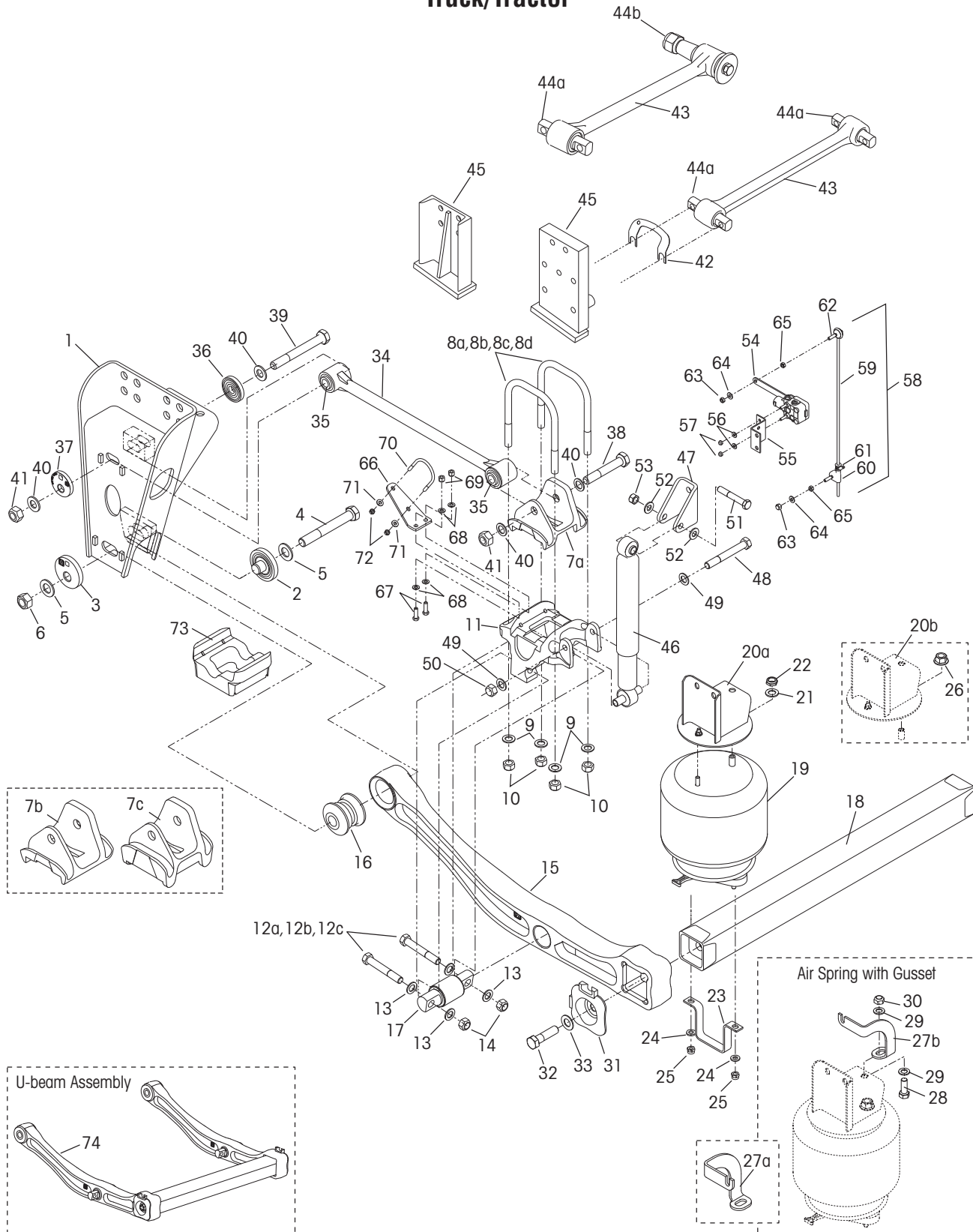
HENDRICKSON PRIMAAAX[®] 230/460/690

FIREMAAX[™] 240/480

12 1/2" - 14 3/8" - 15 1/2" RIDE HEIGHT

HEAVY DUTY AIR

Truck/Tractor



HENDRICKSON PRIMAAX® 230/460/690

FIREMAAX™ 240/480

12 1/2" - 14 3/8" - 15 1/2" RIDE HEIGHT

HEAVY DUTY AIR

Truck/Tractor

HENDRICKSON

Key No.	Euclid No.	Replaces No.	Description	Qty Per Tandem
22	E-15196	50104003	7/8"-9 UNC Hex Bolt - 3.5"	4
23	S.O.S.	22962034	7/8" Dacromet Flat Washer	4
24a	FS9663	60271002L	Air Spring Assembly, PRIMAAX	4
24b	S.O.S.	65183002L	Air Spring Assembly, FIREMAAX	
25	E-15174	60911000	Lower Air Spring Mounting Bracket	4
26	S.O.S.	22962014	1/2" Flat Washer	8
27	E-15116	17700010	1/2"-13 UNC Locknut	8
28	E-2545	22962001	3/4" Flat Washer	4
29	E-15202	17700031	3/4"-16 UNF Locknut	4
30a	S.O.S.	59479003	Air Spring Gusset	2
30b	S.O.S.	59479004	Air Spring Gusset	2
31	S.O.S.	—	Longitudinal Torque Rod Assembly (Includes Key Nos. 32-33)	As Req
32	E-10322	69210000H	Bushing, Straddle Bar Pin, 3/4" Holes	4
33	E-5276	47692000L	Torque Rod Bushing, Thru Holes	4
—	S.O.S.	58821012	Longitudinal Torque Rod Rear Bolt Service Kit (Includes Key Nos. 34-36)	As Req
34	E-15182	30418009	7/8"-14 UNC-2A Hex Bolt, 5.5"	4
35	S.O.S.	22962034	7/8" Dacromet Flat Washer	8
36	E-1835	29248000	7/8"-14 UNF-2B Locknut	4
37	S.O.S.	21867018	3/4"-16 UNF-2A Hex Bolt, 3.75"	8
38	E-2545	22962001	3/4" Flat Washer	16
39	S.O.S.	30191000	3/4"-16 UNF-2B Locknut	8
40	E-5281	49689000	Shim	As Req
41	S.O.S.	72000XXS	Ultra Rod Plus Transverse Torque Rod in MM	2
42	S.O.S.	64400002L	Bushing, Straddle Bar Pin, 5/8" Holes	4
43	E-2634	22186000	Transverse Rod Frame Bracket	2
44	S.O.S.	60593000	Frame Mounted Axle Stop	4
—	S.O.S.	50754030	Shock Fastener Service Kit (Includes Key Nos. 47-52)	4
	M85072	60657003	Shock Absorber, Standard	4
45	M85962	60665014	Shock Absorber - FIREMAAX® Disc Brake Applications	—
	M89961	60665018	Shock Absorber - FIREMAAX® Drum Brake Applications	—
46a	E-15177	67463002	Upper Shock Frame Bracket Standard	4
46b	S.O.S.	59423001	FIREMAAX® Upper Shock Frame Bracket	—
47	S.O.S.	50764010	3/4"-10 UNC Bolt, 4.25"	4
48	E-2545	22962001	3/4" Flat Washer	4
49	S.O.S.	49842000	3/4"-10 UNC Locknut	4
50	S.O.S.	32043017	5/8"-11 UNC Bolt, 6.0"	4
51	S.O.S.	22962004	5/8" Flat Washer	8
52	E-15201	47764000	5/8"-11 UNC-2B Locknut	4
53	E-11870	57977000	Height Control Valve Assembly (Includes Key Nos. 53-55)	1

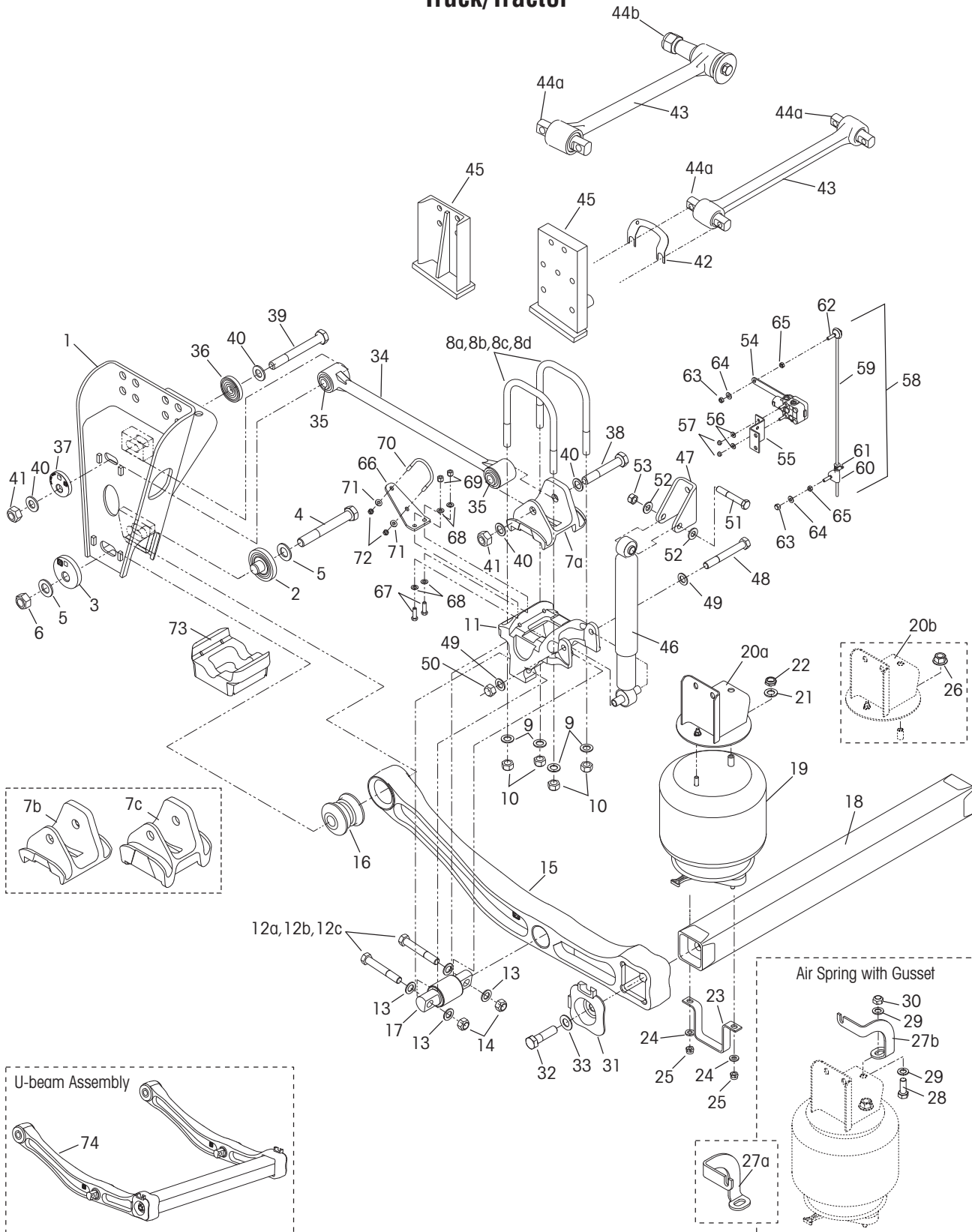
HENDRICKSON PRIMAAAX[®] 230/460/690

FIREMAAX[™] 240/480

12 1/2" - 14 3/8" - 15 1/2" RIDE HEIGHT

HEAVY DUTY AIR

Truck/Tractor



HENDRICKSON PRIMAAX® 230/460/690

FIREMAAX™ 240/480

12 1/2" - 14 3/8" - 15 1/2" RIDE HEIGHT

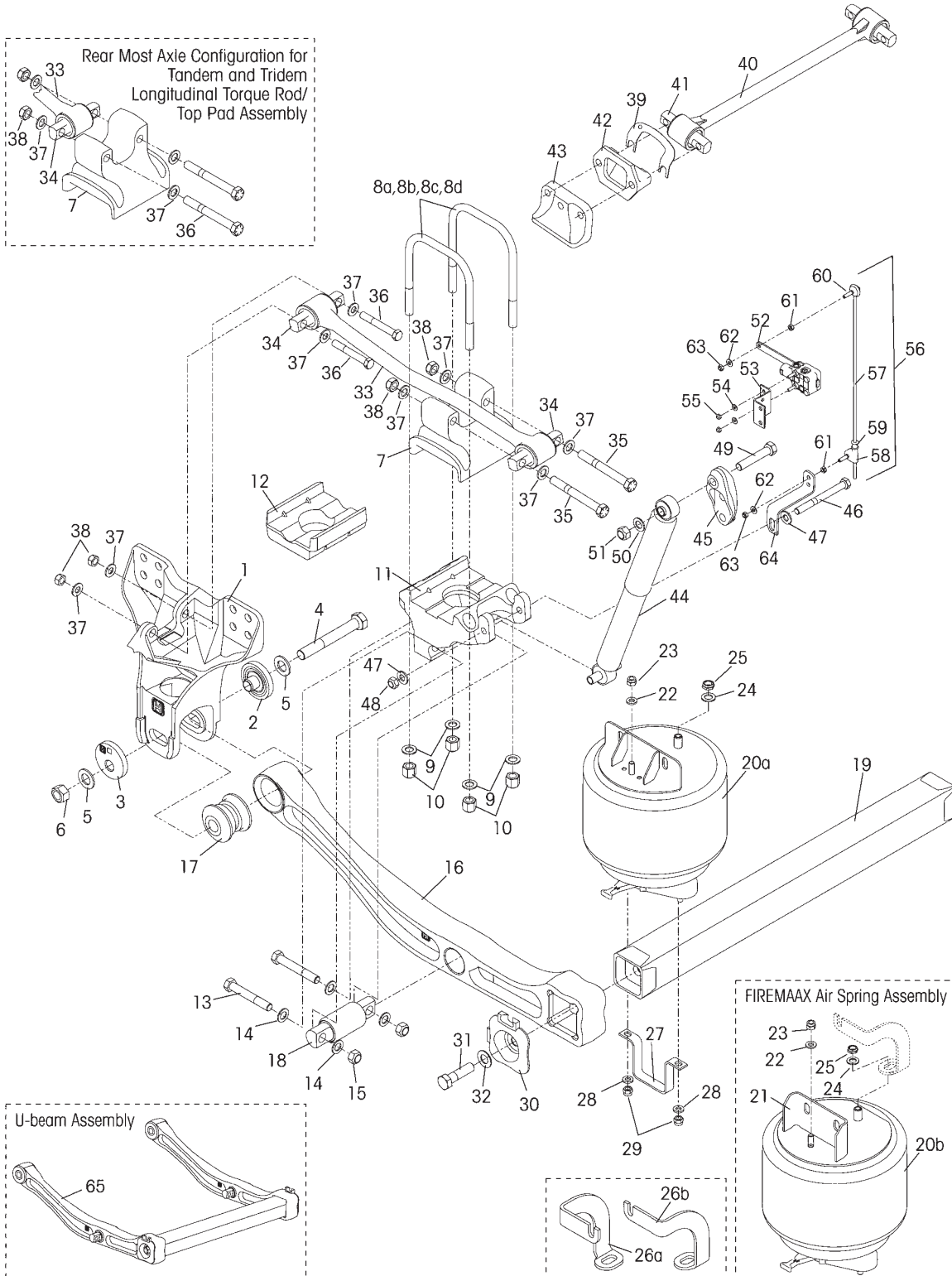
HEAVY DUTY AIR

Truck/Tractor

HENDRICKSON

Key No.	Euclid No.	Replaces No.	Description	Qty Per Tandem
54	S.O.S.	58994005	HCV Linkage Assembly (Includes Key Nos. 57-63)	1
55	E-15154	60921000	Height Control Valve Linkage Bracket	1
56	S.O.S.	64508XXX	S-cam Support Bracket (see part number on component)	4
57	E-15197	58035004	3/8"-16 UNC Hex Bolt, 1.25"	8
58	S.O.S.	22962015	3/8" Hardened Washer	16
59	E-15185	17700006	3/8"-16 UNC Locknut	8
60	E-15198	64202000	5/16" S-Cam U-bolt	4
61	S.O.S.	22962029	5/16" Hardened Washer	8
62	S.O.S.	59016000	5/16"-18 UNC Locknut	8
68	S.O.S.	22962015	3/8" Hardened Washer	16
69	E-15185	17700006	3/8"-16 UNC Locknut	8
70	E-15198	64202000	5/16" S-Cam U-Bolt	4
71	S.O.S.	22962029	5/16" Hardened Washer	8
72	S.O.S.	59016000	5/16"-18 UNC Locknut	8
73	E-15178	65139003	Axle Spacer - 12-1/2" Ride Height	4
74	S.O.S.	Various	U-Beam Assembly (Includes Key Nos 15, 18, 31-33)	2

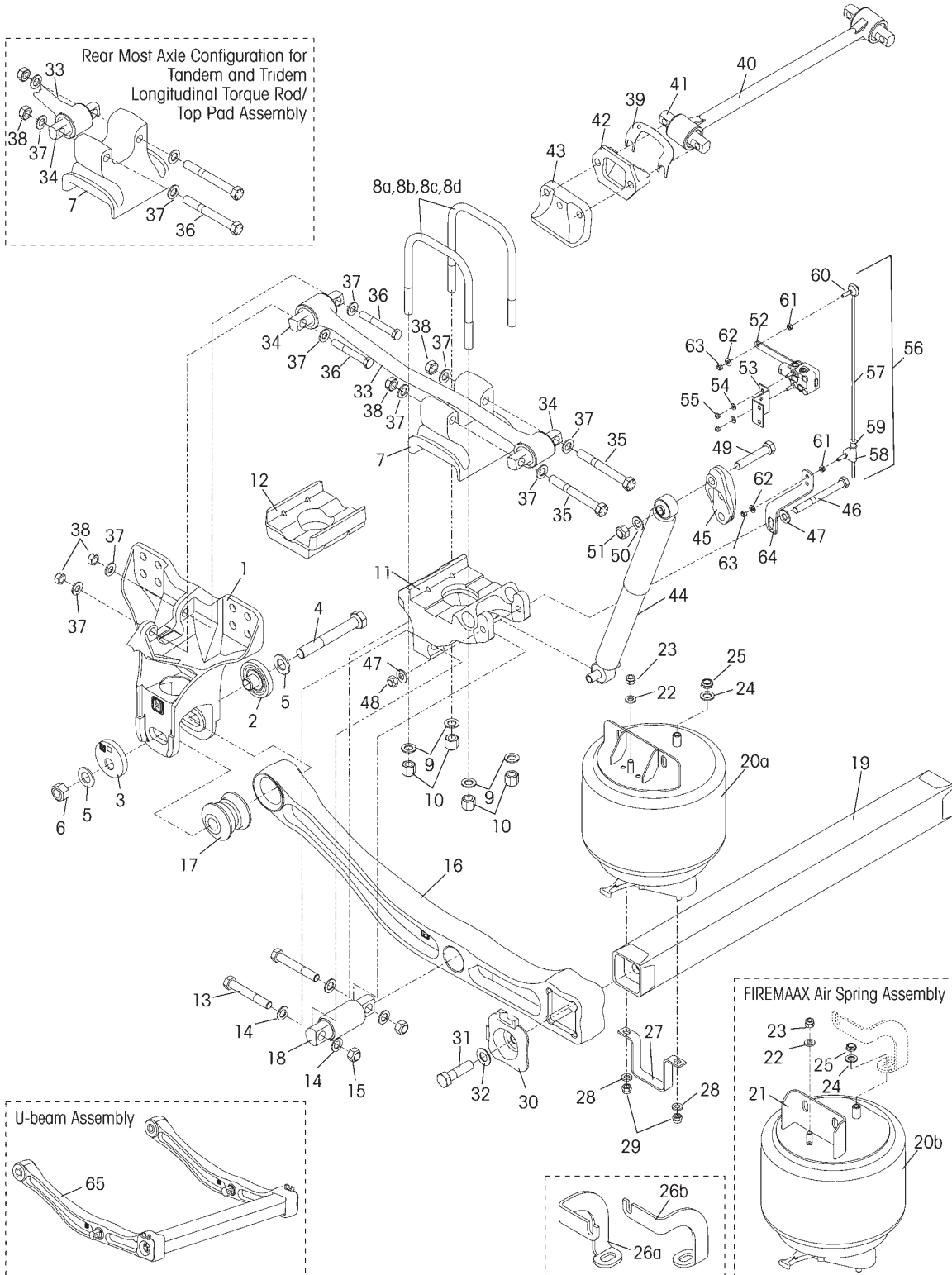
HENDRICKSON PRIMAAAX[®] 260/520/780 FIREMAAX[™] 270/540 - TYPE A 8 1/2" - 10" RIDE HEIGHT Truck/Tractor



HENDRICKSON PRIMAAX® 260/520/780 FIREMAAX™ 270/540 - TYPE A 8 1/2" - 10" RIDE HEIGHT Truck/Tractor

Key No.	Euclid No.	Replaces No.	Description	Quantity Per Tandem
1	S.O.S.	60821001	Frame Hanger	4
—	E-14025	60632008	Pivot Bushing Service Kit (includes Key Nos 2-6, 17)	2
—	E-14673	60632006	Collar Service Kit -(includes Key Nos 2-6)	—
—	S.O.S.	60632005	Pivot Bolt Service Kit (includes Key Nos 4-6)	—
2	S.O.S.	64633000	Concentric Base	4
3	S.O.S.	64632000	Eccentric Base	4
4	S.O.S.	64107000	1.0"-8 UNC-2A Dacromet Hex Bolt - 7.5"	4
5	S.O.S.	22962035	1.0" Flat Dacromet Washer	8
6	S.O.S.	64108000	1.0" UNC-2B Dacromet Locknut	4
7	S.O.S.	Various	Top Pad	2
—	S.O.S.	48718120	U-Bolt Service Kit - 10" RH (includes Key Nos 8a-8b, 9-10)	2
—	S.O.S.	48718118	U-Bolt Service Kit - 8-1/2" RH (includes Key Nos 8c-8d, 9-10)	—
8a	S.O.S.	59367007	3/4" Square U-bolt Outboard 10" RH	4
8b	S.O.S.	59367008	3/4" Square U-bolt Inboard 10" RH	4
8c	S.O.S.	59367010	3/4" Square U-bolt Outboard 8-1/2" RH	4
8d	S.O.S.	68367011	3/4" Square U-bolt Inboard 8-1/2" RH	4
9	E-2545	22962001	3/4" Flat Washer	16
10	S.O.S.	49685000	3/4"-16 UNF U-bolt Locknut	16
11	S.O.S.	—	Bottom Cap - Front and Rear	4
12	S.O.S.	—	Axle Spacer	4
—	E-13983	34013114	D-Pin Service Kit (includes Key Nos 13-15, 18)	4
13	S.O.S.	30418009	7/8"-14 UNF Bolt - 5.5"	8
14	S.O.S.	22962007	7/8" Flat Washer	16
15	E-1835	29248000	7/8"-14 UNF Locknut	8
16	S.O.S.	Various	Support Beam Assembly	1
17	E-13992	58648000	Pivot Bushing	4
18	E-14039	65381000	D-Pin Bushing	4
19	S.O.S.	Various	Cross Brace	2
—	S.O.S.	60961118	PRIMAAX Air Spring Service Kit (Incl. Key Nos 20a, 24-25, 27-29)	4
—	S.O.S.	60961119	FIREMAAX Air Spring Service Kit (includes Key Nos 20B-25, 27-29)	—
20a	E-14040	66255002	PRIMAAX Air Spring Assembly (includes 22-23)	4
20b	S.O.S.	65282002	FIREMAAX Air Spring Assembly	4
21	S.O.S.	65868000	Air Spring Bracket	4
22	S.O.S.	22962014	1/2" Flat Washer	4
23	S.O.S.	17700010	1/2"-13 UNC Locknut	4
24	E-2545	22962001	3/4" Flat Washer	4
25	S.O.S.	17700031	3/4"-16 UNF Locknut	4
26a	S.O.S.	59479003	Air Spring Gusset	2
26b	S.O.S.	59479004	Air Spring Gusset	2

HENDRICKSON PRIMAAAX[®] 260/520/780 FIREMAAX[™] 270/540 - TYPE A 8 1/2" - 10" RIDE HEIGHT Truck/Tractor



HENDRICKSON PRIMAAX® 260/520/780 FIREMAAX™ 270/540 - TYPE A 8 1/2" - 10" RIDE HEIGHT Truck/Tractor

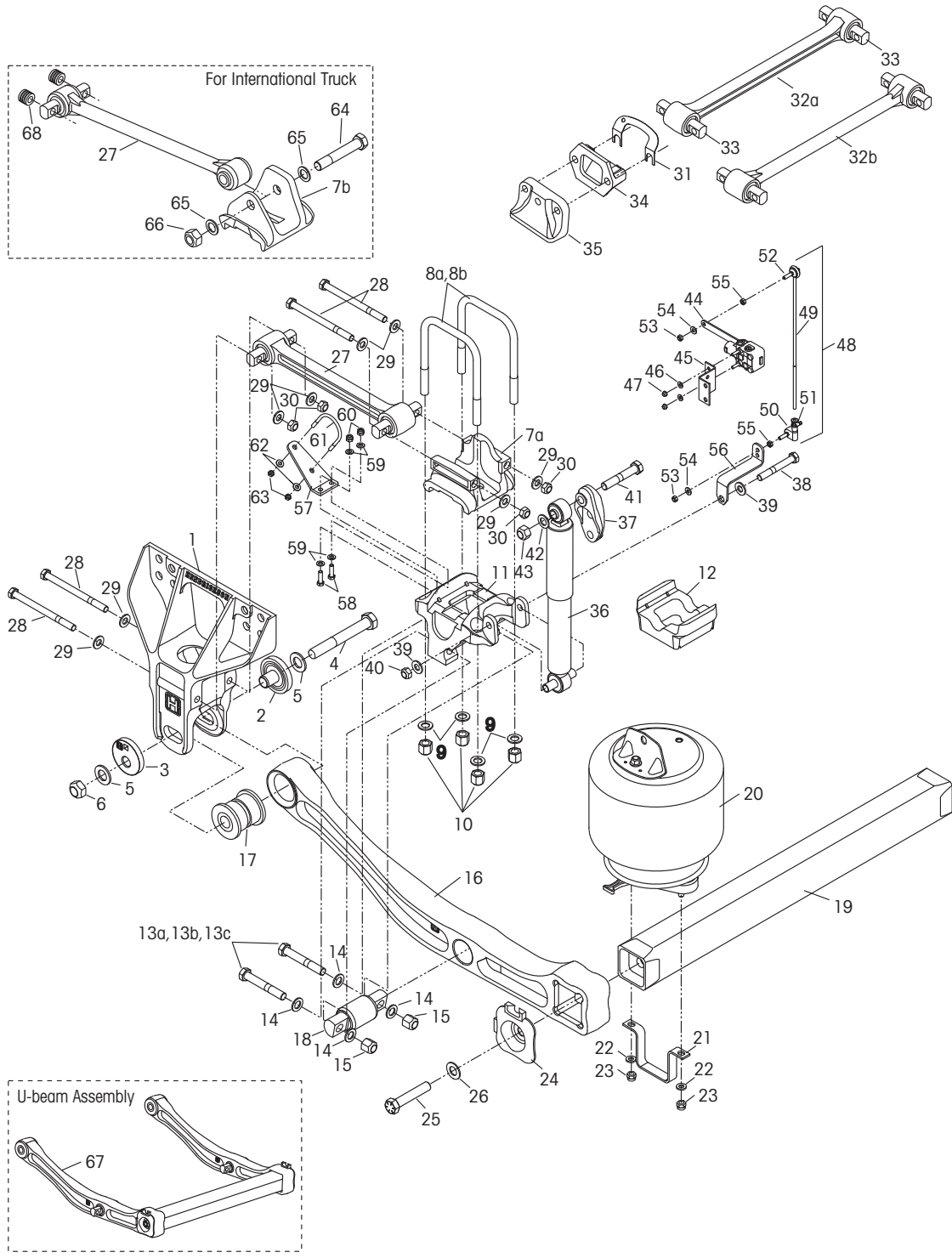
Key No.	E-ucid No.	Replaces No.	Description	Quantity Per Tandem
27	S.O.S.	60911000	Lower Air Spring Mounting Bracket	4
28	S.O.S.	22962014	1/2" Flat Washer	8
29	S.O.S.	17700010	1/2"-13 UNC Locknut	8
30	S.O.S.	60822000	End Cap	4
31	S.O.S.	50104003	7/8"-9 UNC Hex Bolt - 3.5"	4
32	S.O.S.	22962034	7/8" Dacromet Flat Washer	4
33	S.O.S.	—	Longitudinal Torque Rod Assembly	As Required
34	E-10322	69210000H	Bushing - Straddle Bar Pin (3/4" holes)	8
—	S.O.S.	—	Longitudinal Torque Rod Rear Bolt Svc. Kit (Incl. Key Nos. 35, 37-38)	4
35	S.O.S.	21867007	3/4"-16 UNF-2A Hex Bolt -6.0"	8
36	S.O.S.	21867018	3/4"-16 UNF-2A Hex Bolt -3.75"	16
37	E-2545	22962001	3/4" Flat Washer	32
38	S.O.S.	30191000	3/4"-16 UNF-2B Locknut	16
39	E-5281	49689000	Shim	As Required
40	E-14041	62000620	Transverse Rod Assembly (includes Bushings)	2
41	E-5275	47691000L	Bushing - Straddle Bar Pin (5/8" holes)	4
42	E-2634	22186000	Transverse Rod Frame Bracket	2
43	S.O.S.	60593000	Frame Mounted Axle Stop	4
—	S.O.S.	50754029	Shock Fastener Service Kit (includes Key Nos 46-51)	4
44	E-14042	60665013	Shock Absorber (Vehicle with Drum Brakes)	4
	E-14043	60665015	ShockAbsorber (Vehicle with Disc Brakes)	4
45	S.O.S.	65000002	Upper Shock Frame Bracket	4
46	S.O.S.	32043007	5/8"-11 UNC Bolt -7.0"	4
47	S.O.S.	22962004	5/8" Flat Washer	8
48	S.O.S.	47764000	5/8"-11 UNC-2B Locknut	4
49	S.O.S.	50764010	3/4"-10 UNC Bolt -4/25"	4
50	E-2545	22962001	3/4" Flat Washer	4
51	S.O.S.	49842000	3/4"-10 UNC Locknut	4
—	S.O.S.	58525019	HCV Assembly Service Kit (includes Key Nos 52, 56, 64)	2
52	E-11870	57977000	HCV Assembly	2
56	S.O.S.	58994005	HCV Linkage Assembly	2
64	S.O.S.	60921000	Height Control Valve Linkage Bracket	2
65	S.O.S.	—	U-beam Assembly (includes Key Nos. 16, 19, 30-32)	2

HENDRICKSON PRIMAAX® 230/460/690 -TYPE B

10" RIDE HEIGHT

Truck/Tractor

HENDRICKSON



Key No.	Euclid No.	Replaces No.	Description	Quantity Per Tandem
1	S.O.S.	65891000	Frame Hanger	4
	E-14025	60632008	QUIK-ALIGN™ Pivot Bushing Service Kit (includes Key Nos. 2-7, 17)	4
	E-14673	60632006	QUIK-ALIGN™ Collar Service Kit (Includes Key Nos. 2-6)	—
	S.O.S.	60632005	QUIK-ALIGN™ Pivot Bolt Service Kit (Includes Key-Nos. 4-6)	—

HENDRICKSON PRIMAAX® 230/460/690 -TYPE B

10" RIDE HEIGHT

Truck/Tractor

HENDRICKSON

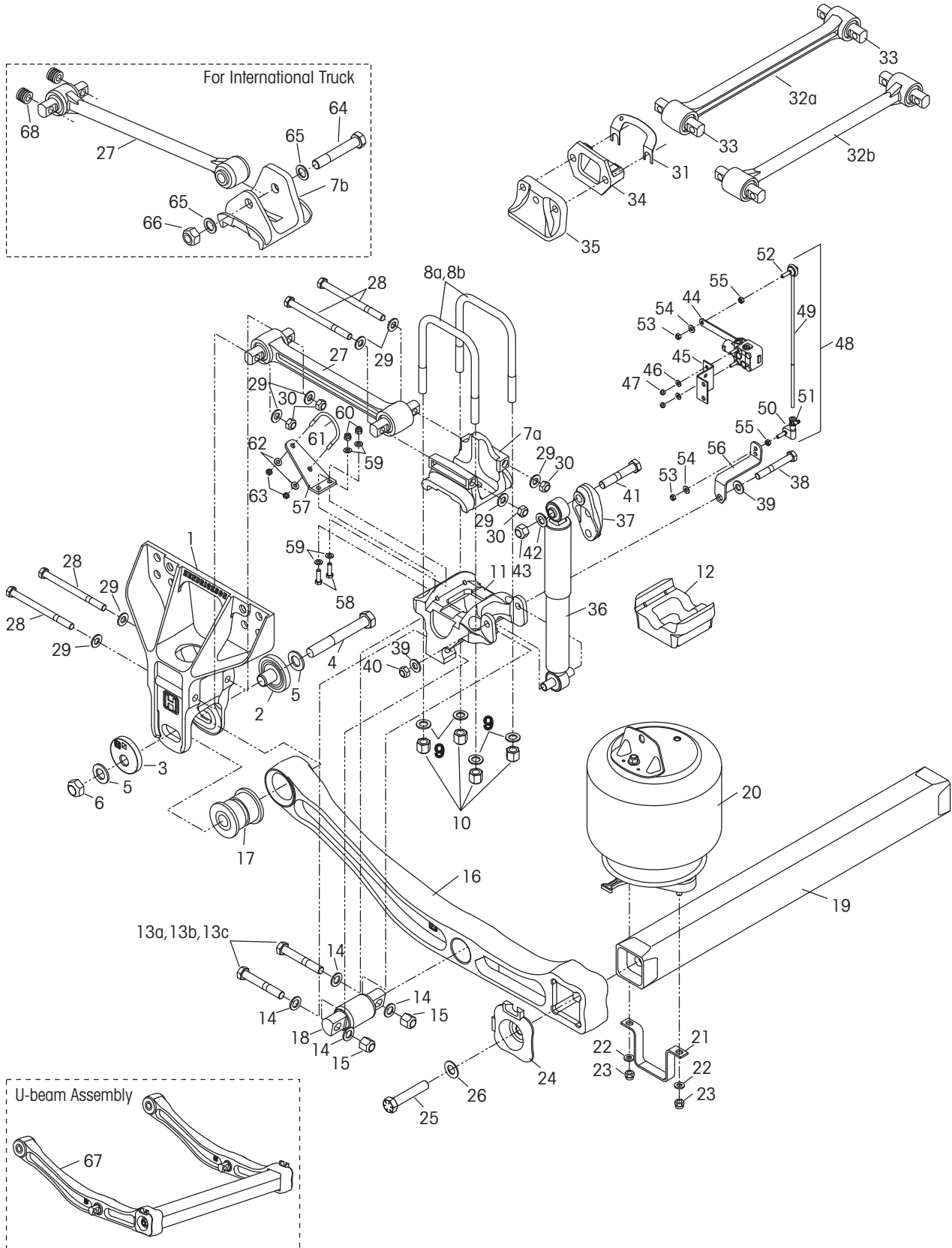
Key No.	Euclid No.	Replaces No.	Description	Quantity Per Tandem
2	S.O.S.	64633000	QUIK-ALIGN™ Concentric Base	4
3	S.O.S.	64632000	QUIK-ALIGN™ Eccentric Base	4
4	S.O.S.	64107000	1.0"-8 UNC-2A Dacromet Hex Bolt, 7.5"	4
5	S.O.S.	22962035	1.0" Flat Dacromet Washer	8
6	S.O.S.	64108900	1.0"-8 UNC-2B Dacromet Locknut	4
7a	E-15180	65289000	Top Pad	4
7b	E-15181	65290001	Top Pad - International Truck	4
—	S.O.S.	48718129	U-Bolt Service Kit (includes Key Nos. 8a-10)	4
		48718125	U-Bolt Service Kit (includes Key Nos. 8b-10)	—
8a	S.O.S.	59367013	3/4" Square U-Bolt - 10" Ride Height, For use with Key No. 7a	8
8b	S.O.S.	59367004	3/4" Square U-Bolt - 9" Ride Height, For use with Key No. 7b	—
9	E-2545	22962001	3/4" Flat Washer	16
10	S.O.S.	49685000	3/4"-16 UNF U-Bolt Locknut	16
11	S.O.S.	60556	Bottom Cap, Front and Rear	4
12	E-15178	65139003	Axle Spacer, International Truck	4
—	S.O.S.	34013107	D-Pin Service Kit - 5.0" Bolt (includes Key Nos. 13a-15, 18)	As Required
		34013116	D-Pin Service Kit - 5.5" Bolt (includes Key Nos. 13b-15, 18)	—
		34013117	D-Pin Service Kit - 4.75" Bolt (includes key Nos. 13c-15,18)	—
13a	E-15160	21867036	3/4"-16 UNF Bolt, 5.0"	8
13b	E-15194	21867026	3/4"-16 UNF Bolt, 5.5"	—
13c	E-15195	21867043	3/4"-16 UNF Bolt, 4.75"	—
14	E-2545	22962001	3/4" Flat Washer	16
15	S.O.S.	30191000	3/4"-16 UNF Locknut	8
16	S.O.S.	66435003	Support Beam Assy - Left Front (includes Key Nos. 17-18)	1
		66435004	Support Beam Assy - Right Front (includes Key Nos. 17-18)	—
		66435001	Support Beam Assy - Left Rear (includes Key Nos. 17-18)	—
		66435002	Support Beam Assy - Right Rear (includes Key Nos. 17-18)	—
17	E-13992	58648000	QUIK-ALIGN™ Pivot Bushing	4
18	E-14026	60383000	D-Pin Bushing	4
19	S.O.S.	60912001	Cross Brace, 40.0" Dowel Centers	2
		60912002	Cross Brace, 40.5" Dowel Centers	—
		60912003	Cross Brace, 40.25" Dowel Centers	—
		60912004	Cross Brace, 40.875" Dowel Centers	—
—	E-14027	60961062	Air Spring Assy Service Kit - PRIMAAX (includes Key Nos. 20-23)	As Required
20	FS9663	60271002L	Air Spring Assembly	4
21	E-15174	60911000	Lower Air Spring Mounting Bracket	4
22	S.O.S.	22962014	1/2" Flat Washer	8
23	E-15116	17700010	1/2"-13 UNC Locknut	8
24	E-15170	60822000	End Cap	4
25	E-15196	50104003	7/8"-9 UNC Hex Bolt, 3.5"	4
26	S.O.S.	22962034	7/8" Dacromet Flat Washer	4

HENDRICKSON PRIMAAAX® 230/460/690 -TYPE B

10" RIDE HEIGHT

Truck/Tractor

HENDRICKSON



HENDRICKSON PRIMAAX® 230/460/690 -TYPE B

10" RIDE HEIGHT

Truck/Tractor

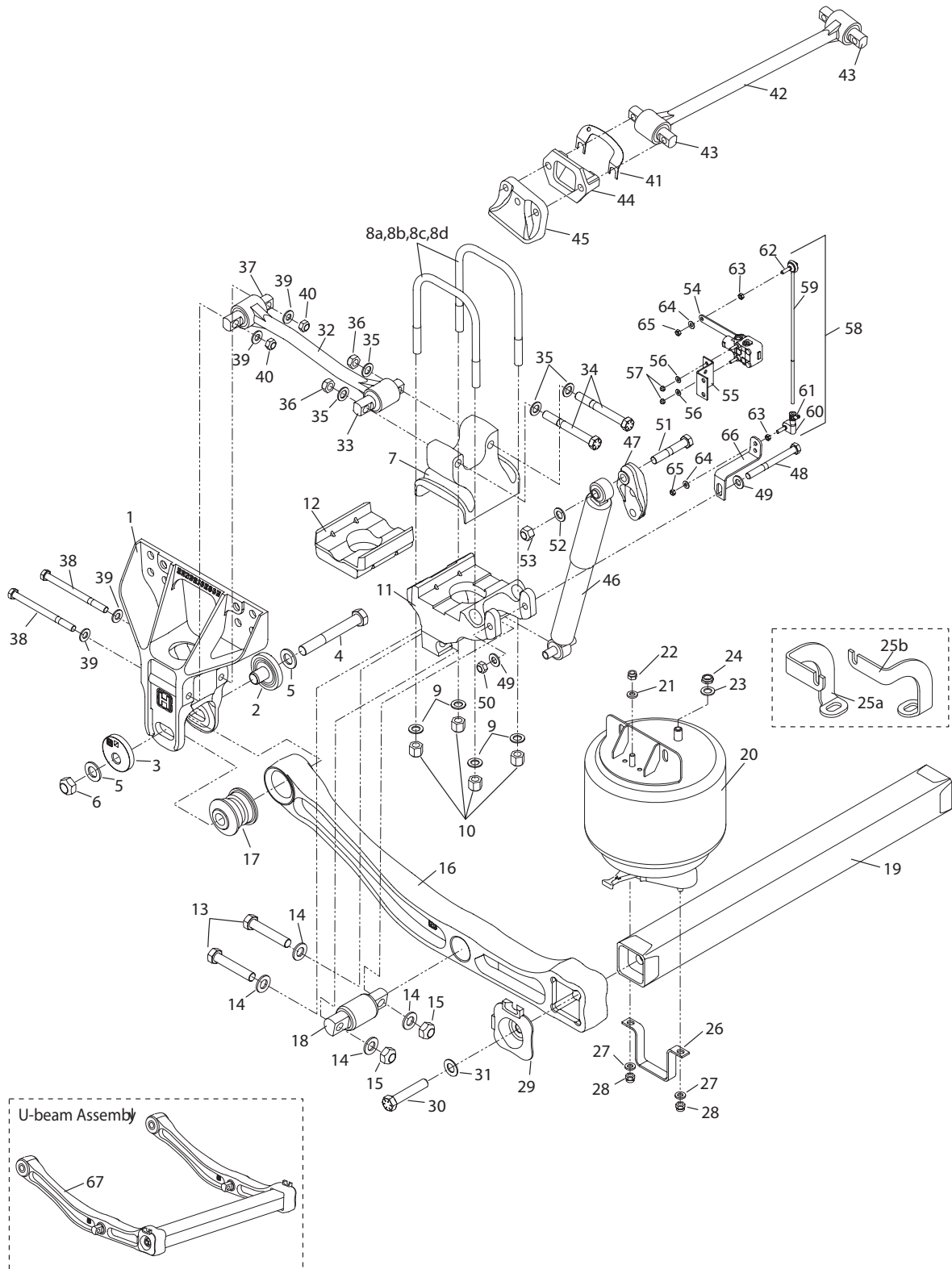
Key No.	Euclid No.	Replaces No.	Description	Quantity Per Tandem
27	S.O.S.	—	Longitudinal Torque Rod Assembly	1
—	S.O.S.	58821027	Longitudinal Torque Rod Bolt Service Kit (includes Key Nos. 28-30)	As Required
—	S.O.S.	58821012	Longitudinal Torque Rod Rear Bolt Service Kit, International Truck (includes Key Nos. 64-66)	As Required
28	S.O.S.	32043016	5/8"-11 UNC-2B Bolt - 8.0"	16
29	S.O.S.	22962004	5/8" Flat Washer	32
30	E-15201	47764000	5/8"-11 UNC-2A Locknut	16
31	E-5281	49689000	Shim	As Required
32a	E-13993	58757006	Cast (I-Section) Transverse Rod Assembly	2
32b	S.O.S.	62000565	Forged (Round) Transverse Rod Assembly	—
—	S.O.S.	62000645	Transverse Rod Assy For International Truck	—
33	E-5275	47691000L	Bushing - Straddle Bar Pin (5/8" Holes)	4
34	E-2634	22186000	Transverse Rod Frame Bracket	2
35	S.O.S.	60593000	Frame Mounted Axle Stop	4
—	S.O.S.	50754031	Shock Fastener Service Kit (includes Key Nos. 38-43)	As Required
36	M85072	60657003	Shock Absorber, standard	4
	S.O.S.	60657005	Shock Absorber, Kenworth	—
37	S.O.S.	65000002	Upper Shock Frame Bracket	4
38	S.O.S.	32043017	5/8"-11 UNC Bolt, 6.0"	4
39	S.O.S.	22962004	5/8" Flat Washer	8
40	E-15201	47764000	5/8"-11 UNC-2B Locknut	4
41	S.O.S.	50764010	3/4"-10 UNC Bolt, 4.25"	4
42	E-2545	22962001	3/4" Flat Washer	4
43	S.O.S.	49842000	3/4"-10 UNC Locknut	4
—	S.O.S.	58525019	HCV Assembly Service Kit (includes Key Nos. 44, 48, 56)	As Required
44	E-11870	57977000	Height Control Valve Assembly (includes Key Nos. 45-47)	1
48	S.O.S.	58994005	HCV Linkage Assembly (includes Key Nos. 49-55)	1
56	S.O.S.	60921000	Height Control Valve Linkage Bracket	1
57	S.O.S.	64508000	S-cam Support Bracket	4
58	E-15197	58035004	3/8"-16 UNC Hex Bolt, 1.25"	8
59	S.O.S.	22962015	3/8" Hardened Washer	16
60	E-15185	17700006	3/8"-16 UNC Locknut	8
61	E-15198	64202000	5/16" S-cam U-bolt	4
62	S.O.S.	22962029	5/16" Hardened Washer	8
63	S.O.S.	59016000	5/16"-18 UNC Locknut	8
64	E-15182	30418009	7/8"-14 UNF-2A Hex Bolt, 5.5"	4
65	S.O.S.	22962034	7/8" Dacromet Flat Washer	8
66	E-1835	29248000	7/8"-14 UNF-2B Locknut	4
67	S.O.S.	—	U-beam Assembly (includes Key Nos. 16, 19, 24-26)	2
68	S.O.S.	670045000	Torque Rod Spacer, International Truck	As Required

HENDRICKSON PRIMAAX[®] 260/520/780 - TYPE B

8 1/2" - 10" RIDE HEIGHT

Truck/Tractor

HENDRICKSON



HENDRICKSON PRIMAAX® 260/520/780 - TYPE B

8 1/2" - 10" RIDE HEIGHT

Truck/Tractor

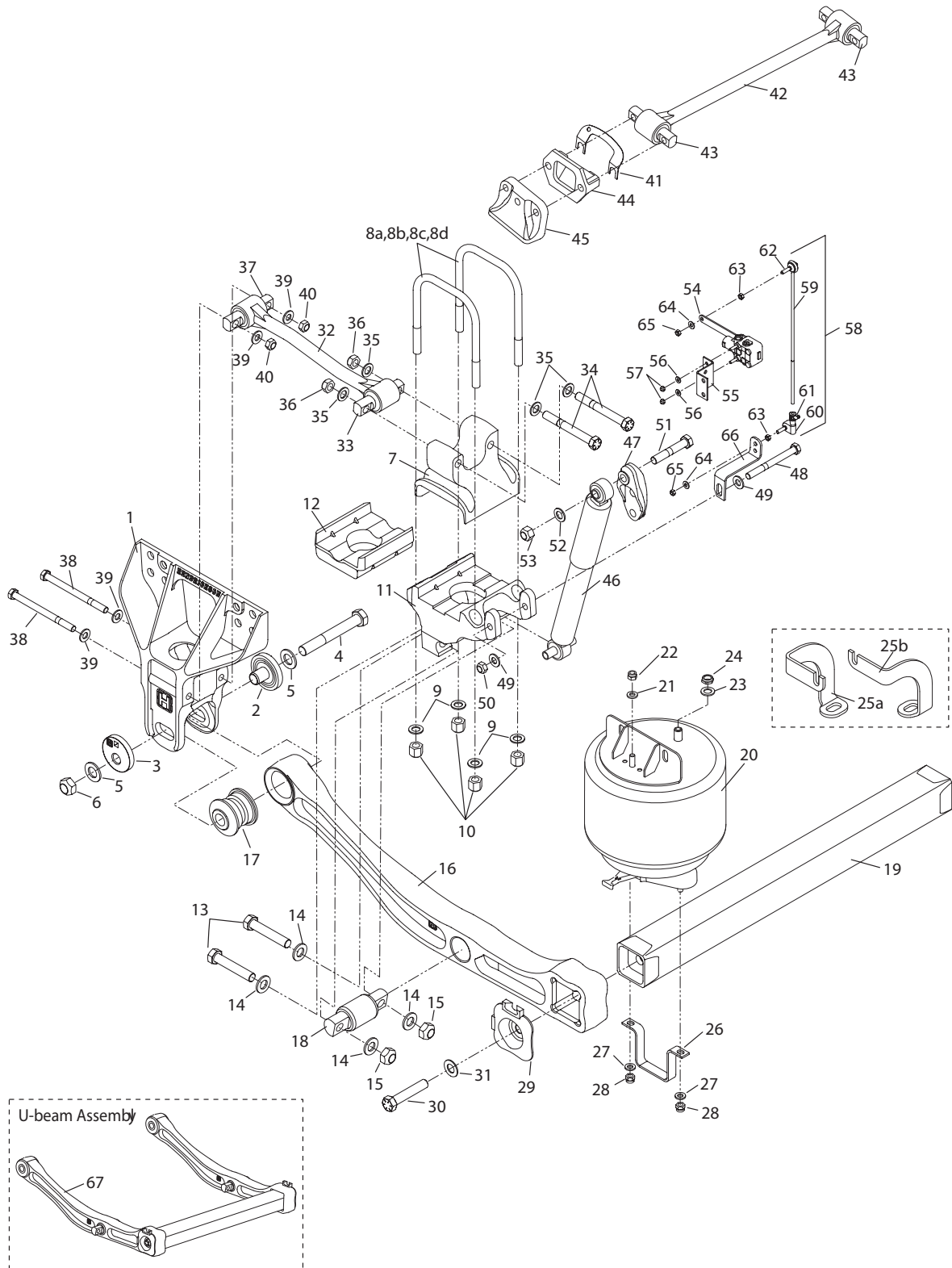
Key No.	Euclid No.	Replaces No.	Description	Quantity Per Tandem
1	S.O.S.	60821001	Frame Hanger	4
—	E-14025	60632008	Pivot bushing Service Kit (includes Key Nos 2-6, 17)	2
—	E-14673	60632006	Collar Service Kit -(includes Key Nos 2-6)	—
—	S.O.S.	60632005	Pivot Bolt Service Kit (includes Key Nos 4-6)	—
2	S.O.S.	64633000	Concentric Base	4
3	S.O.S.	64632000	ccentric Base	4
4	S.O.S.	64107000	1.0"-8 UNC-2A Dacromet Hex Bolt - 7.5"	4
5	S.O.S.	22962035	1.0" Flat Dacromet Washer	8
6	S.O.S.	64108000	1.0" UNC-2B Dacromet Locknut	4
7	S.O.S.	Various	Top Pad	2
—	S.O.S.	48718120	U-Bolt Service Kit - 10" RH (includes Key Nos 8a-8b, 9-10)	2
—	S.O.S.	48718118	U-Bolt Service Kit - 8-1/2" RH (includes Key nos 8c-8d, 9-10)	—
8a	S.O.S.	59367007	3/4" Square U-bolt Outboard 10" RH	4
8b	S.O.S.	59367008	3/4" Square U-bolt Inboard 10" RH	4
8c	S.O.S.	59367010	3/4" Square U-bolt Outboard 8-1/2" RH	4
8d	S.O.S.	68367011	3/4" Square U-bolt Inboard 8-1/2" RH	4
9	E-2545	22962001	3/4" Flat Washer	16
10	S.O.S.	49685000	3/4"-16 UNF U-bolt Locknut	16
11	S.O.S.	—	Bottom Cap - Front and Rear	4
12	S.O.S.	—	Axle Spacer	4
—	E-13983	34013114	D-Pin Service Kit (includes Key Nos 13-15, 18)	4
13	E-15182	30418009	7/8"-14 UNF Bolt - 5.5"	8
14	S.O.S.	22962007	7/8" Flat Washer	16
15	E-1835	29248000	7/8"-14 UNF Locknut	8
16	S.O.S.	Various	Support Beam Assembly	1
17	E-13992	58648000	Pivot Bushing	4
18	E-14039	65381000	D-Pin Bushing	4
19	S.O.S.	Various	Cross Brace	2
—	S.O.S.	60961118	Air Spring Service Kit (includes Key Nos 20, 23-24, 26-28)	4
20	E-14040	66255002	Air Spring Assembly (includes 21-22)	4
21	S.O.S.	22962014	1/2" Flat Washer	4
22	E-15116	17700010	1/2"-13 UNC Locknut	4
23	E-2545	22962001	3/4" Flat Washer	4
24	E-15202	17700031	3/4"-16 UNF Locknut	4
25a	S.O.S.	59479003	Air Spring Gusset	2
25b	S.O.S.	59479004	Air Spring Gusset	2
26	E-15174	60911000	Lower Air Spring Mounting Bracket	4
27	S.O.S.	22962014	1/2" Flat Washer	8
28	E-15116	17700010	1/2"-13 UNC Locknut	8
29	E-15170	60822000	End Cap	4
30	E-15196	50104003	7/8"-9 UNC Hex Bolt - 3.5"	4

HENDRICKSON PRIMAAX[®] 260/520/780 - TYPE B

8 1/2" - 10" RIDE HEIGHT

Truck/Tractor

HENDRICKSON



HENDRICKSON PRIMAAX[®] 260/520/780 - TYPE B

8 1/2" - 10" RIDE HEIGHT

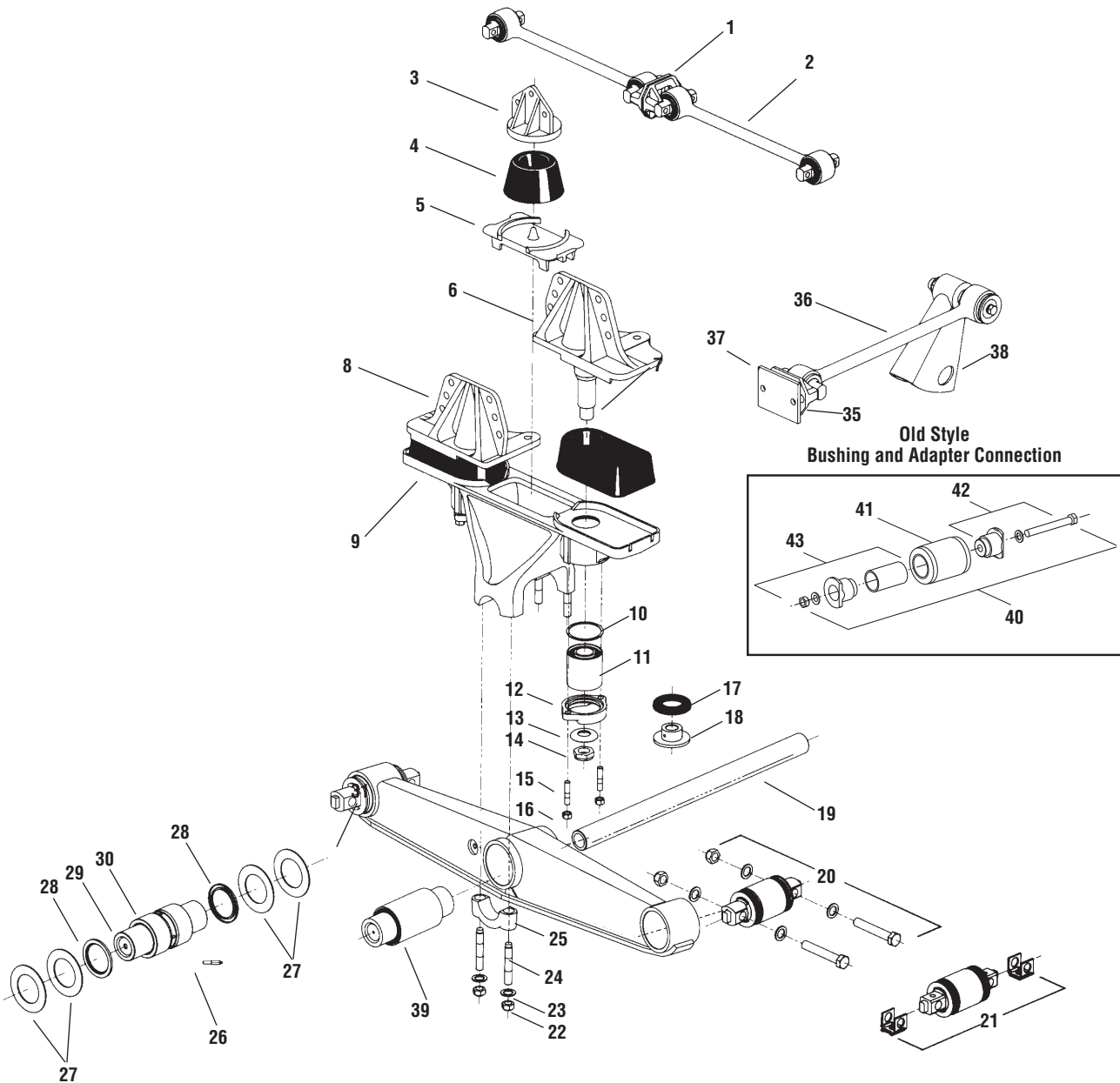
Truck/Tractor

Key No.	Euclid No.	Replaces No.	Description	Quantity Per Tandem
31	S.O.S.	22962034	7/8" Dacromet Flat Washer	4
32	S.O.S.	—	Longitudinal Torque Rod Assembly	
33	E-10322	69210000H	Bushing - Straddle Bar Pin (3/4" holes)	4
—	S.O.S.	—	Longitudinal Torque Rod Rear Bolt Service Kit (includes Key Nos. 34-36)	4
34	E-15188	21867007	3/4"-16 UNF-2A Hex Bolt -6.0"	8
35	E-2545	22962001	3/4" Flat Washer	16
36	S.O.S.	30191000	3/4"-16 UNF-2B Locknut	8
37	E-5275	47691000L	Bushing - Straddle Bar Pin (5/8" holes)	4
38	S.O.S.	32043016	5/8"-11 UNF-2A Hex Bolt - 8.0"	8
39	S.O.S.	22962004	5/8" Flat Washer	16
40	E-15201	47764000	5/8"-11 UNC-2B Locknut	8
41	E-5281	49689000	Shim	As Required
42	E-14041	62000620	Transverse Rod Assembly (includes Bushings)	2
43	E-5275	47691000L	Bushing - Straddle Bar Pin (5/8" holes)	4
44	E-2634	22186000	Transverse Rod Frame Bracket	2
45	S.O.S.	60593000	Frame Mounted Axle Stop	4
—	S.O.S.	50754029	Shock Fastener Service Kit (includes Key Nos 46-51)	4
46	E-14042	60665013	Shock Absorber (Vehicle with Drum Brakes)	4
	E-14043	60665015	Shock Absorber (Vehicle with Disc Brakes)	4
47	S.O.S.	65000002	Upper Shock Frame Bracket	4
48	E-15199	32043007	5/8"-11 UNC Bolt -7.0"	4
49	S.O.S.	22962004	5/8" Flat Washer	8
50	E-15201	47764000	5/8"-11 UNC-2B Locknut	4
51	S.O.S.	50764010	3/4"-10 UNC Bolt -4/25"	4
52	E-2545	22962001	3/4" Flat Washer	4
53	S.O.S.	49842000	3/4"-10 UNC Locknut	4
—	S.O.S.	58525019	HCV Assembly Service Kit	2
54	E-11870	57977000	HCV Assembly	2
55	S.O.S.	58994005	HCV Linkage Assembly	2
56	S.O.S.	60921000	Height Control Valve Linkage Bracket	2
57	S.O.S.	—	U-beam Assembly (includes Key Nos. 16, 19, 30-32)	2

HENDRICKSON RS-400/403/460/463

Truck/Tractor

HENDRICKSON



HENDRICKSON RS-400/403/460/463

Truck/Tractor

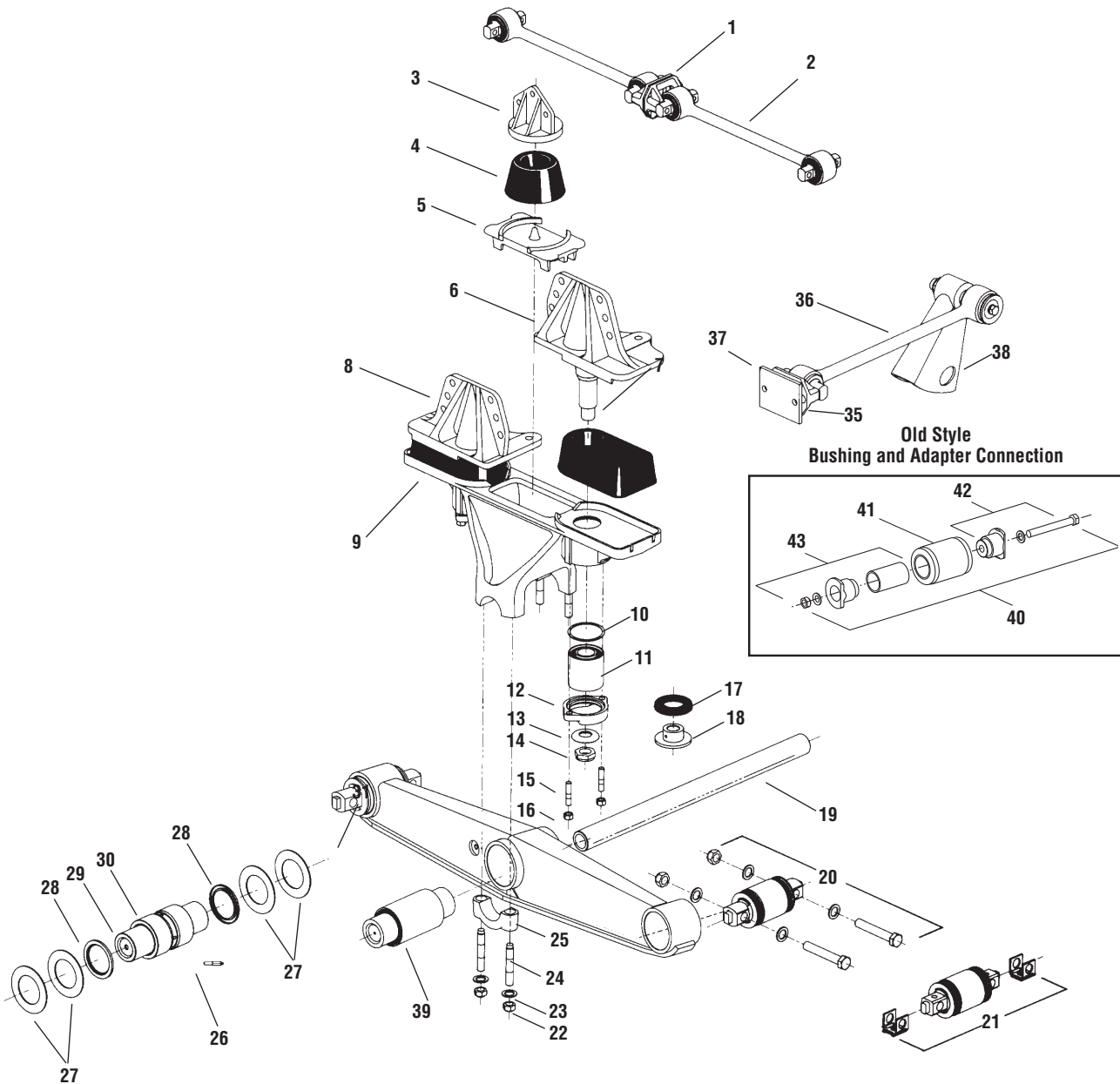
HENDRICKSON

Key No.	Euclid No.	Replaces No.	Description	Qty. Per Tandem	RS-400	RS-403	RS-460	RS-463
1	E-2634	22186000	Frame Bracket, Torque Rod	2	X	X	X	X
2	See Components Section		Torque Rod Assembly	2	X	X	X	X
—	S.O.S.	20681072	Heavy-Duty Cushion Kit, 34" Frame	1		X		X
		20681077	Heavy-Duty Cushion Kit, 34 1/2" Frame includes Key Nos. 3, 4, 5	1		X		X
3	E-7617	48523001	Frame Hanger, 34" Frame Width	2		X		X
	E-7619	48525001	Frame Hanger, 34 1/2" Frame Width			X		X
4	E-2232	24209000	Heavy-Duty Load Cushion	2		X		X
5	E-2604	20781000	Saddle Plate	2		X		X
6	See Components Section		Frame Hanger Left Hand Front/Right Hand Rear, includes Key Nos. 13, 14	2	X	X	X	X
7	E-1598A	48973000	Load Cushion, 60 Durometer	4	X	X	X	X
	E-1960	26953000L	Load Cushion, 70 Durometer		X	X	X	X
8	See Components Section		Frame Hanger, Right Hand Front/Left Hand Rear, includes Key Nos. 13, 14	2	X	X	X	X
9	S.O.S.	08606132 (Old) 08606160 (New)	Saddle Assembly, 12 1/4", includes Key Nos. 10 to 12, 15, 16, 22 to 25	2	X	X	X	X
		08606136 (Old) 08606152 (New)	Saddle Assembly, 12 7/8", includes Key Nos. 10 to 12, 15, 16, 22 to 25	X	X	X	X	
		08606133 (Old) 08606164 (New)	Saddle Assembly, 14", includes Key Nos. 10 to 12, 15, 16, 22 to 25	X	X	X	X	
		08606134 (Old) 08606166 (New)	Saddle Assembly, 15 1/4", includes Key Nos. 10 to 12, 15, 16, 22 to 25	X	X	X	X	
10	E-9418	50780000	Saddle Bearing Ring	4	X	X	X	X
11	E-1940	19279000L	Vertical Bushing	4	X	X	X	X
	E-9515		Vertical Bushing (Poly)					
12	E-1941	5917000	Cap	4	X	X	X	X
13	E-1945	8536000	Concave Washer, 1 1/2"	4	X	X	X	X
14	E-1946	25151000	UNF Nylocknut, 1 1/2"-12 Thd.	4	X	X	X	X
15	E-1942	19111001	UNF Stud, 5/8"-18 Thd.	8	X	X	X	X
16	E-1943	19114000	UNF Locknut, 5/8"-18 Thd.	8	X	X	X	X
—	S.O.S.	31005001	Stop Nut Kit, One Side				Optional	
		31005002	Stop Nut Kit, Two Sides includes Key Nos. 17, 18	1			Optional	
17	E-2233	30208000	Rebound Bumper	As Req		Optional		X
18	E-7620	30251000	Stop Nut	As Req		Optional		X
19	E-1842	44643009L	Cross Tube, 44 7/8"	1	X	X		
20	E-9325	34013087L	Bar Pin Bushing Kit, Non-Shim Type	4	X	X	X	X
21	E-9326	34013088L	Bar Pin Bushing Kit, Shim Type	4	X	X	X	X
22	E-1835	4842000	UNF Saddle Cap Locknut, 7/8"-14 Thd.	8	X	X	X	X
23	E-1834	22962002	Hardened Washer, 7/8"	8	X	X	X	X
24	E-1947	9030000	UNF-9 UNC Saddle Cape Stud, 7/8-14 Thd.	8	X	X	X	X

HENDRICKSON RS-400/403/460/463

Truck/Tractor

HENDRICKSON



HENDRICKSON RS-400/403/460/463

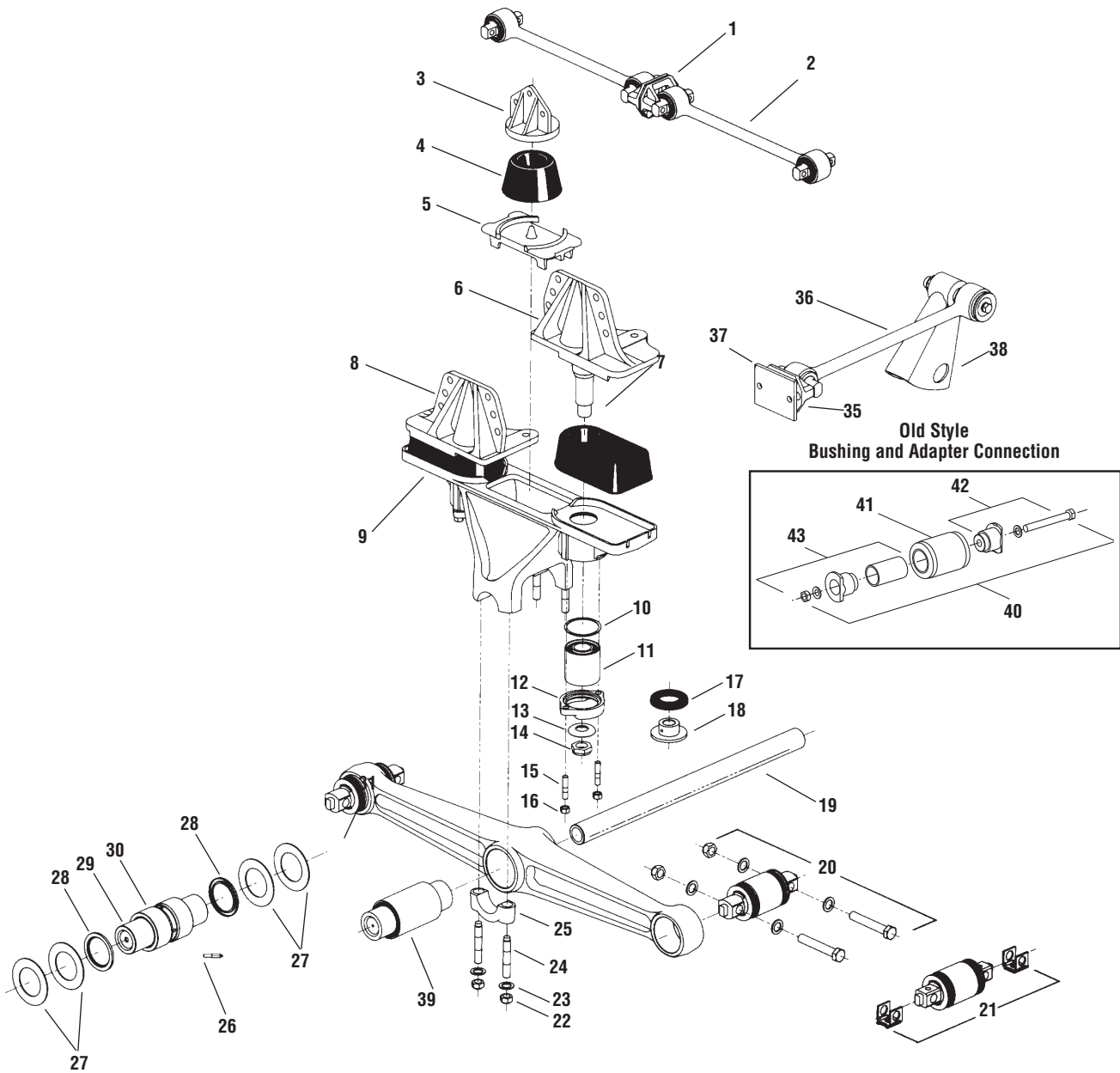
Truck/Tractor

Key No.	Euclid No.	Replaces No.	Description	Qty. Per Tandem	RS-400	RS-403	RS-460	RS-463
25	E-1833A	48545000 (Old) 58795000 (New)	Saddle Cap	4	X	X	X	X
—	E-1546	30437000L	Bronze Center Bushing Kit	1	X	X	X	X
26	S.O.S.	30087000 58758001	Lube Fitting with Forged Beam Lube Fitting with Fabricated Beam	2	X	X	X	X
27	E-2021	32365000	Thrust Washer	8	X	X	X	X
28	E-1553	30334000	Center Beam Seal	4	X	X	X	X
	E-3913	45229	Center Beam Seal					
29	E-1551	14685000L	Beam Center Sleeve	2	X	X	X	X
30	E-1552	30240002	Bronze Center Bushing	2	X	X	X	X
31	S.O.S.	Various	Walking Beam	2	X	X	X	X
—	E-5309	34013049L	End Beam Bushing Kit, Old Style RS400 Only, includes Key Nos. 32, 33		X	X	X	X
—	E-9576	34013073L	End Beam Bushing Kit includes Key Nos. 32, 33	4	X	X	X	X
—	E-9577	34013050L	End Beam Bushing Kit includes Key Nos. 32, 33		X	X	X	X
32	E-1341A	45900000L	End Beam Bushing, Old Style	4	X	X	X	X
	E-2771	29878001L			X	X	X	X
	E-9419	45407000			X	X	X	X
	E-2374	45000007L	End Beam Adapter, Old Style		X	X	X	X
33	E-9420	21140034L	Uses Bushing E-1341A, Bolt Size 1" x 10 1/2"	4	X	X	X	X
	E-9421	21140033	Uses Bushing E-9419, Bolt Size 1"x11"		X	X	X	X
34	E-2375	45000008	Split Flange Adapter, Old Style	4	X	X	X	X
	E-15158	21140040	Split Flange Adapter, Old Style		X	X	X	X
	E-15157	21140028	End Beam Adapter, Split Flange		X	X	X	X
	E-15156	21140023	Split Adapter Kit		X	X	X	X
35	E-2634	22186000	Frame Bracket, Torque Rod	2	X	X	X	X
36	See Components Section		Transverse Torque Rod Assembly	2	X	X	X	X
37	E-15153	45045003	Back Up Plate	2	X	X	X	X
38	S.O.S.	Various	Axle Bracket	2	X	X	X	X
39	E-6979	49400000L	Center Bushing, Rubber	2	X	X		
	E-6980	49600000L	Center Bushing, Loose End Plug	2	X	X		
	E-9359	29483005L	Center Bushing, Rubber, Requires Transverse Rods	2			X	X
40	E-5309	34013049L	End Bushing and Adapter Kit	4		X		
	E-9576	34013073L	End Bushing and Adapter Kit	4				X
41	E-1341A	45900000L	End Bushing	4	X	X	X	X
42	E-9420	21140034L	End Bushing Adapter Kit	4			X	X
43	E-2374	45000007L	End Bushing Adapter Kit	4	X	X		

HENDRICKSON RS-480/503/520/523

Truck/Tractor

HENDRICKSON



HENDRICKSON RS-480/503/520/523

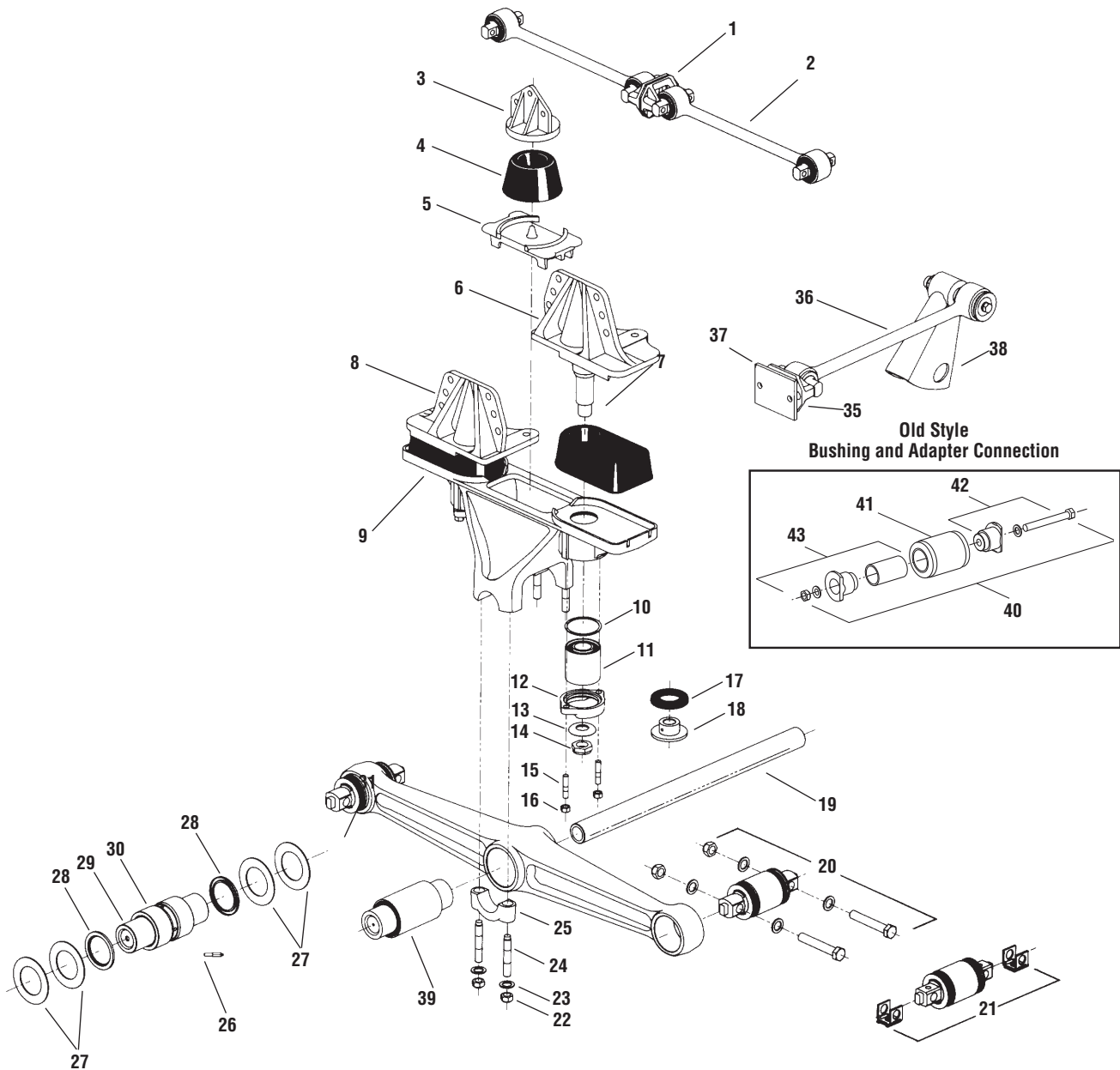
Truck/Tractor

Key No.	Euclid No.	Replaces No.	Description	Quantity Per Tandem	RS-480	RS-503	RS-520	RS-523
1	E-2634	22186000	Frame Bracket, Torque Rod	2	X	X	X	X
2	See Components Section		Torque Rod Assembly	2	X	X	X	X
		20681072	Heavy-Duty Cushion Kit, 34" Frame	1		X		X
—	S.O.S.	20681077	Heavy-Duty Cushion Kit, 34 1/2" Frame includes Key Nos. 3, 4, 5	1		X		X
3	E-7617	48523001	Frame Hanger, 34" Frame Width	2		X		X
	E-7619	48525001	Frame Hanger, 34 1/2" Frame Width			X		X
4	E-2232	24209000	Heavy-Duty Load Cushion	2		X		X
5	E-2604	20781000	Saddle Plate	2		X		X
6	See Components Section		Frame Hanger Left Hand Front/Right Hand Rear, includes Key Nos. 13, 14	2	X	X	X	X
7	E-1960	26953000L	Load Cushion, 70 Durometer	4	X	X	X	X
8	See Components Section		Frame Hanger, Right Hand Front/Left Hand Rear, includes Key Nos. 13, 14	2	X	X	X	X
9	S.O.S.	08606132 (Old) 08606160 (New)	Saddle Assembly, 12 1/4", includes Key Nos. 10 to 12, 15, 16, 22 to 25	2	X	X	X	X
		08606136 (Old) 08606152 (New)	Saddle Assembly, 12 7/8", includes Key Nos. 10 to 12, 15, 16, 22 to 25		X	X	X	X
		08606133 (Old) 08606164 (New)	Saddle Assembly, 14", includes Key Nos. 10 to 12, 15, 16, 22 to 25		X	X	X	X
		08606134 (Old) 08606166 (New)	Saddle Assembly, 15 1/4", includes Key Nos. 10 to 12, 15, 16, 22 to 25		X	X	X	X
10	E-9418	50780000	Saddle Bearing Ring	4	X	X	X	X
11	E-1940	19279000L	Vertical Bushing	4	X	X	X	X
12	E-9515		Vertical Bushing (Poly)					
13	E-1945	8536000	Concave Washer, 1 1/2"	4	X	X	X	X
14	E-1946	25151000	UNF Nylocknut, 1 1/2"-12 Thd.	4	X	X	X	X
15	E-1942	19111001	UNF Stud, 5/8"-18 Thd.	8	X	X	X	X
16	E-1943	19114000	UNF Locknut, 5/8"-18 Thd.	8	X	X	X	X
—	S.O.S.	31005001	Stop Nut Kit, One Side					Optional
		31005002	Stop Nut Kit, Two Sides Incl. Key Nos. 17, 18	1				Optional
17	E-2233	30208000	Rebound Bumper	As Req			Optional	X
18	E-7620	30251000	Stop Nut	As Req			Optional	X
19	E-1842	44643009L	Cross Tube, 44 7/8"	1	X	X		
	E-9426	7622003	Cross Tube, 46"				X	X
20	E-9325	34013087L	Bar Pin Bushing Kit, Non-Shim Type	4	X	X	X	X
21	E-9326	34013088L	Bar Pin Bushing Kit, Shim Type	4	X	X	X	X
22	E-1835	4842000	UNF Saddle Cap Locknut, 7/8"-14 Thd.	8	X	X	X	X
23	E-1834	22962002	Hardened Washer, 7/8"	8	X	X	X	X
24	E-1947	9030000	UNF-9 UNC Saddle Cape Stud, 7/8"-14 Thd.	8	X	X	X	X
25	E-1833A	48545000 (Old) 58795000 (New)	Saddle Cap	4	X	X	X	X

HENDRICKSON RS-480/503/520/523

Truck/Tractor

HENDRICKSON



HENDRICKSON RS-480/503/520/523

Truck/Tractor

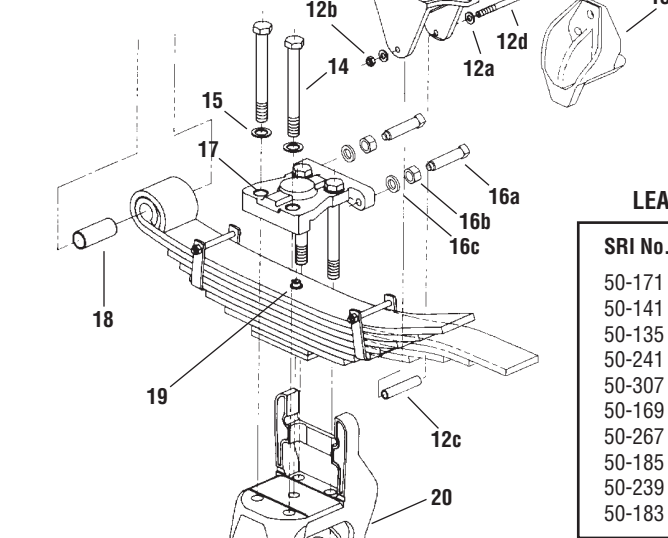
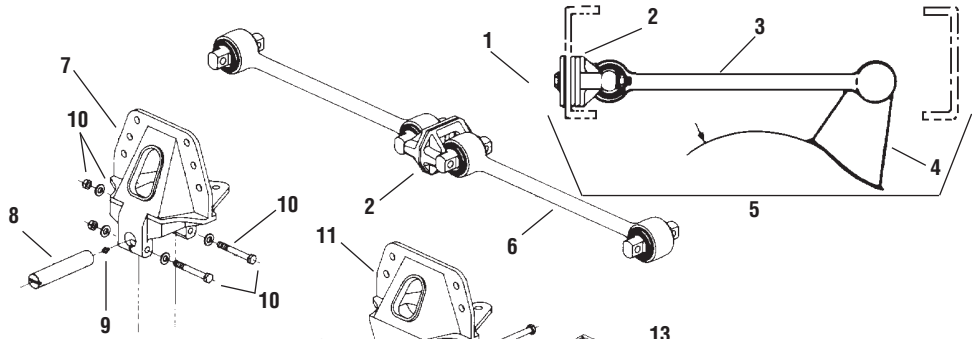
Key No.	Euclid No.	Replaces No.	Description	Quantity Per Tandem	RS-480	RS-503	RS-520	RS-523
—	E-1546	30437000L	Bronze Center Bushing Kit	1	X	X	X	X
26	S.O.S.	30087000	Lube Fitting with Forged Beam	2	X	X	X	X
		58758001	Lube Fitting with Fabricated Beam					
27	E-2021	32365000	Thrust Washer	8	X	X	X	X
28	E-1553	30334000	Center Beam Seal	4	X	X	X	X
	E-3913	45229	Center Beam Seal					
29	E-1551	14685000L	Beam Center Sleeve	2	X	X	X	X
30	E-1552	30240002	Bronze Center Bushing	2	X	X	X	X
31	S.O.S.	Various	Walking Beam	2	X	X	X	X
—	E-5309	34013049L (Old)	End Beam Bushing Kit, RS400 Only, includes Key Nos. 32, 33	4	X	X	X	X
	E-9576	34013073L	End Beam Bushing Kit Incl. Key Nos. 32, 33		X	X	X	X
	E-9577	34013050L	End Beam Bushing Kit Incl. Key Nos. 32, 33		X	X	X	X
32	E-1341A	45900000L	End Beam Bushing, Old Style	4	X	X	X	X
	E-2771	29878001L			X	X	X	X
	E-9419	45407000			X	X	X	X
33	E-2374	45000007L	End Beam Adapter, Old Style	4	X	X	X	X
	E-9420	21140034L	Uses Bushing E-1341A, Bolt Size, 1" x 10 1/2"		X	X	X	X
	E-9421	21140033	Uses Bushing E-9419, Bolt Size 1"x11"		X	X	X	X
34	E-2375	45000008	Split Flange Adapter, Old Style	4	X	X	X	X
	E-15158	21140040			X	X	X	X
	E-15157	21140028			End Beam Adapter, Split Flange	X	X	X
40	E-15156	21140023	Split Adapter Kit	4	X	X	X	X
	E-2634	22186000	Frame Bracket, Torque Rod		2	X	X	X
36	See Components Section		Transverse Torque Rod Assembly	2	X	X	X	X
37	E-15153	45045003	Back Up Plate	2	X	X	X	X
38	S.O.S.	Various	Axle Bracket	2	X	X	X	X
39	E-6979	49400000L	Center Bushing, Rubber	2	X			
	E-6980	49600000L	Center Bushing, Loose End Plug	2	X			
	E-9359	29483005L	Center Bushing, Rubber	2		X	X	X
40	E-9577	34013050L	End Bushing and Adapter Kit	4	X	X	X	X
	E-15156	34013051L	End Bushing and Adapter Kit	4			X	X
41	E-2771	29878001L	End Bushing	4	X	X		
	E-9419	45407000L	End Bushing	4			X	X
42	E-9420	21140034L	End Bushing Adapter Kit	4	X	X	X	X
43	S.O.S.	21140033L	End Bushing Adapter Kit	4			X	X

HENDRICKSON RT/RTE 340/343/400

Truck/Tractor

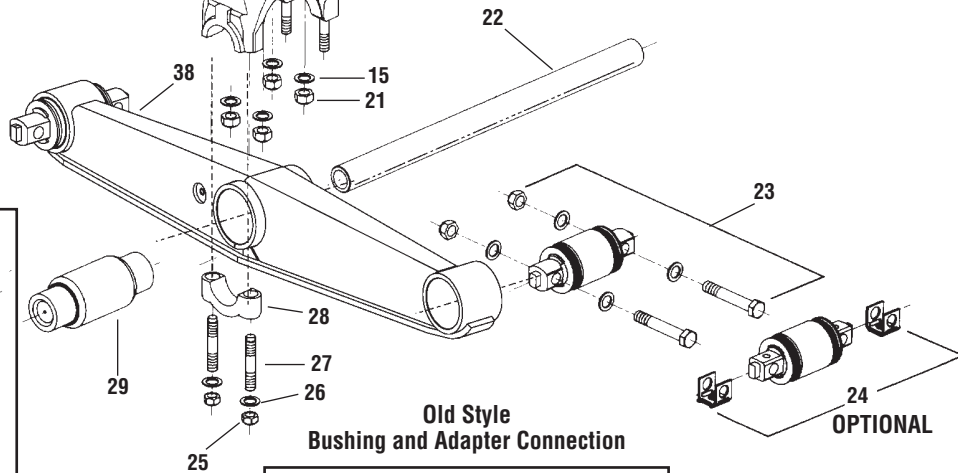
HENDRICKSON

TRANSVERSE TORQUE ARM

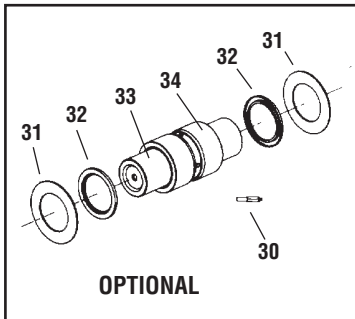
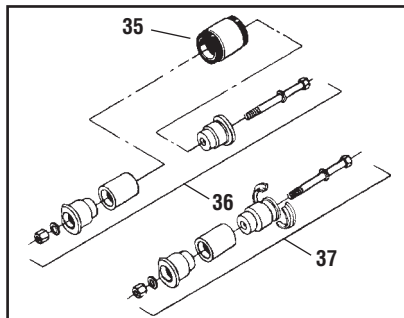


LEAF SPRING REFERENCES

SRI No.	
50-171	12/Pad
50-141	12 Leaf
50-135	12 Leaf
50-241	12 Leaf
50-307	13 Leaf
50-169	13/Pad
50-267	10 Leaf
50-185	10 Leaf
50-239	12 Leaf
50-183	13/Pad



Old Style Bushing and Adapter Connection



OPTIONAL

OPTIONAL

HENDRICKSON RT/RTE 340/343/400

Truck/Tractor

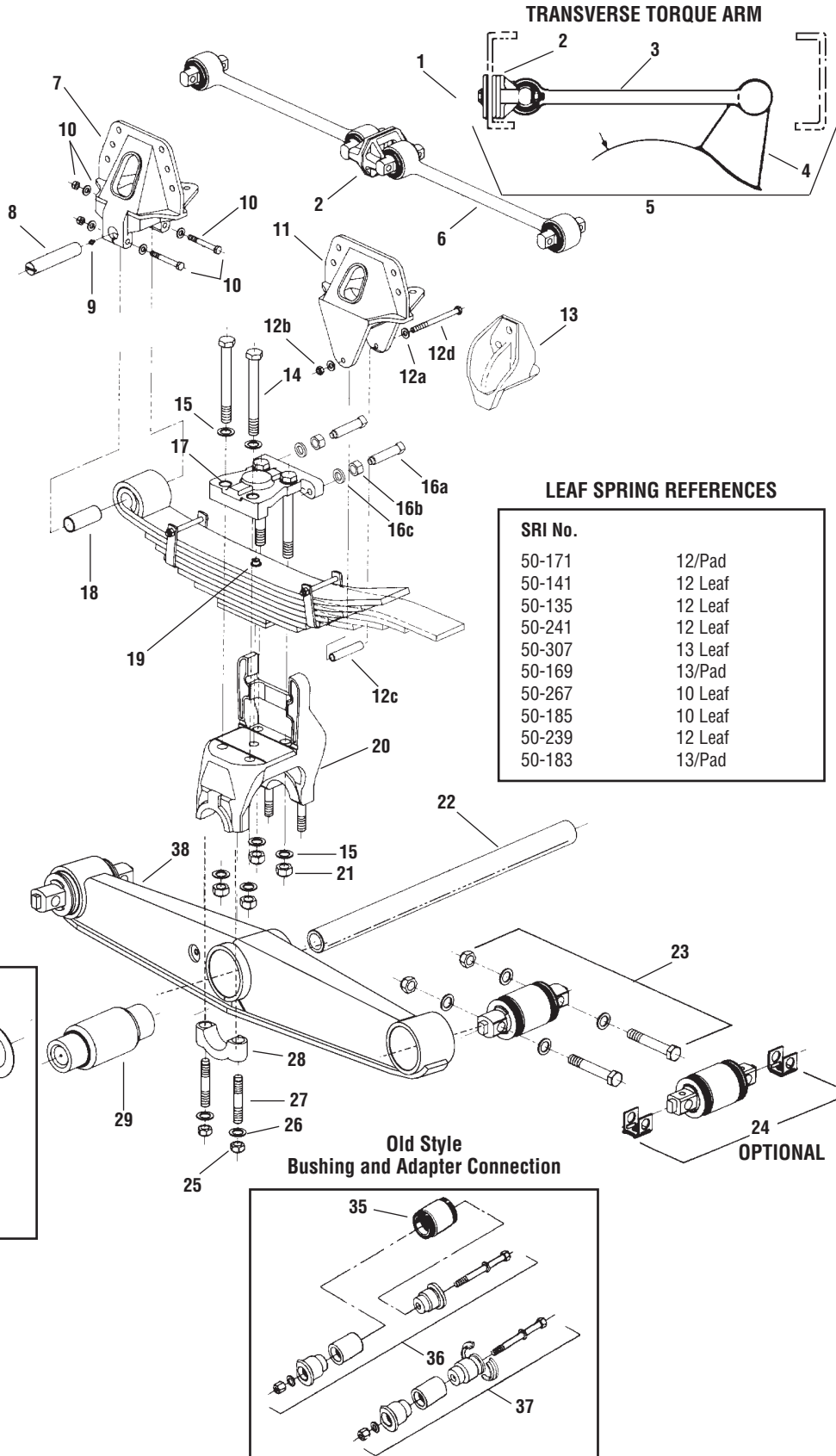
HENDRICKSON

Key No.	Euclid No.	Replaces No.	Casting No.	Description	Qty Per Tandem	RT	RT	RT	RTE	RTE	RTE
						340	343	400	340	343	400
1	E-15153	45045003		Backup Plate	2	X	X	X	X	X	X
2	E-2634	22186000		Torque Rod Frame Brkt.	2	X	X	X	X	X	X
3	See Torque Rod Section			Transverse Torque Rod	2	X	X	X	X	X	X
4	S.O.S.	Various		Transverse Rod Axle Brkt.	2	X	X	X	X	X	X
5	S.O.S.	Various		Transverse Torque Rod Assy. (Incl/ Key Nos. 1-4)	2	X	X	X	X	X	X
6	See Torque Rod Section			2-Piece Torque Rod Assy.	2	X	X	X	X	X	X
7	See Hanger Section			Forward Spring Hanger Double Lock Pin	2	X	X	X	X	X	X
8	E-3761	43146000L		Pin 1 3/8" Dia. Double Lock	2	X	X	X	X	X	X
9	E-1307	33117000		Lube Fitting	2	X	X	X	X	X	X
10	S.O.S.	24531009		1/2"-13 UNC Bolt							
		22962011		1/2" Washer	10	X	X	X	X	X	X
		49846000		1/2" - 13 UNC Locknut	—						
11	See Hanger Section			Rear Spring Hanger	2	X	X	X	X	X	X
—	E-9428	29828023		Rebound Bolt & Spacer Assembly	2	X	X	X	X	X	X
12a	S.O.S.	22962011		1/2" Hardened Washer	4	X	X	X	X	X	X
12b	S.O.S.	49846000		1/2" - 13 UNS Locknut	2	X	X	X	X	X	X
12c	E-1821	194000		Spacer	2	X	X	X	X	X	X
12d	E-1820	24531005		1/2" - 13 UNC Bolt	2	X	X	X	X	X	X
13	See Hanger Section			Extended Leaf Spring Hgr	2	X	X	X	X	X	X
14	See Top Pad Bolts			Top Pad Bolt, Length Varies By Spring Size	8	X	X	X	X	X	X
15	E-2573	22962006		Washer 1"	16	X	X	X	X	X	X
16a	S.O.S.	6813000		3/4"-10 UNC Square Head Set Screw	4	X	X	X	X	X	X
16b	S.O.S.	17339000		Set Screw Lockwasher	4	X	X	X	X	X	X
16c	S.O.S.	17342000		3/4"-10 UNC Set Screw Locknut	4	X	X	X	X	X	X
17	E-1869	35064000	47880	Top Pad	2	X	X	X	X	X	X
18	E-1877	30057008L		Spring Eye Bushing, 1 3/8" I.D.	2	X	X	X	X	X	X
19	S.O.S.	66662001 (New) 05069000 (Old)		Center Bolt, 5/8" Dia. (Cut to length)	2	X	X	X	X	X	X
20	E-1849	31017023	46529	Saddle Assy., 6 3/16" Ht		X			X		
	E-1850	31017025L	46138	Saddle Assy., 7 3/16" Ht		X			X		
	E-1853	31017022L	57167	Saddle Assy., 6" Height	2		X	X		X	X
	E-10058	31017109L	57143	Saddle Assy., 7 3/16" Ht			X	X		X	X
	E-1854	31017096L	57457	Saddle Assy., 6" Ht							
	E-7530	31017110L	57155	Saddle Assy., 7 3/16" Ht							
21	E-1828	8017000		Lock Nut 1"-14 UNS	8	X	X	X	X	X	X

HENDRICKSON RT/RTE 340/343/400

Truck/Tractor

HENDRICKSON



HENDRICKSON RT/RTE 340/343/400

Truck/Tractor

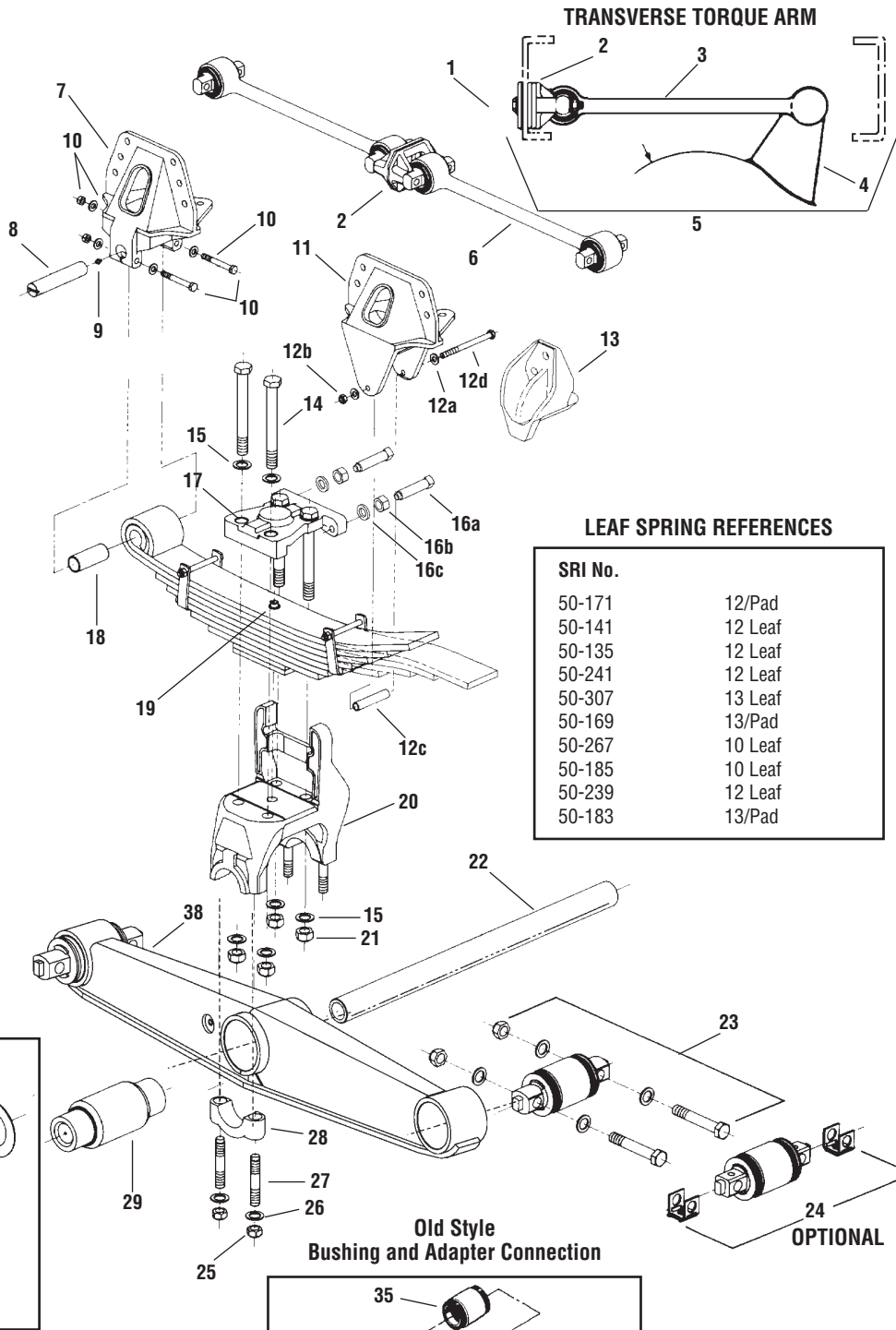
HENDRICKSON

Key No.	E-ucld No.	Replaces No.	Cast- ing No	Description	Qty Per Tandem	RT	RT	RT	RTE	RTE	RTE	
						340	343	400	340	343	400	
22	E-1842	44643009L		Cross Tube, 2 7/16" Dia. x 44 7/8" Long	1		X	X		X	X	
	E-1840	44642-008L		Cross Tube, 1 15/16" Dia. x 44 7/8" Long		X			X			
23	E-9325	34013087L		Bar Pin Bushing Kit, Non-Shim Type	4	X	X	X	X	X	X	
24	E-9326	34013088L		Bar Pin Bushing Kit, Shim Type	4	X	X	X	X	X	X	
25	E-1835	4842000		Nut, Saddle Cap	8	X	X	X	X	X	X	
26	E-1834	22962002		Washer	8	X	X	X	X	X	X	
27	E-1830	6696000		Stud	8		X	X		X	X	
	E-1829	7002000				X		X				
28	E-1833A	58795000 (New) 48545000 (Old)		Saddle Cap	4		X	X		X	X	
	E-10311	6662000				X		X				
29	E-1338	06664000L		Rubber Center Bushing	2	X			X			
	E-1594	22279000L		Rubber Center Bushing w/ Loose End Plug		X			X			
	E-6979	49400000L		Rubber Center Bushing			X	X		X	X	
	E-6980	49600000L		Rubber Center Bushing w/ Loose End Plug			X	X		X	X	
	E-9359	29483005L		Rubber Center, Requires Transverse Rods						Optional		
	S.O.S.	34013097L		Rubber Center Bushing w/ Loose End Plug						Optional		
—	E-1546	30437000L		Kit, Bronze Center Bushings incl. Key Nos. 30-34	1	X	X	X	X	X	X	
30	S.O.S.	30087000		Lube Fitting w/ Forged Beam	2	X	X	X	X	X	X	
		58758001		Lube Fitting w/ Fab Beam		X	X	X	X	X	X	
31	E-2021	32365000		Thrust Washer	8		X	X		X	X	
	S.O.S.	32364000				X		X				
32	E-1553	30334000		Beam Center Seal	4		X	X		X	X	
	S.O.S.	30333000				X		X				
33	E-1551	14685000		Beam Center Sleeve	2		X	X		X	X	
	S.O.S.	14684000				X		X				
34	E-1552	30240002		Bronze Center Bushing	2		X	X		X	X	
	S.O.S.	30240001				X		X				
35	E-1341A	45900000L		End Beam Bushing	4	X	X	X	X	X	X	
36	E-5309	34013049L		Rubber End Bushing and Adapter Service Kit	4		X	X		X	X	
	E-9576	34013073L						X	X		X	X
37	E-2374	45000007L		Adapter w/o Bushing Svc Kit	4	X	X	X	X	X	X	
	E-9420	21140034L						X	X		X	X
38	S.O.S.	Various		Walking Beam Adapter	2	X	X	X	X	X	X	

HENDRICKSON RT/RTE 403/460/463

Truck/Tractor

HENDRICKSON



HENDRICKSON RT/RTE 403/460/463

Truck/Tractor

HENDRICKSON

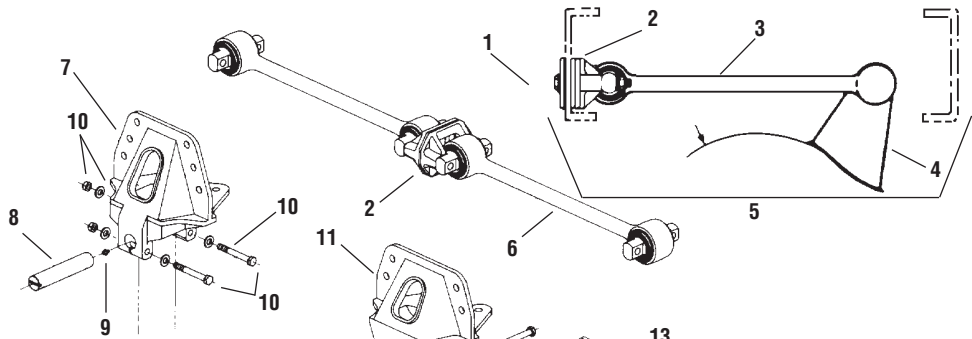
Key No.	Euclid No.	Replaces No.	Casting No.	Description	Qty Per Tandem	RT 403	RT 460	RT 463	RTE 403	RTE 460	RTE 463
1	E-15153	45045003		Backup Plate	2	X	X	X	X	X	X
2	E-2634	22186000		Torque Rod Frame Brkt.	2	X	X	X	X	X	X
3	See Components Section			Transverse Torque Rod	2	X	X	X	X	X	X
4	S.O.S.	Various		Transverse Rod Axle Brkt.	2	X	X	X	X	X	X
5	S.O.S.	Various		Transverse Torque Rod Assy. (Incl/ Key Nos. 1-4)	2	X	X	X	X	X	X
6	See Components Section			2-Piece Torque Rod Assy.	2	X	X	X	X	X	X
7	See Components Section			Forward Spring Hanger Double Lock Pin	2	X	X	X	X	X	X
8	E-3761	43146000L		Pin 1 3/8" Dia. Double Lock	2	X	X	X	X	X	X
9	E-1307	33117000		Lube Fitting	2	X	X	X	X	X	X
10	S.O.S.	24531009		1/2"-13 UNC Bolt	10	X	X	X	X	X	X
		22962011		1/2" Washer							
		49846000		1/2" - 13 UNC Locknut							
11	See Components Section			Rear Spring Hanger	2	X	X	X	X	X	X
—	E-9428	29828023		Rebound Bolt & Spacer Assembly	2	X	X	X	X	X	X
12a	S.O.S.	22962011		1/2" Hardened Washer	4	X	X	X	X	X	X
12b	S.O.S.	49846000		1/2" - 13 UNS Locknut	2	X	X	X	X	X	X
12c	E-1821	194000		Spacer	2	X	X	X	X	X	X
12d	E-1820	24531005		1/2" - 13 UNC Bolt	2	X	X	X	X	X	X
13	See Components Section			Extended Leaf Spring Hgr	2	X	X	X	X	X	X
14	See Top Pad Bolts			Top Pad Bolt, Length Varies By Spring Size	8	X	X	X	X	X	X
15	E-2573	22962006		Washer 1"	16	X	X	X	X	X	X
16a	S.O.S.	6813000		3/4"-10 UNC Square Head Set Screw	4	X	X	X	X	X	X
16b	S.O.S.	17339000		Set Screw Lockwasher	4	X	X	X	X	X	X
16c	S.O.S.	17342000		3/4"-10 UNC Set Screw Locknut	4	X	X	X	X	X	X
17	E-1869	35064000	47880	Top Pad	2	X	X	X	X	X	X
18	E-1877	30057008L		Spring E-ye Bushing, 1 3/8" I.D.	2	X	X	X	X	X	X
19	S.O.S.	66662001 (New) 05069000 (Old)		Center Bolt, 5/8" Dia. (Cut to length)	2	X	X	X	X	X	X
20	E-1849	31017023	46529	Saddle Assy., 6 3/16" Ht	2	X		X			
	E-1850	31017025L	46138	Saddle Assy., 7 3/16" Ht							
	E-1853	31017022L	57167	Saddle Assy., 6" Height							
	E-10058	31017109L	57143	Saddle Assy., 7 3/16" Ht							
	E-1854	31017096L	57457	Saddle Assy., 6" Ht							
	E-7530	31017110L	57155	Saddle Assy., 7 3/16" Ht			X	X	X	X	
21	E-1828	8017000		Lock Nut 1"-14 UNS	8	X	X	X	X	X	X

HENDRICKSON RT/RTE 403/460/463

Truck/Tractor

HENDRICKSON

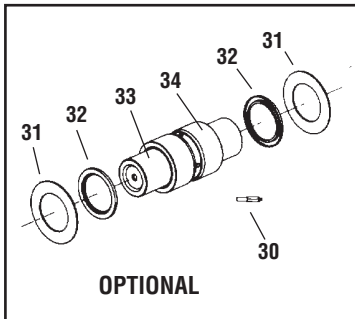
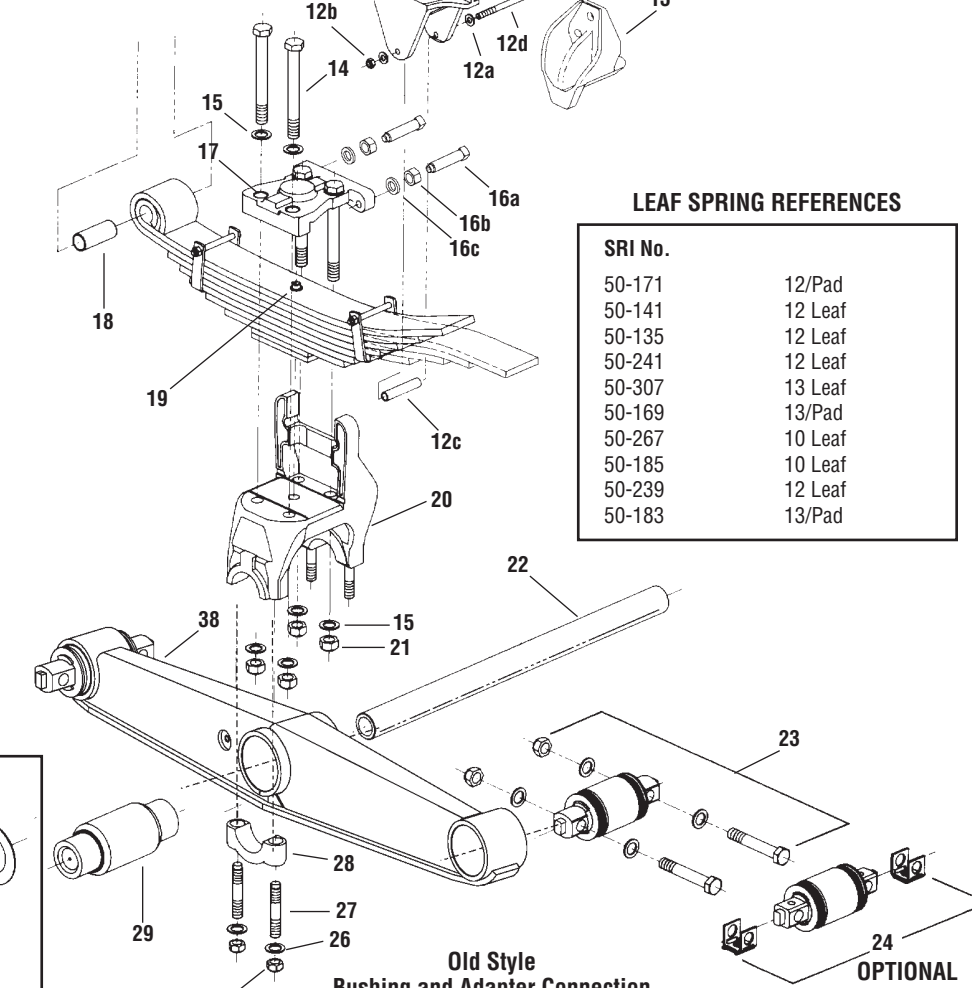
TRANSVERSE TORQUE ARM



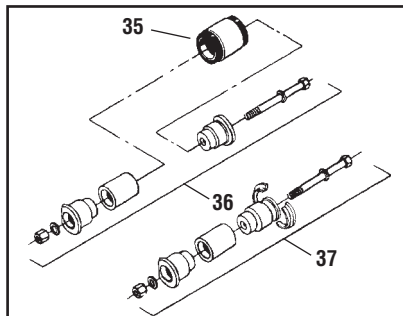
LEAF SPRING REFERENCES

SRI No.

50-171	12/Pad
50-141	12 Leaf
50-135	12 Leaf
50-241	12 Leaf
50-307	13 Leaf
50-169	13/Pad
50-267	10 Leaf
50-185	10 Leaf
50-239	12 Leaf
50-183	13/Pad



Old Style Bushing and Adapter Connection



HENDRICKSON RT/RTE 403/460/463

Truck/Tractor

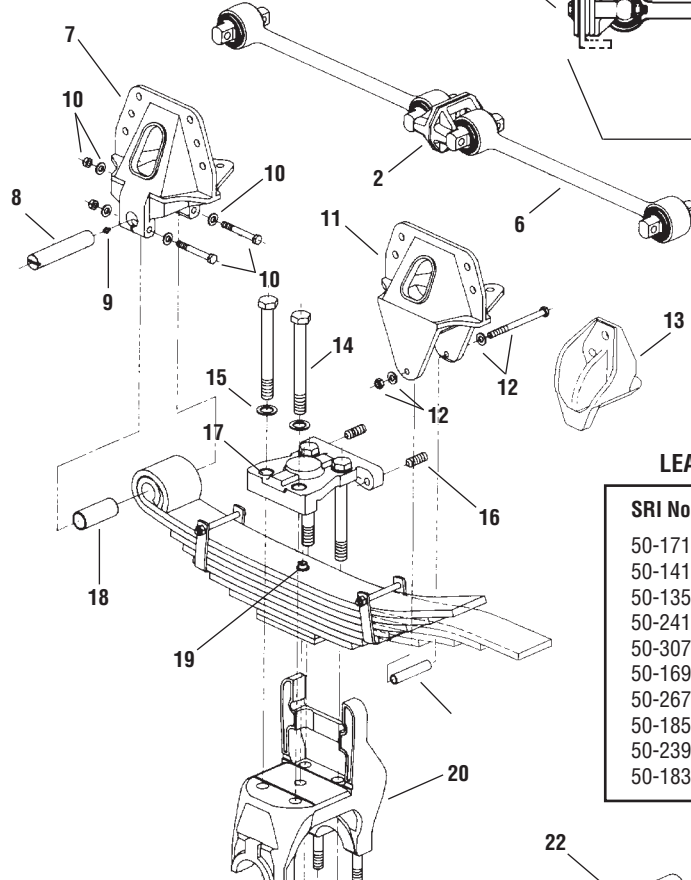
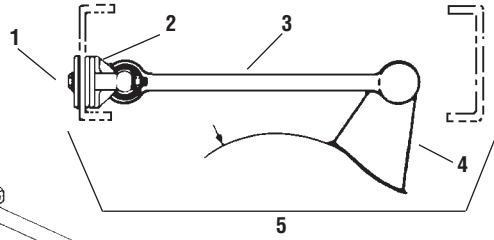
HENDRICKSON

Key No.	E-ucld No.	Replaces No.	Casting No.	Description	Qty Per Tandem	RT 403	RT 460	RT 463	RTE 403	RTE 460	RTE 463	
22	E-1842	44643009L		Cross Tube, 2 7/16" Dia. x 44 7/8" Long	1	X	X	X	X	X	X	
	E-1840	44642008L		Cross Tube, 1 15/16" Dia. x 44 7/8" Long								
23	E-9325	34013087L		Bar Pin Bushing Kit, Non-Shim Type	4	X	X	X	X	X	X	
24	E-9326	34013088L		Bar Pin Bushing Kit, Shim Type	4	X	X	X	X	X	X	
25	E-1835	4842000		Nut, Saddle Cap	8	X	X	X	X	X	X	
26	E-1834	22962002		Washer	8	X	X	X	X	X	X	
27	E-1830	6696000		Stud	8	X	X	X	X	X	X	
	E-1829	7002000										
28	E-1833A	58795000 (New) 48545000 (Old)		Saddle Cap	4	X	X	X	X	X	X	
29	E-1338	06664000L		Rubber Center Bushing	2							
	E-1594	22279000L		Rubber Center Bushing w/ Loose E-nd Plug								
	E-6979	49400000L		Rubber Center Bushing		X			X			
	E-6980	49600000L		Rubber Center Bushing w/ Loose E-nd Plug		X			X			
	E-9359	29483005L		Rubber Center, Requires Transverse Rods					X			X
	S.O.S.	34013097L		Rubber Center Bushing w/ Loose E-nd Plug				X			X	—
—	E-1546	30437000L		Kit, Bronze Center Bushings incl. Key Nos. 30-34	1	X	X	X	X	X	X	
30	S.O.S.	30087000		Lube Fitting w/ Forged Beam	2	X	X	X	X	X	X	
		58758001		Lube Fitting w/ Fab Beam		X	X	X	X	X	X	
31	E-2021	32365000		Thrust Washer	8	X	X	X	X	X	X	
	S.O.S.	32364000										
32	E-1553	30334000		Beam Center Seal	4	X	X	X	X	X	X	
	S.O.S.	30333000										
33	E-1551	14685000		Beam Center Sleeve	2	X	X	X	X	X	X	
	S.O.S.	14684000										
34	E-1552	30240002		Bronze Center Bushing	2	X	X	X	X	X	X	
	S.O.S.	30240001										
35	E-1341A	45900000L		E-nd Beam Bushing	4	X	X	X	X	X	X	
36	E-5309	34013049L		Rubber E-nd Bushing and Adapter Service Kit	4	X			X			
	E-9576	34013073L							X			X
37	E-2374	45000007L		Adapter w/o Bushing Svc Kit	4	X			X			
	E-9420	21140034L							X			X
38	S.O.S.	Various		Walking Beam Adapter	2	X	X	X	X	X	X	

HENDRICKSON RT2 400, RT2 460, RTE 400, RTE 460

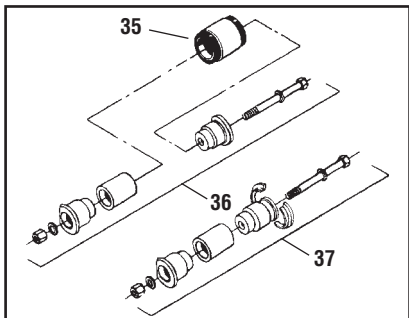
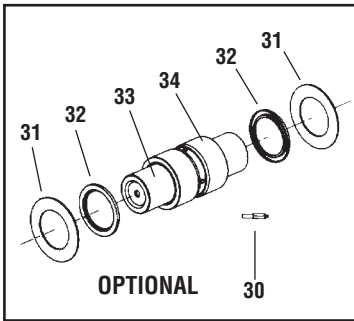
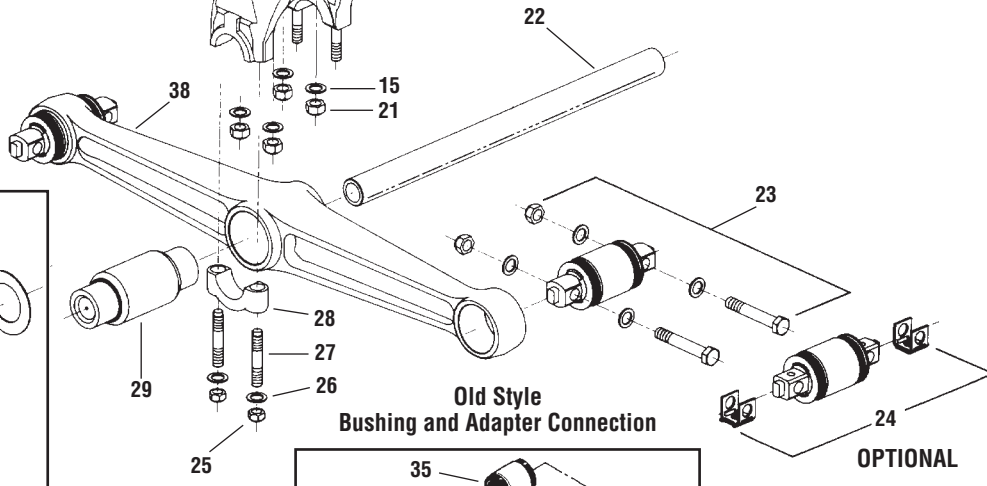
Truck/Tractor

TRANSVERSE TORQUE ARM



LEAF SPRING REFERENCES

SRI No.	
50-171	12/Pad
50-141	12 Leaf
50-135	12 Leaf
50-241	12 Leaf
50-307	13 Leaf
50-169	13/Pad
50-267	10 Leaf
50-185	10 Leaf
50-239	12 Leaf
50-183	13/Pad



HENDRICKSON RT2 400, RT2 460, RTE 400, RTE 460

Truck/Tractor

Key No.	Euclid No.	Replaces No.	Casting No.	Description	Quantity Per Tandem	RT2 400	RT2 460	RTE 400	RTE 460
1	E-15153	45045003		Backup Plate	2	X	X	X	X
2	E-2634	22186000		Torque Rod Frame Bracket	2	X	X	X	X
3*	See Components Section			Transverse Torque Rod	2	X	X	X	X
4	S.O.S.	Various		Axle Bracket	2	X	X	X	X
5*	S.O.S.	Various		Transverse Torque Rod Assembly includes Key Nos. 1-4	2	X	X	X	X
6	See Components Section			Torque Rod Assembly	2	X	X	X	X
7	See Components Section			#1 Front Spring Hanger, Double Lock Bolt	2	X	X	X	X
8	E-3761	43146000L		Lock Pin, Double Groove	2	X	X	X	X
9	E-1307	33117000		Lube Fitting	2	X	X	X	X
10	E-9427	29828035		Lock Bolt Kit	2	X	X	X	X
11	See Components Section			#2 Rear Spring Hanger	2	X	X	X	X
12	E-9428	29828023		Rebound Bolt & Spacer Assy.	2	X	X	X	X
13	See Components Section			#3 Spring Hanger, Extended Leaf Spring	2	X	X	X	X
14	See Top Pad Bolts			Top Pad Bolt, Length Varies By Spring Size	8	X	X	X	X
15	E-2573	22962006		Washer	16	X	X	X	X
16	E-9429	35370002		Set Screw	4	X	X	X	X
17	E-1869	35064000	47880	Top Pad	2	X	X	X	X
18	E-1877	30057008L		Spring Eye Bushing	2	X	X	X	X
19	S.O.S.	5069000		Spring Center Bolt	2	X	X	X	X
20	E-1853	31017022	42933	Saddle Assembly, 6" Height	2	X			
	E-1854	31017096	45605		2	X	X	X	X
	E-10058	31017109	57143	Saddle Assembly, 7 3/16" Height	2	X	X	X	X
	E-7530	31017110	57155		2	X	X	X	X
21	E-1828	8017000		Nut, Top Pad Bolt	8	X	X	X	X
22	E-1842	44643009L		Cross Tube, 2 7/16" Dia. x 44 7/8" Long	1	X	X	X	X
23	E-9325	34013087		Bar Pin Bushing Kit, Non-Shim Type	4	X	X	X	X
24	E-9326	34013088L		Bar Pin Bushing Kit, Shim Type	4	X	X	X	X
25	E-1835	4842000		Nut, Saddle Cap Stud	8	X	X	X	X
26	E-1834	22962002		Washer	8	X	X	X	X
27	E-1830	6696000		Stud	8	X	X	X	X
28	E-1833A	48545000 (Old) 58795000 (New)		Saddle Cap	4	X	X	X	X
29*	E-6979	49400000		Center Bushing, Rubber	2	X		X	
	E-6980**	49600000		Center Bushing w/ Loose End Plug	2	X		X	
	E-9359	29483005		Center Bushing, Rubber	2		X		X

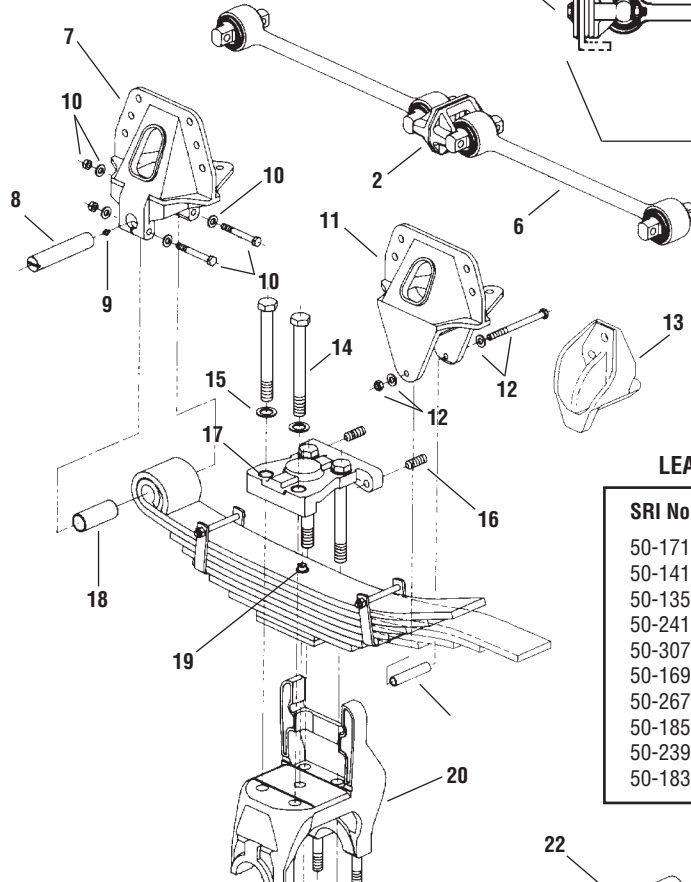
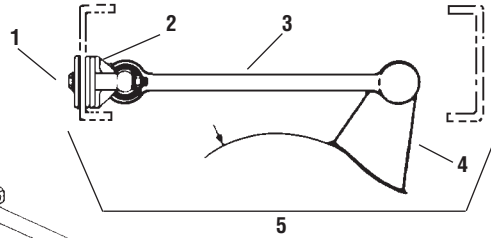
*Transverse Torque Rods are required to maintain 46,000 lb. rating when rubber center bushings are used.

**Center Busing E-6980 to be used with OTC installation tools.

HENDRICKSON RT2 400, RT2 460, RTE 400, RTE 460

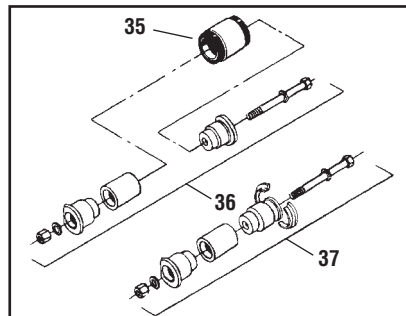
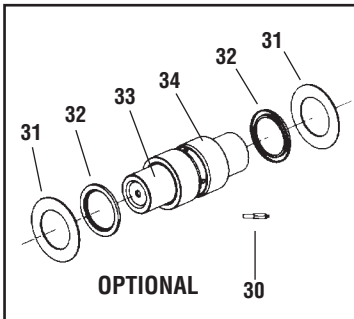
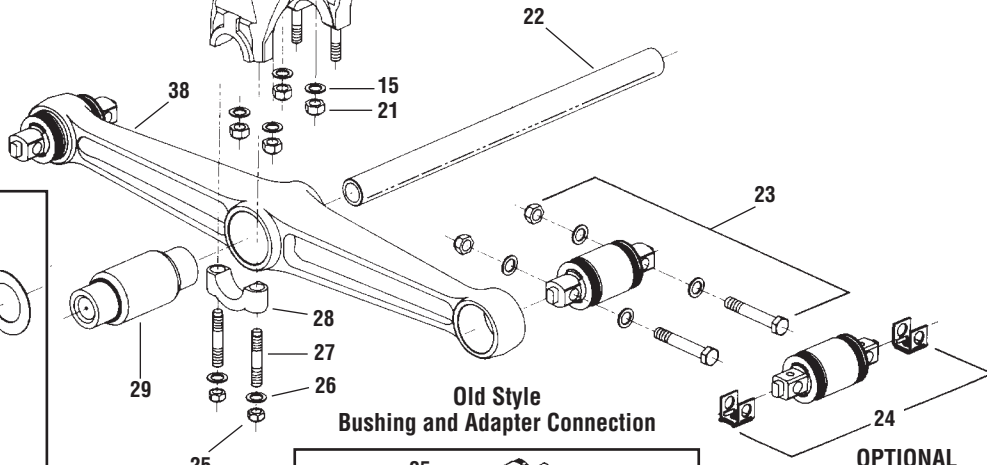
Truck/Tractor

TRANSVERSE TORQUE ARM



LEAF SPRING REFERENCES

SRI No.	
50-171	12/Pad
50-141	12 Leaf
50-135	12 Leaf
50-241	12 Leaf
50-307	13 Leaf
50-169	13/Pad
50-267	10 Leaf
50-185	10 Leaf
50-239	12 Leaf
50-183	13/Pad



HENDRICKSON RT2 400, RT2 460, RTE 400, RTE 460

Truck/Tractor

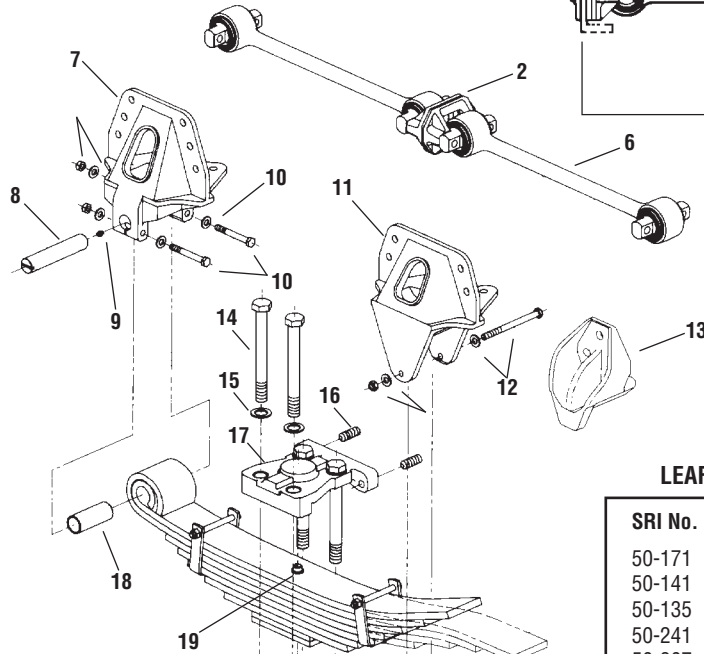
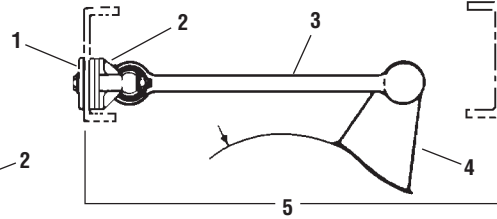
HENDRICKSON

Key No.	Euclid No.	Replaces No.	Casting No.	Description	Quantity Per Tandem	RT2 400	RT2 460	RTE 400	RTE 460
—	E-1546	30437000L		Kit, Bronze Center Bushings ncludes Key Nos. 30, 31, 32, 33, 34	1	X	X	X	X
30	S.O.S.	30087000		Lube Fitting	2	X	X	X	X
31	E-2021	32365000		Thrust Washer	As Required	X	X	X	X
32	E-1553	30334000		Seal	4	X	X	X	X
	E-3913	45229			4	X	X	X	X
33	E-1551	14685000		Sleeve	2	X	X	X	X
34	E-1552	30240002		Bronze Center Bushing	2	X	X	X	X
—	E-5309	34013049L		End Beam Bushing Kit, Old Style, 400 Only, includes Key Nos. 35, 36	4	X		X	
35	E-1341A	45900000L		End Beam Bushing, Old Style	4	X	X	X	X
36	E-2374	45000007L		End Beam Adapter, Old Style End Beam Adapter, Split Flange	4	X	X	X	X
	E-9420	21140034L							
37	E-2375	45000008		End Beam Adapter, Split Flange Adapter		X	X		
	E-15158	21140040							
38	S.O.S.	Various		Walking Beam Assembly	2	X	X	X	X

HENDRICKSON RT2 480, RT2 520, RTE2 480, RTE2 520

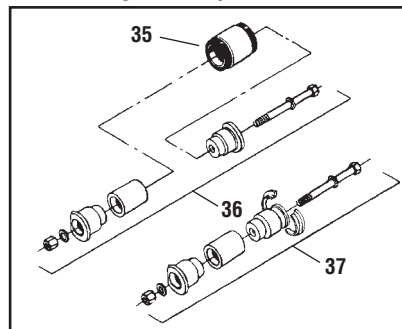
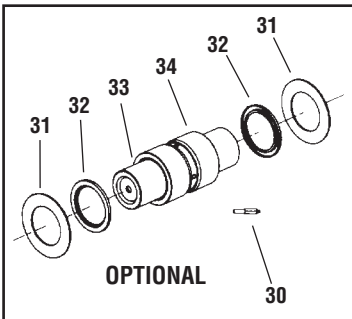
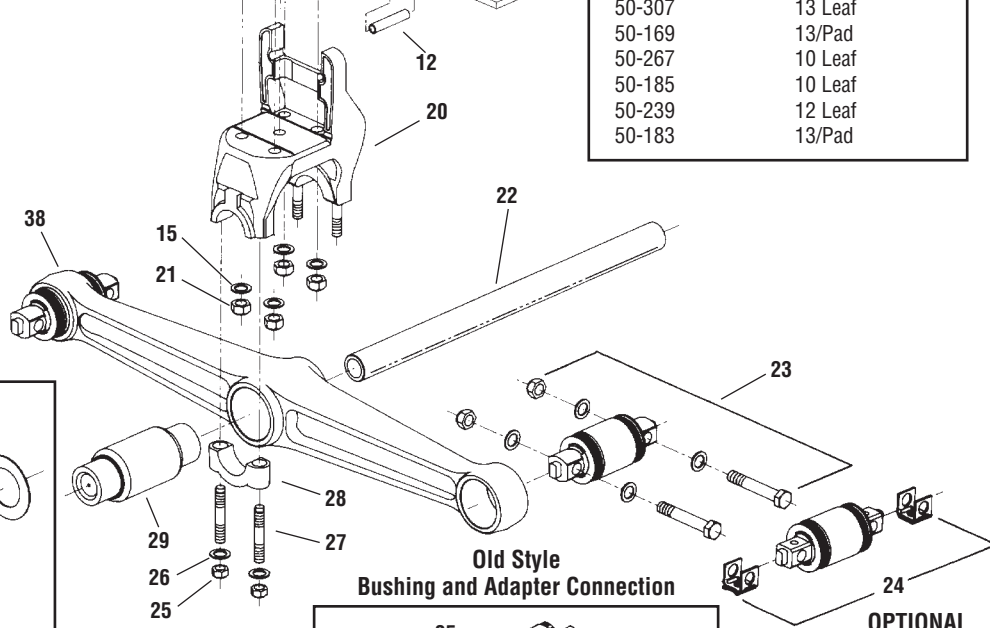
Truck/Tractor

TRANSVERSE TORQUE ARM



LEAF SPRING REFERENCES

SRI No.	
50-171	12/Pad
50-141	12 Leaf
50-135	12 Leaf
50-241	12 Leaf
50-307	13 Leaf
50-169	13/Pad
50-267	10 Leaf
50-185	10 Leaf
50-239	12 Leaf
50-183	13/Pad



HENDRICKSON RT2 480, RT2 520, RTE2 480, RTE2 520

Truck/Tractor

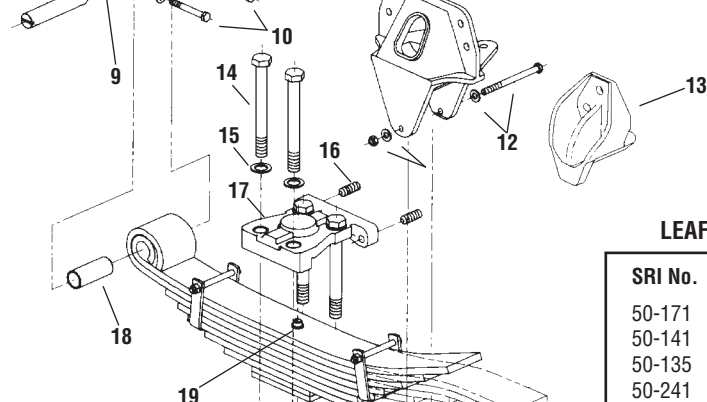
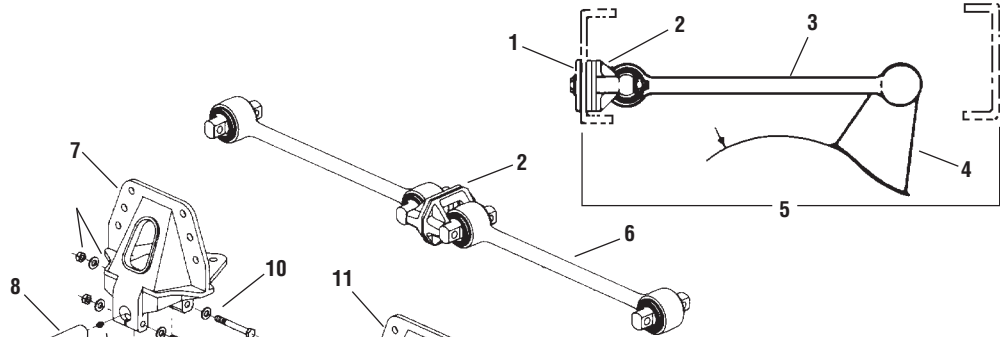
Key No.	Euclid No.	Replaces No.	Casting No.	Description	Qty Per Tandem	RT2 480	RT2 520	RTE2 480	RTE2 520
1	E-15153	45045003		Backup Plate	2	X	X	X	X
2	E-2634	22186000		Torque Rod Frame Bracket	2	X	X	X	X
3*	See Components Section			Transverse Torque Rod	2	X	X	X	X
4	S.O.S.	Various		Axle Bracket	2	X	X	X	X
5	S.O.S.	Various		Transverse Torque Rod Assembly includes Key Nos. 1, 2, 3, 4	2	X	X	X	X
6*	See Components Section			Torque Rod Assembly	2	X	X	X	X
7	See Components Section			#1 Front Spring Hanger Double Lock Bolt	2	X	X	X	X
8	E-3761	43146000L		Lock Pin, Double Groove	2	X	X	X	X
9	E-1307	33117000		Lube Fitting	2	X	X	X	X
10	E-9427	29828035		Lock Bolt Kit, Key #1 Hanger	2	X	X	X	X
11	See Components Section			#2 Rear Spring Hanger	2	X	X	X	X
12	E-9428	29828023		Rebound Bolt & Spacer Assembly	2	X	X	X	X
13	See Components Section			#3 Spring Hanger, Extended Leaf Spring	2	X	X	X	X
14	See Top Pad Bolts			Top Pad Bolt, Length Varies By Spring Size	8	X	X	X	X
15	E-2573	22962006		Washer	16	X	X	X	X
16	E-9429	35370002		Set Screw	4	X	X	X	X
17	E-1869	35064000	47880	Top Pad	2	X	X	X	X
18	E-1877	30057008L		Bushing, 1 3/8" I.D.	2	X	X	X	X
19	S.O.S.	5069000		Center Bolt, 5/8" Dia.	2	X	X	X	X
	E-7531	31017053	32796	Saddle Assembly, 6" Height		X	X	X	X
20	S.O.S.	31017077	47476 or 47665	Saddle Assembly, 7 3/16" Height	2	X	X	X	X
		31017108	50965	Saddle Assembly, 11" Height	X	X	X	X	—
21	E-1828	8017000		Nut, Top Pad Bolt	8	X	X	X	X
22	E-1842	44643009L		Cross Tube, 2 7/16" Dia. x 44 7/8" Long	1	X	X	X	X
	E-9426	7622003		Cross Tube, 2 7/16" Dia. x 46" Long	1		X		X
23	E-9325	34013087		Bar Pin Bushing Kit, Non-Shim Type	4	X	X	X	X
24	E-9326	34013088L		Bar Pin Bushing Kit, Shim Type	4	X	X	X	X
25	E-1835	4842000		Nut, Saddle Cap Stud	8	X	X	X	X
26	E-1834	22962002		Washer	8	X	X	X	X
27	E-1830	6696000		Stud	8	X	X	X	X
28	E-1833A	48545000 (Old) 58795000 (New)		Saddle Cap	4	X	X	X	X
29*	E-9359	29843005		Center Bushing, Rubber	2	X	X	X	X

*Transverse Torque Rods are required when the walking beams have rubber center bushings.

HENDRICKSON RT2 480, RT2 520, RTE2 480, RTE2 520

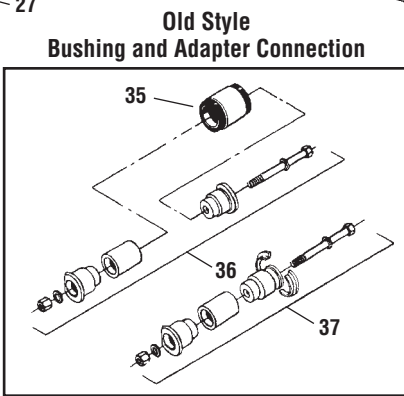
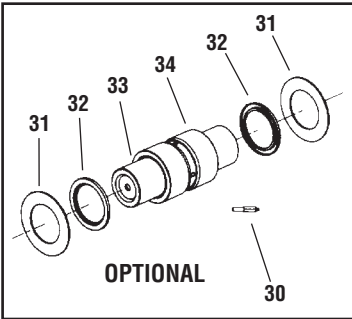
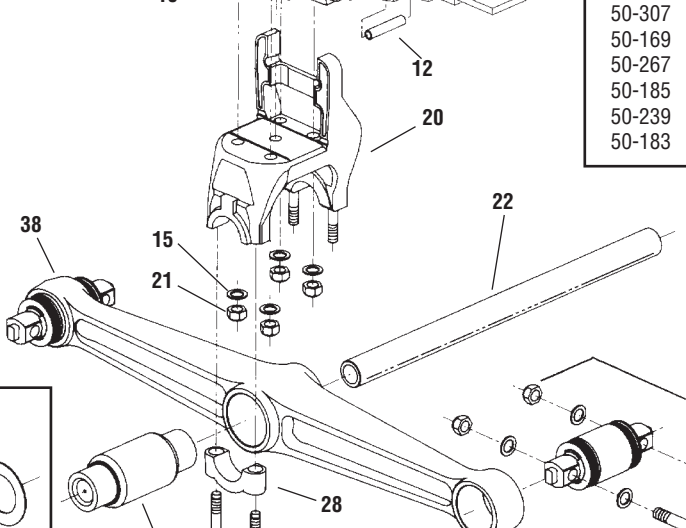
Truck/Tractor

TRANSVERSE TORQUE ARM



LEAF SPRING REFERENCES

SRI No.	
50-171	12/Pad
50-141	12 Leaf
50-135	12 Leaf
50-241	12 Leaf
50-307	13 Leaf
50-169	13/Pad
50-267	10 Leaf
50-185	10 Leaf
50-239	12 Leaf
50-183	13/Pad



OPTIONAL

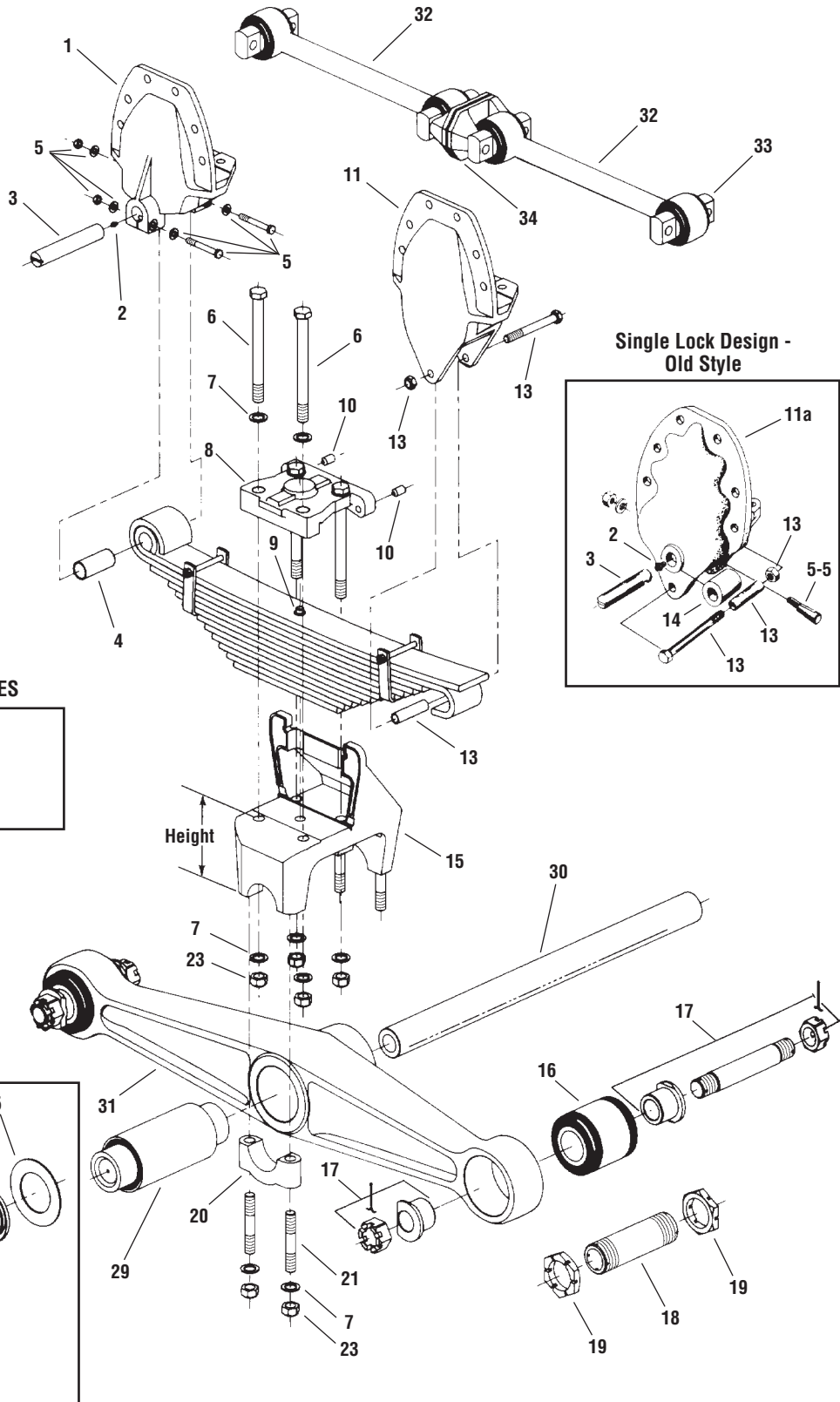
HENDRICKSON RT2 480, RT2 520, RTE2 480, RTE2 520

Truck/Tractor

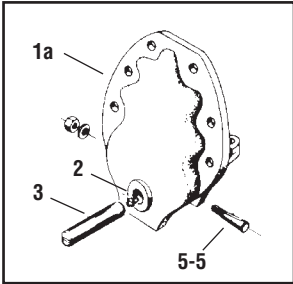
Key No.	Euclid No.	Replaces No.	Casting No.	Description	Qty Per Tandem	RT2 480	RT2 520	RTE2 480	RTE2 520
—	E-1546	30437000L		Kit, Bronze Center Bushings includes Key Nos. 30-34	1	X	X	X	X
30	S.O.S.	30087000		Lube Fitting	2	X	X	X	X
31	E-2021	32365000		Thrust Washer	As Req	X	X	X	X
32	E-1553	30334000		Seal	4	X	X	X	X
	E-3913	45229			4	X	X	X	X
33	E-1551	14685000		Sleeve	2	X	X	X	X
34	E-1552	30240002		Bronze Center Bushing	2	X	X	X	X
35	E-2771	29878001L		End Beam Bushing, Old Style	4	X	X	X	X
	E-9419	45407000				X	X	X	X
36	E-9420	21140034L		End Beam Adapter, Old Style	4	X	X	X	X
	E-9421	21140033				X	X	X	X
37	E-15157	21140028		End Beam Adapter, Split Flange Split Adapter Kit	4	X		X	
	E-15156	21140023					X		X
38	S.O.S.	Various		Walking Beam Adapter	2	X	X	X	X

HENDRICKSON RT 650

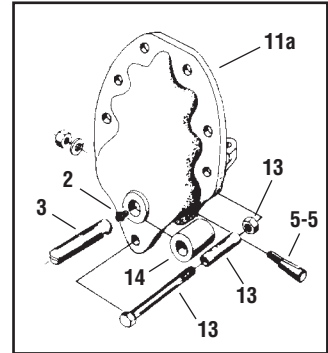
Truck/Tractor



Single Lock Design - Old Style

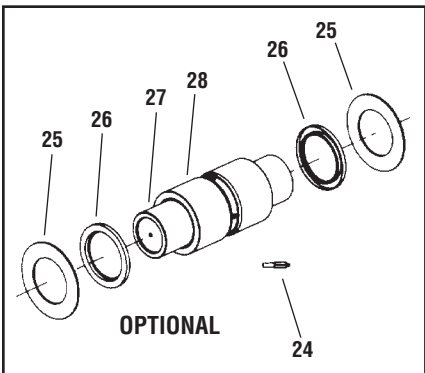


Single Lock Design - Old Style



LEAF SPRING REFERENCES

SRI No.	
50-285	12 Leaf
50-215	12/Pad
50-123	12 Leaf



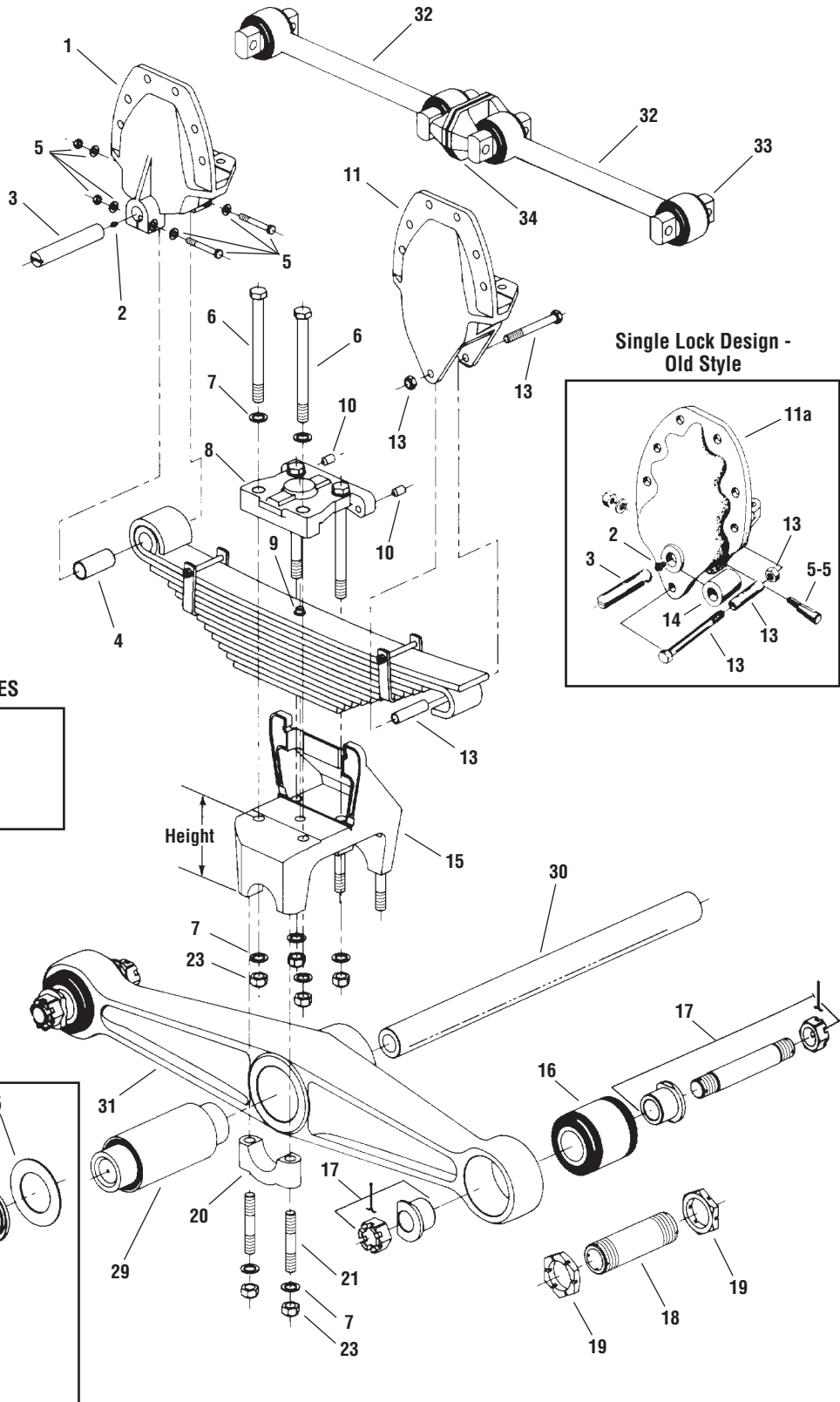
HENDRICKSON RT 650

Truck/Tractor

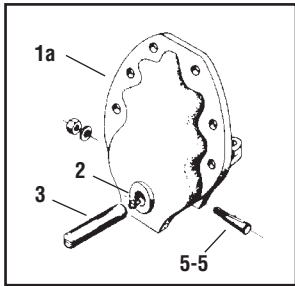
Key No.	Euclid No.	Replaces No.	Casting No.	Description	Quantity Per Tandem
1	S.O.S.	46549003	46548	#1 Spring Hanger, Double Lock Pin	2
		45790001	45789	#1 Spring Hanger, Double Lock Pin	2
1a	S.O.S.	9474000	9474	#1 Spring Hanger	2
		11063001	11063-1	#1 Spring Hanger, Flat Top	2
		33798000	35434	#1 Spring Hanger	2
		46094001	46093-1	#1 Spring Hanger, Left Hand	1
		46094002	46093-2	#1 Spring Hanger, Right Hand	1
2	E-1307	33117000		Lube Fitting	As Required
3	E-2556	5000		Drawkey Lock Pin, 1 1/2" Dia.	4
	E-12001	45797000		Double Lock Pin, 1 1/2" Dia.	2
4	E-2557	22285000		Spring Eye Bushing, Bronze	2
	S.O.S.	50592000		Steel Bushing, 1 1/2" I.D.	
5	S.O.S.	46825001		Lock Bolt Assembly	2
5-5	E-2558	81001		Drawkey Assembly	4
6	See Top Pad Bolts			Top Pad Bolt	8
7	E-2573	22962006		Washer	32
8	S.O.S.	19199000 (New) 45112000 (Old)	35431 or 48491	Top Pad, 8 9/16" Wide	2
9	S.O.S.	66662001 (New) 05069000 (Old)		Center Bolt Cut to Length	2
10	S.O.S.	19201002		Internal Hex Nut Set Screw	4
11	S.O.S.	45792001	45791	#2 Spring Hanger	2
		46551003	46550	#2 Spring Hanger	2
11a	S.O.S.	9474000	9474	#2 Spring Hanger	2
		11063001	11063-001	#2 Spring Hanger, Flat Top	2
		33797000	33796	#2 Spring Hanger	2
		46094001	46093-1	#2 Spring Hanger, Left Hand	1
		46094002	46093-2	#2 Spring Hanger, Right Hand	1
13	E-15161	29828033		Rebound Bolt & Spacer Assembly	2
14	S.O.S.	3000		Pin Roller	2
15	E-15159	31017004	15784, 46895, 48497	Saddle Assembly, 7 1/8" Height	
	S.O.S.	31017069	15784 or 46673-002	Saddle Assembly, 11 1/8" Height	
	S.O.S.	31017070	15784 or 46673-002	Saddle Assembly, 10 1/8" Height	2
	S.O.S.	31017071	15784 or 46673-001	Saddle Assembly, 9 3/8" Height	
16	E-2554	10363000L		End Bushing	4
17	E-2555	21140007		Beam End Adapter Assembly for 6" Bushing	4
	S.O.S.	21140004		Beam end Adpter Assembly for 7" Bushing	
18	E-2566	10372		Optional Beam Hanger Tube	2
19	E-2567	10371000		Beam Hanger Tube Nut	4
20	S.O.S.	15785000		Cap	4
21	S.O.S.	10948000		1"-14 Thd. UNS Saddle Cap Stud	8

HENDRICKSON RT 650

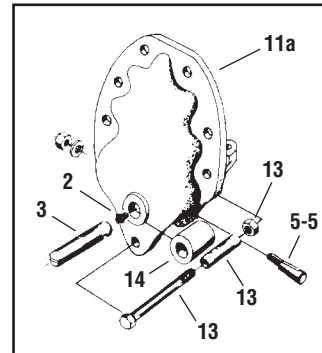
Truck/Tractor



Single Lock Design - Old Style



Single Lock Design - Old Style

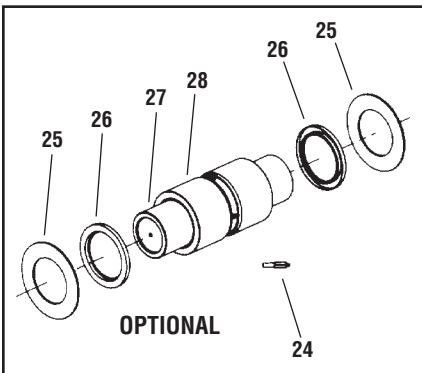


LEAF SPRING REFERENCES

SRI No.

50-285	12 Leaf
50-215	12/Pad
50-123	12 Leaf

Height



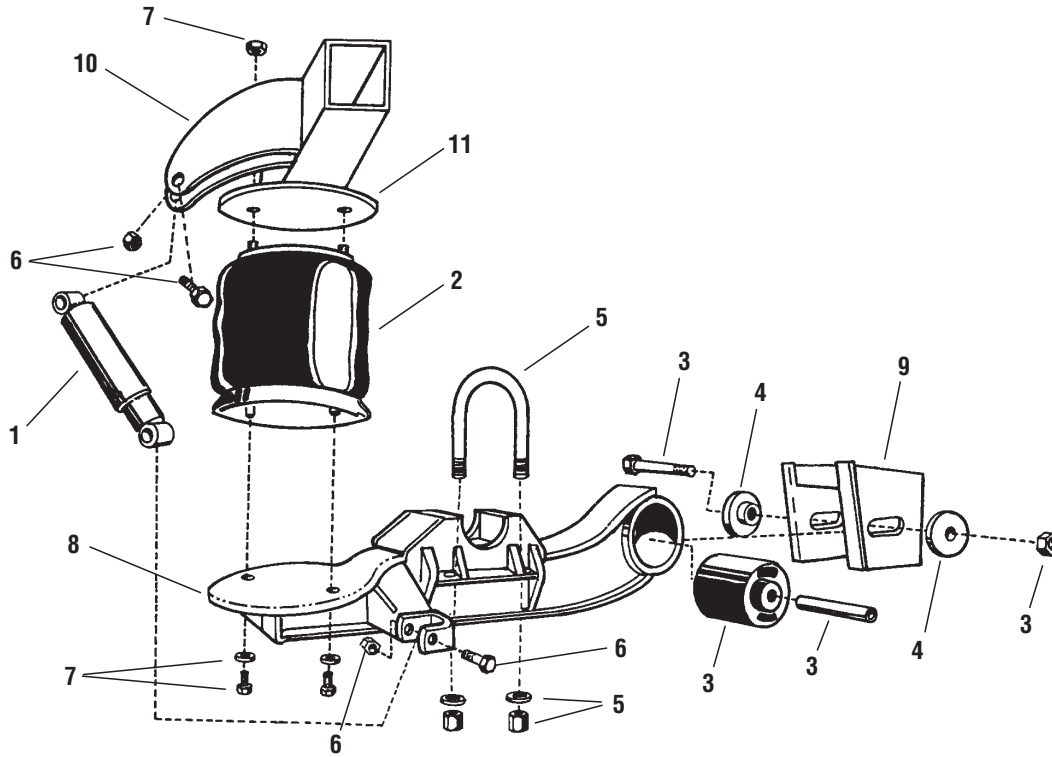
HENDRICKSON RT 650

Truck/Tractor

Key No.	Euclid No.	Replaces No.	Casting No.	Description	Quantity Per Tandem
—	S.O.S.	45374000		Bronze Center Bushings Kit includes Key Nos. 24, 25, 26, 27, 28	1
23	E-1828	8017000		1"-14 Thd. UNS Locknut	8
24	S.O.S.	30087000		Lube Fitting	2
25	S.O.S.	45261000		Thrust Washer	4
26	S.O.S.	31577000		Seal	4
27	S.O.S.	25102000		Sleeve	2
28	S.O.S.	30240005		Center Bushing, Bronze	2
29	E-2553	10366000L		Center Bushing, Rubber	2
30	S.O.S.	Various		Cross Tube	1
31	S.O.S.	Various		Walking Beam	2
32	See Components Section			Torque Rod	2
—	E-3913	45229		Seal	4
—	E-1553	30334000		Seal	4
33	E-15175	48304000		Torque Rod Bushing	4
34	E-15183	46015000		Torque Rod Frame Bracket	2

HENDRICKSON "T"

Model "T" Underslung
Trailer



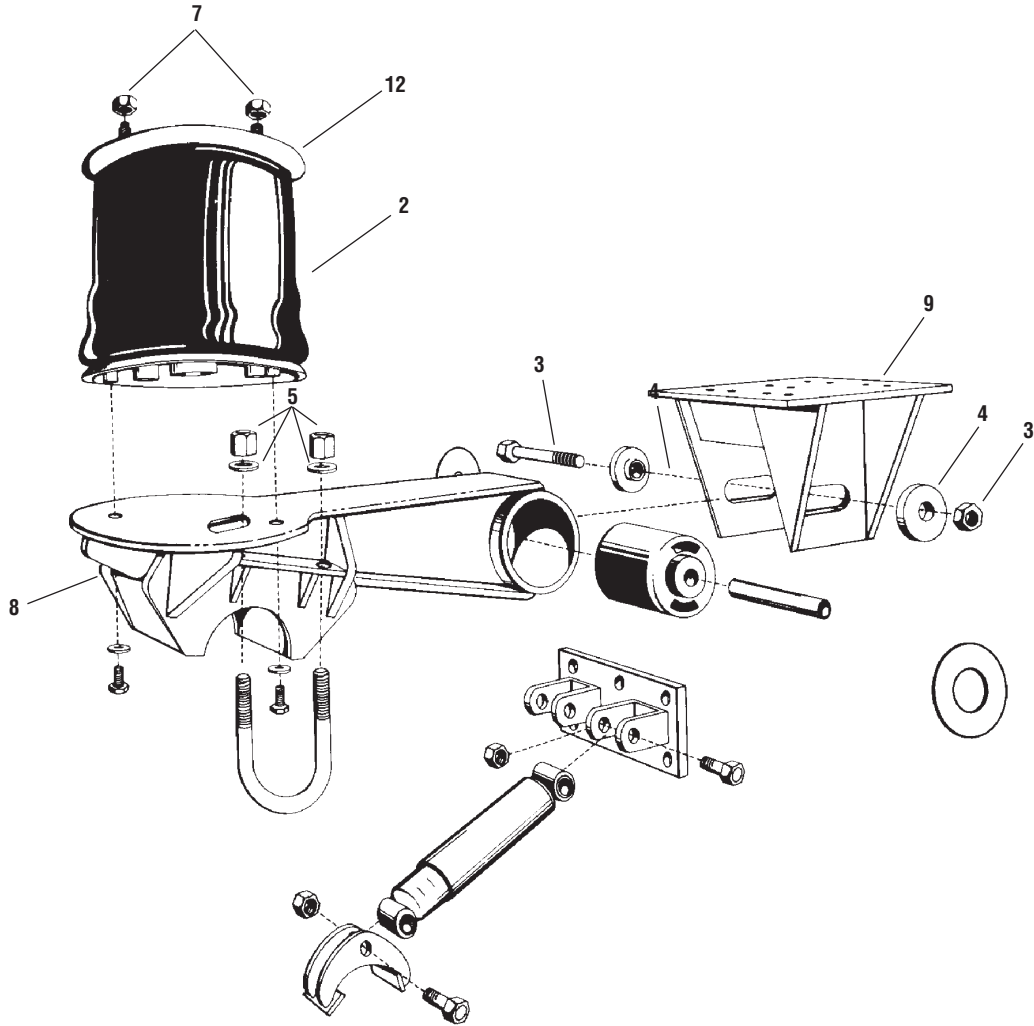
HENDRICKSON "T"

Model "T" Underslung Trailer

Key No.	Euclid No.	Replaces No.	Description	Qty Per Axle	T-6	T-6	T-6	T-6	T-9	T-9	T-9	T-9	T-9	T-9	T-9
					062	071	370	422	084	106	278	313	325	390	20
1	M85000	S-1667	Shock, standard		X		X	X							
	M89436	S-1667	Shock, premium												
	M85029	S-2212	Shock, standard				X								
	M85010	S-2213	Shock, standard											X	X
	M85013	S-2240	Shock, premium	2					X						
	M89414	S-2240	Shock, premium												
	M85005	S-4084	Shock, standard						X	X	X				
	M89430	S-4084	Shock, premium												
	M83221	S-2218	Shock, standard										X		
2	FS9105	S-1245				X									
	FS9039	S-2064			X										
		S-11650					X	X							
	FS9082	S-2066		2						X	X	X			
	FS9082AG		AIROGEAR Air Spring by Firestone												X
	FS9228	S-3411													
	FS9122	S-3830							X						
	FS9122AG														
FS9092	S-12353									X	X			—	
3	E-6121	A-6914	Pivot Bushing Kit	2	X	X	X	X	X	X		X	X	X	X
	S.O.S.	A-13136							X						
4	S.O.S.	B-7349	Alignment Collar	4							X				
	E-3771	S-2770			X	X	X	X	X	X		X	X	X	X
5	E-UB8165-10	A-2237 S-3650	U-Bolt Assembly, Rd. Bend, 7/8-14 Thd. x 5 Wide x 10 Long	4	X	X			X	X	X	X			
	E-UB8165-12	S-4709	U-Bolt Assembly, Rd. Bend, 7/8-14 Thd. x 5 Wide x 12 Long	4			X	X					X	X	X
6	S.O.S.	S-2157/2	Shock Bolt Kit	1	X	X	X	X	X	X	X	X	X	X	X
7	S.O.S.	A-1981	Air Spring Bolt Kit	1		X			X	X	X	X	X	X	X
		A-2348		1	X		X	X							
8	S.O.S.	Various	Beam	2	X	X	X	X	X	X	X	X	X	X	X
9	S.O.S.	Various	Frame Bracket	2	X	X	X	X	X	X	X	X	X	X	X
10	S.O.S.	Various	Upper Shock Brkt.	2	X	X	X	X	X	X	X	X	X	X	X
11	S.O.S.	Various	Upper Air Spring Bracket	2	X	X	X	X	X	X	X	X	X	X	X

HENDRICKSON "T"

Model "T" Overslung
Trailer



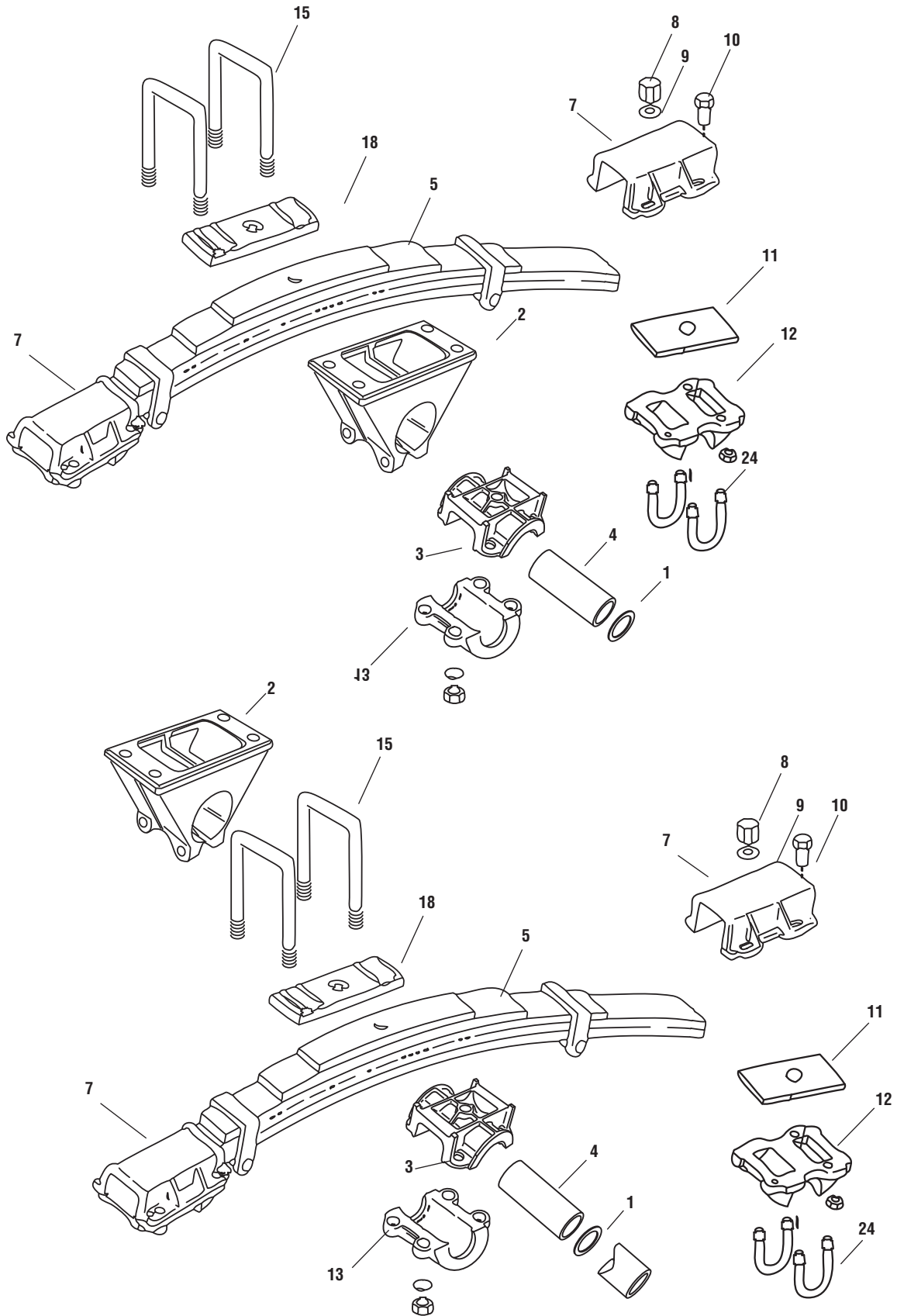
HENDRICKSON "T"

Model "T" Overslung Trailer

Key No.	Euclid No.	Replaces No.	Description	Qty Per Axle	T-15 140	T-15 155	T-15 172	T-15 244	T-15 324	T-15 376	T-17 141	T-17 174	T-17 284
1	M85030	S2218	Shock, standard	2	X	X	X	X	—	X	X	X	X
	M89440		Shock, premium	2	X	X	X	X	—	X	X	X	X
2	FS8050	S4771	Air Spring										
	FS8050AG	S4771	AIROGEAR Air Spring by Firestone	2	X	X	X	X	X	X	X	X	X
3	E-6121	A6914	Pivot Bushing Kit	2	X	X	X	X	X	X	X	X	X
4	E-3771	S2770	Alignment Collar	4	X	X	X	X	X	X	X	X	X
5	E-UB8165-10	A2237 S3650	U-Bolt Assy. Rd. Bend, 7/8-14 Thd. 5 Wide x 10 Long	4	X	X	X	X	X	X	X	X	X
6	S.O.S.	S2157	Shock Bolt Kit	1	X	X	X	X	X	X	X	X	X
7	S.O.S.	S4903	Air Spring Bolt Kit	1	X	X	X	X	X	X	X	X	X
8	S.O.S.	Various	Beam	2	X	X	X	X	X	X	X	X	X
9	S.O.S.	Various	Frame Bracket	2	X	X	X	X	X	X	X	X	X
10	S.O.S.	Various	Upper Shock Bracket	2	X	X	X	X	X	X	X	X	X
11	S.O.S.	Various	Lower Shock Bracket	2	X	X	X	X	X	X	X	X	X
12	S.O.S.	Various	Upper Air Spring Bracket	2	X	X	X	X	X	X	X	X	X

HUTCHENS H-440 SINGLE POINT

HUTCHENS



HUTCHENS H-440 SINGLE POINT

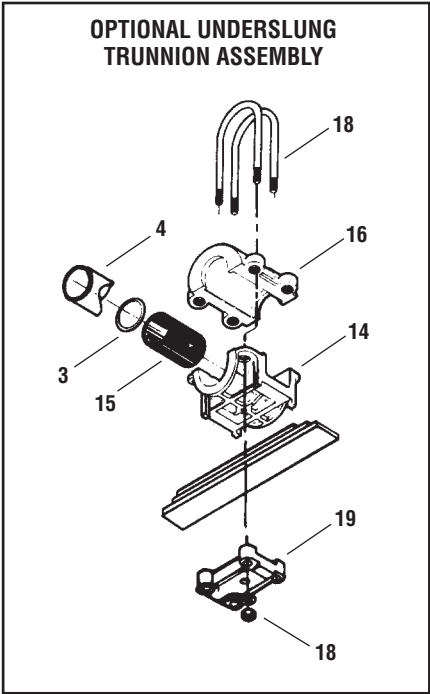
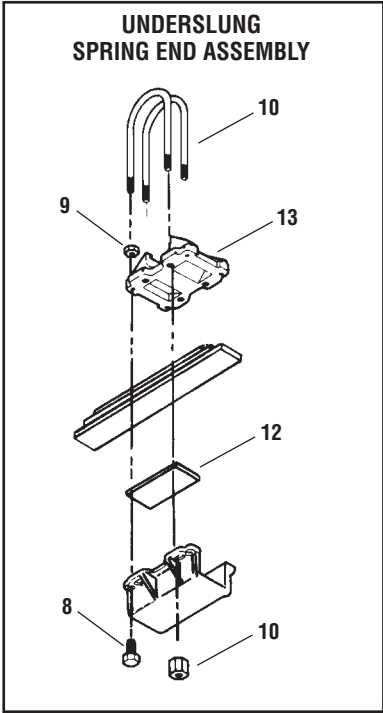
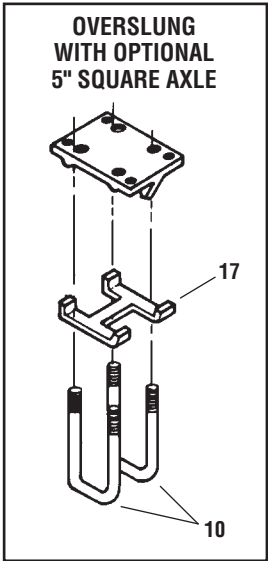
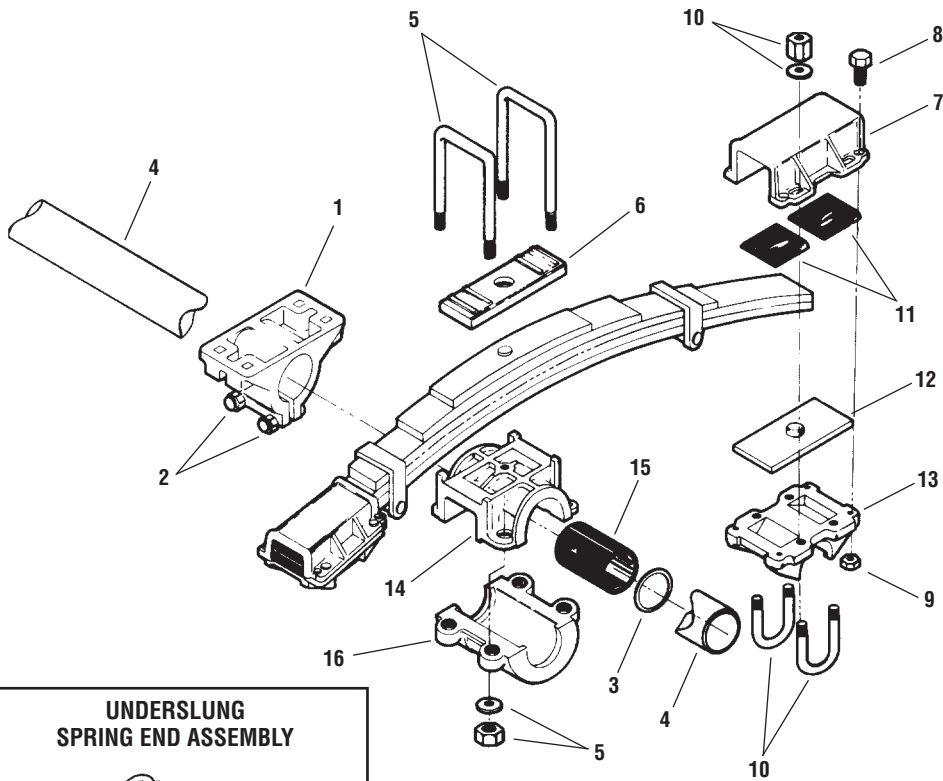
KEY NO.	EUCLID NO.	REPLACES NO.	DESCRIPTION	QTY PER TANDEM	
				38,000 LB.	44,000 LB.
1	E-15207	2093601	Trunnion Washer	2	2
	E-5219	89500 (Old)			
2	E-5213	85001 (New)	Trunnion Hanger 2 1/2" Height	2	2
3	E-15206	1037600	Hex Bolt 3/4"-16 UNF x 4 1/2" Gr 5	4	4
4	S.O.S.	89320	Trunnion Tube 0.50 Thk 46.5 Lg	1	
		89323	Trunnion Tube 0.50 Thk 52.5 Lg		
5	E-5219	2048801	Spring - 3 Leaf 44,000 Lb.		2
6	E-5227 (Rubber)		Spring End Pad	8	8
	E-8665 (Poly)				
7	E-15205	2061001	Spring End Cap	4	4
8	E-15212	1151303	Hex Locknut 5/8"-18 UNF	8	8
9	E-15213	1027300	Washer Spcl Flat Edge	8	8
10	E-4348	929300	Hex Bolt 5/8"-11 UNF x 2" Grade 5	8	8
11	E-25198	2060101	Adjustment Plate	4	4
12	E-25195	2060901	Spring Seat	4	4
13	E-15214	2060401	Trunnion Hub - Lower Half	2	2
14	E-15215	2060501	Trunnion Hub - Upper Half	2	2
15	E-25196	2060001	U-Bolt 7/8" Gr 8 - Square	4	4
16	E-15216	2059901	Hex Nut 7/8"-14 Unf Gr 8	8	8
17	E-2546	3500	Washer 15/16" I.D. X 1 1/4" O.D.	8	8
18	E-15198	2061201	Top Plate - Square U-Bolt	2	2
19	E-25197	1291901	Galvanized Liner	2	2
21	E-25199	2327603 (New)	Trunnion Hub Bushing - Free Oscilating	2	2
	—	2206803 (Old)			
	—	2024803 (Old)			
22	E-2545	81700	Washer 1/8" x 13/16" ID x 1 1/2" O.D.	16	16
23	E-3001	84100	Hex Nut, Self-Locking 3/4"-16 Unf	4	4
24	E-UB8155-073	1006001	U-Bolt Assembly, Rd. Bend, 3/4" -16 Thd.x 5" W x 7 1/2" L	8	8
—	S.O.S.	2061301	H440 2.5 Trn Subassy 38.00 Sc	1	
		2061302	H440 2.5 Trn Subassy 44.00 Sc		

HUTCHENS

HUTCHENS H-900 SINGLE POINT

Trailer

HUTCHENS



LEAF SPRING REFERENCES

SRI No.	
TRA 2711	5 Leaf
TRA 2715	6 Leaf
TRA 2719	7 Leaf
TRA 2713	9 Leaf
TRA 2714	9 Leaf

HUTCHENS H-900 SINGLE POINT

Trailer

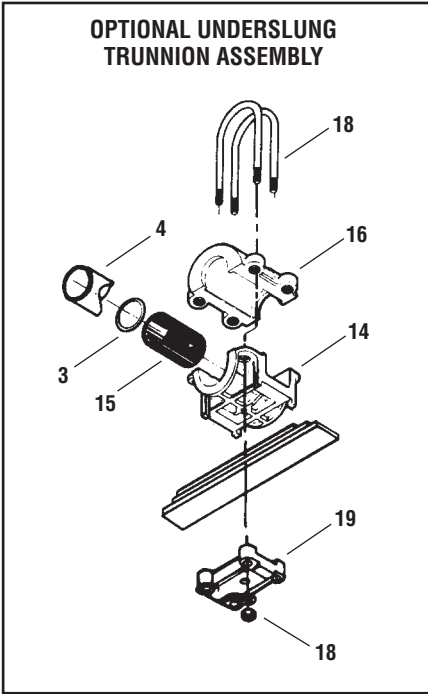
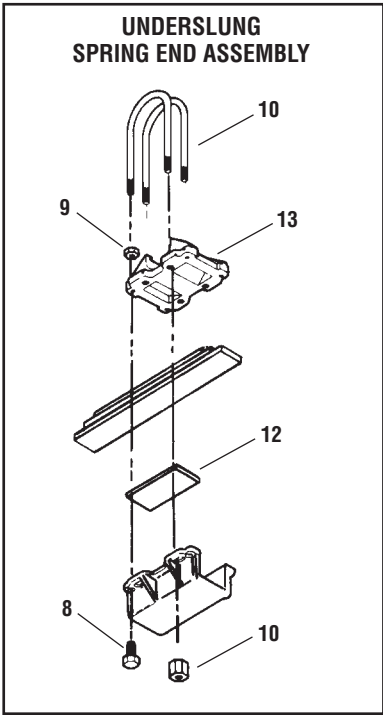
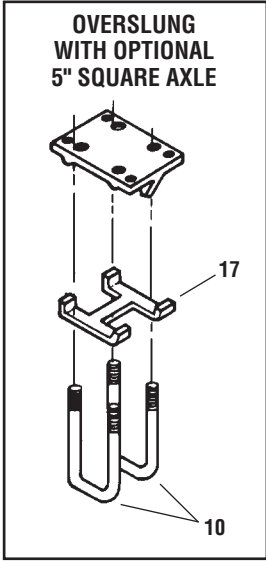
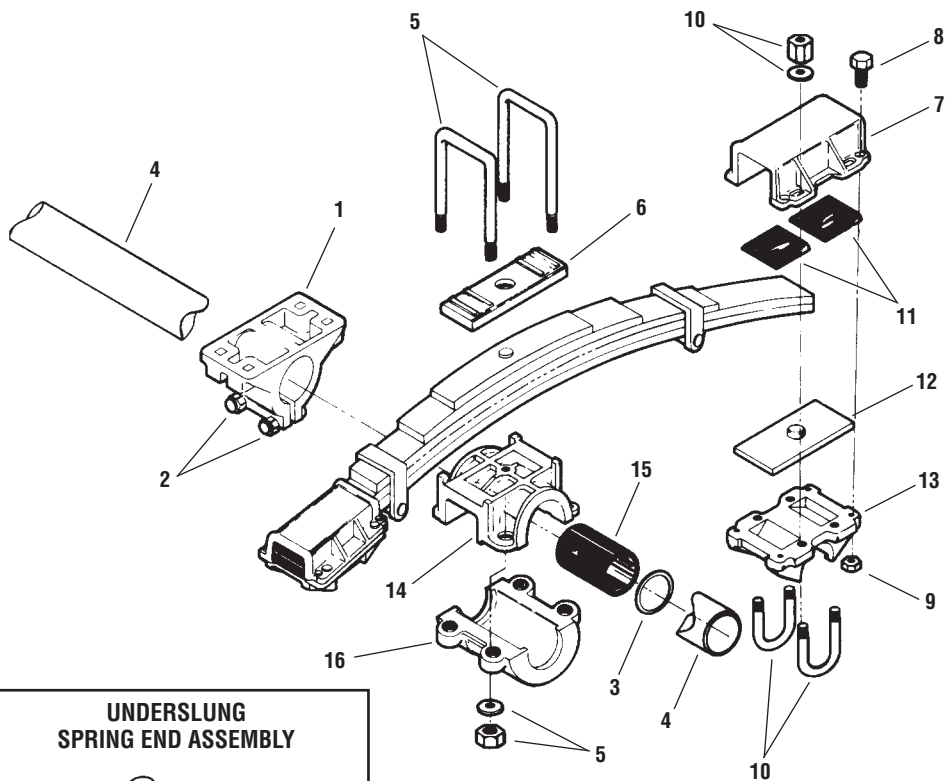
KEY NO.	EUCLID NO.	REPLACES NO.	DESCRIPTION	QTY PER TANDEM	OVERSLUNG TRUNNION		UNDERSLUNG TRUNNION	
					OVER-SLUNG AXLE	UNDER-SLUNG AXLE	OVERSLUNG AXLE	UNDER-SLUNG AXLE
1	E-5213	85001	Trunnion Hanger, 2 1/2" High		X	X	X	X
	E-4312	104760	Trunnion Hanger, 4 1/2" High	2	X	X	X	X
	E-5214	84901	Trunnion Hanger, 6 1/2" High		X	X	X	X
	E-5215	89701	Trunnion Hanger, 8 1/2" High		X	X	X	X
2	E-15206	1037600	Hex Bolt, 3/4"-16 Thd. x 4 1/2" Long	4	X	X	X	X
3	E-5219	89500	Trunnion Washer	2	X	X	X	X
4	E-15225	89304	Shaft, 44,000 lbs., 36" Spr Ctr		X	X	X	X
	E-2964	89301	Shaft, 44,000 lbs., 38" Spr Ctr		X	X	X	X
	E-15226	89311	Shaft, 44,000 lbs., 41" Spr Ctr		X	X	X	X
	E-15227	89309	Shaft, 44,000 lbs., 42" Spr Ctr		X	X	X	X
	E-15228	89307	Shaft, 44,000 lbs., 44" Spr Ctr	1	X	X	X	X
	E-15229	89305	Shaft, 60,000 lbs., 36" Spr Ctr		X	X	X	X
	E-5218	89302	Shaft, 60,000 lbs., 38" Spr Ctr		X	X	X	X
	E-15230	89312	Shaft, 60,000 lbs., 41" Spr Ctr		X	X	X	X
	E-15231	89310	Shaft, 60,000 lbs., 42" Spr Ctr		X	X	X	X
5	E-UB8286-134	963901 963902	U-Bolt, Square Bend, 1 1/8"-12 Thd. x 5 1/8" Wide x 13 1/2" L	4	X	X		
	E-UB8286-154	963903 963904 963905	U-Bolt, Square Bend, 1 1/8"-12 Thd. x 5 1/8" Wide x 15 1/2" L	4	X	X		
	E-5230	964000	Top Plate, Cast, Square	2	X	X		
6	E-5220	1004900	Spring End Cap, 2 Main Leaf Spr		X		X	
	E-5221	993700	Spring End Cap, 3 Main Leaf Spr		X		X	
7	E-5224	1005002	Spring End Cap, 2 Main Leaf Spr	4		X		X
	E-5225	994102	Spring End Cap, 3 Main Leaf Spr			X		X
	E-15217	994202	Spring End Cap, 5 3/4"-6" Round Axle			X		X
8	E-4348	929300	Hex Bolt, 5/8"-11 Thd. x 2" Long	16	X		X	
				8	X		X	
9	E-2988	3703	Hex Lock Nut, 5/8"-11 Thd.	16	X		X	
				8		X		X
10	E-UB8155-073	1006001	U-Bolt Assembly, Rd. Bend, 3/4"-16 Thd. x 5" Wide x 7 1/2" Long		X		X	
	E-15233	1006101	U-Bolt Assembly, Rd. Bend, 3/4"-16 Thd. x 5 3/4" Wide x 8" Long		X		X	
	E-25200	1006201	U-Bolt Assembly, Rd. Bend, 3/4"-16 Thd. x 6" Wide x 8" Long	8	X		X	
	E-UB8175-104	1006401	U-Bolt Assembly, Rd. Bend, 1"-14 Thd. x 5" Wide x 10 1/2" Long			X		X
	E-15234	1006501	U-Bolt Assembly, Rd. Bend, 1"-14 Thd. x 5 3/4" Wide x 11 1/2" Long			X		X
	E-15235	1006601	U-Bolt Assembly, Rd. Bend, 1"-14 Thd. x 6" Wide x 11 1/2" Long			X		X

HUTCHENS

HUTCHENS H-900 SINGLE POINT

Trailer

HUTCHENS



LEAF SPRING REFERENCES

SRI No.	
TRA 2711	5 Leaf
TRA 2715	6 Leaf
TRA 2719	7 Leaf
TRA 2713	9 Leaf
TRA 2714	9 Leaf

HUTCHENS H-900 SINGLE POINT

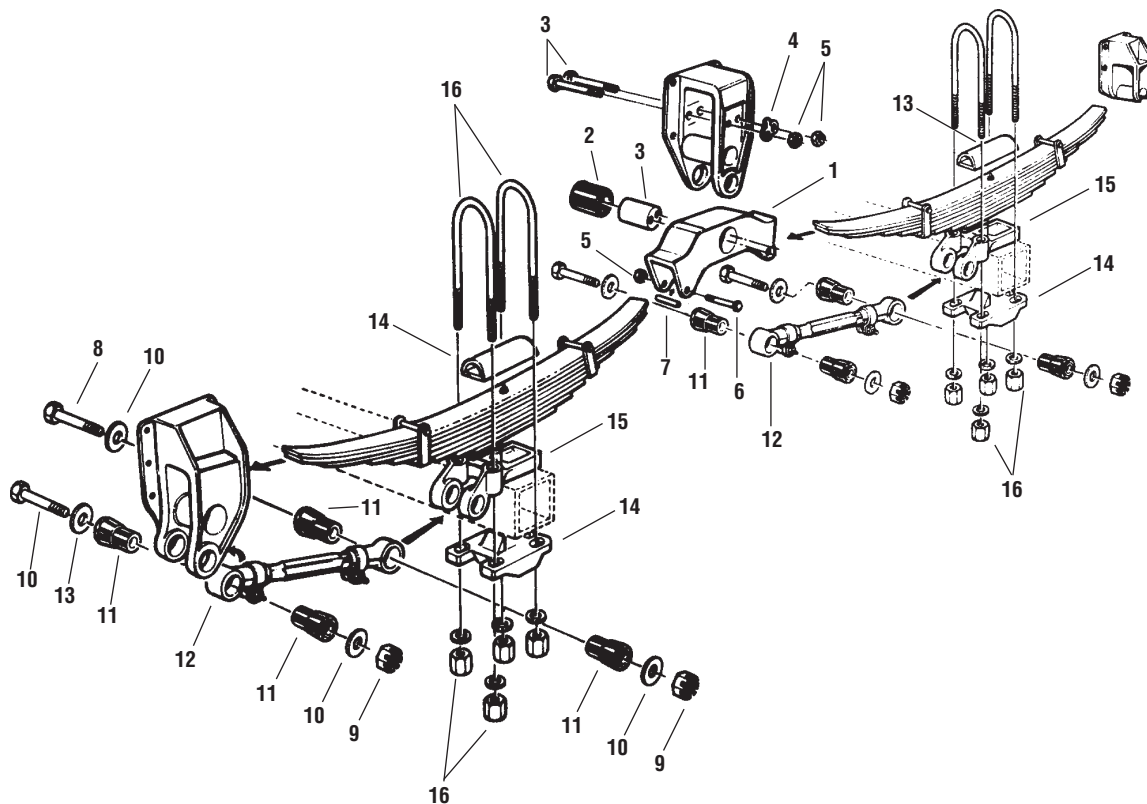
Trailer

KEY NO.	EUCLID NO.	REPLACES NO.	DESCRIPTION	QTY PER TANDEM	OVERSLUNG TRUNNION		UNDERSLUNG TRUNNION	
					OVER-SLUNG AXLE	UNDER-SLUNG AXLE	OVERSLUNG AXLE	UNDER-SLUNG AXLE
10	E-UB8256-077	1006001	U-Bolt Assembly, Sq. Bend, 3/4"-16 Thd. x 5" Wide x 7 7/8" Long	8	X		X	
	E-15237	1006702	U-Bolt Assembly, Sq. Bend, 1"-14 Thd. x 5" Wide x 10 1/2" Long			X		X
	E-15238	1006703	U-Bolt Assembly, Sq. Bend, 1"-14 Thd. x 5" Wide x 11 1/8" Long			X		X
11	E-5227 (Rubber)	81400	Spring End Pad	8	X	X	X	X
	E-8665 (Poly)							
12	E-5228	1060800	Alignment Adjustment Plate	4	X	X	X	X
	E-5222	993402	Spring Seat, 5" Rd. Axle		X		X	
	E-5226	993800	Spring Seat, 5" Rd. Axle			X		X
	E-5223	993502	Spring Seat, 5" x 5" Sq. Axle		X		X	
13	E-15218	993900	Spring Seat, 5" x 5" Sq. Axle	4		X		X
	E-15219	993603	Spring Seat, 5 3/4" Rd. Axle		X		X	
	E-15220	994000	Spring Seat, 5 3/4" Rd. Axle			X		X
	E-15221	993604	Spring Seat, 6" Rd. Axle		X		X	
	E-15222	994001	Spring Seat, 6" Rd. Axle				X	
14	E-5210	89100	Upper Trunnion Hub	2	X	X	X	X
15	E-5216 (Rubber)	89000	Trunnion Bushing	2	X	X	X	X
	E-7455 (Poly)	1135700	Free Oscillating Trunnion Bushing	2	X	X	X	X
16	E-5211	89800	Lower Trunnion Hub	2	X	X		
	E-5212	89200			X	X		
17	E-5229	1048800	Pressure Plate, 5" x 5" Square Axle	4	X	X	X	X
18	E-UB8187-154	83502	U-Bolt Assembly, 1 1/8"-12 Thd. x 5 7/8" Wide x 15 1/2" Long	4			X	X
		83503						
		83504						
19	E-5231A	82000	Bottom Plate	2			X	X

HUTCHENS

HUTCHENS H-2200 / H-2300

HUTCHENS



LEAF SPRING REFERENCES

SRI No.	
TRA 021	Single Leaf
TRA 023	Single Leaf
TRA 2726	3 Leaf
TRA 2727	3 Leaf
TRA 2728	3 Leaf
TRA 2705	7 Leaf
TRA 2706	7 Leaf
TRA 2732	8 Leaf
TRA 2260	8 Leaf

HUTCHENS H-2200 / H-2300

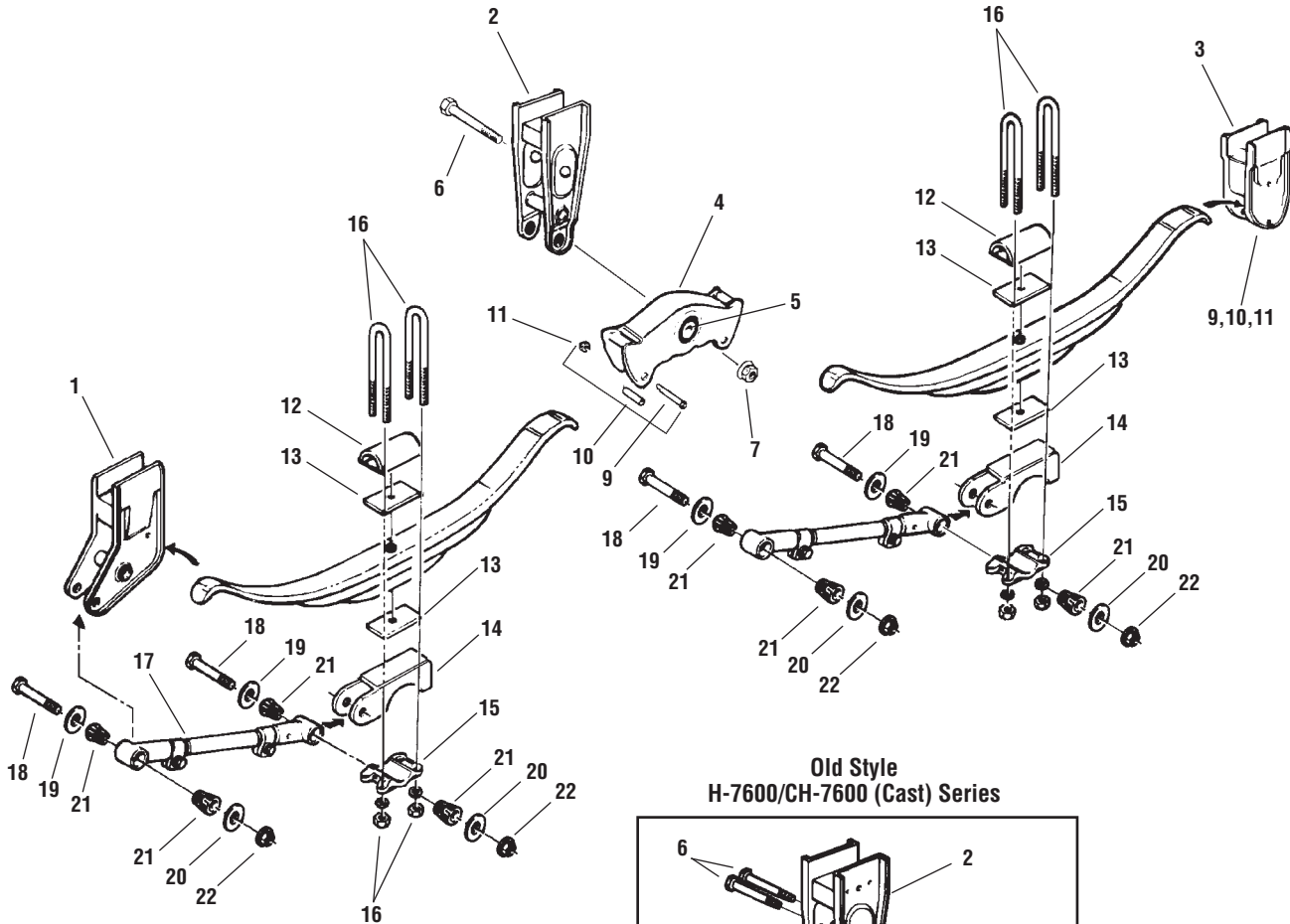
KEY NO.	EUCLID NO.	REPLACES NO.	DESCRIPTION	QTY PER TANDEM
1	E-2890	222401	Equalizer with Bushing	2
2	E-2004	72000	Equalizer Bushing	2
3	E-2000	701601	Equalizer Bolt	4
4	E-2001	72900	Tab Lock	2
5	E-2002	3701	Equalizer Nut	8
6	E-3415	75900	Equalizer Rebound Bolt	4
7	E-5219	75600	Equalizer Rebound Spacer	4
—	E-3414	—	Equalizer Bolt Kit, Includes Key Nos. 3, 4, 5, 6, 7, 8, 9	2
—	E-1075	—	Torque Arm Bushing Assembly, Includes Key Nos. 11, 12, 13, 14	8
8	E-1073	221901	Torque Arm Bolt	8
9	Part of E-1075	3000	Torque Arm Nut	8
10	E-1074	22700	Torque Arm Washer	16
11	E-1038 (Rubber)	22000	Torque Arm Bushing	16
12	E-2898	221300 (Old) 639901 (New)	Adjustable Torque Arm	4
13	E-2907A	702900 (Old) 1686801 (New)	U-Bolt Top Plate	4
14	E-2909	71000	Bottom Plate, 5" Rd. Axle	4
15	E-UB5161-12	—	U-Bolt Assembly, Rd. Bend, 7/8"-14 Thd. x 3" Wide x 12" Long	8
	E-UB5161-14	—	U-Bolt Assembly, Rd. Bend, 7/8"-14 Thd. x 3" Wide x 14" Long	
	E-UB5161-18	—	U-Bolt Assembly, Rd. Bend, 7/8"-14 Thd. x 3" Wide x 18" Long	
	E-UB8161-14	704011,12,14	U-Bolt Assembly, Rd. Bend, 7/8"-14 Thd. x 3" Wide x 14" Long	
	E-UB8161-16	704015,16,17,18	U-Bolt Assembly, Rd. Bend, 7/8"-14 Thd. x 3" Wide x 16" Long	
	E-UB8161-18	704019	U-Bolt Assembly, Rd. Bend, 7/8"-14 Thd. x 3" Wide x 18" Long	

HUTCHENS

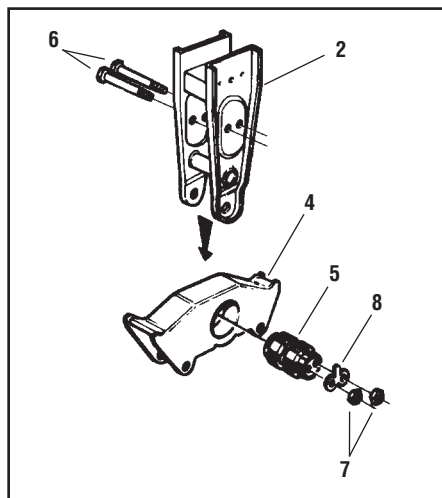
HUTCHENS H-9600/CH-9600 (CAST) and H-7600/CH-7600 (CAST) SERIES

Trailer

HUTCHENS



Old Style
H-7600/CH-7600 (Cast) Series



LEAF SPRING REFERENCES

SRI No.	
TRA 021	Single Leaf
TRA 023	Single Leaf
TRA 2726	3 Leaf
TRA 2727	3 Leaf
TRA 2728	3 Leaf
TRA 2705	7 Leaf
TRA 2706	7 Leaf
TRA 2732	8 Leaf
TRA 2260	8 Leaf

HUTCHENS H-9600/CH-9600 (CAST) and H-7600/CH-7600 (CAST) SERIES

Trailer

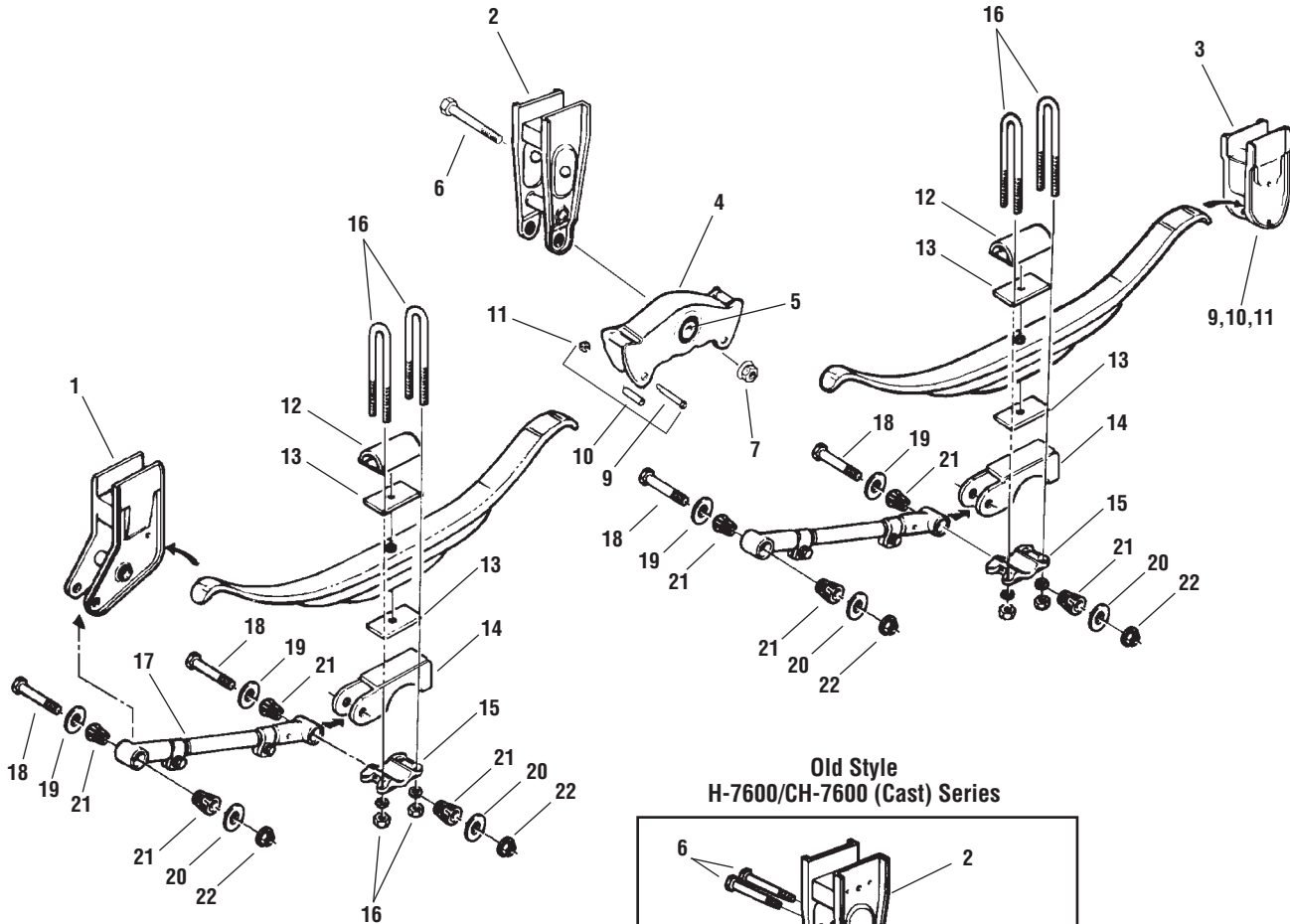
KEY NO.	EUCLID NO.	REPLACES NO.	DESCRIPTION	QTY PER TANDEM	H 9600	CH9600	H7600	CH7600
—	E-9469	1632101	Hanger/Equalizer Assembly, Straddle Mount		X			
—	E-9470	1632102	Hanger/Equalizer Assembly, Under Mount	2	X			
	S.O.S.		Other Hanger/Equalizer Assemblies, Specify Hanger Type		X	X	X	X
1	See Hanger Chart		Front Hanger	2	X	X	X	X
2	See Hanger Chart		Equalizer Hanger	2	X	X	X	X
3	See Hanger Chart		Rear Hanger	2	X	X	X	X
	E-5219	1615801	Equalizer, Fabricated, One Bolt		X			
	E-9471	1629001 (Old) 1778401 (New)	Equalizer, Cast, One Bolt			X		
	E-9567	—	Equalizer with Poly Bushing, One Bolt	2	X			
4	E-2781	75003	Equalizer, Heavy Duty, Two Bolt				X	
	E-2781A		Equalizer, OEE-equivalent, Two Bolt				X	
	E-9570	75003	Equalizer, Standard Duty, Two Bolt				X	
	E-7918		Equalizer with Poly Bushing, Two Bolt				X	
	E-2889	70401 (Old) 1913701 (New)	Equalizer, Cast, Two Bolt					X
—	E-9472 (Rubber)		Equalizer Bushing Assembly Incl, Key Nos. 5, 6, 7	2	X	X		
	E-9473 (Poly)							
—	E-2003 (Rubber)		Equalizer Bushing Assembly Incl. Key Nos. 5, 6, 7, 8	2			X	X
	E-9474 (Poly)							
—	E-9475		Equalizer Bolt Kit Incl. Key Nos. 6, 7, 9, 10, 11	2	X	X		
—	E-3414		Equalizer Bolt Kit Incl. Key Nos. 6, 7, 8, 9, 10, 11	2			X	X
	E-7621 (Rubber)	1614601 (Old) 1872301 (New)	Equalizer Bushing		X	X		
5	E-8666 (Poly)			2				
	E-1999A (Rubber)	7010-00	Equalizer Bushing				X	X
	E-7452 (Poly)							
6	E-7533	1615001	Equalizer Center Bolt	2	X	X		
	E-2000	701601		4			X	X
7	E-4358	1115400	Equalizer Nut	2	X	X		
	E-2002	3701		4			X	X
8	E-2001	72900	Lock Tab	2			X	X
9	E-3415	75900	Equalizer Rebound Bolt	4	X	X	X	X
10	E-3416	75600	Equalizer Rebound Spacer	4	X	X	X	X
11	E-2002	3701	Equalizer Rebound Nut	4	X	X	X	X
12	E-2907A	702900 (Old) 1686801 (New)	U-Bolt Top Plate	4	X	X	X	X

HUTCHENS

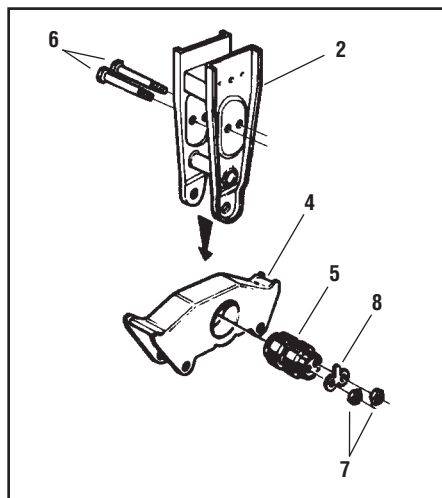
HUTCHENS H-9600/CH-9600 (CAST) and H-7600/CH-7600 (CAST) SERIES

Trailer

HUTCHENS



Old Style
H-7600/CH-7600 (Cast) Series



LEAF SPRING REFERENCES

SRI No.	
TRA 021	Single Leaf
TRA 023	Single Leaf
TRA 2726	3 Leaf
TRA 2727	3 Leaf
TRA 2728	3 Leaf
TRA 2705	7 Leaf
TRA 2706	7 Leaf
TRA 2732	8 Leaf
TRA 2260	8 Leaf

HUTCHENS H-9600/CH-9600 (CAST) and H-7600/CH-7600 (CAST) SERIES

Trailer

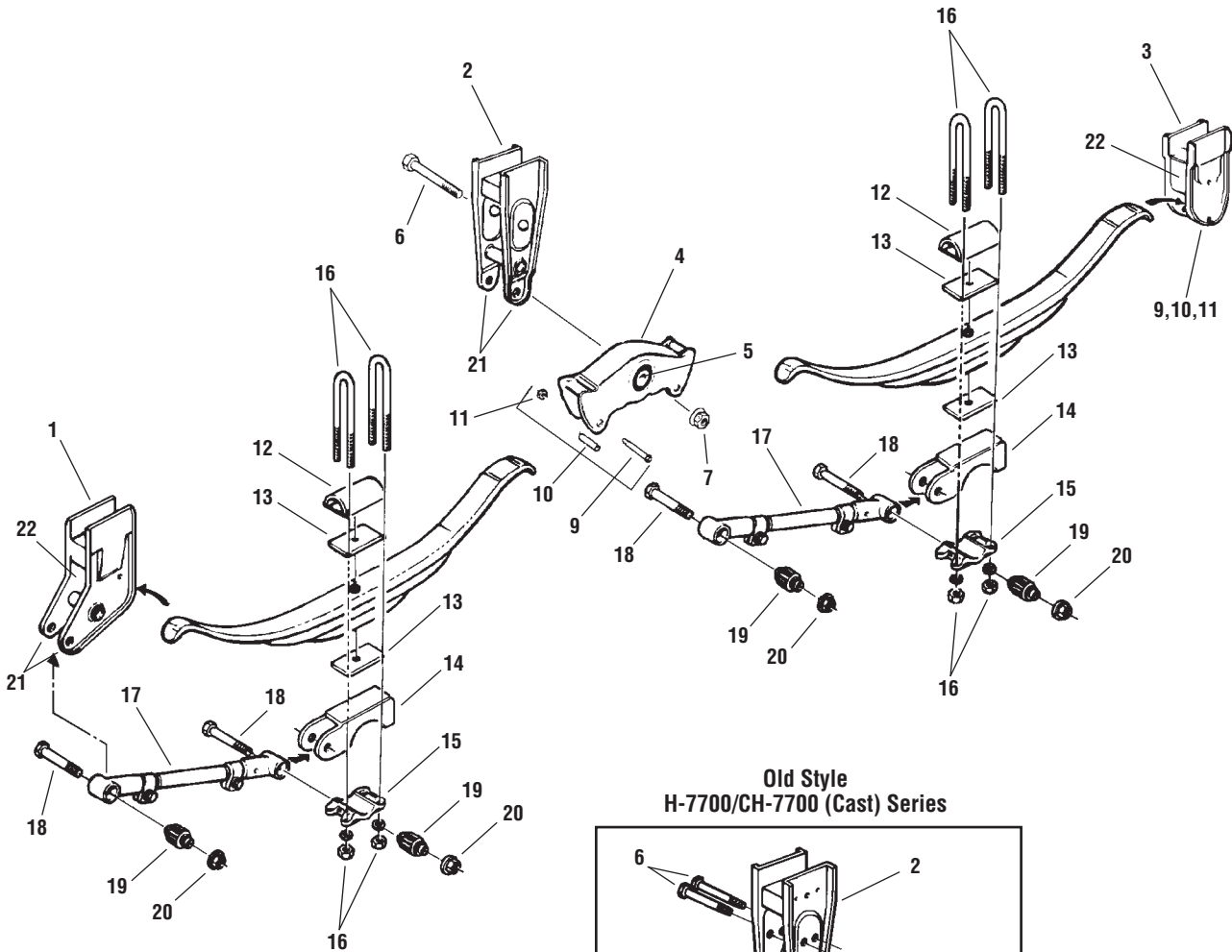
KEY NO.	EUCLID NO.	REPLACES NO.	DESCRIPTION	QTY PER TANDEM	H 9600	CH9600	H7600	CH7600
13	E-2842	705202 (Old) 1735002 (New)	Delrin Spring Liner Pad	8	X	X	X	X
14	See Spring Seat Chart		Spring Seat	4	X	X	X	X
15	E-2909	71000	Bottom Plate, 5" Rd.	4	X	X	X	X
	E-15205	762200	Bottom Plate, Cast, 5" Rd. Axle		X	X	X	X
	E-7636	774701	Bottom Plate, 5" Sq. Axle		X	X	X	X
	E-7635	774600	Bottom Plate, 4" x 6" Axle		X	X	X	X
16	See U-Bolt Chart		U-Bolt Assembly	8	X	X	X	X
17	E-9476	1616704	Adjustable Torque Arm	2	X	X	X	X
	E-9477	1195301	Rigid Torque Arm		X	X	X	X
—	E-9478 (Rubber)	—	Torque Arm Bushing Assembly Includes Key Nos. 18, 19, 20, 21, 22	8	X	X	X	X
	E-9479		(Poly)					
18	E-9480	1270901	Torque Arm Step Bolt	8	X	X	X	X
19	E-2833	1271001	Washer	8	X	X	X	X
20	E-9482	1271101	Washer	8	X	X	X	X
21	E-927 (Rubber)	762000	Torque Arm Bushing	16	X	X	X	X
	E-7433		(Poly)					
22	E-1835	3402	Torque Arm Nut	8	X	X	X	X

HUTCHENS

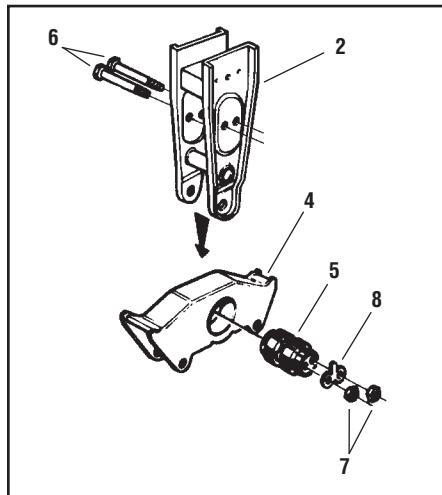
HUTCHENS H-9700/CH-9700 (CAST) and H-9700/CH-9700 (CAST) SERIES

Trailer

HUTCHENS



Old Style H-7700/CH-7700 (Cast) Series



LEAF SPRING REFERENCES

SRI No.	
TRA 021	Single Leaf
TRA 023	Single Leaf
TRA 2726	3 Leaf
TRA 2727	3 Leaf
TRA 2728	3 Leaf
TRA 2705	7 Leaf
TRA 2706	7 Leaf
TRA 2732	8 Leaf
TRA 2260	8 Leaf

HUTCHENS H-9700/CH-9700 (CAST) and H-9700/CH-9700 (CAST) SERIES

Trailer

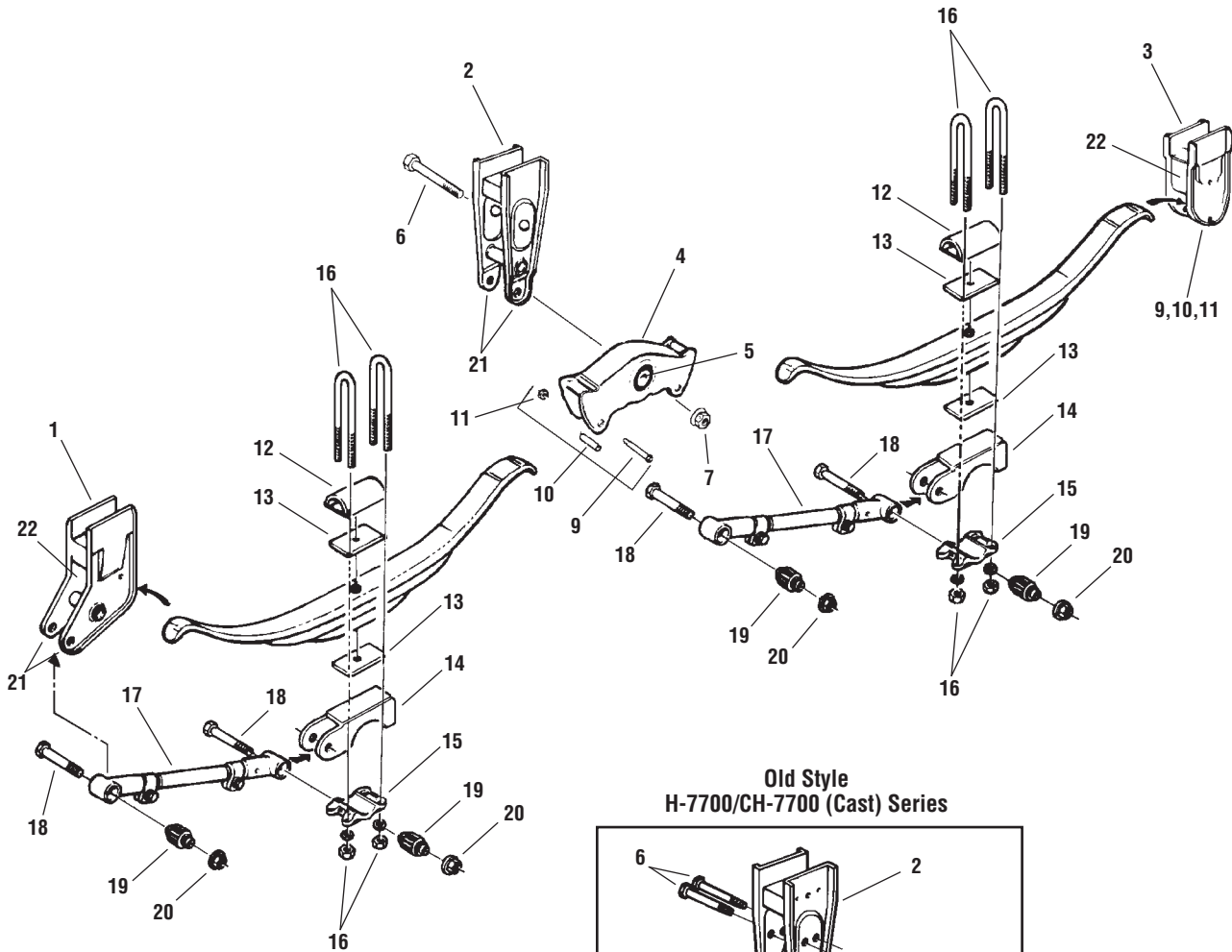
KEY NO.	EUCLID NO.	REPLACES NO.	DESCRIPTION	QTY PER TANDEM	H- 9700	CH-9700	H-7700	CH-7700		
	E-9484	1631901	Hanger/Equalizer Assembly, Straddle Mount	2	X					
—	E-9485	1631902	Hanger/Equalizer Assembly, Under Mount		X					
	S.O.S.		Other Hanger/Equalizer Assemblies, Specify Hanger Type		X	X	X	X		
1	See Hanger Chart Front Hanger			2	X	X	X	X		
2	See Hanger Chart			2	X	X	X	X		
3	See Hanger Chart			2	X	X	X	X		
	E-5219	1615801	Equalizer, Fabricated, One Bolt		X					
	E-9471	1629001 (Old) 1778401 (New)	Equalizer, Cast, One Bolt	2		X				
	E-11452	1615901 (Old) 2471101 (New)	Equalizer, Fabricated, 44" Axle Spacing		X					
4	E-9567	—	Equalizer with Poly Bushing, One Bolt		X					
	E-2781	75003	Equalizer, Heavy Duty, Two Bolt				X			
	E-2781A		Equalizer, OE Equivalent, Two Bolt				X			
	E-9570	75003	Equalizer, Standard Duty, Two Bolt				X			
	E-7918	—	Equalizer with Poly Bushing, Two Bolt				X			
	E-2889	70401 (Old) 1913701 (New)	Equalizer, Cast, Two Bolt					X		
—	E-9472 (Rubber)	—	Equalizer Bushing Assembly Includes Key Nos. 5, 6, 7	2	X	X				
	E-9473 (Poly)									
—	E-2003 (Rubber)	—	Equalizer Bushing Assembly Includes Key Nos. 5, 6, 7, 8	2			X	X		
	E-9474 (Poly)									
—	E-9475	—	Equalizer Bolt Kit Includes Key Nos. 6, 7, 9, 10, 11	2	X	X				
—	E-3414	—	Equalizer Bolt Kit Includes Key Nos. 6, 7, 8, 9, 10, 11	2			X	X		
5	E-7621 (Rubber)	1614601 (Old) 1872301 (New)	Equalizer Bushing	2	X	X				
	E-8666 (Poly)									
	E-1999A (Rubber)	701000							X	X
	E-7452 (Poly)									
6	E-7533	1615001	Equalizer Center Bolt	2	X	X				
	E-2000	7016-01		4			X	X		
7	E-4358	1115400	Equalizer Nut	2	X	X				
	E-2002	37-01		4			X	X		
8	E-2001	72900	Lock Tab	2			X	X		
9	E-3415	75900	Equalizer Rebound Bolt	4	X	X	X	X		

HUTCHENS

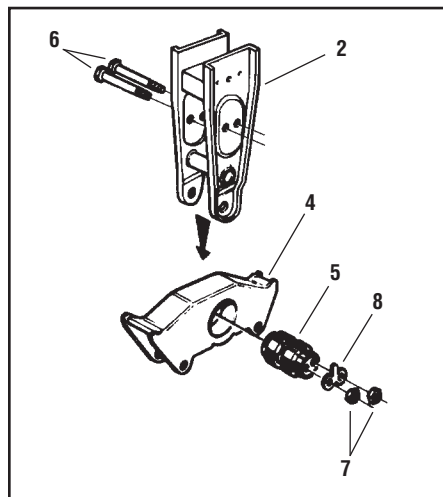
HUTCHENS H-9700/CH-9700 (CAST) and H-9700/CH-9700 (CAST) SERIES

Trailer

HUTCHENS



Old Style
H-7700/CH-7700 (Cast) Series



LEAF SPRING REFERENCES

SRI No.	
TRA 021	Single Leaf
TRA 023	Single Leaf
TRA 2726	3 Leaf
TRA 2727	3 Leaf
TRA 2728	3 Leaf
TRA 2705	7 Leaf
TRA 2706	7 Leaf
TRA 2732	8 Leaf
TRA 2260	8 Leaf

HUTCHENS H-9700/CH-9700 (CAST) and H-9700/CH-9700 (CAST) SERIES

Trailer

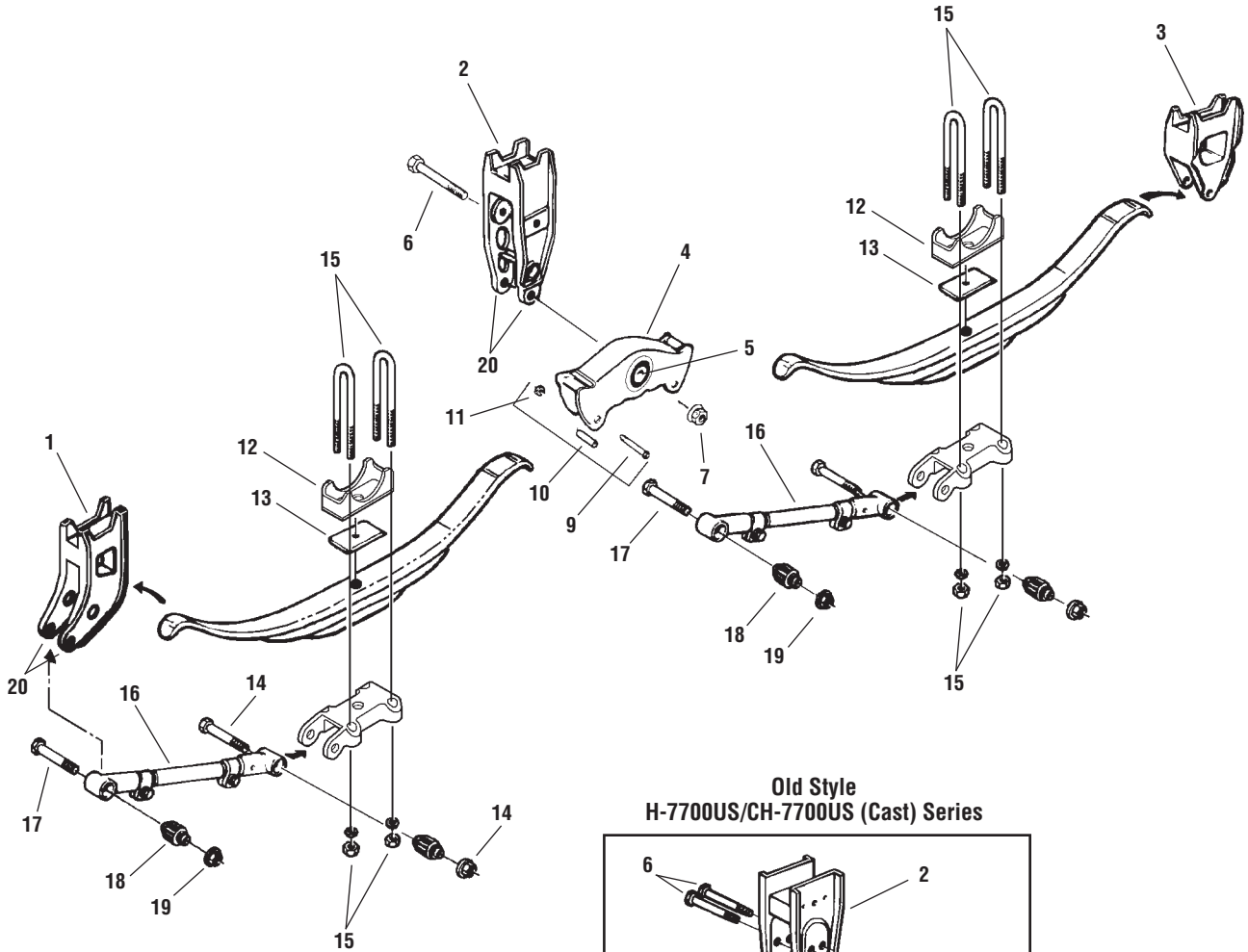
KEY NO.	EUCLID NO.	REPLACES NO.	DESCRIPTION	QTY PER TANDEM	H- 9700	CH-9700	H-7700	CH-7700
10	E-3416	75600	Equalizer Rebound Spacer	4	X	X	X	X
11	E-2002	3701	Equalizer Rebound Nut	4	X	X	X	X
12	E-2907A	1686801 (New) 702900 (Old)	U-Bolt Top Plate	4	X	X	X	X
13	E-2842	705202 (Old) 1735002 (New)	Delrin Spring Liner Pad	8	X	X	X	X
14	See Spring Seat Chart	Spring Seat	Spring Seat	4	X	X	X	X
15	E-2909	71000	Bottom Plate, 5" Rd.	4	X	X	X	X
	E-15205	762200	Bottom Plate, Cast, 5" Rd. Axle	4	X	X	X	X
	E-7636	774701	Bottom Plate, 5" Sq. Axle	4	X	X	X	X
	E-7635	774600	Bottom Plate, 4" x 6" Axle	4	X	X	X	X
16	See U-Bolt Chart	U-Bolt Assembly	U-Bolt Assembly	8	X	X	X	X
17	E-3277	1639804 (New) 71305 (Old)	Adjustable Torque Arm	2	X	X	X	X
	E-2899	71500	Rigid Torque Arm	2	X	X	X	X
—	E-3079 (Rubber) E-9486 (Poly)	—	Torque Arm Bushing Assembly Includes Key Nos. 18, 19 and 20	8	X	X	X	X
18	E-2891	71902	Torque Arm Bolt	8	X	X	X	X
19	E-934 (Rubber) E-7453 (Poly)	72200	Torque Arm Bushing	8	X	X	X	X
	E-2892	1056200	Torque Arm Nut	8	X	X	X	X
21	E-7682	771701	Replacement Hanger Washer Bushing	As Required	X		X	
22	E-9487	75503	Hanger Replacement Wear Pad	As Required	X		X	

HUTCHENS

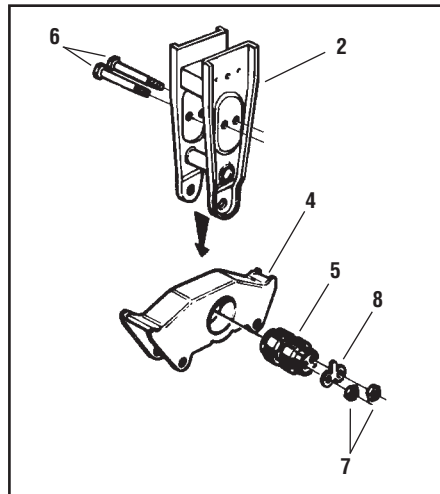
HUTCHENS H-9700US/CH-9700US (CAST) and H-9700US/CH-9700US (CAST) SERIES

Trailer

HUTCHENS



Old Style H-7700US/CH-7700US (Cast) Series



LEAF SPRING REFERENCES

SRI No.

TRA 021	Single Leaf
TRA 023	Single Leaf
TRA 2726	3 Leaf
TRA 2727	3 Leaf
TRA 2728	3 Leaf
TRA 2705	7 Leaf
TRA 2706	7 Leaf
TRA 2732	8 Leaf
TRA 2260	8 Leaf

HUTCHENS H-9700US/CH-9700US (CAST) and H-9700US/CH-9700US (CAST) SERIES

Trailer

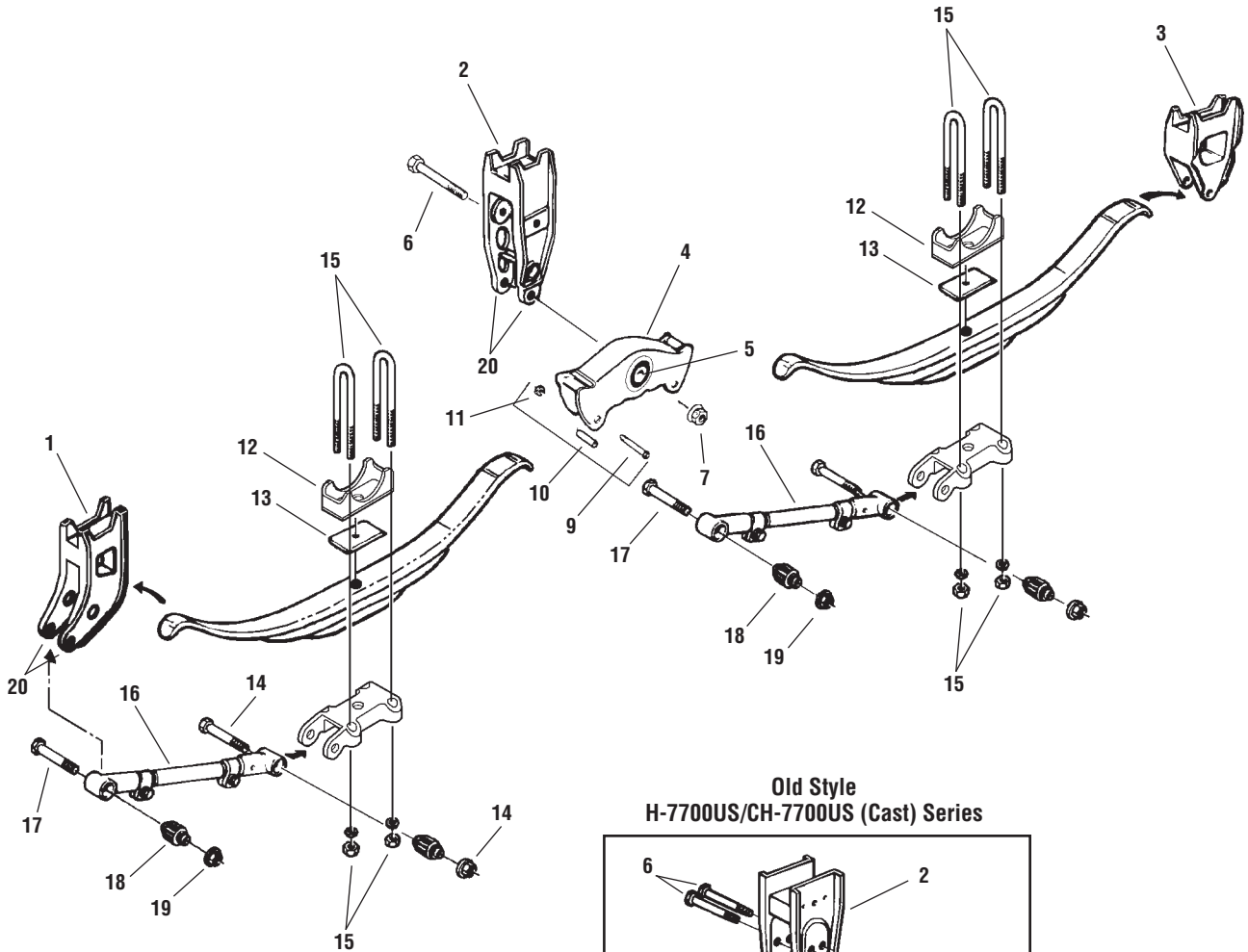
KEY NO.	EUCLID NO.	REPLACES NO.	DESCRIPTION	QTY PER TANDEM	H-9700US	CH-9700US	H-7700US	CH-7700US
—	E-9484	1631901	Hanger/Equalizer Assembly, Straddle Mount	2	X			
	E-9485	1631902	Hanger/Equalizer Assembly, Under Mount		X			
	S.O.S.		Other Hanger/Equalizer Assemblies, Specify Hanger Type		X	X	X	X
1	See Hanger Chart		Front Hanger	2	x	x	x	x
2	See Hanger Chart		Equalizer Hanger	2	X	X	X	X
3	See Hanger Chart		Rear Hanger	2	X	X	X	X
4	E-5219	1615801	Equalizer, Fabricated, One Bolt	2	X			
	E-9471	1629001 (Old) 1778401 (New)	Equalizer, Cast, One Bolt			X		
	E-9567	—	Equalizer with Poly Bushing, One Bolt		X			
	E-2781	75003	Equalizer, Heavy Duty, Two Bolt					X
	E-2781A		Equalizer, OE Equivalent, Two Bolt					X
	E-9570	75003	Equalizer, Standard Duty, Two Bolt					X
	E-7918	—	Equalizer with Poly Bushing, Two Bolt					X
	E-2889	70401 (Old) 1913701 (New)	Equalizer, Cast, Two Bolt					
—	E-9472 (Rubber)	—	Equalizer Bushing Assembly Includes Key Nos. 5, 6, 7	2	X	X	—	—
	E-9473 (Poly)							
—	E-2003 (Rubber)	—	Equalizer Bushing Assembly Includes Key Nos. 5, 6, 7, 8	2	—	—	X	X
	E-9474 (Poly)							
—	E-9475	—	Equalizer Bolt Kit Includes Key Nos. 6, 7, 9, 10, 11	2	X	X		
—	E-3414	—	Equalizer Bolt Kit Includes Key Nos. 6, 7, 8, 9, 10, 11	2			X	X
5	E-7621 (Rubber)	1614601 (Old)	Equalizer Bushing	2	X	X	—	—
	E-8666 (Poly)	1872301 (New)						
	E-1999A (Rubber)	701000						
	E-7452 (Poly)							
6	E-7533	1615001	Equalizer Center Bolt	2	X	X		
	E-2000	701601		4			X	X
7	E-4358	1115400	Equalizer Nut	2	X	X		
	E-2002	3701		4			X	X

HUTCHENS

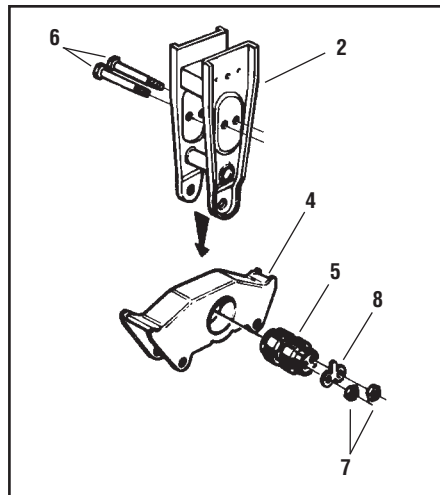
HUTCHENS H-9700US/CH-9700US (CAST) and H-9700US/CH-9700US (CAST) SERIES

Trailer

HUTCHENS



Old Style H-7700US/CH-7700US (Cast) Series



LEAF SPRING REFERENCES

SRI No.

TRA 021	Single Leaf
TRA 023	Single Leaf
TRA 2726	3 Leaf
TRA 2727	3 Leaf
TRA 2728	3 Leaf
TRA 2705	7 Leaf
TRA 2706	7 Leaf
TRA 2732	8 Leaf
TRA 2260	8 Leaf

HUTCHENS H-9700US/CH-9700US (CAST) and H-9700US/CH-9700US (CAST) SERIES

Trailer

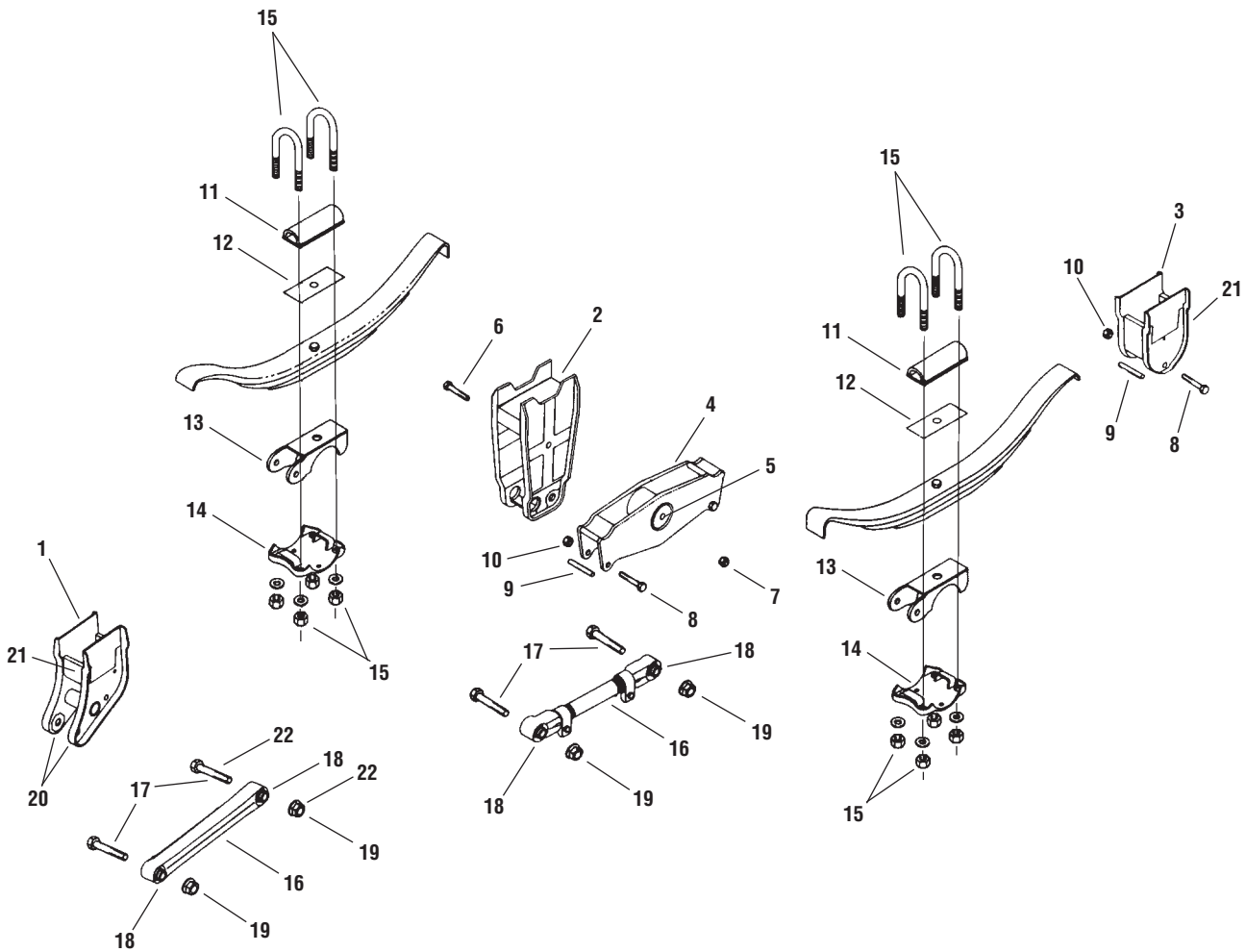
KEY NO.	EUCLID NO.	REPLACES NO.	DESCRIPTION	QTY PER TANDEM	H-9700US	CH-9700US	H-7700US	CH-7700US
8	E-2001	72900	Lock Tab	2			X	X
9	E-3415	75900	Equalizer Rebound Bolt	4	X	X	X	X
10	E-3416	75600	Equalizer Rebound Spacer	4	X	X	X	X
11	E-2002	3701	Equalizer Rebound Nut	4	X	X	X	X
12	See Spring Seat Chart		Spring Seat	4	X	X	X	X
13	E-2842	705202 (Old) 1735002 (New)	Delrin Spring Liner Pad	8	X	X	X	X
14	E-9839	—	Torque Arm Bolt and Nut	8	X	X	X	X
15	See U-Bolt Chart		U-Bolt Assembly	8	X	X	X	X
16	E-3277	1639804 (New)	Adjustable Torque Arm	2	X	X	X	X
		713-05 (Old)						
	E-2899	71500	Rigid Torque Arm	2	X	X	X	X
—	E-3079 (Rubber)	—	Torque Arm Bushing Assembly Includes Key Nos. 17, 18, and 19	8	X	X	X	X
	E-9486 (Poly)							
17	E-2891	71902	Torque Arm Bolt	8	X	X	X	X
18	E-934 (Rubber)	72200	Torque Arm Bushing	8	X	X	X	X
19	E-2892	1056200	Torque Arm Nut	8	X	X	X	X
20	E-7682	771701	Replacement Hanger Washer Bushing	As Req	X		X	
21	E-9487	75503	Hanger Replacement Wear Pad	As Req	X		X	

HUTCHENS

HUTCHENS TWS (TANDEM WIDESPREAD) H-9700 and CH-9700 (CAST) TWS 54.5

Trailer

HUTCHENS



LEAF SPRING REFERENCES

SRI No.

TRA 021	Single Leaf
TRA 023	Single Leaf
TRA 2726	3 Leaf
TRA 2727	3 Leaf
TRA 2728	3 Leaf
TRA 2705	7 Leaf
TRA 2706	7 Leaf
TRA 2732	8 Leaf
TRA 2260	8 Leaf

HUTCHENS TWS (TANDEM WIDESPREAD) H-9700 and CH-9700 (CAST) TWS 54.5

Trailer

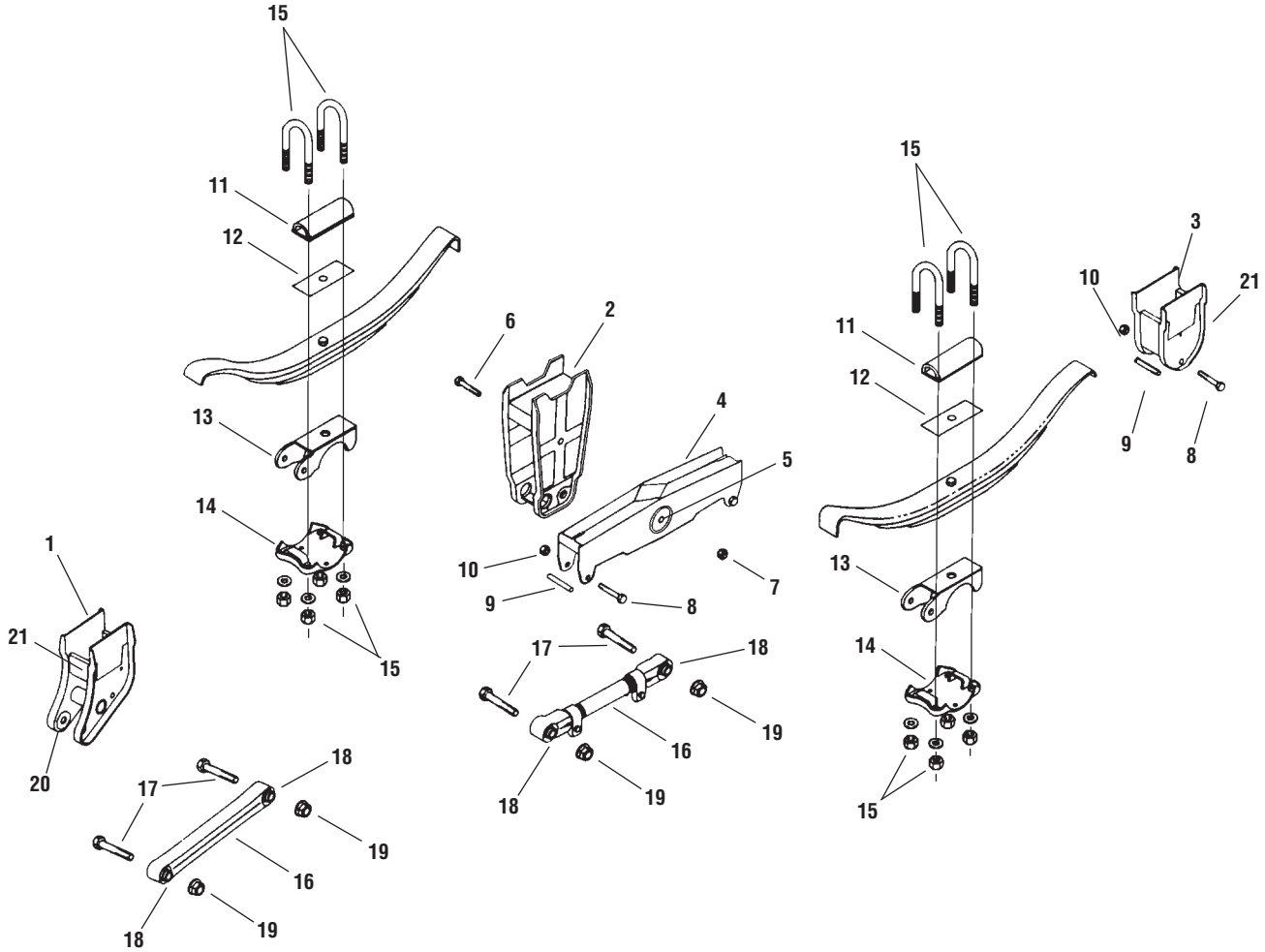
KEY NO.	EUGLID NO.	REPLACES NO.	DESCRIPTION	QTY PER TANDEM	H-9700 TWS 54.5	CH-9700 TWS 54.5
1	See Hanger Chart		Front Hanger	2	X	X
2	See Hanger Chart		EqualizerHanger	2	X	X
3	See Hanger Chart		RearHanger	2	X	X
4	E-15223	1760401	Equalizer, Fabricated, Replaced with Cast	2	X	X
—	E-9472 (Rubber) E-9473 (Poly)	—	Equalizer Bushing Assembly Includes Key Nos. 5, 6, 7	2	X	X
—	E-5219	—	Equalizer Bolt Kit Includes Key Nos. 6, 7, 9, 10, 11	2	X	X
5	E-7621 (Rubber) E-8666 (Poly)	1614601 (Old) 1872301 (New)	Equalizer Bushing	2	X	X
6	E-7533	1615001	Equalizer Center Bolt	2	X	X
7	E-4358	1115400	Equalizer Nut	2	X	X
8	E-3415	75900	Equalizer Rebound Bolt	4	X	X
9	E-3416	75600	Equalizer Rebound Spacer	4	X	X
10		3702	Equalizer Rebound Nut	4	X	X
11	E-2907A	1686801 (New) 7029-00 (Old)	U-Bolt Top Plate	4	X	X
12	E-2842	705202 (Old) 1735002 (New)	Delrin Spring Liner Pad	8	X	X
13	See Spring Seat Chart		SpringSeat	4	X	X
14	E-2909 E-7636 E-7635	71000 774701 774600	Bottom Plate, 5" Rd. Bottom Plate, 5" Sq. Axle Bottom Plate, 4" x 6" Axle	4 X X	X X X	X X X
15	See U-Bolt Chart		U-Bolt Assembly	8	X	X
16	E-3277 E-7683 E-2899	1639804 1639805 71500	Adjustable Torque Arm, 19 1/4" Center-to-Center Front, Roadside Adjustable Torque Arm, 20 1/4" Center-to-Center Rear, Both Rigid Torque Arm, 19 1/4" Front, Curbside	2 2 2	X X X	X X X
—	E-3079 (Rubber) E-9486 (Poly)	—	Torque Arm Bushing Assembly Includes Key Nos. 17, 18, and 19	8	X	X
17	E-2891	71902	Torque Arm Bolt	8	X	X
18	E-934 (Rubber) E-7453 (Poly)	72200	Torque Arm Bushing	8	X	X
19	E-2892	1056200	Torque Arm Nut	8	X	X
20	E-7682	771701	Replacement Hanger Washer Bushing	As Required	X	
21	E-9487	75503	Hanger Replacement Wear Pad	As Required	X	
22	E-9839	—	Torque Arm Bolt and Nut	8	X	X

HUTCHENS

HUTCHENS TWS (TANDEM WIDESPREAD) H-9700 TWS and CH-9700 (CAST) TWS 61 and 73

Trailer

HUTCHENS



LEAF SPRING REFERENCES

SRI No.	
TRA 021	Single Leaf
TRA 023	Single Leaf
TRA 2726	3 Leaf
TRA 2727	3 Leaf
TRA 2728	3 Leaf
TRA 2705	7 Leaf
TRA 2706	7 Leaf
TRA 2732	8 Leaf
TRA 2260	8 Leaf

HUTCHENS TWS (TANDEM WIDESPREAD) H-9700 TWS and CH-9700 (CAST) TWS 61 and 73

Trailer

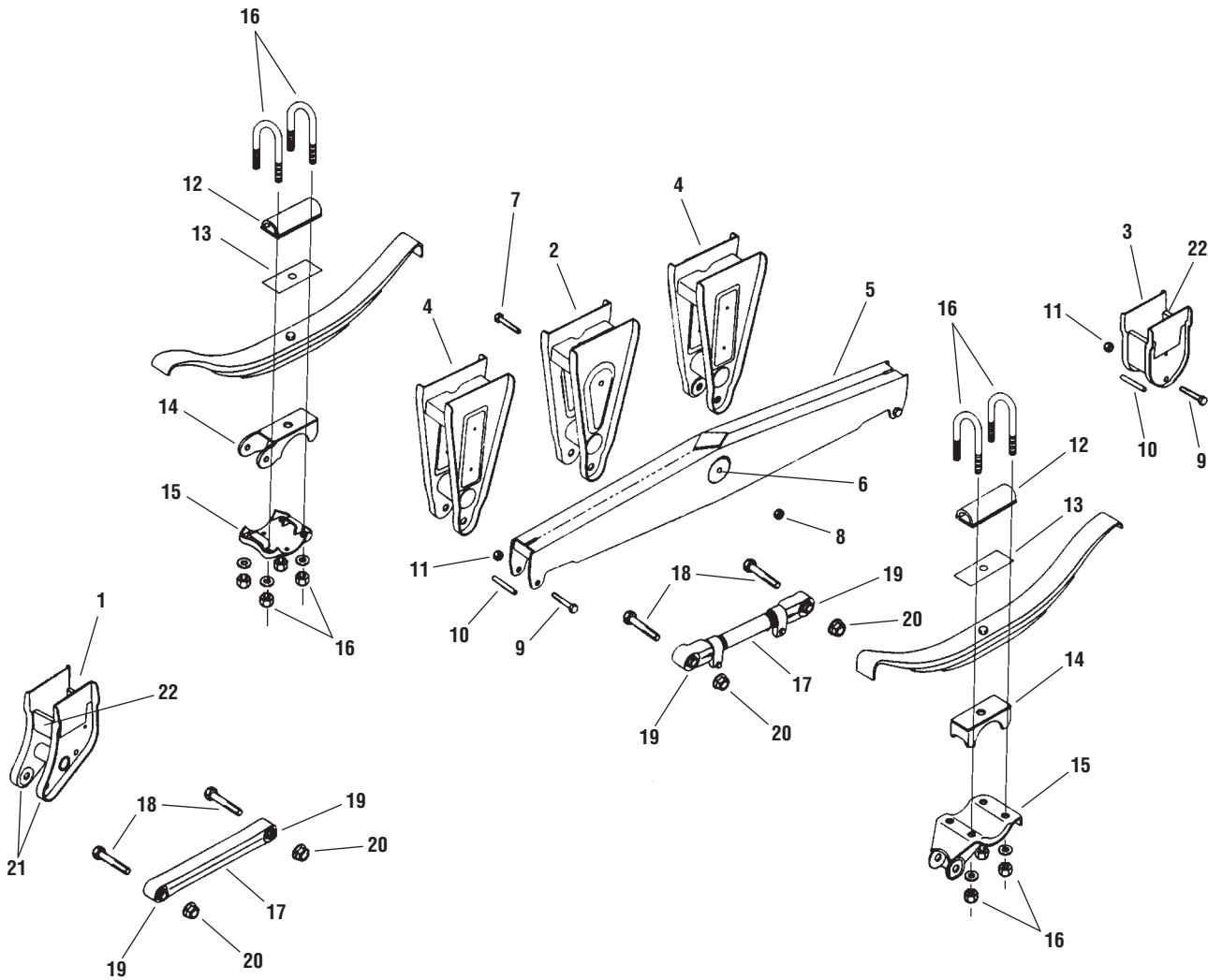
KEY NO.	EUCLID NO.	REPLACES NO.	DESCRIPTION	QTY PER TANDEM	H-9700 TWS 61	CH-9700 TWS 71	H-9700 TWS 73	CH-9700 TWS 73
1	See Hanger Chart		Front Hanger	2	X	X	X	X
2	See Hanger Chart		Equalizer Hanger	2	X	X	X	X
3	See Hanger Chart		Rear Hanger	2	X	X	X	X
4	E-9489	1616802 (Old) 2183401 (New)	Equalizer, Fabricated	2	X	X		
	E-9330	1616804 (Old) 2183501 (New)						X
—	E-9472 (Rubber)	—	Equalizer Bushing Assembly, Includes Key Nos. 5, 6, 7	2	X	X	X	X
	E-5219							
—	E-9475	—	Equalizer Bolt Kit, Incl. Key Nos. 6, 7, 9, 10, 11	2	X	X	X	X
5	E-7621 (Rubber)	1614601 (Old) 1872301 (New)	Equalizer Bushing	2	X	X	X	X
	E-8666 (Poly)							
6	E-7533	1615001	Equalizer Center Bolt	2	X	X	X	X
7	E-4358	1115400	Equalizer Nut	2	X	X	X	X
8	E-3415	75900	Equalizer Rebound Bolt	4	X	X	X	X
9	E-3416	75600	Equalizer Rebound Spacer	4	X	X	X	X
10		3702	Equalizer Rebound Nut	4	X	X	X	X
11	E-2907A	1686801 (New) 702900 (Old)	U-Bolt Top Plate	4	X	X	X	X
12	E-2842	705202 (Old) 1735002 (New)	Delrin Spring Liner Pad	8	X	X	X	X
13	See Spring Seat Chart		Spring Seat	4	X	X	X	X
	E-2909	71000	Bottom Plate, 5 Rd.		X	X	X	X
14	E-7636	774701	Bottom Plate, 5 Sq. Axle	4	X	X	X	X
	E-7635	774600	Bottom Plate, 4 x 6 Axle		X	X	X	X
15	See U-Bolt Chart		U-Bolt Assembly	8	X	X	X	X
	E-3277	1639804	Adj. Torque Arm, 19 1/4 C-to-C Front, Road-side	2	X	X	X	X
16	E-7684	1639808	Adj. Torque Arm, 23 1/2 C-to-C Rear, Both	2	X	X		
	E-7685	1639812	Adj. Torque Arm, 29 1/4 C-to-C Rear, Both	2			X	X
	E-2899	71500	Rigid Torque Arm, 19 1/4 Center-to-Center Front, Curbside	2	X	X	X	X
—	E-3079 (Rubber)	—	Torque Arm Bushing Assembly, Includes Key Nos. 17, 18, and 19	8	X	X	X	X
	E-9486 (Poly)							
17	E-2891	71902	Torque Arm Bolt	8	X	X	X	X
18	E-934 (Rubber)	72200	Torque Arm Bushing	8	X	X	X	X
	E-7453 (Poly)							
19	E-2892	1056200	Torque Arm Nut	8	X	X	X	X
20	E-7682	771701	Replacement Hanger Washer Bushing	As Req	X		X	
21	E-9487	75503	Hanger Replacement Wear Pad	As Req	X		X	

HUTCHENS

HUTCHENS TWS (TANDEM WIDESPREAD) H-9700 and CH-9700 (CAST) TWS 109 and 121

Trailer

HUTCHENS



LEAF SPRING REFERENCES

SRI No.	
TRA 021	Single Leaf
TRA 023	Single Leaf
TRA 2726	3 Leaf
TRA 2727	3 Leaf
TRA 2728	3 Leaf
TRA 2705	7 Leaf
TRA 2706	7 Leaf
TRA 2732	8 Leaf
TRA 2260	8 Leaf

HUTCHENS TWS (TANDEM WIDESPREAD) H-9700 and CH-9700 (CAST) TWS 109 and 121

Trailer

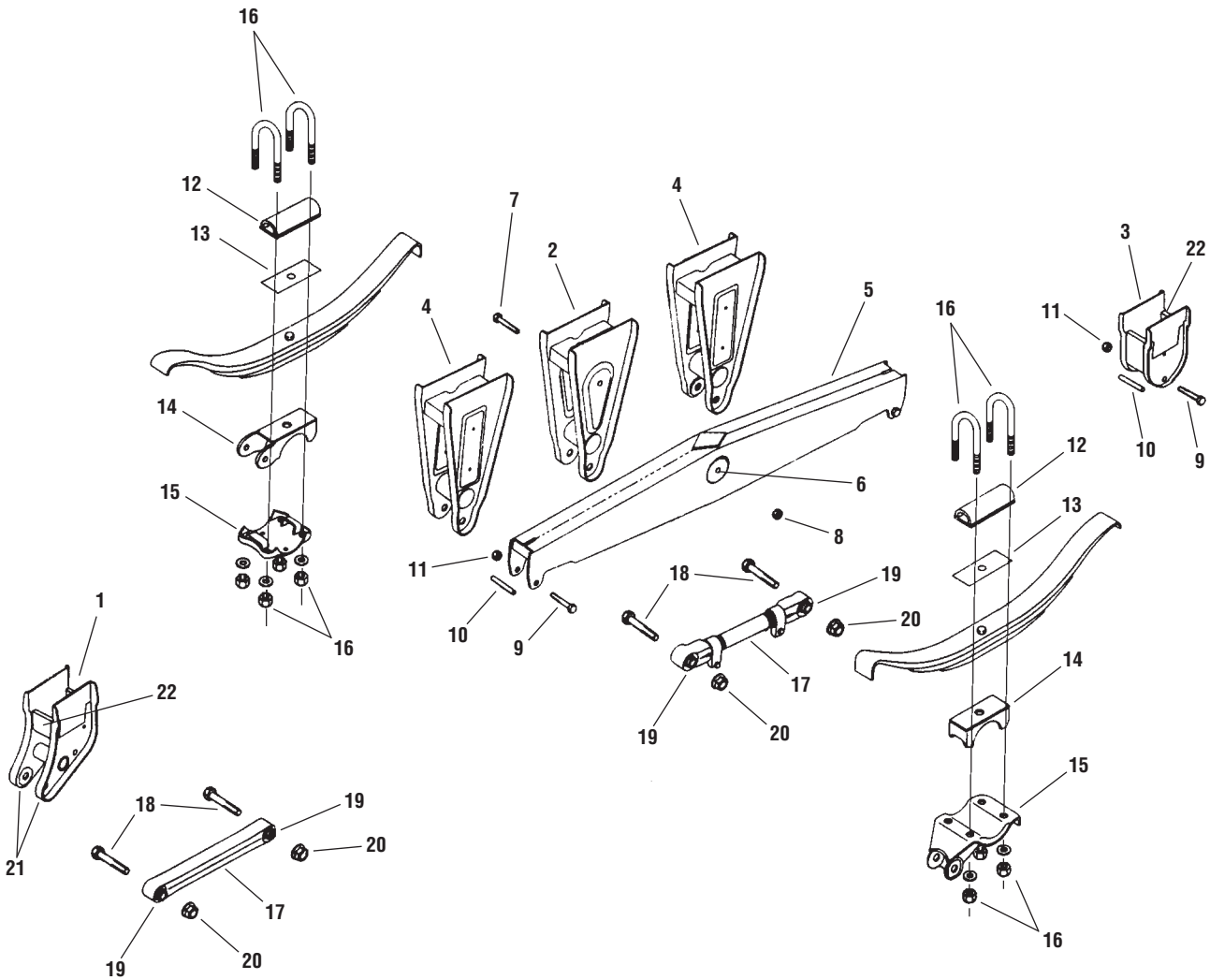
KEY NO.	EUCLID NO.	REPLACES NO.	DESCRIPTION	QTY PER TANDEM	H-9700 TWS 109	CH-9700 TWS 109	H-9700 TWS 121	CH-9700 TWS 121
1	See Hanger Chart		Front Hanger	2	X	X	X	X
2	See Hanger Chart		Equalizer Hanger	2	X	X	X	X
3	See Hanger Chart		Rear Hanger	2	X	X	X	X
4	E-15224	770713	Beam Guide Hanger, Straddle Mt, Fabricated	4	X		X	
	E-7681	770714	Beam Guide Hanger, Under Mt, Fabricated	4	X		X	
	S.O.S.	770809	Beam Guide Hanger, Straddle Mount, Cast	4		X		X
	E-5219	770811	Beam Guide Hanger, Under Mount, Cast	4		X		X
5	E-9491	1616810	Equalizer, Fabricated Equalizer Bushing Assembly, Includes Key Nos. 5, 6, 7	2	X	X		
—	E-9472 (Rubber)	—	Equalizer Bushing Assembly, Includes Key Nos. 5, 6, 7	2	X	X	X	X
—	E-9473 (Poly)	—						
—	E-9475	—	Equalizer Bolt Kit, Includes Key Nos. 6, 7, 9, 10, 11	2	X	X	X	X
6	E-7621 (Rubber)	1614601 (Old)	Equalizer Bushing	2	X	X	X	X
	E-8666 (Poly)	1872301 (New)						
7	E-7533	1615001	Equalizer Center Bolt	2	X	X	X	X
8	E-4358	1115400	Equalizer Nut	2	X	X	X	X
9	E-3415	75900	Equalizer Rebound Bolt	4	X	X	X	X
10	E-3416	75600	Equalizer Rebound Spacer	4	X	X	X	X
11		3702	Equalizer Rebound Nut	4	X	X	X	X
12	E-2907A	1686801 (New)	U-Bolt Top Plate	4	X	X	X	X
		702900 (Old)						
13	E-2842	705202 (Old)	Delrin Spring Liner Pad	8	X	X	X	X
		1735002 (New)						
14	See Spring Seat Chart		Spring Seat	4	X	X	X	X
15	E-2909	71000	Bottom Plate, 5 Rd., Front	2	X	X	X	X
	E-7636	774701	Bottom Plate, 5 Sq. Axle, Front	X	X	X	X	
	E-7635	774600	Bottom Plate, 4 x 6 Axle, Front		X	X	X	X
	E-7697	1077500	Bottom Plate, 5 Rd., Rear	2	X	X	X	X
	E-7699	773801	Bottom Plate, 5 Sq. Axle, Rear	X	X	X	X	
	E-7698	773800	Bottom Plate, 4 x 6 Axle, Rear		X	X	X	X
16	See U-Bolt Chart		U-Bolt Assembly	8	X	X	X	X
17	E-3277	1639804	Adjust. Torque Arm, 19 1/4 Front, Roadside	1	X	X	X	X
	E-3390	1639817	Adjust. Torque Arm, 17 1/4, Rear	2	X	X	X	X
	E-2899	71500	Rigid Torque Arm, 19 1/4 Front, Curbside	1	X	X	X	X

HUTCHENS

HUTCHENS TWS (TANDEM WIDESPREAD) H-9700 and CH-9700 (CAST) TWS 109 and 121

Trailer

HUTCHENS



LEAF SPRING REFERENCES

SRI No.	
TRA 021	Single Leaf
TRA 023	Single Leaf
TRA 2726	3 Leaf
TRA 2727	3 Leaf
TRA 2728	3 Leaf
TRA 2705	7 Leaf
TRA 2706	7 Leaf
TRA 2732	8 Leaf
TRA 2260	8 Leaf

HUTCHENS TWS (TANDEM WIDESPREAD) H-9700 and CH-9700 (CAST) TWS 109 and 121

Trailer

KEY NO.	EUCLID NO.	REPLACES NO.	DESCRIPTION	QTY PER TANDEM	H-9700 TWS 109	CH-9700 TWS 109	H-9700 TWS 121	CH-9700 TWS 121
—	E-3079 (Rubber)	—	Torque Arm Bushing Assembly Includes Key Nos. 18, 19, and 20	8	X	X	X	X
18	E-2891	71902	Torque Arm Bolt	8	X	X	X	X
19	E-934 (Rubber) E-7453 (Poly)	72200	Torque Arm Bushing	8	X	X	X	X
20	E-2892	1056200	Torque Arm Nut	8	X	X	X	X
21	E-7682	771701	Replacement Hanger Washer Bushing	As Required	X		X	
22	E-9487	75503	Hanger Replacement Wear Pad	As Required	X		X	

HUTCHENS

HUTCHENS SPRING HANGERS

MOUNTING TYPES:

- FLB = Flange Mount, Bolt-On
- FLW = Flange Mount, Weld-On
- SM = Side Mount
- ST = Straddle Mount
- UM = Under Mount

HUTCHENS

EUCLID NO.	REPLACES NO.	DESCRIPTION	MOUNTING TYPE	H-7600	H-7700	H-9600	H-9700	H-9700	H-9700	H-9700	H-9700	H-9700
								TWS 54.5	TWS 61	TWS 73	TWS 109	TWS 121
E-15236	760205	Equalizer Hanger	FLB	X								
E-5072	770205	Equalizer Hanger	FLB		X							
E-25185	1617801	Equalizer Hanger	FLB				X					
S.O.S.	1619201	Equalizer Hanger	FLB			X						
S.O.S.	760203	Equalizer Hanger	FLW	X								
E-15208	770204	Equalizer Hanger	FLW		X							
E-15209	1617901	Equalizer Hanger	FLW				X					
S.O.S.	1619101	Equalizer Hanger	FLW			X						
S.O.S.	760204	Equalizer Hanger	SM	X								
E-25190	770203	Equalizer Hanger	SM		X							
E-25184	1617501	Equalizer Hanger	SM				X					
S.O.S.	1619001	Equalizer Hanger	SM			X						
E-9495	760201	Equalizer Hanger	ST	X								
E-2911	770201	Equalizer Hanger	ST		X							
E-7534	1616901	Equalizer Hanger	ST				X					
S.O.S.	1618401	Equalizer Hanger	ST							X	X	
E-9497	1618701	Equalizer Hanger	ST			X						
E-9496	760202	Equalizer Hanger	UM	X								
E-2914	770202	Equalizer Hanger	UM		X							
E-9582	1617101	Equalizer Hanger	UM				X					
S.O.S.	1618501	Equalizer Hanger	UM							X	X	
E-9498	1618801	Equalizer Hanger	UM			X						
S.O.S.	760107	Front Hanger, LH	FLB	X		X						
E-5070	770107	Front Hanger, LH	FLB		X		X	X	X	X	X	X
S.O.S.	760108	Front Hanger, RH	FLB	X		X						
E-5071	770108	Front Hanger, RH	FLB		X		X	X	X	X	X	X
S.O.S.	760103	Front Hanger, LH	FLW	X		X						
S.O.S.	770105	Front Hanger, LH	FLW		X		X	X	X	X	X	X
S.O.S.	760104	Front Hanger, RH	FLW	X		X						
S.O.S.	770106	Front Hanger, RH	FLW		X		X	X	X	X	X	X
S.O.S.	760105	Front Hanger, LH	SM	X		X						
E-25186	770103	Front Hanger, LH	SM		X		X	X	X	X	X	X
S.O.S.	760106	Front Hanger, RH	SM	X		X						
E-25187	770104	Front Hanger, RH	SM		X		X	X	X	X	X	X
E-9493	760101	Front Hanger	ST	X		X						
E-2910A	770101	Front Hanger	ST				X	X	X	X	X	X
E-9494	760102	Front Hanger	UM	X		X						
E-2913A	770102	Front Hanger	UM				X	X	X	X	X	X
E-15210	1648101	Front Hanger, I-Beam	UM				X	X	X	X	X	X
S.O.S.	1648202	Front Hanger, I-Beam	UM			X						
E-5073	770307	Rear Hanger, LH	FLB	X	X	X	X	X	X	X	X	X

HUTCHENS SPRING HANGERS

MOUNTING TYPES:

- FLB = Flange Mount, Bolt-On
- FLW = Flange Mount, Weld-On
- SM = Side Mount
- ST = Straddle Mount
- UM = Under Mount

EUCLID NO.	REPLACES NO.	DESCRIPTION	MOUNTING TYPE	H-7600	H-7700	H-9600	H-9700	H-9700	H-9700	H-9700	H-9700	H-9700
								TWS 54.5	TWS 61	TWS 73	TWS 109	TWS 121
E-5074	770308	Rear Hanger, RH	FLB	X	X	X	X	X	X	X	X	X
E-25193	770305	Rear Hanger, LH	FLW	X	X	X	X	X	X	X	X	X
E-25194	770306	Rear Hanger, RH	FLW	X	X	X	X	X	X	X	X	X
E-25188	770303	Rear Hanger, LH	SM	X	X	X	X	X	X	X	X	X
E-25189	770304	Rear Hanger, RH	SM	X	X	X	X	X	X	X	X	X
E-2912A	770301	Rear Hanger	ST	X	X	X	X	X	X	X	X	X
E-2915A	770302	Rear Hanger	UM	X	X	X	X	X	X	X	X	X
E-15211	1648301	Rear Hanger - I-Beam	UM			X	X	X	X	X	X	X
S.O.S.	70306	Use E-HC16199-03 w/ proper Sgl. Hole Equal.	FLB		X							
S.O.S.	765607	Use E-HC16202-03 w/ proper Sgl. Hole Equal.	FLB	X								
E-25201	1619903	Equalizer Hanger	FLB				X					
S.O.S.	1620203	Equalizer Hanger	FLB			X						
S.O.S.	1664103	Equalizer Hanger	FLB								X	X
S.O.S.	1618303	Equalizer Hanger, LH	FLB					X	X	X		
S.O.S.	1618304	Equalizer Hanger, RH	FLB					X	X	X		
S.O.S.	70305	Use E-HC16199-05 w/ proper Sgl. Hole Equal.	FLW		X							
S.O.S.	765606	Use E-HC16202-05 w/ proper Sgl. Hole Equal.	FLW	X								
S.O.S.	1619905	Equalizer Hanger	FLW				X					
S.O.S.	1620205	Equalizer Hanger	FLW			X						
S.O.S.	1618305	Equalizer Hanger, LH	FLW					X	X	X		
S.O.S.	1618306	Equalizer Hanger, RH	FLW					X	X	X		
S.O.S.	70303	Equalizer Hanger	SM / UM		X							
S.O.S.	765604	Equalizer Hanger	SM / UM	X								
S.O.S.	1618101	Equalizer Hanger	SM / UM					X	X	X		
E-9501	1619703	Equalizer Hanger	SM / UM				X					
S.O.S.	1620103	Equalizer Hanger	SM / UM			X						
S.O.S.	70301	Use E-HC16196-03 w/ proper Sgl. Hole Equal.	ST		X							
S.O.S.	765601	E-HC16200-03 w/ proper Sgl. Hole Equal.	ST	X								
S.O.S.	1618001	Equalizer Hanger	ST					X	X	X		
S.O.S.	1619603	Equalizer Hanger	ST				X					
S.O.S.	1620003	Equalizer Hanger	ST			X						

HUTCHENS SPRING HANGERS

MOUNTING TYPES:

- FLB = Flange Mount, Bolt-On
- FLW = Flange Mount, Weld-On
- SM = Side Mount
- ST = Straddle Mount
- UM = Under Mount

EUCLID NO.	REPLACES NO.	DESCRIPTION	MOUNTING TYPE	H-7600	H-7700	H-9600	H-9700	H-9700	H-9700	H-9700	H-9700	H-9700
								TWS 54.5	TWS 61	TWS 73	TWS 109	TWS 121
S.O.S.	1663903	Equalizer Hanger	ST								X	X
S.O.S.	1664003	Equalizer Hanger	UM								X	X
S.O.S.	70211	Front Hanger, LH	FLB		X		X	X	X	X	X	X
S.O.S.	765507	Front Hanger, LH	FLB	X		X						
S.O.S.	70212	Front Hanger, RH	FLB		X		X	X	X	X	X	X
S.O.S.	765508	Front Hanger, RH	FLB	X		X						
E-25192	70209	Front Hanger, LH	FLW		X		X	X	X	X	X	X
S.O.S.	765505	Front Hanger, LH	FLW	X		X						
E-25191	70210	Front Hanger, RH	FLW		X		X	X	X	X	X	X
S.O.S.	765506	Front Hanger, RH	FLW	X		X						
E-9499	1629103	Front Hanger, LH	SM / UM		X		X	X	X	X	X	X
S.O.S.	765503	Front Hanger, LH	SM / UM	X		X						
E-9500	1629104	Front Hanger, RH	SM / UM		X		X	X	X	X	X	X
S.O.S.	765504	Front Hanger, RH	SM / UM	X		X						
S.O.S.	70201	Front Hanger	ST		X		X	X	X	X	X	X
S.O.S.	765500	Front Hanger	ST	X		X						
S.O.S.	71211	Rear Hanger, LH	FLB	X	X	X	X	X	X	X	X	X
E-15205	71212	Rear Hanger, RH	FLB	X	X	X	X	X	X	X	X	X
E-15203	71209	Rear Hanger, LH	FLW	X	X	X	X	X	X	X	X	X
E-15204	71210	Rear Hanger, RH	FLW	X	X	X	X	X	X	X	X	X
E-9502	1629301	Rear Hanger, LH	SM / UM	X	X	X	X	X	X	X	X	X
E-9503	1629302	Rear Hanger, RH	SM / UM	X	X	X	X	X	X	X	X	X
S.O.S.	71201	Rear Hanger	ST	X	X	X	X	X	X	X	X	X

HUTCHENS

HUTCHENS SPRING SEATS

EUCLID NO.	REPLACES	DESCRIPTION	H-9600	H-9700	H-9700US	H-9700	H-9700
			CH-9600	CH-9700	CH-9700US	CH-9700	CH-9700
			H-7600	H-7700	CH-7700US	TWS 54.5	TWS 109
			CH-7600	CH-7700	H-7700US	61 and 73	and 121
5" ROUND AXLE							
E-7686	2221505	Spring Seat, 3/4" High			X		Rear
E-7687	2221502	Spring Seat, 1 1/4" High			X		Rear
E-7688	2221503	Spring Seat, 1 3/4" High			X		Rear
E-7689	2221504	Spring Seat, 2 1/4" High			X		Rear
E-2908	1936001	Spring Seat, 3/4" High		X		X	Front
E-7622	1936002	Spring Seat, 1 1/4" High		X		X	Front
E-7623	1936003	Spring Seat, 1 3/4" High		X		X	Front
E-7624	1936004	Spring Seat, 2 1/4" High		X		X	Front
E-7625	1936005	Spring Seat, 2 3/4" High		X		X	Front
E-7535	1936006	Spring Seat, 3 1/4" High		X		X	Front
S.O.S.	1936007	Spring Seat, 3 3/4" High		X		X	Front
S.O.S.	1936008	Spring Seat, 4 1/4" High		X		X	Front
S.O.S.	1936009	Spring Seat, 4 3/4" High		X		X	Front
E-9527	1936101	Spring Seat, 3/4" High	X				
S.O.S.	1936102	Spring Seat, 1 1/4" High	X				
S.O.S.	1936103	Spring Seat, 1 3/4" High	X				
E-9528	1936104	Spring Seat, 2 1/4" High	X				
S.O.S.	1936105	Spring Seat, 2 3/4" High	X				
E-9529	1936106	Spring Seat, 3 1/4" High	X				
S.O.S.	1936107	Spring Seat, 3 3/4" High	X				
S.O.S.	1936108	Spring Seat, 4 1/4" High	X				
5" x 5" SQUARE AXLE							
S.O.S.	1936201	Spring Seat, 3/4" High	X				
S.O.S.	1936204	Spring Seat, 2 1/4" High	X				
S.O.S.	1936206	Spring Seat, 3 1/4" High	X				
S.O.S.	1936208	Spring Seat, 4 1/4" High	X				
E-7630	1936501	Spring Seat, 3/4" High		X		X	Front
E-7631	1936502	Spring Seat, 1 1/4" High		X		X	Front
E-7632	1936503	Spring Seat, 1 3/4" High		X		X	Front
E-7633	1936504	Spring Seat, 2 1/4" High		X		X	Front
E-7634	1936505	Spring Seat, 2 3/4" High		X		X	Front
E-25202	1936506	Spring Seat, 3 1/4" High		X		X	Front
S.O.S.	1936507	Spring Seat, 3 3/4" High		X		X	Front
S.O.S.	1936508	Spring Seat, 4 1/4" High		X		X	Front
S.O.S.	1936509	Spring Seat, 4 3/4" High		X		X	Front
E-7693	775901	Spring Seat, 3/4" High			X		Rear
E-7694	775902	Spring Seat, 1 1/4" High			X		Rear
E-7695	775903	Spring Seat, 1 3/4" High			X		Rear
E-7696	775904	Spring Seat, 2 1/4" High			X		Rear

HUTCHENS

HUTCHENS SPRING SEATS

EUCLID NO.	REPLACES	DESCRIPTION	H-9600	H-9700	H-9700US	H-9700	H-9700
			CH-9600	CH-9700	CH-9700US	CH-9700	CH-9700
			H-7600	H-7700	CH-7700US	TWS 54.5	TWS 109
			CH-7600	CH-7700	H-7700US	61 and 73	and 121
4" x 6" RECTANGULAR AXLE							
S.O.S.	1936301	Spring Seat, 3/4" High	X				
S.O.S.	1936304	Spring Seat, 2 1/4" High	X				
S.O.S.	1936306	Spring Seat, 3 1/4" High	X				
S.O.S.	1936308	Spring Seat, 4 1/4" High	X				
E-3867	1936401	Spring Seat, 3/4" High		X		X	Front
E-7626	1936402	Spring Seat, 1 1/4" High		X		X	Front
E-7627	1936403	Spring Seat, 1 3/4" High		X		X	Front
E-7628	1936404	Spring Seat, 2 1/4" High		X		X	Front
E-7629	1936405	Spring Seat, 2 3/4" High		X		X	Front
S.O.S.	1936406	Spring Seat, 3 1/4" High		X		X	Front
S.O.S.	1936407	Spring Seat, 3 3/4" High		X		X	Front
S.O.S.	1936408	Spring Seat, 4 1/4" High		X		X	Front
S.O.S.	1936409	Spring Seat, 4 3/4" High		X		X	Front
E-7690	772702	Spring Seat, 1 1/4" High			X		Rear

HUTCHENS

HUTCHENS U-BOLT ASSEMBLIES

EUCLID NO.	REPLACES	DESCRIPTION	H-9600	H-9700	H-9700US	H-9700	H-9700
			CH-9600	CH-9700	CH-9700US	CH-9700	CH-9700
			H-7600	H-7700	CH-7700US	TWS 54.5	TWS 109
			CH-7600	CH-7700	H-7700US	61 and 73	and 121
SPRINGS OVERSLUNG - ALL AXLES							
E-UB8161-10	7040-06 (9 3/4")	U-Bolt Assembly, Round Bend, 7/8"-14 Thd. x 3" Wide x 10" Long	X	X	X	X	X
	7040-07 (10 1/4")		X	X	X	X	X
E-UB5161-12	7040-08 (10 3/4")	U-Bolt Assembly, Round Bend, 7/8"-14 Thd. x 3" Wide x 12" Long	X	X	X	X	X
E-UB8161-12	7040-09 (11 1/4")		X	X	X	X	X
	7040-10 (11 3/4")		X	X	X	X	X
E-UB5161-13	7040-11 (12 1/4")	U-Bolt Assembly, Round Bend, 7/8"-14 Thd. x 3" Wide x 13" Long	X	X	X	X	X
	7040-12 (12 3/4")		X	X	X	X	X
E-UB5161-14	7040-13 (13 1/4")	U-Bolt Assembly, Round Bend, 7/8"-14 Thd. x 3" Wide x 14" Long	X	X	X	X	X
E-UB8161-14	7040-14 (13 3/4")		X	X	X	X	X
	7040-15 (14 1/4")		X	X	X	X	X
E-UB8161-16	7040-16 (14 3/4")	U-Bolt Assembly, Round Bend, 7/8"-14 Thd. x 3" Wide x 16" Long	X	X	X	X	X
	7040-17 (15 1/4")		X	X	X	X	X
	7040-18 (15 3/4")		X	X	X	X	X
E-UB5161-18	7040-19 (16 1/4")		X	X	X	X	X
E-UB8161-18	7040-20 (16 3/4")	U-Bolt Assembly, Round Bend, 7/8"-14 Thd. x 3" Wide x 18" Long	X	X	X	X	X
	7040-21 (17 1/4")		X	X	X	X	X
	7040-22 (17 3/4")		X	X	X	X	X
E-UB5161-22	7040-23 (18 1/4")	U-Bolt Assembly, Round Bend, 7/8"-14 Thd. x 3" Wide x 22" Long	X	X	X	X	X
E-UB8161-22							
SPRINGS UNDERSLUNG ("US" MODELS) or OVERSLUNG WITH INVERTED U-BOLTS WITH 5" ROUND AXLES							
E-UB8165-10	7816-05 (9 1/4")	U-Bolt Assembly, Round Bend, 7/8"-14 Thd. x 5" Wide x 10" Long	X	X			
	7816-06 (9 3/4")		X	X			
	7816-07 (10 1/4")		X	X			
E-UB5165-12	7816-08 (10 3/4")	U-Bolt Assembly, Round Bend, 7/8"-14 Thd. x 5" Wide x 12" Long	X	X	X	X	
E-UB8165-12	7816-09 (11 1/4")		X	X	X	X	X
	7816-10 (11 3/4")		X	X	X	X	X
	7816-11 (12 1/4")		X	X	X	X	
E-UB5165-14	7816-12 (12 3/4")	U-Bolt Assembly, Round Bend, 7/8"-14 Thd. x 5" Wide x 14" Long	X	X	X	X	X
E-UB8165-14	7816-13 (13 1/4")		X	X	X	X	X
	7816-14 (13 3/4")		X	X	X	X	
	7816-15 (14 1/4")		X	X	X	X	
E-UB5165-16	7816-16 (14 3/4")	U-Bolt Assembly, Round Bend, 7/8"-14 Thd. x 5" Wide x 16" Long	X	X	X	X	
E-UB8165-16	7816-17 (15 1/4")		X	X			
	7816-18 (15 3/4")		X	X			
WITH 5" SQUARE AXLES							
N/A	7840-01 (9 1/4")	U-Bolt Assembly, Square Bend, 7/8"-14 Thd. x 5" Wide x 10" Long	X	X			
N/A	7840-03 (10 1/4")	U-Bolt Assembly, Square Bend, 7/8"-14 Thd. x 5" Wide x 12" Long	X	X	X	X	X
N/A	7840-07 (12 1/4")	U-Bolt Assembly, Square Bend, 7/8"-14 Thd. x 5" Wide x 14" Long	X	X	X	X	X
E-UB8265-16	7840-11 (14 1/4")	U-Bolt Assembly, Square Bend, 7/8"-14 Thd. x 5" Wide x 16" Long	X	X	X	X	

HUTCHENS

HUTCHENS U-BOLT ASSEMBLIES

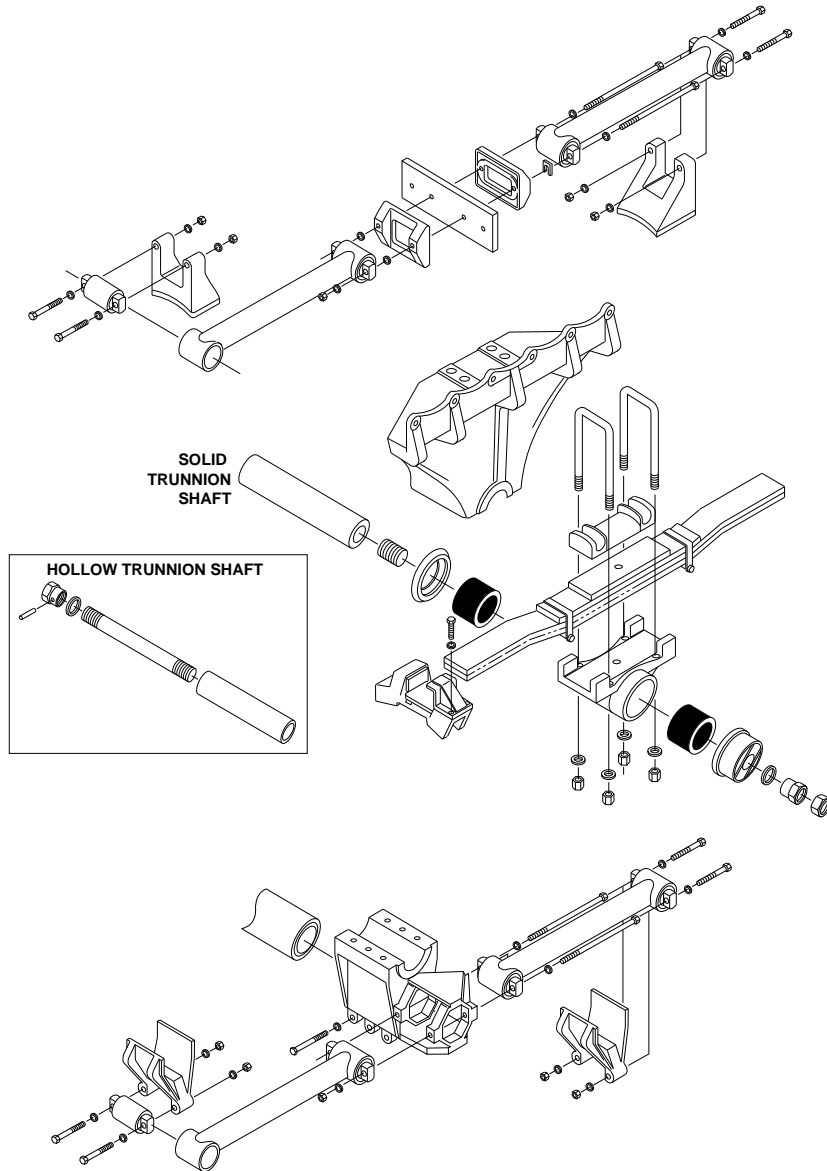
H-9600	H-9700	H-9700US	H-9700	H-9700
CH-9600	CH-9700	CH-9700US	CH-9700	CH-9700
H-7600	H-7700	CH-7700US	TWS 54.5	TWS 109
CH-7600	CH-7700	H-7700US	61 and 73	and 121

EUCLID NO.	REPLACES	DESCRIPTION	H-9600 CH-9600 H-7600 CH-7600	H-9700 CH-9700 H-7700 CH-7700	H-9700US CH-9700US CH-7700US H-7700US	H-9700 CH-9700 TWS 54.5 61 and 73	H-9700 CH-9700 TWS 109 and 121
WITH 4" x 6" RECTANGULAR AXLES							
E-UB8161-12	7040-09 (11 1/4")	U-Bolt Assembly, Round Bend, 7/8"-14 Thd. x 3" Wide x 12" Long	X	X	X	X	
E-UB8161-14	7040-11 (12 1/4")	U-Bolt Assembly, Round Bend, 7/8"-14 Thd. x 3" Wide x 14" Long	X	X	X	X	X
E-UB8161-16	7040-15 (14 1/4")	U-Bolt Assembly, Round Bend, 7/8"-14 Thd. x 3" Wide x 16" Long	X	X	X	X	
S.O.S.	7820-02	U-Bolts for Inverted Applications	X	X			
OPTIONAL 3/4" DIAMETER U-BOLTS							
E-UB8151-10	1630-006 (9/34")	U-Bolt Assembly, Round Bend, 3/4"-16 Thd. x 3" Wide x 10" Long	X	X	X	X	
E-UB8151-12	16300-07 (10 1/4")	U-Bolt Assembly, Round Bend, 3/4"-16 Thd. x 3" Wide x 12" Long	X	X	X	X	
E-UB8151-14	16300-11 (12 1/4")	U-Bolt Assembly, Round Bend, 3/4"-16 Thd. x 3" Wide x 14" Long	X	X	X	X	
E-UB8151-16	16300-15 (14 1/4")	U-Bolt Assembly, Round Bend, 3/4"-16 Thd. x 3" Wide x 16" Long	X	X	X	X	
E-UB8151-18	16300-19 (16 1/4")	U-Bolt Assembly, Round Bend, 3/4"-16 Thd. X 3" Wide x 18" Long	X	X	X	X	

HUTCHENS

KENWORTH "BIG 6"

Tractor

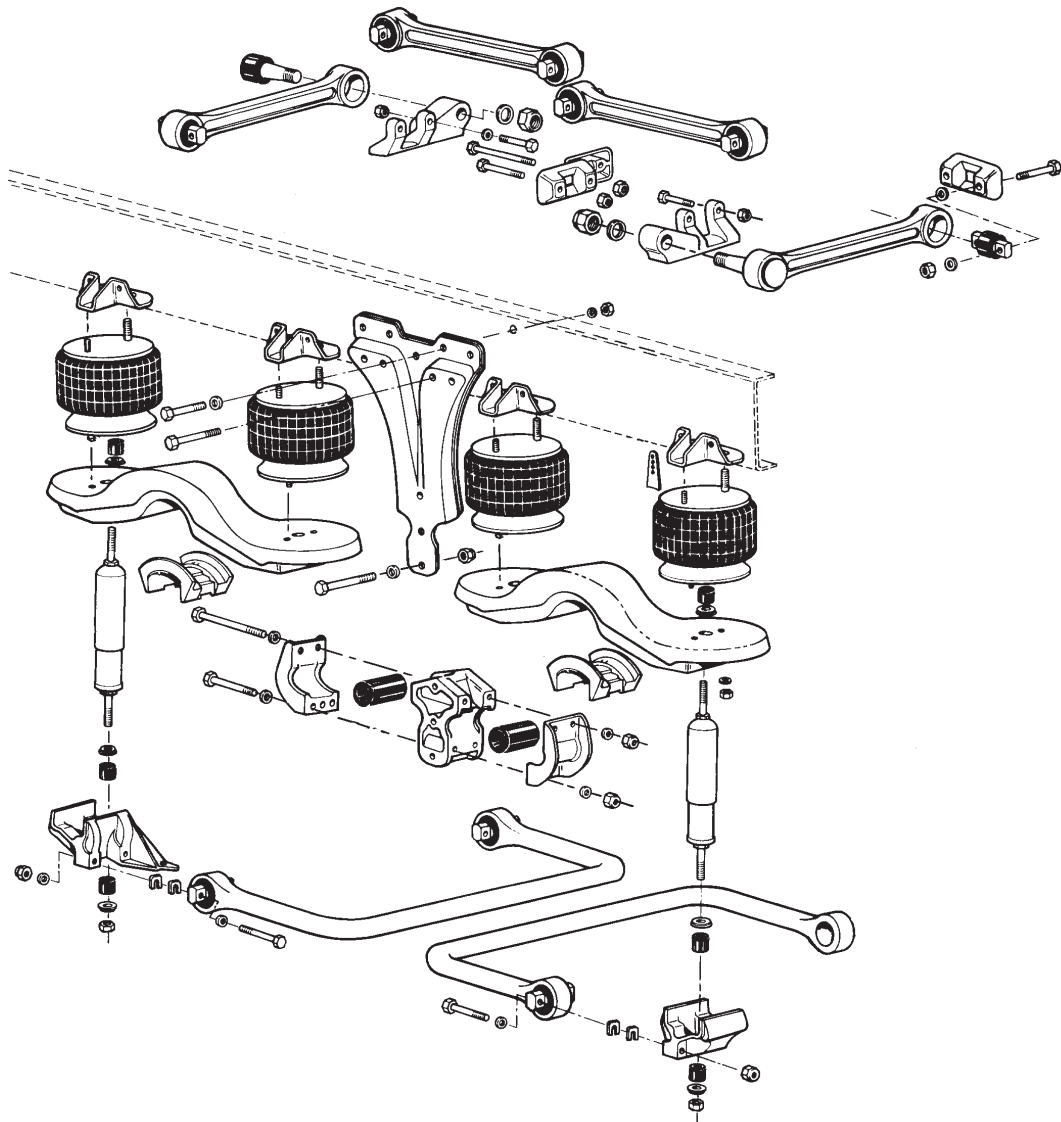


KENWORTH

KEY NO.	EUCLID NO.	REPLACES NO.	DESCRIPTION	QUANTITY PER TANDEM
1	E-2226 (Rubber)	Gould 227720	Torque Arm Bushing	16
	E-7639 (Poly)			
	E-9321 (Rubber)	Meritor A-2297-K-1051		
	E-8655 (Poly)			
	E-9322	Meritor A-2297-X-3664		
	E-9323	Meritor A-2297-V-4806 Meritor A-2297-K-1052		
	E-9324	Gould 932420		
2	N/A	K066-232	Rubber Trunnion Bushing	4
3	N/A	K360-20	Trunnion	2

KENWORTH AIRGLIDE® 100 AIR RIDE

Tractor



KENWORTH

KEY NO.	EUCLID NO.	REPLACES NO.	DESCRIPTION	QUANTITY PER TANDEM
1	E-2226 (Rubber)	227720	Torque Arm & Stabilizer Rod Bushing	6
2	E-2228 (Rubber)	229610	Torque Arm Bushing, Tapered	2
	E-8651 (Poly)			
3	E-4664	227722	Torque Arm Bushing, Aluminum Pin	8
4	FS9422	K303-6, 14, 15	Air Spring to 1994	8
	FS9616	K303-16	Air Spring with Bracket, 1995 and up	
5	M85310	K374-87	Shock Absorber	4
	M89423	K374-7,9,29	Shock Absorber	
6	E-4669 (Rubber)	K066-58	Rubber Stabilizer Bushing, Black	4
	E-7446A (Poly)	K066-449	Urethane Stabilizer Bushing, Yellow	
7	E-10767	K197-2943	Stabilizer Bar Bracket, Aluminum	2
8	E-10766	K272-145	Center Support Bracket, Stamped Steel to 1994	2
9	E-2017	49NE2012	Torque Arm Mounting Nut for Tapered Pin Bushing	2
10	E-5075	K048-449	Air Spring Bracket	8

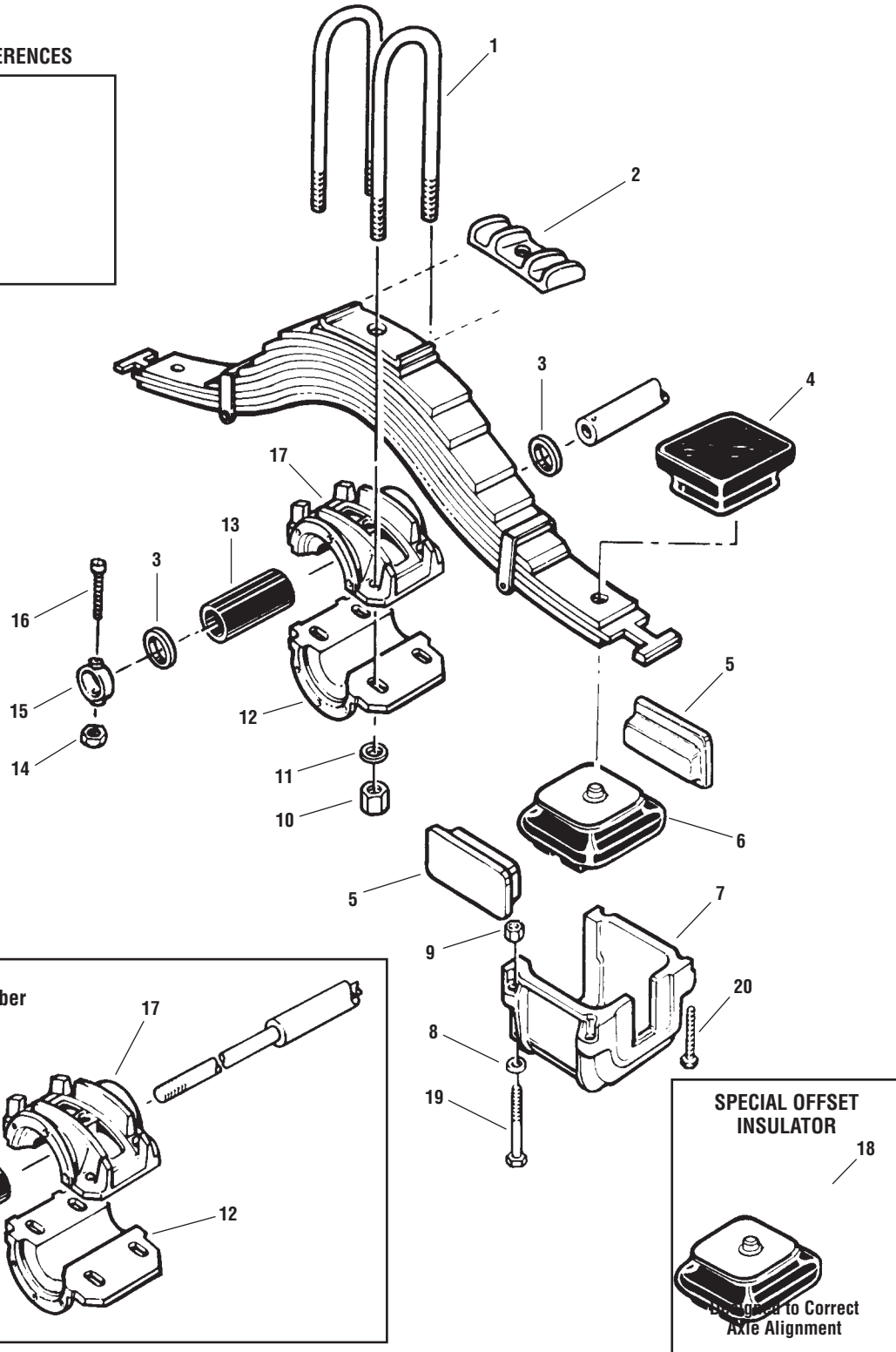
MACK SS34 & 38 TANDEM (34,000 & 38,000 lb.)

(Formerly designated SWS 56 & 57)

Tractor

LEAF SPRING REFERENCES

SRI No.	
62-137	9 Leaf
62-173	9 Leaf
62-109	9 Leaf
62-153	10 Leaf
62-139	10 Leaf
62-155	10 Leaf
62-113	10 Leaf



MACK

KEY NO.	EUCLID NO.	REPLACES NO.	DESCRIPTION	QTY PER TANDEM
1	E-UB8394-144	—	U-Bolt Assembly, Semi Rd. Bend, 1 1/4"-12 Thd. x 4" Wide x 14 1/2" Long	
	E-UB8394-162S	—	U-Bolt Assembly, Semi Rd. Bend, 1 1/4"-12 Thd. x 4" Wide x 16 1/4" Long	4
	E-UB8394-18	—	U-Bolt Assembly, Semi Rd. Bend, 1 1/4"-12 Thd. x 4" Wide x 18" Long	

MACK SS34 & 38 TANDEM (34,000 & 38,000 lb.)

(Formerly designated SWS 56 & 57)
Tractor

KEY NO.	EUCLID NO.	REPLACES NO.	DESCRIPTION	QTY PER TANDEM
2	N/A	8PK335P1	Top Plate	2
3	E-3702	44RU2223P2	Inner Spacer	2
	E-3703	44RU2223P1		
4	E-2917 (Rubber)	10QK365A	Upper Insulator Pad	4
	E-7481 (Poly)			
	N/A	10QK33A		
	E-2919 (Rubber)	10QK370		
E-8667 (Poly)				
5	E-3689	13QK246	Insulator Spacer Block	8
6	E-2920 (Rubber)	10QK36B	Lower Insulator Pad	4
	E-7480 (Poly)	10QK36B		
7	E-3688	52QK418AP4	Insulator Box	2
8	E-2546	37AX1310	Washer	8
9	E-1835	21AX480	Lock Nut	8
10	E-3005	—	Hi-Nut	8
	E-3006	21AX655		
11	E-2934	35AX1435	Washer	8
12	E-3685	39QK37B	Lower Trunnion Half	2
		39QK37C		
		39QK433		
		E-2921A (Rubber)		
E-7478 (Poly)				
E-2922A (Rubber)	10QK219P2			
N/A	10QK219P2			
13	E-7479 (Poly)	10QK219P2		
		10QK276		
14	E-4347	21AX786	Lock Nut	4
15	E-10116	44RU221P2	Collar (Late)	2
	E-3704	44BU2221P2	Collar (Early)	
16	N/A	1AX127	Bolt	2
17	E-3683	39QK433A	Upper Trunnion Half	2
18	E-3919	10QK48	Special Offset Lower Insulator Pad	As Req
19	E-3690	1AX425	Insulator Box Bolt, 7/8"-14 Thd. x 5" Long	8
	E-3691	1AX475	Insulator Box Bolt, 7/8"-14 Thd. x 5 1/4" Long	
	E-3692	1AX427	Insulator Box Bolt, 7/8"-14 Thd. x 6" Long	
		3AX987		
	E-3693	3AX1344	Insulator Box Bolt, 7/8"-14 Thd. x 6 1/2" Long	
	E-5439	3AX1050	Insulator Box Bolt, 7/8"-14 Thd. x 7 1/2" Long	
E-5428	3AX1348	Insulator Box Bolt, 7/8"-14 Thd. x 8" Long		
20	E-3696	4AX320	Insulator Box Stud, 7/8"-9 Thd. x 4 1/2" Long	8
		6AX837		
	E-5427	6AX1160	Insulator Box Stud, 7/8"-9 Thd. x 6" Long	

MACK

MACK SS44 SERIES (44,000 lb.)

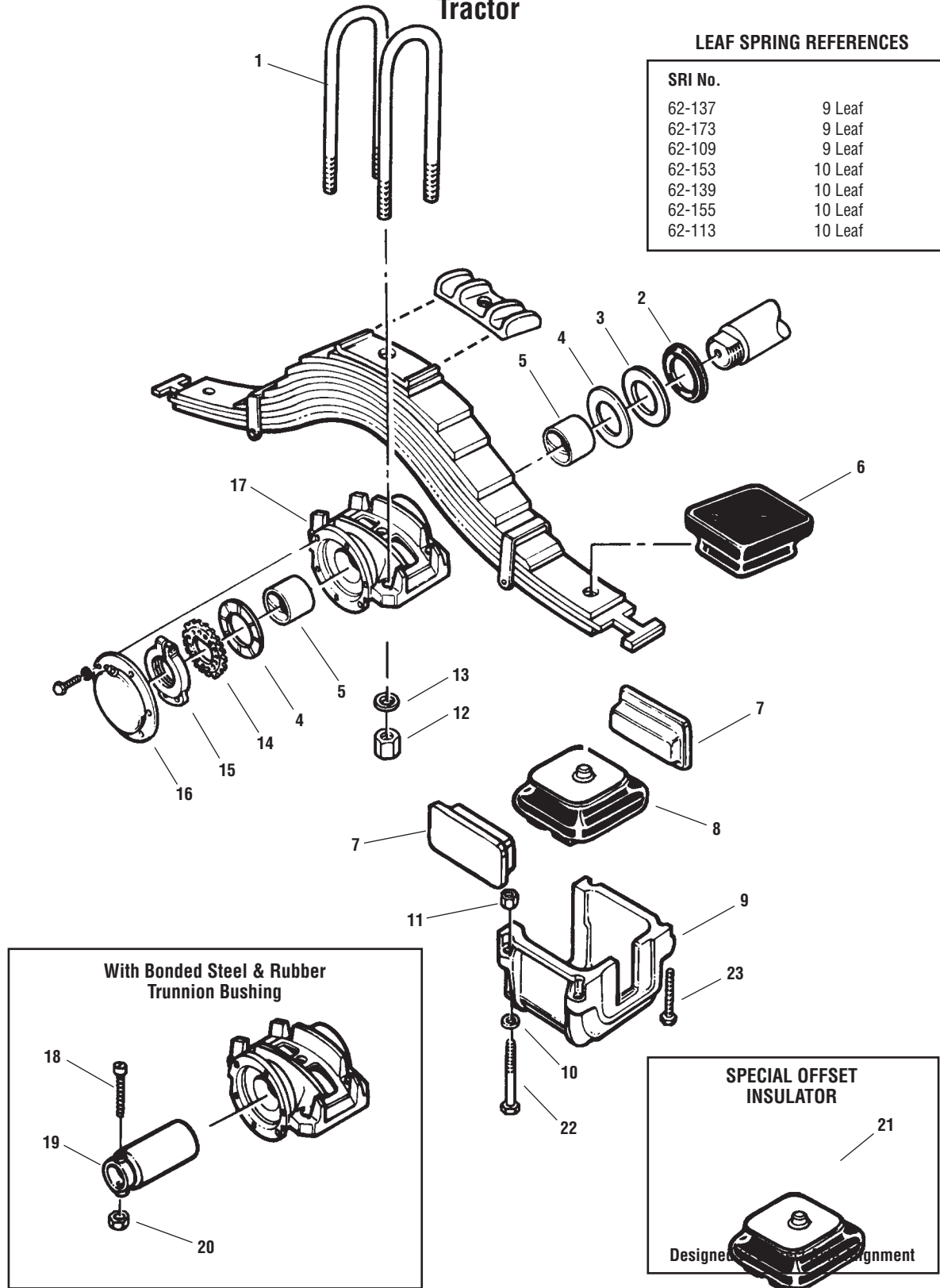
(Formerly designated SWS 573 - 44,000 lb.)

Tractor

LEAF SPRING REFERENCES

SRI No.

62-137	9 Leaf
62-173	9 Leaf
62-109	9 Leaf
62-153	10 Leaf
62-139	10 Leaf
62-155	10 Leaf
62-113	10 Leaf



MACK

KEY NO.	EUCLID NO.	REPLACES NO.	DESCRIPTION	QTY PER TANDEM
1	E-UB8394-144	—	U-Bolt Assy, Semi Rd. Bend, 1 1/4"-12 Thd. x 4" Wide x 14 1/2" Long	
	E-UB8394-162S	—	U-Bolt Assy, Semi Rd. Bend, 1 1/4"-12 Thd. x 4" Wide x 16 1/4" Long	4
	E-UB8394-18	—	U-Bolt Assy, Semi Rd. Bend, 1 1/4"-12 Thd. x 4" Wide x 18" Long	

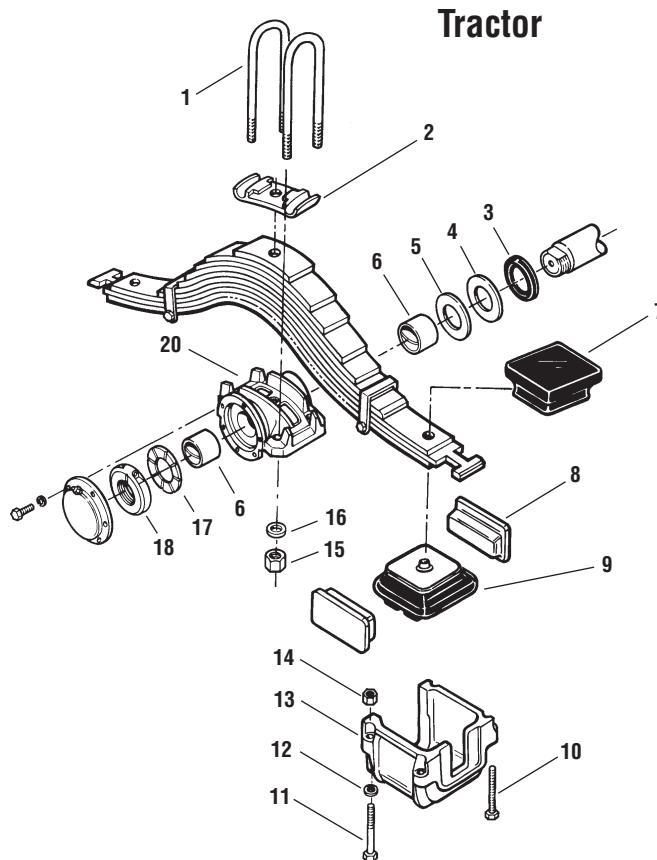
MACK SS44 SERIES (44,000 lb.)

(Formerly designated SWS 573 - 44,000 lb.)

Tractor

KEY NO.	EUCLID NO.	REPLACES NO.	DESCRIPTION	QTY PER TANDEM
2	E-3187	88AX244 88AX446	Trunnion Seal	2
3	E-3699	43QK117	Washer	2
4	E-3698	35AX688 43QJ116	Bronze Washer	2
5	E-2925	10QK157 80AX300	Bronze Trunnion Bushing	2
6	E-2917 (Rubber)	10QK365A	Upper Insulator Pad	4
	E-7481 (Poly)			
	N/A	10QK33A		
	E-2919 (Rubber)	10QK370		
	E-8667 (Poly)			
	E-3679 (Rubber)	10QK32BP1		
7	E-3689	13QK246	Insulator Spacer Block	8
8	E-2920 (Rubber)	10QK36B	Lower Insulator Pad	4
	E-7480 (Poly)	10QK36B		
	E-3919 (Rubber)	10QK48		
9	E-3688	52QK418AP4 52QK418BP4	Insulator Box	2
10	E-2546	37AX1310	Washer	8
11	E-1835	21AX480	Lock Nut	8
12	E-3005	—	Hi-Nut	8
	E-3006	21AX655		
13	E-2934	35AX1435	Washer	8
14	E-3915	23QJ112B	Washer	2
15	E-3700	25QJ223	Trunnion Nut	2
16	E-3697	97QL399P2	Trunnion Grease Cap	2
17	E-3687	39QK27E	Trunnion and Bushing Assembly	2
		39QK27F		
		39QK326		
18	N/A	1AX127	Bolt	2
19	E-2927	10QK371A	Bonded Rubber Trunnion Bushing	2
20	E-4347	21AX786	Lock Nut	4
21	E-3919	10QK48	Special Offset Lower Insulator Pad	As Req
22	E-3690	1AX425	Insulator Box Bolt, 7/8"-14 Thd. x 5" Long	8
	E-3691	1AX475	Insulator Box Bolt, 7/8"-14 Thd. x 5 1/4" Long	
	E-3692	1AX427	Insulator Box Bolt, 7/8"-14 Thd. x 6" Long	
	—	3AX987		
	E-3693	3AX1344	Insulator Box Bolt, 7/8"-14 Thd. x 6 1/2" Long	
	E-5439	3AX1050	Insulator Box Bolt, 7/8"-14 Thd. x 7 1/2" Long	
	E-5428	3AX1348	Insulator Box Bolt, 7/8"-14 Thd. x 8" Long	
23	E-3696	4AX320	Insulator Box Stud, 7/8"-9 Thd. x 4 1/2" Long	8
		6AX837		
	E-5427	6AX1160	Insulator Box Stud, 7/8"-9 Thd. x 6" Long	
—	E-5077	39QK226C	Trunnion and Rubber Bushing Assembly	2

MACK SS50C, SS58C SERIES (50,000-58,000 lb.)



LEAF SPRING REFERENCES

SRI No.	
62-097	8 Leaf
62-983	13 Leaf

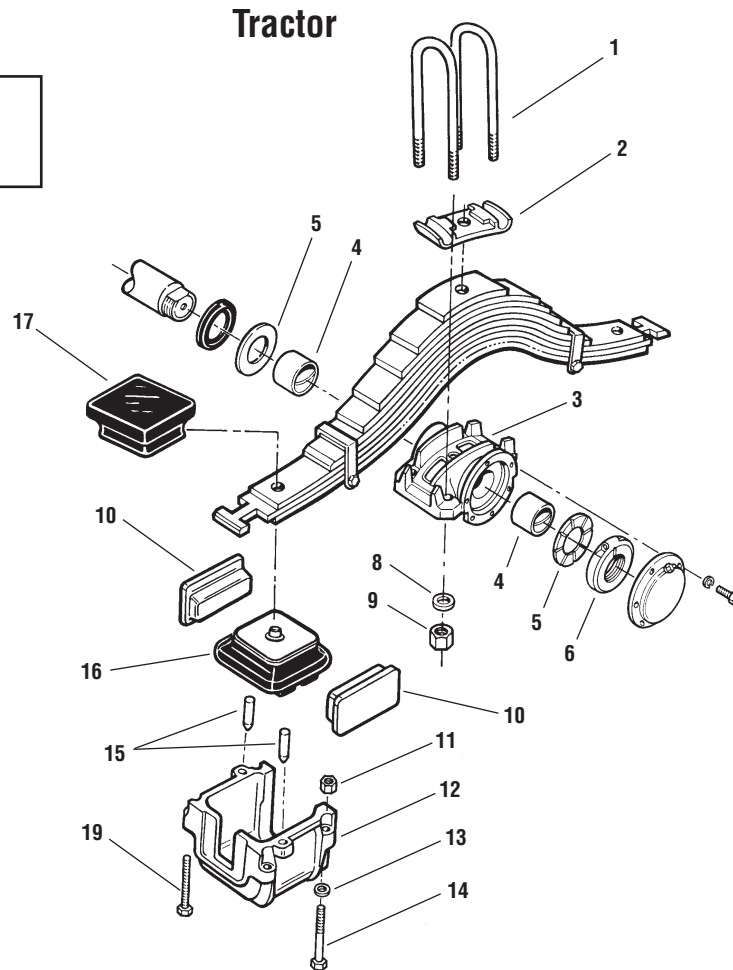
KEY NO.	EUCLID NO.	REPLACES NO.	DESCRIPTION	QTY PER TANDEM
1	E-UB8396-165S	—	U-Bolt Assy, Semi Rd. Bend, 1 1/4"-12 Thd. x 5" Wide x 16 5/8" Long	4
2	E-5426	8QK232A	Top Plate	2
3	E-5425	88AX253	Seal	2
4	E-5423	43QK118	Washer	2
5	E-5422	43QK115	Bronze Washer	4
6	E-5421	10QK158 10QK158A	Bronze Trunnion Bushing	2
7	E-3679	10QK32BP1	Upper Insulator Pad	4
8	E-3689	13QK246	Insulator Spacer Block	8
9	E-3680	10QK372	Lower Insulator Pad	4
10	E-5427	6AX1160	Insulator Box Stud	4
11	E-5428	3AX1348	Bolt	4
12	E-5429	35AX1310	Washer	4
13	N/A	52QK434BP3 52QK434BP4	Insulator Box	2
14	E-1835	21AX480	Lock Nut	8
15	E-3006	21AX655	Hi-Nut	8
16	E-2934	35AX1435	Washer	8
17	E-5422	43QK115	Bronze Washer	4
18	E-5424	25QJ220BP2	Trunnion Nut	2
19	—	97QL3001P2	Trunnion Cap	2
20	E-5417	39QK319	Trunnion & Bushing Assembly	2

MACK

MACK SS65C-W SERIES (65,000 lb.)

LEAF SPRING REFERENCES

SRI No.	
62-097	8 Leaf
62-983	13 Leaf

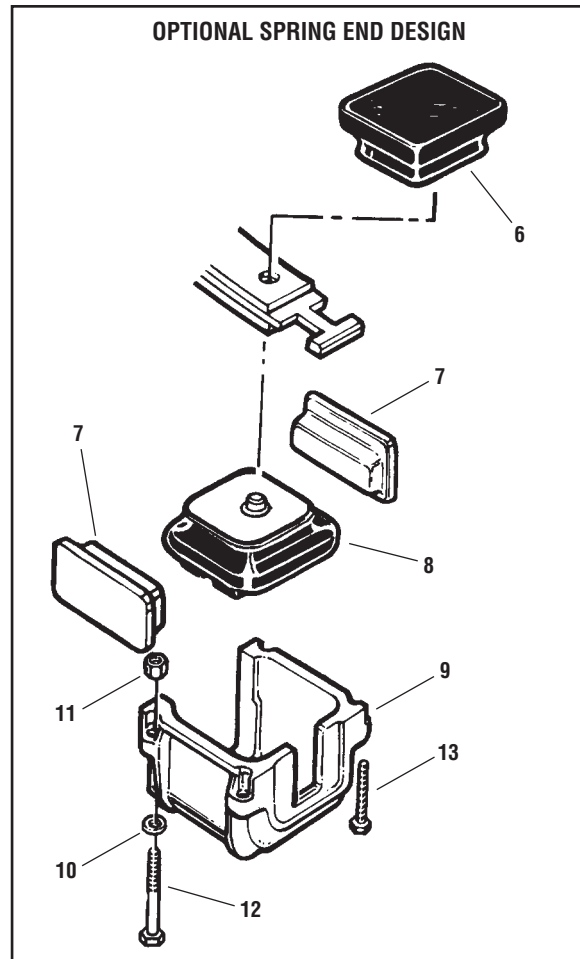
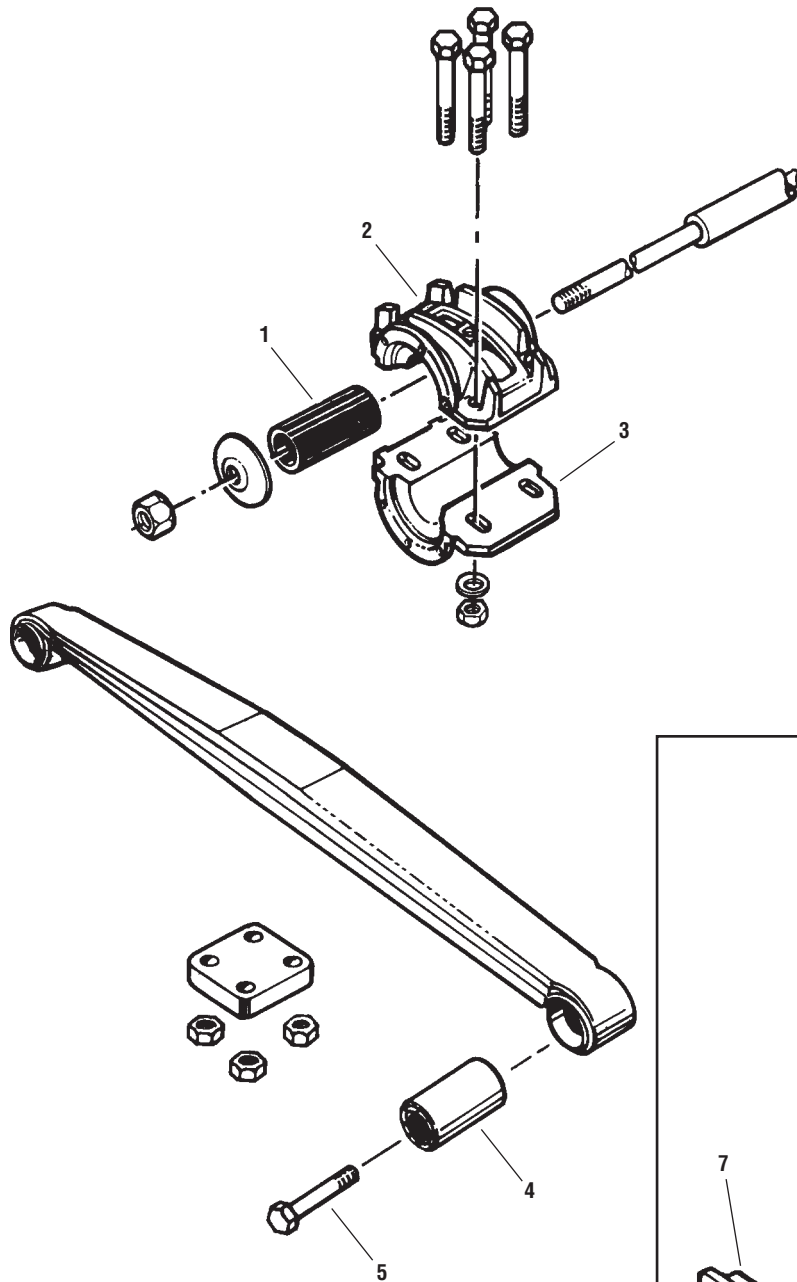


KEY NO.	EUCLID NO.	REPLACES NO.	DESCRIPTION	QTY PER TANDEM
1	E-UB8396-165S	—	U-Bolt Assy, Semi Rd. Bend, 1 1/4"-12 Thd. x 5" Wide x 16 5/8" Long	4
2	E-5426	8QK232A	Top Plate	2
3	E-5431	39QK328 39QK39D	Trunnion & Bushing Assembly	2
4	E-5432	10QK393 80AX560	Bronze Trunnion Bushing	4
5	E-5433	43QK23A	Bronze Washer	4
6	E-5434	25QJ220B	Trunnion Nut	2
7	—	97QL3001P2	Trunnion Cap	2
8	E-2934	35AX1435	Washer	8
9	E-3006	21AX655	Hi-Nut	8
10	E-3689	13QK246	Insulator Spacer Block	8
11	E-1835	21AX480	Lock Nut	8
12	E-5436	52QK434B91	Insulator Box	4
13	E-5429	35AX1310	Washer	4
14	E-5439	3AX1050	Bolt	4
15	N/A	65RU1269	Dowel	4
16	E-3680	10QK372	Lower Insulator Pad	4
17	E-3679	10QK32BP1	Upper Insulator Pad	4

MACK

MACK ST SERIES - TAPERED LEAF

(Formerly designated SWT Series)
Tractor



LEAF SPRING REFERENCES

SRI No.	
62-181	8 Leaf
62-193	8 Leaf
62-211	8 Leaf
62-213	8 Leaf

MACK ST SERIES - TAPERED LEAF

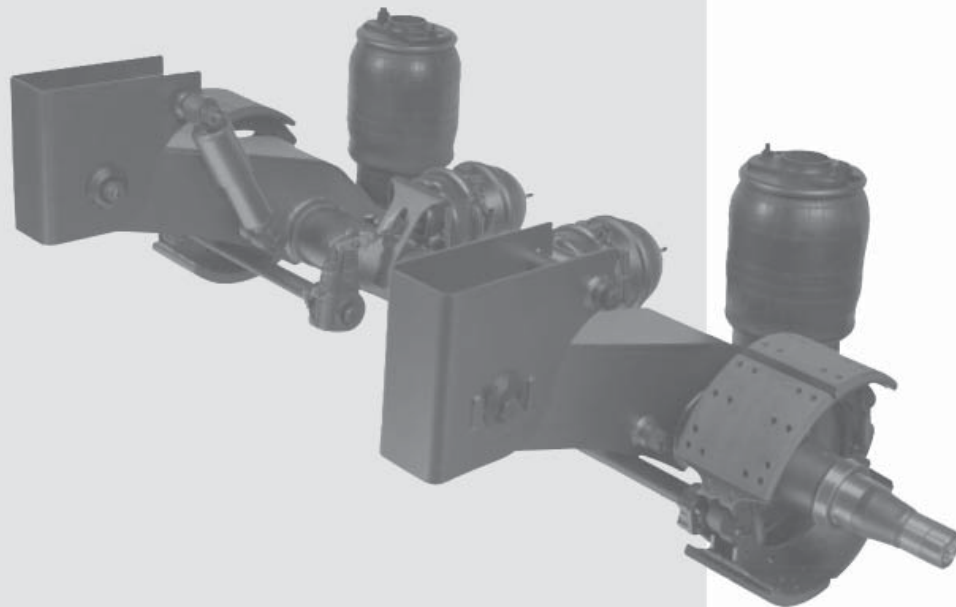
(Formerly designated SWT Series)
Tractor

KEY NO.	EUCLID NO.	REPLACES NO.	DESCRIPTION	QTY PER TANDEM
1	E-2921A (Rubber)	10QK219P1	Trunnion Bushing	2
	10QK219			
	E-7478 (Poly)			
	E-2923A (Rubber)	10QK149		
	E-2924A (Rubber)	10QK130P1		
	E-7441 (Poly)			
	E-2922A (Rubber)	10QK219P2		
2	E-3683		Upper Trunnion Half	2
	39QK423B	39QK423A		
	39QK423C			
3	E-3685		Lower Trunnion Half	2
	39QK37C	39QK37B		
	39QK431			
4	E-3900	10QK146	Spring Eye Bushing	4
5	N/A	3AX1682	Spring Eye Bolt	4
6	E-2917 (Rubber)	10QK365A	Upper Insulator Pad	4
	E-7481 (Poly)			
	N/A	10QK33A		
	E-2919 (Rubber)	10QK370		
	E-8667 (Poly)			
7	E-3679 (Rubber)	10QK32BP1	Upper Insulator Pad, 50,000 lb. Applications	8
	E-3689	13QK246	Insulator Spacer Block	
8	E-2920 (Rubber)	10QK36B	Bottom Insulator Pad	4
	E-7480 (Poly)	10QK36B		
	E-3680 (Rubber)	10QK372	Bottom Insulator Pad, 50,000 lb. Applications	
9	E-3688	52QK418AP4 52QK418BP4	Insulator Box	2
10	E-2546	37AX1310	Washer	8
11	E-1835	21AX480	Lock Nut	8
12	E-3690	1AX425	Insulator Box Bolt, 7/8"-14 Thd. x 5" Long	8
	E-3691	1AX475	Insulator Box Bolt, 7/8"-14 Thd. x 5 1/4" Long	
	E-3692	1AX427 3AX987	Insulator Box Bolt, 7/8"-14 Thd. x 6" Long	
	E-3693	3AX1344	Insulator Box Bolt, 7/8"-14 Thd. x 6 1/2" Long	
	E-5439	3AX1050	Insulator Box Bolt, 7/8"-14 Thd. x 7 1/2" Long	
	E-5428	3AX1348	Insulator Box Bolt, 7/8"-14 Thd. x 8" Long	
13	E-3696	4AX320 6AX837	Insulator Box Stud, 7/8"-9 Thd. x 4 1/2" Long	8
	E-5427	6AX1160	Insulator Box Stud, 7/8"-9 Thd. x 6" Long	

MACK

**For Trailer Air Suspension information visit
www.mertior.com/lod and download PB-0226**

**TRAILER AIR SUSPENSION
SYSTEMS — MODELS RFS23T,
RFS25T & RFS30T**



MERITOR

PB-0226

**For MTA Series Suspension information visit
www.mertior.com/lod and download PB-10108**

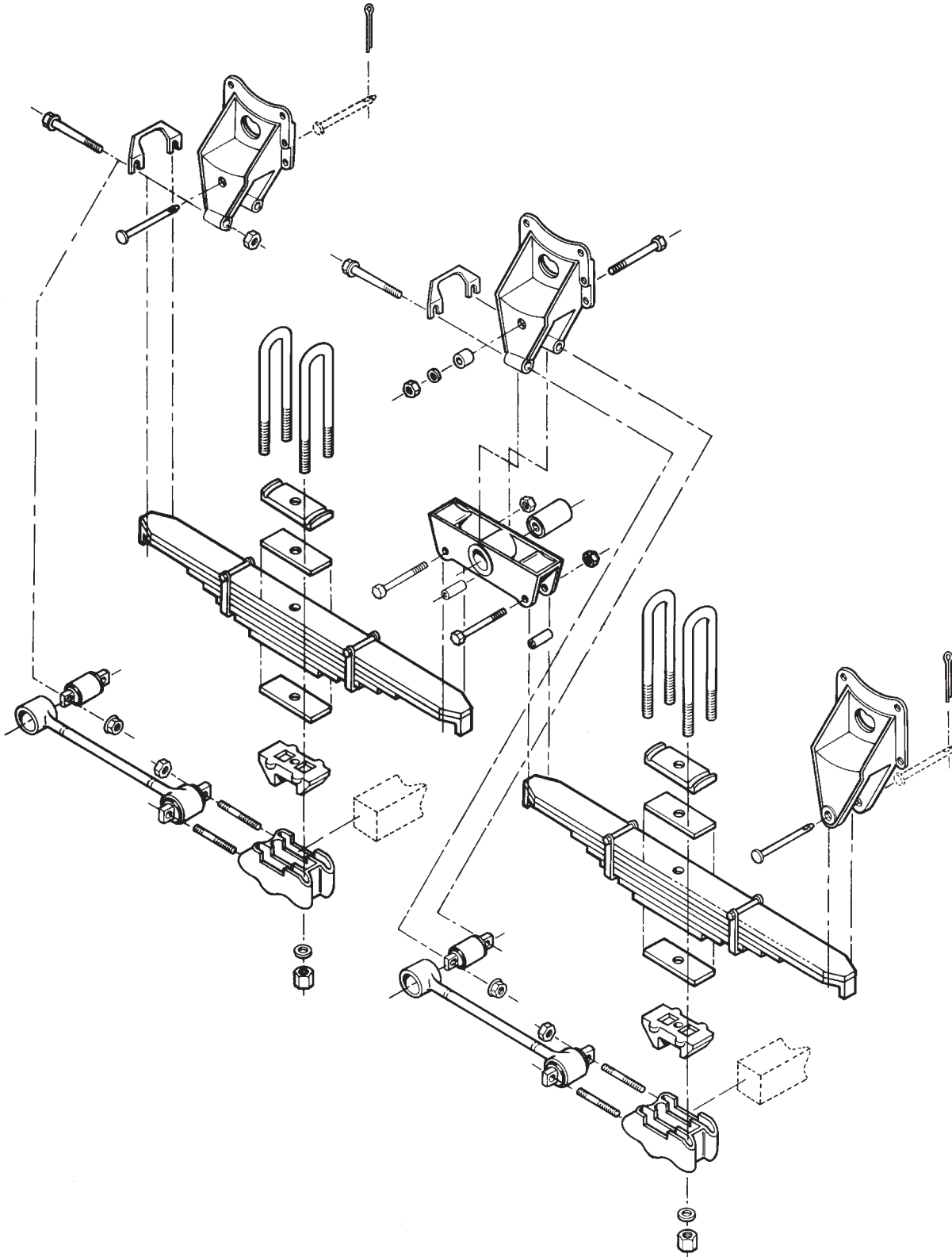
**MERITOR® MTA SERIES
TRAILER AIR SUSPENSION SYSTEMS**



PB-10108

NAVISTAR "CORPORATE" SPRING

Tractor



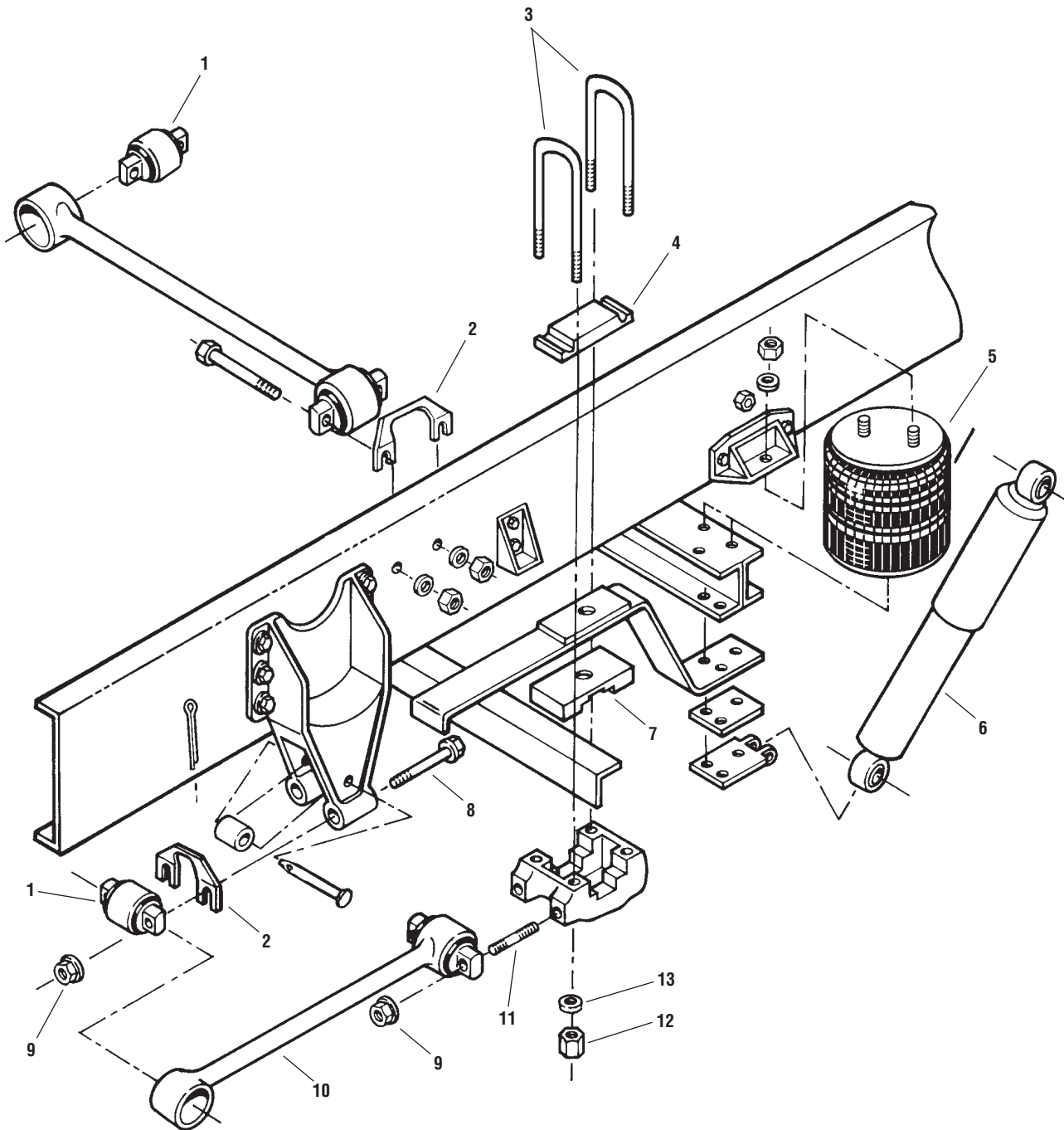
NAVISTAR "CORPORATE" SPRING

Tractor

KEY NO.	EUCLID NO.	REPLACES NO.	DESCRIPTION	QTY PER TANDEM
1	E-3790	488916C91	Torque Arm Shim	As Req
2	E-3794	1841R1 5747786C2	Retainer Pin Assembly	1
3	E-3792	438286C1	Torque Arm Bolt	8
4	E-3785	26015R1	Equalizer Bolt	2
5	E-3786	497785C2	Equalizer Adapter	2
6	E-3975	131048	Lock Washer	4
7	E-4421	25531R1 131556C1	Lock Nut	2
8	E-UB8353-15	590621C1	U-Bolt Assembly, Semi Round, Bend, 3/4"-16 Thd. x 3 1/2" Wide x 15" Long	8
	E-UB8363-15N	1610312C2	U- Bolt Assembly, Semini Round, Bend 7/8"-14 Thd. x 3 1/2" Wide x 15" Long	
9	E-3783	497790C2	Equalizer	2
10	E-3796	581744C1	U-Bolt Top Plate	4
11	E-2225 (Rubber)	1693060C1	Torque Arm Bushing — CAUTION: Euclide replacment Torque Arms use E-2226 busiing. Other manufacturers may use E-2225 busihing.	8
	E-7638 (Poly)			
	E-2226 (Rubber)			
	E-7639 (Poly)			
12	E-3793	414089C1	Torque Arm Flange Nut	16
13	E-3788	493920C1, C2	Rigid Torque Arm, 18 1/8" Center-to-Center	2
	E-10764	588117C91, C92	Tubular Torque Arm, 18 1/8" Center-to-Center	
14	E-3797	493478C2	Spring Seat	4
	E-3798	493480C2		
	E-3799	1649755C1		
15	N/A	488906C4 488906C6	Torque Arm Stud	8
16	E-2545	—	Washer	16
17	E-3001	—	Hex Nut, Self-Locking 3/4"-16 UNF	16
18	E-3789	493921C1, C2	Rigid Torque Arm, 21 31/32" Center-to-Center	2
	E-10765	588118C91, C92	Tubular Torque Arm, 21 31/32" Center-to-Center	
19	E-3784	497501C2	Equalizer Bushing	2
20	E-4770	—	Equalizer Roller Assembly	4

NAVISTAR "CORPORATE" AIR RIDE

Tractor



LEAF SPRING REFERENCES

SRI No.
55-067

NAVISTAR "CORPORATE" AIR RIDE

Tractor

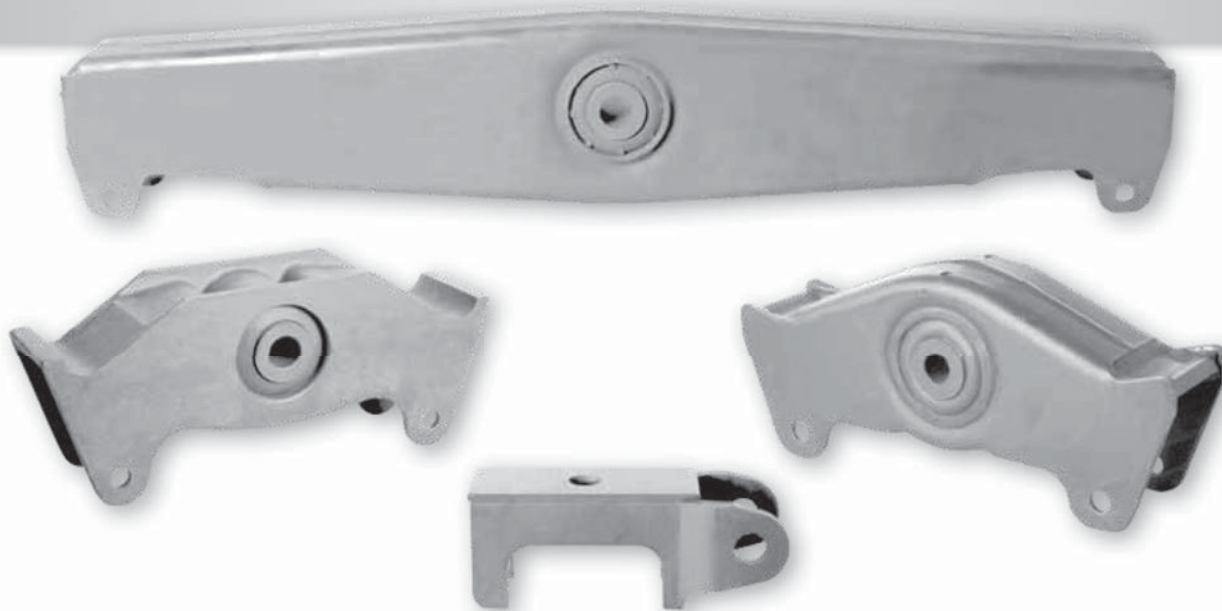
NAVISTAR

KEY NO.	EUCLID NO.	REPLACES NO.	DESCRIPTION	QTY PER TANDEM
1	E-2225 (Rubber)	1693060C1	Torque Arm Bushing — CAUTION: Euclide replacment Torque Arms use E-2226 busiing. Other manufacturers may use E-2225 busihing.	8
	E-7638 (Poly)			
	E-2226 (Rubber)	227720		
	E-7639 (Poly)			
2	E-3790	488916C1 488916C91	Torque Arm Shim	As Req
3	E-UB8353-15	590621C1	U-Bolt Assembly, Semi Rd. Bend, 3/4"-16 Thd. x 3 1/2" Wide x 15" Long	8
	E-UB8363-15N	590621C1	U-Bolt Assembly, Semi Rd. Bend, 7/8"-14 Thd. x 3 1/2" Wide x 15" Long	
4	E-3796	488918C1	U-Bolt Top Plate	4
5	S.O.S.	Various	Air Spring	4
6	M85003	1675455C1	Shock Absorber	4
	M89411	501553C91		
7	E-3797	493478C2	Spring Seat	4
	E-3798	493480C2		
	E-3799	1649755C1		
8	E-3792	438286C1 43828C1	Torque Arm Bolt	8
9	E-3793	414089C1	Torque Arm Flange Nut	16
10	E-3788	493920C1 , C2	Rigid Torque Arm, 18 1/8" Center-to-Center	2
	E-10764	588117C91, 92	Tubular Torque Arm, 18 1/8" Center-to-Center	
11	N/A	488906C4 488906C6	Torque Arm Stud	8
12	E-3001	—	Hi-Nut	16
13	E-2545	—	Washer	16

Request your copy of
SP0989
via Literature on Demand
www.meritor.com/lod



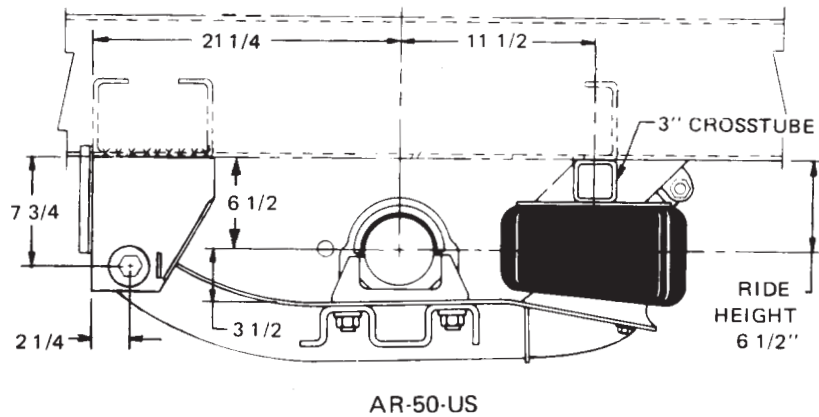
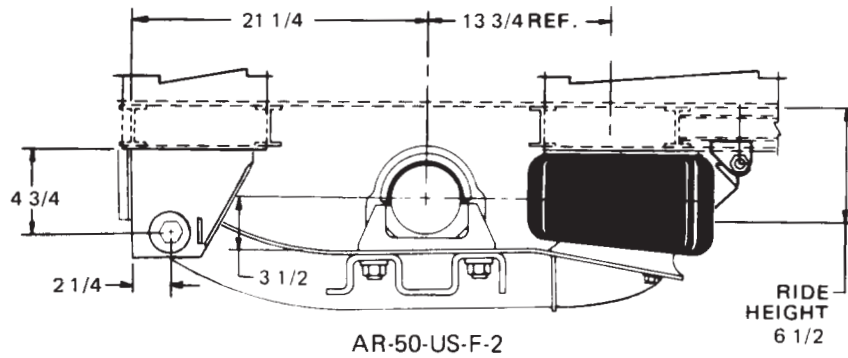
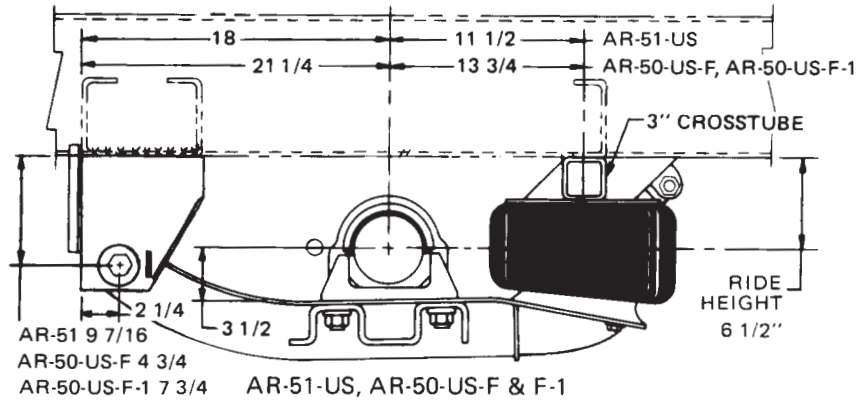
EASY SEARCH FOR PARTS (E.S.P.) EQUALIZER TO SUSPENSION MODEL GUIDE



NEWAY MODEL IDENTIFICATION

AR-50-US & AR-51-US SERIES

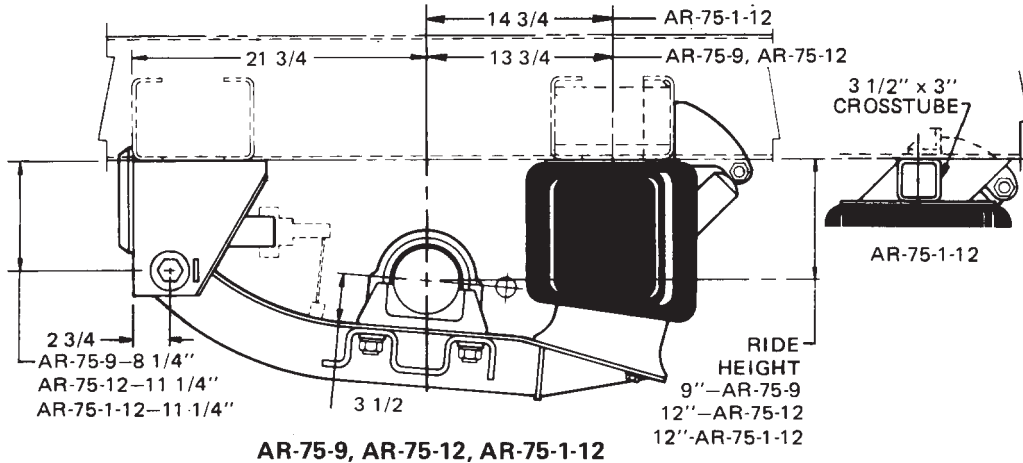
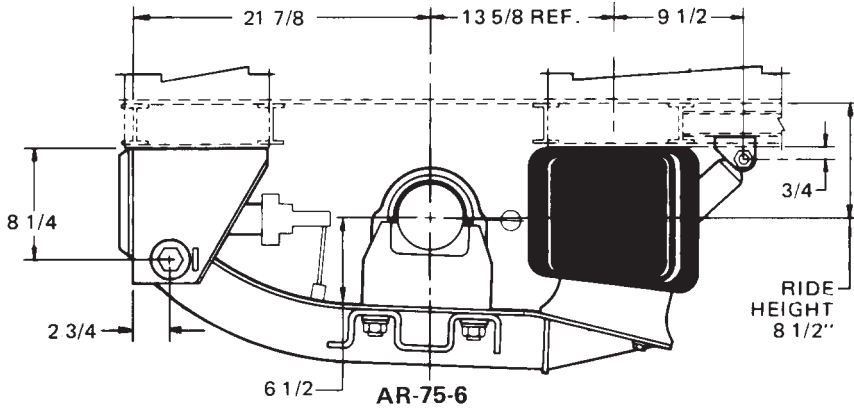
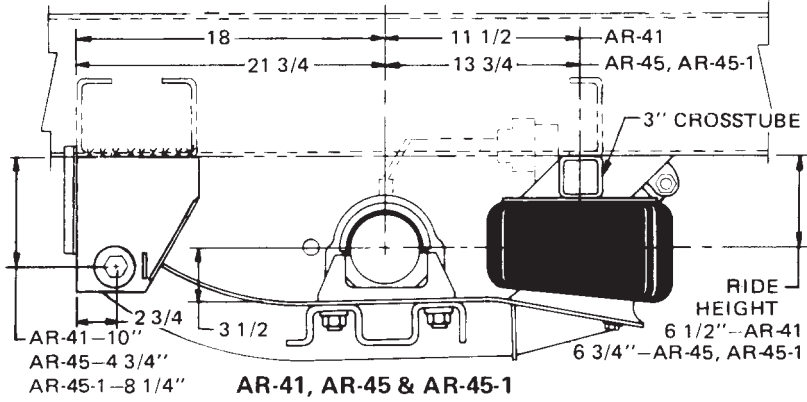
The basic differences in the models are the frame brackets and equalizing beam. To identify the correct model, refer to the views and dimensions below.



NEWAY MODEL IDENTIFICATION

AR-41, AR-45 & AR-75 SERIES

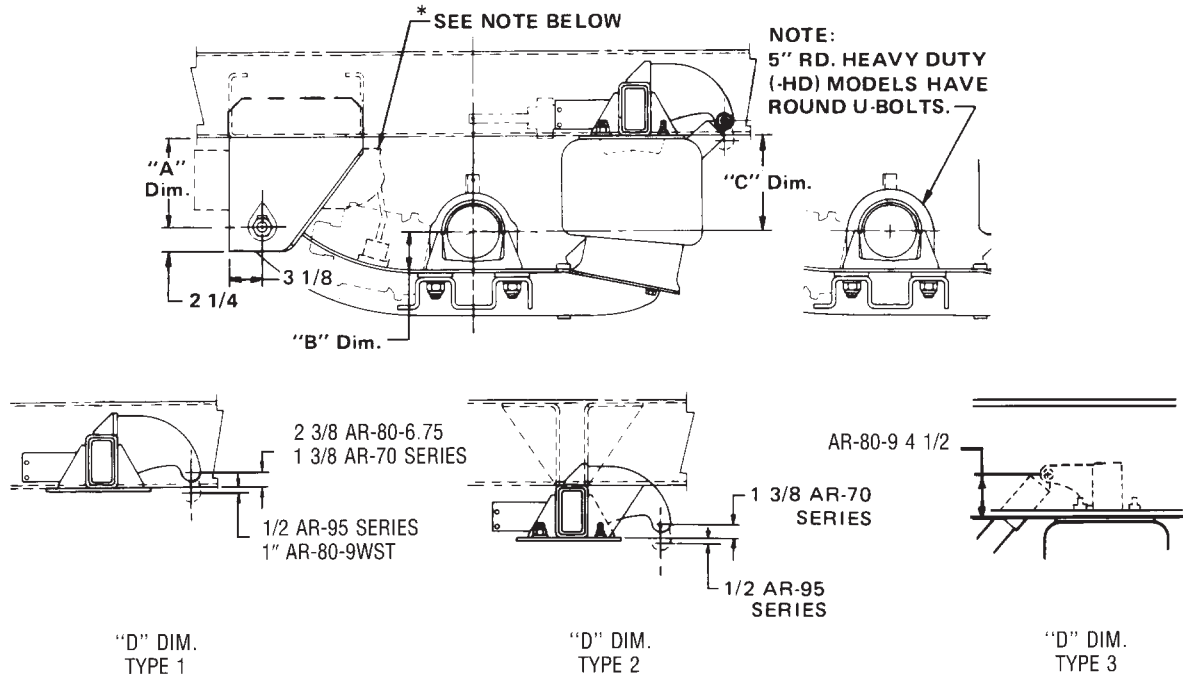
The basic differences in the models are the frame brackets, equalizing beam, beam seats and air springs. To identify the correct model, refer to the views and dimensions below.



NEWAY MODEL IDENTIFICATION

AR-70, AR-80, AR-95 & AR-955 SERIES

The basic differences in the models are the frame brackets, equalizing beam, beam seats and air springs. To identify the correct model, refer to the views and dimensions below.

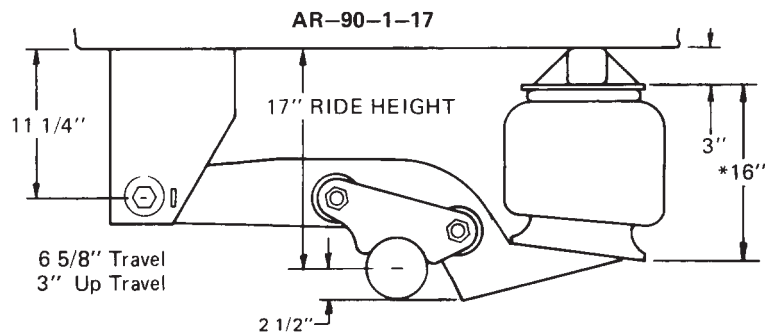
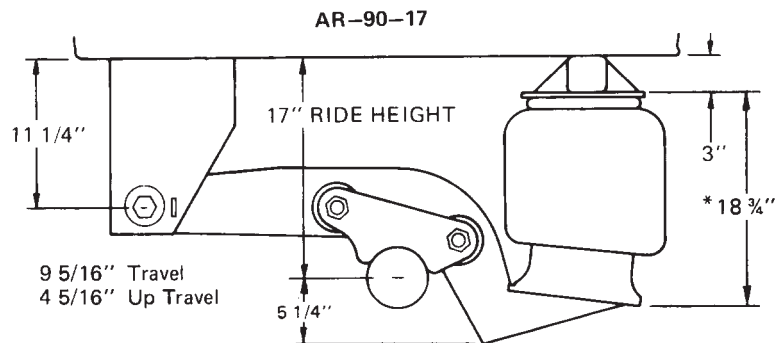
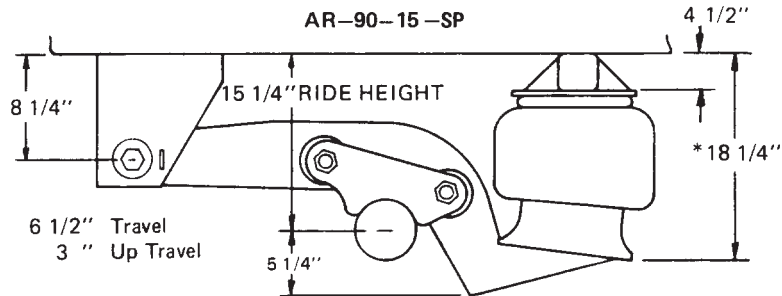
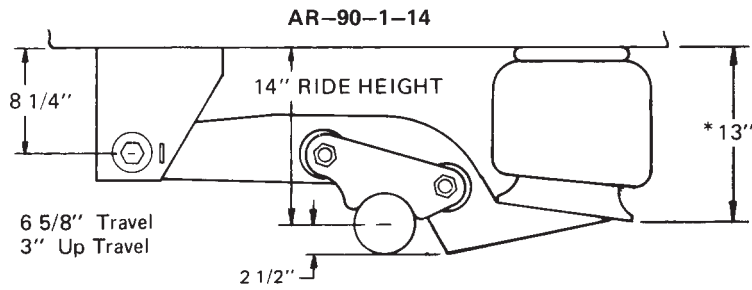
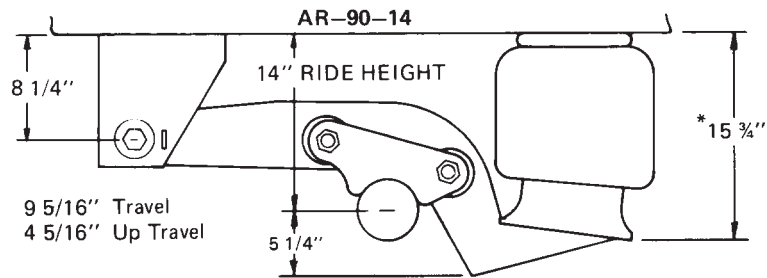


MODEL	"A" DIMENSION	"B" DIMENSION	"C" DIMENSION	"D" DIMENSION
AR-70-9	8 1/2"	3 1/2"	9"	Type 1 1 3/8"
AR-70-14	13 1/2"	3 1/2"	14"	Type 2 1 3/8"
AR-80-6.75	6 3/4"	3 1/2"	6 3/4"	Type 1 2 3/8"
AR-80-9	8 1/4"	3 1/2"	9"	Type 3 4 1/2"
AR-80-9WST	8 1/4"	3 1/2"	9"	Type 1 1"
AR-95-9	11 1/2"	6 1/2"	9"	Type 1 1/2"
AR-955-9	11 1/2"	6 1/2"	9"	Type 1 1/2"
AR-95-9-HD	11 1/2"	6 1/2"	9"	Type 1 1/2"
AR-955-9-HD	11 1/2"	6 1/2"	9"	Type 1 1/2"
AR-95-12	11 1/2"	3 1/2"	12"	Type 1 1/2"
AR-955-12	11 1/2"	3 1/2"	12"	Type 1 1/2"
AR-95-12-HD	11 1/2"	3 1/2"	12"	Type 1 1/2"
AR-955-12-HD	11 1/2"	3 1/2"	12"	Type 1 1/2"
AR-95-14	16 1/2"	6 1/2"	14"	Type 2 1/2"
AR-955-14	16 1/2"	6 1/2"	14"	Type 2 1/2"
AR-95-14-HD	16 1/2"	6 1/2"	14"	Type 2 1/2"
AR-955-14-HD	16 1/2"	6 1/2"	14"	Type 2 1/2"
AR-95-17	16 1/2"	3 1/2"	17"	Type 2 1/2"
AR-955-17	16 1/2"	3 1/2"	17"	Type 2 1/2"
AR-95-17-HD	16 1/2"	3 1/2"	17"	Type 2 1/2"
AR-955-17-HD	16 1/2"	3 1/2"	17"	Type 2 1/2"

*Indicates Coil Spring Lift

NEWAY MODEL IDENTIFICATION

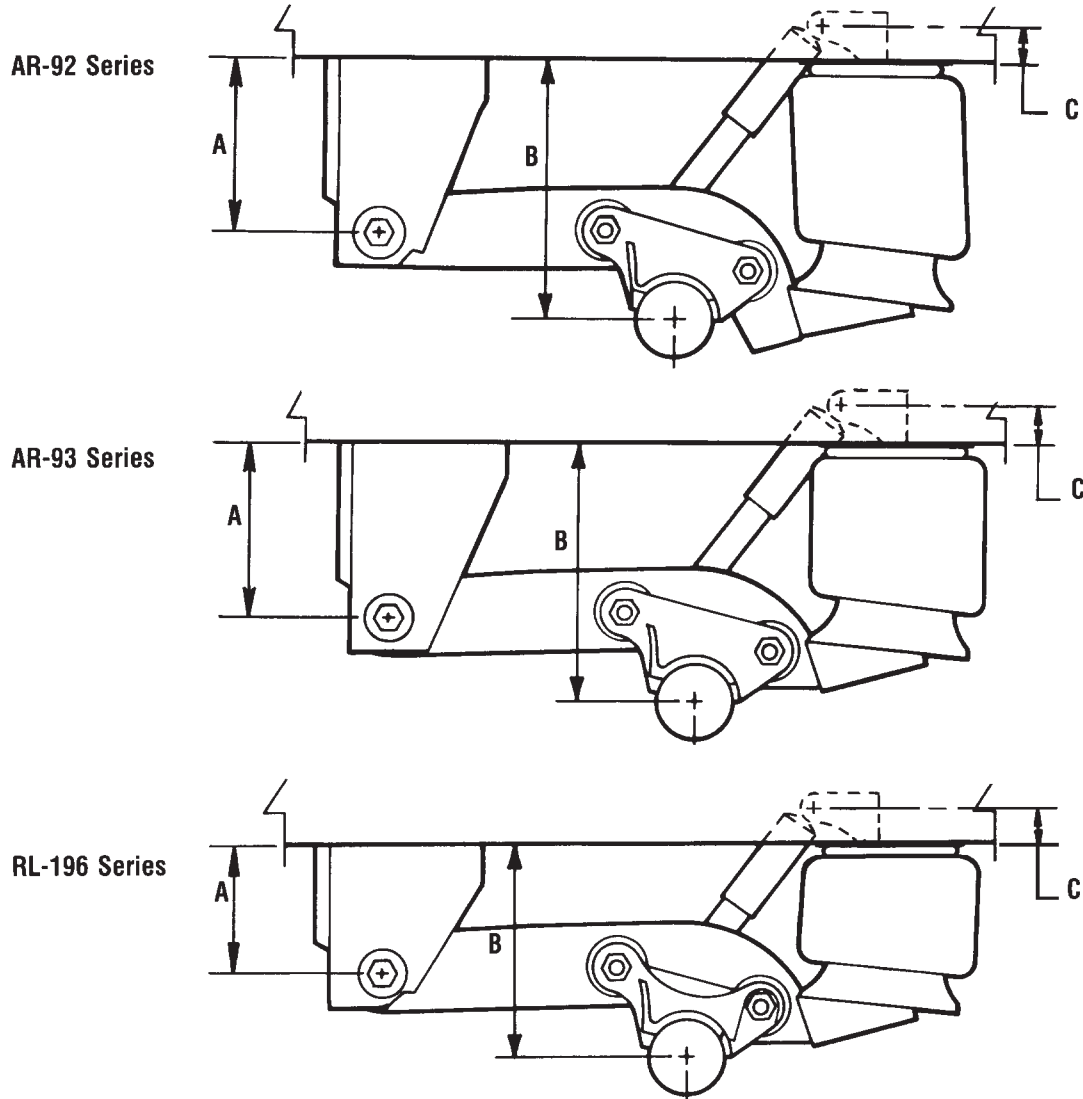
AR-90 SERIES



*Reference dimension of proper ride height

NEWAY MODEL IDENTIFICATION

AR-92, AR-93 & AR-196 SERIES



MODEL	"A"	"B"	"C"	FULL TRAVEL	UP TRAVEL
AR-92-12	5 1/4"	12"	2 1/4"	8"	3"
AR-92-14	7 1/4"	14"	2 1/4"	8"	4"
AR-92-15	8 1/4"	15"	2 1/4"	8"	4"
AR-92-16	10 3/4"	16"	2 1/4"	8"	4"
AR-92-17	10 3/4"	17"	2 1/4"	8"	4"
AR-92-18	12 1/2"	18"	2 1/4"	8 3/8"	4 3/8"
AR-93-14	7 1/4"	14"	2 1/4"	8"	3"
AR-93-15	8 1/4"	15"	2 1/4"	8 1/4"	3"
AR-93-16	10 3/4"	16"	2 1/4"	8"	3"
AR-93-17	10 3/4"	17"	2 1/4"	8 1/4"	3"
RL-196-12	5 1/4"	12"	2 1/4"	7"	3"
RL-196-14	7 1/4"	14"	2 1/4"	7"	3"
RL-196-15	8 1/2"	15"	2 1/4"	6"	3"
RL-196-16	10 1/2"	16"	2 1/4"	7"	3"
RL-196-17	10 1/2"	17"	2 1/4"	8"	3"

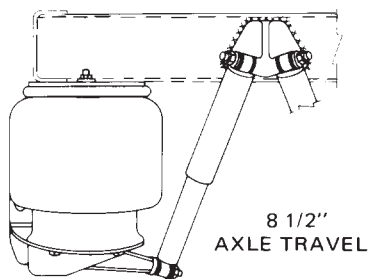
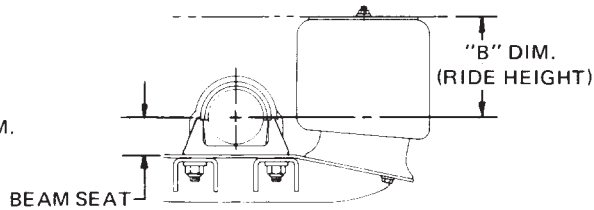
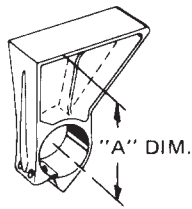
NEWAY MODEL IDENTIFICATION

AR-120/125 TOPMOUNT AND AR-120/125-US UNDERSLUNG SERIES

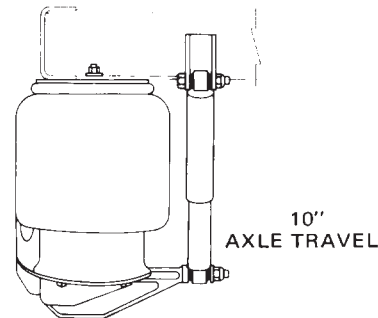
The basic differences in the AR-1 models are the frame bracket, equalizing beam, shock absorbers, beam seats (underslung models only) and air springs. To identify the models, refer to the views below.

MODEL	"A" DIMENSION	"B" DIMENSION	SHOCK ABSORBER	BEAM SEAT	*AXLE CAP.	AXLE TRAVEL
AR-120	8 ³ / ₈ "	14"	Type I		20,000 lbs.	8 ¹ / ₂ "
AR-125	8 ³ / ₈ "	14"	Type I		25,000 lbs.	8 ¹ / ₂ "
AR-120-L	11 ³ / ₈ "	17"	Type II		20,000 lbs.	10"
AR-125-L	11 ³ / ₈ "	17"	Type II		25,000 lbs.	10"
AR-120-US	8 ³ / ₈ "	9"	Type I	3 ¹ / ₂ "	20,000 lbs.	8 ¹ / ₂ "
AR-125-US	8 ³ / ₈ "	9"	Type I	3 ¹ / ₂ "	25,000 lbs.	8 ¹ / ₂ "
AR-120-US-L-1	11 ³ / ₈ "	9"	Type II	6 ¹ / ₂ "	20,000 lbs.	10"
AR-120-US-L-2	11 ³ / ₈ "	10 ¹ / ₂ "	Type II	5 ¹ / ₄ "	20,000 lbs.	10"
AR-120-US-L-3	11 ³ / ₈ "	12"	Type II	3 ¹ / ₂ "	20,000 lbs.	10"
AR-125-US-L-1	11 ³ / ₈ "	9"	Type II	6 ¹ / ₂ "	25,000 lbs.	10"
AR-125-US-L-2	11 ³ / ₈ "	10 ¹ / ₂ "	Type II	5 ¹ / ₄ "	25,000 lbs.	10"
AR-125-US-L-3	11 ³ / ₈ "	12"	Type II	3 ¹ / ₂ "	25,000 lbs.	10"
AR-120-US-F	8 ³ / ₈ "	9"	Type I	3 ¹ / ₂ "	20,000 lbs.	7 ³ / ₄ "
AR-125-US-F	8 ³ / ₈ "	9"	Type I	3 ¹ / ₂ "	25,000 lbs.	7 ³ / ₄ "
AR-165-US	7 ³ / ₈ "	*7 ¹ / ₈ "	Type I	6 ¹ / ₂ "	20,000 lbs.	7 ¹ / ₈ "

* May vary slightly with trailer manufacturer's frame design.



TYPE I LOCATION



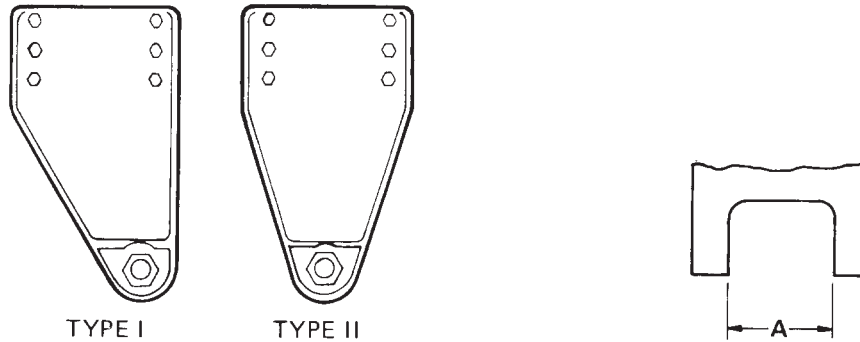
TYPE II LOCATION

NEWAY MODEL IDENTIFICATION

ARD SERIES

The basic differences in the ARD (Air Ride Drive Axle) models are in the frame brackets, equalizing beam, shock absorbers and transverse beams. To identify models, refer to the views below.

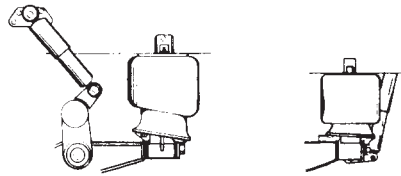
MODEL	FRAME BRACKET	"A"	SHOCK ABSORBER	TRANSVERSE BEAM
ARD-125-6	Type I	5 1/2"	Type II	Type I
ARD-125-8	Type I	5 1/2"	Type I	Type I
ARD-244-6	Type I	5 1/2"	Type II	Type I
ARD-244-8	Type I	5 1/2"	Type I	Type I
ARD-234	Type II	5 1/2"	Type II	Type I
ARD-238	Type II	5 1/2"	Type II	Type II



TYPE I

TYPE II

FRAME BRACKETS



TYPE I

TYPE II

SHOCK ABSORBERS



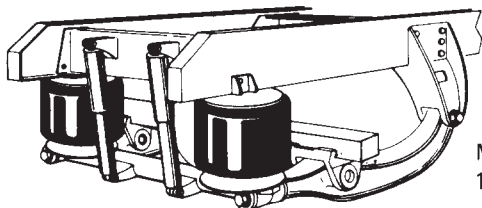
TYPE I

TYPE II

TRANSVERSE BEAMS

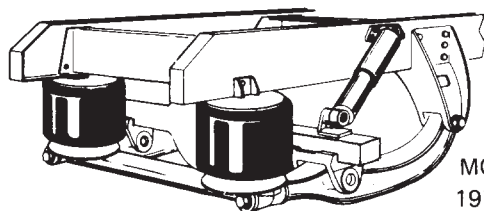
NEWAY MODEL IDENTIFICATION

ARD SERIES



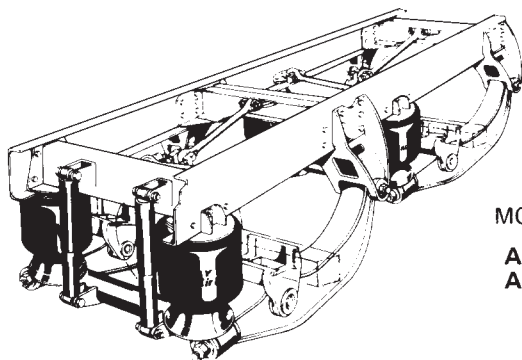
MODEL YEARS
1970 – Present

ARD-125-6 Single (Shown)
ARD-244-6 Tandem



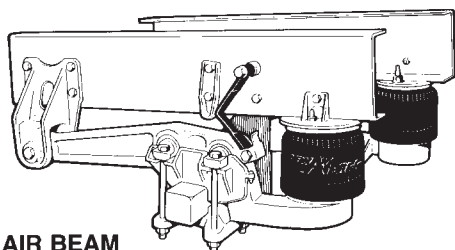
MODEL YEARS
1970 – Present

ARD-125-8 Single (Shown)
ARD-244-8 Tandem

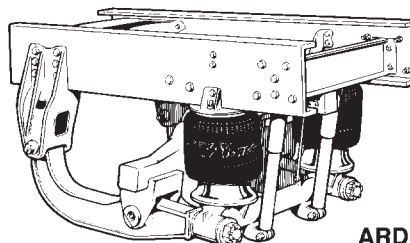


ARD-234-6 Tandem
MODEL YEARS 1978— Present

ARD-120-6 Single
ARD-238-6 Tandem (Shown)
MODEL YEARS
1984 – Present



AIR BEAM
ARDAB-120 & 240-5



ARDST-123 & 246-6

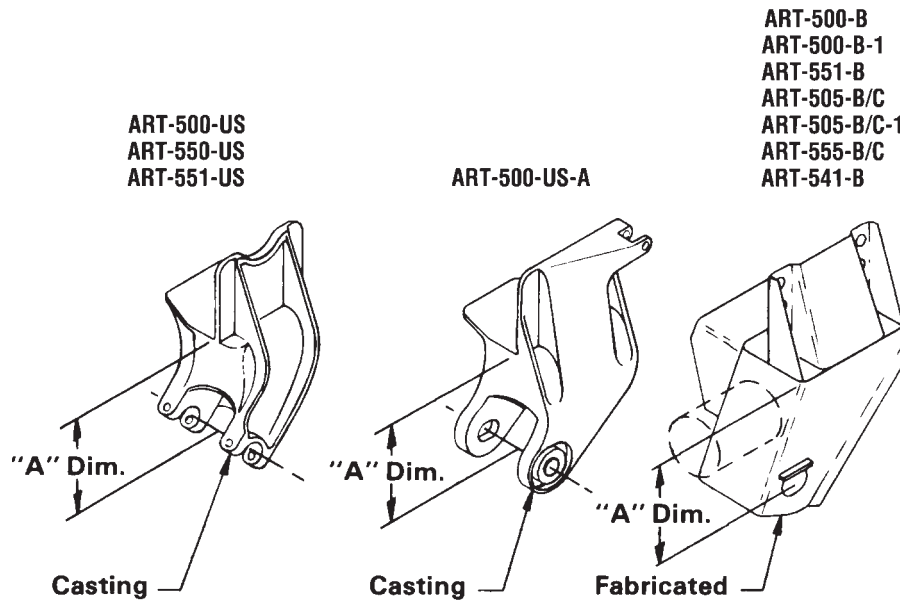
NEWAY MODEL IDENTIFICATION

ART-500-US SERIES & AR-80-9FM

To determine your "ART" model when ordering replacement parts or for service information, compare the frame brackets on the unit to those shown below.

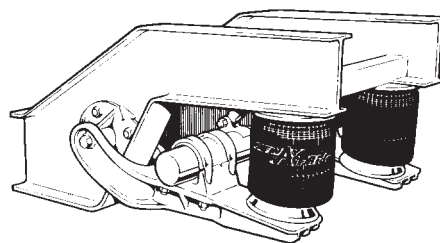
The basic ART-500 Series has a total axle travel of $8\frac{1}{2}$ ". The basic ART-550 and ART-551 Series have 10" of axle travel.

Note the frame to centerline of pivot dimensions on the various models. The shock absorbers and air springs are different for each model.



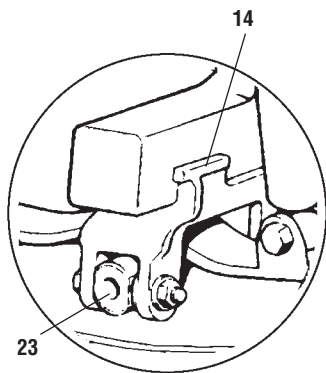
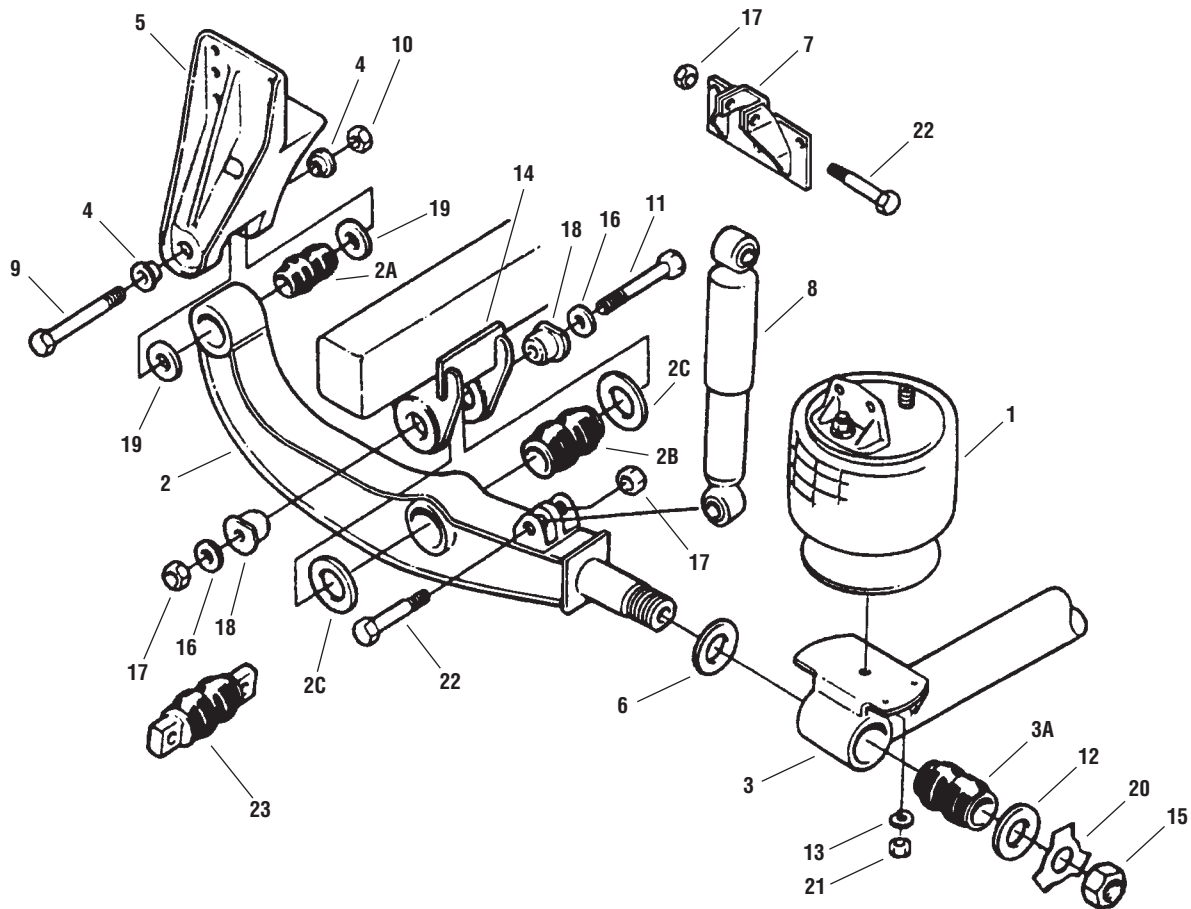
"A" Dim.	
ART-500	8 $\frac{3}{8}$ "
ART-550	11 $\frac{1}{2}$ "
ART-551	11 $\frac{1}{2}$ "
ART-500-A	8 $\frac{1}{2}$ "
ART-500-B	8 $\frac{1}{2}$ "
ART-500-B-1	8 $\frac{1}{2}$ "
ART-551-B	11 $\frac{1}{2}$ "
ART-505-B/C	8 $\frac{1}{2}$ "
ART-505-B/C-1	8 $\frac{1}{2}$ "
ART-555-B/C	11 $\frac{1}{2}$ "
ART-541-B	11 $\frac{1}{2}$ "

AR-80-9FM



NEWAY AD-123/246 -6.5, -8.75 -10 SERIES

Tractor



**Optional Bar Pin Style
Beam Center Bushing**

NEWAY AD-123/246 -6.5, -8.75 -10 SERIES

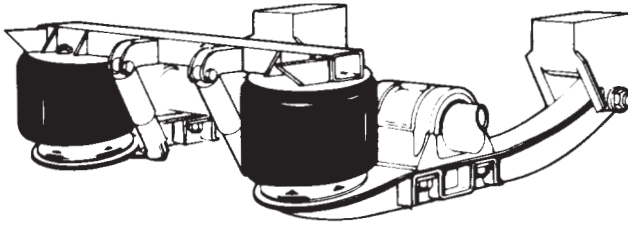
Tractor

KEY NO.	EUCLID NO.	REPLACES NO.	DESCRIPTION	QTY. PER AXLE	AD-123/246		
					6.5	8.75	10
1	FS9471	905 57 146	Air Spring Assembly, Includes Mounting Bracket	2		X	
	FS9472	905 57 147			X	X	
2	S.O.S.	905 16 531	Equalizing Beam Assembly	2	X	X	X
2A	E-9292	900 08 151	Beam Bushing	2	X	X	X
2B	E-4253 (Rubber)	900 08 008	Beam Center Bushing	2	X	X	X
	E-8681 (Poly)						
2C	E-4315	900 01 065	Beam Adapter	4	X	X	X
3	S.O.S.	905 45 220	Transverse Beam Assembly	1	X	X	X
3A	E-4252	900 08 006	Transverse Beam Bushing	2	X	X	X
4	E-4267	900 08 120	Alignment Block	4	X	X	X
5	S.O.S.	Various	Frame Bracket, Left Hand	1	X	X	X
	S.O.S.	Various	Frame Bracket, Right Hand	1	X	X	X
6	S.O.S.	936 00 498	Washer	2	X	X	X
7	S.O.S.	905 20 520	Shock Absorber Mounting Bracket, Left Hand	1	X	X	X
	S.O.S.	905 20 521	Shock Absorber, Mounting Bracket, Right Hand	1	X	X	X
8	M85906	900 45 099	Shock Absorber		X	X	X
	M85909	900 45 132	Shock Absorber (Optional, 24 1/4" Extended Length)	2	X	X	X
9	E-4364	932 01 055	Bolt	2	X	X	X
10	E-4358	934 00 506	Lock Nut	2	X	X	X
11	Part of E-2374	930 03 693	Bolt	2	X	X	X
12	S.O.S.	900 36 006	Spacer Washer	2	X	X	X
13	S.O.S.	936 00 072	Lock Washer, 1/2"	2	X	X	X
14	S.O.S.	Various	Beam Hanger Bracket	2	X	X	X
15	S.O.S.	934 00 607	Hex Nut, 2 1/4"- 8 Thd.	2	X	X	X
16	Part of E-2374	936 00 156	Plain Washer	4	X	X	X
17	E-4347	934 00 492	Lock Nut, 3/4"-10 Thd.	6	X	X	X
18	Part of E-2374	900 01 002	Adapter Bushing	4	X	X	X
19	S.O.S.	936 00 502	Spacer Washer	4	X	X	X
20	S.O.S.	900 36 184	Tab Washer	2	X	X	X
21	S.O.S.	934 00 136	Hex Nut, 1/2"- 13 Thd.	2	X	X	X
22	S.O.S.	930 03 615	Cap Screw, 3/4"- 10 Thd. x 5 1/2"	4	X	X	X
23	E-10678	900 08 175	Bar Pin Center Beam Bushing	2	X	X	X
—	E-2374	Various	Beam Bushing Adapter Kit, Includes Key Nos. 11,16,17 & 18	2	X	X	X

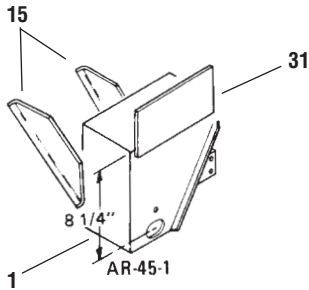
NEWAY

NEWAY AR-41, AR-45, AR-45-1 SERIES

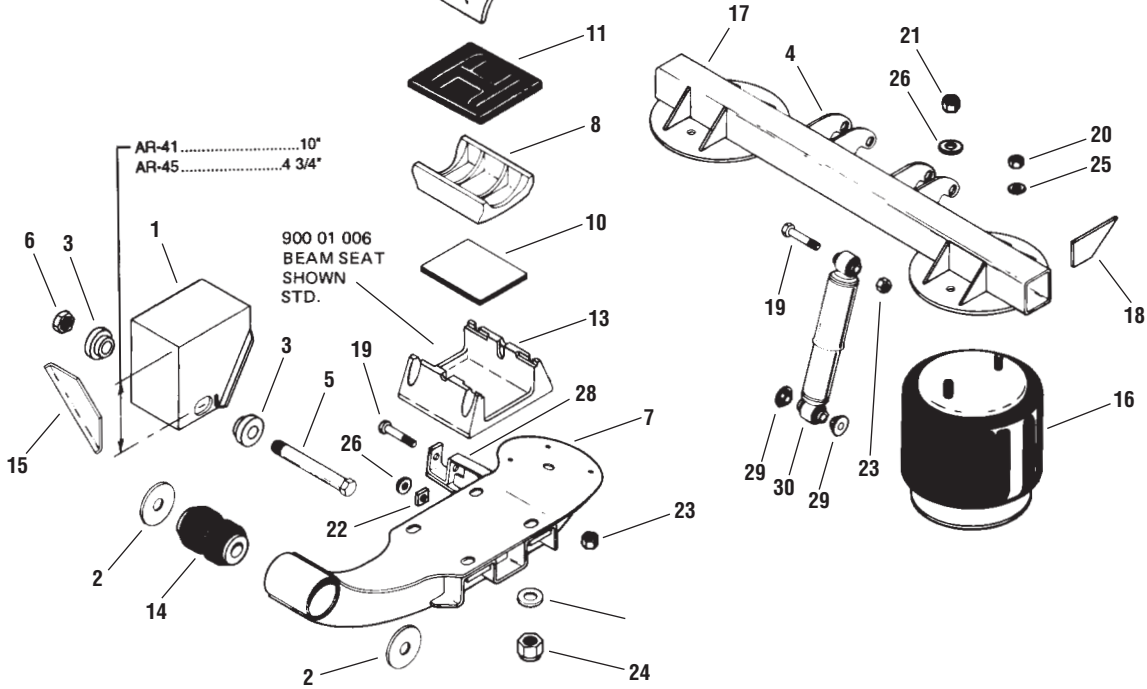
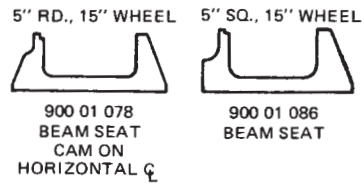
Trailer



NOTE: For 15" wheel axle connection parts, with cam on horizontal centerline, refer to 15" WHEEL AXLE CONNECTION on last page of this section.



AR-41



NEWAY

NEWAY AR-41, AR-45, AR-45-1 SERIES

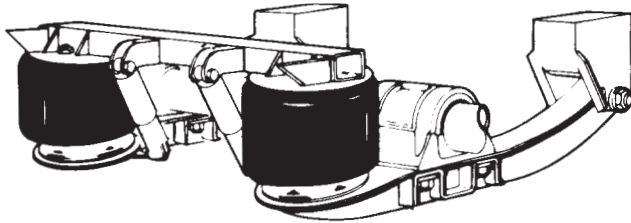
Trailer

KEY NO.	EUCLID NO.	REPLACES NO.	DESCRIPTION	QTY. PER AXLE	AR-		
					41	45	45-1
1	S.O.S.	905 20 189	Adjustable Frame Bracket Assembly, Left Hand	1	X		
		915 20 153				X	
	905 19 714					X	
	905 20 152				X		
	S.O.S.	905 20 151			Fixed Frame Bracket Assembly, Right Hand	1	X
		905 19 715				X	
2	E-4363	900 36 177	Washer	4	X	X	X
3	E-9284	900 08 147	Alignment Block	4	X	X	X
4	S.O.S.	900 32 561	Upper Shock Mounting Bracket	4	X	X	X
5	E-4364	932 01 055	Bolt, 1 1/8" - 7" x 9 1/4"	2	X	X	X
6	E-4358	934 00 506	Lock Nut, 1 1/8" - 7 GrC	2	X	X	X
7	S.O.S.	905 16 054	Equalizing Beam, Left Hand	1	X		
		905 15 857			X	X	
	S.O.S.	905 16 055			Equalizing Beam, Right Hand	1	
		905 15 858			X	X	
8	E-4289	900 01 082	Axle Adapter	2	X	X	X
	E-4290	900 01 083			X	X	X
9	E-4282	900 10 032	Axle Cap	2	X	X	X
	E-4283	900 10 022			X	X	X
10	E-2947A (Rubber)	900 28 075	Axle Pad	2	X	X	X
	E-8680 (Poly)				X	X	X
11	E-2943 (Rubber)	900 28 047	Wrapper, 5" Round Axle	2	X	X	X
	E-8678 (Poly)						
	E-4409 (Rubber)				900 28 073	Wrapper, 5" Square Axle	X
12	E-UB8479-090	900 41 878	U-Bolt Assembly, Flat Rd. Bend, 1"- 14 Thd. x 6 5/16" Wide x 9" Long	4	X	X	X
	E-UB8578-124A	900 42 794	U-Bolt Assembly, Flat Sq. Bend, 1"- 14 Thd. x 6 5/16" Wide x 12 1/2" Long		X	X	X
13	E-4292	900 01 006	Axle Seat	2	X	X	X
14	E-4382A	900 08 139	Bushing	2	X	X	X
15	S.O.S.	900 23 002	Angle Brace	2	X	X	
		900 23 003			4		
16A	FS9039	905 57 023	Air Spring Assembly	2	X	X	X
16B	FS9307	905 57 129	Air Spring Assembly (Composite Piston)	2	X	X	X
17	S.O.S.	905 44 615	Crossmember Assembly	1	X		
		905 44 573			X	X	
18	S.O.S.	900 31 443	Gusset	2	X	X	X
19	E-4345	930 03 599	Bolt	4	X	X	X

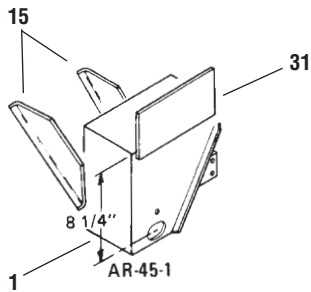
NEWAY

NEWAY AR-41, AR-45, AR-45-1 SERIES

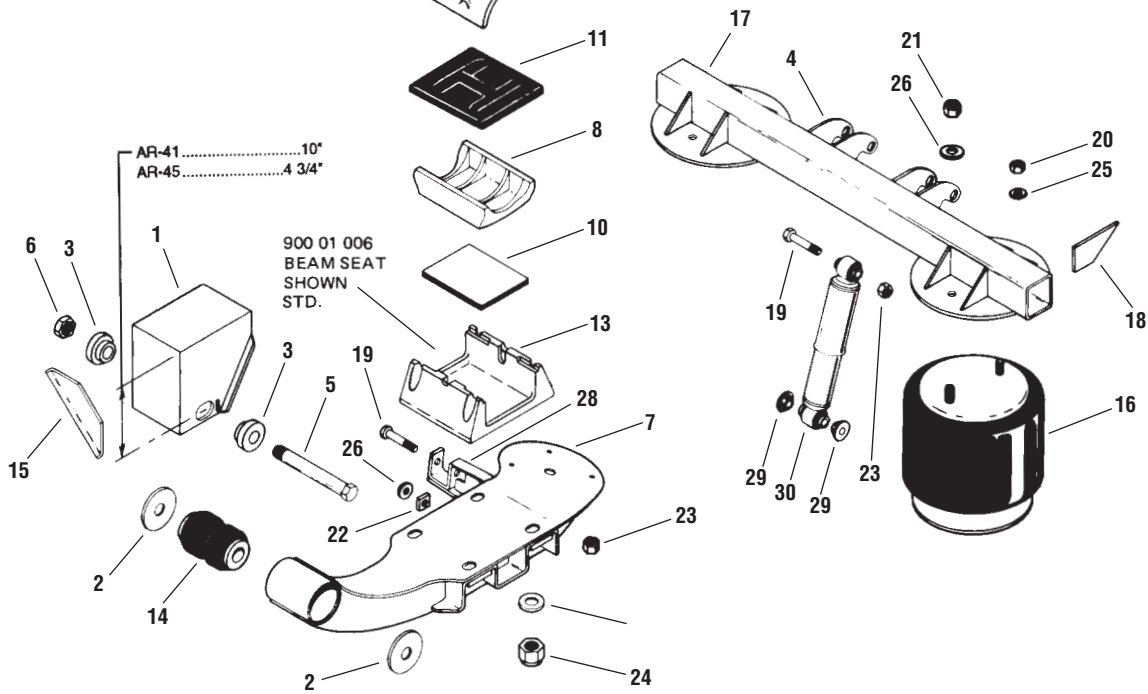
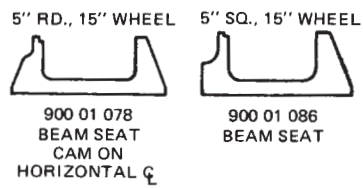
Trailer



NOTE: For 15" wheel axle connection parts, with cam on horizontal centerline, refer to 15" WHEEL AXLE CONNECTION on last page of this section.



AR-41



NEWAY AR-41, AR-45, AR-45-1 SERIES

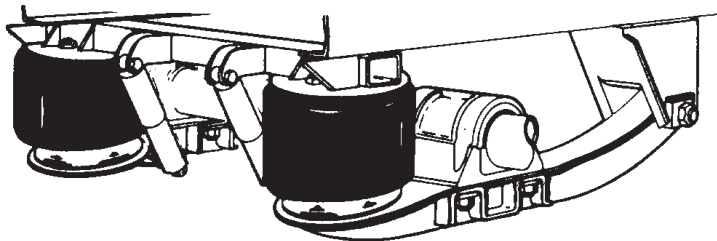
Trailer

KEY NO.	EUCLID NO.	REPLACES NO.	DESCRIPTION	QTY. PER AXLE	AR-		
					41	45	45-1
20	S.O.S.	934 00 136	Hex Nut, 1/2"-13 Thd.	2	X	X	X
21	E-1107	934 00 149	Hex Nut, 3/4"-16 Thd.	2	X	X	X
22	S.O.S.	934 00 367	Square Nut, 3/4"-10 Thd.	2	X	X	X
23	E-4347	934 00 492	Lock Nut, 3/4"-10 Thd.	4	X	X	X
24	E-4421	934 00 502	Lock Nut	8	X	X	X
25	S.O.S.	936 00 072	Lock Washer, 1/2"	2	X	X	X
26	S.O.S.	936 00 077	Lock Washer, 3/4"	4	X	X	X
27	E-4353	939 00 027	Washer, 1 5/8"	8	X	X	X
28	E-4338	905 19 009	Lower Shock Mounting Bracket	2	X		
	S.O.S.	905 19 425			X	X	
29	E-4403 (Rubber)	905 08 004	Bushing	8	X	X	X
	E-8684 (Poly)				X	X	X
30	M83128	900 44 162	Shock Absorber	2	X	X	X
31	S.O.S.	900 31 437	Plate	2			X
—	E-4398A	SRK-145 481 00 202	Pivot Connection Kit Includes Key Nos. 2, 5, 6, 14	1	X	X	X
—	E-2977A	SRK-64 481 00 108	5" Round Axle Connection Kit Includes Key Nos. 10, 11, 12, 24, 27	1	X	X	X

NEWAY

NEWAY AR-50-US, AR-50-US-F, AR-50-US-F-1, AR-50-US-F-2, AR-51-US SERIES Trailer

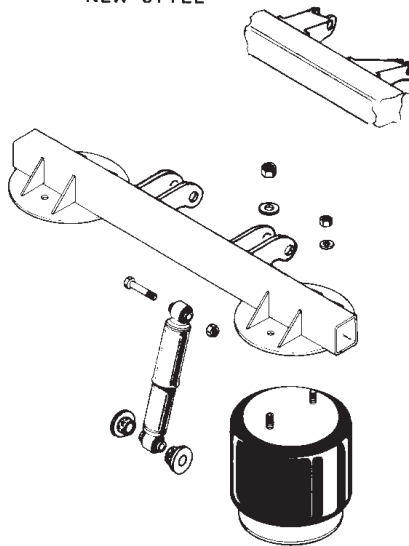
NEWAY



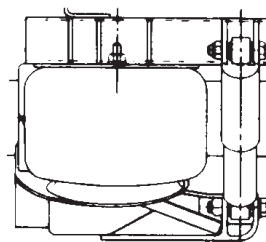
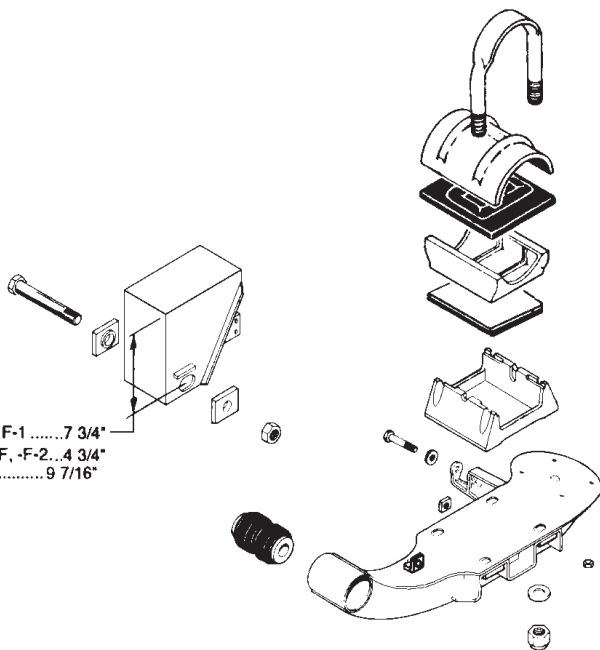
NOTE: Conversion to NEW STYLE
Shock Brackets - SRK-109
UP-TO-DATE 151

OLD STYLE

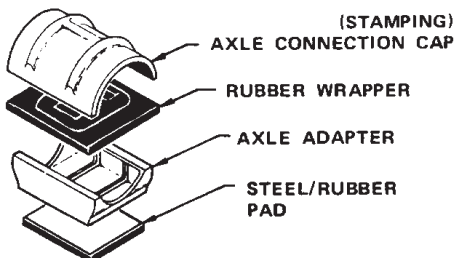
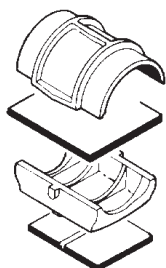
NEW STYLE



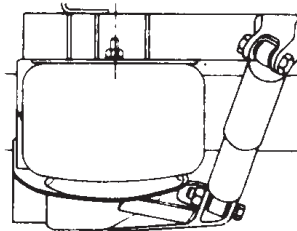
AR-50-US, F-1 7 3/4"
AR-50-US-F, -F-2... 4 3/4"
AR-51-US 9 7/16"



AR-50-US
NEW STYLE



(STAMPING)
AXLE CONNECTION CAP
RUBBER WRAPPER
AXLE ADAPTER
STEEL/RUBBER
PAD



AR-50-US
OLD STYLE

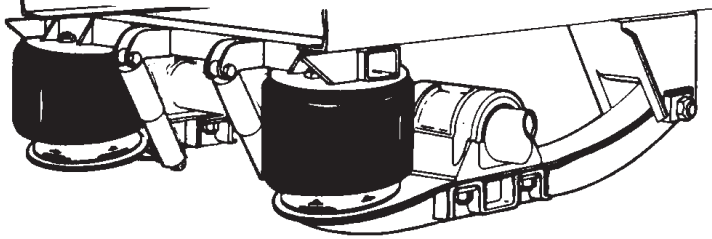
NEWAY AR-50-US, AR-50-US-F, AR-50-US-F-1, AR-50-US-F-2, AR-51-US Series Trailer

KEY NO.	EUCLID NO.	REPLACES NO.	DESCRIPTION	QTY. PER AXLE	AR-				
					50-US	50-US-F	50-US-F-1	50-US-F-2	51-US
1	S.O.S.	905 18 081			X		X		
	S.O.S.	905 18 078	Adjustable Frame Bracket Assy	1		X		X	
	S.O.S.	905 18 071						X	
2	E-4255	900 08 131	Rubber Bushing	2	X	X	X	X	X
3	E-4321	900 31 027	Air Spring Mounting Plate	2	X	X	X	X	X
4	E-4263	900 01 045	Alignment Block	4	X	X	X	X	X
5	E-4361	932 01 045	Bolt	2	X	X	X	X	X
6	E-4358	934 00 506	Lock Nut	2	X	X	X	X	X
7	E-4353	939 00 027	Washer, 1 5/8"	8	X	X	X	X	X
8	S.O.S.	905 16 008			X				
	S.O.S.	905 16 000	Equalizing Beam, Left Hand (New Style)	1	X	X	X		
	S.O.S.	905 16 012					X		
	S.O.S.	905 15 141	Equalizing Beam, Left Hand (Old Style)	1	X				
	S.O.S.	905 15 132			X	X	X		
	S.O.S.	905 16 009			X				
	S.O.S.	905 16 001	Equalizing Beam, Right Hand (New Style)	1	X	X	X		
	S.O.S.	905 16 013					X		
	S.O.S.	905 15 142	Equalizing Beam, Right Hand (Old Style)	1	X				
9	E-4292	900 01 006	Axle Seat	2	X	X	X	X	X
10	FS9039	905 57 023	Air Spring Assembly	2	X	X	X	X	X
11	S.O.S.	936 00 072	Lock Washer, 1/2"	2	X	X	X	X	X
12	S.O.S.	934 00 136	Hex Nut, 1/2"-13 Thd.	2	X	X	X	X	X
13	S.O.S.	936 00 077	Washer, 3/4"	4	X	X	X	X	X
14	E-1107	934 00 149	Hex Nut, 3/4"-16 Thd.	2	X	X	X	X	X
15	E-4347	934 00 492	Lock Nut, 3/4"-10 Thd.	2	X	X	X	X	X
16	M83128	900 44 162	Shock Absorber	2	X	X	X	X	X
17	E-4345	930 03 599	Bolt	4	X	X	X	X	X
18	S.O.S.	900 32 561	Upper Shock Mounting Bracket (New Style)	4	X	X	X		X
	S.O.S.	900 18 061	Upper Shock Mounting Bracket, Left Hand (Old Style)	1	X	X	X		X
	S.O.S.	900 18 062	Upper Shock Mounting Bracket, Right Hand (Old Style)	1	X	X	X		X
	S.O.S.	905 19 040	Upper Shock Mounting Bracket (New Style)	2				X	
	S.O.S.	900 18 114	Upper Shock Mounting Bracket (Old Style)	2				X	
19	E-4289	900 01 082	Axle Adapter, 5" Round Axle	2	X	X	X	X	X
	E-4290	900 01 083	Axle Adapter, 5" Square Axle	X	X	X	X	X	
20	E-4282	900 10 032	Axle Cap, 5" Round Axle (New Style)	2	X	X	X	X	X
	E-4283	900 10 022	Axle Cap, 5" Square Axle		X	X	X	X	X



NEWAY AR-50-US, AR-50-US-F, AR-50-US-F-1, AR-50-US-F-2, AR-51-US SERIES Trailer

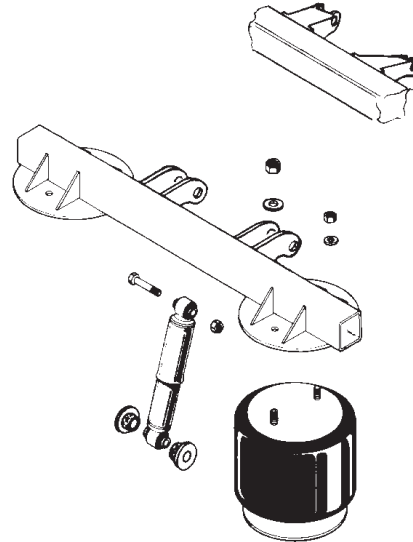
NEWAY



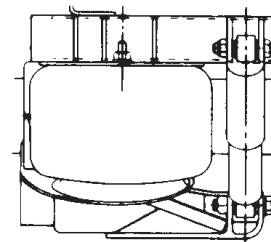
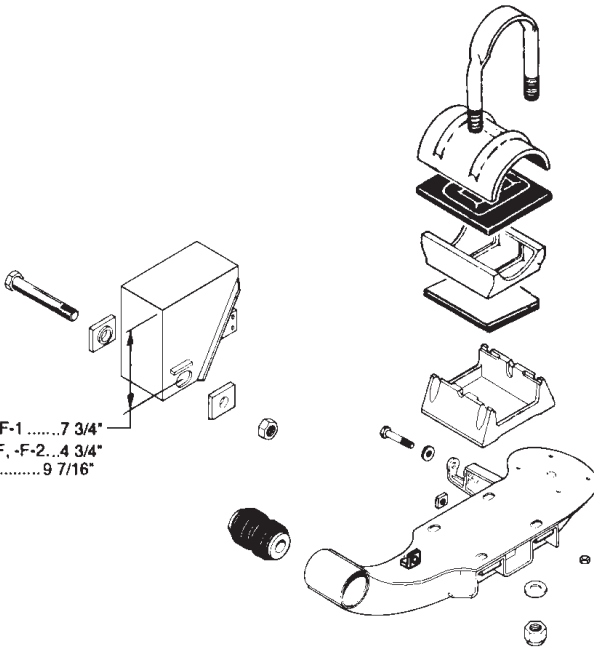
NOTE: Conversion to NEW STYLE
Shock Brackets - SRK-109
UP-TO-DATE 151

OLD STYLE

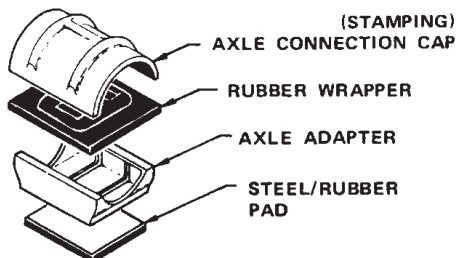
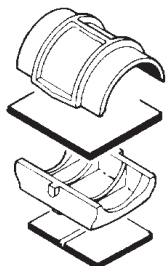
NEW STYLE



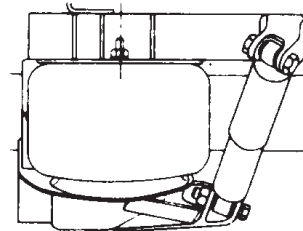
AR-50-US, F-1 7 3/4"
AR-50-US-F, -F-2... 4 3/4"
AR-51-US 9 7/16"



AR-50-US
NEW STYLE



(STAMPING)
AXLE CONNECTION CAP
RUBBER WRAPPER
AXLE ADAPTER
STEEL/RUBBER
PAD



AR-50-US
OLD STYLE

NEWAY AR-50-US, AR-50-US-F, AR-50-US-F-1, AR-50-US-F-2, AR-51-US SERIES Trailer

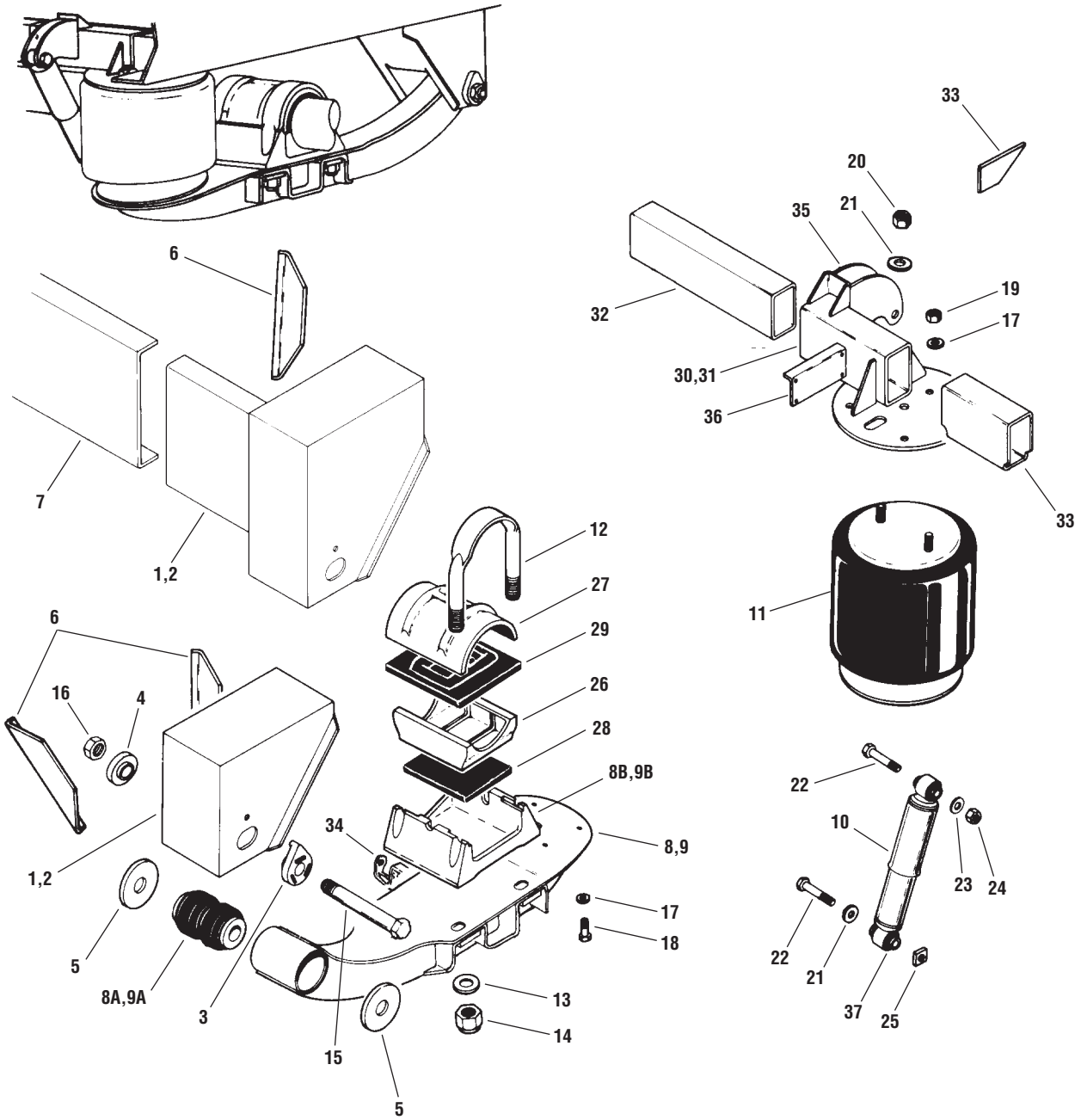
KEY NO.	EUCLID NO.	REPLACES NO.	DESCRIPTION	QTY. PER AXLE	AR-				
					50-US	50-US-F	F-1	50-US-F-2	51-US
21	E-2947A (Rubber)	900 28 075	Axle Pad (New Style)	2	X	X	X	X	X
	E-8680 (Poly)								
	E-2010 (Rubber)	900 28 016	Axle Pad (Old Style)	X	X	X	X	X	
	E-8674 (Poly)								
22	E-2943 (Rubber)	900 28 047	Wrapper, Round Axle (New Style)	2	X	X	X	X	X
	E-8678 (Poly)								
	E-2009 (Rubber)	900 28 073	Wrapper, Square Axle (Old Style)	X	X	X	X	X	
	E-8673 (Poly)								
	E-4409 (Rubber)	900 28 007	Wrapper, Round Axle		X	X	X	X	X
23	E-UB8479-090	900 41 878	U-Bolt Assembly, Flat Rd. Bend, 1"- 14 Thd. x 6 5/16" Wide x 9" Long	4	X	X	X	X	X
	E-UB8578-094	900 41 997	U-Bolt Assembly, Flat Sq. Bend, 1"- 14 Thd. x 6 5/16" Wide x 9 1/2" Long	4	X	X	X	X	X
24	E-4421	934 00 502	Lock Nut, 1"- 8 Thd.	8	X	X	X	X	X
25	E-4403 (Rubber)	905 08 004	Bushing	8	X	X	X	X	X
	E-8684 (Poly)								
26	S.O.S.	905 44 573	Crossmember Assembly (New Style)	1	X	X	X	X	
	S.O.S.	905 44 615							
	S.O.S.	905 18 065	Crossmember Assembly (Old Style)	1	X				
27	E-4338	905 19 009	Lower Shock Mounting Bracket (New Style)	2	X	X	X	X	X
	S.O.S.	900 18 067	Lower Shock Mounting Bracket (Old Style)		X	X	X	X	X
28	S.O.S.	934 00 367	Square Nut, 3/4"-10 Thd.	2	X	X	X	X	X
29	S.O.S.	934 00 553	Lock Nut, 3/4"-10 Thd.	2	X	X	X	X	X
—	E-4396	SRK-48-A	Pivot Connection Kit (New Style) Includes Key Nos. 2, 5, 6	1	X	X	X	X	X
—	E-2977A	SRK-64	5" Round Axle Connection Kit (New Style) Includes Key Nos. 7, 21, 22, 23, 24	1	X	X	X	X	X
—	S.O.S.	SRK-109	Shock Absorber & Bracket Conversion Kit Includes Key Nos. 13, 15, 16, 17, 18, 27, 28	1	X	X	X	X	X

NEWAY

NEWAY AR-70-9, -14 SERIES

Trailer

NEWAY



NEWAY AR-70-9, -14 SERIES

Trailer

KEY NO.	EUCLID NO.	REPLACES NO.	DESCRIPTION	QTY. PER AXLE	AR-	
					70-9	70-14
1	S.O.S.	905 18 716	Adjustable Frame Bracket Assembly, Left Hand	1	X	
	S.O.S.	905 18 722				X
2	S.O.S.	905 18 716	Adjustable Frame Bracket Assembly, Right Hand	1	X	X
3	E-4268	900 08 091	Alignment Block	2	X	X
4	E-4265	900 08 092	Alignment Block	2	X	X
5	E-4363	900 36 177	Washer		X	X
6	S.O.S.	900 23 002	Angle Brace	4	X	
	S.O.S.	900 23 866	Angle Brace, Left Hand	1		X
	S.O.S.	900 23 866	Angle Brace, Right Hand	1		X
7	S.O.S.	410 23 327	Channel	1		X
8	S.O.S.	905 15 624	Equalizer Beam Assembly, Left Hand, Includes 8A & 8B	1	X	X
8A	E-4382A	900 08 139	Bushing	1	X	X
8B	E-4292	900 01 006	Axle Seat	1	X	X
9	S.O.S.	905 15 625	Equalizer Beam Assembly, Right Hand, Includes 9A & 9B	1	X	X
9A	E-4382A	900 08 139	Bushing	1	X	X
9B	E-4292	900 01 006	Axle Seat	1	X	X
10	M83126	900 44 626	Shock Absorber	2	X	X
	M89430					
	M83125					
11	FS9121	905 57 078	Air Spring Assembly	2	X	X
12	E-UB8479-090	900 41 878	U-Bolt Assy, Flat Rd. Bend, 1"-14 Thd. x 6 5/16" Wide x 9" Long	4	X	X
	E-UB8578-094	900 41 997	U-Bolt Ass, Flat Sq. Bend, 1"-14 Thd. x 6 5/16" W x 9 1/2" L	4	X	X
13	E-4353	939 00 027	Flat Washer, 1 5/8"	8	X	X
14	E-4421	934 00 502	Lock Nut	8	X	X
15	E-4364	932 01 046	Bolt	2	X	X
16	E-4358	934 00 506	Lock Nut	2	X	X
17	S.O.S.	936 00 072	Lock Washer, 1/2"	8	X	X
18	S.O.S.	930 02 893	Bolt, 1/2"- 13 Thd. x 1"	6	X	X
19	S.O.S.	934 00 136	Hex Nut, 1/2" - 13 Thd.	2	X	X
20	E-1107	934 00 149	Hex Nut, 3/4" - 16 Thd.	2	X	X
21	S.O.S.	936 00 077	Lock Washer, 3/4"	4	X	X
22	S.O.S.	930 03 603	Bolt, 3/4"-10 Thd. x 3 3/4"	4	X	X
23	E-2545	936 00 156	Washer	2	X	X
24	E-4347	934 00 492	Lock Nut, 3/4"-10 Thd.	2	X	X
25	S.O.S.	934 00 367	Square Nut, 3/4"-10 Thd.	2	X	X
26	E-4289	900 01 082	Axle Adapter, 5" Round	2	X	X
	E-4290	900 01 083	Axle Adapter, 5" Square		X	X
27	E-4282	900 10 032	Axle Cap, 5" Round	2	X	X
	E-4283	900 10 022	Axle Cap, 5" Square		X	X

NEWAY

NEWAY AR-70-9, -14 SERIES

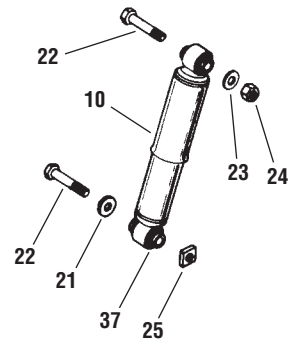
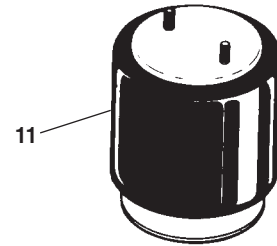
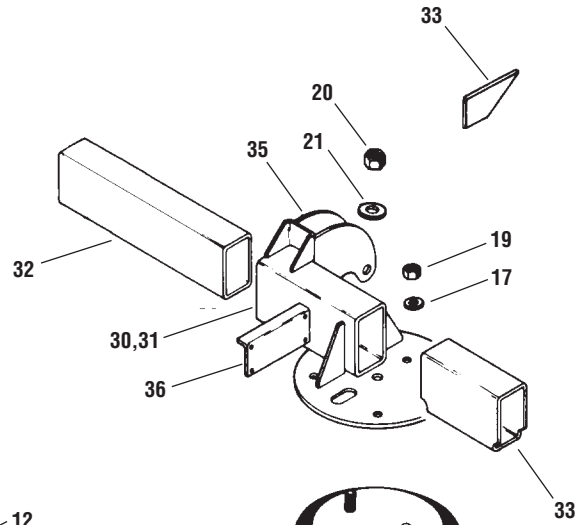
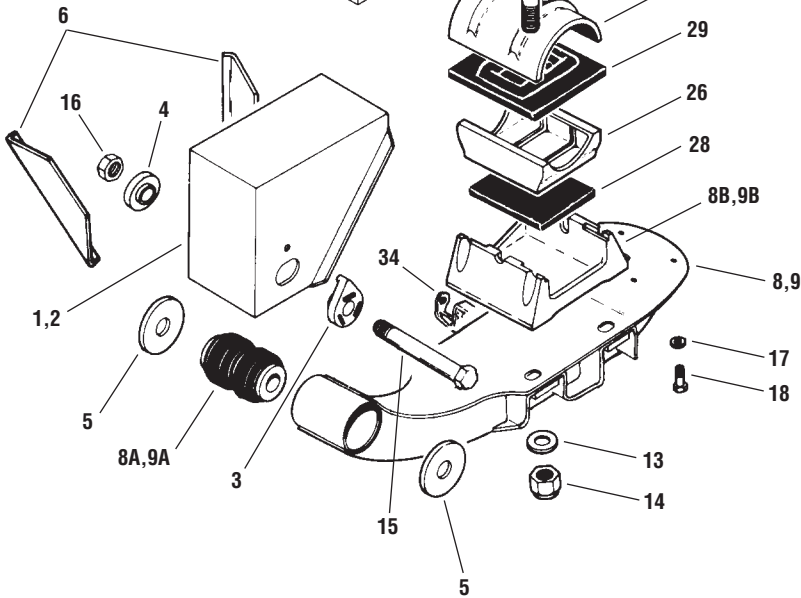
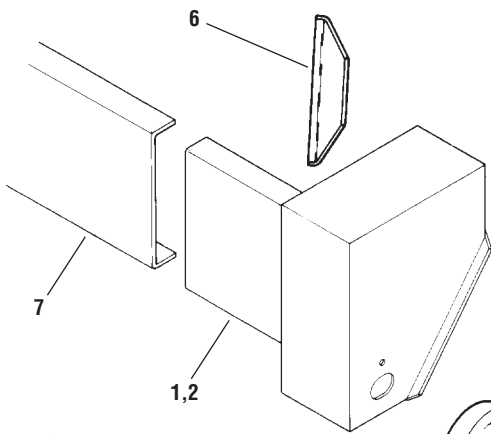
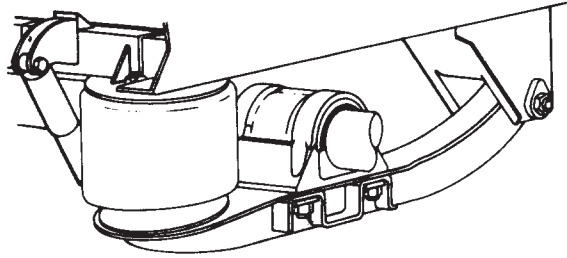
Trailer

KEY NO.	EUCLID NO.	REPLACES NO.	DESCRIPTION	QTY. PER AXLE	AR-	
					70-9	70-14
28	E-2947A (Rubber)	900 28 075	Axle Pad	2	X	X
	E-8680 (Poly)					
29	E-2943 (Rubber)	900 28 047	Wrapper, 5" Round Axle	2	X	X
	E-8678 (Poly)					
	E-4409 (Rubber)					
30	S.O.S.	905 18 723	Crossmember Assembly, Left Hand, Includes 35 & 36	1	X	X
	S.O.S.	905 18 728				
31	S.O.S.	905 18 751	Crossmember Assembly, Right Hand, Includes 35 & 36	1	X	X
	S.O.S.	905 18 752				
32	S.O.S.	905 38 008	Channel Assembly	1	X	X
33	S.O.S.	905 38 007	Channel Assembly	2	X	X
	S.O.S.	900 32 137	Gusset			
34	S.O.S.	900 18 179	Lower Shock Bracket	2	X	X
35	S.O.S.	900 18 322	Shock Bracket	2	X	X
36	S.O.S.	900 23 865	Bracket	2	X	X
37	E-4403 (Rubber)	905 08 004	Bushing	8	X	X
	E-8684 (Poly)					
—	E-4398A	SRK-145	Pivot Connection Kit Includes Key Nos. 5, 8A, 15, 16	1	X	X
—	E-2977A	SRK-64 481 00 108	5" Round Standard Axle Connection Kit, Incl Key Nos. 12, 13, 14, 28, 29	1	X	X
—	E-6898	SRK-68 481 00 112	20" Wheels 5" Square Std. Axle Connection Kit, Includes Key Nos. 12, 13, 14, 28, 29	1	X	X

NEWAY

NEWAY AR-95-9, -12, -14, -17 SERIES

Trailer



NEWAY

NEWAY AR-95-9, -12, -14, -17 SERIES

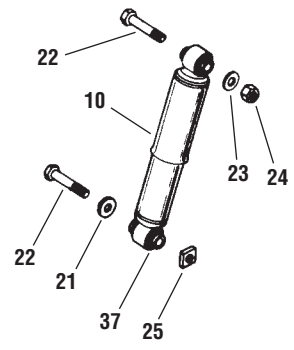
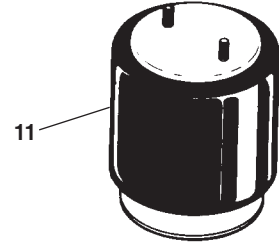
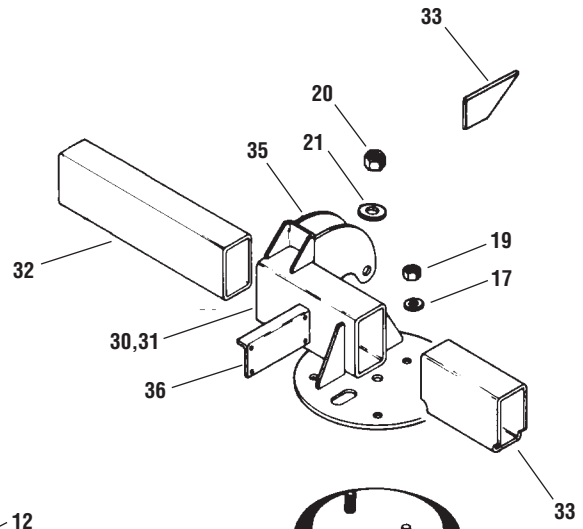
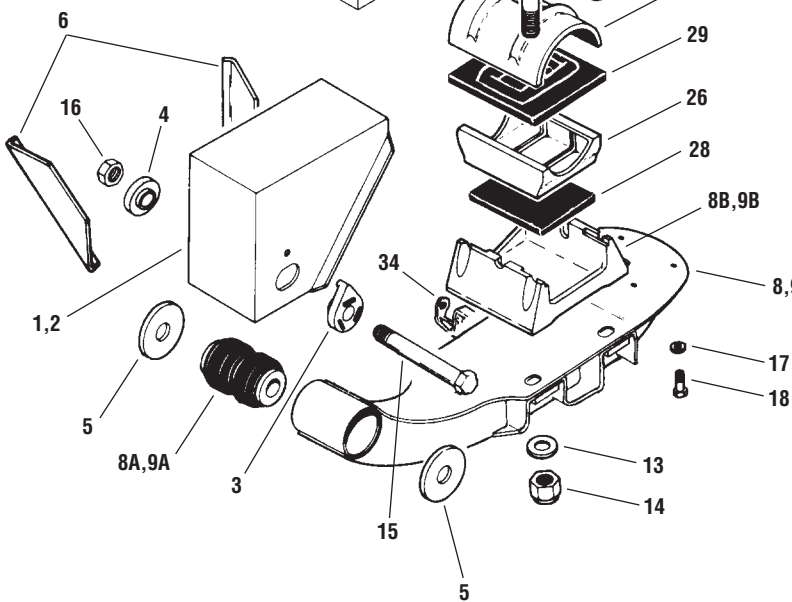
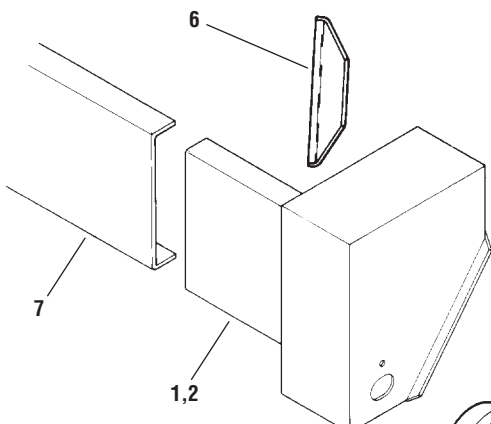
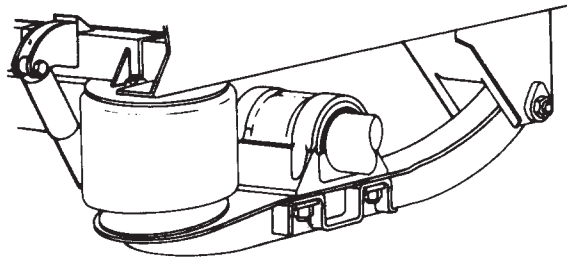
Trailer

KEY NO.	EUCLID NO.	REPLACES NO.	DESCRIPTION	QTY. PER AXLE	AR-			
					95-9	95-12	95-14	95-17
1	S.O.S.	905 18 714	Adjustable Frame Bracket Assembly, Left Hand	1	X	X		
	S.O.S.	905 18 720					X	X
2	S.O.S.	905 18 714	Adjustable Frame Bracket Assembly, Right Hand	1	X	X		
	S.O.S.	905 18 719					X	X
3	E-4268	900 08 091	Alignment Block	2	X	X	X	X
4	E-4265	900 08 092	Alignment Block	2	X	X	X	X
5	E-4363	900 36 177	Washer		X	X	X	X
6	S.O.S.	900 23 866	Angle Brace	4	X	X		
	S.O.S.	900 23 918	Angle Brace, Left Hand	1			X	X
	S.O.S.	900 23 919	Angle Brace, Right Hand	1			X	X
7	S.O.S.	410 23 327	Channel	1			X	X
8	S.O.S.	905 15 624	Equalizer Beam Assembly, Left Hand, Includes 8A & 8B	1		X		X
	S.O.S.	905 15 667			X		X	
8A	E-4382A	900 08 139	Bushing	1	X	X	X	X
8B	E-4292	900 01 006	Axle Seat	1		X		X
	S.O.S.	900 01 008			X		X	
9	S.O.S.	905 15 625	Equalizer Beam Assembly, Right Hand, Includes 9A & 9B	1		X		X
	S.O.S.	905 15 668			X		X	
9A	E-4382A	900 08 139	Bushing	1	X	X	X	X
9B	E-4292	900 01 006	Axle Seat	1		X		X
	S.O.S.	900 01 008			X		X	
10	M83126	900 44 626	Shock Absorber	2				
	M89430							
	M83125	900 44 625						
11	FS9122	905 57 077	Air Spring Assembly	2	X	X	X	X
12	E-UB8479-090	900 41 878	U-Bolt Assembly, Flat Rd. Bend, 1"-14 Thd. x 6 5/16" Wide x 9" Long	4		X		X
	E-UB8479-124A	900 42 792			X		X	
	E-UB8578-124A	900 42 795			X		X	
	E-UB8578-094	900 41 997				X		X
13	E-4353	939 00 027	Flat Washer, 1 5/8"	8	X	X	X	X
14	E-4421	934 00 502	Lock Nut	8	X	X	X	X
15	E-4364	932 01 046	Bolt	2	X	X	X	X
16	E-4358	934 00 506	Lock Nut	2	X	X	X	X
17	S.O.S.	936 00 072	Lock Washer, 1/2"	8	X	X	X	X
18	S.O.S.	930 02 893	Bolt, 1/2"- 13 Thd. x 1"	6	X	X	X	X
19	S.O.S.	934 00 136	Hex Nut, 1/2" - 13 Thd.	2	X	X	X	X
20	E-1107	934 00 149	Hex Nut, 3/4" - 16 Thd.	2	X	X	X	X
21	S.O.S.	936 00 077	Lock Washer, 3/4"	4	X	X	X	X

NEWAY

NEWAY AR-95-9, -12, -14, -17 SERIES

Trailer



NEWAY

NEWAY AR-95-9, -12, -14, -17 SERIES

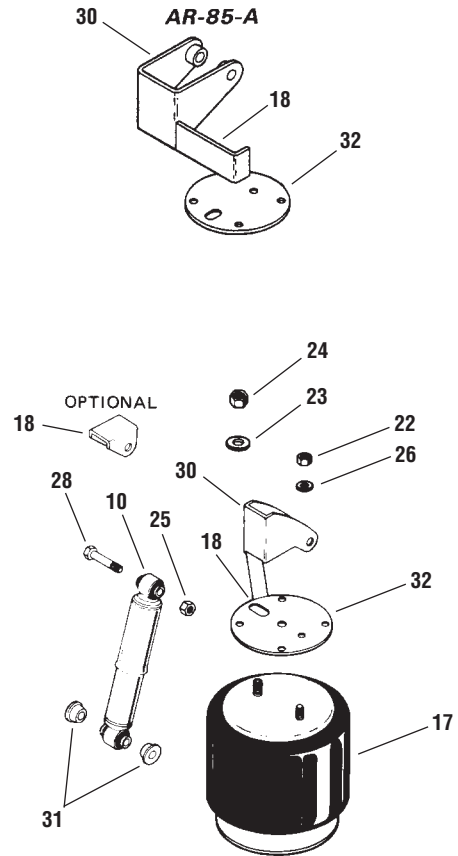
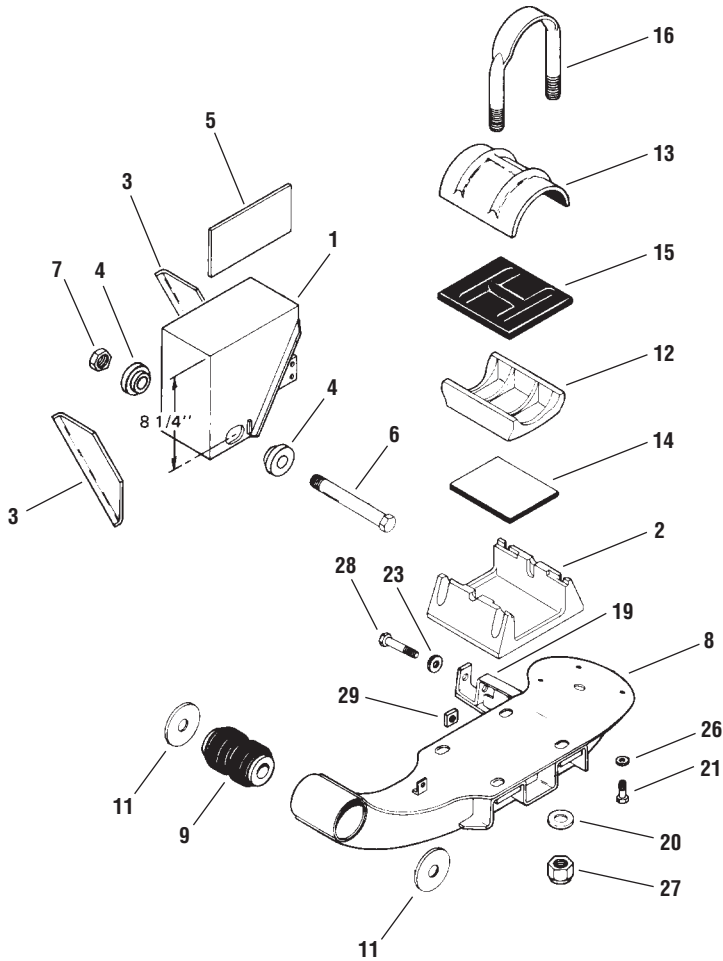
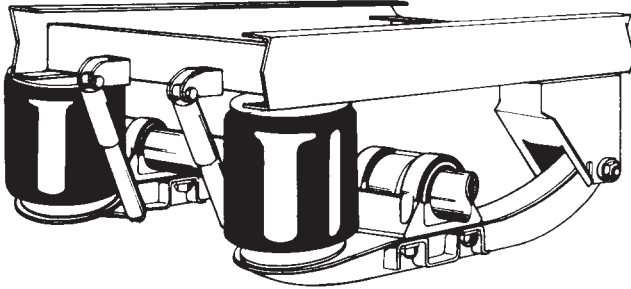
Trailer

KEY NO.	EUCLID NO.	REPLACES NO.	DESCRIPTION	QTY. PER AXLE	AR-			
					95-9	95-12	95-14	95-17
22	S.O.S.	930 03 603	Bolt, 3/4"-10 Thd. x 3 3/4"	4	X	X	X	X
23	E-2545	936 00 156	Washer	2	X	X	X	X
27	E-4282	900 10 032	Axle Cap, 5" Round	2	X	X	X	X
	E-4283	900 10 022	Axle Cap, 5" Square		X	X	X	X
24	E-4347	934 00 492	Lock Nut, 3/4"-10 Thd.	2	X	X	X	X
25	S.O.S.	934 00 367	Square Nut, 3/4"-10 Thd.	2	X	X	X	X
26	E-4289	900 01 082	Axle Adapter, 5" Round	2	X	X	X	X
	E-4290	900 01 083	Axle Adapter, 5" Square		X	X	X	X
28	E-2947A (Rubber)	900 28 075	Axle Pad	2	X	X	X	X
	E-8680 (Poly)							
29	E-2943 (Rubber)	900 28 047	Wrapper, 5" Round Axle	2	X	X	X	X
	E-8678 (Poly)							
	E-4409 (Rubber)							
30	S.O.S.	905 18 727	Crossmember Assembly, Left Hand, Includes 35 & 36	1	X	X	X	X
	S.O.S.	905 18 726						
31	S.O.S.	905 18 754	Crossmember Assembly, Right Hand, Includes 35 & 36	1	X	X	X	X
	S.O.S.	905 18 753						
32	S.O.S.	905 38 008	Channel Assembly	1	X	X	X	X
33	S.O.S.	905 38 007	Channel Assembly	2	X	X	X	X
	S.O.S.	900 32 137	Gusset					
34	S.O.S.	900 18 179	Lower Shock Bracket	2	X	X	X	X
35	S.O.S.	900 18 322	Shock Bracket	2	X	X	X	X
36	S.O.S.	900 23 865	Bracket	2	X	X	X	X
37	E-4403 (Rubber)	905 08 004	Bushings	8	X	X	X	X
	E-8684 (Poly)							
—	E-4398A	SRK-145	Pivot Connection Kit Includes Key Nos. 5, 8A, 15, 16	1	X	X	X	X
—	E-2977A	SRK-64 481 00 108	5" Round Standard Axle Connection Kit, Includes Key Nos. 12, 13, 14, 28, 29	1		X		X
—	E-6898	SRK-68 481 00 112	20" Wheels 5" Square Std. Axle Connection Kit, Includes Key Nos. 12, 13, 14, 28, 29	1		X		X
—	E-4390	SRK-128 481 00 181	5" Round Standard Axle Connection Kit, Includes Key Nos. 12, 13, 14, 28, 29	1	X		X	
—	S.O.S.	SRK-129	20" Wheels 5" Square Std. Axle Connection Kit, Includes Key Nos. 12, 13, 14, 28, 29	1	X		X	
—	S.O.S.	SRK-132	5" Round Heavy-Duty Axle Connection Kit, Includes Key Nos. 12, 13, 14, 28, 29	1	X		X	

NEWAY

NEWAY AR-75-6, -9, AR-85-A SERIES

Trailer



NEWAY

NEWAY AR-75-6, -9, AR-85-A SERIES

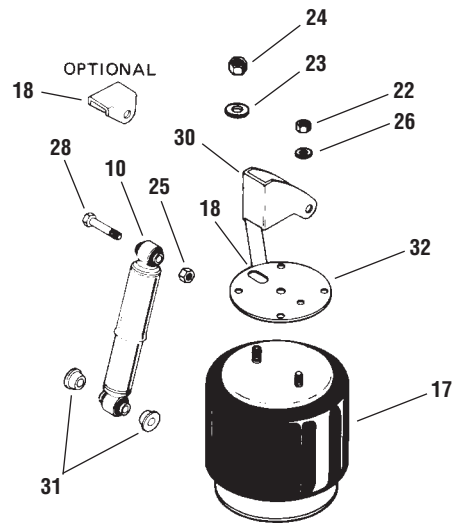
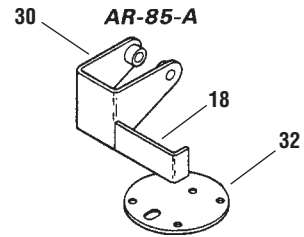
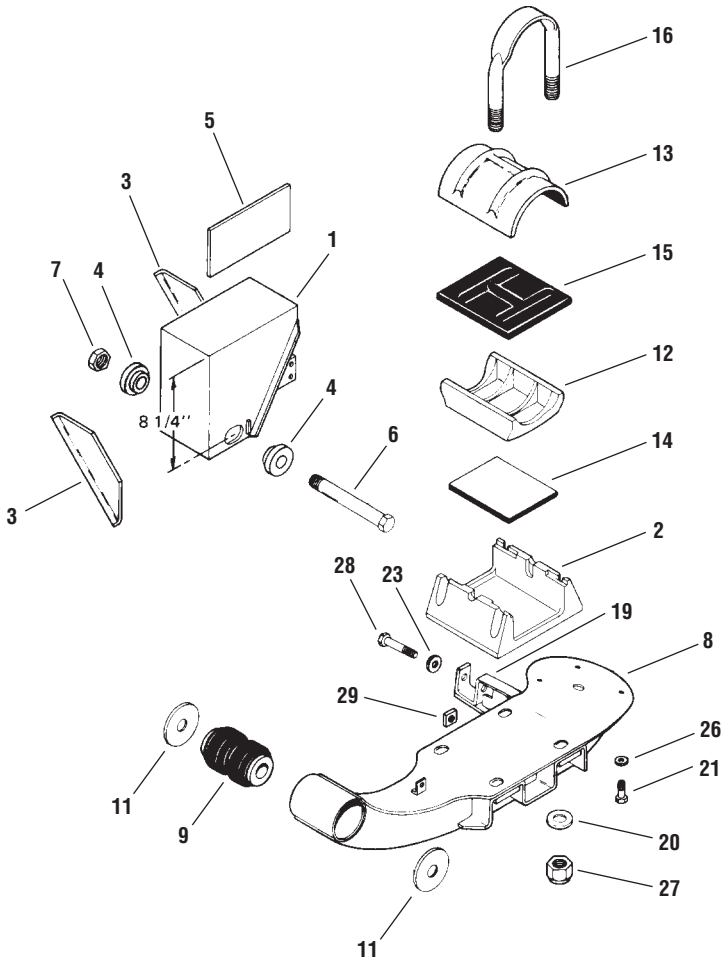
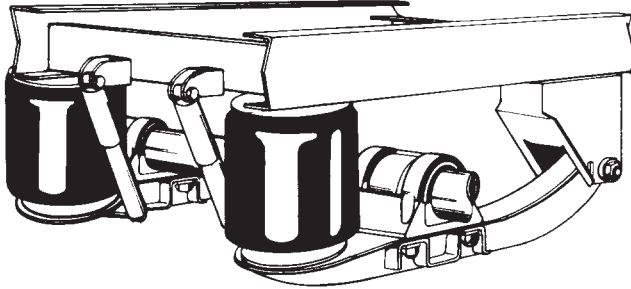
Trailer

KEY NO.	EUCLID NO.	REPLACES NO.	DESCRIPTION	QTY. PER AXLE	AR-			
					75-6	75-9	85-A	
1	S.O.S.	905 19 714	Adjustable Frame Bracket, Left Hand	1	X	X	X	
	S.O.S.	905 19 151	Adjustable Frame Bracket, Right Hand		X	X	X	
2	S.O.S.	900 01 008	Axle Seat	2	X			
	E-4292	900 01 006					X	X
3	S.O.S.	900 23 002	Angle Brace	4	X	X	X	
4	E-9284	900 08 147	Alignment Block	4	X	X	X	
5	S.O.S.	900 31 437	Plate	2		X	X	
6	E-4364	932 01 046	Bolt	2	X	X	X	
7	E-4358	934 00 506	Lock Nut	2	X	X	X	
8	S.O.S.	905 15 859	Equalizer Beam Assembly Includes Key Nos. 2, 9. Left Hand	1	X			
	S.O.S.	905 15 857					X	
	S.O.S.	905 16 195						
	S.O.S.	905 15 860	Equalizer Beam Assembly Includes Key Nos. 2, 9. Right Hand	1	X			
	S.O.S.	905 15 858					X	
	S.O.S.	905 16 196						
9	E-4382A (Rubber)	900 08 139	Bushings	2	X	X	X	
	E-8683 (Poly)							
10	M83126	900 44 626	Shock Absorber	2	X	X		
	M89430							
	M83125							
11	E-4363	900 36 177	Washer, 1 1/8"	4	X	X	X	
12	E-4289	900 01 082	Adapter, 5" Round Axle	2	X	X	X	
	E-4290	900 01 083	Adapter, 5" Square Axle		X	X	X	
13	E-4282	900 10 032	Axle Cap, 5" Round Axle	2	X	X	X	
	E-4283	900 10 022	Axle Cap, 5" Square Axle		X	X	X	
14	E-2947A (Rubber)	900 28 075	Pad	2	X	X	X	
	E-8680 (Poly)				X	X	X	
15	E-2943 (Rubber)	900 28 047	Wrapper, 5" Round Axle	2	X	X	X	
	E-8678 (Poly)				X	X	X	
	E-4409 (Rubber)				900 28 073	Wrapper, 5" Square Axle	X	X
16	E-UB8479-124A	900 42 792	U-Bolt Assembly, Flat Round Bend, 1"-14 Thd. x 6 5/16" Wide x 12 1/2" Long	4	X			
	E-UB8479-090	900 41 878	U-Bolt Assembly, Flat Round Bend, 1"-14 Thd. x 6 5/16" Wide x 9" Long				X	X
	E-UB8578-124A	900 42 795	U-Bolt Assembly, Flat Square Bend, 1"-14 Thd. x 6 5/16" Wide x 12 1/2" Long		X			
	E-UB8578-124A	900 42 794	U-Bolt Assembly, Flat Square Bend, 1"-14 Thd. x 6 5/16" Wide x 12 1/2" Long				X	
	E-UB8578-094	900 42 836	U-Bolt Assembly, Flat Square Bend, 1"-14 Thd. x 6 5/16" Wide x 9 1/2" Long					X
17	FS9082	905 57 027	Air Spring Assembly	2	X	X		
	FS9121	905 57 078						

NEWAY

NEWAY AR-75-6, -9, AR-85-A SERIES

Trailer



NEWAY

NEWAY AR-75-6, -9, AR-85-A SERIES

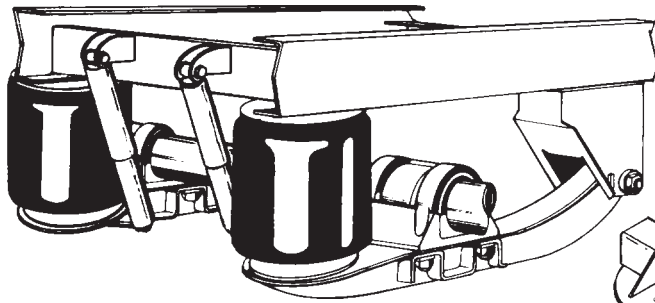
Trailer

KEY NO.	EUCLID NO.	REPLACES NO.	DESCRIPTION	QTY. PER AXLE	AR-		
					75-6	75-9	85-A
18	S.O.S.	905 19 040	Upper Shock Bracket (Optional on AR-75-9)	2	X	X	
	S.O.S.	905 31 073	Air Spring Mounting & Shock Bracket Assembly, Left Hand	1		X	
	S.O.S.	905 31 115					X
	S.O.S.	905 31 074	Air Spring Mounting & Shock Bracket Assembly, Right Hand	1		X	
	S.O.S.	905 31 116					X
19	S.O.S.	905 19 425	Lower Shock Mounting Bracket	2	X	X	
	S.O.S.	905 19 809					X
20	E-4353	939 00 027	Washer, 1 5/8"	8	X	X	X
21	S.O.S.	930 02 893	Cap Screw, 1/2" - 13 Thd. x 1", Grade 2	6	X	X	X
22	S.O.S.	934 00 136	Hex Nut, 1/2" - 13 Thd., Grade B	2	X	X	X
23	S.O.S.	936 00 077	Lock Washer, 3/4"	4	X	X	X
24	S.O.S.	934 00 149	Hex Nut, 3/4" - 16 Thd., Grade B	2	X	X	X
25	E-4347	934 00 492	Lock Nut, 3/4" - 10 Thd.	2	X	X	X
26	S.O.S.	936 00 072	Lock Washer, 1/2"	8	X	X	X
27	E-4421	934 00 502	Lock Nut, 1" - 8 Thd.	8	X	X	X
28	E-4345	930 03 597	Bolt, 3/4"-10 Thd. x 3 1/2"	4	X	X	
				2			X
29	S.O.S.	934 00 367	Square Nut, 3/4"-10 Thd., Grade A	2	X	X	X
30	S.O.S.	900 18 348	Upper Shock Mounting Bracket	2		X	
	S.O.S.	905 19 810					
31	E-4403 (Rubber)	905 08 004	Bushing	8	X	X	X
	E-8684 (Poly)						
32	E-4321	900 31 027	Air Spring Mounting Plate	2		X	X
33	E-2989	930 03 633	Bolt, 3/4"-10 Thd. x 5"	2			X
—	E-4398A	SRK-145 481 00 202	Pivot Connection	1	X	X	X
—	E-4390	SRK-128 481 00 181	5" Round Axle Connection	1	X		
—	S.O.S.	SRK-129	20" Wheels 5" Square Axle Connection	1	X		
—	E-2977A	SRK-64 481 00 108	5" Round Axle Connection	1		X	X
—	S.O.S.	SRK-72	15" Wheels 5" Square Axle Connection	1		X	
—	E-6898	SRK-68 481 00 112	20" Wheels 5" Square Axle Connection	1		X	

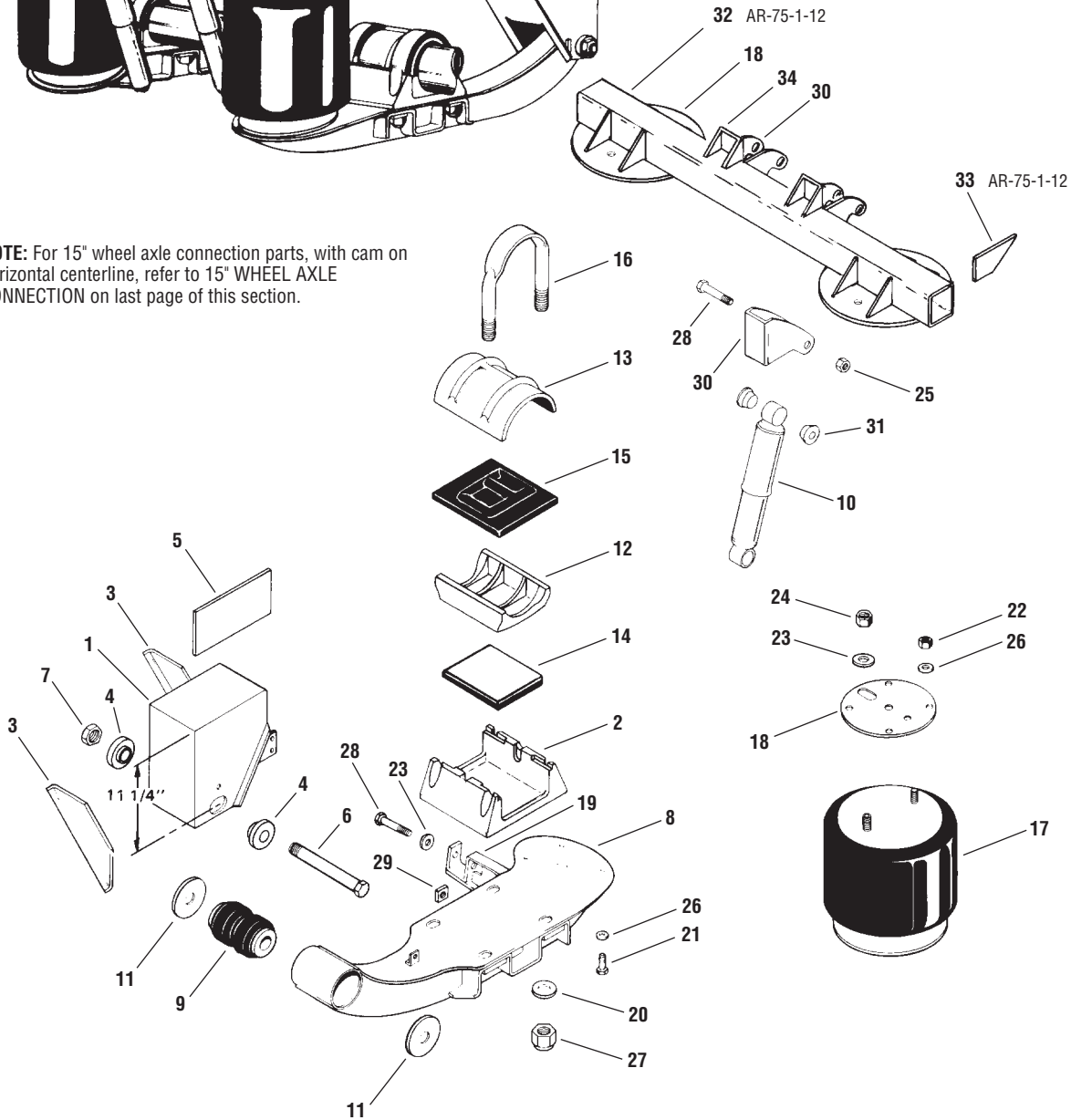
NEWAY

NEWAY AR-75-12, 1-12 SERIES

Trailer



NOTE: For 15" wheel axle connection parts, with cam on horizontal centerline, refer to 15" WHEEL AXLE CONNECTION on last page of this section.



NEWAY AR-75-12, 1-12 SERIES

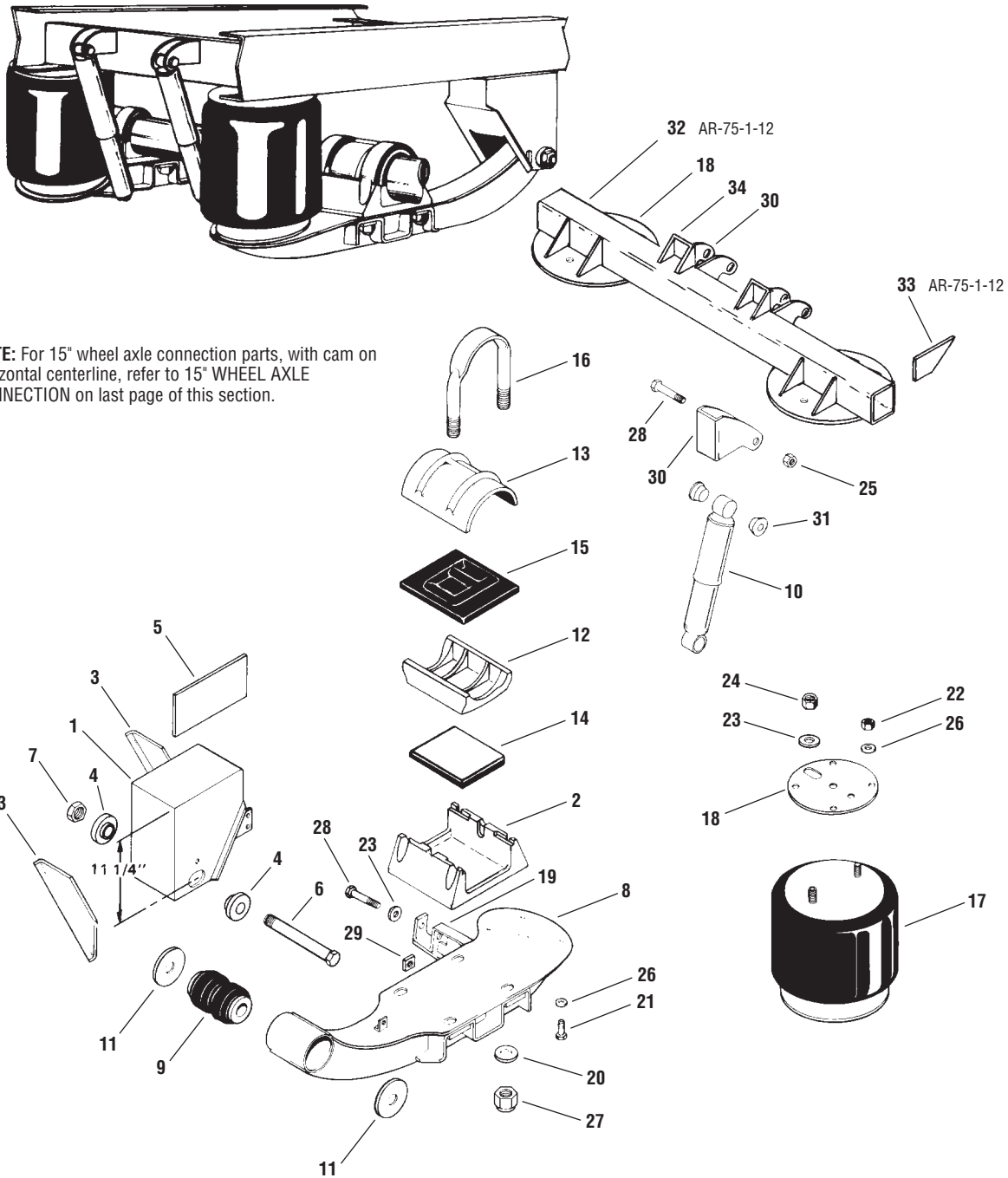
Trailer

KEY NO.	EUCLID NO.	REPLACES NO.	DESCRIPTION	QTY. PER AXLE	AR-75-	
					12	1-12
1	S.O.S.	905 19 714	Adjustable Frame Bracket, Left Hand	1	X	X
	S.O.S.	905 20 151	Fixed Frame Bracket, Right Hand	1	X	X
2	E-4292	900 01 006	Axle Seat	2	X	X
3	S.O.S.	900 23 001	Angle Brace	4	X	X
4	E-9284	900 08 147	Alignment Block	4	X	X
5	S.O.S.	900 31 437	Plate	2	X	X
6	E-4364	932 01 046	Bolt	2	X	X
7	E-4358	934 00 506	Lock Nut	2	X	X
8	S.O.S.	905 15 857	Equalizing Beam, Left Hand	1	X	X
	S.O.S.	905 15 858	Equalizing Beam, Right Hand	1	X	X
9	E-4382A (Rubber)	900 08 139	Bushing	2	X	X
	E-8683 (Poly)					
10	M83126	900 44 626	Shock Absorber	2	X	X
	M89430					
11	E-4363	900 36 177	Washer, 1 1/8"	4	X	X
12	E-4289	900 01 082	Adapter, 5" Round Axle	2	X	X
	E-4290	900 01 083	Adapter, 5" Square Axle			
13	E-4282	900 10 032	Axle Cap, 5" Round Axle	2	X	X
	E-4283	900 10 022	Axle Cap, 5" Square Axle			
14	E-2947A (Rubber)	900 28 075	Pad	2	X	X
	E-8680 (Poly)					
15	E-2943 (Rubber)	900 28 047	Wrapper, Round Axle	2	X	X
	E-8678 (Poly)					
	E-4409 (Rubber)					
16	E-UB8479-090	900 41 878	U-Bolt Assembly, Flat Rd. Bend, 1"-14 Thd. x 6 5/16" Wide x 9" Long	4	X	X
	E-UB8578-124A	900 42 794	U-Bolt Assembly, Flat Sq. Bend, 1"-14 Thd. x 6 5/16" Wide x 12 1/2" Long			
	E-UB8578-094	900 41 997	U-Bolt Assembly, Flat Sq. Bend, 1"-14 Thd. x 6 5/16" Wide x 9 1/2" Long			
17	FS9101	905 57 009	Air Spring Assembly	2	X	X
	FS9346	905 57 126				
18	E-4321	900 31 027	Plate	2	X	X
19	S.O.S.	905 19 425	Lower Shock Mounting Bracket	2	X	X
20	E-4353	939 00 027	Washer, 1 5/8"	8	X	X
21	S.O.S.	930 02 893	Cap Screw, 1/2"-13 Thd. x 1"	6	X	X
22	S.O.S.	934 00 136	Hex Nut, 1/2"-13 Thd.	2	X	X
23	S.O.S.	936 00 077	Lock Washer, 3/4"	4	X	X
24	E-1107	934 00 149	Hex Nut, 3/4"-16 Thd.	2	X	X
25	E-4347	934 00 492	Lock Nut, 3/4"-10 Thd.	2	X	X
26	S.O.S.	936 00 072	Lock Washer, 3/4"	8	X	X

NEWAY

NEWAY AR-75-12, 1-12 SERIES

Trailer



NEWAY AR-75-12, 1-12 SERIES

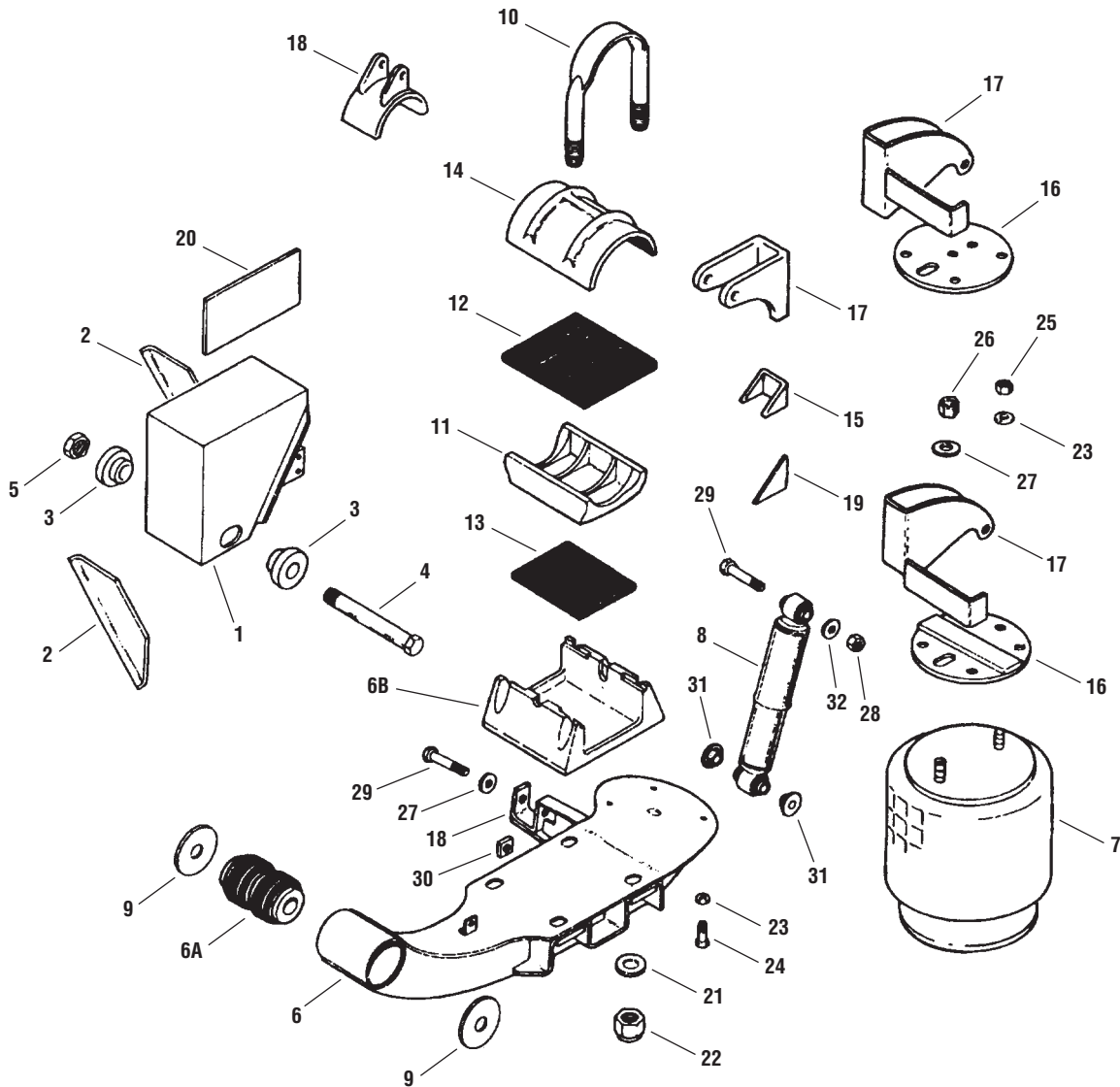
Trailer

KEY NO.	EUCLID NO.	REPLACES NO.	DESCRIPTION	QTY. PER AXLE	AR-75-	
					12	1-12
27	E-4421	934 00 502	Lock Nut	8	X	X
28	E-4345	903 03 597	Bolt	4	X	X
29	S.O.S.	934 00 367	Square Nut, 3/4"- 10 Thd.	2	X	X
30	S.O.S.	900 18 348	Upper Shock Mounting Bracket	2	X	
	S.O.S.	900 18 301		4		X
31	E-4403 (Rubber)	905 08 004	Bushing	8	X	X
	E-8684 (Poly)					
32	S.O.S.	905 38 041	Rear Crossmember	1		X
33	S.O.S.	900 31 445	Gusset	2		X
34	S.O.S.	900 23 876	Reinforcement Bracket	2		X
—	E-4398A	SRK-145 481 00 202	Pivot Connection Kit, Includes Key Nos. 6, 7, 9, 11	1	X	X
—	E-2977A	SRK-64 481 00 108	5" Round Axle Connection Kit, Includes Key Nos. 14, 15, 16, 20, 27	1	X	X
—	E-6898	SRK-68 481 00 112	20" Wheels 5" Square Axle Connection Kit, Includes Key Nos. 14, 15, 16, 20, 27	1	X	

NEWAY

NEWAY MODELS AR-80 -6.75, -9, -9-WST SERIES

Trailer



KEY NO.	EUCLID NO.	REPLACES NO.	DESCRIPTION	QTY. PER AXLE	AR-80		
					-6.75	-9	-9-WST
1	S.O.S.	905 20 351	Adjustable Frame Bracket, Left Hand	1	X		
	S.O.S.	905 19 714	Adjustable Frame Bracket, Right Hand	1		X	X
	S.O.S.	905 20 352	Fixed Frame Bracket, Right Hand	1	X		
	S.O.S.	905 20 151	Adjustable Frame Bracket, Right Hand	1		X	X
2	S.O.S.	900 23 002	Angle Brace	4	X	X	X
3	E-9284	900 08 147	Alignment Block	4	X	X	X
4	E-4364	932 01 055	Bolt, 1 1/8" - 7 Thd. x 9 3/16"	2	X	X	X
5	E-4358	934 00 506	Lock Nut, 1 1/8" - 7 Thd.	2	X	X	X
6	S.O.S.	905 16 447	Equalizing Beam Assembly, Left Hand	1	X		X
	S.O.S.	905 16 449	Equalizing Beam Assembly, Right Hand	1		X	
	S.O.S.	905 16 448	Equalizing Beam Assembly, Right Hand	1	X		X
	S.O.S.	905 16 450	Equalizing Beam Assembly, Right Hand	1		X	

NEWAY MODELS AR-80 -6.75, -9, -9-WST SERIES

Trailer

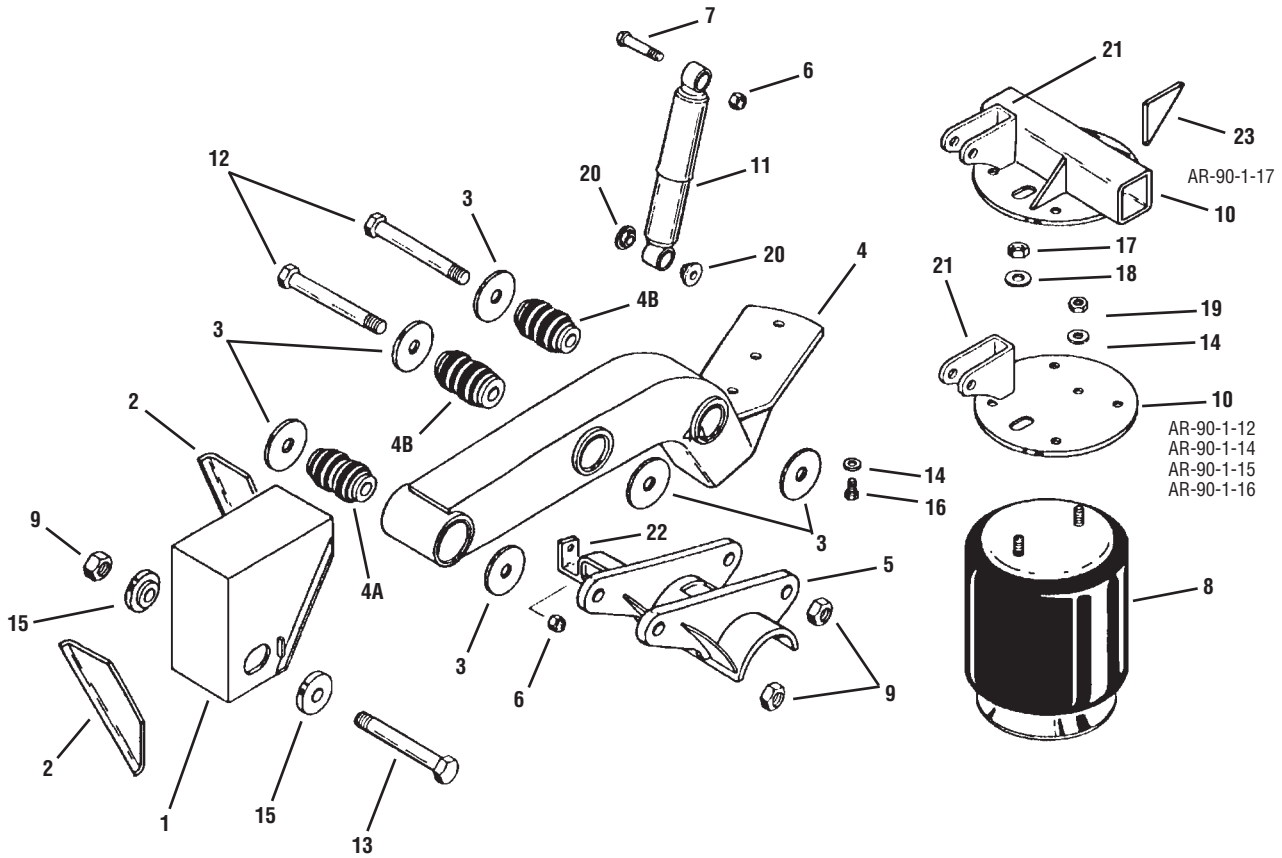
KEY NO.	EUCLID NO.	REPLACES NO.	DESCRIPTION	QTY. PER AXLE	AR-80		
					-6.75	-9	-9-WST
6A	E-4382A	900 08 139	Rubber Bushing	2	X	X	X
6B	E-4293	900 01 131	Beam Seat	2	X	X	X
7	FS9121	905 57 078	Air Spring Assembly	2	X		
	FS9134	905 57 125				X	X
8	M83123	900 44 046	Shock Absorber	2	X		
	M89405						
	M85045	900 44 868				X	
	M89430						
9	E-4363	900 36 177	Spacer Washer	4	X	X	X
10	E-UB8479-090	900 41 878	U-Bolt Assembly, Flat Rd. Bend, 1"- 14 Thd. x 6 5/16" Wide x 9" Long	4	X	X	X
11	S.O.S.	900 01 132	Axle Adapter, 5" Round Axle	2	X	X	X
12	E-2943	900 28 047	Rubber Wrapper, 5" Round Axle	2	X	X	X
13	E-2947A	900 28 075	Rubber Pad	2	X	X	X
14	E-4282	900 01 032	Axle Cap, 5" Round Axle	2	X	X	X
15	S.O.S.	900 23 876	Reinforcement Bracket	2	X		
16	S.O.S.	905 31 199	Air Spring Plate & Shock Bracket	1	X		
	S.O.S.	905 31 182					X
	S.O.S.	905 31 200				X	
	S.O.S.	905 31 183					X
	E-4321	900 31 027			Air Spring Mounting Plate	2	
17	S.O.S.	900 18 427	Upper Shock Bracket	2	X		
	E-4343	900 18 116					X
18	S.O.S.	905 19 425	Lower Shock Bracket	2	X		X
	S.O.S.	905 20 276					X
19	S.O.S.	900 31 182	Gusset	2	X		X
20	S.O.S.	900 31 437	Plate	2			X
21	E-4353	939 00 027	Flat Washer, 1 5/8"	8	X	X	X
22	E-4421	934 00 502	Lock Nut, 1"- 8 Thd.	8	X	X	X
23	S.O.S.	936 00 072	Lock Washer, 1/2"	8	X	X	X
24	S.O.S.	930 02 893	Cap Screw, 1/2"- 13 Thd. x 1"	6	X	X	X
25	S.O.S.	934 00 136	Hex Nut, 1/2"- 13 Thd.	2	X	X	X
26	E-1107	934 00 149	Hex Nut, 3/4"- 16 Thd.	2	X	X	X
27	S.O.S.	936 00 077	Lock Washer	2	X	X	X
28	E-4347	934 00 492	Lock Nut, 3/4"- 10 Thd.	4	X	X	X
29	E-4345	930 03 597	Bolt, 3/4"- 10 Thd. x 3 1/2"	4	X	X	X
30	S.O.S.	934 00 367	Square Nut, 3/4"- 10 Thd.	2	X		X
31	E-4403	905 08 004	Replacement Bushing, 4 Per Shock	8	X	X	X
32	E-2545	936 00 156	Flat Washer, 3/4"	2	X		X
—	E-4398A	SRK-145 481 00 202	Pivot Connection Kit	1	X	X	X
—	E-2977A	SRK-64 481 00 108	Axle Connection Kit	1	X	X	X

NEWAY

NEWAY AR-90-1-12, -14, -15, -16, -17 SERIES

Trailer

NEWAY



NEWAY AR-90-1-12, -14, -15, -16, -17 SERIES

Trailer

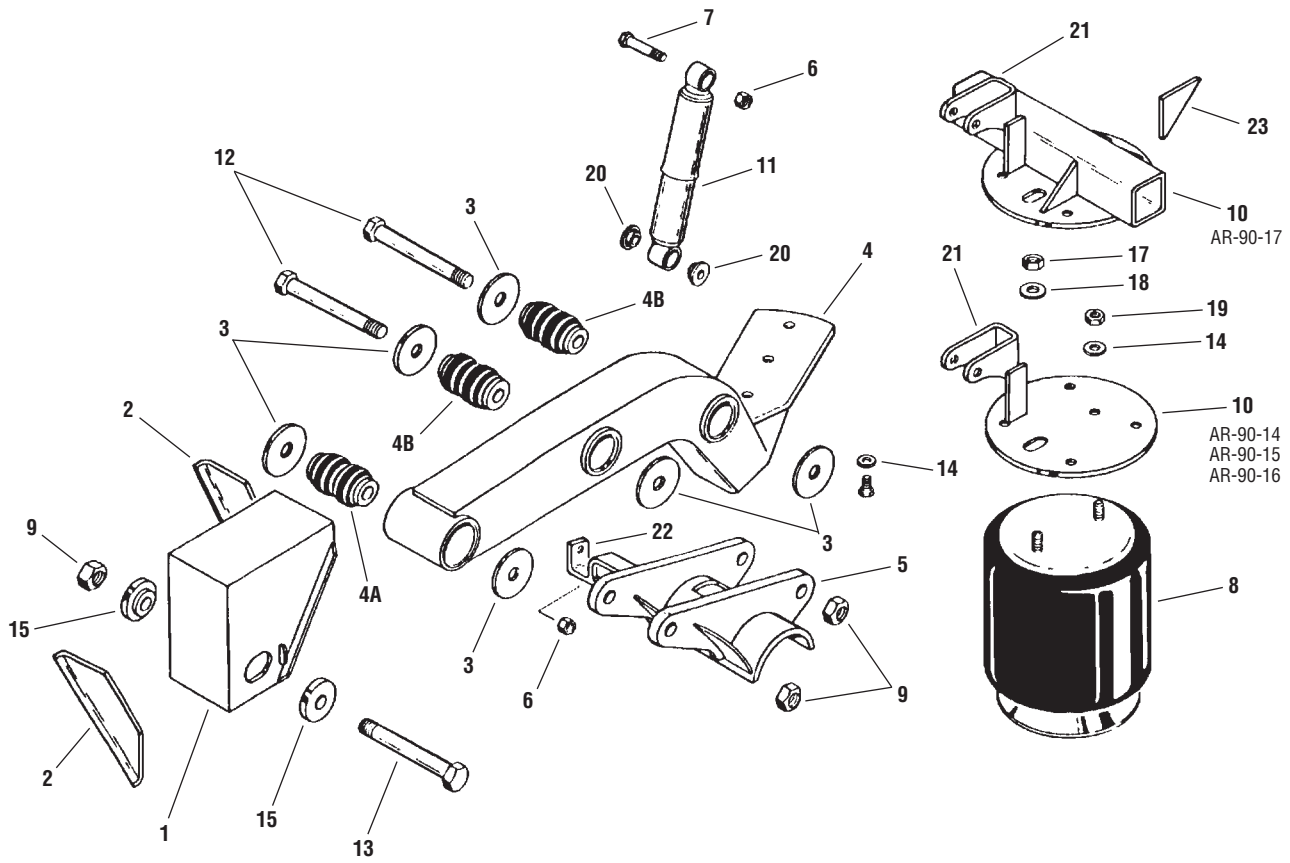
KEY NO.	EUCLID NO.	REPLACES NO.	DESCRIPTION	QTY. PER AXLE	AR-90-1				
					12	14	15	16	17
1	S.O.S.	905 20 219	Adjustable Frame Bracket	2	X				
	S.O.S.	905 19 710				X	X		
	S.O.S.	905 20 235							X
	S.O.S.	905 19 712							X
2	S.O.S.	900 23 002	Angle Brace	4	X	X	X		
	S.O.S.	900 23 001						X	X
3	E-4363	900 36 177	Washer	12	X	X	X	X	X
4	S.O.S.	905 16 500	Equalizing Beam, Left Hand (Includes 4A & 4B)	1	X	X	X	X	X
	S.O.S.	905 16 501	Equalizing Beam, Right Hand (Includes 4A & 4B)	1	X	X	X	X	X
4A	E-4382A	900 08 139	Bushing, Rubber (Front Pivot)	2	X	X	X	X	X
4B	E-4410A	900 08 149	Bushing, Rubber (Axle Connection)	4	X	X	X	X	X
5	S.O.S.	905 01 289	Axle Adapter, Left Hand	1	X	X	X	X	X
	S.O.S.	905 01 290	Axle Adapter, Right Hand	1	X	X	X	X	X
6	E-4347	934 00 492	Lock Nut, 3/4"-10 Thd.	4	X	X	X	X	X
7	E-4345	930 03 597	Bolt	4	X	X	X	X	X
8	FS9243	905 57 131	Air Spring Assembly, Left Hand	1	X				
		905 57 130	Air Spring Assembly, Right Hand	1	X				
		905 57 113	Air Spring Assembly	2		X			X
		905 57 124					X	X	
9	E-4358	934 00 506	Lock Nut	6	X	X	X	X	X
10	S.O.S.	900 33 785	Air Spring Mounting Plate & Upper Shock Bracket	2	X	X	X	X	X
11	M83128	900 44 162	Shock Absorber	2	X	X			X
	M85051	900 44 448						X	X
		900 45 054							
12	E-4361	932 01 051	Bolt 1 1/8"-7 x 8 1/2"	4	X	X	X	X	X
13	E-4364	932 01 055	Bolt 1 1/8"-7 x 9 1/4"	2	X	X	X	X	X
14	S.O.S.	936 00 072	Lock Washer, 1/2"	4	X	X	X	X	X
15	E-9284	900 08 147	Alignment Block	4	X	X	X	X	X
16	S.O.S.	930 02 893	Cap Screw, 1/2"-13 Thd. x 1"	4	X				
	S.O.S.	930 02 993	Cap Screw, 1/2"-13 Thd. x 5"	2		X			X
	S.O.S.	930 03 029	Cap Screw, 1/2"-13 Thd. x 6 1/2"	2			X	X	
17	E-1107	934 00 149	Hex Nut, 3/4"-16 Thd.	2	X	X	X	X	X
18	S.O.S.	936 00 077	Lock Washer, 3/4"	2	X	X	X	X	X
19	S.O.S.	934 00 136	Hex Nut, 1/2"-13 Thd.	2	X	X	X	X	X
20	E-4403 (Rubber)	905 08 004	Bushing	8	X	X	X	X	X
	E-8684 (Poly)	2-10, 3-2							
21	S.O.S.	900 18 445	Upper Shock Bracket	2	X	X	X	X	X
22	S.O.S.	905 19 773	Lower Shock Bracket	2	X	X	X	X	X
23	S.O.S.	900 31 182	Gusset	2					X
—	E-4398A	SRK-145	Pivot Connection Kit, Includes Kit Nos. 4, 4A, 9, 13	1	X	X	X	X	X
—	E-4411A	SRK-149	20" Wheels 5" Round Axle Connection Kit Includes Key Nos. 3, 4B, 9, 12	1	X	X	X	X	X

NEWAY

NEWAY AR-90-14, -15, -16, -17 SERIES

Trailer

NEWAY



NEWAY AR-90-14, -15, -16, -17 SERIES

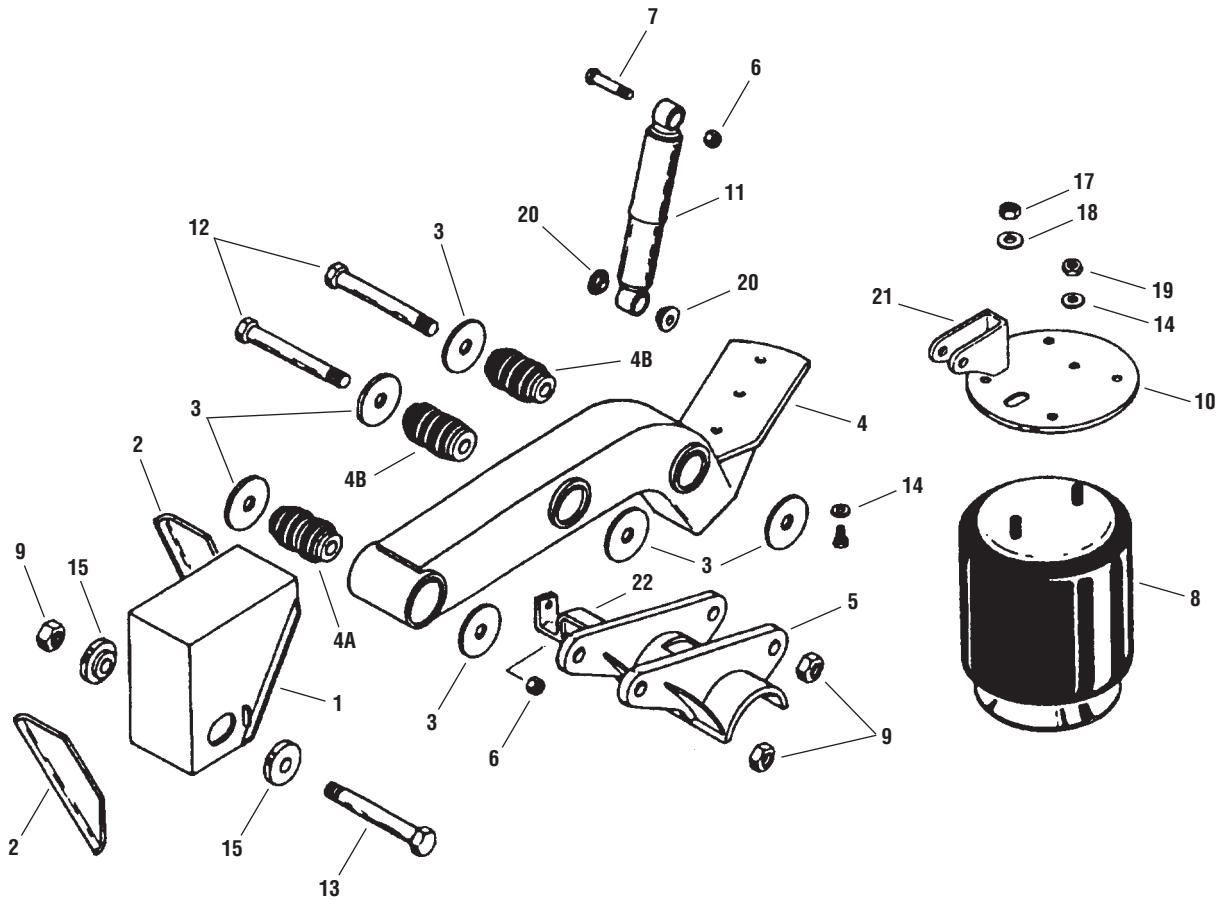
Trailer

KEY NO.	EUCLID NO.	REPLACES NO.	DESCRIPTION	QTY. PER AXLE	AR-90-1			
					14	15	16	17
1	S.O.S.	905 19 710	Adjustable Frame Bracket	2	X	X		
	S.O.S.	905 20 235					X	
	S.O.S.	905 19 712						X
2	S.O.S.	900 23 002	Angle Brace	4	X	X		
	S.O.S.	900 23 001					X	X
3	E-4363	900 36 177	Washer	12	X	X	X	X
4	E-9532	905 16 112	Equalizing Beam, Left Hand (Includes 4A & 4B)	1	X	X	X	X
	E-9533	905 16 113	Equalizing Beam, Right Hand (Includes 4A & 4B)	1	X	X	X	X
4A	E-4382A	900 08 139	Bushing, Front Pivot	2	X	X	X	X
4B	E-4410A	900 08 149	Bushing , Axle Connection	4	X	X	X	X
5	S.O.S.	905 01 289	Axle Adapter, Left Hand, 5" Round Axle	1	X	X	X	X
	S.O.S.	905 01 290	Axle Adapter, Right Hand, 5" Round Axle	1	X	X	X	X
6	E-4347	934 00 492	Lock Nut, 3/4"-10 Thd.	4	X	X	X	X
7	E-4345	930 03 597	Bolt	4	X	X	X	X
8	FS9243	905 57 112	Air Spring Assembly	2	X	X	X	X
9	E-4358	934 00 506	Lock Nut	6	X	X	X	X
10	S.O.S.	900 33 785	Air Spring Mounting Plate & Upper Shock Bracket	2	X	X	X	X
11	M83124	900 44 089	Shock Absorber	2	X	X	X	X
	M89407							
12	E-4361	932 01 051	Bolt	4	X	X	X	X
13	E-4364	932 01 055	Bolt	2	X	X	X	X
14	S.O.S.	936 00 072	Lock Washer, 1/2"	4	X	X	X	X
15	E-9284	900 08 147	Alignment Block	4	X	X	X	X
17	E-1107	934 00 149	Hex Nut, 3/4"-16 Thd.	2	X	X	X	X
18	S.O.S.	936 00 077	Lock Washer, 3/4"	2	X	X	X	X
19	S.O.S.	934 00 136	Hex Nut, 1/2"-13 Thd.	2	X	X	X	X
20	E-4403 (Rubber)	905 08 004	Bushing	8	X	X	X	X
	E-8684 (Poly)							
21	E-4343	900 18 116	Upper Shock Bracket	2	X	X	X	X
22	S.O.S.	905 19 773	Lower Shock Bracket	2	X	X	X	X
23	S.O.S.	900 31 182	Gusset	2				X
—	E-4398A	SRK-145 481 00 202	Pivot Connection Kit, Includes Key Nos. 3, 4A, 9, 13	1	X	X	X	X
—	E-4411A	SRK-149 481 00 206	5" Round Axle Connection Kit, Includes Key Nos. 3, 4B, 9, 12	1	X	X	X	X

NEWAY

NEWAY AR-92 -12, -14, -15, -16, -17, -18 SERIES

Trailer



NEWAY AR-92 -12, -14, -15, -16, -17, -18 SERIES

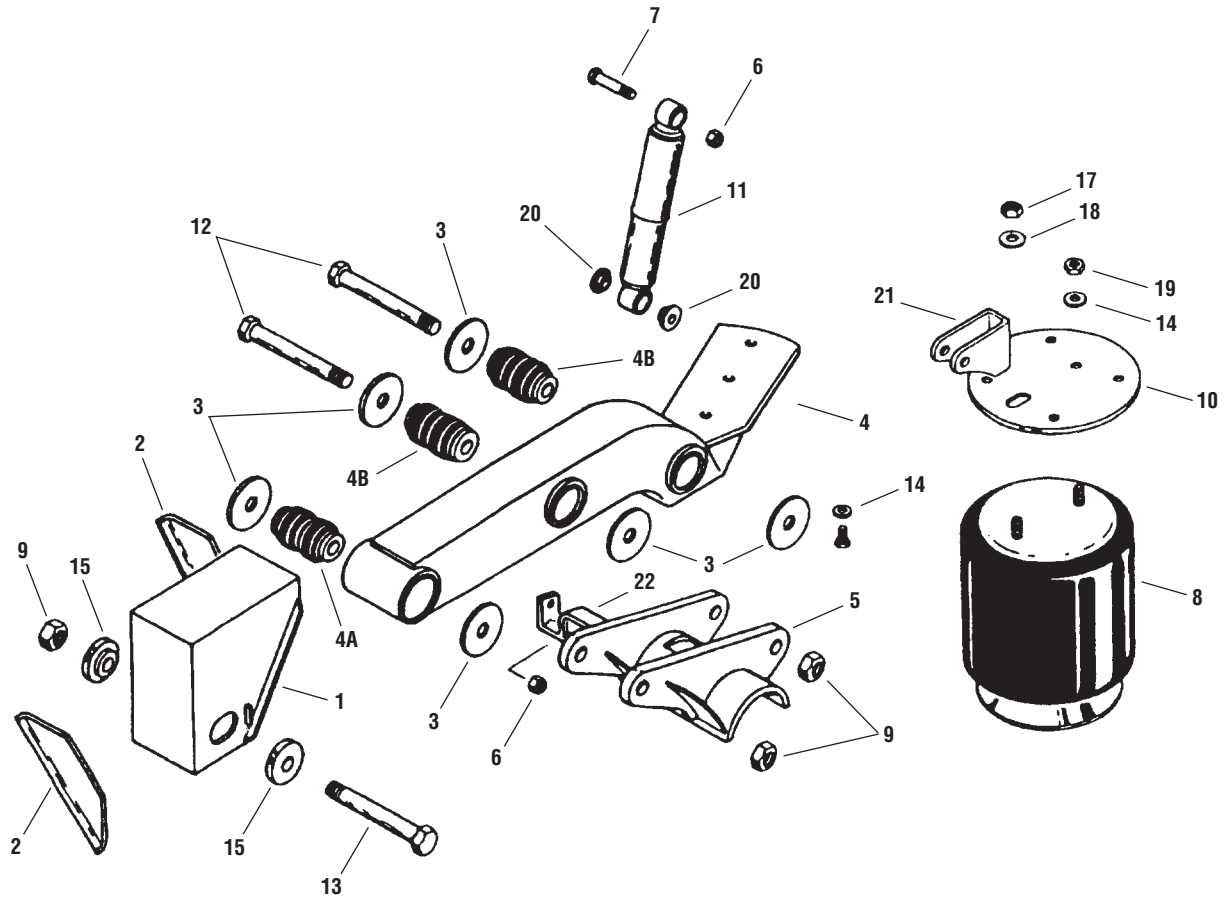
Trailer

KEY NO.	EUCLID NO.	REPLACES NO.	DESCRIPTION	QTY. PER AXLE	AR-92					
					12	14	15	16	17	18
1	S.O.S.	905 20 383	Frame Bracket, Adjustable	2	X					
	S.O.S.	905 20 346				X				
	S.O.S.	905 19 710						X		
	S.O.S.	905 20 235							X	X
	S.O.S.	905 20 385								X
2	S.O.S.	900 23 002	Angle Brace	4	X	X	X			
	S.O.S.	900 23 001						X	X	X
3	E-4363	900 36 177	Space Washer	12	X	X	X	X	X	X
4	S.O.S.	905 16 500	Equalizing Beam, Left Hand	1	X	X	X	X	X	X
	S.O.S.	905 16 501	Equalizing Beam, Right Hand	1	X	X	X	X	X	X
4A	E-4382A	900 08 139	Rubber Bushing, Front Pivot	2	X	X	X	X	X	X
4B	E-4410A	900 08 149	Rubber Bushing, Axle Connection	4	X	X	X	X	X	X
5	S.O.S.	905 01 289	Axle Adapter, 5" Round Axle, Left Hand	1	X	X	X	X	X	X
	S.O.S.	905 01 290	Axle Adapter, 5" Round Axle, Right Hand	1	X	X	X	X	X	X
6	E-4347	934 00 492	Lock Nut, 3/4"-10 Thd.	4	X	X	X	X	X	X
7	E-4345	930 03 597	Bolt, 3/4"-10 Thd. x 3 1/2"	4	X	X	X	X	X	X
8	FS9921	905 57 117	Air Spring Assembly	2	X	X	X	X	X	X
9	E-4358	934 00 506	Lock Nut, 1 1/8"-7 Thd.	6	X	X	X	X	X	X
10	S.O.S.	900 33 785	Air Spring Mounting Plate & Upper Shock Bracket	2	X	X	X	X	X	X
11	M83128	900 44 162	Shock Absorber	2	X					
	M83130	900 45 040				X				
	M85051	900 45 054						X		
	M83127	900 44 794 900 44 642							X	
	M83124	900 44 089								X
	M89407									X
12	E-4361	932 01 051	Bolt, 1 1/8"-7 Thd. x 8 1/2"	4	X	X	X	X	X	X
13	E-4364	932 01 055	Bolt, 1 1/8"-7 Thd. x 9 1/4"	2	X	X	X	X	X	X
14	S.O.S.	936 00 072	Lock Washer, 1/2"	4	X	X	X	X	X	X
15	E-9284	900 08 147	Alignment Block	4	X	X	X	X	X	X
17	E-1107	934 00 149	Hex Nut, 3/4"-16 Thd.	2	X	X	X	X	X	X
18	S.O.S.	936 00 077	Lock Washer, 3/4"	2	X	X	X	X	X	X
19	S.O.S.	934 00 136	Hex Nut, 1/2"-13 Thd.	2	X	X	X	X	X	X
20	E-4403	905 08 004	Replacement Bushing, Shock Absorber	8	X	X	X	X	X	X
21	E-4343	900 18 116	Upper Shock Bracket	2	X	X	X	X	X	X
22	S.O.S.	905 19 773	Lower Shock Bracket	2	X	X	X	X	X	X
—	E-4398A	SRK-145 481 00 202	Pivot Connection Kit	1	X	X	X	X	X	X
—	E-4411A	SRK-149 481 00 206	Axle Connection Kit	1	X	X	X	X	X	X

NEWAY

NEWAY MODELS AR-93 -14, -15, -16, -17 SERIES

Trailer



NEWAY MODELS AR-93 -14, -15, -16, -17 SERIES

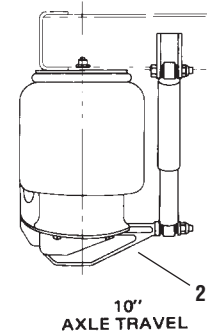
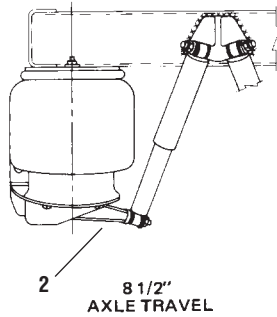
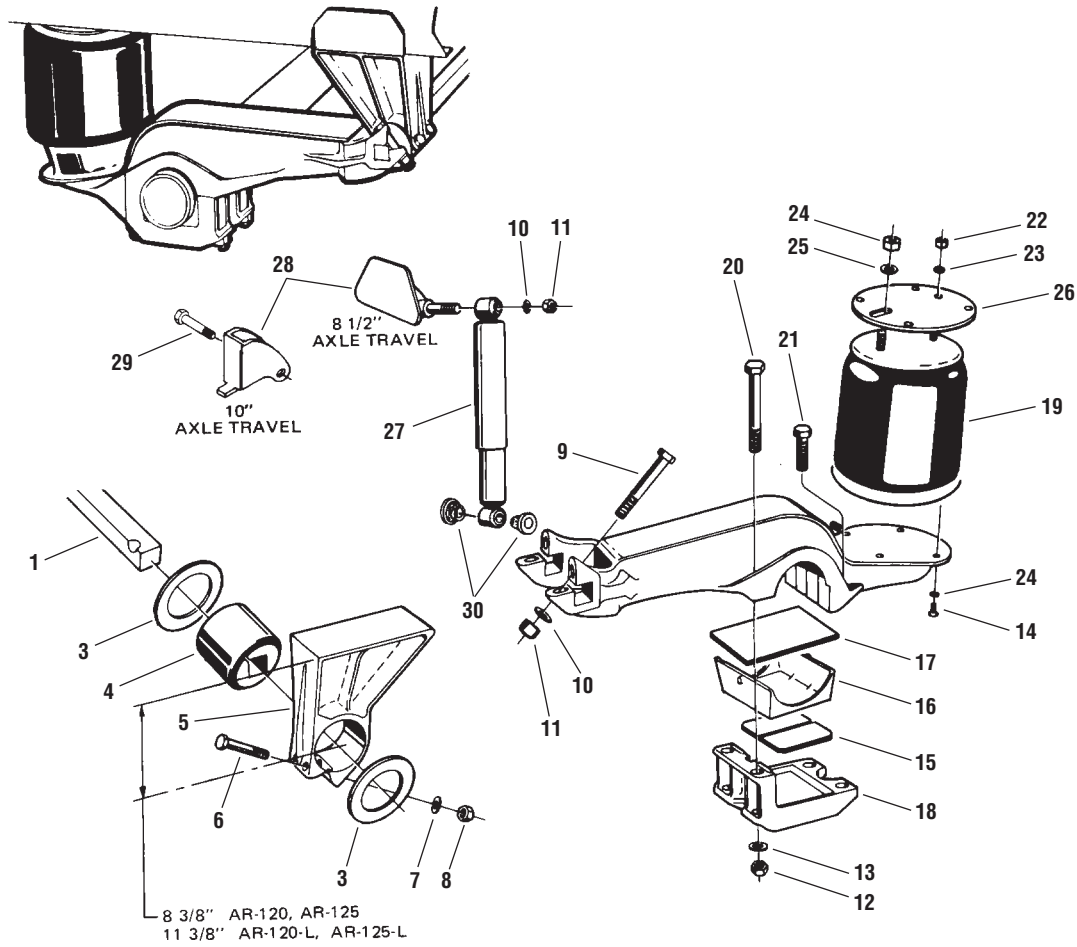
Trailer

KEY NO.	EUCLID NO.	REPLACES NO.	DESCRIPTION	QTY PER AXLE	AR-93				
					14	15	16	17	
1	S.O.S.	905 20 346	Frame Bracket, Adjustable	2	X				
	S.O.S.	905 19 710				X			
	S.O.S.	905 20 235						X X	
2	S.O.S.	900 23 002	Angle Brace	4	X	X			
	S.O.S.	930 23 001						X X	
3	E-4363	900 36 177	Space Washer	12	X	X	X	X	
4	S.O.S.	905 16 482	Equalizing Beam, Left Hand	1	X	X	X	X	
	S.O.S.	905 16 483	Equalizing Beam, Right Hand	1	X	X	X	X	
4A	E-4382A	900 08 139	Rubber Bushing, Front Pivot	2	X	X	X	X	
4B	E-4410A	900 08 149	Rubber Bushing, Axle Connection	4	X	X	X	X	
5	S.O.S.	905 01 289	Axle Adapter, 5" Round Axle, LH	1	X	X	X	X	
	S.O.S.	905 01 290	Axle Adapter, 5" Round Axle, RH	1	X	X	X	X	
6	E-4347	934 00 492	Lock Nut, 3/4"-10 Thd.	4	X	X	X	X	
7	E-4345	903 03 597	Bolt, 3/4" -10 Thd. x 3 1/2"	4	X	X	X	X	
8	FS9921	905 57 117	Air Spring Assembly	2	X				
	FS9923	905 57 118				X	X		
	FS9922	905 57 119						X	
9	E-4358	934 00 506	Lock Nut, 1 1/8"-7 Thd.	6	X	X	X	X	
10	S.O.S.	900 33 785	Air Spring Mounting Plate & Upper Shock Bracket	2	X	X	X	X	
11	M85051	900 45 054	Shock Absorber	2	X				
	M83127	900 44 794					X		
		900 44 642							X
	M83124	900 44 089							X
	M89407								
12	E-4361	932 01 051	Bolt, 1 1/8"-7 Thd. x 8 1/2"	4	X	X	X	X	
13	E-4364	932 01 055	Bolt, 1 1/8"-7 Thd. x 9 1/4"	2	X	X	X	X	
14	S.O.S.	936 00 072	Lock Washer, 1/2"	4	X	X	X	X	
15	E-9284	900 08 147	Alignment Block	4	X	X	X	X	
17	E-1107	934 00 149	Hex Nut, 3/4"-16 Thd.	2	X	X	X	X	
18	S.O.S.	936 00 077	Lock Washer, 3/4"	2	X	X	X	X	
19	S.O.S.	934 00 136	Hex Nut, 1/2"-13 Thd.	2	X	X	X	X	
20	E-4403	905 08 004	Shock Replacement Bushing	8	X	X	X	X	
21	E-4343	900 18 116	Upper Shock Bracket	2	X	X	X	X	
22	S.O.S.	905 19 773	Lower Shock Bracket	2	X	X	X	X	
—	E-4398A	SRK-145 481 00 202	Pivot Connection Kit	2	X	X	X	X	
—	E-4411A	SRK-149 481 00 206	Axle Connection Kit	2	X	X	X	X	

NEWAY

NEWAY AR-120/120-L, AR-125/125-L SERIES

Trailer



KEY NO.	EUCLID NO.	REPLACES NO.	DESCRIPTION	QTY PER AXLE	AR-			
					120	120-L	125	125-L
1	E-4405	900 06 003	Bar	1	X	X	X	X
2	S.O.S.	905 18 008	Lower Shock Mounting Bracket	2	X		X	
	S.O.S.	905 18 009			X		X	
3	E-2959	936 00 035	Washer	4	X	X	X	X
4	E-2998	905 08 001	Bushing	2	X	X	X	X

NEWAY AR-120/120-L, AR-125/125-L SERIES

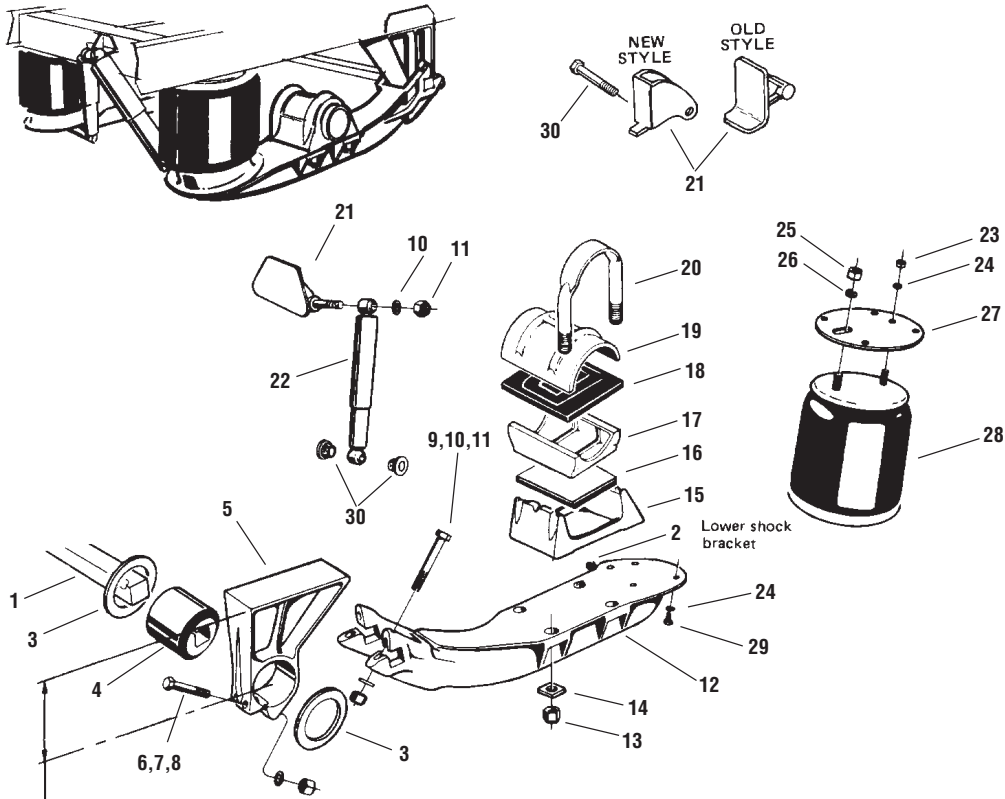
Trailer

KEY NO.	EUCLID NO.	REPLACES NO.	DESCRIPTION	QTY PER AXLE	AR-			
					120	120-L	125	125-L
5	S.O.S.	900 18 010	Frame Bracket	2	X		X	
6	S.O.S.	930 03 395	Cap Screw, 5/8"-11 Thd. x 4"	4	X	X	X	X
7	E-2547	939 00 025	Washer	4	X	X	X	X
8	E-2988	934 00 490	Lock Nut, 5/8"-11	4	X	X	X	X
9	E-2989	930 03 633	Bolt, 3/4"-10 x 5" Grade 5	4	X	X	X	X
10	S.O.S.	936 00 156	Washer, 3/4"	8	X	X	X	X
11	E-4347	934 00 492	Lock Nut, 3/4"-10 Thd.	8	X	X	X	X
12	E-2983	934 00 496	Lock Nut	8	X	X	X	X
13	E-2546	936 00 162	Washer	8	X	X	X	X
14	S.O.S.	930 02 893	Cap Screw, 1/2"-13 Thd. x 1" Hex Head	8	X	X	X	X
15	E-2010 (Rubber)	900 28 016	Pad	2	X	X	X	X
	E-8674 (Poly)							
16	E-4289	900 01 082	Adapter, 5" Round Axle	2	X	X	X	X
	E-4290	900 01 083	Adapter, 5" Square Axle					
17	E-2009 (Rubber)	900 28 007	Wrapper, Round Axle	2	X	X	X	X
	E-8673 (Poly)							
	E-2944							
18	N/A	900 10 001	Axle Cap, 5" Round Axle	2	X	X	X	X
19	FS9082	905 57 027	Air Spring Assembly, 2 Stud Top	2	X			
	FS9101	905 57 009						
	FS9177	905 57 003	Air Spring Assembly, 4 Stud Top					
	FS9158	905 57 005						
20	S.O.S.	939 00 178	Bolt, 7/8"-9 Thd. x 6"	4	X	X	X	X
21	E-2981	932 00 754	Bolt, 7/8"-9 Thd. x 2 3/4"	4	X	X	X	X
22	S.O.S.	934 00 136	Hex Nut, 1/2"-13 Thd.	8	X	X	X	X
23	S.O.S.	936 00 072	Lock Washer	16	X	X	X	X
24	E-1107	934 00 149	Hex Nut, 3/4"-16 Thd.	2	X	X	X	X
25	S.O.S.	936 00 077	Lock Washer, 3/4"	2	X	X	X	X
26	E-4321	900 31 027	Air Spring Mounting Plate	2	X	X	X	X
27	M83126	900 44 626	Shock Absorber	2	X	X	X	X
	M89430							
28	E-4339	905 18 011	Bracket	1	X		X	
	S.O.S.	900 18 301						
29	E-4345	930 03 597	Bolt, Use with Neway 900 18 301 Bracket	2		X		X
30	E-4403 (Rubber)	905 08 004	Bushing, 4 Per Shock	8	X	X	X	X
	E-8684 (Poly)							
—	E-2984A	SRK-15 481 00 016	5" Round Axle Connection Kit, Old Style Includes Key Nos. 13, 14, 16, 18, 21, 22	1	X	X	X	X
—	E-2985A	SRK-71	5" Round Axle Connection Kit, New Style Includes Key Nos. 13, 14, 16, 18, 21, 22	1	X	X	X	X

NEWAY

NEWAY AR-120-US, AR-125-US, AR-120-US-L, AR-125-US-L SERIES

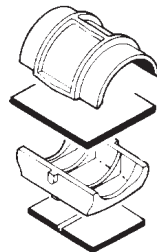
Trailer



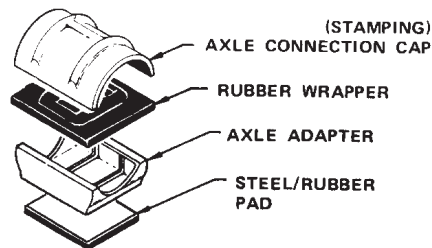
AR-120/125-US.....8 3/8"
 AR-120/125-US-L11 3/8"
 LONG TRAVEL MODELS

NOTE: For 15" wheel axle connection parts, with cam on horizontal centerline, refer to 15" WHEEL AXLE CONNECTION on last page of this section.

OLD STYLE
 5" Rd. (Shown) & 5" Sq.



NEW STYLE
 5" Rd. (all parts) & 5" Sq. (axle adapter & pad)



KEY NO.	EUCLID NO.	REPLACES NO.	DESCRIPTION	PER QTY AXLE	AR-			
					120-US	125-US	120-US-L -1,-2,-3	125-US-L -1,-2,-3
1	E-4405	900 06 003	Torsion Bar, 42 7/8"	1	X	X	X	X
2	S.O.S.	905 18 008	Bracket	2	X	X		
	E-4341	905 18 027					X	X
3	E-2959	936 00 035	Washer	4	X	X	X	X
4	E-2998	905 08 001	Bushing	2	X	X	X	X
5	S.O.S.	900 18 010	Frame Bracket	2	X	X		
	S.O.S.	900 18 011					X	X

NEWAY AR-120-US, AR-125-US, AR-120-US-L, AR-125-US-L SERIES

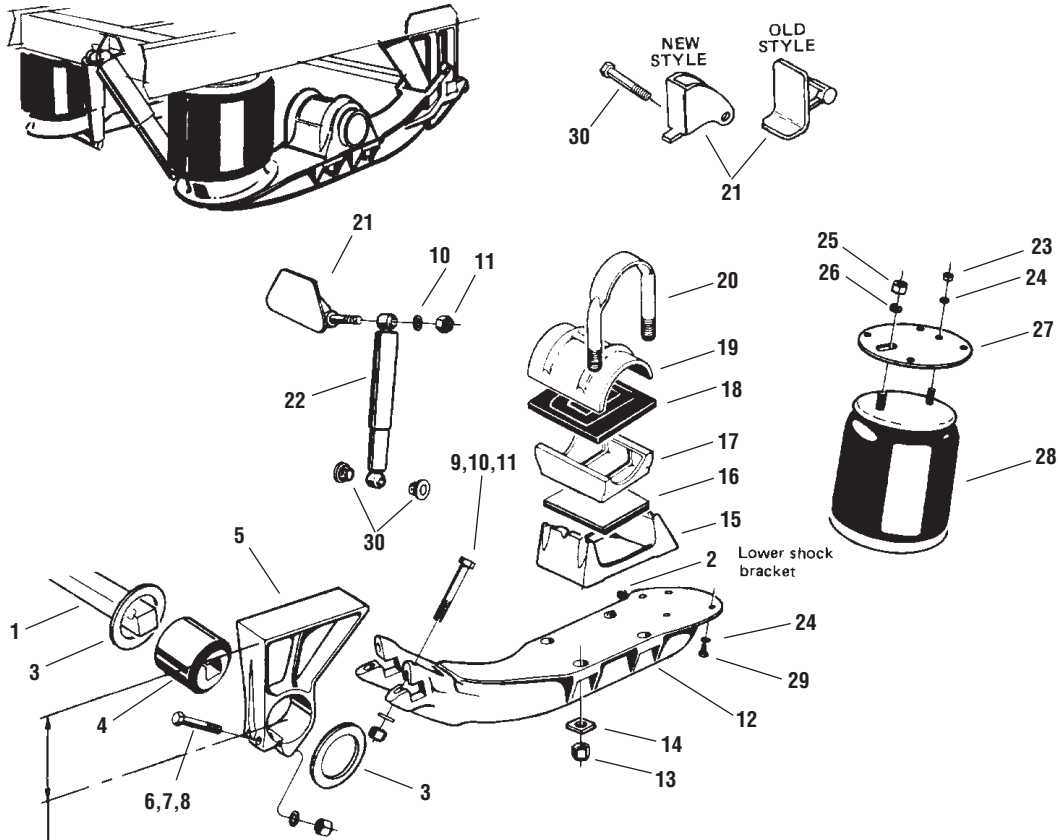
Trailer

KEY NO.	EUCLID NO.	REPLACES NO.	DESCRIPTION	PER QTY AXLE	AR-				
					120-US	125-US	120-US-L -1,-2,-3	125-US-L -1,-2,-3	
6	S.O.S.	930 03 389	Bolt, 5/8"-11 Thd. x 3 1/2"	4	X	X	X	X	
7	E-2547	939 00 025	Washer	4	X	X	X	X	
8	E-2988	934 00 490	Lock Nut, 5/8"-11 Thd.	4	X	X	X	X	
9	E-2989	930 03 633	Bolt	4	X	X	X	X	
10	E-2545	936 00 156	Washer	8	X	X	X	X	
11	S.O.S.	934 00 492	Lock Nut, 3/4"-10 Thd.	8	X	X	X	X	
12	E-9530	905 15 026	Equalizing Beam, Left Hand	1	X	X			
	S.O.S.	905 15 021					X	X	
	E-9531	905 15 027	Equalizing Beam, Right Hand	1	X	X			
	S.O.S.	905 15 022					X	X	
13	E-4421	934 00 502	Lock Nut	8	X	X	X	X	
14	E-2960	936 00 028	Washer	8	X	X	X	X	
15	E-4292	900 01 006	Axle Seat	2	X	X	X	X	
	E-4293	900 01 119			X	X			
	S.O.S.	900 01 007					X	X	
	S.O.S.	900 01 008					X	X	
16	E-2947A (Rubber)	900 28 075	Axle Pad (New Style)	2	X	X	X	X	
	E-8680 (Poly)								
	E-2010 (Rubber)	900 28 016			Axle Pad (Old Style)	X	X	X	X
	E-8674 (Poly)								
17	E-4289	900 01 082	Adapter, 5" Round Axle	2	X	X	X	X	
	E-4290	900 01 083	Adapter, 5" Square Axle		X	X	X	X	
18	E-2943 (Rubber)	900 28 047	Wrapper, Round Axle	2	X	X	X	X	
	E-8678 (Poly)				X	X	X	X	
	E-2009 (Rubber)	900 28 007	Wrapper, Round Axle		X	X	X	X	
	E-8673 (Poly)				X	X	X	X	
19	E-4282	900 10 032	Axle Cap, 5" Round Axle	2	X	X	X	X	
	E-4283	900 10 022	Axle Cap, 5" Square Axle		X	X	X	X	
20	E-UB8479-090	900 41 878	U-Bolt Assembly, Flat Rd. Bend, 1"-14 Thd. x 6 5/16" Wide x 9" Long	4	X	X	X	X	
	E-UB8578-094	900 41 997	U-Bolt Assembly, Flat Sq. Bend, 1"-14 Thd. x 6 5/16" Wide x 9 1/2" Long		X	X	X	X	
	E-UB8479-124A	900 41 886	U-Bolt Assembly, Flat Rd. Bend, 1"-14 Thd. x 6 5/16" Wide x 12 1/2" Long		X		X	X	
	E-UB8479-124A	900 42 792	U-Bolt Assembly, Flat Rd. Bend, 1"-14 Thd. x 6 5/16" Wide x 12 1/2" Long		X		X	X	
	E-UB8578-124A	900 42 795	U-Bolt Assembly, Flat Sq. Bend, 1"-14 Thd. x 6 5/16" Wide x 12 1/2" Long		X		X	X	

NEWAY

NEWAY AR-120-US, AR-125-US, AR-120-US-L, AR-125-US-L SERIES

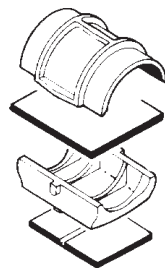
Trailer



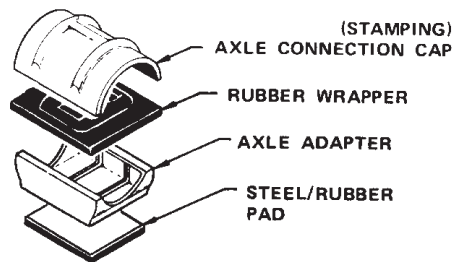
AR-120/125-US.....8 3/8"
AR-120/125-US-L ...11 3/8"
LONG TRAVEL MODELS

NOTE: For 15" wheel axle connection parts, with cam on horizontal centerline, refer to 15" WHEEL AXLE CONNECTION on last page of this section.

OLD STYLE
5" Rd. (Shown) & 5" Sq.



NEW STYLE
5" Rd. (all parts) & 5" Sq. (axle adapter & pad)



NEWAY AR-120-US, AR-125-US, AR-120-US-L, AR-125-US-L SERIES

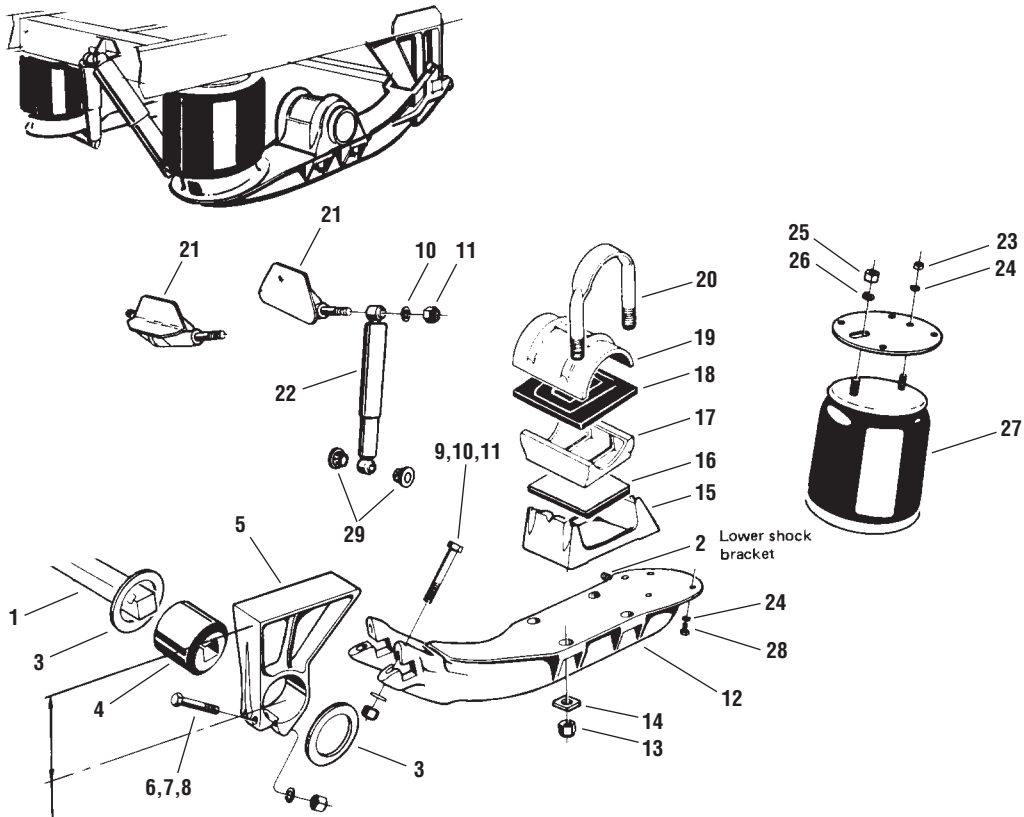
Trailer

KEY NO.	EUCLID NO.	REPLACES NO.	DESCRIPTION	PER QTY AXLE	AR-				
					120-US	125-US	120-US-L -1,-2,-3	125-US-L -1,-2,-3	
21	E-4339	905 18 011	Bracket	1	X	X			
	S.O.S.	900 18 301		2			X	X	
22	M83126	900 44 626	Shock Absorber	2	X	X			
	M89430								
23	S.O.S.	934 00 136	Hex Nut, 1/2"-13 Thd.	8	X	X	X	X	
24	S.O.S.	936 00 072	Lock Washer, 1/2"	16	X	X	X	X	
25	S.O.S.	934 00 149	Hex Nut, 3/4"-16 Thd.	2	X	X	X	X	
26	S.O.S.	936 00 077	Lock Washer, 3/4"	2	X	X	X	X	
27	E-4321	900 31 027	Plate	2	X	X	X	X	
28	FS9082	905 57 027	Air Spring Assembly	2			X		
	FS9101	905 57 009							
	FS9177	905 57 003							
	FS9158	905 57 005							
29	S.O.S.	930 02 893	Cap Screw, 1/2"-13 Thd. x 1"	8	X	X	X	X	
30	E-4403 (Rubber)	905 08 004	Bushing	8	X	X	X	X	
	E-8684 (Poly)								
31	E-4345	930 03 597	Bolt	2			X	X	
—	S.O.S.	SRK-11 481 00 022	Pivot Connection Kit (If Torsion Bar is Required)	1	X	X	X	X	
—	E-2992A	SRK-11A 481 00 132	Pivot Connection Kit (If Torsion Bar is Not Required)		X	X	X	X	
—	E-2978A	SRK-4	5" Round Axle Connection Kit (Old Style) Includes Key Nos. 13, 14, 16, 18, 20		X	X	*	*	
—	E-2977A	SRK-64 481 00 108	5" Round Axle Connection Kit (New Style) Includes Key Nos. 13, 14, 16, 18, 20		X	X	*	*	
—	E-6898	SRK-68 481 00 112	5" Square Axle Connection Kit (New Style) Includes Key Nos. 13,14,16,18,20		X	X	*	*	
—	E-2979A	SRK-126	5" Round Axle Connection Kit (Old Style) Includes Key Nos. 13, 14, 16, 18, 20				y	y	
—	E-4390	SRK-128 481 00 181	5" Round Axle Connection Kit(New Style) Includes Key Nos. 13, 14, 16, 18, 20	1			y	y	
—	S.O.S.	SRK-129	5" Square Axle Connection Kit (New Style) Includes Key Nos. 13, 14, 16, 18, 20				y	y	
—	S.O.S.	SRK-6	5" Round Axle Connection Kit (Old Style) Includes Key Nos. 13, 14, 16, 18, 20				z	z	
—	S.O.S.	SRK-66 481 00 110	5" Round Axle Connection Kit (New Style) Includes Key Nos. 13, 14, 16, 18, 20				z	z	
—	S.O.S.	SRK-70	5" Square Axle Connection Kit (New Style) Includes Key Nos. 13, 14, 16, 18, 20				z	z	

* = Included on Model AR--120-US-L-3 only
y = Included on Model AR-120-US-L-1 only
z = Included on Model AR 120-US-L-2 only

NEWAY AR-165-US SERIES

Trailer

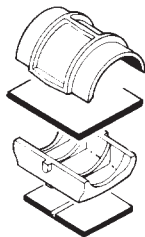


AR-120/125-US-F8 3/8"
 AR-165-US.....7 3/8"
 AR-165-US MODELS

NOTE: For 15" wheel axle connection parts, with cam on horizontal centerline, refer to 15" WHEEL AXLE CONNECTION on last page of this section.

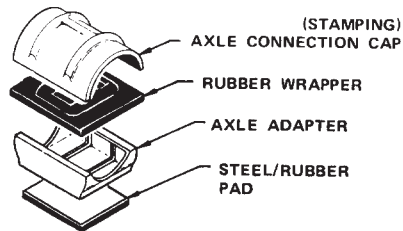
OLD STYLE

5" Rd. (Shown) & 5" Sq.



NEW STYLE

5" Rd. (all parts) & 5" Sq. (axle adapter & pad)



KEY NO.	EUCLID NO.	REPLACES NO.	DESCRIPTION	QTY PER AXLE
1	E-4406	900 06 034	Torsion Bar, 45 3/4"	1
2	S.O.S.	905 18 042	Lower Shock Mounting Bracket, Left Hand	1
	S.O.S.	905 18 043	Lower Shock Mounting Bracket, Right Hand	1
3	E-2959	936 00 035	Washer, 3 1/2"	4
4	E-2998	905 08 001	Bushing	2
5	N/A	900 18 004	Frame Bracket	2
6	S.O.S.	930 03 383	Bolt	4

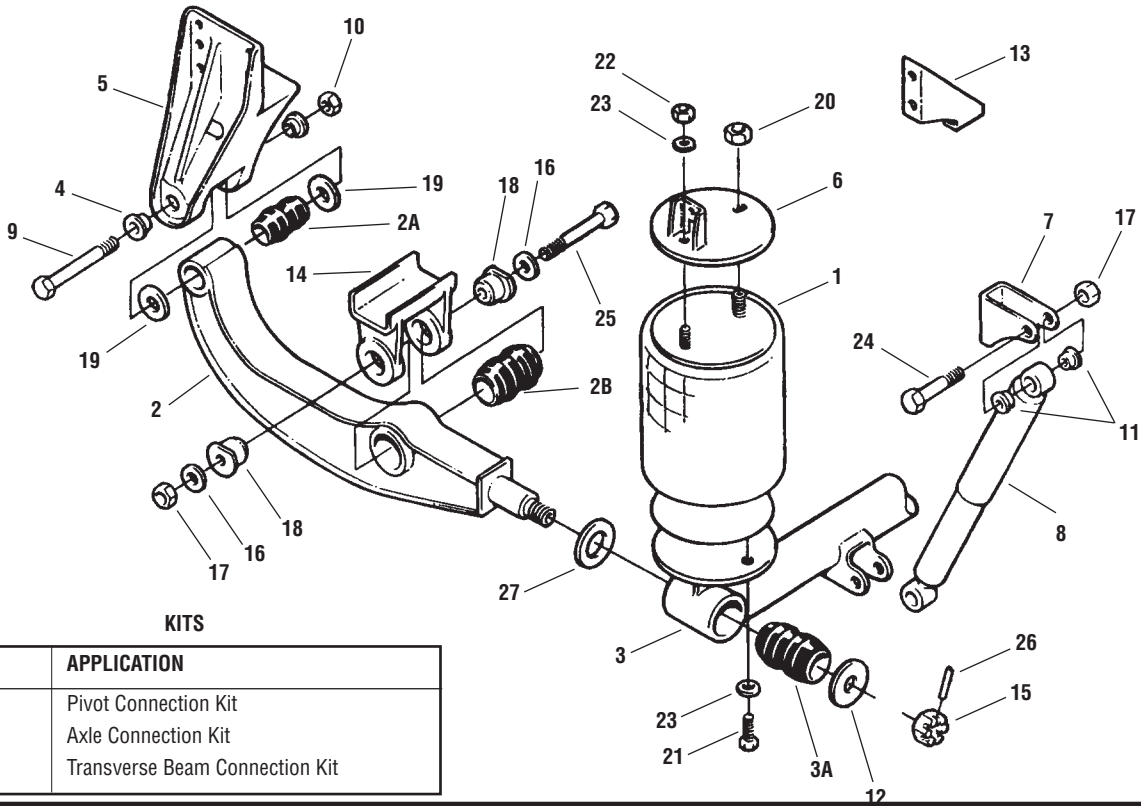
NEWAY AR-165-US SERIES

Trailer

KEY NO.	EUCLID NO.	REPLACES NO.	DESCRIPTION	QTY PER AXLE
7	E-2547	939 00 025	Washer	4
8	E-2988	934 00 490	Lock Nut	4
9	E-2989	930 03 633	Bolt	4
10	E-2545	936 00 156	Washer	8
11	E-4347	934 00 492	Lock Nut, 3/4"-10 Thd.	8
12	S.O.S.	905 15 030	Equalizing Beam, Left Hand	1
	S.O.S.	905 15 031	Equalizing Beam, Right Hand	1
13	E-4421	934 00 502	Lock Nut	8
14	E-2960	936 00 028	Washer	8
15	S.O.S.	900 01 008	Axle Seat	2
16	E-2947A (Rubber)	900 28 075	Pad	2
	E-8680 (Poly)	900 28 075		
	E-2010 (Rubber)	900 28 016		
	E-8674 (Poly)	900 28 016		
17	E-4289	900 01 082	Adapter	2
	E-4290	900 01 083		
18	E-2943 (Rubber)	900 28 047	Wrapper, Round Axle	2
	E-8678 (Poly)			
	E-2009 (Rubber)	900 28 007	Wrapper, Square Axle	
	E-8673 (Poly)			
19	E-4282	900 10 032	Axle Cap	2
	E-4283	900 10 022		
20	E-UB8479-124A	900 42 792	U-Bolt Assy, Flat Rd. Bend, 1"-8 Thd. x 6 5/16" Wide x 12 1/2" Long	4
	E-UB8578-124A	900 42 795	U-Bolt Assy, Flat Sq. Bend, 1"-14 Thd. x 6 5/16" Wide x 12 1/2" Long	
21	S.O.S.	905 18 041	Upper Shock Mounting Bracket	1
22	M83126	900 44 626	Shock Absorber	2
	M89430			
23	S.O.S.	934 00 136	Hex Nut, 1/2"-13 Thd.	8
24	S.O.S.	939 00 072	Lock Washer, 1/2"	16
25	E-1107	934 00 149	Hex Nut, 3/4"-16 Thd.	2
26	S.O.S.	936 00 077	Lock Washer, 3/4"	2
27	FS9082	905 57 027	Air Spring Assembly	2
28	S.O.S.	930 02 893	Cap Screw, 1/2"-13 Thd.	8
29	E-4403 (Rubber)	905 08 004	Bushing	8
	E-8684 (Poly)			
—	E-2979A	SRK-126	5" Round Axle Connection Kit (Old Style) Includes Key Nos. 13, 14, 16, 18, 20	1
—	E-4390	SRK-128	5" Round Axle Connection Kit (New Style) Includes Key Nos. 13, 14, 16, 18, 20	1
—	S.O.S.	SRK-129	5" Square Axle Connection Kit (New Style) Includes Key Nos. 13, 14, 16, 18, 20	1

NEWAY

NEWAY ARDST/ARDSTM & L MODELS -123, -244, -246



PART NO.	APPLICATION
E-9300A	Pivot Connection Kit
E-4387	Axle Connection Kit
E-9301	Transverse Beam Connection Kit

KEY NO.	EUCLID NO.	REPLACES NO.	DESCRIPTION	PER QTY AXLE	ARDST				
					-123	-244	-246	(M/L) -123	(M/L) -246
1	FS9121	905 57 078	Air Spring	2				X	X
	FS9082	905 57 027			X	X		X	
2	E-10686	905 16 286	Equalizing Beam Assembly	2	X	X		X	X
	S.O.S.	905 16 352					X		
2A	E-9292	900 08 151	Bushing (Front End)	2	X			X	
		900 08 151				X	X		X
2B	E-4253	900 08 008	Bushing (Beam Center)	2	X	X			
		900 08 008			4	X	X		X
3	S.O.S.	905 44 617	Transverse Beam Assembly	1	X			X	
		905 44 617			2		X	X	
3A	E-9293	900 08 135	Transverse Beam Bushing	2	X			X	
		900 08 135			4		X	X	
4	E-4267	900 08 120	Alignment Block	4	X			X	
		900 08 120			8		X	X	
5	S.O.S.	900 18 578	Frame Bracket Single Axle, Left Hand	1					
		900 18 579			1				
6	S.O.S.	905 31 001	Air Spring Mounting Plate	2	X			X	
		905 31 001			4		X	X	
7	E-4343	900 18 116	Shock Absorber Mounting Bracket	2	X			X	
		900 18 116			4		X	X	
8	M83209	900 44 025	Shock Absorber	2	X			X	
	M89414	900 44 025			4		X	X	

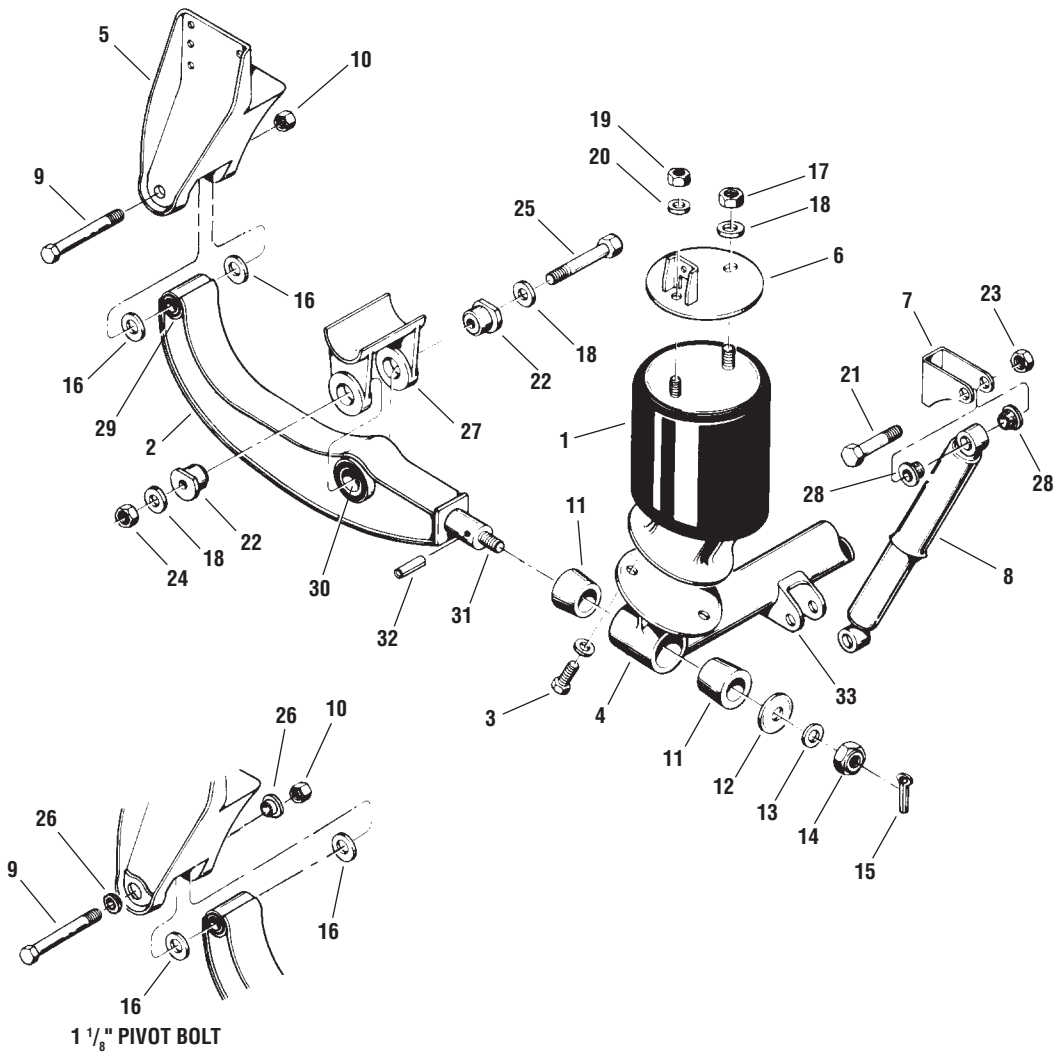
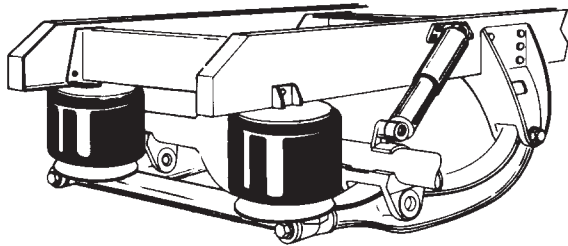
NEWAY ARDST/ARDSTM & L MODELS -123, -244, -246

KEY NO.	EUCLID NO.	REPLACES NO.	DESCRIPTION	PER QTY AXLE	ARDST				
					-123	-244	-246	(M/L) -123	(M/L) -246
9	E-4364	932 01 046	Rod Bolt, 1 1/8"-7 Thd.	2	X			X	
		932 01 055		4		X	X		X
10	E-4358	934 00 506	Lock Nut, 1 1/8"-7 Thd.	2	X			X	
		E-4358 934 00 506		4		X	X		X
11	E-4403	905 08 004	Shock Absorber Bushing	8	X			X	
		E-4403 905 08 004		16		X	X		X
12	Part of E-9301	900 36 118	Spacer Washer	2	X			X	
		900 36 118		4		X	X		X
13	S.O.S.	900 23 131	Brace	2	X			X	
		900 23 131			X	X		X	
14	S.O.S.	—	Beam Hanger Brackets, Single Axle	2					
15	Part of E-9301	934 00 603	Hex Slotted Nut, 2 1/4"-12 Thd.	2	X	X	X	X	X
16	E-2545	936 00 156	Plain Washer, 3/4"	4	X			X	
		936 00 156		8		X	X		X
17	Part of E-4387	934 00 492	Lock Nut, 3/4"-10 Thd.	6	X			X	
		934 00 492		12		X	X		X
18	Part of E-4387	900 01 002	Adapter Bushing	4	X			X	
		900 01 002		8		X	X		X
19	Part of E-9300A	936 00 502	Spacer Washer	4	X			X	
		936 00 502		8		X	X		X
20	S.O.S.	934 00 417	Lock Nut, Light 3/4"-16 Thd.	2	X			X	
		934 00 417		4		X	X		X
21	S.O.S.	930 02 893	Cap Screw, 1/2"-13 Thd. x 1"	4	X			X	
		930 02 893				X	X		X
22	S.O.S.	934 00 136	Hex Nut, 1/2"-13 Thd.	2	X			X	
		934 00 136		4		X	X		X
23	S.O.S.	936 00 072	Lock Washer, 1/2"	6	X			X	
		936 00 072		12		X	X		X
24	S.O.S.	930 03 597	Cap Screw, 3/4"-10 Thd. x 3 1/2"	4	X			X	
		930 03 597		8		X	X		X
25	Part of E-4387	930 03 693	Cap Screw, 3/4"-10 Thd. x 7 1/2"	2	X			X	
		930 03 693		4		X	X		X
26	Part of E-9301	938 00 235	Roll Pin, 3/8" Diameter x 3 1/2" Long	2	X			X	
		938 00 235		4		X	X		X
27	Part of E-9301	936 00 498	Washer	2	X			X	
		936 00 498		4		X	X		X
—	E-9300A	SRK-200 481 00 260	Pivot Connection Kit	1	X	X	X	X	X
—	E-4387	SRK-80 481 00 124	Axle Pivot Connection Kit	1	X	X	X	X	X
—	E-9301	SRK-201 481 00 261	Transverse Connection Kit	1	X	X	X	X	X

NEWAY

NEWAY ARD-125-6, -244-6 SERIES

Trailer/Tractor



NEWAY

NEWAY ARD-125-6, -244-6 SERIES

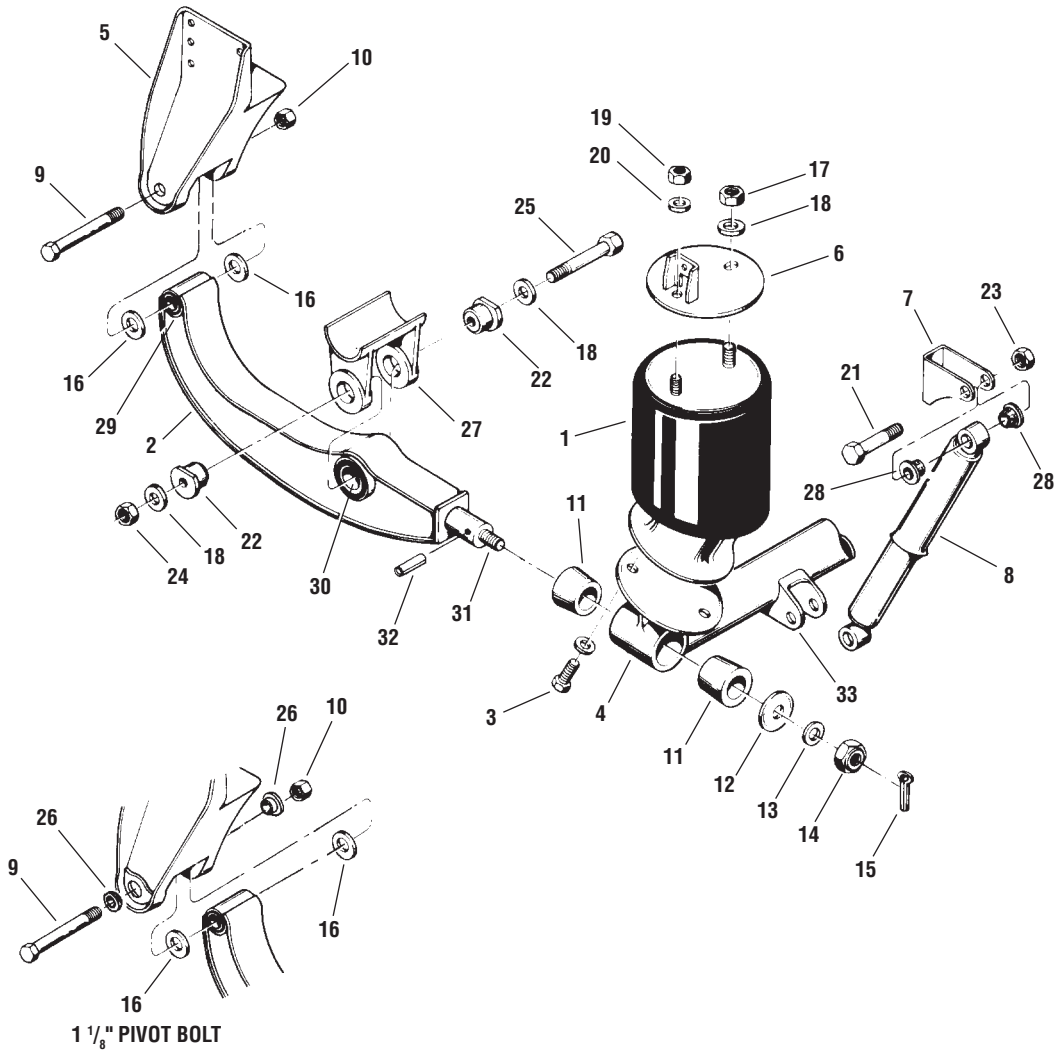
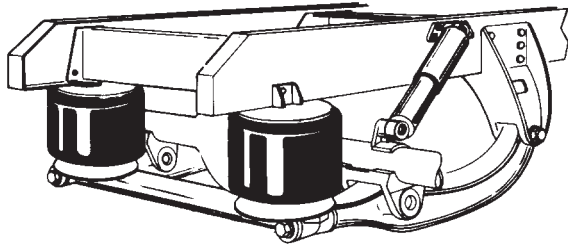
Trailer/Tractor

KEY NO.	EUCLID NO.	REPLACES NO.	DESCRIPTION	QTY PER AXLE					
				ARD-125-6	ARD-244-6	FORD	GMC & IHC	MACK	WHITE
1	FS9093	905 57 032	Air Spring Assembly	2	4	X			
	FS9082	905 57 027							
2	S.O.S.	Various	Equalizing Beam, 5 1/4" Wide	2	4	X	X	X	X
		Various	Equalizing Beam, 5 3/4" Wide	2	4	X	X	X	X
3	S.O.S.	930 02 893	Cap Screw, 1/2" - 13 Thd. x 1"	4	8	X	X	X	X
4	S.O.S.	905 44 079	Transverse Beam	1	2	X	X	X	X
5	S.O.S.	900 18 578	Frame Bracket, Left Hand (w/ SRK-120)	1	2	X	X	X	X
		900 18 579	Frame Bracket, Right Hand (w/ SRK-120)	1	2	X	X	X	X
6	S.O.S.	905 31 001	Air Spring Mounting Plate	2	4	X	X	X	X
7	E-4343	900 18 116	Bracket	2	4	X	X	X	X
8	M83209	900 44 025	Shock Absorber	2	4	X	X	X	X
	M89414								
9	S.O.S.	932 00 132	Bolt, 1 1/4"-12 Thd. x 9"	2	4	X	X	X	
	S.O.S.	932 01 030	Bolt, 1 1/4"-12 Thd. x 10 9/16"						
	E-4364	932 01 046	Bolt, 1 1/8"-7 Thd. x 9 1/4"	2	4		X	X	
		932 01 055							
	E-4361	932 01 045	Bolt, 1 1/8"-7 Thd. x 8 1/2"						X
10	E-2854	934 00 509	Lock Nut, 1 1/4"	2	4	X	X	X	X
		934 00 511							
	E-4358	934 00 506	Lock Nut, 1 1/8"			X	X	X	X
11	E-4257 (Rubber)	900 08 113	Bushing	4	8	X	X	X	X
	E-8682 (Poly)								
12	E-4278	900 36 007	Washer	2	4	X	X	X	X
13	S.O.S.	936 00 180	Washer	2	4	X	X	X	X
14	E-4358	934 00 506	Lock Nut	2	4	X	X	X	X
	E-2854	934 00 509							
		934 00 511							
15	S.O.S.	938 00 065	Cotter Pin (Pre-1981 Vehicles Only)	2	4	X	X	X	X
16	E-4277	900 36 001	Washer	4	8	X	X	X	X
	S.O.S.	936 00 495							
17	S.O.S.	934 00 417	Lock Nut, 3/4"-16 Thd.	4	8	X	X	X	X
18	E-2545	936 00 157	Washer	4	8	X	X	X	X
19	S.O.S.	934 00 136	Hex Nut, 1/2"-13 Thd.	2	4	X	X	X	X
20	S.O.S.	936 00 072	Lock Washer, 1/2"	2	4	X	X	X	X
21	E-4345	930 03 599	Bolt	4	8	X	X	X	X
		930 03 597							
22	Part of E-2372 or E-4387	900 01 002	Adapter Bushing, 5 1/4" Wide Hanger	4	8	X	X	X	X
			Adapter Bushing, 5 3/4" Wide Hanger						
23	S.O.S.	934 00 553	Lock Nut	4	8	X	X	X	X

NEWAY

NEWAY ARD-125-6, -244-6 SERIES

Trailer/Tractor



NEWAY

NEWAY ARD-125-6, -244-6 SERIES

Trailer/Tractor

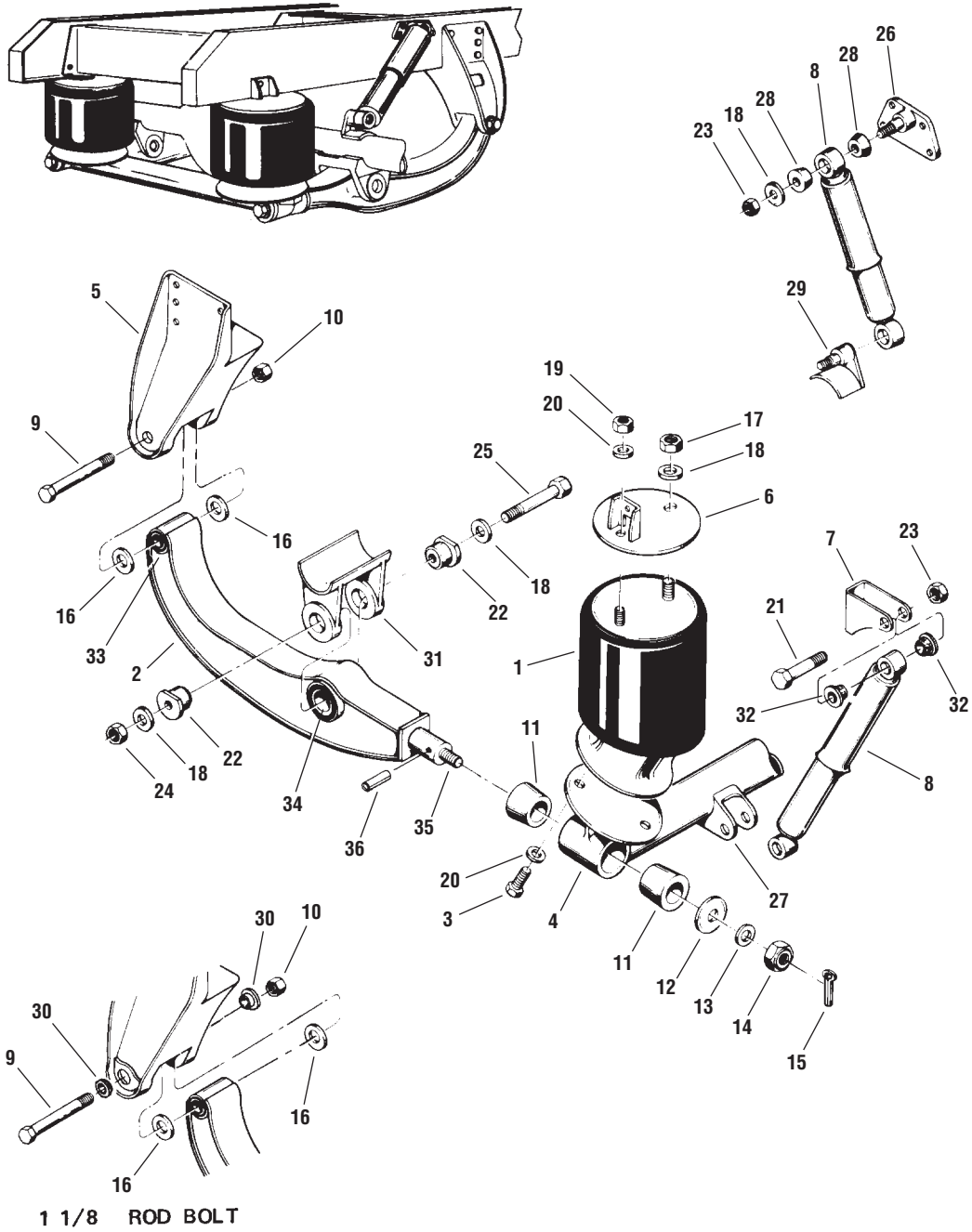
KEY NO.	EUCLID NO.	REPLACES NO.	DESCRIPTION	QTY PER AXLE					
				ARD-125-6	ARD-244-6	FORD	GMC & IHC	MACK	WHITE
24	Part of E-2372 or E-4387	934 00 492	Lock Nut, 3/4"-10 Thd	2	4	X	X	X	X
25	Part of E-2372	930 03 681	Bolt , Adapter Assembly, 5 1/4" Wide Hanger	2	4	X		X	
	Part of E-4387	930 03 693	Bolt, Adapter Assembly, 5 3/4" Wide Hanger				X	X	X
26	E-4266	900 08 110	Alignment Block (Pre-1981), 1 1/4" I.D.	4	8	X	X	X	
	E-4267	900 08 120	Alignment Block, (Pre-1981), Later Vehicles, 1 1/8" I.D.			X	X	X	X
27	S.O.S.	Various	Available Per Axle Specification	2	4	X	X	X	X
28	E-4403 (Rubber)	905 08 004	Bushing	8	16	X	X	X	X
	E-8684 (Poly)					X	X	X	X
29	E-2940 (Rubber)	900 08 002	Bushing, Old Style 1 1/4" I.D.	2	4	X	X	X	X
	E-8677 (Poly)					X	X	X	X
	E-4255 (Rubber)	900 08 131	Bushing, New Style 1 1/8" I.D.	2	4	X	X	X	X
30	E-4252 (Rubber)	900 08 006	Bushing , 5 1/4" (Assembled In Item 2)	2	4			X	X
	E-4253 (Rubber)	900 08 008	Bushing, 5 3/4" (Assembled In Item 2)	2	4	X	X	X	X
31	E-4258	900 06 380	Stud	2	4	X	X	X	X
32	S.O.S.	900 44 174	Roll Pin	2	4	X	X	X	X
33	S.O.S.	900 18 482	Lower Shock Bracket	2	4	X	X	X	X
—	E-4393	SRK-120 481 00 170	1 1/8" Adjustable Pivot Connection Kit Includes Key Nos. 9, 10, 16, 29	2	4	X	X	X	X
—	S.O.S.	SRK-105 481 00 154	1 1/4" Adjustable Pivot Connection Kit Includes Key Nos. 9, 10, 16, 29 NOTE: For Pre-1981 vehicles which require E-2940 bushings with alignment bushings	1	2	X	X	X	X
—	E-4387	SRK-80 481 00 124	5 3/4" Axle Connection Kit Includes Key Nos. 18, 22, 24, 25, 30	1	2	X	X	X	X
—	E-4401A	SRK-77-1 481 00 161	Transverse Beam Stud Kit Includes Key Nos. 10, 11, 12, 13	1	2	X	X	X	X

NEWAY

NEWAY ARD-125, -6, -8, -244-6, -8 SERIES

Trailer/Tractor

NEWAY



NEWAY ARD-125, -6, -8, -244-6, -8 SERIES

Trailer/Tractor

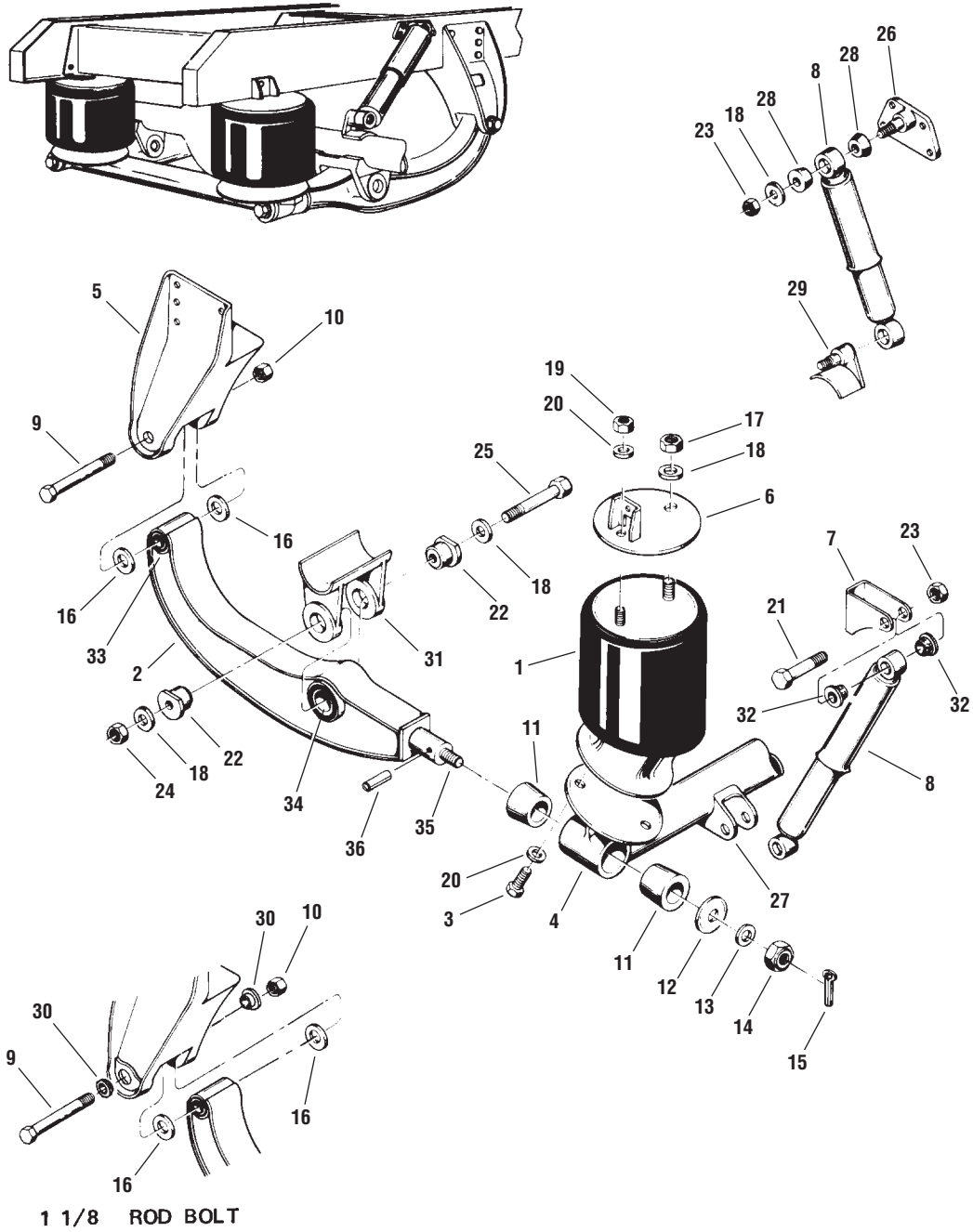
KEY NO.	EUCLID NO.	REPLACES NO.	DESCRIPTION	QTY PER AXLE							
				ARD-				Neway	Mack Western	Western Star	
125-6	244-6	125-8	244-8								
1	FS9082	905 57 027	Air Spring Assembly	2	4	2	4	X	X	X	
2	S.O.S.	Various	Equalizing Beam, 5 1/4" Wide	2	4	2	4	X	X	X	
	S.O.S.	Various	Equalizing Beam, 5 3/4" Wide								
3	S.O.S.	930 02 893	Cap Screw, 1/2"-13 Thd. x 1"	4	8	4	8	X	X	X	
4	S.O.S.	905 44 112	Transverse Beam (-8 Model)	—	—	1	2	X	X	X	
	S.O.S.	905 44 079	Transverse Beam (-6 Model)	1	2	—	—	X	X	X	
5	S.O.S.	900 18 578	Frame Bracket, Left Hand (with SRK-120)	1	2	1	2	X	X	X	
	S.O.S.	980 18 579	Frame Bracket, Right Hand (with SRK-120)	1	2	1	2				
6	S.O.S.	905 31 001	Air Spring Mounting Plate	2	4	2	4	X	X	X	
7	E-4343	900 18 116	Bracket	2	4	—	—	X	X	X	
8	M83209	900 44 025	Shock Absorber	2	4	—	—	X	X	X	
	M89414										
	M85004	900 44 011		—	—	2	4	X		X	
9	S.O.S.	932 00 132	Bolt, 1 1/4"-12 Thd. x 9"	2	4	2	4	X	X		
	S.O.S.	932 01 030	Bolt, 1 1/4"-12 Thd. x 10 9/16"							X	
	E-4361	932 01 045	Bolt, 1 1/8"-7 Thd. x 8 1/2"					X			
	E-4364	932 01 046	Bolt, 1 1/8"-7 Thd. x 9 1/4"	2	4	2	4			X	X
		932 01 055									
10	E-2854	934 00 509 934 00 511	Lock Nut	2	4	2	4	X	X	X	
	E-4358	934 00 506		2	4	2	4	X	X	X	
11	E-4257 (Rubber)	900 08 113	Bushings	4	8	4	8	X	X	X	
	E-8682 (Poly)										
12	E-4278	900 36 007	Washer	2	4	2	4	X	X	X	
13	S.O.S.	936 00 180	Washer, 1 1/4"	2	4	2	4	X	X	X	
	E-4358	934 00 506		2	4	2	4	X			
14	E-2854	934 00 509 934 00 511	Lock Nut						X	X	
15	S.O.S.	938 00 065	Cotter Pin (Pre-1981 Vehicles Only)	2	4	2	4	X	X	X	
16	NLA	900 36 001	Washer	4	8	4	8	X	X	X	
	S.O.S.	936 00 495						X	X	X	
17	S.O.S.	934 00 149	Lock Nut, 3/4"-16 Thd.	4	8	4	8	X			
	S.O.S.	934 00 417						X	X		
18	E-2545	936 00 157 936 00 156	Washer	4	8	4	8	X	X		
								X			
19	S.O.S.	934 00 136	Hex Nut, 1/2"-13 Thd.	2	4	2	4	X	X	X	

NEWAY

NEWAY ARD-125, -6, -8, -244-6, -8 SERIES

Trailer/Tractor

NEWAY



NEWAY ARD-125, -6, -8, -244-6, -8 SERIES

Trailer/Tractor

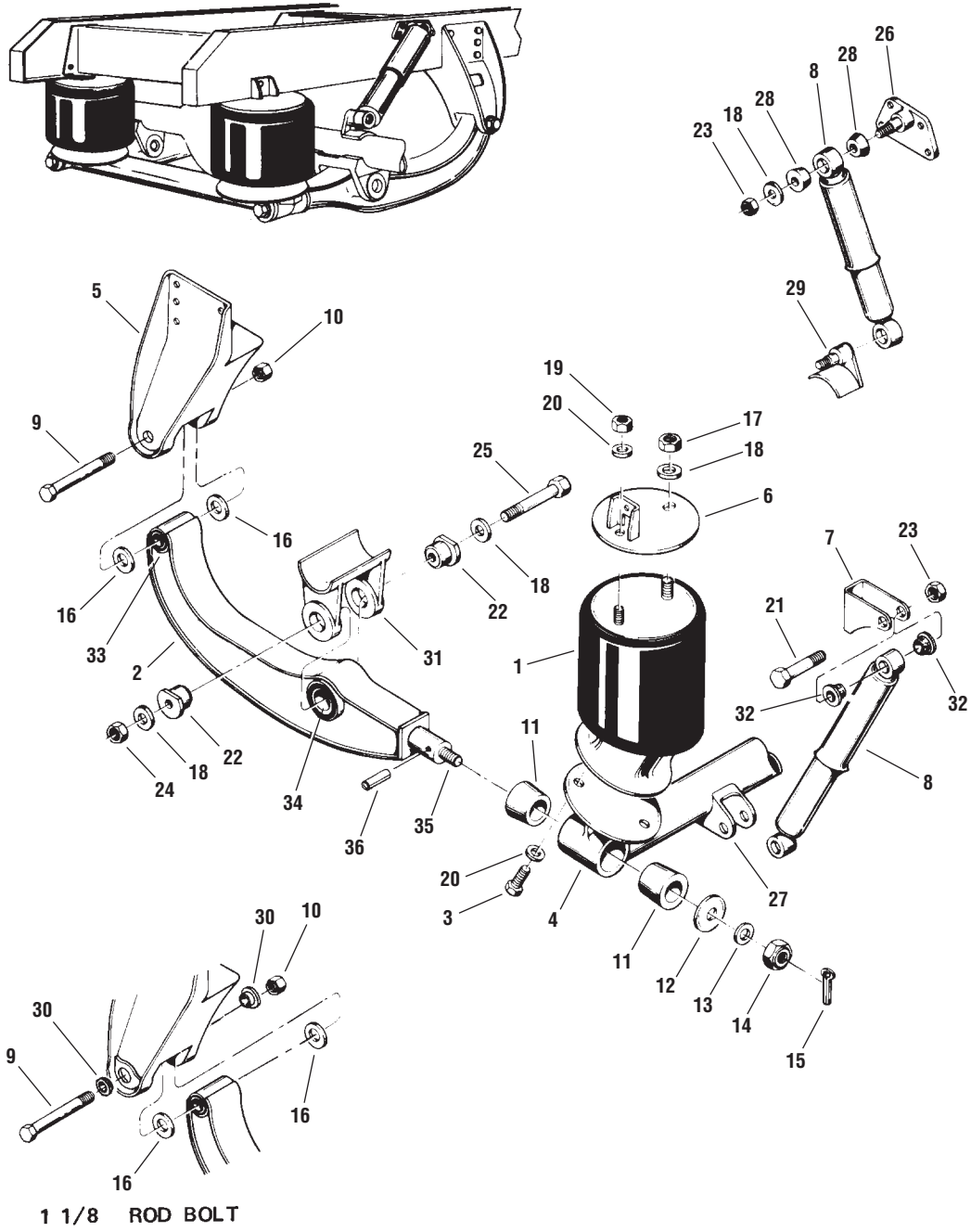
KEY NO.	EUCLID NO.	REPLACES NO.	DESCRIPTION	QTY PER AXLE						
				ARD-				Neway	Mack Western	Western Star
125-6	244-6	125-8	244-8							
20	S.O.S.	936 00 072	Lock Washer, 1/2"	2	4	2	4	X	X	X
21	E-4345	930 03 599 930 03 597	Bolt	4	8	—	—	X	X	X
—	S.O.S.	905 18 335	Upper Shock Bracket (LH)			1	8	X		
—	S.O.S.	905 18 336	Upper Shock Bracket (RH)			1	2	X		
22	E-2372 E-4387	900 01 002	End Beam Adapter Assy, 5 1/4" W Hanger End Beam Adapter Assy, 5 3/4" W Hanger	4	8	4	8	X	X	X
23	S.O.S.	934 00 553	Lock Nut, 3/4"-10 Thd.	4	8	4	8	X	X	X
24	E-4347	934 00 492	Lock Nut, 3/4"-10 Thd.	2	4	2	4	X	X	X
25	Part of E-2372	930 03 681	Bolt, 5 1/4" Wide Hanger	2	4	2	4	X	X	X
	Part of E-4387	930 03 693	Bolt, 5 3/4" Wide Hanger							
26	E-4342	905 18 020	Bracket			2	4	X	X	X
27	S.O.S.	905 19 240	Lower Shock Bracket	2	4	2	4	X	X	X
28	E-401754	900 08 182 900 08 003	Bushing			2	4	X	X	X
29	S.O.S.	905 19 240	Lower Shock Bracket (-8 Model)			2	4	X	X	X
30	E-4266	900 08 110	Alignment Block	4	8	4	8	X	X	X
	E-4267	900 08 120								
31	N/A	—	Contact Axle Manufacturer	2	4	2	4	X	X	X
32	E-4403 (Rubber)	905 08 004	Bushing	8	16	8	16	X	X	X
	E-8684 (Poly)									
33	E-2940 (Rubber)	900 08 002	Beam Bushing (Assembled in Item 2) Old Style 1 1/4" I.D.	2	4	2	4	X	X	X
	E-8677 (Poly)									
	E-4255 (Rubber)	900 08 131	Beam Bushing (Assembled in Item 2) New Style 1 1/8" I.D.	2	4	2	4	X	X	X
34	E-4252 (Rubber)	900 08 006	Center Bushing	2	4	2	4	X	X	X
	E-4253 (Rubber)	900 08 008		2	4	2	4	X	X	X
	E-8681 (Poly)									
35	E-4258	900 06 380	Stud	2	4	2	4	X	X	X
36	S.O.S.	900 44 174	Roll Pin	2	4	2	4	X	X	X
—	N/A	SRK-76 481 00 120	1 1/4" Fixed Pivot Connection Kit Includes Key Nos. 9, 10, 16, 33. For Pre-1981 w/900 08 002 bushings without alignment bushings	1	2	1	2	X	X	X

NEWAY

NEWAY ARD-125, -6, -8, -244-6, -8 SERIES

Trailer/Tractor

NEWAY



NEWAY ARD-125, -6, -8, -244-6, -8 SERIES

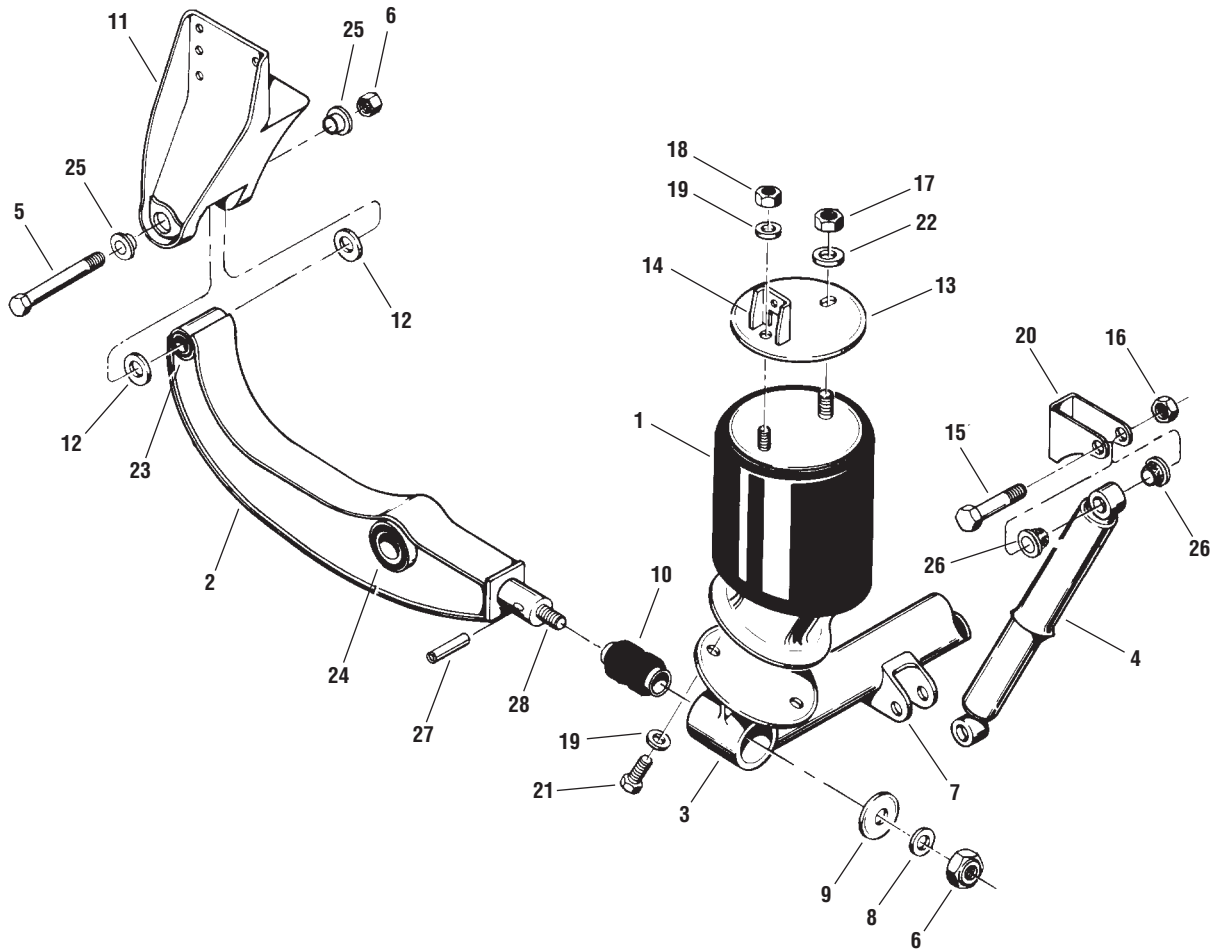
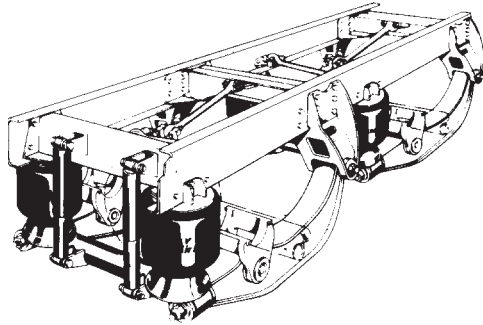
Trailer/Tractor

KEY NO.	EUCLID NO.	REPLACES NO.	DESCRIPTION	QTY PER AXLE				Neway	Mack Western	Western Star
				125-6	244-6	125-8	244-8			
—	E-4393	SRK-139A 481 00 194	1 1/8" Adjustable Pivot Connection Kit Includes Key Nos. 9, 14, 16, 30, 33 Use SRK-139A if alignment bushings not required	1	2	1	2	X	X	X
—	NLA	SRK-105 481 00 154	1 1/4" Adjustable Pivot Connection Kit Includes Key Nos. 9, 14, 16, 33. For Pre-1981 vehicles w/900 08 002 bush- ings with align-ment bushings	1	2	1	2	X	X	X
—	E-4387	SRK-80 481 00 124	5 3/4" Axle Connection Kit Includes Key Nos. 18, 22, 24, 25, 34	1	2	1	2	X	X	X
—	E-4401A	SRK-77-1 481 00 161	Transverse Beam Stud Kit Includes Key Nos. 11, 12, 13, 14	1	2	1	2	X	X	X

NEWAY

NEWAY ARD-234-6 SERIES

Trailer/Tractor



NEWAY

NEWAY ARD-234-6 SERIES

Trailer/Tractor

KEY NO.	EUCLID NO.	REPLACES NO.	DESCRIPTION	QTY PER TANDEM
1	E-NW90557070	905 57 070	Air Spring Assembly	4
2	S.O.S.	905 15 773	Equalizing Beam Assembly, Includes Key Nos. 23 & 24	4
3	S.O.S.	905 44 491	Transverse Beam	2
4	M83123 M89405	900 44 046	Shock Absorber	4
5	E-4364	932 01 046 932 01 049	Bolt, 1 1/8"-7 Thd. x 9 1/4"	4
6	E-4358	934 00 506	Lock Nut, 1 1/8"-7 Thd.	8
7	S.O.S.	900 32 386	Lower Shock Bracket	8
8	S.O.S.	936 00 493	Washer	4
9	E-2548	936 00 174	Washer, 1 1/4"	4
10	E-4254	900 08 104	Transverse Beam Bushing	4
11	S.O.S.	905 19 311	Frame Bracket	4
12	S.O.S.	936 00 495	Spacer Washer	8
13	S.O.S.	900 32 382	Air Spring Mounting Plate	4
14	S.O.S.	900 23 131	Air Spring Mounting Plate Brace	4
15	E-4345	936 03 599 930 03 597	Bolt, 3/4"-10 Thd. x 3 1/2"	8
16	S.O.S.	934 00 492	Lock Nut, 3/4"-10 Thd.	8
17	S.O.S.	934 00 149	Hex Nut, 3/4"-16 Thd.	4
18	S.O.S.	934 00 136	Hex Nut, 1/2"-13 Thd.	4
19	S.O.S.	936 00 072	Lock Washer, 1/2"	12
20	S.O.S.	900 18 367	Upper Shock Bracket	4
21	S.O.S.	930 02 893	Cap Screw, 1/2"-13 Thd. x 1"	8
22	E-2545	936 00 156	Washer, 3/4"	4
23	E-4256	900 08 145	Bushing, Front	4
24	E-4253 (Rubber) E-8681 (Poly)	900 08 008	Bushing, Center	4
25	E-4267	900 08 120	Alignment Block	4
26	E-4403 (Rubber) E-8684 (Poly)	905 08 004	Shock Bushing	16
27	S.O.S.	900 44 309	Roll Pin	4
28	S.O.S.	900 06 338	Stud	4
—	S.O.S.	SRK-147 481 00 204	1 1/8" Adjustable Pivot Connection Kit Includes Key Nos. 5, 6, 23	2
—	S.O.S.	SRK-95 481 00 143	Transverse Beam Stud Kit Includes Key Nos. 6, 8, 9, 10	2

NEWAY

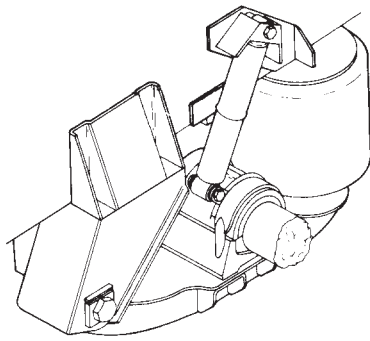
NEWAY ARL-20-D AND ARL-20-D-US SERIES

KEY NO.	EUCLID NO.	REPLACES NO.	DESCRIPTION	QTY PER AXLE	ARL-20-	
					D	D-US
1	S.O.S.	905 18 002	Non-Adjustable Frame Bracket, Left Hand	1	X	X
	S.O.S.	905 18 001	Non-Adjustable Frame Bracket, Right Hand	1	X	X
2	E-4345	930 03 599	Hex Head Bolt, 3 1/4"-10 Thd. x 3 1/2"	2	X	X
		930 03 597				
3	E-2951	932 00 959	Bolt, 1 1/4"-7 Thd. x 8 1/8"	6	X	X
4	N/A	934 00 510	Lock Nut, 1 1/4"-7 Thd.	6	X	X
5	S.O.S.	905 15 359	Equalizing Beam Assembly, Left Hand	1	X	X
	S.O.S.	905 15 360	Equalizing Beam Assembly, Right Hand	1	X	X
6	E-2940 (Rubber)	900 08 002	Bushings	6	X	X
	E-8677 (Poly)					
7	E-2956	936 00 029	Washer, 1 11/16" x 3 1/4" x 1/8"	12	X	X
8	FS7437	905 57 015	Air Spring Assembly (Double Convolution Style)	2	X	X
	FS9039	905 57 023	Air Spring Assembly (Rolling Lobe Style)			
9	S.O.S.	900 31 025	Air Spring Mounting Plate	2	X	X
10	S.O.S.	936 00 072	Lock Washer, 1/2"	8	X	X
11	S.O.S.	934 00 136	Hex Nut, 1/2"-13 Thd.	8	X	X
12	S.O.S.	900 18 061	Upper Shock Bracket, Left Hand	1	X	X
	S.O.S.	900 18 062	Upper Shock Bracket, Right Hand	1	X	X
13	M83128	900 44 162	Shock Absorber	2	X	X
14	S.O.S.	936 00 005	Washer, 3/4"	4	X	X
15	E-4347	934 00 494	Lock Nut, 3/4"-10 Thd.	4	X	X
16	S.O.S.	900 01 019	Beam Axle Bracket, 5" Rd. Axle	2	X	X
	S.O.S.	900 01 020	Beam Axle Bracket, 5" Sq. Axle			
17	E-4262	900 01 001	Alignment Block	2	X	X
18	S.O.S.	930 03 549	Cap Screw, 3/4"-10 Thd. x 1 1/2"	2	X	X
19	S.O.S.	936 00 077	Lock Washer, 3/4"	4	X	X
20	E-1107	934 00 149	Hex Nut, 3/4"-16 Thd.	2	X	X
21	E-4403 (Rubber)	905 08 004	Shock Bushing	8	X	X
	E-8684 (Poly)					
22	S.O.S.	932 00 005	Shock Mounting Stud, 3/4"-10 Thd. x 4 3/4"	2	X	X

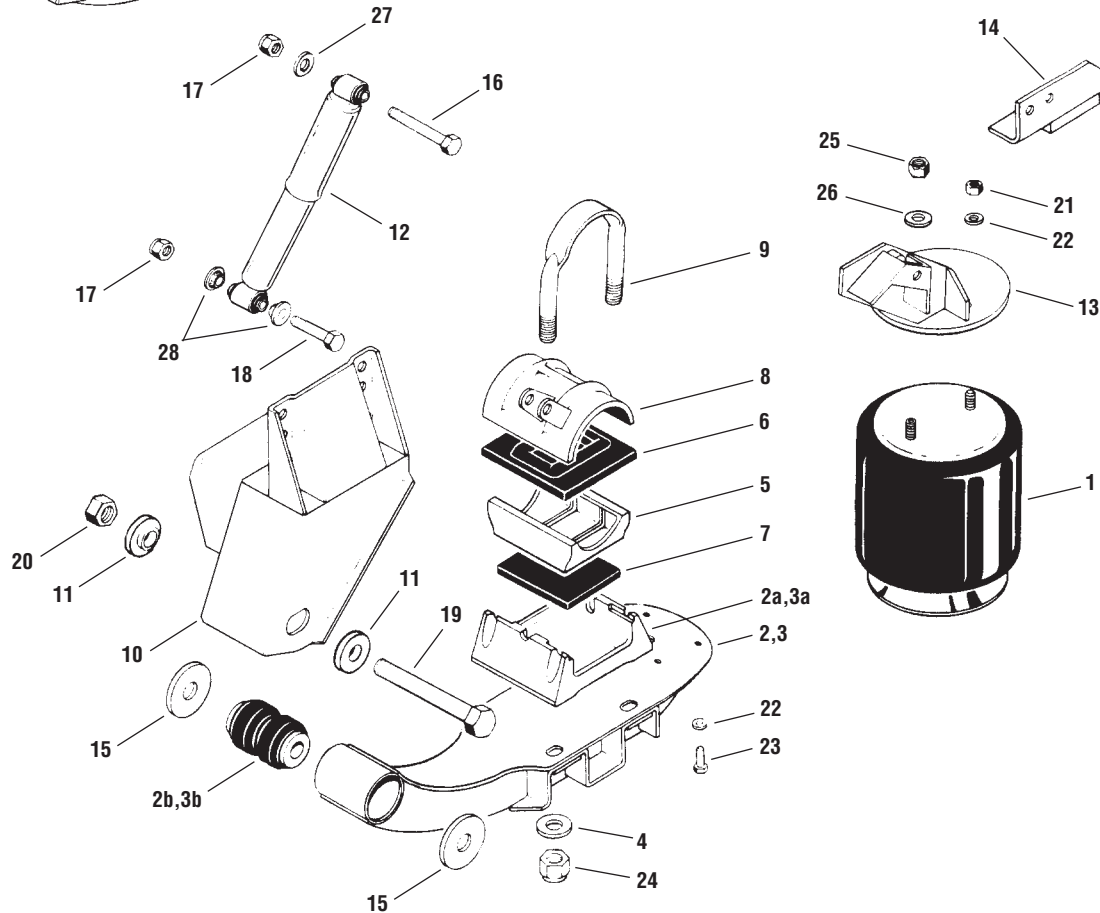
NEWAY

NEWAY ART-500-B, ART-551-B-1, -2, -3 SERIES

Truck/Tractor



NOTE: For 15" wheel axle connection parts, with cam on horizontal centerline, refer to 15" WHEEL AXLE CONNECTION on last page of this section.



KEY NO.	EUCLID NO.	REPLACES NO.	DESCRIPTION	QTY PER AXLE	ART-				
					500-B	500-B-1	551-B-1	551-B-2	551-B-3
1	FS9082	905 57 027	Air Spring Assembly	2	X	X			
	FS9101	905 57 009					X	X	X
2	S.O.S.	905 16 343	Equalizing Beam, Left Hand Includes Key Nos. 2A, 2B	1	X				X
	S.O.S.	905 16 345				X		X	
	S.O.S.	905 16 349					X		
2A	E-4292	900 01 006	Axle Seat	1	X				X
	S.O.S.	905 01 037				X		X	
	S.O.S.	900 16 349					X		
2B	E-4382A (Rubber)	900 08 139	Beam Bushing	1	X	X	X	X	X
	E-8683 (Poly)								

NEWAY ART-500-B, ART-551-B-1, -2, -3 SERIES

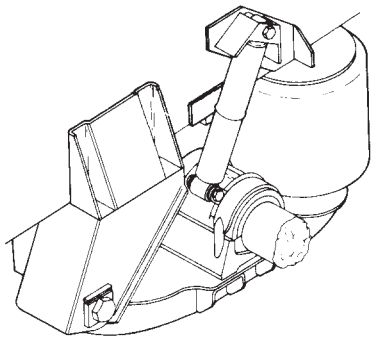
Truck/Tractor

KEY NO.	EUCLID NO.	REPLACES NO.	DESCRIPTION	QTY PER AXLE	ART-				
					500-B	500-B-1	551-B-1	551-B-2	551-B-3
3	S.O.S.	905 16 344	Equalizing Beam, Right Hand Includes Key Nos. 3A, 3B	1	X				X
	S.O.S.	905 16 346				X		X	
	S.O.S.	905 16 342						X	
3A	E-4292	900 01 006	Axle Seat	1	X				X
	S.O.S.	905 01 037				X		X	
	S.O.S.	900 01 008						X	
3B	E-4382A (Rubber) E-8683 (Poly)	900 08 139	Beam Bushing	1	X	X	X	X	X
4	E-4353	939 00 027	Washer, 1 5/8"	8	X	X	X	X	X
5	E-4289	900 01 082	Adapter, 5" Round Axle	2	X	X	X	X	X
	E-4290	900 01 083	Adapter, 5" Square Axle						
6	E-2943 (Rubber) E-8678 (Poly)	900 28 047	Wrapper, 5" Round Axle	2	X	X	X	X	X
	E-4409 (Rubber)	900 28 073	Wrapper, 5" Square Axle						
	E-2947A (Rubber) E-8680 (Poly)	900 28 075	Axle Pad						
8	S.O.S.	905 10 061	Axle Cap Assembly without Stops, Left Hand, 5" Round Axle	1	X	X	X	X	X
	S.O.S.	905 10 064	Axle Cap Assembly with Stops, Left Hand, 5" Round Axle						
	S.O.S.	905 10 063	Axle Cap Assembly with Stops, Right Hand, 5" Round Axle						
	S.O.S.	905 10 062	Axle Cap Assembly without Stops, Right Hand, 5" Round Axle						
9	E-UB8479-090	900 41 878	U-Bolt Assembly, Flat Rd., 1"-14 Thd. x 6 5/16" Wide x 9" Long	4	X				X
	E-UB8479-104	900 42 791	U-Bolt Assembly, Flat Rd., 1"-14 Thd. x 6 5/16" Wide x 10 1/2" Long						
	E-UB8479-124A	900 42 792	U-Bolt Assembly, Flat Rd., 1"-14 Thd. x 6 5/16" Wide x 12 1/2" Long						
	E-UB8578-094	900 41 997	U-Bolt Assembly, Flat Sq., 1"-14 Thd. x 6 5/16" Wide x 9 1/2" Long						
	E-UB8578-124A	900 42 794	U-Bolt Assembly, Flat Sq., 1"-14 Thd. x 6 5/16" Wide x 12 1/2" Long						
	E-UB8578-124A	900 42 795	U-Bolt Assembly, Flat Sq., 1"-14 Thd. x 6 5/16" Wide x 12 1/2" Long						
10	S.O.S.	905 18 457	Adjustable Frame Bracket, Left Hand	1	X	X			
	S.O.S.	905 18 461							
	S.O.S.	905 18 458	Non-Adjustable Frame Bracket, Right Hand						
	S.O.S.	905 18 462							
—	E-4263	900 01 045	Alignment Block, 1 1/8" ID x 2 1/2" OD x 7/8" Thick	4	X	X	X	X	X
12	M83128	900 44 162	Shock Absorber	2	X	X	X	X	X

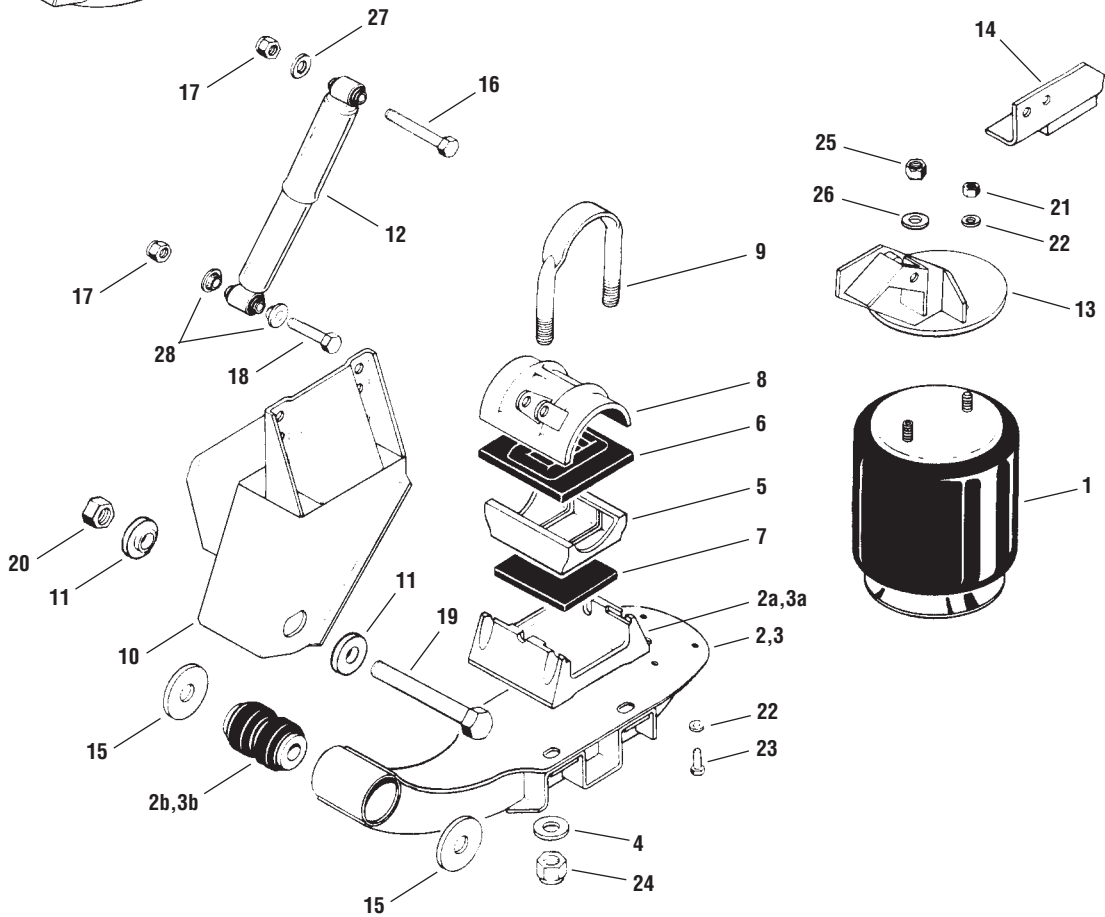
NEWAY

NEWAY ART-500-B, ART-551-B-1, -2, -3 SERIES

Truck/Tractor



NOTE: For 15" wheel axle connection parts, with cam on horizontal centerline, refer to 15" WHEEL AXLE CONNECTION on last page of this section.



NEWAY

NEWAY ART-500-B, ART-551-B-1, -2, -3 SERIES

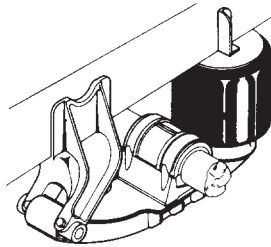
Truck/Tractor

KEY NO.	EUCLID NO.	REPLACES NO.	DESCRIPTION	QTY PER AXLE	ART-					
					500-B	500-B-1	551-B-1	551-B-2	551-B-3	
13	S.O.S.	905 18 319	Air Spring & Shock Mounting Plate, Left Hand	1	X		X		X	
		905 18 321				X		X		
	S.O.S.	905 18 320	Air Spring & Shock Mounting Plate, Right Hand	1	X		X		X	
		905 18 322				X		X		
14	S.O.S.	905 44 241	Axle Stop Assembly, Left Hand - 5" Round Axle	1	X					
		905 44 243				X	X			
		905 44 245							X	
			905 44 247						X	
	S.O.S.		905 44 242	Axle Stop Assembly, Right Hand, 5" Round Axle	1	X				
			905 44 244				X	X		
		905 44 246							X	
		905 44 248						X		
15	E-4363	900 36 177	Spacer Washer	4	X	X	X	X	X	
16	S.O.S.	930 03 645	Bolt, 3/4"-10 Thd. x 5 1/2"	2	X	X	X	X	X	
17	S.O.S.	934 00 492	Lock Nut, 3/4"-10 Thd.	4	X	X	X	X	X	
18	E-4345	930 03 597	Hex Head Bolt	2	X	X	X	X	X	
19	E-4364	932 01 046	Hex Head Bolt	2	X	X	X	X	X	
		932 01 055								
20	E-4358	934 00 506	Lock Nut, 1 1/8"-7 Thd.	2	X	X	X	X	X	
21	S.O.S.	934 00 136	Hex Nut, 1/2"-13 Thd.	2	X	X	X	X	X	
22	S.O.S.	936 00 072	Lock Washer, 1/2"	8	X	X	X	X	X	
23	S.O.S.	930 02 893	Bolt, 1/2"-13 Thd. x 1"	6	X	X	X	X	X	
24	E-4421	934 00 502	Lock Nut, 1"-8 Thd.	8	X	X	X	X	X	
25	E-1107	934 00 149	Hex Nut, 3/4"-16 Thd.	2	X	X	X	X	X	
26	S.O.S.	936 00 077	Lock Washer, 3/4"	2	X	X	X	X	X	
27	S.O.S.	936 00 005	Washer, 3/4"	2	X	X	X	X	X	
28	E-4403 (Rubber)	905 08 004	Shock Bushing	8	X	X	X	X	X	
	E-8684 (Poly)									
—	E-4398A	SRK-145 481 00 202	Pivot Connection Kit Includes Key Nos. 2B, 15, 19, 20	1	X	X	X	X	X	
	E-2977A	SRK-64 481 00 108		1	X				X	
—	S.O.S.	SRK-66 481 00 110	5" Round Axle Connection Kit Includes Key Nos. 4, 6, 7, 9, 24			X		X		
	E-4390	SRK-128 481 00 181					X			
—	E-6898	SRK-68 481 00 112	5" Square Axle Connection Kit Includes Key Nos. 4, 6, 7, 9, 24	1	X				X	
	S.O.S.	SRK-70				X		X		
	S.O.S.	SRK-129					X			

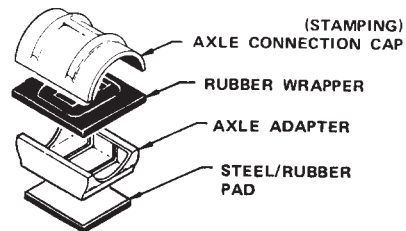
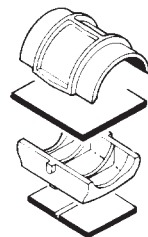
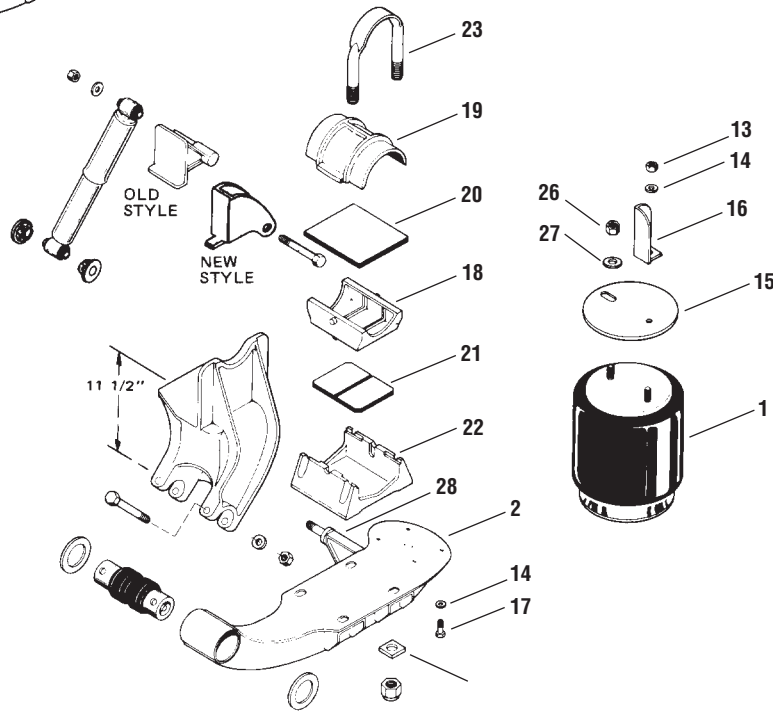
NEWAY

NEWAY ART-500-US, ART-551-US-1, -2, -3 SERIES

Truck/Tractor



NOTE: For 15" wheel axle connection parts, with cam on horizontal centerline, refer to 15" WHEEL AXLE CONNECTION on last page of this section.



NEWAY ART-500-US, ART-551-US-1, -2, -3 SERIES

Truck/Tractor

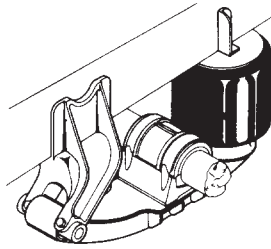
KEY NO.	EUCLID NO.	REPLACES NO.	DESCRIPTION	QTY PER AXLE	ART-			
					500-US	500-US-1	551-US-2	551-US-3
1	FS9082	905 57 027	Air Spring Assembly	2	X			
	FS9101	905 57 009				X	X	X
2	N/A	905 15 061	Equalizing Beam, Left Hand	1	X	X	X	X
	N/A	905 15 062	Equalizing Beam, Right Hand		X	X	X	X
3	N/A	481 00 103	Frame Bracket, Left Hand (SRK-61-1 Left Hand Only)	1	X			
	N/A	481 00 107				X	X	X
	N/A	481 00 176	Frame Bracket, Right Hand (SRK-61-2 Right Hand Only)	1	X			
	N/A	481 00 177				X	X	X
4	E-2958	900 36 003	Washer	1	X	X	X	X
5	E-2936	900 08 005	Bushing	2	X	X	X	X
6	S.O.S.	905 18 010	Upper Shock Mounting Bracket	2	X	X	X	X
7	M83128	900 44 162	Shock Absorber	2	—	X	X	X
	M83127	900 44 642						
8	E-4347	934 00 492	Lock Nut, 3/4"-10 Thd.	4	X	X	X	X
9	S.O.S.	936 00 005	Washer, 3/4"	4	X	X	X	X
10	E-2996	930 03 855	Bolt	4	X	X	X	X
11	E-2983	934 00 498	Lock Nut	4	X	X	X	X
12	E-2546	936 00 162	Washer	4	X	X	X	X
13	S.O.S.	934 00 136	Hex Nut, 1/2"-13 Thd.	2	X	X	X	X
14	S.O.S.	936 00 072	Lock Washer, 1/2"	10	X	X	X	X
15	E-4321	900 31 027	Air Spring Mounting Plate	2	X	X	X	X
16	S.O.S.	900 18 018	Air Spring Mounting Bracket	2	X	X	X	X
17	S.O.S.	930 02 893	Cap Screw, 1/2"-13 Thd. x 1"	8	X	X	X	X
18	E-4289	900 01 082	5" Round Axle (New Style)	2	X	X	X	X
19	E-4284	905 10 100	Axle Cap & Shock Bracket, Left Hand, Requires Key No. 28	1	X			
	S.O.S.	905 10 074	Axle Cap & Shock Bracket without Axle Stops, Left Hand, New Style, Requires Key No. 28			X	X	X
	N/A	905 10 102	Axle Cap & Shock Bracket, Left Hand, Requires Key No. 28		X			
	S.O.S.	905 10 076	Axle Cap & Shock Bracket with Axle Stops, Left Hand, New Style, Requires Key No. 28			X	X	X
	E-4285	905 10 101	Axle Cap & Shock Bracket, Right Hand, Requires Key No. 28		X			
	S.O.S.	905 10 075	Axle Cap & Shock Bracket without Axle Stops, Right Hand, New Style, Requires Key No. 28			X	X	X
	E-4287	905 10 103	Axle Cap & Shock Bracket, Right Hand, Requires Key No. 28		X			
	S.O.S.	905 10 077	Axle Cap & Shock Bracket with Axle Stops, Right Hand, New Style, Requires Key No. 28			X	X	X

NEWAY

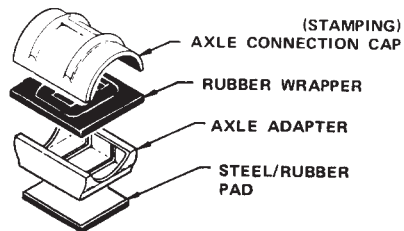
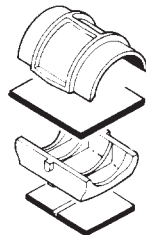
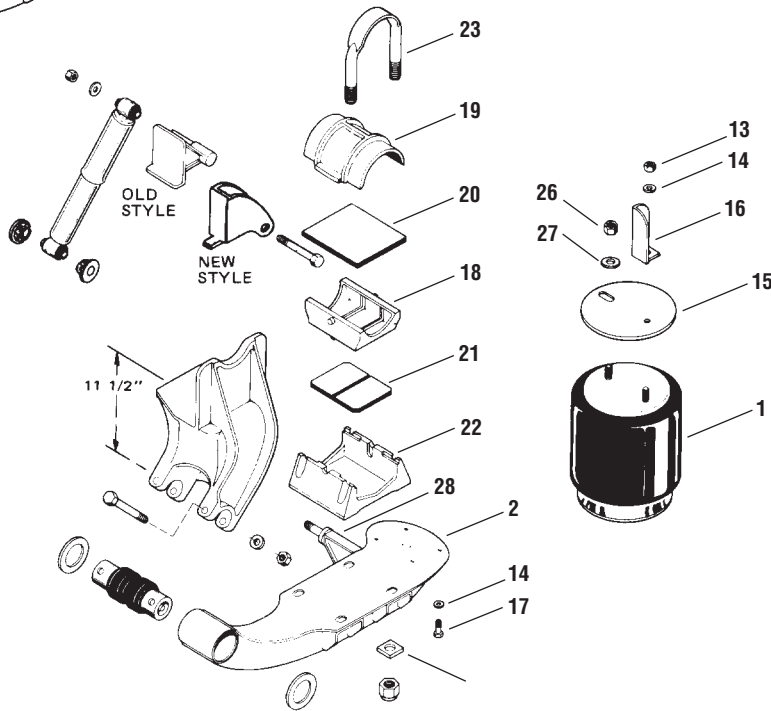
NEWAY ART-500-US, ART-551-US-1, -2, -3 SERIES

Truck/Tractor

NEWAY



NOTE: For 15" wheel axle connection parts, with cam on horizontal centerline, refer to 15" WHEEL AXLE CONNECTION on last page of this section.



(STAMPING)
AXLE CONNECTION CAP

RUBBER WRAPPER

AXLE ADAPTER

STEEL/RUBBER
PAD

NEWAY ART-500-US, ART-551-US-1, -2, -3 SERIES

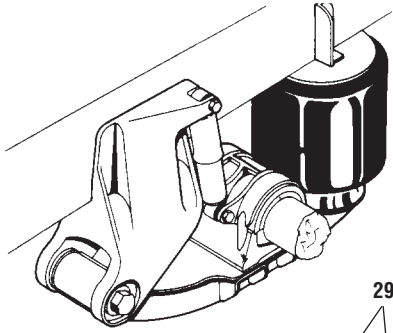
Truck/Tractor

KEY NO.	EUCLID NO.	REPLACES NO.	DESCRIPTION	QTY PER AXLE	ART-			
					500-US	500-US-1	551-US-2	551-US-3
20	E-2943 (Rubber)	900 28 047	Wrapper - Round Axle	2	X	X	X	X
	E-8678 (Poly)							
	E-2009 (Rubber)	900 28 007			X	X	X	X
	E-8673 (Poly)							
21	E-2010 (Rubber)	900 28 016	Axle Pad	2	X	X	X	X
	E-8674 (Poly)							
	E-2947A (Rubber)	900 28 043						
22	E-4292	900 01 006	Axle Seat	2	X			X
	S.O.S.	900 01 008				X		
	S.O.S.	900 01 007					X	
23	E-UB8479-090	900 41 878	U-Bolt Assembly, Flat Rd. Bend, 1"-14 Thd. x 6 5/16" Wide x 9" Long	4	X			X
	E-UB8479-124A	900 41 886					X	
	E-UB8479-124A	900 42 792				X		
24	E-4421	934 00 502	Lock Nut	8	X	X	X	X
25	E-2960	936 00 028	Washer	8	X	X	X	X
26	E-1107	934 00 149	Hex Nut, 3/4"-16 Thd.	2	X	X	X	X
27	S.O.S.	936 00 077	Lock Washer, 3/4"	2	X	X	X	X
28	E-4345	930 03 597	Bolt, Use with Key No. 19	2	X	X	X	X
29	E-4403 (Rubber)	905 08 004	Shock Absorber Bushing	8	X	X	X	X
	E-8684 (Poly)							
—	E-2978A	SRK-4	5" Rd. Axle Connection Kit Includes Key Nos. 20, 21, 23, 24, 25	1	X			X
	E-2979A	SRK-126						X
	S.O.S.	SRK-6					X	

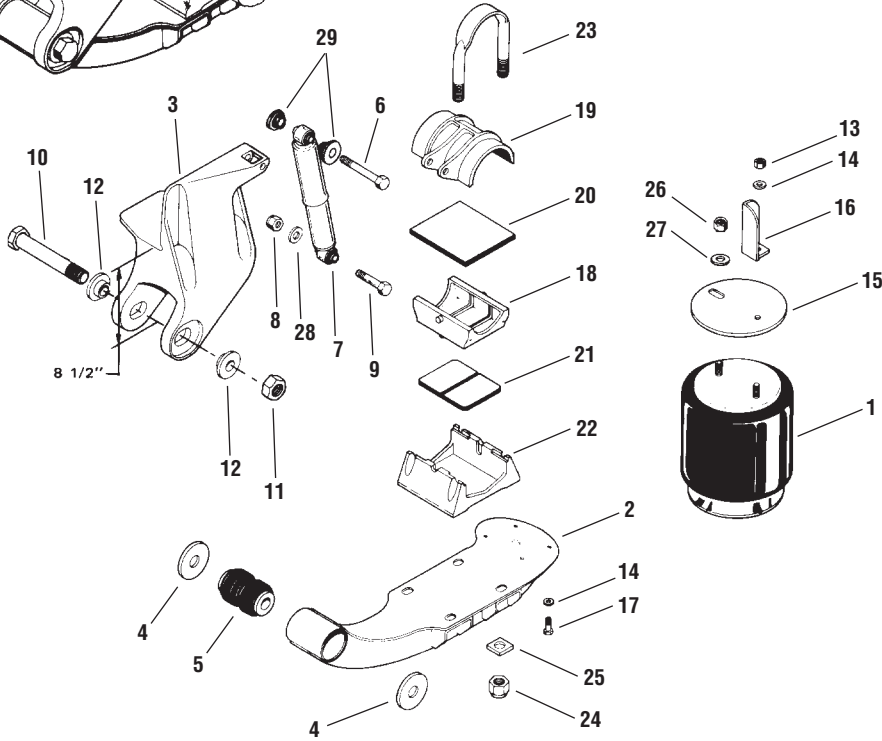
NEWAY

NEWAY ART-500-US-A SERIES

Truck/Tractor

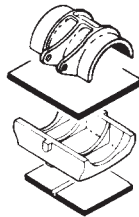


NOTE: For 15" wheel axle connection parts, with cam on horizontal centerline, refer to 15" WHEEL AXLE CONNECTION on last page of this section.



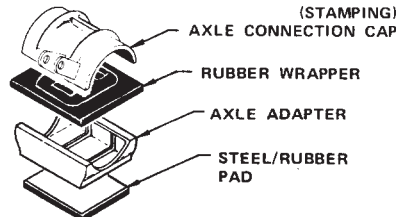
OLD STYLE

5" Rd. (Shown) & 5" Sq.



NEW STYLE

5" Rd. (all parts) & 5" Sq. (axle adapter & pad)



KEY NO.	EUCLID NO.	REPLACES NO.	DESCRIPTION	QTY PER AXLE
1	FS9082	905 57 027	Air Spring Assembly	2
2	S.O.S.	905 16 343	Equalizing Beam- Left Hand	1
	s.o.s	905 16 344	Equalizing Beam- Right Hand	1
3	S.O.S.	481 00 105	Frame Bracket- Left Hand , SRK-62-1 Left Hand Only	1
	S.O.S.	481 00 175	Frame Bracket- Right Hand, SRK-62-2 Right Hand Only	1
4	E-4363	900 36 140	Washer	4
		900 36 177		

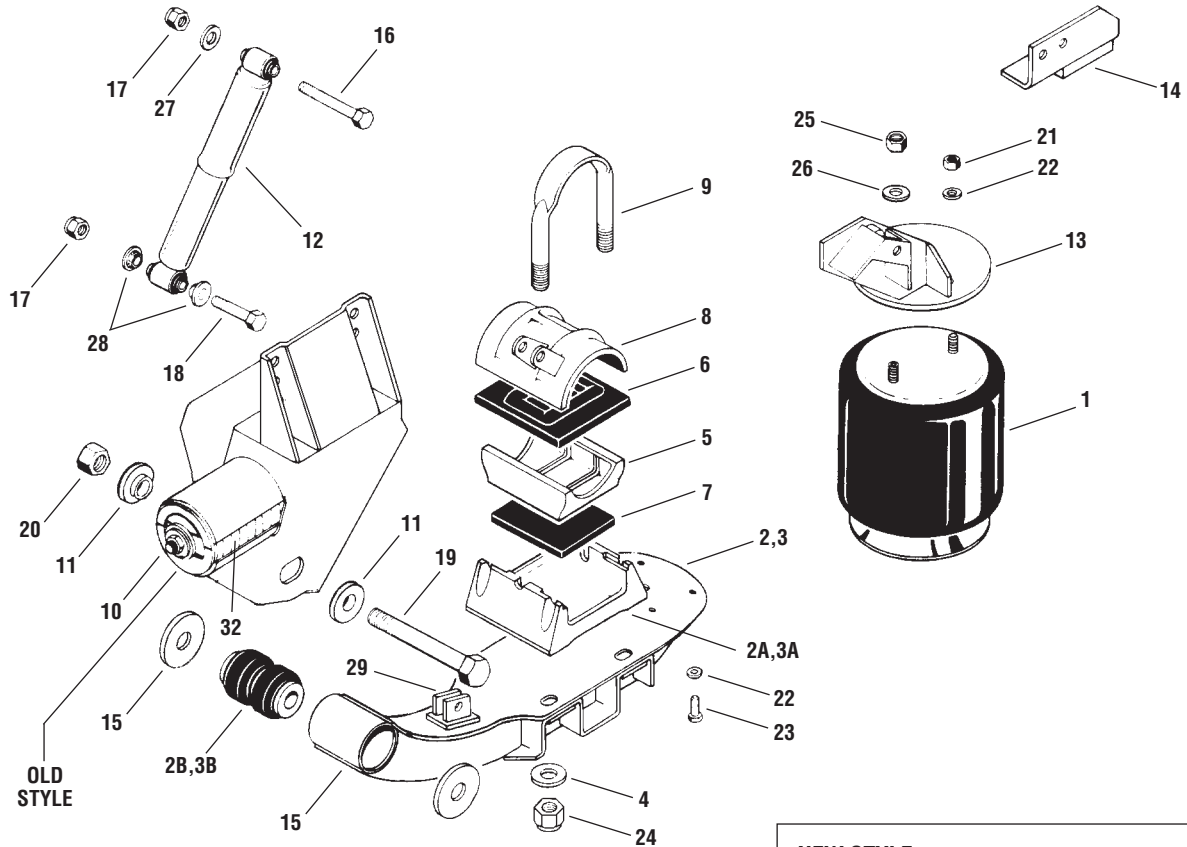
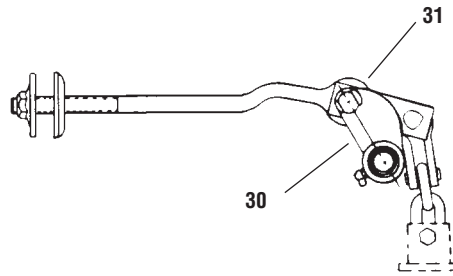
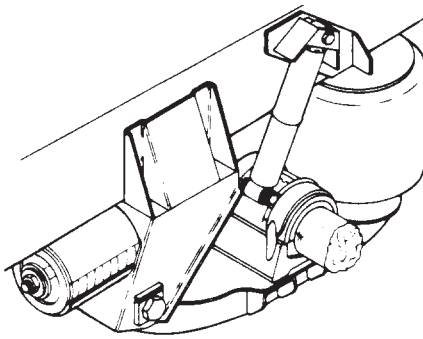
NEWAY ART-500-US-A SERIES

Truck/Tractor

KEY NO.	EUCLID NO.	REPLACES NO.	DESCRIPTION	QTY PER AXLE
5	E-4382A	900 08 139	Bushing	2
6	S.O.S.	930 03 645	Bolt, 3/4"-10 Thd. x 5 1/2"	2
7	M83128	900 44 162	Shock Absorber	2
8	E-4347	934 00 492	Lock Nut, 3/4"-10 Thd.	4
9	E-4345	936 03 599 930 03 597	Bolt	2
10	E-4364	932 01 046 932 01 055	Bolt	2
11	E-4358	934 00 506	Lock Nut	2
12	S.O.S.	900 08 012	Alignment Bushing	4
13	S.O.S.	934 00 136	Hex Nut, 1/2"-13 Thd.	2
14	S.O.S.	936 00 072	Lock Washer, 1/2"	10
15	E-4321	900 31 027	Plate	2
16	S.O.S.	900 31 051	Air Spring Mounting Bracket	2
17	S.O.S.	930 02 893	Hex Head Bolt, 1/2"-13 Thd. x 1"	8
18	E-4289	900 01 082	Adapter	2
19	E-4284	905 10 100	Axle Cap without Axle Stops (New Style)	2
	E-4285	905 10 101		
	N/A	905 10 102	Axle Cap with Axle Stops (New Style)	
	E-4287	905 10 103		
20	E-2943 (Rubber)	900 28 047	Wrapper, Round Axle (New Style)	2
	E-8678 (Poly)			
	E-2009 (Rubber)	900 28 007	Wrapper, Round Axle (Old Style)	
	E-8673 (Poly)			
21	E-2010 (Rubber)	900 28 016 (Old Style)	Pad	2
	E-8674 (Poly)			
	E-2947A (Rubber)	900 28 075 (New Style)		
	E-8680 (Poly)			
22	E-4292	900 01 006	Axle Seat	2
23	E-UB8479-090	900 41 878	U-Bolt Assembly, Flat Rd. Bend, 1"-14 Thd. x 6 5/16" Wide x 9" Long	4
24	E-4421	934 00 502	Lock Nut	8
25	E-2960	936 00 028	Washer	8
26	E-1107	934 00 149	Hex Nut, 3/4"-16 Thd.	2
27	S.O.S.	936 00 077	Lock Washer, 3/4"	2
28	S.O.S.	936 00 005	Washer, 3/4"	2
29	E-4403 (Poly)	905 08 004	Bushing	8
	E-8684 (Poly)			
—	E-4398A	SRK-12 481 00 023	Pivot Connection Kit Includes Key Nos. 5, 10, 11	1
—	E-2978A	SRK-4	5" Round Axle Connection Kit (Old Style) Includes Key Nos. 20, 21, 23, 24, 25	1
—	E-2977A	SRK-64 481 00 108	5" Round Axle Connection Kit (New Style) Includes Key Nos. 20, 21, 23, 24, 25	1

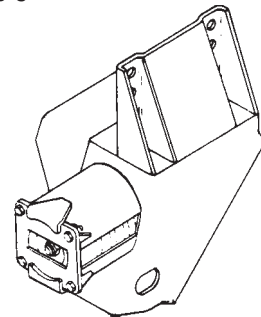
NEWAY ART-505-B, B-1, ART-555-B-1, -2 -3 SERIES

Truck/Tractor



OLD
STYLE

NEW STYLE
ART-505-C



NEWAY ART-505-B, B-1, ART-555-B-1, -2 -3 SERIES

Truck/Tractor

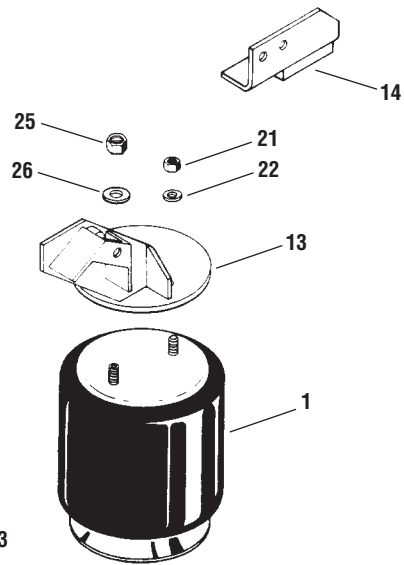
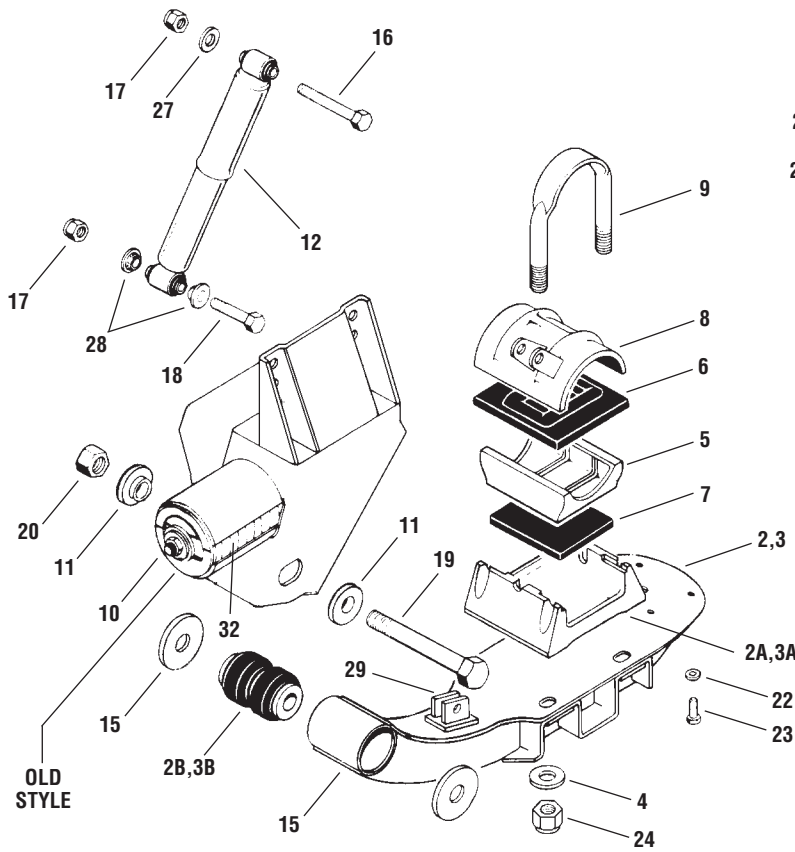
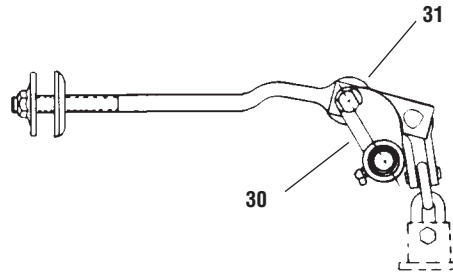
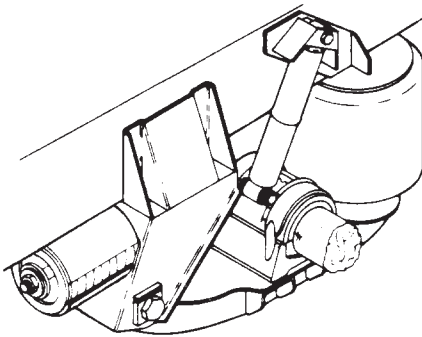
KEY NO.	EUCLID NO.	REPLACES NO.	DESCRIPTION	QTY PER AXLE	ART-									
					505-B	505-B-1	555-B-1	555-B2	555-B3					
1	FS9082	905 57 027	Air Spring Assembly	2	X	X								
	FS9101	905 57 009					X	X	X					
2	S.O.S.	905 16 335	Equalizing Beam Assembly, Left Hand Includes Key Nos. 2A & 2B	1	X				X					
	S.O.S.	905 16 337			X				X					
	S.O.S.	905 16 341			X									
2A	E-4292	900 01 006	Axle Seat	1	X				X					
	S.O.S.	905 01 037				X		X						
	S.O.S.	900 01 008					X							
2B	E-4382A	900 08 139	Bushing	1	X	X	X	X	X					
	S.O.S.	905 16 336	Equalizing Beam Assembly, Right Hand Includes Key Nos. 3A & 3B	1	X				X					
	S.O.S.	905 16 338				X		X						
S.O.S.	905 16 342					X								
3A	E-4292	900 01 006	Axle Seat	1	X				X					
	S.O.S.	905 01 037				X		X						
	S.O.S.	900 01 008					X							
3B	E-4382A	900 08 139	Bushing	1	X	X	X	X	X					
4	E-4353	939 00 027	Washer, 1 5/8"	8	X	X	X	X	X					
5	E-4289	900 01 082	Adapter, 5" Round Axle	2	X	X	X	X	X					
	E-4290	900 01 083	Adapter, 5" Square Axle		X	X	X	X	X					
6	E-2943 (Rubber)	900 28 047	Wrapper, 5" Round Axle	2	X	X	X	X	X					
	E-8678 (Poly)													
	E-4409 (Rubber)									900 28 073	Wrapper, 5" Square Axle			
7	E-2947A (Rubber)	900 28 075	Axle Pad	2	X	X	X	X	X					
	E-8680 (Poly)													
8	S.O.S.	905 10 061	Axle Cap Assembly, LH Rd. w/out Stops	1	X	X	X	X	X					
	S.O.S.	905 10 063	Axle Cap Assembly, LH Rd. with Stops											
	S.O.S.	905 10 062	Axle Cap Assembly, RH Rd. w/out Stops	1	X	X	X	X	X					
	S.O.S.	905 10 064	Axle Cap Assembly, RH Rd. with Stops											
9	E-UB8479-090	900 41 878	U-Bolt Assembly, Flat Rd. Bend, 1"-14 Thd. x 6 5/16" Wide x 9" Long	4	X				X					
	E-UB8479-104	900 42 79	U-Bolt Assembly, Flat Rd. Bend, 1"-14 Thd. x 6 5/16" Wide x 10 1/2" Long								X		X	
	E-UB8479-124A	900 42 792	U-Bolt Assembly, Flat Rd. Bend, 1"-14 Thd. x 6 5/16" Wide x 12 1/2" Long									X		
	E-UB8578-094	900 41 997	U-Bolt Assembly, Flat Sq. Bend, 1"-14 Thd. x 6 5/16" Wide x 9 1/2" Long								X			X
	E-UB8578-124A	900 42 794	U-Bolt Assembly, Flat Sq. Bend, 1"-14 Thd. x 6 5/16" Wide x 12 1/2" Long									X		X
	E-UB8578-124A	900 42 795	U-Bolt Assembly, Flat Sq. Bend, 1"-14 Thd. x 6 5/16" Wide x 12 1/2" Long										X	

NEWAY

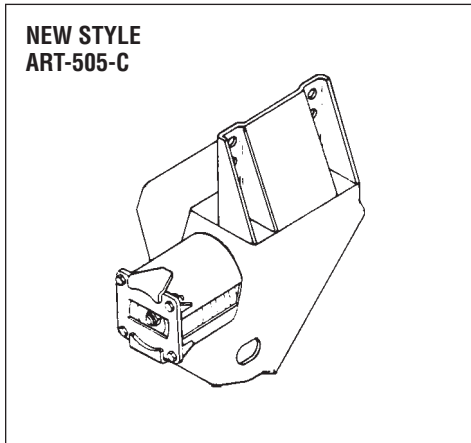
NEWAY ART-505-B, B-1, ART-555-B-1, -2 -3 SERIES

Truck/Tractor

NEWAY



OLD STYLE



NEW STYLE
ART-505-C

NEWAY ART-505-B, B-1, ART-555-B-1, -2 -3 SERIES

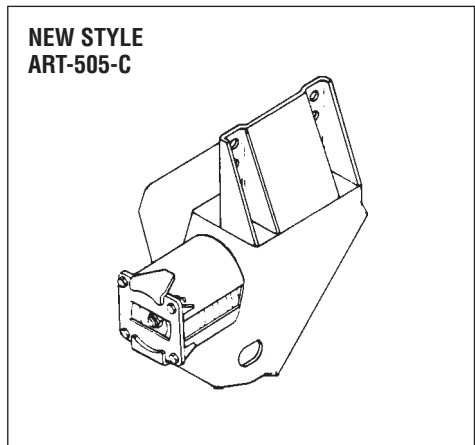
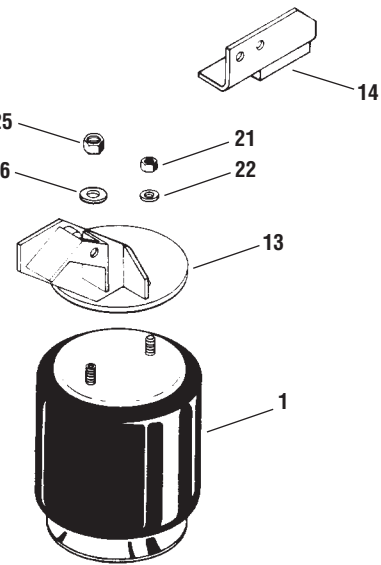
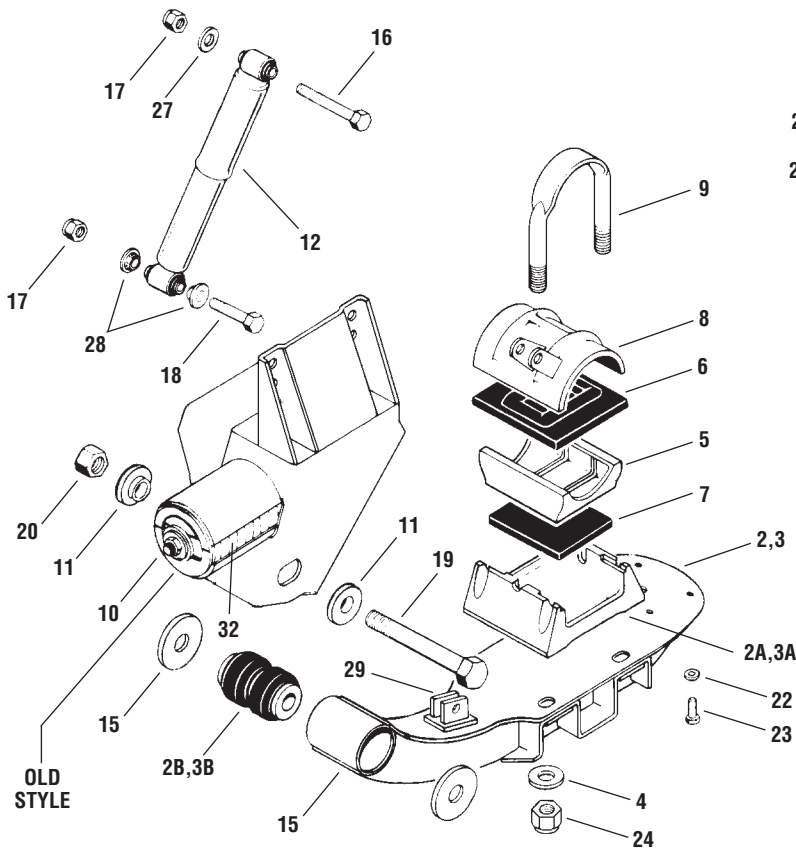
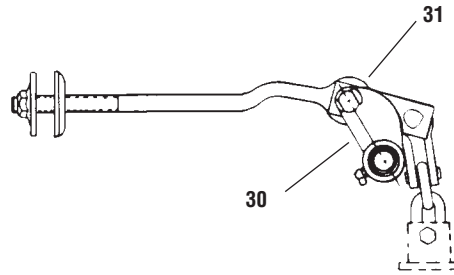
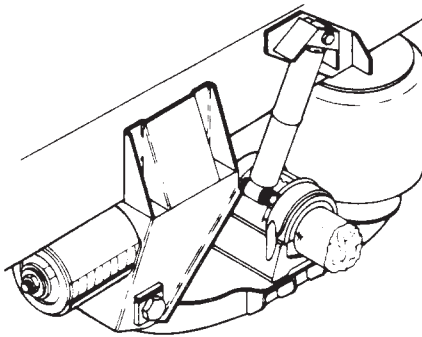
Truck/Tractor

KEY NO.	EUCLID NO.	REPLACES NO.	DESCRIPTION	QTY PER AXLE	ART-				
					505-B	505-B-1	555-B-1	555-B2	555-B3
10	S.O.S.	905 19 995	Adjustable Frame Bracket Assembly with Holes, Left Hand	1	X	X			
	S.O.S.	905 19 993					X	X	X
	S.O.S.	905 19 996	Adjustable Frame Bracket Assembly with Holes, Right Hand	1	X	X			
	S.O.S.	905 19 994					X	X	X
11	E-9284	900 08 147	Alignment Block	2	X	X	X	X	X
12	M83128	900 44 162	Shock Absorber	2			X	X	
	M83127	900 44 642					X	X	
13	S.O.S.	905 18 319	Air Spring & Shock Bracket Assembly, Left Hand	1	X		X		X
		905 18 321				X	X		
	S.O.S.	905 18 320	Air Spring & Shock Bracket Assembly, Right Hand	1	X		X		X
		905 18 322				X	X		
14	S.O.S.	905 44 241	Axle Stop Assembly, Left Hand, 5" Round Axle	1		X			
		905 44 243				X	X		
		905 44 245				X			
	S.O.S.	905 44 247	Axle Stop Assembly, Right Hand, 5" Round Axle	1				X	
		905 44 242				X			
		905 44 244				X	X		
		905 44 246				X			
		905 44 248						X	
15	E-4363	900 36 177	Washer	4	X	X	X	X	X
16	S.O.S.	930 03 645	Bolt	2	X	X	X	X	X
17	S.O.S.	934 00 492	Lock Nut	4	X	X	X	X	X
18	E-4345	936 03 599	Bolt	2	X	X	X	X	X
		930 03 597							
19	E-4364	932 01 046	Hex Head Bolt, 1 1/8"-7 Thd. x 9 1/4"	2	X	X	X	X	X
		932 01 055							
20	E-4358	934 00 506	Nut	2	X	X	X	X	X
21	S.O.S.	934 00 136	Hex Nut, 1/2"-13 Thd.	2	X	X	X	X	X
22	S.O.S.	936 00 072	Lock Washer, 1/2"	8	X	X	X	X	X
23	S.O.S.	930 02 893	Hex Head Bolt, 1/2"-13 Thd. x 1"	6	X	X	X	X	X
24	E-4421	934 00 502	Lock Nut	8	X	X	X	X	X
25	E-1107	934 00 149	Hex Nut, 3/4"-16 Thd.	2	X	X	X	X	X
26	S.O.S.	936 00 077	Lock Washer, 3/4"	2	X	X	X	X	X
27	S.O.S.	936 00 005	Washer, 3/4"	2	X	X	X	X	X
28	E-4403 (Rubber)	905 08 004	Shock Absorber Bushing	8	X	X	X	X	X
	E-8684 (Poly)								
29	S.O.S.	905 31 040	Beam Lift Bracket	2	X	X	X	X	X
30	E-4399	SRK-96	Cam Assembly, 1"	1	X	X	X	X	X
31	E-4400	SRK-103	Coil Spring Lift Kit, 1/2" Pin	1	X	X	X	X	X
	E-10799	SRK-158	Coil Spring Lift Kit for ART-505C						

NEWAY

NEWAY ART-505-B, B-1, ART-555-B-1, -2 -3 SERIES

Truck/Tractor



NEWAY ART-505-B, B-1, ART-555-B-1, -2 -3 SERIES

Truck/Tractor

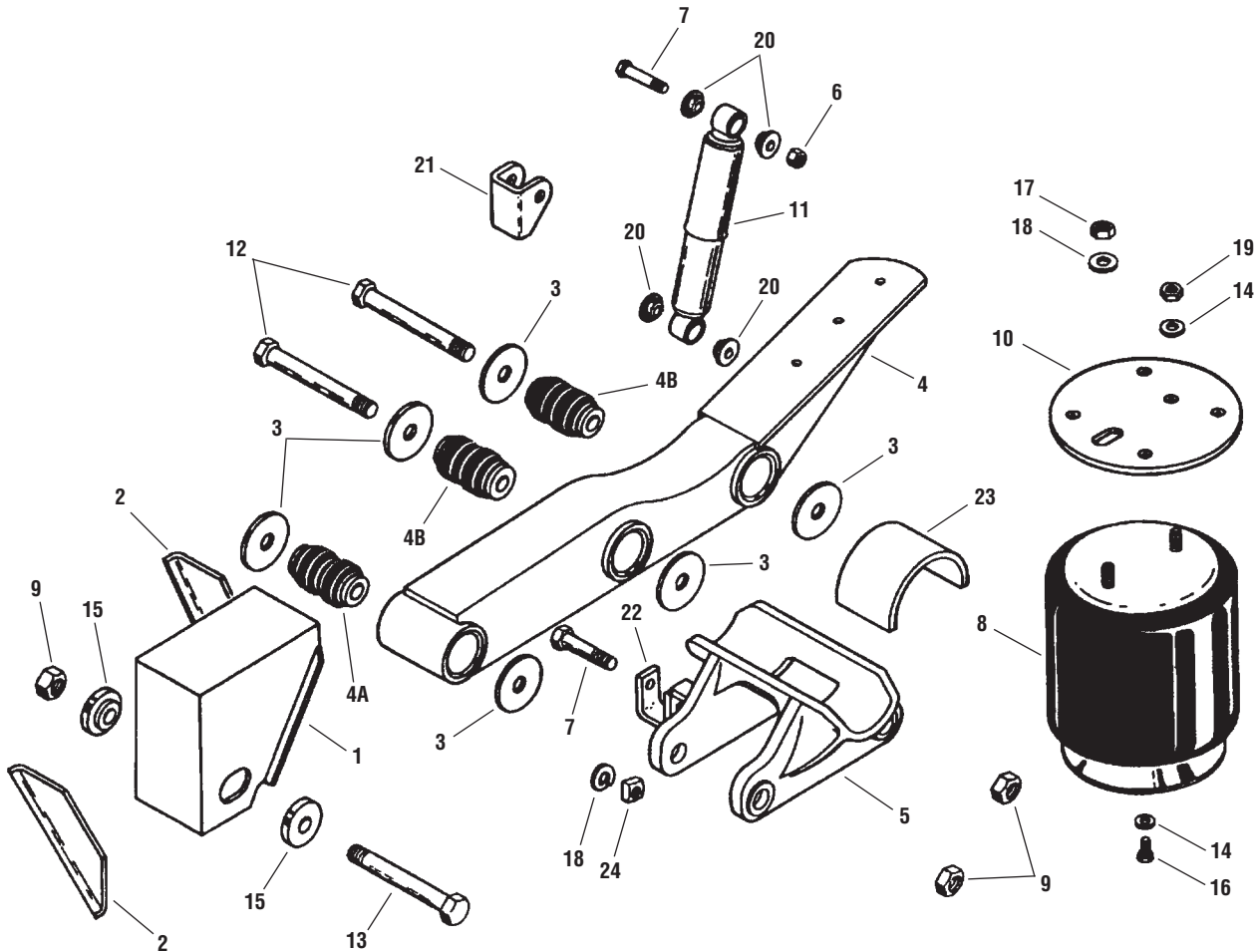
KEY NO.	EUCLID NO.	REPLACES NO.	DESCRIPTION	QTY PER AXLE	ART-				
					505-B	505-B-1	555-B-1	555-B2	555-B3
32	S.O.S.	SRK-159 481 00 216	Coil Spring Replacement, For "B" Models Only	2	X	X	X	X	X
—	S.O.S.	SRK-173 481 002 30	Coil Pack for Art-505C (see inset picture)	2					
—	E-4398A	SRK-145 481 00 202	Pivot Connection Kit Includes Key Nos. 2B, 4, 19, 20	1	X	X	X	X	X
—	E-2977A	SRK-64 481 00 108			X				X
—	S.O.S.	SRK-66 481 00 110	5" Round Axle Connection Kit Includes Key Nos. 4, 6, 7, 9, 24	1		X	X		
—	E-4390	SRK-128 481 00 181					X		

NEWAY

NEWAY ARU-92-8, -9, -10, -12 SERIES

Trailer

NEWAY



KEY NO.	EUCLID NO.	REPLACES NO.	DESCRIPTION	PER QTY AXLE	ARU-92-			
					8	9	10	12
1	S.O.S.	905 20 346	Adjustable Frame Bracket Assembly	1		X		
		905 19 710				X		
		905 20 395					X	
	905 19 712					X		
	S.O.S.	905 20 397	Fixed Frame Bracket Assembly	1		X		
		905 19 711				X		
905 20 396						X		
		905 19 713					X	

NEWAY ARU-92-8, -9, -10, -12 SERIES

Trailer

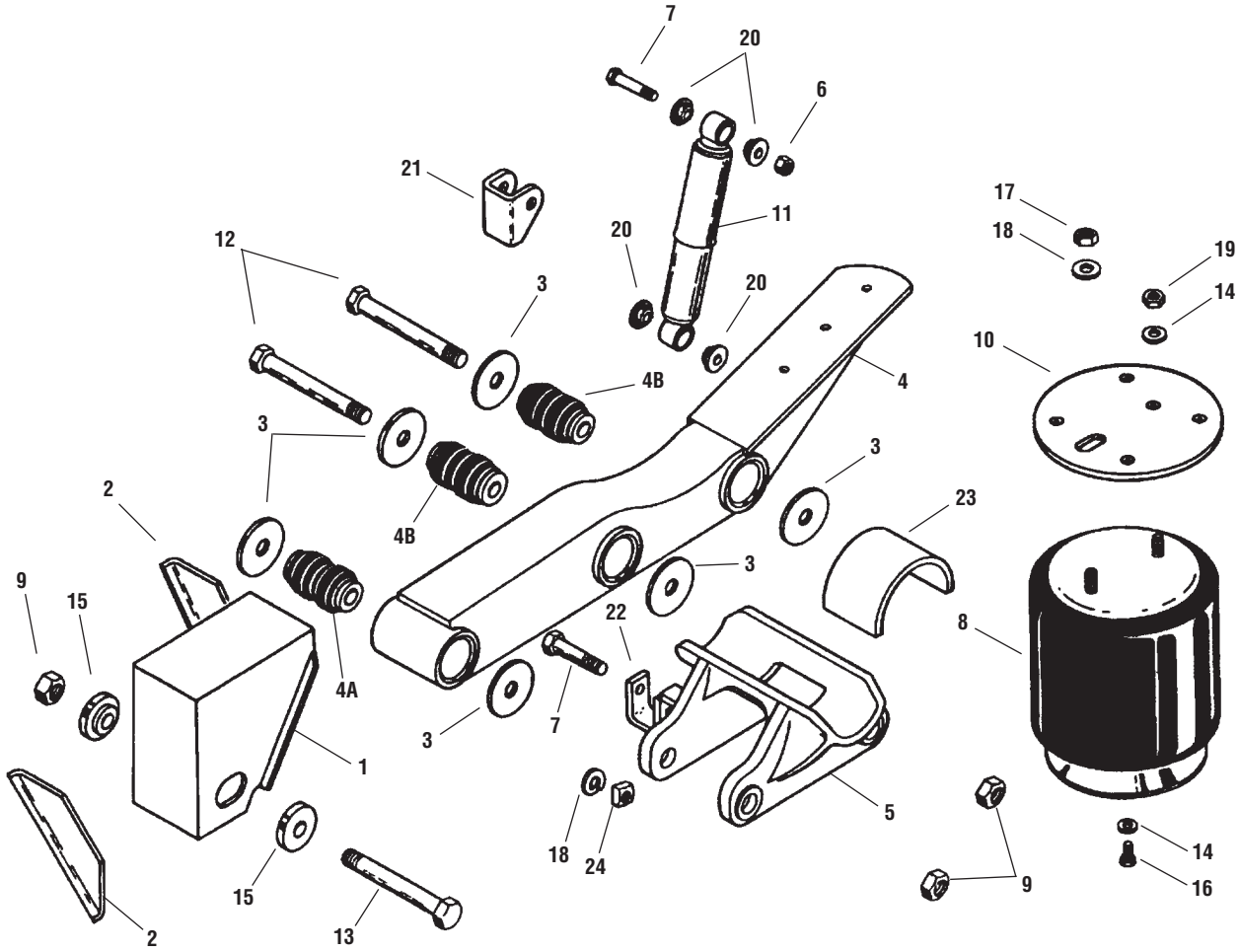
KEY NO.	EUCLID NO.	REPLACES NO.	DESCRIPTION	PER QTY AXLE	ARU-92-			
					8	9	10	12
2	S.O.S.	900 23 002	Angle Brace	4	X	X		
	S.O.S.	900 23 001					X	X
3	E-4363	900 36 177	Washer	12	X	X	X	X
4	S.O.S.	905 16 552	Equalizing Beam, Left Hand, Includes Key Nos. 4A & 4B	1	X	X	X	X
	S.O.S.	905 16 553			Equalizing Beam, Right Hand, Includes Key Nos. 4A & 4B	1	X	X
4A	E-4382A	900 08 139	Bushing	2	X	X	X	X
4B	E-4410A	900 08 149	Center Beam Bushing	4	X	X	X	X
5	S.O.S.	905 01 263	Adapter, Left Hand	1	X	X	X	X
	S.O.S.	905 01 264			Adapter, Right Hand	1	X	X
6	E-4347	934 00 492	Lock Nut	2	X	X	X	X
7	E-4345	936 03 599 (Old)	Bolt	4	X	X	X	X
		930 03 597 (New)						
8	FS9921	905 57 117	Air Spring Assembly	2	X	X	X	X
	FS9243	905 57 112						
	FS9346	905 57 126						
9	E-4358	934 00 506	Lock Nut	6	X	X	X	X
10	S.O.S.	900 33 785	Air Spring Mounting Plate	2	X	X	X	X
11	M83127	900 44 642	Shock Absorber	2	X	X	X	X
	M83128	900 44 162						
12	E-4361	932 01 051	Bolt	4	X	X	X	X
13	E-4364	932 01 046 (Old)	Bolt	2	X	X	X	X
		932 01 055 (New)						
14	S.O.S.	936 00 072	Lock Washer, 1/2"	4	X	X	X	X
15	E-9284	900 08 147	Alignment Block	4	X	X	X	X
16	S.O.S.	930 02 969	Cap Screw, 1/2"-13 Thd. x 4"	2	X	X	X	X
	S.O.S.	930 02 993	Cap Screw, 1/2"-13 Thd. x 5"					
	S.O.S.	930 03 029	Cap Screw, 1/2"-13 Thd. x 6 1/2"					
17	E-1107	934 00 149	Hex Nut, 3/4"-16 Thd.	2	X	X	X	X
18	S.O.S.	936 00 077	Lock Washer, 3/4"	4	X	X	X	X
19	S.O.S.	934 00 136	Hex Nut, 1/2"-13 Thd.	2	X	X	X	X
20	E-4403 (Rubber)	905 08 004	Shock Absorber Bushing	8	X	X	X	X
	E-8684 (Poly)							
21	S.O.S.	905 19 040	Upper Shock Bracket	2	X	X	X	X
22	S.O.S.	905 19 773	Lower Shock Bracket	2	X	X	X	X
23	S.O.S.	900 25 288	Safety Strap	2	X	X	X	X
24	S.O.S.	934 00 367	Square Nut, 3/4"-10 Thd.	2	X	X	X	X
—	S.O.S.	941 00 590	Torque Decal	1	X	X	X	X

NEWAY

NEWAY ARU-93-6, -7, -8, -9, -10 SERIES

Trailer

NEWAY



KEY NO.	EUCLID NO.	REPLACES NO.	DESCRIPTION	QTY PER AXLE	ARU-93-				
					6	7	8	9	10
1	S.O.S.	905 20 346	Adjustable Frame Bracket Assembly	1	X	X			
		905 19 710					X	X	
		905 20 235							X
		905 20 397				X	X		
		905 19 711			Fixed Frame Bracket Assembly			X	X
		905 20 236						X	

NEWAY ARU-93-6, -7, -8, -9, -10 SERIES

Trailer

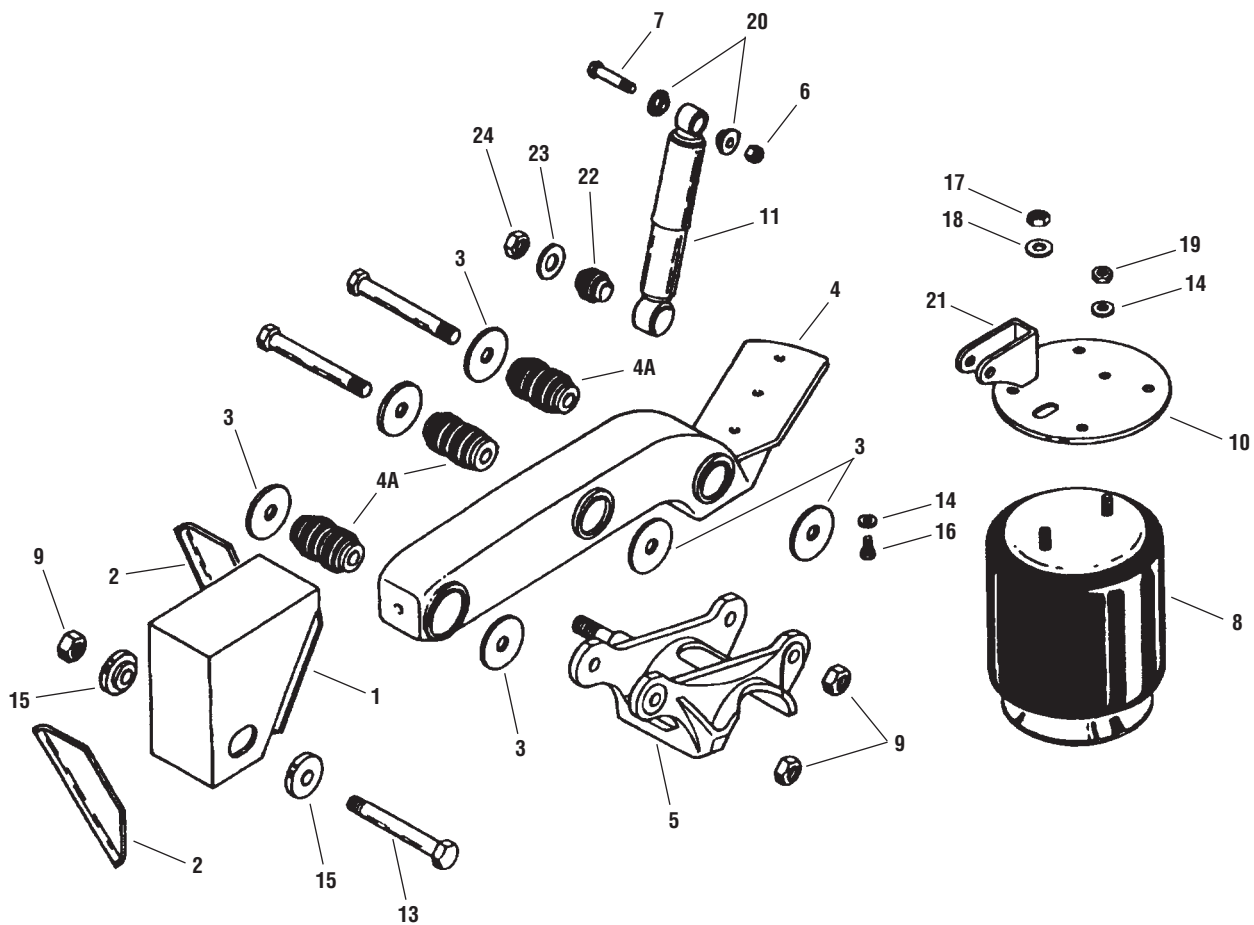
KEY NO.	EUCLID NO.	REPLACES NO.	DESCRIPTION	QTY PER AXLE	ARU-93-				
					6	7	8	9	10
2	S.O.S.	900 23 002	Angle Brace	4	X	X	X	X	
	S.O.S.	900 23 001							X
3	E-4363	900 36 177	Washer	12	X	X	X	X	X
4	S.O.S.	905 16 552	Equalizing Beam, Left Hand, Includes Key Nos. 4A & 4B	1	X	X	X	X	X
	S.O.S.	905 16 553			X	X	X	X	X
4A	E-4382A	900 08 139	Bushing	2	X	X	X	X	X
4B	E-4410A	900 08 149	Center Beam Bushing	4	X	X	X	X	X
5	S.O.S.	905 01 263	Adapter, Left Hand	1	X	X	X	X	X
	S.O.S.	905 01 264			Adapter, Right Hand	X	X	X	X
6	E-4347	934 00 492	Lock Nut, 3/4"-10 Thd.	2	X	X	X	X	X
7	E-4345	936 03 599 (Old) 930 03 597 (New)	Bolt	4	X	X	X	X	X
	FS9921	905 57 117			Air Spring Assembly	X	X		
8	FS9923	905 57 118		2			X		
	FS9922	905 57 119							X
9	E-4358	934 00 506	Lock Nut	6	X	X	X	X	X
10	S.O.S.	900 33 785	Air Spring Mounting Plate	2	X	X	X	X	X
11	M83127	900 44 642	Shock Absorber	2	X	X	X	X	X
12	E-4361	932 01 051	Bolt	4	X	X	X	X	X
13	E-4364	932 01 046 (Old) 932 01 055 (New)	Bolt	2	X	X	X	X	X
	S.O.S.	936 00 072			Lock Washer, 1/2"	X	X	X	X
14	S.O.S.	936 00 072	Lock Washer, 1/2"	4	X	X	X	X	X
15	E-9284	900 08 147	Alignment Block	4	X	X	X	X	X
16	S.O.S.	930 02 969	Cap Screw, 1/2"-13 Thd. x 4"	2		X			
	S.O.S.	930 02 993	Cap Screw, 1/2"-13 Thd. x 5"		X		X		
	S.O.S.	930 03 029	Cap Screw, 1/2"-13 Thd. x 6 1/2"					X	X
17	E-1107	934 00 149	Hex Nut, 3/4"-16 Thd.	2	X	X	X	X	X
18	S.O.S.	936 00 077	Lock Washer, 3/4"	4	X	X	X	X	X
19	S.O.S.	934 00 136	Hex Nut, 1/2"-13 Thd.	2	X	X	X	X	X
20	E-4403 (Rubber)	905 08 004	Shock Absorber Bushing	8	X	X	X	X	X
	E-8684 (Poly)				X	X	X	X	X
21	S.O.S.	905 19 040	Upper Shock Bracket	2	X	X	X	X	X
22	S.O.S.	905 19 773	Lower Shock Bracket	2	X	X	X	X	X
23	S.O.S.	900 25 288	Safety Strap	2	X	X	X	X	X
24	S.O.S.	934 00 367	Square Nut, 3/4"-10 Thd.	2	X	X	X	X	X
—	S.O.S.	941 00 590	Torque Decal	1	X	X	X	X	X

NEWAY

NEWAY RL-196 SERIES

Trailer

NEWAY



NEWAY RL-196 SERIES

Trailer

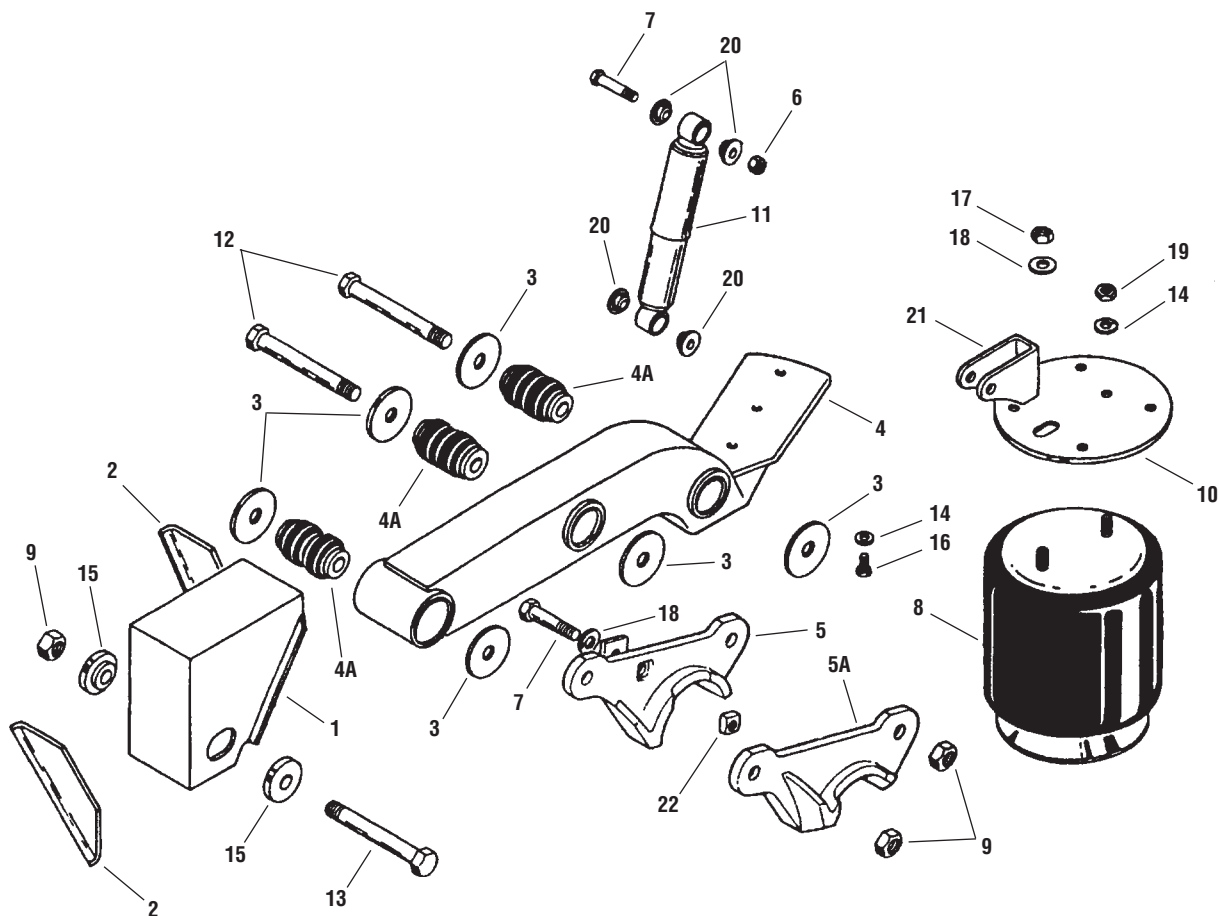
KEY NO.	EUCLID NO.	REPLACES NO.	DESCRIPTION	PER QTY AXLE	RL-196-				
					-12	-14	-15	-16	-17
1	S.O.S.	905 20 367	Frame Bracket - Adjustment	2	X				
		905 21 142					X		
		905 20 340						X	X
2	S.O.S.	900 23 002	Angle Brace	4	X	X	X		
		900 23 001					X	X	
3	E-4363	900 36 177	Washer	12	X	X	X	X	X
4	S.O.S.	905 16 542	Equalizing Beam, Left Hand	1	X	X	X	X	X
	S.O.S.	905 16 543	Equalizing Beam, Right Hand	1	X	X	X	X	X
4A	E-4410A	900 08 149	Rubber Bushing	6	X	X	X	X	X
5	S.O.S.	481 00 291	Axle Adapter 5" Round Axle, Left Hand	1	X	X	X	X	X
	S.O.S.	481 00 292	Axle Adapter 5" Round Axle, Right Hand	1	X	X	X	X	X
6	E-4347	934 00 492	Lock Nut, 3/4"-10 Thd.	2	X	X	X	X	X
7	E-4345	936 03 599 (Old)	Bolt, 3/4"-10 Thd. x 3 1/2"	2	X	X	X	X	X
		930 03 597 (New)							
8	FS9293	905 57 120	Air Spring Assembly	2		X			
	FS9295	905 57 121					X	X	
	FS9291	905 57 122							X
	FS9294	905 57 127				X			
9	E-4358	934 00 506	Lock Nut, 1 1/8"-7 Thd.	6	X	X	X	X	X
10	S.O.S.	900 33 785	Air Spring Mounting Plate	2	X	X	X	X	X
11	M83115	900 44 977	Shock Absorber	2	X				
	M85059	900 44 978				X	X		
	M83113	900 44 979						X	X
12	E-4361	932 01 051	Bolt, 1 1/8"-7 Thd. x 8 1/2"	4	X	X	X	X	X
13	E-4364	932 01 046 (Old) 932 01 055 (New)	Bolt, 1 1/8"-7 Thd. x 9 1/4"	2	X	X	X	X	X
14	S.O.S.	936 00 072	Lock Washer, 1/2"	4	X	X	X	X	X
15	E-9284	900 08 147	Alignment Block	4	X	X	X	X	X
17	E-1107	934 00 149	Hex Nut, 3/4"-16 Thd.	2	X	X	X	X	X
18	S.O.S.	936 00 077	Lock Washer, 3/4"	2	X	X	X	X	X
19	S.O.S.	934 00 136	Hex Nut 1/2"-13 Thd.	2	X	X	X	X	X
20	E-4403 (Rubber)	905 08 004	Shock Absorber Bushing	4	X	X	X	X	X
21	S.O.S.	900 18 445	Upper Shock Bracket	2	X	X	X	X	X
22	E-401754	900 08 182	Rubber Bushing, Lower Shock Connection	2	X	X	X	X	X
23	S.O.S.	936 00 168	Flat Washer	1	X	X	X	X	X
24	E-4421	934 00 500	Lock Nut, 1"-8 Thd.	2	X	X	X	X	X
—	E-9294	SRK-203 481 00 264	Pivot Connection Kit	2	X	X	X	X	X
—	E-4411A	SRK-149 481 00 206	20" Wheels Axle Connection Kit, 5" Round Axle	2	X	X	X	X	X

NEWAY

NEWAY RL-196A SERIES

Trailer

NEWAY



KEY NO.	EUCLID NO.	REPLACES NO.	DESCRIPTION	QTY PER AXLE	RL-196A-				
					12	14	15	16	17
	S.O.S.	905 20 367				X			
	S.O.S.	905 20 363			X				
1	S.O.S.	905 21 142	Adjustable Frame Bracket Assembly	2			X		
	S.O.S.	905 20 340						X	X
	S.O.S.	900 25 257			X				
2	S.O.S.	900 23 002	Angle Brace	4		X	X		
	S.O.S.	900 23 001						X	X

NEWAY RL-196A SERIES

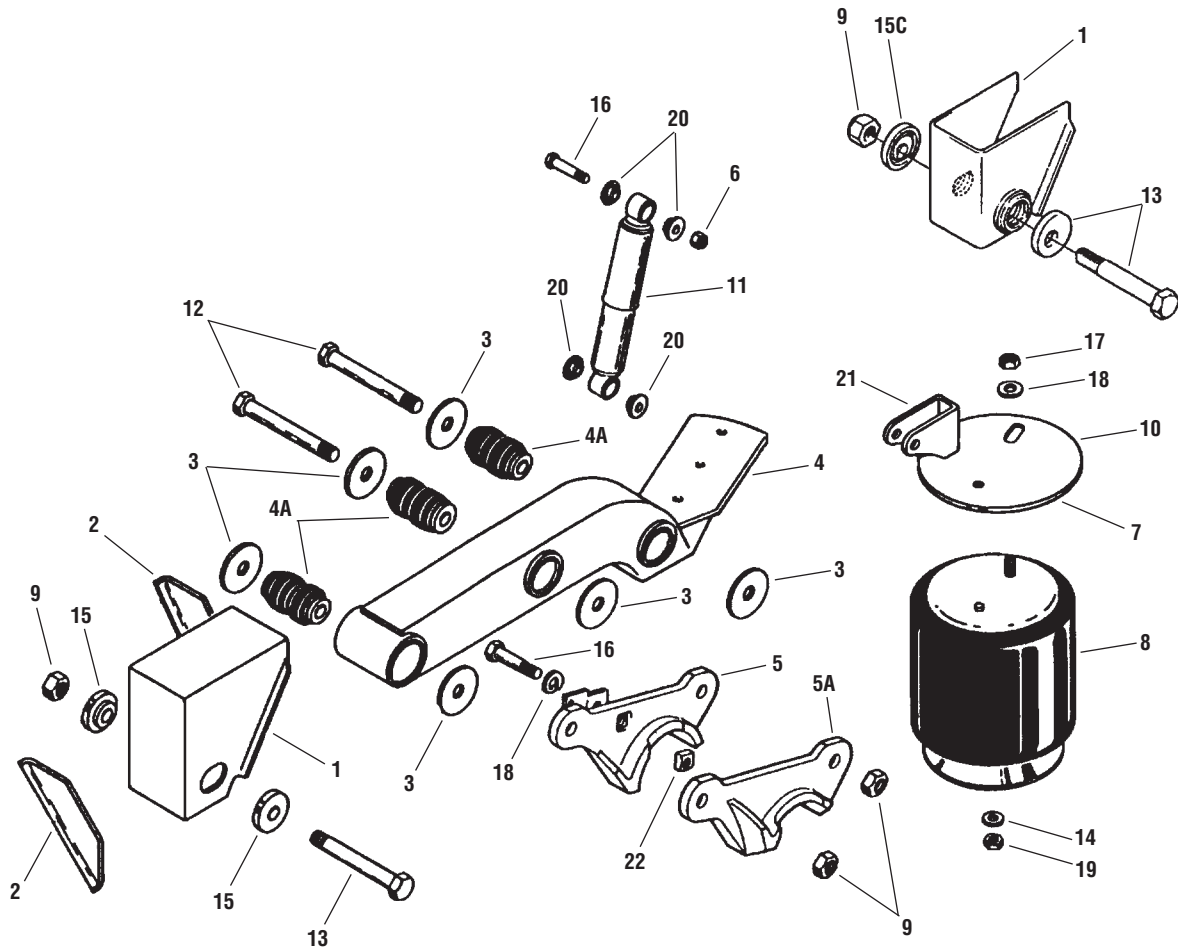
Trailer

KEY NO.	EUCLID NO.	REPLACES NO.	DESCRIPTION	QTY PER AXLE	RL-196A-				
					12	14	15	16	17
3	E-4363	900 36 177	Washer	12	X	X	X	X	X
4	S.O.S.	905 16 542	Equalizing Beam, Left Hand, Includes Key No. 4A	1	X	X	X	X	X
	S.O.S.	905 16 543	Equalizing Beam, Right Hand, Includes Key No. 4A	1	X	X	X	X	X
4A	E-4410A	900 08 149	Center Beam Bushing	6	X	X	X	X	X
5	S.O.S.	905 01 462	Adapter, Left Hand, Inside	1	X	X	X	X	X
	S.O.S.	905 01 463	Adapter, Right Hand, Inside	1	X	X	X	X	X
5A	S.O.S.	900 01 341	Adapter, Left Hand, Outside	1	X	X	X	X	X
	S.O.S.	900 01 340	Adapter- Right Hand, Outside	1	X	X	X	X	X
6	E-4347	934 00 492	Lock Nut, 3/4"-10 Thd.	2	X	X	X	X	X
7	S.O.S.	930 03 609	Bolt, 3/4"-10 Thd. x 4"	4	X	X	X	X	X
8	FS9294	905 57 127	Air Spring Assembly	2	X				
	FS9293	905 57 120				X			
	FS9295	905 57 121					X	X	
	FS9291	905 57 139							X
9	E-4358	934 00 506	Lock Nut	6	X	X	X	X	X
10	S.O.S.	905 31 233	Air Spring Mounting Plate & Upper Shock Bracket Assembly, Right Hand	1	X	X	X	X	X
	S.O.S.	905 31 234	Air Spring Mounting Plate & Upper Shock Bracket Assembly, Left Hand	1	X	X	X	X	X
11	M83128	900 44 162	Shock Absorber	2	X				
	M83130	900 45 040				X	X		
	M83127	900 44 794						X	X
12	E-4361	932 01 051	Bolt	4	X	X	X	X	X
13	E-4364	932 01 046 (Old) 932 01 055 (New)	Bolt	2	X	X	X	X	X
14	S.O.S.	936 00 072	Lock Washer, 1/2"	4	X	X	X	X	X
15	E-9284	900 08 147	Alignment Block	4	X	X	X	X	X
16	S.O.S.	930 02 921	Cap Screw, 1/2"-13 Thd. x 2"	2	X				
		930 02 969	Cap Screw, 1/2"-13 Thd. x 4"			X			
		930 02 993	Cap Screw, 1/2"-13 Thd. x 5"				X	X	
		930 03 029	Cap Screw, 1/2"-13 Thd. x 6 1/2"					X	
17	E-1107	934 00 149	Hex Nut, 3/4"-16 Thd.	2	X	X	X	X	X
18	S.O.S.	936 00 077	Lock Washer, 3/4"	4	X	X	X	X	X
19	E-2988	934 00 136	Hex Nut	2	X	X	X	X	X
20	E-4403 (Rubber)	905 08 004	Shock Absorber Bushing	8	X	X	X	X	X
	E-8684 (Poly)								
21	S.O.S.	900 18 445	Upper Shock Bracket	2	X	X	X	X	X
22	S.O.S.	934 00 367	Square Nut, 3/4"-10 Thd.	2	X	X	X	X	X
—	S.O.S.	941 00 590	Torque Decal	1	X	X	X	X	X

NEWAY

NEWAY RL-228-14, -15, -16, -17 SERIES

Trailer



NEWAY RL-228-14, -15, -16, -17 SERIES

Trailer

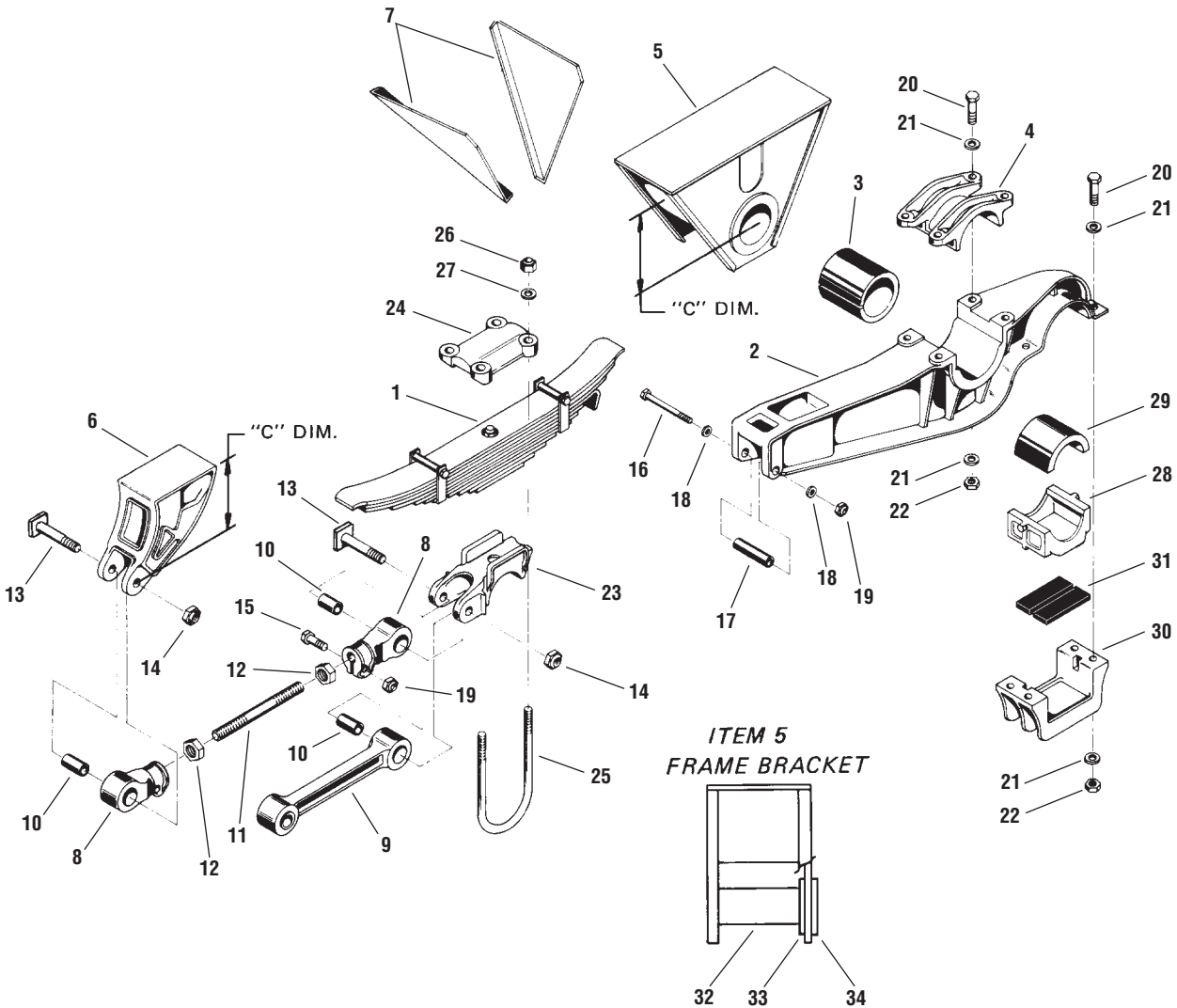
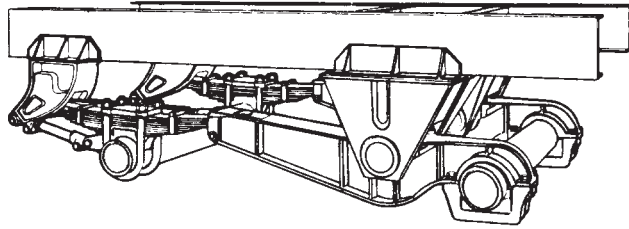
KEY NO.	EUCLID NO.	REPLACES NO.	DESCRIPTION	QTY PER AXLE	RL-228-			
					14	15	16	17
1	S.O.S.	Various	Frame Bracket	2	X	X	X	X
2	S.O.S.	900 23 157	Angle Brace	4	X			
	S.O.S.	900 23 002				X	X	X
3	E-4363	900 36 177	Washer	12	X	X	X	X
4	S.O.S.	905 16 566	Equalizing Beam, Left Hand, Includes Key No. 4A	1	X	X	X	X
	S.O.S.	905 16 567	Equalizing Beam, Right Hand, Includes Key No. 4A	1	X	X	X	X
4A	E-4410A	900 08 149	Center Beam Bushing	6	X	X	X	X
5	S.O.S.	905 01 462	Adapter, Left Hand, Inside	1	X	X	X	X
	S.O.S.	905 01 463	Adapter, Right Hand, Inside	1	X	X	X	X
5A	S.O.S.	900 01 341	Adapter, Left Hand, Outside	1	X	X	X	X
	S.O.S.	900 01 340	Adapter- Right Hand, Outside	1	X	X	X	X
6	E-4347	934 00 492	Lock Nut, 3/4"-10 Thd.	2	X	X	X	X
7	S.O.S.	900 33 785	Air Spring Mounting Plate	2	X	X	X	X
8	FS9936	905 57 156	Air Spring Assembly	2	X	X	X	
	FS9935	905 57 157						X
9	E-4358	934 00 506	Lock Nut	6	X	X	X	X
10	S.O.S.	905 31 245	Air Spring Mounting Plate & Upper Shock Bracket Assembly, Left Hand	1		X	X	X
	S.O.S.	905 31 246	Air Spring Mounting Plate & Upper Shock Bracket Assembly, Right Hand	1		X	X	X
11	M83127	900 44 642	Shock Absorber	2	X	X	X	
	M83124	900 44 089					X	
	M89407							
12	E-4361	932 01 051	Bolt	4	X	X	X	X
13	E-4364	932 01 046 (Old)	Bolt for welded alignment	2	X	X	X	X
		932 01 055 (New)						
13A	S.O.S.	932 01 057 (Old) 905 08 019 (New)	Bolt, 1 1/8"-7 Thd. x 9 1/4" for E-Z alignment non-weld	2	X	X	X	X
14	S.O.S.	936 00 072	Lock Washer, 1/2"	2	X	X	X	X
15	S.O.S.	900 08 198	Alignment Bushing	4	X	X	X	X
15C	S.O.S.	900 08 238	Alignment Bushing (Used in all RL-228-14, -15, -16, -17)		X	X	X	X
16	S.O.S.	930 03 609	Cap Screw, 3/4"-10 Thd. x 4"	4	X	X	X	X
17	E-1107	934 00 149	Hex Nut, 3/4"-16 Thd.	2	X	X	X	X
18	S.O.S.	936 00 077	Lock Washer, 3/4"	4	X	X	X	X
19	S.O.S.	934 00 136	Hex Nut, 1/2"-13 Thd.	2	X	X	X	X
20	E-4403 (Rubber)	905 08 004	Bushing	8	X	X	X	X
	E-8684 (Poly)							
21	S.O.S.	900 18 515	Upper Shock Bracket	2	X	X	X	X
22	S.O.S.	934 00 367	Square Nut, 3/4"-10 Thd.	2	X	X	X	X
—	S.O.S.	941 00 590	Torque Decal	1	X	X	X	X

NEWAY

NEWAY SUSPENSION PARTS RTS-536-1, -2, -3, -4 AND RTS-544-1, -2, -3, -4 SPRING SERIES

Trailer

NEWAY



LEAF SPRING REFERENCES

SRI No.

TRA 2661	11 Leaf
TRA 2671	12 Leaf
TRA 2660	13 Leaf

NEWAY SUSPENSION PARTS RTS-536-1, -2, -3, -4 AND RTS-544-1, -2, -3, -4 SPRING SERIES

Trailer

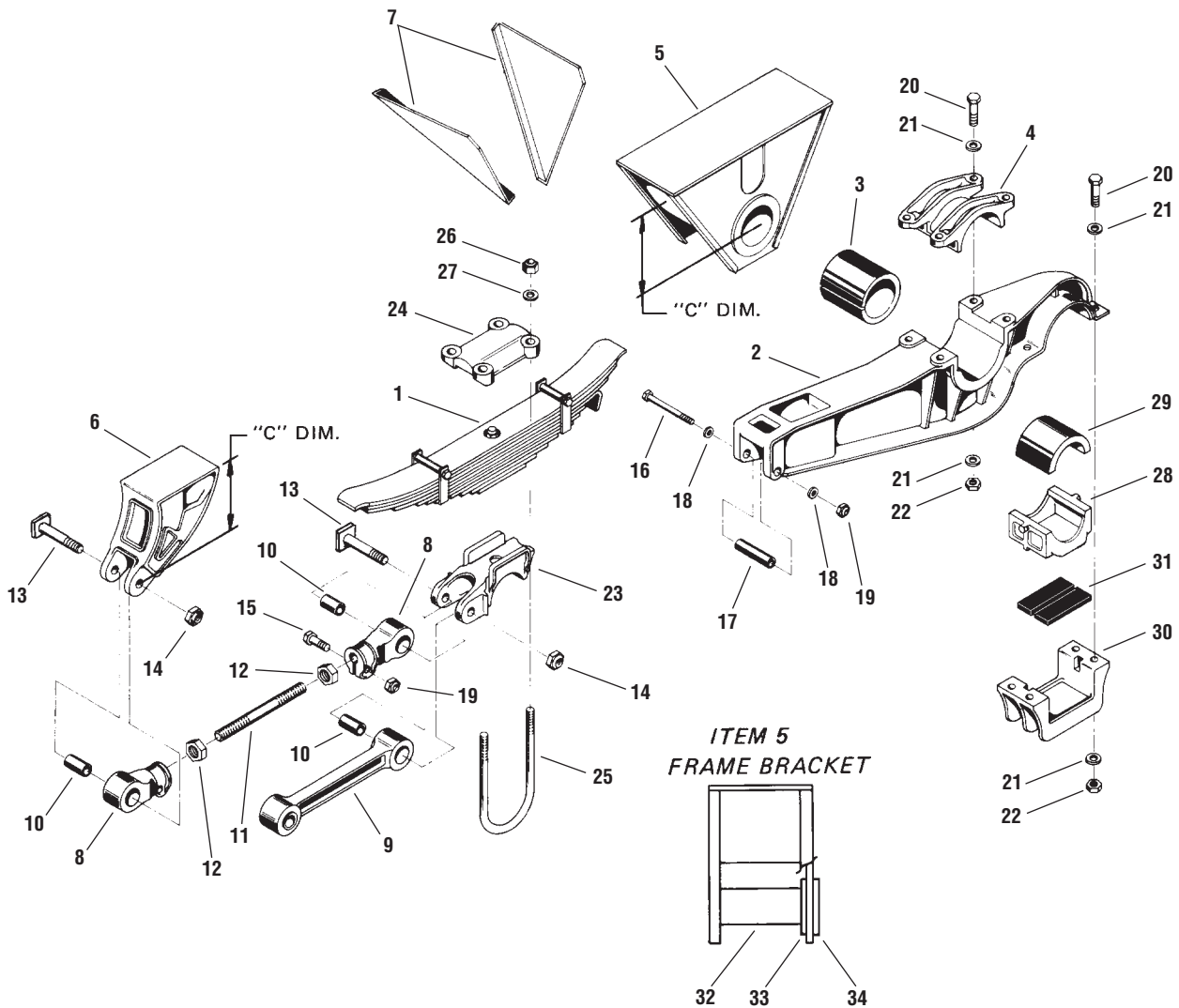
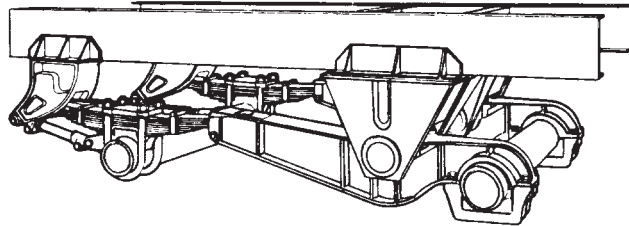
KEY NO.	EUCLID NO.	REPLACES NO.	DESCRIPTION	QTY PER TANDEM	RTS-536-1	RTS-536-2	RTS-536-3	RTS-536-4
					RTS-544-1	RTS-544-2	RTS-544-3	RTS-544-4
1	S.O.S.	915 57 152	Spring Assembly, 536 Models, 11 Leaf	2	X	X	X	X
	S.O.S.	915 57 153	Spring Assembly, 544 Models, 13 Leaf		X	X	X	X
	S.O.S.	915 57 154	Spring Assembly, 544 Models, 14 Leaf		X	X	X	X
2	E-9535	915 15 001	Equalizing Beam Assembly	2	X	X	X	X
3	E-1333 (Rubber)	910 08 014	Bushing	2	X	X	X	X
	E-8672 (Poly)							
4	E-4303	910 10 098	Trunnion Cap	2	X	X	X	X
5	S.O.S.	915 18 005	Trunnion Frame Bracket, 8 1/2" C Dimension	2	X			
	S.O.S.	915 18 006	Trunnion Frame Bracket, 10 1/2" C Dimension			X		
	S.O.S.	915 18 007	Trunnion Frame Bracket, 12 1/2" C Dimension				X	
	S.O.S.	915 18 008	Trunnion Frame Bracket, 14 1/2" C Dimension					X
6	S.O.S.	910 18 002	Spring Hanger, 8 1/2" C Dimension	2	X			
	S.O.S.	910 18 003	Spring Hanger, 10 1/2" C Dimension			X		
	S.O.S.	910 18 004	Spring Hanger, 12 1/2" C Dimension				X	
	E-9536	910 18 036	Spring Hanger, 14 1/2" C Dimension					X
7		910 23 001	Diagonal Brace	4	X			
	S.O.S.	910 23 002	Diagonal Brace, Left Hand	2		X		
		910 23 004					X	
		910 23 006					X	
	S.O.S.	910 23 003	Diagonal Brace, Right Hand	2			X	
		910 23 005					X	
	910 23 007						X	
8	E-4316	915 44 002	Torque Arm End, Left Hand	1	X	X	X	X
	E-4317	915 44 003	Torque Arm End, Right Hand	1	X	X	X	X
9	E-4319	915 44 001	Rigid Torque Arm	1	X	X	X	X
10	E-2939 (Rubber)	910 08 007	Torque Arm Bushing	4	X	X	X	X
	E-8676 (Poly)							
11	E-4318A	932 00 047	Bolt	1	X	X	X	X
12	E-4274	934 00 036	Jam Nut, Left Hand	1	X	X	X	X
	E-4275	934 00 284	Jam Nut, Right Hand	1	X	X	X	X
13	E-4261	939 00 009	Bolt	4	X	X	X	X
14	E-4273	934 00 569	Lock Nut	4	X	X	X	X

NEWAY

NEWAY SUSPENSION PARTS RTS-536-1, -2, -3, -4 AND RTS-544-1, -2, -3, -4 SPRING SERIES

Trailer

NEWAY



LEAF SPRING REFERENCES

SRI No.	
TRA 2661	11 Leaf
TRA 2671	12 Leaf
TRA 2660	13 Leaf

NEWAY SUSPENSION PARTS RTS-536-1, -2, -3, -4 AND RTS-544-1, -2, -3, -4 SPRING SERIES

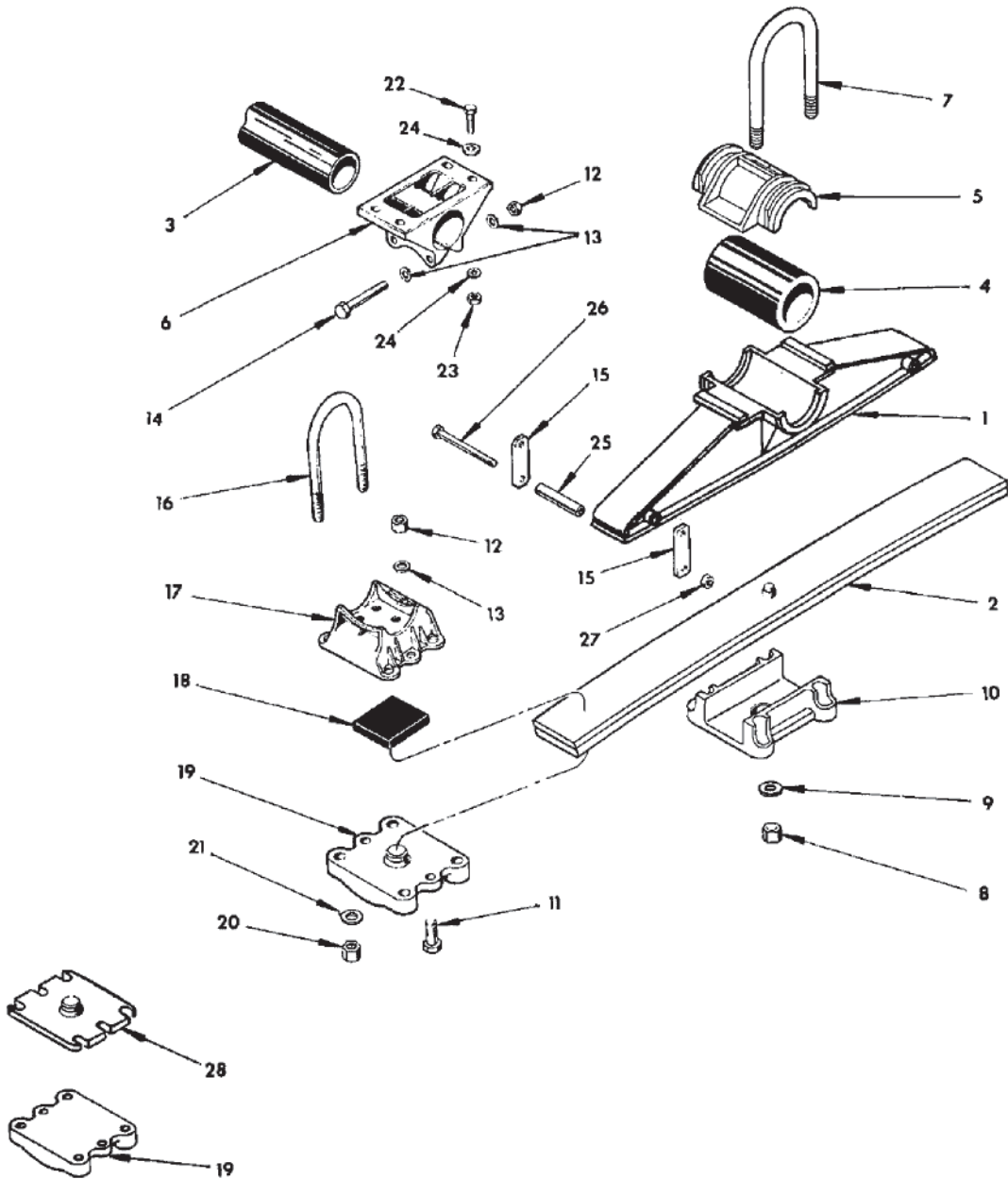
Trailer

KEY NO.	EUCLID NO.	REPLACES NO.	DESCRIPTION	QTY PER TANDEM	RTS-536-1	RTS-536-2	RTS-536-3	RTS-536-4
					RTS-544-1	RTS-544-2	RTS-544-3	RTS-544-4
15	S.O.S.	930 02 921	Cap Screw, 1/2"-13 Thd. x 2"	2	X	X	X	X
16	S.O.S.	930 03 003	Cap Screw, 1/2"-13 Thd. x 5 1/2"	2	X	X	X	X
17	S.O.S.	910 36 092	Pipe Spacer, 1/2"	2	X	X	X	X
18	S.O.S.	936 00 138	Washer, 1/2"	4	X	X	X	X
19	S.O.S.	934 00 482	Lock Nut, 1/2"-13 Thd.	4	X	X	X	X
20	S.O.S.	930 03 575	Bolt, 3/4"-10 Thd. x 2 1/2"	16	X	X	X	X
21	E-2545	936 00 156	Washer	32	X	X	X	X
22	E-4347	934 00 492	Lock Nut, 3/4"-10 Thd.	16	X	X	X	X
23	E-4294	910 01 034	Axle Seat	2	X	X	X	X
24	E-4299	910 10 103	Top Plate	2	X	X	X	X
25	E-UB8166-12	900 41 174	U- Bolt Assembly, Rd. Bend, 7/8"-14 Thd. x 5" Wide x 12" Long	4	X	X	X	X
26	E-2983	934 00 496	Lock Nut	8	X	X	X	X
27	E-2546	936 00 162	Washer	8	X	X	X	X
28	E-4291	910 01 040	Axle Adapter	2	X	X	X	X
29	E-2011	910 28 010	Wrapper, Round Axle	2	X	X	X	X
30	E-4288	910 10 031	Axle Cap	2	X	X	X	X
31	E-1331 (Rubber) E-8671 (Poly)	910 28 023	Spring End Pad	4	X	X	X	X
32	E-9610	910 38 210	Trunnion Tube	2	X	X	X	X
33	E-9611	936 00 002	Inner Washer, 3/16" Thick	4	X	X	X	X
34	E-9612	936 00 003	Outer Washer, 5/16" Thick	4	X	X	X	X
—	S.O.S.	910 23 307	Spring Hanger Wear Pad	2	X	X	X	X
—	S.O.S.	910 28 028	Equalizing Beam Wear Pad	2	X	X	X	X
—	E-4385	SRK-36 481 00 033	5" Round Axle & Trunnion Connection Kit Includes Key Nos. 3, 20, 21, 22, 29 & 31	1	X	X	X	X
—	E-4391	SRK-39 481 00 050	Radius Rod Bushing Kit Includes Key Nos. 10, 13 & 14	1	X	X	X	X

NEWAY

NEWAY SB-360-B, -500, 600B

Trailer



NEWAY

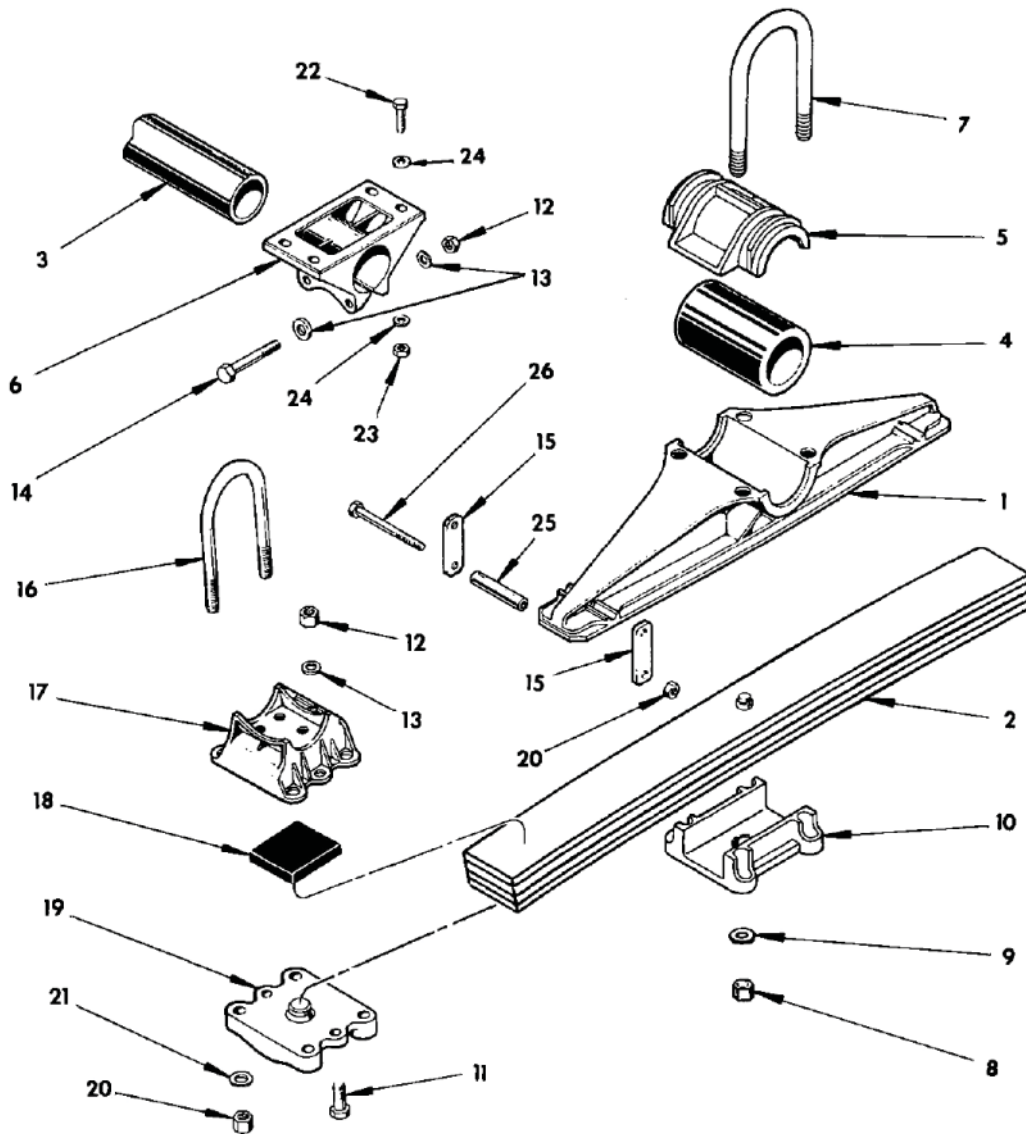
NEWAY SB-360-B, -500, 600B

Trailer

KEY NO.	EUCLID PART NO.	REPLACES NO.	DESCRIPTION	SB-360B	SB-500-B	SB-600-B	QTY REQ
1	S.O.S.	915 15 108	Equalizing Beam	X	X	X	2
2	S.O.S.	915 57 100	Spring Assembly 2 Leaf	X	X		2
	S.O.S.	915 57 136	Spring Assembly 2 Leaf			X	2
3	E-2964	910 38 003	Trunnion Tube 4" OD x 1/2" Wall x 48" (Other Sizes Available)	X			1
	S.O.S.	910 38 004	Trunnion Tube 4" OD x 1/2" Wall x 48" HT (Other Sizes Available)		X	X	1
4	E-1332	910 08 022	Trunnion Rubber Bushing	X	X	X	2
5	S.O.S.	910 10 089	Trunnion Rubber Cap Casting	X	X	X	2
6	E-5213	910 01 054	Trunnion Clamp Casting	X	X	X	2
7	E-UB8186-154	900 41 478	U-Bolt Assembly, Rd. Bend, 1 1/8"-12 Thd. x 5 3/4" Wide x 15 1/2" Long	X	X	X	4
8	E-4358	934 00 506	Lock Nut 1 1/8"-7 Thd. GrC	X	X	X	8
9	E-2548	936 00 174	Washer 1 1/4"	X	X	X	8
10	S.O.S.	910 01 103	Spring Saddle Casting	X	X	X	2
11	S.O.S.	930 03 575	Cap Screw 3/4"-10 Thd. x 2 1/2" Gr8	X	X	X	8
12	E-4347	934 00 492	Lock Nut 3/4"-10 Gr8	X	X	X	12
13	E-2545	936 00 156	Washer 3/4"	X	X	X	16
14	S.O.S.	930 03 621	Cap Screw 3/4"-10 Thd. x 4 1/2" Gr5	X	X	X	4
15	S.O.S.	910 23 056	Spring Clip	X	X	X	8
16	E-UB8178-126	900 41 324	U-Bolt Assembly, Rd. Bend, 1"-14 Thd. x 5" Wide x 12 3/4" Long	X	X	X	8
	S.O.S.	900 41 350	U-Bolt Assembly, Rd. Bend, 1"-14 Thd. x 11" Long (5 3/4" and 6" Round)		X	X	8
	S.O.S.	900 41 971	U-Bolt Assembly, Rd. Bend, 1"-14 Thd. x 11" Long (5" Square)	X	X	X	8
	S.O.S.	910 10 041	Spring End Cap Casting (5" Round)	X	X	X	4
17	S.O.S.	910 10 130	Spring End Cap Casting (5 3/4" and 6" Round)		X	X	4
	S.O.S.	910 01 188	Spring End Cap Casting (5" Square)	X	X	X	4
18	S.O.S.	910 28 153	Spring End Rubber Pad	X	X	X	4
	S.O.S.	910 01 038	Spring End Pad Casting (5" Round)	X	X	X	4
19	S.O.S.	910 01 050	Spring End Pad Casting (5 3/4" and 6" Round)		X	X	4
	S.O.S.	910 01 182	Spring End Pad Casting (5" Square)	X	X	X	4
20	E-4421	934 00 502	Lock Nut 1"-8 Thd. GrC	X	X	X	16
21	E-4353	939 00 027	Washer 1 5/8"	X	X	X	16
22	E-4348	930 03 345	Bolt 5/8"-11 Thd. x 2" Grade 5	X	X	X	8
23	E-2988	934 00 488	Lock Nut 5/8"-11 Thd. Grade 8	X	X	X	8
24	E-2547	936 00 150	Washer	X	X	X	16
25	S.O.S.	910 36 008	Spring Clip Spacer	X	X	X	4
26	S.O.S.	930 03 465	Cap Screw 5/8"-11 Thd. x 7" Gr5	X	X	X	8
27	E-2988	934 00 488	Lock Nut 5/8"-11 Thd. Grade 8	X	X	X	8
28	S.O.S.	910 01 181	Adjustable Spring End Pad (5" Square)	X	X	X	4

NEWAY SB-360-HD-A

Trailer



NEWAY SB-360-HD-A

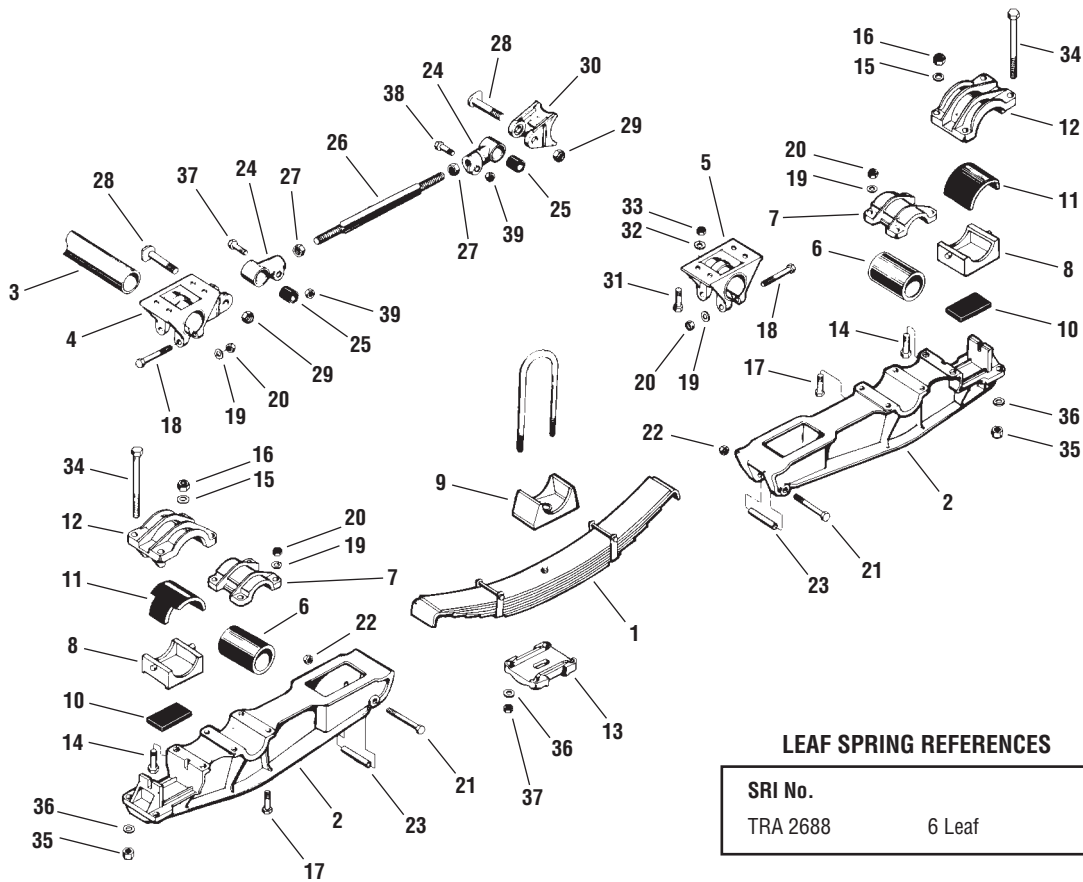
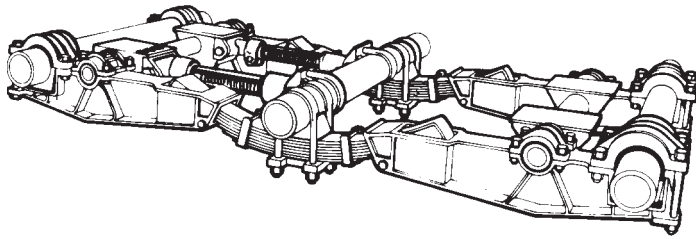
Trailer

KEY NO.	EUCLID PART NO.	REPLACES NO.	DESCRIPTION	QTY REQUIRED
1	S.O.S.	910 15 025	Equalizing Beam	2
2	S.O.S.	915 57 122	Spring Assembly 4 Leaf	2
3	S.O.S.	910 38 004	Trunnion Tub 4 OD x 1/2 Wall x 48 HT	1
4	E-1332	910 08 022	Trunnion Rubber Bushing	2
5	S.O.S.	910 10 089	Trunnion Rubber Cap Casting	2
6	E-5213	910 01 054	Trunnion Clamp Casting	2
7	E-UB8186-154	900 41 482	U-Bolt Assembly, Rd. Bend, 1 1/8"-12 Thd. x 5 3/4" wide x 15 1/2" Long	4
8	E-4358	934 00 506	Lock Nut 1 1/8" - 7 Grade C	8
9	S.O.S.	936 00 030	Washer 1 1/8"	8
10	S.O.S.	910 01 103	Spring Saddle Casting	2
11	S.O.S.	930 03 575	Cap Screw 3/4" - 10 x 2 1/2" Grade 8	8
12	E-4347	934 00 492	Lock Nut 3/4" - 10 Grade 8	12
13	S.O.S.	936 00 005	Washer 3/4"	16
14	E-2989	930 03 633	Bolt 3/4" - 10 x 5" Grade 5	4
15	S.O.S.	910 31 058	Spring Clip	8
16	E-UB8178-126	900 41 324	U-Bolt Assembly, Rd. Bend, 1"-14 Thd. x 5" Wide x 12 3/4" Long	8
	S.O.S.	900 41 354	U-Bolt Assembly, Rd. Bend, 1"-14 Thd. x 12" Long (5 3/4" and 6" Round)	8
17	S.O.S.	910 10 032	Spring End Cap Casting (5" Round)	4
	S.O.S.	910 10 145	Spring End Cap Casting (5 3/4" and 6" Round)	4
18	S.O.S.	910 28 153	Spring End Rubber Pad	4
19	S.O.S.	915 01 044	Spring End Pad Casting (5 3/4" and 6" Round)	4
20	E-4421	934 00 502	Lock Nut 1"-8 Grade C	24
21	E-4353	939 00 027	Washer 1 5/8"	16
22	E-4348	930 03 345	Bolt 5/8"-11 x 2" Grade 5	8
23	E-2988	934 00 488	Lock Nut 5/8"-11	8
24	E-2547	936 00 150	Washer	16
25	S.O.S.	910 36 008	Spring Clip Spacer	4
26	S.O.S.	930 04 323	Cap Screw 1"-8 x 7" Grade 5	8

NEWAY

NEWAY T-8540 SERIES TRI-AXLE SPRING

Trailer



LEAF SPRING REFERENCES

SRI No.	
TRA 2688	6 Leaf

KEY NO.	EUCLID NO.	REPLACES NO.	DESCRIPTION	QTY PER TRI-AXLE
1	S.O.S.	915 57 175	Spring Assembly	2
2	E-9534	910 15 015	Equalizing Beam, 15" & 20" Wheels, Use with 910 28 089	4
3	S.O.S.	910 38 290	Trunnion Tube	2
4	S.O.S.	910 01 088	Trunnion Clamp & Radius Rod Casting, Front	2
5	S.O.S.	910 01 066	Rear Trunnion Clamp Casting	2
6	E-2935 (Rubber) E-7443 (Poly)	900 08 011	Trunnion Bushing	4
7	S.O.S.	900 10 009	Trunnion Cap Casting	4

NEWAY T-8540 SERIES TRI-AXLE SPRING

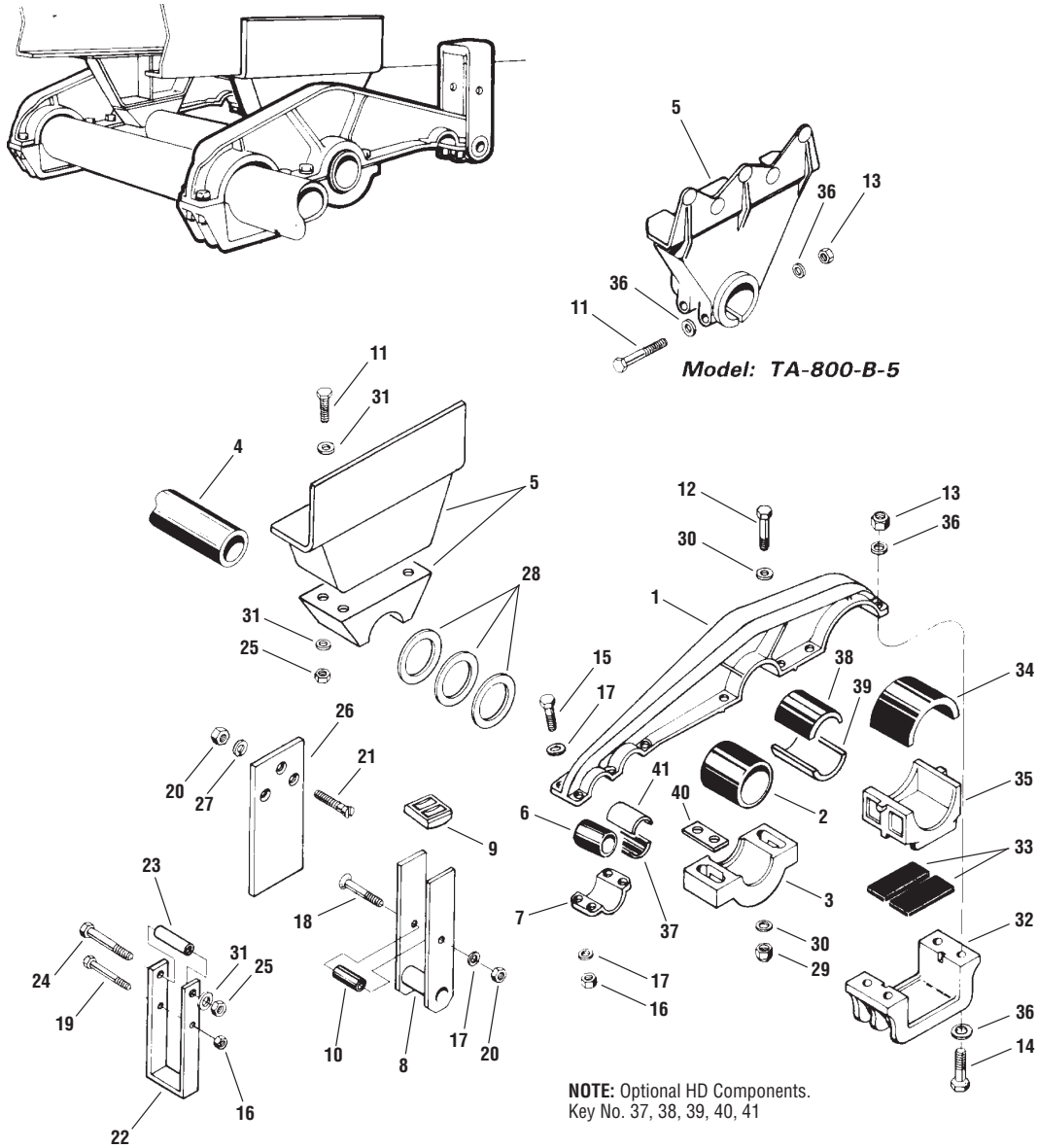
Trailer

KEY NO.	EUCLID NO.	REPLACES NO.	DESCRIPTION	QTY PER TRI-AXLE
8	S.O.S.	910 01 089	Axle Adapter, End, 5" Round Axle, 15" Wheel	4
	S.O.S.	910 01 094	Axle Adapter, End, 5" Round Axle, 20" Wheel	
9	S.O.S.	910 01 075	Axle Seat	2
10	S.O.S.	910 28 075	Lower Pad	4
11	E-2945 (Rubber)	910 28 051	Wrapper, Round Axle	4
	E-8679 (Poly)			
12	S.O.S.	910 10 060	Axle Cap, End, 5" Round Axle, 15" Wheel	4
	S.O.S.	910 10 061	Axle Cap, End, 5" Round Axle, 20" Wheel	
13	E-4300	910 10 108	Top Plate	2
14	S.O.S.	930 04 239	Cap Screw, 1"-8 Thd. x 3 1/2"	8
15	E-4353	939 00 027	Washer, 1 5/8"	8
16	E-4421	934 00 502	Lock Nut	8
17	S.O.S.	930 03 575	Bolt	16
18	S.O.S.	930 03 635	Cap Screw, 3/4"-10 Thd. x 5"	8
19	S.O.S.	936 00 005	Washer, 3/4"	48
20	E-4347	934 00 494	Lock Nut	24
21	S.O.S.	930 03 657	Cap Screw, 3/4"-10 Thd. x 6"	4
22	E-1107	934 00 149	Hex Nut, 3/4"-16 Thd.	4
23	S.O.S.	910 36 078	Pipe Spacer	4
24	E-4317	915 44 003	Torque Arm, Right Hand	2
	E-4316	915 44 002	Torque Arm, Left Hand	
25	E-2939 (Rubber)	910 08 007	Torque Arm Bushing	4
	E-8676 (Poly)			
26	S.O.S.	915 06 003	Radius Rod Bolt, 1 1/4"-7 Thd. x 21 3/4"	2
27	E-4274	934 00 036	Jam Nut, Left Hand	2
	E-4275	934 00 284	Jam Nut, Right Hand	
28	E-4261	939 00 009	Bolt	4
29	E-4273	934 00 569	Lock Nut	4
30	S.O.S.	910 18 005	Radius Rod Axle Bracket	2
31	E-4348	930 03 345	Bolt	16
32	E-2547	939 00 025	Washer	16
33	E-2988	934 00 490	Lock Nut	16
34	S.O.S.	930 03 941	Rod Bolt, 7/8"-14 Thd. x 9 5/8"	8
35	E-2983	934 00 498	Lock Nut	16
36	E-2546	936 00 162	Washer	16
37	S.O.S.	930 02 921	Cap Screw, 1/2"-13 Thd. x 2"	4
38	S.O.S.	934 00 482	Lock Nut	4
—	E-4391	SRK-39 481 00 505	Torque Arm Kit Includes Key Nos. 25, 28 & 29	1
—	S.O.S.	SRK-38 481 00 035	5" Round Trunnion & End Axle Kit Includes Key Nos. 6, 10, 11, 14, 15, 16, 17, 19, 20, 34, 36, 37	1

NEWAY

NEWAY MECHANICAL TA-800-B-5, TA-800-C-5 SERIES

Truck/Tractor



KEY NO.	EUCLID NO.	REPLACES NO.	DESCRIPTION	QTY PER TRI-AXLE	TA-800-	
					B-5	C-5
1	S.O.S.	910 15 010	Equalizing Beam	2	X	X
2	E-1334 (Rubber)	910 08 040	Bushing	2	X	X
	E-7442 (Poly)					
3	S.O.S.	910 10 081	Trunnion Cap	2	X	X
4	S.O.S.	910 38 397	Trunnion Tube, 45 1/2" Long	1	X	X
5	S.O.S.	910 18 125	Frame Bracket, 8 1/2" High	2	X	
	S.O.S.	910 18 030	Frame Bracket, 12" High		X	
	S.O.S.	915 18 125	Upper Frame Bracket, 8 1/2" High		X	
	S.O.S.	915 18 126	Lower Frame Bracket		X	
6	E-1336	910 08 047	Bushing	2	X	X
7	S.O.S.	910 10 073	Shackle Bushing Cap	2	X	X
8	S.O.S.	915 31 002	Shackle Assembly, 2 1/2" & 3" Wide Springs	2	X	X

NEWAY MECHANICAL TA-800-B-5, TA-800-C-5 SERIES

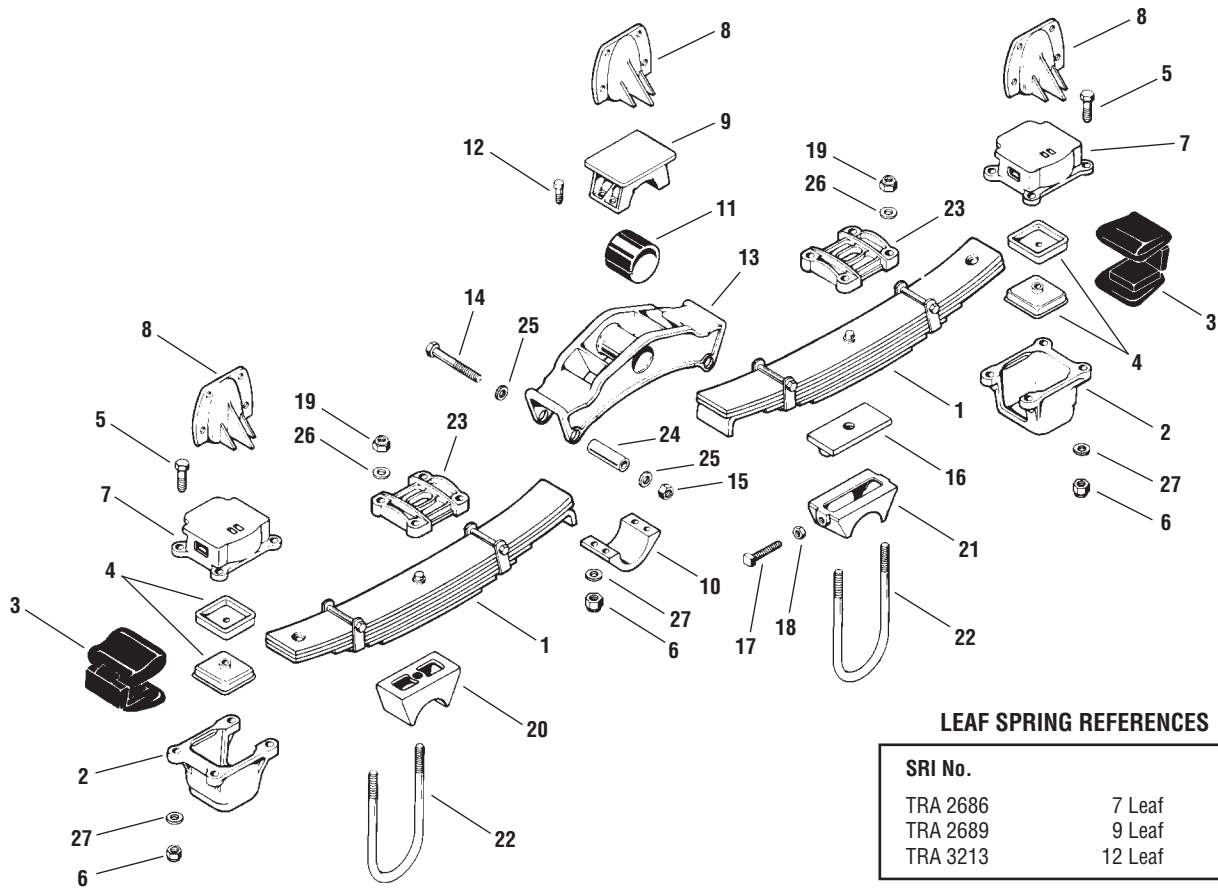
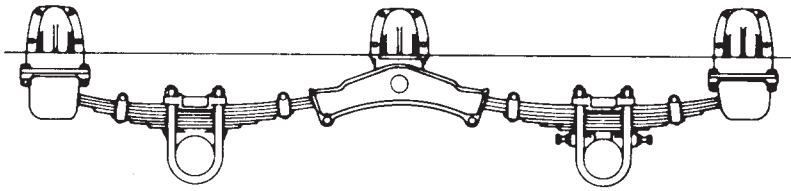
Truck/Tractor

KEY NO.	EUCLID NO.	REPLACES NO.	DESCRIPTION	QTY PER TRI-AXLE	TA-800-	
					B-5	C-5
9	S.O.S.	910 28 081	Spring End Pad	2	X	X
10	S.O.S.	910 44 017	Tube	2	X	X
11	E-2989	930 03 633	Bolt	4	X	
	S.O.S.	930 03 049	Bolt, 5/8"-11 Thd. x 2"	8		X
12	S.O.S.	930 03 809	Cap Screw, 7/8"-9 Thd. x 3 1/2"	8	X	X
13	E-4347	934 00 494	Lock Nut	8	X	
				12		X
14	S.O.S.	930 03 575	Bolt	8	X	X
15	S.O.S.	930 02 921	Cap Screw, 1/2"-13 Thd. x 2"	8	X	X
16	S.O.S.	934 00 482	Lock Nut, 1/2"-13 Thd.	10	X	X
17	S.O.S.	936 00 138	Washer, 1/2"	18	X	X
18	S.O.S.	930 00 617	Screw, 1/2"-13 Thd. x 4 3/4"	2	X	
	S.O.S.	930 00 621	Screw, 1/2"-13 Thd. x 5"			X
19	S.O.S.	930 02 993	Cap Screw, 1/2"-13 Thd. x 5"	2	X	X
20	S.O.S.	934 00 138	Hex Nut, 1/2"-13 Thd.	8	X	X
21	S.O.S.	930 00 567	Screw, 1/2"-13 Thd. x 1 1/2"	6	X	X
22	S.O.S.	910 31 087	Spring Clip	2	X	X
23	S.O.S.	910 36 108	Spring Clip Spacer	2	X	X
24	S.O.S.	930 03 419	Cap Screw, 5/8"-11 Thd. x 5"	2	X	X
25	E-2988	934 00 490	Lock Nut	10	X	X
26	S.O.S.	910 31 080	Guide Plate	2	X	X
27	S.O.S.	936 00 072	Lock Washer, 1/2"	6	X	X
28	E-2959	936 00 035	Washer	6	X	X
29	E-2983	934 00 498	Lock Nut	8	X	X
30	S.O.S.	936 00 022	Washer, 7/8"	16	X	X
				18		X
31	E-2547	939 00 025	Washer	10	X	
32	E-4288	910 10 031	Axle Cap	2	X	X
33	E-1331 (Rubber)	910 28 023	Spring End Pad	4	X	X
	E-8671 (Poly)					
34	E-1326	910 28 060	Wrapper	2	X	X
35	E-4291	910 01 040	Axle Adapter		X	X
	S.O.S.	910 01 097	Axle Adapter, Upper Universal Connection	2	X	X
	S.O.S.	910 01 041	Axle Adapter, Lower Universal Connection		X	X
36	S.O.S.	936 00 005	Washer, 3/4"	16	X	
				24		X
37	S.O.S.	910 08 048	Shackle Bushing, Heavy-Duty Version	2	X	X
38	S.O.S.	910 08 072	Trunnion Bushing, Heavy-Duty Version	2	X	X
39	S.O.S.	910 08 050	Fiber Trunnion Bushing, Heavy-Duty Version	2	X	X
40	S.O.S.	910 31 083	Spacer Plate, Heavy-Duty Version	4	X	X
41	S.O.S.	910 08 049	Fiber Shackle Bushing, Heavy-Duty Version	2	X	X
—	S.O.S.	SRK-21	Shackle Connection Kit	1	X	X

NEWAY

NEWAY TL-636-1, -2, -3, -4, -5 SERIES

Tandem Four Spring Trailer



LEAF SPRING REFERENCES

SRI No.	
TRA 2686	7 Leaf
TRA 2689	9 Leaf
TRA 3213	12 Leaf

KEY NO.	EUCLID NO.	REPLACES NO.	DESCRIPTION	QTY PER TANDEM	TL-636-				
					1	2	3	4	5
1	S.O.S.	915 57 005	Spring Assembly (7 Leaf- 4 Wide)	4	X	X	X	X	X
2	E-4310	910 10 054	Spring End Cap	4	X	X	X	X	X
3	E-4307	910 08 032	Spring End Boot	4	X	X	X	X	X
4	E-4306	910 01 062	Spring End Retainer	8	X	X	X	X	X
5	S.O.S.	930 03 359	Bolt, 5/8"-11 Thd. x 2 1/2"	16	X	X	X	X	X
6	E-2988	934 00 488	Lock Nut, 5/8"-11 Thd.	24	X	X	X	X	X

NEWAY TL-636-1, -2, -3, -4, -5 SERIES

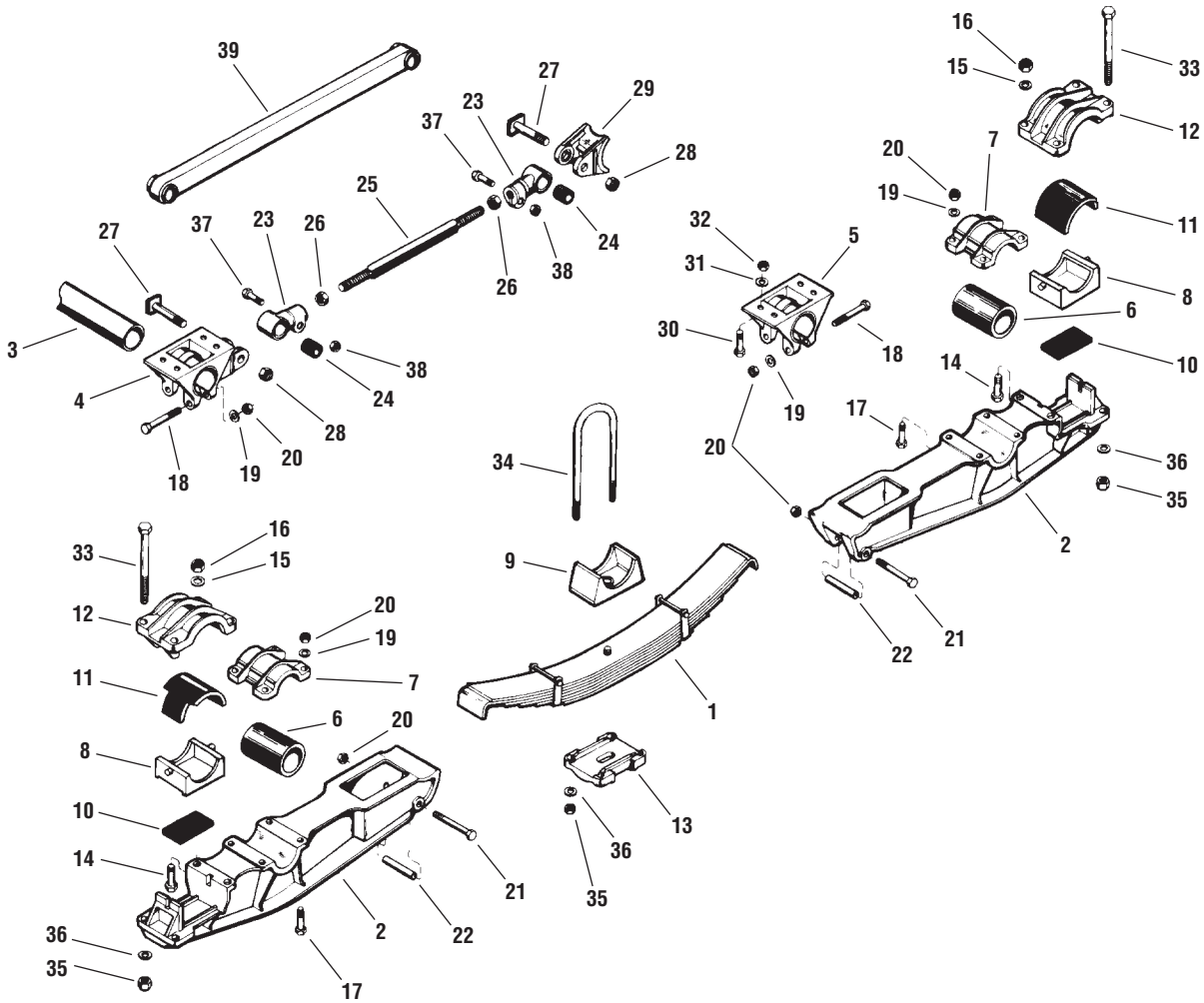
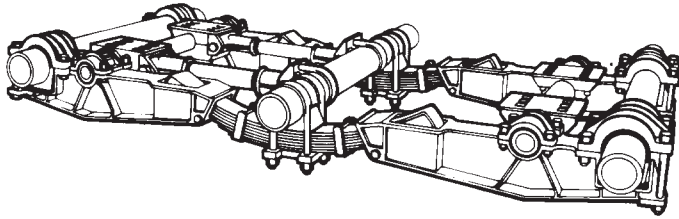
Tandem Four Spring Trailer

KEY NO.	EUCLID NO.	REPLACES NO.	DESCRIPTION	QTY PER TANDEM	TL-636-				
					1	2	3	4	5
7	S.O.S.	910 18 011	Frame Mounting Bracket, Left Hand, 2 1/2" High		X				
	S.O.S.	910 18 009	Frame Mounting Bracket, Left Hand, 4" High	2		X	X		
	S.O.S.	910 18 016	Frame Mounting Bracket, Left Hand, 6" High					X	X
	S.O.S.	910 18 012	Frame Mounting Bracket, Right Hand, 2 1/2" High		X				
	S.O.S.	910 18 010	Frame Mounting Bracket, Right Hand, 4" High	2		X	X		
	S.O.S.	910 18 017	Frame Mounting Bracket, Right Hand, 6" High					X	X
8	S.O.S.	910 44 007	Frame Mounting Bracket, Flanges Optional	6	X	X	X	X	X
9	S.O.S.	910 18 025	Equalizer Frame Mounting Bracket, 3 7/16" High		X				
	S.O.S.	910 18 024	Equalizer Frame Mounting Bracket, 4 15/16" High	2		X	X		
	S.O.S.	910 18 023	Equalizer Frame Mounting Bracket, 6 15/16" High					X	X
10	S.O.S.	910 10 057	Equalizer Mounting Bracket Cap	2	X	X	X	X	X
11	E-1335	910 08 037	Bushing	2	X	X	X	X	X
12	E-4348	930 03 345	Bolt	8	X	X	X	X	X
13	S.O.S.	915 15 006	Equalizer Assembly	2	X	X	X	X	X
14	S.O.S.	930 03 017	Bolt, 1/2"-13 Thd. x 6"	4	X	X	X	X	X
15	S.O.S.	934 00 482	Lock Nut, 1/2"-13 Thd.	4	X	X	X	X	X
16	S.O.S.	910 01 078	Alignment Plate	2	X	X	X	X	X
17	S.O.S.	932 00 079	Screw, 3/4"-10 Thd. x 3 1/4"	4	X	X	X	X	X
18	S.O.S.	934 00 268	Jam Nut, 3/4"-10 Thd.	4	X	X	X	X	X
19	E-2983	934 00 498	Lock Nut	16	X	X	X	X	X
20	S.O.S.	910 01 074	Fixed Axle Seat, 4 1/2" Round Axle	2	X	X		X	
		910 01 069					X		X
	S.O.S.	910 01 075	Fixed Axle Seat, 5" Round Axle		X	X		X	
		910 01 070					X		X
21	S.O.S.	910 01 071	Adjustable Axle Seat, 4 1/2" Round Axle	2	X	X		X	
		910 01 076					X		X
	S.O.S.	910 01 072	Adjustable Axle Seat, 5" Round Axle		X	X		X	
		910 01 077					X		X
22	S.O.S.	900 42 106	U-Bolt Assembly, Rd. Bend 7/8"-9 Thd. x 4 1/2" Wide x 11 1/2" Long		X	X		X	
	S.O.S.	900 42 110	U-Bolt Assembly, Rd. Bend 7/8"-9 Thd. x 4 1/2" Wide x 12 1/2" Long	8			X		X
	E-UB8166-12	900 41 174	U-Bolt Assembly, Rd. Bend 7/8"-14 Thd. x 5" Wide x 12" Long		X	X	X	X	X
23	E-4300	910 10 108	Top Plate	4	X	X	X	X	X
24	S.O.S.	910 36 083	Equalizer Tube End	4	X	X	X	X	X
25	S.O.S.	936 00 138	Washer, 1/2"	8	X	X	X	X	X
26	E-2546	936 00 162	Washer	16	X	X	X	X	X
27	E-2547	939 00 025	Washer	24	X	X	X	X	X

NEWAY

NEWAY TR-8540, TR-8600 SERIES

Tri-Axle Spring Trailer



KEY NO.	EUCLID NO.	REPLACES NO.	DESCRIPTION	QTY. PER TRI-AXLE	TR-8540	TR-8600
1	S.O.S.	915 57 175	Spring Assembly	2	X	
	S.O.S.	915 57 172				X
2	E-9534	910 15 015	Equalizing Beam	4	X	X
3	S.O.S.	910 38 290	Trunnion Tube	2	X	X
4	S.O.S.	910 01 088	Front Trunnion Clamp & Radius Rod Casting	2	X	X
5	S.O.S.	910 01 066	Rear Trunnion Clamp Casting	2	X	X
6	E-2935 (Rubber)	900 08 011	Bushing	4	X	X
	E-7443 (Poly)					
7	S.O.S.	910 10 157	Trunnion Cap Casting	4	X	X
8	S.O.S.	910 01 089	Axle Adapter, 5" Round Axle, 15" Wheels	4	X	X

NEWAY TR-8540, TR-8600 SERIES

Tri-Axle Spring Trailer

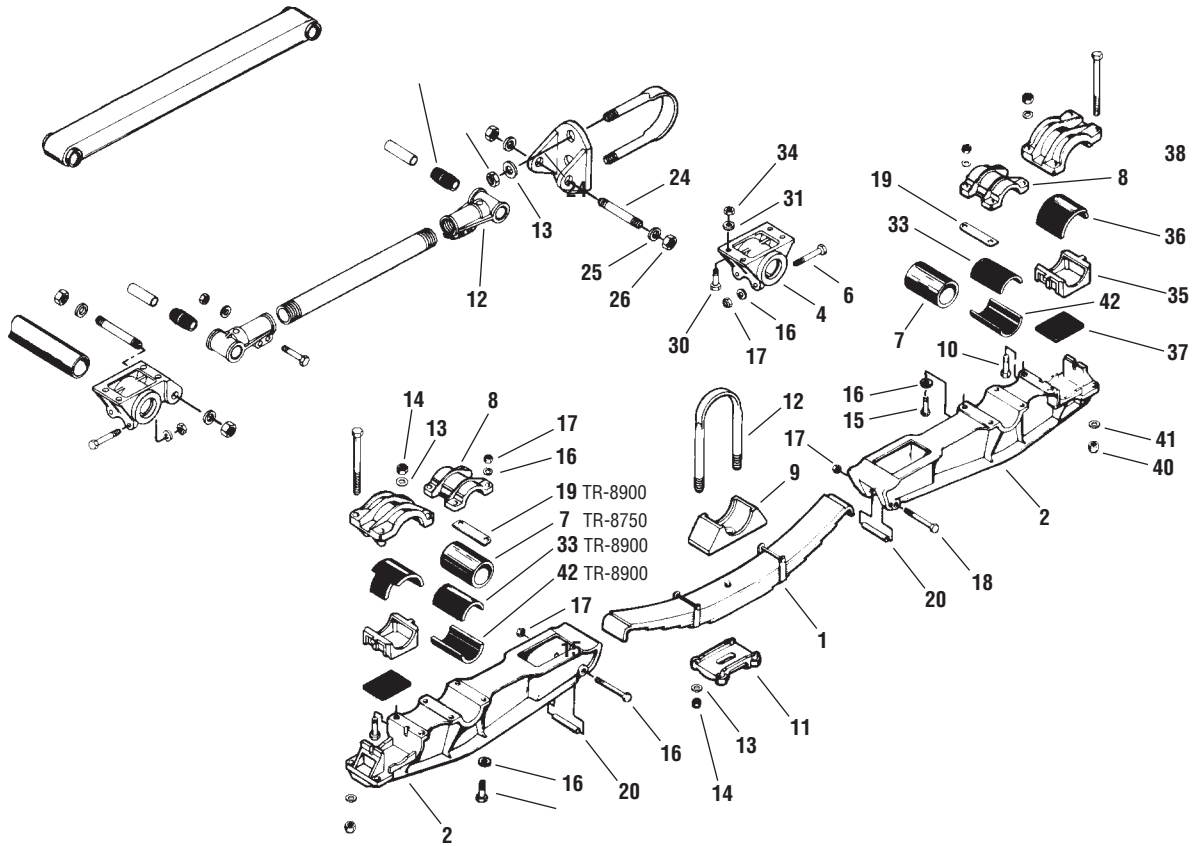
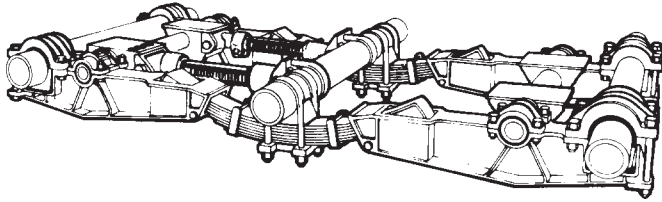
KEY NO.	EUCLID NO.	REPLACES NO.	DESCRIPTION	QTY. PER TRI-AXLE	TR-8540	TR-8600
9	S.O.S.	910 01 075	Axle Seat, 5" Round, Center Axle	2	X	X
10	E-1330 (Rubber)	910 28 089	Spring End Pad	4	X	X
	E-8670 (Poly)					
11	E-2945 (Rubber)	910 28 051	Wrapper	4	X	X
	E-8679 (Poly)					
12	S.O.S.	910 10 060	Axle Cap, 5" Round Axle	4	X	X
13	E-4300	910 10 108	Top Plate	2	X	X
14	S.O.S.	930 04 239	Cap Screw, 1"-8 Thd. x 3 1/2"	8	X	X
15	E-2975	936 00 168	Washer	8	X	X
16	E-4421	934 00 502	Lock Nut	8	X	X
17	S.O.S.	930 03 575	Bolt	16	X	X
18	E-2989	930 03 633	Bolt	8	X	X
19	E-2545	936 00 156	Washer	32	X	X
20	E-4347	934 00 492	Lock Nut, 3/4"-10 Thd.	28	X	X
21	S.O.S.	930 03 657	Cap Screw, 3/4"-10 Thd. x 6"	4	X	X
22	S.O.S.	910 36 078	Pipe Spacer	4	X	X
23	E-4316	915 44 002	Torque Arm End, Left Hand	1	X	X
	E-4317	915 44 003	Torque Arm End, Right Hand	1	X	X
24	E-2939 (Rubber)	910 08 007	Torque Arm Bushing	4	X	X
	E-8676 (Poly)					
25	S.O.S.	915 06 003	Radius Rod, 1 1/4"-7 Thd. x 21 3/4"	1	X	X
26	E-4274	934 00 036	Jam Nut, Left Hand	1	X	X
	E-4275	934 00 284	Jam Nut, Right Hand	1	X	X
27	E-4261	939 00 009	Bolt	4	X	X
28	E-4273	934 00 569	Lock Nut	4	X	X
29	S.O.S.	910 18 005	Radius Rod Axle Bracket, 5" Round Axle	2	X	X
30	S.O.S.	903 03 345	Bolt	16	X	X
31	E-2547	939 00 025	Washer	16	X	X
32	E-2988	934 00 488	Lock Nut, 5/8"-11 Thd.	16	X	X
33	S.O.S.	930 03 941	Cap Screw, 7/8"-9 Thd. x 9"	8	X	X
34	S.O.S.	900 41 170	U-Bolt Assembly, Rd. Bend, 7/8"-9 Thd. x 5 1/16" Wide x 11" Long	4	X	X
35	E-2983	934 00 498	Lock Nut	16	X	X
36	E-2546	936 00 162	Washer	16	X	X
37	S.O.S.	930 02 921	Cap Screw, 1/2"-13 Thd. x 2"	2	X	X
38	S.O.S.	934 00 482	Lock Nut, 1/2"-13 Thd.	2	X	X
39	S.O.S.	915 44 149	Fixed Radius Rod, Includes two (2) 900 08 007 Bushings	1	X	X
—	E-4391	SRK-39 481 00 050	Radius Rod Repair Kit Includes Key Nos. 24, 27, 28	1	X	X
—	S.O.S.	SRK-97 481 00 145	5" Round Trunnion & End Axle Kit Includes Key-Nos. 6, 10, 11, 14, 15, 16, 17, 19, 20, 33, 35, 36	2	X	X

NEWAY

NEWAY TR-8750, TR-8900 SERIES

Tri-Axle Spring Trailer

NEWAY



LEAF SPRING REFERENCES

SRI No.

TRA 2687

7 Leaf

NEWAY TR-8750, TR-8900 SERIES

Tri-Axle Spring Trailer

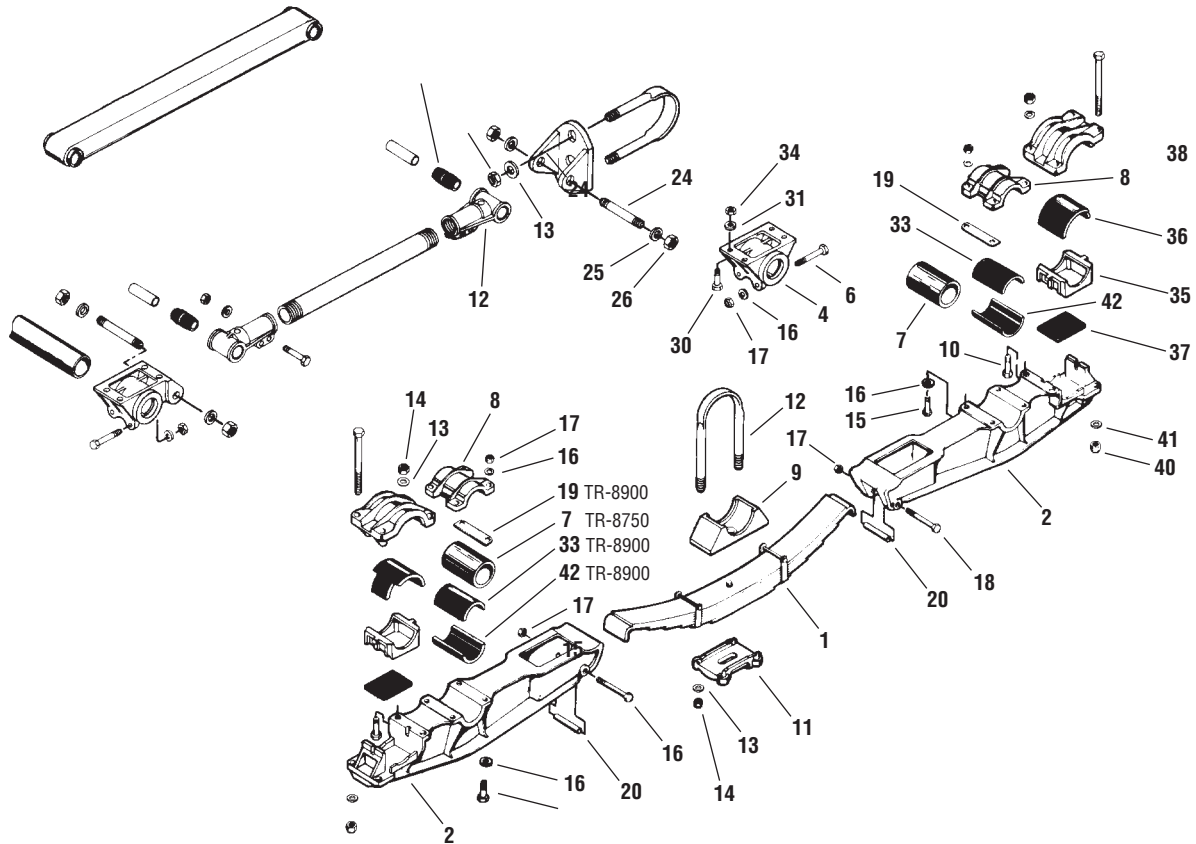
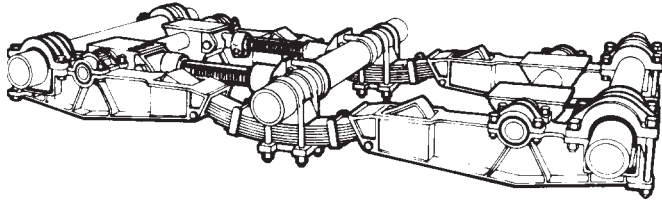
KEY NO.	EUCLID NO.	REPLACES NO.	DESCRIPTION	QTY PER TRI-AXLE	TR-8750	TR-8900
1	S.O.S.	915 57 172	Spring Assembly	2	X	X
2	E-9534	910 15 015	Equalizing Beam, 5" Round Axle	4	X	X
	S.O.S.	915 15 011	Equalizing Beam, 5 3/4" Round Axle	2	X	X
3	S.O.S.	910 38 290	Trunnion Tube	2	X	X
4	S.O.S.	915 01 011	Rear Trunnion Clamp	2	X	X
5	S.O.S.	915 18 040	Front Trunnion Clamp, Left Hand	1	X	X
	S.O.S.	915 18 041	Front Trunnion Clamp, Right Hand	1	X	X
6	E-2989	930 03 633	Bolt	8	X	X
7	E-2935 (Rubber)	900 08 011	Trunnion Bushing	4	X	
	E-7443 (Poly)					
8	S.O.S.	910 10 157	Trunnion Cap	4	X	X
9	S.O.S.	910 01 075	Axle Seat, 5" Round Axle	2	X	X
	S.O.S.	910 01 073	Axle Seat, 5 3/4" Round Axle		X	X
10	S.O.S.	930 04 239	Cap Screw, 1"-8 Thd. x 3 1/2", 5" Round Axle	8	X	X
	S.O.S.	930 04 251	Cap Screw, 1"-8 Thd. x 4", 5 3/4" Round Axle		X	X
11	E-4300	910 10 108	Top Plate, 5" Round Axle	2	X	X
	S.O.S.	910 10 093	Top Plate, 5 3/4" Round Axle		X	X
12	E-UB8475-114	900 41 824	U-Bolt Assembly, Flat Rd. Bend, 1"-14 Thd. x 5" Wide x 11 1/2" Long	4	X	X
	S.O.S.	900 42 814	U-Bolt Assembly, Flat Rd. Bend 1"-14 Thd. x 5" Wide x 12" Long		X	X
13	E-2975	936 00 168	Washer	20	X	X
14	E-4421	934 00 500 (Old) 934 00 502 (New)	Lock Nut	20	X	X
15	S.O.S.	930 03 585	Cap Screw, 3/4"-10 Thd. x 3"	16	X	X
16	E-2545	936 00 156	Washer	32	X	X
17	E-4347	934 00 492	Lock Nut, 3/4"-10 Thd.	28	X	X
18	S.O.S.	930 03 657	Cap Screw, 3/4"-10 Thd. x 6"	4	X	X
19	S.O.S.	910 36 078	Trunnion Cap Spacer	8		X
20	S.O.S.	910 36 078	Pipe Spacer	4	X	X
21	S.O.S.	915 44 137	Radius Rod End, Left Hand, Includes E-2940 Bushing	1	X	X
	S.O.S.	915 44 138	Radius Rod End, Right Hand, Includes E-2940 Bushing	1	X	X
22	S.O.S.	910 38 475	Radius Rod Screw	1	X	X
23	E-2940 (Rubber)	900 08 002	Beam End Bushing	4	X	X
	E-8677 (Poly)					
24	E-4361	932 00 945	Bolt	4	X	X
25	E-2548	936 00 174	Washer	8	X	X
26	E-4358	934 00 506	Lock Nut	4	X	X
27	S.O.S.	900 38 083	Derlin Liner, S.O.S. only	4	X	X
28	S.O.S.	910 18 039	Radius Rod Axle Bracket	2	X	X

NEWAY

NEWAY TR-8750, TR-8900 SERIES

Tri-Axle Spring Trailer

NEWAY



LEAF SPRING REFERENCES

SRI No.

TRA 2687

7 Leaf

NEWAY TR-8750, TR-8900 SERIES

Tri-Axle Spring Trailer

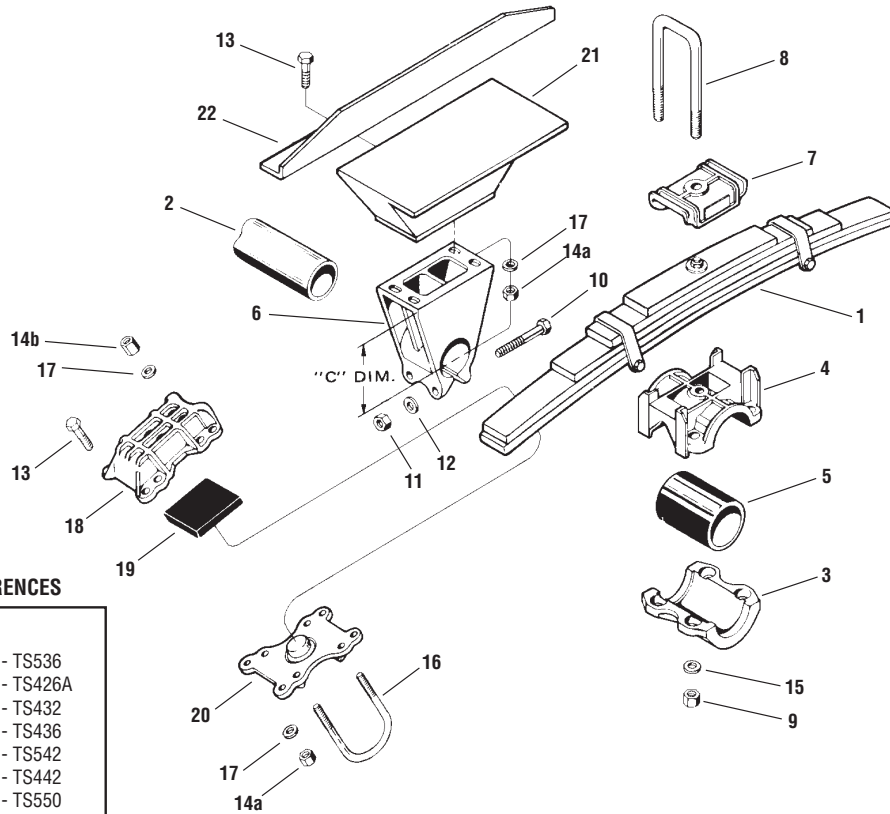
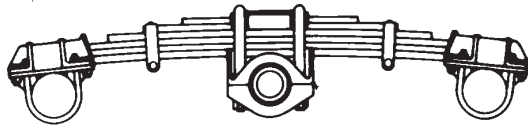
KEY NO.	EUCLID NO.	REPLACES NO.	DESCRIPTION	QTY PER TRI-AXLE	TR-8750	TR-8900
29	S.O.S.	900 41 808	U-Bolt Assembly, Flat Rd., 1"-8 Thd. x 5 1/16" Wide x 7 1/2" Long	2	X	X
	S.O.S.	900 41 842	U-Bolt Assembly, Flat Rd., 1"-8 Thd. x 5 13/16" Wide x 8" Long		X	X
30	E-4348	930 03 345	Bolt	16	X	X
31	E-2547	939 00 025	Washer	20	X	X
32	S.O.S.	930 03 387	Cap Screw 5/8"-11 Thd. x 2" Grade 5	4	X	X
33	N/A	910 08 112	Replaced By Complete Trunnion Part No. E-7443	4		X
34	E-2988	934 00 488	Lock Nut, 5/8"-11 Thd.	20	X	X
35	S.O.S.	910 01 089	Axle Adapter, 5" Round Axle	4	X	X
	S.O.S.	910 01 120	Axle Adapter, 5 3/4" Round Axle		X	X
36	E-2945 (Rubber)	910 28 051	Wrapper, 5" Round Axle	4	X	X
	E-8679 (Poly)				X	X
	E-2946 (Rubber)				910 28 053	Wrapper, 5 3/4" Round Axle
37	E-1330 (Rubber)	910 28 089	End Pad	4	X	X
	E-8670 (Poly)				X	X
38	S.O.S.	910 10 060	Axle Cap, 5" Round Axle	4	X	X
	S.O.S.	910 10 059	Axle Cap, 5 3/4" Round Axle		X	X
39	S.O.S.	930 03 941	Cap Screw, 7/8"-9 Thd. x 9"	8	X	X
40	E-2983	934 00 498	Lock Nut	8	X	X
41	E-2546	936 00 162	Washer	8	X	X
42	E-7443	910 08 112	Upper & Lower Half Trunnion Bushing	4		X
43	S.O.S.	915 44 147	Fixed Radius Rod, Includes two (2) E-2940 900 08 002 Bushings	1	X	X
—	S.O.S.	SRK-98	Radius Rod Kit, Includes Key Nos. 23, 24, 25, 26, 27, 31, 32, 34	1	X	X
—	S.O.S.	SRK-88	Heavy-Duty Fiber Trunnion, Kit Includes Key Nos. 15, 16, 17, 33	1	X	X
—	S.O.S.	SRK-97	5" Round Trunnion & End Axle Kit Includes Key Nos. 7, 10, 13, 14, 15, 16, 17, 36, 37, 39, 40, 41	1	X	
—	S.O.S.	SRK-134	5" Round Trunnion & End Axle, Kit Includes Key Nos. 10, 13, 14, 15, 16, 17, 36, 37, 39, 40, 41, 42	1		X
—	S.O.S.	SRK-100	5 3/4" Round Trunnion & End Axle, Kit Includes Key Nos. 10, 13, 14, 15, 16, 17, 36, 37, 39, 40, 41, 42	1	X	X

NEWAY

NEWAY SUSPENSION PARTS

TS-426-A, 432, 436, 442, 536, 542 SERIES

Two Spring Tandem Trailer



LEAF SPRING REFERENCES

SRI No.	
TRA 2241	5 Leaf - TS536
TRA 2662	5 Leaf - TS426A
TRA 2663	5 Leaf - TS432
TRA 2670	5 Leaf - TS436
TRA 2247	6 Leaf - TS542
TRA 2670	6 Leaf - TS442
TRA 2665	7 Leaf - TS550
TRA 2681	9 Leaf - TS560

KEY NO.	EUCLID NO.	REPLACES NO.	DESCRIPTION	QTY PER TANDEM	TS-426-A	TS-432	TS-436	TS-442	TS-536	TS-542
1	S.O.S.	915 57 016	Spring Assembly, 5 Leaf- 5 Wide 2	2		X	X			
	S.O.S.	915 57 018	Main Leaf							X
	S.O.S.	915 57 017	Spring Assembly, 6 Leaf- 5 Wide 3	2				X		
	S.O.S.	915 57 019	Main Leaf				X			
2	E-2964	910 38 003	Trunnion Shaft	1	X	X	X	X	X	X
	S.O.S.	910 38 004			X		X	—		
3	E-4302	910 10 047	Trunnion Cap	2	X	X	X	X	X	X
4	E-4301	910 01 051	Trunnion Cap	2	X	X	X	X	X	X
5	E-1332 (Rubber)	910 08 022	Trunnion Bushing	2	X	X	X	X	X	X
	E-7486 (Poly)									

NEWAY SUSPENSION PARTS

TS-426-A, 432, 436, 442, 536, 542 SERIES

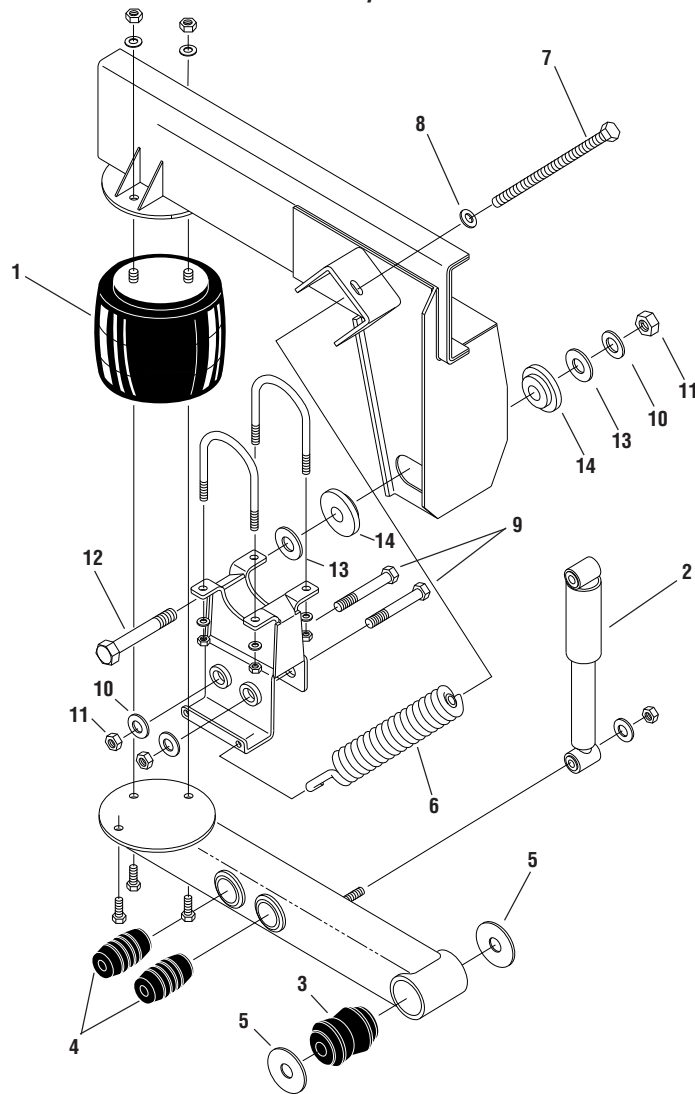
Two Spring Tandem Trailer

KEY NO.	EUCLID NO.	REPLACES NO.	DESCRIPTION	QTY PER TANDEM	TS-426-A	TS-432	TS-436	TS-442	TS-536	TS-542					
6	E-5213	910 01 054	Trunnion Mounting Bracket, 2 1/2" C Dimension	2	X	X	X	X	X	X					
	E-4312	910 01 055	Trunnion Mounting Bracket, 4 1/2" C Dimension		X	X	X	X	X	X					
	E-5214	910 01 056	Trunnion Mounting Bracket, 6 1/2" C Dimension		X	X	X	X	X	X					
	E-5215	910 01 058	Trunnion Mounting Bracket, 8 1/2" C Dimension		X	X	X	X	X	X					
7	E-4298	910 10 021	Top Plate	2	X	X	X	X	X	X					
8	E-UB8287-11	900 42 796	U-Bolt Assembly, Sq. Bend, 1 1/8"-12 Thd. x 5 3/4" Wide x 11" Long, 5 and 6 Leaf Springs	4	X	X	X	X	X	X					
	E-UB8287-14	—	U-Bolt Assembly, Sq. Bend, 1 1/8"-12 Thd. x 5 3/4" Wide x 14" Long, 7 and 8 Leaf Springs												
9	E-4358	934 00 506	Lock Nut	8	X	X	X	X	X	X					
10	S.O.S.	930 03 621	Cap Screw, 3/4"-10 Thd. x 4 1/2"	4	X	X	X	X	X	X					
11	E-4347	934 00 492	Lock Nut, 3/4"-10 Thd.	4	X	X	X	X	X	X					
12	E-2545	936 00 156	Washer	4	X	X	X	X	X	X					
13	E-4348	930 03 345	Bolt	24	X	X	X	X	X	X					
14a	E-2988	934 00 488	Lock Nut, 5/8"-11 Thd.	20	X	X	X	X	X	X					
14b	E-3000	—	Hi-Nut, 5/8"-18 Thd., 1 15/16" Hex, 27/32" High	20	X	X	X	X	X	X					
15	E-2548	936 00 174	Washer	8	X	X	X	X	X	X					
16	E-UB8145-076	900 41 067	U-Bolt Assembly, Rd. Bend, 5/8"-18 Thd. x 5" Wide x 7 3/4" Long	8	X	X	X	X	X	X					
	S.O.S.	900 42 061	U-Bolt Assembly, Rd. Bend, 5/8"-18 Thd. x 8 1/2" Long, 7 & 9 Leaves Spring												
17	E-2547	939 00 025	Washer	40	X	X	X	X	X	X					
18	E-4309	910 10 043	Spring End Cap	4	X	X	X	X	X	X					
	E-4308	910 10 038			X	X	X	X	X	X					
19	E-1330 (Rubber) E-8670 (Poly)	910 28 089	Rubber End Pad	4	X										
	E-1329A (Rubber)	910 28 152									X	X	X	X	X
20	E-4305	910 01 044	Spring End Pad	4	X	X	X	X	X	X					
	E-2965	910 01 049	Spring End Repair Pad	4	X	X	X	X	X	X					
21	S.O.S.	910 18 008	Frame Bracket	2	X	X	X	X	X	X					
22	S.O.S.	910 23 057	Frame Support Angle	2	X	X	X	X	X	X					
—	S.O.S.	SRK-22	Trunnion Connection Kit Includes Key Nos. 5, 9, 15, 16	1			X	X	X	X					
—	E-4383	SRK-23 481 00 020	5" Round Axle Connection Kit Includes Key Nos. 13, 14, 16, 17, 19	2			X	X	X	X					
	S.O.S.	SRK-24									X	X	X	X	



PAGE LM-2000 SERIES LIFT AXLE

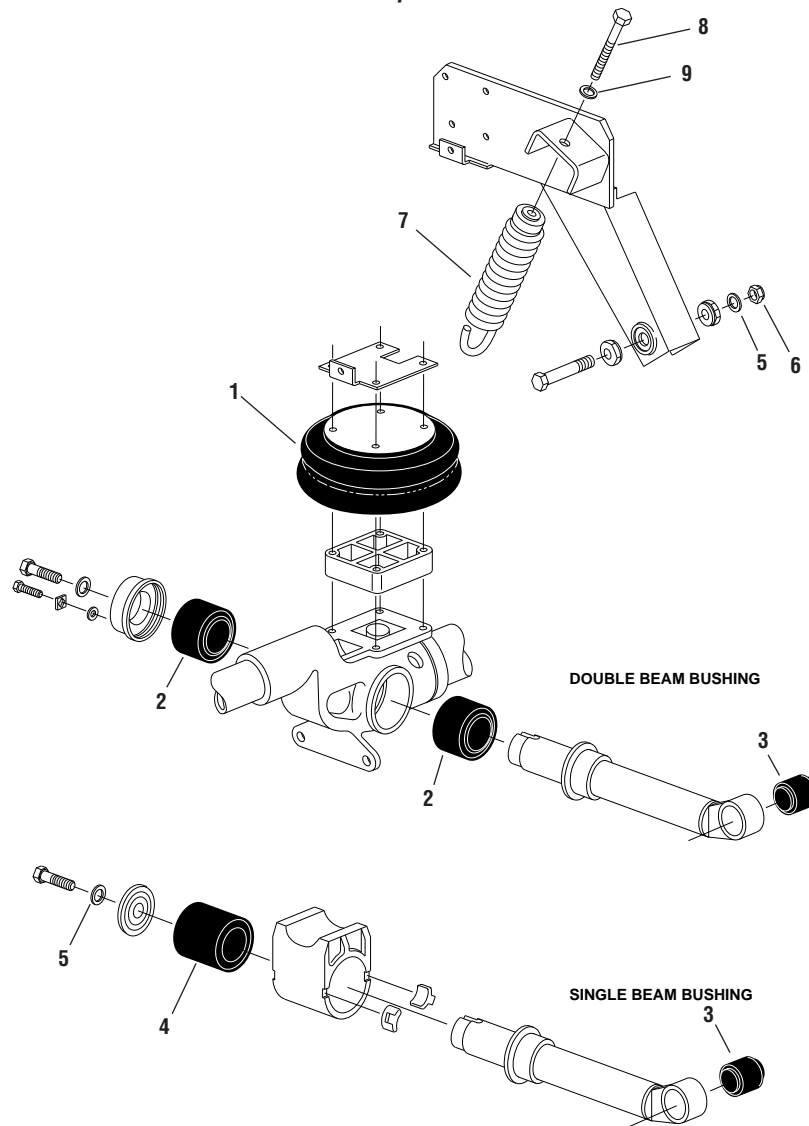
Truck/Tractor



KEY NO.	EUCLID NO.	REPLACES NO.	DESCRIPTION	QUANTITY PER SUSPENSION
1	FS9164	1090326	Air Spring	2
2	M83203 M85000	1080099	Shock Absorber	2
3	E-4382A	1090436	Beam End Bushing	2
4	E-4255	1090237	Axle Bracket Bushing	4
5	E-2957	1090437	Thrust Washer	4
6	E-9448	1027637	Coil Lift Spring	2
7	E-9449	1027645	Coil Lift Spring Bolt	2
8	E-9450	1027644	Coil Lift Spring Washer	2
9	E-4361	1090452	Axle Bracket Bolt	4
10	E-9452	1025264	Axle Bracket Washer	6
11	E-4358	1027534	Lock Nut	6
12	E-4361	1090438	Beam End Bolt	2
13	E-9454	1082048	Beam End Washer	4
14	E-9455	1082047	Alignment Collar	4

PAGE LM-3000 SERIES LIFT AXLE

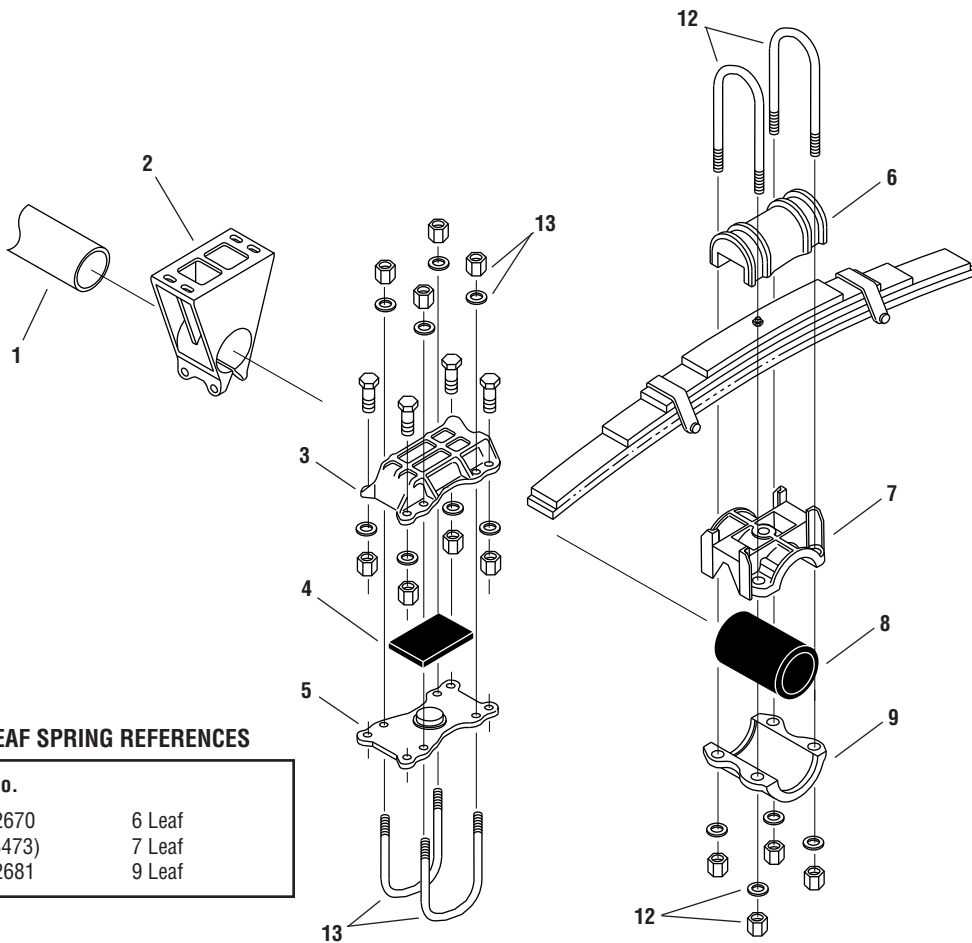
Truck/Tractor



KEY NO.	EUCLID NO.	REPLACES NO.	DESCRIPTION	PER QUANTITY SUSPENSION
1	FS7136	1027556	Air Spring	2
2	E-9456	1027371	Pivot Arm Bushing	4
3	E-9457	1080044	Beam End Bushing	4
4	E-9458	1080082	Pivot Arm Bushing	2
5	E-9452	1025264	Washer	2
6	E-2079	1027534	Lock Nut	2
7	E-9448	1027637	Coil Lift Spring	2
8	E-9449	1027645	Coil Lift Spring Bolt	2
9	E-9450	1027644	Coil Lift Spring Washer	2

PAGE SINGLE POINT

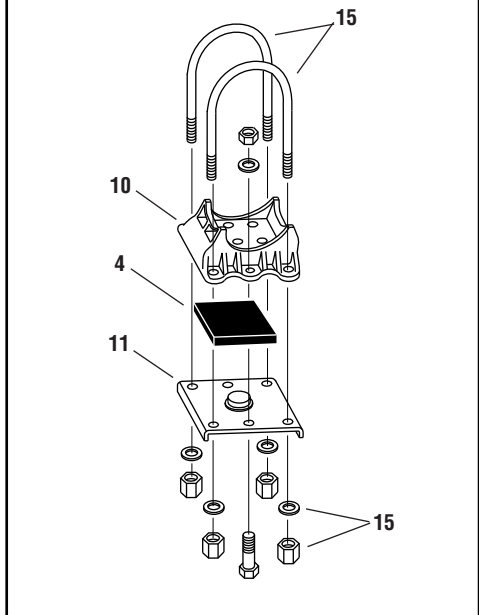
Trailer



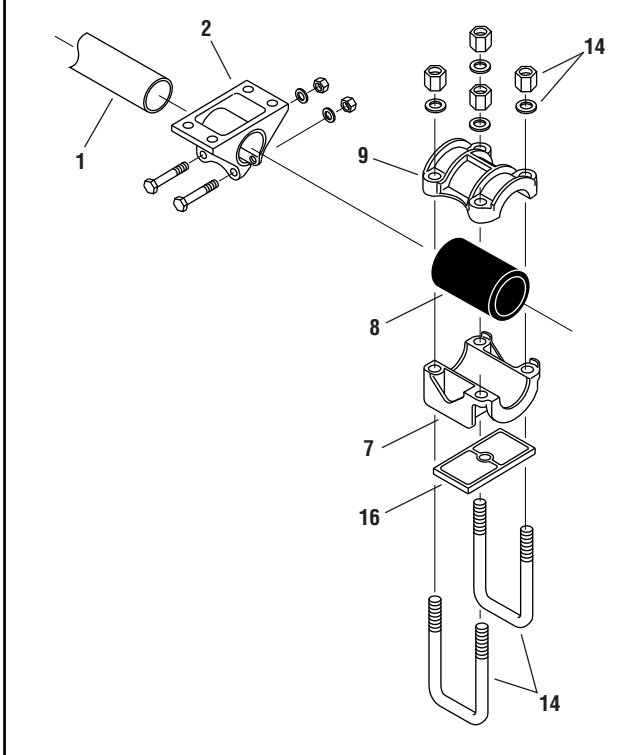
LEAF SPRING REFERENCES

SRI No.	
TRA 2670	6 Leaf
(1083473)	7 Leaf
TRA 2681	9 Leaf

OPTIONAL UNDERSLUNG AXLE



OPTIONAL UNDERSLUNG TRUNNION



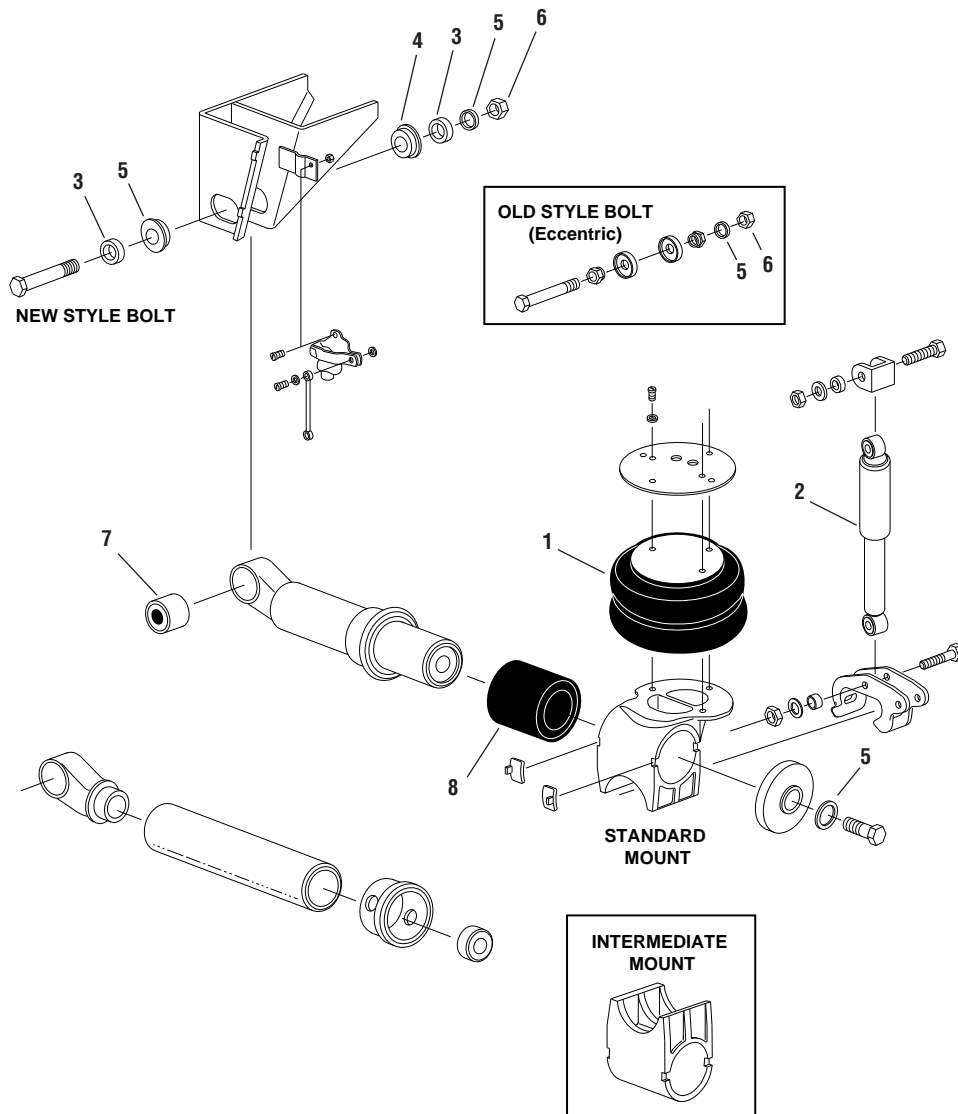
PAGE SINGLE POINT

Trailer

KEY NO.	EUCLID NO.	REPLACES NO.	DESCRIPTION	QUANTITY PER SUSPENSION
1	E-5218	1083482	Trunnion Shaft	1
2	E-5213	1084526	Trunnion Bracket, 2 1/2" High	2
	E-4312	1084538	Trunnion Bracket, 4 1/2" High	
	E-5214	1084554	Trunnion Bracket, 6 1/2" High	
	E-5215	1083495	Trunnion Bracket, 8 1/2" High	
3	E-4308	1083493	Spring End Cap	4
4	E-1330 (Rubber)	—	Spring End Pad	4
	E-8670 (Poly)			
5	E-4305	1083492	Spring Seat, 5" Round Axle	4
6	E-9459	1083472	U-Bolt Cap	2
7	E-4301	1083471	Trunnion Half	2
8	E-1332 (Rubber)	1083483	Trunnion Bushing	2
	E-7486 (Poly)			
9	E-4302	1083489	Trunnion Half	2
10	E-9460	1084524	Spring End Cap	4
11	E-9461	1084521	Spring End Pad	4
12	E-UB8186-154	1085153 1083485 1090188	U-Bolt Assembly, Rd. Bend, 1 1/8"-12 Thd. x 5 3/4" Wide x 15 1/2" Long	4
13	E-UB8145-076	1083486	U-Bolt Assembly, Rd. Bend, 5/8"-18 Thd. x 5" Wide x 7 3/4" Long	8
14	E-UB8287-14	1084523	U-Bolt Assembly, Sq. Bend, 1 1/8"-12 Thd. x 5 3/4" Wide x 14" Long	4
15	E-UB8178-126	1084525	U-Bolt Assembly, Rd. Bend, 1"-14 Thd. x 5" Wide x 12 3/4" Long	8
16	N/A	—	Plate	2
—	E-2965	—	Spring Seat Repair Pad	As Required

PAGE TRAILMASTER AIR SPRING

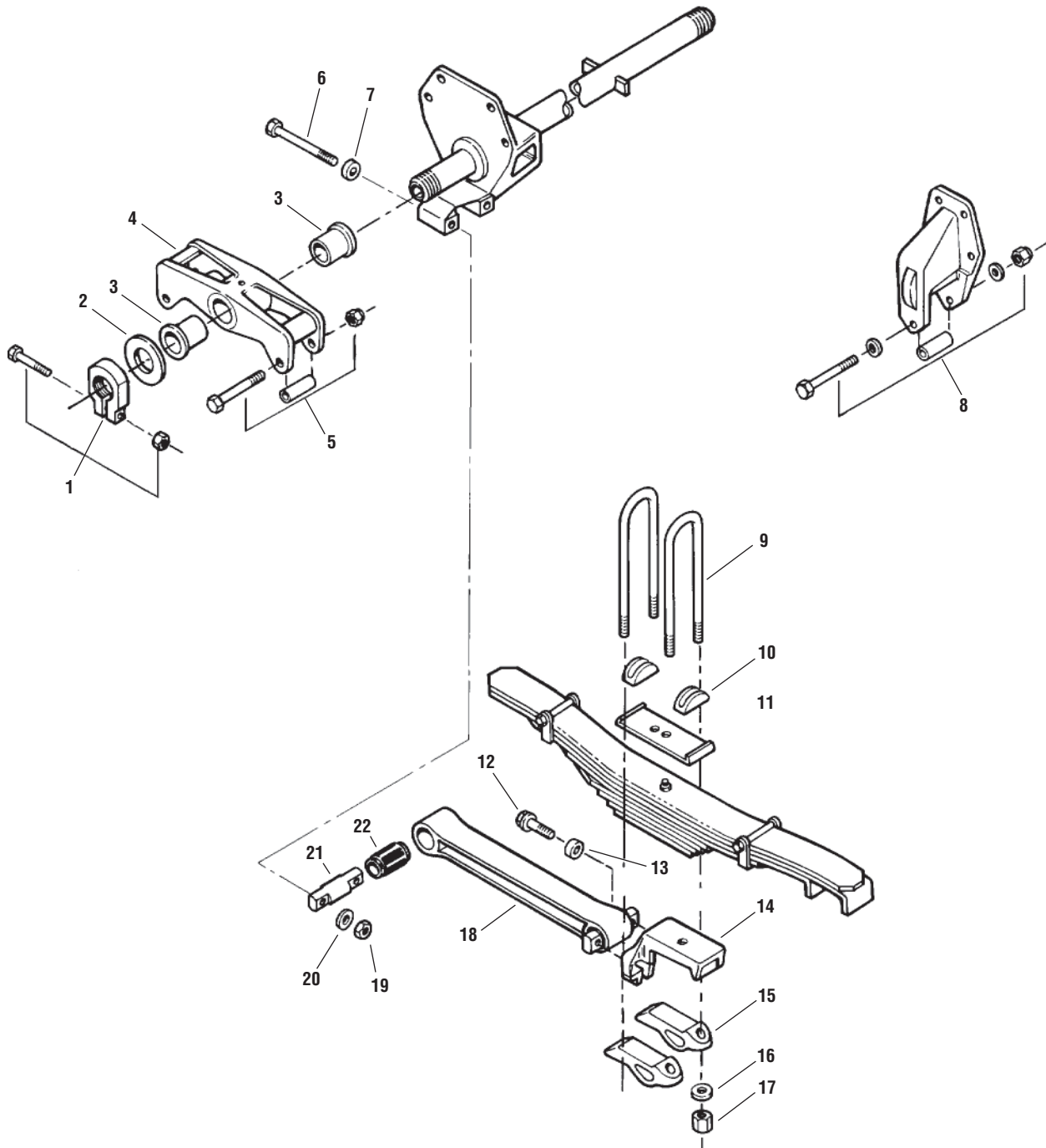
Trailer



KEY NO.	EUCLID NO.	REPLACES NO.	DESCRIPTION	QUANTITY PER SUSPENSION
1	FS7136	1027556	Air Spring	2
	M83203	1080099		
2	M85000		Shock Absorber	2
	M83204	1081933		
3	E-9454	1082048	Beam End Washer	4
4	E-9455	1082047	Alignment Collar	4
5	E-9452	1025264	Axle Bracket Washer	4
6	E-2079	1027534	Lock Nut	2
7	E-9457	1080044	Beam End Bushing	2
8	E-9458	1080082	Pivot Arm Bushing	2

PETERBILT 4-SPRING

Tractor



LEAF SPRING REFERENCES

SRI No.	
75-141	4/Pad/3/Pad
75-107	11 Leaf
75-117	11 Leaf

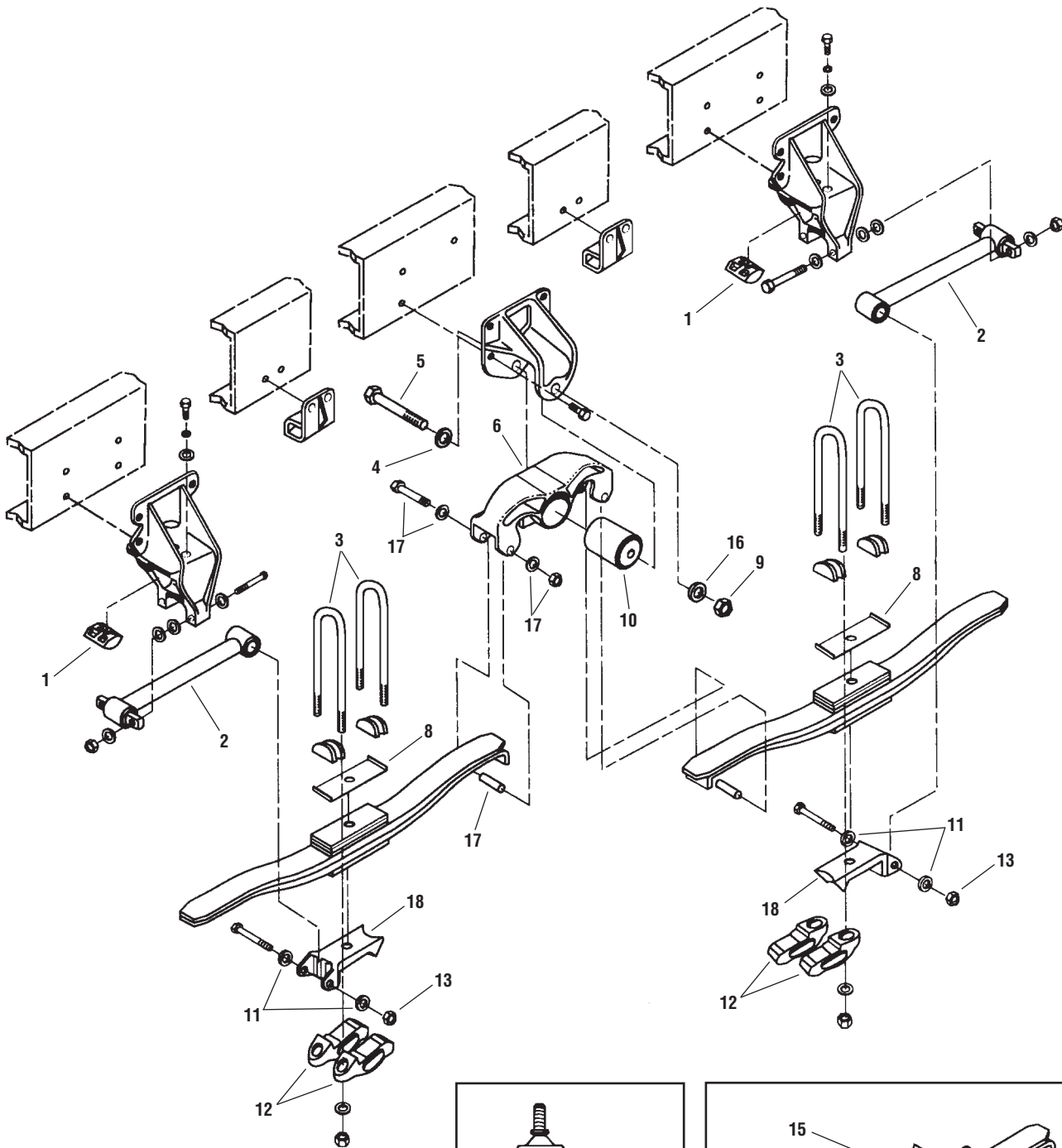
PETERBILT 4-SPRING

Tractor

KEY NO.	EUCLID NO.	REPLACES NO.	DESCRIPTION	QTY PER TANDEM
1	N/A	—	Equalizer Clamp Nut Assembly	2
2	E-4755	03-1771	Equalizer Washer	2
3	E-4745 E-7510 (Poly)	03-02099	Equalizer Bushing	4
5	E-4761	—	Equalizer Spacer Assembly	4
7	N/A	03-00869	Torque Arm Spacer Washer, 7/32" Thick	4
	E-4754	03-00870	Torque Arm Spacer Washer, 1/2" Thick	—
8	E-4770	—	Hanger Spacer Assembly	4
9	E-UB8151-18	Various	U-Bolt Assembly, Rd. Bend, 3/4"-16 Thd. x 3" Wide x 18" Long	8
10	—	03-01766	U-Bolt Saddle	8
11	N/A	03-01769	U-Bolt Saddle Plate	4
12	E-4759	27-00702-009	Torque Arm Bolt	8
13	N/A	03-00870	Torque Arm Spacer Washer	8
14	E-4767	03-02864M002	Axle Seat, Front	2
	E-4768	03-02865M002	Axle Seat, Rear	2
15	N/A	03-01765	Axle Clamp	8
16	E-2545	03-01199	Washer	16
17	E-3001	27-00433 27-00508-012	Hi-Nut	16
18	E-4753	03-04839	Torque Arm, E-4753 Non-Rebushable	4
19	E-3000	29-00508-010	Hi-Nut	16
20	N/A	27-00304-010	Torque Arm Lock Washer	16
21	E-4751	03-01768	Torque Arm Pin	8
22	E-4752	03-01776	Torque Arm Bushing	8

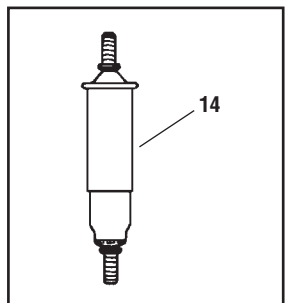
PETERBILT "QUADRAFLEX" 4-SPRING

Tractor

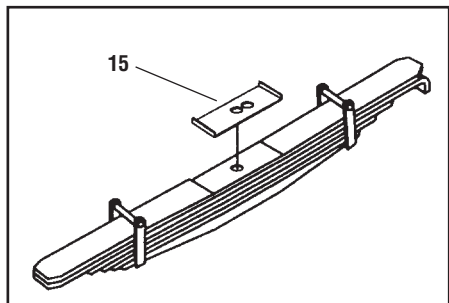


LEAF SPRING REFERENCES

SRI No.	
75-141	4/Pad/3/Pad
75-107	11 Leaf
75-117	11 Leaf



Shock Absorber



Optional Spring Assembly

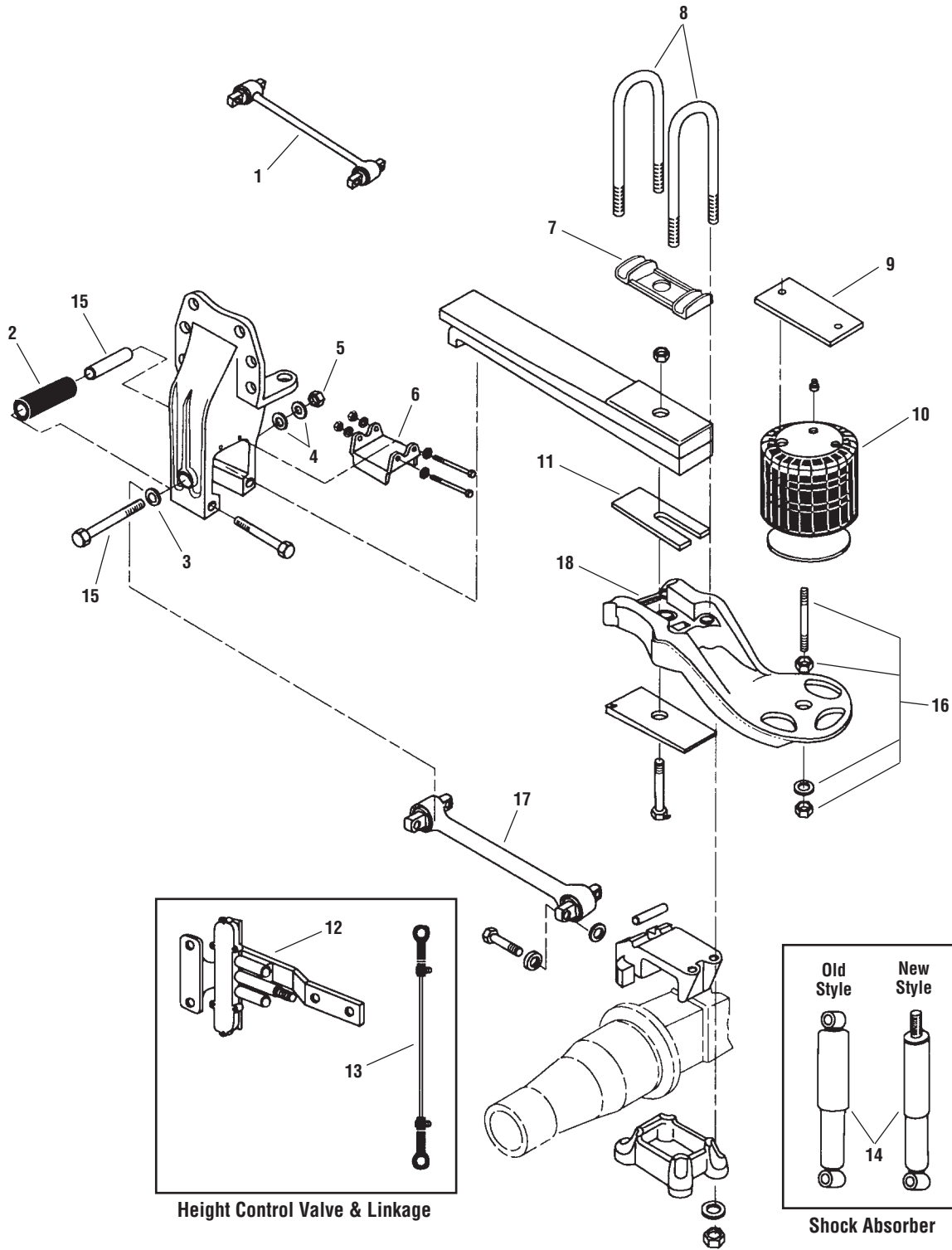
PETERBILT "QUADRAFLEX" 4-SPRING

Tractor

KEY NO.	EUCLID NO.	REPLACES NO.	DESCRIPTION	QTY PER TANDEM
1	E-7879	03-05851M001	Hanger Wear Pad	4
2	E-7887	03-05849	Torque Arm	4
3	E-UB8151-14	03-04524-01	U-Bolt Assembly, Rd. Bend, 3/4"-16 Thd. x 3" Wide x 14" Long	8
	E-UB8151-16	03-04524-150	U-Bolt Assembly, Rd. Bend, 3/4"-16 Thd. x 3" Wide x 16" Long	
4	E-2275	27-00790-016	Washer	2
5	E-4778	03-01668	Spring Eye Bolt	4
6	E-7869	03-06771M001	Equalizer	2
7	—	03-01766	U-Bolt Saddle	8
8	N/A	03-05863	Top Plate	4
9	E-4779	27-00791-016 41NE1614	Spring Eye Nut	2
10	E-7870	03-06843	Equalizer Bushing	2
11	E-2545	03-01199	Washer	8
12	N/A	03-02634R	Axle Clamp, Right Hand	4
	N/A	03-02634L	Axle Clamp, Left Hand	4
	N/A	03-04776	Axle Clamp	8
13	E-4347	12841-003-20CA	Lock Nut	4
14	M85326	03-04628	Shock Absorber	4
15	N/A	03-01769	U-Bolt Saddle Plate	4
16	E-2275	27-00790-016	Equalizer Washer	2
17	E-7871	—	Equalizer Bolt Kit Includes Key Nos. 4, 5, 9, 21	2
18	N/A	03-05859M001	Axle Seat, Front	2
	N/A	03-05858M001	Axle Seat, Rear	2

PETERBILT "AIR TRAC" AIR RIDE

Tractor



Height Control Valve & Linkage

Shock Absorber

LEAF SPRING REFERENCES

SRI No.	
75-125	2 Leaf
75-109	3 Leaf

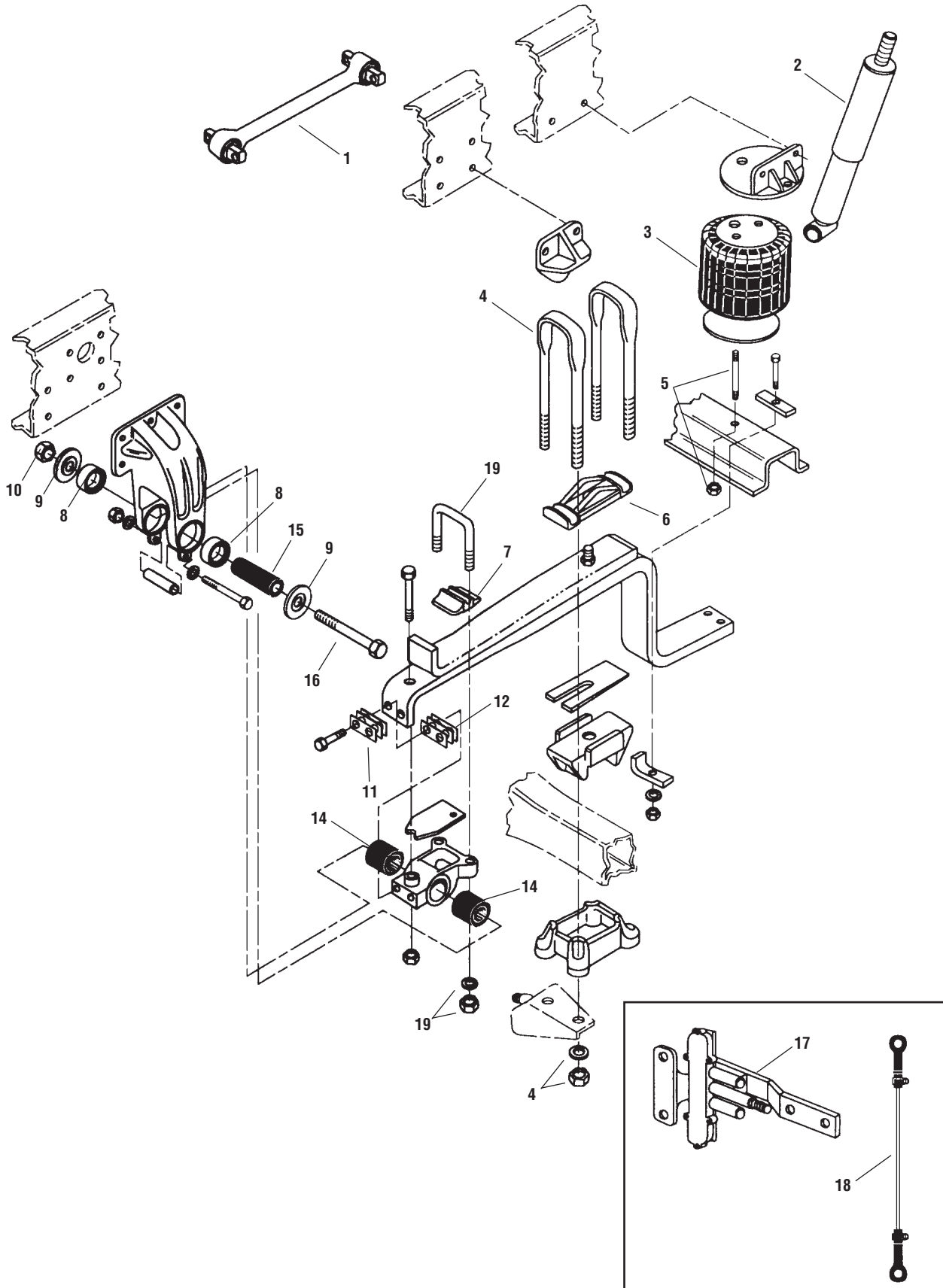
PETERBILT "AIR TRAC" AIR RIDE

Tractor

KEY NO.	EUCLID NO.	REPLACES NO.	DESCRIPTION	QUANTITY PER AXLE
1	E-4771	03-04059	Torque Arm, 23" Long	2
2	E-7855	03-04623	Spring Eye Bushing	2
3	E-2547	03-04962	Washer	2
4	S.O.S.	27-00428-010	Washer	4
5	E-1943	22NE1018 27-00791-008	Lock Nut	2
6	E-7862	23-12566 27-01032-008	Wear Pad Kit For Model Built Date Prior April 1993	2
7	E-4781	03-01656	Top Plate	2
8	E-UB8375-14	03-03133-150	U-Bolt Assembly, Semi Rd. Bend, 1"-14 Thd. x 4 1/8" Wide x 14" Long	4
	E-UB8375-154	03-03134-151	U-Bolt Assembly, Semi Rd. Bend, 1"-14 Thd. x 4 1/8" Wide x 15 1/2" Long	
9	E-7865	03-03846	Air Spring Spacer	2
10	FS9069	03-01649 03-02038 03-02456	Air Spring	2
11	E-7864	03-04106	Leaf Spring Shim	2
12	E-4323	—	Height Control Valve	1
13	E-7852	03-06224	Leveling Valve Link Assembly	1
14	M85308	03-04176	Shock Absorber	4
	M89422			
	M85311			
	M89424			
15	E-7854	—	Spring Eye Bushing Kit Includes Key Nos. 2, 3, 4, 5, 18	2
16	E-7868	27-00173 27-00311-008 27-00304-008	Air Spring Stud Assembly	2
17	E-5082	03-04119	Torque Arm with 5/8" Hole in Both Bushings	2
	E-5083	03-04327	Torque Arm with 5/8" One End and 3/4" Other End	2
18	E-7866	03-2559L	Spring Support, Left Hand	1
		03-06747L		
	E-7867	03-02559R 03-06747R	Spring Support, Right Hand	1

PETERBILT "LOW AIR LEAF"

Tractor



Height Control Valve & Linkage

PETERBILT

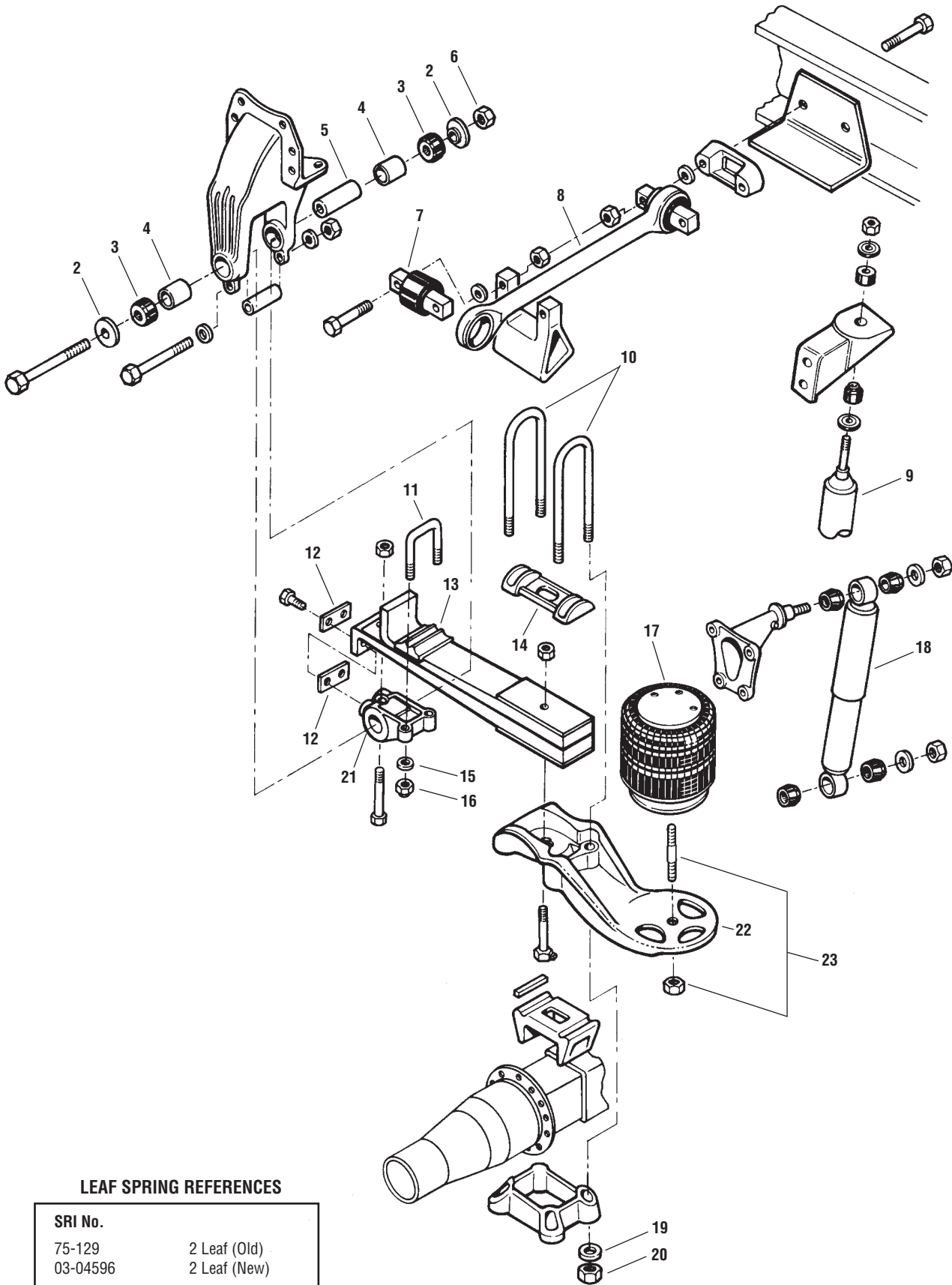
PETERBILT "LOW AIR LEAF"

Tractor

KEY NO.	EUCLID NO.	REPLACES NO.	DESCRIPTION	QTY PER AXLE
1	E-7853	03-05108	Torque Arm	2
2	M85033	03-07423	Shock Absorber	2
	M89427			
3	FS9026	03-0613	Air Spring	2
	FS9194	03-05107		2
4	E-UB8673-154	03-05110-155	U-Bolt Assembly, Flat-Semi Round. Bend, 1"-14 Thd. x 3 9/16" Wide x 15 1/2" Long	4
5	E-7851	27-00791-008 27-00972	Air Spring Stud & Nut Assembly	2
6	N/A	03-05380	Top Plate	2
7	N/A	03-05100	Top Plate	2
8	E-4776	03-01675	Spring Hanger Bushing	4
9	E-4777	03-01670	Spring Hanger Washer	4
10	E-4779	41NE1614 27-00791	Spring Eye Nut	2
11	E-7844	03-05114-002	Shim	—
12	E-7845	03-05114-001	Shim	—
14	E-7841	03-05101	Spring Eye Bushing	4
15	Part of E-7840	03-05102	Sleeve	2
16	Part of E-7840	03-05103	Bolt	2
—	E-7840	—	Spring Eye Bushing Kit, Includes Key Nos. 8, 9, 10, 14, 15, 16.	2
17	E-4323	—	Height Control Valve	1
18	E-7852	03-06224	Leveling Valve Link Kit	1
19	E-UB8253-05	03-05105	U-Bolt Assembly, Sq. Bend, 3/4"-16 Thd. x 3 1/2" Wide x 5" Long	2

PETERBILT "AIR LEAF"

Tractor



LEAF SPRING REFERENCES

SRI No.	
75-129	2 Leaf (Old)
03-04596	2 Leaf (New)

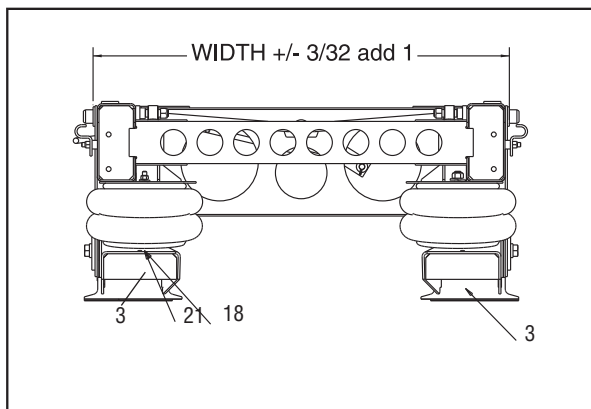
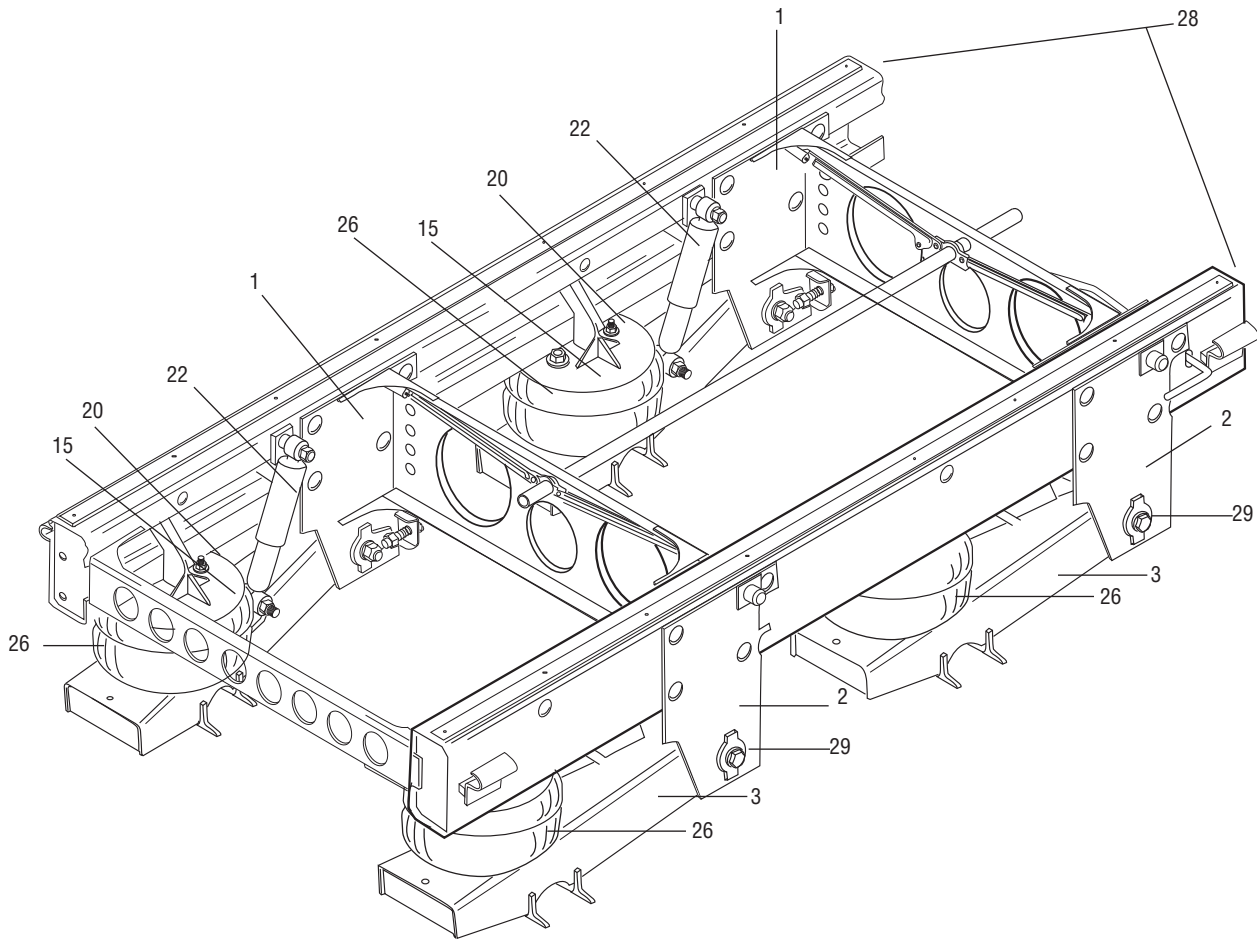
PETERBILT "AIR LEAF"

Tractor

KEY NO.	EUCLID NO.	REPLACES NO.	DESCRIPTION	QTY PER AXLE
1	E-4778	03-01668	Spring Eye Bolt	2
2	E-4777	03-01670	Spring Hanger Washer	4
3	E-4776	03-01675	Spring Hanger Bushing	4
4	E-4775 (Rubber) E-7509 (Poly)	03-01674	Spring Eye Bushing	4
5	E-4774	03-01669	Spring Eye Sleeve	2
6	E-4779	41NE1614 27-00791-016	Spring Eye Nut	2
—	E-4773	—	Spring Eye Bushing Kit, Includes Key Nos. 1, 2, 3, 4, 5, 6.	2
7	E-2225 (Rubber) E-7638 (Poly)	227710	Straddle Cartridge 44694	4
8	E-4771	03-04059	Torque Arm	2
9	M85311 M89424	03-04629	Shock Absorber	2
10	E-UB8375-14	03-03133-150	U-Bolt Assembly, Semi Rd. Bend, 1"-14 Thd. x 4 1/8" Wide x 14" Long	2
	E-UB8375-154	03-03134-151	U-Bolt Assembly, Semi Rd. Bend, 1"-14 Thd. x 4 1/8" Wide x 15 1/2" Long	2
11	E-UB8255-05	03-04523	U-Bolt Assembly, Sq. Bend, 3/4"-16 Thd. x 4" Wide x 5" Long	4
12	E-4780	03-04959-001	Shim	4
13	E-4782	03-01657	Top Plate	2
14	E-4781	03-01656	Top Plate	2
15	E-2545	03-01199	Washer	4
16	E-3001	27-00433 27-00508-012	U-Bolt Hi-Nut	4
17	FS9069	03-01649 03-02038	Air Spring	2
18	M85308 M89422	03-04176	Shock Absorber	2
19	E-2975	03-01203	Washer	8
20	E-3003	27-00508-016	U-Bolt Hi-Nut	8
21	E-11749	03-01654	Spring Eye Pivot	2
22	E-7866	03-2559L 03-06747L	Spring Support, Left Hand	1
	E-7867	03-02559R 03-06747R	Spring Support, Right Hand	1
23	E-7868	27-00173 27-00311-008 27-00304-008	Air Spring Stud Assembly	2

REYCO/GRANNING 19AR/RS1062 SERIES

Trailer



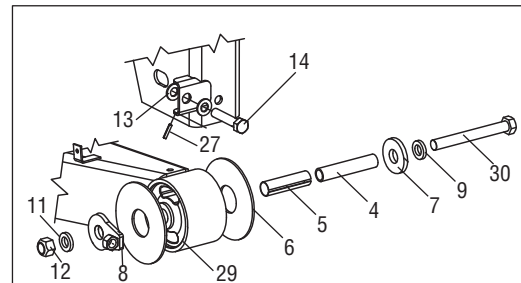
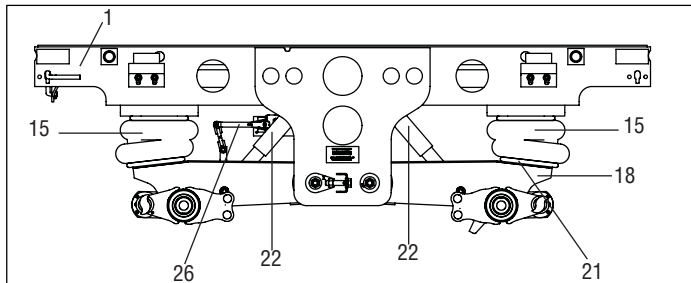
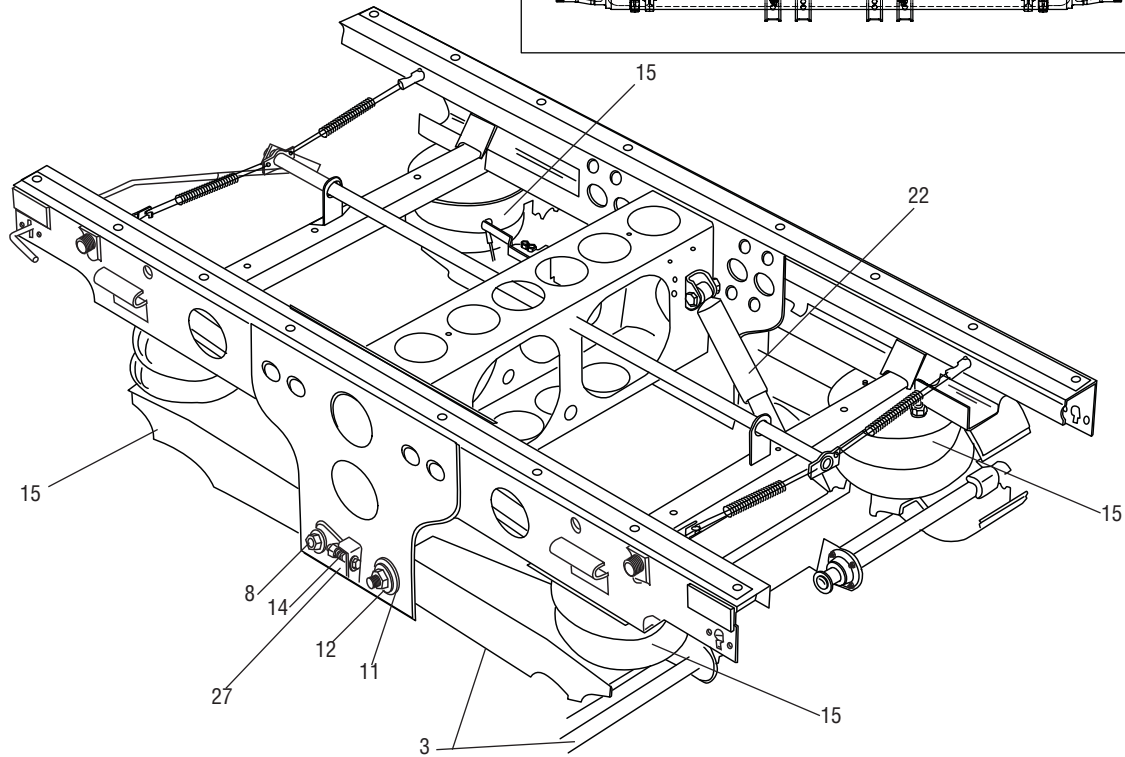
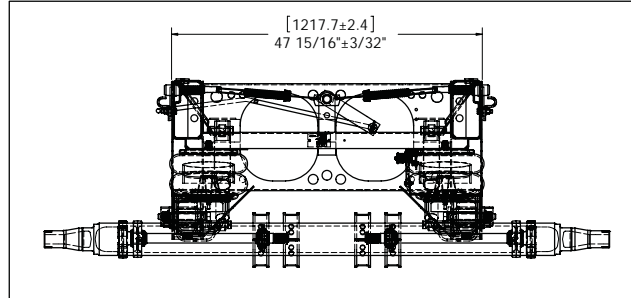
REYCO/GRANNING 19AR/RS1062 SERIES

Trailer

Key No.	Euclid No.	Replaces No.	Description	Quantity Per Axle
1	S.O.S.	702308-11	Front Hanger	1
2	S.O.S.	702308-12	Front Hanger	1
3	S.O.S.	702247-01	Trailing Beam & Axle Assembly	1
4	E-15246	23427-01	Beam Spacer	4
5	E-15245	23432-02	Sleeve Cover (4.375)	2
6	E-15244	23674-02	Pivot Shaft Tube	2
7	E-15247	23656-01	Rey-Align Flange Washer	2
8	S.O.S.	23673-01	Rey-Align Assembly	2
9	E-15249	23952-01	Washer (7/8 ID)	4
10	E-15264	23286-02	Fnsh Hex Bolt (7/8-14UNG-2A) Grade 8	2
11	E-15250	20852-01	Washer (3/4 ID)	4
12	E-1835	14345-01	Lock Nut (7/8-14UNF-2B) Class C	2
13	E-15251	24398-01	Rey-Align Bolt (3/4-10UNC) x 3.5 Long	2
14	S.O.S.	24453-01	Coiled Spring Pin	2
15	S.O.S.	703371-01	Upper Air Spring Support	2
16	E-15290	T-3164	Lock Washer 0.75 ID	2
17	E-1974	T-1705	Lock Washer 0.5 ID	2
18	E-15287	T-1859	Lock Washer 0.375 ID	4
19	E-15289	08211-01	Hex Nut (3/4-16UNF-2B) Class B	2
20	E-15288	12920-01	Hex Nut (1/2-13UNC-2B) Class B	2
21	E-15257	20029-01	Hex Nut (3/8-16UNC-2B) Class B	4
22	S.O.S.	24392-01 (New)	Shock Absorber	2
	M85052	700098-03 (Old)		
23	E-15240	12889-02	Fnsh Hex Bolt (3/4-16UNF-2A) Grade 8	4
24	E-4961A	14344-01	Lock Nut (3/4-16UNF-2B) Class C	4
25	E-15241	700318-14	Height Control Valve	1
26	FS7555	20018-01	Air Spring	2
27	E-15242	17854-01	Hanger Gusset	2
28	—	—	Frame - Customer Supplied	1
29	E-15243	25770-01	Pivot Bushing	2

REYCO/GRANNING 20AR/RS3162 SERIES

Air Ride - Dockmaster II
Trailer



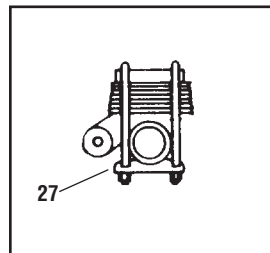
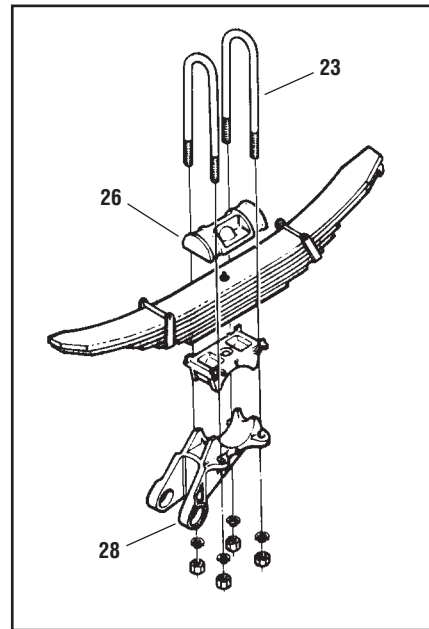
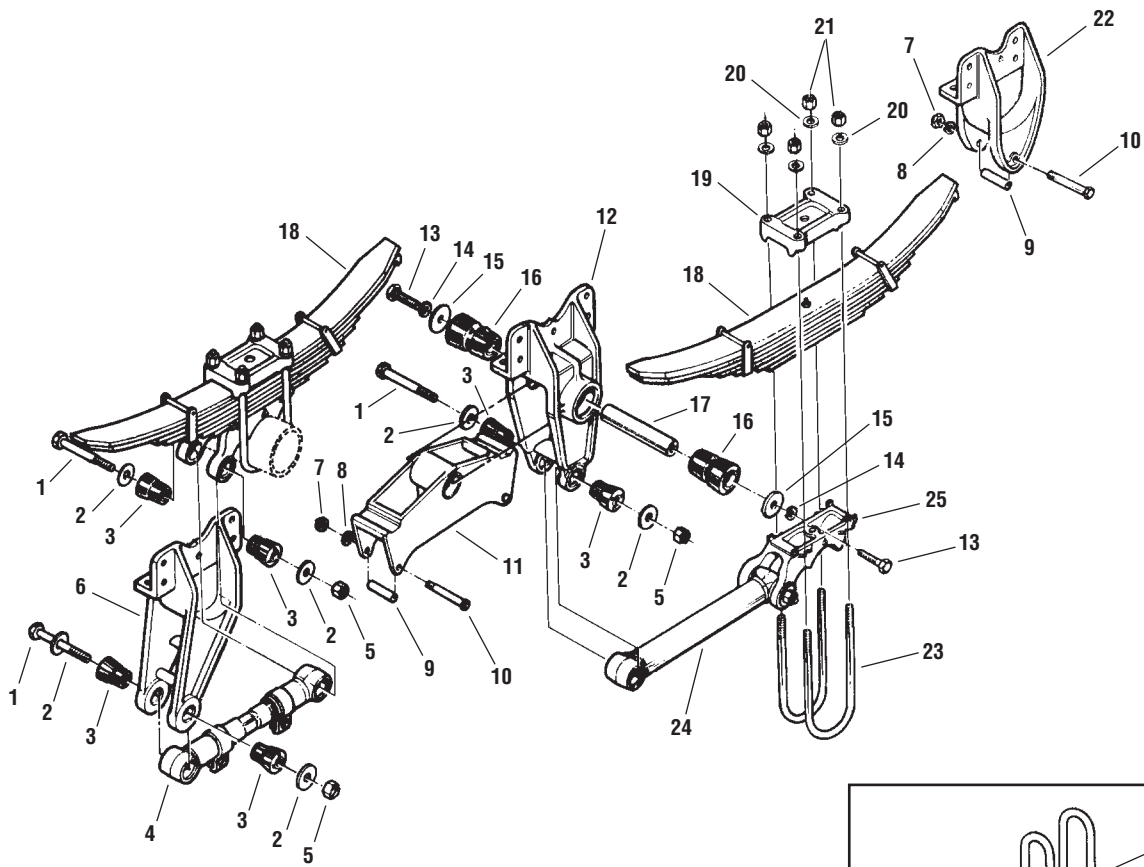
REYCO/GRANNING 20AR/RS3162 SERIES

Air Ride - Dockmaster II Trailer

Key No.	Euclid No.	Replaces No.	Description	Quantity Per Axle
1	S.O.S.	704609-04	Subframe	1
2	S.O.S.	704640-01	Trailing Beam & Axle Assy-Front	1
3	S.O.S.	704641-01	Trailing Beam & Axle Assy-Rear	1
4	E-15244	23674-02	Pivot Shaft Sleeve	4
5	E-15245	23432-02	Sleeve Cover (4.375")	4
6	E-15246	23427-01	Beam Spacer	8
7	E-15247	23656-02	Rey-Align Flange Washer	6
8	E-15248	23673-02	Rey-Align Assembly	2
9	E-2546	T7292	Washer (7/8" I.D.)	4
10	E-15264	23286-02	Hcs (7/8"-14Unf-2A X 7.5 Lg) Grade 8	4
11	E-15249	23952-01	Disc Spring Washer (7/8" I.D.)	4
12	E-1835	14345-01	Lock Nut (7/8"-14Unf-2B)	4
13	E-15250	20852-01	Washer (3/4" I.D.)	4
14	E-15251	24398-01	Rey-Align Adjustment Shaft	2
15	FS7555	20018-01	Air Spring Assembly	4
16	E-15252	T1705	0.5" I.D. Lock Washer	4
17	E-15253	T3164	0.75 I.D. Lock Washer	4
18	E-15254	T1859	0.375 I.D. Lock Washer	8
19	E-15255	0821101	Hex Nut (3/4"-16Unf-2B) Class B	4
20	E-15256	1292001	Hex Nut (1/2"-13Unc-2B) Class B	4
21	E-15257	20029-01	Hex Nut (3/8"-16Unc-2B) Class B	8
22	M83207	18163-01	Shock Absorber	4
23	E-15258	1811601	Hcs (3/4"-16Unf-2A X 3.5 Lg) Grade 8	4
24	E-15240	12889-02	Hcs (3/4"-16Unf-2A X 10 Lg) Grade 8	4
25	E-4961A	14344-01	Lock Nut (3/4"-16Unf-2B) Class C	8
26	E-15260	706235-01	Height Control Valve-Hadley 1500	1
27	E-15261	24453-01	Coiled Spring Pin	2
28	E-15262	D706110	Pivot Nut Torque Decal	2
29	E-15243	25770-01	Pivot Bushing, 4 1/2" Width	2
30	E-15264	23286-02	Pivot Shaft	2

REYCO/GRANNING 21B SERIES

Trailer



Inverted U-Bolts

Inverted U-Bolts
No Hops

LEAF SPRING REFERENCES

SRI No.	
TRA 2291	3 Leaf
TRA 2256	7 Leaf
TRA 2283	7 Leaf
TRA 2270	8 Leaf
TRA 2297	9 Leaf

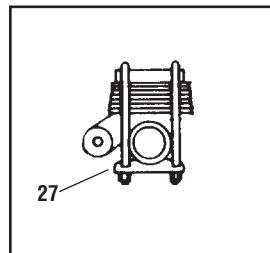
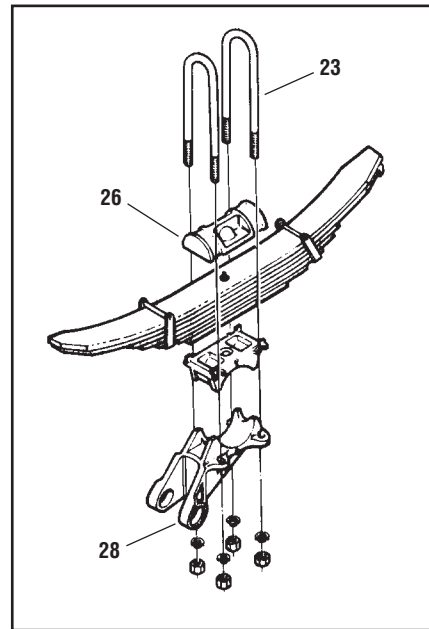
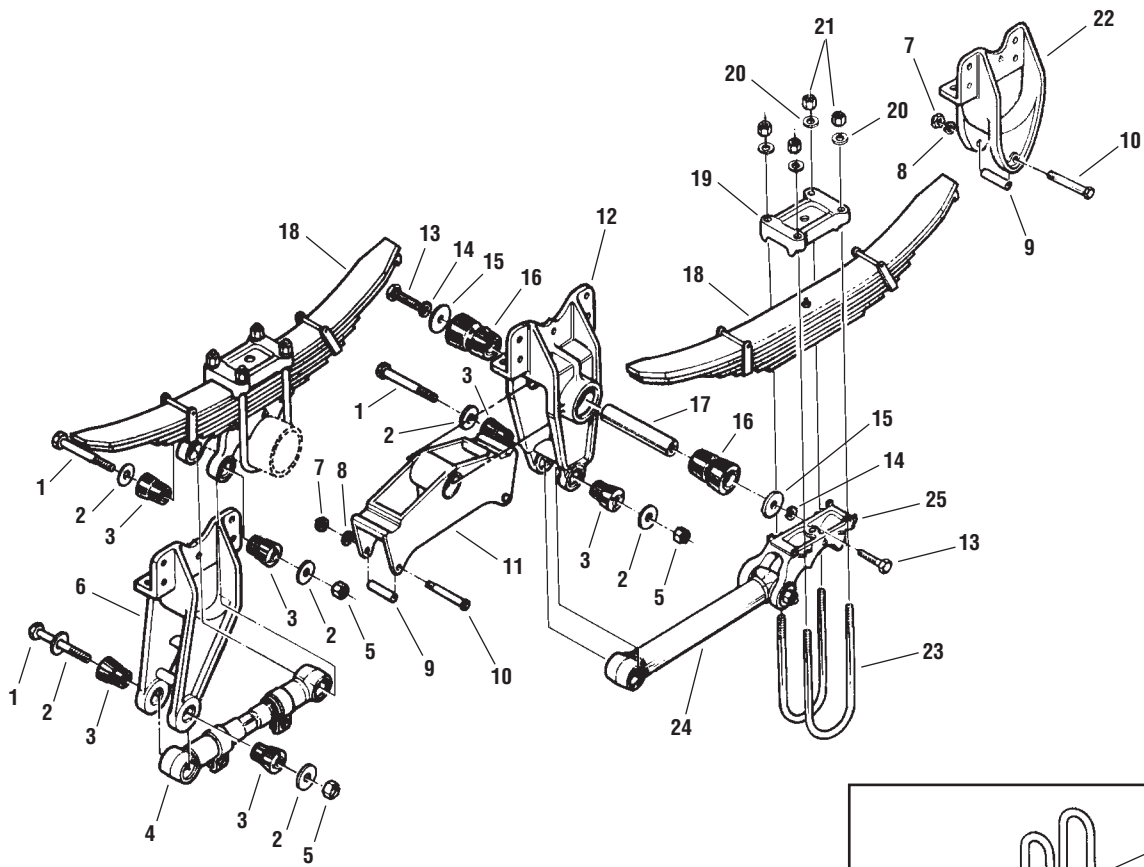
REYCO/GRANNING 21B SERIES

Trailer

Key No.	Euclid No.	Replaces No.	Description	Quantity Per Tandem
1	E-1166	T-5492	Bolt	8
2	E-907	T-2224	Washer	16
3	E-1160 (Rubber)	T-5493	Torque Arm Bushing	16
	E-7523 (Poly)	1-560		
4	E-3283A	15172-01	Adjustable Torque Arm without Bushings, Front	1
	E-3284A	15173-01	Adjustable Torque Arm without Bushings, Rear	1
5	E-1828	T-5495	Nut	8
—	E-1312A (Rubber)	TK-18997	Torque Arm Bushing Assembly Includes Key Nos. 1, 2, 3, 5.	8
	E-9545 (Poly)			
6	E-2880	T-5425	Front Hanger, Left, Flange Mount	1
	E-2879	T-5424	Front Hanger, Right, Flange Mount	1
	E-5257	T-5563	Front Hanger, Left, Under Mount	1
	E-5258	T-5562	Hanger, Right, Under Mount	1
7	E-5032	T-1704	Nut	6
8	E-1974	T-2248	Lock Washer	6
9	E-1971	T-2106	Spring Roller	6
10	E-1972	T-5544	Bolt	6
—	E-1975	TK19011	Spring Roller Assembly Includes Key Nos. 7, 8, 9, 10.	6
11	E-2846A	21725-01	Equalizer without Bushing, Standard, 49" Spacing	2
	E-10768A	25222-01	Heavy-Duty Equalizer with Bump Stop-44" Axle Spacing, Will Need Kit 700073 for Bump Stop	
12	E-2881	T-5426	Center Hanger, Flange Mount	2
	E-5259	T-5564	Center Hanger, Under Mount	
13	E-1987	14248-02	Equalizer Shaft Lock Screw, 1" Diameter	4
14	E-3975	14250-01	Lock Washer, 1" Diameter	4
15	E-1986A	14249-01	Washer, 1 1/16" Hole Diameter	4
16	E-1159 (Rubber)	T-5524	Equalizer Bushing	4
	E-8653 (Poly)	1-555		
17	E-3972	14247-02	Equalizer Shaft, 1" Diameter Holes	2
—	E-3976 (Rubber)	TK18998	Equalizer Bushing Assembly Includes Key Nos. 13, 14, 15, 16, 17.	2
	E-9555 (Poly)			
18	S.O.S.	Various	Spring	4
19	E-2875	T-7175 T-5488	Top Plate - 5" Round Axle	4
	E-9554	T-1734	Top Plate - 5" Square Axle	
20	E-2546	T-7292	Washer	16
21	E-3001	T-5497	Hi Nut	16
22	E-2883	T-5429	Rear Hanger, Left, Flange Mount	1
	E-2882	T-5428	Rear Hanger, Right, Flange Mount	
	E-5260	T-5565	Rear Hanger, Left, Under Mount	
	E-5261	T-5566	Rear Hanger, Right, Under Mount	

REYCO/GRANNING 21B SERIES

Trailer



Inverted U-Bolts

Inverted U-Bolts
No Hops

LEAF SPRING REFERENCES

SRI No.	
TRA 2291	3 Leaf
TRA 2256	7 Leaf
TRA 2283	7 Leaf
TRA 2270	8 Leaf
TRA 2297	9 Leaf

REYCO/GRANNING 21B SERIES

Trailer

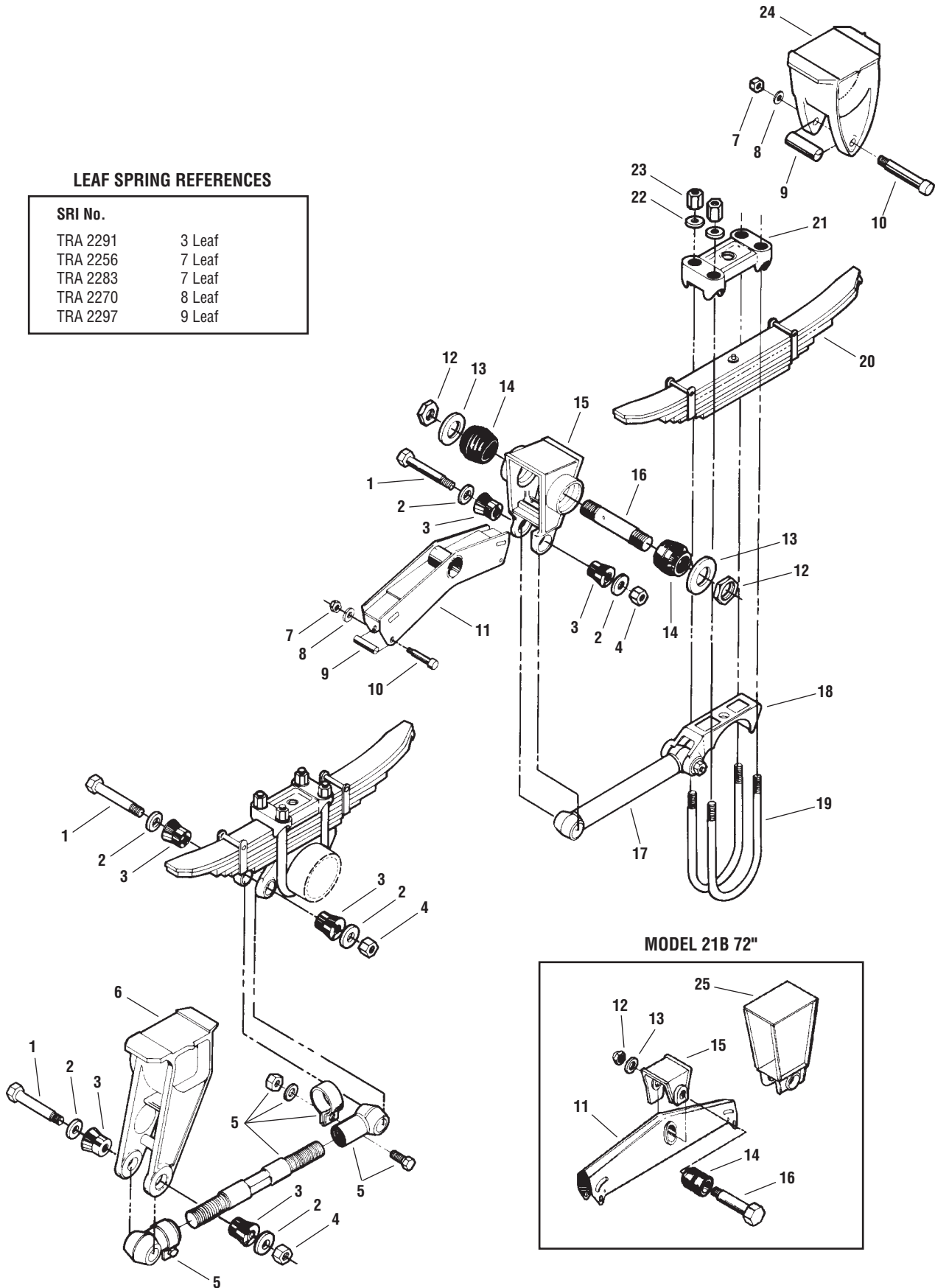
Key No.	Euclid No.	Replaces No.	Description	Quantity Per Tandem
23	E-UB5165-14	Various	U-Bolt Assembly, Rd. Bend, 7/8"-14 Thd. x 5" Wide x 14" Long	8
	E-UB5165-18		U-Bolt Assembly, Rd. Bend, 7/8"-14 Thd. x 5" Wide x 18" Long	
	E-UB5161-14		U-Bolt Assembly, Rd. Bend, 7/8"-14 Thd. x 3" Wide x 14" Long	
	E-UB5161-18		U-Bolt Assembly, Rd. Bend, 7/8"-14 Thd. x 3" Wide x 18" Long	
24	E-2855	15178-01 T-7635	Rigid Torque Arm without Bushings, Front	1
	E-2856	15179-01 T-2293	Rigid Torque Arm without Bushings, Rear	1
25	E-5254	09730-01	Axle Seat, 5" Round Axle, 3/4" High	4
	E-9573	07980-01	Axle Seat, 5" Square Axle, 3/4" High	
26	E-2873	08677-01	Top Plate	4
27	E-2874	09139-01	Bottom Plate, 5" Round Axle	4
28	E-9572	08061-01	Stabilizer, 5" Square Axle	4
	E-9558	08480-01	Stabilizer, 5" Round Axle	
—	E-9559	11851-01	Equalizer Stiffener Plate	
—	E-9560	11852-01	Equalizer Wear Pad	
—	E-9561	15630-01	Equalizer Wear Pad	As Req
—	E-9562	T-7555	Spacer, 1/2"	
—	E-9563	T-7716	Spacer, 1"	
—	E-9564	T-7654	Spacer, 1 1/2"	
—	E-2878	T-7655	Spacer, 2"	

REYCO/GRANNING 21B WIDESPREAD

Tandem 60" & 72" Widespread Axle Spacing Trailer

LEAF SPRING REFERENCES

SRI No.	
TRA 2291	3 Leaf
TRA 2256	7 Leaf
TRA 2283	7 Leaf
TRA 2270	8 Leaf
TRA 2297	9 Leaf



REYCO/GRANNING 21B WIDESPREAD

Tandem 60" & 72" Widespread Axle Spacing Trailer

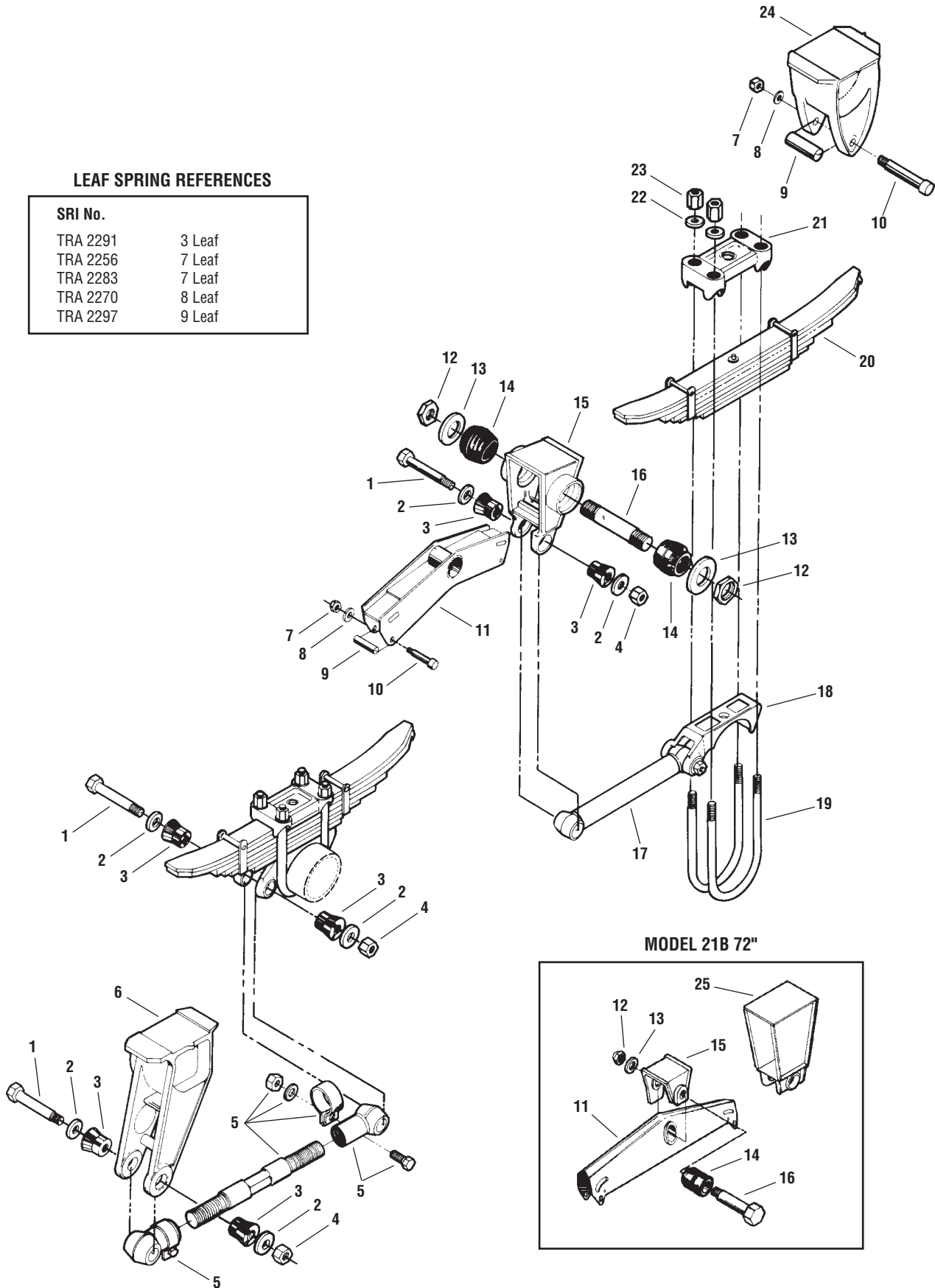
Key No.	Euclid No.	Replaces No.	Description	Quantity Per		
				Tandem	60"	72"
1	E-1166	T-5492	Bolt	8	X	X
2	E-907	T-2224	Washer	16	X	X
3	E-1160 (Rubber)	T-5493	Torque Arm Bushing	16	X	X
	E-7523 (Poly)	1-560				
4	E-1828	T-5495	Nut	8	X	X
—	E-1312A (Rubber)	TK-18997	Torque Arm Bushing, Includes Key No. 1, 2, 3, 4	8	X	X
	E-9545 (Poly)					
5	E-3283A	15172-01	Adjustable Torque Arm, Front, 15 1/2" to 17 1/2" Center-to-Center	2	X	X
	E-2855	T-7635	Rigid Torque Arm, Front, 16 1/4" Center-to-Center			
6	E-5257	T-5563	Front Hanger, Cast, Left	1	X	X
	E-5258	T-5562	Front Hanger, Cast, Right	1	X	X
	E-9537	09832-01	Front Hanger, Fabricated	2	X	X
	E-1975	TK19011	Spring Roller Assembly, Contains Key Nos. 7,8,9,10	6	X	
7	E-5032	T-1704	Nut	6	X	X
8	E-1974	T-2248	Lock Washer	6	X	X
9	E-1971	T-2106	Roller	6	X	X
10	E-1972	T-5544	Bolt	6	X	X
11	E-5245	09713-01	Equalizer for Cast Suspensions	2	X	
	E-7710	14696-01	Equalizer for Fabricated Suspensions, Includes Bushing		X	
	E-5246	11143-01	Equalizer for Cast Suspensions			X
	S.O.S.	14763-01	Equalizer for Fabricated Suspensions, Includes Bushing			X
—	E-2116A	—	Equalizer Bushing Assembly for Cast Suspensions Contains Key Numbers 12, 13, 14, 16	2	X	
	E-5247	—	Equalizer Bushing Assembly for Cast Suspensions Contains Key Numbers 12, 13, 14, 16			
12	E-9538	—	Equalizer Bolt Kit	2	X	
	E-3979	11129-01	Lock Nut for Cast Suspensions	4	X	
	S.O.S.	11149-01		2		X
13	E-2854	08914-01	Lock Nut for Fabricated Suspensions	2	X	X
	S.O.S.	T-2103	Washer, Cast Suspensions Only	4	X	
14	E-1072	T-3214	Equalizer Bushing	2		X
	E-813 (Rubber)	T-2102	Equalizer Bushing for Cast Suspensions	4	X	
	E-8691 (Poly)					
	E-1072 (Rubber)	T-3214				
	E-8688 (Poly)		2		X	
E-7713 (Rubber)	14682-01	Equalizer Bushing for Fabricated Suspensions	2	X	X	
15	E-5262	T-2212-5	Center Hanger, Under Mount, Cast	2	X	
	E-9539	14684-01	Center Hanger, Under Mount, Fabricated	2	X	
	E-5263	11150-01	Center Hanger, Under Mount, Cast	2		X
	S.O.S.	14688-01	Center Hanger, Under Mount, Fabricated	2		X

REYCO/GRANNING 21B WIDESPREAD

Tandem 60" & 72" Widespread Axle Spacing Trailer

LEAF SPRING REFERENCES

SRI No.	
TRA 2291	3 Leaf
TRA 2256	7 Leaf
TRA 2283	7 Leaf
TRA 2270	8 Leaf
TRA 2297	9 Leaf



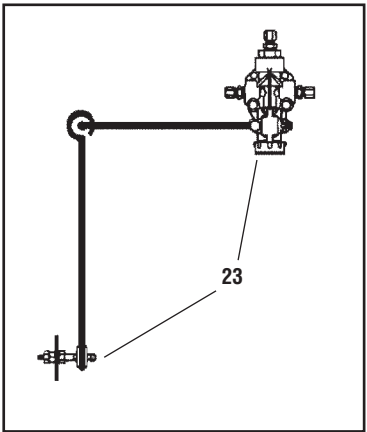
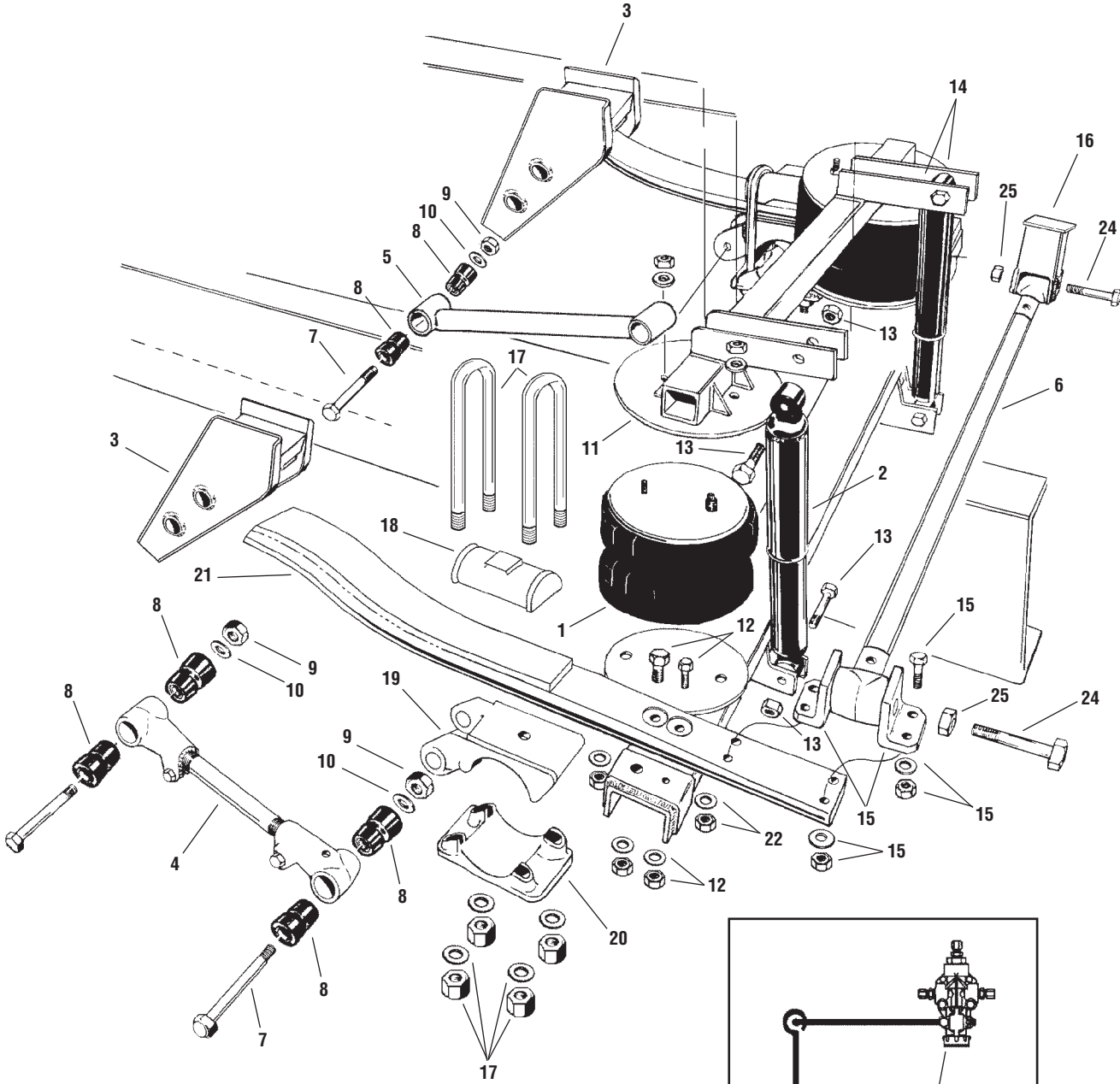
REYCO/GRANNING 21B WIDESPREAD

Tandem 60" & 72" Widespread Axle Spacing Trailer

Key No.	Euclid No.	Replaces No.	Description	Quantity Per		
				Tandem	60"	72"
16	E-837	T-2158	Equalizer Shaft for Cast Suspensions		X	
	S.O.S.	11147-01	Equalizer Bolt for Cast Suspensions	2		X
	E-7719	14683-01	Bolt for Fabricated Suspensions		X	X
17	E-5255A	15176-01 09682-01	Adjustable Torque Arm, Rear	1	X	
	E-5256	09686-01	Rigid Torque Arm, Rear		X	
	E-3284A	15173-01	Adjustable Torque Arm, Rear	1		X
		15286-01	Rigid Torque Arm, Rear			X
	E-2856	T-2293	Rigid Torque Arm, Rear, Cast Suspensions			X
18	E-5254	09730-01	Axle Seat for Cast Suspensions	4	X	X
	E-9557	08757-01				
19	E-UB5165-14	—	U-Bolt Assembly, Round Bend, 7/8"-14 Thd. x 5" Wide x 14" Long	8	X	X
	E-UB5165-18	—	U-Bolt Assembly, Round Bend, 7/8"-14 Thd. x 5" Wide x 18" Long			
20	S.O.S.	—	Spring	4	X	X
21	E-2875	T-7175	Top Plate 5" Round for Fabricated Suspensions	4	X	X
22	E-2545	T-5496	Washer	16	X	X
23	E-3001	T-5497	Hi-Nut	16	X	X
24	E-5260	T-5565	Rear Hanger, Under Mount, Cast, Left	1	X	X
	E-5261	T-5566	Rear Hanger, Under Mount, Cast, Right	1	X	X
	E-9541	08595-01	Rear Hanger, Under Mount, Fabricated	2	X	X
25	E-5264	11610-01	Torque Arm Attachment Bracket	2		X

REYCO/GRANNING 21AR SERIES

Trailer - Air



Height Control Valve & Linkage

REYCO/GRANNING

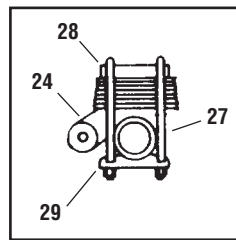
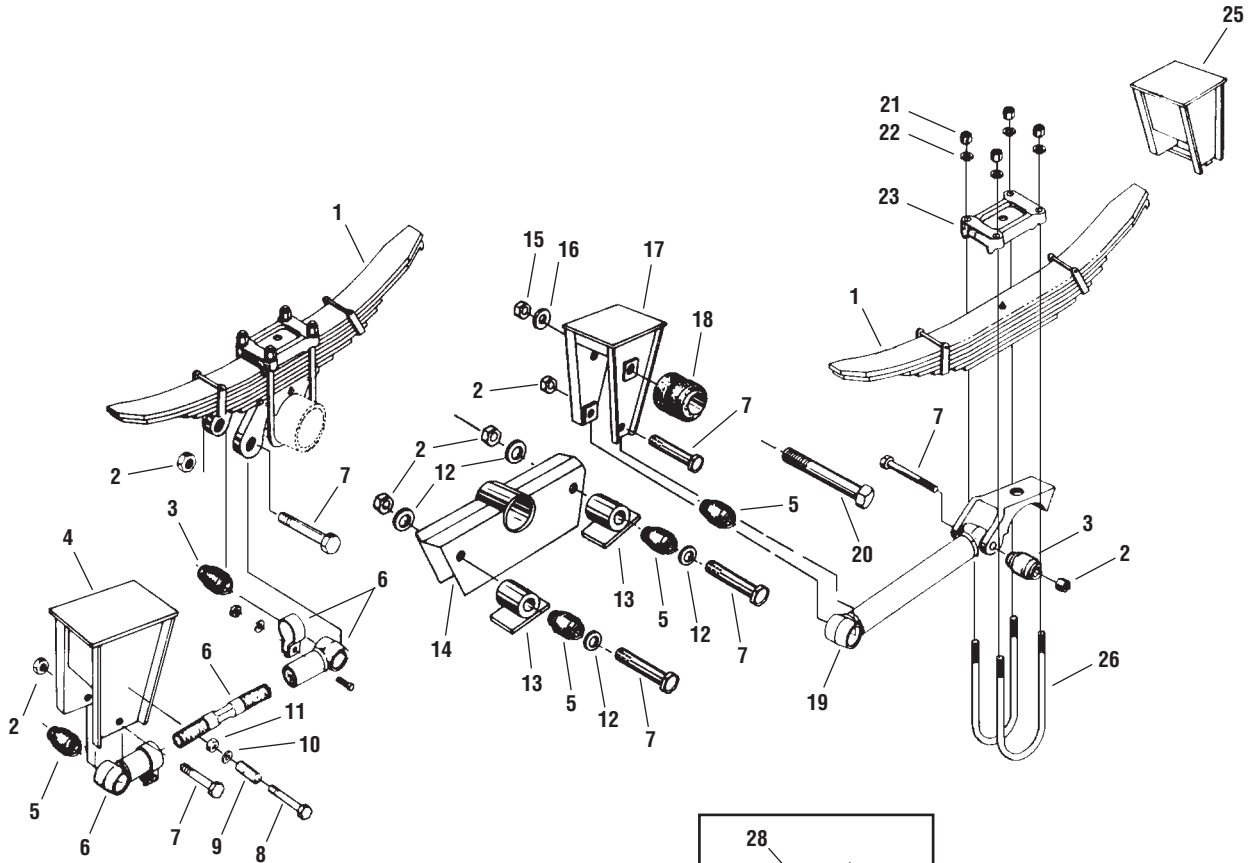
REYCO/GRANNING 21AR SERIES

Trailer - Air

Key No.	Euclid No.	Replaces No.	Description	Qty Per Tandem
1	FS7557	19983-01	Air Spring Assembly	4
2	M85013	12887-01	Shock Absorber	4
	M89414		Shock Absorber	
3	E-15265	21949-01	Hanger, Under Mount	4
4	E-3283A	15172-01	Adjustable Torque Arm	2
5	E-2855	15178-01	Rigid Torque Arm	2
6	E-15266	20012-01	Track Rod Rigid, 38" Frame Width	2
	S.O.S.	20969-01	Track Rod Rigid, 40" Frame Width	
	S.O.S.	20314-01	Track Rod Rigid, 42" Frame Width	
	E-15276	10910-01	Track Rod Rigid, 44" Frame Width	
7	E-1166	T5492	Torque Arm Bolt, 1"-14 x 6 3/4"	8
8	E-1160 (Rubber)	T-5493	Torque Arm Bushing	16
	E-7523 (Poly)	1-560		
9	E-937	T-5495	Torque Arm Nut, 1"-14	8
10	E-907	T-2224	Washer	16
—	E-1312A (Rubber)	TK-18997	Torque Arm Bushing Assembly Includes Key Nos. 7,8,9,10	8
	E-9545 (Poly)			
11	E-15277	17856-01	Upper Air Spring Mounting Plate	4
12	S.O.S.	20747-02	Lower Air Spring Support Assembly, 38" Frame Width	2
		20878-02	Lower Air Spring Support Assembly, 40" Frame Width	
		20270-02	Lower Air Spring Support Assembly, 42" Frame Width	
		E-15279	19915-02	
13	E-15267	08210-01	Shock Absorber Bolt, 3/4" Dia.	8
—	E-4961A	14344-01	Nut, 3/4"	8
14	E-15268	21778-01	Upper Shock Mounting Bracket	8
15	E-9358	21491-01	Track Rod Bracket, Lower Left Hand with Hardware	4
16	E-15269	18919-01	Track Rod Bracket, Upper Right Hand	4
17	E-UB8161-14	18885-01	U-Bolt Assembly, Rd. Bend, 7/8"-14 Thd. x 3" Wide x 14" Long	8
	E-UB8161-16	08498-01	U-Bolt Assembly, Rd. Bend, 7/8"-14 Thd. x 3" Wide x 16" Long	
18	E-9553	20050-01	U-Bolt Top Plate	4
19	S.O.S.	E-15270	Axle Seat, Round Axle, 14" Mounting Height	4
		11336-02	Axle Seat, Round Axle, 15 1/4" Mounting Height	
		20051-03	Axle Seat, Round Axle, 16 1/2" Mounting Height	
20	E-2909	0538-00	Bottom Plate, 5" Round Axle	4
21	E-10774	19879-01	Spring Beam, Left Hand	2
—	E-10775	19880-01	Spring Beam, Right Hand	2
22	E-15287	T-1859	Lock washer, 3/8"	8
	E-15257	20029-01	Nut, 3/8"-16 Thd.	8
23	E-12525	23329-02	Height Control Valve, 3/8" Fitting, Includes Linkage	2
—	E-15271	23329-01	Height Control Valve, 1/4" Fitting	2
—	E-4324	12915-03	Pressure Protection Valve, Includes Filter	2
—	E-15272	12915-04	Pressure Protection Valve Filter	2
24	E-901	10033-01	Track Rod Bolt, 7/8"-9 Thd. x 5 1/2"	2
25	E-1835	10092-01	Track Rod Nut, 7/8"-14 Thd.	2

REYCO/GRANNING 73 SERIES WIDESPREAD

Tandem 49" Axle Spacing
Trailer



Inverted U-Bolts
Design

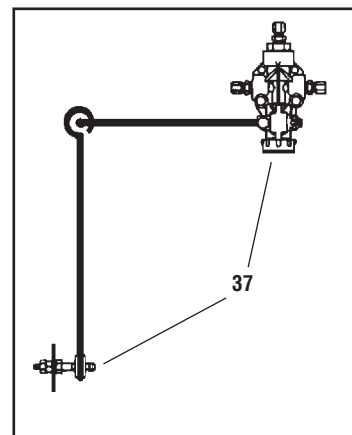
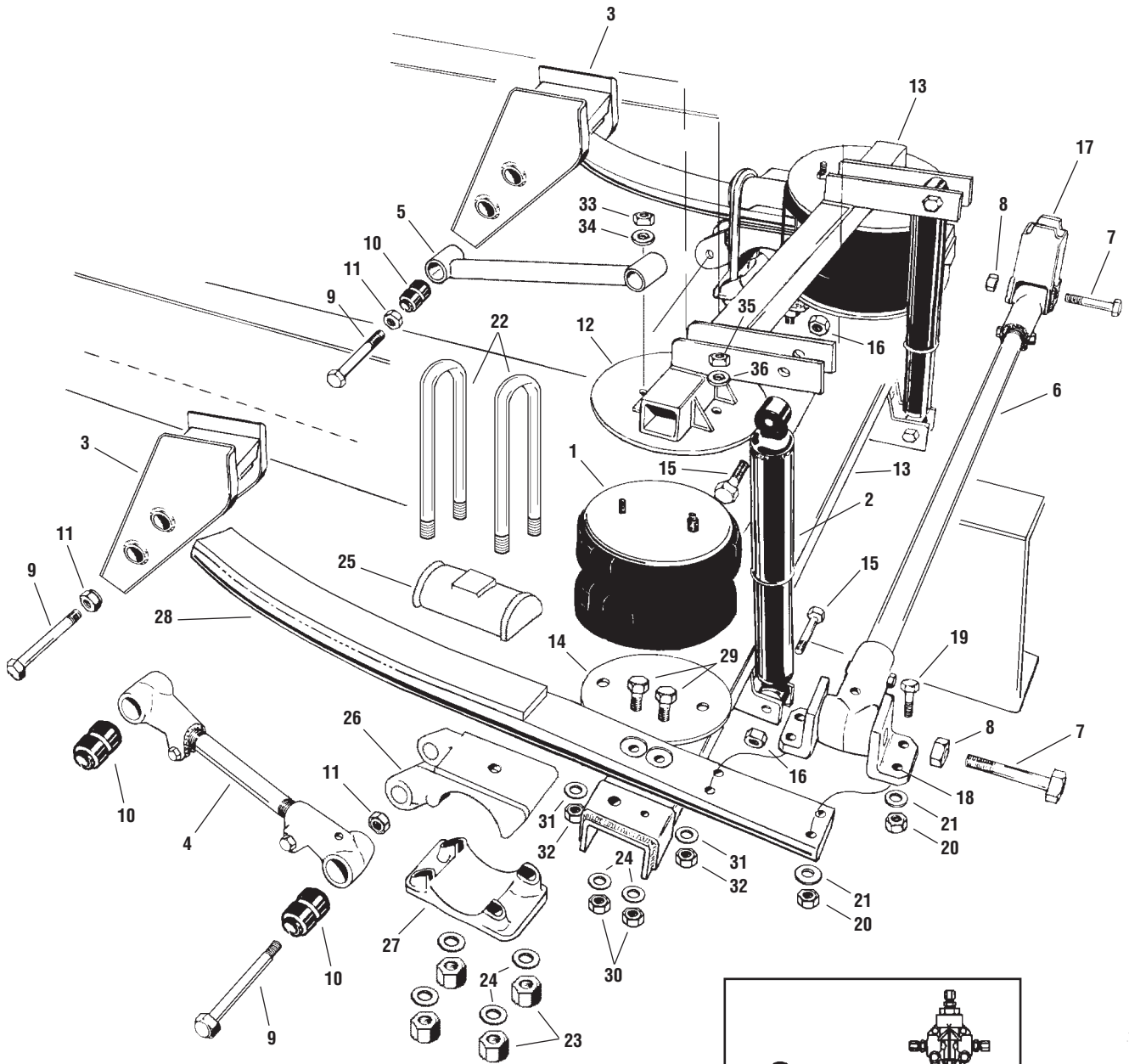
REYCO/GRANNING 73 SERIES WIDESPREAD

Tandem 49" Axle Spacing Trailer

Key No.	Euclid No.	Replaces No.	Description	Quantity Per Tandem
1	S.O.S.	Various	Spring	4
2	E-2983	10092-01	Nut	12
3	E-1980 (Rubber)	09729-01	Torque Arm Bushing	4
	E-7520 (Poly)	09829-01		
4	N/A	11387-01	Front Hanger	2
5	E-7750	10051-01	Bushing	8
6	E-7741	16031-01	Adjustable Torque Arm with Bushings, Front	1
	E-7744	10040-01	Rigid Torque Arm with Bushings, Front	
7	E-901	10033-01	Bolt	12
—	E-7749	—	Torque Arm Bushing Assembly, Hanger End Includes Key Nos. 2, 5, 7.	4
—	E-1981 (Rubber) E-9552 (Poly)	—	Torque Arm Bushing Assembly, Axle Seat End Includes Key Nos. 2, 3, 7.	4
8	E-2022	T-5549	Bolt	2
9	E-15273	11703-01	Spring Roller	2
10	E-1974	T-2248	Lock Washer	2
11	E-5032	T-1704	Flat Wheel Nut	2
—	S.O.S.	—	Hanger Roller Assembly Includes Key Nos. 8, 9, 10, 11.	2
12	E-2546	T-7292	Washer	4
13	E-7717	10055-01	Equalizer Pad	4
14	N/A	10063-01	Equalizer with Bushing	2
15	E-937	T-5495	Nut	2
16	E-2975	T-5770	Washer	2
17	N/A	11389-01	Center Hanger	2
18	E-7712	T-3214	Equalizer Bushing	2
19	E-7742	16032-01	Adjustable Torque Arm, Rear	1
—	S.O.S.	10041-01	Rigid Torque Arm, Rear	1
20	E-1166	T-5492	Bolt	2
21	E-3001	T-5497	Hi-Nut	16
22	E-2545	T-5496	Washer	16
23	E-2875	T-7175	Top Plate	4
24	E-15274	T-3013	Axle Seat	4
25	E-15275	12489-01	Rear Hanger	2
26	E-UB8155-14	08554-01	U-Bolt Assembly, Rd. Bend, 3/4"-16 Thd. x 5" Wide x 14" Long	8
27	E-UB8151-14	08541-01	U-Bolt Assembly, Rd. Bend, 3/4"-16 Thd. x 3" Wide x 14" Long	8
28	E-15313	11760-01	Top Plate	4
29	E-2874	09139-01	Bottom Plate, Inverted U-Bolts	4

REYCO/GRANNING 74AR SERIES

Trailer - Air



Height Control Valve & Linkage

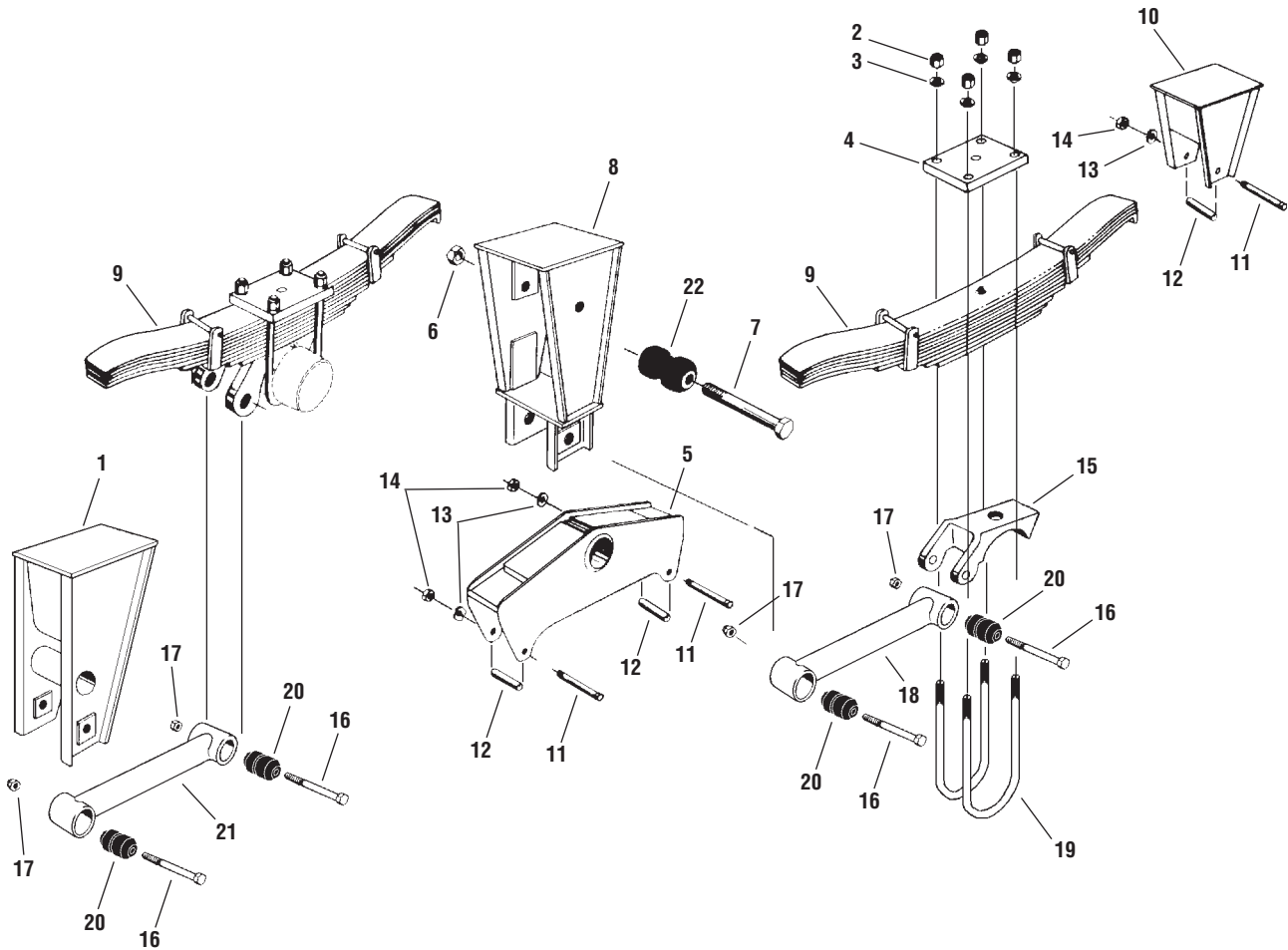
REYCO/GRANNING 74AR SERIES

Trailer - Air

Key No.	Euclid No.	Replaces No.	Description	Quantity Per Axle	Qty Per Tandem
1	FS7557	19983-01	Air Spring Assembly	2	4
2	M85013	12887-01	Shock Absorber	2	4
	M89414				
3	E-9615	16671-01	Hanger, Under Mount	2	4
4	E-9585	16585-01	Adjustable Torque Arm	1	2
5	E-9584	16595-01	Rigid Torque Arm	1	2
6	E-15276	10910-01	Track Rod, Rigid	1	2
7	E-901	10033-01	Track Rod Bolt	2	4
8	E-1835	10092-01	Track Rod Nut, 7/8"	2	4
9	E-1166	T-5492	Torque Rod Bolt	4	8
10	E-9549	15737-01	Torque Rod Bushing	4	8
11	E-937	T-5495	Torque Rod Nut	4	8
—	E-9587	—	Torque Rod Bushing Assembly Includes Key Nos. 9, 10, 11.	4	8
12	E-15277	17856-01	Upper Air Spring Mounting Plate	2	4
13	E-15278	19915-01	Front Lower Air Spring Support Assembly	0	1
	E-15279	19915-02	Rear Lower Air Spring Support Assembly	1	1
14	E-15280	19790-01	Lower Air Spring Mounting Plate	2	4
15	E-15267	08210-01	Shock Absorber Bolt, 3/4"-16 Thd. x 3" Long, Grade 5	4	8
16	E-4961A	14344-01	Nut	4	8
17	E-15269	18919-01	Track Rod Hanger, Upper Right Hand	1	2
18	S.O.S.	21491-0	Track Rod Bracket, Lower Left Hand	1	2
19	S.O.S.	17353-01	Bolt, Track Rod Hanger	4	8
20	S.O.S.	17357-01	Nut, Track Rod Hanger	4	8
21	S.O.S.	10016-01	Washer, Track Rod Hanger	4	8
22	E-UB8164-16	20996-08	U-Bolt Assembly, Round Bend, 7/8"-14 Thd. x 4" Wide x 16" Long	4	8
23	E-3002A	—	Hi-Nut	8	16
24	E-2546	T-7292	Washer	12	24
25	E-15281	20157-01	Top Plate	2	4
26	E-15282	19996-01	Axle Seat, 5" Round Axle, 15 1/4" Mounting Height	2	4
27	E-15283	19989-01	Bottom Plate, 5" Round Axle	2	4
28	E-15284	19897-01	Spring Beam Left Hand	1	2
	E-15285	19898-01	Spring Beam Right Hand	1	2
29	E-15286	18842-01	Bolt, 7/8"-14 Thd. x 3" Long, Grade 8	4	8
30	E-1835	14345-01	Lock Nut	4	8
31	E-15287	T-1859	Lock Washer, 3/8"	4	8
32	E-15257	20029-01	UNC Nut, 3/8"-16	4	8
33	E-15288	12920-01	Nut, 1/2"	2	4
34	E-1974	T-1705	Lock Washer, 1/2"	2	4
35	E-15289	08211-01	Nut, 3/4"	2	4
36	E-15290	T-3164	Lock Washer, 3/4"	2	4
37	E-12525	23329-02	Height Control Valve, 3/8" Fitting, Includes Linkage	1	1
	E-15271	23329-01	Height Control Valve, 1/4" Fitting	1	1
—	E-4324	12915-03	Pressure Protection Valve, Includes Filter	1	1
—	E-15272	12915-04	Pressure Protection Valve Filter	1	1

REYCO/GRANNING MODEL 74B SERIES TRAILER

Tandem 50", 54", 60" Axle Spacing
Trailer



LEAF SPRING REFERENCES

SRI No.	
TRA 2291	3 Leaf
TRA 2256	7 Leaf
TRA 2283	7 Leaf
TRA 2270	8 Leaf
TRA 2297	9 Leaf

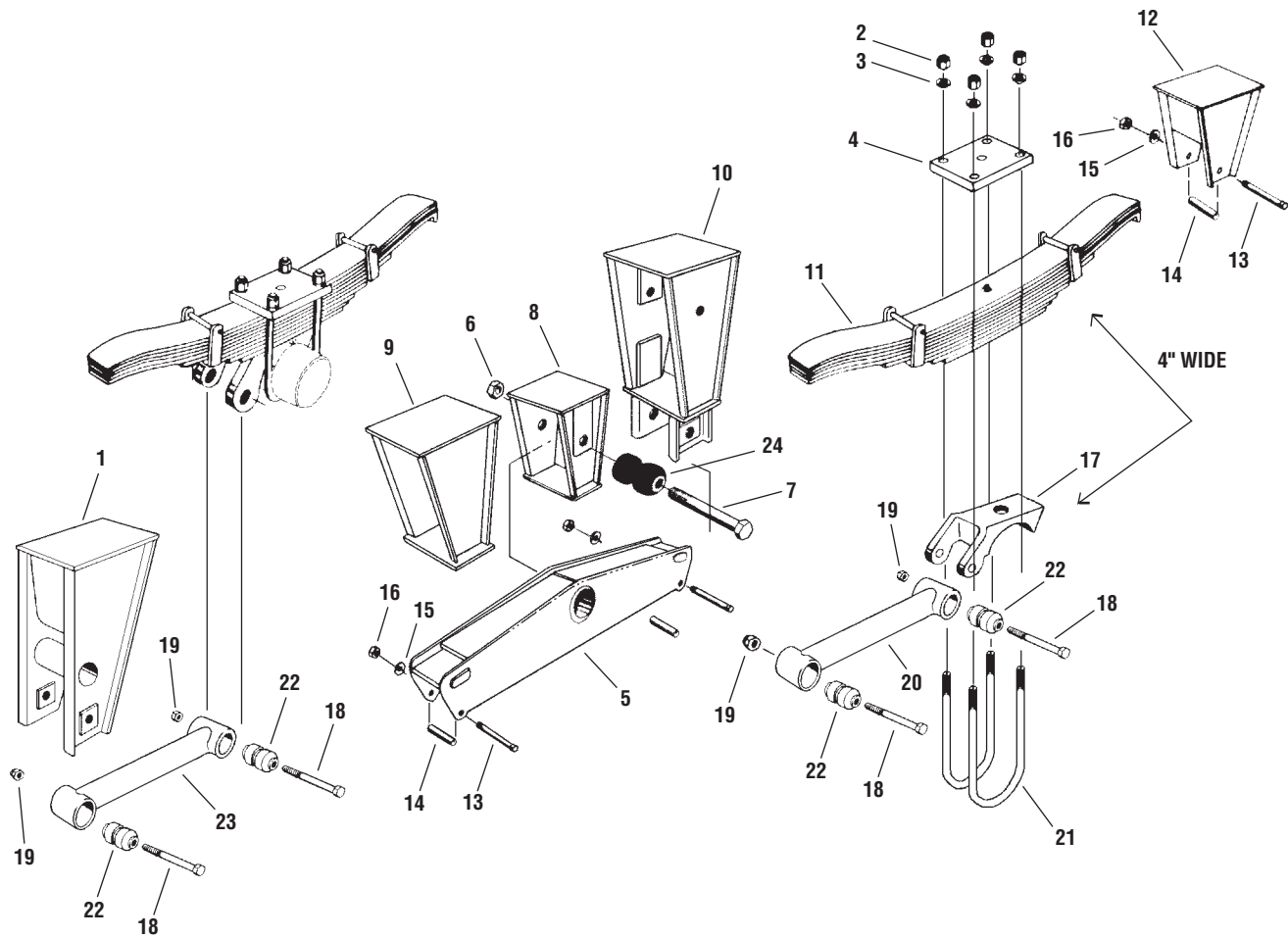
REYCO/GRANNING MODEL 74B SERIES TRAILER

Tandem 50", 54", 60" Axle Spacing Trailer

Key No.	Euclid No.	Replaces No.	Description	Quantity Per		
				Tandem	54"	60"
1	E-9615	16671-01	Front Hanger	2	X	X
2	E-3002A	14066-01	Hi-Nut	16	X	X
3	E-2546	T-7292	Washer	16	X	X
4	E-9616	13798-01	Top Plate, 5" Round Axle	4	X	X
	E-9617	14527-01	Top Plate, 5 3/4" Round Axle		X	X
	E-9586	13806-01	Equalizer with Bushing		X	
5	E-14724	14135-01	Equalizer with Bushing	2	X	X
	S.O.S.	17512-01	Equalizer with Bushing, 50" Axle Spacing		—	
6	E-2854	08914-01	Nut	2	X	X
7	E-2852	10949-01	Equalizer Bolt	2	X	X
8	E-9618	16672-01	Center Hanger	2	X	X
9	S.O.S.	Various	Spring	4	X	X
10	E-9622	13814-01	Rear Hanger	2	X	X
11	E-15291	13817-01	Bolt	6	X	X
12	E-15292	13818-01	Spring Roller	6	X	X
13	E-1974	T-2248	Lock Washer	6	X	X
14	E-5032	T-1704	Nut	6	X	X
15	E-9626	15751-01	Axle Seat, 5" Round Axle	4	X	X
	N/A	15752-01	Axle Seat, 5 3/4" Round Axle	X	X	—
16	E-1166	T-5492	Bolt	8	X	X
17	E-937	T-5495	Nut	8	X	X
18	E-9619	16588-01	Rigid Torque Arm Assembly, Rear, 21 1/4" Center-to-Center	1	X	
	E-9620	16596-01	Adjustable Torque Arm Assembly, Rear, 21 1/4" Center-to-Center		X	
	E-15293	16589-01	Rigid Torque Arm Assembly, Rear, 24 1/2" Center-to-Center			X
	E-15294	16597-01	Adjustable Torque Arm Assembly, Rear, 24 1/2" Center-to-Center			X
	S.O.S.	17532-01	Rigid Torque Arm Assembly, Rear, 50" Axle Spacing, 19 1/4" Center-to-Center			
	S.O.S.	17534-01	Adjustable Torque Arm Assembly, Rear, 50" Axle Spacing, 19 1/4" Center-to-Center			
19	E-UB8165-14	08513-01	U-Bolt Assembly, Rd. Bend, 7/8"-14 Thd. x 5" Wide x 14" Long	8		
	N/A	08950-01	U-Bolt Assembly, Rd. Bend, 7/8"-14 Thd. x 5 3/4" Wide x 13 1/2" Long		X	X
20	E-9549	15737-01	Torque Arm Bushing	8	X	X
—	E-9587	—	Torque Arm Bushing Assembly, Includes Key Nos. 16, 17, 20	8	X	X
21	E-9585	16585-01	Rigid Torque Arm Assembly, Front, 14 1/4" Center-to-Center	1	X	X
	E-9584	16595-01	Adjustable Torque Arm Assembly, Front		X	X
22	E-9550	13805-01	Equalizer Bushing	2	X	X
—	E-9801	—	Equalizer Bushing Assembly, Key Nos. 6,7,22	2	X	X

REYCO/GRANNING MODEL 74B SERIES TRAILER SUSPENSION PARTS

Tandem 72", 77", 97", 109" Axle Spacing
Trailer



LEAF SPRING REFERENCES

SRI No.	
TRA 2291	3 Leaf
TRA 2256	7 Leaf
TRA 2283	7 Leaf
TRA 2270	8 Leaf
TRA 2297	9 Leaf

REYCO/GRANNING MODEL 74B SERIES TRAILER SUSPENSION PARTS

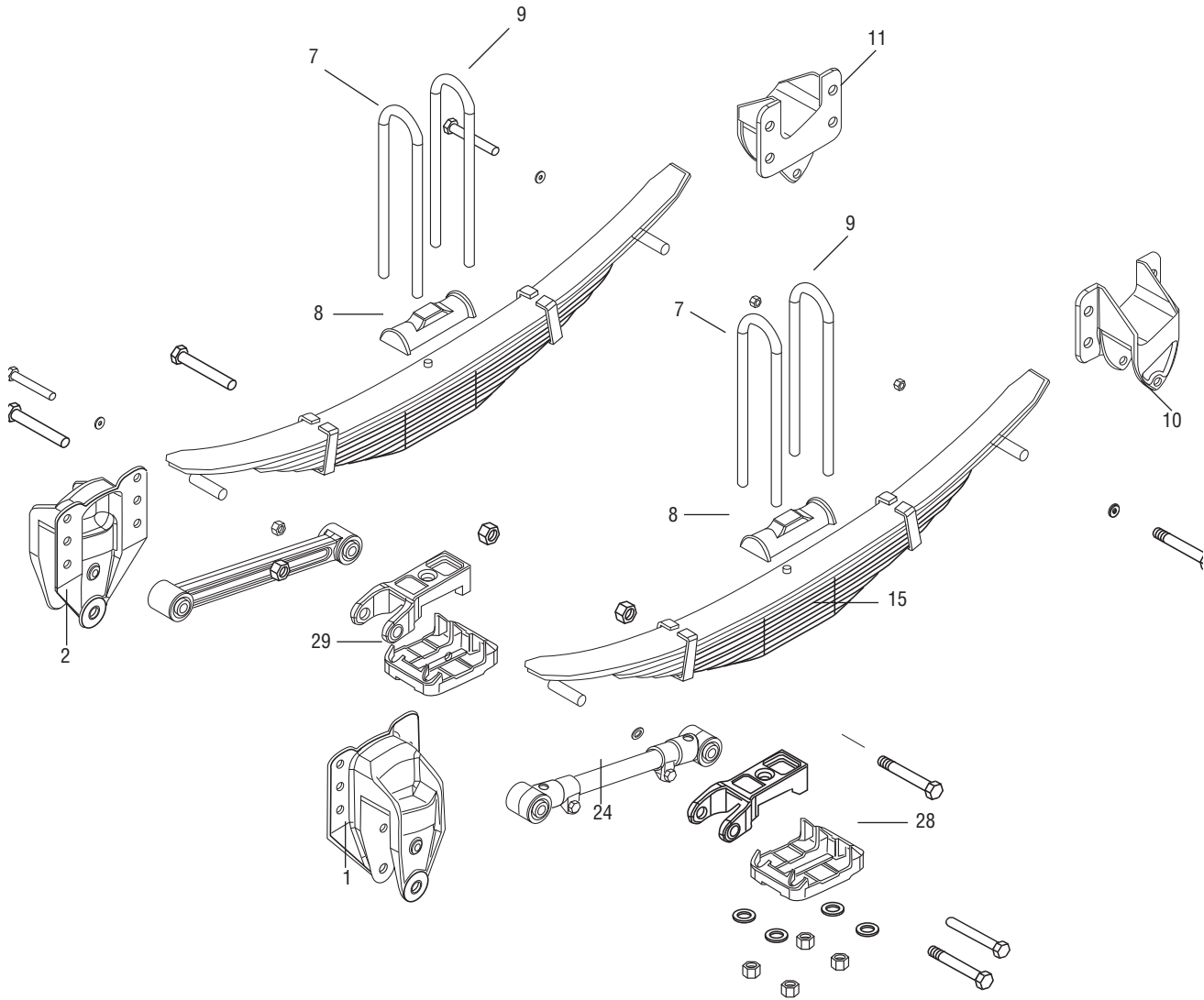
Tandem 72", 77", 97", 109" Axle Spacing
Trailer

Key No.	Euclid No.	Replaces No.	Description	Qty Per				
				Tandem	72"	77"	97"	109"
1	E-9615	16671-01	Front Hanger	2	X	X	X	X
2	E-3002A	14066-01	Hi-Nut	16	X	X	X	X
3	E-2546	T-7292	Washer	16	X	X	X	X
4	E-9616	13798-01	Top Plate, 5" Round Axle	4	X	X	X	X
	E-9617	14527-01	Top Plate, 5 3/4" Round Axle		X	X	X	X
5	E-15295	13909-01	Equalizer with Bushing	2		X		
	S.O.S.	15227-01				X		
	S.O.S.	15724-01				X		
	S.O.S.	15720-01						X
6	E-2854	08914-01	Nut	2	X	X	X	X
7	E-2852	10949-01	Equalizer Bolt	2	X	X	X	X
8	E-15296	15735-01	Equalizer Hanger	2	X	X	X	X
9	E-15297	13861-01	Equalizer Guide Bracket	2	X	X	X	X
10	E-15298	16673-01	Torque Arm Attachment Bracket	2	X	X	X	X
11	S.O.S.	Various	Spring	4	X	X	X	X
12	E-9622	13814-01	Rear Hanger	2	X	X	X	X
13	E-15299	13817-01	Bolt	6	X	X	X	X
14	E-15300	13818-01	Spring Roller	6	X	X	X	X
15	E-1974	T-1705	Lock Washer	6	X	X	X	X
16	E-5032	T-1704	Nut	6	X	X	X	X
17	E-9626	15751-01	Axle Seat, 5" Round Axle	4	X	X	X	X
	E-15301	15752-01	Axle Seat, 5 3/4" Round Axle		X	X	X	X
18	E-1166	T-5492	Bolt	8	X	X	X	X
19	E-937	T-5495	Nut	8	X	X	X	X
20	S.O.S.	16586-01	Rigid Torque Arm Assembly, Rear	1	X			
		16587-01	Rigid Torque Arm Assembly, Rear			X	X	X
	E-9620	16596-01	Adjustable Torque Arm Assembly, Rear		X	X	X	X
21	E-UB8165-14	08512-01	U-Bolt Assembly, Rd. Bend, 7/8"-14 Thd. x 5" Wide x 14" Long	8	X	X	X	X
	S.O.S.	08950-01	U-Bolt Assembly, Rd. Bend, 7/8"-14 Thd. x 5 3/4" Wide x 14" Long		X	X	X	X
22	E-9549	15737-01	Torque Arm Bushing	8	X	X	X	X
23	E-9585	16585-01	Rigid Torque Arm Assembly, Front	1	X	X	X	X
	E-9584	16595-01	Adjustable Torque Arm Assembly, Front		X	X	X	X
24	E-9550	13805-01	Equalizer Bushing	2	X	X	X	X
—	E-9801	—	Equalizer Bushing Assembly, Key Nos. 6, 7, 24	2	X	X	X	X

REYCO/GRANNING

REYCO/GRANNING MODEL 79KB SERIES

Truck



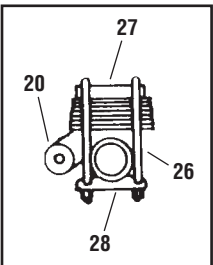
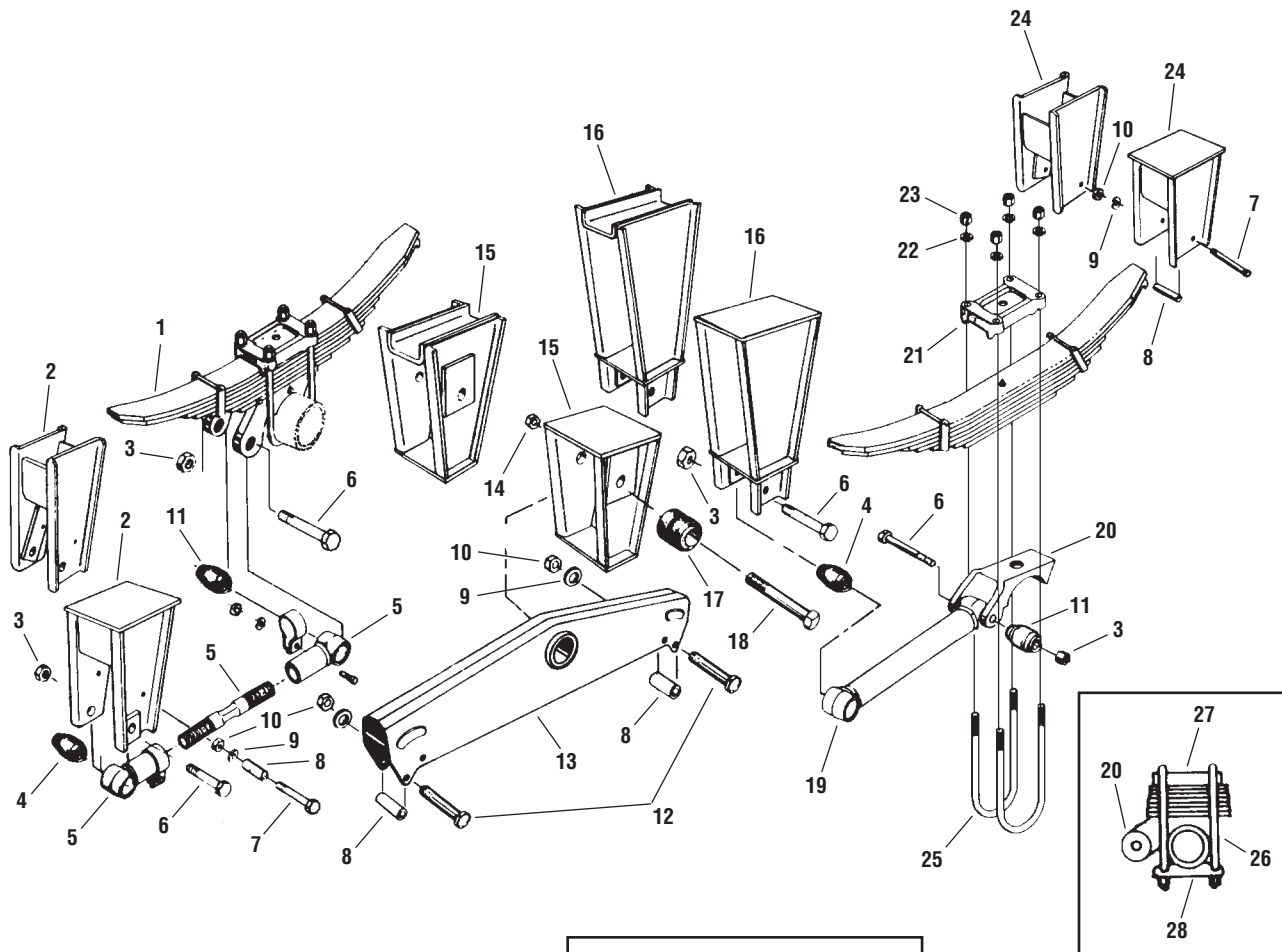
REYCO/GRANNING MODEL 79KB SERIES

Truck

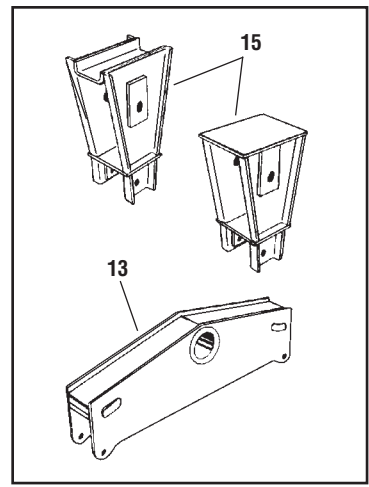
Key No.	Euclid No.	Replaces No.	Description	Quantity Per Axle
1	E-15302	22404-01	Front Hanger - Left - Standard	1
2	E-15303	22404-02	Front Hanger - Right - Hole Pattern	1
3	E-15304	16281-01	Bumper	2
4	E-15305	1963501	Upper Shock Absorber Mount	4
5	E-15306	21496-01	Shock Absorber Bolt	2
6	E-4961A	1434401	Shock Mount Nut	4
7	S.O.S.	Various	Front U-Bolt	2
8	E-2873	0867701	Top Plate	2
9	S.O.S.	Various	Rear U-Bolt	2
10	E-15307	22405-01	Rear Hanger - Left - Standard	1
11	E-15308	22405-02	Rear Hanger - Right - Hole Pattern	1
12	E-15252	T1705	Lock Washer - 1/2"	12
13	E-1971	T2106	Spring Roller	4
14	E-1972	T-5544	Spring Retainer Bolt - Front Hanger	2
15	S.O.S.	Various	Spring Assembly	2
16	S.O.S.	Various	Spacer Block	2
17	E-25309	12889-01	Shock Absorber Bolt	2
18	E-2546	T7292	Washer - 7/8"	8
19	E-1835	1434501	Locknut - 7/8"	8
20	S.O.S.	1949901	Lower Shock Mount - Left	1
21	S.O.S.	Various	Axle Seat - Left	1
22	S.O.S.	Various	Axle Seat - Right	1
23	M85030	1949501	Shock Absorber	2
24	S.O.S.	1634801	Adjustable T/A Includes Bushings (2 Piece Part # 09729-01)	1
25	S.O.S.	1976201	Rigid T/A Includes Bushings (2 Piece Part # 09729-01)	1
26	E-901	1003301	Torque Arm Bolt	4
27	E-2983	1009201	Torque Arm Bolt Nut	4
28	E-15310	Various	Bottom Plate - Left	1
29	E-15311	Various	Bottom Plate - Right	1
30	S.O.S.	1949801	Lower Shock Mount - Right	1
33	E-5032	T1704	Nut - 1/2"	2
34	E-15310	19570-01	Bolt - 5/8" X 9"	2
35	E-14389	1957201	Stabilizer Bushing - Axle	8
36	S.O.S.	1957301	Bushing Sleeve	4
37	S.O.S.	1957401	Spacer Sleeve	2
38	S.O.S.	1289301	Locknut - 5/8"	2
39	S.O.S.	1957701	Compression Washer	8
40	S.O.S.	1948701	Sway Bar (Stabilizer)	1
41	S.O.S.	1950701	Bushing Clamp	2
42	S.O.S.	1957101	Stabilizer Bushing - Hanger	2
43	S.O.S.	1966701	Stabilizer Mount - Hanger	2
44	S.O.S.	1967201	Bolt - 1/2" - 1	8
45	S.O.S.	T5549	Spring Retainer Bolt - Rear Hanger With Stabilizer	2
46	S.O.S.	16286-01	Auxiliary Spring Leaf	2

REYCO/GRANNING 83 SERIES WIDESPREAD

Tandem 50", 54", 60", 65 1/2", 72", 97" and 109" Axle Spacing
Trailer



Inverted U-Bolts Design



Hangers & Equalizer for 50\"/>

LEAF SPRING REFERENCES

SRI No.	
TRA 2291	3 Leaf
TRA 2256	7 Leaf
TRA 2283	7 Leaf
TRA 2270	8 Leaf
TRA 2297	9 Leaf

REYCO/GRANNING

REYCO/GRANNING 83 SERIES WIDESPREAD

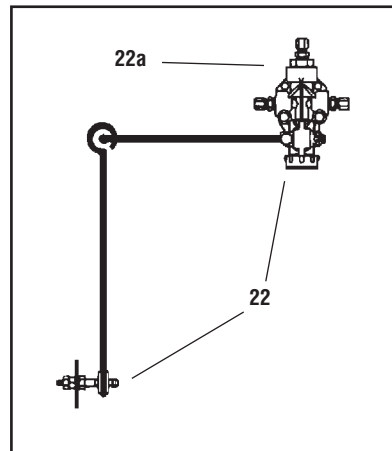
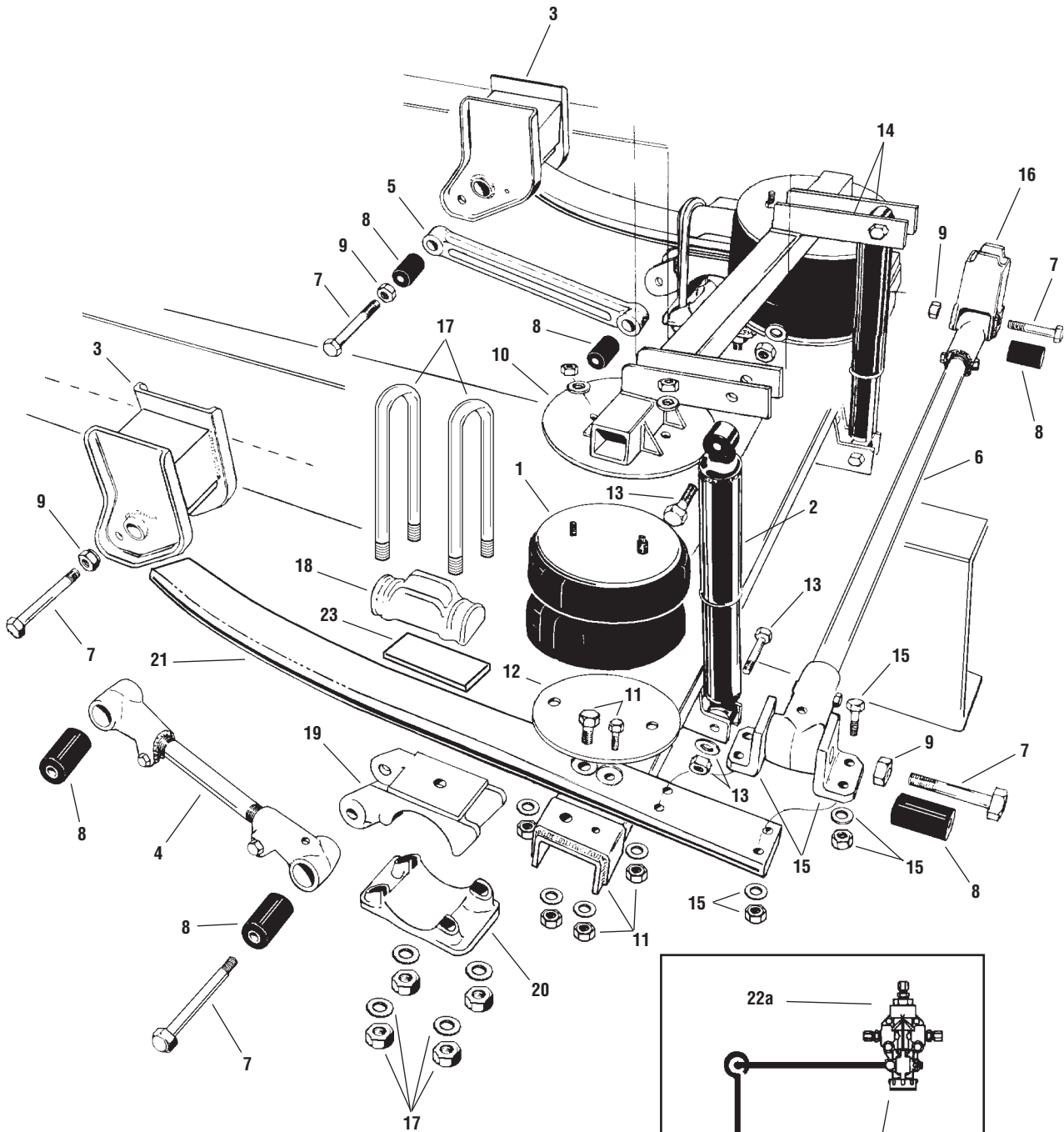
Tandem 50", 54", 60", 65 1/2", 72", 97" and 109" Axle Spacing

Trailer

Key No.	Euclid No.	Replaces No.	Description	Qty Per Tandem	60"	50" / 72"
1	S.O.S.	Various	Spring	2	X	X
2	E-15311	15095-01	Front Hanger, Under Mount	2	X	X
3	E-1835	10092-01	Nut	4	X	X
4	E-7750	10051-01	Torque Arm Bushing, Hanger End	2	X	X
5	E-7741	16031-01	Adjustable Torque Arm with Bushings, Front	2	X	X
	E-7744	10040-01	Rigid Torque Arm with Bushings, Front		X	X
6	E-901	10033-01	Bolt	4	X	X
7	E-15312	T-1703	Bolt, Straddle Mount	6	X	X
	E-1972	T-5544	Bolt, Under Mount		X	X
8	E-1971	T-2106	Spring Roller	6	X	X
9	E-1974	T-2248	Lock Washer	6	X	X
10	E-5032	T-1704	Nut	6	X	X
—	E-1975	TK19011	Spring Roller Assembly Includes Key Nos. 7, 8, 9, 10. Under Mount Hangers Only	4	X	X
11	E-1980 (Rubber)	09829-01	Torque Arm Bushing, Axle Seat End	8	X	X
	E-7520 (Poly)	09729-01				
—	E-1981 (Rubber)	—	Torque Arm Bushing Assembly, Axle Seat End Includes Key Nos. 3, 6, and 11	4	X	X
—	E-9552 (Poly)	—				
12	E-1972	T-5544	Bolt	6	X	X
	N/A	14763-01	Equalizer, 72"			X
13	E-7709	14689-01	Equalizer, 50"	2		X
	E-7710	14696-01	Equalizer, 60"		X	
14	E-2854	08914-01	Nut	2	X	X
15	S.O.S.	15062-01	Center Hanger, Straddle Mount, 50" thru 65 1/2"	2		
	S.O.S.	15105-01	Center Hanger, Under Mount, 50" thru 65 1/2"			—
	S.O.S.	15008-01	Center Hanger, Straddle Mount, 72" thru 109"			—
	S.O.S.	14688-01	Center Hanger, Under Mount, 72" thru 109"			—
16	S.O.S.	15005-01	Torque Arm Bracket, Straddle Mount, 72" thru 109"	2		
	S.O.S.	15100-01	Torque Arm Bracket, Under Mount, 72" thru 109"			—
17	E-1072	T-3214	Bushing, 72" thru 109"	2		
	E-7713	14682-01	Bushing, 50" thru 65 1/2"			
18	E-7719	14683-01	Equalizer Bolt, All	2	X	X
19	E-7742	16032-01	Adjustable Torque Arm, Rear, 50" & 72"	1		X
	E-7743	16034-01	Adjustable Torque Arm, Rear, 60"		X	
20	N/A	Various	Axle Seat	4	X	X
21	E-2875	T-7175	Top Plate	4	X	X
22	E-2545	T-5496	Washer	16	X	X
23	E-3001	T-5497	Hi-Nut	16	X	X
24	E-7739	14999-01	Rear Hanger, Straddle Mount	2	X	X
	S.O.S.	15098-01	Rear Hanger, Under Mount		X	X
25	E-UB8155-14	08554-01	U-Bolt Assembly, Rd. Bend, 3/4"-16 Thd. x 5" Wide x 14" L	8	X	X
26	E-UB8151-14	08541-01	U-Bolt Assembly, Rd. Bend, 3/4"-16 Thd. x 3" Wide x 14" L	8	X	X
27	E-15313	11760-01	Top Plate	4	X	X
28	E-2874	09139-01	Bottom Plate, Inverted U-Bolts	4	X	X
	S.O.S.	11791-01	Bottom Plate, Underslung		X	X

REYCO/GRANNING 86AR TRAILER

Trailer - Air



Height Control Valve & Linkage

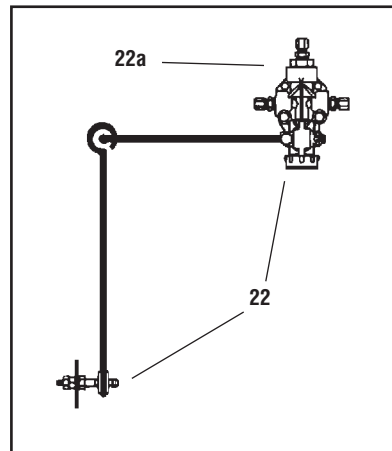
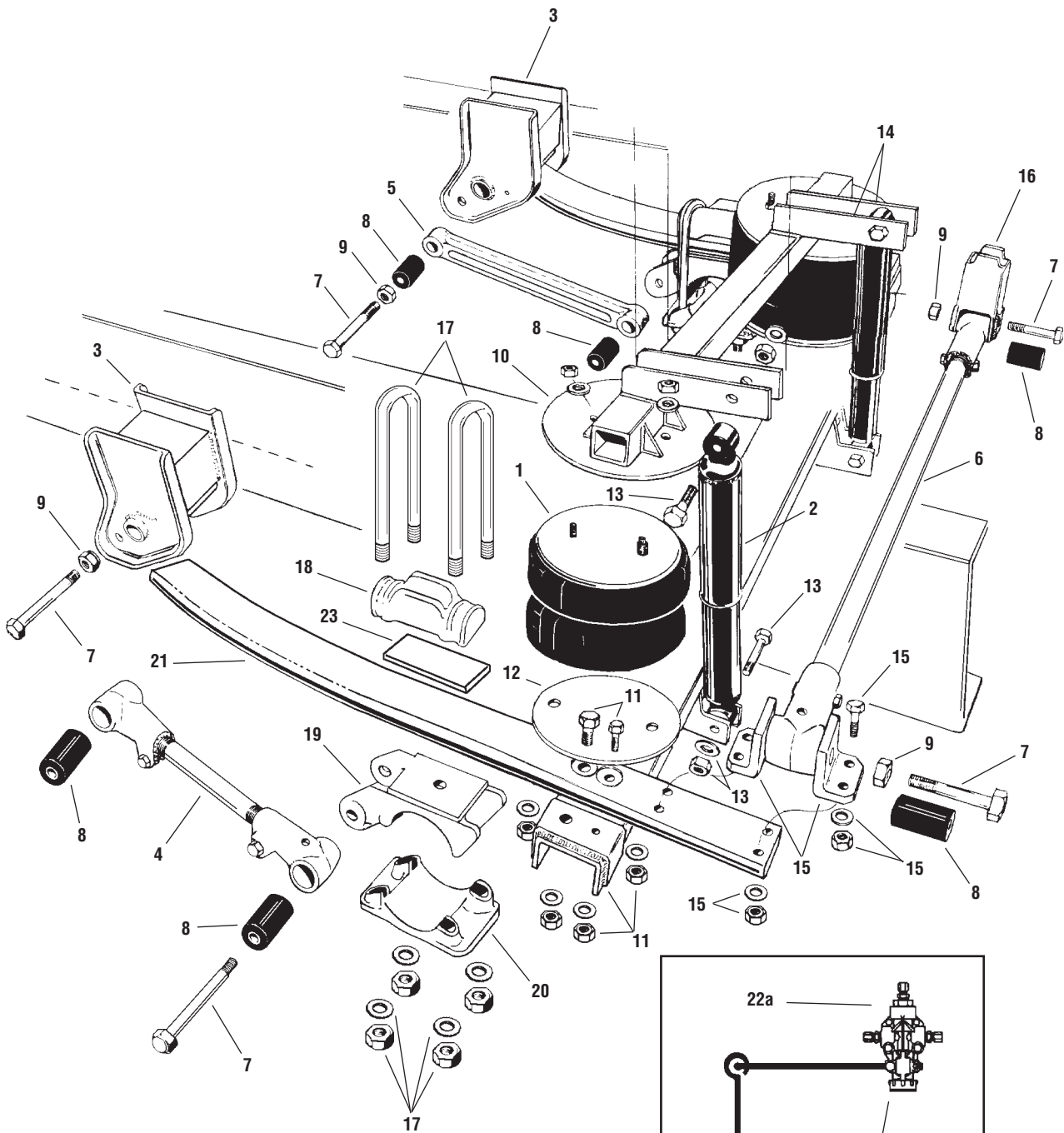
REYCO/GRANNING 86AR TRAILER

Trailer - Air

Key No.	Euclid No.	Replaces No.	Description	Qty Per Axle
1	FS7555	20018-01	Air Spring Assembly	2
2	M85006	18165-01	Shock Absorber	2
3	E-9351A	22662-01	Hanger, Straddle Mount, to 1997 and Up	2
4	E-4824 (fabricated)	1035-20	Adjustable Torque Arm	1
	E-2513 (cast)	1-568		
5	E-4825	0075-20	Rigid Torque Arm	1
6	E-15266	20012-01	Track Rod Rigid, Standard, 42" Frame Width	1
	E-15276	10910-01	Track Rod Rigid, Standard, 48" Frame Width	
	S.O.S.	17857-01	Track Rod Adjustable Option, 42" Frame Width	
	S.O.S.	18869-01	Track Rod Adjustable Option, 48" Frame Width	
—	E-4834A	TK19214 TK19215	Torque Arm/Track Rod Bushing Assembly with Rubber Bushing. Includes Key Nos. 7,8,9	6
7	E-4833	0001-08	Torque/Track Rod Bolt	6
8	E-1980 (Rubber)	0022-00	Torque/Track Rod Bushing	6
	E-7520 (Poly)			
9	E-1835	0002-12	Torque/Track Rod Nut	6
10	E-15277	17856-01	Upper Air Spring Mounting Plate	2
11	S.O.S.	TK21567	Lower Air Spring Support Assembly, 42" Frame Width with Mounting Hardware	1
		TK21569	Lower Air Spring Support Assembly, 48" Frame Width with Mounting Hardware	—
12	E-15280	19790-01	Lower Air Spring Plate	2
13	S.O.S.	TK19216	Shock Absorber Mounting Hardware Kit, 2 Kit / Shock	1
14	S.O.S.	19769-01	Upper Shock Mounting Bracket (2 pieces per Kit)	2
15	E-9358	21491-01	Track Rod Bracket, Lower Left Hand with Hardware	2
16	E-15314	19772-01	Track Rod Bracket, Upper Right Hand, Straddle Mount	2
17	E-UB8151-12	19780-110 to 120	U-Bolt Assembly, Rd. Bend, 3/4"- 16 Thd. x 3" Wide x 12" Long	4
	E-UB8151-14	19780-125 to 140	U-Bolt Assembly, Rd. Bend, 3/4"- 16 Thd. x 3" Wide x 14" Long	
	E-UB8151-16	19780-145 to 160	U-Bolt Assembly, Rd. Bend, 3/4"- 16 Thd. x 3" Wide x 16" Long	
18	E-9353	1098-00	U-Bolt Top Plate	4
19	E-4814	0636-01	Axle Seat, Round Axle, 1 1/8" High	2
	S.O.S.	0836-015	Axle Seat, Round Axle, 1 5/8" High	—
	S.O.S.	0836-02	Axle Seat, Round Axle, 2 1/8" High	—
	E-9355	0836-025	Axle Seat, Round Axle, 2 5/8" High	—
	S.O.S.	0836-03	Axle Seat, Round Axle, 3 1/8" High	—
	S.O.S.	0836-035	Axle Seat, Round Axle, 3 5/8" High	—
	S.O.S.	0836-04	Axle Seat, Round Axle, 4 1/8" High	—
20	E-2909	0538-00	Bottom Plate, 5" Round Axle	2
	E-4823	0149-00	Bottom Plate, 5" Square Axle	
21	E-10772	19913-01	Spring Beam, Left Hand	1
	E-10773	19914-01	Spring Beam, Right Hand	1

REYCO/GRANNING 86AR TRAILER

Trailer - Air



Height Control Valve & Linkage

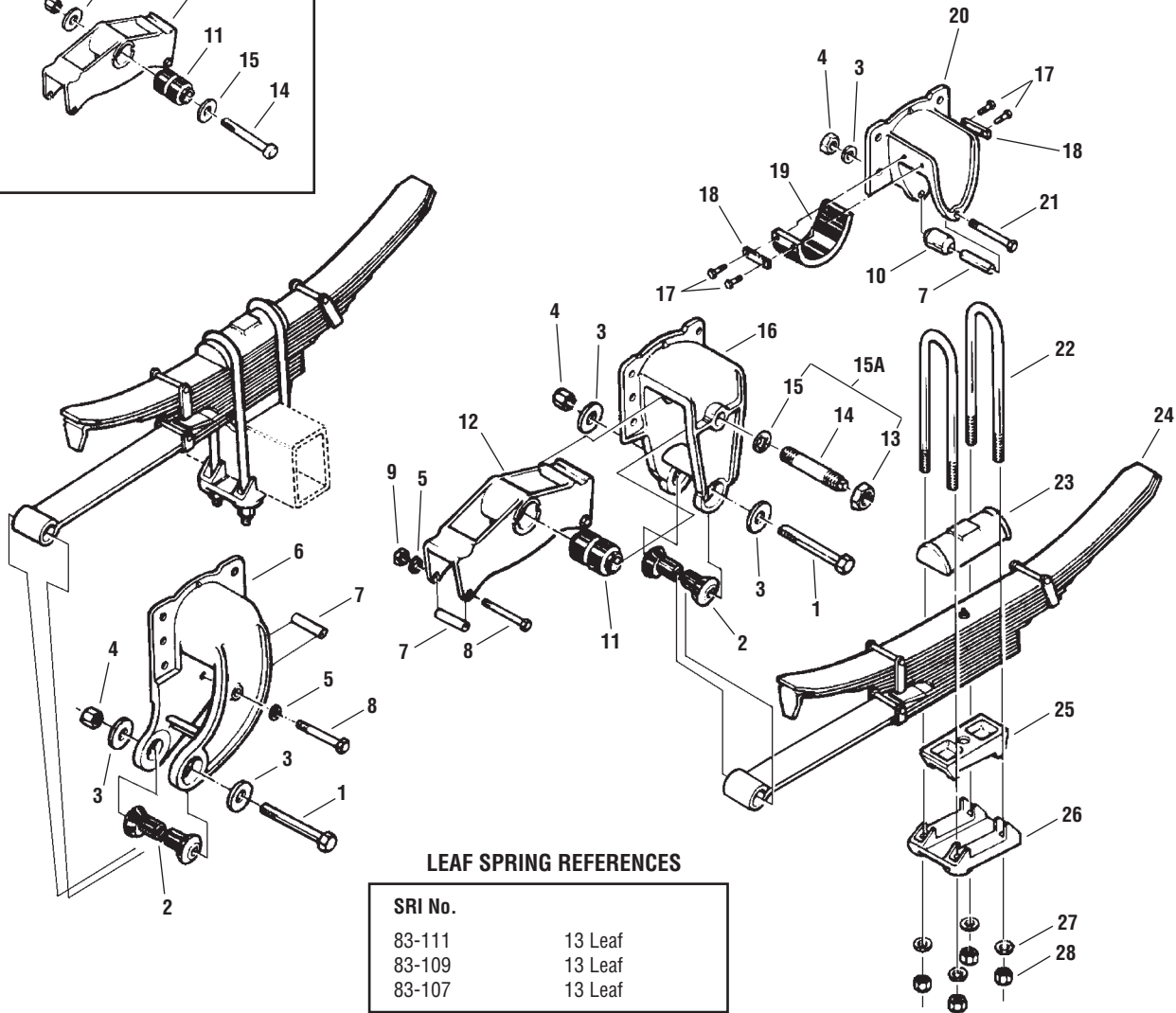
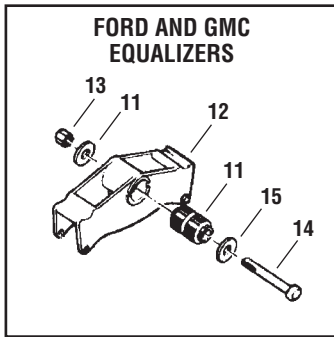
REYCO/GRANNING 86AR TRAILER

Trailer - Air

Key No.	Euclid No.	Replaces No.	Description	Qty Per Axle
22	E-12525	23329-02	Height Control Valve, 3/8" Fitting, Includes Linkage	1
	E-15271	23329-01	Height Control Valve, 1/4" Fitting	
—	E-4324	12915-03	Pressure Protection Valve, Includes Filter	1
22a	S.O.S.	—	Height Control Valve - Haldey part #700318-14 for units prior to July 17, 2006	As Req
			Height Control Valve - Haldey part # 706235-01 for units after July 17, 2006	
—	E-15272	12915-04	Pressure Protection Valve Filter	1
23	E-11305	16810-00	Galvanized Spring Liner	1

REYCO/GRANNING 101 SERIES

Tractor



LEAF SPRING REFERENCES

SRI No.	
83-111	13 Leaf
83-109	13 Leaf
83-107	13 Leaf

Key No.	Euclid No.	Replaces No.	Description	Qty Per Tandem
1	E-1965	17210-01	Bolt	4
2	E-1964 (Rubber)	T-1723	Eccentric Torque Leaf Bushing	8
	E-8689 (Poly)			
3	E-905	T-1724	Washer	8
4	E-4421	12327-01	Nut	4
	E-1963 (Rubber)	TK19166	Torque Arm Bushing Assembly Includes Key Nos. 1, 2, 3, 4.	4
	E-9548 (Poly)			
5	E-1974	T-2248	Spring Roller Lock Washer	6
6	E-2885	22272-01	Undrilled Front Hanger, Left Hand	1
	E-2884	22272-02	Undrilled Front Hanger, Right Hand	
7	E-1971	T-2106	Spring Roller	8
8	E-1972	T-5544	Bolt	6

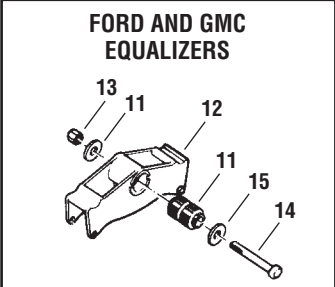
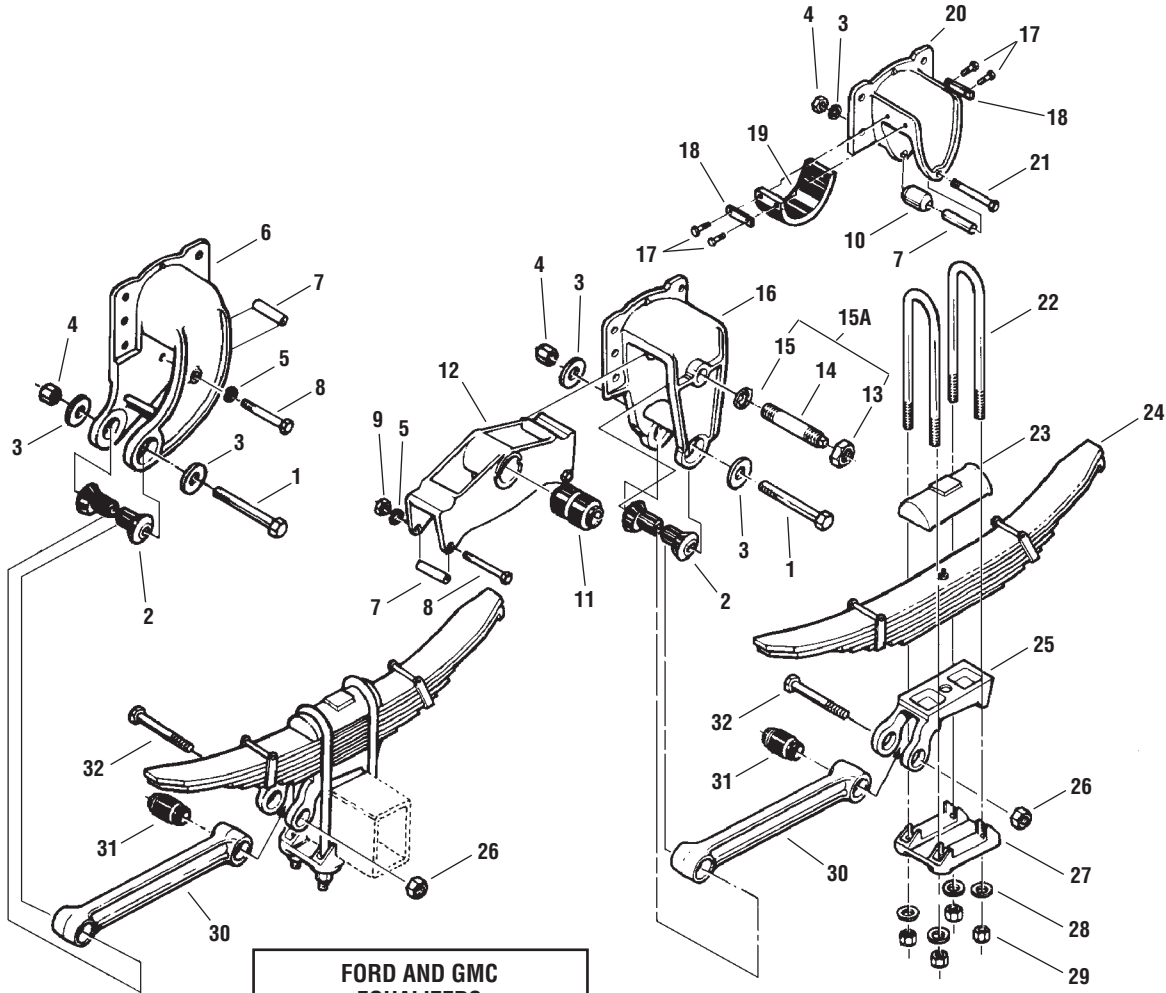
REYCO/GRANNING 101 SERIES

Tractor

Key No.	Euclid No.	Replaces No.	Description	Qty Per Tandem
9	E-5032	T-1704	Nut	6
10	E-1061	T-3016	Rear Hanger Bushing	2
	S.O.S.	09729-01		
—	E-1975	TK19011	Spring Roller Assembly Includes Key Nos. 5, 7, 8, 9.	6
11	E-3977 (Rubber)	14713-01	Equalizer Bushing, No Slots	2
	E-8654 (Poly)			
	E-1966	08363-01	Rubber Equalizer Bushing, Slotted Both Ends	
	E-2849	08995-01	Rubber Equalizer Bushing, One Slot, Ford	
	E-2850	08915-01	Rubber Equalizer Bushing No Slots, GM/Volvo	
12	E-3978	14743-01	Equalizer with Bushing, No Slots	2
	E-2843	09120-01	Equalizer with Bushing, Slotted Both Ends	
	E-2844	08996-01	Equalizer with Bushing, One Slot, Ford	
	E-2845	08918-01	Equalizer with Bushing, No Slots, GM/Volvo	
13	E-1968	08687-01	Nut, Not Ford or GM/Volvo	2
	E-2854	08914-01	Nut, Ford & GM/Volvo	
14	E-1967	08686-01	Equalizer Shaft, Not Ford or GM/Volvo, 1 1/2" O.D.	2
	E-2852	10949-01	Equalizer Shaft, Ford & GM/Volvo, 1 1/4" O.D.	
15	E-1969	14246-01	Washer, Not Ford or GM/Volvo	2
	E-2853	08913-01	Washer, Ford & GM/Volvo	4
15A	E-9840	—	Equalizer Shaft Kit, Includes key 13, 14, 15	2
—	E-1970	TK19056	Equalizer Bushing Assembly, Slotted Both Ends	2
	E-2847	TK19164	Equalizer Bushing Assembly, One Slot, Ford	
	E-2848	TK19163	Equalizer Bushing Assembly, No Slots, GM/Volvo	
All Equalizer Bushing Assemblies Include Key Nos. 11, 13, 14, 15.				
16	E-2886	22274-01	Undrilled Center Hanger	2
17	Part of E-2867A	14988-01	Bolt	8
18	Part of E-2867A	T-7659	Plate	4
19	Part of E-2867A	13195-01	Wear Pad	2
—	E-2867A	TK15161	Rear Hanger Pad Assembly Includes Key Nos. 17, 18, 19	2
20	E-2887	22299-01	Undrilled Rear Hanger , Left Hand	1
	E-2888	22299-02	Undrilled Rear Hanger , Right Hand	
21	E-2022	T-5549	Bolt	2
22	E-UB8151-18	09741-01 thru 09751-01	U-Bolt Assembly, Rd. Bend, 3/4"-16 Thd. x 3" Wide x 18" Long	8
23	E-2873	08677-01	Top Plate	4
24	S.O.S.	Various	Spring Assembly	4
25	S.O.S.	Various	Axle Seat	4
26	S.O.S.	Various	Bottom Plate	4
27	E-2545	T-5496	Washer	16
28	E-3001	T-5497	Hi-Nut	16

REYCO/GRANNING 101A SERIES

Tractor



LEAF SPRING REFERENCES

SRI No.	
83-115	11/3 Leaf
83-121	11/3 Leaf
83-133	3 Leaf

REYCO/GRANNING 101A SERIES

Tractor

Key No.	Euclid No.	Replaces No.	Description	Qty Per Tandem
1	E-1965	17210-01	Bolt	4
2	E-1964 (Rubber)	T-1723	Eccentric Torque Leaf Bushing	8
	E-8689 (Poly)			
3	E-905	T-1724	Washer	8
4	E-4421	12327-01	Nut	4
—	E-1963 (Rubber) E-9548 (Poly)	TK-19166	Torque Arm Bushing Assembly Includes Key Nos. 1, 2, 3, 4.	4
5	E-1974	T-2248	Spring Roller Lock Washer	6
6	E-2885	22272-01	Undrilled Front Hanger, Left Hand	1
	E-2884	22272-02	Undrilled Front Hanger, Right Hand	1
7	E-1971	T-2106	Spring Roller	8
8	E-1972	T-5544	Bolt	6
9	E-5032	T-1704	Nut	6
10	E-1061	T-3016 09729-01	Rear Hanger Bushing	2
	E-1975	TK19011		
11	E-3977 (Rubber) E-8654 (Poly)	14713-01	Equalizer Bushing, No Slots	2
	E-1966	08363-01	Rubber Equalizer Bushing, Slotted Both Ends	
	E-2849	08995-01	Rubber Equalizer Bushing, One Slot, Ford	
12	E-2850	08915-01	Rubber Equalizer Bushing, No Slots, GM/Volvo	2
	E-3978	14743-01	Equalizer with Bushing , No Slots	
	E-2843	09120-01	Equalizer with Bushing, Slotted Both Ends	
	E-2844	08996-01	Equalizer with Bushing, One Slot, Ford	
13	E-2845	08918-01	Equalizer with Bushing, No Slots, GM/Volvo	2
	E-1968	08687-01	Nut, Not Ford or GM/Volvo	
14	E-2854	08914-01	Nut, Ford & GM/Volvo	4
	E-1967	08686-01	Equalizer Shaft , Not Ford or GM/Volvo	
15	E-2852	10949-01	Equalizer Shaft, Ford & GM/Volvo	2
	E-1969	14246-01	Washer, Not Ford or GM/Volvo	
15A	E-2853	08913-01	Washer, Ford & GM/Volvo	2
—	E-9840	—	Equalizer Shaft Kit, Includes Key 13, 14, 15	2
	E-1970	TK-19056	Equalizer Bushing Assembly, Slotted Both Ends	2
	E-2847	TK-19164	Equalizer Bushing Assembly, One Slot, Ford	
	E-2848	TK-19163	Equalizer Bushing Assembly, No Slots, GM/Volvo	
All Equalizer Bushing Assemblies Include Key Nos. 11, 13, 14, 15.				
16	E-2886	22274-01	Undrilled Center Hanger	2
17	Part of E-2867A	14988-01	Bolt	8
18	Part of E-2867A	T-7659	Plate	4
19	Part of E-2867A	13195-01	Wear Pad	2
—	E-2867A	TK-15161	Rear Hanger Pad Assembly Includes Key Nos. 17, 18, 19	2

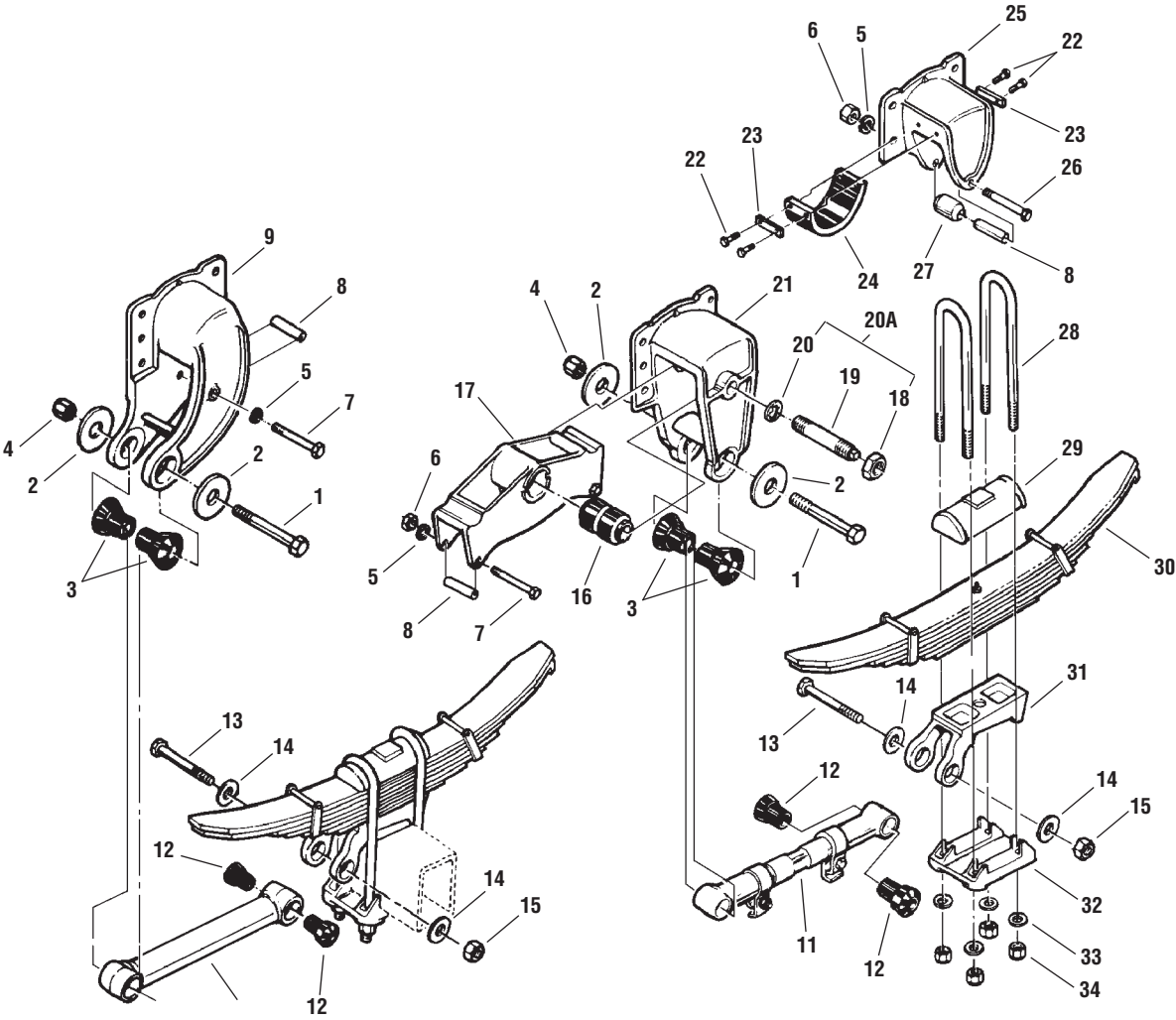
REYCO/GRANNING 101A SERIES

Tractor

Key No.	Euclid No.	Replaces No.	Description	Qty Per Tandem
20	E-2887	22299-01	Undrilled Rear Hanger, Left Hand	1
	E-2888	22299-02	Undrilled Rear Hanger, Right Hand	1
21	E-2022	T-5549	Bolt	2
22	E-UB8151-18	09741-01 thru 09751-01	U-Bolt Assembly, Rd. Bend, 3/4"-16 Thd. x 3" Wide x 18" Long	8
23	E-2873	08677-01	Top Plate	4
24	S.O.S.	Various	Spring Assembly	4
25	S.O.S.	Various	Axle Seat	4
26	E-2983	10092-01	Nut	4
27	S.O.S.	Various	Bottom Plate	4
28	E-2545	T-5496	Washer	16
29	E-3001	T-5497	Hi-Nut	16
30	E-2860	10938-01	Front & Rear Rigid Torque Arm	4
31	E-1980 (Rubber)	09729-01	Torque Arm Bushing	4
	E-7520 (Poly)			
32	E-901	10033-01	Bolt	4

REYCO/GRANNING 102 SERIES

Tractor



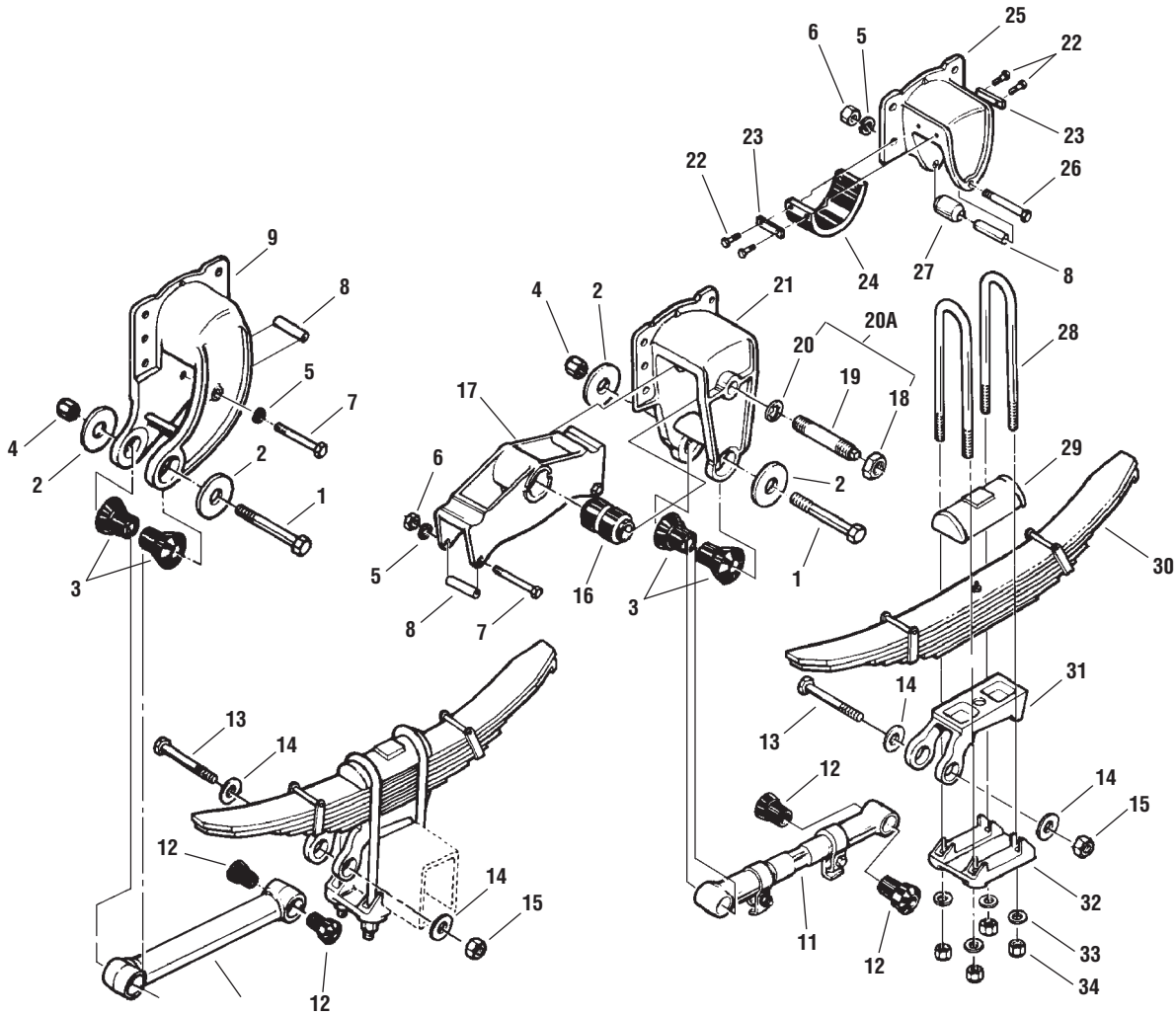
REYCO/GRANNING 102 SERIES

Tractor

Key No.	Euclid No.	Replaces No.	Description	Qty Per Tandem
1	E-1166	T-5492	Bolt	4
2	E-905	T-1724	Washer	8
3	E-10057	21238-01	Torque Arm Bushing	8
4	E-937	T-5495	Nut	4
—	E-9350 (Rubber)	—	Torque Arm Bushing Assembly, Hanger End, Incl. Key Nos. 1, 2, 3, 4.	4
5	E-1974	T-2248	Spring Roller Lock Washer	6
6	E-5032	T-1704	Nut	6
—	E-1975	—	Spring Roller Assembly Includes Key Nos. 5,6,7,8	6
7	E-1972	T-5544	Bolt	6
8	E-1971	T-2106	Spring Roller	8
9	E-2885	22272-01	Undrilled Front Hanger, Left Hand	1
	E-2884	22272-02	Undrilled Front Hanger, Right Hand	1
10	E-2858	15012-01	Rigid Torque Arm	2
11	E-2866A	15354-01	Adjustable Torque Arm	2
12	E-1982 (Rubber)	T-2242	Torque Arm Bushing	8
	E-7522 (Poly)			
13	E-900	T-2243	Bolt	4
14	E-907	T-2224	Washer	8
15	E-4421	T-1722	Nut	4
—	E-1983 (Rubber)	—	Torque Arm Bushing Assy Axle Seat End, Incl. Key Nos. 12, 13, 14, 15.	4
16	E-3977 (Rubber)	14713-01	Equalizer Bushing, No Slots	2
	E-8654 (Poly)			
	E-1966			
	E-2849			
	E-2850			
17	E-3978	14743-01	Equalizer with Bushing, No Slots	2
	E-2843	09120-01	Equalizer with Bushing, Slotted Both Ends	
	E-2844	08996-01	Equalizer with Bushing, One Slot, Ford	
	E-2845	08918-01	Equalizer with Bushing, No Slots, GM/Volvo	
18	E-1968	08687-01	Nut, Not Ford or GM/Volvo (in Kit E-9840)	2
	E-2854	08914-01	Nut, Ford & GM/Volvo	
19	E-1967	08686-01	Equalizer Shaft , Not Ford or GM/Volvo (in Kit E-9840)	2
	E-2852	10949-01	Equalizer Bolt, Ford & GM/Volvo	
20	E-1969	14246-01	Washer, Not Ford or GM/Volvo (in Kit E-9840)	2
	E-2853	08913-01	Washer, Ford & GM/Volvo	
20A	E-9840	—	Equalizer Shaft Kit, Includes Key 18, 19, 20	2
—	E-1970	TK-19056	Equalizer Bushing Assembly, Slotted Both Ends	2
	E-2847	TK-19164	Equalizer Bushing Assembly, One Slot, Ford	
	E-2848	TK-19163	Equalizer Bushing Assembly, No Slots, GM/Volvo	
NOTE: All Equalizer Bushing Assemblies Incl. Key Nos. 16, 18, 19, 20.				
21	E-2886	22274-01	Undrilled Center Hanger not for Ford or GM (S.O.S. 22536-01)	2

REYCO/GRANNING 102 SERIES

Tractor



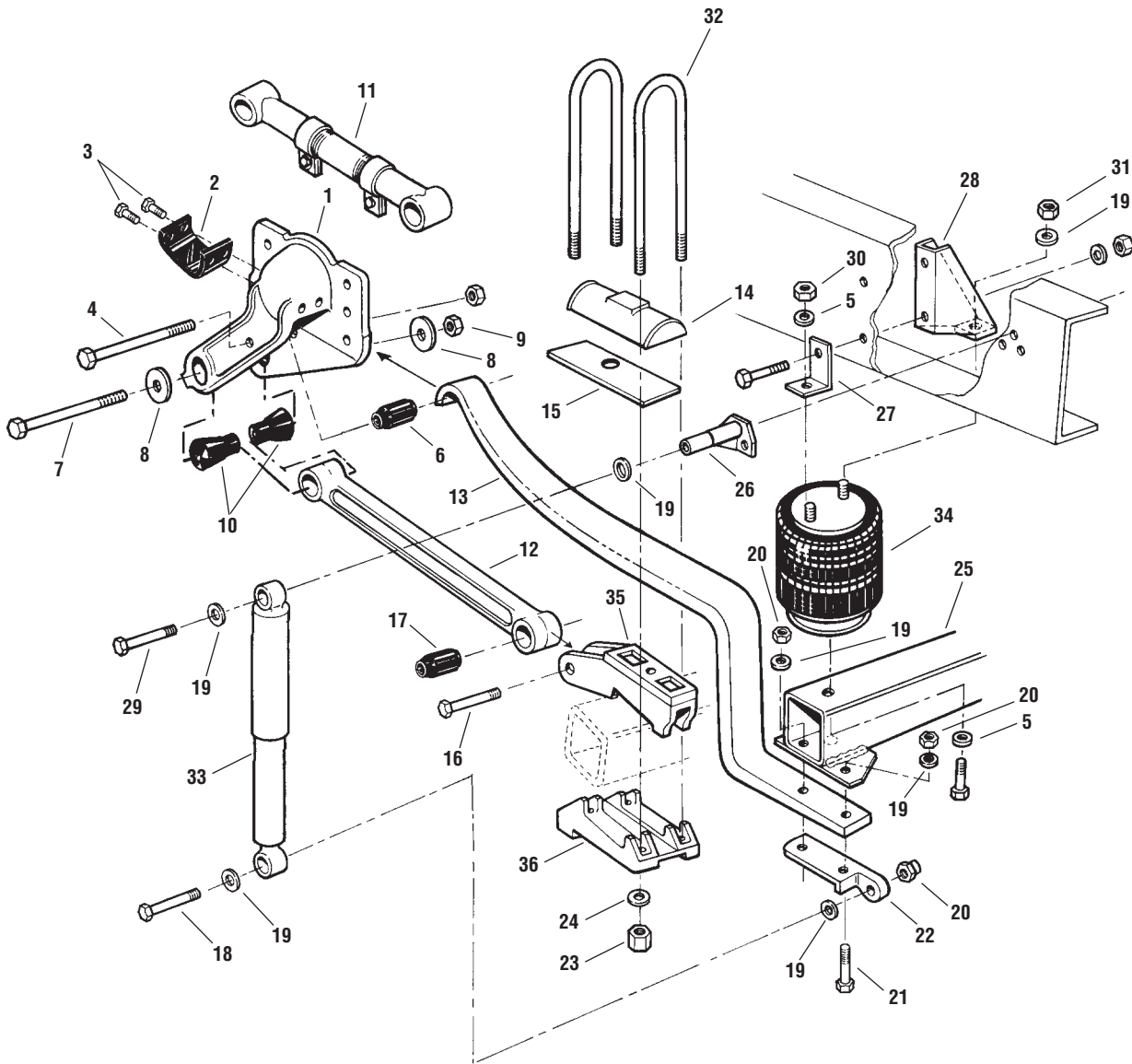
REYCO/GRANNING 102 SERIES

Tractor

Key No.	Euclid No.	Replaces No.	Description	Qty Per Tandem
—	E-14388	22273-01	Center Hanger, Drilled	2
22	Part of E-2867A	14988-01	Bolt	8
23	Part of E-2867A	T-7659	Plate	4
24	Part of E-2867A	13195-01	Wear Pad	2
—	E-2867A	TK-15161	Rear Hanger Pad Arm Includes Key Nos. 17, 18, 19	2
25	E-2887	22299-01	Undrilled Rear Hanger, Left Hand	1
	E-2888	22299-02	Undrilled Rear Hanger, Right Hand	1
26	E-2022	T-5549	Bolt	2
27	E-1061	T-3016	Rear Hanger Bushing	2
		09729-01		
28	E-UB8151-18	09741-01	U-Bolt Assembly, Rd. Bend, 3/4" -16 Thd. x 3" Wide x 18" Long	8
		thru 09751-01		
29	E-2873	08677-01	Top Plate	4
30		Various	Spring Assembly	4
31		Various	Axle Seat	4
32		Various	Bottom Plate	4
33	E-2545	T-5496	Washer	16
34	E-3001	T-5497	Hi-Nut	16

REYCO/GRANNING 102AR SERIES

Air Ride
Truck



Key No.	Euclid No.	Replaces No.	Description	Qty Per Axle
1	E-4794	22521-01	Standard Front Hanger, Left Hand, Includes Key Nos. 2, 3.	1
	E-4795	22521-02	Standard Front Hanger, Right Hand, Includes Key Nos. 2, 3.	1
2	Part of E-2867A	13195-01	Wear Pad	2
3	Part of E-2867A	14988-01	Screw	8
—	E-2867A	TK-19168	Rear Wear Pad Assembly	2
4	E-1972	T-5544	Bolt	2
5	E-5032	T-1705	Nut	2
6	E-1061	13677-04	Bushing	2
—	E-2024	TK-19182	Hanger Bushing Assembly, Includes Key Nos. 4, 5, 6.	2

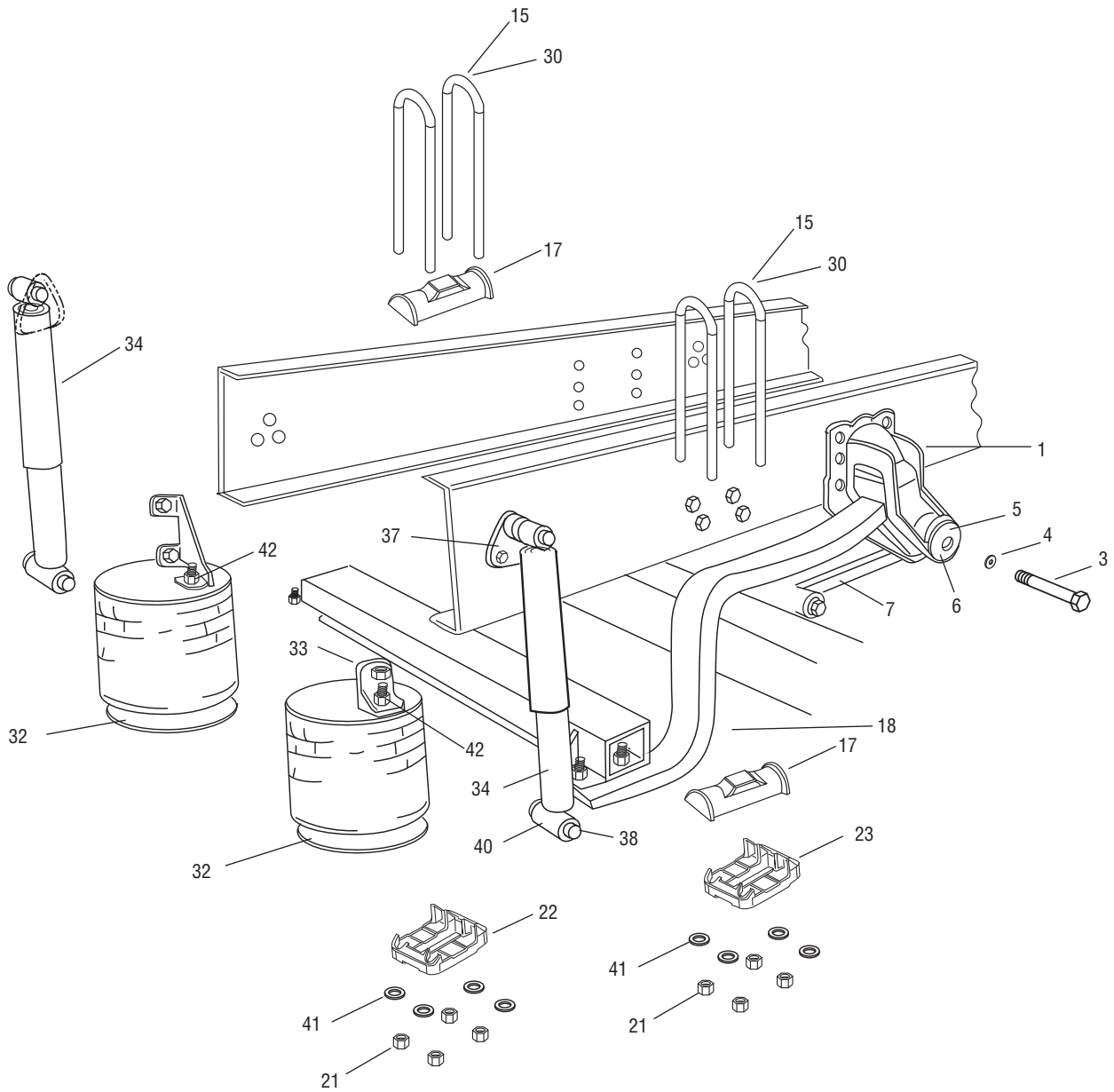
REYCO/GRANNING 102AR SERIES

Air Ride Truck

Key No.	Euclid No.	Replaces No.	Description	Qty Per Axle
7	E-1166	T-5492	Torque Arm Bolt	2
8	E-905	T-1724	Washer	4
9	E-937	T-5495	Nut	2
10	E-10057 (Rubber)	21238-01	Torque Arm Bushing, Hanger End	4
	E-9579 (Poly)			
—	E-9350 (Rubber)	—	Torque Arm Bushing Assembly Includes Key Nos. 7, 8, 9, 10.	2
	E-9583 (Poly)			
11	E-4796	15186-01	Adjustable Torque Arm	1
12	E-2860	11012-03	Rigid Torque Arm	1
13	S.O.S.	15676-01	Spring Beam	2
14	E-2873	08677-01	Top Plate	2
15	E-2842	T-5166	Delrin Liner	2
16	E-901	10033-01	Bolt	2
17	E-1980 (Rubber)	09729-01	Torque Arm Bushing	2
	E-7520 (Poly)			
18	E-25309	12889-01	Bolt	4
19	E-2545	T-5496	Washer	14
20	E-4961A	14344-01	Nut	2
21	E-15315	15669-01	Bolt	4
22	S.O.S.	15675-03LH	Lower Shock Mount Bracket, Left Hand	1
		15674-03RH	Lower Shock Mount Bracket, Right Hand	1
23	E-3002A	09352-01	Nut	8
24	E-2546	T-7292	Washer	8
25	S.O.S.	15766-01	Air Spring Support Assembly	1
26	S.O.S.	18256-01	Upper Shock Mount Bracket	2
27	E-15316	18258-01	Outboard Air Spring Bracket	2
28	E-15317	18259-01	Inboard Air Spring Bracket	2
29	S.O.S.	15246-01	Bolt	2
30	E-15288	12920-01	Nut	2
31	E-15289	08211-01	Nut	2
32	E-UB5161-14	08490-01	U-Bolt Assembly, Rd. Bend, 7/8"-14 Thd. x 3" Wide x 14" Long	4
		thru 08495-01		
33	M85013	12887-01	Shock Absorber	2
34	FS9223	12884-01	Air Spring	2
35	S.O.S.	Various	Axle Seat	2
36	S.O.S.	Various	Bottom Seat	2

REYCO/GRANNING 240AR SUSPENSION PARTS

Air Ride
Truck



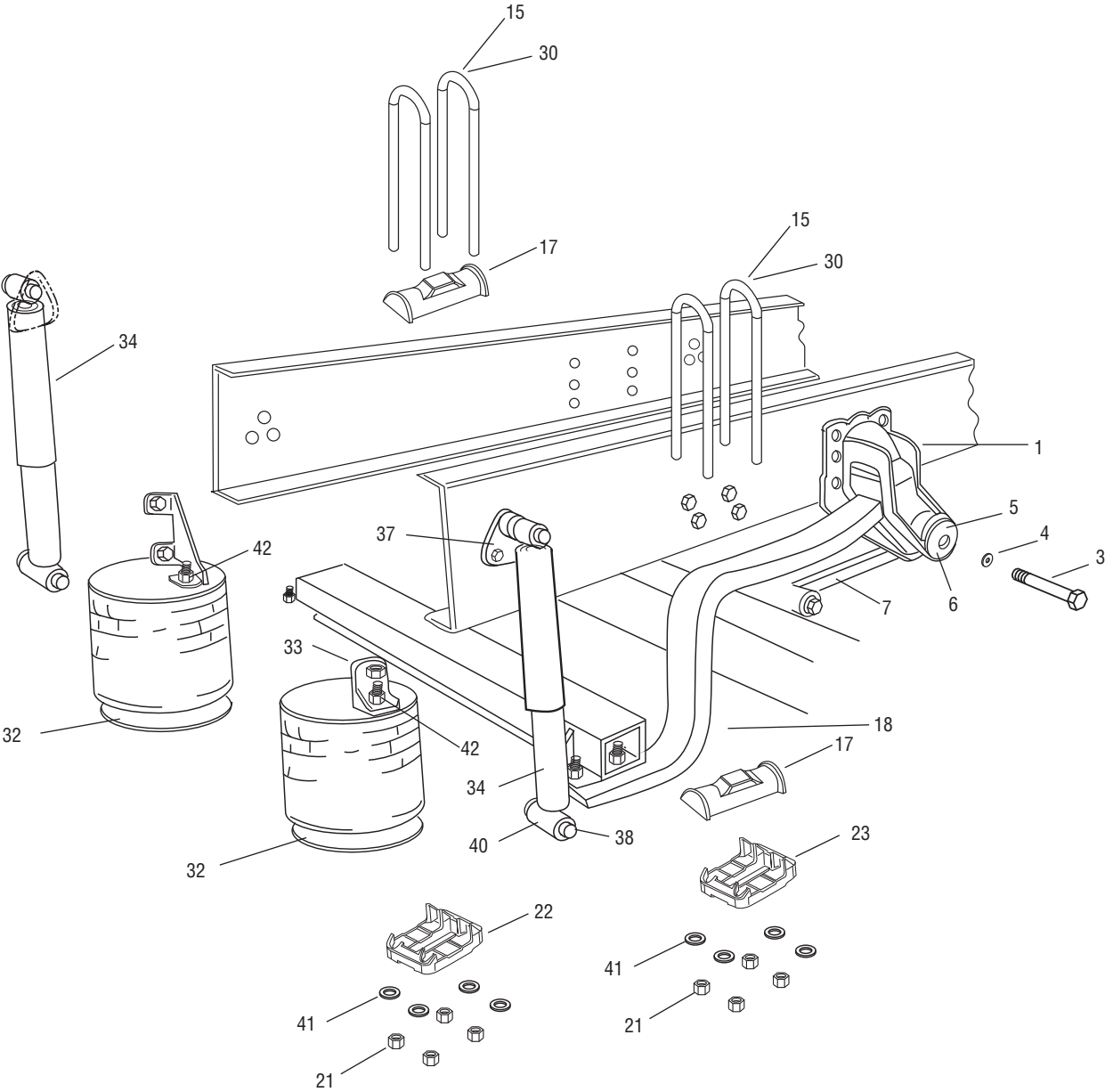
REYCO/GRANNING 240AR SUSPENSION PARTS

Air Ride Truck

Key No.	Euclid No.	Replaces No.	Description	17K - 25K Qty Per Axle	34K - 40K Qty Per Tandem
1	E-15318	2098101	Hanger Assembly (LH)	1	2
2	E-15319	2098201	Hanger Assembly (RH)	1	2
3	E-15320	23882-01	Bolt, 1"-14UNF x7	2	4
4	E-905	T1724	Flat Washer, 1-1/16"	4	8
5	E-15321	2313801S	Bushing	4	8
—	E-14390	TK21640T	Bushing Kit	As Required	
6	E-937	T5495	Lock Nut, 1"-14 UNF	2	4
7	S.O.S.	2012101	Torque Arm, Rigid	1	2
8	S.O.S.	2013801	Torque Arm, Adjustable	1	2
9	E-901	1003301	Bolt 7/8"-9 UNC x 5-1/2"	4	8
10	E-2983	1009201	Lock Nut, 7/8"-9 Thd.	4	8
11	E-1980 (Rubber)	0972901	Bushing, Inc. w/Torque Arm	As Required	
12	E-15322	1289101	Bolt, 5/8"-18 UNF x 4-1/2" Gr. 8	2	4
13	E-15323	T2131	Lock Washer, 5/8"	2	4
14	E-15324	1367708	Rubber Roller, 2-1/2"	2	4
15	S.O.S.	1563701	U-Bolt, 15" for 8-1/2" Ride Height	2	2
16	S.O.S.	1628901	U-Bolt, 12-1/2" for 8-1/2" Ride Height	2	2
17	E-2873	0867701	Top Plate	2	4
18	S.O.S.	19876K1	Spring Beam, RH	1	2
19	S.O.S.	19877K1	Spring Beam, LH	1	2
20	S.O.S.	16810-09	Spring Liner, Inc. w/Spring Beam	As Required	
21	E-3002A	2068801	Hi Nut, 7/8"-14 UNF Gr. 8	8	16
22	S.O.S.	—	Bottom Plate, Front Left	1	1
23	S.O.S.	—	Bottom Plate, Front Right	1	1
24	S.O.S.	—	Axle Seat, Front Left	1	1
25	S.O.S.	—	Axle Seat, Front Right	1	1
26	S.O.S.	—	Axle Seat, Rear Left (Tandem)	—	1
27	S.O.S.	—	Axle Seat, Rear Right (Tandem)	—	1
28	S.O.S.	—	Bottom Plate, Rear Left (Tandem)	—	1
29	S.O.S.	—	Bottom Plate, Rear Right (Tandem)	—	1
30	S.O.S.	1628901	U-Bolt, 12-1/2" for 8-1/2" Ride Ht. (Tandem)	—	2
31	S.O.S.	1563701	U-Bolt, 15" for 8-1/2" Ride Ht. (Tandem)	—	2
32	S.O.S.	2014201	Air Spring, Std.	2	4
32A	S.O.S.	20124-12	Air Spring, Opt.	As Required	
33	S.O.S.	2012301	Bracket, Inc. w/Air Spring	As Required	
34A	M89440	2012601	Shock Absorber, 1.75", Premium	8	
34B	M85713	2012901	Shock Absorber, 1.62", Heavy Duty	As Required	
35	S.O.S.	2015501	Bracket, Lower Shock, LH	1	2
36	S.O.S.	2015401	Bracket, Lower Shock, RH	1	2
37A	S.O.S.	20185-03	Bracket, Upper Shock, 8-1/2" Mounting Ht.	2	4
37B	S.O.S.	14480-01	Bolt, 3/4"-16 UNF X 5.5" Gr. 8	2	4

REYCO/GRANNING 240AR SUSPENSION PARTS

Air Ride
Truck



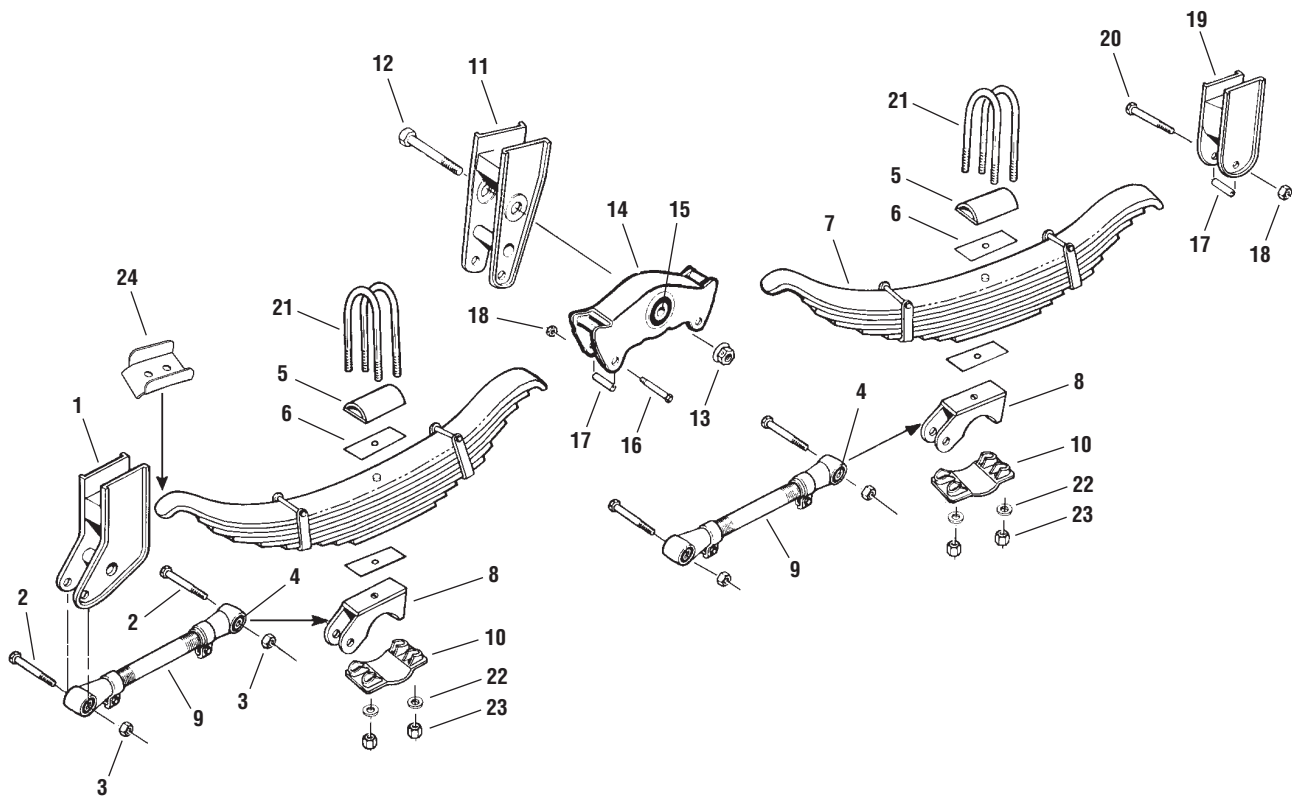
REYCO/GRANNING 240AR SUSPENSION PARTS

Air Ride Truck

Key No.	Euclid No.	Replaces No.	Description	17K - 25K Qty Per Axle	34K - 40K Qty Per Tandem
38	E-4961A	14344-01	Lock Nut, 3/4"	4	8
39	S.O.S.	1289502	Compression Washer, 3/4"	8	16
40	S.O.S.	1288802	Sleeve, 1.87" Inc. w/Shock Absorber	As Required	
41	E-2546	T7292	Hardened Washer, 7/8"	8	16
42	E-15325	1641801	Nut, 1/2"-13 UNC	2	4
43	S.O.S.	2334808	Height Control Valve Assembly	1	1
44	S.O.S.	1291101	Bolt, 1/4"-20 UNC x 1", Gr. 2	2	2
45	S.O.S.	1291201	Lock Nut, 1/4"-20 UNC, Gr. 5	2	2
46	S.O.S.	1291301	Washer, 1/4"	2	2
47	S.O.S.	2094501	Cap Screw 3/8" x 1-1/2"	1	1
48	S.O.S.	2106801	Lock Nut, 3/8" UNC	1	1
49	S.O.S.	1475001	Angle -Link	1	1
50	S.O.S.	2015601	Lower Height Control Valve Bracket	1	1
51	S.O.S.	1735401	Bolt, 3/4"-16 UNF x 4-1/2", Gr. 8	2	4
52	S.O.S.	2051301	Spacer, 1-1/2" for 10-1/2" Mounting Ht.	2	4
53	S.O.S.	2194001	Track Rod -23-1/2"	1	1
54	S.O.S.	2034601	Track Rod -21"	---	1
55	S.O.S.	1827301	Frame Bracket	1	2
56A	S.O.S.	1825102	Axle Bracket, Front Axle	1	1
56B	S.O.S.	2164601	Axle Bracket, Rear Axle (Tandem)	---	1
57	S.O.S.	2137001	Frame Plate, Track Rod	1	2
58	S.O.S.	1291501	Protection Valve and Filter	1	1

REYCO/GRANNING TRANSPRO 86/88

Heavy Weight/Super Heavy Weight Trailer



LEAF SPRING REFERENCES

SRI No.

TRA 3339	3 Leaf High Arch
TRA 3340	3 Leaf High Arch
TRA 3341	3 Leaf Lower Arch
TRA 3309	8 Leaf High Arch
TRA 3310	8 Leaf Medium Arch

REYCO/GRANNING TRANSPRO 86/88

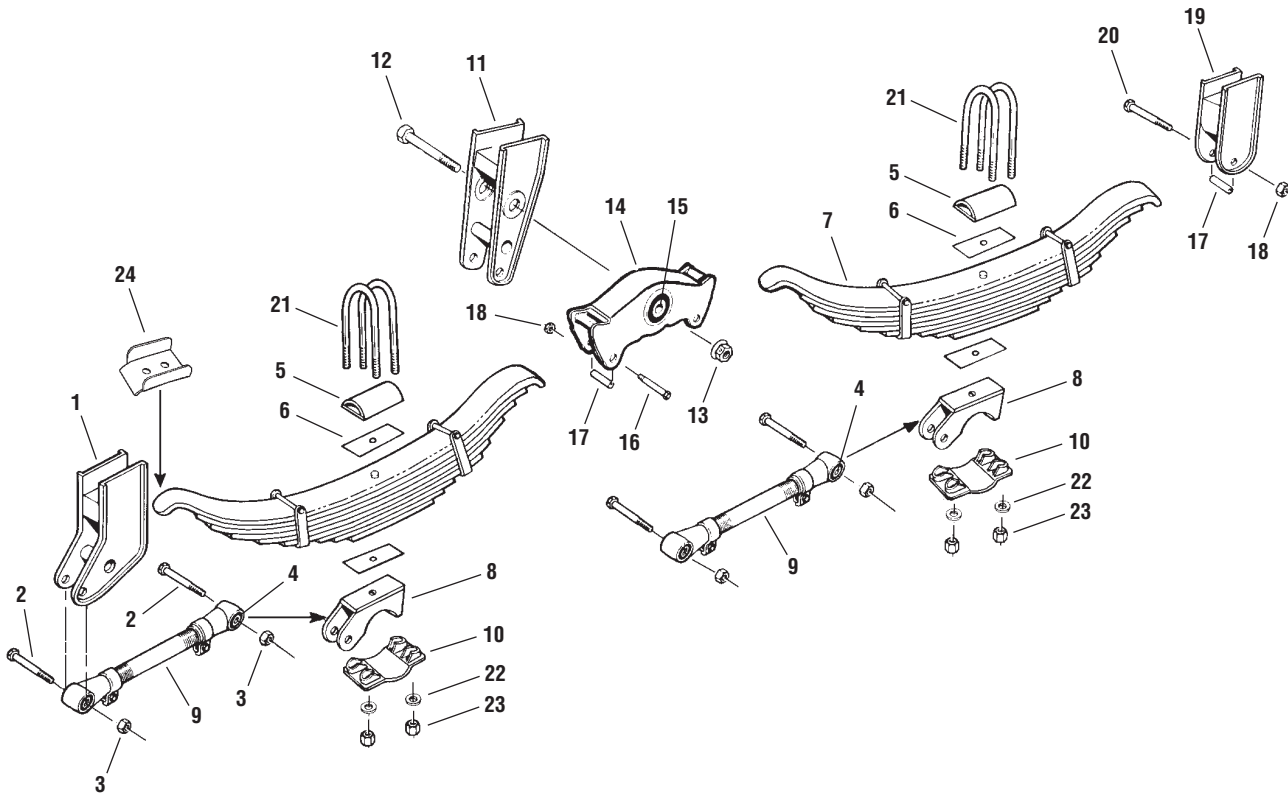
Heavy Weight/Super Heavy Weight Trailer

Key No.	Euclid No.	Replaces No.	Description	Qty Per		
				Tandem	86	88
1	E-4807	0311-01	Front Hanger, Flange Mount, Left Hand	1	X	X
	E-4808	311-02	Front Hanger, Flange Mount, Right Hand	1	X	X
	E-4801	0046-00	Front Hanger, Straddle Mount	2	X	X
	E-4804	0049-00	Front Hanger, Under Mount	2	X	X
2	E-4833	0001-08	Bolt	8	X	X
3	E-9607	0002-12	Flanged Lock Nut	8	X	X
4	E-1980 (Rubber)	0022-00	Torque Arm Bushing	8	X	X
	E-7520 (Poly)					
—	E-4834A (Rubber)	0022-01K	Torque Arm Bushing Assembly Includes Key Nos. 2, 3, 4.	8	X	X
	E-9551 (Poly)					
5	E-2907A	0077-00	Top Plate, Fabricated, 3" Wide		X	X
	E-2873	08677-01	Top Plate, Cast, 3" Wide		X	X
	E-2875	T-7175 T-5488	Top Plate, 5" Round Axle	4	X	X
	S.O.S.	T-1734	Top Plate, 5" Square Axle		X	
	S.O.S.	0716-00	Top Plate, 4" x 6" Axle		X	
6	E-2842	0375-00	Delrin Spring Liner	4	X	X
7	S.O.S.	Various	Spring	4	X	X
8	E-4814	0636-01	Axle Seat, 5" Round Axle, 1" Height	4	X	X
	E-4815	0636-02	Axle Seat, 5" Round Axle, 2" Height		X	X
	E-4817	0632-01	Axle Seat, 5" Square Axle, 1" Height		X	X
	E-4818	0632-02	Axle Seat, 5" Square Axle, 2" Height		X	X
9	E-4824	1035-20	Adjustable Torque Arm with Bushing, 20" Center-to-Center	2	X	X
	S.O.S.	1035-23	Adjustable Torque Arm with Bushing, 23" Center-to-Center		X	
	E-4825	0075-20	Rigid Torque Arm with Bushing, 20" Center-to-Center		X	X
	S.O.S.	0678-00	Rigid Torque Arm with Bushing, 23" Center-to-Center		X	
10	E-2909	0538-00	Bottom Plate, 5" Round Axles	4	X	X
	E-4823	0149-00	Bottom Plate, 5" Square Axles		X	X
11	E-4809	0312-00	Center Hanger, Flange Mount	2	X	X
	E-4802	0062-00	Center Hanger, Straddle Mount		X	X
	E-4805	0065-00	Center Hanger, Under Mount		X	X
12	E-4830	0001-14	Equalizer Bolt	2	X	X
13	E-2892	0274-01	Flanged Nut	2	X	X
14	E-4813	0758-00	Fabricated Equalizer with Bushing	2	X	X
	E-10250	0850-00	Cast Equalizer with Bushing			
15	E-4827	0649-02	Equalizer Bushing, New Style	2	X	X
	Part of E-4832	0106-06	Equalizer Bushing, Old Style Before Sept. 1986.			
—	E-4832	0649-04K	Equalizer Bushing Assembly Includes Key Nos. 12, 13, 15.	2	X	X
	N/A	0106-07	Equalizer Bushing Assembly, Old Style Before Sept. 1986.			
16	E-3415	0001-04	Bolt	4	X	X
17	E-3416	0741-01	Spring Roller	6	X	X

REYCO/GRANNING

REYCO/GRANNING TRANSPRO 86/88

Heavy Weight/Super Heavy Weight Trailer



LEAF SPRING REFERENCES

SRI No.

TRA 3339	3 Leaf High Arch
TRA 3340	3 Leaf High Arch
TRA 3341	3 Leaf Lower Arch
TRA 3309	8 Leaf High Arch
TRA 3310	8 Leaf Medium Arch

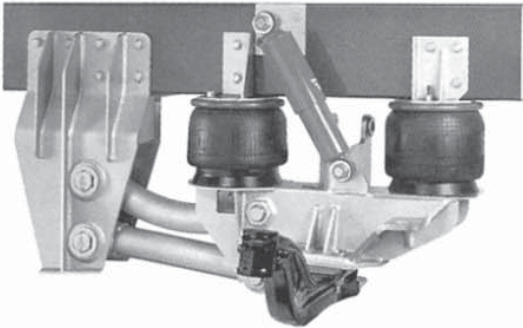
REYCO/GRANNING TRANSPRO 86/88

Heavy Weight/Super Heavy Weight Trailer

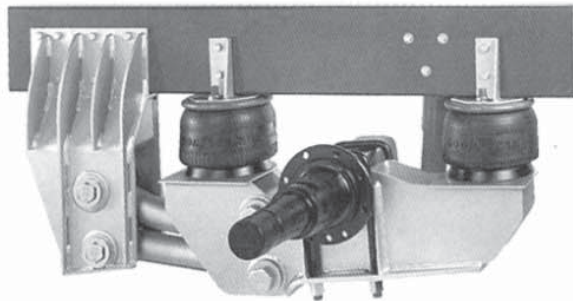
Key No.	Euclid No.	Replaces No.	Description	Qty Per Tandem	86	88
18	E-2002	0002-07	Nut	6	X	X
—	S.O.S.	0741-00	Equalizer Spring Roller Assembly Incl. Key Nos. 16, 17, 18.	4	X	X
—	E-4837	—	Hanger Spring Roller Assembly Incl. Key Nos. 17, 18, 20.	2	X	X
19	E-4810	0313-01	Rear Hanger, Flange Mount, Left Hand	1	X	X
		0402-01				
	E-4811	0313-02	Rear Hanger, Flange Mount, Right Hand	1	X	X
		0402-02				
E-4803	0051-00	Rear Hanger, Straddle Mount	2	X	X	
	0051-20					
E-4806	0053-00	Rear Hanger, Under Mount	2	X	X	
	0086-00					
20	Part of E-4837	0001-02	Bolt	2	X	X
21	E-UB5161-12	0078-10 Thru 18	U-Bolt Assembly Rd. Bend, 7/8"-14 Thd. x 3" W x 12" L	8	X	X
	E-UB5161-13	0078-10 Thru 18	U-Bolt Assembly, Rd. Bend, 7/8"-14 Thd. x 3" W x 13" L		X	X
	E-UB5161-14	0078-10 Thru 18	U-Bolt Assembly, Rd. Bend, 7/8"-14 Thd. x 3" W x 14" L		X	X
	E-UB5161-18	0078-10 Thru 18	U-Bolt Assembly, Rd. Bend, 7/8"-14 Thd. x 3" W x 18" L		X	X
	E-UB5165-14	0102-10 Thru 17	U-Bolt Assembly, Rd. Bend, 7/8"-14 Thd. x 5" W x 14" L		X	X
	E-UB5165-18	0102-10 Thru 17	U-Bolt Assembly, Rd. Bend, 7/8"-14 Thd. x 5" W x 18" L		X	X
	N/A	0159-12	U-Bolt Assembly, Sq. Bend, 7/8"-14 Thd. x 5" W x 12" L		X	X
	E-UB8264-12	060-12 Thru 15	U-Bolt Assembly, Sq. Bend, 7/8"-14 Thd. x 4" W x 12" L		X	X
	E-UB8264-14	060-12 Thru 15	U-Bolt Assembly, Sq. Bend, 7/8"-14 Thd. x 4" W x 14" L		X	X
E-UB8264-16	060-12 Thru 15	U-Bolt Assembly, Sq. Bend, 7/8"-14 Thd. x 4" W x 16" L	X	X		
22	E-2546	T-7292	Washer	16	X	X
23	E-3002A	—	Hi-Nut	16	X	X
24	E-4828	0045-00	Hanger Wear Pad	2	X	X

RIDEWELL RAS-227 FOR STEER AXLE AND RAD-227 DRIVE AXLE

RIDEWELL

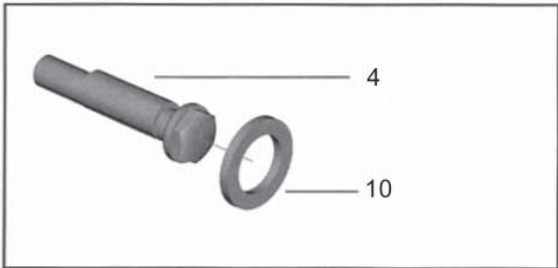


RAS-227 Parallelogram Designed Steer Axle Suspension; 7,000 - 15,000 lb. cap.

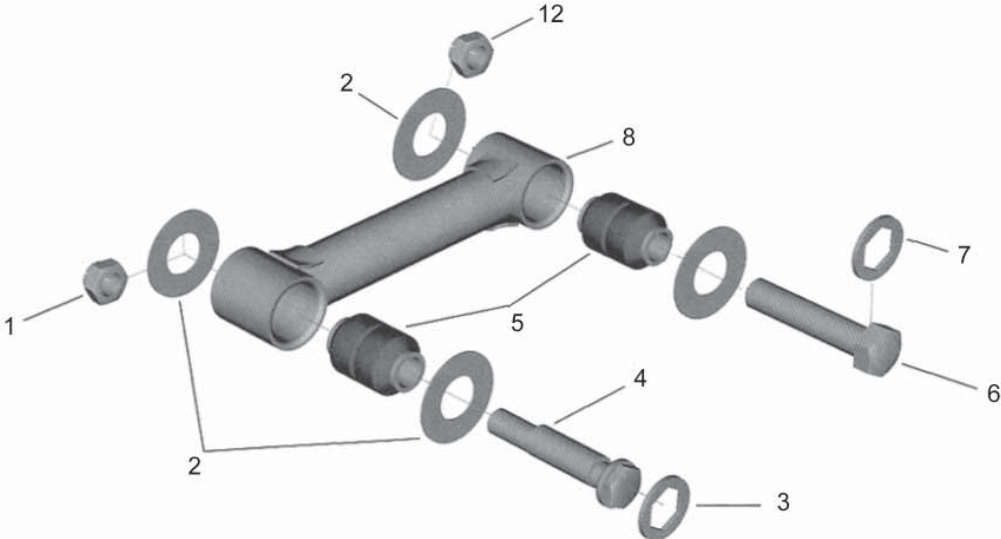


RAD-227 Parallelogram Designed Drive Axle Suspension; 10,000 - 25,000 lb. cap.

Common replacement parts are shown below. For air springs, hangers and torque beams, refer to your specific installation drawing.



NOTE: This new style eccentric bolt replaces previous style with square head



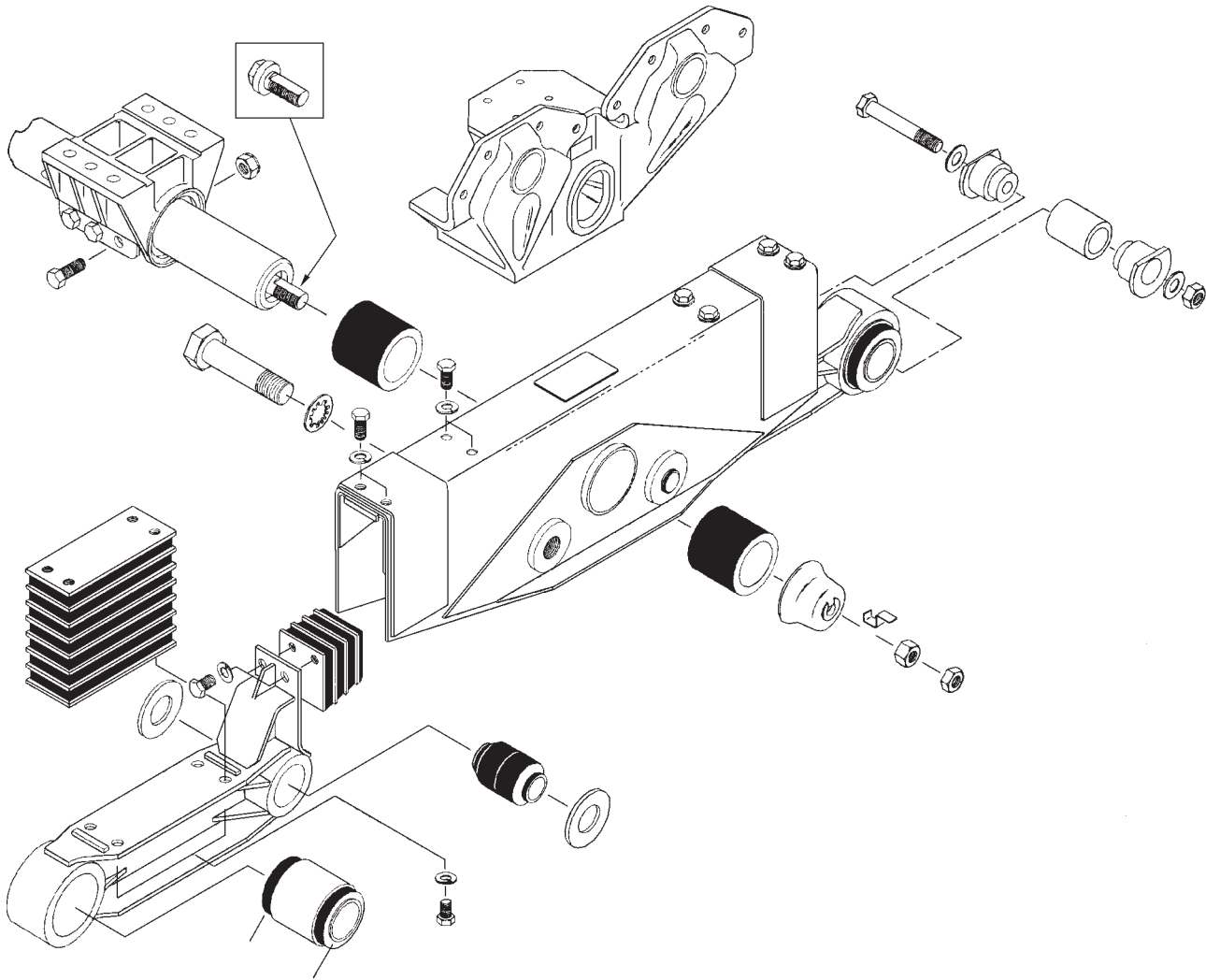
RIDEWELL RAS-227 FOR STEER AXLE AND RAD-227 DRIVE AXLE

KEY NO.	EUCLID NO.	REPLACES NO.	DESCRIPTION	QTY PER AXLE
1	S.O.S.	1150033	Lock Nut 1 1/4" 7NC GR8-waxed	4
2	S.O.S.	1160519B903	Bearing Washer Shim	8
3	E-14385	9003092B000	Anti-turn Washer	4
4	S.O.S.	1130003	Eccentric Bolt 7" Forged F/4-7-16 Bushing	4
5	E-9439	1110512B000	Bonded Rubber Bushing, 70 Durometer	8
6	E-9445	1130670B105	HHCS 1 1/2" - 6NC, 7" Long	4
7	S.O.S.	9004565B000	Locking Plate	4
8	—	Torque Beam	—	
—	E-14384	1152880B102	Lock Nut 1 1/4" 7NC Std.	As Required
10	S.O.S.	9090005	Receiver Ring 3.5" OD, 2.28" ID	4
12	S.O.S.	1151065B002	Nut 1 1/2"	4

RIDEWELL

RIDEWELL "DYNALASTIC" MODEL RD-202C-54-44L-OL-KS AND RD-202B-54-48-K Trunion Mount Style Truck/Tractor

RIDEWELL



RIDEWELL "DYNALASTIC" MODEL RD-202C-54-44L-OL-KS AND RD-202B-54-48-K Trunion Mount Style Truck/Tractor

KEY NO.	EUCLID NO.	REPLACES NO.	DESCRIPTION	QTY PER TANDEM
1	E-9437	9030595D000	Elastomer Spring, "C" Models; 4 1/16" wide x 10 1/8" Long	4
	E-10677	1037326D003	Elastomer Spring, "B" Models; 4 1/2" wide x 8 1/2" Long	
2	E-9438	1037261C001 (New)	Overload Spring	4
		9031221B302 (Old)		
3	E-1341A	1117564B000 (New)	Beam End Bushing	4
		1116755B000 (Old)		
4	E-2374	1307564B000 (New)	Beam End Adapter Assembly	4
		1302975B000 (Old)		
5	E-9439	1110512B000	Pivot Bushing, 70 Durometer	4
6	E-9440	1100608B000	Trunion Bushing	4
7	E-9441A	1160519B901 (New)	Bearing Sleeve Washer	8
		1160519B301 (Old)		
8	E-9442	5802876B302	Compression Bolt Assembly, Included with Trunion Shaft, Includes Key No. 9	2
9	E-9443	1150818B102 (Nut)	Lock Nut Assembly	2
		1150609B102 (Nut)		
		8990777B000 (Lock)		
10	E-9444	1527487B000 (New)	Compression Cap	2
		1520599B000 (Old)		
11	E-9445	1130670B105 (Bolt)	Pivot Bolt and Lock Assembly	4
		1160673B000 (Lock)		
12	E-9446	1140665B105 (Screw)	Spring Attaching Bolt and Lock Washer Assembly, 5/8"-18 Thd. x 1" Long	24
		1160598B100 (Lock)		
13	E-9447	1142735B105 (Screw)	Spring Attaching Bolt and Lock Washer Assembly, 5/8"-18 Thd. x 1 1/4" Long	16
		1160598B100 (Lock)		
14	S.O.S.	5263280C301	Trunion Shaft Assembly	1
15	S.O.S.	5275225C 100L	Torque Beam, Left Hand	2
		5275225C 200L	Torque Beam, Right Hand	2
16	S.O.S.	5254785C000	Compensator	2

RIDEWELL

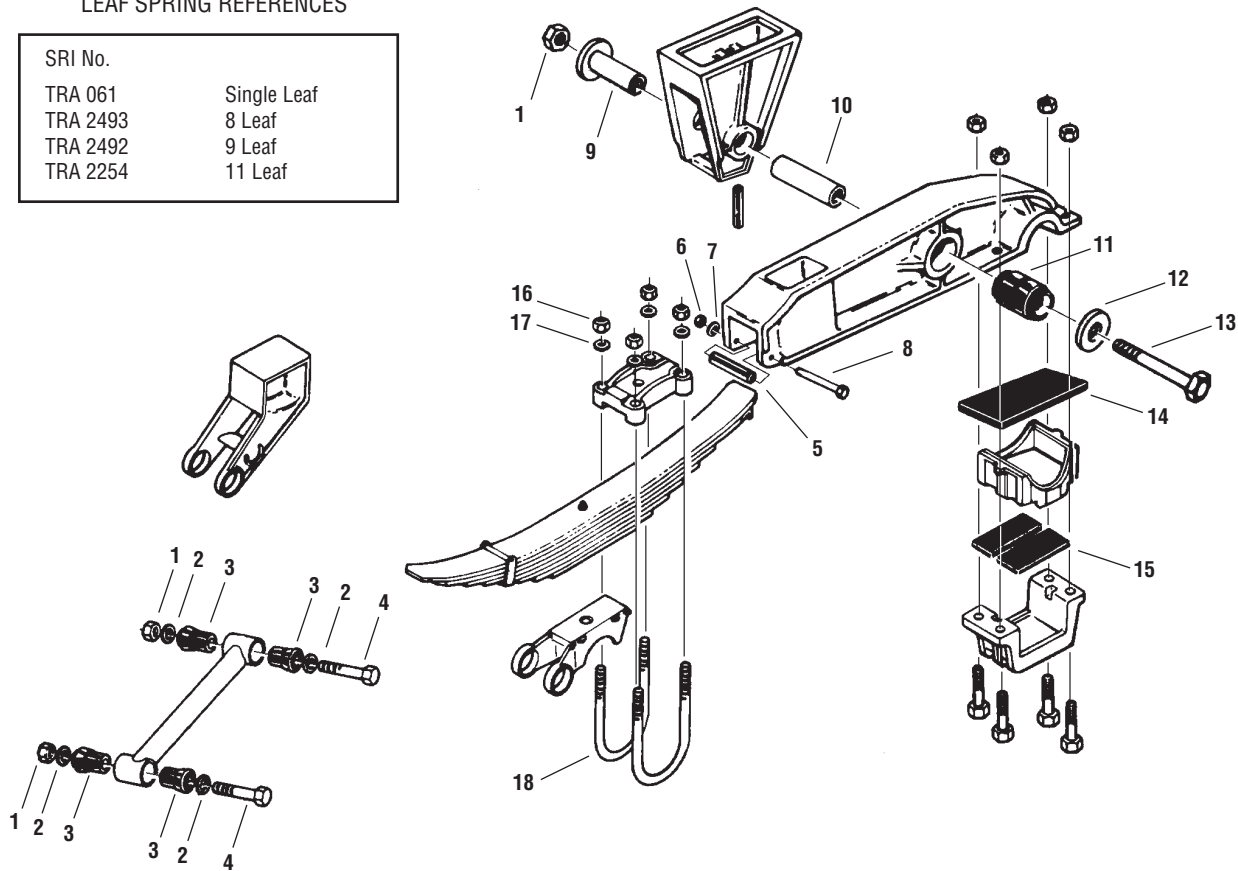
SPICER (DANA) 36 SERIES

Tandem Assembly

Trailer

LEAF SPRING REFERENCES

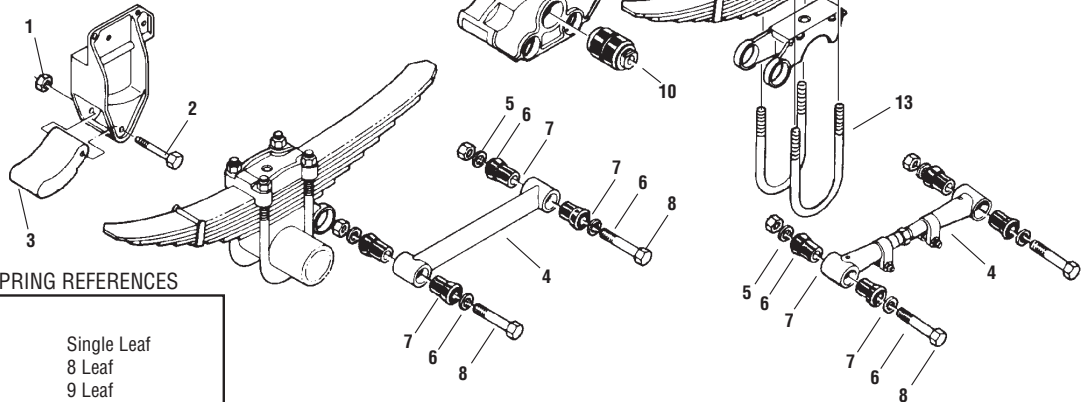
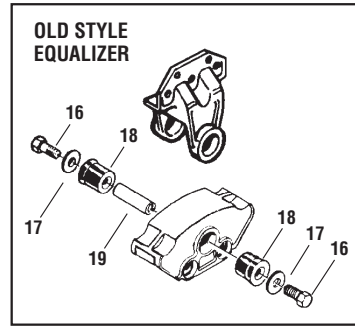
SRI No.	
TRA 061	Single Leaf
TRA 2493	8 Leaf
TRA 2492	9 Leaf
TRA 2254	11 Leaf



KEY NO.	EUCLID NO.	REPLACES NO.	DESCRIPTION	QTY PER TANDEM
1	E-4421	H76008	Nut	10
2	E-907	H231	Washer	16
3	E-1982	L1132	Torque Arm Bushing	16
4	E-900	H80063	Bolt	8
—	E-1983	L4032	Torque Arm Bushing Assembly, Includes Key Nos. 1, 2, 3, 4.	8
5	E-1971	—	Roller	2
6	E-5032	—	Nut	2
7	E-1974	—	Lock Washer	2
8	E-1972	—	Bolt	2
—	E-1975	—	Spring Roller Assembly, Includes Key Nos. 5, 6, 7, 8.	2
9	N/A	—	Retainer	2
10	E-3051	K1127	Equalizer Shaft	2
11	E-3016	L1336	Equalizer Bushing	2
12	N/A	—	Washer	2
13	N/A	—	Bolt	2
14	E-2011	L1338	Rubber Axle Pad	2
15	E-1331	L1337	Rubber Axle Pad	4
16	E-3002A	H75814	Hi-Nut	8
17	E-2546	H229	Washer	8
18	E-UB5165-14	—	U-Bolt Assembly, Rd. Bend, 7/8"-14 Thd. x 5" Wide x 14" Long	4

SPICER (DANA) 55 SERIES

Trailer



LEAF SPRING REFERENCES

SRI No.	
TRA 061	Single Leaf
TRA 2493	8 Leaf
TRA 2492	9 Leaf

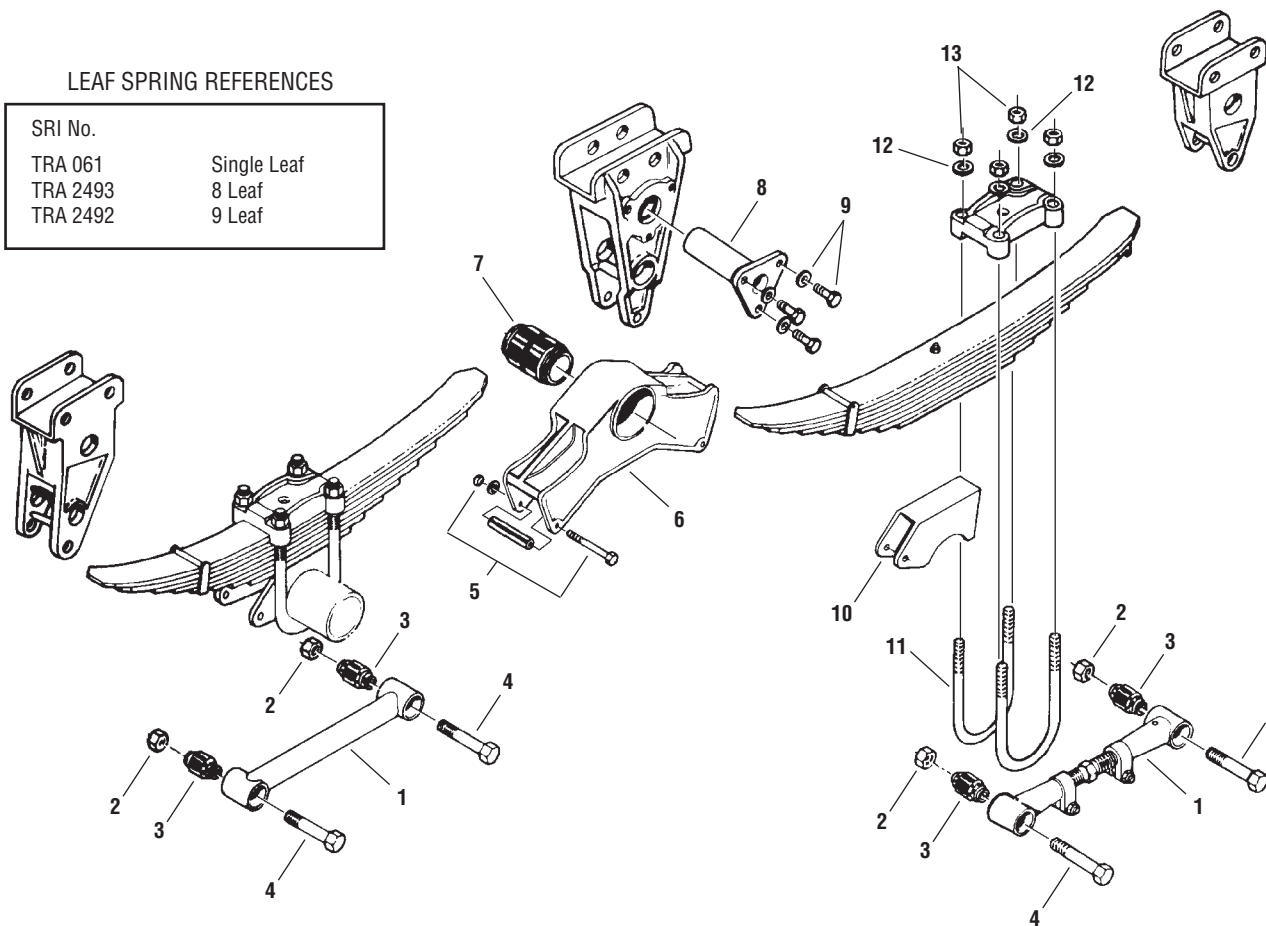
KEY NO.	EUCLID NO.	REPLACES NO.	DESCRIPTION	QUANTITY PER TANDEM
1	E-4347	H75710	Nut	2
2	N/A	H87550	Bolt	2
3	E-3031	L3049	Rubber Spring Retainer	2
4	E-2294	M209475	Rigid Torque Arm, 17 1/2"	2
		M10901	Adjustable Torque Arm, 14" - 18 1/2" Center-to-Center	
	E-2295	M10902	Adjustable Torque Arm, 18 1/2" - 21 3/8" Center-to-Center	
5	E-4421	H76008	Nut	10
6	E-907	H231	Washer	8
7	E-1982	L1132	Torque Arm Bushing	16
8	E-900	H80063	Bolt	8
—	E-1983	L4032	Torque Arm Bushing Assembly Includes Key Nos. 5, 6, 7, 8.	8
9	E-3012	B55536	Equalizer	2
10	E-2273	L1425	Equalizer Bushing	2
11	E-2274	H80080	Bolt	2
12	E-2275	H230	Washer	2
—	E-2272	L4025	Equalizer Bushing Assembly Includes Key Nos. 10, 11, 12.	2
13	E-UB5165-14	—	U-Bolt Assembly, Rd. Bend, 7/8"-14 Thd. x 5" Wide x 14" Long	8
14	E-2546	H229	Washer	16
15	E-3002A	H75814	Hi-Nut	16
16	E-1987	H80025	Bolt	2
17	E-1986A	H241	Washer	4
18	E-1984	L1325	Bushing	4
19	N/A	K1410	Equalizer Shaft	2
—	N/A	L4325	Equalizer Bushing Assembly Includes Key Nos. 16, 17, 18, 19.	2

SPICER (DANA) 62 SERIES

Trailer

LEAF SPRING REFERENCES

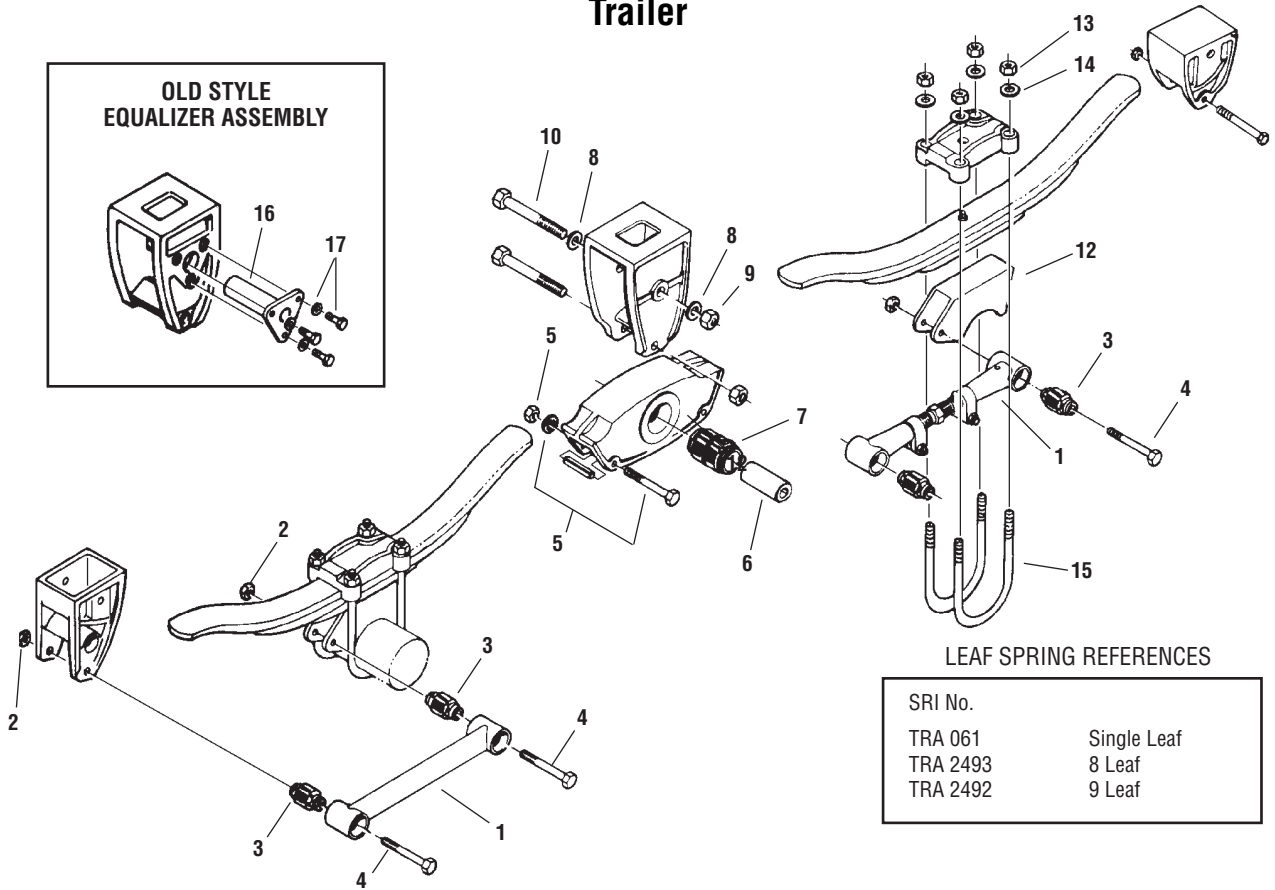
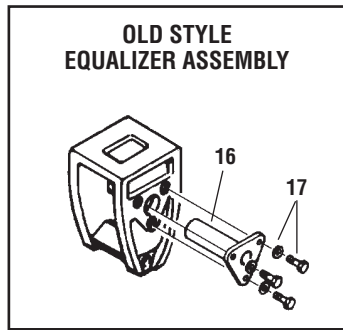
SRI No.	
TRA 061	Single Leaf
TRA 2493	8 Leaf
TRA 2492	9 Leaf



KEY NO.	EUCLID NO.	REPLACES NO.	DESCRIPTION	QTY PER TANDEM
1	E-2292	M109201	Adjustable Torque Arm, 14" - 18 1/2" Center-to-Center	2
	E-2293	M109202	Adjustable Torque Arm, 18 1/2" - 21 3/8" Center-to-Center	
2	E-2983	H75809	Nut	8
3	E-1980 (Rubber)	L1032	Torque Arm Bushing	8
	E-7520 (Poly)			
4	E-901	H88755	Bolt	8
—	E-1981 (Rubber) E-9552 (Poly)	L4032	Torque Arm Bushing Assembly Includes Key Nos. 2, 3, 4.	8
5	E-1975	—	Spring Roller Assembly	4
6	N/A	B56634	Equalizer with Bushing	2
7	E-1072	L1025	Equalizer Bushing	2
8	E-1993	K1124	Equalizer Shaft	2
9	Part of E-1995	—	Lock Screw and Washer	6
—	E-1995	L4026	Equalizer Bushing Assembly Includes Key Nos. 7, 8, 9.	2
10	N/A	E550275	Axle Seat	2
11	E-UB5165-14	—	U-Bolt Assembly, Rd. Bend, 7/8"-14 Thd. x 5" Wide x 14" Long	4
12	E-2546	H229	Washer	16
13	E-3002A	H75814	Hi-Nut	16

SPICER (DANA) 68 SERIES

Trailer



LEAF SPRING REFERENCES

SRI No.	
TRA 061	Single Leaf
TRA 2493	8 Leaf
TRA 2492	9 Leaf

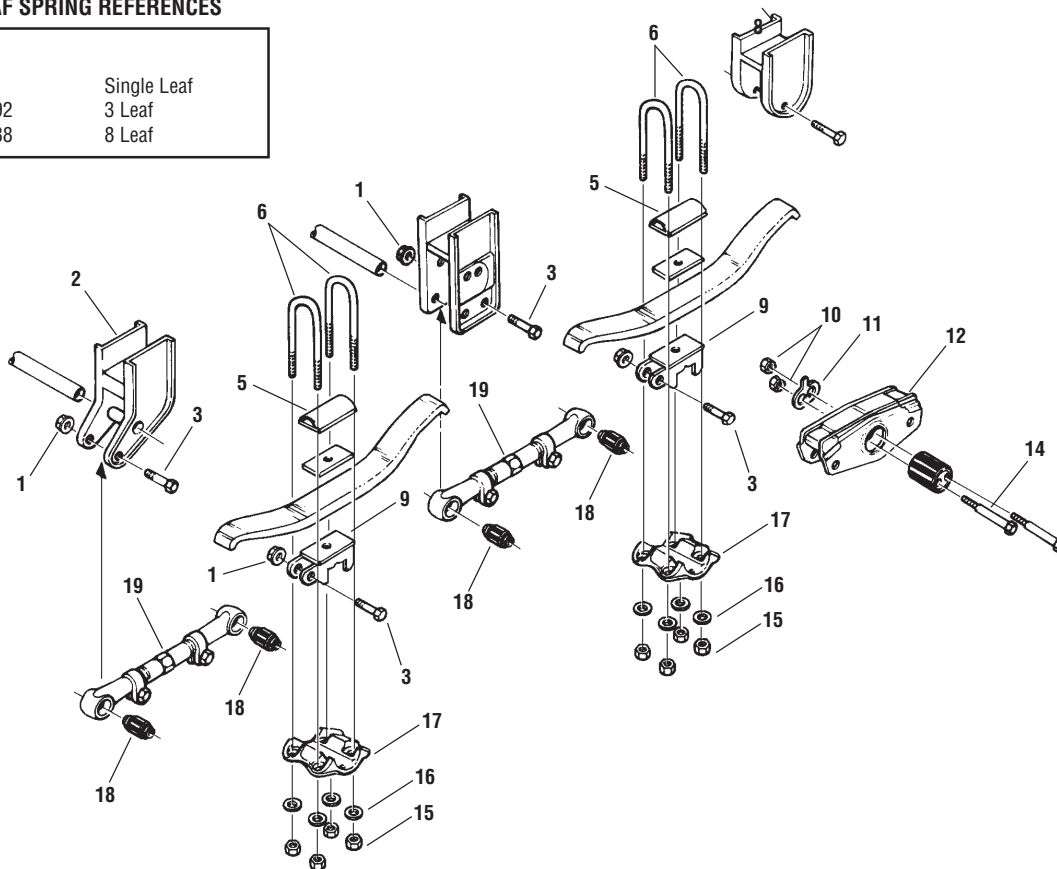
KEY NO.	EUCLID NO.	REPLACES NO.	DESCRIPTION	QTY PER TANDEM
1	E-2292	M109201	Adjustable Torque Arm, 14" - 18 1/2" Center-to-Center	2
	E-2293	M109202	Adjustable Torque Arm, 18 1/2" - 21 3/8" Center-to-Center	
2	E-2983	H75809	Nut	10
3	E-1980 (Rubber)	L1032	Torque Arm Bushing	16
4	E-901	H88755	Bolt	8
—	E-1981	L4032	Torque Arm Bushing Assembly Includes Key Nos. 2, 3, 4.	8
5	E-1975	—	Spring Roller Assembly	2
6	Part of E-1998A	K1424	Equalizer Shaft	2
7	E-1072	L1025	Equalizer Bushing	2
8	E-1986A	H241	Washer	2
9	E-4421	H76008	Nut	2
10	E-1997	H80070	Bolt	2
—	E-1998A	L4425	Equalizer Bushing Assembly Includes Key Nos. 6, 7, 8, 9, 10.	2
12	N/A	E550275	Axle Seat	2
13	E-3002A	H75814	Hi-Nut	8
14	E-2546	H229	Washer	8
15	E-UB5165-14	—	U-Bolt Assembly, Rd. Bend, 7/8"-14 Thd. x 5" Wide x 14" Long	4
16	E-1993	K1124	Equalizer Shaft	2
17	Part of E-1995	L4026	Lock Screw and Washer	2
—	E-1995	—	Equalizer Bushing Assembly, Old Style, Includes Key Nos. 16, 17.	2

TRAILMOBILE LATE MODEL - FABRICATED

Uses 3 1/2" Wide Springs
Trailer

LEAF SPRING REFERENCES

SRI No.	
TRA 051	Single Leaf
TRA 1492	3 Leaf
TRA 1488	8 Leaf

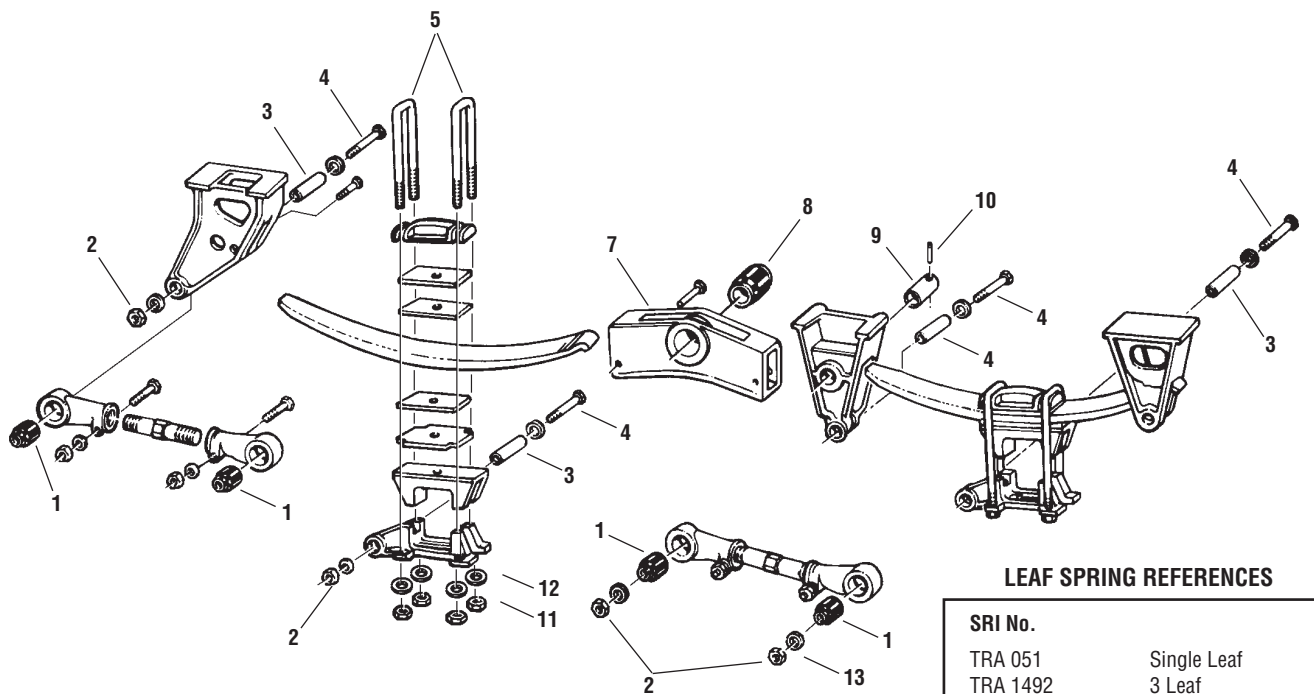


KEY NO.	EUCLID NO.	REPLACES NO.	DESCRIPTION	QTY PER TANDEM
1	E-2892	3-23-5, 43-1-003, & 38-2892	Nut	8
2	E-3380	3-A1-16	Front Hanger	2
3	E-2891	3-13-29, 43-1-001, 47190 & 3496071902	Bolt	8
5	E-3385	3-A26-11, 3-A26-10	U-Bolt Top Plate	4
6	E-UB5163-14	700-3-29, 700-3-29A	U-Bolt Assy, Rd. Bend, 7/8"-14 Thd. x 3 1/2" Wide x 14" Long	8
8	E-3382	3-A1-17	Rear Hanger	2
9	E-3409	3-A5-7A	Axle Seat	4
	E-3410	3-A5-7B		
10	E-2002	50-2Z-69, 38-2002	Nut	4
11	E-2001	3-36-16, 38-2001	Tab Lock	2
12	E-3383	3-A66-43	Equalizer	2
14	E-3392	50-B1T-34	Equalizer Bolt	4
15	E-3002A	38-3002A	Hi-Nut	16
16	E-2546	30-93600162, 22-T7292 & 38-2546	Washer	16
17	E-3384	3-A5-8, 38-3384	Bottom Plate for 4" x 6" Rectangular Axle	4
18	E-934	3-12-35, 43-1-004, 12855, 38-934, and 3496072200	Torque Arm Bushing	8
19	E-3390	3-A11-65A, 38-3390	Adjustable Torque Arm	4

TRAILMOBILE

TRAILMOBILE EARLY MODEL - CAST

Short Rocker
Uses 3 1/2" Wide Springs
Trailer



LEAF SPRING REFERENCES

SRI No.

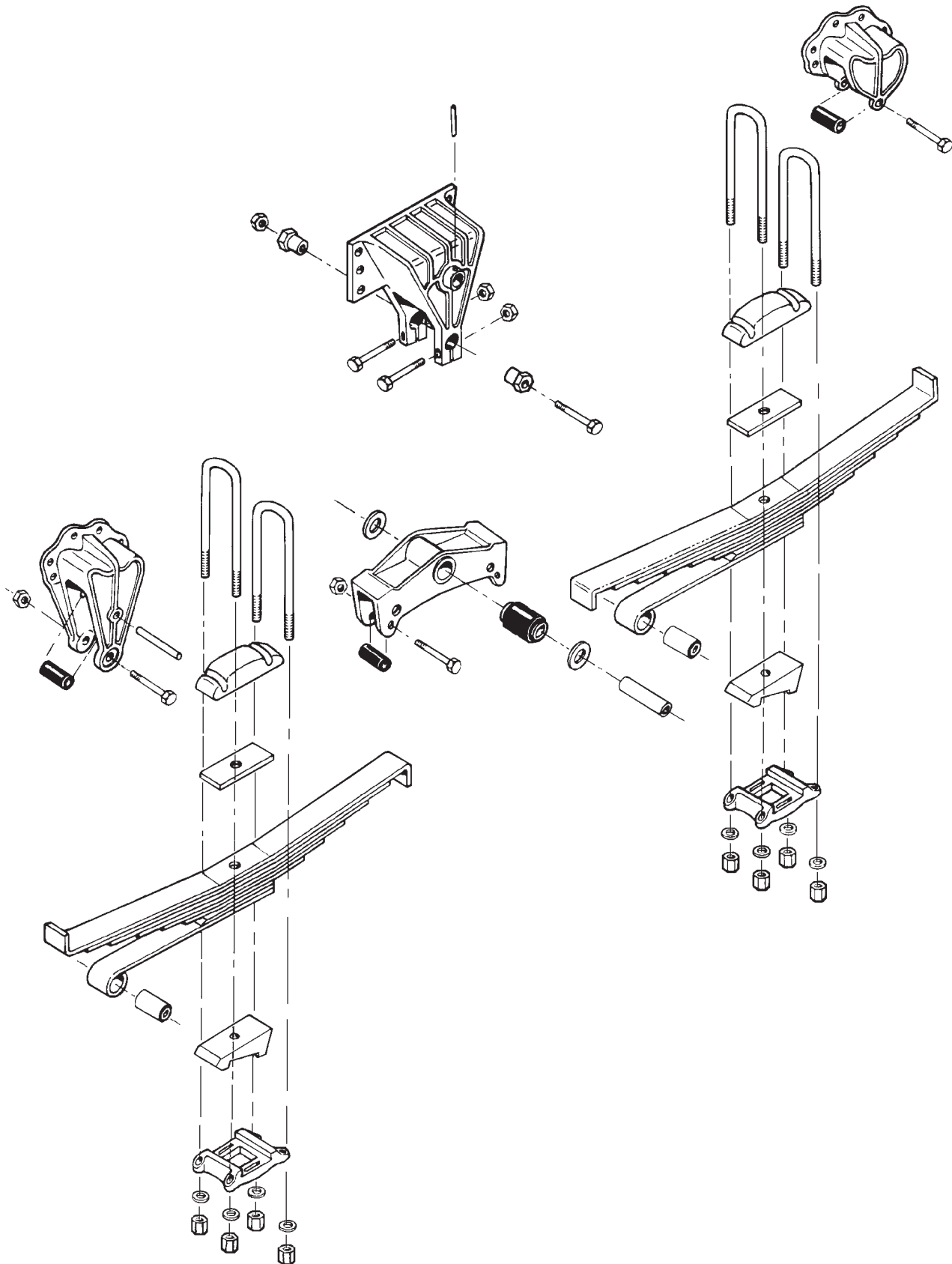
TRA 051	Single Leaf
TRA 1492	3 Leaf
TRA 1488	5 Leaf

KEY NO.	EUCLID NO.	REPLACES NO.	DESCRIPTION	QTY PER TANDEM
1	E-640	3-12-16, 38788	Torque Arm Bushing	8
2	E-1107	3-23-2 or 3-23-3, 37703, 37338 & 50-BZF-23C	Anchor Pin Jam Nut	8
3	E-641	39153, 21- SA1814	Torque Arm Pin	8
4	E-1204	50-1B-200	Bolt	8
5	E-UB5263-14	700-3-24	U-Bolt Assembly, Sq. Bend, 7/8"-14 Thd. x 3 1/2" Wide x 14" Long	8
7	E-3398	3-A66-42	Equalizer	2
8	E-1072	3-12-20, 21- SA1008 & 43902	Equalizer Bushing	2
9	N/A	3-10-34	Equalizer Shaft	2
10	E-1279	3-10-36, 21- 1075, & 13219	Lock Pin, 1/2" O.D. x 2 3/4" Long	2
11	E-3002A	38-3002A	Hi-Nut	16
12	E-2546	22-T7292, 30-93600162 & 38-2546	Washer	16
—	E-1277	38-1277 & 700- 7-44	Torque Arm Bushing Kit, Includes 1, 2, 3, 4.	—
13	E-1206	3-36-5	Washer	—

TRAILMOBILE

VOLVO FOUR-SPRING WITH STEEL HANGERS

Old Style
Truck/Tractor



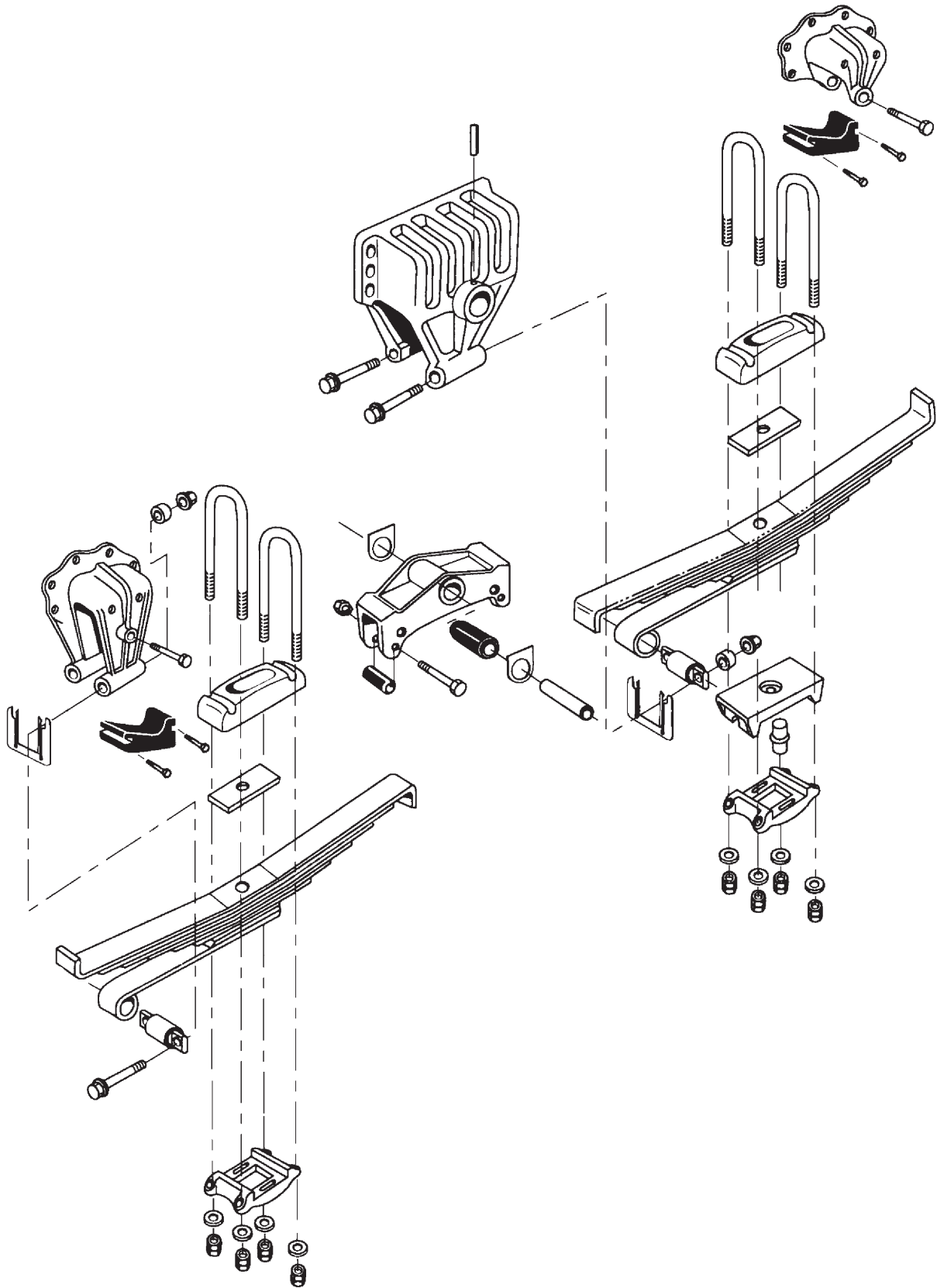
VOLVO FOUR-SPRING WITH STEEL HANGERS

Old Style
Truck/Tractor

KEY NO.	EUCLID NO.	REPLACES NO.	DESCRIPTION	QUANTITY PER TANDEM
1	E-2983	550631	Lock Nut	4
2	E-1279	V8020421	Lock Pin	2
3	E-3846	—	Clamp Bolt & Nut Assembly	4
4	E-3839	35042-0001	Rubber Ferrule	4
5	E-3849	02-7012438	Spring Eye Bushing	4
6	E-3083A	V8027425	Equalizer Shaft	2
7	E-3082	V8027424	Equalizer Bushing	2
8	E-3852	—	Equalizer Roller Assembly	4
9	E-2545	V8060235	Washer	16
10	E-3001	V8027431	Hi-Nut	16
		35019-0013		
11	E-UB8151-18	35019-0012	U-Bolt Assembly Rd. Bend, 3/4"-16 Thd. x 3" Wide x 18" Long	8
		V8027431		
		35011-5002		
12	E-3844	V8061451	Equalizer	4
		V8027430		

VOLVO FOUR-SPRING WITH STEEL HANGERS

New Style
Truck/Tractor

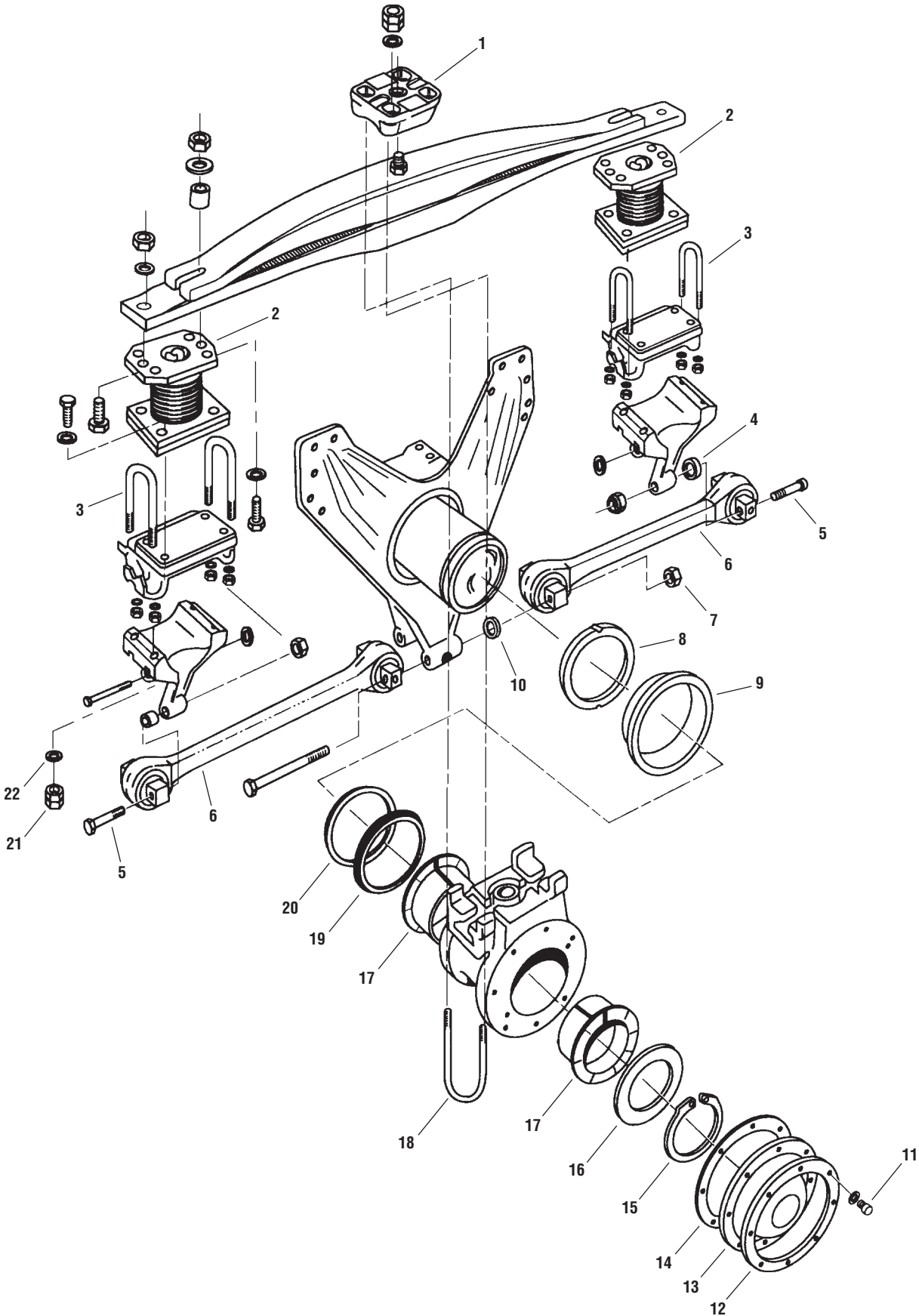


VOLVO FOUR-SPRING WITH STEEL HANGERS

New Style Truck/Tractor

KEY NO.	EUCLID NO.	REPLACES NO.	DESCRIPTION	QTY PER TANDEM
1	E-1279	V8020421	Lock Pin	2
2	S.O.S.	35023-0001 (Old)	Equalizer Hanger Bracket	2
	E-11393	V8027428 (New)		
3	E-UB8151-18	35019-0013	U-Bolt Assembly, Rd. Bend, 3/4"-16 Thd. x 3" Wide x 18" Long	8
		35019-0012 V8027431		
4	E-8909	V8397091	Radius Leaf Attaching Bolt, Front	4
	E-8910	V8397092	Radius Leaf Attaching Bolt, Back	4
5	E-3844	35011-5002 (Old)	Equalizer with Bushing	2
		V8027430 (New)		
6	E-3082	V8027424	Equalizer Bushing	2
7	E-3852	—	Equalizer Roller Assembly	4
8	E-2225	35033-3201 (Old)	Spring Bushing	4
		V8027424 (New)		
9	E-2545	V8060235	Washer	16
10	E-3001	V8027431	Hi-Nut	16
11	E-3083A	V8027425	Equalizer Shaft	2
12	E-5281	V8020329	Radius Leaf Shim	4
13	E-8912	514834	Radius Leaf Spacer	8
14	E-8911	V8397202	Radius Leaf Nut	8
15	E-8818	V8027433	Top Plate	4
16	N/A	V8060022	Bolt	4
17	E-8819	—	Wear Pad Kit	4

VOLVO "T-RIDE"



VOLVO

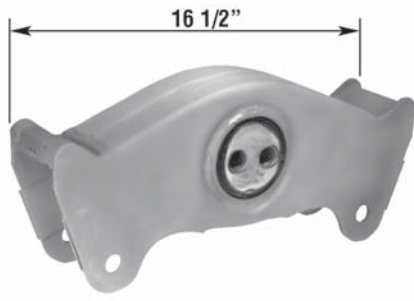
VOLVO "T-RIDE"

KEY NO.	EUCLID NO.	REPLACES NO.	DESCRIPTION	QTY PER TANDEM
1	E-8850	V8057237	Top Plate	2
2	E-8851	1629553	Rubber Load Spring	4
3	E-UB8151-10	V8057236	U-Bolt Assembly, Rd. Bend, 3/4"-16 Thd. x 3" Wide x 10" Long	8
	E-UB8151-12	V8059359	U-Bolt Assembly, Rd. Bend, 3/4"-16 Thd. x 3" Wide x 12" Long	
4	N/A	665306	Forward Axle Spacer Washer, M16 x 2 Thd. x 4 1/4" Long	4
5	S.O.S.	V955375	Forward Torque Arm Screw, M16 x 2 Thd. x 5" Long	4
		V955376	Rear Torque Arm Screw, M16 x 2 Thd. x 4 1/2" Long	
6	E-8853	8028945	Rigid Torque Arm, Bar Type	4
	E-8853A	8074268	Rigid Torque Arm, Tube Type	
7	S.O.S.	V945884	Torque Rod Lock Nut	12
8	E-8830	V1509219	Thrust Washer	2
9	E-8834	V1586518	Wear Ring	2
10	E-8844	99-9419279	Torque Arm Spacer Washer	4
11	E-8840	V946440	Hub Cap Screw	16
12	E-8839	V1590508	Hub Cap Ring	2
13	E-8838	V1502292	Trunnion Hub Cap	2
14	E-8837	V1620742	Gasket	2
15	E-8832	V951082	Lock Ring	2
16	E-8831	V1590064	Thrust Washer	2
17	E-8833	V1620443	Trunnion Bushing	4
18	E-UB8142-06	V1590074	U-Bolt Assembly, Rd. Bend, 5/8"-18 Thd. x 3 1/8" Wide x 6" Long	4
19	E-8836	V1586520	Sealing Ring	2
20	E-8835	V1593522	Sealing Ring	2
21	E-3001	—	U-Bolt Hi-Nut	16
22	E-2545	—	Washer	16

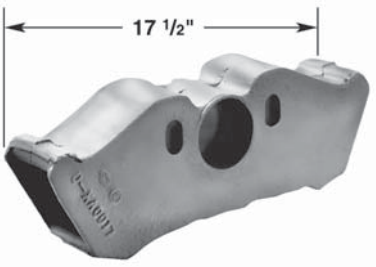
VOLVO CORPORATE AIR RIDE

KEY NO.	EUCLID NO.	REPLACES NO.	DESCRIPTION	QTY PER AXLE
1	E-8819	V8027423	Wear Pad Kit	4
2	E-8912	514834	Front Leaf Spacer	4
3	E-8911	V8397202	Leaf Attaching Nut	4
4	E-UB8151-16	V8027431	U-Bolt Assembly, Rd. Bend, 3/4"-16 Thd. x 3" Wide x 16" Long	4
5	E-8821	35801-0068	Rigid Torque Arm	1
6	FS9219	35003-3204	Air Spring	2
		35003-3209		
		35028-0137	Axle Seat - Forward Eaton	2
7	N/A	35028-0119	Axle Seat - Forward Rockwell	
		35028-0120	Rear Axle Seat	2
8	N/A	35020-0102	Bottom Plate, Forward Axle, Left Hand	1
		35020-0103	Bottom Plate, Forward Axle, Right Hand	1
		35020-0104	Bottom Plate Rear, Left Hand	1
		35020-0105	Bottom Plate Rear, Right Hand	1
9	E-5281	V8020329	Radius Leaf Shim	2
10	E-2225	35033-3201	Spring Bushing	2
11	E-8909	V8397091	Radius Leaf Attaching Bolt, Front	4
	E-8910	V8397092	Radius Leaf Attaching Bolt, Rear	4
12	E-4323	—	Height Control Valve	1
13	E-7852	—	Leveling Valve Link Kit	1
14	M85047	8169859	Shock Absorber	2
	M85024	8071524		
	M85046	8026658		
15	E-2545	—	Washer	8
16	E-3001	35901-3201	Hi-Nut	8

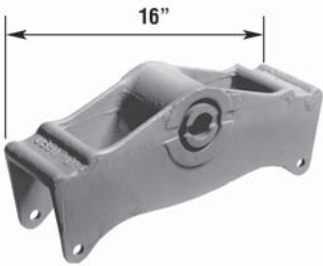
EQUALIZERS



Part No.	Replaces	Model	General Information
E-2781 (shown)	Hutchens 750-03	H-7600, H-7700, H-7700US	Heavy-Duty with Side Plates; Wear pads on E-2781 only; Includes E-199A bushing.
E-2781A	Hutchens 750-03	H-7600, H-7700, H-7700US	OE Equivalent less Side Plates Includes E-199A bushing.
E-7918	Hutchens 750-03	H-7600, H-7700, H-7700US	includes E-7452 Poly Bushing; E2781A with E-7452 Poly Bushing
E-9570	Hutchens 750-03	H-7600, H-7700, H-7700US	Standard Duty; Includes E-199A bushing.

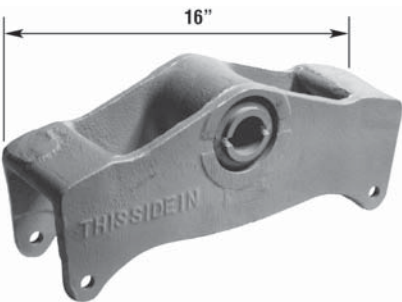


E-2830	Freuhauf UXA-000017	Early model F-2 and current model F-3	Use with E-1024 Equalizer Bushing Assembly; Bushings not included.
---------------	------------------------	--	--

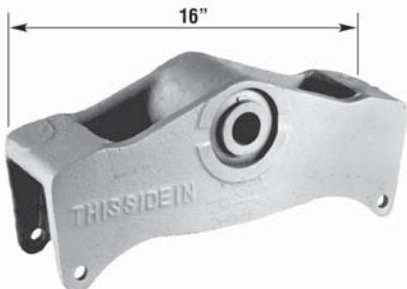


E-2843	Reyco 09120-01	101, 101A (prior to 1984)	Bushing slotted both sides; includes bushing E-1966 ; 1 1/2" I.D. (not Ford - GMC)
---------------	----------------	---------------------------------	--

E-3978	Reyco 14743-01	101, 101A, 102 (1984 and up)	includes bushing E-3977 (no slots)
---------------	----------------	---------------------------------------	------------------------------------

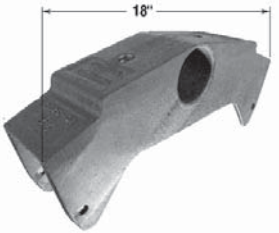
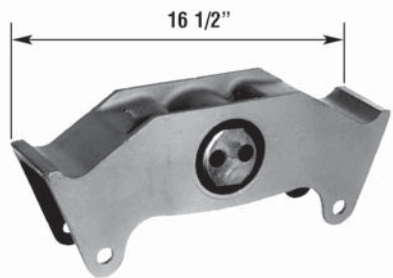

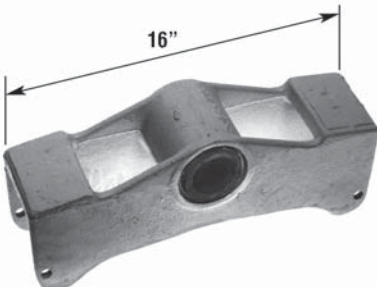
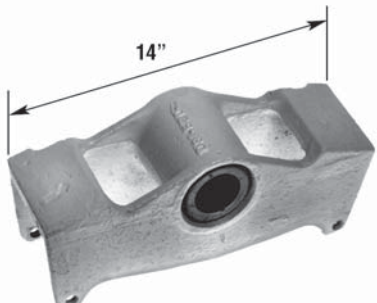


E-2844	Reyco 08996-01	Ford 101, 102	Bushing slotted one end; includes E-2849 bushing
---------------	----------------	------------------	--

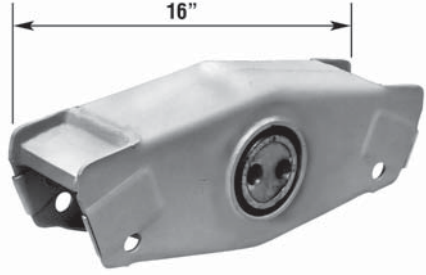
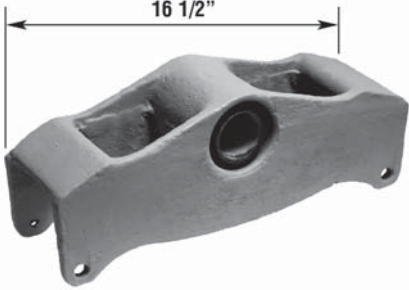
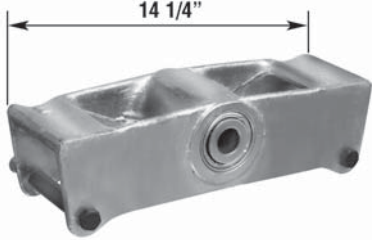

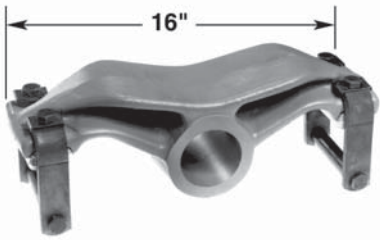



E-2845	Reyco 12859-01 08918-01	GMC 101, 102	Bushings not slotted; includes E-2850 bushing
---------------	----------------------------	-----------------	---

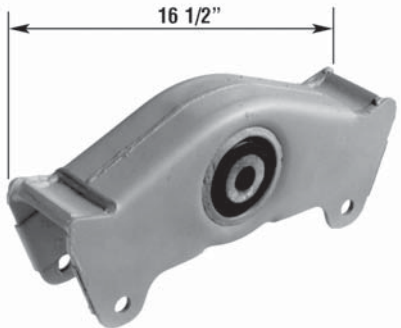
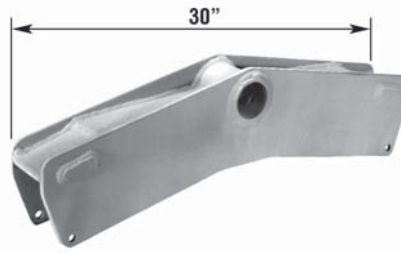
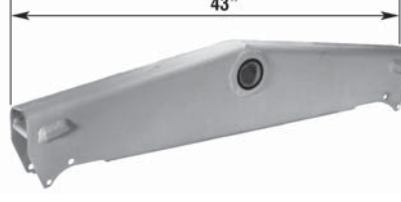
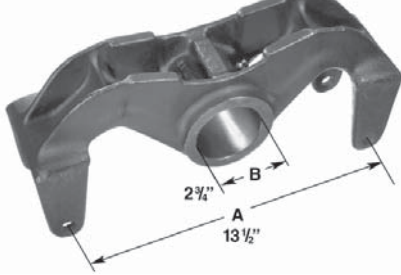

EQUALIZERS

Part No.	Replaces	Model	General Information
	E-2846A Reyco 21725-01 Austempered Ductile Iron	21B	Bushings not included
	E-2889 Hutchens 704-01 (Old) 19137-01 (New)	CH-7600 CH-7700 CH-7700US CH-9700	Cast Steel; Trailer
	E-3012 Spicer 855536	Late Model 55	includes E-2273 bushing
	E-3080 Dayton 39240007	Truckmaster Tri-Lite	includes E-3082 Busing
	E-3081 Navistar 377202-C11	Navistar	includes E-3082 bushing

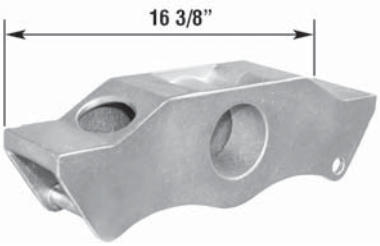
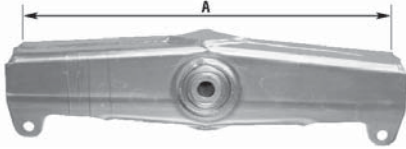

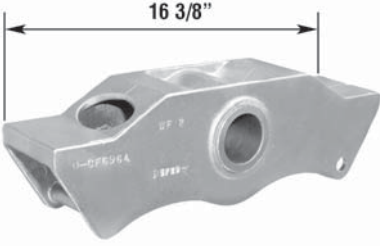

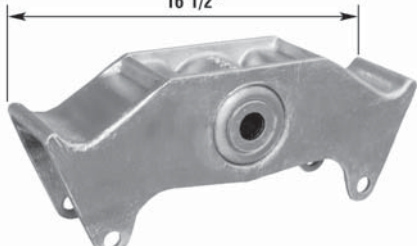



EQUALIZERS

	Part No.	Replaces	Model	General Information
	E-3383	Trailmobile 3-A66-43 38-3383	3 1/2" Fabricated	includes E-3394A bushing
	E-3398	Trailmobile 3-A66-42	Short Rocker	includes E-1072 bushing
	E-3783	Navistar 497790C2		includes E-3784 bushing and E-4770 roller as- sembly
	E-3844	Volvo 35011-5002		Four-spring suspension with steel hangers
	E-3917	Freightliner B16-02440-5	FH34 4-Spring Suspension	Includes: E-3917A Equalizer (1) E-3555 Screws (4) E-3556 Bolt Locks (4) E-3557 Wear Shoes (2) E-2022 Bolts (2) E-3560 Nuts (2) E-3677 Brackets (4) Spacers (2)
	E-3917A	Freightliner 16-10175-0 Aluminum Freightliner 16-10175-1 Cast Steel	FH 34 4-Spring Suspension	Bushings not included

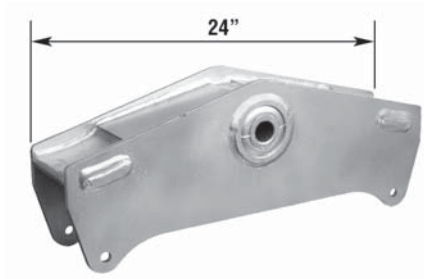
EQUALIZERS

	Part No.	Replaces	Model	General Information
	E-4813	Transpro 0650-00 0758-00 0058-00		Includes E-4827 bushing; bushing hole diameter = 3 1/4"
	E-5245	Reyco 09713-01	21B	60" widespread; Does not include bushing
	E-5246	Reyco 11143-01	21B	72" widespread; includes bushing
	E-7700	Freightliner 681 325 01 27		Inside Width 3 7/16"
	E-7709	Reyco 14689-01	83 series	50" widespread; includes E-7713 bushing

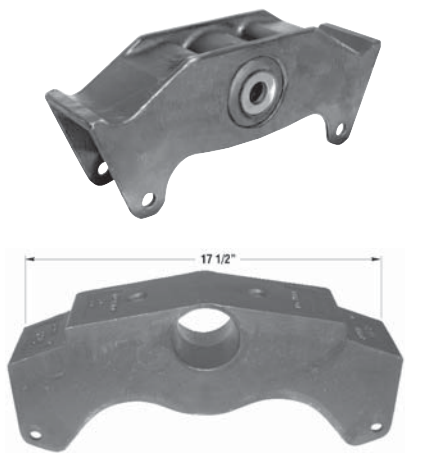
EQUALIZERS

Part No.	Replaces	Model	General Information
	E-8931	Fruehauf UCF-006963-001	Cast; New Style equalizer. Can be used in place of fabricated E-2831 steel equalizer in F2 suspensions; Must use with low arch spring; Use with E-1024 Equalizer Bushing Assembly; Bushings not included.
	E-9330	Hutchens 16168-04 (Old) 21835-01 (New)	73" Widespread; A = 38 1/2"
	E-9489	Hutchens 16290-01 (Old) 17784-01 (New)	61" Widespread; A = 26 1/2"
	E-9366	Fruehauf UCF-008317-001 Casting# 6964	NF-2 F2 and J2 suspensions includes E-9368 bushing
	E-9402	Hendrickson 49803-002 (casting# 49801-002)	includes bushing, rebound pins, cotter keys, and washers; Uses E-5269 bushing
	E-9471	Hutchens 16290-01 (Old) 17784-01 (New)	CH-9600 CH-9700 CH-9700US includes E-7621 Bushing
	E-9491	Hutchens 16168-10	H-9700 CH-9700 109" Widespread; A = 75"
	E-9567		H-9700 with E-7621 Rubber Bushing; A = 16 1/2"
	E-11452	Hutchens 16159-01 (Old) 24711-01 (New)	H-9700 and CH-9700; A = 17 3/8"

EQUALIZERS



Part No.	Replaces	Model	General Information
E-9586	Reyco 13806-01	74B series	54" widespread: includes bushing



E-10250	Transpro 0850-00	Super Heavy-Duty Model 88	includes E-4827 bushing
---------	------------------	---------------------------	-------------------------



E-10768A	Reyco 25222-01 Austempered Ductile Iron	21B	44" axle spacing; Will need KIT 700073 for bump stop (order through SOS)
----------	--	-----	--



E-3561A	Equalizer Bracket Kit		Frieghtliner Model FH34
---------	-----------------------	--	-------------------------

TORQUE ARMS AND PARTS

Part No.	Replaces	Application	Bushing No.	Length (center to center)
----------	----------	-------------	-------------	------------------------------



E-2292	Spicer	M109201	E-1980	14 3/4" to 18"
E-2293	Spicer	M109202	E-1980	18 1/2" to 21 3/8"



E-2294	Spicer	M109101	E-1982	14" to 18 1/2"
E-2295	Spicer	M109102	E-1982	18 1/2" to 21 3/8"



E-2512	Reyco, Spicer	T-3683, T-3036, M109201	E-1980	14 3/4" to 18"
E-2513	Reyco, Spicer	T-3035, T-3343, M109202	E-1980	18 1/2" to 21 3/8"
E-7741	Reyco	16031-01		12 3/4" to 15"
E-7742	Reyco	16032-01		19 1/2" to 21 3/4"
E-7743	Reyco	16034-01		24" to 26 1/4"








E-2515	Fruehauf UCF-002640-001	"F" Series Suspensions	E-927	15 7/16"
--------	-------------------------	------------------------	-------	----------









E-2855	Reyco T-7635 15178-01	21B		16 1/4"
E-2856	Reyco T-2293 15179-01			18 7/8"
E-2858	Reyco 09481-01	102		21"
E-5256	Reyco 10040-01	All 73, 83		25"








TORQUE ARMS AND PARTS

Part No.	Replaces	Application	Bushing No.	Length (center to center)
				
E-2899	Hutchens 715-00	H-7700, CH-7700, CH-7800, H-9700, CH-9700	E-934 (bushing only) E-3079 (bushing kit)	19 1/4"
				
E-3283A	Reyco	21B		15 1/2" to 17 1/2"
E-3284A	Reyco	21B		17 1/2" to 19 1/2"
E-5255A	Reyco	102		24" to 26"
				
E-3390	Hutchens 16398-17 Trailmobile 3-A11-65A, 38-3390	Hutchens H-7700, CH-7700, CH-7800, H-9700, CH-9700	E-934	17 1/4"
E-7683	Hutchens 16398-05		(bushing only)	20 1/4"
E-7684	Hutchens 16398-08	Hutchens H-7700, CH-7700, CH-7800, H-9700, CH-9700	E-3079	23 1/2"
E-7685	Hutchens 16398-12		(bushing kit)	j29 1/4"
				
E-3546	Freightliner B16-10420-1			18 3/16"
E-8941	Freightliner 16-13053	Freightliner FH34		16 5/8"
E-9869	Freightliner 16-13054-000			16 5/8"
				
E-3773	Hendrickson C-1031	Q-SR		15 1/2"
E-3774A-2	Henrickson C-1031-1	Q-AH	E-1980	19"

TORQUE ARMS AND PARTS

Part No.	Replaces	Application	Bushing No.	Length (center to center)
				
E-3788	Navistar 49390C1, 923905	Front 4-Spring and Air Ride	E-2225	18 1/8"
E-3789	Navistar 493921C1, 923915	Rear 4-spring and Air Ride	E-2225	21 31/32"
				
E-4753	Peterbilt 03-04839			19 1/8"
				
E-4771	Peterbilt 03-04059			23" w/ 5/8" hole
E-5082	Peterbilt 03-04119	Air Trac Air Ride		17 11/32" w/ 5/8" hole
E-5083	Peterbilt 03-04327			17 11/32" w/ 3/4" & 5/8" hole
				
E-4824	Reyco Transpro & Binkley 0030-20, 1035-20	Heavyweight & Super Heavy-Duty Model 88	E-1980	18 1/4" to 20 3/4"
				
E-4825	Reyco Transpro 0075-20	Heavyweight & Super Heavy-Duty Model 88	E-1980	19 7/8"
				
E-7744	Reyco 10040-01	All 73, 83		14 5/8"

TORQUE ARMS AND PARTS

Part No.	Replaces	Application	Bushing No.	Length (center to center)
				
E-7853	Peterbilt 03-05108			25 5/8"
				
E-7887	Peterbilt 03-05849			18 1/2"
				
E-8808	Freightliner 681-326-63-16	FAS Air Ride	NA	23"
				
E-8821	Volvo 35801-0068	Air Ride		22 1/2"
				
E-8853	Volvo 8028945	T-Ride		22 5/8"
				
E-8853A	Volvo 8074268	T-Ride		22 5/8"
				
E-9407	Hendrickson 48411-007	HFS-360/400 (rear)	—	20 5/16"

TORQUE ARMS AND PARTS

Part No.	Replaces	Application	Bushing No.	Length (center to center)
E-9409	Hendrickson 48411-006 Mack 17QF357M	HFS-360/400 (front) HAS-360/400/402 AL-40	—	14 13/32"
E-9394	Hendrickson 50376-001	HAS-460		



E-9477	Hutchens 11953-01	H-7600, H-9600, CH-7600, CH-9600, H-9700, CH-9700	E-927	19 1/4"
--------	-------------------	---	-------	---------



E-9584	Reyco 16595-01	74B, 74AR	E-9549	13" to 15"
E-9620	Reyco 16596-01			21 1/4"



E-9585	Reyco 16585-01	74B, 74AR		14 1/4"
E-9619	Reyco 16588-01			21 1/4"



E-13988	Hendrickson 60215-000	HN-402/462/522		
E-13989	Hendrickson 60218-000			



E-13993	Hendrickson 58757-006 Cast	Primaax 230/460/690 Type A Firemaax 240/480 Type A Primaax 230/460/690 Type B		22"
---------	----------------------------	---	--	-----



E-2634

Transverse Rod Frame Bracket

Hendrickson
22186-000

A = 29/32"

BUSHINGS AND ASSEMBLIES

	Part No.	Description	Replaces	O.D.	I.D.	Length
	E-640	Bushing	Trailmobile 3-12-6	2 5/16"	1 5/16"	2 1/4"
	E-813	Bushing, rubber	Reyco T-2102	4 1/16"	2 3/8"	2 9/16"
	E-8691	Bushing, poly				
	E-927	Bushing, rubber	Fruehauf UXA-000011 Hutchens 7620-00	2 3/16"	1 1/4"	2 3/8"
	E-7433	Bushing, poly				
	E-934	Bushing, rubber	Hutchens 722-00 Trailmobile 3-12-35 Trailmobile 43-1-004 Trailmobile 12855 Trailmobile 38-934 Trailmobile 3496072200	1 29/32"	1"	3"
	E-7453	Bushing, poly				
	E-1020 (rubber)	Bushing	Fruehauf UXA-000004	3 1/2"	2"	4 3/8"
	E-7432 (poly)					
	E-1038	Bushing, rubber	Hutchens 222-00	1 3/4" Small	1"	3 1/8"
				2 3/16" Large		
	E-1061	Bushing, rubber	Reyco T-3016	1 28/32"	7/8"	3"
	E-1072	Bushing, rubber	Reyco T-3214 Spicer L1025 Trailmobile 21-SA1008 Trailmobile 43902	3 1/8"	2"	4 1/4"
	E-8688	Bushing, poly				
	E-1159	Bushing, rubber	Reyco T-5524	3 3/8"	1 5/8"	4 13/32"
	E-8653	Bushing, poly				

BUSHINGS AND ASSEMBLIES

	Part No.	Description	Replaces	O.D.	I.D.	Length
	E-1160	Bushing, rubber		1 13/16" Small		
			Reyco T-5493		1"	3"
	E-7523	Bushing, poly		2 3/8" Large		
	E-1332	Bushing, rubber	Neway 910 08 022	5"	4"	8 3/4"
	E-7486	Bushing, poly	Page 1083483			
	E-1333	Bushing, rubber	Neway 910 08 014	5"	4"	5 3/4"
	E-8672	Bushing, poly				
	E-1334	Bushing, rubber	Neway 910 08 040	4 1/2"	3 1/2"	3 1/2"
	E-7442	Bushing, poly				
	E-2935	Bushing, rubber	Neway 900 08 011	4 1/2"	3 1/2"	5 3/4"
	E-7443	Bushing, poly				
	E-1335	Bushing	Neway 910 08 037	3 3/4"	2 13/16"	4"
	E-1336	Bushing	Neway 910 08 047	2 3/4"	1 3/4"	2 3/8"
	E-1341A	Bushing	Ridewell 11167558000 (old) Ridewell 11175648000 (new)	4 3/8"	2 1/2"	5 3/4"
	E-1964	Bushing, rubber		1 13/16" Small		
			Reyco T-1723		1"	2 7/8"
	E-8689	Bushing, poly		3 1/16" Large		
	E-1980	Bushing, rubber	Dayton 39400016 Hendrickson S-1712 Navistar 347374-C1 Transpro 0022-00	1 29/32"	7/8"	3"
	E-7520	Bushing, poly	Reyco 09729-01 Spicer L1032			
	E-1982	Bushing, rubber		1 3/4" Small		
			Reyco T-2242 Spicer L1132		1"	2 11/16"
	E-7522	Bushing, poly		2 3/8" Large		

BUSHINGS AND ASSEMBLIES

	Part No.	Description	Replaces	O.D.	I.D.	Length
	E-1984	Bushing	Spicer L1325	3 5/8"	1 3/4"	4 1/16"
	E-1999A	Bushing, rubber	Hutchens 7010-00	3 1/4"	1 3/4"	3 7/8"
	E-7452	Bushing, poly				
	E-3394A	Bushing	Trailmobile 3-12-32			
	E-2228	Bushing, tapered	Kenworth 229610	2 3/4"		3"
	E-2273	Bushing	Spicer L1425	3 1/8"	1 1/64"	5"
	E-2850	Bushing	Reyco 08915-01	3 1/8"	1 1/4"	4 1/2"
	E-2921A	Bushing, rubber	Mack 10QK219-P1	4 11/16"	3 7/16"	5 9/16"
	E-7478	Bushing, poly				
	E-2922A	Bushing, rubber	Mack 10QK219-P2	4 11/16"	3 7/16"	6 5/16"
	E-2923A		Mack 10QK219-P3			
	E-2924A	Bushing, poly	Mack 10QK149	4 7/16"	3 7/16"	7 9/16"
	E-7441		Mack 10QK130-P1	4 7/16"	3 7/16"	8 3/8"
	E-7479		Mack 10QK219-P2 Mack 10QK219-P3	4 11/16"	3 7/16"	6 5/16"

BUSHINGS AND ASSEMBLIES

	Part No.	Description	Replaces	O.D.	I.D.	Length
	E-2925	Bushing, bronze	Mack 10QK157 Mack 80AX300	3 3/4"	3 1/2"	3 7/16"
	E-5421		Mack 10QK158A	4 1/4"	4"	4 5/16"
	E-2927	Bushing, bonded steel and rubber	Mack 10QK371A	5 1/4"	3 1/2"	A = 9" B = 10 5/8"
	E-2938	Bushing, rubber	Neway 900 08 102	3 1/2"	1 1/4"	5 13/16"
	E-4382A	Bushing, rubber	Neway 900 08 139	3 1/2"	1 1/8"	5 1/4"
	E-8683	Bushing, poly				
	E-9292	Bushing, rubber	Neway 900 08 151	3 1/2"	1 1/2"	5"
	E-2939	Bushing, rubber	Neway 910 08 007	2 3/8"	1 1/4"	2 1/2"
	E-8676	Bushing, poly				
	E-2940	Bushing, rubber	Neway 900 08 002	2 3/8"	1 1/4"	5"
	E-8677	Bushing, poly				
	E-4255	Bushing, rubber	Neway 900 08 131 Page 1090237	2 3/8"	1 1/8"	5"
	E-4256	Bushing, rubber	Neway 900 08 145	2 5/8"	1 1/8"	5"
	E-2998	Bushing	Neway 950 08 001	4 1/2"	1 1/2"	4 9/16"
	E-3082	Bushing	Dayton 39400014 Navistar 377203-C1 Volvo V8027424	3 1/8"	2"	4 1/4"
	E-3086	Bushing, rubber	Dayton Truckmaster Navistar Late Models	2 3/8"		3"
	E-3296	Bushing, poly	Freightliner R16-11351	Taper	1 3/8"	1 3/16"

BUSHINGS AND ASSEMBLIES

	Part No.	Description	Replaces	O.D.	I.D.	Length
	E-3533	Bushing, bronze	Freightliner 16-1005-000	1 1/2"	1 1/4"	3 1/2"
	E-8797		Freightliner 16 01005-002	1 5/8"	1 1/4"	4"
	E-3534	Bushing	Freightliner 16-9926	1 1/2"		3 1/2"
	E-8799		Freightliner 16-12301-000	1 1/4" - 8		4"
	E-3540A (poly)	Bushing	Freightliner A16-10549	2 3/4"	2 1/4"	2 3/8"
	E-3563	Bushing	Freightliner 16-11376-0	1 5/8"	1 1/16"	3 3/16"
	E-3817		Freightliner IPC236840	1 3/4"	7/8"	4"
	E-3579	Bushing, rubber	Freuhauf UXA-000160	5"	4"	8 5/16"
	E-8663	Bushing, poly	Freuhauf UXA-000160-SPX			
	E-3784	Bushing	Navistar 497501C2	2 1/2"	1 1/32"	4 23/32"
	E-3786	Adapter	Navistar 497785C2	1 7/8"	1 1/32"	29/32"
	E-3849	Bushing	Volvo 02-7012438	1 3/4"	7/8"	3 1/4"
	E-3900	Bushing	Mack 100K146	2 1/2"	1 1/4"	4"

BUSHINGS AND ASSEMBLIES

	Part No.	Description	Replaces	O.D.	I.D.	Length
	E-3977	Bushing, rubber	Reyco 14713-01	3 1/8"	1 1/2"	4 1/2"
	E-8654	Bushing, poly				
	E-4252	Bushing, rubber	Neway 900 08 006	3 7/8"	2 1/2"	5 1/4"
	E-4253	Bushing, rubber	Neway 900 08 008	3 7/8"	2 1/2"	5 3/4"
	E-8681	Bushing, poly				
	E-4410A	Bushing, rubber	Neway 900 08 148 Neway 900 08 149	2 3/4"	1 1/8"	5"
	E-9293	Bushing, rubber	Neway 900 08 135	4 1/8"	2 5/8"	5 1/4"
	E-4254	Bushing	Neway 900 08 104	3 3/8"	2"	5 1/4"
	E-4257	Bushing, rubber	Neway 900 08 113	3 9/32" Large	3 13/16" Large	2 1/8"
	E-8682	Bushing, poly		2 25/32" Small	3 9/16" Small	
	E-4255	Bushing	Page 1090237	2 3/8"	1 1/8"	5"
	E-4382A	Bushing	Page 1090436	3 1/2"	1 1/8"	5 1/4"
	E-4669	Bushing, rubber	Kenworth K066-58 (old) K066-050 (new)	2 7/8"	2"	4"
	E-7446A	Bushing, poly				
	E-4677A	Bushing, rubber	Chalmers 22128	3 5/8" LIP	3 3/4"	
	E-4678A		Chalmers 22129	3 11/16" LIP		
	E-7766		Chalmers 800010	4 1/4" LIP	4"	
	E-7767		Chalmers 800009	4 1/2" LIP	4 1/8"	
	E-8701		Chalmers 22128	3 5/8" LIP	3 3/4"	
	E-8702		Chalmers 22129	3 11/16" LIP		

BUSHINGS AND ASSEMBLIES

	Part No.	Description	Replaces	O.D.	I.D.	Length
	E-4745	Bushing, plastic	Peterbilt 03-02099	3 1/8"	2 1/2"	2 1/4"
	E-7510	Bushing, cast poly				
	E-4752	Bushing, poly	Peterbilt 03-01776	2 1/8"	1 3/8"	2 1/2"
	E-4775	Bushing, rubber	Peterbilt 03-01674	2 1/2"	1 3/4"	2 3/4"
	E-7599	Bushing, poly				
	E-7841	Bushing, rubber	Peterbilt 03-05101	2 1/2"	1 3/4"	
	E-4776	Bushing, poly	Peterbilt 03-01675	2 5/8"	1 3/4"	15/16"
	E-4827	Bushing	Transpro 0649-02	3 5/16"	1 1/32"	4"
	E-5216	Bushing, rubber	Hutchens 890-00	5"	4"	9"
	E-7455	Bushing, poly				
	E-5276	Bushing	Hendrickson 47692 Hendrickson 47692-000L	2"		3"
	E-6127		Hendrickson S-2841-1	3 3/8"	1 1/4"	5 1/4"
	E-5269	Center Bushing	Hendrickson 47420-000, E4-360, E4-400 Ford E4HZ5872A	2 3/4"	1"	4 5/8"
	E-5270	End/Spring Eye Bushing	Hendrickson 47421, E4-360 Ford E4HZ5872A	2 3/8"	7/8"	3"
	E-6126	Bushing	Hendrickson S-2841	3 3/8"	1 1/4"	10 1/2"
	E-6128	Bushing	Hendrickson S-2159-1	3 7/8"	2 1/2"	5 1/4"

BUSHINGS AND ASSEMBLIES



Part No.	Description	Replaces	O.D.	I.D.	Length
E-7426		Chalmers 800010	4 1/4" LIP		2 1/8"
E-7427	Bushing, poly	Chalmers 22128	3 5/8" LIP		1 7/8"
E-8917		Chalmers 800009	4 1/2" LIP		2 1/16"



E-7621	Bushing, rubber	Hutchens 16146-01	3 1/2"	1 1/8"	3 7/8"
E-8666	Bushing, poly				



E-7712	Bushing	Reyco 16095-01	3 1/8"	1"	4"
E-7713		Reyco 14682-01	3 1/8"	1 1/4"	4 5/8"



E-7701 (poly)	Bushing	Freightliner 16-13568-000	2 49/64" Small	2 1/4" Small	2 9/32"
			3 3/4" Large	2 9/32" Large	



E-7855	Bushing, rubber	Peterbilt 03-04623	1 7/8"	1 1/16"	5 1/8"
--------	-----------------	--------------------	--------	---------	--------



E-7870	Bushing	Peterbilt 03-06843	3 3/4"	1 1/64"	5 1/4"
--------	---------	--------------------	--------	---------	--------



E-9370	Hanger Bushing	Fruehauf UCF-006703-001	3 1/8"	1"	1 1/8"
--------	----------------	----------------------------	--------	----	--------

BUSHINGS AND ASSEMBLIES

	Part No.	Description	Replaces	O.D.	I.D.	Length
	E-9368	Bushing	Fruehauf UCF-006699-001	3 1/2"	2"	4"
	E-9411	Bushing	Hendrickson 49972-000	2 15/16"	2 1/2"	12 7/16"
	E-9439	Bushing	Ridewell 11105128000	3 3/16"	1 1/2"	4 7/16"
	E-9440	Bushing	Ridewell 11006088000	4 1/2"	3 7/16"	4"
	E-9456	Bushing	Page 1027371	4 1/2"	3 1/2"	4 3/16"
	E-9457	Bushing	Page 1080044	3"	1 1/8"	2 15/16"
	E-9458	Bushing	Page 1027371	5"	3 5/8"	5 5/8"
	E-9550	Bushing	Reyco 13805-01			

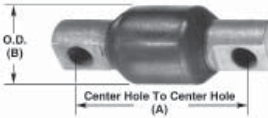
BUSHINGS AND ASSEMBLIES



Part No.	Description	Replaces	O.D.	Hole	Length
E-2225	Bushing, rubber	Navistar 1693060C1 Peterbilt 227710 Volvo 35033-3201	2 17/32"	5/8"	4 3/8"
E-2226		Clevite 227720 Steel Pin Navistar 1693060C1			
E-4664		Clevite 227722 Aluminum Pin			
E-7638	Bushing, poly	Navistar 1693060C1 Peterbilt 227710	2 3/4"	5/8"	4 3/8"
E-7639		Clevite 227720 Steel Pin Navistar 1693060C1			



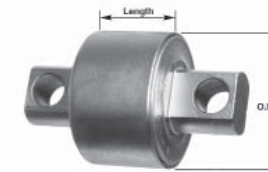
E-2936	Bushing	Neway 90008005 Reyco 0926-00 Trailmobile 30-90008005	3 1/4"		9"
--------	---------	--	--------	--	----



E-5275	Bushing	Hendrickson 47691-000L Mack 47691-000L	2"		4 3/8"
E-9395		Hendrickson 57256-000 Mack 57256-000	2 7/16"		4 3/8"
E-10322		Hendrickson 69210-000H	2.04"		4 3/8"









E-8804	Bushing	Freightliner 681-325-01-50	2 1/2"	3/4"	5 21/32"
E-9874		Freightliner HRI-HBUS41	1 3/4"	5/8"	5 3/8"










E-9321	Bushing	Meritor A-2297-K-1061	4 1/8"	28/32"	5 1/4"
E-9322	Bushing	Meritor A-2297-X-3664		1 1/32"	
E-9324	Bushing	Gould 932420	3 1/2"	21/32"	4 3/8"

BUSHINGS AND ASSEMBLIES









Assemblies

	Part No.	Includes	Replaces	Application
	E-1023 (rubber)			Fruehauf "F" series, J-2, NF-2 and NT
	E-9362 (poly)	Bushing Bolt		
	E-1024 (rubber)	Washer (2) Nut		
	E-9361 (poly)			
	E-1075	Bushing Bolt Washer Nut		Hutchens H-2200
	E-1277	Bushing Pin Bolt Washer (2) Nut	Trailmobile 700-7-144	
	E-1312A (rubber)	Bushing (2) Bolt		Reyco 21B
	E-9545 (poly)	Washer (2) Nut		
	E-1963 (rubber)	Bushing (2) Bolt Nut		Reyco 101 (Torque Leaf) Reyco 101A (Hanger End)
	E-9548 (poly)	Washer (2)		
	E-1970	Bushing Shaft Nut Washer		Reyco 101, 101A, 102










BUSHINGS AND ASSEMBLIES

	Part No.	Includes	Replaces	Application
	E-1981 (rubber)		Bushing Dayton 39400016 Navistar 347374-C1	Dayton "Tri-Lite"
		Bushing, E-1980 Bolt, E-901 Nut, E-2983	Bolt Dayton 08-203488 Navistar 346951-C1	Early model Navistar Hendrickson "Q" Series
	E-9552 (poly)		Nut Dayton 08-20458 Navistar 414001 Spicer L4032	Reyco 101A, 102W, 102AR (Axle Seat End) Spicer 62 and 68
	E-4834A (rubber)	Bushing		Heavyweight and Super Heavy-Duty Model 88
	E-9551 (poly)	Bolt Nut		
	E-7749			
	E-1983	Bushing (2) Bolt Washer (2) Nut	Spicer L413255	Reyco 102 (axle seat end) Spicer 26 and 36
	E-1995	Bushing Shaft Lock Screws Washer	Spicer L4026	62 and early model 68
	E-2003 (rubber)	Bushing Bolt (2) Tab Lock		Hutchens models H-7600, H-7700, CH-7700, CH-7800
	E-9474 (poly)	Nut (2)		
	E-2024	Bolt Bushing Roller Washer Nut		Reyco 101, 101A, 102, 102AR
	E-2116A	Shaft Washer (2) Bushing (2) Lock Nut (2)		Reyco 21B 60° widespread
	E-2272	Bushing Shaft Washer (2) Nut	Spicer L4025	Late Model 55

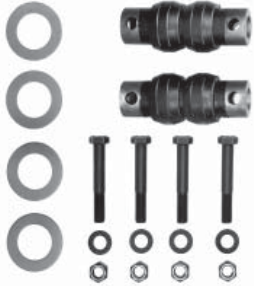

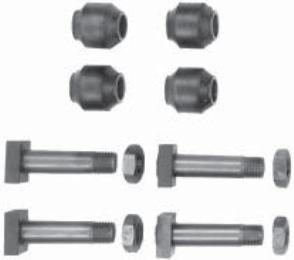

BUSHINGS AND ASSEMBLIES

	Part No.	Includes	Replaces	Application
	E-2847	Bushing Bolt Nut Washer (2)		Reyco 101 (Ford)
	E-2848	Bushing Bolt Nut Washer (2)		Reyco 101, 102 (GMC/Ford)
	E-3079 (rubber) E-9486 (poly)	Bushing Bolt Nut		Hutchens H-7700, CH-7700, CH-7800 Trailmobile 3 1/2" fabricated
	E-3085A	Bushing Shaft Grove Pin	Bushing Dayton 39400014 Navistar 377203-C1 Shaft Dayton 39400021 Navistar 365350-C1 Grove Pin Dayton 08-204566	Dayton "Truckmaster" Dayton "Tri-Lite" Navistar
	E-3087	Bushing, E-3086 Bolt, E-901 Washer, E-2546 Nut, E-2983	Dayton 39400013 Navistar 412587-C1 Dayton 39400016 Navistar 347374-C1 Dayton 08-204568 Dayton 39400016 Navistar 347374-C1	"Truckmaster" and early model Navistar
	E-3294	Torque Arm Pin Bushing (2) Washer Nut Nut Lock		Freightliner FH34
	E-3538	Cap & Tube Assembly Bushing (2) Washer (4) Bolt Nut	Freightliner 16-9943	
	E-3562	Bushing (2) Bolt Washer (2) Nut		Freightliner Air Ride Early Model Spring Hanger Bracket Bushing Assembly







BUSHINGS AND ASSEMBLIES

	Part No.	Includes	Replaces	Application
	E-3787	Bushing Bolt Adapter Nut Lock Washer		Navistar Models
	E-3976 (rubber)	Shaft Bushing (2) Washer (2)		Reyco 21B Trailer
	E-9555 (poly)	Screw (2) Lock Washer (2)		
	E-4832	Bushing (new style) Bolt Nut		Transpro 86 & 88
	E-5247	Shaft Washer Bushing Lock Nut		Reyco 21B 72° widespread
	E-7706	Bushing (2) Cap & Tube Assembly Bolt Retainer Plate Washer (3) Nut	Freightliner 16-13568-000	
	E-9367	Bushing (3) Bolt Washer Nut		Fruehauf NF-2
	E-9472 (rubber)	Bushing		Hutchens models H-9600, H-9700, CH-9600, CH-9700
	E-9473 (poly)	Bolt Nut		
	E-9478 (rubber)	Bushing (2) Washer (2)		Hutchens H-7600, H-9600, CH-7600, CH-9600
	E-9479 (poly)	Bolt Nut		
	E-9587	Bolt Nuts Bushing		Reyco 74B Tandem 50", 54", 60" Axle Spacing

BUSHINGS AND ASSEMBLIES

Part No.	Includes	Replaces	Application
E-2997	 Washer (4) Bushing (2) Bolt (4) Washer (4) Lock Nut (4)	Neway Kit SRK-13 900 36 003 900 08 005 930 03 855 930 00 162 934 00 496	
E-4387	 Bushing (2) Adapter Assembly (2)	Neway Kit SRK-80 900 08 008 930 03 693 934 00 492 936 00 156 900 01 002	For use with 5 3/4" wide hangers
E-4391	 Bushing (4) Bolt (4) Lock Nut (4)	Newway Kit SRK-39 910 08 007 939 00 009 934 00 569	for RTS, T, TR models
E-4393	 Bushing Bolt Lock Nut Washer (2) Alignment Block (2)	Neway Kit SRK-120 or 1/2 of Newkay Kit SRK-139 900 08 131 932 01 046 934 00 506 936 00 495 900 08 120	

BUSHINGS AND ASSEMBLIES

	Part No.	Includes	Replaces	Application
	E-4396	Bushing (2) Bolt (2) Lock Nut (2)	Neway Kit SRK-48A 900 08 131 932 01 045 934 00 506	
	E-4398A	Washer (4) Bushing (2) Bolt (2) Lock Nut (2)	Neway Kit SRK 145 900 36 140 900 08 139 932 01 046 934 00 506	To change from 1 1/4" bolt to 1 1/8" use Alignment Blocks E-9284 and E-4267
	E-4401A	Bushing (4) Spacer Washer (2) Washer (2) Lock Nut (2)	Neway Kit SRK-77-1	
	E-4411A	Bushing (4) Bolt (4) Lock Nut (4) Washer (8) Wear Washer (8)	Neway Kit SRK-194 900 08 149 932 01 045 934 00 506 900 36 140 900 36 175	Services 2 beams
	E-4429	Bushing (2) Bolt (2) Lock Nut (2) Washer (4)	Neway Kit SRK-139A 900 08 131 932 01 046 934 005 06 936 00 495	
	E-4773	Bolt Bushing (2) Washer (2) Washer (2) Sleeve Nut	Peterbilt 03-01668 03-01670 03-01675 03-01674 03-01669 41NE1614	Peterbilt Air Ride

BUSHINGS AND ASSEMBLIES

Part No.	Includes	Replaces	Application
	E-6121 Bushing Bolt Nut Bolt Liner Wear Pads (2) Lubricant	Hendrickson A-6914	Hendrickson HT 190/230 and all "T" series
	E-7840 Bushing (2) Bolt Washer (2) Sleeve Hanger Bushing (2) Nut	Peterbilt Bushing 03-05101 Bolt 03-05103 Washer 03-01670 Sleeve 03-05102 Hanger Bushing 03-01675 Nut 41NE1614	
	E-7854 Bushing Spacer Bolt Washer Washer Nut	Peterbilt 03-04623 Bushing 03-04624 Spacer 27-00285-032 Bolt 27-00428-010 Washer 03-04962 Washer 22NE1018 Nut	
	E-9294 Bushing (2) Bolt (2) Lock Nut (2) Washer (4)	Neway Kit SRK-203 900 08 148 932 01 045 934 00 506 900 36 145	
	E-9300A Washer (4) Bushing (2) Bolt (2) Lock Nut (2)	Neway Kit SRK-200 936 00 502 900 08 151 932 01 046 934 00 506	
	E-9301 Bushing (2) Spacer Washer (2) Washer (2) Lock Nut (2) Roll Pin (2)	Neway Kit SRK-201	

BUSHINGS AND ASSEMBLIES



Part No.	Includes	Replaces	Application
E-10729A	Bushing Bolt Nut Washers (2) Wear Pads (2) Lubricant	Hendrickson S-24691	Hendrickson HT Intraax



E-3687	Bronze Bushing Fitting	Mack 390K27E Mack 390K27F	Mack Series SS38, SS44
--------	------------------------	------------------------------	------------------------



E-5077	includes: Rubber Bushing Fitting	Mack 39QK226C	Mack Series SS44 - 40,000 lbs.
--------	-------------------------------------	---------------	--------------------------------



E-5417	includes: Bronze Bushing Fittings	Mack 39QK319	Mack Series SS50C, SS58C
--------	--------------------------------------	--------------	--------------------------

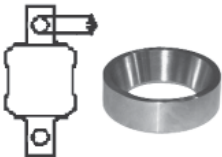


E-5431	includes: Bronze Bushing Fittings	Mack 39QK390	Mack Series SS65C-W
--------	--------------------------------------	--------------	---------------------

Bushing Installation Tools



E-9575	Beam End Bushing Installation	Hendrickson S-21307	For Tri-Functional I and II 6.75" bushing used in Hendrickson T, HT, Intraax and HLM Bushing Not Included
E-14634		Hendrickson S-21307	For Tri-Functional III 3.625" bushing used in Hendrickson T, HT, Intraax and HLM Bushing Not Included















E-13973	Tool Kit includes E-13961 E-13974	Hendrickson 34013-113	Hendrickson 34013-113 includes 64400-002L and 66086-000
---------	---	-----------------------	---










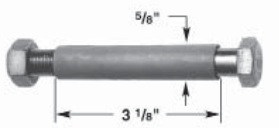


E-13974	Funnel Tool	Hendrickson 66086-000	Used for rebushing a torque rod with a bonded ushing. For use with all 64400 series bonded bushings.
E-14346		Hendrickson 66086-001L	For use with 47691 bonded bushing with a 2" O.D.

BOLTS, SPRINGS AND ASSEMBLIES

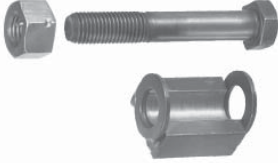
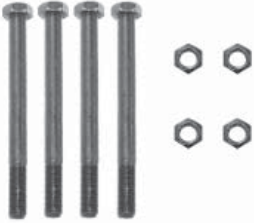




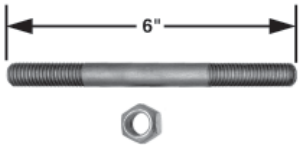

	Part No.	Description	Replaces	Comments	
	E-9414	Rebound Control Kit	Hendrickson 49768-000 (Kit) 49778-000 Hex Nut 49770-000 Washer 49769-000 Rod 49771-000 Clevis 32043-004 Bolt 47764-000 Lock Nut	Hendrickson HN-460	
	E-9415	Rebound Spring, rubber	Hendrickson 48570-000		
	E-11496	Bolster Spring	Hendrickson 60879-000L	Two per tandem used on Hendrickson HN-402/462/522 models (must be replaced in pairs)	
	E-14044	Bolster Spring Service Kit	Hendrickson 64179-037	For use on Haulmax Heavy-Duty	
	Part No.	Description	Replaces	Thread	Length
	E-1018	Bolt	Fruehauf UXA-000016	1" - 14	6"
	E-1019		Fruehauf UXA-00015-001	1" - 14	11 3/8"
	E-7637		Fruehauf UXA-000016-000	1" - 14	7"
	E-1073	Arm Bolt	Hutchens 2219-02	1" - 14	7 1/4"
	E-1965	Arm Bolt	Reyco 17210-01	1" - 8	7 1/2"
	E-1997	Equalizer Bolt	Spicer H80070	1" - 8	7"
	E-2000	Step Bolt	Hutchens 7016-01	5/8" - 18	6"
	E-2951	Bolt	Neway 932 00 959	1 1/4" - 7	8 1/8"
	E-4361		Neway 932 01 045	1 1/8" - 7	8 1/2"
	E-4364		Neway 932 01 046	1 1/8" - 7	9 1/4"
	E-3755	Plate Stud	Hendrickson 49063	5/8" - 1	3 13/16"
	E-3792	Arm Bolt, center	Navistar 438286C1	5/8" - 18	4 1/2"

BOLTS, SPRINGS AND ASSEMBLIES



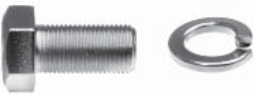




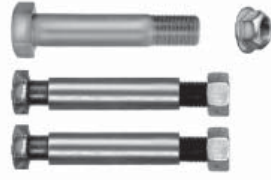
	Part No.	Description	Replaces	Thread	Length
	E-4318A	Arm Bolt	Neway 932 00 047	4"	11"
	E-4348	Clamp Bolt	Hutchens 9293-00	5/8" - 11	2"
	E-4759	Arm Bolt	Peterbilt 27-00702-009	5/8" - 11	2 1/4"
	E-8909	Bolt	Volvo V8397091	5/8" - 11	6"
	E-8910		Volvo V8397092		
	E-9449	Spring Bolt	Page 1027645	3/4" - 16	10"
	E-9480	Arm Step Bolt	Hutchens 12709-01	7/8" - 14	6 5/8"

	Part No.	Description	Replaces	Application
	E-1975	Roller Assembly includes: Bolt Roller Nut Washer		All non-Transpro models
	E-2829	Spacer Assembly includes: Bolt Nut Spacer	Freuhauf FSP-005-03-012 Bolt FSP-006-02-PK6 Nut UXA-000020-001 Washer	For "F" series Spring Hangers
	E-3414	Bolt Kit includes Step Bolt (2) Lock Tab Nut (4) Rebound Bolt (2) Spacer Sleeve (2)	Hutchens 7016-01 Step Bolt 729-00 Lock Tab 37-01 Nut 759-00 Rebound Bolt 756-00 Spacer Sleeve	Hutchens H-7600, H-7700, H-2200
	E-3768	Bolt Kit includes: Bolt	Hendrickson S-3646	Hendrickson HLM, HT 190/230 and all "T" series
	E-6129	Nut Bolt Liner	Hendrickson S-3142	Hendrickson MT 45, MTL 45/50
	E-6130		Hendrickson S-3141	Hendrickson MT 45, MTL 45/50



BOLTS, SPRINGS AND ASSEMBLIES

Part No.	Description	Replaces	Application
 E-3779	Slider Block Assembly includes: Slider Block Bolt Nut	Hendrickson S-1156 Slider Block SA-1000-2 Bolt SA-1300-3 Nut	For Hendrickson models Q-AH, Q-LF Block Length = 2 7/8"
 E-3794	Retain Pin Assembly includes: Bolts (4) Lock Nuts (4)	Freightliner 681-325-0174 Navistar 1841R1 Navistar 5747786C2	
 E-3852	Assembly includes: Bolt Roller Nut	Volvo Four-Spring with Steel Hangers	
 E-4770	Assembly includes: Bolt Roller Nut	Navistar Models Peterbilt 27-00279-024 (bolt), 03-01773 (tube), 22NE820 (nut)	
 E-4837	Roller Assembly includes: Roller Bolt Nut		Super Heavy-Duty Model 88 Use with E-4803, E-4810, E4811 hangers
 E-5277	Bolt Assembly, Hangar	Hendrickson 49176-001 Assembly 30587-17 Bolt 30585 Nut 22962-4 Washer Mack 35AX1466 Bolt 43RU2134 Washer 23AX512 Nut	5/8" - 18 4 1/2"
 E-7851	Stud and Nut Assembly	Peterbilt 27-00972 27-00791-008	Length = 6"
 E-7868	Stud Kit includes: Stud Nut Washer	Peterbilt 27-00173 27-00311-008 27-00304-008	Length = 5"


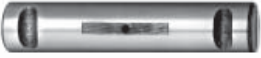



BOLTS, SPRINGS AND ASSEMBLIES

	Part No.	Description	Replaces	Application
	E-9372	Bolt Assembly includes: Rebound Bolt Nut Assembly	Fruehauf FSP-005-03-054	1 5/8" - 11 Thread x 5" Bolt 1 5/8" - 11 Thread Nut
	E-9384	Cross Channel Fastener Kit includes: Bolts (8) Washers (16) Lock Nuts (8)	Hendrickson 50763-001	3/4" x 3 3/4" x 2 1/2"
	E-9446	includes: Bolt Lock	Ridewell 1140665B105 (bolt) Ridewell 11605988100 (lock)	
	E-9445	Bolt Kit includes: Bolt Lock	Ridewell 1130670B105 (bolt) Ridewell 1160673B000 (lock)	
	E-9475	Bolt Kit includes: Nut (2) Washer (2) Rebound Bolt (2) Spacer Sleeve (2) Nut Equalizer Bolt	Hutchens 37-01 — 759-00 756-00 — —	Hutchens H-9600, H-9700, CH-9600, CH-9700
	E-9538	Bolt Kit includes: Nut Bolt		Reyco 21B 60° widespread
	E-10730A	Pivot Bolt Kit includes: Washers (2) Bolt Nut	Hendrickson S-24679	Hendrickson HT Intraax
	E-13901	Bolt Kit includes: Nut (2) Sleeve (2) Bolt (3) Lock Nut		Reyco






ROLLERS, TUBES, SHAFTS

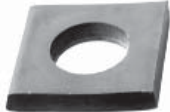




	Part No.	Description	Replaces	O.D.	I.D.	Length
	E-1971	Roller	Reyco T-2106	27/32"	5/8"	3 5/16"
	E-3539	Cap & Tube Assembly	Freightliner 16-9943	2 1/4"	1 5/8"	6 9/16"
	E-7702	Cap & Tube Assembly	Freightliner 16-13568-000	2 1/4"	1 5/8"	7" A = 5 3/4"
	E-1967	Shaft (standard)	Reyco 08686-01 101, 101A, 102	1 1/2" Thread = 1 7/16" - 16		8"
	E-1993	Shaft	Reyco 62 and Early Model 68 Spicer K1124	2"		6 1/2"
	E-2964	Trunnion Shaft	Hutchens 893-01 Neway 910 38 003	4"	48"	1/2"
	E-5218		Hutchens 893-02 Page 1083482	4"	48"	3/4"
	E-3083A	Shaft	Dayton 39400089 Four-Spring with Steel Hangers	2"		6 7/8"
	E-3972	Shaft (trailer)	Reyco 14247-01 Reyco 21B	1 5/8" 1" - 8 Bolt Holes - both ends		8 11/16"
	E-4774	Sleeve	Peterbilt 03-01669	1 3/4"	1 1/8"	5 3/4"
	E-9412	Cross Tube	Hendrickson 44643-011	2 7/16"		40 3/4"

SPRING PINS

	Part No.	Description	Replaces	O.D.	I.D.	Length
	E-1279	Lock Pin	Dayton 08-204569 Four-Spring with Steel Hangers	1/2"		2 3/4"
	E-3530	Spring Pin	Rear	1 1/4"		5 3/4"
	E-3531		Front			
	E-3532	Spring Pin	Freightliner 16-9597	1 1/4"		6 1/8"
				1 1/4" - 8		
	E-8796	Spring Pin	Freightliner 16-13470-000 (new) 16-12373-000 (old)			
	E-8800	Spring Pin	Freightliner 16-12302-000	1 1/4"		7 1/8"
				1 1/4" - 7		

NUTS, WASHERS, SEALS



	Part No.	Description	Replaces	Thread	Application
	E-1968	Shaft Nut	Reyco 08687-01	1 7/16" - 12	Reyco 101, 101A, 102
	E-2017	Nut	Kenworth 49NE2012	1 1/4" - 12	For tapered pin bushing
	E-2854	Nut	Reyco 08914-01 Ford, GMC	1 1/4" - 12	
	E-2988	Lock Nut	Neway 934 00 488	5/8" - 11	Hex = 15/16" High = 17/32" Grade 8
	E-3979	Shaft Nut	Reyco 1129-01	2 1/2" - 16	Reyco 21, 21-4, 21SK



	Part No.	Description	Replaces	O.D.	I.D.	Thickness
	E-2960	Washer	Neway 936 00 028	2"	1"	3/8"
	E-3187	Seal	Mack 88AX449 Mack 88AX446 Mack 88AX244	5 1/2"	4 3/8"	9/16"
	E-5425		Mack 88AX253	6 3/8"	5 1/8"	1/2"
	E-3698	Washer, Bronze	Mack 43QJ116 Mack 35AX688	5 1/4"	3 1/2"	1/4"
	E-5422		Mack 43QK115	6 3/16"	4 1/32"	1/4"
	E-5433		Mack 43QK23A	6 11/16"	5 1/64"	1/4"
	E-3699	Washer, Steel	Mack 43QK117	5 3/8"	3 1/2"	5/16"
	E-5423		Mack 43QK118	6 1/4"	4 1/32"	5/16"
	E-3702	Spacer	Mack 44RU2223-P2	4 1/8"	3 1/2"	7/16"
	E-3703		Mack 44RU2223-P1	4 1/8"	3 1/2"	1/2"

NUTS, WASHERS, SEALS




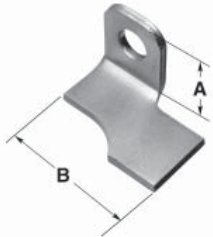
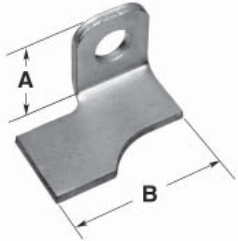



	Part No.	Description	Replaces	O.D.	I.D.	Thickness
	E-3704	Collar	Mack 44RU2221-P1	4 1/8"	3 1/2"	2 1/4"
	E-10116		Mack 44RU2221-P2	4 1/8"	3 1/2"	1 3/4"
	E-3771	Alignment Collar	Hendrickson S-2770	4 1/2"	1 1/8"	
	E-6131		Hendrickson S-2848	4"	1 1/8"	
	E-3915	Lock Washer	Mack 23QJ112B	4 7/8"	3 5/16"	1/4"
	E-4265	Alignment Block	Neway 900 08 092	2 3/4"	1 1/8"	7/8"
	E-4267		Neway 900 08 120	2 3/4"	1 1/8"	1"
	E-9284		Neway 900 08 147	3 1/4"	1 1/8"	7/8"
	E-4268	Alignment Block	Neway 900 08 091		1 1/8"	7/8" (without bumpouts)
	E-4777	Washer	Peterbilt 03-01670	3 5/16"	1"	9/16"
	E-5219	Washer	Hutchens 895-00	5 3/4"	4 1/32"	5/16"
	E-9452		Page 1025264	1 3/4"	1 3/16"	1/8"
	E-9611		Neway 936 00 002	6"	4 1/16"	3/16"
	E-9612		Neway 936 00 003	6"	4 1/16"	5/16"
	E-9450	Washer	Page 1027644	1 1/2"	3/4"	3/8"

NUTS, WASHERS, SEALS





Part No.	Description	Replaces	O.D.	Thread
 E-3700	Trunnion Nut	Mack 25QJ223	4 1/16"	3 5/16" - 12
 E-5424	Trunnion Nut	Mack 25QJ220BP2	6 1/8"	3 7/8" - 12
E-5434		Mack 25QJ220B	6 1/8"	3 7/8" - 8

Part No.	Description	Replaces	I.D.
 E-3975	Lock Washer	Navistar 131048	1"
 E-14673	Quick-Align Collar	Hendrickson 60632-006	Used on Hendrickson Primaax 230/460/690 and Firemaax 240/480 - Type A; Hendrickson Primaax 230/460/690 and Firemaax 240/480 - Type B

WEAR PADS

	Part No.	Description	Replaces	General Information
	E-7717	Pad	Reyco 10055-01	Reyco 73-49"
	E-2842	Pad	Fruehauf UCD-006632-002 Hutchens 7052-02	For Fruehauf Single Leaf Springs only; F-1, F-2, F-2W, F-3 models Hutchens Single and Three Leaf Springs
	E-6122	Wear Pad	Hendrickson S-21099	For Hendrickson HLM, HT190/230 O.D. = 7" I.D. = 2 23/64" Thickness = 11/32"
	E-8802	Wear Pad - Left Hand	Freightliner 681-325-21-09	For FAS Air Ride; Hole = 13/16" A = 2 1/2" B = 3 5/16"
	E-8803	Wear Pad - Right Hand	Freightliner 681-325-22-09	For FAS Air Ride; Hole = 13/16" A = 2 1/8" B = 3 5/16"
	E-9397	Top Pad	Hendrickson 56805-000 Mack 11QK86M	A = 3" B = 8 1/8"
	E-9408	Top Pad	Hendrickson 50788-000	A = 3" B = 8 5/16"
	E-9461	End Pad	Page 1084521	

WEAR PADS

Part No.	Description	Replaces	General Information	
E-9487	Hanger, Wear Pad	Hutchens 755-03	Hutchens H-9700, H-7700	
 <p data-bbox="370 247 472 260">HANGER WEAR PAD</p> <p data-bbox="412 394 553 443">3" wide x 7" Long x 5/16" Thick Use with all Hangers except E-2910A, E-2911A, and E-2912A.</p> <p data-bbox="293 426 375 438">Product Code 703</p>	E-9560	Wear Pad	Reyco 11852-01	Reyco 21B
	E-9561	Wear Pad	Reyco 15630-01	Rear Hanger, model 21B
	E-2001	Tab Lock	Hutchens 729-00	All Models
				

HANGERS

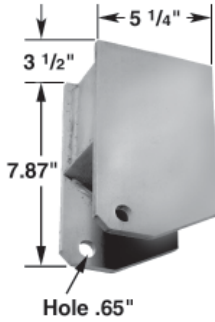
Part No.	Description	Replaces	General Information
----------	-------------	----------	---------------------



E-2822	Hanger, Front	Fruehauf UCF-001466-001	For "F" series wide-base under mount
---------------	---------------	-------------------------	--------------------------------------



E-2823	Hanger, Center	Fruehauf UCE-007746-001	For "F" series wide-base under mount
---------------	----------------	-------------------------	--------------------------------------



E-2824	Hanger, Rear	Fruehauf UCF-005858-001	For "F" series wide-base under mount; For 1, 3, 4 Leaf Springs
---------------	--------------	-------------------------	--

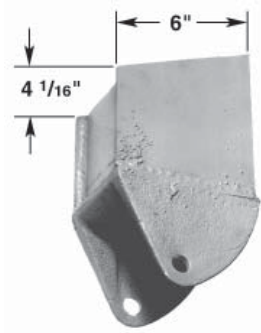


E-2826	Hanger, Front	Fruehauf UCF-002467-001	For "F" series standard under mount
---------------	---------------	-------------------------	-------------------------------------



E-2827	Hanger, Center	Fruehauf UXA-000034	For "F" series standard under mount
---------------	----------------	---------------------	-------------------------------------

HANGERS



Part No.	Description	Replaces	General Information
E-2828	Hanger, Rear	Fruehauf UCF-002470-001	For "F" series standard under mount



E-2910A	Hanger, Straddle Mount Front	Hutchens 7701-01	Hutchens H-7700, H-9700
----------------	------------------------------	------------------	-------------------------



E-2911	Hanger, Straddle Mount Center	Hutchens 7702-01	Hutchens H-7700
---------------	-------------------------------	------------------	-----------------



E-2912A	Hanger Straddle Mount, Rear	Hutchens 7703-1	Hutchens H-7600, H-9600
----------------	-----------------------------	-----------------	-------------------------



E-2913A	Hanger, Under Mount Front	Hutchens 7701-02	Hutchens H-7700, H-9700
----------------	---------------------------	------------------	-------------------------

HANGERS



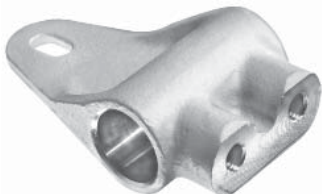
Part No.	Description	Replaces	General Information
E-2914	Hanger, Under Mount Center	Hutchens 7702-02	Hutchens H-7700



E-2915A	Hanger Under Mount, Rear	Hutchens 7703-02	Hutchens H-7600, H-9600
---------	--------------------------	------------------	-------------------------



E-3536	Aluminum Hanger	Freightliner 16-9906 Freightliner 16-1003-1	includes E-3533 bushing (non-threaded); front suspensions with 3 1/2" springs
--------	-----------------	--	---



E-3569	Hanger	Freightliner 16-10795	I.D. 1 5/8" Length 7 1/8" Thread 5/8" - 11
--------	--------	-----------------------	--








SPRING PIN DIA.

E-3599	Hanger, Front	Navistar 423450C1	Spring Pin Diameter = 1 3/8" For Single Frame with no reinforcement
--------	---------------	-------------------	--



E-3604	Hanger, Rear	Hendrickson 35400-2 Navistar 422484C1	For Single Frame with no reinforcement
E-3605		Hendrickson 35400-1 Navistar 42283C1	For frame with 1/4" thick angle reinforcement
E-3606		Hendrickson 35400-3 Navistar 422485C1	For "Double" frame with 5/16" Channel Reinforcement

HANGERS

	Part No.	Description	Replaces	General Information
	E-3816	Hanger	Freightliner A16-12314-000	includes E-3817 bushing; for Air Ride models
	E-5070 Left Hand Drilled E-5071 Right Hand Drilled	Hanger, Flange Mount Front	Hutchens 7701-07 Hutchens 7701-08	Hutchens H-7700
	E-5072	Hanger, Flange Mount Center	Hutchens 7702-05 (drilled)	Hutchens H-7700
	E-5073 Left Hand Drilled (shown) E-5074 Right Hand Drilled	Hanger, Flange Mount Rear	Hutchens 7703-07 Hutchens 7703-08	Hutchens H-7700
	E-7534	Hanger, Straddle Mount Center	Hutchens 16169-01	Hutchens H-9700

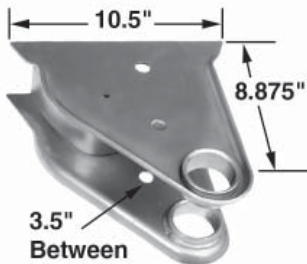
HANGERS



Part No.	Description	Replaces	General Information
E-7681	Hanger, Under Mount Beam Guide	Hutchens 7707-14	Hutchens H-9700, CH-9700, TWS-109, TWS-121



E-8854	Front Hanger	Freightliner A16-12358-000	includes E-8797 bushing (non-threaded)
E-8855	Front Hanger	Freightliner A16-12358-001	includes E8799 bushing (threaded)



E-9363	Front Hanger	Fruehauf UCF-006668-001	NF-2 and NT models
---------------	--------------	-------------------------	--------------------

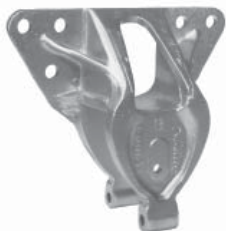


E-9364	Center Hanger	Fruehauf UCF-006672-001	NF-2 and NT models
---------------	---------------	-------------------------	--------------------









E-9365	Rear Hanger	Fruehauf UCF-005858-002	For 1, 3, 4 Leaf Springs; NF-2 and NT models
---------------	-------------	-------------------------	--

E-10778	Axle Sear, High Ride	Fruehauf UCF-006696-001	NF-2 and NT models
----------------	----------------------	-------------------------	--------------------










E-9386	Spring Hanger, front	Hendrickson 50752-001	For Hendrickson HAS-400/402/460 models; Casting Nos. 56669-1 or 50291
---------------	----------------------	-----------------------	---

HANGERS

Part No.	Description	Replaces	General Information
	E-9387 Spring Hanger, front	Hendrickson 50753-001	For Hendrickson HAS-360; Casting Nos. 56669-1 with Slipper Pad
	E-9400 Hanger, Front	Hendrickson 56676-001 (new) Hendrickson 50290-001 (old)	Hendrickson HFS-360, 400 models Casting Nos. 566765-000, 50289-000
	E-9404 Hanger, Front	Hendrickson 56667-001 (new) Hendrickson 50027-001 (old)	Hendrickson HFS-360 model Casting Nos. 56666-000, 49848-000
	E-9405 Hanger, Front	Hendrickson 56670-001 (new) Hendrickson 50292-001 (old)	Hendrickson HFS-400 model Casting Nos. 56669-000, 50291-000
	E-9406 Hanger, Rear	Hendrickson 50028-001	Hendrickson HFS-360 and 400
	E-9469 Hanger, Straddle Mount	Hutchens 16321-01	Hutchens H-9600

HANGERS

	Part No.	Description	Replaces	General Information
	E-9470	Equalizer Hanger, Under Mount	Hutchens 16321-02	Hutchens H-9600
	E-9484	Equalizer Hanger, Straddle Mount	Hutchens 16319-01	Hutchens H-9700
	H-9485	Equalizer Hanger, Under Mount	Hutchens 16319-02	Hutchens H-9700
	E-9493	Hanger Straddle Mount, Front	Hutchens 7601-01	Hutchens H-7600, H-9600
	E-9494	Hanger Under Mount, Front	Hutchens 7601-02	Hutchens H-7600, H-9600
	E-9495	Equalizer Hanger Straddle Mount	Hutchens 7602-01	Hutchens H-7600
	E-9496	Equalizer Hanger Under Mount	Hutchens 7602-02	Hutchens H-7600

HANGERS

	Part No.	Description	Replaces	General Information
	<p>E-9497</p>	<p>Equalizer Hanger, Center Straddle Mount</p>	<p>Hutchens 16187-01</p>	<p>Hutchens H-9600</p>
	<p>E-9498</p>	<p>Equalizer Hanger, Center Under Mount</p>	<p>Hutchens 16188-01</p>	<p>Hutchens H-9600</p>
	<p>E-9499 (left hand)</p> <hr/> <p>E-9500 (right hand - shown)</p>	<p>Hanger, Under Mount Front</p>	<p>Hutchens 16291-03</p> <hr/> <p>Hutchens 16291-04</p>	<p>Hutchens CH-7700, CH-9700</p>
	<p>E-9501</p>	<p>Hanger, Under Mount Center</p>	<p>Hutchens 16197-03</p>	<p>Hutchens CH-9700</p>
	<p>E-9502 (left hand)</p> <hr/> <p>E-9503 (right hand - shown)</p>	<p>Hanger, Under Mount Rear</p>	<p>Hutchens 16293-01</p> <hr/> <p>Hutchens 16293-02</p>	<p>Hutchens CH-7700, CH-9700</p>
	<p>E-9582</p>	<p>Hanger, Under Mount Center</p>	<p>Hutchens 16171-01</p>	<p>Hutchens H-9700</p>

SHIMS


Part No.	Description	Replaces	I.D.	Thickness
 E-3537A	Shim	Freightliner 16-9040-2	1 3/8"	1/16"

 E-8798	Shim	Freightliner 16-12265-000	1 1/4"	1/8"
--	------	---------------------------	--------	------

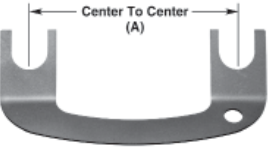
Part No.	Description	Replaces	Length	Thickness	Width
----------	-------------	----------	--------	-----------	-------

 E-3567	Shim	Freightliner 16-10790	3 3/4"	1/16"	
--	------	-----------------------	--------	-------	--


 E-3568	Shim with Locking Tab	Freightliner 16-10790-1	3 3/4"	1/16"	
--	-----------------------	-------------------------	--------	-------	--

 E-3790	Shim	Freightliner 11-9588-1	5 3/4"	1/16"	
---	------	------------------------	--------	-------	--

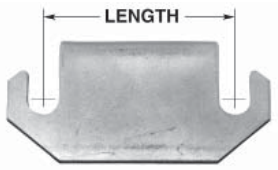
 E-4780	Shim	Peterbilt 03-04959-001		1/16"	
--	------	------------------------	--	-------	--

 E-5281	Shim	Hendrickson 47457 Hendrickson 49689-000 Ford E4HZ4A002A Mack 44RU2384M	4 3/8"	1/16"	
--	------	---	--------	-------	--


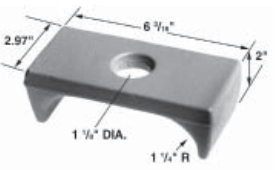


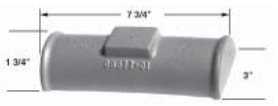

	E-7844	Shim	Peterbilt 03-05114-001	1 1/4"	1/16"	3 3/4"
	E-7845	Shim	Peterbilt 03-054114-002	1 1/4"	3/32"	3 3/4"

 E-7864	Shim	Peterbilt 03-04106	4"	1/8"	9"
--	------	--------------------	----	------	----

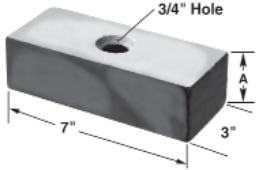

SHIMS

	Part No.	Description	Replaces	Length	Thickness	Width
	E-8805	Shim	Freightliner 681-328-13-84	2 1/8"	1/8"	1 5/8"
	E-8806		Freightliner 681-328-21-84			
	E-8809	Shim	Freightliner 681-328-16-84	45/64"	1/16"	4 3/8"
	E-8810		Freightliner 681-328-19-84			

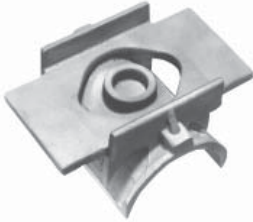







PLATES, SEATS AND SPACERS

	Part No.	Description	Replaces	Application
	E-2604	Saddle Plate	Hendrickson 20781-000	Used on Hendrickson RS-403-463
	E-2837	Spring Chair, square	Fruehauf AXA-000512-001	F-1, F-2, F-2W, F-3 models
	E-2838	Spring Spacer	Fruehauf UXA-000048	6 5/8" x 3" x 1 1/2"; Fruehauf F-1, F-2, F-2W, F-3 models
	E-2867A	Hanger Pad Assembly	Reyco TK15161	Reyco 101, 101A, 102
	E-2873	Top Plate	Reyco 08677-01 Reyco 08065-01 Reyco 11808-01	All models with inverted u-bolts Cast
	E-2874	Top Plate	Reyco T-7175	21B with conventional mounted u-bolts

PLATES, SEATS AND SPACERS

	Part No.	Description	Replaces	A	Application
	E-2878	Spacer Block	Reyco 24083-1	2"	Ductile Iron
	E-9562		Reyco T-7555	1/2"	Fabricated
	E-9563		Reyco 24081-1	1"	Ductile Iron
	E-9564		Reyco 240821	1 1/2"	
	E-2907A	Top Plate	Hutchens 16868-01, 7029-00 Reyco 0077-00		3" x 7 1/2" Hutchens all models
	E-2908	Spring Seat	Hutchens 19360-01	3/4"	Hutchens H-7700-CH-7700, H-9700, CH-9700
	E-7535		Hutchens 19360-06	3 1/4"	
	E-7622		Hutchens 19360-02	1 1/4"	
	E-7623		Hutchens 19360-03	1 3/4"	
	E-7624		Hutchens 19360-04	2 1/4"	
	E-7625		Hutchens 19360-05	2 3/4"	
	E-2909	Bottom Plate	Hutchens 710-00 Transpro 0538-00		Hutchens all models
	E-2965	Repair Pad	Neway 910 01 049 Page 91001049		Use to avoid replaicng entire axle seat when knob is worn
	E-2909	Bottom Plate	Transpro 0538-00		Heavyweight and Super Heavy-Duty Model 88
	E-3740	Spring Spacer	Hendrickson 48902-000		H = 1"; A = 7 3/4"; B = 3"
	E-3741		Hendrickson 48902-001		H = 1 1/2"; A = 7 3/4"; B = 3"
	E-3576	Top Pad	Fruehauf UCD-005641-001		Fruehauf M2 Overslug and Underslung Fruehauf models

PLATES, SEATS AND SPACERS

	Part No.	Description	Replaces	Application
	E-3577	Upper Trunnion Half	Fruehauf UCD-005755-001	Fruehauf M2 Overslug and Underslung Fruehauf models
	E-3578	Lower Trunnion Half	Fruehauf UCD-005631-001	Fruehauf M2 Overslug and Underslung Fruehauf models
	E-3796	Top Plate	Navistar 581744C1	Navistar 4-Spring and Air Ride
	E-3683	Upper Trunnion Half	Mack 39QK433A	Mack Series SS34, SS38, ST
	E-3685	Lower Trunnion Half	Mack 39QK431	Mack Series SS34, SS38, ST
	E-3720 E-8795	Shackle	Mack 220K39301 Freightliner 16-11890-001 (steel) Freightliner 16-11800-000 (aluminum)	Length = 7 5/8" Thickness = 1" Width = 2"
	E-3753A E-3754A	Bottom Plate, includes: Studs Nuts Washers	Hendrickson 49138 Hendrickson 49139	Left Rear Casting 48916 Right Rear Casting 48919
	E-3797 E-3798	Spring Seat	Navistar 493478C2 Navistar 493480C2	For 4 5/8" axle For 4 5/16" axle

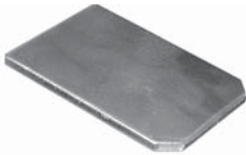

PLATES, SEATS AND SPACERS

	Part No.	Description	Replaces	Application	
	E-3799	Spring Seat	Navistar 1649755C1	4-Spring and Air Ride	
	E-3819	U-Bolt Bottom Pad	Freightliner 16-11935	Air Ride	
	E-7626	Spring Seat	Hutchens 19364-02	1 1/4"	
	E-7627		Hutchens 19364-03	1 3/4"	
	E-7628		Hutchens 19364-04	2 1/4"	
	E-7629		Hutchens 19364-05	2 3/4"	
	E-7630		Hutchens 19365-01	3/4"	Hutchens H-7700-CH-7700, H-9700, CH-9700
	E-7631		Hutchens 19365-02	1 1/4"	
	E-7632		Hutchens 19365-03	1 3/4"	
	E-7633		Hutchens 19365-04	2 1/4"	
	E-7634		Hutchens 19365-05	2 3/4"	
	E-4292	Seat	Neway 900 01 006	Neway ART-120-US, 125-US, 50-US, 51- US, AR-70, 95 A = 3 1/2"	
	E-4293		Neway 900 01 119	All ART (except 505-B) Heavy-duty A = 3 5/8"	
	E-4298	Top Plate	Neway 910 01 021	Neway TS, US, USR	
	E-4299	Top Plate	Neway 910 01 103	Neway all RTS	
	E-4300	Top Plate	Neway 910 10 108	Neway SL-718, TL- 636, 644	
	E-4321	Air Spring Plate	Neway 900 31 027	For Neway AR-120, 125, 120-US, 125-US, ART-500-US, 500- US-A	
	E-4781	U-bolt Plate	Peterbilt 03-01656	Cast Iron	






PLATES, SEATS AND SPACERS

	Part No.	Description	Replaces	Application
	E-4782	U-bolt Plate, top	Peterbilt 03-01657	3 1/2" x 3 11/16"
	E-5228	Alignment Adjustment Plate	Hutchens 10608-00	Hutchens H-900
	E-5229	Bottom Plate	Hutchens 10488-00	Hutchens H-900
	E-5230	U-bolt Top Plate, Over-slung Trunnion	Hutchens 9640-00	Hutchens H-900
	E-5231A	Bottom Plate	Hutchens 820-00	Hutchens H-900
	E-5426	Top Plate	Mack 8QK232A	Mack Series SS50C, SS58C, SS65C-W Length = 10 11/16"
	E-7635	Bottom Plate	Hutchens 7746-00	Hutchens H-7700-CH-7700, H-9700, CH-9700
	E-7636	Bottom Plate	Fruehauf UCF-006696-001 Hutchens 7747-01	Fruehauf NF-2; Hutchens H-7700, CH-7700, H-9700 and CH-9700
	E-7697		Hutchens 10775-00	5" Round, Rear
	E-7698	Bottom Plate	Hutchens 7738-00	4" x 6", Rear
	E-7699		Hutchens 7738-01	5" Square, Rear



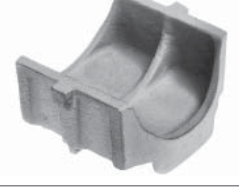






PLATES, SEATS AND SPACERS

Part No.	Description	Replaces	Application
 E-9559	Stiffener Plate	Reyco 11851-01	Reyco 21B
 E-11728	Bottom Plate	Hutchens 706-01	Hutchens H-9700US (underslung) Hutchens CH-9700US (underslung)






CAPS

Part No.	Description	Replaces	General Information
 E-3697	Trunnion Cap	Mack 97QL399P2	6 holes, 7" bolt Circle Used on E-3687 trunion
 E-4281	Cap	Neway 900 10 002	Neway AR-70, AR-95
 E-4282	Cap	Neway 900 10 032	Neway AR-120-US, 125-US, 165-US, 50-US, 51-US, AR-70, 95
 E-4283	Cap	Neway 900 10 022	Neway AR-70, AR-95, AR-120-US, 125-US, 50-US, 51-US, AR-70, 95
 E-4288	Cap	Neway 900 10 031	Neway TA-800, RTS-436, 544, 754, 945

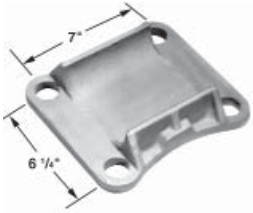

CAPS

	Part No.	Description	Replaces	General Information
	E-4289	Cap	Neway 900 01 082	Neway All AR (except ARL), All ART 5" Round Axle
	E-4290	Cap	Neway 900 01 083	Neway All AR (except ARL), All ART 5" Square Axle
	E-4291	Cap	Neway 900 01 040	Neway AT, RTS 5" Round Axle
	E-4301	Trunnion Cap, upper	Neway 910 01 051 Page 1083471	Neway TS, US, USR, LD (except TS-660, 680, 6100)
	E-4302	Trunnion Cap, lower	Neway 910 01 047 Page 1083489	Neway TS, US, USR, LD (except TS-660, 680, 6100)
	E-4303	Trunnion Cap	Neway 910 10 098	Neway RTS-536, 544, 754
	E-4305	Spring Seat	Neway 910 01 044 Page 1083492	
	E-4306	Spring End Retainer	Neway 910 01 062	Neway all SL and TL
	E-4307	Spring End Boot	Neway 910 08 032	Neway all SL and TL








CAPS

	Part No.	Description	Replaces	General Information
	E-4308	Spring End Cap	Neway 910 10 038 Page 1083493	Neway TS - 3 Main Leaf Spring A = 3 7/8"
	E-4309		Neway 910 10 043	Neway TS - 2 Main Leaf Spring A = 2 13/16"
	E-4310	Spring End Cap	Neway 910 01 054	Neway all SL and TL
	E-5220	Spring End Cap, Over- slung Axle, 2 Main Leaf Spring	Hutchens 10040-00	36,000 lbs.
	E-5221	Spring End Cap, Over- slung Axle, 3 Main Leaf Spring	Hutchens 9937-00	42,000 - 50,000 lbs.
	E-9413	End Cap	Hendrickson 56910- 000	I.D. = 3 7/8" O.D. = 4" Depth = 1 7/16"

AXLE SEATS, BRACKETS AND SPRING SEATS

	Part No.	Description	Replaces	General Information
	E-3580	Axle Bracket	Fruehauf ACD-006850-001	Fruehauf M2 Overslug and Underslug Fruehauf models
	E-4814	Axle Seat	Transpro 0636-01	1"
	E-4815		Transpro 0636-02	2"



AXLE SEATS, BRACKETS AND SPRING SEATS

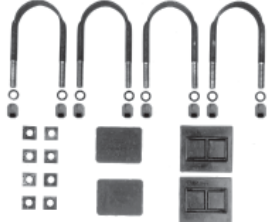
	Part No.	Description	Replaces	General Information
	E-4816	Axle Seat	Transpro 0637-01	1"
	E-4817	Axle Seat	Transpro 0632-01	1"
	E-4818		Transpro 0632-02	2"
	E-5075	Air Spring Bracket	Kenworth K048-449	"8 Bag" Air Ride
	E-5222	Spring Seat, Overslung Axle, 5" round	Hutchens 9934-02	36,000; 42,000; 50,000 lbs.
	E-5223	Spring Seat, Overslung Axle, 5: square	Hutchens 9935-02	36,000; 42,000; 50,000 lbs.
	E-5224	Spring End Cap, Underslung Axles, 2 Main Leaf Spring	Hutchens 10050-02	36,000 lbs.
	E-5225	Spring End Cap, Overslung Axle, 3 Main Leaf Spring	Hutchens 9941-02	42,000 - 50,000 lbs.
	E-5226	Spring Seat, Underslung Axle, 5" round	Hutchens 9938-00	36,000; 42,000; 50,000 lbs.

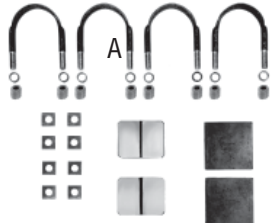
AXLE SEATS, BRACKETS AND SPRING SEATS

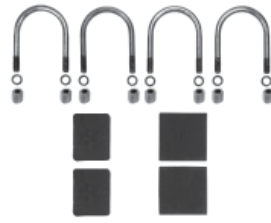
	Part No.	Description	Replaces	General Information
	E-5254	Axle Seat	Reyco 09730-01	3/4"
	E-9557		Reyco 08757-01	3 1/4"
	E-6124	Axle Spacer	Hendrickson S-20701	For Hendrickson HLM, HT190/230 models
	E-9355	Axle Seat	Reyco 0636-025	For Reyco 86AR A = 2 5/8"
	E-9390	Hanger Assembly includes: Hanger Stud Washer Nut	Hendrickson 572322-001 (Assembly) 50368-000 Bolt 22962-031 Washer 49846-000 Nut Mack 68RU224 Lock Nut Hendrickson 49846-000	For all Hendrickson HAS models
	E-9391	Pad Kit, includes Pad Plate (2) Self-Tapping Screws (4)	Hendrickson 56557-002 Assembly 50612-000 Pad 50597-000 Plate 57306-000 Screw	For all HAS models
	E-9392	Spring Hanger, Air	Hendrickson 50804-002	A = 6" 7 3/4" x 3 7/8" x 2 3/4"
	E-9393	Liner	Hendrickson 47905-000	A = 2 3/16" B = 8"
	E-9572	Stabilizer	Reyco 08061-01	Reyco 21B with 5" x 5" square axle

AXLE SEATS, BRACKETS AND SPRING SEATS

	Part No.	Description	Replaces	General Information
	E-9527		Hutchens 19361-01	Hutchens H-9600, CH-9600, H-7600, CH-7600
	E-9528	Spring Seat	Hutchens 19361-02	Hutchens H-9600, CH-9600, H-7600, CH-7600
	E-9529		Hutchens 19361-06	Hutchens H-9600, CH-9600, H-7600, CH-7600
	E-9573	Axle Seat	Reyco 07980-01	For Reyco 21B with 5" x 5" square axle

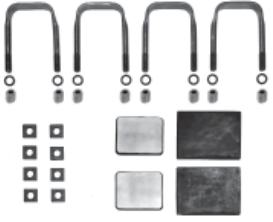
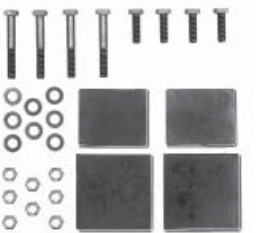
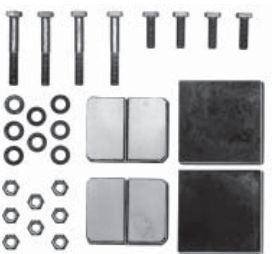
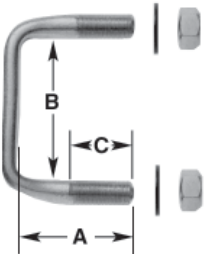
Part No.		E-2977A	E-4390
Replaces		Axle Connection Kit includes: U-Bolt (4) Wrapper (2) Pad (2) Washer (8) Lock Nut (8) Washer (8)	Newway Kit SRK-64 (complete) 900 41 878 900 28 047 900 28 075 936 00 028 934 00 502 939 00 027
			Newway Kit SRK-128 (complete) 900 42 792 900 28 047 900 28 075 939 00 027 934 00 502 939 00 028

Part No.		E-2978A	E-2979A
Replaces		Axle Connection Kit includes: U-Bolt (4) Wrapper (2) Pad (2) Washer (8) Lock Nut (8) Washer (8)	Newway Kit SRK-4 (complete) 900 41 878 900 28 007 900 28 016 936 00 028 934 00 502 939 00 027
			Newway Kit SRK-126 (complete) 900 42 792 900 28 007 900 28 016 936 00 028 934 00 502 939 00 027




Part No.		E-4389
Replaces		Axle Connection Kit includes: U-Bolt (4) Washer (8) Lock Nut (8) Pad (2) Wrapper (2)
Part No.		E-6898

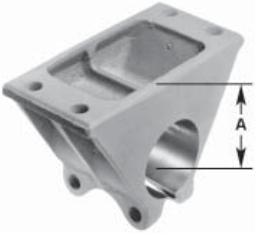
AXLE SEATS, BRACKETS AND SPRING SEATS

COMPONENTS









Replaces		<p>Axle Connection Kit includes:</p> <ul style="list-style-type: none"> U-Bolt (4) Washer (8) Lock Nut (8) Squar Washer (8) Pad (2) Wrapper (2) 	<p>Neway Kit SRK-68 (complete)</p> <ul style="list-style-type: none"> 900 41 997 939 00 027 934 00 502 936 00 028 900 28 075 900 28 005
	Part No.	E-2985A	
Replaces		<p>Axle Connection Kit includes:</p> <ul style="list-style-type: none"> Clipped Head Rod Bolt (4) Clipped Head Rod Bolt (4) Wrapper (2) Pad (2) Washer (8) Lock Nut (8) 	<p>Neway Kit SRK-71 (complete)</p> <ul style="list-style-type: none"> 939 00 178 939 00 754 900 28 007 900 28 075 936 00 162 934 00 496
	Part No.	E-2984A	
Replaces		<p>Axle Connection Kit includes:</p> <ul style="list-style-type: none"> Clipped Head Rod Bolt (4) Clipped Head Rod Bolt (4) Wrapper (2) Pad (2) Washer (8) Lock Nut (8) 	<p>Neway Kit SRK-71 (complete)</p> <ul style="list-style-type: none"> 939 00 178 939 00 754 900 28 007 900 28 016 936 00 162 934 00 496
	Part No.	E-UB8554-033	
	<p>U-Bolt Lock Nuts Washers</p>	<p>Freightliner 16-11934</p>	<p>Thread = 3/4" - 16 A = 3 3/8" B = 4" C = 1 3/4"</p>

TRUNNIONS





Part No.	Description	Replaces	General Information
	E-5210 Trunnion Half	Hutchens 850-01	Upper Half - Overslung Lower Half - Underslung
	E-5211 Trunnion Half	Hutchens 898-00	Lower Half - Overslung
	E-5212 Trunnion Half	Hutchens 892-00	Upper Half - Underslung

Part No.	Description	Replaces	A	Application
	E-4312	Hutchens 10476-03 Neway 910 01 055 Page 1084538	4 1/2"	Neway TS, US, USR, ARD (except TS-660, 680, 6100)
	E-5213	Hutchens 8509-01 Neway 910 01 054 Page 1084526	2 1/2"	
	E-5214	Hutchens 849-01 Neway 910 01 056 Page 1084554	6 1/2"	Neway TS-427-A, 432, 436, 442, 536, 542
	E-5215	Hutchens 897-01 Neway 910 01 058 Page 1083495	8 1/2"	




VALVES

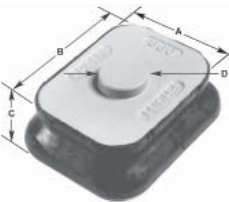
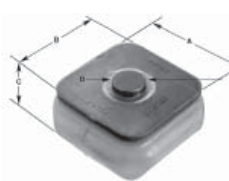
	Part No.	Description	Replaces	Application
	E-4323	Height Control Valve	Neway 900 54 007	For FAS Air Ride; Use leveling valve link assembly E-7852
	E-4324	Pressure Protection Valve	Neway 900 54 001 Neway 900 54 107	Used on all models Reyco/Granning 86AR
	E-4325	Valve, electric (normally closed)	Neway 900 54 074	Used on all models
	E-4331	Valve, electric (normally open)	Neway 900 54 075	Used on all models
	E-4326	Valve, manual	Neway 900 54 088	Used on all models
	E-4327	Pressure Regulator Valve	Neway 900 54 077	Used on all models
	E-4328	Pilot Valve	Neway 900 54 079	Used on all models
	E-4330A	Valve, electric	Neway 900 54 096	Used on all models

VALVES

	Part No.	Description	Replaces	Application
	E-4332	Air Gauge	Neway 900 54 280	Used on all models
	E-7852	Leveling Valve, Link Kit	Freightliner 1317 Neway SRK 168 Peterbilt 03-06224	For FAS Air Ride; Use for applications requiring vertical mounting only.
	E-9389	Quick Release Valve Kit includes: Synchro Relay Valve Air Dump Switch Name Plate	Hendrickson 48689-001 (Assembly) 49193-001 Valve 48914-000 Switch 48940-000 Plate	
	E-11494	Leveling Valve, Barksdale Type	Hendrickson 60826-000, 50433-001, 50433-002	Use E-3760A Leveling Valve Link Assembly

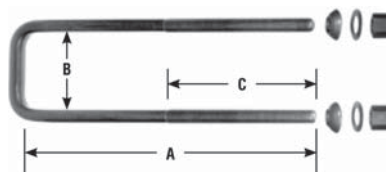
INSULATORS

	Part No.	Description	Replaces
	E-3688	Insulator Box	Mack 52QK418-AP4 Outside Height = 7 5/16"
	E-3689	Insulator Spacer Block	Mack 13QK246
	E-5436	Insulator Box	Mack 52QK434BP1 Outside Height 7 3/4"

	Part No.	Description	Replaces	A	B	C	D
	E-2917 (rubber)	Upper Insulator Pad	Mack 10QK365A	4 1/2"	6"	2 1/2"	1 3/4"
	E-7481 (poly)						
	E-2919 (rubber)						
	E-8667 (poly)						
	E-3679 (rubber)						
	E-2920 (rubber)	Lower Insulator Pad	Mack 10QK36B	6"	6"	3 3/4"	1 1/34"
	E-7480 (poly)						
	E-3680 (rubber)						
	E-3919						

SUGGESTED U-BOLT ASSEMBLY STOCKING

Part No.	Description	Thread	A	B	C	Application
BEST						
E-UB8155-073	U-Bolt Assembly	3/4"-16	7 1/2"	5"	3"	Hutchens
E-UB5161-15	U-Bolt Assembly	7/8"-14	15"	3"	6"	
E-UB8161-18	U-Bolt Assembly	7/8"-14	18"	3"	6"	
E-UB8479-090	U-Bolt Assembly	1" - 14	9"	6 5/16"	2 1/4"	Neway
E-UB8168-082	U-Bolt Assembly	7/8"-14	8 1/4"	6"	3 5/8"	Hendrickson
E-UB8165-14	U-Bolt Assembly	7/8"-14	14"	5"	4"	Hendrickson
E-UB8151-18	U-Bolt Assembly	3/4"-16	18"	3"	6"	
E-UB8145-076	U-Bolt Assembly	5/8"-18	7 3/4"	5"	3 1/2"	Neway
E-UB8165-12	U-Bolt Assembly	7/8"-14	12"	5"	3"	Hendrickson
BETTER						
E-UB8286-154	U-Bolt Assembly	1 1/8"-12	15 1/2"	5 1/8"	6"	
E-UB8394-18	U-Bolt Assembly	1 1/4"-12	18"	4"	3 1/2"	
E-UB8394-162S	U-Bolt Assembly	1 1/4"-12	16 1/4"	4"	3 1/2"	
E-UB5161-13	U-Bolt Assembly	7/8"-14	13"	3"	4"	
E-UB8151-16	U-Bolt Assembly	3/4"-16	16"	3"	6"	
E-3002A	Hi-Nut	7/8"-14	11"	3"	3"	
E-UB5161-18	U-Bolt Assembly	7/8"-14	18"	3"	6"	
E-UB8186-154	U-Bolt Assembly	1 1/8"-12	15 1/2"	5 3/4"	6"	
E-UB8161-13	U-Bolt Assembly	7/8"-14	13"	3"	6"	
E-UB8287-14	U-Bolt Assembly	1 1/8"-12	14"	5 3/4"	6"	Neway
E-UB8253-05	U-Bolt Assembly	3/4"-16	5"	3 1/2"	2"	Peterbilt
E-3001	Hi-Nut	3/4"-16	18"	3"	6"	
E-UB8287-11	U-Bolt Assembly	1 1/8"-12	11"	5 3/4"	3"	Neway
E-UB8161-15	U-Bolt Assembly	7/8"-14	15"	3"	6"	
E-UB8255-05	U-Bolt	3/4"-16	5"	4"	2"	Peterbilt
GOOD						
E-UB5161-14	U-Bolt Assembly	7/8"-14	14"	3"	4"	
E-UB8161-14	U-Bolt Assembly	7/8"-14	14"	3"	6"	
E-UB5161-16	U-Bolt Assembly	7/8"-14	16"	3"	6"	
E-UB5161-12	U-Bolt Assembly	7/8"-14	12"	3"	4"	
E-UB8286-134	U-Bolt Assembly	1 1/8"-12	13 1/2"	5 1/8"	4"	
E-UB8161-16	U-Bolt Assembly	7/8"-14	16"	3"	6"	
E-UB8267-153	U-Bolt Assembly	7/8"-14	15 3/8"	5 3/16"	3 1/2"	Freightliner
E-UB8673-154	U-Bolt Assembly	1"-14	15 1/2"	3 9/16"	5"	Peterbilt
E-UB8151-12	U-Bolt Assembly	3/4"-16	12"	3"	3"	
E-UB8375-154	U-Bolt Assembly	1"-14	15 1/2"	4 1/8"	3"	
E-UB8151-14	U-Bolt Assembly	3/4"-16	14"	3"	6"	
E-UB8161-12	U-Bolt Assembly	7/8"-14	12"	3"	3"	
E-UB5165-14	U-Bolt Assembly	7/8"-14	14"	5"	6"	
E-UB8585-132	U-Bolt Assembly	1 1/8"- 12	13 1/4"	5"	4"	Fruehauf





Firestone

World's Number 1
Air Spring.



FIRESTONE INDUSTRIAL PRODUCTS COMPANY



FIRESTONE AIR SPRINGS

Firestone Airide air springs are a superior product backed by leading-edge design, construction and manufacturing. They are an ideal choice for OE level replacement. And, the broad Firestone product portfolio covers virtually every commercial vehicle on the road.

Airogear air springs are an economy offering designed for the second and third owner market. The springs were developed to be competitive with many offshore brands while offering longer life.

Firestone Airide Air Springs

- 3-Year/300,000-Mile limited warranty
- Rubber fatigue life consistency of over 1,000,000 cycles in addition to corrosion prevention features
- Broad product line offering allows complete market coverage for commercial vehicle applications
- Feature the latest technical developments and improvements to maximize performance



Airogear Air Springs

- 1-Year/100,000-Mile limited warranty
- Fatigue life of rubber developed for value market such as second or third owners
- Provides moderate protection against corrosion
- Available in single or pallet quantities to complement our existing line of Meritor suspension products



SUGGESTED STOCKING FOR FIRESTONE AIR SPRINGS

Part No.	Type	Description
BEST		
FS7109	Cab & Seat	Kenworth Aerocab
FS7001	Cab & Seat	Various Link 1102-0023
FS7200	Cab & Seat	Freightliner/Sterling 18-42609-000 HN 80 Sleeper (1996 & later)
FS7014	Cab & Seat	Link 1102-0070
FS7074	Cab & Seat	Freightliner Link 1102-0047
FS7046	Cab & Seat	Various Link 1102-0022
FS7056	Cab & Seat	Link 1102-0043 (Frt, KW, Mack)
FS7059	Cab & Seat	National Seating 324663-01
FS7082	Cab & Seat	Freightliner/Western Star (Constellation)
FS7012	Cab & Seat	Link 1102-0040
BETTER		
FS9394	Truck & Trailer	Fruehauf UCE-9393-2, (9393-1 if bolt is removed)
FS8708	Truck & Trailer	Hendrickson (HKA 200 Special)
FS8852	Truck & Trailer	Peterbilt 03-07887
FS9640	Truck & Trailer	Hendrickson S20223 (HT-190T & HS-190T)
FS9307	Truck & Trailer	Holland/Neway CB400
FS6897	Truck & Trailer	Watson & Chalin AS-0058
FS9293	Truck & Trailer	Neway 905-57-120 (RL196-17, RL 196A-17)
FS9781	Truck & Trailer	Freightliner A16-14004-000 w/aluminum piston
FS9375	Truck & Trailer	Hendrickson 50899-1 & -2, Mack 57QL414M
FS9935	Truck & Trailer	Neway 90557301
FS7215	Cab & Seat	Freightliner 18-52651-000 was FS7207
FS7206	Cab & Seat	Freightliner 18-29919-000
FS7036	Cab & Seat	Peterbilt 29-03200
FS7205	Cab & Seat	Freightliner/Western Star (Constellation)
FS7093	Cab & Seat	Peterbilt 29-06016
FS7087	Cab & Seat	Frieghtliner
FS7002	Cab & Seat	Link 1102-0020/National Seating 2123403/Mack 227qs33
FS7110	Cab & Seat	Kenworth Link 1102-0082
FS7081	Cab & Seat	Navistar Link 1102-0076
FS7064	Cab & Seat	Kenworth (Aerocab) Link 1102-0071

SUGGESTED STOCKING FOR FIRESTONE AIR SPRINGS

Part No.	Type	Description
GOOD		
FS9780	Truck & Trailer	Freightliner 681-320-0017, 16-13810-000
FS8709	Truck & Trailer	Hendrickson S21800 (Intraax AA230) 8/97-up
FS9069	Truck & Trailer	Peterbilt
FS9270	Truck & Trailer	Hendrickson S20010 (HT-230T)
FS8729	Truck & Trailer	Meritor 202796
FS9807	Truck & Trailer	Holland/Neway CB4000
FS8050	Truck & Trailer	Hendrickson, Reyco, Watson & Chalin
FS8204	Truck & Trailer	Neway (RL196A-12), Newlite (NS 190-16), Binkley
FS9580	Truck & Trailer	Hendrickson S20127(HT-250U, HT-250U-Y)
FS9648	Truck & Trailer	Navistar
FS9265	Truck & Trailer	Hendrickson S20124 (HT-250T, 250U, 250U-Y)
FS9082	Truck & Trailer	Various Trailers
FS8755	Truck & Trailer	Hendrickson S22045 (HT 190T)
FS8713	Truck & Trailer	Hendrickson 22948
FS8091	Truck & Trailer	Hendrickson S20901 (Intraax 250)
FS9422	Truck & Trailer	Kenworth (Airglide 100)
FS8829	Truck & Trailer	Volvo 3934699 & 8079902
FS9366	Truck & Trailer	Various Trailers
FS9921	Truck & Trailer	Neway 905-57-117, Watson & Chalin AS-0090
FS9622	Truck & Trailer	Kenworth K303-22

MERITOR ALLFIT SHOCK ABSORBER FEATURES*

Meritor AllFit shock absorbers are built with superior components and materials to deliver reliability, control and comfort.

Most applications include dual-weld end mounts with 360° welding, for structural strength and improved durability

Multi-lip rod seal increases durability

1-5/8" (41mm) bore design for a full range of demanding applications

Hydraulically energized self-compensating piston seal maintains damping performance over time

Premium Adjustable shocks feature a superior hydraulic fluid, for improved wear

Hardened, polished chrome piston rod

Full-bore hydraulic extension stop provides hydraulic cushioning at full extension

Premium Adjustable shocks feature a gas cell, which provides complete separation of gas/air from fluid

Most applications feature a 10-stage full-displacement coil valve system. Premium Adjustable shocks have three-stage adjustable rebound damping, which provides comfort and control at every speed

*Features apply to Standard-Duty shocks and Premium Adjustable shocks where indicated. Not every feature shown is fully applicable to Cab shocks.

Applications by Make/Model

MAKE SERIES/YEAR	OEM	MODEL DESCRIPTION	POSITION	MERITOR STANDARD	MERITOR PREMIUM
ABC BUS					
	15L-5-114	OEM Interchange	BOTH	M85727	
	12L-5-88	OEM Interchange	REAR	M85729	
	6243-13790	OEM Interchange	FRONT	M85708	
	6243-14040	OEM Interchange	FRONT	M85708	
	050134513	OEM Interchange	FRONT	M85732	
ACF BRILL BUS					
	659129	OEM Interchange	BOTH	M85303	
	661732	OEM Interchange	BOTH	M83215	
ALLCO TRAILER					
	727602	Dump Trailers with Watson & Chalin TA-5000-DB-19 Air Suspension	REAR	M83122	
BECK BUS					
		Deck and 1/2 Bus - Trailing Wheel	REAR	M85301	
BENSON TRUCK BODIES INC.					
	A-20002	Models with Hendrickson Intraax® Air Suspension	REAR	M85000	M89436
	90044089	Models with Neway Air Suspension	REAR	M83124	
BLUEBIRD BUS					
All American Series (FE & RE Models)					
	85991	Buses with Comfort Air Suspensions	REAR	M85006	
	110808	Buses with Hendrickson Airtek Front Suspension	FRONT	M83124	
	471700000428	Buses with Comfort Air Suspensions	REAR	M85006	
	60998-003	Buses with Comfort Air Suspensions	REAR	M85006	
	AMS65110	Buses with 19,000 lb - 21,000 lb - 2 Stage Leaf Springs	REAR	M85005	M89430
D3 Series (FE & RE Models)					
	85991	Buses with Comfort Air Suspensions	REAR	M85006	
	110808	Buses with Hendrickson Airtek Front Suspension	FRONT	M83124	
	471700000428	Buses with Comfort Air Suspensions	REAR	M85006	
Other Series					
	14605	FE Series School Bus (Front Engine)	REAR	M85036	
	15222	All American Models with Hendrickson Parasteer Suspensions	FRONT	M85919	
	40015	All American Models with Hendrickson Parasteer Suspensions	FRONT	M85919	
	70397	Additional O.E.M. Interchanges	BOTH	M85006	
	671933	Additional O.E.M. Interchanges	BOTH	M85919	
	1526417	Buses with Neway Air Suspensions with O.E.M. Number	REAR	M85052	
	1668722	Buses with Reyco Air Suspension	FRONT	M85030	
	1668730	Buses with Reyco Air Suspension	REAR	M85013	M89414
	1722214	WanderLodge	REAR	M85030	
	1722222	Buses with Reyco Air Suspension	REAR	M85013	M89414
	1962430	Additional O.E.M. Interchanges	BOTH	M83207	
	2021459	Buses with 3/4" Mounting Pins	BOTH	M85012	M89413
	90044915	Buses with Neway Air Suspensions with O.E.M. Number	REAR	M83127	
	481700131438	All American Models with Hendrickson Parasteer Suspensions	FRONT	M85919	
	300-1316546	Models with O.E.M. Number	REAR	M85006	
	59057-002	FE Series School Bus (Front Engine)	REAR	M85036	
	59483-000	All American Models with Hendrickson Parasteer Suspensions	FRONT	M85919	
	60665-005	All American Models with Hendrickson Parasteer Suspensions	FRONT	M85919	
	60998-002	All American Models with Hendrickson Parasteer Suspensions	FRONT	M85919	
	7805-M-1001	Additional O.E.M. Interchanges	BOTH	M85919	

SHOCKS

Applications by Make/Model

MAKE SERIES/YEAR	OEM	MODEL DESCRIPTION	POSITION	MERITOR STANDARD	MERITOR PREMIUM
TC 2000 Bus, TC/2000 FE Series					
	1316546	Buses with Ridewell Rear Suspension Option #4540	REAR	M85006	
	1746163	Buses with Standard Flat Leaf Rear Springs	REAR	M85006	
	1317767	Buses with Ridewell Front Suspension Option #4540	FRONT	M85029	
	1667831	Buses with Ridewell Front Suspension Option #4540	FRONT	M85029	
	300-1317767	Buses with Ridewell Front Suspension Option #4540	FRONT	M85029	
	AMS65119	Buses with Ridewell Front Suspension Option #4540	FRONT	M85029	
Vision Series					
	85991	Buses with Comfort Air Suspensions	REAR	M85006	
	471700000428	Buses with Comfort Air Suspensions	REAR	M85006	
	60998-003	Buses with Comfort Air Suspensions	REAR	M85006	
BROCKWAY					
		257T, 260S, 260T	FRONT	M83207	
	530873	Models with O.E.M. Number	FRONT	M83207	
		300, 400, 500 Series	FRONT		M89413
		300, 400, 500 Series	FRONT	M85012	
		55 and 61 Passenger School Bus	REAR	M85305	
	14QK-281P10	Models with O.E.M. Number	FRONT	M85305	
	515231	Models with O.E.M. Number	FRONT	M85303	
	152412	Models with O.E.M. Number	FRONT	M83215	
BUILT RITE					
	318-06-100	Models with Air Suspension	REAR	M85006	
BUS & TRUCK CO.					
	680091	Silver Eagle Bus	BOTH	M85303	
	70039	Silver Eagle Bus	BOTH	M85303	
	70041	Silver Eagle Bus	BOTH	M85305	
CASCADE TRAILER					
	120-1	Models with Air Suspension	REAR	M83125	
CHALMERS SUSPENSION					
	800670	Models with O.E.M. Number	REAR	M85301	
CHAMPION TRANSIT					
	22064230	GMC P6000 Chassis	FRONT	M83136	
CHANCE BUS					
	6892	Models with O.E.M. Number	BOTH	M83207	
	59039	Models with O.E.M. Number	BOTH	M83207	
	6893	Models with O.E.M. Number	FRONT	M83203	
	728600	Models with O.E.M. Number	BOTH	M83203	
	6893	Models with O.E.M. Number	FRONT		M89436
	728600	Models with O.E.M. Number	BOTH		M89436
	665017	Additional O.E.M. Interchanges	BOTH	M85014	
	270-6708	Additional O.E.M. Interchanges	BOTH	M85014	
	AS789B	Models with O.E.M. Number	BOTH	M85014	
CHEVROLET TRUCK					
4, 40, 4000 & 4500 Series					
69 - 70	4940606	D-D Forward Control with Tilt Cab	FRONT	M85005	M89430
69 - 70	22012095	D-D Forward Control with Tilt Cab	FRONT	M85005	M89430
63 - 68		C-40 , P-40, SS-40	FRONT	M85005	M89430

Applications by Make/Model

MAKE SERIES/YEAR	OEM	MODEL DESCRIPTION	POSITION	MERITOR STANDARD	MERITOR PREMIUM
5, 50, 5000 & 5500 Series					
69 - 70	4940606	D-D Forward Control with Tilt Cab	FRONT	M85005	M89430
71 - 72	4940606	TDM 4 Cycle Detroit Diesel with Tandem Axle - Exc. Tilt Cab	REAR	M85005	M89430
73 - 80	4975467	C, M, S Chassis - Conventional Cab	FRONT	M83207	
73 - 80	4975494	C, M, S Chassis - Conventional Cab	FRONT	M83207	
73 - 80	22007750	C, M, S Chassis - Conventional Cab	FRONT	M83207	
69 - 70	22012095	D-D Forward Control with Tilt Cab	FRONT	M85005	M89430
71 - 72	22012095	TDM 4 Cycle Detroit Diesel with Tandem Axle - Exc. Tilt Cab	REAR	M85005	M89430
73 - 89	22012095	C, S Chassis - Conventional Cab and School Bus	REAR	M85005	M89430
73 - 78	22012166	S-50 School Bus	REAR	M85005	M89430
73 - 89	22012166	C, S Chassis - Conventional Cab and School Bus	REAR	M85005	M89430
63 - 68		C-50, M-50, S-50, SE-50, T-50	FRONT	M85005	M89430
6, 60, 6000 & 6500 Series					
73 - 74	3192890	SG, SM-60	FRONT	M85005	M89430
73 - 80	3192890	C, S, T Chassis - Conventional & Tilt Cab and School Bus w/ 5000 & 7000 lb Axle	FRONT	M85005	M89430
68 - 69	4940606	All with 9000 & 11000 lb Axles - Exc. Tilt Cab	FRONT	M85005	M89430
71 - 72	4940606	Conventional Cab & Tilt Cab with 9000 & 11000 lb Axles	REAR	M85005	M89430
71 - 72	4940606	TDM 4 Cycle Detroit Diesel with Tandem Axle	REAR	M85005	M89430
73 - 74	4940606	SG, SM-61	FRONT	M85005	M89430
73 - 78	4940606	S-60 w/Air Brakes	REAR	M85005	M89430
73 - 80	4940606	C, S, T Chassis - Conventional & Tilt Cab and School Bus with 5000 & 7000 lb Axle	FRONT	M85005	M89430
73 - 89	4940606	C, S Chassis - Conventional Cab and School Bus w/ 20800 & 23000 lb Rear Axles	REAR	M85005	M89430
73 - 80	4940662	C, S, T Chassis - Conventional & Tilt Cab and School Bus w/ 5000 & 7000 lb Axle	FRONT	M85005	M89430
73 - 75	4975467	C, M, S Chassis - Conventional Cab and School Bus w/ 5000 & 7000 lb Axle	FRONT	M83207	
73 - 75	4975467	SE, SS-60 thru Serial # 134487 (1975 1st Design)	FRONT	M83207	
73 - 75	4975494	C, M, S Chassis - Conventional Cab and School Bus w/ 5000 & 7000 lb Axle	FRONT	M83207	
73 - 75	4975494	SE, SS-60 thru Serial # 134487 (1975 1st Design)	FRONT	M83207	
73 - 80	4975497	C, S, T Chassis - Conventional & Tilt Cab and School Bus w/ 5000 & 7000 lb Axle	FRONT	M85005	M89430
73 - 74	22002293	SG, SM-62	FRONT	M85005	M89430
73 - 80	22002293	C, S, T Chassis - Conventional & Tilt Cab and School Bus w/ 5000 & 7000 lb Axle	FRONT	M85005	M89430
73 - 89	22002293	W Chassis - 72" BBC Steel Tilt Cab	FRONT	M85005	M89430
73 - 75	22007700	SE, SS-60 thru Serial # 134487 (1975 1st Design)	FRONT	M83207	
73 - 74	22007701	SG, SM-63	FRONT	M85005	M89430
73 - 78	22007701	S-60 w/Air Brakes	REAR	M85005	M89430
73 - 80	22007701	C, S, T Chassis - Conventional & Tilt Cab and School Bus w/ 5000 & 7000 lb Axle	FRONT	M85005	M89430
73 - 75	22007750	C, M, S Chassis - Conventional Cab and School Bus w/ 5000 & 7000 lb Axle	FRONT	M83207	
73 - 75	22007750	SE, SS-60 thru Serial # 134487 (1975 1st Design)	FRONT	M83207	
68 - 69	22012095	All with 9000 & 11000 lb Axles - Exc. Tilt Cab	FRONT	M85005	M89430
71 - 72	22012095	Conventional Cab & Tilt Cab with 9000 & 11000 lb Axles	REAR	M85005	M89430
71 - 72	22012095	TDM 4 Cycle Detroit Diesel with Tandem Axle	REAR	M85005	M89430
73 - 78	22012095	S-60 w/Air Brakes	REAR	M85005	M89430
73 - 80	22012095	C, S, T Chassis - Conventional & Tilt Cab and School Bus w/ 5000 & 7000 lb Axle	FRONT	M85005	M89430
73 - 89	22012095	C, S Chassis - Conventional Cab and School Bus w/ 20800 & 23000 lb Rear Axles	REAR	M85005	M89430
73 - 89	22012095	B6P042 School Bus w/18500 or 20800 lb Rear Springs	REAR	M85005	M89430

SHOCKS

Applications by Make/Model

MAKE SERIES/YEAR	OEM	MODEL DESCRIPTION	POSITION	MERITOR STANDARD	MERITOR PREMIUM
CHEVROLET TRUCK (continued)					
6, 60, 6000 & 6500 Series (continued)					
73 - 78	22012166	S-60 w/Air Brakes	REAR	M85005	M89430
73 - 89	22012166	C, S Chassis - Conventional Cab & School Bus w/ 20800 & 23000 lb Rear Axles	REAR	M85005	M89430
73 - 89	22012166	B6P042 School Bus w/18500 or 20800 lb Rear Springs	REAR	M85005	M89430
7, 70 & 7000 Series					
66 - 72	3171462	72" BBC Steel Tilt Cab with V-6 2 Cycle Diesel Engine	FRONT	M85005	M89430
66 - 72	3192890	72" BBC Steel Tilt Cab with V-6 2 Cycle Diesel Engine	FRONT	M85005	M89430
66 - 72	4940600	72" BBC Steel Tilt Cab with V-6 2 Cycle Diesel Engine with 19101 and 19201 Axle	REAR	M83209	
73 - 80	4940606	T, W Chassis - 72" BBC Steel Tilt Cab (4 x 2) with V-6 Diesel Engine	FRONT	M85005	M89430
73 - 80	4975497	T, W Chassis - 72" BBC Steel Tilt Cab (4 x 2) with V-6 Diesel Engine	FRONT	M85005	M89430
73 - 80	5552452	T, W Chassis - 72" BBC Steel Tilt Cab with V-6 Gas Engine	FRONT	M85303	
73 - 80	5552552	REAR Chassis - Rear Engine Bus	REAR	M85303	
73 - 80	22012091	T, W Chassis - 72" BBC Steel Tilt Cab with V-6 Gas Engine	FRONT	M85303	
66 - 72	22012095	72" BBC Steel Tilt Cab with V-6 2 Cycle Diesel Engine	FRONT	M85005	M89430
73 - 80	22012095	T, W Chassis - 72" BBC Steel Tilt Cab (4 x 2) with V-6 Diesel Engine	FRONT	M85005	M89430
79 - 89	22012095	C, M Chassis - 97" BBC Conventional Cab	REAR	M85005	M89430
83 - 84	22012095	S7T042 Forward Control Chassis w/17000, 18500, 21000, 23000 lb Rear Axle	REAR	M85005	M89430
79 - 89	22012166	C, M Chassis - 97" BBC Conventional Cab	REAR	M85005	M89430
83 - 84	22012166	S7T042 Forward Control Chassis w/17000, 18500, 21000, 23000 lb Rear Axle	REAR	M85005	M89430
8, 80 & 8000 Series					
70 - 80	5552452	T, W Chassis - 72" BBC Steel Tilt Cab with V-6 Gas Engine	FRONT	M85303	
73 - 80	5552452	REAR Chassis - Rear Engine Bus	REAR	M85303	
70 - 80	22012091	T, W Chassis - 72" BBC Steel Tilt Cab with V-6 Gas Engine	FRONT	M85303	
73 - 80	22012091	REAR Chassis - Rear Engine Bus	REAR	M85303	
9000 Series					
70 - 80	5552452	T, W Chassis - 72" BBC Steel Tilt Cab	FRONT	M85303	
70 - 80	22012091	T, W Chassis - 72" BBC Steel Tilt Cab	FRONT	M85303	
B Series					
	15123676	Models with O.E.M. Number	FRONT	M83136	
	15588554	Models with O.E.M. Number	FRONT	M83136	
	22064230	Models with O.E.M. Number	FRONT	M83136	
	88982682	Models with O.E.M. Number	FRONT	M83136	
90 - 09	15123676	C Chassis - Conventional Cab	FRONT	M83136	
90 - 09	15588554	C Chassis - Conventional Cab	FRONT	M83136	
90 - 09	15887728	C Chassis - Conventional Cab	FRONT	M83136	
90 - 09	19152843	C Chassis - Conventional Cab	FRONT	M83136	
90 - 09	22064230	C Chassis - Conventional Cab	FRONT	M83136	
90 - 09	22064233	C Chassis - Conventional Cab w/19000, 21000, 23000 lb Taperleaf Springs (EXC Low Profile Vehicle)	REAR	M83136	
90 - 09	88982682	C Chassis - Conventional Cab	FRONT	M83136	
	88982684	Models with O.E.M. Number	FRONT	M83136	
C - Series (C6500, C7500, C8500) Kodiak					
95 - 99	12474915	Models with Hendrickson Air Suspension (Stamping number 47902-13)	REAR	M83122	
90 - 09	15123676	Conventional Cab w/ Front Shock with O.E.M. Number	FRONT	M83136	
90 - 09	15174898	Conventional Cab w/ Front Shock with O.E.M. Number	FRONT	M83136	
90 - 09	15588554	Conventional Cab w/ Front Shock with O.E.M. Number	FRONT	M83136	
90 - 09	15887728	Conventional Cab w/ Front Shock with O.E.M. Number	FRONT	M83136	

Applications by Make/Model

MAKE SERIES/YEAR	OEM	MODEL DESCRIPTION	POSITION	MERITOR STANDARD	MERITOR PREMIUM
CHEVROLET TRUCK (continued)					
C - Series (C6500, C7500, C8500) Kodiak (continued)					
95 - 99	15963161	Models with Hendrickson Air Suspension (Stamping number 47902-13)	REAR	M83122	
90 - 09	19152843	Conventional Cab w/ Front Shock with O.E.M. Number	FRONT	M83136	
90 - 09	22064230	Conventional Cab w/ Front Shock with O.E.M. Number	FRONT	M83136	
90 - 09	22064233	Conventional Cab w/19000, 21000, 23000 lb Taperleaf Springs (EXC Low Profile Vehicle)	REAR	M83136	
90 - 09	88982682	Conventional Cab w/ Front Shock with O.E.M. Number	FRONT	M83136	
	88982684	Models with O.E.M. Number	FRONT	M83136	
Other Series					
	684280	Additional O.E.M. Interchanges	BOTH	M83209	M89414
	3172948	Additional O.E.M. Interchanges	BOTH	M85303	
	3188626	Additional O.E.M. Interchanges	BOTH	M85300	
	3188729	Additional O.E.M. Interchanges	BOTH	M85303	
	4940600	Additional O.E.M. Interchanges	REAR		M89414
	4940627	Additional O.E.M. Interchanges	BOTH	M83203	M89436
	4940650	Additional O.E.M. Interchanges	BOTH	M83207	
	4940660	Additional O.E.M. Interchanges	BOTH	M83207	
	4975429	Additional O.E.M. Interchanges	BOTH	M85300	
	5316792	Additional O.E.M. Interchanges	BOTH	M85305	
	5316793	Additional O.E.M. Interchanges	BOTH	M85305	
	5348631	Additional O.E.M. Interchanges	BOTH	M83203	M89436
	5352858	Additional O.E.M. Interchanges	BOTH	M85305	
	5353054	Additional O.E.M. Interchanges	BOTH	M85303	
	5357955	Additional O.E.M. Interchanges	BOTH	M85300	
	5357959	Additional O.E.M. Interchanges	BOTH	M85300	
	5392387	Additional O.E.M. Interchanges	BOTH	M85303	
	5394448	Additional O.E.M. Interchanges	BOTH	M85305	
	5394467	Additional O.E.M. Interchanges	BOTH	M85305	
	5516459	Additional O.E.M. Interchanges	BOTH	M85305	
	5522818	Additional O.E.M. Interchanges	BOTH	M85305	
	5527001	Additional O.E.M. Interchanges	BOTH	M85300	
	5527606	Additional O.E.M. Interchanges	BOTH	M85305	
	5531027	Additional O.E.M. Interchanges	BOTH	M85301	
	5532425	Additional O.E.M. Interchanges	BOTH	M83207	
	5532433	Additional O.E.M. Interchanges	BOTH	M83207	
	5534430	Additional O.E.M. Interchanges	BOTH	M85303	
	5534447	Additional O.E.M. Interchanges	BOTH	M85303	
	5549899	Additional O.E.M. Interchanges	BOTH	M83207	
	5552209	Additional O.E.M. Interchanges	BOTH	M83215	
	5552453	Additional O.E.M. Interchanges	BOTH	M85301	
	5554596	Additional O.E.M. Interchanges	BOTH	M85303	
	5554995	Additional O.E.M. Interchanges	BOTH	M85305	
	5559363	Additional O.E.M. Interchanges	BOTH	M83203	M89436
	15642943	Models with O.E.M. Number	REAR	M83136	
	22046489	Models with O.E.M. Number	FRONT	M85303	

SHOCKS

Applications by Make/Model

MAKE SERIES/YEAR	OEM	MODEL DESCRIPTION	POSITION	MERITOR STANDARD	MERITOR PREMIUM
CHEVROLET TRUCK (continued)					
Other Series (continued)					
	22065251	Models with O.E.M. Number	FRONT	M85030	
	508-86	Models with O.E.M. Number	REAR	M83136	
	97-2210-00164	Additional O.E.M. Interchanges	BOTH	M85708	
1990 -	1202-0054	Kodiak Truck Cabs with Link Cabmate Model GMC104TK	CAB	M83021	
P Series					
92 - 96	22064233	Motorhome Chassis	REAR	M83136	
T - Series (T5500, T6500, T7500, T8500)					
1999	12474915	Models with Hendrickson Air Suspension (Stamping number 47902-13)	REAR	M83122	
1999	15963161	Models with Hendrickson Air Suspension (Stamping number 47902-13)	REAR	M83122	
92 - 99	22064233	Tilt Cab w/19000, 21000, 23000 lb Taperleaf Springs (EXC Low Profile Veh.)	REAR	M83136	
97 -	22064804	FL1 Tilt Cab with 8100 lb Axle	FRONT	M83136	
97 -	22064805	FL1 Tilt Cab with 8100 lb Axle	FRONT	M83136	
97 -	22064806	FL3 Tilt Cab with 14575 lb Axle	FRONT	M83136	
97 -	22064807	FL2 Tilt Cab with 5000 to 11000 lb Axle	FRONT	M83136	
97 -	22165187	FL1 Tilt Cab with 8100 lb Axle	FRONT	M83136	
97 -	22165188	FL1 Tilt Cab with 8100 lb Axle	FRONT	M83136	
97 -	22165189	FL3 Tilt Cab with 14575 lb Axle	FRONT	M83136	
97 -	22166442	FL2 Tilt Cab with 5000 to 11000 lb Axle	FRONT	M83136	
W - Series (Isuzu)					
83 - 95	9-51630-666-0	W4 Series	REAR	M85012	M89413
89 - 92	9-51630-666-0	W4 Series Flatlow	REAR	M85012	M89413
83 - 95	9-51630-666-2	W4 Series	REAR	M85012	M89413
89 - 92	9-51630-666-2	W4 Series Flatlow	REAR	M85012	M89413
CLARK EQUIPMENT					
	680042	Ross Carrier	BOTH	M85301	
CONTINENTAL TRAILWAYS-EAGLE INTERNATIONAL					
	70039	Silver Eagle	BOTH	M85303	
	70041	Silver Eagle	BOTH	M85305	
	5394467	Silver Eagle	BOTH	M85305	
	680091	Silver Eagle	BOTH	M85303	
	01-0100-905	Silver Eagle	BOTH	M85303	
COUNTRY COACH					
	89414	Models with O.E.M. Number	REAR	M89414	
CRANE CARRIER					
	277A-8	Models with O.E.M. Number	FRONT	M85303	M89422
	680091	Models with O.E.M. Number	FRONT	M85303	M89422
CROWN COACH					
	3188729	All with Steel Spring Suspension	FRONT	M85303	M89422
DURA SUSPENSION					
	12866	Models with O.E.M. Number	REAR	M83207	
	59030	Models with O.E.M. Number	REAR	M83203	M89436
	665133	Models with O.E.M. Number	REAR	M83203	M89436
	665267	Models with O.E.M. Number	REAR	M85029	
	1080099	Models with O.E.M. Number	REAR	M83203	M89436
	A-2212	Models with O.E.M. Number	REAR	M85029	

Applications by Make/Model

MAKE SERIES/YEAR	OEM	MODEL DESCRIPTION	POSITION	MERITOR STANDARD	MERITOR PREMIUM
EAGLE MOTOR COACH					
70039		Models with O.E.M. Number	BOTH	M85303	
70041		Models with O.E.M. Number	BOTH	M85305	
101364		Models with O.E.M. Number	BOTH	M85305	
680091		Models with O.E.M. Number	BOTH	M85303	
5394467		Models with O.E.M. Number	BOTH	M85305	
01-0100-905		Models with O.E.M. Number	BOTH	M85303	
EAST MANUFACTURING CORP.					
517-05001-23		Trailers with East Trailer part number	REAR	M85005	M89430
517-05006-20		Trailers with East Trailer part number	REAR	M85030	
517-05009-14		Trailers with East Trailer part number	REAR	M83125	
517-05110-20		Trailers with East Trailer part number	REAR	M85000	M89436
517-05511-14		Trailers with East Trailer part number	REAR	M83128	
517-05805-20		Trailers with East Trailer part number	REAR	M85000	M89436
517-05806-20		Trailers with East Trailer part number	REAR	M85029	
517-05808-20		Trailers with East Trailer part number	REAR	M85738	
517-05916-14		Trailers with East Trailer part number	REAR	M83124	
A-20002		Shocks with stamping number	REAR	M85000	M89436
A-20126		Shocks with stamping number	REAR	M85323	M89436
FLXIBLE BUS					
15813		Additional O.E.M. Interchanges	BOTH	M85708	
680029		Additional O.E.M. Interchanges	BOTH	M85301	
6-367-7		Additional O.E.M. Interchanges	BOTH	M85305	
97-2210-00157		Additional O.E.M. Interchanges	BOTH	M85708	
97-2210-00164		Additional O.E.M. Interchanges	BOTH	M85708	
97-9999-02633		Additional O.E.M. Interchanges	BOTH	M85311	M89424
FLYER INDUSTRIES					
15813		Coaches with Low Floor	REAR	M85708	
FORD					
8500, 9500 Series					
1202-1043		Models with 101", 113" & 122" BBC Conventional Tractors with Link Cab-mate Models FH101, FH1322 & FH1322-A	CAB	M83025	
AeroMax (A, AT, AAT, 8500, 9500) Series					
96 - 97	90045132	All with Neway AD-246 Air Suspension	REAR	M85909	
96 - 97	47902-28	All with Hendrickson HAS-400, HA-210 or HA-230 Air Suspension	REAR	M85013	M89414
96 -	F5HZ-18125-B	All with 21000 lb or 23000 lb Axle and 46" Taperleaf spring	REAR	M85001	M89410
96 -	F6HT-18045-BC	9500 (113" & 122" BBC) Series w/ 12000 or 13200 lb Axle & 54" Multileaf Spring	FRONT	M85047	
96 -	F6HT-18045-GB	All with 13200 lb or 14600 lb Axle and 54" Taperleaf Spring	FRONT	M85030	
96 -	F6HT-18045-GC	All with 13200 lb or 14600 lb Axle and 54" Taperleaf Spring	FRONT	M85030	
96 - 97	F6HZ-18080-FC	All with Hendrickson HAS-400, HA-210 or HA-230 Air Suspension	REAR	M85013	M89414
96 - 97	F6HZ-18125-D	All with Hendrickson HAS-400, HA-210 or HA-230 Air Suspension	REAR	M85013	M89414
B - Bus Cowl Chassis					
77 - 96	D7HT-18080-AA	B - 600, B - 700, B - 750, B - 800, B - 7000 with 18500 lb Axle	REAR	M83215	
77 - 79	D7HT-18080-DA	B - 600, B - 750, with 18500 lb Axle	REAR	M83215	
80 - 96	D7HT-18080-DA	B - 600, B - 700, B - 800, B - 7000	REAR	M83215	
80 - 96	E0HT-18080-AA	B - 600, B - 700, B - 800, B - 7000	REAR	M83215	
86 - 90	E0HT-18080-AA	B - 600, B - 700, B - 800, B - 7000	REAR	M83215	

SHOCKS

Applications by Make/Model

MAKE SERIES/YEAR	OEM	MODEL DESCRIPTION	POSITION	MERITOR STANDARD	MERITOR PREMIUM
FORD (continued)					
CF Series					
86 - 97	87HU-18045-AA	CF-7000, CF-8000 with 12000 lb or 13000 lb Axle	FRONT	M85301	
86 - 89	E5HT-18045-AA	CF - 600, CF - 700	FRONT	M85301	
86 - 97	E5HT-18045-AA	CF-7000, CF-8000 with 12000 lb or 13000 lb Axle	FRONT	M85301	
86 - 97	E6HZ-18124-A	CF-7000, CF-8000 with 12000 lb or 13000 lb Axle	FRONT	M85301	
86 - 97	E7HZ-18124-A	CF-7000, CF-8000 with 12000 lb or 13000 lb Axle	FRONT	M85301	
CL & CLT Series - Highway Tractor Tilt Cab					
	47902-13	Models with Hendrickson Rear Air Suspension	REAR	M83122	
78 - 89	D4HA-18080-AA	CL-9000, CLT-9000 with Single Rear Axle Suspension	REAR	M83209	M89414
	D4HA-18080-AA	Models with O.E.M. Number	REAR	M83209	M89414
78 - 89	D7HA-18080-AA	CL-9000, CLT-9000 with Rear Tandem Axle with Neway Suspension	REAR	M83123	
78 - 89	D7HT-18045-NA	CL-9000, CLT-9000	FRONT	M85301	
FRONT Series - Conventional Cab					
86 - 90	AX-310	FRONT-600, FRONT-700, FRONT-800	REAR	M83215	
90 - 97	AX-310	FRONT-700, FRONT-800	REAR	M83215	
90 - 97	AX-310	FT-900 with shock located forward of rear axle	REAR	M83215	
80 - 90	D7HF-18080-AA	FRONT-600, FRONT-700, FRONT-800 with 17000 & 18000 lb Rear Axle	REAR	M83215	
80 - 90	D7HT-18080-DA	FRONT-600, FRONT-700, FRONT-800 with 17000 & 18000 lb Rear Axle	REAR	M83215	
86 - 90	E6HT-18080-AA	FRONT-600, FRONT-700, FRONT-800	REAR	M83215	
90 - 97	E6HT-18080-AA	FRONT-700, FRONT-800	REAR	M83215	
90 - 97	E6HT-18080-AA	FT-900 with shock located forward of rear axle	REAR	M83215	
86 - 90	E6HZ-18125-D	FRONT-600, FRONT-700, FRONT-800	REAR	M83215	
90 - 97	E6HZ-18125-D	FRONT-700, FRONT-800	REAR	M83215	
90 - 97	E6HZ-18125-D	FT-900 with shock located forward of rear axle	REAR	M83215	
94 - 97	F4HT-18045-EA	FRONT-700, FRONT-800 with Multileaf Spring and 14600 lb Axle	FRONT	M83125	
94 - 97	F4HT-18080-BA	FRONT-700, FRONT-800 with 21000 lb Taperleaf Springs	REAR	M85001	M89410
94 - 97	F5HZ-18124-D	FRONT-700, FRONT-800 with Multileaf Spring and 14600 lb Axle	FRONT	M83125	
FRONT Series - F550, F650, F750 Models					
04 - 10	3584117C2	FRONT-650 with O.E.M. Number	FRONT	M83135	
04 - 10	4C4Z-18124-P	FRONT-650 with O.E.M. Number	FRONT	M83135	
04 - 10	AA-615	FRONT-650 with O.E.M. Number	FRONT	M83135	
04 - 08	AT-811	FRONT-650 with O.E.M. Number	FRONT	M83135	
04 - 08	FC4Z-18124-HB	FRONT-650 with O.E.M. Number	FRONT	M83135	
FT Series - Conventional Cab					
94 - 97	F4HT-18045-EA	FT-900 with Multileaf Spring and 14600 lb Axle	FRONT	M83125	
94 - 97	F4HT-18080-BA	FT-900 with 46" Taperleaf Springs and 21000 lb Axle	REAR	M85001	M89410
94 - 97	F5HZ-18124-D	FT-900 with Multileaf Spring and 14600 lb Axle	FRONT	M83125	
L, LT & LTS - Conventional Cab					
	47902-13	L-8000, L-9000, LT-8000, LT-9000 with Hendrickson Rear Air Suspension	REAR	M83122	
	F1HT-18045-GA	L-8000, L-9000, LT-8000, LT-9000 with 52" Taperleaf Spring	FRONT	M85006	
94 - 97	F4HT-18080-BA	L-8000, L-9000, LT-8000 or LT-9000 Series with 21000 or 23000 lb. with 46" Taperleaf Spring	REAR	M85001	M89410
LA, LS & LST - Conventional Cab					
91 - 96	47902-28	LA-8000, LA-9000 Series with Hendrickson Rear Air Suspension	REAR	M85013	M89414
LL, LLA, LTA, LTL, LTLA - Conventional Cab					
91 - 96	47902-28	LTA-9000, LLA-9000 or LTLA-9000 Series w/ Hendrickson Rear Air Susp.	REAR	M85013	M89414
	F0HT-18045-CA	LLA-9000, LTLA-9000 with 4500, 5400, 6500 lb 58" Parabolic Taperleaf Spring	FRONT	M85006	
	F1HT-18045-HB	LLA-9000, LTLA-9000 with 4500, 5400, 6500 lb 58" Parabolic Taperleaf Spring	FRONT	M85006	

Applications by Make/Model

MAKE SERIES/YEAR	OEM	MODEL DESCRIPTION	POSITION	MERITOR STANDARD	MERITOR PREMIUM
FORD (continued)					
LN & LNT - Conventional Cab					
	47902-13	LN-7000, LN-8000, LN-9000, LNT-8000, LNT-9000 with Hendrickson Rear Air Suspension	REAR	M83122	
	F0HT-18080-AA	LN-7000, LN-8000, LN-9000, LNT-8000, LNT-9000 with Hendrickson Rear Air Suspension	REAR	M85005	M89430
	F0HZ-18125-A	LN-7000, LN-8000, LN-9000, LNT-8000, LNT-9000 with Hendrickson Rear Air Suspension	REAR	M85005	M89430
1990	F1HT-18045-GA	LN-7000, LN-8000, LN-9000, LNT-8000, LNT-9000 with 52" Taperleaf Spring	FRONT	M85006	
94 - 97	F4HT-18080-BA	LN-7000, LN-8000, LN-9000, LNT-8000 or LNT-9000 Series with 21000 or 23000 lb. with 46" Taperleaf Spring	REAR	M85001	M89410
Louisville Series - Conventional Cab					
	90045132	All with Neway AD-246 Air Suspension	REAR	M85909	
	47902-28	All with Hendrickson HAS-400 Air Suspension	REAR	M85013	M89414
	F6HT-18045-BC	All with 54" Multileaf Spring and with 12000 or 13200 lb Axle	FRONT	M85047	
96 -	F6HT-18045-GB	All with 13200 lb or 14600 lb Axle with 54" Taperleaf Spring	FRONT	M85030	
96 -	F6HT-18045-GC	All with 13200 lb or 14600 lb Axle with 54" Taperleaf Spring	FRONT	M85030	
	F6HZ-18080-FC	All with Hendrickson HAS-400 Air Suspension	REAR	M85013	M89414
	F6HZ-18125-D	All with Hendrickson HAS-400 Air Suspension	REAR	M85013	M89414
L-Series - Conventional					
	1201-1044	All w/ 60" Able Body Sleepers w/ Link Bunkmate Models FAS60-A & FAS60-AS	CAB	M83025	
	1202-1044	All w/ 60" Able Body Sleepers w/ Link Bunkmate Models FAS60-A & FAS60-AS	CAB	M83025	
Motorhome Chassis					
57 - 76		P-400 & 4000 Motorhome Chassis with H.D. Springs	FRONT	M85012	M89413
73 - 76		M-400& M-500 Motorhome Chassis	FRONT	M85012	M89413
P Series - Parcel Delivery					
78 - 79	D7HT-18045-HA	P-600	FRONT	M85012	M89413
57 - 76		P-400 & 4000 w/ H. D. Springs	FRONT	M85012	M89413
57 - 76		P500, P-5000	FRONT	M85012	M89413
W and WT Series					
73 - 77	C6TA-18045-Y	W-900, WT-900 with 11000, 12000 & 15000 lb Axle	FRONT	M85301	
66 - 71	C6TA-18045-Z	W-900, W-950, W-1000, WT-900, WT-950, WT-1000 with 12000 & 15000 lb Axle	FRONT	M85301	
73 - 77	C6TA-18045-Z	W-900, WT-900 with 11000, 12000 & 15000 lb Axle	FRONT	M85301	
73 - 77	D2HZ-18080-A	W-900, WT-900 with Air Suspension	REAR	M83209	M89414
73 - 77	D4HA-18080-AA	W-900, WT-900 with Air Suspension	REAR	M83209	M89414
Other Series					
	12866	Models with O.E.M. Number	REAR	M83207	
	70127	Models with O.E.M. Number	FRONT	M85006	
	70128	Models with O.E.M. Number	FRONT	M85006	
	680029	Additional O.E.M. Interchanges	BOTH	M85301	
	90044770	Models with O.E.M. Number	REAR	M83207	
	47902-8	Models with O.E.M. Number	REAR	M83122	
	57365-111	Models with O.E.M. Number	FRONT	M85006	
	C6TA-18045-U	Models with O.E.M. Number	FRONT	M85301	
	C6TA-18045-V	Models with O.E.M. Number	FRONT	M85301	
	C6TZ-18124-D	Models with O.E.M. Number	FRONT	M85301	
	C6TZ-18124-E	Models with O.E.M. Number	FRONT	M85301	

SHOCKS

Applications by Make/Model

MAKE SERIES/YEAR	OEM	MODEL DESCRIPTION	POSITION	MERITOR STANDARD	MERITOR PREMIUM
FORD (continued)					
Other Series (continued)					
C6TZ-18124-H		Models with O.E.M. Number	FRONT	M85301	
C6TZ-18124-J		Models with O.E.M. Number	FRONT	M85301	
C7TA-18045-Z		Models with O.E.M. Number	FRONT	M85301	
D2HA-18045-EB		Models with O.E.M. Number	FRONT	M85301	
D2HA-18045-F1A		Models with O.E.M. Number	FRONT	M85301	
D2HA-18045-F1B		Models with O.E.M. Number	FRONT	M85301	
D2HA-18045-F2A		Models with O.E.M. Number	FRONT	M85301	
D2HA-18045-F2B		Models with O.E.M. Number	FRONT	M85301	
D2HZ-18080-A		Models with O.E.M. Number	REAR	M83209	M89414
D2HZ-18125-A		Models with O.E.M. Number	REAR	M83209	M89414
D2HZ-18125-B		Models with O.E.M. Number	REAR	M83209	M89414
D4HA-18080-A		Models with O.E.M. Number	REAR	M83209	M89414
D7HF-18125-AA		Models with O.E.M. Number	REAR	M83215	
D7HT-18124-KA		Models with O.E.M. Number	FRONT	M85301	
D7HT-18125-DA		Models with O.E.M. Number	REAR	M83215	
D7HT-18125-FA		Models with O.E.M. Number	REAR	M83123	
D7HZ-18125-A		Models with O.E.M. Number	REAR	M83215	
D8HZ-18124-A		Models with O.E.M. Number	FRONT	M85301	
D8HZ-18125-A		Models with O.E.M. Number	REAR	M83209	M89414
D8HZ-18125-B		Models with O.E.M. Number	REAR	M83123	
E5HT-18045-AA		Models with O.E.M. Number	FRONT	M85301	
E5HT-18045-DA		Models with O.E.M. Number	FRONT	M85301	
E5HT-18045-EA		Models with O.E.M. Number	FRONT	M85301	
E6HZ-18124-D		Models with O.E.M. Number	FRONT	M85301	
F0HS-18045-AA		Models with O.E.M. Number	FRONT	M85006	
F0HZ-18124-B		Models with O.E.M. Number	FRONT	M85006	
F1HT-18045-LB		Models with O.E.M. Number	FRONT	M85006	
F1HZ-18124-D		Models with O.E.M. Number	FRONT	M85006	
F1HZ-18124-E		Models with O.E.M. Number	FRONT	M85006	
F1HZ-18124-FRONT		Models with O.E.M. Number	FRONT	M85006	
F1HZ-18124-G		Models with O.E.M. Number	FRONT	M85006	
F2HZ-18124-B		Models with O.E.M. Number	FRONT	M85301	
F5HZ-18124-DA		Models with O.E.M. Number	FRONT	M83125	
F5HZ-18125-B		Models with O.E.M. Number	REAR	M85001	M89410
F5HZ-18125-BA		Models with O.E.M. Number	REAR	M85001	M89410
F6HT-18045-MA		Models with O.E.M. Number	FRONT	M85006	
F6HT-18080-FC		Models with O.E.M. Number	REAR	M85013	M89414
F6HT-18080-JA		HN-80 with 21000 lb or 23000 lb Axle & 52" Taper leaf Rear Suspension	REAR	M85305	
F6HZ-18124-MA		Models with O.E.M. Number	FRONT	M85006	
F6HZ-18125-D		Models with O.E.M. Number	REAR	M85013	M89414
F6HZ-18125-JA		Models with O.E.M. Number	REAR	M85305	
1202-0042		Models with Link Cab Suspension	CAB	M83025	

Applications by Make/Model

MAKE SERIES/YEAR	OEM	MODEL DESCRIPTION	POSITION	MERITOR STANDARD	MERITOR PREMIUM
FREIGHTLINER					
Argosy					
- 98	680339	Models with Freightliner FAS II Rear Air Suspension	REAR	M85724	M89443
99 -	680611	Models with Freightliner FAS II Rear Air Suspension	REAR	M85724	M89443
	47170000449	Models with 4" Taperleaf Front Suspension	FRONT	M85918	M89449
	10-12703-000	Models with 4" Taperleaf Front Suspension	FRONT	M85918	M89449
	10-13634-000	Models with 12000 lb Taperleaf Front Suspension	FRONT	M85918	M89449
- 98	16-13957-000	Models with Freightliner FAS II Rear Air Suspension	REAR	M85724	M89443
	16-14259-000	Models w/ Freightliner Low Profile Rear Air Suspension	REAR	M85331	
99 -	16-15817-000	Models with Freightliner FAS II Rear Air Suspension	REAR	M85724	M89443
Business Class - FL50, 60, 70, 80					
	654654	FLN with 6000 to 9000 lb Front axle	FRONT	M85043	
	665538	FLN with 11000 to 12000 lb Front axle	FRONT	M85006	
- 98	680339	FL Series with FAS II Rear Air Suspension	REAR	M85724	M89443
99 -	680611	FL Series with FAS II Rear Air Suspension	REAR	M85724	M89443
	6803230200	FLN with 6000 to 9000 lb Front axle	FRONT	M85043	
	6803230300	FLN with 11000 to 12000 lb Front axle	FRONT	M85006	
	16-11133-000	FAS Airliner, Single / Tandem Past Production	REAR	M85007	
- 98	16-13957-000	FL Series with FAS II Rear Air Suspension	REAR	M85724	M89443
99 -	16-15817-000	FL Series with FAS II Rear Air Suspension	REAR	M85724	M89443
Business Class - M2					
-08	680511	Models w/ Freightliner Low Profile Rear Air Suspension	REAR	M85331	
02 - 08	680611	FL Series with FAS II Rear Air Suspension	REAR	M85724	M89443
05 - 08	471700000449	Models with Taperleaf Front Suspension	FRONT	M85918	M89449
05 - 08	471700131155	Models with Taperleaf Front Suspension	FRONT	M85918	M89449
02 -	10-12388-000	Models with 6000 to 9000 lb. Front Axle	FRONT	M85920	
02 - 08	10-12390-000	Models with 10000 to 12000 lb. Taper-leaf Spring Suspension	FRONT	M85920	
- 04	10-13211-000	Models with Taperleaf Front Suspension	FRONT	M85918	M89449
- 04	10-13634-000	Models with 12000 lb Taperleaf Front Suspension	FRONT	M85918	M89449
-08	16-14259-000	Models w/ Freightliner Low Profile Rear Air Suspension	REAR	M85331	
02 - 08	16-15817-000	FL Series with FAS II Rear Air Suspension	REAR	M85724	M89443
09-11	16-18706-000	Models w/ Freightliner Low Profile Rear Air Suspension	REAR	M85331	
09 - 11	16-18708-000	Models with FAS II Rear Air Suspension	REAR	M85724	M89443
09 - 11	SDA471700002809	Models with FAS II Rear Air Suspension	REAR	M85724	M89443
Cargo - FC70 & FC80					
	654654	FC70 & FC80 Series with 6000 to 9000 lb Front Axle	FRONT	M85043	
	665538	FC70 & FC80 Series with 11000 to 12000 lb Front Axle	FRONT	M85006	
- 98	680339	FC70 & FC80 Series with FAS II Rear Air Suspension	REAR	M85724	M89443
99 -	680611	FC70 & FC80 Series with FAS II Rear Air Suspension	REAR	M85724	M89443
	6803230200	FC70 & FC80 Series with 6000 to 9000 lb Front Axle	FRONT	M85043	
	6803230300	FC70 & FC80 Series with 11000 to 12000 lb Front Axle	FRONT	M85006	
- 98	16-13957-000	FC70 & FC80 Series with FAS II Rear Air Suspension	REAR	M85724	M89443
99 -	16-15817-000	FC70 & FC80 Series with FAS II Rear Air Suspension	REAR	M85724	M89443
Cascadia					
- 08	680611	Models with FAS II Rear Air Suspension	REAR	M85724	M89443
- 08	471700000449	Models with 12000 lb Taperleaf Front Suspension	FRONT	M85918	M89449
- 08	10-13634-000	Models with 12000 lb Taperleaf Front Suspension	FRONT	M85918	M89449
- 08	16-15817-000	Models with FAS II Rear Air Suspension	REAR	M85724	M89443

SHOCKS

Applications by Make/Model

MAKE SERIES/YEAR	OEM	MODEL DESCRIPTION	POSITION	MERITOR STANDARD	MERITOR PREMIUM
FREIGHTLINER (continued)					
Cascadia (continued)					
09 - 11	16-18708-000	Models with FAS II Rear Air Suspension	REAR	M85724	M89443
09 - 11	18-60764-000	Models with 72" High-Roof Sleeper	CAB	M83038	
09 - 11	SDA471700002809	Models with FAS II Rear Air Suspension	REAR	M85724	M89443
Century Class					
	18-30378-000	Sleeper-Cabs with O.E. Number	CAB	M83001	
	18-32999-000	Sleeper-Cabs with O.E. Number	CAB	M83001	
	18-41762-000	Models with O.E.M. Number	CAB	M83038	
Century Class - C112 & C120					
- 98	680339	Models with FAS II Rear Air Suspension	REAR	M85724	M89443
99 - 08	680611	Models with FAS II Rear Air Suspension	REAR	M85724	M89443
00 - 09	47170000449	Models with 12000 lb Taperleaf Front Suspension	FRONT	M85918	M89449
00 - 09	471700131155	Models with 12000 lb Taperleaf Front Suspension	FRONT	M85918	M89449
97 - 99	10-12542-000	Models with 12000 lb Taperleaf Front Suspension	FRONT	M85901	
	10-12703-000	Models with Low Profile Front	FRONT	M85918	M89449
00 - 09	10-13021-000	Models with 12000 lb Taperleaf Front Suspension	FRONT	M85918	M89449
00 - 09	10-13063-000	Models with 12000 lb Taperleaf Front Suspension	FRONT	M85918	M89449
00 - 09	10-13211-000	Models with 12000 lb Taperleaf Front Suspension	FRONT	M85918	M89449
00 - 09	10-13634-000	Models with 12000 lb Taperleaf Front Suspension	FRONT	M85918	M89449
- 98	16-13957-000	Models with FAS II Rear Air Suspension	REAR	M85724	M89443
	16-14259-000	Models with Low Profile Rear Suspension	REAR	M85331	
99 - 08	16-15817-000	Models with FAS II Rear Air Suspension	REAR	M85724	M89443
09 - 10	16-18708-000	Models with FAS II Rear Air Suspension	REAR	M85724	M89443
09 - 10	SDA471700002809	Models with FAS II Rear Air Suspension	REAR	M85724	M89443
Classic					
	18-29846-000	Models with O.E.M. Number	CAB	M83009	
Classic/ClassicXL					
- 98	680339	Models with FAS II Rear Air Suspension	REAR	M85724	M89443
99 - 08	680611	Models with FAS II Rear Air Suspension	REAR	M85724	M89443
00 - 09	47170000449	Models with 12000 lb Taperleaf Front Suspension	FRONT	M85918	M89449
00 - 09	471700131155	Models with 12000 lb Taperleaf Front Suspension	FRONT	M85918	M89449
	10-12032-002	Models with O.E.M. Number	FRONT	M85320	M89429
	10-12032-004	Models with O.E.M. Number	FRONT	M85320	M89429
00 - 09	10-13021-000	Models with 12000 lb Taperleaf Front Suspension	FRONT	M85918	M89449
00 - 09	10-13063-000	Models with 12000 lb Taperleaf Front Suspension	FRONT	M85918	M89449
00 - 09	10-13211-000	Models with 12000 lb Taperleaf Front Suspension	FRONT	M85918	M89449
00 - 09	10-13634-000	Models with 12000 lb Taperleaf Front Suspension	FRONT	M85918	M89449
- 98	16-13957-000	Models with FAS II Rear Air Suspension	REAR	M85724	M89443
99 - 08	16-15817-000	Models with FAS II Rear Air Suspension	REAR	M85724	M89443
09 - 10	16-18708-000	Models with FAS II Rear Air Suspension	REAR	M85724	M89443
09 - 10	SDA471700002809	Models with FAS II Rear Air Suspension	REAR	M85724	M89443
Columbia					
99 - 08	680611	Models with FAS II Rear Air Suspension	REAR	M85724	M89443
00 - 08	47170000449	Models with 12000 lb Taperleaf Front Suspension	FRONT	M85918	M89449
	47170000470	Models with O.E.M. Number	FRONT	M85918	M89449
00 - 08	471700131155	Models with 12000 lb Taperleaf Front Suspension	FRONT	M85918	M89449
00 - 08	10-13021-000	Models with 12000 lb Taperleaf Front Suspension	FRONT	M85918	M89449
00 - 08	10-13063-000	Models with 12000 lb Taperleaf Front Suspension	FRONT	M85918	M89449

SHOCKS

Applications by Make/Model

MAKE SERIES/YEAR	OEM	MODEL DESCRIPTION	POSITION	MERITOR STANDARD	MERITOR PREMIUM
FREIGHTLINER (continued)					
Columbia (continued)					
00 - 08	10-13211-000	Models with 12000 lb Taperleaf Front Suspension	FRONT	M85918	M89449
00 - 08	10-13634-000	Models with 12000 lb Taperleaf Front Suspension	FRONT	M85918	M89449
	10-13684-000	Models with O.E.M. Number	FRONT	M85918	M89449
99 - 08	16-15817-000	Models with FAS II Rear Air Suspension	REAR	M85724	M89443
09 - 10	16-18708-000	Models with FAS II Rear Air Suspension	REAR	M85724	M89443
	18-29846-000	Models with O.E.M. Number	CAB	M83009	
	18-41762-000	Models with Sleeper Cab and O.E.M. Number	CAB	M83038	
09 - 11	18-60764-000	Models with 72" High-Roof Sleeper	CAB	M83038	
09 - 10	SDA471700002809	Models with FAS II Rear Air Suspension	REAR	M85724	M89443
Coronado					
04 - 08	680611	Models with FAS II Rear Air Suspension	REAR	M85724	M89443
04 - 09	471700131155	Models with 12000 lb Taperleaf Front Suspension	FRONT	M85918	M89449
04 - 09	10-13211-000	Models with 12000 lb Taperleaf Front Suspension	FRONT	M85918	M89449
04 - 08	16-15817-000	Models with FAS II Rear Air Suspension	REAR	M85724	M89443
09 - 11	16-18708-000	Models with FAS II Rear Air Suspension	REAR	M85724	M89443
04 - 09	18-41762-000	Models with O.E.M. Number	CAB	M83038	
	18-41762-002	Models with 72" Mid-Roof Sleeper	CAB	M83038	
09 - 11	18-60764-000	Models with O.E.M. Number	CAB	M83038	
09 -	18-60765-002	Models with 72" Mid-Roof Sleeper	CAB	M83038	
09 - 11	SDA471700002809	Models with FAS II Rear Air Suspension	REAR	M85724	M89443
FL 60, 70, 80 & 106 Series - Business Class Conven					
91 -	1201-0054	Trucks with Link Cabmate Models FRT153BC-A , FRT106BC or FRT106HD-A	CAB	M83021	
91 -	1202-0054	Trucks with Link Cabmate Models FRT153BC-A , FRT106BC or FRT106HD-A	CAB	M83021	
FL112 Series Conventional					
97 -	1202-1044	FL112 Business Class Day Cab Tractors w/ Link Cabmate Model FRT112DC	CAB	M83025	
FLA & FLB Series - COE Truck & Tractor					
- 98	680339	COE Series with FASII Rear Air Suspension	REAR	M85724	M89443
99 -	680611	COE Series with FASII Rear Air Suspension	REAR	M85724	M89443
	90044162	COE Series with Neway Tag Axle Air Suspension	REAR	M83128	
	10-12030-002	COE Series	FRONT	M85320	M89429
	10-12032-000	COE Series	FRONT	M85320	M89429
	10-12032-001	COE Series	FRONT	M85320	M89429
	10-12032-002	COE Series	FRONT	M85320	M89429
	10-12032-003	COE Series	FRONT	M85320	M89429
	10-12032-004	COE Series	FRONT	M85320	M89429
	16-12117-000	COE Series with Convoluted Spring Air Suspension	REAR	M85007	
- 94	16-13947-000	COE Series with Airliner Rolling Lobe Spring Air Suspension	REAR	M85319	
- 98	16-13957-000	COE Series with FASII Rear Air Suspension	REAR	M85724	M89443
99 -	16-15817-000	COE Series with FASII Rear Air Suspension	REAR	M85724	M89443
	16-18705-000	COE Series with Convoluted Spring Air Suspension	REAR	M85007	
- 94	681-326-0400	COE Series with Airliner Rolling Lobe Spring Air Suspension	REAR	M85319	
FLB Series - COE Truck & Tractor					
93 -	1201-0054	90", 100", & 110" Cabs w/ Link Cabmate Models FRT46-2P-A or FRT46-2P-B	CAB	M83021	
	1202-0054	Cabover Tractors with the rear cab mounts having a center to center measurement of 50" or 54" & with Link Cabmate Models FRT50-2P-C	CAB	M83021	

SHOCKS

Applications by Make/Model

MAKE SERIES/YEAR	OEM	MODEL DESCRIPTION	POSITION	MERITOR STANDARD	MERITOR PREMIUM
FREIGHTLINER (continued)					
FLC - 112 & 120 Conventional Tractors					
89 -	1202-1043	Conventional Tractors with Link Cabmate Model FRTE120-A	CAB	M83025	
FLC & FLD Series - 112 & 120 Conventional Truck & Tractor					
	665236	Conventional Series with Convoluted Spring Air Suspension	REAR	M85007	
- 98	680339	Conventional Series with FASII Rear Air Suspension	REAR	M85724	M89443
99 - 08	680611	Conventional Series with FASII Rear Air Suspension	REAR	M85724	M89443
	90044162	Conventional Series with Neway Tag Axle Air Suspension	REAR	M83128	
00 - 09	471700000449	Conventional Series with 12000 lb Taperleaf Front Suspension	FRONT	M85918	M89449
00 - 09	471700131155	Conventional Series with 12000 lb Taperleaf Front Suspension	FRONT	M85918	M89449
	10-12030-002	Conventional Series with O.E.M. Number	FRONT	M85320	M89429
	10-12032-000	Conventional Series with O.E.M. Number	FRONT	M85320	M89429
	10-12032-001	Conventional Series with O.E.M. Number	FRONT	M85320	M89429
	10-12032-002	Conventional Series with O.E.M. Number	FRONT	M85320	M89429
	10-12032-003	Conventional Series with O.E.M. Number	FRONT	M85320	M89429
	10-12032-004	Conventional Series with O.E.M. Number	FRONT	M85320	M89429
00 - 09	10-13021-000	Conventional Series with 12000 lb Taperleaf Front Suspension	FRONT	M85918	M89449
00 - 09	10-13063-000	Conventional Series with 12000 lb Taperleaf Front Suspension	FRONT	M85918	M89449
00 - 09	10-13211-000	Conventional Series with 12000 lb Taperleaf Front Suspension	FRONT	M85918	M89449
00 - 09	10-13634-000	Conventional Series with 12000 lb Taperleaf Front Suspension	FRONT	M85918	M89449
	16-12117-000	Conventional Series with Convoluted Spring Air Suspension	REAR	M85007	
- 94	16-13947-000	Conventional Series with Airliner Rolling Lobe Spring Air Suspension	REAR	M85319	
- 98	16-13957-000	Conventional Series with FASII Rear Air Suspension	REAR	M85724	M89443
99 - 08	16-15817-000	Conventional Series with FASII Rear Air Suspension	REAR	M85724	M89443
	16-18705-000	Conventional Series with Convoluted Spring Air Suspension	REAR	M85007	
09 - 10	16-18708-000	Models with FAS II Rear Air Suspension	REAR	M85724	M89443
- 94	681-326-0400	Conventional Series with Airliner Rolling Lobe Spring Air Suspension	REAR	M85319	
09 - 10	SDA471700002809	Models with FAS II Rear Air Suspension	REAR	M85724	M89443
FLD Series - 112 & 120 Conventional Truck & Tractor					
89 -	1202-1043	Conventional Tractors with Link Cabmate Model FRTE120-A	CAB	M83025	
Sept. 93 -	1202-1044	64" Able Body Sleepers with Link Bunkmate Models FRTA64 or FRTAS64-A	CAB	M83025	
	18-29846-000	FLD Sleeper with Air Suspension	CAB	M83009	
Legacy Series					
- 98	680339	Models with FAS II Rear Air Suspension	REAR	M85724	M89443
99 -	680611	Models with FAS II Rear Air Suspension	REAR	M85724	M89443
- 98	16-13957-000	Models with FAS II Rear Air Suspension	REAR	M85724	M89443
99 -	16-15817-000	Models with FAS II Rear Air Suspension	REAR	M85724	M89443
Other Series					
	654739	Models with O.E.M. Number	CAB	M83009	
	654819	Models with O.E.M. Number	CAB	M83001	
	654990	Models with O.E.M. Number	CAB	M83038	
	659060	Models with O.E.M. Number	FRONT	M85920	
	659178	Models with O.E.M. Number	CAB	M83038	
	659300	Models with O.E.M. Number	FRONT	M85005	M89430
	671908	Models with O.E.M. Number	FRONT	M85918	M89449
	671945	Models with O.E.M. Number	FRONT	M85920	
	680008	Additional O.E.M. Interchanges	BOTH	M85300	

SHOCKS

Applications by Make/Model

MAKE SERIES/YEAR	OEM	MODEL DESCRIPTION	POSITION	MERITOR STANDARD	MERITOR PREMIUM
FREIGHTLINER (continued)					
Other Series (continued)					
	680442	Models with O.E.M. Number	REAR	M85319	
	61300224	Models with O.E.M. Number	FRONT	M85918	M89449
	61300240	Models with O.E.M. Number	FRONT	M85918	M89449
	10-12046-000	Models with O.E.M. Number	FRONT	M85320	M89429
	10-13776-000	Models with 7000 lb Front Suspension	FRONT	M85005	M89430
	10-13859-000	Additional O.E.M. Interchanges	BOTH	M85005	M89430
	1202-0042	Models with Link Cab Suspension	CAB	M83025	
	1202-0044	Models with Link Cab Suspension	CAB	M83025	
	1202-1043	Models with 60" Sleeper w/ Link Bunkmate Model FRTS60-A	CAB	M83025	
	16-14577-000	Models with O.E.M. Number	FRONT	M85043	
	16-14759-000	Models with O.E.M. Number	FRONT	M85000	M89436
	16-17759-000	Additional O.E.M. Interchanges	BOTH	M85919	
	16-19138-000	Models with O.E.M. Number	FRONT	M85058	
	18-32999-000	Models with O.E.M. Number	CAB	M83001	
	18-41762-002	Models with O.E.M. Number	CAB	M83038	
	18-44321-000	Models with O.E.M. Number	CAB	M83009	
	18-60769-000	Models with O.E.M. Number	CAB	M83009	
	47902-13	Models with O.E.M. Number	REAR	M83122	
	681-323-1100	Additional O.E.M. Interchanges	BOTH	M85301	
FREIGHTLINER CUSTOM CHASSIS					
	654953	Models with O.E.M. Number	FRONT	M85058	
	659227	Models with O.E.M. Number	FRONT	M85058	
	1398980	Oshkosh Motor Home with O.E.M. Number	BOTH	M83127	
	1745500	Additional O.E.M. Interchanges	BOTH		M89430
	6803230300	F65 School bus chassis	FRONT	M85006	
03 - 07	48170000493	VC Chassis	FRONT	M85900	
03 - 07	48170000493	XC Chassis	FRONT	M85900	
03 - 07	141700131809	VC Chassis	REAR	M85029	
03 - 07	141700131809	XC Chassis	REAR	M85029	
06 - 08	471700002726	Front - Engine Diesel Chassis (FRED Chassis)	FRONT	M85918	M89449
	10-13859-000	Additional O.E.M. Interchanges	BOTH	M85005	M89430
	16-15676-000	MB55 Shuttle bus w/8000 lb. flat leaf front suspension	FRONT	M85058	
	16-15676-000	MT55 Utility Van w/8000 lb. flat leaf front suspension	FRONT	M85058	
00 - 02	16-16043-000	XCS Chassis (22000 GVW) w/ O.E.M. Number	FRONT	M85043	
	16-16082-000	Shuttle Bus Chassis	FRONT	M85043	
	16-16083-000	Models with O.E.M. Number	REAR	M85331	
03 - 07	16-16736-000	VC Chassis	REAR	M85029	
03 - 07	16-16736-000	XC Chassis	REAR	M85029	
03 - 07	16-16873-000	VC Chassis	REAR	M85029	
03 - 07	16-16873-000	XC Chassis	REAR	M85029	
	16-17684-000	MB55 & MT55 Models	FRONT	M85058	
	16-17759-000	Additional O.E.M. Interchanges	BOTH	M85919	
03 - 07	16-18103-000	VC Chassis	FRONT	M85900	
03 - 07	16-18103-000	XC Chassis	FRONT	M85900	
06 - 08	16-18455-000	Front - Engine Diesel Chassis (FRED Chassis)	FRONT	M85918	M89449

SHOCKS

Applications by Make/Model

MAKE SERIES/YEAR	OEM	MODEL DESCRIPTION	POSITION	MERITOR STANDARD	MERITOR PREMIUM
FREIGHTLINER CUSTOM CHASSIS (continued)					
	16-19138-000	Models with O.E.M. Number	FRONT	M85058	
	665545401	Additional O.E.M. Interchanges	BOTH		M89430
	GBL665538	F65 School bus chassis	FRONT	M85006	
FRUEHAUF					
	680117	Additional O.E.M. Interchanges	BOTH	M85300	
	5352858	Model UCA-5431	REAR	M85305	
	144-5910	Models with O.E.M. Number	REAR	M85300	
	5116-117	Tractor & Trailer Lift Axle with O.E.M. Number	REAR	M83122	
	UCA-5431	Models with O.E.M. Number	REAR	M85305	
	UCD-006216-001	"L" Suspensions	REAR	M83203	M89436
	UCD-6216-1	Models with O.E.M. Number	REAR	M83203	M89436
	UCE-1295-1	All with Air Suspension and O.E.M. Number	REAR	M85300	
	UCE-1295-901	"T" Suspensions	REAR	M85300	
	UCE-9399-1	All with Lift Axle	REAR	M83122	
	UEY 1124-001	Models with O.E.M. Number	REAR	M85030	
GENERAL TRAILER CO.					
	12608	Additional O.E.M. Interchanges	BOTH	M83125	
	120-1	Models with Air Suspension	REAR	M83125	
GILLIG BROS.					
	680333	Additional O.E.M. Interchanges	BOTH	M85708	M89406
	90044046	Models w/ Neway ARD-234 Series Truck & Tractor Air Susp. (ARD-234-6)	REAR	M83123	
	90044683	Models with O.E.M. Number	REAR	M83122	
	90044769	Models with O.E.M. Number	REAR	M83207	
	90044770	Models with O.E.M. Number	REAR	M83207	
	82-01878	Models with O.E.M. Number	BOTH	M83122	
	82-30159-000	Additional O.E.M. Interchanges	BOTH	M85708	
GMC TRUCK					
4500 Series					
66 - 72	3171462	EG-4500, EM-4500, ES-4500 Cab/Cowl w/ V-6 Gas, Diesel, In-line 6 Gas Eng.	REAR	M85005	M89430
66 - 72	3192890	EG-4500, EM-4500, ES-4500 Cab/Cowl w/ V-6 Gas, Diesel, In-line 6 Gas Eng.	REAR	M85005	M89430
72 - 76	3192890	PS4620 P, 4650P Step Van (Walk-in)	FRONT	M85005	M89430
72 - 76	4940606	PS4620 P, 4650P Step Van (Walk-in)	FRONT	M85005	M89430
72 - 76	4975497	PS4620 P, 4650P Step Van (Walk-in)	FRONT	M85005	M89430
72 - 80	22002293	PS4620 P, 4650P Step Van (Walk-in) 3/4" Upper bolt	FRONT	M85005	M89430
72 - 76	22007701	PS4620 P, 4650P Step Van (Walk-in)	FRONT	M85005	M89430
66 - 72	22012095	EG-4500, EM-4500, ES-4500 Cab/Cowl w, V-6 Gas, Diesel, In-line 6 Gas Eng.	REAR	M85005	M89430
72 - 77	22012095	PS4620 P, 4650P Step Van (Walk-in)	FRONT	M85005	M89430
77	22012166	PS4620 P, 4650P Step Van (Walk-in)	FRONT	M85005	M89430
5000 Series					
73 - 80	4975467	C, S Chassis - Conventional Cab	FRONT	M83207	
73 - 80	4975494	C, S Chassis - Conventional Cab	FRONT	M83207	
73 - 80	22007750	C, S Chassis - Conventional Cab	FRONT	M83207	
73 - 89	22012095	C,S Chassis - Conventional Cab and School Bus	REAR	M85005	M89430
73 - 89	22012166	C,S Chassis - Conventional Cab and School Bus	REAR	M85005	M89430
63 - 66		Truck and School Bus	FRONT	M85005	M89430
63 - 68		W-5000, BW-5000, DW-5000	FRONT	M85005	M89430
63 - 68		W-5500	FRONT		M89430

Applications by Make/Model

MAKE SERIES/YEAR	OEM	MODEL DESCRIPTION	POSITION	MERITOR STANDARD	MERITOR PREMIUM
GMC TRUCK (continued)					
5500					
66 - 72	3171462	EG-5500, EM-5500, ES-5500 Cab/Cowl with 6 Cyl. Engines	REAR	M85005	M89430
66 - 72	3192890	CG-5500, CM-5500, T-5500 Conventional & Tilt Cab w/ V-6 Gas or Diesel Eng.	FRONT	M85005	M89430
66 - 72	3192890	EG-5500, EM-5500, ES-5500 Cab/Cowl with 6 Cyl. Engines	REAR	M85005	M89430
66 - 72	4940606	CG-5500, CM-5500, T-5500 Conventional & Tilt Cab w/ V-6 Gas or Diesel Eng.	FRONT	M85005	M89430
66 - 72	22012095	CG-5500, CM-5500, T-5500 Conventional & Tilt Cab w/ V-6 Gas or Diesel Eng.	FRONT	M85005	M89430
66 - 72	22012095	EG-5500, EM-5500, ES-5500 Cab/Cowl with 6 Cyl. Engines	REAR	M85005	M89430
67 - 68		Truck and School Bus	FRONT	M85005	M89430
63 - 68		W-5500	FRONT	M85005	
6000 Series					
73 - 80	3192890	C, S, T Chassis - Conventional & Tilt Cab & School Bus w/ 5000 & 7000 lb Axle	FRONT	M85005	M89430
73 - 80	4940606	C, S, T Chassis - Conventional & Tilt Cab & School Bus w/ 5000 & 7000 lb Axle	FRONT	M85005	M89430
73 - 89	4940606	C, S Chassis - Conventional Cab & School Bus w/ 18500, 20800 & 23000 lb Rear Axle	REAR	M85005	M89430
73 - 80	4940662	C, S, T Chassis - Conventional & Tilt Cab & School Bus w/ 5000 & 7000 lb Axle	FRONT	M85005	M89430
73 - 75	4975467	C, S Chassis - Conventional Cab and School Bus - Exc. with 18500, 20800 & 23000 lb Rear Axle	FRONT	M83207	
73 - 75	4975494	C, S Chassis - Conventional Cab and School Bus - Exc. with 18500, 20800 & 23000 lb Rear Axle	FRONT	M83207	
73 - 80	4975497	C, S, T Chassis - Conventional & Tilt Cab & School Bus w/ 5000 & 7000 lb Axle	FRONT	M85005	M89430
73 - 80	22002293	C, S, T Chassis - Conventional & Tilt Cab & School Bus w/ 5000 & 7000 lb Axle	FRONT	M85005	M89430
79 - 80	22002293	W Chassis - 72" BBC Steel Tilt Cab	FRONT	M85005	M89430
73 - 80	22007701	C, S, T Chassis - Conventional & Tilt Cab & School Bus w/ 5000 & 7000 lb Axle	FRONT	M85005	M89430
73 - 75	22007750	C, S Chassis - Conventional Cab and School Bus - Exc. with 18500, 20800 & 23000 lb Rear Axle	FRONT	M83207	
73 - 80	22012095	C, S, T Chassis - Conventional & Tilt Cab & School Bus w/ 5000 & 7000 lb Axle	FRONT	M85005	M89430
73 - 89	22012095	C, S Chassis - Conventional Cab and School Bus with 18500, 20800 & 23000 lb Rear Axle	REAR	M85005	M89430
73 - 89	22012166	C, S Chassis - Conventional Cab and School Bus with 18500, 20800 & 23000 lb Rear Axle	REAR	M85005	M89430
63 - 68		DW - 6000	FRONT	M85005	M89430
1990-06	88982682	C Chassis - Conventional Cab Front Shock	FRONT	M83136	
1990-99	15588554	C Chassis - Conventional Cab Front Shock	FRONT	M83136	
1990-99	22064230	C Chassis - Conventional Cab Front Shock	FRONT	M83136	
1992-99	22064233	C Chassis - Conventional Cab w/ 19000, 21000, 23000 lb Taper Leaf Springs (EXC Low Profile Vehicle)	REAR	M83136	
1973-89	22012095	C, S Chassis - Conventional Cab and School Bus with 1M8500, 20800 & 23000 lb Rear Axle	REAR	M85005	M89430
1973-89	22012166	C, S Chassis - Conventional Cab and School Bus with 1M8500, 20800 & 23000 lb Rear Axle	REAR	M85005	M89430
1995-99	12474915	Models with Hendrickson Air Suspension (Stamping number 47902-13)	REAR	M83122	M89406
1995-99	15963161	Models with Hendrickson Air Suspension (Stamping number 47902-13)	REAR	M83122	M89406
1996-99	12474917	Models with Hendrickson Air Suspension (Stamping number 47902-29)	REAR	M83121	
1996-99	15740554	Models with Hendrickson Air Suspension (Stamping number 47902-29)	REAR	M83121	
	88982684	OEM Interchange	FRONT	M83136	
6500					
66 - 72	3171462	EG-6500, DM-6500, ES-6500 Cab/Cowl w/ V-6 Gas, Diesel or In-line 6 Gas Eng.	REAR	M85005	M89430
66 - 72	3192890	CE-6500, ME-6500 Conventional Cab with V-8 Gas Engine w/ 11000 lb Axle	FRONT	M85005	M89430
66 - 72	3192890	CM-6500, TE-6500, TM-6500 Conventional Cab w/ V-6 Diesel or V-8 Gas Eng.	FRONT	M85005	M89430
66 - 72	3192890	EG-6500, DM-6500, ES-6500 Cab/Cowl w/ V-6 Gas, Diesel or In-line 6 Gas Eng.	REAR	M85005	M89430
73 - 75	3192890	C, M Chassis - Conventional Cab with 9000 & 12000 lb Axle	FRONT	M85005	M89430

SHOCKS

Applications by Make/Model

MAKE SERIES/YEAR	OEM	MODEL DESCRIPTION	POSITION	MERITOR STANDARD	MERITOR PREMIUM
GMC TRUCK (continued)					
6500 (continued)					
73 - 80	3192890	C, S, T Chassis - Conventional & Tilt Cab and School Bus	FRONT	M85005	M89430
66 - 72	4940606	CE-6500, ME-6500 Conventional Cab with V-8 Gas Engine w/ 11000 lb Axle	FRONT	M85005	M89430
66 - 72	4940606	CM-6500, TE-6500, TM-6500 Conventional Cab w/ V-6 Diesel or V-8 Gas Eng.	FRONT	M85005	M89430
73 - 75	4940606	C, M Chassis - Conventional Cab with 9000 & 12000 lb Axle	FRONT	M85005	M89430
73 - 80	4940606	C, M, S Chassis - Conventional Cab & School Bus w/ 20800 or 23000 lb Rear Axle	REAR	M85005	M89430
73 - 80	4940606	C, S, T Chassis - Conventional & Tilt Cab and School Bus	FRONT	M85005	M89430
73 - 75	4975467	C, M, S Chassis - Conventional Cab and School Bus	FRONT	M83207	
73 - 75	4975494	C, M, S Chassis - Conventional Cab and School Bus	FRONT	M83207	
73 - 75	4975497	C, M Chassis - Conventional Cab with 9000 & 12000 lb Axle	FRONT	M85005	M89430
73 - 80	4975497	C, S, T Chassis - Conventional & Tilt Cab and School Bus	FRONT	M85005	M89430
73 - 80	22002293	C, S, T Chassis - Conventional & Tilt Cab and School Bus	FRONT	M85005	M89430
73 - 75	22007750	C, M, S Chassis - Conventional Cab and School Bus	FRONT	M83207	
66 - 72	22012095	CE-6500, ME-6500 Conventional Cab with V-8 Gas Engine w/ 11000 lb Axle	FRONT	M85005	M89430
66 - 72	22012095	CM-6500, TE-6500, TM-6500 Conventional Cab w/ V-6 Diesel or V-8 Gas Eng.	FRONT	M85005	M89430
66 - 72	22012095	EG-6500, DM-6500, ES-6500 Cab/Cowl w/ V-6 Gas, Diesel or In-line 6 Gas Eng.	REAR	M85005	M89430
73 - 75	22012095	C, M Chassis - Conventional Cab with 9000 & 12000 lb Axle	FRONT	M85005	M89430
73 - 80	22012095	C, M, S Chassis - Conventional Cab & School Bus w/ 20800 or 23000 lb Rear Axle	REAR	M85005	M89430
73 - 80	22012095	C, S, T Chassis - Conventional & Tilt Cab and School Bus	FRONT	M85005	M89430
73 - 80	22012166	C, M, S Chassis - Conventional Cab & School Bus w/ 20800 or 23000 lb Rear Axle	REAR	M85005	M89430
1990-06	15123676	C Chassis - Conventional Cab Front Shock	FRONT	M83136	
1990-06	88982682	C Chassis - Conventional Cab Front Shock	FRONT	M83136	
1990-99	15588554	C Chassis - Conventional Cab Front Shock	FRONT	M83136	
1990-99	22064230	C Chassis - Conventional Cab Front Shock	FRONT	M83136	
1992-99	22064233	C Chassis - Conventional Cab With 19000, 21000, 23000 lb Taper Leaf Springs (EXC Low Profile Vehicle)	REAR	M83136	
	88982684	OEM Interchange	FRONT	M83136	
7000					
79 - 80	22002293	W Chassis - 72" BBC Steel Tilt Cab	FRONT	M85005	M89430
79 - 89	22012095	C, M Chassis - 97" BBC Conventional Cab w/ 18500, 20800 & 23000 lb Rear Axle	REAR	M85005	M89430
79 - 89	22012166	C, M Chassis - 97" BBC Conventional Cab w/ 18500, 20800 & 23000 lb Rear Axle	REAR	M85005	M89430
7500 Series					
66 - 69	3171462	72" BBC Tilt Cab	FRONT	M85005	M89430
70 - 72	3171462	72" BBC Tilt Cab with Air Brakes - Exc. Gas Engine	FRONT	M85005	M89430
66 - 72	4940600	72" BBC Tilt Cab with V-6 2 Cycle Diesel Engine with 19101 and 19201 Axle	REAR	M83209	M89414
66 - 69	4940606	72" BBC Tilt Cab	FRONT	M85005	M89430
70 - 72	4940606	72" BBC Tilt Cab with Air Brakes - Exc. Gas Engine	FRONT	M85005	M89430
73 - 80	4940606	T, W Chassis - 72" BBC Steel Tilt Cab with V-6 Diesel Engine	FRONT	M85005	M89430
73 - 80	4975497	T, W Chassis - 72" BBC Steel Tilt Cab with V-6 Diesel Engine	FRONT	M85005	M89430
70 - 72	5552452	72" BBC Tilt Cab with Air Brakes & Gas Engine	FRONT	M85303	
73 - 80	5552452	REAR Chassis - Rear Engine Bus	REAR	M85303	
73 - 80	5552452	T, W Chassis - 72" BBC Steel Tilt Cab with V-6 Gas Engine	FRONT	M85303	
70 - 72	22012091	72" BBC Tilt Cab with Air Brakes & Gas Engine	FRONT	M85303	
73 - 80	22012091	REAR Chassis - Rear Engine Bus	REAR	M85303	
73 - 80	22012091	T, W Chassis - 72" BBC Steel Tilt Cab with V-6 Gas Engine	FRONT	M85303	
66 - 69	22012095	72" BBC Tilt Cab	FRONT	M85005	M89430

SHOCKS

Applications by Make/Model

MAKE SERIES/YEAR	OEM	MODEL DESCRIPTION	POSITION	MERITOR STANDARD	MERITOR PREMIUM
GMC TRUCK (continued)					
7500 (continued)					
70 - 72	22012095	72" BBC Tilt Cab with Air Brakes - Exc. Gas Engine	FRONT	M85005	M89430
73 - 80	22012095	T, W Chassis - 72" BBC Steel Tilt Cab with V-6 Diesel Engine	FRONT	M85005	M89430
1973-80	22012095	T, W Chassis - 72" BBC Steel Tilt Cab with V-6 Diesel Engine	FRONT	M85005	M89430
1973-80	4940606	T, W Chassis - 72" BBC Steel Tilt Cab with V-6 Diesel Engine	FRONT	M85005	M89430
1973-80	4975497	T, W Chassis - 72" BBC Steel Tilt Cab with V-6 Diesel Engine	FRONT	M85005	M89430
1973-80	22012091	T, W Chassis - 72" BBC Steel Tilt Cab with V-6 Gas Engine	FRONT	M85303	M89422
1973-80	5552452	T, W Chassis - 72" BBC Steel Tilt Cab with V-6 Gas Engine	FRONT	M85303	M89422
M8500					
73 - 80	5552452	REAR Chassis - Rear Engine Bus	REAR	M85303	
73 - 80	5552452	T, W Chassis - 72" BBC Steel Tilt Cab with V-6 Gas Engine	FRONT	M85303	
73 - 80	22012091	REAR Chassis - Rear Engine Bus	REAR	M85303	
73 - 80	22012091	T, W Chassis - 72" BBC Steel Tilt Cab with V-6 Gas Engine	FRONT	M85303	
9500					
66 - 72	5552452	72" BBC Steel Tilt Cab	FRONT	M85303	
73 - 80	5552452	T, W Chassis - 72" BBC Steel Tilt Cab	FRONT	M85303	
66 - 72	22012091	72" BBC Steel Tilt Cab	FRONT	M85303	
73 - 80	22012091	T, W Chassis - 72" BBC Steel Tilt Cab	FRONT	M85303	
B					
	15123676	Models with O.E.M. Number	FRONT	M83136	
	15588554	Models with O.E.M. Number	FRONT	M83136	
	22064230	Models with O.E.M. Number	FRONT	M83136	
	88982682	Models with O.E.M. Number	FRONT	M83136	
C (C4500, C5500) Topkick					
90 - 09	15123676	C Chassis - Conventional Cab with Front Shock with O.E.M. Number	FRONT	M83136	
90 - 09	15588554	C Chassis - Conventional Cab with Front Shock with O.E.M. Number	FRONT	M83136	
90 - 09	15887728	C Chassis - Conventional Cab with Front Shock with O.E.M. Number	FRONT	M83136	
90 - 09	19152843	C Chassis - Conventional Cab with Front Shock with O.E.M. Number	FRONT	M83136	
90 - 09	22064230	C Chassis - Conventional Cab with Front Shock with O.E.M. Number	FRONT	M83136	
1990 -	22064233	C Chassis - Conventional Cab with 19000, 21000, 23000 lb Taperleaf Springs (EXC Low Profile Vehicle)	REAR	M83136	
90 - 09	88982682	C Chassis - Conventional Cab with Front Shock with O.E.M. Number	FRONT	M83136	
	88982684	Models with O.E.M. Number	FRONT	M83136	
	88982684	OEM Interchange	FRONT	M83136	
C (C5500, C6500, C7500, C8500)					
1997-	15123676	Conventional Cab Front Shock	FRONT	M83136	
1997-	15588554	Conventional Cab Front Shock	FRONT	M83136	
1997-	22064230	Conventional Cab Front Shock	FRONT	M83136	
1997-	88982682	Conventional Cab Front Shock	FRONT	M83136	
1997-	22064233	Conventional Cab With 19000, 21000, 23000 lb Taper Leaf Springs (EXC Low Profile Vehicle)	REAR	M83136	
C (C6500, C7500, CM8500) Topkick					
95 - 99	12474915	Models with Hendrickson Air Suspension (Stamping number 47902-13)	REAR	M83122	
90 - 09	15123676	Conventional Cab	FRONT	M83136	
90 - 09	15174898	Conventional Cab	FRONT	M83136	
90 - 09	15588554	Conventional Cab	FRONT	M83136	
90 - 09	15887728	Conventional Cab	FRONT	M83136	
95 - 99	15963161	Models with Hendrickson Air Suspension (Stamping number 47902-13)	REAR	M83122	
90 - 09	19152843	Conventional Cab	FRONT	M83136	

SHOCKS

Applications by Make/Model

MAKE SERIES/YEAR	OEM	MODEL DESCRIPTION	POSITION	MERITOR STANDARD	MERITOR PREMIUM
GMC TRUCK (continued)					
C (C6500, C7500, CM8500) Topkick (continued)					
90 - 09	22064230	Conventional Cab	FRONT	M83136	
1990 -	22064233	Conventional Cab w/19000, 21000, 23000 lb Taperleaf Springs (EXC Low Profile Vehicle)	REAR	M83136	
90 - 09	88982682	Conventional Cab	FRONT	M83136	
	88982684	Models with O.E.M. Number	FRONT	M83136	
1996-99	15740554	Models with Hendrickson Air Suspension (Stamping number 47902-29)	REAR	M83121	
1996-99	12474917	Models with Hendrickson Air Suspension (Stamping number 47902-29)	REAR	M83121	
	88982684	OEM Interchange	FRONT	M83136	
1990-09	15174898	Conventional Cab Front Shock with OEM Number	FRONT	M83136	
Other Series					
	684280	Additional O.E.M. Interchanges	BOTH	M83209	M89414
	3172948	Additional O.E.M. Interchanges	BOTH	M85303	
	3188626	Additional O.E.M. Interchanges	BOTH	M85300	
	3188729	Additional O.E.M. Interchanges	BOTH	M85303	
	4940627	Additional O.E.M. Interchanges	BOTH	M83203	M89436
	4940650	Additional O.E.M. Interchanges	BOTH	M83207	
	4940660	Additional O.E.M. Interchanges	BOTH	M83207	
	4975429	Additional O.E.M. Interchanges	BOTH	M85300	
	5316792	Additional O.E.M. Interchanges	BOTH	M85305	
	5316793	Additional O.E.M. Interchanges	BOTH	M85305	
	5348631	Additional O.E.M. Interchanges	BOTH	M83203	M89436
	5352858	Additional O.E.M. Interchanges	BOTH	M85305	
	5353054	Additional O.E.M. Interchanges	BOTH	M85303	
	5357955	Additional O.E.M. Interchanges	BOTH	M85300	
	5357959	Additional O.E.M. Interchanges	BOTH	M85300	
	5392387	Additional O.E.M. Interchanges	BOTH	M85303	
	5394448	Additional O.E.M. Interchanges	BOTH	M85305	
	5394467	Additional O.E.M. Interchanges	BOTH	M85305	
	5516459	Additional O.E.M. Interchanges	BOTH	M85305	
	5522818	Additional O.E.M. Interchanges	BOTH	M85305	
	5527001	Additional O.E.M. Interchanges	BOTH	M85300	
	5527606	Additional O.E.M. Interchanges	BOTH	M85305	
	5531027	Additional O.E.M. Interchanges	BOTH	M85301	
	5532425	Additional O.E.M. Interchanges	BOTH	M83207	
	5532433	Additional O.E.M. Interchanges	BOTH	M83207	
	5534430	Additional O.E.M. Interchanges	BOTH	M85303	
	5534447	Additional O.E.M. Interchanges	BOTH	M85303	
	5549899	Additional O.E.M. Interchanges	BOTH	M83207	
	5552209	Additional O.E.M. Interchanges	BOTH	M83215	
	5552453	Additional O.E.M. Interchanges	BOTH	M85301	
	5554596	Additional O.E.M. Interchanges	BOTH	M85303	
	5554995	Additional O.E.M. Interchanges	BOTH	M85305	
	5559363	Additional O.E.M. Interchanges	BOTH	M83203	M89436
	15642943	Models with O.E.M. Number	REAR	M83136	
	22012091	Additional O.E.M. Interchanges	BOTH	M85303	

Applications by Make/Model

MAKE SERIES/YEAR	OEM	MODEL DESCRIPTION	POSITION	MERITOR STANDARD	MERITOR PREMIUM
GMC TRUCK (continued)					
Other Series (continued)					
	22046489	Models with O.E.M. Number	FRONT	M85303	
	22065251	Models with O.E.M. Number	FRONT	M85030	
	97-2210-00164	Additional O.E.M. Interchanges	BOTH	M85708	
2003 -	1201-1043	C4500 , C5500 Series Models with Link Cabmate Model GMT560	CAB	M83025	
1990 -	1202-0054	TopKick Truck Cabs with Link Cabmate Model GMC104TK	CAB	M83021	
2003 -	1202-1043	C4500 , C5500 Series Models with Link Cabmate Model GMT560	CAB	M83025	
P					
92 - 96	22064233	Motorhome Chassis	REAR	M83136	
T (T5500, T6500, T7500, TM8500)					
1999	12474915	Models with Hendrickson Air Suspension (Stamping number 47902-13)	REAR	M83122	
1999	15963161	Models with Hendrickson Air Suspension (Stamping number 47902-13)	REAR	M83122	
92 - 99	22064233	Tilt Cab with 19000, 21000, 23000 lb Taperleaf Springs (EXC Low Profile Veh.)	REAR	M83136	
97 -	22064804	FL1 Tilt Cab with 8100 lb Axle	FRONT	M83136	
97 -	22064805	FL1 Tilt Cab with 8100 lb Axle	FRONT	M83136	
97 -	22064806	FL3 Tilt Cab with 14575 lb Axle	FRONT	M83136	
97 -	22064807	FL2 Tilt Cab with 5000 to 11000 lb Axle	FRONT	M83136	
97 -	22165187	FL1 Tilt Cab with 8100 lb Axle	FRONT	M83136	
97 -	22165188	FL1 Tilt Cab with 8100 lb Axle	FRONT	M83136	
97 -	22165189	FL3 Tilt Cab with 14575 lb Axle	FRONT	M83136	
97 -	22166442	FL2 Tilt Cab with 5000 to 11000 lb Axle	FRONT	M83136	
W (Isuzu)					
	90044769	Models with O.E.M. Number	REAR	M83207	
	90044770	Models with O.E.M. Number	REAR	M83207	
83 - 95	8-51630-666-0	W4 Series	REAR	M85012	M89413
89 - 92	8-51630-666-0	W4 Series Flatlow	REAR	M85012	M89413
83 - 95	9-51630-666-0	W4 Series	REAR	M85012	M89413
	9-51630-666-2	Models with O.E.M. Number	REAR	M85012	M89413
GRANNING SUSPENSION					
	680162	Models with O.E.M. Number	REAR	M85300	
GREAT DANE TRAILER					
	18163-01	Reyco Suspension 87	REAR	M83207	
	18164-01	Reyco Suspension 88	REAR	M83122	
	18165-01	Trailers with Reyco 86 AR / RS 1015, 1035, 3035 Slider Air Suspension	REAR	M85006	
	HENS-20001	Trailers with Great Dane part number	REAR	M83128	M89436
	HENS-20002	Trailers with Great Dane part number	REAR	M85000	M89436
	HENS-20126	Trailers with Great Dane part number	REAR	M85323	M89436
	HENS-21292	Trailers with Great Dane part number	REAR	M85052	
	HENS-23566	Trailers with Great Dane part number	REAR	M85000	M89436
	HENS-23649	Trailers with Great Dane part number	REAR	M85064	
	HENS-24088	Trailers with Great Dane part number	REAR	M85000	M89436
	MER202447	Trailers with Great Dane part number	REAR	M85919	
	REY18165-01	Trailers with Great Dane part number	REAR	M85006	
GREYHOUND BUS					
	12 TA-01-013	City Cruiser	BOTH	M85303	

SHOCKS

Applications by Make/Model

MAKE SERIES/YEAR	OEM	MODEL DESCRIPTION	POSITION	MERITOR STANDARD	MERITOR PREMIUM
HARDEE MFG					
	8030223	Models with O.E.M. Number	REAR	M83207	
	AS789B	Models with O.E.M. Number	REAR	M85014	
HENDRICKSON TRAILER SUSPENSION SYSTEMS					
Intraax®					
	A-20002	AA230T & AA250T (Models with O.E.M. Number)	REAR	M85000	M89436
	A-20126	AA230T & AA250T (Models with O.E.M. Number)	REAR	M85323	M89436
	A-20889	AA230T & AA250T (Models with O.E.M. Number)	REAR	M85323	M89436
	B-22311	Low Ride Height Models with	REAR	M85045	
	B-23013	Low Ride Height Models with	REAR	M85000	M89436
	B-23315	Low Ride Height Models with	REAR	M85029	
	B-23566	AANT 23K	REAR	M85000	M89436
	B-23566	AAT 23K	REAR	M85000	M89436
	B-23566	AAT 25K	REAR	M85000	M89436
	B-24023	AANT 23K	REAR	M85738	
	B-24023	AAT 23K	REAR	M85738	
	B-24023	AAT 25K	REAR	M85738	
	B-24023	AAT 30K	REAR	M85738	
	B-24125	AANT 23K	REAR	M85323	M89436
	B-24125	AAT 23K	REAR	M85323	M89436
	B-24125	AAT 25K	REAR	M85323	M89436
	B-25436	AAEDT 30K	REAR		M89430
Additional Suspensions					
	665267	TDC-014	REAR	M85029	
	A-1667	AB-32-001	REAR		M89436
	A-20001	HS190T (Slider Air Suspension)	REAR	M83128	M89436
	A-20002	HS230 (Slider Air Suspension)	REAR	M85000	M89436
	A-21292	HK190T (Slider Air Suspension)	REAR	M85052	
	A-21292	HK230 (Slider Air Suspension)	REAR	M85052	
	A-2212	TDC-014	REAR	M85029	
	S-1667	MT-45,MTL45,MTL-50	REAR	M85000	M89436
HN					
	47902-18	HNT - 460	REAR	M85030	
Other Series					
	70018	Models with O.E.M. Number	REAR	M85303	
	70021	Models with O.E.M. Number	REAR	M85303	
	654890	Models with O.E.M. Number	REAR	M83207	
	654894	Models with O.E.M. Number	REAR	M83123	
	654896	Models with O.E.M. Number	REAR	M83147	
	654898	Models with O.E.M. Number	REAR	M83123	
	654899	Models with O.E.M. Number	REAR	M85013	M89414
	654903	Models with O.E.M. Number	REAR	M83111	
	654905	Models with O.E.M. Number	REAR	M83112	
	654951	Models with O.E.M. Number	REAR	M85000	M89436
	659004	Models with O.E.M. Number	REAR	M83123	
	659024	Models with O.E.M. Number	REAR	M85052	

Applications by Make/Model

MAKE SERIES/YEAR	OEM	MODEL DESCRIPTION	POSITION	MERITOR STANDARD	MERITOR PREMIUM
HENDRICKSON TRAILER SUSPENSION SYSTEMS (continued)					
Other Series (continued)					
659155		Models with O.E.M. Number	REAR	M83147	
665190		Models with O.E.M. Number	REAR	M85006	
665246		Models with O.E.M. Number	REAR	M85043	
665405		Models with O.E.M. Number	REAR	M85030	
665531		Models with O.E.M. Number	REAR	M85000	M89436
665532		Models with O.E.M. Number	REAR	M85013	M89414
665533		Models with O.E.M. Number	REAR	M85005	M89430
665536		Models with O.E.M. Number	REAR	M85000	M89436
665693		Models with O.E.M. Number	REAR	M85064	
665694		Models with O.E.M. Number	REAR	M85052	
665733		Models with O.E.M. Number	REAR	M85045	
665756		Models with O.E.M. Number	REAR	M85000	M89436
665758		Models with O.E.M. Number	REAR	M85064	
665759		Models with O.E.M. Number	REAR	M85052	
665760		Models with O.E.M. Number	REAR	M85045	
665764		Models with O.E.M. Number	REAR	M85029	
665766		Models with O.E.M. Number	REAR	M85000	M89436
665767		Models with O.E.M. Number	REAR	M85045	
665767		Models with O.E.M. Number	REAR	M85045	
665816		Models with O.E.M. Number	REAR	M85072	
665892		Models with O.E.M. Number	REAR	M85072	
671006		Models with O.E.M. Number	REAR	M85036	
671009		Models with O.E.M. Number	REAR	M85919	
671105		Models with O.E.M. Number	REAR	M85072	
671603		Models with O.E.M. Number	REAR	M85919	
671779		Models with O.E.M. Number	REAR		M89414
671948		Models with O.E.M. Number	REAR	M85000	M89436
680091		Models with O.E.M. Number	REAR	M85303	
680341		Models with O.E.M. Number	REAR	M85323	M89436
680467		Models with O.E.M. Number	REAR	M85323	M89436
680509		Models with O.E.M. Number	REAR	M85738	
680565		Models with O.E.M. Number	REAR	M85738	
680566		Models with O.E.M. Number	REAR	M85938	
680568		Models with O.E.M. Number	REAR	M85323	M89436
680571		Models with O.E.M. Number	REAR	M85738	
680600		Models with O.E.M. Number	REAR	M85305	
680616		Models with O.E.M. Number	REAR		M89430
680702		Models with O.E.M. Number	REAR	M85323	M89436
680756		Models with O.E.M. Number	REAR	M85323	M89436
5554596		Models with O.E.M. Number	REAR	M85303	
47902-11		Models with O.E.M. Number	REAR	M83207	
47902-27		Models with O.E.M. Number	REAR	M83123	
47902-28		Models with O.E.M. Number	REAR	M85013	M89414
47902-3		Models with O.E.M. Number	REAR	M85005	M89430

SHOCKS

Applications by Make/Model

MAKE SERIES/YEAR	OEM	MODEL DESCRIPTION	POSITION	MERITOR STANDARD	MERITOR PREMIUM
HENDRICKSON TRAILER SUSPENSION SYSTEMS (continued)					
Other Series (continued)					
	503610C2	Models with O.E.M. Number	REAR	M83207	
	57241-001	Models with O.E.M. Number	REAR	M83111	
	57241-004	Models with O.E.M. Number	REAR	M83110	
	57324-11	Models with O.E.M. Number	REAR	M85305	
	59057-002	Models with O.E.M. Number	REAR	M85036	
	60657-007	Models with O.E.M. Number	REAR	M85072	
	60665-004	Models with O.E.M. Number	REAR	M85036	
	60665-020	Models with O.E.M. Number	REAR	M85919	
	60670-001	Models with O.E.M. Number	REAR	M83123	
	60670-004	Models with O.E.M. Number	REAR	M83123	
	60670-006	Models with O.E.M. Number	REAR	M83147	
	60670-009	Models with O.E.M. Number	REAR	M85013	M89414
	98583-016	Models with O.E.M. Number	REAR	M83147	
Top Mount Style					
	A-20001	HT190T (All Models)	REAR	M83128	M89436
	A-20002	HT230T	REAR	M85000	M89436
	A-20126	HT230T	REAR	M85323	M89436
	A-20126	HT300T & N-HT300T	REAR	M85323	M89436
	A-2160	HT230T	REAR	M85014	
	A-2160	HT300T & N-HT300T	REAR	M85014	
	A-2160	T-15-324	REAR	M85014	
	A-2212	HT230T	REAR	M85029	
	A-2212	HT250T (All Models)	REAR	M85029	
	A-2218	T-15-140, -155, -172, 244, -376	REAR	M85030	
	A-2218	T-17-141, -174, -284	REAR	M85030	
	A-4084	TMB-17-135	REAR	M85005	M89430
	B-21553	HT230T	REAR	M85738	
	B-21553	HT300T & N-HT300T	REAR	M85738	
Under Slung Style					
	A-10348	T30-US-9, -17	REAR	M85043	
	A-1667	HT250U & N-HT250U	REAR	M85000	M89436
	A-1667	T-6-062, -295, -370, -422	REAR	M85000	M89436
	A-20001	HT190U	REAR	M83128	M89436
	A-20002	HT190U	REAR	M85000	M89436
	A-20002	HT250U & N-HT250U	REAR	M85000	M89436
	A-20002	HT250U-Y (All Models)	REAR	M85000	M89436
	A-20126	HT250U & N-HT250U	REAR	M85323	M89436
	A-20126	HT300U & N-HT300U	REAR	M85323	M89436
	A-2160	HT250U & N-HT250U	REAR	M85014	
	A-2160	T-4-392	REAR	M85014	
	A-2160	T-9-175	REAR	M85014	
	A-2212	HT190U	REAR	M85029	
	A-2212	HT250U & N-HT250U	REAR	M85029	
	A-2212	HT250US (Models with Remote Shock Mount)	REAR	M85029	

MAKE SERIES/YEAR	OEM	MODEL DESCRIPTION	POSITION	MERITOR STANDARD	MERITOR PREMIUM
HENDRICKSON TRAILER SUSPENSION SYSTEMS (continued)					
Under Slung Style (continued)					
A-2212		HT250US (Models with Remote Shock Mount)	REAR	M85029	
A-2212		T-6-071	REAR	M85029	
A-2218		T-9-325	REAR	M85030	
A-2240		T-9-084	REAR	M85013	M89414
A-4084		T-9-106, -278, -313	REAR	M85005	M89430
B-21553		HT250U & N-HT250U	REAR	M85738	
B-21936		HT250US (Models with O.E.M. Number)	REAR	M85064	
B-21947		HT250US (Models with O.E.M. Number)	REAR	M85052	
B-22862		HT250US (Models with O.E.M. Number)	REAR	M85045	
B-23649		HT190U	REAR	M85064	
B-23649		HT250US (Models with Remote Shock Mount)	REAR	M85064	
B-23649		HT250US (Models with Standard Shock Mount)	REAR	M85064	
B-23650		HT250US (Models with Remote Shock Mount)	REAR	M85052	
B-23650		HT250US (Models with Standard Shock Mount)	REAR	M85052	
B-23651		HT250US (Models with Angled and Frame Clearance Mount)	REAR	M85045	
B-23651		HT250US (Models with Standard Shock Mount)	REAR	M85045	
B-23743		HT250US (Models with Remote Shock Mount)	REAR	M85938	
B-23743		HT250US (Models with Remote Shock Mount)	REAR	M85938	
Vantraax®					
B-23566		HKA200	REAR	M85000	M89436
B-23566		HKA250	REAR	M85000	M89436
B-23566		HKANT 46K	REAR	M85000	M89436
B-24088		HKA180	REAR	M85000	M89436
B-24088		HKANT 40K	REAR	M85000	M89436
B-24125		HKA200	REAR	M85323	M89436
B-24125		HKA250	REAR	M85323	M89436
HENDRICKSON TRUCK SUSPENSION SYSTEMS					
Additional Suspensions					
57241-006		MaxAir / AL-405 Models	REAR	M83111	
59483-000		Parasteer Suspensions	FRONT	M85919	M89405
60665-005		Parasteer Suspensions	FRONT	M85919	M89405
60665-025		HTS 210 For Spartan Chassis (Type C School Bus Applications)	REAR	M85036	
60998-002		Parasteer Suspensions	FRONT	M85919	M89414
Airtek®					
64838-001		Airtek Front	FRONT	M85933	
64838-002		Airtek Front	FRONT	M85933	
Firemaax®					
60657-003		Firemaax 240 Air Suspensions	REAR	M85072	
60657-003		Firemaax 480 Air Suspensions	REAR	M85072	
60657-003		Firemaax EX 242 Air Suspensions	REAR	M85072	
60657-003		Firemaax EX 482 Air Suspensions	REAR	M85072	
HA					
47902-13		HA - 180 (Used on all except Mack)	REAR	M83122	
47902-13		HA - 200 (Used on all except Mack)	REAR	M83122	

Applications by Make/Model

MAKE SERIES/YEAR	OEM	MODEL DESCRIPTION	POSITION	MERITOR STANDARD	MERITOR PREMIUM
HENDRICKSON TRUCK SUSPENSION SYSTEMS (continued)					
HA (continued)					
47902-13		HA - 230 (Used on all except Mack)	REAR	M83122	
47902-13		HA - 360 (Used on all except Mack)	REAR	M83122	
47902-13		HA - 400 (Used on all except Mack)	REAR	M83122	
47902-13		HA - 460 (Used on all except Mack)	REAR	M83122	
47902-19		HA Series Air Suspension (All Series used on Mack)	REAR	M83123	
47902-8		HA - 180 (Used on all except Mack)	REAR	M83122	
47902-8		HA - 200 (Used on all except Mack)	REAR	M83122	
47902-8		HA - 230 (Used on all except Mack)	REAR	M83122	
47902-8		HA - 360 (Used on all except Mack)	REAR	M83122	
47902-8		HA - 400 (Used on all except Mack)	REAR	M83122	
47902-8		HA - 460 (Used on all except Mack)	REAR	M83122	
47902-9		HA Series Air Suspension (All Series used on Mack)	REAR	M83123	
HAS					
47902-25		HAS - 400	REAR	M83125	
60670-008		HAS - 190L	REAR	M83123	
60670-008		HAS - 210L	REAR	M83123	
60670-008		HAS - 230L	REAR	M83123	
60670-008		HAS - 400L	REAR	M83123	
60670-008		HAS - 402L	REAR	M83123	
60670-008		HAS - 460L	REAR	M83123	
60675-006		HAS - 400	REAR	M85909	
60675-006		HAS - 402	REAR	M85909	
60675-006		HAS - 460	REAR	M85909	
60680-001		HAS - 40LH	REAR	M83111	
HN					
57241-003		HN - 402	REAR	M83112	
57241-003		HN - 460	REAR	M83112	
57241-003		HN - 462	REAR	M83112	
60670-002		HN - 400	REAR	M83207	
60670-002		HN - 460	REAR	M83207	
60680-003		HN - 400	REAR	M83112	
60680-003		HN - 402	REAR	M83112	
60680-003		HN - 460	REAR	M83112	
60680-003		HN - 462	REAR	M83112	
60680-003		HN - 522	REAR	M83112	
Other Series					
70018		Models with O.E.M. Number	REAR	M85303	
70021		Models with O.E.M. Number	REAR	M85303	
654890		Models with O.E.M. Number	REAR	M83207	
654894		Models with O.E.M. Number	REAR	M83123	
654896		Models with O.E.M. Number	REAR	M83147	
654898		Models with O.E.M. Number	REAR	M83123	
654899		Models with O.E.M. Number	REAR	M85013	M89414
654903		Models with O.E.M. Number	REAR	M83111	

SHOCKS

Applications by Make/Model

MAKE SERIES/YEAR	OEM	MODEL DESCRIPTION	POSITION	MERITOR STANDARD	MERITOR PREMIUM
HENDRICKSON TRUCK SUSPENSION SYSTEMS (continued)					
Other Series (continued)					
654905		Models with O.E.M. Number	REAR	M83112	
659004		Models with O.E.M. Number	REAR	M83123	
659155		Models with O.E.M. Number	REAR	M83147	
665816		Models with O.E.M. Number	REAR	M85072	
671006		Models with O.E.M. Number	REAR	M85036	
671009		Models with O.E.M. Number	REAR	M85919	
671105		Models with O.E.M. Number	REAR	M85072	
671603		Models with O.E.M. Number	REAR	M85919	
680091		Models with O.E.M. Number	REAR	M85303	
680600		Models with O.E.M. Number	REAR	M85305	
5554596		Models with O.E.M. Number	REAR	M85303	
47902-11		Models with O.E.M. Number	REAR	M83207	
47902-27		Models with O.E.M. Number	REAR	M83123	
47902-28		Models with O.E.M. Number	REAR	M85013	M89414
47902-3		Models with O.E.M. Number	REAR	M85005	
503610C2		Models with O.E.M. Number	REAR	M83207	
57241-001		Models with O.E.M. Number	REAR	M83111	
57241-004		Models with O.E.M. Number	REAR	M83110	
57324-11		Models with O.E.M. Number	REAR	M85305	
59057-002		Models with O.E.M. Number	REAR	M85036	
60657-007		Models with O.E.M. Number	REAR	M85072	
60665-004		Models with O.E.M. Number	REAR	M85036	
60665-020		Models with O.E.M. Number	REAR	M85919	
60670-001		Models with O.E.M. Number	REAR	M83123	
60670-004		Models with O.E.M. Number	REAR	M83123	
60670-006		Models with O.E.M. Number	REAR	M83147	
60670-009		Models with O.E.M. Number	REAR	M85013	M89414
98583-016		Models with O.E.M. Number	REAR	M83147	
BE76164-2		Models with O.E.M. Number	REAR	M85303	
Primaax®					
60657-003		230 Air Suspensions	REAR	M85072	
60657-003		460 Air Suspensions	REAR	M85072	
60657-003		690 Air Suspensions	REAR	M85072	
60657-003		690 Air Suspensions	REAR	M85072	
60657-003		EX 232 Air Suspensions	REAR	M85072	
60657-003		EX 462 Air Suspensions	REAR	M85072	
60657-003		EX 692 Air Suspensions	REAR	M85072	
HIGHWAY PRODUCT					
A1-6-135		Transit Bus with Leaf Spring Suspension	FRONT	M83203	M89436
		Transit Bus with Air Suspension	FRONT	M83203	M89436
		Transit Bus with Leaf Spring Suspension	BOTH	M83203	M89436

SHOCKS

Applications by Make/Model

MAKE SERIES/YEAR	OEM	MODEL DESCRIPTION	POSITION	MERITOR STANDARD	MERITOR PREMIUM
HINO					
145 Series					
05 - 10	48500-3710	Trucks with O.E.M. Number	FRONT		M89430
05 - 10	485003710A	Trucks with O.E.M. Number	FRONT		M89430
05 - 10	S4850-03710	Trucks with O.E.M. Number	FRONT		M89430
165 Series					
05 - 10	48500-3710	Trucks with O.E.M. Number	FRONT		M89430
05 - 10	485003710A	Trucks with O.E.M. Number	FRONT		M89430
05 - 10	S4850-03710	Trucks with O.E.M. Number	FRONT		M89430
185 Series					
05 - 10	48500-3710	Trucks with O.E.M. Number	FRONT		M89430
05 - 10	485003710A	Trucks with O.E.M. Number	FRONT		M89430
05 - 10	S4850-03710	Trucks with O.E.M. Number	FRONT		M89430
	48530-1460	Models with O.E.M. Number	REAR	M83215	
	48530-1770	Models with O.E.M. Number	REAR	M83215	
	48500-3710	Additional Applications	FRONT		M89430
HOBBS TRAILERS					
	680117	Models with O.E.M. Number	REAR	M85300	
HOLIDAY RAMBLER					
	90044794	Models with Neway Trailer Air Suspension with O.E.M. Number	REAR	M83127	
HOLLAND - BINKLEY					
	6898	Air Plus Integrated Air Susp. with ProPar Parallel Spindle Axles	REAR	M83125	
HUTCHENS SUSPENSION					
	9423-00	Models with O.E.M. Number	REAR		M89436
INGERSOLL AXLES					
	653511-01	Ingersoll part number	REAR	M85323	M89436
	653511-02	Ingersoll part number	REAR	M85938	
	653511-03	Ingersoll part number	REAR	M85045	
	653511-04	Ingersoll part number	REAR	M85052	
INTERNATIONAL					
5000					
Sept 94 -	1202-1044	Paystar - SBA Conventionals w/ Link Cabmate Model NP50 & NP50-A built after 8/94	CAB	M83025	
Sept 96 -	1202-1044	Paystar - SFA Conventionals w/ Link Cabmate Model NP50 & NP50-A built after 8/96	CAB	M83025	
9000					
1982 -	1202-0054	9670, 9700 & 9800 Cabovers w/ 89" & 110" cabs w/ Link Cabmate Model NAV9876	CAB	M83021	
	1202-1043	9300 & 9400 Conventional Tractors with Link Cabmate Model IHC93-A	CAB	M83025	
Jan 1993-	1202-1044	48" & 60" Bentz Sleepers on 9000 Conventional Tractors w/ Link Cabmate Model IHS4860	CAB	M83025	
Mar 1997-	202-1043	9100 & 9200 Series Conventionals with Link Cabmate Model ND92-A	CAB	M83025	
	2503529C1	9300 & 9400 Conventional Tractors with Link Cabmate Model IHC93-A	CAB	M83025	
A, B, AC and BC Conventional					
	308646C91	A-170, B-170, AC-170, BC-170, A-180, B-180, AC-180, BC-180	FRONT	M85012	M89413
	308646C91	ACF-170 & BCF-170	REAR	M85012	M89413
	308668C91	C-150	REAR	M85012	M89413
	453556C91	C-150	REAR	M85012	M89413

SHOCKS

Applications by Make/Model

MAKE SERIES/YEAR	OEM	MODEL DESCRIPTION	POSITION	MERITOR STANDARD	MERITOR PREMIUM
INTERNATIONAL (continued)					
Binder					
	453556C91	Binder	FRONT	M85012	M89413
	467983C91	Binder	FRONT	M85012	M89413
	467985C91	Binder	FRONT	M85012	M89413
	471201C91	Binder	FRONT	M85012	M89413
Cargostar					
	308646C91	CO-1600, CO-1610A & B, CO-1630A & B, CO-1700, CO-1710A & B, CO-1730A & B, CO-1750, CO-1750A & B, CO-1800, CO-1810A & B, CO-1830A & B, CO-1850, and CO-1850A & B	REAR	M85012	M89413
	350425C1	CO-190, VCO-190, CO-200, DCO-200, VCO-200, CO-220, VCO-220 With Air Ride Suspension After Chassis No G-387453	REAR	M85300	
	350425C1	CO-1950 with Air Ride Suspension After Chassis No. G-387453	REAR	M85300	
	360444C91	CO-1600, CO-1610A & B, CO-1630A & B, CO-1700, CO-1710A & B, CO-1730A & B, CO-1750, CO-1750A & B, CO-1800, CO-1810A & B, CO-1830A & B, CO-1850, and CO-1850A & B	REAR	M85012	M89413
	453564C91	CO-1600, CO-1610A & B, CO-1630A & B, CO-1700, CO-1710A & B, CO-1730A & B, CO-1750, CO-1750A & B, CO-1800, CO-1810A & B, CO-1830A & B, CO-1850, and CO-1850A & B	REAR	M85012	M89413
	462557C91	CO-190, VCO-190, CO-200, DCO-200, VCO-200, CO-220, VCO-220 With Air Ride Suspension After Chassis No G-387453	REAR	M85300	
	462557C91	CO-1950 with Air Ride Suspension After Chassis No. G-387453	REAR	M85300	
	467983C91	CO-1600, CO-1610A & B, CO-1630A & B, CO-1700, CO-1710A & B, CO-1730A & B, CO-1750, CO-1750A & B, CO-1800, CO-1810A & B, CO-1830A & B, CO-1850, and CO-1850A & B	REAR	M85012	M89413
Co-Transtar and Transtar II					
	426744R91	7070B, FRONT-7070B, CO-7070B & COF-7070B	FRONT	M85303	
	426744R91	CO-4010, COF-4010, COT-4010, COT-4010D, CO-4050, COF-4050, COT-4050, CO-4040A & B, CO-4070D, COF-4070B, COF-4070D, COT-4070D, COF-4077, COF-4077A, COF-4080D, CO-4090A, COF-4090A	FRONT	M85303	
	426744R92	7070B, FRONT-7070B, CO-7070B & COF-7070B	FRONT	M85303	
	426744R92	CO-4010, COF-4010, COT-4010, COT-4010D, CO-4050, COF-4050, COT-4050, CO-4040A & B, CO-4070D, COF-4070B, COF-4070D, COT-4070D, COF-4077, COF-4077A, COF-4080D, CO-4090A, COF-4090A	FRONT	M85303	
	453576C91	7070B, FRONT-7070B, CO-7070B & COF-7070B	FRONT	M85303	
	453576C91	CO-4010, COF-4010, COT-4010, COT-4010D, CO-4050, COF-4050, COT-4050, CO-4040A & B, CO-4070D, COF-4070B, COF-4070D, COT-4070D, COF-4077, COF-4077A, COF-4080D, CO-4090A, COF-4090A	FRONT	M85303	
	453576C92	7070B, FRONT-7070B, CO-7070B & COF-7070B	FRONT	M85303	
	453576C92	CO-4010, COF-4010, COT-4010, COT-4010D, CO-4050, COF-4050, COT-4050, CO-4040A & B, CO-4070D, COF-4070B, COF-4070D, COT-4070D, COF-4077, COF-4077A, COF-4080D, CO-4090A, COF-4090A	FRONT	M85303	
	462557C91	CO-4070A, COF-4070A, COF-4090A with Rear Suspension	REAR	M85300	
	477132C1	7070B, FRONT-7070B, CO-7070B & COF-7070B	FRONT	M85303	
	477132C1	CO-4010, COF-4010, COT-4010, COT-4010D, CO-4050, COF-4050, COT-4050, CO-4040A & B, CO-4070D, COF-4070B, COF-4070D, COT-4070D, COF-4077, COF-4077A, COF-4080D, CO-4090A, COF-4090A	FRONT	M85303	
DuraStar - 4300, 4400					
02 - 10	3533356C1	Models with 8,000 lb Front axle	FRONT	M83135	
	3533356C1	School Bus models with 8,000 lb Front axle	FRONT	M83135	
02 - 10	3533356C2	Models with 8,000 lb Front axle	FRONT	M83135	
	3533356C2	School Bus models with 8,000 lb Front axle	FRONT	M83135	
- 11	3549099C2	Models with 40,000 lb Rear Air Suspension	REAR	M85923	

SHOCKS

Applications by Make/Model

MAKE SERIES/YEAR	OEM	MODEL DESCRIPTION	POSITION	MERITOR STANDARD	MERITOR PREMIUM
INTERNATIONAL (continued)					
FRONT & S					
1675455C1		1600, 1700, 1800, 1900, 2100 Series with International Air Suspension	REAR	M85003	M89411
1675455C1		2275, F2275, 2524, F2524, 2554, F2554, 2574, F2574, 2575, F2575, F2624, F2654, F2674 Series with International Corporate Air Suspension	REAR	M85003	M89411
1675455C1		2275, F2275, 2524, F2524, 2554, F2554, 2574, F2574, 2575, F2575, F2624, F2654, F2674 Series w/ International Corporate Air Suspension - For Severe Use	REAR	M85003	M89411
1690035C1		1600, 1700, 1800, 1900, 2100 Series with International Air Suspension	REAR	M85003	M89411
1690035C1		2275, F2275, 2524, F2524, 2554, F2554, 2574, F2574, 2575, F2575, F2624, F2654, F2674 Series with International Corporate Air Suspension	REAR	M85003	M89411
2018987C1		1600, 1700, 1800, 1900, 2100 Series with International Air Suspension	REAR	M85003	M89411
2018987C1		2275, F2275, 2524, F2524, 2554, F2554, 2574, F2574, 2575, F2575, F2624, F2654, F2674 Series with International Corporate Air Suspension	REAR	M85003	M89411
2018987C2		1600, 1700, 1800, 1900, 2100 Series with International Air Suspension	REAR	M85003	M89411
2018987C2		2275, F2275, 2524, F2524, 2554, F2554, 2574, F2574, 2575, F2575, F2624, F2654, F2674 Series with International Corporate Air Suspension	REAR	M85003	M89411
3000070C91		1600, 1700, 1800, 1900, 2100 Series	FRONT	M83456	
453576C92		1600, 1700, 1800, 1900, 2100 Series	FRONT	M85303	
472411C91		1624, 1654, 1724, 1754, 1824, 1854, 1924, F1924, 1925, 1954, F1954, 1955, 2124, 2125, F2125, 2154, 2155 Series w/ 9000, 10800 or 12000 lb Front Axle	FRONT	M83456	
472411C91		2275, F2275, 2524, F2524, 2554, F2554, 2574, F2574, 2575, F2575, F2624, F2654, F2674 Series with 9000, 10800 or 12000 lb Front Axle	FRONT	M83456	
472412C91		1624, 1654, 1724, 1754, 1824, 1854, 1924, F1924, 1925, 1954, F1954, 1955, 2124, 2125, F2125, 2154, 2155 Series w/ 9000, 10800 or 12000 lb Front Axle	FRONT	M83456	
472412C91		2275, F2275, 2524, F2524, 2554, F2554, 2574, F2574, 2575, F2575, F2624, F2654, F2674 Series with 9000, 10800 or 12000 lb Front Axle	FRONT	M83456	
501553C91		1600, 1700, 1800, 1900, 2100 Series with International Air Suspension	REAR	M85003	M89411
501553C91		2275, F2275, 2524, F2524, 2554, F2554, 2574, F2574, 2575, F2575, F2624, F2654, F2674 Series with International Corporate Air Suspension	REAR	M85003	M89411
501553C91		2275, F2275, 2524, F2524, 2554, F2554, 2574, F2574, 2575, F2575, F2624, F2654, F2674 Series w/ International Corporate Air Suspension - For Standard Use	REAR	M85003	M89411
537524C91		1600, 1700, 1800, 1900, 2100 Series with Neway ARD-234 Air Suspension	REAR	M83123	
537524C91		2275, F2275, 2524, F2524, 2554, F2554, 2574, F2574, 2575, F2575, F2624, F2654, F2674 Series with Neway ARD-234 Air Suspension	REAR	M83123	
586724C91		1624, 1654, 1724, 1754, 1824, 1854, 1924, F1924, 1925, 1954, F1954, 1955, 2124, 2125, F2125, 2154, 2155 Series w/ 9000, 10800 or 12000 lb Front Axle	FRONT	M83456	
586724C91		2275, F2275, 2524, F2524, 2554, F2554, 2574, F2574, 2575, F2575, F2624, F2654, F2674 Series with 9000, 10800 or 12000 lb Front Axle	FRONT	M83456	
790335C91		2275, F2275, 2524, F2524, 2554, F2554, 2574, F2574, 2575, F2575, F2624, F2654, F2674 Series with Neway ARD-125/244 Air Suspension	REAR	M83209	M89414
Fleetstar - Conventional					
350425C1		2000D, 2010A, 2050A, 2070A, 2110A, 2150A with Air Ride Suspension After Chassis No G-387453	REAR	M85300	
350425C1		FRONT-2010A, FRONT-2050A, FRONT-2000D with Air Ride Suspension	REAR	M85300	
462557C91		2000D, 2010A, 2050A, 2070A, 2110A, 2150A with Air Ride Suspension After Chassis No G-387453	REAR	M85300	
462557C91		FRONT-2010A, FRONT-2050A, FRONT-2000D with Air Ride Suspension	REAR	M85300	
Loadstar - Conventional					
308668C92		1600, 1600 (4x4), 1610, 1610 (4x4), 1700, 1700 (4x4), 1710, 1710 (4x4), FRONT-1700, 1750, 1800, 1810, FRONT-1800, FRONT-1800-D, 1850, FRONT-1850, 1890 & 1890-D Exc. Axle Codes 02054, 02057, 02059, 02089, 02091, 02098, 02101, 02109, 02139, 02208, 02218, 02228, 02309, 0232	FRONT	M85012	M89413

SHOCKS

Applications by Make/Model

MAKE SERIES/YEAR	OEM	MODEL DESCRIPTION	POSITION	MERITOR STANDARD	MERITOR PREMIUM
INTERNATIONAL (continued)					
Loadstar - Conventional (continued)					
329316C92		1600, 1600 (4x4), 1610, 1610 (4x4), 1610FC, 1700, 1700 (4x4), 1710, 1710 (4x4), FRONT-1700, 1750, 1800, 1810, FRONT-1800, FRONT-1800-D, 1850, FRONT-1850, 1890 & 1890-D with 9000, 10800 or 12000 lb Front Axle	FRONT	M85012	M89413
329316C92		1600, 1600 (4x4), 1610, 1610 (4x4), 1700, 1700 (4x4), 1710, 1710 (4x4), 1750, 1800, 1810, 1850, 1890 & 1890-D	REAR	M85012	M89413
360444C91		1600, 1600 (4x4), 1610, 1610 (4x4), 1610FC, 1700, 1700 (4x4), 1710, 1710 (4x4), FRONT-1700, 1750, 1800, 1810, FRONT-1800, FRONT-1800-D, 1850, FRONT-1850, 1890 & 1890-D with 9000, 10800 or 12000 lb Front Axle	FRONT	M85012	M89413
453556C91		1600, 1600 (4x4), 1610, 1610 (4x4), 1700, 1700 (4x4), 1710, 1710 (4x4), FRONT-1700, 1750, 1800, 1810, FRONT-1800, FRONT-1800-D, 1850, FRONT-1850, 1890 & 1890-D Exc. Axle Codes 02054, 02057, 02059, 02089, 02091, 02098, 02101, 02109, 02139, 02208, 02218, 02228, 02309, 0232	FRONT	M85012	M89413
453564C91		1600, 1600 (4x4), 1610, 1610 (4x4), 1610FC, 1700, 1700 (4x4), 1710, 1710 (4x4), FRONT-1700, 1750, 1800, 1810, FRONT-1800, FRONT-1800-D, 1850, FRONT-1850, 1890 & 1890-D with 9000, 10800 or 12000 lb Front Axle	FRONT	M85012	M89413
453564C91		1600, 1600 (4x4), 1610, 1610 (4x4), 1700, 1700 (4x4), 1710, 1710 (4x4), 1750, 1800, 1810, 1850, 1890 & 1890-D	REAR	M85012	M89413
453576C92		M1600, M1700, M1800, M1900, M2100 Series	FRONT	M85303	
462557C91		1700, 1750, 1800, 1850 with Air Ride Suspension	REAR	M85300	
467983C91		1600, 1600 (4x4), 1610, 1610 (4x4), 1610FC, 1700, 1700 (4x4), 1710, 1710 (4x4), FRONT-1700, 1750, 1800, 1810, FRONT-1800, FRONT-1800-D, 1850, FRONT-1850, 1890 & 1890-D with 9000, 10800 or 12000 lb Front Axle	FRONT	M85012	M89413
467983C91		1600, 1600 (4x4), 1610, 1610 (4x4), 1700, 1700 (4x4), 1710, 1710 (4x4), 1750, 1800, 1810, 1850, 1890 & 1890-D	REAR	M85012	M89413
467985C91		1600, 1600 (4x4), 1610, 1610 (4x4), 1700, 1700 (4x4), 1710, 1710 (4x4), FRONT-1700, 1750, 1800, 1810, FRONT-1800, FRONT-1800-D, 1850, FRONT-1850, 1890 & 1890-D Exc. Axle Codes 02054, 02057, 02059, 02089, 02091, 02098, 02101, 02109, 02139, 02208, 02218, 02228, 02309, 0232	FRONT	M85012	M89413
471201C91		1600	FRONT	M85012	M89413
360444C91		1600, 1600 (4x4), 1610, 1610 (4x4), 1700, 1700 (4x4), 1710, 1710 (4x4), 1750, 1800, 1810, 1850, 1890 & 1890-D	REAR	M85012	M89413
874695R91		1600, 1600 (4x4), 1610, 1610 (4x4), 1700, 1700 (4x4), 1710, 1710 (4x4), FRONT-1700, 1750, 1800, 1810, FRONT-1800, FRONT-1800-D, 1850, FRONT-1850, 1890 & 1890-D Exc. Axle Codes 02054, 02057, 02059, 02089, 02091, 02098, 02101, 02109, 02139, 02208, 02218, 02228, 02309, 0232	FRONT	M85012	M89413
874695R92		1600, 1600 (4x4), 1610, 1610 (4x4), 1700, 1700 (4x4), 1710, 1710 (4x4), FRONT-1700, 1750, 1800, 1810, FRONT-1800, FRONT-1800-D, 1850, FRONT-1850, 1890 & 1890-D Exc. Axle Codes 02054, 02057, 02059, 02089, 02091, 02098, 02101, 02109, 02139, 02208, 02218, 02228, 02309, 0232	FRONT	M85012	M89413
LoneStar					
09 - 12	3620395C1	All models with 40,000 lb Rear Air Suspension	REAR	M85931	
Metro & Multi-Shop					
	308668C91	M1600, MC1600, M1700 & MC1700	FRONT	M85012	M89413
	308669C91	M1600, MC1600, M1700 & MC1700	FRONT	M85012	M89413
	308669C91	MA1200, M1400, M1500, MA1500	REAR	M85012	M89413
	453556C91	M1600, MC1600, M1700 & MC1700	FRONT	M85012	M89413
	453556C91	MA1200, M1400, M1500, MA1500	REAR	M85012	M89413
	453576C92	M1600, M1700, M1800, M1900, M2100 Series	FRONT	M85303	
	472411C91	M1600, M1700, M1800, M1900, M2100 Series w/ 9000, 10800 or 12000 Front Axle	FRONT	M83456	

SHOCKS

Applications by Make/Model

MAKE SERIES/YEAR	OEM	MODEL DESCRIPTION	POSITION	MERITOR STANDARD	MERITOR PREMIUM
INTERNATIONAL (continued)					
Metro & Multi-Shop (continued)					
	472412C91	M1600, M1700, M1800, M1900, M2100 Series with Front Axle Codes 02109, 02118, 02309, 02127, 02139, 02329, 02339	FRONT	M83456	
	586724C91	M1600, M1700, M1800, M1900, M2100 Series with Front Axle Codes 02109, 02118, 02309, 02127, 02139, 02329, 02339	FRONT	M83456	
	874695R91	M1600, MC1600, M1700 & MC1700	FRONT	M85012	M89413
	874696R91	M1600, MC1600, M1700 & MC1700	FRONT	M85012	M89413
Other Series					
	70334	Additional O.E.M. Interchanges	BOTH	M85316	
	90044025	Models with O.E.M. Number	REAR	M83209	M89414
	3514952C1	Models with O.E.M. Number	REAR	M83125	
	3571711C1	Models with O.E.M. Number	FRONT	M85316	
	3581109C1	Models with O.E.M. Number	FRONT	M85924	
	3584117C1	Models with O.E.M. Number	FRONT	M83135	
	3584117C2	Models with O.E.M. Number	FRONT	M83135	
	3584535C1	Models with O.E.M. Number	FRONT	M85924	
	3584535C2	Models with O.E.M. Number	FRONT	M85924	
	503610C1	Models with O.E.M. Number	REAR	M83207	
	1201-1043	Models with Link Cabmate Models with O.E.M. Number	CAB	M83025	
	1201-1049	Models with Link Cabmate Models with O.E.M. Number	CAB	M83025	
	1202-0042	Models with Link Cabmate Models with O.E.M. Number	CAB	M83025	
	1202-0044	Models with Link Cabmate Models with O.E.M. Number	CAB	M83025	
	1202-0054	Models with Link Cab Suspension NPS90	CAB	M83021	
	1202-0054	Models with Link Cabmate Models with O.E.M. Number	CAB	M83021	
1997 -	1202-0054	Eagle Pro-Sleeper	CAB	M83021	
- 1991	1202-1043	Navistar 60" Sleepers with Link Cabmate Model IHS60	CAB	M83025	
	1202-1043	S2500, S2600, 8100, 8200, & 8300 Series Conventional Tractors with Link Cabmate Model NAV80	CAB	M83025	
	2508326C1	Models with O.E.M. Number	CAB	M83021	
	2508327C1	Models with O.E.M. Number	CAB	M83025	
Paystar - 5000					
04 - 09	90044626	5900i SFA Models with 46,000 lb Neway Rear Air Suspension	REAR		M89430
-12	1667520C1	5600i Models with 16,000 lb Front axle	FRONT	M85058	
04-12	1667520C1	5900 SB Models with 18,000 lb Front axle	FRONT	M85058	
04-12	1667520C1	5900i SFA Models with 16,000 lb Front axle	FRONT	M85058	
09 - 11	2015556C1	5900i Models with 12,000 lb - 14,000 lb Front axle	FRONT	M85316	
04 - 09	2029200C91	5900i SFA Models with 46,000 lb Neway Rear Air Suspension	REAR		M89430
04 - 11	3626571C1	5900 SB Models with 46,000 lb Hendrickson Rear Air Suspension	REAR	M85072	
	426744R91	5010, FRONT-5010, FRONT-5050, FRONT-5050SF, 5070, FRONT-5070, FRONT-5070SF	FRONT	M85303	
	426744R92	5010, FRONT-5010, FRONT-5050, FRONT-5050SF, 5070, FRONT-5070, FRONT-5070SF	FRONT	M85303	
	453576C91	5010, FRONT-5010, FRONT-5050, FRONT-5050SF, 5070, FRONT-5070, FRONT-5070SF	FRONT	M85303	
	453576C92	5010, FRONT-5010, FRONT-5050, FRONT-5050SF, 5070, FRONT-5070, FRONT-5070SF	FRONT	M85303	
	477132C1	5010, FRONT-5010, FRONT-5050, FRONT-5050SF, 5070, FRONT-5070, FRONT-5070SF	FRONT	M85303	
04 - 13	60657-003	5900 SB Models with 46,000 lb Hendrickson Rear Air Suspension	REAR	M85072	

Applications by Make/Model

MAKE SERIES/YEAR	OEM	MODEL DESCRIPTION	POSITION	MERITOR STANDARD	MERITOR PREMIUM
INTERNATIONAL (continued)					
ProStar					
09 - 14	3620395C1	All models with 40,000 lb Rear Air Suspension	REAR	M85931	
S Series School Bus					
	1675455C1	1723, 1823, 1853 Series with International Air Suspension	REAR	M85003	M89411
	1690035C1	1723, 1823, 1853 Series with International Air Suspension	REAR	M85003	M89411
	2018987C1	1723, 1823, 1853 Series with International Air Suspension	REAR	M85003	M89411
	2018987C2	1723, 1823, 1853 Series with International Air Suspension	REAR	M85003	M89411
	210918R91	173 FC & 183 FC - Exc. Axle Codes 14149 & 14189	REAR	M83215	
	306444C91	1603, 1703, 1803 & 1853	REAR	M85012	M89413
	308668C92	1603, 1703, 1803 & 1853 - Exc. Axle Codes 02054, 02057, 02059, 02089, 02091, 02098, 02101, 02109, 02139, 02208, 02218, 02228, 02309, 02329, 02339	FRONT	M85012	M89413
	320444C91	1603, 1703, 1803 & 1853 with 9000, 10800 or 12000 lb Front Axle	FRONT	M85012	M89413
	329316C92	1603, 1703, 1803 & 1853	REAR	M85012	M89413
	329316C92	1603, 1703, 1803 & 1853 with 9000, 10800 or 12000 lb Front Axle	FRONT	M85012	M89413
	453556C91	1603, 1703, 1803 & 1853 - Exc. Axle Codes 02054, 02057, 02059, 02089, 02091, 02098, 02101, 02109, 02139, 02208, 02218, 02228, 02309, 02329, 02339	FRONT	M85012	M89413
	453564C91	1603, 1703, 1803 & 1853	REAR	M85012	M89413
	453564C91	1603, 1703, 1803 & 1853 with 9000, 10800 or 12000 lb Front Axle	FRONT	M85012	M89413
	467983C91	1603	FRONT	M85012	M89413
	467983C91	1603, 1703, 1803 & 1853	REAR	M85012	M89413
	467983C91	1603, 1703, 1803 & 1853 with 9000, 10800 or 12000 lb Front Axle	FRONT	M85012	M89413
	467985C91	1603, 1703, 1803 & 1853 - Exc. Axle Codes 02054, 02057, 02059, 02089, 02091, 02098, 02101, 02109, 02139, 02208, 02218, 02228, 02309, 02329, 02339	FRONT	M85012	M89413
	471201C91	1603	FRONT	M85012	M89413
	472411C91	1823, 1853 S Series with 9000, 10800 or 12000 lb Front Axle	FRONT	M83456	
	472412C91	1823, 1853 S Series with 9000, 10800 or 12000 lb Front Axle	FRONT	M83456	
	501553C91	1723, 1823, 1853 Series with International Air Suspension	REAR	M85003	M89411
	537524C91	1723, 1823, 1853 Series with Neway ARD-234 Air Suspension	REAR	M83123	
	586724C91	1823, 1853 S Series with 9000, 10800 or 12000 lb Front Axle	FRONT	M83456	
	874695R91	1603, 1703, 1803 & 1853 - Exc. Axle Codes 02054, 02057, 02059, 02089, 02091, 02098, 02101, 02109, 02139, 02208, 02218, 02228, 02309, 02329, 02339	FRONT	M85012	M89413
Series 1000 Forward Control Chassis					
	1675455C1	1452, 1652 Series with International Air Suspension	REAR	M85003	M89411
	1690035C1	1452, 1652 Series with International Air Suspension	REAR	M85003	M89411
	2018987C1	1452, 1652 Series with International Air Suspension	REAR	M85003	M89411
	2018987C2	1452, 1652 Series with International Air Suspension	REAR	M85003	M89411
	453576C92	1452, 1652 Series	FRONT	M85303	
	472412C91	1452, 1652 Series	FRONT	M83456	
	472412C91	M1400, M1600 Series	FRONT	M83456	
	501553C91	1452, 1652 Series with International Air Suspension	REAR	M85003	M89411
	586724C91	1452, 1652 Series	FRONT	M83456	
	586724C91	M1400, M1600 Series	FRONT	M83456	

SHOCKS

Applications by Make/Model

MAKE SERIES/YEAR	OEM	MODEL DESCRIPTION	POSITION	MERITOR STANDARD	MERITOR PREMIUM
INTERNATIONAL (continued)					
Series 2000 - Conventional Truck (Severe Service)					
1667520C1	All 2000 Series		FRONT	M85058	
1675455C1	2554, 2574, 2654, 2674 Series with International Air Suspension		REAR	M85003	M89411
1690035C1	2554, 2574, 2654, 2674 Series with International Air Suspension		REAR	M85003	M89411
2015556C1	All 2000 Series		FRONT	M85316	
2018987C1	2554, 2574, 2654, 2674 Series with International Air Suspension		REAR	M85003	M89411
2018987C2	2554, 2574, 2654, 2674 Series with International Air Suspension		REAR	M85003	M89411
472412C91	2554, 2574, 2654, 2674 Series		FRONT	M83456	
472412C91	All 2000 Series		FRONT	M83456	
501553C91	2554, 2574, 2654, 2674 Series with International Air Suspension		REAR	M85003	M89411
Series 3000 - School Bus Chassis					
1675455C1	3700, 3800 Series with International Air Suspension		REAR	M85003	M89411
1677707C1	3900FC Series		FRONT	M85030	
1690035C1	3700, 3800 Series with International Air Suspension		REAR	M85003	M89411
2015557C1	3900FC Series		FRONT	M85030	
2018987C1	3700, 3800 Series with International Air Suspension		REAR	M85003	M89411
2018987C2	3700, 3800 Series with International Air Suspension		REAR	M85003	M89411
472412C91	3700, 3800 Series		FRONT	M83456	
501553C91	3700, 3800 Series with International Air Suspension		REAR	M85003	M89411
537524C91	3700, 3800 Series with Neway ARD-234 Air Suspension		REAR	M83123	
537524C91	3700, 3800 Series with Neway ARD-234 Air Suspension		REAR	M83123	
586724C91	3700, 3800 Series		FRONT	M83456	
Series 400, 500, 600, 700, & 900 - Medium Cabover					
56101 Z1030	600, 700, 900 Series		FRONT	M85311	M89424
56101 Z2000	600, 700, 900 Series		FRONT	M85311	M89424
Series 4000 - Short Conventional Medium Truck & Tractor					
1667520C1	4600, 4700, 4800, 4900 Series		FRONT	M85058	
1675455C1	4600, 4700, 4800, 4900 Series w/ International Air Suspension (Exc. Low Profile)		REAR	M85003	M89411
1690035C1	4600, 4700, 4800, 4900 Series w/ International Air Suspension (Exc. Low Profile)		REAR	M85003	M89411
2015556C1	4900 Series with Dual Doors		FRONT	M85316	
2018987C1	4600, 4700, 4800, 4900 Series w/ International Air Suspension (Exc. Low Profile)		REAR	M85003	M89411
2018987C2	4600, 4700, 4800, 4900 Series w/ International Air Suspension (Exc. Low Profile)		REAR	M85003	M89411
472412C91	4600, 4700, 4800, 4900 Series with 10000 lb Front Axle		FRONT	M83456	
501553C91	4600, 4700, 4800, 4900 Series w/ International Air Suspension (Exc. Low Profile)		REAR	M85003	M89411
586724C91	4600, 4700, 4800, 4900 Series		FRONT	M83456	
AMS650420	4000 Series with Hendrickson HAS-230 Rear Air Suspension		REAR	M85013	M89414
426744R91	D-405, DB-405, DC-405, DCO-405, DF-405 & VCO-405 - Exc. Axle Code 02136		FRONT	M85303	
426744R91	DBF-405, DCF-405, DCOF-405 & VCOF-405 with Axle Code 02136		FRONT	M85303	
Series 405					
426744R91	DT-405, DBT-405, DCT-405, DCOT-405 & VCOT-405 - Exc. Axle Code 02136		FRONT	M85303	
426744R91	DT-405, DBT-405, DCT-405, DCOT-405 & VCOT-405 with Axle Code 02136		FRONT	M85303	
453576C91	D-405, DB-405, DC-405, DCO-405, DF-405 & VCO-405 - Exc. Axle Code 02136		FRONT	M85303	
453576C91	DBF-405, DCF-405, DCOF-405 & VCOF-405 with Axle Code 02136		FRONT	M85303	

Applications by Make/Model

MAKE SERIES/YEAR	OEM	MODEL DESCRIPTION	POSITION	MERITOR STANDARD	MERITOR PREMIUM
INTERNATIONAL (continued)					
Series 405 (continued)					
	453576C91	DT-405, DBT-405, DCT-405, DCOT-405 & VCOT-405 - Exc. Axle Code 02136	FRONT	M85303	
	453576C91	DT-405, DBT-405, DCT-405, DCOT-405 & VCOT-405 with Axle Code 02136	FRONT	M85303	
Series 417					
	426744R91	DCO-417 & DCOF-417	FRONT	M85303	
	453576C91	DCO-417 & DCOF-417	FRONT	M85303	
Series 5000, 5000i - Severe Service Conventional Truck & Tractor					
	2029200C91	5070 Series - 6 X 4 - w/ Neway AD246-10 Air Suspension & 60" Axle Spacing	REAR		M89430
	AMS 600172	5070 Series - 6 X 4 - w/ Neway AD246-10 Air Suspension & 60" Axle Spacing	REAR	M85030	
Series 7000 - Short Conventional Medium Truck & Tractor					
	1675455C1	7100 Series with International Air Suspension	REAR	M85003	M89411
	1690035C1	7100 Series with International Air Suspension	REAR	M85003	M89411
	2018987C1	7100 Series with International Air Suspension	REAR	M85003	M89411
	2018987C2	7100 Series with International Air Suspension	REAR	M85003	M89411
	472412C91	7100 Series	FRONT	M83456	
	501553C91	7100 Series with International Air Suspension	REAR	M85003	M89411
	586724C91	7100 Series	FRONT	M83456	
Series 8000 - Conventional Heavy Duty Tractor					
	1664788C2	8100, 8200, 8300 Series with 12000 - 14000 lb Suspension	FRONT	M85316	
	1667520C1	8100, 8200, 8300 Series with 15000 - 18000 lb Suspension	FRONT	M85058	
	1675455C1	8100, 8200, 8300 Series with International Air Suspension	REAR	M85003	M89411
	1690035C1	8100, 8200, 8300 Series with International Air Suspension	REAR	M85003	M89411
	2015556C1	8100, 8200, 8300 Series with 12000 - 14000 lb Suspension	FRONT	M85316	
	2018987C1	8100, 8200 & 8300 Series - 6 X 4 Models with International Air Suspension (Except Lo-Profile and Carhauler)	REAR	M85003	M89411
	2018987C2	8100, 8200 & 8300 Series - 6 X 4 Models with International Air Suspension (Except Lo-Profile and Carhauler)	REAR	M85003	M89411
	2029200C91	8100, 8200, 8300 Series - 6 X 4 - with Neway AD246-10 Air Suspension and 60" Axle Spacing	REAR		M89430
	3000070C91	8100, 8200, 8300 Series	FRONT	M83456	
	472412C91	8100 Series Car Hauler	FRONT	M83456	
	501553C91	8100, 8200, 8300 Series with International Air Suspension	REAR	M85003	M89411
	AMS 600102	8100, 8200, 8300 Series - with Hendrickson HA-460 Air Suspension with 55" & 60" axle spacing and 40000 & 46000 lb capacity	REAR	M85005	M89430
	AMS 600102	8100, 8200, 8300 Series with Hendrickson HA-230 Rear Air Suspension	REAR	M85005	M89430
	AMS 600172	8100, 8200, 8300 Series - 6 X 4 - with Neway AD246-10 Air Suspension and 60" Axle Spacing	REAR	M85030	
Series 9100, 9100i - Tractor & Straight Truck					
	1664788C2	9100 Series with 12000 - 14000 lb Suspension	FRONT	M85316	
	2015556C1	9100 Series with 12000 - 14000 lb Suspension	FRONT	M85316	
	2018987C1	9100 Series - 4 X 2 with International Air Suspension	REAR	M85003	M89411
	2018987C1	9100 Series - 6 X 4 with International Air Suspension	REAR	M85003	M89411
	2018987C2	9100 Series - 4 X 2 with International Air Suspension	REAR	M85003	M89411
	2018987C2	9100 Series - 6 X 4 with International Air Suspension	REAR	M85003	M89411
	2029200C91	9100 Series - 6 X 4 - w/ Neway AD246-10 Air Suspension & 60" Axle Spacing	REAR		M89430
	2032533C1	9100 Series with 12000 - 14000 lb Suspension	FRONT	M85316	
	AMS 600102	9100 Series - with Hendrickson HA-460 Series Air Suspension	REAR	M85005	M89430
	AMS 600172	9100 Series - 6 X 4 - w/ Neway AD246-10 Air Suspension & 60" Axle Spacing	REAR	M85030	

SHOCKS

Applications by Make/Model

MAKE SERIES/YEAR	OEM	MODEL DESCRIPTION	POSITION	MERITOR STANDARD	MERITOR PREMIUM
INTERNATIONAL (continued)					
Series 9200, 9200i - Tractor & Straight Truck					
	1664788C2	Models with 12,000 - 18,000 lb Suspension	FRONT	M85316	
	1675455C1	Models with International Air Suspension	REAR	M85003	M89411
	1690035C1	Models with International Air Suspension	REAR	M85003	M89411
	2015556C1	Models with 12,000 - 18,000 lb Suspension	FRONT	M85316	
	2018987C1	4 X 2 Models with International Air Suspension	REAR	M85003	M89411
	2018987C1	6 X 4 Models with International Air Suspension	REAR	M85003	M89411
	2018987C2	4 X 2 Models with International Air Suspension	REAR	M85003	M89411
	2018987C2	6 X 4 Models with International Air Suspension	REAR	M85003	M89411
	2029200C91	6 X 4 Models Neway AD246-10 Air Suspension and 60" Axle Spacing	REAR		M89430
	2032533C1	Models with 12,000 - 18,000 lb Suspension	FRONT	M85316	
	3573265C1	Models with IAS Suspension w/ 9.25" or 9.5" Ride Height	REAR	M85931	
00 - 07	3581107C1	Models with 12,000 lb Front Axle	FRONT	M85924	
00 - 07	3581107C2	Models with 12,000 lb Front Axle	FRONT	M85924	
00 - 07	3581107C3	Models with 12,000 lb Front Axle	FRONT	M85924	
	3581109C3	6 X 4 Models with 12,000 to 14,000 lb Front Axles	FRONT	M85924	
	3581109C4	6 X 4 Models with 12,000 to 14,000 lb Front Axles	FRONT	M85924	
04 - 09	3584535C3	Models with 12,000 lb Front Axle	FRONT	M85924	
04 - 09	3586883C1	Models with 40,000 lb Rear Air Suspension	REAR	M85931	
	501553C91	Models with International Air Suspension	REAR	M85003	M89411
	AMS 600102	Models with Hendrickson HA-460 Series Air Suspension	REAR	M85005	M89430
	AMS 600172	6 X 4 Models Neway AD246-10 Air Suspension and 60" Axle Spacing	REAR	M85030	
Series 9300, 9300i, 9400 & 9400i Long Hood Conventional Truck & Tractor					
	1664149C1	(SBA Model) with 16000 lb - 18000 lb Suspension	FRONT	M85029	
	1664788C2	Models with 12,000 - 14,000 lb Suspension	FRONT	M85316	
	1667520C1	Models with 16,000 - 18,000 lb Suspension	FRONT	M85058	
	1675455C1	Models with International Air Suspension	REAR	M85003	M89411
	1690035C1	Models with International Air Suspension	REAR	M85003	M89411
	2015556C1	Models with 12,000 - 14,000 lb Suspension	FRONT	M85316	
	2015557C1	Models with with Hendrickson RS-460 Rear Air Suspension	REAR	M85030	
	2018987C1	6 X 4 Models with International Air Suspension Exc. Lo-Profile	REAR	M85003	M89411
	2018987C2	6 X 4 Models with International Air Suspension Exc. Lo-Profile	REAR	M85003	M89411
	2029200C91	Models with 6 X 4 w/ Neway AD246-10 Air Suspension & 60" Axle Spacing	REAR		M89430
	2032533C1	Models with 12,000 - 14,000 lb Suspension	FRONT	M85316	
	3573265C1	Models with IAS Suspension w/ 9.25" or 9.5" Ride Height	REAR	M85931	
04 - 09	3586883C1	Models with 40,000 lb Rear Air Suspension	REAR	M85931	
	501553C91	Models with International Air Suspension	REAR	M85003	M89411
	503610C2	Models with 10,800 lb - 14,600 lb Suspension	FRONT	M83207	
	503610C2	Models with Hendrickson RS/RTE-380 Rear Air Suspension	REAR	M83207	
	507202C1	(SFA Model) with 16000 lb - 18000 lb Suspension	FRONT	M85030	
	790335C91	Models with Neway ARD-125/244 Air Suspension	REAR	M83209	M89414
	AMS 600102	Models with Hendrickson HA-460 Series Air Suspension	REAR	M85005	M89430
	AMS 600172	Models with 6 X 4 w/ Neway AD246-10 Air Suspension & 60" Axle Spacing	REAR	M85030	
00 - 07	3581107C1	Models with 12,000 lb Front Axle	FRONT	M85924	

Applications by Make/Model

MAKE SERIES/YEAR	OEM	MODEL DESCRIPTION	POSITION	MERITOR STANDARD	MERITOR PREMIUM
INTERNATIONAL (continued)					
Series 9300, 9300i, 9400 & 9400i Long Hood Conventional Truck & Tractor (continued)					
00 - 07	3581107C2	Models with 12,000 lb Front Axle	FRONT	M85924	
00 - 07	3581107C3	Models with 12,000 lb Front Axle	FRONT	M85924	
04 - 09	3584535C3	Models with 12,000 lb Front Axle	FRONT	M85924	
Series 9600 & 9700 Premium Cabover Tractor					
	1664788C2	9600, 9700 Series Except Low Profile	FRONT	M85316	
	1667520C1	9600, 9700 Series with 16000 - 18000 lb Suspension	FRONT	M85058	
	1675455C1	9600, 9700 Series with International Air Suspension	REAR	M85003	M89411
	1690035C1	9600, 9700 Series with International Air Suspension	REAR	M85003	M89411
	2015556C1	9600, 9700 Series Except Low Profile	FRONT	M85316	
	2018987C1	9600, 9700 Series with International Air Suspension	REAR	M85003	M89411
	2018987C2	9600, 9700 Series with International Air Suspension	REAR	M85003	M89411
	501553C91	9600, 9700 Series with International Air Suspension	REAR	M85003	M89411
	503550C1	9600, 9700 Series with International STL Spring Suspension	REAR	M83207	
	503610C2	9600, 9700 Series	FRONT	M83207	
	503610C2	9600, 9700 Series for Low Profile	FRONT	M83207	
	507202C1	9600, 9700 Series	FRONT	M85030	
	537524C91	9600, 9700 Series with Neway ARD-234 Air Suspension	REAR	M83123	
	790335C91	9600, 9700 Series with Neway ARD-125/244 Air Suspension	REAR	M83209	M89414
	AMS 600102	9600, 9700 Series with Hendrickson HA-460 Air Suspension with 55" or 60" axle spacing and 40000 or 46000 lb capacity	REAR	M85005	M89430
Series 9800 - Premium Cabover Tractor					
	2015556C1	9800 Series - with Set Back axle	FRONT	M85316	
	2018987C1	9800 Series - 6 X 4 Models with International Air Suspension	REAR	M85003	M89411
	2018987C2	9800 Series - 6 X 4 Models with International Air Suspension	REAR	M85003	M89411
	2029200C91	9800 Series - 6 X 4 Models w/ Neway AD246-10 Air Suspension & 60" Axle Spacing	REAR		M89430
	503610C2	9800 Series - with Set Forward axle	FRONT	M83207	
Series 9800 - Premium Cabover Tractor					
	AMS 600102	9800 Series - with Hendrickson HA-460 Air Suspension with 55" & 60" Axle Spacing and 40000 & 46000 lb capacity	REAR	M85005	M89430
	AMS 600172	9800 Series - 6 X 4 Models w/ Neway AD246-10 Air Susp. & 60" Axle Spacing	REAR	M85030	
	AMS 650420	9800 Series - with Hendrickson HAS-402-60 Air Suspension	REAR	M85013	M89414
Series 9900, 9900i, 9900ix Long Hood Conventional Truck					
	1664149C1	(SBA Model) with 16000 lb - 18000 lb Suspension	FRONT	M85029	
	1664788C2	Models with 12,000 - 14,000 lb Suspension	FRONT	M85316	
	1667520C1	Models with 16,000 - 18,000 lb Suspension	FRONT	M85058	
	1675455C1	Models with International Air Suspension	REAR	M85003	M89411
	1690035C1	Models with International Air Suspension	REAR	M85003	M89411
	2015556C1	Models with 12,000 - 14,000 lb Suspension	FRONT	M85316	
	2015557C1	Models with Hendrickson RS-460 Rear Air Suspension	REAR	M85030	
	2018987C1	6 X 4 Models with International Air Suspension Exc. Lo-Profile	REAR	M85003	M89411
	2018987C2	6 X 4 Models with International Air Suspension Exc. Lo-Profile	REAR	M85003	M89411
	2029200C91	6 X 4 Models with Neway AD246-10 Air Suspension and 60" Axle Spacing	REAR		M89430
	2032533C1	Models with 12,000 - 14,000 lb Suspension	FRONT	M85316	
- 11	3581106C1	Day Cab Models with 12,000 lb Front Axles	FRONT	M85924	
- 11	3581106C2	Day Cab Models with 12,000 lb Front Axles	FRONT	M85924	

SHOCKS

Applications by Make/Model

MAKE SERIES/YEAR	OEM	MODEL DESCRIPTION	POSITION	MERITOR STANDARD	MERITOR PREMIUM
INTERNATIONAL (continued)					
Series 9900, 9900i, 9900ix Long Hood Conventional Truck (continued)					
- 11	3581106C3	Day Cab Models with 12,000 lb Front Axles	FRONT	M85924	
04 - 09	3584535C3	Models with 12,000 lb Front axle	FRONT	M85924	
04 - 11	3586883C1	Models with 40,000 lb Rear Air Suspension	REAR	M85931	
	501553C91	Models with International Air Suspension	REAR	M85003	M89411
	503610C2	Models with 10,800 lb - 14,600 lb Suspension	FRONT	M83207	
	503610C2	Models with Hendrickson RS/RTE-380 Rear Air Suspension	REAR	M83207	
	507202C1	(SFA Model) with 16000 lb - 18000 lb Suspension	FRONT	M85030	
	790335C91	Models with Neway ARD-125/244 Air Suspension	REAR	M83209	M89414
	AMS 600102	Models with Hendrickson HA-460 Series Air Suspension	REAR	M85005	M89430
	AMS 600172	6 X 4 Models with Neway AD246-10 Air Suspension and 60" Axle Spacing	REAR	M85030	
TranStar - M8500, 8600					
03 - 11	3549099C1	Models with 40,000 lb Rear Air Suspension	REAR	M85923	
03 - 11	3549099C2	Models with 40,000 lb Rear Air Suspension	REAR	M85923	
Transtar - Conventional					
	350425C1	4170, FRONT-4170, 4200, FRONT-4200, 4300 & FRONT-4300 w/ Air Ride Susp	REAR	M85300	
	426744R91	4170, FRONT-4170, 4200, FRONT-4200, 4300 & FRONT-4300	FRONT	M85303	
	426744R91	D-400, DF-400, DC-400, DCF-400 & DCF-400M - Exc. Axle Code 02136	FRONT	M85303	
	426744R92	4170, FRONT-4170, 4200, FRONT-4200, 4300 & FRONT-4300	FRONT	M85303	
	426744R92	D-400, DF-400, DC-400, DCF-400 & DCF-400M - Exc. Axle Code 02136	FRONT	M85303	
	453576C91	4170, FRONT-4170, 4200, FRONT-4200, 4300 & FRONT-4300	FRONT	M85303	
	453576C91	D-400, DF-400, DC-400, DCF-400 & DCF-400M - Exc. Axle Code 02136	FRONT	M85303	
	453576C92	4170, FRONT-4170, 4200, FRONT-4200, 4300 & FRONT-4300	FRONT	M85303	
	462557C91	4170, FRONT-4170, 4200, FRONT-4200, 4300 & FRONT-4300 w/ Air Ride Susp	REAR	M85300	
	477132C1	4170, FRONT-4170, 4200, FRONT-4200, 4300 & FRONT-4300	FRONT	M85303	
Unistar					
	426744R91	CO7044A	BOTH	M85303	
	426744R92	CO7044A	BOTH	M85303	
	453576C91	CO7044A	BOTH	M85303	
	596329C1	Additional O.E.M. Interchanges	BOTH	M85014	
ISUZU					
FTR					
05 - 09	15123676	FTR Models with O.E.M. Number	FRONT	M83136	
05 - 09	88982682	FTR Models with O.E.M. Number	FRONT	M83136	
FVR					
2009	12474915	FVR Models with Hendrickson HAS suspension	REAR	M83122	
00 - 09	15887728	FVR Models with O.E.M. Number	FRONT	M83136	
00 - 09	19152843	FVR Models with O.E.M. Number	FRONT	M83136	
NPR					
86 - 95	51630666	NPR Series (NPC & NPN)	REAR	M85012	M89413
86 - 95	9-51630-666-0	NPR Series (NPC & NPN)	REAR	M85012	M89413
89 - 92	9-51630-666-0	NPR Series Flatlow	REAR	M85012	M89413
86 - 94	9-51630-666-2	NPR Series (All)	REAR	M85012	M89413
86 - 95	9-51630-666-2	NPR Series (NPC & NPN)	REAR	M85012	M89413
89 - 92	9-51630-666-2	NPR Series Flatlow	REAR	M85012	M89413

Applications by Make/Model

MAKE SERIES/YEAR	OEM	MODEL DESCRIPTION	POSITION	MERITOR STANDARD	MERITOR PREMIUM
ISUZU (continued)					
Other Series					
	8-22064-233-0	Models with O.E.M. Number	FRONT	M83136	
	8-22064-804-0	Models with O.E.M. Number	FRONT	M83136	
	8-22064-805-0	Models with O.E.M. Number	FRONT	M83136	
	8-22064-806-0	Models with O.E.M. Number	FRONT	M83136	
	8-22064-807-0	Models with O.E.M. Number	FRONT	M83136	
	8-51630-666-0	Models with O.E.M. Number	REAR	M85012	M89413
85	9-51630-666-0	KS22 Series (All)	REAR	M85012	M89413
85	9-51630-666-2	KS22 Series (All)	REAR	M85012	M89413
KENWORTH					
C500, C500B, C500K, C540 & C550					
	70701	All with Air Glide 200 w/ 40,000 lb Suspension w/ 8 air bags, 4 units required	REAR	M85900	
	665903	All with Air Glide 200 w/ 40,000 lb Suspension w/ 8 air bags, 4 units required	REAR	M85900	
	665906	All w/ Air Glide 200 with 46,000 lb Suspension w/ 8 air bags, 4 units required	REAR	M85902	
	665944	All with Air Glide 200 w/ 40,000 lb Suspension w/ 8 air bags, 4 units required	REAR	M85900	
	665945	All with Air Glide 200 w/ 46,000 lb Suspension w/ 8 air bags, 4 units required	REAR	M85902	
01 -	C71-1002	Models with AirGlide 380 Suspension (38000 lb)	REAR	M85067	M89451
-09	K374-11	Models with Taper Leaf Springs on Front Axle	FRONT	M85001	M89410
-09	K374-16	Models with Taper Leaf Springs on Front Axle	FRONT	M85001	M89410
-09	K374-26	Models with Taper Leaf Springs on Front Axle	FRONT	M85001	M89410
-09	K374-27	Models with Taper Leaf Springs on Front Axle	FRONT	M85001	M89410
	K374-29	All with Air Glide 100 Suspension with 8 air bags, 4 units required	REAR	M85310	M89423
	K374-32	All with Air Glide 100 Suspension with 8 air bags, 4 units required	REAR	M85310	M89423
	K374-7	All with Air Glide 100 Suspension with 8 air bags, 4 units required	REAR	M85310	M89423
	K374-9	All with Air Glide 100 Suspension with 8 air bags, 4 units required	REAR	M85310	M89423
	1202-0044	Models with Link Cabmate KWB500 Air Suspension (C500B Series only)	CAB	M83025	
K100, K100E, K125					
	70701	All with Air Glide 200 w/ 40,000 lb Suspension w/ 8 air bags, 4 units required	REAR	M85900	
	665903	All with Air Glide 200 w/ 40,000 lb Suspension w/ 8 air bags, 4 units required	REAR	M85900	
	665906	All with Air Glide 200 w/ 46,000 lb Suspension w/ 8 air bags, 4 units required	REAR	M85902	
	665944	All with Air Glide 200 w/ 40,000 lb Suspension w/ 8 air bags, 4 units required	REAR	M85900	
	665945	All with Air Glide 200 w/ 46,000 lb Suspension w/ 8 air bags, 4 units required	REAR	M85902	
	K374-11	Models with Taper Leaf Springs on Front Axle	FRONT	M85001	M89410
	K374-16	Models with Taper Leaf Springs on Front Axle	FRONT	M85001	M89410
	K374-26	Models with Taper Leaf Springs on Front Axle	FRONT	M85001	M89410
	K374-27	Models with Taper Leaf Springs on Front Axle	FRONT	M85001	M89410
	K374-29	All with Air Glide 100 Suspension with 8 air bags, 4 units required	REAR	M85310	M89423
	K374-32	All with Air Glide 100 Suspension with 8 air bags, 4 units required	REAR	M85310	M89423
	K374-7	All with Air Glide 100 Suspension with 8 air bags, 4 units required	REAR	M85310	M89423
	K374-9	All with Air Glide 100 Suspension with 8 air bags, 4 units required	REAR	M85310	M89423
K300, T300					
	70701	All with Air Glide 200 w/ 40,000 lb Suspension w/ 8 air bags, 4 units required	REAR	M85900	
	665565	K300 COE Medium Duty	FRONT	M85007	
	665903	All with Air Glide 200 w/ 40,000 lb Suspension w/ 8 air bags, 4 units required	REAR	M85900	
	665906	All with Air Glide 200 w/ 46,000 lb Suspension w/ 8 air bags, 4 units required	REAR	M85902	

SHOCKS

Applications by Make/Model

MAKE SERIES/YEAR	OEM	MODEL DESCRIPTION	POSITION	MERITOR STANDARD	MERITOR PREMIUM
KENWORTH					
K300, T300 (continued)					
665944		All with Air Glide 200 w/ 40,000 lb Suspension w/ 8 air bags, 4 units required	REAR	M85900	
665945		All w/ Air Glide 200 with 46,000 lb Suspension w/ 8 air bags, 4 units required	REAR	M85902	
47902-19		Models with Hendrickson Rear Air Suspension	REAR	M83123	
ACHB966		Models with Woodhead Shock (Stamping Number ACHB 966)	REAR	M83136	
K374-11		Models with Taper Leaf Springs on Front Axle	FRONT	M85001	M89410
K374-16		Models with Taper Leaf Springs on Front Axle	FRONT	M85001	M89410
K374-26		Models with Taper Leaf Springs on Front Axle	FRONT	M85001	M89410
K374-27		Models with Taper Leaf Springs on Front Axle	FRONT	M85001	M89410
K374-29		All with Air Glide 100 Suspension with 8 air bags, 4 units required	REAR	M85310	M89423
K374-32		All with Air Glide 100 Suspension with 8 air bags, 4 units required	REAR	M85310	M89423
K374-7		All with Air Glide 100 Suspension with 8 air bags, 4 units required	REAR	M85310	M89423
K374-9		All with Air Glide 100 Suspension with 8 air bags, 4 units required	REAR	M85310	M89423
ACHB966		Models with Woodhead Shock (Stamping Number ACHB 966)	REAR	M83136	
Other Series					
665453		Models with O.E.M. Number	FRONT	M85001	M89410
665632		TruckMaster Shock Stamping Number	FRONT	M85013	M89414
665633		TruckMaster Shock Stamping Number	REAR	M85033	M89427
665670		Models with O.E.M. Number	FRONT	M85001	M89410
665783		TruckMaster Shock Stamping Number	REAR	M83123	
665784		TruckMaster Shock Stamping Number	REAR	M83122	
665788		Models with O.E.M. Number	REAR	M85000	M89436
665828		Models with O.E.M. Number	REAR	M85067	M89451
665844		TruckMaster Shock Stamping Number	REAR	M85069	
665918		TruckMaster Shock Stamping Number	REAR	M85900	
665926		TruckMaster Shock Stamping Number	REAR	M85047	
665927		TruckMaster Shock Stamping Number	FRONT	M85901	
665928		TruckMaster Shock Stamping Number	FRONT	M85062	M89408
665930		TruckMaster Shock Stamping Number	FRONT	M85001	M89410
665932		TruckMaster Shock Stamping Number	FRONT	M85012	M89413
665950		TruckMaster Shock Stamping Number	REAR	M85902	
671052		TruckMaster Shock Stamping Number	FRONT	M85070	
671654		TruckMaster Shock Stamping Number	REAR	M85936	
671699		TruckMaster Shock Stamping Number	REAR	M85937	
671794		TruckMaster Shock Stamping Number	REAR	M85067	M89451
671963		All with AG 460 Suspension	REAR	M85937	
675122		Models with O.E.M. Number	FRONT	M85001	M89410
680237		TruckMaster Shock Stamping Number	BOTH	M85303	
680239		TruckMaster Shock Stamping Number	REAR	M85310	M89423
680241		Models with O.E.M. Number	REAR	M85311	M89424
680261		TruckMaster Shock Stamping Number	FRONT	M85062	M89408
680279		TruckMaster Shock Stamping Number	FRONT	M83209	M89414
680280		TruckMaster Shock Stamping Number	REAR	M83124	
680281		TruckMaster Shock Stamping Number	REAR	M85003	M89411
680303		TruckMaster Shock Stamping Number	REAR	M85007	

Applications by Make/Model

MAKE SERIES/YEAR	OEM	MODEL DESCRIPTION	POSITION	MERITOR STANDARD	MERITOR PREMIUM
KENWORTH (continued)					
Other Series (continued)					
	680425	TruckMaster Shock Stamping Number	FRONT	M85320	M89429
	680435	TruckMaster Shock Stamping Number	REAR	M85033	M89427
	680473	TruckMaster Shock Stamping Number	REAR	M85319	
	680476	Models with O.E.M. Number	REAR	M85310	M89423
	680486	Models with O.E.M. Number	REAR	M85310	M89423
	680586	Models with O.E.M. Number	REAR	M85311	M89424
	680586	TruckMaster Shock Stamping Number	REAR	M85311	M89424
	02-02737PLUS	OE PLUS Shock Stamping Number	FRONT	M85062	M89408
	02-02738PLUS	OE PLUS Shock Stamping Number	FRONT	M85012	M89413
	02-02739PLUS	OE PLUS Shock Stamping Number	FRONT	M85013	M89414
	03-06084PLUS	OE PLUS Shock Stamping Number	REAR	M85033	M89427
	03-07421PLUS	OE PLUS Shock Stamping Number	REAR	M85311	M89424
	03-07423PLUS	OE PLUS Shock Stamping Number	REAR	M85033	M89427
	10-12032-002PLUS	OE PLUS Shock Stamping Number	FRONT	M85320	M89429
	10-12542-000PLUS	OE PLUS Shock Stamping Number	FRONT	M85901	
	16-13947-000PLUS	OE PLUS Shock Stamping Number	REAR	M85319	
	2018987C1PLUS	OE PLUS Shock Stamping Number	REAR	M85003	M89411
	47902-13PLUS	OE PLUS Shock Stamping Number	REAR	M83122	
	60670-008PLUS	OE PLUS Shock Stamping Number	REAR	M83123	
	665565PLUS	OE PLUS Shock Stamping Number	REAR	M85007	
	671962PLUS	OE PLUS Shock Stamping Number	REAR	M85936	
	70701PLUS	OE PLUS Shock Stamping Number	REAR	M85900	
	8086053PLUS	OE PLUS Shock Stamping Number	REAR	M85047	
	90044025PLUS	OE PLUS Shock Stamping Number	FRONT	M83209	M89414
	90044089PLUS	OE PLUS Shock Stamping Number	REAR	M83124	
	C71-1002PLUS	OE PLUS Shock Stamping Number	REAR	M85067	M89451
	C71-1011PLUS	OE PLUS Shock Stamping Number	REAR	M85069	
	K374-26PLUS	OE PLUS Shock Stamping Number	FRONT	M85001	M89410
	K374-29PLUS	OE PLUS Shock Stamping Number	REAR	M85310	M89423
	S-20126	Models with O.E.M. Number	REAR	M85323	M89436
1986 -	1201-1044	Kenworth Sleepers with Link Cabmate KWS60-A Air Suspension and round cornered doors.	CAB	M83025	
	1202-0042	Models with Link Cab Suspension	CAB	M83025	
T2000					
	70701	All with Air Glide 200 w/ 40,000 lb Suspension w/ 8 air bags, 4 units required	REAR	M85900	
06 - 10	665858	Models with 13,000 lb Front Axle	FRONT	M85070	
	665903	All with Air Glide 200 w/ 40,000 lb Suspension w/ 8 air bags, 4 units required	REAR	M85900	
	665906	All with Air Glide 200 w/ 46,000 lb Suspension w/ 8 air bags, 4 units required	REAR	M85902	
	665944	All with Air Glide 200 w/ 40,000 lb Suspension w/ 8 air bags, 4 units required	REAR	M85900	
	665945	All with Air Glide 200 w/46,000 lb Suspension w/ 8 air bags, 4 units required	REAR	M85902	
05 - 10	671962	Models with Air Glide 400 (AG400) Rear Air Suspension	REAR	M85936	
05 - 10	671963	Models with Air Glide 460 Suspension	REAR	M85937	
06 - 10	B71-1001	Models with 13,000 lb Front Axle	FRONT	M85070	
02 - 10	C71-1002	Models with Air Glide 380 Rear Air Suspension	REAR	M85067	M89451
	K374-11	Models with Taper Leaf Springs on Front Axle	FRONT	M85001	M89410

SHOCKS

Applications by Make/Model

MAKE SERIES/YEAR	OEM	MODEL DESCRIPTION	POSITION	MERITOR STANDARD	MERITOR PREMIUM
KENWORTH (continued)					
T2000 (continued)					
	K374-16	Models with Taper Leaf Springs on Front Axle	FRONT	M85001	M89410
	K374-26	Models with Taper Leaf Springs on Front Axle	FRONT	M85001	M89410
	K374-27	Models with Taper Leaf Springs on Front Axle	FRONT	M85001	M89410
	K374-29	All with Air Glide 100 Suspension with 8 air bags, 4 units required	REAR	M85310	M89423
	K374-32	All with Air Glide 100 Suspension with 8 air bags, 4 units required	REAR	M85310	M89423
	K374-7	All with Air Glide 100 Suspension with 8 air bags, 4 units required	REAR	M85310	M89423
	K374-9	All with Air Glide 100 Suspension with 8 air bags, 4 units required	REAR	M85310	M89423
T270, T370					
10 - 13	60670-008	Models with Hendrickson HAS - 230L Rear Air Suspension	REAR	M83123	
10 - 13	C71-1011	Models with AG210L Rear Air Suspension	REAR	M85069	
T400, T400B, T450B					
	70701	All with Air Glide 200 w/ 40,000 lb Suspension w/ 8 air bags, 4 units required	REAR	M85900	
	665903	All with Air Glide 200 w/ 40,000 lb Suspension w/ 8 air bags, 4 units required	REAR	M85900	
	665906	All with Air Glide 200 w/ 46,000 lb Suspension w/ 8 air bags, 4 units required	REAR	M85902	
	665944	All with Air Glide 200 w/ 40,000 lb Suspension w/ 8 air bags, 4 units required	REAR	M85900	
	665945	All with Air Glide 200 w/ 46,000 lb Suspension w/ 8 air bags, 4 units required	REAR	M85902	
	K374-11	Models with Taper Leaf Springs on Front Axle	FRONT	M85001	M89410
	K374-16	Models with Taper Leaf Springs on Front Axle	FRONT	M85001	M89410
	K374-26	Models with Taper Leaf Springs on Front Axle	FRONT	M85001	M89410
	K374-27	Models with Taper Leaf Springs on Front Axle	FRONT	M85001	M89410
	K374-29	All with Air Glide 100 Suspension with 8 air bags, 4 units required	REAR	M85310	M89423
	K374-32	All with Air Glide 100 Suspension with 8 air bags, 4 units required	REAR	M85310	M89423
	K374-7	All with Air Glide 100 Suspension with 8 air bags, 4 units required	REAR	M85310	M89423
	K374-9	All with Air Glide 100 Suspension with 8 air bags, 4 units required	REAR	M85310	M89423
	K374-C7	All with Air Glide 100 Suspension with 8 air bags, 4 units required	REAR	M85310	M89423
T400A					
June 92 -	1201-1043	Models with Link Cabmate KWB689-B or KWB689-C Air Suspension	CAB	M83025	
June 92 -	1202-1043	Models with Link Cabmate KWB689-B or KWB689-C Air Suspension	CAB	M83025	
T440					
-2012	665858	Models with 12,000 to 20,000 lb Taperleaf Front Suspension	FRONT	M85070	
2012 -	671962	Models with Air Glide 400 (AG400) Rear Air Suspension	REAR	M85936	
2012 -	90045132	Models with Neway AD-123 or AD-246 Series Air Suspension with	REAR	M85909	
2012 -	60657-003	Models with Hendrickson Primaax 230, 460 and 690 Air Suspension (8-1/2" to 10" Ride Height)	REAR	M85072	
2012 -	60657-003	Models with Hendrickson Primaax EX 232, 462 and 692 Air Suspension (8-1/2" to 10" Ride Height)	REAR	M85072	
-2014	B71-1001	Models with 12,000 to 20,000 lb Taperleaf Front Suspension	FRONT	M85070	
2012 -	C71-1002	Models with Air Glide 380 (AG380) Rear Air Suspension	REAR	M85067	M89451
T450					
June 92 -	1201-1043	Models with Link Cabmate KWB689-B or KWB689-C Air Suspension	CAB	M83025	
June 92 -	1202-1043	Models with Link Cabmate KWB689-B or KWB689-C Air Suspension	CAB	M83025	
T470					
10 -	665858	Models with 12,000 to 20,000 lb Taperleaf Front Suspension	FRONT	M85070	
10 - 13	671962	Models with Air Glide 400 (AG400) Rear Air Suspension	REAR	M85936	
10 - 13	671963	Models with Air Glide 460 Suspension	REAR	M85937	
10 - 13	90045132	Models with Neway AD-123 or AD-246 Series Air Suspension with	REAR	M85909	

Applications by Make/Model

MAKE SERIES/YEAR	OEM	MODEL DESCRIPTION	POSITION	MERITOR STANDARD	MERITOR PREMIUM
KENWORTH (continued)					
T470 (continued)					
10 - 13	60657-003	Models with Hendrickson Primaax 230, 460 and 690 Air Suspension (8-1/2" to 10" Ride Height)	REAR	M85072	
10 - 13	60657-003	Models with Hendrickson Primaax EX 232, 462 and 692 Air Suspension (8-1/2" to 10" Ride Height)	REAR	M85072	
10 -	B71-1001	Models with 12,000 to 20,000 lb Taperleaf Front Suspension	FRONT	M85070	
10 - 13	C71-1002	Models with AG380 Rear Air Suspension	REAR	M85067	M89451
T600, T600A, T600B, T602					
	70701	All with Air Glide 200 w/ 40,000 lb Suspension w/ 8 air bags, 4 units required	REAR	M85900	
06 -	665858	Models with 13,000 lb Front Axle	FRONT	M85070	
	665903	All with Air Glide 200 w/ 40,000 lb Suspension w/ 8 air bags, 4 units required	REAR	M85900	
	665906	All with Air Glide 200 w/ 46,000 lb Suspension w/ 8 air bags, 4 units required	REAR	M85902	
	665944	All with Air Glide 200 w/ 40,000 lb Suspension w/ 8 air bags, 4 units required	REAR	M85900	
	665945	All with Air Glide 200 w/ 46,000 lb Suspension w/ 8 air bags, 4 units required	REAR	M85902	
05 - 13	671962	Models with Air Glide 400 (AG400) Rear Air Suspension	REAR	M85936	
05 - 13	671963	Models with Air Glide 460 Suspension	REAR	M85937	
	47902-19	Models with Hendrickson Rear Air Suspension	REAR	M83123	
06 -	B71-1001	Models with 13,000 lb Front Axle	FRONT	M85070	
02 - 13	C71-1002	Models with Air Glide 380 Rear Air Suspension	REAR	M85067	M89451
	K374-11	Models with Taper Leaf Springs on Front Axle	FRONT	M85001	M89410
	K374-16	Models with Taper Leaf Springs on Front Axle	FRONT	M85001	M89410
	K374-26	Models with Taper Leaf Springs on Front Axle	FRONT	M85001	M89410
	K374-27	Models with Taper Leaf Springs on Front Axle	FRONT	M85001	M89410
	K374-29	All with Air Glide 100 Suspension with 8 air bags, 4 units required	REAR	M85310	M89423
	K374-32	All with Air Glide 100 Suspension with 8 air bags, 4 units required	REAR	M85310	M89423
	K374-7	All with Air Glide 100 Suspension with 8 air bags, 4 units required	REAR	M85310	M89423
	K374-9	All with Air Glide 100 Suspension with 8 air bags, 4 units required	REAR	M85310	M89423
	K374-C7	All with Air Glide 100 Suspension with 8 air bags, 4 units required	REAR	M85310	M89423
	1202-0054	Models with Link Cabmate KWMC642 Air Suspension (T600 series only)	CAB	M83021	
	1201-1043	Models w/ Link Cabmate KWB689-B or KWB689-C Air Suspension and rear cab mount Kenworth part # K235-1436 or K235-1488 (T600A series only)	CAB	M83025	
T660					
06 -	665858	Models with 12,000 and 13,200 lb Front Axle	FRONT	M85070	
06 -	B71-1001	Models with 12,000 and 13,200 lb Front Axle	FRONT	M85070	
06 - 13	C71-1002	Models with AG380 Rear Air Suspension	REAR	M85067	M89451
08 - 13	C71-1011	Models with 40,000 lb Low Air leaf Suspension	REAR	M85069	
T700					
11 -	665858	Models with 13,000 lb Front Axle	FRONT	M85070	
11 - 13	671962	Models with Air Glide 400 (AG400) Rear Air Suspension	REAR	M85936	
11 -	B71-1001	Models with 13,000 lb Front Axle	FRONT	M85070	
11 - 13	C71-1002	Models with Air Glide 380 Rear Air Suspension	REAR	M85067	M89451
T800/T800A					
	1201-1043	Models with Link Cabmate KWB689-B or KWB689-C Air Suspension and rear cab mount Kenworth part # K235-1436 or K235-1488	CAB	M83025	M89423
	1202-0054	Models with Link Cabmate KWMC642 Air Suspension	CAB	M83021	M89423
	1202-1043	Models with Link Cabmate KWB689-B or KWB689-C Air Suspension and rear cab mount Kenworth part # K235-1436 or K235-1488	CAB	M83025	

SHOCKS

Applications by Make/Model

MAKE SERIES/YEAR	OEM	MODEL DESCRIPTION	POSITION	MERITOR STANDARD	MERITOR PREMIUM
KENWORTH (continued)					
T800, T800B, T800B(8x4), T800SH, T800H, T800W					
	70701	All with Air Glide 200 w/ 40,000 lb Suspension w/ 8 air bags, 4 units required	REAR	M85900	
05 -	665858	Models with 12,000 and 13,200 lb Front Axle	FRONT	M85070	
	665903	All with Air Glide 200 w/ 40,000 lb Suspension w/ 8 air bags, 4 units required	REAR	M85900	
	665906	All with Air Glide 200 w/ 46,000 lb Suspension w/ 8 air bags, 4 units required	REAR	M85902	
	665944	All with Air Glide 200 w/ 40,000 lb Suspension w/ 8 air bags, 4 units required	REAR	M85900	
	665945	All with Air Glide 200 w/ 46,000 lb Suspension w/ 8 air bags, 4 units required	REAR	M85902	
05 - 13	671962	Models with Air Glide 400 (AG400) Rear Air Suspension	REAR	M85936	
05 - 13	671963	Models with Air Glide 460 Suspension	REAR	M85937	
	90044089	Models with Neway Rear Air Suspension	REAR	M83124	
	90045132	Models with Neway Rear Air Suspension (AD123-, AD246-)	REAR	M85909	
	47902-19	Models with Hendrickson Rear Air Suspension	REAR	M83123	
05 -	B71-1001	Models with 12,000 and 13,200 lb Front Axle	FRONT	M85070	
01 - 13	C71-1002	Models with Air Glide 380 Suspension (38000 lb)	REAR	M85067	M89451
	K374-11	Models with Taper Leaf Springs on Front Axle	FRONT	M85001	M89410
	K374-16	Models with Taper Leaf Springs on Front Axle	FRONT	M85001	M89410
	K374-26	Models with Taper Leaf Springs on Front Axle	FRONT	M85001	M89410
	K374-27	Models with Taper Leaf Springs on Front Axle	FRONT	M85001	M89410
	K374-29	All with Air Glide 100 Suspension with 8 air bags, 4 units required	REAR	M85310	M89423
	K374-32	All with Air Glide 100 Suspension with 8 air bags, 4 units required	REAR	M85310	M89423
	K374-7	All with Air Glide 100 Suspension with 8 air bags, 4 units required	REAR	M85310	M89423
	K374-9	All with Air Glide 100 Suspension with 8 air bags, 4 units required	REAR	M85310	M89423
	K374-C7	All with Air Glide 100 Suspension with 8 air bags, 4 units required	REAR	M85310	M89423
T880					
	665858	Models with 12,000 to 20,000 lb Taperleaf Front Suspension	FRONT	M85070	
	B71-1001	Models with 12,000 to 20,000 lb Taperleaf Front Suspension	FRONT	M85070	
W900/W900B					
	1201-1043	Models with Link Cabmate KWB689-B or KWB689-C Air Suspension and rear cab mount Kenworth part # K235-1436 or K235-1488	CAB	M83025	
	1202-0054	Models with Link Cabmate KWMC642 Air Suspension	CAB	M83021	
	1202-1043	Models with Link Cabmate KWB689-B or KWB689-C Air Suspension and rear cab mount Kenworth part # K235-1436 or K235-1488	CAB	M83025	
W900, W900B, W900L, W900S					
	70701	All w/ Air Glide 200 w/ 40,000 lb Suspension w/ 8 air bags, 4 units required	REAR	M85900	
05 -	665858	Models with 12,000 and 13,200 lb Front Axle	FRONT	M85070	
	665903	All with Air Glide 200 w/ 40,000 lb Suspension w/ 8 air bags, 4 units required	REAR	M85900	
	665906	All with Air Glide 200 w/ 46,000 lb Suspension w/ 8 air bags, 4 units required	REAR	M85902	
	665944	All with Air Glide 200 w/ 40,000 lb Suspension w/ 8 air bags, 4 units required	REAR	M85900	
	665945	All with Air Glide 200 w/ 46,000 lb Suspension w/ 8 air bags, 4 units required	REAR	M85902	
05 - 13	671962	Models with Air Glide 400 (AG400) Rear Air Suspension	REAR	M85936	
05 - 13	671963	Models with Air Glide 460 Suspension	REAR	M85937	
2010	90045132	Models with 46,000 lb Neway Rear Air Suspension	REAR	M85909	
	47902-19	Models with Hendrickson Rear Air Suspension	REAR	M83123	
05 -	B71-1001	Models with 12,000 and 13,200 lb Front Axle	FRONT	M85070	
01 - 13	C71-1002	Models with Air Glide 380 Suspension (38000 lb)	REAR	M85067	M89451
	K374-11	Models with Taper Leaf Springs on Front Axle	FRONT	M85001	M89410
	K374-16	Models with Taper Leaf Springs on Front Axle	FRONT	M85001	M89410

Applications by Make/Model

MAKE SERIES/YEAR	OEM	MODEL DESCRIPTION	POSITION	MERITOR STANDARD	MERITOR PREMIUM
KENWORTH (continued)					
W900, W900B, W900L, W900S (continued)					
	K374-26	Models with Taper Leaf Springs on Front Axle	FRONT	M85001	M89410
	K374-27	Models with Taper Leaf Springs on Front Axle	FRONT	M85001	M89410
	K374-29	All with Air Glide 100 Suspension with 8 air bags, 4 units required	REAR	M85310	M89423
	K374-32	All with Air Glide 100 Suspension with 8 air bags, 4 units required	REAR	M85310	M89423
	K374-7	All with Air Glide 100 Suspension with 8 air bags, 4 units required	REAR	M85310	M89423
	K374-9	All with Air Glide 100 Suspension with 8 air bags, 4 units required	REAR	M85310	M89423
	K374-C7	All with Air Glide 100 Suspension with 8 air bags, 4 units required	REAR	M85310	M89423
LINK MANUFACTURING					
	654669	Models with Link Cab Suspension	CAB	M83021	
	654799	Models with Link Cab Suspension	CAB	M83025	
	654833	Models with Link Cab Suspension	CAB	M83021	
	654867	Models with Link Cab Suspension	CAB	M83025	
	1201-1043	Models with Link Cab Suspension	CAB	M83025	
	1201-1044	Models with Link Cab Suspension	CAB	M83025	
	1202-0042	Models with Link Cab Suspension	CAB	M83025	
	1202-0044	Models with Link Cab Suspension	CAB	M83025	
	1202-0052	Models with Link Cab Suspension	CAB	M83021	
	1202-0054	Models with Link Cab Suspension	CAB	M83021	
	1202-1042	Models with Link Cab Suspension	CAB	M83025	
	1202-1043	Models with Link Cab Suspension	CAB	M83025	
	1202-1044	Models with Link Cab Suspension	CAB	M83025	
LODAL, INC.					
	9960257	Refuse Truck	FRONT	M83122	
M.A.N. BUS					
	25-1700-106-654	Americana Bus with O.E.M. Numbers	REAR	M85708	
	81-43701-6538	Articulating Bus - Front Axle	FRONT	M85708	
	81-43701-6539	Articulating Bus - Trailing Axle	REAR	M85708	
	81-43701-6543	Americana Bus with O.E.M. Numbers	REAR	M85708	
	81-43701-6572	Americana Bus with O.E.M. Numbers	FRONT	M85708	
MACK					
CH Series					
	25622221	CH600 Series with ALV Hendrickson Suspension	REAR	M83111	
	25624241	CH600 Series with Hendrickson HN-2 Series Suspension	REAR	M83112	
	25624351	CH600 Series w/ Neway AD Air Suspension Shock w/ extend length of 24.30"	REAR	M85909	
	25624837	CH600 Series w/ Neway AD Air Suspension Shock w/ extend length of 24.30"	REAR	M85909	
	25625223	CH600 Series with Hendrickson AL-405 Rear Suspension	REAR	M83111	
	25625234	CH600 Series with HAS400 MACK Air Suspension	REAR	M83125	
	25625254	CH Series with Hendrickson HA Series Air Suspension	REAR	M83125	
	25625743	CH600 Series with 12000 lb Taperleaf Spring	FRONT	M85005	M89430
	14QK-2113M	CH600 Series with ST34 Suspension	FRONT	M85001	M89410
	14QK-2113P6	Models with O.E.M. Number	REAR	M85007	
	14QK-392AM	CH600 Series with 12000 lb Taperleaf Spring	FRONT	M85005	M89430
	14QK-392BM	CH600 Series with 12000 lb Taperleaf Spring	FRONT	M85005	M89430
	14QK-392BM3	CH600 Series with 12000 lb Taperleaf Spring	FRONT	M85005	M89430

SHOCKS

Applications by Make/Model

MAKE SERIES/YEAR	OEM	MODEL DESCRIPTION	POSITION	MERITOR STANDARD	MERITOR PREMIUM
MACK (continued)					
CH Series (continued)					
	14QK-393AM	CH600 Series with Hendrickson Rear Air	REAR	M83123	
	14QK-396	CH600 Series with Steering Axle with Parabolic Taperleaf Spring	FRONT	M85005	M89430
	14QK-396M	CH600 Series with 12000 lb Taperleaf Spring	REAR	M85005	M89430
	14QK-410M	CH600 Series with HAS400 MACK Air Suspension	REAR	M83125	
	14QK-410M3	CH Series with Hendrickson HA Series Air Suspension	REAR	M83125	
	14QK-413M6	CH600 Series with ALV Hendrickson Suspension	REAR	M83111	
	14QK-413M7	CH600 Series with Hendrickson AL-405 Rear Suspension	REAR	M83111	
	14QK-414M2	CH600 Series w/ Neway AD Air Suspension Shock w/ extend length of 24.30"	REAR	M85909	
	14QK-415M	CH600 Series with Hendrickson HN-2 Series Suspension	REAR	M83112	
	14QK-421M	Additional O.E.M. Interchanges	FRONT	M85014	
	47902-25	CH600 Series with HAS400 MACK Air Suspension	REAR	M83125	
	47902-9	CH600 Series with Hendrickson Rear Air	REAR	M83123	
	57241-006	CH600 Series with Hendrickson AL-405 Rear Suspension	REAR	M83111	
CHN					
- 07	20973993	CHN-613 Models with 12,000 lb Front Axles	FRONT	M85061	M89450
- 07	14QK-3107M	CHN-613 Models with 12,000 lb Front Axles	FRONT	M85061	M89450
CHU - Pinnacle					
08 - 11	20570098	CHU-613 Models with Hendrickson 38,000 lb Rear Air Suspension	REAR	M83147	
08 - 11	20625775	CHU-613 Models with 12,000 lb and 14,600 lb Front Axle	FRONT	M85014	
08 - 11	20998401	CHU-613 Models with 12,000 lb and 14,600 lb Front Axle	FRONT	M85014	
08 - 11	14QK-424M	CHU-613 Models with Hendrickson 38,000 lb Rear Air Suspension	REAR	M83147	
08 - 11	14QK-434M	CHU-613 Models with 12,000 lb and 14,600 lb Front Axle	FRONT	M85014	
08 - 11	60670-006	CHU-613 Models with Hendrickson 38,000 lb Rear Air Suspension	REAR	M83147	
08 - 11	SDA471700002861	CHU-613 Models with 12,000 lb and 14,600 lb Front Axle	FRONT	M85014	
CL					
	25622221	CL600/CL700 Series with ALV Hendrickson Suspension	REAR	M83111	
	25624241	CL600/CL700 Series with Hendrickson HN-2 Series Suspension	REAR	M83112	
	25624351	CL600/CL700 Series with Neway AD Air Suspension Shock w/ extend length of 24.30"	REAR	M85909	
	25624837	CL600/CL700 Series with Neway AD Air Suspension Shock w/ extend length of 24.30"	REAR	M85909	
	25625234	CL600, CL700 Series with HAS400 MACK Air Suspension	REAR	M83125	
	25625254	CL600/CL700 Series with Hendrickson HA Series Air Suspension	REAR	M83125	
	25625743	CL600, CL700 Series with Steering Axle & Taperleaf Spring	FRONT	M85005	M89430
	25632145	CL600, CL700 Series with ST34 Suspension	FRONT	M85001	M89410
	14QK-2113	CL600, CL700 Series with ST34 Suspension	FRONT	M85001	M89410
	14QK-2113M	CL600, CL700 Series with ST34 Suspension	FRONT	M85001	M89410
	14QK-392AM	CL600, CL700 Series with Steering Axle & Taperleaf Spring	FRONT	M85005	M89430
	14QK-392AM2	CL600, CL700 Series with Multileaf Spring Suspension	FRONT	M83123	
	14QK-392BM	CL600, CL700 Series with Steering Axle & Taperleaf Spring	FRONT	M85005	M89430
	14QK-393AM	CL600, CL700 Series with Hendrickson Rear Air Susp	REAR	M83123	
	14QK-410M	CL600, CL700 Series with HAS400 MACK Air Suspension	REAR	M83125	
	14QK-410M3	CL600/CL700 Series with Hendrickson HA Series Air Suspension	REAR	M83125	
	14QK-413M6	CL600/CL700 Series with ALV Hendrickson Suspension	REAR	M83111	
	14QK-414M2	CL600/CL700 Series with Neway AD Air Suspension Shock w/ extend length of 24.30"	REAR	M85909	

Applications by Make/Model

MAKE SERIES/YEAR	OEM	MODEL DESCRIPTION	POSITION	MERITOR STANDARD	MERITOR PREMIUM
MACK (continued)					
CL Series (continued)					
	14QK-415M	CL600/CL700 Series with Hendrickson HN-2 Series Suspension	REAR	M83112	
	47902-25	CL600, CL700 Series with HAS400 MACK Air Suspension	REAR	M83125	
	47902-9	CL600, CL700 Series with Hendrickson Rear Air Susp	REAR	M83123	
CV					
02 - 07	25624241	CV-713 Models with Hendrickson HN-2 Series Suspension	REAR	M83112	
02 - 07	25625151	CV-713 Models with 18,000 lb Front Axles	FRONT	M85036	
02 - 07	14QK-366	CV-713 Models with 18,000 lb Front Axles	FRONT	M85036	
02 - 07	14QK-415M	CV-713 Models with Hendrickson HN-2 Series Suspension	REAR	M83112	
CX / Vision					
	20513881	Models with O.E.M. Number	FRONT	M85061	M89450
	25622221	CX Vision Series w/ ALV Hendrickson Suspension	REAR	M83111	
	25624241	CX Vision Series w/ Hendrickson HN-2 Series Suspension	REAR	M83112	
	25624341	Models with Hendrickson Air Suspension (Stamping No. 57241-4)	REAR	M83110	
	25624351	CX Vision Series w/ Neway AD Air Suspension Shock w/ extend length of 24.30"	REAR	M85909	
	25624837	CX Vision Series w/ Neway AD Air Suspension Shock w/ extend length of 24.30"	REAR	M85909	
	25625223	Models with MAC AL405 Suspension	REAR	M83111	
	25625234	Models with HAS400 MACK Air Suspension	REAR	M83125	
	25625254	CX Vision Series w/ Hendrickson HA Series Air Suspension	REAR	M83125	
	141700000373	Models with O.E.M. Number	FRONT	M85061	M89450
	14QK-3101M	CX Vision Series w/ MACK Air Suspension	REAR	M85066	M89448
	14QK-392BM3	Models with 12000 lb Front Taperleaf Suspension	FRONT	M85005	M89430
	14QK-410M	Models with HAS400 MACK Air Suspension	REAR	M83125	
	14QK-410M3	CX Vision Series w/ Hendrickson HA Series Air Suspension	REAR	M83125	
	14QK-413M4	Models with Hendrickson Air Suspension (Stamping No. 57241-4)	REAR	M83110	
	14QK-413M6	CX Vision Series w/ ALV Hendrickson Suspension	REAR	M83111	
	14QK-413M7	Models with MAC AL405 Suspension	REAR	M83111	
	14QK-414M2	CX Vision Series w/ Neway AD Air Suspension Shock w/ extend length of 24.30"	REAR	M85909	
	14QK-415M	CX Vision Series w/ Hendrickson HN-2 Series Suspension	REAR	M83112	
	14QK-431M	CX Vision Series w/ Hendrickson Air Suspension	REAR	M85061	
	14QK-431M	CX Vision Series w/ Parabolic Spring	REAR	M85061	M89450
	14QK-431M	CX Vision Series w/ Hendrickson Air Suspension	REAR		M89450
	47902-25	Models with HAS400 MACK Air Suspension	REAR	M83125	
	57241-006	Models with MAC AL405 Suspension	REAR	M83111	
	SDA471700000431	CX Vision Series w/ MACK Air Suspension	REAR	M85066	M89448
CXU / Pinnacle					
08 - 10	20897198	CXU-613 Models with 40,000 lb Rear Air Suspensions	REAR	M85061	M89450
08 - 10	20973993	CXU-613 Models with 12,000 lb Front Axles	FRONT	M85061	M89450
08 - 10	471700002626	CXU-613 Models with 40,000 lb Rear Air Suspensions	REAR	M85061	M89450
08 - 10	14QK-2136M	CXU-613 Models with 40,000 lb Rear Air Suspensions	REAR	M85061	M89450
08 - 10	14QK-3114M	CXU-613 Models with 12,000 lb Front Axles	FRONT	M85061	M89450
08 - 10	SDA14170000380	CXU-613 Models with 12,000 lb Front Axles	FRONT	M85061	M89450

SHOCKS

Applications by Make/Model

MAKE SERIES/YEAR	OEM	MODEL DESCRIPTION	POSITION	MERITOR STANDARD	MERITOR PREMIUM
MACK (continued)					
FRONT					
	14QK-143	FL Series - Western	FRONT	M83207	
	14QK-2100D-P4	FL Series - Western	FRONT	M83207	
		FRONT Series (exc. Eastern)	FRONT	M83207	
		FRONT Models with Standard Suspension	REAR	M85305	
		FRONT Series (exc. Eastern)	REAR	M83215	
GU					
08 - 10	20570098	GU-713 Models with Hendrickson 38,000 lb Rear Air Suspension	REAR	M83147	
08 - 10	14QK-424M	GU-713 Models with Hendrickson 38,000 lb Rear Air Suspension	REAR	M83147	
08 - 10	60670-006	GU-813 Models with Hendrickson 38,000 lb Rear Air Suspension	REAR	M83147	
MH					
	25623321	MH Series - 4" Wide Springs	FRONT	M83215	
	14QK-2107P1	MH Series with Camelback Rear Suspension (SS34 & 38)	REAR	M83215	
	14QK-2107P2	MH Series with Camelback Rear Suspension (SS34 & 38)	REAR	M83215	
	14QK-2113P4	MH Series with Taperleaf Rear Suspension	REAR	M85007	
	14QK-2113P5	MH Series with O.E.M. Number	FRONT	M85001	M89410
	14QK-2133M	MH Series with O.E.M. Number	FRONT	M85001	M89410
	14QK-2133M2	MH Series with O.E.M. Number	FRONT	M85001	M89410
	14QK-373	MH Series - 4" Wide Springs	FRONT	M83215	
	14QK-375M	MH Series with Neway ARD-234 Air Suspension	REAR	M83123	
	14QK-377M	MH Series with O.E.M. Number	FRONT	M83215	
	14QK-378M	MH Series - 4" Wide Springs	FRONT	M83215	
	14QK-392AM	MH Series with O.E.M. Number	BOTH	M85005	M89430
Other Series					
	650102	Additional O.E.M. Interchanges	BOTH	M85001	M89410
	650107	Additional O.E.M. Interchanges	BOTH	M85316	
	650402	Additional O.E.M. Interchanges	BOTH	M85311	M89424
	650404	Additional O.E.M. Interchanges	BOTH	M85310	M89423
	650408	Additional O.E.M. Interchanges	BOTH	M85319	
	651103	Models with O.E.M. Number	FRONT	M85036	
	651151	Additional O.E.M. Interchanges	BOTH	M83209	M89414
	25622612	Models with O.E.M. Numbers	CAB	M83041	
	25622613	Models with O.E.M. Numbers	CAB	M83041	
	25625151	REAR, U, RD 600 Series/ MR600 Series with Front Taperleaf Springs	FRONT	M85036	
	25625187	Additional O.E.M. Interchanges	BOTH	M83209	M89414
	4717000002861	Models with O.E.M. Number	FRONT	M85014	
	14QK-1200P4	Models with O.E.M. Number	FRONT	M83207	
	14QK-142	B Series	REAR	M85305	
	14QK-142AP1	Models with O.E.M. Number	FRONT	M83215	
	14QK-142P1	Models with Inverted Camelback Spring Suspension	FRONT	M83215	
	14QK-2100P2	Models with O.E.M. Number	FRONT	M83209	M89414
	14QK-2100P3	Models with O.E.M. Number	FRONT	M83207	
	14QK-2100P4	MB Series	FRONT	M83207	
	14QK-2100P6	Models with O.E.M. Number	FRONT	M85036	
	14QK-2105	Models with O.E.M. Number	FRONT	M83209	M89414
	14QK-2107	RB 600 Series (Drive Axle)	REAR	M83215	

Applications by Make/Model

MAKE SERIES/YEAR	OEM	MODEL DESCRIPTION	POSITION	MERITOR STANDARD	MERITOR PREMIUM
MACK (continued)					
Other Series (continued)					
	14QK-2107P3	Models with O.E.M. Number	FRONT	M83215	
	14QK-2108	Models with O.E.M. Number	FRONT	M83203	M89436
	14QK-2108P1	Models with O.E.M. Number	FRONT	M83203	M89436
	14QK-2110	RD800 w/ Shock & Taperleaf Suspension (SWT & SWTL 561)(ST-34)	FRONT	M85305	
	14QK-2110P1	Additional O.E.M. Interchanges	BOTH	M85305	
	14QK-2113M	RD Series with ST34 Suspension	FRONT	M85001	M89410
	14QK-2113P3	Models with O.E.M. Number	FRONT	M85001	M89410
	14QK-2113P6	Models with O.E.M. Number	FRONT	M85007	
	14QK-2115	REAR, U, RD 600 Series	FRONT	M85305	
	14QK-288-P1	Models with O.E.M. Number	FRONT	M85007	
	14QK-29001P2	Models with O.E.M. Number	FRONT	M85303	
	14QK-29301P1	Models with O.E.M. Number	FRONT	M83207	
	14QK-29301P2	Models with O.E.M. Number	FRONT	M83207	
	14QK-29302	REAR, U, RD 600 Series	FRONT	M83207	
	14QK-29302P1	Additional O.E.M. Interchanges	BOTH	M83207	
	14QK-366	REAR, U, RD 600 Series/ MR600 Series with Front Taperleaf Springs	FRONT	M85036	
	14QK-366P1	REAR, RU, RD600 Series-3 1/2" Wide springs	FRONT	M85036	
	14QK-366P1	REAR, U, RD 600 Series/ MR600 Series with Front Taperleaf Springs	FRONT	M85036	
	14QK-366P2	Models with O.E.M. Number	FRONT	M85036	
	14QK-366P3	Models with O.E.M. Number	FRONT	M85036	
	14QK-366P4	Additional O.E.M. Interchanges	BOTH	M83209	M89414
	14QK-372M2	Additional O.E.M. Interchanges	BOTH	M83209	M89414
	14QK-372M3	Models with O.E.M. Number	FRONT	M83122	
	14QK-378	Models with O.E.M. Number	FRONT	M83215	
	14QK-391AM	CL Series	CAB	M83041	
	14QK-391AM2	CL Series	CAB	M83041	
2002 - 07	14QK-391BM	CV-713 Models with O.E.M number	CAB	M83041	
	14QK-391BM2	Models with O.E.M. Numbers	CAB	M83041	
	14QK-391M	Models with O.E.M. Numbers	CAB	M83041	
	14QK-391M2	Models with O.E.M. Numbers	CAB	M83041	
	14QK-392AM3	Models with 12000 lb Taperleaf Spring	FRONT	M85005	M89430
	14QK-392M	Additional O.E.M. Interchanges	BOTH	M85005	M89430
	14QK-413M	Models with MAC AL405 Suspension	REAR	M83111	
	14QK-413M4	Models w/ Hendrickson HAS-40LH Air Suspension (O.E. Number 57241-4)	REAR	M83110	
	14QK-422M	Models with Hendrickson AirTek Front Air Suspension	FRONT	M85933	
	57241-004	Models with O.E.M. Number	REAR	M83110	
	5966-90044025	Models with O.E.M. Number	FRONT	M83209	M89414
06 - 09	60657-007	Models w/ Hendrickson 40,000 lb Primaax, Primaax EX & FireMaax EX Air Susp.	REAR	M85072	
	64838-002	Models with Hendrickson AirTek Front Air Suspension	FRONT	M85933	
	650107MT	Additional O.E.M. Interchanges	BOTH	M85316	
	650400MT	Additional O.E.M. Interchanges	BOTH	M85033	M89427
	650402MT	Additional O.E.M. Interchanges	BOTH	M85311	M89424
	650404MT	Additional O.E.M. Interchanges	BOTH	M85310	M89423
	650408MT	Additional O.E.M. Interchanges	BOTH	M85319	

SHOCKS

Applications by Make/Model

MAKE SERIES/YEAR	OEM	MODEL DESCRIPTION	POSITION	MERITOR STANDARD	MERITOR PREMIUM
MACK (continued)					
Other Series (continued)					
75 - 79		W Series - Western	FRONT	M83207	
		DM Series	FRONT	M83209	M89414
		DM Series	REAR	M83215	
		MB Series	REAR	M83215	
		Model 75 Bogie Axle	REAR	M83215	
		REAR, U Series	REAR	M83215	
75 - 79		W Series - Western	REAR	M83215	
RW					
	25623321	RW Series - 4" Wide Springs	FRONT	M83215	
	14QK-2107P1	RW Series - 4" Wide Springs	REAR	M83215	
	14QK-2107P2	RW Series - 4" Wide Springs	REAR	M83215	
	14QK-2113P4	MH Series with Taperleaf Rear Suspension	REAR	M85007	
	14QK-2113P5	RW Series with O.E.M. Number	FRONT	M85001	M89410
	14QK-2133M	RW Series with O.E.M. Number	FRONT	M85001	M89410
	14QK-2133M2	RW Series with O.E.M. Number	FRONT	M85001	M89410
	14QK-373	RW Series - 4" Wide Springs	FRONT	M83215	
	14QK-375M	RW Series with Neway ARD-234 Air Suspension	REAR	M83123	
	14QK-377M	RW Series with O.E.M. Number	FRONT	M83215	
	14QK-378M	RW Series - 4" Wide Springs	FRONT	M83215	
	14QK-392AM	RW Series with O.E.M. Number	BOTH	M85005	M89430
TD					
08 - 10	20570098	TD-713 Models with Hendrickson 38,000 lb Rear Air Suspension	REAR	M83147	
08 - 10	14QK-424M	TD-713 Models with Hendrickson 38,000 lb Rear Air Suspension	REAR	M83147	
08 - 10	60670-006	TD-713 Models with Hendrickson 38,000 lb Rear Air Suspension	REAR	M83147	
MAECO					
	6025	Additional O.E.M. Interchanges	BOTH	M83122	
	12608	Additional O.E.M. Interchanges	BOTH	M83125	
	12866	Additional O.E.M. Interchanges	BOTH	M83207	
	16385	Additional O.E.M. Interchanges	BOTH	M83215	
	70018	Additional O.E.M. Interchanges	BOTH	M85303	
	70021	Additional O.E.M. Interchanges	BOTH	M85303	
	70039	Additional O.E.M. Interchanges	BOTH	M85303	
	70041	Additional O.E.M. Interchanges	BOTH	M85305	
	70127	Additional O.E.M. Interchanges	BOTH	M85006	
	70128	Additional O.E.M. Interchanges	BOTH	M85006	
	70300	Additional O.E.M. Interchanges	BOTH	M85320	M89429
	70312	Additional O.E.M. Interchanges	FRONT	M85001	M89410
	70334	Additional O.E.M. Interchanges	BOTH	M85316	
	70397	Additional O.E.M. Interchanges	BOTH	M85006	
	70402	Additional O.E.M. Interchanges	BOTH	M85305	
	70652	Additional O.E.M. Interchanges	BOTH	M85030	
	70663	Additional O.E.M. Interchanges	BOTH	M85013	M89414
	70720	Additional O.E.M. Interchanges	BOTH	M85934	
	70721	Additional O.E.M. Interchanges	BOTH	M83125	

Applications by Make/Model

MAKE SERIES/YEAR	OEM	MODEL DESCRIPTION	POSITION	MERITOR STANDARD	MERITOR PREMIUM
MAECO (continued)					
	74039	Additional O.E.M. Interchanges	BOTH	M85303	
	1668722	Bus with O.E.M. Number	BOTH	M85030	
MARMON					
	576451	Models with O.E.M. Number	FRONT	M83122	
1981 -	1202-0054	Conventional Tractors with Link Cabmate Model MARC57-B	CAB	M83021	
	37-1-1	Models with O.E.M. Number	FRONT	M83122	
	51-139-28	Models with O.E.M. Number	REAR	M85003	M89411
	51-163-7	Models with O.E.M. Number	REAR	M83123	
MATSON SCHOOL BUS					
	5392387	Models with O.E.M. Number	FRONT	M85303	
McNEILUS TRUCK & MANUFACTURING					
	217330	Models with O.E.M. Number	BOTH	M85303	
MERCEDES					
01		Mercedes Benz BusCar 320	FRONT		M89430
02 - 04		Mercedes Benz Andar Bus with Neway Front Suspension	FRONT		M89430
		Mercedes Benz Chassis - 9 to 14 Ton	FRONT	M85006	
88 - 92		Famsa SubUrbano	FRONT	M85006	
90 - 02		Boxer HPN Midibus Urbano (Magno 930 Urbano)	FRONT	M85006	
01		Mercedes Benz BussCar 320	FRONT	M85005	
02 - 04		Mercedes Benz Andar Bus with Neway Front Suspension	FRONT	M85005	
MERITOR					
	202447	RHP11, RHP55 and RideSentry Trailer Suspension	REAR	M85919	
	654907	Models with Manufacturing Number	REAR	M85000	M89436
	665724	Models with Manufacturing Number	REAR	M85000	M89436
	665769	Models with Manufacturing Number	REAR	M85052	
	671092	Models with Manufacturing Number	FRONT	M85012	M89413
	671707	Models with Manufacturing Number	REAR	M85052	
	671907	Models with O.E.M. Number	REAR	M85919	
	680584	Models with Manufacturing Number	REAR	M85938	
	A-3280-M-9711	RHP11, RHP55 and RideSentry Trailer Suspension	REAR	M85919	
01 -	A-7805L-1000	RHP11, RHP55 and RideSentry Trailer Suspension	REAR	M85919	
MINI					
MITSUBISHI-FUSO					
FM					
11/85 - 05/88	MC813135	FM555	FRONT	M83456	
MOHAWK					
	20273544	Additional O.E.M. Interchanges	BOTH	M83203	M89436
	01-0100-905	Additional O.E.M. Interchanges	BOTH	M85303	
	6-367-7	Additional O.E.M. Interchanges	BOTH	M85305	
	MM-6886	Additional O.E.M. Interchanges	BOTH	M83207	
MOTOR COACH INDUSTRIES					
D - Series Coaches					
	85729	D 4500 Coach	REAR	M85729	
	12-05-1177	D 4000 Coach	REAR	M85729	
	12-05-1177	D 4005 Coach	REAR	M85729	
	12-05-1177	D 4500 Coach	REAR	M85729	
	12-05-1177	D 4505 Coach	REAR	M85729	

Applications by Make/Model

MAKE SERIES/YEAR	OEM	MODEL DESCRIPTION	POSITION	MERITOR STANDARD	MERITOR PREMIUM
MOTOR COACH INDUSTRIES (continued)					
D - Series Coaches (continued)					
	12-05-1179	D 4500 Coach	REAR	M85727	
	12-05-1179	D 4505 Coach	REAR	M85727	
	12L-5-100	DL3 Bus -Tag Axle	REAR	M85727	
	12L-5-114	D 4500 Coach	REAR	M85727	
	12L-5-114	D 4505 Coach	REAR	M85727	
	12L-5-114	DL3 Bus -Tag Axle	REAR	M85727	
	12L-5-88	D 4500 Coach	REAR	M85729	
	12L-5-88	D 4505 Coach	REAR	M85729	
	12L-5-88	DL3 Bus	REAR	M85729	
	12L-5-89	DL3 Bus	REAR	M85729	
Other Series					
	680333	Additional O.E.M. Interchanges	BOTH	M85708	
	680369	Models with O.E.M. Number	REAR	M85708	
	680441	Models with O.E.M. Number	REAR	M85729	
	680482	Models with O.E.M. Number	REAR	M85727	
	680680	Models with O.E.M. Number	REAR	M85729	
	680681	Models with O.E.M. Number	REAR	M85727	
	6314933	Additional O.E.M. Interchanges	BOTH	M85708	
	12-05-1199	Models with O.E.M. Number	REAR	M85729	
	12-05-1243	Models with O.E.M. Number	REAR	M85729	
	12-05-1244	Models with O.E.M. Number	REAR	M85727	
	12-05-6068	Tag Axle	REAR	M85727	
	12L-5-71	Drive Axle	REAR	M85708	
	12T-1-13	Models with O.E.M. Number	BOTH	M85303	
	12TA-01-013	Models with O.E.M. Number	BOTH	M85303	
	63-0127GS	Models with O.E.M. Number	BOTH	M85303	
	97-2210-00164	Additional O.E.M. Interchanges	BOTH	M85708	
	T14-1081	Drive Axle	REAR	M85729	
	T14-1082	Tag Axle	REAR	M85727	
MUNCIE RECLAMATION					
	665569	Additional O.E.M. Interchanges	BOTH	M85045	
	97-2210-00164	Additional O.E.M. Interchanges	BOTH	M85708	
	H53-21144-004	Additional O.E.M. Interchanges	BOTH	M85045	
	MR1763	Additional O.E.M. Interchanges	BOTH	M85300	
	MR6535	Additional O.E.M. Interchanges	BOTH	M85708	
NATIONAL COACH CORP					
	C800853	Eldorado Coach RE-29	FRONT	M83207	
NEW FLYER					
	15813	Diesel Low Floor Coach	REAR	M85708	
02 -	152959	Transit Buses (Low Profile) with O.E.M. Number	REAR	M85708	
02 -	680671	Transit Buses (Low Profile) with O.E.M. Number	REAR	M85708	
	97-2210-00164	Additional O.E.M. Interchanges	BOTH	M85708	
	695327	Models with O.E.M. Number	FRONT	M85732	
	695343	Models with O.E.M. Number	FRONT	M85732	

Applications by Make/Model

MAKE SERIES/YEAR	OEM	MODEL DESCRIPTION	POSITION	MERITOR STANDARD	MERITOR PREMIUM
ORION					
680091		Additional O.E.M. Interchanges	BOTH	M85303	
695366		Models with O.E.M. Number	FRONT	M85732	
695420		Models with O.E.M. Number	REAR	M85729	
695440		Models with O.E.M. Number	REAR	M85729	
20273541		Orion II	FRONT	M83203	M89436
20273544		Orion II	FRONT	M83203	M89436
50134510		Orion V	FRONT	M85732	
50134513		Orion V	FRONT	M85732	
70231514		Orion VII with O.E.M. Number	REAR	M85729	
70231527		Orion VII - 30 ft Rear	REAR	M85729	
020273541-4		Additional O.E.M. Interchanges	BOTH	M85000	M89436
OSHKOSH MOTORS					
665040		Models with O.E.M. Number	FRONT	M85303	
665060		Additional O.E.M. Interchanges	BOTH	M83122	
690049		Models with O.E.M. Number	FRONT	M85303	
1398980		Motor Home with O.E. Number	BOTH	M83127	
1445910		Additional O.E.M. Interchanges	BOTH	M85300	
1573270		Additional O.E.M. Interchanges	BOTH	M83207	
1745500		Additional O.E.M. Interchanges	BOTH		M89430
2173340		Additional O.E.M. Interchanges	BOTH	M85303	
2218640		Models with O.E.M. Number	CAB	M83009	
5353054		Models with O.E.M. Number	FRONT	M85303	
1202-0054		Models with Link Cabmate Model OKTP with O.E.M. Number	CAB	M83021	
12405F-1		Models with O.E.M. Number	FRONT	M85303	
12405FX1		Additional O.E.M. Interchanges	BOTH	M85303	
26228-A		Additional O.E.M. Interchanges	BOTH	M83122	
40-4951		Additional O.E.M. Interchanges	BOTH	M85316	
40-5348		Additional O.E.M. Interchanges	BOTH	M85058	
40-6967		Additional O.E.M. Interchanges	BOTH	M85030	
		Models with 3/4" Mounting Pins	FRONT	M83122	
		Models with 16" Long Shock Absorber w/1" Mounting Pins	FRONT	M85303	
OSTERLUND TRUCK					
680117		OEM Interchange	FRONT	M85300	M89419
OTTAWA TRUCK					
680117		Models with O.E.M. Number	FRONT	M85300	
9007342		Additional O.E.M. Interchanges	BOTH	M85303	
53540451		Additional O.E.M. Interchanges	BOTH	M85300	
90013787		Additional O.E.M. Interchanges	BOTH	M85310	M89423
PACIFIC TRUCK & TRAILER					
507202C1		Additional O.E.M. Interchanges	BOTH	M85030	
PAGE SUSPENSION					
665133		Models with O.E.M. Number	REAR	M83203	M89436
665267		Models with O.E.M. Number	REAR	M85029	
1080099		Model with LM-2000 Series Lift Axle Suspension	REAR	M83203	M89436
A-2212		Model with Trailmaster Air Spring Suspension	REAR	M85029	

SHOCKS

Applications by Make/Model

MAKE SERIES/YEAR	OEM	MODEL DESCRIPTION	POSITION	MERITOR STANDARD	MERITOR PREMIUM
PAI CORP					
	HSA-5067	Models with O.E.M. Number	FRONT	M85305	
	HSA-5095	Models with O.E.M. Number	FRONT	M83215	
PEERLESS TRAILER					
	120-1	Models with O.E.M. Number	REAR	M83125	
	72-61	Models with Air Suspension	REAR	M83125	
PETERBILT					
270					
	ACHB966	Models with Woodhead Shock (Stamping Number ACHB 966)	REAR	M83136	
320					
	02-01787	320 Models with Split Progressive Springs	FRONT	M85062	M89408
	02-02737	320 Models with Split Progressive Springs	FRONT	M85062	M89408
330					
	02-02738	Models with 12000 lb Set Back Front Axle	FRONT	M85012	M89413
- 02	03-07423	Models with Peterbilt 40000 lb Low Air Leaf Suspension	REAR	M85033	M89427
03 -	03-08781	Models with Peterbilt 40000 lb Low Air Leaf Suspension	REAR	M85069	
03 -	C71-1011	Models with Peterbilt Low Air Leaf Suspension	REAR	M85069	
03 -	C71-1017	Models with Peterbilt Low Air Leaf Suspension	REAR	M85069	
335					
04 - 10	02-02738	Models with 12000 lb Set Back Front Axle	FRONT	M85012	M89413
04 - 10	02-02741	Models with 12000 lb Set Back Front Axle	FRONT	M85012	M89413
04 - 10	03-07421	Models with Air Trac Suspension (38000 or 40000 lb)	REAR	M85311	M89424
10 -	03-07421	Models with Peterbilt Air Trac Suspension (38000 or 40000 lb)	REAR	M85311	
2004	03-07423	Models with Peterbilt Low Air Leaf Suspension	REAR	M85033	M89427
05 - 10	03-08781	Models with Peterbilt Low Air Leaf Suspension	REAR	M85069	
05 - 10	C71-1011	Models with Peterbilt Low Air Leaf Suspension	REAR	M85069	
337					
10 -	03-07421	Models with Peterbilt Air Trac Suspension (38000 or 40000 lb)	REAR		M89424
10 -	03-08781	Models with Peterbilt Low Air Leaf Suspension	REAR	M85069	
10 -	12887-01	Models with Reyco 102AR (Standard) Rear Air Suspension	REAR	M85013	M89414
10 -	12887-02	Models with Reyco 102AR (Standard) Rear Air Suspension	REAR	M85013	M89414
10 -	C71-1011	Models with Peterbilt Low Air Leaf Suspension	REAR	M85069	
10 -	C71-1017	Models with Peterbilt Low Air Leaf Suspension	REAR	M85069	
340					
07 - 10	02-02738	Models with 12000 lb Set Back Front Axle	FRONT	M85012	M89413
07 - 10	02-02741	Models with 12000 lb Set Back Front Axle	FRONT	M85012	M89413
07 - 10	03-07421	Models with Air Trac Suspension (38000 or 40000 lb)	REAR	M85311	M89424
348					
2012	03-07421	Models with Air Trac Suspension (38000 or 40000 lb)	REAR	M85311	M89424
357					
- 03	665633	Models with Peterbilt Low Air Leaf Suspension	REAR	M85033	M89427
	02-02737	Conventional Models w/ Spring Suspension and without Set Back Front Axle.	FRONT	M85062	M89408
	02-02738	Conventional Models with Spring Suspension and with Set Back Front Axle.	FRONT	M85012	M89413
	02-02739	Conventional Models with Front Air Suspension and Set Back Front Axle.	FRONT	M85013	M89414
	02-02740	Conventional Models w/ Front Air Suspension & without Set Back Front Axle.	FRONT	M85036	
	02-02741	Conventional Models with Spring Suspension and with Set Back Front Axle.	FRONT	M85012	M89413
	02-02742	Conventional Models w/ Spring Suspension and without Set Back Front Axle.	FRONT	M85062	M89408
11/ 82-	03-07421	Models with Air Trac Suspension (38000 or 40000 lb)	REAR	M85311	M89424
- 03	03-07423	Models with Peterbilt Low Air Leaf Suspension	REAR	M85033	M89427

Applications by Make/Model

MAKE SERIES/YEAR	OEM	MODEL DESCRIPTION	POSITION	MERITOR STANDARD	MERITOR PREMIUM
PETERBILT (continued)					
357 (continued)					
03 -	03-08781	Models with Peterbilt Low Air Leaf Suspension	REAR	M85069	
	B71-6011	Conventional Models w/ Spring Suspension & without Set Back Front Axle.	FRONT	M85062	M89408
03 -	C71-1017	Models with Peterbilt Low Air Leaf Suspension	REAR	M85069	
362					
- 03	665633	Models with Peterbilt Low Air Leaf Suspension	REAR	M85033	M89427
	02-02738	C.O.E. Models with Progressive Springs	FRONT	M85012	M89413
	02-02740	C.O.E. Models with 14600 lb Taper Leaf Springs and Set Back Front Axle	FRONT	M85036	
11/ 82-	03-07421	Models with Air Trac Suspension (38000 or 40000 lb)	REAR	M85311	M89424
- 03	03-07423	Models with Peterbilt Low Air Leaf Suspension	REAR	M85033	M89427
03 -	03-08781	Models with Peterbilt Low Air Leaf Suspension	REAR	M85069	
03 -	C71-1017	Models with Peterbilt Low Air Leaf Suspension	REAR	M85069	
365					
08 - 12	02-02742	Models with 18,000 lb to 23,000 lb Taperleaf Front Spring Suspension	FRONT	M85062	M89408
08 - 12	03-07421	Models with Air Trac Suspension (38000 or 40000 lb)	REAR	M85311	M89424
08 -	03-08781	Models with Peterbilt Low Air Leaf Suspension	REAR	M85069	
08 - 12	B71-6002	Models with 12,000 lb to 16,000 lb Taperleaf Front Spring Suspension	FRONT	M85012	M89413
08 - 12	B71-6011	Models with 18,000 lb to 23,000 lb Taperleaf Front Spring Suspension	FRONT	M85062	M89408
08 - 12	C71-1002	Models with FlexAir Suspension (38000 lb)	REAR	M85067	M89451
08 -	C71-1011	Models with Peterbilt Low Air Leaf Suspension	REAR	M85069	
08 -	C71-1017	Models with Peterbilt Low Air Leaf Suspension	REAR	M85069	
08 - 12	C71-6000	Models with FlexAir Suspension (38000 lb)	REAR	M85067	M89451
367					
08 - 10	02-02742	Models with 18,000 lb to 23,000 lb Taperleaf Front Spring Suspension	FRONT	M85062	M89408
08 - 10	03-07421	Models with Air Trac Suspension (38000 or 40000 lb)	REAR	M85311	M89424
08 -	03-08781	Models with Peterbilt Low Air Leaf Suspension	REAR	M85069	
08 - 10	B71-6002	Models with 10,000 lb to 16,000 lb Taperleaf Front Spring Suspension	FRONT	M85012	M89413
08 - 10	B71-6011	Models with 18,000 lb to 23,000 lb Taperleaf Front Spring Suspension	FRONT	M85062	M89408
08 - 10	C71-1002	Models with FlexAir Suspension (38000 lb)	REAR	M85067	M89451
08 -	C71-1011	Models with Peterbilt Low Air Leaf Suspension	REAR	M85069	
08 -	C71-1017	Models with Peterbilt Low Air Leaf Suspension	REAR	M85069	
08 - 10	C71-6000	Models with FlexAir Suspension (38000 lb)	REAR	M85067	M89451
372					
- 03	665633	Models with Peterbilt Low Air Leaf Suspension	REAR	M85033	M89427
	02-02738	C.O.E. Models with Front Spring Suspension	FRONT	M85012	M89413
	02-02739	C.O.E. Models with Front Air Suspension	FRONT	M85013	M89414
11/ 82-	03-07421	Models with Air Trac Suspension (38000 or 40000 lb)	REAR	M85311	M89424
- 03	03-07423	Models with Peterbilt Low Air Leaf Suspension	REAR	M85033	M89427
03 -	03-08781	Models with Peterbilt Low Air Leaf Suspension	REAR	M85069	
03 -	C71-1017	Models with Peterbilt Low Air Leaf Suspension	REAR	M85069	
375					
- 03	665633	Models with Peterbilt Low Air Leaf Suspension	REAR	M85033	M89427
	02-02737	Conventional Models w/ Spring Suspension and without Set Back Front Axle.	FRONT	M85062	M89408
	02-02738	Conventional Models with Spring Suspension and with Set Back Front Axle.	FRONT	M85012	M89413
	02-02739	Conventional Models with Front Air Suspension and Set Back Front Axle.	FRONT	M85013	M89414
	02-02740	Conventional Models w/ Front Air Suspension & without Set Back Front Axle	FRONT	M85036	
	02-02741	Conventional Models with Spring Suspension and with Set Back Front Axle	FRONT	M85012	M89413
	02-02742	Conventional Models w/ Front Air Suspension & without Set Back Front Axle	FRONT	M85062	M89408

SHOCKS

Applications by Make/Model

MAKE SERIES/YEAR	OEM	MODEL DESCRIPTION	POSITION	MERITOR STANDARD	MERITOR PREMIUM
PETERBILT (continued)					
375 (continued)					
11/ 82- - 03	03-07421 03-07423	Models with Air Trac Suspension (38000 or 40000 lb) Models with Peterbilt Low Air Leaf Suspension	REAR	M85311 M85033	M89424 M89427
03 -	03-08781	Models with Peterbilt Low Air Leaf Suspension	REAR	M85069	
	B71-6011	Conventional Models w/ Spring Suspension & without Set Back Front Axle	FRONT	M85062	M89408
03 -	C71-1017	Models with Peterbilt Low Air Leaf Suspension	REAR	M85069	
376					
- 03	665633	Models with Peterbilt Low Air Leaf Suspension	REAR	M85033	M89427
	02-02737	Conventional Models w/ Spring Suspension & without Set Back Front Axle	FRONT	M85062	M89408
	02-02738	Conventional Models with Spring Suspension and with Set Back Front Axle	FRONT		M89413
	02-02738	Conventional Models with Spring Suspension and with Set Back Front Axle	FRONT	M85012	
	02-02739	Conventional Models with Front Air Suspension and Set Back Front Axle	FRONT	M85013	M89414
	02-02740	Conventional Models w/ Front Air Suspension & without Set Back Front Axle	FRONT	M85036	
	02-02741	Conventional Models with Spring Suspension and with Set Back Front Axle	FRONT	M85012	M89413
	02-02742	Conventional Models w/ Spring Suspension & without Set Back Front Axle	FRONT	M85062	M89408
11/ 82- - 03	03-07421 03-07423	Models with Air Trac Suspension (38000 or 40000 lb) Models with Peterbilt Low Air Leaf Suspension	REAR	M85311 M85033	M89424 M89427
03 -	03-08781	Models with Peterbilt Low Air Leaf Suspension	REAR	M85069	
	B71-6011	Conventional Models w/ Spring Suspension & without Set Back Front Axle	FRONT	M85062	M89408
03 -	C71-1017	Models with Peterbilt Low Air Leaf Suspension	REAR	M85069	
377					
- 03	665633	Models with Peterbilt Low Air Leaf Suspension	REAR	M85033	M89427
	02-02737	Conventional Models w/ Spring Suspension & without Set Back Front Axle	FRONT	M85062	M89408
	02-02738	Conventional Models with Spring Suspension and with Set Back Front Axle.	FRONT	M85012	M89413
	02-02739	Conventional Models with Front Air Suspension and Set Back Front Axle.	FRONT	M85013	M89414
	02-02740	Conventional Models w/ Front Air Suspension & without Set Back Front Axle	FRONT	M85036	
	02-02741	Conventional Models with Spring Suspension and with Set Back Front Axle.	FRONT	M85012	M89413
	02-02742	Conventional Models w/ Spring Suspension & without Set Back Front Axle	FRONT	M85062	M89408
11/ 82- - 03	03-07421 03-07423	Models with Air Trac Suspension (38000 or 40000 lb) Models with Peterbilt Low Air Leaf Suspension	REAR	M85311 M85033	M89424 M89427
03 -	03-08781	Models with Peterbilt Low Air Leaf Suspension	REAR	M85069	
	B71-6011	Conventional Models w/ Spring Suspension & without Set Back Front Axle	FRONT	M85062	M89408
03 -	C71-1017	Models with Peterbilt Low Air Leaf Suspension	REAR	M85069	
378					
- 03	665633	Models with Peterbilt Low Air Leaf Suspension	REAR	M85033	M89427
	02-02737	Conventional Models w/ Spring Suspension & without Set Back Front Axle	FRONT	M85062	M89408
	02-02738	Conventional Models with Spring Suspension and with Set Back Front Axle.	FRONT	M85012	M89413
	02-02739	Conventional Models with Front Air Suspension and Set Back Front Axle.	FRONT	M85013	M89414
	02-02740	Conventional Models w/ Front Air Suspension & without Set Back Front Axle	FRONT	M85036	
	02-02741	Conventional Models with Spring Suspension and with Set Back Front Axle.	FRONT	M85012	M89413
	02-02742	Conventional Models w/ Spring Suspension & without Set Back Front Axle	FRONT	M85062	M89408
11/ 82- - 03	03-07421 03-07423	Models with Air Trac Suspension (38000 or 40000 lb) Models with Peterbilt Low Air Leaf Suspension	REAR	M85311 M85033	M89424 M89427
03 -	03-08781	Models with Peterbilt Low Air Leaf Suspension	REAR	M85069	
	B71-6011	Conventional Models w/ Spring Suspension & without Set Back Front Axle	FRONT	M85062	M89408
03 -	C71-1017	Models with Peterbilt Low Air Leaf Suspension	REAR	M85069	
01 -	C71-6000	Models with FlexAir Suspension (38000 lb)	REAR	M85067	M89451

Applications by Make/Model

MAKE SERIES/YEAR	OEM	MODEL DESCRIPTION	POSITION	MERITOR STANDARD	MERITOR PREMIUM
PETERBILT (continued)					
379					
- 03	665633	Models with Peterbilt Low Air Leaf Suspension	REAR	M85033	M89427
	02-02737	Conventional Models w/ Spring Suspension & without Set Back Front Axle	FRONT	M85062	M89408
	02-02738	Conventional Models with Spring Suspension and with Set Back Front Axle.	FRONT	M85012	M89413
	02-02739	Conventional Models with Front Air Suspension and Set Back Front Axle.	FRONT	M85013	M89414
	02-02740	Conventional Models w/ Front Air Suspension & without Set Back Front Axle	FRONT	M85036	
	02-02741	Conventional Models with Spring Suspension and with Set Back Front Axle	FRONT	M85012	M89413
	02-02742	Conventional Models w/ Spring Suspension & without Set Back Front Axle	FRONT	M85062	M89408
11/ 82-	03-07421	Models with Air Trac Suspension (38000 or 40000 lb)	REAR	M85311	M89424
- 03	03-07423	Models with Peterbilt Low Air Leaf Suspension	REAR	M85033	M89427
03 -	03-08781	Models with Peterbilt Low Air Leaf Suspension	REAR	M85069	
	B71-6011	Conventional Models w/ Spring Suspension & without Set Back Front Axle	FRONT	M85062	M89408
03 -	C71-1017	Models with Peterbilt Low Air Leaf Suspension	REAR	M85069	
01 -	C71-6000	Models with FlexAir Suspension (38000 lb)	REAR	M85067	M89451
382					
	02-02737	Models with 12,000 lb to 14,600 lb Taperleaf Spring Suspension	FRONT	M85062	M89408
	02-02737	Models w/ 12,000 lb to 14,600 lb Taperleaf Spring Susp & Set Forward Front Axle	FRONT	M85062	
10 -	03-07421	Models with Air Trac Suspension (38000 or 40000 lb)	REAR	M85311	M89424
10 -	03-08781	Models with Peterbilt Low Air Leaf Suspension	REAR	M85069	
10 -	12887-01	Models with Reyco 102AR (Standard) Rear Air Suspension	REAR	M85013	M89414
10 -	12887-02	Models with Reyco 102AR (Standard) Rear Air Suspension	REAR	M85013	M89414
10 -	C71-1002	Models with FlexAir Suspension (38000 lb)	REAR	M85067	M89451
10 -	C71-1011	Models with Peterbilt Low Air Leaf Suspension	REAR	M85069	
10 -	C71-1017	Models with Peterbilt Low Air Leaf Suspension	REAR	M85069	
10 -	C71-6000	Models with FlexAir Suspension (38000 lb)	REAR	M85067	M89451
384					
10 - 12	02-02737	Models w/ 12,000 lb to 14,600 lb Taperleaf Spring Susp & Set Forward Front Axle	FRONT		M89408
10 - 12	03-07421	Models with Air Trac Suspension (38000 or 40000 lb)	REAR	M85311	M89424
10 -	03-08781	Models with Peterbilt Low Air Leaf Suspension	REAR	M85069	
10 -	C71-1002	Models with FlexAir Suspension (38000 lb)	REAR	M85067	M89451
10 -	C71-1011	Models with Peterbilt Low Air Leaf Suspension	REAR	M85069	
10 -	C71-1017	Models with Peterbilt Low Air Leaf Suspension	REAR	M85069	
10 -	C71-6000	Models with FlexAir Suspension (38000 lb)	REAR	M85067	M89451
385					
- 03	665633	Models with Peterbilt Low Air Leaf Suspension	REAR	M85033	M89427
- 09	02-02737	Conventional Models w/ Spring Suspension & without Set Back Front Axle	FRONT	M85062	M89408
- 09	02-02738	Conventional Models with Spring Suspension and with Set Back Front Axle	FRONT	M85012	M89413
- 09	02-02741	Conventional Models with Spring Suspension and with Set Back Front Axle	FRONT	M85012	M89413
- 09	02-02742	Conventional Models w/ Spring Suspension & without Set Back Front Axle	FRONT	M85062	M89408
11/ 82-	03-07421	Models with Air Trac Suspension	REAR	M85311	M89424
- 03	03-07423	Models with Peterbilt Low Air Leaf Suspension	REAR	M85033	M89427
03 -	03-08781	Models with Peterbilt Low Air Leaf Suspension	REAR	M85069	
- 09	B71-6011	Conventional Models w/ Spring Suspension & without Set Back Front Axle	FRONT	M85062	M89408
03 -	C71-1017	Models with Peterbilt Low Air Leaf Suspension	REAR	M85069	
01 -	C71-6000	Models with FlexAir Suspension (38000 lb)	REAR	M85067	M89451
386					
06 - 12	02-02737	Conventional Models w/ Spring Suspension & without Set Back Front Axle	FRONT	M85062	M89408
06 -	02-02738	Conventional Models with Spring Suspension and with Set Back Front Axle	FRONT	M85012	M89413

SHOCKS

Applications by Make/Model

MAKE SERIES/YEAR	OEM	MODEL DESCRIPTION	POSITION	MERITOR STANDARD	MERITOR PREMIUM
PETERBILT (continued)					
386 (continued)					
06 -	02-02739	Conventional Models with Front Air Suspension and Set Back Front Axle	FRONT	M85013	M89414
06 -	02-02740	Conventional Models w/ Front Air Suspension & without Set Back Front Axle	FRONT	M85036	
06 -	02-02741	Conventional Models with Spring Suspension and with Set Back Front Axle.	FRONT	M85012	M89413
06 -	02-02742	Conventional Models w/ Spring Suspension & without Set Back Front Axle	FRONT	M85062	M89408
06 -	02-04010	Conventional Models with Spring Suspension and with Set Back Front Axle.	FRONT	M85012	M89413
06 -	03-07421	Models with Peterbilt Air Leaf Suspension	REAR	M85311	M89424
06 -	03-08781	Models with Peterbilt Low Air Leaf Suspension	REAR	M85069	
06 -	B71-6011	Conventional Models wi/ Spring Suspension & without Set Back Front Axle	FRONT	M85062	M89408
08 - 12	C71-1002	Models with FlexAir Suspension (38000 lb)	REAR	M85067	M89451
06 -	C71-1011	Models with Peterbilt Low Air Leaf Suspension	REAR	M85069	
06 -	C71-1017	Models with Peterbilt Low Air Leaf Suspension	REAR	M85069	
06 -	C71-6000	Models with FlexAir Suspension (38000 lb)	REAR	M85067	M89451
387					
- 03	665633	Models with Peterbilt Low Air Leaf Suspension	REAR	M85033	M89427
- 09	02-02737	Conventional Models w/ Spring Suspension & without Set Back Front Axle	FRONT	M85062	M89408
- 09	02-02738	Conventional Models with Spring Suspension and with Set Back Front Axle	FRONT	M85012	M89413
- 09	02-02739	Conventional Models with Front Air Suspension and Set Back Front Axle	FRONT	M85013	M89414
- 09	02-02740	Conventional Models w/ Front Air Suspension & without Set Back Front Axle	FRONT	M85036	
- 09	02-02741	Conventional Models with Spring Suspension and with Set Back Front Axle.	FRONT	M85012	M89413
- 09	02-02742	Conventional Models w/ Spring Suspension & without Set Back Front Axle	FRONT	M85062	M89408
- 09	02-04010	Conventional Models with Spring Suspension and with Set Back Front Axle.	FRONT	M85012	M89413
- 09	03-07421	Models with Peterbilt Air Leaf Suspension	REAR	M85311	M89424
- 03	03-07423	Models with Peterbilt Low Air Leaf Suspension	REAR	M85033	M89427
03 -	03-08781	Models with Peterbilt Low Air Leaf Suspension	REAR	M85069	
- 09	B71-6011	Conventional Models w/ Spring Suspension & without Set Back Front Axle	FRONT	M85062	M89408
03 -	C71-1011	Models with Peterbilt Low Air Leaf Suspension	REAR	M85069	
03 -	C71-1017	Models with Peterbilt Low Air Leaf Suspension	REAR	M85069	
01 -	C71-6000	Models with FlexAir Suspension (38000 lb)	REAR	M85067	M89451
388					
10 - 12	02-02737	Models with 12,000 lb to 14,600 lb Taperleaf Spring Suspension	FRONT	M85062	M89408
08 -	02-02739	Conventional Models with Front Air Suspension and Set Back Front Axle.	FRONT	M85013	M89414
08 -	02-02740	Conventional Models w/ Front Air Suspension & without Set Back Front Axle	FRONT	M85036	
08 -	02-02742	Conventional Models w/ Spring Suspension & without Set Back Front Axle	FRONT	M85062	M89408
08 -	02-04010	Conventional Models with Spring Suspension and with Set Back Front Axle	FRONT	M85012	M89413
08 -	03-07421	Models with Peterbilt Air Leaf Suspension	REAR	M85311	M89424
08 -	03-08781	Models with Peterbilt Low Air Leaf Suspension	REAR	M85069	
08 -	B71-6011	Conventional Models w/ Spring Suspension & without Set Back Front Axle	FRONT	M85062	M89408
08 -	C71-1011	Models with Peterbilt Low Air Leaf Suspension	REAR	M85069	
08 -	C71-1017	Models with Peterbilt Low Air Leaf Suspension	REAR	M85069	
08 -	C71-6000	Models with FlexAir Suspension (38000 lb)	REAR	M85067	M89451
389					
2008 -	C71-1011	Models with Peterbilt Low Air Leaf Suspension	REAR	M85069	M89455
2008 -	02-02742	Conventional Models w/ Spring Suspension & without Set Back Front Axle	FRONT	M85062	M89408
2008 -	02-02740	Conventional Models w/ Front Air Suspension & without Set Back Front Axle	FRONT	M85036	M89405
2008 -	02-02739	Conventional Models with Front Air Suspension and Set Back Front Axle.	FRONT	M85013	M89414
2008 -	02-04010	Conventional Models with Spring Suspension and with Set Back Front Axle.	FRONT	M85012	M89413
2008 -	03-08781	Models with Peterbilt Low Air Leaf Suspension	REAR	M85069	M89455
2008 -	03-07421	Models with Peterbilt Air Leaf Suspension	REAR	M85311	M89424
2008 -	C71-6000	Models with FlexAir Suspension (38000 lb)	REAR	M85067	M89451

SHOCKS

Applications by Make/Model

MAKE SERIES/YEAR	OEM	MODEL DESCRIPTION	POSITION	MERITOR STANDARD	MERITOR PREMIUM
PETERBILT (continued)					
579					
2012	02-02737	Models with 12,000 lb to 14,600 lb Taperleaf Spring Suspension	FRONT	M85062	M89408
2012	03-07421	Models with Air Trac Suspension (38000 or 40000 lb)	REAR	M85311	M89424
12 -	03-08781	Models with Peterbilt Low Air Leaf Suspension	REAR	M85069	
2012	12887-01	Models with Reyco 102AR (Standard) Rear Air Suspension	REAR	M85013	M89414
2012	12887-02	Models with Reyco 102AR (Standard) Rear Air Suspension	REAR	M85013	M89414
2012	C71-1002	Models with FlexAir Suspension (38000 lb)	REAR	M85067	M89451
12 -	C71-1011	Models with Peterbilt Low Air Leaf Suspension	REAR	M85069	
12 -	C71-1017	Models with Peterbilt Low Air Leaf Suspension	REAR	M85069	
2012	C71-6000	Models with FlexAir Suspension (38000 lb)	REAR	M85067	M89451
587					
	02-02737	Models with 12,000 lb to 14,600 lb Taperleaf Spring Suspension	FRONT	M85062	M89408
10 -	03-07421	Models with Air Trac Suspension (38000 or 40000 lb)	REAR	M85311	M89424
10 -	03-08781	Models with Peterbilt Low Air Leaf Suspension	REAR	M85069	
10 -	12887-01	Models with Reyco 102AR (Standard) Rear Air Suspension	REAR	M85013	M89414
10 -	12887-02	Models with Reyco 102AR (Standard) Rear Air Suspension	REAR	M85013	M89414
10 -	C71-1002	Models with FlexAir Suspension (38000 lb)	REAR	M85067	M89451
10 -	C71-1011	Models with Peterbilt Low Air Leaf Suspension	REAR	M85069	
10 -	C71-1017	Models with Peterbilt Low Air Leaf Suspension	REAR	M85069	
10 -	C71-6000	Models with FlexAir Suspension (38000 lb)	REAR	M85067	M89451
Other Series					
	665133	Models with O.E.M. Number	REAR	M83203	M89436
	665632	TruckMaster Shock Stamping Number	FRONT	M85013	M89414
	665633	TruckMaster Shock Stamping Number	REAR	M85033	M89427
	665655	Models with O.E.M. Number	FRONT	M85062	M89408
	665656	Models with O.E.M. Number	FRONT	M85012	M89413
	665657	Models with O.E.M. Number	FRONT	M85013	M89414
	665658	Models with O.E.M. Number	FRONT	M85036	
	665660	Models with O.E.M. Number	REAR	M85033	M89427
	665662	Models with O.E.M. Number	FRONT	M85012	M89413
	665752	Models with O.E.M. Number	REAR	M85067	M89451
	665762	Models with O.E.M. Number	FRONT	M85012	M89413
	665783	TruckMaster Shock Stamping Number	REAR	M83123	
	665784	TruckMaster Shock Stamping Number	REAR	M83122	
	665788	Models with O.E.M. Number	REAR	M85000	
	665788	Models with O.E.M. Number	REAR		M89436
	665826	Models with O.E.M. Number	REAR	M85069	
	665844	TruckMaster Shock Stamping Number	REAR	M85069	
	665918	TruckMaster Shock Stamping Number	REAR	M85900	
	665926	TruckMaster Shock Stamping Number	REAR	M85047	
	665927	TruckMaster Shock Stamping Number	FRONT	M85901	
	665928	TruckMaster Shock Stamping Number	FRONT	M85062	M89408
	665930	TruckMaster Shock Stamping Number	FRONT	M85001	M89410
	665932	TruckMaster Shock Stamping Number	FRONT	M85012	M89413
	665950	TruckMaster Shock Stamping Number	REAR	M85902	
	671052	TruckMaster Shock Stamping Number	FRONT	M85070	
	671091	Models with O.E.M. Number	REAR	M85069	

SHOCKS

Applications by Make/Model

MAKE SERIES/YEAR	OEM	MODEL DESCRIPTION	POSITION	MERITOR STANDARD	MERITOR PREMIUM
PETERBILT (continued)					
Other Series (continued)					
671092		Models with O.E.M. Number	FRONT	M85012	M89413
671654		TruckMaster Shock Stamping Number	REAR	M85936	
671699		TruckMaster Shock Stamping Number	REAR	M85937	
671794		TruckMaster Shock Stamping Number	REAR	M85067	M89451
680237		TruckMaster Shock Stamping Number	REAR	M85303	
680239		TruckMaster Shock Stamping Number	REAR	M85310	M89423
680241		Models with O.E.M. Number	REAR	M85311	M89424
680261		TruckMaster Shock Stamping Number	FRONT	M85062	M89408
680279		TruckMaster Shock Stamping Number	FRONT	M83209	M89414
680280		TruckMaster Shock Stamping Number	REAR	M83124	
680281		TruckMaster Shock Stamping Number	REAR	M85003	M89411
680303		TruckMaster Shock Stamping Number	REAR	M85007	
680348		Models with O.E.M. Number	FRONT	M85012	M89413
680425		TruckMaster Shock Stamping Number	FRONT	M85320	
680425		TruckMaster Shock Stamping Number	FRONT		M89429
680435		Models with O.E.M. Number	REAR		M89427
680435		TruckMaster Shock Stamping Number	REAR		M89427
680435		Models with O.E.M. Number	REAR	M85033	
680435		TruckMaster Shock Stamping Number	REAR	M85033	
680459		Models with O.E.M. Number	REAR	M85311	M89424
680473		TruckMaster Shock Stamping Number	REAR	M85319	
680586		Models with O.E.M. Number	REAR	M85311	M89424
680586		TruckMaster Shock Stamping Number	REAR	M85311	M89424
02-01787		Models with O.E.M. Number	FRONT	M85062	M89408
02-01890		Models with O.E.M. Number	FRONT	M85012	M89413
02-02061		Models with O.E.M. Number	FRONT	M85013	M89414
02-02142		Models with O.E.M. Number	FRONT	M85036	
02-02225		Models with O.E.M. Number	FRONT	M85012	M89413
02-02737PLUS		OE PLUS Shock Stamping Number	FRONT	M85062	M89408
02-02738PLUS		OE PLUS Shock Stamping Number	FRONT	M85012	M89413
02-02739PLUS		OE PLUS Shock Stamping Number	FRONT	M85013	M89414
03-04629		Models with O.E.M. Number	REAR	M85311	M89424
03-05106		Models with O.E.M. Number	REAR	M85033	M89427
03-05384		Models with O.E.M. Number	REAR	M85033	M89427
03-06084		Models with O.E.M. Number	REAR	M85033	M89427
03-06084PLUS		OE PLUS Shock Stamping Number	REAR	M85033	M89427
03-07281		Models with O.E.M. Number	REAR	M85311	M89424
03-07421PLUS		OE PLUS Shock Stamping Number	REAR	M85311	M89424
03-07423PLUS		OE PLUS Shock Stamping Number	REAR	M85033	M89427
03-07424		Models with O.E.M. Number	REAR	M85311	M89424
10-12032-002PLUS		OE PLUS Shock Stamping Number	FRONT	M85320	M89429
10-12542-000PLUS		OE PLUS Shock Stamping Number	FRONT	M85901	
16-13947-000PLUS		OE PLUS Shock Stamping Number	REAR	M85319	
2018987C1PLUS		OE PLUS Shock Stamping Number	REAR	M85003	M89411

Applications by Make/Model

MAKE SERIES/YEAR	OEM	MODEL DESCRIPTION	POSITION	MERITOR STANDARD	MERITOR PREMIUM
PETERBILT (continued)					
Other Series (continued)					
	23-12262	Models with O.E.M. Number	FRONT	M85012	M89413
	47902-13PLUS	OE PLUS Shock Stamping Number	REAR	M83122	
	60670-008PLUS	OE PLUS Shock Stamping Number	REAR	M83123	
	665565PLUS	OE PLUS Shock Stamping Number	REAR	M85007	
	671962PLUS	OE PLUS Shock Stamping Number	REAR	M85936	
	70701PLUS	OE PLUS Shock Stamping Number	REAR	M85900	
	8086053PLUS	OE PLUS Shock Stamping Number	REAR	M85047	
	90044025PLUS	OE PLUS Shock Stamping Number	FRONT	M83209	M89414
	90044089PLUS	OE PLUS Shock Stamping Number	REAR	M83124	
	B71-6002	Models with O.E.M. Number	FRONT	M85012	M89413
	C71-1002PLUS	OE PLUS Shock Stamping Number	REAR	M85067	M89451
	C71-1011PLUS	OE PLUS Shock Stamping Number	REAR	M85069	
	K374-26PLUS	OE PLUS Shock Stamping Number	FRONT	M85001	M89410
	K374-29PLUS	OE PLUS Shock Stamping Number	REAR	M85310	M89423
	654782	Models with O.E.M. Number	CAB	M83008	
	1202-0054	357, 375, 376, 377 & 378 Conventional Truck & Tractors with Link Cabmate Models PBC377 & PBC377-A	CAB	M83021	
	1202-0054	359 & 379 Conventional Truck & Tractors with Link Cabmate Models PBC379 & PBC379-A	CAB	M83021	
1978-	1202-1044	48" Sleepers with Link Bunkmate Model PBS48-A	CAB	M83025	
1978-	1202-1044	63" Sleepers with Link Bunkmate Model PBS63-A	CAB	M83025	
	29-02455	377 & 379 Conventional Models with Unibuilt Cab	CAB	M83008	
2008 -	29-02455	389 Models with 70" Sleepers	CAB	M83008	
PIERCE MANUFACTURING INC.					
	1445910	Additional O.E.M. Interchanges	BOTH	M85300	
	40-4951	Additional O.E.M. Interchanges	BOTH	M85316	
	40-5348	Additional O.E.M. Interchanges	BOTH	M85058	
	40-6967	Additional O.E.M. Interchanges	BOTH	M85030	
PREVOST					
	52001	Additional O.E.M. Interchanges	BOTH	M85708	
	196533	Additional O.E.M. Interchanges	BOTH	M85708	
	19501288	Models with O.E.M. Number	REAR	M85729	
	01-0100-905	Additional O.E.M. Interchanges	BOTH	M85303	
	12L-5-89	Models with O.E.M. Number	REAR	M85729	
	12T-1-13	Models with O.E.M. Number	BOTH	M85303	
REYCO					
Drive Axle					
	12887-01	102AR (Standard)	REAR	M85013	M89414
	12887-01	21AR - 25000 LB Capacity	REAR	M85013	M89414
	12887-01	74AR - 30000 lb Capacity	REAR	M85013	M89414
	12887-02	102AR (Standard)	REAR	M85013	M89414
	12887-02	21AR - 25000 LB Capacity	REAR	M85013	M89414
	12887-02	74AR - 30000 lb Capacity	REAR	M85013	M89414
	12887-02	79AR	REAR	M85013	M89414
	17146-01	102AR (Special)	REAR	M83209	M89414

SHOCKS

Applications by Make/Model

MAKE SERIES/YEAR	OEM	MODEL DESCRIPTION	POSITION	MERITOR STANDARD	MERITOR PREMIUM
REYCO (continued)					
Drive Axle (continued)					
17794-01	102AR-7		REAR	M83215	
18286-01	102AR (Hvy Duty)		REAR		M89414
19623-01	102AR-LM		REAR	M83123	
19824-01	102AR for Western Star		REAR	M85006	
20125-01	240AR Air-Ride Suspension		REAR	M85030	
20129-01	200 Series Air Suspension		REAR	M85007	
20129-01	240AR Air-Ride Suspension		REAR	M85007	
20129-01	AirGlide 400 Air Suspension		REAR	M85007	
21497-01	102W Drive		REAR	M85005	M89430
22062-01	200 Series Air Suspension		REAR	M85007	
Other Series					
665519	Models with O.E.M. Number		REAR		M89414
665830	Models with O.E.M. Number		REAR	M85045	
680552	Models with O.E.M. Number		REAR	M85938	
680700	Models with O.E.M. Number		REAR	M85938	
17142-01	Models with O.E.M. Number		REAR		M89410
700098-01	Models with O.E.M. Number		FRONT	M83203	M89436
702135-01	Models with O.E.M. Number		REAR	M85045	
702209-01	Models with O.E.M. Number		REAR	M85014	
704672-01	Models with O.E.M. Number		REAR	M85938	
Steer Axle					
17403-01	1207		FRONT	M83122	
17408-01	1209 (Alternate)		FRONT	M85005	M89430
Trailer					
665833	Models with O.E.M. Number		REAR	M85052	
671707	Models with O.E.M. Number		REAR	M85052	
680551	Models with O.E.M. Number		REAR	M85738	
12885-01	81LC		REAR	M85300	
12885-01	87-14, -17 Slider		REAR	M85300	
12885-01	87-6, 87-9		REAR	M85300	
12885-03	81C		REAR	M85300	
12885-03	81S		REAR	M85300	
16824-01	Models with O.E.M. Number		REAR	M85006	
17142-01	Models with O.E.M. Number		REAR	M85001	
18163-01	20 AR/ RS 3162 Models with O.E.M. number		REAR	M83207	
18163-01	87 for Great Dane		REAR	M83207	
18164-01	87 for Great Dane		REAR	M83122	
18165-01	86 AR / RS 1015, 1035, 3035 Slider Air Suspension		REAR	M85006	
18800-01	21B (Special)		REAR	M83203	M89436
23524-01	30 ART with O.E.M. Number		REAR	M85738	
23524-01	30 ARUU - 9, -12 and -17		REAR	M85738	
23524-01	30 ARUUL - 12 and -17		REAR	M85738	
23553-01	25 ARU Models with O.E.M. Number		REAR	M85938	
23553-01	30 ARUU - 14 and -15		REAR	M85938	

Applications by Make/Model

MAKE SERIES/YEAR	OEM	MODEL DESCRIPTION	POSITION	MERITOR STANDARD	MERITOR PREMIUM
REYCO (continued)					
Trailer (continued)					
	23553-01	30 ARUUL - 9, -14 and -15	REAR	M85938	
	700098-03	19AR / RS1062 Models with O.E.M. Number	REAR	M85052	
	702136-01	Models with O.E.M. Number	REAR	M85052	
RIDEWELL CORP.					
Bus and REAR.V. Air Ride					
	AS563B	Mobile Home & RV with Air Suspension	REAR	M83203	M89436
	S6009B	Mobile Home & RV with Air Suspension	REAR	M83203	M89436
Trailer Air Ride					
	57645	Models with O.E.M. Number	REAR		M89430
	57645	Models with O.E.M. Number	REAR	M85005	
	665526	Models with O.E.M. Number	REAR	M85014	
	1270007	RAR - 244 FeatherRide Light Duty Air Suspension (8,000 lb Capacity)	REAR	M85045	
	1250546B000	RAR-221AS-12-USW, RAR-221AS-12-1-USW Trailer	REAR	M85006	
	1253069B000	RAR-210 For Trailers with 25" Drop	REAR	M85005	M89430
	1253069B000	RAR-221AS-11-USW, RAR-221AS-11-1-USW Trailer	REAR	M85005	M89430
	1270563B000	RAR-240, RAR-240W (Mono Pivot Trailers with HD Air Suspension)	REAR	M85000	M89436
	1270563B003	RAR-240, RAR-240W (Mono Pivot Trailers with HD Air Suspension)	BOTH	M85934	
	1270563B003	RAR-243 (Mono Pivot Trailers with HD Air Suspension)	BOTH	M85934	
	1270563B003	RAR-260 Underslung Air Suspension (25,000 lb and 30,000 lb Capacity)	BOTH	M85934	
	1270563B003	RideLite Trailer Air Suspension	BOTH	M85934	
	1270789B000	RAR-240, RAR-240W (Mono Pivot Trailers with HD Air Suspension)	REAR	M85014	
	1275943B	Models with O.E.M. Number	REAR	M85005	M89430
	AS30698	RAR-210 For Trailers with 25" Drop	REAR	M85005	M89430
	AS30698	RAR-221AS-11-USW, RAR-221AS-11-1-USW Trailer	REAR	M85005	M89430
	AS3069B	RAR-210 For Trailers with 25" Drop	REAR		M89430
	AS3069B	RAR-221AS-11-USW, RAR-221AS-11-1-USW Trailer	REAR		M89430
	AS3069B	RAR-210 For Trailers with 25" Drop	REAR	M85005	
	AS3069B	RAR-221AS-11-USW, RAR-221AS-11-1-USW Trailer	REAR	M85005	
	AS546B	RAR-210	REAR	M85006	
	AS546B	RAR-221AS-12-USW, RAR-221AS-12-1-USW Trailer	REAR	M85006	
	AS563B	RAR-210 Tag Axle	REAR	M83203	M89436
	AS563B	RAR-221 Tag Axle	REAR	M83203	M89436
	AS563B	RAR-221-11, 12, 13-USW Trailer with Shock Absorber and Hanger	REAR	M83203	M89436
	AS789B	RAR-210	REAR	M85014	
	AS789B	RAR-221 Tag Axle	REAR	M85014	
	S5878B	RAR-210	REAR	M83207	
	S5878B	RAR-221 Tag Axle	REAR	M83207	
	S6009B	RAR-210 Tag Axle	REAR	M83203	M89436
	S6009B	RAR-221 Tag Axle	REAR	M83203	M89436
	S6009B	RAR-221-11, 12, 13-USW Trailer with Shock Absorber and Hanger	REAR	M83203	M89436
	S7172B	Models with O.E.M. Number	REAR	M83207	
		RAR-210	REAR	M83207	M89430
		RAR-210	REAR	M85006	
		RAR-210	REAR	M85005	

SHOCKS

Applications by Make/Model

MAKE SERIES/YEAR	OEM	MODEL DESCRIPTION	POSITION	MERITOR STANDARD	MERITOR PREMIUM
RIDEWELL CORP. (continued)					
Truck Air Ride					
70654		Models with O.E.M. Number	REAR	M85000	M89436
665198		Models with O.E.M. Number	REAR	M85005	M89430
665267		Models with O.E.M. Number	REAR	M85029	
1250005		Additional O.E.M. Interchanges	BOTH	M85901	
1250563B000		Models with O.E.M. Number	REAR	M85000	M89436
1250789B000		RCA-215 Series Air Suspension	REAR	M85014	
1250789B000		RUA-220B-1-, 10, 10.5, 11, 11.5, 12, 12.5, 13 (Lift Tag Axle & Trailer Lift Suspension)	REAR	M85014	
1253069B000		Models with O.E.M. Number	REAR		M89430
1253069B000		RSS-236, RSS-236R Self Steering Tag/Pusher Lift Axle (For 13000 lb & 16000 lb Capacity)	REAR		M89430
1253069B000		Models with O.E.M. Number	REAR	M85005	
1253069B000		RSS-236, RSS-236R Self Steering Tag/Pusher Lift Axle (For 13000 lb & 16000 lb Capacity)	REAR	M85005	
1266009B000		Models with O.E.M. Number	REAR	M83130	
1270563B000		RUA-220B-1-, 7, 7.5, 8, 8.5, 9, 9.5, 10 (Lift Tag Axle and Trailer Lift Suspension)	REAR	M85000	M89436
AS30698		RSS-236, RSS-236R Self Steering Tag/Pusher Lift Axle (For 13000 lb & 16000 lb Capacity)	REAR	M85005	M89430
AS3069B		RSS-236, RSS-236R Self Steering Tag/Pusher Lift Axle (For 13000 lb & 16000 lb Capacity)	REAR	M85005	
AS563B		Pusher w/Axle Lift	REAR	M83203	M89436
AS575B		Models with O.E.M. Number	REAR	M85005	M89430
AS789B000		RUA-220B-1-, 10, 10.5, 11, 11.5, 12, 12.5, 13 (Lift Tag Axle & Trailer Lift Suspension)	REAR	M85014	
S6009B		Pusher w/Axle Lift	REAR	M83203	M89436
S7365B		Models with O.E.M. Number	REAR	M85305	
ROADMASTER (MONACO)					
90045132		Models with AD-123 Series Suspension (AD123-6,-8,-10,-8.75)	REAR	M85909	
SAF HOLLAND					
Trailer Air Suspension					
665454		Models with O.E.M. Number	REAR	M85045	
680268		Models with O.E.M. Number	REAR	M85323	M89436
90044046		AR-80 Series Trailer Air Suspension	REAR	M83123	
90044089		AR-250 Series Trailer Air Suspension	REAR	M83124	
90044089		AR-90 Series Trailer Air Suspension	REAR	M83124	
90044089		AR-92 Series Trailer Air Suspension	REAR	M83124	
90044089		AR-93 Series Trailer Air Suspension	REAR	M83124	
90044089		RL-228 Series Trailer Air Suspension	REAR	M83124	
90044089		RL-230 Series Trailer Air Suspension	REAR	M83124	
90044089		RL-230 Series Trailer Air Suspension (Single Stud Air Spring)	REAR	M83124	
90044089		RL-250 Series Trailer Air Suspension (Std Supsension)	REAR	M83124	
90044089		RLSA228 Series Trailer Air Suspension (RLSA-228-4217, -4817)	REAR	M83124	
90044089		RLU-228 Series Trailer Air Suspension	REAR	M83124	
90044162		AR-41 Series Trailer Air Suspension	REAR	M83128	
90044162		AR-45 Series Trailer Air Suspension	REAR	M83128	
90044162		AR-50 Series Trailer Air Suspension	REAR	M83128	

SHOCKS

Applications by Make/Model

MAKE SERIES/YEAR	OEM	MODEL DESCRIPTION	POSITION	MERITOR STANDARD	MERITOR PREMIUM
SAF HOLLAND (continued)					
Trailer Air Suspension (continued)					
90044162		AR-51 Series Trailer Air Suspension (AR51-US)	REAR	M83128	
90044162		AR-90-1 Series Trailer Air Suspension	REAR	M83128	
90044162		AR-92 Series Trailer Air Suspension	REAR	M83128	
90044162		ARL20 Series Trailer Air Suspension (ARL20-D, ARL20-D-US)	REAR	M83128	
90044162		CB-400/4000 Series Trailer Air Suspension	REAR	M83128	
90044162		NL-200 Series Non Steer - Auxiliary Lift Air Suspension	REAR	M83128	
90044162		NS-190 Series Trailer Air Suspension	REAR	M83128	
90044162		NS-400 Series Trailer Air Suspension	REAR	M83128	
90044162		NS-450 Series Trailer Air Suspension	REAR	M83128	
90044162		RL-196A Series Trailer Air Suspension	REAR	M83128	
90044162		RL-228 Series Trailer Air Suspension	REAR	M83128	
90044162		RLU-228 Series Trailer Air Suspension (Axle Mounted Shock Suspension)	REAR	M83128	
90044162		RLU-228 Series Trailer Air Susp (Current Production - w/3" Axle Travel Up)	REAR	M83128	
90044162		RLU-228 Series Trailer Air Susp (Current Production - w/4" Axle Travel Up)	REAR	M83128	
90044162		RLU-250 Series Trailer Air Suspension	REAR	M83128	
90044162		RLU-250 Series Trailer Air Suspension (Frame Mount Suspension)	REAR	M83128	
90044625		AR-120 Series Trailer Air Suspension	REAR	M83125	
90044625		AR-125 Series Trailer Air Suspension	REAR	M83125	
90044625		AR-75 Series Trailer Air Suspension	REAR	M83125	
90044625		AR-85-A Series Trailer Air Suspension	REAR	M83125	
90044625		AR-95 Series Trailer Air Suspension	REAR	M83125	
90044625		AR-955 Series Trailer Air Suspension (Liftaxle)	REAR	M83125	
90044625		AR-955 Series Trailer Air Suspension (Liftaxle)	REAR	M83125	
90044625		AR-955 Series Trailer Air Suspension (Liftaxle)	REAR	M83125	
90044625		AR-955 Series Trailer Air Suspension (Liftaxle)	REAR	M83125	
90044626		AR-120 Series Trailer Air Suspension	REAR		M89430
90044626		AR-125 Series Trailer Air Suspension	REAR		M89430
90044626		AR-165-US Series Trailer Air Suspension (AR165-US)	REAR		M89430
90044626		AR-70 Series Trailer Air Suspension	REAR		M89430
90044626		AR-75 Series Trailer Air Suspension	REAR		M89430
90044626		AR-80 Series Trailer Air Suspension	REAR		M89430
90044626		RLU-228 Series Trailer Air Suspension	REAR		M89430
90044626		RLU-228 Series Trailer Air Susp (Current Production - w/4" Axle Travel Up)	REAR		M89430
90044642		AR-250 Series Trailer Air Suspension	REAR	M83127	
90044642		AR-92 Series Trailer Air Suspension	REAR	M83127	
90044642		AR-93 Series Trailer Air Suspension	REAR	M83127	
90044642		ARU-92 Series Trailer Air Suspension	REAR	M83127	
90044642		ARU-93 Series Trailer Air Suspension	REAR	M83127	
90044642		RL-228 Series Trailer Air Suspension	REAR	M83127	
90044642		RL-230 Series Trailer Air Suspension	REAR	M83127	
90044642		RL-230 Series Trailer Air Suspension (Single Stud Air Spring)	REAR	M83127	
90044642		RL-250 Series Trailer Air Suspension (Std Suspension)	REAR	M83127	
90044642		RLSA228 Series Trailer Air Suspension (RLSA-228-4214, -4215, -4216, -4814, -4815, -4816)	REAR	M83127	

SHOCKS

Applications by Make/Model

MAKE SERIES/YEAR	OEM	MODEL DESCRIPTION	POSITION	MERITOR STANDARD	MERITOR PREMIUM
SAF HOLLAND (continued)					
Trailer Air Suspension (continued)					
90044642		RLU-228 Series Trailer Air Suspension	REAR	M83127	
90044642		RLU-228 Series Trailer Air Suspension (Axle Mounted Shock Suspension)	REAR	M83127	
90044642		RLU-228 Series Trailer Air Susp(Current Production - w/3" Axle Travel Up)	REAR	M83127	
90044642		RLU-228 Series Trailer Air Susp (Current Production - w/4" Axle Travel Up)	REAR	M83127	
90044642		RLU-250 Series Trailer Air Suspension	REAR	M83127	
90044769		AR-92 Series Trailer Air Suspension	REAR	M83207	
90044769		AR-93 Series Trailer Air Suspension	REAR	M83207	
90044794		AR-92 Series Trailer Air Suspension	REAR	M83127	
90044794		AR-93 Series Trailer Air Suspension	REAR	M83127	
90044794		RL-196A Series Trailer Air Suspension	REAR	M83127	
90044868		AR-80 Series Trailer Air Suspension	REAR	M85045	
90044868		CB-2300 Series Trailer Air Suspension	REAR	M85045	
90044868		CBX 23 Series Trailer Air Suspension	REAR	M85045	
90044992		AR-92 Series Trailer Air Suspension	REAR	M85000	M89436
90045001		Models with O.E.M. Number	REAR	M85323	M89436
90045003		Models with O.E.M. Number	REAR	M85323	M89436
90045040		AR-92 Series Trailer Air Suspension	REAR	M83130	
90045040		ARU-93 Series Trailer Air Suspension	REAR	M83130	
90045040		CB-400/4000 Series Trailer Air Suspension	REAR	M83130	
90045040		CBX 25 Series Trailer Air Suspension	REAR	M83130	
90045040		NS-190 Series Trailer Air Suspension	REAR	M83130	
90045040		NS-400 Series Trailer Air Suspension	REAR	M83130	
90045040		NS-450 Series Trailer Air Suspension	REAR	M83130	
90045040		RL-196A Series Trailer Air Suspension	REAR	M83130	
90045040		RL-230 Series Trailer Air Suspension (Hanger Mounted Shock)	REAR	M83130	
90045040		RL-250 Series Trailer Air Suspension (Shock Below Frame)	REAR	M83130	
90045040		RLU-228 Series Trailer Air Suspension	REAR	M83130	
90045040		RLU-228 Series Trailer Air Susp (Current Production - w/3" Axle Travel Up)	REAR	M83130	
90045298		CB-2300 Series Trailer Air Suspension	REAR	M83128	
90045298		CB-400/4000 Series Trailer Air Suspension	REAR	M83128	
90045298		CBX 23 Series Trailer Air Suspension	REAR	M83128	
90045298		NS-400 Series Trailer Air Suspension	REAR	M83128	
90045298		NS-450 Series Trailer Air Suspension	REAR	M83128	
90045298		RLU-228 Series Trailer Air Susp (Current Production - w/3" Axle Travel Up)	REAR	M83128	
90045299		NS-400 Series Trailer Air Suspension	REAR	M85000	M89436
90045299		NS-450 Series Trailer Air Suspension	REAR	M85000	M89436
90045299		RL-230 Series Trailer Air Suspension (Hanger Mounted Shock)	REAR	M85000	M89436
90045299		RL-250 Series Trailer Air Suspension (Shock Below Frame)	REAR	M85000	M89436
Truck and Tractor Air Suspension (Tag Axle)					
6025		Models with O.E.M. Number	REAR	M83122	
57639		Models with O.E.M. Number	REAR	M85000	M89436
57643		Models with O.E.M. Number	REAR	M85013	M89414
665514		Models with O.E.M. Number	REAR	M83127	

Applications by Make/Model

MAKE SERIES/YEAR	OEM	MODEL DESCRIPTION	POSITION	MERITOR STANDARD	MERITOR PREMIUM
SAF HOLLAND (continued)					
Truck and Tractor Air Suspension (Tag Axle) (continued)					
	665969	Models with O.E.M. Number	REAR		M89430
	90044001	Models with O.E.M. Number	REAR	M85005	M89430
	90044071	Models with O.E.M. Number	REAR	M85000	M89436
	90044081	Models with O.E.M. Number	REAR	M85000	M89436
	90044086	Models with O.E.M. Number	REAR	M85000	M89436
	90044095	Models with O.E.M. Number	REAR	M83203	M89436
	90044679	Models with O.E.M. Number	REAR	M83122	
	90044680	Models with O.E.M. Number	REAR	M83125	
	90044682	Models with O.E.M. Number	REAR	M83209	M89414
	90044683	Models with O.E.M. Number	REAR	M83122	
	90044684	Models with O.E.M. Number	REAR	M83124	
	90044685	Models with O.E.M. Number	REAR	M83128	
	90044687	Models with O.E.M. Number	REAR	M83125	
	90044688	Models with O.E.M. Number	REAR	M83122	
	90044770	Models with O.E.M. Number	REAR	M83207	
	90044833	Models with O.E.M. Number	REAR	M85052	
	90044834	Models with O.E.M. Number	REAR	M85052	
	90044915	Models with O.E.M. Number	REAR	M83127	
	90044981	Models with O.E.M. Number	REAR	M85000	M89436
	90044982	Models with O.E.M. Number	REAR	M85000	M89436
	90044991	Models with O.E.M. Number	REAR	M85000	M89436
	90045384	Models with O.E.M. Number	REAR		M89430
	90044089C	Models with O.E.M. Number	REAR	M83124	
	AR-1008	Models with O.E.M. Number	REAR	M85006	
	AR-1202	Models with O.E.M. Number	REAR	M85300	
	AR-134-C	Models with O.E.M. Number	REAR	M85005	M89430
	AR-1404	Models with O.E.M. Number	REAR	M85301	
	AR-1425	Models with O.E.M. Number	REAR	M85301	
	AR-1434	Models with O.E.M. Number	REAR	M83203	M89436
	AR-1654	Models with O.E.M. Number	REAR	M83209	M89414
	AR-2451	Models with O.E.M. Number	REAR	M83203	M89436
	AR-2598	Models with O.E.M. Number	REAR	M83123	
	AR-718-C	Models with O.E.M. Number	REAR	M83203	M89436
	AR-718-C-HD	Models with O.E.M. Number	REAR	M85000	M89436
	AR-781	Models with O.E.M. Number	REAR	M83203	M89436
	AR-958	Models with O.E.M. Number	REAR	M83207	
Truck, Bus & Motorhome Air Suspensions					
	665003	Models with O.E.M. Number	REAR	M85300	
	90044008	ART-500 Series Truck & Tractor Tag Axle Air Suspension	REAR	M85000	M89436
	90044012	ART-550 Series Truck & Tractor Tag Axle Air Suspension	REAR	M85006	
	90044016	ARD-125 Series Truck & Tractor Air Suspension	REAR	M85300	
	90044016	ARD-190 Series Truck & Tractor Air Suspension (ARD-190-B)	REAR	M85300	
	90044016	ARD-244 Series Truck & Tractor Air Suspension	REAR	M85300	
	90044025	ARD-120 Series Truck & Tractor Air Suspension	REAR	M83209	M89414

SHOCKS

Applications by Make/Model

MAKE SERIES/YEAR	OEM	MODEL DESCRIPTION	POSITION	MERITOR STANDARD	MERITOR PREMIUM
SAF HOLLAND (continued)					
Truck, Bus & Motorhome Air Suspensions (continued)					
	90044025	ARD-125 Series Truck & Tractor Air Suspension	REAR	M83209	M89414
	90044025	ARD-238 Series Truck & Tractor Air Suspension (ARD-238-6)	REAR	M83209	M89414
	90044025	ARD-244 Series Truck & Tractor Air Suspension	REAR	M83209	M89414
	90044025	ARDST-123 Series Truck & Tractor Air Suspension (ARDST-123-6, ARDSTM/L-123-6)	REAR	M83209	M89414
	90044025	ARDST-244 Series Truck & Tractor Air Suspension (ARDST-244-6)	REAR	M83209	M89414
	90044025	ARDST-246 Series Truck & Tractor Air Suspension (ARDST-246-6, ARDSTM/L-246-6)	REAR	M83209	M89414
	90044025	ARDST-250-6 Series Truck & Tractor Air Suspension	REAR	M83209	M89414
	90044046	RD-234 Series Truck & Tractor Air Suspension (ARD-234-6)	REAR	M83123	
	90044162	ART-500 Series Truck & Tractor Tag Axle Air Suspension	REAR	M83128	
	90044162	ART-505 Series Truck & Tractor Tag Axle Air Suspension	REAR	M83128	
	90044162	ART-541 Series Truck & Tractor Tag Axle Air Suspension	REAR	M83128	
	90044162	ART-551 Series Truck & Tractor Tag Axle Air Suspension	REAR	M83128	
	90044162	ART-555 Series Truck & Tractor Tag Axle Air Suspension	REAR	M83128	
	90044642	ART-555 Series Truck & Tractor Tag Axle Air Suspension	REAR	M83127	
	90045132	AD-123 Series Truck and Tractor Air Suspension (AD123-6,-8,-10,-8.75)	REAR	M85909	
	90045132	AD-246 Series Truck & Tractor Air Suspension (AD246 -6, -8, -10, -8.75)	REAR	M85909	
	90045132	AD-252-10 Tandem Axle	REAR	M85909	
	90045336	Models with O.E.M. Number	REAR	M85014	
	90045455	Models with O.E.M. Number	REAR	M85909	
	90045504	AD-246 Series with 10" Ride Height	REAR	M85030	
00 -	90045504	AD-246 Series with 10" Ride Height	REAR	M85030	
00 -	90045504	AD-369 Series with 10" Ride Height	REAR	M85030	
	90045532	Models with O.E.M. Number	REAR	M85030	
	90045534	Models with O.E.M. Number	REAR	M85014	
	90045536	Models with O.E.M. Number	REAR		M89414
	471700000436	Models with O.E.M. Number	REAR	M85030	
	471700000458	Models with O.E.M. Number	REAR	M85014	
	471700000459	Models with O.E.M. Number	REAR	M85030	
	471700000461	Models with O.E.M. Number	REAR		M89414
SPARTAN MOTORS					
91 - 95	0346-SS5	K2 / K3/ MountainMaster with Tuthill 102 AR Air Suspension	REAR	M85013	M89414
97 - 00	0377-SS5	Alpine / Summit MotorHome Chassis with O.E.M. Number	REAR	M85029	
	60665-025	Chassis w/ Hendrickson HTS 210 Suspension (Type C School Bus Apps)	REAR	M85036	
91 - 95	B46-1594	K2 / K3/ MountainMaster with Tuthill 102 AR Air Suspension	REAR	M85013	M89414
97 - 00	B46-1725	Alpine / Summit MotorHome Chassis with O.E.M. Number	REAR	M85029	
97 - 00	B46-2151	K2 / K3/ MountainMaster with O.E.M. Number	REAR	M85007	
STERLING					
A - Line 9500 Series (SilverStar)					
99 -	16-15817-000	Models with FAS II Rear Air Suspension	REAR	M85724	M89443
98 -	47902-28	All Models with Hendrickson HAS Rear Air Suspension	REAR	M85013	M89414
98 -	F6HT-18045-BC	All Models with 12000 lb or 13200 lb Axle and 54" Multileaf Spring	FRONT	M85047	
98 -	F6HT-18045-GC	All Models with 13200 lb or 14600 lb Axle and 54" Taperleaf Spring	FRONT	M85030	
98 -	F6HT-18080-FC	All Models with Hendrickson HAS Rear Air Suspension	REAR	M85013	M89414
98 -		All Models with FAS II Rear Air Suspension	REAR	M85724	M89443

SHOCKS

Applications by Make/Model

MAKE SERIES/YEAR	OEM	MODEL DESCRIPTION	POSITION	MERITOR STANDARD	MERITOR PREMIUM
STERLING (continued)					
Acterra					
99 - 08	680611	Models with FAS II Rear Air Suspension	REAR	M85724	M89443
- 02	6803230200	Models with 6000 to 9000 lb Front axle	FRONT	M85043	
	6803230300	Models with 11000 to 12000 lb Front axle	FRONT	M85006	
03 -	10-12388-000	Models with 6000 to 9000 lb. Front Axle	FRONT	M85920	
03 -	10-12390-000	Models with 10000 to 12000 lb. Taper-leaf Spring Suspension	FRONT	M85920	
99 - 08	16-15817-000	Models with FAS II Rear Air Suspension	REAR	M85724	M89443
09 - 10	16-18708-000	Models with FAS II Rear Air Suspension	REAR	M85724	M89443
09 - 10	SDA471700002809	Models with FAS II Rear Air Suspension	REAR	M85724	M89443
L - Line M8500 Series - Conventional Cab					
99 -	16-15817-000	Models with FAS II Rear Air Suspension	REAR	M85724	M89443
98	47902-28	All with Hendrickson HAS Rear Air Suspension	REAR	M85013	M89414
98 -	F6HT-18045-BC	All Models with 12000 lb or 13200 lb Axle and 54" Multileaf Spring	FRONT	M85047	
98 -	F6HT-18045-GC	All Models with 13200 lb or 14600 lb Axle and 54" Taperleaf Spring	FRONT	M85030	
98 -	F6HT-18080-FC	All with Hendrickson HAS Rear Air Suspension	REAR	M85013	M89414
- 98		Models with FAS II Rear Air Suspension	REAR	M85724	M89443
Other Series					
	AX310	Models with O.E.M. Number	REAR	M83215	
	D8HZ-18124-A	Models with O.E.M. Number	FRONT	M85301	
	E6HZ-18124-A	Models with O.E.M. Number	FRONT	M85301	
	E6HZ-18124-D	Models with O.E.M. Number	FRONT	M85301	
	E6HZ-18125-D	Models with O.E.M. Number	REAR	M83215	
	E7HZ-18124-A	Models with O.E.M. Number	FRONT	M85301	
	F0HZ-18124-B	Models with O.E.M. Number	FRONT	M85006	
	F1HZ-18124-D	Models with O.E.M. Number	FRONT	M85006	
	F1HZ-18124-E	Models with O.E.M. Number	FRONT	M85006	
	F2HZ-18124-B	Models with O.E.M. Number	FRONT	M85301	
	F5HZ-18124-D	Models with O.E.M. Number	FRONT	M83125	
	F5HZ-18125-B	Models with O.E.M. Number	REAR	M85001	M89410
	F6HT-18080-FC	Models with O.E.M. Number	REAR	M85013	M89414
	F6HZ-18125-D	Models with O.E.M. Number	REAR	M85013	M89414
	XC45-18080-BA	Models with FAS II Rear Air Suspension	REAR	M85724	M89443
	1202-1043	8500 & 9500 Series with 113" & 122" BBC Conventional Tractors with Link Cabmate Models FH1322 & FH1322-A	CAB	M83025	
	1202-1043	L8501 & L9501 Series w/ 101" BBC Conv. Tractors w/ Link Cabmate Model FH101	CAB	M83025	
STOUGHTON TRAILERS INC.					
	HTA20001	Trailers w/ Hendrickson HT190T, HT190U, & HS190T Series Air Suspension	REAR	M83128	M89436
	HTA20002	Trailers with Hendrickson HT230T Series Air Suspension	REAR	M85000	M89436
	NW90044162	Trailers with Neway AR-90-1-12, -14, -17 Series Air Suspension	REAR	M83128	
	RT18165-01	Trailers with Reyco 86AR/RS1015 Air Ride Suspension	REAR	M85006	
	RT18165-01	Trailers with Reyco 86AR/RS1035 Anti-Dock Walk Air Suspension	REAR	M85006	
THE BINKLEY COMPANY					
1997	6898	Trailers with Binkley AirLite Suspension	REAR	M83125	
1997	16965	Trailers with Binkley AirLite Suspension	REAR	M85006	

SHOCKS

Applications by Make/Model

MAKE SERIES/YEAR	OEM	MODEL DESCRIPTION	POSITION	MERITOR STANDARD	MERITOR PREMIUM
THOMAS SCHOOL BUS					
61300224		Models with O.E.M. Number	FRONT	M85918	M89449
61300240		Models with O.E.M. Number	FRONT	M85918	M89449
61310232		Buses with Neway Tandem Air Suspension	REAR	M85000	M89436
61310434		Models with FAS II Rear Air Suspension	REAR	M85724	M89443
61310478		Models with FAS II Rear Air Suspension	REAR	M85724	M89443
10-13634-000		Buses with 12000 lb Taperleaf Front Suspension	FRONT	M85918	M89449
16-18708-000		Models with FAS II Rear Air Suspension	REAR	M85724	M89443
16-19138-000		Buses with O.E.M. Number	FRONT	M85058	
680-323-0300		Models with O.E.M. Number	FRONT	M85006	
GBL665538		Models with O.E.M. Number	FRONT	M85006	
TRAILMOBILE CANADA CORP.					
90044089		Trailers with Neway Air Susp. AR90-1-14, AR90-1-17	REAR	M83124	
90044089		Trailers with Neway Air Susp. AR90-14, -17,	REAR	M83124	
90044089		Trailers with Neway Air Susp. AR93-17	REAR	M83124	
90044625		Trailers with Neway Air Susp. AR95-9-HD, -12-HD,-14-HD, 17-HD	REAR	M83125	
90044642		Trailers with Neway Air Susp. AR92-17	REAR	M83127	
90044992		Trailers with Neway Air Susp. AR92-14	REAR	M85000	M89436
43-4-236		Models with O.E.M. Number	REAR	M85029	
43-4-237		Models with O.E.M. Number	REAR	M85000	M89436
43-4-239		Additional O.E.M. Interchanges	BOTH	M83207	
43-4-241		Additional O.E.M. Interchanges	BOTH	M85006	
43-4-277		Models with O.E.M. Number	REAR	M85000	M89436
43-6-028		Models with O.E.M. Number	REAR	M85000	M89436
43-6-118		Trailers with Hendrickson Air Susp. HT230T (23,000 lb Capacity)	REAR	M85000	M89436
43-6-137		Additional O.E.M. Interchanges	BOTH	M85006	
43-6-158		Additional O.E.M. Interchanges	BOTH	M85013	M89414
43-6-164		Additional O.E.M. Interchanges	BOTH	M83207	
43-8-002		Trailers with Reyco Air Susp. Model # 21AR (25,000 LB Capacity)	REAR	M83209	M89414
43-8-002		Trailers with Reyco Air Susp. Model # 74AR (30,000 LB Capacity)	REAR	M83209	M89414
43-8-011		Trailers with Hendrickson Air Susp. T23-RL-17	REAR	M83207	
43-8-013		Trailers with Hendrickson Air Susp. T30-US-9, -12, -14, -17	REAR	M85000	M89436
43-8-014		Trailers with Hendrickson Air Susp. T23-US-9 (Lifiable & Non-Lifiable)	REAR	M85013	M89414
43-8-015		Trailers with Hendrickson Air Susp. T23-US-6 (Non-Lifiable)	REAR	M85006	
43-8-015		Trailers with Reyco Air Susp. Model # 86AR	REAR	M85006	
43-8-031		Models with O.E.M. Number	REAR	M85029	
A-2212		Trailers with Hendrickson Air Susp. HT250U, HT250U-Y	REAR	M85029	
TRANSPORTATION MFG. CORP					
12T-1-13		Models with O.E.M. Number	BOTH	M85303	
12TA-01-13		City Cruiser	BOTH	M85303	
TUTHILL TECHNOLOGIES					
Drive Axle					
12887-01		74AR - 30000 lb Capacity	REAR	M85013	M89414
12887-02		102AR (Standard)	REAR	M85013	M89414
17146-01		102AR (Special)	REAR	M83209	M89414
17794-01		102AR-7	REAR	M83215	

Applications by Make/Model

MAKE SERIES/YEAR	OEM	MODEL DESCRIPTION	POSITION	MERITOR STANDARD	MERITOR PREMIUM
TUTHILL TECHNOLOGIES (continued)					
Drive Axle (continued)					
66 - 72	18286-01	102AR (Hvy Duty)	REAR		M89414
	19623-01	102AR-LM	REAR	M83123	
	19824-01	102AR for Western Star	REAR	M85006	
	20125-01	240AR Air-Ride Suspension	REAR	M85030	
	20129-01	200 Series Air Suspension	REAR	M85007	
Steer Axle					
	17403-01	1207	FRONT	M83122	
	17408-01	1209 (Alternate)	FRONT	M85005	M89430
Trailer					
	680162	Models with O.E.M. Number	REAR	M85300	
	12885-01	87-6, 87-9	REAR	M85300	
	12885-03	81S	REAR	M85300	
	16824-01	Models with O.E.M. Number	REAR	M85006	
	17142-01	Models with O.E.M. Number	REAR	M85001	M89410
	18163-01	87 for Great Dane	REAR	M83207	
	18164-01	87 for Great Dane	REAR	M83122	
	18165-01	86 AR / RS 1015, 1035, 3035 Slider Air Suspension	REAR	M85006	
	18800-01	21B (Special)	REAR	M83203	M89436
	21497-01	Models with O.E.M. Number	REAR	M85005	M89430
	23524-01	30 ARUUL - 12 and -17	REAR	M85738	
	23553-01	25 ARU Models with O.E.M. Number	REAR	M85938	
	702135-01	Models with O.E.M. Number	REAR	M85045	
	702136-01	Models with O.E.M. Number	REAR	M85052	
	702209-01	Models with O.E.M. Number	REAR	M85014	
TWIN COACH					
	90044089	Models with O.E.M. Number	REAR	M83124	
	90044162	Models with O.E.M. Number	REAR	M83128	
	90044089C	Models with O.E.M. Number	REAR	M83124	
	AR-718-C-HD	Models with O.E.M. Number	REAR	M85000	M89436
	AR-958	Models with O.E.M. Number	REAR	M83207	
UNIVERSAL COACH					
	680777	Models with O.E.M. Number	REAR	M85729	
	12-05-1199	Models with O.E.M. Number	REAR	M85729	
VAN HOOL					
	665562	TL 13/14 Buses	BOTH	M85708	
	665563	T811, T812, T813, T814 Buses	BOTH	M85708	
	665563	T815 4D Buses	REAR	M85708	
	6243-13790	TL 13/14 Buses	BOTH	M85708	
	6243-14040	T811, T812, T813, T814 Buses	BOTH	M85708	
	6243-14040	T815 4D Buses	REAR	M85708	
VOLVO					
FE					
	6790756	FE614 Tractor	REAR	M83215	
	6790756	FE715 with Rear Parabolic Spring	REAR	M83215	

SHOCKS

Applications by Make/Model

MAKE SERIES/YEAR	OEM	MODEL DESCRIPTION	POSITION	MERITOR STANDARD	MERITOR PREMIUM
VOLVO (continued)					
N					
1593843		N10 with 5.5 Ton Front Axle	FRONT	M83215	
1593843		N11 Series	FRONT	M83215	
1593843		N12 Series	FRONT	M83215	
Other Series					
665539		Models with O.E.M. Number	FRONT	M85026	
665739		Models with O.E.M. Number	REAR	M85047	
1091347		Additional O.E.M. Interchanges	BOTH	M83125	
1091348		Additional O.E.M. Interchanges	BOTH	M83122	
1091350		Additional O.E.M. Interchanges	BOTH	M83207	
1091351		Additional O.E.M. Interchanges	BOTH	M83209	M89414
1091353		Additional O.E.M. Interchanges	BOTH	M83215	
1091358		Additional O.E.M. Interchanges	BOTH	M83456	
1091359		Additional O.E.M. Interchanges	BOTH	M83123	
1091367		Additional O.E.M. Interchanges	BOTH	M85000	M89436
1091368		Additional O.E.M. Interchanges	BOTH	M85003	M89411
1091370		Additional O.E.M. Interchanges	BOTH	M85006	
1091371		Additional O.E.M. Interchanges	BOTH	M85300	
1091372		Additional O.E.M. Interchanges	BOTH	M85301	
1091374		Additional O.E.M. Interchanges	BOTH	M85303	
1091376		Additional O.E.M. Interchanges	BOTH	M85305	
1091379		Additional O.E.M. Interchanges	BOTH	M85310	M89423
1093178		Additional O.E.M. Interchanges	BOTH	M85026	
1093180		Additional O.E.M. Interchanges	BOTH	M85030	
3092842		Models with O.E.M. Number	FRONT	M85061	M89450
3172948		Additional O.E.M. Interchanges	BOTH	M85303	
3199937		Additional O.E.M. Interchanges	BOTH	M85316	
3199938		Additional O.E.M. Interchanges	BOTH	M85030	
3199939		Additional O.E.M. Interchanges	BOTH	M85058	
3199940		Additional O.E.M. Interchanges	BOTH	M85005	M89430
3199941		Additional O.E.M. Interchanges	BOTH	M85006	
3199943		Additional O.E.M. Interchanges	BOTH	M85012	M89413
3199944		Additional O.E.M. Interchanges	BOTH	M85006	
3199946		Additional O.E.M. Interchanges	BOTH	M85033	M89427
3199947		Additional O.E.M. Interchanges	BOTH	M85013	M89414
3199948		Additional O.E.M. Interchanges	BOTH	M85311	M89424
3199949		Additional O.E.M. Interchanges	BOTH	M85310	M89423
3199953		Additional O.E.M. Interchanges	BOTH	M85319	
3199954		Additional O.E.M. Interchanges	BOTH	M85003	M89411
3199955		Additional O.E.M. Interchanges	BOTH	M85300	
3199956		Additional O.E.M. Interchanges	BOTH	M85036	
3199957		Additional O.E.M. Interchanges	BOTH	M83122	
3199959		Additional O.E.M. Interchanges	BOTH	M85323	M89436
3199966		Additional O.E.M. Interchanges	BOTH	M85303	
3199972		Additional O.E.M. Interchanges	BOTH	M85320	M89429

Applications by Make/Model

MAKE SERIES/YEAR	OEM	MODEL DESCRIPTION	POSITION	MERITOR STANDARD	MERITOR PREMIUM
VOLVO (continued)					
Other Series (continued)					
3199980		Additional O.E.M. Interchanges	BOTH	M85310	M89423
3199988		Additional O.E.M. Interchanges	BOTH	M85311	M89424
3199990		Additional O.E.M. Interchanges	BOTH	M85003	M89411
3199991		Additional O.E.M. Interchanges	BOTH	M85708	
3915917		Additional O.E.M. Interchanges	BOTH	M85319	
3915947		Additional O.E.M. Interchanges	BOTH	M85001	M89410
3915948		Additional O.E.M. Interchanges	BOTH	M85311	M89424
3916352		Additional O.E.M. Interchanges	BOTH	M85013	M89414
3919055		Additional O.E.M. Interchanges	BOTH	M85007	
3919056		Additional O.E.M. Interchanges	BOTH	M83203	M89436
3919582		Additional O.E.M. Interchanges	BOTH	M83215	
3919585		Additional O.E.M. Interchanges	BOTH	M83209	M89414
3919589		Additional O.E.M. Interchanges	BOTH	M85026	
3919594		Additional O.E.M. Interchanges	BOTH	M85003	M89411
3919900		Additional O.E.M. Interchanges	BOTH	M85012	M89413
3919902		Additional O.E.M. Interchanges	BOTH		M89430
3919911		Additional O.E.M. Interchanges	BOTH	M83124	
3919913		Additional O.E.M. Interchanges	BOTH	M83203	M89436
3919914		Additional O.E.M. Interchanges	BOTH	M83209	M89414
3919915		Additional O.E.M. Interchanges	BOTH	M83127	
3919921		Additional O.E.M. Interchanges	BOTH	M83123	
3919924		Additional O.E.M. Interchanges	BOTH	M83456	
3919931		Additional O.E.M. Interchanges	BOTH		M89430
3919932		Additional O.E.M. Interchanges	FRONT	M85062	M89408
3919933		Additional O.E.M. Interchanges	BOTH	M85001	M89410
3919934		Additional O.E.M. Interchanges	BOTH	M85320	M89429
3919935		Additional O.E.M. Interchanges	BOTH	M85026	
3919936		Additional O.E.M. Interchanges	BOTH	M83207	
3919958		Models with O.E.M. Number	REAR	M85046	
3945809		Additional O.E.M. Interchanges	BOTH		M89410
3945812		Additional O.E.M. Interchanges	BOTH		M89423
3945814		Additional O.E.M. Interchanges	BOTH		M89424
3945816		Additional O.E.M. Interchanges	BOTH		M89430
3945819		Additional O.E.M. Interchanges	BOTH		M89411
3945820		Additional O.E.M. Interchanges	BOTH		M89413
3949241		Models with O.E.M. Number	FRONT	M85061	M89450
5534430		Additional O.E.M. Interchanges	BOTH	M85303	
5534447		Additional O.E.M. Interchanges	BOTH	M85303	
5549899		Additional O.E.M. Interchanges	BOTH	M83207	
8169859		Models with O.E.M. Number	REAR	M85047	
03-1106460		Additional O.E.M. Interchanges	BOTH	M85005	M89430
141700000373		Models with O.E.M. Number	FRONT	M85061	M89450
35901-0001		Models with O.E.M. Number	REAR	M83209	M89414
35901-0003		Additional O.E.M. Interchanges	BOTH	M85301	

SHOCKS

Applications by Make/Model

MAKE SERIES/YEAR	OEM	MODEL DESCRIPTION	POSITION	MERITOR STANDARD	MERITOR PREMIUM
VOLVO (continued)					
Other Series (continued)					
	35901-0011	Additional O.E.M. Interchanges	BOTH	M83123	
	35901-3406	Additional O.E.M. Interchanges	BOTH	M85305	
	35901-3413	Additional O.E.M. Interchanges	BOTH	M85006	
	35901-3420	Additional O.E.M. Interchanges	BOTH	M85303	
	37301-0001	Additional O.E.M. Interchanges	BOTH	M85013	M89414
	37301-0018	Additional O.E.M. Interchanges	BOTH	M85005	M89430
	64838-001	Models with Hendrickson Airtek	FRONT	M85933	
	64838-002	Models with Hendrickson Airtek	FRONT	M85933	
		1500 Series	BOTH	M83122	
		3014, 3015, 3016, 3020 C.O.E. and 1500	FRONT	M83122	
		9000 Series	FRONT	M83122	
78 - 83		RC2	REAR	M83122	
VN - 2200					
	665607	Models with O.E.M. Number	REAR	M85047	
	8078195	Models with O.E.M. Number	FRONT	M85061	M89450
	8086053	Models with O.E.M. Number	REAR	M85047	
05/99-	8086651	Models built after May 1999	REAR	M85066	M89448
	8169859	Models with O.E.M. Number	REAR	M85047	
	20433424	Models with O.E.M. Number	FRONT	M85061	M89450
05/99-	20433425	Models built after May 1999	REAR	M85066	M89448
	20513881	Models with O.E.M. Number	FRONT	M85061	M89450
	20551628	Models with O.E.M. Number	REAR	M85066	M89448
	47170000443	Models with O.E.M. Number	REAR	M85066	M89448
	8077874-P01	Models with O.E.M. Number	REAR	M85047	
VNL					
06 - 10	20433424	All Models with 12,000 - 13,200 lb Front Axles	FRONT	M85061	M89450
06 - 11	20433425	Models with 38,000 lb Rear Air Suspension built after May 1999	REAR	M85066	M89448
05 - 11	20485633	64T-430 Models with Hendrickson Airtek	FRONT	M85933	M89448
06 - 11	20485633	64T-300, 64T-300U Models with Hendrickson Airtek	FRONT	M85933	M89448
06 - 11	20485633	64T-630, 42T-630 Models with Hendrickson Airtek	FRONT	M85933	M89448
06 - 11	20485633	64T-670 Models with Hendrickson Airtek	FRONT	M85933	M89448
06 - 11	20485633	64T-730, 64T-730U Models with Hendrickson Airtek	FRONT	M85933	M89448
06 - 11	20485633	64T-780 Models with Hendrickson Airtek	FRONT	M85933	M89448
06 - 11	20551628	64T-300, 64T-300U Models with 40,000 lb Rear Air Suspension	REAR	M85066	
05 - 11	20551628	64T-430 Models with 40,000 lb Rear Air Suspension	REAR	M85066	
06 - 11	20551628	64T-630, 42T-630 Models with 40,000 lb Rear Air Suspension	REAR	M85066	
06 - 11	20551628	64T-670 Models with 40,000 lb Rear Air Suspension	REAR	M85066	
06 - 11	20551628	64T-730, 64T-730U Models with 40,000 lb Rear Air Suspension	REAR	M85066	
06 - 11	20551628	64T-780 Models with 40,000 lb Rear Air Suspension	REAR	M85066	
06 - 09	20782199	64T-830 Models w/ Hendrickson 40,000 lb Pimaax EX & FireMaax EX Air Suspension	REAR	M85072	
06 - 11	47170000443	64T-300, 64T-300U Models with 40,000 lb Rear Air Suspension	REAR	M85066	M89448
05 - 11	47170000443	64T-430 Models with 40,000 lb Rear Air Suspension	REAR	M85066	M89448
06 - 11	47170000443	64T-630, 42T-630 Models with 40,000 lb Rear Air Suspension	REAR	M85066	M89448
06 - 11	47170000443	64T-670 Models with 40,000 lb Rear Air Suspension	REAR	M85066	M89448
06 - 11	47170000443	64T-730, 64T-730U Models with 40,000 lb Rear Air Suspension	REAR	M85066	M89448

SHOCKS

Applications by Make/Model

MAKE SERIES/YEAR	OEM	MODEL DESCRIPTION	POSITION	MERITOR STANDARD	MERITOR PREMIUM
VOLVO (continued)					
VNL (continued)					
06 - 11	47170000443	64T-780 Models with 40,000 lb Rear Air Suspension	REAR	M85066	M89448
06 - 09	60657-007	64T-830 Models with Hendrickson 40,000 lb Primaax, Pimaax EX and FireMaax EX Air Suspension	REAR	M85072	
Vocational Trucks					
	57241-3	WX, WXR, WG, AC Series with Hendrickson HN-402 Rear Suspension	REAR	M83112	
	57241-3	WX, WXML, WXR, WG, AC Series	REAR	M83112	
VT					
06 - 10	20433424	All Models with 12,000 - 13,200 lb Front Axles	FRONT	M85061	M89450
06 - 11	20551628	64T-830 Models with 40,000 lb Rear Air Suspension	REAR	M85066	M89448
06 - 09	20782199	64T-880 Models with Hendrickson 40,000 lb Primaax EX and FireMaax EX Air Suspension	REAR	M85072	
06 - 11	47170000443	64T-830 Models with 40,000 lb Rear Air Suspension	REAR	M85066	M89448
06 - 09	60657-007	64T-830 Models with Hendrickson 40,000 lb Primaax, Pimaax EX and FireMaax EX Air Suspension	REAR	M85072	
WCA & WIA					
	8026658	Models with O.E.M. Number and after V.I.N. Number 657841	REAR	M85046	
	8065787	Models with O.E.M. Number	FRONT	M85026	
95 -	8169859	All with O.E.M. Number and after V.I.N. Number 723506	REAR	M85047	
	37301-0016	Models with O.E.M. Number	FRONT	M85026	
	37301-0021	Models with O.E.M. Number	FRONT	M85026	
	37301-3202	Models with O.E.M. Number	FRONT	M85026	
WG Series					
	665623	Models with O.E.M. Number	REAR	M85046	
	8026658	Models with O.E.M. Number	REAR	M85046	
- 92	8065787	Models with O.E.M. Number	FRONT	M85026	
WH					
	8026658	WHS, WHR, WHL or WHE Models with O.E.M. Number	REAR	M85046	
95 -	8169859	WHS, WHR, WHL or WHE Models with O.E.M. Number	REAR	M85047	
	37301-0021	WHS, WHR, WHL or WHE Models with Front Single Shocks	FRONT	M85026	
VOLVO-AUTOCAR					
	8026658	Models with Air Suspension and O.E.M. Number	REAR	M85046	
	03-1106460	A42B, A42F, A64B A64F	FRONT	M85005	M89430
	37301-3202	Models with O.E.M. Number	FRONT	M85026	
		DC87T, DC9364 From Feb. 1971	FRONT	M83122	
WABASH NATIONAL					
97 -	202447	RHP11, RHP55 and RideSentry Trailer Suspension	REAR	M85919	
97 -	203447	RHP11, RHP55 and RideSentry Trailer Suspension	REAR	M85919	
	FLL83203-071	Trailers with Aurora part number	REAR	M83203	M89436
	FLL83207-071	Trailers with Aurora part number	REAR	M83207	
	FLL85000-071	Trailers with Aurora part number	REAR	M85000	M89436
	FLL85030-071	Trailers with Aurora part number	REAR	M85030	
	FRUUCE1295-1	Trailers with Aurora part number	REAR	M85300	
	FRUUCE1295-901	Trailers with Aurora part number	REAR	M85300	
	HENS-20001	Trailers with Aurora part number	REAR	M83128	M89436
	HENS-20002	Trailers with Aurora part number	REAR	M85000	M89436
	HENS-20126	Trailers with Aurora part number	REAR	M85323	M89436
	HENS-21292	Trailers with Aurora part number	REAR	M85052	

SHOCKS

Applications by Make/Model

MAKE SERIES/YEAR	OEM	MODEL DESCRIPTION	POSITION	MERITOR STANDARD	MERITOR PREMIUM
WABASH NATIONAL (continued)					
	HENS-23566	Trailers with Aurora part number	REAR	M85000	M89436
	HENS-24088	Trailers with Aurora part number	REAR	M85000	M89436
	NEW900-44-089	Trailers with Aurora part number	REAR	M83124	
	NEW900-44-162	Trailers with Aurora part number	REAR	M83128	
	NEW900-44-625	Trailers with Aurora part number	REAR	M83125	
	NEW900-44-626	Trailers with Aurora part number	REAR		M89430
	NEW900-44-642	Trailers with Aurora part number	REAR	M83127	
	NEW900-44-794	Trailers with Aurora part number	REAR	M83127	
	NEW900-44-868	Trailers with Aurora part number	REAR	M85045	
	NEW900-45-040	Trailers with Aurora part number	REAR	M83130	
	NEW900-45-298	Trailers with Aurora part number	REAR	M83128	
	NEW900-45-299	Trailers with Aurora part number	REAR	M85000	
	NEW900-45-299	Trailers with Aurora part number	REAR		M89436
WATSON & CHALIN					
Light Weight Trailer Air Suspension					
	17079	TA-3175-9	REAR	M85300	
LWSL-1100-SR Self Steer Axle Suspension					
	10147	HL-1100-20 FL	REAR	M83203	M89436
	12128	SL-1100-LR	REAR	M85005	M89430
Other Series					
	17186	Additional O.E.M. Interchanges		M85323	M89436
	17218	Additional O.E.M. Interchanges		M85029	
	17297	Additional O.E.M. Interchanges		M85064	
	17306	Additional O.E.M. Interchanges	REAR	M85938	
	17382	Additional O.E.M. Interchanges		M85014	
	19036	Additional O.E.M. Interchanges	BOTH	M85934	
	665724	Additional O.E.M. Interchanges		M85000	M89436
	665770	Additional O.E.M. Interchanges		M85064	
	665862	Models with O.E.M. Number	REAR	M85000	M89436
	680547	Additional O.E.M. Interchanges		M85323	M89436
	680584	Additional O.E.M. Interchanges	REAR	M85938	
	680714	Additional O.E.M. Interchanges	BOTH	M85934	
	727603	Additional O.E.M. Interchanges		M83203	M89436
	10147HD	Models with O.E.M. Number	REAR	M85000	M89436
	17186-01	Additional O.E.M. Interchanges	BOTH	M85323	M89436
Trailer Air Suspension					
	10147	TA-2590-12-1	REAR	M83203	M89436
	12128	TA-2590-12, 14, 15, & 17,	REAR	M85005	M89430
WCTA Series Dump Trailer Air Suspension					
	10147	TA-1900-15	REAR	M83203	M89436
	10147	TA-525, -DB	REAR	M83203	M89436
	11604	TA-1600-21	REAR	M83125	
	11724	TA-5000-DB-24, -DB-30, -FRONT-24, -FRONT-30,	REAR	M83123	
	12128	TA-1900-18, -19	REAR		M89430
	12128	TA-5000-DB-19, -FRONT-19	REAR		M89430

Applications by Make/Model

MAKE SERIES/YEAR	OEM	MODEL DESCRIPTION	POSITION	MERITOR STANDARD	MERITOR PREMIUM
WATSON & CHALIN (continued)					
WCTA Series Dump Trailer Air Suspension (continued)					
	12128	TA-2075-9	REAR		M89430
	12128	TA-380-9	REAR		M89430
	12128	TA-1900-18, -19	REAR	M85005	
	12128	TA-5000-DB-19, -FRONT-19	REAR	M85005	
	10147	TA-525, -DB	REAR	M83203	M89436
WCTA Series Trailer Air Suspension					
	10147	TA-250-6, 7.5, 9,	REAR	M83203	M89436
	10147	TA-251-6.5, -6.5FS,	REAR	M83203	M89436
	10147	TA-251-7.5, -7.5FS	REAR	M83203	M89436
	10147	TA-251-8FS	REAR	M83203	M89436
	10147	TA-251-9.0, -9.0FS, -10,	REAR	M83203	M89436
	10147	TA-255-9	REAR	M83203	M89436
	10147	TA-300-9	REAR	M83203	M89436
	11604	TA-280-6.5, 7.5, -9.0,	REAR	M83125	
	12128	TA-2075-9	REAR	M85005	
	12128	TA-380-9	REAR	M85005	
WCTA-1200 Series Trailer Air Suspension					
	10147	TA-1200-5	REAR	M83203	M89436
WCTL-2200 Series Trailer Air Lift					
	11604	TL-1600-21	REAR	M83125	
10/89 -	12128	TL-2590-12,14,15, & 17	REAR	M85005	M89430
WCWB Series Trailer Air Suspension					
	10147	WB-251-6.5, 7.5, 9	REAR	M83203	M89436
	11604	WB-280-9	REAR	M83125	
	12128	WB-2500-7.5, -9,	REAR	M85005	M89430
	17300	Models with O.E.M. Number	REAR	M85052	
	665727	Additional O.E.M. Interchanges	BOTH	M85005	M89430
	665769	Models with O.E.M. Number	REAR	M85052	
WESTERN STAR					
3800 Series - Heritage					
	90044025	With Neway Rear Suspension	REAR	M83209	M89414
	37390-4401	3842S, 3864S	FRONT	M85053	
	37390-4402	3842S, 3864S	FRONT	M85053	
	37390-4403	3842S, 3864S	FRONT	M85053	
	47902-13	With Hendrickson Rear Suspension	REAR	M83122	
	47902-8	With Hendrickson Rear Suspension	REAR	M83122	
4700					
11 - 13	16-18708-000	Models with FAS II Rear Air Suspension	REAR	M85724	M89443
4800 & 4900 - Constellation					
09-12	16-18706-000	Models w/ Low Profile Rear Air Suspension	REAR	M85331	
	37301-3401	4842FX, 4864FX, 4964EX, 4964EX, 4942SX or 4964SX Constellation Class	FRONT	M85053	
	37301-3404	4842FX, 4864FX, 4964EX, 4964EX, 4942SX or 4964SX Constellation Class	FRONT	M85053	
	37301-3409	4842FX, 4864FX, 4964EX, 4964EX, 4942SX or 4964SX Constellation Class	FRONT	M85053	
	37301-3412	4842FX, 4864FX, 4964EX, 4964EX, 4942SX or 4964SX Constellation Class	FRONT	M85053	
	37390-4401	4842FX, 4864FX, 4964EX, 4964EX, 4942SX or 4964SX Constellation Class	FRONT	M85053	

SHOCKS

Applications by Make/Model

MAKE SERIES/YEAR	OEM	MODEL DESCRIPTION	POSITION	MERITOR STANDARD	MERITOR PREMIUM
WESTERN STAR (continued)					
4800 & 4900 - Constellation (continued)					
37390-4402		4842FX, 4864FX, 4964EX, 4964EX, 4942SX or 4964SX Constellation Class	FRONT	M85053	
37390-4403		4842FX, 4864FX, 4964EX, 4964EX, 4942SX or 4964SX Constellation Class	FRONT	M85053	
47902-13		With Hendrickson Rear Suspension	REAR	M83122	
47902-8		With Hendrickson Rear Suspension	REAR	M83122	
57241-1		With Hendrickson HAS-40LH Rear Suspension	REAR	M83111	
4800 & 4900 - Heritage					
90044025		With Neway Rear Suspension	REAR	M83209	M89414
37301-3401		4842F, 4864F, 4843S, 4864S, 4942F, 4964F, 4942S or 4964S Heritage Class	FRONT	M85053	
37301-3404		4842F, 4864F, 4843S, 4864S, 4942F, 4964F, 4942S or 4964S Heritage Class	FRONT	M85053	
37301-3409		4842F, 4864F, 4843S, 4864S, 4942F, 4964F, 4942S or 4964S Heritage Class	FRONT	M85053	
37301-3412		4842F, 4864F, 4843S, 4864S, 4942F, 4964F, 4942S or 4964S Heritage Class	FRONT	M85053	
37390-4401		4842F, 4864F, 4843S, 4864S, 4942F, 4964F, 4942S or 4964S Heritage Class	FRONT	M85053	
37390-4402		4842F, 4864F, 4843S, 4864S, 4942F, 4964F, 4942S or 4964S Heritage Class	FRONT	M85053	
37390-4403		4842F, 4864F, 4843S, 4864S, 4942F, 4964F, 4942S or 4964S Heritage Class	FRONT	M85053	
5800 & 590 - Constellation					
90044025		With Neway Rear Suspension	REAR	M83209	M89414
37301-3401		5842SS, 5864SS, 5942SS or 5964SS Constellation Class	FRONT	M85053	
37301-3404		5842SS, 5864SS, 5942SS or 5964SS Constellation Class	FRONT	M85053	
37301-3409		5842SS, 5864SS, 5942SS or 5964SS Constellation Class	FRONT	M85053	
37301-3412		5842SS, 5864SS, 5942SS or 5964SS Constellation Class	FRONT	M85053	
37390-4401		5842SS, 5864SS, 5942SS or 5964SS Constellation Class	FRONT	M85053	
37390-4402		5842SS, 5864SS, 5942SS or 5964SS Constellation Class	FRONT	M85053	
37390-4403		5842SS, 5864SS, 5942SS or 5964SS Constellation Class	FRONT	M85053	
47902-13		With Hendrickson Rear Suspension	REAR	M83122	
47902-8		With Hendrickson Rear Suspension	REAR	M83122	
5900 & 6900 - Heritage					
665682		Models with O.E.M. Number	FRONT	M85053	
90044025		With Neway Rear Suspension	REAR	M83209	M89414
35066-4413		Models with O.E.M. Number	REAR	M83122	
35901-0001		Models with O.E.M. Number	REAR	M83209	M89414
35901-3406		Additional O.E.M. Interchanges	BOTH	M85305	
35901-3413		Additional O.E.M. Interchanges	BOTH	M85006	
35901-3420		Additional O.E.M. Interchanges	BOTH	M85303	
37301-3401		5942S, 5964S, 6964F or 6964S Heritage Class	FRONT	M85053	
37301-3404		5942S, 5964S, 6964F or 6964S Heritage Class	FRONT	M85053	
37301-3405		Models with O.E.M. Number	FRONT	M85053	
37301-3409		5942S, 5964S, 6964F or 6964S Heritage Class	FRONT	M85053	
37301-3412		5942S, 5964S, 6964F or 6964S Heritage Class	FRONT	M85053	
37390-4401		5942S, 5964S, 6964F or 6964S Heritage Class	FRONT	M85053	
37390-4402		5942S, 5964S, 6964F or 6964S Heritage Class	FRONT	M85053	
37390-4403		5942S, 5964S, 6964F or 6964S Heritage Class	FRONT	M85053	

Applications by Make/Model

MAKE SERIES/YEAR	OEM	MODEL DESCRIPTION	POSITION	MERITOR STANDARD	MERITOR PREMIUM
WESTERN STAR (continued)					
5900 & 6900 - Heritage (continued)					
	47902-13	With Hendrickson Rear Suspension	REAR	M83122	
	47902-8	With Hendrickson Rear Suspension	REAR	M83122	
	57241-1	With Hendrickson HAS-40LH Rear Suspension	REAR	M83111	
WESTERN UNIT "STABILAIRE" SUSPENSION					
	80600	Models with O.E.M. Number	REAR	M85300	
	101364	Models with O.E.M. Number	REAR	M85305	
WORKHORSE					
	680672	Models with O.E.M. Number	REAR	M85919	
	7805-X-1012	Models with RSAS Rear Suspension	REAR	M85919	

Numerical Shock Listing

Make	Meritor Shock	Adjustable Option
WATSON & CHALIN MFG. INC.	M632147	
GRANNING SUSPENSION	M646155	
WATSON & CHALIN MFG. INC.	M646155	
OSHKOSH MOTORS	M646177	
PIERCE MANUFACTURING INC.	M646177	
INTERNATIONAL (NAVISTAR)	M83005	
OSHKOSH MOTORS	M83009	
INTERNATIONAL (NAVISTAR)	M83013	
MACK	M83041	
INTERNATIONAL (NAVISTAR)	M83100	
MERCEDES	M83100	
INTERNATIONAL (NAVISTAR)	M83101	
MACK	M83101	
THOMAS SCHOOL BUS	M83102	
INTERNATIONAL (NAVISTAR)	M83103	
MITSUBISHI-FUSO	M83103	
MOR-RYDE SUSPENSION	M83103	
VOLVO	M83103	
HINO	M83104	
VOLVO	M83104	
MACK	M83105	
VOLVO	M83105	
FORD	M83107	
MAECO	M83107	
STERLING TRUCK	M83107	
FORD	M83109	
HENDRICKSON TRUCK SUSPENSION SYSTEMS	M83109	
STERLING TRUCK	M83109	
HENDRICKSON TRUCK SUSPENSION SYSTEMS	M83110	
MACK	M83110	
HENDRICKSON TRUCK SUSPENSION SYSTEMS	M83111	
MACK	M83111	
WESTERN STAR	M83111	
HENDRICKSON TRUCK SUSPENSION SYSTEMS	M83112	
MACK	M83112	
VOLVO	M83112	
SAF HOLLAND	M83113	
STOUGHTON TRAILERS INC.	M83113	
TRAILMOBILE CANADA CORP.	M83113	
WABASH NATIONAL	M83113	
CHEVROLET TRUCK (Also See GMC Truck)	M83114	
GMC TRUCK	M83114	
INTERNATIONAL (NAVISTAR)	M83114	
ISUZU	M83114	
NISSAN	M83114	
SAF HOLLAND	M83115	
TRAILMOBILE CANADA CORP.	M83115	
FREIGHTLINER CUSTOM CHASSIS	M83116	
OSHKOSH MOTORS	M83117	
FREIGHTLINER	M83117	
FREIGHTLINER	M83118	
FREIGHTLINER CUSTOM CHASSIS	M83118	

Make	Meritor Shock	Adjustable Option
MAECO	M83118	
OSHKOSH MOTORS	M83118	
FREIGHTLINER CUSTOM CHASSIS	M83119	
OSHKOSH MOTORS	M83119	
FREIGHTLINER	M83120	
FREIGHTLINER CUSTOM CHASSIS	M83120	
MAECO	M83120	
OSHKOSH MOTORS	M83120	
STERLING TRUCK	M83120	
THOMAS SCHOOL BUS	M83120	
ALLCO TRAILER	M83122	M89406
CHEVROLET TRUCK (Also See GMC Truck)	M83122	M89406
FORD	M83122	M89406
FREIGHTLINER	M83122	M89406
FRUEHAUF	M83122	M89406
GILLIG BROS.	M83122	M89406
GMC TRUCK	M83122	M89406
GREAT DANE TRAILER	M83122	M89406
HENDRICKSON TRUCK SUSPENSION SYSTEMS	M83122	M89406
ISUZU	M83122	M89406
LODAL, INC.	M83122	M89406
MACK	M83122	M89406
MAECO	M83122	M89406
MARMON	M83122	M89406
OSHKOSH MOTORS	M83122	M89406
REYCO SUSPENSION	M83122	M89406
SAF HOLLAND	M83122	M89406
VOLVO-AUTOCAR	M83122	M89406
VOLVO	M83122	M89406
WESTERN STAR	M83122	M89406
FORD	M83123	M89405
GILLIG BROS.	M83123	M89405
HENDRICKSON TRUCK SUSPENSION SYSTEMS	M83123	M89405
INTERNATIONAL (NAVISTAR)	M83123	M89405
KENWORTH	M83123	M89405
MACK	M83123	M89405
MACK	M83123	M89405
MARMON	M83123	M89405
REYCO SUSPENSION	M83123	M89405
SAF HOLLAND	M83123	M89405
VOLVO	M83123	M89405
WATSON & CHALIN MFG. INC.	M83123	M89405
BENSON TRUCK BODIES INC.	M83124	M89407
EAST MANUFACTURING CORP.	M83124	M89407
KENWORTH	M83124	M89407
SAF HOLLAND	M83124	M89407
TRAILMOBILE CANADA CORP.	M83124	M89407
TWIN COACH	M83124	M89407
WABASH NATIONAL	M83124	M89407
THE BINKLEY COMPANY	M83125	
CASCADE TRAILER	M83125	
EAST MANUFACTURING CORP.	M83125	

SHOCKS

Numerical Shock Listing

Make	Meritor Shock	Adjustable Option
FORD	M83125	
GENERAL TRAILER CO	M83125	
HENDRICKSON TRUCK SUSPENSION SYSTEMS	M83125	
HOLLAND - BINKLEY	M83125	
MACK	M83125	
MAECO	M83125	
PEERLESS TRAILER	M83125	
SAF HOLLAND	M83125	
STERLING TRUCK	M83125	
TRAILMOBILE CANADA CORP.	M83125	
VOLVO	M83125	
WABASH NATIONAL	M83125	
WATSON & CHALIN MFG. INC.	M83125	
HINO	M83126	M89430
INTERNATIONAL (NAVISTAR)	M83126	M89430
SAF HOLLAND	M83126	M89430
WABASH NATIONAL	M83126	M89430
BLUEBIRD SCHOOL BUS	M83127	
FREIGHTLINER CUSTOM CHASSIS	M83127	
HOLIDAY RAMBLER	M83127	
OSHKOSH MOTORS	M83127	
SAF HOLLAND	M83127	
TRAILMOBILE CANADA CORP.	M83127	
WABASH NATIONAL	M83127	
EAST MANUFACTURING CORP.	M83128	
FREIGHTLINER	M83128	
SAF HOLLAND	M83128	
STOUGHTON TRAILERS INC.	M83128	
TWIN COACH	M83128	
WABASH NATIONAL	M83128	
SAF HOLLAND	M83130	
WABASH NATIONAL	M83130	
FORD	M83131	
FREIGHTLINER	M83134	
FORD	M83135	
INTERNATIONAL (NAVISTAR)	M83135	
CHAMPION TRANSIT	M83136	
CHEVROLET TRUCK (Also See GMC Truck)	M83136	
GMC TRUCK	M83136	
ISUZU	M83136	
KENWORTH	M83136	
PETERBILT	M83136	
BERING TRUCK CORP.	M83137	
CHEVROLET TRUCK (Also See GMC Truck)	M83137	
GMC TRUCK	M83137	
HENDRICKSON TRUCK SUSPENSION SYSTEMS	M83137	
ISUZU	M83137	
KENWORTH	M83137	
MACK	M83137	
SAF HOLLAND	M83137	
VOLVO	M83137	
WESTERN STAR	M83137	

Make	Meritor Shock	Adjustable Option
MACK	M83138	
FORD	M83140	
HINO	M83141	
HENDRICKSON TRUCK SUSPENSION SYSTEMS	M83142	
KENWORTH	M83142	
PETERBILT	M83142	
HENDRICKSON TRUCK SUSPENSION SYSTEMS	M83143	
INTERNATIONAL (NAVISTAR)	M83143	
KENWORTH	M83143	
PETERBILT	M83143	
HENDRICKSON TRUCK SUSPENSION SYSTEMS	M83144	
INTERNATIONAL (NAVISTAR)	M83144	
WORKHORSE	M83144	
FORD	M83145	
INTERNATIONAL (NAVISTAR)	M83145	
FORD	M83146	
INTERNATIONAL (NAVISTAR)	M83146	
HENDRICKSON TRUCK SUSPENSION SYSTEMS	M83147	
MACK	M83147	
HENDRICKSON TRUCK SUSPENSION SYSTEMS	M83148	
HINO	M83148	
HENDRICKSON TRUCK SUSPENSION SYSTEMS	M83149	
HENDRICKSON TRAILER SUSPENSION SYSTEMS	M83150	
SAF HOLLAND	M83150	
CHEVROLET TRUCK (Also See GMC Truck)	M83153	
GMC TRUCK	M83153	
FREIGHTLINER CUSTOM CHASSIS	M83154	
CHEVROLET TRUCK (Also See GMC Truck)	M83155	
GMC TRUCK	M83155	
INTERNATIONAL (NAVISTAR)	M83156	
FORD	M83200	
STERLING TRUCK	M83200	
CHANCE BUS	M83203	M89436
CHEVROLET TRUCK (Also See GMC Truck)	M83203	M89436
DURA SUSPENSION	M83203	M89436
FRUEHAUF	M83203	M89436
GMC TRUCK	M83203	M89436
HIGHWAY PRODUCT	M83203	M89436
HUTCHENS SUSPENSION	M83203	M89436
MACK	M83203	M89436
MOHAWK	M83203	M89436
ORION BUS INDUSTRIES	M83203	M89436
PAGE SUSPENSION	M83203	M89436
PETERBILT	M83203	M89436
REYCO SUSPENSION	M83203	M89436
RIDEWELL CORPORATION	M83203	M89436
SAF HOLLAND	M83203	M89436
VOLVO	M83203	M89436
WABASH NATIONAL	M83203	M89436
WATSON & CHALIN MFG. INC.	M83203	M89436
DUPLEX TRUCK	M83204	
DURA SUSPENSION	M83204	

SHOCKS

Numerical Shock Listing

Make	Meritor Shock	Adjustable Option
MAECO	M83204	
PAGE SUSPENSION	M83204	
REYCO SUSPENSION	M83204	
SAF HOLLAND	M83204	
TRAILMOBILE CANADA CORP.	M83204	
VOLVO	M83204	
WATSON & CHALIN MFG. INC.	M83204	
BLUEBIRD SCHOOL BUS	M83207	M89407
BROCKWAY SCHOOL BUS	M83207	M89407
CHANCE BUS	M83207	M89407
CHEVROLET TRUCK (Also See GMC Truck)	M83207	M89407
DURA SUSPENSION	M83207	M89407
FORD	M83207	M89407
GILLIG BROS.	M83207	M89407
GMC TRUCK	M83207	M89407
GREAT DANE TRAILER	M83207	M89407
HARDEE MFG	M83207	M89407
HENDRICKSON TRUCK SUSPENSION SYSTEMS	M83207	M89407
HIGHWAY PRODUCT	M83207	M89407
INTERNATIONAL (NAVISTAR)	M83207	M89407
MACK	M83207	M89407
MAECO	M83207	M89407
MOHAWK	M83207	M89407
NATIONAL COACH CORP	M83207	M89407
OSHKOSH MOTORS	M83207	M89407
REYCO SUSPENSION	M83207	M89407
RIDEWELL CORPORATION	M83207	M89407
SAF HOLLAND	M83207	M89407
TRAILMOBILE CANADA CORP.	M83207	M89407
TWIN COACH	M83207	M89407
VOLVO	M83207	M89407
WABASH NATIONAL	M83207	M89407
CHEVROLET TRUCK (Also See GMC Truck)	M83209	M89414
FORD	M83209	M89414
GMC TRUCK	M83209	M89414
HENDRICKSON TRAILER SUSPENSION SYSTEMS	M83209	M89414
INTERNATIONAL (NAVISTAR)	M83209	M89414
MACK	M83209	M89414
REYCO SUSPENSION	M83209	M89414
SAF HOLLAND	M83209	M89414
TRAILMOBILE CANADA CORP.	M83209	M89414
VOLVO	M83209	M89414
WESTERN STAR	M83209	M89414
CHEVROLET TRUCK (Also See GMC Truck)	M83214	
DIAMOND-REO	M83214	
DIAMOND-REO	M83214	
EAST MANUFACTURING CORP.	M83214	
GMC TRUCK	M83214	
GRANNING SUSPENSION	M83214	
OSTERLUND TRUCK	M83214	
SPARTAN MOTORS	M83214	
VOLVO	M83214	

SHOCKS

Make	Meritor Shock	Adjustable Option
ACF BRILL BUS	M83215	
BROCKWAY SCHOOL BUS	M83215	
CHEVROLET TRUCK (Also See GMC Truck)	M83215	
FORD	M83215	
GMC TRUCK	M83215	
HINO	M83215	
INTERNATIONAL (NAVISTAR)	M83215	
MACK	M83215	
MAECO	M83215	
PAI CORP	M83215	
REYCO SUSPENSION	M83215	
STERLING TRUCK	M83215	
VOLVO	M83215	
CHEVROLET TRUCK (Also See GMC Truck)	M83217	
DIAMOND-REO	M83217	
EAST MANUFACTURING CORP.	M83217	
FLXIBLE BUS	M83217	
FORD	M83217	
GMC TRUCK	M83217	
HINO	M83217	
HYSTER	M83217	
MACK	M83217	
OLE GRANNING	M83217	
OTTAWA TRUCK	M83217	
REYCO SUSPENSION	M83217	
SOUTHERN COACH	M83217	
VOLVO	M83217	
CHEVROLET TRUCK (Also See GMC Truck)	M83219	
FORD	M83219	
GILLIG BROS.	M83219	
GMC TRUCK	M83219	
VOLVO	M83219	
MACK	M83242	
INTERNATIONAL (NAVISTAR)	M83301	
CHEVROLET TRUCK (Also See GMC Truck)	M83304	
GMC TRUCK	M83304	
VOLVO	M83304	
CHEVROLET TRUCK (Also See GMC Truck)	M83308	
FORD	M83308	
GMC TRUCK	M83308	
INTERNATIONAL (NAVISTAR)	M83308	
STERLING TRUCK	M83308	
FORD	M83309	M89446
INTERNATIONAL (NAVISTAR)	M83309	M89446
STERLING TRUCK	M83309	M89446
VOLVO	M83309	M89446
FORD	M83312	M89409
KENWORTH	M83312	M89409
OSHKOSH MOTORS	M83312	M89409
PIERCE MANUFACTURING INC.	M83312	M89409
VOLVO	M83312	M89409
FORD	M83314	

Numrerical Shock Listing

Make	Meritor Shock	Adjustable Option
INTERNATIONAL (NAVISTAR)	M83314	
MAECO	M83314	
STERLING TRUCK	M83314	
VOLVO	M83314	
INTERNATIONAL (NAVISTAR)	M83317	
FORD	M83317	
INTERNATIONAL (NAVISTAR)	M83318	
KENWORTH	M83353	
VOLVO	M83353	
HINO	M83362	
CHEVROLET TRUCK (Also See GMC Truck)	M83400	
FORD	M83400	
GMC TRUCK	M83400	
MOR-RYDE SUSPENSION	M83400	
VOLVO	M83400	
WATSON & CHALIN MFG. INC.	M83400	
WESTERN STAR	M83400	
CHEVROLET TRUCK (Also See GMC Truck)	M83401	
GMC TRUCK	M83401	
VOLVO	M83401	
WESTERN STAR	M83401	
INTERNATIONAL (NAVISTAR)	M83456	M89447
MITSUBISHI-FUSO	M83456	M89447
VOLVO	M83456	M89447
FREIGHTLINER	M83634	
SAF HOLLAND	M83635	
VOLVO	M83635	
WESTERN STAR	M83635	
INTERNATIONAL (NAVISTAR)	M83636	
MERITOR	M85000	M89436
BENSON TRUCK BODIES INC.	M85000	M89436
EAST MANUFACTURING CORP.	M85000	M89436
FREIGHTLINER	M85000	M89436
GREAT DANE TRAILER	M85000	M89436
HENDRICKSON TRAILER SUSPENSION SYSTEMS	M85000	M89436
ORION BUS INDUSTRIES	M85000	M89436
REYCO SUSPENSION	M85000	M89436
RIDEWELL CORPORATION	M85000	M89436
SAF HOLLAND	M85000	M89436
STOUGHTON TRAILERS INC.	M85000	M89436
THOMAS SCHOOL BUS	M85000	M89436
TRAILMOBILE CANADA CORP.	M85000	M89436
TWIN COACH	M85000	M89436
VOLVO	M85000	M89436
WABASH NATIONAL	M85000	M89436
WATSON & CHALIN MFG. INC.	M85000	M89436
FORD	M85001	M89410
KENWORTH	M85001	M89410
MACK	M85001	M89410
MAECO	M85001	M89410
REYCO SUSPENSION	M85001	M89410
STERLING TRUCK	M85001	M89410

Make	Meritor Shock	Adjustable Option
VOLVO	M85001	M89410
KENWORTH	M85001	M89410
INTERNATIONAL (NAVISTAR)	M85003	M89411
MARMON	M85003	M89411
REYCO SUSPENSION	M85003	M89411
VOLVO	M85003	M89411
SAF HOLLAND	M85004	
PETERBILT	M85004	
BLUEBIRD SCHOOL BUS	M85005	M89430
CHEVROLET TRUCK (Also See GMC Truck)	M85005	M89430
EAST MANUFACTURING CORP.	M85005	M89430
FORD	M85005	M89430
FREIGHTLINER	M85005	M89430
FREIGHTLINER CUSTOM CHASSIS	M85005	M89430
GMC TRUCK	M85005	M89430
HENDRICKSON TRAILER SUSPENSION SYSTEMS	M85005	M89430
HENDRICKSON TRUCK SUSPENSION SYSTEMS	M85005	M89430
INTERNATIONAL (NAVISTAR)	M85005	M89430
KENWORTH	M85005	
MACK	M85005	M89430
REYCO SUSPENSION	M85005	M89430
RIDEWELL CORPORATION	M85005	M89430
SAF HOLLAND	M85005	M89430
VOLVO	M85005	M89430
VOLVO-AUTOCAR	M85005	M89430
WATSON & CHALIN MFG. INC.	M85005	M89430
THE BINKLEY COMPANY	M85006	
BLUEBIRD SCHOOL BUS	M85006	
BUILT RITE	M85006	
FORD	M85006	M89401
FREIGHTLINER	M85006	
FREIGHTLINER CUSTOM CHASSIS	M85006	
GREAT DANE TRAILER	M85006	
HENDRICKSON TRAILER SUSPENSION SYSTEMS	M85006	
MAECO	M85006	
REYCO SUSPENSION	M85006	
RIDEWELL CORPORATION	M85006	
SAF HOLLAND	M85006	
STERLING TRUCK	M85006	M89401
STOUGHTON TRAILERS INC.	M85006	
THOMAS SCHOOL BUS	M85006	
TRAILMOBILE CANADA CORP.	M85006	
VOLVO	M85006	
WESTERN STAR	M85006	
FREIGHTLINER	M85007	M89412
KENWORTH	M85007	M89412
MACK	M85007	M89412
SPARTAN MOTORS	M85007	
VOLVO	M85007	M89412
BLUEBIRD SCHOOL BUS	M85010	
FREIGHTLINER CUSTOM CHASSIS	M85010	
HENDRICKSON TRAILER SUSPENSION SYSTEMS	M85010	

SHOCKS

Numerical Shock Listing

Make	Meritor Shock	Adjustable Option
MACK	M85010	
OSHKOSH MOTORS	M85010	
THOMAS SCHOOL BUS	M85010	
FREIGHTLINER	M85011	
BLUEBIRD SCHOOL BUS	M85012	M89413
BROCKWAY SCHOOL BUS	M85012	M89413
CHEVROLET TRUCK (Also See GMC Truck)	M85012	M89413
FORD	M85012	M89413
GMC TRUCK	M85012	M89413
INTERNATIONAL (NAVISTAR)	M85012	M89413
ISUZU	M85012	M89413
PETERBILT	M85012	M89413
BLUEBIRD SCHOOL BUS	M85013	M89414
FORD	M85013	M89414
HENDRICKSON TRAILER SUSPENSION SYSTEMS	M85013	M89414
HENDRICKSON TRUCK SUSPENSION SYSTEMS	M85013	M89414
INTERNATIONAL (NAVISTAR)	M85013	M89414
MAECO	M85013	M89414
PETERBILT	M85013	M89414
REYCO SUSPENSION	M85013	M89414
SAF HOLLAND	M85013	M89414
SPARTAN MOTORS	M85013	M89414
STERLING TRUCK	M85013	M89414
TRAILMOBILE CANADA CORP.	M85013	M89414
VOLVO	M85013	M89414
CHANCE BUS	M85014	
HARDEE MFG	M85014	
HENDRICKSON TRAILER SUSPENSION SYSTEMS	M85014	
INTERNATIONAL (NAVISTAR)	M85014	
MACK	M85014	
REYCO SUSPENSION	M85014	
RIDEWELL CORPORATION	M85014	
WATSON & CHALIN MFG. INC.	M85014	
VOLVO	M85023	M89415
VOLVO	M85024	M89416
VOLVO-AUTOCAR	M85024	M89416
VOLVO	M85025	
VOLVO	M85026	M89417
VOLVO-AUTOCAR	M85026	M89417
INTERNATIONAL (NAVISTAR)	M85027	M89418
VOLVO	M85027	M89418
VOLVO-AUTOCAR	M85027	M89418
DURA SUSPENSION	M85029	
EAST MANUFACTURING CORP.	M85029	
FREIGHTLINER CUSTOM CHASSIS	M85029	
HENDRICKSON TRAILER SUSPENSION SYSTEMS	M85029	
INTERNATIONAL (NAVISTAR)	M85029	
PAGE SUSPENSION	M85029	
RIDEWELL CORPORATION	M85029	
SPARTAN MOTORS	M85029	
TRAILMOBILE CANADA CORP.	M85029	
BLUEBIRD SCHOOL BUS	M85030	M89440

Make	Meritor Shock	Adjustable Option
EAST MANUFACTURING CORP.	M85030	M89440
FORD	M85030	M89440
FRUEHAUF	M85030	M89440
HENDRICKSON TRAILER SUSPENSION SYSTEMS	M85030	M89440
INTERNATIONAL (NAVISTAR)	M85030	M89440
KENWORTH	M85030	M89440
MAECO	M85030	M89440
OSHKOSH MOTORS	M85030	M89440
PACIFIC TRUCK & TRAILER	M85030	M89440
PIERCE MANUFACTURING INC.	M85030	M89440
REYCO SUSPENSION	M85030	M89440
SAF HOLLAND	M85030	
STERLING TRUCK	M85030	M89440
VOLVO	M85030	M89440
WABASH NATIONAL	M85030	M89440
KENWORTH	M85031	
PETERBILT	M85033	M89427
HENDRICKSON TRUCK SUSPENSION SYSTEMS	M85036	M89405
MACK	M85036	M89405
PETERBILT	M85036	M89405
FORD	M85040	
STERLING TRUCK	M85040	
VOLVO	M85040	
FREIGHTLINER	M85043	
FREIGHTLINER CUSTOM CHASSIS	M85043	
HENDRICKSON TRAILER SUSPENSION SYSTEMS	M85043	
STERLING TRUCK	M85043	
HENDRICKSON TRAILER SUSPENSION SYSTEMS	M85045	
REYCO SUSPENSION	M85045	
RIDEWELL CORPORATION	M85045	
SAF HOLLAND	M85045	
WABASH NATIONAL	M85045	
VOLVO	M85046	M89434
VOLVO-AUTOCAR	M85046	M89434
FORD	M85047	M89435
STERLING TRUCK	M85047	M89435
VOLVO	M85047	M89435
CHEVROLET TRUCK (Also See GMC Truck)	M85050	
GMC TRUCK	M85050	
BLUEBIRD SCHOOL BUS	M85051	
GILLIG BROS.	M85051	
MUNCIE RECLAMATION	M85051	
OSHKOSH MOTORS	M85051	
REYCO SUSPENSION	M85051	
SAF HOLLAND	M85051	
STOUGHTON TRAILERS INC.	M85051	
TRAILMOBILE CANADA CORP.	M85051	
WABASH NATIONAL	M85051	
BLUEBIRD SCHOOL BUS	M85052	
GREAT DANE TRAILER	M85052	
HENDRICKSON TRAILER SUSPENSION SYSTEMS	M85052	
REYCO SUSPENSION	M85052	

SHOCKS

Numrerical Shock Listing

Make	Meritor Shock	Adjustable Option
SAF HOLLAND	M85052	
WABASH NATIONAL	M85052	
WATSON & CHALIN MFG. INC.	M85052	
WESTERN STAR	M85053	M89442
FORD	M85054	M89438
STERLING TRUCK	M85054	M89438
FORD	M85055	M89439
STERLING TRUCK	M85055	M89439
FREIGHTLINER	M85058	M89431
FREIGHTLINER CUSTOM CHASSIS	M85058	M89431
INTERNATIONAL (NAVISTAR)	M85058	M89431
OSHKOSH MOTORS	M85058	M89431
PIERCE MANUFACTURING INC.	M85058	M89431
RED LION TRAILER	M85059	
SAF HOLLAND	M85059	
STOUGHTON TRAILERS INC.	M85059	
TRAILMOBILE CANADA CORP.	M85059	
WABASH NATIONAL	M85059	
CHALMERS SUSPENSION	M85060	
FREIGHTLINER	M85060	
KENWORTH	M85060	
PETERBILT	M85060	
SAF HOLLAND	M85060	
VOLVO	M85060	
WATSON & CHALIN MFG. INC.	M85060	
WESTERN STAR	M85060	
MACK	M85061	M89450
VOLVO	M85061	M89450
PETERBILT	M85062	M89408
FORD	M85063	
MAECO	M85063	
STERLING TRUCK	M85063	
VOLVO	M85065	
MACK	M85066	M89448
VOLVO	M85066	M89448
KENWORTH	M85067	M89451
PETERBILT	M85067	M89451
KENWORTH	M85069	M89455
PETERBILT	M85069	M89455
KENWORTH	M85070	M89459
CHEVROLET TRUCK (Also See GMC Truck)	M85071	
GMC TRUCK	M85071	
ISUZU	M85071	
HENDRICKSON TRUCK SUSPENSION SYSTEMS	M85072	
INTERNATIONAL (NAVISTAR)	M85072	
KENWORTH	M85072	
VOLVO	M85072	
DANA	M85078	
WABASH NATIONAL	M85078	
HENDRICKSON TRAILER SUSPENSION SYSTEMS	M85079	
MACK	M85080	
VOLVO	M85080	

Make	Meritor Shock	Adjustable Option
VOLVO	M85081	
INTERNATIONAL (NAVISTAR)	M85082	
HENDRICKSON TRUCK SUSPENSION SYSTEMS	M85083	
CHEVROLET TRUCK (Also See GMC Truck)	M85300	M89419
FREIGHTLINER	M85300	M89419
FRUEHAUF	M85300	M89419
GMC TRUCK	M85300	M89419
GRANNING SUSPENSION	M85300	M89419
HOBBS TRAILERS	M85300	M89419
INTERNATIONAL (NAVISTAR)	M85300	M89419
MUNCIE RECLAMATION	M85300	M89419
OSHKOSH MOTORS	M85300	M89419
OSTERLUND TRUCK	M85300	M89419
OTTAWA TRUCK	M85300	M89419
PIERCE MANUFACTURING INC.	M85300	M89419
REYCO SUSPENSION	M85300	M89419
SAF HOLLAND	M85300	M89419
VOLVO	M85300	M89419
WABASH NATIONAL	M85300	M89419
WATSON & CHALIN MFG. INC.	M85300	M89419
WESTERN UNIT ``STABILAIRE'' SUSPENSION	M85300	M89419
BECK BUS	M85301	
CHALMERS SUSPENSION	M85301	
CHEVROLET TRUCK (Also See GMC Truck)	M85301	
CLARK EQUIPMENT	M85301	
FORD	M85301	
GMC TRUCK	M85301	
FLXIBLE BUS	M85301	
SAF HOLLAND	M85301	
STERLING TRUCK	M85301	
VOLVO	M85301	
AM GENERAL	M85302	M89420
CHEVROLET TRUCK (Also See GMC Truck)	M85302	M89420
CRANE CARRIER	M85302	M89420
FORD	M85302	M89420
FREIGHTLINER	M85302	M89420
FWD TRUCK	M85302	M89420
GILLIG BROS.	M85302	M89420
GMC TRUCK	M85302	M89420
MACK	M85302	M89420
MAECO	M85302	M89420
MOTOR COACH INDUSTRIES	M85302	M89420
PETERBILT	M85302	M89420
RIDEWELL CORPORATION	M85302	M89420
VOLVO	M85302	M89420
GMC TRUCK	M85302	M89420
ACF BRILL BUS	M85303	M89422
BROCKWAY SCHOOL BUS	M85303	M89422
BUS & TRUCK CO.	M85303	M89422
CHEVROLET TRUCK (Also See GMC Truck)	M85303	M89422
CONTINENTAL TRAILWAYS-EAGLE INT'L	M85303	M89422
CRANE CARRIER	M85303	M89422

SHOCKS

Numerical Shock Listing

Make	Meritor Shock	Adjustable Option
CROWN COACH	M85303	M89422
EAGLE MOTOR COACH	M85303	M89422
GMC TRUCK	M85303	M89422
GREYHOUND BUS	M85303	M89422
HENDRICKSON TRUCK SUSPENSION SYSTEMS	M85303	M89422
INTERNATIONAL (NAVISTAR)	M85303	M89422
MACK	M85303	M89422
MAECO	M85303	M89422
MATSON SCHOOL BUS	M85303	M89422
MOHAWK	M85303	M89422
MOTOR COACH INDUSTRIES	M85303	M89422
ORION BUS INDUSTRIES	M85303	M89422
OSHKOSH MOTORS	M85303	M89422
OTTAWA TRUCK	M85303	M89422
PREVOST	M85303	M89422
TRANSPORTATION MFG. CORP	M85303	M89422
VOLVO	M85303	M89422
WESTERN STAR	M85303	M89422
BECK BUS	M85304	
BLUEBIRD SCHOOL BUS	M85304	
BROCKWAY SCHOOL BUS	M85304	
CHEVROLET TRUCK (Also See GMC Truck)	M85304	
CONTINENTAL TRAILWAYS-EAGLE INT'L	M85304	
CRANE CARRIER	M85304	
CROWN COACH	M85304	
DIAMOND T	M85304	
DIAMOND-REO	M85304	
EAGLE MOTOR COACH	M85304	
FLXIBLE BUS	M85304	
FORD	M85304	
FRUEHAUF	M85304	
GILLIG BROS.	M85304	
GMC TRUCK	M85304	
MACK	M85304	
OSHKOSH MOTORS	M85304	
PIERCE MANUFACTURING INC.	M85304	
RIDEWELL CORPORATION	M85304	
SAF HOLLAND	M85304	
SOUTHERN COACH	M85304	
SPARTAN MOTORS	M85304	
THOMAS SCHOOL BUS	M85304	
UNITED MANUFACTURING	M85304	
VOLVO	M85304	
WESTERN STAR	M85304	
WESTERN UNIT "STABILAIRE" SUSPENSION	M85304	
BROCKWAY SCHOOL BUS	M85305	
BUS & TRUCK CO.	M85305	
CHEVROLET TRUCK (Also See GMC Truck)	M85305	
CONTINENTAL TRAILWAYS-EAGLE INT'L	M85305	
EAGLE MOTOR COACH	M85305	
FLXIBLE BUS	M85305	
FORD	M85305	

Make	Meritor Shock	Adjustable Option
FRUEHAUF	M85305	
GMC TRUCK	M85305	
HENDRICKSON TRUCK SUSPENSION SYSTEMS	M85305	
MACK	M85305	
MAECO	M85305	
MOHAWK	M85305	
PAI CORP	M85305	
RIDEWELL CORPORATION	M85305	
VOLVO	M85305	
WESTERN STAR	M85305	
WESTERN UNIT "STABILAIRE" SUSPENSION	M85305	
ACF BRILL BUS	M85307	
BECK BUS	M85307	
BLUEBIRD SCHOOL BUS	M85307	
BROCKWAY SCHOOL BUS	M85307	
BUS & TRUCK CO.	M85307	
CHEVROLET TRUCK (Also See GMC Truck)	M85307	
CLARK EQUIPMENT	M85307	
CONTINENTAL TRAILWAYS-EAGLE INT'L	M85307	
CRANE CARRIER	M85307	
DIAMOND-REO	M85307	
EAGLE MOTOR COACH	M85307	
FLXIBLE BUS	M85307	
FORD	M85307	
GMC TRUCK	M85307	
HENDRICKSON TRUCK SUSPENSION SYSTEMS	M85307	
INTERNATIONAL (NAVISTAR)	M85307	
MACK	M85307	
MAECO	M85307	
ONEIDA PRODUCTS	M85307	
ORION BUS INDUSTRIES	M85307	
RIDEWELL CORPORATION	M85307	
THOMAS SCHOOL BUS	M85307	
VOLVO	M85307	
WESTERN STAR	M85307	
WESTERN UNIT "STABILAIRE" SUSPENSION	M85307	
ACF BRILL BUS	M85308	M89422
CHEVROLET TRUCK (Also See GMC Truck)	M85308	M89422
EAGLE MOTOR COACH	M85308	M89422
FREIGHTLINER	M85308	M89422
GMC TRUCK	M85308	M89422
INTERNATIONAL (NAVISTAR)	M85308	M89422
MACK	M85308	M89422
MAECO	M85308	M89422
MOHAWK	M85308	M89422
ORION BUS INDUSTRIES	M85308	M89422
PETERBILT	M85308	M89422
PREVOST	M85308	M89422
THOMAS SCHOOL BUS	M85308	M89422
VOLVO	M85308	M89422
WESTERN UNIT "STABILAIRE" SUSPENSION	M85308	M89422
KENWORTH	M85310	M89423

SHOCKS

Numrerical Shock Listing

Make	Meritor Shock	Adjustable Option
OTTAWA TRUCK	M85310	M89423
VOLVO	M85310	M89423
FLXIBLE BUS	M85311	M89424
INTERNATIONAL (NAVISTAR)	M85311	M89424
KENWORTH	M85311	M89424
PETERBILT	M85311	M89424
VOLVO	M85311	M89424
MOTOR COACH INDUSTRIES	M85312	
TRANSPORTATION MFG. CORP	M85312	
FLXIBLE BUS	M85313	
GMC TRUCK	M85313	
GREYHOUND BUS	M85313	
MOTOR COACH INDUSTRIES	M85313	
NOVA BUS	M85313	
REYCO SUSPENSION	M85313	
TRANSPORTATION MFG. CORP	M85313	
CHALMERS SUSPENSION	M85314	M89425
EAGLE MOTOR COACH	M85314	M89425
FORD	M85314	M89425
KENWORTH	M85314	M89425
MAECO	M85314	M89425
STERLING TRUCK	M85314	M89425
VOLVO	M85314	M89425
CLARK EQUIPMENT	M85315	
CUNHA PRODUCTS OHD	M85315	
FORD	M85315	
JIFFLOX	M85315	
KWIK-LOC (JIFFLOX)	M85315	
VOLVO	M85315	
WESTERN STAR	M85315	
INTERNATIONAL (NAVISTAR)	M85316	M89426
MAECO	M85316	M89426
OSHKOSH MOTORS	M85316	M89426
PIERCE MANUFACTURING INC.	M85316	M89426
GILLIG BROS.	M85318	
HAUSMAN	M85318	
FREIGHTLINER	M85319	M89428
VOLVO	M85319	M89428
MAECO	M85320	M89429
BLUEBIRD SCHOOL BUS	M85321	
FRUEHAUF	M85321	
HOLLAND - BINKLEY	M85321	
MACK	M85321	
SAF HOLLAND	M85321	
WABASH NATIONAL	M85321	
WATSON & CHALIN MFG. INC.	M85321	
FRUEHAUF	M85322	
WABASH NATIONAL	M85322	
GREAT DANE TRAILER	M85323	M89436
HENDRICKSON TRAILER SUSPENSION SYSTEMS	M85323	M89436
SAF HOLLAND	M85323	M89436
WABASH NATIONAL	M85323	M89436

Make	Meritor Shock	Adjustable Option
WATSON & CHALIN MFG. INC.	M85323	M89436
CHAMPION TRANSIT	M85324	
CHEVROLET TRUCK (Also See GMC Truck)	M85324	
GMC TRUCK	M85324	
ISUZU	M85324	
FRUEHAUF	M85327	
PREVOST	M85329	
FREIGHTLINER	M85331	
FREIGHTLINER CUSTOM CHASSIS	M85331	
INTERNATIONAL (NAVISTAR)	M85333	
ADVANCE MIXER	M85334	
FREIGHTLINER	M85335	
CHEVROLET TRUCK (Also See GMC Truck)	M85336	
GMC TRUCK	M85336	
ISUZU	M85336	
PETERBILT	M85336	
BLUEBIRD SCHOOL BUS	M85337	
HENDRICKSON TRAILER SUSPENSION SYSTEMS	M85337	
HENDRICKSON TRAILER SUSPENSION SYSTEMS	M85338	
MOTOR COACH INDUSTRIES	M85339	
TRANSPORTATION MFG. CORP	M85339	
FORD	M85376	
STERLING TRUCK	M85376	
NOVA BUS	M85377	
NOVA BUS	M85378	
PREVOST	M85378	
ABC BUS	M85700	
AM GENERAL	M85700	
CHEVROLET TRUCK (Also See GMC Truck)	M85700	
EAGLE MOTOR COACH	M85700	
FLXIBLE BUS	M85700	
FLYER INDUSTRIES	M85700	
GMC TRUCK	M85700	
GREYHOUND BUS	M85700	
JAY MADSEN	M85700	
KENWORTH	M85700	
MOHAWK	M85700	
MOTOR COACH INDUSTRIES	M85700	
MUNCIE RECLAMATION	M85700	
NOVA BUS	M85700	
ORION BUS INDUSTRIES	M85700	
PREVOST	M85700	
SICARD	M85700	
TRANSPORTATION MFG. CORP	M85700	
CHEVROLET TRUCK (Also See GMC Truck)	M85701	
FLXIBLE BUS	M85701	
GMC TRUCK	M85701	
MOHAWK	M85701	
MOTOR COACH INDUSTRIES	M85701	
MUNCIE RECLAMATION	M85701	
NOVA BUS	M85701	
TRANSPORTATION MFG. CORP	M85701	

SHOCKS

Numerical Shock Listing

Make	Meritor Shock	Adjustable Option
CHEVROLET TRUCK (Also See GMC Truck)	M85702	
FLXIBLE BUS	M85702	
GMC TRUCK	M85702	
HAUSMAN	M85702	
MOHAWK	M85702	
MOTOR COACH INDUSTRIES	M85702	
MUNCIE RECLAMATION	M85702	
NOVA BUS	M85702	
PREVOST	M85702	
REYCO SUSPENSION	M85702	
RIDEWELL CORPORATION	M85702	
TRANSPORTATION MFG. CORP	M85702	
FLXIBLE BUS	M85703	
GRUMMAN BUS	M85703	
MOHAWK	M85703	
MUNCIE RECLAMATION	M85703	
CHEVROLET TRUCK (Also See GMC Truck)	M85704	
FLXIBLE BUS	M85704	
GMC TRUCK	M85704	
GRUMMAN BUS	M85704	
MOHAWK	M85704	
MOTOR COACH INDUSTRIES	M85704	
MUNCIE RECLAMATION	M85704	
REYCO SUSPENSION	M85704	
RIDEWELL CORPORATION	M85704	
FLXIBLE BUS	M85705	M89447
MUNCIE RECLAMATION	M85705	M89447
NEOPLAN BUS	M85705	M89447
HAUSMAN	M85706	
NEOPLAN BUS	M85706	
FLXIBLE BUS	M85707	
MOHAWK	M85707	
MUNCIE RECLAMATION	M85707	
NEOPLAN BUS	M85707	
ABC BUS	M85708	
CHEVROLET TRUCK (Also See GMC Truck)	M85708	
FLXIBLE BUS	M85708	
FLYER INDUSTRIES	M85708	
GILLIG BROS.	M85708	
GMC TRUCK	M85708	
M.A.N. BUS	M85708	
MOTOR COACH INDUSTRIES	M85708	
MUNCIE RECLAMATION	M85708	
NEW FLYER	M85708	
PREVOST	M85708	
VAN HOOL	M85708	
M.A.N. BUS	M85709	
MUNCIE RECLAMATION	M85709	
CHEVROLET TRUCK (Also See GMC Truck)	M85710	
FLXIBLE BUS	M85710	
GMC TRUCK	M85710	
MOTOR COACH INDUSTRIES	M85710	

Make	Meritor Shock	Adjustable Option
MUNCIE RECLAMATION	M85710	
NEW FLYER	M85710	
NOVA BUS	M85710	
PREVOST	M85710	
TRANSPORTATION MFG. CORP	M85710	
CHEVROLET TRUCK (Also See GMC Truck)	M85711	
FLXIBLE BUS	M85711	
FLYER INDUSTRIES	M85711	
GMC TRUCK	M85711	
MOTOR COACH INDUSTRIES	M85711	
NEW FLYER	M85711	
ORION BUS INDUSTRIES	M85711	
TRANSPORTATION MFG. CORP	M85711	
CARPENTER BUS	M85713	
CRANE CARRIER	M85713	
EAGLE MOTOR COACH	M85713	
MOTOR COACH INDUSTRIES	M85713	
MUNCIE RECLAMATION	M85713	
NOVA BUS	M85713	
PREVOST	M85713	
REYCO SUSPENSION	M85713	
THOMAS SCHOOL BUS	M85713	
TRANSPORTATION MFG. CORP	M85713	
MOHAWK	M85714	
ORION BUS INDUSTRIES	M85714	
MOHAWK	M85715	
ORION BUS INDUSTRIES	M85715	
DINA BUS	M85716	
FLXIBLE BUS	M85716	
FORD	M85716	
GILLIG BROS.	M85716	
MAECO	M85716	
ORION BUS INDUSTRIES	M85716	
MOHAWK	M85717	
ORION BUS INDUSTRIES	M85717	
REYCO SUSPENSION	M85717	
FLXIBLE BUS	M85718	
MOHAWK	M85718	
ORION BUS INDUSTRIES	M85718	
ORION BUS INDUSTRIES	M85719	
ORION BUS INDUSTRIES	M85720	
OTTAWA TRUCK	M85720	
FLYER INDUSTRIES	M85722	
M.A.N. BUS	M85722	
NEW FLYER	M85722	
VOLVO	M85722	
GILLIG BROS.	M85723	
MUNCIE RECLAMATION	M85723	
FREIGHTLINER	M85724	M89443
STERLING TRUCK	M85724	M89443
THOMAS SCHOOL BUS	M85724	M89443
ABC BUS	M85727	

SHOCKS

Numerical Shock Listing

Make	Meritor Shock	Adjustable Option
MOTOR COACH INDUSTRIES	M85727	
NEW FLYER	M85727	
MOTOR COACH INDUSTRIES	M85728	
PREVOST	M85728	
ABC BUS	M85729	
MOTOR COACH INDUSTRIES	M85729	
ORION BUS INDUSTRIES	M85729	
PREVOST	M85729	
UNIVERSAL COACH	M85729	
FLXIBLE BUS	M85730	
FLXIBLE BUS	M85731	
ABC BUS	M85732	
ORION BUS INDUSTRIES	M85732	
ABC BUS	M85733	
CHEVROLET TRUCK (Also See GMC Truck)	M85733	
EAGLE MOTOR COACH	M85733	
FLXIBLE BUS	M85733	
GMC TRUCK	M85733	
MOHAWK	M85733	
MOTOR COACH INDUSTRIES	M85733	
NOVA BUS	M85733	
TRANSPORTATION MFG. CORP	M85733	
BLUEBIRD SCHOOL BUS	M85734	
CHEVROLET TRUCK (Also See GMC Truck)	M85734	
CROWN COACH	M85734	
FLXIBLE BUS	M85734	
GMC TRUCK	M85734	
INTERNATIONAL (NAVISTAR)	M85734	
OSHKOSH MOTORS	M85734	
RIDEWELL CORPORATION	M85734	
SAF HOLLAND	M85734	
SPARTAN MOTORS	M85734	
VOLVO	M85734	
CHEVROLET TRUCK (Also See GMC Truck)	M85735	
GMC TRUCK	M85735	
GREYHOUND BUS	M85735	
MOTOR COACH INDUSTRIES	M85735	
PACIFIC TRUCK & TRAILER	M85735	
VOLVO	M85735	
WESTERN UNIT "STABILAIR" SUSPENSION	M85735	
BLUEBIRD SCHOOL BUS	M85736	
FLXIBLE BUS	M85736	
MOHAWK	M85736	
PREVOST	M85736	
THOMAS SCHOOL BUS	M85736	
MERITOR	M85737	
EAST MANUFACTURING CORP.	M85738	
HENDRICKSON TRAILER SUSPENSION SYSTEMS	M85738	M89440
REYCO SUSPENSION	M85738	
INTERNATIONAL (NAVISTAR)	M85739	
MACK	M85739	
MERITOR	M85739	

Make	Meritor Shock	Adjustable Option
RAYDAN MANUFACTURING	M85739	
KENWORTH	M85900	
FREIGHTLINER CUSTOM CHASSIS	M85900	
FREIGHTLINER	M85901	
RIDEWELL CORPORATION	M85901	
KENWORTH	M85902	
HENDRICKSON TRUCK SUSPENSION SYSTEMS	M85903	
FREIGHTLINER CUSTOM CHASSIS	M85904	
HENDRICKSON TRUCK SUSPENSION SYSTEMS	M85904	
LINK MANUFACTURING LTD.	M85904	
STERLING TRUCK	M85904	
SAF HOLLAND	M85905	
FORD	M85906	
KENWORTH	M85906	
MACK	M85906	
SAF HOLLAND	M85906	
VOLVO	M85906	
WESTERN STAR	M85906	
FORD	M85909	
KENWORTH	M85909	
MACK	M85909	
SAF HOLLAND	M85909	
BLUEBIRD SCHOOL BUS	M85910	
FREIGHTLINER	M85910	
PETERBILT	M85910	
SAF HOLLAND	M85910	
HENDRICKSON TRAILER SUSPENSION SYSTEMS	M85911	
SAF HOLLAND	M85911	
RED LION TRAILER	M85913	
SAF HOLLAND	M85913	
BLUEBIRD SCHOOL BUS	M85914	
SAF HOLLAND	M85914	
FREIGHTLINER	M85918	M89449
THOMAS SCHOOL BUS	M85918	M89449
BLUEBIRD SCHOOL BUS	M85919	
FREIGHTLINER	M85919	
FREIGHTLINER CUSTOM CHASSIS	M85919	
GREAT DANE TRAILER	M85919	
HENDRICKSON TRUCK SUSPENSION SYSTEMS	M85919	
MERITOR	M85919	
WABASH NATIONAL	M85919	
WORKHORSE	M85919	
FREIGHTLINER	M85920	
STERLING TRUCK	M85920	
FREIGHTLINER	M85921	
INTERNATIONAL (NAVISTAR)	M85923	M89458
INTERNATIONAL (NAVISTAR)	M85924	M89457
INTERNATIONAL (NAVISTAR)	M85925	
FORD	M85926	
INTERNATIONAL (NAVISTAR)	M85926	
FORD	M85927	
INTERNATIONAL (NAVISTAR)	M85927	

SHOCKS

Numerical Shock Listing

Make	Meritor Shock	Adjustable Option
FORD	M85928	
INTERNATIONAL (NAVISTAR)	M85928	
INTERNATIONAL (NAVISTAR)	M85930	
INTERNATIONAL (NAVISTAR)	M85931	M89458
FREIGHTLINER	M85932	M89453
HENDRICKSON TRUCK SUSPENSION SYSTEMS	M85932	M89453
WESTERN STAR	M85932	M89453
HENDRICKSON TRUCK SUSPENSION SYSTEMS	M85933	M89454
MACK	M85933	M89454
VOLVO	M85933	M89454
MAECO	M85934	
RIDEWELL CORPORATION	M85934	
WATSON & CHALIN MFG. INC.	M85934	
INTERNATIONAL (NAVISTAR)	M85935	
KENWORTH	M85936	M89456
KENWORTH	M85937	
GREAT DANE TRAILER	M85938	
HENDRICKSON TRAILER SUSPENSION SYSTEMS	M85938	
REYCO SUSPENSION	M85938	
WATSON & CHALIN MFG. INC.	M85938	
HENDRICKSON TRAILER SUSPENSION SYSTEMS	M85939	
TIMBREN INDUSTRIES	M85939	
INTERNATIONAL (NAVISTAR)	M85953	
INTERNATIONAL (NAVISTAR)	M85954	
HENDRICKSON TRUCK SUSPENSION SYSTEMS	M85955	
INTERNATIONAL (NAVISTAR)	M85955	
FREIGHTLINER	M85956	
WESTERN STAR	M85956	
INTERNATIONAL (NAVISTAR)	M85957	
STERLING TRUCK	M85957	
FREIGHTLINER	M85958	
WESTERN STAR	M85958	
FREIGHTLINER	M85959	
FREIGHTLINER CUSTOM CHASSIS	M85959	
PETERBILT	M85959	
STERLING TRUCK	M85959	
HENDRICKSON TRUCK SUSPENSION SYSTEMS	M85961	
HENDRICKSON TRUCK SUSPENSION SYSTEMS	M85962	
INTERNATIONAL (NAVISTAR)	M85963	
INTERNATIONAL (NAVISTAR)	M85964	
EAST MANUFACTURING CORP.	M87015	
MERITOR	M87015	
BLUEBIRD SCHOOL BUS	M89402	
FORD	M89402	
STERLING TRUCK	M89402	
FORD	M89403	
SAF HOLLAND	M89405	
COUNTRY COACH	M89406	
SAF HOLLAND	M89406	
VOLVO	M89406	
VOLVO	M89407	
VOLVO	M89409	

Make	Meritor Shock	Adjustable Option
VOLVO	M89410	
VOLVO	M89411	
VOLVO	M89413	
COUNTRY COACH	M89414	
HENDRICKSON TRAILER SUSPENSION SYSTEMS	M89414	
REYCO SUSPENSION	M89414	
VOLVO	M89415	
VOLVO	M89416	
VOLVO	M89417	
VOLVO	M89419	
VOLVO	M89420	
VOLVO	M89422	
VOLVO	M89423	
VOLVO	M89424	
VOLVO	M89428	
FREIGHTLINER CUSTOM CHASSIS	M89430	
HENDRICKSON TRAILER SUSPENSION SYSTEMS	M89430	
OSHKOSH MOTORS	M89430	
SAF HOLLAND	M89430	
VOLVO	M89430	
BLUEBIRD SCHOOL BUS	M89432	
MAECO	M89432	
EAST MANUFACTURING CORP.	M89437	
HENDRICKSON TRAILER SUSPENSION SYSTEMS	M89437	
THOMAS SCHOOL BUS	M89437	
HENDRICKSON TRAILER SUSPENSION SYSTEMS	M89440	
REYCO SUSPENSION	M89440	
SAF HOLLAND	M89440	
FORD	M89441	
KENWORTH	M89441	
SAF HOLLAND	M89441	
BLUEBIRD SCHOOL BUS	M89447	
INTERNATIONAL (NAVISTAR)	MG60003	
MINIBUSI-FUSO	MG60003	
FORD	MG60007	
CHALMERS SUSPENSION	MG60014	
WATSON & CHALIN MFG. INC.	MG60015	
FORD	MG60021	
INTERNATIONAL (NAVISTAR)	MG60021	
FORD	MG60023	
STERLING TRUCK	MG60023	
FORD	MG60024	
STERLING TRUCK	MG60024	
DODGE TRUCK	MG60028	
FREIGHTLINER	MG60028	
MOR-RYDE SUSPENSION	MG60028	
OSHKOSH MOTORS	MG60028	
MINIBUSI-FUSO	MG60031	
FORD	MG60046	
MINIBUSI-FUSO	MG60046	
HINO	MG60067	
HINO	MG60075	

SHOCKS

Numrerical Shock Listing

Make	Meritor Shock	Adjustable Option
FORD	MG60080	
FORD	MG60084	
INTERNATIONAL (NAVISTAR)	MG60091	
NISSAN	MG60091	
HINO	MG60107	
NISSAN	MG60107	
FREIGHTLINER	MG60111	
DODGE TRUCK	MG60119	
FORD	MG60161	
FORD	MG60162	
CHEVROLET TRUCK (Also See GMC Truck)	MG60164	
GMC TRUCK	MG60164	
HINO	MG60164	
INTERNATIONAL (NAVISTAR)	MG60164	
ISUZU	MG60164	
MITSUBISHI-FUSO	MG60164	
NISSAN	MG60164	
CHEVROLET TRUCK (Also See GMC Truck)	MG60177	
GMC TRUCK	MG60177	
ISUZU	MG60177	
GMC TRUCK	MG60177	
STERLING TRUCK	MG61150	
WORKHORSE	MG61866	

Make	Meritor Shock	Adjustable Option
------	---------------	-------------------

Tech Information

Customer Part Number	Allfit Description	Family Code	Bore MM	Hydraulic Stop	Ext Length MM	Coil Length MM	Stroke MM
M646155	Stabilizer	30FC-CO	30	No	569.7	355.4	214.30
M83001	Cab Damper	35FC-Cab	35	No	BC 264.8	BC 212.9	51.9
M83008	Cab Damper	35FC-Cab	35	No	331.6	261.4	70.2
M83009	Cab Damper	35FC-Cab	35	No	BC 264.8	BC 212.9	51.9
M83021	Cab Damper	35FC-Cab	35	No	234.8	186.8	48
M83025	Cab Damper	35FC-Cab	35	No	BC 199.1	165	34.1
M83028	Cab Damper	35FC-Cab	35	No	BC 248.4	192.9	55.8
M83029	Cab Damper	41FCST-Cab	41	No	262.8	201.1	61.7
M83038	Cab Damper	35FC-Cab	35	No	BC 264.8	BC 212.9	51.9
M83041	Cab Damper	35FC-Cab	35	No	269.1	201	68.1
M83110	Standard	35FCWC	35	Yes	581.4	361.9	219.5
M83111	Standard	35FCWC	35	Yes	663.7	403	260.7
M83112	Standard	35FCWC	35	Yes	547	340.2	206.8
M83121	Standard	35FCWC	35	Yes	768.3	464.8	303.5
M83122	Standard	35FCWC	35	Yes	641.4	399.8	241.6
M83123	Standard	35FCWC	35	Yes	676.5	415.8	260.7
M83124	Standard	35FCWC	35	Yes	549.9	348.7	201.2
M83125	Standard	35FCWC	35	Yes	714.2	434.5	279.7
M83127	Standard	35FCWC	35	Yes	511.1	333	178.1
M83128	Standard	35FCWC	35	Yes	428.6	291.9	136.7
M83130	Standard	35FCWC	35	Yes	456.9	304.6	152.3
M83135	Standard	35FCWC	35	No	495	313.6	181.4
M83136	Standard	35FCWC	35	No	742.1	424.3	317.8
M83147	Standard	35FCWC	35	Yes	724.6	440.9	283.7
M83203	Standard	35FCWC	35	Yes	434.3	288	146.3
M83207	Standard	35FCWC	35	Yes	549.8	345.3	204.5
M83209	Standard	35FCWC	35	Yes	752.9	446.8	306.1
M83215	Standard	35FCWC	35	Yes	672.7	413.2	259.5
M83456	Standard	35FCWC	35	Yes	610.1	362.6	247.5
M85000	Standard	41FCST	41	Yes	437.4	291.1	146.3
M85001	Standard	41FCST	41	Yes	667.4	415.2	252.2
M85003	Standard	41FCST	41	Yes	644.6	395.6	249
M85005	Standard	41FCST	41	Yes	628.7	386.7	242
M85006	Standard	41FCST	41	Yes	723.9	434.1	289.8
M85007	Standard	41FCST	41	Yes	614.6	378.8	226.8
M85012	Standard	41FCST	41	No	533.6	336	197.6
M85013	Standard	41FCST	41	Yes	756.9	450.8	306.1
M85014	Standard	41FCST	41	Yes	552.2	348.2	204
M85026	Standard	41FCST	41	No	584.8	355.4	229.4
M85029	Standard	41FCST	41	Yes	520.7	332.5	188.2
M85030	Standard	41FCST	41	Yes	609.6	376.9	232.7
M85033	Standard	41FCST	41	Yes	691.4	440.9	250.5
M85036	Standard	41FCST	41	Yes	670.3	413.5	256.8
M85043	Standard	41FCST	41	Yes	701.4	427	274.4
M85045	Standard	41FCST	41	Yes	368.8	256.5	112.3
M85046	Standard	41FCST	41	Yes	698.9	421.8	277.1

SHOCKS

Tech Information

Dust Shield Dia. MM	Body Dia. MM	Bore Inch	Ext Length Inch	Coil Length Inch	Stroke Inch	Dust Shield Dia. Inch	Body Dia. Inch	Customer Part Number
86.5	50.8	1.18	22.43	13.99	8.44	3.41	2.00	M646155
63.5	50.8	1.38	BC 10.43	BC 8.38	2.04	2.50	2.00	M83001
60.5	50.8	35	13.06	10.29	2.76	2.38	2.00	M83008
63.5	50.8	1.38	BC 10.43	BC 8.38	2.04	2.50	2.00	M83009
63.5	50.8	35	9.24	7.35	1.89	2.50	2.00	M83021
60.5	50.8	1.38	BC 7.84	6.50	1.34	2.38	2.00	M83025
60.5	50.8	35	BC 9.78	7.59	2.20	2.38	2.00	M83028
63.5	55.5	1.63	10.35	7.92	2.43	2.50	2.19	M83029
63.5	50.8	1.38	BC 10.43	BC 8.38	2.04	2.50	2.00	M83038
60.5	50.8	35	10.59	7.91	2.68	2.38	2.00	M83041
60.5	50.8	1.38	22.89	14.25	8.64	2.38	2.00	M83110
60.5	50.8	1.38	26.13	15.87	10.26	2.38	2.00	M83111
60.5	50.8	1.38	21.54	13.39	8.14	2.38	2.00	M83112
60.5	50.8	1.38	30.25	18.30	11.95	2.38	2.00	M83121
60.5	50.8	1.38	25.25	15.74	9.51	2.38	2.00	M83122
60.5	50.8	1.38	26.63	16.37	10.26	2.38	2.00	M83123
60.5	50.8	1.38	21.65	13.73	7.92	2.38	2.00	M83124
60.5	50.8	1.38	28.12	17.11	11.01	2.38	2.00	M83125
60.5	50.8	1.38	20.12	13.11	7.01	2.38	2.00	M83127
60.5	50.8	35	16.87	11.49	5.38	2.38	2.00	M83128
60.5	50.8	1.38	17.99	11.99	6.00	2.38	2.00	M83130
60.5	50.8	35	19.49	12.35	7.14	2.38	2.00	M83135
60.5	50.8	1.38	29.22	16.70	12.51	2.38	2.00	M83136
60.5	50.8	35	28.53	17.36	11.17	2.38	2.00	M83147
60.5	50.8	1.38	17.10	11.34	5.76	2.38	2.00	M83203
60.5	50.8	1.38	21.65	13.59	8.05	2.38	2.00	M83207
60.5	50.8	1.38	29.64	17.59	12.05	2.38	2.00	M83209
60.5	50.8	35	26.48	16.27	10.22	2.38	2.00	M83215
69.9	55.5	1.38	24.02	14.28	9.74	2.75	2.19	M83456
63.5	55.5	1.63	17.22	11.46	5.76	2.50	2.19	M85000
63.5	55.5	1.63	26.28	16.35	9.93	2.50	2.19	M85001
63.5	55.5	1.63	25.38	15.57	9.80	2.50	2.19	M85003
63.5	55.5	41	24.75	15.22	9.53	2.50	2.19	M85005
63.5	55.5	1.63	28.50	17.09	11.41	2.50	2.19	M85006
63.5	55.6	41	24.20	14.91	8.93	2.50	2.19	M85007
63.5	55.5	1.63	21.01	13.23	7.78	2.50	2.19	M85012
63.5	55.5	1.63	29.80	17.75	12.05	2.50	2.19	M85013
63.5	55.5	1.63	21.74	13.71	8.03	2.50	2.19	M85014
63.5	55.5	1.63	23.02	13.99	9.03	2.50	2.19	M85026
63.5	55.5	1.63	20.50	13.09	7.41	2.50	2.19	M85029
63.5	55.5	1.63	24.00	14.84	9.16	2.50	2.19	M85030
63.5	55.5	1.63	27.22	17.36	9.86	2.50	2.19	M85033
63.5	55.5	1.63	26.39	16.28	10.11	2.50	2.19	M85036
63.5	55.5	1.63	27.61	16.81	10.80	2.50	2.19	M85043
63.5	55.5	1.63	14.52	10.10	4.42	2.50	2.19	M85045
63.5	55.5	1.63	27.52	16.61	10.91	2.50	2.19	M85046

SHOCKS

Tech Information

Customer Part Number	Allfit Description	Family Code	Bore MM	Hydraulic Stop	Ext Length MM	Coil Length MM	Stroke MM
M85047	Standard	41FCST	41	Yes	642.6	393.6	249
M85052	Standard	41FCST	41	Yes	336.6	240.5	96.1
M85053	Standard	41FCST	41	No	626.2	393	233.2
M85058	Standard	41FCST	41	Yes	575	360.8	214.2
M85061	Standard	41FCST	41	Yes	628.7	386.6	2422
M85062	Standard	41FCST	41	No	502	320.2	181.8
M85064	Standard	41FCST	41	Yes	402.7	273.7	129
M85066	Standard	41FCST	41	Yes	625.8	386.2	239.6
M85067	Standard	41FCST	41	Yes	774.7	459.7	315
M85069	Standard	41FCST	41	Yes	667.4	404.2	263.2
M85070	Standard	41FCST	41	Yes	650.7	401.7	249
M85072	Standard	41FCST	41	Yes	613.9	376.1	237.8
M85300	Standard	41FCHD	41	Yes	457.4	310	147.4
M85301	Standard	41FCHD	41	No	810.8	483.5	327.3
M85303	Standard	41FCHD	41	No	628.4	392.8	235.6
M85305	Standard	41FCHD	41	No	692.2	424.8	267.4
M85310	Standard	41FCHD	41	Yes	473.7	297.7	176
M85311	Standard	41FCHD	41	Yes	608.7	375.5	233.2
M85316	Standard	41FCHD	41	No	523.4	326.4	197
M85319	Standard	41FCHD	41	Yes	563.8	353	210.8
M85320	Standard	41FCHD	41	Yes	663.9	414.9	249
M85323	Standard	41FCHD	41	Yes	440.8	293.5	147.3
M85331	Standard	41FCHD	41	Yes	499.3	326.5	172.8
M85708	Standard	41FCHD	41	Yes	524.1	326	198.1
M85724	Standard	41FCHD	41	Yes	578.7	367.8	210.9
M85727	Standard	41FCHD	41	Yes	759.2	440.4	318.8
M85729	Standard	41FCHD	41	Yes	548.2	350	198.2
M85732	Standard	41FCHD	41	Yes	562	383.2	178.8
M85738	Standard	41FCHD	41	Yes	443.6	296.5	147.1
M85900	Standard	41FCMD	41	Yes	438.6	282.9	155.7
M85901	Standard	41FCMD	41	No	737.9	447.6	290.3
M85902	Standard	41FCMD	41	Yes	482.8	305	177.8
M85909	Standard	41FCMD	41	Yes	615.2	383.2	232
M85918	Standard	41FCMD	41	Yes	583.4	369.3	214.1
M85919	Standard	41FCMD	41	Yes	571.1	361.6	209.5
M85920	Standard	41FCMD	41	Yes	538.3	343.2	195.1
M85923	Standard	41FCMD	41	Yes	570.7	367.5	203.2
M85924	Standard	41FCMD	41	No	518.6	329.3	189.3
M85931	Standard	41FCMD	41	Yes	570.7	367.5	203.2
M85933	Standard	41FCMD	41	Yes	463.3	322.6	140.7
M85934	Standard	41FCMD	41	Yes	450.4	304.4	146
M85936	Standard	41FCMD	41	Yes	437.7	288.6	149.1
M85937	Standard	41FCMD	41	Yes	481.9	310.7	171.2
M85938	Standard	41FCMD	41	Lock	407.8	273.8	137
M89408	Premium Adj	41FCMD-PA	41	No	499.7	324.9	174.8
M89410	Premium Adj	41FCMD-PA	41	No	668.30	416.6	251.7

SHOCKS

Tech Information

Dust Shield Dia. MM	Body Dia. MM	Bore Inch	Ext Length Inch	Coil Length Inch	Stroke Inch	Dust Shield Dia. Inch	Body Dia. Inch	Customer Part Number
63.5	55.5	1.63	25.30	15.50	9.80	2.50	2.19	M85047
63.5	55.5	1.63	13.25	9.47	3.78	2.50	2.19	M85052
63.5	55.5	1.63	24.65	15.47	9.18	2.50	2.19	M85053
63.5	55.5	1.63	22.64	14.20	8.43	2.50	2.19	M85058
63.5	55.6	41	24.75	15.22	9.53	2.50	2.19	M85061
63.5	55.5	1.63	19.76	12.61	7.16	2.50	2.19	M85062
63.5	55.5	1.63	15.85	10.78	5.08	2.50	2.19	M85064
63.5	55.5	1.63	24.64	15.20	9.43	2.50	2.19	M85066
69.9	55.5	1.63	30.50	18.10	12.40	2.75	2.19	M85067
63.5	55.5	1.63	26.28	15.91	10.36	2.50	2.19	M85069
63.5	55.5	1.63	25.62	15.81	9.80	2.50	2.19	M85070
63.5	55.5	1.63	24.17	14.81	9.36	2.50	2.19	M85072
82.5	69.9	1.63	18.01	12.20	5.80	3.25	2.75	M85300
82.5	69.9	1.63	31.92	19.04	12.89	3.25	2.75	M85301
82.5	69.9	41	24.74	15.46	9.28	3.25	2.75	M85303
82.5	69.9	1.63	27.25	16.72	10.53	3.25	2.75	M85305
82.5	69.9	1.63	18.65	11.72	6.93	3.25	2.75	M85310
82.5	69.9	1.63	23.96	14.78	9.18	3.25	2.75	M85311
82.5	69.9	1.63	20.61	12.85	7.76	3.25	2.75	M85316
82.5	69.9	1.63	22.20	13.90	8.30	3.25	2.75	M85319
82.5	69.9	1.63	26.14	16.33	9.80	3.25	2.75	M85320
82.5	69.9	1.63	17.35	11.56	5.80	3.25	2.75	M85323
82.5	69.9	1.63	19.66	12.85	6.80	3.25	2.75	M85331
82.5	69.9	1.63	20.63	12.83	7.80	3.25	2.75	M85708
82.5	69.9	1.63	22.78	14.48	8.30	3.25	2.75	M85724
82.5	69.9	1.63	29.89	17.34	12.55	3.25	2.75	M85727
82.5	69.9	1.63	21.58	13.78	7.80	3.25	2.75	M85729
82.5	69.90	41	22.13	15.09	7.04	3.25	2.75	M85732
82.5	69.9	1.63	17.46	11.67	5.79	3.25	2.75	M85738
69.9	60.5	1.63	17.27	11.14	6.13	2.75	2.38	M85900
69.9	60.5	1.63	29.05	17.62	11.43	2.75	2.38	M85901
69.9	60.5	1.63	19.01	12.01	7.00	2.75	2.38	M85902
69.9	60.5	1.63	24.22	15.09	9.13	2.75	2.38	M85909
69.9	60.5	1.63	22.97	14.54	8.43	2.75	2.38	M85918
69.9	60.5	1.63	22.48	14.24	8.25	2.75	2.38	M85919
69.9	60.5	1.63	21.19	13.51	7.68	2.75	2.38	M85920
69.9	60.5	1.63	22.47	14.47	8.00	2.75	2.38	M85923
69.9	60.5	1.63	20.42	12.96	7.45	2.75	2.38	M85924
69.9	60.5	1.63	22.47	14.47	8.00	2.75	2.38	M85931
69.9	60.5	1.63	18.24	12.70	5.54	2.75	2.38	M85933
69.9	60.5	1.63	17.73	11.98	5.75	2.75	2.38	M85934
69.9	60.5	1.63	17.23	11.36	5.87	2.75	2.38	M85936
69.9	60.5	1.63	18.97	12.23	6.74	2.75	2.38	M85937
69.9	60.5	1.63	16.06	10.78	5.39	2.75	2.38	M85938
69.9	60.5	1.63	19.67	12.79	6.88	2.75	2.38	M89408
69.6	60.5	41	26.31	16.40	9.91	2.38	2.38	M89410

SHOCKS

Tech Information

Customer Part Number	Allfit Description	Family Code	Bore MM	Hydraulic Stop	Ext Length MM	Coil Length MM	Stroke MM
M89411	Premium Adj	41FCMD-PA	41	No	642.30	397.30	245
M89413	Premium Adj	41FCMD-PA	41	Yes	531.2	340.7	190.5
M89414	Premium Adj	41FCMD-PA	41	No	752.30	458.2	294.1
M89423	Premium Adj	41FCMD-PA	41	Yes	473.4	306.30	167.1
M89424	Premium Adj	41FCMD-PA	41	Yes	601.6	380.6	221
M89427	Premium Adj	41FCMD-PA	41	Yes	690.90	444.5	246.4
M89429	Premium Adj	41FCMD-PA	41	Yes	665	417.4	247.6
M89430	Premium Adj	41FCMD-PA	41	No	620.30	387.4	232.90
M89436	Premium Adj	41FCMD-PA	41	Yes	437.6	302.2	135.4
M89443	Premium Adj	41FCMD-PA	41	Yes	563.1	363.5	199.6
M89448	Premium Adj	41FCMD-PA	41	Yes	625.30	394.6	230.7
M89449	Premium Adj	41FCMD-PA	41	Yes	586.2	373.4	212.8
M89450	Premium Adj	41FCMD-PA	41	No	629.30	390.8	238.5
M89451	Premium Adj	41FCMD-PA	41	Yes	771.1	467.5	303.6

Tech Information

Dust Shield Dia. MM	Body Dia. MM	Bore Inch	Ext Length Inch	Coil Length Inch	Stroke Inch	Dust Shield Dia. Inch	Body Dia. Inch	Customer Part Number
69.6	60.5	41	25.29	15.64	9.65	2.75	2.38	M89411
69.6	60.5	41	20.91	13.41	7.50	2.75	2.38	M89413
69.6	60.5	41	29.62	18.04	11.58	2.38	2.38	M89414
69.6	60.5	41	18.64	12.06	6.58	2.75	2.38	M89423
69.6	60.5	41	23.69	14.98	8.70	2.75	2.38	M89424
69.9	69.90	41	27.20	17.50	9.70	2.75	2.38	M89427
69.9	69.90	41	26.18	16.43	9.75	2.75	2.38	M89429
69.9	60.90	41	24.42	15.25	9.17	2.40	2.38	M89430
69.9	60.90	41	17.23	11.90	5.33	2.40	2.38	M89436
69.9	60.90	41	22.17	14.31	7.86	2.40	2.38	M89443
69.9	60.90	41	24.62	15.54	9.08	2.40	2.38	M89448
69.9	60.90	41	23.08	14.70	8.38	2.40	2.38	M89449
69.9	60.90	41	24.78	15.39	9.39	2.40	2.38	M89450
69.9	60.90	41	30.36	18.41	11.95	2.40	2.38	M89451

MERITOR ALLFIT SHOCK ABSORBER ADDITIONAL FEATURES



Warranties That Are Comforting.

Our Premium Adjustable shocks carry a 2-Year/200,000-Mile warranty, while our Standard-Duty and Cab shock absorbers have a 1-Year/Unlimited Mileage warranty.

Made In The U.S.A.

The complete line of Meritor AllFit shock absorbers are made in the United States at an ISO-certified facility by skilled technicians with experience in the commercial vehicle industry. Meritor AllFit shock absorbers have been designed to deliver the ultimate in quality, durability and performance. They are manufactured using the latest engineering, testing and production technology and techniques.

Service And Support That Make Life Good.

Meritor AllFit shock absorbers are backed by the industry's best customer support, which includes MeritorPartsOnline.com – our industry-leading online ordering, catalog and tracking system – with real-time access to complete parts information resources.

Our highly trained sales team, with over two decades of experience selling shock absorbers to the commercial vehicle market, is equipped with product specifications and warranty and service information to assist you. The Meritor sales team has the product knowledge and expertise to help find the Meritor AllFit shock absorber that meets your needs.

Call our Customer Care Center at 888-725-9355 (in Canada, call 800-387-3889) for the total service and support you deserve.



PART NUMBER INDEX

Part No.	Page	Part No.	Page	Part No.	Page
E-640	405, 2-11		155	E-1986A	351, 401, 403
E-641	405	E-1594	57, 139, 143	E-1987	351, 401
E-813	355, 2-11	E-1598A	129	E-1993	402, 403, 2-33
E-837	357	E-1820	137, 141	E-1995	402, 403, 2-22
E-900	383, 400, 401	E-1821	137, 141	E-1997	403, 2-29
E-901	17, 19, 21, 359, 361, 363, 369 371, 381, 387, 389, 402, 403	E-1828	29, 87, 137, 141, 145, 149 155, 351, 355	E-1998A	403
E-905	376, 379, 383, 387, 389	E-1829	139, 143, 139, 143, 145, 149	E-1999A	169, 173, 177, 2-13
E-907	351, 355, 359, 383, 400, 401	E-1832	57	E-2000	167, 169, 173, 177, 2-29
E-927	31, 33, 35, 37, 39, 43, 45, 171, 2-11	E-1833A	131, 133, 139, 143, 145, 149	E-2001	167, 169, 173, 179, 404, 2-39
E-934	175, 179, 181, 183, 187, 404 2-11	E-1834	129, 133, 139, 143, 145, 149	E-2002	167, 169, 173, 175, 177, 179 395, 404
E-937	31, 33, 35, 37, 39, 43, 45, 47 49, 359, 361, 363, 365, 367, 383 387, 389	E-1835	29, 47, 49, 107, 113, 117, 123 125, 129, 133, 139, 143, 145 149, 171, 199, 201, 202, 203 205, 347, 349, 359, 363, 363 369, 371, 373	E-2003	169, 173, 177, 2-22
E-1018	31, 33, 35, 37, 39, 43, 45, 2-29	E-1840	57, 139, 143	E-2004	167
E-1019	31, 32, 34, 36, 39, 47, 49, 2-29	E-1842	129, 133, 139, 143, 145, 149	E-2009	231, 259, 261, 265, 289, 291
E-1020	31, 33, 34, 37, 39, 47, 49, 2-11	E-1849	137, 141	E-2010	231, 259, 261, 265, 289, 291
E-1021	31, 33, 35, 37, 39, 47, 49	E-1850	137, 141	E-2011	311, 400
E-1023	31, 33, 35, 37, 39, 43, 45, 2-21	E-1851	57	E-2017	197, 2-35
E-1024	30, 32, 34, 36, 39, 47, 49, 2-21	E-1852	57	E-2021	131, 135, 139, 143, 147, 151
E-1038	167, 2-11	E-1853	137, 141, 145	E-2022	25, 361, 377, 381, 385
E-1061	377, 379, 385, 386, 2-11	E-1854	137, 141, 145	E-2024	386, 2-22
E-1072	355, 371, 402, 403, 405, 2-11	E-1869	137, 141, 145, 149	E-2079	331, 334
E-1073	167, 2-29	E-1876	23	E-2116A	355, 2-22
E-1074	31, 33, 35, 37, 39, 43, 45, 167	E-1877	57, 137, 141, 145, 149	E-2225	209, 211, 345, 409, 413, 2-20
E-1075	167, 2-21	E-1940	129, 133	E-2226	196, 197, 209, 211, 2-20
E-1107	227, 229, 233, 237, 245, 249 251, 253, 255, 257, 259, 265 281, 285, 289, 291, 301, 303 305, 307, 317, 405	E-1941	129	E-2228	197, 2-13
E-1159	351, 2-11	E-1942	129, 133	E-2229	57
E-1160	351, 355, 359, 2-12	E-1943	129, 133, 341	E-2232	129, 133
E-1166	43, 351, 355, 359, 361, 363 365, 367, 383, 387	E-1945	129, 133	E-2233	129, 133
E-1204	405	E-1946	129, 133	E-2272	401, 2-22
E-1206	405	E-1947	129, 133	E-2273	401, 2-13
E-1277	405, 2-21	E-1960	129, 133	E-2274	401
E-1279	17, 19, 21, 405, 407, 409, 2-34	E-1963	376, 379, 2-21	E-2275	43, 339, 339, 401
E-1307	57, 137, 141, 145, 149, 153	E-1964	376, 379, 2-12	E-2292	402, 403, 2-6
E-1312A	351, 355, 359, 2-21	E-1965	376, 379, 2-29	E-2293	402, 403, 2-6
E-1326	319	E-1966	377, 379, 383	E-2294	401, 2-6
E-1329A	329	E-1967	377, 379, 383, 2-33	E-2295	401, 2-6
E-1330	323, 327, 329, 333	E-1968	377, 379, 383, 2-35	E-2372	57, 275
E-1331	311, 319, 400	E-1969	377, 379, 383	E-2373	57
E-1332	313, 315, 328, 333, 2-12	E-1970	377, 379, 383, 2-21	E-2374	131, 135, 139, 143, 147, 223 399
E-1333	309, 2-12	E-1971	351, 355, 369, 371, 376, 379	E-2375	131, 135, 147
E-1334	318, 2-12	E-1971	383, 400, 2-33	E-2512	17, 19, 21, 53, 2-6
E-1335	321, 2-12	E-1972	351, 355, 369, 371, 376, 379 383, 386, 400	E-2513	17, 19, 21, 53, 373k 2-6
E-1336	318, 2-12			E-2514	31, 33, 35, 37, 39, 43, 45
E-1338	57, 139, 143	E-1974	347, 351, 355, 361, 363, 365 367, 371, 376, 379, 383, 400	E-2515	31, 33, 35, 37, 39, 43, 45, 2-6
E-1340	57	E-1975	351, 355, 371, 377, 379, 383 400, 402, 403, 2-30	E-2545	25, 26, 57, 59, 61, 63, 65, 66 69, 71, 73, 83, 95, 97, 99, 101 105, 107, 111, 113, 117, 119 121, 123, 125, 127, 161, 209 211, 233, 239, 249, 261, 265 267, 269, 273, 279, 311, 313 323, 325, 329, 337, 339, 345 357, 361, 371, 377, 381, 385 387, 407, 409, 411, 413
E-1341A	101, 131, 135, 139, 143, 147 399, 2-12	E-1980	17, 19, 21, 53, 361, 371, 373 381, 387, 389, 393, 402, 403 2-6, 2-12	E-2546	17, 19, 47, 49, 161, 199, 201 205, 259, 287, 311, 317, 321 323, 327, 349, 351, 361, 363 365, 367, 369, 387, 391, 395 400, 401, 402, 403, 404, 405
E-1546	131, 135, 139, 143, 147, 151	E-1981	17, 19, 21, 53, 361, 371, 402 403, 2-22		
E-1551	131, 135, 139, 143, 147, 151	E-1982	383, 400, 401, 2-6, 2-12		
E-1552	131, 135, 139, 143, 147, 151	E-1983	383, 400, 401, 2-22		
E-1553	131, 135, 139, 143, 147, 151	E-1984	401, 2-13		

PART NUMBER INDEX

Part No.	Page	Part No.	Page	Part No.	Page
E-2547	259, 261, 265, 313, 315, 317	E-2878	353	E-2975	361
	319, 321, 323, 327, 329, 341	E-2879	351	E-2977A	227, 231, 235, 239, 243, 247
E-2548	279, 313, 325, 329	E-2880	351		249, 263, 285, 291, 297
E-2553	155	E-2881	351	E-2978A	263, 289, 291
E-2554	153	E-2882	351	E-2979A	263, 265, 289
E-2555	153	E-2883	351	E-2981	259
E-2556	153	E-2884	376, 379, 383	E-2983	17, 19, 21, 259, 287, 311, 317
E-2557	153	E-2885	376, 379, 383		319, 321, 323, 327, 361, 369
E-2558	153	E-2886	377, 379, 383		381, 389, 402, 403, 407
E-2566	153	E-2887	377, 381, 385	E-2984A	259
E-2567	153	E-2888	377, 381, 385	E-2985A	259
E-2573	87, 137, 141, 145, 149, 153	E-2889	169, 173, 177, 2-1	E-2988	17, 19, 163, 259, 261, 265
E-2604	129, 133	E-2890	167		305, 313, 315, 317, 319, 320
E-2634	57, 85, 91, 97, 99, 101, 107	E-2891	175, 179, 181, 183, 187, 404		323, 327, 329, 2-35
	113, 119, 123, 127, 129, 131	E-2892	175, 179, 181, 183, 187, 393, 404	E-2989	243, 259, 261, 265, 315, 319
	133, 135, 137, 141, 145, 149, 2-10	E-2898	167		323, 325
E-2771	131, 135, 151	E-2899	175, 179, 181, 183, 185, 2-7	E-2992A	263
E-2781	169, 173, 177, 414	E-2907A	167, 169, 175, 181, 183	E-2996	287
E-2781A	169, 173, 177, 414		185, 393	E-2997	2-25
E-2822	33, 37, 2-40	E-2909	167, 171, 175, 181, 183, 185	E-2998	258, 260, 264, 2-14
E-2823	33, 37, 2-40	E-2909	359, 373, 393	E-3000	329, 337
E-2824	32, 2-40	E-2910A	2-41	E-3001	161, 209, 211, 345, 351, 357
E-2826	35, 2-40	E-2911	2-41		361, 371, 377, 381, 385, 407
E-2827	31, 35, 2-40	E-2912A	2-41	E-3001	409, 411, 413, 2-65
E-2828	30, 34, 2-41	E-2913A	2-41	E-3002A	363, 365, 367, 387, 389, 395
E-2829	30, 32, 34, 36, 39, 2-30	E-2914	2-42		400, 401, 402, 403, 404, 405, 2-65
E-2830	31, 33, 414	E-2915A	2-42	E-3003	345
E-2831	31, 33, 39	E-2917	199, 201, 205, 2-64	E-3005	199, 201
E-2832	31, 32, 34, 37, 39, 47, 49	E-2919	199, 201, 205, 2-64	E-3006	199, 201, 202, 203
E-2833	31, 33, 35, 37, 39, 43, 45, 171	E-2920	199, 201, 205, 2-64	E-3012	401, 2-1
E-2836	33, 37	E-2921A	199, 205, 2-13	E-3016	400
E-2837	33, 37, 39, 43	E-2922A	199, 205, 2-13	E-3031	401
E-2838	33, 35, 37, 43	E-2923A	205, 2-13	E-3051	400
E-2839	31, 33, 35, 37, 43	E-2924A	205, 2-13	E-3079	175, 179, 181, 183, 187, 2-23
E-2840	21, 31, 33, 35, 37, 43, 45	E-2925	201, 2-14	E-3080	17, 21, 2-1
	21, 33, 37, 39, 43, 171, 175	E-2927	201, 2-14	E-3081	19, 2-1
	179, 181, 183, 185, 387, 393, 2-38	E-2934	199, 201, 202, 203	E-3082	17, 19, 21, 407, 409, 2-14
E-2843	377, 379, 383, 414	E-2935	316, 322, 325, 2-12	E-3083A	17, 19, 21, 407, 409, 2-33
E-2844	377, 379, 383, 414	E-2936	287, 2-20	E-3085A	17, 19, 21, 2-23
E-2845	377, 379, 383, 414	E-2938	2-14	E-3086	17, 19, 2-14
E-2846A	351, 2-1	E-2939	309, 317, 323, 2-14	E-3087	17, 19, 201, 2-23
E-2847	377, 379, 383, 2-23	E-2940	2-14	E-3187	201, 2-35
E-2848	377, 379, 383, 2-23	E-2940	271, 275, 281, 325	E-3214	19
E-2849	377, 379, 383	E-2943	225, 249, 231, 235, 239, 241	E-3224	17, 19
E-2850	377, 379, 383, 2-13		245, 261, 265, 283, 289, 291, 293	E-3277	175, 179, 181, 183, 185
E-2852	365, 367, 377, 379, 383	E-2944	259	E-3283A	351, 355, 359, 2-7
E-2853	377, 379, 383	E-2945	317, 323, 327	E-3284A	351, 357, 2-7
E-2854	269, 273, 355, 365, 367, 371	E-2946	327	E-3294	25, 2-23
	377, 379, 383, 2-35	E-2947A	225, 231, 235, 239, 241	E-3295	25
E-2855	353, 355, 359, 2-6		245, 249, 261, 265, 283	E-3296	25, 2-14
E-2856	353, 357, 2-6		289, 291, 293	E-3297	25
E-2858	383, 2-6	E-2951	281, 2-29	E-3298	25
E-2860	381, 387	E-2956	281	E-3299	25
E-2866A	383	E-2957	330	E-3380	404
E-2867A	377, 379, 385, 386	E-2958	287	E-3382	404
E-2873	353, 369, 377, 381, 385, 387	E-2959	258, 260, 264, 319	E-3383	404, 2-2
	389, 393	E-2960	261, 265, 289, 291, 2-35	E-3384	404
E-2874	353, 361, 371	E-2964	163, 313, 328, 2-33	E-3385	404
E-2875	351, 357, 361, 371, 393	E-2965	329, 333, 323, 325, 345	E-3390	185, 404, 2-7

PART NUMBER INDEX

Part No.	Page	Part No.	Page	Part No.	Page
E-3392	404	E-3683	199, 205	E-3919	199, 201, 2-64
E-3394A	2-13	E-3685	199, 205	E-3972	351, 2-33
E-3398	405, 2-2	E-3687	201, 2-28	E-3975	209, 351, 2-37
E-3409	404	E-3688	199, 201, 205, 2-64	E-3976	351, 2-24
E-3410	404	E-3689	199, 201, 202, 203, 205, 2-64	E-3977	377, 379, 383, 2-16
E-3414	167, 169, 173, 177, 2-30	E-3690	199, 201, 205	E-3978	377, 379, 383, 414
E-3415	167, 169, 173, 179, 181, 183	E-3691	199, 201, 205	E-3979	355, 2-35
E-3415	185, 393	E-3692	199, 201, 205	E-4252	223, 2-16
E-3416	169, 175, 179, 181, 183, 185, 393	E-3693	199, 201, 205	E-4252	271, 275
E-3530	22, 2-34	E-3696	199, 201, 205	E-4253	266, 2-16
E-3531	22, 2-34	E-3697	201	E-4253	223, 271, 275, 279
E-3532	22, 2-34	E-3698	201, 2-35	E-4254	279, 2-16
E-3533	22, 2-15	E-3699	201, 2-35	E-4255	229, 271, 275, 330, 2-14, 2-16
E-3534	22, 2-15	E-3700	201, 2-37	E-4256	279, 2-14
E-3536	22, 2-42	E-3702	199, 2-35	E-4257	269, 273, 2-16
E-3537A	22, 2-48	E-3703	199, 2-35	E-4258	271, 275
E-3538	25, 2-23	E-3704	199, 2-36	E-4261	309, 317, 323
E-3539	25, 2-33	E-3740	85, 87	E-4262	281
E-3540A	25, 2-15	E-3741	85, 87	E-4263	229, 283
E-3541	25, 26	E-3755	87, 2-29	E-4265	233, 237, 2-36
E-3542	25	E-3760A	83	E-4266	271, 275
E-3546	25, 2-7	E-3761	57, 137, 141, 145, 149	E-4267	223, 266, 271, 275, 279, 2-36
E-3555	25	E-3762	85	E-4268	233, 237, 2-36
E-3556	25	E-3768	51, 103, 2-30	E-4273	309, 317, 323
E-3557	25	E-3771	51, 55, 103, 157, 159, 2-36	E-4274	309, 317, 323
E-3558	25	E-3773	53, 2-7	E-4275	309, 317, 323
E-3560	19, 21, 25	E-3774A-2	53, 2-7	E-4277	269
E-3561A	25, 2-5	E-3777	53	E-4278	269, 273
E-3562	29, 2-23	E-3779	53, 2-31	E-4282	225, 229, 233, 239, 241, 245
E-3563	29, 2-15	E-3783	209, 2-2		249, 261, 265
E-3564	29	E-3784	209, 2-15	E-4283	225, 229, 233, 239, 241, 245
E-3565	29	E-3785	209		261, 265
E-3567	29, 2-48	E-3786	209, 2-15	E-4284	287, 291
E-3568	29, 2-48	E-3787	2-24	E-4285	287, 291
E-3569	29, 2-42	E-3788	209, 211, 2-8	E-4287	287, 291
E-3576	41	E-3789	209, 2-8	E-4288	311, 319
E-3577	41	E-3790	25, 26, 209, 211, 2-48	E-4289	225, 229, 233, 239, 241, 245
E-3578	41	E-3792	209, 211, 2-29		259, 261, 265, 283, 287, 291, 293
E-3579	41, 2-15	E-3793	209, 211	E-4290	225, 229, 233, 239, 241, 245
E-3580	41	E-3794	26, 209, 2-31		259, 261, 265, 283, 293
E-3581	41	E-3796	209, 211	E-4291	311, 319
E-3582	41	E-3797	209, 211	E-4292	225, 229, 233, 237, 241, 245
E-3583	41	E-3798	209, 211		261, 282, 283, 289, 291, 293
E-3586	47, 49	E-3799	209, 211	E-4293	249, 261
E-3587	47, 49	E-3816	29, 2-43	E-4294	311
E-3588	47	E-3817	29, 2-15	E-4298	329
E-3589	47	E-3818	29	E-4299	311
E-3590	47	E-3819	29	E-4300	317, 321, 323, 325
E-3594	49	E-3821A	29	E-4301	328, 333
E-3595	49	E-3839	407	E-4302	328, 333
E-3596	47, 49	E-3844	407, 409, 2-2	E-4303	309
E-3599	2-42	E-3846	407	E-4305	329, 333
E-3604	2-42	E-3849	407, 2-15	E-4306	320
E-3605	2-42	E-3852	407, 409, 2-31	E-4307	320
E-3606	2-42	E-3900	205, 2-15	E-4308	329, 333
E-3677	25	E-3913	131, 135, 147, 151, 155	E-4309	329
E-3679	201, 202, 203, 205, 2-64	E-3915	201, 2-36	E-4310	320
E-3680	202, 203, 2-64	E-3917	25, 2-2	E-4312	163, 329, 333, 2-61
E-3680	205	E-3917A	25, 2-2	E-4315	223

PART NUMBER INDEX

Part No.	Page	Part No.	Page	Part No.	Page
E-4316	309, 317, 323	E-4396	231, 2-26	E-4780	345, 2-48
E-4317	309, 317, 323	E-4398A	227, 235, 239, 243, 247, 249	E-4781	341, 345
E-4318A	309, 2-30		251, 253, 255, 257, 285, 291	E-4782	345
E-4319	309		297, 2-26	E-4786	5
E-4321	229, 243, 245, 249, 259, 263	E-4399	295	E-4788A	11
	287, 291	E-4400	295	E-4789	5, 11
E-4323	27, 341, 343, 413, 2-62	E-4401A	271, 277, 2-26	E-4790	5, 11
E-4324	359, 363, 375, 2-62	E-4403	227, 231, 235, 239, 243, 247	E-4791	5, 11
E-4325	2-62	E-4403	249, 251, 253, 255, 257, 259	E-4792	5, 11
E-4326	2-62		263, 265, 267, 271, 275, 279	E-4793	11
E-4327	2-62		281, 285, 289, 291, 295, 299	E-4794	386
E-4328	2-62	E-4403	301, 303, 305, 307	E-4795	386
E-4330A	2-62	E-4405	258, 260	E-4796	387
E-4331	2-62	E-4406	264	E-4801	393
E-4332	2-63	E-4409	225, 231, 235, 239, 241, 245	E-4802	393
E-4338	227, 231		261, 265, 283, 293	E-4803	395
E-4339	259, 263	E-4410A	251, 253, 255, 257, 299, 301	E-4804	393
E-4341	260		303, 305, 307, 2-16	E-4805	393
E-4342	275	E-4411A	251, 253, 255, 257, 303, 2-26	E-4806	395
E-4343	249, 253, 255, 257, 266, 269, 273		209, 227, 231, 233, 237, 243	E-4807	393
E-4345	225, 229, 243, 247, 249, 251		247, 249, 261, 265, 285, 289	E-4808	393
	253, 255, 257, 259, 263, 269		291, 295, 303, 313, 315, 317	E-4809	393
	275, 279, 281, 285, 289, 291		323, 325, 376, 379, 383, 400	E-4810	395
	295, 299, 301, 303		401, 403	E-4811	395
E-4347	85, 99, 199, 201, 223, 227	E-4429	2-26	E-4813	393, 2-3
	229, 233, 239, 243, 245, 249	E-4664	197, 2-20	E-4814	373, 393
	251, 253, 255, 257, 259, 265	E-4669	197, 2-16	E-4815	393
	281, 287, 291, 299, 301, 303	E-4674	5	E-4817	393
	307, 311, 313, 315, 317, 319	E-4675	5	E-4818	393
	323, 325, 329, 339, 401	E-4677A	5, 7, 9, 11, 13, 15, 2-16	E-4823	373, 393
E-4348	161, 163, 313, 315, 31, 321, 327	E-4678A	5, 7, 9, 13, 11, 15, 2-16	E-4824	373, 393, 2-8
E-4348	329, 2-30	E-4680	5, 7, 11, 13	E-4825	373, 393, 2-8
E-4353	227, 229, 233, 237, 243, 245	E-4681	5	E-4827	393, 2-17
	249, 283, 293, 313, 315, 317	E-4682	5	E-4828	395
E-4358	169, 173, 177, 181, 183, 185	E-4683	5	E-4830	393
	223, 225, 229, 233, 237, 241	E-4684	5	E-4832	393, 2-24
	245, 248, 251, 253, 255, 257	E-4685	5, 7, 11, 13	E-4833	373, 393
	267, 269, 273, 279, 285, 291	E-4686	9, 15	E-4834A	373, 393, 2-22
	295, 299, 301, 303, 305, 307	E-4687	9, 15	E-4837	395, 2-31
	313, 315, 325, 329, 330	E-4688A	5, 7, 11, 13	E-4961A	25, 26, 57, 347, 349, 359, 363
E-4361	229, 251, 253, 255, 257, 269	E-4745	337, 2-17		369, 387, 391
	273, 299, 301, 303, 305, 307	E-4751	337	E-5032	351, 355, 361, 365, 367, 369
	325, 330, 2-29	E-4752	337, 2-17		371, 377, 379, 383, 386, 400
E-4363	225, 233, 237, 241, 245, 249	E-4753	337, 2-8	E-5070	2-43
	251, 253, 255, 257, 285, 290	E-4754	337	E-5071	2-43
	295, 299, 301, 303, 305, 307	E-4755	337	E-5072	2-43
E-4364	223, 225, 233, 237, 241, 245	E-4759	337, 2-30	E-5073	2-43
	248, 251, 253, 255, 257, 267	E-4761	337	E-5074	2-43
	269, 273, 279, 285, 291, 295	E-4767	337	E-5075	197
	299, 301, 303, 305, 307, 2-29	E-4768	337	E-5077	201, 2-28
E-4382A	225, 233, 237, 241, 245, 249	E-4770	209, 337, 2-31	E-5082	341, 2-8
	251, 253, 255, 257, 282, 283, 291	E-4771	341, 345, 2-8	E-5083	341, 2-8
	293, 299, 301, 330, 2-14, 2-16	E-4773	345, 2-26	E-5210	165, 2-61
E-4383	329	E-4774	345, 2-33	E-5211	165, 2-61
E-4385	311	E-4775	345, 2-17	E-5212	165, 2-61
E-4387	267, 271, 275, 277, 2-25	E-4776	343, 345, 2-17	E-5213	161, 163, 313, 315, 329, 333
E-4390	239, 243, 263, 265, 285, 297	E-4777	343, 345, 2-36		2-61
E-4391	311, 317, 323, 2-25	E-4778	339, 345	E-5214	163, 329, 333, 2-61
E-4393	271, 277, 2-25	E-4779	339, 343, 345	E-5215	163, 329, 333, 2-61

PART NUMBER INDEX

Part No.	Page	Part No.	Page	Part No.	Page
E-5216	165, 2-17	E-6124	51, 103	E-7703	26
E-5218	163, 333, 2-33	E-6126	55, 2-17	E-7704	26
E-5219	161, 163, 167, 169, 173, 177	E-6127	55, 2-17	E-7706	26, 2-24
	181, 183, 185, 2-36	E-6128	55, 2-17	E-7709	371, 2-3
E-5220	163	E-6129	55, 2-30	E-7710	355, 371
E-5221	163	E-6130	55, 2-30	E-7712	361, 2-18
E-5222	165	E-6131	55, 2-36	E-7713	371, 355, 2-18
E-5223	165	E-6898	235, 239, 243, 247, 263, 285	E-7717	361, 2-38
E-5224	163	E-6979	131, 135, 139, 143, 145, 131	E-7719	357, 371
E-5225	163	E-6980	135, 139, 143, 145	E-7739	371
E-5226	165	E-7426	9, 11, 13, 15, 2-18	E-7741	361, 371, 2-6
E-5227	161, 165	E-7427	5, 7, 9, 11, 13, 15, 2-18	E-7742	361, 371, 2-6
E-5228	165	E-7432	31, 33, 34, 37, 39, 47, 49, 2-11	E-7743	371, 2-6
E-5229	165	E-7433	31, 33, 35, 37, 39, 43, 45, 171	E-7744	361, 371, 2-8
E-5230	163		2-11	E-7749	361, 2-22
E-5231A	165	E-7441	205, 2-13	E-7750	361, 371
E-5245	355, 2-3	E-7442	318, 2-12	E-7755	9, 15
E-5246	355, 2-3	E-7443	316, 322, 325, 327, 2-12	E-7756	5, 11
E-5247	355, 2-24	E-7446A	197, 2-16	E-7757	5, 7, 11
E-5254	353, 357	E-7452	169, 173, 177, 2-13	E-7758	11, 13
E-5255A	357, 2-7	E-7453	175, 179, 181, 183, 187, 2-11	E-7764	5, 2-16
E-5256	357, 2-6	E-7455	165, 2-17	E-7766	9, 11, 13, 15
E-5257	351, 355	E-7478	199, 205, 2-13	E-7767	9, 11, 13, 15, 2-16
E-5258	351, 355	E-7479	199, 205, 2-13	E-7768	9, 11, 13, 15
E-5259	351	E-7480	199, 201, 205, 2-64	E-7769	13
E-5260	351, 357	E-7481	199, 201, 205, 2-64	E-7770	13
E-5261	351, 357	E-7486	328, 333, 2-12	E-7771	9, 15
E-5262	355	E-7509	345	E-7772	5, 7, 11, 13
E-5263	355	E-7510	337, 2-17	E-7773	9, 11, 13, 15
E-5264	357	E-7520	2-12	E-7774	9, 11, 13, 15
E-5269	87, 2-17	E-7520	17, 19, 21, 361, 371, 373, 381	E-7840	343, 2-27
E-5270	2-17		387, 393, 402	E-7841	343, 2-17
E-5271	87	E-7522	383, 2-12	E-7844	343, 2-48
E-5272	89	E-7523	351, 355, 359, 2-12	E-7845	343, 2-48
E-5273	87	E-7530	137, 141, 145, 149	E-7851	343, 2-31
E-5275	85, 87, 91, 119, 123, 127, 2-20	E-7533	169, 173, 177, 181, 183, 185	E-7852	27, 341, 343, 413, 2-63
E-5276	107, 113, 2-17	E-7534	2-43	E-7853	343, 2-9
E-5277	83, 86, 87, 2-31	E-7599	2-17	E-7854	341, 2-27
E-5281	83, 86, 107, 113, 119, 123, 127	E-7617	129, 133	E-7855	341, 2-18
	409, 413, 2-48	E-7619	129, 133	E-7862	341
E-5308	57	E-7620	129, 133	E-7864	341, 2-48
E-5309	131, 135, 139, 143, 147	E-7621	169, 173, 177, 181, 183, 185, 2-18	E-7865	341
E-5417	202, 2-28	E-7635	171, 175, 181, 183, 185	E-7866	341, 345
E-5421	202, 2-14	E-7636	43, 45, 171, 175, 181, 183, 185	E-7867	341, 345
E-5422	202, 2-35	E-7637	45, 2-29	E-7868	341, 345, 2-31
E-5423	202, 2-35	E-7638	209, 2-20	E-7869	339
E-5424	202, 2-35	E-7638	211, 345	E-7870	339, 2-18
E-5426	202, 203	E-7639	196, 209, 211, 2-20	E-7871	339
E-5427	199, 201, 202, 205	E-7681	185, 2-44	E-7879	339
E-5428	199, 201, 202, 205	E-7682	175, 179, 181, 183, 187	E-7887	339, 2-9
E-5429	202, 203	E-7683	181, 2-7	E-7918	169, 173, 177, 414
E-5431	203, 2-28	E-7684	183, 2-7	E-8651	197
E-5432	203	E-7685	183, 2-7	E-8653	351, 2-11
E-5433	203, 2-35	E-7697	185	E-8654	377, 379, 383, 2-16
E-5434	203	E-7698	185	E-8655	196
E-5436	203, 2-64	E-7699	185	E-8663	41, 2-15
E-5439	199, 201, 203, 205	E-7700	26, 2-3	E-8664	41
E-6121	51, 103, 157, 159, 2-27	E-7701	26, 2-18	E-8665	161, 165
E-6122	51, 103, 2-38	E-7702	26, 2-33		

PART NUMBER INDEX

Part No.	Page	Part No.	Page	Part No.	Page
E-8666	169, 173, 177, 181, 183, 185	E-8853A	411, 2-9	E-9404	86, 2-45
	2-18	E-8854	23, 2-44	E-9405	86, 2-45
E-8667	199, 201, 205, 2-64	E-8855	23, 2-44	E-9406	87, 2-45
E-8670	323, 327, 333	E-8909	409, 413, 2-30	E-9407	87, 2-9
E-8671	311, 319	E-8910	409, 413, 2-30	E-9408	87, 2-38
E-8672	309, 2-12	E-8911	409, 413	E-9409	85, 87, 2-10
E-8673	231, 259, 261, 265, 289, 291	E-8912	409, 413	E-9411	101, 2-19
E-8674	231, 259, 261, 265, 289, 291	E-8917	9, 11, 13, 15, 2-18	E-9412	101, 2-33
E-8676	309, 317, 323, 2-14	E-8931	31, 33, 39, 2-4	E-9413	101
E-8677	271, 275, 325, 281, 2-14	E-8941	25, 26, 2-7	E-9414	101, 2-29
E-8678	225, 231, 235, 239, 241, 245	E-9284	225, 241, 245, 248, 251, 253	E-9415	101, 2-29
	261, 265, 283, 289, 291, 293		255, 257, 295, 299, 301, 303	E-9416	101
E-8679	317, 323, 327		305, 2-36	E-9417	101
E-8680	225, 231, 235, 239, 241, 245	E-9292	223, 266, 2-14	E-9418	129, 133
	261, 265, 283, 291, 293, 2-16	E-9293	266, 2-16	E-9419	131, 135, 151
E-8681	223, 275, 279	E-9294	303, 2-27	E-9420	101, 131, 135, 139, 143, 147, 151
E-8682	269, 273, 2-16	E-9300A	267, 2-27	E-9421	131, 135, 151
E-8683	241, 245, 282, 283, 2-14	E-9301	267, 2-27	E-9426	133, 149
E-8684	227, 231, 235, 239, 243, 247	E-9321	196, 2-20	E-9427	57, 145, 149
	251, 253, 259, 263, 265, 271	E-9322	196, 2-20	E-9428	57, 137, 141, 145, 149
	275, 279, 281, 285, 289, 291	E-9323	196	E-9429	145, 149
	295, 299, 301, 305, 307	E-9324	196, 2-20	E-9432A	83, 87, 2-32
E-8688	355, 2-11	E-9325	57, 99, 101, 129, 133, 139, 143	E-9437	399
E-8689	376, 379, 2-12		145, 149	E-9438	399
E-8691	355, 2-11	E-9326	57, 89, 97, 99, 101, 129, 133	E-9439	397, 399, 2-19
E-8701	5, 7, 9, 11, 13, 15, 2-16		139, 143, 145, 149	E-9440	399, 2-19
E-8702	5, 7, 9, 11, 13, 15, 2-16	E-9327	89, 97	E-9441A	399
E-8795	23	E-9328	89, 97	E-9442	399
E-8796	23, 2-34	E-9330	183, 2-4	E-9443	399
E-8797	23, 2-15	E-9350	383, 387	E-9444	399
E-8798	23, 2-48	E-9351A	373	E-9445	397, 399, 2-32
E-8799	22, 23, 2-15	E-9353	373	E-9446	399, 2-32
E-8800	23, 2-34	E-9355	373	E-9447	399
E-8802	27, 2-38	E-9358	359, 373	E-9448	330, 331
E-8803	27, 2-38	E-9359	131, 135, 139, 143, 145, 149	E-9449	330, 331, 2-30
E-8804	27, 2-20	E-9361	30, 32, 34, 36, 39, 47, 49, 2-21	E-9450	330, 331, 2-36
E-8805	27, 2-49	E-9362	31, 33, 35, 37, 39, 43, 45	E-9452	330, 331, 334, 2-36
E-8806	27, 2-49	E-9363	43, 45, 2-44	E-9454	330, 334
E-8808	27, 2-9	E-9364	43, 2-44	E-9455	330, 334
E-8809	27, 2-49	E-9365	43, 2-44	E-9456	331, 2-19
E-8810	27, 2-49	E-9366	31, 33, 39, 43, 2-4	E-9457	331, 334, 2-19
E-8818	409	E-9367	43, 2-24	E-9458	331, 334, 2-19
E-8819	409, 413	E-9368	43, 2-19	E-9459	333
E-8821	413, 2-9	E-9370	43, 2-18	E-9460	333
E-8830	411	E-9372	43, 2-32	E-9461	333, 2-38
E-8831	411	E-9384	85, 2-32	E-9469	169, 2-45
E-8832	411	E-9385	85	E-9470	169, 2-46
E-8833	411	E-9386	83, 2-44	E-9471	169, 173, 177, 2-4
E-8834	411	E-9387	83, 2-45	E-9472	169, 173, 177, 181, 183, 185
E-8835	411	E-9389	85, 2-63		2-24
E-8836	411	E-9390	83	E-9473	169, 173, 177, 181, 185, 2-24
E-8837	411	E-9391	83	E-9474	2-22
E-8838	411	E-9392	83	E-9474	169, 173, 177
E-8839	411	E-9393	85	E-9475	169, 173, 177, 183, 185, 2-32
E-8840	411	E-9394	85, 2-10	E-9476	171
E-8844	411	E-9395	85, 2-20	E-9477	171, 2-10
E-8850	411	E-9397	85, 2-38	E-9478	171, 2-24
E-8851	411	E-9400	87, 2-45	E-9479	171, 2-24
E-8853	411, 2-9	E-9402	87, 2-4	E-9480	171, 2-30

PART NUMBER INDEX

Part No.	Page	Part No.	Page	Part No.	Page
E-9482	171	E-9585	363, 365, 367, 2-10	E-13986	89, 95, 99, 97, 2-10
E-9484	173, 177, 2-46	E-9586	365, 2-5	E-13989	97, 2-10
E-9485	173, 177	E-9587	363, 365, 2-24	E-13992	105, 111, 117, 121, 125
E-9486	175, 179, 181, 183, 187, 2-23	E-9603	59, 63, 65, 95, 99	E-13993	123, 2-10
E-9487	175, 179, 181, 183, 187, 2-39	E-9607	393	E-13994	69
E-9489	183, 2-4	E-9610	311	E-13995	69
E-9491	185, 2-4	E-9611	311, 2-36	E-13996	59, 63, 67
E-9493	2-46	E-9612	311, 2-36	E-13997	59, 63
E-9494	2-46	E-9615	363, 365, 367	E-13998	69
E-9495	2-46	E-9616	365, 367	E-13999	77
E-9496	2-46	E-9617	365, 367	E-14000	77
E-9497	2-47	E-9618	365	E-14001	79
E-9498	2-47	E-9619	365, 2-10	E-14002	79
E-9499	2-47	E-9620	365, 367, 2-10	E-14003	69
E-9500	2-47	E-9622	365, 367	E-14007	79
E-9501	2-47	E-9626	365, 367	E-14009	77
E-9502	2-47	E-9801	365, 367	E-14013	81
E-9503	2-47	E-9839	179, 181	E-14014	81
E-9515	129, 133	E-9840	377, 379, 383	E-14015	75
E-9530	261	E-9869	25, 26, 2-7	E-14016	75
E-9531	261	E-9874	29, 2-20	E-14017	75
E-9532	253	E-10057	383, 387	E-14018	75
E-9533	253	E-10058	137, 141, 145	E-14019	81
E-9534	322, 325	E-10116	199, 2-36	E-14020	81
E-9535	309	E-10250	393, 2-5	E-14021	59, 63
E-9536	309	E-10309	91	E-14022	59, 63
E-9537	355	E-10311	139	E-14025	105, 111
E-9538	355, 2-32	E-10322	107, 113, 119, 127, 2-20	E-14025	117, 120, 125
E-9539	355	E-10677	399	E-14026	105, 111, 121
E-9541	357	E-10678	223	E-14027	105, 111, 121
E-9545	351, 355, 359, 2-21	E-10686	266	E-14039	117, 125
E-9548	376, 379, 2-21	E-10729A	103, 2-28	E-14040	117, 125
E-9549	363, 365, 367	E-10730A	103, 2-32	E-14041	119, 127
E-9550	365, 367, 2-19	E-10758	45	E-14042	119, 127
E-9551	393, 2-22	E-10764	209, 211	E-14043	119, 127
E-9552	361, 371, 402, 2-22	E-10765	209	E-14044	89, 2-29
E-9553	359	E-10766	197	E-14045	92
E-9554	351	E-10767	197	E-14046	92
E-9555	351, 2-24	E-10768A	351, 2-5	E-14047	89, 95
E-9557	357	E-10772	373	E-14346	2-28
E-9558	353	E-10773	373	E-14373	89
E-9559	353	E-10774	359	E-14374	89
E-9560	353, 2-39	E-10775	359	E-14375	89
E-9561	353, 2-39	E-10778	43, 45, 2-44	E-14384	397
E-9562	353	E-10799	295	E-14385	397
E-9563	353	E-11305	375	E-14388	385
E-9564	353	E-11393	409	E-14389	369
E-9567	169, 173, 177, 2-4	E-11452	173, 2-4	E-14390	389
E-9570	169, 173, 177, 414	E-11494	83, 2-63	E-14535	89
E-9571	9, 11, 13, 15	E-11496	95, 99, 101, 2-29	E-14632	69
E-9572	353	E-11749	345	E-14633	69
E-9573	353	E-11831	103	E-14634	2-28
E-9575	2-28	E-11870	107, 113, 119, 123, 127	E-14673	105, 111, 117, 120, 125, 2-37
E-9576	131, 135, 139, 143	E-12001	153	E-14724	365
E-9577	131, 135	E-12525	359, 363, 375	E-14767	13
E-9579	387	E-13901	2-32	E-14768	13
E-9582	2-47	E-13973	2-28	E-14769	13
E-9583	387	E-13974	2-28	E-14770	13
E-9584	363, 365, 367, 2-10	E-13983	117, 125	E-14773	13

PART NUMBER INDEX

Part No.	Page	Part No.	Page	Part No.	Page
E-14774	13	E-15151	81	E-15215	161
E-15091	51	E-15153	85, 91, 97, 99, 101, 131, 135	E-15216	161
E-15092	51		137, 141, 145, 149	E-15217	163
E-15093	57	E-15154	109, 115	E-15218	165
E-15094	59, 61, 65, 66, 73	E-15155	91	E-15219	165
E-15095	59, 63, 67	E-15156	131, 135, 151	E-15220	165
E-15096	59, 63, 67, 75, 81	E-15157	131, 135, 151	E-15221	165
E-15097	59	E-15158	131, 135, 147	E-15222	165
E-15098	59, 67, 71	E-15159	153	E-15223	181
E-15099	59	E-15160	105, 111, 121	E-15224	185
E-15100	59	E-15161	153	E-15225	163
E-15101	61	E-15162	105, 111	E-15226	163
E-15102	61, 65, 66, 73	E-15163	89	E-15227	163
E-15103	61	E-15164	99	E-15228	163
E-15104	61	E-15165	99	E-15229	163
E-15105	61, 63, 85, 91, 92, 95, 99	E-15166	99	E-15230	163
E-15106	61, 65, 66	E-15167	89	E-15231	163
E-15107	61, 65	E-15168	89	E-15232	163
E-15108	61, 65, 79, 80	E-15169SC	105, 111	E-15233	163
E-15109	61, 65	E-15170	105, 111, 121, 125	E-15234	163
E-15110	61, 65, 73, 79, 80	E-15171	95, 105, 111	E-15235	163
E-15112	61	E-15172	95	E-15237	165
E-15113	63, 66	E-15173	95	E-15238	165
E-15114	63, 66	E-15174	107, 113, 121, 125	E-15240	347, 349
E-15115	63	E-15175	155	E-15241	347
E-15116	59, 63, 65, 83, 107, 113, 121	E-15176	95, 99	E-15242	347
	125	E-15177	107, 113	E-15243	347, 349
E-15117	59, 63, 67, 69	E-15178	105, 109, 111, 115, 121	E-15244	347, 349
E-15118	59, 63, 69	E-15180	121	E-15245	347, 349
E-15119	61, 65	E-15181	121	E-15246	347, 349
E-15120	63	E-15182	107, 113, 123, 125	E-15247	347, 349
E-15121	63, 66, 67	E-15183	155	E-15248	349
E-15122	63	E-15184	59, 63, 67, 69	E-15249	347, 349
E-15123	65, 66	E-15185	109, 115, 123	E-15250	347, 349
E-15124	65	E-15186	61, 63	E-15251	347, 349
E-15125	65	E-15187	73, 79	E-15252	349, 369
E-15126	65, 66	E-15188	89, 127	E-15253	349
E-15127	65, 66	E-15189	89, 91	E-15254	349
E-15128	65, 66	E-15190	89	E-15255	349
E-15129	66	E-15191	95, 99, 101	E-15256	349
E-15130	67	E-15192	89, 97, 99	E-15257	347, 349, 359, 363
E-15131	65, 67, 69	E-15193	105, 111	E-15258	349
E-15132	69	E-15194	105, 111, 121	E-15260	349
E-15133	69	E-15195	105, 111, 121	E-15261	349
E-15134	69	E-15196	105, 113, 121, 125	E-15262	349
E-15135	69	E-15197	109, 115, 123	E-15264	347, 349
E-15136	69	E-15198	109, 115, 123, 161	E-15265	359
E-15137	71	E-15199	127	E-15266	359, 373
E-15138	71	E-15200	85	E-15267	359, 363
E-15139	71	E-15201	59, 61, 63, 65, 66, 85, 91, 92	E-15268	359
E-15140	71		107, 113, 123, 127	E-15269	359
E-15143	71, 79	E-15202	107, 113, 125	E-15269	363
E-15144	71, 79	E-15203	71, 79	E-15270	359
E-15145	73	E-15205	161, 171, 175	E-15271	359, 363, 375
E-15146	73	E-15206	161, 163	E-15272	359, 363, 375
E-15147	79, 80	E-15207	161	E-15273	361
E-15148	80	E-15212	161	E-15274	361
E-15149	81	E-15213	161	E-15275	361
E-15150	81	E-15214	161	E-15276	359, 363, 373

PART NUMBER INDEX

Part No.	Page	Part No.	Page	Part No.	Page
E-15277	359, 363, 373	E-UB5161-13	395, 2-65	E-UB8286-154	163, 2-65
E-15278	363	E-UB5161-14	167, 353, 387, 395, 2-65	E-UB8287-11	329, 2-65
E-15279	359, 363	E-UB5161-15	2-65	E-UB8287-14	329, 333, 2-65
E-15280	363, 373	E-UB5161-16	2-65	E-UB8353-15	209, 211
E-15281	363	E-UB5161-18	167, 353, 395, 2-65	E-UB8363-15N	209, 211
E-15282	363	E-UB5163-14	404	E-UB8375-14	341, 345
E-15283	363	E-UB5165-14	353, 357, 395, 400, 401	E-UB8375-154	341, 345, 2-65
E-15284	363		402, 403, 2-65	E-UB8394-18	198, 200, 2-65
E-15285	363	E-UB5165-18	353, 357, 395	E-UB8394-144	198, 200
E-15286	363	E-UB5263-14	405	E-UB8394-162S	198, 200, 2-65
E-15287	347, 359, 363	E-UB8142-06	411	E-UB8396-165S	202, 203
E-15288	347, 363, 387	E-UB8143-074	29	E-UB8475-114	325
E-15289	347, 363, 387	E-UB8145-076	329, 333, 2-65	E-UB8479-090	225, 231, 233, 237, 241
E-15290	347, 363	E-UB8151-10	411		245, 249, 261, 283, 289
E-15291	365	E-UB8151-12	373, 411, 2-65		291, 293, 2-65
E-15292	365	E-UB8151-14	339, 361, 371, 373, 2-65	E-UB8479-104	283, 293
E-15293	365	E-UB8151-16	339, 373, 413, 2-65	E-UB8479-124A	237, 241, 261, 265
E-15294	365	E-UB8151-18	337, 377, 381, 385, 407		283, 289, 293
E-15295	367		409, 2-65	E-UB8554-033	29
E-15296	367	E-UB8153-10	22, 23	E-UB8575-126	39, 47, 49
E-15297	367	E-UB8154-12	23	E-UB8578-094	231, 233, 237, 241, 245
E-15298	367	E-UB8154-18	25		261, 283, 293
E-15299	367	E-UB8155-14	361, 371	E-UB8578-124A	225, 237, 241, 245
E-15300	367	E-UB8155-073	161, 163, 2-65		261, 265, 283, 293
E-15301	367	E-UB8161-10	31, 33, 35, 37, 43, 45	E-UB8585-132	41, 2-65
E-15302	369	E-UB8161-12	17, 19, 21, 31, 33, 35, 37	E-UB8673-154	343, 2-65
E-15303	369	E-UB8161-12	43, 45, 2-65	FS6897	3-ii
E-15304	369	E-UB8161-13	2-65	FS6902	55
E-15305	369	E-UB8161-14	17, 19, 21, 167, 359, 2-65	FS6935	51
E-15306	369	E-UB8161-15	2-65	FS7001	3-ii
E-15307	369	E-UB8161-16	17, 19, 21, 31, 33, 35, 37	FS7002	3-ii
E-15308	369		43, 45, 167, 359, 2-65	FS7012	3-ii
E-15310	369	E-UB8161-18	17, 19, 21, 33, 35, 37, 43	FS7014	3-ii
E-15311	369, 371		45, 167, 2-65	FS7036	3-ii
E-15312	371	E-UB8161-18S1	83, 87	FS7046	3-ii
E-15313	361, 371	E-UB8162-18	26	FS7056	3-ii
E-15314	373	E-UB8162-22	26	FS7059	3-ii
E-15315	387	E-UB8164-10	23	FS7064	3-ii
E-15316	387	E-UB8164-12	23	FS7074	3-ii
E-15317	387	E-UB8164-16	29, 363	FS7081	3-ii
E-15318	389	E-UB8165-10	157, 159	FS7082	3-ii
E-15319	389	E-UB8165-12	17, 19, 21, 53, 157, 2-65	FS7087	3-ii
E-15320	389	E-UB8165-14	17, 19, 21, 365, 367, 2-65	FS7093	3-ii
E-15321	389	E-UB8165-076	55	FS7109	3-ii
E-15322	389	E-UB8166-12	311, 321	FS7110	3-ii
E-15323	389	E-UB8168-082	51, 103, 2-65	FS7136	331
E-15324	389	E-UB8175-104	163	FS7136	334
E-15325	391	E-UB8178-126	313, 315, 333	FS7200	3-ii
E-25142	71, 79	E-UB8186-154	313, 315, 333, 2-65	FS7205	3-ii
E-25195	161	E-UB8187-154	165	FS7206	3-ii
E-25196	161	E-UB8253-05	343, 2-65	FS7215	3-ii
E-25197	161	E-UB8255-05	345, 2-65	FS7400	29
E-25198	161	E-UB8256-077	165	FS7403	53
E-25199	161	E-UB8264-12	395	FS7410	29
E-25200	163	E-UB8264-14	395	FS7437	281
E-25309	369, 387	E-UB8264-16	395	FS7555	347, 349, 373
E-401754	275, 303	E-UB8264-083	57	FS7557	359, 363
E-NW90557070	279	E-UB8267-153	27, 2-65	FS8050	159, 3-1
E-UB5161-12	167, 395, 2-65	E-UB8286-134	163, 2-65	FS8050AG	159

PART NUMBER INDEX

Part No.	Page	Part No.	Page	Part No.	Page
FS8091	3-1	FS9663	113, 121	M85319	27
FS8204	3-1	FS9780	27, 3-1	M85320	22, 23
FS8597	59	FS9781	3-ii	M85321	45
FS8708	3-ii	FS9807	3-1	M85322	49
FS8709	3-1	FS9911	69	M85326	339
FS8713	3-1	FS9913	75	M85713	389
FS8729	3-1	FS9921	255, 257, 299, 301, 3-1	M85724	27
FS8755	3-1	FS9922	257, 301	M85906	223
FS8829	3-1	FS9923	257, 301	M85909	223
FS8852	3-ii	FS9935	3-ii	M85962	107, 113
FS8944	103	FS9936	307	M89405	85, 249, 279
FS9026	343	M83109	85	M89407	101, 253, 255, 257, 307
FS9039	157, 225, 229, 281	M83111	85	M89411	211
FS9053	49	M83112	97, 99, 101	M89412	29
FS9069	341, 345, 3-1	M83113	303	M89414	85, 157, 266, 269, 273, 359, 363
FS9082	157, 241, 259, 263, 265, 266 269, 273, 282, 287, 290, 293, 3-1	M83115	303	M89419	47
FS9082AG	157	M83121	85	M89420	23
FS9092	157	M83123	85, 249, 279	M89422	341
FS9093	269	M83124	253, 255, 257, 307	M89422	345
FS9101	245, 259, 263, 282, 287, 293	M83125	233, 237, 241	M89423	197
FS9105	157	M83126	233, 237, 241, 245, 259, 263 265	M89424	341, 345
FS9121	233, 241, 249, 266	M83127	255, 257, 287, 295, 299, 301 305, 307	M89427	343
FS9122	157, 237	M83128	227, 229, 251, 255, 281, 283 287, 291, 295, 299, 305	M89428	27
FS9122AG	157	M83130	255, 305	M89429	23
FS9134	249	M83203	330, 334	M89430	157, 233, 237, 241, 245, 249 259, 263, 265
FS9158	259, 263	M83204	334	M89436	55, 103, 157
FS9164	330	M83207	101, 349	M89440	159, 389
FS9177	259, 263	M83209	266, 269, 273	M89961	107, 113
FS9194	343	M83221	157	M109101	2-6
FS9219	413	M85000	55, 103, 157, 330, 334	M109102	2-6
FS9223	387	M85003	211	M109201	2-6
FS9228	157	M85004	273	M109202	2-6
FS9243	251, 253, 299	M85005	157		
FS9265	3-1	M85006	373		
FS9270	103, 3-1	M85007	29		
FS9291	303, 305	M85010	157		
FS9293	303, 305, 3-ii	M85013	85, 157, 359, 363, 387		
FS9294	303, 305	M85024	413		
FS9295	303, 305	M85029	157		
FS9307	225, 3-ii	M85030	159, 369		
FS9321	55	M85033	343		
FS9346	245, 299	M85045	249		
FS9366	3-1	M85046	413		
FS9367	51	M85047	413		
FS9373	83	M85051	251, 255, 257		
FS9373AG	83	M85052	347		
FS9375	3-ii	M85059	303		
FS9394	45, 47, 3-ii	M85060	9, 15		
FS9422	197, 3-1	M85072	85, 107, 113, 123		
FS9471	223	M85300	47		
FS9472	223	M85301	13		
FS9554	75	M85302	22, 23		
FS9580	3-1	M85305	13		
FS9616	197	M85308	341, 345		
FS9622	3-1	M85310	197		
FS9640	103, 3-ii	M85311	341, 345		
FS9648	3-1				
FS9663	107				



Aftermarket

Meritor Heavy Vehicle Systems, LLC
7975 Dixie Highway
Florence, KY 41042

U.S. 888-725-9355
Canada 800-387-3889

MeritorPartsOnline.com