
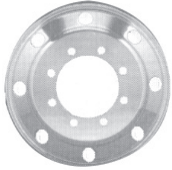














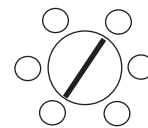

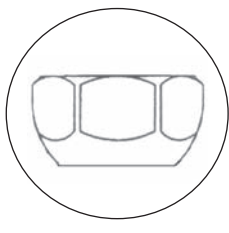
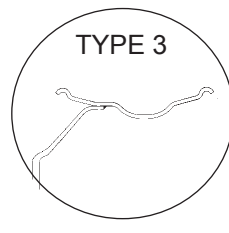




	<p>ROUES D'ACIER STEEL WHEELS</p> 	<p>1</p>		<p>ROUES D'ALUMINIUM ALUMINIUM WHEELS</p> 	<p>2</p>
	<p>JANTES RIMS</p> 	<p>3</p>		<p>JANTES INDUS- TRIELLES INDUSTRIAL RIMS</p> 	<p>4</p>
	<p>GÉNIE CIVIL EARTHMOVER</p> 	<p>5</p>		<p>ESPACEURS DE ROUES SPACER BANDS</p>	<p>6</p>
	<p>PIÈCES DE ROUES WHEEL PARTS</p>	<p>7</p>		<p>QUINCAILLERIE HARDWARE</p>	<p>8</p>
	<p>OUTILS TOOLS</p>	<p>9</p>		<p>ACCESSOIRES DE CHROME CHROME ACCESSORIES</p>	<p>10</p>
	<p>PIÈCES VÉHICULES UTILITAIRES RV PARTS</p>	<p>11</p>			



6 TROUS 6 HOLES	 8.75" 222.25 mm	 6.50" 164 mm
		


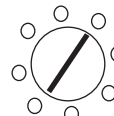

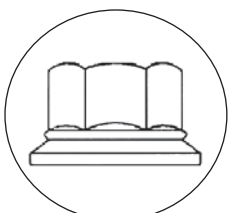
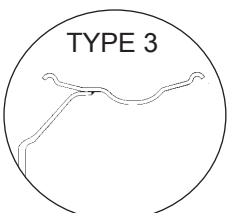
Item	Dimension jante Rim dimension	# Produit Part #	Type	Trous Hand holes	Offset	Disque Disc	Poids Weight	Capacité Capacity	Valve
1	16X6.00	6B1660A⁽¹⁾	3	6	5.00	.375	38	2680-80	90MS27
2	17.5X6.75	6B175675AG	3	2	6.07	.420	58	5070-125	TV500
3	19.5X6.00	6B195600A	3	2	5.00	.375	52	3640-110	TV575HP
4	22.5X6.75	6B225675BG	3	6	5.94	.375	70	4610-95	TV500

(1) Utiliser / Use NBM3041L/R + BAM3076L/R (Commun sur GMC Forward / Commonly found on GMC Forward)

			
BA112225R (1-1/8" droite/right)	NB075150R (3/4" droite/right)	clé wrench	barre de clé wrench handle
BA112225L (1-1/8" gauche/left)	NB075150L (3/4" gauche/left)	TR1 (1-1/8", 1-1/2", 13/16" carré/square)	TR5
BAM3076R⁽¹⁾ (30mm droite/right)	NB112150R (1-1/8" droite/right)	TRM3 (27mm, 30mm)	
BAM3076L⁽¹⁾ (30mm gauche/left)	NB112150L (1-1/8" gauche/left)		
	NBM3041R⁽¹⁾ (30mm droite/right)		
	NBM3041L⁽¹⁾ (30mm gauche/left)		





Dimension pneu Tire dimension	Jante recommandée Recommended rim	Item
10R17.5	17.5X6.75	2
10R22.5	22.5X6.75	4
215/75R17.5	17.5X6.75	2
225/70R19.5	19.5X6.00	3
235/80R22.5	22.5X6.75	4
245/70R19.5	19.5X6.00	3
245/75R22.5	22.5X6.75	4
750-16	16X6.00	1
8R17.5	17.5X6.75	2
8R19.5	19.5X6.00	3
8R22.5	22.5X6.75	4
9R17.5	17.5X6.75	2
9R22.5	22.5X6.75	4



8 TROUS 8 HOLES	 10-13/16" 275 mm	 8.70" 221 mm
		 TYPE 3


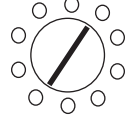
Item	Dimension jante Rim dimension	# Produit Part #	Type	Trous Hand holes	Offset	Disque Disc	Poids Weight	Capacité Capacity	Valve
1	17.5X6.75	X41788	3	4	5.60	.437	54	5355-125	TV500
2	22.5X6.75	8A225675AG	3	4	5.70	.375	71	5000-115	TV500
3	22.5X7.50	8A225750A	3	4	6.20	.375	75	5000-120	TV571
4	22.5X8.25	8A225825A	3	4	6.62	.472	84	7300-120	TV573
5	24.5X8.25	8A245825A	3	4	6.62	.500	94	7800-120	TV573

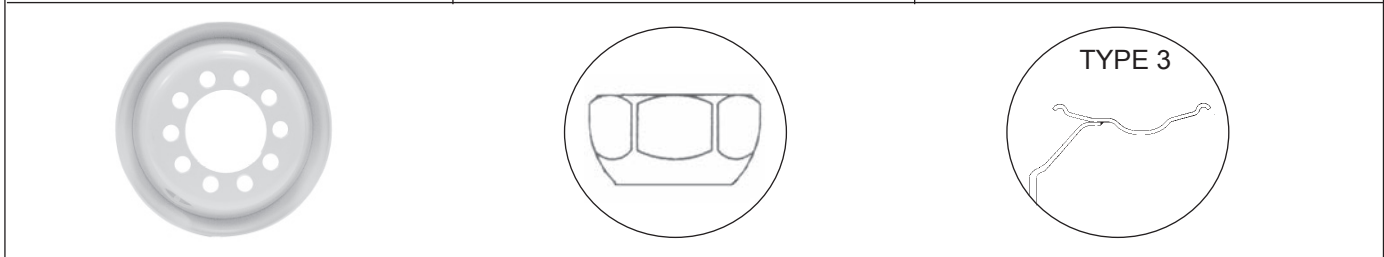
(1) NCM2030 commun sur 19.5" / NCM2030 commonly found on 19.5"

	 rondelle de protection wheel guard	 clé wrench	 barre de clé wrench handle
NCM2030 (20mmX30mm)⁽¹⁾ NCM2233B (22mmX33mm) NCM2238 (22mmX1-1/2")	7902	TR1 (1-1/8", 1-1/2", 13/16" carré/square) 32552 (24mm, 33mm) TRM3 (27mm, 30mm)	TR5





Dimension pneu Tire dimension	Jante recommandée Recommended rim	Item
10R17.5	17.5X6.75	1
10R22.5	22.5X6.75	2
11R22.5	22.5X8.25	4
11R24.5	24.5X8.25	5
12R22.5	22.5X8.25	4
12R24.5	24.5X8.25	5
215/75R17.5	17.5X6.75	1
225/70R22.5	22.5X7.50	3
235/80R22.5	22.5X6.75	2
245/75R22.5	22.5X7.50	3
255/70R22.5	22.5X8.25	4
285/75R24.5	24.5X8.25	5
295/75R24.5	24.5X8.25	5
8R17.5	17.5X6.75	1
8R22.5	22.5X6.75	2
9R17.5	17.5X6.75	1
9R22.5	22.5X6.75	2



10 TROUS 10 HOLES	 8.75" 222.25 mm	 6.50" 165 mm
------------------------------	--	---





Item	Dimension jante Rim dimension	# Produit Part #	Type	Trous Hand holes	Offset	Disque Disc	Poids Weight	Capacité Capacity	Valve
1	17.5X6.75	10A175675AG	3	2	6.19	.420	58	5070-125	TV570C14
2	17.5X8.25	10A175825AG	3	2	6.62	.420	69	5600-125	TV500

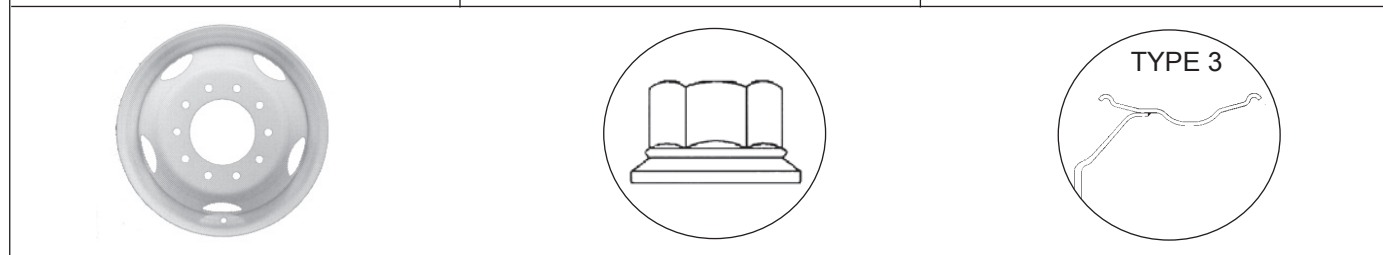
			
BA112225R (1-1/8" droite/right)	NB075150R (3/4" droite/right)	clé wrench	barre de clé wrench handle
BA112225L (1-1/8" gauche/left)	NB075150L (3/4" gauche/left)	TR1 (1-1/8", 1-1/2", 13/16" carré/square)	TR5
BA112225L (1-1/8" gauche/left)	NB112150R (1-1/8" droite/right)		
	NB112150L (1-1/8" gauche/left)		

Dimension pneu Tire dimension	Jante recommandée Recommended rim	Item
10R17.5	17.5X6.75	1
215/75R17.5	17.5X6.75	1
8R17.5	17.5X6.75	1
9R17.5	17.5X6.75	1
11R17.5	17.5X8.25	2







1

10 TROUS 10 HOLES	 8.75" 222.25 mm	 6.25" 158 mm
------------------------------	--	---





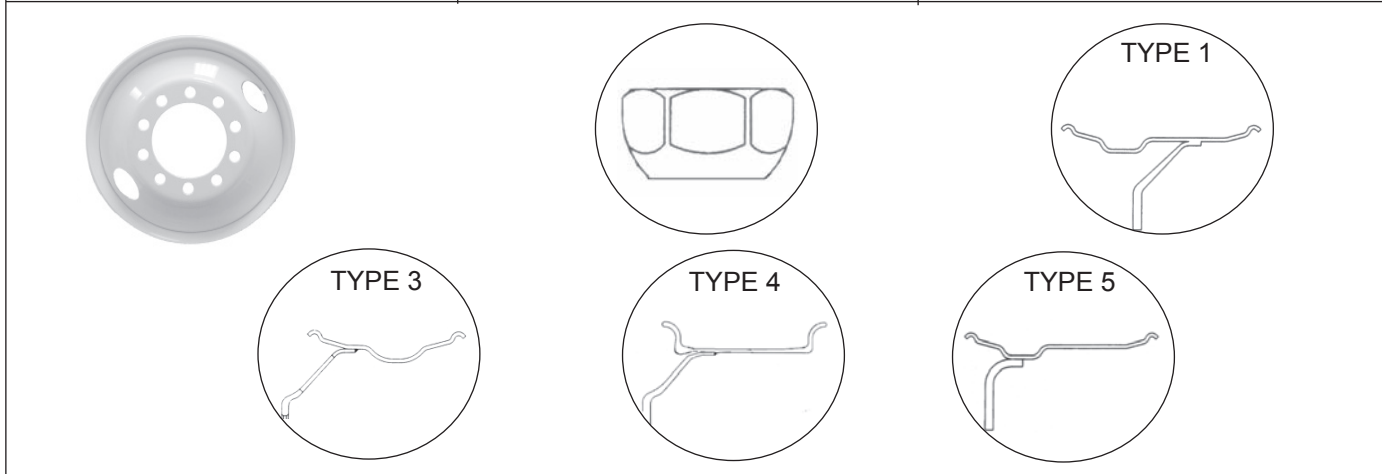
Item	Dimension jante Rim dimension	# Produit Part #	Type	Trous Hand holes	Offset	Disque Disc	Poids Weight	Capacité Capacity	Valve
1	19.5X6.00	X41911	3	5	4.75	.308	46	3500-110	TV500
2	22.5X6.75	10G225675AG	3	5	5.93	.375	71	4675-110	TV500

	 plaque de serrage clamping plate		 barre de clé wrench handle
NCM1427 (14mmX27mm) NC056106A(9/16"X1-1/16") NC063106 (5/8"X1-1/16")	PS10	TR1 (1-1/8", 1-1/2", 13/16" carré/square) TR3 (7/8", 1-1/16")	TR5





Dimension pneu Tire dimension	Jante recommandée Recommended rim	Item
8R19.5	19.5X6.00	1
8R22.5	22.5X6.75	2
9R22.5	22.5X6.75	2
10R22.5	22.5X6.75	2
225/70R19.5	19.5X6.00	1
235/80R22.5	22.5X6.75	2
245/70R19.5	19.5X6.00	1
245/75R22.5	22.5X6.75	2




10 TROUS 10 HOLES	 11.25" 285.75 mm	 8.72" 220 mm
------------------------------	---	---



Item	Dimension jante Rim dimension	# Produit Part #	Type	Trous Hand holes	Offset	Disque Disc	Poids Weight	Capacité Capacity	Valve
1	20X6.50	10B2065A	4	0	6.00	.500	95	4250-95	-----
2	20X7.50	10B2075A	4	0	6.50	.420	104	6610-120	-----
3	20X8.00	10B2080B	4	5	6.88	.420	114	7200-120	-----
4	22.5X6.75	10B225675AG	3	5	5.93	.375	71	5670-120	TV500
5	22.5X7.50	10B225750A	3	2	6.44	.375	76	6610-120	TV500
6	22.5X8.25	10B225825A	3	2	6.62	.437	78	7400-120	TV572
7	22.5X8.25	10B225825CG(HD)	3	2	6.62	.500	90	7800-120	TV572
8	22.5X9.00	10B225900A ⁽¹⁾	3	2	7.00	.625	114	9000-130	TV573
9	22.5X9.00	10B225900B ⁽¹⁾	1	0	3.12	.625	117	9000-130	TV572E19
10	22.5X12.25	10B2251225AG ⁽¹⁾	1	2	0.63	.625	129	10000-105	TV574E26
11	22.5X12.25	10B2251225DG ⁽¹⁾	1	2	5.38	.625	129	10000-105	TV574E26
12	22.5X13.00	10B2251300DG ⁽¹⁾	5	0	5.88	.625	135	10250-110	TV501
13	24.5X8.25	10B245825A	3	2	6.62	.437	90	7300-120	TV573
14	24.5X8.25	10B245825B(HD)	3	2	6.62	.500	97	7800-120	TV573

			
BA112225R (1-1/8" droite/right)	NB075150R (3/4" droite/right) NB075150L (3/4" gauche/left) NB112150R (1-1/8" droite/right) NB112150L (1-1/8" gauche/left)	clé wrench TR1 (1-1/8", 1-1/2", 13/16" carré/square)	barre de clé wrench handle TR5
BA112225L (1-1/8" gauche/left)	NB112175R ⁽¹⁾ (1-1/8" droite/right) NB112175L ⁽¹⁾ (1-1/8" gauche/left)	TR10⁽²⁾ (1-3/4", 15/16" carré/square)	TR11⁽²⁾

- (1) Utiliser NB112175R/NB112175L avec roues 9" de large et +
Use NB112175R/NB112175L with wheels of 9" width or more
- (2) Utiliser TR10 et TR11 ensemble / Use TR10 and TR11 together

 rondelle de protection wheel guard
5901

Voir page 6 pour dimensions de pneu / See page 6 for tire dimensions




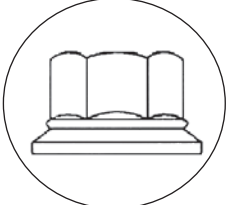
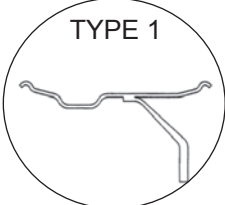
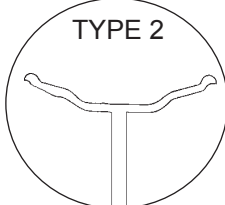
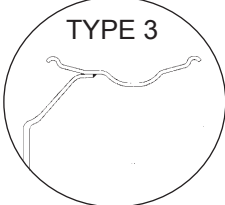


Voir page 5 pour les roues / See page 5 for wheel applications

1

Dimension pneu Tire dimension	Jante recommandée Recommended rim	Item
10.00-20	20X7.50	2
10R22.5	22.5X6.75	4
11.00-20	20X8.00	3
11R22.5	22.5X8.25	6-7
11R24.5	24.5X8.25	13-14
12.00-20	20X8.00	3
12.75R22.5	22.5X9.00	8-9
12R22.5	22.5X8.25	6-7
12R24.5	24.5X8.25	13-14
15R22.5	22.5X12.25	10-11
16.5R22.5	22.5X13.00	12
18R22.5	22.5X13.00	12
225/70R22.5	22.5X7.50	5
235/80R22.5	22.5X6.75	4
245/75R22.5	22.5X7.50	5
255/70R22.5	22.5X8.25	6-7
285/75R24.5	24.5X8.25	13-14
295/75R22.5	22.5X9.00	8-9
295/75R24.5	24.5X8.25	13-14
295/80R22.5	22.5X9.00	8-9
305/70R22.5	22.5X9.00	8-9
305/75R22.5	22.5X9.00	8-9
315/75R22.5	22.5X9.00	8-9
315/80R22.5	22.5X9.00	8-9
385/65R22.5	22.5X12.25	10-11
425/65R22.5	22.5X12.25	10-11
445/65R22.5	22.5X13.00	12
750-20	20X6.50	1
8.25-20	20X6.50	1
8R22.5	22.5X6.75	4
9R22.5	22.5X6.75	4



10 TROUS 10 HOLES	 11.25" 285.75 mm	 8.72" 220 mm		
		TYPE 1 	TYPE 2 	TYPE 3 





Item	Dimension jante Rim dimension	# Produit Part #	Type	Trous Hand holes	Offset	Disque Disc	Poids Weight	Capacité Capacity	Valve
1	19.5X7.50	10C195750A ⁽³⁾	3	5	6.40	.437	65	6700-120	TV54636
2	19.5X8.25	10C195825A ⁽³⁾	3	5	6.62	.437	74	7250-120	TV54636
3	22.5X7.50	10C225750A	3	5	6.44	.375	75	6200-120	TV500
4	22.5X8.25	10C225825A	3	2	6.62	.437	78	7400-120	TV572
5	22.5X8.25	10C225825B(HD)	3	2	6.62	.472	86	7800-120	TV573
6	22.5X8.25	10C225825C	3	5	6.62	.437	76	7400-120	TV573
7	22.5X8.25	10C225825ES	3	10	6.62	.437	76	7400-120	TV572
8	22.5X9.00	10C225900A	3	5	7.00	.625	111	9000-130	TV573
9	22.5X9.00	10C225900B	1	5	5.25	.500	103	10000-130	TV573
10	22.5X12.25	10C2251225A ⁽¹⁾	1	5	4.63	.625	126	10500-120	TV500
11	22.5X12.25	10C2251225B ⁽²⁾	1	5	0.63	.625	122	10500-120	TV574E26
12	22.5X12.25	10C2251225CG ⁽¹⁾	1	5	5.38	.625	125	10500-120	TV574E26
13	22.5X13.00	10C2251300CG	1	5	5.88	.625	127	11000-110	TV574E26
14	22.5X13.00	10C2251300DG ⁽⁴⁾	1	0	5.88	.625	151	12500-125	TV574E26
15	22.5X14.00	10C2251400A	2	5	2.00	.625	126	8540-100	TV574E26
16	24.5X8.25	10C245825A	3	2	6.62	.437	91	7300-120	TV573
17	24.5X8.25	10C245825B(HD)	3	2	6.62	.472	91	8000-120	TV573
18	24.5X8.25	10C245825C	3	5	6.62	.437	88	7200-120	TV573
19	24.5X8.25	10C245825ES	3	10	6.62	.437	84	7300-120	TV573

(1) Application roues arrières / Rear wheel application

(2) Application roues avants / Front wheel application

(3) NCM2030 commun sur 19.5" / NCM2030 commonly found on 19.5"

(4) Jante renforcie / Reinforced rim flanges

	 rondelle de protection wheel guard	 clé wrench	 barre de clé wrench handle
NCM2030 ⁽³⁾ (20mmX30mm)	5903	TR1 (1-1/8", 1-1/2", 13/16" carré/square)	TR5
NCM2233B (22mmX33mm)		32552 (24mm, 33mm)	
NCM2238 (22mmX1-1/2")		TRM3 (27mm, 30mm)	

Voir page 8 pour dimensions de pneu / See page 8 for tire dimensions


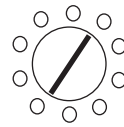


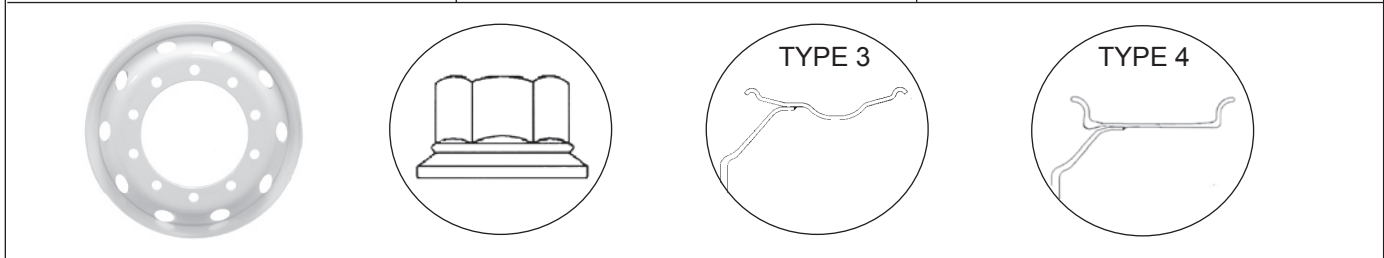
Voir page 7 pour les roues / See page 7 for wheel applications

1





Dimension pneu Tire dimension	Jante recommandée Recommended rim	Item
11R22.5	22.5X8.25	4-5-6-7
11R24.5	24.5X8.25	16-17-18-19
12.75R22.5	22.5X9.00	8-9
12R22.5	22.5X8.25	4-5-6-7
12R24.5	24.5X8.25	16-17-18-19
15R22.5	22.5X12.25	10-11-12
16.5R22.5	22.5X13.00	13-14
18R22.5	22.5X13.00	13-14
225/70R22.5	22.5X7.50	3
245/70R19.5	19.5X7.50	1
245/75R22.5	22.5X7.50	3
255/70R22.5	22.5X8.25	4-5-6-7
285/75R24.5	24.5X8.25	16-17-18-19
295/75R22.5	22.5X9.00	8-9
295/75R24.5	24.5X8.25	16-17-18-19
295/80R22.5	22.5X9.00	8-9
305/70R22.5	22.5X9.00	8-9
305/75R22.5	22.5X9.00	8-9
315/75R22.5	22.5X9.00	8-9
315/80R22.5	22.5X9.00	8-9
385/65R22.5	22.5X12.25	10-11-12
425/65R22.5	22.5X12.25	10-11-12
445/50R22.5	22.5X14.00	15
445/65R22.5	22.5X13.00	13-14



10 TROUS 10 HOLES	 13-3/16" 335 mm	 11.07" 281 mm
------------------------------	--	--



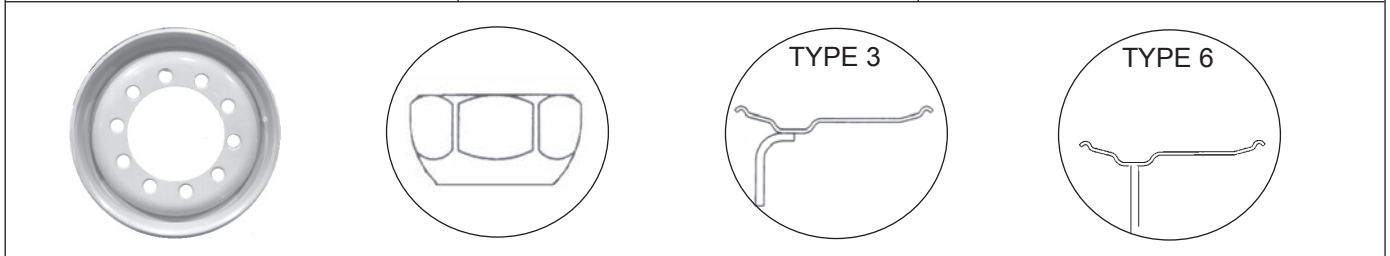
Item	Dimension jante Rim dimension	# Produit Part #	Type	Trous Hand holes	Offset	Disque Disc	Poids Weight	Capacité Capacity	Valve
1	20X7.50	10E2075A	4	10	6.50	.472	108	7000-105	-----
2	22.5X7.50	10E225750A	3	10	6.31	.433	83	6720-120	TV570E14
3	22.5X8.25	10E225825B	3	10	6.69	.500	97	7810-120	90MS27

	 rondelle de protection wheel guard	 clé wrench	 barre de clé wrench handle
NCM2233B (22mmX33mm)	7381	TR1 (1-1/8", 1-1/2", 13/16" carré square)	TR5
NCM2238 (22mmX1-1/2")		32552 (24mm, 33mm)	

Dimension pneu Tire dimension	Jante recommandée Recommended rim	Item
10.00-20	20X7.50	1
11R22.5	22.5X8.25	3
12R22.5	22.5X8.25	3
225/70R22.5	22.5X7.50	2
245/75R22.5	22.5X7.50	2
255/70R22.5	22.5X8.25	3



<p>10 TROUS 10 HOLES</p>	<p>13-3/16" 335 mm</p>	<p>10.69" 281 mm</p>
-------------------------------------	-----------------------------	---------------------------


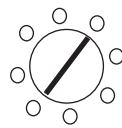


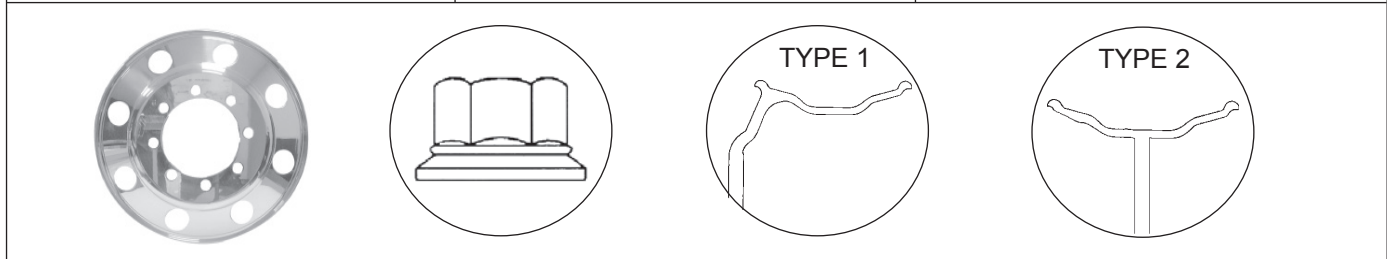
Item	Dimension jante Rim dimension	# Produit Part #	Type	Trous Hand holes	Offset	Disque Disc	Poids Weight	Capacité Capacity	Valve
1	22.5X9.00	10F225900A	6	0	4.00	.625	109	9000-130	TV572
2	22.5X13.00	10F2251300A	3	0	6.12	.625	133	10210-110	TV571
3	22.5X13.00	10F2251300B	6	0	4.25	.625	121	10000-105	TV572

	<p>rondelle de protection wheel guard</p>	<p>clé wrench</p>	<p>barre de clé wrench handle</p>
NB112175R (1-1/8" droite/right)	<p>NON DISPONIBLE NOT AVAILABLE</p>	<p>TR10 (1-3/4")</p>	<p>TR11</p>
NB112175L (1-1/8" gauche/left)			
NB131175R (1-5/16" droite/right)			
NB131175L (1-5/16" gauche/left)			

Dimension pneu Tire dimension	Jante recommandée Recommended rim	Item
12.75R22.5	22.5X9.00	1
16.5R22.5	22.5X13.00	2-3
18R22.5	22.5X13.00	2-3
295/75R22.5	22.5X9.00	1
295/80R22.5	22.5X9.00	1
305/70R22.5	22.5X9.00	1
305/75R22.5	22.5X9.00	1
315/75R22.5	22.5X9.00	1
315/80R22.5	22.5X9.00	1
445/65R22.5	22.5X13.00	2-3



8 TROUS 8 HOLES	 10-13/16" 275 mm	 8.70" 221 mm
----------------------------	---	---







Item	Dimension jante Rim dimension	# Produit *** Part # ***	Type	Offset	Disque Disc	Poids Weight	Capacité Capacity	Valve	# Alcoa *** Alcoa # ***
1	19.5X7.50	ACC29369	1	6.25	.875	39	6700-120	TV545D	773400 ⁽¹⁾
2	22.5X7.50	ACC29329	1	6.45	.935	55	7200-120	TV545D	873400
3	22.5X8.25	ACC29348	1	6.59	.935	55	7300-120	TV545D	883440
4	24.5X8.25	ACC29670	1	6.59	.935	57	7300-120	TV545D	983400

(1) NCM2030 commun sur 19.5" / NCM2030 commonly found on 19.5"

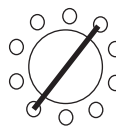
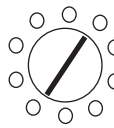

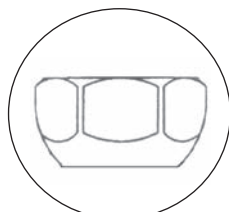
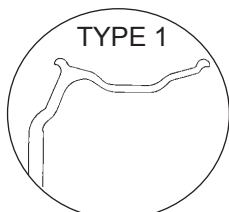
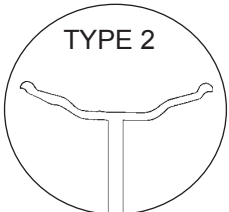
*** Ajouter le suffixe pour obtenir le poli recherché / Add suffix to get proper polish

ANP(0) : non-poli/machine finish AOP(1) : poli-extérieur/outside polish AIP(2) : poli intérieur/inside polish

	 rondelle de protection wheel guard	 clé wrench	 barre de clé wrench handle
NCM2030 (20mmX30mm)⁽¹⁾ NCM2233B (22mmX33mm) NCM2238 (22mmX1-1/2")	7902	TR1 <small>(1-1/8", 1-1/2", 13/16" carré/square)</small> 32552 <small>(24mm, 33mm)</small> TRM3 <small>(27mm, 30mm)</small>	TR5

Dimension pneu Tire dimension	Jante recommandée Recommended rim	Item	Dimension pneu Tire dimension	Jante recommandée Recommended rim	Item
10R22.5	22.5X7.50	2	245/70R19.5	19.5X7.50	1
11R22.5	22.5X8.25	3	245/75R22.5	22.5X7.50	2
11R24.5	24.5X8.25	4	255/70R22.5	22.5X8.25	3
12R22.5	22.5X8.25	3	285/75R24.5	24.5X8.25	4
12R24.5	24.5X8.25	4	295/75R24.5	24.5X8.25	4
225/70R22.5	22.5X7.50	2			








10 TROUS 10 HOLES	 11.25" 285.75 mm	 8.72" 221 mm	
			

2

Item	Dimension jante Rim dimension	# Produit *** Part # ***	Type	Offset	Disque Disc	Poids Weight	Capacité Capacity	Valve	# Alcoa *** Alcoa # ***
1	22.5X7.50	ACC29329	1	6.45	.935	54	7200-120	TV545D	873400
2	22.5X8.25	ACC28615	1	6.59	.935	54	7250-120	TV545D	883110
3	22.5X9.00	ACC28608	1	7.00	.980	60	9000-130	TV545D	893000
4	22.5X12.25	voir Alcoa/see Alcoa	2	0.56	1.12	62	11400-120	TV543E	823000
5	22.5X12.25	voir Alcoa/see Alcoa	1	5.84	1.16	70	11000-120	TV543E	823060
6	24.5X8.25	ACC27599	1	6.59	.910	62	7200-120	TV545D	983120

*** Ajouter le suffixe pour obtenir le poli recherché / Add suffix to get proper polish



ANP(0) : non-poli/machine finish AOP(1) : poli-extérieur/outside polish AIP(2) : poli intérieur/inside polish

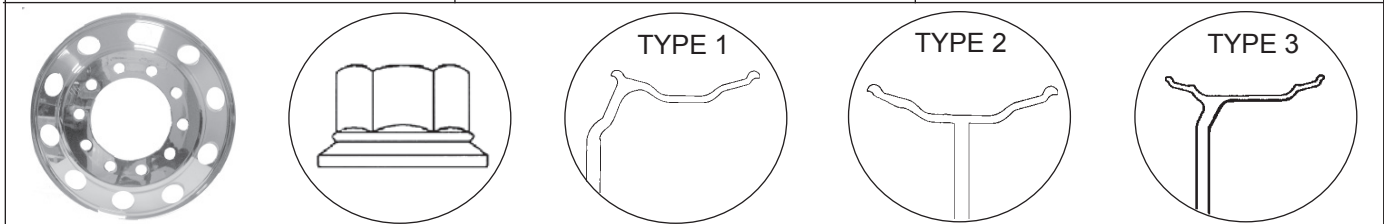
 BA113306RA (1-1/8" droite/right)	 NB112150R (1-1/8" droite/right)	 rondelle de protection wheel guard	 barre de clé wrench handle TR5
BA113306LA (1-1/8" gauche/left)	NB112150L (1-1/8" gauche/left)	5901	 clé wrench TR1 (1-1/8", 1-1/2", 13/16" carré/square)

Dimension pneu Tire dimension	Jante recommandée Recommended rim	Item
11R22.5	22.5X8.25	2
11R24.5	24.5X8.25	6
12.75R22.5	22.5X9.00	3
12R22.5	22.5X8.25	2
12R24.5	24.5X8.25	6
15R22.5	22.5X12.25	4-5
225/70R22.5	22.5X7.50	1
245/75R22.5	22.5X7.50	1
255/70R22.5	22.5X8.25	2

Dimension pneu Tire dimension	Jante recommandée Recommended rim	Item
285/75R24.5	24.5X8.25	6
295/75R22.5	22.5X9.00	3
295/75R24.5	24.5X8.25	6
295/80R22.5	22.5X9.00	3
305/70R22.5	22.5X9.00	3
305/75R22.5	22.5X9.00	3
315/75R22.5	22.5X9.00	3
315/80R22.5	22.5X9.00	3
385/65R22.5	22.5X12.25	4-5
425/65R22.5	22.5X12.25	4-5



10 TROUS 10 HOLES	 11.25" 285.75 mm	 8.72" 220 mm
------------------------------	---	---







Item	Dimension jante Rim dimension	# Produit *** Part # ***	Type	Offset	Disque Disc	Poids Weight	Capacité Capacity	Valve	# Alcoa *** Alcoa # ***
1	19.5X7.50	ACC29685	1	6.25	.875	39	6700-120	TV545D	773620
2	22.5X7.50	ACC28844	1	6.45	.885	55	7300-120	TV545D	873600
3	22.5X8.25	ACC29644	1	6.59	.885	47	7300-120	TV545D	883640
4	22.5X8.25	ACC40008	1	6.66	.970	55	8000-120	TV543C	885600
5	22.5X9.00	ACC29730	1	7.00	.980	62	10000-130	TV545D	893640
6	22.5X12.25	ACC29374	3	5.87	1.125	71	11000-120	TV543E	823640
7	22.5X12.25	ACC29378	2	0.56	1.120	66	11400-120	TV543E	823600
8	22.5X13.00	ACC29376	3	6.37	1.125	73	11000-120	TV543E	833640
9	22.5X14.00	ACC29660	2	2.00	1.125	70	10000-120	TV545E	841600
10	24.5X8.25	ACC29362	1	6.59	.935	55	7300-120	TV545D	983640
11	24.5X8.25	voir Alcoa/see Alcoa	1	6.66	.970	65	8000-120	TV545D	985600

(1) NCM2030 commun sur 19.5" / NCM2030 common on 19.5"



*** Ajouter le suffixe pour obtenir le poli recherché / Add suffix to get proper polish

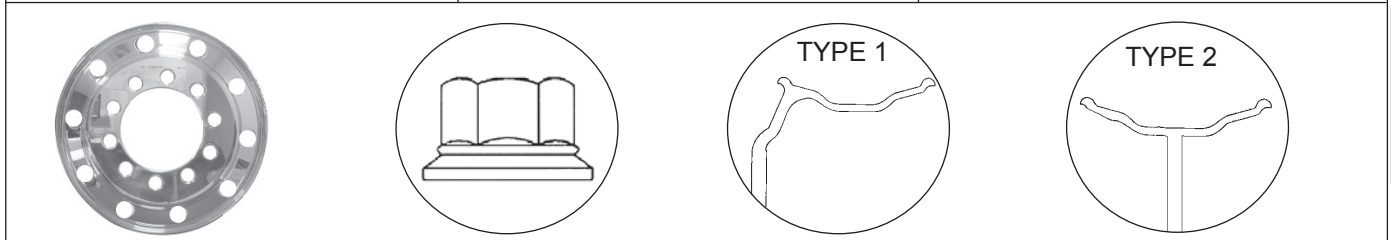
ANP(0) : non-poli/machine finish AOP(1) : poli-extérieur/outside polish AIP(2) : poli intérieur/inside polish

	 rondelle de protection wheel guard	 clé wrench	 barre de clé wrench handle
NCM2030 ⁽¹⁾ (20mmX30mm)	5903	TR1 (1-1/8", 1-1/2", 13/16" carré/square)	TR5
NCM2233B (22mmX33mm)		32552 (24mm, 33mm)	
NCM2238 (22mmX1-1/2")		TRM3 (27mm, 30mm)	

Dimension pneu Tire dimension	Jante recommandée Recommended rim	Item	Dimension pneu Tire dimension	Jante recommandée Recommended rim	Item
10R22.5	22.5X7.50	2	285/75R24.5	24.5X8.25	10-11
11R22.5	22.5X8.25	3-4	295/75R22.5	22.5X9.00	5
11R24.5	24.5X8.25	10-11	295/75R24.5	24.5X8.25	10-11
12.75R22.5	22.5X9.00	5	295/80R22.5	22.5X9.00	5
12R22.5	22.5X8.25	4	305/70R22.5	22.5X9.00	5
12R24.5	24.5X8.25	10-11	305/75R22.5	22.5X9.00	5
15R22.5	22.5X12.25	6-7	315/75R22.5	22.5X9.00	5
16.5R22.5	22.5X13.00	8	315/80R22.5	22.5X9.00	5
18R22.5	22.5X13.00	8	385/65R22.5	22.5X12.25	6-7
225/70R22.5	22.5X7.50	2	425/65R22.5	22.5X12.25	6-7
245/70R19.5	19.5X7.50	1	445/65R22.5	22.5X13.00	8
245/75R22.5	22.5X7.50	2	445/50R22.5	22.5X14.00	9
255/70R22.5	22.5X8.25	3-4			







<p>10 TROUS 10 HOLES</p>	 <p>13-3/16" 335 mm</p>	 <p>11.07" 281 mm</p>
-------------------------------------	--	--



Item	Dimension jante Rim dimension	# Produit *** Part # ***	Type	Offset	Disque Disc	Poids Weight	Capacité Capacity	Valve	# Alcoa *** Alcoa # ***
1	22.5X8.25	ACC29560	1	6.69	.866	54	7830-138	60MS27	886520
2	22.5X9.00	ACC29562	1	6.89	.866	57	8818-123	60MS27	896520
3	22.5X13.00	voir Alcoa/see Alcoa	2	-----	.866	75	11000-120	TV543	833580

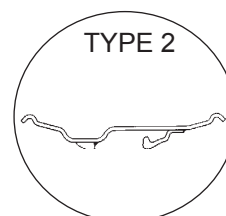
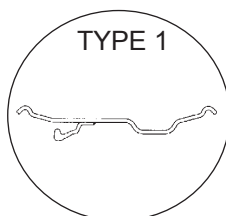
*** Ajouter le suffixe pour obtenir le poli recherché / Add suffix to get proper polish

ANP(0) : non-poli/machine finish AOP(1) : poli-extérieur/outside polish AIP(2) : poli intérieur/inside polish

	 rondelle de protection wheel guard	 clé wrench	 barre de clé wrench handle
NCM2233B (22mmX33mm)	7381	TR1 (1-1/8", 1-1/2", 13/16" carré/square)	TR5
NCM2238 (22mmX1-1/2")		32552 (24mm, 33mm)	

Dimension pneu Tire dimension	Jante recommandée Recommended rim	Item
11R22.5	22.5X8.25	1
12.75R22.5	22.5X9.00	2
12R22.5	22.5X8.25	1
16.5R22.5	22.5X13.00	3
18R22.5	22.5X13.00	3
255/70R22.5	22.5X8.25	1
295/75R22.5	22.5X9.00	2
295/80R22.5	22.5X9.00	2
305/70R22.5	22.5X9.00	2
305/75R22.5	22.5X9.00	2
315/75R22.5	22.5X9.00	2
315/80R22.5	22.5X9.00	2
445/65R22.5	22.5X13.00	3

JANTES SANS CHAMBRE À AIR / TUBELESS RIMS



Item	Dimension jante Rim dimension	# Produit Part #	Type	Offset	Poids Weight	Capacité Capacity	Valve
1	17.5X6.75	175675A	1	3.90	46	4805-125	TV572
2	17.5X8.25	175825AG	1	4.75	55	6040-130	TV573
3	22.5X6.75	225675A	1	3.90	57	4675-110	TV572
4	22.5X7.50	225750A	1	4.26	64	6610-120	TV572
5	22.5X8.25	225825A ⁽¹⁾	1	4.75	69	7300-120	TV573
6	22.5X8.25	225825B ⁽²⁾	1	4.75	69	7300-120	TV573
7	22.5X8.25	225825C (HD)	1	4.75	70	8000-120	TV573
8	22.5X9.00	225900A	1	5.00	87	10000-130	TV574
9	22.5X12.25	2251225A ⁽³⁾	2	0.38	102	10500-115	TV501
10	22.5X12.25	2251225B ⁽⁴⁾	1	4.00	100	9270-115	TV574E13
11	22.5X12.25	2251225C ⁽⁴⁾	1	3.00	100	9270-115	TV574E13
12	22.5X12.25	2251225D ⁽⁴⁾	1	4.75	100	9270-115	TV574E13
13	22.5X13.00	2251300A ⁽⁴⁾	1	3.94	103	10000-105	TV574E13
14	22.5X13.00	2251300C ⁽³⁾	2	0.00	106	10500-110	TV501
15	22.5X13.00	2251300D ⁽³⁾	2	2.75	125	10500-110	TV575
16	22.5X13.00	2251300E ⁽⁴⁾	1	5.62	103	10000-105	TV574E13
17	24.5X8.25	245825A ⁽¹⁾	1	4.75	75	7300-120	TV573
18	24.5X8.25	245825B ⁽²⁾	1	4.75	75	7300-120	TV573
19	24.4X8.25	245825C (HD)	1	4.75	77	8000-120	TV573

(1) Jantes Accuride / Accuride Rim

(2) Jante Hayes Lemmerz (Motorwheel) / Hayes Lemmerz (Motorwheel) rim

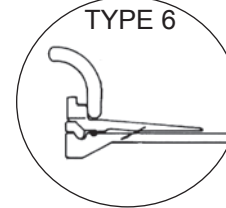
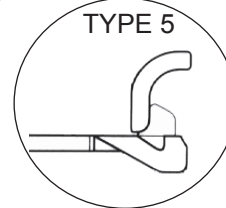
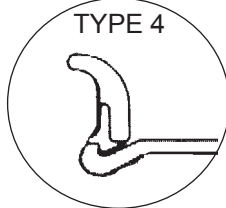
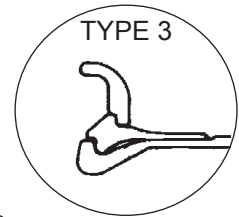
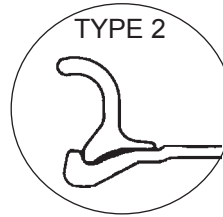
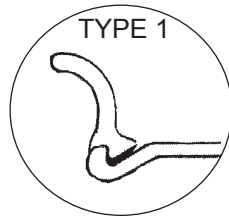
(3) Application roues arrière / Rear wheel application

(4) Application roues avant / Front wheel application

Dimension pneu Tire dimension	Jante recommandée Recommended rim	Item	Dimension pneu Tire dimension	Jante recommandée Recommended rim	Item
8R17.5	17.5X6.75	1	215/75R17.5	17.5X6.75	1
8R22.5	22.5X6.75	3	225/70R22.5	22.5X7.50	4
9R17.5	17.5X6.75	1	235/80R22.5	22.5X6.75	3
9R22.5	22.5X6.75	3	245/75R22.5	22.5X7.50	4
10R17.5	17.5X6.75	1	255/70R22.5	22.5X8.25	5-6-7
10R22.5	22.5X6.75	3	285/75R24.5	24.5X8.25	17-18-19
11R17.5	17.5X8.25	2	295/75R22.5	22.5X9.00	8
11R22.5	22.5X8.25	5-6-7	295/75R24.5	24.5X8.25	17-18-19
11R24.5	24.5X8.25	17-18-19	295/80R22.5	22.5X9.00	8
12.75R22.5	22.5X9.00	8	305/70R22.5	22.5X9.00	8
12R22.5	22.5X8.25	5-6-7	305/75R22.5	22.5X9.00	8
12R24.5	24.5X8.25	17-18-19	315/75R22.5	22.5X9.00	8
15R22.5	22.5X12.25	9-10-11-12	315/80R22.5	22.5X9.00	8
16.5R22.5	22.5X13.00	13-14-15-16	385/65R22.5	22.5X12.25	9-10-11-12
18R22.5	22.5X13.00	13-14-15-16	425/65R22.5	22.5X12.25	9-10-11-12
			445/65R22.5	22.5X13.00	13-14-15-16



JANTES AVEC CHAMBRE A AIR / TUBE TYPE RIMS



Item	# Pièce assemblée # Part assembly	Poids Weight	Composantes / Components		Offset	Capacité Capacity	Type
			# Anneau de coté Side ring	# Anneau d'arrêt Lock ring			
1	1555LWD	34	-----	LR152LW	3.47	3060-105	1
2	1565LWD	37	-----	LR152LW	3.72	4290-105	1
3	1575LWD	52	-----	LR153LW	4.26	5520-105	1
4	2010M2D ⁽¹⁾	117	F1020M	LR20M	5.06	9610-120	4
5	2010MD	116	F1020M	LR20M	6.31	9610-120	4
6	2065LWD	49	-----	LR201LW	3.72	5000-105	1
7	2075FL2	62	-----	LR202FL2	4.75	5430-95	2
8	2075MD	80	F7520M	LR20M	4.75	7200-120	4
9	2075R5	69	SR202R5	LR202R5	4.75	6400-105	3
10	2080LWD	73	-----	LR202LW	4.50	7600-105	1
11	2080R5	80	SR202R5	LR202R5	5.00	7600-105	3
12	2085R5	98	SR203R5	LR203R5	5.30	9000-120	3
13	2090LW	92	-----	LR202LW	5.12	9000-105	1
14	2280LWD	81	-----	LR222LW	4.50	7600-105	1
15	2280R5	88	SR221R5	LR221R5	5.00	7600-105	3
16	2410MD	141	F1024M	LR24M	6.32	9740-120	4
17	2410WID ⁽²⁾	163	-----	-----	6.32	-----	5
18	2480R5	98	SR241R5	LR241R5	5.00	7600-105	3
19	2485MD	119	F7524M	LR24M	5.375	9230-120	4
20	2485R5	118	SR242R5	LR242R5	5.30	8900-120	3
21	2510TDTOPY ^{(2)**}	147	-----	-----	6.02	-----	5
22	2510F0R5 ^{(2)**}	150	S1525	BB25EM+LR255TN	-----	16900-105	6
23	2511F0R5 ^{(2)**}	165	S1525	BB25EM+LR255TN	-----	16900-105	6

** Jante sans tube / Tubeless rim

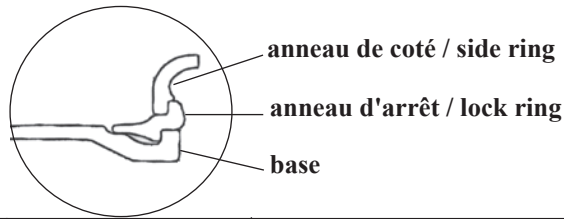
Dimension pneu Tire dimension	Jante recommandée Recommended rim	Item
10.00-15	15X7.50	3
10.00-20	20X7.50	7-8-9
10.00X24	24X8.00	18
11.00X15	15X7.50	3
11.00-20	20X8.00	10-11
11.00-22	22X8.00	14-15
11.00X24	24X8.00	18
12.00-20	20X8.50	12
12.00-24	24X8.50	19-20
13.00-24	24X8.00	18

Dimension pneu Tire dimension	Jante recommandée Recommended rim	Item
13.00-25	25X10.00	21-22
14.00-20	20X10.00	4-5
14.00-24	24X10.00	16-17
14.00-25	25X10.00	21-22
14/80-20	20X10.00	4-5
16.00-24	24X10.00	16-17
16.00-25	25X11.25	23
700-15	15X5.5	1
750-20	20X6.50	6
825X15	15X6.50	2
8.25-20	20X6.50	6

(1) Pour camion Mack / For Mack truck

(2) Pour camions forestiers / For forestry trucks

JANTES 3 MORCEAUX / 3 PIECE RIMS



ITEM	Dimension jante Rim dimension	# Pièce(assemblée) Part #(assembly)	# Anneau de coté Side ring	# Anneau d'arrêt Lock ring	Poids Weight
1	8X3.00	8X30ADV3	SR81ADV	LR81ADV	13.0
2	8X3.25	8X325ADV3	SR81ADV	LR81ADV	10.0
3	8X4.3 3	8X433ADV3	SR82ADV	LR82ADV	18.0
4	8X5.00	8X50ADV3	SR81ADV	LR81ADV	17.0
5	8X7.00	8X70ADV3	SR81ADV	LR81ADV	20.0
6	9X4.00	9X40ADV3	SR9ADV	LR9ADV	19.0
7	9X6.00	9X60ADV3	SR9ADV	LR9ADV	24.0
8	10X5.00	10X50ADV3	SR10ADV	LR10ADV	24.0
9	10X5.50	10X55ADV3	SR10ADV	LR10ADV	25.0
10	10X6.00	10X60ADV3	SR10ADV	LR10ADV	35.0
11	10X6.50	10X65ADV3	SR10ADV	LR10ADV	37.0
12	10X13.0	10X13DV3	SR10ADV	LR10ADV	54.0
13	12X5.00	12X50ADV3	SR12ADV	LR12ADV	35.0
14	12X8.00	12X80ADV3	SR12ADV	LR12ADV	41.0
15	12X9.75	12X975ADV3	SR12ADV	LR12ADV	48.0
16	15X5.50	15X55ADV3	SR15ADV	LR15ADV	53.0
17	15X6.00	15X60ADV3	SR15ADV	LR15ADV	55.0
18	15X6.50	15X65ADV3	SR15ADV	LR15ADV	57.0
19	15X7.00	15X70ADV3	SR15ADV	LR15ADV	59.0
20	15X7.50	15X75ADV3	SR15ADV	LR15ADV	61.0
21	15X8.00	15X80ADV3	SR15ADV	LR15ADV	63.0
22	15X9.75	15X975ADV3	SR15ADV	LR15ADV	71.0
23	15X11.0	15X11ADV3	SR15ADV	LR15ADV	76.0
24	15X13.0	15X13ADV3	SR15ADV	LR15ADV	85.0

Dimension pneu Tire dimension	Jante recommandée Recommended rim	Item
11.00-15	15X7.50	20
12-9.75-15	15X9.75	15
125-5-8	8X4.30	3
15-45-8	8X3.00	1
16-5-8	voir note **/see note **	1 - 5
16-6-8	8X4.33	3
18-7-8	8X4.33	3
2016-06-8	8X4.33	3
2018-07-8	8X4.33	3
2021-08-9	9X6.00	7
21-8-9	9X6.00	7
23-10-12	12X8.00	14
23-9-10	10X6.50	11
250-15	15X7.00	19
28-125-15	15X9.75	22

Dimension pneu Tire dimension	Jante recommandée Recommended rim	Item
28-9-15	15X7.00	19
300-15	15X8.00	21
32-121-15	15X9.75	22
400-8	voir note **/see note **	1 - 5
500-8	voir note **/see note **	1 - 5
600-9	9X4.00	6
650-10	voir note **/see note **	8 - 12
700-12	voir note **/see note **	13
700-15	voir note **/see note **	16
750-10	voir note **/see note **	8 - 12
750-15	voir note **/see note **	16 - 24
815-15	voir note **/see note **	16 - 24
825-15	voir note **/see note **	16 - 24
9.00-10	10X6.50	11
9.00-15	15X7.00	19

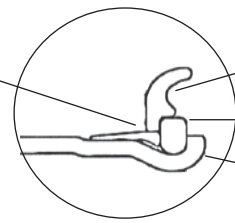
Note ** : Plusieurs possibilités / Many rim widths

Voir page 25 pour dimensions des coeurs / See page 25 for disc specifications

JANTES 4 MORCEAUX / 4 PIECE RIMS



siège de pneu / bead seat



anneau de coté / side ring

anneau d'arrêt / lock ring

base

ITEM	Dimension jante Rim dimension	# Pièce(assemblée) Part #(assembly)	#Anneau de coté Side ring	#Anneau d'arrêt Lock ring	# Siège de pneu # Bead seat	Poids Weight
1	8X3.00	8X30LEM4	SR81LEM	LR81LEM	BSR81	10.0
2	8X4.33	8X433LEM4	SR82LEM	LR82LEM	BSR81	12.0
3	9X4.00	9X40LEM4	SR91LEM	LR91LEM	BSR91	16.0
4	10X5.00	10X50LEM4	SR101LEM	LR101LEM	BSR10	24.0
5	10X6.50	10X65LEM4	SR101LEM	LR101LEM	BSR10	28.0
6	12X5.00	12X50LEM4	SR121LEM	LR121LEM	BSR121	34.0
7	12X8.00	12X80LEM4	SR122LEM	LR122LEM	BSR122	40.0
8	15X5.50	15X55LEM4	SR151LEM	LR15LEM	BSR15	39.0
9	15X6.00	15X60LEM4	SR151LEM	LR15LEM	BSR15	42.0
10	15X6.50	15X65LEM4	SR151LEM	LR15LEM	BSR15	49.0
11	15X7.00	15X70LEM4	SR152LEM	LR15LEM	BSR15	56.0
12	15X8.00	15X80LEM4	SR153LEM	LR153LEM	BSR15	74.0
13	15X9.75	15X975LEM4	SR152LEM	LR15LEM	BSR15	72.0
14	20X6.50	20X65LEM4	SR201LEM	LR201LEM	BSR201	66.0
15	20X7.50	20X75LEM4	SR202LEM	LR202LEM	BSR202	98.0
16	20X8.00	20X80EWP4	SR202EWP	LR203EWP	BSR203EWP	105.0
17	20X8.00	20X80LEM4	SR203LEM	LR202LEM	BSR202	105.0
18	20X8.50	20X85LEM4	SR204LEM	LR202LEM	BSR202	117.0
19	24X8.50	24X85LEM4	SR241LEM	LR241LEM	BSR24	175.0
20	24X10.00	24X10EWP4	SR243EWP	LR243EWP	BSR23EWP	200.0
21	24X10.00	24X10LEM4	SR242LEM	LR242LEM	BSR24	200.0

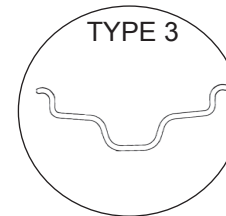
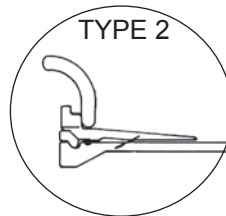
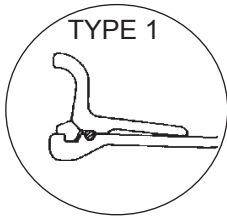
Dimension pneu Tire dimension	Jante recommandée Recommended rim	Item
9.00-15	15X7.00	11
10.00-20	voir note **/see note **	15-18
11.00-20	voir note **/see note **	15-18
12.00-20	voir note **/see note **	16-18
12.00-24	24X8.50	19
125-5-8	8X4.33	2
14.00-24	24X10.00	20-21
15-45-8	8X3.00	1
16-5-8	voir note **/see note **	1-2
16-6-8	8X4.33	2
18-7-8	8X4.33	2
2016-06-8	8X4.33	2
2018-07-8	8X4.33	2
23-10-12	12X8.00	7
23-9-10	10X6.50	5
250-15	15X7.00	11

Dimension pneu Tire dimension	Jante recommandée Recommended rim	Item
28-125-15	15X9.75	13
28-9-15	15X7.00	11
300-15	15X8.00	12
32-121-15	15X9.75	13
400-8	voir note **/see note **	1-2
500-8	voir note **/see note **	1-2
600-9	9X4.00	3
650-10	voir note **/see note **	4-5
700-12	voir note **/see note **	6
700-15	voir note **/see note **	8
750-10	voir note **/see note **	4-5
750-10	voir note **/see note **	4
750-15	voir note **/see note **	8 - 13
815-15	voir note **/see note **	8 - 13
825-15	voir note **/see note **	8 - 13
8.25-20	20X6.50	14
9.00-10	10X6.50	5

Note ** : Plusieurs possibilités / Many rim widths

Voir page 25 pour dimensions des coeurs / See page 25 for disc specifications

JANTES ET COMPOSANTES RIMS AND COMPONENTS



Item	Dimension de la jante Rim dimension	Base non assemblée/none assembly		Anneau de coté Flange			Siège de pneu Bead seat band		Anneau d'arrêt Lock ring		O'ring	T y p e
		# Pièce Part #	Poids Weight	# Pièce Part #	Poids Weight	Qté Qty	# Pièce Part #	Poids Weight	# Pièce Part #	Poids Weight		
1	24X8.00	B8024TGD ⁽¹⁾	57	F8024TG	19	1	-----	-----	LR8024G	5	OR224T	1
2	24X9.00	BGR9024 ⁽²⁾	89	-----	-----	-----	-----	-----	-----	-----	-----	3
3	24X10.00	B1024TGD ⁽¹⁾	100	F1024TG	37	1	-----	-----	LR1024G	5	OR224T	1
4	25X10.00	B1025TD	149.2	F1025T	-----	-----	-----	-----	LR25T	-----	-----	1
5	25X11.25	B1125STND	167	S2025	28	2	BB25STN	58	LR255TN	13	OR325T	2
6	25X12.00	B12025T	95	F8525T	35	1	-----	-----	LR25T	5	OR25T	1
7	25X12.00	BGR1225 ⁽²⁾	103	-----	-----	-----	-----	-----	-----	-----	-----	3
8	25X13.00	B1325STND	194	S2525	45	2	BB25STN	58	LR255TN	13	OR325T	2
9	25X13.00	BGR1325 ⁽²⁾	106	-----	-----	-----	-----	-----	-----	-----	-----	3
10	25X14.00	B14025T	128	F1025T	42	1	-----	-----	LR25T	5	OR25T	1
11	25X14.00	BGR1425 ⁽²⁾	109	-----	-----	-----	-----	-----	-----	-----	-----	3
12	25X15.00	B1525STN	225	S3025	56	2	BB25STN	58	LR255TN	13	OR325T	2
13	25X17.00	B17025T	170	F17025T	55	1	-----	-----	LR25T	5	OR25T	1
14	25X17.00	B1725HTN	252	S2025	28	2	BB25STN	58	LR255TN	13	OR325T	2
15	25X19.50	B1925HTN	284	S2525	45	2	BB25STN	58	LR255TN	13	OR325T	2
16	25X22.00	B2225HTM	309	S3025	56	2	BB25HTM	70	LR255TM	13	OR325T	2
17	25X25.00	B2525HTM	337	S3525	67	2	BB25HTM	70	LR255TM	13	OR325T	2
18	29X25.00	B2529HTHM	409	S3529	78	2	BB29HTM	82	LR295TM	14	OR329T	2
19	33X13.00	B1333HTH	278	S2533	58	2	BB33STG	77	LR335TM	16	OR333T	2
20	33X13.00	B1333RWH	309	S2533	58	2	BB33RTG	111	LR33W	20	OR333T	2
21	33X28.00	B2833HTHM	516	S3533	88	2	BB33HTM	95	LR335TM	16	OR333T	2
22	35X15.00	B1535HTHD	337	S3035	77	2	BB35HTG	99	LR355TM	17	OR335T	2
23	35X17.00	B1735HTHD	377	S3535	93	2	BB35HTG	99	LR355TM	17	OR335T	2
24	35X17.00	B1735RWHD	408	S3535	93	2	BB35RTG	118	LR35W	21	OR335T	2
25	39X28.00	B2839HTH	618	S4039	144	2	BB39HTL	111	LR395TM	19	OR339T	2
26	39X32.00	B3239HTH	684	S4539	165	2	BB39HTL	111	LR395TM	19	OR339T	2
27	45X36.00	B3645HTM	915	S4545	189	2	BB45HTM	128	LR455TM	21	OR345T	2
28	49X17.00	B1749MRWD	620	S3549H	163	2	BB49RTG	165	LR49W	30	OR349T	2
29	49X17.00	B1749RWHD	578	S3549H	163	2	BB49RTG	165	LR49W	30	OR349T	2
30	49X19.50	B1949MRWD	677	S4049	181	2	BB49RTG	165	LR49W	30	OR349T	2
31	49X19.50	B1949RWHD	639	S4049	181	2	BB49RTG	165	LR49W	30	OR349T	2

(1) Commun sur niveleuses / Commonly found on graders

(2) Jante un morceau commune sur niveleuses / One piece rim commonly found on graders

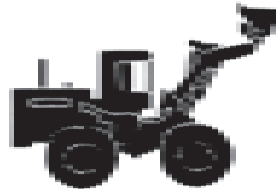
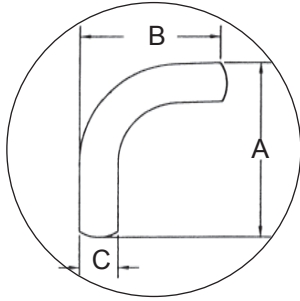
Voir page 25 pour dimensions des coeurs / See page 25 for disc specifications



Dimension pneu Tire dimension	Jante recommandée Recommended rim	Item
10.00-24	24X8.00	1
11.00-24	24X8.00	1
12.00-24	24X8.00	1
13.00-24	24X8.00 et 9.00	1-2
14.00-24	24X8.00 à 10.00	1-2-3
15.5-25	25X12.00	6-7
16.00-24	24X9.00	2
16.00-25	25X11.25	5
17.5-25	25X13.00 / 25X14.00	8-9-10-11
18.00-25	25X13.00	8-9
18.00-33	33X13.00	19-20
20.5-25	25X17.00	13-14
21.00-25	25X15.00	12
21.00-35	35X15.00	22
23.5-25	25X19.50	15
24.00-25	25X17.00	13-14
24.00-35	35X17.00	23-24
24.00-49	49X17.00	28-29
26.5-25	25X22.00	16
27.00-49	49X19.50	30-31
29.5-25	25X25.00	17
29.5-29	29X25.00	18
33.5-33	33X28.00	21
33.5-39	39X28.00	25
35/65-33	33X28.00	21
37.5-39	39X32.00	26
38-39	39X28.00	25
40/65-39	39X32.00	26
45/65-45	45X36.00	27

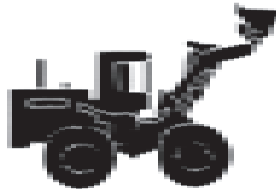
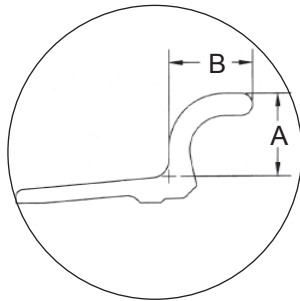
Voir page 19 pour les pneus / See page 19 for wheels application

ANNEAUX DE CÔTÉ / SIDE RINGS



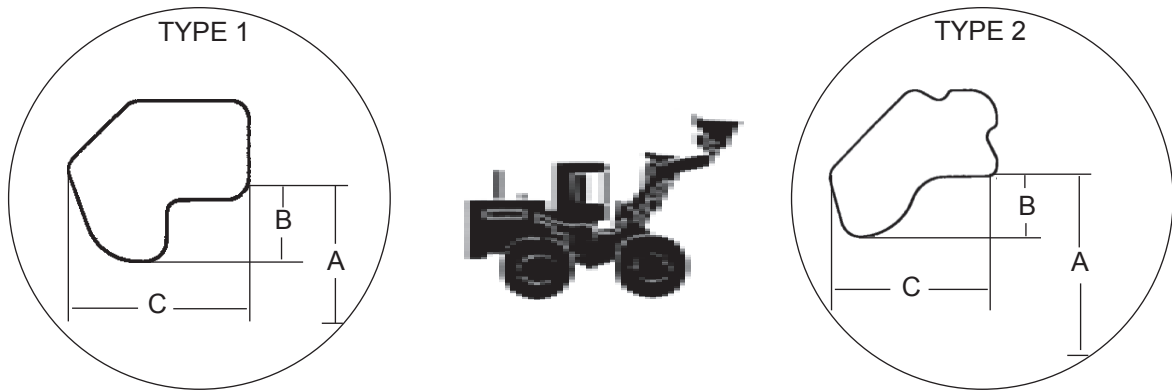
ITEM	# Pièce Part #	Diamètre Diameter	A	B	C	Poids Weight
1	S1525	25	1.5"	1.15"	0.44"	27
2	S2025	25	2.0"	1.25"	0.5"	28
3	S2525	25	2.5"	1.75"	0.63"	45
4	S3025	25	3.0"	2.13"	0.63"	56
5	S3525	25	3.5"	2.25"	0.63"	67
6	S3029	29	3.0"	2.13"	0.63"	64
7	S3529	29	3.5"	2.25"	0.63"	78
8	S2533	33	2.5"	1.75"	0.63"	58
9	S3533	33	3.5"	2.25"	0.63"	88
10	S4033	33	4.0"	2.56"	0.75"	120
11	S4533	33	4.5"	2.88"	0.75"	139
12	S3035	35	3.0"	2.13"	0.63"	77
13	S3535	35	3.5"	2.25"	0.63"	93
14	S4035	35	4.0"	2.56"	0.75"	128
15	S4039	39	4.0"	2.56"	0.75"	144
16	S4539	39	4.5"	2.88"	0.75"	165
17	S4545	45	4.5"	2.88"	0.75"	189
18	S3549H	49	3.5"	2.25"	0.75"	163
19	S4049	49	4.0"	2.81"	0.875"	220

ANNEAUX DE CÔTÉ / SIDE RINGS



ITEM	# Pièce Part #	Diamètre Diameter	A	B	Poids Weight
20	F1024TG	24	1.70"	0.97"	37
21	F8024TG	24	1.41"	0.66"	19
22	F1025T	25	1.50"	1.07"	42
23	F8525T	25	1.30"	1.63"	35
24	F1225TL	25	1.30"	0.97"	32
25	F17025T	25	1.70"	0.97"	55

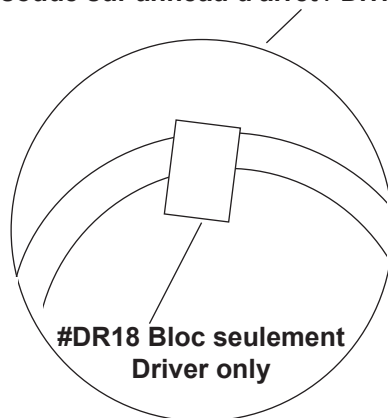
ANNEAUX D'ARRÊT / LOCK RINGS



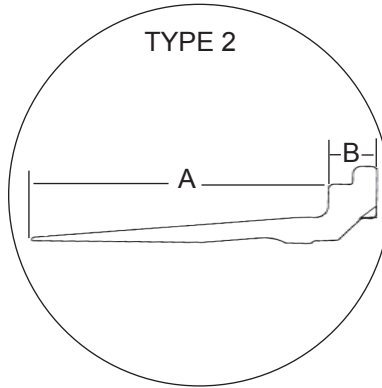
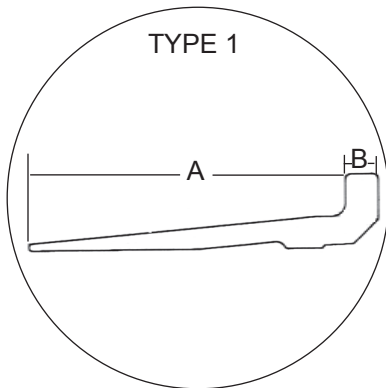
Item Part #	# Pièce Diameter	Diamètre	A	B	C Weight	Poids	Type
1	LR1024G	24	22.9"	0.22"	0.63"	5.25	1
2	LR8024G	24	23.4"	0.22"	0.63"	5.25	1
3	LR255TM	25	23.2"	0.34"	0.97"	12.2	1
4	LR255TN⁽¹⁾	25	23.2"	0.34"	0.97"	13	1
5	LR25T	25	23.6"	0.22"	0.63"	5.42	1
6	LR1225TL	25	24.2"	0.22"	0.63"	5.52	1
7	LR295TM	29	27.2"	0.34"	0.97"	14.2	1
8	LR295TN⁽¹⁾	29	27.2"	0.34"	0.97"	15.2	1
9	LR335TM	33	31.2"	0.34"	0.97"	16.2	1
10	LR33W	33	31.1"	0.38"	1.10"	19.7	2
11	LR355TM	35	33.2"	0.34"	0.97"	17.2	1
12	LR35W	35	33.1"	0.38"	1.10"	20.8	2
13	LR395TM	39	37.4"	0.34"	0.97"	19.4	1
14	LR455TM	45	43.2"	0.34"	0.97"	19.4	1
15	LR49W	49	47.1"	0.38"	1.10"	29.8	2

5

(1) Bloc soudé sur anneau d'arrêt / Driver welded on the lock ring

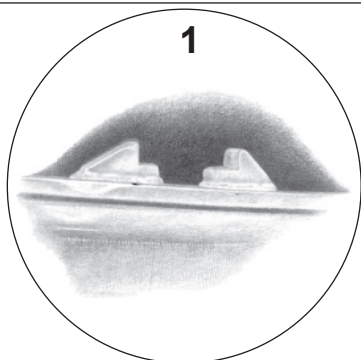


SIÈGES DE PNEU / BEAD SEAT BANDS

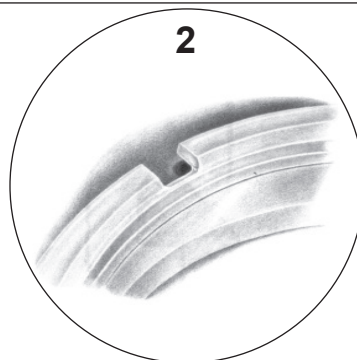


Item	# Produit Part #	Diamètre Diameter	A	B	Type	Type de barrure Driver type	# Clé Key #	Poids Weight
1	BB25EM	25	3.25"	0.75"	-----	aucune - none	-----	50.1
2	BB25STG	25	5.00"	0.56"	1	aucune - none	-----	58.4
3	BB25STN	25	5.00"	0.56"	1	illustration #2	-----	56.9
4	BB25HTM	25	6.31"	0.65"	1	illustration #1	GY31C	71.4
5	BB25HTN	25	6.31"	0.65"	1	illustration #2	-----	70.1
6	BB29HTM	29	6.31"	0.65"	1	illustration #1	GY31C	82.1
7	BB33STG	33	5.00"	0.56"	1	aucune - none	-----	77.0
8	BB33HTM	33	6.31"	0.65"	1	illustration #3	GY31E	94.5
9	BB33RTG	33	6.31"	0.65"	2	aucune - none	-----	110.5
10	BB35HTG	35	6.31"	1.13"	2	aucune - none	-----	89.8
11	BB35HTL	35	6.31"	0.65"	1	illustration #3	GY31E	91.2
12	BB35RTG	35	6.94"	1.13"	2	aucune - none	-----	118.2
13	BB39HTL	39	6.31"	0.65"	1	illustration #3	GY31E	111.0
14	BB39RT1L	39	6.94"	1.13"	2	monster driver	DR48	134.3
15	BB39RTL	39	6.94"	1.13"	2	illustration #3	GY31E	132.6
16	BB45HTM	45	6.31"	0.65"	1	illustration #1	GY31E	128.10
17	BB45RT1L	45	6.94"	1.13"	2	monster driver	DR48	132.5
18	BB49RTG	49	6.94"	1.13"	2	aucune - none	-----	165.10

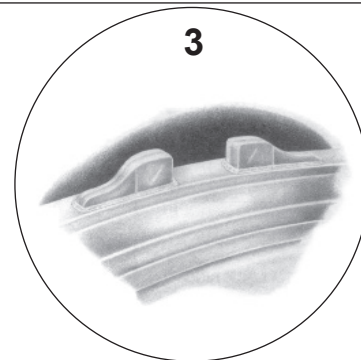
ILLUSTRATIONS DES TYPES DE BARRURE DRIVER TYPE ILLUSTRATIONS



1
STM / HTM
29" de diamètre et moins
29" diameter or less

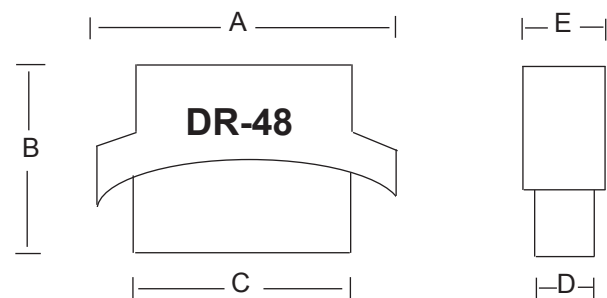
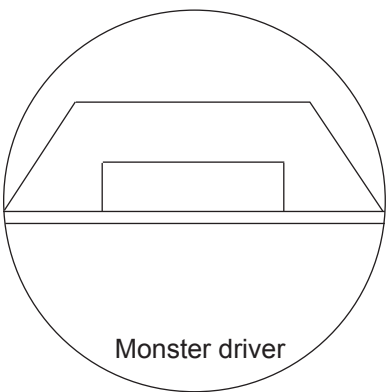
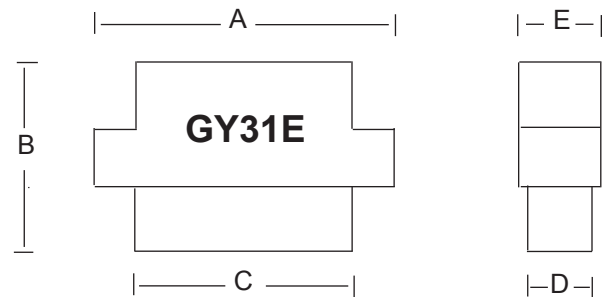
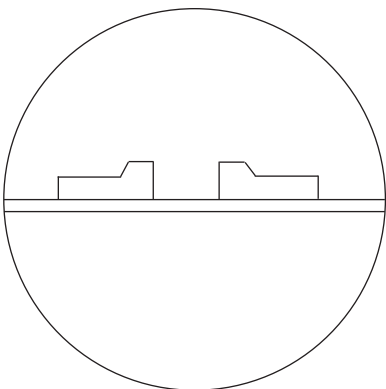
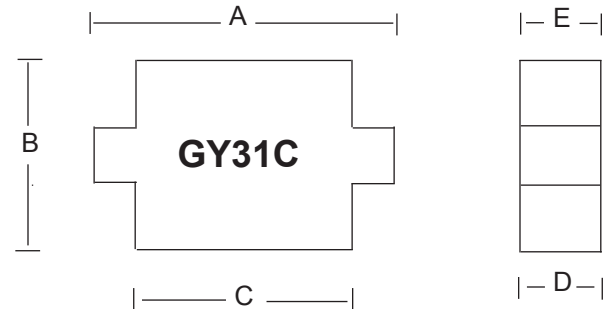
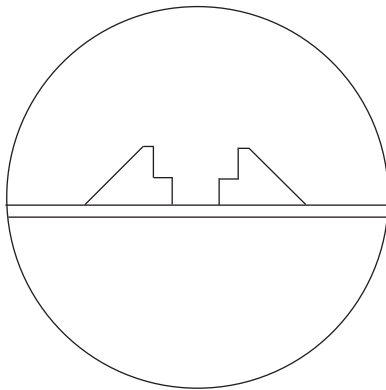


2
STN / HTN



3
RTL / HTL / HTM
33" de diamètre et plus
33" diameter or more

CLÉS POUR SIÈGES DE PNEUS / DRIVER KEYS



5

Item	# Produit Part #	A	B	C	D	E	Poids Weight
1	GY31C	4.06"	2.63"	2.88"	0.63"	0.63	1.2
2	GY31E	4.06"	2.63"	2.88"	0.63"	1.125"	1.9
3	DR48	7.88"	3.06"	5.81"	0.63"	1.125"	4.0



PLAN DE ROUE / WHEEL MEASUREMENTS



TYPE D'ÉQUIPEMENT / EQUIPMENT TYPE

TYPE (ex:loader, grader; fork lift...): _____

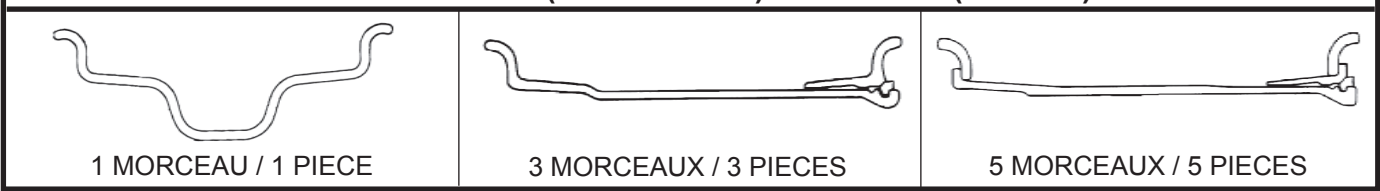
MARQUE / MAKE (ex:Caterpillar; Hyster...): _____

MODÈLE / MODEL (ex:966A): _____

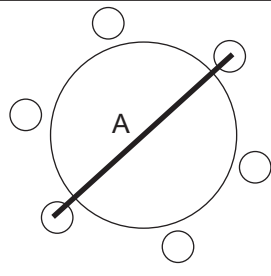
MANUFACTURIER / OEM # (ex:4K6736): _____
 (dans manuel de l'utilisateur / see operator's manual)

DIMENSION DE PNEUS / TIRE SIZE (ex:23.5X25; 12-9.75X15...): _____

TYPE DE JANTE (ENCERCLER) / RIM TYPE (CIRCLE)




INFORMATIONS TECHNIQUES/TECHNICAL INFORMATION

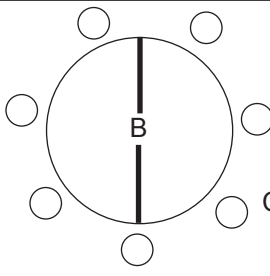


A

DROITS / STRAIGHT




E

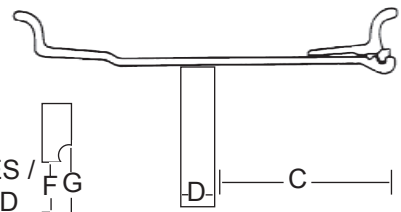


B

CONIQUES / TAPERED



F **G**



D **C**

A) Mesure centre en centre des trous / Bolt circle : _____

B) Mesure du coeur / Pilot diameter : _____

C) Positionnement du coeur (coté d'anneau d'arrêt) / Offset (lock ring side) : _____

D) Épaisseur du coeur / Disc thickness : _____

E) Dimension trous droits / Straight hole dimension : _____

F) Dimension intérieure trous coniques / Inner tapered hole dimension : _____

G) Dimension extérieure trous coniques / Outer tapered hole dimension : _____

H) Nombre de trous / Number of holes : _____

I) Trous également espacés (OUI ou NON) / Equally spaced holes (YES or NO) : _____

NOM DU CLIENT / CUSTOMER NAME : _____

SIGNATURE : _____

DATE : _____

STANDARD TYPE K (ÉPAISSEUR 0.109" / 0.109" THICK)		
DIMENSION	# PIÈCE PART #	POIDS WEIGHT
15X3	MSB3015K	7.0
15X3-3/8	MSB3315K	7.7
15X3-5/8	MSB3515K	8.2
15X4	MSB4015K	8.9
20X3-3/8	MSB3320K	7.4
20X3-5/8	MSB3520K	7.8
20X4	MSB4020K	8.5
20X4-1/4	MSB4220K	8.9
20X4-1/2	MSB4420K	9.5
20X4-3/4	MSB4620K	10.0
22X3-3/8	MSB3322K	8.2
22X3-5/8	MSB3522K	8.7
22X4	MSB4022K	9.5
22X4-1/4	MSB4222K	10.0
22X4-1/2	MSB4422K	10.5
22X4-3/4	MSB4622K	11.0
24X4	MSB4024K	10.5
24X4-1/4	MSB4224K	11.0
24X4-1/2	MSB4424K	11.5
24X4-3/4	MSB4624K	12.0

HEAVY DUTY TYPE R (ÉPAISSEUR 0.188" / 0.188" THICK)		
DIMENSION	# PIÈCE PART #	POIDS WEIGHT
20X3-3/8	MSB3520R	13.8
20X4	MSB4020R	14.6
20X4-1/4	MSB4220R	15.5
20X4-1/2	MSB4420R	16.2
22X3-5/8	MSB3522R	15.5
22X4	MSB4022R	16.2
22X4-1/4	MSB4222R	17.0
22X4-1/2	MSB4422R	17.8

APPLICATION SPECIALE TYPE M (ÉPAISSEUR 0.156" / 0.156" THICK)		
DIMENSION	# PIÈCE PART #	POIDS WEIGHT
20X5-1/8	MSB5120M	15.2
24X4	MSB4024M	14.7
24X4-1/4	MSB4224M	15.5
24X4-1/2	MSB4424M	16.3
24X5-1/8	MSB5124M	18.4
24X5-5/8	MSB5524M	19.5



QUEL ESPACEUR DE ROUES UTILISER POUR LES JANTES SANS CHAMBRE À AIR ?
WHAT SPACER BAND MUST BE USED ON TUBELESS RIMS ?

DIAMÈTRE DE LA JANTÉ SANS CHAMBRE À L'AIR TUBE LESS RIM DIAMETER	UTILISER UN ESPACEUR DE : SPACER BAND OF :
17.5"	15"
22.5"	20"
24.5"	22"

BANDES D'ÉLOIGNEMENT / CHAIN SPACERS



ITEM	DIAMÈTRE DIAMETER	# PIÈCE PART #
1	20"	CS20
2	22"	CS22

Bandes d'éloignement nécessaires lors de l'utilisation de chaînes de traction sur des roues doubles. Permet d'augmenter l'espace entre la roue intérieure et le châssis du véhicule. Les bandes ont 1" de large alors il faut réduire la largeur du crapaud et/ou de l'espaceur de roue de 1" pour récupérer cet espace.

Chain spacers are needed when using tire chains on dual wheel mounting. Chain spacers reduce the space between the inner wheel and the chassis of the vehicle. The chain spacer is 1" wide so it is necessary to reduce the combined width of the wheel clamps and wheel spacer by 1".

VÉRIFICATEUR D'ÉCROUS / WHEEL CHECKS

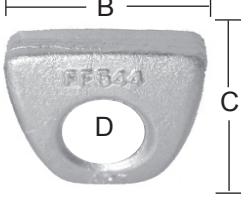
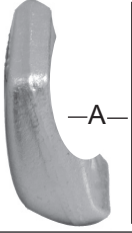
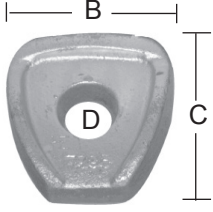
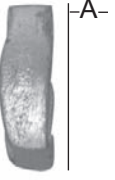
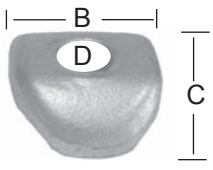
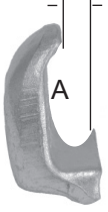
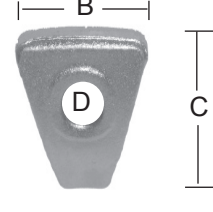

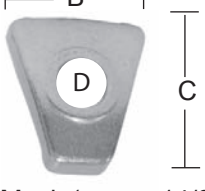

Grandeur écrou nut size	# écrou nut #	# pièce (jaune) ** part # (yellow) **	# pièce (rouge) ** part # (red) **
7/8"	NC056088	WCH04J	WCH04R
1-1/4"	NA075125	WCH07J	WCH07R
1-1/2"	NB112150R/L	WCH01J	WCH01R
33mm	NCM2233B	WCH03J*	WCH03R
38mm	NCM2238	WCH02J	WCH02R
41mm	NBM3041R/L	WCH09J	WCH09R



* **WCH03M** Vérificateur d'écrous haute température / Wheel check high temperature

** **Vendu à l'unité / Unit pack**

CRAPAUDS AVANT / FRONT WHEEL CLAMPS

ITEM	# PIÈCES PART #	GOUJONS STUDS (D)	A	B	C	
 	1	CFA63050	5/8"	1/2"	2"	2"
	2	CFA63063	5/8"	5/8"	2"	2-3/8"
	3	CFA75050	3/4"	1/2"	2"	2-1/2"
	4	CFA75063	3/4"	5/8"	2"	2-1/4"
 	5	CFC75019	3/4"	3/16"	2-1/2"	2-5/8"
	6	CFF63063	5/8"	5/8"	2"	2-1/4"
 	7	CFH75031	3/4"	5/16"	2-5/8"	2-3/4"
	8	CFH75050	3/4"	1/2"	2-1/2"	3-5/8"
	9	CFH75063	3/4"	5/8"	2-1/2"	3-3/8"
 	10	CFJ63056	5/8"	9/16"	1-3/4"	1-13/16"
	11	CFL81050	13/16"	1/2"	2-1/16"	3-7/16"
 	12	CFN81313	13/16"	5/16"	2-1/2"	2-5/8"

Mack

Navistar

Mack (pneus 14/80-20) / Mack (tires 14/80-20)

CRAPAUDS AVANT / FRONT WHEEL CLAMPS

ITEM	# PIÈCES PART #	GOUJONS STUDS (D)	DIMENSIONS		
			A	B	C
1	CFP63038	5/8"	3/8"	2-1/8"	2-13/16"
2	CFP63081	5/8"	13/16"	2-1/8"	2-9/16"
3	CFP75031	3/4"	5/16"	2-1/2"	2-13/16"
4	CFP75063	3/4"	5/8"	2-1/2"	3-3/16"

CRAPAUDS ARRIÈRE / REAR WHEEL CLAMPS

ITEM	# PIÈCES PART #	GOUJONS STUDS (D)	DIMENSIONS		
			A	B	C
5	CRA75106	3/4"	1-1/16"	3"	2-3/8"
6	CRA75112	3/4"	1-1/8"	2-7/8"	2-1/2"
7	CRA75125	3/4"	1-1/4"	2-7/8"	2-1/2"
8	CRA75150	3/4"	1-1/2"	2-7/8"	2-1/2"
9	CRA75175	3/4"	1-3/4"	2-7/8"	2-1/2"
10	CRA75200	3/4"	2"	2-7/8"	2-3/8"

ITEM	# PIÈCES PART #	GOUJONS STUDS (D)	DIMENSIONS		
			A	B	C
11	CRC75112	3/4"	1-1/8"	6"	2-7/16"
12	CRC75131	3/4"	1-5/16"	6"	2-7/16"
13	CRC75144	3/4"	1-7/16"	6-5/8"	2-7/16"
14	CRC75181	3/4"	1-13/16"	6"	2-7/16"

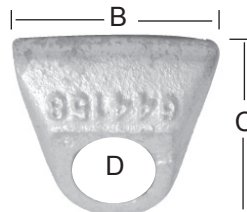

ITEM	# PIÈCES PART #	GOUJONS STUDS (D)	DIMENSIONS		
			A	B	C
15	CRD75138	3/4"	1-3/8"	2-7/8"	2-1/4"


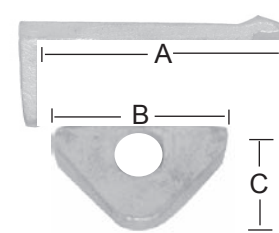
ITEM	# PIÈCES PART #	GOUJONS STUDS (D)	DIMENSIONS		
			A	B	C
16	CRE75106	3/4"	1-1/16"	2-3/8"	1-3/4"
17	CRE75144	3/4"	1-7/16"	2-3/8"	1-13/16"
18	CRE75163	3/4"	1-5/8"	2-1/4"	1-13/16"
19	CRE75181	3/4"	1-13/16"	2-1/4"	1-13/16"

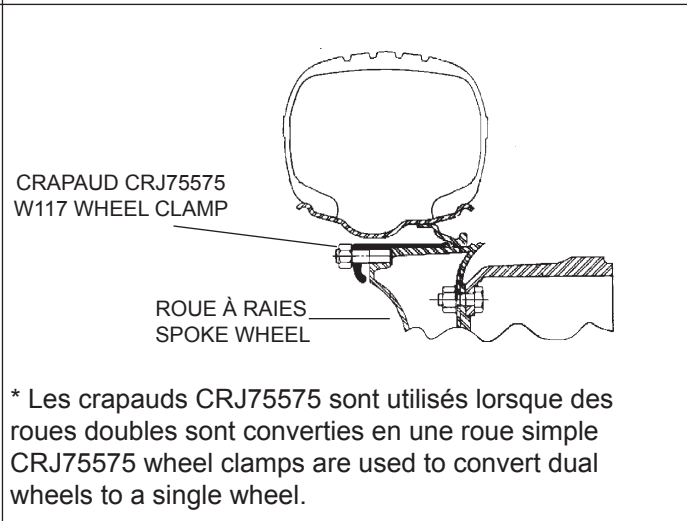
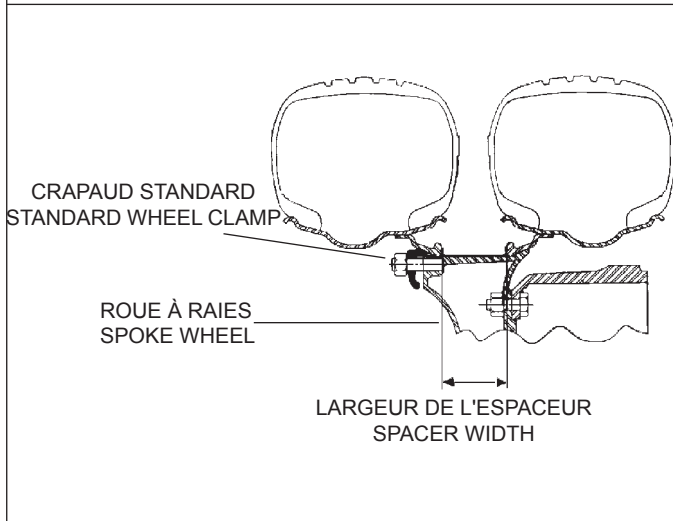
ITEM	# PIÈCES PART #	GOUJONS STUDS (D)	DIMENSIONS		
			A	B	C
20	CRG75112	3/4"	1-1/8"	2-1/2"	2-7/16"
21	CRG75131 ⁽¹⁾	3/4"	1-5/16"	2-1/2"	2-7/16"
22	CRG75150	3/4"	1-1/2"	2-1/2"	2-7/16"
23	CRG75163	3/4"	1-5/8"	2-1/2"	2-7/16"
24	CRG75188	3/4"	1-7/8"	2-1/2"	2-7/16"
25	CRG75212	3/4"	2-1/8"	2-1/2"	2-7/16"
26	CRG75238	3/4"	2-3/8"	2-1/2"	2-7/16"



(1) Commun sur essieux Rockwell 110 000 LBS / Commonly on 110 000 LBS Rockwell axles

CRAPAUDS ARRIÈRE / REAR WHEEL CLAMPS

		ITEM	# PIÈCES PART #	GOUJONS STUDS (D)	A	B	C
		1	CRH75050	3/4"	1/2"	1-7/8"	2"

		ITEM	# PIÈCES PART #	GOUJONS STUDS (D)	A	B	C
		2	CRJ75575*	3/4"	5-3/4"	3-1/4"	2-3/8"

MONTAGE STANDARD / STANDARD MOUNT
**MONTAGE AVEC CRAPAUDS CRJ75575
MOUNTING WITH CRJ75575 WHEEL CLAMPS**

RONDELLES DE PROTECTION / WHEEL GUARDS

 <p>(Épaisseur 0.40" / 0.40" thick)</p>	ITEM	# PIÈCES PARTS #	NOMBRE DE TROUS (dimension) NUMBER OF HOLES (size)	
	3	7902	8 (7/8")	10-13/16"(275mm)
	4	7901	8 (1")	11-1/4" (285mm)
	5	5901	10 (1-1/2")	11-1/4" (285mm)
	6	5903	10 (1")	11-1/4" (285mm)
	7	7381	10 (1")	13-3/16" (335mm)

* Les rondelles de protection sont généralement utilisées pour prévenir l'usure et la corrosion entre deux pièces métalliques. Les rondelles de protection sont faites de nylon et 0.040" d'épaisseur.

















Wheel guards are use to prevent wear and corrosion between two steel or aluminum parts. Wheel guards are made with 0.040" gauge nylon.

ÉCROUS DE ROUES / WHEEL NUTS













ITEM	FILETS THREADS	PHOTO PICTURE	HEXAGONE	HAUTEUR HEIGHT	# PIÈCE PART #
1	7/16"-20		3/4"	9/16"	NB044075
2	7/16"-20	 GM	3/4"	1-1/8"	ND044075
3	7/16"-20		13/16"	1-1/4"	NF044081
4	1/2"-20		13/16"	5/8"	NB050081
5	1/2"-20		3/4"	1-3/8"	NF050075
6	1/2"-20		13/16"	1-3/8"	NF050081
7	1/2"-20	 GM	7/8"	1-1/4"	ND050088
8	9/16"-18		7/8"	5/8"	NC056088
9	9/16"-18	 GM	7/8"	1-1/4"	ND056088
10	9/16"-18		1"	11/16"	NB056100
11	9/16"-18		1-1/16"	3/4"	NC056106A
12	9/16"-18		1-1/16"	1-1/16"	NC056106B
13	5/8"-18		1"	5/8"	NB063100
14	5/8"-11		1-1/16"	5/8"	NA063106

ÉCROUS DE ROUE À RAIE / SPOKE WHEEL NUTS

ÉCROUS DE ROUES / WHEEL NUTS

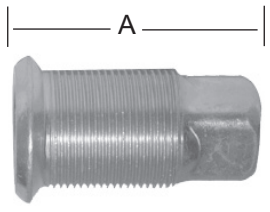






ITEM	FILETS THREADS	PHOTO PICTURE	HEXAGONE	HAUTEUR HEIGHT	# PIÈCE PART #
1	5/8"-18		1-1/16"	1"	NC063106
2	5/8"-18		1-1/8"	1-1/16"	NC063112R(droite/right)
					NC063112L(gauche/left)
3	11/16"-16		1-1/8"	1-1/16"	NC069112
4	3/4"-16		1-1/8"	1-1/16"	NC075112
5	3/4"-16	 AUTOBUS / BUSES	1-3/16"	1-3/8"	NC075119
6	3/4"-10	 ÉCROUS DE ROUE À RAIE / SPOKE WHEEL NUTS	1-1/4"	3/4"	NA075125
7	3/4"-16		1-1/2"	7/8"	NB075150R(droite/right)
					NB075150L(gauche/left)
8	7/8"-14	 AUTOBUS / BUSES	1-1/2"	15/16"	NC087150A
9	7/8"-14	 AUTOBUS / BUSES	1-1/2"	1-3/8"	NC087150B
10	15/16"-12		1-3/4"	1-3/8"	NB094175R(droite/right)
					NB094175L(gauche/left)
11	1-1/8"-16		1-1/2"	7/8"	NB112150R(droite/right)
					NB112150L(gauche/left)
12	1-1/8"-16		1-3/4"	1"	NB112175R(droite/right)
					NB112175L(gauche/left)
13	1-5/16"-12	 HEAVY DUTY MOUNTING	1-3/4"	1-3/8"	NB131175R(droite/right)
					NB131175L(gauche/left)
14	M10 X 1.25		17mm (11/16")	21mm (13/16")	NFM1017
15	M12 X 1.25		19mm (3/4")	16mm (5/8")	NFM12S19
16	M12 X 1.25		21mm (13/16")	16mm (5/8")	NBM12S21

ÉCROUS DE ROUES / WHEEL NUTS

ITEM	FILETS THREADS	PHOTO PICTURE	HEXAGONE	HAUTEUR HEIGHT	# PIÈCE PART #
1	M12 X 1.5		19mm (3/4")	16mm (5/8")	NBM1219
2	M12 X 1.5		19mm (3/4")	35mm (1-3/8")	NFM1219
3	M12 X 1.5		19mm (3/4")	35mm (1-3/8")	NEM1219
4	M12 X 1.5		21mm (13/16")	35mm (1-3/8")	NFM1221
5	M12 X 1.5		21mm (13/16")	16mm (5/8")	NBM1221
6	M12 X 1.5	 GM	19mm (3/4")	32mm (1-1/4")	NDM1219
7	M14 X 1.5	 GM	22mm (7/8")	28mm (1-1/8")	NDM1222
8	M14 X 1.5		19mm (3/4")	35mm (1-3/8")	NFM1419
9	M14 X 1.5	 GM	22mm (7/8")	38mm (1-1/4")	NDM1422
10	M14 X 1.5		27mm	34mm	NCM1427
11	M20 X 1.5		30mm (1-3/16")	32mm (1-1/4")	NCM2030
12	M22 X 1.5		33mm (1-3/16")	26mm (1-1/32")	NCM2233A
13	M22 X 1.5		33mm (1-3/16")	32mm (1-1/4")	NCM2233B
14	M22 X 1.5		33mm (1-3/16")	33mm (1-1/4")	NCM2233C
15	M22 X 1.5		38mm (1-1/2")	35mm (1-3/8")	NCM2238
16	M30 X 1.5		41mm (1-5/8")	25mm (1")	NBM3041R(droite/right)
					NBM3041L(gauche/left)

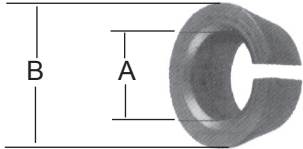
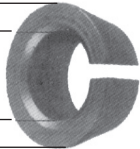
7

BOUEILLES / INNER NUTS

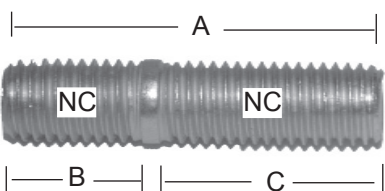
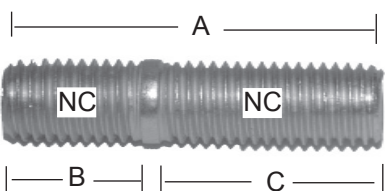
		ITEM	# PIÈCE PART #	FILETS INTÉRIEURS INNER THREADS	FILETS EXTÉRIEURS OUTER THREADS	A
		 (1-1/8") Item 1-2-3-4	NB112150R (droite/right) NB112150L (gauche/left) NB112175R⁽¹⁾(droite/right) NB112175L⁽¹⁾(gauche/left)	3	BA112225R(droite/right)	3/4"-16 pour roues doubles aciers/for dual steel wheels
BA112225L(gauche/left)						
 (1-5/16") Item 5	NB131175R (droite/right) NB131175L (gauche/left)	4	BA112256R(droite/right)	3/4"-16 pour roues doubles aciers/for dual steel wheels	1-1/8"-16	2-9/16"
			BA112256L(gauche/left)			
 (30mm) Item 6	NB12306RA(droite/right) NB12306LA(gauche/left) BA112306RB(droite/right) BA112306LB(gauche/left)	5	BA112306RA(droite/right)	3/4"-16 pour roues doubles aluminium/for dual aluminium wheels	1-1/8"-16	3-1/16"
			BA112306LA(gauche/left)			
 (30mm) Item 6	NB131175R (droite/right) NB131175L (gauche/left)	6	BA12306RB(droite/right)	3/4"-16 pour roues doubles aciers/for dual steel wheels	1-1/8"-16	3-1/16"
			BA12306LB(gauche/left)			
 (30mm) Item 6	NB131175R (droite/right) NB131175L (gauche/left)	5	BA131300R(droite/right)	15/16"-12	1-5/16"-12	3"
			BA131300L(gauche/left)			
 (30mm) Item 6	NBM3041R (droite/right) NBM3041L (gauche/left)	6	BAM3076R(droite/right)	20mm	30mm	76mm
			BAM3076L(gauche/left)			

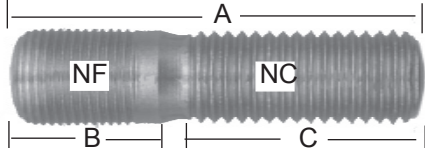
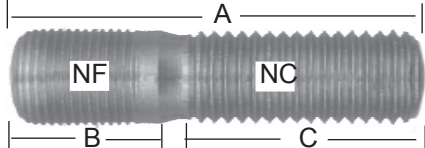
(1) Roues 9" de large et plus / Wheels 9" wide or more

DOUILLES DE COUVERTS D'ENTRAÎNEMENT / DOWELLS

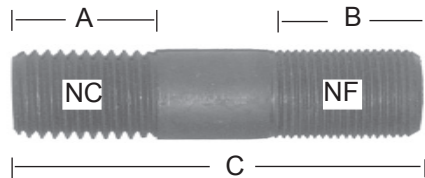
		ITEM	# PIÈCE PART #	A	B	HAUTEUR HEIGHT
			7	DC044075	7/16"	3/4"
8	DC050081		1/2"	13/16"	13/32"	
9	DC056088		9/16"	7/8"	13/32"	
10	DC062100		5/8"	1"	1/2"	
11	DC075112		3/4"	1-1/8"	1/2"	

GOUJONS DE JANTES / SPOKE WHEEL STUDS

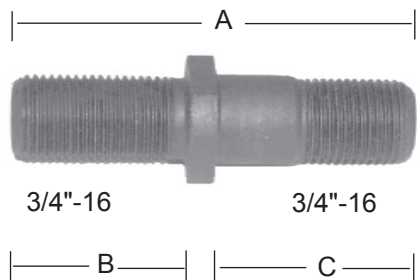
		ITEM	# PIÈCE PART #	FILETS THREADS	A	B	C
			12	SA062238	5/8"-11	2-3/8"	7/8"
13	SA062275		5/8"-11	2-3/4"	7/8"	1-11/16"	
14	SA062325		5/8"-11	3-1/4"	7/8"	1-7/8"	
15	SA075288		3/4"-10	2-7/8"	7/8"	1-11/16"	
16	SA075312		3/4"-10	3-1/8"	1-1/16"	1-7/8"	
17	SA075356		3/4"-10	3-9/16"	1-5/8"	1-5/8"	
18	SA075363		3/4"-10	3-5/8"	1-1/16"	2-3/8"	
19	SA075400		3/4"-10	4"	1-1/16"	2-3/4"	

		ITEM	# PIÈCE PART #	FILETS THREADS	A	B	C
			20	SB075288	3/4"-10	2-7/8"	7/8"
3/4"-16							

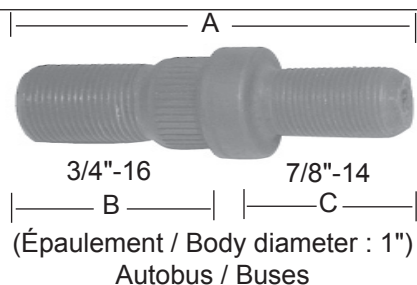
ITEM	# PIÈCE PART #	FILETS	A	FILETS	B	LONGUEUR LENGTH (C)
		THREADS (NC)		THREADS (NF)		
1	SC043212	7/16"-14	9/16"	7/16"-20	15/16"	2-1/8"
2	SC050200	1/2"-13	11/16"	1/2"-20	1-1/16"	2"
3	SC050238	1/2"-13	13/16"	1/2"-20	7/8"	2-3/8"
4	SC050250	1/2"-13	13/16"	1/2"-20	1-3/16"	2-1/2"
5	SC050275	1/2"-13	15/16"	1/2"-20	1-7/16"	2-3/4"
6	SC050300	1/2"-13	15/16"	1/2"-20	1-3/4"	3"
7	SC056250	9/16"-12	7/8"	9/16"-18	1-1/4"	2-1/2"
8	SC056325	9/16"-12	15/16"	9/16"-18	1-15/16"	3-1/4"
9	SC063263	5/8"-11	15/16"	5/8"-18	1-1/4"	2-5/8"
10	SC063275	5/8"-11	1"	5/8"-18	1"	2-3/4"
11	SC063288	5/8"-11	15/16"	5/8"-18	1"	2-7/8"
12	SC063306	5/8"-11	1-1/8"	5/8"-18	1-1/16"	3-1/16"
13	SC063325	5/8"-11	15/16"	5/8"-18	1"	3-1/4"
14	SC063350	5/8"-11	7/8"	5/8"-18	2-1/4"	3-1/2"
15	SC063369	5/8"-11	1-9/16"	5/8"-18	1-1/8"	3-11/16"
16	SC075325	3/4"-10	1-1/8"	3/4"-16	1-1/4"	3-1/4"
17	SC075375	3/4"-10	1-1/8"	3/4"-16	1-5/8"	3-3/4"
18	SC088294	7/8"-14	1-1/4"	7/8"-14	1-1/8"	2-15/16"

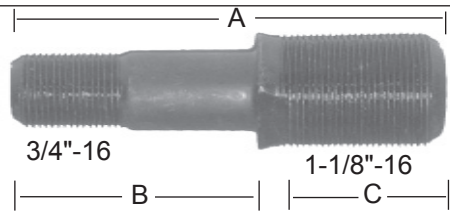


ITEM	# PIÈCE PART #	A	B	C
19	SD312R(droite/right)	3-1/8"	1-5/16"	1-5/8"
	SD312L(gauche/left)			
20	SD356R(droite/right)	3-9/16"	1-5/16"	2-1/16"
	SD356L(gauche/left)			
21	SD375R(droite/right)	3-3/4"	1-5/16"	2-3/16"
	SD375L(gauche/left)			
22	SD400R(droite/right)	4"	1-5/16"	2-1/2"
	SD400L(gauche/left)			
23	SD425R(droite/right)	4-1/4"	1-5/16"	2-11/16"
	SD425L(gauche/left)			
24	SD450R(droite/right)	4-1/2"	1-5/16"	3"
	SD450L(gauche/left)			
25	SD488R(droite/right)	4-7/8"	1-5/16"	3-5/16"
	SD488L(gauche/left)			
26	SD500R(droite/right)	5"	1-5/16"	3-1/2"
	SD500L(gauche/left)			

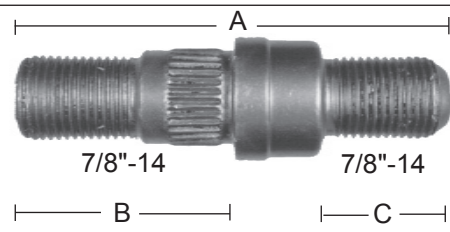


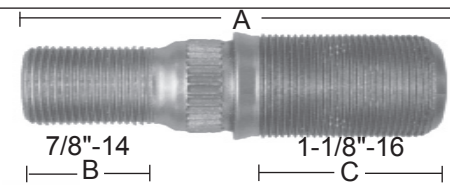
ITEM	# PIÈCE PART #	A	B	C
27	SE400R(droite/right)	4"	2-1/8"	1-7/16"
	SE400L(gauche/left)			



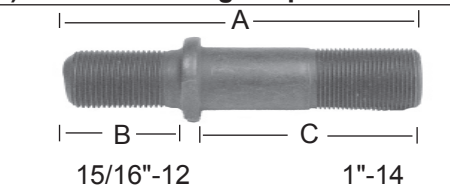
		ITEM	# PIÈCE PART #	A	B	C
3/4"-16	1-1/8"-16	1	SF319R(droite/right)	3-3/16"	1-5/8"	1-7/16"
			SF319L(gauche/left)			
B	C	2	SF394R(droite/right)	3-15/16"	2-1/16"	1-11/16"
			SF394L(gauche/left)			
(3/4")	(1-1/8")	3	SF425R(droite/right)	4-1/4"	2-7/16"	1-5/8"
#SLNF 3/4	NB112150R (droite/right) NB112150L (gauche/left)		SF425L(gauche/left)			
4	NB112175R ⁽¹⁾ (droite/right) NB112175L ⁽¹⁾ (gauche/left)	4	SF456R(droite/right)	4-9/16"	2-3/4"	1-1/2"
			SF456L(gauche/left)			

(1) Roues 9" de large et plus / Wheels 9" wide or more

		ITEM	# PIÈCE PART #	A	B	C
7/8"-14	7/8"-14	5	SG500	5"	2-13/16"	1-7/8"
B	C	(Épaulement / Body diameter : 1") Autobus / Buses				

		ITEM	# PIÈCE PART #	A	B	C
7/8"-14	1-1/8"-16	6	SJ400R(droite/right)	4"	1-1/8"	1-3/4"
B	C		SJ400L(gauche/left)			
(7/8")	(1-1/8")	7	SJ538R(droite/right)	5-3/8"	1-1/2"	1-1/2"
#SLNF 7/8	NB112150R (droite/right) NB112150L (gauche/left) NB112175R ⁽¹⁾ (droite/right) NB112175L ⁽¹⁾ (gauche/left)		SJ538L(gauche/left)			

(1) Roues 9" de large et plus / Wheels 9" wide or more

		ITEM	# PIÈCE PART #	A	B	C
15/16"-12	1"-14	8	SK563R(droite/right)	5-5/8"	3-1/2"	1-9/16"
B	C		SK563L(gauche/left)			

		ITEM	# PIÈCE PART #	A	B	C
1"-14	1-5/16"-12	9	SL494R(droite/right)	4-15/16"	2-11/16"	2-1/8"
B	C		SL494L(gauche/left)			
(1")	(1-5/16")	10	SL563R(droite/right)	5-5/8"	3-3/8"	2-1/8"
#SLNF1	NB131175R (droite/right) NB131175L (gauche/left)		SL563L(gauche/left)			

PIÈCES DE ROUES / WHEEL PARTS



	ITEM	# PIÈCE PART #	FILETS THREADS	A
	1	TA062112	5/8"-11	1-1/8"
	2	TA075218	3/4"-10	2-3/16"

<p>9/16"-18 GMC (Épaulement / Body diameter: 0.606")</p>	ITEM	# PIÈCE PART #	A	B	C
	3	TB300	3"	1-3/16"	1-1/4"
	4	TB350	3-1/2"	1-3/16"	1-5/8"
	5	TB360	3-19/32"	1-1/4"	2"

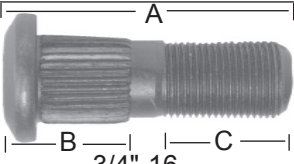
<p>9/16"-18 Ford</p>	ITEM	# PIÈCE PART #	A	B	C
	6	TC281R(droite/right)	2-13/16"	1-1/8"	1-9/16"
		TC281L(gauche/left)			
	7	TC338R(droite/right)	3-3/8"	1"	2-1/4"
TC338L(gauche/left)					

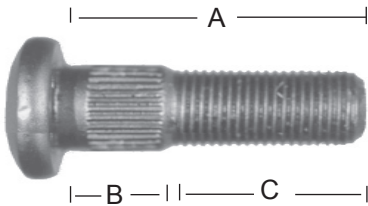
<p>5/8"-18 (Épaulement / Body diameter: 0.624")</p>	ITEM	# PIÈCE PART #	A	B	C
	8	TD213R(droite/right)	2-1/8"	13/16"	5/8"
		TD213L(gauche/left)			
	9	TD244R(droite/right)	2-7/16"	13/16"	1-5/8"
TD244L(gauche/left)					

<p>5/8"-18</p>	ITEM	# PIÈCE PART #	A	B	C
	10	TE294R(droite/right)	2-15/16"	15/16"	1-11/16"
TE294L(gauche/left)					

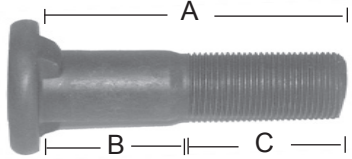
<p>11/16"-16 GMC (Épaulement / Body diameter: 0.730")</p>	ITEM	# PIÈCE PART #	A	B	C
	11	TF263	2-5/8"	1"	1-1/8"
<p>(11/16")</p>	12	TF325	3-1/4"	1"	1-3/8"
		NC069112			

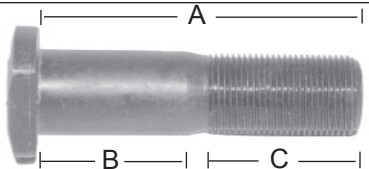
7

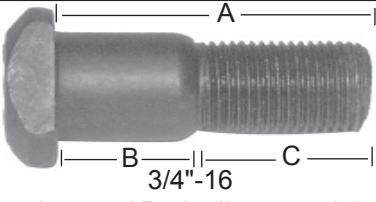





 <p>3/4"-16 (Épaulement / Body diameter : 0.745")</p>	ITEM	# PIÈCE PART #	A	B	C
	1	TG250R(droite/right) TG250L(gauche/left)	2-1/2"	1-1/4"	1-1/4"

 <p>3/4"-16 (Épaulement / Body diameter : 0.783")</p>	ITEM	# PÈCE PART #	A	B	C
	2	TH212R(droite/right) TH212L(gauche/left)	2-1/8"	3/4"	1-1/4"
		3	TH238R(droite/right) TH238L(gauche/left)	2-3/8"	1"
	4		TH250R(droite/right) TH250L(gauche/left)	2-1/2"	3/4"
		5	TH263R(droite/right) TH263L(gauche/left)	2-5/8"	1-1/4"
	6		TH269R(droite/right) TH269L(gauche/left)	2-11/16"	1"
		7	TH288R(droite/right) TH288L(gauche/left)	2-7/8"	1-1/2"
	8		TH294R(droite/right) TH294L(gauche/left)	2-15/16"	1-5/16"
		9	TH312R(droite/right) TH312L(gauche/left)	3-1/8"	1-3/4"
	10		TH338AR(droite/right) TH338AL(gauche/left)	3-3/8"	1-1/4"
		11	TH338BR(droite/right) TH338BL(gauche/left)	3-3/8"	2"
	12		TH363R(droite/right) TH363L(gauche/left)	3-5/8"	2-1/4"
		13	TH388R(droite/right) TH388L(gauche/left)	3-7/8"	2-1/2"
	14		TH412R(droite/right) TH412L(gauche/left)	4-1/8"	2-3/4"

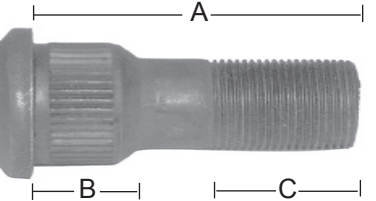





(1) Roues 9" de large et plus / Wheels 9" wide or more

 <p>3/4"-16 (Épaulement / Body diameter: 0.786")</p>	ITEM	# PIÈCE PART #	A	B	C
	15	TJ338R(droite/right) TJ338L(gauche/left)	3-3/8"	1-7/16"	1-5/8"

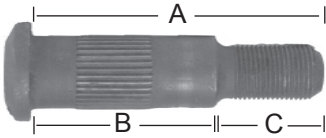
 <p>3/4"-16 (Épaulement / Body diameter: 0.785")</p>	ITEM	# PIÈCE PART #	A	B	C
	16	TK350R(droite/right) TK350L(gauche/left)	3-1/2"	1-9/16"	1-5/8"
		17	TK381R(droite/right) TK381L(gauche/left)	3-25/32"	1-9/16"

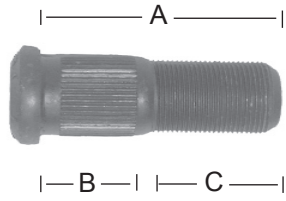


		ITEM	# PIÈCE PART #	A	B	C
		1	TL200R(droite/right)	2"	3/4"	7/8"
			TL200L(gauche/left)			
 (3/4")	NB075150R(droite/right) NB075150L(gauche/left)	2	TL225R(droite/right)	2-1/4"	1"	7/8"
			TL225L(gauche/left)			
 (1-1/8")	NB112150R(droite/right) NB112150L(gauche/left)	3	TL238R(droite/right)	2-3/8"	15/16"	1-1/8"
 (1-1/8") ⁽¹⁾	NB112175R⁽¹⁾(droite/right) NB112175L⁽¹⁾(gauche/left)	4	TL250R(droite/right)	2-1/2"	1-5/8"	1-5/16"
 (acier/steel)	BA112225R(droite/right) BA112225L(gauche/left)					
 (aluminium/aluminum)	BA112306RA(droite/right) BA112306LA(gauche/left)					

(1) Roues 9" de large et plus / Wheels 9" wide or more

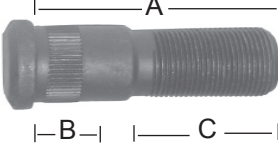

		ITEM	# PIÈCE PART #	A	B	C
		5	TM238R(droite/right)	2-3/8"	13/16"	1-1/8"
			TM238L(gauche/left)			
		6	TM256R(droite/right)	2-9/16"	3/4"	1-3/8"
			TM256L(gauche/left)			
		7	TM275R(droite/right)	2-3/4"	13/16"	1-1/8"
			TM275L(gauche/left)			
		8	TM275BR(droite/right)	2-3/4"	3/4"	1-7/16"
			TM275BL(gauche/left)			
		9	TM281R(droite/right)	2-13/16"	1-3/16"	1-1/8"
			TM281L(gauche/left)			
		10	TM300R(droite/right)	3"	1-3/16"	1-1/4"
			TM300L(gauche/left)			
		11	TM312AR(droite/right)	3-1/8"	13/16"	1-5/16"
			TM312AL(gauche/left)			
 (3/4")	NB075150R(droite/right) NB075150L(gauche/left)	12	TM312BR(droite/right)	3-1/8"	1-3/8"	1-1/4"
 (1-1/8")	NB112150R(droite/right) NB112150L(gauche/left)	13	TM318R(droite/right)	3-3/16"	25/32"	1-5/8"
 (1-1/8") ⁽¹⁾	NB112175R⁽¹⁾(droite/right) NB112175L⁽¹⁾(gauche/left)	14	TM338R(droite/right)	3-3/8"	1-3/8"	1-1/8"
 (acier/steel)	BA112225R(droite/right) BA112225L(gauche/left)	15	TM375R(droite/right)	3-3/4"	1-3/8"	2-1/4"
 (aluminium/aluminum)	BA112306RA(droite/right) BA112306LA(gauche/left)					

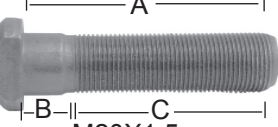

(1) Roues 9" de large et plus / Wheels 9" wide or more

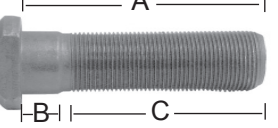

 <p>3/4"-16 (Épaulement / Body diameter: 0.975")</p>	ITEM	# PIÈCE PART #	A	B	C
	1	TN388R(droite/right) TN388L(gauche/left)	3-7/8"	2-1/2"	1-1/8"

 <p>1-1/8"-16 (Épaulement / Body diameter: 1.218")</p>	ITEM	# PIÈCE PART #	A	B	C
	2	TQ281R(droite/right) TQ281L(gauche/left)	2-13/16"	7/8"	1-15/16"
		3			
	4	TQ318R(droite/right) TQ318L(gauche/left)	3-3/16"	1-3/8"	1-13/16"
	5	TQ350AR(droite/right) TQ350AL(gauche/left)			
	6	TQ350BR(droite/right) TQ350BL(gauche/left)	3-1/2"	7/8"	2"
 (1-1/8")	7	TQ363R(droite/right) TQ363L(gauche/left)			
		 (1-1/8")	8	TQ375R(droite/right) TQ375L(gauche/left)	3-3/4"

(1) Roues 9" de large et plus / Wheels 9" wide or more

 <p>1-5/16"-12 (Épaulement / Body diameter: 1.461")</p>	ITEM	# PIÈCE PART #	A	B	C
	9	TP400R(droite/right) TP400L(gauche/left)	4"	1-5/8"	2-1/8"
 (1-5/16")	10	TP488R(droite/right) TP488L(gauche/left)			

 <p>M20X1.5 (Épaulement / Body diameter: 0.975")</p>	ITEM	# PIÈCE PART #	A	B	C
	11	TQM20368	3-5/8"	1/2"	2-1/2"
 (20mm)		NCM2030 (30mm hex.)			

 <p>M22X1.5 (Épaulement / Body diameter: 0.888")</p>	ITEM	# PIÈCE PART #	A	B	C
	12	TRM22338	3-3/8"	1/2"	2-1/2"
 (22mm)	13	TRM22419	4-3/16"	1/2"	3-5/16"

PIÈCES DE ROUES / WHEEL PARTS



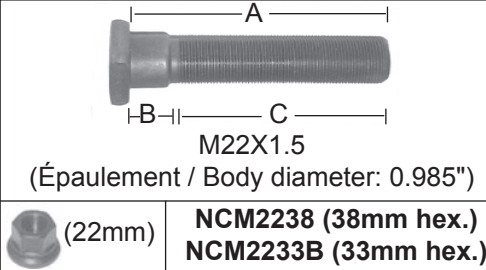
<p>M22X1.5 (Épaulement / Body diameter: 0.888")</p>	ITEM	# PIÈCE PART #	A	B	C
	1	TSM22369	3-11/16"	7/8"	2-9/16"
<p>(22mm)</p>		NCM2238 (38mm hex.) NCM2233B (33mm hex.)			

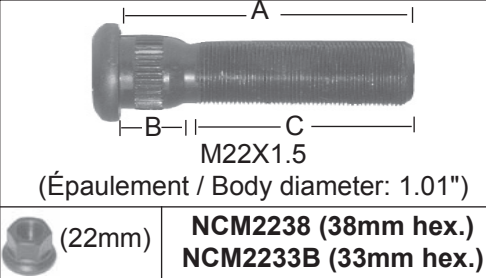
<p>M22X1.5 (Épaulement / Body diameter: 0.901")</p>	ITEM	# PIÈCE PART #	A	B	C
	2	TTM22318	3-3/16"	1"	2-1/16"
<p>(22mm)</p>	3	TTM22369	3-11/16"	1"	2-9/16"
	4	TTM22444	4-7/16"	1"	3-5/16"
		NCM2238 (38mm hex.) NCM2233B (33mm hex.)			

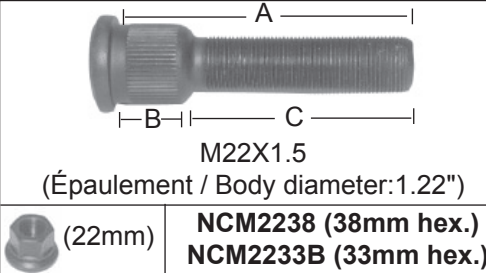
<p>M22X1.5 (Épaulement / Body diameter: 0.910")</p>	ITEM	# PIÈCE PART #	A	B	C
	5	TUM22500	5"	1-5/16"	3-1/4"
<p>(22mm)</p>	6	TUM22525	5-1/4"	1-5/16"	3-3/8"
		NCM2238 (38mm hex.) NCM2233B (33mm hex.)			

<p>M22X1.5 (Épaulement / Body diameter: 0.910")</p>	ITEM	# PIÈCE PART #	A	B	C
	7	TVM22369	3-11/16"	1-1/14"	2-3/32"
<p>(22mm)</p>	8	TVM22406	4-1/16"	1-1/16"	2-11/32"
	9	TVM22450	4-1/2"	1-9/16"	2-9/16"
	10	TVM22538	5-3/8"	1-9/16"	3-7/16"
		NCM2238 (38mm hex.) NCM2233B (33mm hex.)			






 <p>M22X1.5 (Épaulement / Body diameter: 0.985")</p> <p>(22mm) NCM2238 (38mm hex.) NCM2233B (33mm hex.)</p>	ITEM	# PIÈCE PART #	A	B	C
	1	TWM22325	3-1/4"	5/8"	2-1/4"
	2	TWM22356	3-9/16"	5/8"	2-1/2"
	3	TWM22412	4-1/8"	5/8"	3-1/16"
	4	TWM22481	4-13/16"	5/8"	3-3/4"

 <p>M22X1.5 (Épaulement / Body diameter: 1.01")</p> <p>(22mm) NCM2238 (38mm hex.) NCM2233B (33mm hex.)</p>	ITEM	# PIÈCE PART #	A	B	C
	5	TXM22350	3-1/2"	3/4"	2-1/4"
	6	TXM22369	3-11/16"	7/8"	2-11/32"
	7	TXM22394	3-15/16"	3/4"	2-3/4"
	8	TXM22425	4-1/4"	7/16"	3-1/4"
	9	TXM22475	4-3/4"	3/4"	3-1/2"
	10	TXM22512	5-1/8"	7/8"	3-3/4"


 <p>M22X1.5 (Épaulement / Body diameter: 1.22")</p> <p>(22mm) NCM2238 (38mm hex.) NCM2233B (33mm hex.)</p>	ITEM	# PIÈCE PART #	A	B	C
	11	TYM22388	3-7/8"	1-3/16"	2-3/8"
	12	TYM22438	4-3/8"	1-3/16"	2-7/8"

VALVES ET COMPOSANTES D'AUTOMOBILES ET CAMIONS LÉGERS
CARS AND LIGHT TRUCKS VALVES AND COMPONENTS

TROU 0.453" DE DIAMÈTRE / 0.453" VALVE HOLE				
 Type A	ITEM	TYPE		LONGUEUR
		A	B	
 Type B	1	TV413	TV600HP	1-1/4"
	2	TV414	-----	1-1/2"
	3	TV418	TV602HP	2"
	4	TV423	-----	2-1/2"

TROU 0.625" DE DIAMÈTRE / 0.625" VALVE HOLE			
	ITEM	# PIÈCE PART #	LONGUEUR LENGTH
6	TV425	2"	

A100VC8




Bouchon plastique / Plastic cap

A100VC3



Bouchon métal / Metal cap

A100VC1



Ressort de valve / Bore core

G170




Grommet

N1202



Bouchon métal / Metal cap

DS1



Bouchon double / Double seal cap

A100VC2



Outil pour ressort / Core remover

GA190



Indicateur d'usure / Tire thread gauge

TL620




Outil pour ressort / Bore tool

CH3151



Adapteur / Air chuck

CH360



Adapteur / Air chuck



CH305





Adapteur / Air chuck

VALVES ET COMPOSANTES DE CAMIONS ET AUTOBUS TRUCKS AND BUSES VALVES AND COMPONENTS

TROU 0.625" DE DIAMÈTRE / 0.625" VALVE HOLE

 		ITEM	# PIÈCE PART #	LONGUEUR LENGTH	ANGLE
		1	TV575HP	1"	Droit / Straight
2	TV501	1-1/2"	Droit / Straight		
3	TV573E13	1-5/8"	26°		
4	TV570C14	1-3/4"	16°		
5	TV570E14	1-3/4"	26°		
6	TV500	2"	Droit/Straight		
7	TV572E19	2-3/8"	26°		
8	TV513	2-5/8"	Double		
9	TV574E26	3-1/4"	26°		
10	TV515	3-1/4"	Double		
11	TV571	3-3/8"	Droit / Straight		
12	TV572	3-3/4"	Droit / Straight		
13	TV573	4-3/8"	Droit / Straight		
14	TV509	4-3/4"	90°		
15	TV510	5-1/2"	90°		

TROU 9.7MM DE DIAMÈTRE / 9.7MM VALVE HOLE

 		ITEM	# PIÈCE PART #	LONGUEUR LENGTH	ANGLE
		16	60MS27	1-3/16"	27°
17	90MS27	2-3/8"	27°		
18	TV543E	2-3/8"	75°		
19	TV543	2-7/16"	Droit/Straight		
20	TV54636	3-3/8"	36°		
21	TV545	3-1/2"	Droit/Straight		
22	TV545D	3-9/16"	60°		

A100VC8


Bouchon plastique / Plastic cap

A100VC3


Bouchon métal / Metal cap

A100VC1


Ressort de valve / Bore core

G170


(item 1-13)

Grommet

N1202


Bouchon métal / Metal cap

DS1


Bouchon double / Double seal cap

A100VC2


Outil pour ressort / Core remover

CH340


Adaptateur / Lock on air chuck

CH335


Adaptateur long / Air chuck

CH330LO


Adaptateur double / Dual air chuck

GA190

 Indicateur d'usure
Tire thread gauge

TL620

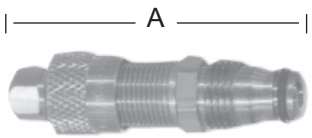

Outil pour ressort / Bore tool

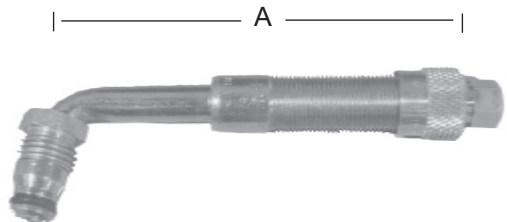
G172


(item 14-15)

Grommet


VALVES ET COMPOSANTES DE VÉHICULES GÉNIE CIVIL EARTH MOVER VALVES AND COMPONENTS

 H42	ITEM	# PIÈCE PART #	A	DEGRÉ DEGREE
	1	H42	1-5/8"	-----

	ITEM	# PIÈCE PART #	A	DEGRÉ DEGREE
	2	WH4521/2	2-1/2"	90°
	3	WH300J650	3-1/8"	80°
	4	WH4541/2	4-1/2"	90°
	5	WH46J651	4-5/8"	90°
	6	WH4571/2	7-1/2"	90°
	7	WH459	9"	90°

 WH330J692	ITEM	# PIÈCE PART #	A	DEGRÉ DEGREE
	8	WH330J692	4-11/16"	28° / 18°

A145




Ressort de valve / Bore core

A148



Outil pour ressort / Core remover

A149




Bouchon métal / Metal cap

H41



Base de valve / Spud

AD1




Adapteur / Valve adapter

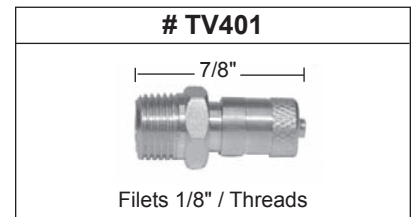
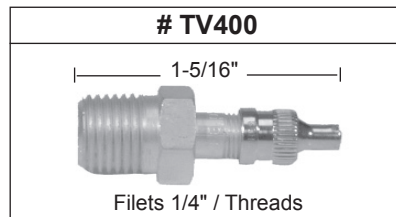
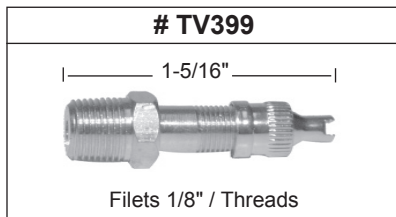
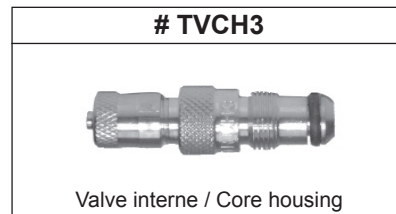
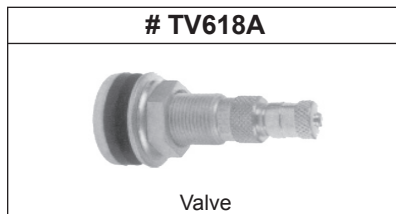
N1610







Outil pour ressort / Bore tool

EXTENSIONS DE VALVES / VALVE EXTENSIONS




	ITEM	# PIÈCE PART #	LONGUEUR LENGHT
	1	HE390	2"
	2	HE381	3-1/16"
	3	HE382	5-1/16"
	4	HE383	6-1/16"

VALVES DE RÉSERVOIRS À AIR / AIR TANK VALVES

**VALVES DE MACHINERIE AGRICOLE ET COMPOSANTES
TRACTOR VALVES AND COMPONENTS**




GAUGES À PRESSION D'AIR / PRESSURE GAUGES

GA145-GA1151		ITEM	# PIÈCE PART #	APPLICATION	CALIBRATION
GA1351		1	GA145	AUTOS CARS	10-75 PSI
GA250		2	GA1151	CAMIONS TRUCKS	20-120 PSI
N1055		3	GA1351	CAMIONS TRUCKS	10-150 PSI
		4	GA250	GÉNIE CIVIL EARTHMOVER	10-150 PSI
		5	N1055	CAMIONS TRUCKS	0-160 PSI



OUTILS À GONFLER / AIR INFLATORS

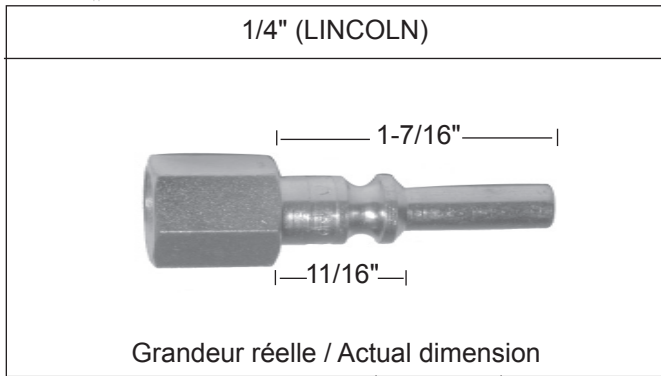
	ITEM	# PIÈCE PART #	LONGUEUR BOYAU HOSE LENGTH	INDICATEUR PRESSION PRESSURE INDICATOR
	6	I406M	12"	OUI / YES (10-120 P.S.I.)
	7	I4156	6'	OUI / YES (4-140 P.S.I.)
	8	MIC1991	5'	OUI / YES (10 à 174 P.S.I.)




BOYAUX À AIR ASSEMBLES HOSE ASSEMBLIES

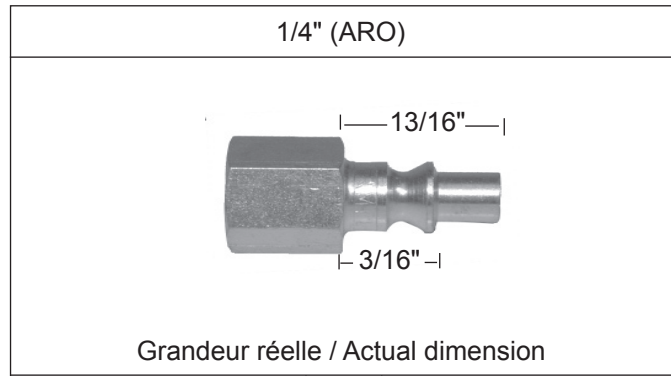
	ITEM	# PIÈCE PART #	LONGUEUR LENGHT	BOYAU HOSE
	9	C1425	25'	1/4"
	10	C1450	50'	1/4"
	11	VP3825	25'	3/8"
	12	VP3850	50'	3/8"
	13	VP1225	25'	1/2"
	14	VP1250	50'	1/2"


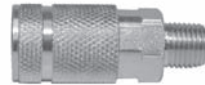


FUSILS À PRESSION D'AIR AIR GUNS

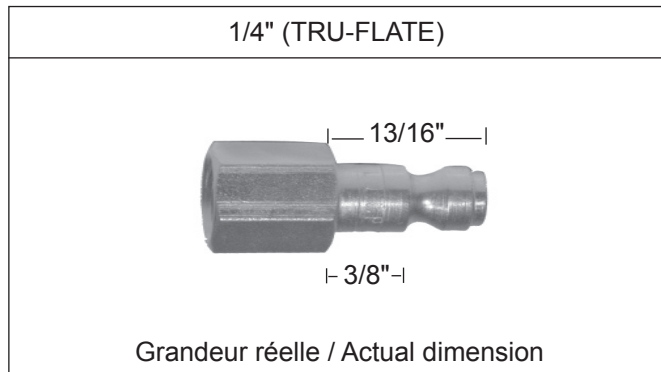
	ITEM	# PIÈCE PART #
	15	51124
	16	JET409903


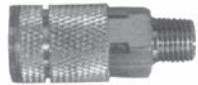




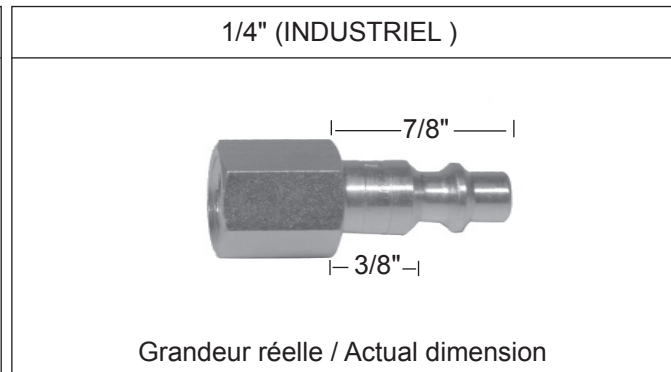
	ITEM	# PIÈCE PART #	FILETS(NPT) THREADS
	1 1/4"	CO701	
	2	NI702	1/4"
	3	NI704	1/4"


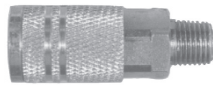





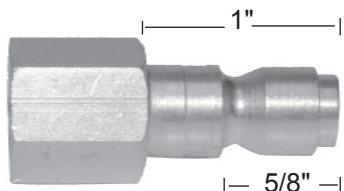
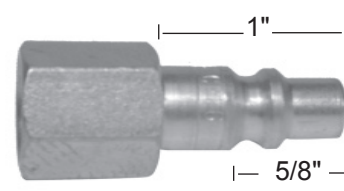
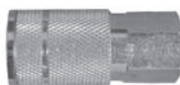

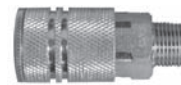





	ITEM	# PIÈCE PART #	FILETS (NPT) THREADS
	4	CO501	1/4"
	5	61527	1/4"
	6	NI502	1/4"
	7	NI504	1/4"

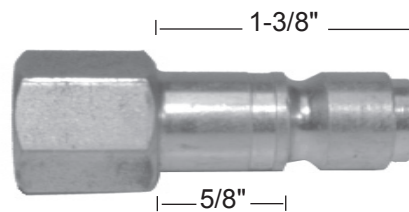
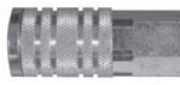
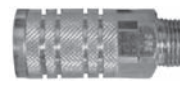




	ITEM	# PIÈCE PART #	FILETS (NPT) THREADS
	8	CO103	1/4"
	9	CO101	1/4"
	10	NI102	1/4"
	11	NI104	1/4"





	ITEM	# PIÈCE PART #	FILETS (NPT) THREADS
	12	CO201	1/4"
	13	61574	1/4"
	14	NI202	1/4"
	15	CP2103	3/8"
	16	NI204	1/4"

3/8" (TRU-FLATE)				3/8" (INDUSTRIEL)			
 <p>Grandeur réelle / Actual dimension</p>				 <p>Grandeur réelle / Actual dimension</p>			
	ITEM	# PIÈCE PART #	FILETS (NPT) THREADS		ITEM	# PIÈCE PART #	FILETS (NPT) THREADS
	1	61476	1/4"		8	CO204	3/8"
	2	CO109	3/8"			9	61483
	3	CO107	3/8"			10	NI206
	4	61480	1/4"			11	NI208
	5	NI108	3/8"				
	6	61481	1/4"				
	7	CO110	3/8"				



1/2" (TRU-FLATE)			
 <p>Grandeur réelle / Actual dimension</p>			
	ITEM	# PIÈCE PART #	FILETS (NPT) THREADS
	12	C1023	3/8"
	13	CO111	1/2"
	14	61564	1/2"
	15	CP903	3/8"
	16	NI112	1/2"
	17	CP1023	3/8"
	18	61569	1/2"

OUTILS / TOOLS

OUTIL POUR DÉMONTÉ PNEUS / TOOL TO DEMOUNT TIRES		
ITEM	# PIÈCE PART #	DESCRIPTION
	1	<p>KEN35440</p> <p>Pour les roues de 22.5" et 24.5" Démontage rapide et sans effort</p> <p>For 22.5" and 24.5" wheels. Fast and effort less demounting</p>

OUTIL POUR DÉMONTÉ PNEUS / TOOL TO DEMOUNT TIRES		
ITEM	# PIÈCE PART #	DESCRIPTION
	2	<p>TNT1001</p> <p>Pour démonter toutes roues sans chambre à air Pour les roues de 17.5" jusqu'à 24.5" Démontage rapide et sans effort</p> <p>Demounts any tubeless tire For 17.5" up to 24.5" wheels. Fast and effort less demounting.</p>

**CROIX DE ROUES DÉMONTABLES
DOUBLE END TRUCK WRENCHES**



 BARRE DE FORCE / TRUCK WRENCH HANDLE	ITEM	# PIÈCE PART #	DIMENSION DES EXTR MITÉS SOCKET SIZES
	 TR5	3	TR1
4		32551	17mm carré, 35mm
5		32552	24mm, 33mm
6		TR3	7/8", 1-1/16"
7		TR3A	1-1/8", 1-1/16"
8		TR9	1-1/4", 1-1/16"
9		TR10⁽¹⁾	1-3/4", 15/16" carré (square)


(1) Utilisez barre de force TR11 / Use TR11 handle

BARRES POUR PNEUS SANS CHAMBRE À AIR TUBELESS TIRE IRONS



 <p>T46A - T47A</p>  <p>T46B - T47B</p>	ITEM	# PIÈCE PART #	LONGUEUR LENGTH
	1	T46A	36"
	2	T47A	52"
	3	T46B	36"
4	T47B	49-1/2"	

BARRES POUR PNEUS AVEC CHAMBRE À AIR BEAD-BREAKING TOOLS (TUBE TYPE)


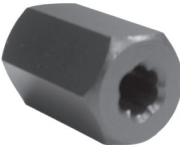
 <p>T42</p>  <p>T52</p>	ITEM	# PIÈCE PART #	LONGUEUR LENGTH
	5	T42	30"
6	T52	33"	

	ITEM	# PIÈCE PART #	LONGUEUR LENGTH
	7	T26B	50"



BARRES POUR ANNEAUX D'ARR T / LOCK RING TOOLS

 <p>T23A - T23</p>  <p>T25</p>	ITEM	# PIÈCE PART #	LONGUEUR LENGTH
	8	T23	24"
	9	T23A	30"
10	T25	18"	


OUTIL POUR INSTALLER OU ENLEVER GOUJONS STUD INSTALLER - REMOVER


<p>TYPE A</p>  <p>TYPE B</p> 	ITEM	FILETS	INSTALLATION (TYPE A)	ENLEVER REMOVER (TYPE B)
	11	5/8-11"	SI625A	SR625A
12	3/4-10"	SI750A	SR750A	

CUILLÈRES À PNEUS / TIRE SPOONS


 30"	ITEM	# PIÈCE PART #
	1	T38
 T38 T20A	2	T20A


OUTIL POUR MONTER ET DÉMONTER PNEUS TIRE CHANGING TOOL


démonter - demount	ITEM	# PIÈCE PART #
 39"	3	35449


monter - mounting	ITEM	# PIÈCE PART #
 38"	4	35450

MASSES À PNEUS / TIRE HAMMERS


	ITEM	# PIÈCE PART #	LONGUEUR LENGTH	# MANCHE HANDLE #	MATÉRIAU MATERIAL
	5	T11E	30"	T11EH	BOIS WOOD
	6	TG11E	32"	TG11EH	FIBRE FIBER

	ITEM	# PIÈCE PART #	LONGUEUR LENGTH	# MANCHE HANDLE #	MATÉRIAU MATERIAL
	7	T35	16-1/2"	T11CH	BOIS WOOD
	8	TG35	18"	TG11CH	FIBRE FIBER

	ITEM	# PIÈCE PART #	LONGUEUR LENGTH	MATÉRIAU MATERIAL
	9	T32	17"	BOIS WOOD



	ITEM	# PIÈCE PART #	LONGUEUR LENGTH	# MANCHE HANDLE #	MATÉRIAU MATERIAL
	10	T33R	14"	T11HN	BOIS WOOD
	11	TG33R	16"	TG31H	FIBRE FIBER

VÉRINS D'ESSIEUX / JACKS


	ITEM	# PIÈCE PART #	CAPACITÉ CAPACITY	HAUTEUR MIN. MIN. HEIGHT	HAUTEUR MAX. MAX. HEIGHT
	1	JACK2	2 tons	6-3/8"	12-3/4"
	2	JACK4	4 tons	6-5/8"	13-1/4"
	3	JACK6	6 tons	7-3/4"	15-3/8"
	4	JACK8	8 tons	7-3/4"	15-3/8"
	5	JACK12	12 tons	8-1/2"	16-7/8"
	6	JACK12LP⁽¹⁾	12 tons	6-7/8"	13-1/8"
	7	JACK20	20 tons	9-5/8"	17-7/8"
	8	JACK20LP⁽¹⁾	20 tons	7-3/4"	14-1/4"
	9	JACK30	30 tons	11-1/4"	18-3/4"
10	JACK50	50 tons	11-3/4"	19-1/2"	

(1) Surbaissé / Low profile


VÉRINS PNEUMATIQUES / HYDRAULIQUES HYDRAULIC / PNEUMATIC JACKS

	ITEM	# PIÈCE PART #	CAPACITÉ CAPACITY	HAUTEUR MIN. MIN. HEIGHT	HAUTEUR MAX. MAX. HEIGHT
	11	370A	12 tons	9-3/4"	18-1/2"
	12	380B	20 tons	9-3/4"	18-1/2"
	13	728C	20 tons	8-1/4"	17-3/4"
	14	740	40 tons	9-1/4"	16-1/4"


VÉRINS HYDRAULIQUES / HYDRAULIC JACKS

	ITEM	# PIÈCE PART #	CAPACITÉ CAPACITY	HAUTEUR MIN. MIN. HEIGHT	HAUTEUR MAX. MAX. HEIGHT
	15	735	35 tons	11"	16-3/4"

SUPPORTS / STANDS

 <p>856-872A</p> <p>870-871A-873A</p>	ITEM	# PIÈCE PART #	CAPACITÉ CAPACITY	HAUTEUR MIN. MIN. HEIGHT	HAUTEUR MAX. MAX. HEIGHT
	1	856	6 tons	16-1/8"	24-3/4"
	2	870	6 tons	16-1/2"	24-3/4"
	3	871A	10 tons	28-1/4"	46-3/4"
	4	873A	10 tons	19-1/8"	30-1/2"
5	872A	12 tons	19-1/2"	30-1/4"	

CRICS

	ITEM	# PIÈCE PART #	CAPACITÉ CAPACITY	HAUTEUR MIN. MIN. HEIGHT	HAUTEUR MAX. MAX. HEIGHT
	6	952B	2-1/2 tons	5-1/8"	19-1/4"
	7	965GTO	3-1/2 tons	4"	19-1/2"
	8	957	10 tons	6-3/4"	23"
9	970	20 tons	7-3/4"	23-3/4"	

SOMMIER ROULANT / CREEPER

	ITEM	# PIÈCE PART #
	10	640A

BAC NETTOYAGE / CLEANING TUB


	ITEM	# PIÈCE PART #
	11	634



PORTE ROUE / WHEEL DOLLY


	ITEM	# PIÈCE PART #
	12	224

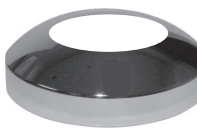
COUVRES-ÉCROUS / WHEEL COVERS

10


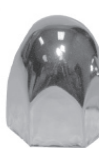
POUR ROUES AVANT / FRONT APPLICATION		
	ITEM	# PIÈCE PART #
	1	N490
CONTIENT 4 CLIPS / CONTAINS 4 CLIPS		

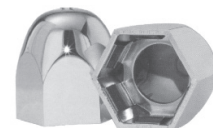
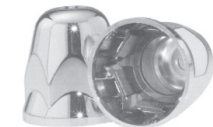
PINCES POUR COUVRE-ÉCROUS LUG NUT PULLERS		
	ITEM	# PIÈCE PART #
	2	N840
	3	N840H


POUR ROUES ARRIÈRE / REAR APPLICATION			
	ITEM	# PIÈCE PART #	Dimension goujons Stud diameter
	4	N491	1/2" / 9/16"
	5	N492	5/8"
	6	N493	3/4"


ROUES ARRIÈRE HUBODOMÈTRE REAR APPLICATION HUBDOMETER			
	ITEM	# PIÈCE PART #	Dimension goujons Stud diameter
	7	N4910	1/2" / 9/16"
	8	N4920	5/8"
	9	N4930	3/4"


COUVRES-ÉCROUS / WHEEL COVERS


MÉTALLIQUES / METALICS			
	ITEM	# PIÈCE PART #	HEXAGONE HEXAGON
	11	N842	1-1/4"
	12	N841	1-1/2"
	13	N844	1-1/2"

EN PLASTIQUE / PLASTIC			
	ITEM	# PIÈCE PART #	HEXAGONE HEXAGON
	14	001501	1-1/2"
	15	001811	33mm
	16	001821	38mm (1-1/2")




	ENJOLIVEURS ROUES AVANT / FRONT WHEEL COVERS		
	ITEM	# PIÈCE PART #	DESCRIPTION
	1	ACCGS02001	Ensemble / Kit
	2	ACCGS02010	Caps
3	00600	Outil / Tool	

	ENJOLIVEURS ROUES ARRIÈRE / REAR WHEEL COVERS		
	ITEM	# PIÈCE PART #	DESCRIPTION
	4	ACCGS02002	Ensemble / Kit
	5	ACCGS02010	Caps
6	00600	Outil / Tool	

	ENJOLIVEURS ROUES AVANT / FRONT WHEEL COVERS		
	ITEM	# PIÈCE PART #	DESCRIPTION
	7	086100S	Ensemble / Kit (Inclus 2 enjoliveurs et outil pour enlever les enjoliveurs) (2 caps and tool included)
	8	000800	Outil / Tool


	ENJOLIVEURS ROUES ARRIÈRE / REAR WHEEL COVERS		
	ITEM	# PIÈCE PART #	DESCRIPTION
	9	087100S	Ensemble / Kit (Inclus 2 enjoliveurs et outil pour enlever les enjoliveurs) (2 caps and tool included)
	10	000800	Outil / Tool

CONTRÔLES DE FREINS / BRAKE CONTROLS



 CFE  CFAE  CFD	ITEM	# PIÈCE PART #	FONCTIONS
	1	CFE	ÉLECTRIQUE ELECTRIC
	2	CFAE	AIR - ÉLECTRIQUE AIR - ELECTRIC
3	CFD	DIGITAL	

11


ACCOUPEMENTS RECTANGULAIRES / STRAIGHT COUPLERS

	ITEM	# PIÈCE PART #	BOULE X TUBE HITCH BALL X TUBE
	4	AR188200	1-7/8" X 2"
	5	AR188250	1-7/8" X 2-1/2"
	6	AR200250	2" X 2-1/2"
	7	AR200300	2" X 3"
	8	AR231313	2-5/16" X 3-1/8"

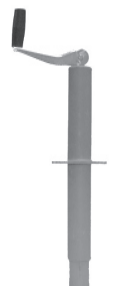

LEVIERS / JACKS

 L2000A  L5000A	ITEM	# PIÈCE PART #	CAPACITÉ CAPACITY
	09 LBS	L2000A	2000
	10	L5000A	5000 LBS

ACCOUPEMENTS TRIANGULAIRES TRIANGULAR COUPLERS

	ITEM	# PIÈCE PART #	APPLICATION
	11	AT200	BOULE 2" 2" HITCH BALL
	12	AT231	BOULE 2-5/16" 2-5/16" HITCH BALL


LEVIERS / JACKS

 L2000B  L5000B	ITEM	# PIÈCE PART #	CAPACITÉ CAPACITY
	13	L2000B	2000 LBS
	14	L5000B	5000 LBS


PIÈCES DE LEVIERS JACKS PARTS

 70082  30037  75075	ITEM	# PIÈCE PART #
	15	70082
	16	30037
17	75075	


ROUES / WHEELS

	ITEM	# JANTE RIM #	# JANTE ET PNEU TIRE AND RIM #	DIMENSIONS JANTE RIM DIMENSIONS	# TROUS-CC HOLES-BC #
	1	X51241	X51241ASS	12" X 4"	4 - 4"
	2	X51251	X51251ASS	12" X 4"	5 - 4-1/2"
	3	X51341	X51341ASS	13" X 4-1/2"	4 - 4"
	4	X51351	X51351ASS	13" X 4-1/2"	5 - 4-1/2"
	5	X51451	X51451ASS	14" X 6"	5 - 4-1/2"
	6	X51552	X51552ASS	15" X 5"	5 - 4-1/2"
	7	X51551	X51551ASS	15" X 6"	5 - 4-1/2"
	8	X51561	X51561ASS	15" X 6"	6 - 5-1/2"
	9	X51661	X51661ASS	16" X 6"	6 - 5-1/2"
	10	X51681	X51681ASS	16" X 6"	8 - 6-1/2"


JANTES / RIMS

	ITEM	# PIÈCE PART #	DIMENSIONS JANTE RIM DIMENSIONS
	11	JR145600	14.5 X 6.00
	12	JR145700	14.5 X 7.00

ROUES / WHEELS


	ITEM	# JANTE RIM #	# JANTE ET PNEU TIRE AND RIM #	DIMENSIONS JANTE RIM DIMENSIONS	# TROUS LUGS #	DIMENSION PNEU
	13	X50841	X50841ASS	8" X 3-3/4"	4-4	480-8 / 570-8
	14	X50851	X50851ASS	8" X 3-3/4"	5-4-1/2	480-8 / 570-8
	15	X50842	X50842ASS	8" X 5-3/8"	4-4	16.5 X 6.5-8
	16	X50852	X50852ASS	8" X 5-3/8"	5-4-1/2	16.5 X 6.5-8
	17	X50843	X50843ASS	8" X 7"	4-4	18.5 X 8.5-8
	18	X50853	X50853ASS	8" X 7"	5-4-1/2	18.5 X 8.5-8
	19	X50041	X50041ASS	10" X 6"	4-4	20.5 X 8-10
	20	X50051	X50051ASS	10" X 6"	5-4-1/2	20.5 X 8-10
	21	X50241	X50241ASS	12" X 4"	4-4	530 X 12
	22	X50251	X50251ASS	12" X 4"	5-4-1/2	530 X 12

MOYEUX AVEC GOUJONS / HUDS WITH STUDS

	ITEM	# TROUS-CC HOLES-BC #	CAPACITÉ CAPACITY	# PIÈCE PART #	# COUSSINETS BEARINGS #	# JOINTS SEAL #
	23	4-4	1200LBS	MR4	L44610-L44643 ⁽¹⁾	203025
	24	5-4-1/2	2000LBS	MR5	L44610-L44643 ⁽¹⁾	203025
	25	6-5-1/2	3000LBS	MR6	15123 - 25580	442380
	26	8-6-1/2	3500LBS	MR8	14125A - 25580	442380

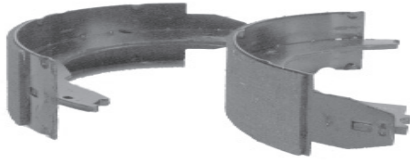
(1) #FM002 contient les pièces pour un essieu / #FM002 contains all the parts for one axle

FREINS DE REMORQUES / TRAILER BRAKES


 ELECTRIQUE / ELECTRICAL	ITEM	# PIÈCE PART #	DIMENSIONS FREINS BRAKE SIZES	COTÉ SIDE
	1	FR1022ED	10" X 2-1/4"	DROITE / RIGHT
	2	FR1022EG	10" X 2-1/4"	GAUCHE / LEFT
	3	FR1220ED	12" X 2"	DROITE / RIGHT
	4	FR1220EG	12" X 2"	GAUCHE / LEFT

11


SABOTS DE FREINS / BRAKE SHOES

 ELECTRIQUE / ELECTRICAL	ITEM	# PIÈCE PART #	DIMENSIONS FREINS BRAKE SIZES
	5	SR1022E	10" X 2-1/4"
	6	SR1220E	12" X 2"


FREINS DE REMORQUES / TRAILER BRAKES

 HYDRAULIQUE / HYDRAULIC	ITEM	# PIÈCE PART #	DIMENSIONS FREINS BRAKE SIZES	COTÉ SIDE
	7	FR1022HD	10" X 2-1/4"	DROITE / RIGHT
	8	FR1022HG	10" X 2-1/4"	GAUCHE / LEFT
	9	FR1220HD	12" X 2"	DROITE / RIGHT
	10	FR1220HG	12" X 2"	GAUCHE / LEFT


SABOTS DE FREINS / BRAKE SHOES

 HYDRAULIQUE / HYDRAULIC	ITEM	# PIÈCE PART #	DIMENSIONS FREINS BRAKE SIZES
	11	SR1022H	10" X 2-1/4"
	12	SR1220H	12" X 2"


QUINCAILLERIE / HARD WARE

	ITEM	# PIÈCE PART #
	1	32523


QUINCAILLERIE / HARD WARE

	ITEM	# PIÈCE PART #
	2	32525


AIMANT / MAGNET

	ITEM	# PIÈCE PART #	DIMENSION FREINS BRAKE SIZE
	3	32503 (fils vert/green wires)	10" X 2-1/4"
	4	32505 (fils blanc/white wires)	12" X 2"



CAP D'ESSIEUX / HUB CAP

	ITEM	# PIÈCE PART #	DIAMÈTRE DIAMETER
	5	HR194	1-15/16"
	6	HR244	2-7/16"
	7	HR275	3-3/4"




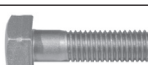


CAP À L'HUILE / HUB CAP

	ITEM	FILETS THREADS	# PIÈCE PART #
	19	2-3/4"	HC23/4
	20	3-5/8"	HC35/8
	21	4"	HC4

BOULES / HITCH BALLS

 Items 7-8 (F) FILETS FEMELLES / FEMALE THREADS	ITEM	# PIÈCE PART #	FILETS THREADS	DIAMÈTRE BOULES HITCH BALLS DIAMETER
	7	BRF075200	3/4" - (F)	2"
 Items 9-10-11 (M) FILETS MALES / MALE THREADS	8	BRF075188	3/4" - (F)	1-7/8"
	9	BRM100200	1" - (M)	2"
	10	BRM100231	1" - (M)	2-5/16"
	11	BRM125231	1-1/4" - (M)	2-5/16"

COMPOSANTES DIVERSES / MISCELLANEOUS PARTS

	ITEM	# PIÈCE PARTS #	DESCRIPTION
	13	W115	CRAPAUDS / WHEEL CLAMPS
	14	FR1150E	ÉCROU 1"+GOUPILLE / 1" NUT+COTTER PIN
	15	32161	BOULON 1/2" X 3/4" / 1/2" X 3/4" STUD
	16	60130	BOULON 1/2" X 1-7/8" / 1/2" X 1-7/8" STUD
	17	764000	CONNECTION / CONNECTOR
	18	55554	SYSTÈME DE LUMIÈRE LIGHTING EQUIPMENT

LISTE DES PIECES / PARTS LIST



# PIECE PART #	PAGE	# PIECE PART #	PAGE	# PIECE PART #	PAGE
001501	54	10X65ADV3	16	225825C	15
001811	54	10X65LEM4	18	225900A	15
001821	54	12X50ADV3	17	2280LWD	16
076155	55	12X50LEM4	18	2280R5	16
076188	55	12X80ADV3	17	2410MD	16
077155	55	12X80LEM4	18	2410WID	16
077188	55	12X975ADV3	17	245825A	15
10A175675AG	3	1555LWD	16	245825B	15
10A175825AG	3	1565LWD	16	245825C	15
10B2065A	5	1575LWD	16	2480R5	16
10B2075A	5	15X11ADV3	17	2485MD	16
10B2080B	5	15X13ADV3	17	2485R5	16
10B2251225AG	5	15X55ADV3	17	24X10EWP4	18
10B2251225DG	5	15X55LEM4	18	24X10LEM4	18
10B2251300DG	5	15X60ADV3	17	24X85LEM4	18
10B225675AG	5	15X60LEM4	18	2510F0R5	16
10B225750A	5	15X65ADV3	17	2510TDTOPY	16
10B225825A	5	15X65LEM4	18	2511F0R5	16
10B225825CG	5	15X70ADV3	17	27599	12
10B225900A	5	15X70LEM4	18	28608	12
10B225900B	5	15X75ADV3	17	28615	12
10B245825A	5	15X80ADV3	17	28841	12
10B245825B	5	15X80LEM4	18	28844	13
10C195750A	7	15X975ADV3	17	29329	11
10C195825A	7	15X975LEM4	18	29348	11
10C2251225A	7	175675A	15	29362	13
10C2251225B	7	175825AG	15	29369	11
10C2251225CG	7	2010M2D	16	29374	13
10C2251300CG	7	2010MD	16	29376	13
10C2251300DG	7	2065LWD	16	29378	13
10C2251400A	7	2075FL2	16	29380	13
10C225750A	7	2075MD	16	29560	14
10C225825A	7	2075R5	16	29562	14
10C225825B	7	2080LWD	16	29644	13
10C225825C	7	2080R5	16	29660	13
10C225825ES	7	2085R5	16	29670	11
10C225900A	7	2090LW	16	29685	13
10C225900B	7	20X65LEM4	18	29730	13
10C245825A	7	20X75LEM4	18	30037	56
10C245825B	7	20X80EWP4	18	320	49
10C245825C	7	20X80LEM4	18	32161	59
10C245825ES	7	20X85LEM4	18	32503	59
10E2075A	9	224	53	32505	59
10E225750A	9	2251225A	15	32523	59
10E225825B	9	2251225B	15	32525	59
10F2251300A	10	2251225C	15	32551	49
10F2251300B	10	2251225D	15	32552	49
10F225900A	10	2251300A	15	35449	51
10G195600AG	4	2251300C	15	35450	51
10G225675AG	4	2251300D	15	370A	52
10X13DV3	17	2251300E	15	380B	52
10X50ADV3	17	225675A	15	51124	46
10X50LEM4	18	225750A	15	51126	46
10X55ADV3	17	225825A	15	55554	59
10X60ADV3	17	225825B	15	5901	29

# PIECE PART #	PAGE	# PIECE PART #	PAGE	# PIECE PART #	PAGE
5903	29	A100VC8	42-43	BB25HTN	23
60130	59	A145	44	BB25STG	23
60MS27	43	A148	44	BB25STN	19-23
61476	48	A149	44	BB29HTM	19-23
61480	48	AD1	44	BB33HTM	19-23
61481	48	AR188200	56	BB33RTG	19-23
61483	48	AR188250	56	BB33STG	19-23
61527	47	AR200250	56	BB35HTG	19-23
61564	48	AR200300	56	BB35HTL	23
61569	48	AR231313	56	BB35RTG	19-23
61574	47	AT200	56	BB39HTL	19-23
634	53	AT231	56	BB39RT1L	23
640A	53	B1024TGD	19	BB39RTL	23
6B1660A	1	B1025TD	19	BB45HTM	19-23
6B175675AG	1	B1125STND	19	BB45RT1L	23
6B195600A	1	B12025T	19	BB49RTG	19-23
6B225675BG	1	B1325STND	19	BGR1225	19
70082	56	B1333HTH	19	BGR1325	19
728C	52	B1333RWH	19	BGR1425	19
735	52	B14025T	19	BGR9024	19
7381	29	B1525STN	19	BRF075188	59
740	52	B1535HTHD	19	BRF075200	59
75075	56	B17025T	19	BRM100200	59
764000	59	B1725HTN	19	BRM100231	59
7901	29	B1735HTHD	19	BRM125231	59
7902	29	B1735RWHD	19	BSR10	18
856	53	B1749MRWD	19	BSR15	18
870	53	B1749RWHD	19	BSR121	18
871A	53	B1925HTN	19	BSR122	18
872A	53	B1949MRWD	19	BSR201	18
873A	53	B1949RWHD	19	BSR202	18
8A175675AG	2	B2225HTM	19	BSR203EWP	18
8A195675A	2	B2525HTM	19	BSR23EWP	18
8A225675AG	2	B2529HTHM	19	BSR24	18
8A225750A	2	B2833HTHM	19	BSR81	18
8A225825A	2	B2839HTH	19	BSR91	18
8A245825A	2	B3239HTH	19	C1023	48
8X30ADV3	17	B3645HTM	19	C1425	46
8X30LEM4	18	B8024TGD	19	C1450	46
8X325ADV3	17	BA112225L	33	CFA63050	27
8X433ADV3	17	BA112225R	33	CFA63063	27
8X433LEM4	18	BA112256L	33	CFA75050	27
8X50ADV3	17	BA112256R	33	CFA75063	27
8X70ADV3	17	BA112306LA	33	CFAE	56
90MS27	43	BA112306LB	33	CFC75019	27
952B	53	BA112306RA	33	CFD	56
957	53	BA112306RB	33	CFE	56
965GTO	53	BA113306LA	12	CFF63063	27
970	53	BA113306RA	12	CFH75031	27
9X40ADV3	17	BA131300L	33	CFH75050	27
9X40LEM4	18	BA131300R	33	CFH75063	27
9X60ADV3	17	BAM3076L	1-33	CFHE	56
A100VC1	42-43	BAM3076R	1-33	CFJ63056	27
A100VC2	42-43	BB25EM	16-23	CFL81050	27
A100VC3	42-43	BB25HTM	19-23	CFN81313	27

LISTE DES PIECES / PARTS LIST



# PIECE PART #	PAGE	# PIECE PART #	PAGE	# PIECE PART #	PAGE
CFP63038	28	CRH75050	29	JACK20	52
CFP63081	28	CRJ75575	29	JACK20LP	52
CFP75031	28	CS20	26	JACK30	52
CFP75063	28	CS22	26	JACK4	52
CH305	42	DC044075	33	JACK50	52
CH3151	42	DC050081	33	JACK6	52
CH330LO	43	DC056088	33	JACK8	52
CH335	43	DC062100	33	JR145600	57
CH340	43	DC075112	33	JR145700	57
CH360	42	DR48	24	L2000A	56
CO101	47	DS1	42-43	L2000B	56
CO103	47	F1020M	16	L5000A	56
CO107	48	F1024M	16	L5000B	56
CO109	48	F1024TG	19-21	LR101LEM	18
CO110	48	F1025T	19-21	LR1024G	19-22
CO111	48	F1225TL	21	LR10ADV	17
CO201	47	F17025T	19-21	LR201LW	16
CO204	48	F7520M	16	LR121LEM	18
CO501	47	F7524M	16	LR1225TL	22
CO701	47	F8024TG	19-21	LR122LEM	18
CP1023	48	F8525T	19-21	LR12ADV	17
CP2103	47	FR1022ED	58	LR15ADV	17
CP903	48	FR1022EG	58	LR152LW	16
CR10B225750A	55	FR1022HD	58	LR153LEM	18
CR10B225825A	55	FR1022HG	58	LR153LW	16
CR10B245825A	55	FR1150E	59	LR15LEM	18
CR10C225750A	55	FR1220ED	58	LR20M	16
CR10C225825A	55	FR1220EG	58	LR201LEM	18
CR10C225825B	55	FR1220HD	58	LR202FL2	16
CR10C225825C	55	FR1220HG	58	LR202LEM	18
CR10C245825A	55	G170	42-43	LR202R5	16
CR8A225750A	55	GA1151	46	LR202LW	16
CR8A225825A	55	GA1351	46	LR202R5	16
CRA75106	28	GA145	46	LR203EWP	18
CRA75112	28	GA190	42-43	LR203R5	16
CRA75125	28	GA250	46	LR222LW	16
CRA75150	28	GY31C	24	LR221R5	16
CRA75175	28	GY31E	24	LR24M	16
CRA75200	28	H41	44	LR241LEM	18
CRC75112	28	H42	44	LR241R5	16
CRC75131	28	HC23/4	59	LR242LEM	18
CRC75144	28	HC35/8	59	LR242R5	16
CRC75181	28	HC4	59	LR243EWP	18
CRD75138	28	HE381	45	LR255TM	19-22
CRE75106	28	HE382	45	LR255TN	16-19
CRE75144	28	HE383	45	LR25T	19-22
CRE75163	28	HE390	45	LR295TM	19-22
CRE75181	28	HR194	59	LR295TN	22
CRG75112	28	HR244	59	LR335TM	19-22
CRG75131	28	I406M	46	LR33W	19-22
CRG75150	28	I402	46	LR355TM	19-22
CRG75163	28	I4156	46	LR35W	19-22
CRG75188	28	JACK12	52	LR395TM	19-22
CRG75212	28	JACK12LP	52	LR455TM	19-22
CRG75238	28	JACK2	52	LR49W	19-22

# PIECE PART #	PAGE	# PIECE PART #	PAGE	# PIECE PART #	PAGE
LR8024G	19-22	N4920	54	NFM1219	32
LR81ADV	17	N493	54	NFM12S19	31
LR81LEM	18	N4930	54	NFM1221	32
LR82ADV	17	N840	54	NFM1419	32
LR82LEM	18	N840H	54	NI102	47
LR91LEM	18	N841	54	NI104	47
LR9ADV	17	N842	54	NI108	48
MR4	57	N844	54	NI112	48
MR5	57	NA063106	30	NI202	47
MR6	57	NA075125	31	NI204	47
MR8	57	NB044075	30	NI206	48
MSB3015K	26	NB050081	30	NI208	48
MSB3315K	26	NB056100	30	NI502	47
MSB3320K	26	NB063100	30	NI504	47
MSB3322K	26	NB075150L	31	NI702	47
MSB3515K	26	NB075150R	31	NI704	47
MSB3520K	26	NB094175L	31	PS10	4
MSB3520R	26	NB094175R	31	S1525	16-21
MSB3522K	26	NB112150L	31	S2025	19-21
MSB3522R	26	NB112150R	31	S2525	19-21
MSB4015K	26	NB112175L	31	S2533	19-21
MSB4020K	26	NB112175R	31	S3025	19-21
MSB4020R	26	NB131175L	31	S3029	21
MSB4022K	26	NB131175R	31	S3035	19-21
MSB4022R	26	NBM1219	32	S3525	19-21
MSB4024K	26	NBM1221	32	S3529	19-21
MSB4024M	26	NBM12S21	31	S3533	19-21
MSB4220K	26	NBM3041L	32	S3535	19-21
MSB4220R	26	NBM3041R	32	S3549H	19-21
MSB4222K	26	NC056088	30	S4033	21
MSB4222R	26	NC056106A	4-30	S4035	21
MSB4224K	26	NC056106B	30	S4039	19-21
MSB4224M	26	NC063106	4-31	S4049	19-21
MSB4420K	26	NC063112L	31	S4533	21
MSB4420R	26	NC063112R	31	S4539	19-21
MSB4422K	26	NC069112	31	S4545	19-21
MSB4422R	26	NC075112	31	SA062238	33
MSB4424K	26	NC075119	31	SA062275	33
MSB4424M	26	NC087150A	31	SA062325	33
MSB4620K	26	NC087150B	31	SA075288	33
MSB4622K	26	NCM1427	32	SA075312	33
MSB4624K	26	NCM2030	32	SA075356	33
MSB5120M	26	NCM2233A	32	SA075363	33
MSB5124M	26	NCM2233B	32	SA075400	33
MSB5524M	26	NCM2238	32	SB075288	33
N1055	46	ND044075	30	SC043212	34
N1202	42-43	ND050088	30	SC050200	34
N1500SSA	54	ND056088	30	SC050238	34
N1610	44	NDM1219	32	SC050250	34
N225F	54	NDM1422	32	SC050275	34
N245F	54	NEM1219	32	SC050300	34
N490	54	NF044081	30	SC056250	34
N491	54	NF050075	30	SC056325	34
N4910	54	NF050081	30	SC063263	34
N492	54	NFM1017	31	SC063275	34

LISTE DES PIECES / PARTS LIST



# PIECE PART #	PAGE	# PIECE PART #	PAGE	# PIECE PART #	PAGE
SC063288	34	SR122LEM	18	TD213L	36
SC063306	34	SR12ADV	17	TD213R	36
SC063325	34	SR151LEM	18	TD244L	36
SC063350	34	SR152LEM	18	TD244R	36
SC063369	34	SR153LEM	18	TE294L	36
SC075325	34	SR15ADV	17	TE294R	36
SC075375	34	SR201LEM	18	TF263	36
SC088294	34	SR202EWP	18	TF325	36
SD312L	34	SR202LEM	18	TG11E	51
SD312R	34	SR202R5	16	TG250L	37
SD356L	34	SR203LEM	18	TG250R	37
SD356R	34	SR203R5	16	TG33R	51
SD375L	34	SR204LEM	18	TG35	51
SD375R	34	SR221R5	16	TH212L	37
SD400L	34	SR241LEM	18	TH212R	37
SD400R	34	SR241R5	16	TH238L	37
SD425L	34	SR242LEM	18	TH238R	37
SD425R	34	SR242R5	16	TH250L	37
SD450L	34	SR243EWP	18	TH250R	37
SD450R	34	SR81ADV	17	TH263L	37
SD488L	34	SR81LEM	18	TH263R	37
SD488R	34	SR82ADV	17	TH269L	37
SD500L	34	SR82LEM	18	TH269R	37
SD500R	34	SR9ADV	17	TH288L	37
SE400L	34	SR91LEM	18	TH288R	37
SE400R	34	T11E	51	TH294L	37
SF319L	35	T20A	51	TH294R	37
SF319R	35	T23	50	TH312L	37
SF394L	35	T23A	50	TH312R	37
SF394R	35	T25	50	TH338AL	37
SF425L	35	T26B	50	TH338AR	37
SF425R	35	T32	51	TH338BL	37
SF456L	35	T33R	51	TH338BR	37
SF456R	35	T35	51	TH363L	37
SG500	35	T38	51	TH363R	37
SJ400L	35	T42	50	TH388L	37
SJ400R	35	T46A	50	TH388R	37
SJ538L	35	T46B	50	TH412L	37
SJ538R	35	T47A	50	TH412R	37
SK563L	35	T47B	50	TJ338L	37
SK563R	35	T52	50	TJ338R	37
SL494L	35	T56	49	TK350L	37
SL494R	35	T57	49	TK350R	37
SL563L	35	T90	49	TK381L	37
SL563R	35	T95	49	TK381R	37
SLNF1	35	TA062112	36	TL200L	38
SLNF3/4	35	TA075218	36	TL200R	38
SLNF7/8	35	TB300	36	TL225L	38
SR101LEM	18	TB350	36	TL225R	38
SR1022E	58	TB360	36	TL238L	38
SR1022H	58	TC281L	36	TL238R	38
SR10ADV	17	TC281R	36	TL250L	38
SR121LEM	18	TC338L	36	TL250R	38
SR1220E	58	TC338R	36	TL620	42-43
SR1220H	58	TC95	49	TM238L	38

# PIECE PART #	PAGE	# PIECE PART #	PAGE	# PIECE PART #	PAGE
TM238R	38	TTM22318	40	VP3850	46
TM256L	38	TTM22369	40	W115	59
TM256R	38	TTM22444	40	WH300J650	44
TM275L	38	TUM22500	40	WH330J692	44
TM275R	38	TUM22525	40	WH4521/2	44
TM275BL	38	TV399	45	WH4541/2	44
TM275BR	38	TV400	45	WH4571/2	44
TM281L	38	TV401	45	WH459	44
TM281R	38	TV413	42	WH46J651	44
TM300L	38	TV414	42	X50041	57
TM300R	38	TV415	42	X50041ASS	57
TM312AL	38	TV418	42	X50051	57
TM312AR	38	TV423	42	X50051ASS	57
TM312BL	38	TV425	42	X50241	57
TM312BR	38	TV500	43	X50241ASS	57
TM318L	38	TV501	43	X50251	57
TM318R	38	TV509	43	X50251ASS	57
TM338L	38	TV510	43	X50841	57
TM338R	38	TV513	43	X50841ASS	57
TM375L	38	TV515	43	X50842	57
TM375R	38	TV543	43	X50842ASS	57
TM90	49	TV543E	43	X50843	57
TM95	49	TV545	43	X50843ASS	57
TN388L	39	TV545D	43	X50851	57
TN388R	39	TV54636	43	X50851ASS	57
TQ281L	39	TV570C14	43	X50852	57
TQ281R	39	TV570E14	43	X50852ASS	57
TQ300L	39	TV571	43	X50853	57
TQ300R	39	TV572	43	X50853ASS	57
TO318L	39	TV572E19	43	X51241	57
TQ318R	39	TV573	43	X51241ASS	57
TQ350AL	39	TV573E13	43	X51251	57
TQ350AR	39	TV574E26	43	X51251ASS	57
TQ350BL	39	TV575HP	43	X51341	57
TQ350BR	39	TV618A	45	X51341ASS	57
TQ363L	39	TVCH3	45	X51351	57
TQ363R	39	TVM22369	40	X51351ASS	57
TQ375L	39	TVM22406	40	X51451	57
TQ375R	39	TVM22450	40	X51451ASS	57
TP400L	39	TVM22538	40	X51551	57
TP400R	39	TWM22325	41	X51551ASS	57
TP488L	39	TWM22356	41	X51552	57
TP488R	39	TWM22412	41	X51552ASS	57
TQM20368	39	TWM22481	41	X51561	57
TR1	49	TXM22350	41	X51561ASS	57
TR10	49	TXM22369	41	X51661	57
TR11	5-10	TXM22394	41	X51661ASS	57
TR3	4-49	TXM22425	41	X51681	57
TR3A	49	TXM22475	41	X51681ASS	57
TR5	1	TXM22512	41		
TR9	49	TYM22388	41		
TRM3	1	TYM22438	41		
TRM22338	39	VP1225	46		
TRM22419	39	VP1250	46		
TSM22369	40	VP3825	46		

DIMENSION DE PNEUS / TIRE DIMENSIONS



DIMENSION PNEU TIRE DIMENSION	JANTE RECOMM. RECOMMENDED	DIMENSION PNEU TIRE DIMENSION	JANTE RECOMM. RECOMMENDED	DIMENSION PNEU TIRE DIMENSION	JANTE RECOMM. RECOMMENDED
10.00-15	15X7.50	225/70R22.5	22.5X7.50	555/70R25	25X17.00
10.00-16	16X8.00	23-10-12	12X8.00	600X9	9X4.00
10.00-20	20X7.50	23-8.5-12	12X7.00	650-16	16X5.50
10.00-22	22X7.50	23-9-10	10X6.50	650X10	-----
10.00-24	24X8.00	23.5-25	25X19.00	700-12	-----
10R17.5	17.5X6.75	235/80R22.5	22.5X6.75	700-15	-----
10R22.5	22.5X6.75	24.00-25	25X17.00	700X12	-----
11.00-15	15X7.50	24.00-35	35X17.00	73-44.00-32	32X36.00
11.00-20	20X8.00	24.5-32	32X21.00	750-10	-----
11.00-22	22X8.00	245/70R19.5	19.5X7.50	750-15	-----
11.00-24	24X8.00	245/75R22.5	22.5X7.50	750-16	-----
11R17.5	17.5X8.25	250-15	15X7.00	750-10	-----
11R22.5	22.5X8.25	255/70R22.5	22.5X8.25	750-15	-----
11R24.5	24.5X8.25	26.5-25	25X22.00	750-20	20X6.50
12-9.75-15	15X9.75	27.00-49	49X19.00	8.25-20	20X6.50
12.00-20	20X8.00	27/850-15	15X7.00	800-16	16X5.50
12.00-22	22X8.00	28-125-15	15X9.75	815-15	-----
12.00-24	24X8.00	28-9-15	15X7.00	825-15	-----
12.75R22.5	22.5X9.00	285/75R24.5	24.5X8.25	825-20	20X6.50
125-5-8	8X4.33	28X9-15	15X7.00	8R17.5	17.5X6.75
12R22.5	22.5X8.25	29.5-25	25X25.00	8R19.5	19.5X6.75
12R24.5	24.5X8.25	295/75R22.5	22.5X9.00	8R22.5	22.5X6.75
13.00-20	20X9.00	295/75R24.5	24.5X8.25	9.00-10	10X6.50
13.00-24	24X9.00	295/80R22.5	22.5X9.00	9.00-15	15X7.00
13.00-25	25X10.00	300X15	15X8.00	9.00-20	20X7.00
13/80-20	20X9.00	300X8	8X2.50	9R17.5	17.5X6.75
14.00-20	20X10.00	305/70R22.5	22.5X9.00	9R22.5	22.5X6.75
14.00-24	24X10.00	305/75R22.5	22.5X9.00		
14.00-24	24X8.00	315/75R22.5	22.5X9.00		
14.00-25	25X10.00	315/80R22.5	22.5X9.00		
14/80-20	20X10.00	32-121-15	15X9.75		
15-45-8	8X3.00	33.5-33	33X28.00		
15.5-25	25X12.00	33.5-39	39X28.00		
15R22.5	22.5X12.25	35/65-33	33X28.00		
2016-06-8	8X4.33	350X5	5X2.50		
16-5-8	-----	36.00-51	51X26.00		
16-6-8	8X4.30	365-80R20	20X10.00		
16.00-24	24X10.00	37.00-57	57X27.00		
16.00-25	25X10.00	37.25-35	35X31.00		
16.5R22.5	22.5X13.00	37.5-39	39X32.00		
18-7-8	8X4.33	38-39	39X28.00		
18-8.5-8	8X7.00	385/65R22.5	22.5X12.25		
18.00-25	25X13.00	40.5/75-39	39X32.00		
18.00-33	33X13.00	40/00-57	57X29.00		
18R22.5	22.5X13.00	40/65-39	39X32.00		
20.5-25	25X17.00	400X8	-----		
200X8	8X2.50	41.25/70-39	39X32.00		
2021-08-09	9X6.00	425/65R22.5	22.5X12.25		
21-8-9	9X6.00	445/50R22.5	22.5X14.00		
21.00-25	25X15.00	445/65R22.5	22.5X13.00		
21.00-35	35X15.00	45/65-45	45X36.00		
215/75R17.5	17.5X6.75	500X8	-----		
225/70R19.5	19.5X6.75	54-37.00-25	25X32.00		

----- : Plusieurs possibilités / Many rim widths

