



# Betts



*Quality*  
Since 1901

***heavy duty  
vehicular lamps  
and lighting systems***





## Betts quality lamps and lighting systems feature these exclusive advantages:

- ★ All red LED's can be single or double contact based on wiring
- ★ Existing blub lighting can be easily converted to LED using current wiring and housings.
- ★ Sealed yet bulb replaceable!
- ★ A full line of lamps and junction boxes that have ample room for splices in a dry environment.
- ★ Controlled O. D. on stranded wire and cable for positive sealing.
- ★ Lowest voltage drop in the industry!
- ★ Choke seal entrances available in all heavy wall lamps and junction boxes.
- ★ All lamps and junction box lenses and covers are sealed with "O" rings.
- ★ All 4" and 7" lamps are equipped with shock mount bulb sockets for superior vibration dampening and shock resistance.
- ★ The only lighting system where add ons or repairs can be made without jeopardizing the integrity of the system.
- ★ Only bulbs require occasional replacement.

CLEARANCE & SIDE MARKER LAMPS ..... 11-19  
 IDENTIFICATION / BAR LAMPS ..... 20-23  
 LICENSE LAMPS ..... 24-26  
 STOP, TAIL, TURN LAMPS ..... 26-34  
 BACK UP LAMPS ..... 34-36  
 CABINET, METER & DOME LAMPS ..... 36-39  
 SEALED BEAM FLOOD, SPOT & WORK LAMPS ..... 39-42  
 JUNCTION BOXES ..... 43-44

NOSE BOXES ..... 45-46  
 GAUGE HOLDERS ..... 46  
 HARDWARE PACKAGES ..... 46  
 CABLE GRAB RINGS ..... 46  
 JUNCTION BOX DISCS & HARDWARE ..... 46  
 CIRCUIT BRIDGE ..... 46

BEACONS & STROBES ..... 47-50

SCHOOL BUS LAMPS ..... 51-53

MODULES 40 SERIES ..... 54-60  
 MODULES COMPACT 45 SERIES ..... 61-66  
 OEM MODULES COMBINATION 40/45 SERIES ..... 67  
 MOUNTING BRACKETS ..... 68-69

CIRCUIT SAVERS & FLASHERS ..... 70  
 LIGHTING SYSTEM TESTER ..... 71  
 PLUG CHECKER ..... 71

CERTIFICATE HOLDERS ..... 72  
 ANTI-THEFT RINGS ..... 72  
 BACK UP ALARMS ..... 72  
 PLUG SCRUBBER ..... 72  
 ABS STICKERS ..... 72  
 WIRE PULLING LUBRICANT ..... 73  
 INDICATOR LIGHT ..... 73  
 SWITCHES & SWITCH COMPONENTS ..... 73

LED DISPLAY ..... 74  
 LED ASSEMBLIES ..... 74  
 POLYCARBONATE LENSES ..... 75  
 LED RETROFIT LENS ASSEMBLIES ..... 76-79  
 SEALED BEAM BULBS ..... 79

REFLECTORS ..... 79  
 O-RINGS ..... 79  
 GASKETS ..... 79  
 SOCKETS ..... 80  
 PIGTAILS ..... 80  
 GROMMETS ..... 81  
 LAMP COMPONENTS ..... 81

CABLE FITTINGS ..... 82  
 CHOKE SEALS ..... 82  
 NOSE BOX & SWITCH COVERS ..... 82  
 PLUGS & SOCKETS ..... 82  
 TUBING ..... 83-84  
 WIRE, CABLE, PLUG & SEAL PLUGS, HEAT SHRINK ..... 85-86

CUSTOM DESIGN KITS ..... 87  
 TECHNICAL INFORMATION ..... 88  
 WARRANTY INFORMATION ..... INSIDE BACK COVER

### Snap Seal lenses are a Betts exclusive

**To Remove:** Place one hand over face of lens at pry point to avoid possibility of injury due to lens breakage. Insert screwdriver fully under lens flange. Pry off carefully at several points if necessary.

**To Replace:** Tilt lens slightly and hand press into lamp housing for a water-tight O-ring seal. "Snap Seal" O-rings are factory lubricated. When additional lubrication is needed, use only a petroleum jelly such as Vasoline.

**CAUTION.** Use only Betts "Snap Seal" O-rings to assure designed tolerance between lens, O-ring and lamp housing.

Keep groove retaining O-ring clean to assure proper sealing.



### LED Lamp Identification

LED Part numbers are noted in blue throughout the catalog

Betts BriteNight multi-diode LED's are designed to meet all F.M.V.S.S. 108 requirements while operating within the 8 to 14 volt range. Betts Light Ranger Multi-voltage single diode LED's are also designed to meet F.M.V.S.S. 108 requirements and with their unique circuit design operate from 8 to 44 volts and remain compliant. This eliminates the need to inventory a 12 or a 24-volt LED. They also give the user the performance of an LED yet deters theft with the classic incandescent bulb look.

Betts LED series lamps and lens assemblies should be properly installed in Betts Snap-Seal lamp housings and kept free from physical abuse. When using LED lens assemblies or Multi-voltage single diode LED assemblies, lamp housings should be inspected to insure they will maintain a dry environment. If any signs of moisture or corrosion appear in the housing, the following steps should be followed and components replaced as needed. The proper cable entrance fittings and choke seals (see page 82 for Betts recommended fittings and choke seals) should be utilized. Fittings should be tightened and checked for a positive seal and proper installation. Wire and cables should be checked for signs of discoloration or corrosion. External splices should be checked to insure heat shrink was applied. Internal connections in aluminum bodied lamps must be butt connected with heat shrink. If any of these conditions exist and are not corrected by replacing the faulty component prior to retrofitting to an LED, the warranty will be void.

On original installation Betts recommends that either Betts Snap-Seal wiring or Betts Plug & Seal harness system is used. When using Plug & Seal, all external plugs must be sealed with heat shrink. Any modification to a custom designed kit by either the OEM or the equipment owner that was not part of the original design or designed for an add on option will cause the warranty to be void.

All warranty will be void if any of the above conditions are not meet.

All Betts products, where applicable, conform to F.M.V.S.S. number 108





# Plug & Seal

## THE ULTIMATE LIGHTING SYSTEM

*all the advantages of the Solid Wiring system plus ...  
the easy installation and  
service of plug-together in its*

The **Betts** Plug & Seal Lighting System offers lamps and junction boxes prewired with a flexible jacketed cable which includes a ground wire for common grounding. The wires inside the cable are protected by a PVC insulation and further protected by a super tough PVC outer jacket that resists salt, abrasion, and physical abuse.

**Betts** Plug & Seal Lighting System features replaceable molded plug pigtails that provide a sealed connection and offer field serviceability not afforded or offered by any other system on the market.

Should the **Betts** Plug & Seal Lighting System suffer damage from tire blowouts or accidents, the damaged pigtail can be completely replaced without jeopardizing the integrity of the system. Other systems require cutting into the harness to remove the damaged section and splicing on a new section. Poor splices can and will result in lighting problems.

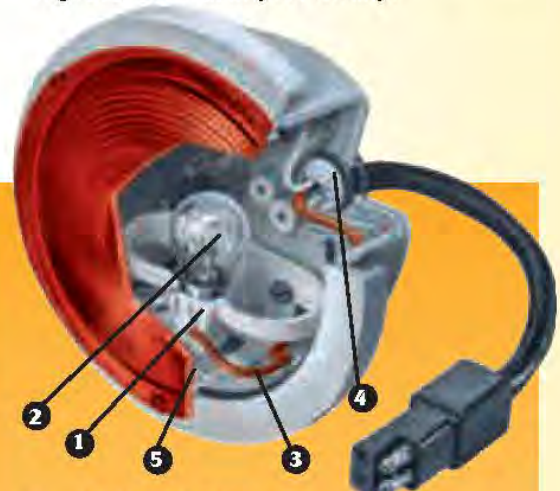
It all adds up to an exclusive, high integrity lighting system. A lighting system that is easy to maintain at a cost you can live with. Bulb replaceable lighting systems cost less per mile to maintain than throw away lighting.

**NOTE:** To replace the bulb, grasp the base of the J-slotted Shock-Stopper socket with one hand, push the bulb down and turn counter clockwise to remove.

**NOTE:** Heat shrink tubing should be applied to the plugs for total sealing.



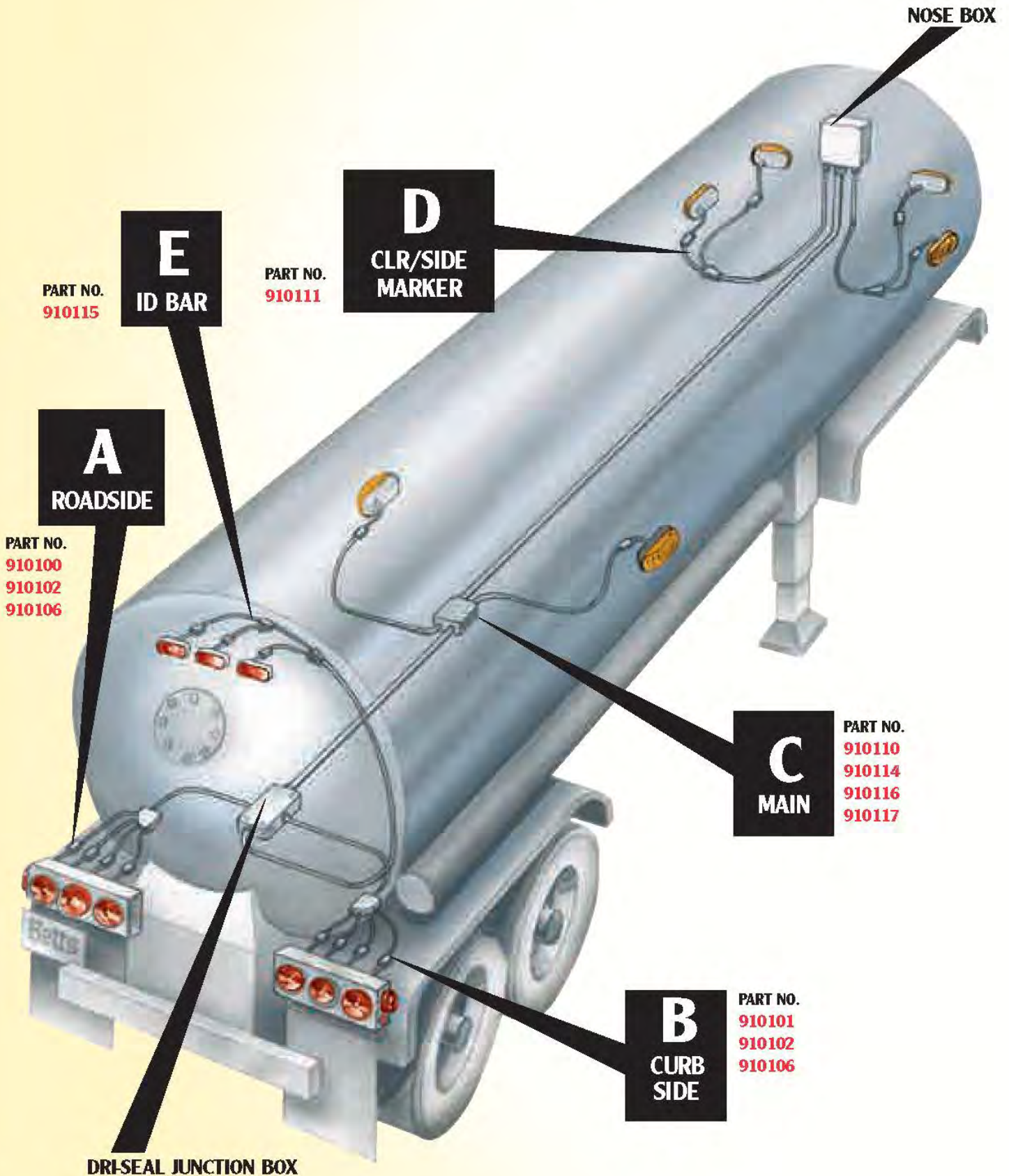
"Ready-to-Install" kits can be engineered by Betts to customer specifications. Information on pages 4, 5, 6, & 7 will also allow for the purchase of individual components to be put together as a kit in your facility.



- 1 SHOCK-STOPPER**  
*Protects the bulb from road shock and vibration.  
Enables bulb to reach its rated life.*
- 2 BULB REPLACEABLE**  
*Uses a standard J-slot bulb.*
- 3 NO BAD GROUNDING**  
*System uses common grounding.*
- 4 NO CORROSION**  
*Super-tight seals & plugs keep moisture out.*
- 5 FAST LOW COST SERVICE**  
*Snap-Seal lens make service easy.*
- 6 LOCK & SEAL PLUGS**  
*Molded to tough PVC jacketed cable.*
- 7 EASILY CHANGED TO LED**



Betts harness units are designed to speed installation and service while maintaining a sealed lighting system with dry environment connections. Male and female 2 and 4 conductor plugs use a sealed lock together system that really works. All connections must be sealed with heat shrink to insure total sealing and be considered for warranty claims.







## THE ULTIMATE LIGHTING SYSTEM

PART NO.

910100

**A**

### ROADSIDE HARNESS

10 foot lead of 5 conductor cable molded into a junction that has 4 drops consisting of; #1 - 2 conductor plug wired for clearance, #2 - 4 conductor plug wired as turn/tail, #3 - 2 conductor plug wired as backup, and #4 - 4 conductor plug wired as stop/tail. #1, 2 & 3 have 6" length of cable. #4 - 14".



910101

**B**

### CURBSIDE HARNESS

10 foot lead of 5 conductor cable molded into a junction that has 4 drops consisting of; #1 - 2 conductor plug wired for clearance, #2 - 4 conductor plug wired as turn/tail, #3 - 2 conductor plug wired as backup, and #4 - 4 conductor plug wired as stop/tail. #1, 2 & 3 have 6" length of cable. #4 - 14".

910102

**B**

### CURBSIDE/ROADSIDE HARNESS

8 foot lead of 4 conductor cable molded into a junction that has 4 drops consisting of; #1 - 2 conductor plug wired for clearance, #2, #3 #4 - 4 conductor plugs wired as stop/turn/tail. (Lamps will be wired for stop or turn functions.) #1 - 4 have 6" length of cable.

Wiring functions as follows:

- Red - Stop
- Brown - Tail/Marker
- Yellow/Green - Turn
- White - Ground



910106

**B**

### CURBSIDE/ROADSIDE HARNESS

8 foot lead of 4 conductor cable molded into a junction that has 3 drops consisting of; #1 - 2 conductor plug wired for clearance, #2 and #3, - 4 conductor plugs wired as stop/turn/tail. (Lamps will be wired for stop or turn functions.) #1 - 3 have 6" length of cable.

Wiring functions as follows:

- Red - Stop
- Brown - Tail/Marker
- Yellow/Green - Turn
- White - Ground



910110

**C**

### MAIN HARNESS: 50'

50 foot lead of 7 conductor cable with a junction molded in the center with (2) - 4 conductor drops consisting of #1 drop wired for roadside turn/clearance and #2 wired for curbside turn and clearance. #1 & 2 have 4 foot length of cable.



910114

Same as 910110 but with ABS cable.

910111

**D**

### TWO CONDUCTOR "Y" HARNESS

96 inch lead of 2 conductor cable molded into a junction with (2) - 6" 2 conductor drops wired for clearance/side marker.



910115

**E**

### ID BAR HARNESS

216" lead of 2 conductor cable with 2 "Y" harnesses that provide three two conductor drops to plug in individual lights to make an ID bar light.



910116

**C**

### MAIN HARNESS: 60'

60 foot lead of 7 conductor cable with a junction molded 33' from the front with (2) - 4 conductor drops consisting of #1 drop wired for roadside turn/clearance and #2 wired for curbside turn and clearance and 27' of cable to the rear. #1 & 2 have 1.5 foot length of cable.



910117

Same as 910116 but with ABS 7 conductor cable.

1



# Stop, Tail, Turn & License Lamps



**THE ULTIMATE LIGHTING SYSTEM**

All lamps are equipped with PVC jacketed cable and a molded 4 or 2 conductor male plug. Wiring conforms to FMVSS standards. Cable entry is located on the sides of the lamps for easy plug in to the lamp system. Lamps are shock mounted incandescent bulb lamps using either a 1156 or 1157 bulb.



12" Plug Shown

## INCANDESCENT 12 VOLT LAMPS (24 VOLT AVAILABLE ON REQUEST)



- PART NO. 40 SERIES - 4 IN. MALE PLUG**
- 400122** Curb Side Turn Only Amber Shallow Lens
  - 400123** Road Side Turn Only Amber Shallow Lens
  - 400110** Curb Side Turn/Tail Red Shallow Lens
  - 400111** Road Side Turn/Tail Red Shallow Lens
  - 400112** Curb Side Stop/Tail Red Shallow Lens
  - 400113** Road Side Stop/Tail Red Shallow Lens
- 400141** Back Up Clear Shallow Lens (2 conductor plug)

- PART NO. 40 SERIES - 12 IN. MALE PLUG**
- 400120** Curb Side Turn Only Amber Shallow Lens
  - 400121** Road Side Turn Only Amber Shallow Lens
  - 400100** Curb Side Turn/Tail Red Shallow Lens
  - 400101** Road Side Turn/Tail Red Shallow Lens
  - 400102** Curb Side Stop/Tail Red Shallow Lens
  - 400103** Road Side Stop/Tail Red Shallow Lens
- 400140** Back Up Clear Shallow Lens (2 conductor plug)



- PART NO. 40 SERIES - 4 IN. MALE PLUG**
- 400134** Curb Side Turn Only Amber Deep Lens
  - 400135** Road Side Turn Only Amber Deep Lens
  - 400114** Curb Side Turn/Tail Red Deep Lens
  - 400115** Road Side Turn/Tail Red Deep Lens
  - 400116** Curb Side Stop/Tail Red Deep Lens
  - 400117** Road Side Stop/Tail Red Deep Lens

- PART NO. 40 SERIES - 12 IN. MALE PLUG**
- 400124** Curb Side Turn Only Amber Deep Lens
  - 400125** Road Side Turn Only Amber Deep Lens
  - 400104** Curb Side Turn/Tail Red Deep Lens
  - 400105** Road Side Turn/Tail Red Deep Lens
  - 400106** Curb Side Stop/Tail Red Deep Lens
  - 400107** Road Side Stop/Tail Red Deep Lens



- PART NO. 40 SERIES - 4 IN. MALE PLUG**
- 400118** Road Side Turn/Tail Red Deep Lens with License
  - 400119** Road Side Stop/Tail Red Deep Lens with License

- PART NO. 40 SERIES - 12 IN. MALE PLUG**
- 400108** Road Side Turn/Tail Red Deep Lens with License
  - 400109** Road Side Stop/Tail Red Deep Lens with License



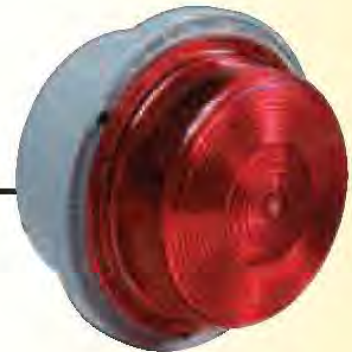


## INCANDESCENT 12 VOLT LAMPS (24 VOLT AVAILABLE ON REQUEST)

- PART NO. 45 SERIES - 4 IN. MALE PLUG**
- 450182** Curb Side Turn Only Amber Shallow Lens
  - 450183** Road Side Turn Only Amber Shallow Lens
  - 450082** Curb Side Turn/Tail Red Shallow Lens
  - 450083** Road Side Turn/Tail Red Shallow Lens
  - 450084** Curb Side Stop/Tail Red Shallow Lens
  - 450085** Road Side Stop/Tail Red Shallow Lens
- 450140** Back Up Clear Shallow Lens (2 conductor plug)



- PART NO. 45 SERIES - 12 IN. MALE PLUG**
- 450172** Curb Side Turn Only Amber Shallow Lens
  - 450173** Road Side Turn Only Amber Shallow Lens
  - 450072** Curb Side Turn/Tail Red Shallow Lens
  - 450073** Road Side Turn/Tail Red Shallow Lens
  - 450074** Curb Side Stop/Tail Red Shallow Lens
  - 450075** Road Side Stop/Tail Red Shallow Lens
- 450141** Back Up Clear Shallow Lens (2 conductor plug)



- PART NO. 45 SERIES - 4 IN. MALE PLUG**
- 450186** Curb Side Turn Only Amber Deep Lens
  - 450187** Road Side Turn Only Amber Deep Lens
  - 450086** Curb Side Turn/Tail Red Deep Lens
  - 450087** Road Side Turn/Tail Red Deep Lens
  - 450088** Curb Side Stop/Tail Red Deep Lens
  - 450089** Road Side Stop/Tail Red Deep Lens

- PART NO. 45 SERIES - 12 IN. MALE PLUG**
- 450176** Curb Side Turn Only Amber Deep Lens
  - 450177** Road Side Turn Only Amber Deep Lens
  - 450076** Curb Side Turn/Tail Red Deep Lens
  - 450077** Road Side Turn/Tail Red Deep Lens
  - 450078** Curb Side Stop/Tail Red Deep Lens
  - 450079** Road Side Stop/Tail Red Deep Lens



- PART NO. 45 SERIES - 4 IN. MALE PLUG**
- 450080** Road Side Turn/Tail Red Deep Lens with License
  - 450081** Road Side Stop/Tail Red Deep Lens with License

- PART NO. 45 SERIES - 12 IN. MALE PLUG**
- 450090** Road Side Turn/Tail Red Deep Lens with License
  - 450091** Road Side Stop/Tail Red Deep Lens with License





**THE ULTIMATE LIGHTING SYSTEM**

All lamps are equipped with PVC jacketed cable and a molded 2 or 4 conductor male plug. Cable entry is located in the rear of lamp bodies for easy plug-in to the lamp system. See page 23 for I.D. lamps with 18 feet of cable that can be connected in the junction box.

## INCANDESCENT 12 VOLT LAMPS (24 VOLT AVAILABLE ON REQUEST)



**PART NO. 73 SERIES - 4 IN. MALE PLUG**  
**730009** Curb Side Turn/Marker Amber Lens  
**730010** Road Side Turn/Marker Amber Lens

**PART NO. 73 SERIES - 12 IN. MALE PLUG**  
**730016** Curb Side Turn/Marker Amber Lens  
**730017** Road Side Turn/Marker Amber Lens



**PART NO. 56 SERIES SPECIAL PURPOSE - 4 IN. MALE PLUG**  
**560069** Curb Side Special Purpose DC Deep Amber Lens  
**560070** Road Side Special Purpose DC Deep Amber Lens

**PART NO. 56 SERIES SPECIAL PURPOSE - 12 IN. MALE PLUG**  
**560079** Curb Side Special Purpose DC Deep Amber Lens  
**560080** Road Side Special Purpose DC Deep Amber Lens



**PART NO. CLEARANCE OR MARKER LAMPS - 4 IN. MALE PLUG**  
**211014** Clearance or Marker Red Reflective Lens  
**211015** Clearance or Marker Amber Reflective Lens

**PART NO. CLEARANCE OR MARKER LAMPS - 12 IN. MALE PLUG**  
**211016** Clearance or Marker Red Reflective Lens  
**211017** Clearance or Marker Amber Reflective Lens



**PART NO. CLEARANCE OR MARKER LAMPS - 4 IN. MALE PLUG**  
**560043** Clearance or Marker Red Shallow Lens  
**560044** Clearance or Marker Amber Shallow Lens

**PART NO. CLEARANCE OR MARKER LAMPS - 12 IN. MALE PLUG**  
**560047** Clearance or Marker Red Shallow Lens  
**560048** Clearance or Marker Amber Shallow Lens



**PART NO. CLEARANCE OR MARKER LAMPS - 4 IN. MALE PLUG**  
**560045** Clearance or Marker Red Deep Lens  
**560046** Clearance or Marker Amber Deep Lens

**PART NO. CLEARANCE OR MARKER LAMPS - 12 IN. MALE PLUG**  
**560049** Clearance or Marker Red Deep Lens  
**560050** Clearance or Marker Amber Deep Lens





**THE ULTIMATE LIGHTING SYSTEM**

## INCANDESCENT 12 VOLT LAMPS (24 VOLT AVAILABLE ON REQUEST)

### PART NO. CLEARANCE OR MARKER LAMPS - 4 IN. MALE PLUG

- 650019** Clearance or Marker Red Shallow Lens
- 650020** Clearance or Marker Amber Shallow Lens

### PART NO. CLEARANCE OR MARKER LAMPS - 12 IN. MALE PLUG

- 650021** Clearance or Marker Red Shallow Lens
- 650022** Clearance or Marker Amber Shallow Lens



Side, Turn Lamp

### PART NO. AMBER ARROW TURN LAMPS 4 IN. MALE PLUG

- 770024** Amber Arrow turn only

### PART NO. AMBER ARROW TURN LAMPS - 12 IN. MALE PLUG

- 770026** Amber Arrow turn only



Junction Box

### PART NO. CENTER AND REAR JUNCTION BOXES

- 351046** Rear 4 x 8 Junction box with (1) 920420 wire choke seal and (3) 920413 cable seals preinstalled. Predrilled and tapped entrances for (2) 920217 and (1) 920218 cable entrance fittings (provided).
- 351047** Center 4 x 8 Junction box with (4) 920413 preinstalled choke seals. Drilled and tapped for (2) 920218 cable entrance fittings (provided).





# Stop, Tail, Turn Lamps



**THE ULTIMATE LIGHTING SYSTEM**

All lamps are equipped with PVC jacketed cable and a molded 2 or 4 conductor male plug. Wiring conforms to FMVSS standards. Cable entry is located on the sides of the lamps for easy plug in to the lamp system. Lamps in this section are either multi-diode 12 volt or single diode Multi-voltage lamps. Multi-diode lamps available in 24 volt upon request.



**NOTE: S/T/T with License is currently only available in the Multi-voltage single diode LED.**

## MULTI-DIODE 12 VOLT LEDS



PART NO.	40 SERIES - 4 IN. MALE PLUG		
402110	Curb Side Turn/Tail Red Shallow Lens	402122	Curb Side Turn Only Amber Shallow Lens
402111	Road Side Turn/Tail Red Shallow Lens	402123	Road Side Turn Only Amber Shallow Lens
402112	Curb Side Stop/Tail Red Shallow Lens	402134	Curb Side Turn Only Amber Deep Lens
402113	Road Side Stop/Tail Red Shallow Lens	402135	Road Side Turn Only Amber Deep Lens
402114	Curb Side Turn/Tail Red Deep Lens	402140	Back up Clear Shallow Lens Multi-voltage multi-diode
402115	Road Side Turn/Tail Red Deep Lens		
402116	Curb Side Stop/Tail Red Deep Lens		
402117	Road Side Stop/Tail Red Deep Lens		



PART NO.	40 SERIES - 12 IN. MALE PLUG		
402100	Curb Side Turn/Tail Red Shallow Lens	402120	Curb Side Turn Only Amber Shallow Lens
402101	Road Side Turn/Tail Red Shallow Lens	402121	Road Side Turn Only Amber Shallow Lens
402102	Curb Side Stop/Tail Red Shallow Lens	402124	Curb Side Turn Only Amber Deep Lens
402103	Road Side Stop/Tail Red Shallow Lens	402125	Road Side Turn Only Amber Deep Lens
402104	Curb Side Turn/Tail Red Deep Lens	402141	Back up Clear Shallow Lens Multi-voltage multi-diode
402105	Road Side Turn/Tail Red Deep Lens		
402106	Curb Side Stop/Tail Red Deep Lens		
402107	Road Side Stop/Tail Red Deep Lens		



PART NO.	45 SERIES - 4 IN. MALE PLUG		
452082	Curb Side Turn/Tail Red Shallow Lens	452182	Curb Side Turn Only Amber Shallow Lens
452083	Road Side Turn/Tail Red Shallow Lens	452183	Road Side Turn Only Amber Shallow Lens
452084	Curb Side Stop/Tail Red Shallow Lens	452186	Curb Side Turn Only Amber Deep Lens
452085	Road Side Stop/Tail Red Shallow Lens	452187	Road Side Turn Only Amber Deep Lens
452086	Curb Side Turn/Tail Red Deep Lens	452140	Back up Clear Shallow Lens Multi-voltage multi-diode
452087	Road Side Turn/Tail Red Deep Lens		
452088	Curb Side Stop/Tail Red Deep Lens		
452089	Road Side Stop/Tail Red Deep Lens		



PART NO.	45 SERIES - 12 IN. MALE PLUG		
452072	Curb Side Turn/Tail Red Shallow Lens	452172	Curb Side Turn Only Amber Shallow Lens
452073	Road Side Turn/Tail Red Shallow Lens	452173	Road Side Turn Only Amber Shallow Lens
452074	Curb Side Stop/Tail Red Shallow Lens	452176	Curb Side Turn Only Amber Deep Lens
452075	Road Side Stop/Tail Red Shallow Lens	452177	Road Side Turn Only Amber Deep Lens
452076	Curb Side Turn/Tail Red Deep Lens	452141	Back up Clear Shallow Lens Multi-voltage multi-diode
452077	Road Side Turn/Tail Red Deep Lens		
452078	Curb Side Stop/Tail Red Deep Lens		
452079	Road Side Stop/Tail Red Deep Lens		





## MULTI-DIODE 12 VOLT LAMPS



- PART NO. 56 SERIES SPECIAL PURPOSE - 4 IN. MALE PLUG DOUBLE CONTACT**
- 560263** Curb Side Special Purpose Red Shallow Lens
  - 560264** Road Side Special Purpose Red Shallow Lens
  - 560265** Curb Side Special Purpose Amber Shallow Lens
  - 560266** Road Side Special Purpose Amber Shallow Lens
  - 560267** Curb Side Special Purpose Red Deep Lens
  - 560268** Road Side Special Purpose Red Deep Lens
  - 560269** Curb Side Special Purpose Amber Deep Lens
  - 560270** Road Side Special Purpose Amber Deep Lens

**PART NO. 56 SERIES SPECIAL PURPOSE - 12 IN. MALE PLUG DOUBLE CONTACT**

- 560273** Curb Side Special Purpose Red Shallow Lens
- 560274** Road Side Special Purpose Red Shallow Lens
- 560275** Curb Side Special Purpose Amber Shallow Lens
- 560276** Road Side Special Purpose Amber Shallow Lens
- 560277** Curb Side Special Purpose Red Deep Lens
- 560278** Road Side Special Purpose Red Deep Lens
- 560279** Curb Side Special Purpose Amber Deep Lens
- 560280** Road Side Special Purpose Amber Deep Lens



- PART NO. 200 SERIES CLEARANCE OR MARKER LAMPS - 4 IN. MALE PLUG SINGLE CONTACT**
- 211214** Clearance or Marker Red Reflective Lens
  - 211215** Clearance or Marker Amber Reflective Lens

**PART NO. 200 SERIES CLEARANCE OR MARKER LAMPS - 12 IN. MALE PLUG SINGLE CONTACT**

- 211216** Clearance or Marker Red Reflective Lens
- 211217** Clearance or Marker Amber Reflective Lens



**PART NO. 56 SERIES CLEARANCE OR MARKER LAMPS - 4 IN. MALE PLUG SINGLE CONTACT**

- 560243** Clearance or Marker Red Shallow Lens
- 560244** Clearance or Marker Amber Shallow Lens
- 560245** Clearance or Marker Red Deep Lens
- 560246** Clearance or Marker Amber Deep Lens



**PART NO. 56 SERIES CLEARANCE OR MARKER LAMPS - 12 IN. MALE PLUG SINGLE CONTACT**

- 560247** Clearance or Marker Red Shallow Lens
- 560248** Clearance or Marker Amber Shallow Lens
- 560249** Clearance or Marker Red Deep Lens
- 560250** Clearance or Marker Amber Deep Lens



# Clearance & Marker Lamps



**THE ULTIMATE LIGHTING SYSTEM**

## MULTI-DIODE 12 VOLT LAMPS

- PART NO. 65 SERIES CLEARANCE OR MARKER LAMPS - 4 IN. MALE PLUG SINGLE CONTACT**
- 650219** Clearance or Marker Red Shallow Lens  
**650220** Clearance or Marker Amber Shallow Lens



- PART NO. 65 SERIES CLEARANCE OR MARKER LAMPS - 12 IN. MALE PLUG SINGLE CONTACT**
- 650221** Clearance or Marker Red Shallow Lens  
**650222** Clearance or Marker Amber Shallow Lens

## Stop, Tail, Turn Lamps

### SINGLE DIODE MULTI-VOLTAGE DOUBLE CONTACT LAMPS

OPERATIONAL VOLTAGE RANGE FROM 8 TO 48 VOLTS

- PART NO. 40 SERIES - 4 IN. MALE PLUG**
- 403110** Curb Side Turn/Tail Red Shallow Lens  
**403111** Road Side Turn/Tail Red Shallow Lens  
**403112** Curb Side Stop/Tail Red Shallow Lens  
**403113** Road Side Stop/Tail Red Shallow Lens  
**405140** Back Up Clear Shallow Lens Multi-voltage (2 conductor Plug)



- PART NO. 40 SERIES - 12 IN. MALE PLUG**
- 403100** Curb Side Turn/Tail Red Shallow Lens  
**403101** Road Side Turn/Tail Red Shallow Lens  
**403102** Curb Side Stop/Tail Red Shallow Lens  
**403103** Road Side Stop/Tail Red Shallow Lens  
**405141** Back Up Clear Shallow Lens Multi-voltage (2 conductor Plug)

- PART NO. 45 SERIES - 4 IN. MALE PLUG**
- 453082** Curb Side Turn/Tail Red Shallow Lens  
**453083** Road Side Turn/Tail Red Shallow Lens  
**453084** Curb Side Stop/Tail Red Shallow Lens  
**453085** Road Side Stop/Tail Red Shallow Lens  
**455140** Back Up Clear Shallow Lens Multi-voltage (2 conductor Plug)



- PART NO. 45 SERIES - 12 IN. MALE PLUG**
- 453072** Curb Side Turn/Tail Red Shallow Lens  
**453073** Road Side Turn/Tail Red Shallow Lens  
**453074** Curb Side Stop/Tail Red Shallow Lens  
**453075** Road Side Stop/Tail Red Shallow Lens  
**455141** Back Up Clear Shallow Lens Multi-voltage (2 conductor Plug)

- PART NO. 40 SERIES - 4 IN. MALE PLUG**
- 405114** Curb Side Turn/Tail Red Deep Lens  
**405115** Road Side Turn/Tail Red Deep Lens  
**405116** Curb Side Stop/Tail Red Deep Lens  
**405117** Road Side Stop/Tail Red Deep Lens  
**405214** Curb Side Turn/Tail/License Deep Lens  
**405215** Road Side Turn/Tail/License Deep Lens  
**405216** Curb Side Stop/Tail/License Deep Lens  
**405217** Road Side Stop/Tail/License Deep Lens



- PART NO. 40 SERIES - 12 IN. MALE PLUG**
- 405104** Curb Side Turn/Tail Red Deep Lens  
**405105** Road Side Turn/Tail Red Deep Lens  
**405106** Curb Side Stop/Tail Red Deep Lens  
**405107** Road Side Stop/Tail Red Deep Lens  
**405204** Curb Side Turn/Tail/License Red Deep Lens  
**405205** Road Side Turn/Tail/License Red Deep Lens  
**405206** Curb Side Stop/Tail/License Red Deep Lens  
**405207** Road Side Stop/Tail/License Red Deep Lens



- PART NO. 45 SERIES - 4 IN. MALE PLUG**
- 453086 Curb Side Turn/Tail Red Deep Lens
  - 453087 Road Side Turn/Tail Red Deep Lens
  - 453088 Curb Side Stop/Tail Red Deep Lens
  - 453089 Road Side Stop/Tail Red Deep Lens
  - 453286 Curb Side Turn/Tail/License Red Deep Lens
  - 453287 Road Side Turn/Tail/License Red Deep Lens
  - 453288 Curb Side Stop/Tail/License Red Deep Lens
  - 453289 Road Side Stop/Tail/License Red Deep Lens



- PART NO. 45 SERIES - 12 IN. MALE PLUG**
- 453076 Curb Side Turn/Tail Red Shallow Lens
  - 453077 Road Side Turn/Tail Red Shallow Lens
  - 453078 Curb Side Stop/Tail Red Shallow Lens
  - 453079 Road Side Stop/Tail Red Shallow Lens
  - 453276 Curb Side Turn/Tail/License Red Deep Lens
  - 453277 Road Side Turn/Tail/License Red Deep Lens
  - 453278 Curb Side Stop/Tail/License Red Deep Lens
  - 453279 Road Side Stop/Tail/License Red Deep Lens

## Clearance & Side Turn Lamps

- PART NO. 73 SERIES - 4 IN. MALE PLUG DOUBLE CONTACT**
- 733009 Curb Side Turn/Marker Amber Lens
  - 733010 Road Side Turn/Marker Amber Lens

- PART NO. 73 SERIES - 12 IN. MALE PLUG DOUBLE CONTACT**
- 733016 Curb Side Turn/Marker Amber Lens
  - 733017 Road Side Turn/Marker Amber Lens

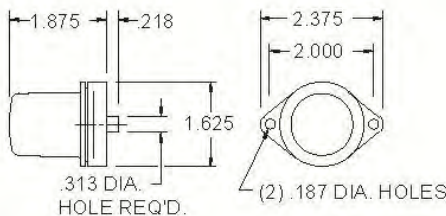


- PART NO. AMBER ARROW TURN LAMPS 4 IN. MALE PLUG SINGLE CONTACT**
- 773024 Amber Arrow Turn Only

- PART NO. AMBER ARROW TURN LAMPS 12 IN. MALE PLUG SINGLE CONTACT**
- 773026 Amber Arrow Turn Only



## Clearance & Side Marker Lamps



Features a 920053 red or 920054 amber deep lens. Lamps use a 67 bulb. Surface mount lamp with a .313 diameter wire entrance hole required.



- PART NO. COMBINATION CLEARANCE & SIDE MARKER SINGLE CONTACT**

- 240004 Red, incandescent bulb, aluminum body
- 240005 Amber, incandescent bulb, aluminum body



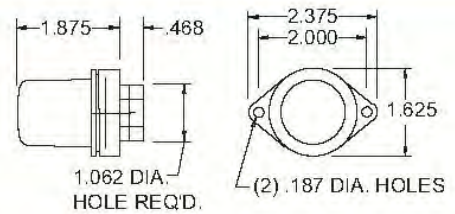
# Clearance & Side Marker Lamps



**PART NO.**

**240011**  
**240012**

Features a 920053 red or 920054 amber deep lens. Lamp uses a 67 bulb. Lamps have a 1/4" N.P.T. rear entry. Surface mount lamp with a 1.062 diameter wire entrance hole required.



## COMBINATION CLEARANCE & SIDE MARKER SINGLE CONTACT

Red, incandescent bulb, aluminum body  
Amber, incandescent bulb, aluminum body



**PART NO.**

**500052**  
**500053**

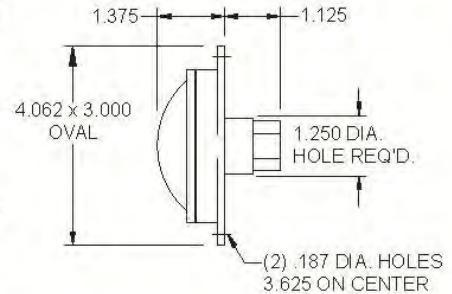
Available in either incandescent or LED. Lamps have a 1/4" N.P.T. rear entry, surface mount.

ALL B50 series valox direct aluminum replacement lamps have a ground strap that utilizes the base as a ground like an aluminum base lamp.

Incandescent lamps feature a 920109 red or 920110 amber shallow lens and use a 67 bulb in a single contact socket.

B50 replacement LED lamps use a 510007 red or a 510008 amber shallow single contact bulb base socket lens assembly.

LED lamps feature a 510001 red or 510002 amber shallow lens assembly with two eyelets and require internal grounding.



## COMBINATION CLEARANCE & SIDE MARKER SINGLE CONTACT SHALLOW LENS

Red, B50 replacement, incandescent bulb, valox body with ground strap  
Amber, B50 replacement, incandescent bulb, valox body with ground strap

**PART NO.**

**500252**  
**500253**  
**500452**  
**500453**

## CLEARANCE OR SIDE MARKER SINGLE CONTACT SHALLOW LENS

Red, B50 replacement, LED, valox body with ground strap  
Amber, B50 replacement, LED, valox body with ground strap  
Red, LED, valox body  
Amber, LED, valox body



**PART NO.**

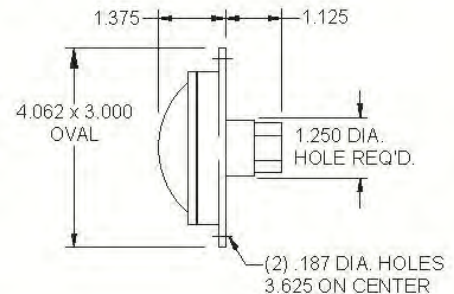
**500263**  
**500264**  
**500463**  
**500464**

Special purpose double contact lamp shallow lens LED surface mount lamp. Lamps have a 1/4" N.P.T. rear entry.

All B50 series valox direct aluminum replacement lamps have a ground strap that utilizes the base as a ground like an aluminum base lamp.

B50 series aluminum direct valox replacement LED lamps feature a double contact bulb based 510027 red or 510028 amber shallow lens.

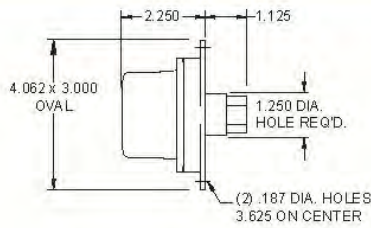
LED lamps feature a 510021 red or 510022 amber shallow lens assembly with three eyelets and require internal grounding.



## SPECIAL PURPOSE DOUBLE CONTACT SHALLOW LENS

Red, B50 replacement, LED, valox body with ground strap  
Amber, B50 replacement, LED, valox body with ground strap  
Red, LED, valox body  
Amber, LED, valox body





Available in either incandescent or LED, surface mount. Lamps have a 1/4" N.P.T. rear entry, surface mount lamp.

All B50 series valox direct aluminum replacement lamps have a ground strap that utilizes the base as a ground like an aluminum base lamp.

Incandescent lamps feature a 920116 red or 920117 amber deep lens and use a 67 bulb in a single contact socket.

B50 replacement LED lamps use a 510017 red or 510018 amber deep single contact bulb based socket lens assembly.

LED lamps feature a 510011 red or 510012 amber deep lens assembly with two eyelets and require internal grounding.



**PART NO.**

**500054**

**500055**

**COMBINATION CLEARANCE & SIDE MARKER SINGLE CONTACT DEEP LENS**

Red, B50 replacement, incandescent bulb, valox body with ground strap

Amber, B50 replacement, incandescent bulb, valox body with ground strap

**PART NO.**

**500254**

**500255**

**500454**

**500455**

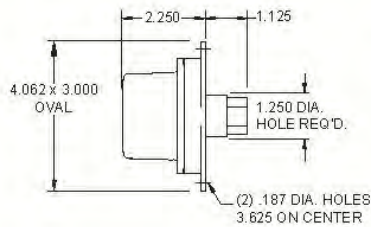
**CLEARANCE OR SIDE MARKER SINGLE CONTACT DEEP LENS**

Red, B50 replacement, LED, valox body with ground strap

Amber, B50 replacement, LED, valox body with ground strap

Red LED, valox body

Amber, LED, valox body



Special purpose double contact lamp deep lens incandescent or LED surface mount lamp. Lamps have a 1/4" N.P.T. rear entry.

All B50 series valox direct aluminum replacement lamps have a ground strap that utilizes the base as a ground like an aluminum base lamp.

Incandescent lamps feature a 920116 red or 920117 amber deep lens and a 1157 bulb in a double contact socket.

B50 series aluminum direct valox replacement LED lamps feature a double contact bulb based 510037 red or 510038 amber deep lens.

LED lamps features a 510031 red or 510032 amber deep lens assembly with three eyelets and require internal grounding.



**PART NO.**

**500058**

**500059**

**SPECIAL PURPOSE INCANDESCENT DOUBLE CONTACT DEEP LENS**

Red, B50 replacement, incandescent bulb, valox body with ground strap

Amber, B50 replacement, incandescent bulb, valox body with ground strap

**PART NO.**

**500258**

**500259**

**500458**

**500459**

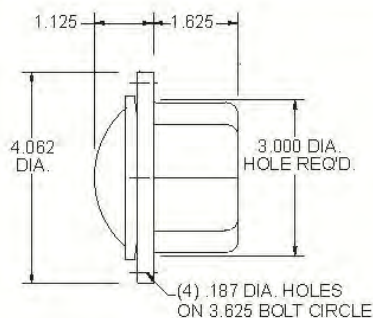
**SPECIAL PURPOSE LED DOUBLE CONTACT DEEP LENS**

Red, B50 replacement, LED, valox body with ground strap

Amber, B50 replacement, LED, valox body with ground strap

Red LED, valox body

Amber, LED, valox body



All B56 series valox direct aluminum replacement lamps have a ground strap that utilizes the base as a ground like an aluminum base lamp.

Incandescent lamps feature a 920109 red or a 920110 amber shallow lens and use a 920105 single contact socket and a 67 bulb.

B56 replacement LED lamps use a 510007 red or a 510008 amber shallow single contact bulb base socket lens assembly.

LED lamps feature a 510001 red or 510002 amber shallow lens with two eyelets and require internal grounding.



CONTINUED ON NEXT PAGE



# Clearance & Side Marker Lamps

## PART NO. COMBINATION CLEARANCE & SIDE MARKER SINGLE CONTACT SHALLOW LENS

- 560019** Red, incandescent bulb, valox body
- 560020** Amber, incandescent bulb, valox body
- 560028** Red, incandescent bulb, valox body with (1) 920413 choke seal installed
- 560029** Amber, incandescent bulb, valox body with (1) 920413 choke seal installed
- 560056** Red, B56 replacement, incandescent bulb, valox body with ground strap
- 560057** Amber, B56 replacement, incandescent bulb, valox body with ground strap

## PART NO. CLEARANCE OR SIDE MARKER SINGLE CONTACT SHALLOW LENS

- 560219** Red, LED, valox body
- 560220** Amber LED, valox body
- 560228** Red, LED, valox body with (1) 920413 choke seal installed
- 560229** Amber, LED, valox body with (1) 920413 choke seal installed
- 560262** Red, B56 replacement, LED, valox body with ground strap
- 560255** Amber, B56 replacement, LED, valox body with ground strap

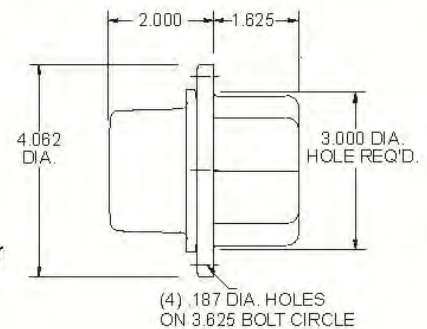


All B56 series valox direct aluminum replacement lamps have a ground strap that utilizes the base as a ground like an aluminum base lamp. All other lamps require internal grounding.

Incandescent lamps feature a 920116 red or a 920117 amber deep lens and use a 920104 single contact socket and a 67 bulb.

B56 replacement LED lamps use a 510017 red or a 510018 amber deep single contact bulb base socket lens assembly.

Multi Diode LED lamps feature a 510011 red or 510012 amber deep lens with two eyelets.



## PART NO. COMBINATION CLEARANCE & SIDE MARKER SINGLE CONTACT DEEP LENS

- 560005** Red, incandescent bulb, valox body
- 560007** Amber, incandescent bulb, valox body
- 560030** Red, incandescent bulb, valox body with (1) 920413 choke seal installed
- 560031** Amber, incandescent bulb, valox body with (1) 920413 choke seal installed
- 560058** Red, B56 replacement, incandescent bulb, valox body with ground strap
- 560059** Amber, B56 replacement, incandescent bulb, valox body with ground strap

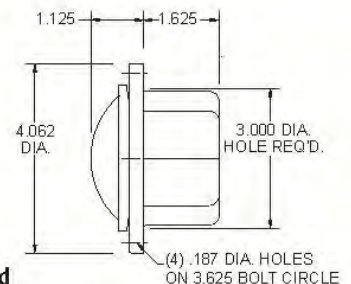
## PART NO. CLEARANCE OR SIDE MARKER SINGLE CONTACT DEEP LENS

- 560205** Red, LED, valox body
- 560207** Amber, LED, valox body
- 560230** Red, LED, valox body with (1) 920413 choke seal installed
- 560231** Amber, LED, valox body with (1) 920413 choke seal installed
- 560258** Red, B56 replacement, LED, valox body with ground strap
- 560259** Amber, B56 replacement, LED, valox body with ground strap



Multi-diode LED lamps feature a 510021 red or 510022 amber shallow lens with three eyelets and require internal grounding.

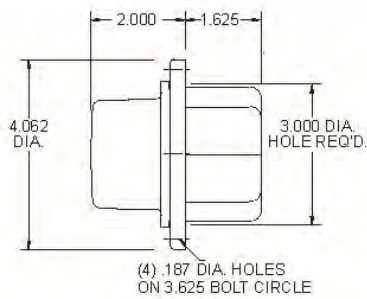
Multi-voltage (12 to 24 volts) LED single diode lamps feature a 510054 red or 510053 shallow lens assembly with two eyelets and require internal grounding.



## PART NO. SPECIAL PURPOSE DOUBLE CONTACT SHALLOW LENS

- 560253** Red, LED, valox body with (1) 920413 choke seal installed
- 560254** Amber, LED, valox body with (1) 920413 choke seal installed
- 560260** Red, LED, valox body with ground strap
- 560261** Amber, LED, valox body with ground strap
- 560351** Red, Multi-voltage LED, valox body
- 560352** Amber, Multi-voltage LED, valox body
- 560353** Red, Multi-voltage LED, valox body with (1) 920413 choke seal installed
- 560354** Amber, Multi-voltage LED, valox body with (1) 920413 choke seal installed





All B56 series valox direct aluminum replacement lamps have a ground strap that utilizes the base as a ground like an aluminum base lamp.

Incandescent lamps feature a 920116 red or a 920117 amber deep lens and use a 920103 double contact socket and a 1157 bulb and require internal grounding.

LED lamps feature a 510031 red or 510032 amber deep lens with three eyelets and require internal grounding.

Multi-voltage (12 to 24 volts) LED single diode lamps feature a 510052 red or 510051 deep lens assembly with three eyelets and require internal grounding.

Body must be drilled or drilled and tapped for wire entrance unless otherwise specified, lamp bodies also available in black valox.



#### PART NO.

**560023**

**560024**

**560032**

**560033**

**560065**

**560066**

**560223**

**560224**

**560232**

**560233**

**560256**

**560257**

**560323**

**560324**

**560332**

**560333**

#### SPECIAL PURPOSE DOUBLE CONTACT DEEP LENS

Red, incandescent bulb, valox body

Amber, incandescent bulb, valox body

Red, incandescent bulb, valox body with (1) 920413 choke seal installed

Amber, incandescent bulb, valox body with (1) 920413 choke seal installed

Red, B56 replacement, incandescent bulb, valox body with ground strap

Amber, B56 replacement, incandescent bulb, valox body with ground strap

Red, LED, valox body

Amber, LED, valox body

Red, LED, valox body with (1) 920413 choke seal installed

Amber, LED, valox body with (1) 920413 choke seal installed

Red, LED, valox body with ground strap

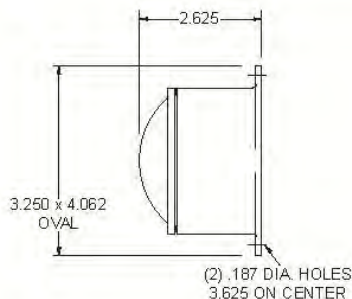
Amber, LED, valox body with ground strap

Red, Multi-voltage LED, valox body

Amber, Multi-voltage LED, valox body

Red, Multi-voltage LED, valox body with (1) 920413 choke seal installed

Amber, Multi-voltage LED, valox body with (1) 920413 choke seal installed



All 57 series lamps are molded from a durable valox material and must now be grounded internally by the use of an additional wire or by the use of a ground screw drilled thru the base of the lamp from the inside making ground contact using the socket or LED lens assembly ground wire and the metal mounting surface.

Incandescent lamps feature a 920109 red or a 920110 amber shallow lens and use a 920367 single contact socket and a 67 bulb and require internal grounding.

LED lamps feature a 510001 red or 510002 amber shallow lens with two eyelets and require internal grounding. Body must be drilled or drilled and tapped for wire entrance.



#### PART NO.

**570021**

**570022**

#### PART NO.

**570221**

**570222**

#### COMBINATION CLEARANCE & SIDE MARKER SINGLE CONTACT SHALLOW LENS

Red, incandescent bulb, valox body

Amber, incandescent bulb, valox body

#### CLEARANCE OR SIDE MARKER SINGLE CONTACT SHALLOW LENS

Red LED, valox body

Amber LED, valox body

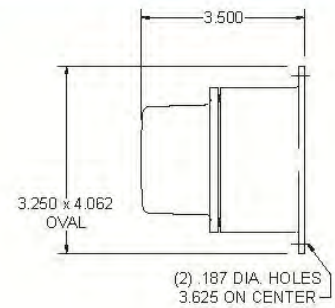


# Clearance & Side Marker Lamps



Incandescent lamps feature a 920116 red or a 920117 amber deep lens and use a 920104 single contact socket and a 67 bulb and require internal grounding.

LED lamps feature a 510011 red or 510012 amber deep lens with two eyelets and require internal grounding.



**PART NO. COMBINATION CLEARANCE & SIDE MARKER SINGLE CONTACT DEEP LENS**

- 570023** Red, incandescent bulb, valox body
- 570024** Amber, incandescent bulb, valox body

**PART NO. CLEARANCE OR SIDE MARKER SINGLE CONTACT DEEP LENS**

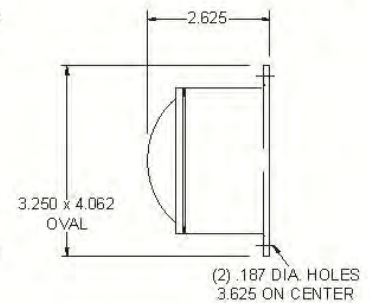
- 570223** Red, LED, valox body
- 570224** Amber, LED, valox body



A special purpose double contact lamp with all the same characteristics of the 57 series lamp line.

LED lamps feature a 510021 red or 510022 amber shallow lens with three eyelets and require internal grounding.

Multi-voltage (12 to 24 volts) LED single diode lamps feature a 510053 red or 510054 shallow lens assembly with three eyelets and require internal grounding.



**PART NO. SPECIAL PURPOSE DOUBLE CONTACT SHALLOW LENS**

- 570239** Red, LED, valox body
- 570240** Amber, LED, valox body
- 570339** Red, Multi-voltage LED, valox body
- 570340** Amber, Multi-voltage LED, valox body

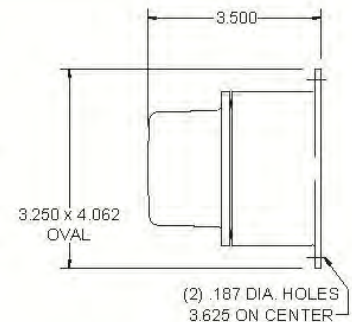


A special purpose double contact lamp with all the same characteristics of the 57 series lamp line.

Incandescent lamps feature a 920116 red or a 920117 amber deep lens and use a 920103 double contact socket and a 1157 bulb and require internal grounding.

LED lamps feature a 510031 red or 510032 amber deep lens with three eyelets and require internal grounding.

Multi-voltage (12 to 24 volts) LED single diode lamps feature a 510051 red or 510052 deep lens assembly with three eyelets and require internal grounding.

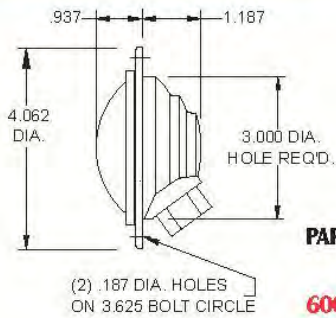


**PART NO. SPECIAL PURPOSE DOUBLE CONTACT DEEP LENS**

- 570034** Red, incandescent bulb, valox body
- 570035** Amber incandescent bulb, valox body
- 570234** Red, LED, valox body
- 570235** Amber, LED, valox body
- 570334** Red, Multi-voltage LED, valox body
- 570335** Amber, Multi-voltage LED, valox body



# Clearance & Side Marker Lamps



**PART NO.**

**600011**  
**600012**

**600211**  
**600212**

Incandescent version features a 920109 red or a 920110 amber shallow lens. Uses a single contact bulb socket 920125 and a 67 single contact bulb.

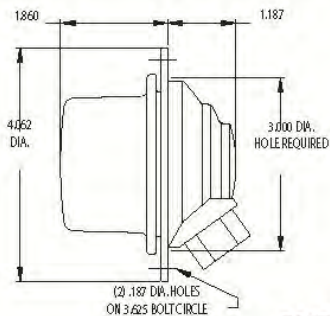
The shallow lens LED version uses a single contact bulb base 510007 red or 510008 amber LED lens assembly.

Provided with a 1/4" N.P.T. threaded entry. Recess mount.

**CLEARANCE OR SIDE MARKER SINGLE CONTACT SHALLOW LENS**

Red shallow, aluminum body  
Amber shallow, aluminum body

Red shallow, LED aluminum body  
Amber shallow, LED aluminum body



**PART NO.**

**600013**  
**600014**

**600213**  
**600214**

**600215**  
**600216**

A special purpose lamp featuring a 920116 red or 920117 amber deep lens. Uses a double contact bulb socket 920126 and a 1157 bulb.

The LED version is available in either a shallow or a deep lens.

The deep lens lamp uses a double contact bulb base 510037 red or a 510038 amber LED lens assembly. The shallow lens lamp uses a double contact bulb base 510027 red or a 510028 amber LED lens assembly.

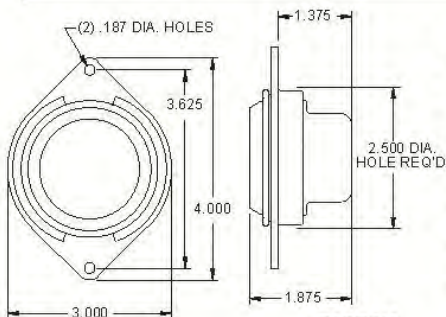
Provided with a 1/4" N.P.T. threaded entry. Recess mount.

**SPECIAL PURPOSE DOUBLE CONTACT DEEP LENS**

Red deep lens, aluminum body  
Amber deep lens, aluminum body

Red deep, LED lens, aluminum body  
Amber deep, LED lens, aluminum body

Red shallow, LED lens, aluminum body  
Amber shallow, LED lens, aluminum body



**PART NO.**

**650001**  
**650002**

**650201**  
**650202**  
**651201**  
**651202**

Incandescent bulb version features a 920228 red or a 920229 amber shallow lens and is available in a gray or black valox body. The 168 single contact bulb is mounted in a shock mount assembly for longer life. Provided with (1) or (2) 920413 watertight and vapor proof choke seals.

The LED version is available in the same body colors and entrance configurations. It uses a 660001 red or a 660002 amber LED lens assembly. Recess mount.

See page 68 & 69 for mounting bracket.

**CLEARANCE OR SIDE MARKER SINGLE CONTACT TWO SIDE ENTRANCES**

Red, gray valox body  
Amber, gray valox body

Red LED, gray valox body  
Amber LED, gray valox body  
Red LED, black valox body  
Amber LED, black valox body

**PART NO.**

**CLEARANCE OR SIDE MARKER SINGLE CONTACT ONE REAR ENTRANCE**

**650007**  
**650008**

**650207**  
**650208**  
**651207**  
**651208**

Red, gray valox body  
Amber, gray valox body

Red, LED, gray valox body  
Amber LED, gray valox body  
Red LED, black valox body  
Amber LED, black valox body





# Clearance & Side Marker Lamps



**PART NO.**

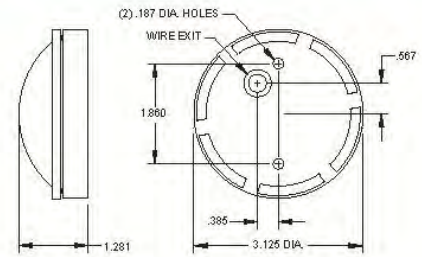
**100011**  
**100012**

A conventional grommet entry lamp with a shallow lens. Uses a 67 single contact bulb and 910109 red or 910110 amber lens. Surface mount.

**COMBINATION CLEARANCE & SIDE MARKER SINGLE CONTACT**

Red, aluminum body  
Amber, aluminum body

**NOTE: LED available on request**



A low profile incandescent bulb version that features a 920049 red or 920050 amber lens. Lamp uses a 67 single contact bulb.

LED version features a 201201 red or 201202 amber LED lens assembly.

Surface mount, can be mounted horizontally or vertically.

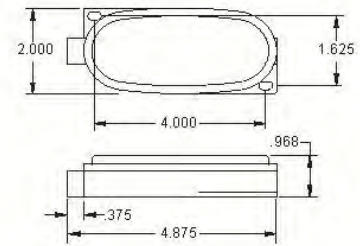
All lamps are single contact.

**PART NO.**

**200011**  
**200012**  
**200211**  
**200212**

**CLEARANCE OR SIDE MARKER ONE 1/8" N.P.T. END ENTRANCE**

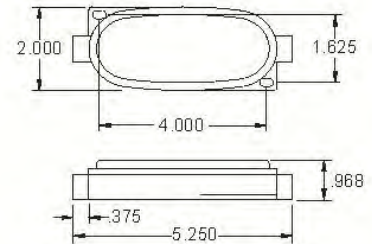
Red, aluminum body  
Amber, aluminum body  
Red LED, aluminum body  
Amber LED, aluminum body



**210001**  
**210002**  
**210201**  
**210202**

**TWO 1/8" N.P.T. END ENTRANCES**

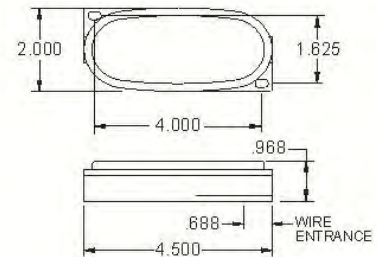
Red, aluminum body  
Amber, aluminum body  
Red LED, aluminum body  
Amber LED, aluminum body



**211001**  
**211002**  
**211201**  
**211202**

**ONE 1/4" N.P.T. REAR ENTRANCE**

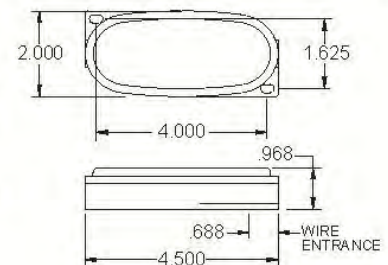
Red, aluminum body  
Amber, aluminum body  
Red LED, aluminum body  
Amber LED, aluminum body



**212001**  
**212002**  
**212201**  
**212202**

**TWO 1/4" N.P.T. REAR ENTRANCES**

Red, aluminum body  
Amber, aluminum body  
Red LED, aluminum body  
Amber LED, aluminum body



Incandescent lamp version features a 920049 red or 920050 amber lens. The lamp is supplied with a 920011 body grommet and uses a 67 single contact bulb.

LED version uses a 201201 red or 201202 amber LED lens assembly.

Surface mount, can be mounted horizontally or vertically.

All lamps are single contact.

**PART NO.**

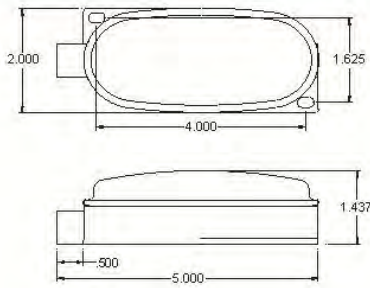
**213001**  
**213002**  
**213201**  
**213202**

**CLEARANCE OR SIDE MARKER**

Red, aluminum body  
Amber, aluminum body  
Red LED, aluminum body  
Amber LED, aluminum body



# Clearance & Side Marker Lamps



Incandescent bulb version features a REFLEX 920058 red or a 920059 amber lens. The lamp features a bulb replaceable shock mount socket and brass inserts with machine screws for positive connections and uses a 168 single contact bulb.

LED version uses a 221201 red or 221202 amber LED REFLEX lens assembly.

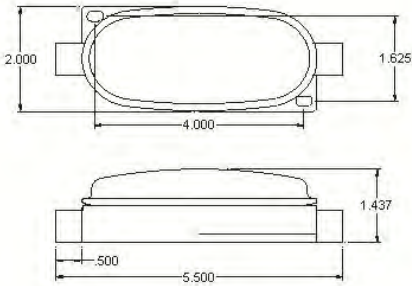
Surface mount, can be mounted horizontally or vertically.

All lamps are single contact.



**PART NO.**

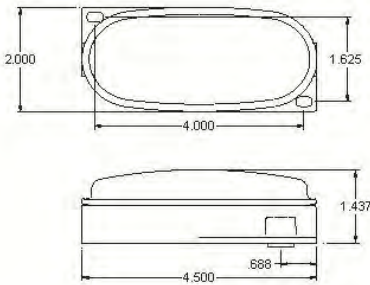
**CLEARANCE OR SIDE MARKER  
ONE 1/4" N.P.T. END ENTRANCE**



- 200017** Red, valox body
- 200018** Amber, valox body
- 200217** Red LED, valox body
- 200218** Amber LED, valox body

**TWO 1/4" N.P.T. END ENTRANCE**

- 210005** Red, valox body
- 210006** Amber, valox body
- 210205** Red LED, valox body
- 210206** Amber LED, valox body

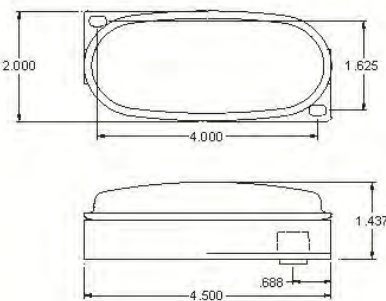


- 211005** Red, valox body
- 211006** Amber, valox body
- 211205** Red LED, valox body
- 211206** Amber LED, valox body

**ONE 1/4" N.P.T. REAR ENTRANCE**

- 212003** Red, valox body
- 212004** Amber, valox body
- 212203** Red LED, valox body
- 212204** Amber LED, valox body

**TWO 1/4" N.P.T. REAR ENTRANCE**



Incandescent lamp version features a REFLEX 920058 red or 920059 amber lens. The lamp features a bulb replaceable shock mount socket and brass inserts with machine screws for positive connections and uses a 168 single contact bulb.

LED version uses a 221201 red or 221202 amber LED REFLEX lens assembly.

Both lamps are supplied with a rear entry choke seal 920088, ground wire, and grounding screw.

Surface mount, can be mounted horizontally or vertically.

All lamps are single contact.



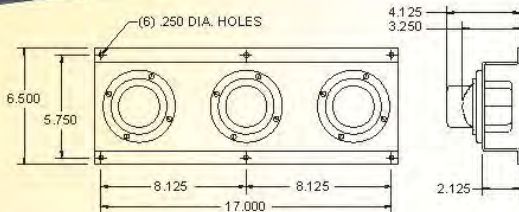
**PART NO.**

**CLEARANCE OR SIDE MARKER**

- 215001** Red, valox body
- 215002** Amber, valox body
- 215201** Red LED, valox body
- 215202** Amber LED, valox body



# Identification / Bar Lamps



Lamps are available in an incandescent or LED style lamp and can be configured into either a shallow or deep lens option. Lights are mounted in a 920380 powder coated steel frame.

Incandescent version uses (3) 920109 red or 920110 amber lenses with (3) 920367 shock mount sockets and a 67 bulb. Deep lens version uses (3) 920116 red or 920117 amber lenses with (3) 920104 shock mount sockets and a 67 bulb.

LED shallow lens version uses (3) 510001 red or 510002 amber LED lens assemblies. Deep lens version uses (3) 510011 red or 510012 amber LED lens assemblies.

All versions are furnished with a 920413 cable choke seal entrance on the side of the lamp.

Deep lens incandescent bulb versions can be manufactured as a special purpose double contact. All LED versions can be also manufactured as a special purpose double contact.

All lamps are single contact.

## PART NO. IDENTIFICATION/BAR LAMPS

- 560038** Red shallow lens, valox body
- 560039** Amber shallow lens, valox body
- 560238** Red shallow LED, valox body
- 560239** Amber shallow LED, valox body

- 560040** Red deep lens, valox body
- 560041** Amber deep lens, valox body
- 560240** Red deep LED, valox body
- 560241** Amber deep LED, valox body

**NOTE: ALL ID LAMPS ARE ON 6" CENTERS**

Lamps are molded out of a durable valox type material and are available in both incandescent bulb and LED versions.

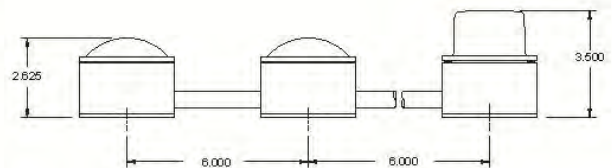
Shallow lens incandescent version uses (3) 920109 red or 920110 amber lenses with (3) 920367 shock mount sockets and a 67 bulb. Deep lens version uses (3) 920116 red or 920117 amber lenses with (3) 920104 shock mount sockets and a 67 bulb.

LED shallow lens valox body version uses (3) 510001 red or 510002 amber LED lens assemblies. Deep lens version uses (3) 510011 red or 510012 amber LED lens assemblies.

All versions come standard with a 1/4" N.P.T. wire or cable entrance.

Deep lens incandescent bulb versions can be manufactured as a special purpose double contact. All LED versions can be also manufactured as a special purpose double contact.

All lamps are single contact.



## PART NO. IDENTIFICATION/BAR LAMPS

- 570028** Red shallow lens, valox body
- 570029** Amber shallow lens, valox body
- 570228** Red shallow LED, valox body
- 570229** Amber shallow LED, valox body

- 570030** Red deep lens, valox body
- 570031** Amber deep lens, valox body
- 570230** Red deep LED, valox body
- 570231** Amber deep LED, valox body

**NOTE: ALL ID LAMPS ARE ON 6" CENTERS**



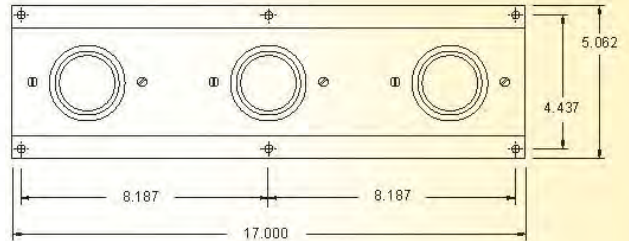
An ID Bar lamp available in a powder coated steel frame 920069 or an aluminum frame 920068. Lamp bodies are made from tough molded valox material. Bodies are available in either black or gray valox.

Incandescent bulb version features (3) 920228 red or 920229 amber lenses. Bar lamp features bulb replaceable shock mount sockets and brass inserts with machine screws for positive connections and uses (3) 168 bulbs. Surface mount.

LED version features (3) 660001 red or 660002 amber LED lens assemblies. Lamp uses brass inserts with machine screws for a positive connection.

All versions are furnished with a 920413 cable choke seal entrance on the side of the lamp.

All lamps are single contact.



## IDENTIFICATION/BAR LAMPS

### PART NO. ALUMINUM FRAME

**650009** Red, gray valox

**650010** Amber, gray valox

**650209** Red LED, gray valox

**650210** Amber LED, gray valox

**651209** Red LED, black valox

**651210** Amber LED, black valox

### PART NO. STEEL FRAME

**650011** Red, gray valox

**650012** Amber, gray valox

**650211** Red LED, gray valox

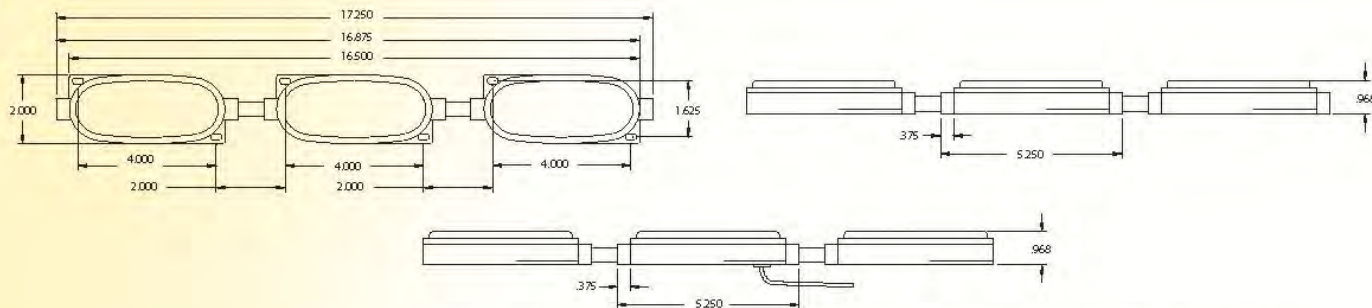
**650212** Amber LED, gray valox

**651211** Red LED, black valox

**651212** Amber LED, black valox

**NOTE: ALL ID LAMPS ARE ON 6" CENTERS**





A low profile ID Bar lamp available in single contact incandescent bulb or LED version. The incandescent lamp features (3) 920049 red or 920050 amber lenses and uses (3) 67 bulbs.

The LED version features (3) 201201 red or 210202 amber LED lens assembly.

Both versions are furnished with either a 1/8" N.P.T. entrance on the ends or a 1/4" N.P.T. entrance in the rear. Horizontal surface mount.

All lamps are single contact.

#### PART NO. ONE END ENTRANCE

- 200013** Red, aluminum body
- 200014** Amber, aluminum body
- 200015** Red, aluminum body with 18' of 2 cond. cable
- 200016** Amber, aluminum body with 18' of 2 cond. cable

- 200213** Red LED, aluminum body
- 200214** Amber LED, aluminum body
- 200215** Red LED, aluminum body, with 18' of 2 cond. cable
- 200216** Amber LED, aluminum body with 18' of 2 cond. cable

#### PART NO. TWO END ENTRANCES

- 210003** Red, aluminum body
- 210004** Amber, aluminum body
- 210203** Red LED, aluminum body
- 210204** Amber LED, aluminum body

#### PART NO. ONE REAR ENTRANCE

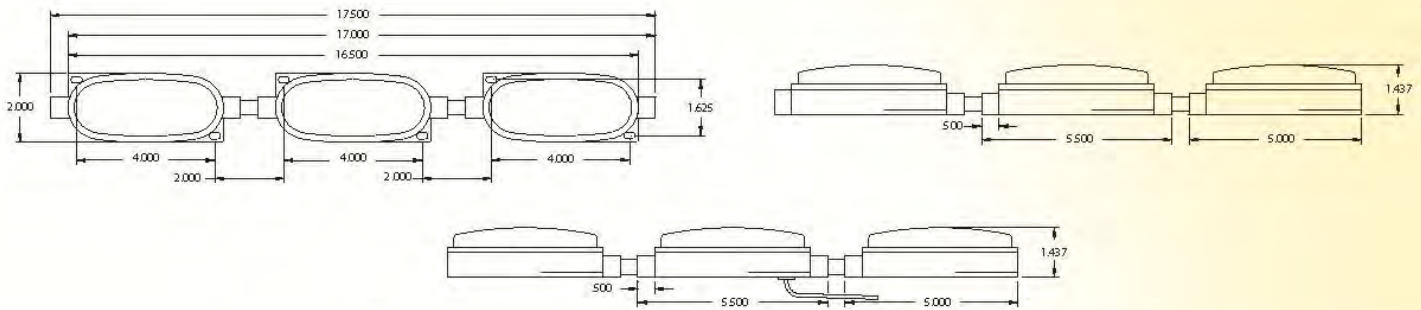
- 211003** Red, aluminum body
- 211004** Amber, aluminum body
- 211203** Red LED, aluminum body
- 211204** Amber LED, aluminum body

#### PART NO. TWO REAR ENTRANCES

- 214001** Red, aluminum body
- 214002** Amber, aluminum body
- 214201** Red LED, aluminum body
- 214202** Amber LED, aluminum body

**NOTE: ALL ID LAMPS ARE ON 6" CENTERS**





Features (3) REFLEX 920058 red or 920059 amber lenses and a tough valox body. Incandescent bulb version has a bulb replaceable shock mount socket and brass inserts with machine screws for a positive connection and uses (3) 168 bulbs. Surface mount.

All lamps are single contact.

LED lamp features (3) 221201 red or 221202 amber LED lens assemblies.

The lamp is furnished with a 1/4" N.P.T. entrance as standard.

All lamps are single contact.

#### PART NO. ONE END ENTRANCE

- 200019** Red, valox body
- 200020** Amber, valox body
- 200021** Red, valox body with 18' of 2 cond. cable
- 200022** Amber, valox body with 18' of 2 cond. cable

- 200219** Red LED, valox body
- 200220** Amber LED, valox body
- 200221** Red LED, valox body, with 18' of 2 cond. cable
- 200222** Amber LED, valox body with 18' of 2 cond. cable

#### PART NO. TWO END ENTRANCES

- 210007** Red, valox body
- 210008** Amber, valox body
- 210207** Red LED, valox body
- 210208** Amber LED, valox body

#### PART NO. ONE REAR ENTRANCE

- 211007** Red, valox body
- 211008** Amber, valox body
- 211009** Red, valox body with 18' of 2 cond. cable
- 211010** Amber, valox body with 18' of 2 cond. cable
- 211207** Red LED, valox body
- 211208** Amber LED, valox body
- 211209** Red LED, valox body with 18' of 2 cond. cable
- 211210** Amber LED, valox body with 18' of 2 cond. cable

#### PART NO. TWO REAR ENTRANCES

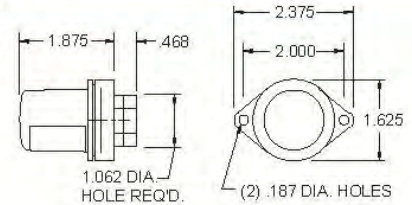
- 214003** Red, valox body
- 214004** Amber, valox body
- 214203** Red LED, valox body
- 214204** Amber LED, valox body

**NOTE: ALL ID LAMPS ARE ON 6" CENTERS**





Threaded entry model license lamp. Uses a 67 bulb and a 920055 silver lens. Furnished with a 1/4" N.P.T. entrance. Surface mount.

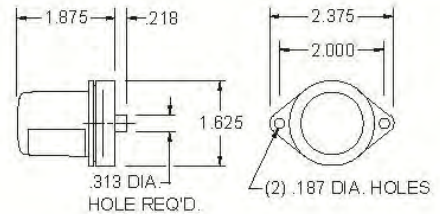


**PART NO. LICENSE SINGLE CONTACT**

- 240001** Silver, aluminum body
- 240002** Silver, aluminum body with a 920088 choke seal installed
- 240009** Silver, aluminum body with a 920045 choke seal installed and 4' of 2 cond. cable (uses a 68 NIDC bulb)



Features a 920055 silver lens. Uses a 67 bulb. Surface mount.

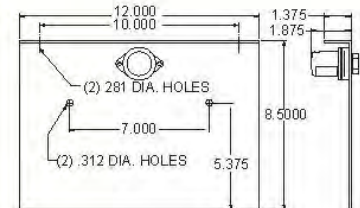


**PART NO. LICENSE SINGLE CONTACT**

- 240003** Silver, aluminum body
- 240008** Silver, aluminum body with 4' of BSXL wire installed



A grommet entry lamp 240002 comes attached to a gray powder coated 12 ga. steel license plate bracket 920062. Lamp features a silver 920055 lens and uses a 67 bulb.

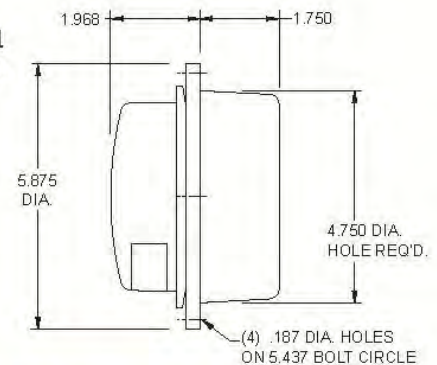


**PART NO. LICENSE & FRAME SINGLE CONTACT**

- 240010** Silver, aluminum body



A tough valox body lamp available in an incandescent bulb or LED version. The incandescent bulb version features a 920141 red lens, a 920459 shock mount socket and an 1157 bulb. The LED version uses a 710025 Multi-voltage single diode lens assembly.



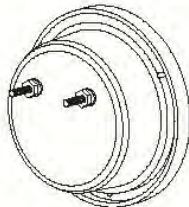
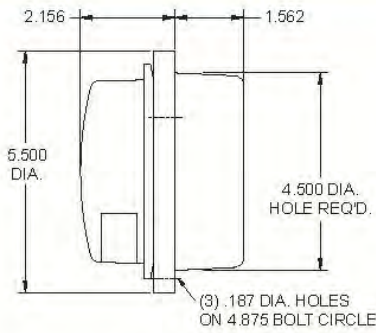
Body must be drilled and tapped for wire entry unless otherwise stated.

Recess mount see pages 68 & 69 for mounting bracket.

**PART NO. STOP/TURN TAIL OR CLEARANCE AND LICENSE DOUBLE CONTACT**

- 400041** Red, valox body
- 400061** Red, valox body with (3) 920413 choke seals installed
- 400068** Red, valox body
- 400088** Red, valox body with ground strap
  
- 403041** Red, Multi-voltage single diode LED, valox body
- 403061** Red, Multi-voltage single diode LED, valox body with (3) 920413 cable choke seals installed
- 403068** Red, Multi-voltage single diode LED, valox body with ground strap and 1/4" N.P.T. hole in rear center
- 403088** Red, Multi-voltage single diode LED, valox body with chassis ground





Stud Mount  
450059 shown

**PART NO.**

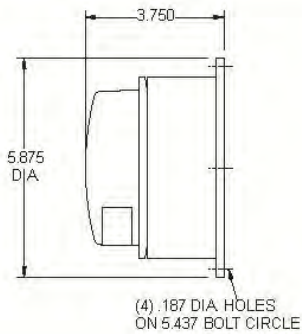
- 450030**
- 450043**
- 450046**
- 450056**
- 450059**

**STOP/TURN TAIL OR CLEARANCE AND LICENSE DOUBLE CONTACT**

- Red, valox body
- Red, valox body with 18" pigtails installed
- Red, valox body with (1) 920413 choke seal and 8' lead of 3 cond. cable installed
- Red, valox body with (3) 920413 choke seals installed
- Red, valox body with (2) 1/4-20 stud mounts

- 453030**
- 453043**
- 453046**
- 453056**

- Red, Multi-voltage single diode LED, valox body
- Red, Multi-voltage single diode LED, valox body with 18" pigtails installed
- Red, Multi-voltage single diode LED, valox body with (1) 920413 seal and 8' lead of 3 cond. cable installed
- Red, Multi-voltage single diode LED, valox body with (3) 920413 choke seals installed



**PART NO.**

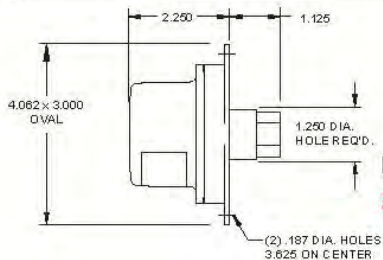
- 470022**
- 473022**

**STOP/TURN TAIL OR CLEARANCE AND LICENSE DOUBLE CONTACT**

- Red, valox body
- Red, Multi-voltage single diode LED, valox body

A tough valox body lamp available in an incandescent bulb or LED version. The incandescent bulb version features a 920141 red lens, a 920459 shock mount socket and an 1157 bulb. The LED version uses a 710025 Multi-voltage single diode lens assembly. Surface mount.

Body must be drilled and tapped for wire entry.



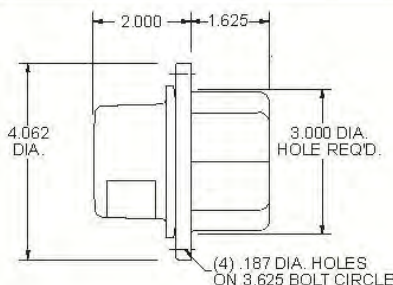
**PART NO.**

- 500061**

**LICENSE SINGLE CONTACT**

- Red, valox body

A self grounding valox body lamp that features a 920113 lens. Uses a 920127 socket and 67 bulb. Provided with a 1/4" N.P.T. rear entry. Surface mount.



**PART NO.**

- 560025**
- 560034**
- 560067**

**LICENSE SINGLE CONTACT**

- Red, valox body
- Red, valox body with (1) 920413 choke seal installed
- Red, valox body with ground strap

An incandescent lamp molded in durable gray valox. Features a 920113 red lens and a uses a 920104 shock mount socket and 67 bulb.

Body must be drilled and tapped for wire entry unless otherwise stated.

Recess mount see pages 68 & 69 for mounting bracket.



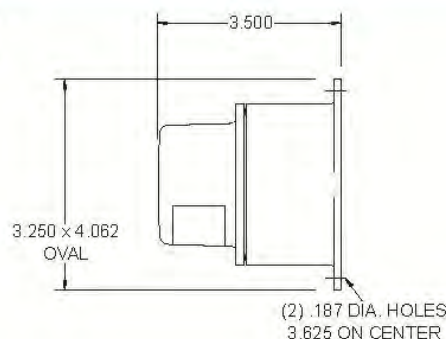




A durable valox material body that features a 920113 red lens and uses a 920104 shock mount and 67 bulb. Surface mount.

Body must be drilled for wire entry.

**PART NO.**      **LICENSE SINGLE CONTACT**  
**570036**      Red, valox body



## Stop, Tail, Turn Lamps



A valox body lamp available in both incandescent and LED versions. The incandescent version features either a 920134 red or a 920135 amber shallow lenses. Lamps are available in either a single contact or double contact functions.

Single contact incandescent lamps use a 920460 socket and 1156 bulb and the double contact uses a 920459 socket and 1157 bulb.

Multi-diode LED lamps use a 710001 red or 710002 amber LED shallow lens assembly that can be wired as either a single or double contact lamp.

Multi-voltage LED lamps use a 920680 red single diode LED assembly with a 920134 red lens or a 920691 white single diode LED assembly with a 920135 amber lens.

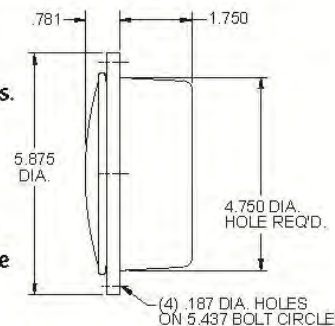
All B40 direct aluminum replacement lamps come with a ground strap that utilizes the base as a ground like an aluminum base lamp.

All B70 direct aluminum replacement lamps come with a ground strap that utilizes the base as a ground like an aluminum base lamp and with a drilled and tapped 1/4" N.P.T. hole in the center.

Special Purpose Sequential Turn LED Arrow uses a 710038 amber shallow lens with arrow overlay that frames the arrow sequencing amber LEDs. Lamp can be used as an additional rear turn or used as a mid turn when combined with the required marker light. Lamps are configured in a multi-diode arrow array and operate in a Multi-voltage application.

See pages 68 & 69 for mounting brackets.

**For optimal sequencing turn signal flash rate should not exceed 85 flashes per minute.**



**PART NO.**

**407001**  
**407002**  
**407097**

**SPECIAL PURPOSE SEQUENTIAL LED ARROW SINGLE CONTACT**

Sequential turn, amber LED, gray valox body with 920413 cable choke seal installed  
 Sequential turn, amber LED, gray valox body with 920420 wire choke seal installed  
 Sequential turn, amber LED, gray valox body

**PART NO.**

**400037**  
**400056**  
**400065**  
**400083**  
**402037**  
**402056**  
**402065**  
**402083**  
**405037**

**TURN, SINGLE CONTACT SHALLOW LENS**

Amber, incandescent bulb  
 Amber, incandescent bulb, with (3) 920413 cable choke seals installed  
 Amber, B70 replacement, incandescent bulb with ground strap  
 Amber, B40 replacement, incandescent bulb with ground strap  
 Amber, LED  
 Amber, LED, with (3) 920413 cable choke seals installed  
 Amber, LED B70 replacement, with ground strap  
 Amber, LED B40 replacement, with ground strap  
 Amber, Multi-voltage single diode LED

**PART NO.**

**400036**  
**400055**  
**400064**

**STOP OR TURN, SINGLE CONTACT SHALLOW LENS**

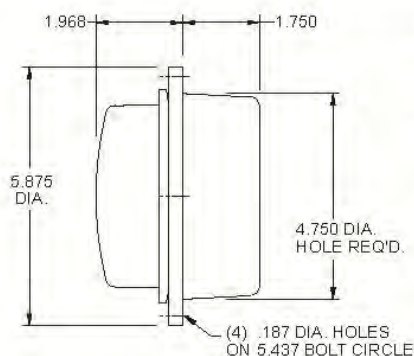
Red, incandescent bulb  
 Red, incandescent bulb, with (3) 920413 cable choke seals installed  
 Red, B70 replacement, incandescent bulb with ground strap



<b>400074</b>	Red, incandescent bulb with 18" pigtails installed
<b>400082</b>	Red, B40 replacement, incandescent bulb with ground strap
<b>402039</b>	Red, LED
<b>402059</b>	Red, LED, with (3) 920413 cable choke seals installed
<b>402066</b>	Red, LED B70 replacement with ground strap
<b>402074</b>	Red, LED with 18" pigtails installed
<b>402086</b>	Red, LED B40 replacement with ground strap
<b>403074</b>	Red, Multi-voltage single diode LED with 18" pigtails installed

**PART NO. STOP, TURN, TAIL OR CLEARANCE DOUBLE CONTACT SHALLOW LENS**

<b>400039</b>	Red, incandescent bulb
<b>400053</b>	Red, incandescent bulb with 18" pigtails installed
<b>400059</b>	Red, incandescent bulb, with (3) 920413 cable choke seals installed
<b>400066</b>	Red, B70 replacement, incandescent bulb with ground strap
<b>400086</b>	Red, B40 replacement, incandescent bulb with ground strap
<b>400093</b>	Red, B40 replacement, incandescent bulb with ground strap and 18" pigtails installed
<b>402039</b>	Red, LED
<b>402053</b>	Red, LED with 18" pigtails installed
<b>402059</b>	Red, LED with (3) 920413 cable choke seals installed
<b>402066</b>	Red, LED B70 replacement with ground strap
<b>402086</b>	Red, LED B40 replacement with ground strap
<b>402093</b>	Red, LED B40 replacement with ground strap and 18" pigtails installed
<b>403039</b>	Red, Multi-voltage single diode LED
<b>403053</b>	Red, Multi-voltage single diode LED with 18" pigtails installed
<b>403059</b>	Red, Multi-voltage single diode LED, with (3) 920413 cable choke seals installed
<b>403066</b>	Red, B70 replacement, Multi-voltage single diode LED with ground strap
<b>403086</b>	Red, B40 replacement, Multi-voltage single diode LED with ground strap



A valox body lamp available in both incandescent and LED versions. The incandescent version features either a 920144 red or 920145 amber deep lenses

Lamps are available in either single or double contact functions. Single contact incandescent lamps use a 920460 socket and 1156 bulb and the double contact uses a 920459 socket and 1157 bulb.

Multi-diode LED lamps use a 710011 red or 710012 amber LED deep lens assembly that can be wired as either a single or double contact lamp.

Multi-voltage LED lamps use a 920685 red single diode LED assembly with a 920134 red lens for red or a 920691 white single diode LED assembly with a 920135 amber lens for amber.

All B40 direct aluminum replacement lamps come with a ground strap that utilizes the base as a ground like an aluminum base lamp.

All B70 direct aluminum replacement lamps come with a ground strap that utilizes the base as a ground like an aluminum base lamp and with a drilled and tapped 1/4" N.P.T. hole in the center.

See pages 68 & 69 for mounting brackets.



<b>PART NO.</b>	<b>TURN, SINGLE CONTACT DEEP LENS</b>
<b>400058</b>	Amber, incandescent bulb with (3) 920413 choke seals installed
<b>400070</b>	Amber, incandescent bulb
<b>400071</b>	Amber, B70 replacement, incandescent bulb with ground strap
<b>400085</b>	Amber, B40 replacement, incandescent bulb with ground strap
<b>402058</b>	Amber, LED, with (3) 920413 cable choke seals installed
<b>402070</b>	Amber, LED
<b>402071</b>	Amber, LED B70 replacement with ground strap
<b>402085</b>	Amber, LED B40 replacement with ground strap
<b>403114</b>	Amber, Multi-voltage single diode LED

**PART NO. STOP OR TURN, SINGLE CONTACT DEEP LENS**

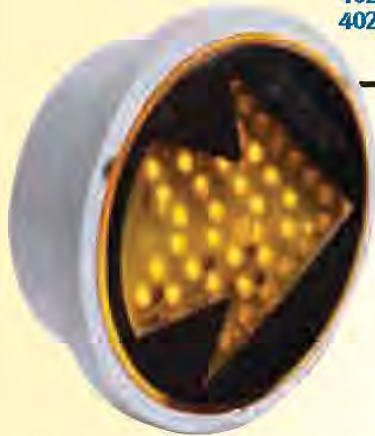
<b>400038</b>	Red, incandescent bulb
<b>400057</b>	Red, incandescent bulb with (3) 920413 choke seals installed



- 400067** Red, B70 replacement, incandescent bulb with ground strap
- 400087** Red, B40 replacement, incandescent bulb with ground strap
- 402040** Red, LED
- 402060** Red, LED, with (3) 920413 cable choke seals installed
- 402067** Red, LED B70 replacement with ground strap
- 402087** Red, LED B40 replacement with ground strap

**PART NO. STOP, TURN, TAIL OR CLEARANCE DOUBLE CONTACT DEEP LENS**

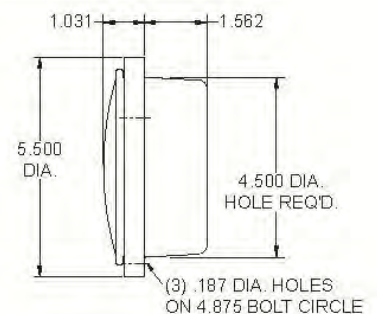
- 400040** Red, incandescent bulb
- 400060** Red, incandescent bulb, with (3) 920413 cable choke seals installed
- 400067** Red, B70 replacement, incandescent bulb with ground strap
- 400087** Red, B40 replacement, incandescent bulb with ground strap
- 402040** Red, LED
- 402060** Red, LED with (3) 920413 cable choke seals installed
- 402067** Red, LED, B70 replacement, with ground strap
- 402087** Red, LED B40 replacement, with ground strap
- Red, Multi-voltage single diode LED



A valox body lamp available in both incandescent and LED versions. The incandescent version features either a 920134 red or 920135 amber shallow lenses. Lamps are available in either single contact or double contact functions.

Single contact incandescent lamps use a 920460 socket and 1156 bulb and the double contact uses a 920459 socket and 1157 bulb.

Multi-diode LED lamps use a 710001 red or 710002 LED shallow lens assembly that can be wired as either a single or double contact lamp.



Multi-voltage LED lamps use a 920680 red single diode LED assembly with a 920134 red lens or a 920691 white single diode LED assembly with a 920135 amber lens.

All B45 direct aluminum replacement lamps come with a ground strap that utilizes the base as a ground like aluminum base lamp.

Special purpose Sequential Turn LED Arrow use a 710038 amber shallow lens with arrow overlay that frames the arrow sequencing amber LEDs. Lamp can be used as an additional rear turn or used as a mid turn when combined with the required marker light. Lamps are configured in a multi-diode arrow array and operate in a Multi-voltage application. **For optimal sequencing, turn signal flash rate should not exceed 85 flashes per minute.**

See pages 68 & 69 for mounting brackets.



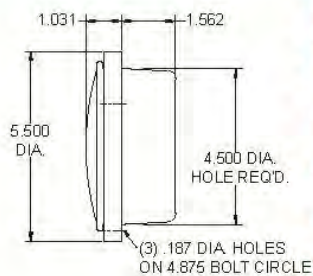
**PART NO. SPECIAL PURPOSE SEQUENTIAL LED**

- 457001** Sequential turn, amber LED, black valox body with 920413 cable choke seal installed
- 457002** Sequential turn, amber LED, gray valox body with 920413 cable choke seal installed
- 457003** Sequential turn, amber LED, black valox body with 920413 cable choke seal installed in Caution Wide Turn stainless steel frame with bracket and hardware. Curb side - Right turn
- 457004** Sequential turn, amber LED, black valox body with 920413 cable choke seal installed in Caution Wide Turn stainless steel frame with bracket and hardware. Street side - Left turn
- 457005** Sequential turn, amber LED, gray valox body with 920420 wire choke seal installed
- 457008** Sequential turn, amber LED, black valox body with 920420 wire choke seal installed
- 457113** Sequential turn, amber LED, gray valox body
- 457115** Sequential turn, amber LED, black valox body

**PART NO. TURN, SINGLE CONTACT SHALLOW LENS**

- 450025** Amber, incandescent bulb
- 450048** Amber, incandescent bulb with 18" pigtails installed
- 450051** Amber, incandescent bulb with (3) 920413 cable chokes seals installed
- 450065** Amber, incandescent bulb with 8' of 2 conductor cable installed
- 450093** Amber, B45 replacement, incandescent bulb with ground strap
- 450109** Amber, B45 replacement, incandescent bulb with ground strap and 18" pigtail installed
- 450151** Amber, B45 replacement, incandescent bulb with (3) 920413 cable choke seals installed with ground strap





- 452025** Amber, LED
- 452048** Amber, LED with 18" pigtails installed
- 452051** Amber, LED, with (3) 920413 cable choke seals installed
- 452065** Amber, LED with 8' of 2 conductor cable installed
- 452093** Amber, LED B45 replacement, with ground strap
- 452100** Amber, LED B45 replacement, with ground strap and 18" pigtail
- 452151** Amber, LED B45 replacement, with (3) 920413 cable choke seals installed with ground strap
- 452165** Amber, LED B45 replacement with 8' of 2 conductor cable installed with ground strap
- 455025** Amber, Multi-voltage single diode LED



## PART NO.

- 450024**
- 450047**
- 450050**
- 450064**
- 450092**
- 450108**
- 450150**
- 450164**

## STOP, TURN, SINGLE CONTACT SHALLOW LENS

- Red, incandescent bulb
- Red, incandescent bulb, with 18" pigtails installed
- Red, incandescent bulb, with (3) 920413 cable choke seals installed
- Red, incandescent bulb, with 8' of 2 conductor cable installed
- Red, B45 replacement, incandescent bulb with ground strap
- Red, B45 replacement, incandescent bulb with ground strap and 18" pigtail
- Red, B45 replacement, incandescent bulb with (3) 920413 cable choke seals installed with ground strap
- Red, B45 replacement, incandescent bulb with 8' of 2 conductor cable installed with ground strap

- 452028**
- 452047**
- 452054**
- 452064**
- 452096**
- 452099**
- 452154**
- 453028**
- 453047**
- 453064**

- Red, LED
- Red, LED with 18" pigtail installed
- Red, LED with (3) 920413 choke seals installed
- Red, LED with 8' of 2 conductor cable installed
- Red, LED B45 replacement, with ground strap
- Red, LED B45 replacement, with ground strap and 18" pigtail
- Red, LED B45 replacement, with (3) 920413 choke seals installed with ground strap
- Red, Multi-voltage single diode LED
- Red, Multi-voltage single diode LED with 18" pigtails installed
- Red, Multi-voltage single diode LED with 8' of 2 conductor cable installed

## PART NO.

- 450028**
- 450042**
- 450045**
- 450054**
- 450058**
- 450096**
- 450103**
- 450110**
- 450145**
- 450154**

## STOP, TURN, TAIL OR CLEARANCE DOUBLE CONTACT SHALLOW LENS

- Red, incandescent bulb
- Red, incandescent bulb with 18" pigtails installed
- Red, incandescent bulb with 8' of 3 conductor cable installed
- Red, incandescent bulb with (3) 920413 cable choke seals installed
- Red, incandescent bulb with 1/4"-20 stud mounts
- Red, B45 replacement, incandescent bulb with ground strap
- Red, B45 replacement, incandescent bulb with ground strap and 18" pigtails installed
- Red, B45 replacement, incandescent bulb with 1/4"-20 stud mounts with ground strap
- Red, B45 replacement, incandescent bulb with 8' of 3 conductor cable installed with ground strap
- Red, B45 replacement, incandescent bulb with (3) 920413 choke seals installed with ground strap

- 452028**
- 452042**
- 452045**
- 452054**
- 452058**
- 452096**
- 452101**
- 452103**
- 452145**
- 452154**
- 453028**
- 453042**
- 453045**
- 453054**
- 453058**
- 453128**
- 453142**
- 453145**
- 453158**

- Red, LED
- Red, LED with 18" pigtails installed
- Red, LED with 8' of 3 conductor cable installed
- Red, LED with (3) 920413 cable choke seals installed
- Red, LED with 1/4"-20 stud mounts
- Red, LED B45 replacement with ground strap
- Red, LED B45 replacement with 1/4"-20 stud mounts with ground strap
- Red, LED B45 replacement with ground strap and 18" pigtails installed
- Red, LED B45 replacement with 8' of 3 conductor cable and ground strap
- Red, LED B45 replacement with (3) 920413 choke seals installed with ground strap
- Red, Multi-voltage single diode LED
- Red, Multi-voltage single diode LED with 18" pigtails installed
- Red, Multi-voltage single diode LED with 8' of 3 conductor cable installed
- Red, Multi-voltage single diode LED with (3) 920413 cable choke seals installed
- Red, Multi-voltage single diode LED with 1/4"-20 stud mounts
- Red, B45 replacement, Multi-voltage single diode LED with ground strap
- Red, B45 replacement, Multi-voltage single diode LED with ground strap and 18" pigtails
- Red, B45 replacement, Multi-voltage single diode LED with 8' of 3 conductor cable and ground strap
- Red, B45 replacement, Multi-voltage single diode LED with 1/4"-20 stud mounts with ground strap



# Stop, Tail, Turn Lamps



A valox body lamp available in both incandescent and LED versions. The incandescent version features either a 920144 red or 920145 amber deep lenses. Lamps are available in either single contact or double contact functions.

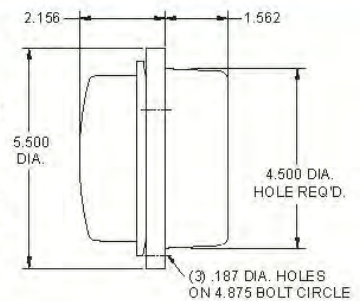
Single contact incandescent lamps use a 920460 socket and 1156 bulb and the double contact uses a 920459 socket and 1157 bulb.

Multi-diode LED lamps use a 710011 red or 710012 amber LED deep lens assembly that can be wired as either a single or double contact lamp.

Multi-voltage LED lamps use a 710031 red LED deep lens assembly, or a 710034 amber LED deep lens assembly.

All B45 direct aluminum replacement lamps come with a ground strap that utilizes the base as a ground like an aluminum base lamp.

See pages 68 & 69 for mounting brackets.



## PART NO.

450027  
450053  
450095  
450153

## TURN, SINGLE CONTACT DEEP LENS

Amber, incandescent bulb  
Amber, incandescent bulb with (3) 920413 cable choke seals installed  
Amber, B45 replacement, incandescent bulb with ground strap  
Amber B45 replacement, incandescent bulb with (3) 920413 cable choke seals installed with ground strap

452027  
452053  
452093  
453159

Amber, LED  
Amber, LED with (3) 920413 cable choke seals installed  
Amber, LED B45 replacement with ground strap  
Amber, Multi-voltage single diode LED

## PART NO.

450026  
450052  
450094  
450152

## STOP OR TURN, SINGLE CONTACT DEEP LENS

Red, incandescent bulb  
Red, incandescent bulb with (3) 920413 cable choke seals installed  
Red, B45 replacement, incandescent bulb with ground strap  
Red, B45 replacement, incandescent bulb with (3) 920413 cable choke seals installed with ground strap

452029  
452055  
452097

Red, LED  
Red, LED with (3) 920413 cable choke seals installed  
Red, LED B45 replacement with ground strap

## PART NO.

450029  
450055  
450097  
450155

## STOP, TURN, TAIL OR CLEARANCE DOUBLE CONTACT DEEP LENS

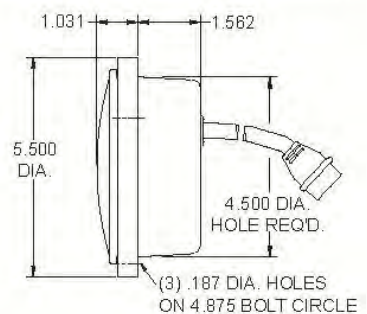
Red, incandescent bulb  
Red, incandescent bulb with (3) 920413 cable choke seals installed  
Red, B45 replacement, incandescent bulb with ground strap  
Red, B45 replacement, incandescent bulb with (3) 920413 choke seals installed with ground strap

452029  
452055  
452097  
452155

Red, LED  
Red, LED with (3) 920413 cable choke seals installed  
Red, LED B45 replacement with ground strap  
Red, LED B45 replacement with (3) 920413 choke seals installed with ground strap



No more replacing of expensive throw-away lamps. The Betts "Smart 45" is a permanent lamp with either a replaceable bulb or LED version. It replaces most 4" lamps. It features a 6" 3 conductor plug that will fit most existing harnesses from other manufacturers. The incandescent version uses a 920134 red lens and 920459 double contact shock stopper socket with a 1157 bulb or a 920135 amber lens with a 920460 single contact shock stopper socket and 1156 bulb. The LED version is available in two versions. The 60 diode version uses a 710001 red or a 710002 amber LED lens assembly. The single Multi-voltage diode version uses a 920134 red lens and either a 920680 or 920691 diode assembly.



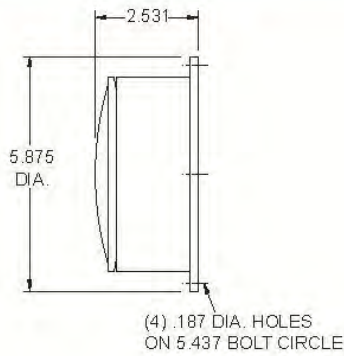
## PART NO.

450069  
452069  
452070  
453069  
453070

## STOP, TURN, TAIL OR CLEARANCE DOUBLE CONTACT

Red, with black valox body  
Red LED, black valox body  
Amber LED, black valox body  
Red Multi-voltage LED, black valox body  
Amber Multi-voltage LED, black valox body





A surface mount lamp available in both incandescent and LED versions. Lamps will use either a 920134 red or 920135 amber shallow lens with a 920460 single contact socket, and 1156 bulb or a 710001 red or 710002 amber LED lens assembly.

Body must be drilled and tapped for wire entry.



**PART NO. TURN SINGLE CONTACT SHALLOW LENS**

**470017** Amber, valox body

**472017** Amber LED, valox body

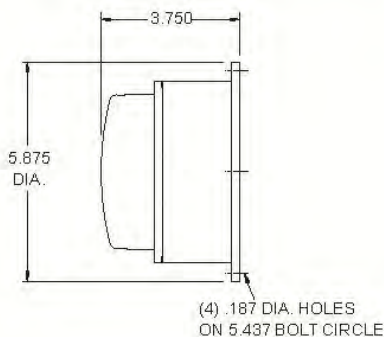
**PART NO. STOP OR TURN SINGLE CONTACT SHALLOW LENS**

**470016** Red, valox body

**PART NO. STOP, TURN, TAIL OR CLEARANCE DOUBLE CONTACT SHALLOW LENS**

**470020** Red, valox body

**472020** Red, LED valox body



A surface mount lamp available in both incandescent and LED versions. The incandescent version features a 920144 red or a 920145 amber deep lens and uses a 920460 single contact socket and a 1156 bulb or a 920459 double contact socket and a 1157 bulb. The LED version uses a 710011 red or a 710012 amber LED lens assembly. Surface mount.

Body must be drilled and tapped for wire entry.



**PART NO. TURN SINGLE CONTACT DEEP LENS**

**470019** Amber, valox body

**472019** Amber LED valox body

**PART NO. STOP OR TURN SINGLE CONTACT DEEP LENS**

**470018** Red, valox body

**PART NO. STOP, TURN, OR TAIL DOUBLE CONTACT DEEP LENS**

**470021** Red, valox body

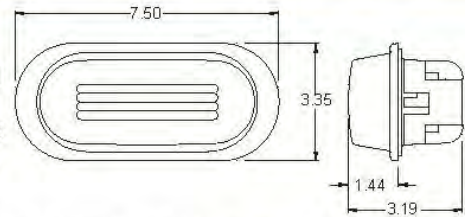
**472021** Red, LED valox body



# Stop, Tail, Turn Lamps



A tough nylon bodied lamp available in both an incandescent or Multi-voltage LED version. Both versions feature a 920454 red or a 920464 amber lens. The incandescent version uses a 920460 single contact socket and 1156 bulb or a 920459 double contact socket and 1157 bulb. The LED version features a 920685 red LED assembly for front or rear stop, turn, and tail. For amber, two assemblies are utilized - a 920686 LED assembly for a side turn and marker or a 920692 for rear turn only.



Bodies are available with either a cable choke seal entrance (920413) or a wire choke seal entrance (920420).

Recess mount, see pages 68 & 69 for mounting brackets.

**PART NO.**

**730003**

**730013**

**735003**

**PART NO.**

**730002**

**730012**

**PART NO.**

**730005**

**730007**

**730015**

**733003**

**733007**

**PART NO.**

**730001**

**730011**

**733001**

**733011**

**730006**

**733006**

**TURN SINGLE CONTACT**

Amber, with 920413 cable choke seal installed

Amber, with 920420 wire choke seal installed

Amber Multi-voltage single diode LED, with 920413 cable choke seal installed

**STOP OR TURN SINGLE CONTACT**

Red, with 920413 cable choke seal installed

Red, with 920420 wire choke seal installed

**SIDE TURN/MARKER DOUBLE CONTACT**

Amber, with 920413 cable choke seal installed

Amber, plug-in replacement lamp with 3 conductor female plug

Amber, with 920420 wire choke seal installed

Amber Multi-voltage single diode LED, with 920413 cable choke seal installed

Amber Multi-voltage single diode LED, plug in replacement lamp with 3 conductor plug

**STOP, TURN, TAIL OR CLEARANCE DOUBLE CONTACT**

Red, with 920413 cable choke seal installed

Red, with 920420 wire choke seal installed

Red Multi-voltage single diode LED, with 920413 cable choke seal installed

Red Multi-voltage single diode LED, with 920420 wire choke seal installed

Red, plug-in replacement lamp with 3 conductor plug

Red Multi-voltage single diode LED, plug in replacement lamp with 3 conductor plug



77 series lamps feature a valox body and are available in an incandescent or a red LED version. The incandescent bulb version features a 920152 red or a 920153 amber lens. The single contact lamp uses a 920460 socket and 1156 bulb and the double contact lamp uses a 920459 socket and 1157 bulb. The LED version uses a 920687 red LED assembly that can either be used as a single or double contact lamp.

Bodies must be drilled and tapped for wire entry unless otherwise stated.

Recess mount, see pages 68 & 69 for mounting brackets.

**PART NO.**

**770002**

**770005**

**PART NO.**

**770001**

**770004**

**770023**

**773023**

**PART NO.**

**770003**

**770006**

**773001**

**773006**

**TURN SINGLE CONTACT**

Amber

Amber, with 12' of 2 conductor cable installed

**STOP OR TURN SINGLE CONTACT**

Red

Red, with 12' of 2 conductor cable installed

Red, with 12' of 2 conductor cable installed, stud mount

Red, Multi-voltage single diode LED, with 12' of 2 conductor cable installed, stud mount

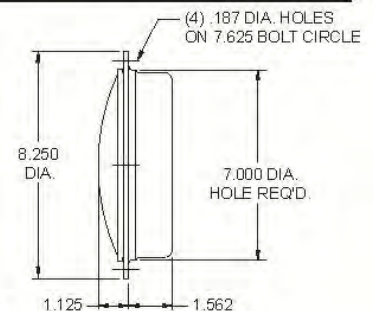
**STOP, TURN, TAIL OR CLEARANCE DOUBLE CONTACT**

Red, valox body

Red, valox body with 12' of 3 conductor cable installed

Red, Multi-voltage single diode LED

Red, Multi-voltage single diode LED, with 12' of 3 conductor cable installed



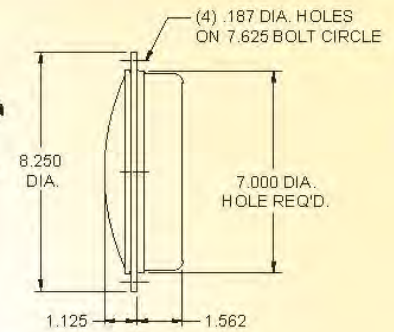




77 series lamps feature a valox body and are available in an incandescent or a LED version. The incandescent bulb version features a 920156 red arrow or a 920157 amber arrow lens and uses a 920460 socket and 1156 bulb. The LED version uses a 920687 red LED assembly for the red arrow or a 920688 amber LED assembly for the amber arrow lens.

Bodies must be drilled and tapped for wire entry unless otherwise stated.

Recess mount, see pages 68 & 69 for mounting brackets.



**PART NO.**

**770007**

**770008**

**770019**

**770020**

**770021**

**770022**

**773007**

**773008**

**773019**

**773020**

**773021**

**773022**

**TURN SINGLE CONTACT**

Red (Arrow), valox body with 12' of 2 conductor cable installed

Amber (Arrow), valox body with 12' of 2 conductor cable installed

Red (Arrow), valox body with 1/4"-20 stud mounts and 12' of 2 conductor cable installed

Amber (Arrow), valox body with 1/4"-20 stud mounts and 12' of 2 conductor cable installed

Red (Arrow), valox body

Amber (Arrow), valox body

Red, Multi-voltage single diode LED (Arrow), with 12' of two conductor cable installed

Amber, Multi-voltage single diode LED (Arrow), with 12' of two conductor cable installed

Red, Multi-voltage single diode LED (Arrow), with 1/4"-20 stud mounts and 12' of 2 conductor cable installed

Amber, Multi-voltage single diode LED (Arrow), with 1/4"-20 stud mounts and 12' of 2 conductor cable installed

Red, Multi-voltage single diode LED (Arrow)

Amber, Multi-voltage single diode LED (Arrow)

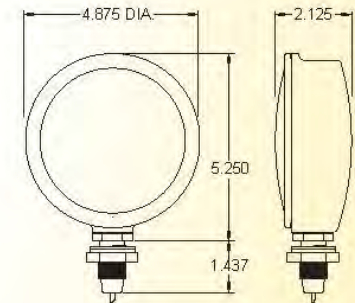


NOTE: See page 82 for parts breakdown

Pedestal mount aluminum body lamp available in an incandescent and LED version. Incandescent bulb version features a 920134 red or 920135 amber lens. The single contact bulb version uses a 920015 single contact socket and 1156 bulb and the double contact lamp uses a 920013 double contact socket and 1157 bulb. The LED versions use a 710003 red or 710004 amber LED lens assembly.

Requires a mounting hole large enough to accommodate a 3/4" diameter stud mount.

Lamps include 18" pigtails.



**PART NO.**

**800012**

**800212**

**PART NO.**

**800011**

**PART NO.**

**800013**

**800213**

**TURN SINGLE CONTACT**

Amber, aluminum body

Amber LED, aluminum

**STOP OR TURN SINGLE CONTACT**

Red, aluminum body

**STOP, TAIL, TURN OR CLEARANCE DOUBLE CONTACT**

Red, aluminum body

Red LED, aluminum



# Stop, Turn, & Tail Lamps



NOTE: See page 82 for parts breakdown

**PART NO.**  
**810012**

**810212**

**PART NO.**  
**810011**

**PART NO.**  
**810013**

**810213**

Pedestal mount aluminum body lamp is available in an incandescent and LED version. Incandescent bulb version features a 920134 red or 920135 amber lens. The single contact bulb version uses a 920015 single contact socket and 1156 bulb and the double contact lamp uses a 920013 double contact socket and 1157 bulb. The LED versions use a 710003 red or 710004 amber LED lens assembly.

Requires a mounting hole large enough to accommodate a 9/16" diameter stud mount.

Lamps include 18" pigtails.

## TURN SINGLE CONTACT

Amber, aluminum body

Amber LED, aluminum

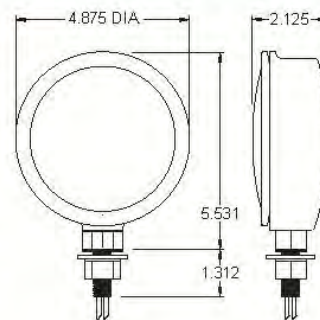
## STOP OR TURN SINGLE CONTACT

Red, aluminum body

## STOP, TAIL, TURN OR CLEARANCE DOUBLE CONTACT

Red, aluminum body

Red LED, aluminum



## Back Up Lamps



Back up lamps are available in incandescent multi and single diode, and both are Multi-voltage. LED lamps are designed to operate for either 12 or 24 volt systems. Incandescent lamps use a 920139 lens with a 920460 socket and 1156 bulb. Multi-diode lamps use a 710037 LED clear lens assembly and the single diode lamp uses a 920139 lens with a 920691 single diode LED assembly.

ALL B40 direct aluminum replacements come with a ground strap that utilizes the base as a ground like an aluminum base lamp.

All B70 direct aluminum replacements come with a ground strap that utilizes the base as a ground like an aluminum base lamp and with a 1/4" N.P.T. hole in the center.

Bodies must be drilled or tapped for wire entry unless otherwise noted.

Recess mount, see page 68 for mounting brackets.

**NOTE: Two back up lamps are required per vehicle to meet F.M.V.S.S. compliance.**

**PART NO.**

**400043**

**400063**

**400075**

**400089**

**402043**

**402063**

**402075**

**402089**

**405043**

## BACK UP

Clear, valox body

Clear, valox body with (3) 920413 choke seals installed

Clear, B70 replacement, valox body with ground strap

Clear, B40 replacement valox body with ground strap

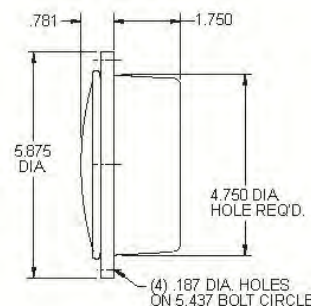
Clear, multi-diode Multi-voltage LED, valox body

Clear, multi-diode Multi-voltage LED, valox body with (3) 920413 cable choke seals installed

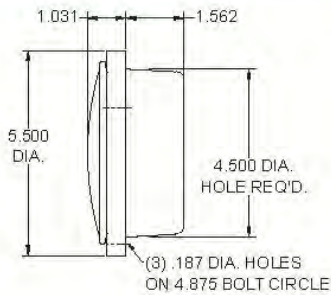
Clear, B70 replacement, multi-diode Multi-voltage LED, valox body with ground strap

Clear, B40 replacement, multi-diode Multi-voltage LED, valox body with ground strap

Clear, Multi-voltage single diode LED, valox body







Back up lamps are available in incandescent and in both multi and single diode Multi-voltage. LED lamps are designed to operate for either 12 or 24 volt systems. Incandescent lamps use a 920139 lens with a 920460 socket and 1156 bulb. Multi-diode lamps use a 710037 LED clear lens assembly and the single diode lamp uses a 920139 lens with a 920691 single diode LED assembly.



All B45 direct aluminum replacements come with a ground strap that utilizes the base as a ground like an aluminum base lamp.

Bodies must be drilled or tapped for wire entry unless otherwise noted.

Recess mount, see pages 68 & 69 for mounting brackets.

**NOTE: Two back up lamps are required per vehicle to meet F.M.V.S.S. 108 compliance.**

**PART NO.**

**BACK UP**

**450032**

Clear, valox body

**450057**

Clear, valox body with (3) 920413 choke seals installed

**450067**

Clear, valox body with 8' of 2 conductor cable installed

**455032**

Clear, Multi-voltage single diode LED, valox body

**455067**

Clear, Multi-voltage single diode LED, valox body with 8' of 2 conductor cable installed

**450099**

Clear, B45 replacement, valox body with ground strap

**450157**

Clear, B45 replacement, valox body with (3) 920413 cable choke seals installed with ground strap

**450167**

Clear, B45 replacement, valox body with 8' of 2 conductor cable installed with ground strap

**450299**

Clear, B45 replacement, multi-diode multi-voltage, valox body

**452032**

Clear, Multi-voltage multi-diode LED, valox body

**452057**

Clear, Multi-voltage multi-diode LED, valox body with (3) 920413 choke seals installed

**452067**

Clear, Multi-voltage multi-diode LED, valox body with 8' of 2 conductor cable installed

**452157**

Clear, B45 replacement, multi-diode Multi-voltage LED, valox body with (3) 920413 cable choke seals installed with ground strap

**452167**

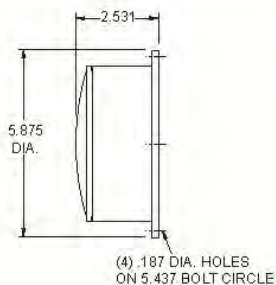
Clear, B45 replacement, multi-diode Multi-voltage LED, valox body with 8' of 2 conductor cable installed with ground strap

**455032**

Clear, Multi-voltage single diode LED, valox body

**455067**

Clear, Multi-voltage single diode LED, valox body with 8' of 2 conductor cable installed



Back up lamps are available in incandescent and in both multi and single diode multi-voltage. LED lamps are designed to operate for either 12 or 24 volt systems. Incandescent lamps use a 920139 lens with a 920460 socket and 1156 bulb. Multi-diode lamps use a 710037 LED clear lens assembly and the single diode lamp uses a 920139 lens with a 920691 single diode LED assembly.



Bodies must be drilled or tapped for wire entry unless otherwise noted.

Surface mount

**NOTE: Two back up lamps are required per vehicle to meet F.M.V.S.S. 108 compliance**

**PART NO.**

**BACK UP**

**470024**

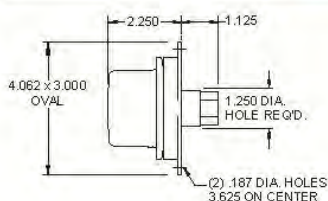
Clear, Valox body

**472024**

Clear, Multi-voltage multi-diode LED, valox body

**475024**

Clear, Multi-voltage single diode LED, valox body



A back up lamp with a 1/4" N.P.T. threaded rear entry. Lamp features a Valox body with a 920112 deep clear lens with a press fit socket and 1156 bulb. Lamps are direct replacement to aluminum body version using a ground strap that utilizes the base of the lamp as a ground.



**NOTE: Two back up lamps are required per vehicle to meet F.M.V.S.S. 108 compliance**

**PART NO.**

**BACK UP**

**500051**

Clear, valox body with ground strap

**500062**

Clear, valox body with choke seal with pigtail and ground strap



# Back Up Lamps



**PART NO.**  
**560027**  
**560037**  
**560054**

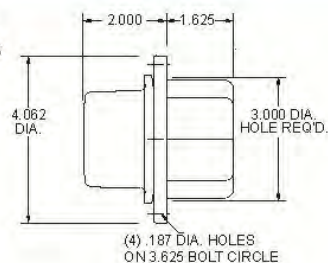
A valox body back up lamp that features a 920112 deep clear lens, 920367 socket and 1156 bulb. All B56 direct aluminum replacements feature a ground strap that utilizes the base of the lamp as a ground.

Recess mount, see pages 68 & 69 for mounting brackets.

**NOTE: Two back up lamps are required per vehicle to meet F.M.V.S.S. 108 conformance.**

## BACK UP

Clear, valox body with 920413 cable choke seal installed  
 Clear, valox body  
 Clear, B56 replacement, valox body with ground strap



# Cabinet, Meter & Dome Lamps



**PART NO.**  
**730004**  
**730008**  
**730014**  
  
**735004**  
**735008**

A tough nylon bodied lamp available in both an incandescent or Multi-voltage LED version. Both versions feature a 920497 clear lens. The incandescent version uses a 920460 socket and 1156 bulb. The LED version features a 920692 clear LED assembly.

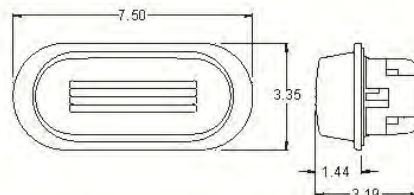
Bodies must be drilled and tapped for wire entry unless otherwise noted.

Recess mount, see pages 68 & 69 for mounting brackets.

**NOTE: Two back up lamps are required per vehicle to meet F.M.V.S.S. 108 conformance.**

## BACKUP

Clear, with 920413 cable choke seal installed  
 Clear, plug-in replacement lamp with 3 conductor plug  
 Clear, with 920420 wire choke seal installed  
  
 Clear, Multi-voltage single diode LED, with 920413 cable choke seal installed  
 Clear, Multi-voltage single diode LED, plug in replacement lamp with 3 conductor plug



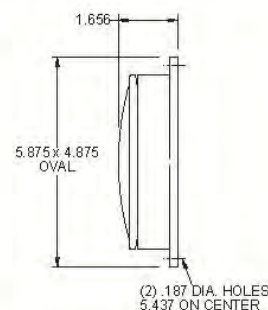
**PART NO.**  
**820011**  
**820311**  
**820317**  
**820319**

A low profile dome or cabinet lamp with a 920077, 3 amp toggle switch. Incandescent bulb features a 920133 clear lens with a 920014 socket and a 1141 bulb. LED version features a 710026 clear LED lens assembly. A ground must be provided to all valox lamps

**NOTE: Incandescent lamps are designed for use with 1141 bulbs only.**

## CABINET/METER/DOME

Clear, aluminum body  
 Clear, Multi-voltage single diode LED, aluminum body  
 Clear, Multi-voltage single diode LED, valox body  
 Clear, Multi-voltage single diode LED, valox body with 920420 wire choke seal installed

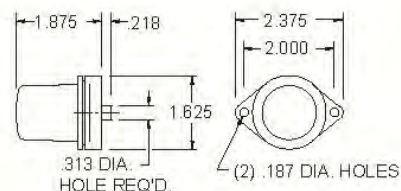


**PART NO.**  
**240003**

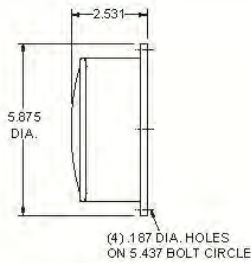
A meter or cabinet lamp that uses a shielded 920055 deep lens and a 67 incandescent bulb.

## CABINET/METER/DOME

Silver, aluminum body





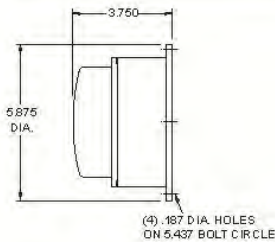


**PART NO.**  
**470013**  
**470313**

A dome or compartment lamp available in both incandescent and LED versions with a 920038 20 amp toggle switch. The incandescent version uses a 920133 clear shallow lens, a 920460 socket and 1141 bulb. The LED version uses a 710026 single diode Multi-voltage LED clear lens assembly. All bodies must be provided with an internal ground.

Bodies must be drilled and tapped for wire or cable entry.

**NOTE: Incandescent lamps are designed for use with 1141 bulbs only.**

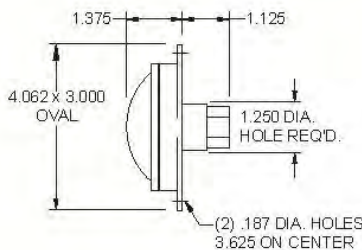


**PART NO.**  
**470043**  
**470343**

A dome or compartment lamp available in both incandescent and LED versions with a 920038 20 amp toggle switch. The incandescent version uses a 920140 clear deep lens, a 920460 socket and 1141 bulb. The LED version uses a 710027 single diode Multi-voltage LED clear lens assembly. All bodies must be provided with an internal ground.

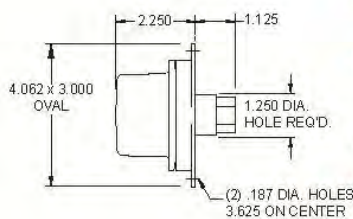
Bodies must be drilled and tapped for wire or cable entry.

**NOTE: Incandescent lamps are designed for use with 1141 bulbs only.**



**PART NO.**  
**500056**  
**500356**

A valox body threaded entry model dome or cabinet lamp available in both incandescent or LED. Incandescent lamp version features a 920115 clear shallow lens with a press fit socket and a 67 bulb, or a 920111 clear deep lens with a press fit socket and 1141 bulb. LED version features a 510055 Multi-voltage single diode shallow LED lens assembly or a 510056 Multi-voltage single diode deep LED lens assembly. Bodies are furnished with a 1/4" N.P.T. wire entrance. All bodies include an installed ground strap for body grounding.



**PART NO.**  
**500057**  
**500357**

**CABINET/METER/DOME DEEP LENS**  
 Clear, B50 replacement, incandescent bulb with ground strap  
 Clear, B50 replacement, Multi-voltage single diode LED with ground strap





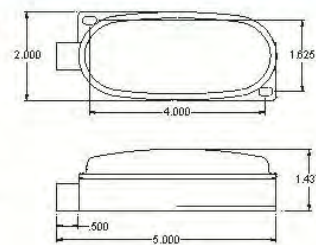
# Cabinet, Meter & Dome Lamps



**NOTE:** See page 18 for aluminum dimensions.

**PART NO. CABINET/METER/DOME ONE END ENTRANCE**

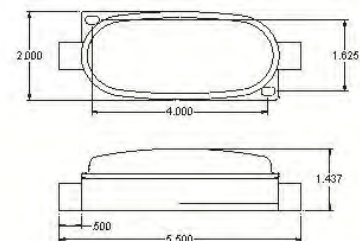
- 200023** Clear, aluminum body
- 200024** Clear, valox body
- 200224** Clear LED, valox body



**NOTE:** See page 18 for aluminum dimensions.

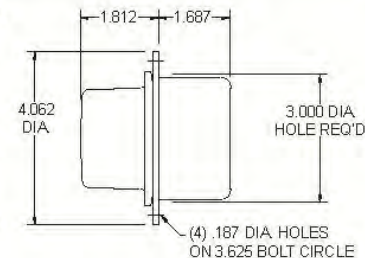
**PART NO. CABINET/METER/DOME TWO END ENTRANCES**

- 210009** Clear, aluminum body
- 210010** Clear, valox body
- 210210** Clear, valox body, LED



**NOTE:** See page 14 for shallow lens dimensions.

A dome, meter or cabinet lamp in a valox body. Lamps are available in both incandescent and LED versions. Incandescent versions feature either a 920115 clear shallow lens, 920367 socket with a 67 bulb or a 920111 clear deep lens, 920367 socket and a 1141 bulb. LED versions feature either a 510055 clear shallow LED lens assembly or a 510056 clear deep LED lens assembly. B56 direct replacement lamps feature a ground strap for body grounding.



Bodies must be drilled or tapped for wire or cable entry unless otherwise specified.

Recess mount, see page 68 for mounting brackets.

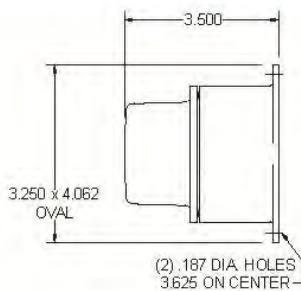
**PART NO. CABINET/METER/DOME SHALLOW LENS**

- 560036** Clear, valox body, incandescent bulb
- 560060** Clear B56 replacement, valox body, incandescent bulb with ground strap
- 560381** Clear, valox body, Multi-voltage single diode LED
- 560383** Clear, valox body, Multi-voltage single diode LED with 920413 choke seal installed

**PART NO. CABINET/METER/DOME DEEP LENS**

- 560051** Clear, valox body, incandescent bulb
- 560061** Clear B56 replacement, valox body, incandescent bulb with ground strap
- 560382** Clear, valox body, Multi-voltage single diode LED
- 560384** Clear, valox body, Multi-voltage single diode LED with 920413 choke seal installed





A dome, meter or cabinet lamp in a valox body. Lamps are available in both incandescent and LED versions. Incandescent versions feature either a 920115 clear shallow lens, 920367 socket with a 67 bulb or a 920111 clear deep lens, 920367 socket and a 1141 bulb. LED versions feature either a 510055 clear shallow LED lens assembly or a 510056 clear deep LED lens assembly. A 920078 3 amp toggle switch is only available in the deep lens incandescent bulb version but available in both shallow and deep LED versions.



Bodies must be drilled or tapped for wire or cable entry unless otherwise specified.

**PART NO. CABINET/METER/DOME SHALLOW LENS**

- 570025** Clear, valox body incandescent bulb without switch
- 570325** Clear, valox body, Multi-voltage single diode LED without switch
- 570344** Clear, valox body, Multi-voltage single diode LED with switch

**PART NO. CABINET/METER/DOME DEEP LENS**

- 570026** Clear, valox body incandescent bulb with switch
- 570326** Clear, valox body, Multi-voltage single diode LED with switch
- 570342** Clear, valox body, Multi-voltage single diode LED without switch

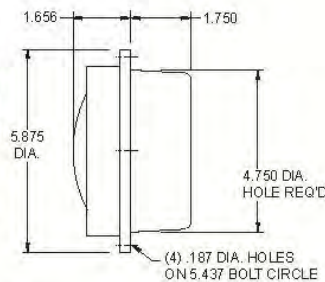
## Sealed Beam Work Lamps

Sealed Beam flood lamps feature a par 36 style bulb available in both incandescent and LED versions. The bulb is held in place with a EPDM retaining ring with the same snap seal o ring sealing characteristics used in all Betts lighting. Bulb versions use a clear 4466 flood and a 920234 retaining grommet, LED's use a 920775 LED bulb and a 920734 retaining grommet. **This retaining grommet is different than the incandescent version due to the shape of the LED bulb.** For additional bulb protection on the incandescent bulb versions a 920071 retaining grommet has been extended to allow a 920143 clear shallow lens that provides additional protection from bulb breakage. This extended retaining grommet is not available in the LED version. All direct replacements for aluminum body lamps feature a ground strap that utilizes the body as a ground.

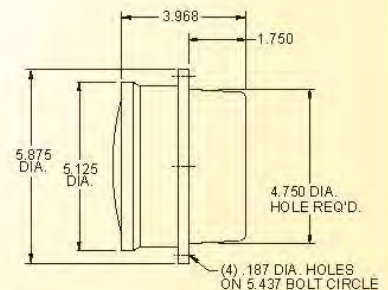
Also available mounted in 920731 flush mount angled casting to give a 30 degree down and out illuminated viewing area when backing up. Bodies must be drilled and tapped for wire or cable entry.



450533 shown



400072 shown



**PART NO. SEALED BEAM FLOOD, SPOT, AND WORK LAMPS**

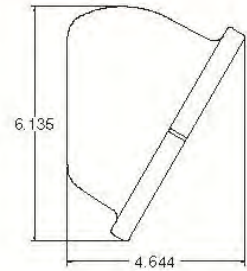
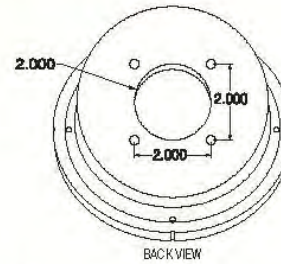
- 400044** Clear, valox body incandescent bulb, flood
- 400092** Clear, valox body incandescent bulb, flood with ground strap
- 400072** Clear, valox body incandescent bulb with extended grommet and lens, flood
- 400094** Clear, valox body incandescent bulb with extended grommet and lens, flood with ground strap
- 400094** Clear, valox body incandescent bulb with extended grommet and lens, flood with ground strap
- 400544** Clear, valox body LED flood

CONTINUED ON NEXT PAGE



# Sealed Beam Work Lamps

CONTINUED FROM  
PREVIOUS PAGE



404002 shown

**PART NO.**

**SEALED BEAM FLOOD, SPOT, AND WORK LAMPS**

**404000**

Clear, valox body incandescent bulb, flood with 920420 wire choke seal with 920728 casting

**404001**

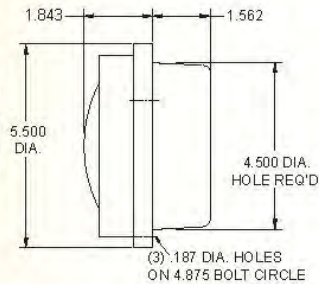
Clear, valox body incandescent bulb, flood with 920420 wire choke seal and 18 inch pigtailed with 920728 casting

**404002**

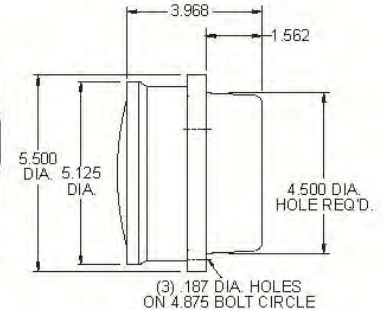
Clear, valox body LED bulb, flood with 920420 wire choke seal with 920728 casting

**404003**

Clear, valox body LED bulb, flood with 920420 wire choke seal and 18 inch pigtailed with 920728 casting



450533 shown



450063 shown

**PART NO.**

**SEALED BEAM FLOOD, SPOT AND WORK LAMPS**

**450033**

Clear, valox body incandescent bulb, flood

**450102**

Clear, valox body incandescent bulb, flood with ground strap

**450063**

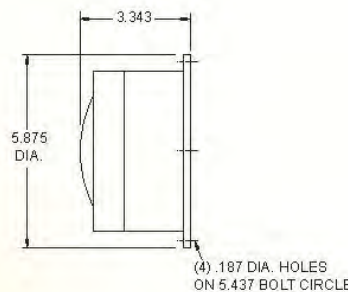
Clear, valox body incandescent bulb with extended grommet and lens, flood

**450112**

Clear, valox body incandescent bulb with extended grommet and lens, flood with ground strap

**450533**

Clear, valox body LED flood



**PART NO.**

**SEALED BEAM INCANDESCENT BLUB, FLOOD SPOT AND WORK LAMPS**

**470025**

Clear, valox body

**470525**

Clear, valox body LED flood



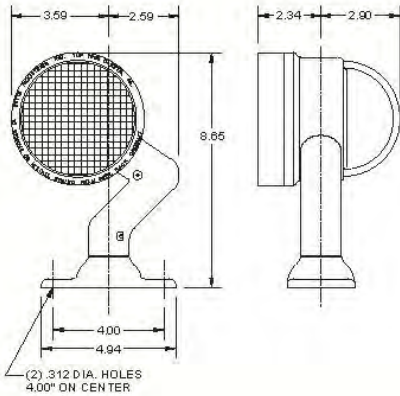
# Sealed Beam Work Lamps

Sealed Beam flood lamps feature a par 36 style bulb available in both incandescent and LED versions. The bulb is held in place with an EPDM retaining ring with the same Snap Seal o ring sealing characteristics used in all Betts lighting. Bulb versions use a clear 4466 flood or a H7616 halogen spot and a 920234 retaining grommet, LED's use a 920775 LED bulb and a 920734 retaining grommet. This retaining grommet is different than the incandescent version due to the shape of the LED bulb.

For additional bulb protection on the incandescent bulb versions a 920071 retaining grommet has been extended to allow a 920143 clear shallow lens that provides additional protection from bulb breakage. This extended retaining grommet is not available in the LED version. Lamp bodies are powder coated aluminum.

Lamps feature both horizontal and vertical rotation.

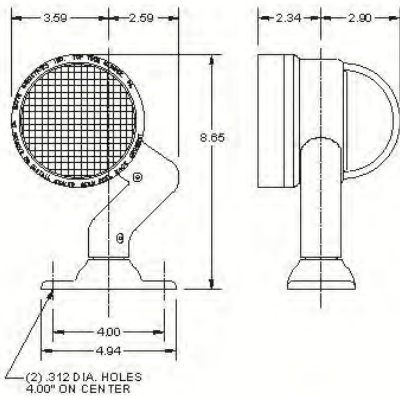
Available in either a (1) abrasion resistant lead wire for body grounding or a (2) abrasion resistant lead wires for internal or common grounding.



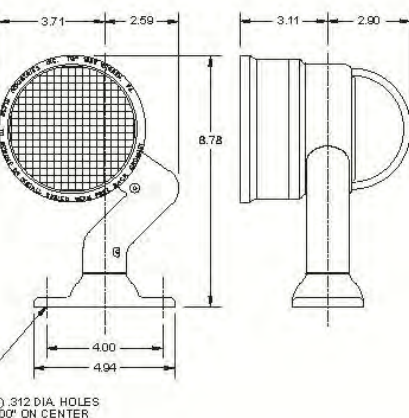
- PART NO.**      **WORKLIGHT WITH (1) LEAD WIRE REGULAR GROMMET**
- 315001**      Clear, sealed beam flood
  - 315003**      Clear, sealed beam flood with 920039 20 amp toggle switch
  - 315005**      Clear, halogen spot
  - 315007**      Clear, halogen spot with 920039 20 amp toggle switch
  - 315501**      Clear, LED flood
  - 315503**      Clear, LED flood with 920078 3 amp toggle switch



Also available in white or black



- PART NO.**      **FLOOD WITH (2) LEAD WIRES REGULAR GROMMET**
- 325001**      Clear, sealed beam flood
  - 325003**      Clear, sealed beam flood with 920039 20 amp toggle switch
  - 325005**      Clear, halogen spot
  - 325007**      Clear, halogen spot with 920039 20 amp toggle switch
  - 325501**      Clear, LED flood
  - 325503**      Clear, LED flood with 920078 3 amp toggle switch



- PART NO.**      **WORKLIGHT WITH (1) LEAD WIRE EXTENDED GROMMET**
- 315009**      Clear, sealed beam flood
  - 315010**      Clear, sealed beam flood with 920039 20 amp toggle switch
  - 315011**      Clear, halogen spot
  - 315012**      Clear, halogen spot with 920039 20 amp toggle switch



Also available in white or black

- PART NO.**      **WORKLIGHT WITH (2) LEAD WIRES EXTENDED GROMMET**
- 325009**      Clear, sealed beam flood
  - 325010**      Clear, sealed beam flood with 920039 20 amp toggle switch
  - 325011**      Clear, halogen spot
  - 325012**      Clear, halogen spot with 920039 20 amp toggle switch



# Sealed Beam Work Lamps

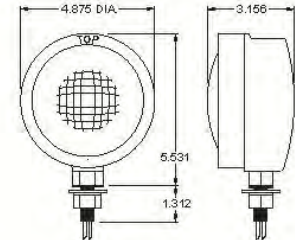


Work lights are available in either a standard fixed pedestal mount or an adjustable pedestal mount. Pedestal mount sealed beam lamp with either a 9/16" or 13/16" mounting stud. Lamps use a 4466 clear flood, H7616 clear halogen spot, 4415A amber sealed beam held in place with a 920234 retaining grommet. LED lamps using a 920775 LED flood use a 920734 retaining grommet. Lamps come equipped with a abrasion resistant 18 inch pigtail. Adjustable pedestal mount lamps use a 9/16" mounting stud. All mounting hardware is included with lamps.

For additional bulb protection on the incandescent bulb versions a 920071 retaining grommet has been extended to allow a 920143 clear shallow lens that provides additional protection from bulb breakage. This extended retaining grommet is not available in the LED version. Lamp bodies are powder coated aluminum.

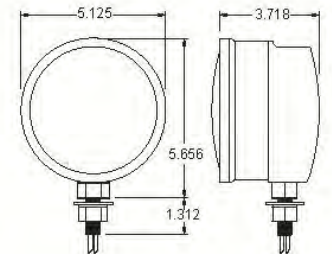
**Note: LED light utilizes a different retaining grommet than traditional PAR 36 lights due to shape of bulb.**

- PART NO.**     **13/16 MOUNTING STUD, REGULAR GROMMET**
- 800014**     Clear, sealed beam flood
  - 800015**     Amber, sealed beam flood
  - 800018**     Clear, sealed beam flood with 920039 20 amp toggle switch
  - 800514**     Clear, LED flood
  - 800518**     Clear, LED flood with 920078 3 amp toggle switch



Also available in white or black

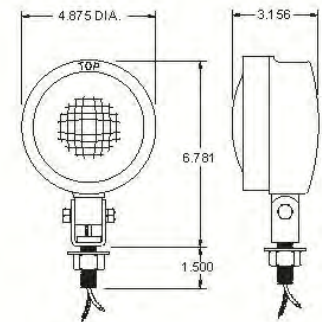
- PART NO.**     **9/16 MOUNTING STUD, REGULAR GROMMET**
- 800016**     Clear, sealed beam flood
  - 800017**     Amber, sealed beam flood
  - 800516**     Clear, LED flood



- PART NO.**     **13/16 MOUNTING STUD, EXTENDED GROMMET**
- 800019**     Clear, sealed beam flood
  - 800020**     Amber, sealed beam flood
  - 800023**     Clear, sealed beam flood with 920039 20 amp toggle switch

Also available in white or black

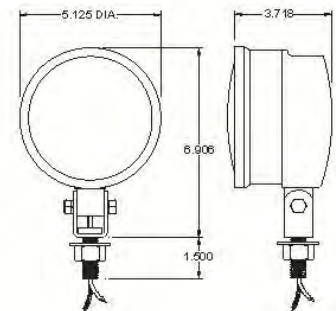
- PART NO.**     **9/16 MOUNTING STUD, EXTENDED GROMMET**
- 800021**     Clear, sealed beam flood
  - 800022**     Amber, sealed beam flood



- PART NO.**     **ADJUSTABLE STUD MOUNT, REGULAR GROMMET**
- 805001**     Clear, sealed beam flood
  - 805002**     Amber, sealed beam flood
  - 805003**     Clear, sealed beam flood with 920039 20 amp toggle switch
  - 805005**     Clear, sealed beam flood with 920420 wire choke seal installed
  - 805006**     Amber, sealed beam flood with 920420 wire choke seal installed
  - 805021**     Clear, halogen spot
  - 805022**     Clear, halogen spot with 920039 20 amp toggle switch
  - 805501**     Clear, LED flood
  - 805503**     Clear, LED flood with 920078 3 amp toggle switch
  - 805505**     Clear, LED flood with 920420 wire choke seal installed

Also available in white or black

- PART NO.**     **ADJUSTABLE STUD MOUNT, EXTENDED GROMMET**
- 805011**     Clear, sealed beam flood
  - 805012**     Amber, sealed beam flood
  - 805013**     Clear, sealed beam flood with 920039 20 amp toggle switch
  - 805014**     Clear, sealed beam flood with 920420 wire choke seal installed
  - 805015**     Amber, sealed beam flood with 920420 wire choke seal installed
  - 805025**     Clear, halogen spot
  - 805026**     Clear, halogen spot with 920039 20 amp toggle switch



Also available in white or black

**Note: All lamps available in gray, white or black powder coating.**



Features 18 brass circuit studs in a moisture and corrosion free environment. Entry on all 4 sides using 4-920413 Choke Seals and 1-920402 cable entrance fitting. Also includes 1-920412 1/2" N.P.T. square head pipe plug and stud hardware package 920414. May also be ordered custom drilled/tapped to specifications. See catalog supplement No. 1.

**PART NO.**

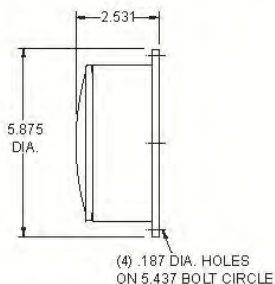
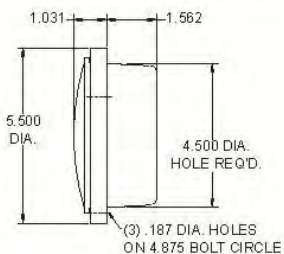
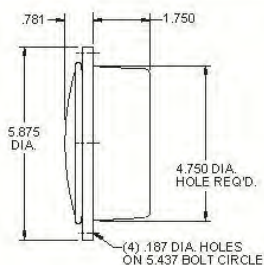
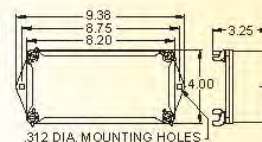
- 351044** Complete unit - drilled and tapped
- 351045** Complete unit - undrilled
- 920209** Circuit bridge
- 920411** Sq. head plug 3/8" N.P.T.
- 920412** Sq. head plug 1/2" N.P.T.
- 920414** Hardware package
- 920444** Sq. head plug 3/4" N.P.T.
- 920449** Fasteners (4)
- 920450** Cover, fastener & o-ring
- 920600** O-ring for new style covers



**DRI-SEAL**  
CIRCUIT BOX



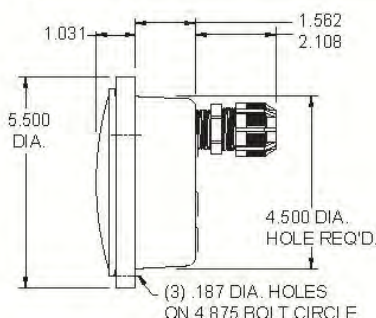
**CUSTOM DRILLING**  
Specify drilling size and location desired. Cable entrance fittings are 3/8", 1/2" & 3/4" N.P.T. Choke Seals require 9/16" holes.



Junction boxes feature a polycarbonate shallow clear lens 920143. They are available with or without a 7 pole terminal disc with hardware. Boxes must be drilled and tapped unless otherwise stated. Mounting gasket and screws included. Recess or surface mount available.

**PART NO.**

- 400045** RECESS MOUNT - WITHOUT TERMINAL DISC  
Clear, valox body
- 400095** RECESS MOUNT - WITHOUT TERMINAL DISC  
Clear, valox body with chassis ground
- 400054** RECESS MOUNT - WITH TERMINAL DISC  
Clear, valox body
- 400096** RECESS MOUNT - WITH TERMINAL DISC  
Clear, valox body with chassis ground
- 450034** RECESS MOUNT - WITHOUT TERMINAL DISC  
Clear, valox body
- 450044** RECESS MOUNT - WITH TERMINAL DISC  
Clear, valox body
- 470026** SURFACE MOUNT - WITHOUT TERMINAL DISC  
Clear, valox body
- 470041** SURFACE MOUNT - WITH TERMINAL DISC  
Clear, valox body



**PART NO.**

- 450061** Clear, valox body

Ready to install junction boxes with 7 pole terminal disc assembly. Features a durable Valox body and a polycarbonate shallow clear lens 920143. Boxes are drilled and tapped with entry fittings installed. Fittings include (1) cable entrance fitting 920402, (4) 1 hole cable choke seals 920413 and (1) 4 hole wire choke seal 920420. Mounting gasket and screws included. Recess mount.





# Junction Boxes



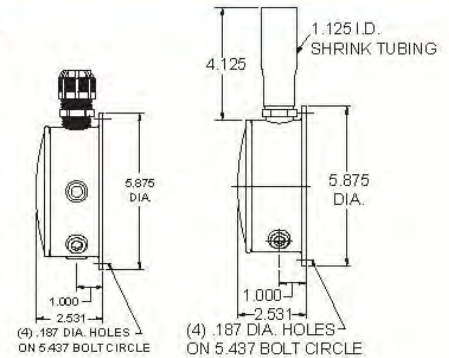
**PART NO.**  
**470042**

Ready to install junction boxes which each feature a 7 pole terminal disc assembly. Features a heavy duty Valox body and a polycarbonate shallow clear lens 920143. Boxes are drilled and tapped with entry fittings installed. Mounting gasket and screws included. Surface mount.

**470046**

Clear, valox body with (1) cable entrance fitting 920402, (1) four hole wire choke seal 920420 and (4) one hole cable choke seals 920413

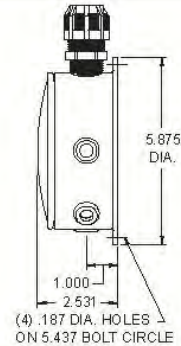
Clear, valox body with (1) cable entrance shrink fitting 920326 and (2) one hole cable choke seals 920413



**PART NO.**  
**470063**

For use with non-piped conventional wiring. Ready to install junction box with a 7 pole terminal disc assembly. Provided with a polycarbonate shallow clear lens 920143. Models are drilled and tapped with entry fittings installed. Mounting gasket and screws included. Surface mount.

Clear, valox body with (1) cable entrance fitting 920402 and (5) four hole wire choke seals 920420



**PART NO.**  
**560022**

Junction boxes feature a durable valox body and a polycarbonate shallow clear lens 920115. They are available with or without a 4 pole terminal disc with hardware. Body must be drilled and tapped for wire entry. Mounting gasket and screws included. Recess mount.

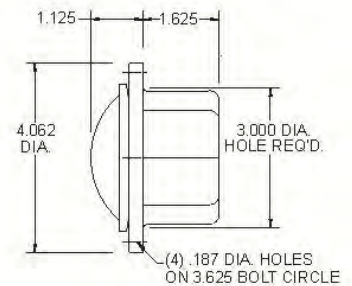
**560026**

**WITHOUT TERMINAL DISC**

Clear, valox body

**WITH TERMINAL DISC**

Clear, valox body



**PART NO.**  
**570027**

Junction boxes feature a durable valox body and a polycarbonate shallow clear lens 920115. They are available with or without a 4 pole terminal disc with hardware. Body must be drilled and tapped for wire entry unless otherwise stated. Mounting gasket and screws included. Surface mount.

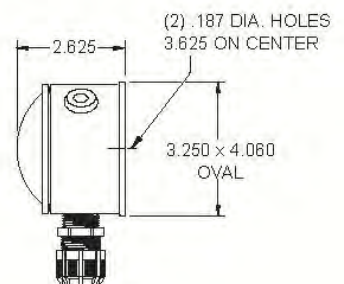
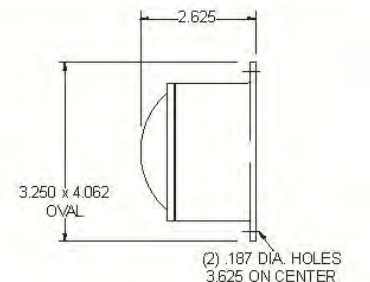
**570037**  
**570038**

**WITHOUT TERMINAL DISC**

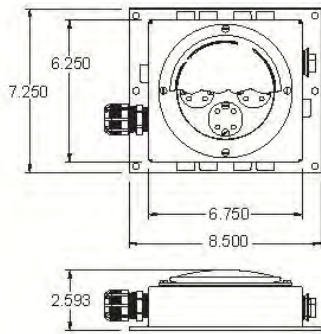
Clear, valox body

**WITH TERMINAL DISC**

Clear, valox body  
Clear, valox body with (1) cable entrance fitting and (2) cable choke seals installed



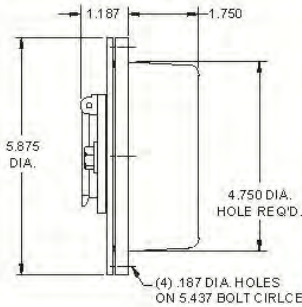




**PART NO.**

**300011** Clear, aluminum body (35181AL)

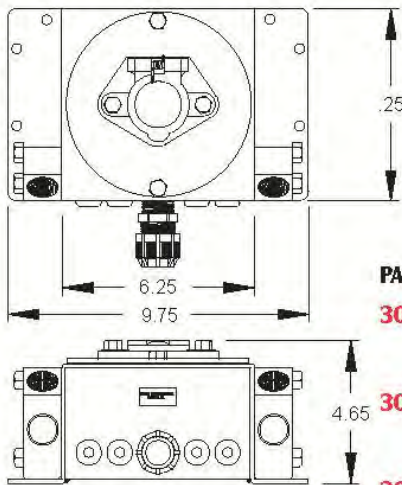
This is a heavy duty aluminum junction box with 16 brass circuit studs. It is completely sealed and has 12 wire entrances distributed on 4 sides. The clear Snap-Seal polycarbonate cover enables easy access for circuit checking. Sealed entries include (1) cable entrance fitting 920402, (1) 1/2" N.P.T. plastic plug, (10) one hole cable choke seals 920413. A 16 pole hardware package is included. Surface mount.



**PART NO.**

**400079** With 6-way socket  
**400080** With 7-way socket

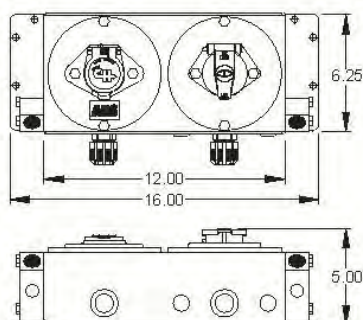
B40 series nose boxes are standard with heavy duty Valox bodies. Covers and bodies are sealed with Betts Snap-Seal O-rings. Mounting gasket and screws are included. Bodies must be drilled and tapped for wire entry. Recess mount.



**PART NO.**

**300012** (A) 7 split pin nonmetallic socket  
**300013** 7 solid pin nonmetallic socket with 20 amp circuit breakers  
**300015** 7 split pin aluminum socket with 20 amp circuit breakers  
**300016** (B) solid pin aluminum ABS socket

These new Betts heavy-duty nose boxes come completely sealed ready for installation. The 7-way socket comes with or without circuit breakers and is prewired to a 7-pole terminal disc. Machined glad hand (side blocks) 920042 are standard and replaceable. Fits existing trailer mounting brackets.



**PART NO.**

**300014**

ABS heavy duty dual socket nose box ready for installation. Comes with ABS socket 920554 and standard socket 920427. Standard socket is prewired to a 7 pole terminal disc. A red and white jumper wire is wired from disc to disc to provide a ground and alternate ABS power source based on the trailer wiring.







## Nose Box

**PART NO.**  
**920697**

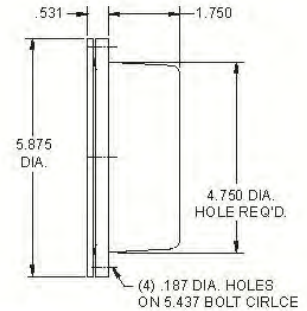
A heavy duty plastic body nose box with a 7 way socket.  
Gasket and hardware are included.



B40 series nose boxes are standard with heavy duty valox bodies. Covers and bodies are sealed with Betts Snap-Seal O-rings. Mounting gasket and screws are included. Bodies must be drilled and tapped for wire entry. Recess mount.

**PART NO.**  
**400078**

Without socket (40-153)



Gauge holder with shallow clear polycarbonate lens (920143). Requires a 4-3/4" diameter mounting hole.

**PART NO.**  
**400077**

Clear, valox body

## Junction Box Discs & Hardware

**PART NO.**

**920264** (A) Terminal disc with hardware, 7 pole (PDII)

**920268** (B) Terminal disc with hardware, 4 pole (PDIIIS)

**920265** Hardware package of (7) eyelets, washers and locknuts

**920269** Hardware package of (4) eyelets, washers and locknuts

**920414** Hardware package of (18) eyelets, washers and locknuts



A



B

**PART NO.**

**920177** (A) Grab ring for Betts 3 cond. & 4 cond. cable (929117)

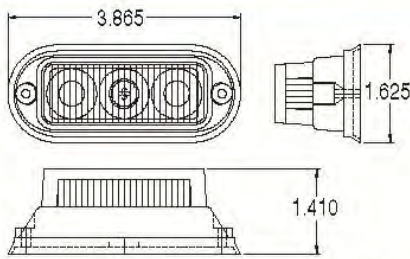
**920178** (B) Grab ring for Betts 2 cond. cable (929177)



**PART NO.**

**920209** Circuit bridge (CB1)

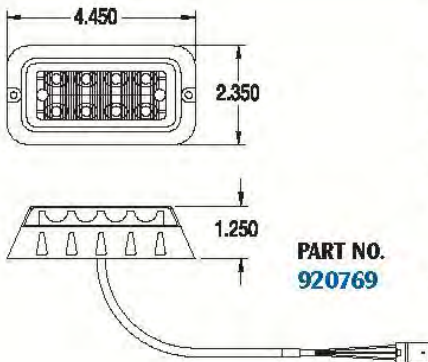




**PART NO.**  
**920772**

Three high intensity LEDs in a compact housing provides 18 flash patterns to choose from. Body is a high impact weather resistant housing.

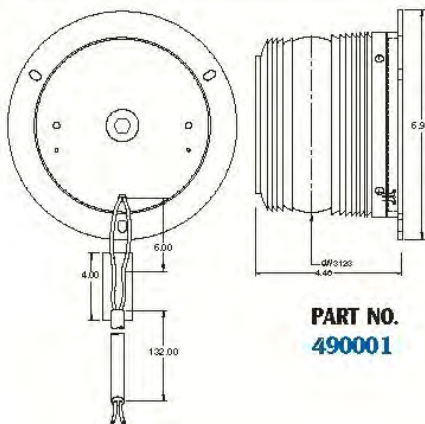
LED strobe light



**PART NO.**  
**920769**

Eight high intensity LEDs in a compact housing provides 16 flash patterns to choose from. Body is a high impact weather resistant housing. This lamp provides more angled viewing thru its optics molded into the polycarbonate lens.

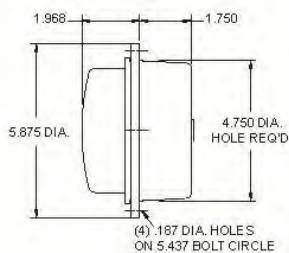
LED strobe light



**PART NO.**  
**490001**

A high impact LED warning light with complete 360 degree display. Flash pattern can be changed with a button located on the base of the lamp. There are 4 flash patterns available.

LED strobe light



**PART NO.**  
**400046**  
**400047**  
**400048**  
**400049**

Strobe featuring high impact valox housing and polycarbonate lens. The Xenon flash tube with a life of 10 million flashes produces an (8) joule output per flash. Has a flash rate of 70 flashes per minute and an effective candle power of 102 with clear lens. Consumes 1 amp at 12 volts. Mounting gasket, screws and 8" pigtails included.

See pages 68 & 69 for mounting brackets.

**RECESS MOUNT (PERMANENT)**

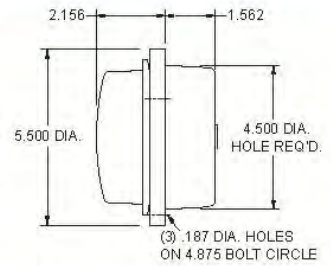
With 920140 deep clear lens  
With 920144 deep red lens  
With 920145 deep amber lens  
With 920388 deep blue lens







Strobe featuring high impact valox housing and polycarbonate lens. The Xenon flash tube with a life of 10 million flashes produces an (8) joule output per flash. Has a flash rate of 70 flashes per minute and an effective candle power of 102 with clear lens. Consumes 1 amp at 12 volts. Mounting gasket, screws and 8" pigtails included.

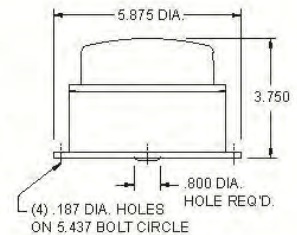


See pages 68 & 69 for mounting brackets.

- PART NO. RECESS MOUNT (PERMANENT)**
- 450035** With 920140 deep clear lens
  - 450036** With 920144 deep red lens
  - 450037** With 920145 deep amber lens
  - 450038** With 920388 deep blue lens



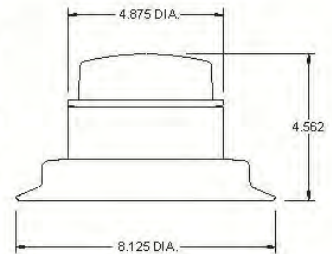
Strobe featuring high impact valox housing and polycarbonate lens. The Xenon flash tube with a life of 10 million flashes produces an (8) joule output per flash. Has a flash rate of 70 flashes per minute and an effective candle power of 102 with clear lens. Consumes 1 amp at 12 volts. Mounting gasket, screws and 8" pigtails included.



- PART NO. SURFACE MOUNT (PERMANENT)**
- 470028** With 920140 deep clear lens
  - 470029** With 920144 deep red lens
  - 470030** With 920145 deep amber lens
  - 470031** With 920388 deep blue lens



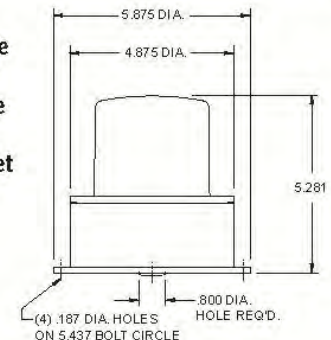
Strobe featuring high impact valox housing and polycarbonate lens. The Xenon flash tube with a life of 10 million flashes produces an (8) joule output per flash. Has a flash rate of 70 flashes per minute and an effective candle power of 102 with clear lens. Consumes 1 amp at 12 volts. Includes suction gasket, magnet, 8' of wire and cigarette lighter adapter.



- PART NO. SURFACE MOUNT (TEMPORARY)**
- 470047** With 920140 deep clear lens
  - 470048** With 920144 deep red lens
  - 470049** With 920145 deep amber lens
  - 470050** With 920388 deep blue lens

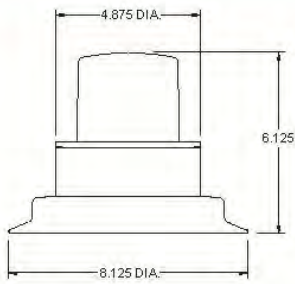


Strobe featuring high impact valox housing and polycarbonate lens. The Xenon flash tube with a life of 10 million flashes produces an (8) joule output per flash. Has a flash rate of 70 flashes per minute and an effective candle power of 102 with clear lens. Consumes 1 amp at 12 volts. Mounting gasket and screws included.



- PART NO. ROOF MOUNT (PERMANENT)**
- 470032** With 920136 red high hat lens
  - 470033** With 920137 amber high hat lens
  - 470034** With 920138 blue high hat lens
  - 470065** With 920409 clear high hat lens



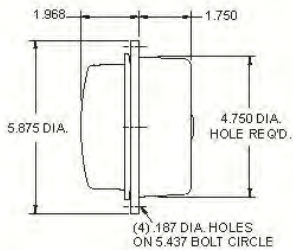


Strobe featuring high impact valox housing and polycarbonate lens. The Xenon flash tube with a life of 10 million flashes produces an (8) joule output per flash. Has a flash rate of 70 flashes per minute and an effective candle power of 102 with clear lens. Consumes 1 amp at 12 volts. Includes suction gasket, magnet, 8' of wire and cigarette lighter adapter.



**PART NO. ROOF MOUNT (TEMPORARY)**

- 470051** With 920136 red high hat lens
- 470052** With 920137 amber high hat lens
- 470053** With 920138 blue high hat lens
- 470066** With 920409 clear high hat lens

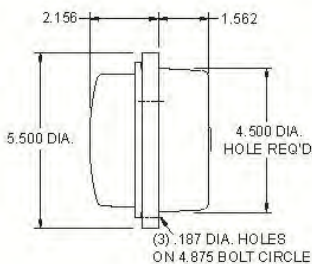


Halogen beacons may be used in place of strobes for many applications. Halogen beacons feature a tough valox housing and polycarbonate deep lens. Simplified circuitry along with good shock resistance insures less maintenance. The Halogen bulb is field replaceable. Mounting gasket, screws and 8" pigtails included.

See pages 68 & 69 for mounting brackets.

**PART NO. RECESS MOUNT (PERMANENT)**

- 400050** With 920144 deep red lens
- 400051** With 920145 deep amber lens
- 400052** With 920388 deep blue lens
- 400073** With 920140 deep clear lens

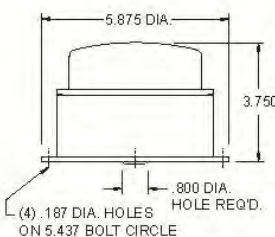


Halogen beacons may be used in place of strobes for many applications. Halogen beacons feature a tough valox housing and polycarbonate deep lens. Simplified circuitry along with good shock resistance insures less maintenance. The Halogen bulb is field replaceable. Mounting gasket, screws and 8" pigtails included.

See pages 68 & 69 for mounting brackets.

**PART NO. RECESS MOUNT (PERMANENT)**

- 450039** With 920144 deep red lens
- 450040** With 920145 deep amber lens
- 450041** With 920388 deep blue lens
- 450066** With 920140 deep clear lens



Halogen beacons may be used in place of strobes for many applications. Halogen beacons feature a tough valox housing and polycarbonate high hat lens. Simplified circuitry along with good shock resistance insures less maintenance. The Halogen bulb is field replaceable. Mounting gasket, screws and 8" pigtails included.

**PART NO. SURFACE MOUNT (PERMANENT)**

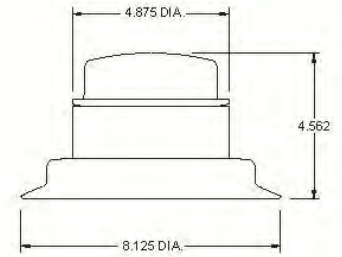
- 470035** With 920144 deep red lens
- 470036** With 920145 deep amber lens
- 470037** With 920388 deep blue lens
- 470067** With 920140 deep clear lens







Halogen beacons may be used in place of strobes for many applications. Halogen beacons feature a tough valox housing and polycarbonate high hat lens. Simplified circuitry along with good shock resistance insures less maintenance. The Halogen bulb is field replaceable. Includes suction gasket, magnet, 8' of wire and cigarette lighter adapter.



**PART NO.**

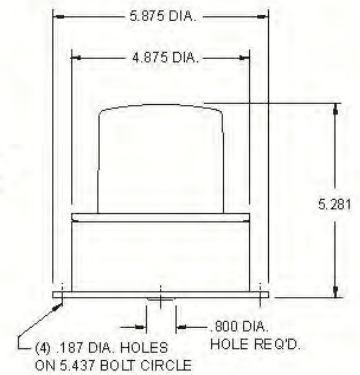
- 470054**
- 470055**
- 470056**
- 470068**

**SURFACE MOUNT (TEMPORARY)**

- With 920144 deep red lens
- With 920145 deep amber lens
- With 920388 deep blue lens
- With 920140 deep clear lens



Halogen beacons may be used in place of strobes for many applications. Halogen beacons feature a tough valox housing and polycarbonate high hat lens. Simplified circuitry along with good shock resistance insures less maintenance. The Halogen bulb is field replaceable. Mounting gasket, screws and 8" pigtails included.



**PART NO.**

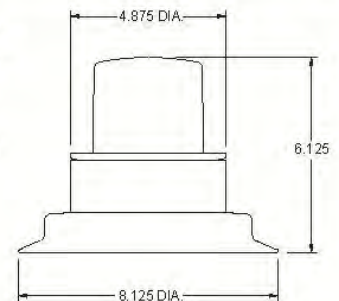
- 470038**
- 470039**
- 470040**
- 470069**

**ROOF MOUNT (PERMANENT)**

- With 920136 red high hat lens
- With 920137 amber high hat lens
- With 920138 blue high hat lens
- With 920409 clear high hat lens



Halogen beacons may be used in place of strobes for many applications. Halogen beacons feature a tough valox housing and polycarbonate high hat lens. Simplified circuitry along with good shock resistance insures less maintenance. The Halogen bulb is field replaceable. Includes suction gasket, magnet, 8' of wire and cigarette lighter adapter.



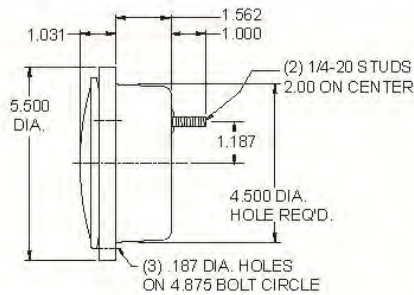
**PART NO.**

- 470057**
- 470058**
- 470059**
- 470070**

**ROOF MOUNT (TEMPORARY)**

- With 920136 red high hat lens
- With 920137 amber high hat lens
- With 920138 blue high hat lens
- With 920409 clear high hat lens





A tough durable black bodied valox light available in both incandescent bulb or LED versions. The incandescent bulb version features a 920134 red shallow lens with a 920459 double contact shock stopper socket and a 1157 bulb. The LED version features a 710001 double contact shallow red LED lens assembly. Stud mount provided with 1/4" x 20" mounting studs. Both lamps provided with a 920420 wire choke seal installed in the rear of the lamp with 18" abrasion resistant lead wires.



460001 shown

Recess or stud mounting available.

**PART NO.**

**460001**

**460004**

**462001**

**462004**

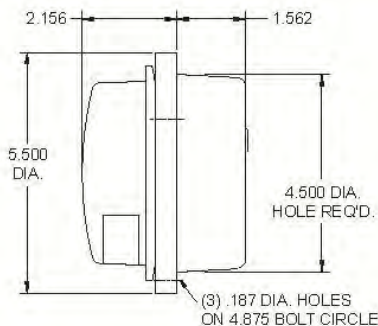
**STOP, TURN, TAIL OR CLEARANCE DOUBLE CONTACT**

Red, valox body, stud mount

Red, valox body, recessed mount

Red, LED valox body, stud mount

Red, LED valox body, recessed mount



A tough durable black bodied valox light available in both incandescent bulb or LED versions. The incandescent bulb version features a 920141 red deep lens with a license window and a 920459 double contact shock stopper socket and a 1157 bulb. The LED version features a 710025 double contact deep Multi-voltage single diode red with a single diode white LED lens assembly. Stud mount provided with 1/4" x 20" mounting studs. Both lamps provided with a 920420 wire choke seal installed in the rear of the lamp with 18" in abrasion resistant lead wires.



NOTE: Mounting instructions provided with all license lamps.

Recess or stud mounting available.

**PART NO.**

**460002**

**460005**

**463002**

**463005**

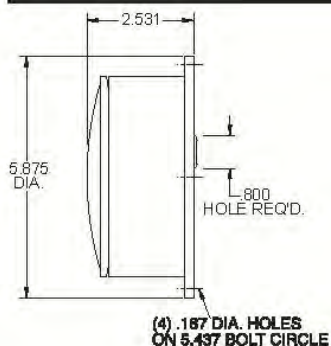
**STOP, TURN, TAIL, OR CLEARANCE AND LICENSE DOUBLE CONTACT**

Red, valox body, recessed mount

Red, valox body, stud mount

Red Multi-voltage single diode LED, valox body, recessed mount

Red Multi-voltage single diode LED, valox body, stud mount



A tough durable black bodied valox light available in both incandescent bulb or LED versions. The incandescent bulb version features a 920134 red shallow lens with a 920459 double contact shock stopper socket and a 1157 bulb. The LED version features a 710001 double contact shallow red LED lens assembly. A 920420 wire choke seal is installed in the rear of the lamp with 18" abrasion resistant lead wires. Surface mount.



**PART NO.**

**480012**

**482012**

**STOP, TURN, TAIL OR CLEARANCE DOUBLE CONTACT**

Red, valox body

Red, LED valox body



# School Bus Lamps



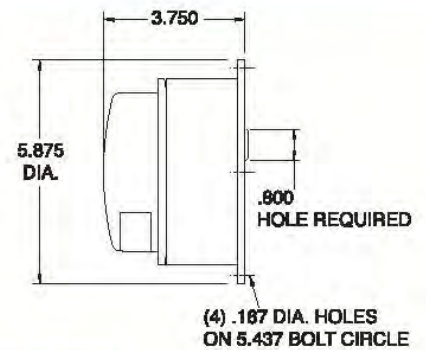
NOTE: Mounting instructions provided with all license lamps.

**PART NO.**  
**480013**  
**483013**

A tough durable black bodied valox light available in both incandescent bulb or LED versions. The incandescent bulb version features a 920141 red deep lens with a license window and a 920459 double contact shock stopper socket and a 1157 bulb. The LED version features a 710025 double contact deep Multi-voltage single diode red with a single diode white LED lens assembly. A 920420 wire choke seal is installed in the rear of the lamp with 18" abrasion resistant lead wires. Surface mount.

## STOP, TURN, TAIL OR CLEARANCE AND LICENSE DOUBLE CONTACT

Red, valox body, stud mount  
 Red, Multi-voltage single diode LED, valox body

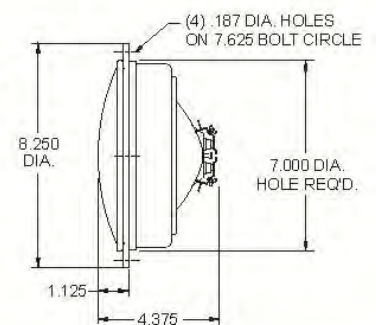


**PART NO.**  
**780013**  
**780014**

7" school bus warning lamp features polycarbonate shallow pillow block lens and black Valox body. Provided with a sealed beam bulb adapter 920070 that retains and offers a shock resistance for a par 46 sealed beam bulb 4636. Uses a 920154 red or 920155 amber lens. Mounting gasket and screws included. Recess mount.

## WARNING

Red, valox body  
 Amber, valox body

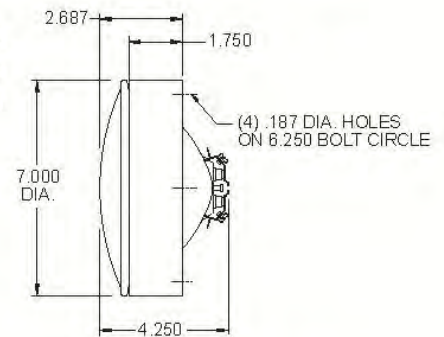


**PART NO.**  
**780024**  
**780025**

7" school bus warning lamp features polycarbonate shallow pillow block lens and black Valox flangeless body. Provided with internal mounting holes. Sealed beam bulb adapter 920070 retains and offers shock resistance for a par 46 sealed beam bulb 4636. Uses 920154 red or 920155 amber lens. Mounting gasket, screws and 920443 retainer clips included. Surface mount.

## WARNING

Red, valox body  
 Amber, valox body

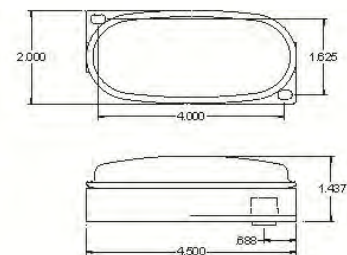


**PART NO.**  
**225001**  
**225002**  
**225201**  
**225202**

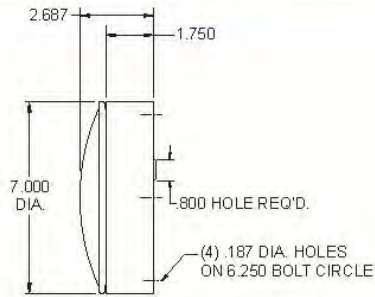
A tough durable black bodied valox marker lamp available in both incandescent bulb and LED versions. The incandescent bulb version features either a 920058 red or a 920059 amber reflective lens and a 168 bulb. The LED version features a 221201 red or a 221202 amber LED reflective lens assembly. Both versions are supplied with a 920088 choke seal installed in the rear of the lamp with 6" black abrasion resistant lead wire. Ground wire and screw is also provided. Surface mount.

## COMBINATION CLEARANCE & MARKER SINGLE CONTACT

Red, valox body  
 Amber, valox body  
 Red, LED valox body  
 Amber, LED valox body







**PART NO.**  
**780021**

**TURN SINGLE CONTACT**

Amber, valox body

**PART NO.**  
**780023**

**STOP OR TURN SINGLE CONTACT**

Red, valox body

**PART NO.**  
**780017**

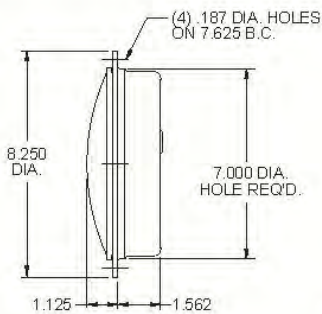
**SPECIAL PURPOSE SINGLE CONTACT**

Clear, valox body

**PART NO.**  
**780030**

**STOP, TURN, TAIL OR CLEARANCE DOUBLE CONTACT**

Red, valox body



**PART NO.**  
**780027**

**TURN SINGLE CONTACT**

Amber, valox body

**PART NO.**  
**780026**

**STOP OR TURN SINGLE CONTACT**

Red, valox body

**PART NO.**  
**780028**

**STOP, TURN, TAIL OR CLEARANCE DOUBLE CONTACT**

Red, valox body

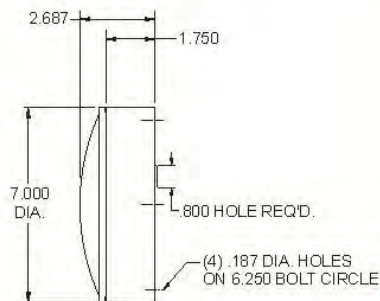
**PART NO.**  
**780029**

**SPECIAL PURPOSE SINGLE CONTACT**

Clear, valox body

7" school bus lamp features polycarbonate shallow lens, black valox body and shock-mount bulb socket. Uses single contact bulb socket 920460 or double contact bulb socket 920459, single contact bulb 1156 or double contact bulb 1157, 920152 red, 920153 amber or 920151 clear lens. Has a 920420 choke seal with 18" abrasion resistant lead wire installed in rear. Mounting gasket and screws included. Recess mount.

See pages 68 & 69 for mounting brackets.

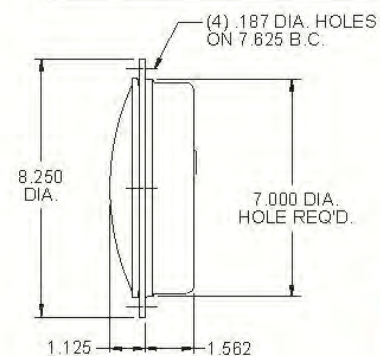


**PART NO.**  
**780018**  
**780022**

**TURN SINGLE CONTACT**

Red (arrow), valox body  
Amber (arrow), valox body

7" school bus lamp features polycarbonate shallow arrow lens and black valox flangeless body. Provided with internal mounting holes. Uses single contact shock-mount bulb socket 920460 with single contact bulb 1156, 920156 red or 920157 amber arrow lens. Has a 920420 choke seal with 18" abrasion resistant lead wire installed in rear. Mounting gasket and screws included. Surface mount.



**PART NO.**  
**780019**  
**780020**

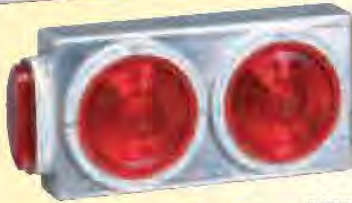
**TURN SINGLE CONTACT**

Red (arrow), valox body  
Amber (arrow), valox body

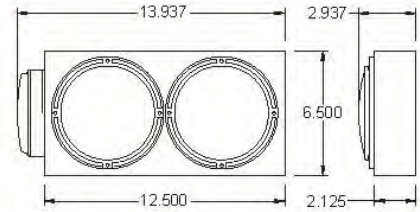
7" school bus lamp features polycarbonate shallow arrow lens and black valox body. Uses single contact shock-mount bulb socket 920460 with single contact bulb 1156 and 920156 red or 920157 amber arrow lens. Has a 920420 choke seal with 18" abrasion resistant lead wire installed in rear. Mounting gasket and screws included. Recess mount.







Two lamp modules, completely sealed with no external splices and provided with a 920420 wire choke seal so they are ready to install. Box frames are available in aluminum or powder coated mild steel with or without side marker. Lamp bodies are 40 series valox and are available in incandescent bulb, 12 volt Multi-diode, or Multi-voltage single diode stop, turn or tail lamps. Side markers are 12 volt incandescent bulb or 12 volt LED with a reflective lens. Both LED versions come as a double contact but can be converted to a turn only function by dead heading the tail/clearance marker wire in the body.



**PART NO. 2-LAMP INCANDESCENT BULB, ALUMINUM** (frame part number 920327)

- 410013** Red left turn & red stop/tail
- 410015** Red right turn & red stop/tail
- 410029** Red left turn/clearance & red stop/tail
- 410031** Red right turn/clearance & red stop/tail

**PART NO. 2-LAMP MULTI-DIODE LED**

- 412029** Red left turn/clearance & red stop/tail
- 412031** Red right turn/clearance & red stop/tail
- 412067** Amber left turn & red stop/tail
- 412068** Amber right turn & red stop/tail

**PART NO. 2-LAMP MULTI-VOLTAGE SINGLE DIODE LED**

- 413029** Red left turn/clearance & red stop/tail
- 413031** Red right turn/clearance & red stop/tail

**PART NO. 2-LAMP INCANDESCENT BULB, STEEL** (frame part number 920328)

- 430011** Red left turn & red stop/tail
- 430013** Red right turn & red stop/tail
- 430027** Red left turn/clearance & red stop/tail
- 430029** Red right turn/clearance & red stop/tail

**PART NO. 2-LAMP MULTI-DIODE LED**

- 432027** Red left turn/clearance & red stop/tail
- 432029** Red right turn/clearance & red stop/tail

**PART NO. 2-LAMP MULTI-VOLTAGE SINGLE DIODE LED**

- 433027** Red left turn/clearance & red stop/tail
- 433029** Red right turn/clearance & red stop/tail

**PART NO. 2-LAMP INCANDESCENT BULB WITH SIDE MARKER, ALUMINUM**

(frame part number 920329)

- 410014** Red left turn & red stop/tail, marker
- 410016** Red right turn & red stop/tail, marker
- 410030** Red left turn/clearance & red stop/tail, marker
- 410032** Red right turn/clearance & red stop/tail, marker

**PART NO. 2-LAMP MULTI-DIODE LED WITH LED SIDE MARKER**

- 412030** Red left turn/clearance, red stop/tail & marker
- 412032** Red right turn/clearance, red stop/tail & marker

**PART NO. 2-LAMP MULTI-VOLTAGE SINGLE DIODE LED WITH LED SIDE MARKER**

- 413030** Red left turn/clearance, red stop/tail & marker
- 413032** Red right turn/clearance, red stop/tail & marker

**PART NO. 2-LAMP INCANDESCENT BULB WITH SIDE MARKER, STEEL**

(frame part number 920330)

- 430012** Red left turn & red stop/tail, marker
- 430014** Red right turn & red stop/tail, marker
- 430028** Red left turn/clearance & red stop/tail, marker
- 430030** Red right turn/clearance & red stop/tail, marker

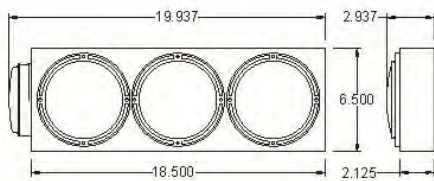
**PART NO. 2-LAMP MULTI-DIODE LED WITH LED SIDE MARKER**

- 432028** Red left turn/clearance, red stop/tail & marker
- 432030** Red right turn/clearance, red stop/tail & marker

**PART NO. 2-LAMP MULTI-VOLTAGE SINGLE DIODE LED WITH LED SIDE MARKER**

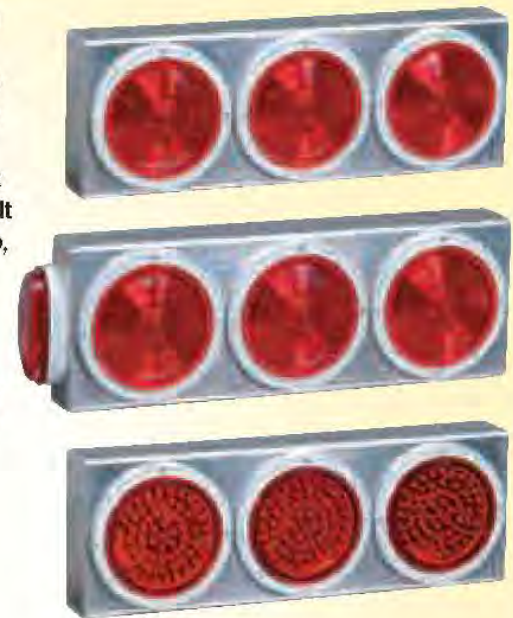
- 433028** Red left turn/clearance, red stop/tail & marker
- 433030** Red right turn/clearance, red stop/tail & marker





Three lamp modules, completely sealed, with no external splices and provided with a 920420 wire choke seal so they are ready to install. Box frames are available in aluminum or powder coated mild steel with or without side marker. Lamp bodies are 40 series valox and are available in incandescent bulb, 12 volt Multi-diode, or Multi-voltage single diode stop, turn or tail lamps. Side markers are 12 volt incandescent bulb or 12 volt LED with a reflective lens.

Both LED versions come as a double contact but can be converted to a turn only function by dead heading the tail/clearance marker wire in the body.



**PART NO. 3-LAMP INCANDESCENT BULB, ALUMINUM** (frame part number 920331)

- 410021** Red left turn & (2) red stop/tails
- 410023** Red right turn & (2) red stop/tails

**PART NO. 3-LAMP MULTI-DIODE LED**

- 412021** Red left turn/clearance & (2) red stop/tails
- 412023** Red right turn/clearance & (2) red stop/tails
- 412069** Amber left turn & (2) red stop/tails
- 412070** Amber right turn & (2) red stop/tails

**PART NO. 3-LAMP MULTI-VOLTAGE SINGLE DIODE LED**

- 413021** Red left turn/clearance & (2) red stop/tails
- 413023** Red right turn/clearance & (2) red stop/tails

**PART NO. 3-LAMP INCANDESCENT BULB, STEEL** (frame part number 920332)

- 430019** Red left turn & (2) red stop/tails
- 430021** Red right turn & (2) red stop/tails

**PART NO. 3-LAMP MULTI-DIODE LED**

- 432019** Red left turn/clearance & (2) red stop/tails
- 432021** Red right turn/clearance & (2) red stop/tails

**PART NO. 3-LAMP MULTI-VOLTAGE SINGLE DIODE LED**

- 433019** Red left turn/clearance & (2) red stop/tails
- 433021** Red right turn/clearance & (2) red stop/tails

**PART NO. 3-LAMP INCANDESCENT BULB WITH SIDE MARKER, ALUMINUM** (frame part number 920333)

- 410022** Red left turn, (2) red stop/tails, & marker
- 410024** Red right turn, (2) red stop/tails, & marker

**PART NO. 3-LAMP MULTI-DIODE LED WITH LED SIDE MARKER**

- 412022** Red left turn/clearance, (2) red stop/tails & marker
- 412024** Red right turn/clearance, (2) red stop/tails & marker

**PART NO. 3-LAMP MULTI-VOLTAGE SINGLE DIODE LED WITH LED SIDE MARKER**

- 413022** Red left turn/clearance, (2) red stop/tails & marker
- 413024** Red right turn/clearance, (2) red stop/tails & marker

**PART NO. 3-LAMP INCANDESCENT BULB WITH SIDE MARKER, STEEL** (frame part number 920334)

- 430020** Red left turn, (2) red stop/tails, & marker
- 430022** Red right turn, (2) red stop/tails, & marker

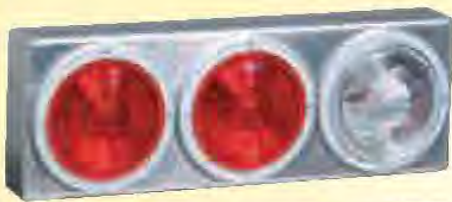
**PART NO. 3-LAMP MULTI-DIODE LED WITH LED SIDE MARKER**

- 432020** Red left turn/clearance, (2) red stop/tails & marker
- 432022** Red right turn/clearance, (2) red stop/tails & marker

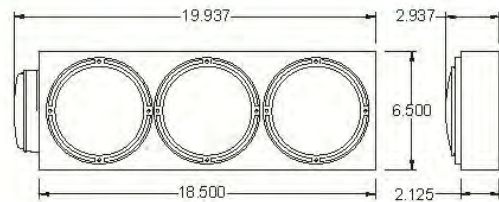
**PART NO. 3-LAMP MULTI-VOLTAGE SINGLE DIODE LED WITH LED SIDE MARKER**

- 433020** Red left turn/clearance, (2) red stop/tails & marker
- 433022** Red right turn/clearance, (2) red stop/tails & marker





Three lamp modules, completely sealed with no external splices and provided with a 920420 wire choke seal so they are ready to install. Box frames are available in aluminum or powder coated mild steel with or without side marker. Modules consist of (2) red lamps wired as single or double contact, a back up lamp and a side marker option. Lamp bodies are 40 series valox and are available in incandescent bulb, 12 volt multi-diode, or Multi-voltage single diode stop, turn or tail lamps. Side markers are 12 volt incandescent bulb or 12 volt LED with a reflective lens. Both LED versions come as a double contact but can be converted to a turn only function by dead heading the tail/clearance marker wire in the body.



**NOTE:** Back up lamps are incandescent bulb style. LED back up lamps are available on request.

**PART NO. 3-LAMP INCANDESCENT BULB, ALUMINUM** (frame part number 920331)

- 410001** Red left turn, red stop/tail & back up
- 410003** Red right turn, red stop/tail & back up
- 410017** Red left turn/clearance, red stop/tail & back up
- 410019** Red right turn/clearance, red stop/tail & back up

**PART NO. 3-LAMP MULTI-DIODE LED**

- 412017** Red left turn/clearance, red stop/tail & back up
- 412019** Red right turn/clearance, red stop/tail & back up
- 412065** Amber left turn, red stop/tail & back up
- 412066** Amber right turn, red stop/tail & back up

**PART NO. 3-LAMP MULTI-VOLTAGE SINGLE DIODE LED**

- 413017** Red left turn/clearance, red stop/tail & back up
- 413019** Red right turn/clearance, red stop/tail & back up

**PART NO. 3-LAMP INCANDESCENT BULB, STEEL** (frame part number 920332)

- 430001** Red left turn, red stop/tail & back up
- 430003** Red right turn, red stop/tail & back up
- 430015** Red left turn/clearance, red stop/tail & back up
- 430017** Red right turn/clearance, red stop/tail & back up

**PART NO. 3-LAMP MULTI-DIODE LED**

- 432015** Red left turn/clearance, red stop/tail & back up
- 432017** Red right turn/clearance, red stop/tail & back up

**PART NO. 3-LAMP MULTI-VOLTAGE SINGLE DIODE LED**

- 433015** Red left turn/clearance, red stop/tail & back up
- 433017** Red right turn/clearance, red stop/tail & back up

**PART NO. 3-LAMP INCANDESCENT BULB WITH SIDE MARKER, ALUMINUM** (frame part number 920333)

- 410002** Red left turn, red stop/tail, back up & marker
- 410004** Red right turn, red stop/tail, back up & marker
- 410018** Red left turn/clearance, red stop/tail, back up and marker
- 410020** Red right turn/clearance, red stop/tail, back up and marker

**PART NO. 3-LAMP MULTI-DIODE LED WITH LED SIDE MARKER**

- 412018** Red left turn/clearance, red stop/tail, back up & marker
- 412020** Red right turn/clearance, red stop/tail, back up & marker

**PART NO. 3-LAMP MULTI-VOLTAGE SINGLE DIODE LED WITH LED SIDE MARKER**

- 413018** Red left turn/clearance, red stop/tail, back up & marker
- 413020** Red right turn/clearance, red stop/tail, back up & marker

**PART NO. 3-LAMP INCANDESCENT BULB WITH SIDE MARKER, STEEL** (frame part number 920334)

- 430002** Red left turn, red stop/tail, back up & marker
- 430004** Red right turn, red stop/tail, back up & marker
- 430016** Red left turn/clearance, red stop/tail, back up & marker
- 430018** Red right turn/clearance, red stop/tail, back up & marker

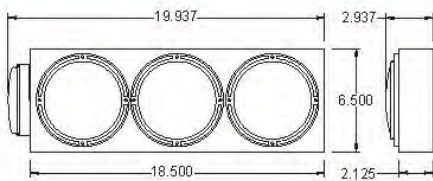
**PART NO. 3-LAMP MULTI-DIODE LED WITH LED SIDE MARKER**

- 432016** Red left turn/clearance, red stop/tail, back up & marker
- 432018** Red right turn/clearance, red stop/tail, back up & marker

**PART NO. 3-LAMP MULTI-VOLTAGE SINGLE DIODE LED WITH LED SIDE MARKER**

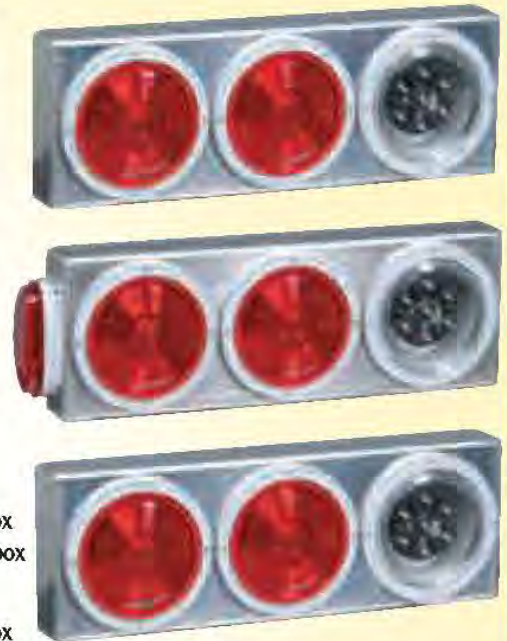
- 433016** Red left turn/clearance, red stop/tail, back up & marker
- 433018** Red right turn/clearance, red stop/tail, back up & marker





Two lamp modules, completely sealed with no external splices and provided with a 920420 wire choke seal so they are ready to install. Box frames are available in aluminum or powder coated mild steel with or without side marker. Modules consist of (2) red lamps wired as single or double contact, a junction box and a side marker option. Lamp bodies are 40 series valox and are available in incandescent bulb, 12 volt multi-diode, or

Multi-voltage single diode stop, turn or tail lamps. Side markers are 12 volt incandescent bulb or 12 volt LED with a reflective lens. Both LED versions come as a double contact but can be converted to a turn only function by dead heading the tail/clearance marker wire in the body.



- PART NO. 2-LAMP INCANDESCENT BULB, ALUMINUM** (frame part number 920331)
- 410009** Red left turn, red stop/tail & junction box
  - 410011** Red right turn, red stop/tail & junction box
  - 410025** Red left turn/clearance, red stop/tail & junction box
  - 410027** Red right turn/clearance, red stop/tail & junction box
- PART NO. 2-LAMP MULTI-DIODE LED**
- 412025** Red left turn/clearance, red stop/tail & junction box
  - 412027** Red right turn/clearance, red stop/tail & junction box
- PART NO. 2-LAMP MULTI-VOLTAGE SINGLE DIODE LED**
- 413025** Red left turn/clearance, red stop/tail & junction box
  - 413027** Red right turn/clearance, red stop/tail & junction box

- 
- PART NO. 2-LAMP INCANDESCENT BULB, STEEL** (frame part number 920332)
- 430009** Red left turn, red stop/tail & junction box
  - 430010** Red right turn, red stop/tail & junction box
  - 430023** Red left turn/clearance, red stop/tail & junction box
  - 430025** Red right turn/clearance, red stop/tail & junction box
- PART NO. 2-LAMP MULTI-DIODE LED**
- 432023** Red left turn/clearance, red stop/tail & junction box
  - 432025** Red right turn/clearance, red stop/tail & junction box
- PART NO. 2-LAMP MULTI-VOLTAGE SINGLE DIODE LED**
- 433023** Red left turn/clearance, red stop/tail & junction box
  - 433025** Red right turn/clearance, red stop/tail & junction box

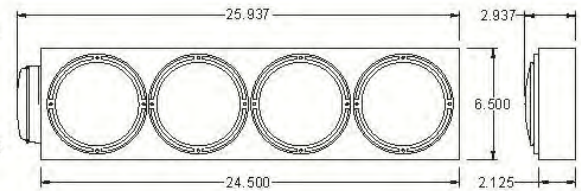
- 
- PART NO. 2-LAMP INCANDESCENT BULB WITH SIDE MARKER, ALUMINUM** (frame part number 920333)
- 410010** Red left turn, red stop/tail, junction box & marker
  - 410012** Red right turn, red stop/tail, junction box & marker
  - 410026** Red left turn/clearance, red stop/tail, junction box & marker
  - 410028** Red right turn/clearance, red stop/tail, junction box & marker
- PART NO. 2-LAMP MULTI-DIODE LED WITH LED SIDE MARKER**
- 412026** Red left turn/clearance, red stop/tail, junction box & marker
  - 412028** Red right turn/clearance, red stop/tail, junction box & marker
- PART NO. 2-LAMP MULTI-VOLTAGE SINGLE DIODE LED WITH LED SIDE MARKER**
- 413026** Red left turn/clearance, red stop/tail, junction box & marker
  - 413028** Red right turn/clearance, red stop/tail, junction box & marker

- 
- PART NO. 2-LAMP INCANDESCENT BULB WITH SIDE MARKER, STEEL** (frame part number 920334)
- 430024** Red left turn, red stop/tail, junction box & marker
  - 430026** Red right turn, red stop/tail, junction box & marker
- PART NO. 2-LAMP MULTI-DIODE LED WITH LED SIDE MARKER**
- 432024** Red left turn/clearance, red stop/tail, junction box & marker
  - 432026** Red right turn/clearance, red stop/tail, junction box & marker
- PART NO. 2-LAMP MULTI-VOLTAGE SINGLE DIODE LED WITH LED SIDE MARKER**
- 433024** Red left turn/clearance, red stop/tail, junction box & marker
  - 433026** Red right turn/clearance, red stop/tail, junction box & marker





Four lamp modules, completely sealed with no external splices and provided with a 920420 wire choke seal so they are ready to install. Box frames are available in aluminum or powder coated mild steel with or without side marker. Modules consist of (3) red lamps wired as single or double contact, a back up lamp and a side marker option. Lamp bodies are 40 series valox and are available in incandescent bulb, 12 volt multi-diode, or Multi-voltage single diode stop, turn or tail lamps. Side markers are 12 volt incandescent bulb or 12 volt LED with a reflective lens.



**NOTE:** Back up lamps are incandescent bulb style. LED back up lamps are available on request.

**PART NO. 4-LAMP INCANDESCENT BULB, ALUMINUM** (frame part number 920335)

- 410005** Red left turn, (2) red stop/tails & back up
- 410007** Red right turn, (2) red stop/tails & back up

**PART NO. 4-LAMP MULTI-DIODE LED**

- 412005** Red left, (2) red stop/tails & back up
- 412007** Red right, (2) red stop/tails & back up

**PART NO. 4-LAMP MULTI-VOLTAGE SINGLE DIODE LED**

- 413005** Red left turn, (2) red stop/tails & back up
- 413007** Red right turn, (2) red stop/tails & back up

**PART NO. 4-LAMP INCANDESCENT BULB, STEEL** (frame part number 920336)

- 430005** Red left turn, (2) red stop/tails & back up
- 430007** Red right turn, (2) red stop/tails & back up

**PART NO. 4-LAMP MULTI-DIODE LED**

- 432005** Red left turn, (2) red stop/tails & back up
- 432007** Red right turn, (2) red stop/tails & back up

**PART NO. 4-LAMP MULTI-VOLTAGE SINGLE DIODE LED**

- 433005** Red left turn, (2) red stop/tails & back up
- 433007** Red right turn, (2) red stop/tails & back up

**PART NO. 4-LAMP INCANDESCENT BULB WITH SIDE MARKER, ALUMINUM** (frame part number 920337)

- 410006** Red left turn, (2) red stop/tails, back up & marker
- 410008** Red right turn, (2) red stop/tails, back up & marker

**PART NO. 4-LAMP MULTI-DIODE LED WITH LED SIDE MARKER**

- 412006** Red left turn, (2) red stop/tails, back up & marker
- 412008** Red right turn, (2) red stop/tails, back up & marker

**PART NO. 4-LAMP MULTI-VOLTAGE SINGLE DIODE LED WITH LED SIDE MARKER**

- 413006** Red left turn, (2) red stop/tails, back up & marker
- 413008** Red right turn, (2) red stop/tails, back up & marker

**PART NO. 4-LAMP INCANDESCENT BULB WITH SIDE MARKER, STEEL** (frame part number 920338)

- 430006** Red left turn, (2) red stop/tails, back up & marker
- 430008** Red right turn, (2) red stop/tails, back up & marker

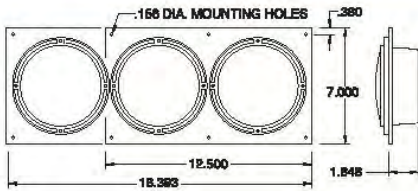
**PART NO. 4-LAMP MULTI-DIODE LED WITH LED SIDE MARKER**

- 432006** Red left turn, (2) red stop/tails, back up & marker
- 432008** Red right turn, (2) red stop/tails, back up & marker

**PART NO. 4-LAMP MULTI-VOLTAGE SINGLE DIODE LED WITH LED SIDE MARKER**

- 433006** Red left turn, (2) red stop/tails, back up & marker
- 433008** Red right turn, (2) red stop/tails, back up & marker

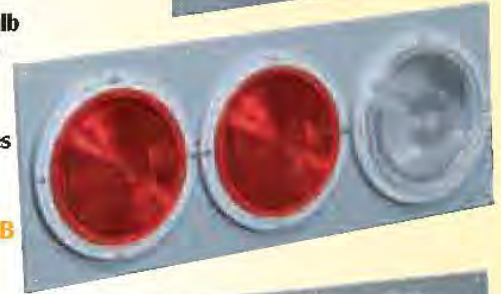




Two and three lamp modules, completely sealed with no external splices. Modules come ready to install with 920420 choke seals for wire entrance. Lamp bodies are 40 series valox and are available in incandescent bulb, 12 volt multi-diode, or Multi-voltage single diode stop, turn or tail lamps.

**NOTE:** Back up lamps are incandescent bulb style. LED back up lamps are available on request.

**NOTE:** Stainless steel and aluminum frames available on request.



**PART NO.**

**2-LAMP FLAT STEEL INCANDESCENT BULB**

(frame part number 920339)

**430031**

Left turn & stop/tail

**430032**

Right turn & stop/tail

**PART NO.**

**2-LAMP FLAT STEEL MULTI-DIODE LED**

**432031**

Left turn & stop/tail

**432032**

Right turn & stop/tail

**PART NO.**

**2-LAMP FLAT STEEL MULTI-VOLTAGE SINGLE DIODE LED**

**433031**

Left turn & stop/tail

**433032**

Right turn & stop/tail

**PART NO.**

**3-LAMP FLAT STEEL INCANDESCENT BULB** (frame part number 920340)

**430033**

Left turn/clearance, stop/tail & back up

**430034**

Right turn/clearance, stop/tail & back up

**PART NO.**

**3-LAMP FLAT STEEL MULTI-DIODE LED**

**432033**

Left turn/clearance, stop/tail & back up

**432034**

Right turn/clearance, stop/tail & back up

**PART NO.**

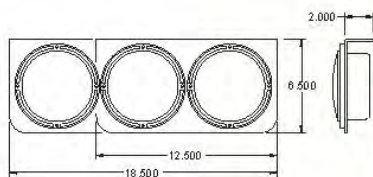
**3-LAMP FLAT STEEL MULTI-VOLTAGE SINGLE DIODE LED**

**433033**

Left turn/clearance, stop/tail & back up

**433034**

Right turn/clearance, stop/tail & back up



**PART NO.**

**2-LAMP ANGLE STEEL INCANDESCENT BULB**

(frame part number 920342)

**430037**

Left turn & stop/tail

**430038**

Right turn & stop/tail

**PART NO.**

**2-LAMP ANGLE STEEL MULTI-DIODE LED**

**432037**

Left turn & stop/tail

**432038**

Right turn & stop/tail

**PART NO.**

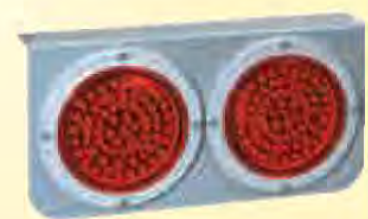
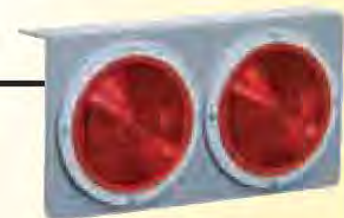
**2-LAMP ANGLE STEEL MULTI-VOLTAGE SINGLE DIODE LED**

**433037**

Left turn & stop/tail

**433038**

Right turn & stop/tail



**PART NO.**

**3-LAMP ANGLE STEEL INCANDESCENT BULB**

(frame part number 920343)

**430035**

Left turn, stop/tail & back up

**430036**

Right turn, stop/tail & back up

**PART NO.**

**3-LAMP ANGLE STEEL MULTI-DIODE LED**

**432035**

Left turn, stop/tail & back up

**432036**

Right turn, stop/tail & back up

**PART NO.**

**3-LAMP ANGLE STEEL MULTI-VOLTAGE SINGLE DIODE LED**

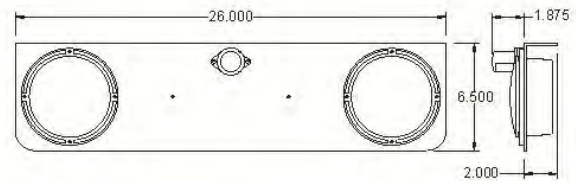
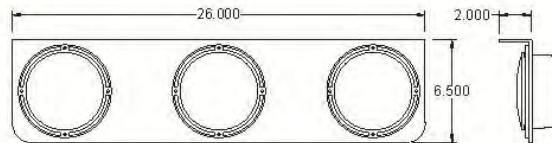
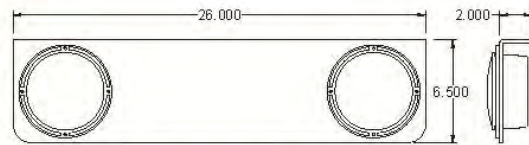
**433035**

Left turn, stop/tail & back up

**433036**

Right turn, stop/tail & back up





Betts rear tractor modules feature 12 gauge powder coated angle steel frames. Modules are available in incandescent bulb, multi-diode LED, and Multi-voltage single diode LED's. Units are completely sealed from module to cab and include 14 ft. of either 4 or 5 conductor cable.

**NOTE:** Stainless steel and aluminum frames available on request.

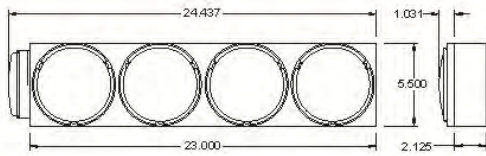
**NOTE:** Back up lamps are incandescent bulb style. LED back up lamps are available on request.

- PART NO.**      **2-LAMP ANGLE STEEL** (frame part number 920345)  
**430079**      (2) stop/tail/turn incandescent bulb  
**432079**      (2) stop/tail/turn multi-diode LED  
**433079**      (2) stop/tail/turn Multi-voltage single diode LED

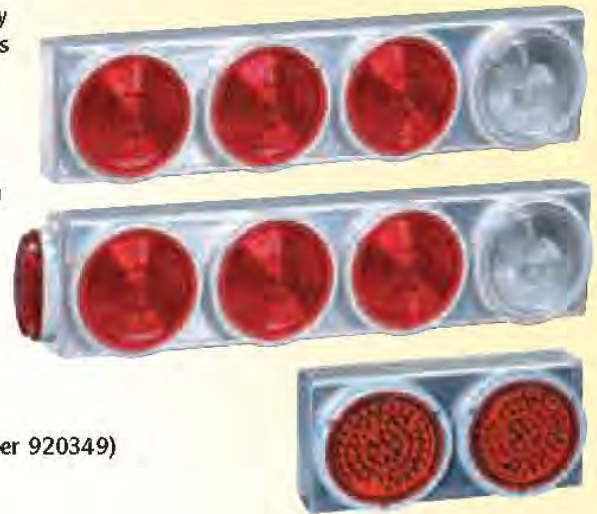
- 
- PART NO.**      **3-LAMP ANGLE STEEL** (frame only 920346)  
**430080**      (2) stop/tail/turn & back up incandescent bulb  
**432080**      (2) stop/tail/turn multi-diode LED  
**433080**      (2) stop/tail/turn Multi-voltage single diode LED

- 
- PART NO.**      **3-LAMP ANGLE STEEL** (frame part number 920347)  
**430082**      (2) stop/tail/turn & license light incandescent bulb  
**432082**      (2) stop/tail/turn multi-diode LED  
**433082**      (2) stop/tail/turn Multi-voltage single diode LED





Two lamp modules, completely sealed with no external splices and provided with a 920420 wire choke seal so they are ready to install. Box frames are available in aluminum or powder coated mild steel with or without side marker.



Lamp bodies are 45 series valox and are available in incandescent bulb, 12 volt multi-diode, or Multi-voltage single diode stop, turn or tail lamps. Side markers are 12 volt incandescent bulb or 12 volt LED with a reflective lens. Both LED versions come as a double contact but can be converted to a turn only function by dead heading the tail/clearance marker wire in the body.

**PART NO. 2-LAMP INCANDESCENT BULB, ALUMINUM** (frame part number 920349)

- 410033** Red left turn & red stop/tail
- 410034** Red right turn & red stop/tail
- 410035** Red left turn/clearance & red stop/tail
- 410036** Red right turn/clearance & red stop/tail

**PART NO. 2-LAMP MULTI-DIODE LED**

- 412035** Red left turn/clearance & red stop/tail
- 412036** Red right turn/clearance & red stop/tail

**PART NO. 2-LAMP MULTI-VOLTAGE SINGLE DIODE LED**

- 413035** Red left turn/clearance & red stop/tail
- 413036** Red right turn/clearance & red stop/tail

**PART NO. 2-LAMP INCANDESCENT BULB, STEEL** (frame part number 920350)

- 430039** Red left turn & red stop/tail
- 430040** Red right turn & red stop/tail
- 430041** Red left turn/clearance & red stop/tail
- 430042** Red right turn/clearance & red stop/tail

**PART NO. 2-LAMP MULTI-DIODE LED**

- 432041** Red left turn/clearance & red stop/tail
- 432042** Red right turn/clearance & red stop/tail

**PART NO. 2-LAMP MULTI-VOLTAGE SINGLE DIODE LED**

- 433041** Red left turn/clearance & red stop/tail
- 433042** Red right turn/clearance & red stop/tail

**PART NO. 2-LAMP INCANDESCENT BULB WITH SIDE MARKER, ALUMINUM** (frame part number 920351)

- 410037** Red left turn & red stop/tail, marker
- 410038** Red right turn & red stop/tail, marker
- 410039** Red left turn/clearance & red stop/tail, marker
- 410040** Red right turn/clearance & red stop/tail, marker

**PART NO. 2-LAMP MULTI-DIODE LED WITH LED SIDE MARKER**

- 412039** Red left turn/clearance, red stop/tail & marker
- 412040** Red right turn/clearance, red stop/tail & marker

**PART NO. 2-LAMP MULTI-VOLTAGE SINGLE DIODE LED WITH LED SIDE MARKER**

- 413039** Red left turn/clearance, red stop/tail & marker
- 413040** Red right turn/clearance, red stop/tail & marker

**PART NO. 2-LAMP INCANDESCENT BULB WITH SIDE MARKER, STEEL** (frame part number 920352)

- 430043** Red left turn & red stop/tail, marker
- 430044** Red right turn & red stop/tail, marker
- 430045** Red left turn/clearance & red stop/tail, marker
- 430046** Red right turn/clearance & red stop/tail, marker

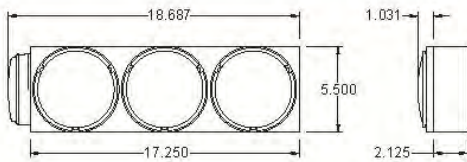
**PART NO. 2-LAMP MULTI-DIODE LED WITH LED SIDE MARKER**

- 432045** Red left turn/clearance, red stop/tail & marker
- 432046** Red right turn/clearance, red stop/tail & marker

**PART NO. 2-LAMP MULTI-VOLTAGE SINGLE DIODE LED WITH LED SIDE MARKER**

- 433045** Red left turn/clearance, red stop/tail & marker
- 433046** Red right turn/clearance, red stop/tail & marker





Three lamp modules, completely sealed with no external splices and provided with a 920420 wire choke seal so they are ready to install. Box frames are available in aluminum or powder coated

mild steel with or without side marker. Modules consist of (2) red lamps wired as single or double contact, a back up lamp and a side marker option. Lamp bodies are 45 series valox and are available in incandescent bulb, 12 volt multi-diode or Multi-voltage single diode stop, turn or tail lamps. Side markers are 12 volt incandescent bulb or 12 volt LED with a reflective lens. Both LED versions come as a double contact but can be converted to a turn only function by dead heading the tail/clearance marker wire in the body.

NOTE: Back up lamps are incandescent bulb style. LED back up lamps are available on request.



- PART NO.** **3-LAMP INCANDESCENT BULB, ALUMINUM** (frame part number 920353)  
**410041** Red left turn, red stop/tail & back-up  
**410042** Red right turn, red stop/tail & back-up  
**410043** Red left turn/clearance, red stop/tail & back up  
**410044** Red right turn/clearance, red stop/tail & back up

- PART NO.** **3-LAMP MULTI-DIODE LED**  
**412043** Red left turn/clearance, red stop/tail & back up  
**412044** Red right turn/clearance, red stop/tail & back up

- PART NO.** **3-LAMP MULTI-VOLTAGE SINGLE DIODE LED**  
**413043** Red left turn/clearance, red stop/tail & back up  
**413044** Red right turn/clearance, red stop/tail & back up

- PART NO.** **3-LAMP INCANDESCENT BULB, STEEL** (frame part number 920354)  
**430047** Red left turn, red stop/tail & back up  
**430048** Red right turn, red stop/tail & back up  
**430049** Red left turn/clearance, red stop/tail & back up  
**430050** Red right turn/clearance, red stop/tail & back up

- PART NO.** **3-LAMP MULTI-DIODE LED**  
**432049** Red left turn/clearance, red stop/tail & back up  
**432050** Red right turn/clearance, red stop/tail & back up

- PART NO.** **3-LAMP MULTI-VOLTAGE SINGLE DIODE LED**  
**433049** Red left turn/clearance, red stop/tail & back up  
**433050** Red right turn/clearance, red stop/tail & back up

- PART NO.** **3-LAMP INCANDESCENT BULB WITH SIDE MARKER, ALUMINUM** (frame part number 920355)  
**410045** Red left turn, red stop/tail, back up & marker  
**410046** Red right turn, red stop/tail, back up & marker  
**410047** Red left turn/clearance, red stop/tail, back up and marker  
**410048** Red right turn/clearance, red stop/tail, back up & marker

- PART NO.** **3-LAMP MULTI-DIODE LED WITH LED SIDE MARKER**  
**412047** Red left turn/clearance, red stop/tail, back up & marker  
**412048** Red right turn/clearance, red stop/tail, back up & marker

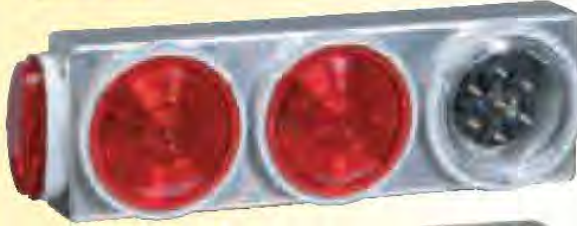
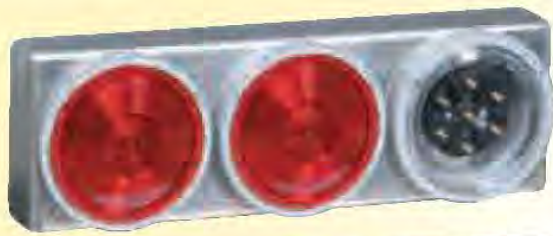
- PART NO.** **3-LAMP MULTI-VOLTAGE SINGLE DIODE LED WITH LED SIDE MARKER**  
**413047** Red left turn/clearance, red stop/tail, back up & marker  
**413048** Red right turn/clearance, red stop/tail, back up & marker

- PART NO.** **3-LAMP INCANDESCENT BULB WITH SIDE MARKER, STEEL** (frame part number 920356)  
**430051** Red left turn, red stop/tail, back up & marker  
**430052** Red right turn, red stop/tail, back up & marker  
**430053** Red left turn/clearance, red stop/tail, back up & marker  
**430054** Red right turn/clearance, red stop/tail, back up & marker

- PART NO.** **3-LAMP MULTI-DIODE LED WITH LED SIDE MARKER**  
**432053** Red left turn/clearance, red stop/tail, back up & marker  
**432054** Red right turn/clearance, red stop/tail, back up & marker

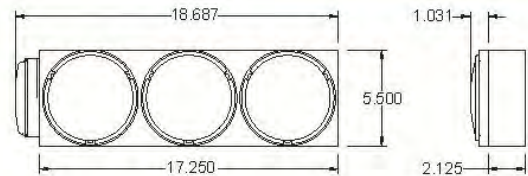
- PART NO.** **3-LAMP MULTI-VOLTAGE SINGLE DIODE LED WITH LED SIDE MARKER**  
**433053** Red left turn/clearance, red stop/tail, back up marker  
**433054** Red right turn/clearance, red stop/tail, back up & marker





Two lamp modules, completely sealed with no external splice and provided with a 920420 wire choke seal so they are ready

to install. Box frames are available in aluminum or powder coated mild steel with or without side marker. Modules consist of (2) red lamps wired as single or double contact, a junction box and a side marker option. Lamp bodies are 45 series valox and are available in incandescent bulb, 12 volt multi-diode or Multi-voltage single diode stop, turn or tail lamps. Side markers are 12 volt incandescent bulb or 12 volt LED with a reflective lens. Both LED versions come as a double contact but can be converted to a turn only function by dead heading the tail/clearance marker wire in the body.



**PART NO. 2-LAMP INCANDESCENT BULB, ALUMINUM** (frame part number 920353)

- 410049** Red left turn, red stop/tail & junction box
- 410050** Red right turn, red stop/tail & junction box
- 410051** Red left turn/clearance, red stop/tail & junction box
- 410052** Red right turn/clearance, red stop/tail & junction box

**PART NO. 2-LAMP MULTI-DIODE LED**

- 412051** Red left turn/clearance, red stop/tail & junction box
- 412052** Red right turn/clearance, red stop/tail & junction box

**PART NO. 2-LAMP MULTI-VOLTAGE SINGLE DIODE LED**

- 413051** Red left turn/clearance, red stop/tail & junction box
- 413052** Red right turn/clearance, red stop/tail & junction box

**PART NO. 2-LAMP INCANDESCENT BULB, STEEL** (frame part number 920354)

- 430055** Red left turn, red stop/tail & junction box
- 430056** Red right turn, red stop/tail & junction box
- 430057** Red left turn/clearance, red stop/tail & junction box
- 430058** Red right turn/clearance, red stop/tail & junction box

**PART NO. 2-LAMP MULTI-DIODE LED**

- 432057** Red left turn/clearance, red stop/tail & junction box
- 432058** Red right turn/clearance, red stop/tail & junction box

**PART NO. 2-LAMP MULTI-VOLTAGE SINGLE DIODE LED**

- 433057** Red left turn/clearance, red stop/tail & junction box
- 433058** Red right turn/clearance, red stop/tail & junction box

**PART NO. 2-LAMP INCANDESCENT BULB WITH SIDE MARKER, ALUMINUM** (frame part number 920355)

- 410053** Red left turn, red stop/tail, junction box & marker
- 410054** Red right turn, red stop/tail, junction box & marker
- 410055** Red left turn/clearance, red stop/tail, junction box & marker
- 410056** Red right turn/clearance, red stop/tail, junction box & marker

**PART NO. 2-LAMP MULTI-DIODE LED WITH LED SIDE MARKER**

- 412055** Red left turn/clearance, red stop/tail, junction box & marker
- 412056** Red right turn/clearance, red stop/tail, junction box & marker

**PART NO. 2-LAMP MULTI-VOLTAGE SINGLE DIODE LED WITH LED SIDE MARKER**

- 413055** Red left turn/clearance, red stop/tail, junction box & marker
- 413056** Red right turn/clearance, red stop/tail, junction box & marker

**PART NO. 2-LAMP INCANDESCENT BULB WITH SIDE MARKER, STEEL** (frame part number 920356)

- 430061** Red left turn/clearance, red stop/tail, junction box & marker
- 430062** Red right turn/clearance, red stop/tail, junction box & marker

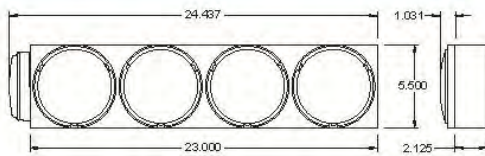
**PART NO. 2-LAMP MULTI-DIODE LED WITH LED SIDE MARKER**

- 432061** Red left turn/clearance, red stop/tail, junction box & marker
- 432062** Red right turn/clearance, red stop/tail, junction box & marker

**PART NO. 2-LAMP MULTI-VOLTAGE SINGLE DIODE LED WITH LED SIDE MARKER**

- 433061** Red left turn/clearance, red stop/tail, junction box & marker
- 433062** Red right turn/clearance, red stop/tail, junction box & marker

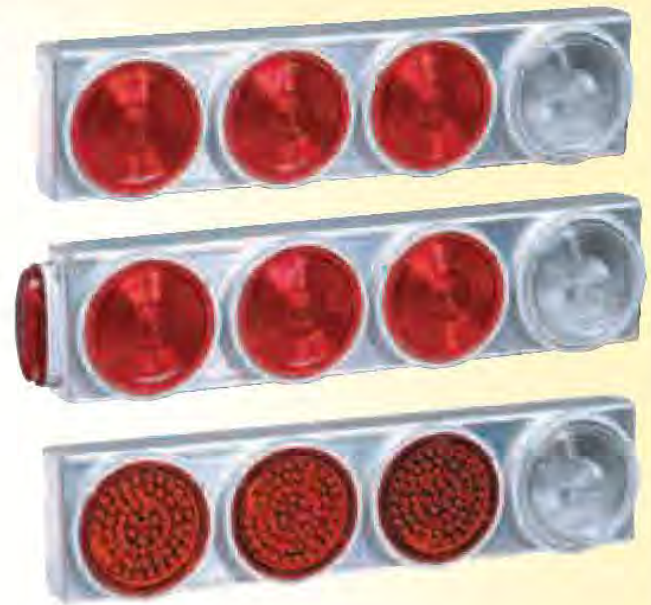




Four lamp modules, completely sealed with no external splices and provided with a 920420 wire choke seal so they are ready

to install. Box frames are available in aluminum or powder coated mild steel with or without side marker. Modules consist of (3) red lamps wired as single or double contact, a back up lamp and side marker option. Lamp bodies are 45 series valox and are available in incandescent bulb, 12 volt multi-diode or Multi-voltage single diode stop, turn or tail lamps. Side markers are 12 volt incandescent bulb or 12 volt LED with a reflective lens.

**NOTE:** Back up lamps are incandescent bulb style. LED back up lamps are available on request.



**PART NO. 4-LAMP INCANDESCENT BULB, ALUMINUM** (frame part number 920357)

- 410061** Red left turn, (2) red stop/tail & back up
- 410062** Red right turn, (2) red stop/tail & back up

**PART NO. 4-LAMP MULTI-DIODE LED**

- 412061** Red left, (2) red stop/tails & back up
- 412062** Red right, (2) red stop/tails & back up

**PART NO. 4-LAMP MULTI-VOLTAGE SINGLE DIODE LED**

- 413061** Red left turn, (2) red stop/tails & back up
- 413062** Red right turn, (2) red stop/tails & back up

**PART NO. 4-LAMP INCANDESCENT BULB, STEEL** (frame part number 920358)

- 430067** Red left turn, (2) red stop/tails & back up
- 430068** Red right turn, (2) red stop/tail & back up

**PART NO. 4-LAMP MULTI-DIODE LED**

- 432067** Red left turn, (2) red stop/tails & back up
- 432068** Red right turn, (2) red stop/tails & back up

**PART NO. 4-LAMP MULTI-VOLTAGE SINGLE DIODE LED**

- 433067** Red left turn, (2) red stop/tails & back up
- 433068** Red right turn, (2) red stop/tails & back up

**PART NO. 4-LAMP INCANDESCENT BULB WITH SIDE MARKER, ALUMINUM** (frame part number 920359)

- 410063** Red left turn, (2) red stop/tails, back up & marker
- 410064** Red right turn, (2) red stop/tails, back up & marker

**PART NO. 4-LAMP MULTI-DIODE LED WITH LED SIDE MARKER**

- 412063** Red left turn, (2) red stop/tails, back up & marker
- 412064** Red right turn, (2) red stop/tails, back up & marker

**PART NO. 4-LAMP MULTI-VOLTAGE SINGLE DIODE LED WITH LED SIDE MARKER**

- 413063** Red left turn, (2) red stop/tails, back up & marker
- 413064** Red right turn, (2) red stop/tails, back up & marker

**PART NO. 4-LAMP INCANDESCENT BULB WITH SIDE MARKER, STEEL** (frame part number 920360)

- 430069** Red left turn, (2) red stop/tail, back up & marker
- 430070** Red right turn, (2) red stop/tail, back up & marker

**PART NO. 4-LAMP MULTI-DIODE LED WITH LED SIDE MARKER**

- 432069** Red left turn, (2) red stop/tails, back up & marker
- 432070** Red right turn, (2) red stop/tails, back up & marker

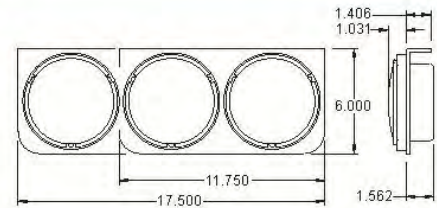
**PART NO. 4-LAMP MULTI-VOLTAGE SINGLE DIODE LED WITH LED SIDE MARKER**

- 433069** Red left turn, (2) red stop/tails, back up & marker
- 433070** Red right turn, (2) red stop/tails, back up & marker





Two and three lamp modules, completely sealed with no external splices. Modules come ready to install with 920420 choke seals for wire entrance. Lamp bodies are 45 series valox and are available in incandescent bulb, 12 volt multi-diode or Multi-voltage single diode stop, turn or tail lamps.



**NOTE:** Back up lamps are incandescent bulb style. LED back up lamps are available on request.

**NOTE:** Stainless steel and aluminum frames available on request.

**PART NO. 2-LAMP FLAT STEEL INCANDESCENT BULB** (frame part number 920361)

**430071** Left turn & stop/tail  
**430072** Right turn & stop/tail

**PART NO. 2-LAMP FLAT STEEL MULTI-DIODE LED**

**432071** Left turn & stop/tail  
**432072** Right turn & stop/tail

**PART NO. 2-LAMP FLAT STEEL MULTI-VOLTAGE SINGLE DIODE LED**

**433071** Left turn & stop/tail  
**433072** Right turn & stop/tail



**PART NO. 3-LAMP FLAT STEEL INCANDESCENT BULB** (frame part number 920362)

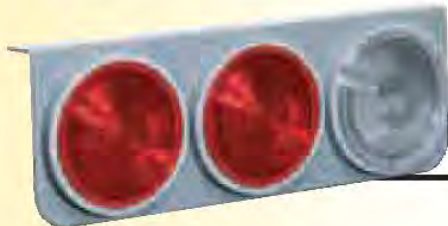
**430073** Left turn/clearance, stop/tail & back up  
**430074** Right turn/clearance, stop/tail & back up

**PART NO. 3-LAMP FLAT STEEL MULTI-DIODE LED**

**432073** Left turn/clearance, stop/tail & back up  
**432074** Right turn/clearance, stop/tail & back up

**PART NO. 3-LAMP FLAT STEEL MULTI-VOLTAGE SINGLE DIODE LED**

**433073** Left turn/clearance, stop/tail & back up  
**433074** Right turn/clearance, stop/tail & back up



**PART NO. 2-LAMP ANGLE STEEL INCANDESCENT BULB** (frame part number 920096)

**430075** Left turn & stop/tail  
**430076** Right turn & stop/tail

**PART NO. 2-LAMP ANGLE STEEL MULTI-DIODE LED**

**432075** Left turn & stop/tail  
**432076** Right turn & stop/tail

**PART NO. 2-LAMP ANGLE STEEL MULTI-VOLTAGE SINGLE DIODE LED**

**433075** Left turn & stop/tail  
**433076** Right turn & stop/tail



**PART NO. 3-LAMP ANGLE STEEL INCANDESCENT BULB** (frame part number 920097)

**430077** Left turn, stop/tail & back up  
**430078** Right turn, stop/tail & back up

**PART NO. 3-LAMP ANGLE STEEL MULTI-DIODE LED**

**432077** Left turn, stop/tail & back up  
**432078** Right turn, stop/tail & back up

**PART NO. 3-LAMP ANGLE STEEL MULTI-VOLTAGE SINGLE DIODE LED**

**433077** Left turn, stop/tail & back up  
**433078** Right turn, stop/tail & back up

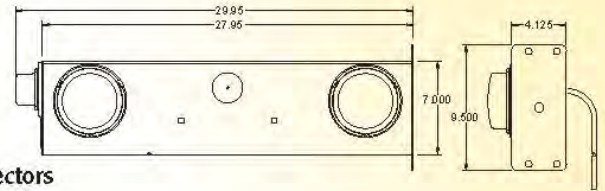


Betts OEM or field replacement modules are completely sealed with no external splices and are ready to install. All modules include a specified length of 4 conductor cable. Modules are only currently available in incandescent bulb.

**PART NO. STAINLESS STEEL**

**435001** Street side module consists of a marker lamp, turn/tail/license, stop/tail/license. Module is provided with 7' of 4 conductor cable (red, white, yellow, brown) and a (4) hole mounting plate. Module has two reflectors and license plate mounting clips. Frame only part number is 920363.

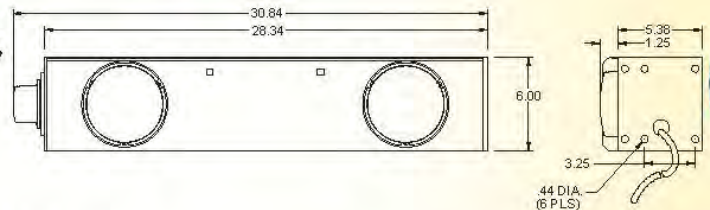
**435002** Curb side module consists of a marker lamp, turn/tail, stop/tail. Module is provided with 7' of 4 conductor cable (red, white, green, brown) and a (4) hole mounting plate. Module has two reflectors installed. Frame only part number is 920364.



**PART NO. ALUMINUM**

**435003** Street side module consists of a marker lamp, turn/tail/license, stop/tail/license. Module is provided with 7' of 4 conductor cable (red, white, yellow, brown) and a (6) hole mounting plate. Module has license plate mounting clips installed. Frame only part number is 920365.

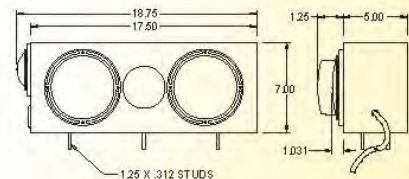
**435004** Curb side module consists of a marker lamp, turn/tail, stop/tail. Module is provided with 7' of 4 conductor cable (red, white, green, brown) and a (6) hole mounting plate. Frame only part number is 920366.



**PART NO. STAINLESS STEEL**

**435005** Street side module consists of a marker lamp, turn/tail, stop/tail. Module is provided with 10-1/2' of 4 conductor cable (red, white, green, brown) and (3) 1-14 x 15 mounting studs are welded to the bottom of the module for installation. Module has two reflectors installed. Frame only part number is 920590.

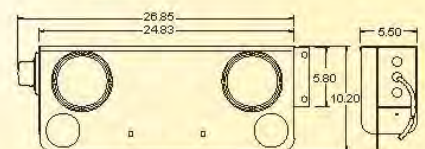
**435006** Curb side module consists of a marker lamp, turn/tail, stop/tail. Module is provided with 10-1/2' of 4 conductor cable (red, white, green, brown) and (3) 1-14 x 15 mounting studs are welded to the bottom of the module for installation. Module has two reflectors installed. Frame only part number is 920591.



**PART NO. STAINLESS STEEL**

**435009** Street side module consists of a marker lamp, turn/tail/license, stop/tail/license, stop/tail/license. Module is provided with 8' of 4 conductor cable (red, white, yellow, brown) and a (4) hole mounting channel. Module has three reflectors and license plate mounting clips. Frame only part number is 920595.

**435010** Curb side module consists of a marker lamp, turn/tail, stop/tail. Module is provided with 8' of 4 conductor cable (red, white, green, brown) and a (4) hole mounting channel. Module has three reflectors installed. Frame only part number is 920596.



**PART NO. ALUMINUM**

**435011** Street side module consists of a marker lamp, turn/tail/license, stop/tail/license. Module is provided with 8' of 4 conductor cable (red, white, yellow, brown) and a (4) hole mounting channel. Module has three reflectors and license plate mounting clips. Frame only part number is 920597.

**435012** Curb side module consists of a marker lamp, turn/tail, stop/tail. Module is provided with 8' of 4 conductor cable (red, white, green, brown) and a (4) hole mounting channel. Module has three reflectors installed. Frame only part number is 920598.



# Mounting Brackets



**PART NO.**

- 920089** 1 lamp, angle, 40 series - Steel painted gray
- 920481** 1 lamp, angle, 45 series - Aluminum
- 920482** 1 lamp, angle, 45 series - Stainless Steel
- 920486** 1 lamp, angle, 45 series - Steel painted black
- 920095** 1 lamp, angle, 45 series - Steel painted gray
- 920378** 1 lamp, angle, 56 series - Steel painted gray
- 920379** 1 lamp, angle, 56 series - Stainless Steel
- 920620** 1 lamp, angle, 56 series - Aluminum
- 920067** 1 lamp, angle, 65 series - Steel painted gray
- 920160** 1 lamp, angle, 77 series - Steel painted gray
- 920161** 1 lamp, angle, 77 series - Aluminum
- 920162** 1 lamp, angle, 77 series - Stainless Steel



**PART NO.**

- 920530** 1 lamp, angle, 73 series - Aluminum
- 920550** 1 lamp, angle, 73 series - Steel painted gray
- 920551** 1 lamp, angle, 73 series - Stainless Steel



**PART NO.**

- 920342** 2 lamp, angle, 40 series - Steel painted gray



**PART NO.**

- 920343** 3 lamp, angle, 40 series - Steel painted gray
- 920344** 3 lamp, angle, 40 series - Aluminum
- 920348** 3 lamp, angle, 40 series - Stainless Steel



**PART NO.**

- 920339** 2 lamp, flat, 40 series - Steel painted gray
- 920621** 2 lamp, flat, 40 series - Aluminum



**PART NO.**

- 920340** 3 lamp, flat, 40 series - Steel painted gray
- 920636** 3 lamp, flat, 40 series - Aluminum



**PART NO.**

- 920361** 2 lamp, flat, 45 series - Steel painted gray
- 920635** 2 lamp, flat, 45 series - Aluminum



**PART NO.**

- 920362** 3 lamp, flat, 45 series - Steel painted gray
- 920634** 3 lamp, flat, 45 series - Aluminum



**PART NO.**

- 920096** 2 lamp, angle, 45 series - Steel painted gray



**PART NO.**

- 920093** 3 lamp, angle, 45 series - Steel painted black
- 920097** 3 lamp, angle, 45 series - Steel painted gray
- 920099** 3 lamp, angle, 45 series - Aluminum



**PART NO.**  
**920068** 3 lamp, 65 series I.D. bracket - Aluminum  
**920069** 3 lamp, 65 series I.D. bracket - Steel painted gray



**PART NO.**  
**920380** 3 lamp, 56 series I.D. bracket - Steel painted gray  
**920546** 3 lamp, 56 series I.D. bracket - Stainless Steel



**PART NO.**  
**920029** Armor guard for 200 series lamps - Stainless Steel



**PART NO.**  
**920230** License plate bracket - Steel painted gray



**PART NO.**  
**920062** License plate bracket - Steel painted gray  
**920727** License plate bracket - Aluminum



**PART NO.**  
**920231** License plate holder - Aluminum  
**920232** License plate bracket - Stainless Steel



The ability to design and build custom lighting brackets or modules is a unique feature that Betts Industries is happy to offer to their customers. Several key steps need to be accomplished by the customer in order for our sales engineering department to finalize designs.

If the lighting kit is for an existing unit and you are looking for replacement lighting and wiring contact our sales engineering department with the type of vehicle and original manufacturer, we may have an existing module design available. If not our engineers will walk you through the steps needed to get us the information to design your bracket or module.

If the design is for a new vehicle or trailer then please follow the following steps prior to contacting our sales engineering department:

Identify the type of lighting requirements you will need to meet to comply with Federal DOT. This can be accomplished by reviewing the charts on pages 86 & 87. Once you have identified the requirements look at the various styles and types of lighting and brackets or lamp modules available in the catalog.

When this is accomplished and we currently offer no existing style or alternative that will work we will need the following information to finalize your bracket or module:

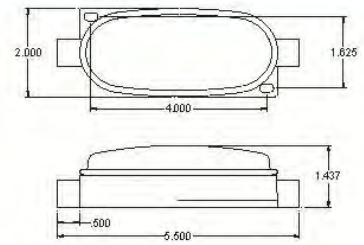
- Type of light used in the bracket or module.
- Function of light used in the bracket or module.
- Method of mounting the bracket or module, is it to be welded or bolted on.
- Size and design of the bracket or module, can it be open back or does it need to be enclosed.

Once all the steps have been accomplished contact our sales engineering department to finalize any requirements we will need to design and quote your bracket or module.





Betts circuit saver protects flasher circuits when extra lamp loads are used. It also extends switch life. Lamp loads of up to (24) 32 c.p. bulbs or 60 amps for both 4 and 7 wire 12 volt systems can be handled. Contains high quality Palladium relay contacts and has positive or negative ground. The Valox housing uses a clear 920143 shallow polycarbonate lens and is prewired with 12" pigtailed. Mounting gasket, screws and wiring diagram are included. Surface mount.

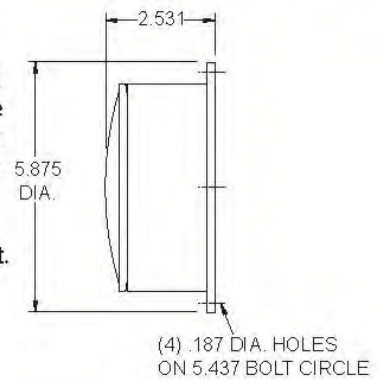


**PART NO. 920065** **FOR 12 VOLT SYSTEMS**  
Clear, Valox body (27018)

## Flashers



A high capacity flasher that can flash a maximum lamp load and hold a constant flash rate regardless of voltage variations or number of lamps, plus, the actuator signal switch receives less than one amp. Other features include instant start and immunity to motor transient noise. 12" pigtail included. Wiring diagram included. Surface mount.



**PART NO. 920383** **VAPOR PROOF FOR EXTERIOR USE**  
12 volt, 4 wire alternating flasher  
**920457** 12 volt, 8 wire standard flasher



### LED STROBE FLASH CONTROL

Solid state circuitry designed to operate multiple BriteNight LED lamps simultaneously in a quad strobe flash. Designed for 12 volt systems

**PART NO. 920622** Strobe Flash control for interior applications.  
**920623** Epoxy sealed strobe flash control for exterior severe duty applications

**NOTE:** Control unit can be provided with Betts BriteNight LED's and harness system for custom applications



### LED ALTERNATING QUAD FLASHER

Designed for installation in a Betts Dry Seal Junction Box. Comes with an incoming power, ground, left and right Power output leads

**PART NO. 920629** Flasher, Alternating Quad, Plain  
**920736** Flasher, Alternating Quad Epoxy Sealed



## Betts REMOTE Trailer Lighting Tester

### One man remote lighting system tester

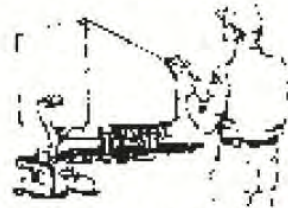
Checking trailer lighting systems has never been easier. Now, just one person can test all trailer lighting circuits fast and accurately. Just plug in the tester to trailer nose box and walk around the trailer and visually check each circuit as you select them on the hand held remote control. Stop, turn, tail and clearance/markers can be checked out in minutes. Any lamp or function not operating correctly can be noted for repair.



- Easy to Use
- Portable
- Compact
- Cuts Costs
- Fast & Accurate

### TESTING PROCEDURE

Before testing,  
see note below



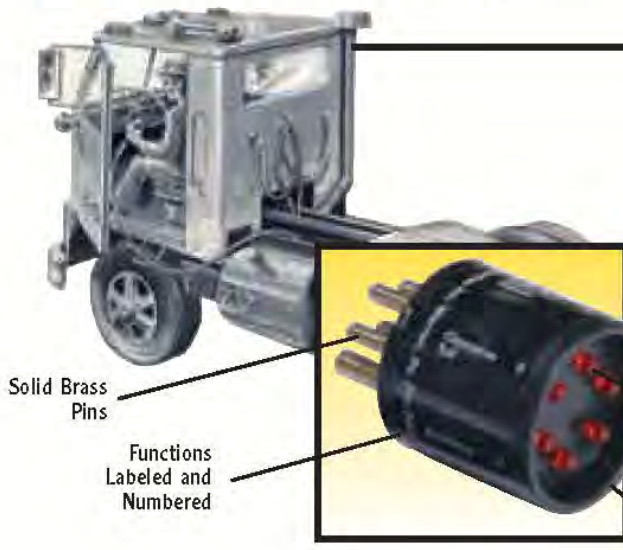
- 1 Connect 7 conductor cable to tester and to trailer nose box
- 2 Open receiver case and remove remote control transmitter
- 3 Move receiver toggle switch to its ON position. The power on, light emitting diode (L.E.D.) near the handle will illuminate. This L.E.D. also serves as a battery charge indicator
- 4 Press power button on the remote control transmitter unit to turn it on. The transmitter ON/OFF L.E.D. will light. The receiver L.E.D. in the slot on the face plate should also light, showing the signal is being received.
- 5 Close cover on receiver and secure
- 6 Check circuits by depressing the Index Button on the remote control transmitter. The unit will progress through each circuit. Continue until all circuits are tested. Note lamps or functions not working.
- 7 When testing is completed, turn off the receiver toggle switch and the Power ON/OFF transmitter button. Recharge if needed.

NOTE: A red dip switch is located in the slot on the receiver face plate. All of the white switches are inactive when the unit is purchased. To activate and override a particular function take a pencil, pen, or pointed object and move the required white switch to its opposite position. See label on face plate for switch function.

- PART NO. 920485** Complete
- PART NO. 920507** Remote control transmitter
- 920508** AC battery charger
- 920509** 14ft. 7 conductor cable with plugs



CAUTION: Do not attempt to replace the tester battery. When battery fails to recharge, return tester to Betts Industries for service



A one man circuit checker for 7 way plugs. Simply plug checker into 7 way cable and bring into cab. Activate switches for all circuits, the light emitting diode will illuminate when circuit is in proper working order. Faulty wiring, shorts, etc. will be indicated if diodes are dimmer than usual, fail to light or if more than one diode is illuminated simultaneously.

- PART NO. 920273** Plug checker (TC2)



# Certificate Holders

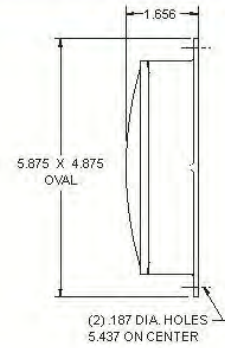


**PART NO.**

- 820012**
- 820013**
- 820014**
- 820015**
- 820016**

This paper safe features polycarbonate shallow smoked lens 920142. It is available with or without a stainless steel retainer spring. Mounting screws included. Surface mount.

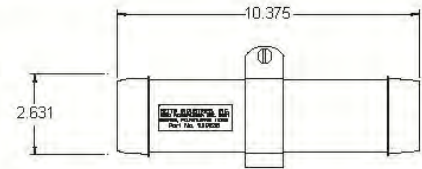
- valox body with spring (PS-1)
- Aluminum body with spring (PS-1A)
- valox body without spring (PS-2)
- Black valox body with spring
- Black valox body without spring



**PART NO.**  
**920235**

Maintenance paper holder for trucks and trailers. Unit is waterproof and ready to install. The tube is 9-1/2" long, has a 2" inside and a 2-3/8" outside diameter. Comes with (2) removable end caps attached to each other to prevent loss. Mounting bracket and hardware included.

Black (MPH-1)



## Accessories



**PART NO.**  
**920624**

### LED ANTI-THEFT RINGS

Made of a bright finish 304 stainless steel material to mount over Betts 40 Series lamps using existing lamp mounting holes

LED Lens Retainer Ring for B40 Valox Lamps

**PART NO.**  
**920625**

Made of a bright finish 304 stainless steel material to mount over Betts 56 Series lamps using existing lamp mounting holes

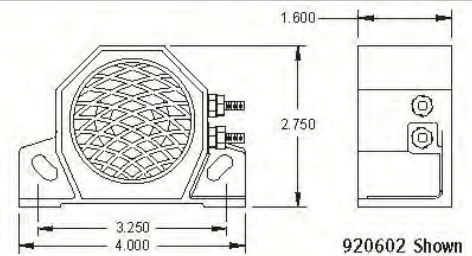
LED Lens Retainer Ring for B56 Valox Lamps



**PART NO.**  
**920602**  
**920633**

### BACK UP ALARM

- 12 volt, 97 D.B.A. Self grounding
- 12 volt, 97 D.B.A. External grounding



**PART NO.**  
**920032**

Cleans both male and female ends of all 7 way plug terminals. Rugged stainless steel brushes enclosed in a convenient to carry 6 1/2" long cylinder.

Plug Scrubber (18374)



**PART NO.**  
**920564**

A roll of 50 clear film stickers



Excellent for lubricating wire or cable when pushing or pulling through rubber fittings. Also good for lubricating tubing barbs and inside of polyethylene tubing to expedite wire pulling.

**PART NO.**

**920018** Wire pulling lubricant in (1) quart squeeze bottle (15-236)

**920019** Wire pulling lubricant in vial (15-236-2X3)



Ideal for temporary installation of 2 flashing strobe units or one strobe and a spotlight unit. Fits all 12V lighter sockets.

**PART NO.**

**920041** Double adapter unit for cigarette lighter (18943)



**PART NO.**

**920026** Push button switch with pigtails - on or off  
**920030** Push button switch with terminal screws - momentary on



**PART NO.**

**920038** Toggle switch with terminal screws - 20 amp  
**920039** Toggle switch with terminal screws - 20 amp with rubber boot  
**920077** Toggle switch with pigtails - 3 amp  
**920078** Toggle switch with pigtails - 3 amp with rubber boot



**PART NO.**

**920028** Rubber boot for 920026 & 920030  
**920075** Rubber boot for 920077 switches and lamps purchased prior to 1/1/2010  
**920076** Rubber boot for 920077 and 920078 purchased after 1/1/2010



**PART NO.**

**560052** Recessed mounting push button switch - on or off, valox body  
**560053** Recessed mounting push button switch - momentary on, valox body  
**570032** Surface mounting push button switch - on or off, valox body  
**570033** Surface mounting push button switch - momentary on, valox body







**PART NO.**

**920628** Betts BriteNight LED Display Board comes equipped with its own power supply and is fully functional. It showcases many of the Betts LED line of lighting and their functions. Installed on the board are the 920624 and 920625 Anti-theft retainer rings and a functional 920622 LED Quad flasher. The double contact lamps are fully functional as turns also.

## LED Assemblies



A high output Multi-voltage single LED assembly. Assemblies meet F.M.V.S.S. 108 compliance for stop/turn/tail or marker functions while operating within a voltage variance range from as little as 8 volts to as high as 44 volts without degrading the LED or circuitry. Assemblies all come as a double contact but can be wired internally to meet any functions needed.

**PART NO. MULTI-VOLTAGE SINGLE DIODE ASSEMBLIES.**

**MID TURN/MARKER, ARROW TURN, AND REAR AMBER TURN**

- 920688** Amber Multi-voltage single diode LED assembly for 77 series arrow lens lamps
- 920686** Amber Multi-voltage single diode LED assembly for 73 series lamps
- 920692** Clear Multi-voltage single diode LED assembly, for 73 series lamps

**REAR AMBER, STOP, TURN, TAIL AND MARKER DOUBLE CONTACT**

- 920680** Red Multi-voltage single diode LED assembly for 40, 45, 46, 47, and 48 series shallow lens valox body lamps
- 920681** Red Multi-voltage single diode LED assembly for 40, 45, and 47 series shallow lens aluminum body lamps
- 920685** Red Multi-voltage single diode LED assembly for 73 series lamps
- 920687** Red Multi-voltage single diode LED assembly for 77 series lamps

**PART NO. BACK UP SINGLE CONTACT**

- 920691** Clear Multi-voltage single diode LED assembly for 40, 45, 47 series shallow lens valox body lamps



## 20 SERIES



- 920053**  
Red
- 920054**  
Amber
- 920055**  
Silver  
License
- 920101**  
Clear

## 50, 56, 57, 60 & 100 SERIES



- 920109**  
Red, shallow
- 920110**  
Amber  
shallow



- 920682**  
Clear, shallow
- 920115**  
Clear, shallow



- 920112**  
Clear, deep  
back-up  
(51BU)



- 920113**  
Red, deep  
license
- 920114**  
Amber, deep  
with window



- 920111**  
Clear, deep
- 920116**  
Red, deep
- 920117**  
Amber, deep

- 920451**  
Blue, deep

## 65 SERIES



- 920227**  
Clear
- 920228**  
Red
- 920229**  
Amber

## 40, 45, 47, 70 & 80 SERIES



- 920133**  
Clear, shallow
- 920134**  
Red, shallow
- 920135**  
Amber, shallow



- 920139**  
Clear, shallow  
back-up



- 920142**  
Smoked,  
shallow

- 920143**  
Clear, shallow



- 920141**  
Red, deep  
license



- 920144**  
Red, deep
- 920145**  
Amber, deep
- 920388**  
Blue, deep
- 920140**  
Clear, deep  
dome

## 47 SERIES STROBE & BEACON High Hat Roof Mounts



- 920136**  
Red
- 920137**  
Amber
- 920138**  
Blue
- 920409**  
Clear

## 200 SERIES



- 920048**  
Clear
- 920049**  
Red
- 920050**  
Amber

## 200V SERIES



- 920057**  
Clear
- 920058**  
Red
- 920059**  
Amber

## 73 SERIES



- 920454**  
Red
- 920464**  
Amber
- 920497**  
Back-up

## 77 SERIES



- 920151**  
Clear
- 920152**  
Red
- 920153**  
Amber



- 920154**  
Red  
(emerg., warning)

- 920155**  
Amber  
(emerg., warning)



- 920156**  
Red, arrow turn
- 920157**  
Amber,  
arrow turn





**PART NO.**  
**201201**  
**201202**  
**201203**  
**201204**

## LED LENS INSERTS FOR 200 SERIES ALUMINUM LAMPS

Used in Betts low profile, aluminum body surface mount lamps that can be mounted horizontally or vertically. Features (4) light emitting diodes (LED's) in an epoxy sealed polycarbonate lens assembly.

Red, LED lens insert with (1) eyelet & (1) butt connector  
 Amber, LED lens insert with (1) eyelet & (1) butt connector  
 Red, LED lens insert with (2) butt connectors  
 Amber, LED lens insert with (2) butt connectors



**PART NO.**  
**221201**  
**221202**  
**221209**

## LED LENS INSERTS FOR 200 SERIES VALOX LAMPS

Used in Betts valox body surface mount lamps that can be mounted horizontally or vertically. Features (6) light emitting diodes (LED's) in an epoxy sealed REFLEX polycarbonate lens assembly.

Red, LED REFLEX lens insert with (2) eyelets  
 Amber, LED REFLEX lens insert with (2) eyelets  
 Clear, LED REFLEX lens insert with (2) eyelets



Shallow lens

**PART NO.**  
**510003**  
**510004**  
**510005**  
**510006**  
**510007**  
**510008**

## LED SINGLE CONTACT LENS INSERTS FOR 50, 56, 57, & 60 SERIES ALUMINUM LAMPS

Used in Betts aluminum body surface and recessed mount lamps. Single contact lens features (4) light emitting diodes (LED's) in an epoxy sealed lens assembly. Available in both shallow and deep lenses.

Red, shallow LED lens insert with (2) butt connectors  
 Amber, shallow LED lens insert with (2) butt connectors  
 Red, shallow LED lens insert with (1) eyelet & (1) butt connector  
 Amber, shallow LED lens insert with (1) eyelet & (1) butt connector  
 Red, shallow LED lens insert with single contact bulb base  
 Amber, shallow LED lens insert with single contact bulb base



Deep lens

**PART NO.**  
**510013**  
**510014**  
**510015**  
**510016**  
**510017**  
**510018**

Red, deep LED lens insert with (2) butt connectors  
 Amber, deep LED lens insert with (2) butt connectors  
 Red, deep LED lens insert with (1) eyelet & (1) butt connector  
 Amber, deep LED lens insert with (1) eyelet & (1) butt connector  
 Red, deep LED lens insert with single contact bulb base  
 Amber, deep LED lens insert with single contact bulb base

**NOTE: All lens assemblies with butt connectors are provided with heat shrink tubing that must be used to ensure warranty consideration.**



## LED SINGLE CONTACT LENS INSERTS FOR 56 SERIES VALOX LAMPS

Used in Betts valox body recessed mount lamps. Single contact lens features (4) light emitting diodes (LED's) in an epoxy sealed lens assembly. Available in both shallow and deep lenses.

**PART NO.**

**510001**  
**510002**

Red, shallow LED lens insert with (2) eyelets  
Amber, shallow LED lens insert with (2) eyelets



**PART NO.**

**510011**  
**510012**

Red, deep LED lens insert with (2) eyelets  
Amber, deep LED lens insert with (2) eyelets

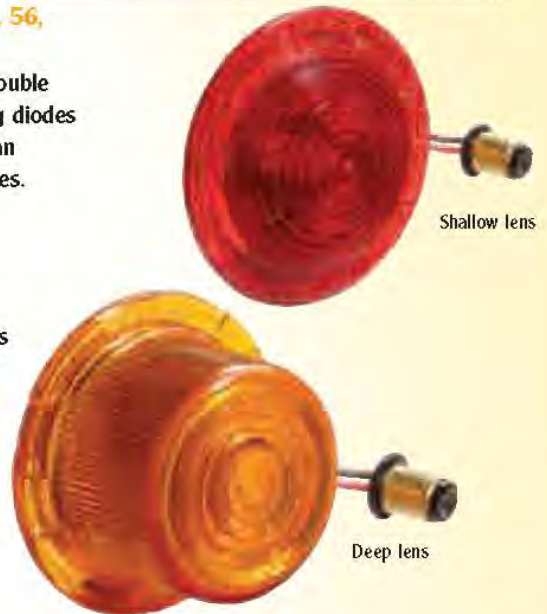
## LED SPECIAL PURPOSE DOUBLE CONTACT LENS INSERTS FOR 50, 56, 57, & 60 SERIES ALUMINUM LAMPS

Used in Betts aluminum body surface and recessed mount lamps. Double contact lens. It features a double contact lens with (4) light emitting diodes (LED's) on low power that increases to 12 LED's on high power in an epoxy sealed lens assembly. Available in both shallow and deep lenses.

**PART NO.**

**510023**  
**510024**  
**510025**  
**510026**  
**510027**  
**510028**

Red, shallow LED lens insert with (3) butt connectors  
Amber, shallow LED lens insert with (3) butt connectors  
Red, shallow LED lens insert with (1) eyelet & (2) butt connectors  
Amber, shallow LED lens insert with (1) eyelet & (2) butt connectors  
Red, shallow LED lens insert with double contact bulb base  
Amber, shallow LED lens insert with double contact bulb base



**PART NO.**

**510033**  
**510034**  
**510035**  
**510036**  
**510037**  
**510038**

Red, deep LED lens insert with (3) butt connectors  
Amber, deep LED lens insert with (3) butt connectors  
Red, deep LED lens insert with (1) eyelet & (2) butt connectors  
Amber, deep LED lens insert with (1) eyelet & (2) butt connectors  
Red, deep LED lens insert with double contact bulb base  
Amber, deep LED lens insert with double contact bulb base

## LED SPECIAL PURPOSE DOUBLE CONTACT LENS INSERTS FOR 56 SERIES VALOX LAMPS

Used in Betts valox body recessed mount lamps. Double contact lens. It features a double contact lens with (4) light emitting diodes (LED's) on low power that increases to 12 LED's on high power in an epoxy sealed lens assembly. Available in both shallow and deep lenses.

**PART NO.**

**510021**  
**510022**

Red, shallow LED lens insert with (3) eyelets  
Amber, shallow LED lens insert with (3) eyelets

**PART NO.**

**510031**  
**510032**

Red, deep LED lens insert with (3) eyelets  
Amber, deep LED lens insert with (3) eyelets



## LED LENS INSERTS FOR 40, 45, 47 AND 70 SERIES ALUMINUM LAMPS

Used in Betts aluminum body surface and recessed mount lamps. Double contact polycarbonate lens assembly features (60) light emitting diodes (LED's) on low power to provide tail or marker function that increase to high power output for stop or turn functions. Available in both shallow and deep lenses for 12, 24 or Multi-voltage.

**PART NO.**

**710003**  
**710004**  
**710007**  
**710008**  
**710009**  
**710010**

Red, shallow LED lens insert with (1) eyelet & (2) butt connectors, 12 volt  
Amber, shallow LED lens insert with (1) eyelet & (2) butt connectors, 12 volt  
Red, shallow LED lens insert with (1) eyelet & (2) butt connectors, 24 volt  
Amber, shallow LED lens insert with (1) eyelet & (2) butt connectors, 24 volt  
Red, shallow LED lens insert with double contact bulb base, 12 volt  
Amber, shallow LED lens insert with double contact bulb base, 12 volt





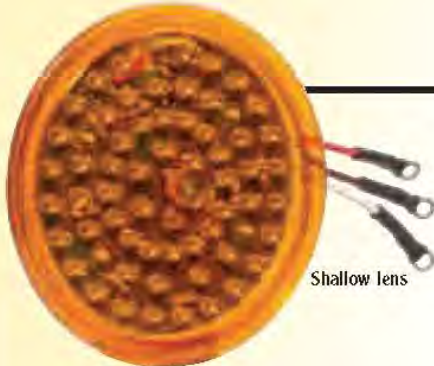
# LED Retrofit Lens Assemblies



Deep lens

**PART NO.**

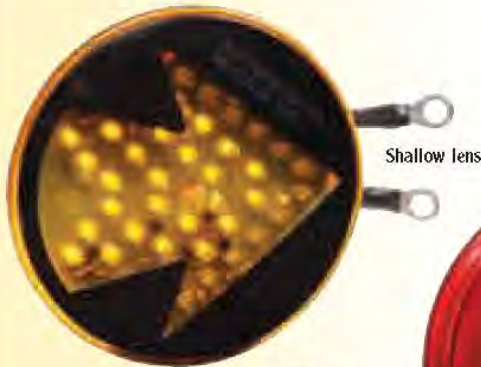
- 710013** Red, deep LED lens insert with (1) eyelet & (2) butt connectors
- 710014** Amber, deep LED lens insert with (1) eyelet & (2) butt connectors
- 710017** Red, deep LED lens insert with (1) eyelet & (2) butt connectors, 24 volt
- 710018** Amber, deep LED lens insert with (1) eyelet & (2) butt connectors, 24 volt
- 710019** Red, deep LED lens insert with double contact bulb base, 24 volt
- 710020** Amber, deep LED lens insert with double contact bulb base, 24 volt
- 710021** Red, deep LED lens insert with double contact bulb base, 12 volt
- 710022** Amber, deep LED lens insert with double contact bulb base, 12 volt
- 710023** Red, shallow LED lens insert with double contact bulb base, 24 volt
- 710024** Amber, shallow lens insert with double contact bulb base, 24 volt
- 710030** Red, deep license Multi-voltage single diode double contact with bulb base
- 710033** Red, deep Multi-voltage single diode double contact with bulb base
- 710036** Amber, deep Multi-voltage single diode double contact with bulb base



Shallow lens

**LED LENS INSERTS FOR 40, 45, AND 47 SERIES VALOX LAMPS**

Used in Betts valox body surface and recessed mount lamps. Double contact polycarbonate lens assembly features (60) light emitting diodes (LED's) on low power to provide tail or marker function that increase to high power output for stop or turn functions. Available in both shallow and deep lenses for 12 or 24 volt applications.



Shallow lens

**PART NO.**

- 710001** Red, shallow LED lens insert with (3) eyelets
- 710002** Amber, shallow LED lens insert with (3) eyelets
- 710005** Red, shallow LED lens insert with (3) eyelets, 24 volt
- 710006** Amber, shallow LED lens insert with (3) eyelets, 24 volt



Deep lens

**PART NO.**

- 710011** Red, deep LED lens insert with (3) eyelets
- 710012** Amber, deep LED lens insert (3) eyelets
- 710015** Red, deep LED lens insert with (3) eyelets, 24 volt
- 710016** Amber, deep LED lens insert with (3) eyelets, 24 volt
- 710025** Red, deep license Multi-voltage single diode LED
- 710038** Amber, shallow sequential arrow LED lens insert with (2) eyelets, Multi-voltage



Deep license lens



**PART NO.**

- 660001** Red, LED lens insert with (2) eyelets
- 660002** Amber, LED lens insert with (2) eyelets
- 660003** Red, LED lens insert with (2) eyelets, 24 volt
- 660004** Amber, LED lens insert with (2) eyelets, 24 volt

**LED SINGLE CONTACT LENS INSERTS**

**FOR 65 SERIES VALOX LAMPS**

Used in Betts Valox body recessed mount lamps. Polycarbonate lens assembly features (3) light emitting diodes (LED's) in an epoxy sealed lens assembly. Available in shallow lens only.

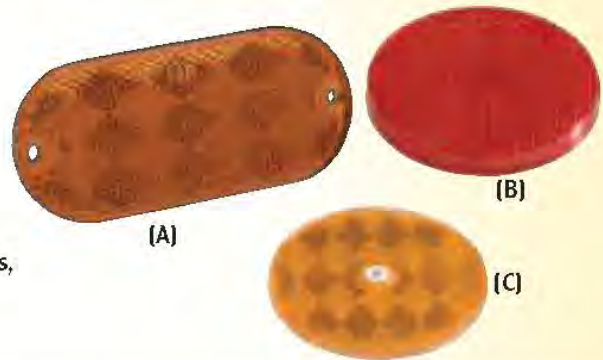


<b>PART NO.</b>	<b>SEALED BEAM BULBS</b>
<b>4411</b>	Clear, flood, 12v, 2,500 cp, par 36
<b>4415A</b>	Amber, 12v, 7,000 cp, par 36
<b>4416</b>	Clear, spot, 12v, 35,000 cp, par 36
<b>4416A</b>	Amber, 12v, 25,000 cp, par 36
<b>4466</b>	Clear, flood, 12v, 1,000 cp, par 36
<b>4505</b>	Clear, spot, 24v, 45,000 cp, par 36
<b>4593</b>	Clear, flood, 24v, 1,500 cp, par 36
<b>4636</b>	Clear, signal, 12v, 90,000 cp, par 46
<b>H7610</b>	Clear, halogen flood, 12v, 5,200 cp, par 36
<b>H7616</b>	Clear, halogen spot, 12v, 70,000 cp, par 36
<b>920775</b>	LED par 36 Bulb, flood

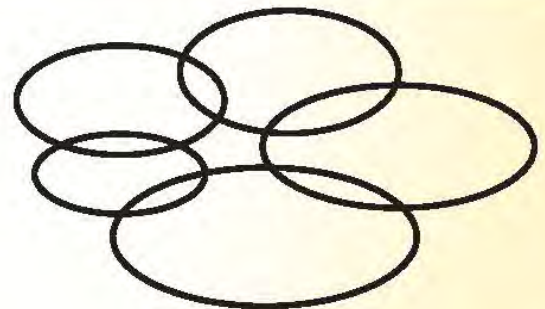


## Component Parts

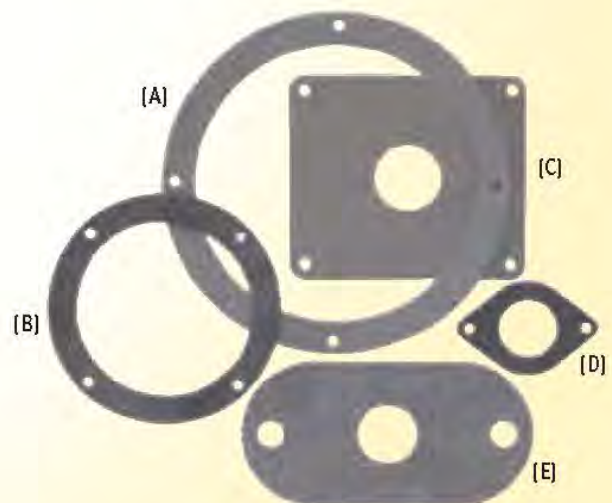
<b>PART NO.</b>	<b>REFLECTORS</b>
<b>920079</b>	2-1/4" diameter, center mount, amber
<b>920080</b>	(C) 2-1/4" diameter, center mount, red (310720)
<b>920081</b>	(B) 3-1/4" diameter, center mount, amber (313370)
<b>920082</b>	3-1/4" diameter, center mount, red (313320)
<b>920083</b>	1-7/8" x 4-3/8" oval, mounting holes on 3.94" centers, red (314020)
<b>920084</b>	(A) 1-7/8" x 4-3/8" oval, mounting holes on 3.94" centers, amber (314010)



<b>PART NO.</b>	<b>O-RINGS</b>
<b>920051</b>	200 series (202)
<b>920056</b>	20 series (22)
<b>920060</b>	200V series (222)
<b>920118</b>	50, 56, 57, 60, 100 series (52)
<b>920146</b>	40, 45, 47, 70, 80, PS series (72), 73
<b>920158</b>	77 series (772)
<b>920248</b>	65 series (OR5)
<b>920600</b>	4 x 8 junction box o-ring for new style cover



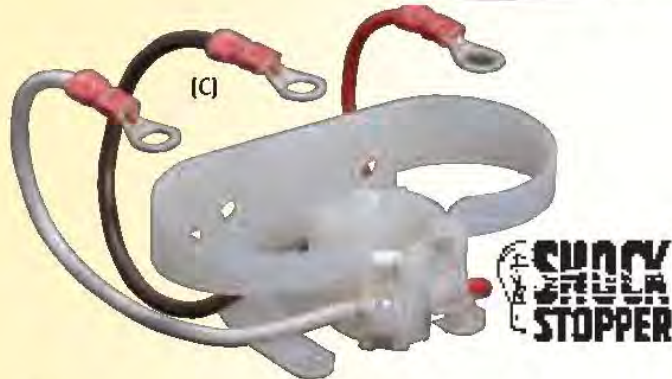
<b>PART NO.</b>	<b>GASKETS-MOUNTING</b>
<b>920016</b>	100 series (109)
<b>920023</b>	7 way socket (17705CF)
<b>920024</b>	6 way socket (17706CF)
<b>920031</b>	45 stud mount series (18336CF)
<b>920052</b>	200 series (209)
<b>920073</b>	(D) 20 series (29)
<b>920086</b>	(E) 315 and 325 series (39)
<b>920094</b>	45 series (459)
<b>920106</b>	(C) BD56J series (49)
<b>920128</b>	50 & 57 series (59)
<b>920132</b>	(B) 56 & 60 series (69)
<b>920159</b>	77 series (79)
<b>920165</b>	(A) 40, 47 Valox & 70 series (79)
<b>920408</b>	77 series flangeless (778LF)
<b>920503</b>	40 series black sponge for nose boxes





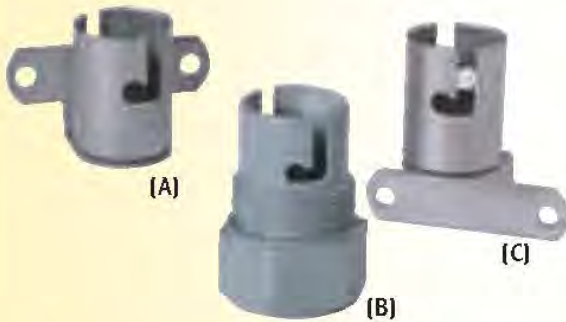


- PART NO. SHOCK-MOUNT SOCKETS**
- 920013** (A) Double contact for shallow lens (108LS)
  - 920015** Single contact for shallow lens (108S)
  - 920103** (B) Double contact for deep lens (48LS)
  - 920104** Single contact for deep lens 56 & 57 series lamps (48S with stilts (48LT))
  - 920367** Single contact for 56 & 57 series lamps with shallow lens (48S)

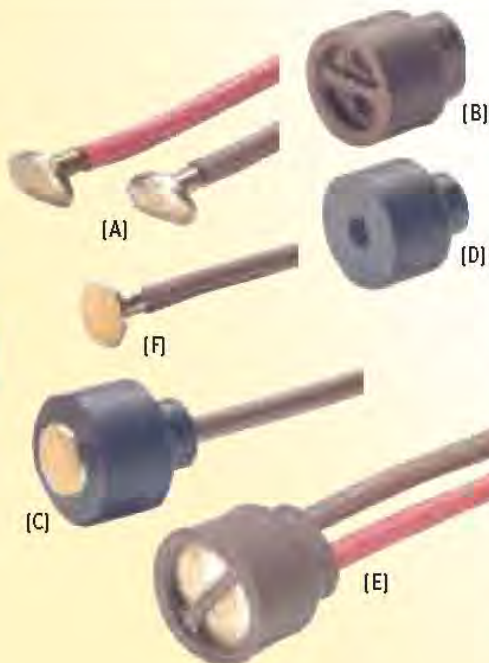


- SHOCK-STOPPER BULB SOCKETS**  
Upgrades many existing lamps including Betts models 40, 45, 47, & 77

- PART NO.**
- 920459** (C) Double contact
  - 920460** Single contact



- PART NO. OTHER SOCKETS**
- 920012** (A) Single contact for 200 series lamps (108)
  - 920014** (C) Single contact for PS-1D lamp (108-PS-1D)
  - 920125** (B) Single contact for 50, 60 & 70 series lamps with shallow lens (58)
  - 920126** Double contact for 50 & 70 series lamps with shallow lens (58L)
  - 920127** Single contact for 50 series lamps with deep lens (58LT)



- PART NO. PIGTAILS, CONTACTS & GROMMETS**
- 920119** (F) 6" brown wire with single contact button (55)
  - 920120** Button only, single contact, for 14 & 16 ga. wire (55A)
  - 920121** Button only, single contact, for 12 ga. wire (55A-12)
  - 920122** 6" white ground wire with spade and eyelet (55GW)
  - 920123** (D) Socket grommet, single contact (56)
  - 920124** (C) Pigtail, complete, single contact (package of 12)
  - 920147** (A) Button & wire, double contact (package of 12 red & 12 brown)
  - 920148** Button only, double contact, for 14 & 16 ga. wire (75A)
  - 920149** (B) Socket grommet, double contact (76)
  - 920150** (E) Pigtail, complete, double contact (package of 12 red & 12 brown button & wires with 12 grommets)
  - 920370** 18" blue pigtail with spade connector for "F" series lamps (46LW-BLU)
  - 920377** 18" white pigtail with spade connector for "F" series lamps (46LW-WHT)
  - 920381** 18" blue pigtail with single contact button and grommet





**PART NO. GROMMETS**

- 920011** Body grommet (106BG)
- 920070** Sealed beam retaining ring, par 46 (27212EP)
- 920071** (E) Extended sealed beam retaining ring with 920143 shallow clear lens, par 36 (27231EP-A)
- 920222** (A) Wire guard for BSXL wire-3/16" I.D., 5/16" hole req., 3/16" wall (G-2752)
- 920223** (B) Wire guard for Betts 3 & 4 cond. cable-7/16" I.D., 11/16" hole req., 3/16" wall (G-2760)
- 920224** (C) Wire guard for Betts 2 cond. cable-5/16" I.D., 9/16" hole req., 1/8" wall (G-2856)
- 920225** Grommet seal for S200 & S200-2 (GR5)
- 920234** (F) Sealed beam retaining ring, par 36 (MG4)
- 920399** (D) Wire guard for Betts 5, 6 & 7 cond. cable-3/4" I.D., 1-1/16" hole req., 3/16" wall (G-2767)
  
- 920734** (G) LED par 36 grommet

**PART NO. PEDESTAL MOUNT LAMP COMPONENTS (80, 81, 805 SERIES)**

- 4411** Sealed beam, clear, flood, 12v, 2,500 cp, par 36 (805)
- 4415A** Sealed beam, amber, 12v, 7,000 cp, par 36 (805)
- 4416** Sealed beam, clear, spot, 12v, 35,000 cp, par 36 (805)
- 4416A** Sealed beam, clear, spot, 12v, 25,000 cp, par 36 (805)
- 4466** Sealed beam, clear, flood, 12v, 1,000 cp, par 36 (805)
- 4505** Sealed beam, clear, spot, 24v, 45,000 cp, par 36 (805)
- 4593** Sealed beam, clear, flood, 24v, 1,500 cp, par 36 (805)
- H7610** Sealed beam, clear, halogen flood, 12v, 5,200 cp, par 36 (805)
- H7616** Sealed beam, clear, halogen spot, 12v, 70,000 cp, par 36 (805)
- 920013** Socket, double contact (80 & 81)
- 920015** Socket, single contact (80 & 81)
- 920034** Carriage bolt (805)
- 920039** Switch, 20 amp toggle with boot (805)
- 920071** Extended sealed beam retaining ring with 920143 lens (805)
- 920076** Rubber boot for 20 amp toggle switch (805)
- 920166** Washer, lock (80)
- 920167** Nut, lock (80)
- 920168** Washer, flat (80)
- 920171** Cap screw, 1/4" - 20 x 1/2" (805)
- 920173** Nut, hex head, 9/16" (805)
- 920174** Washer, flat, 9/16" (805)
- 920234** Sealed beam retaining ring, par 36 (805)
- 920370** 18" blue lead wire with spade connector (805)
- 920377** 18" white lead wire with spade connector (805)
- 920398** Stud, 9/16" (81)
- 920630** Mounting bracket, aluminum, painted gray (920033)

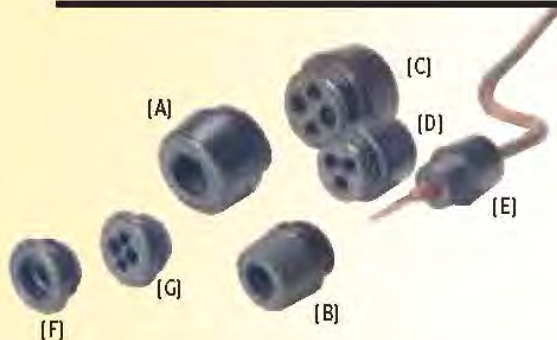






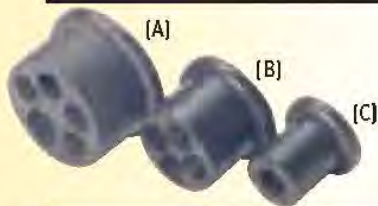
**PART NO. CABLE ENTRANCE FITTINGS**

- 920210** Aluminum 3/8" N.P.T., cable O.D. range .125-.187 (CE-1)
- 920211** Aluminum 3/8" N.P.T., cable O.D. range .187-.312 (CE-2)
- 920212** (B) Aluminum 1/2" N.P.T., elbow fitting, cable O.D. range .500-.562 (CE-690-1/2)
- 920213** Aluminum 3/4" N.P.T., elbow fitting, cable O.D. range .500-.625 (CE-690-3/4)
- 920214** Aluminum 1/2" N.P.T., cable O.D. range .310-.560 (CEA3-5)
- 920215** (A) Aluminum 3/4" N.P.T., cable O.D. range .500-.750 (CEA6-7)
- 920216** Plastic 1/2" N.P.T., cable O.D. range .125-.375 (CEP1-2)
- 920217** Plastic 1/2" N.P.T., cable O.D. range .310-.560 (CEP3-5)
- 920218** (C) Plastic 3/4" N.P.T., cable O.D. range .500-.750 (CEP6-7)
- 920402** Plastic 1/2" N.P.T., cable O.D. range .500-.750 (CEP6-7x1/2)



**PART NO. CHOKE SEALS**

- 920043** (E) One hole, 1/8" N.P.T., for wire (1RP)
- 920044** (A) One hole, 3/8" N.P.T., for Betts 3 & 4 cond. cable (1RPL)
- 920045** (B) One hole, 1/4" N.P.T., for Betts 2 cond. cable (1RPS)
- 920046** One hole, 3/8" N.P.T., for Betts 2 cond. cable (1RPS-1)
- 920088** (D) Three hole, 1/4" N.P.T., for wire (3RP)
- 920107** (C) Four hole, 3/8" N.P.T., for wire (4RP)
- 920413** (F) Push-In choke seal (see page 2)
- 920420** (G) Push-In choke seal (see page 2)



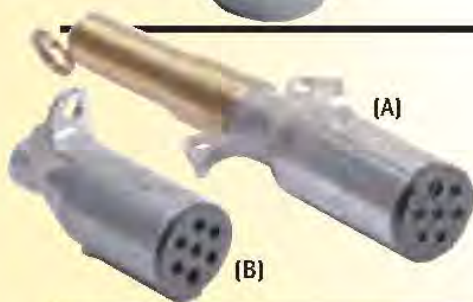
**PART NO. CHOKE SEAL TUBE FITTINGS**

- 920047** (C) One hole tube fitting for wire (1TP)
- 920108** (B) Four hole tube fitting for wire (4TP)
- 920129** (A) Five hole tube fitting for wire (5TP)



**PART NO. NOSE BOX & SWITCH COVERS**

- 920061** (B) Nose box cover only for circuit breaker style (26664-AL)
- 920063** (C) Cover only for recessed switches (26742-AL)
- 920064** (A) Nose box cover only for 6 or 7 way sockets (26779-AL) with "O" ring Snap-Seal feature
- 920555** Nose box cover only for ABS sockets (Yellow)
- 920565** Nose box cover, bolted style w/o "O" ring Snap-Seal feature



**PART NO. PLUGS**

- 920422** Plug - 6 pole, aluminum
- 920424** (A) Plug - 7 pole, aluminum with guard
- 920425** (B) Plug - 7 pole, aluminum



**PART NO. SOCKETS**

- 920423** Socket - 6 pole aluminum with split pins
- 920426** (A) Socket - 7 pole nonmetallic, w/20 amp circuit breakers and solid pins
- 920427** (B) Socket - 7 pole nonmetallic, with split pins
- 920466** Socket - 7 pole nonmetallic, with solid pins
- 920589** Socket - 7 pole aluminum, with 20 amp circuit breakers and split pins



**PART NO.**

**920209** Circuit bridge (CB1)



**PART NO.**

**920221** Exhaust vent (EV1)



**PART NO.**

**920245** Closed top tube clip for 1/2" I.D. tubing (NB10CTC)

**920246** Closed top tube clip for 1/4" I.D. tubing (NB6CTC)

**920247** Closed top tube clip for 3/8" I.D. tubing (NB8CTC)



**PART NO. NYLON TEES (MALE BRANCH)**

**920237** 3/8" barbs x 1/4" N.P.T. (N6MTB-4)

**920238** 3/8" barbs x 3/8" N.P.T. (N6MTB-6)

**920241** 1/2" barbs x 1/4" N.P.T. (N8MTB-4)

**920242** 1/2" barbs x 3/8" N.P.T. (N8MTB-6)

**920243** 1/2" barbs x 1/2" N.P.T. (N8MTB-8)



**PART NO. NYLON TEE UNIONS**

**920239** 3/8" barbs (N6TUB-6)

**920244** 1/2" barbs (N8TUB-8)



**PART NO. NYLON ELBOW UNIONS**

**920236** 3/8" barbs (N6EUB-6)

**920240** 1/2" barbs (N8EUB-8)



**PART NO. NYLON "Y" FITTINGS**

**920130** 3/8" x 3/8" x 3/8" barbs (64106)

**920131** 1/2" x 1/2" x 1/2" barbs (64107)



**PART NO. NYLON PIPE TO BARB FITTINGS/STRAIGHT**

**920298** 1/4" barb x 3/8" N.P.T. (TN-21)

**920299** 1/4" barb x 1/4" N.P.T. (TN-22)

**920300** 1/4" barb x 1/4" N.P.T. with seal (TN-22P)

**920301** 1/4" barb x 3/8" N.P.T. (TN-23)

**920302** 1/4" barb x 3/8" N.P.T. with seal (TN-23P)

**920303** 1/4" barb x 1/2" N.P.T. (TN-24)

**920304** 1/4" barb x 1/2" N.P.T. with seal (TN-24P)

**920305** 5/16" barb x 1/4" N.P.T. (TN-252)

**920306** 3/8" barb x 1/8" N.P.T. (TN-31)

**920307** 3/8" barb x 1/4" N.P.T. (TN-32)

**920308** 3/8" barb x 1/4" N.P.T. with seal (TN-32P)

**920309** 3/8" barb x 3/8" N.P.T. (TN-33)

**920310** 3/8" barb x 3/8" N.P.T. with seal (TN-33P)

**920311** 3/8" barb x 1/2" N.P.T. (TN-34)

**920312** 3/8" barb x 1/2" N.P.T. with seal (TN-34P)

**920313** 1/2" barb x 1/8" N.P.T. (TN-41)

**920314** 1/2" barb x 1/4" N.P.T. (TN-42)

**920315** 1/2" barb x 1/4" N.P.T. with seal (TN-42P)



CONTINUED ON NEXT PAGE



- 920316** 1/2" barb x 3/8" N.P.T. (TN-43)
- 920317** 1/2" barb x 3/8" N.P.T. with seal (TN-43P)
- 920318** 1/2" barb x 1/2" N.P.T. (TN-44)
- 920319** 1/2" barb x 1/2" N.P.T. with seal (TN-44P)
- 920320** 1/2" barb x 3/4" N.P.T. (TN-46)
- 920321** 5/8" barb x 3/8" N.P.T. (TN-53)
- 920322** 5/8" barb x 1/2" N.P.T. (TN-54)
- 920323** 5/8" barb x 3/4" N.P.T. (TN-56)
- 920324** 3/4" barb x 1/2" N.P.T. (TN-64)
- 920325** 3/4" barb x 3/4" N.P.T. (TN-66)
- 920326** 1" barb x 3/4" N.P.T. with heat shrink tubing (TN-86S)

**PART NO. NYLON PIPE TO BARB FITTINGS/ELBOW**

- 920275** 3/8" barb x 1/8" N.P.T. (TLS-31)
- 920276** 3/8" barb x 1/4" N.P.T. (TLS-32)
- 920277** 3/8" barb x 1/4" N.P.T. with seal (TLS-32P)
- 920278** 3/8" barb x 3/8" N.P.T. (TLS-33)
- 920279** 3/8" barb x 3/8" N.P.T. with seal (TLS-33P)
- 920280** 3/8" barb x 1/2" N.P.T. (TLS-34)
- 920281** 3/8" barb x 1/2" N.P.T. with seal (TLS-34P)
- 920282** 1/2" barb x 1/4" N.P.T. (TLS-42)
- 920283** 1/2" barb x 1/4" N.P.T. with seal (TLS-42P)
- 920284** 1/2" barb x 3/8" N.P.T. (TLS-43)
- 920285** 1/2" barb x 3/8" N.P.T. with seal (TLS-43P)
- 920286** 1/2" barb x 1/2" N.P.T. (TLS-44)
- 920287** 1/2" barb x 1/2" N.P.T. with seal (TLS-44P)



- 920288** 1/2" barb x 3/4" N.P.T. (TLS-46)
- 920289** 5/8" barb x 3/8" N.P.T. (TLS-53)
- 920290** 5/8" barb x 1/2" N.P.T. (TLS-54)
- 920488** 1" barb x 3/4" N.P.T. (TLS-86)

**PART NO. NYLON HOSE MENDERS**

- 920291** 1/4" barbs (TM-2)
- 920292** 5/16" barbs (TM-25)
- 920293** 3/8" barbs (TM-3)
- 920294** 1/2" barbs (TM-4)
- 920295** 5/8" barbs (TM-5)



- 920296** 3/4" barbs (TM-6)
- 920297** 1" barbs (TM-8)

**PART NO. PINCH ON HOSE & TUBING CLAMPS**

- 920249** 1" to 1-1/16" (P-1075)
- 920253** 15/16" to 1/2" (P-505) for 1/2" O.D. tubing
- 920254** 1/2" to 17/32" (P-545)
- 920255** 17/32" to 9/16" (P-590)
- 920256** 19/32" to 5/8" (P-635)
- 920257** 5/8" to 21/32" (P-680) for 5/8" O.D. tubing



- 920258** 21/32" to 23/32" (P-725)
- 920259** 23/32" to 3/4" (P-775)
- 920260** 3/4" to 13/16" (P-825)

**PART NO. POLYETHYLENE INSTRUMENT GRADE TUBING**

- 920390** 1/4" I.D. x 3/8" O.D. - 100' spool (PB-64)
- 920391** 1/4" I.D. x 3/8" O.D. - 500' spool (PB-64)
- 920392** 3/8" I.D. x 1/2" O.D. - 100' spool (PB-86)
- 920393** 3/8" I.D. x 1/2" O.D. - 500' spool (PB-86)
- 920394** 1/2" I.D. x 5/8" O.D. - 100' spool (PB-108)



**NOTE:** Cable, wire and tubing will expand and contract 2 inches per trailer length.



**PART NO.    CROSSLINK POLYETHYLENE PRIMARY WIRE, 500 FT. SPOOLS**

<b>10 GAUGE</b>		<b>14 GAUGE</b>	
<b>920196</b>	Black	<b>920202</b>	Black
<b>920197</b>	Red	<b>920203</b>	Blue
<b>920198</b>	White	<b>920204</b>	Brown
<b>12 GAUGE</b>		<b>920205</b>	Green
<b>920199</b>	Black	<b>920206</b>	Red
<b>920200</b>	Red	<b>920207</b>	White
<b>920201</b>	White	<b>920208</b>	Yellow

**WIRE & CABLE**

NOTE: Cable, wire and tubing will expand and contract 2 inches per trailer length.



**PART NO.    2-CONDUCTOR CABLE W/.295 O.D. 14 GA.**

<b>920179</b>	8' (Brown/White)	<b>920403</b>	4500' (Brown/White)
<b>920180</b>	12' (Brown/White)	<b>920567</b>	100' (Blue/White)
<b>920181</b>	20' (Brown/White)	<b>920584</b>	4500' (Blue/White)
<b>920182</b>	50' (Brown/White)	<b>920617</b>	300' (Blue/White)
<b>920183</b>	100' (Brown/White)		
<b>920184</b>	300' (Brown/White)		
<b>920371</b>	1000' (Brown/White)		

**CABLE**

NOTE: 105° Celsius temperature rating on all cable.



**PART NO.    3-CONDUCTOR CABLE W/.375 O.D. 14 GA. RED, BROWN & WHITE**

<b>920185</b>	8'	<b>920190</b>	100'
<b>920187</b>	20'	<b>920191</b>	300'
<b>920188</b>	30'	<b>920372</b>	1000'
<b>920189</b>	50'	<b>920404</b>	2500'



**PART NO.    4-COND. CABLE W/.375 O.D. 14 GA. RED, BRN, YEL/GRN, 12 GA. WHT.**

<b>920192</b>	100'
<b>920373</b>	2500'
<b>920470</b>	1000'



**PART NO.    4-COND. CABLE W/.375 O.D. 14 GA. RED, BRN, YEL, 12 GA. WHT.**

<b>920587</b>	2500'
---------------	-------



**PART NO.    4-COND. CABLE W/.375 O.D. 14 GA. RED, BRN, GRN, 12 GA. WHT.**

<b>920588</b>	2500'
---------------	-------



**PART NO.    5-COND. CABLE W/.520 O.D. 12 GA. RED, YEL, BRN, GRN, 10 GA. WHT.**

<b>920193</b>	100'
<b>920374</b>	1000'



**PART NO.    6-COND. CABLE W/.590 O.D. 12 GA. BLK, BRN, GRN, RED, YEL, 10 GA. WHT.**

<b>920194</b>	100'
<b>920375</b>	1000'



**PART NO.    7-COND. CABLE W/.690 O.D. 12 GA. BLK, BRN, GRN, RED, YEL, BLU, 10 GA. WHT.**

<b>920195</b>	100'
<b>920376</b>	1000'



**PART NO.    7-COND. ABS CABLE W/.690 O.D. 12 GA. BLK, BRN, GRN & YEL, 10 GA. BLUE & RED, WITH 8 GA. WHITE (GREEN OUTER JACKET)**

<b>920581</b>	50'
<b>920582</b>	100'
<b>920583</b>	1000'





## PLUG HARNESS

FOR USE WITH PLUG & SEAL LIGHTING



- PART NO. 2 CONDUCTOR**
- 920430** Male plug 18" length (Brn, Wht)
  - 920467** Male plug 8' length (Brn, Wht)
  - 920476** Male plug 15' length (Brn, Wht)
  - 920527** Male plug 20' length (Blu, Wht)
- 
- 920431** Female plug 18" length (Brn, Wht)
  - 920468** Female plug 8' length (Brn, Wht)
  - 920475** Female plug 15' length (Brn, Wht)



- PART NO. 3 CONDUCTOR RED, BROWN, WHITE**
- 920469** Female plug 8" length



- PART NO. 4 CONDUCTOR**
- 920533** Male plug 18" length (Rd, Wht, Brn, Grn)
  - 920542** Male plug 18" length (Rd, Wht, Brn, Yel)
  - 920548** Male plug 10' length (Rd, Wht, Brn, Grn)
  - 920549** Male plug 10' length (Rd, Wht, Brn, Yel)
  - 920569** Male plug 20' length (Rd, Wht, Brn, Yel)
  - 920579** Male plug 20' length (Rd, Wht, Brn, Grn)
- 
- 920534** Female plug 18" length (Rd, Wht, Brn, Grn)
  - 920535** Female plug 10' length (Rd, Wht, Brn, Grn)
  - 920543** Female plug 18" length (Rd, Wht, Brn, Yel)
  - 920547** Female plug 10' length (Rd, Wht, Brn, Yel)



- PART NO. 6 CONDUCTOR Red, White, Brown, Black, Green, Yellow**
- 920492** Male plug 18" length
  - 920494** Male plug 10' length
- 
- 920491** Female plug 18" length
  - 920493** Female plug 10' length



- PART NO. JUMPERS: w/male & female plugs**
- 920439** 2 conductor, 6" length
  - 920562** 2 conductor, 24" length
  - 920612** 2 conductor, 12" length
- 
- 920441** 4 conductor, 6" length
  - 920610** 4 conductor, 24" length
  - 920611** 4 conductor, 12" length

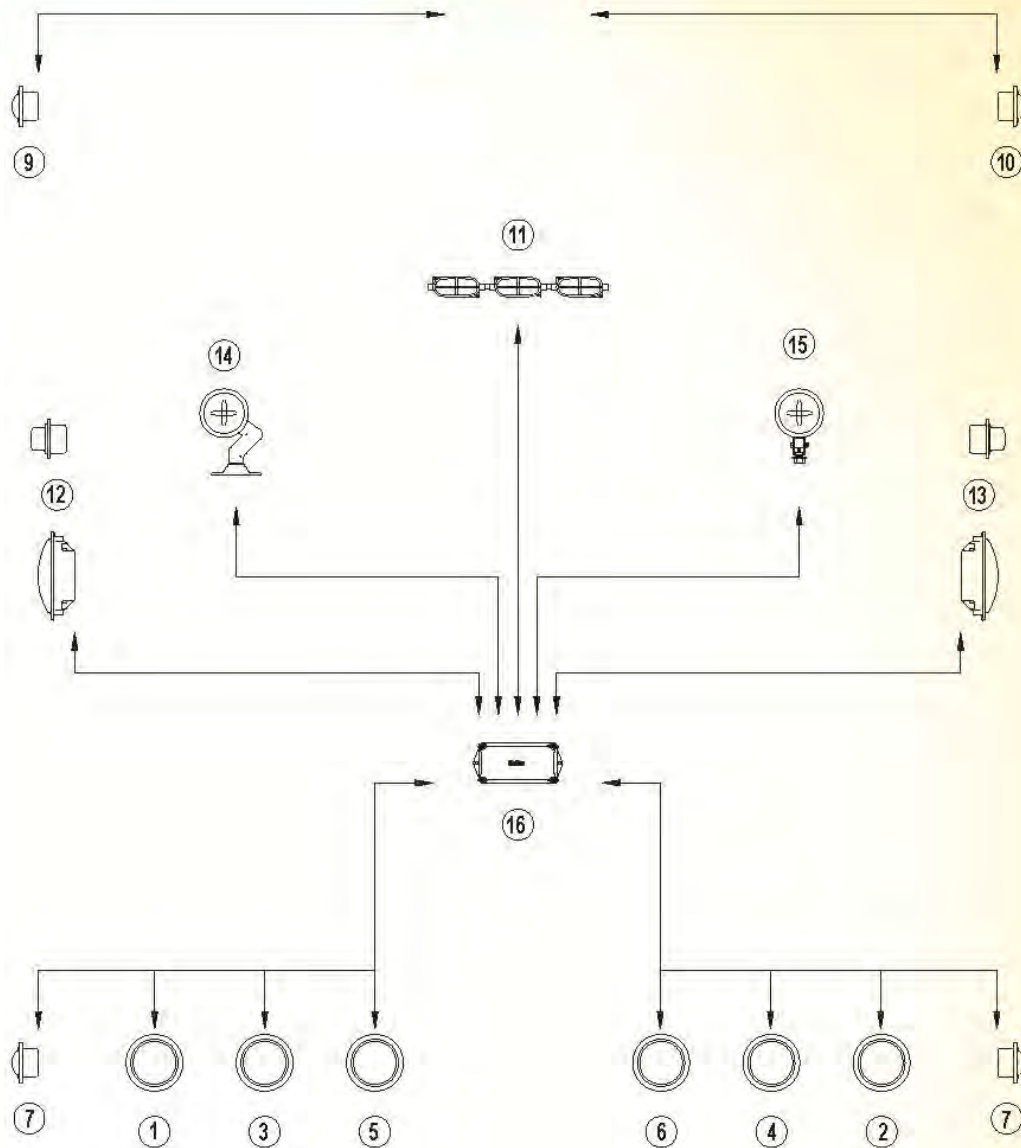


- PART NO. SEALER PLUG**
- 920495** 2 conductor, male
  - 920580** 4 conductor, male



- PART NO. SHRINK TUBING 4" LENGTH**
- 920446** .75 diameter
  - 920447** 1.10 diameter





The ability to design and build customer lighting kits by incorporating our existing lighting products and wiring harnesses is a unique feature that Betts Industries is happy to offer their customers. Several key steps need to be predetermined by the customer in order for our Sales Engineering Department to finalize designs.

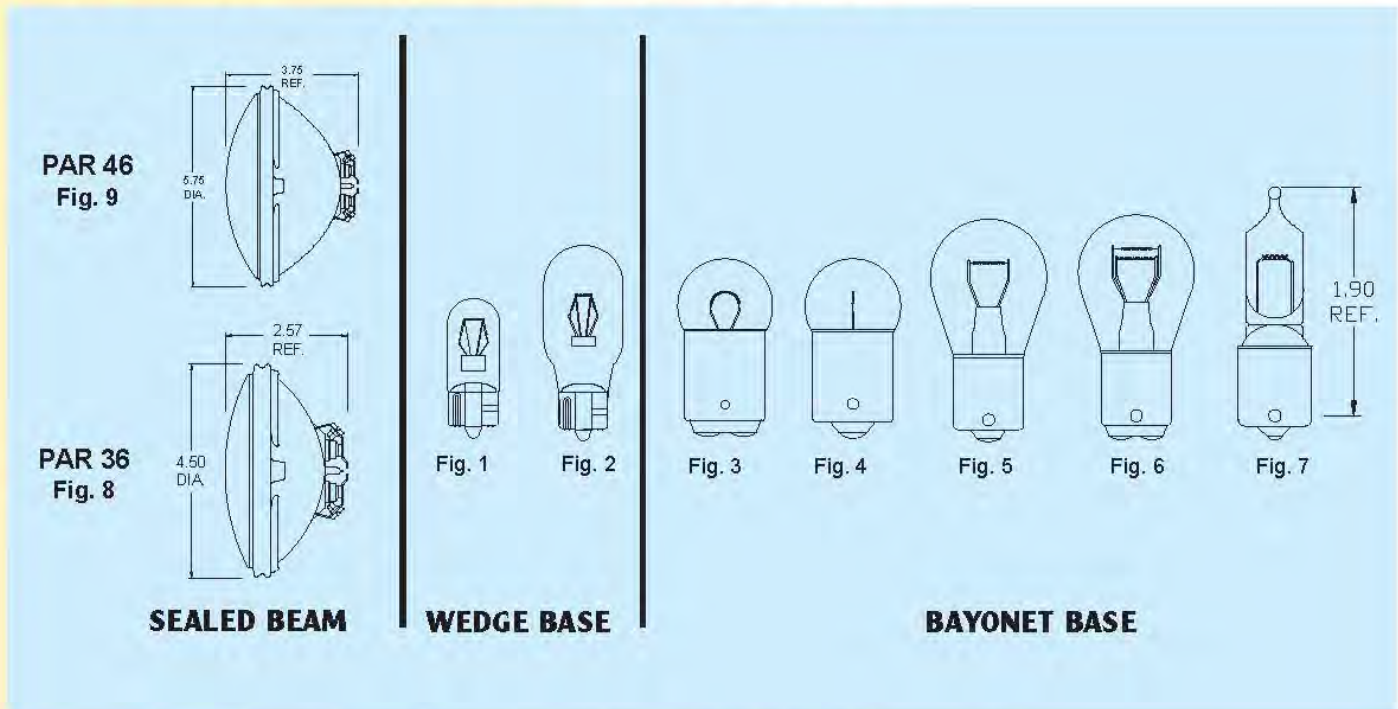
If the lighting kit is for an existing unit and you are looking for replacement lighting and wiring, contact our Sales Engineering Department with the type of vehicle and original manufacturer. We may have an existing kit design available. If not, our engineers will walk you through the steps needed to get us the information to design your kit.

If the design is for a new vehicle or trailer, then please follow these steps prior to contacting our Sales Engineering Department:

1. Identify the type of lighting requirements you will need to comply with Federal DOT. This can be accomplished by reviewing the charts on Pages 86 & 87. Once the requirements are identified, note the various styles and types of lighting available in the catalog. Please note the mounting requirements for surface or recessed lamps to insure they will fit into the frame or channel you are utilizing.
2. When this is completed, please review the attached sketch. It numbers various lamps that may or may not be needed to meet DOT requirements. Identify which lamps you intend to use and the function of the lamp -- is it a stop and tail, a turn and tail, or a stop, turn and tail? If the lamp is in the middle of the trailer, is it a marker only or a marker and turn? Are work lights or back up lights required or needed?
3. The final step is to provide an estimated length of cables and plugs you will need between the lamps and the junction box. Once this has been accomplished, call our Sales Engineering Department for assistance and for any final information needed to complete your kit.



## BULB AND SEALED BEAM SPECIFICATIONS



BULB NUMBER	FIGURE #	DESIGN VOLTAGE	DESIGN AMPS	CANDLE-POWER	LIFE IN HOURS	DESIGN WATTS	BEAM CANDLE-POWER	APPROX. BEAM PATTERN	BEAM TYPE	NOTES
67	4	13.5	0.59	4	5,000	8		360 Deg.	SPHERICAL	HEAVY DUTY VERSION IS A #97 BULB
68	3	13.5	0.59	4	5,000	8		360 Deg.	SPHERICAL	BASE IS DOUBLE CONTACT NON-INDEXING
168	1	14.0	0.35	3	1,500	5		360 Deg.	SPHERICAL	
464	1	28.0	0.17	3	1,500	5		360 Deg.	SPHERICAL	
795	7	12.8	3.90	108	200	37.5		360 Deg.	SPHERICAL	HALOGEN BULB VERY HIGH TEMP.
904	2	13.5	0.68	4	5,000	9		360 Deg.	SPHERICAL	
1141	5	12.8	1.44	21	1,000	18.5		360 Deg.	SPHERICAL	
1156	5	12.8	2.10	32	1,200	27		360 Deg.	SPHERICAL	HEAVY DUTY VERSION IS A #199 BULB
1157	6	12.8/14.0	2.1/5.9	32/3	1,200/5,000	27/8		360 Deg.	SPHERICAL	HEAVY DUTY VERSION IS A #196 BULB
1251	4	28.0	0.23	3	1,000	6.5		360 Deg.	SPHERICAL	
1252	3	28.0	0.23	3	1,000	6.5		360 Deg.	SPHERICAL	BASE IS DOUBLE CONTACT NON-INDEXING
1662	6	28/28	93/34	32/6	400/1,000	26/11		360 Deg.	SPHERICAL	
1665	5	28.0	0.80	21	1,000	22.5		360 Deg.	SPHERICAL	
1683	5	28.0	1.02	32	500	28.3		360 Deg.	SPHERICAL	

### SEALED BEAM LAMPS

BULB NUMBER	FIGURE #	DESIGN VOLTAGE	DESIGN AMPS	CANDLE POWER	LIFE IN HOURS	DESIGN WATTS	BEAM CANDLE-POWER	APPROX. BEAM PATTERN	BEAM TYPE	NOTES
H7610	8	12.8	3.90		400	50	5,200	30X25 Deg.	TRAPEZOIDAL	HALOGEN WORK LAMP
H7616	8	12.8	2.93		300	37.5	70,000	7X4 Deg.	RECTANGULAR	HALOGEN SPOT LAMP
4411	8	12.8	2.75		300	35	2,500	30X25 Deg.	TRAPEZOIDAL	WORK LAMP
4415A	8	12.8	2.75		300	35	7,000	40X5 Deg.	RECTANGULAR	LAMP-YELLOW LENS
4416	8	12.8	2.35		300	30	35,000	11X4 Deg.	RECTANGULAR	SPOT OR SIGNAL LAMP
4416A	8	12.8	2.35		300	30	25,000	11X4 Deg.	TRAPEZOIDAL	SIGNAL LAMP, YELLOW LENS COVER
4461	8	12.8	4.69		300	60	6,000	30X25 Deg.	TRAPEZOIDAL	WORK LAMP
4466	8	12.8	4.69		400	60	1,000	80X30 Deg.	RECTANGULAR	FLOOD LAMP
4505	8	28.0	1.79		400	50	45,000	11X5 Deg.	RECTANGULAR	AIRCRAFT NAVIGATION LAMP
4593	8	28.0	1.79		400	50	1,500	80X30 Deg.	RECTANGULAR	AIRCRAFT FLOOD LAMP
4636	9	14.0	6.00		200	80	90,000	9X7.5 Deg.	RECTANGULAR	SIGNAL LAMP



## Betts Lighting Product Warranties

Betts Industries Inc (Seller) will repair or replace any of its products found in the reasonable judgment of the Seller to be defective in workmanship or materials if the defect is reported to the Seller within one (1) year of shipment from the Seller's plant. Seller will not be liable for transportation or shipping expenses, labor, loss of profit from use, nor for incidental or consequential damages of any kind. This warranty shall be void if Sellers products are subjected to misapplication, misuse, neglect, alteration, improper installation or damage.

Betts Industries Inc extends a **Limited Lifetime Warranty** to the original purchaser that the Betts BriteNight, LightRanger and other LED lighting are free from defects in workmanship and/or materials only. Betts will replace any LED lamp to the original consumer/purchaser if the lamp fails due to defects in workmanship and/or materials only. This warranty does not apply to severe applications such as buses, construction equipment and off road vehicles or equipment. These applications are examples only and not all inclusive of each excluded application.

This limited lifetime warranty is based on the life of the lamp as follows:

1 year, 100% replacement for failure of workmanship or materials only in normal applications.

3 year, 100% replacement for failure of workmanship or materials only when combined in the Betts "Supertanker" package.

**Beyond either the one or three year period based on application a credit may be issued based on the manufactured date of the lamp and reason for failure. All lamps must be returned to Betts Industries for warranty evaluation unless otherwise directed.** If applicable, credit will then be issued to the returning distributor or OEM to then credit their customer. Partial credit may be issued for lamps manufactured up to a 5 year period based on evaluation by Betts. If lamp failure was due to workmanship or defective materials a pro-rated credit may be available. Warranty will not be considered for lamps over 5 years old.

This warranty may be voided by the use of solvents in cleaning that are not compatible with polycarbonate which will result in the softening, crazing, or cracking of the lens. Products that are not to be used with polycarbonates are listed but not all inclusive.

Trichlor	Carbon Tetrachloride	Texize-8006, 8219, 8758
Tirclene	Kleenol Plastics	Methyl Ethyl Keytone (MEK)
Lestoil	Chlorinated Hydrocarbons	Liquid Cleaner - 8211
Acetone	Lemon Joy (phosphate free)	Stanisol Naphtha
Diversol	All Liquid Detergents	Pink Lux (phosphate free)
MIBK	Toluol	Agitene
Lysol	Ajax	Benzol
Gasoline	Oils	

## Betts Plug & Seal Harness Warranty

Due to the nature of the types of chemicals used in de-icing of highways Betts Industries will only consider warranty of external cable connections when heat shrink was applied during the initial installation of wiring harnesses and lamps for a one year period. Harness components such as cable and fittings are also adversely affected by ice and snow removal chemicals and extreme winter temperatures and also may only be warranted for a one year period.

**Except as set out in these warranties Seller expressly disclaims and buyer expressly waives any other warranties expressed or implied including merchantability, fitness for a particular purpose or otherwise and sellers obligation under this warranty is exclusively limited to repair or replacement of defective parts. There are no warranties which extend beyond those described herein. Buyer shall obtain permission from seller through the use of a Return Goods Authorization number assigned from Seller before any products claimed to be defective are returned to Sellers plant for warranty evaluation.**

If you have a question, please contact our lamp engineering department at 814-723-1250. Extension 458.



# Betts

## BETTS INDUSTRIES INC.

1800 PENNSYLVANIA AVENUE WEST  
WARREN, PA 16365

PH: 814-723-1250

FAX: 814-723-7030

E-MAIL: [info@bettsind.com](mailto:info@bettsind.com)

WEB SITE: [bettsind.com](http://bettsind.com)

DISTRIBUTED BY

PRINTED IN U.S.A.